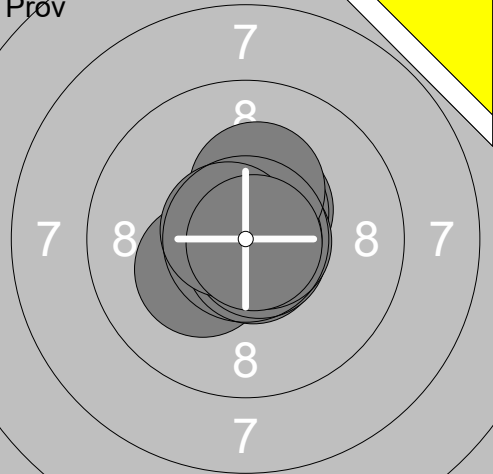
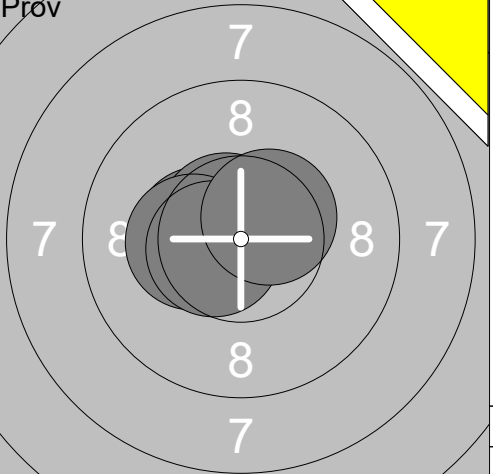


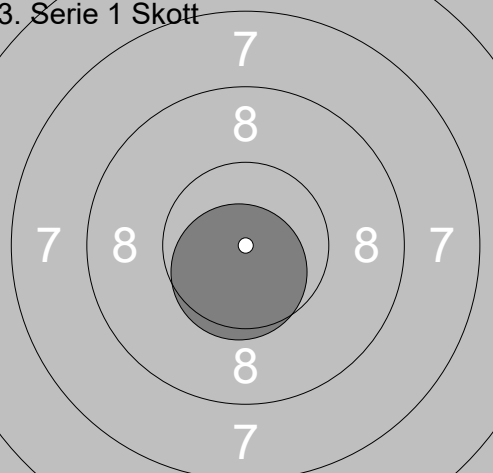

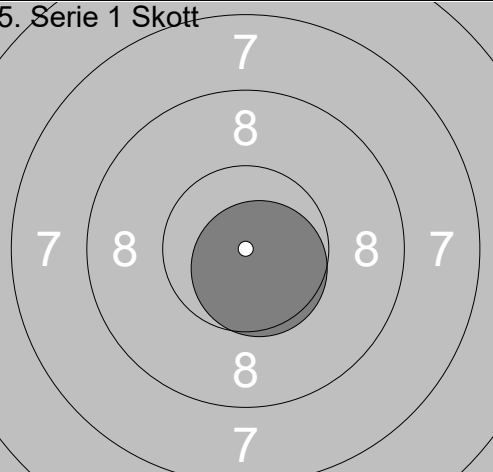

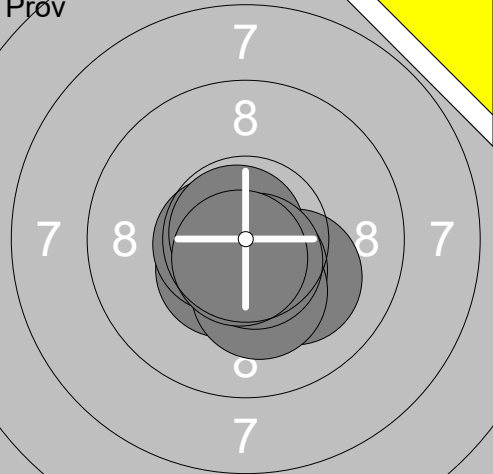





<p>Pröv</p> 	<p>1: 10.5x ↗                  2: 10.3x ↖                  3: 10.5x ↗                  4: 10.7x ↘                  5: 10.7x ↘                  6: 10.7x →                  7: 10.8x →                  8: 10.3x ↑                  9: 10.7x ↖                  10: 10.8x ↘</p> <table border="1" style="width:100%; border-collapse: collapse;"> <tr><td>Serie</td><td style="text-align: right;">106.0</td></tr> <tr><td>Total</td><td style="text-align: right;">425.1</td></tr> </table>	Serie	106.0	Total	425.1	<p>Pröv</p> 	<p>11: 10.4x ←                  12: 10.6x ↗                  13: 10.3x ←                  14: 10.6x ←                  15: 10.5x ↗</p> <table border="1" style="width:100%; border-collapse: collapse;"> <tr><td>Serie</td><td style="text-align: right;">52.4</td></tr> <tr><td>Total</td><td style="text-align: right;">425.1</td></tr> </table>	Serie	52.4	Total	425.1
Serie	106.0										
Total	425.1										
Serie	52.4										
Total	425.1										


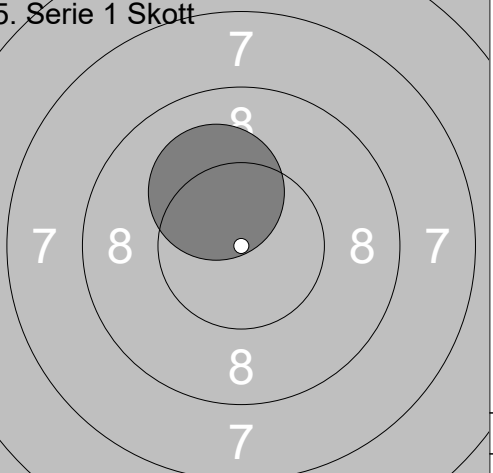
<p>1. Serie 5 Skott</p> 	<p>2. Serie 1 Skott</p> 	<p>1: 10.8x ↑</p> <table border="1" style="width:100%; border-collapse: collapse;"> <tr><td>Serie</td><td style="text-align: right;">10.8</td></tr> <tr><td>Total</td><td style="text-align: right;">488.6</td></tr> </table>	Serie	10.8	Total	488.6
Serie	10.8					
Total	488.6					
<p>1: 10.5x →                  2: 10.5x ↓                  3: 10.7x ↗                  4: 10.8x ↗                  5: 10.2x ↖</p> <table border="1" style="width:100%; border-collapse: collapse;"> <tr><td>Serie</td><td style="text-align: right;">52.7</td></tr> <tr><td>Total</td><td style="text-align: right;">477.8</td></tr> </table>	Serie	52.7	Total	477.8		
Serie	52.7					
Total	477.8					

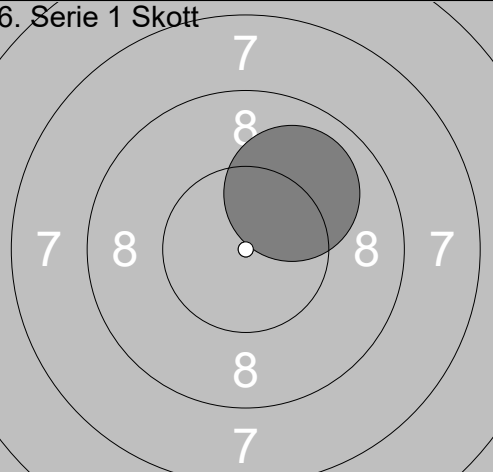
<p>3. Serie 1 Skott</p> 	<p>4. Serie 1 Skott</p> 	<p>1: 10.9x ↘</p> <table border="1" style="width:100%; border-collapse: collapse;"> <tr><td>Serie</td><td style="text-align: right;">10.9</td></tr> <tr><td>Total</td><td style="text-align: right;">510.1</td></tr> </table>	Serie	10.9	Total	510.1
Serie	10.9					
Total	510.1					
<p>1: 10.6x ↓</p> <table border="1" style="width:100%; border-collapse: collapse;"> <tr><td>Serie</td><td style="text-align: right;">10.6</td></tr> <tr><td>Total</td><td style="text-align: right;">499.2</td></tr> </table>	Serie	10.6	Total	499.2		
Serie	10.6					
Total	499.2					

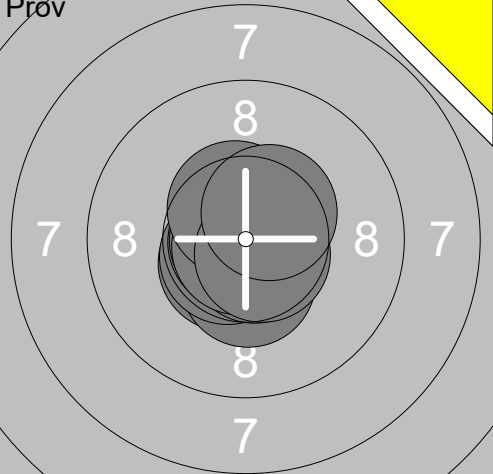

<p>5. Serie 1 Skott</p> 	<p>6. Serie 1 Skott</p> 	<p>1: 10.8x ←</p> <table border="1" style="width:100%; border-collapse: collapse;"> <tr><td>Serie</td><td style="text-align: right;">10.8</td></tr> <tr><td>Total</td><td style="text-align: right;">531.5</td></tr> </table>	Serie	10.8	Total	531.5
Serie	10.8					
Total	531.5					
<p>1: 10.6x ↘</p> <table border="1" style="width:100%; border-collapse: collapse;"> <tr><td>Serie</td><td style="text-align: right;">10.6</td></tr> <tr><td>Total</td><td style="text-align: right;">520.7</td></tr> </table>	Serie	10.6	Total	520.7		
Serie	10.6					
Total	520.7					

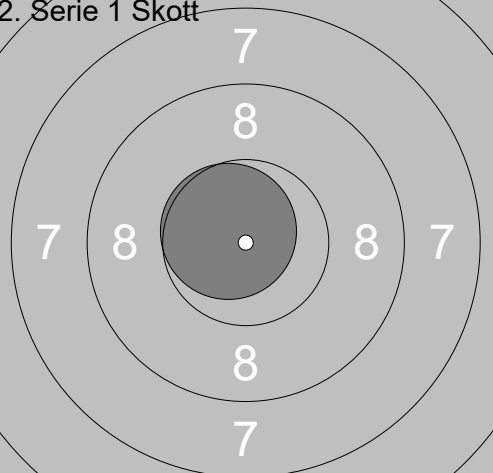
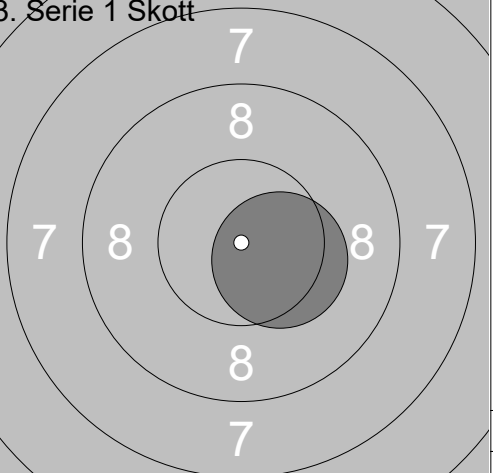
<p>Pröv</p> 	<p>1: 10.1 ↘                  2: 10.5x ↓                  3: 10.5x ↙                  4: 10.6x ←                  5: 10.2x ↓                  6: 10.8x ↗                  7: 10.6x ↓                  8: 10.7x ↓</p> <table border="1" style="width:100%; border-collapse: collapse;"> <tr><td>Serie</td><td style="text-align: right;">84.0</td></tr> <tr><td>Total</td><td style="text-align: right;">423.9</td></tr> </table>	Serie	84.0	Total	423.9	<p>1. Serie 5 Skott</p> 	<p>1: 10.8x ↓                  2: 10.7x →                  3: 10.9x ←                  4: 10.7x ↑                  5: 10.8x ←</p> <table border="1" style="width:100%; border-collapse: collapse;"> <tr><td>Serie</td><td style="text-align: right;">53.9</td></tr> <tr><td>Total</td><td style="text-align: right;">477.8</td></tr> </table>	Serie	53.9	Total	477.8
Serie	84.0										
Total	423.9										
Serie	53.9										
Total	477.8										

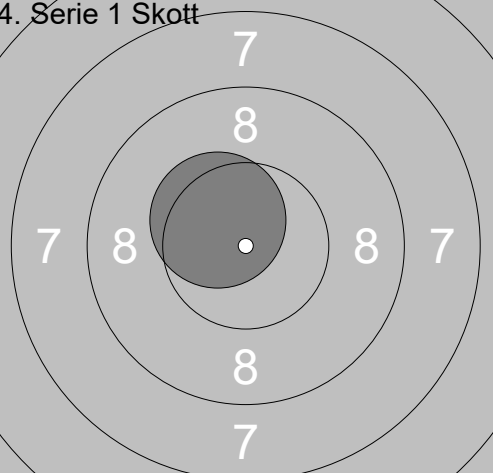
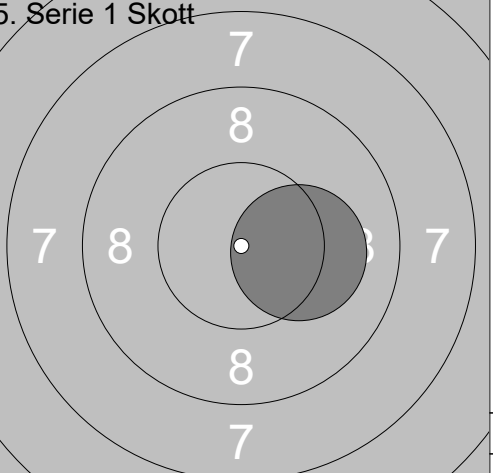
<p>2. Serie 1 Skott</p> 	<p>1: 10.6x ↑</p> <table border="1" style="width:100%; border-collapse: collapse;"> <tr><td>Serie</td><td style="text-align: right;">10.6</td></tr> <tr><td>Total</td><td style="text-align: right;">488.4</td></tr> </table>	Serie	10.6	Total	488.4	<p>3. Serie 1 Skott</p> 	<p>1: 10.8x ←</p> <table border="1" style="width:100%; border-collapse: collapse;"> <tr><td>Serie</td><td style="text-align: right;">10.8</td></tr> <tr><td>Total</td><td style="text-align: right;">499.2</td></tr> </table>	Serie	10.8	Total	499.2
Serie	10.6										
Total	488.4										
Serie	10.8										
Total	499.2										

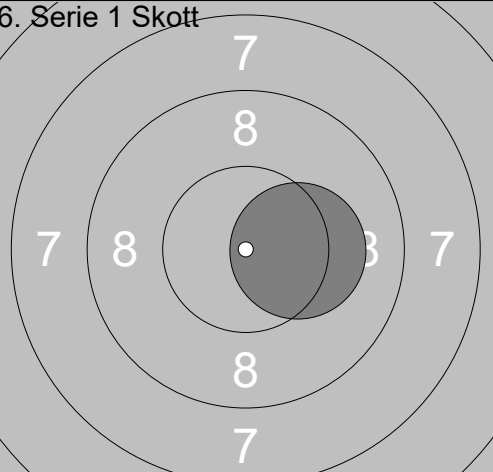
<p>4. Serie 1 Skott</p> 	<p>1: 10.6x ↑</p> <table border="1" style="width:100%; border-collapse: collapse;"> <tr><td>Serie</td><td style="text-align: right;">10.6</td></tr> <tr><td>Total</td><td style="text-align: right;">509.8</td></tr> </table>	Serie	10.6	Total	509.8	<p>5. Serie 1 Skott</p> 	<p>1: 10.2x ↖</p> <table border="1" style="width:100%; border-collapse: collapse;"> <tr><td>Serie</td><td style="text-align: right;">10.2</td></tr> <tr><td>Total</td><td style="text-align: right;">520.0</td></tr> </table>	Serie	10.2	Total	520.0
Serie	10.6										
Total	509.8										
Serie	10.2										
Total	520.0										

<p>6. Serie 1 Skott</p> 	<p>1: 10.0 ↗</p> <table border="1" style="width:100%; border-collapse: collapse;"> <tr><td>Serie</td><td style="text-align: right;">10.0</td></tr> <tr><td>Total</td><td style="text-align: right;">530.0</td></tr> </table>	Serie	10.0	Total	530.0		
Serie	10.0						
Total	530.0						

<p>Pröv</p> 	<p>1: 10.5x ↙ 2: 10.4x ↓ 3: 10.6x ↙ 4: 10.8x ← 5: 10.8x ← 6: 10.7x ↓ 7: 10.8x ↙ 8: 10.5x ↑ 9: 10.6x ↘ 10: 10.5x ↗</p> <table border="1" style="width:100%; border-collapse: collapse;"> <tr><td>Serie</td><td style="text-align:right;">106.2</td></tr> <tr><td>Total</td><td style="text-align:right;">423.8</td></tr> </table>	Serie	106.2	Total	423.8	<p>1. Serie 5 Skott</p>  <table border="1" style="width:100%; border-collapse: collapse;"> <tr><td>Serie</td><td style="text-align:right;">52.9</td></tr> <tr><td>Total</td><td style="text-align:right;">476.7</td></tr> </table>	Serie	52.9	Total	476.7
Serie	106.2									
Total	423.8									
Serie	52.9									
Total	476.7									

<p>2. Serie 1 Skott</p>  <table border="1" style="width:100%; border-collapse: collapse;"> <tr><td>Serie</td><td style="text-align:right;">10.7</td></tr> <tr><td>Total</td><td style="text-align:right;">487.4</td></tr> </table>	Serie	10.7	Total	487.4	<p>3. Serie 1 Skott</p>  <table border="1" style="width:100%; border-collapse: collapse;"> <tr><td>Serie</td><td style="text-align:right;">10.4</td></tr> <tr><td>Total</td><td style="text-align:right;">497.8</td></tr> </table>	Serie	10.4	Total	497.8
Serie	10.7								
Total	487.4								
Serie	10.4								
Total	497.8								

<p>4. Serie 1 Skott</p>  <table border="1" style="width:100%; border-collapse: collapse;"> <tr><td>Serie</td><td style="text-align:right;">10.4</td></tr> <tr><td>Total</td><td style="text-align:right;">508.2</td></tr> </table>	Serie	10.4	Total	508.2	<p>5. Serie 1 Skott</p>  <table border="1" style="width:100%; border-collapse: collapse;"> <tr><td>Serie</td><td style="text-align:right;">10.2</td></tr> <tr><td>Total</td><td style="text-align:right;">518.4</td></tr> </table>	Serie	10.2	Total	518.4
Serie	10.4								
Total	508.2								
Serie	10.2								
Total	518.4								

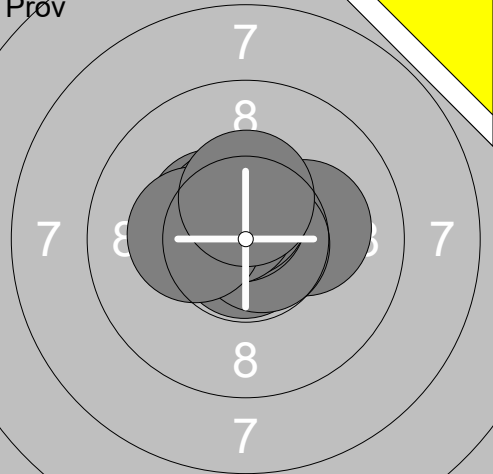
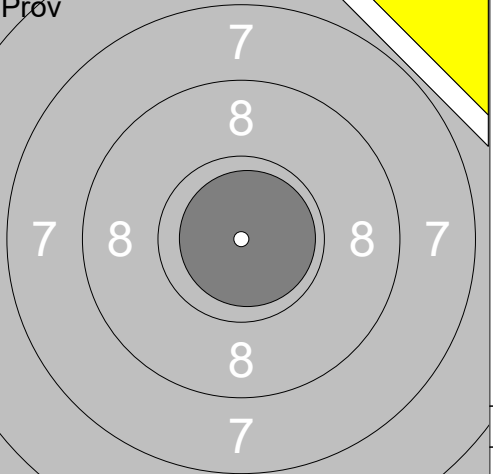
<p>6. Serie 1 Skott</p>  <table border="1" style="width:100%; border-collapse: collapse;"> <tr><td>Serie</td><td style="text-align:right;">10.3</td></tr> <tr><td>Total</td><td style="text-align:right;">528.7</td></tr> </table>	Serie	10.3	Total	528.7	<p>1: 10.3x →</p>
Serie	10.3				
Total	528.7				



<p>Pröv</p>	<table style="width:100%; border-collapse: collapse;"> <tr><td>1:</td><td>10.1</td><td>↘</td></tr> <tr><td>2:</td><td>10.2x</td><td>↘</td></tr> <tr><td>3:</td><td>10.5x</td><td>→</td></tr> <tr><td>4:</td><td>10.2x</td><td>↘</td></tr> <tr><td>5:</td><td>10.2x</td><td>↘</td></tr> <tr><td>6:</td><td>10.2x</td><td>↖</td></tr> <tr><td>7:</td><td>10.3x</td><td>↘</td></tr> <tr><td>8:</td><td>10.1</td><td>→</td></tr> <tr><td>9:</td><td>10.6x</td><td>→</td></tr> <tr><td>10:</td><td>10.5x</td><td>↗</td></tr> </table> <table style="width:100%; border-collapse: collapse; margin-top: 5px;"> <tr><td style="border-top: 1px solid black;">Serie</td><td style="border-top: 1px solid black; text-align: right;">102.9</td></tr> <tr><td style="border-top: 1px solid black;">Total</td><td style="border-top: 1px solid black; text-align: right;">423.3</td></tr> </table>	1:	10.1	↘	2:	10.2x	↘	3:	10.5x	→	4:	10.2x	↘	5:	10.2x	↘	6:	10.2x	↖	7:	10.3x	↘	8:	10.1	→	9:	10.6x	→	10:	10.5x	↗	Serie	102.9	Total	423.3	<p>Pröv</p>	<table style="width:100%; border-collapse: collapse;"> <tr><td>11:</td><td>10.5x</td><td>↙</td></tr> <tr><td>12:</td><td>10.2x</td><td>↗</td></tr> <tr><td>13:</td><td>10.5x</td><td>←</td></tr> <tr><td>14:</td><td>10.0</td><td>↓</td></tr> <tr><td>15:</td><td>10.8x</td><td>↗</td></tr> <tr><td>16:</td><td>10.9x</td><td>→</td></tr> <tr><td>17:</td><td>10.8x</td><td>→</td></tr> <tr><td>18:</td><td>10.5x</td><td>↑</td></tr> <tr><td>19:</td><td>10.9x</td><td>↓</td></tr> </table> <table style="width:100%; border-collapse: collapse; margin-top: 5px;"> <tr><td style="border-top: 1px solid black;">Serie</td><td style="border-top: 1px solid black; text-align: right;">95.1</td></tr> <tr><td style="border-top: 1px solid black;">Total</td><td style="border-top: 1px solid black; text-align: right;">423.3</td></tr> </table>	11:	10.5x	↙	12:	10.2x	↗	13:	10.5x	←	14:	10.0	↓	15:	10.8x	↗	16:	10.9x	→	17:	10.8x	→	18:	10.5x	↑	19:	10.9x	↓	Serie	95.1	Total	423.3
1:	10.1	↘																																																																		
2:	10.2x	↘																																																																		
3:	10.5x	→																																																																		
4:	10.2x	↘																																																																		
5:	10.2x	↘																																																																		
6:	10.2x	↖																																																																		
7:	10.3x	↘																																																																		
8:	10.1	→																																																																		
9:	10.6x	→																																																																		
10:	10.5x	↗																																																																		
Serie	102.9																																																																			
Total	423.3																																																																			
11:	10.5x	↙																																																																		
12:	10.2x	↗																																																																		
13:	10.5x	←																																																																		
14:	10.0	↓																																																																		
15:	10.8x	↗																																																																		
16:	10.9x	→																																																																		
17:	10.8x	→																																																																		
18:	10.5x	↑																																																																		
19:	10.9x	↓																																																																		
Serie	95.1																																																																			
Total	423.3																																																																			

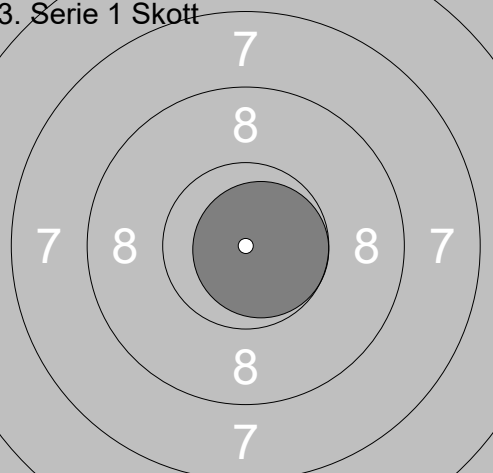

<p>1. Serie 5 Skott</p>	<table style="width:100%; border-collapse: collapse;"> <tr><td>1:</td><td>10.7x</td><td>↖</td></tr> <tr><td>2:</td><td>10.3x</td><td>↑</td></tr> <tr><td>3:</td><td>10.3x</td><td>↑</td></tr> <tr><td>4:</td><td>10.8x</td><td>↑</td></tr> <tr><td>5:</td><td>10.5x</td><td>↗</td></tr> </table> <table style="width:100%; border-collapse: collapse; margin-top: 5px;"> <tr><td style="border-top: 1px solid black;">Serie</td><td style="border-top: 1px solid black; text-align: right;">52.6</td></tr> <tr><td style="border-top: 1px solid black;">Total</td><td style="border-top: 1px solid black; text-align: right;">475.9</td></tr> </table>	1:	10.7x	↖	2:	10.3x	↑	3:	10.3x	↑	4:	10.8x	↑	5:	10.5x	↗	Serie	52.6	Total	475.9	<p>2. Serie 1 Skott</p>	<table style="width:100%; border-collapse: collapse;"> <tr><td>1:</td><td>10.5x</td><td>↗</td></tr> </table> <table style="width:100%; border-collapse: collapse; margin-top: 5px;"> <tr><td style="border-top: 1px solid black;">Serie</td><td style="border-top: 1px solid black; text-align: right;">10.5</td></tr> <tr><td style="border-top: 1px solid black;">Total</td><td style="border-top: 1px solid black; text-align: right;">486.4</td></tr> </table>	1:	10.5x	↗	Serie	10.5	Total	486.4
1:	10.7x	↖																											
2:	10.3x	↑																											
3:	10.3x	↑																											
4:	10.8x	↑																											
5:	10.5x	↗																											
Serie	52.6																												
Total	475.9																												
1:	10.5x	↗																											
Serie	10.5																												
Total	486.4																												


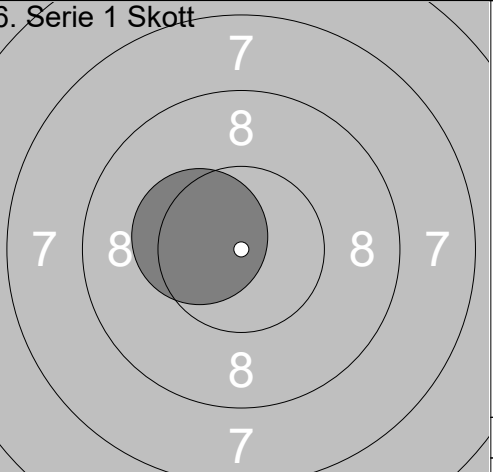
<p>3. Serie 1 Skott</p>	<table style="width:100%; border-collapse: collapse;"> <tr><td>1:</td><td>10.5x</td><td>↗</td></tr> </table> <table style="width:100%; border-collapse: collapse; margin-top: 5px;"> <tr><td style="border-top: 1px solid black;">Serie</td><td style="border-top: 1px solid black; text-align: right;">10.5</td></tr> <tr><td style="border-top: 1px solid black;">Total</td><td style="border-top: 1px solid black; text-align: right;">496.9</td></tr> </table>	1:	10.5x	↗	Serie	10.5	Total	496.9	<p>4. Serie 1 Skott</p>	<table style="width:100%; border-collapse: collapse;"> <tr><td>1:</td><td>10.5x</td><td>↖</td></tr> </table> <table style="width:100%; border-collapse: collapse; margin-top: 5px;"> <tr><td style="border-top: 1px solid black;">Serie</td><td style="border-top: 1px solid black; text-align: right;">10.5</td></tr> <tr><td style="border-top: 1px solid black;">Total</td><td style="border-top: 1px solid black; text-align: right;">507.4</td></tr> </table>	1:	10.5x	↖	Serie	10.5	Total	507.4
1:	10.5x	↗															
Serie	10.5																
Total	496.9																
1:	10.5x	↖															
Serie	10.5																
Total	507.4																

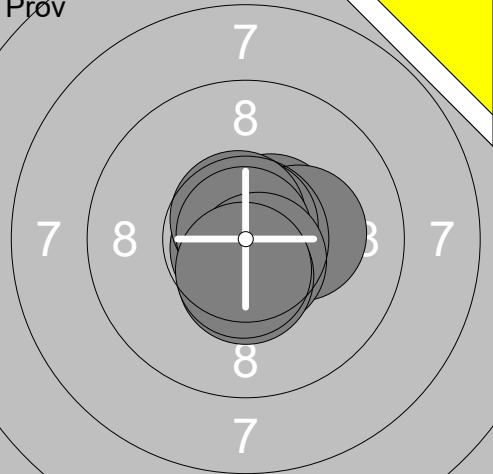
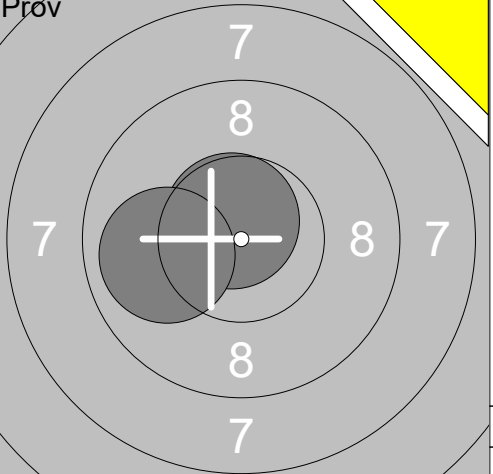
<p>5. Serie 1 Skott</p>	<table style="width:100%; border-collapse: collapse;"> <tr><td>1:</td><td>10.2x</td><td>↗</td></tr> </table> <table style="width:100%; border-collapse: collapse; margin-top: 5px;"> <tr><td style="border-top: 1px solid black;">Serie</td><td style="border-top: 1px solid black; text-align: right;">10.2</td></tr> <tr><td style="border-top: 1px solid black;">Total</td><td style="border-top: 1px solid black; text-align: right;">517.6</td></tr> </table>	1:	10.2x	↗	Serie	10.2	Total	517.6	<p>6. Serie 1 Skott</p>	<table style="width:100%; border-collapse: collapse;"> <tr><td>1:</td><td>10.7x</td><td>↗</td></tr> </table> <table style="width:100%; border-collapse: collapse; margin-top: 5px;"> <tr><td style="border-top: 1px solid black;">Serie</td><td style="border-top: 1px solid black; text-align: right;">10.7</td></tr> <tr><td style="border-top: 1px solid black;">Total</td><td style="border-top: 1px solid black; text-align: right;">528.3</td></tr> </table>	1:	10.7x	↗	Serie	10.7	Total	528.3
1:	10.2x	↗															
Serie	10.2																
Total	517.6																
1:	10.7x	↗															
Serie	10.7																
Total	528.3																


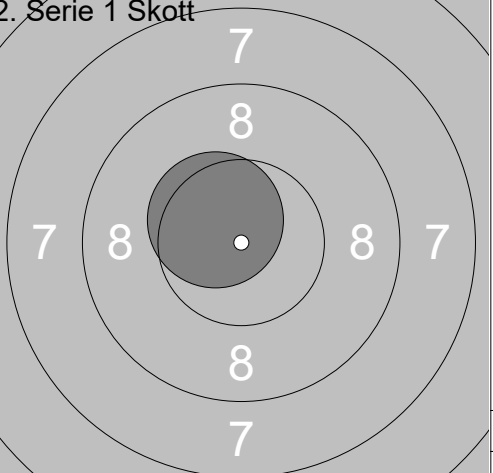
<p>Pröv</p> 	<p>1: 10.2x →                  2: 10.8x ↓                  3: 10.7x ↗                  4: 10.7x →                  5: 10.6x ↗                  6: 10.4x ↗                  7: 10.6x ↗                  8: 10.6x ↗                  9: 10.3x ←                  10: 10.4x ↑</p> <table border="1" style="width:100%; border-collapse: collapse;"> <tr><td>Serie</td><td>105.3</td></tr> <tr><td>Total</td><td>423.3</td></tr> </table>	Serie	105.3	Total	423.3	<p>Pröv</p> 	<p>11: 10.9x →</p> <table border="1" style="width:100%; border-collapse: collapse;"> <tr><td>Serie</td><td>10.9</td></tr> <tr><td>Total</td><td>423.3</td></tr> </table>	Serie	10.9	Total	423.3
Serie	105.3										
Total	423.3										
Serie	10.9										
Total	423.3										



<p>1. Serie 5 Skott</p> 	<p>1: 10.3x ↑                  2: 10.7x ↑                  3: 10.1 ↑                  4: 10.2x ↗                  5: 10.7x ↙</p> <table border="1" style="width:100%; border-collapse: collapse;"> <tr><td>Serie</td><td>52.0</td></tr> <tr><td>Total</td><td>475.3</td></tr> </table>	Serie	52.0	Total	475.3	<p>2. Serie 1 Skott</p> 	<p>1: 10.7x ↑</p> <table border="1" style="width:100%; border-collapse: collapse;"> <tr><td>Serie</td><td>10.7</td></tr> <tr><td>Total</td><td>486.0</td></tr> </table>	Serie	10.7	Total	486.0
Serie	52.0										
Total	475.3										
Serie	10.7										
Total	486.0										

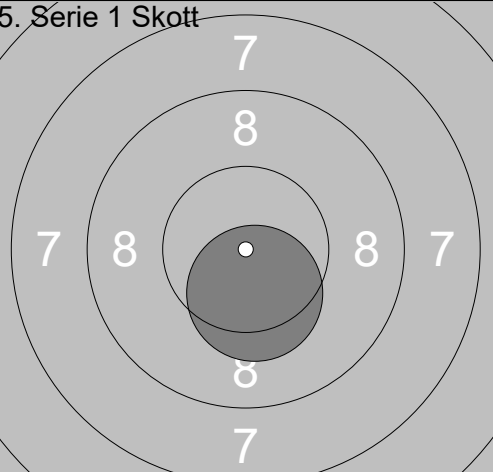

<p>3. Serie 1 Skott</p> 	<p>1: 10.7x →</p> <table border="1" style="width:100%; border-collapse: collapse;"> <tr><td>Serie</td><td>10.7</td></tr> <tr><td>Total</td><td>496.7</td></tr> </table>	Serie	10.7	Total	496.7	<p>4. Serie 1 Skott</p> 	<p>1: 10.6x ↙</p> <table border="1" style="width:100%; border-collapse: collapse;"> <tr><td>Serie</td><td>10.6</td></tr> <tr><td>Total</td><td>507.3</td></tr> </table>	Serie	10.6	Total	507.3
Serie	10.7										
Total	496.7										
Serie	10.6										
Total	507.3										

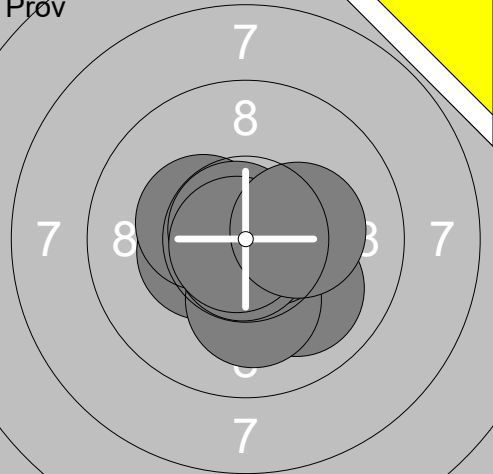
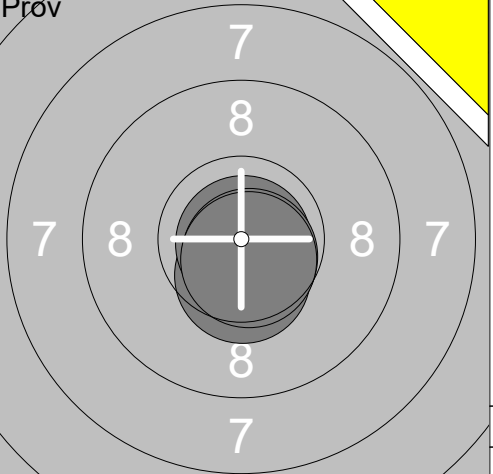
<p>5. Serie 1 Skott</p> 	<p>1: 10.9x ↑</p> <table border="1" style="width:100%; border-collapse: collapse;"> <tr><td>Serie</td><td>10.9</td></tr> <tr><td>Total</td><td>518.2</td></tr> </table>	Serie	10.9	Total	518.2	<p>6. Serie 1 Skott</p> 	<p>1: 10.4x ↙</p> <table border="1" style="width:100%; border-collapse: collapse;"> <tr><td>Serie</td><td>10.4</td></tr> <tr><td>Total</td><td>528.6</td></tr> </table>	Serie	10.4	Total	528.6
Serie	10.9										
Total	518.2										
Serie	10.4										
Total	528.6										



<p>Pröv</p> 	<p>1: 10.7x ↗                  2: 10.8x ↘                  3: 10.5x ↗                  4: 10.2x →                  5: 10.8x ↑                  6: 10.7x ↑                  7: 10.9x ↑                  8: 10.6x ↓                  9: 10.5x ↓                  10: 10.5x ↓</p> <table border="1" style="width:100%; border-collapse: collapse;"> <tr><td>Serie</td><td style="text-align: right;">106.2</td></tr> <tr><td>Total</td><td style="text-align: right;">423.3</td></tr> </table>	Serie	106.2	Total	423.3	<p>Pröv</p> 	<p>11: 10.7x ↗                  12: 10.0 ←</p> <table border="1" style="width:100%; border-collapse: collapse;"> <tr><td>Serie</td><td style="text-align: right;">20.7</td></tr> <tr><td>Total</td><td style="text-align: right;">423.3</td></tr> </table>	Serie	20.7	Total	423.3
Serie	106.2										
Total	423.3										
Serie	20.7										
Total	423.3										

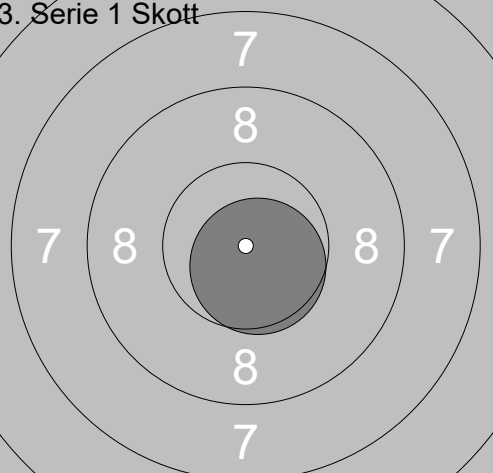

<p>1. Serie 5 Skott</p> 	<p>1: 10.2x ↗                  2: 10.6x ↗                  3: 10.8x →                  4: 10.7x ↘                  5: 10.3x ←</p> <table border="1" style="width:100%; border-collapse: collapse;"> <tr><td>Serie</td><td style="text-align: right;">52.6</td></tr> <tr><td>Total</td><td style="text-align: right;">475.9</td></tr> </table>	Serie	52.6	Total	475.9	<p>2. Serie 1 Skott</p> 	<p>1: 10.5x ↗</p> <table border="1" style="width:100%; border-collapse: collapse;"> <tr><td>Serie</td><td style="text-align: right;">10.5</td></tr> <tr><td>Total</td><td style="text-align: right;">486.4</td></tr> </table>	Serie	10.5	Total	486.4
Serie	52.6										
Total	475.9										
Serie	10.5										
Total	486.4										

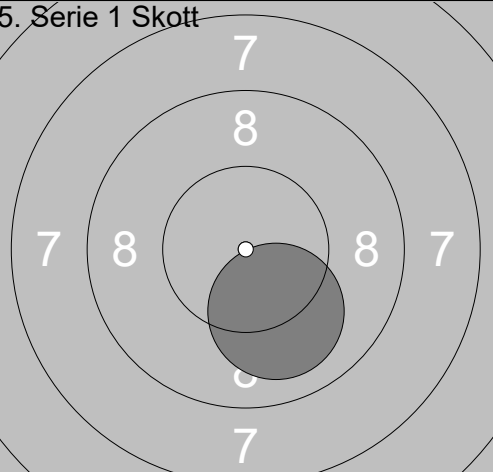
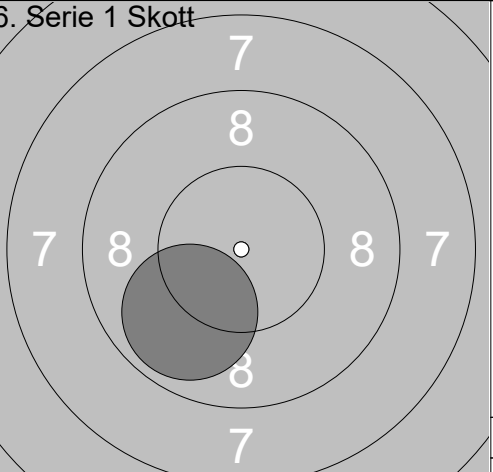
<p>3. Serie 1 Skott</p> 	<p>1: 10.9x ↗</p> <table border="1" style="width:100%; border-collapse: collapse;"> <tr><td>Serie</td><td style="text-align: right;">10.9</td></tr> <tr><td>Total</td><td style="text-align: right;">497.3</td></tr> </table>	Serie	10.9	Total	497.3	<p>4. Serie 1 Skott</p> 	<p>1: 10.7x ↓</p> <table border="1" style="width:100%; border-collapse: collapse;"> <tr><td>Serie</td><td style="text-align: right;">10.7</td></tr> <tr><td>Total</td><td style="text-align: right;">508.0</td></tr> </table>	Serie	10.7	Total	508.0
Serie	10.9										
Total	497.3										
Serie	10.7										
Total	508.0										

<p>5. Serie 1 Skott</p> 	<p>1: 10.4x ↓</p> <table border="1" style="width:100%; border-collapse: collapse;"> <tr><td>Serie</td><td style="text-align: right;">10.4</td></tr> <tr><td>Total</td><td style="text-align: right;">518.4</td></tr> </table>	Serie	10.4	Total	518.4	<p>6. Serie 1 Skott</p> 	<p>1: 10.7x ↑</p> <table border="1" style="width:100%; border-collapse: collapse;"> <tr><td>Serie</td><td style="text-align: right;">10.7</td></tr> <tr><td>Total</td><td style="text-align: right;">529.1</td></tr> </table>	Serie	10.7	Total	529.1
Serie	10.4										
Total	518.4										
Serie	10.7										
Total	529.1										

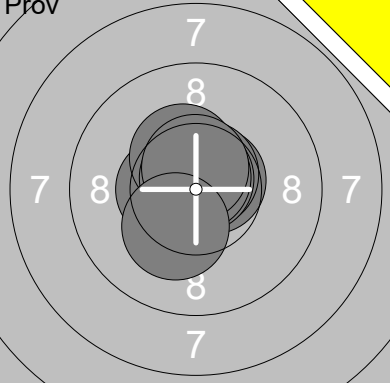
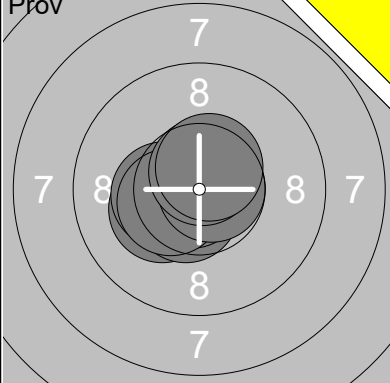
<b>Pröv</b> 	1: 10.0 ↘ 2: 10.4x ← 3: 10.1 ↓ 4: 10.8x ↓ 5: 10.3x ↗ 6: 10.6x → 7: 10.8x ↗ 8: 10.8x ↓ 9: 10.8x ← 10: 10.3x → <hr/> Serie 104.9 Total 423.0	<b>Pröv</b> 	11: 10.5x ↓ 12: 10.9x ↓ 13: 10.7x ↓ 14: 10.7x ↓ <hr/> Serie 42.8 Total 423.0
---	---	---	---

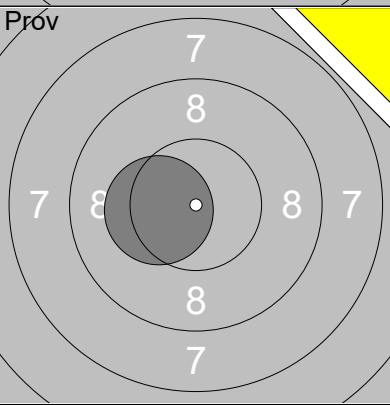

<b>1. Serie 5 Skott</b> 	1: 10.4x ↘ 2: 10.5x ↗ 3: 10.3x ↘ 4: 10.4x ↗ 5: 10.5x ↗ <hr/> Serie 52.1 Total 475.1	<b>2. Serie 1 Skott</b> 	1: 10.7x ↗ <hr/> Serie 10.7 Total 485.8
--	---	--	---

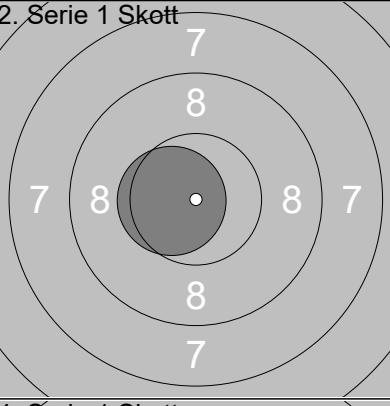
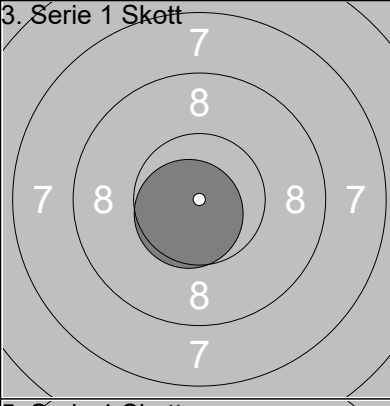
<b>3. Serie 1 Skott</b> 	1: 10.6x ↘ <hr/> Serie 10.6 Total 496.4	<b>4. Serie 1 Skott</b> 	1: 10.7x ↓ <hr/> Serie 10.7 Total 507.1
---	---	---	---

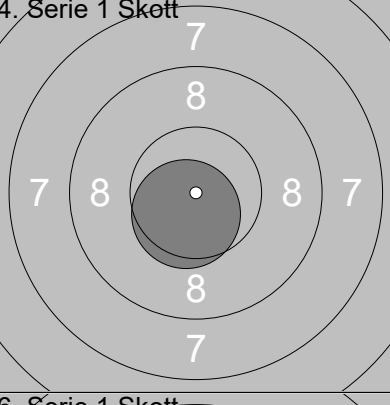
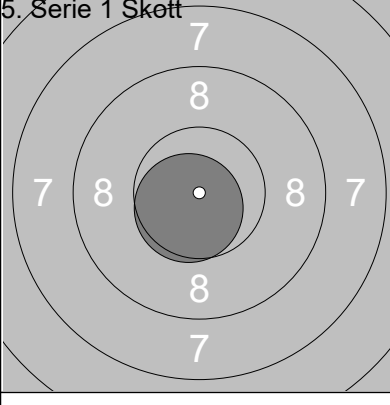
<b>5. Serie 1 Skott</b> 	1: 10.0 ↓ <hr/> Serie 10.0 Total 517.1	<b>6. Serie 1 Skott</b> 	1: 9.9 ↘ <hr/> Serie 9.9 Total 527.0
---	--	---	--

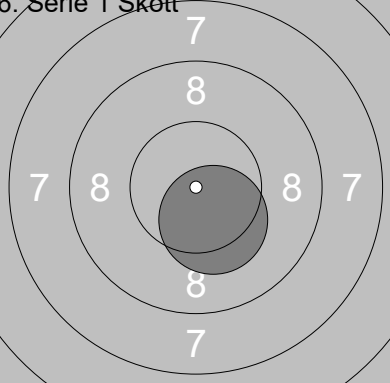


Pröv 	1: 10.6x ← 2: 10.5x ← 3: 10.4x ↗ 4: 10.6x ↗ 5: 10.7x ↗ 6: 10.8x ↗ 7: 10.8x ↗ 8: 10.7x ↗ 9: 10.6x ↗ 10: 10.2x ↘	Pröv 	11: 10.3x ← 12: 10.9x ↗ 13: 10.6x ↘ 14: 10.8x ↘ 15: 10.4x ← 16: 10.7x ↗ 17: 10.4x ← 18: 10.7x → 19: 10.7x ↗ 20: 10.6x ↗
Serie 105.9		Serie 106.1	
Total 422.4		Total 422.4	

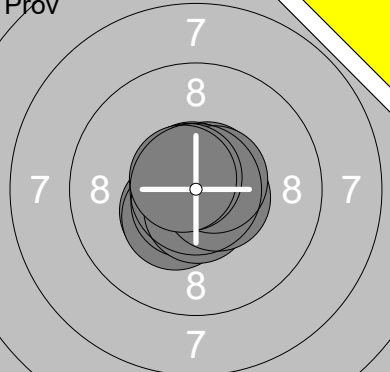
Pröv 	21: 10.3x ←	1. Serie 5 Skott 	1: 10.5x ← 2: 10.7x ↗ 3: 10.7x ↘ 4: 10.6x ↗ 5: 10.6x ↘
Serie 10.3		Serie 53.1	
Total 422.4		Total 475.5	

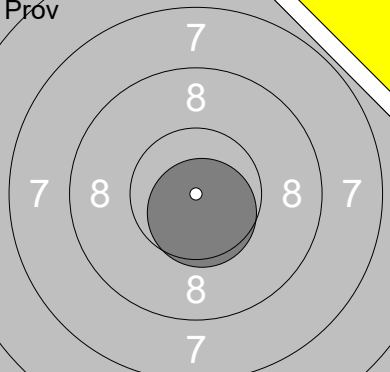

2. Serie 1 Skott 	1: 10.6x ←	3. Serie 1 Skott 	1: 10.7x ↘
Serie 10.6		Serie 10.7	
Total 486.1		Total 496.8	

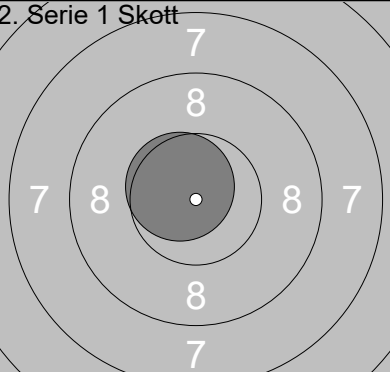
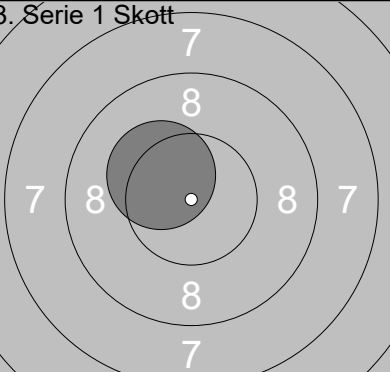
4. Serie 1 Skott 	1: 10.6x ↘	5. Serie 1 Skott 	1: 10.6x ↘
Serie 10.6		Serie 10.6	
Total 507.4		Total 518.0	

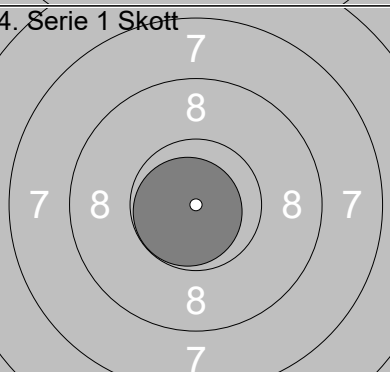
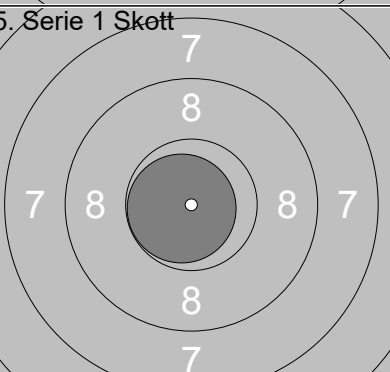
6. Serie 1 Skott 	1: 10.3x ↘		
Serie 10.3			
Total 528.3			

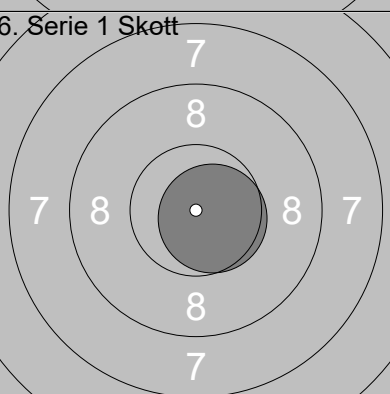


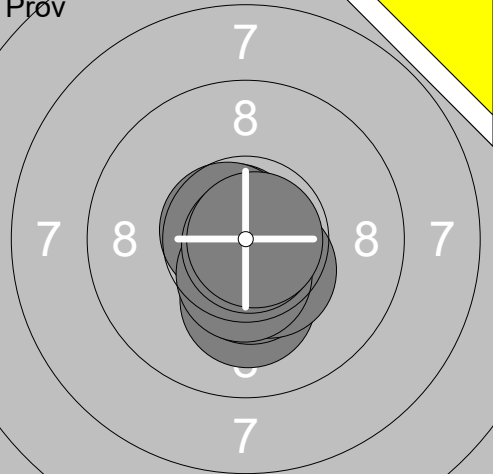
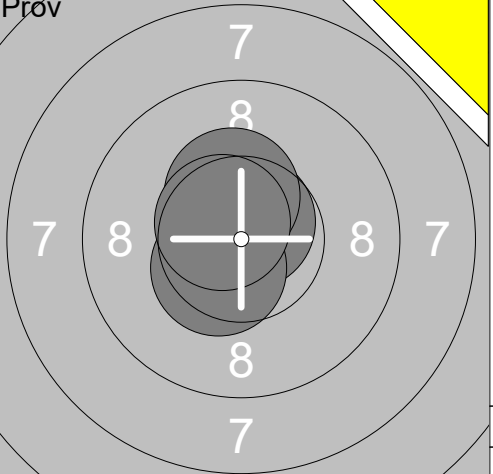
Pröv			Pröv
	1: 10.4x ↙ 2: 10.4x ↘ 3: 10.7x ↗ 4: 10.6x ↘ 5: 10.6x ↓ 6: 10.6x ↓ 7: 10.7x ↗ 8: 10.6x ↗ 9: 10.7x ↗ 10: 10.7x ↗		11: 10.7x ↗ 12: 10.8x ↘ 13: 10.3x ↗ 14: 10.6x ↓ 15: 10.6x → 16: 10.7x ← 17: 10.3x ↙ 18: 10.5x ↘ 19: 10.8x ← 20: 10.4x ←
Serie 106.0		Serie 105.7	
Total 425.5		Total 425.5	



Pröv		1. Serie 5 Skott	
	21: 10.6x ↓		1: 10.8x ↙ 2: 10.8x → 3: 10.8x ↘ 4: 10.5x ↙ 5: 10.3x →
Serie 10.6		Serie 53.2	
Total 425.5		Total 478.7	

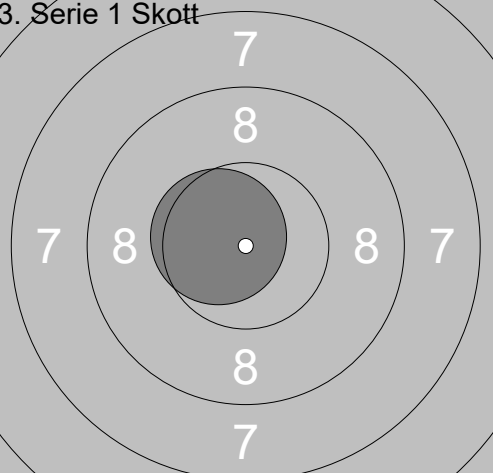

2. Serie 1 Skott		3. Serie 1 Skott	
	1: 10.6x ↙		1: 10.3x ↙
Serie 10.6		Serie 10.3	
Total 489.3		Total 499.6	



4. Serie 1 Skott		5. Serie 1 Skott	
	1: 10.8x ↙		1: 10.8x ←
Serie 10.8		Serie 10.8	
Total 510.4		Total 521.2	

6. Serie 1 Skott			
	1: 10.6x →		
Serie 10.6			
Total 531.8			

<p>Pröv</p> 	<table style="width:100%; border-collapse: collapse;"> <tr><td>1:</td><td>10.1</td><td>↓</td></tr> <tr><td>2:</td><td>10.6x</td><td>↓</td></tr> <tr><td>3:</td><td>10.8x</td><td>↗</td></tr> <tr><td>4:</td><td>10.8x</td><td>←</td></tr> <tr><td>5:</td><td>10.7x</td><td>↖</td></tr> <tr><td>6:</td><td>10.5x</td><td>↓</td></tr> <tr><td>7:</td><td>10.4x</td><td>↓</td></tr> <tr><td>8:</td><td>10.5x</td><td>↓</td></tr> <tr><td>9:</td><td>10.9x</td><td>↓</td></tr> <tr><td>10:</td><td>10.8x</td><td>→</td></tr> </table> <table style="width:100%; border-collapse: collapse; margin-top: 5px;"> <tr><td style="border-top: 1px solid black;">Serie</td><td style="border-top: 1px solid black; text-align: right;">106.1</td></tr> <tr><td style="border-top: 1px solid black;">Total</td><td style="border-top: 1px solid black; text-align: right;">423.8</td></tr> </table>	1:	10.1	↓	2:	10.6x	↓	3:	10.8x	↗	4:	10.8x	←	5:	10.7x	↖	6:	10.5x	↓	7:	10.4x	↓	8:	10.5x	↓	9:	10.9x	↓	10:	10.8x	→	Serie	106.1	Total	423.8	<p>Pröv</p> 	<table style="width:100%; border-collapse: collapse;"> <tr><td>11:</td><td>10.7x</td><td>↗</td></tr> <tr><td>12:</td><td>10.4x</td><td>↑</td></tr> <tr><td>13:</td><td>10.5x</td><td>↙</td></tr> <tr><td>14:</td><td>10.6x</td><td>↖</td></tr> </table> <table style="width:100%; border-collapse: collapse; margin-top: 5px;"> <tr><td style="border-top: 1px solid black;">Serie</td><td style="border-top: 1px solid black; text-align: right;">42.2</td></tr> <tr><td style="border-top: 1px solid black;">Total</td><td style="border-top: 1px solid black; text-align: right;">423.8</td></tr> </table>	11:	10.7x	↗	12:	10.4x	↑	13:	10.5x	↙	14:	10.6x	↖	Serie	42.2	Total	423.8
1:	10.1	↓																																																			
2:	10.6x	↓																																																			
3:	10.8x	↗																																																			
4:	10.8x	←																																																			
5:	10.7x	↖																																																			
6:	10.5x	↓																																																			
7:	10.4x	↓																																																			
8:	10.5x	↓																																																			
9:	10.9x	↓																																																			
10:	10.8x	→																																																			
Serie	106.1																																																				
Total	423.8																																																				
11:	10.7x	↗																																																			
12:	10.4x	↑																																																			
13:	10.5x	↙																																																			
14:	10.6x	↖																																																			
Serie	42.2																																																				
Total	423.8																																																				

<p>1. Serie 5 Skott</p> 	<table style="width:100%; border-collapse: collapse;"> <tr><td>1:</td><td>10.6x</td><td>↓</td></tr> <tr><td>2:</td><td>10.5x</td><td>↗</td></tr> <tr><td>3:</td><td>10.9x</td><td>→</td></tr> <tr><td>4:</td><td>10.8x</td><td>←</td></tr> <tr><td>5:</td><td>10.4x</td><td>↑</td></tr> </table> <table style="width:100%; border-collapse: collapse; margin-top: 5px;"> <tr><td style="border-top: 1px solid black;">Serie</td><td style="border-top: 1px solid black; text-align: right;">53.2</td></tr> <tr><td style="border-top: 1px solid black;">Total</td><td style="border-top: 1px solid black; text-align: right;">477.0</td></tr> </table>	1:	10.6x	↓	2:	10.5x	↗	3:	10.9x	→	4:	10.8x	←	5:	10.4x	↑	Serie	53.2	Total	477.0	<p>2. Serie 1 Skott</p> 	<table style="width:100%; border-collapse: collapse;"> <tr><td>1:</td><td>10.9x</td><td>↗</td></tr> </table> <table style="width:100%; border-collapse: collapse; margin-top: 5px;"> <tr><td style="border-top: 1px solid black;">Serie</td><td style="border-top: 1px solid black; text-align: right;">10.9</td></tr> <tr><td style="border-top: 1px solid black;">Total</td><td style="border-top: 1px solid black; text-align: right;">487.9</td></tr> </table>	1:	10.9x	↗	Serie	10.9	Total	487.9
1:	10.6x	↓																											
2:	10.5x	↗																											
3:	10.9x	→																											
4:	10.8x	←																											
5:	10.4x	↑																											
Serie	53.2																												
Total	477.0																												
1:	10.9x	↗																											
Serie	10.9																												
Total	487.9																												

<p>3. Serie 1 Skott</p> 	<table style="width:100%; border-collapse: collapse;"> <tr><td>1:</td><td>10.6x</td><td>←</td></tr> </table> <table style="width:100%; border-collapse: collapse; margin-top: 5px;"> <tr><td style="border-top: 1px solid black;">Serie</td><td style="border-top: 1px solid black; text-align: right;">10.6</td></tr> <tr><td style="border-top: 1px solid black;">Total</td><td style="border-top: 1px solid black; text-align: right;">498.5</td></tr> </table>	1:	10.6x	←	Serie	10.6	Total	498.5	<p>4. Serie 1 Skott</p> 	<table style="width:100%; border-collapse: collapse;"> <tr><td>1:</td><td>10.8x</td><td>↖</td></tr> </table> <table style="width:100%; border-collapse: collapse; margin-top: 5px;"> <tr><td style="border-top: 1px solid black;">Serie</td><td style="border-top: 1px solid black; text-align: right;">10.8</td></tr> <tr><td style="border-top: 1px solid black;">Total</td><td style="border-top: 1px solid black; text-align: right;">509.3</td></tr> </table>	1:	10.8x	↖	Serie	10.8	Total	509.3
1:	10.6x	←															
Serie	10.6																
Total	498.5																
1:	10.8x	↖															
Serie	10.8																
Total	509.3																

<p>5. Serie 1 Skott</p> 	<table style="width:100%; border-collapse: collapse;"> <tr><td>1:</td><td>10.6x</td><td>↗</td></tr> </table> <table style="width:100%; border-collapse: collapse; margin-top: 5px;"> <tr><td style="border-top: 1px solid black;">Serie</td><td style="border-top: 1px solid black; text-align: right;">10.6</td></tr> <tr><td style="border-top: 1px solid black;">Total</td><td style="border-top: 1px solid black; text-align: right;">519.9</td></tr> </table>	1:	10.6x	↗	Serie	10.6	Total	519.9	<p>6. Serie 1 Skott</p> 	<table style="width:100%; border-collapse: collapse;"> <tr><td>1:</td><td>10.9x</td><td>↖</td></tr> </table> <table style="width:100%; border-collapse: collapse; margin-top: 5px;"> <tr><td style="border-top: 1px solid black;">Serie</td><td style="border-top: 1px solid black; text-align: right;">10.9</td></tr> <tr><td style="border-top: 1px solid black;">Total</td><td style="border-top: 1px solid black; text-align: right;">530.8</td></tr> </table>	1:	10.9x	↖	Serie	10.9	Total	530.8
1:	10.6x	↗															
Serie	10.6																
Total	519.9																
1:	10.9x	↖															
Serie	10.9																
Total	530.8																

<p>Pröv</p>	<p>1: 10.3x ↓ 2: 10.8x → 3: 10.4x → 4: 10.5x ↖ 5: 10.3x ↓ 6: 10.5x ↑ 7: 10.6x ← 8: 10.7x ↗ 9: 10.3x → 10: 10.7x →</p> <table border="1" style="width:100%; border-collapse: collapse;"> <tr><td>Serie</td><td style="text-align:right;">105.1</td></tr> <tr><td>Total</td><td style="text-align:right;">423.8</td></tr> </table>	Serie	105.1	Total	423.8	<p>Pröv</p>	<p>11: 10.4x → 12: 10.8x → 13: 10.9x ↗ 14: 10.7x ↓ 15: 10.8x ↖</p> <table border="1" style="width:100%; border-collapse: collapse;"> <tr><td>Serie</td><td style="text-align:right;">53.6</td></tr> <tr><td>Total</td><td style="text-align:right;">423.8</td></tr> </table>	Serie	53.6	Total	423.8
Serie	105.1										
Total	423.8										
Serie	53.6										
Total	423.8										

<p>1. Serie 5 Skott</p>	<p>2. Serie 1 Skott</p> <p>1: 10.6x →</p> <table border="1" style="width:100%; border-collapse: collapse;"> <tr><td>Serie</td><td style="text-align:right;">52.9</td></tr> <tr><td>Total</td><td style="text-align:right;">476.7</td></tr> </table>	Serie	52.9	Total	476.7		<p>1: 10.6x →</p> <table border="1" style="width:100%; border-collapse: collapse;"> <tr><td>Serie</td><td style="text-align:right;">10.6</td></tr> <tr><td>Total</td><td style="text-align:right;">487.3</td></tr> </table>	Serie	10.6	Total	487.3
Serie	52.9										
Total	476.7										
Serie	10.6										
Total	487.3										

<p>3. Serie 1 Skott</p>	<p>4. Serie 1 Skott</p> <p>1: 10.5x →</p> <table border="1" style="width:100%; border-collapse: collapse;"> <tr><td>Serie</td><td style="text-align:right;">10.5</td></tr> <tr><td>Total</td><td style="text-align:right;">497.8</td></tr> </table>	Serie	10.5	Total	497.8		<p>1: 10.6x ↗</p> <table border="1" style="width:100%; border-collapse: collapse;"> <tr><td>Serie</td><td style="text-align:right;">10.6</td></tr> <tr><td>Total</td><td style="text-align:right;">508.4</td></tr> </table>	Serie	10.6	Total	508.4
Serie	10.5										
Total	497.8										
Serie	10.6										
Total	508.4										


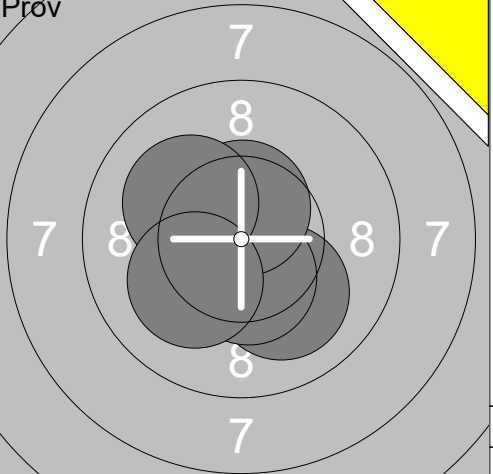
<p>5. Serie 1 Skott</p>	<p>6. Serie 1 Skott</p> <p>1: 10.6x →</p> <table border="1" style="width:100%; border-collapse: collapse;"> <tr><td>Serie</td><td style="text-align:right;">10.6</td></tr> <tr><td>Total</td><td style="text-align:right;">519.0</td></tr> </table>	Serie	10.6	Total	519.0		<p>1: 10.3x ↓</p> <table border="1" style="width:100%; border-collapse: collapse;"> <tr><td>Serie</td><td style="text-align:right;">10.3</td></tr> <tr><td>Total</td><td style="text-align:right;">529.3</td></tr> </table>	Serie	10.3	Total	529.3
Serie	10.6										
Total	519.0										
Serie	10.3										
Total	529.3										



<p>Pröv</p>	<p>1: 10.8x ↓                  2: 10.5x ↑                  3: 10.7x ←                  4: 10.5x →                  5: 10.7x ↓                  6: 10.5x ←                  7: 10.7x ↗                  8: 10.5x ↗                  9: 10.9x ↓                  10: 10.6x ↓</p> <table border="1" style="width:100%; border-collapse: collapse;"> <tr><td>Serie</td><td style="text-align: right;">106.4</td></tr> <tr><td>Total</td><td style="text-align: right;">423.7</td></tr> </table>	Serie	106.4	Total	423.7	<p>Pröv</p> <p style="text-align: right;">11: 10.6x ↘</p> <table border="1" style="width:100%; border-collapse: collapse;"> <tr><td>Serie</td><td style="text-align: right;">10.6</td></tr> <tr><td>Total</td><td style="text-align: right;">423.7</td></tr> </table>	Serie	10.6	Total	423.7
Serie	106.4									
Total	423.7									
Serie	10.6									
Total	423.7									

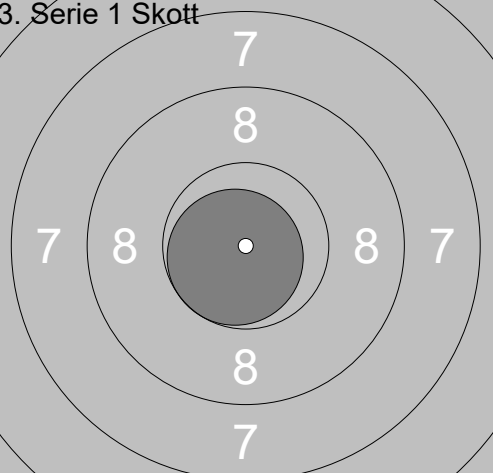

<p>1. Serie 5 Skott</p>	<p>2. Serie 1 Skott</p>	<p>1: 10.8x ↗</p> <table border="1" style="width:100%; border-collapse: collapse;"> <tr><td>Serie</td><td style="text-align: right;">10.8</td></tr> <tr><td>Total</td><td style="text-align: right;">487.7</td></tr> </table>	Serie	10.8	Total	487.7
Serie	10.8					
Total	487.7					
<p>1: 10.7x ←                  2: 10.7x ←                  3: 10.5x ↗                  4: 10.6x ↓                  5: 10.7x ↓</p> <table border="1" style="width:100%; border-collapse: collapse;"> <tr><td>Serie</td><td style="text-align: right;">53.2</td></tr> <tr><td>Total</td><td style="text-align: right;">476.9</td></tr> </table>	Serie	53.2	Total	476.9		
Serie	53.2					
Total	476.9					

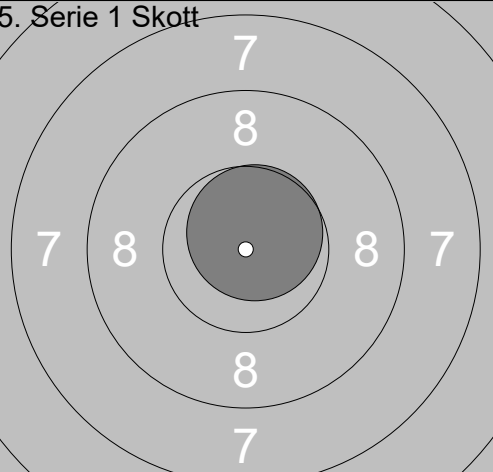
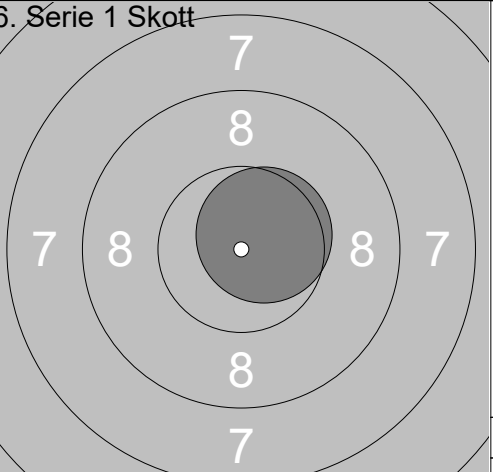
<p>3. Serie 1 Skott</p>	<p>4. Serie 1 Skott</p>	<p>1: 10.6x ↗</p> <table border="1" style="width:100%; border-collapse: collapse;"> <tr><td>Serie</td><td style="text-align: right;">10.6</td></tr> <tr><td>Total</td><td style="text-align: right;">508.9</td></tr> </table>	Serie	10.6	Total	508.9
Serie	10.6					
Total	508.9					


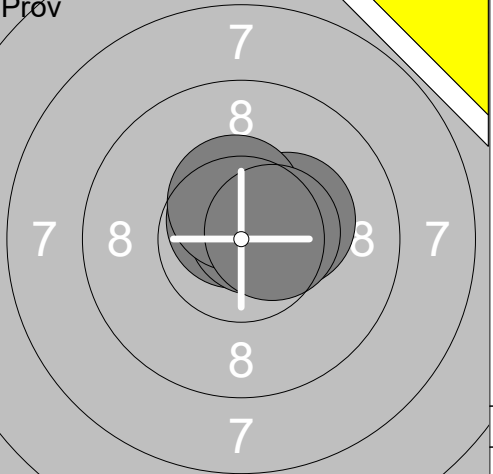
<p>5. Serie 1 Skott</p>	<p>6. Serie 1 Skott</p>	<p>1: 10.8x ↗</p> <table border="1" style="width:100%; border-collapse: collapse;"> <tr><td>Serie</td><td style="text-align: right;">10.8</td></tr> <tr><td>Total</td><td style="text-align: right;">530.4</td></tr> </table>	Serie	10.8	Total	530.4
Serie	10.8					
Total	530.4					



<p>Pröv</p> 	<p>1: 10.6x ↘                  2: 10.6x →                  3: 10.4x ←                  4: 10.6x ↓                  5: 10.4x ↙                  6: 10.4x ↙                  7: 10.6x ↓                  8: 10.6x ↙                  9: 10.3x ↓                  10: 10.6x ↘</p> <table border="1" style="width:100%; border-collapse: collapse;"> <tr><td>Serie</td><td style="text-align: right;">105.1</td></tr> <tr><td>Total</td><td style="text-align: right;">423.7</td></tr> </table>	Serie	105.1	Total	423.7	<p>Pröv</p> 	<p>11: 10.1 ↘                  12: 10.4x ↓                  13: 10.5x ↑                  14: 10.1 ↖                  15: 10.1 ↙</p> <table border="1" style="width:100%; border-collapse: collapse;"> <tr><td>Serie</td><td style="text-align: right;">51.2</td></tr> <tr><td>Total</td><td style="text-align: right;">423.7</td></tr> </table>	Serie	51.2	Total	423.7
Serie	105.1										
Total	423.7										
Serie	51.2										
Total	423.7										

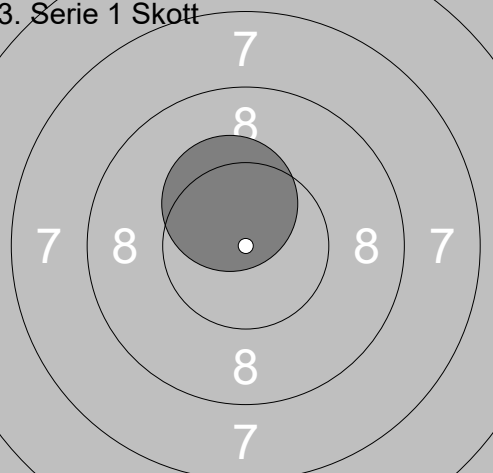
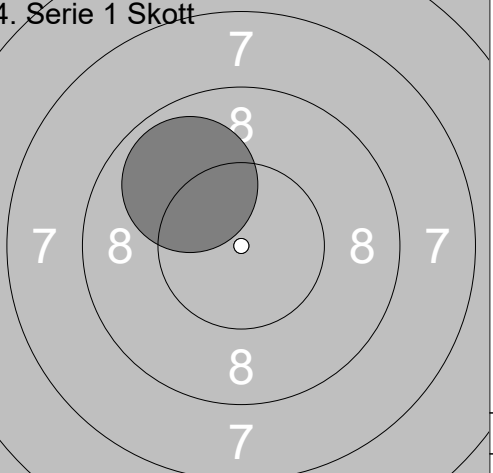
<p>1. Serie 5 Skott</p> 	<p>1: 10.4x ←                  2: 10.2x ↓                  3: 10.2x ↓                  4: 10.8x ↓                  5: 10.4x ←</p> <table border="1" style="width:100%; border-collapse: collapse;"> <tr><td>Serie</td><td style="text-align: right;">52.0</td></tr> <tr><td>Total</td><td style="text-align: right;">475.7</td></tr> </table>	Serie	52.0	Total	475.7	<p>2. Serie 1 Skott</p> 	<p>1: 10.6x ↑</p> <table border="1" style="width:100%; border-collapse: collapse;"> <tr><td>Serie</td><td style="text-align: right;">10.6</td></tr> <tr><td>Total</td><td style="text-align: right;">486.3</td></tr> </table>	Serie	10.6	Total	486.3
Serie	52.0										
Total	475.7										
Serie	10.6										
Total	486.3										

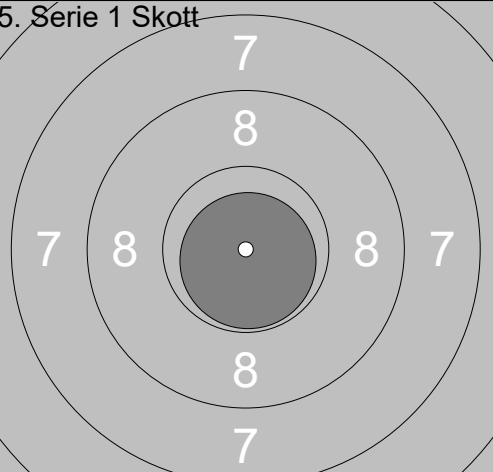
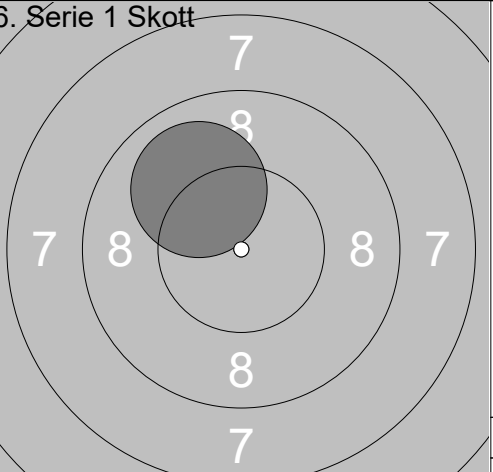
<p>3. Serie 1 Skott</p> 	<p>1: 10.7x ↙</p> <table border="1" style="width:100%; border-collapse: collapse;"> <tr><td>Serie</td><td style="text-align: right;">10.7</td></tr> <tr><td>Total</td><td style="text-align: right;">497.0</td></tr> </table>	Serie	10.7	Total	497.0	<p>4. Serie 1 Skott</p> 	<p>1: 10.9x ↖</p> <table border="1" style="width:100%; border-collapse: collapse;"> <tr><td>Serie</td><td style="text-align: right;">10.9</td></tr> <tr><td>Total</td><td style="text-align: right;">507.9</td></tr> </table>	Serie	10.9	Total	507.9
Serie	10.7										
Total	497.0										
Serie	10.9										
Total	507.9										

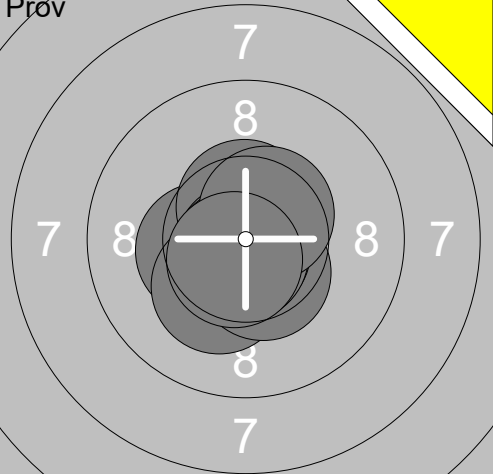

<p>5. Serie 1 Skott</p> 	<p>1: 10.7x ↑</p> <table border="1" style="width:100%; border-collapse: collapse;"> <tr><td>Serie</td><td style="text-align: right;">10.7</td></tr> <tr><td>Total</td><td style="text-align: right;">518.6</td></tr> </table>	Serie	10.7	Total	518.6	<p>6. Serie 1 Skott</p> 	<p>1: 10.6x ↗</p> <table border="1" style="width:100%; border-collapse: collapse;"> <tr><td>Serie</td><td style="text-align: right;">10.6</td></tr> <tr><td>Total</td><td style="text-align: right;">529.2</td></tr> </table>	Serie	10.6	Total	529.2
Serie	10.7										
Total	518.6										
Serie	10.6										
Total	529.2										



<p>Pröv</p> 	<table style="width:100%; border-collapse: collapse;"> <tr><td>1:</td><td>7.7</td><td>↓</td></tr> <tr><td>2:</td><td>8.3</td><td>↓</td></tr> <tr><td>3:</td><td>8.6</td><td>↓</td></tr> <tr><td>4:</td><td>10.1</td><td>↓</td></tr> <tr><td>5:</td><td>10.4x</td><td>↓</td></tr> <tr><td>6:</td><td>10.0</td><td>↓</td></tr> <tr><td>7:</td><td>10.7x</td><td>↓</td></tr> <tr><td>8:</td><td>10.3x</td><td>↑</td></tr> <tr><td>9:</td><td>10.9x</td><td>↗</td></tr> <tr><td>10:</td><td>10.6x</td><td>→</td></tr> </table> <table style="width:100%; border-collapse: collapse; margin-top: 5px;"> <tr><td style="border-top: 1px solid black;">Serie</td><td style="border-top: 1px solid black; text-align: right;">97.6</td></tr> <tr><td style="border-top: 1px solid black;">Total</td><td style="border-top: 1px solid black; text-align: right;">423.1</td></tr> </table>	1:	7.7	↓	2:	8.3	↓	3:	8.6	↓	4:	10.1	↓	5:	10.4x	↓	6:	10.0	↓	7:	10.7x	↓	8:	10.3x	↑	9:	10.9x	↗	10:	10.6x	→	Serie	97.6	Total	423.1	<p>Pröv</p>  <table style="width:100%; border-collapse: collapse; margin-top: 5px;"> <tr><td>11:</td><td>10.7x</td><td>↖</td></tr> <tr><td>12:</td><td>10.3x</td><td>→</td></tr> <tr><td>13:</td><td>10.7x</td><td>↗</td></tr> <tr><td>14:</td><td>10.5x</td><td>↑</td></tr> <tr><td>15:</td><td>10.5x</td><td>→</td></tr> </table> <table style="width:100%; border-collapse: collapse; margin-top: 5px;"> <tr><td style="border-top: 1px solid black;">Serie</td><td style="border-top: 1px solid black; text-align: right;">52.7</td></tr> <tr><td style="border-top: 1px solid black;">Total</td><td style="border-top: 1px solid black; text-align: right;">423.1</td></tr> </table>	11:	10.7x	↖	12:	10.3x	→	13:	10.7x	↗	14:	10.5x	↑	15:	10.5x	→	Serie	52.7	Total	423.1
1:	7.7	↓																																																					
2:	8.3	↓																																																					
3:	8.6	↓																																																					
4:	10.1	↓																																																					
5:	10.4x	↓																																																					
6:	10.0	↓																																																					
7:	10.7x	↓																																																					
8:	10.3x	↑																																																					
9:	10.9x	↗																																																					
10:	10.6x	→																																																					
Serie	97.6																																																						
Total	423.1																																																						
11:	10.7x	↖																																																					
12:	10.3x	→																																																					
13:	10.7x	↗																																																					
14:	10.5x	↑																																																					
15:	10.5x	→																																																					
Serie	52.7																																																						
Total	423.1																																																						

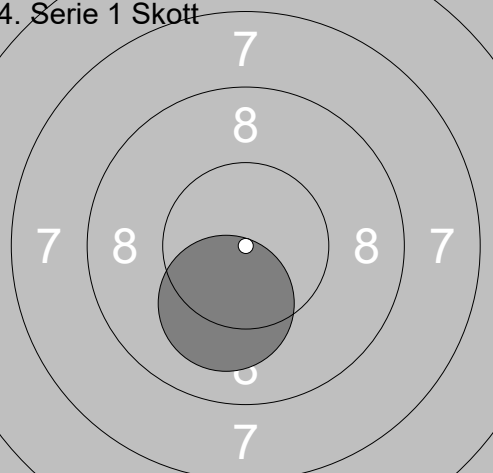

<p>1. Serie 5 Skott</p>  <table style="width:100%; border-collapse: collapse; margin-top: 5px;"> <tr><td>1:</td><td>10.6x</td><td>↗</td></tr> <tr><td>2:</td><td>10.1</td><td>↗</td></tr> <tr><td>3:</td><td>10.2x</td><td>↑</td></tr> <tr><td>4:</td><td>10.8x</td><td>↗</td></tr> <tr><td>5:</td><td>10.5x</td><td>→</td></tr> </table> <table style="width:100%; border-collapse: collapse; margin-top: 5px;"> <tr><td style="border-top: 1px solid black;">Serie</td><td style="border-top: 1px solid black; text-align: right;">52.2</td></tr> <tr><td style="border-top: 1px solid black;">Total</td><td style="border-top: 1px solid black; text-align: right;">475.3</td></tr> </table>	1:	10.6x	↗	2:	10.1	↗	3:	10.2x	↑	4:	10.8x	↗	5:	10.5x	→	Serie	52.2	Total	475.3	<p>2. Serie 1 Skott</p>  <table style="width:100%; border-collapse: collapse; margin-top: 5px;"> <tr><td>1:</td><td>10.7x</td><td>↖</td></tr> </table> <table style="width:100%; border-collapse: collapse; margin-top: 5px;"> <tr><td style="border-top: 1px solid black;">Serie</td><td style="border-top: 1px solid black; text-align: right;">10.7</td></tr> <tr><td style="border-top: 1px solid black;">Total</td><td style="border-top: 1px solid black; text-align: right;">486.0</td></tr> </table>	1:	10.7x	↖	Serie	10.7	Total	486.0
1:	10.6x	↗																									
2:	10.1	↗																									
3:	10.2x	↑																									
4:	10.8x	↗																									
5:	10.5x	→																									
Serie	52.2																										
Total	475.3																										
1:	10.7x	↖																									
Serie	10.7																										
Total	486.0																										

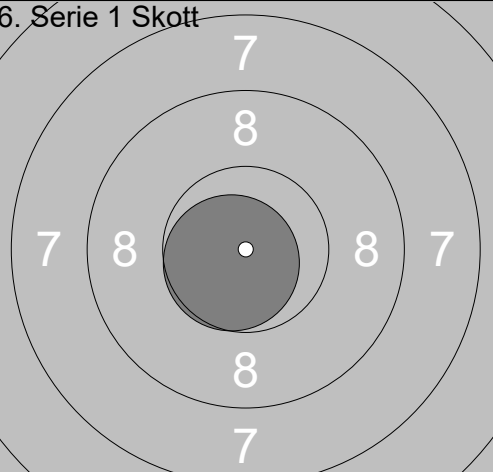
<p>3. Serie 1 Skott</p>  <table style="width:100%; border-collapse: collapse; margin-top: 5px;"> <tr><td>1:</td><td>10.4x</td><td>↑</td></tr> </table> <table style="width:100%; border-collapse: collapse; margin-top: 5px;"> <tr><td style="border-top: 1px solid black;">Serie</td><td style="border-top: 1px solid black; text-align: right;">10.4</td></tr> <tr><td style="border-top: 1px solid black;">Total</td><td style="border-top: 1px solid black; text-align: right;">496.4</td></tr> </table>	1:	10.4x	↑	Serie	10.4	Total	496.4	<p>4. Serie 1 Skott</p>  <table style="width:100%; border-collapse: collapse; margin-top: 5px;"> <tr><td>1:</td><td>9.9</td><td>↖</td></tr> </table> <table style="width:100%; border-collapse: collapse; margin-top: 5px;"> <tr><td style="border-top: 1px solid black;">Serie</td><td style="border-top: 1px solid black; text-align: right;">9.9</td></tr> <tr><td style="border-top: 1px solid black;">Total</td><td style="border-top: 1px solid black; text-align: right;">506.3</td></tr> </table>	1:	9.9	↖	Serie	9.9	Total	506.3
1:	10.4x	↑													
Serie	10.4														
Total	496.4														
1:	9.9	↖													
Serie	9.9														
Total	506.3														

<p>5. Serie 1 Skott</p>  <table style="width:100%; border-collapse: collapse; margin-top: 5px;"> <tr><td>1:</td><td>10.8x</td><td>↓</td></tr> </table> <table style="width:100%; border-collapse: collapse; margin-top: 5px;"> <tr><td style="border-top: 1px solid black;">Serie</td><td style="border-top: 1px solid black; text-align: right;">10.8</td></tr> <tr><td style="border-top: 1px solid black;">Total</td><td style="border-top: 1px solid black; text-align: right;">517.1</td></tr> </table>	1:	10.8x	↓	Serie	10.8	Total	517.1	<p>6. Serie 1 Skott</p>  <table style="width:100%; border-collapse: collapse; margin-top: 5px;"> <tr><td>1:</td><td>10.0</td><td>↖</td></tr> </table> <table style="width:100%; border-collapse: collapse; margin-top: 5px;"> <tr><td style="border-top: 1px solid black;">Serie</td><td style="border-top: 1px solid black; text-align: right;">10.0</td></tr> <tr><td style="border-top: 1px solid black;">Total</td><td style="border-top: 1px solid black; text-align: right;">527.1</td></tr> </table>	1:	10.0	↖	Serie	10.0	Total	527.1
1:	10.8x	↓													
Serie	10.8														
Total	517.1														
1:	10.0	↖													
Serie	10.0														
Total	527.1														

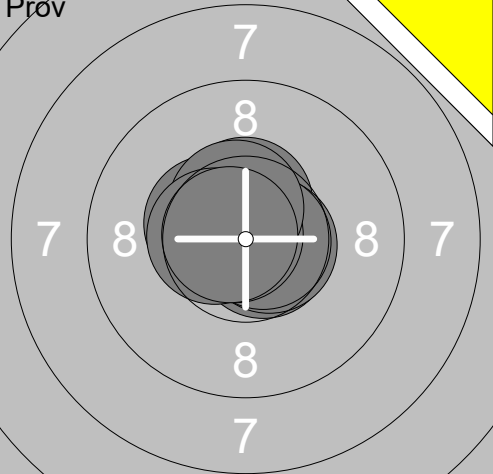
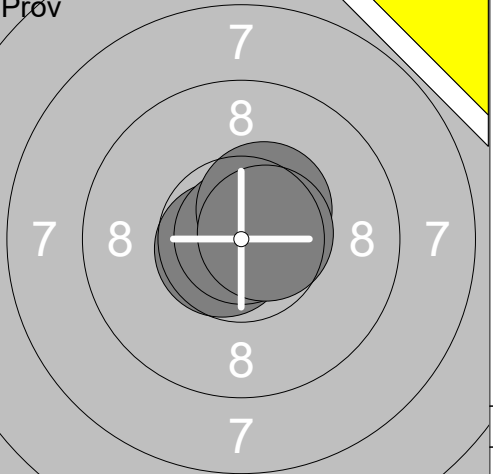
<p>Pröv</p> 	<p>1: 10.4x ←</p> <p>2: 10.6x ↓</p> <p>3: 10.2x ↙</p> <p>4: 10.5x ↑</p> <p>5: 10.5x ↓</p> <p>6: 10.8x ↓</p> <p>7: 10.7x ↓</p> <p>8: 10.5x ↗</p> <p>9: 10.6x ↙</p>	<p>1. Serie 5 Skott</p> 
Serie 94.8		Serie 53.7
Total 422.9		Total 476.6


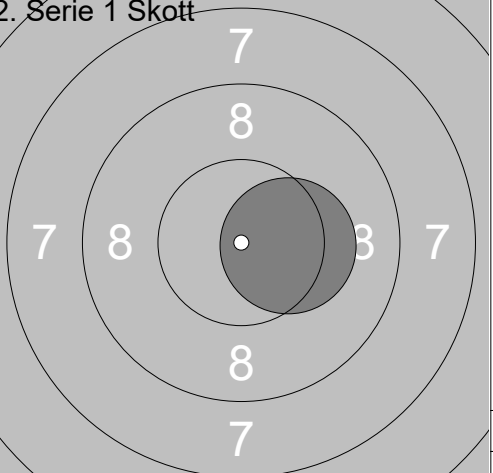
<p>2. Serie 1 Skott</p> 	<p>1: 10.7x ↖</p>	<p>3. Serie 1 Skott</p> 
Serie 10.7		Serie 10.7
Total 487.3		Total 498.0



<p>4. Serie 1 Skott</p> 	<p>1: 10.1 ↓</p>	<p>5. Serie 1 Skott</p> 
Serie 10.1		Serie 10.7
Total 508.1		Total 518.8

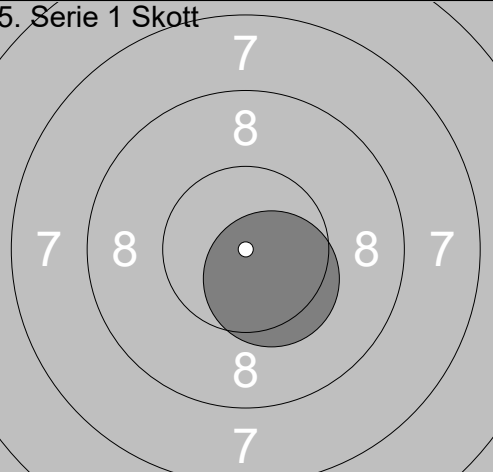

<p>6. Serie 1 Skott</p> 	<p>1: 10.7x ↙</p>	
Serie 10.7		
Total 529.5		

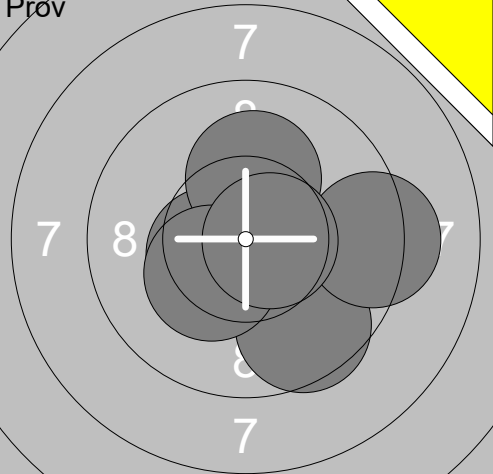
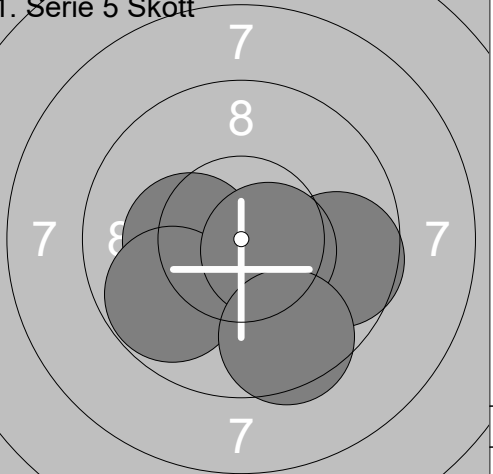


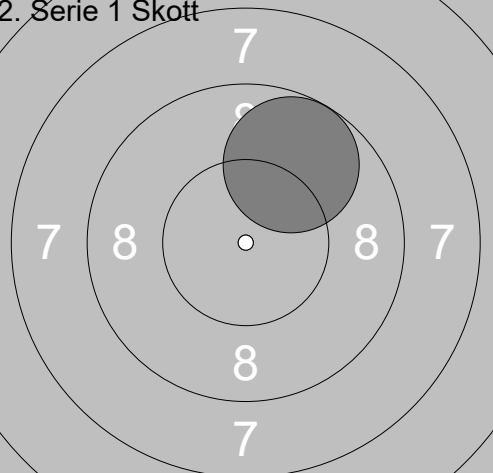
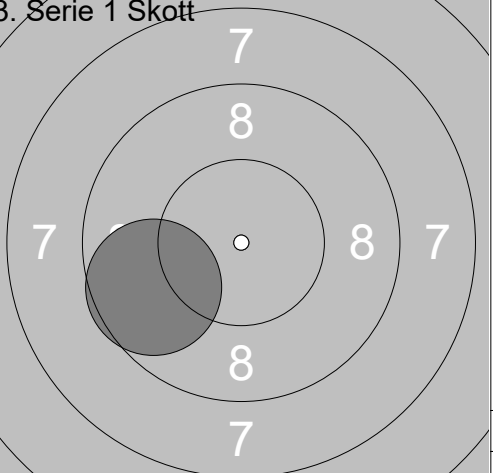
<p>Pröv</p> 	<table style="width:100%; border-collapse: collapse;"> <tr><td>1:</td><td>10.5x</td><td>↑</td></tr> <tr><td>2:</td><td>10.7x</td><td>↘</td></tr> <tr><td>3:</td><td>10.7x</td><td>↖</td></tr> <tr><td>4:</td><td>10.6x</td><td>→</td></tr> <tr><td>5:</td><td>10.4x</td><td>↗</td></tr> <tr><td>6:</td><td>10.7x</td><td>→</td></tr> <tr><td>7:</td><td>10.8x</td><td>↖</td></tr> <tr><td>8:</td><td>10.5x</td><td>↑</td></tr> <tr><td>9:</td><td>10.5x</td><td>←</td></tr> <tr><td>10:</td><td>10.7x</td><td>←</td></tr> </table> <table style="width:100%; border-collapse: collapse; margin-top: 5px;"> <tr><td style="border-top: 1px solid black;">Serie</td><td style="border-top: 1px solid black; text-align: right;">106.1</td></tr> <tr><td style="border-top: 1px solid black;">Total</td><td style="border-top: 1px solid black; text-align: right;">422.7</td></tr> </table>	1:	10.5x	↑	2:	10.7x	↘	3:	10.7x	↖	4:	10.6x	→	5:	10.4x	↗	6:	10.7x	→	7:	10.8x	↖	8:	10.5x	↑	9:	10.5x	←	10:	10.7x	←	Serie	106.1	Total	422.7	<p>Pröv</p>  <table style="width:100%; border-collapse: collapse; margin-top: 5px;"> <tr><td>11:</td><td>10.7x</td><td>↙</td></tr> <tr><td>12:</td><td>10.9x</td><td>↑</td></tr> <tr><td>13:</td><td>10.5x</td><td>↗</td></tr> <tr><td>14:</td><td>10.6x</td><td>→</td></tr> </table> <table style="width:100%; border-collapse: collapse; margin-top: 5px;"> <tr><td style="border-top: 1px solid black;">Serie</td><td style="border-top: 1px solid black; text-align: right;">42.7</td></tr> <tr><td style="border-top: 1px solid black;">Total</td><td style="border-top: 1px solid black; text-align: right;">422.7</td></tr> </table>	11:	10.7x	↙	12:	10.9x	↑	13:	10.5x	↗	14:	10.6x	→	Serie	42.7	Total	422.7
1:	10.5x	↑																																																		
2:	10.7x	↘																																																		
3:	10.7x	↖																																																		
4:	10.6x	→																																																		
5:	10.4x	↗																																																		
6:	10.7x	→																																																		
7:	10.8x	↖																																																		
8:	10.5x	↑																																																		
9:	10.5x	←																																																		
10:	10.7x	←																																																		
Serie	106.1																																																			
Total	422.7																																																			
11:	10.7x	↙																																																		
12:	10.9x	↑																																																		
13:	10.5x	↗																																																		
14:	10.6x	→																																																		
Serie	42.7																																																			
Total	422.7																																																			

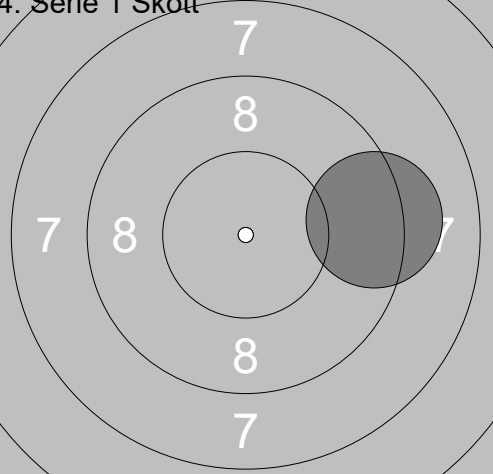
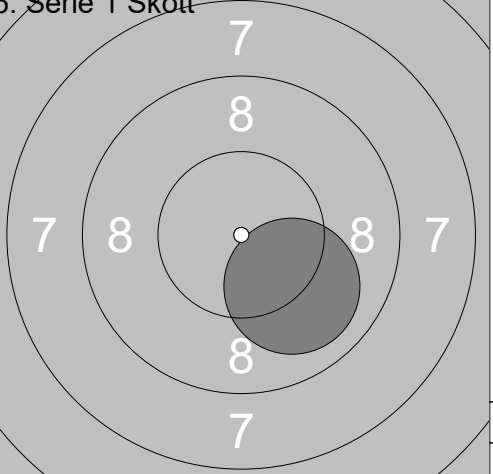
<p>1. Serie 5 Skott</p>  <table style="width:100%; border-collapse: collapse; margin-top: 5px;"> <tr><td>1:</td><td>10.7x</td><td>↘</td></tr> <tr><td>2:</td><td>10.5x</td><td>↗</td></tr> <tr><td>3:</td><td>10.6x</td><td>↗</td></tr> <tr><td>4:</td><td>10.8x</td><td>↓</td></tr> <tr><td>5:</td><td>10.3x</td><td>↑</td></tr> </table> <table style="width:100%; border-collapse: collapse; margin-top: 5px;"> <tr><td style="border-top: 1px solid black;">Serie</td><td style="border-top: 1px solid black; text-align: right;">52.9</td></tr> <tr><td style="border-top: 1px solid black;">Total</td><td style="border-top: 1px solid black; text-align: right;">475.6</td></tr> </table>	1:	10.7x	↘	2:	10.5x	↗	3:	10.6x	↗	4:	10.8x	↓	5:	10.3x	↑	Serie	52.9	Total	475.6	<p>2. Serie 1 Skott</p>  <table style="width:100%; border-collapse: collapse; margin-top: 5px;"> <tr><td>1:</td><td>10.3x</td><td>→</td></tr> </table> <table style="width:100%; border-collapse: collapse; margin-top: 5px;"> <tr><td style="border-top: 1px solid black;">Serie</td><td style="border-top: 1px solid black; text-align: right;">10.3</td></tr> <tr><td style="border-top: 1px solid black;">Total</td><td style="border-top: 1px solid black; text-align: right;">485.9</td></tr> </table>	1:	10.3x	→	Serie	10.3	Total	485.9
1:	10.7x	↘																									
2:	10.5x	↗																									
3:	10.6x	↗																									
4:	10.8x	↓																									
5:	10.3x	↑																									
Serie	52.9																										
Total	475.6																										
1:	10.3x	→																									
Serie	10.3																										
Total	485.9																										

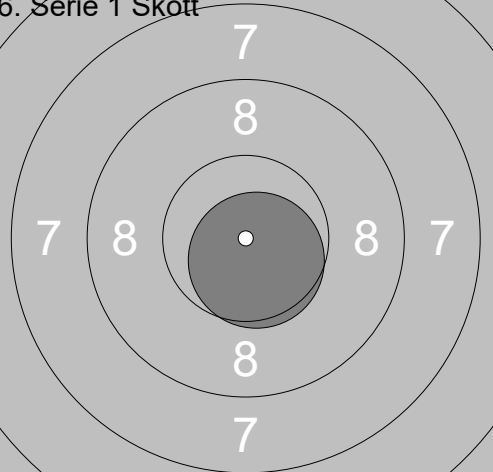
<p>3. Serie 1 Skott</p>  <table style="width:100%; border-collapse: collapse; margin-top: 5px;"> <tr><td>1:</td><td>10.7x</td><td>→</td></tr> </table> <table style="width:100%; border-collapse: collapse; margin-top: 5px;"> <tr><td style="border-top: 1px solid black;">Serie</td><td style="border-top: 1px solid black; text-align: right;">10.7</td></tr> <tr><td style="border-top: 1px solid black;">Total</td><td style="border-top: 1px solid black; text-align: right;">496.6</td></tr> </table>	1:	10.7x	→	Serie	10.7	Total	496.6	<p>4. Serie 1 Skott</p>  <table style="width:100%; border-collapse: collapse; margin-top: 5px;"> <tr><td>1:</td><td>10.3x</td><td>↑</td></tr> </table> <table style="width:100%; border-collapse: collapse; margin-top: 5px;"> <tr><td style="border-top: 1px solid black;">Serie</td><td style="border-top: 1px solid black; text-align: right;">10.3</td></tr> <tr><td style="border-top: 1px solid black;">Total</td><td style="border-top: 1px solid black; text-align: right;">506.9</td></tr> </table>	1:	10.3x	↑	Serie	10.3	Total	506.9
1:	10.7x	→													
Serie	10.7														
Total	496.6														
1:	10.3x	↑													
Serie	10.3														
Total	506.9														

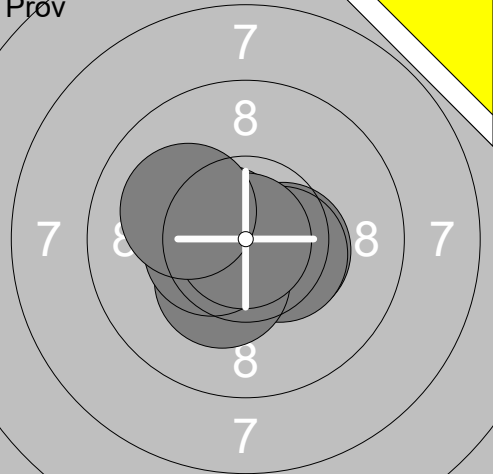

<p>5. Serie 1 Skott</p>  <table style="width:100%; border-collapse: collapse; margin-top: 5px;"> <tr><td>1:</td><td>10.4x</td><td>↘</td></tr> </table> <table style="width:100%; border-collapse: collapse; margin-top: 5px;"> <tr><td style="border-top: 1px solid black;">Serie</td><td style="border-top: 1px solid black; text-align: right;">10.4</td></tr> <tr><td style="border-top: 1px solid black;">Total</td><td style="border-top: 1px solid black; text-align: right;">517.3</td></tr> </table>	1:	10.4x	↘	Serie	10.4	Total	517.3	<p>6. Serie 1 Skott</p>  <table style="width:100%; border-collapse: collapse; margin-top: 5px;"> <tr><td>1:</td><td>10.8x</td><td>↑</td></tr> </table> <table style="width:100%; border-collapse: collapse; margin-top: 5px;"> <tr><td style="border-top: 1px solid black;">Serie</td><td style="border-top: 1px solid black; text-align: right;">10.8</td></tr> <tr><td style="border-top: 1px solid black;">Total</td><td style="border-top: 1px solid black; text-align: right;">528.1</td></tr> </table>	1:	10.8x	↑	Serie	10.8	Total	528.1
1:	10.4x	↘													
Serie	10.4														
Total	517.3														
1:	10.8x	↑													
Serie	10.8														
Total	528.1														

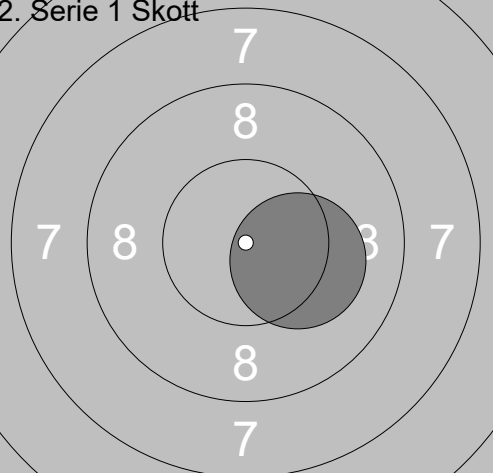
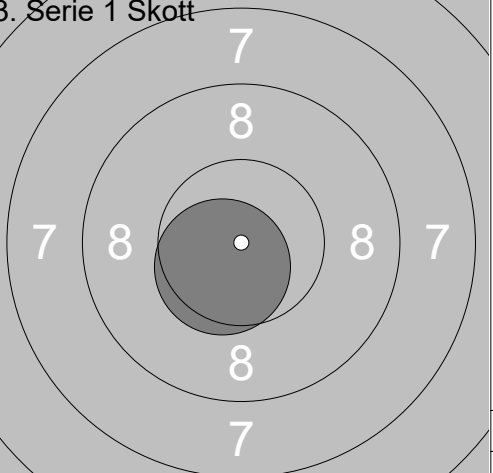
<p>Pröv</p> 	<p>1: 10.5x ↙ 2: 10.1 ↑ 3: 10.2x → 4: 9.6 ↓ 5: 9.3 → 6: 10.3x ↙ 7: 10.6x →</p> <table border="1" style="width:100%; border-collapse: collapse;"> <tr><td>Serie</td><td style="text-align: right;">70.6</td></tr> <tr><td>Total</td><td style="text-align: right;">414.1</td></tr> </table>	Serie	70.6	Total	414.1	<p>1. Serie 5 Skott</p> 	<p>1: 10.3x ↙ 2: 9.8 ↙ 3: 9.7 → 4: 10.6x → 5: 9.5 ↓</p> <table border="1" style="width:100%; border-collapse: collapse;"> <tr><td>Serie</td><td style="text-align: right;">49.9</td></tr> <tr><td>Total</td><td style="text-align: right;">464.0</td></tr> </table>	Serie	49.9	Total	464.0
Serie	70.6										
Total	414.1										
Serie	49.9										
Total	464.0										

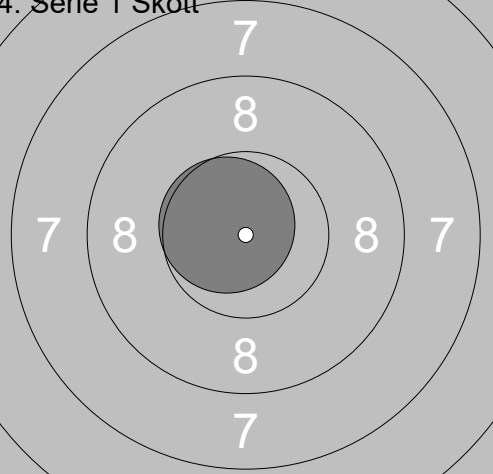
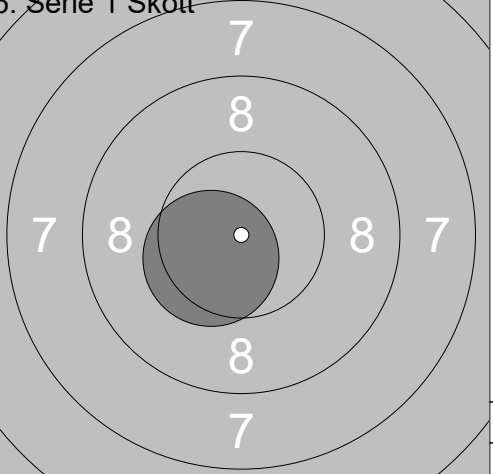
<p>2. Serie 1 Skott</p> 	<p>1: 9.8 ↗</p> <table border="1" style="width:100%; border-collapse: collapse;"> <tr><td>Serie</td><td style="text-align: right;">9.8</td></tr> <tr><td>Total</td><td style="text-align: right;">473.8</td></tr> </table>	Serie	9.8	Total	473.8	<p>3. Serie 1 Skott</p> 	<p>1: 9.7 ↙</p> <table border="1" style="width:100%; border-collapse: collapse;"> <tr><td>Serie</td><td style="text-align: right;">9.7</td></tr> <tr><td>Total</td><td style="text-align: right;">483.5</td></tr> </table>	Serie	9.7	Total	483.5
Serie	9.8										
Total	473.8										
Serie	9.7										
Total	483.5										

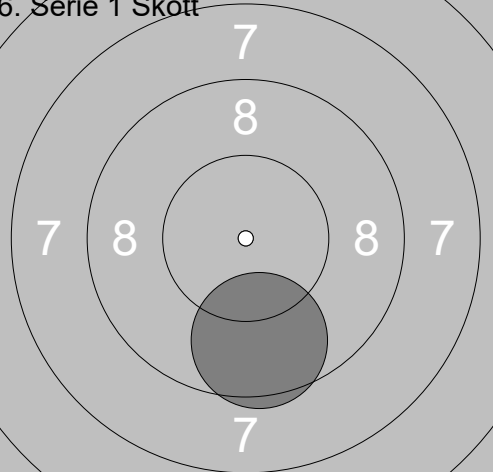
<p>4. Serie 1 Skott</p> 	<p>1: 9.2 →</p> <table border="1" style="width:100%; border-collapse: collapse;"> <tr><td>Serie</td><td style="text-align: right;">9.2</td></tr> <tr><td>Total</td><td style="text-align: right;">492.7</td></tr> </table>	Serie	9.2	Total	492.7	<p>5. Serie 1 Skott</p> 	<p>1: 10.0 ↓</p> <table border="1" style="width:100%; border-collapse: collapse;"> <tr><td>Serie</td><td style="text-align: right;">10.0</td></tr> <tr><td>Total</td><td style="text-align: right;">502.7</td></tr> </table>	Serie	10.0	Total	502.7
Serie	9.2										
Total	492.7										
Serie	10.0										
Total	502.7										

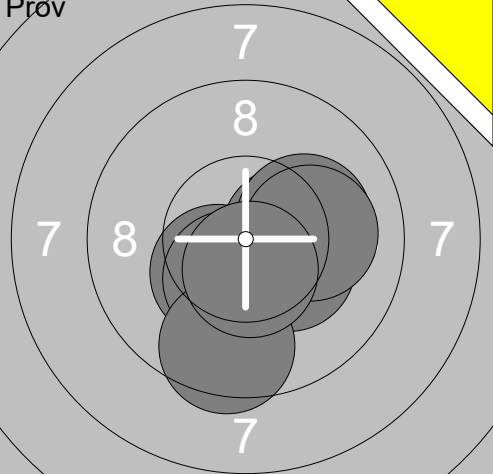
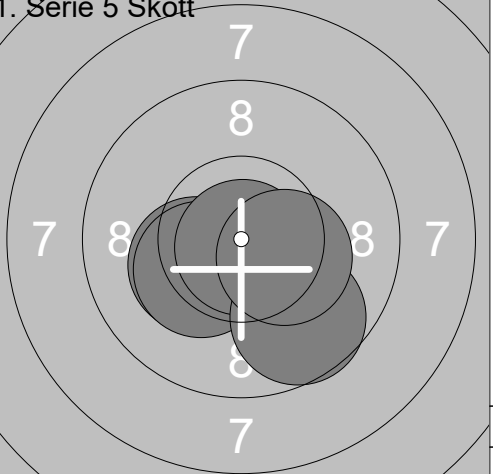
<p>6. Serie 1 Skott</p> 	<p>1: 10.6x ↓</p> <table border="1" style="width:100%; border-collapse: collapse;"> <tr><td>Serie</td><td style="text-align: right;">10.6</td></tr> <tr><td>Total</td><td style="text-align: right;">513.3</td></tr> </table>	Serie	10.6	Total	513.3		
Serie	10.6						
Total	513.3						


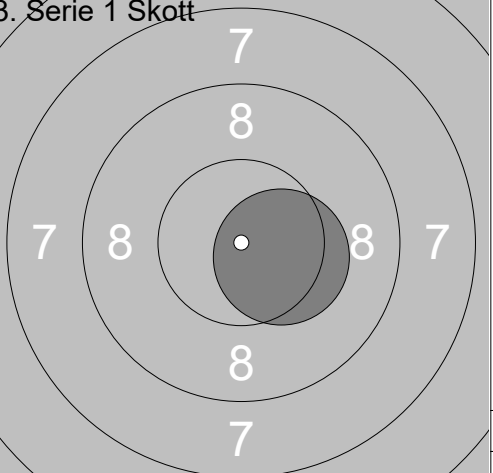
<p>Pröv</p> 	<p>1: 10.4x →</p> <p>2: 10.5x ←</p> <p>3: 10.5x →</p> <p>4: 10.6x ←</p> <p>5: 10.3x ↓</p> <p>6: 10.5x ←</p> <p>7: 10.9x ←</p> <p>8: 10.1 ↖</p>	<p>1. Serie 5 Skott</p> 	<p>1: 10.5x ↖</p> <p>2: 10.1 ↑</p> <p>3: 10.1 ↓</p> <p>4: 10.4x ←</p> <p>5: 9.7 ↓</p>
Serie 83.8		Serie 50.8	
Total 412.5		Total 463.3	

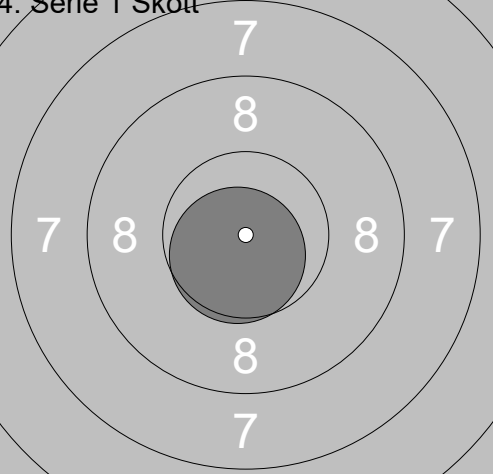
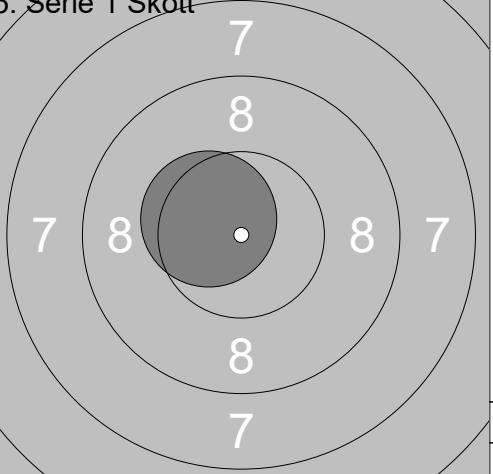
<p>2. Serie 1 Skott</p> 	<p>1: 10.2x →</p>	<p>3. Serie 1 Skott</p> 	<p>1: 10.5x ↘</p>
Serie 10.2		Serie 10.5	
Total 473.5		Total 484.0	

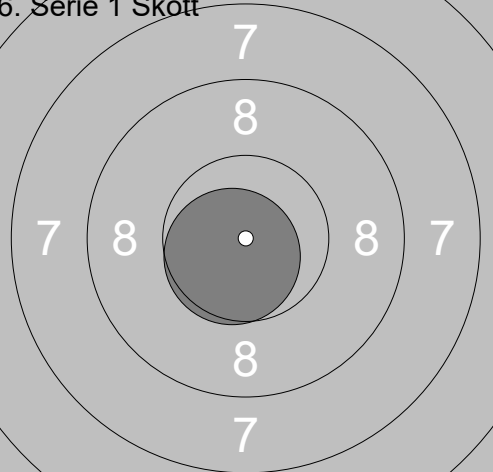
<p>4. Serie 1 Skott</p> 	<p>1: 10.7x ↖</p>	<p>5. Serie 1 Skott</p> 	<p>1: 10.4x ↘</p>
Serie 10.7		Serie 10.4	
Total 494.7		Total 505.1	

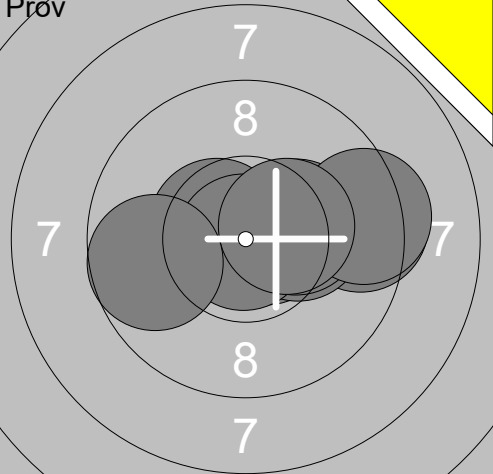
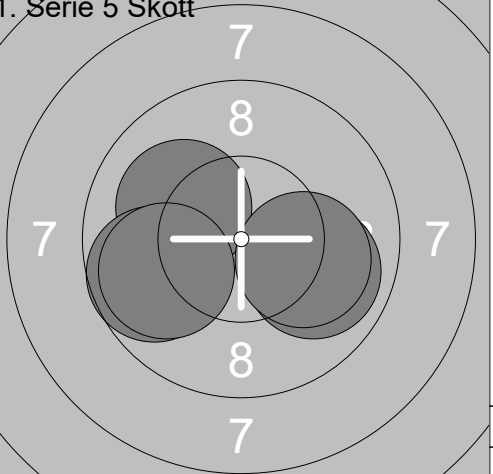
<p>6. Serie 1 Skott</p> 	<p>1: 9.6 ↓</p>		
Serie 9.6			
Total 514.7			

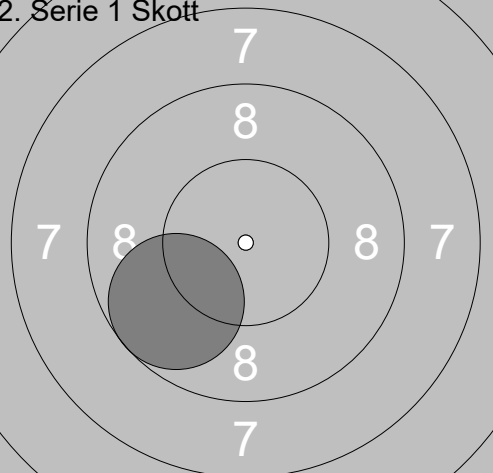
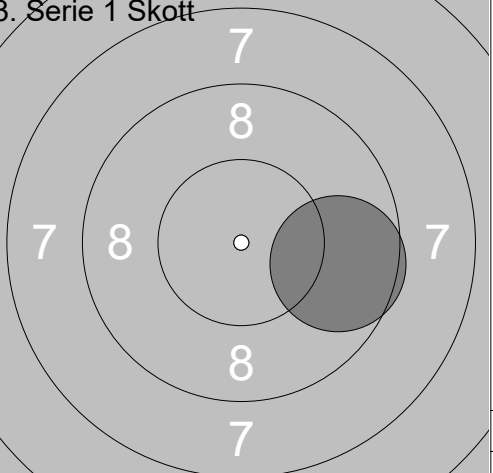
<p>Pröv</p> 	<p>1: 10.4x →</p> <p>2: 10.1 →</p> <p>3: 10.3x ↘</p> <p>4: 10.1 →</p> <p>5: 10.4x ↙</p> <p>6: 10.4x ↙</p> <p>7: 9.5 ↓</p> <p>8: 10.5x ↓</p>	<p>1. Serie 5 Skott</p> 	<p>1: 10.3x ↙</p> <p>2: 10.3x ↙</p> <p>3: 10.8x ↓</p> <p>4: 9.7 ↓</p> <p>5: 10.3x →</p>
Serie 81.7		Serie 51.4	
Total 412.4		Total 463.8	

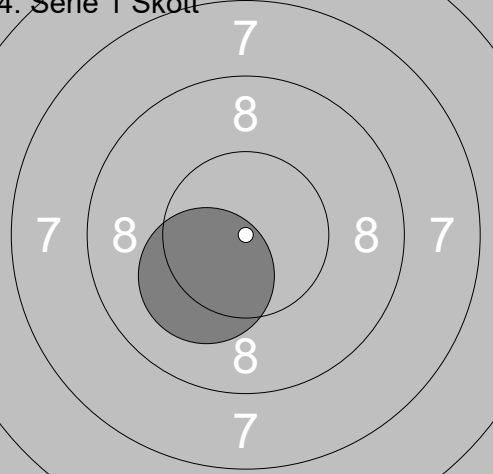
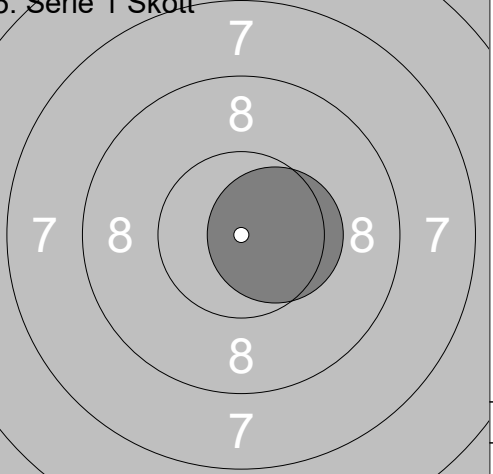
<p>2. Serie 1 Skott</p> 	<p>1: 10.6x ↗</p>	<p>3. Serie 1 Skott</p> 	<p>1: 10.4x →</p>
Serie 10.6		Serie 10.4	
Total 474.4		Total 484.8	

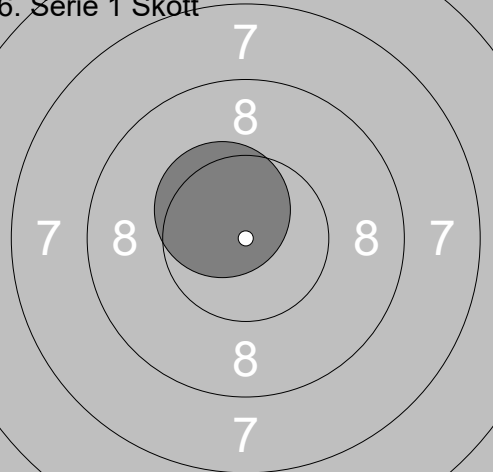
<p>4. Serie 1 Skott</p> 	<p>1: 10.7x ↙</p>	<p>5. Serie 1 Skott</p> 	<p>1: 10.5x ↙</p>
Serie 10.7		Serie 10.5	
Total 495.5		Total 506.0	

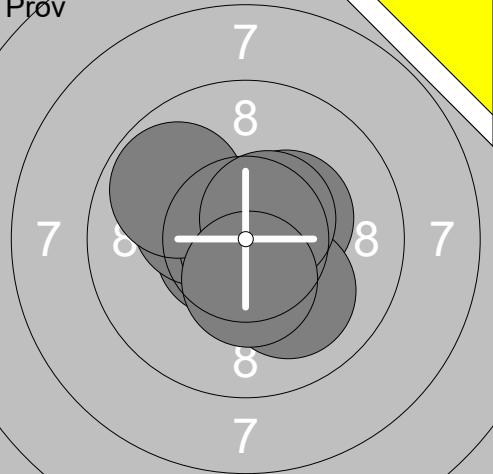

<p>6. Serie 1 Skott</p> 	<p>1: 10.6x ↙</p>		
Serie 10.6			
Total 516.6			

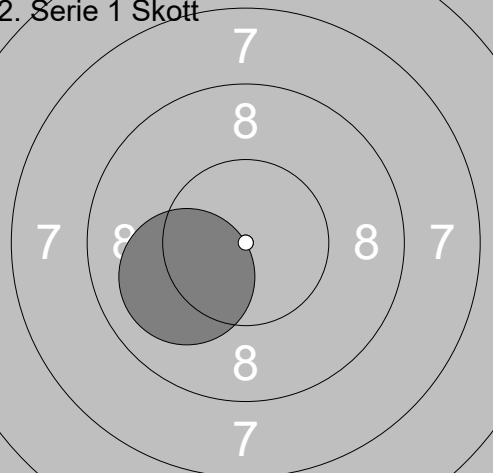

<p>Pröv</p> 	<p>1: 10.7x → 2: 10.5x ← 3: 9.4 → 4: 10.3x → 5: 10.9x ↙ 6: 10.3x → 7: 9.4 → 8: 10.4x → 9: 9.7 ←</p> <table border="1" style="width:100%; border-collapse: collapse;"> <tr><td>Serie</td><td style="text-align: right;">91.6</td></tr> <tr><td>Total</td><td style="text-align: right;">411.3</td></tr> </table>	Serie	91.6	Total	411.3	<p>1. Serie 5 Skott</p>  <table border="1" style="width:100%; border-collapse: collapse;"> <tr><td>1: 10.1 ↖</td></tr> <tr><td>2: 9.7 ←</td></tr> <tr><td>3: 9.9 →</td></tr> <tr><td>4: 9.9 ←</td></tr> <tr><td>5: 10.1 →</td></tr> </table> <table border="1" style="width:100%; border-collapse: collapse;"> <tr><td>Serie</td><td style="text-align: right;">49.7</td></tr> <tr><td>Total</td><td style="text-align: right;">461.0</td></tr> </table>	1: 10.1 ↖	2: 9.7 ←	3: 9.9 →	4: 9.9 ←	5: 10.1 →	Serie	49.7	Total	461.0
Serie	91.6														
Total	411.3														
1: 10.1 ↖															
2: 9.7 ←															
3: 9.9 →															
4: 9.9 ←															
5: 10.1 →															
Serie	49.7														
Total	461.0														

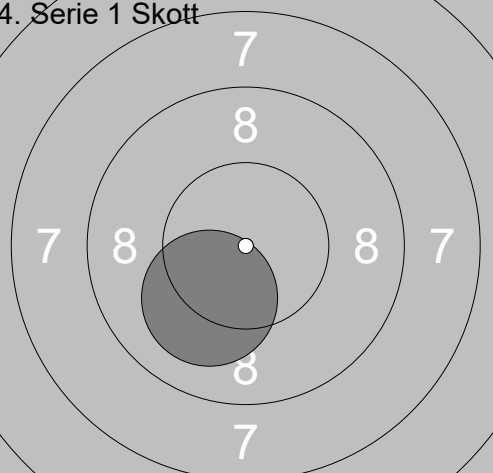

<p>2. Serie 1 Skott</p>  <table border="1" style="width:100%; border-collapse: collapse;"> <tr><td>Serie</td><td style="text-align: right;">9.7</td></tr> <tr><td>Total</td><td style="text-align: right;">470.7</td></tr> </table>	Serie	9.7	Total	470.7	<p>3. Serie 1 Skott</p>  <table border="1" style="width:100%; border-collapse: collapse;"> <tr><td>1: 9.6 →</td></tr> </table> <table border="1" style="width:100%; border-collapse: collapse;"> <tr><td>Serie</td><td style="text-align: right;">9.6</td></tr> <tr><td>Total</td><td style="text-align: right;">480.3</td></tr> </table>	1: 9.6 →	Serie	9.6	Total	480.3
Serie	9.7									
Total	470.7									
1: 9.6 →										
Serie	9.6									
Total	480.3									

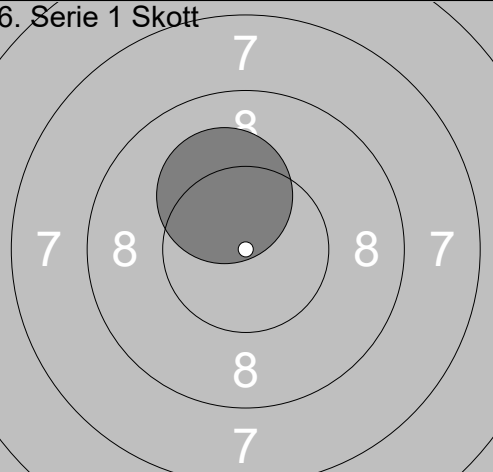
<p>4. Serie 1 Skott</p>  <table border="1" style="width:100%; border-collapse: collapse;"> <tr><td>Serie</td><td style="text-align: right;">10.2</td></tr> <tr><td>Total</td><td style="text-align: right;">490.5</td></tr> </table>	Serie	10.2	Total	490.5	<p>5. Serie 1 Skott</p>  <table border="1" style="width:100%; border-collapse: collapse;"> <tr><td>1: 10.5x →</td></tr> </table> <table border="1" style="width:100%; border-collapse: collapse;"> <tr><td>Serie</td><td style="text-align: right;">10.5</td></tr> <tr><td>Total</td><td style="text-align: right;">501.0</td></tr> </table>	1: 10.5x →	Serie	10.5	Total	501.0
Serie	10.2									
Total	490.5									
1: 10.5x →										
Serie	10.5									
Total	501.0									

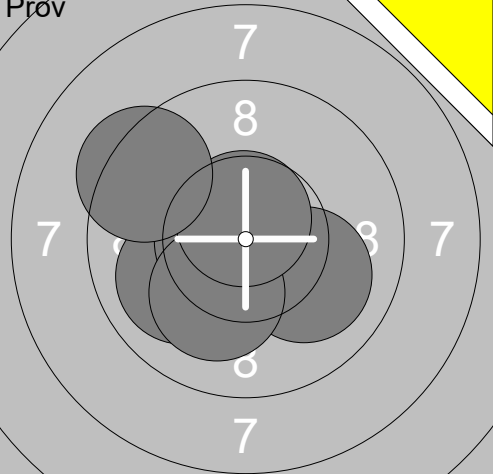

<p>6. Serie 1 Skott</p>  <table border="1" style="width:100%; border-collapse: collapse;"> <tr><td>1: 10.5x ↖</td></tr> </table> <table border="1" style="width:100%; border-collapse: collapse;"> <tr><td>Serie</td><td style="text-align: right;">10.5</td></tr> <tr><td>Total</td><td style="text-align: right;">511.5</td></tr> </table>	1: 10.5x ↖	Serie	10.5	Total	511.5	
1: 10.5x ↖						
Serie	10.5					
Total	511.5					

<p>Pröv</p> 	<table border="1" style="width:100%; border-collapse: collapse;"> <tr><td>1:</td><td>10.7x</td><td>↘</td></tr> <tr><td>2:</td><td>10.6x</td><td>←</td></tr> <tr><td>3:</td><td>10.4x</td><td>↗</td></tr> <tr><td>4:</td><td>10.8x</td><td>↗</td></tr> <tr><td>5:</td><td>10.1</td><td>↘</td></tr> <tr><td>6:</td><td>10.3x</td><td>←</td></tr> <tr><td>7:</td><td>10.9x</td><td>↘</td></tr> <tr><td>8:</td><td>9.8</td><td>↖</td></tr> <tr><td>9:</td><td>10.6x</td><td>↗</td></tr> <tr><td>10:</td><td>10.4x</td><td>↘</td></tr> <tr><td colspan="2">Serie</td><td>104.6</td></tr> <tr><td colspan="2">Total</td><td>410.5</td></tr> </table>	1:	10.7x	↘	2:	10.6x	←	3:	10.4x	↗	4:	10.8x	↗	5:	10.1	↘	6:	10.3x	←	7:	10.9x	↘	8:	9.8	↖	9:	10.6x	↗	10:	10.4x	↘	Serie		104.6	Total		410.5	<p>1. Serie 5 Skott</p>  <table border="1" style="width:100%; border-collapse: collapse;"> <tr><td>1:</td><td>10.2x</td><td>↘</td></tr> <tr><td>2:</td><td>10.6x</td><td>←</td></tr> <tr><td>3:</td><td>10.5x</td><td>↗</td></tr> <tr><td>4:</td><td>10.6x</td><td>↗</td></tr> <tr><td>5:</td><td>10.0</td><td>↖</td></tr> <tr><td colspan="2">Serie</td><td>51.9</td></tr> <tr><td colspan="2">Total</td><td>462.4</td></tr> </table>	1:	10.2x	↘	2:	10.6x	←	3:	10.5x	↗	4:	10.6x	↗	5:	10.0	↖	Serie		51.9	Total		462.4
1:	10.7x	↘																																																									
2:	10.6x	←																																																									
3:	10.4x	↗																																																									
4:	10.8x	↗																																																									
5:	10.1	↘																																																									
6:	10.3x	←																																																									
7:	10.9x	↘																																																									
8:	9.8	↖																																																									
9:	10.6x	↗																																																									
10:	10.4x	↘																																																									
Serie		104.6																																																									
Total		410.5																																																									
1:	10.2x	↘																																																									
2:	10.6x	←																																																									
3:	10.5x	↗																																																									
4:	10.6x	↗																																																									
5:	10.0	↖																																																									
Serie		51.9																																																									
Total		462.4																																																									

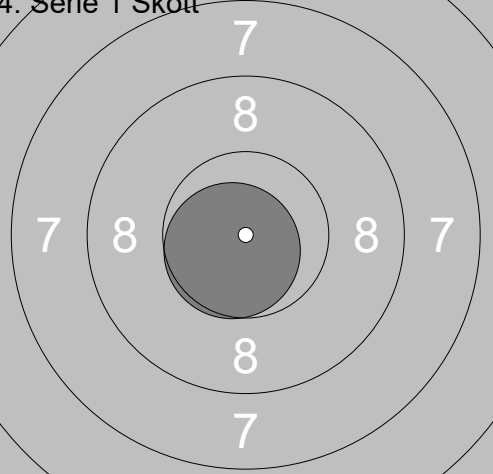
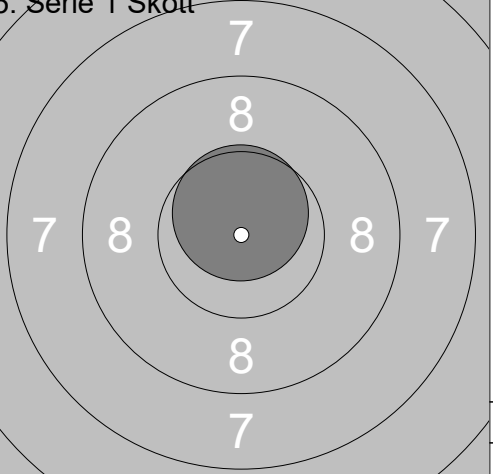
<p>2. Serie 1 Skott</p>  <table border="1" style="width:100%; border-collapse: collapse;"> <tr><td colspan="2">Serie</td><td>10.1</td></tr> <tr><td colspan="2">Total</td><td>472.5</td></tr> </table>	Serie		10.1	Total		472.5	<p>3. Serie 1 Skott</p>  <table border="1" style="width:100%; border-collapse: collapse;"> <tr><td colspan="2">Serie</td><td>10.8</td></tr> <tr><td colspan="2">Total</td><td>483.3</td></tr> </table>	Serie		10.8	Total		483.3
Serie		10.1											
Total		472.5											
Serie		10.8											
Total		483.3											

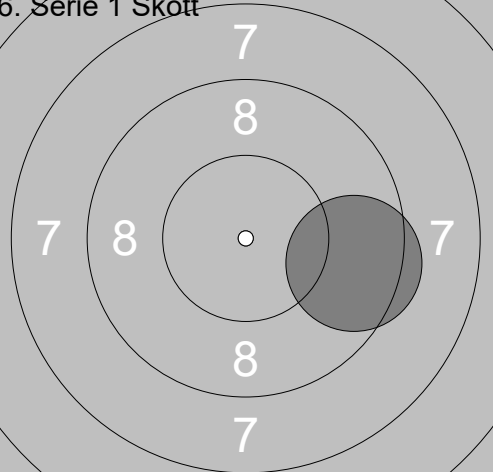
<p>4. Serie 1 Skott</p>  <table border="1" style="width:100%; border-collapse: collapse;"> <tr><td colspan="2">Serie</td><td>10.1</td></tr> <tr><td colspan="2">Total</td><td>493.4</td></tr> </table>	Serie		10.1	Total		493.4	<p>5. Serie 1 Skott</p>  <table border="1" style="width:100%; border-collapse: collapse;"> <tr><td colspan="2">Serie</td><td>10.8</td></tr> <tr><td colspan="2">Total</td><td>504.2</td></tr> </table>	Serie		10.8	Total		504.2
Serie		10.1											
Total		493.4											
Serie		10.8											
Total		504.2											

<p>6. Serie 1 Skott</p>  <table border="1" style="width:100%; border-collapse: collapse;"> <tr><td colspan="2">Serie</td><td>10.2</td></tr> <tr><td colspan="2">Total</td><td>514.4</td></tr> </table>	Serie		10.2	Total		514.4	<table border="1" style="width:100%; border-collapse: collapse;"> <tr><td>1:</td><td>10.2x</td><td>↖</td></tr> </table>	1:	10.2x	↖
Serie		10.2								
Total		514.4								
1:	10.2x	↖								

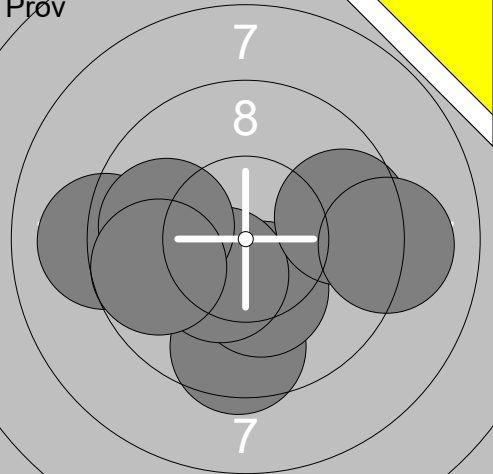
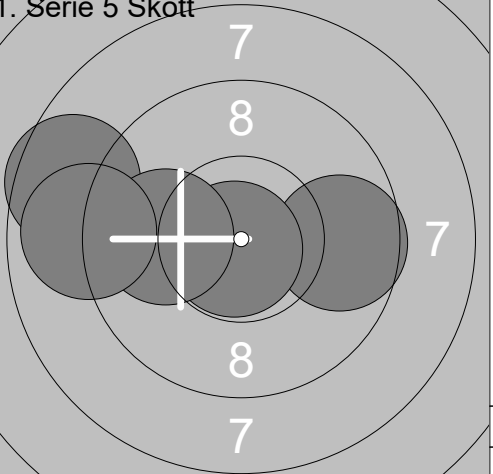
<p>Pröv</p> 	<p>1: 10.6x ← 2: 10.0 ← 3: 10.6x ← 4: 10.0 ↘ 5: 10.1 ↓ 6: 10.7x ↑ 7: 9.4 ↗</p> <table border="1" style="width:100%; border-collapse: collapse;"> <tr><td>Serie</td><td style="text-align: right;">71.4</td></tr> <tr><td>Total</td><td style="text-align: right;">405.9</td></tr> </table>	Serie	71.4	Total	405.9	<p>1. Serie 5 Skott</p> 	<p>1: 10.8x → 2: 10.3x ↗ 3: 10.4x ← 4: 10.5x ↗ 5: 9.8 ↑</p> <table border="1" style="width:100%; border-collapse: collapse;"> <tr><td>Serie</td><td style="text-align: right;">51.8</td></tr> <tr><td>Total</td><td style="text-align: right;">457.7</td></tr> </table>	Serie	51.8	Total	457.7
Serie	71.4										
Total	405.9										
Serie	51.8										
Total	457.7										

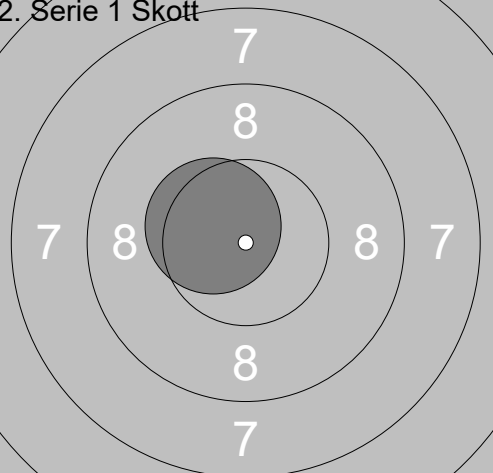
<p>2. Serie 1 Skott</p> 	<p>1: 10.0 ←</p> <table border="1" style="width:100%; border-collapse: collapse;"> <tr><td>Serie</td><td style="text-align: right;">10.0</td></tr> <tr><td>Total</td><td style="text-align: right;">467.7</td></tr> </table>	Serie	10.0	Total	467.7	<p>3. Serie 1 Skott</p> 	<p>1: 9.0 ↖</p> <table border="1" style="width:100%; border-collapse: collapse;"> <tr><td>Serie</td><td style="text-align: right;">9.0</td></tr> <tr><td>Total</td><td style="text-align: right;">476.7</td></tr> </table>	Serie	9.0	Total	476.7
Serie	10.0										
Total	467.7										
Serie	9.0										
Total	476.7										

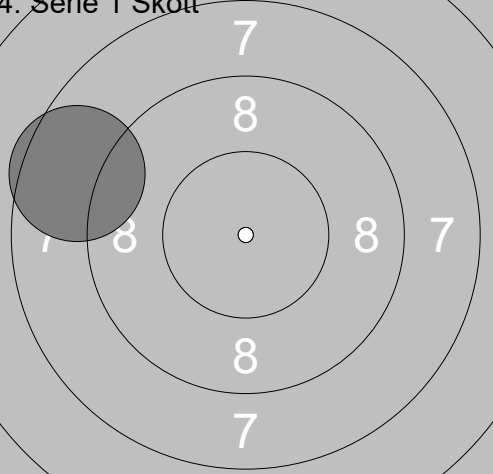
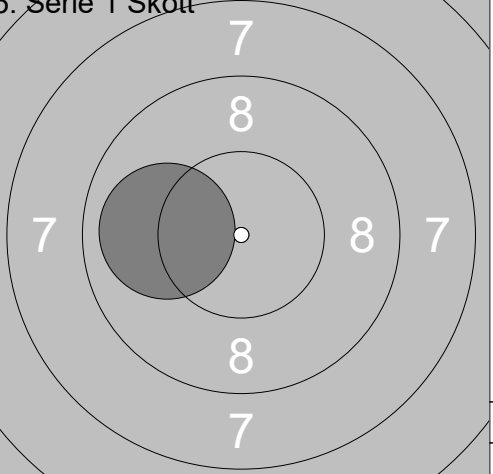
<p>4. Serie 1 Skott</p> 	<p>1: 10.7x ↙</p> <table border="1" style="width:100%; border-collapse: collapse;"> <tr><td>Serie</td><td style="text-align: right;">10.7</td></tr> <tr><td>Total</td><td style="text-align: right;">487.4</td></tr> </table>	Serie	10.7	Total	487.4	<p>5. Serie 1 Skott</p> 	<p>1: 10.7x ↑</p> <table border="1" style="width:100%; border-collapse: collapse;"> <tr><td>Serie</td><td style="text-align: right;">10.7</td></tr> <tr><td>Total</td><td style="text-align: right;">498.1</td></tr> </table>	Serie	10.7	Total	498.1
Serie	10.7										
Total	487.4										
Serie	10.7										
Total	498.1										

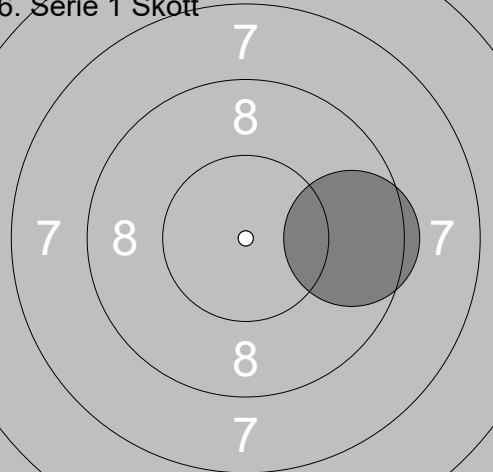
<p>6. Serie 1 Skott</p> 	<p>1: 9.5 →</p> <table border="1" style="width:100%; border-collapse: collapse;"> <tr><td>Serie</td><td style="text-align: right;">9.5</td></tr> <tr><td>Total</td><td style="text-align: right;">507.6</td></tr> </table>	Serie	9.5	Total	507.6		
Serie	9.5						
Total	507.6						

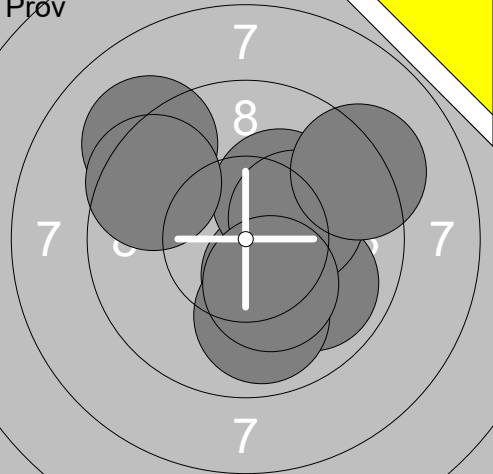



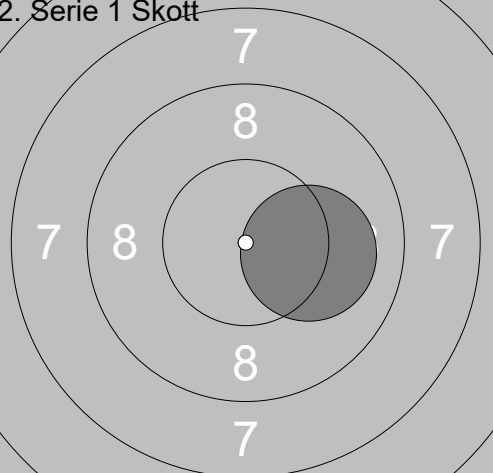
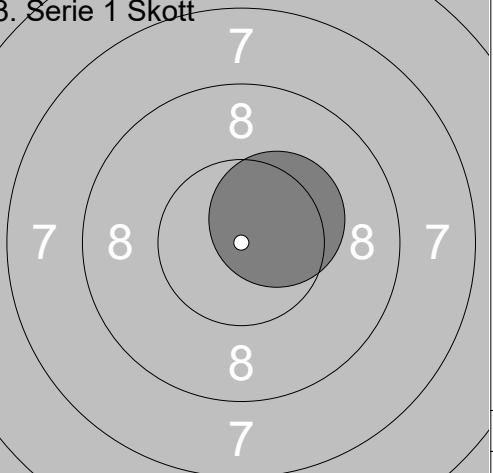
<p>Pröv</p> 	<table style="width:100%; border-collapse: collapse;"> <tr><td>1:</td><td>9.5</td><td>↓</td></tr> <tr><td>2:</td><td>10.3x</td><td>↓</td></tr> <tr><td>3:</td><td>9.1</td><td>←</td></tr> <tr><td>4:</td><td>10.4x</td><td>↙</td></tr> <tr><td>5:</td><td>9.9</td><td>←</td></tr> <tr><td>6:</td><td>9.7</td><td>←</td></tr> <tr><td>7:</td><td>9.6</td><td>→</td></tr> <tr><td>8:</td><td>9.1</td><td>→</td></tr> </table> <table style="width:100%; border-collapse: collapse; margin-top: 5px;"> <tr><td style="border-top: 1px solid black;">Serie</td><td style="border-top: 1px solid black; text-align: right;">77.6</td></tr> <tr><td style="border-top: 1px solid black;">Total</td><td style="border-top: 1px solid black; text-align: right;">405.4</td></tr> </table>	1:	9.5	↓	2:	10.3x	↓	3:	9.1	←	4:	10.4x	↙	5:	9.9	←	6:	9.7	←	7:	9.6	→	8:	9.1	→	Serie	77.6	Total	405.4	<p>1. Serie 5 Skott</p>  <table style="width:100%; border-collapse: collapse; margin-top: 5px;"> <tr><td>1:</td><td>9.6</td><td>→</td></tr> <tr><td>2:</td><td>10.8x</td><td>↘</td></tr> <tr><td>3:</td><td>8.6</td><td>←</td></tr> <tr><td>4:</td><td>9.9</td><td>←</td></tr> <tr><td>5:</td><td>8.9</td><td>←</td></tr> </table> <table style="width:100%; border-collapse: collapse; margin-top: 5px;"> <tr><td style="border-top: 1px solid black;">Serie</td><td style="border-top: 1px solid black; text-align: right;">47.8</td></tr> <tr><td style="border-top: 1px solid black;">Total</td><td style="border-top: 1px solid black; text-align: right;">453.2</td></tr> </table>	1:	9.6	→	2:	10.8x	↘	3:	8.6	←	4:	9.9	←	5:	8.9	←	Serie	47.8	Total	453.2
1:	9.5	↓																																															
2:	10.3x	↓																																															
3:	9.1	←																																															
4:	10.4x	↙																																															
5:	9.9	←																																															
6:	9.7	←																																															
7:	9.6	→																																															
8:	9.1	→																																															
Serie	77.6																																																
Total	405.4																																																
1:	9.6	→																																															
2:	10.8x	↘																																															
3:	8.6	←																																															
4:	9.9	←																																															
5:	8.9	←																																															
Serie	47.8																																																
Total	453.2																																																

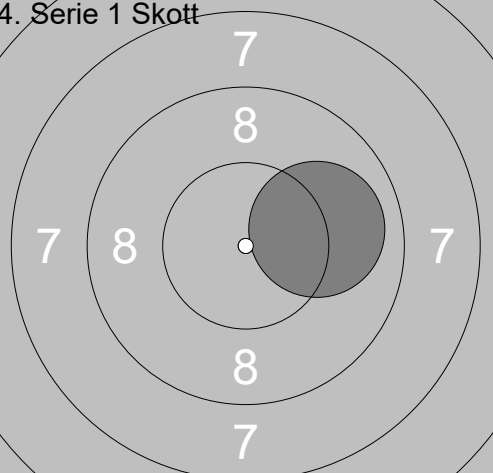

<p>2. Serie 1 Skott</p>  <table style="width:100%; border-collapse: collapse; margin-top: 5px;"> <tr><td style="border-top: 1px solid black;">Serie</td><td style="border-top: 1px solid black; text-align: right;">10.5</td></tr> <tr><td style="border-top: 1px solid black;">Total</td><td style="border-top: 1px solid black; text-align: right;">463.7</td></tr> </table>	Serie	10.5	Total	463.7	<p>3. Serie 1 Skott</p>  <table style="width:100%; border-collapse: collapse; margin-top: 5px;"> <tr><td style="border-top: 1px solid black;">Serie</td><td style="border-top: 1px solid black; text-align: right;">9.7</td></tr> <tr><td style="border-top: 1px solid black;">Total</td><td style="border-top: 1px solid black; text-align: right;">473.4</td></tr> </table>	Serie	9.7	Total	473.4
Serie	10.5								
Total	463.7								
Serie	9.7								
Total	473.4								

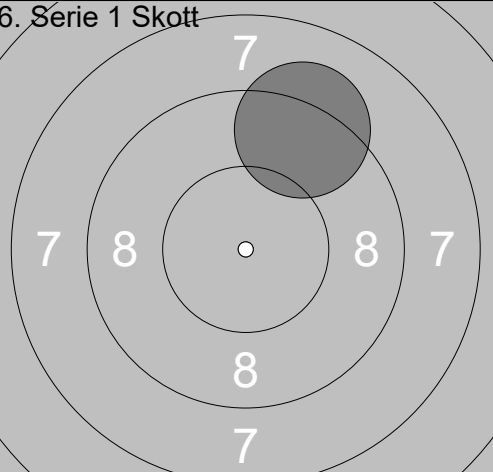
<p>4. Serie 1 Skott</p>  <table style="width:100%; border-collapse: collapse; margin-top: 5px;"> <tr><td style="border-top: 1px solid black;">Serie</td><td style="border-top: 1px solid black; text-align: right;">8.6</td></tr> <tr><td style="border-top: 1px solid black;">Total</td><td style="border-top: 1px solid black; text-align: right;">482.0</td></tr> </table>	Serie	8.6	Total	482.0	<p>5. Serie 1 Skott</p>  <table style="width:100%; border-collapse: collapse; margin-top: 5px;"> <tr><td style="border-top: 1px solid black;">Serie</td><td style="border-top: 1px solid black; text-align: right;">10.0</td></tr> <tr><td style="border-top: 1px solid black;">Total</td><td style="border-top: 1px solid black; text-align: right;">492.0</td></tr> </table>	Serie	10.0	Total	492.0
Serie	8.6								
Total	482.0								
Serie	10.0								
Total	492.0								

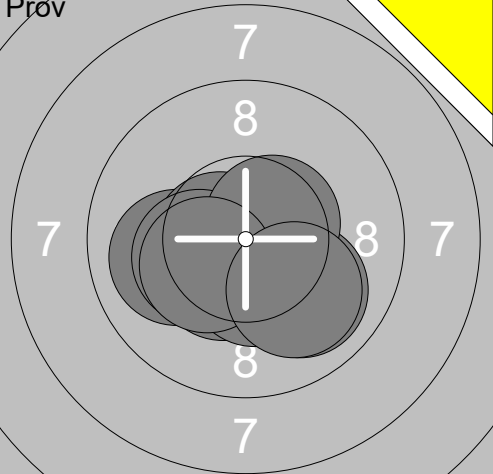

<p>6. Serie 1 Skott</p>  <table style="width:100%; border-collapse: collapse; margin-top: 5px;"> <tr><td style="border-top: 1px solid black;">Serie</td><td style="border-top: 1px solid black; text-align: right;">9.6</td></tr> <tr><td style="border-top: 1px solid black;">Total</td><td style="border-top: 1px solid black; text-align: right;">501.6</td></tr> </table>	Serie	9.6	Total	501.6	<p>1: 9.6 →</p>
Serie	9.6				
Total	501.6				

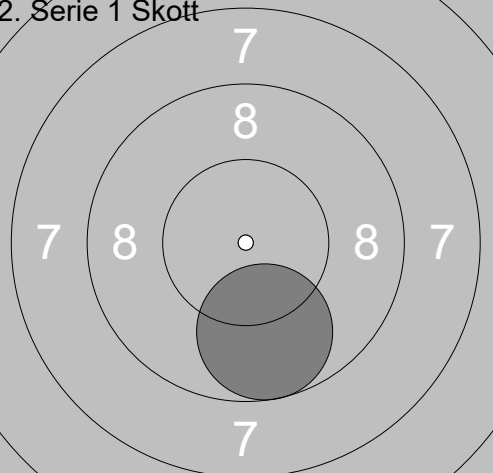
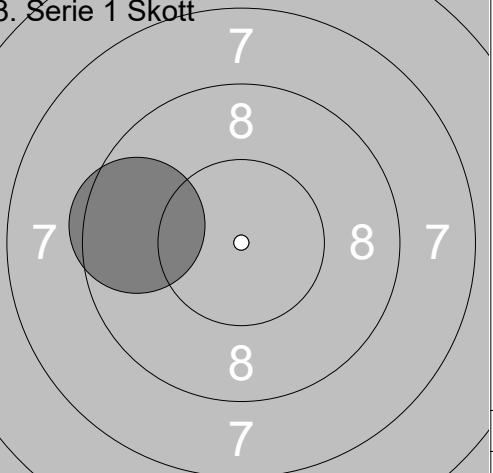
<p>Pröv</p> 	<p>1: 10.4x ↘ 2: 10.2x ↗ 3: 9.9 ↘ 4: 9.9 ↘ 5: 9.2 ↗ 6: 10.2x → 7: 10.3x ↘ 8: 9.2 ↗ 9: 9.5 ↗</p> <table border="1" style="width:100%; border-collapse: collapse;"> <tr><td>Serie</td><td style="text-align: right;">88.8</td></tr> <tr><td>Total</td><td style="text-align: right;">404.9</td></tr> </table>	Serie	88.8	Total	404.9	<p>1. Serie 5 Skott</p> 	<p>1: 10.3x ← 2: 10.0 ← 3: 10.5x ↗ 4: 10.4x ↘ 5: 10.6x ↘</p> <table border="1" style="width:100%; border-collapse: collapse;"> <tr><td>Serie</td><td style="text-align: right;">51.8</td></tr> <tr><td>Total</td><td style="text-align: right;">456.7</td></tr> </table>	Serie	51.8	Total	456.7
Serie	88.8										
Total	404.9										
Serie	51.8										
Total	456.7										


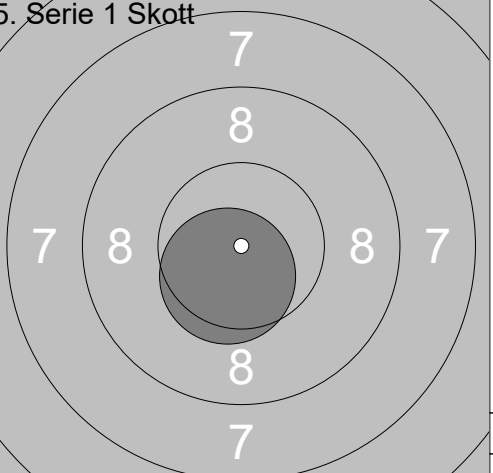
<p>2. Serie 1 Skott</p> 	<p>1: 10.1 →</p> <table border="1" style="width:100%; border-collapse: collapse;"> <tr><td>Serie</td><td style="text-align: right;">10.1</td></tr> <tr><td>Total</td><td style="text-align: right;">466.8</td></tr> </table>	Serie	10.1	Total	466.8	<p>3. Serie 1 Skott</p> 	<p>1: 10.4x ↗</p> <table border="1" style="width:100%; border-collapse: collapse;"> <tr><td>Serie</td><td style="text-align: right;">10.4</td></tr> <tr><td>Total</td><td style="text-align: right;">477.2</td></tr> </table>	Serie	10.4	Total	477.2
Serie	10.1										
Total	466.8										
Serie	10.4										
Total	477.2										

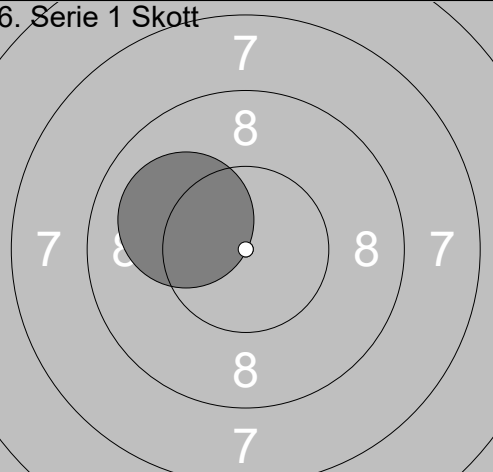
<p>4. Serie 1 Skott</p> 	<p>1: 10.0 →</p> <table border="1" style="width:100%; border-collapse: collapse;"> <tr><td>Serie</td><td style="text-align: right;">10.0</td></tr> <tr><td>Total</td><td style="text-align: right;">487.2</td></tr> </table>	Serie	10.0	Total	487.2	<p>5. Serie 1 Skott</p> 	<p>1: 10.8x ↗</p> <table border="1" style="width:100%; border-collapse: collapse;"> <tr><td>Serie</td><td style="text-align: right;">10.8</td></tr> <tr><td>Total</td><td style="text-align: right;">498.0</td></tr> </table>	Serie	10.8	Total	498.0
Serie	10.0										
Total	487.2										
Serie	10.8										
Total	498.0										

<p>6. Serie 1 Skott</p> 	<p>1: 9.2 ↗</p> <table border="1" style="width:100%; border-collapse: collapse;"> <tr><td>Serie</td><td style="text-align: right;">9.2</td></tr> <tr><td>Total</td><td style="text-align: right;">507.2</td></tr> </table>	Serie	9.2	Total	507.2		
Serie	9.2						
Total	507.2						

<p>Prøv</p> 	<p>1: 10.0 ←</p> <p>2: 10.6x ←</p> <p>3: 10.4x ↙</p> <p>4: 10.4x ↘</p> <p>5: 10.3x ←</p> <p>6: 10.0 ↘</p> <p>7: 10.5x →</p> <p>8: 10.3x ←</p> <p>9: 10.0 ↘</p>	<p>1. Serie 5 Skott</p> 	<p>1: 10.4x →</p> <p>2: 10.4x ↘</p> <p>3: 10.1 ↘</p> <p>4: 10.7x ←</p> <p>5: 10.3x →</p>
Serie 92.5		Serie 51.9	
Total 408.1		Total 460.0	

<p>2. Serie 1 Skott</p> 	<p>1: 9.7 ↘</p>	<p>3. Serie 1 Skott</p> 	<p>1: 9.6 ←</p>
Serie 9.7		Serie 9.6	
Total 469.7		Total 479.3	

<p>4. Serie 1 Skott</p> 	<p>1: 10.8x →</p>	<p>5. Serie 1 Skott</p> 	<p>1: 10.5x ↘</p>
Serie 10.8		Serie 10.5	
Total 490.1		Total 500.6	

<p>6. Serie 1 Skott</p> 	<p>1: 10.1 ←</p>		
Serie 10.1			
Total 510.7			

<p>Prov</p>	<p>1: 9.7 ↘                  2: 9.1 →                  3: 10.2x ↘                  4: 9.4 ←                  5: 10.7x →                  6: 9.8 ↘                  7: 9.8 →                  8: 10.4x →                  9: 7.9 →                  10: 10.4x ↓</p> <table border="1" style="width:100%; border-collapse: collapse;"> <tr><td>Serie</td><td style="text-align: right;">97.4</td></tr> <tr><td>Total</td><td style="text-align: right;">401.0</td></tr> </table>	Serie	97.4	Total	401.0	<p>Prov</p> <p style="text-align: right;">11: 9.9 ↙</p> <table border="1" style="width:100%; border-collapse: collapse;"> <tr><td>Serie</td><td style="text-align: right;">9.9</td></tr> <tr><td>Total</td><td style="text-align: right;">401.0</td></tr> </table>	Serie	9.9	Total	401.0
Serie	97.4									
Total	401.0									
Serie	9.9									
Total	401.0									

<p>1. Serie 5 Skott</p> <table border="1" style="width:100%; border-collapse: collapse;"> <tr><td>Serie</td><td style="text-align: right;">48.7</td></tr> <tr><td>Total</td><td style="text-align: right;">449.7</td></tr> </table>	Serie	48.7	Total	449.7	<p>2. Serie 1 Skott</p> <p style="text-align: right;">1: 9.4 →</p> <table border="1" style="width:100%; border-collapse: collapse;"> <tr><td>Serie</td><td style="text-align: right;">9.4</td></tr> <tr><td>Total</td><td style="text-align: right;">459.1</td></tr> </table>	Serie	9.4	Total	459.1
Serie	48.7								
Total	449.7								
Serie	9.4								
Total	459.1								

<p>3. Serie 1 Skott</p> <table border="1" style="width:100%; border-collapse: collapse;"> <tr><td>Serie</td><td style="text-align: right;">9.7</td></tr> <tr><td>Total</td><td style="text-align: right;">468.8</td></tr> </table>	Serie	9.7	Total	468.8	<p>4. Serie 1 Skott</p> <p style="text-align: right;">1: 9.0 ↘</p> <table border="1" style="width:100%; border-collapse: collapse;"> <tr><td>Serie</td><td style="text-align: right;">9.0</td></tr> <tr><td>Total</td><td style="text-align: right;">477.8</td></tr> </table>	Serie	9.0	Total	477.8
Serie	9.7								
Total	468.8								
Serie	9.0								
Total	477.8								

<p>5. Serie 1 Skott</p> <table border="1" style="width:100%; border-collapse: collapse;"> <tr><td>Serie</td><td style="text-align: right;">10.5</td></tr> <tr><td>Total</td><td style="text-align: right;">488.3</td></tr> </table>	Serie	10.5	Total	488.3	<p>6. Serie 1 Skott</p> <p style="text-align: right;">1: 9.5 ↘</p> <table border="1" style="width:100%; border-collapse: collapse;"> <tr><td>Serie</td><td style="text-align: right;">9.5</td></tr> <tr><td>Total</td><td style="text-align: right;">497.8</td></tr> </table>	Serie	9.5	Total	497.8
Serie	10.5								
Total	488.3								
Serie	9.5								
Total	497.8								

<p><b>Prov</b></p>	<p>1: 8.8 ↓ 2: 9.5 ↓ 3: 8.0 ↓ 4: 10.3x → 5: 9.9 → 6: 10.6x ↓ 7: 9.5 ↗ 8: 10.4x ↓ 9: 10.0 ↗ 10: 10.0 ←</p> <p>Serie 97.0 Total 398.9</p>	<p><b>Prov</b></p>	<p>11: 9.3 → 12: 10.4x → 13: 9.7 ↗ 14: 10.2x → 15: 9.8 ↗ 16: 10.4x ↗ 17: 9.6 ←</p> <p>Serie 69.4 Total 398.9</p>
--------------------	---	--------------------	--

<p><b>1. Serie 5 Skott</b></p>	<p><b>2. Serie 1 Skott</b></p>
<p>1: 10.5x ↑ 2: 10.2x ↓ 3: 9.7 ↗ 4: 10.6x ↑ 5: 10.4x ↓</p> <p>Serie 51.4 Total 450.3</p>	<p>1: 9.6 ↑</p> <p>Serie 9.6 Total 459.9</p>

<p><b>3. Serie 1 Skott</b></p>	<p><b>4. Serie 1 Skott</b></p>
<p>1: 10.0 ←</p> <p>Serie 10.0 Total 469.9</p>	<p>1: 9.8 ←</p> <p>Serie 9.8 Total 479.7</p>

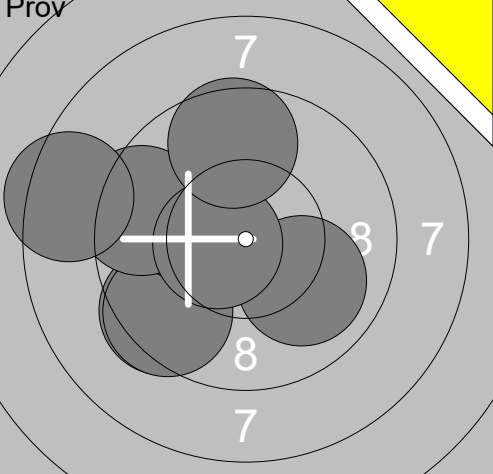
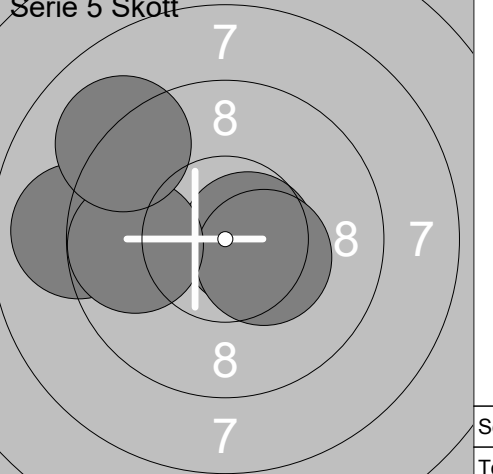
<p><b>5. Serie 1 Skott</b></p>	<p><b>6. Serie 1 Skott</b></p>
<p>1: 9.3 ←</p> <p>Serie 9.3 Total 489.0</p>	<p>1: 9.5 ↗</p> <p>Serie 9.5 Total 498.5</p>

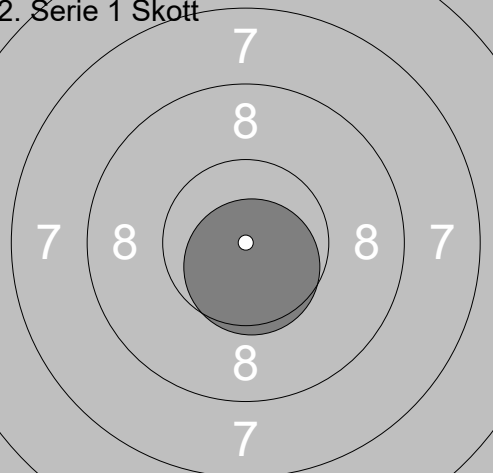
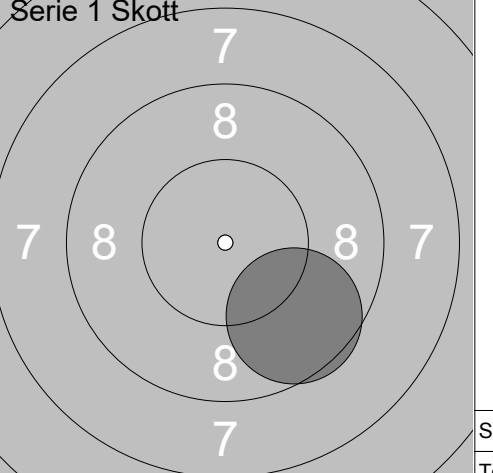
<p>Pröv</p>	<table border="1" style="width:100%; border-collapse: collapse;"> <tr><td>1:</td><td>10.0</td><td>→</td></tr> <tr><td>2:</td><td>9.7</td><td>↑</td></tr> <tr><td>3:</td><td>10.4x</td><td>↑</td></tr> <tr><td>4:</td><td>9.1</td><td>↗</td></tr> <tr><td>5:</td><td>9.3</td><td>↑</td></tr> <tr><td>6:</td><td>9.9</td><td>↑</td></tr> <tr><td>7:</td><td>10.2x</td><td>↓</td></tr> <tr><td>8:</td><td>10.0</td><td>↑</td></tr> <tr><td>9:</td><td>10.6x</td><td>↑</td></tr> <tr><td>10:</td><td>9.6</td><td>↑</td></tr> <tr><td colspan="2">Serie</td><td>98.8</td></tr> <tr><td colspan="2">Total</td><td>398.8</td></tr> </table>	1:	10.0	→	2:	9.7	↑	3:	10.4x	↑	4:	9.1	↗	5:	9.3	↑	6:	9.9	↑	7:	10.2x	↓	8:	10.0	↑	9:	10.6x	↑	10:	9.6	↑	Serie		98.8	Total		398.8	<p>1. Serie 5 Skott</p> <table border="1" style="width:100%; border-collapse: collapse;"> <tr><td>1:</td><td>8.3</td><td>→</td></tr> <tr><td>2:</td><td>9.6</td><td>←</td></tr> <tr><td>3:</td><td>9.3</td><td>→</td></tr> <tr><td>4:</td><td>9.4</td><td>↘</td></tr> <tr><td>5:</td><td>9.4</td><td>↗</td></tr> <tr><td colspan="2">Serie</td><td>46.0</td></tr> <tr><td colspan="2">Total</td><td>444.8</td></tr> </table>	1:	8.3	→	2:	9.6	←	3:	9.3	→	4:	9.4	↘	5:	9.4	↗	Serie		46.0	Total		444.8
1:	10.0	→																																																									
2:	9.7	↑																																																									
3:	10.4x	↑																																																									
4:	9.1	↗																																																									
5:	9.3	↑																																																									
6:	9.9	↑																																																									
7:	10.2x	↓																																																									
8:	10.0	↑																																																									
9:	10.6x	↑																																																									
10:	9.6	↑																																																									
Serie		98.8																																																									
Total		398.8																																																									
1:	8.3	→																																																									
2:	9.6	←																																																									
3:	9.3	→																																																									
4:	9.4	↘																																																									
5:	9.4	↗																																																									
Serie		46.0																																																									
Total		444.8																																																									

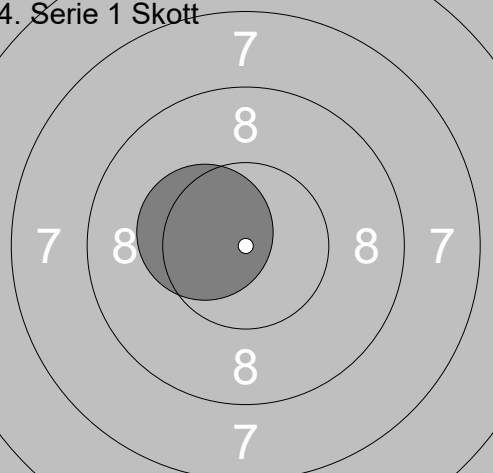
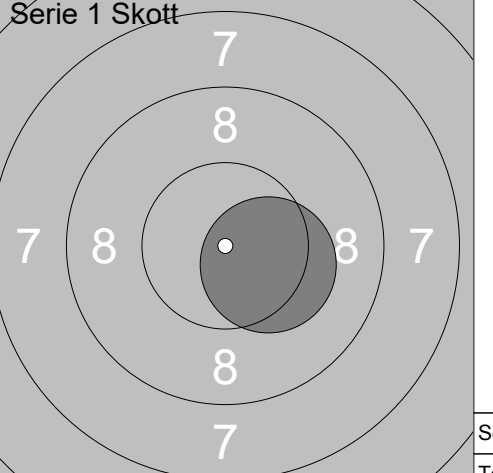
<p>2. Serie 1 Skott</p> <table border="1" style="width:100%; border-collapse: collapse;"> <tr><td colspan="2">Serie</td><td>10.5</td></tr> <tr><td colspan="2">Total</td><td>455.3</td></tr> </table>	Serie		10.5	Total		455.3	<p>3. Serie 1 Skott</p> <table border="1" style="width:100%; border-collapse: collapse;"> <tr><td>1:</td><td>10.5x</td><td>↗</td></tr> <tr><td colspan="2">Serie</td><td>10.3</td></tr> <tr><td colspan="2">Total</td><td>465.6</td></tr> </table>	1:	10.5x	↗	Serie		10.3	Total		465.6
Serie		10.5														
Total		455.3														
1:	10.5x	↗														
Serie		10.3														
Total		465.6														

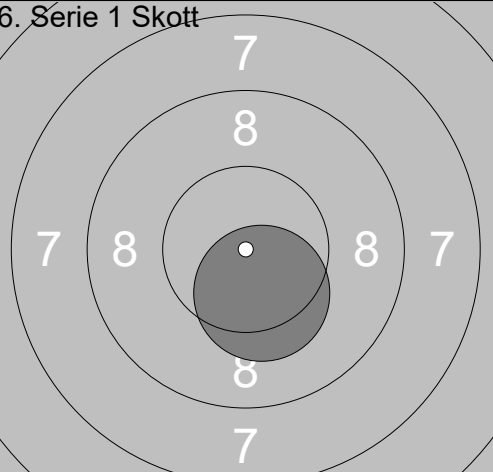
<p>4. Serie 1 Skott</p> <table border="1" style="width:100%; border-collapse: collapse;"> <tr><td>1:</td><td>10.4x</td><td>↓</td></tr> <tr><td colspan="2">Serie</td><td>10.4</td></tr> <tr><td colspan="2">Total</td><td>476.0</td></tr> </table>	1:	10.4x	↓	Serie		10.4	Total		476.0	<p>5. Serie 1 Skott</p> <table border="1" style="width:100%; border-collapse: collapse;"> <tr><td>1:</td><td>10.5x</td><td>↘</td></tr> <tr><td colspan="2">Serie</td><td>10.5</td></tr> <tr><td colspan="2">Total</td><td>486.5</td></tr> </table>	1:	10.5x	↘	Serie		10.5	Total		486.5
1:	10.4x	↓																	
Serie		10.4																	
Total		476.0																	
1:	10.5x	↘																	
Serie		10.5																	
Total		486.5																	

<p>6. Serie 1 Skott</p> <table border="1" style="width:100%; border-collapse: collapse;"> <tr><td>1:</td><td>8.5</td><td>↓</td></tr> <tr><td colspan="2">Serie</td><td>8.5</td></tr> <tr><td colspan="2">Total</td><td>495.0</td></tr> </table>	1:	8.5	↓	Serie		8.5	Total		495.0	
1:	8.5	↓								
Serie		8.5								
Total		495.0								

<p>Prov</p> 	<p>1: 9.4 ↙ 2: 10.0 ↘ 3: 9.5 ↙ 4: 10.1 ← 5: 9.4 ← 6: 8.4 ← 7: 10.6x ← 8: 9.6 ↑</p>	<p>1. Serie 5 Skott</p> 	<p>1: 10.6x → 2: 9.0 ← 3: 10.4x ↘ 4: 9.8 ← 5: 9.1 ↗</p>
Serie 77.0		Serie 48.9	
Total 398.6		Total 447.5	

<p>2. Serie 1 Skott</p> 	<p>1: 10.6x ↓</p>	<p>3. Serie 1 Skott</p> 	<p>1: 9.6 ↘</p>
Serie 10.6		Serie 9.6	
Total 458.1		Total 467.7	

<p>4. Serie 1 Skott</p> 	<p>1: 10.4x ←</p>	<p>5. Serie 1 Skott</p> 	<p>1: 10.3x →</p>
Serie 10.4		Serie 10.3	
Total 478.1		Total 488.4	

<p>6. Serie 1 Skott</p> 	<p>1: 10.3x ↓</p>		
Serie 10.3			
Total 498.7			

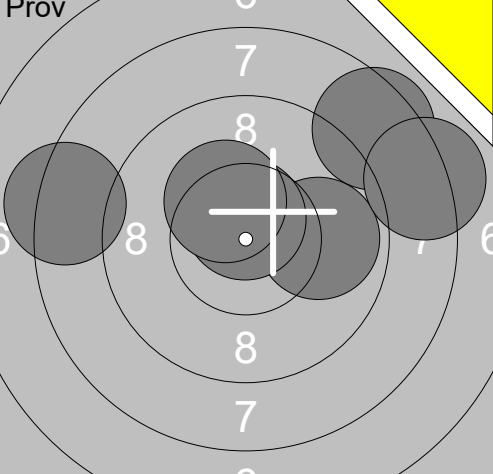
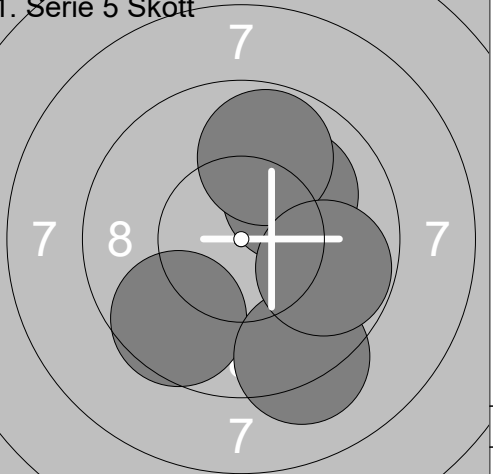


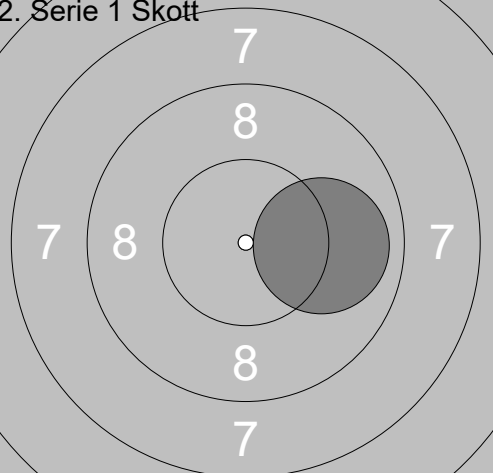

<p>Prøv</p>	<table style="width:100%; border-collapse: collapse;"> <tr><td>1:</td><td>8.8</td><td>↗</td></tr> <tr><td>2:</td><td>9.4</td><td>←</td></tr> <tr><td>3:</td><td>10.2x</td><td>↑</td></tr> <tr><td>4:</td><td>9.4</td><td>↑</td></tr> <tr><td>5:</td><td>10.2x</td><td>→</td></tr> <tr><td>6:</td><td>10.1</td><td>←</td></tr> <tr><td>7:</td><td>9.3</td><td>←</td></tr> <tr><td>8:</td><td>8.9</td><td>↗</td></tr> <tr><td>9:</td><td>9.8</td><td>↑</td></tr> <tr><td>10:</td><td>10.1</td><td>↘</td></tr> </table> <table style="width:100%; border-collapse: collapse; margin-top: 5px;"> <tr><td style="border-top: 1px solid black;">Serie</td><td style="border-top: 1px solid black; text-align: right;">96.2</td></tr> <tr><td style="border-top: 1px solid black;">Total</td><td style="border-top: 1px solid black; text-align: right;">398.3</td></tr> </table>	1:	8.8	↗	2:	9.4	←	3:	10.2x	↑	4:	9.4	↑	5:	10.2x	→	6:	10.1	←	7:	9.3	←	8:	8.9	↗	9:	9.8	↑	10:	10.1	↘	Serie	96.2	Total	398.3	<p>1. Serie 5 Skott</p>	<table style="width:100%; border-collapse: collapse;"> <tr><td>1:</td><td>10.1</td><td>↑</td></tr> <tr><td>2:</td><td>10.1</td><td>→</td></tr> <tr><td>3:</td><td>9.8</td><td>→</td></tr> <tr><td>4:</td><td>10.5x</td><td>←</td></tr> <tr><td>5:</td><td>9.7</td><td>↘</td></tr> </table> <table style="width:100%; border-collapse: collapse; margin-top: 5px;"> <tr><td style="border-top: 1px solid black;">Serie</td><td style="border-top: 1px solid black; text-align: right;">50.2</td></tr> <tr><td style="border-top: 1px solid black;">Total</td><td style="border-top: 1px solid black; text-align: right;">448.5</td></tr> </table>	1:	10.1	↑	2:	10.1	→	3:	9.8	→	4:	10.5x	←	5:	9.7	↘	Serie	50.2	Total	448.5
1:	8.8	↗																																																						
2:	9.4	←																																																						
3:	10.2x	↑																																																						
4:	9.4	↑																																																						
5:	10.2x	→																																																						
6:	10.1	←																																																						
7:	9.3	←																																																						
8:	8.9	↗																																																						
9:	9.8	↑																																																						
10:	10.1	↘																																																						
Serie	96.2																																																							
Total	398.3																																																							
1:	10.1	↑																																																						
2:	10.1	→																																																						
3:	9.8	→																																																						
4:	10.5x	←																																																						
5:	9.7	↘																																																						
Serie	50.2																																																							
Total	448.5																																																							

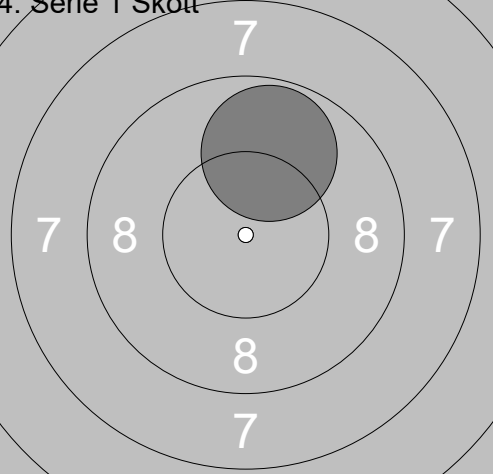
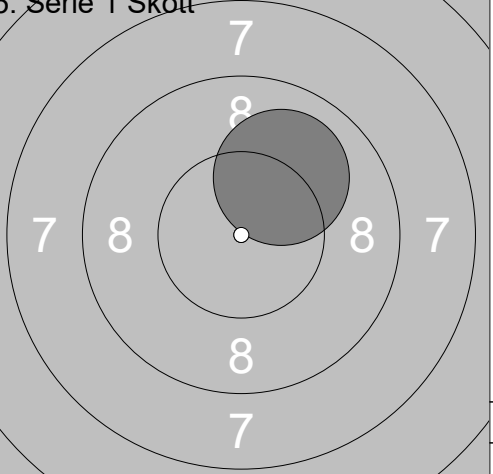
<p>2. Serie 1 Skott</p>	<table style="width:100%; border-collapse: collapse;"> <tr><td>1:</td><td>9.4</td><td>↗</td></tr> </table> <table style="width:100%; border-collapse: collapse; margin-top: 5px;"> <tr><td style="border-top: 1px solid black;">Serie</td><td style="border-top: 1px solid black; text-align: right;">9.4</td></tr> <tr><td style="border-top: 1px solid black;">Total</td><td style="border-top: 1px solid black; text-align: right;">457.9</td></tr> </table>	1:	9.4	↗	Serie	9.4	Total	457.9	<p>3. Serie 1 Skott</p>	<table style="width:100%; border-collapse: collapse;"> <tr><td>1:</td><td>8.6</td><td>→</td></tr> </table> <table style="width:100%; border-collapse: collapse; margin-top: 5px;"> <tr><td style="border-top: 1px solid black;">Serie</td><td style="border-top: 1px solid black; text-align: right;">8.6</td></tr> <tr><td style="border-top: 1px solid black;">Total</td><td style="border-top: 1px solid black; text-align: right;">466.5</td></tr> </table>	1:	8.6	→	Serie	8.6	Total	466.5
1:	9.4	↗															
Serie	9.4																
Total	457.9																
1:	8.6	→															
Serie	8.6																
Total	466.5																

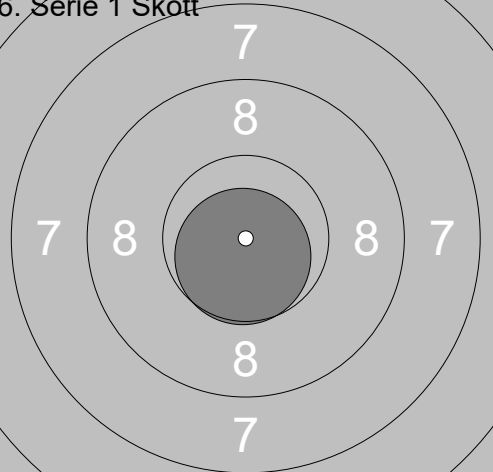
<p>4. Serie 1 Skott</p>	<table style="width:100%; border-collapse: collapse;"> <tr><td>1:</td><td>8.8</td><td>↘</td></tr> </table> <table style="width:100%; border-collapse: collapse; margin-top: 5px;"> <tr><td style="border-top: 1px solid black;">Serie</td><td style="border-top: 1px solid black; text-align: right;">8.8</td></tr> <tr><td style="border-top: 1px solid black;">Total</td><td style="border-top: 1px solid black; text-align: right;">475.3</td></tr> </table>	1:	8.8	↘	Serie	8.8	Total	475.3	<p>5. Serie 1 Skott</p>	<table style="width:100%; border-collapse: collapse;"> <tr><td>1:</td><td>10.5x</td><td>↗</td></tr> </table> <table style="width:100%; border-collapse: collapse; margin-top: 5px;"> <tr><td style="border-top: 1px solid black;">Serie</td><td style="border-top: 1px solid black; text-align: right;">10.5</td></tr> <tr><td style="border-top: 1px solid black;">Total</td><td style="border-top: 1px solid black; text-align: right;">485.8</td></tr> </table>	1:	10.5x	↗	Serie	10.5	Total	485.8
1:	8.8	↘															
Serie	8.8																
Total	475.3																
1:	10.5x	↗															
Serie	10.5																
Total	485.8																

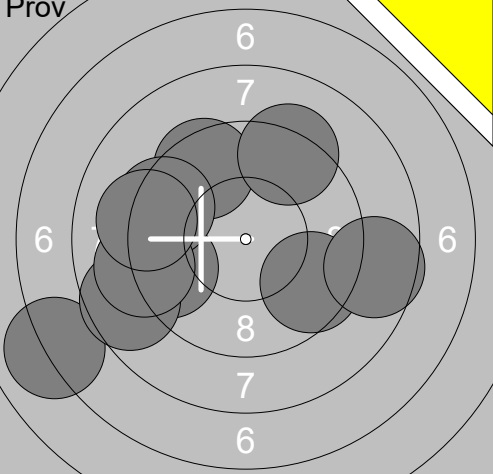
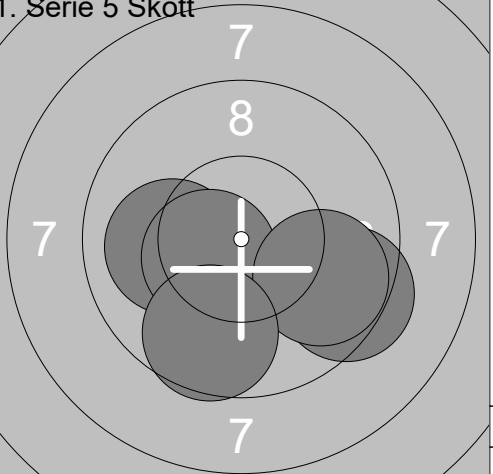
<p>6. Serie 1 Skott</p>	<table style="width:100%; border-collapse: collapse;"> <tr><td>1:</td><td>10.5x</td><td>→</td></tr> </table> <table style="width:100%; border-collapse: collapse; margin-top: 5px;"> <tr><td style="border-top: 1px solid black;">Serie</td><td style="border-top: 1px solid black; text-align: right;">10.5</td></tr> <tr><td style="border-top: 1px solid black;">Total</td><td style="border-top: 1px solid black; text-align: right;">496.3</td></tr> </table>	1:	10.5x	→	Serie	10.5	Total	496.3		
1:	10.5x	→								
Serie	10.5									
Total	496.3									

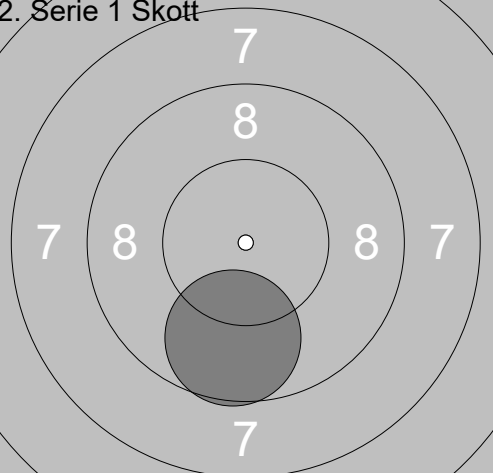
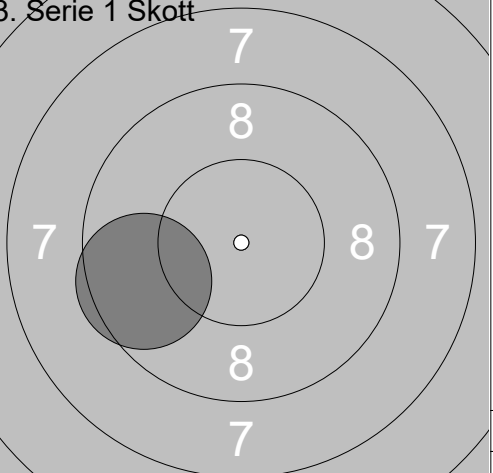
<p>Prov</p> 	<p>1: 9.9 → 2: 10.7x ↑ 3: 10.3x ↗ 4: 8.5 ↗ 5: 8.3 ← 6: 8.2 →</p>	<p>1. Serie 5 Skott</p> 	<p>1: 9.6 ↙ 2: 10.1 ↗ 3: 9.2 ↘ 4: 9.8 ↑ 5: 9.8 →</p>
Serie 55.9		Serie 48.5	
Total 396.2		Total 444.7	

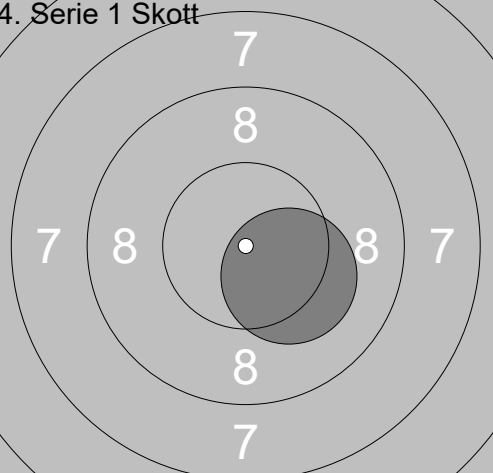
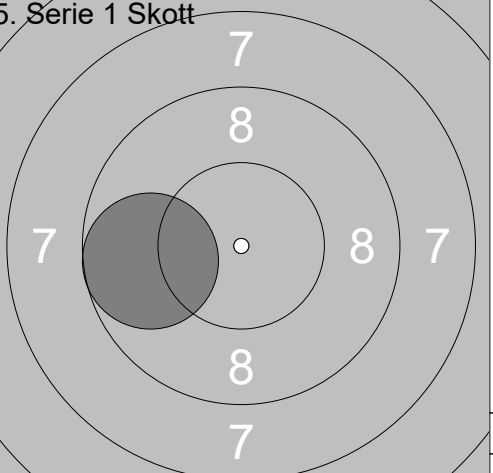
<p>2. Serie 1 Skott</p> 	<p>1: 9.9 →</p>	<p>3. Serie 1 Skott</p> 	<p>1: 10.8x ↘</p>
Serie 9.9		Serie 10.8	
Total 454.6		Total 465.4	

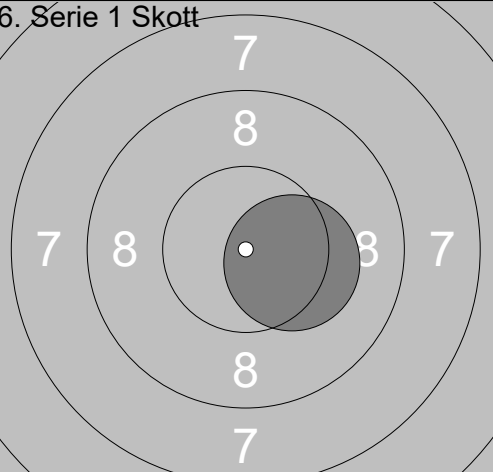
<p>4. Serie 1 Skott</p> 	<p>1: 9.8 ↑</p>	<p>5. Serie 1 Skott</p> 	<p>1: 10.0 ↗</p>
Serie 9.8		Serie 10.0	
Total 475.2		Total 485.2	

<p>6. Serie 1 Skott</p> 	<p>1: 10.7x ↓</p>		
Serie 10.7			
Total 495.9			

<p>Prov</p> 	<table border="1" style="width:100%; border-collapse: collapse;"> <tr><td>1:</td><td>7.0</td><td>↙</td></tr> <tr><td>2:</td><td>9.5</td><td>↗</td></tr> <tr><td>3:</td><td>9.3</td><td>↗</td></tr> <tr><td>4:</td><td>9.5</td><td>↙</td></tr> <tr><td>5:</td><td>9.4</td><td>↗</td></tr> <tr><td>6:</td><td>9.6</td><td>↘</td></tr> <tr><td>7:</td><td>8.6</td><td>→</td></tr> <tr><td>8:</td><td>8.6</td><td>↙</td></tr> <tr><td>9:</td><td>9.1</td><td>↙</td></tr> <tr><td>10:</td><td>9.1</td><td>↙</td></tr> <tr><td colspan="2">Serie</td><td style="text-align: right;">89.7</td></tr> <tr><td colspan="2">Total</td><td style="text-align: right;">394.2</td></tr> </table>	1:	7.0	↙	2:	9.5	↗	3:	9.3	↗	4:	9.5	↙	5:	9.4	↗	6:	9.6	↘	7:	8.6	→	8:	8.6	↙	9:	9.1	↙	10:	9.1	↙	Serie		89.7	Total		394.2	<p>1. Serie 5 Skott</p>  <table border="1" style="width:100%; border-collapse: collapse;"> <tr><td>1:</td><td>9.4</td><td>↘</td></tr> <tr><td>2:</td><td>10.0</td><td>↙</td></tr> <tr><td>3:</td><td>10.5x</td><td>↙</td></tr> <tr><td>4:</td><td>9.8</td><td>↘</td></tr> <tr><td>5:</td><td>9.6</td><td>↘</td></tr> <tr><td colspan="2">Serie</td><td style="text-align: right;">49.3</td></tr> <tr><td colspan="2">Total</td><td style="text-align: right;">443.5</td></tr> </table>	1:	9.4	↘	2:	10.0	↙	3:	10.5x	↙	4:	9.8	↘	5:	9.6	↘	Serie		49.3	Total		443.5
1:	7.0	↙																																																									
2:	9.5	↗																																																									
3:	9.3	↗																																																									
4:	9.5	↙																																																									
5:	9.4	↗																																																									
6:	9.6	↘																																																									
7:	8.6	→																																																									
8:	8.6	↙																																																									
9:	9.1	↙																																																									
10:	9.1	↙																																																									
Serie		89.7																																																									
Total		394.2																																																									
1:	9.4	↘																																																									
2:	10.0	↙																																																									
3:	10.5x	↙																																																									
4:	9.8	↘																																																									
5:	9.6	↘																																																									
Serie		49.3																																																									
Total		443.5																																																									

<p>2. Serie 1 Skott</p>  <table border="1" style="width:100%; border-collapse: collapse;"> <tr><td>1:</td><td>9.7</td><td>↘</td></tr> <tr><td colspan="2">Serie</td><td style="text-align: right;">9.7</td></tr> <tr><td colspan="2">Total</td><td style="text-align: right;">453.2</td></tr> </table>	1:	9.7	↘	Serie		9.7	Total		453.2	<p>3. Serie 1 Skott</p>  <table border="1" style="width:100%; border-collapse: collapse;"> <tr><td>1:</td><td>9.6</td><td>↙</td></tr> <tr><td colspan="2">Serie</td><td style="text-align: right;">9.6</td></tr> <tr><td colspan="2">Total</td><td style="text-align: right;">462.8</td></tr> </table>	1:	9.6	↙	Serie		9.6	Total		462.8
1:	9.7	↘																	
Serie		9.7																	
Total		453.2																	
1:	9.6	↙																	
Serie		9.6																	
Total		462.8																	

<p>4. Serie 1 Skott</p>  <table border="1" style="width:100%; border-collapse: collapse;"> <tr><td>1:</td><td>10.2x</td><td>↘</td></tr> <tr><td colspan="2">Serie</td><td style="text-align: right;">10.2</td></tr> <tr><td colspan="2">Total</td><td style="text-align: right;">473.0</td></tr> </table>	1:	10.2x	↘	Serie		10.2	Total		473.0	<p>5. Serie 1 Skott</p>  <table border="1" style="width:100%; border-collapse: collapse;"> <tr><td>1:</td><td>9.7</td><td>↙</td></tr> <tr><td colspan="2">Serie</td><td style="text-align: right;">9.7</td></tr> <tr><td colspan="2">Total</td><td style="text-align: right;">482.7</td></tr> </table>	1:	9.7	↙	Serie		9.7	Total		482.7
1:	10.2x	↘																	
Serie		10.2																	
Total		473.0																	
1:	9.7	↙																	
Serie		9.7																	
Total		482.7																	

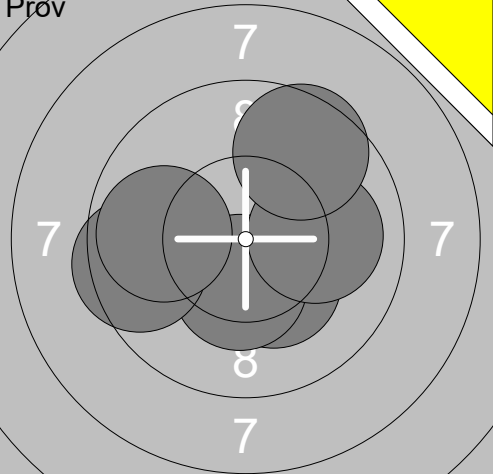
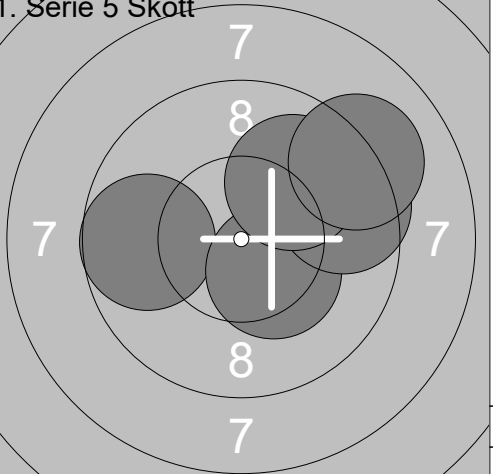
<p>6. Serie 1 Skott</p>  <table border="1" style="width:100%; border-collapse: collapse;"> <tr><td>1:</td><td>10.3x</td><td>→</td></tr> <tr><td colspan="2">Serie</td><td style="text-align: right;">10.3</td></tr> <tr><td colspan="2">Total</td><td style="text-align: right;">493.0</td></tr> </table>	1:	10.3x	→	Serie		10.3	Total		493.0	
1:	10.3x	→								
Serie		10.3								
Total		493.0								

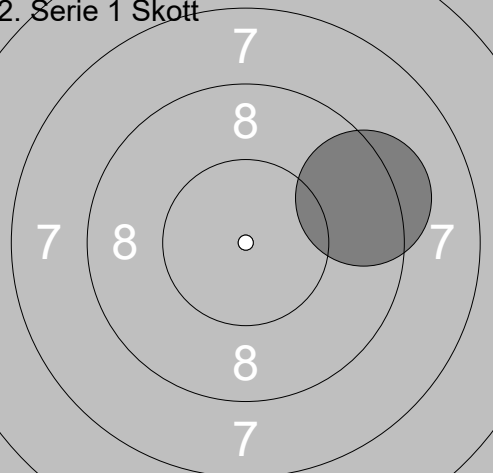
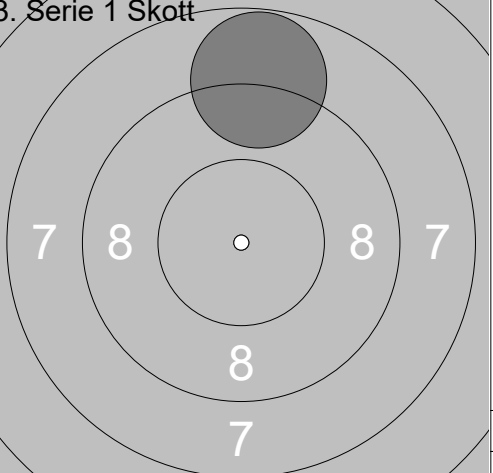
<p>Pröv</p>	<p>1: 10.8x ↙                  2: 10.0 ↘                  3: 9.3 →                  4: 10.4x →                  5: 9.8 ↘                  6: 10.7x ←                  7: 9.5 ↗                  8: 10.3x →</p>	<p>1. Serie 5 Skott</p>	<p>1: 9.7 ↗                  2: 10.2x ←                  3: 9.8 ↖                  4: 10.6x →                  5: 10.1 ↗</p>
Serie 80.8		Serie 50.4	
Total 414.0		Total 464.4	

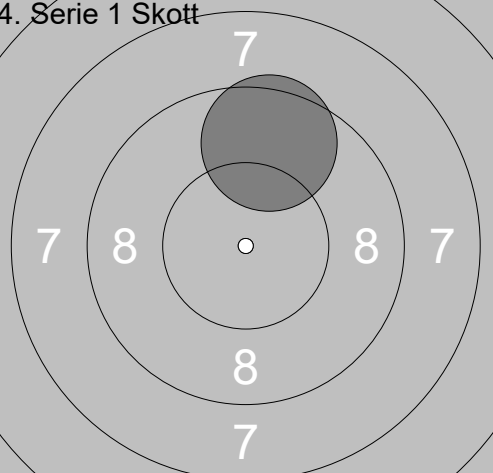
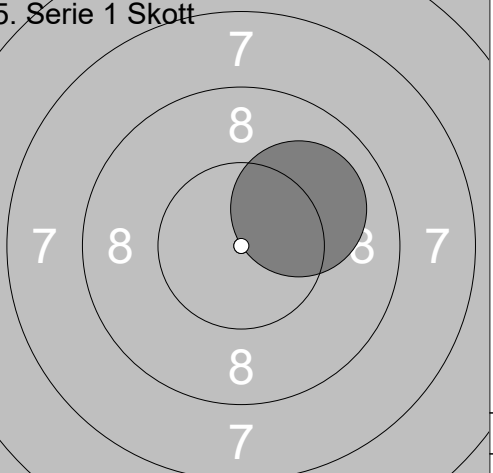
<p>2. Serie 1 Skott</p>	<p>1: 9.4 ↗</p>	<p>3. Serie 1 Skott</p>	<p>1: 10.6x ↗</p>
Serie 9.4		Serie 10.6	
Total 473.8		Total 484.4	

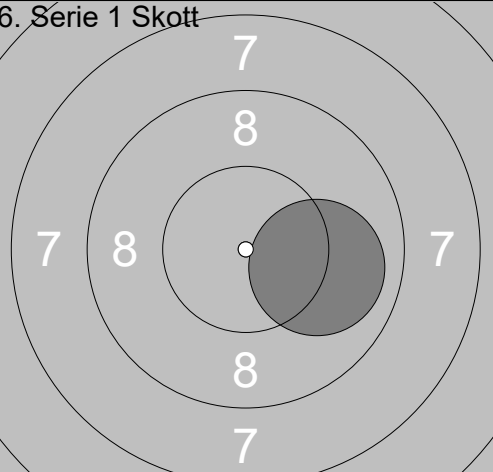
<p>4. Serie 1 Skott</p>	<p>1: 9.6 ↗</p>	<p>5. Serie 1 Skott</p>	<p>1: 10.4x ↗</p>
Serie 9.6		Serie 10.4	
Total 494.0		Total 504.4	

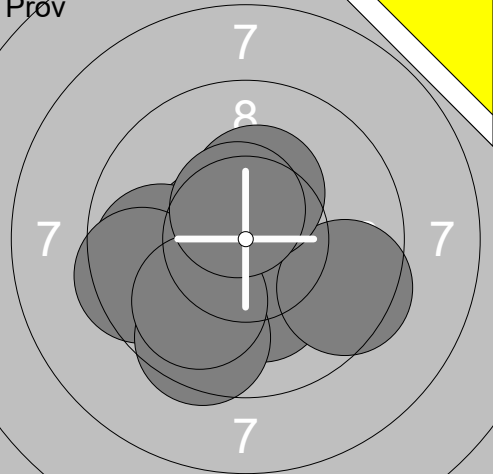
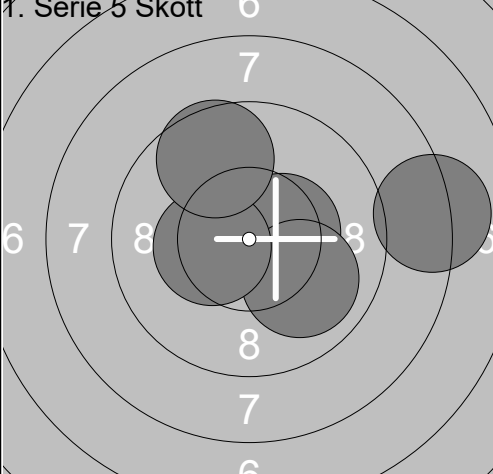
<p>6. Serie 1 Skott</p>	<p>1: 9.5 ↘</p>		
Serie 9.5			
Total 513.9			

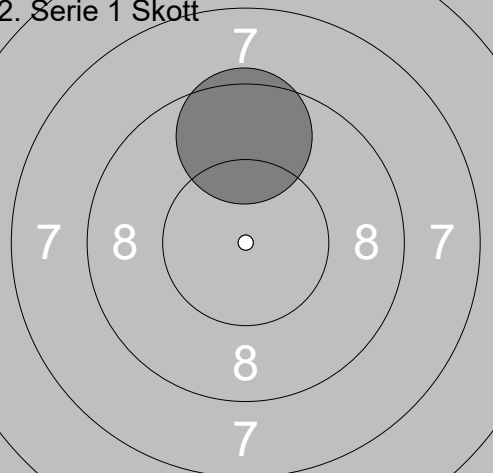
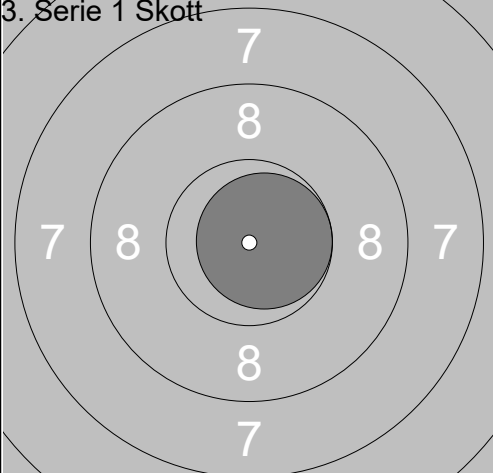
<p><b>Pröv</b></p>  <table border="1" style="width:100%; border-collapse: collapse;"> <tr><td>1:</td><td>10.3x</td><td>↘</td></tr> <tr><td>2:</td><td>10.4x</td><td>↓</td></tr> <tr><td>3:</td><td>9.5</td><td>←</td></tr> <tr><td>4:</td><td>10.0</td><td>→</td></tr> <tr><td>5:</td><td>9.9</td><td>←</td></tr> <tr><td>6:</td><td>9.6</td><td>↗</td></tr> </table>	1:	10.3x	↘	2:	10.4x	↓	3:	9.5	←	4:	10.0	→	5:	9.9	←	6:	9.6	↗	<p><b>1. Serie 5 Skott</b></p>  <table border="1" style="width:100%; border-collapse: collapse;"> <tr><td>1:</td><td>9.7</td><td>←</td></tr> <tr><td>2:</td><td>10.4x</td><td>↘</td></tr> <tr><td>3:</td><td>9.5</td><td>→</td></tr> <tr><td>4:</td><td>9.9</td><td>↗</td></tr> <tr><td>5:</td><td>9.1</td><td>↗</td></tr> </table>	1:	9.7	←	2:	10.4x	↘	3:	9.5	→	4:	9.9	↗	5:	9.1	↗	
1:	10.3x	↘																																	
2:	10.4x	↓																																	
3:	9.5	←																																	
4:	10.0	→																																	
5:	9.9	←																																	
6:	9.6	↗																																	
1:	9.7	←																																	
2:	10.4x	↘																																	
3:	9.5	→																																	
4:	9.9	↗																																	
5:	9.1	↗																																	
Serie 59.7	Serie 48.6																																		
Total 408.2	Total 456.8																																		

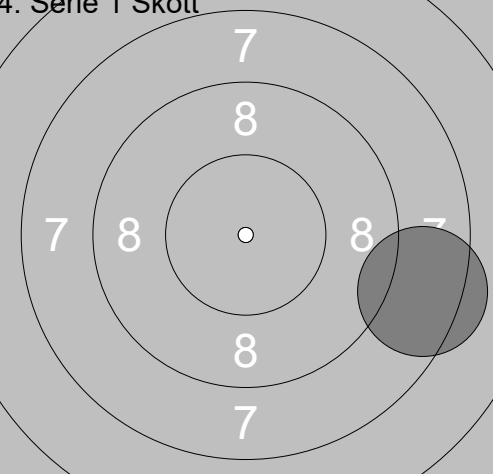
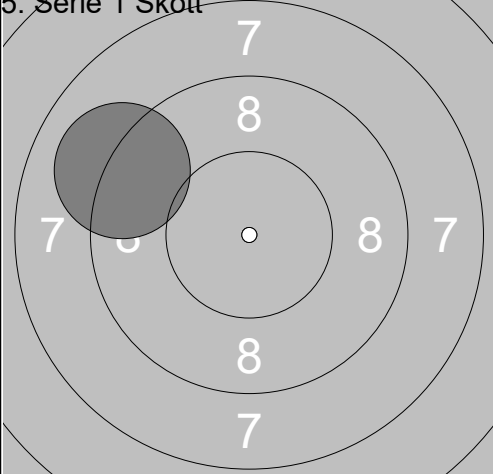
<p><b>2. Serie 1 Skott</b></p>  <table border="1" style="width:100%; border-collapse: collapse;"> <tr><td>1:</td><td>9.3</td><td>→</td></tr> </table>	1:	9.3	→	<p><b>3. Serie 1 Skott</b></p>  <table border="1" style="width:100%; border-collapse: collapse;"> <tr><td>1:</td><td>8.8</td><td>↑</td></tr> </table>	1:	8.8	↑	
1:	9.3	→						
1:	8.8	↑						
Serie 9.3	Serie 8.8							
Total 466.1	Total 474.9							

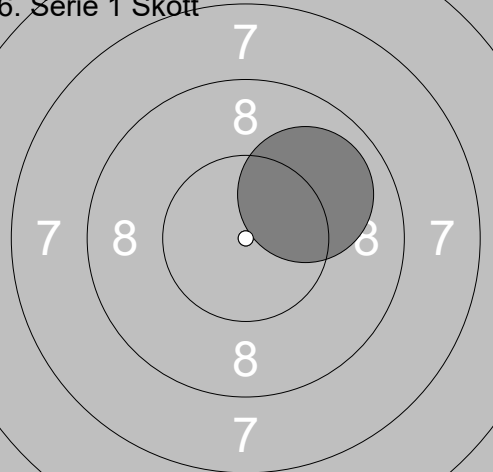
<p><b>4. Serie 1 Skott</b></p>  <table border="1" style="width:100%; border-collapse: collapse;"> <tr><td>1:</td><td>9.6</td><td>↑</td></tr> </table>	1:	9.6	↑	<p><b>5. Serie 1 Skott</b></p>  <table border="1" style="width:100%; border-collapse: collapse;"> <tr><td>1:</td><td>10.0</td><td>↗</td></tr> </table>	1:	10.0	↗	
1:	9.6	↑						
1:	10.0	↗						
Serie 9.6	Serie 10.0							
Total 484.5	Total 494.5							

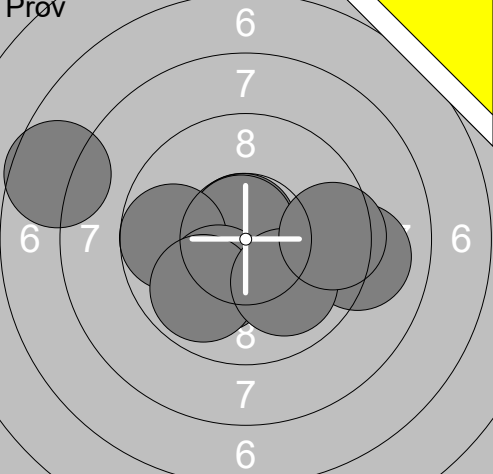
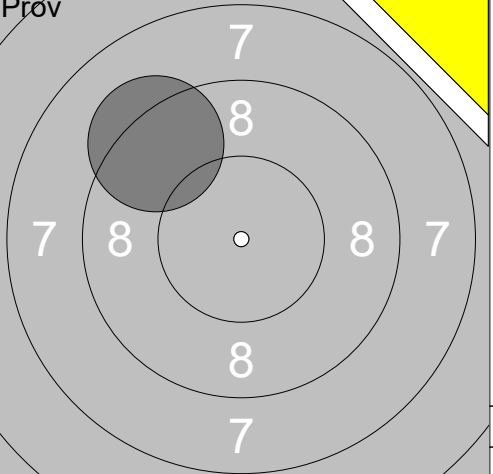
<p><b>6. Serie 1 Skott</b></p>  <table border="1" style="width:100%; border-collapse: collapse;"> <tr><td>1:</td><td>10.0</td><td>→</td></tr> </table>	1:	10.0	→		
1:	10.0	→			
Serie 10.0					
Total 504.5					

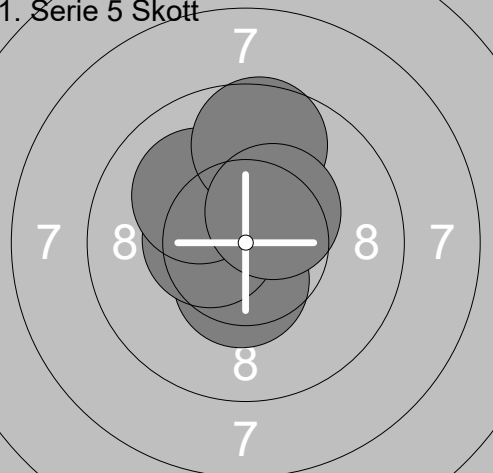
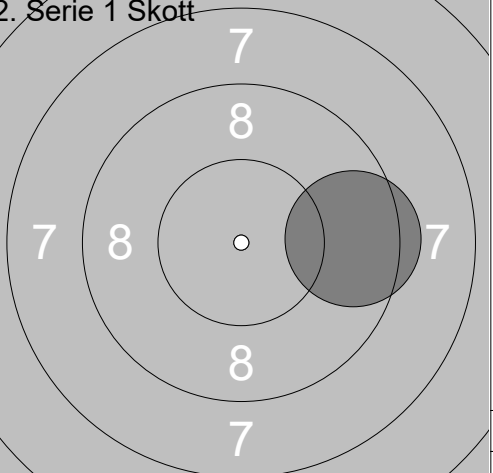
<p>Pröv</p> 	<table border="1" style="width:100%; border-collapse: collapse;"> <tr><td>1:</td><td>10.6x</td><td>←</td></tr> <tr><td>2:</td><td>10.2x</td><td>↓</td></tr> <tr><td>3:</td><td>9.9</td><td>↙</td></tr> <tr><td>4:</td><td>9.5</td><td>→</td></tr> <tr><td>5:</td><td>10.3x</td><td>↑</td></tr> <tr><td>6:</td><td>9.8</td><td>←</td></tr> <tr><td>7:</td><td>9.5</td><td>←</td></tr> <tr><td>8:</td><td>9.5</td><td>↓</td></tr> <tr><td>9:</td><td>9.9</td><td>↙</td></tr> <tr><td>10:</td><td>10.5x</td><td>↑</td></tr> <tr><td colspan="2">Serie</td><td>99.7</td></tr> <tr><td colspan="2">Total</td><td>407.5</td></tr> </table>	1:	10.6x	←	2:	10.2x	↓	3:	9.9	↙	4:	9.5	→	5:	10.3x	↑	6:	9.8	←	7:	9.5	←	8:	9.5	↓	9:	9.9	↙	10:	10.5x	↑	Serie		99.7	Total		407.5	<p>1. Serie 5 Skott</p>  <table border="1" style="width:100%; border-collapse: collapse;"> <tr><td>1:</td><td>10.4x</td><td>→</td></tr> <tr><td>2:</td><td>10.0</td><td>↘</td></tr> <tr><td>3:</td><td>10.4x</td><td>←</td></tr> <tr><td>4:</td><td>9.6</td><td>↑</td></tr> <tr><td>5:</td><td>8.1</td><td>→</td></tr> <tr><td colspan="2">Serie</td><td>48.5</td></tr> <tr><td colspan="2">Total</td><td>456.0</td></tr> </table>	1:	10.4x	→	2:	10.0	↘	3:	10.4x	←	4:	9.6	↑	5:	8.1	→	Serie		48.5	Total		456.0
1:	10.6x	←																																																									
2:	10.2x	↓																																																									
3:	9.9	↙																																																									
4:	9.5	→																																																									
5:	10.3x	↑																																																									
6:	9.8	←																																																									
7:	9.5	←																																																									
8:	9.5	↓																																																									
9:	9.9	↙																																																									
10:	10.5x	↑																																																									
Serie		99.7																																																									
Total		407.5																																																									
1:	10.4x	→																																																									
2:	10.0	↘																																																									
3:	10.4x	←																																																									
4:	9.6	↑																																																									
5:	8.1	→																																																									
Serie		48.5																																																									
Total		456.0																																																									

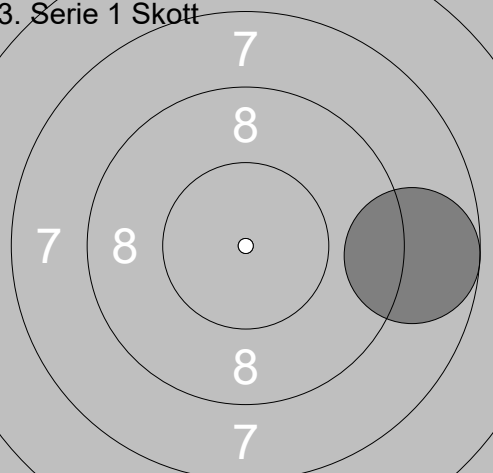
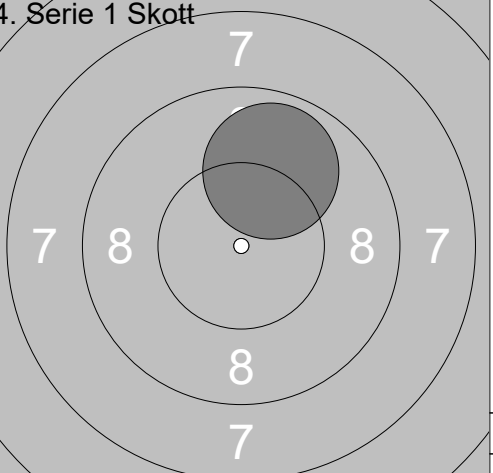
<p>2. Serie 1 Skott</p>  <table border="1" style="width:100%; border-collapse: collapse;"> <tr><td>1:</td><td>9.5</td><td>↑</td></tr> <tr><td colspan="2">Serie</td><td>9.5</td></tr> <tr><td colspan="2">Total</td><td>465.5</td></tr> </table>	1:	9.5	↑	Serie		9.5	Total		465.5	<p>3. Serie 1 Skott</p>  <table border="1" style="width:100%; border-collapse: collapse;"> <tr><td>1:</td><td>10.7x</td><td>→</td></tr> <tr><td colspan="2">Serie</td><td>10.7</td></tr> <tr><td colspan="2">Total</td><td>476.2</td></tr> </table>	1:	10.7x	→	Serie		10.7	Total		476.2
1:	9.5	↑																	
Serie		9.5																	
Total		465.5																	
1:	10.7x	→																	
Serie		10.7																	
Total		476.2																	

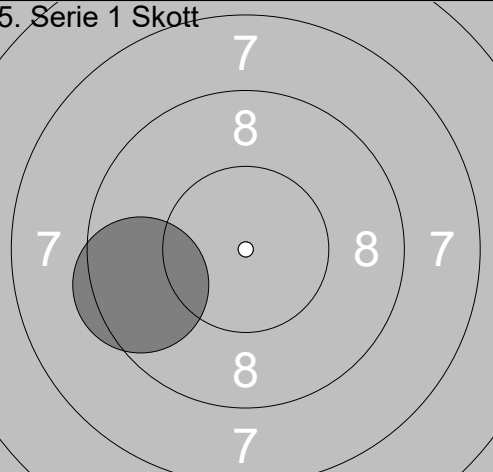
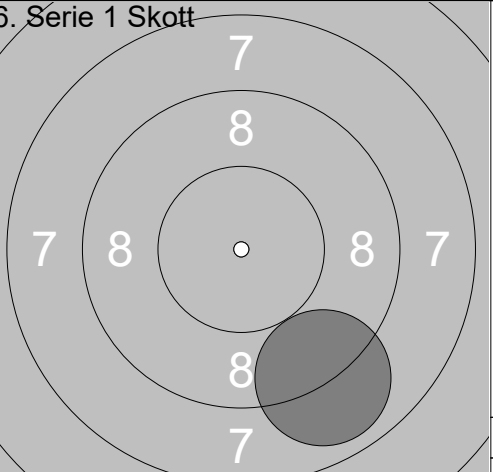
<p>4. Serie 1 Skott</p>  <table border="1" style="width:100%; border-collapse: collapse;"> <tr><td>1:</td><td>8.4</td><td>→</td></tr> <tr><td colspan="2">Serie</td><td>8.4</td></tr> <tr><td colspan="2">Total</td><td>484.6</td></tr> </table>	1:	8.4	→	Serie		8.4	Total		484.6	<p>5. Serie 1 Skott</p>  <table border="1" style="width:100%; border-collapse: collapse;"> <tr><td>1:</td><td>9.1</td><td>↖</td></tr> <tr><td colspan="2">Serie</td><td>9.1</td></tr> <tr><td colspan="2">Total</td><td>493.7</td></tr> </table>	1:	9.1	↖	Serie		9.1	Total		493.7
1:	8.4	→																	
Serie		8.4																	
Total		484.6																	
1:	9.1	↖																	
Serie		9.1																	
Total		493.7																	

<p>6. Serie 1 Skott</p>  <table border="1" style="width:100%; border-collapse: collapse;"> <tr><td>1:</td><td>10.0</td><td>↗</td></tr> <tr><td colspan="2">Serie</td><td>10.0</td></tr> <tr><td colspan="2">Total</td><td>503.7</td></tr> </table>	1:	10.0	↗	Serie		10.0	Total		503.7	
1:	10.0	↗								
Serie		10.0								
Total		503.7								

<p>Pröv</p> 	<table style="width:100%; border-collapse: collapse;"> <tr><td>1:</td><td>10.7x</td><td>↘</td></tr> <tr><td>2:</td><td>9.1</td><td>→</td></tr> <tr><td>3:</td><td>10.7x</td><td>↑</td></tr> <tr><td>4:</td><td>10.8x</td><td>↗</td></tr> <tr><td>5:</td><td>9.7</td><td>←</td></tr> <tr><td>6:</td><td>10.2x</td><td>↙</td></tr> <tr><td>7:</td><td>9.9</td><td>↙</td></tr> <tr><td>8:</td><td>10.0</td><td>↘</td></tr> <tr><td>9:</td><td>9.5</td><td>→</td></tr> <tr><td>10:</td><td>7.6</td><td>←</td></tr> </table> <table style="width:100%; border-collapse: collapse; margin-top: 5px;"> <tr><td style="border-top: 1px solid black;">Serie</td><td style="border-top: 1px solid black; text-align: right;">98.2</td></tr> <tr><td style="border-top: 1px solid black;">Total</td><td style="border-top: 1px solid black; text-align: right;">404.1</td></tr> </table>	1:	10.7x	↘	2:	9.1	→	3:	10.7x	↑	4:	10.8x	↗	5:	9.7	←	6:	10.2x	↙	7:	9.9	↙	8:	10.0	↘	9:	9.5	→	10:	7.6	←	Serie	98.2	Total	404.1	<p>Pröv</p> 	<p>11:</p>	<p>9.3 ↗</p> <table style="width:100%; border-collapse: collapse; margin-top: 5px;"> <tr><td style="border-top: 1px solid black;">Serie</td><td style="border-top: 1px solid black; text-align: right;">9.3</td></tr> <tr><td style="border-top: 1px solid black;">Total</td><td style="border-top: 1px solid black; text-align: right;">404.1</td></tr> </table>	Serie	9.3	Total	404.1
1:	10.7x	↘																																								
2:	9.1	→																																								
3:	10.7x	↑																																								
4:	10.8x	↗																																								
5:	9.7	←																																								
6:	10.2x	↙																																								
7:	9.9	↙																																								
8:	10.0	↘																																								
9:	9.5	→																																								
10:	7.6	←																																								
Serie	98.2																																									
Total	404.1																																									
Serie	9.3																																									
Total	404.1																																									

<p>1. Serie 5 Skott</p> 	<table style="width:100%; border-collapse: collapse;"> <tr><td>1:</td><td>10.5x</td><td>↓</td></tr> <tr><td>2:</td><td>10.5x</td><td>←</td></tr> <tr><td>3:</td><td>10.1</td><td>↗</td></tr> <tr><td>4:</td><td>9.7</td><td>↑</td></tr> <tr><td>5:</td><td>10.4x</td><td>↗</td></tr> </table> <table style="width:100%; border-collapse: collapse; margin-top: 5px;"> <tr><td style="border-top: 1px solid black;">Serie</td><td style="border-top: 1px solid black; text-align: right;">51.2</td></tr> <tr><td style="border-top: 1px solid black;">Total</td><td style="border-top: 1px solid black; text-align: right;">455.3</td></tr> </table>	1:	10.5x	↓	2:	10.5x	←	3:	10.1	↗	4:	9.7	↑	5:	10.4x	↗	Serie	51.2	Total	455.3	<p>2. Serie 1 Skott</p> 	<p>1:</p>	<p>9.5 →</p> <table style="width:100%; border-collapse: collapse; margin-top: 5px;"> <tr><td style="border-top: 1px solid black;">Serie</td><td style="border-top: 1px solid black; text-align: right;">9.5</td></tr> <tr><td style="border-top: 1px solid black;">Total</td><td style="border-top: 1px solid black; text-align: right;">464.8</td></tr> </table>	Serie	9.5	Total	464.8
1:	10.5x	↓																									
2:	10.5x	←																									
3:	10.1	↗																									
4:	9.7	↑																									
5:	10.4x	↗																									
Serie	51.2																										
Total	455.3																										
Serie	9.5																										
Total	464.8																										

<p>3. Serie 1 Skott</p> 	<table style="width:100%; border-collapse: collapse;"> <tr><td>1:</td><td>8.7</td><td>→</td></tr> </table> <table style="width:100%; border-collapse: collapse; margin-top: 5px;"> <tr><td style="border-top: 1px solid black;">Serie</td><td style="border-top: 1px solid black; text-align: right;">8.7</td></tr> <tr><td style="border-top: 1px solid black;">Total</td><td style="border-top: 1px solid black; text-align: right;">473.5</td></tr> </table>	1:	8.7	→	Serie	8.7	Total	473.5	<p>4. Serie 1 Skott</p> 	<p>1:</p>	<p>9.9 ↗</p> <table style="width:100%; border-collapse: collapse; margin-top: 5px;"> <tr><td style="border-top: 1px solid black;">Serie</td><td style="border-top: 1px solid black; text-align: right;">9.9</td></tr> <tr><td style="border-top: 1px solid black;">Total</td><td style="border-top: 1px solid black; text-align: right;">483.4</td></tr> </table>	Serie	9.9	Total	483.4
1:	8.7	→													
Serie	8.7														
Total	473.5														
Serie	9.9														
Total	483.4														

<p>5. Serie 1 Skott</p> 	<table style="width:100%; border-collapse: collapse;"> <tr><td>1:</td><td>9.5</td><td>←</td></tr> </table> <table style="width:100%; border-collapse: collapse; margin-top: 5px;"> <tr><td style="border-top: 1px solid black;">Serie</td><td style="border-top: 1px solid black; text-align: right;">9.5</td></tr> <tr><td style="border-top: 1px solid black;">Total</td><td style="border-top: 1px solid black; text-align: right;">492.9</td></tr> </table>	1:	9.5	←	Serie	9.5	Total	492.9	<p>6. Serie 1 Skott</p> 	<p>1:</p>	<p>8.9 ↘</p> <table style="width:100%; border-collapse: collapse; margin-top: 5px;"> <tr><td style="border-top: 1px solid black;">Serie</td><td style="border-top: 1px solid black; text-align: right;">8.9</td></tr> <tr><td style="border-top: 1px solid black;">Total</td><td style="border-top: 1px solid black; text-align: right;">501.8</td></tr> </table>	Serie	8.9	Total	501.8
1:	9.5	←													
Serie	9.5														
Total	492.9														
Serie	8.9														
Total	501.8														

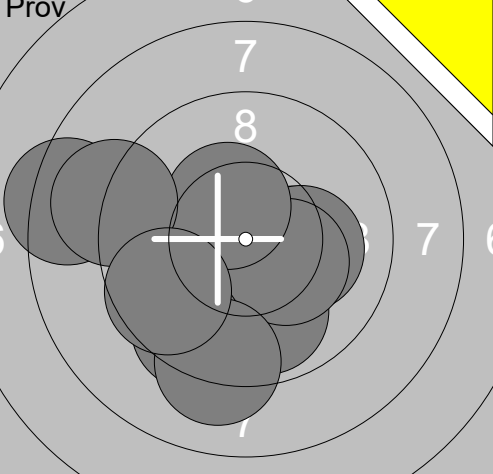
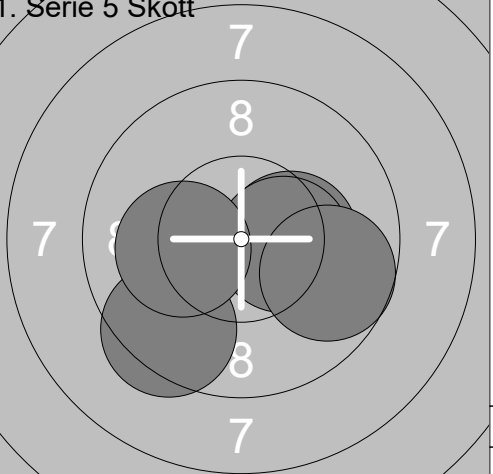


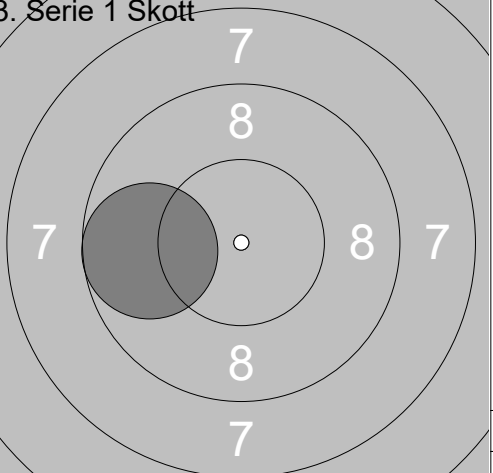
<p><b>Prov</b></p>	<p>1: 8.3 ↘ 2: 9.4 → 3: 10.4x ↓ 4: 9.7 ↘ 5: 9.7 → 6: 8.3 ↘ 7: 10.0 ← 8: 10.7x ↓ 9: 10.2x ↑ 10: 10.2x ←</p> <table border="1" style="width:100%; border-collapse: collapse;"> <tr><td>Serie</td><td style="text-align:right">96.9</td></tr> <tr><td>Total</td><td style="text-align:right">404.0</td></tr> </table>	Serie	96.9	Total	404.0	<p><b>Prov</b></p> <p style="text-align:right;">11: 10.0 ←</p> <table border="1" style="width:100%; border-collapse: collapse;"> <tr><td>Serie</td><td style="text-align:right">10.0</td></tr> <tr><td>Total</td><td style="text-align:right">404.0</td></tr> </table>	Serie	10.0	Total	404.0
Serie	96.9									
Total	404.0									
Serie	10.0									
Total	404.0									

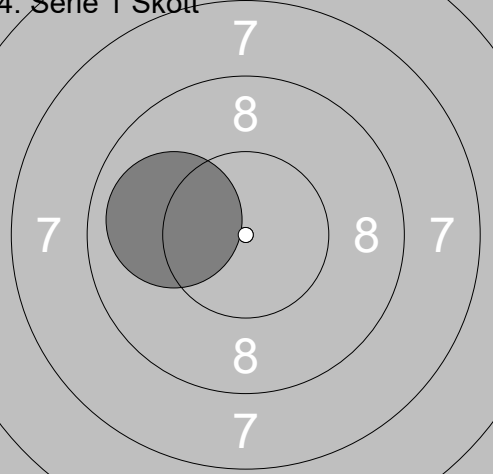
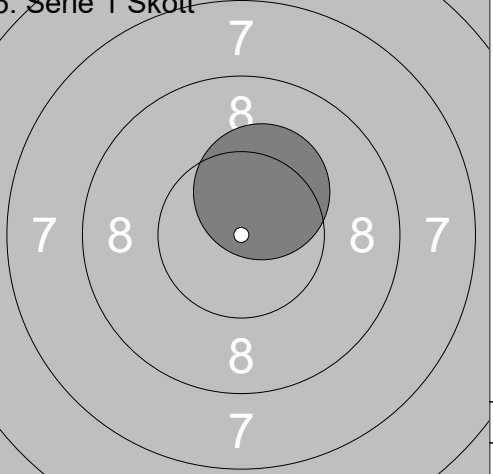
<p><b>1. Serie 5 Skott</b></p>	<p>1: 10.6x ↗ 2: 10.3x ↓ 3: 9.6 → 4: 10.5x ← 5: 10.2x ↑</p> <table border="1" style="width:100%; border-collapse: collapse;"> <tr><td>Serie</td><td style="text-align:right">51.2</td></tr> <tr><td>Total</td><td style="text-align:right">455.2</td></tr> </table>	Serie	51.2	Total	455.2	<p><b>2. Serie 1 Skott</b></p> <p>1: 9.5 ↗</p> <table border="1" style="width:100%; border-collapse: collapse;"> <tr><td>Serie</td><td style="text-align:right">9.5</td></tr> <tr><td>Total</td><td style="text-align:right">464.7</td></tr> </table>	Serie	9.5	Total	464.7
Serie	51.2									
Total	455.2									
Serie	9.5									
Total	464.7									

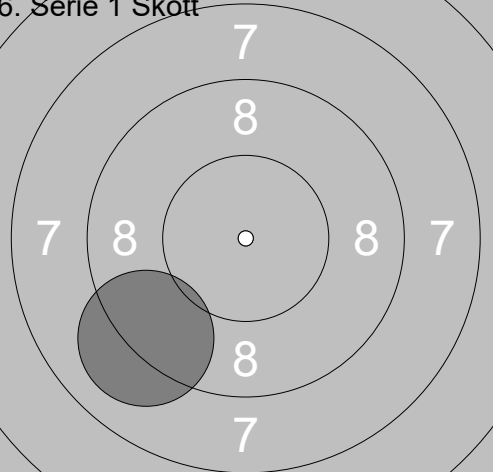
<p><b>3. Serie 1 Skott</b></p>	<p>1: 9.8 ↗</p> <table border="1" style="width:100%; border-collapse: collapse;"> <tr><td>Serie</td><td style="text-align:right">9.8</td></tr> <tr><td>Total</td><td style="text-align:right">474.5</td></tr> </table>	Serie	9.8	Total	474.5	<p><b>4. Serie 1 Skott</b></p> <p>1: 10.8x ↗</p> <table border="1" style="width:100%; border-collapse: collapse;"> <tr><td>Serie</td><td style="text-align:right">10.8</td></tr> <tr><td>Total</td><td style="text-align:right">485.3</td></tr> </table>	Serie	10.8	Total	485.3
Serie	9.8									
Total	474.5									
Serie	10.8									
Total	485.3									

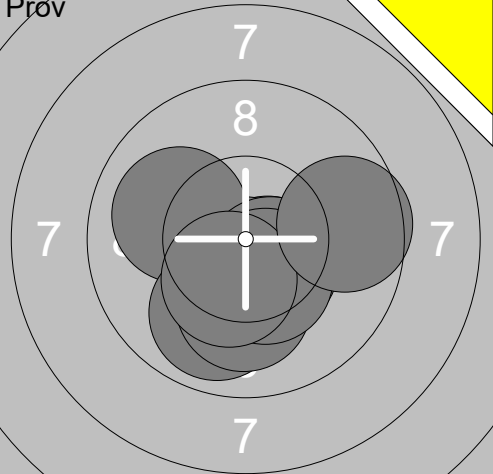
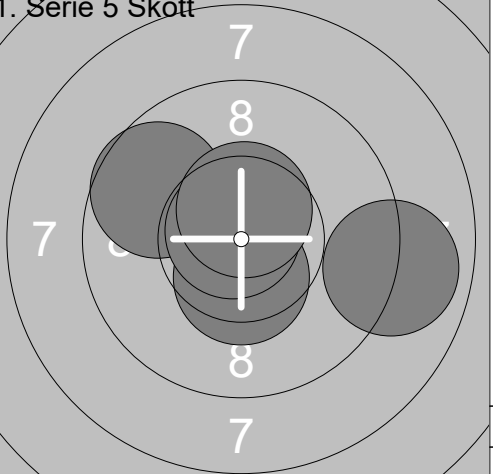
<p><b>5. Serie 1 Skott</b></p>	<p>1: 10.2x ↗</p> <table border="1" style="width:100%; border-collapse: collapse;"> <tr><td>Serie</td><td style="text-align:right">10.2</td></tr> <tr><td>Total</td><td style="text-align:right">495.5</td></tr> </table>	Serie	10.2	Total	495.5	<p><b>6. Serie 1 Skott</b></p> <p>1: 9.0 →</p> <table border="1" style="width:100%; border-collapse: collapse;"> <tr><td>Serie</td><td style="text-align:right">9.0</td></tr> <tr><td>Total</td><td style="text-align:right">504.5</td></tr> </table>	Serie	9.0	Total	504.5
Serie	10.2									
Total	495.5									
Serie	9.0									
Total	504.5									

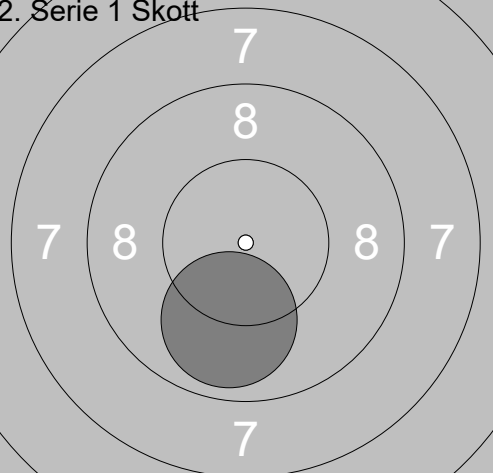
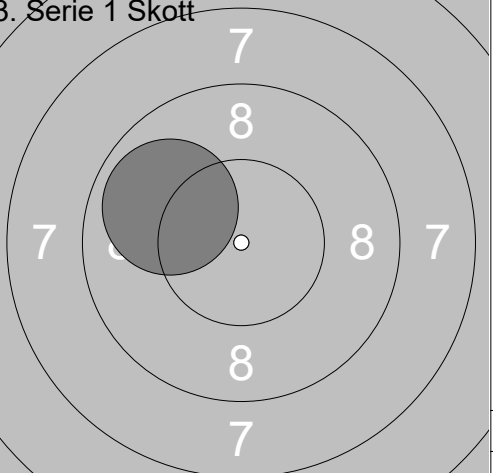
	<p>1: 10.3x →</p> <p>2: 9.9 ↓</p> <p>3: 9.5 ↓</p> <p>4: 8.3 ←</p> <p>5: 10.2x →</p> <p>6: 10.3x ↓</p> <p>7: 10.4x ↗</p> <p>8: 9.2 ↓</p> <p>9: 9.0 ←</p> <p>10: 9.6 ↓</p> <table border="1" style="width:100%; border-collapse: collapse;"> <tr><td>Serie</td><td style="text-align: right;">96.7</td></tr> <tr><td>Total</td><td style="text-align: right;">403.5</td></tr> </table>	Serie	96.7	Total	403.5	<p>1. Serie 5 Skott</p>  <p>1: 10.3x →</p> <p>2: 9.4 ↘</p> <p>3: 10.4x →</p> <p>4: 10.2x ←</p> <p>5: 9.7 →</p> <table border="1" style="width:100%; border-collapse: collapse;"> <tr><td>Serie</td><td style="text-align: right;">50.0</td></tr> <tr><td>Total</td><td style="text-align: right;">453.5</td></tr> </table>	Serie	50.0	Total	453.5
Serie	96.7									
Total	403.5									
Serie	50.0									
Total	453.5									

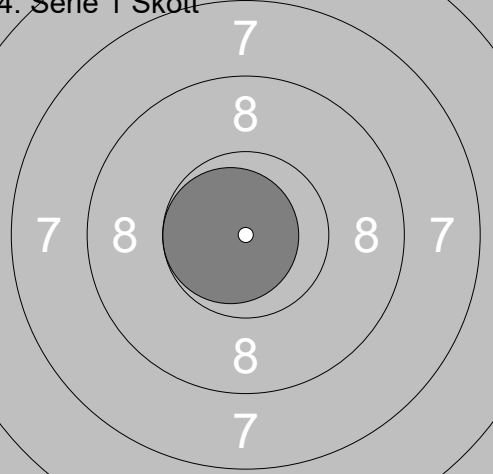
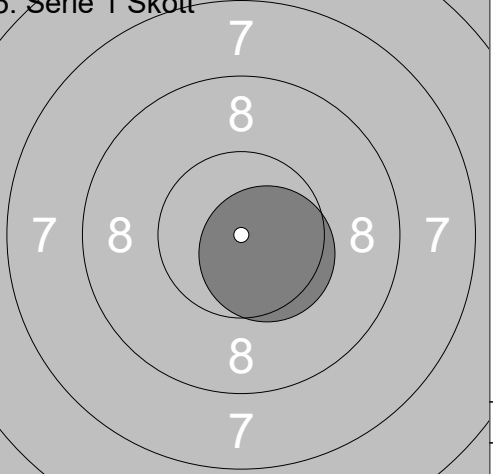
<p>2. Serie 1 Skott</p>  <table border="1" style="width:100%; border-collapse: collapse;"> <tr><td>Serie</td><td style="text-align: right;">10.0</td></tr> <tr><td>Total</td><td style="text-align: right;">463.5</td></tr> </table>	Serie	10.0	Total	463.5	<p>3. Serie 1 Skott</p>  <p>1: 9.7 ←</p> <table border="1" style="width:100%; border-collapse: collapse;"> <tr><td>Serie</td><td style="text-align: right;">9.7</td></tr> <tr><td>Total</td><td style="text-align: right;">473.2</td></tr> </table>	Serie	9.7	Total	473.2
Serie	10.0								
Total	463.5								
Serie	9.7								
Total	473.2								

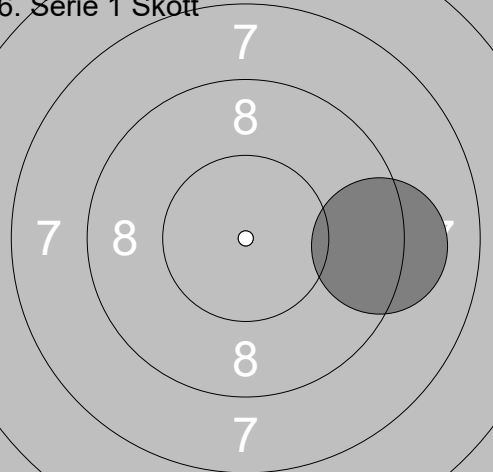
<p>4. Serie 1 Skott</p>  <table border="1" style="width:100%; border-collapse: collapse;"> <tr><td>Serie</td><td style="text-align: right;">10.0</td></tr> <tr><td>Total</td><td style="text-align: right;">483.2</td></tr> </table>	Serie	10.0	Total	483.2	<p>5. Serie 1 Skott</p>  <p>1: 10.3x ↗</p> <table border="1" style="width:100%; border-collapse: collapse;"> <tr><td>Serie</td><td style="text-align: right;">10.3</td></tr> <tr><td>Total</td><td style="text-align: right;">493.5</td></tr> </table>	Serie	10.3	Total	493.5
Serie	10.0								
Total	483.2								
Serie	10.3								
Total	493.5								

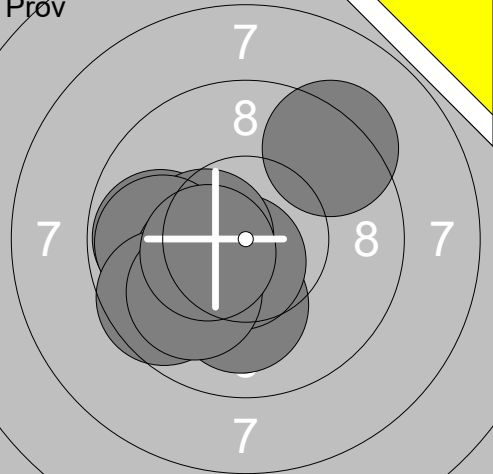
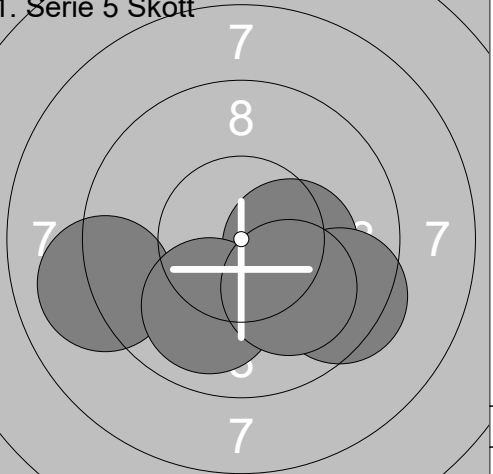
<p>6. Serie 1 Skott</p>  <table border="1" style="width:100%; border-collapse: collapse;"> <tr><td>Serie</td><td style="text-align: right;">9.1</td></tr> <tr><td>Total</td><td style="text-align: right;">502.6</td></tr> </table>	Serie	9.1	Total	502.6		
Serie	9.1					
Total	502.6					

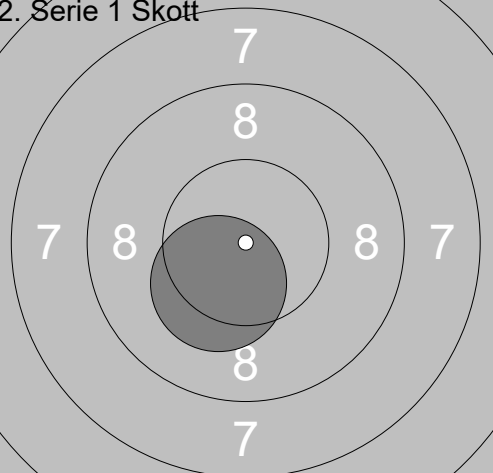
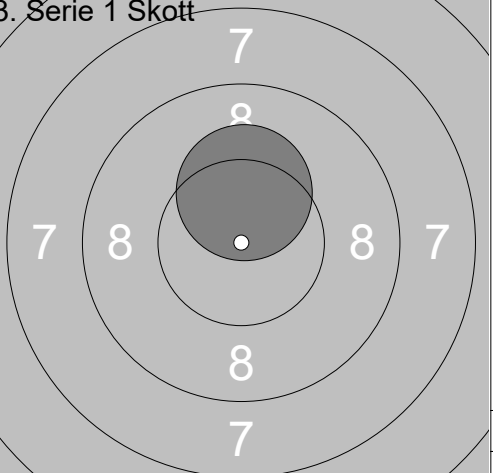
<p><b>Pröv</b></p> 	<p>1: 10.5x ↘ 2: 10.6x ↓ 3: 10.0 ↖ 4: 9.9 ↓ 5: 10.5x ↘ 6: 10.1 ↓ 7: 10.4x ↓ 8: 10.4x ↓ 9: 9.6 →</p> <table border="1" style="width:100%; border-collapse: collapse;"> <tr><td>Serie</td><td style="text-align: right;">92.0</td></tr> <tr><td>Total</td><td style="text-align: right;">403.3</td></tr> </table>	Serie	92.0	Total	403.3	<p><b>1. Serie 5 Skott</b></p> 	<p>1: 8.9 → 2: 10.5x ↓ 3: 9.7 ↖ 4: 10.8x ↗ 5: 10.6x ↑</p> <table border="1" style="width:100%; border-collapse: collapse;"> <tr><td>Serie</td><td style="text-align: right;">50.5</td></tr> <tr><td>Total</td><td style="text-align: right;">453.8</td></tr> </table>	Serie	50.5	Total	453.8
Serie	92.0										
Total	403.3										
Serie	50.5										
Total	453.8										

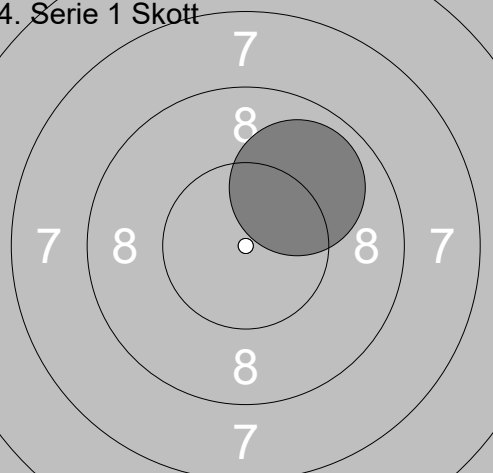
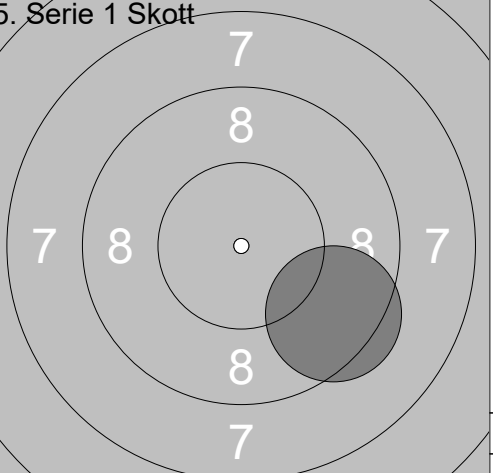
<p><b>2. Serie 1 Skott</b></p> 	<p>1: 9.9 ↓</p> <table border="1" style="width:100%; border-collapse: collapse;"> <tr><td>Serie</td><td style="text-align: right;">9.9</td></tr> <tr><td>Total</td><td style="text-align: right;">463.7</td></tr> </table>	Serie	9.9	Total	463.7	<p><b>3. Serie 1 Skott</b></p> 	<p>1: 9.9 ↖</p> <table border="1" style="width:100%; border-collapse: collapse;"> <tr><td>Serie</td><td style="text-align: right;">9.9</td></tr> <tr><td>Total</td><td style="text-align: right;">473.6</td></tr> </table>	Serie	9.9	Total	473.6
Serie	9.9										
Total	463.7										
Serie	9.9										
Total	473.6										

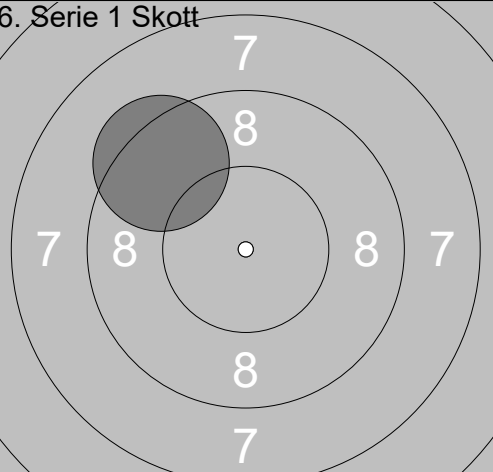
<p><b>4. Serie 1 Skott</b></p> 	<p>1: 10.7x ←</p> <table border="1" style="width:100%; border-collapse: collapse;"> <tr><td>Serie</td><td style="text-align: right;">10.7</td></tr> <tr><td>Total</td><td style="text-align: right;">484.3</td></tr> </table>	Serie	10.7	Total	484.3	<p><b>5. Serie 1 Skott</b></p> 	<p>1: 10.5x ↘</p> <table border="1" style="width:100%; border-collapse: collapse;"> <tr><td>Serie</td><td style="text-align: right;">10.5</td></tr> <tr><td>Total</td><td style="text-align: right;">494.8</td></tr> </table>	Serie	10.5	Total	494.8
Serie	10.7										
Total	484.3										
Serie	10.5										
Total	494.8										

<p><b>6. Serie 1 Skott</b></p> 	<p>1: 9.2 →</p> <table border="1" style="width:100%; border-collapse: collapse;"> <tr><td>Serie</td><td style="text-align: right;">9.2</td></tr> <tr><td>Total</td><td style="text-align: right;">504.0</td></tr> </table>	Serie	9.2	Total	504.0		
Serie	9.2						
Total	504.0						

<p>Pröv</p> 	<table border="1" style="width:100%; border-collapse: collapse;"> <tr><td>1:</td><td>9.3</td><td>↗</td></tr> <tr><td>2:</td><td>9.8</td><td>←</td></tr> <tr><td>3:</td><td>10.1</td><td>↓</td></tr> <tr><td>4:</td><td>10.6x</td><td>↓</td></tr> <tr><td>5:</td><td>10.4x</td><td>←</td></tr> <tr><td>6:</td><td>9.8</td><td>←</td></tr> <tr><td>7:</td><td>10.3x</td><td>←</td></tr> <tr><td>8:</td><td>9.6</td><td>↙</td></tr> <tr><td>9:</td><td>10.0</td><td>↙</td></tr> <tr><td>10:</td><td>10.4x</td><td>←</td></tr> <tr><td colspan="2">Serie</td><td>100.3</td></tr> <tr><td colspan="2">Total</td><td>403.1</td></tr> </table>	1:	9.3	↗	2:	9.8	←	3:	10.1	↓	4:	10.6x	↓	5:	10.4x	←	6:	9.8	←	7:	10.3x	←	8:	9.6	↙	9:	10.0	↙	10:	10.4x	←	Serie		100.3	Total		403.1	<p>1. Serie 5 Skott</p>  <table border="1" style="width:100%; border-collapse: collapse;"> <tr><td>1:</td><td>10.3x</td><td>→</td></tr> <tr><td>2:</td><td>9.1</td><td>←</td></tr> <tr><td>3:</td><td>9.5</td><td>↘</td></tr> <tr><td>4:</td><td>10.0</td><td>↓</td></tr> <tr><td>5:</td><td>10.1</td><td>↘</td></tr> <tr><td colspan="2">Serie</td><td>49.0</td></tr> <tr><td colspan="2">Total</td><td>452.1</td></tr> </table>	1:	10.3x	→	2:	9.1	←	3:	9.5	↘	4:	10.0	↓	5:	10.1	↘	Serie		49.0	Total		452.1
1:	9.3	↗																																																									
2:	9.8	←																																																									
3:	10.1	↓																																																									
4:	10.6x	↓																																																									
5:	10.4x	←																																																									
6:	9.8	←																																																									
7:	10.3x	←																																																									
8:	9.6	↙																																																									
9:	10.0	↙																																																									
10:	10.4x	←																																																									
Serie		100.3																																																									
Total		403.1																																																									
1:	10.3x	→																																																									
2:	9.1	←																																																									
3:	9.5	↘																																																									
4:	10.0	↓																																																									
5:	10.1	↘																																																									
Serie		49.0																																																									
Total		452.1																																																									

<p>2. Serie 1 Skott</p>  <table border="1" style="width:100%; border-collapse: collapse;"> <tr><td colspan="2">Serie</td><td>10.3</td></tr> <tr><td colspan="2">Total</td><td>462.4</td></tr> </table>	Serie		10.3	Total		462.4	<p>3. Serie 1 Skott</p>  <table border="1" style="width:100%; border-collapse: collapse;"> <tr><td>1:</td><td>10.3x</td><td>↑</td></tr> <tr><td colspan="2">Serie</td><td>10.3</td></tr> <tr><td colspan="2">Total</td><td>472.7</td></tr> </table>	1:	10.3x	↑	Serie		10.3	Total		472.7
Serie		10.3														
Total		462.4														
1:	10.3x	↑														
Serie		10.3														
Total		472.7														

<p>4. Serie 1 Skott</p>  <table border="1" style="width:100%; border-collapse: collapse;"> <tr><td>1:</td><td>9.9</td><td>↗</td></tr> <tr><td colspan="2">Serie</td><td>9.9</td></tr> <tr><td colspan="2">Total</td><td>482.6</td></tr> </table>	1:	9.9	↗	Serie		9.9	Total		482.6	<p>5. Serie 1 Skott</p>  <table border="1" style="width:100%; border-collapse: collapse;"> <tr><td>1:</td><td>9.4</td><td>↘</td></tr> <tr><td colspan="2">Serie</td><td>9.4</td></tr> <tr><td colspan="2">Total</td><td>492.0</td></tr> </table>	1:	9.4	↘	Serie		9.4	Total		492.0
1:	9.9	↗																	
Serie		9.9																	
Total		482.6																	
1:	9.4	↘																	
Serie		9.4																	
Total		492.0																	

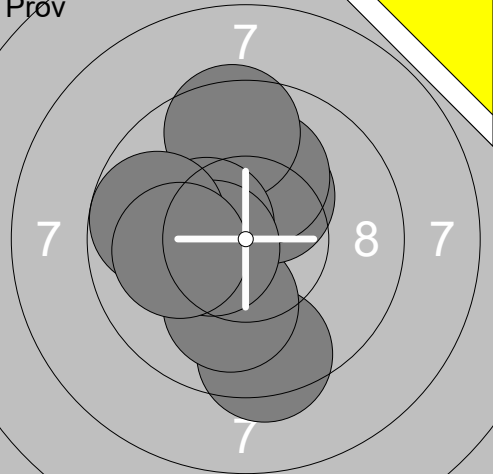
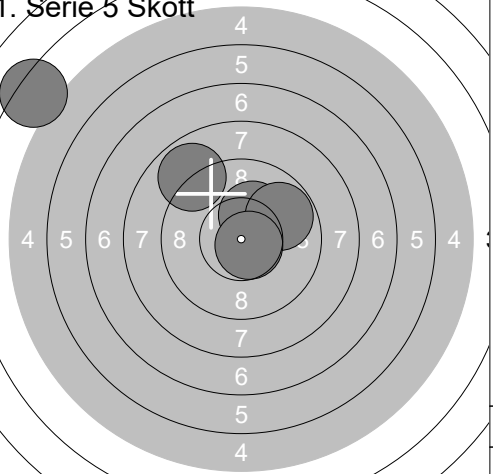
<p>6. Serie 1 Skott</p>  <table border="1" style="width:100%; border-collapse: collapse;"> <tr><td>1:</td><td>9.4</td><td>↖</td></tr> <tr><td colspan="2">Serie</td><td>9.4</td></tr> <tr><td colspan="2">Total</td><td>501.4</td></tr> </table>	1:	9.4	↖	Serie		9.4	Total		501.4	
1:	9.4	↖								
Serie		9.4								
Total		501.4								

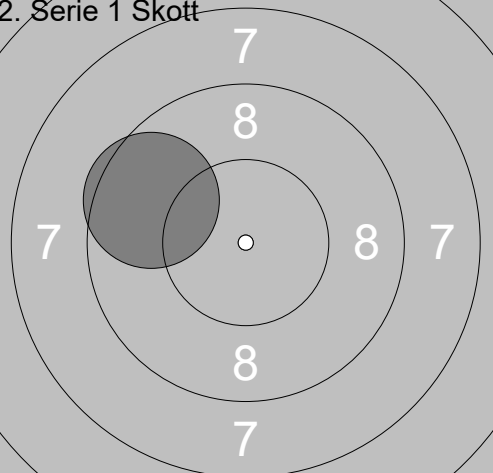
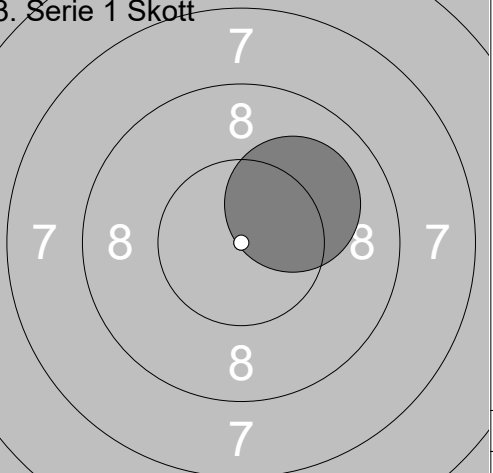
<p>Pröv</p>	<table border="1" style="width:100%; border-collapse: collapse;"> <tr><td>1:</td><td>8.9</td><td>↘</td></tr> <tr><td>2:</td><td>10.0</td><td>↙</td></tr> <tr><td>3:</td><td>10.0</td><td>↓</td></tr> <tr><td>4:</td><td>10.0</td><td>↘</td></tr> <tr><td>5:</td><td>10.6x</td><td>↑</td></tr> <tr><td>6:</td><td>10.0</td><td>↘</td></tr> <tr><td>7:</td><td>10.8x</td><td>→</td></tr> <tr><td>8:</td><td>10.5x</td><td>↘</td></tr> <tr><td>9:</td><td>10.1</td><td>↗</td></tr> <tr><td>10:</td><td>10.7x</td><td>↙</td></tr> <tr><td colspan="2">Serie</td><td>101.6</td></tr> <tr><td colspan="2">Total</td><td>412.8</td></tr> </table>	1:	8.9	↘	2:	10.0	↙	3:	10.0	↓	4:	10.0	↘	5:	10.6x	↑	6:	10.0	↘	7:	10.8x	→	8:	10.5x	↘	9:	10.1	↗	10:	10.7x	↙	Serie		101.6	Total		412.8	<p>1. Serie 5 Skott</p> <table border="1" style="width:100%; border-collapse: collapse;"> <tr><td>1:</td><td>10.0</td><td>↓</td></tr> <tr><td>2:</td><td>10.2x</td><td>→</td></tr> <tr><td>3:</td><td>10.1</td><td>←</td></tr> <tr><td>4:</td><td>10.8x</td><td>→</td></tr> <tr><td>5:</td><td>9.9</td><td>↗</td></tr> <tr><td colspan="2">Serie</td><td>51.0</td></tr> <tr><td colspan="2">Total</td><td>463.8</td></tr> </table>	1:	10.0	↓	2:	10.2x	→	3:	10.1	←	4:	10.8x	→	5:	9.9	↗	Serie		51.0	Total		463.8
1:	8.9	↘																																																									
2:	10.0	↙																																																									
3:	10.0	↓																																																									
4:	10.0	↘																																																									
5:	10.6x	↑																																																									
6:	10.0	↘																																																									
7:	10.8x	→																																																									
8:	10.5x	↘																																																									
9:	10.1	↗																																																									
10:	10.7x	↙																																																									
Serie		101.6																																																									
Total		412.8																																																									
1:	10.0	↓																																																									
2:	10.2x	→																																																									
3:	10.1	←																																																									
4:	10.8x	→																																																									
5:	9.9	↗																																																									
Serie		51.0																																																									
Total		463.8																																																									

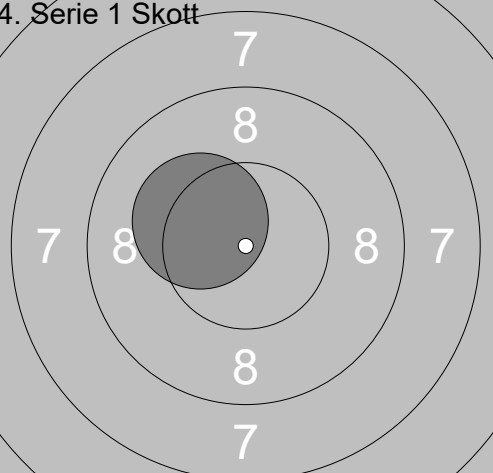
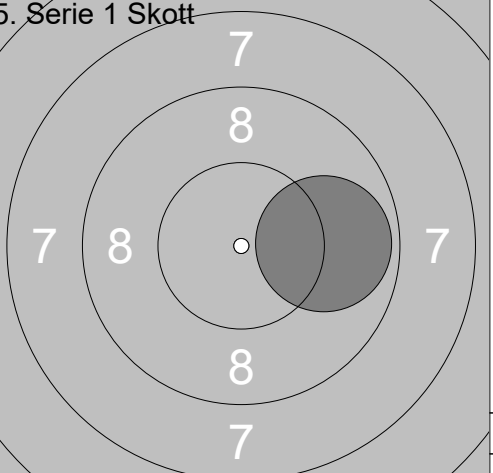
<p>2. Serie 1 Skott</p> <table border="1" style="width:100%; border-collapse: collapse;"> <tr><td>1:</td><td>10.7x</td><td>↑</td></tr> <tr><td colspan="2">Serie</td><td>10.7</td></tr> <tr><td colspan="2">Total</td><td>474.5</td></tr> </table>	1:	10.7x	↑	Serie		10.7	Total		474.5	<p>3. Serie 1 Skott</p> <table border="1" style="width:100%; border-collapse: collapse;"> <tr><td>1:</td><td>10.9x</td><td>↘</td></tr> <tr><td colspan="2">Serie</td><td>10.9</td></tr> <tr><td colspan="2">Total</td><td>485.4</td></tr> </table>	1:	10.9x	↘	Serie		10.9	Total		485.4
1:	10.7x	↑																	
Serie		10.7																	
Total		474.5																	
1:	10.9x	↘																	
Serie		10.9																	
Total		485.4																	

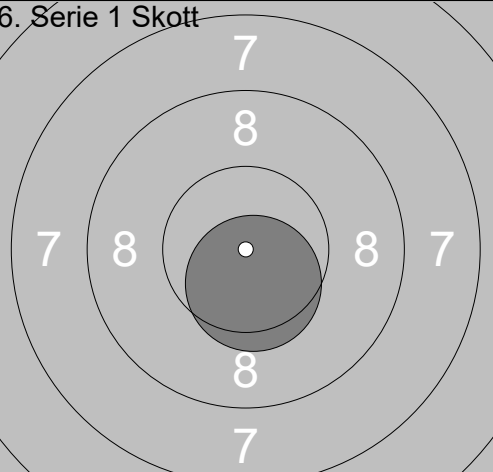
<p>4. Serie 1 Skott</p> <table border="1" style="width:100%; border-collapse: collapse;"> <tr><td>1:</td><td>10.5x</td><td>↗</td></tr> <tr><td colspan="2">Serie</td><td>10.5</td></tr> <tr><td colspan="2">Total</td><td>495.9</td></tr> </table>	1:	10.5x	↗	Serie		10.5	Total		495.9	<p>5. Serie 1 Skott</p> <table border="1" style="width:100%; border-collapse: collapse;"> <tr><td>1:</td><td>10.3x</td><td>↗</td></tr> <tr><td colspan="2">Serie</td><td>10.3</td></tr> <tr><td colspan="2">Total</td><td>506.2</td></tr> </table>	1:	10.3x	↗	Serie		10.3	Total		506.2
1:	10.5x	↗																	
Serie		10.5																	
Total		495.9																	
1:	10.3x	↗																	
Serie		10.3																	
Total		506.2																	

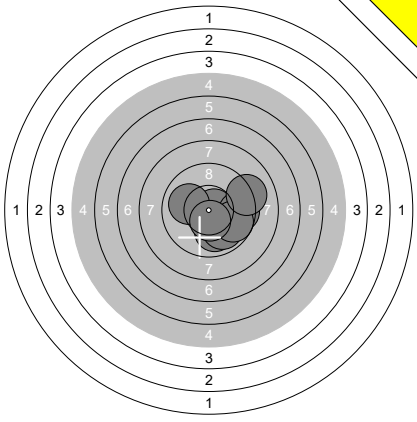
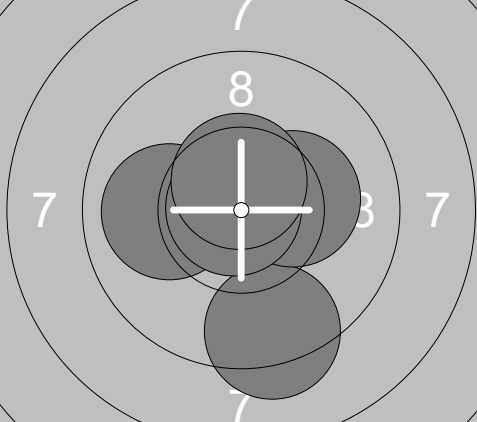
<p>6. Serie 1 Skott</p> <table border="1" style="width:100%; border-collapse: collapse;"> <tr><td>1:</td><td>10.5x</td><td>↖</td></tr> <tr><td colspan="2">Serie</td><td>10.5</td></tr> <tr><td colspan="2">Total</td><td>516.7</td></tr> </table>	1:	10.5x	↖	Serie		10.5	Total		516.7	
1:	10.5x	↖								
Serie		10.5								
Total		516.7								

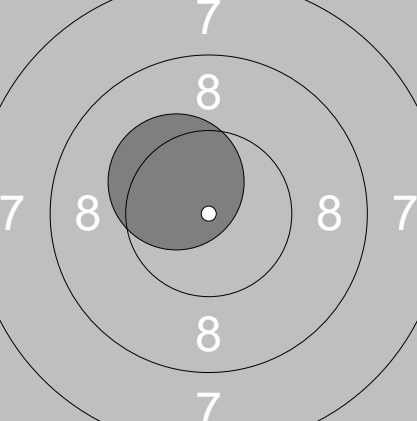
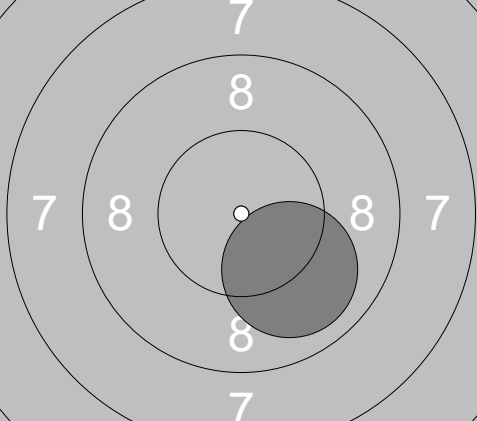
<p><b>Pröv</b></p> 	<p>1: 9.4 ↓                  2: 10.1 ↓                  3: 10.3x ↗                  4: 10.1 ↑                  5: 9.5 ↑                  6: 10.4x ←                  7: 10.5x ←                  8: 9.8 ←                  9: 10.1 ←</p> <p>Serie 90.2 Total 412.8</p>	<p><b>1. Serie 5 Skott</b></p>  <p>1: 10.2x ↗                  2: 4.3 ↖                  3: 8.9 ↗                  4: 9.8 ↗                  5: 10.7x ↘</p> <p>Serie 43.9 Total 456.7</p>
---	--	---

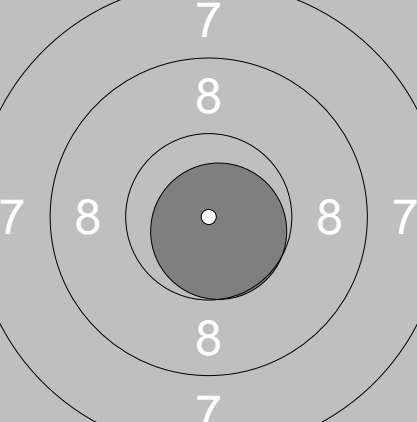
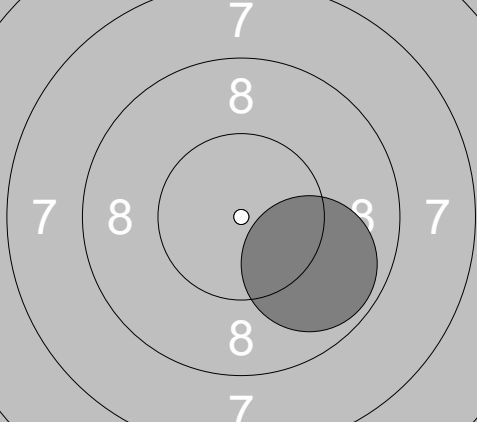
<p><b>2. Serie 1 Skott</b></p>  <p>Serie 9.6 Total 466.3</p>	<p><b>3. Serie 1 Skott</b></p>  <p>1: 10.1 ↗</p> <p>Serie 10.1 Total 476.4</p>
---	---

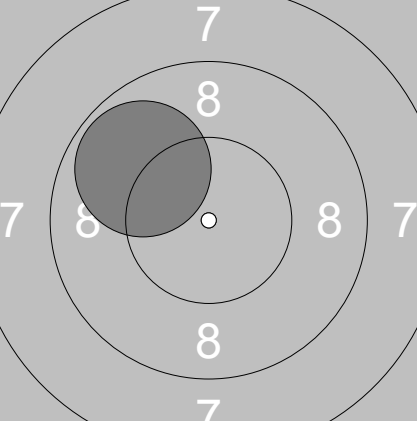
<p><b>4. Serie 1 Skott</b></p>  <p>Serie 10.3 Total 486.7</p>	<p><b>5. Serie 1 Skott</b></p>  <p>1: 9.9 →</p> <p>Serie 9.9 Total 496.6</p>
---	--

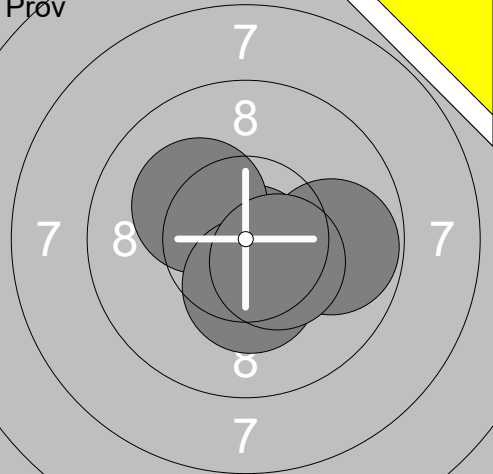

<p><b>6. Serie 1 Skott</b></p>  <p>1: 10.5x ↓</p> <p>Serie 10.5 Total 507.1</p>	
---	--

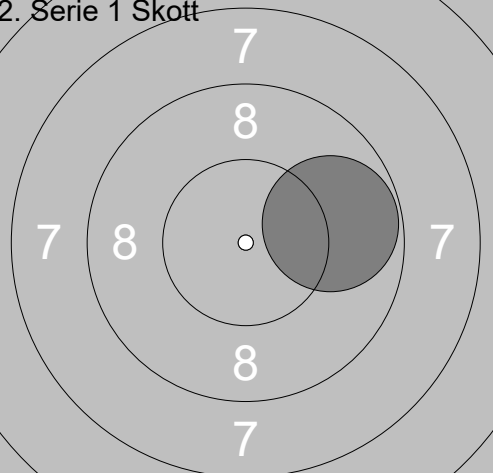
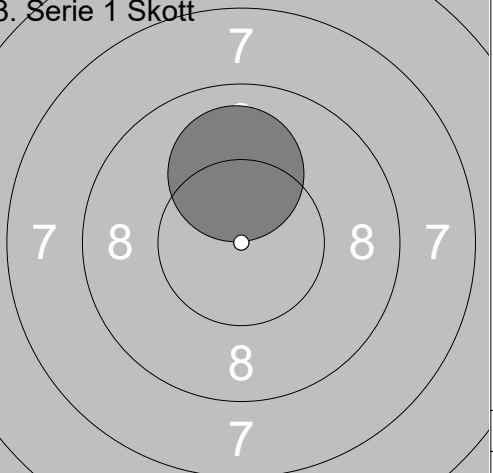
Prov 	1: 10.7x → 2: 9.6 → 3: 10.0 ↓ 4: 9.9 ↓ 5: 9.7 ↓ 6: 0.0 ↓ 7: 9.1 → 8: 10.0 ← 9: 10.5x ↓ <hr/> Serie 79.5 Total 412.1	1. Serie 5 Skott 		1: 9.3 ↓ 2: 10.0 ← 3: 10.3x → 4: 10.8x ← 5: 10.6x ↑ <hr/> Serie 51.0 Total 463.1
---	---	--	--	--

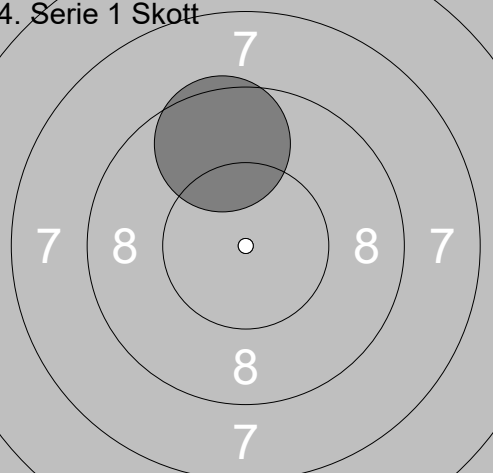
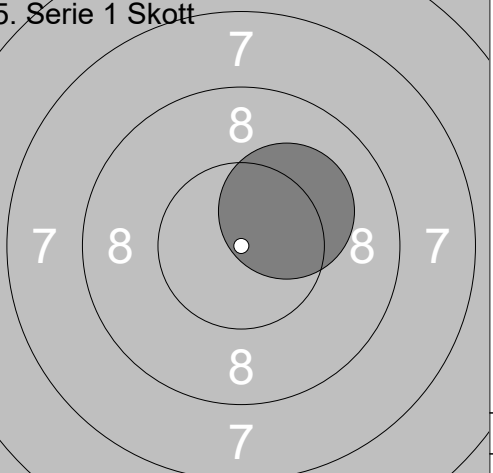
2. Serie 1 Skott 	1: 10.3x ↖ <hr/> Serie 10.3 Total 473.4	3. Serie 1 Skott 		1: 10.0 ↘ <hr/> Serie 10.0 Total 483.4
--	---	---	--	--

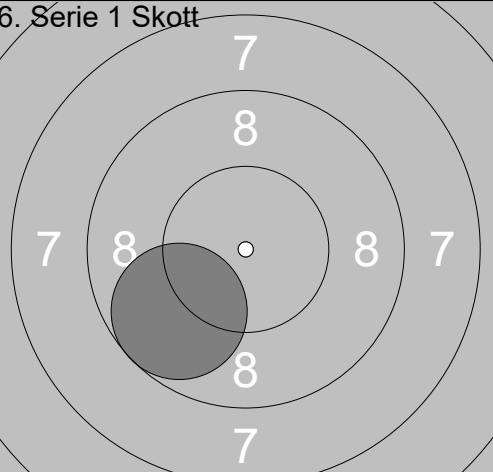
4. Serie 1 Skott 	1: 10.7x ↘ <hr/> Serie 10.7 Total 494.1	5. Serie 1 Skott 		1: 9.9 ↘ <hr/> Serie 9.9 Total 504.0
---	---	--	--	--

6. Serie 1 Skott 	1: 9.9 ↖ <hr/> Serie 9.9 Total 513.9			
---	--	--	--	--

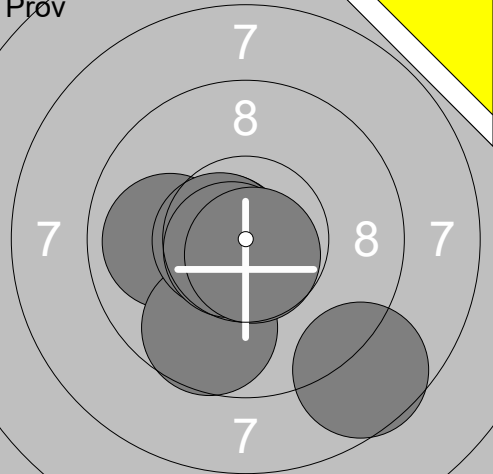

Pröv 	1: 10.8x ↓ 2: 10.2x ↗ 3: 9.8 → 4: 10.3x ↓ 5: 10.4x ↘	1. Serie 5 Skott 	1: 10.1 ↓ 2: 9.9 ↗ 3: 10.1 ↓ 4: 10.5x ↓ 5: 10.0 ↙
Serie 51.5		Serie 50.6	
Total 409.1		Total 459.7	

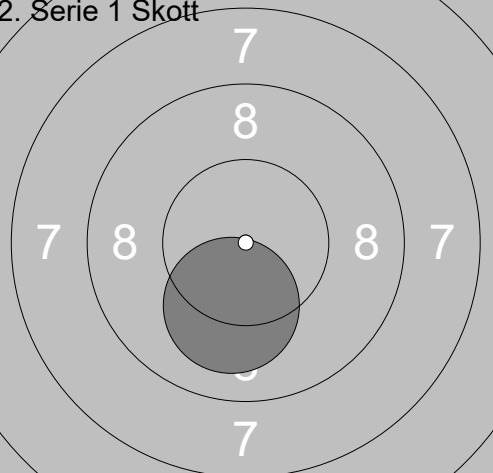
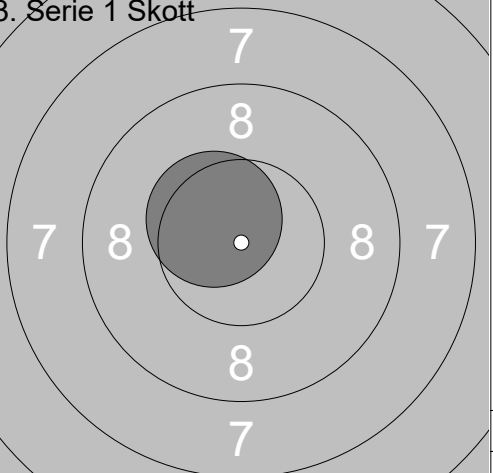
2. Serie 1 Skott 	1: 9.8 →	3. Serie 1 Skott 	1: 10.0 ↑
Serie 9.8		Serie 10.0	
Total 469.5		Total 479.5	

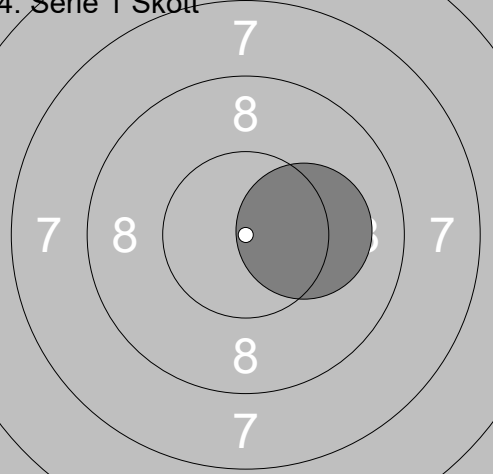
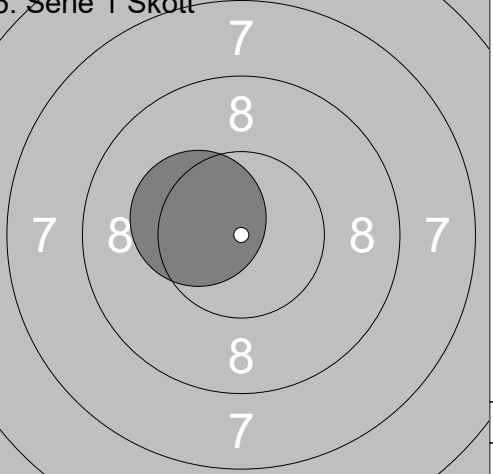
4. Serie 1 Skott 	1: 9.6 ↑	5. Serie 1 Skott 	1: 10.2x ↗
Serie 9.6		Serie 10.2	
Total 489.1		Total 499.3	

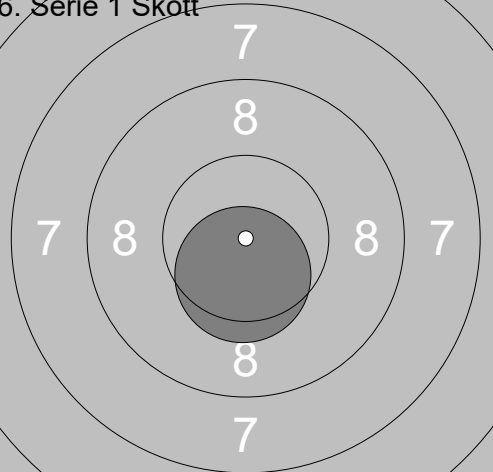
6. Serie 1 Skott 	1: 9.8 ↙		
Serie 9.8			
Total 509.1			



<p>Pröv</p> 	<p>1: 9.9 ← 2: 8.7 ↘ 3: 9.7 ↓ 4: 10.6x ← 5: 10.6x ← 6: 10.7x ↙ 7: 10.7x ↓</p> <table border="1" style="width:100%; border-collapse: collapse;"> <tr><td>Serie</td><td style="text-align: right;">70.9</td></tr> <tr><td>Total</td><td style="text-align: right;">408.5</td></tr> </table>	Serie	70.9	Total	408.5	<p>1. Serie 5 Skott</p> 	<p>1: 10.3x ← 2: 10.4x ← 3: 9.8 ↘ 4: 10.6x ↗ 5: 10.4x ↖</p> <table border="1" style="width:100%; border-collapse: collapse;"> <tr><td>Serie</td><td style="text-align: right;">51.5</td></tr> <tr><td>Total</td><td style="text-align: right;">460.0</td></tr> </table>	Serie	51.5	Total	460.0
Serie	70.9										
Total	408.5										
Serie	51.5										
Total	460.0										

<p>2. Serie 1 Skott</p> 	<p>1: 10.1 ↓</p> <table border="1" style="width:100%; border-collapse: collapse;"> <tr><td>Serie</td><td style="text-align: right;">10.1</td></tr> <tr><td>Total</td><td style="text-align: right;">470.1</td></tr> </table>	Serie	10.1	Total	470.1	<p>3. Serie 1 Skott</p> 	<p>1: 10.5x ↖</p> <table border="1" style="width:100%; border-collapse: collapse;"> <tr><td>Serie</td><td style="text-align: right;">10.5</td></tr> <tr><td>Total</td><td style="text-align: right;">480.6</td></tr> </table>	Serie	10.5	Total	480.6
Serie	10.1										
Total	470.1										
Serie	10.5										
Total	480.6										

<p>4. Serie 1 Skott</p> 	<p>1: 10.2x →</p> <table border="1" style="width:100%; border-collapse: collapse;"> <tr><td>Serie</td><td style="text-align: right;">10.2</td></tr> <tr><td>Total</td><td style="text-align: right;">490.8</td></tr> </table>	Serie	10.2	Total	490.8	<p>5. Serie 1 Skott</p> 	<p>1: 10.3x ↖</p> <table border="1" style="width:100%; border-collapse: collapse;"> <tr><td>Serie</td><td style="text-align: right;">10.3</td></tr> <tr><td>Total</td><td style="text-align: right;">501.1</td></tr> </table>	Serie	10.3	Total	501.1
Serie	10.2										
Total	490.8										
Serie	10.3										
Total	501.1										

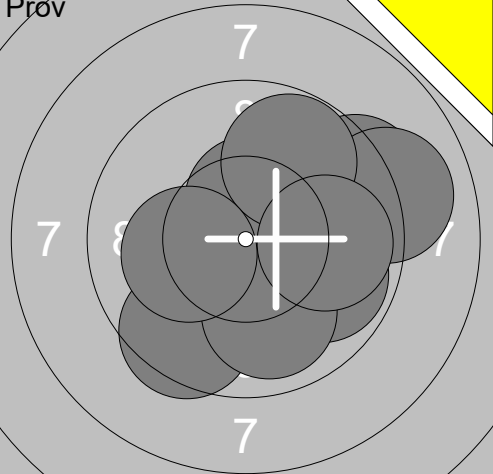
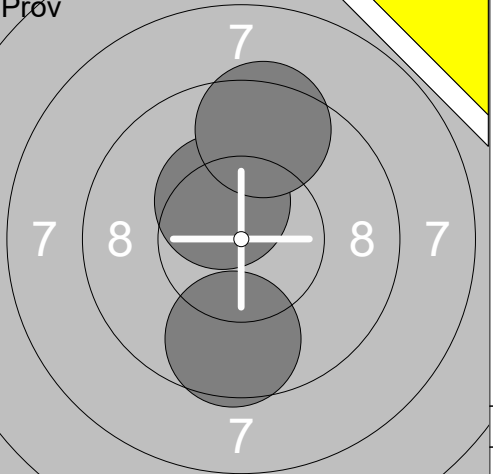
<p>6. Serie 1 Skott</p> 	<p>1: 10.5x ↓</p> <table border="1" style="width:100%; border-collapse: collapse;"> <tr><td>Serie</td><td style="text-align: right;">10.5</td></tr> <tr><td>Total</td><td style="text-align: right;">511.6</td></tr> </table>	Serie	10.5	Total	511.6		
Serie	10.5						
Total	511.6						


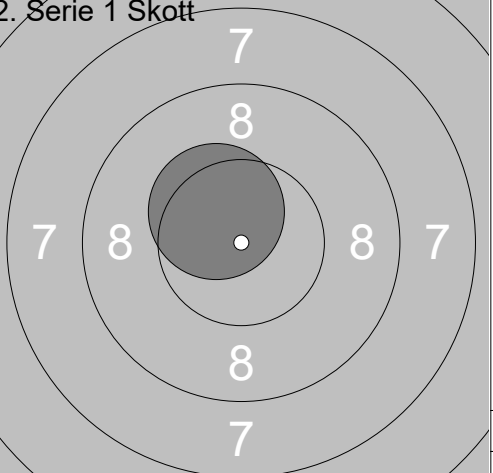
<p>Pröv</p>	<table style="width:100%; border-collapse: collapse;"> <tr><td>1:</td><td>10.1</td><td>↑</td></tr> <tr><td>2:</td><td>9.7</td><td>→</td></tr> <tr><td>3:</td><td>10.4x</td><td>←</td></tr> <tr><td>4:</td><td>10.7x</td><td>↙</td></tr> <tr><td>5:</td><td>9.9</td><td>←</td></tr> <tr><td>6:</td><td>9.8</td><td>↓</td></tr> <tr><td>7:</td><td>9.9</td><td>←</td></tr> <tr><td>8:</td><td>10.1</td><td>←</td></tr> <tr><td>9:</td><td>10.3x</td><td>↑</td></tr> <tr><td>10:</td><td>10.2x</td><td>↗</td></tr> </table> <table style="width:100%; border-collapse: collapse; margin-top: 5px;"> <tr><td style="border-top: 1px solid black;">Serie</td><td style="border-top: 1px solid black; text-align: right;">101.1</td></tr> <tr><td style="border-top: 1px solid black;">Total</td><td style="border-top: 1px solid black; text-align: right;">408.4</td></tr> </table>	1:	10.1	↑	2:	9.7	→	3:	10.4x	←	4:	10.7x	↙	5:	9.9	←	6:	9.8	↓	7:	9.9	←	8:	10.1	←	9:	10.3x	↑	10:	10.2x	↗	Serie	101.1	Total	408.4	<p>Pröv</p>	<table style="width:100%; border-collapse: collapse;"> <tr><td>11:</td><td>10.5x</td><td>→</td></tr> </table> <table style="width:100%; border-collapse: collapse; margin-top: 5px;"> <tr><td style="border-top: 1px solid black;">Serie</td><td style="border-top: 1px solid black; text-align: right;">10.5</td></tr> <tr><td style="border-top: 1px solid black;">Total</td><td style="border-top: 1px solid black; text-align: right;">408.4</td></tr> </table>	11:	10.5x	→	Serie	10.5	Total	408.4
1:	10.1	↑																																										
2:	9.7	→																																										
3:	10.4x	←																																										
4:	10.7x	↙																																										
5:	9.9	←																																										
6:	9.8	↓																																										
7:	9.9	←																																										
8:	10.1	←																																										
9:	10.3x	↑																																										
10:	10.2x	↗																																										
Serie	101.1																																											
Total	408.4																																											
11:	10.5x	→																																										
Serie	10.5																																											
Total	408.4																																											

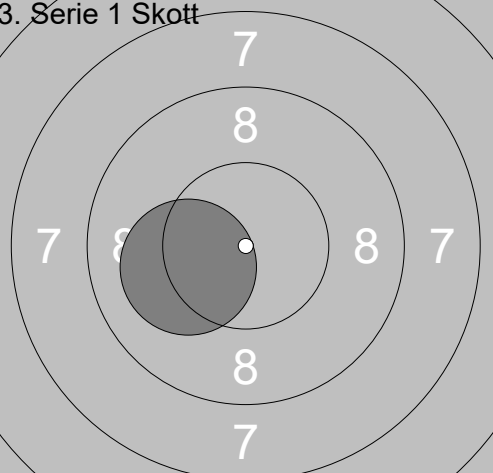
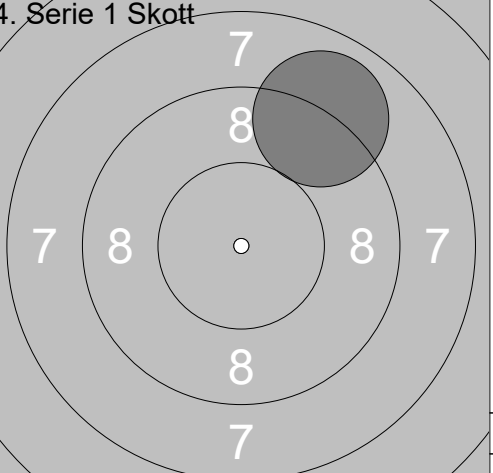
<p>1. Serie 5 Skott</p>	<table style="width:100%; border-collapse: collapse;"> <tr><td>1:</td><td>10.5x</td><td>↗</td></tr> <tr><td>2:</td><td>10.4x</td><td>←</td></tr> <tr><td>3:</td><td>9.7</td><td>←</td></tr> <tr><td>4:</td><td>10.7x</td><td>↗</td></tr> <tr><td>5:</td><td>10.3x</td><td>↓</td></tr> </table> <table style="width:100%; border-collapse: collapse; margin-top: 5px;"> <tr><td style="border-top: 1px solid black;">Serie</td><td style="border-top: 1px solid black; text-align: right;">51.6</td></tr> <tr><td style="border-top: 1px solid black;">Total</td><td style="border-top: 1px solid black; text-align: right;">460.0</td></tr> </table>	1:	10.5x	↗	2:	10.4x	←	3:	9.7	←	4:	10.7x	↗	5:	10.3x	↓	Serie	51.6	Total	460.0	<p>2. Serie 1 Skott</p>	<table style="width:100%; border-collapse: collapse;"> <tr><td>1:</td><td>10.3x</td><td>↗</td></tr> </table> <table style="width:100%; border-collapse: collapse; margin-top: 5px;"> <tr><td style="border-top: 1px solid black;">Serie</td><td style="border-top: 1px solid black; text-align: right;">10.3</td></tr> <tr><td style="border-top: 1px solid black;">Total</td><td style="border-top: 1px solid black; text-align: right;">470.3</td></tr> </table>	1:	10.3x	↗	Serie	10.3	Total	470.3
1:	10.5x	↗																											
2:	10.4x	←																											
3:	9.7	←																											
4:	10.7x	↗																											
5:	10.3x	↓																											
Serie	51.6																												
Total	460.0																												
1:	10.3x	↗																											
Serie	10.3																												
Total	470.3																												

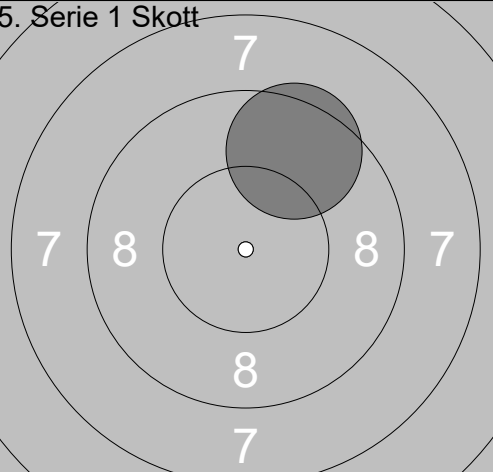

<p>3. Serie 1 Skott</p>	<table style="width:100%; border-collapse: collapse;"> <tr><td>1:</td><td>10.4x</td><td>↙</td></tr> </table> <table style="width:100%; border-collapse: collapse; margin-top: 5px;"> <tr><td style="border-top: 1px solid black;">Serie</td><td style="border-top: 1px solid black; text-align: right;">10.4</td></tr> <tr><td style="border-top: 1px solid black;">Total</td><td style="border-top: 1px solid black; text-align: right;">480.7</td></tr> </table>	1:	10.4x	↙	Serie	10.4	Total	480.7	<p>4. Serie 1 Skott</p>	<table style="width:100%; border-collapse: collapse;"> <tr><td>1:</td><td>10.3x</td><td>↓</td></tr> </table> <table style="width:100%; border-collapse: collapse; margin-top: 5px;"> <tr><td style="border-top: 1px solid black;">Serie</td><td style="border-top: 1px solid black; text-align: right;">10.3</td></tr> <tr><td style="border-top: 1px solid black;">Total</td><td style="border-top: 1px solid black; text-align: right;">491.0</td></tr> </table>	1:	10.3x	↓	Serie	10.3	Total	491.0
1:	10.4x	↙															
Serie	10.4																
Total	480.7																
1:	10.3x	↓															
Serie	10.3																
Total	491.0																

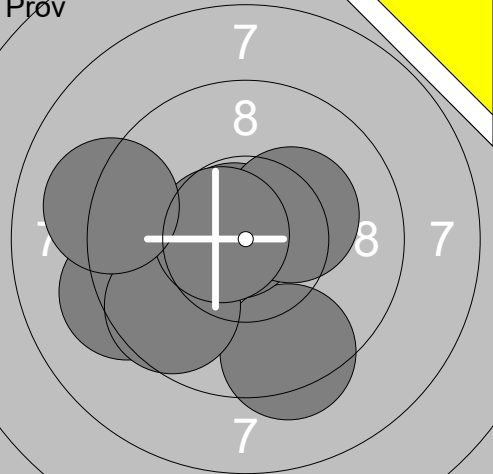
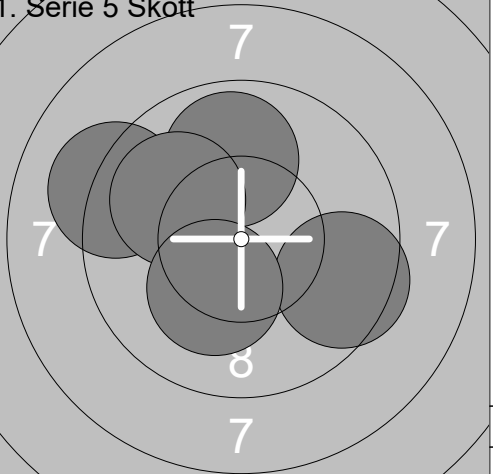
<p>5. Serie 1 Skott</p>	<table style="width:100%; border-collapse: collapse;"> <tr><td>1:</td><td>9.8</td><td>→</td></tr> </table> <table style="width:100%; border-collapse: collapse; margin-top: 5px;"> <tr><td style="border-top: 1px solid black;">Serie</td><td style="border-top: 1px solid black; text-align: right;">9.8</td></tr> <tr><td style="border-top: 1px solid black;">Total</td><td style="border-top: 1px solid black; text-align: right;">500.8</td></tr> </table>	1:	9.8	→	Serie	9.8	Total	500.8	<p>6. Serie 1 Skott</p>	<table style="width:100%; border-collapse: collapse;"> <tr><td>1:</td><td>9.6</td><td>→</td></tr> </table> <table style="width:100%; border-collapse: collapse; margin-top: 5px;"> <tr><td style="border-top: 1px solid black;">Serie</td><td style="border-top: 1px solid black; text-align: right;">9.6</td></tr> <tr><td style="border-top: 1px solid black;">Total</td><td style="border-top: 1px solid black; text-align: right;">510.4</td></tr> </table>	1:	9.6	→	Serie	9.6	Total	510.4
1:	9.8	→															
Serie	9.8																
Total	500.8																
1:	9.6	→															
Serie	9.6																
Total	510.4																

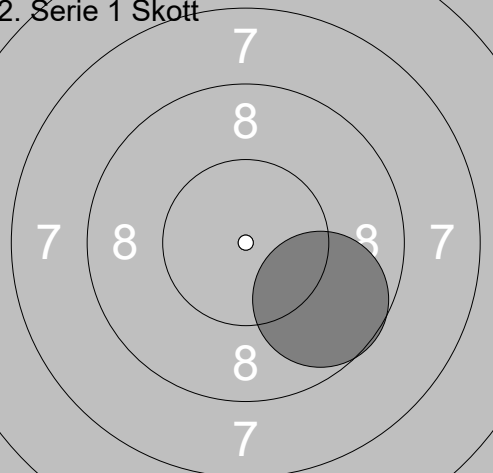
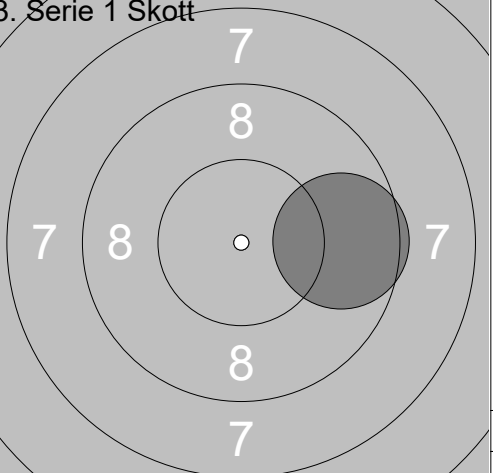
<p>Pröv</p> 	<table border="1" style="width:100%; border-collapse: collapse;"> <tr><td>1:</td><td>9.5</td><td>↙</td></tr> <tr><td>2:</td><td>9.3</td><td>→</td></tr> <tr><td>3:</td><td>10.3x</td><td>→</td></tr> <tr><td>4:</td><td>9.0</td><td>→</td></tr> <tr><td>5:</td><td>10.5x</td><td>↑</td></tr> <tr><td>6:</td><td>9.9</td><td>↘</td></tr> <tr><td>7:</td><td>9.9</td><td>↓</td></tr> <tr><td>8:</td><td>9.8</td><td>↗</td></tr> <tr><td>9:</td><td>9.9</td><td>→</td></tr> <tr><td>10:</td><td>10.2x</td><td>←</td></tr> </table> <table border="1" style="width:100%; border-collapse: collapse; margin-top: 5px;"> <tr><td>Serie</td><td style="text-align: right;">98.3</td></tr> <tr><td>Total</td><td style="text-align: right;">404.8</td></tr> </table>	1:	9.5	↙	2:	9.3	→	3:	10.3x	→	4:	9.0	→	5:	10.5x	↑	6:	9.9	↘	7:	9.9	↓	8:	9.8	↗	9:	9.9	→	10:	10.2x	←	Serie	98.3	Total	404.8	<p>Pröv</p> 	<table border="1" style="width:100%; border-collapse: collapse;"> <tr><td>11:</td><td>9.6</td><td>↓</td></tr> <tr><td>12:</td><td>10.4x</td><td>↖</td></tr> <tr><td>13:</td><td>9.5</td><td>↑</td></tr> </table> <table border="1" style="width:100%; border-collapse: collapse; margin-top: 5px;"> <tr><td>Serie</td><td style="text-align: right;">29.5</td></tr> <tr><td>Total</td><td style="text-align: right;">404.8</td></tr> </table>	11:	9.6	↓	12:	10.4x	↖	13:	9.5	↑	Serie	29.5	Total	404.8
1:	9.5	↙																																																
2:	9.3	→																																																
3:	10.3x	→																																																
4:	9.0	→																																																
5:	10.5x	↑																																																
6:	9.9	↘																																																
7:	9.9	↓																																																
8:	9.8	↗																																																
9:	9.9	→																																																
10:	10.2x	←																																																
Serie	98.3																																																	
Total	404.8																																																	
11:	9.6	↓																																																
12:	10.4x	↖																																																
13:	9.5	↑																																																
Serie	29.5																																																	
Total	404.8																																																	


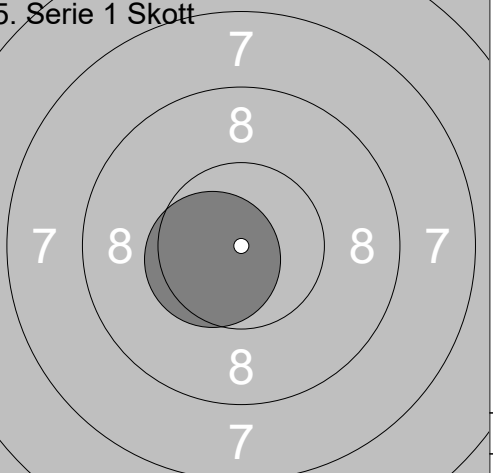
<p>1. Serie 5 Skott</p> 	<table border="1" style="width:100%; border-collapse: collapse;"> <tr><td>1:</td><td>10.8x</td><td>→</td></tr> <tr><td>2:</td><td>10.6x</td><td>→</td></tr> <tr><td>3:</td><td>10.2x</td><td>↙</td></tr> <tr><td>4:</td><td>10.2x</td><td>→</td></tr> <tr><td>5:</td><td>9.5</td><td>↓</td></tr> </table> <table border="1" style="width:100%; border-collapse: collapse; margin-top: 5px;"> <tr><td>Serie</td><td style="text-align: right;">51.3</td></tr> <tr><td>Total</td><td style="text-align: right;">456.1</td></tr> </table>	1:	10.8x	→	2:	10.6x	→	3:	10.2x	↙	4:	10.2x	→	5:	9.5	↓	Serie	51.3	Total	456.1	<p>2. Serie 1 Skott</p> 	<table border="1" style="width:100%; border-collapse: collapse;"> <tr><td>1:</td><td>10.4x</td><td>↖</td></tr> </table> <table border="1" style="width:100%; border-collapse: collapse; margin-top: 5px;"> <tr><td>Serie</td><td style="text-align: right;">10.4</td></tr> <tr><td>Total</td><td style="text-align: right;">466.5</td></tr> </table>	1:	10.4x	↖	Serie	10.4	Total	466.5
1:	10.8x	→																											
2:	10.6x	→																											
3:	10.2x	↙																											
4:	10.2x	→																											
5:	9.5	↓																											
Serie	51.3																												
Total	456.1																												
1:	10.4x	↖																											
Serie	10.4																												
Total	466.5																												

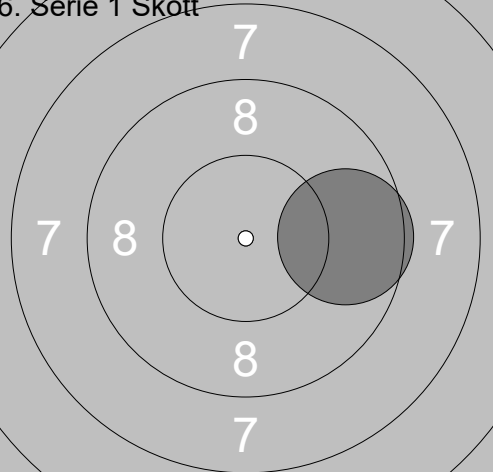
<p>3. Serie 1 Skott</p> 	<table border="1" style="width:100%; border-collapse: collapse;"> <tr><td>1:</td><td>10.1</td><td>←</td></tr> </table> <table border="1" style="width:100%; border-collapse: collapse; margin-top: 5px;"> <tr><td>Serie</td><td style="text-align: right;">10.1</td></tr> <tr><td>Total</td><td style="text-align: right;">476.6</td></tr> </table>	1:	10.1	←	Serie	10.1	Total	476.6	<p>4. Serie 1 Skott</p> 	<table border="1" style="width:100%; border-collapse: collapse;"> <tr><td>1:</td><td>9.0</td><td>↗</td></tr> </table> <table border="1" style="width:100%; border-collapse: collapse; margin-top: 5px;"> <tr><td>Serie</td><td style="text-align: right;">9.0</td></tr> <tr><td>Total</td><td style="text-align: right;">485.6</td></tr> </table>	1:	9.0	↗	Serie	9.0	Total	485.6
1:	10.1	←															
Serie	10.1																
Total	476.6																
1:	9.0	↗															
Serie	9.0																
Total	485.6																

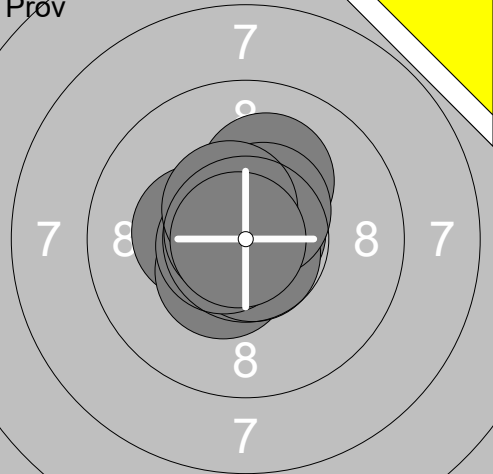

<p>5. Serie 1 Skott</p> 	<table border="1" style="width:100%; border-collapse: collapse;"> <tr><td>1:</td><td>9.5</td><td>↗</td></tr> </table> <table border="1" style="width:100%; border-collapse: collapse; margin-top: 5px;"> <tr><td>Serie</td><td style="text-align: right;">9.5</td></tr> <tr><td>Total</td><td style="text-align: right;">495.1</td></tr> </table>	1:	9.5	↗	Serie	9.5	Total	495.1	<p>6. Serie 1 Skott</p> 	<table border="1" style="width:100%; border-collapse: collapse;"> <tr><td>1:</td><td>10.4x</td><td>↑</td></tr> </table> <table border="1" style="width:100%; border-collapse: collapse; margin-top: 5px;"> <tr><td>Serie</td><td style="text-align: right;">10.4</td></tr> <tr><td>Total</td><td style="text-align: right;">505.5</td></tr> </table>	1:	10.4x	↑	Serie	10.4	Total	505.5
1:	9.5	↗															
Serie	9.5																
Total	495.1																
1:	10.4x	↑															
Serie	10.4																
Total	505.5																

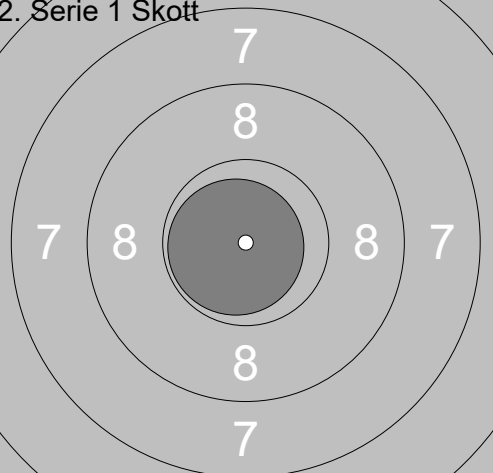
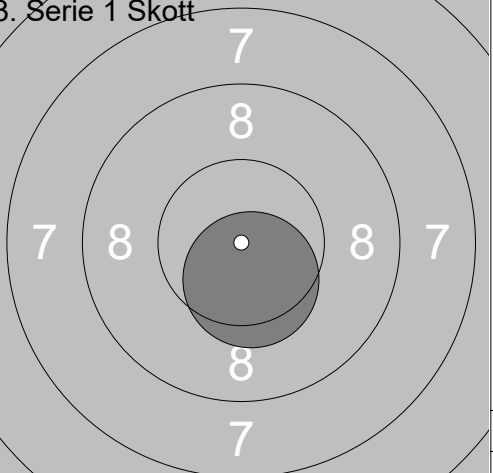
<p>Pröv</p> 	<p>1: 9.4 ↘ 2: 9.2 ← 3: 10.8x ↗ 4: 9.6 ↘ 5: 10.3x ↗ 6: 10.6x ← 7: 9.1 ←</p>	<p>1. Serie 5 Skott</p> 	<p>1: 9.9 ↑ 2: 9.2 ← 3: 10.0 ↗ 4: 9.5 → 5: 10.2x ↘</p>
Serie 69.0		Serie 48.8	
Total 404.0		Total 452.8	

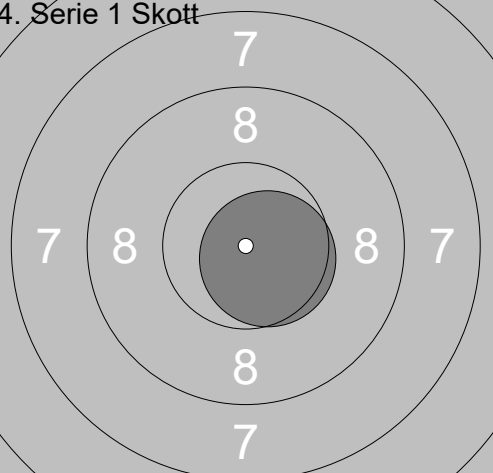
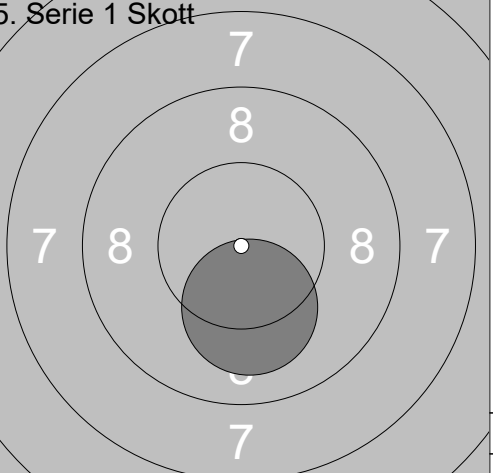
<p>2. Serie 1 Skott</p> 	<p>1: 9.7 ↘</p>	<p>3. Serie 1 Skott</p> 	<p>1: 9.6 →</p>
Serie 9.7		Serie 9.6	
Total 462.5		Total 472.1	

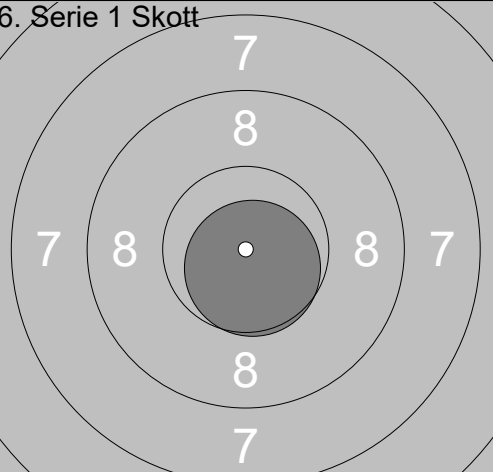
<p>4. Serie 1 Skott</p> 	<p>1: 10.7x ↑</p>	<p>5. Serie 1 Skott</p> 	<p>1: 10.5x ←</p>
Serie 10.7		Serie 10.5	
Total 482.8		Total 493.3	

<p>6. Serie 1 Skott</p> 	<p>1: 9.6 →</p>		
Serie 9.6			
Total 502.9			

<p>Pröv</p> 	<p>1: 10.3x ← 2: 10.4x ↙ 3: 10.1 ↑ 4: 10.8x ↗ 5: 10.7x ↓ 6: 10.6x ← 7: 10.7x ↖ 8: 10.5x ↗ 9: 10.5x ↗ 10: 10.8x ←</p> <table border="1" style="width:100%; border-collapse: collapse;"> <tr><td>Serie</td><td style="text-align: right;">105.4</td></tr> <tr><td>Total</td><td style="text-align: right;">423.8</td></tr> </table>	Serie	105.4	Total	423.8	<p>1. Serie 5 Skott</p>  <table border="1" style="width:100%; border-collapse: collapse;"> <tr><td>1: 10.2x ↗</td></tr> <tr><td>2: 10.8x ↓</td></tr> <tr><td>3: 10.3x ←</td></tr> <tr><td>4: 10.3x ↙</td></tr> <tr><td>5: 10.2x ↓</td></tr> </table> <table border="1" style="width:100%; border-collapse: collapse;"> <tr><td>Serie</td><td style="text-align: right;">51.8</td></tr> <tr><td>Total</td><td style="text-align: right;">475.6</td></tr> </table>	1: 10.2x ↗	2: 10.8x ↓	3: 10.3x ←	4: 10.3x ↙	5: 10.2x ↓	Serie	51.8	Total	475.6
Serie	105.4														
Total	423.8														
1: 10.2x ↗															
2: 10.8x ↓															
3: 10.3x ←															
4: 10.3x ↙															
5: 10.2x ↓															
Serie	51.8														
Total	475.6														

<p>2. Serie 1 Skott</p>  <table border="1" style="width:100%; border-collapse: collapse;"> <tr><td>Serie</td><td style="text-align: right;">10.8</td></tr> <tr><td>Total</td><td style="text-align: right;">486.4</td></tr> </table>	Serie	10.8	Total	486.4	<p>3. Serie 1 Skott</p>  <table border="1" style="width:100%; border-collapse: collapse;"> <tr><td>1: 10.4x ↓</td></tr> </table> <table border="1" style="width:100%; border-collapse: collapse;"> <tr><td>Serie</td><td style="text-align: right;">10.4</td></tr> <tr><td>Total</td><td style="text-align: right;">496.8</td></tr> </table>	1: 10.4x ↓	Serie	10.4	Total	496.8
Serie	10.8									
Total	486.4									
1: 10.4x ↓										
Serie	10.4									
Total	496.8									

<p>4. Serie 1 Skott</p>  <table border="1" style="width:100%; border-collapse: collapse;"> <tr><td>1: 10.6x ↘</td></tr> </table> <table border="1" style="width:100%; border-collapse: collapse;"> <tr><td>Serie</td><td style="text-align: right;">10.6</td></tr> <tr><td>Total</td><td style="text-align: right;">507.4</td></tr> </table>	1: 10.6x ↘	Serie	10.6	Total	507.4	<p>5. Serie 1 Skott</p>  <table border="1" style="width:100%; border-collapse: collapse;"> <tr><td>1: 10.1 ↓</td></tr> </table> <table border="1" style="width:100%; border-collapse: collapse;"> <tr><td>Serie</td><td style="text-align: right;">10.1</td></tr> <tr><td>Total</td><td style="text-align: right;">517.5</td></tr> </table>	1: 10.1 ↓	Serie	10.1	Total	517.5
1: 10.6x ↘											
Serie	10.6										
Total	507.4										
1: 10.1 ↓											
Serie	10.1										
Total	517.5										

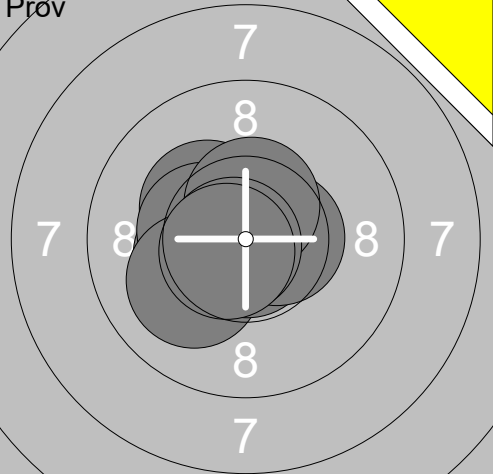

<p>6. Serie 1 Skott</p>  <table border="1" style="width:100%; border-collapse: collapse;"> <tr><td>1: 10.7x ↓</td></tr> </table> <table border="1" style="width:100%; border-collapse: collapse;"> <tr><td>Serie</td><td style="text-align: right;">10.7</td></tr> <tr><td>Total</td><td style="text-align: right;">528.2</td></tr> </table>	1: 10.7x ↓	Serie	10.7	Total	528.2	
1: 10.7x ↓						
Serie	10.7					
Total	528.2					

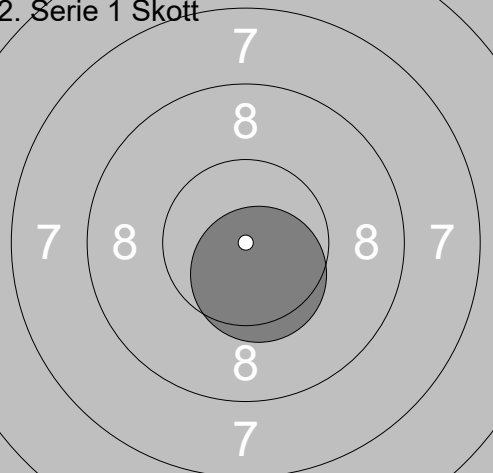
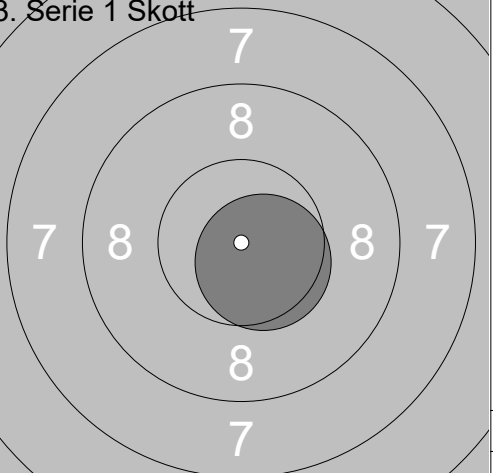
<p>Pröv</p>	<p>1: 10.8x ↙                  2: 10.5x →                  3: 10.0 ←                  4: 10.4x ←                  5: 10.1 ←                  6: 9.8 ←                  7: 10.4x ↗                  8: 10.3x ←                  9: 10.1 →                  10: 10.6x →</p> <table border="1" style="width:100%; border-collapse: collapse;"> <tr><td>Serie</td><td style="text-align: right;">103.0</td></tr> <tr><td>Total</td><td style="text-align: right;">423.4</td></tr> </table>	Serie	103.0	Total	423.4	<p>Pröv</p>	<p>11: 10.8x ↓                  12: 10.4x ↗                  13: 10.8x ↓</p> <table border="1" style="width:100%; border-collapse: collapse;"> <tr><td>Serie</td><td style="text-align: right;">32.0</td></tr> <tr><td>Total</td><td style="text-align: right;">423.4</td></tr> </table>	Serie	32.0	Total	423.4
Serie	103.0										
Total	423.4										
Serie	32.0										
Total	423.4										


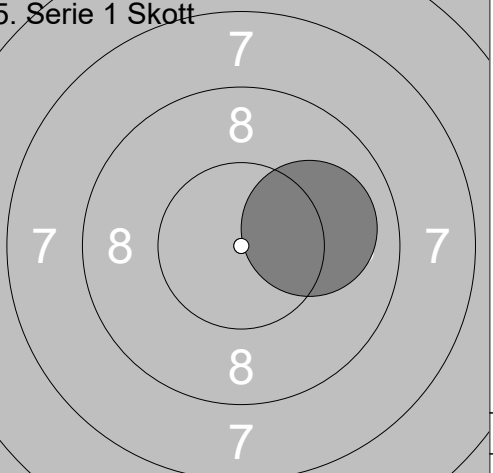
<p>1. Serie 5 Skott</p>	<p>1: 10.2x →                  2: 10.1 ↗                  3: 9.7 →                  4: 10.6x ↑                  5: 10.3x →</p> <table border="1" style="width:100%; border-collapse: collapse;"> <tr><td>Serie</td><td style="text-align: right;">50.9</td></tr> <tr><td>Total</td><td style="text-align: right;">474.3</td></tr> </table>	Serie	50.9	Total	474.3	<p>2. Serie 1 Skott</p>	<p>1: 10.6x ↗</p> <table border="1" style="width:100%; border-collapse: collapse;"> <tr><td>Serie</td><td style="text-align: right;">10.6</td></tr> <tr><td>Total</td><td style="text-align: right;">484.9</td></tr> </table>	Serie	10.6	Total	484.9
Serie	50.9										
Total	474.3										
Serie	10.6										
Total	484.9										

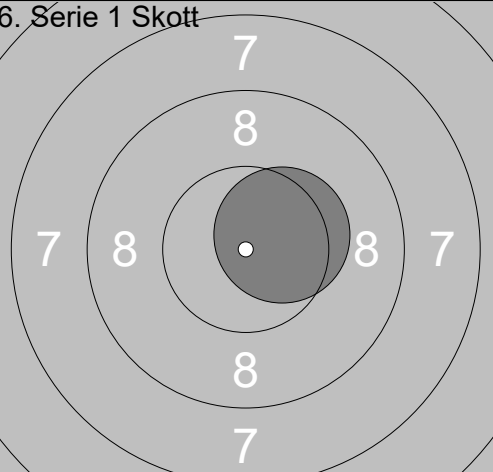
<p>3. Serie 1 Skott</p>	<p>1: 10.1 ↓</p> <table border="1" style="width:100%; border-collapse: collapse;"> <tr><td>Serie</td><td style="text-align: right;">10.1</td></tr> <tr><td>Total</td><td style="text-align: right;">495.0</td></tr> </table>	Serie	10.1	Total	495.0	<p>4. Serie 1 Skott</p>	<p>1: 10.7x ↙</p> <table border="1" style="width:100%; border-collapse: collapse;"> <tr><td>Serie</td><td style="text-align: right;">10.7</td></tr> <tr><td>Total</td><td style="text-align: right;">505.7</td></tr> </table>	Serie	10.7	Total	505.7
Serie	10.1										
Total	495.0										
Serie	10.7										
Total	505.7										

<p>5. Serie 1 Skott</p>	<p>1: 10.3x ←</p> <table border="1" style="width:100%; border-collapse: collapse;"> <tr><td>Serie</td><td style="text-align: right;">10.3</td></tr> <tr><td>Total</td><td style="text-align: right;">516.0</td></tr> </table>	Serie	10.3	Total	516.0	<p>6. Serie 1 Skott</p>	<p>1: 9.7 ↙</p> <table border="1" style="width:100%; border-collapse: collapse;"> <tr><td>Serie</td><td style="text-align: right;">9.7</td></tr> <tr><td>Total</td><td style="text-align: right;">525.7</td></tr> </table>	Serie	9.7	Total	525.7
Serie	10.3										
Total	516.0										
Serie	9.7										
Total	525.7										

<p><b>Pröv</b></p> 	<p>1: 10.8x ↘ 2: 10.3x ← 3: 10.3x ↖ 4: 10.4x ← 5: 10.1 ← 6: 10.8x ↓ 7: 10.5x → 8: 10.5x ↑ 9: 10.8x ← 10: 10.7x ↙</p> <table border="1" style="width:100%; border-collapse: collapse;"> <tr><td>Serie</td><td>105.2</td></tr> <tr><td>Total</td><td>423.0</td></tr> </table>	Serie	105.2	Total	423.0	<p><b>1. Serie 5 Skott</b></p> 	<p>1: 10.5x ↖ 2: 10.7x ← 3: 10.6x ↗ 4: 10.7x → 5: 10.8x ↗</p> <table border="1" style="width:100%; border-collapse: collapse;"> <tr><td>Serie</td><td>53.3</td></tr> <tr><td>Total</td><td>476.3</td></tr> </table>	Serie	53.3	Total	476.3
Serie	105.2										
Total	423.0										
Serie	53.3										
Total	476.3										

<p><b>2. Serie 1 Skott</b></p> 	<p>1: 10.5x ↘</p> <table border="1" style="width:100%; border-collapse: collapse;"> <tr><td>Serie</td><td>10.5</td></tr> <tr><td>Total</td><td>486.8</td></tr> </table>	Serie	10.5	Total	486.8	<p><b>3. Serie 1 Skott</b></p> 	<p>1: 10.6x ↘</p> <table border="1" style="width:100%; border-collapse: collapse;"> <tr><td>Serie</td><td>10.6</td></tr> <tr><td>Total</td><td>497.4</td></tr> </table>	Serie	10.6	Total	497.4
Serie	10.5										
Total	486.8										
Serie	10.6										
Total	497.4										

<p><b>4. Serie 1 Skott</b></p> 	<p>1: 10.5x ↗</p> <table border="1" style="width:100%; border-collapse: collapse;"> <tr><td>Serie</td><td>10.5</td></tr> <tr><td>Total</td><td>507.9</td></tr> </table>	Serie	10.5	Total	507.9	<p><b>5. Serie 1 Skott</b></p> 	<p>1: 10.0 →</p> <table border="1" style="width:100%; border-collapse: collapse;"> <tr><td>Serie</td><td>10.0</td></tr> <tr><td>Total</td><td>517.9</td></tr> </table>	Serie	10.0	Total	517.9
Serie	10.5										
Total	507.9										
Serie	10.0										
Total	517.9										

<p><b>6. Serie 1 Skott</b></p> 	<p>1: 10.4x →</p> <table border="1" style="width:100%; border-collapse: collapse;"> <tr><td>Serie</td><td>10.4</td></tr> <tr><td>Total</td><td>528.3</td></tr> </table>	Serie	10.4	Total	528.3		
Serie	10.4						
Total	528.3						

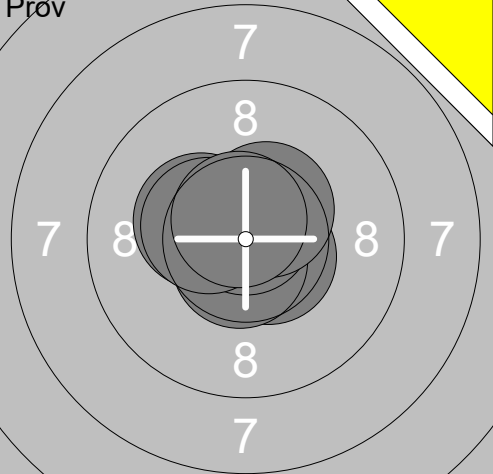

<p>Pröv</p>	<p>1: 10.3x ← 2: 10.6x ← 3: 10.5x → 4: 10.3x ← 5: 10.5x ← 6: 10.8x ← 7: 10.6x ↙ 8: 10.4x ↙ 9: 10.4x ← 10: 10.7x ←</p> <table border="1" style="width:100%; border-collapse: collapse;"> <tr><td>Serie</td><td style="text-align: right;">105.1</td></tr> <tr><td>Total</td><td style="text-align: right;">422.9</td></tr> </table>	Serie	105.1	Total	422.9	<p>Pröv</p>	<p>11: 10.7x ↘ 12: 10.6x ← 13: 10.5x ↗</p> <table border="1" style="width:100%; border-collapse: collapse;"> <tr><td>Serie</td><td style="text-align: right;">31.8</td></tr> <tr><td>Total</td><td style="text-align: right;">422.9</td></tr> </table>	Serie	31.8	Total	422.9
Serie	105.1										
Total	422.9										
Serie	31.8										
Total	422.9										


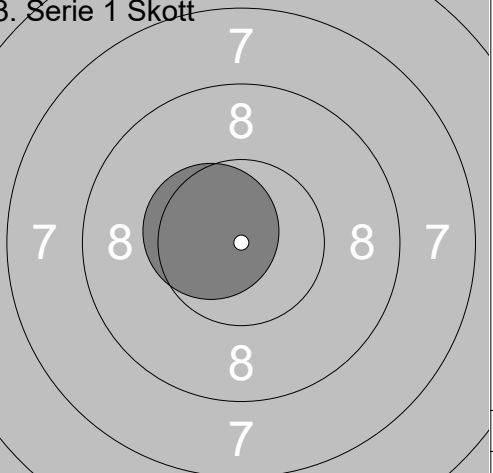
<p>1. Serie 5 Skott</p>	<p>1: 10.4x ↑ 2: 10.6x ↘ 3: 10.6x ↓ 4: 10.5x ← 5: 9.9 ←</p> <table border="1" style="width:100%; border-collapse: collapse;"> <tr><td>Serie</td><td style="text-align: right;">52.0</td></tr> <tr><td>Total</td><td style="text-align: right;">474.9</td></tr> </table>	Serie	52.0	Total	474.9	<p>2. Serie 1 Skott</p>	<p>1: 10.3x ↘</p> <table border="1" style="width:100%; border-collapse: collapse;"> <tr><td>Serie</td><td style="text-align: right;">10.3</td></tr> <tr><td>Total</td><td style="text-align: right;">485.2</td></tr> </table>	Serie	10.3	Total	485.2
Serie	52.0										
Total	474.9										
Serie	10.3										
Total	485.2										

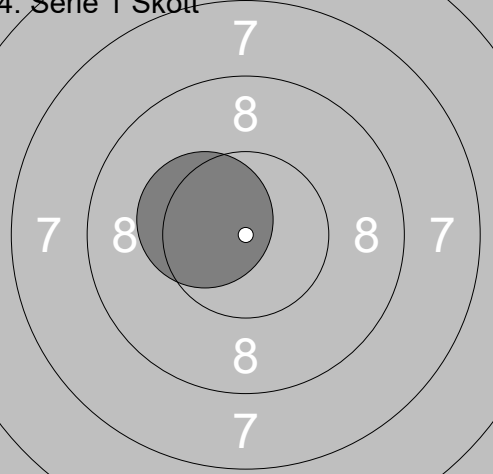
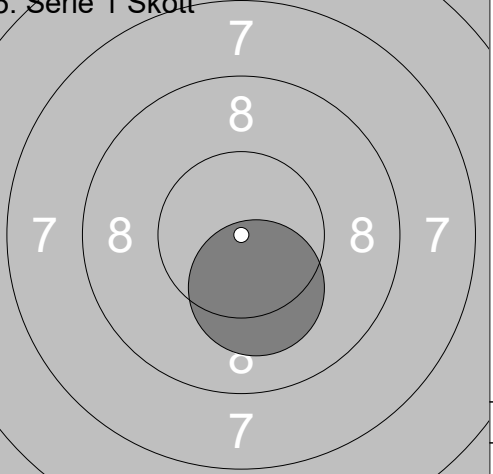
<p>3. Serie 1 Skott</p>	<p>1: 10.2x ←</p> <table border="1" style="width:100%; border-collapse: collapse;"> <tr><td>Serie</td><td style="text-align: right;">10.2</td></tr> <tr><td>Total</td><td style="text-align: right;">495.4</td></tr> </table>	Serie	10.2	Total	495.4	<p>4. Serie 1 Skott</p>	<p>1: 10.5x ↖</p> <table border="1" style="width:100%; border-collapse: collapse;"> <tr><td>Serie</td><td style="text-align: right;">10.5</td></tr> <tr><td>Total</td><td style="text-align: right;">505.9</td></tr> </table>	Serie	10.5	Total	505.9
Serie	10.2										
Total	495.4										
Serie	10.5										
Total	505.9										

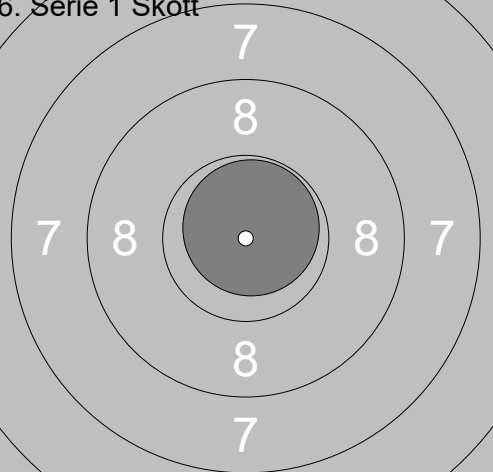
<p>5. Serie 1 Skott</p>	<p>1: 10.9x ↑</p> <table border="1" style="width:100%; border-collapse: collapse;"> <tr><td>Serie</td><td style="text-align: right;">10.9</td></tr> <tr><td>Total</td><td style="text-align: right;">516.8</td></tr> </table>	Serie	10.9	Total	516.8	<p>6. Serie 1 Skott</p>	<p>1: 10.5x ←</p> <table border="1" style="width:100%; border-collapse: collapse;"> <tr><td>Serie</td><td style="text-align: right;">10.5</td></tr> <tr><td>Total</td><td style="text-align: right;">527.3</td></tr> </table>	Serie	10.5	Total	527.3
Serie	10.9										
Total	516.8										
Serie	10.5										
Total	527.3										

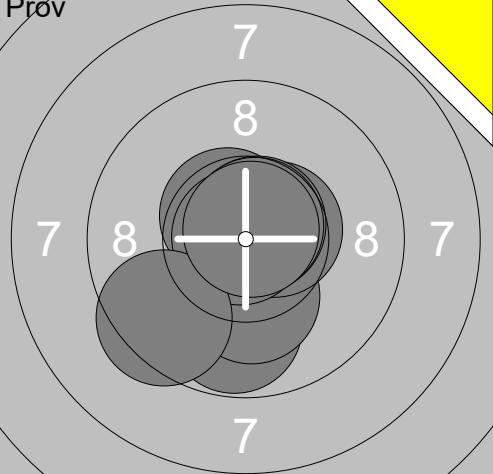



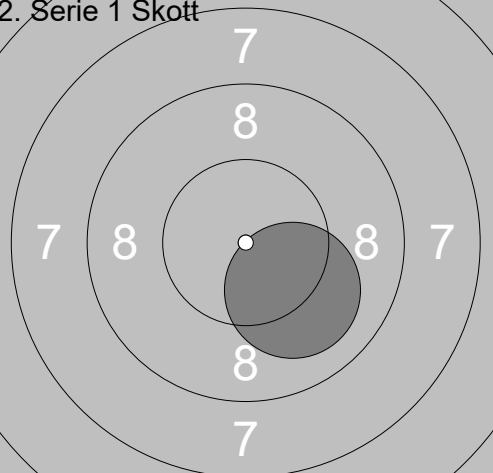
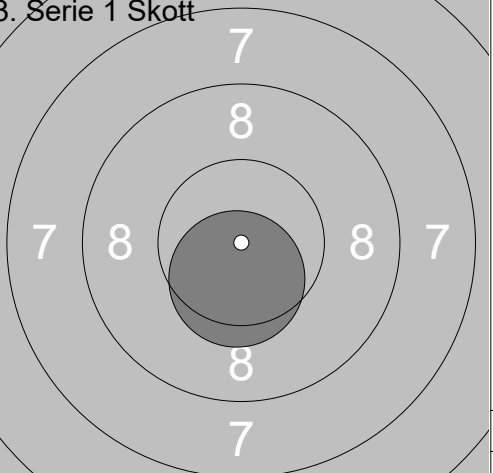
<p>Pröv</p> 	<p>1: 10.3x ↙ 2: 10.6x ↘ 3: 10.8x ↗ 4: 10.7x ↓ 5: 10.8x ↑ 6: 10.4x ← 7: 10.5x ↗ 8: 10.7x ↑</p> <table border="1" style="width:100%; border-collapse: collapse;"> <tr><td>Serie</td><td style="text-align:right;">84.8</td></tr> <tr><td>Total</td><td style="text-align:right;">422.8</td></tr> </table>	Serie	84.8	Total	422.8	<p>1. Serie 5 Skott</p> 	<p>1: 10.7x ↗ 2: 10.7x ↗ 3: 10.2x ↗ 4: 9.9 ← 5: 10.9x ↓</p> <table border="1" style="width:100%; border-collapse: collapse;"> <tr><td>Serie</td><td style="text-align:right;">52.4</td></tr> <tr><td>Total</td><td style="text-align:right;">475.2</td></tr> </table>	Serie	52.4	Total	475.2
Serie	84.8										
Total	422.8										
Serie	52.4										
Total	475.2										

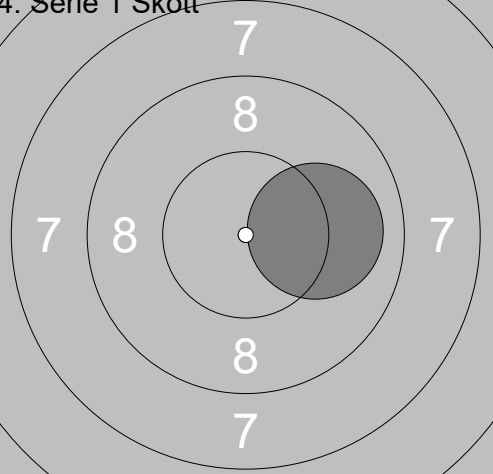
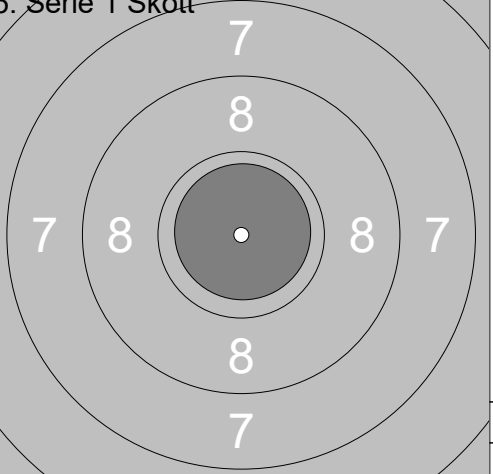
<p>2. Serie 1 Skott</p> 	<p>1: 10.9x ↙</p> <table border="1" style="width:100%; border-collapse: collapse;"> <tr><td>Serie</td><td style="text-align:right;">10.9</td></tr> <tr><td>Total</td><td style="text-align:right;">486.1</td></tr> </table>	Serie	10.9	Total	486.1	<p>3. Serie 1 Skott</p> 	<p>1: 10.5x ↙</p> <table border="1" style="width:100%; border-collapse: collapse;"> <tr><td>Serie</td><td style="text-align:right;">10.5</td></tr> <tr><td>Total</td><td style="text-align:right;">496.6</td></tr> </table>	Serie	10.5	Total	496.6
Serie	10.9										
Total	486.1										
Serie	10.5										
Total	496.6										

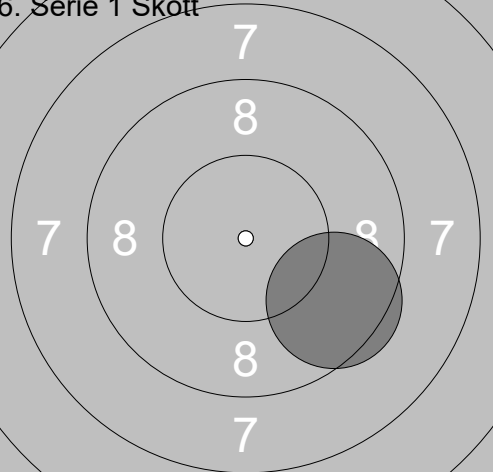
<p>4. Serie 1 Skott</p> 	<p>1: 10.4x ↙</p> <table border="1" style="width:100%; border-collapse: collapse;"> <tr><td>Serie</td><td style="text-align:right;">10.4</td></tr> <tr><td>Total</td><td style="text-align:right;">507.0</td></tr> </table>	Serie	10.4	Total	507.0	<p>5. Serie 1 Skott</p> 	<p>1: 10.2x ↓</p> <table border="1" style="width:100%; border-collapse: collapse;"> <tr><td>Serie</td><td style="text-align:right;">10.2</td></tr> <tr><td>Total</td><td style="text-align:right;">517.2</td></tr> </table>	Serie	10.2	Total	517.2
Serie	10.4										
Total	507.0										
Serie	10.2										
Total	517.2										

<p>6. Serie 1 Skott</p> 	<p>1: 10.8x ↗</p> <table border="1" style="width:100%; border-collapse: collapse;"> <tr><td>Serie</td><td style="text-align:right;">10.8</td></tr> <tr><td>Total</td><td style="text-align:right;">528.0</td></tr> </table>	Serie	10.8	Total	528.0		
Serie	10.8						
Total	528.0						

<b>Pröv</b> 	<table border="1" style="width:100%; border-collapse: collapse;"> <tr><td>1:</td><td>9.8</td><td>↓</td></tr> <tr><td>2:</td><td>10.2x</td><td>↓</td></tr> <tr><td>3:</td><td>10.6x</td><td>→</td></tr> <tr><td>4:</td><td>10.6x</td><td>↗</td></tr> <tr><td>5:</td><td>10.7x</td><td>↗</td></tr> <tr><td>6:</td><td>10.9x</td><td>←</td></tr> <tr><td>7:</td><td>9.4</td><td>↙</td></tr> <tr><td>8:</td><td>10.7x</td><td>↗</td></tr> <tr><td>9:</td><td>10.8x</td><td>↗</td></tr> </table> <table border="1" style="width:100%; border-collapse: collapse; margin-top: 5px;"> <tr><td>Serie</td><td style="text-align: right;">93.7</td></tr> <tr><td>Total</td><td style="text-align: right;">422.7</td></tr> </table>	1:	9.8	↓	2:	10.2x	↓	3:	10.6x	→	4:	10.6x	↗	5:	10.7x	↗	6:	10.9x	←	7:	9.4	↙	8:	10.7x	↗	9:	10.8x	↗	Serie	93.7	Total	422.7	<b>1. Serie 5 Skott</b>  <table border="1" style="width:100%; border-collapse: collapse; margin-top: 5px;"> <tr><td>1:</td><td>10.5x</td><td>→</td></tr> <tr><td>2:</td><td>10.9x</td><td>↗</td></tr> <tr><td>3:</td><td>10.4x</td><td>←</td></tr> <tr><td>4:</td><td>10.5x</td><td>→</td></tr> <tr><td>5:</td><td>10.6x</td><td>↗</td></tr> </table> <table border="1" style="width:100%; border-collapse: collapse; margin-top: 5px;"> <tr><td>Serie</td><td style="text-align: right;">52.9</td></tr> <tr><td>Total</td><td style="text-align: right;">475.6</td></tr> </table>	1:	10.5x	→	2:	10.9x	↗	3:	10.4x	←	4:	10.5x	→	5:	10.6x	↗	Serie	52.9	Total	475.6
1:	9.8	↓																																																		
2:	10.2x	↓																																																		
3:	10.6x	→																																																		
4:	10.6x	↗																																																		
5:	10.7x	↗																																																		
6:	10.9x	←																																																		
7:	9.4	↙																																																		
8:	10.7x	↗																																																		
9:	10.8x	↗																																																		
Serie	93.7																																																			
Total	422.7																																																			
1:	10.5x	→																																																		
2:	10.9x	↗																																																		
3:	10.4x	←																																																		
4:	10.5x	→																																																		
5:	10.6x	↗																																																		
Serie	52.9																																																			
Total	475.6																																																			

<b>2. Serie 1 Skott</b>  <table border="1" style="width:100%; border-collapse: collapse; margin-top: 5px;"> <tr><td>Serie</td><td style="text-align: right;">10.1</td></tr> <tr><td>Total</td><td style="text-align: right;">485.7</td></tr> </table>	Serie	10.1	Total	485.7	<b>3. Serie 1 Skott</b>  <table border="1" style="width:100%; border-collapse: collapse; margin-top: 5px;"> <tr><td>1:</td><td>10.5x</td><td>↓</td></tr> </table> <table border="1" style="width:100%; border-collapse: collapse; margin-top: 5px;"> <tr><td>Serie</td><td style="text-align: right;">10.5</td></tr> <tr><td>Total</td><td style="text-align: right;">496.2</td></tr> </table>	1:	10.5x	↓	Serie	10.5	Total	496.2
Serie	10.1											
Total	485.7											
1:	10.5x	↓										
Serie	10.5											
Total	496.2											

<b>4. Serie 1 Skott</b>  <table border="1" style="width:100%; border-collapse: collapse; margin-top: 5px;"> <tr><td>1:</td><td>10.0</td><td>→</td></tr> </table> <table border="1" style="width:100%; border-collapse: collapse; margin-top: 5px;"> <tr><td>Serie</td><td style="text-align: right;">10.0</td></tr> <tr><td>Total</td><td style="text-align: right;">506.2</td></tr> </table>	1:	10.0	→	Serie	10.0	Total	506.2	<b>5. Serie 1 Skott</b>  <table border="1" style="width:100%; border-collapse: collapse; margin-top: 5px;"> <tr><td>1:</td><td>10.9x</td><td>↗</td></tr> </table> <table border="1" style="width:100%; border-collapse: collapse; margin-top: 5px;"> <tr><td>Serie</td><td style="text-align: right;">10.9</td></tr> <tr><td>Total</td><td style="text-align: right;">517.1</td></tr> </table>	1:	10.9x	↗	Serie	10.9	Total	517.1
1:	10.0	→													
Serie	10.0														
Total	506.2														
1:	10.9x	↗													
Serie	10.9														
Total	517.1														

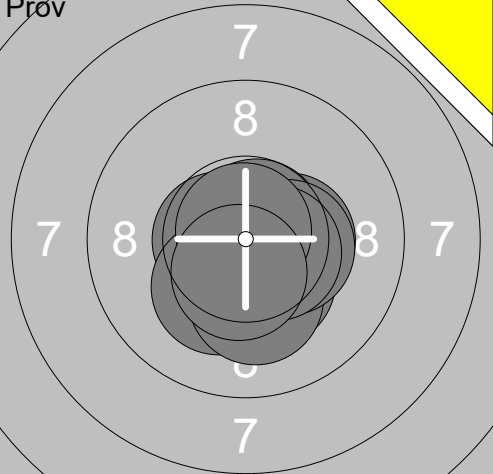
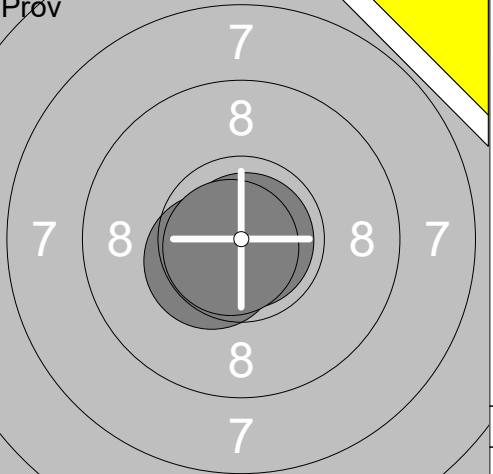
<b>6. Serie 1 Skott</b>  <table border="1" style="width:100%; border-collapse: collapse; margin-top: 5px;"> <tr><td>1:</td><td>9.5</td><td>↘</td></tr> </table> <table border="1" style="width:100%; border-collapse: collapse; margin-top: 5px;"> <tr><td>Serie</td><td style="text-align: right;">9.5</td></tr> <tr><td>Total</td><td style="text-align: right;">526.6</td></tr> </table>	1:	9.5	↘	Serie	9.5	Total	526.6	
1:	9.5	↘						
Serie	9.5							
Total	526.6							



<p>Pröv</p>	<p>1: 10.3x ↓                  2: 10.5x ↓                  3: 10.4x ↑                  4: 10.5x ↘                  5: 10.2x ↓                  6: 10.2x ↓                  7: 10.0 ↓                  8: 10.9x ↗                  9: 10.6x ↓                  10: 10.2x ↗</p> <table border="1" style="width:100%; border-collapse: collapse;"> <tr><td>Serie</td><td style="text-align: right;">103.8</td></tr> <tr><td>Total</td><td style="text-align: right;">422.2</td></tr> </table>	Serie	103.8	Total	422.2	<p>Pröv</p>	<p>11: 10.5x ↖                  12: 10.8x →                  13: 10.5x ↙                  14: 10.4x →</p> <table border="1" style="width:100%; border-collapse: collapse;"> <tr><td>Serie</td><td style="text-align: right;">42.2</td></tr> <tr><td>Total</td><td style="text-align: right;">422.2</td></tr> </table>	Serie	42.2	Total	422.2
Serie	103.8										
Total	422.2										
Serie	42.2										
Total	422.2										

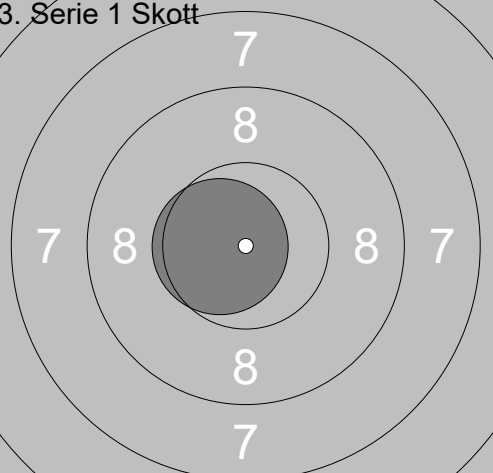

<p>1. Serie 5 Skott</p>	<p>1: 10.4x →                  2: 10.7x ←                  3: 10.1 ↙                  4: 10.8x ↙                  5: 10.2x ↗</p> <table border="1" style="width:100%; border-collapse: collapse;"> <tr><td>Serie</td><td style="text-align: right;">52.2</td></tr> <tr><td>Total</td><td style="text-align: right;">474.4</td></tr> </table>	Serie	52.2	Total	474.4	<p>2. Serie 1 Skott</p>	<p>1: 10.4x ↓</p> <table border="1" style="width:100%; border-collapse: collapse;"> <tr><td>Serie</td><td style="text-align: right;">10.4</td></tr> <tr><td>Total</td><td style="text-align: right;">484.8</td></tr> </table>	Serie	10.4	Total	484.8
Serie	52.2										
Total	474.4										
Serie	10.4										
Total	484.8										

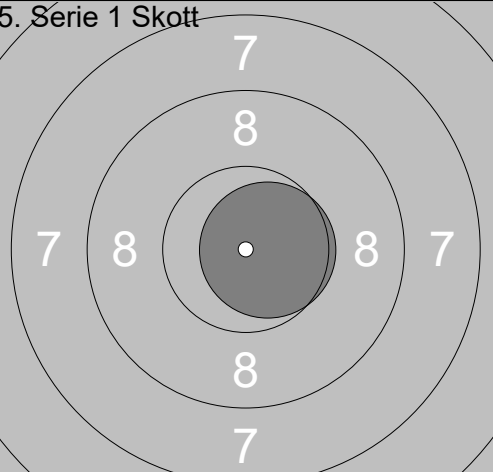
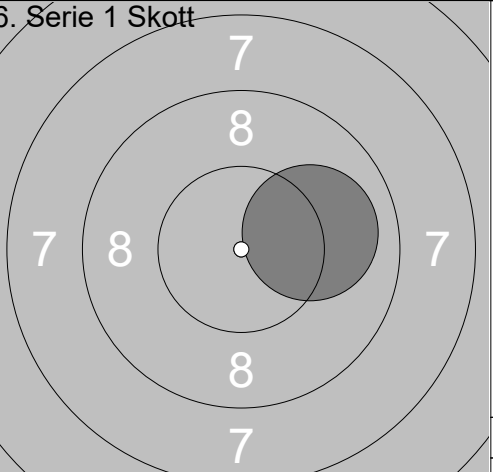
<p>3. Serie 1 Skott</p>	<p>1: 10.7x ↗</p> <table border="1" style="width:100%; border-collapse: collapse;"> <tr><td>Serie</td><td style="text-align: right;">10.7</td></tr> <tr><td>Total</td><td style="text-align: right;">495.5</td></tr> </table>	Serie	10.7	Total	495.5	<p>4. Serie 1 Skott</p>	<p>1: 10.8x ↓</p> <table border="1" style="width:100%; border-collapse: collapse;"> <tr><td>Serie</td><td style="text-align: right;">10.8</td></tr> <tr><td>Total</td><td style="text-align: right;">506.3</td></tr> </table>	Serie	10.8	Total	506.3
Serie	10.7										
Total	495.5										
Serie	10.8										
Total	506.3										

<p>5. Serie 1 Skott</p>	<p>1: 10.4x ↓</p> <table border="1" style="width:100%; border-collapse: collapse;"> <tr><td>Serie</td><td style="text-align: right;">10.4</td></tr> <tr><td>Total</td><td style="text-align: right;">516.7</td></tr> </table>	Serie	10.4	Total	516.7	<p>6. Serie 1 Skott</p>	<p>1: 10.4x →</p> <table border="1" style="width:100%; border-collapse: collapse;"> <tr><td>Serie</td><td style="text-align: right;">10.4</td></tr> <tr><td>Total</td><td style="text-align: right;">527.1</td></tr> </table>	Serie	10.4	Total	527.1
Serie	10.4										
Total	516.7										
Serie	10.4										
Total	527.1										

<p>Pröv</p> 	<table style="width:100%; border-collapse: collapse;"> <tr><td>1:</td><td>10.6x</td><td>←</td></tr> <tr><td>2:</td><td>10.2x</td><td>↙</td></tr> <tr><td>3:</td><td>10.3x</td><td>↘</td></tr> <tr><td>4:</td><td>10.4x</td><td>→</td></tr> <tr><td>5:</td><td>10.7x</td><td>↗</td></tr> <tr><td>6:</td><td>10.2x</td><td>↘</td></tr> <tr><td>7:</td><td>10.4x</td><td>→</td></tr> <tr><td>8:</td><td>10.5x</td><td>↗</td></tr> <tr><td>9:</td><td>10.8x</td><td>↑</td></tr> <tr><td>10:</td><td>10.5x</td><td>↓</td></tr> </table> <table style="width:100%; border-collapse: collapse; margin-top: 5px;"> <tr><td style="border-top: 1px solid black;">Serie</td><td style="border-top: 1px solid black; text-align: right;">104.6</td></tr> <tr><td style="border-top: 1px solid black;">Total</td><td style="border-top: 1px solid black; text-align: right;">422.1</td></tr> </table>	1:	10.6x	←	2:	10.2x	↙	3:	10.3x	↘	4:	10.4x	→	5:	10.7x	↗	6:	10.2x	↘	7:	10.4x	→	8:	10.5x	↗	9:	10.8x	↑	10:	10.5x	↓	Serie	104.6	Total	422.1	<p>Pröv</p>  <table style="width:100%; border-collapse: collapse; margin-top: 5px;"> <tr><td>11:</td><td>10.5x</td><td>↙</td></tr> <tr><td>12:</td><td>10.9x</td><td>↘</td></tr> <tr><td>13:</td><td>10.8x</td><td>↙</td></tr> </table> <table style="width:100%; border-collapse: collapse; margin-top: 5px;"> <tr><td style="border-top: 1px solid black;">Serie</td><td style="border-top: 1px solid black; text-align: right;">32.2</td></tr> <tr><td style="border-top: 1px solid black;">Total</td><td style="border-top: 1px solid black; text-align: right;">422.1</td></tr> </table>	11:	10.5x	↙	12:	10.9x	↘	13:	10.8x	↙	Serie	32.2	Total	422.1
1:	10.6x	←																																															
2:	10.2x	↙																																															
3:	10.3x	↘																																															
4:	10.4x	→																																															
5:	10.7x	↗																																															
6:	10.2x	↘																																															
7:	10.4x	→																																															
8:	10.5x	↗																																															
9:	10.8x	↑																																															
10:	10.5x	↓																																															
Serie	104.6																																																
Total	422.1																																																
11:	10.5x	↙																																															
12:	10.9x	↘																																															
13:	10.8x	↙																																															
Serie	32.2																																																
Total	422.1																																																

<p>1. Serie 5 Skott</p>  <table style="width:100%; border-collapse: collapse; margin-top: 5px;"> <tr><td>1:</td><td>10.5x</td><td>↑</td></tr> <tr><td>2:</td><td>10.4x</td><td>↗</td></tr> <tr><td>3:</td><td>10.7x</td><td>↑</td></tr> <tr><td>4:</td><td>10.8x</td><td>↖</td></tr> <tr><td>5:</td><td>10.8x</td><td>↘</td></tr> </table> <table style="width:100%; border-collapse: collapse; margin-top: 5px;"> <tr><td style="border-top: 1px solid black;">Serie</td><td style="border-top: 1px solid black; text-align: right;">53.2</td></tr> <tr><td style="border-top: 1px solid black;">Total</td><td style="border-top: 1px solid black; text-align: right;">475.3</td></tr> </table>	1:	10.5x	↑	2:	10.4x	↗	3:	10.7x	↑	4:	10.8x	↖	5:	10.8x	↘	Serie	53.2	Total	475.3	<p>2. Serie 1 Skott</p>  <table style="width:100%; border-collapse: collapse; margin-top: 5px;"> <tr><td>1:</td><td>10.8x</td><td>↘</td></tr> </table> <table style="width:100%; border-collapse: collapse; margin-top: 5px;"> <tr><td style="border-top: 1px solid black;">Serie</td><td style="border-top: 1px solid black; text-align: right;">10.8</td></tr> <tr><td style="border-top: 1px solid black;">Total</td><td style="border-top: 1px solid black; text-align: right;">486.1</td></tr> </table>	1:	10.8x	↘	Serie	10.8	Total	486.1
1:	10.5x	↑																									
2:	10.4x	↗																									
3:	10.7x	↑																									
4:	10.8x	↖																									
5:	10.8x	↘																									
Serie	53.2																										
Total	475.3																										
1:	10.8x	↘																									
Serie	10.8																										
Total	486.1																										

<p>3. Serie 1 Skott</p>  <table style="width:100%; border-collapse: collapse; margin-top: 5px;"> <tr><td>1:</td><td>10.6x</td><td>←</td></tr> </table> <table style="width:100%; border-collapse: collapse; margin-top: 5px;"> <tr><td style="border-top: 1px solid black;">Serie</td><td style="border-top: 1px solid black; text-align: right;">10.6</td></tr> <tr><td style="border-top: 1px solid black;">Total</td><td style="border-top: 1px solid black; text-align: right;">496.7</td></tr> </table>	1:	10.6x	←	Serie	10.6	Total	496.7	<p>4. Serie 1 Skott</p>  <table style="width:100%; border-collapse: collapse; margin-top: 5px;"> <tr><td>1:</td><td>10.7x</td><td>↗</td></tr> </table> <table style="width:100%; border-collapse: collapse; margin-top: 5px;"> <tr><td style="border-top: 1px solid black;">Serie</td><td style="border-top: 1px solid black; text-align: right;">10.7</td></tr> <tr><td style="border-top: 1px solid black;">Total</td><td style="border-top: 1px solid black; text-align: right;">507.4</td></tr> </table>	1:	10.7x	↗	Serie	10.7	Total	507.4
1:	10.6x	←													
Serie	10.6														
Total	496.7														
1:	10.7x	↗													
Serie	10.7														
Total	507.4														

<p>5. Serie 1 Skott</p>  <table style="width:100%; border-collapse: collapse; margin-top: 5px;"> <tr><td>1:</td><td>10.7x</td><td>→</td></tr> </table> <table style="width:100%; border-collapse: collapse; margin-top: 5px;"> <tr><td style="border-top: 1px solid black;">Serie</td><td style="border-top: 1px solid black; text-align: right;">10.7</td></tr> <tr><td style="border-top: 1px solid black;">Total</td><td style="border-top: 1px solid black; text-align: right;">518.1</td></tr> </table>	1:	10.7x	→	Serie	10.7	Total	518.1	<p>6. Serie 1 Skott</p>  <table style="width:100%; border-collapse: collapse; margin-top: 5px;"> <tr><td>1:</td><td>10.0</td><td>→</td></tr> </table> <table style="width:100%; border-collapse: collapse; margin-top: 5px;"> <tr><td style="border-top: 1px solid black;">Serie</td><td style="border-top: 1px solid black; text-align: right;">10.0</td></tr> <tr><td style="border-top: 1px solid black;">Total</td><td style="border-top: 1px solid black; text-align: right;">528.1</td></tr> </table>	1:	10.0	→	Serie	10.0	Total	528.1
1:	10.7x	→													
Serie	10.7														
Total	518.1														
1:	10.0	→													
Serie	10.0														
Total	528.1														