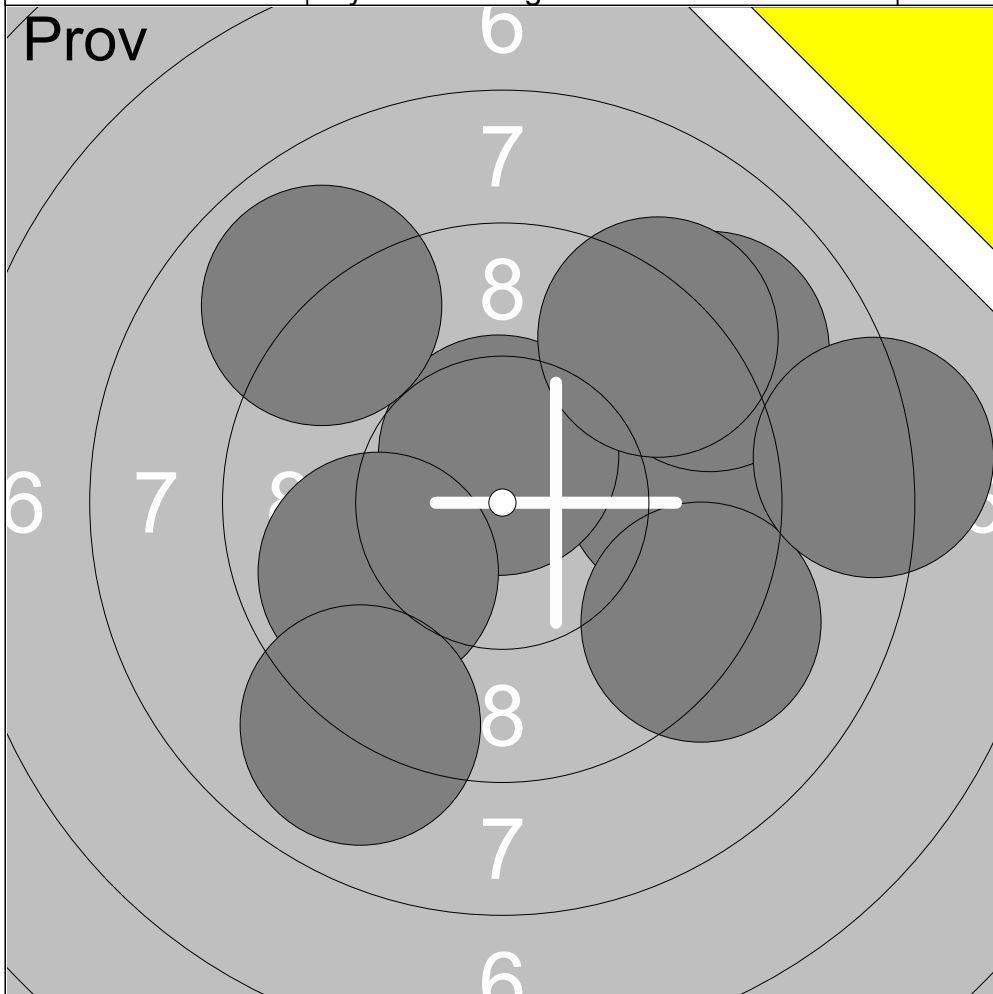
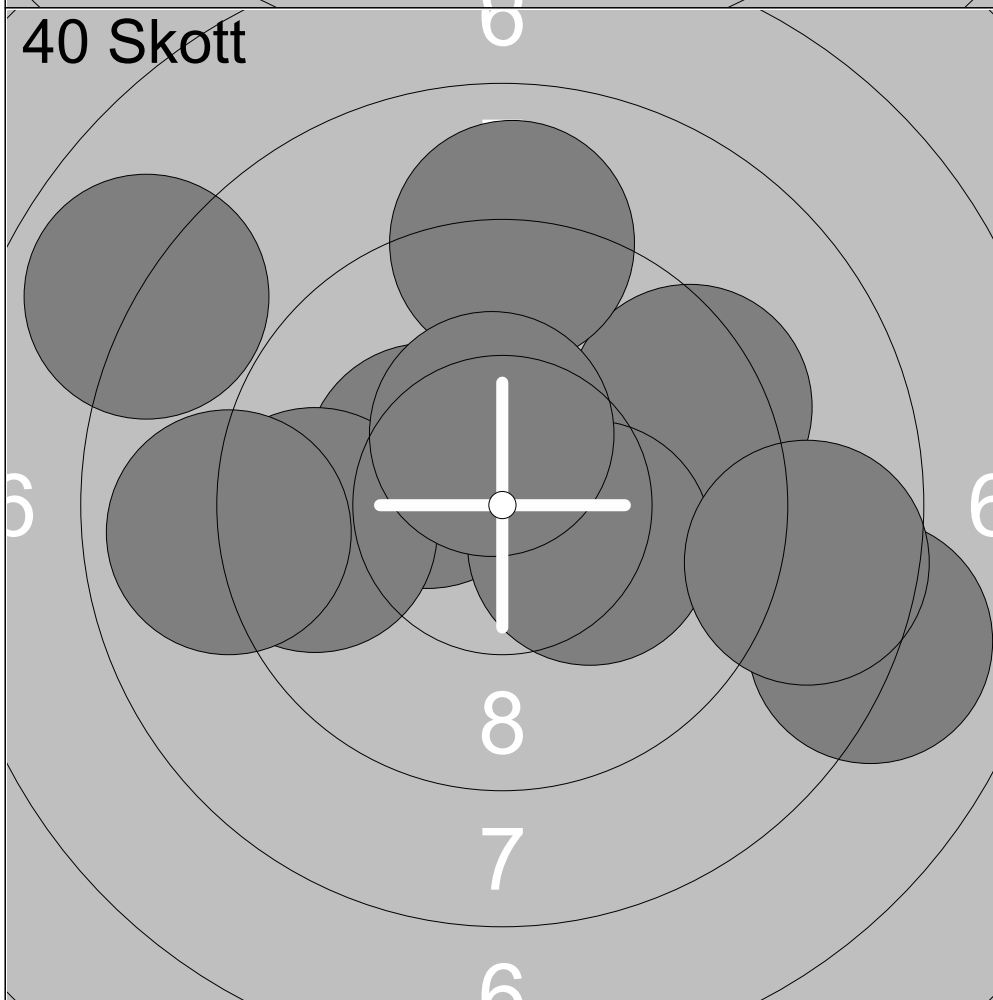


Skjutlag 3	Tavla 9	Hannah Hemå		
Ramselefors	Fältjägarna Skf	17S	Jä	
01.02.2025	Skyttiadens Regionsfinal 2025	Ramselefors SKF		



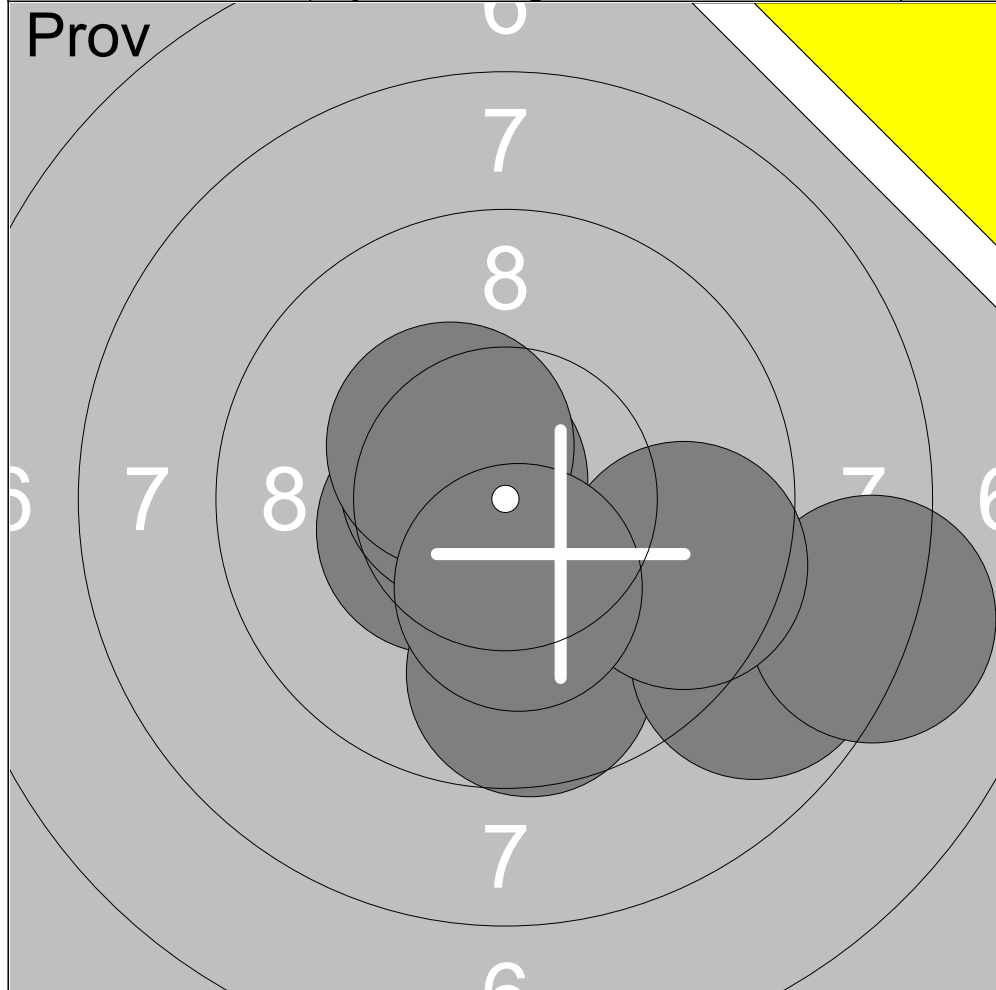
1:	9.6	→
2:	10.6x	↑
3:	9.0	↗
4:	9.2	↗
5:	9.2	↘
6:	9.9	↖
7:	8.1	→
8:	8.9	↖
9:	9.0	↘

Serie	83.5
Total	0.0



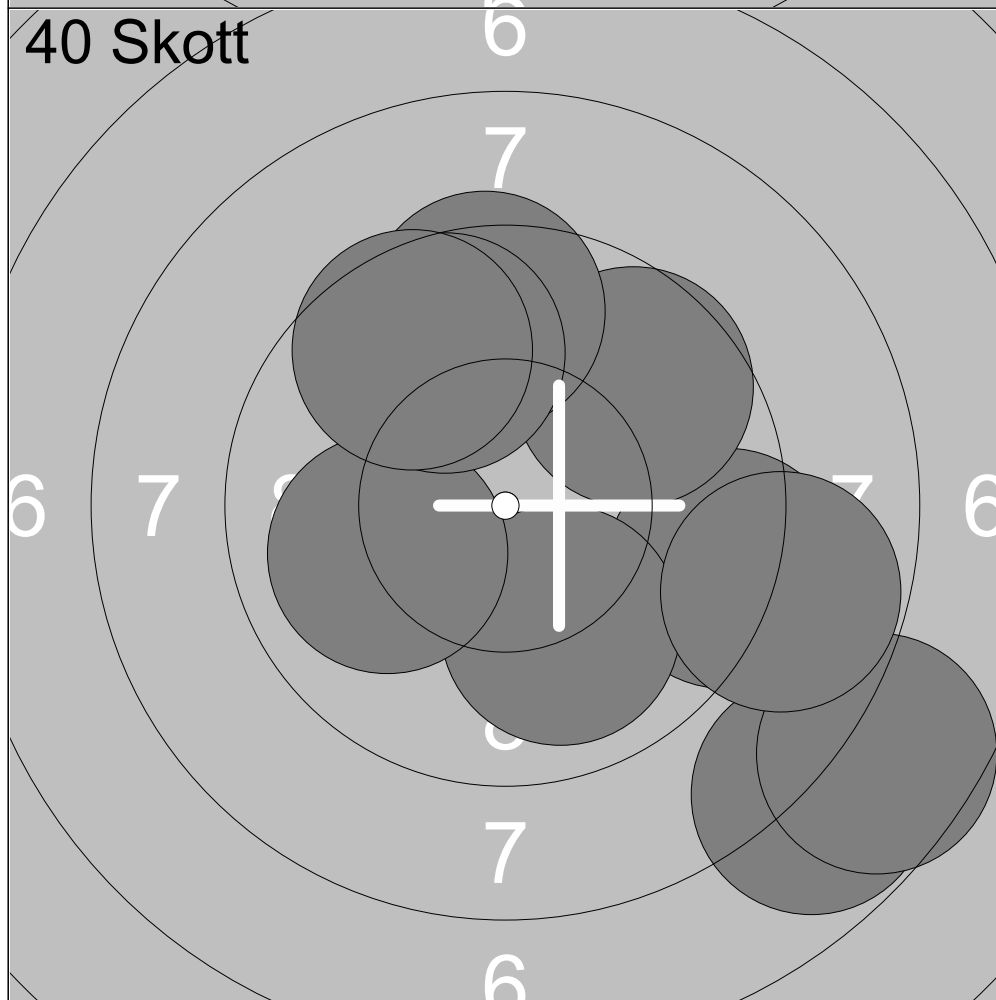
1:	10.3x	↖
2:	8.1	↘
3:	9.4	↗
4:	9.0	↑
5:	7.9	↖
6:	9.6	↖
7:	10.2x	↘
8:	8.9	↖
9:	8.7	→
10:	10.4x	↑

Serie	92.5
Total	92.5



1:	10.4x	↙
2:	10.6x	↖
3:	9.7	↓
4:	8.8	↘
5:	8.1	↗
6:	9.6	↘
7:	10.4x	↗
8:	10.3x	↓

Serie	77.9
Total	0.0



1:	7.8	↘
2:	9.2	↗
3:	9.6	↗
4:	9.5	↑
5:	10.0	↓
6:	10.0	↙
7:	9.7	↗
8:	7.6	↘
9:	8.8	↘
10:	9.6	↗

Serie	91.8
Total	91.8

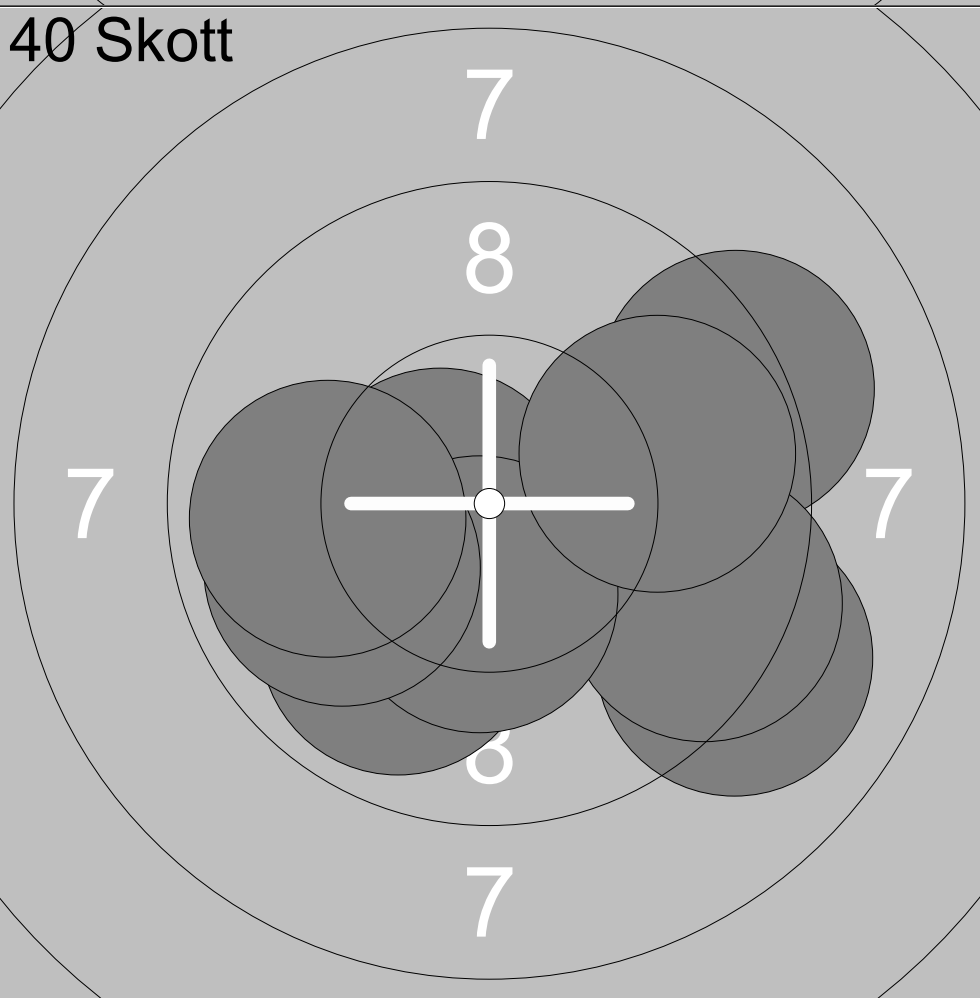
Prov



1:	10.8x	↙
2:	10.7x	→
3:	10.3x	↖
4:	8.5	↘
5:	10.9x	←
6:	9.6	↗
7:	10.0	↘

Serie	70.8
Total	0.0

40 Skott



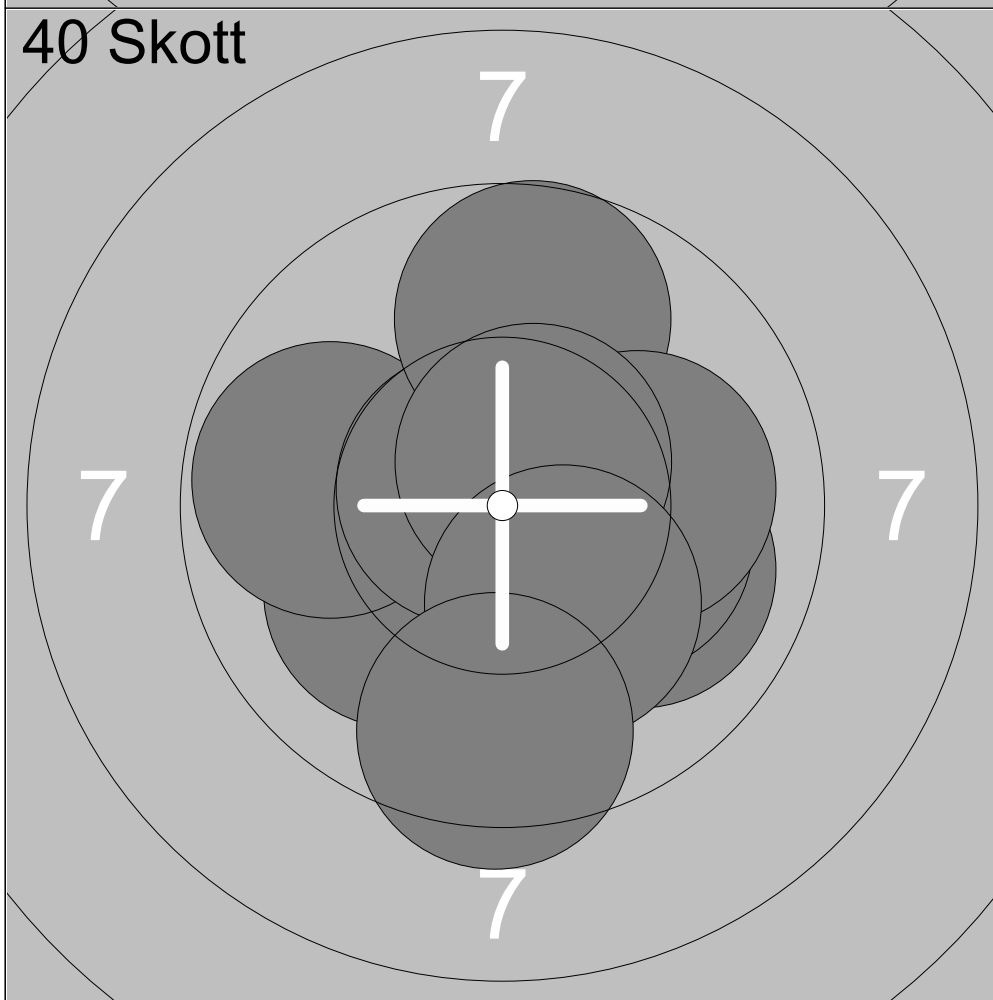
1:	9.2	↗
2:	9.9	↘
3:	9.1	↘
4:	10.6x	←
5:	10.6x	←
6:	9.4	↘
7:	10.4x	↘
8:	9.9	←
9:	9.9	←
10:	9.8	→

Serie	98.8
Total	98.8



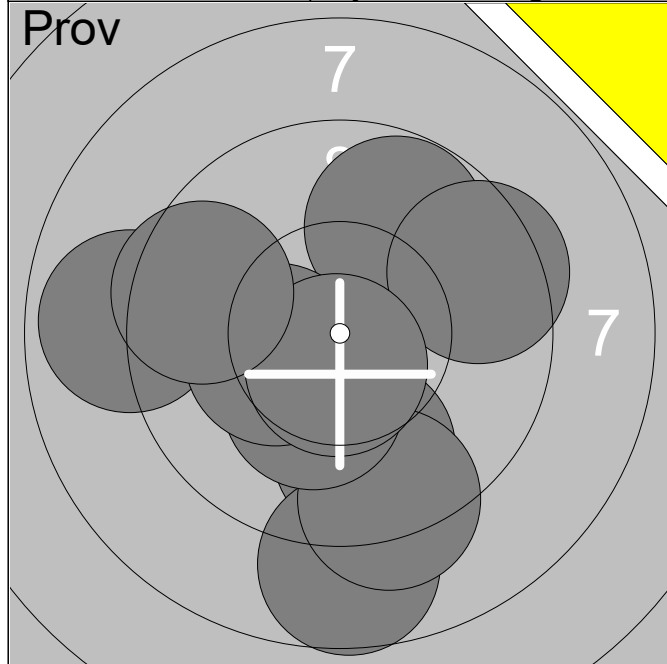
1:	10.7x	↘
2:	10.7x	↗
3:	10.3x	↓
4:	9.4	↖
5:	9.2	→
6:	10.3x	↗

Serie	60.6
Total	0.0



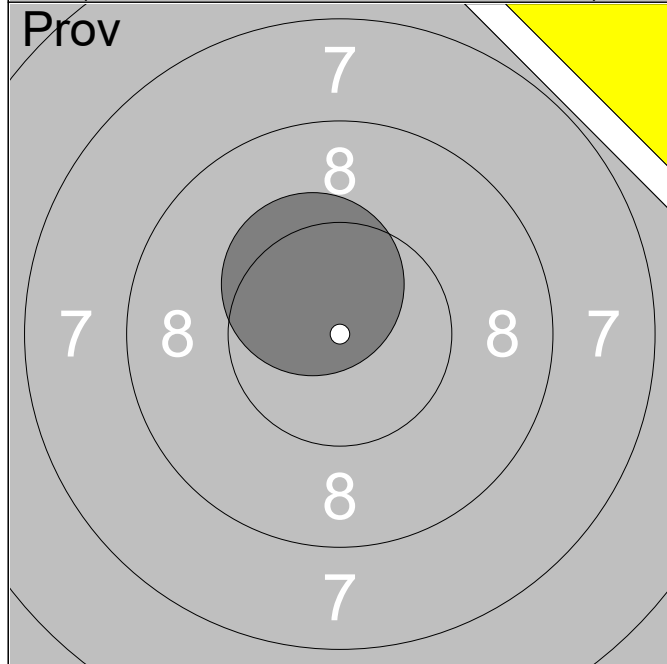
1:	10.1	↖
2:	9.8	←
3:	10.7x	↖
4:	9.7	↑
5:	10.0	↘
6:	10.2x	→
7:	10.1	→
8:	10.6x	↗
9:	10.2x	↓
10:	9.5	↓

Serie	100.9
Total	100.9



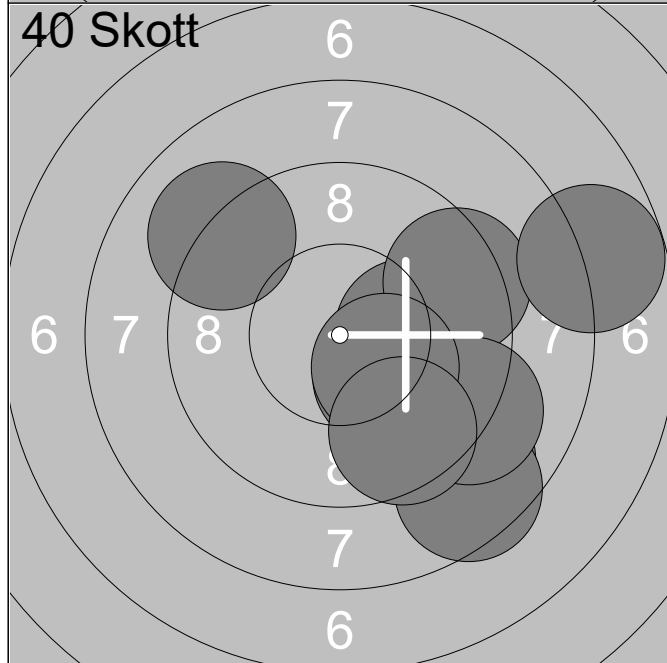
1:	9.8	↗
2:	9.5	→
3:	8.9	←
4:	9.8	↓
5:	8.7	↓
6:	9.2	↓
7:	10.3x	↓
8:	10.3x	←
9:	10.6x	↓
10:	9.5	←

Serie	96.6
Total	0.0



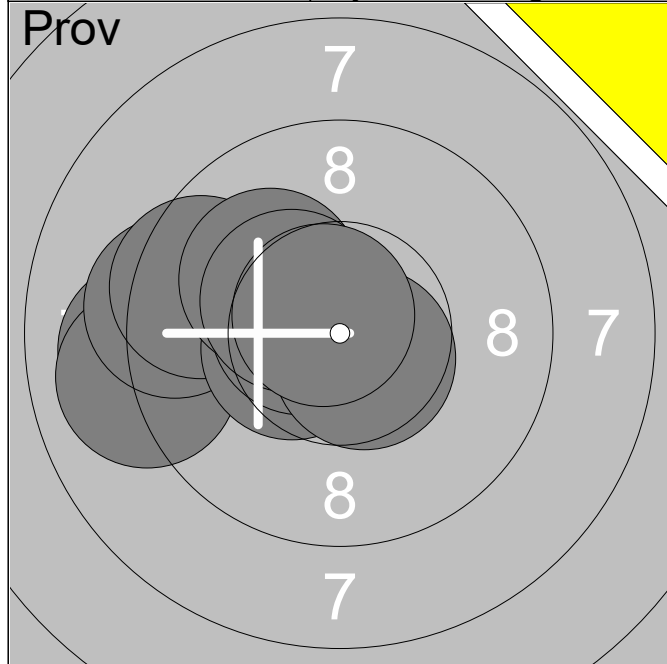
11:	10.4x	↗
-----	-------	---

Serie	10.4
Total	0.0



1:	8.8	↓
2:	10.1	→
3:	10.2x	↓
4:	9.4	→
5:	9.1	↗
6:	8.5	↓
7:	9.1	↓
8:	10.3x	↓
9:	7.8	→
10:	9.6	↓

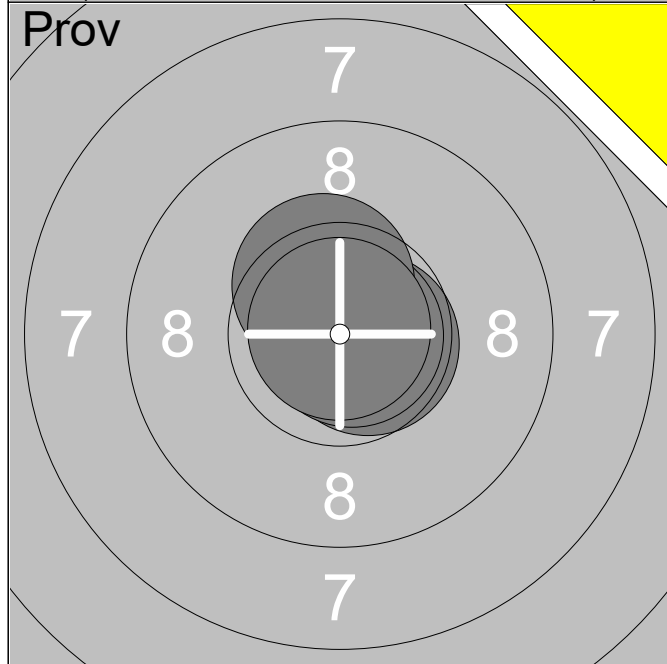
Serie	92.9
Total	92.9



1:	9.1	←
2:	9.0	←
3:	9.3	←
4:	9.5	←
5:	10.5x	←
6:	10.6x	←
7:	10.1	↗
8:	10.6x	↘
9:	10.4x	↗
10:	10.7x	↗

Serie	99.8
-------	------

Total	0.0
-------	-----



11:	10.7x	→
12:	10.8x	→
13:	10.4x	↗
14:	10.9x	↗

Serie	42.8
-------	------

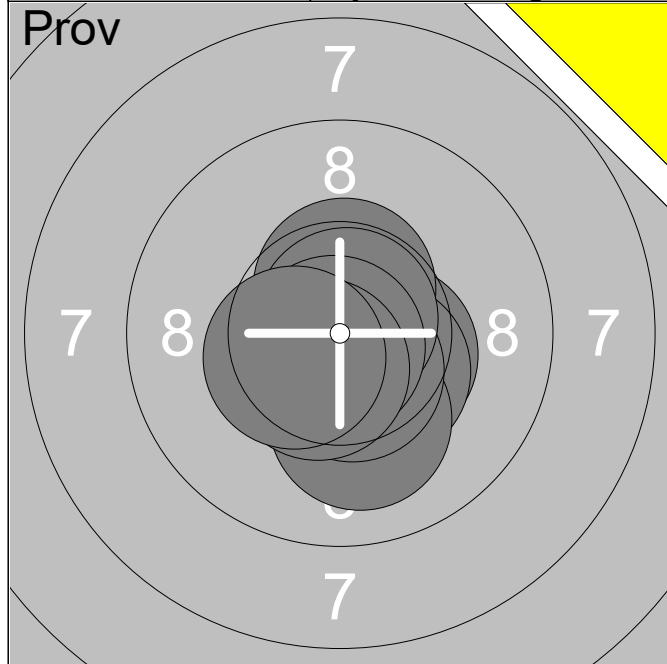
Total	0.0
-------	-----



1:	10.9x	↗
2:	10.8x	↘
3:	10.7x	↘
4:	10.6x	→
5:	10.5x	↘
6:	10.9x	↗
7:	10.6x	↗
8:	10.8x	↘
9:	10.8x	→
10:	10.6x	↗

Serie	107.2
-------	-------

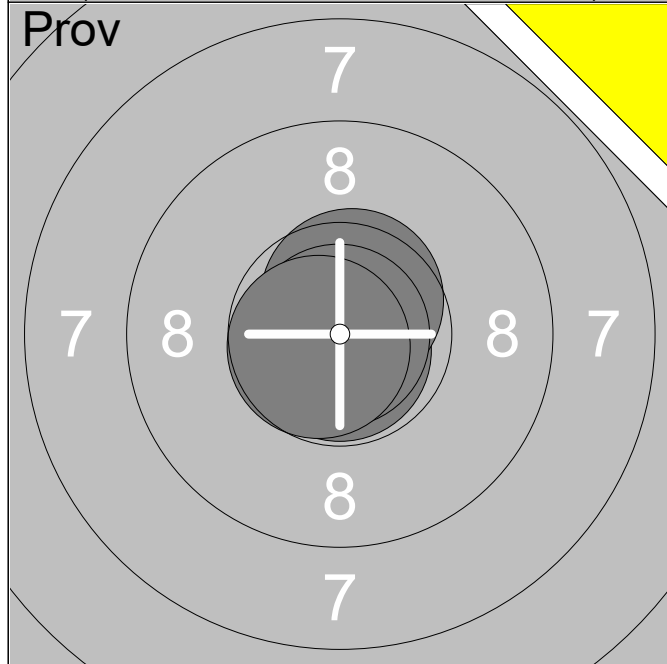
Total	107.2
-------	-------



1:	10.6x	↘
2:	10.4x	→
3:	10.5x	↑
4:	10.4x	↘
5:	10.1	↘
6:	10.6x	↘
7:	10.8x	↗
8:	10.8x	↘
9:	10.5x	↘
10:	10.4x	↙

Serie	105.1
-------	-------

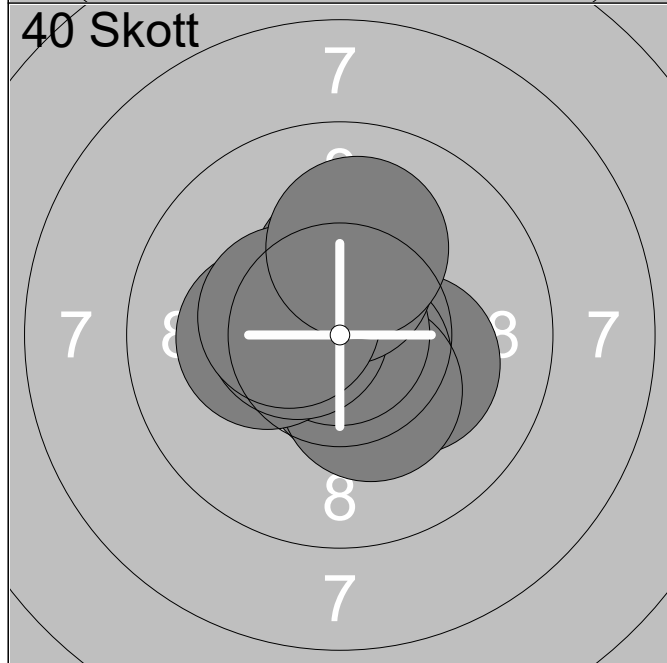
Total	0.0
-------	-----



11:	10.8x	↓
12:	10.6x	↗
13:	10.9x	↙
14:	10.7x	↙

Serie	43.0
-------	------

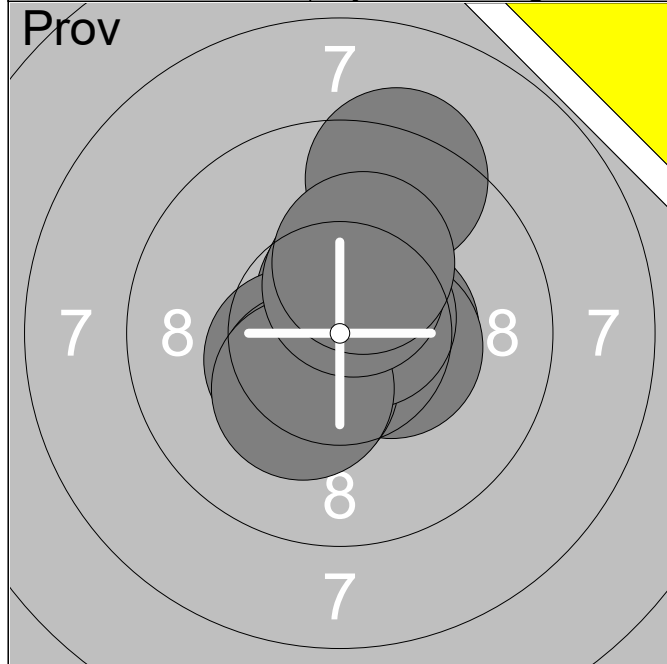
Total	0.0
-------	-----



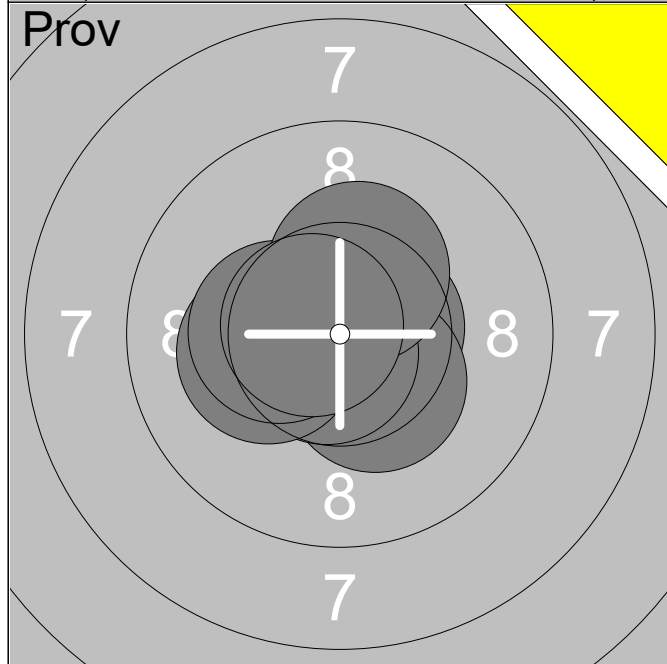
1:	10.2x	→
2:	10.6x	↘
3:	10.6x	↘
4:	10.3x	↘
5:	10.9x	↗
6:	10.2x	←
7:	10.5x	←
8:	10.3x	↑
9:	10.4x	↙
10:	10.1	↑

Serie	104.1
-------	-------

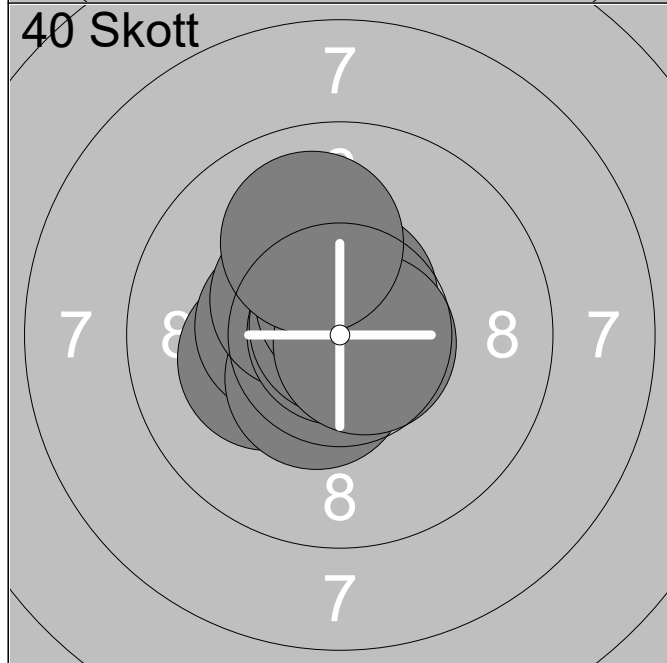
Total	104.1
-------	-------



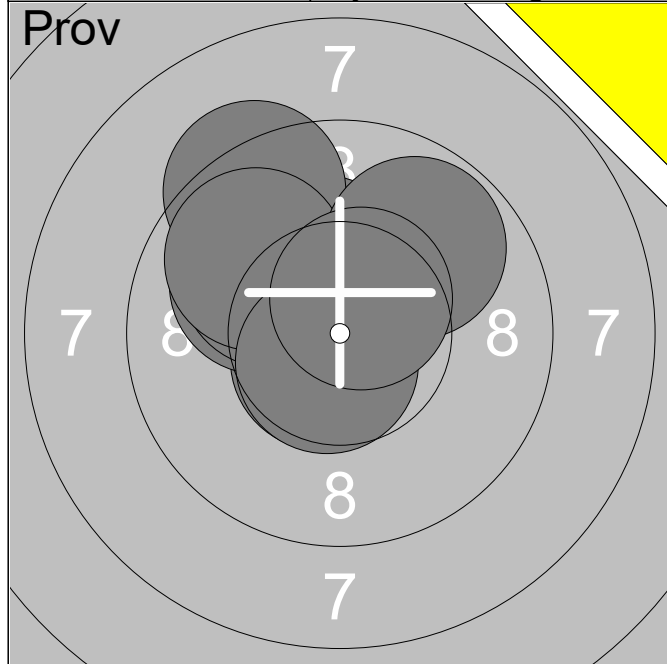
1:	9.3	↑
2:	10.5x	→
3:	10.4x	→
4:	10.6x	↑
5:	10.4x	↙
6:	10.4x	↙
7:	10.7x	↗
8:	10.3x	↙
9:	10.5x	↑
10:	10.2x	↑
Serie		103.3
Total		0.0



11:	10.6x	→
12:	10.4x	↘
13:	10.7x	↙
14:	10.2x	←
15:	10.4x	←
16:	10.3x	↑
17:	10.7x	←
Serie		73.3
Total		0.0



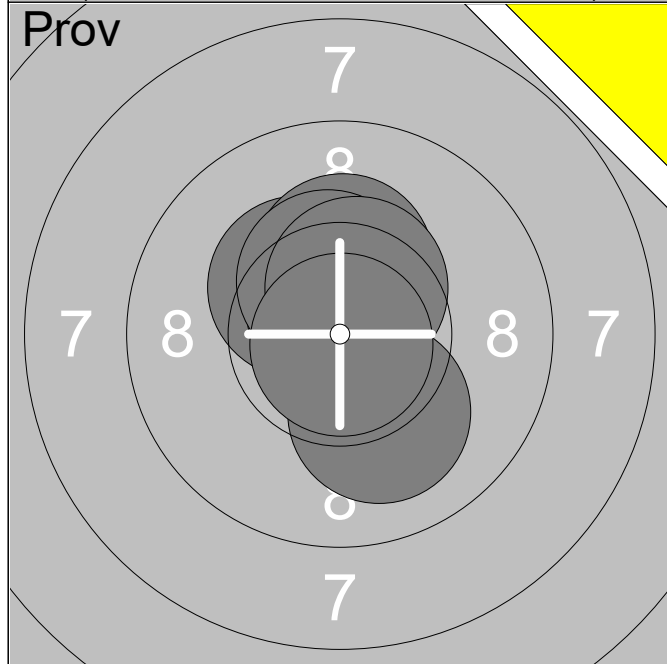
1:	10.2x	←
2:	10.4x	←
3:	10.7x	↙
4:	10.5x	↙
5:	10.4x	↗
6:	10.9x	↗
7:	10.9x	↑
8:	10.6x	↑
9:	10.7x	→
10:	10.0	↑
Serie		105.3
Total		105.3



1:	10.6x	↙
2:	10.0	↗
3:	10.3x	↑
4:	10.1	↗
5:	10.6x	↑
6:	9.3	↗
7:	9.8	↗
8:	9.8	↗
9:	10.6x	↙
10:	10.6x	↗

Serie	101.7
-------	-------

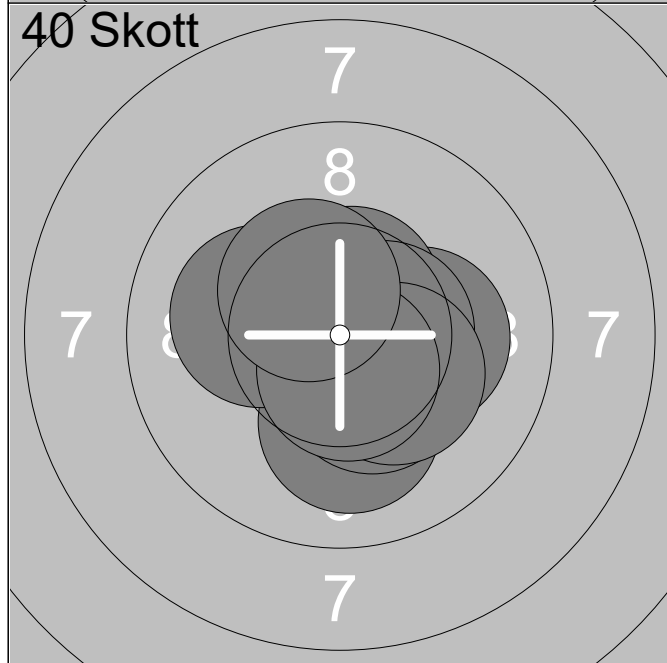
Total	0.0
-------	-----



11:	10.3x	↗
12:	10.7x	↑
13:	10.1	↘
14:	10.3x	↑
15:	10.4x	↑
16:	10.5x	↗
17:	10.8x	↘

Serie	73.1
-------	------

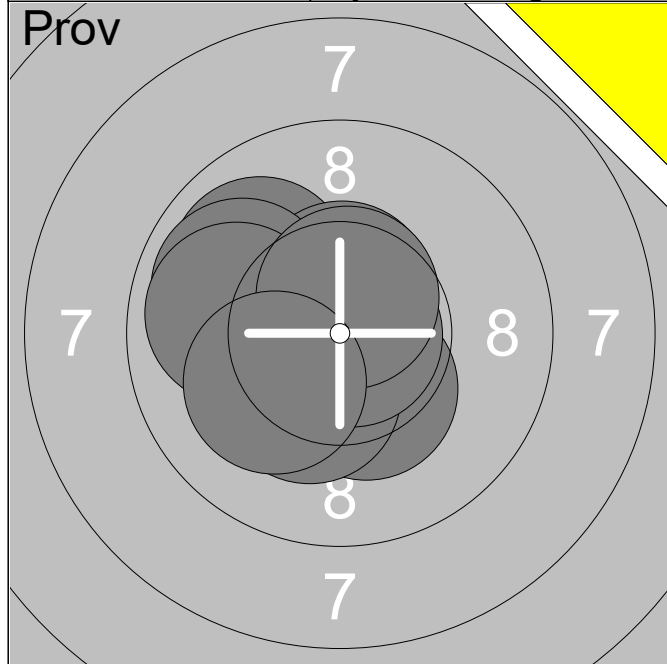
Total	0.0
-------	-----



1:	10.1	↘
2:	10.5x	→
3:	10.2x	→
4:	10.4x	↘
5:	10.6x	↑
6:	10.5x	→
7:	10.3x	↘
8:	10.2x	←
9:	10.6x	↘
10:	10.4x	↗

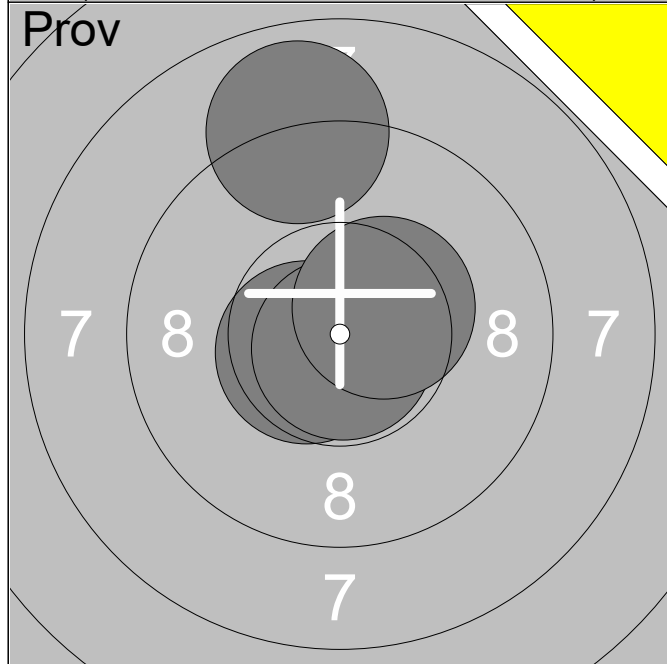
Serie	103.8
-------	-------

Total	103.8
-------	-------



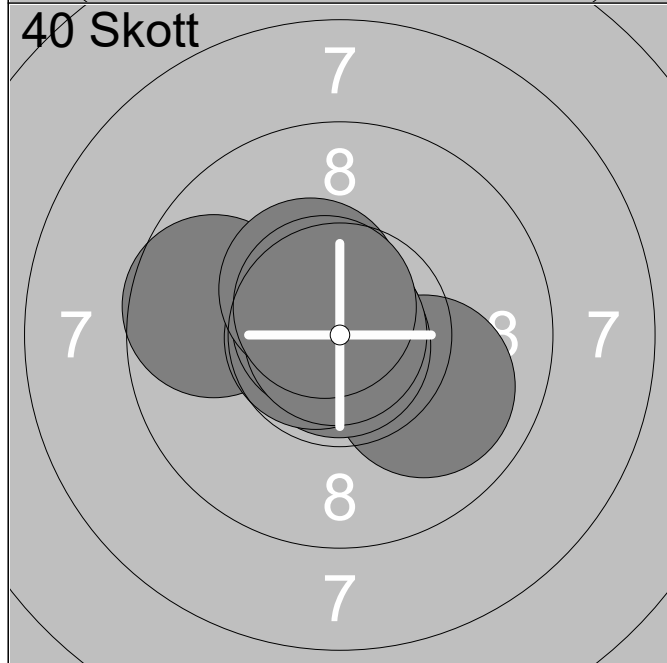
1:	9.9	↗
2:	10.5x	↑
3:	10.3x	↘
4:	10.3x	↘
5:	10.4x	←
6:	9.9	↗
7:	10.8x	→
8:	9.9	←
9:	10.6x	↑
10:	10.2x	↙

Serie	102.8
Total	0.0



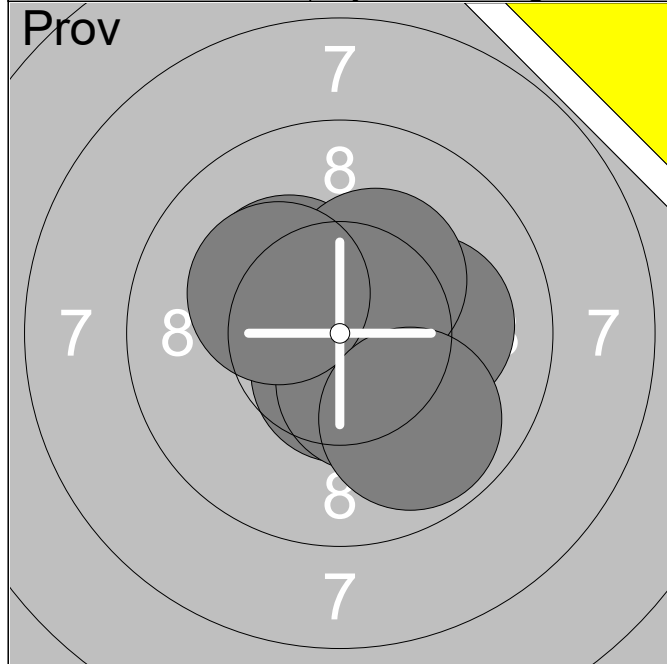
11:	10.6x	↖
12:	10.8x	↘
13:	8.9	↑
14:	10.4x	↗

Serie	40.7
Total	0.0

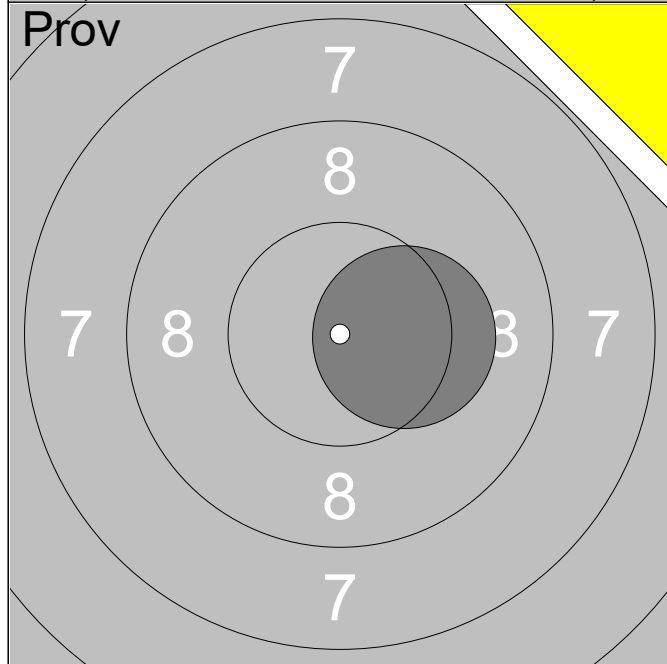


1:	10.6x	↗
2:	10.9x	↗
3:	10.0	↘
4:	9.7	←
5:	10.8x	↘
6:	10.7x	←
7:	10.7x	↗
8:	10.9x	←
9:	10.4x	↗
10:	10.6x	↗

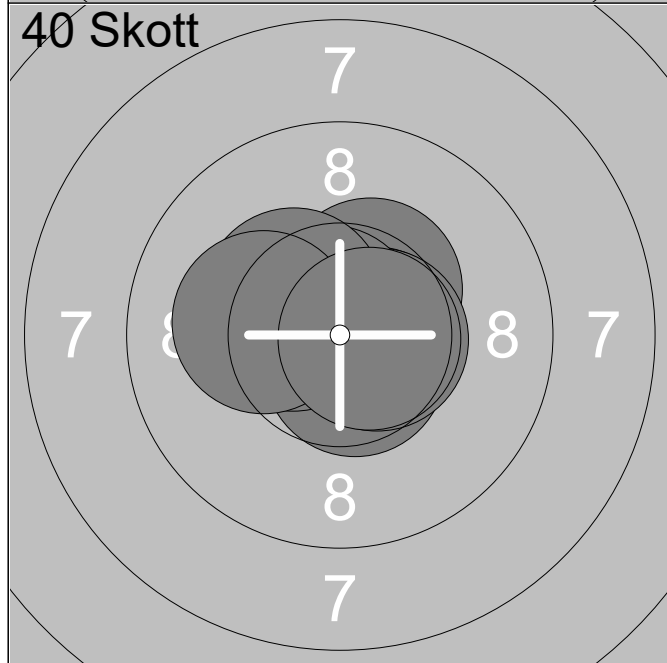
Serie	105.3
Total	105.3



1:	10.8x	↗
2:	10.8x	↓
3:	10.8x	↓
4:	10.6x	↓
5:	10.4x	↓
6:	10.3x	↗
7:	10.1	→
8:	10.3x	↗
9:	10.2x	↗
10:	9.9	↓
Serie		104.2
Total		0.0



11:	10.3x	→
Serie		10.3
Total		0.0



1:	10.4x	↗
2:	10.8x	→
3:	10.6x	↓
4:	10.6x	→
5:	10.6x	→
6:	10.7x	↗
7:	10.5x	↖
8:	10.4x	↗
9:	10.2x	↖
10:	10.7x	→
Serie		105.5
Total		105.5



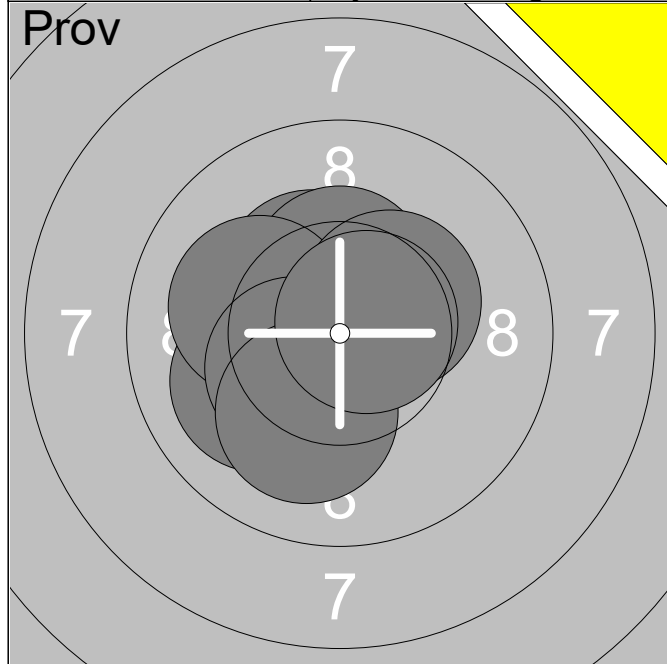
1:	9.7	↑
2:	9.9	↑
3:	10.6x	↑
4:	10.6x	↑
5:	10.8x	→
6:	10.7x	←
7:	10.7x	↑
8:	10.5x	↑
9:	9.7	→
10:	10.5x	→

Serie	103.7
Total	0.0



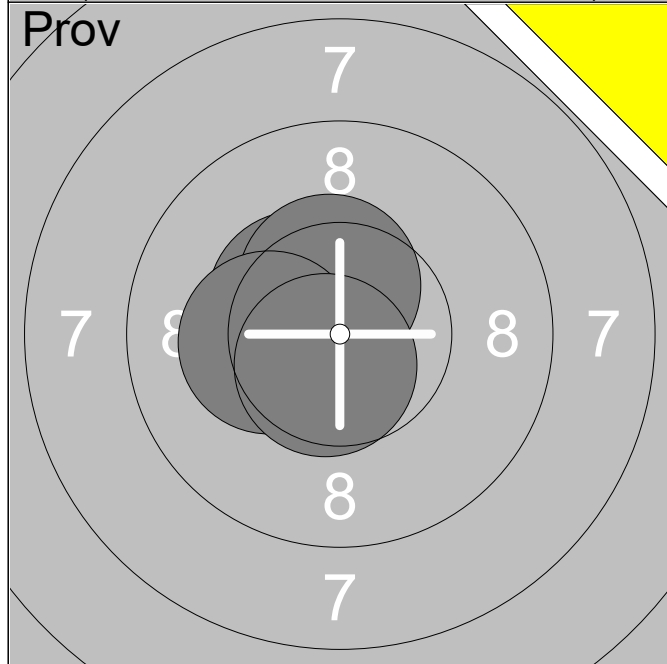
1:	10.7x	↓
2:	10.4x	←
3:	10.5x	←
4:	10.5x	↓
5:	10.9x	←
6:	10.6x	↓
7:	10.3x	↓
8:	10.4x	↓
9:	10.3x	↓
10:	10.6x	→

Serie	105.2
Total	105.2



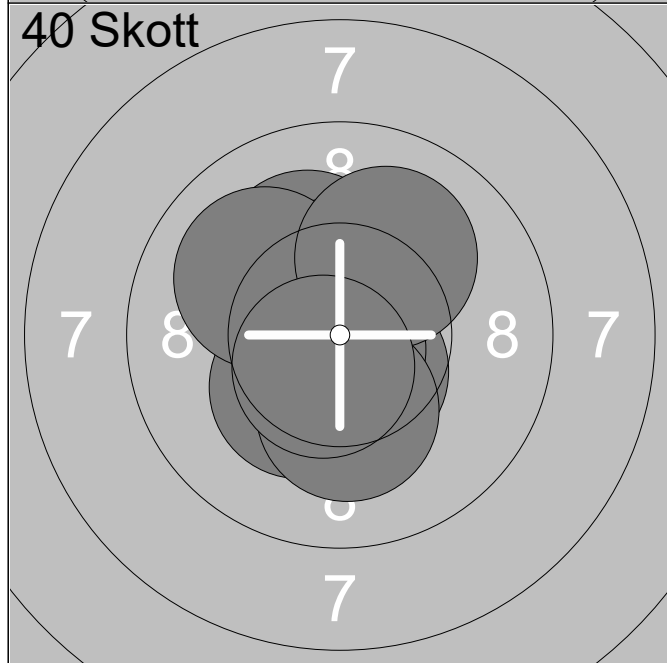
1:	10.9x	↗
2:	10.3x	←
3:	10.4x	↗
4:	10.4x	↑
5:	10.0	←
6:	10.1	←
7:	10.4x	←
8:	10.1	↓
9:	10.4x	↗
10:	10.7x	↗

Serie	103.7
Total	0.0



11:	10.4x	↖
12:	10.5x	↑
13:	10.2x	←
14:	10.6x	↓

Serie	41.7
Total	0.0



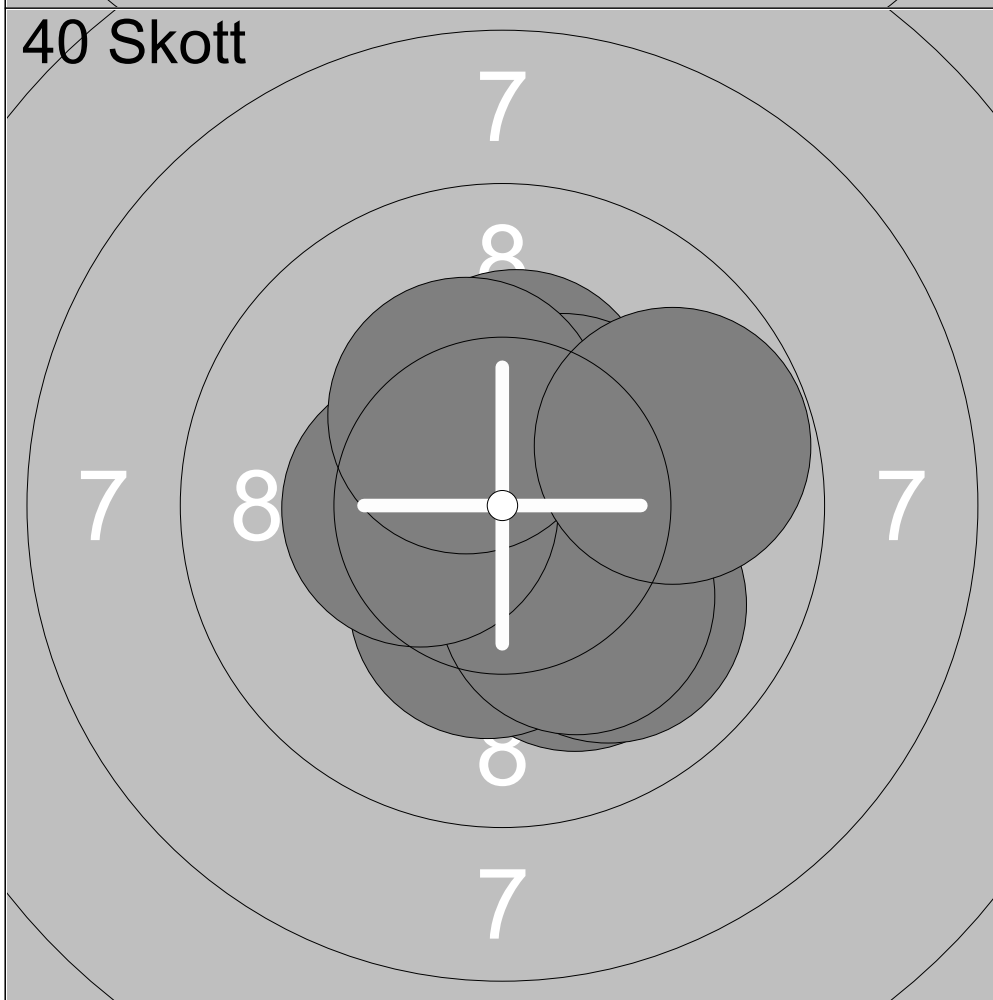
1:	10.3x	↙
2:	10.6x	↓
3:	10.2x	↗
4:	10.6x	↗
5:	10.8x	↓
6:	10.5x	↑
7:	10.0	↗
8:	10.1	↗
9:	10.2x	↓
10:	10.6x	↙

Serie	103.9
Total	103.9



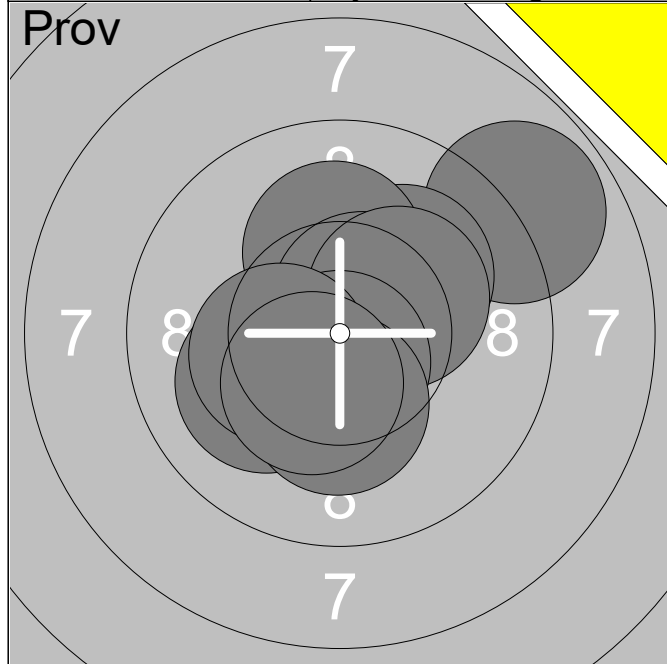
1:	10.7x	→
2:	10.2x	↘
3:	10.2x	↘
4:	10.8x	→
5:	10.4x	→
6:	10.9x	↘

Serie	63.2
Total	0.0



1:	10.6x	↓
2:	10.3x	↑
3:	10.1	↘
4:	10.0	↘
5:	10.4x	↗
6:	10.3x	↓
7:	10.2x	↘
8:	10.4x	←
9:	10.3x	↑
10:	9.8	→

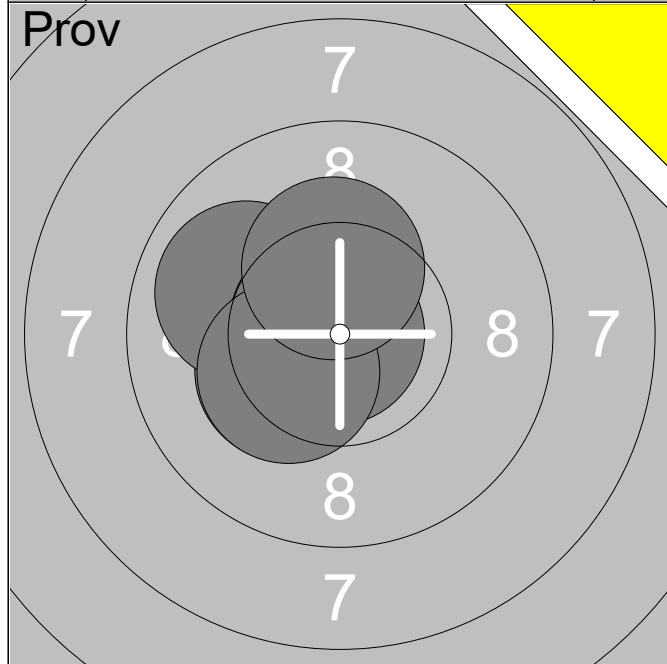
Serie	102.4
Total	102.4



1:	8.9	↗
2:	10.1	↗
3:	10.2x	↑
4:	10.6x	↗
5:	10.3x	↗
6:	10.1	↖
7:	10.7x	↓
8:	10.3x	↓
9:	10.3x	↖
10:	10.4x	↙

Serie	101.9
-------	-------

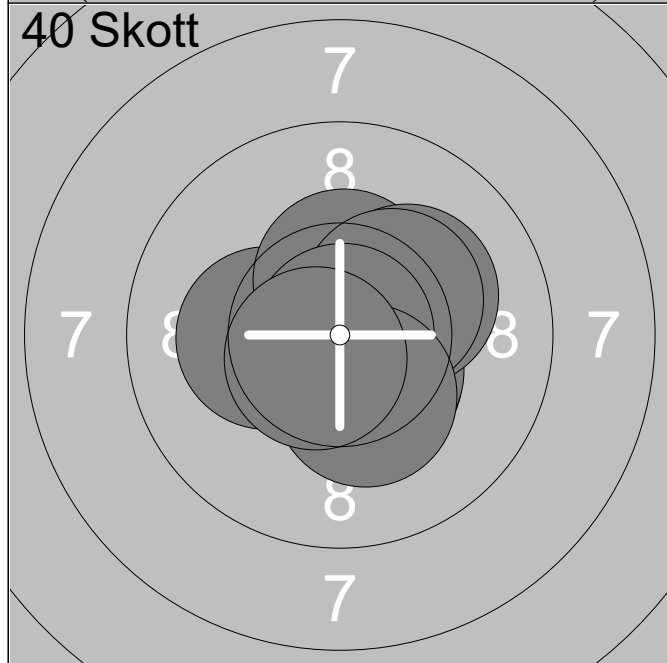
Total	0.0
-------	-----



11:	10.3x	↖
12:	9.9	↖
13:	10.7x	↖
14:	10.9x	←
15:	10.3x	↖
16:	10.3x	↑

Serie	62.4
-------	------

Total	0.0
-------	-----



1:	10.8x	↘
2:	10.4x	↘
3:	10.5x	↘
4:	10.2x	←
5:	10.4x	↑
6:	10.2x	↗
7:	10.3x	↗
8:	10.9x	→
9:	10.3x	↓
10:	10.6x	↙

Serie	104.6
-------	-------

Total	104.6
-------	-------

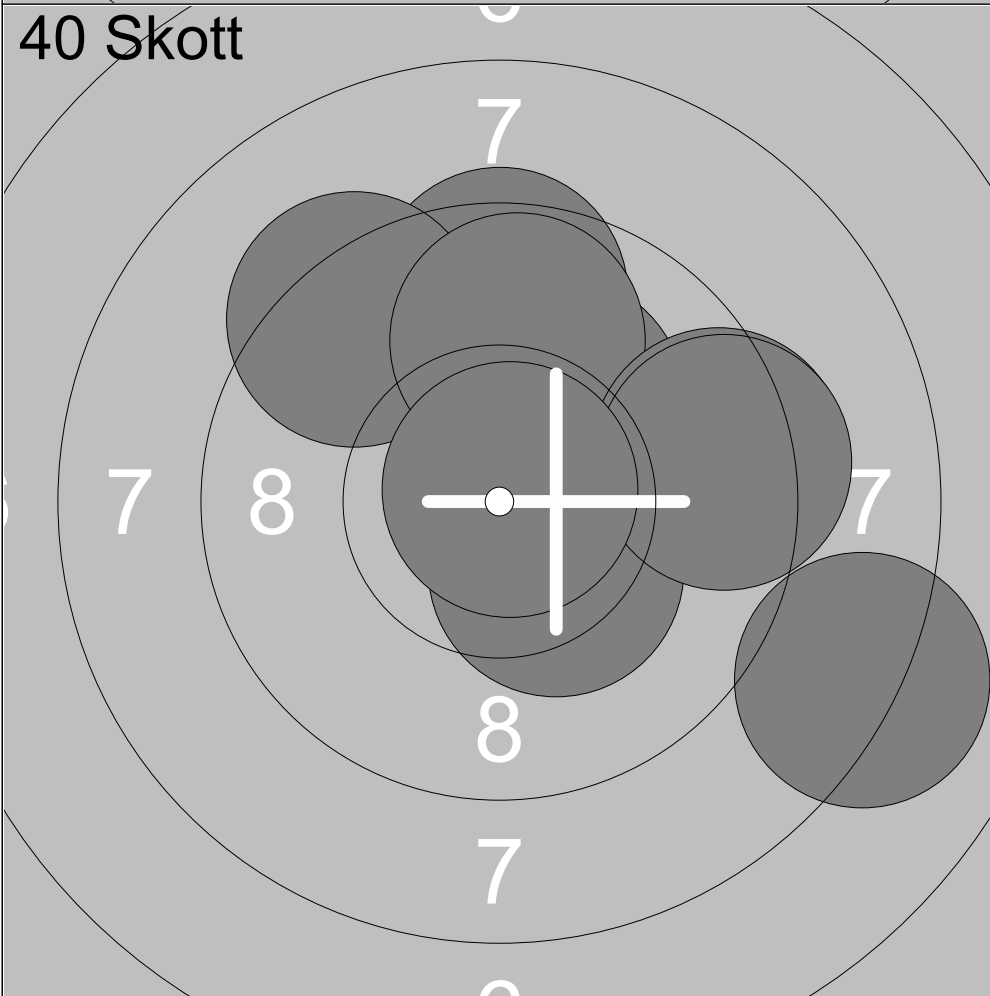
Prov



1:	9.1	↘
2:	10.4x	→
3:	10.0	↗
4:	10.2x	→
5:	10.5x	←
6:	10.3x	→
7:	10.0	↗

Serie	70.5
Total	0.0

40 Skott



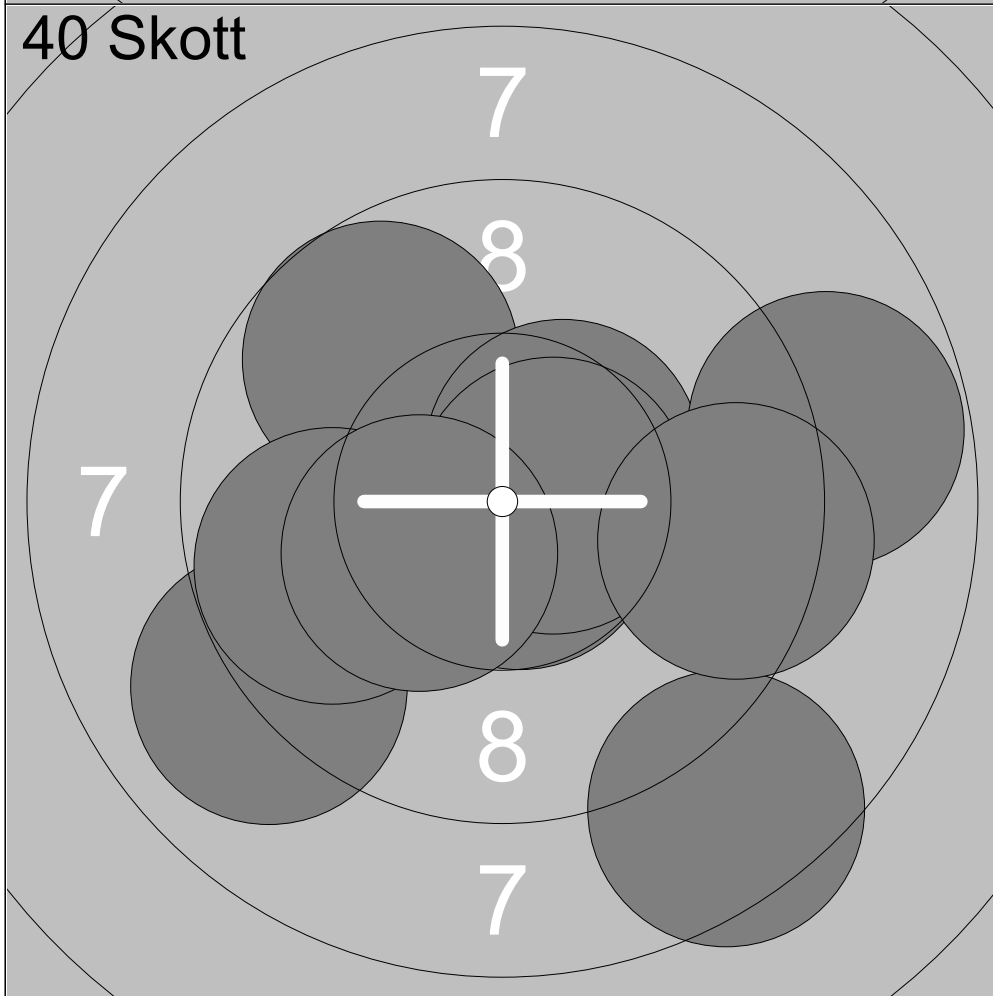
1:	10.1	↗
2:	9.5	↑
3:	10.5x	→
4:	9.3	↗
5:	9.8	↑
6:	8.1	↘
7:	10.3x	↘
8:	9.4	→
9:	9.3	→
10:	10.8x	↗

Serie	97.1
Total	97.1



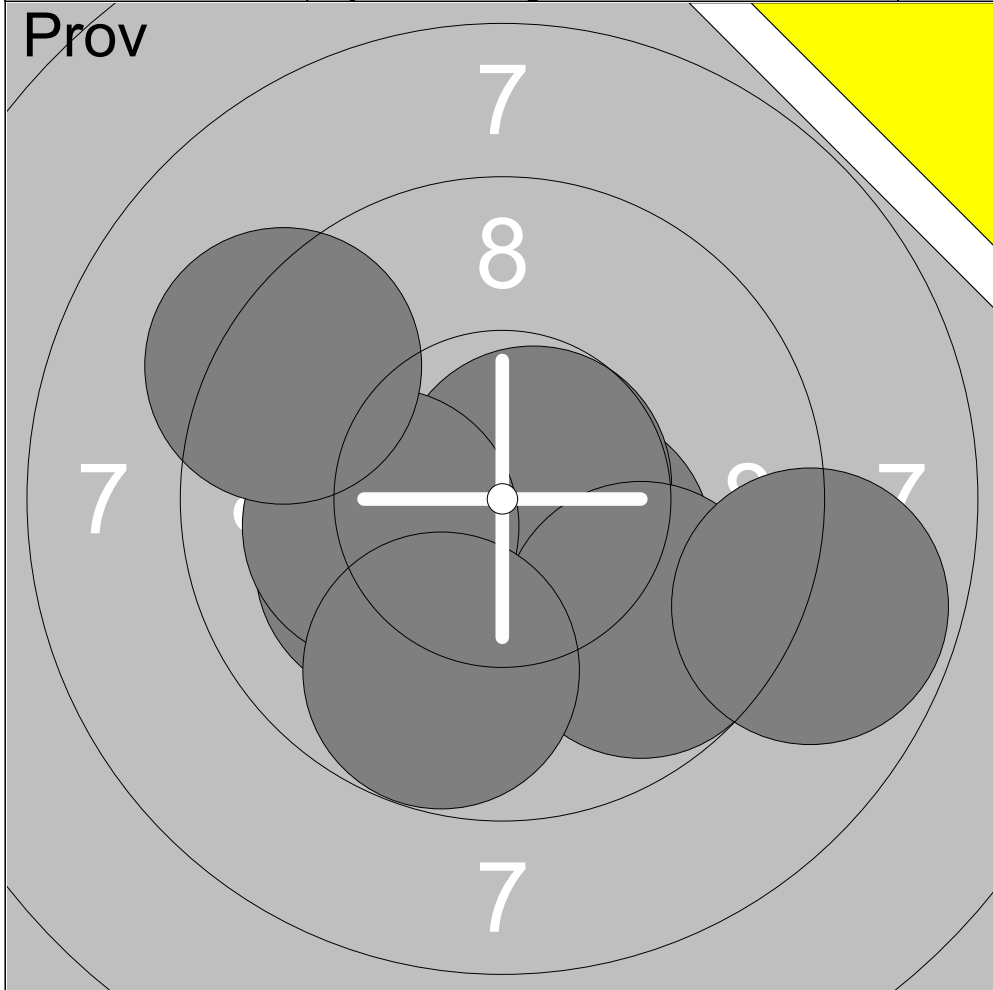
1:	10.8x	↘
2:	8.9	↘
3:	10.1	↘
4:	8.8	↘
5:	10.0	→
6:	9.2	↘
7:	8.6	←
8:	9.9	↘
9:	10.6x	↘

Serie	86.9
Total	0.0



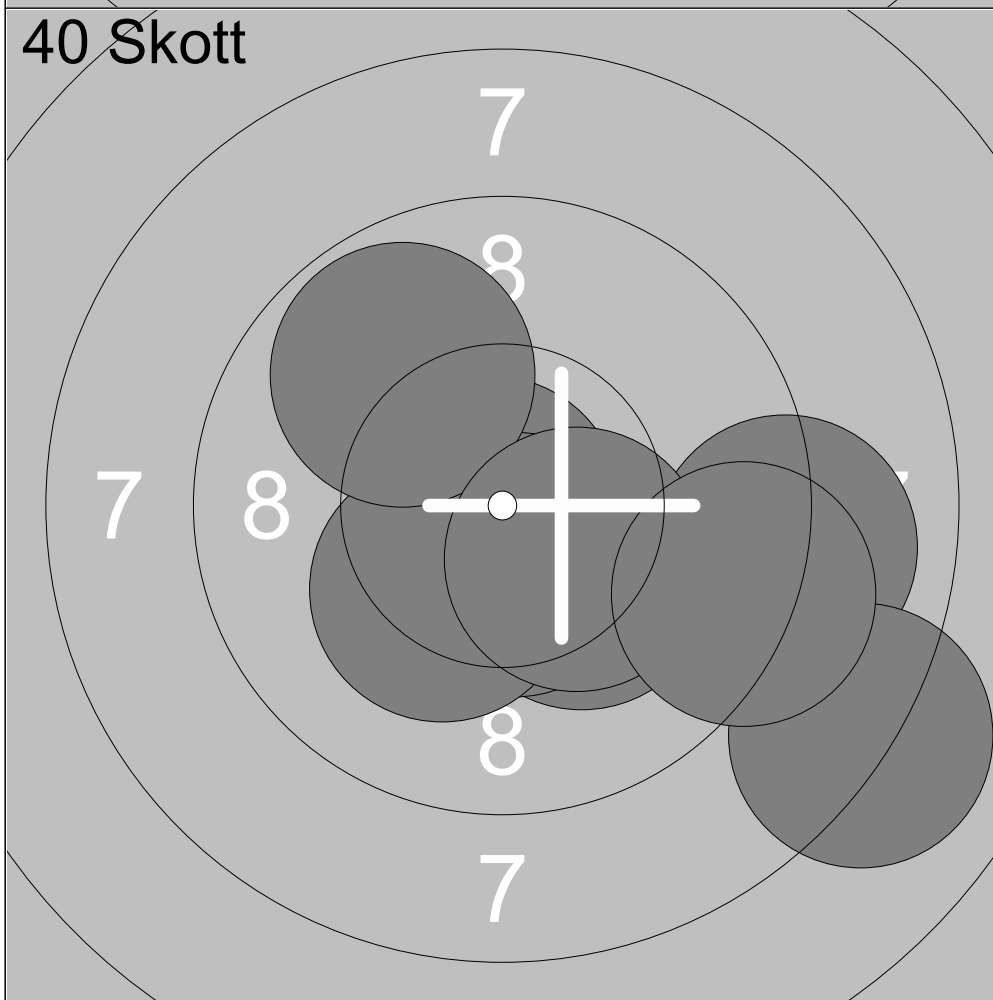
1:	10.7x	↘
2:	9.7	↗
3:	10.5x	↗
4:	8.8	→
5:	8.5	↘
6:	9.0	←
7:	10.6x	→
8:	9.4	→
9:	9.8	←
10:	10.3x	←

Serie	97.3
Total	97.3



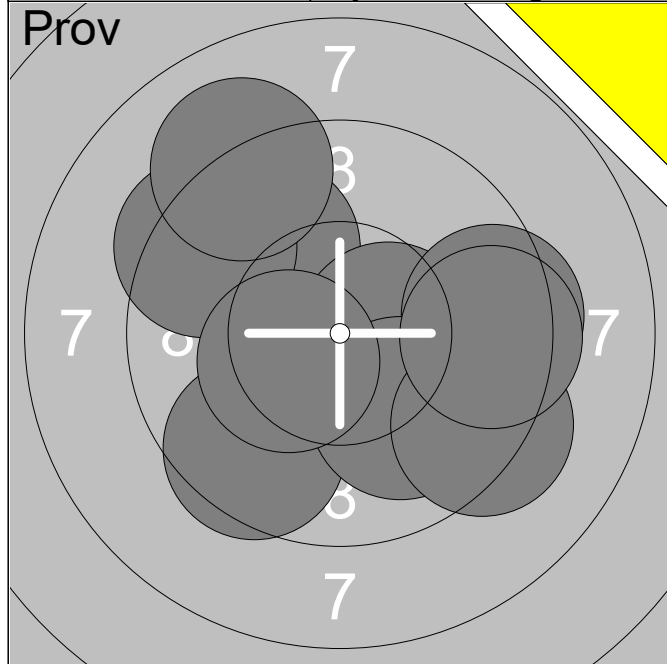
1:	10.4x	↘
2:	10.1	↙
3:	10.7x	↗
4:	9.8	↘
5:	10.1	↙
6:	8.8	↘
7:	9.3	↗
8:	9.8	↘

Serie	79.0
Total	0.0



1:	10.9x	↙
2:	10.2x	↘
3:	10.5x	↘
4:	9.0	↗
5:	10.5x	↘
6:	10.2x	↙
7:	9.8	↗
8:	10.3x	↘
9:	8.1	↘
10:	9.2	↘

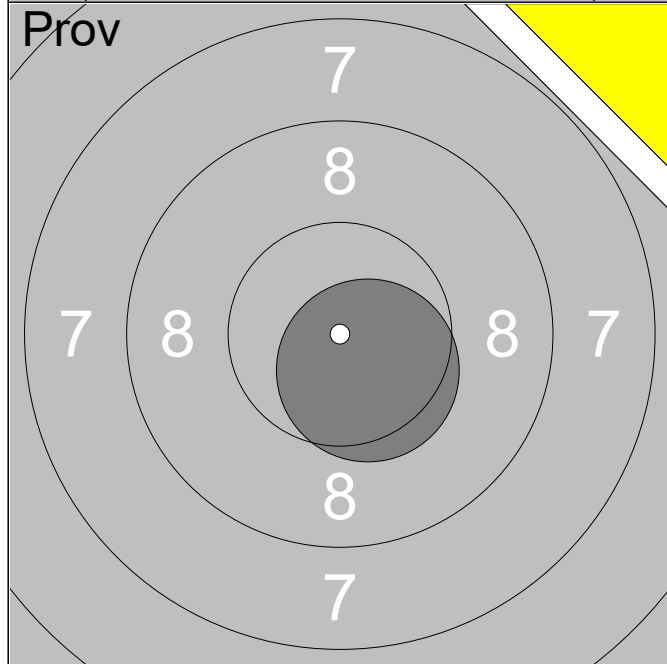
Serie	98.7
Total	98.7



1:	9.5	↙
2:	9.9	↗
3:	10.5x	→
4:	9.4	→
5:	9.4	↗
6:	10.0	↘
7:	9.3	↘
8:	10.4x	↖
9:	9.1	↗
10:	9.5	→

Serie	97.0
-------	------

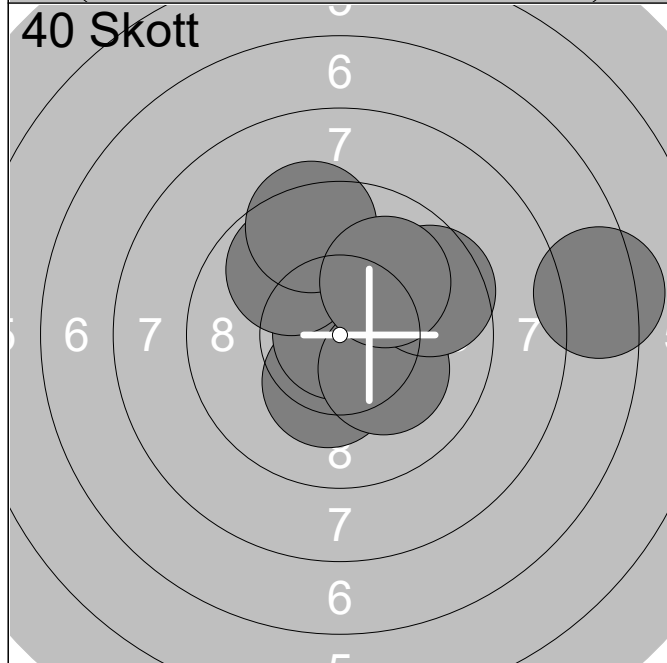
Total	0.0
-------	-----



11:	10.5x	↘
-----	-------	---

Serie	10.5
-------	------

Total	0.0
-------	-----



1:	10.3x	↘
2:	10.3x	→
3:	10.0	↗
4:	10.9x	↗
5:	7.4	→
6:	9.8	↗
7:	10.2x	↘
8:	9.4	↗
9:	9.6	↗
10:	10.0	↗

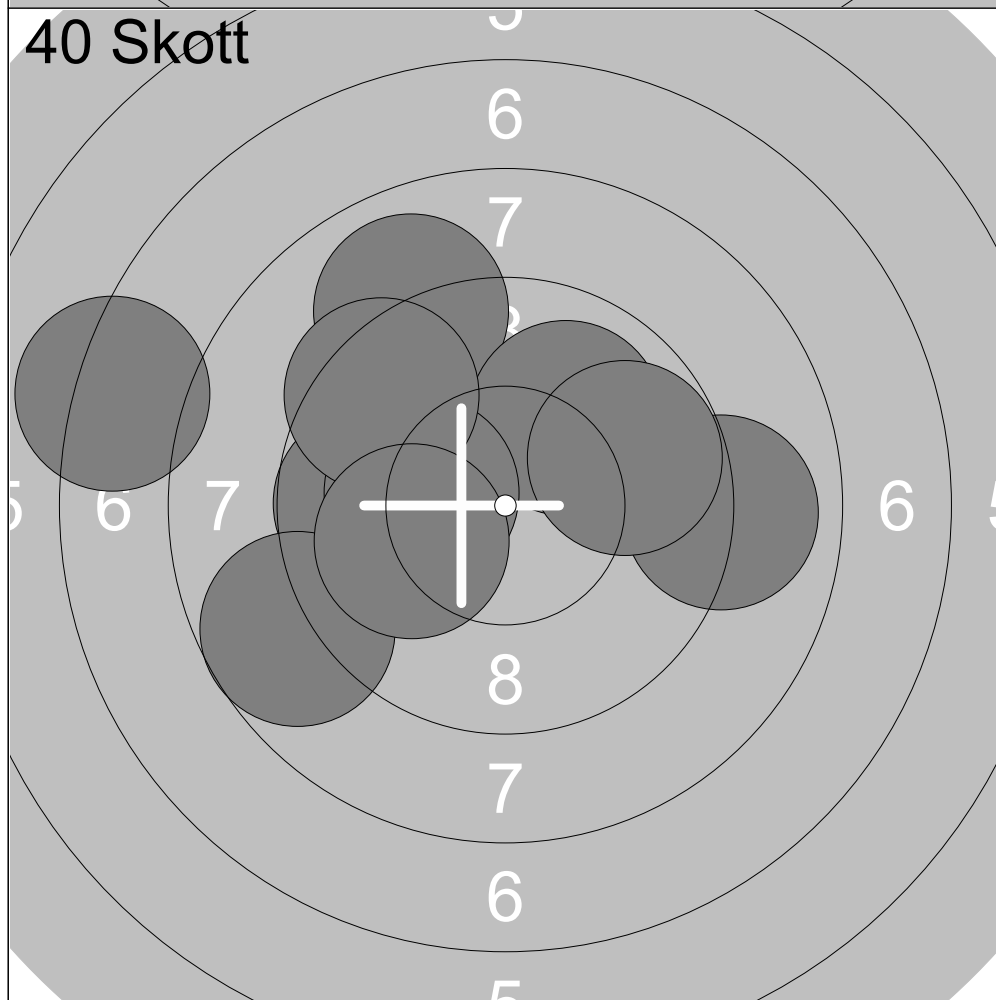
Serie	97.9
-------	------

Total	97.9
-------	------



1:	9.3	↘
2:	8.8	↗
3:	10.1	↗
4:	7.6	↖
5:	10.1	↘
6:	7.6	↘
7:	10.0	↘

Serie	63.5
Total	0.0



1:	9.0	↖
2:	9.0	→
3:	7.2	↖
4:	9.7	↖
5:	10.0	↗
6:	10.2x	↖
7:	8.7	↖
8:	9.4	↖
9:	9.8	↗
10:	10.0	↖

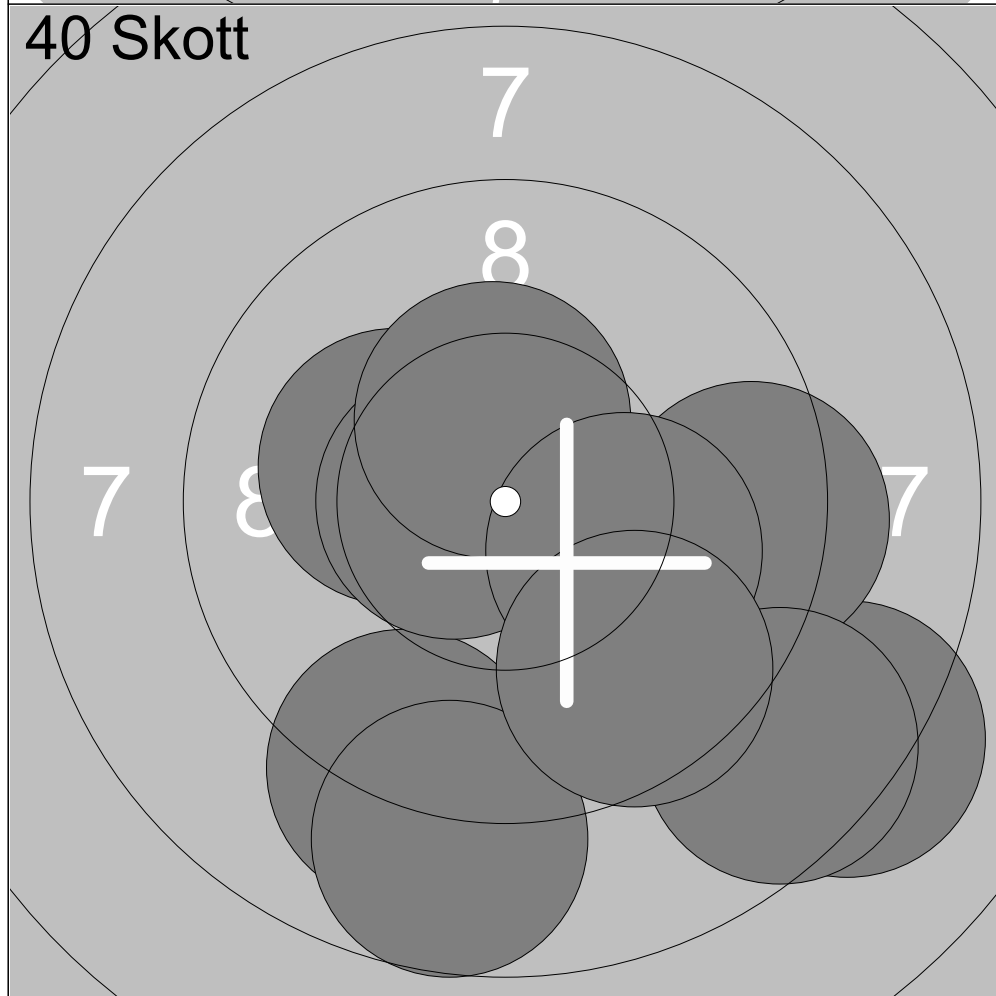
Serie	93.0
Total	93.0



1:	9.1	↗
2:	8.1	↗
3:	7.4	↑
4:	7.4	↗
5:	8.7	←
6:	8.9	↑
7:	9.9	↑
8:	9.2	↗
9:	8.5	←
10:	8.3	↗

Serie	85.5
-------	------

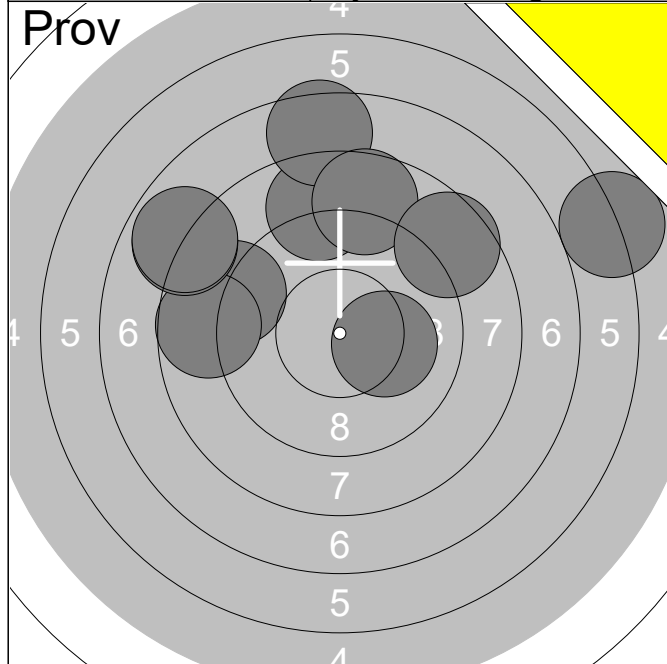
Total	0.0
-------	-----



1:	9.1	↘
2:	8.2	↘
3:	9.3	→
4:	8.6	↘
5:	10.2x	←
6:	10.6x	←
7:	10.4x	↑
8:	8.7	↘
9:	10.1	↘
10:	9.6	↘

Serie	94.8
-------	------

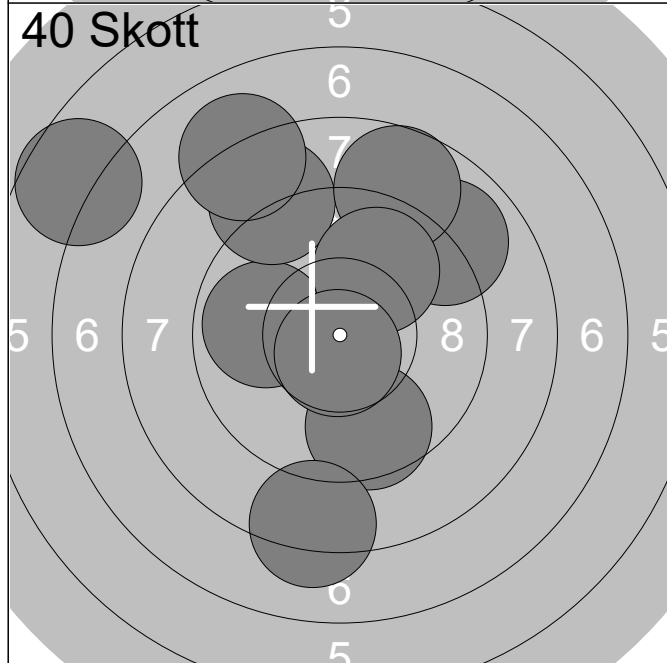
Total	94.8
-------	------



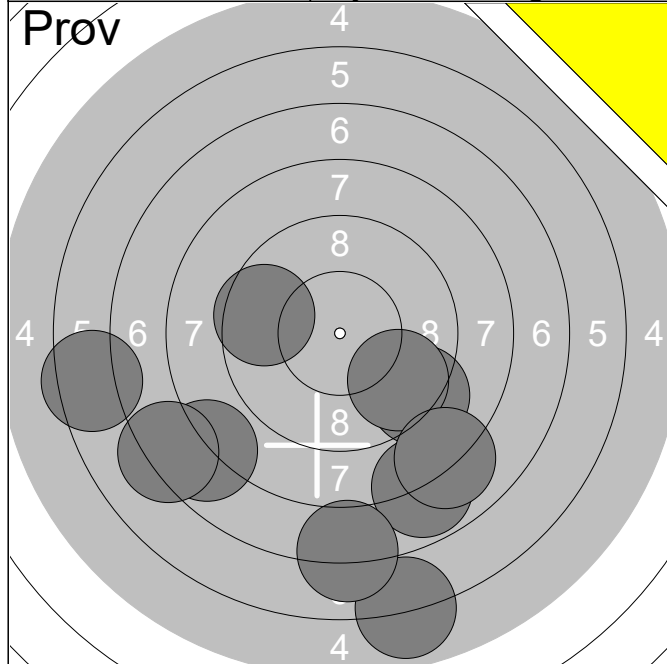
1:	9.0	←
2:	6.0	→
3:	8.8	↑
4:	8.7	←
5:	7.5	↑
6:	7.9	↖
7:	7.9	↖
8:	8.7	↑
9:	8.6	↗
10:	10.2x	→
Serie		83.3
Total		0.0



11:	6.5	↗
12:	10.0	↓
13:	10.5x	→
Serie		27.0
Total		0.0



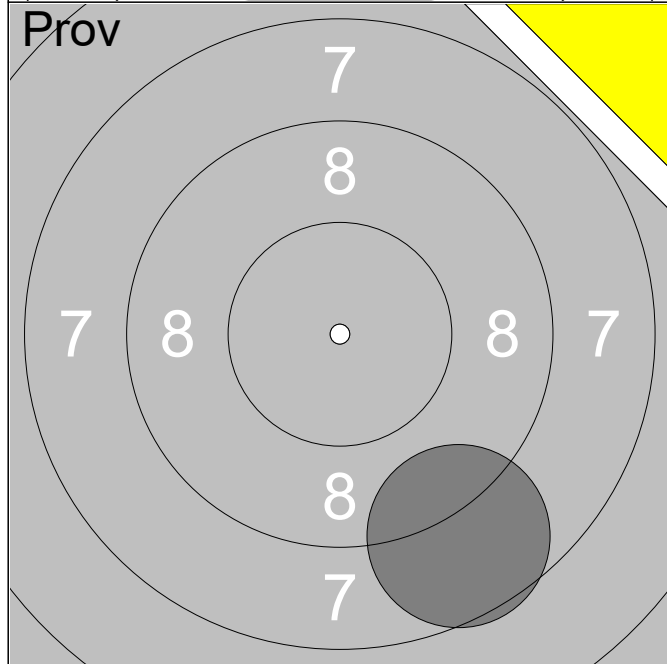
1:	9.9	←
2:	9.6	↓
3:	8.9	↗
4:	8.8	↑
5:	6.6	↖
6:	8.7	↑
7:	8.1	↑
8:	9.9	↗
9:	10.7x	↓
10:	8.2	↓
Serie		89.4
Total		89.4



1:	7.8	↘
2:	9.1	↘
3:	5.9	↘
4:	7.8	↖
5:	9.6	↘
6:	8.0	↘
7:	7.1	↓
8:	9.6	↖
9:	6.5	↖
10:	7.2	↖

Serie	78.6
-------	-------------

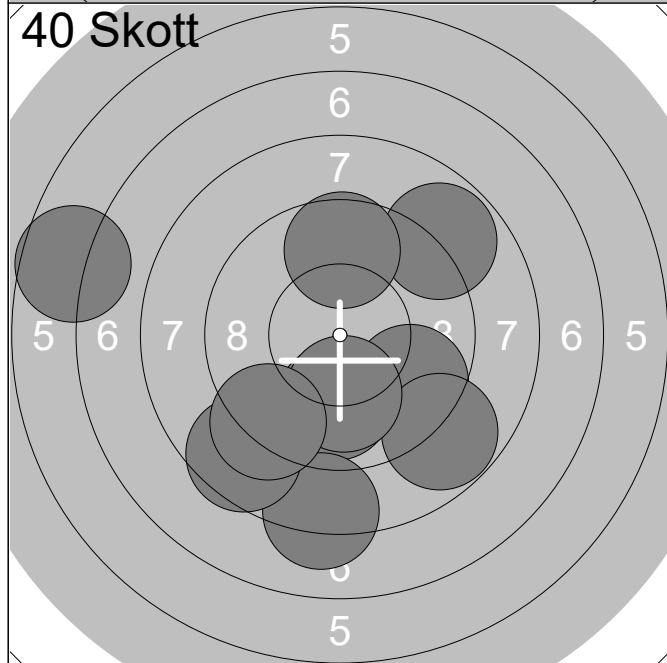
Total	0.0
-------	------------



11:	8.6	↘
-----	-----	---

Serie	8.6
-------	------------

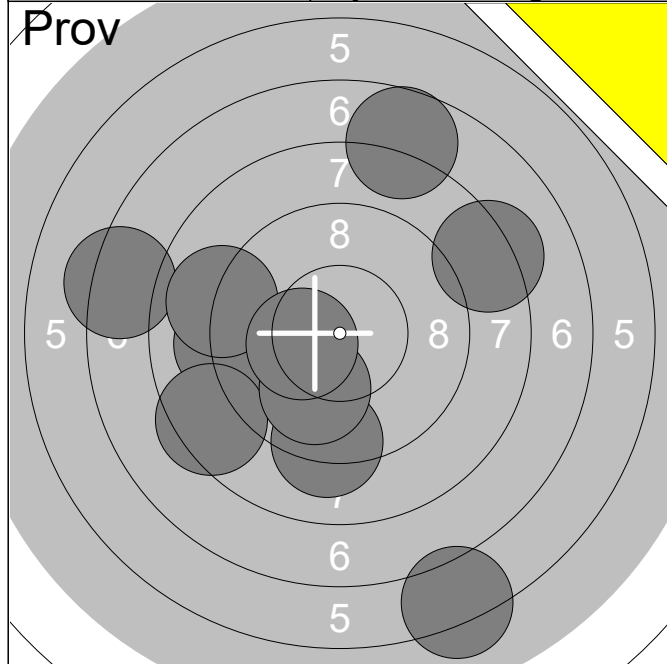
Total	0.0
-------	------------



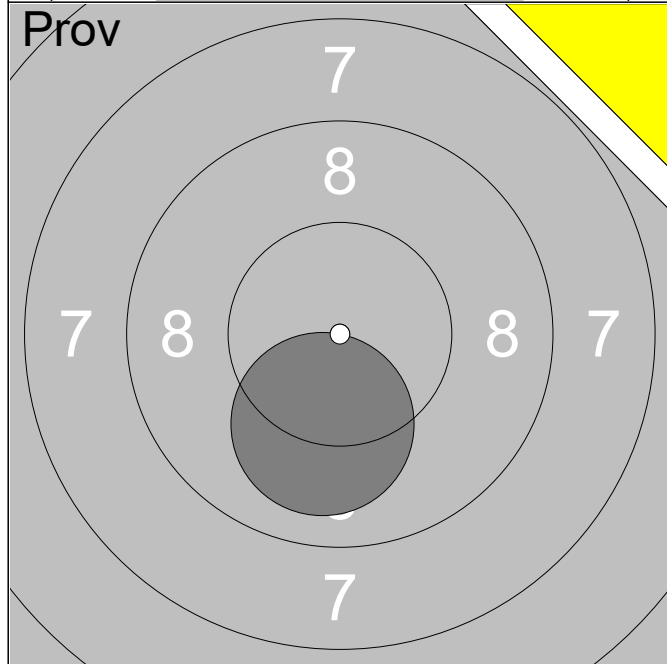
1:	9.6	↘
2:	8.8	↗
3:	9.9	↓
4:	8.2	↓
5:	9.6	↑
6:	8.8	↘
7:	10.0	↓
8:	8.6	↖
9:	6.7	↖
10:	9.2	↖

Serie	89.4
-------	-------------

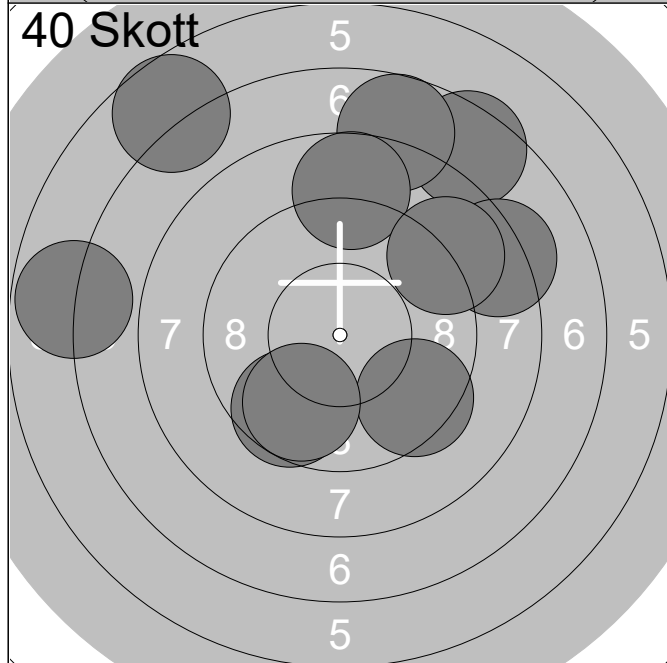
Total	89.4
-------	-------------



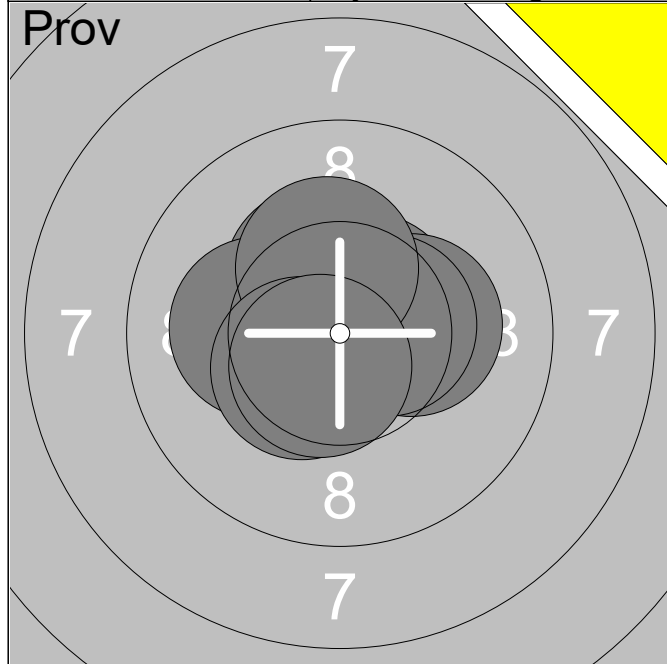
1:	9.2	←
2:	8.4	↙
3:	9.2	↓
4:	7.3	←
5:	6.2	↓
6:	8.2	→
7:	9.0	←
8:	10.0	↓
9:	7.7	↑
10:	10.3x	←
Serie		85.5
Total		0.0



11:	10.1	↓
Serie		10.1
Total		0.0



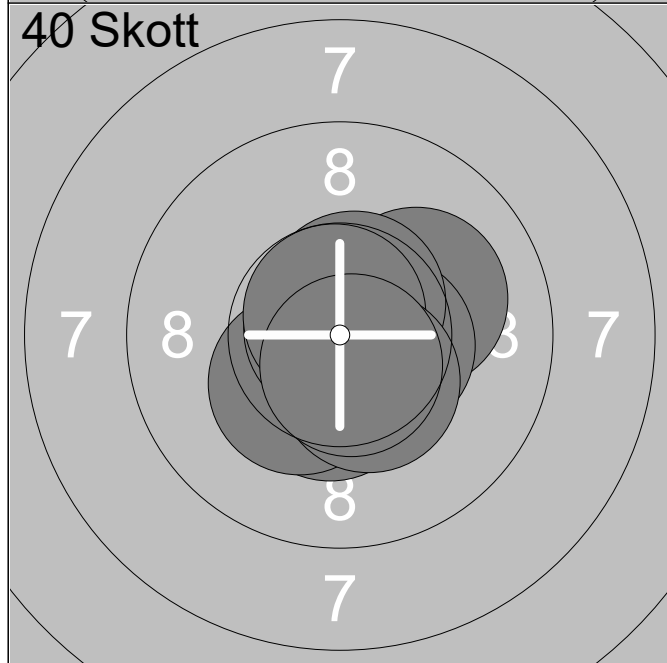
1:	7.5	↗
2:	6.8	←
3:	6.7	↗
4:	7.7	↑
5:	9.4	↘
6:	9.6	↙
7:	8.7	↑
8:	9.8	↙
9:	8.3	→
10:	8.9	↗
Serie		83.4
Total		83.4



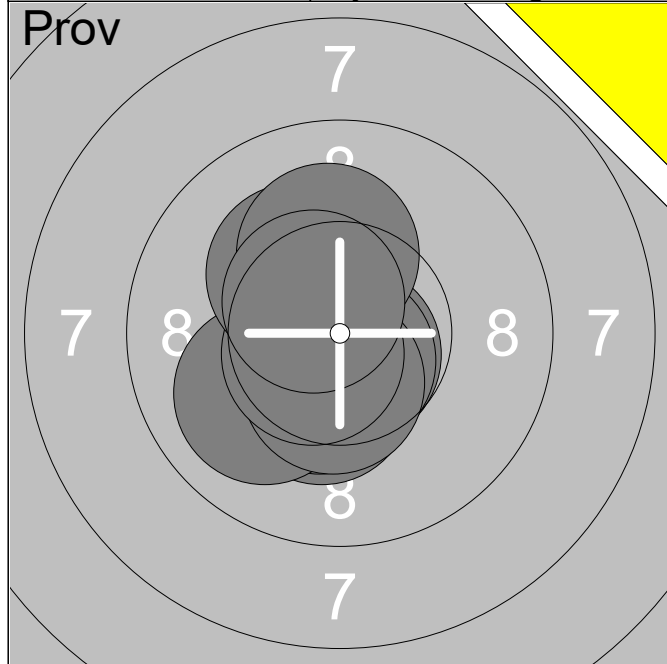
1:	10.6x	↗
2:	10.9x	↓
3:	10.2x	→
4:	10.4x	↖
5:	10.5x	↙
6:	10.2x	←
7:	10.5x	→
8:	10.3x	↑
9:	10.4x	↙
10:	10.6x	↘
Serie		104.6
Total		0.0



11:	10.8x	↖
12:	10.4x	↓
Serie		21.2
Total		0.0



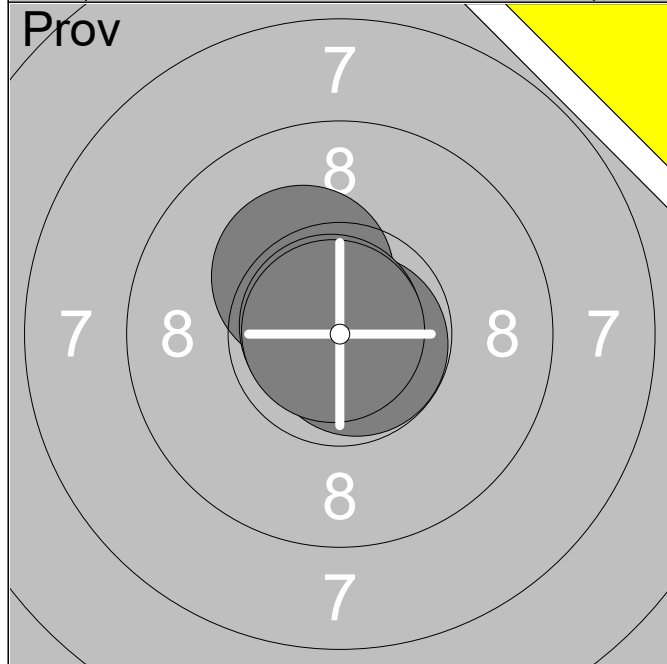
1:	10.5x	↘
2:	10.4x	↓
3:	10.3x	↙
4:	10.9x	↖
5:	10.1	↗
6:	10.5x	→
7:	10.6x	↖
8:	10.7x	↑
9:	10.4x	↓
10:	10.6x	↓
Serie		105.0
Total		105.0



1:	10.3x	↘
2:	10.7x	↘
3:	10.7x	↘
4:	10.4x	↘
5:	10.0	↙
6:	10.5x	↘
7:	10.6x	↙
8:	10.2x	↗
9:	10.2x	↗
10:	10.5x	↗

Serie	104.1
-------	-------

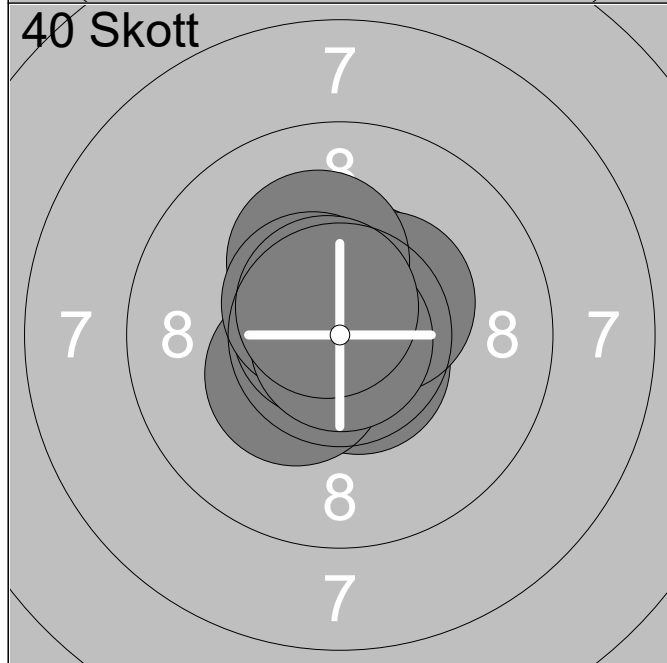
Total	0.0
-------	-----



11:	10.8x	↘
12:	10.3x	↗
13:	10.8x	↗
14:	10.9x	↗

Serie	42.8
-------	------

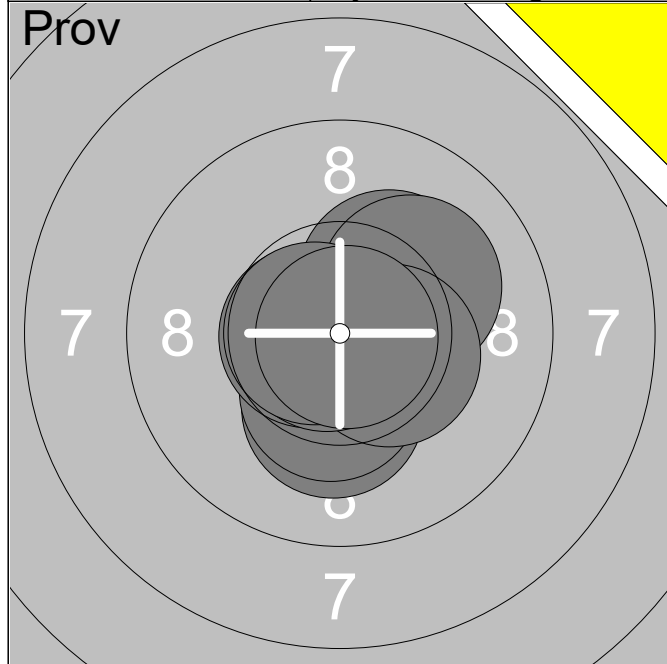
Total	0.0
-------	-----



1:	10.8x	↙
2:	10.6x	↘
3:	10.5x	↗
4:	10.4x	↙
5:	10.4x	↗
6:	10.2x	↗
7:	10.8x	↗
8:	10.5x	↗
9:	10.9x	↘
10:	10.6x	↗

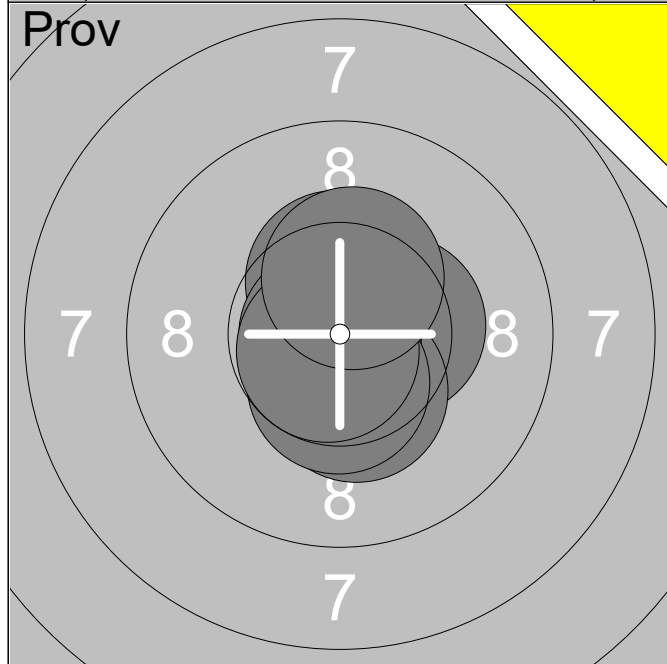
Serie	105.7
-------	-------

Total	105.7
-------	-------



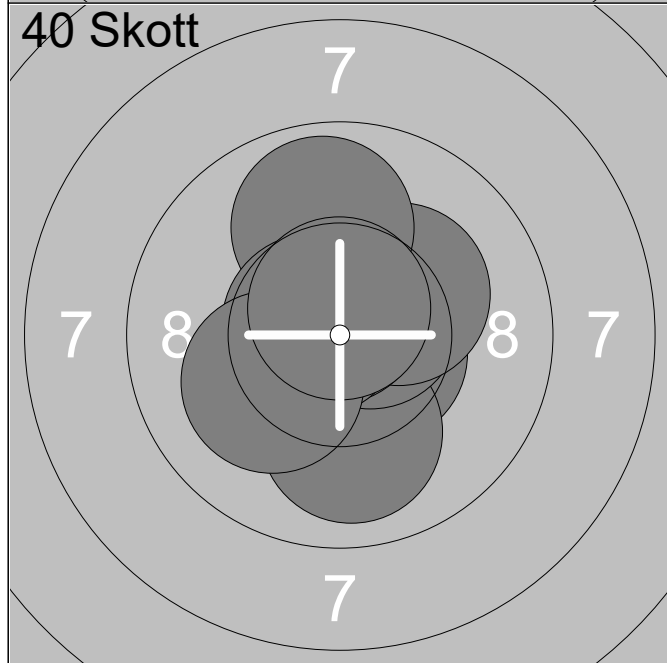
1:	10.2x	↓
2:	10.7x	↓
3:	10.4x	↓
4:	10.2x	↗
5:	10.7x	←
6:	10.1	↗
7:	10.4x	→
8:	10.8x	↙
9:	10.7x	←
10:	10.9x	↘

Serie	105.1
Total	0.0



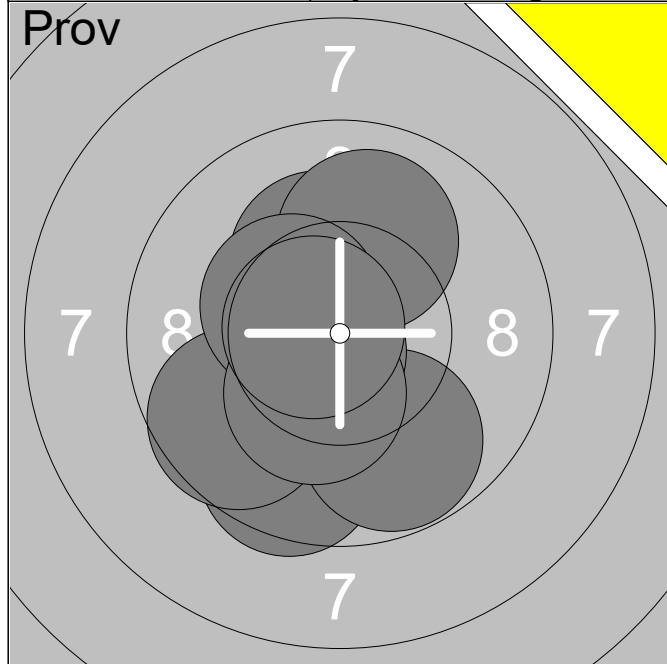
11:	10.4x	→
12:	10.4x	↑
13:	10.4x	↓
14:	10.8x	←
15:	10.5x	↓
16:	10.7x	↙
17:	10.4x	↑

Serie	73.6
Total	0.0



1:	10.6x	↑
2:	10.5x	→
3:	10.0	↓
4:	10.6x	↗
5:	10.2x	↗
6:	9.9	↑
7:	10.7x	↑
8:	10.7x	↙
9:	10.1	↙
10:	10.7x	↑

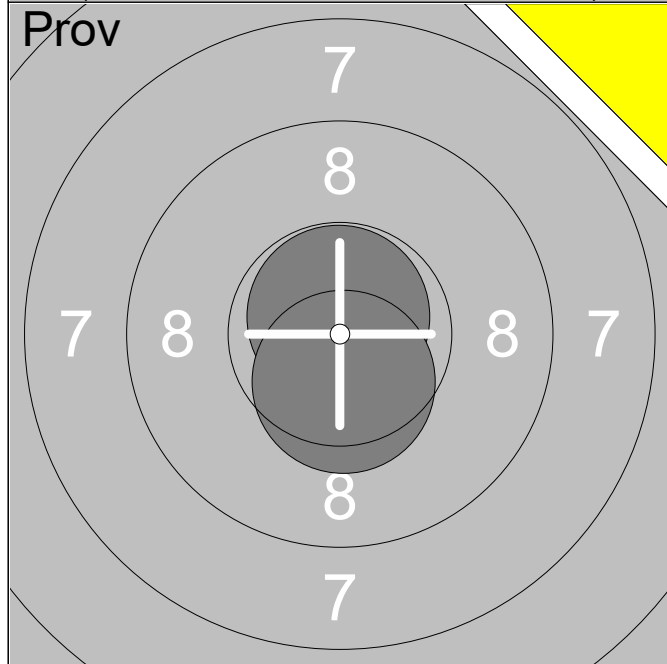
Serie	104.0
Total	104.0



1:	9.6	↘
2:	10.2x	↑
3:	10.0	↑
4:	9.8	↘
5:	10.5x	↙
6:	10.6x	↙
7:	9.6	↙
8:	10.4x	↗
9:	10.3x	↘
10:	10.7x	←

Serie	101.7
-------	-------

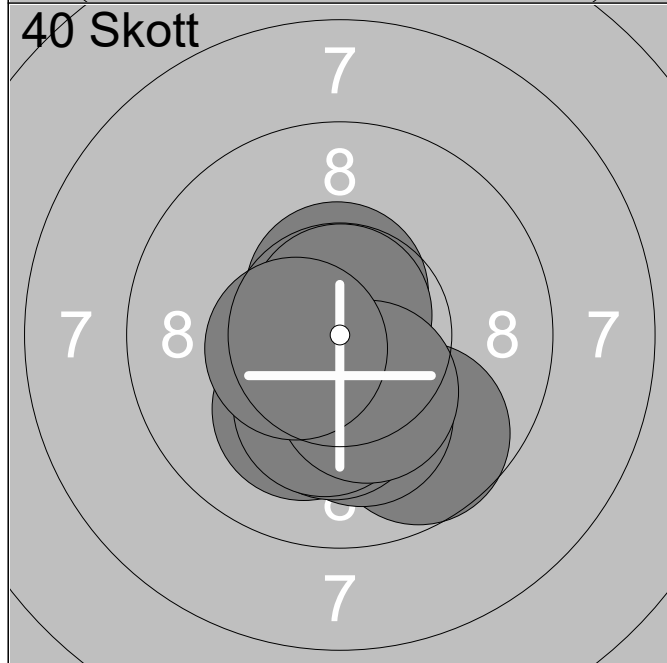
Total	0.0
-------	-----



11:	10.8x	↑
12:	10.5x	↘

Serie	21.3
-------	------

Total	0.0
-------	-----



1:	9.7	↘
2:	10.1	↘
3:	10.5x	↑
4:	10.1	↙
5:	10.8x	↘
6:	10.2x	↘
7:	10.8x	↑
8:	10.2x	↘
9:	10.3x	↘
10:	10.5x	←

Serie	103.2
-------	-------

Total	103.2
-------	-------



1:	10.4x	→
2:	10.3x	↓
3:	10.6x	↓
4:	10.3x	↗
5:	10.3x	↓
6:	10.3x	↓
7:	9.8	→
8:	9.9	↘
9:	10.7x	↘
10:	10.5x	↘

Serie	103.1
Total	0.0



1:	10.3x	↓
2:	10.2x	↘
3:	10.8x	←
4:	10.3x	↗
5:	10.7x	↘
6:	10.3x	←
7:	10.4x	↘
8:	10.8x	↗
9:	10.7x	←
10:	10.4x	←

Serie	104.9
Total	104.9