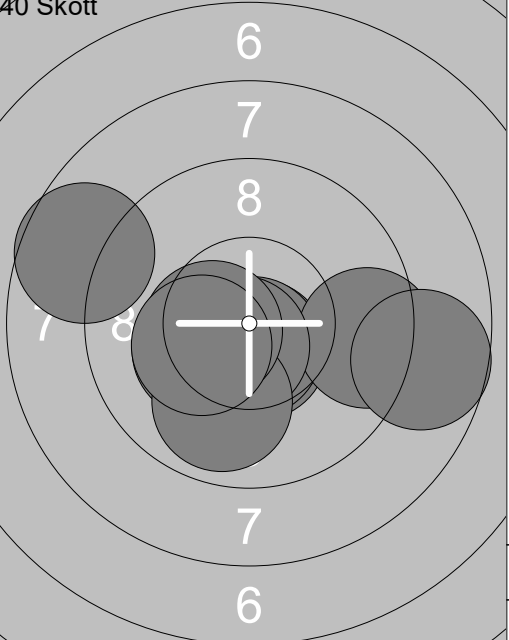
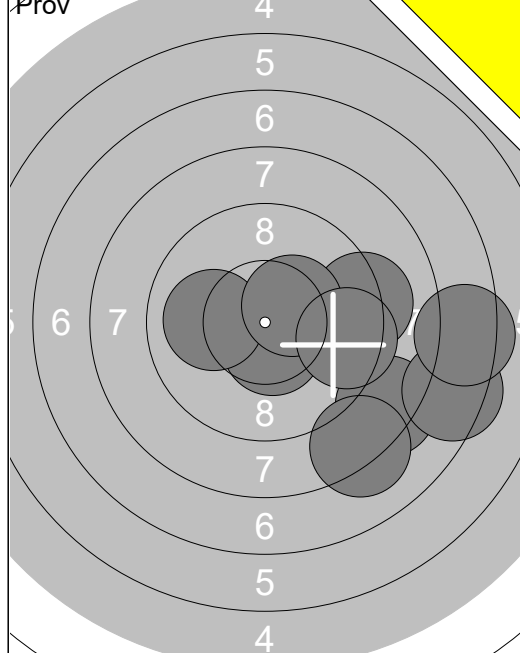


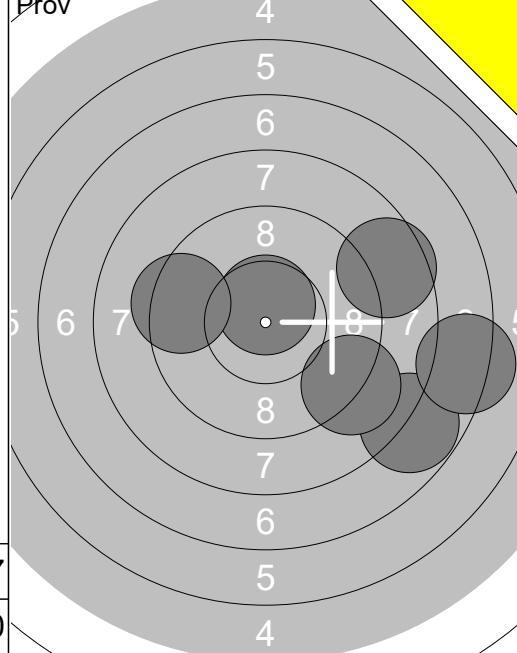
Prov 	1: 9.8 ↘ 2: 9.3 ← 3: 9.2 → 4: 10.0 ↗ 5: 8.9 → 6: 7.9 ← 7: 9.5 → 8: 9.3 ↖ 9: 9.6 ↗ 10: 10.2 ✕ <hr/> Serie 93.7 Total 0.0	Prov 	11: 10.6 ✕ 12: 9.6 ↑ 13: 9.7 ← 14: 10.0 ↖ 15: 9.0 ← 16: 9.0 → 17: 10.1 ↓ <hr/> Serie 68.0 Total 0.0
--	--	--	---

40 Skott 	1: 10.7 ✕ ↗ 2: 10.5 ✕ ↓ 3: 10.5 ✕ ↓ 4: 9.7 ← 5: 9.5 → 6: 9.6 → 7: 8.7 ← 8: 9.9 ↓ 9: 10.4 ✕ ↗ 10: 10.6 ✕ ↓ <hr/> Serie 100.1 Total 100.1	40 Skott 	11: 9.9 ↘ 12: 10.8 ✕ ↘ 13: 9.7 ↘ 14: 10.3 ✕ ↗ 15: 10.3 ✕ ↘ 16: 10.0 ↘ 17: 10.6 ✕ ↖ 18: 10.3 ✕ → 19: 8.5 → 20: 8.4 ← <hr/> Serie 98.8 Total 198.9
---	--	---	---

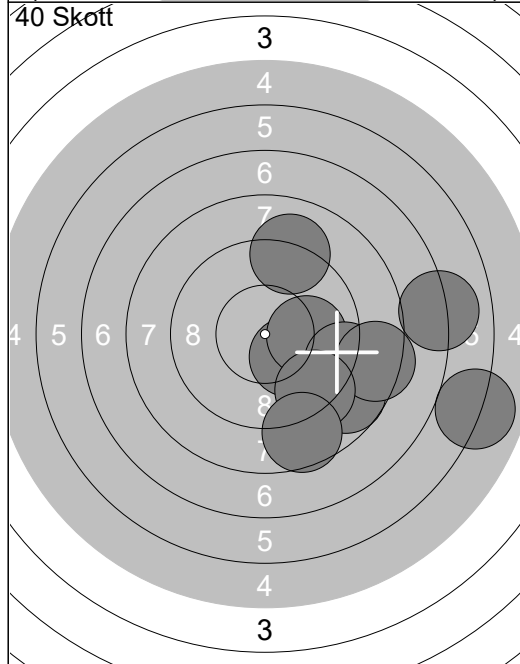
40 Skott 	21: 10.3 ✕ ← 22: 9.9 → 23: 10.1 ↓ 24: 9.3 ← 25: 10.4 ✕ ↓ 26: 10.1 ↓ 27: 9.9 → 28: 9.3 → 29: 10.3 ✕ ↓ 30: 10.3 ✕ ↘ <hr/> Serie 99.9 Total 298.8	40 Skott 	31: 10.6 ✕ ↓ 32: 10.7 ✕ ↓ 33: 9.4 → 34: 10.6 ✕ ↓ 35: 10.3 ✕ ↖ 36: 9.9 ↓ 37: 10.5 ✕ ↖ 38: 10.3 ✕ ↖ 39: 8.7 ↖ 40: 8.7 → <hr/> Serie 99.7 Total 398.5
--	---	--	---



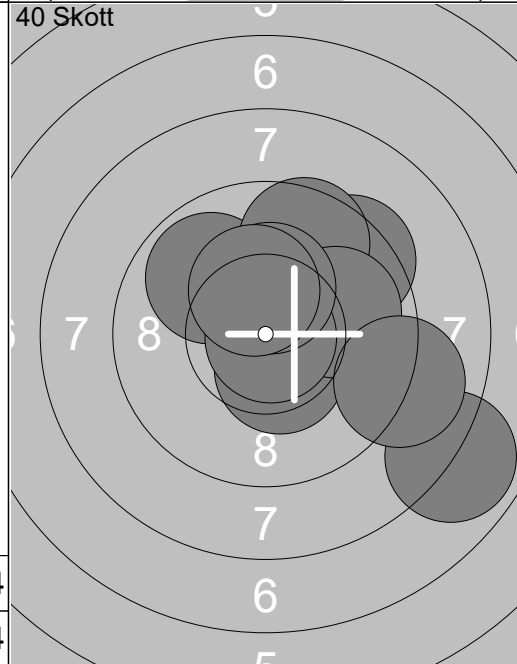
1:	10.5x ↘
2:	9.7 →
3:	10.0 ←
4:	8.4 ↘
5:	8.2 ↘
6:	9.2 →
7:	7.4 →
8:	10.4x ↗
9:	7.4 →
10:	9.5 →
<b>Serie 90.7</b>	
<b>Total 0.0</b>	



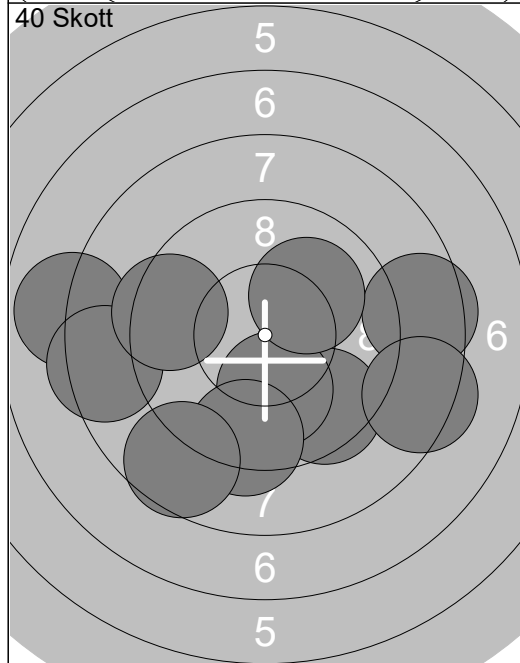
11:	10.6x ↗
12:	7.8 ↘
13:	9.0 ↘
14:	7.3 →
15:	8.6 ↗
16:	9.4 ←
<b>Serie 52.7</b>	
<b>Total 0.0</b>	



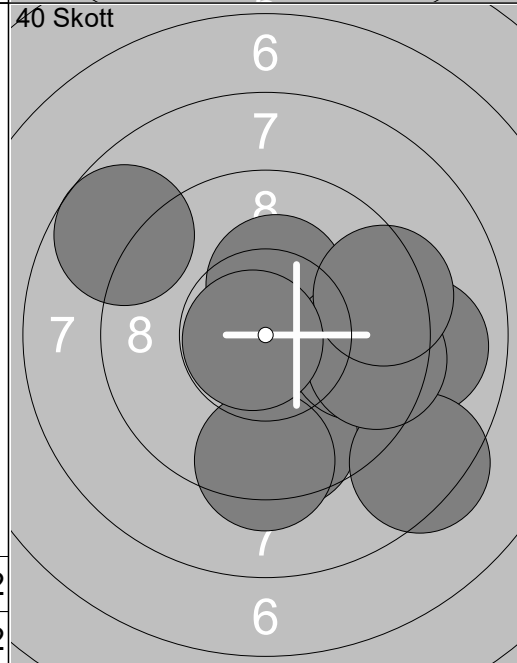
1:	7.0 →
2:	10.2x ↘
3:	10.0 →
4:	9.1 →
5:	8.7 ↘
6:	8.4 →
7:	9.1 ↗
8:	9.3 ↘
9:	8.6 ↘
10:	6.0 →
<b>Serie 86.4</b>	
<b>Total 86.4</b>	



11:	9.9 ↖
12:	9.4 ↗
13:	10.4x ↘
14:	9.6 ↗
15:	9.9 →
16:	7.9 ↘
17:	10.9x ↘
18:	9.0 →
19:	10.3x ↗
20:	10.3x ↗
<b>Serie 97.6</b>	
<b>Total 184.0</b>	



21:	7.9 ←
22:	8.5 →
23:	9.5 ↘
24:	10.1 ↘
25:	9.3 ↘
26:	8.4 →
27:	8.4 ←
28:	9.4 ←
29:	8.6 ↘
30:	10.1 ↗
<b>Serie 90.2</b>	
<b>Total 274.2</b>	

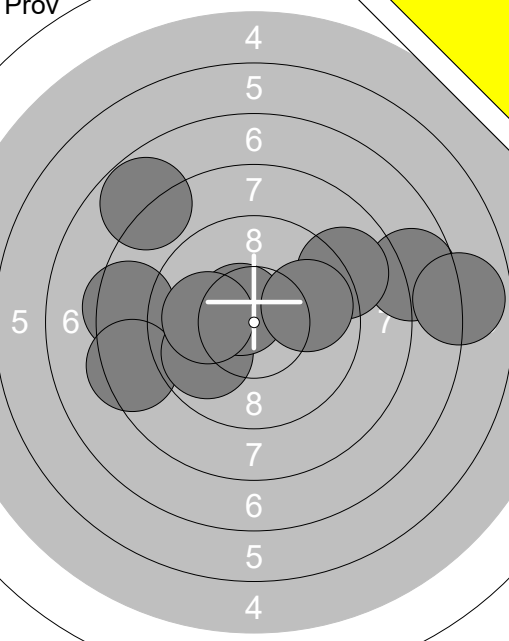


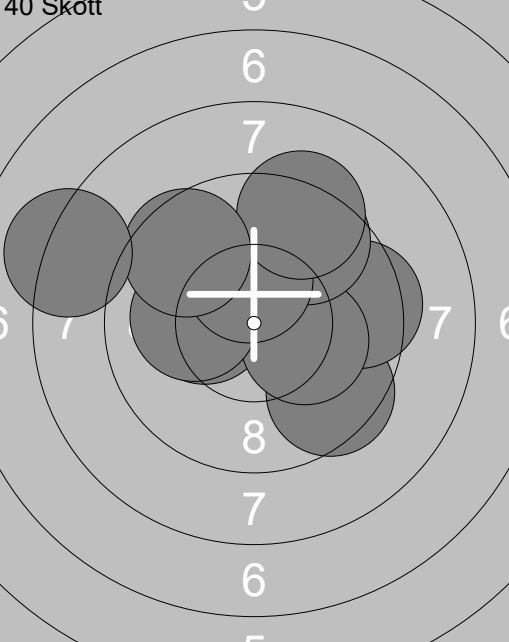
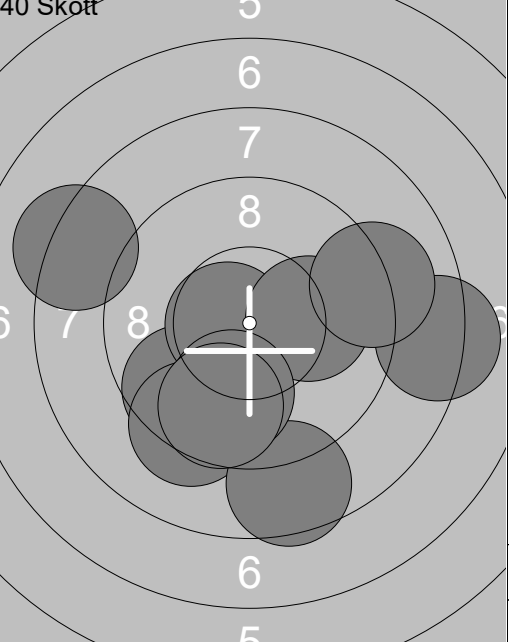
31:	9.6 ↘
32:	8.7 ↖
33:	9.0 →
34:	10.3x ↗
35:	9.8 →
36:	8.4 ↘
37:	9.3 ↘
38:	9.5 →
39:	9.4 ↗
40:	10.8x ↘
<b>Serie 94.8</b>	
<b>Total 369.0</b>	

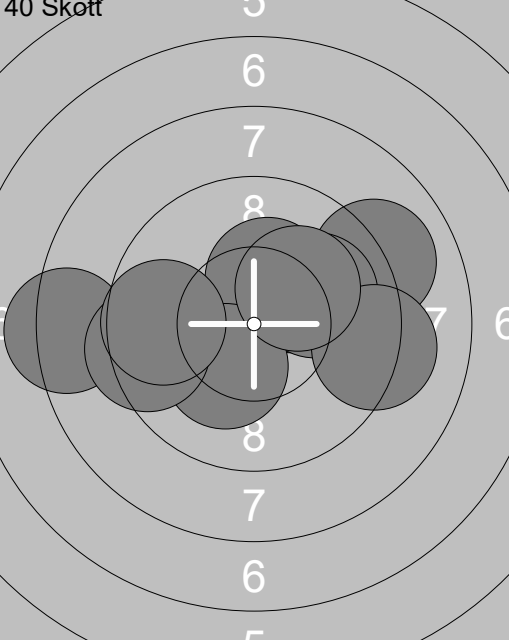
<p>Prov</p> 	<p>1: 10.1 ↘                  2: 8.9 →                  3: 10.5x ↘                  4: 9.6 →                  5: 8.9 →                  6: 10.0 ↑                  7: 9.6 ←                  8: 9.4 ←                  9: 10.1 →                  10: 10.1 ↘</p> <p>Serie 97.2 Total 0.0</p>	<p>Prov</p>  <p>11: 10.2x ↘</p> <p>Serie 10.2 Total 0.0</p>
--	--	---

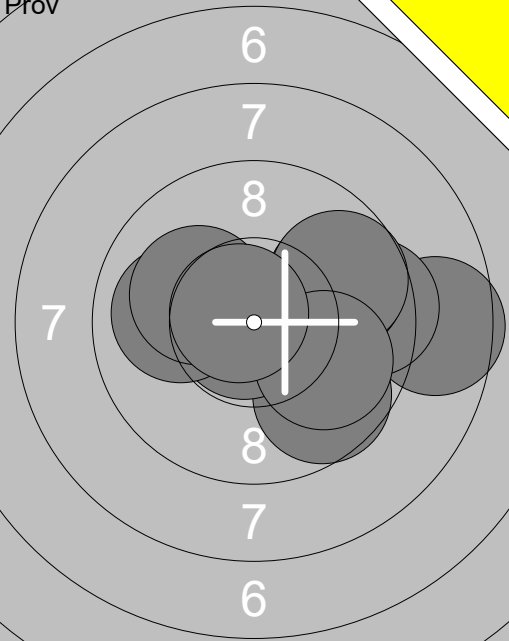
<p>40 Skott</p> 	<p>1: 10.1 ↘                  2: 9.7 ↓                  3: 9.3 ↘                  4: 10.3x ↘                  5: 9.8 →                  6: 10.5x ↑                  7: 9.6 ↙                  8: 10.1 ↗                  9: 10.5x ↘                  10: 9.8 ↓</p> <p>Serie 99.7 Total 99.7</p>	<p>40 Skott</p>  <p>11: 8.4 →                  12: 10.2x ↘                  13: 10.0 ↘                  14: 9.6 →                  15: 9.5 →                  16: 10.3x ↘                  17: 10.1 ↘                  18: 9.5 ↘                  19: 8.4 →                  20: 10.5x ↘</p> <p>Serie 96.5 Total 196.2</p>
---	---	---

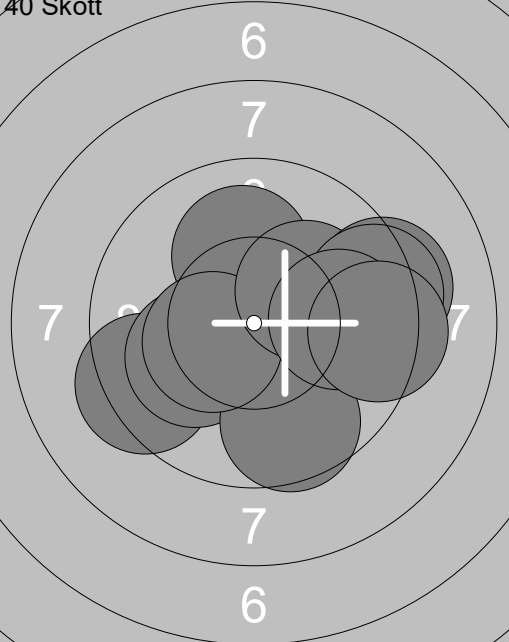
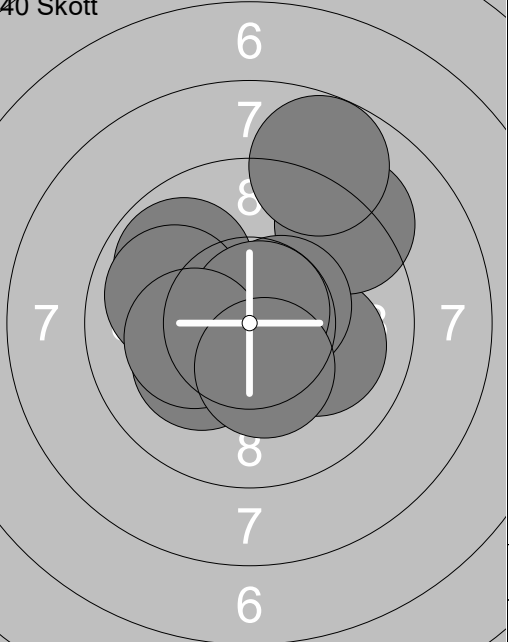
<p>40 Skott</p> 	<p>21: 9.2 ↙                  22: 9.8 →                  23: 9.4 ↓                  24: 9.4 →                  25: 9.9 ↘                  26: 9.6 ↗                  27: 10.3x ↗                  28: 10.1 ↙                  29: 8.3 ←                  30: 10.3x ↘</p> <p>Serie 96.3 Total 292.5</p>	<p>40 Skott</p>  <p>31: 10.7x ↘                  32: 9.7 →                  33: 8.6 →                  34: 9.8 →                  35: 8.3 →                  36: 10.2x ↘                  37: 10.3x ↗                  38: 10.4x ↗                  39: 10.0 ↗                  40: 10.3x ↘</p> <p>Serie 98.3 Total 390.8</p>
--	--	---

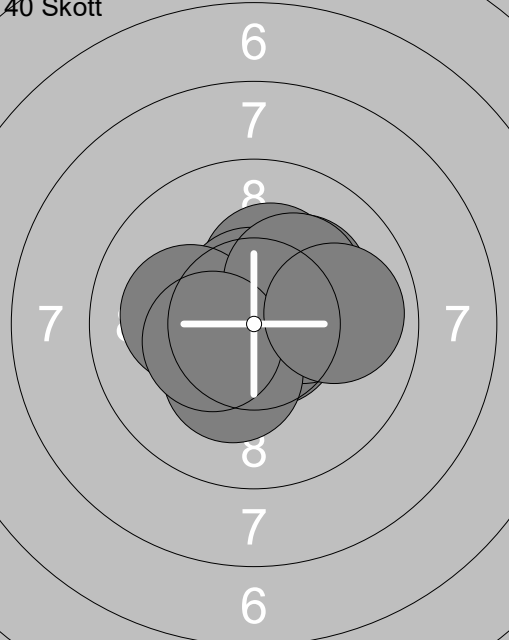
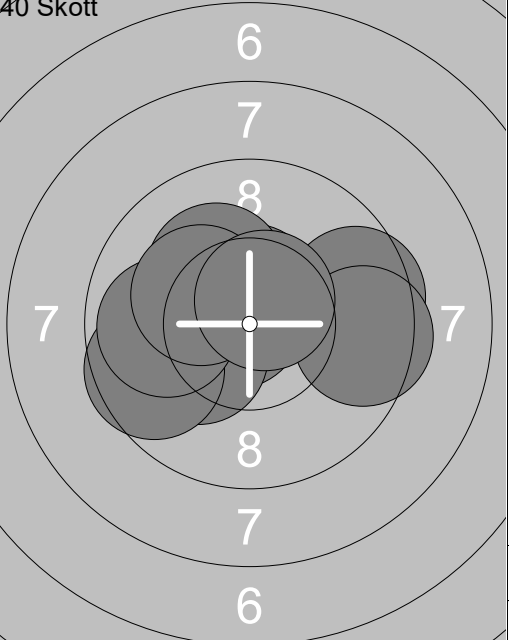
	<p>1: 7.7 →</p> <p>2: 8.5 ←</p> <p>3: 8.4 ←</p> <p>4: 7.8 ↖</p> <p>5: 9.0 →</p> <p>6: 9.9 ←</p> <p>7: 10.6x ↘</p> <p>8: 6.9 →</p> <p>9: 9.9 →</p> <p>10: 10.0 ←</p>	<p>40 Skott</p> 		<p>1: 10.3x ↗</p> <p>2: 10.8x ↘</p> <p>3: 9.9 ↑</p> <p>4: 10.5x ↗</p> <p>5: 9.6 →</p> <p>6: 9.8 ↗</p> <p>7: 10.0 →</p> <p>8: 10.4x →</p> <p>9: 9.3 ←</p> <p>10: 10.5x ↘</p>
Serie 88.7				Serie 101.1
Total 0.0				Total 101.1

	<p>11: 10.3x ↘</p> <p>12: 9.5 ↘</p> <p>13: 9.5 →</p> <p>14: 10.2x →</p> <p>15: 10.1 ←</p> <p>16: 9.6 ↗</p> <p>17: 10.3x ↗</p> <p>18: 9.3 ↗</p> <p>19: 9.6 ↖</p> <p>20: 8.2 ←</p>	<p>40 Skott</p> 		<p>21: 9.6 ↘</p> <p>22: 10.6x ↘</p> <p>23: 8.2 →</p> <p>24: 8.2 ←</p> <p>25: 10.1 →</p> <p>26: 9.3 ↘</p> <p>27: 9.1 →</p> <p>28: 8.6 ↘</p> <p>29: 9.9 ↘</p> <p>30: 9.7 ↘</p>
Serie 96.6				Serie 93.3
Total 197.7				Total 291.0

	<p>31: 9.0 →</p> <p>32: 10.2x ↗</p> <p>33: 8.3 ←</p> <p>34: 10.3x ↗</p> <p>35: 10.0 →</p> <p>36: 10.2x ↘</p> <p>37: 9.4 ←</p> <p>38: 9.7 ←</p> <p>39: 9.2 →</p> <p>40: 10.1 ↗</p>			
Serie 96.4				
Total 387.4				

<p>Pröv</p> 	<p>1: 8.6 →</p> <p>2: 9.7 ↘</p> <p>3: 10.8x↘</p> <p>4: 10.0←</p> <p>5: 9.4 →</p> <p>6: 9.8 →</p> <p>7: 9.7 →</p> <p>8: 9.9 ↘</p> <p>9: 10.1←</p> <p>10: 10.7x↘</p>	<p>Pröv</p> 	<p>11: 10.0 ↓</p> <p>12: 9.4 ↓</p> <p>13: 9.9 →</p> <p>14: 10.2x↘</p> <p>15: 10.6x↑</p>
Serie	98.7	Serie	50.1
Total	0.0	Total	0.0

<p>40 Skott</p> 	<p>1: 9.4 ↙</p> <p>2: 10.1 ↑</p> <p>3: 10.1←</p> <p>4: 9.6 ↓</p> <p>5: 10.4x↘</p> <p>6: 10.2x↗</p> <p>7: 9.3 →</p> <p>8: 9.4 →</p> <p>9: 9.9 →</p> <p>10: 9.4 →</p>	<p>40 Skott</p> 	<p>11: 10.1 →</p> <p>12: 10.2x↘</p> <p>13: 9.2 ↗</p> <p>14: 10.5x↗</p> <p>15: 9.9 ↙</p> <p>16: 9.9 ←</p> <p>17: 8.8 ↑</p> <p>18: 10.8x↗</p> <p>19: 10.2x↘</p> <p>20: 10.3x↓</p>
Serie	97.8	Serie	99.9
Total	97.8	Total	197.7

<p>40 Skott</p> 	<p>21: 10.3x↑</p> <p>22: 10.7x↓</p> <p>23: 10.2x↗</p> <p>24: 10.3x→</p> <p>25: 10.6x↑</p> <p>26: 10.3x↓</p> <p>27: 10.1←</p> <p>28: 10.2x↗</p> <p>29: 10.4x↘</p> <p>30: 9.9 →</p>	<p>40 Skott</p> 	<p>31: 10.6x↑</p> <p>32: 9.6 →</p> <p>33: 10.7x↘</p> <p>34: 10.2x↘</p> <p>35: 9.5 →</p> <p>36: 9.6 ←</p> <p>37: 9.9 ←</p> <p>38: 10.2x↗</p> <p>39: 10.2x↘</p> <p>40: 10.6x↗</p>
Serie	103.0	Serie	101.1
Total	300.7	Total	401.8

Prov 	1: 10.1 ↓ 2: 10.1 ← 3: 10.7 ↗ 4: 10.3 ↘ 5: 10.3 ↗ 6: 10.3 ↘ 7: 9.1 → 8: 9.1 ↓ 9: 10.2 ↘ 10: 9.7 ↓ <hr/> Serie 99.9 Total 0.0	Prov 	11: 9.9 ↘ 12: 10.2 ↘ 13: 10.4 ↘ <hr/> Serie 30.5 Total 0.0
----------	---	----------	--

40 Skott 	1: 10.1 ↑ 2: 9.8 ← 3: 10.6 ↘ 4: 10.3 ↑ 5: 9.6 → 6: 10.1 ← 7: 9.6 → 8: 10.1 → 9: 10.4 ↑ 10: 10.2 ↘ <hr/> Serie 100.8 Total 100.8	40 Skott 	11: 10.2 ↘ 12: 10.6 ↗ 13: 10.2 ↗ 14: 10.7 ↗ 15: 9.9 → 16: 9.8 ↓ 17: 9.9 ↓ 18: 10.0 ↓ 19: 9.5 ↗ 20: 10.6 ↘ <hr/> Serie 101.4 Total 202.2
--------------	--	--------------	--

40 Skott 	21: 10.2 ↘ 22: 9.8 ← 23: 10.4 ← 24: 9.1 → 25: 9.8 ↗ 26: 10.3 ↗ 27: 10.7 ↘ 28: 10.5 ↘ 29: 10.5 ← 30: 10.1 ↓ <hr/> Serie 101.4 Total 303.6	40 Skott 	31: 10.1 ↑ 32: 10.4 ↘ 33: 10.7 ↗ 34: 10.3 ↘ 35: 10.1 → 36: 10.6 ↘ 37: 10.1 → 38: 10.8 ↘ 39: 10.3 ↘ 40: 10.4 ↘ <hr/> Serie 103.8 Total 407.4
--------------	---	--------------	--

<p>Prov</p>	<p>1: 9.4 ← 2: 7.6 ↓ 3: 9.5 ↗ 4: 8.1 → 5: 9.1 ↗ 6: 10.4x ↓ 7: 8.7 → 8: 9.0 ↓ 9: 9.3 ↗ 10: 8.4 →</p> <p>Serie 89.5 Total 0.0</p>	<p>Prov</p>	<p>11: 10.5x ↖ 12: 10.6x ↖ 13: 8.8 ↖ 14: 9.9 ↓ 15: 9.5 ↑ 16: 9.0 → 17: 10.3x ↑ 18: 9.6 ↗ 19: 9.8 ↗ 20: 10.5x ↗</p> <p>Serie 98.5 Total 0.0</p>
-------------	---	-------------	--

<p>Prov</p>	<p>21: 10.4x ↗ 22: 10.6x ←</p> <p>Serie 21.0 Total 0.0</p>	<p>40 Skott</p>	<p>1: 10.4x ↗ 2: 10.8x → 3: 9.2 ↖ 4: 10.2x → 5: 10.2x ↗ 6: 10.2x → 7: 8.9 → 8: 10.0 ↗ 9: 9.3 → 10: 9.6 →</p> <p>Serie 98.8 Total 98.8</p>
-------------	--	-----------------	---

<p>40 Skott</p>	<p>11: 9.8 → 12: 10.1 ← 13: 10.1 ← 14: 10.3x ↓ 15: 9.6 ← 16: 8.8 ↗ 17: 10.9x ← 18: 9.8 ↗ 19: 6.2 → 20: 9.9 →</p> <p>Serie 95.5 Total 194.3</p>	<p>40 Skott</p>	<p>21: 9.2 ↓ 22: 9.7 ↓ 23: 10.4x → 24: 10.3x ↑ 25: 9.9 ↓ 26: 10.3x ← 27: 8.8 → 28: 10.0 ↓ 29: 8.8 ↓ 30: 9.6 ↗</p> <p>Serie 97.0 Total 291.3</p>
-----------------	--	-----------------	---


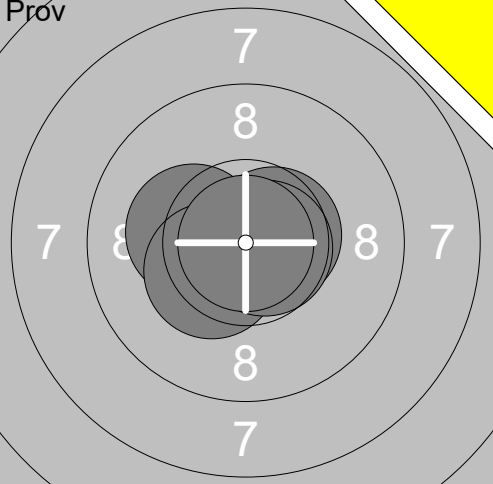
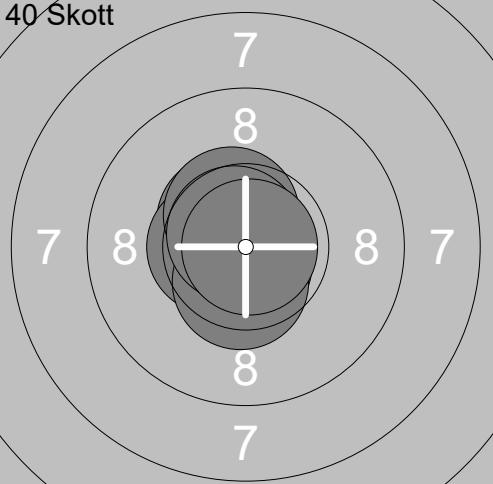
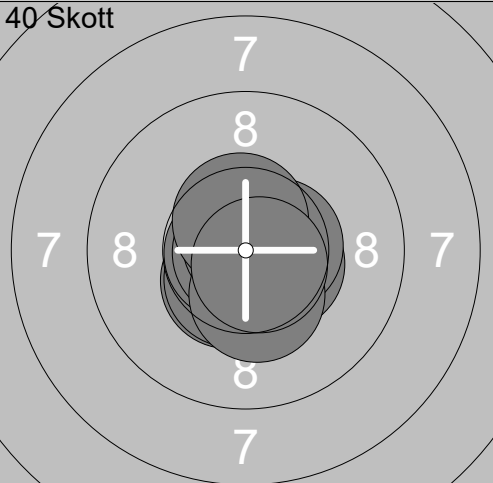
<p>40 Skott</p>	<p>31: 10.2x ← 32: 9.7 ↓ 33: 10.5x → 34: 10.6x ↗ 35: 8.9 ↗ 36: 9.4 ← 37: 9.3 → 38: 9.3 ↗ 39: 10.8x ↓ 40: 10.6x ↗</p> <p>Serie 99.3 Total 390.6</p>		
-----------------	--	--	--

<p>Prov</p>	<p>1: 9.5 ↘                  2: 10.0 →                  3: 9.4 →                  4: 9.6 →                  5: 10.6x ✓                  6: 10.6x ✓                  7: 10.5x ✓                  8: 10.2x ↑                  9: 9.9 ↗                  10: 9.6 ↑</p> <p>Serie 99.9 Total 0.0</p>	<p>Prov</p>	<p>11: 10.5x ✗                  12: 10.4x ↗                  13: 9.5 ↑                  14: 10.0 →                  15: 10.6x ✗                  16: 10.3x ↑                  17: 10.8x ✗                  18: 9.9 ↗</p> <p>Serie 82.0 Total 0.0</p>
-------------	---	-------------	--

<p>40 Skott</p>	<p>1: 10.6x ➤                  2: 10.6x ↑                  3: 10.5x ↗                  4: 10.5x ✗                  5: 10.2x ➤                  6: 9.9 →                  7: 10.5x ✗                  8: 10.7x ↑                  9: 10.8x ✗                  10: 10.5x ✗</p> <p>Serie 104.8 Total 104.8</p>	<p>40 Skott</p>	<p>11: 10.6x ✗                  12: 10.2x ✗                  13: 10.4x ✗                  14: 10.0 ↗                  15: 10.0 ↓                  16: 10.2x ↗                  17: 10.2x ↓                  18: 10.6x ✗                  19: 9.9 ←                  20: 10.7x ✓</p> <p>Serie 102.8 Total 207.6</p>
-----------------	---	-----------------	--

<p>40 Skott</p>	<p>21: 10.6x ➤                  22: 10.3x ➤                  23: 10.6x ✗                  24: 10.9x ↗                  25: 10.4x ↓                  26: 10.6x ↑                  27: 10.8x ↑                  28: 10.9x ↑                  29: 10.3x ✗                  30: 10.6x ✗</p> <p>Serie 106.0 Total 313.6</p>	<p>40 Skott</p>	<p>31: 10.4x ✗                  32: 10.2x ✓                  33: 10.0 ↗                  34: 10.4x ✓                  35: 9.9 ←                  36: 10.7x ✓                  37: 10.1 →                  38: 10.4x ✓                  39: 10.3x ↗                  40: 10.8x ✗</p> <p>Serie 103.2 Total 416.8</p>
-----------------	--	-----------------	--



Skjutlag	Tavla	Inez Persson	
Ramselefors	Överkalix Skf	13	No
01.02.2025	Skyttiadens Regionsfinal 2025	Ramselefors SKF	
Pröv		1: 10.5x ↗ 2: 10.7x ↘ 3: 10.7x ← 4: 10.6x → 5: 10.7x ↗ 6: 10.4x ← 7: 10.2x ↗ 8: 10.8x ↗ 9: 10.4x ↓ 10: 10.7x ↓	11: 10.5x ↓ 12: 10.6x ↓ 13: 10.3x → 14: 10.5x ↖ 15: 10.6x → 16: 10.4x ↘ 17: 10.7x ↑ 18: 10.4x ↗ 19: 10.2x ↗ 20: 10.9x ↑
		Serie 105.7	Serie 105.1
		Total 0.0	Total 0.0
Pröv		21: 10.6x → 22: 10.2x ← 23: 10.4x ↘ 24: 10.7x → 25: 10.9x ↓	40 Skott
		Serie 52.8	1: 10.3x → 2: 10.8x ↑ 3: 10.7x ↗ 4: 10.7x → 5: 10.5x → 6: 10.8x → 7: 10.7x → 8: 10.6x → 9: 10.3x ↗ 10: 10.3x ↗
		Total 0.0	Serie 105.7
			Total 105.7
40 Skott		11: 10.9x ← 12: 10.6x ← 13: 10.5x ↗ 14: 10.5x ← 15: 10.9x ↗ 16: 10.5x ↗ 17: 10.7x ↓ 18: 10.5x ↓ 19: 10.7x ↗ 20: 10.9x →	40 Skott
		Serie 106.7	21: 10.6x ← 22: 10.8x ↓ 23: 10.8x ← 24: 10.6x ↓ 25: 10.3x ↖ 26: 10.7x ↗ 27: 10.7x ↗ 28: 10.8x ↓ 29: 10.5x → 30: 10.4x ←
		Total 212.4	Serie 106.2
			Total 318.6
40 Skott		31: 10.5x ↓ 32: 10.5x ↓ 33: 10.8x ← 34: 10.5x → 35: 10.9x ← 36: 10.8x ↗ 37: 10.6x → 38: 10.3x ↓ 39: 10.6x ↑ 40: 10.7x ↘	
		Serie 106.2	
		Total 424.8	

<p>Prov</p>	<p>1: 10.3x ↘                  2: 10.3x ↘                  3: 10.1 ↓                  4: 10.3x ↗                  5: 10.6x ↓                  6: 10.4x ↗                  7: 10.6x ↓                  8: 10.5x ↘                  9: 10.6x ↗                  10: 10.5x ↗</p>	<p>Prov</p>	<p>11: 10.2x ↗                  12: 10.5x ↗                  13: 10.4x ↗                  14: 10.8x ↘                  15: 10.2x ↘                  16: 10.6x →</p>
Serie 104.2		Serie 62.7	
Total 0.0		Total 0.0	

<p>40 Skott</p>	<p>1: 10.8x ↘                  2: 10.7x ↗                  3: 10.5x ↗                  4: 10.6x →                  5: 10.8x ↓                  6: 10.9x ↗                  7: 10.7x ↘                  8: 10.6x ↓                  9: 10.6x ↗                  10: 10.4x →</p>	<p>40 Skott</p>	<p>11: 10.5x →                  12: 10.7x ↗                  13: 10.1 →                  14: 10.4x ↓                  15: 10.8x ↗                  16: 10.8x ↓                  17: 10.3x ↗                  18: 10.4x ↗                  19: 10.7x ↗                  20: 10.4x ↓</p>
Serie 106.6		Serie 105.1	
Total 106.6		Total 211.7	

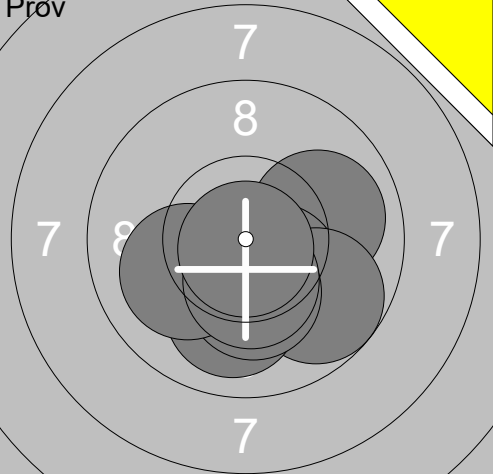
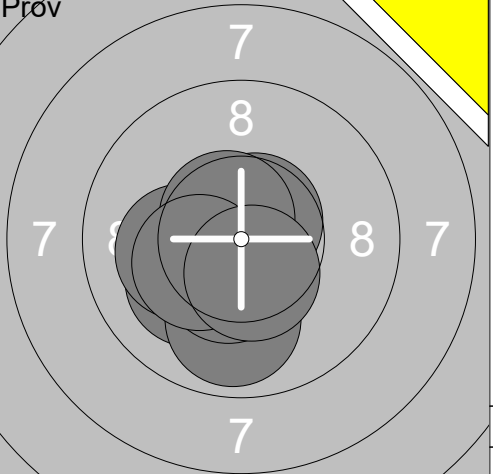
<p>40 Skott</p>	<p>21: 10.2x ↗                  22: 10.7x ↗                  23: 10.8x ↗                  24: 10.5x ↗                  25: 10.8x →                  26: 10.8x ↗                  27: 10.7x ↘                  28: 10.8x ↓                  29: 10.5x ↗                  30: 10.4x ↗</p>	<p>40 Skott</p>	<p>31: 10.5x ↘                  32: 10.6x ↗                  33: 10.9x ↗                  34: 10.8x ↗                  35: 10.1 ↗                  36: 10.5x →                  37: 10.8x ↘                  38: 10.6x ↗                  39: 10.5x ↓                  40: 10.8x ↘</p>
Serie 106.2		Serie 106.1	
Total 317.9		Total 424.0	


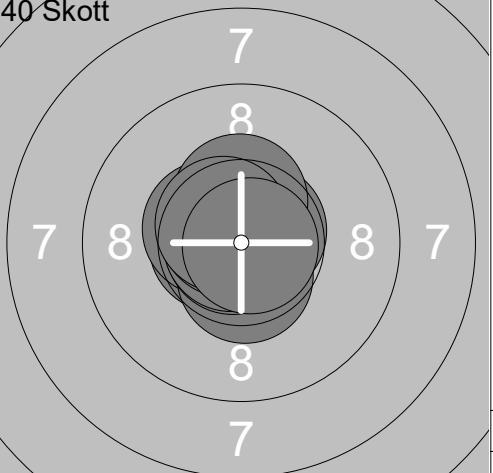
<p><b>Pröv</b></p>	<p><b>Pröv</b></p>	
Serie 103.8	Serie 103.1	
Total 0.0	Total 0.0	

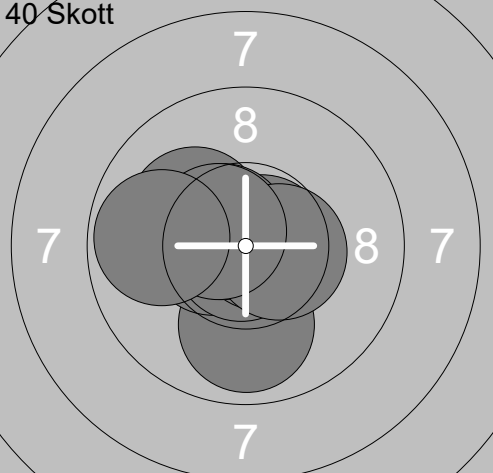
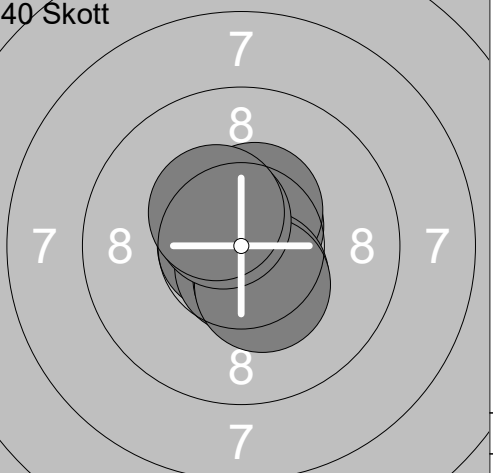
<p><b>Pröv</b></p>	<p><b>40 Skott</b></p>	
Serie 31.8	Serie 105.9	
Total 0.0	Total 105.9	

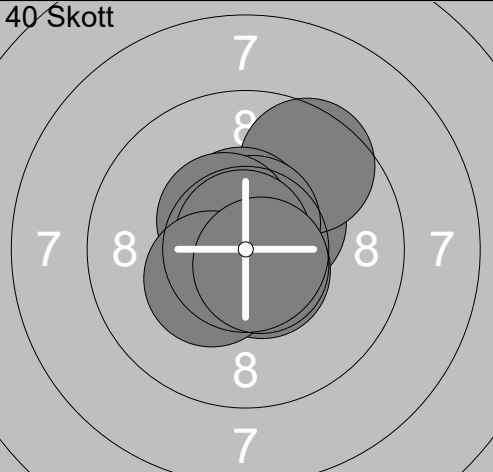
<p><b>40 Skott</b></p>	<p><b>40 Skott</b></p>	
Serie 104.9	Serie 104.4	
Total 210.8	Total 315.2	

<p><b>40 Skott</b></p>	
Serie 105.0	
Total 420.2	

<p>Pröv</p> 	<p>1: 10.0 → 2: 10.4x ↓ 3: 9.8 ↓ 4: 10.3x ↓ 6: 10.0 ↓ 7: 10.2x ↓ 8: 10.1 ← 9: 10.4x ↓ 10: 10.8x ↓</p> <p>Serie 92.0 Total 0.0</p>	<p>Pröv</p> 	<p>11: 10.1 ← 12: 9.9 ↓ 13: 10.2x ← 14: 10.7x ↑ 15: 10.6x ↗ 16: 10.7x ← 17: 10.6x ↗ 18: 10.4x ↓ 19: 10.3x ← 20: 10.5x ↓</p> <p>Serie 104.0 Total 0.0</p>
--	---	--	--

<p>Pröv</p> 	<p>21: 10.5x ↑ 22: 10.8x ↓</p> <p>Serie 21.3 Total 0.0</p>	<p>40 Skott</p> 	<p>1: 10.6x ← 2: 10.7x ↗ 3: 10.5x ↖ 4: 10.5x ↓ 5: 10.8x ← 6: 10.8x ← 7: 10.7x ↗ 8: 10.4x ↑ 9: 10.6x ↗ 10: 10.8x →</p> <p>Serie 106.4 Total 106.4</p>
---	--	---	--

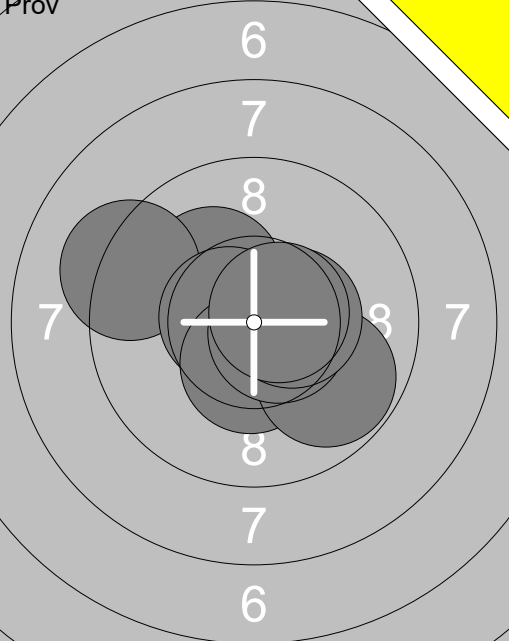
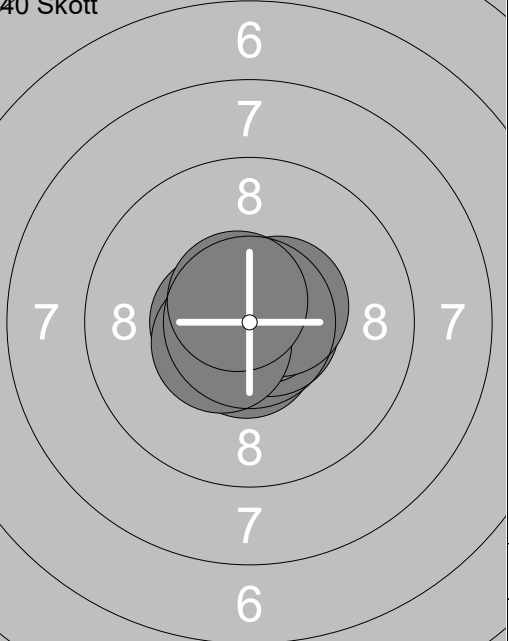
<p>40 Skott</p> 	<p>11: 10.6x ← 12: 10.2x ↖ 13: 9.9 ↓ 14: 10.5x ← 15: 10.8x ↓ 16: 10.7x → 17: 10.6x ↗ 18: 10.5x → 19: 10.5x ↗ 20: 9.8 ←</p> <p>Serie 104.1 Total 210.5</p>	<p>40 Skott</p> 	<p>21: 10.7x ← 22: 10.8x ↗ 23: 10.6x ↑ 24: 10.6x ↗ 25: 10.7x ↓ 26: 10.4x ↑ 27: 10.5x ↓ 28: 10.4x ↓ 29: 10.5x ↗ 30: 10.4x ↗</p> <p>Serie 105.6 Total 316.1</p>
--	---	--	---

<p>40 Skott</p> 	<p>31: 10.4x ↗ 32: 10.6x ↓ 33: 9.6 ↗ 34: 10.5x ↑ 35: 10.6x ↑ 36: 10.8x ← 37: 10.5x ↗ 38: 10.8x ↑ 39: 10.4x ← 40: 10.7x ↓</p> <p>Serie 104.9 Total 421.0</p>		
--	---	--	--

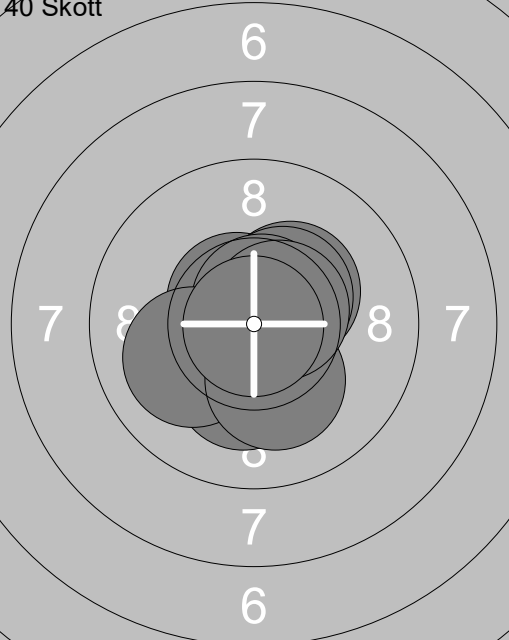
Prov 	1: 9.5 ↗ 2: 10.3x↗ 3: 10.2x➤ 4: 10.0 ↓ 5: 10.6x↘ 6: 10.4x➤ 7: 10.5x↗ 8: 10.3x↗ 9: 10.7x↑ 10: 9.9 ↗	Prov 	11: 10.5x↘ 12: 10.4x↑ 13: 10.6x↘ 14: 10.4x↑
Serie	102.4	Serie	41.9
Total	0.0	Total	0.0

40 Skott 	1: 9.8 ➤ 2: 10.3x↘ 3: 10.4x↑ 4: 10.4x↘ 5: 10.4x↘ 6: 10.2x↘ 7: 10.5x↘ 8: 10.2x↘ 9: 10.5x↗ 10: 10.4x↗	40 Skott 	11: 10.2x↗ 12: 10.2x➤ 13: 10.4x↘ 14: 10.5x➤ 15: 10.3x↗ 16: 10.2x↘ 17: 10.6x↘ 18: 10.6x↘ 19: 10.6x↘ 20: 10.8x↘
Serie	103.1	Serie	104.4
Total	103.1	Total	207.5

40 Skott 	21: 10.6x↘ 22: 10.1 ↓ 23: 10.3x↘ 24: 9.8 ↖ 25: 10.0 ← 26: 9.8 ↑ 27: 10.7x↗ 28: 10.3x↘ 29: 10.3x↑ 30: 9.7 ↑	40 Skott 	31: 10.3x↘ 32: 10.8x↗ 33: 9.7 ↖ 34: 10.0 ↖ 35: 10.4x↘ 36: 10.3x↗ 37: 10.2x↗ 38: 10.5x➤ 39: 9.4 ↗ 40: 10.5x↘
Serie	101.6	Serie	102.1
Total	309.1	Total	411.2

<p>Prov</p> 	<p>1: 10.2 ↘</p> <p>2: 9.2 ↙</p> <p>3: 10.9 ↗</p> <p>4: 10.6 ↘</p> <p>5: 10.4 ↓</p> <p>6: 9.8 ↘</p> <p>7: 10.6 ↗</p> <p>8: 10.5 ↗</p> <p>9: 10.6 ↗</p>	<p>40 Skott</p> 	<p>1: 10.6 ↘</p> <p>2: 10.8 ↗</p> <p>3: 10.6 ↓</p> <p>4: 10.7 ↗</p> <p>5: 10.6 ↗</p> <p>6: 10.8 ↗</p> <p>7: 10.8 ↗</p> <p>8: 10.5 ↗</p> <p>9: 10.5 ↘</p> <p>10: 10.6 ↘</p>
Serie 92.8			Serie 106.5
Total 0.0			Total 106.5

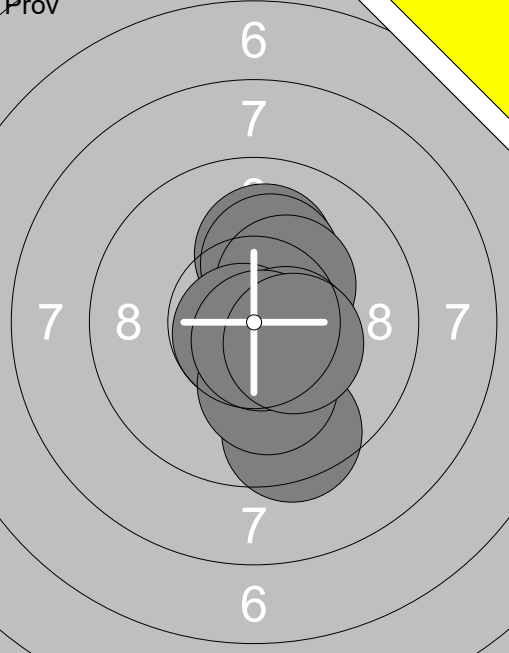
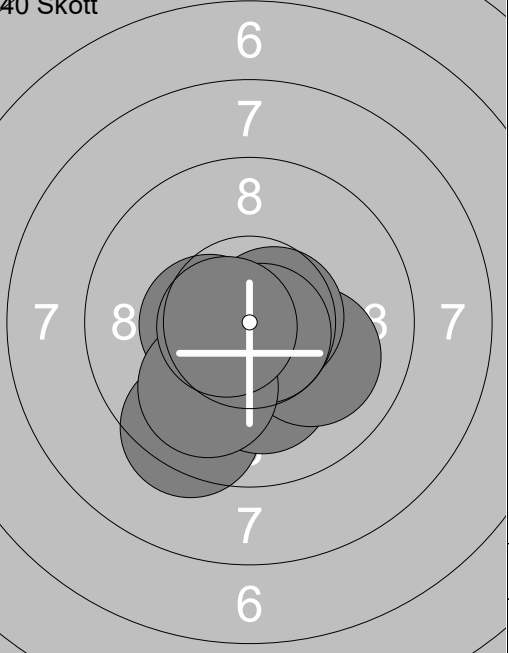
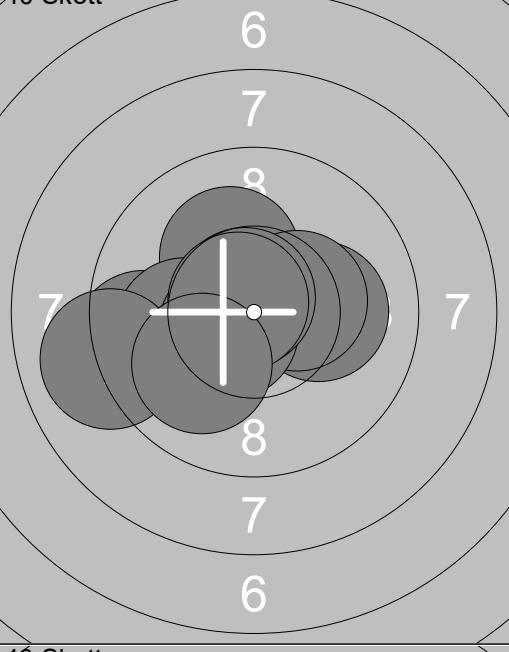
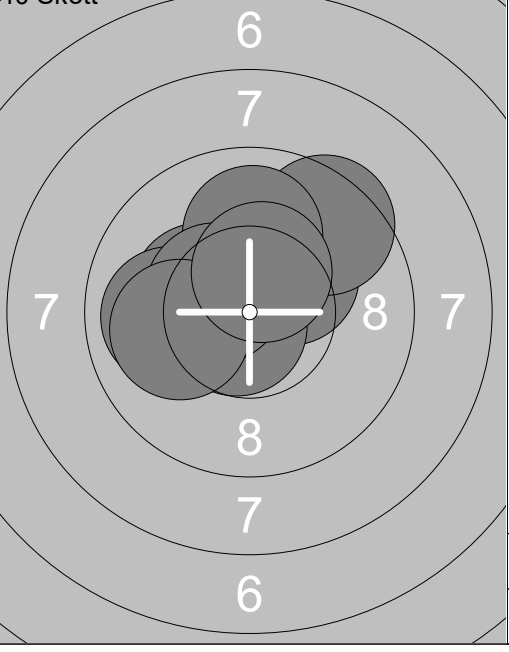
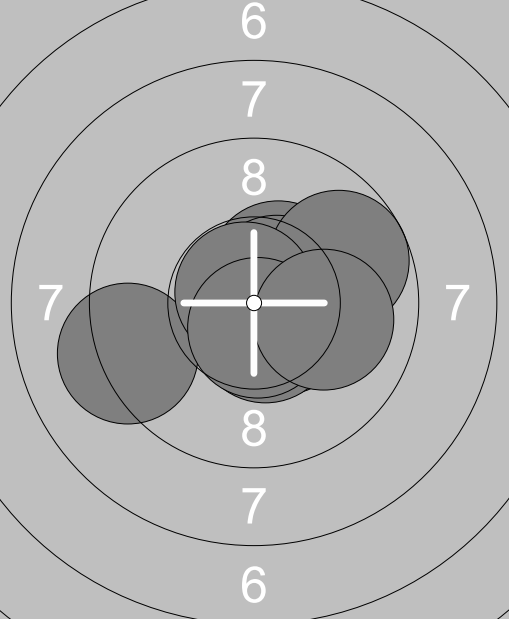
<p>40 Skott</p> 	<p>11: 10.5 ↘</p> <p>12: 10.7 ↘</p> <p>13: 10.2 ↓</p> <p>14: 10.5 ↗</p> <p>15: 9.7 →</p> <p>16: 9.6 ↓</p> <p>17: 10.5 ↘</p> <p>18: 10.9 ↓</p> <p>19: 10.6 ↘</p> <p>20: 10.6 ↘</p>	<p>40 Skott</p> 	<p>21: 10.0 →</p> <p>22: 9.7 ↘</p> <p>23: 10.2 ↓</p> <p>24: 10.3 ↗</p> <p>25: 10.5 ↘</p> <p>26: 9.4 ↓</p> <p>27: 10.2 ↘</p> <p>28: 10.4 ↘</p> <p>29: 10.2 ↘</p> <p>30: 10.4 ↘</p>
Serie 103.8			Serie 101.3
Total 210.3			Total 311.6

<p>40 Skott</p> 	<p>31: 10.6 ↘</p> <p>32: 10.2 ↓</p> <p>33: 10.3 ↗</p> <p>34: 10.4 ↗</p> <p>35: 10.4 ↓</p> <p>36: 10.7 ↗</p> <p>37: 10.1 ↙</p> <p>38: 10.2 ↓</p> <p>39: 10.6 ↗</p> <p>40: 10.9 ↓</p>	
Serie 104.4		
Total 416.0		

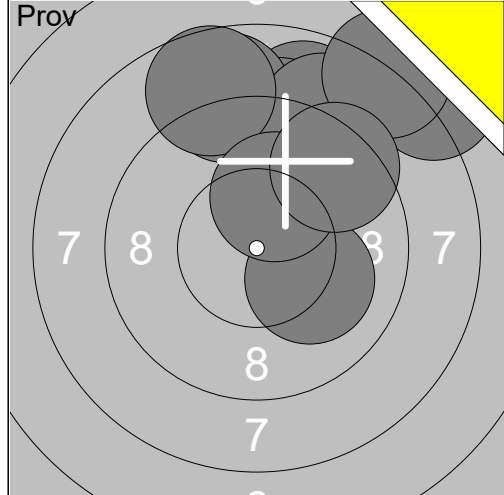
<p>Prov</p>	<p>1: 2.3 ↓</p> <p>2: 4.7 ↓</p> <p>3: 4.2 ↓</p> <p>4: 7.7 ↓</p> <p>5: 9.9 ↙</p> <p>6: 9.5 ➔</p> <p>7: 10.4x ↘</p> <p>8: 9.9 ➔</p> <p>9: 10.2x ↘</p> <p>10: 9.9 ➔</p> <hr/> <p>Serie 78.7</p> <p>Total 0.0</p>	<p>Prov</p>	<p>11: 9.7 ➔</p> <p>12: 10.8x ↘</p> <p>13: 10.4x ↘</p> <hr/> <p>Serie 30.9</p> <p>Total 0.0</p>
-------------	---	-------------	---

<p>40 Skott</p>	<p>1: 10.1 ➔</p> <p>2: 10.2x ↘</p> <p>3: 9.8 ↓</p> <p>4: 10.3x ↘</p> <p>5: 10.5x ↘</p> <p>6: 9.9 ↓</p> <p>7: 9.9 ↓</p> <p>8: 9.9 ↗</p> <p>9: 10.3x ↘</p> <p>10: 9.6 ➔</p> <hr/> <p>Serie 100.5</p> <p>Total 100.5</p>	<p>40 Skott</p>	<p>11: 10.5x ↘</p> <p>12: 10.3x ↗</p> <p>13: 10.4x ↘</p> <p>14: 9.6 ↙</p> <p>15: 10.1 ↓</p> <p>16: 10.3x ↘</p> <p>17: 10.2x ↘</p> <p>18: 10.5x ↘</p> <p>19: 10.0 ➔</p> <p>20: 10.2x ↘</p> <hr/> <p>Serie 102.1</p> <p>Total 202.6</p>
-----------------	---	-----------------	---

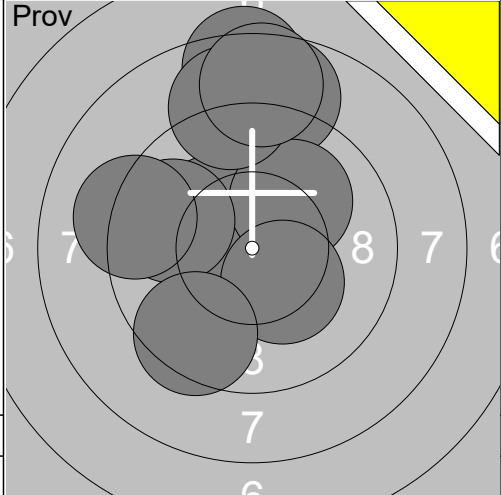
<p>40 Skott</p>	<p>21: 10.3x ↘</p> <p>22: 9.7 ➔</p> <p>23: 10.4x ↘</p> <p>24: 10.5x ↘</p> <p>25: 9.6 ↙</p> <p>26: 10.2x ➔</p> <p>27: 10.2x ➔</p> <p>28: 10.4x ↘</p> <p>29: 10.7x ↗</p> <p>30: 10.1 ➔</p> <hr/> <p>Serie 102.1</p> <p>Total 304.7</p>	<p>40 Skott</p>	<p>31: 9.7 ↙</p> <p>32: 9.8 ↓</p> <p>33: 10.4x ↘</p> <p>34: 10.0 ↗</p> <p>35: 10.5x ↗</p> <p>36: 10.3x ↘</p> <p>37: 10.6x ↘</p> <p>38: 10.0 ↙</p> <p>39: 10.7x ↗</p> <p>40: 10.0 ➔</p> <hr/> <p>Serie 102.0</p> <p>Total 406.7</p>
-----------------	--	-----------------	--

<p>Prov</p> 	<p>1: 10.4x↗</p> <p>2: 9.5 ↓</p> <p>3: 10.1 ↑</p> <p>4: 10.2x↗</p> <p>5: 10.3x↗</p> <p>6: 10.7x↘</p> <p>7: 10.1 ↓</p> <p>8: 10.5x➔</p> <p>9: 10.7x↘</p> <p>10: 10.4x➔</p>	<p>40 Skott</p> 	<p>1: 10.6x↘</p> <p>2: 9.4 ↓</p> <p>3: 10.7x↘</p> <p>4: 10.4x↔</p> <p>5: 10.2x↘</p> <p>6: 10.1 ➔</p> <p>7: 10.6x➔</p> <p>8: 10.7x↘</p> <p>9: 10.0 ↓</p> <p>10: 10.7x↔</p>
Serie 102.9	Total 0.0	Serie 103.4	Total 103.4
<p>40 Skott</p> 	<p>11: 10.1➔</p> <p>12: 10.2x↗</p> <p>13: 9.5 ←</p> <p>14: 10.4x➔</p> <p>15: 10.0←</p> <p>16: 10.6x↘</p> <p>17: 10.7x↗</p> <p>18: 10.7x↔</p> <p>19: 9.0 ←</p> <p>20: 10.0↘</p>	<p>40 Skott</p> 	<p>21: 10.3x↔</p> <p>22: 10.3x↔</p> <p>23: 10.3x↗</p> <p>24: 9.5 ↗</p> <p>25: 10.0 ↑</p> <p>26: 9.9 ←</p> <p>27: 10.7x↘</p> <p>28: 10.5x↔</p> <p>29: 10.0←</p> <p>30: 10.4x↗</p>
Serie 101.2	Total 204.6	Serie 101.9	Total 306.5
<p>40 Skott</p> 	<p>31: 10.4x↗</p> <p>32: 10.5x↘</p> <p>33: 10.6x↗</p> <p>34: 10.8x➔</p> <p>35: 9.2 ←</p> <p>36: 10.5x↘</p> <p>37: 9.7 ➔</p> <p>38: 10.8x↗</p> <p>39: 10.6x↘</p> <p>40: 10.0➔</p>		
Serie 103.1	Total 409.6		

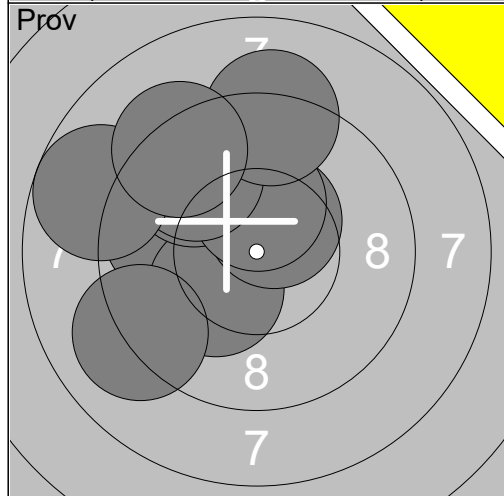




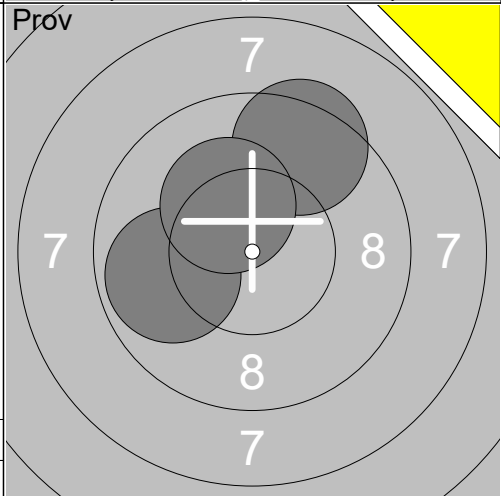
1:	8.9	↗
2:	10.1	→
3:	9.2	↑
4:	8.8	↑
5:	7.7	↗
6:	8.9	↑
7:	8.7	↑
8:	10.2x	↑
9:	7.9	↗
10:	9.4	↗
Serie		89.8
Total		0.0



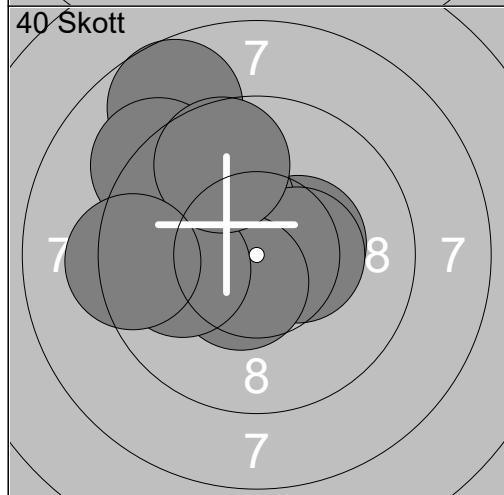
11:	10.3x	↖
12:	8.4	↑
13:	8.7	↑
14:	10.1	↗
15:	10.3x	↘
16:	9.7	↖
17:	8.9	↑
18:	9.2	↖
19:	9.5	↘
20:	8.6	↑
Serie		93.7
Total		0.0



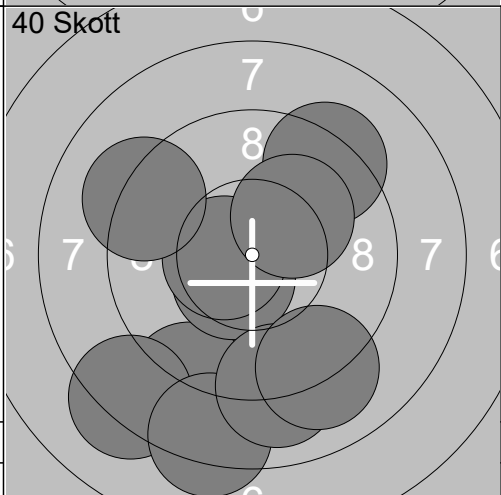
21:	9.8	↖
22:	10.2x	↖
23:	10.5x	↗
24:	9.7	↗
25:	10.3x	↑
26:	9.1	↖
27:	9.6	↗
28:	9.2	↑
29:	8.8	↖
30:	9.3	↗
Serie		96.5
Total		0.0



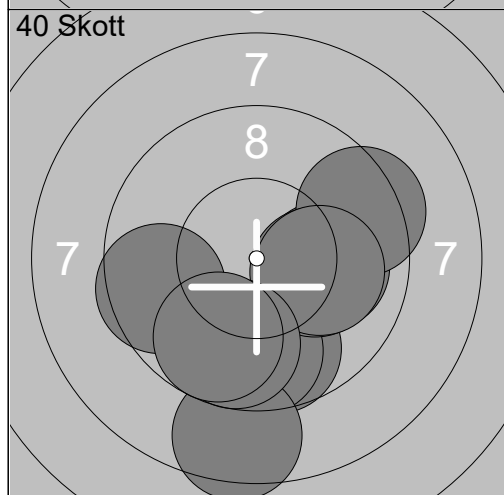
31:	9.9	↖
32:	9.4	↗
33:	10.3x	↖
Serie		29.6
Total		0.0



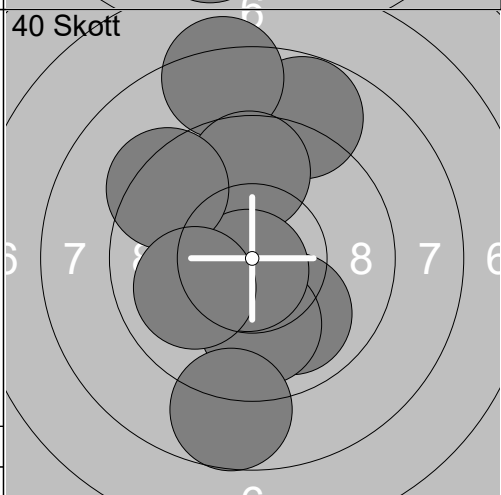
1:	8.7	↗
2:	10.4x	→
3:	10.2x	↗
4:	10.2x	↖
5:	10.4x	→
6:	9.2	↗
7:	10.5x	↘
8:	10.0	↖
9:	9.7	↑
10:	9.3	↖
Serie		98.6
Total		98.6




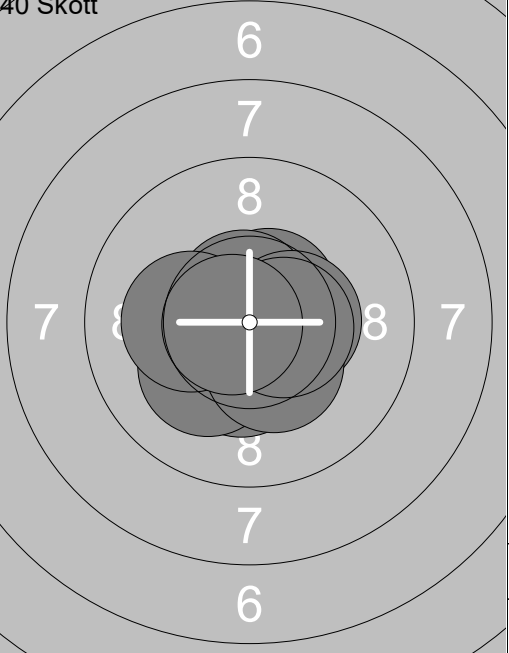
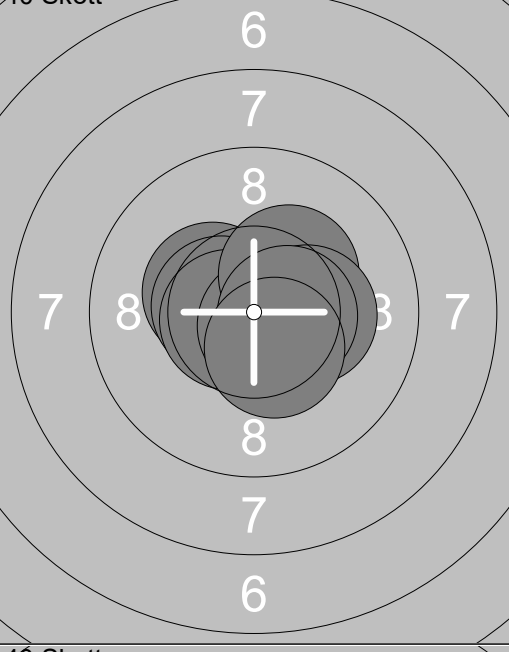
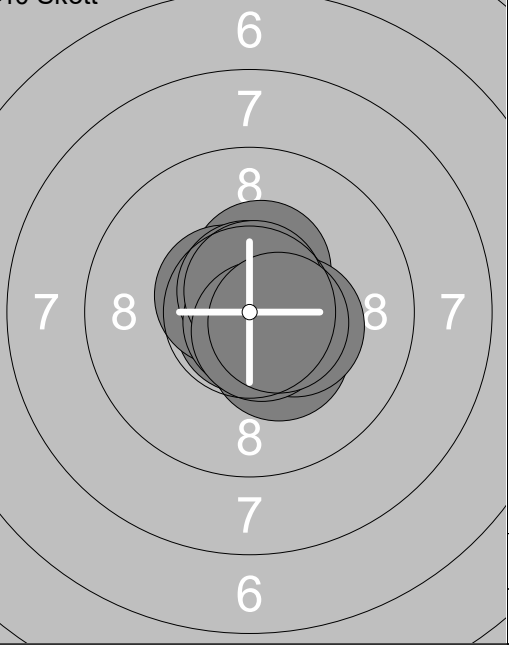
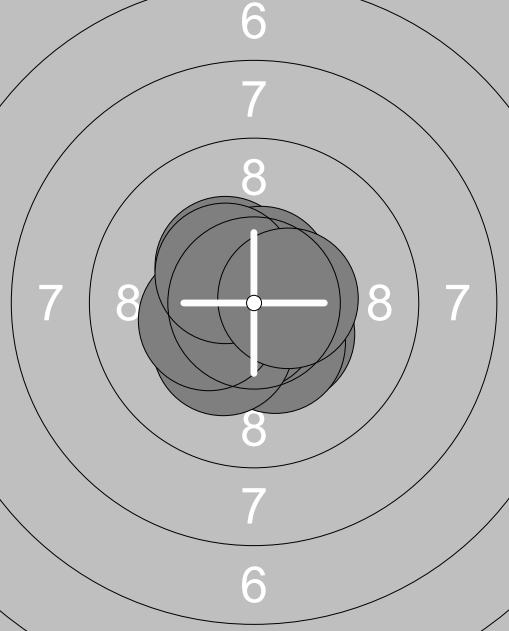
11:	9.3	↗
12:	8.9	↘
13:	10.5x	↘
14:	10.5x	↖
15:	8.2	↘
16:	10.1	↗
17:	9.2	↖
18:	8.3	↘
19:	9.0	↘
20:	9.1	↘
Serie		93.1
Total		191.7

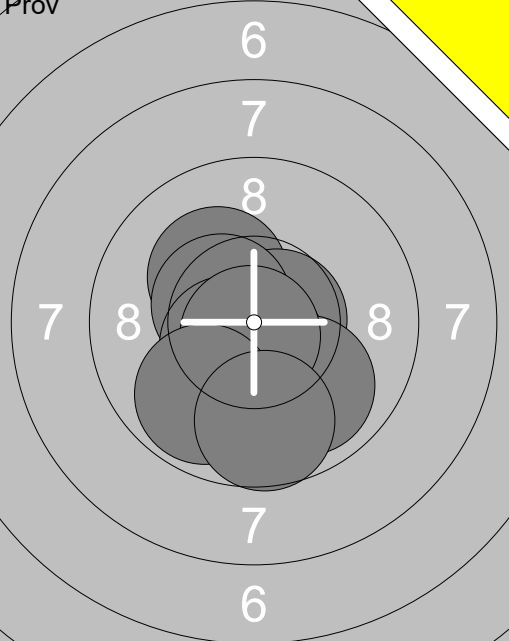
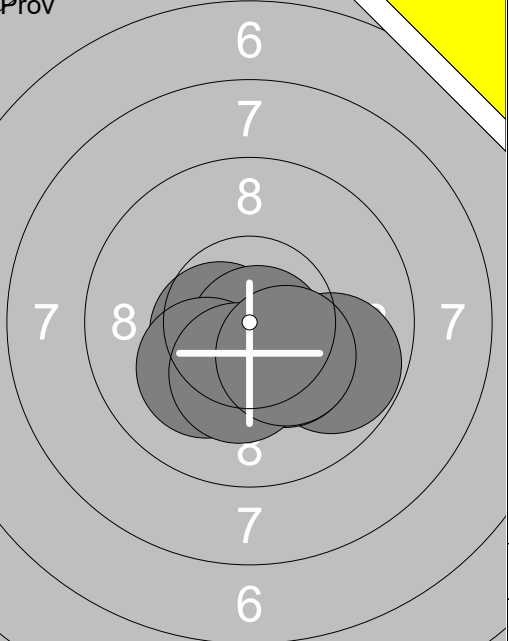


21:	10.0	→
22:	9.7	↘
23:	9.7	↘
24:	9.4	↗
25:	9.6	↖
26:	8.5	↘
27:	10.1	→
28:	10.1	→
29:	9.7	↘
30:	9.7	↘
Serie		96.5
Total		288.2

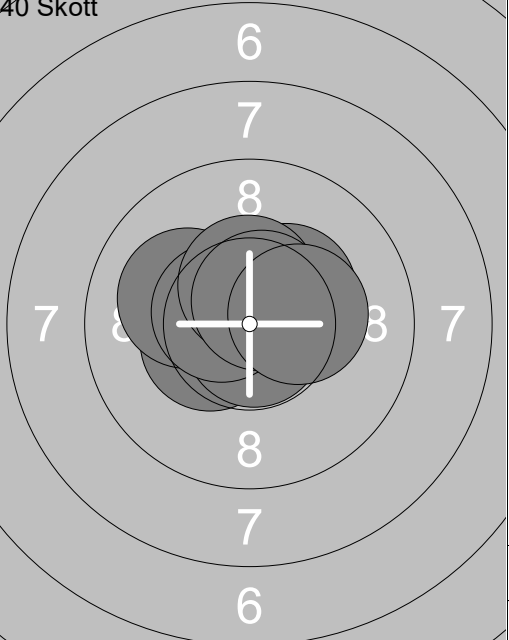


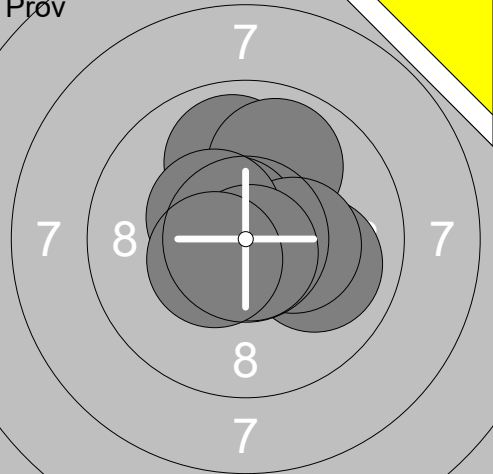
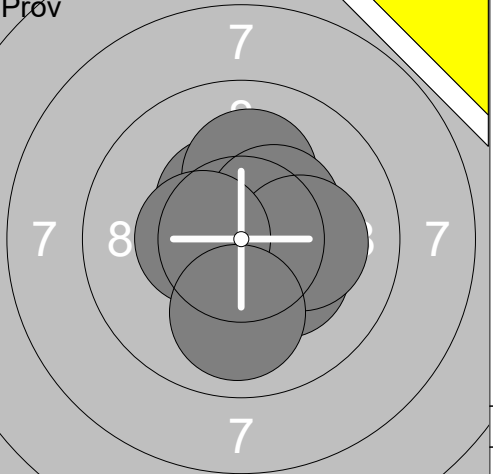
31:	10.6x	↖
32:	10.0	↘
33:	8.8	↗
34:	8.3	↑
35:	10.0	↘
36:	9.7	↑
37:	10.8x	↘
38:	8.7	↘
39:	9.3	↖
40:	10.0	↖
Serie		96.2
Total		384.4

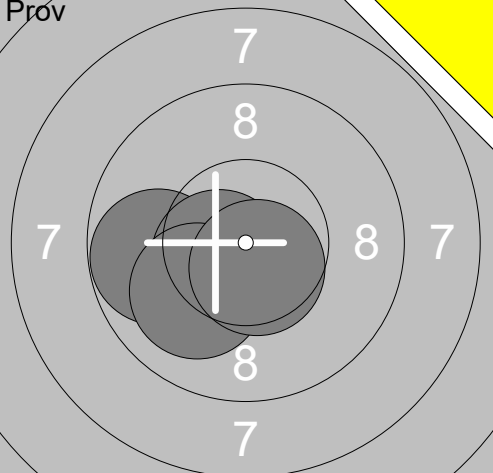
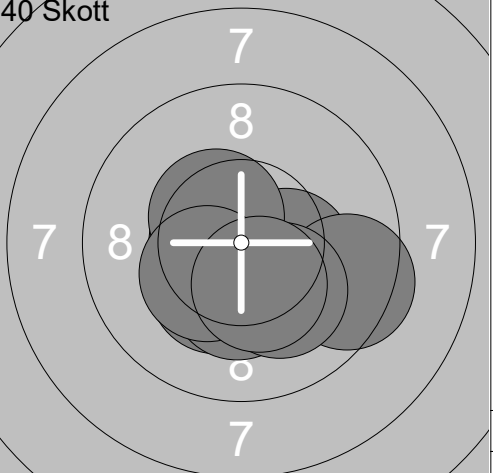
<p>Prov</p> 	<p>1: 10.3x↘</p> <p>2: 10.4x↙</p> <p>3: 10.5x↖</p> <p>4: 10.4x→</p> <p>5: 10.7x↖</p> <p>6: 10.8x→</p> <p>7: 10.5x↙</p> <p>8: 10.8x↖</p>	<p>40 Skott</p> 	<p>1: 10.6x↗</p> <p>2: 10.7x↖</p> <p>3: 10.4x↙</p> <p>4: 10.5x↙</p> <p>5: 10.4x→</p> <p>6: 10.2x↙</p> <p>7: 10.4x↙</p> <p>8: 10.5x→</p> <p>9: 10.2x↖</p> <p>10: 10.7x↖</p>
Serie 84.4		Serie 104.6	
Total 0.0		Total 104.6	
<p>40 Skott</p> 	<p>11: 10.4x↖</p> <p>12: 10.9x↗</p> <p>13: 10.6x↙</p> <p>14: 10.5x↖</p> <p>15: 10.6x↖</p> <p>16: 10.7x↘</p> <p>17: 10.3x↗</p> <p>18: 10.3x→</p> <p>19: 10.5x→</p> <p>20: 10.4x↙</p>	<p>40 Skott</p> 	<p>21: 10.3x↘</p> <p>22: 10.4x↗</p> <p>23: 10.8x↙</p> <p>24: 10.3x→</p> <p>25: 10.6x↖</p> <p>26: 10.7x↗</p> <p>27: 10.8x↙</p> <p>28: 10.7x↗</p> <p>29: 10.7x↙</p> <p>30: 10.6x→</p>
Serie 105.2		Serie 105.9	
Total 209.8		Total 315.7	
<p>40 Skott</p> 	<p>31: 10.4x↖</p> <p>32: 10.6x↗</p> <p>33: 10.4x↘</p> <p>34: 10.4x↙</p> <p>35: 10.7x↙</p> <p>36: 10.7x↙</p> <p>37: 10.3x↙</p> <p>38: 10.3x↖</p> <p>39: 10.4x↖</p> <p>40: 10.5x→</p>		
Serie 104.7			
Total 420.4			

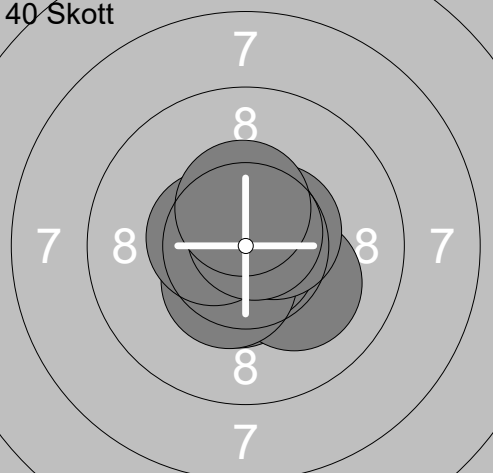
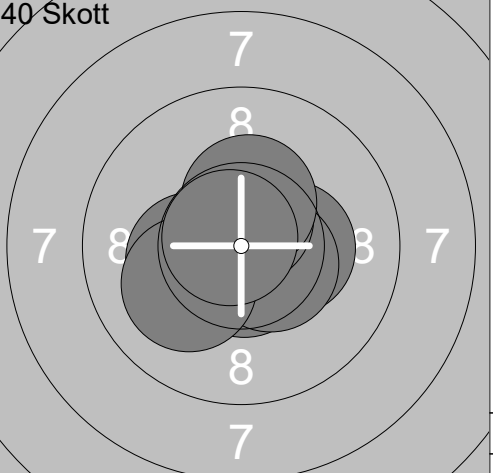
<p>Prov</p> 	<p>1: 10.2x ↘</p> <p>2: 10.7x ➤</p> <p>3: 10.6x ↓</p> <p>4: 10.5x ↘</p> <p>5: 9.9 ↘</p> <p>7: 10.5x ↘</p> <p>8: 10.8x ↓</p> <p>9: 9.8 ↘</p> <p>10: 9.7 ↓</p>	<p>Prov</p> 	<p>11: 9.8 ➤</p> <p>12: 10.3x ↘</p> <p>13: 10.6x ↘</p> <p>14: 10.7x ↘</p> <p>15: 10.2x ↘</p> <p>16: 10.3x ↓</p> <p>17: 10.3x ↘</p>
Serie 92.7		Serie 72.2	
Total 0.0		Total 0.0	

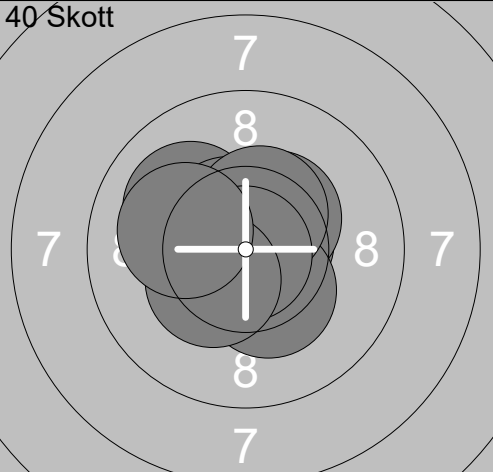
<p>40 Skott</p> 	<p>1: 10.3x ↗</p> <p>2: 10.6x ↓</p> <p>3: 10.9x ↗</p> <p>4: 10.4x ➤</p> <p>5: 10.3x ↘</p> <p>6: 10.7x ↓</p> <p>7: 10.5x ↗</p> <p>8: 10.2x ↗</p> <p>9: 10.1 ➤</p> <p>10: 10.0 ↗</p>	<p>40 Skott</p> 	<p>11: 10.8x ↘</p> <p>12: 10.6x ↘</p> <p>13: 10.8x ↓</p> <p>14: 10.3x ↘</p> <p>15: 10.6x ↗</p> <p>16: 10.7x ↘</p> <p>17: 10.2x ↗</p> <p>18: 10.1 ↗</p> <p>19: 9.8 ↘</p> <p>20: 10.3x ↘</p>
Serie 104.0		Serie 104.2	
Total 104.0		Total 208.2	

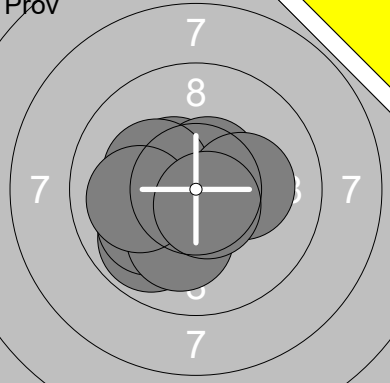
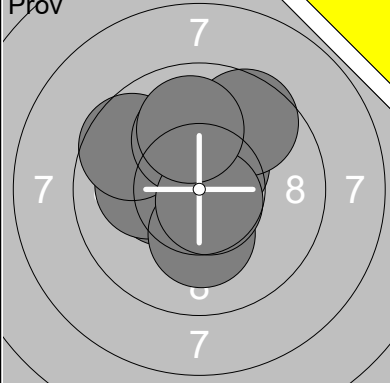
<p>40 Skott</p> 	<p>21: 10.1 ↘</p> <p>22: 10.8x ↗</p> <p>23: 10.6x ↘</p> <p>24: 10.1 ↗</p> <p>25: 10.5x ↓</p> <p>26: 10.5x ↘</p> <p>27: 10.5x ↓</p> <p>28: 10.6x ↘</p> <p>29: 10.5x ↗</p> <p>30: 10.0 ↓</p>	<p>40 Skott</p> 	<p>31: 10.4x ↘</p> <p>32: 10.8x ↓</p> <p>33: 10.7x ↘</p> <p>34: 10.1 ↘</p> <p>35: 10.5x ↗</p> <p>36: 10.6x ↘</p> <p>37: 10.3x ↗</p> <p>38: 10.5x ↗</p> <p>39: 10.6x ↗</p> <p>40: 10.3x ➤</p>
Serie 104.2		Serie 104.8	
Total 312.4		Total 417.2	

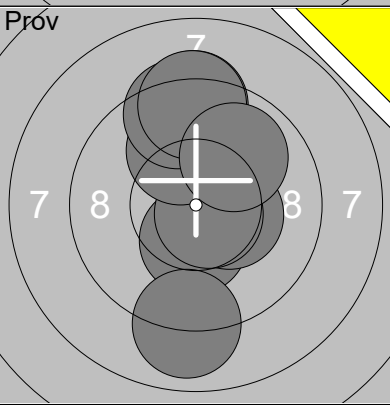
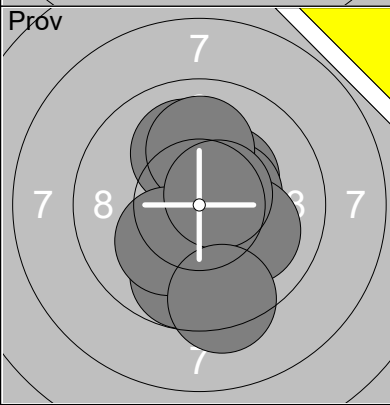
<b>Pröv</b> 	<b>Pröv</b> 	<table border="1" style="width:100%; border-collapse: collapse;"> <tr><td>1: 10.0</td><td>➔</td></tr> <tr><td>2: 9.9</td><td>↑</td></tr> <tr><td>3: 10.5x</td><td>↗</td></tr> <tr><td>4: 10.8x</td><td>➔</td></tr> <tr><td>5: 9.9</td><td>↑</td></tr> <tr><td>6: 10.7x</td><td>↗</td></tr> <tr><td>7: 10.3x</td><td>➔</td></tr> <tr><td>8: 10.4x</td><td>↗</td></tr> <tr><td>9: 10.8x</td><td>↘</td></tr> <tr><td>10: 10.5x</td><td>↙</td></tr> <tr><td><b>Serie</b></td><td><b>103.8</b></td></tr> <tr><td><b>Total</b></td><td><b>0.0</b></td></tr> </table>	1: 10.0	➔	2: 9.9	↑	3: 10.5x	↗	4: 10.8x	➔	5: 9.9	↑	6: 10.7x	↗	7: 10.3x	➔	8: 10.4x	↗	9: 10.8x	↘	10: 10.5x	↙	<b>Serie</b>	<b>103.8</b>	<b>Total</b>	<b>0.0</b>
1: 10.0	➔																									
2: 9.9	↑																									
3: 10.5x	↗																									
4: 10.8x	➔																									
5: 9.9	↑																									
6: 10.7x	↗																									
7: 10.3x	➔																									
8: 10.4x	↗																									
9: 10.8x	↘																									
10: 10.5x	↙																									
<b>Serie</b>	<b>103.8</b>																									
<b>Total</b>	<b>0.0</b>																									

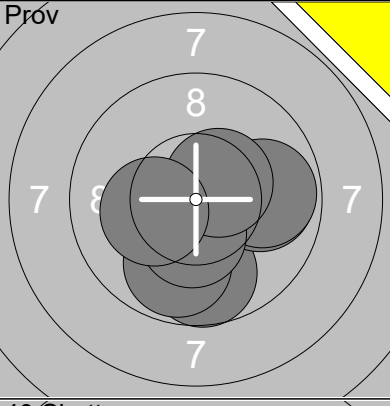
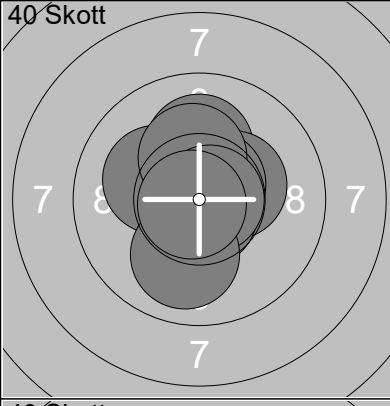
<b>Pröv</b> 	<b>40 Skott</b> 	<table border="1" style="width:100%; border-collapse: collapse;"> <tr><td>11: 10.5x</td><td>↖</td></tr> <tr><td>12: 10.4x</td><td>↗</td></tr> <tr><td>13: 10.3x</td><td>↑</td></tr> <tr><td>14: 10.4x</td><td>↖</td></tr> <tr><td>15: 10.1</td><td>↑</td></tr> <tr><td>16: 10.3x</td><td>↘</td></tr> <tr><td>17: 10.4x</td><td>↗</td></tr> <tr><td>18: 10.2x</td><td>➔</td></tr> <tr><td>19: 10.4x</td><td>←</td></tr> <tr><td>20: 10.0</td><td>↓</td></tr> <tr><td><b>Serie</b></td><td><b>103.0</b></td></tr> <tr><td><b>Total</b></td><td><b>0.0</b></td></tr> </table>	11: 10.5x	↖	12: 10.4x	↗	13: 10.3x	↑	14: 10.4x	↖	15: 10.1	↑	16: 10.3x	↘	17: 10.4x	↗	18: 10.2x	➔	19: 10.4x	←	20: 10.0	↓	<b>Serie</b>	<b>103.0</b>	<b>Total</b>	<b>0.0</b>												
11: 10.5x	↖																																					
12: 10.4x	↗																																					
13: 10.3x	↑																																					
14: 10.4x	↖																																					
15: 10.1	↑																																					
16: 10.3x	↘																																					
17: 10.4x	↗																																					
18: 10.2x	➔																																					
19: 10.4x	←																																					
20: 10.0	↓																																					
<b>Serie</b>	<b>103.0</b>																																					
<b>Total</b>	<b>0.0</b>																																					
<table border="1" style="width:100%; border-collapse: collapse;"> <tr><td>21: 9.8</td><td>←</td></tr> <tr><td>22: 10.5x</td><td>↙</td></tr> <tr><td>23: 10.0</td><td>↘</td></tr> <tr><td>24: 10.6x</td><td>↘</td></tr> <tr><td><b>Serie</b></td><td><b>40.9</b></td></tr> <tr><td><b>Total</b></td><td><b>0.0</b></td></tr> </table>	21: 9.8	←	22: 10.5x	↙	23: 10.0	↘	24: 10.6x	↘	<b>Serie</b>	<b>40.9</b>	<b>Total</b>	<b>0.0</b>	<table border="1" style="width:100%; border-collapse: collapse;"> <tr><td>1: 10.3x</td><td>↘</td></tr> <tr><td>2: 10.6x</td><td>←</td></tr> <tr><td>3: 10.2x</td><td>↘</td></tr> <tr><td>4: 10.3x</td><td>↓</td></tr> <tr><td>5: 10.3x</td><td>➔</td></tr> <tr><td>6: 9.5</td><td>➔</td></tr> <tr><td>7: 10.1</td><td>↘</td></tr> <tr><td>8: 10.5x</td><td>↗</td></tr> <tr><td>9: 10.3x</td><td>↙</td></tr> <tr><td>10: 10.3x</td><td>↘</td></tr> <tr><td><b>Serie</b></td><td><b>102.4</b></td></tr> <tr><td><b>Total</b></td><td><b>102.4</b></td></tr> </table>	1: 10.3x	↘	2: 10.6x	←	3: 10.2x	↘	4: 10.3x	↓	5: 10.3x	➔	6: 9.5	➔	7: 10.1	↘	8: 10.5x	↗	9: 10.3x	↙	10: 10.3x	↘	<b>Serie</b>	<b>102.4</b>	<b>Total</b>	<b>102.4</b>	
21: 9.8	←																																					
22: 10.5x	↙																																					
23: 10.0	↘																																					
24: 10.6x	↘																																					
<b>Serie</b>	<b>40.9</b>																																					
<b>Total</b>	<b>0.0</b>																																					
1: 10.3x	↘																																					
2: 10.6x	←																																					
3: 10.2x	↘																																					
4: 10.3x	↓																																					
5: 10.3x	➔																																					
6: 9.5	➔																																					
7: 10.1	↘																																					
8: 10.5x	↗																																					
9: 10.3x	↙																																					
10: 10.3x	↘																																					
<b>Serie</b>	<b>102.4</b>																																					
<b>Total</b>	<b>102.4</b>																																					

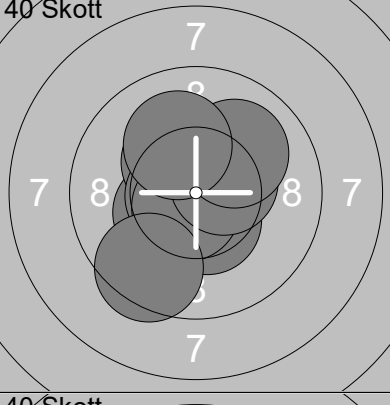
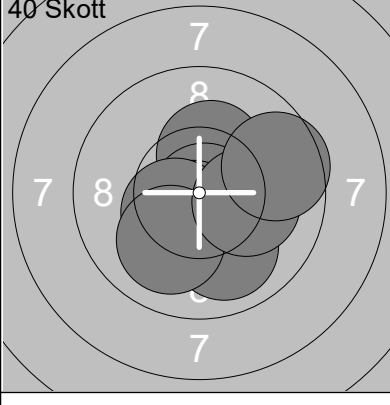
<b>40 Skott</b> 	<b>40 Skott</b> 	<table border="1" style="width:100%; border-collapse: collapse;"> <tr><td>11: 10.8x</td><td>➔</td></tr> <tr><td>12: 10.5x</td><td>↓</td></tr> <tr><td>13: 10.1</td><td>➔</td></tr> <tr><td>14: 10.8x</td><td>↙</td></tr> <tr><td>15: 10.8x</td><td>↓</td></tr> <tr><td>16: 10.4x</td><td>↘</td></tr> <tr><td>17: 10.5x</td><td>←</td></tr> <tr><td>18: 10.5x</td><td>➔</td></tr> <tr><td>19: 10.7x</td><td>↗</td></tr> <tr><td>20: 10.4x</td><td>↑</td></tr> <tr><td><b>Serie</b></td><td><b>105.5</b></td></tr> <tr><td><b>Total</b></td><td><b>207.9</b></td></tr> </table>	11: 10.8x	➔	12: 10.5x	↓	13: 10.1	➔	14: 10.8x	↙	15: 10.8x	↓	16: 10.4x	↘	17: 10.5x	←	18: 10.5x	➔	19: 10.7x	↗	20: 10.4x	↑	<b>Serie</b>	<b>105.5</b>	<b>Total</b>	<b>207.9</b>
11: 10.8x	➔																									
12: 10.5x	↓																									
13: 10.1	➔																									
14: 10.8x	↙																									
15: 10.8x	↓																									
16: 10.4x	↘																									
17: 10.5x	←																									
18: 10.5x	➔																									
19: 10.7x	↗																									
20: 10.4x	↑																									
<b>Serie</b>	<b>105.5</b>																									
<b>Total</b>	<b>207.9</b>																									
		<table border="1" style="width:100%; border-collapse: collapse;"> <tr><td>21: 10.3x</td><td>←</td></tr> <tr><td>22: 10.6x</td><td>↓</td></tr> <tr><td>23: 10.8x</td><td>➔</td></tr> <tr><td>24: 10.9x</td><td>↘</td></tr> <tr><td>25: 10.3x</td><td>➔</td></tr> <tr><td>26: 10.5x</td><td>↘</td></tr> <tr><td>27: 10.6x</td><td>↑</td></tr> <tr><td>28: 10.4x</td><td>↑</td></tr> <tr><td>29: 10.1</td><td>↙</td></tr> <tr><td>30: 10.8x</td><td>↖</td></tr> <tr><td><b>Serie</b></td><td><b>105.3</b></td></tr> <tr><td><b>Total</b></td><td><b>313.2</b></td></tr> </table>	21: 10.3x	←	22: 10.6x	↓	23: 10.8x	➔	24: 10.9x	↘	25: 10.3x	➔	26: 10.5x	↘	27: 10.6x	↑	28: 10.4x	↑	29: 10.1	↙	30: 10.8x	↖	<b>Serie</b>	<b>105.3</b>	<b>Total</b>	<b>313.2</b>
21: 10.3x	←																									
22: 10.6x	↓																									
23: 10.8x	➔																									
24: 10.9x	↘																									
25: 10.3x	➔																									
26: 10.5x	↘																									
27: 10.6x	↑																									
28: 10.4x	↑																									
29: 10.1	↙																									
30: 10.8x	↖																									
<b>Serie</b>	<b>105.3</b>																									
<b>Total</b>	<b>313.2</b>																									

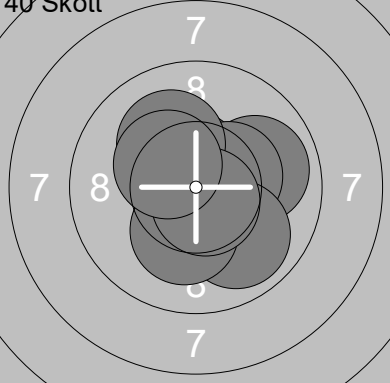
<b>40 Skott</b> 	<table border="1" style="width:100%; border-collapse: collapse;"> <tr><td>31: 10.7x</td><td>➔</td></tr> <tr><td>32: 10.4x</td><td>↗</td></tr> <tr><td>33: 10.6x</td><td>←</td></tr> <tr><td>34: 10.1</td><td>↗</td></tr> <tr><td>35: 10.3x</td><td>↘</td></tr> <tr><td>36: 10.6x</td><td>↗</td></tr> <tr><td>37: 10.4x</td><td>↗</td></tr> <tr><td>38: 10.9x</td><td>↓</td></tr> <tr><td>39: 10.4x</td><td>↙</td></tr> <tr><td>40: 10.1</td><td>←</td></tr> <tr><td><b>Serie</b></td><td><b>104.5</b></td></tr> <tr><td><b>Total</b></td><td><b>417.7</b></td></tr> </table>	31: 10.7x	➔	32: 10.4x	↗	33: 10.6x	←	34: 10.1	↗	35: 10.3x	↘	36: 10.6x	↗	37: 10.4x	↗	38: 10.9x	↓	39: 10.4x	↙	40: 10.1	←	<b>Serie</b>	<b>104.5</b>	<b>Total</b>	<b>417.7</b>	
31: 10.7x	➔																									
32: 10.4x	↗																									
33: 10.6x	←																									
34: 10.1	↗																									
35: 10.3x	↘																									
36: 10.6x	↗																									
37: 10.4x	↗																									
38: 10.9x	↓																									
39: 10.4x	↙																									
40: 10.1	←																									
<b>Serie</b>	<b>104.5</b>																									
<b>Total</b>	<b>417.7</b>																									

<b>Pröv</b> 	1: 10.7x → 2: 9.8 ↙ 3: 10.5x ↗ 4: 10.6x ↗ 5: 10.0 ↙ 6: 10.1 ↙ 7: 10.2x ↗ 8: 10.2x → 9: 10.0 ← 10: 10.6x ↙	<b>Pröv</b> 	11: 10.5x ↗ 12: 10.9x ↗ 13: 10.4x ← 14: 10.1 ← 15: 9.6 ↗ 16: 10.1 ↗ 17: 10.2x ↘ 18: 9.6 ↗ 19: 10.7x ↘ 20: 9.9 ↗
Serie 102.7		Serie 102.0	
Total 0.0		Total 0.0	

<b>Pröv</b> 	21: 10.4x ↘ 22: 9.6 ↗ 23: 10.4x → 24: 9.3 ↗ 25: 10.7x ↘ 26: 10.0 ↗ 27: 9.4 ↗ 28: 9.3 ↗ 29: 9.0 ↘ 30: 9.9 ↗	<b>Pröv</b> 	31: 10.3x ↗ 32: 10.1 ↗ 33: 10.4x → 35: 10.0 ↗ 36: 10.1 ↘ 37: 9.8 ↘ 38: 10.2x ↘ 39: 10.6x ↗ 40: 9.4 ↘
Serie 98.0		Serie 90.9	
Total 0.0		Total 0.0	

<b>Pröv</b> 	41: 9.7 ↘ 42: 9.9 ↘ 43: 9.9 → 44: 9.8 → 45: 10.4x ↘ 46: 10.5x ↗ 47: 10.2x ←	<b>40 Skott</b> 	1: 10.1 ↗ 2: 10.6x → 3: 10.2x ↗ 4: 10.3x → 5: 10.7x ↘ 6: 10.6x ↗ 7: 10.3x ↗ 8: 10.8x → 9: 10.0 ↘ 10: 10.8x ↘
Serie 70.4		Serie 104.4	
Total 0.0		Total 104.4	

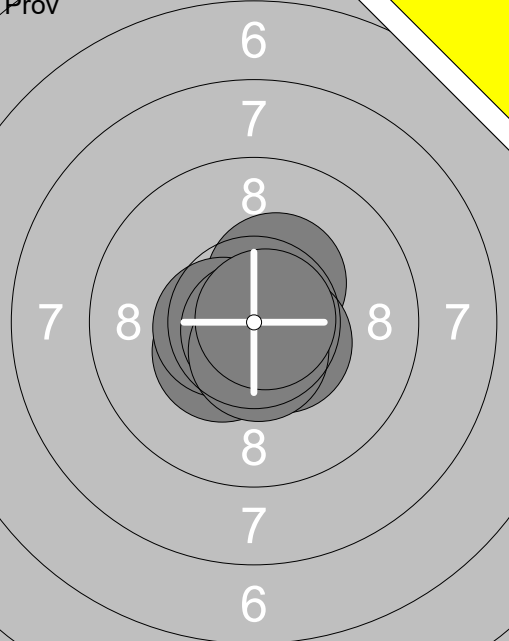
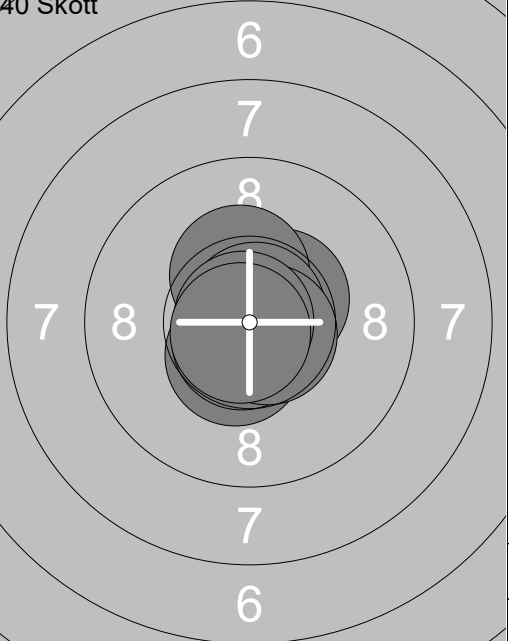
<b>40 Skott</b> 	11: 10.4x ↙ 12: 10.5x ↗ 13: 10.3x ↗ 14: 10.5x ↘ 15: 10.7x ↙ 16: 10.7x ↙ 17: 10.4x → 18: 10.0 ↗ 19: 10.1 ↗ 20: 9.5 ↘	<b>40 Skott</b> 	21: 10.3x ↗ 22: 10.8x ↘ 23: 10.5x ↘ 24: 10.5x ↘ 25: 10.6x ↘ 26: 10.0 ↘ 27: 10.4x ↙ 28: 10.0 ↙ 29: 10.2x → 30: 9.6 →
Serie 103.1		Serie 102.9	
Total 207.5		Total 310.4	

<b>40 Skott</b> 	31: 10.7x → 32: 10.6x ↗ 33: 9.9 → 34: 10.4x → 35: 9.9 ↘ 36: 10.4x ↘ 37: 10.2x ↘ 38: 10.1 ↗ 39: 10.7x ↘ 40: 10.4x ↗		
Serie 103.3			
Total 413.7			

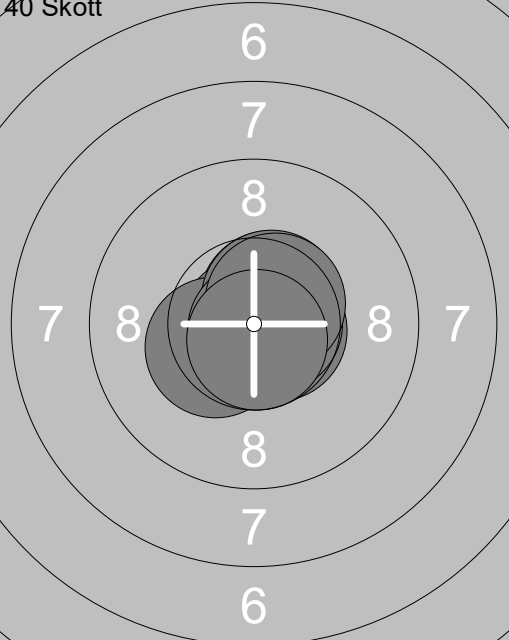
<p>Prov</p>	<p>1: 10.2 ↗</p> <p>2: 10.5 ↘</p> <p>3: 10.7 →</p> <p>4: 10.8 ↘</p>	<p>40 Skott</p>	<p>1: 10.4 ↘</p> <p>2: 10.0 ↑</p> <p>3: 10.3 ↘</p> <p>4: 10.5 ↘</p> <p>5: 10.5 ↘</p> <p>6: 10.5 →</p> <p>7: 10.0 ↘</p> <p>8: 10.1 ↑</p> <p>9: 10.5 ↘</p> <p>10: 10.9 ↘</p>
Serie 42.2		Serie 103.7	
Total 0.0		Total 103.7	

<p>40 Skott</p>	<p>11: 10.1 →</p> <p>12: 10.0 ↗</p> <p>13: 10.2 ↘</p> <p>14: 10.7 →</p> <p>15: 10.6 ↗</p> <p>16: 9.9 ↘</p> <p>17: 10.5 ↘</p> <p>18: 9.9 ↖</p> <p>19: 10.5 ↗</p> <p>20: 10.6 ↗</p>	<p>40 Skott</p>	<p>21: 10.5 ↘</p> <p>22: 9.9 ↖</p> <p>23: 10.4 ↘</p> <p>24: 10.8 ↗</p> <p>25: 10.7 ↗</p> <p>26: 10.6 ↘</p> <p>27: 10.4 ↘</p> <p>28: 10.6 →</p> <p>29: 10.4 ↘</p> <p>30: 10.0 ↘</p>
Serie 103.0		Serie 104.3	
Total 206.7		Total 311.0	

<p>40 Skott</p>	<p>31: 10.9 ↘</p> <p>32: 10.2 →</p> <p>33: 10.6 ↗</p> <p>34: 10.9 ↗</p> <p>35: 10.2 ↗</p> <p>36: 10.9 →</p> <p>37: 10.3 ↘</p> <p>38: 10.0 ↖</p> <p>39: 10.4 ↗</p> <p>40: 10.6 ↘</p>		
Serie 105.0			
Total 416.0			

Prov 	1: 10.7x↗ 2: 10.6x↓ 3: 10.4x↗ 4: 10.4x↘ 5: 10.6x↖ 6: 10.5x↘ 7: 10.8x↓ 8: 10.6x↓ 9: 10.8x→	40 Skott 	1: 10.7x↓ 2: 10.5x↓ 3: 10.8x↗ 4: 10.5x↗ 5: 10.3x↘ 6: 10.8x↗ 7: 10.7x↓ 8: 10.7x↘ 9: 10.9x↖ 10: 10.8x↘
Serie	95.4	Serie	106.7
Total	0.0	Total	106.7

40 Skott 	11: 10.6x↘ 12: 10.7x↖ 13: 10.7x↖ 14: 10.3x↘ 15: 10.4x↘ 16: 10.3x↓ 17: 10.7x→ 18: 10.4x↗ 19: 10.7x↖ 20: 9.9 ↖	40 Skott 	21: 10.8x↖ 22: 9.9 ↓ 23: 10.6x↘ 24: 10.6x↖ 25: 10.7x↘ 26: 10.3x↖ 27: 10.3x↖ 28: 10.5x↓ 29: 10.1↖ 30: 10.9x↖
Serie	104.7	Serie	104.7
Total	211.4	Total	316.1

40 Skott 	31: 10.8x→ 32: 10.6x↗ 33: 10.9x↘ 34: 10.4x↘ 35: 10.6x↗ 36: 10.6x→ 37: 10.7x→ 38: 10.9x↓ 39: 10.6x↗ 40: 10.7x↓	
Serie	106.8	
Total	422.9	

<p>Prov</p>	<p>1: 9.7 ↘</p> <p>2: 10.4x✓</p> <p>3: 10.8x↓</p> <p>4: 9.8 ←</p> <p>5: 10.1 ←</p> <p>6: 10.9x↘</p> <p>7: 10.8x↓</p> <p>8: 10.7x↘</p>	<p>40 Skott</p>		<p>1: 10.3x↖</p> <p>2: 10.1 ←</p> <p>3: 10.5x↘</p> <p>4: 10.7x↘</p> <p>5: 10.6x↖</p> <p>6: 10.3x↖</p> <p>7: 10.2x↘</p> <p>8: 10.5x↖</p> <p>9: 10.7x↗</p> <p>10: 10.3x↗</p>
Serie 83.2				Serie 104.2
Total 0.0				Total 104.2

<p>40 Skott</p>	<p>11: 10.8x↗</p> <p>12: 10.3x↗</p> <p>13: 10.8x↗</p> <p>14: 10.7x↖</p> <p>15: 10.5x↘</p> <p>16: 9.8 ↘</p> <p>17: 10.6x↗</p> <p>18: 10.4x↓</p> <p>19: 10.0 ↗</p> <p>20: 10.6x↘</p>	<p>40 Skott</p>		<p>21: 10.0 ↓</p> <p>22: 9.9 →</p> <p>23: 10.7x↖</p> <p>24: 10.8x↓</p> <p>25: 10.4x↗</p> <p>26: 10.5x↘</p> <p>27: 10.4x↖</p> <p>28: 10.4x↗</p> <p>29: 10.7x↗</p> <p>30: 10.5x↖</p>
Serie 104.5				Serie 104.3
Total 208.7				Total 313.0

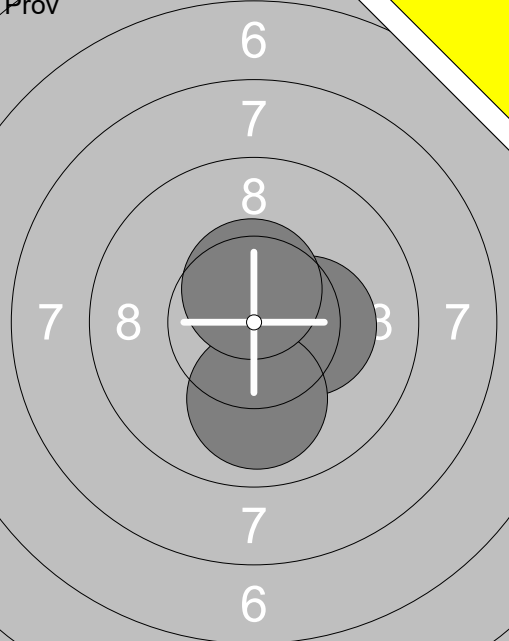
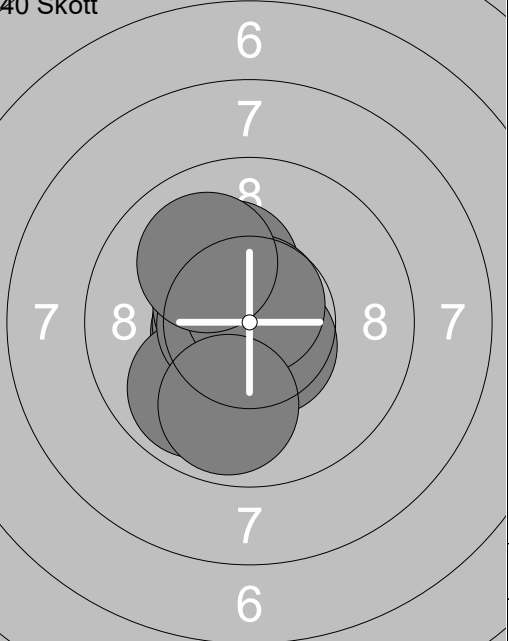
<p>40 Skott</p>	<p>31: 10.4x↖</p> <p>32: 10.8x↖</p> <p>33: 10.5x↓</p> <p>34: 10.6x↗</p> <p>35: 10.6x↗</p> <p>36: 10.5x→</p> <p>37: 10.6x↖</p> <p>38: 10.7x→</p> <p>39: 10.6x↖</p> <p>40: 10.5x↗</p>			
Serie 105.8				
Total 418.8				

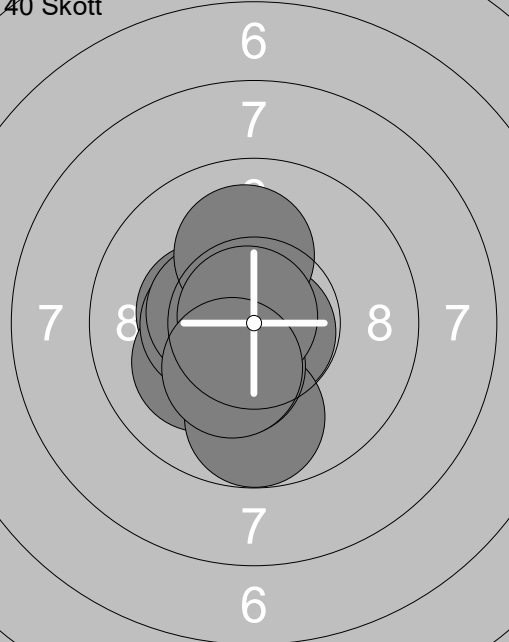
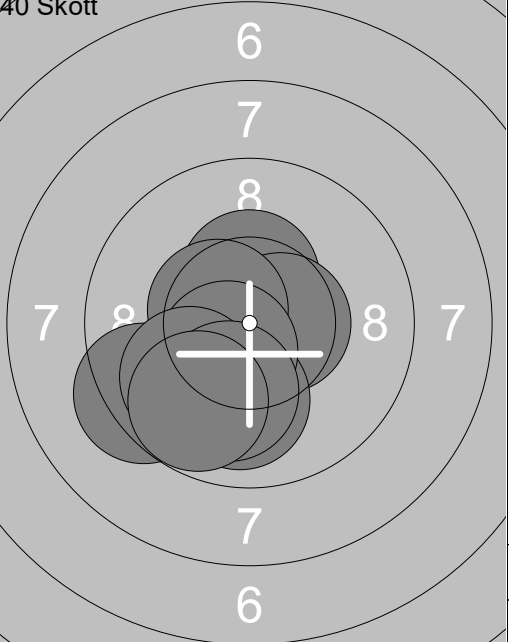


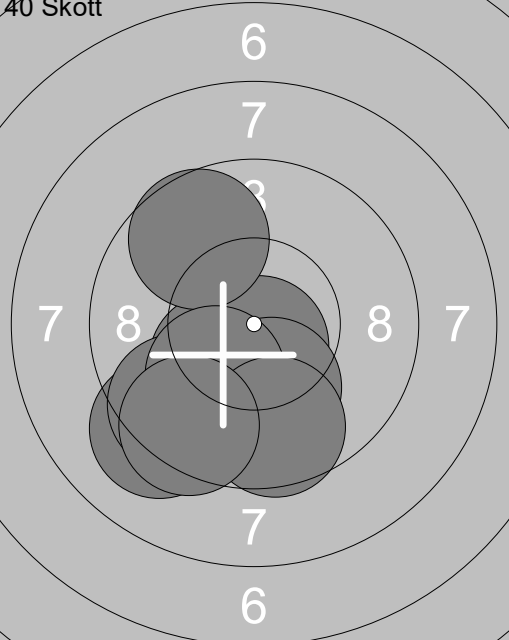
<p>Prov</p>	<p>1: 10.4x↑                  2: 10.8x↓                  3: 10.1 →                  4: 10.4x→                  5: 10.6x↘                  6: 10.8x→                  7: 10.3x↓                  8: 10.0 →                  9: 10.3x→                  10: 10.2x↘</p>	<p>Prov</p>	<p>11: 10.1 →                  12: 9.7 →                  13: 10.1 ↓                  14: 10.1 ←</p>
Serie 103.9		Serie 40.0	
Total 0.0		Total 0.0	

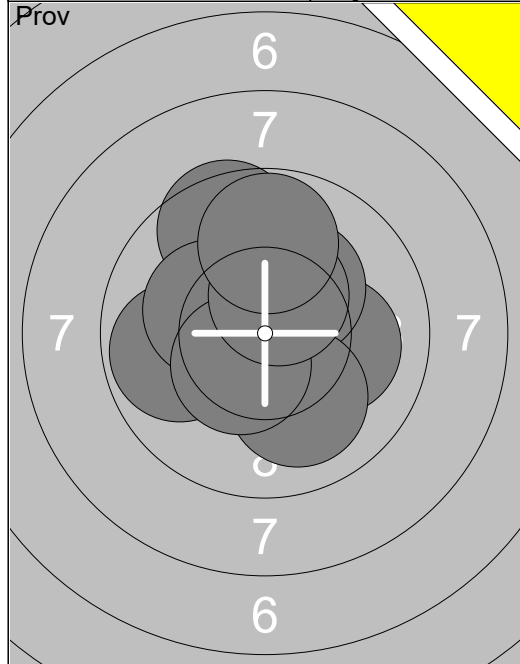
<p>40 Skott</p>	<p>1: 10.3x↘                  2: 10.4x↓                  3: 10.6x↘                  4: 10.8x↓                  5: 10.2x→                  6: 10.6x↘                  7: 10.9x↗                  8: 10.4x→                  9: 10.9x↘                  10: 10.5x↗</p>	<p>40 Skott</p>	<p>11: 10.1 ↗                  12: 10.1 →                  13: 10.8x↓                  14: 10.9x↗                  15: 10.9x→                  16: 9.9 ↖                  17: 10.8x↘                  18: 9.9 →                  19: 10.3x→                  20: 10.8x↘</p>
Serie 105.6		Serie 104.5	
Total 105.6		Total 210.1	

<p>40 Skott</p>	<p>21: 9.8 ←                  22: 10.5x↗                  23: 10.7x↖                  24: 9.9 ←                  25: 10.5x↘                  26: 10.7x↖                  27: 10.3x↖                  28: 10.2x→                  29: 10.6x↓                  30: 10.8x↓</p>	<p>40 Skott</p>	<p>31: 10.0 →                  32: 10.5x↓                  33: 10.4x→                  34: 10.8x→                  35: 10.4x→                  36: 10.4x↗                  37: 10.3x↖                  38: 10.6x↘                  39: 10.6x→                  40: 10.8x↗</p>
Serie 104.0		Serie 104.8	
Total 314.1		Total 418.9	

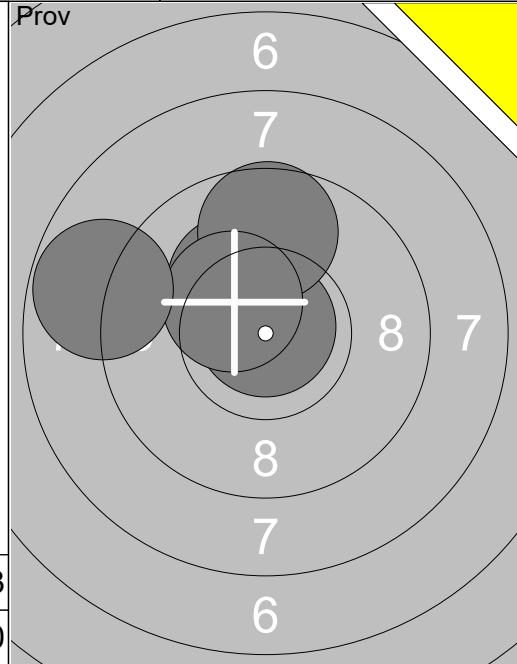
<p>Prov</p>  <p style="text-align: center;">6 7 8 7 8 3 7 7 6</p>	<p>1: 10.3x➤</p> <p>2: 10.0 ↓</p> <p>3: 10.5x↑</p>	<p>40 Skott</p>  <p style="text-align: center;">6 7 8 7 8 8 7 7 6</p>	<p>1: 10.6x↖</p> <p>2: 10.6x↖</p> <p>3: 9.9 ↙</p> <p>4: 10.2x↗</p> <p>5: 10.6x↘</p> <p>6: 10.5x↖</p> <p>7: 10.7x↖</p> <p>8: 10.7x↗</p> <p>9: 9.9 ↓</p> <p>10: 10.0 ↖</p>
Serie	30.8	Serie	103.7
Total	0.0	Total	103.7

<p>40 Skott</p>  <p style="text-align: center;">6 7 7 7 8 8 7 7 6</p>	<p>11: 10.3x↖</p> <p>12: 10.8x↘</p> <p>13: 10.1 ↙</p> <p>14: 9.8 ↓</p> <p>15: 10.4x↖</p> <p>16: 10.5x↖</p> <p>17: 10.4x↙</p> <p>18: 10.1 ↑</p> <p>19: 10.8x↖</p> <p>20: 10.3x↙</p>	<p>40 Skott</p>  <p style="text-align: center;">6 7 8 7 8 8 7 7 6</p>	<p>21: 9.3 ↙</p> <p>22: 10.4x↗</p> <p>23: 10.6x↙</p> <p>24: 10.6x➤</p> <p>25: 10.5x↖</p> <p>26: 10.0 ↓</p> <p>27: 10.5x↙</p> <p>28: 9.9 ↙</p> <p>29: 10.0 ↓</p> <p>30: 9.8 ↙</p>
Serie	103.5	Serie	101.6
Total	207.2	Total	308.8

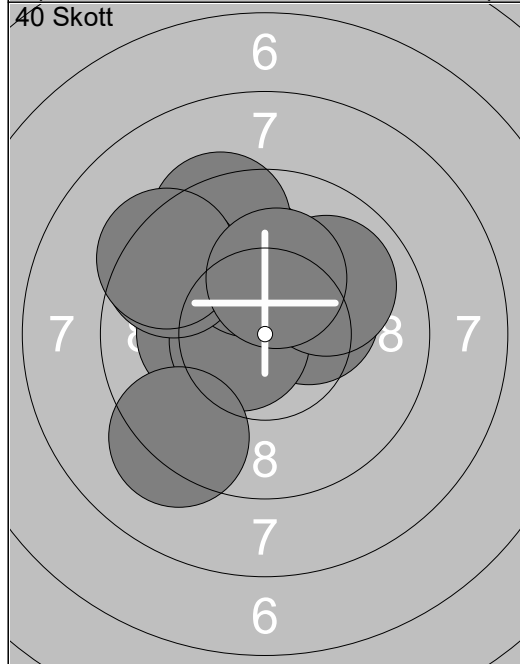
<p>40 Skott</p>  <p style="text-align: center;">6 7 8 7 8 8 7 7 6</p>	<p>31: 10.5x↓</p> <p>32: 9.1 ↙</p> <p>33: 10.3x↖</p> <p>34: 9.5 ↙</p> <p>35: 10.7x↓</p> <p>36: 9.7 ↖</p> <p>37: 10.1 ↓</p> <p>38: 10.1 ↙</p> <p>39: 9.6 ↓</p> <p>40: 9.4 ↙</p>		
Serie	99.0		
Total	407.8		



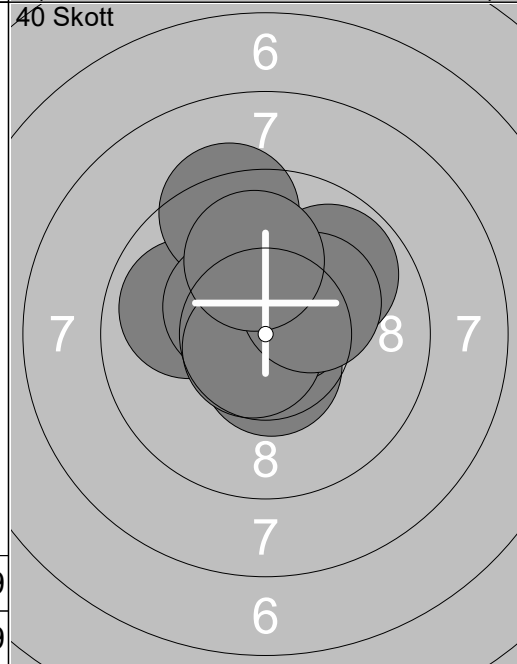
1: 9.8 ←
2: 10.1 →
3: 10.2x ↗
4: 10.8x ↗
5: 10.0 ↓
6: 9.5 ↑
7: 10.2x ↘
8: 10.5x ↘
9: 10.4x ↗
10: 9.8 ↑
<b>Serie 101.3</b>
<b>Total 0.0</b>



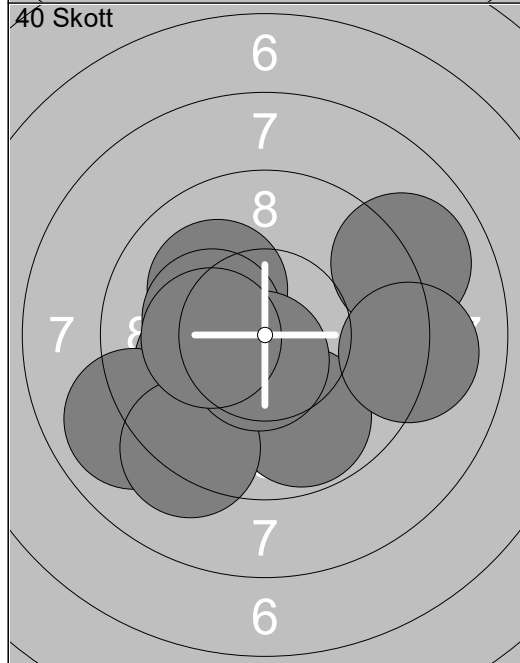
11: 10.2x ↘
12: 10.9x ↗
13: 9.7 ↑
14: 10.4x ↘
15: 8.8 ←
<b>Serie 50.0</b>
<b>Total 0.0</b>



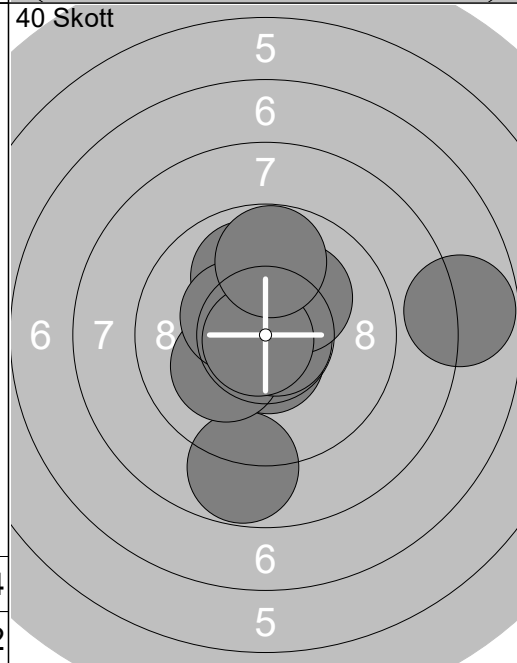
1: 10.3x ↗
2: 10.2x ↘
3: 10.6x ↘
4: 10.1 ↑
5: 9.2 ↓
6: 9.4 ↑
7: 9.5 ↘
8: 10.0 ↗
9: 9.4 ↘
10: 10.2x ↗
<b>Serie 98.9</b>
<b>Total 98.9</b>



11: 9.9 ←
12: 9.3 ↑
13: 10.5x ↗
14: 10.4x ↘
15: 10.5x ↓
16: 9.8 ↗
17: 10.6x ↗
18: 10.7x ↘
19: 10.2x ↗
20: 10.0 ↑
<b>Serie 101.9</b>
<b>Total 200.8</b>



21: 10.1 ←
22: 9.8 ↓
23: 9.0 ↗
24: 9.0 ←
25: 10.1 ↘
26: 10.2x ↘
27: 9.2 ↓
28: 10.6x ↓
29: 9.1 →
30: 10.3x ↘
<b>Serie 97.4</b>
<b>Total 298.2</b>

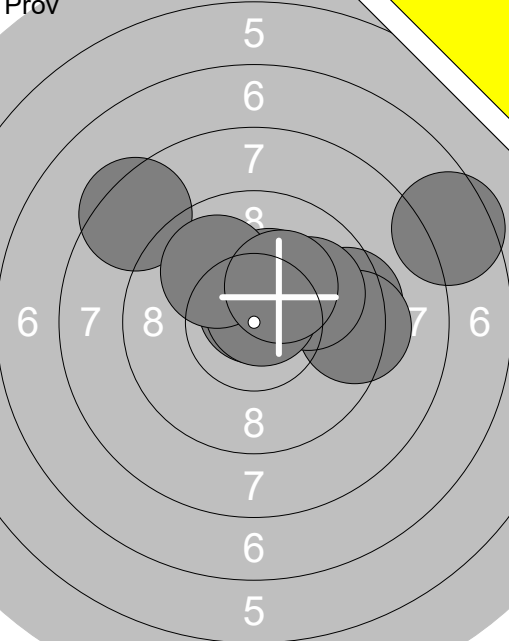
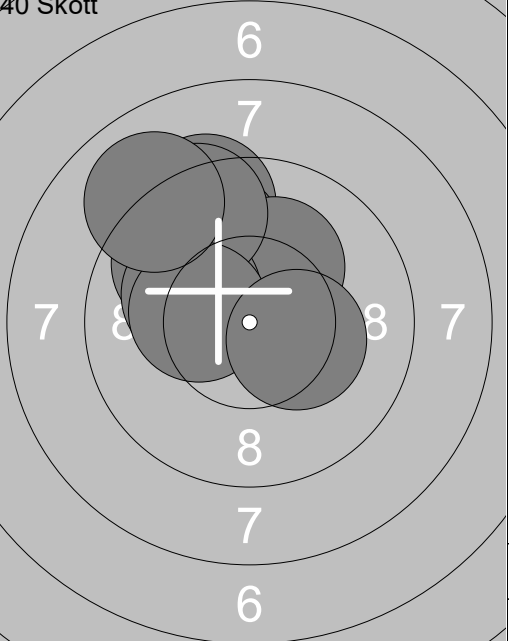


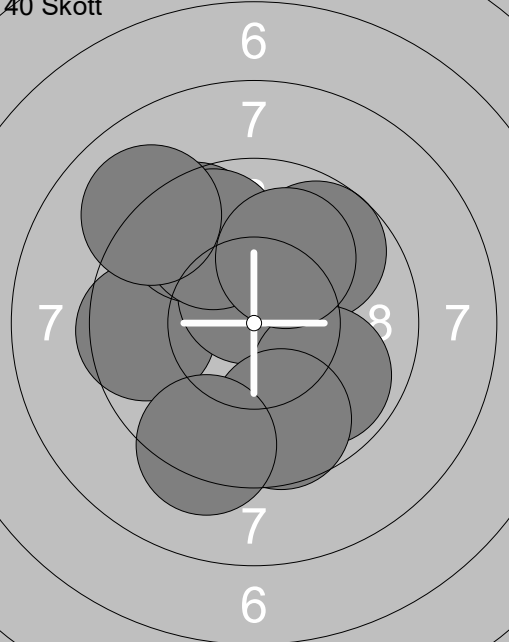
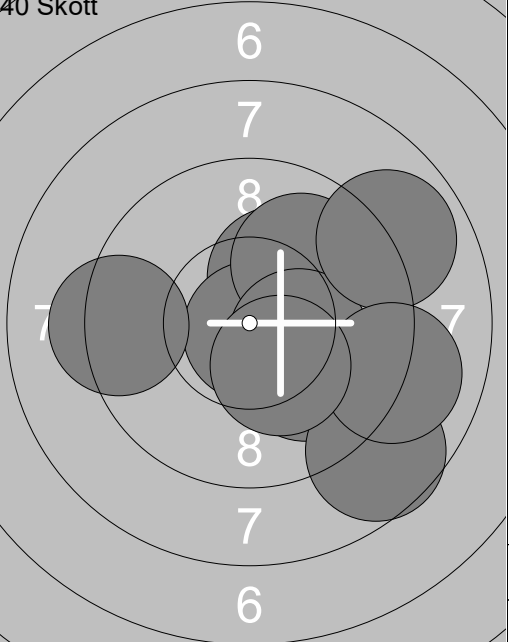
31: 10.6x ↓
32: 8.8 ↓
33: 10.2x ↘
34: 10.8x ↘
35: 10.2x ↗
36: 7.8 →
37: 10.0 ↑
38: 10.4x ↘
39: 10.8x ↘
40: 9.8 ↑
<b>Serie 99.4</b>
<b>Total 397.6</b>

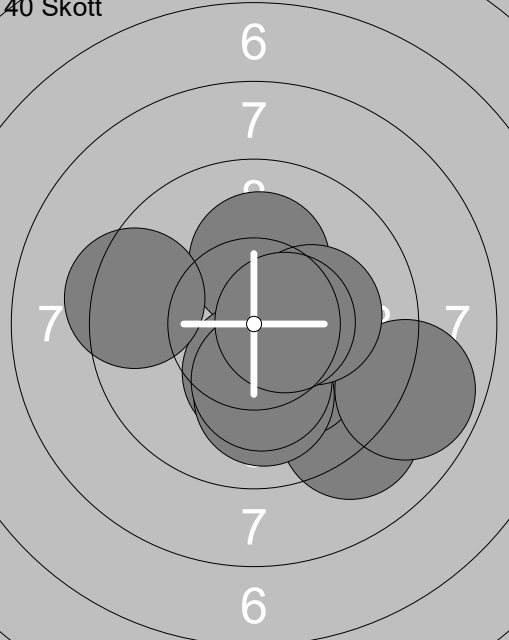
<p>Prov</p>	<p>1: 9.9 →</p> <p>2: 10.4x→</p> <p>3: 9.9 →</p> <p>4: 9.9 →</p> <p>5: 9.2 ↗</p> <p>6: 9.6 →</p> <p>7: 9.0 ↖</p> <p>8: 10.5x→</p> <p>9: 10.1 ↑</p> <p>10: 9.6 ←</p>	<p>Prov</p>	<p>11: 10.0→</p> <p>12: 10.7x↗</p> <p>13: 9.2 ↖</p>
Serie 98.1		Serie 29.9	
Total 0.0		Total 0.0	

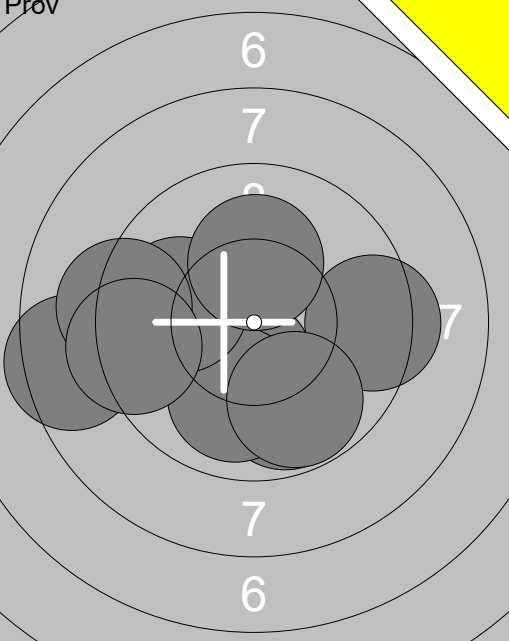
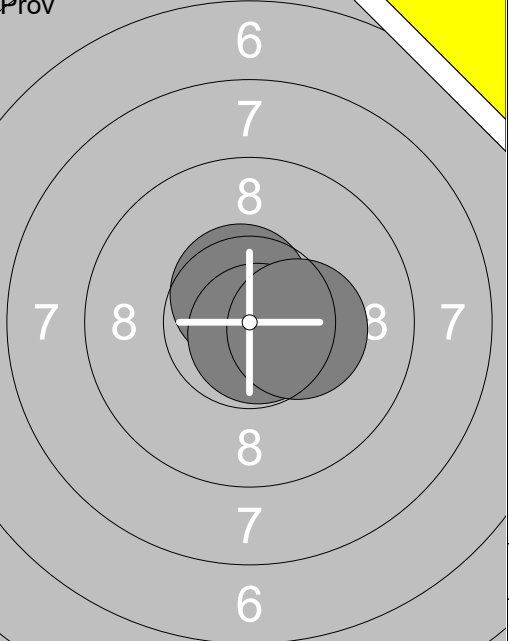
<p>40 Skott</p>	<p>1: 10.6x↖</p> <p>2: 8.8 ↖</p> <p>3: 10.0 ↑</p> <p>4: 10.4x↖</p> <p>5: 10.4x↖</p> <p>6: 10.7x↑</p> <p>7: 10.0 ↑</p> <p>8: 10.0 ↓</p> <p>9: 9.9 ←</p> <p>10: 10.0←</p>	<p>40 Skott</p>	<p>11: 9.8 ↖</p> <p>12: 10.6x↗</p> <p>13: 10.5x↖</p> <p>14: 10.4x↖</p> <p>15: 10.0↙</p> <p>16: 10.7x↘</p> <p>17: 10.0→</p> <p>18: 10.5x↖</p> <p>19: 9.6 →</p> <p>20: 10.1 ↘</p>
Serie 100.8		Serie 102.2	
Total 100.8		Total 203.0	

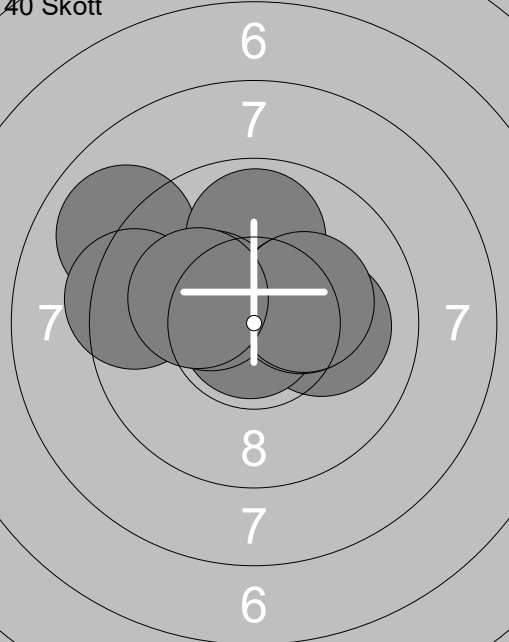
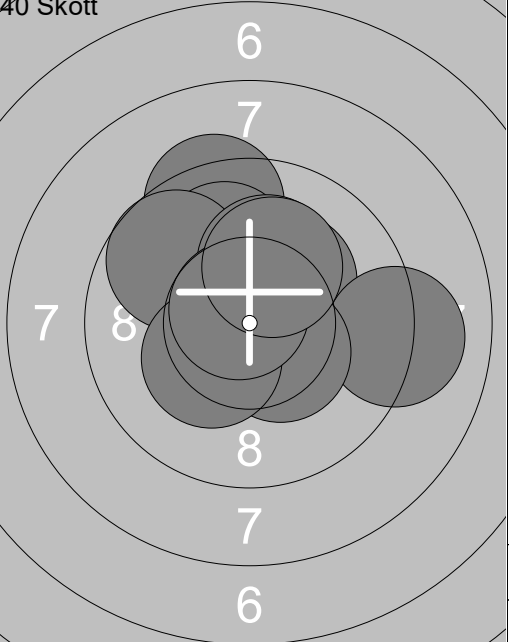
<p>40 Skott</p>	<p>21: 10.4x→</p> <p>22: 9.3 ↖</p> <p>23: 10.3x→</p> <p>24: 9.9 ↑</p> <p>25: 10.6x→</p> <p>26: 10.1↗</p> <p>27: 10.5x↖</p> <p>28: 9.6 ↗</p> <p>29: 10.6x↖</p> <p>30: 10.0↖</p>	<p>40 Skott</p>	<p>31: 9.6 ←</p> <p>32: 10.2x→</p> <p>33: 10.0↙</p> <p>34: 10.4x↘</p> <p>35: 10.5x↗</p> <p>36: 9.8 ↖</p> <p>37: 10.1 ↑</p> <p>38: 9.8 ↓</p> <p>39: 8.8 ←</p> <p>40: 8.9 ↖</p>
Serie 101.3		Serie 98.1	
Total 304.3		Total 402.4	

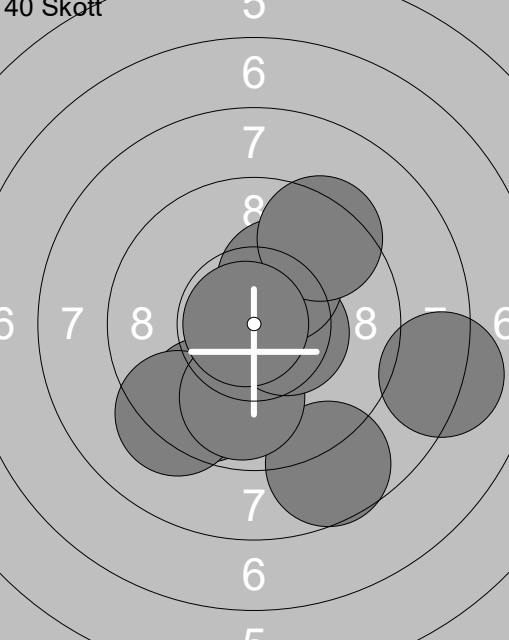
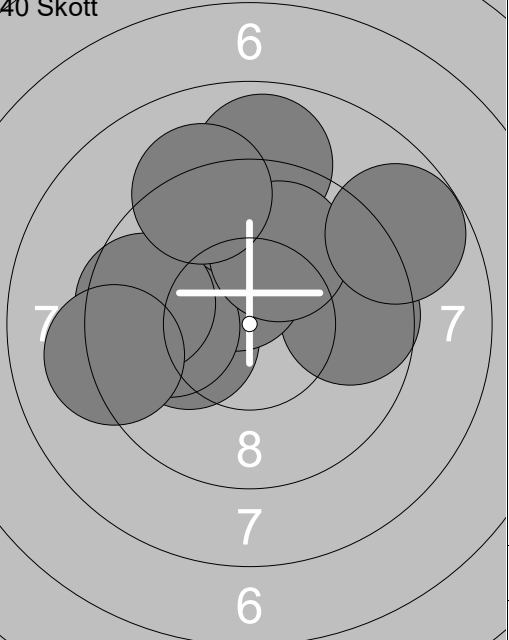
Prov 	1: 9.5 → 2: 7.5 ↗ 3: 9.3 → 4: 10.3x↗ 5: 10.7x↗ 6: 8.4 ↖ 7: 10.0 ↗ 8: 10.7x↗ 9: 10.0 ↖ 10: 10.2x↗ <hr/> Serie 96.6 Total 0.0	40 Skott 	1: 9.3 ↖ 2: 10.3x↖ 3: 9.8 ↖ 4: 9.8 ↖ 5: 10.2x↗ 6: 10.1 ↖ 7: 9.4 ↖ 8: 10.3x↖ 9: 10.3x↗ 10: 9.0 ↖ <hr/> Serie 98.5 Total 98.5
--	--	--	--

40 Skott 	11: 9.6 ← 12: 10.6x↗ 13: 9.6 ↖ 14: 9.7 ↗ 15: 9.8 ↖ 16: 9.9 ↘ 17: 10.0 ↗ 18: 9.0 ↖ 19: 9.7 ↘ 20: 9.3 ↘ <hr/> Serie 97.2 Total 195.7	40 Skott 	21: 10.0 ↘ 22: 10.3x↗ 23: 10.8x↘ 24: 9.9 ↗ 25: 8.7 ↘ 26: 10.3x↗ 27: 9.3 ← 28: 8.9 ↗ 29: 9.0 → 30: 10.3x↘ <hr/> Serie 97.5 Total 293.2
---	---	---	--

40 Skott 	31: 10.2x↗ 32: 10.3x↘ 33: 9.1 ↘ 34: 9.4 ← 35: 10.2x↘ 36: 8.8 → 37: 10.0 ↘ 38: 10.2x↘ 39: 10.2x→ 40: 10.6x→ <hr/> Serie 99.0 Total 392.2		
--	--	--	--

Prov 	1: 9.8 ↓ 2: 9.4 → 3: 8.5 ← 4: 10.4x↓ 5: 10.0 ↓ 6: 9.8 ↓ 7: 9.9 ← 8: 9.2 ← 9: 10.2x↑ 10: 9.3 ← <hr/> Serie 96.5 Total 0.0	Prov 	11: 10.6x↖ 12: 10.8x↘ 13: 10.3x→ <hr/> Serie 31.7 Total 0.0
--	---	--	---

40 Skott 	1: 10.3x↑ 2: 10.1 → 3: 10.9x↘ 4: 9.0 ↖ 5: 9.9 ↑ 6: 10.3x→ 7: 10.3x↖ 8: 9.4 ← 9: 10.3x→ 10: 10.2x↖ <hr/> Serie 100.7 Total 100.7	40 Skott 	11: 9.4 ↑ 12: 10.2x↗ 13: 10.0 ↑ 14: 9.7 ↖ 15: 9.1 → 16: 10.4x↘ 17: 10.3x↘ 18: 10.2x↑ 19: 10.7x↖ 20: 10.2x↑ <hr/> Serie 100.2 Total 200.9
---	--	---	---

40 Skott 	21: 8.7 ↓ 22: 9.7 ↓ 23: 10.7x→ 24: 8.2 → 25: 9.3 ↓ 26: 9.9 ↓ 27: 10.5x→ 28: 10.2x↑ 29: 9.4 ↗ 30: 10.8x↖ <hr/> Serie 97.4 Total 298.3	40 Skott 	31: 9.7 → 32: 10.2x↖ 33: 10.4x↖ 34: 9.9 ← 35: 8.9 ↑ 36: 9.9 ↑ 37: 8.8 ↗ 38: 9.6 ← 39: 9.2 ← 40: 9.2 ↑ <hr/> Serie 95.8 Total 394.1
--	---	--	---

	<p>1: 6.4 →</p> <p>2: 10.3x ↘</p> <p>3: 8.1 ↓</p> <p>4: 8.7 →</p> <p>5: 9.2 →</p> <p>6: 9.4 ↓</p> <p>7: 9.9 ↑</p> <p>8: 8.8 ↖</p> <p>9: 8.7 ↖</p> <p>10: 9.0 ↖</p>		<p>11: 7.8 ↖</p> <p>12: 9.9 ↓</p> <p>13: 9.2 →</p> <p>14: 8.4 ↖</p> <p>15: 8.4 ↖</p> <p>16: 9.6 ↓</p>
<b>Serie</b>	<b>88.5</b>	<b>Serie</b>	<b>53.3</b>
<b>Total</b>	<b>0.0</b>	<b>Total</b>	<b>0.0</b>

	<p>1: 9.4 →</p> <p>2: 10.8x ↘</p> <p>3: 9.5 ↑</p> <p>4: 9.3 ↖</p> <p>5: 9.4 ↖</p> <p>6: 10.6x ↘</p> <p>7: 8.8 ↑</p> <p>8: 10.6x ↘</p> <p>9: 8.0 ↖</p> <p>10: 8.9 ↖</p>		<p>11: 9.2 →</p> <p>12: 10.7x →</p> <p>13: 7.9 →</p> <p>14: 10.1 →</p> <p>15: 9.5 ↑</p> <p>16: 9.6 ↓</p> <p>17: 10.1 ↓</p> <p>18: 9.9 ↘</p> <p>19: 9.3 →</p> <p>20: 10.4x ↗</p>
<b>Serie</b>	<b>95.3</b>	<b>Serie</b>	<b>96.7</b>
<b>Total</b>	<b>95.3</b>	<b>Total</b>	<b>192.0</b>

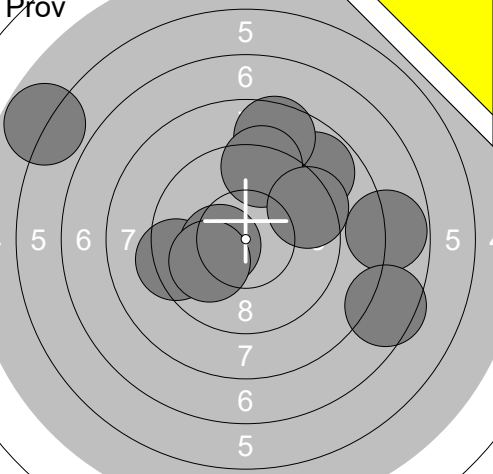
	<p>21: 10.1 ↖</p> <p>22: 10.1 →</p> <p>23: 9.4 ↖</p> <p>24: 9.9 ↓</p> <p>25: 8.8 ↖</p> <p>26: 10.1 ↖</p> <p>27: 8.0 ↖</p> <p>28: 10.4x ↘</p> <p>29: 10.3x ↘</p> <p>30: 8.3 ↖</p>		<p>31: 8.1 ↖</p> <p>32: 9.9 ↓</p> <p>33: 9.8 ↘</p> <p>34: 8.5 →</p> <p>35: 9.6 ↖</p> <p>36: 8.1 ↖</p> <p>37: 8.8 ↖</p> <p>38: 10.0 ↓</p> <p>39: 10.6x ↘</p> <p>40: 8.7 ↓</p>
<b>Serie</b>	<b>95.4</b>	<b>Serie</b>	<b>92.1</b>
<b>Total</b>	<b>287.4</b>	<b>Total</b>	<b>379.5</b>

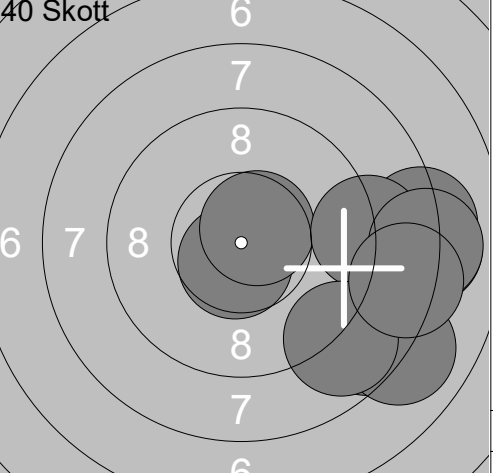
<p>Prov</p>	<p>1: 8.2 →</p> <p>2: 9.4 →</p> <p>3: 8.1 →</p> <p>4: 8.1 ←</p> <p>5: 10.3x ↘</p> <p>6: 9.2 ↗</p> <p>7: 9.6 ↗</p> <p>8: 8.6 ↗</p> <p>9: 9.8 ↘</p> <p>10: 10.0 ↗</p>	<p>Prov</p>	<p>11: 9.0 →</p> <p>12: 9.1 ←</p> <p>13: 9.1 →</p> <p>14: 9.7 ←</p> <p>15: 10.0 ↗</p> <p>16: 9.9 →</p> <p>17: 10.8x ↘</p>
Serie	91.3	Serie	67.6
Total	0.0	Total	0.0

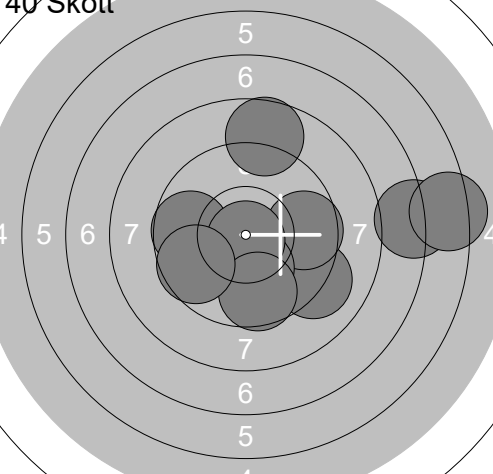
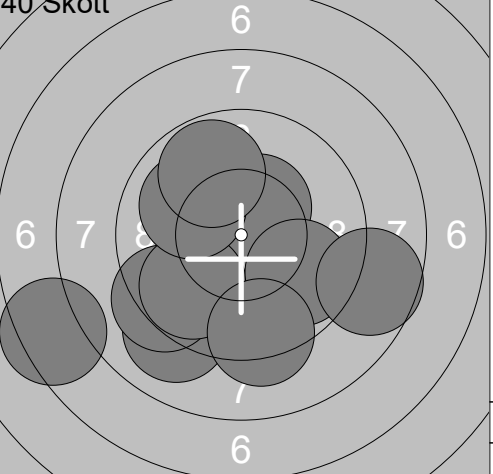
<p>40 Skott</p>	<p>1: 10.8x ↘</p> <p>2: 9.0 ←</p> <p>3: 10.2x ↘</p> <p>4: 10.3x ↘</p> <p>5: 8.6 →</p> <p>6: 10.7x →</p> <p>7: 10.0 ↘</p> <p>8: 10.6x ↘</p> <p>9: 10.0 ↘</p> <p>10: 10.1 ↘</p>	<p>40 Skott</p>	<p>11: 10.6x →</p> <p>12: 10.3x ↘</p> <p>13: 8.7 ←</p> <p>14: 10.3x ↗</p> <p>15: 8.7 ↘</p> <p>16: 9.8 ↘</p> <p>17: 10.7x ↘</p> <p>18: 10.0 ←</p> <p>19: 9.0 →</p> <p>20: 9.0 ←</p>
Serie	100.3	Serie	97.1
Total	100.3	Total	197.4

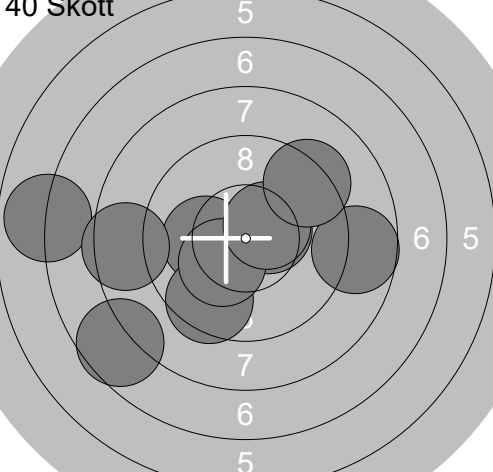
<p>40 Skott</p>	<p>21: 10.1 →</p> <p>22: 9.4 ↗</p> <p>23: 10.1 ←</p> <p>24: 9.3 ↗</p> <p>25: 9.4 →</p> <p>26: 10.9x ↘</p> <p>27: 9.2 →</p> <p>28: 10.4x ↗</p> <p>29: 10.0 →</p> <p>30: 9.5 →</p>	<p>40 Skott</p>	<p>31: 8.9 ←</p> <p>32: 8.3 ←</p> <p>33: 8.6 ←</p> <p>34: 10.1 ↗</p> <p>35: 10.1 ↗</p> <p>36: 10.1 →</p> <p>37: 9.3 →</p> <p>38: 8.8 ←</p> <p>39: 10.9x →</p> <p>40: 10.0 →</p>
Serie	98.3	Serie	95.1
Total	295.7	Total	390.8

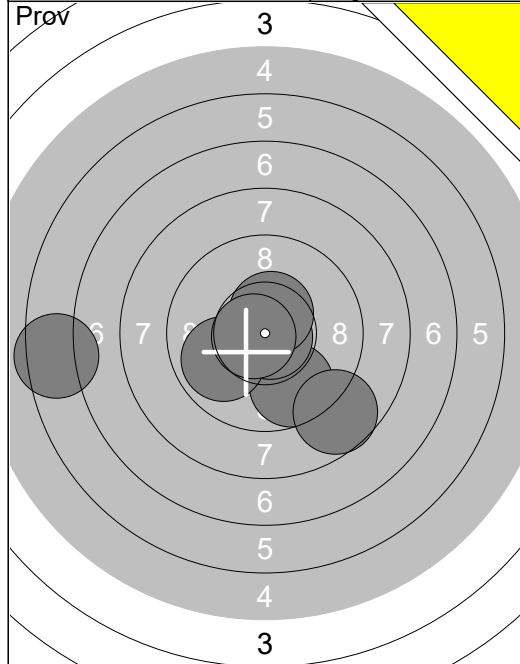


	<p>1: 5.8 ↖</p> <p>2: 7.8 →</p> <p>3: 9.4 ←</p> <p>4: 10.4x ←</p> <p>5: 7.5 ↘</p> <p>6: 8.8 ↗</p> <p>7: 8.6 ↑</p> <p>8: 9.3 ↑</p> <p>9: 9.4 →</p> <p>10: 10.0 ←</p>	<p>11: 9.3 →</p> <p>12: 8.3 →</p> <p>13: 8.2 ←</p> <p>14: 7.1 →</p> <p>15: 8.8 ←</p> <p>16: 9.7 ←</p> <p>17: 10.0 ←</p> <p>18: 8.0 ↘</p> <p>19: 10.4x ↓</p> <p>20: 8.9 ↓</p>	
Serie	87.0	Serie	88.7
Total	0.0	Total	0.0

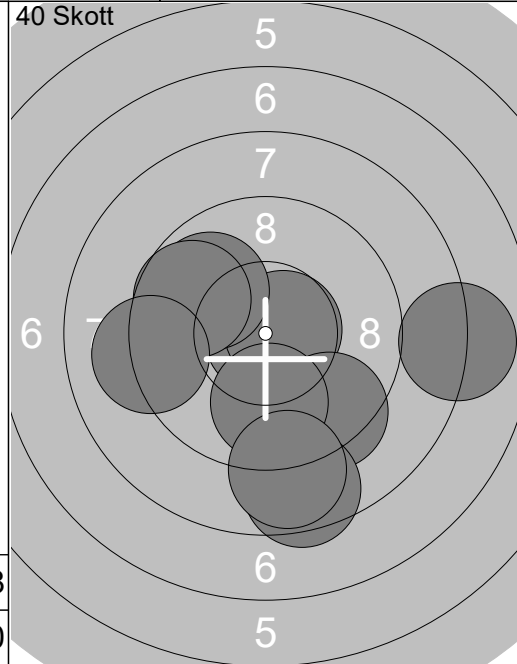
	<p>21: 9.5 →</p>	<p>40 Skott</p> 	<p>1: 8.5 ↘</p> <p>2: 10.6x ↓</p> <p>3: 8.1 →</p> <p>4: 8.1 →</p> <p>5: 10.6x ↗</p> <p>6: 9.0 →</p> <p>7: 8.0 ↘</p> <p>8: 8.1 →</p> <p>9: 8.8 ↘</p> <p>10: 8.3 →</p>
Serie	9.5	Serie	88.1
Total	0.0	Total	88.1

	<p>11: 9.1 ↘</p> <p>12: 9.7 ←</p> <p>13: 9.6 →</p> <p>14: 10.2x ↓</p> <p>15: 10.8x ↓</p> <p>16: 7.1 →</p> <p>17: 6.3 →</p> <p>18: 9.6 ↓</p> <p>19: 9.6 ←</p> <p>20: 8.7 ↑</p>	<p>40 Skott</p> 	<p>21: 7.4 ←</p> <p>22: 9.0 ↓</p> <p>23: 9.3 ←</p> <p>24: 10.4x ↗</p> <p>25: 9.8 ↘</p> <p>26: 9.8 ↘</p> <p>27: 8.7 →</p> <p>28: 10.0 ↖</p> <p>29: 9.8 ↗</p> <p>30: 9.3 ↓</p>
Serie	90.7	Serie	93.5
Total	178.8	Total	272.3

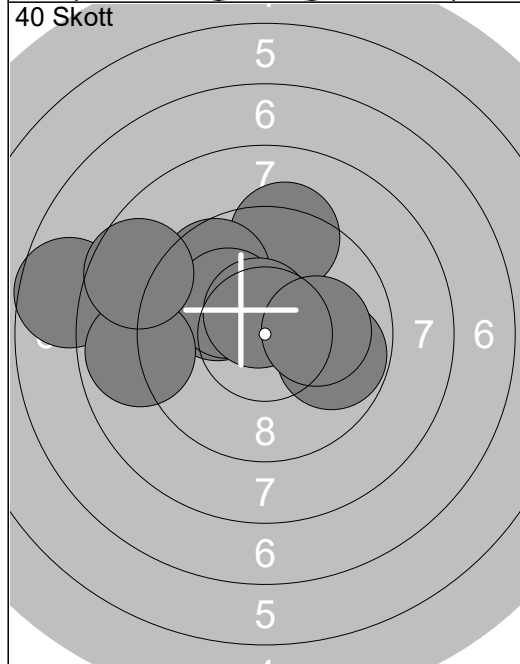
	<p>31: 10.5x →</p> <p>32: 10.1 ←</p> <p>33: 9.5 ↓</p> <p>34: 10.3x ↘</p> <p>35: 7.6 ↘</p> <p>36: 6.9 ←</p> <p>37: 8.5 ←</p> <p>38: 10.4x ↗</p> <p>39: 8.7 →</p> <p>40: 9.3 ↗</p>		
Serie	91.8		
Total	364.1		



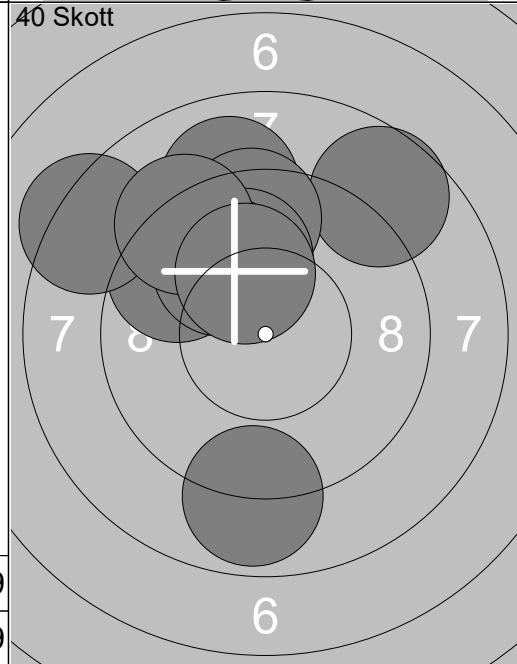
1:	9.7	↘
2:	8.7	↘
3:	6.5	←
4:	10.8	↘
5:	9.9	↙
6:	10.5	↗
7:	10.7	↙
Serie		66.8
Total		0.0



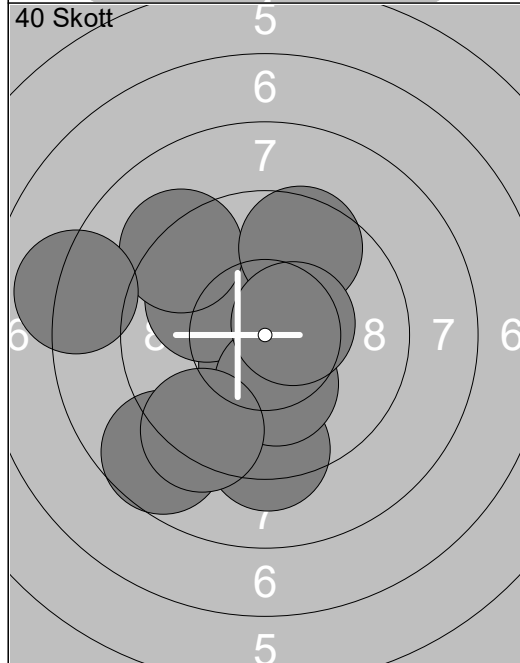
1:	10.9	↘
2:	10.7	↗
3:	9.9	↖
4:	8.0	→
5:	9.7	↖
6:	9.4	↘
7:	8.5	↘
8:	9.9	↘
9:	8.8	↘
10:	9.2	←
Serie		95.0
Total		95.0



11:	9.3	↑
12:	7.7	←
13:	10.0	↖
14:	9.8	→
15:	9.7	↗
16:	10.2	↘
17:	8.9	←
18:	8.6	↖
19:	10.6	↗
20:	10.1	→
Serie		94.9
Total		189.9

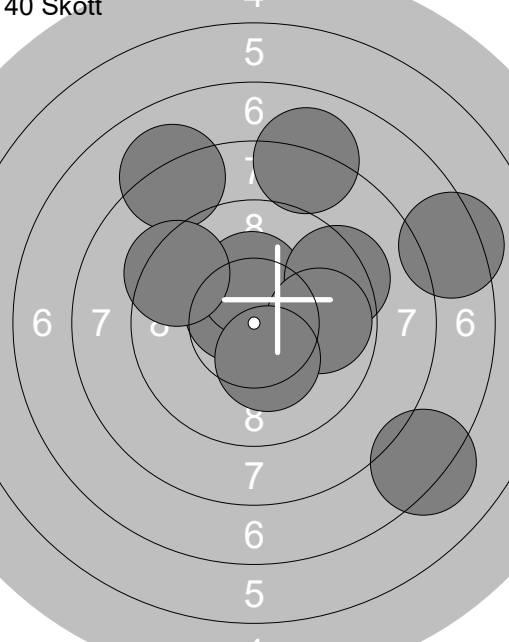
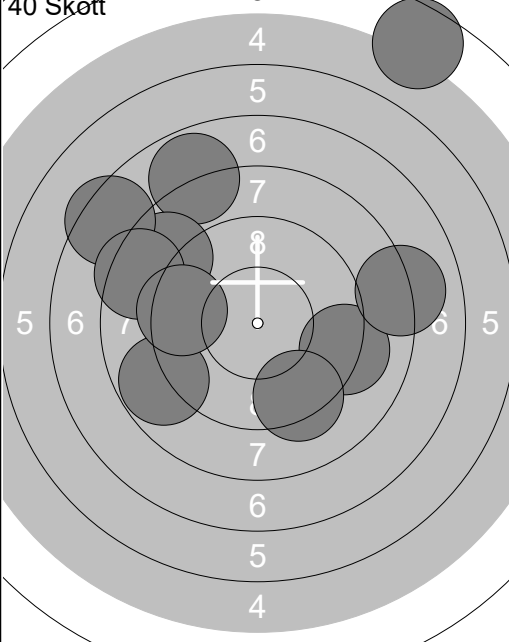


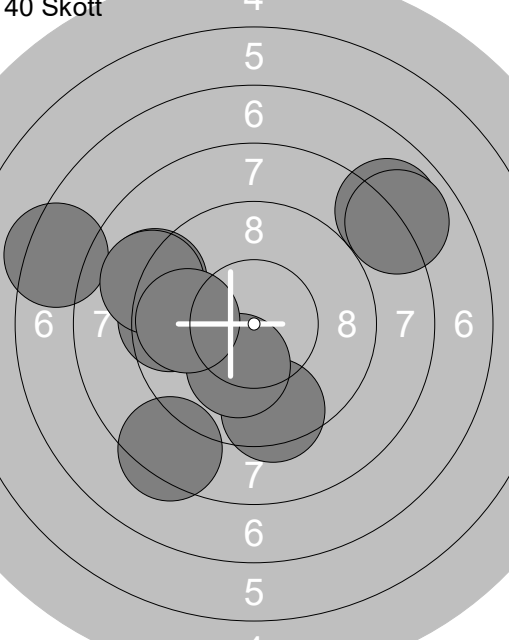
21:	9.6	↖
22:	9.0	↑
23:	8.7	↗
24:	8.3	↖
25:	9.5	↑
26:	9.9	↑
27:	9.9	↗
28:	9.2	↖
29:	8.9	↘
30:	10.1	↖
Serie		93.1
Total		283.0



31:	10.5	↘
32:	9.3	↘
33:	10.0	↖
34:	9.2	↗
35:	8.1	←
36:	8.7	↘
37:	10.2	↘
38:	9.6	↗
39:	9.3	↘
40:	10.5	↗
Serie		95.4
Total		378.4

<p>Prov</p> 	<p>1: 9.4 ↗</p> <p>2: 7.0 ↗</p> <p>3: 7.7 ←</p> <p>4: 8.7 ↓</p> <p>5: 8.5 ↓</p> <p>6: 10.1 ↗</p>	<p>40 Skott</p> 		<p>1: 8.8 →</p> <p>2: 9.3 ↑</p> <p>3: 8.9 ↘</p> <p>4: 7.0 →</p> <p>5: 6.9 ←</p> <p>6: 8.5 ↓</p> <p>7: 9.0 ↗</p> <p>8: 7.2 ↗</p> <p>9: 7.4 →</p> <p>10: 10.1 ↗</p>
Serie 51.4				Serie 83.1
Total 0.0				Total 83.1

<p>40 Skott</p> 	<p>11: 10.6x ↘</p> <p>12: 10.3x ↗</p> <p>13: 8.1 ↗</p> <p>14: 9.4 ←</p> <p>15: 9.3 →</p> <p>16: 9.8 →</p> <p>17: 7.2 ↓</p> <p>18: 7.3 →</p> <p>19: 8.1 ↗</p> <p>20: 10.3x ↓</p>	<p>40 Skott</p> 		<p>21: 4.6 ↗</p> <p>22: 7.8 ↗</p> <p>23: 8.8 ↙</p> <p>24: 8.7 ←</p> <p>25: 9.2 →</p> <p>26: 7.4 ←</p> <p>27: 9.3 ↓</p> <p>28: 8.1 →</p> <p>29: 8.4 ←</p> <p>30: 9.4 ←</p>
Serie 90.4				Serie 81.7
Total 173.5				Total 255.2

<p>40 Skott</p> 	<p>31: 7.3 ←</p> <p>32: 9.5 ←</p> <p>33: 9.1 ←</p> <p>34: 8.4 ↓</p> <p>35: 8.0 ↗</p> <p>36: 9.4 ↓</p> <p>37: 7.9 ↗</p> <p>38: 10.2x ↓</p> <p>39: 9.1 ←</p> <p>40: 9.8 ←</p>			
Serie 88.7				
Total 343.9				

<p>Prov</p>	<p>Prov</p>
<p>Serie 94.4</p> <p>Total 0.0</p>	<p>Serie 27.9</p> <p>Total 0.0</p>

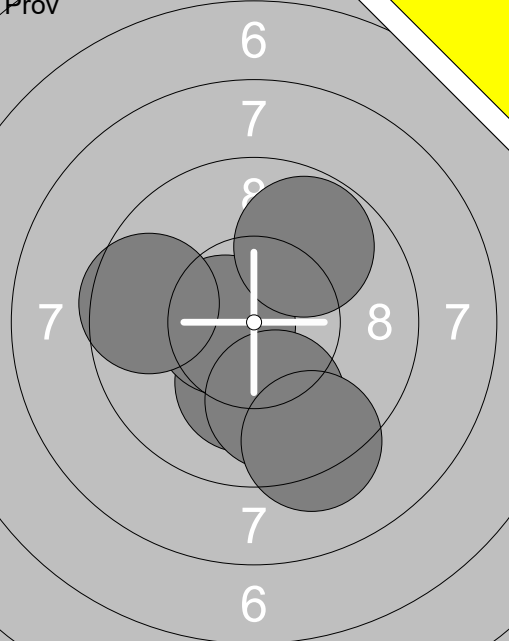
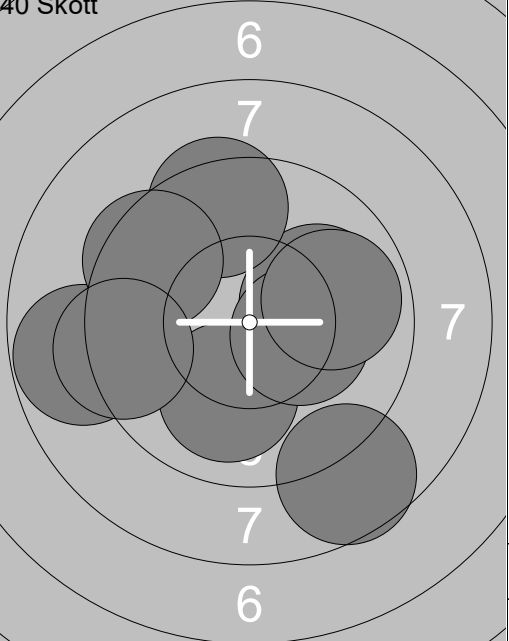
<p>40 Skott</p>	<p>40 Skott</p>
<p>Serie 90.5</p> <p>Total 90.5</p>	<p>Serie 93.9</p> <p>Total 184.4</p>

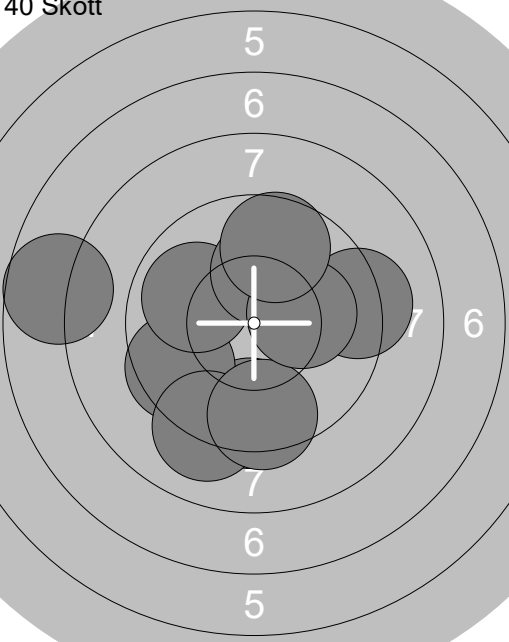
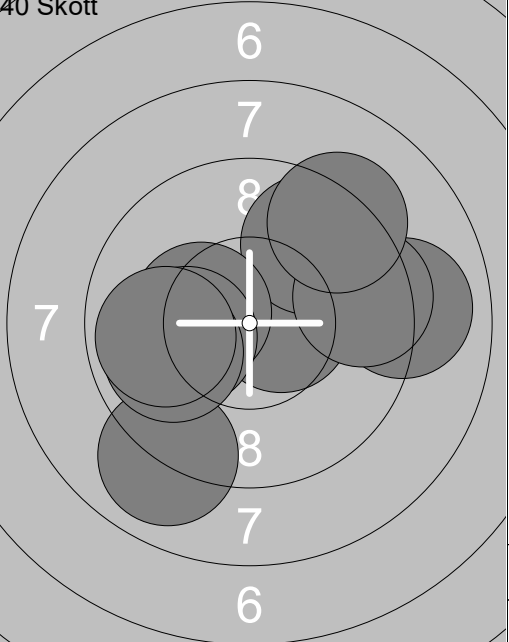
<p>40 Skott</p>	<p>40 Skott</p>
<p>Serie 95.3</p> <p>Total 279.7</p>	<p>Serie 93.8</p> <p>Total 373.5</p>

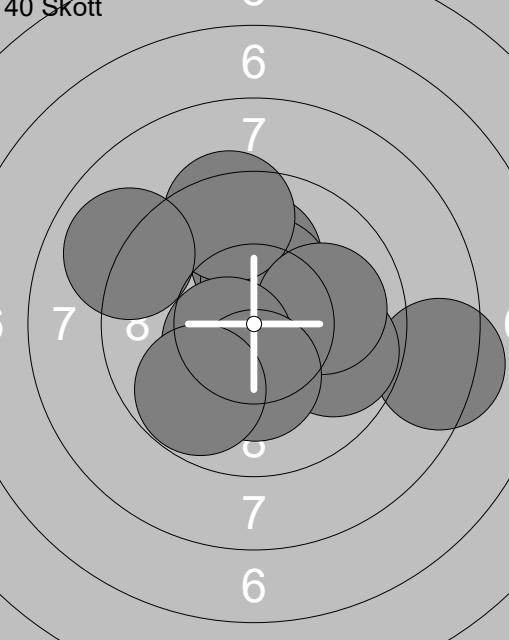
<p>Prov</p>	<p>1: 7.4 ←</p> <p>2: 5.6 ←</p> <p>3: 7.1 ↗</p> <p>4: 7.5 ↘</p> <p>5: 8.7 ↗</p> <p>6: 4.6 ←</p> <p>7: 6.4 ←</p> <p>8: 6.2 ←</p> <p>9: 7.3 ↗</p> <p>10: 9.2 ↘</p>	<p>Prov</p>	<p>11: 5.8 →</p> <p>12: 3.2 ↑</p> <p>13: 10.2x ↘</p> <p>14: 8.8 ←</p> <p>15: 8.3 ↘</p> <p>16: 2.5 ↗</p> <p>17: 8.3 →</p> <p>18: 9.1 ↘</p> <p>19: 7.5 ←</p> <p>20: 7.9 ↘</p>
Serie 70.0		Serie 71.6	
Total 0.0		Total 0.0	

<p>40 Skott</p>	<p>1: 9.3 ↑</p> <p>2: 8.0 ↓</p> <p>3: 9.2 ↓</p> <p>4: 10.0 →</p> <p>5: 7.8 ↘</p> <p>6: 10.0 ↓</p> <p>7: 9.5 →</p> <p>8: 9.2 →</p> <p>9: 7.8 ←</p> <p>10: 7.2 ←</p>	<p>40 Skott</p>	<p>11: 7.0 ↓</p> <p>12: 6.4 ←</p> <p>13: 10.1 ←</p> <p>14: 6.2 ↗</p> <p>15: 9.4 ↘</p> <p>16: 9.9 ↘</p> <p>17: 6.4 ↓</p> <p>18: 10.8x ↗</p> <p>19: 8.1 ↑</p> <p>20: 8.7 ↓</p>
Serie 88.0		Serie 83.0	
Total 88.0		Total 171.0	

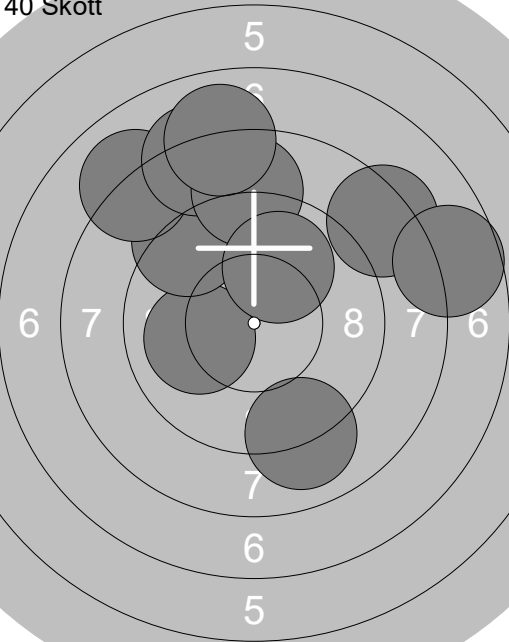
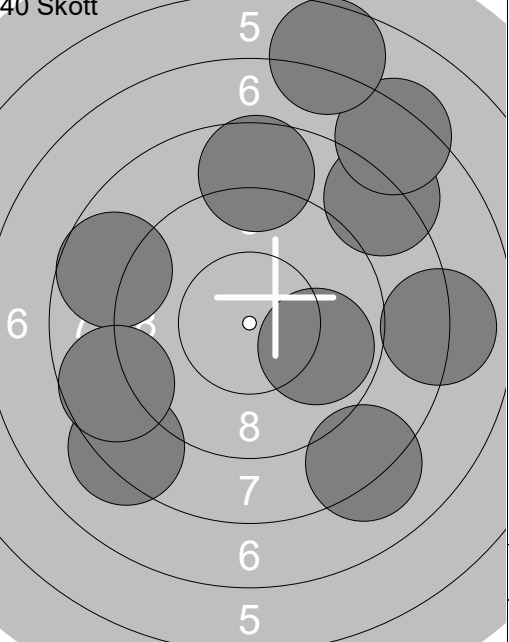
<p>40 Skott</p>	<p>21: 10.8x ←</p> <p>22: 9.4 →</p> <p>23: 8.0 ←</p> <p>24: 7.7 ↓</p> <p>25: 10.1 →</p> <p>26: 6.7 →</p> <p>27: 8.3 ↘</p> <p>28: 7.2 ↓</p> <p>29: 10.1 ↘</p> <p>30: 4.6 ↘</p>	<p>40 Skott</p>	<p>31: 8.6 ↘</p> <p>32: 9.2 ↓</p> <p>33: 7.4 ↓</p> <p>34: 9.0 ↗</p> <p>35: 6.9 ↘</p> <p>36: 10.5x →</p> <p>37: 4.2 ↘</p> <p>38: 8.3 ↓</p> <p>39: 7.5 ↘</p> <p>40: 6.4 ↘</p>
Serie 82.9		Serie 78.0	
Total 253.9		Total 331.9	

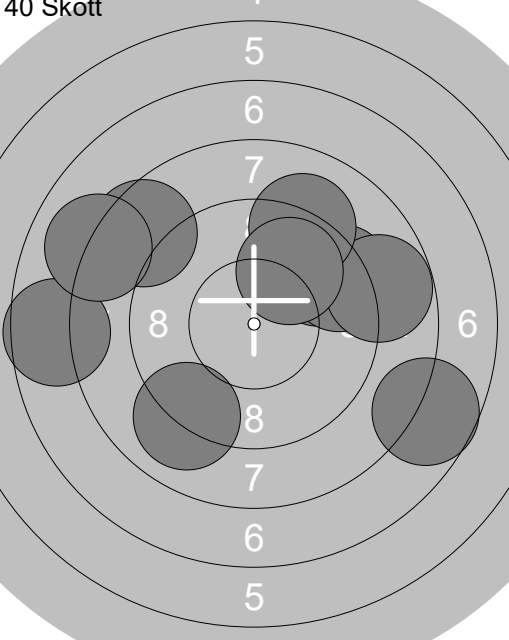
<p>Prov</p> 	<p>1: 10.2x↓</p> <p>2: 10.6✕←</p> <p>3: 9.6 ←</p> <p>4: 9.9 ↓</p> <p>5: 9.8 ↗</p> <p>6: 9.3 ↓</p>	<p>40 Skott</p> 	<p>1: 10.2x➤</p> <p>2: 8.7 ↓</p> <p>3: 8.8 ←</p> <p>4: 10.0 ➤</p> <p>5: 10.0 ↓</p> <p>6: 9.4 ↑</p> <p>7: 10.3x➤</p> <p>8: 9.5 ↖</p> <p>9: 9.9 ➤</p> <p>10: 9.3 ←</p>
Serie 59.4		Serie 96.1	
Total 0.0		Total 96.1	

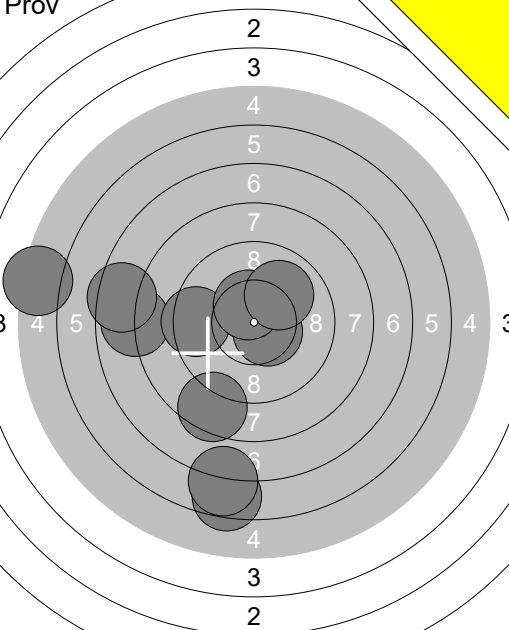
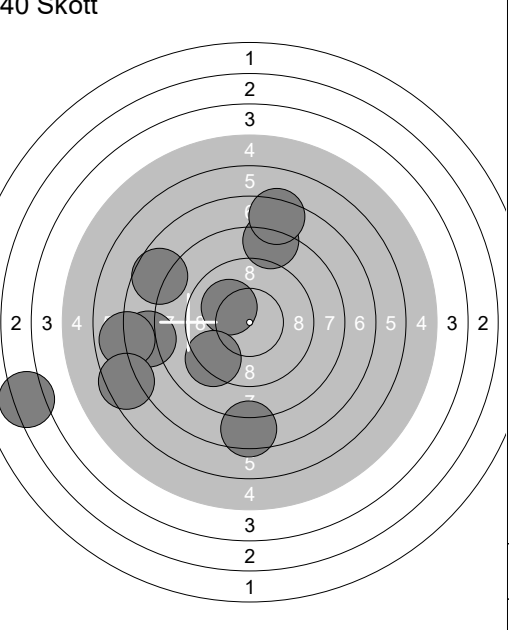
<p>40 Skott</p> 	<p>11: 9.5 ↓</p> <p>12: 9.2 ➤</p> <p>13: 7.7 ←</p> <p>14: 9.5 ↖</p> <p>15: 9.1 ↓</p> <p>16: 9.4 ↓</p> <p>17: 9.9 ↖</p> <p>18: 10.1 ↑</p> <p>19: 10.2x➤</p> <p>20: 9.7 ↑</p>	<p>40 Skott</p> 	<p>21: 10.5x➤</p> <p>22: 9.0 ➤</p> <p>23: 9.7 ↗</p> <p>24: 10.3x✕</p> <p>25: 9.0 ↓</p> <p>26: 9.5 ➤</p> <p>27: 9.2 ↗</p> <p>28: 10.1←</p> <p>29: 9.9 ←</p> <p>30: 9.9 ←</p>
Serie 94.3		Serie 97.1	
Total 190.4		Total 287.5	

<p>40 Skott</p> 	<p>31: 10.1 ↑</p> <p>32: 10.4x↗</p> <p>33: 8.4 ➤</p> <p>34: 9.8 ➤</p> <p>35: 9.4 ↑</p> <p>36: 10.0 ➤</p> <p>37: 9.0 ↖</p> <p>38: 10.5x✕</p> <p>39: 10.2x↓</p> <p>40: 9.8 ↙</p>		
Serie 97.6			
Total 385.1			

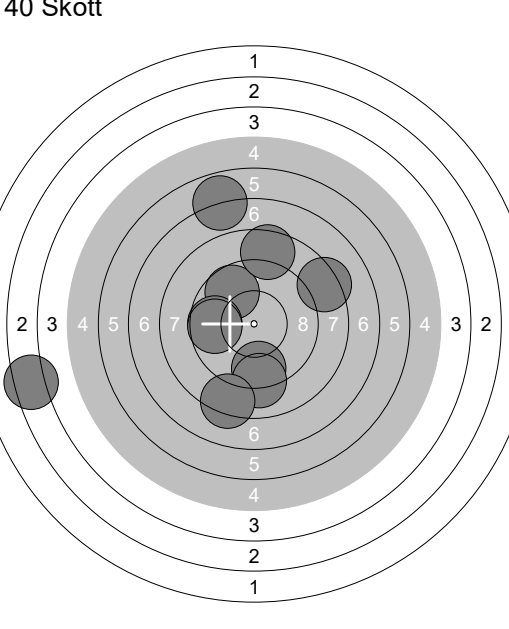
	<p>1: 7.2 ↘</p> <p>2: 10.2 ✖</p> <p>3: 8.6 ↘</p> <p>4: 10.1 ↙</p> <p>5: 10.3 ✖ →</p> <p>6: 9.8 ↘</p> <p>7: 10.1 ↘</p> <p>8: 10.5 ✖ ↓</p>	<p>40 Skott</p> 	<p>1: 8.5 ↘</p> <p>2: 8.4 ↙</p> <p>3: 10.0 ↙</p> <p>4: 9.7 ↘</p> <p>5: 9.5 ↑</p> <p>6: 10.2 ✖</p> <p>7: 8.0 ↙</p> <p>8: 9.0 ↘</p> <p>9: 8.9 ↘</p> <p>10: 9.7 →</p>
Serie 76.8		Serie 91.9	
Total 0.0		Total 91.9	

<p>40 Skott</p> 	<p>11: 8.3 ↗</p> <p>12: 10.0 ↙</p> <p>13: 9.2 ↗</p> <p>14: 8.0 ↗</p> <p>15: 7.7 →</p> <p>16: 8.2 ↑</p> <p>17: 8.8 ↑</p> <p>18: 9.0 ↓</p> <p>19: 10.0 ↑</p> <p>20: 8.0 ↑</p>	<p>40 Skott</p> 	<p>21: 8.1 ↗</p> <p>22: 8.7 ↙</p> <p>23: 8.2 ↘</p> <p>24: 8.2 ↙</p> <p>25: 8.0 →</p> <p>26: 8.7 ↙</p> <p>27: 8.6 ↑</p> <p>28: 7.3 ↗</p> <p>29: 9.9 ↘</p> <p>30: 6.6 ↑</p>
Serie 87.2		Serie 82.3	
Total 179.1		Total 261.4	

<p>40 Skott</p> 	<p>31: 9.6 ↗</p> <p>32: 9.0 ↙</p> <p>33: 9.3 ↗</p> <p>34: 8.8 →</p> <p>35: 8.5 ↙</p> <p>36: 9.1 ↗</p> <p>37: 7.6 ←</p> <p>38: 7.7 ↘</p> <p>39: 8.0 ↙</p> <p>40: 9.9 ↗</p>		
Serie 87.5			
Total 348.9			

<p>Prov</p> 	<p>1: 7.9 ←</p> <p>2: 6.4 ↓</p> <p>3: 6.8 ↓</p> <p>4: 9.5 ←</p> <p>5: 5.3 ←</p> <p>6: 10.5x ↘</p> <p>7: 10.5x ↗</p> <p>8: 8.5 ↓</p> <p>9: 7.5 ←</p> <p>10: 10.0 ↗</p>	<p>40 Skott</p> 	<p>1: 7.6 ←</p> <p>2: 10.1 ↖</p> <p>3: 7.7 ↖</p> <p>4: 6.9 ←</p> <p>5: 6.5 ←</p> <p>6: 3.3 ←</p> <p>7: 9.3 ↙</p> <p>8: 8.2 ↑</p> <p>9: 7.5 ↓</p> <p>10: 7.4 ↑</p>
Serie 82.9		Serie 74.5	
Total 0.0		Total 74.5	

<p>40 Skott</p> 	<p>11: 8.1 ←</p> <p>12: 9.9 ↑</p> <p>13: 9.2 ↓</p> <p>14: 5.8 ←</p> <p>15: 8.1 ↓</p> <p>16: 7.3 ←</p> <p>17: 9.6 ←</p> <p>18: 8.4 ←</p> <p>19: 9.3 ←</p> <p>20: 9.3 ↓</p>	<p>40 Skott</p> 	<p>21: 9.2 ↙</p> <p>22: 6.0 ←</p> <p>23: 6.1 ↓</p> <p>24: 8.0 ↓</p> <p>25: 7.5 ↙</p> <p>26: 8.4 ↙</p> <p>27: 8.8 ←</p> <p>28: 5.7 ←</p> <p>29: 9.9 ↓</p> <p>30: 9.9 ←</p>
Serie 85.0		Serie 79.5	
Total 159.5		Total 239.0	

<p>40 Skott</p> 	<p>31: 9.7 ↖</p> <p>32: 9.5 ↓</p> <p>33: 3.4 ←</p> <p>34: 9.1 ↓</p> <p>35: 8.3 ↓</p> <p>36: 9.7 ←</p> <p>37: 8.6 ↑</p> <p>38: 8.3 ↗</p> <p>39: 6.8 ↑</p> <p>40: 9.7 ←</p>		
Serie 83.1			
Total 322.1			



<p>Prov</p>	<p>1: 10.4x ↘                  2: 9.1 →                  3: 8.5 ↓                  4: 10.2x ↘                  5: 9.5 ↓                  6: 8.7 ↓                  7: 6.3 ↓                  8: 9.0 ↙                  9: 8.6 ↓                  10: 8.4 ←</p>	<p>Prov</p>	<p>11: 6.3 ↘                  12: 10.6x ↘                  13: 8.7 ↗                  14: 9.3 →</p>
Serie	88.7	Serie	34.9
Total	0.0	Total	0.0

<p>40 Skott</p>	<p>1: 9.3 ↓                  2: 10.0 ↗                  3: 8.8 →                  4: 10.1 ↓                  5: 10.0 ↖                  6: 8.5 ←                  7: 9.9 ←                  8: 10.3x ↘                  9: 9.3 ↗                  10: 8.5 ↖</p>	<p>40 Skott</p>	<p>11: 10.8x ↗                  12: 10.6x ↗                  13: 9.2 ↑                  14: 9.8 ↘                  15: 10.1 ↓                  16: 10.0 ↖                  17: 8.5 ↖                  18: 10.0 ←                  19: 9.3 →                  20: 7.3 →</p>
Serie	94.7	Serie	95.6
Total	94.7	Total	190.3

<p>40 Skott</p>	<p>21: 9.7 ↗                  22: 10.4x ↖                  23: 10.0 →                  24: 10.3x ↘                  25: 10.2x ↘                  26: 9.5 ↖                  27: 10.0 ↑                  28: 10.5x →                  29: 6.9 ↖                  30: 8.8 →</p>	<p>40 Skott</p>	<p>31: 9.6 ↗                  32: 8.5 →                  33: 8.9 ↖                  34: 9.9 ↖                  35: 9.2 ↖                  36: 10.7x ↘                  37: 8.9 →                  38: 9.9 ↖                  39: 9.5 ↖                  40: 9.8 ↗</p>
Serie	96.3	Serie	94.9
Total	286.6	Total	381.5

Prov 	1: 5.4 → 2: 6.1 → 3: 8.8 → 4: 9.0 → 5: 3.4 → 6: 5.8 ↗ 7: 7.3 ↑ 8: 8.5 ← 9: 9.9 ↗ 10: 9.5 ←	Prov 	11: 9.3 → 12: 6.5 ← 13: 8.5 ↗ 14: 10.0 ↗ 15: 9.9 ↗
<b>Serie</b>	<b>73.7</b>	<b>Serie</b>	<b>44.2</b>
<b>Total</b>	<b>0.0</b>	<b>Total</b>	<b>0.0</b>

40 Skott 	1: 7.2 ← 2: 9.1 ↑ 3: 8.8 → 4: 7.7 ↗ 5: 10.7x ↗ 6: 7.9 ↑ 7: 7.7 ↑ 8: 10.4x → 9: 7.0 ↗ 10: 8.3 ↗	40 Skott 	11: 8.7 ↘ 12: 8.1 ↗ 13: 9.2 ↗ 14: 7.1 ↑ 15: 7.6 ↗ 16: 8.7 ↗ 17: 9.4 → 18: 6.0 → 19: 10.1 ↘ 20: 6.3 ↘
<b>Serie</b>	<b>84.8</b>	<b>Serie</b>	<b>81.2</b>
<b>Total</b>	<b>84.8</b>	<b>Total</b>	<b>166.0</b>

40 Skott 	21: 8.9 ↗ 22: 9.2 ← 23: 8.4 ↗ 24: 5.9 → 25: 9.6 ↘ 26: 5.5 → 27: 9.4 ↘ 28: 6.4 → 29: 4.0 → 30: 10.5x ↘	40 Skott 	31: 9.8 ↘ 32: 8.3 → 33: 6.4 → 34: 8.6 ↘ 35: 8.0 ↘ 36: 6.8 → 37: 8.9 → 38: 7.7 → 39: 5.7 ↘ 40: 9.1 ↗
<b>Serie</b>	<b>77.8</b>	<b>Serie</b>	<b>79.3</b>
<b>Total</b>	<b>243.8</b>	<b>Total</b>	<b>323.1</b>

<p>Prov</p>	<p>1: 10.6x↓</p> <p>2: 10.1 ↓</p> <p>3: 10.1 →</p> <p>4: 10.2x↓</p> <p>5: 10.5x→</p> <p>6: 10.8x↓</p> <p>7: 10.4x↓</p> <p>8: 10.5x↓</p> <p>9: 10.5x↑</p> <p>10: 10.7x→</p>	<p>40 Skott</p>		<p>1: 10.7x→</p> <p>2: 10.3x↖</p> <p>3: 10.0→</p> <p>4: 10.4x→</p> <p>5: 10.6x↗</p> <p>6: 10.7x↙</p> <p>7: 10.1→</p> <p>8: 10.7x↖</p> <p>9: 10.2x↑</p> <p>10: 10.7x↑</p>
Serie	104.4	Serie	104.4	
Total	0.0	Total	104.4	

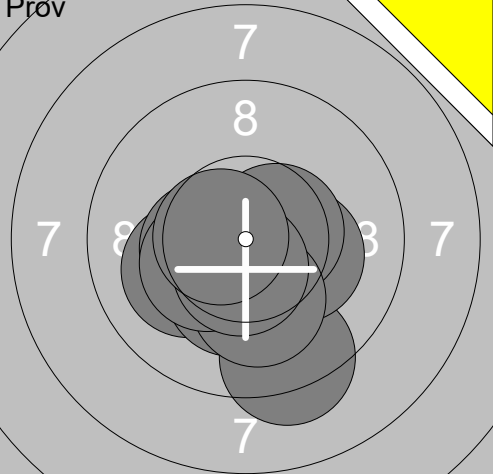
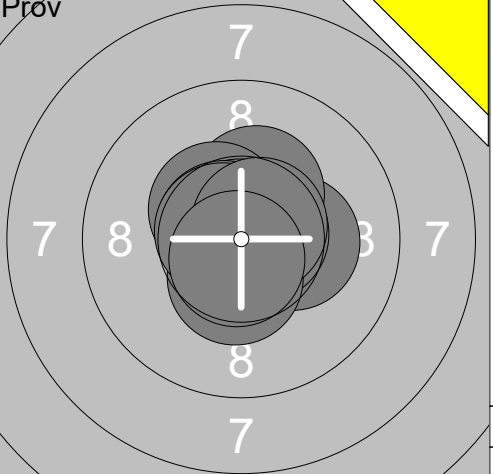
<p>40 Skott</p>	<p>11: 10.0 ↗</p> <p>12: 9.8 ↑</p> <p>13: 10.7x↑</p> <p>14: 9.6 ↗</p> <p>15: 10.1 ↑</p> <p>16: 10.7x↑</p> <p>17: 10.3x↑</p> <p>18: 10.5x→</p> <p>19: 10.4x↗</p> <p>20: 10.7x↑</p>	<p>40 Skott</p>		<p>21: 10.1 ↗</p> <p>22: 10.4x↖</p> <p>23: 10.7x↑</p> <p>24: 10.7x↗</p> <p>25: 10.4x→</p> <p>26: 10.5x↖</p> <p>27: 10.6x↖</p> <p>28: 10.7x↘</p> <p>29: 10.8x↓</p> <p>30: 10.8x↓</p>
Serie	102.8	Serie	105.7	
Total	207.2	Total	312.9	

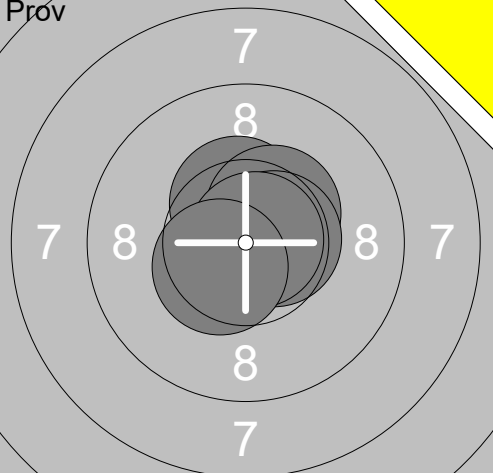
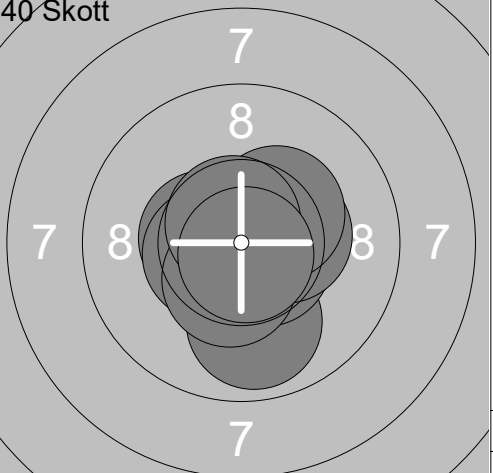
<p>40 Skott</p>	<p>31: 10.7x↑</p> <p>32: 10.5x↗</p> <p>33: 10.6x↑</p> <p>34: 10.3x↖</p> <p>35: 10.4x↗</p> <p>36: 10.6x↖</p> <p>37: 10.3x↑</p> <p>38: 9.7 ←</p> <p>39: 10.4x↖</p> <p>40: 10.2x↖</p>			
Serie	103.7			
Total	416.6			

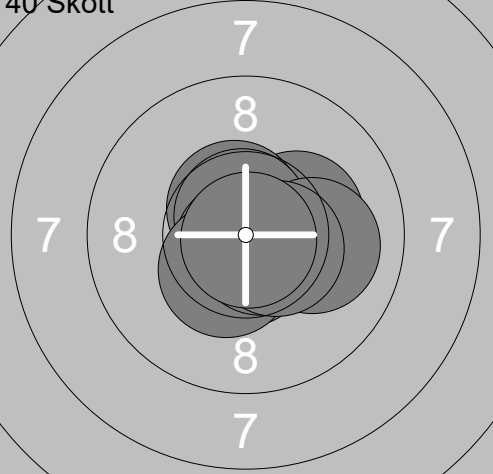
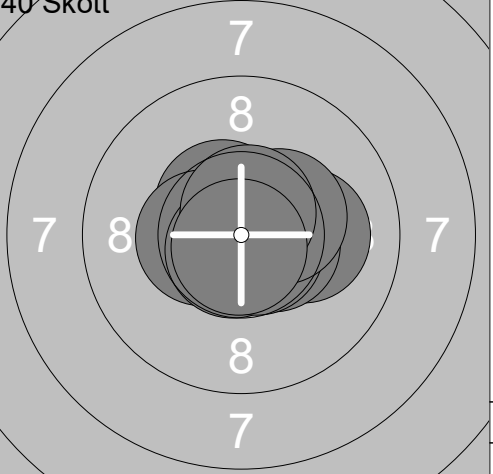
<p>Prov</p>	<p>1: 9.9 →</p> <p>2: 10.5 ✕</p> <p>3: 10.1 ↓</p> <p>4: 10.4 ✕</p> <p>5: 10.4 ✕</p> <p>6: 10.5 ✕</p> <p>7: 10.0 ↗</p> <p>8: 10.7 ✕</p> <p>9: 10.3 ✕</p> <p>10: 10.3 ✕</p> <p>Serie 103.1</p> <p>Total 0.0</p>	<p>Prov</p>	<p>11: 10.7 ✕</p> <p>12: 10.6 ✕</p> <p>13: 10.4 ✕</p> <p>14: 10.9 ✕</p> <p>15: 10.5 ✕</p> <p>16: 10.7 ✕</p> <p>Serie 63.8</p> <p>Total 0.0</p>
-------------	---	-------------	--

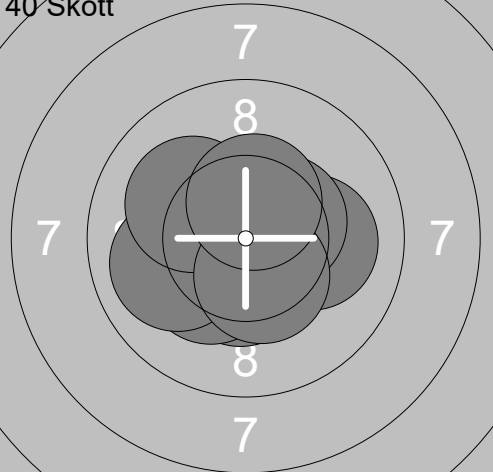
<p>40 Skott</p>	<p>1: 10.6 ✕</p> <p>2: 10.5 ↗</p> <p>3: 10.5 ↗</p> <p>4: 10.0 ←</p> <p>5: 10.5 ✕</p> <p>6: 10.5 ✕</p> <p>7: 10.4 ✕</p> <p>8: 10.9 ✕</p> <p>9: 10.4 ✕</p> <p>10: 10.5 ✕</p> <p>Serie 104.8</p> <p>Total 104.8</p>	<p>40 Skott</p>	<p>11: 10.3 ✕</p> <p>12: 10.5 ✕</p> <p>13: 10.4 ✕</p> <p>14: 10.8 ✕</p> <p>15: 10.8 ✕</p> <p>16: 10.6 ↗</p> <p>17: 10.5 ✕</p> <p>18: 10.7 ✕</p> <p>19: 10.4 ✕</p> <p>20: 10.2 ✕</p> <p>Serie 105.2</p> <p>Total 210.0</p>
-----------------	--	-----------------	---

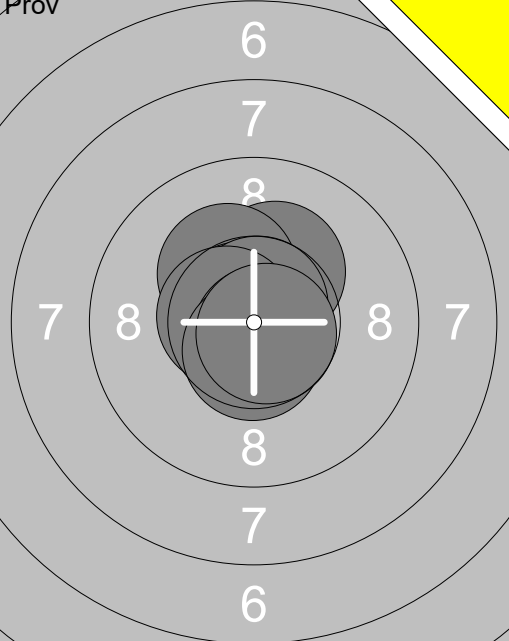
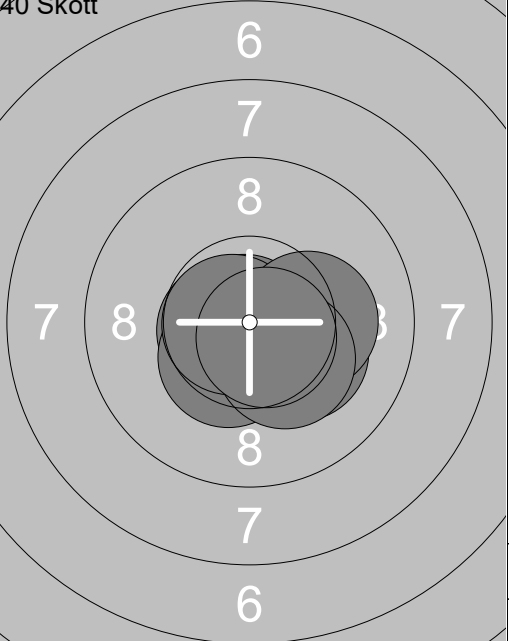
<p>40 Skott</p>	<p>21: 10.3 ✕</p> <p>22: 10.5 ✕</p> <p>23: 10.2 ✕</p> <p>24: 10.6 ✕</p> <p>25: 10.9 ✕</p> <p>26: 10.6 ✕</p> <p>27: 10.4 ✕</p> <p>28: 10.5 ✕</p> <p>29: 10.4 ✕</p> <p>30: 10.7 ✕</p> <p>Serie 105.1</p> <p>Total 315.1</p>	<p>40 Skott</p>	<p>31: 10.4 ↗</p> <p>32: 10.0 ←</p> <p>33: 10.8 ✕</p> <p>34: 10.7 ✕</p> <p>35: 10.6 ✕</p> <p>36: 10.3 ↗</p> <p>37: 10.5 ✕</p> <p>38: 10.2 ✕</p> <p>39: 10.9 ↓</p> <p>40: 10.5 ✕</p> <p>Serie 104.9</p> <p>Total 420.0</p>
-----------------	---	-----------------	---

<p>Pröv</p> 	<p>1: 9.3 ↓</p> <p>2: 10.1 ↙</p> <p>3: 10.2x →</p> <p>4: 10.5x →</p> <p>5: 10.4x ←</p> <p>6: 10.3x ↓</p> <p>7: 10.2x ↓</p> <p>8: 10.3x ↙</p> <p>9: 10.6x ↓</p> <p>10: 10.6x ←</p>	<p>Pröv</p> 	<p>11: 10.3x →</p> <p>12: 10.3x ↑</p> <p>13: 10.7x →</p> <p>14: 10.4x ↗</p> <p>15: 10.8x ↑</p> <p>16: 10.7x ↖</p> <p>17: 10.4x ↓</p> <p>18: 10.7x ↖</p> <p>19: 10.7x ↗</p> <p>20: 10.7x ↓</p>
Serie 102.5		Serie 105.7	
Total 0.0		Total 0.0	

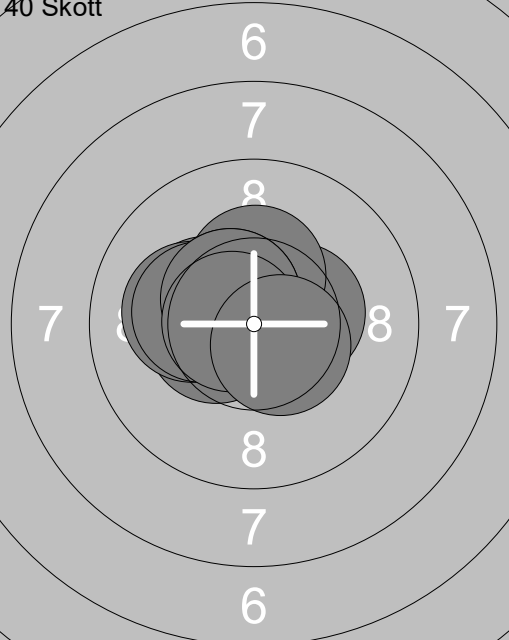
<p>Pröv</p> 	<p>21: 10.4x ↑</p> <p>22: 10.4x ↗</p> <p>23: 10.6x →</p> <p>24: 10.8x →</p> <p>25: 10.5x ↙</p>	<p>40 Skott</p> 	<p>1: 9.9 ↓</p> <p>2: 10.5x ←</p> <p>3: 10.9x ↓</p> <p>4: 10.6x ↘</p> <p>5: 10.5x ←</p> <p>6: 10.4x ↓</p> <p>7: 10.4x →</p> <p>8: 10.4x ↗</p> <p>9: 10.7x ↑</p> <p>10: 10.8x ↓</p>
Serie 52.7		Serie 105.1	
Total 0.0		Total 105.1	

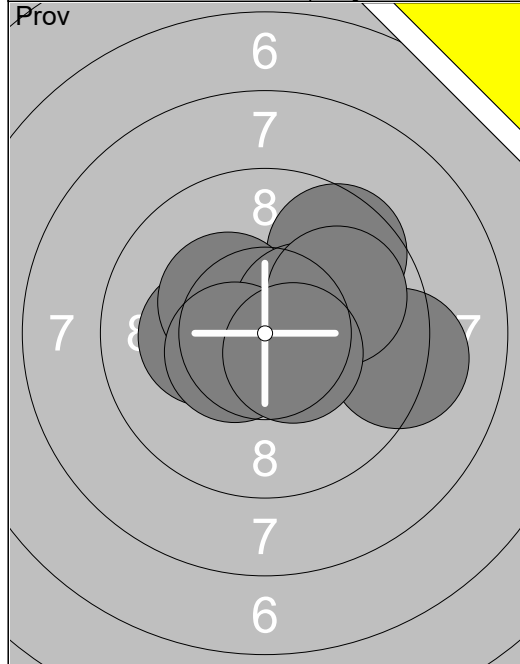
<p>40 Skott</p> 	<p>11: 10.2x →</p> <p>12: 10.6x ↗</p> <p>13: 10.7x ↑</p> <p>14: 10.1 →</p> <p>15: 10.8x ↓</p> <p>16: 10.6x ↓</p> <p>17: 10.4x ↘</p> <p>18: 10.7x ↘</p> <p>19: 10.5x ↘</p> <p>20: 10.9x ↓</p>	<p>40 Skott</p> 	<p>21: 10.5x ↖</p> <p>22: 10.5x ←</p> <p>23: 10.1 →</p> <p>24: 10.7x ↘</p> <p>25: 10.5x →</p> <p>26: 10.8x ↗</p> <p>27: 10.7x ↘</p> <p>28: 10.4x →</p> <p>29: 10.6x ↑</p> <p>30: 10.8x ↓</p>
Serie 105.5		Serie 105.6	
Total 210.6		Total 316.2	

<p>40 Skott</p> 	<p>31: 10.6x ↗</p> <p>32: 10.1 →</p> <p>33: 10.5x →</p> <p>34: 10.4x ↓</p> <p>35: 10.6x ↗</p> <p>36: 10.3x ↘</p> <p>37: 10.0 ←</p> <p>38: 10.1 ↖</p> <p>39: 10.4x ↓</p> <p>40: 10.5x ↑</p>		
Serie 103.5			
Total 419.7			

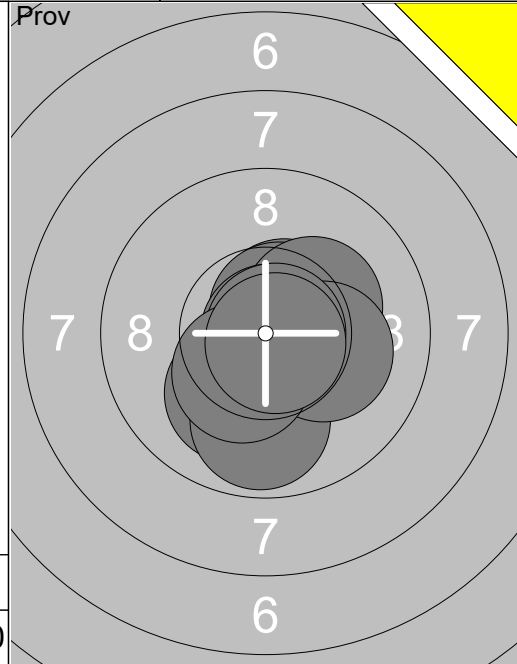
<p>Prov</p> 	<p>1: 10.2x↗ 2: 10.8x↙ 3: 10.2x↖ 4: 10.7x↘ 5: 10.7x↗ 6: 10.6x↙ 7: 10.7x↘ 8: 10.6x↓ 9: 10.7x↘</p>	<p>40 Skott</p> 	<p>1: 10.5x↘ 2: 10.7x↙ 3: 10.6x↙ 4: 10.4x↙ 5: 10.9x↙ 6: 10.2x↘ 7: 10.7x↙ 8: 10.2x➤ 9: 10.3x↘ 10: 10.7x↘</p>
Serie 95.2		Serie 105.2	
Total 0.0		Total 105.2	

<p>40 Skott</p> 	<p>11: 10.5x↙ 12: 10.5x↖ 13: 10.8x↖ 14: 10.8x↗ 15: 10.6x↙ 16: 10.6x➤ 17: 10.6x↓ 18: 10.8x↙ 19: 10.5x↙ 20: 10.5x➤</p>	<p>40 Skott</p> 	<p>21: 10.4x↗ 22: 10.6x➤ 23: 10.5x➤ 24: 10.8x↗ 25: 10.7x➤ 26: 10.5x↙ 27: 10.1↙ 28: 10.8x↙ 29: 10.7x↙ 30: 10.6x↙</p>
Serie 106.2		Serie 105.7	
Total 211.4		Total 317.1	

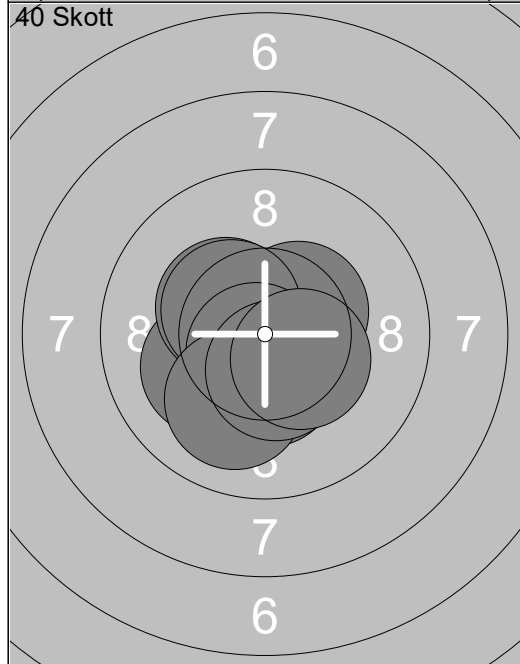
<p>40 Skott</p> 	<p>31: 10.4x↙ 32: 10.3x↙ 33: 10.1↙ 34: 10.4x➤ 35: 10.3x↗ 36: 10.5x↖ 37: 10.3x↙ 38: 10.5x↖ 39: 10.7x↙ 40: 10.5x↘</p>		
Serie 104.0			
Total 421.1			



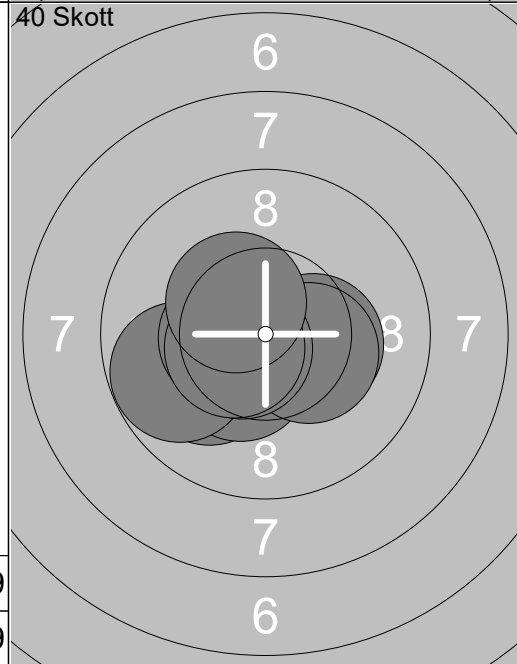
1:	9.2	→
2:	9.6	↗
3:	10.8	↓
4:	10.7	↖
5:	10.2	↖
6:	10.3	↖
7:	10.4	↗
8:	9.9	↗
9:	10.5	↘
10:	10.5	↘
Serie		102.1
Total		0.0



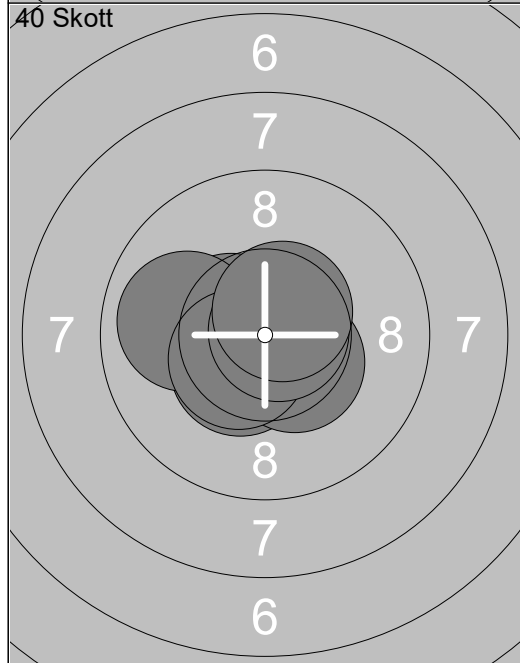
11:	10.6	↗
12:	10.6	↗
13:	10.1	↓
14:	10.3	↗
15:	9.8	↓
16:	10.2	↘
17:	10.9	↘
18:	10.8	↘
19:	10.4	↘
20:	10.8	↘
Serie		104.5
Total		0.0



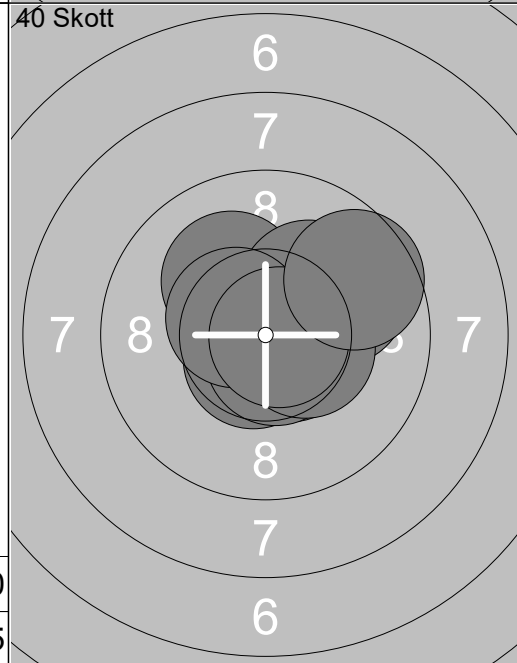
1:	10.7	↘
2:	10.1	↖
3:	10.3	↖
4:	10.4	↗
5:	10.4	↖
6:	10.4	↓
7:	10.7	↘
8:	10.0	↓
9:	10.5	↘
10:	10.4	↘
Serie		103.9
Total		103.9



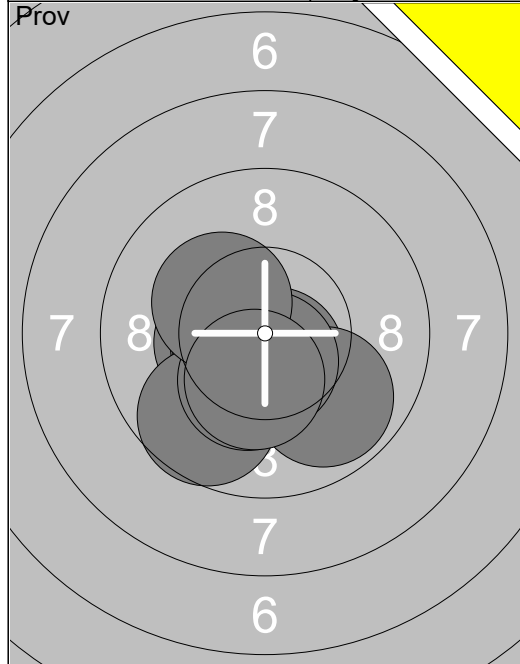
11:	10.1	↖
12:	10.3	↘
13:	10.4	↘
14:	10.7	↖
15:	9.8	↖
16:	10.5	↖
17:	10.3	↘
18:	10.6	↘
19:	10.5	↖
20:	10.4	↖
Serie		103.6
Total		207.5



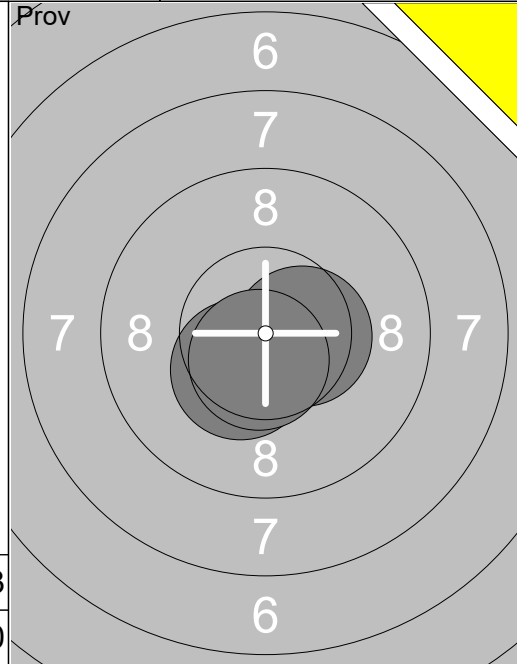
21:	10.7	↖
22:	10.4	↘
23:	10.5	↖
24:	10.7	↖
25:	10.5	↖
26:	9.9	←
27:	10.4	↘
28:	10.5	↘
29:	10.8	↗
30:	10.6	↗
Serie		105.0
Total		312.5



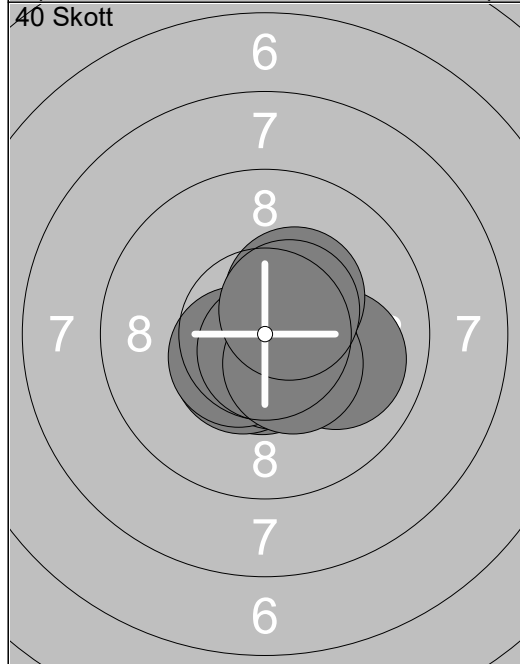
31:	10.1	↖
32:	10.6	↘
33:	9.9	↗
34:	10.6	↘
35:	10.7	↘
36:	10.2	↗
37:	10.4	↘
38:	10.5	↖
39:	10.8	↘
40:	9.6	↗
Serie		103.4
Total		415.9



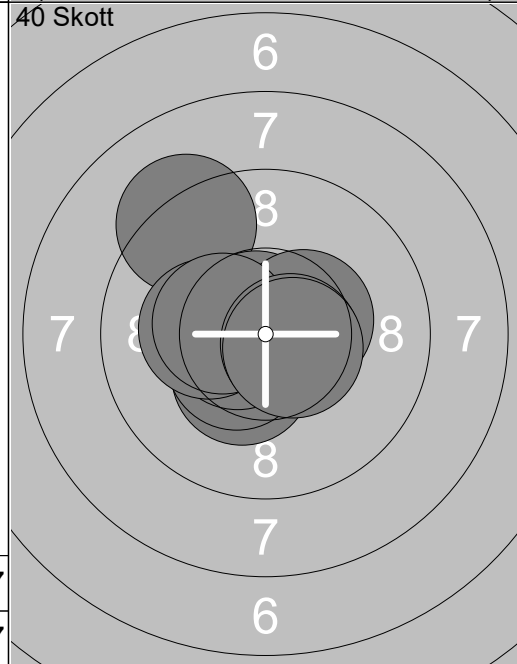
1:	10.6x↓
2:	9.9 ↓
3:	10.4x←
4:	10.6x↘
5:	10.6x↘
6:	10.6x↓
7:	9.7 ↓
8:	10.3x↓
9:	10.3x↘
10:	10.3x↓
<b>Serie 103.3</b>	
<b>Total 0.0</b>	



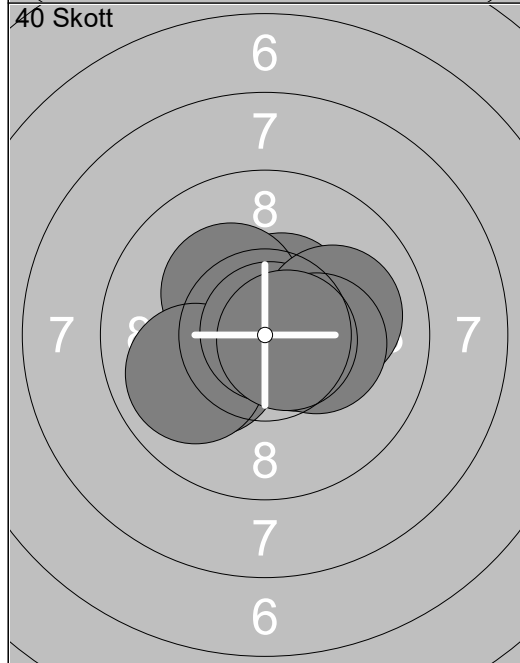
11:	10.4x↘
12:	10.5x→
13:	10.6x↓
<b>Serie 31.5</b>	
<b>Total 0.0</b>	



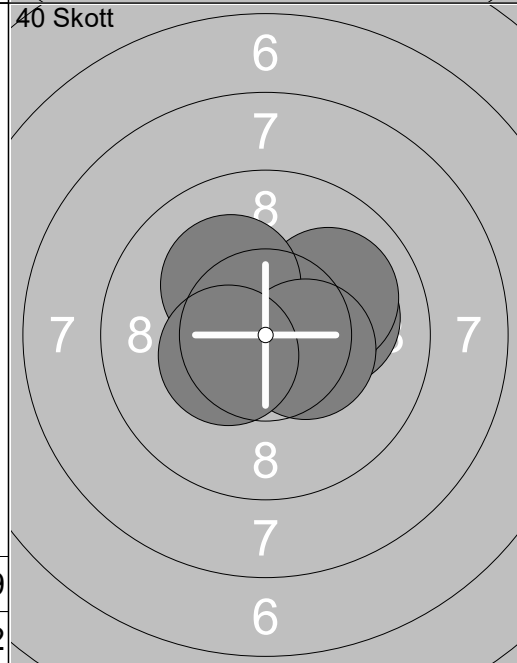
1:	10.0 →
2:	10.6x↘
3:	10.6x↓
4:	10.3x↗
5:	10.5x↘
6:	10.6x↓
7:	10.5x↘
8:	10.7x↓
9:	10.4x↘
10:	10.5x↗
<b>Serie 104.7</b>	
<b>Total 104.7</b>	



11:	10.4x↘
12:	9.2 ↖
13:	10.5x↘
14:	10.7x↘
15:	10.4x→
16:	10.6x←
17:	10.2x←
18:	10.4x←
19:	10.6x→
20:	10.6x→
<b>Serie 103.6</b>	
<b>Total 208.3</b>	

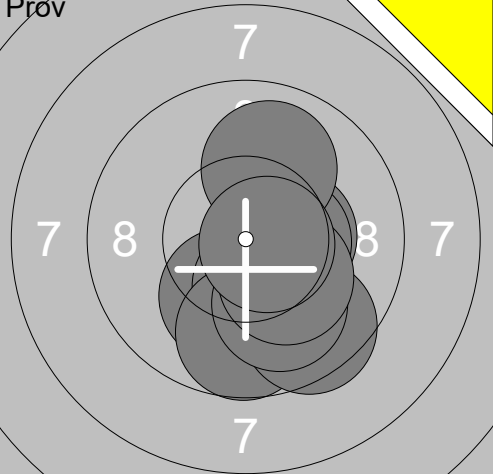
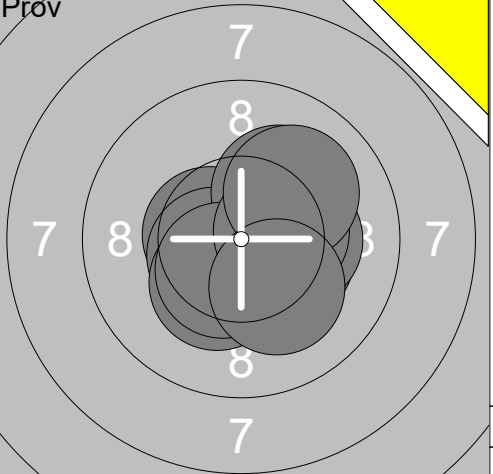


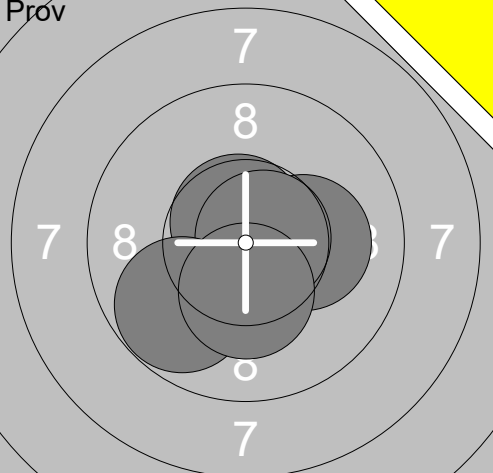
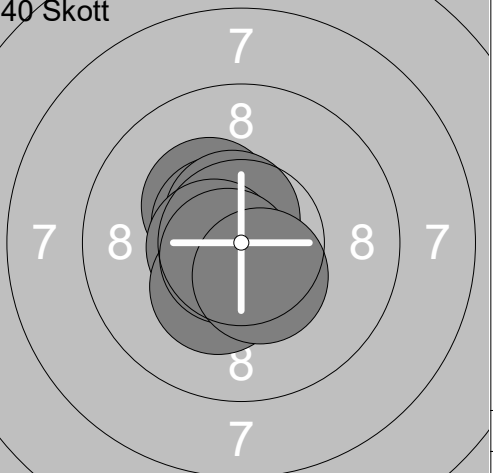
21:	10.1 ↙
22:	10.5x↗
23:	10.6x←
24:	10.3x↘
25:	9.9 ↙
26:	10.5x→
27:	10.9x↗
28:	10.1 →
29:	10.3x→
30:	10.7x→
<b>Serie 103.9</b>	
<b>Total 312.2</b>	

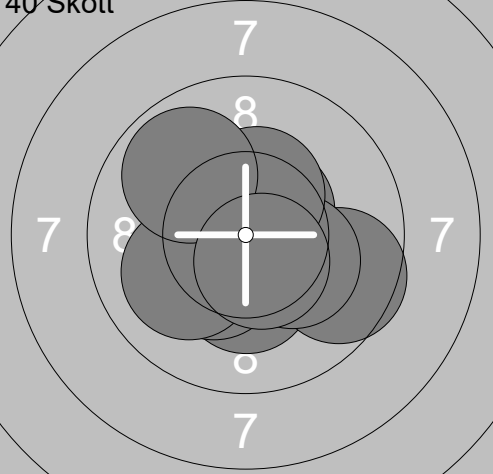
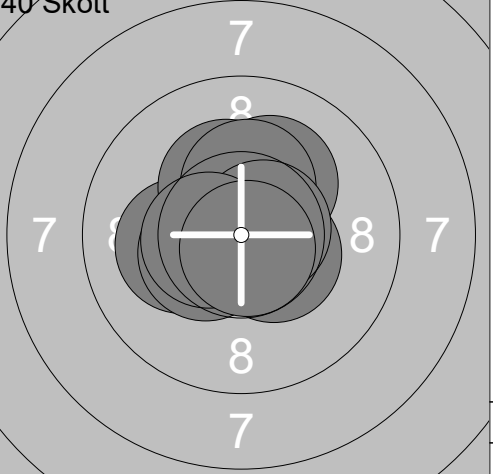


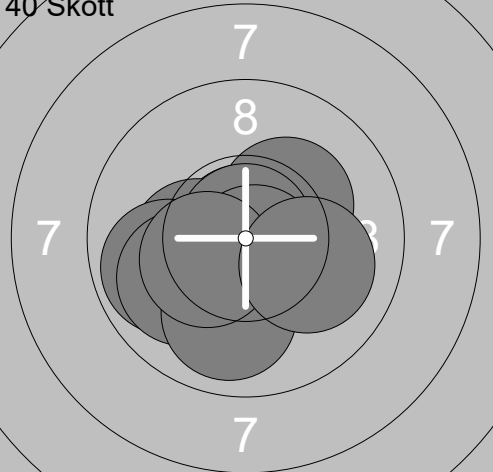
31:	10.1 →
32:	10.6x↗
33:	10.6x↗
34:	10.4x→
35:	10.5x↗
36:	10.8x↗
37:	10.0 ↗
38:	10.2x↘
39:	10.4x→
40:	10.4x↘
<b>Serie 104.0</b>	
<b>Total 416.2</b>	



Pröv 	Pröv 	1: 10.4x → 2: 10.2x ↓ 3: 10.3x ↓ 4: 10.4x → 5: 9.7 ↓ 6: 9.5 ↓ 7: 10.0 ↓ 8: 10.2x ↓ 9: 10.0 ↑ 10: 10.7x → <hr/> Serie 101.4 Total 0.0	11: 10.5x ← 12: 10.3x → 13: 10.5x ← 14: 10.2x ↗ 15: 10.3x ↓ 16: 10.5x ↓ 17: 10.2x → 18: 10.4x → 19: 10.0 ↗ 20: 10.2x ↓ <hr/> Serie 103.1 Total 0.0
--	--	---	---

Pröv 	40 Skott 	21: 10.2x → 22: 10.7x ↑ 23: 10.7x → 24: 9.8 ↙ 25: 10.3x ↓ <hr/> Serie 51.7 Total 0.0	1: 10.3x ↖ 2: 10.7x ↓ 3: 10.7x ↗ 4: 10.6x ↖ 5: 10.8x ↙ 6: 10.6x ↗ 7: 10.6x ← 8: 10.3x ↓ 9: 10.7x ↙ 10: 10.4x ↓ <hr/> Serie 105.7 Total 105.7
---	---	--	---

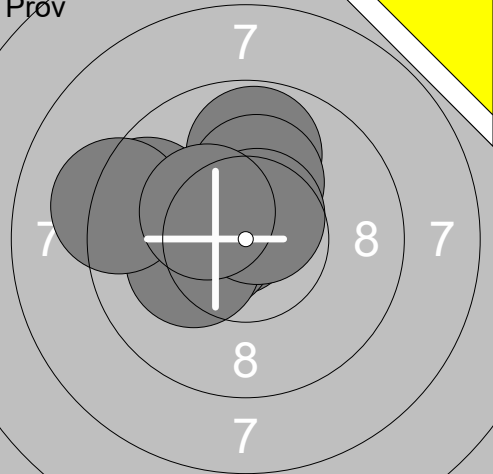
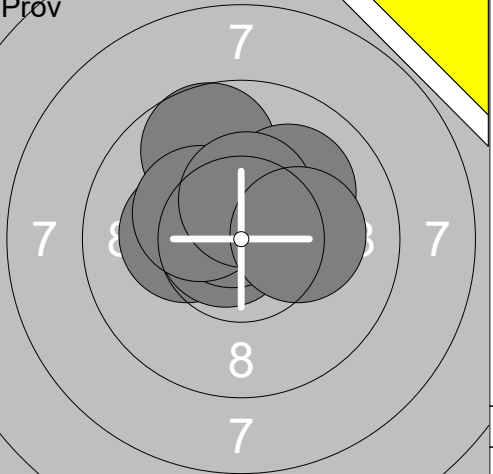
40 Skott 	40 Skott 	11: 10.3x ↓ 12: 9.6 → 13: 10.6x ↑ 14: 10.5x ↗ 15: 10.3x ↙ 16: 10.2x ↘ 17: 10.1 ↙ 18: 10.4x ↑ 19: 9.9 ↗ 20: 10.5x ↓ <hr/> Serie 102.4 Total 208.1	21: 10.2x ← 22: 10.2x ↗ 23: 10.3x ↑ 24: 10.3x ↑ 25: 10.4x ↘ 26: 10.6x → 27: 10.6x ↙ 28: 10.4x ← 29: 10.5x ← 30: 10.8x ↓ <hr/> Serie 104.3 Total 312.4
--	--	---	--

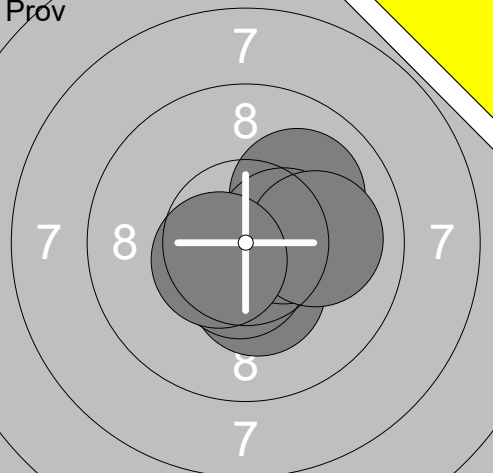
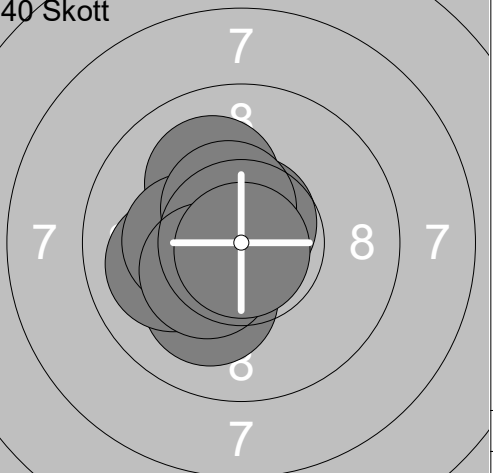
40 Skott 	31: 10.9x ↑ 32: 10.3x ← 33: 10.3x ↗ 34: 9.9 ← 35: 10.9x ↑ 36: 10.7x ↓ 37: 10.0 ↙ 38: 10.0 ↓ 39: 10.4x ↙ 40: 10.1 ↘ <hr/> Serie 103.5 Total 415.9		
--	---	--	--

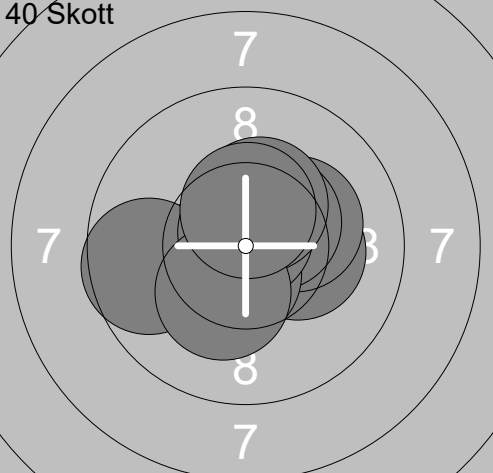
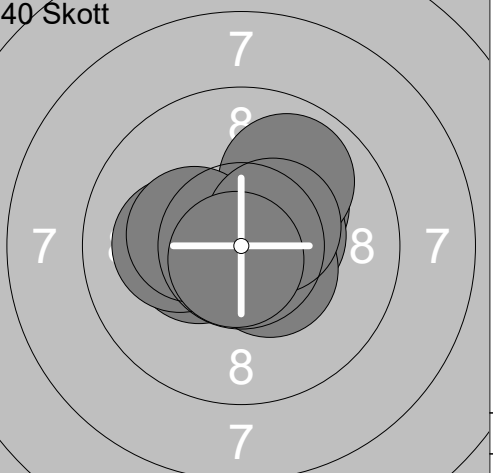
<p>Prov</p>	<p>40 Skott</p>	<p>1: 9.4 ↙</p> <p>2: 10.1 ↖</p> <p>3: 9.7 ←</p> <p>4: 10.4 ↘</p> <p>5: 10.6 ↘</p> <p>6: 10.1 ↗</p> <p>7: 10.3 ↘</p> <p>8: 10.5 ↘</p> <p>9: 10.8 ↗</p> <hr/> <p>Serie 91.9</p> <p>Total 0.0</p>
	<p>10: 10.7 ↘</p> <p>11: 10.8 ↘</p> <p>12: 10.6 ↘</p> <p>13: 10.1 ←</p> <p>14: 10.7 ↘</p> <p>15: 10.8 ↗</p> <p>16: 10.5 ↘</p> <p>17: 10.4 ↘</p> <p>18: 10.4 ↘</p>	<p>Serie 105.4</p> <p>Total 105.4</p>

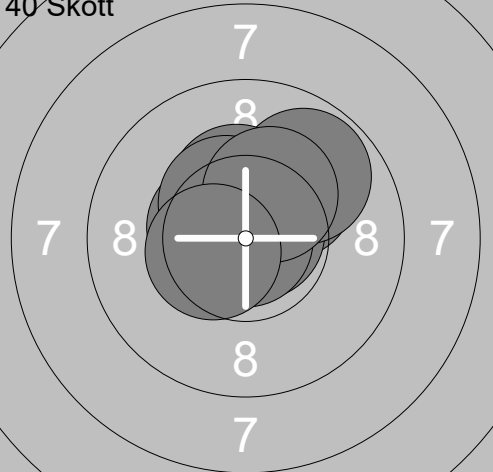
<p>40 Skott</p>	<p>40 Skott</p>	<p>11: 10.8 ↘</p> <p>12: 9.3 →</p> <p>13: 9.9 ←</p> <p>14: 10.6 ↘</p> <p>15: 10.7 ↘</p> <p>16: 10.3 ↘</p> <p>17: 10.7 ↘</p> <p>18: 10.3 ↘</p> <p>19: 10.6 ↘</p> <p>20: 10.6 ↗</p> <hr/> <p>Serie 103.8</p> <p>Total 209.2</p>
	<p>21: 10.8 ↘</p> <p>22: 10.7 ↘</p> <p>23: 10.7 ↘</p> <p>24: 10.1 ↗</p> <p>25: 10.6 ↘</p> <p>26: 10.8 ↘</p> <p>27: 10.6 ↘</p> <p>28: 10.7 ↘</p> <p>29: 10.4 ↘</p> <p>30: 9.9 ←</p>	<p>Serie 105.3</p> <p>Total 314.5</p>

<p>40 Skott</p>	<p>31: 10.3 ↗</p> <p>32: 10.7 ↘</p> <p>33: 10.6 ↘</p> <p>34: 10.6 ↗</p> <p>35: 10.5 ↘</p> <p>36: 10.3 ↗</p> <p>37: 9.8 ↑</p> <p>38: 10.4 ↗</p> <p>39: 10.6 ↗</p> <p>40: 10.8 ↘</p> <hr/> <p>Serie 104.6</p> <p>Total 419.1</p>	
-----------------	--	--

<p>Pröv</p> 	<p>1: 10.7x ↖                  2: 10.5x ←                  3: 9.6 ↖                  4: 10.5x ↖                  5: 10.2x ←                  6: 9.8 ↑                  7: 10.2x ↑                  8: 10.6x ↗                  9: 9.2 ←                  10: 10.3x ↖</p> <p>Serie 101.6 Total 0.0</p>	<p>Pröv</p> 	<p>11: 10.3x ↗                  12: 10.2x ←                  13: 10.7x ↖                  14: 9.7 ↗                  15: 10.7x ←                  16: 10.7x ↖                  17: 10.1 ↗                  18: 10.3x ↖                  19: 10.4x ↑                  20: 10.2x →</p> <p>Serie 103.3 Total 0.0</p>
--	---	--	---

<p>Pröv</p> 	<p>21: 10.3x ↓                  22: 10.0 ↗                  23: 10.6x ↓                  24: 10.4x →                  25: 10.0 →                  26: 10.5x ↖</p> <p>Serie 61.8 Total 0.0</p>	<p>40 Skott</p> 	<p>1: 10.1 ↘                  2: 10.0 ←                  3: 10.4x ↖                  4: 10.1 ↖                  5: 10.3x ←                  6: 10.9x ↙                  7: 10.7x ↑                  8: 10.5x ↖                  9: 10.4x ↙                  10: 10.8x ↓</p> <p>Serie 104.2 Total 104.2</p>
---	---	---	--

<p>40 Skott</p> 	<p>11: 10.3x →                  12: 10.5x ↙                  13: 10.2x →                  14: 10.5x ↗                  15: 10.5x ↓                  16: 9.6 ←                  17: 10.8x ↑                  18: 10.4x ↑                  19: 10.3x ↘                  20: 10.5x ↑</p> <p>Serie 103.6 Total 207.8</p>	<p>40 Skott</p> 	<p>21: 10.6x ↙                  22: 10.2x ↗                  23: 10.4x ←                  24: 10.4x →                  25: 10.1 ←                  26: 10.5x ↘                  27: 9.9 ↗                  28: 10.3x ←                  29: 10.5x ↗                  30: 10.8x ↓</p> <p>Serie 103.7 Total 311.5</p>
--	--	--	---

<p>40 Skott</p> 	<p>31: 10.1 ↗                  32: 10.4x ↑                  33: 10.5x ↙                  34: 10.8x ↗                  35: 9.8 ↗                  36: 10.3x ↑                  37: 10.9x ↙                  38: 10.4x ↖                  39: 10.3x ↗                  40: 10.5x ←</p> <p>Serie 104.0 Total 415.5</p>		
--	---	--	--

<p>Prov</p>	<p>1: 10.1 ↙                  2: 10.7x ↓                  3: 10.4x ↘                  4: 10.5x →                  5: 10.4x →                  6: 10.2x ↗                  7: 10.7x ↖                  8: 10.4x ↓                  9: 10.6x ↖                  10: 10.5x ↗</p>	<p>Prov</p>	<p>11: 10.5x ↖</p>
Serie 104.5		Serie 10.5	
Total 0.0		Total 0.0	

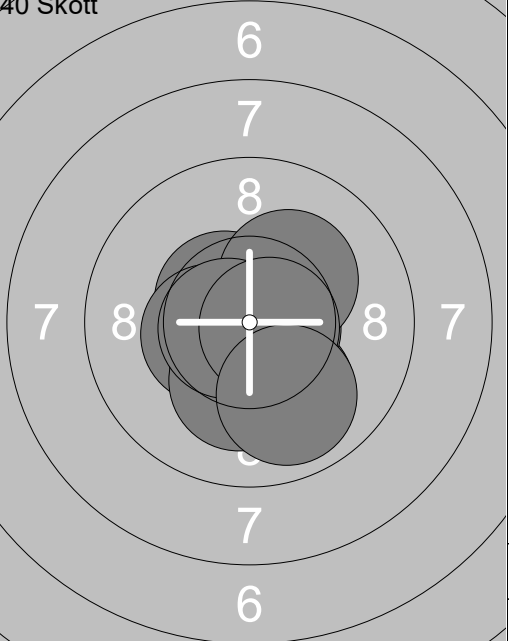
<p>40 Skott</p>	<p>1: 9.9 ↑                  2: 10.1 ↑                  3: 10.4x →                  4: 10.4x ↖                  5: 9.9 ↖                  6: 9.7 ←                  7: 10.0 ←                  8: 9.7 ←                  9: 10.2x ↓                  10: 10.9x ↗</p>		<p>11: 10.4x ↘                  12: 10.4x ↘                  13: 10.3x ↓                  14: 10.6x ↓                  15: 10.0 →                  16: 10.4x ↖                  17: 10.0 ↗                  18: 10.3x →                  19: 10.3x ↘                  20: 10.7x ↓</p>
Serie 101.2		Serie 103.4	
Total 101.2		Total 204.6	

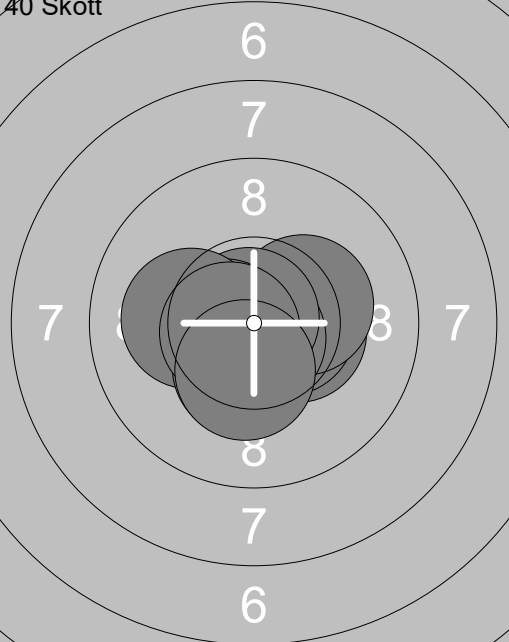
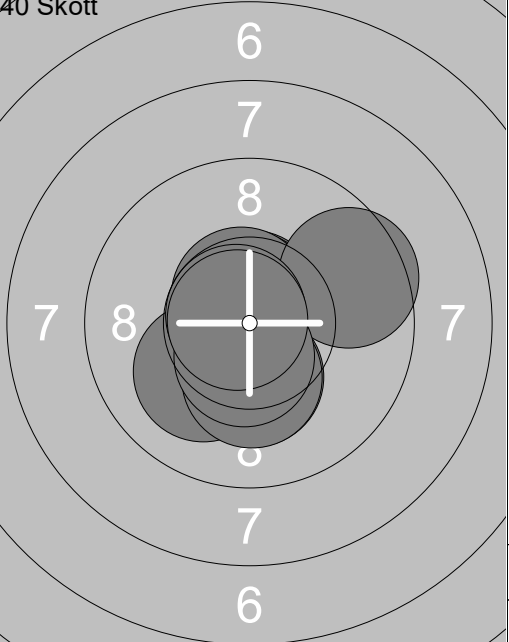
<p>40 Skott</p>	<p>21: 10.5x ↖                  22: 10.6x →                  23: 10.1 ↓                  24: 10.0 ↓                  25: 10.5x ↗                  26: 10.1 ↓                  27: 10.5x ↖                  28: 10.3x ↘                  29: 10.6x ↗                  30: 9.7 ↗</p>		<p>31: 10.4x ↘                  32: 10.5x →                  33: 10.6x ↖                  34: 10.7x ↗                  35: 10.4x ↘                  36: 10.5x ↖                  37: 10.1 ↓                  38: 10.8x →                  39: 10.5x ↓                  40: 10.3x ↗</p>
Serie 102.9		Serie 104.8	
Total 307.5		Total 412.3	

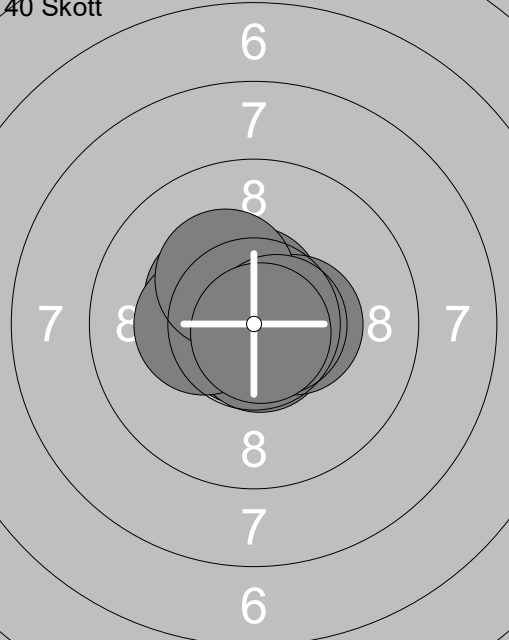
Prov 	1: 9.9 ↓ 2: 10.1 → 3: 9.5 → 4: 10.5✗ 5: 9.7 ↙ 6: 10.9✗ 7: 10.1 ↗ 8: 9.6 ↙ 9: 10.7x→ 10: 9.6 ↓	Prov 		11: 10.3x↘ 12: 9.8 → 13: 10.7x↘ 14: 10.2x→ 15: 10.7x↗ 16: 10.9x✗ 17: 10.7x✗ 18: 9.9 ↗ 19: 10.7x↗ 20: 10.8x✗
	Serie 100.6			Serie 104.7
	Total 0.0			Total 0.0

40 Skott 	1: 10.3x↗ 2: 10.6x↘ 3: 10.4x↘ 4: 9.6 ↗ 5: 10.3x→ 6: 10.6x↗ 7: 10.2x→ 8: 9.7 ↖ 9: 10.2x✗ 10: 10.1 ↓	40 Skott 		11: 10.7x↘ 12: 10.0 ↗ 13: 10.4x✗ 14: 10.6x→ 15: 10.3x→ 16: 10.3x↗ 17: 10.1 ↗ 18: 10.8x↘ 19: 10.7x✗ 20: 10.6x→
	Serie 102.0			Serie 104.5
	Total 102.0			Total 206.5

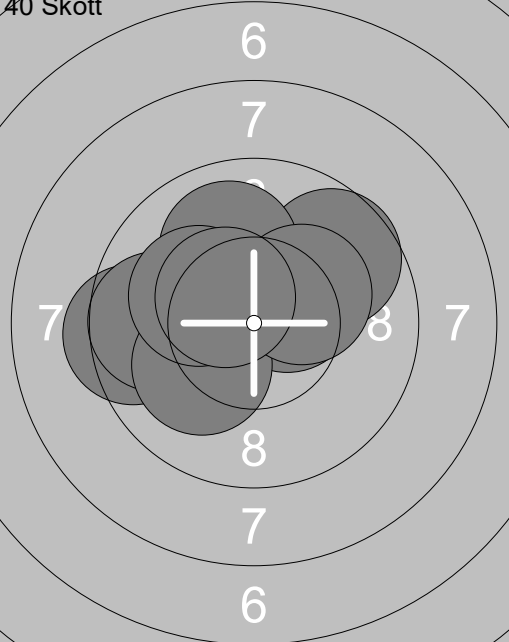
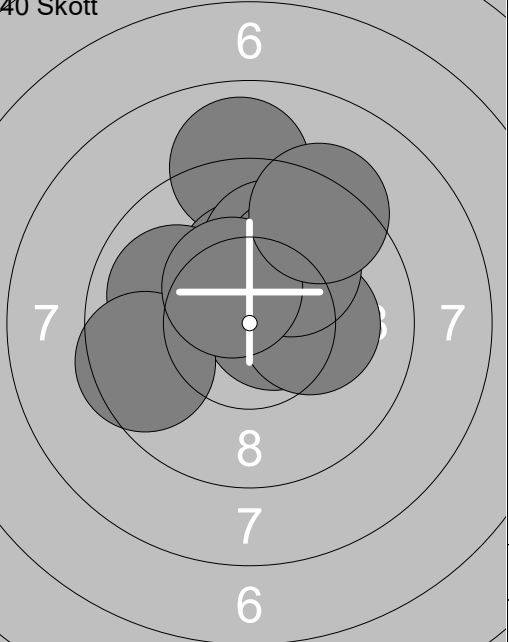
40 Skott 	21: 10.7x→ 22: 10.8x↘ 23: 10.6x↗ 24: 10.8x→ 25: 10.0 ↗ 26: 10.8x↗ 27: 9.6 ↗ 28: 10.0 → 29: 10.3x→ 30: 9.9 ↗	40 Skott 		31: 10.2x✗ 32: 10.7x↗ 33: 10.6x↗ 34: 10.4x✗ 35: 10.4x↘ 36: 10.4x↗ 37: 10.4x↘ 38: 10.5x→ 39: 10.7x↘ 40: 10.2x→
	Serie 103.5			Serie 104.5
	Total 310.0			Total 414.5

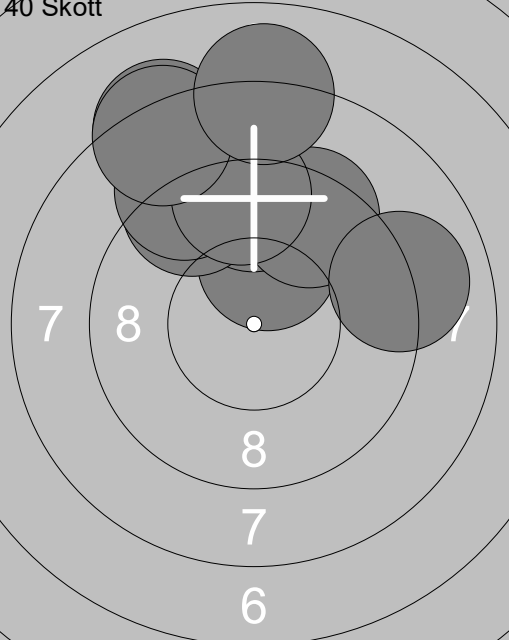
<p>Prov</p> 	<p>1: 10.2x ↗</p> <p>2: 10.2x ↗</p> <p>3: 9.9 ↑</p> <p>4: 10.0 ←</p> <p>5: 10.7x ↓</p> <p>6: 10.4x ←</p> <p>7: 10.6x ↓</p> <p>8: 10.2x ←</p> <p>9: 10.4x ←</p> <p>10: 10.8x ↓</p>	<p>40 Skott</p> 		<p>1: 10.0 ↓</p> <p>2: 10.5x ↘</p> <p>3: 10.4x ←</p> <p>4: 10.5x ↓</p> <p>5: 10.7x →</p> <p>6: 10.2x ↓</p> <p>7: 10.2x ↗</p> <p>8: 10.7x ←</p> <p>9: 10.7x →</p> <p>10: 9.9 ↓</p>	
Serie	103.4			Serie	103.8
Total	0.0			Total	103.8

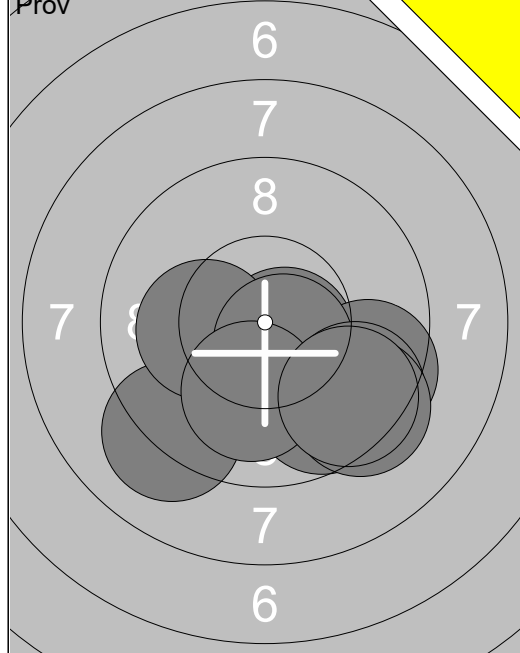
<p>40 Skott</p> 	<p>11: 10.4x →</p> <p>12: 10.5x →</p> <p>13: 10.3x ↗</p> <p>14: 10.8x ↓</p> <p>15: 10.9x ↘</p> <p>16: 10.6x ←</p> <p>17: 10.2x ←</p> <p>18: 10.4x ↓</p> <p>19: 10.6x ←</p> <p>20: 10.3x ↓</p>	<p>40 Skott</p> 		<p>21: 10.3x ↓</p> <p>22: 10.1 ↙</p> <p>23: 10.3x ↓</p> <p>24: 10.7x ↑</p> <p>25: 10.7x ↑</p> <p>26: 10.6x ↘</p> <p>27: 9.6 →</p> <p>28: 10.5x ↓</p> <p>29: 10.8x ↘</p> <p>30: 10.8x ↘</p>	
Serie	105.0			Serie	104.4
Total	208.8			Total	313.2

<p>40 Skott</p> 	<p>31: 10.8x ↓</p> <p>32: 10.7x ↓</p> <p>33: 10.8x ←</p> <p>34: 10.6x ↑</p> <p>35: 10.3x ↘</p> <p>36: 10.3x ←</p> <p>37: 10.5x →</p> <p>38: 10.3x ↘</p> <p>39: 10.7x →</p> <p>40: 10.8x ↓</p>			
Serie	105.8			
Total	419.0			

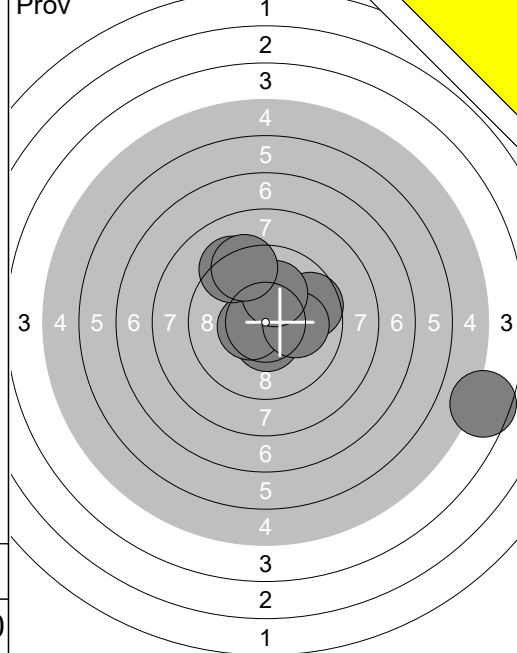
<p>Prov</p> 	<p>1: 9.0 →</p> <p>2: 9.3 →</p> <p>3: 10.7x↘</p> <p>4: 10.2x↗</p> <p>5: 10.6x↗</p> <p>6: 10.2x↗</p> <p>7: 10.3x↘</p> <p>8: 10.6x↘</p> <p>9: 10.4x↗</p> <p>10: 10.1 →</p>	<p>40 Skott</p> 	<p>1: 10.7x↘</p> <p>2: 10.3x↘</p> <p>3: 9.9 ↓</p> <p>4: 10.7x↘</p> <p>5: 10.5x↗</p> <p>6: 10.7x↘</p> <p>7: 9.8 ↗</p> <p>8: 10.2x↘</p> <p>9: 10.7x↘</p> <p>10: 9.2 ↓</p>
Serie 101.4		Serie 102.7	
Total 0.0		Total 102.7	

<p>40 Skott</p> 	<p>11: 10.5x↗</p> <p>12: 9.7 ↗</p> <p>13: 9.4 ←</p> <p>14: 10.0 ↑</p> <p>15: 10.2x↘</p> <p>16: 9.7 ←</p> <p>17: 10.1 ↘</p> <p>18: 10.2x↗</p> <p>19: 10.2x↘</p> <p>20: 10.5x↘</p>	<p>40 Skott</p> 	<p>21: 9.0 ↑</p> <p>22: 10.3x↘</p> <p>23: 10.0 ↘</p> <p>24: 10.6x→</p> <p>25: 10.2x→</p> <p>26: 9.5 ←</p> <p>27: 10.0 ↑</p> <p>28: 10.1 ↗</p> <p>29: 10.4x↘</p> <p>30: 9.3 ↗</p>
Serie 100.5		Serie 99.4	
Total 203.2		Total 302.6	

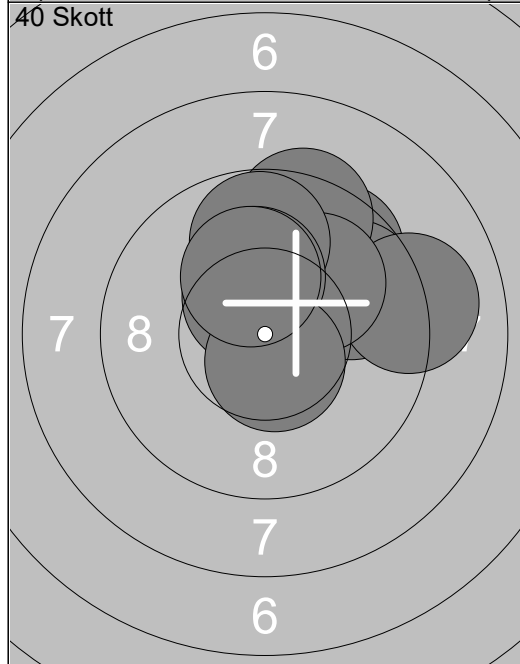
<p>40 Skott</p> 	<p>31: 10.1 ↑</p> <p>32: 9.4 ↑</p> <p>33: 9.3 ↘</p> <p>34: 9.0 ↘</p> <p>35: 9.4 ↗</p> <p>36: 9.0 →</p> <p>37: 8.2 ↘</p> <p>38: 9.3 ↑</p> <p>39: 8.3 ↘</p> <p>40: 8.0 ↑</p>	
Serie 90.0		
Total 392.6		



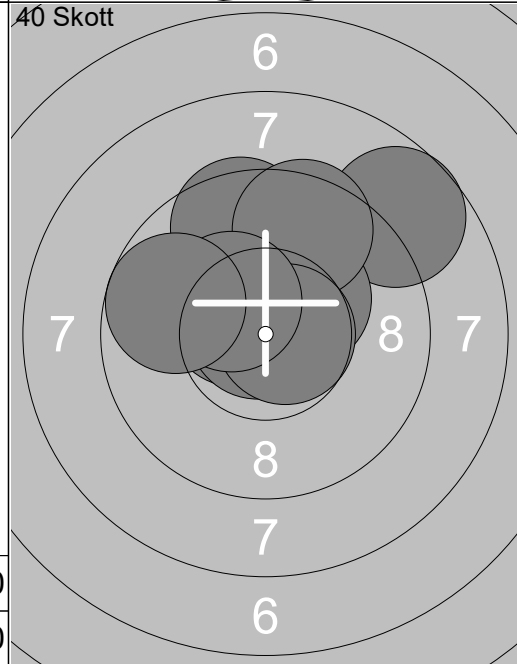
1:	10.6x↘
2:	9.7 ↘
3:	9.5 ↘
4:	9.1 ↘
5:	10.2x↔
6:	10.6x↘
7:	10.1 ↓
8:	9.5 ↘
9:	9.3 ↘
10:	9.5 ↘
<b>Serie 98.1</b>	
<b>Total 0.0</b>	



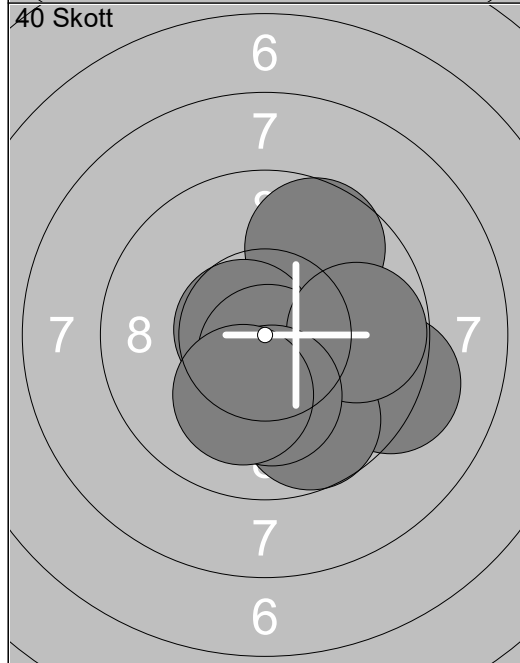
11:	10.5x↓
12:	9.7 →
13:	4.6 ↘
14:	10.5x↔
15:	10.1 →
16:	9.2 ↖
17:	10.1 ↑
18:	9.4 ↖
<b>Serie 74.1</b>	
<b>Total 0.0</b>	



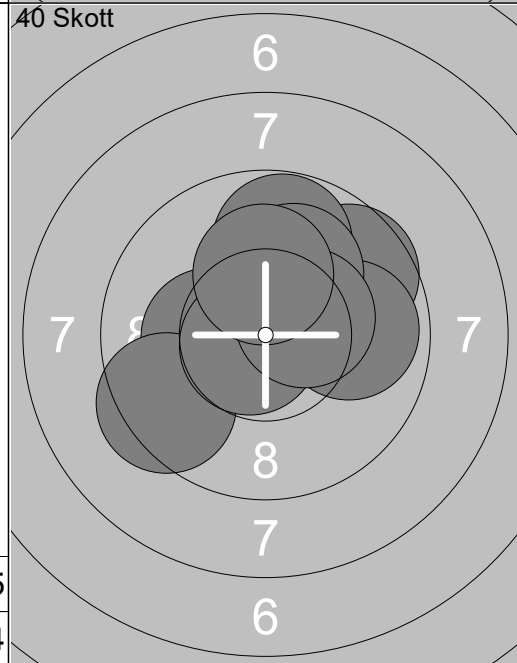
1:	10.4x↖
2:	9.6 ↗
3:	9.7 →
4:	9.1 →
5:	9.4 ↑
6:	10.0 ↗
7:	9.8 ↑
8:	10.2x↖
9:	10.6x↓
10:	10.2x↖
<b>Serie 99.0</b>	
<b>Total 99.0</b>	



11:	9.6 ↖
12:	10.8x↖
13:	8.7 ↗
14:	10.5x↔
15:	10.8x↔
16:	10.3x↗
17:	9.5 ↑
18:	10.7x→
19:	10.3x↖
20:	9.7 ↖
<b>Serie 100.9</b>	
<b>Total 199.9</b>	

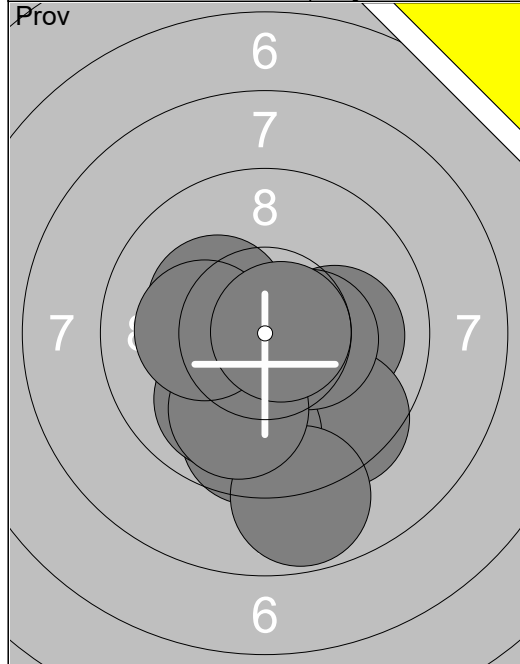


21:	9.8 →
22:	9.2 →
23:	9.7 ↗
24:	9.7 ↘
25:	10.6x↘
26:	10.7x↔
27:	10.7x↓
28:	9.8 →
29:	10.2x↓
30:	10.1 ↓
<b>Serie 100.5</b>	
<b>Total 300.4</b>	

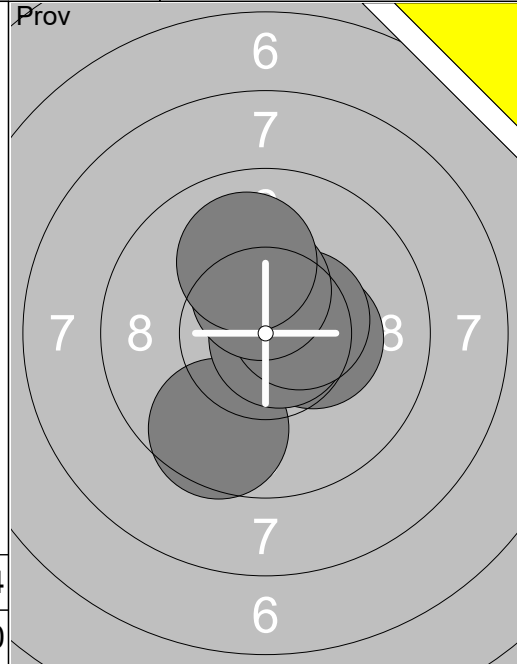


31:	9.6 ↗
32:	9.9 →
33:	10.2x↔
34:	9.8 ↑
35:	10.4x↗
36:	9.4 ↖
37:	10.1 ↑
38:	10.7x↔
39:	10.4x→
40:	10.2x↖
<b>Serie 100.7</b>	
<b>Total 401.1</b>	

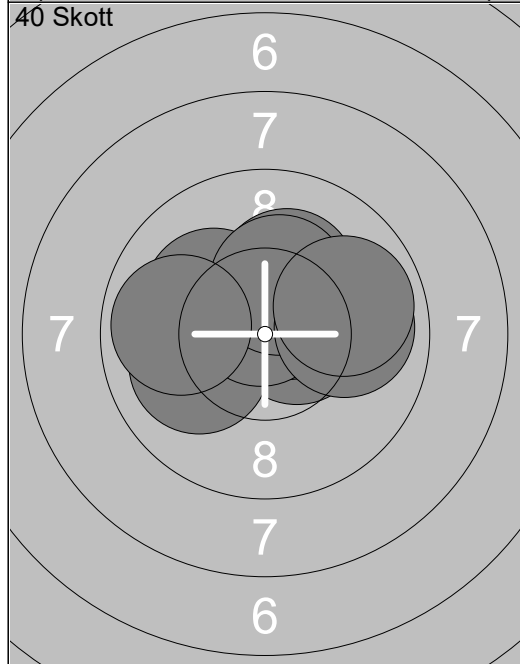




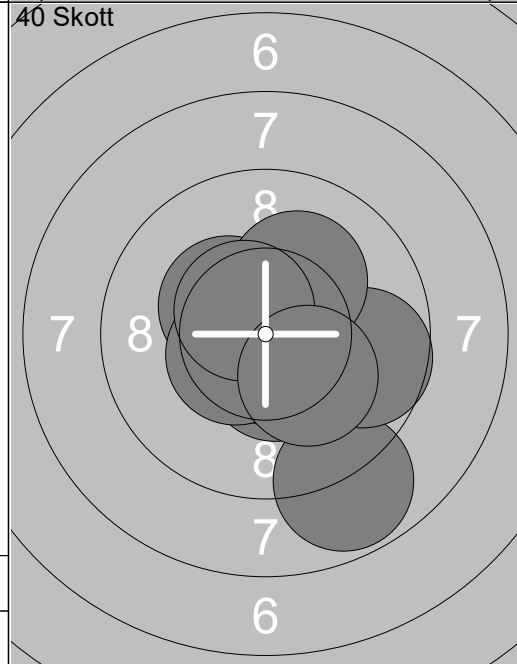
1:	10.1 →
2:	9.5 ↘
3:	9.6 ↓
4:	8.8 ↓
5:	10.2 ✕
6:	10.4 ✕ →
7:	10.0 ↓
8:	9.9 ↓
9:	10.2 ✕ ←
10:	10.7 ✕ →
<b>Serie 99.4</b>	
<b>Total 0.0</b>	



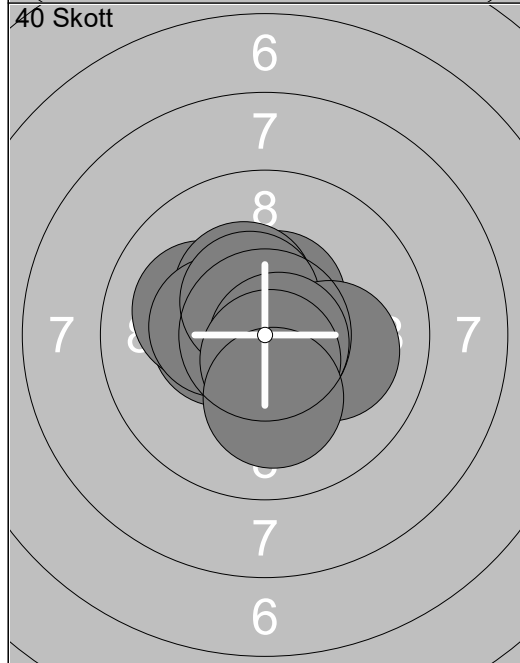
11:	9.6 ↙
12:	10.3 ✕ →
13:	10.8 ✕ →
14:	10.5 ✕ →
15:	10.4 ✕ ↗
16:	10.0 ↗
<b>Serie 61.6</b>	
<b>Total 0.0</b>	



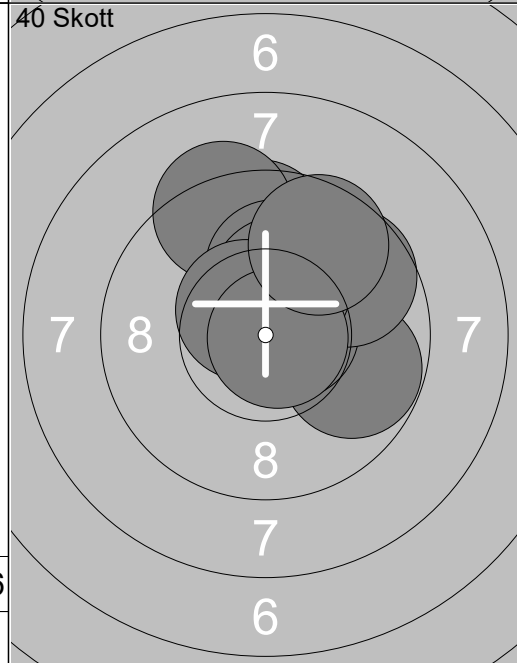
1:	10.5 ✕ →
2:	10.2 ✕ ←
3:	10.5 ✕ ↗
4:	10.2 ✕ ↗
5:	10.0 ←
6:	10.7 ✕ ↗
7:	10.3 ✕ ↗
8:	9.9 →
9:	9.9 ←
10:	9.9 →
<b>Serie 102.1</b>	
<b>Total 102.1</b>	



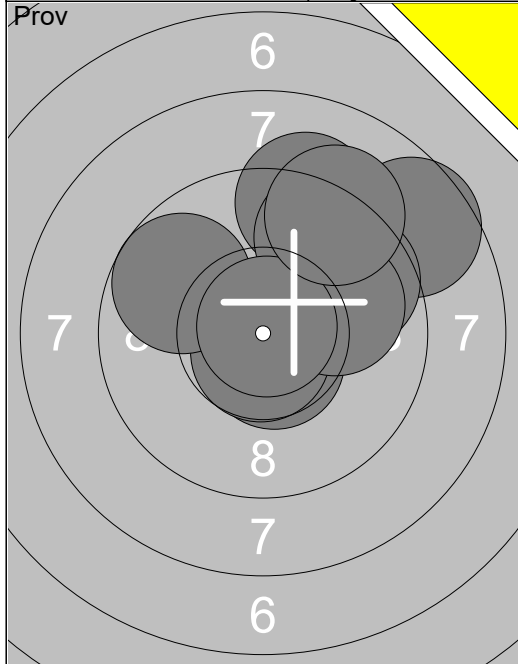
11:	10.4 ✕ ←
12:	10.5 ✕ ↓
13:	8.8 ↓
14:	9.7 →
15:	10.9 ✕ →
16:	10.2 ✕ ↗
17:	10.7 ✕ ↓
18:	10.5 ✕ ←
19:	10.5 ✕ ←
20:	10.2 ✕ →
<b>Serie 102.4</b>	
<b>Total 204.5</b>	



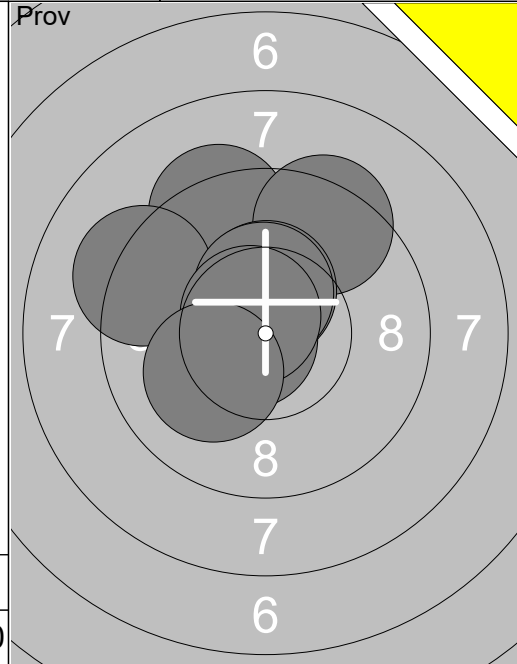
21:	10.4 ✕ ←
22:	10.1 ←
23:	10.5 ✕ ↗
24:	10.3 ✕ ↗
25:	10.3 ✕ ←
26:	10.5 ✕ ↗
27:	10.1 →
28:	10.7 ✕ →
29:	10.6 ✕ ↓
30:	10.1 ↓
<b>Serie 103.6</b>	
<b>Total 308.1</b>	



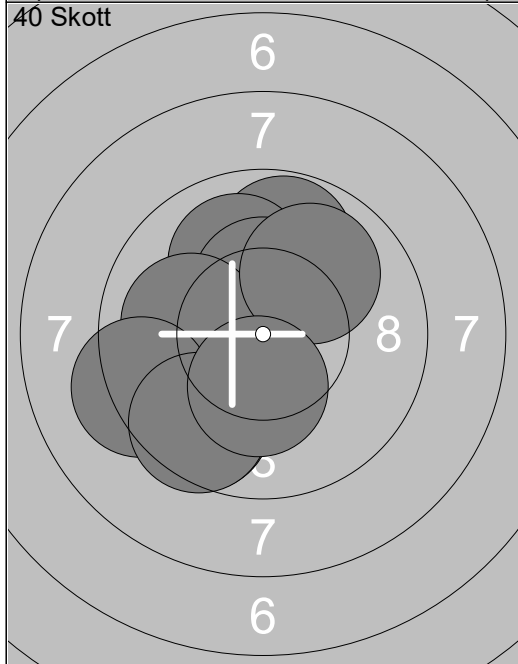
31:	9.6 ↗
32:	9.8 →
33:	9.3 ↗
34:	10.6 ✕ →
35:	10.1 ↗
36:	9.7 ↗
37:	10.3 ✕ ↗
38:	10.5 ✕ ←
39:	10.8 ✕ →
40:	9.6 ↗
<b>Serie 100.3</b>	
<b>Total 408.4</b>	



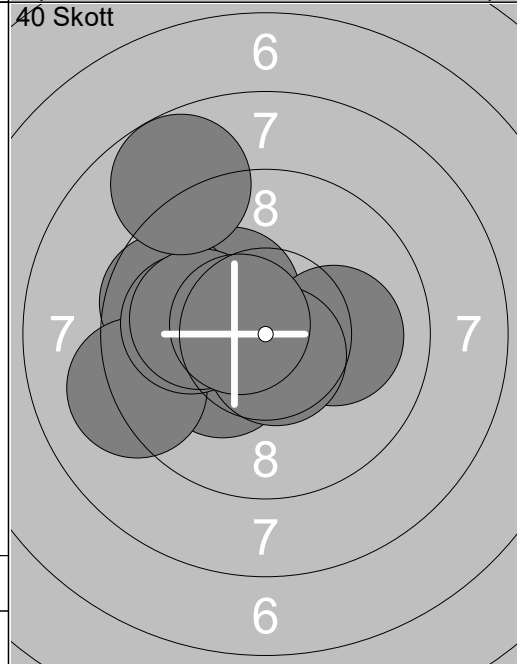
1:	9.2	↗
2:	10.6	↘
3:	10.7	↘
4:	9.7	↖
5:	8.6	↗
6:	9.5	↗
7:	9.7	↗
8:	10.0	→
9:	10.9	↗
10:	9.2	↗
Serie		98.1
Total		0.0



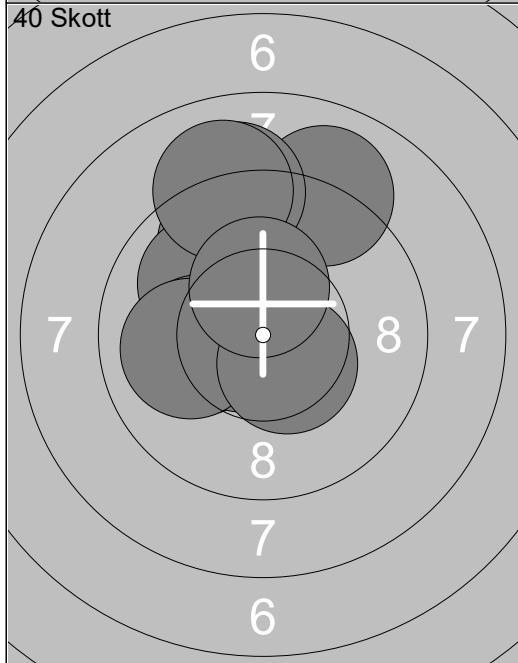
11:	9.9	↗
12:	9.3	↖
13:	9.4	↗
14:	10.5	↖
15:	9.2	↖
16:	10.4	↗
17:	10.7	↖
18:	10.4	↗
19:	10.7	↖
20:	10.1	↘
Serie		100.6
Total		0.0



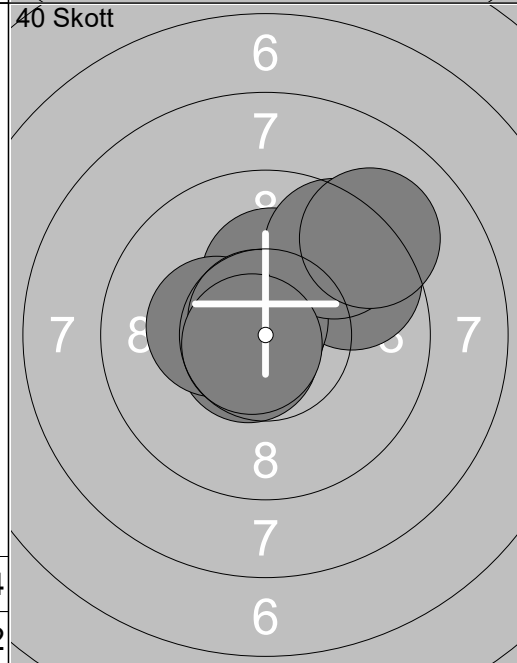
1:	10.2	↖
2:	9.8	↗
3:	10.0	↗
4:	10.4	↗
5:	9.6	↘
6:	10.0	↖
7:	9.3	↖
8:	9.5	↘
9:	10.0	↗
10:	10.3	↘
Serie		99.1
Total		99.1



11:	10.3	↖
12:	9.7	↖
13:	10.3	↖
14:	9.2	↖
15:	10.1	→
16:	10.0	↖
17:	10.6	↘
18:	10.1	↖
19:	8.8	↗
20:	10.6	↖
Serie		99.7
Total		198.8



21:	9.7	↗
22:	10.0	↖
23:	10.1	↖
24:	9.0	↗
25:	9.1	↗
26:	10.7	↖
27:	9.0	↗
28:	10.0	↖
29:	10.5	↘
30:	10.3	↗
Serie		98.4
Total		297.2



31:	10.6	↖
32:	10.2	↗
33:	10.6	↖
34:	10.8	↖
35:	9.6	↗
36:	10.3	↖
37:	10.7	↖
38:	9.5	↗
39:	9.1	↗
40:	10.7	↖
Serie		102.1
Total		399.3