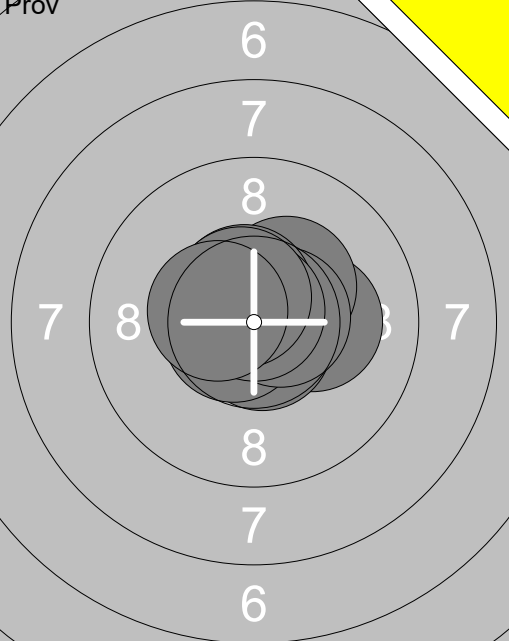
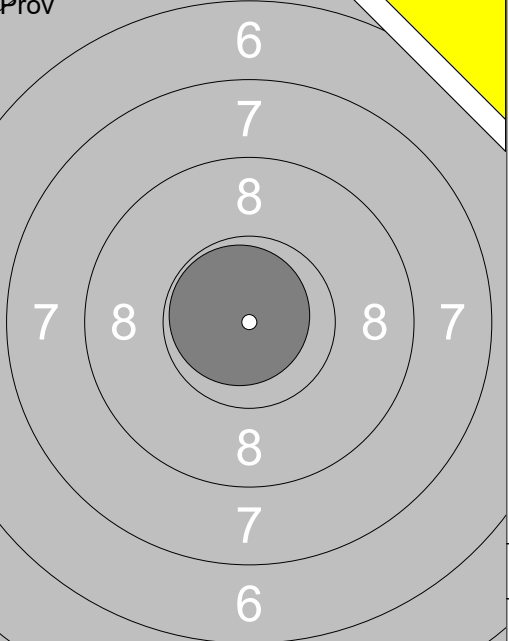
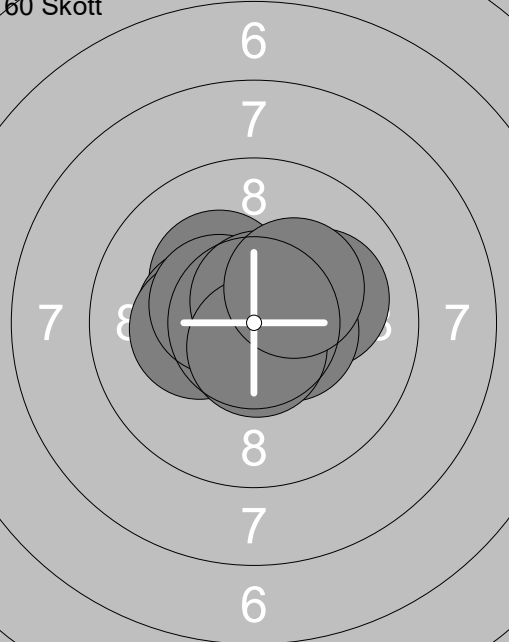
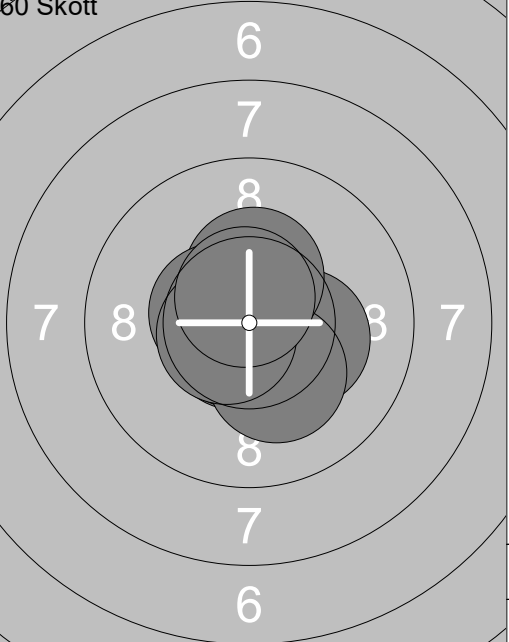
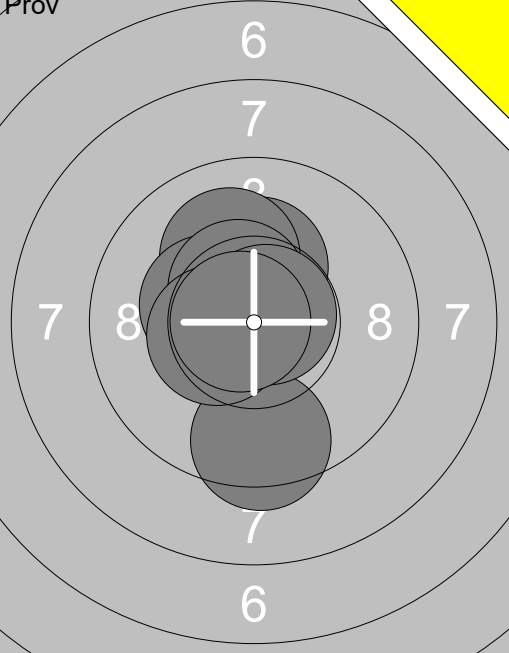
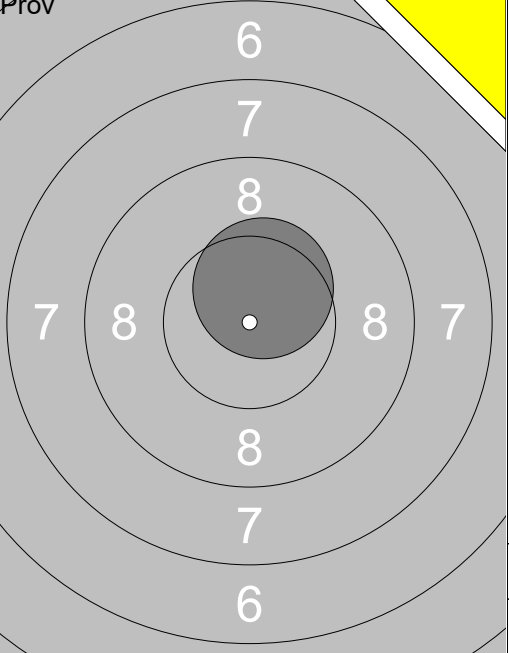
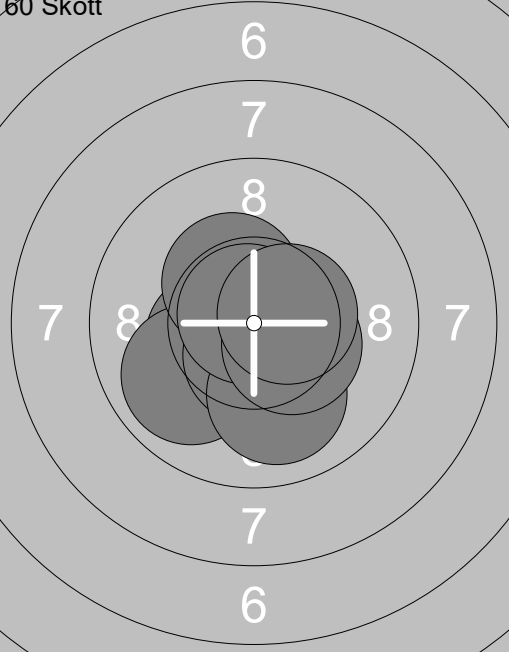
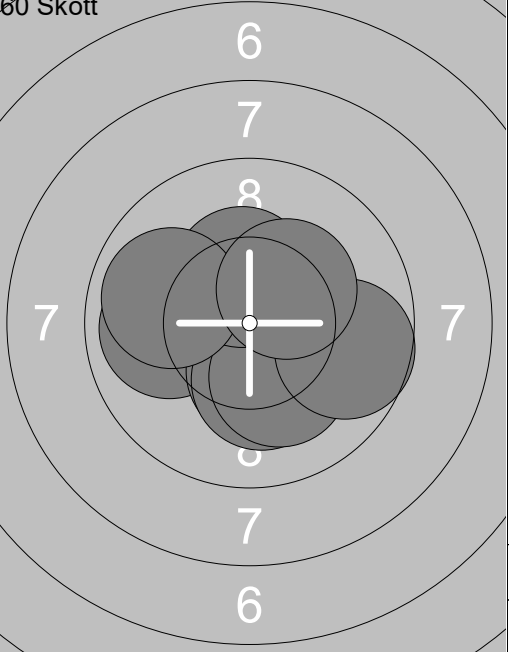
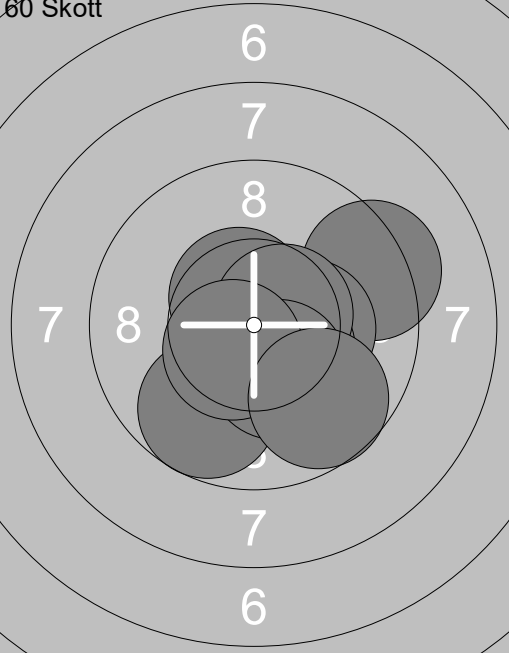
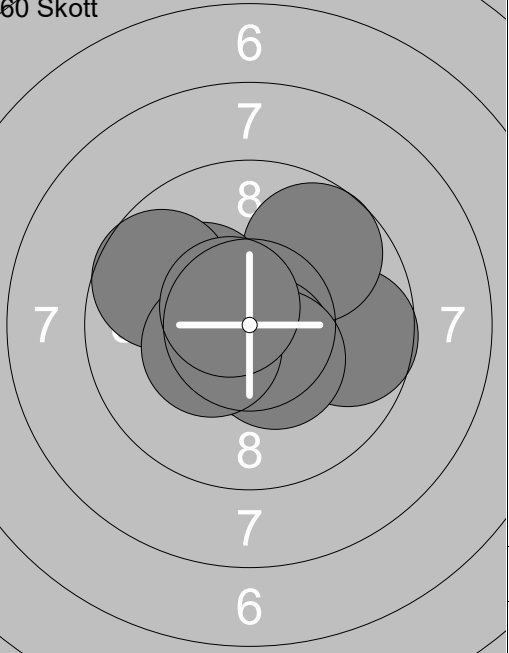
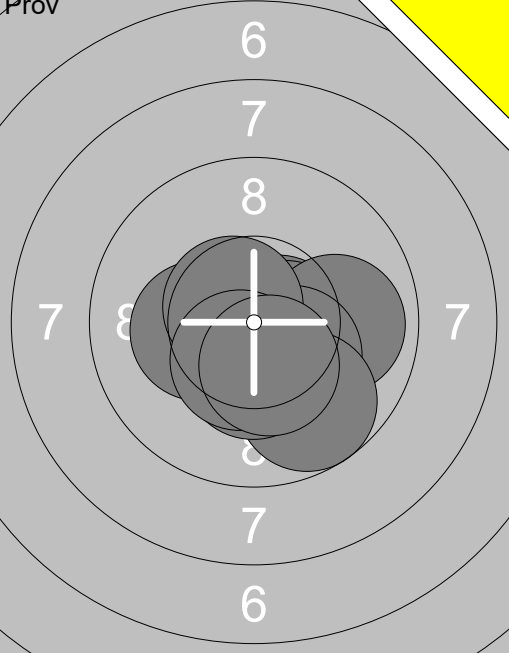
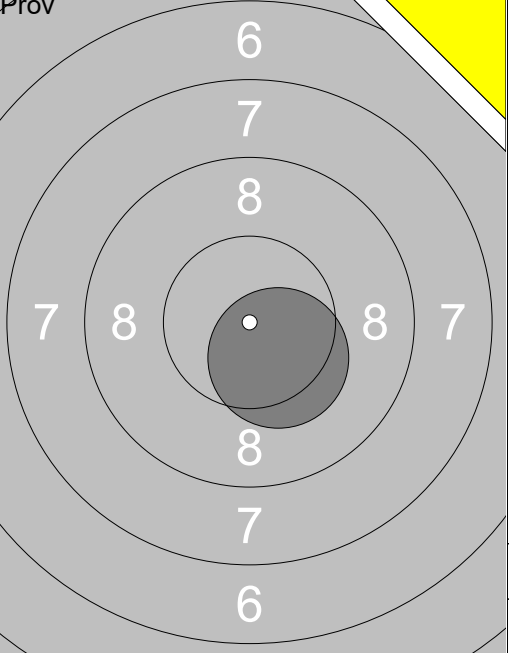
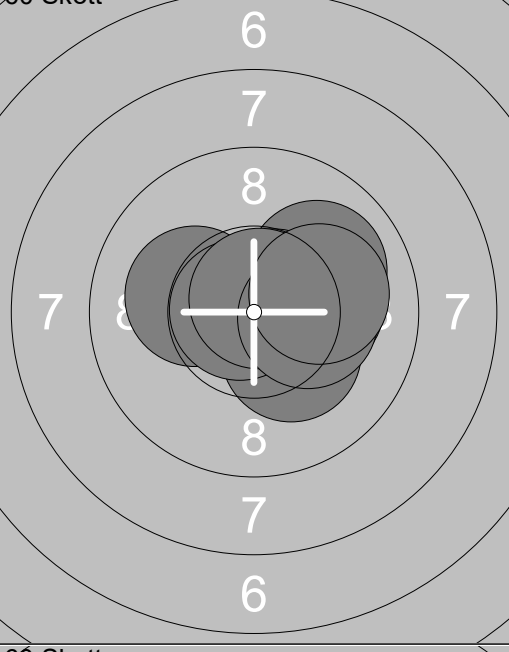
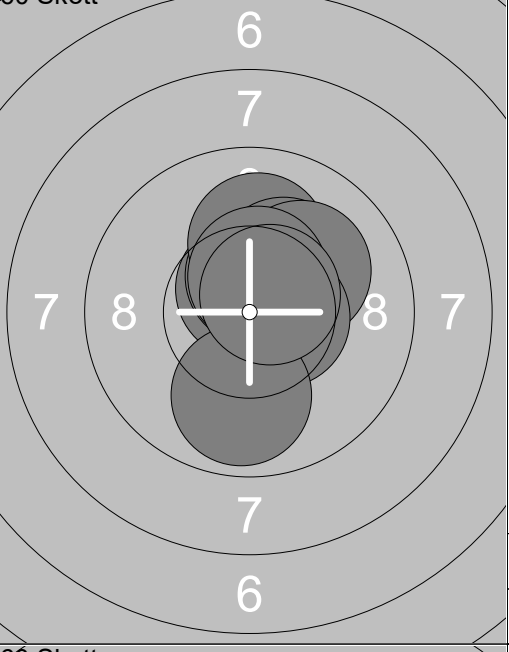
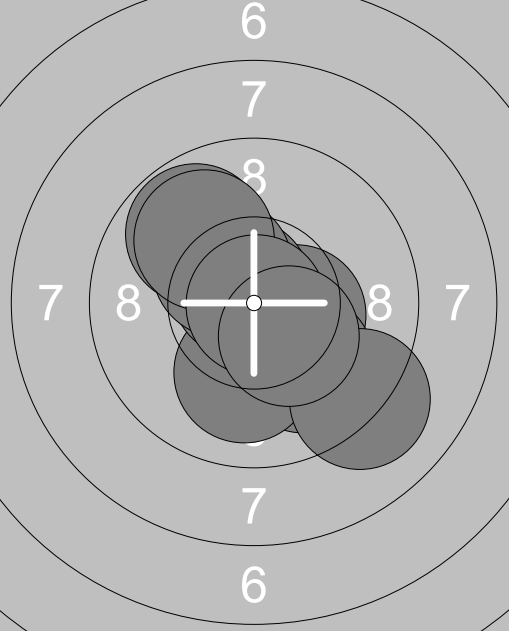
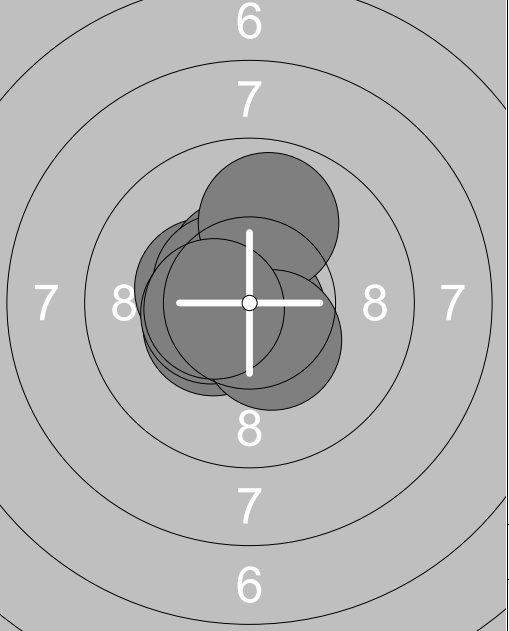


<p>Prov</p> 	<p>1: 10.2x➤</p> <p>2: 10.7x↗</p> <p>3: 10.3x↗</p> <p>4: 10.7x↘</p> <p>5: 10.7x↙</p> <p>6: 10.6x➤</p> <p>7: 10.6x↘</p> <p>8: 10.8x↗</p> <p>9: 10.6x↘</p> <p>10: 10.5x↙</p>	<p>Prov</p> 	<p>11: 10.8x↙</p>
Serie 105.7		Serie 10.8	
Total 0.0		Total 0.0	

<p>60 Skott</p> 	<p>1: 10.7x➤</p> <p>2: 10.1➤</p> <p>3: 10.5x➤</p> <p>4: 10.3x↘</p> <p>5: 10.3x↙</p> <p>6: 10.2x↙</p> <p>7: 10.5x↘</p> <p>8: 10.7x↗</p> <p>9: 10.6x↘</p> <p>10: 10.3x↗</p>	<p>60 Skott</p> 	<p>11: 10.4x➤</p> <p>12: 10.8x↘</p> <p>13: 10.7x↘</p> <p>14: 10.7x↘</p> <p>15: 10.3x➤</p> <p>16: 10.2x↘</p> <p>17: 10.4x↗</p> <p>18: 10.5x↙</p> <p>19: 10.6x↙</p> <p>20: 10.6x↗</p>
Serie 104.2		Serie 105.2	
Total 104.2		Total 209.4	

<p>60 Skott</p> 	<p>21: 10.5x↗</p> <p>22: 10.3x↘</p> <p>23: 10.0↙</p> <p>24: 9.8 ↙</p> <p>25: 10.1↙</p> <p>26: 10.5x↗</p> <p>27: 10.3x➤</p> <p>28: 10.3x➤</p> <p>29: 10.2x↘</p> <p>30: 10.6x↙</p>	<p>60 Skott</p> 	<p>31: 10.7x↙</p> <p>32: 10.8x➤</p> <p>33: 10.5x↙</p> <p>34: 10.4x↘</p> <p>35: 10.3x↘</p> <p>36: 10.5x↙</p> <p>37: 10.7x↘</p> <p>38: 10.6x➤</p> <p>39: 10.5x↘</p> <p>40: 10.7x↘</p>
Serie 102.6		Serie 105.7	
Total 312.0		Total 417.7	

<p>Prov</p> 	<p>1: 10.4x ↗                  2: 10.6x ←                  3: 10.2x ↑                  4: 10.1 ↑                  5: 10.3x ←                  6: 10.5x ↗                  7: 9.4 ↓                  8: 10.8x ↗                  9: 10.4x ←                  10: 10.8x ←</p> <p>Serie 103.5 Total 0.0</p>	<p>Prov</p> 	<p>11: 10.5x ↗</p> <p>Serie 10.5 Total 0.0</p>
<p>60 Skott</p> 	<p>1: 10.4x ↘                  2: 10.4x ←                  3: 10.6x →                  4: 9.9 ↙                  5: 10.5x ↓                  6: 10.4x ↗                  7: 10.0 ↓                  8: 10.8x ↗                  9: 10.4x →                  10: 10.5x →</p> <p>Serie 103.9 Total 103.9</p>	<p>60 Skott</p> 	<p>11: 10.4x ↘                  12: 9.9 ←                  13: 10.3x ↓                  14: 10.6x ↗                  15: 10.2x ↓                  16: 10.2x ↘                  17: 10.4x ↑                  18: 9.9 ←                  19: 9.7 →                  20: 10.3x ↗</p> <p>Serie 101.9 Total 205.8</p>
<p>60 Skott</p> 	<p>21: 9.3 →                  22: 10.7x ↘                  23: 10.3x →                  24: 10.6x ↗                  25: 10.4x →                  26: 10.6x →                  27: 9.7 ↓                  28: 10.3x ↘                  29: 10.5x ↘                  30: 9.7 ↘</p> <p>Serie 102.1 Total 307.9</p>	<p>60 Skott</p> 	<p>31: 10.6x ←                  32: 9.7 →                  33: 9.7 ↗                  34: 10.2x ↗                  35: 10.7x ↓                  36: 10.6x ↘                  37: 10.4x ↘                  38: 9.7 ←                  39: 10.4x ←                  40: 10.6x ↗</p> <p>Serie 102.6 Total 410.5</p>

<p>Prov</p> 	<p>1: 10.3x↔</p> <p>2: 10.6x➤</p> <p>3: 10.5x➤</p> <p>4: 9.9 →</p> <p>5: 10.3x↘</p> <p>6: 10.6x↘</p> <p>7: 9.7 ↓</p> <p>8: 10.3x↓</p> <p>9: 10.4x↓</p> <p>10: 10.4x↓</p> <hr/> <p>Serie 103.0</p> <p>Total 0.0</p>	<p>Prov</p> 	<p>11: 10.4x↘</p> <hr/> <p>Serie 10.4</p> <p>Total 0.0</p>
<p>60 Skott</p> 	<p>1: 10.2x➤</p> <p>2: 10.3x➤</p> <p>3: 10.3x↘</p> <p>4: 10.0 ↗</p> <p>5: 10.2x↔</p> <p>6: 10.8x↔</p> <p>7: 10.7x↗</p> <p>8: 10.8x↗</p> <p>9: 10.3x➤</p> <p>10: 10.1➤</p> <hr/> <p>Serie 103.7</p> <p>Total 103.7</p>	<p>60 Skott</p> 	<p>11: 10.6x↘</p> <p>12: 10.5x↗</p> <p>13: 10.3x↗</p> <p>14: 10.1 ↑</p> <p>15: 10.2x↗</p> <p>16: 10.1 ↗</p> <p>17: 10.6x➤</p> <p>18: 10.5x↗</p> <p>19: 9.9 ↓</p> <p>20: 10.6x↗</p> <hr/> <p>Serie 103.4</p> <p>Total 207.1</p>
<p>60 Skott</p> 	<p>21: 10.4x➤</p> <p>22: 10.0 ↓</p> <p>23: 10.1 ↓</p> <p>24: 9.1 ↓</p> <p>25: 10.7x↘</p> <p>26: 9.8 ↗</p> <p>27: 10.3x↘</p> <p>28: 9.9 ↗</p> <p>29: 10.9x↘</p> <p>30: 10.3x↘</p> <hr/> <p>Serie 101.5</p> <p>Total 308.6</p>	<p>60 Skott</p> 	<p>31: 10.4x↔</p> <p>32: 10.5x↘</p> <p>33: 10.4x↔</p> <p>34: 10.8x↘</p> <p>35: 10.8x↔</p> <p>36: 10.5x↔</p> <p>37: 10.4x↔</p> <p>38: 9.9 ↑</p> <p>39: 10.4x↘</p> <p>40: 10.5x↔</p> <hr/> <p>Serie 104.6</p> <p>Total 413.2</p>

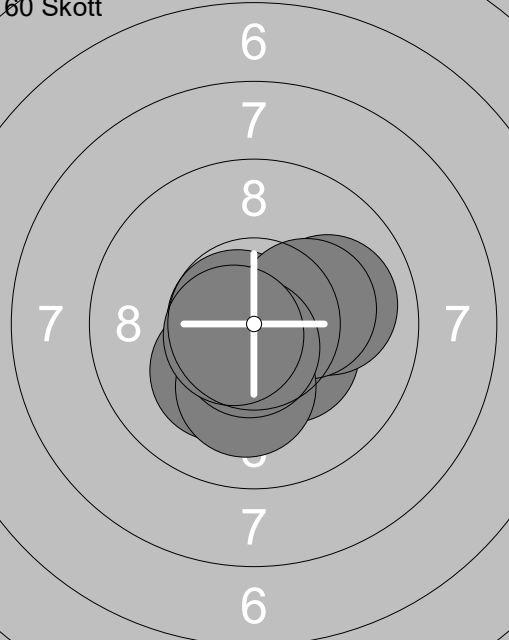
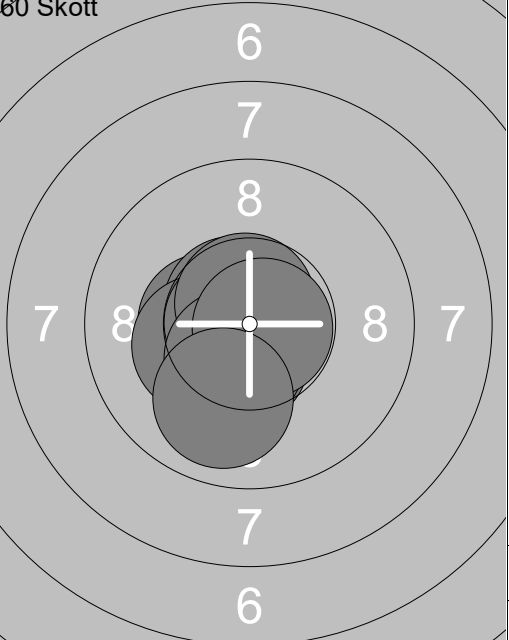
	<p>1: 8.5 →</p> <p>2: 10.0 →</p> <p>3: 10.1 →</p> <p>4: 10.0 →</p> <p>5: 10.0 ↓</p> <p>6: 10.1 →</p> <p>7: 10.0 →</p> <p>8: 10.4x →</p> <p>9: 10.0 ↓</p> <p>10: 10.6x →</p>	<p>11: 10.8x ↘</p> <p>12: 9.8 ↓</p> <p>13: 9.9 ↓</p> <p>14: 10.2x ↘</p> <p>15: 10.6x →</p>
Serie 99.7		Serie 51.3
Total 0.0		Total 0.0

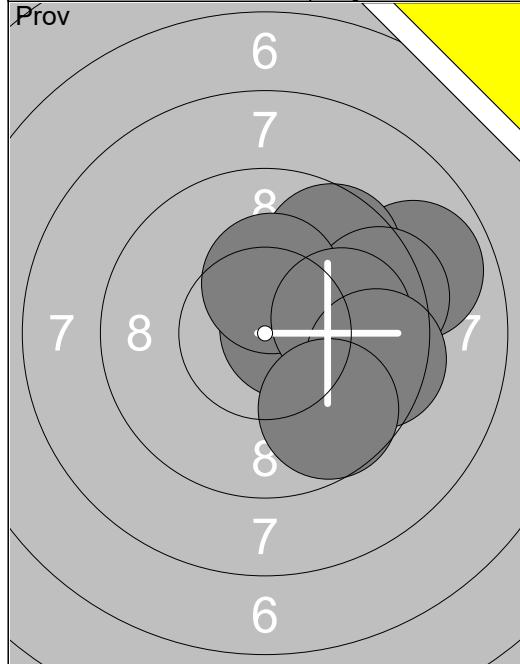
	<p>1: 10.0 ↓</p> <p>2: 10.1 ↓</p> <p>3: 10.1 ↖</p> <p>4: 10.7x ↗</p> <p>5: 10.6x ↘</p> <p>6: 9.9 →</p> <p>7: 10.5x ↗</p> <p>8: 10.0 ↓</p> <p>9: 10.8x ↗</p> <p>10: 10.7x ↗</p>	<p>11: 9.8 ←</p> <p>12: 10.2x ↗</p> <p>13: 10.7x ↘</p> <p>14: 10.8x ↗</p> <p>15: 10.7x ↘</p> <p>16: 10.5x ↘</p> <p>17: 10.7x ↓</p> <p>18: 10.6x ↓</p> <p>19: 10.3x ↘</p> <p>20: 10.7x ↓</p>
Serie 103.4		Serie 105.0
Total 103.4		Total 208.4

	<p>21: 10.2x ↗</p> <p>22: 10.0 ←</p> <p>23: 10.8x ↗</p> <p>24: 10.7x ↘</p> <p>25: 10.2x ←</p> <p>26: 10.4x ↗</p> <p>27: 10.6x ↗</p> <p>28: 10.7x ↘</p> <p>29: 10.4x ←</p> <p>30: 10.9x ↘</p>	<p>31: 10.1 ←</p> <p>32: 10.3x ←</p> <p>33: 10.4x ↗</p> <p>34: 10.4x ↗</p> <p>35: 10.7x ↘</p> <p>36: 10.5x ←</p> <p>37: 9.4 →</p> <p>38: 10.9x →</p> <p>39: 10.6x ↗</p> <p>40: 10.7x ←</p>
Serie 104.9		Serie 104.0
Total 313.3		Total 417.3

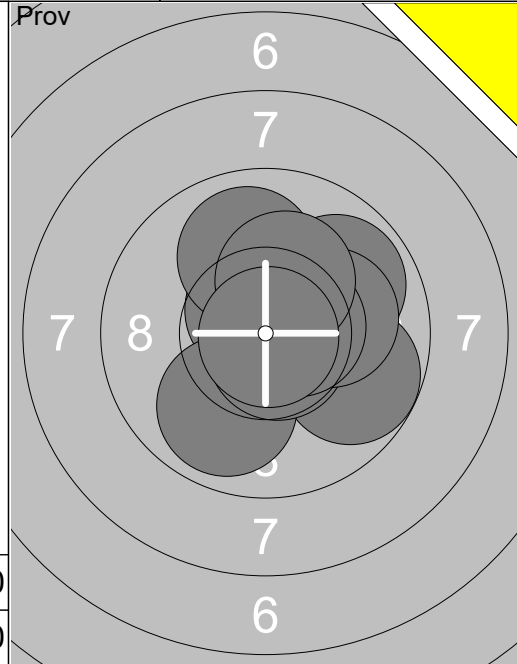
 <p style="text-align: center;">6 7 8 7 8 7 8 7 6</p>	<p>1: 10.2x<sup>↑</sup></p> <p>2: 10.6x<sup>↑</sup></p> <p>3: 10.6x<sup>↑</sup></p> <p>4: 10.3x<sup>→</sup></p> <p>5: 10.4x<sup>↖</sup></p> <p>6: 10.5x<sup>→</sup></p> <p>7: 9.9 <sup>→</sup></p> <p>8: 10.5x<sup>↙</sup></p> <p>9: 10.3x<sup>↖</sup></p> <p>10: 10.8x<sup>↘</sup></p>	 <p style="text-align: center;">6 7 8 7 8 7 8 7 6</p>	<p>11: 10.5x<sup>→</sup></p>
Serie 104.1		Serie 10.5	
Total 0.0		Total 0.0	

 <p style="text-align: center;">6 7 8 7 8 7 8 7 6</p>	<p>1: 10.8x<sup>↙</sup></p> <p>2: 10.4x<sup>↘</sup></p> <p>3: 10.8x<sup>↓</sup></p> <p>4: 10.3x<sup>→</sup></p> <p>5: 10.1 <sup>↘</sup></p> <p>6: 10.1 <sup>↑</sup></p> <p>7: 10.3x<sup>↓</sup></p> <p>8: 10.3x<sup>↙</sup></p> <p>9: 10.6x<sup>↖</sup></p> <p>10: 10.4x<sup>↘</sup></p>	 <p style="text-align: center;">6 7 8 7 8 7 8 7 6</p>	<p>11: 10.6x<sup>↗</sup></p> <p>12: 10.5x<sup>↙</sup></p> <p>13: 10.2x<sup>↙</sup></p> <p>14: 10.5x<sup>↖</sup></p> <p>15: 10.1 <sup>↓</sup></p> <p>16: 10.3x<sup>↖</sup></p> <p>17: 10.8x<sup>↖</sup></p> <p>18: 10.8x<sup>→</sup></p> <p>19: 10.6x<sup>↑</sup></p> <p>20: 10.8x<sup>↙</sup></p>
Serie 104.1		Serie 105.2	
Total 104.1		Total 209.3	

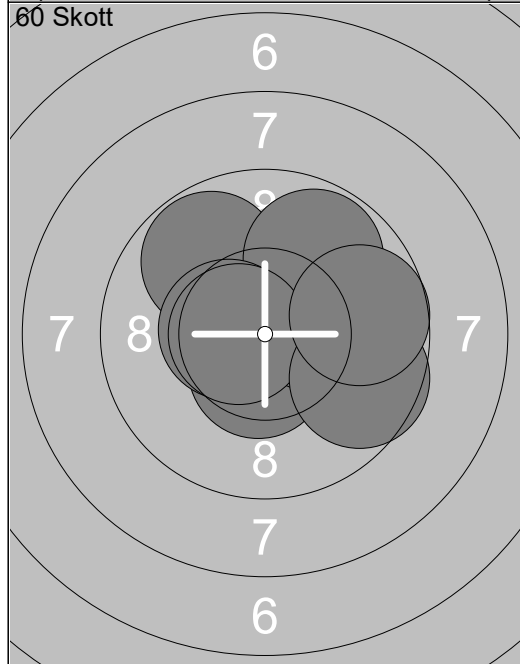
 <p style="text-align: center;">6 7 8 7 8 7 8 7 6</p>	<p>21: 10.7x<sup>↙</sup></p> <p>22: 10.7x<sup>↖</sup></p> <p>23: 10.2x<sup>↙</sup></p> <p>24: 10.4x<sup>→</sup></p> <p>25: 10.4x<sup>↘</sup></p> <p>26: 10.0 <sup>→</sup></p> <p>27: 10.3x<sup>→</sup></p> <p>28: 10.1 <sup>↓</sup></p> <p>29: 10.6x<sup>↓</sup></p> <p>30: 10.7x<sup>↙</sup></p>	 <p style="text-align: center;">6 7 8 7 8 7 8 7 6</p>	<p>31: 10.4x<sup>↖</sup></p> <p>32: 10.6x<sup>↖</sup></p> <p>33: 10.8x<sup>↙</sup></p> <p>34: 10.3x<sup>↖</sup></p> <p>35: 10.8x<sup>↖</sup></p> <p>36: 10.5x<sup>↙</sup></p> <p>37: 10.7x<sup>↑</sup></p> <p>38: 10.5x<sup>↙</sup></p> <p>39: 10.8x<sup>→</sup></p> <p>40: 9.9 <sup>↓</sup></p>
Serie 104.1		Serie 105.3	
Total 313.4		Total 418.7	



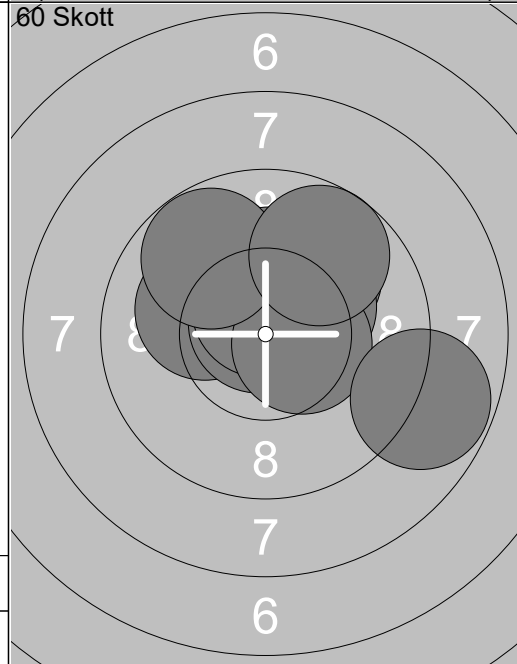
1: 9.9 →
2: 10.1 →
3: 8.9 →
4: 9.6 ↗
5: 10.6x →
6: 9.4 →
7: 10.3x ↗
8: 10.0 →
9: 9.5 →
10: 9.7 ↘
<b>Serie 98.0</b>
<b>Total 0.0</b>



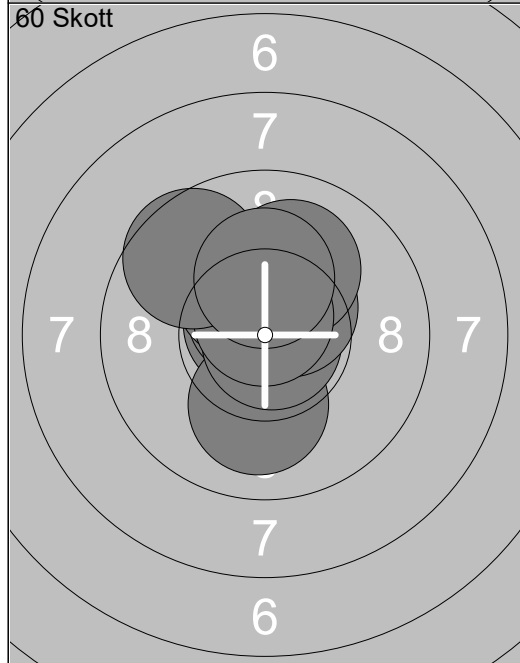
11: 9.9 ↗
12: 10.6x ↗
13: 9.7 →
14: 9.9 ↘
15: 10.7x ↘
16: 9.9 ↗
17: 10.1 →
18: 10.6x →
19: 10.2x ↗
20: 10.9x ↘
<b>Serie 102.5</b>
<b>Total 0.0</b>



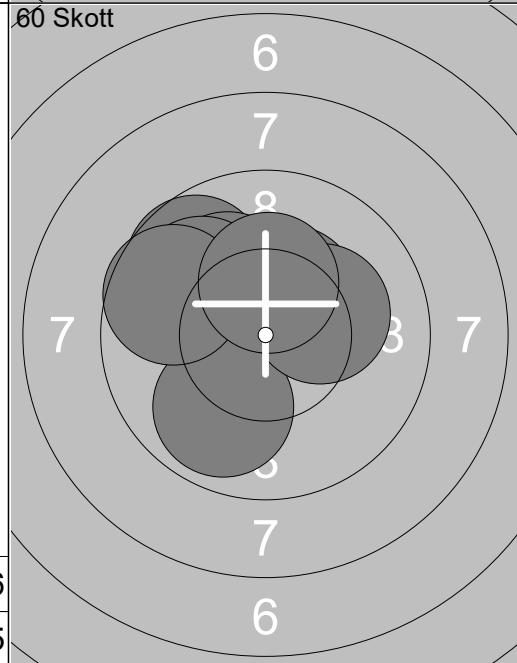
1: 10.5x ↘
2: 10.3x →
3: 10.1 ↗
4: 10.2x →
5: 9.8 ↖
6: 9.8 ↗
7: 10.5x ↖
8: 10.6x ↖
9: 9.6 →
10: 9.7 →
<b>Serie 101.1</b>
<b>Total 101.1</b>



11: 10.2x ↗
12: 10.1 ↖
13: 10.0 ↗
14: 10.8x ↗
15: 10.3x ↗
16: 10.6x ↗
17: 10.5x →
18: 8.8 →
19: 9.8 ↖
20: 9.7 ↗
<b>Serie 100.8</b>
<b>Total 201.9</b>



21: 10.7x ↗
22: 10.6x ↗
23: 10.3x ↗
24: 10.1 ↘
25: 10.8x ↘
26: 10.5x ↗
27: 10.1 ↗
28: 10.7x ↗
29: 9.6 ↖
30: 10.2x ↗
<b>Serie 103.6</b>
<b>Total 305.5</b>

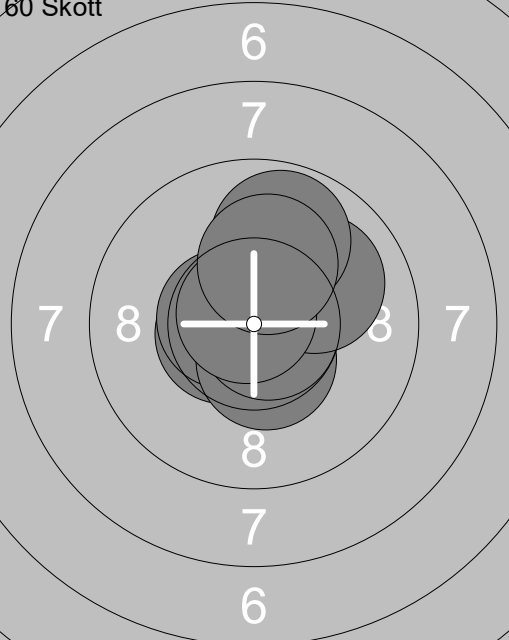


31: 10.4x ↗
32: 10.3x ↗
33: 9.7 ↖
34: 10.1 ↖
35: 10.5x ↗
36: 9.9 ↖
37: 9.9 ↘
38: 10.2x →
39: 9.7 ↖
40: 10.3x ↗
<b>Serie 101.0</b>
<b>Total 406.5</b>



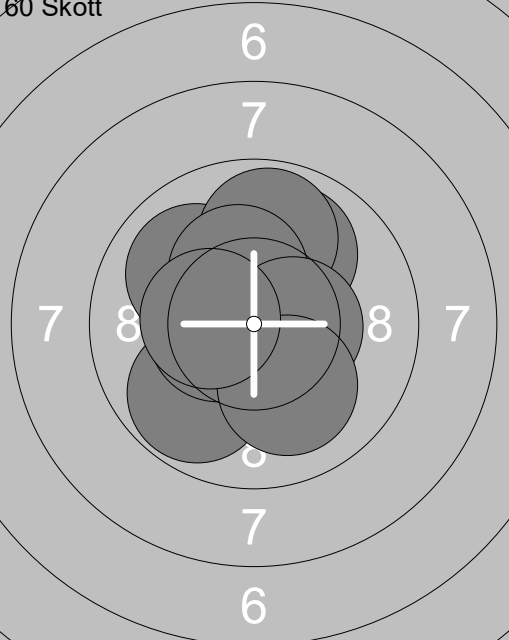
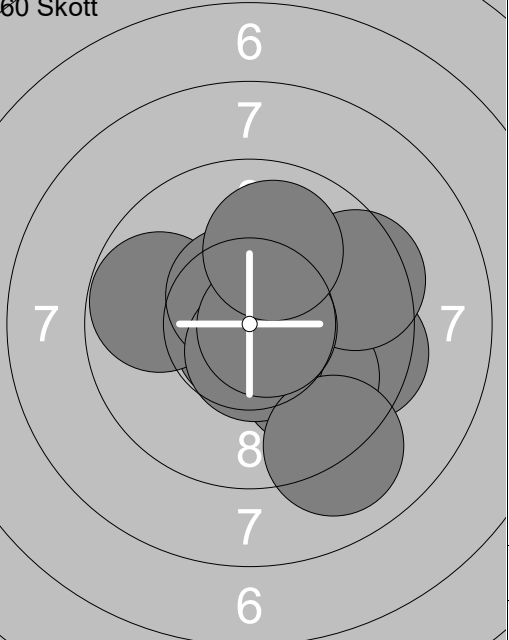
<p>Prov</p> 	<p>60 Skott</p> 	<table style="width:100%; border-collapse: collapse;"> <tr><td>1:</td><td>10.6x↑</td><td>1:</td><td>9.9 ↓</td></tr> <tr><td>2:</td><td>10.0 ↑</td><td>2:</td><td>10.2x↘</td></tr> <tr><td>3:</td><td>10.6x↑</td><td>3:</td><td>10.4x↖</td></tr> <tr><td>4:</td><td>10.2x➤</td><td>4:</td><td>10.4x➤</td></tr> <tr><td>5:</td><td>10.1 ↑</td><td>5:</td><td>10.4x↘</td></tr> <tr><td>6:</td><td>10.7x↘</td><td>6:</td><td>10.4x↑</td></tr> <tr><td>7:</td><td>10.0←</td><td>7:</td><td>10.5x↖</td></tr> <tr><td>8:</td><td>10.5x↘</td><td>8:</td><td>10.5x↑</td></tr> <tr><td>9:</td><td>10.7x➤</td><td>9:</td><td>9.6 ↑</td></tr> <tr><td>10:</td><td></td><td>10:</td><td>10.5x↘</td></tr> </table>	1:	10.6x↑	1:	9.9 ↓	2:	10.0 ↑	2:	10.2x↘	3:	10.6x↑	3:	10.4x↖	4:	10.2x➤	4:	10.4x➤	5:	10.1 ↑	5:	10.4x↘	6:	10.7x↘	6:	10.4x↑	7:	10.0←	7:	10.5x↖	8:	10.5x↘	8:	10.5x↑	9:	10.7x➤	9:	9.6 ↑	10:		10:	10.5x↘
1:	10.6x↑	1:	9.9 ↓																																							
2:	10.0 ↑	2:	10.2x↘																																							
3:	10.6x↑	3:	10.4x↖																																							
4:	10.2x➤	4:	10.4x➤																																							
5:	10.1 ↑	5:	10.4x↘																																							
6:	10.7x↘	6:	10.4x↑																																							
7:	10.0←	7:	10.5x↖																																							
8:	10.5x↘	8:	10.5x↑																																							
9:	10.7x➤	9:	9.6 ↑																																							
10:		10:	10.5x↘																																							
Serie 93.4	Serie 102.8																																									
Total 0.0	Total 102.8																																									

<p>60 Skott</p> 	<p>60 Skott</p> 	<table style="width:100%; border-collapse: collapse;"> <tr><td>11:</td><td>10.2x➤</td><td>21:</td><td>10.6x↑</td></tr> <tr><td>12:</td><td>10.6x➤</td><td>22:</td><td>10.4x➤</td></tr> <tr><td>13:</td><td>10.7x↘</td><td>23:</td><td>10.3x↑</td></tr> <tr><td>14:</td><td>10.6x↘</td><td>24:</td><td>10.5x➤</td></tr> <tr><td>15:</td><td>10.3x↘</td><td>25:</td><td>10.5x➤</td></tr> <tr><td>16:</td><td>10.5x↖</td><td>26:</td><td>10.7x➤</td></tr> <tr><td>17:</td><td>10.4x➤</td><td>27:</td><td>10.8x↘</td></tr> <tr><td>18:</td><td>10.5x➤</td><td>28:</td><td>10.7x↑</td></tr> <tr><td>19:</td><td>10.0 ↑</td><td>29:</td><td>10.4x➤</td></tr> <tr><td>20:</td><td>10.6x➤</td><td>30:</td><td>10.3x↑</td></tr> </table>	11:	10.2x➤	21:	10.6x↑	12:	10.6x➤	22:	10.4x➤	13:	10.7x↘	23:	10.3x↑	14:	10.6x↘	24:	10.5x➤	15:	10.3x↘	25:	10.5x➤	16:	10.5x↖	26:	10.7x➤	17:	10.4x➤	27:	10.8x↘	18:	10.5x➤	28:	10.7x↑	19:	10.0 ↑	29:	10.4x➤	20:	10.6x➤	30:	10.3x↑
11:	10.2x➤	21:	10.6x↑																																							
12:	10.6x➤	22:	10.4x➤																																							
13:	10.7x↘	23:	10.3x↑																																							
14:	10.6x↘	24:	10.5x➤																																							
15:	10.3x↘	25:	10.5x➤																																							
16:	10.5x↖	26:	10.7x➤																																							
17:	10.4x➤	27:	10.8x↘																																							
18:	10.5x➤	28:	10.7x↑																																							
19:	10.0 ↑	29:	10.4x➤																																							
20:	10.6x➤	30:	10.3x↑																																							
Serie 104.4	Serie 105.2																																									
Total 207.2	Total 312.4																																									

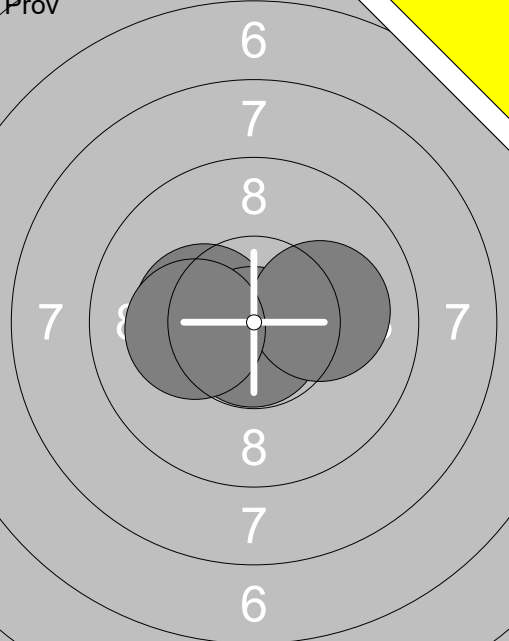
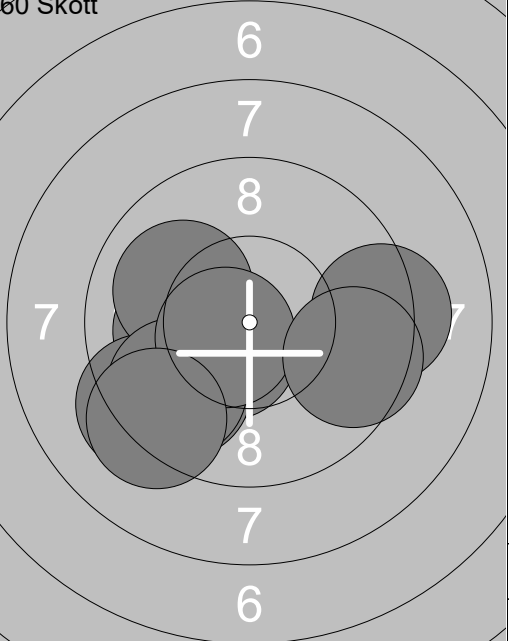
<p>60 Skott</p> 		<table style="width:100%; border-collapse: collapse;"> <tr><td>31:</td><td>10.3x↑</td></tr> <tr><td>32:</td><td>10.8x➤</td></tr> <tr><td>33:</td><td>10.6x↘</td></tr> <tr><td>34:</td><td>10.6x↘</td></tr> <tr><td>35:</td><td>10.5x↘</td></tr> <tr><td>36:</td><td>10.7x➤</td></tr> <tr><td>37:</td><td>10.0 ➤</td></tr> <tr><td>38:</td><td>10.8x↘</td></tr> <tr><td>39:</td><td>9.8 ↑</td></tr> <tr><td>40:</td><td>10.2x↑</td></tr> </table>	31:	10.3x↑	32:	10.8x➤	33:	10.6x↘	34:	10.6x↘	35:	10.5x↘	36:	10.7x➤	37:	10.0 ➤	38:	10.8x↘	39:	9.8 ↑	40:	10.2x↑
31:	10.3x↑																					
32:	10.8x➤																					
33:	10.6x↘																					
34:	10.6x↘																					
35:	10.5x↘																					
36:	10.7x➤																					
37:	10.0 ➤																					
38:	10.8x↘																					
39:	9.8 ↑																					
40:	10.2x↑																					
Serie 104.3																						
Total 416.7																						

Prov 	1: 10.8x➔ 2: 10.1 ↓ 3: 10.1 ↙ 4: 9.5 ← 5: 9.6 ← 6: 10.0 ↓ 7: 9.3 ← 8: 10.1 ➔ 9: 10.5x↓ 10: 10.2x↓ <hr/> Serie 100.2 Total 0.0	Prov 	11: 10.2x↘ <hr/> Serie 10.2 Total 0.0
--	--	--	---

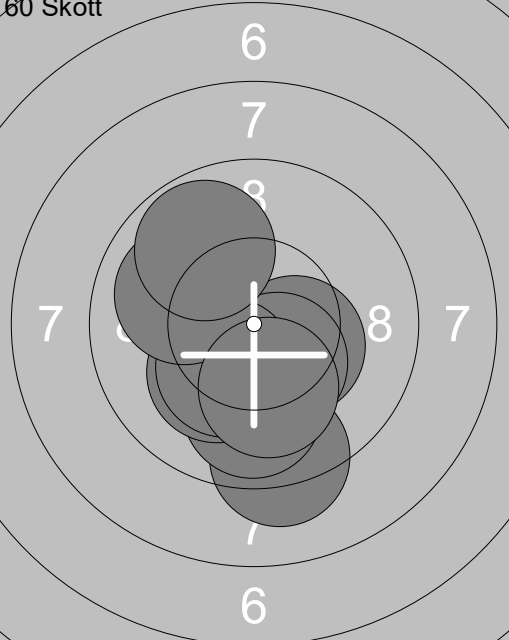
60 Skott 	1: 10.4x↘ 2: 10.5x↘ 3: 10.5x↗ 4: 10.0 ↙ 5: 9.8 ← 6: 10.2x↗ 7: 10.4x↘ 8: 10.5x↘ 9: 10.1 ↗ 10: 9.0 ↗ <hr/> Serie 101.4 Total 101.4	60 Skott 	11: 10.5x↘ 12: 9.9 ← 13: 9.4 ↗ 14: 9.8 ↗ 15: 10.0 ↙ 16: 10.5x↘ 17: 10.2x↘ 18: 9.7 ↗ 19: 9.3 ↗ 20: 9.6 ↗ <hr/> Serie 98.9 Total 200.3
---	---	---	---

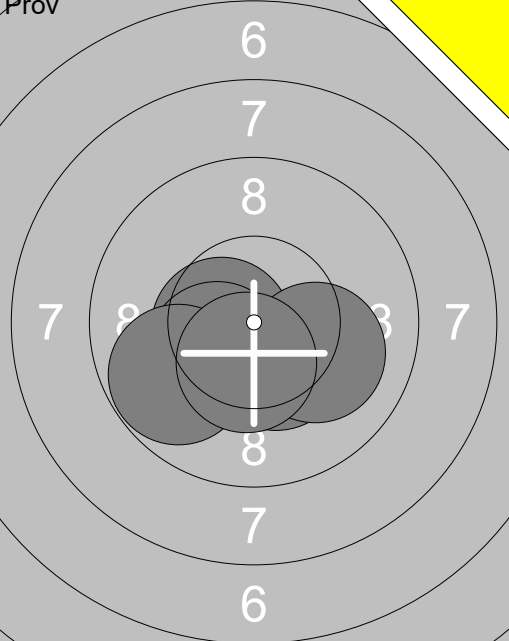
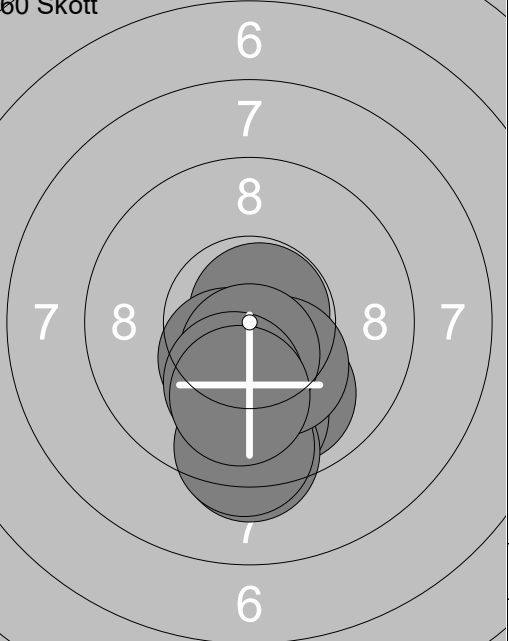
60 Skott 	21: 10.0 ↗ 22: 9.8 ↘ 23: 10.0 ↙ 24: 10.6x↘ 25: 9.8 ↗ 26: 10.3x↗ 27: 10.5x↘ 28: 10.5x➔ 29: 10.1 ↓ 30: 10.4x↘ <hr/> Serie 102.0 Total 302.3	60 Skott 	31: 9.5 ➔ 32: 9.9 ↘ 33: 10.8x↓ 34: 9.8 ← 35: 10.6x↘ 36: 10.6x↓ 37: 9.5 ➔ 38: 9.1 ↓ 39: 10.7x➔ 40: 10.0 ↗ <hr/> Serie 100.5 Total 402.8
--	--	--	---



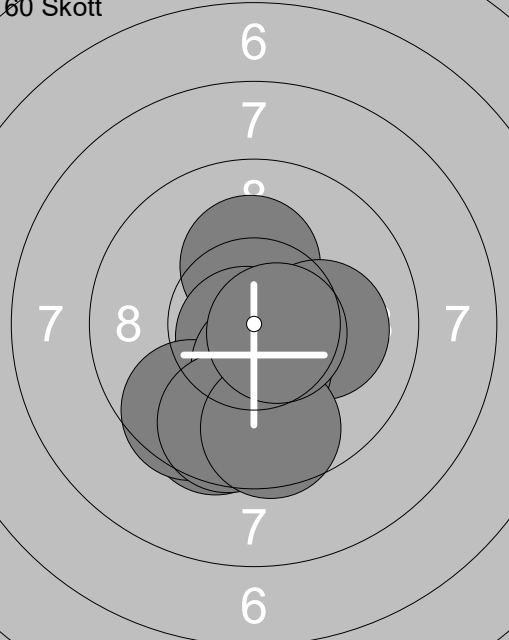
<p>Prov</p> 	<p>1: 10.3✕</p> <p>2: 10.8x↓</p> <p>3: 10.1→</p> <p>4: 10.2✕</p>	<p>60 Skott</p> 	<p>1: 10.5x↓</p> <p>2: 9.3 →</p> <p>3: 9.7 ↙</p> <p>4: 10.1←</p> <p>5: 9.3 ↙</p> <p>6: 10.0↖</p> <p>7: 9.7 ↙</p> <p>8: 10.6x✕</p> <p>9: 9.2 ↙</p> <p>10: 9.6 →</p>
Serie	41.4	Serie	98.0
Total	0.0	Total	98.0

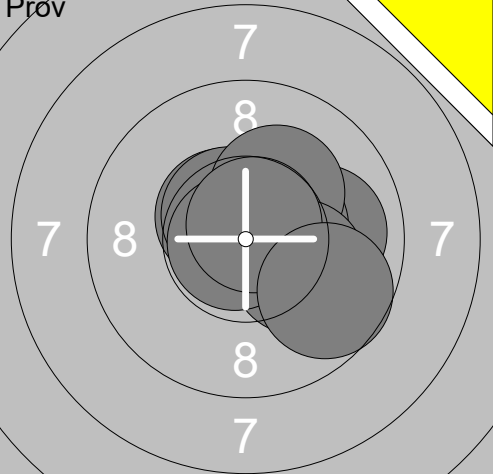
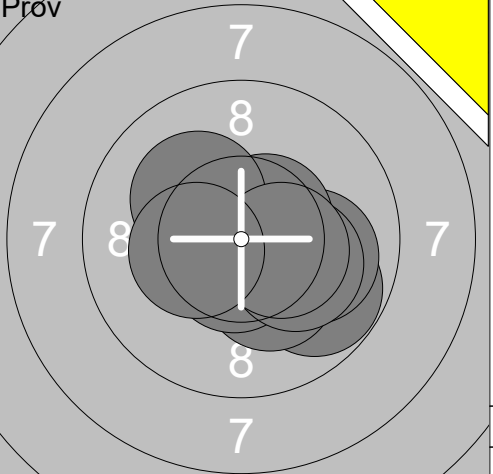
<p>60 Skott</p> 	<p>11: 9.5 ↓</p> <p>12: 9.7 ↓</p> <p>13: 10.0←</p> <p>14: 10.7x↘</p> <p>15: 10.4x↘</p> <p>16: 10.6x↘</p> <p>17: 9.9 ↑</p> <p>18: 10.2x↓</p> <p>19: 10.6x→</p> <p>20: 10.5x↑</p>	<p>60 Skott</p> 	<p>21: 10.5x↓</p> <p>22: 10.2x→</p> <p>23: 10.5x→</p> <p>24: 10.0←</p> <p>25: 9.7 →</p> <p>26: 10.1 ↓</p> <p>27: 10.3✕</p> <p>28: 10.6x↓</p> <p>29: 10.0 ↓</p> <p>30: 9.2 →</p>
Serie	102.1	Serie	101.1
Total	200.1	Total	301.2

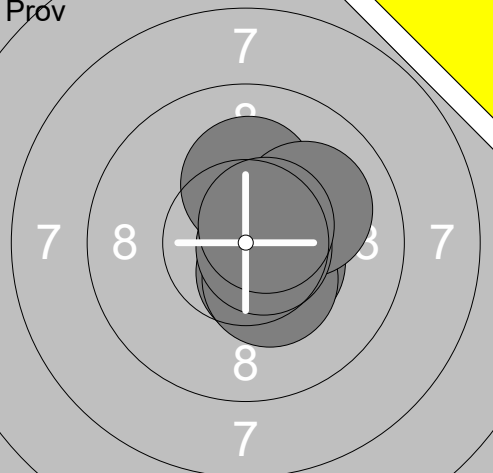
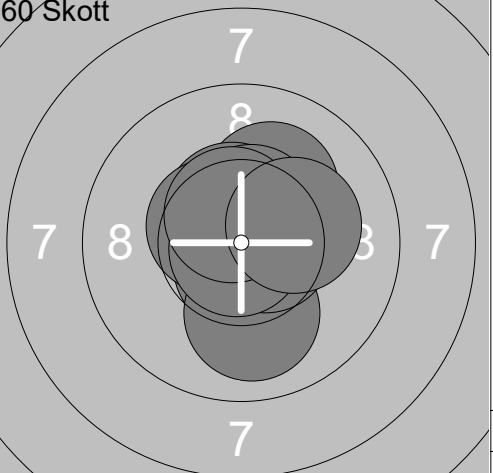
<p>60 Skott</p> 	<p>31: 9.2 ↓</p> <p>32: 10.4x↘</p> <p>33: 10.2x↓</p> <p>34: 9.9 ↓</p> <p>35: 10.4x↓</p> <p>36: 10.2x↓</p> <p>37: 10.3x↓</p> <p>38: 10.0←</p> <p>39: 10.1 ↓</p> <p>40: 9.8 ↖</p>		
Serie	100.5		
Total	401.7		

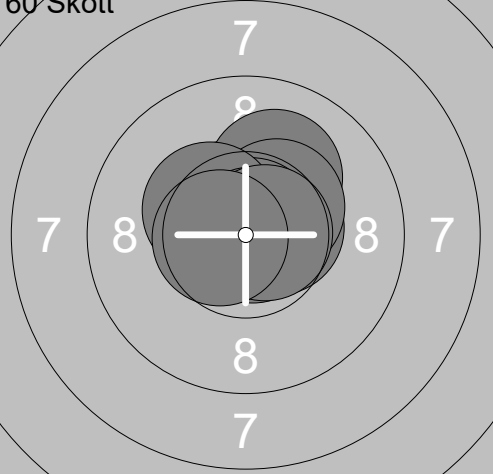
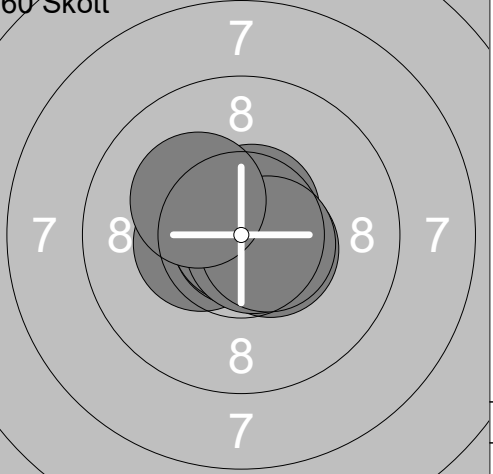
<p>Prov</p> 	<p>1: 10.4x ↘                  2: 10.5 ✕                  3: 10.3x ↘                  4: 10.1 →                  5: 9.8 ←                  6: 10.4x ↓</p>	<p>60 Skott</p> 	<p>1: 10.8x ↗                  2: 9.9 ↓                  3: 10.4x ↘                  4: 9.8 ↓                  5: 9.3 ↓                  6: 9.4 ↓                  7: 10.3x ↘                  8: 10.6x ↓                  9: 10.2x ↘                  10: 10.0 ↓</p>
Serie	61.5	Serie	100.7
Total	0.0	Total	100.7

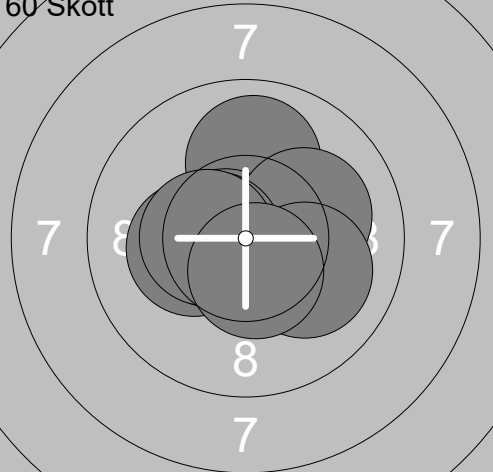
<p>60 Skott</p> 	<p>11: 10.2x ↘                  12: 9.8 ↓                  13: 10.6x ↘                  14: 10.1 ↓                  15: 10.4x ↘                  16: 10.4x ↓                  17: 10.3x →                  18: 9.7 ↓                  19: 9.5 ←                  20: 10.5 ✕</p>	<p>60 Skott</p> 	<p>21: 9.7 ←                  22: 10.6 ✕                  23: 9.9 ↓                  24: 10.2x ↗                  25: 9.6 ←                  26: 10.1 ←                  27: 10.3x ↗                  28: 10.2 ✕                  29: 10.0 ↓                  30: 9.8 ↓</p>
Serie	101.5	Serie	100.4
Total	202.2	Total	302.6

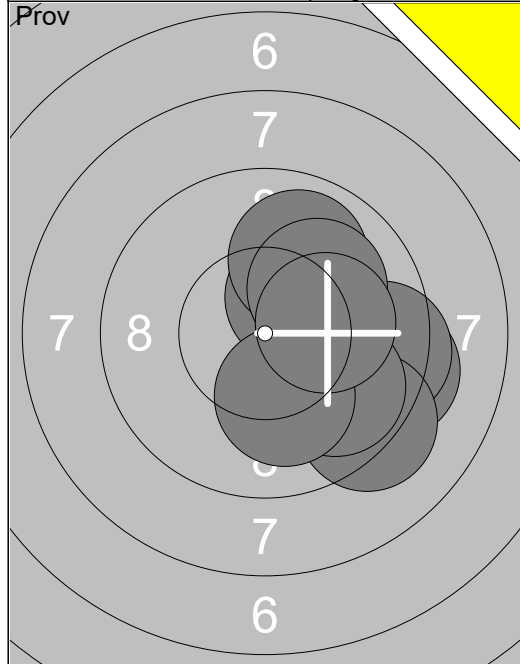
<p>60 Skott</p> 	<p>31: 9.6 ↓                  32: 10.4x ↓                  33: 10.2x ↗                  34: 10.8x ↘                  35: 9.6 ↓                  36: 10.1 →                  37: 10.4x ↓                  38: 9.6 ↓                  39: 9.6 ↓                  40: 10.6x →</p>		
Serie	100.9		
Total	403.5		

<p><b>Pröv</b></p> 	<p>1: 10.5x ↗                  2: 10.7x ↗                  3: 10.0 →                  4: 10.5x →                  5: 10.6x ↗                  6: 10.2x ↗                  7: 10.2x →                  8: 10.8x ←                  9: 10.7x ↗                  10: 9.7 ↘</p> <p>Serie 103.9 Total 0.0</p>	<p><b>Pröv</b></p> 	<p>11: 9.8 ↘                  12: 10.0 →                  13: 10.7x ↘                  14: 10.3x ↘                  15: 10.6x ↗                  16: 10.6x ↓                  17: 10.2x →                  18: 10.2x ↗                  19: 10.4x →                  20: 10.3x ←</p> <p>Serie 103.1 Total 0.0</p>
---	--	---	---

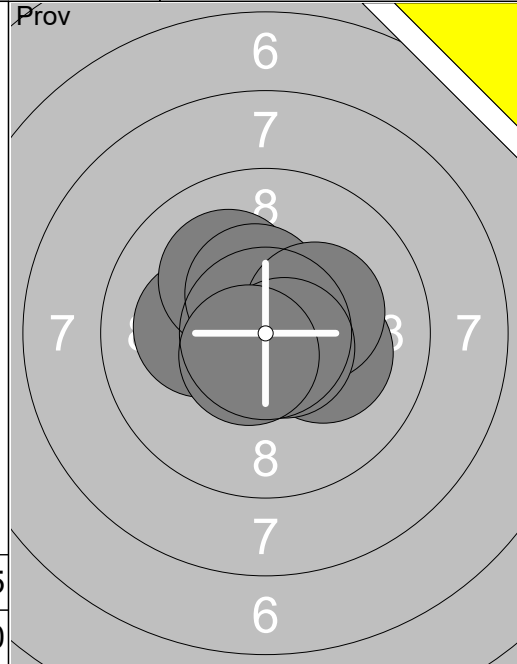
<p><b>Pröv</b></p> 	<p>21: 10.5x ↘                  22: 10.5x ↘                  23: 10.2x ↑                  24: 10.4x ↘                  25: 10.0 ↗                  26: 10.7x →                  27: 10.6x ↗</p> <p>Serie 72.9 Total 0.0</p>	<p><b>60 Skott</b></p> 	<p>1: 10.2x ↗                  2: 10.5x ↗                  3: 10.5x ↗                  4: 10.7x ↓                  5: 10.0 ↓                  6: 10.5x ↗                  7: 10.6x →                  8: 10.9x ↘                  9: 10.6x ↗                  10: 10.2x →</p> <p>Serie 104.7 Total 104.7</p>
--	---	--	--

<p><b>60 Skott</b></p> 	<p>11: 10.5x →                  12: 10.6x ↗                  13: 10.7x ←                  14: 10.1 ↗                  15: 10.4x ↗                  16: 10.8x ↗                  17: 10.4x ↗                  18: 10.9x →                  19: 10.7x →                  20: 10.6x ←</p> <p>Serie 105.7 Total 210.4</p>	<p><b>60 Skott</b></p> 	<p>21: 10.4x ←                  22: 10.7x →                  23: 10.9x ↘                  24: 10.9x ↘                  25: 10.5x ↘                  26: 10.9x ←                  27: 10.6x ↗                  28: 10.7x ↘                  29: 10.6x →                  30: 10.2x ↗</p> <p>Serie 106.4 Total 316.8</p>
---	---	---	--

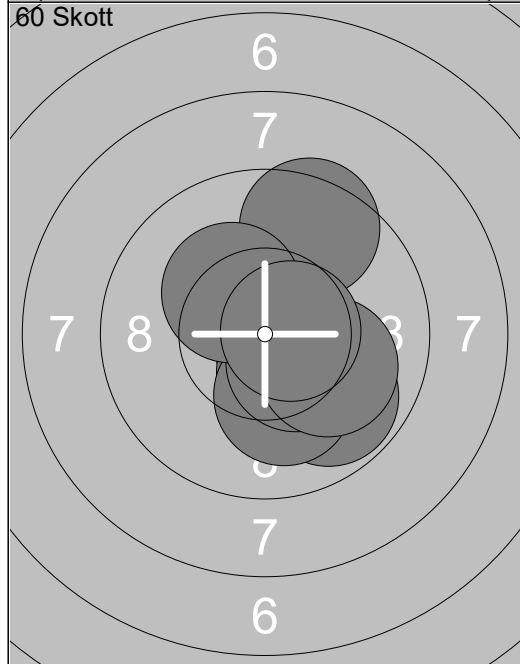
<p><b>60 Skott</b></p> 	<p>31: 10.9x ←                  32: 10.4x →                  33: 10.0 ↑                  34: 10.7x ←                  35: 10.1 →                  36: 10.3x ←                  37: 10.5x ←                  38: 10.4x ←                  39: 10.1 ↘                  40: 10.5x ↓</p> <p>Serie 103.9 Total 420.7</p>		
---	---	--	--



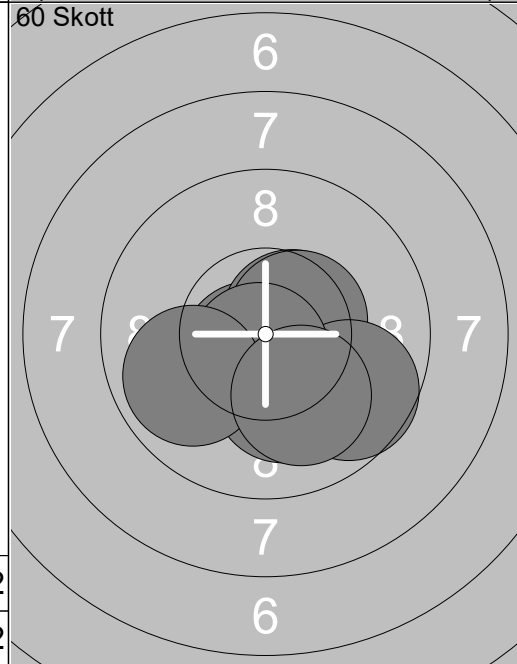
1: 10.2x
2: 9.3
3: 10.3x
4: 9.4
5: 9.2
6: 9.8
7: 9.9
8: 10.1
9: 10.1
10: 10.2x
<b>Serie 98.5</b>
<b>Total 0.0</b>



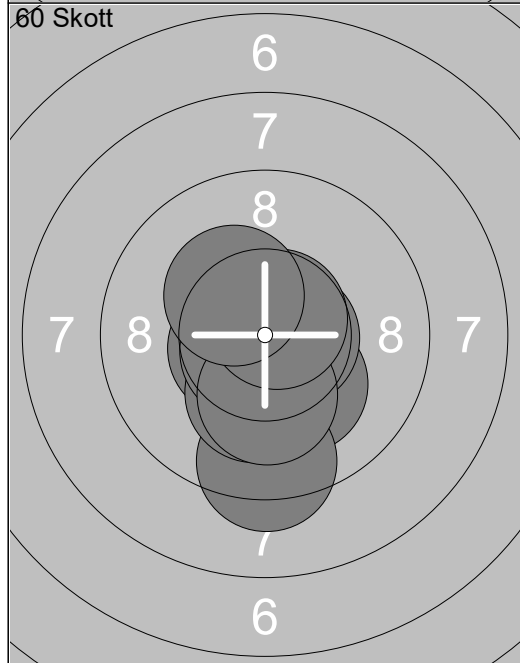
11: 10.2x
12: 10.2x
13: 10.1
14: 10.4x
15: 10.3x
16: 10.6x
17: 10.6x
<b>Serie 72.4</b>
<b>Total 0.0</b>



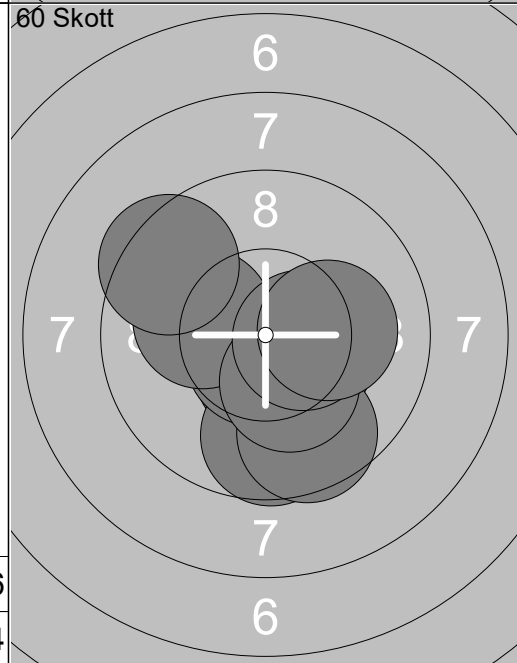
1: 10.6x
2: 10.4x
3: 9.8
4: 9.5
5: 10.4x
6: 10.1
7: 10.4x
8: 10.1
9: 10.3x
10: 10.6x
<b>Serie 102.2</b>
<b>Total 102.2</b>



11: 10.1
12: 10.7x
13: 10.2x
14: 10.2x
15: 10.6x
16: 10.5x
17: 9.7
18: 10.7x
19: 9.9
20: 10.0
<b>Serie 102.6</b>
<b>Total 204.8</b>



21: 10.2x
22: 10.6x
23: 10.6x
24: 9.3
25: 10.8x
26: 10.2x
27: 10.7x
28: 10.2x
29: 10.7x
30: 10.3x
<b>Serie 103.6</b>
<b>Total 308.4</b>

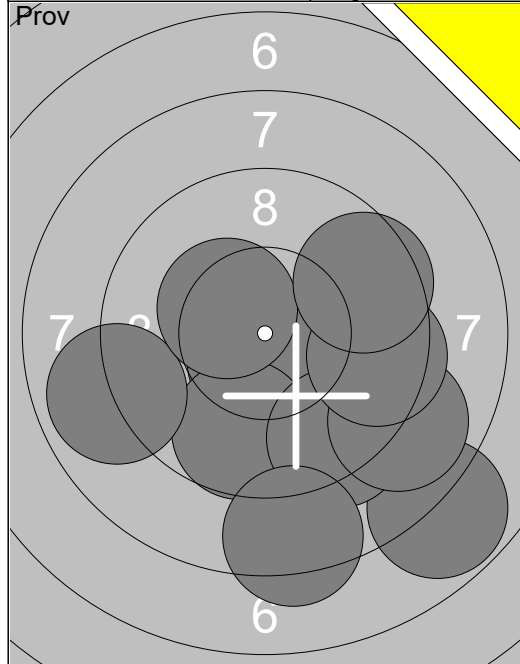


31: 10.5x
32: 9.7
33: 10.6x
34: 10.4x
35: 9.6
36: 10.1
37: 10.3x
38: 10.5x
39: 9.4
40: 10.2x
<b>Serie 101.3</b>
<b>Total 409.7</b>

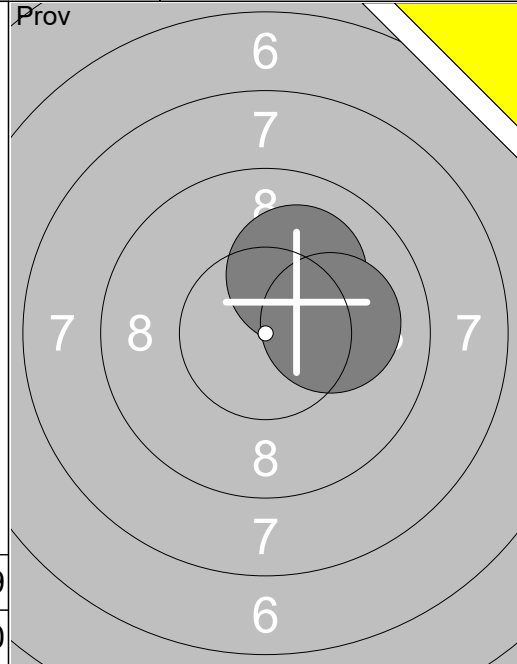
Prov 	1: 10.4x↘ 2: 10.6x↓ 3: 10.5x→ 4: 10.6x→ 5: 10.7x↑ 6: 10.6x→ 7: 10.3x→ 8: 10.7x↘ 9: 10.5x↓ 10: 10.6x↘ <hr/> Serie 105.5 Total 0.0	Prov 	11: 10.7x↖ <hr/> Serie 10.7 Total 0.0
----------	---	----------	---

60 Skott 	1: 10.7x↓ 2: 10.7x↓ 3: 10.4x↓ 4: 10.0↙ 5: 10.7x↖ 6: 10.5x↘ 7: 10.2x↖ 8: 10.5x→ 9: 10.6x↓ 10: 10.7x↑ <hr/> Serie 105.0 Total 105.0	60 Skott 	11: 10.4x↗ 12: 10.2x→ 13: 10.8x↖ 14: 10.6x↖ 15: 10.5x↗ 16: 10.5x↘ 17: 10.9x↘ 18: 10.9x↖ 19: 10.2x↗ 20: 10.6x↓ <hr/> Serie 105.6 Total 210.6
--------------	--	--------------	--

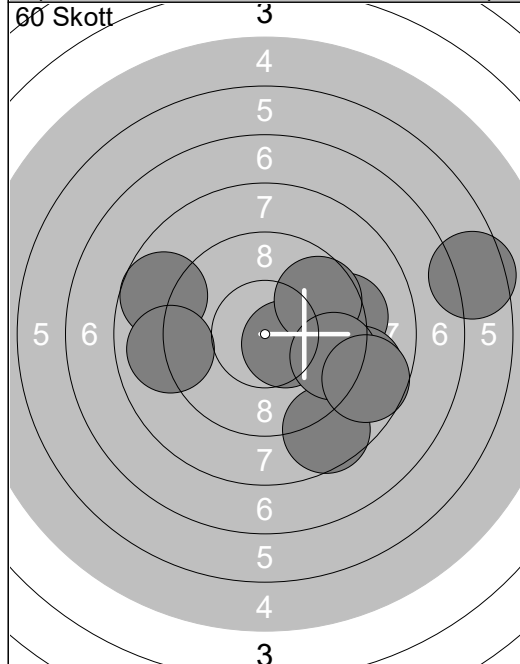
60 Skott 	21: 10.7x→ 22: 10.8x↖ 23: 10.7x↑ 24: 10.3x→ 25: 10.6x↓ 26: 10.6x→ 27: 10.7x→ 28: 10.4x↑ 29: 10.3x→ 30: 10.4x↘ <hr/> Serie 105.5 Total 316.1	60 Skott 	31: 10.3x↑ 32: 10.4x↓ 33: 10.6x↖ 34: 10.7x↖ 35: 10.5x↗ 36: 10.8x↖ 37: 10.2x↖ 38: 10.3x↖ 39: 10.5x↑ 40: 10.3x↖ <hr/> Serie 104.6 Total 420.7
--------------	--	--------------	--



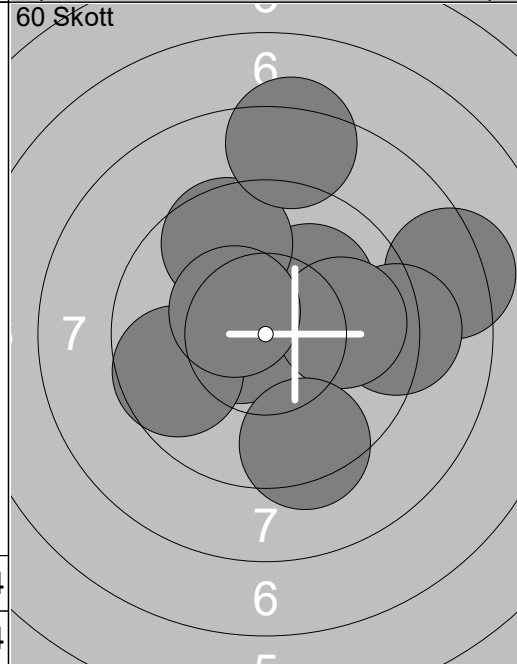
1:	7.8	↘
2:	10.6	↘
3:	9.7	↓
4:	9.3	↘
5:	8.9	↘
6:	8.9	←
7:	8.3	↓
8:	9.5	→
9:	10.4	↘
10:	9.5	↗
Serie		92.9
Total		0.0



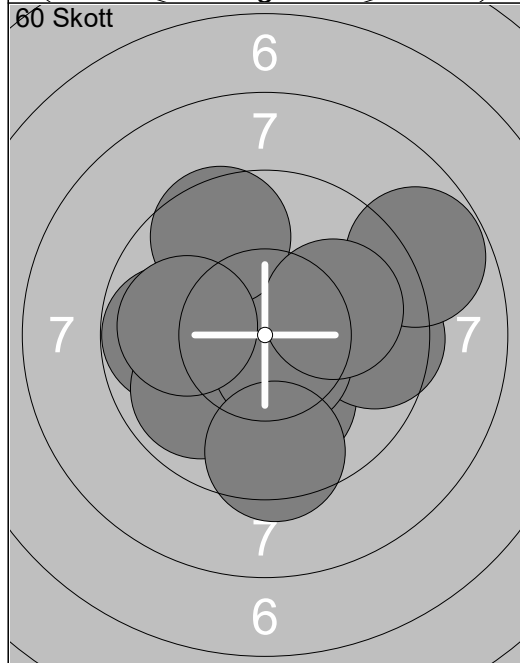
11:	10.1	↗
12:	10.1	→
Serie		20.2
Total		0.0



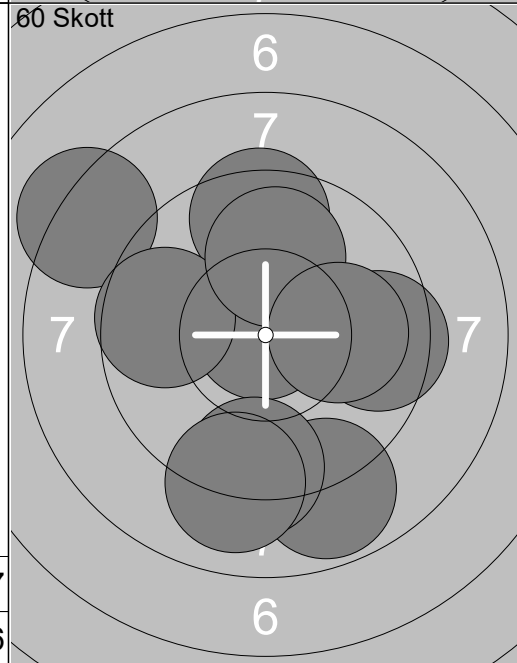
1:	10.5	↘
2:	9.3	→
3:	8.9	→
4:	8.7	←
5:	9.7	↗
6:	8.6	↓
7:	6.5	→
8:	9.0	←
9:	9.5	→
10:	8.7	→
Serie		89.4
Total		89.4



11:	10.1	↗
12:	9.6	↖
13:	8.3	→
14:	8.3	↑
15:	10.6	↘
16:	9.2	→
17:	9.9	→
18:	9.7	←
19:	10.4	↘
20:	9.4	↓
Serie		95.5
Total		184.9

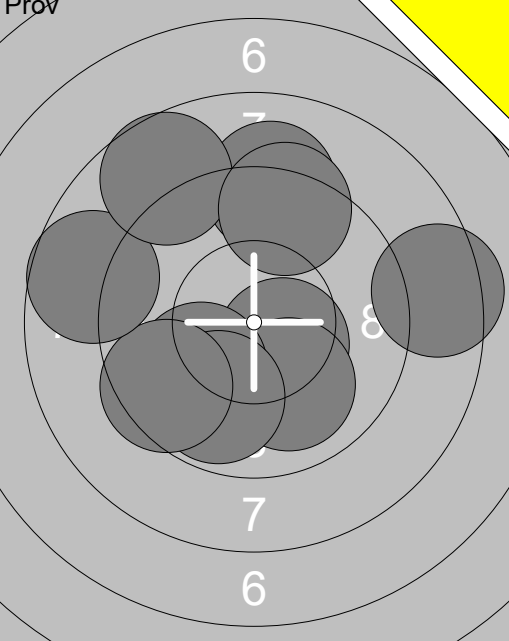


21:	10.1	↓
22:	9.8	←
23:	9.5	→
24:	9.9	↖
25:	10.6	↘
26:	9.6	↑
27:	9.9	←
28:	8.8	↗
29:	9.5	↓
30:	10.0	→
Serie		97.7
Total		282.6



31:	10.9	↘
32:	8.2	↖
33:	9.5	↑
34:	9.6	←
35:	9.5	→
36:	8.8	↓
37:	9.9	↑
38:	9.3	↓
39:	10.0	→
40:	9.0	↓
Serie		94.7
Total		377.3



	<p>1: 8.4 →</p> <p>2: 10.5x↘</p> <p>3: 10.0 ↘</p> <p>4: 10.0 ↙</p> <p>5: 9.8 ↘</p> <p>6: 9.5 ↙</p> <p>7: 9.1 ↑</p> <p>8: 8.7 ←</p> <p>9: 8.7 ↖</p> <p>10: 9.4 ↑</p>	<p>11: 9.1 ↗</p> <p>12: 5.8 →</p> <p>13: 9.3 ↖</p> <p>14: 9.6 ↘</p> <p>15: 10.3x↗</p> <p>16: 10.3x↖</p>
Serie 94.1		Serie 54.4
Total 0.0		Total 0.0

	<p>1: 10.4x↖</p> <p>2: 8.6 ←</p> <p>3: 10.4x↗</p> <p>4: 10.6x↙</p> <p>5: 9.8 ↖</p> <p>6: 9.2 ←</p> <p>7: 9.3 ↗</p> <p>8: 8.9 ↗</p> <p>9: 9.9 ↑</p> <p>10: 8.6 ↑</p>	<p>11: 9.8 ↖</p> <p>12: 9.8 ↗</p> <p>13: 9.5 ↖</p> <p>14: 10.0 ↘</p> <p>15: 8.4 ↖</p> <p>16: 9.3 ↑</p> <p>17: 9.5 ↗</p> <p>18: 9.5 ←</p> <p>19: 8.7 ↗</p> <p>20: 8.7 ↗</p>
Serie 95.7		Serie 93.2
Total 95.7		Total 188.9

	<p>21: 9.6 ↑</p> <p>22: 9.4 →</p> <p>23: 10.0 ↑</p> <p>24: 7.6 →</p> <p>25: 9.7 ↑</p> <p>26: 7.9 ↖</p> <p>27: 7.5 →</p> <p>28: 8.4 ↖</p> <p>29: 8.9 ←</p> <p>30: 9.5 ←</p>	<p>31: 8.4 ↖</p> <p>32: 10.4x↗</p> <p>33: 6.3 ↖</p> <p>34: 10.1←</p> <p>35: 8.2 →</p> <p>36: 9.9 ↗</p> <p>37: 6.3 →</p> <p>38: 10.3x↗</p> <p>39: 6.9 ↖</p> <p>40: 10.2x↖</p>
Serie 88.5		Serie 87.0
Total 277.4		Total 364.4

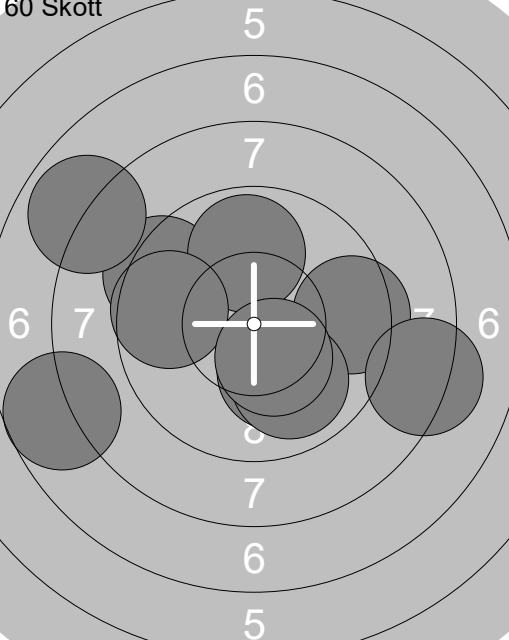
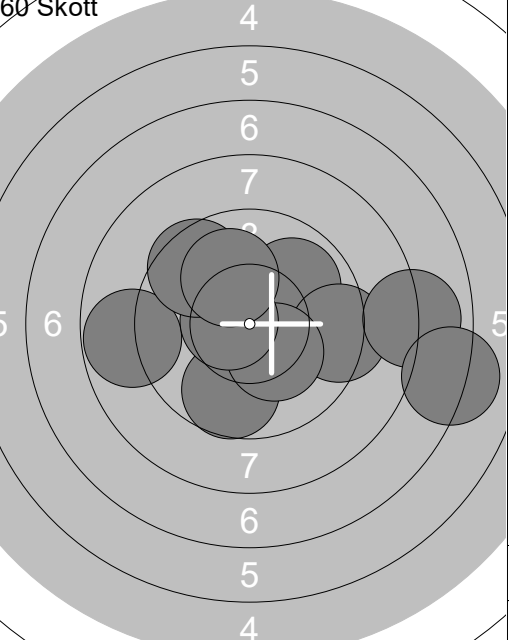
	Prov 1: 8.9 ↘ 2: 7.4 ↓ 3: 9.2 ↙ 4: 9.2 ↘ 5: 8.6 ↘ 6: 9.0 → 7: 10.6x↓ 8: 10.5x↙ 9: 10.3x↑ 10: 9.7 ↑ <hr/> Serie 93.4 Total 0.0		Prov 11: 10.4x↓ <hr/> Serie 10.4 Total 0.0
--	---	--	---

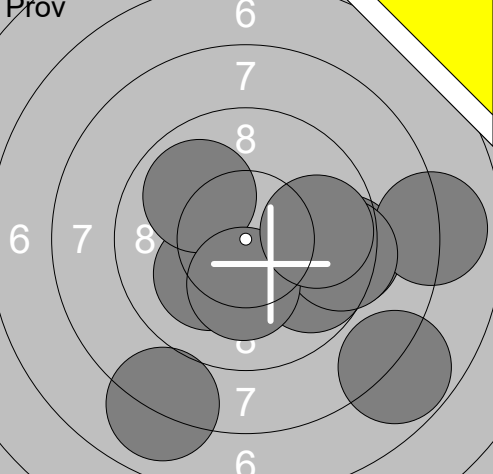
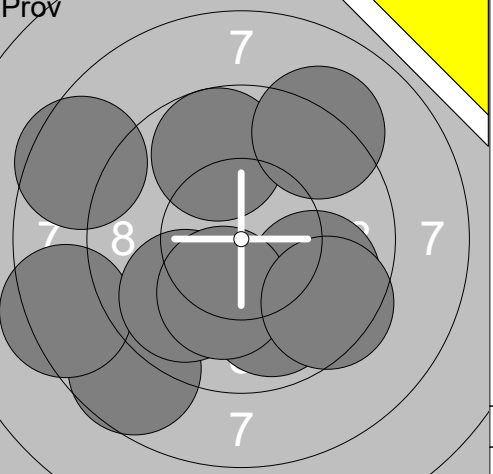
60 Skott 	1: 10.3x↑ 2: 10.4x↑ 3: 10.5x↘ 4: 10.0 ↓ 5: 9.3 → 6: 9.9 ↓ 7: 10.5x↘ 8: 10.0 → 9: 9.6 ↓ 10: 10.2x↓ <hr/> Serie 100.7 Total 100.7	60 Skott 	11: 8.8 → 12: 10.4x↘ 13: 8.0 → 14: 10.2x↙ 15: 10.1 ↓ 16: 10.4x↘ 17: 9.2 ↗ 18: 9.7 → 19: 9.1 ↙ 20: 9.2 → <hr/> Serie 95.1 Total 195.8
--------------	--	--------------	---

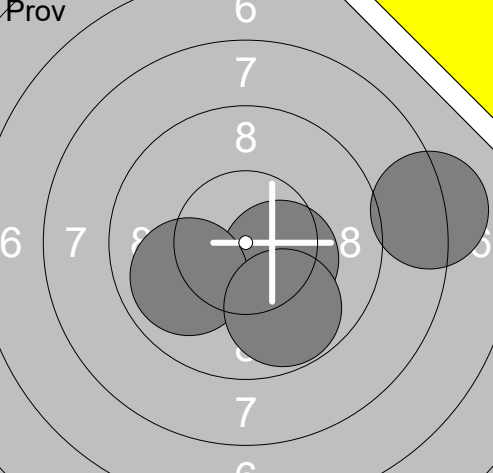
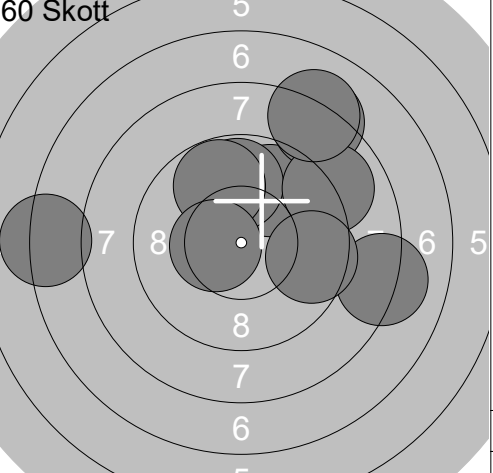
60 Skott 	21: 9.6 ← 22: 10.7x→ 23: 9.5 ← 24: 9.9 ↓ 25: 9.5 ↗ 26: 10.2x↘ 27: 8.8 ↗ 28: 9.7 ← 29: 9.9 ← 30: 9.2 ↓ <hr/> Serie 97.0 Total 292.8	60 Skott 	31: 9.4 ↓ 32: 9.4 → 33: 10.4x→ 34: 10.1 → 35: 8.8 ↗ 36: 9.2 → 37: 10.3x↙ 38: 7.7 ← 39: 8.7 ↗ 40: 9.7 ↘ <hr/> Serie 93.7 Total 386.5
--------------	---	--------------	--

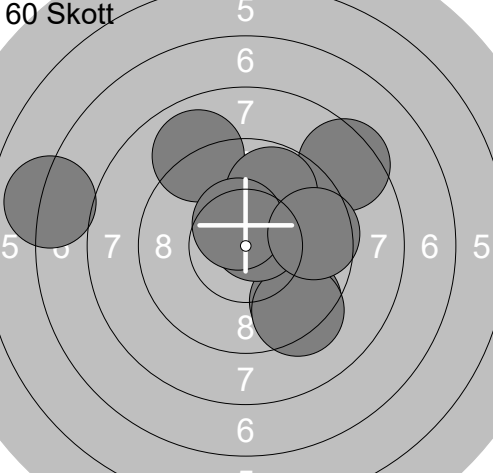
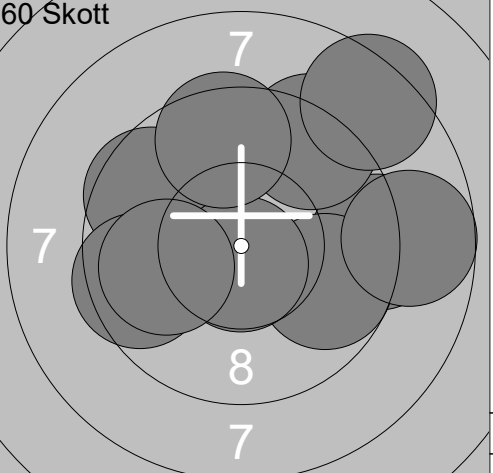
 <p style="text-align: center;">3 4 5 6 7 8 7 6 5 4 3</p>	<p>1: 9.8 →</p> <p>2: 9.9 ↓</p> <p>3: 10.2✕</p> <p>4: 8.4 ↗</p> <p>5: 10.1 ↑</p> <p>6: 8.7 ↑</p> <p>7: 9.4 ↖</p> <p>8: 10.7✕↓</p> <p>9: 6.5 →</p> <p>10: 10.6✕↓</p> <hr/> <p>Serie 94.3</p> <p>Total 0.0</p>	 <p style="text-align: center;">6 7 8 7</p>	<p>11: 9.2 ↑</p> <p>12: 10.6✕</p> <hr/> <p>Serie 19.8</p> <p>Total 0.0</p>
---	--	---	--

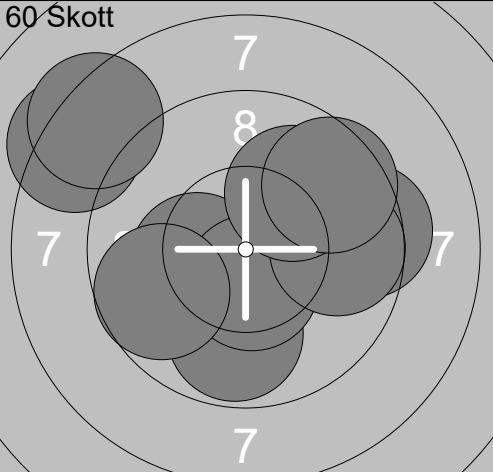
 <p style="text-align: center;">6 8 7 6 5</p>	<p>1: 8.7 ↑</p> <p>2: 9.9 ↖</p> <p>3: 10.5✕↑</p> <p>4: 9.2 ↑</p> <p>5: 9.5 ↗</p> <p>6: 7.3 ↑</p> <p>7: 8.3 ↖</p> <p>8: 8.3 ←</p> <p>9: 10.7✕←</p> <p>10: 8.8 ↑</p> <hr/> <p>Serie 91.2</p> <p>Total 91.2</p>	 <p style="text-align: center;">6 8 7 6</p>	<p>11: 8.5 ↑</p> <p>12: 9.7 ↓</p> <p>13: 9.1 ↗</p> <p>14: 7.5 ↖</p> <p>15: 8.3 ↑</p> <p>16: 9.3 ↓</p> <p>17: 8.3 ↓</p> <p>18: 9.5 ↗</p> <p>19: 10.1 →</p> <p>20: 10.5✕→</p> <hr/> <p>Serie 90.8</p> <p>Total 182.0</p>
--	--	--	--

 <p style="text-align: center;">5 6 7 6 5</p>	<p>21: 9.5 →</p> <p>22: 9.4 ↖</p> <p>23: 9.9 ↑</p> <p>24: 10.1 ↓</p> <p>25: 7.7 ←</p> <p>26: 7.9 ↖</p> <p>27: 8.2 →</p> <p>28: 9.6 ←</p> <p>29: 9.9 ↓</p> <p>30: 10.4✕↓</p> <hr/> <p>Serie 92.6</p> <p>Total 274.6</p>	 <p style="text-align: center;">4 5 6 7 6 5 4</p>	<p>31: 9.9 ↗</p> <p>32: 8.8 ←</p> <p>33: 9.3 →</p> <p>34: 9.7 ↓</p> <p>35: 10.3✕↓</p> <p>36: 10.6✕←</p> <p>37: 9.5 ↖</p> <p>38: 8.0 →</p> <p>39: 7.1 →</p> <p>40: 10.0 ↑</p> <hr/> <p>Serie 93.2</p> <p>Total 367.8</p>
---	--	---	---

	<table border="1" style="width:100%; border-collapse: collapse;"> <tr><td>1:</td><td>9.4</td><td>→</td></tr> <tr><td>2:</td><td>8.0</td><td>→</td></tr> <tr><td>3:</td><td>8.0</td><td>↓</td></tr> <tr><td>4:</td><td>9.8</td><td>↓</td></tr> <tr><td>5:</td><td>7.8</td><td>↓</td></tr> <tr><td>6:</td><td>9.4</td><td>→</td></tr> <tr><td>7:</td><td>10.1</td><td>↙</td></tr> <tr><td>8:</td><td>9.9</td><td>↗</td></tr> <tr><td>9:</td><td>10.2x</td><td>↓</td></tr> <tr><td>10:</td><td>9.8</td><td>→</td></tr> <tr><td colspan="2">Serie</td><td>92.4</td></tr> <tr><td colspan="2">Total</td><td>0.0</td></tr> </table>	1:	9.4	→	2:	8.0	→	3:	8.0	↓	4:	9.8	↓	5:	7.8	↓	6:	9.4	→	7:	10.1	↙	8:	9.9	↗	9:	10.2x	↓	10:	9.8	→	Serie		92.4	Total		0.0		<table border="1" style="width:100%; border-collapse: collapse;"> <tr><td>11:</td><td>8.7</td><td>↙</td></tr> <tr><td>12:</td><td>8.4</td><td>←</td></tr> <tr><td>13:</td><td>9.9</td><td>↓</td></tr> <tr><td>14:</td><td>9.8</td><td>↑</td></tr> <tr><td>15:</td><td>9.9</td><td>↙</td></tr> <tr><td>16:</td><td>9.8</td><td>→</td></tr> <tr><td>17:</td><td>10.2x</td><td>↓</td></tr> <tr><td>18:</td><td>9.5</td><td>↘</td></tr> <tr><td>19:</td><td>9.2</td><td>↗</td></tr> <tr><td>20:</td><td>8.5</td><td>↙</td></tr> <tr><td colspan="2">Serie</td><td>93.9</td></tr> <tr><td colspan="2">Total</td><td>0.0</td></tr> </table>	11:	8.7	↙	12:	8.4	←	13:	9.9	↓	14:	9.8	↑	15:	9.9	↙	16:	9.8	→	17:	10.2x	↓	18:	9.5	↘	19:	9.2	↗	20:	8.5	↙	Serie		93.9	Total		0.0
1:	9.4	→																																																																									
2:	8.0	→																																																																									
3:	8.0	↓																																																																									
4:	9.8	↓																																																																									
5:	7.8	↓																																																																									
6:	9.4	→																																																																									
7:	10.1	↙																																																																									
8:	9.9	↗																																																																									
9:	10.2x	↓																																																																									
10:	9.8	→																																																																									
Serie		92.4																																																																									
Total		0.0																																																																									
11:	8.7	↙																																																																									
12:	8.4	←																																																																									
13:	9.9	↓																																																																									
14:	9.8	↑																																																																									
15:	9.9	↙																																																																									
16:	9.8	→																																																																									
17:	10.2x	↓																																																																									
18:	9.5	↘																																																																									
19:	9.2	↗																																																																									
20:	8.5	↙																																																																									
Serie		93.9																																																																									
Total		0.0																																																																									

	<table border="1" style="width:100%; border-collapse: collapse;"> <tr><td>21:</td><td>10.4x</td><td>↘</td></tr> <tr><td>22:</td><td>8.1</td><td>→</td></tr> <tr><td>23:</td><td>9.9</td><td>←</td></tr> <tr><td>24:</td><td>9.8</td><td>↓</td></tr> <tr><td colspan="2">Serie</td><td>38.2</td></tr> <tr><td colspan="2">Total</td><td>0.0</td></tr> </table>	21:	10.4x	↘	22:	8.1	→	23:	9.9	←	24:	9.8	↓	Serie		38.2	Total		0.0		<table border="1" style="width:100%; border-collapse: collapse;"> <tr><td>1:</td><td>8.1</td><td>→</td></tr> <tr><td>2:</td><td>9.8</td><td>↗</td></tr> <tr><td>3:</td><td>7.2</td><td>←</td></tr> <tr><td>4:</td><td>8.2</td><td>↗</td></tr> <tr><td>5:</td><td>9.8</td><td>↑</td></tr> <tr><td>6:</td><td>9.0</td><td>↗</td></tr> <tr><td>7:</td><td>9.8</td><td>↑</td></tr> <tr><td>8:</td><td>10.4x</td><td>←</td></tr> <tr><td>9:</td><td>8.1</td><td>↗</td></tr> <tr><td>10:</td><td>9.6</td><td>→</td></tr> <tr><td colspan="2">Serie</td><td>90.0</td></tr> <tr><td colspan="2">Total</td><td>90.0</td></tr> </table>	1:	8.1	→	2:	9.8	↗	3:	7.2	←	4:	8.2	↗	5:	9.8	↑	6:	9.0	↗	7:	9.8	↑	8:	10.4x	←	9:	8.1	↗	10:	9.6	→	Serie		90.0	Total		90.0
21:	10.4x	↘																																																							
22:	8.1	→																																																							
23:	9.9	←																																																							
24:	9.8	↓																																																							
Serie		38.2																																																							
Total		0.0																																																							
1:	8.1	→																																																							
2:	9.8	↗																																																							
3:	7.2	←																																																							
4:	8.2	↗																																																							
5:	9.8	↑																																																							
6:	9.0	↗																																																							
7:	9.8	↑																																																							
8:	10.4x	←																																																							
9:	8.1	↗																																																							
10:	9.6	→																																																							
Serie		90.0																																																							
Total		90.0																																																							

	<table border="1" style="width:100%; border-collapse: collapse;"> <tr><td>11:</td><td>9.0</td><td>↗</td></tr> <tr><td>12:</td><td>7.0</td><td>←</td></tr> <tr><td>13:</td><td>9.5</td><td>↓</td></tr> <tr><td>14:</td><td>9.3</td><td>↓</td></tr> <tr><td>15:</td><td>10.6x</td><td>↑</td></tr> <tr><td>16:</td><td>10.7x</td><td>↗</td></tr> <tr><td>17:</td><td>8.5</td><td>↗</td></tr> <tr><td>18:</td><td>9.8</td><td>↗</td></tr> <tr><td>19:</td><td>10.5x</td><td>↑</td></tr> <tr><td>20:</td><td>9.6</td><td>→</td></tr> <tr><td colspan="2">Serie</td><td>94.5</td></tr> <tr><td colspan="2">Total</td><td>184.5</td></tr> </table>	11:	9.0	↗	12:	7.0	←	13:	9.5	↓	14:	9.3	↓	15:	10.6x	↑	16:	10.7x	↗	17:	8.5	↗	18:	9.8	↗	19:	10.5x	↑	20:	9.6	→	Serie		94.5	Total		184.5		<table border="1" style="width:100%; border-collapse: collapse;"> <tr><td>21:</td><td>9.2</td><td>→</td></tr> <tr><td>22:</td><td>9.7</td><td>→</td></tr> <tr><td>23:</td><td>9.6</td><td>↙</td></tr> <tr><td>24:</td><td>9.5</td><td>←</td></tr> <tr><td>25:</td><td>9.3</td><td>↗</td></tr> <tr><td>26:</td><td>8.7</td><td>→</td></tr> <tr><td>27:</td><td>8.4</td><td>↗</td></tr> <tr><td>28:</td><td>10.7x</td><td>↓</td></tr> <tr><td>29:</td><td>9.5</td><td>↑</td></tr> <tr><td>30:</td><td>9.9</td><td>←</td></tr> <tr><td colspan="2">Serie</td><td>94.5</td></tr> <tr><td colspan="2">Total</td><td>279.0</td></tr> </table>	21:	9.2	→	22:	9.7	→	23:	9.6	↙	24:	9.5	←	25:	9.3	↗	26:	8.7	→	27:	8.4	↗	28:	10.7x	↓	29:	9.5	↑	30:	9.9	←	Serie		94.5	Total		279.0
11:	9.0	↗																																																																									
12:	7.0	←																																																																									
13:	9.5	↓																																																																									
14:	9.3	↓																																																																									
15:	10.6x	↑																																																																									
16:	10.7x	↗																																																																									
17:	8.5	↗																																																																									
18:	9.8	↗																																																																									
19:	10.5x	↑																																																																									
20:	9.6	→																																																																									
Serie		94.5																																																																									
Total		184.5																																																																									
21:	9.2	→																																																																									
22:	9.7	→																																																																									
23:	9.6	↙																																																																									
24:	9.5	←																																																																									
25:	9.3	↗																																																																									
26:	8.7	→																																																																									
27:	8.4	↗																																																																									
28:	10.7x	↓																																																																									
29:	9.5	↑																																																																									
30:	9.9	←																																																																									
Serie		94.5																																																																									
Total		279.0																																																																									

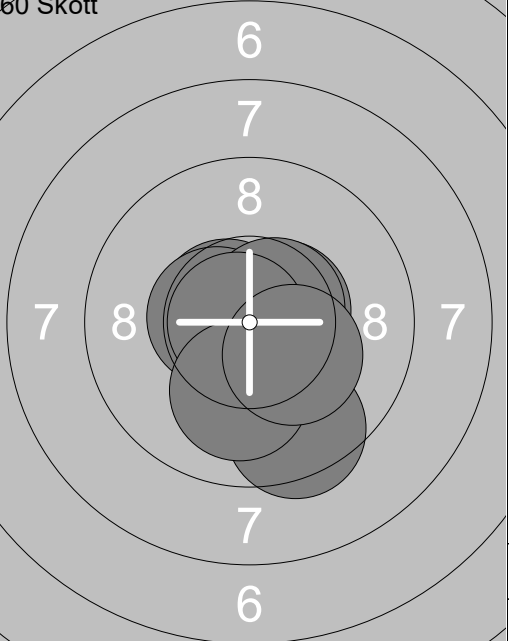
	<table border="1" style="width:100%; border-collapse: collapse;"> <tr><td>31:</td><td>9.4</td><td>→</td></tr> <tr><td>32:</td><td>10.3x</td><td>←</td></tr> <tr><td>33:</td><td>9.8</td><td>↓</td></tr> <tr><td>34:</td><td>8.3</td><td>↖</td></tr> <tr><td>35:</td><td>10.5x</td><td>↓</td></tr> <tr><td>36:</td><td>9.7</td><td>→</td></tr> <tr><td>37:</td><td>9.7</td><td>←</td></tr> <tr><td>38:</td><td>10.0</td><td>↗</td></tr> <tr><td>39:</td><td>8.3</td><td>↖</td></tr> <tr><td>40:</td><td>9.6</td><td>↗</td></tr> <tr><td colspan="2">Serie</td><td>95.6</td></tr> <tr><td colspan="2">Total</td><td>374.6</td></tr> </table>	31:	9.4	→	32:	10.3x	←	33:	9.8	↓	34:	8.3	↖	35:	10.5x	↓	36:	9.7	→	37:	9.7	←	38:	10.0	↗	39:	8.3	↖	40:	9.6	↗	Serie		95.6	Total		374.6		
31:	9.4	→																																					
32:	10.3x	←																																					
33:	9.8	↓																																					
34:	8.3	↖																																					
35:	10.5x	↓																																					
36:	9.7	→																																					
37:	9.7	←																																					
38:	10.0	↗																																					
39:	8.3	↖																																					
40:	9.6	↗																																					
Serie		95.6																																					
Total		374.6																																					

<p>Prov</p>	<p>1: 7.9 ↓                  2: 8.9 ↙                  3: 10.4x ↗                  4: 9.8 ↓                  5: 10.5x ↓                  6: 9.9 →                  7: 8.8 →                  8: 9.1 ↙                  9: 10.1 ↑                  10: 8.4 ↙</p> <p>Serie 93.8 Total 0.0</p>	<p>Prov</p>		<p>11: 10.0 ↓                  12: 10.1 ↓                  13: 10.5x ↗                  14: 10.2x ↘                  15: 10.1 ↙</p> <p>Serie 50.9 Total 0.0</p>
-------------	---	-------------	--	---

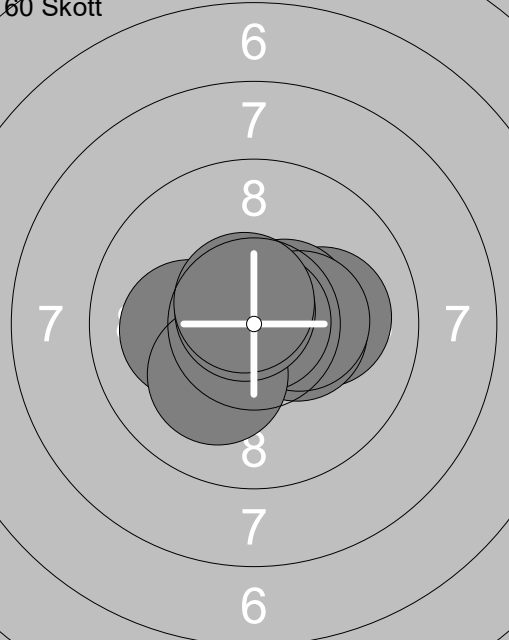
<p>60 Skott</p>	<p>1: 9.9 ↙                  2: 10.0 ↑                  3: 10.2x ↘                  4: 9.9 ↗                  5: 10.5x ↘                  6: 9.3 →                  7: 10.2x ↓                  8: 10.5x →                  9: 9.9 ↙                  10: 10.4x ↗</p> <p>Serie 100.8 Total 100.8</p>	<p>60 Skott</p>		<p>11: 9.8 ↙                  12: 10.3x →                  13: 9.0 ↙                  14: 10.2x ↓                  15: 10.4x ↗                  16: 10.2x ↘                  17: 10.2x ↘                  18: 9.8 ↓                  19: 9.7 ↑                  20: 9.7 ↗</p> <p>Serie 99.3 Total 200.1</p>
-----------------	--	-----------------	--	---

<p>60 Skott</p>	<p>21: 10.4x ↓                  22: 10.4x ↗                  23: 9.8 →                  24: 10.2x ↘                  25: 9.7 ↑                  26: 9.3 ↙                  27: 10.6x ↘                  28: 9.8 ↙                  29: 10.0 →                  30: 9.8 ↗</p> <p>Serie 100.0 Total 300.1</p>	<p>60 Skott</p>		<p>31: 9.4 ↓                  32: 10.4x ↗                  33: 8.9 ↙                  34: 9.5 ↙                  35: 9.7 →                  36: 9.9 ↗                  37: 9.7 ↑                  38: 10.8x ↘                  39: 10.5x ↘                  40: 10.2x ↘</p> <p>Serie 99.0 Total 399.1</p>
-----------------	---	-----------------	--	---


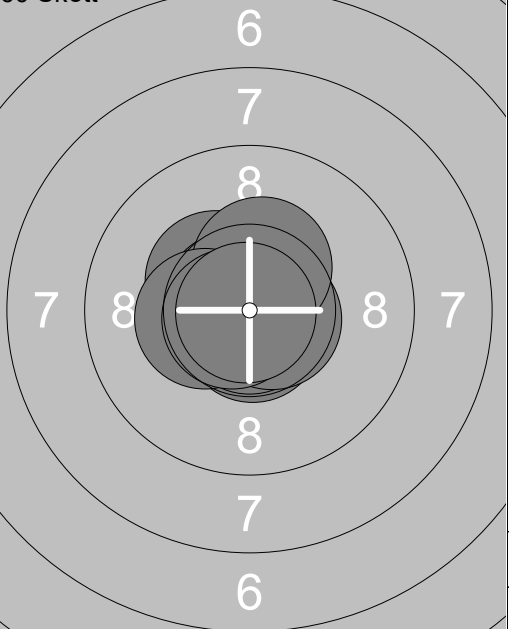


<p>Prov</p> 	<p>1: 10.5x ↘</p> <p>2: 10.5x ➤</p> <p>3: 10.7x ↙</p> <p>4: 10.7x ↘</p> <p>5: 10.5x ↙</p> <p>6: 10.7x ↓</p> <p>7: 10.8x ↓</p> <p>8: 10.6x ↘</p> <p>9: 10.6x ↘</p>	<p>60 Skott</p> 	<p>1: 10.5x ➤</p> <p>2: 10.6x ↙</p> <p>3: 10.7x ↘</p> <p>4: 10.5x ↙</p> <p>5: 10.5x ↘</p> <p>6: 10.6x ➤</p> <p>7: 10.8x ↙</p> <p>8: 9.5 ↓</p> <p>9: 10.1 ↓</p> <p>10: 10.3x ↘</p>
Serie 95.6		Serie 104.1	
Total 0.0		Total 104.1	

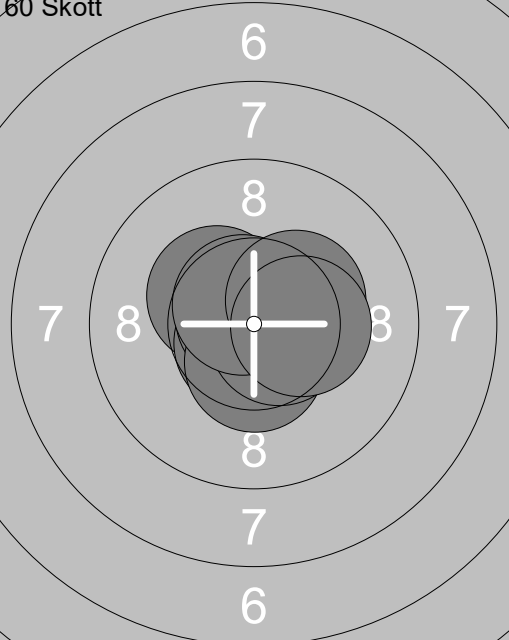
<p>60 Skott</p> 	<p>11: 9.9 ↙</p> <p>12: 10.5x ↗</p> <p>13: 10.5x ↗</p> <p>14: 10.6x ↘</p> <p>15: 9.9 ➤</p> <p>16: 10.1 ↓</p> <p>17: 10.1 ↓</p> <p>18: 9.8 ↙</p> <p>19: 10.7x ↘</p> <p>20: 10.6x ↙</p>	<p>60 Skott</p> 	<p>21: 10.4x ↙</p> <p>22: 9.8 ↙</p> <p>23: 10.4x ↙</p> <p>24: 10.0 ↓</p> <p>25: 10.0 ↓</p> <p>26: 10.5x ↙</p> <p>27: 10.9x ↙</p> <p>28: 10.3x ↘</p> <p>29: 10.4x ➤</p> <p>30: 10.5x ↙</p>
Serie 102.7		Serie 103.2	
Total 206.8		Total 310.0	

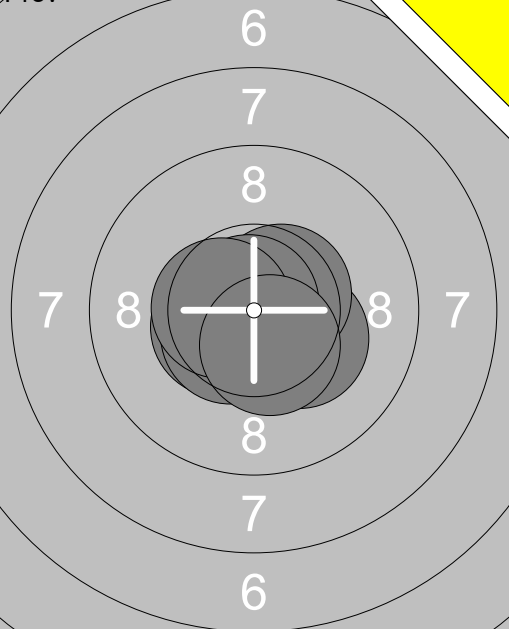
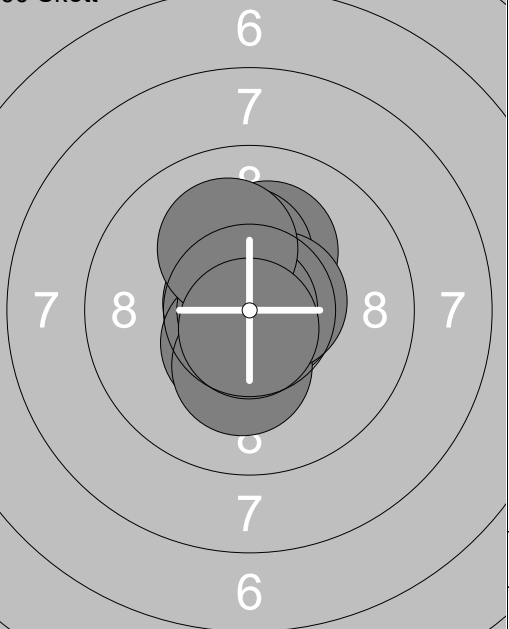
<p>60 Skott</p> 	<p>31: 10.1 ➔</p> <p>32: 10.4x ➤</p> <p>33: 10.5x ➤</p> <p>34: 10.4x ➤</p> <p>35: 10.7x ↙</p> <p>36: 10.9x ➤</p> <p>37: 10.1 ↙</p> <p>38: 10.1 ↘</p> <p>39: 10.7x ↘</p> <p>40: 10.7x ↘</p>	
Serie 104.6		
Total 414.6		

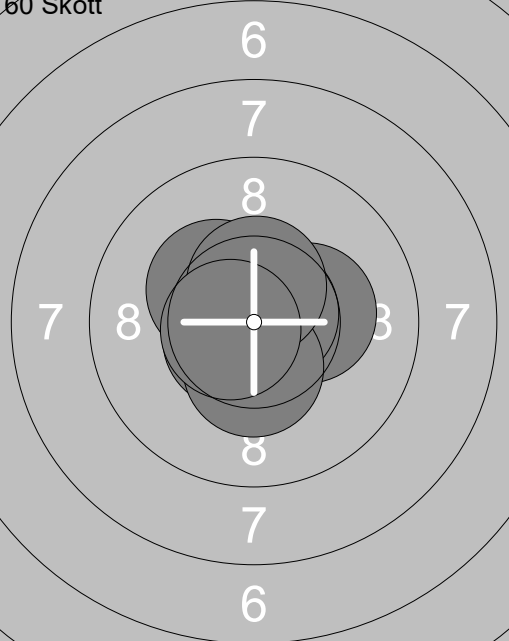
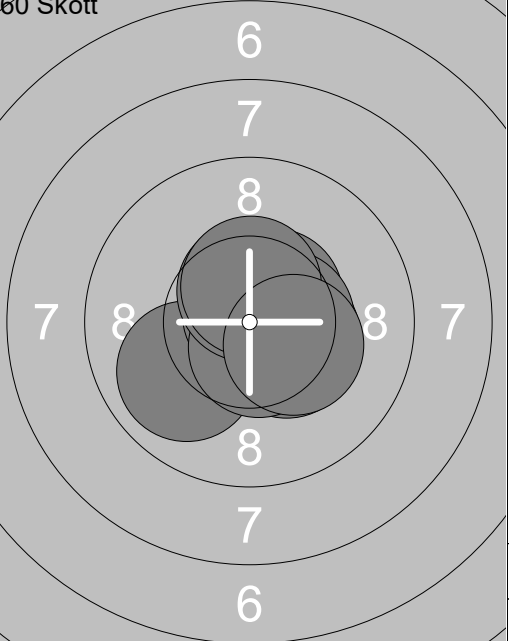


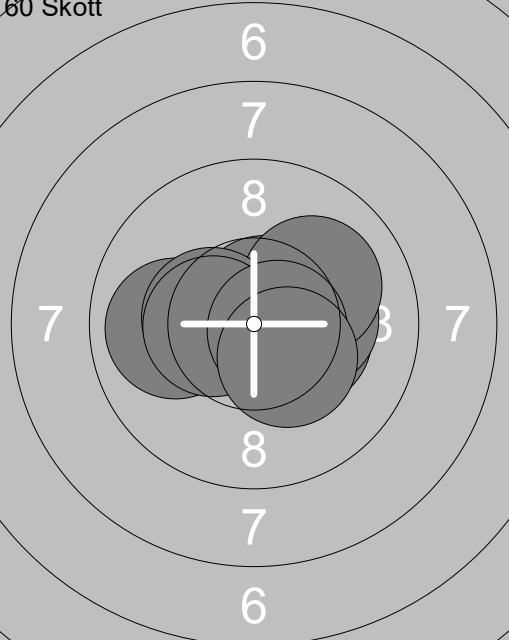
<p>Prov</p> 	<p>1: 10.1 ↓</p> <p>2: 10.8x ↓</p> <p>3: 10.4x ↓</p> <p>4: 10.7x ↓</p> <p>5: 10.4x ←</p> <p>6: 10.5x ↙</p> <p>7: 10.8x ↓</p>	<p>60 Skott</p> 	<p>1: 10.4x ↘</p> <p>2: 10.8x ↘</p> <p>3: 10.7x ↘</p> <p>4: 10.7x ↓</p> <p>5: 10.8x ↓</p> <p>6: 10.6x →</p> <p>7: 10.4x ↗</p> <p>8: 10.4x ↙</p> <p>9: 10.7x ↘</p> <p>10: 10.9x ↘</p>
Serie 73.7		Serie 106.4	
Total 0.0		Total 106.4	

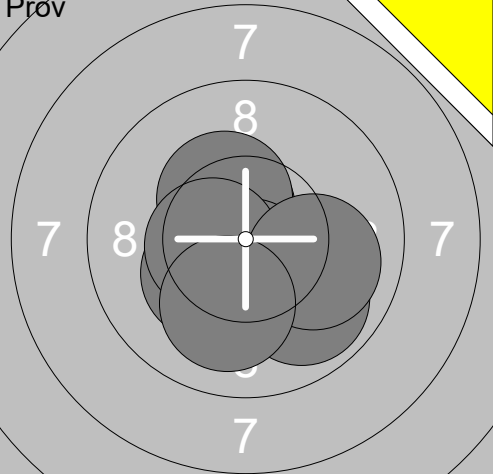
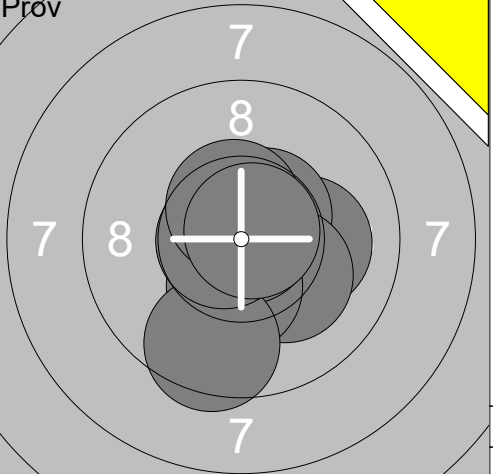
<p>60 Skott</p> 	<p>11: 10.2x ↙</p> <p>12: 10.3x ↗</p> <p>13: 10.6x →</p> <p>14: 10.7x ↘</p> <p>15: 10.7x ↙</p> <p>16: 10.7x ↓</p> <p>17: 10.7x ↓</p> <p>18: 10.6x ↙</p> <p>19: 10.1 →</p> <p>20: 9.8 ←</p>	<p>60 Skott</p> 	<p>21: 10.8x →</p> <p>22: 10.9x ↙</p> <p>23: 10.4x ↗</p> <p>24: 10.5x →</p> <p>25: 10.4x ↗</p> <p>26: 10.7x ↘</p> <p>27: 10.7x ↙</p> <p>28: 10.7x →</p> <p>29: 10.6x ↙</p> <p>30: 10.5x ↙</p>
Serie 104.4		Serie 106.2	
Total 210.8		Total 317.0	


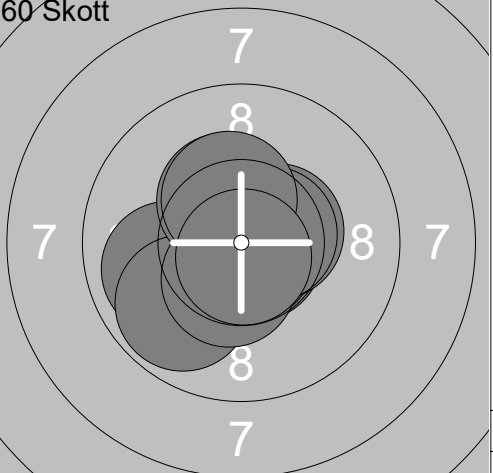
<p>60 Skott</p> 	<p>31: 10.4x ↙</p> <p>32: 10.8x ↘</p> <p>33: 10.7x ↓</p> <p>34: 10.8x ↘</p> <p>35: 10.7x →</p> <p>36: 10.5x ↓</p> <p>37: 10.6x →</p> <p>38: 10.7x ↘</p> <p>39: 10.3x ↗</p> <p>40: 10.4x →</p>		
Serie 105.9			
Total 422.9			

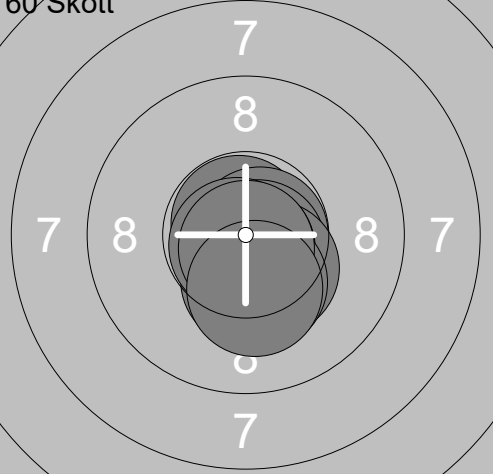
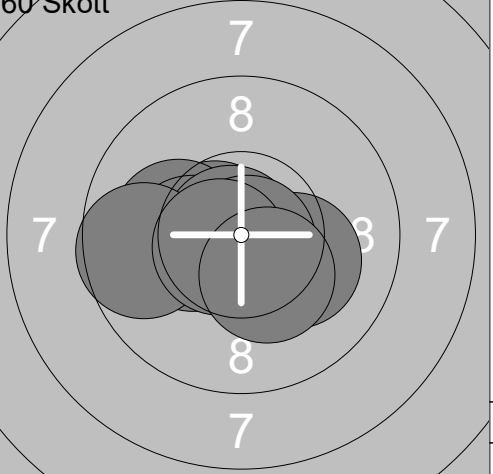
<p>Prov</p> 	<p>1: 10.3x↘</p> <p>2: 10.5x↗</p> <p>3: 10.5x↘</p> <p>4: 10.5x↘</p> <p>5: 10.9x↘</p> <p>6: 10.5x↔</p> <p>7: 10.5x↓</p>	<p>60 Skott</p> 		<p>1: 10.7x↘</p> <p>2: 10.5x↘</p> <p>3: 10.7x↘</p> <p>4: 10.2x↓</p> <p>5: 10.2x↑</p> <p>6: 10.3x↑</p> <p>7: 10.6x↘</p> <p>8: 10.9x↘</p> <p>9: 10.1↑</p> <p>10: 10.7x↓</p>
Serie 73.7		Serie 104.9		
Total 0.0		Total 104.9		

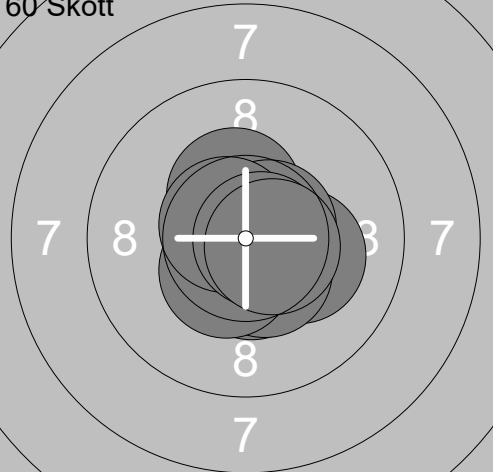
<p>60 Skott</p> 	<p>11: 10.7x↘</p> <p>12: 10.6x↘</p> <p>13: 10.6x↘</p> <p>14: 10.9x↔</p> <p>15: 10.3x↘</p> <p>16: 10.7x↗</p> <p>17: 10.3x↘</p> <p>18: 10.4x↓</p> <p>19: 10.5x↑</p> <p>20: 10.6x↔</p>	<p>60 Skott</p> 		<p>21: 10.4x↘</p> <p>22: 9.9 ↙</p> <p>23: 10.4x↘</p> <p>24: 10.8x↑</p> <p>25: 10.6x↓</p> <p>26: 10.5x↗</p> <p>27: 10.5x↘</p> <p>28: 10.6x↑</p> <p>29: 10.5x↑</p> <p>30: 10.3x↘</p>
Serie 105.6		Serie 104.5		
Total 210.5		Total 315.0		

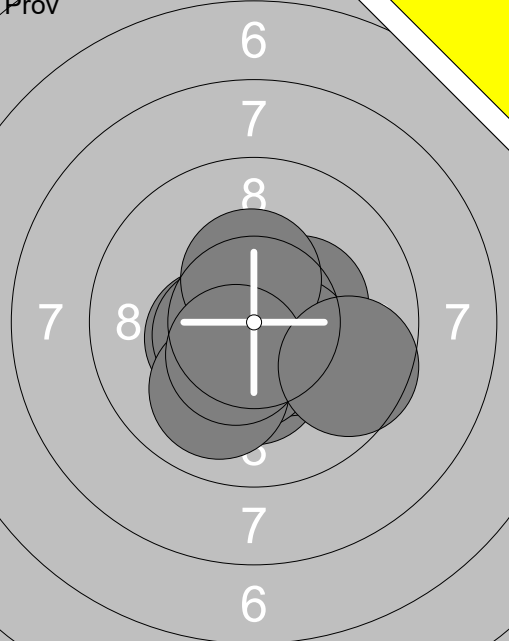
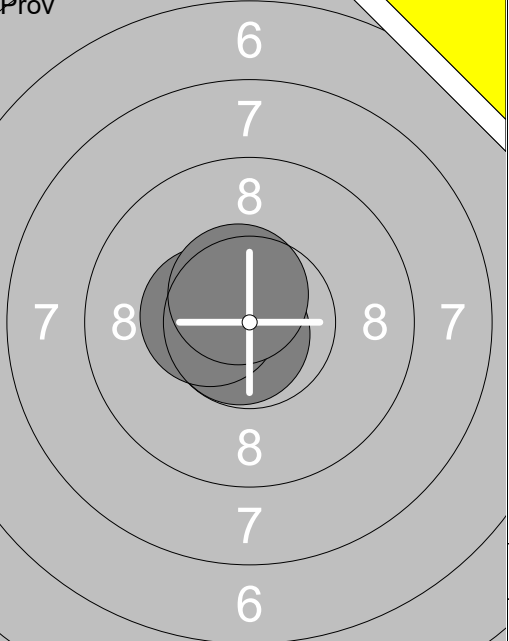
<p>60 Skott</p> 	<p>31: 9.9 ←</p> <p>32: 10.3x↘</p> <p>33: 10.9x↔</p> <p>34: 10.7x↗</p> <p>35: 10.2x↘</p> <p>36: 10.1↗</p> <p>37: 10.4x↔</p> <p>38: 10.4x↔</p> <p>39: 10.6x↘</p> <p>40: 10.3x↘</p>			
Serie 103.8				
Total 418.8				

<p><b>Pröv</b></p> 	<p>1: 10.3x ↙                  2: 10.6x ↘                  3: 10.3x ↘                  4: 10.5x ↗                  5: 10.3x ↗                  6: 9.9 ↘                  7: 10.6x ↘                  8: 10.5x ←                  9: 10.0 →                  10: 10.1 ↓</p> <p>Serie 103.1 Total 0.0</p>	<p><b>Pröv</b></p> 	<p>11: 10.8x ↗                  12: 10.1 →                  13: 10.5x ↗                  14: 10.2x ↘                  15: 10.3x ↓                  16: 10.9x ↗                  17: 9.5 ↓                  18: 10.7x ←                  19: 10.5x ↑                  20: 10.8x ↗</p> <p>Serie 104.3 Total 0.0</p>
---	---	---	---

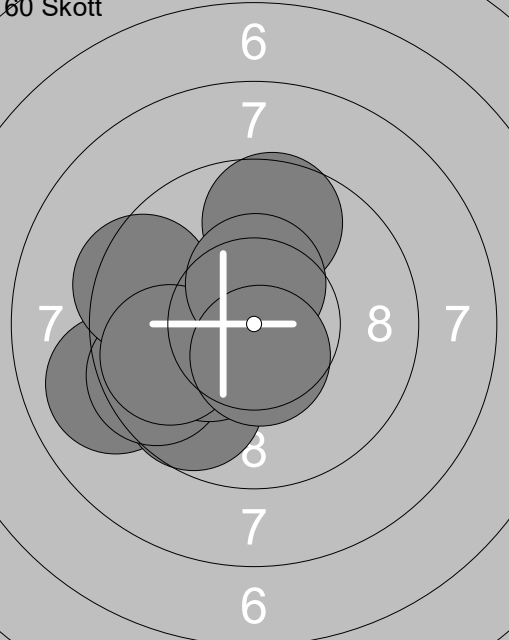
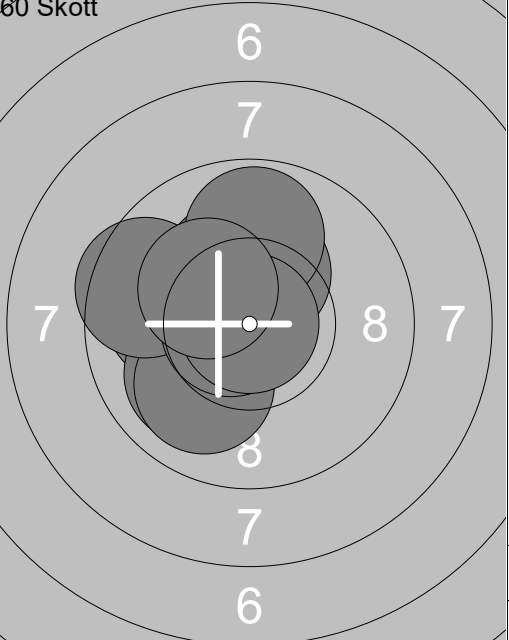
<p><b>Pröv</b></p> 	<p>21: 10.2x ↑                  22: 10.6x ↙</p> <p>Serie 20.8 Total 0.0</p>	<p><b>60 Skott</b></p> 	<p>1: 10.7x ↘                  2: 9.9 ←                  3: 9.8 ↘                  4: 10.8x ↘                  5: 10.4x ↗                  6: 10.5x →                  7: 10.4x ↓                  8: 10.6x →                  9: 10.4x ↑                  10: 10.8x ↓</p> <p>Serie 104.3 Total 104.3</p>
--	---	--	---

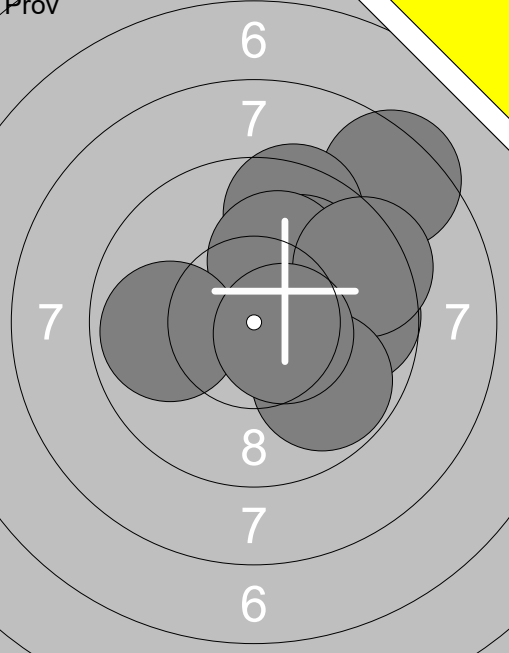
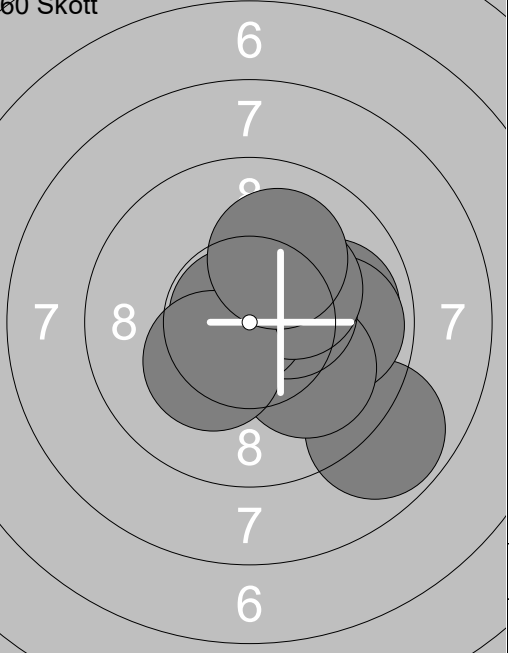
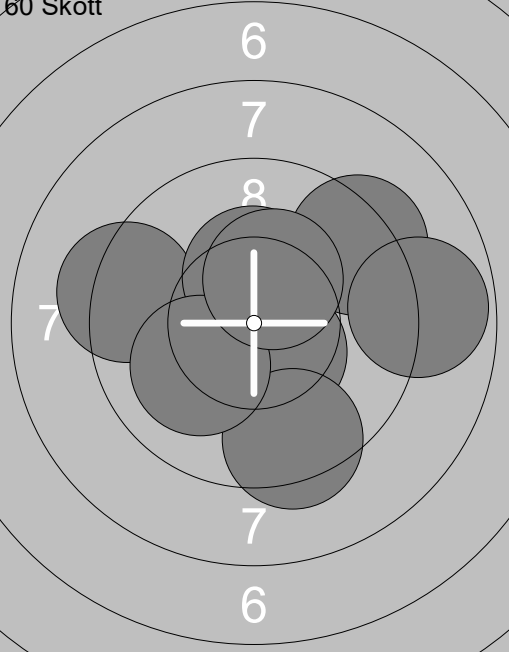
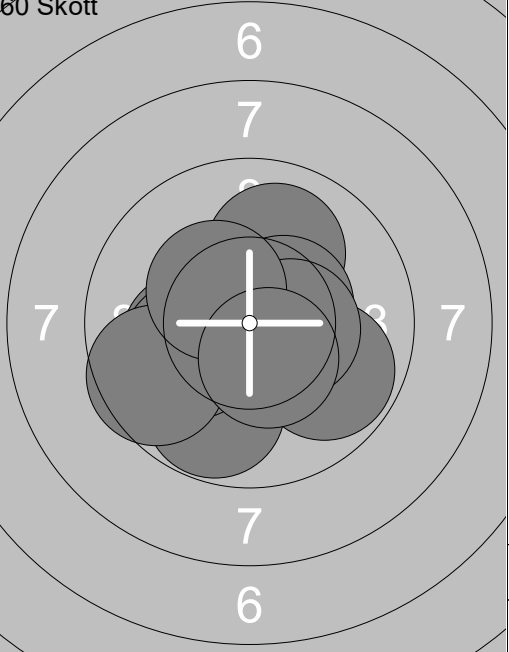
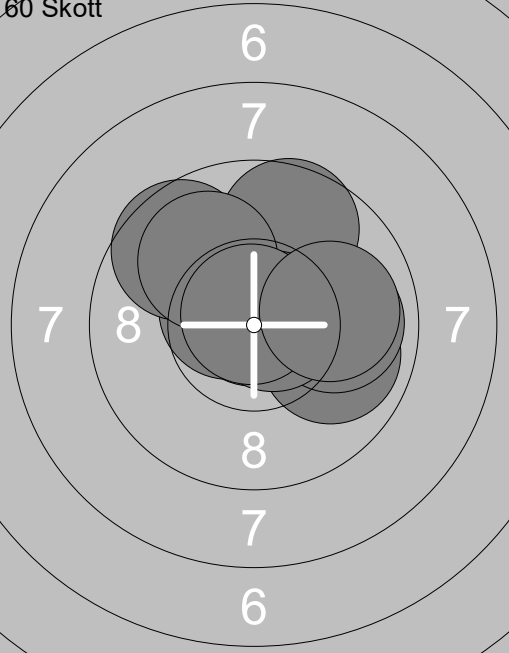
<p><b>60 Skott</b></p> 	<p>11: 10.8x ↗                  12: 10.8x →                  13: 10.4x ↓                  14: 10.7x ↓                  15: 10.4x ↓                  16: 10.7x ↓                  17: 10.3x ↓                  18: 10.8x ↘                  19: 10.8x ↓                  20: 10.2x ↓</p> <p>Serie 105.9 Total 210.2</p>	<p><b>60 Skott</b></p> 	<p>21: 10.6x ←                  22: 10.1 ←                  23: 10.7x ↓                  24: 10.2x ↘                  25: 10.3x ←                  26: 10.8x ←                  27: 10.8x ↘                  28: 9.6 ←                  29: 10.6x ↙                  30: 10.3x ↓</p> <p>Serie 104.0 Total 314.2</p>
---	--	---	---

<p><b>60 Skott</b></p> 	<p>31: 10.8x →                  32: 10.2x →                  33: 10.5x ↓                  34: 10.5x ↓                  35: 10.4x ↗                  36: 10.6x →                  37: 10.5x ↘                  38: 10.6x ↗                  39: 10.7x →                  40: 10.6x →</p> <p>Serie 105.4 Total 419.6</p>		
---	--	--	--

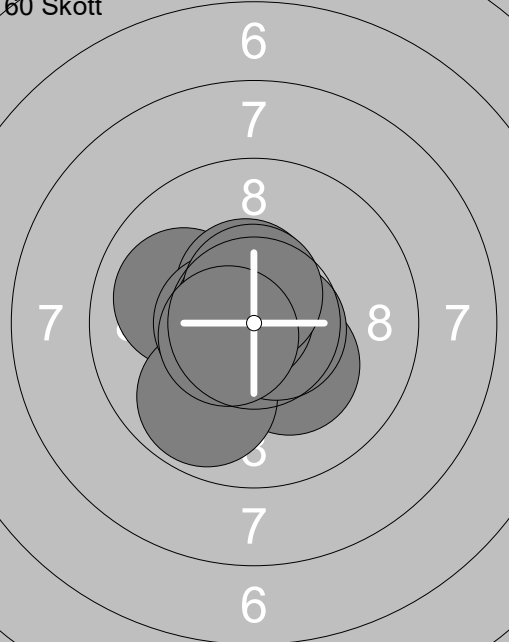
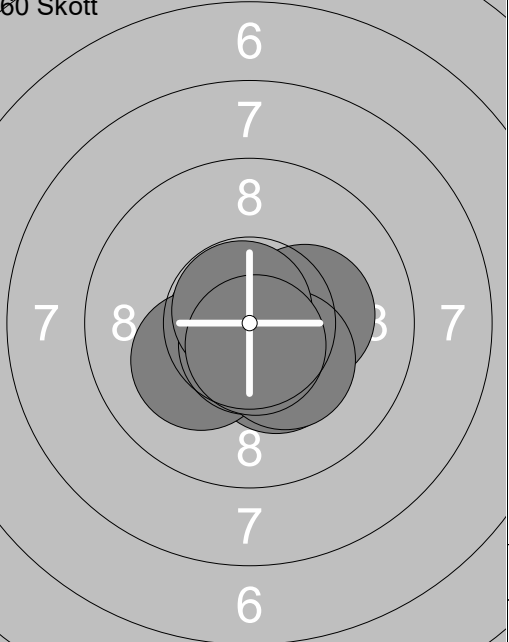
Prov 	1: 10.3x→ 2: 10.3x↓ 3: 10.4x→ 4: 10.5x↓ 5: 10.4x↖ 6: 10.5x↖ 7: 10.0 ↓ 8: 10.4x↑ 9: 10.5x↓ 10: 9.6 →	Prov 	11: 10.7x↘ 12: 10.4x↖ 13: 10.6x↗
Serie 102.9		Serie 31.7	
Total 0.0		Total 0.0	

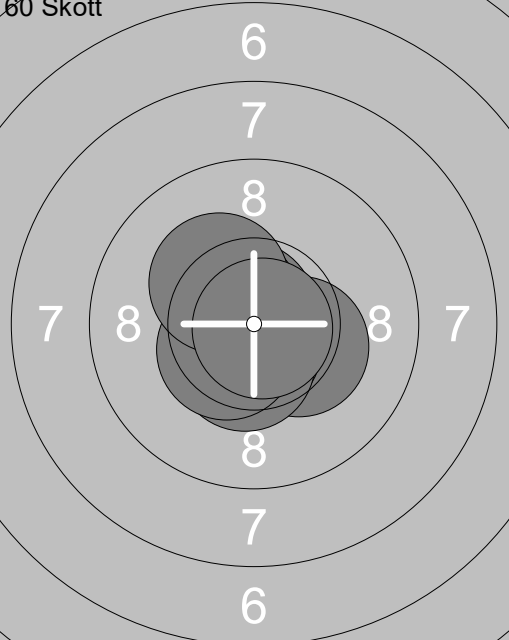
60 Skott 	1: 10.1 ↓ 2: 10.1 → 3: 10.5x↓ 4: 9.7 → 5: 10.4x→ 6: 10.4x↖ 7: 9.9 ← 8: 10.2x↖ 9: 10.5x↓ 10: 10.6x↗	60 Skott 	11: 10.0 → 12: 9.9 ← 13: 9.6 ← 14: 9.8 ← 15: 10.1 ↙ 16: 10.7x↖ 17: 9.8 ↙ 18: 10.8x↓ 19: 10.9x↗ 20: 9.9 ↙
Serie 102.4		Serie 101.5	
Total 102.4		Total 203.9	

60 Skott 	21: 9.0 ← 22: 9.7 ↙ 23: 10.5x↖ 24: 9.5 ← 25: 10.3x↖ 26: 9.6 ↑ 27: 9.4 ← 28: 9.8 ← 29: 10.4x↑ 30: 10.5x↓	60 Skott 	31: 10.2x↗ 32: 10.3x↗ 33: 10.0 ← 34: 10.0 ↙ 35: 10.0 ↙ 36: 9.5 ← 37: 10.7x↖ 38: 9.8 ↑ 39: 10.9x↗ 40: 10.3x↖
Serie 98.7		Serie 101.7	
Total 302.6		Total 404.3	

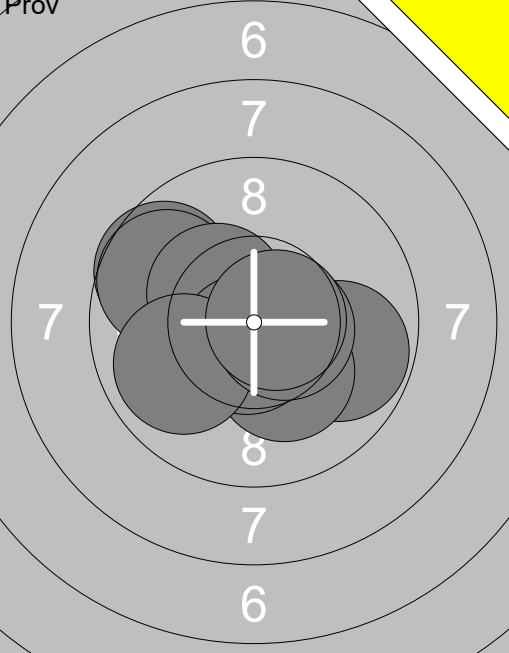
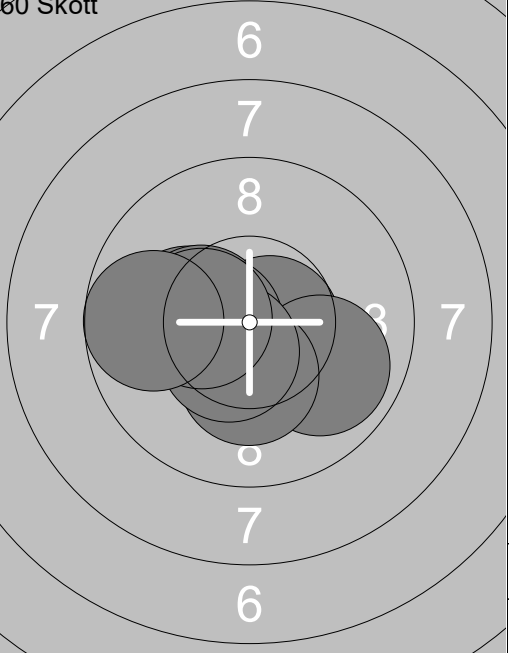
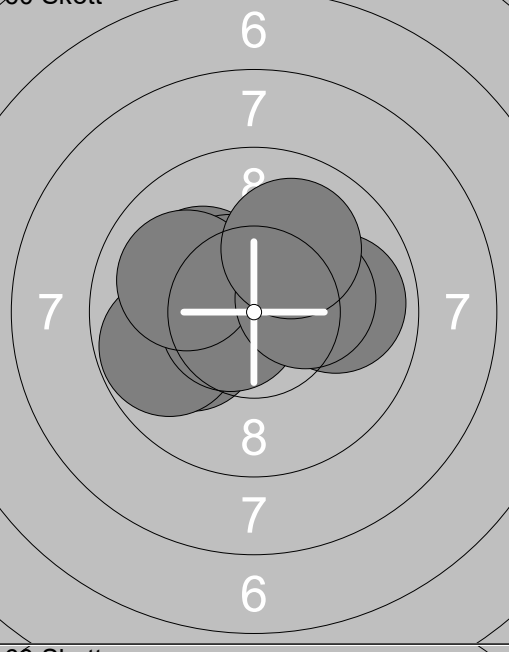
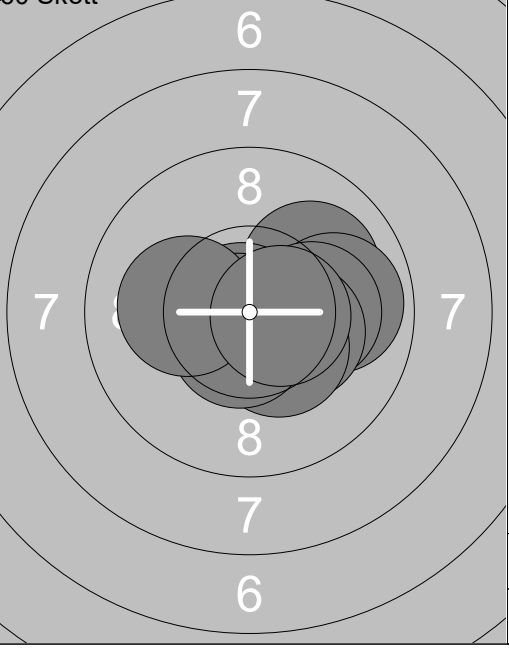
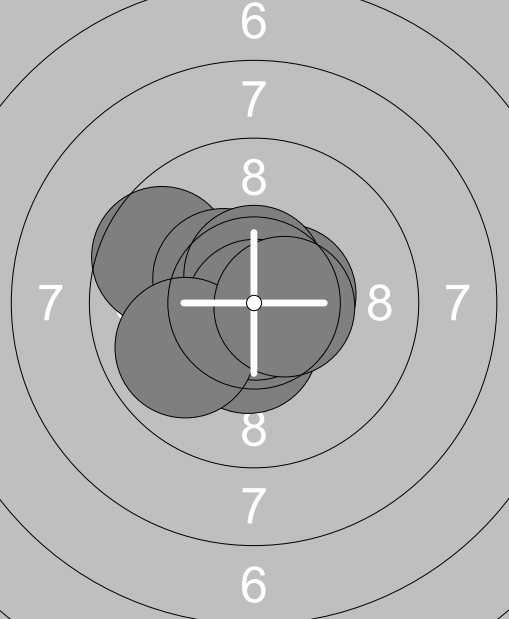
<p>Prov</p> 	<p>1: 8.4 ↗</p> <p>2: 10.1 →</p> <p>3: 9.5 ↑</p> <p>4: 9.7 →</p> <p>5: 10.0 ↗</p> <p>6: 10.1 ↑</p> <p>7: 9.4 →</p> <p>8: 9.9 ←</p> <p>9: 9.8 ↘</p> <p>10: 10.5x↘</p>	<p>60 Skott</p> 		<p>1: 8.9 ↘</p> <p>2: 9.9 →</p> <p>3: 10.5x↘</p> <p>4: 9.9 →</p> <p>5: 10.0 ↘</p> <p>6: 10.4x→</p> <p>7: 10.8x↘</p> <p>8: 10.3x↗</p> <p>9: 10.3x↘</p> <p>10: 10.1 ↑</p>
Serie 97.4	Total 0.0			Serie 101.1
				Total 101.1
<p>60 Skott</p> 	<p>11: 10.3x←</p> <p>12: 10.2x←</p> <p>13: 10.5x↘</p> <p>14: 9.3 ←</p> <p>15: 9.3 ↗</p> <p>16: 8.8 →</p> <p>17: 10.3x↑</p> <p>18: 9.4 ↓</p> <p>19: 10.1↙</p> <p>20: 10.3x↑</p>	<p>60 Skott</p> 		<p>21: 10.0 ↑</p> <p>22: 9.8 ↓</p> <p>23: 10.5x↗</p> <p>24: 10.2x←</p> <p>25: 9.8 ↘</p> <p>26: 10.4x→</p> <p>27: 10.1↙</p> <p>28: 9.6 ←</p> <p>29: 10.4x↘</p> <p>30: 10.4x↘</p>
Serie 98.5	Total 199.6			Serie 101.2
				Total 300.8
<p>60 Skott</p> 	<p>31: 9.9 →</p> <p>32: 10.8x↑</p> <p>33: 10.6x↘</p> <p>34: 9.6 ↑</p> <p>35: 9.9 →</p> <p>36: 9.6 ↗</p> <p>37: 10.0 ↗</p> <p>38: 10.7x→</p> <p>39: 10.8x↑</p> <p>40: 10.0 →</p>			
Serie 101.9	Total 402.7			

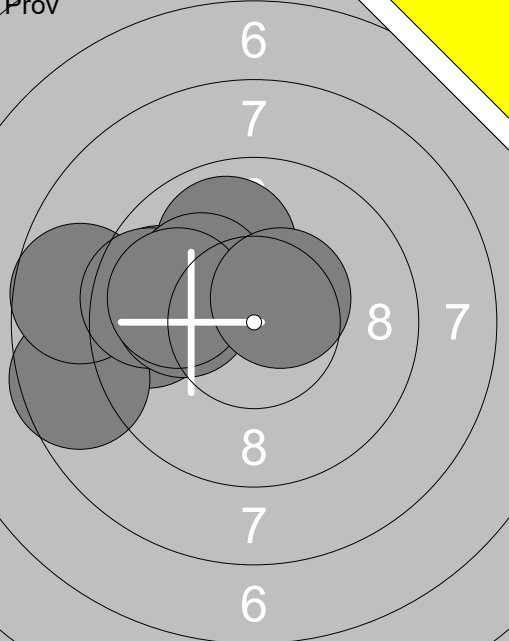
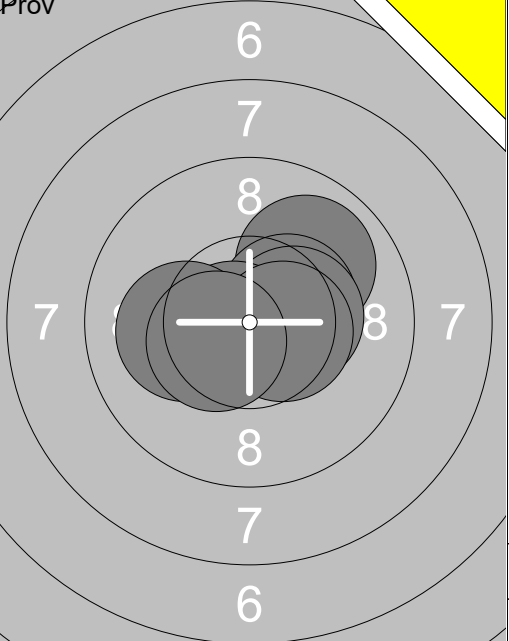
<p>Prov</p> 	<p>1: 10.3x➤</p> <p>2: 9.6 ➔</p> <p>3: 10.7x↙</p> <p>4: 10.4x➤</p> <p>5: 10.0 ↙</p> <p>6: 10.6x↘</p> <p>7: 10.4x↔</p> <p>8: 10.7x↙</p>	<p>60 Skott</p> 	<p>1: 10.3x↗</p> <p>2: 10.5x↗</p> <p>3: 10.6x➤</p> <p>4: 10.2x➤</p> <p>5: 10.3x↔</p> <p>6: 10.1 ↙</p> <p>7: 10.4x↔</p> <p>8: 10.7x↔</p> <p>9: 10.4x↔</p> <p>10: 9.7 ↙</p>
Serie 82.7		Serie 103.2	
Total 0.0		Total 103.2	

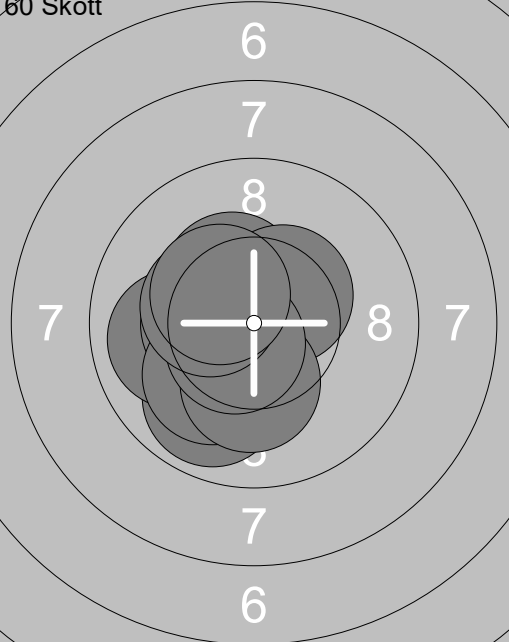
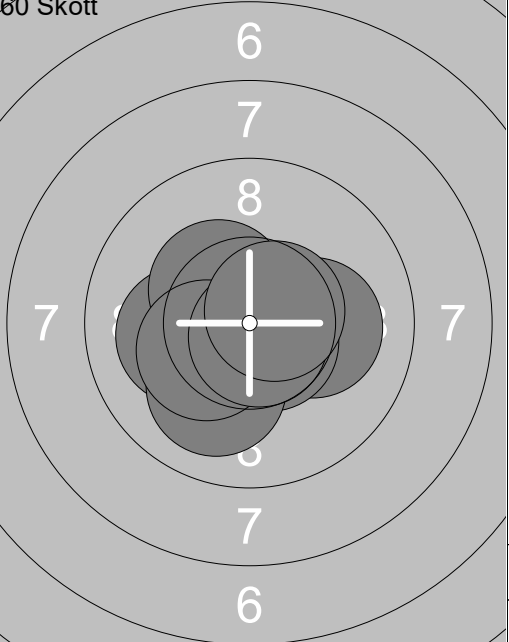
<p>60 Skott</p> 	<p>11: 10.8x➤</p> <p>12: 10.0↔</p> <p>13: 10.5x↗</p> <p>14: 10.2x↘</p> <p>15: 9.8 ↙</p> <p>16: 10.6x↔</p> <p>17: 10.7x➤</p> <p>18: 10.8x↔</p> <p>19: 10.6x↗</p> <p>20: 10.6x↔</p>	<p>60 Skott</p> 	<p>21: 10.8x↔</p> <p>22: 10.9x↔</p> <p>23: 10.6x↘</p> <p>24: 10.3x↘</p> <p>25: 10.2x↔</p> <p>26: 10.7x↘</p> <p>27: 10.2x➤</p> <p>28: 10.3x↘</p> <p>29: 10.8x↗</p> <p>30: 10.7x↘</p>
Serie 104.6		Serie 105.5	
Total 207.8		Total 313.3	

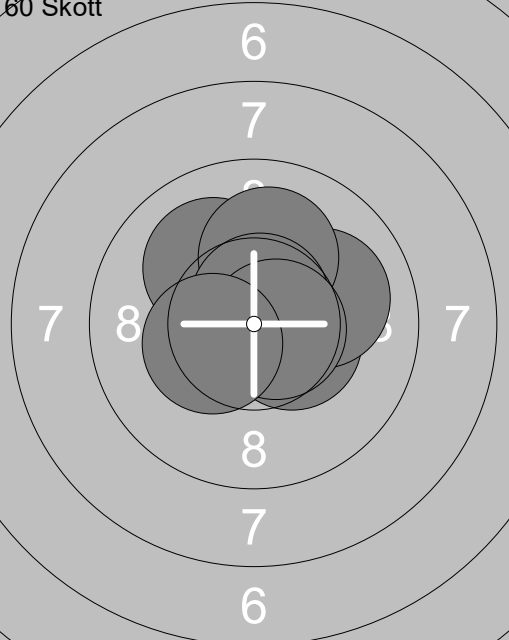
<p>60 Skott</p> 	<p>31: 10.3x➤</p> <p>32: 10.7x↙</p> <p>33: 10.7x↘</p> <p>34: 10.8x↔</p> <p>35: 10.8x↔</p> <p>36: 10.6x↔</p> <p>37: 10.5x↘</p> <p>38: 10.5x↙</p> <p>39: 10.3x↔</p> <p>40: 10.8x➤</p>		
Serie 106.0			
Total 419.3			



Prov 	1: 9.8 ↙ 2: 9.6 ↙ 3: 9.7 ↙ 4: 9.8 → 5: 10.3✘ 6: 10.2✘↓ 7: 10.7✘↓ 8: 9.9 ↙ 9: 10.6✘→ 10: 10.7✘→ <hr/> Serie 101.3 Total 0.0	60 Skott 	1: 10.7✘→ 2: 10.4✘↖ 3: 9.9 ↘ 4: 10.3✘↓ 5: 10.2✘↖ 6: 10.3✘↖ 7: 10.5✘↖ 8: 10.5✘↓ 9: 10.3✘↖ 10: 9.7 ↖ <hr/> Serie 102.8 Total 102.8
60 Skott 	11: 10.1↖ 12: 10.1↖ 13: 10.2✘↖ 14: 10.5✘↖ 15: 9.8 ↖ 16: 9.9 → 17: 10.6✘↖ 18: 10.0↖ 19: 10.3✘→ 20: 10.0 ↗ <hr/> Serie 101.5 Total 204.3	60 Skott 	21: 10.0 ↗ 22: 10.8✘↖ 23: 10.7✘↓ 24: 9.9 → 25: 10.2✘→ 26: 10.3✘→ 27: 10.4✘↓ 28: 10.6✘↓ 29: 10.2✘↖ 30: 10.6✘→ <hr/> Serie 103.7 Total 308.0
60 Skott 	31: 10.3✘↖ 32: 9.6 ↖ 33: 10.6✘↑ 34: 10.4✘↖ 35: 10.5✘→ 36: 10.4✘↓ 37: 10.6✘↑ 38: 10.9✘↓ 39: 9.9 ↖ 40: 10.6✘→ <hr/> Serie 103.8 Total 411.8		

Prov 	1: 9.6 ← 2: 8.6 ← 3: 8.7 ← 4: 9.7 ← 5: 9.9 ↑ 6: 9.6 ← 7: 10.1 ↘ 8: 10.0 ← 9: 9.9 ← 10: 10.5 ↗	Prov 	11: 9.9 ↗ 12: 10.4x ↗ 13: 10.4x ↗ 14: 10.7x ↘ 15: 10.5x ↗ 16: 10.1 ← 17: 10.5x ↘
Serie 96.6	Total 0.0	Serie 72.5	Total 0.0

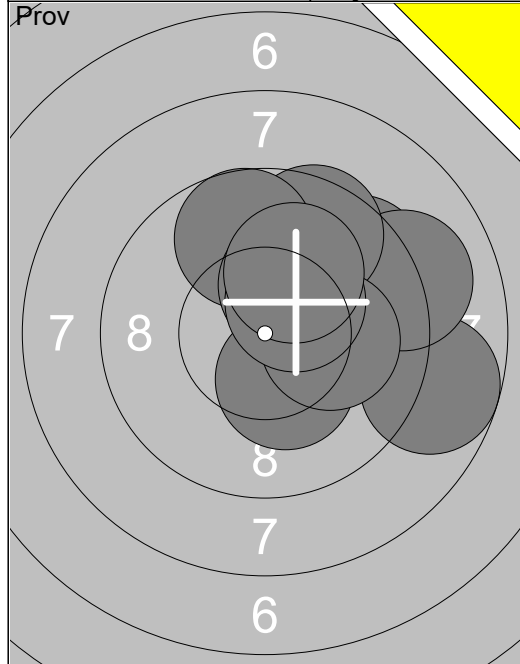
60 Skott 	1: 10.4x ↘ 2: 9.9 ↓ 3: 10.0 ← 4: 10.4x ← 5: 10.4x ↗ 6: 10.1 ↓ 7: 10.2x ↓ 8: 10.6x ↘ 9: 10.4x ↘ 10: 10.4x ↘	60 Skott 	11: 10.1 ← 12: 10.1 → 13: 10.8x ↘ 14: 10.7x ↘ 15: 10.6x ↘ 16: 10.4x ↘ 17: 10.0 ↓ 18: 10.3x ↘ 19: 10.7x ↘ 20: 10.6x ↗
Serie 102.8	Total 102.8	Serie 104.3	Total 207.1

60 Skott 	21: 10.6x ↘ 22: 10.4x ↗ 23: 10.6x ↘ 24: 10.4x ↗ 25: 10.0 → 26: 10.1 ↘ 27: 10.1 ↑ 28: 10.7x ↗ 29: 10.7x ↗ 30: 10.4x ↘	60 Skott 	31: 10.4x ↘ 32: 10.8x ↗ 33: 10.8x ↘ 34: 10.7x ↗ 35: 10.3x ↘ 36: 10.2x ↘ 37: 10.4x ↗ 38: 10.4x ↘ 39: 10.9x ↗ 40: 10.4x ↘
Serie 104.0	Total 311.1	Serie 105.3	Total 416.4

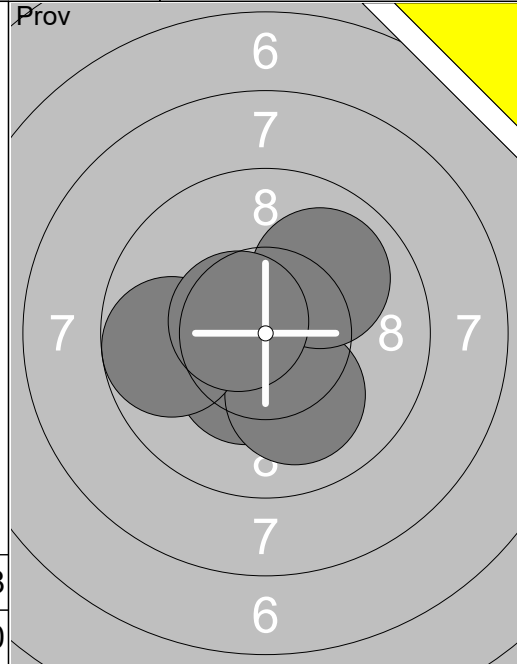
<p>Prov</p>	<p>1: 10.0 ↑</p> <p>2: 10.3 ↘</p> <p>4: 10.7 ↘</p> <p>5: 10.2 ↗</p> <p>6: 10.5 ✕</p> <p>7: 10.4 ↗</p> <p>8: 10.2 ✕</p> <p>9: 10.1 ↖</p> <p>10: 10.2 ✕</p>	<p>Prov</p>	<p>11: 10.4 ↗</p> <p>12: 10.5 ✕</p>
Serie 92.6		Serie 20.9	
Total 0.0		Total 0.0	

<p>60 Skott</p>	<p>1: 10.6 ➔</p> <p>2: 10.6 ↘</p> <p>3: 10.8 ✕</p> <p>4: 10.2 ➔</p> <p>5: 10.5 ↘</p> <p>6: 10.6 ↑</p> <p>7: 9.8 ↑</p> <p>8: 10.2 ↘</p> <p>9: 10.5 ↘</p> <p>10: 10.6 ↘</p>	<p>60 Skott</p>	<p>11: 10.5 ↘</p> <p>12: 10.5 ✕</p> <p>13: 10.9 ↘</p> <p>14: 10.2 ✕</p> <p>15: 10.3 ↘</p> <p>16: 10.2 ✕</p> <p>17: 10.3 ✕</p> <p>18: 10.4 ↘</p> <p>19: 10.8 ➔</p> <p>20: 10.2 ↗</p>
Serie 104.4		Serie 104.3	
Total 104.4		Total 208.7	

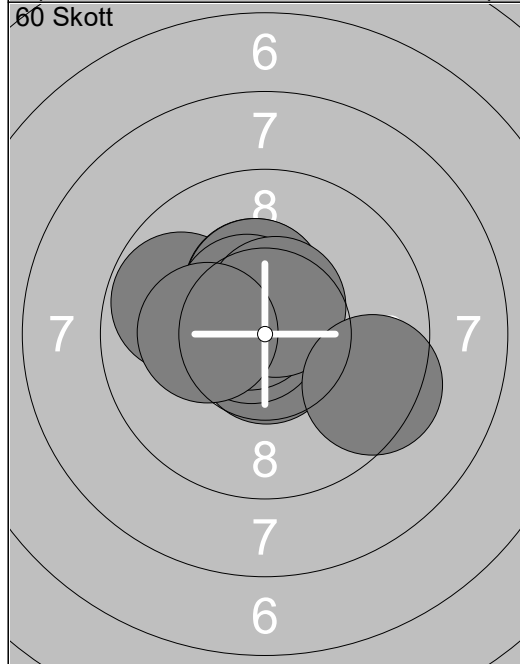
<p>60 Skott</p>	<p>21: 10.6 ↘</p> <p>22: 10.3 ✕</p> <p>23: 10.7 ✕</p> <p>24: 10.4 ✕</p> <p>25: 10.7 ✕</p> <p>26: 10.3 ↑</p> <p>27: 10.2 ➔</p> <p>28: 10.3 ➔</p> <p>29: 10.6 ➔</p> <p>30: 10.3 ↘</p>	<p>60 Skott</p>	<p>31: 10.6 ✕</p> <p>32: 10.4 ✕</p> <p>33: 9.7 ↖</p> <p>34: 10.5 ➔</p> <p>35: 10.2 ↗</p> <p>36: 10.9 ↘</p> <p>37: 10.0 ➔</p> <p>38: 10.7 ↗</p> <p>39: 10.4 ↗</p> <p>40: 10.2 ↗</p>
Serie 104.4		Serie 103.6	
Total 313.1		Total 416.7	



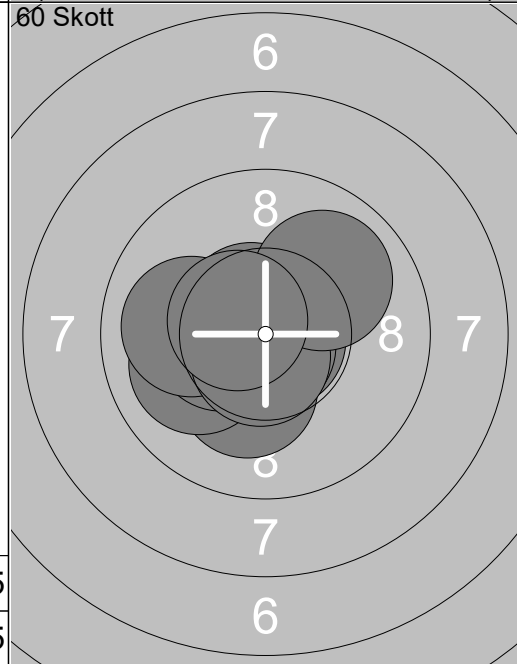
1:	8.7	→
2:	9.5	↗
3:	9.1	→
4:	10.3	x↓
5:	9.6	↗
6:	9.7	↑
7:	10.3	x↑
8:	10.1	→
9:	10.4	x↗
10:	10.1	↗
Serie		97.8
Total		0.0



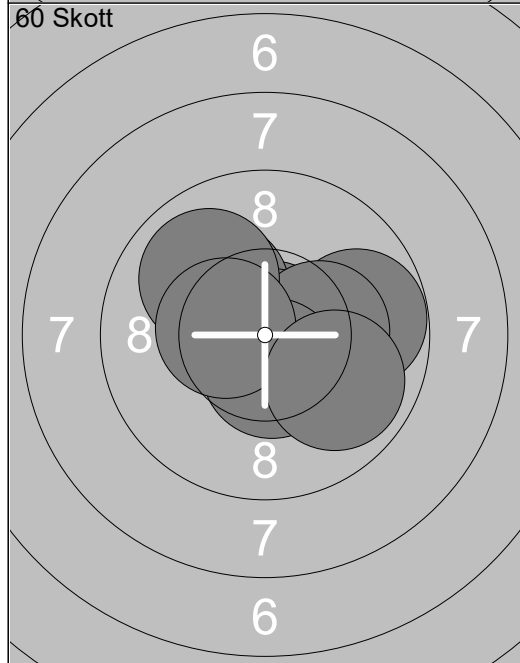
11:	10.4	x↓
12:	10.1	↓
13:	9.7	←
14:	10.0	↗
15:	10.6	x↖
Serie		50.8
Total		0.0



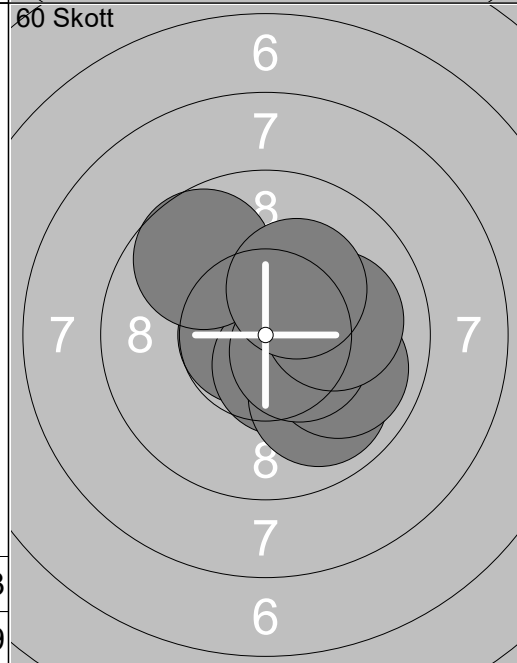
1:	9.8	↖
2:	10.7	x↓
3:	10.8	x↖
4:	10.4	x↑
5:	10.4	x↑
6:	10.7	x↖
7:	10.5	x↖
8:	10.6	x↑
9:	10.2	x↖
10:	9.4	→
Serie		103.5
Total		103.5



11:	10.2	x↓
12:	10.6	x↖
13:	10.8	x↗
14:	10.0	↖
15:	10.8	x↓
16:	10.4	x↖
17:	10.0	↖
18:	10.7	x↓
19:	10.0	↗
20:	10.6	x↖
Serie		104.1
Total		207.6



21:	10.9	x↗
22:	9.8	→
23:	10.7	x↓
24:	10.1	↖
25:	10.9	x↗
26:	10.2	x→
27:	10.5	x↓
28:	9.9	↖
29:	10.4	x↖
30:	9.9	↘
Serie		103.3
Total		310.9



31:	10.4	x↑
32:	10.2	x↓
33:	10.7	x↖
34:	10.5	x↓
35:	9.9	↓
36:	9.9	→
37:	10.5	x↗
38:	9.7	↖
39:	10.1	→
40:	10.2	x↗
Serie		102.1
Total		413.0