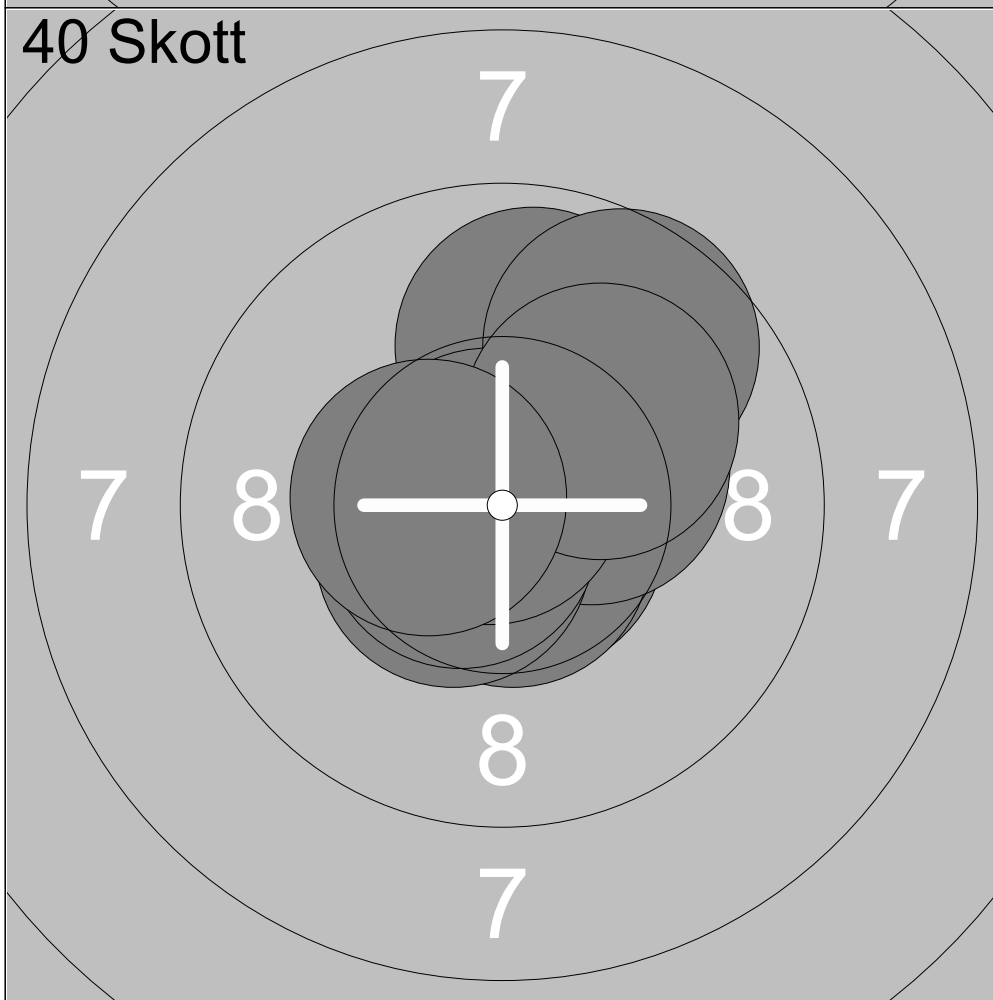




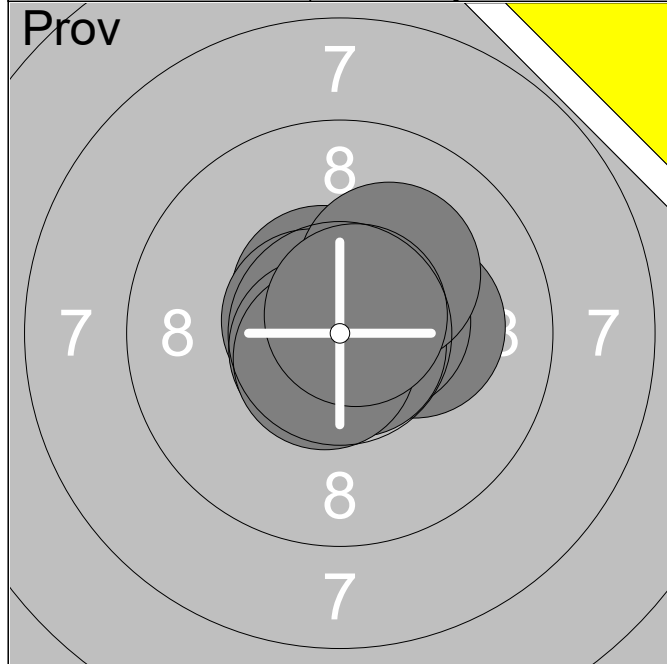
1:	10.4x	↓
2:	9.8	→
3:	10.6x	→
4:	10.2x	↘
5:	10.5x	↗
6:	10.2x	↗
7:	10.8x	↘
8:	10.6x	↖

Serie	83.1
Total	400.0



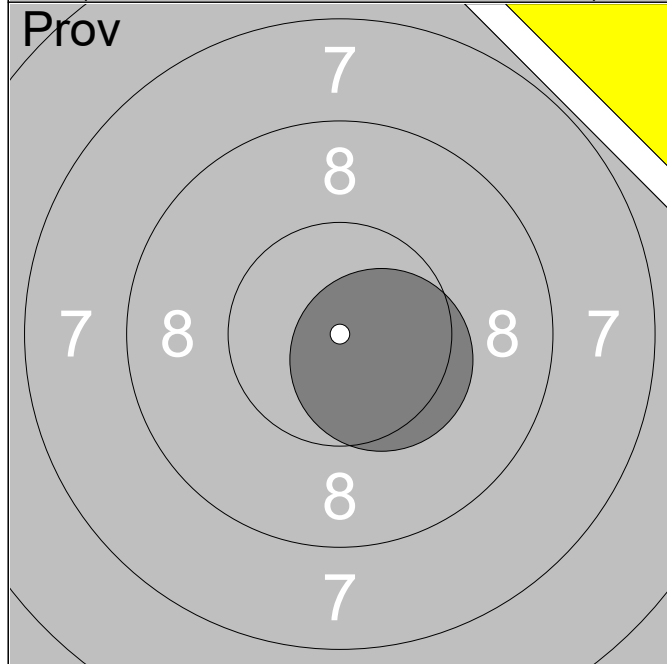
1:	10.7x	↘
2:	9.9	↑
3:	9.7	↗
4:	10.7x	↘
5:	10.3x	↗
6:	10.5x	↖
7:	10.6x	↖
8:	10.8x	↖
9:	10.1	↗
10:	10.5x	←

Serie	103.8
Total	503.8



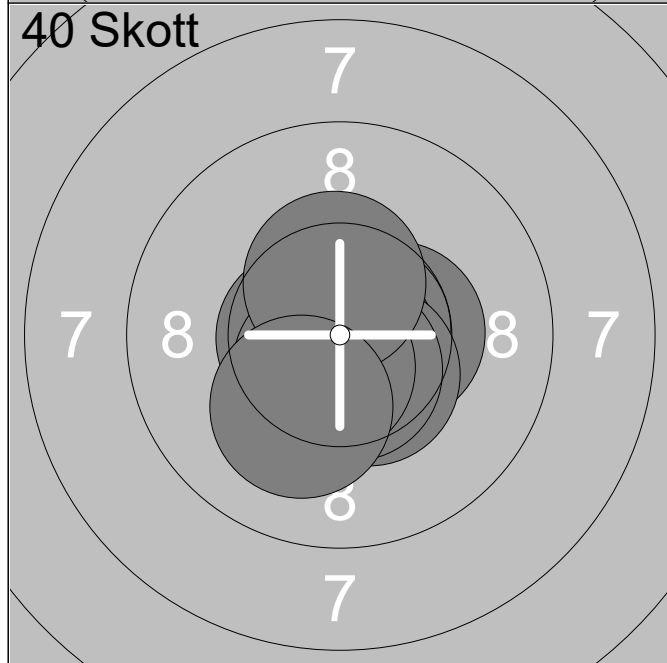
1:	10.7x	→
2:	10.2x	→
3:	10.5x	→
4:	10.6x	↗
5:	10.7x	↖
6:	10.7x	↙
7:	10.8x	↘
8:	10.7x	↙
9:	10.2x	↗
10:	10.7x	↗

Serie	105.8
Total	400.0



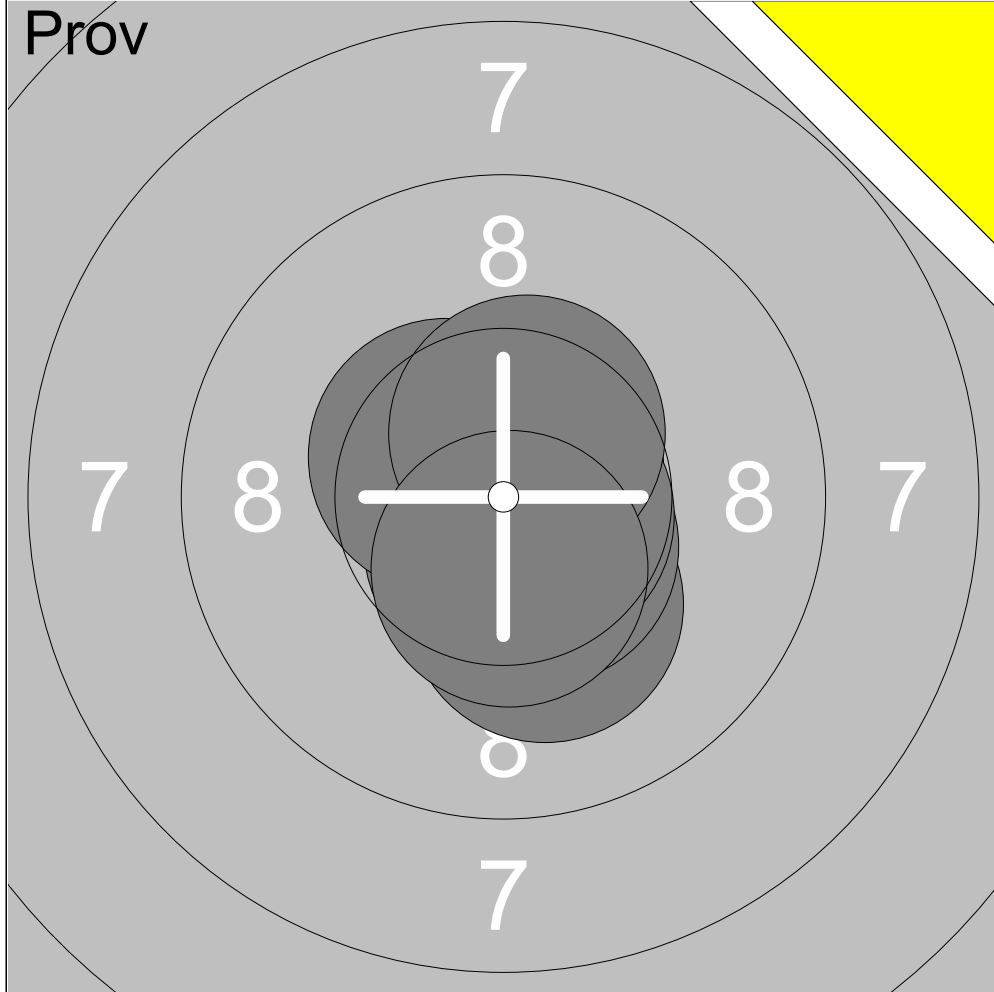
11:	10.5x	↘
-----	-------	---

Serie	10.5
Total	400.0



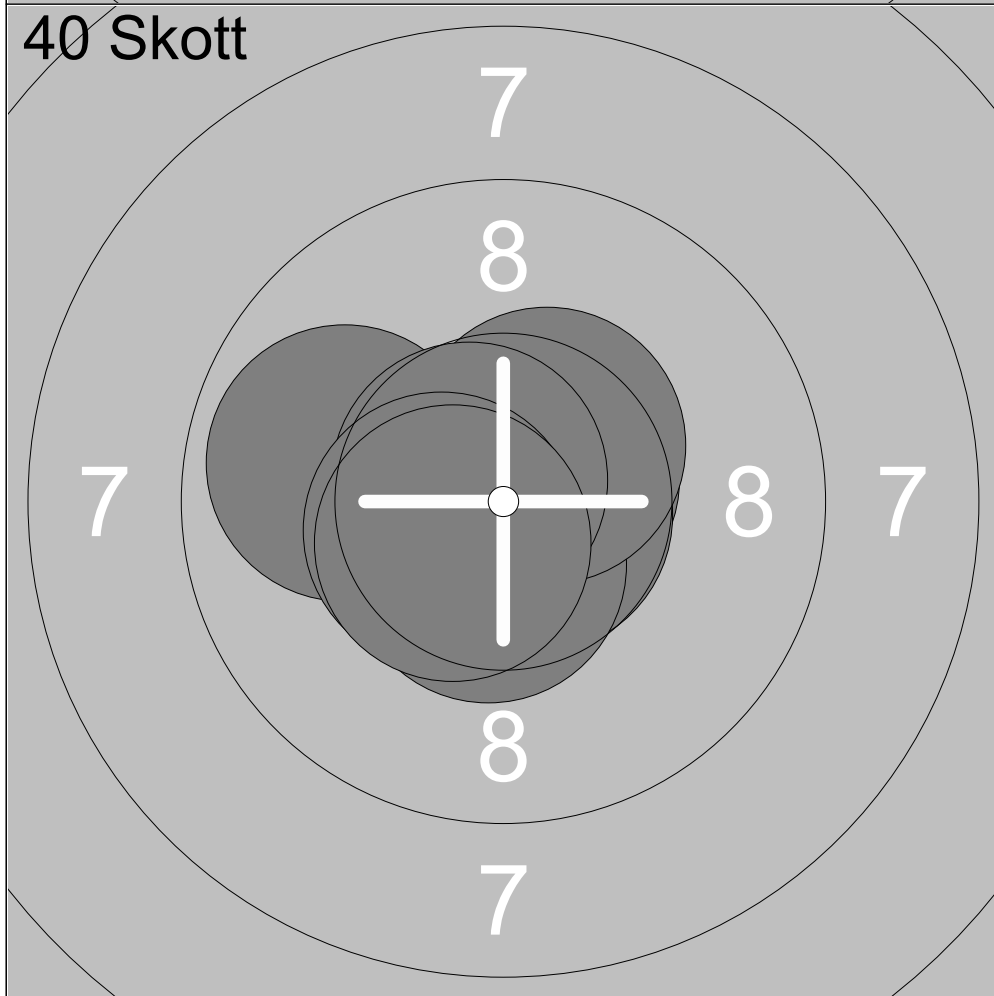
1:	10.6x	←
2:	10.4x	→
3:	10.7x	↓
4:	10.8x	→
5:	10.8x	↓
6:	10.5x	↓
7:	10.6x	↓
8:	10.6x	↙
9:	10.4x	↑
10:	10.1	↙

Serie	105.5
Total	505.5



1:	10.6x	↓
2:	10.7x	↗
3:	10.2x	↓
4:	10.5x	↓
5:	10.5x	↗
6:	10.7x	↘
7:	10.5x	↗
8:	10.5x	↓

Serie	84.2
Total	400.0



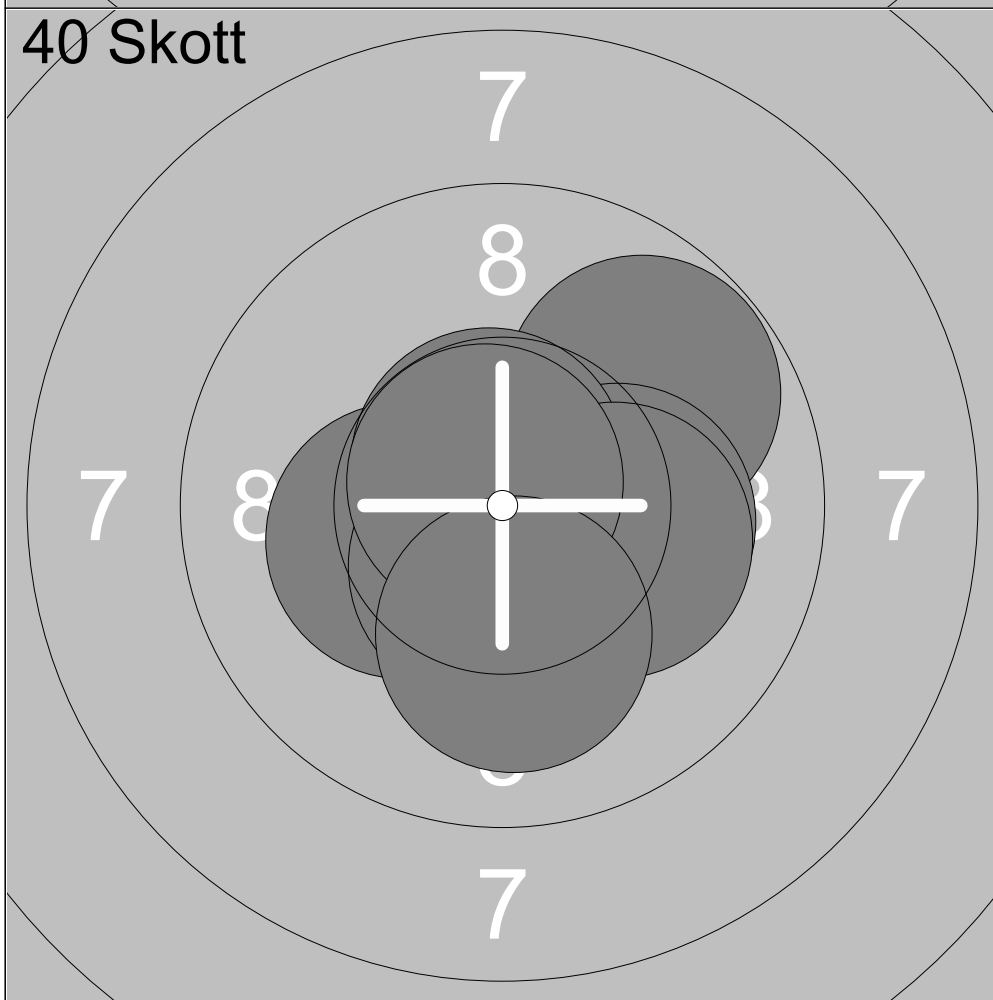
1:	10.7x	↗
2:	10.6x	↖
3:	10.7x	↘
4:	10.5x	↓
5:	10.4x	↖
6:	10.5x	↗
7:	9.9	↖
8:	10.7x	↖
9:	10.5x	↖
10:	10.5x	↖

Serie	105.0
Total	505.0



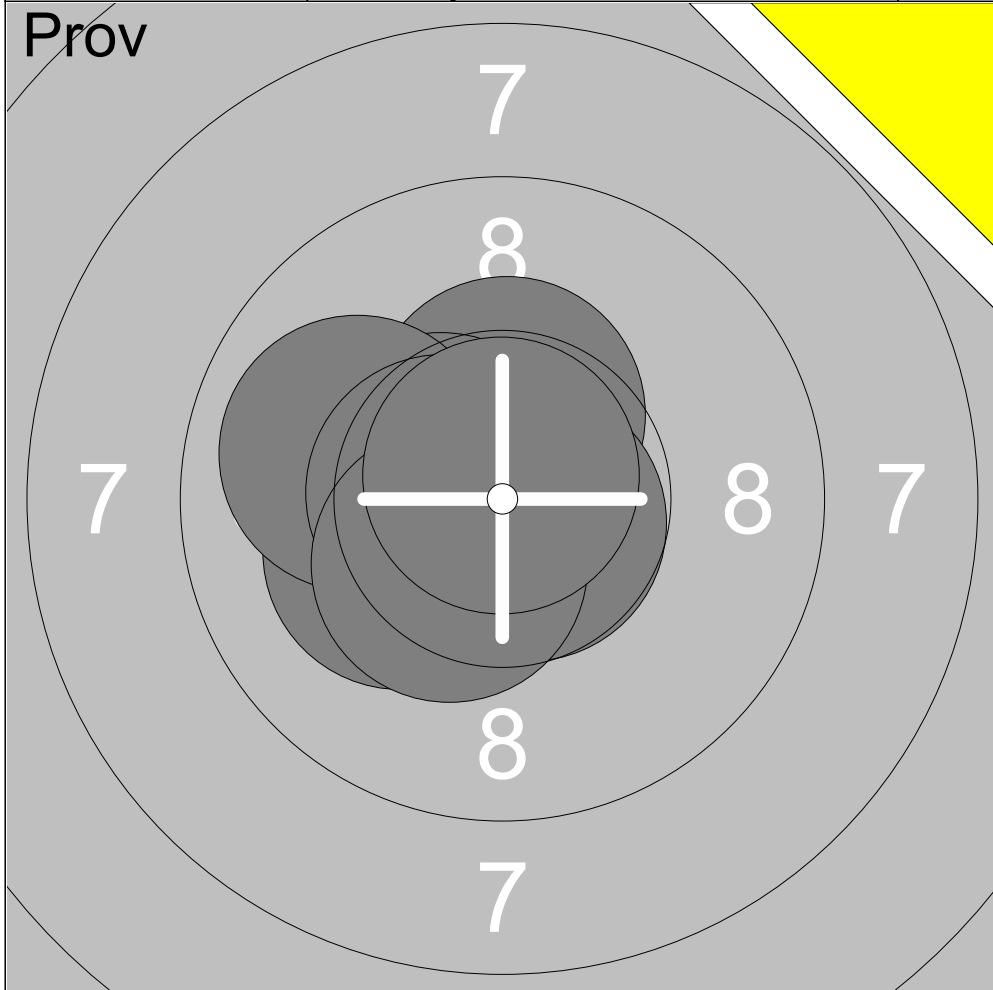
1:	10.1	→
2:	10.7x	↗
3:	10.2x	↘
4:	10.8x	↘
5:	10.5x	→
6:	10.4x	→
7:	10.9x	→
8:	10.6x	→
9:	10.5x	↗

Serie	94.7
Total	400.0



1:	9.8	↗
2:	10.3x	←
3:	10.8x	↗
4:	10.5x	↘
5:	10.3x	→
6:	10.2x	→
7:	10.7x	↗
8:	10.2x	→
9:	10.8x	↗
10:	10.1	↘

Serie	103.7
Total	503.7



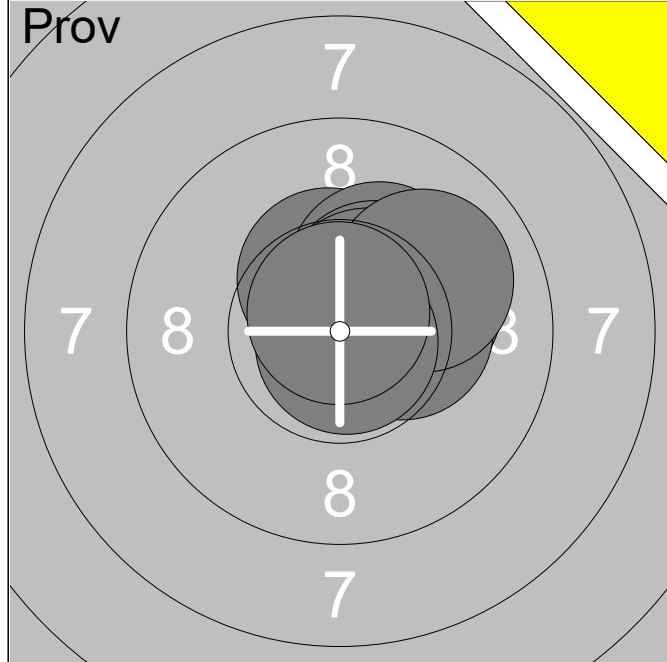
1:	10.4x	↑
2:	10.3x	←
3:	10.6x	↙
4:	10.2x	↙
5:	10.5x	↙
6:	10.0	←
7:	10.6x	←
8:	10.7x	↘
9:	10.4x	↙
10:	10.8x	↑

Serie	104.5
Total	399.0



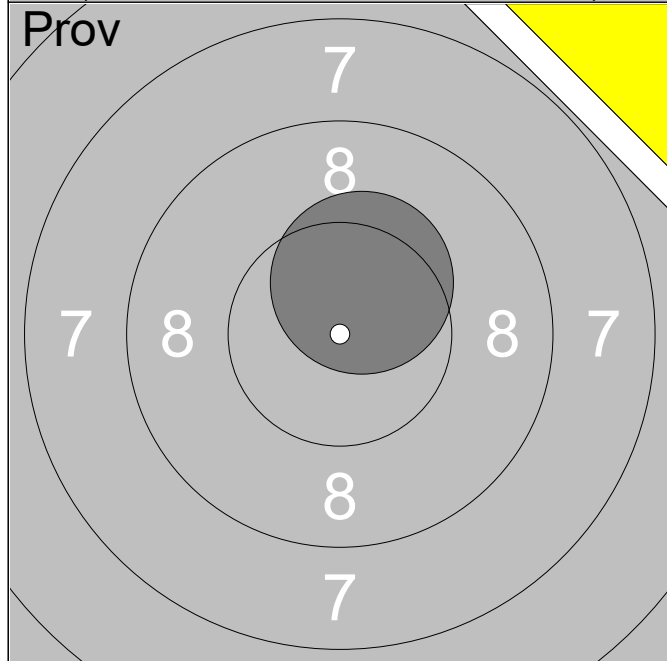
1:	10.7x	↙
2:	10.1	←
3:	10.5x	↙
4:	10.4x	↙
5:	10.4x	←
6:	10.6x	↗
7:	10.3x	←
8:	10.6x	↑
9:	10.7x	↗
10:	9.9	↙

Serie	104.2
Total	503.2



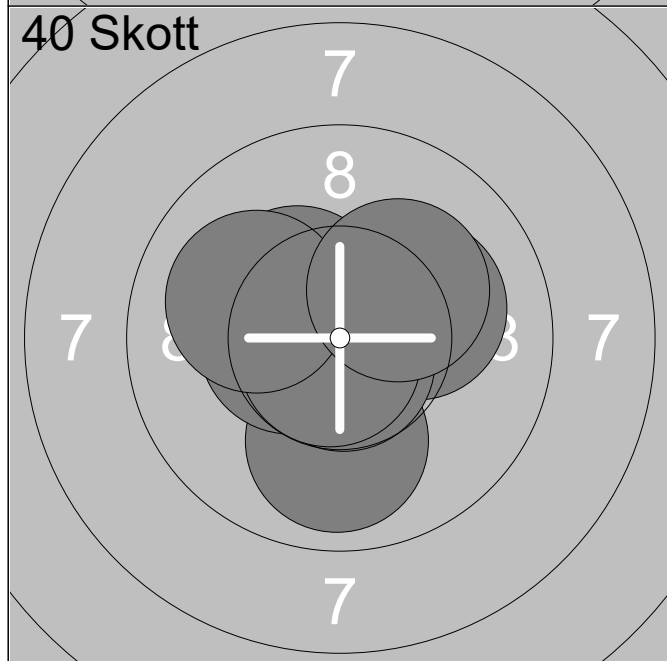
1:	10.4x	↑
2:	10.3x	↗
3:	10.4x	↗
4:	10.5x	↗
5:	10.8x	↘
6:	10.2x	→
7:	10.3x	→
8:	10.0	↗
9:	10.8x	↘
10:	10.8x	↑

Serie	104.5
Total	399.0



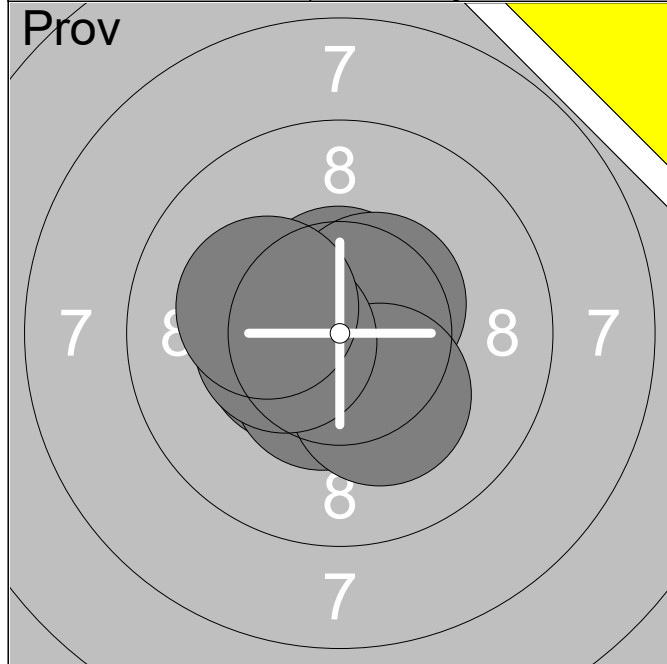
11:	10.4x	↑
-----	-------	---

Serie	10.4
Total	399.0



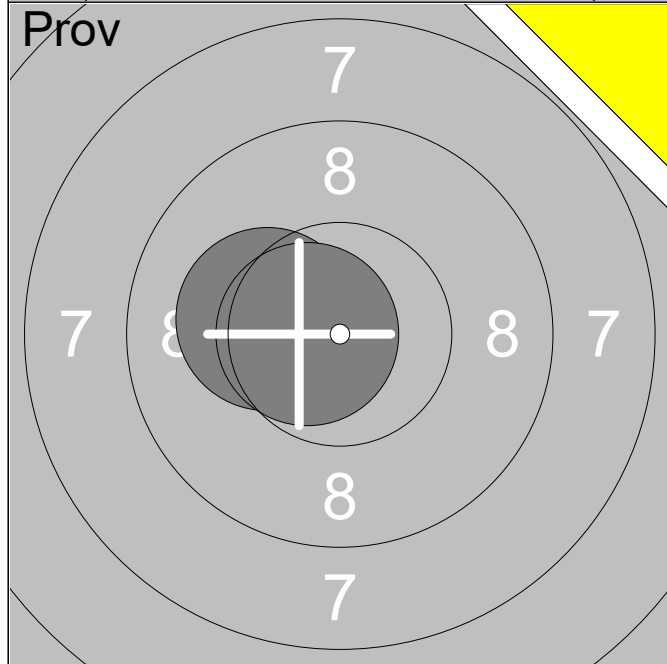
1:	9.9	↓
2:	10.5x	↖
3:	10.4x	↖
4:	10.1	→
5:	10.8x	↗
6:	10.5x	←
7:	10.7x	↓
8:	10.8x	↘
9:	10.1	↖
10:	10.2x	↗

Serie	104.0
Total	503.0



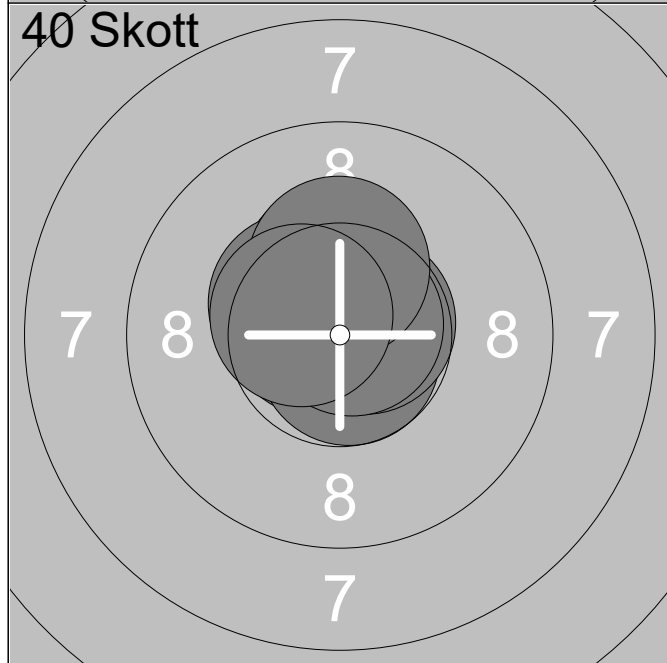
1:	10.7x	↙
2:	10.5x	↓
3:	10.6x	↗
4:	10.5x	↖
5:	10.5x	↓
6:	10.6x	↑
7:	10.5x	↗
8:	10.2x	↓
9:	10.4x	←
10:	10.2x	↖

Serie	104.7
Total	398.0



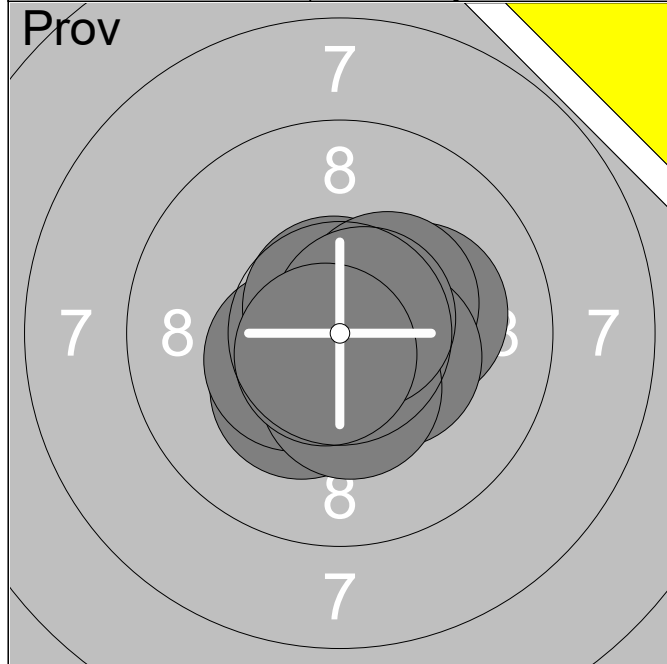
11:	10.2x	←
12:	10.6x	←

Serie	20.8
Total	398.0

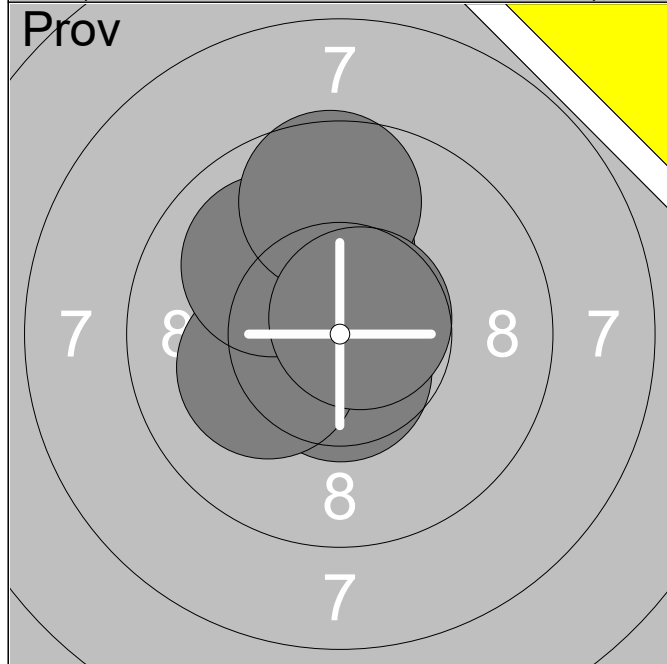


1:	10.4x	↑
2:	10.4x	↖
3:	10.6x	↑
4:	10.7x	↖
5:	10.7x	↖
6:	10.7x	↓
7:	10.7x	↗
8:	10.8x	↗
9:	10.3x	↑
10:	10.5x	↖

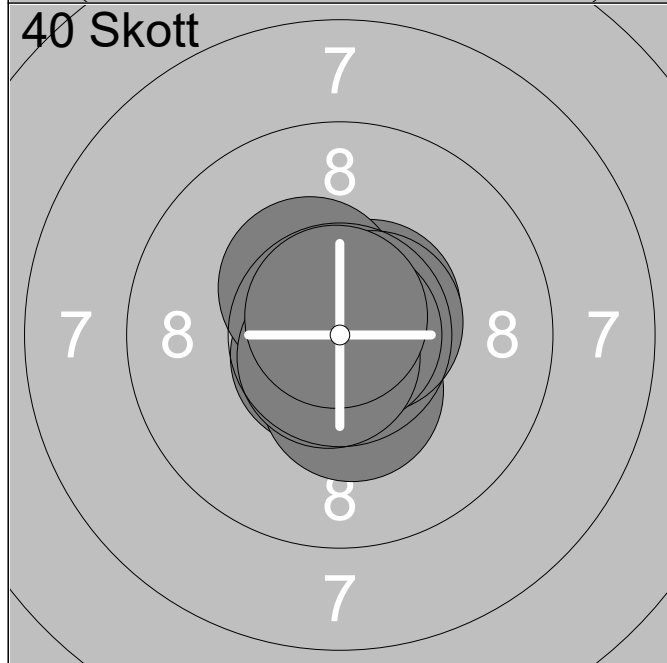
Serie	105.8
Total	503.8



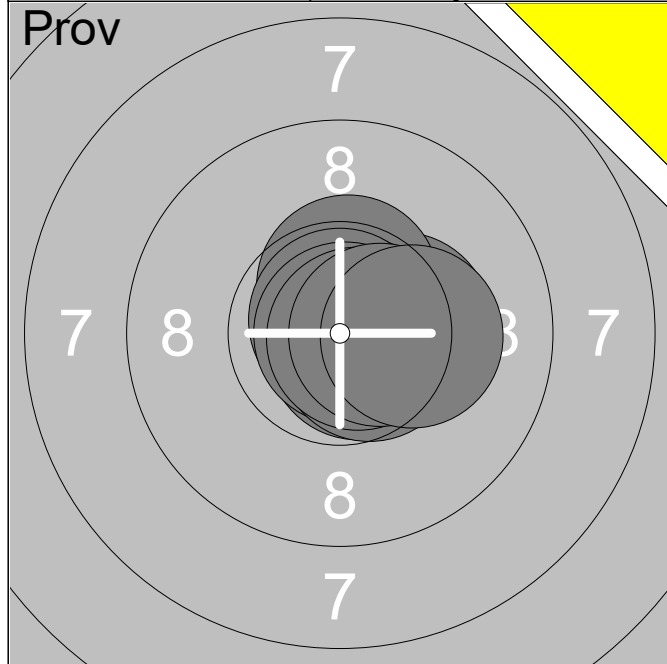
1:	10.3x	↙
2:	10.5x	→
3:	10.4x	↙
4:	10.7x	↑
5:	10.2x	→
6:	10.4x	↗
7:	10.4x	→
8:	10.4x	↓
9:	10.7x	↗
10:	10.7x	↙
Serie		104.7
Total		398.0



11:	10.6x	↓
12:	10.2x	↙
13:	10.2x	↑
14:	10.0	↖
15:	9.6	↑
16:	10.7x	↗
Serie		61.3
Total		398.0

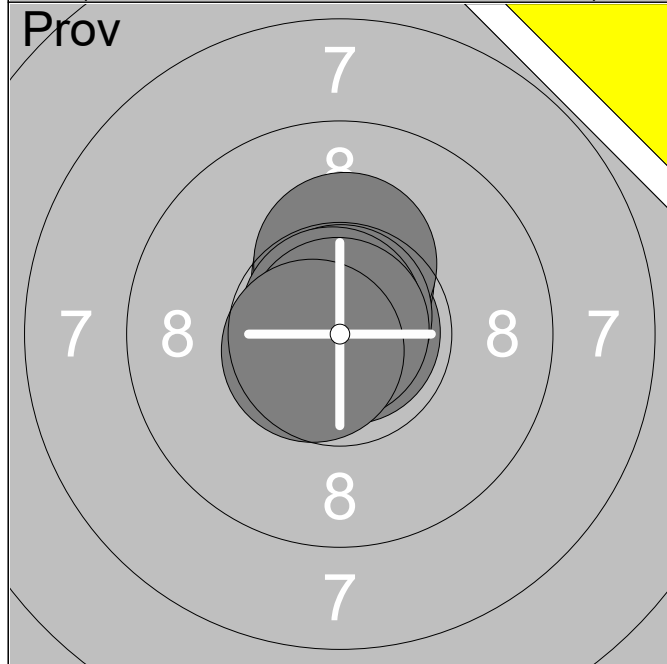


1:	10.7x	↙
2:	10.6x	↗
3:	10.4x	↓
4:	10.9x	↑
5:	10.7x	↑
6:	10.4x	↖
7:	10.6x	→
8:	10.8x	→
9:	10.7x	↙
10:	10.8x	↑
Serie		106.6
Total		504.6



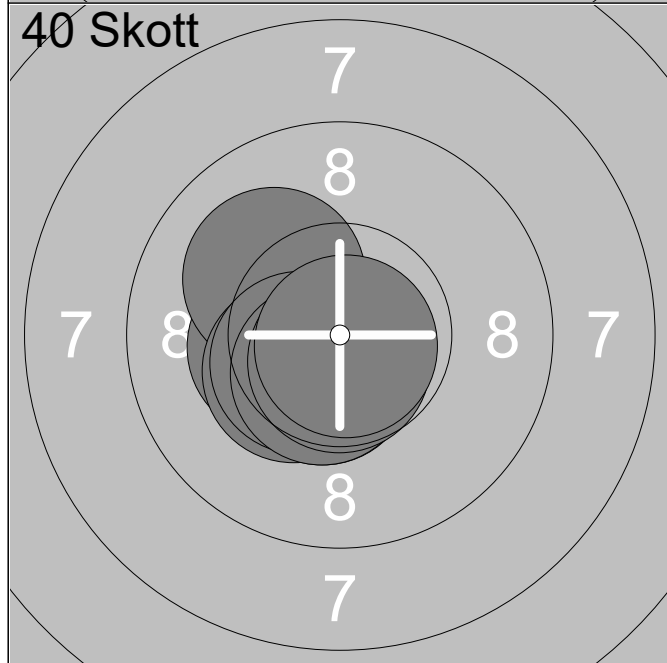
1:	10.3x	→
2:	10.5x	↑
3:	10.8x	↗
4:	10.8x	↑
5:	10.7x	↘
6:	10.9x	→
7:	10.6x	↘
8:	10.8x	→
9:	10.6x	→
10:	10.2x	→

Serie	106.2
Total	398.0



11:	10.9x	→
12:	10.4x	↑
13:	10.3x	↑
14:	10.8x	↑
15:	10.8x	↑
16:	10.9x	↑
17:	10.6x	↙

Serie	74.7
Total	398.0



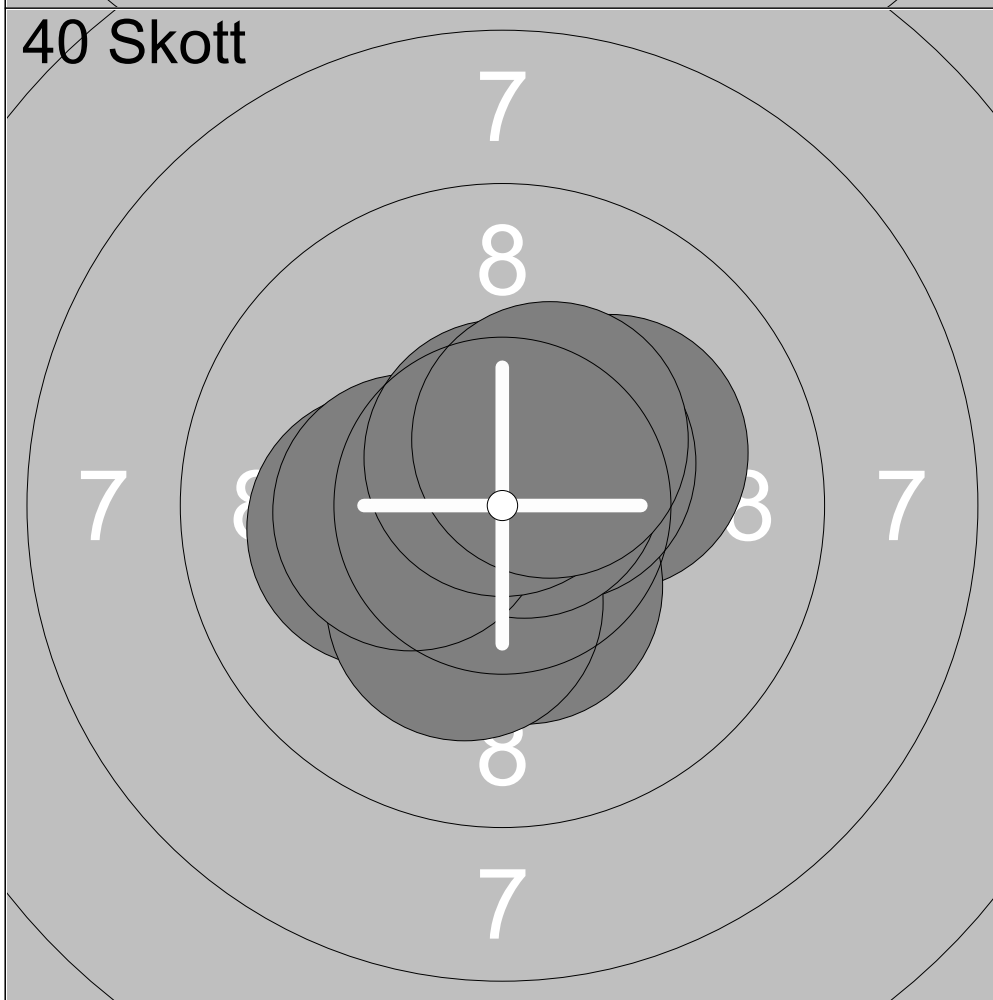
1:	10.3x	←
2:	10.8x	←
3:	10.8x	↓
4:	10.5x	↘
5:	10.1	↖
6:	10.4x	↖
7:	10.5x	↖
8:	10.5x	↘
9:	10.7x	↓
10:	10.8x	↘

Serie	105.4
Total	503.4



1:	10.6x	↖
2:	10.3x	↓
3:	10.4x	→
4:	10.3x	↙
5:	9.9	↘
6:	10.3x	→
7:	9.9	↗
8:	10.0	→

Serie	81.7
Total	397.0

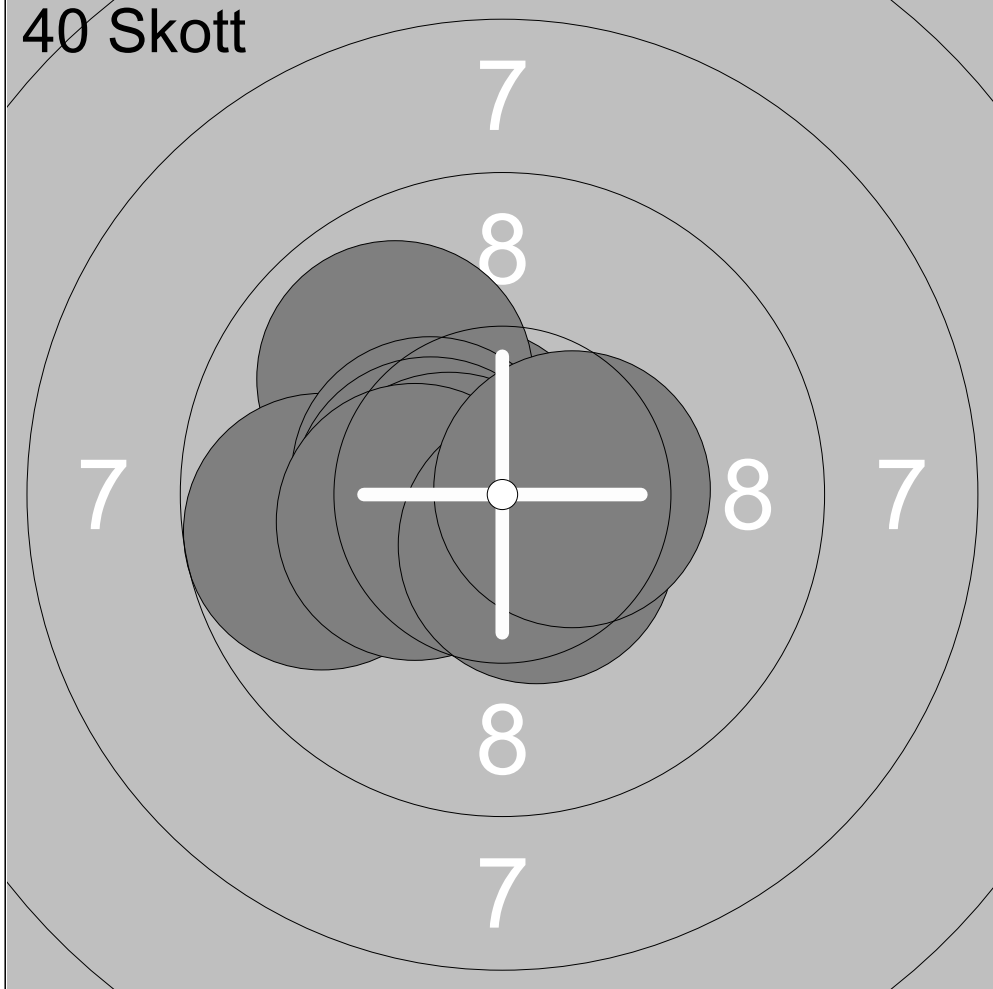


1:	10.2x	←
2:	10.2x	↗
3:	10.4x	↓
4:	10.8x	↙
5:	10.5x	↗
6:	10.3x	↘
7:	10.7x	↗
8:	10.3x	←
9:	10.6x	↑
10:	10.4x	↗

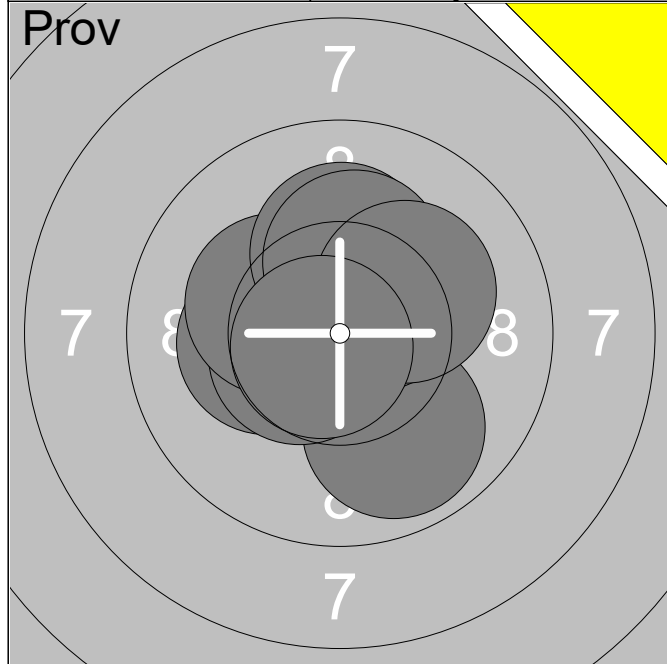
Serie	104.4
Total	501.4



1:	10.3x	↖
2:	10.4x	↖
3:	10.7x	↑
4:	9.8	↙
5:	10.4x	↘
6:	10.7x	→
7:	10.8x	↘
8:	10.8x	↙
9:	10.1	↙
10:	10.1	↘
Serie		104.1
Total		397.0

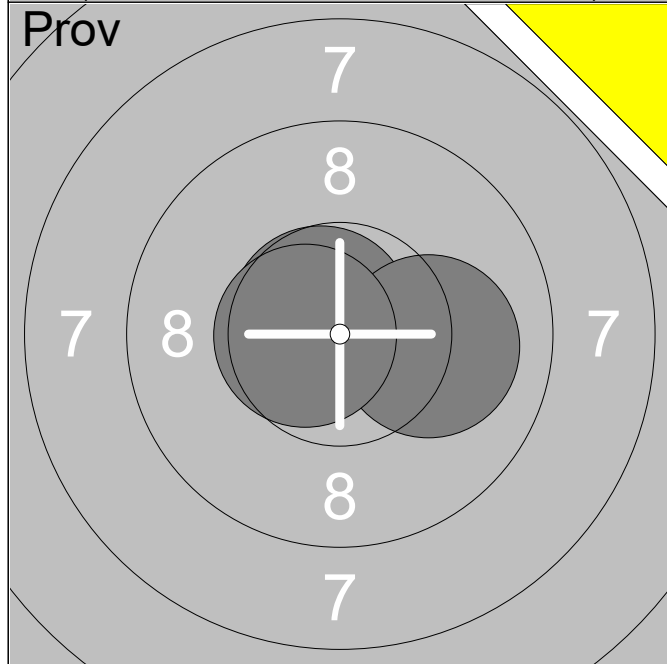


1:	10.6x	↖
2:	10.7x	↖
3:	9.9	↖
4:	9.7	↙
5:	10.5x	↙
6:	10.5x	↙
7:	10.6x	↙
8:	10.4x	↙
9:	10.6x	↘
10:	10.5x	→
Serie		104.0
Total		501.0



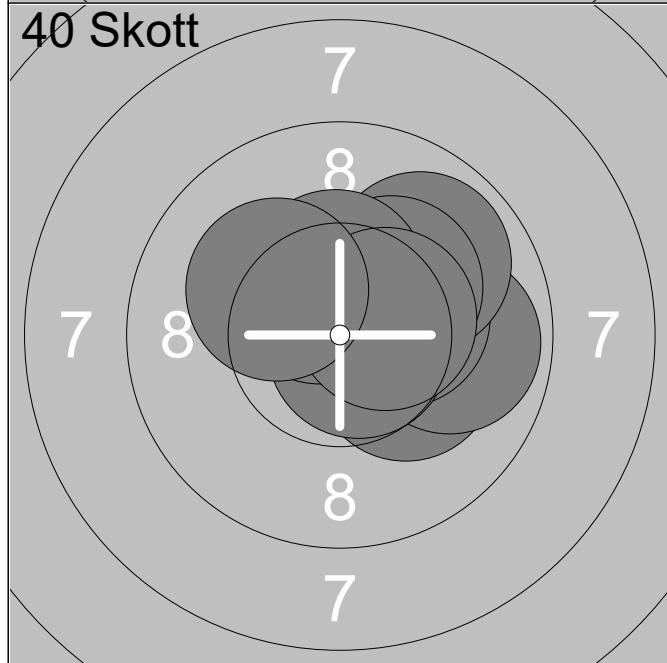
1:	10.7x	↖
2:	10.2x	←
3:	9.9	↘
4:	10.5x	↙
5:	10.3x	↖
6:	10.5x	↗
7:	10.2x	↑
8:	10.2x	↑
9:	10.2x	↗
10:	10.7x	↙

Serie	103.4
Total	397.0



11:	10.7x	↖
12:	10.1	→
13:	10.6x	←

Serie	31.4
Total	397.0



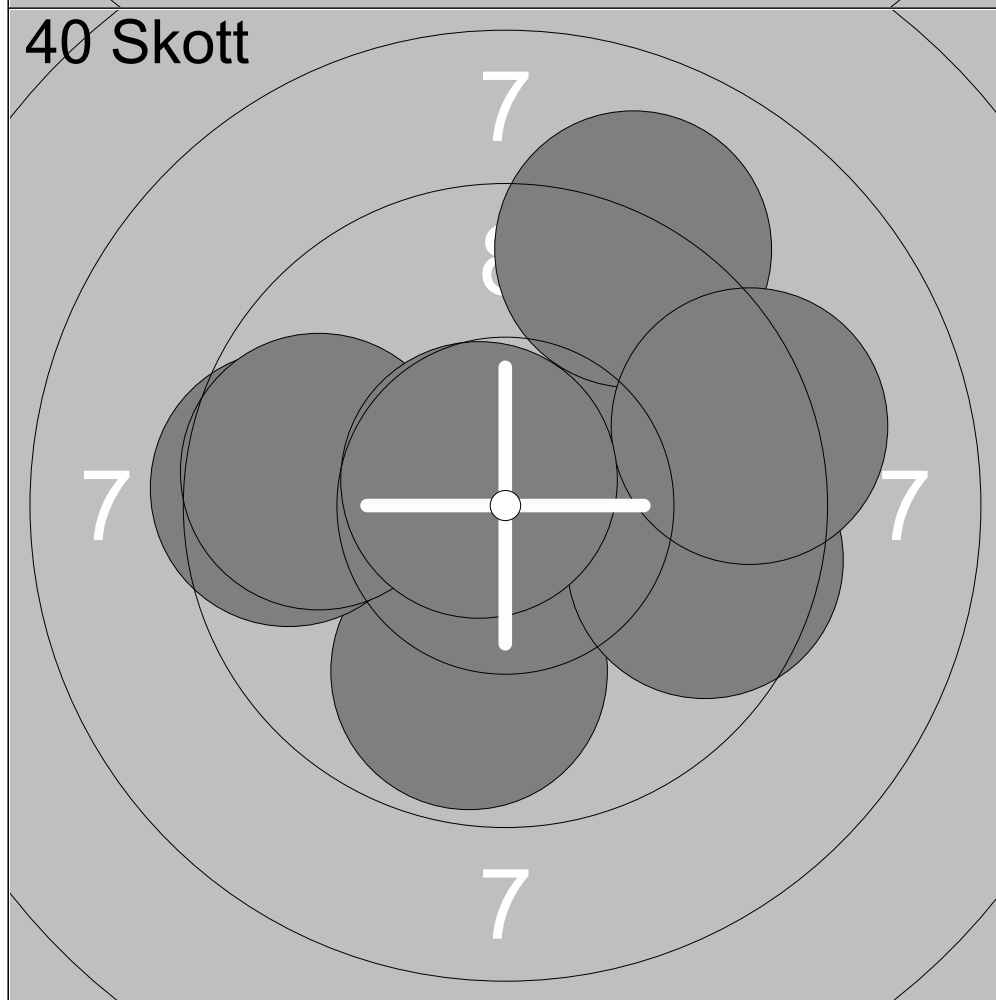
1:	10.2x	↘
2:	9.9	→
3:	10.3x	→
4:	10.7x	↘
5:	9.9	↗
6:	10.3x	↗
7:	10.5x	↑
8:	10.4x	↑
9:	10.5x	→
10:	10.2x	↙

Serie	102.9
Total	499.9



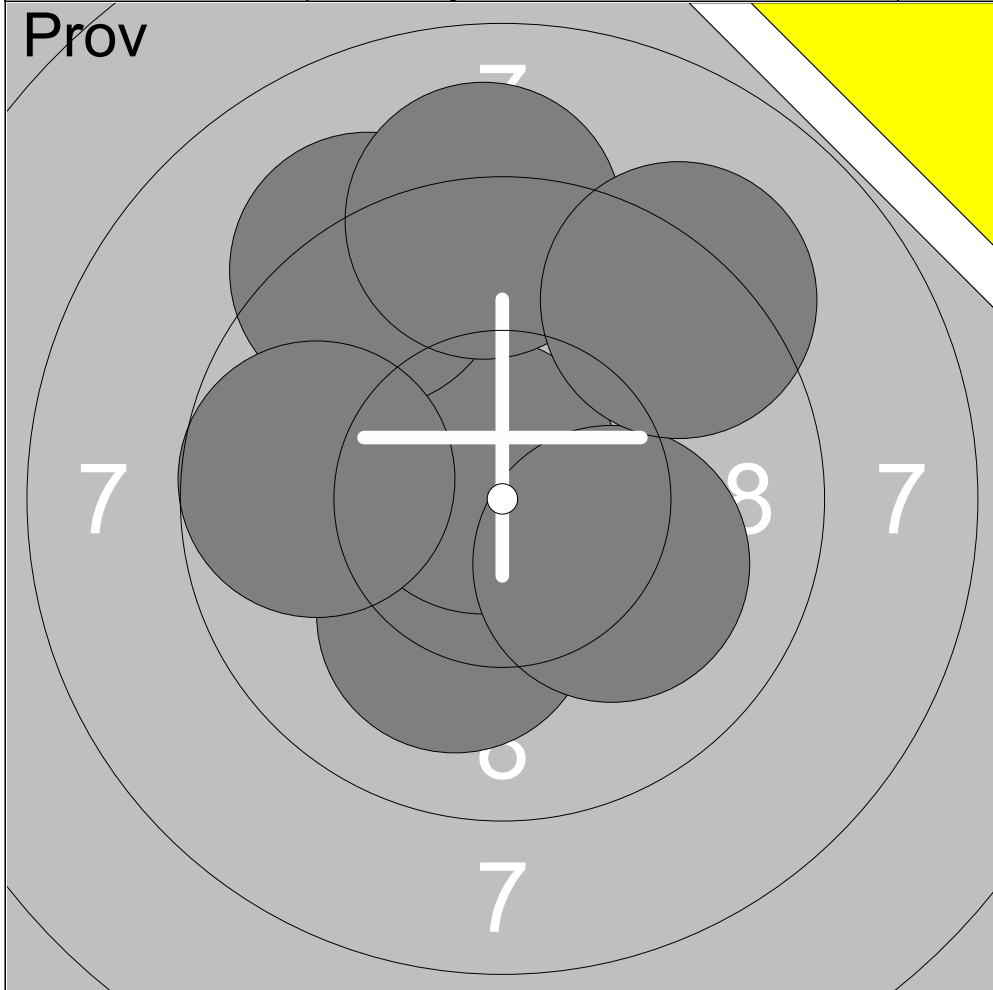
1:	10.9x	↙
2:	9.9	←
3:	9.7	↘
4:	9.9	→
5:	10.1	↘
6:	9.3	↘
7:	9.9	↓
8:	9.4	←

Serie	79.1
Total	386.0



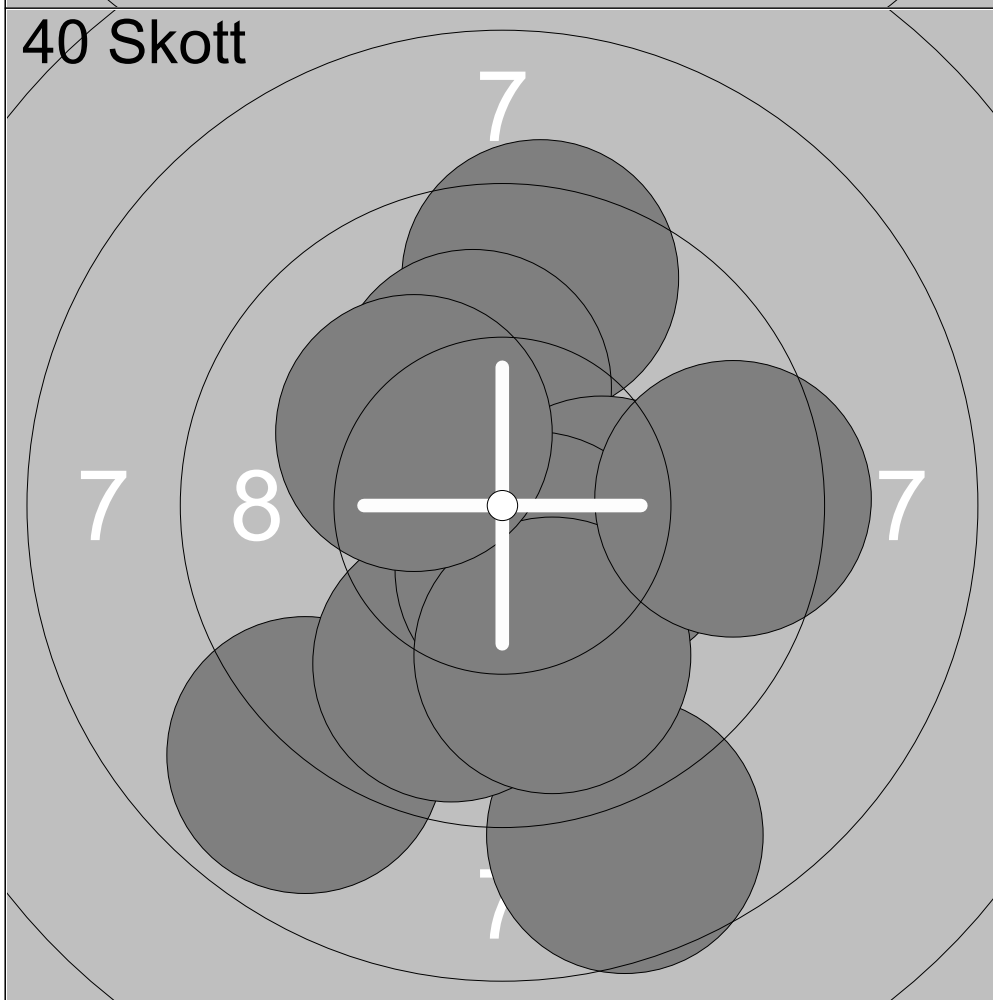
1:	10.7x	↙
2:	10.8x	←
3:	10.3x	→
4:	9.8	↘
5:	9.6	→
6:	9.5	←
7:	9.7	←
8:	9.1	↗
9:	9.3	→
10:	10.7x	↖

Serie	99.5
Total	485.5



1:	10.1	↘
2:	10.7x	↗
3:	9.2	↗
4:	9.1	↑
5:	10.1	↘
6:	9.2	↗
7:	9.7	←

Serie	68.1
Total	383.0



1:	9.4	↑
2:	10.2x	↑
3:	8.7	↘
4:	8.9	↘
5:	9.9	↘
6:	10.3x	→
7:	10.5x	↘
8:	9.9	↘
9:	10.2x	↗
10:	9.4	→

Serie	97.4
Total	480.4

