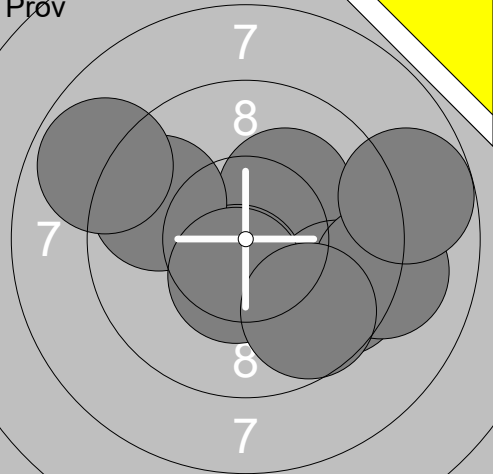
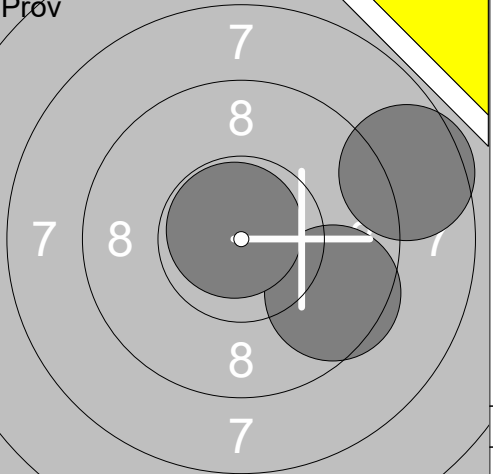


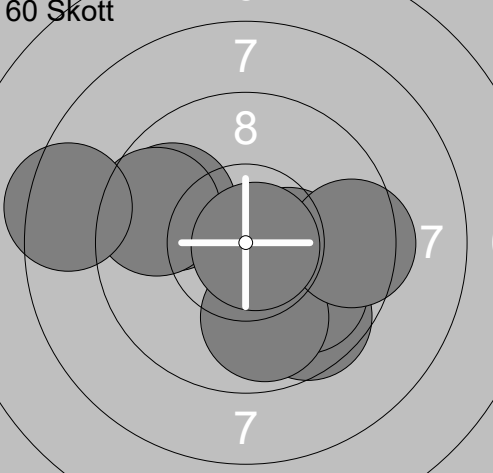
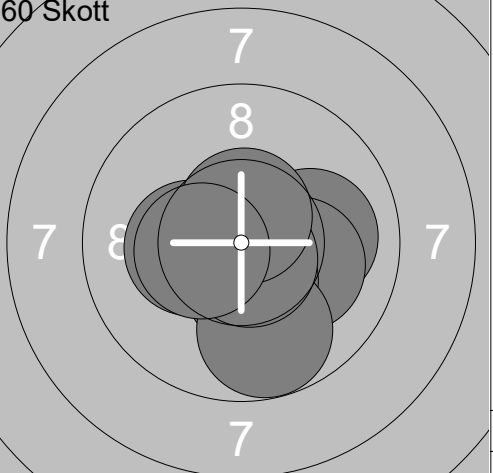
<p>Prov</p>	<p>1: 10.4x ↘                  2: 9.6 ↘                  3: 8.6 ←                  4: 9.8 ↘                  5: 9.3 ↘                  6: 8.0 ←                  7: 9.9 →                  8: 8.4 ←                  9: 8.8 →                  10: 8.1 ↗</p> <p>Serie 90.9 Total 0.0</p>	<p>Prov</p>	<p>11: 10.1 ↗                  12: 10.2x ↘                  13: 10.0 ↗                  14: 10.2x ↘                  15: 10.7x ↘</p> <p>Serie 51.2 Total 0.0</p>
-------------	--	-------------	--

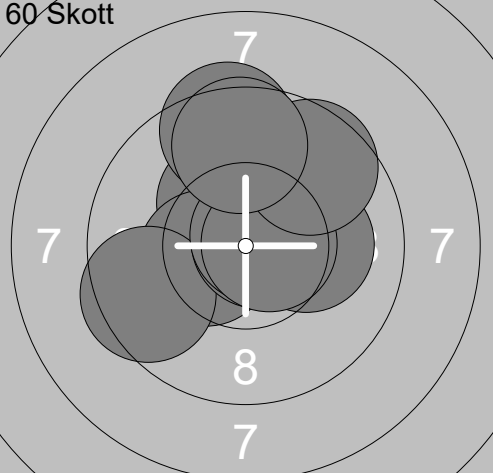
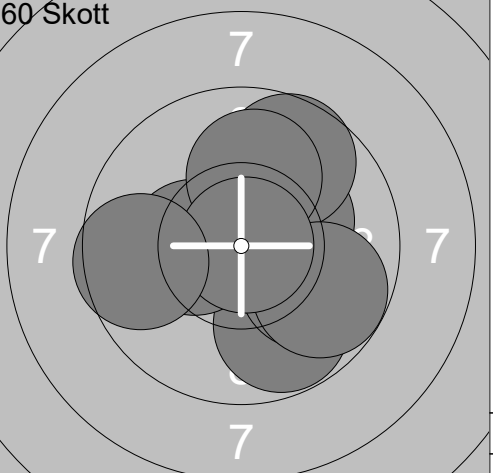
<p>60 Skott</p>	<p>1: 10.8x ↘                  2: 10.2x ↗                  3: 10.2x ↘                  4: 9.2 →                  5: 10.0 →                  6: 9.8 ↑                  7: 9.2 ↗                  8: 10.7x ↘                  9: 8.8 ←                  10: 9.8 ↘</p> <p>Serie 98.7 Total 98.7</p>	<p>60 Skott</p>	<p>11: 8.3 ←                  12: 10.7x ←                  13: 9.4 ↗                  14: 9.7 ↘                  15: 10.6x ↗                  16: 10.0 ↘                  17: 10.0 ↑                  18: 9.8 ↗                  19: 10.4x ↘                  20: 8.6 ↘</p> <p>Serie 97.5 Total 196.2</p>
-----------------	--	-----------------	---

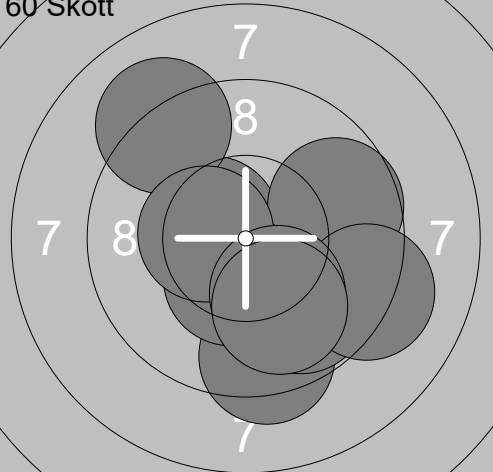
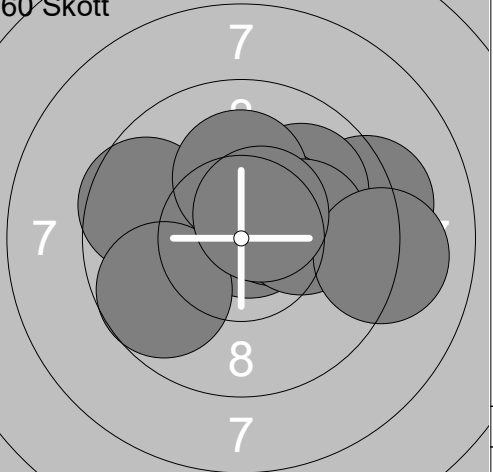
<p>60 Skott</p>	<p>21: 8.1 ↘                  22: 8.5 ↗                  23: 10.1 ↑                  24: 10.2x ↘                  25: 10.1 ↘                  26: 9.9 ↗                  27: 10.5x ←                  28: 10.7x ↘                  29: 8.3 →                  30: 10.1 ↘</p> <p>Serie 96.5 Total 292.7</p>	<p>60 Skott</p>	<p>31: 9.9 ↑                  32: 9.3 ↗                  33: 10.2x ↘                  34: 10.1 →                  35: 10.4x ↗                  36: 9.5 ←                  37: 8.8 ↘                  38: 10.2x ↘                  39: 10.1 ←                  40: 10.5x ↘</p> <p>Serie 99.0 Total 391.7</p>
-----------------	--	-----------------	---

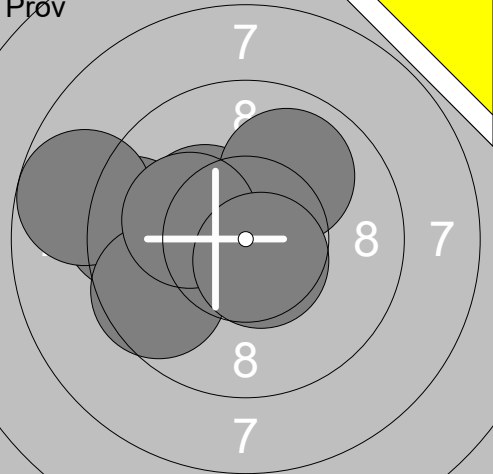
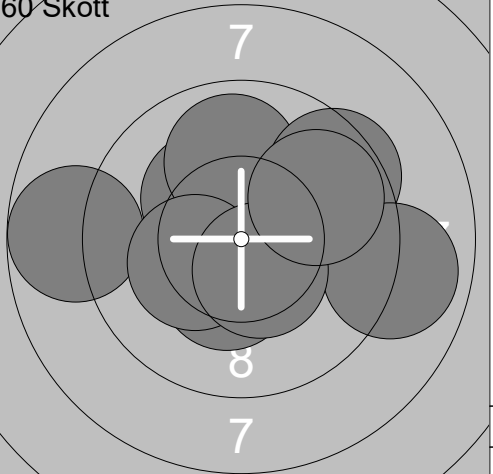
<p>60 Skott</p>	<p>41: 10.4x ←                  42: 10.4x ↗                  43: 10.5x ←                  44: 9.6 ←                  45: 9.2 ←                  46: 9.0 ←                  47: 9.3 ←                  48: 9.6 ↗                  49: 9.8 ↘                  50: 9.0 ↘</p> <p>Serie 96.8 Total 488.5</p>	<p>60 Skott</p>	<p>51: 10.0 →                  52: 9.8 ↘                  53: 10.5x ↘                  54: 9.8 →                  55: 9.4 →                  56: 10.5x ←                  57: 10.6x ↗                  58: 9.5 ↘                  59: 9.4 →                  60: 8.4 ↘</p> <p>Serie 97.9 Total 586.4</p>
-----------------	---	-----------------	--

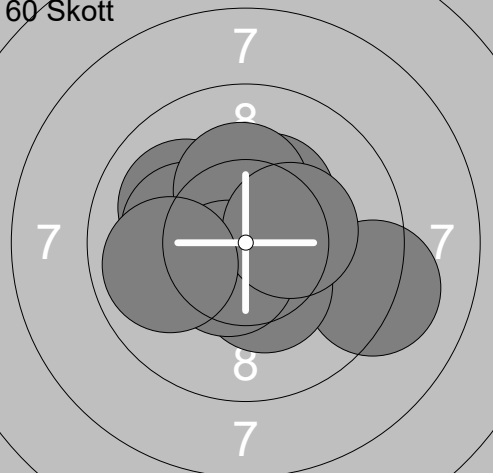
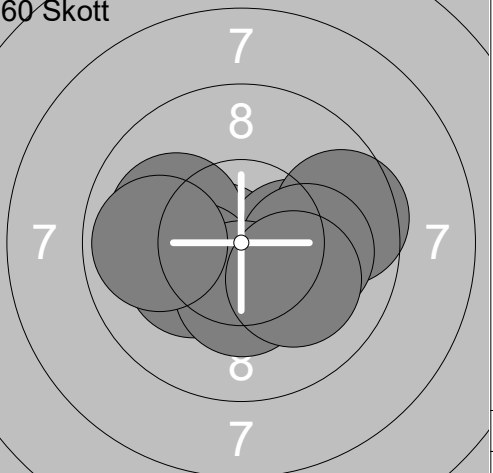
<p><b>Pröv</b></p> 	<table style="width:100%; border-collapse: collapse;"> <tr><td>1:</td><td>10.7x</td><td>↘</td></tr> <tr><td>2:</td><td>10.2x</td><td>↗</td></tr> <tr><td>3:</td><td>10.5x</td><td>↘</td></tr> <tr><td>4:</td><td>9.7</td><td>↖</td></tr> <tr><td>5:</td><td>9.6</td><td>↘</td></tr> <tr><td>6:</td><td>9.1</td><td>→</td></tr> <tr><td>7:</td><td>10.5x</td><td>↘</td></tr> <tr><td>8:</td><td>8.8</td><td>→</td></tr> <tr><td>9:</td><td>8.8</td><td>↗</td></tr> <tr><td>10:</td><td>9.7</td><td>↘</td></tr> <tr style="border-top: 1px solid black;"><td colspan="2">Serie</td><td style="text-align: right;">97.6</td></tr> <tr><td colspan="2">Total</td><td style="text-align: right;">0.0</td></tr> </table>	1:	10.7x	↘	2:	10.2x	↗	3:	10.5x	↘	4:	9.7	↖	5:	9.6	↘	6:	9.1	→	7:	10.5x	↘	8:	8.8	→	9:	8.8	↗	10:	9.7	↘	Serie		97.6	Total		0.0	<p><b>Pröv</b></p> 	<table style="width:100%; border-collapse: collapse;"> <tr><td>11:</td><td>8.6</td><td>↗</td></tr> <tr><td>12:</td><td>9.5</td><td>↘</td></tr> <tr><td>13:</td><td>10.8x</td><td>↗</td></tr> <tr style="border-top: 1px solid black;"><td colspan="2">Serie</td><td style="text-align: right;">28.9</td></tr> <tr><td colspan="2">Total</td><td style="text-align: right;">0.0</td></tr> </table>	11:	8.6	↗	12:	9.5	↘	13:	10.8x	↗	Serie		28.9	Total		0.0
1:	10.7x	↘																																																				
2:	10.2x	↗																																																				
3:	10.5x	↘																																																				
4:	9.7	↖																																																				
5:	9.6	↘																																																				
6:	9.1	→																																																				
7:	10.5x	↘																																																				
8:	8.8	→																																																				
9:	8.8	↗																																																				
10:	9.7	↘																																																				
Serie		97.6																																																				
Total		0.0																																																				
11:	8.6	↗																																																				
12:	9.5	↘																																																				
13:	10.8x	↗																																																				
Serie		28.9																																																				
Total		0.0																																																				

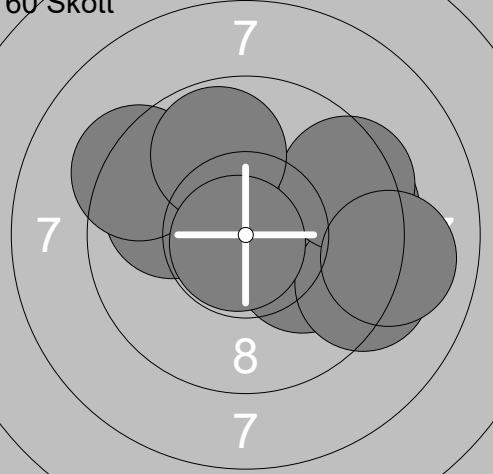
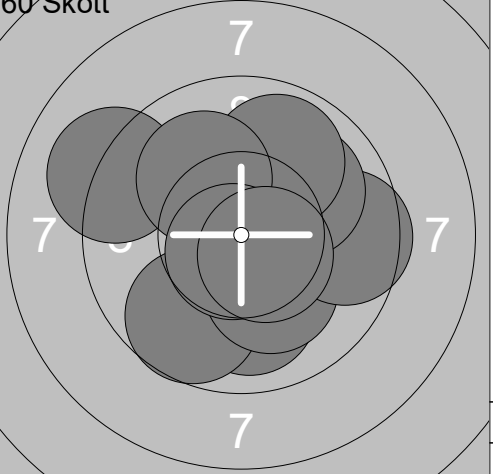
<p><b>60 Skott</b></p> 	<table style="width:100%; border-collapse: collapse;"> <tr><td>1:</td><td>9.9</td><td>↘</td></tr> <tr><td>2:</td><td>10.3x</td><td>→</td></tr> <tr><td>3:</td><td>9.8</td><td>↗</td></tr> <tr><td>4:</td><td>9.6</td><td>↘</td></tr> <tr><td>5:</td><td>9.6</td><td>↗</td></tr> <tr><td>6:</td><td>8.4</td><td>↖</td></tr> <tr><td>7:</td><td>9.9</td><td>↘</td></tr> <tr><td>8:</td><td>9.9</td><td>↘</td></tr> <tr><td>9:</td><td>9.5</td><td>→</td></tr> <tr><td>10:</td><td>10.8x</td><td>↘</td></tr> <tr style="border-top: 1px solid black;"><td colspan="2">Serie</td><td style="text-align: right;">97.7</td></tr> <tr><td colspan="2">Total</td><td style="text-align: right;">97.7</td></tr> </table>	1:	9.9	↘	2:	10.3x	→	3:	9.8	↗	4:	9.6	↘	5:	9.6	↗	6:	8.4	↖	7:	9.9	↘	8:	9.9	↘	9:	9.5	→	10:	10.8x	↘	Serie		97.7	Total		97.7	<p><b>60 Skott</b></p> 	<table style="width:100%; border-collapse: collapse;"> <tr><td>11:</td><td>10.5x</td><td>↘</td></tr> <tr><td>12:</td><td>10.0</td><td>→</td></tr> <tr><td>13:</td><td>10.5x</td><td>↘</td></tr> <tr><td>14:</td><td>10.2x</td><td>↘</td></tr> <tr><td>15:</td><td>10.4x</td><td>↘</td></tr> <tr><td>16:</td><td>10.3x</td><td>←</td></tr> <tr><td>17:</td><td>9.8</td><td>↘</td></tr> <tr><td>18:</td><td>10.7x</td><td>↘</td></tr> <tr><td>19:</td><td>10.6x</td><td>↑</td></tr> <tr><td>20:</td><td>10.4x</td><td>←</td></tr> <tr style="border-top: 1px solid black;"><td colspan="2">Serie</td><td style="text-align: right;">103.4</td></tr> <tr><td colspan="2">Total</td><td style="text-align: right;">201.1</td></tr> </table>	11:	10.5x	↘	12:	10.0	→	13:	10.5x	↘	14:	10.2x	↘	15:	10.4x	↘	16:	10.3x	←	17:	9.8	↘	18:	10.7x	↘	19:	10.6x	↑	20:	10.4x	←	Serie		103.4	Total		201.1
1:	9.9	↘																																																																									
2:	10.3x	→																																																																									
3:	9.8	↗																																																																									
4:	9.6	↘																																																																									
5:	9.6	↗																																																																									
6:	8.4	↖																																																																									
7:	9.9	↘																																																																									
8:	9.9	↘																																																																									
9:	9.5	→																																																																									
10:	10.8x	↘																																																																									
Serie		97.7																																																																									
Total		97.7																																																																									
11:	10.5x	↘																																																																									
12:	10.0	→																																																																									
13:	10.5x	↘																																																																									
14:	10.2x	↘																																																																									
15:	10.4x	↘																																																																									
16:	10.3x	←																																																																									
17:	9.8	↘																																																																									
18:	10.7x	↘																																																																									
19:	10.6x	↑																																																																									
20:	10.4x	←																																																																									
Serie		103.4																																																																									
Total		201.1																																																																									

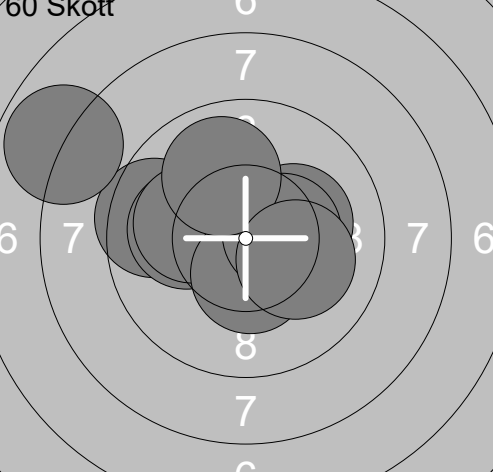
<p><b>60 Skott</b></p> 	<table style="width:100%; border-collapse: collapse;"> <tr><td>21:</td><td>10.3x</td><td>↗</td></tr> <tr><td>22:</td><td>10.4x</td><td>←</td></tr> <tr><td>23:</td><td>9.5</td><td>←</td></tr> <tr><td>24:</td><td>10.8x</td><td>→</td></tr> <tr><td>25:</td><td>10.7x</td><td>↗</td></tr> <tr><td>26:</td><td>9.4</td><td>↑</td></tr> <tr><td>27:</td><td>10.1</td><td>→</td></tr> <tr><td>28:</td><td>10.6x</td><td>→</td></tr> <tr><td>29:</td><td>9.6</td><td>↗</td></tr> <tr><td>30:</td><td>9.6</td><td>↑</td></tr> <tr style="border-top: 1px solid black;"><td colspan="2">Serie</td><td style="text-align: right;">101.0</td></tr> <tr><td colspan="2">Total</td><td style="text-align: right;">302.1</td></tr> </table>	21:	10.3x	↗	22:	10.4x	←	23:	9.5	←	24:	10.8x	→	25:	10.7x	↗	26:	9.4	↑	27:	10.1	→	28:	10.6x	→	29:	9.6	↗	30:	9.6	↑	Serie		101.0	Total		302.1	<p><b>60 Skott</b></p> 	<table style="width:100%; border-collapse: collapse;"> <tr><td>31:</td><td>10.5x</td><td>↘</td></tr> <tr><td>32:</td><td>9.8</td><td>↘</td></tr> <tr><td>33:</td><td>10.3x</td><td>←</td></tr> <tr><td>34:</td><td>10.0</td><td>↘</td></tr> <tr><td>35:</td><td>10.3x</td><td>↗</td></tr> <tr><td>36:</td><td>9.7</td><td>↗</td></tr> <tr><td>37:</td><td>10.0</td><td>↑</td></tr> <tr><td>38:</td><td>9.8</td><td>↘</td></tr> <tr><td>39:</td><td>10.9x</td><td>→</td></tr> <tr><td>40:</td><td>9.6</td><td>←</td></tr> <tr style="border-top: 1px solid black;"><td colspan="2">Serie</td><td style="text-align: right;">100.9</td></tr> <tr><td colspan="2">Total</td><td style="text-align: right;">403.0</td></tr> </table>	31:	10.5x	↘	32:	9.8	↘	33:	10.3x	←	34:	10.0	↘	35:	10.3x	↗	36:	9.7	↗	37:	10.0	↑	38:	9.8	↘	39:	10.9x	→	40:	9.6	←	Serie		100.9	Total		403.0
21:	10.3x	↗																																																																									
22:	10.4x	←																																																																									
23:	9.5	←																																																																									
24:	10.8x	→																																																																									
25:	10.7x	↗																																																																									
26:	9.4	↑																																																																									
27:	10.1	→																																																																									
28:	10.6x	→																																																																									
29:	9.6	↗																																																																									
30:	9.6	↑																																																																									
Serie		101.0																																																																									
Total		302.1																																																																									
31:	10.5x	↘																																																																									
32:	9.8	↘																																																																									
33:	10.3x	←																																																																									
34:	10.0	↘																																																																									
35:	10.3x	↗																																																																									
36:	9.7	↗																																																																									
37:	10.0	↑																																																																									
38:	9.8	↘																																																																									
39:	10.9x	→																																																																									
40:	9.6	←																																																																									
Serie		100.9																																																																									
Total		403.0																																																																									

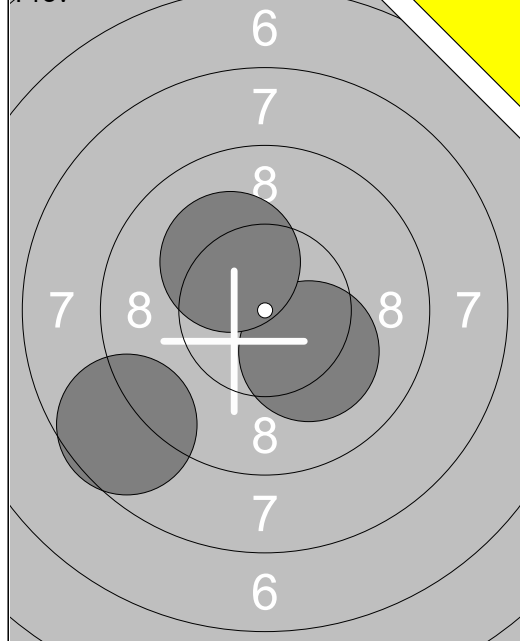
<p><b>60 Skott</b></p> 	<table style="width:100%; border-collapse: collapse;"> <tr><td>41:</td><td>9.4</td><td>↘</td></tr> <tr><td>42:</td><td>10.5x</td><td>↖</td></tr> <tr><td>43:</td><td>9.8</td><td>↘</td></tr> <tr><td>44:</td><td>9.7</td><td>→</td></tr> <tr><td>45:</td><td>10.4x</td><td>↘</td></tr> <tr><td>46:</td><td>9.2</td><td>↘</td></tr> <tr><td>47:</td><td>9.1</td><td>↗</td></tr> <tr><td>48:</td><td>10.4x</td><td>←</td></tr> <tr><td>49:</td><td>10.1</td><td>↘</td></tr> <tr><td>50:</td><td>9.9</td><td>↘</td></tr> <tr style="border-top: 1px solid black;"><td colspan="2">Serie</td><td style="text-align: right;">98.5</td></tr> <tr><td colspan="2">Total</td><td style="text-align: right;">501.5</td></tr> </table>	41:	9.4	↘	42:	10.5x	↖	43:	9.8	↘	44:	9.7	→	45:	10.4x	↘	46:	9.2	↘	47:	9.1	↗	48:	10.4x	←	49:	10.1	↘	50:	9.9	↘	Serie		98.5	Total		501.5	<p><b>60 Skott</b></p> 	<table style="width:100%; border-collapse: collapse;"> <tr><td>51:</td><td>10.8x</td><td>↗</td></tr> <tr><td>52:</td><td>9.6</td><td>←</td></tr> <tr><td>53:</td><td>9.2</td><td>→</td></tr> <tr><td>54:</td><td>9.9</td><td>↗</td></tr> <tr><td>55:</td><td>10.4x</td><td>↗</td></tr> <tr><td>56:</td><td>9.7</td><td>←</td></tr> <tr><td>57:</td><td>10.2x</td><td>↑</td></tr> <tr><td>58:</td><td>10.2x</td><td>→</td></tr> <tr><td>59:</td><td>9.1</td><td>→</td></tr> <tr><td>60:</td><td>10.5x</td><td>↗</td></tr> <tr style="border-top: 1px solid black;"><td colspan="2">Serie</td><td style="text-align: right;">99.6</td></tr> <tr><td colspan="2">Total</td><td style="text-align: right;">601.1</td></tr> </table>	51:	10.8x	↗	52:	9.6	←	53:	9.2	→	54:	9.9	↗	55:	10.4x	↗	56:	9.7	←	57:	10.2x	↑	58:	10.2x	→	59:	9.1	→	60:	10.5x	↗	Serie		99.6	Total		601.1
41:	9.4	↘																																																																									
42:	10.5x	↖																																																																									
43:	9.8	↘																																																																									
44:	9.7	→																																																																									
45:	10.4x	↘																																																																									
46:	9.2	↘																																																																									
47:	9.1	↗																																																																									
48:	10.4x	←																																																																									
49:	10.1	↘																																																																									
50:	9.9	↘																																																																									
Serie		98.5																																																																									
Total		501.5																																																																									
51:	10.8x	↗																																																																									
52:	9.6	←																																																																									
53:	9.2	→																																																																									
54:	9.9	↗																																																																									
55:	10.4x	↗																																																																									
56:	9.7	←																																																																									
57:	10.2x	↑																																																																									
58:	10.2x	→																																																																									
59:	9.1	→																																																																									
60:	10.5x	↗																																																																									
Serie		99.6																																																																									
Total		601.1																																																																									

<p><b>Pröv</b></p> 	<p>1: 10.4x ← 2: 9.4 ← 3: 8.8 ← 4: 10.3x ↗ 5: 9.6 ← 6: 10.0 ↗ 7: 10.2x ← 8: 10.6x ↓</p> <p>Serie 79.3 Total 0.0</p>	<p><b>60 Skott</b></p> 	<p>1: 8.8 ← 2: 10.9x ← 3: 10.3x ↗ 4: 9.9 ↑ 5: 9.5 ↗ 6: 8.9 → 7: 10.4x ↓ 8: 10.3x ← 9: 10.5x ↓ 10: 9.8 ↗</p> <p>Serie 99.3 Total 99.3</p>
---	---	---	--

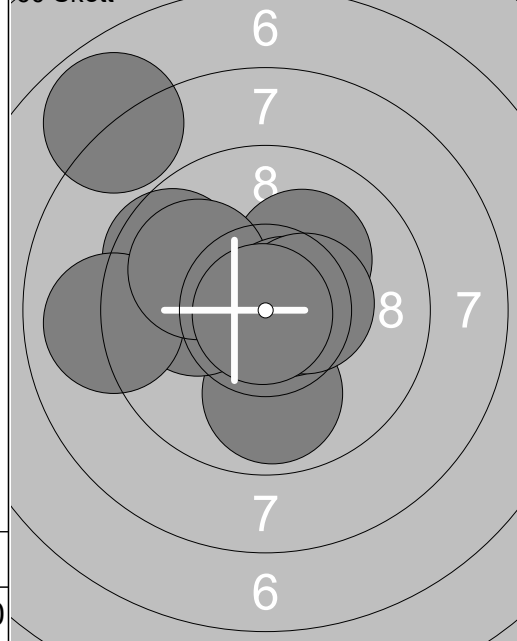
<p><b>60 Skott</b></p> 	<p>11: 9.2 → 12: 10.3x ↗ 13: 10.3x ↓ 14: 10.7x ↗ 15: 10.0 ↗ 16: 10.2x ← 17: 10.3x ↑ 18: 10.5x ↓ 19: 10.3x → 20: 9.9 ←</p> <p>Serie 101.7 Total 201.0</p>	<p><b>60 Skott</b></p> 	<p>21: 10.3x ← 22: 10.6x ← 23: 10.3x → 24: 10.0 ← 25: 9.6 → 26: 10.1 → 27: 10.2x ← 28: 10.3x ↓ 29: 9.9 ← 30: 10.1 ↘</p> <p>Serie 101.4 Total 302.4</p>
--	--	--	--

<p><b>60 Skott</b></p> 	<p>31: 9.5 → 32: 10.1 → 33: 9.3 ↘ 34: 10.0 ↗ 35: 9.9 ↗ 36: 9.3 ↗ 37: 9.5 → 38: 9.0 → 39: 9.8 ↑ 40: 10.8x ↓</p> <p>Serie 97.2 Total 399.6</p>	<p><b>60 Skott</b></p> 	<p>41: 10.0 ↓ 42: 9.7 ↓ 43: 10.2x ↓ 44: 9.1 ← 45: 9.6 → 46: 10.0 ↗ 47: 9.9 ↗ 48: 10.1 ↗ 49: 10.7x ↓ 50: 10.5x ↓</p> <p>Serie 99.8 Total 499.4</p>
---	--	---	---

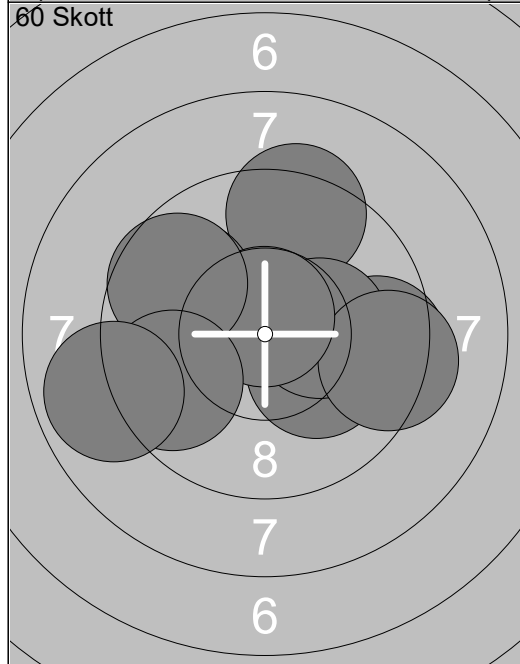
<p><b>60 Skott</b></p> 	<p>51: 10.6x ↗ 52: 9.5 ← 53: 10.1 ← 54: 10.1 ← 55: 10.4x ↓ 56: 10.2x → 57: 7.9 ↗ 58: 10.4x → 59: 10.0 ↑ 60: 10.1 ↘</p> <p>Serie 99.3 Total 598.7</p>		
---	--	--	--



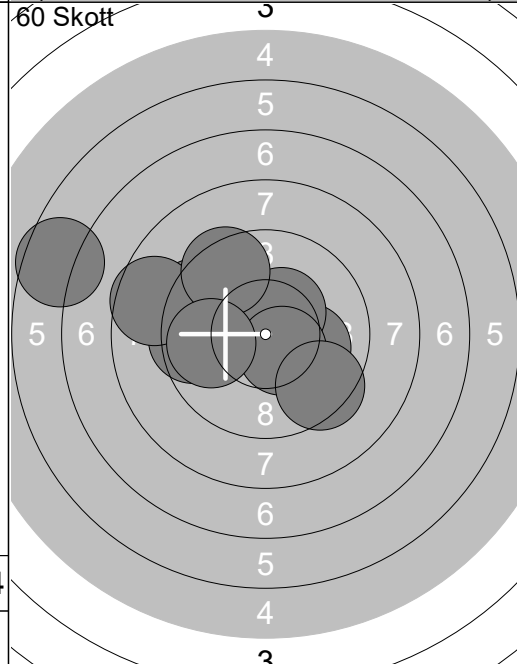
1:	8.7 ↙
2:	10.2x↘
3:	10.2x↘
<b>Serie 29.1</b>	
<b>Total 0.0</b>	



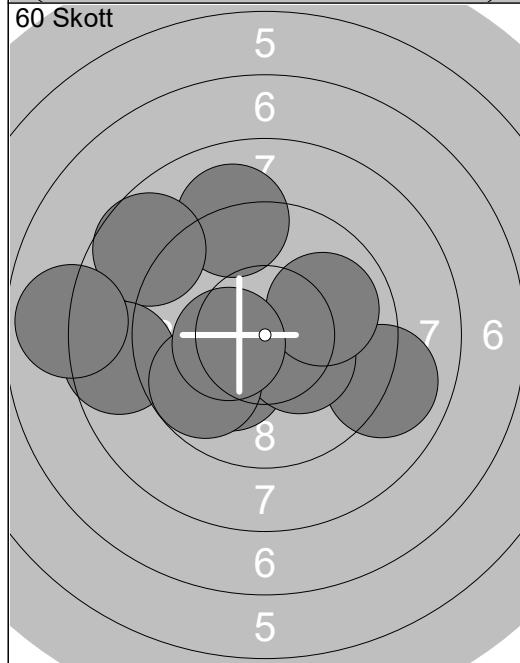
1:	9.9 ↓
2:	10.1 ←
3:	10.2x↗
4:	9.6 ↖
5:	9.0 ←
6:	9.9 ↖
7:	7.9 ↗
8:	10.7x→
9:	10.5x→
10:	10.9x↘
<b>Serie 98.7</b>	
<b>Total 98.7</b>	



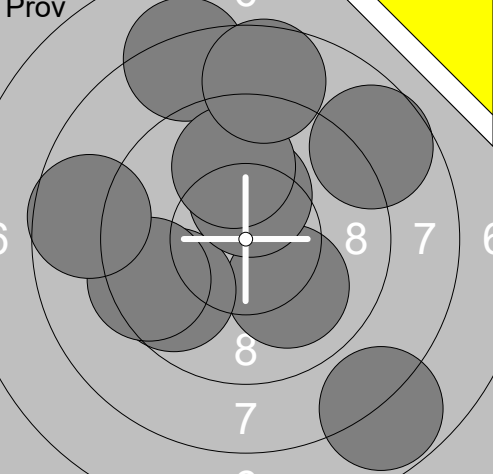
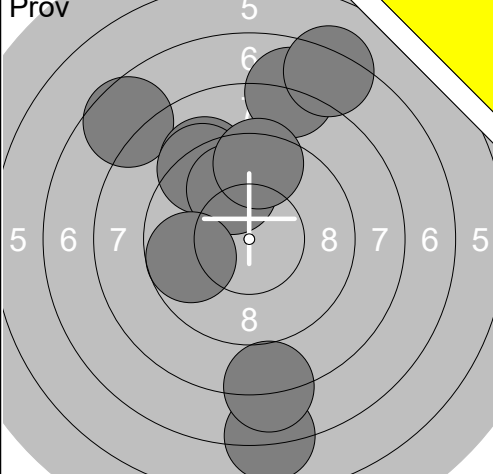
11:	9.4 ↑
12:	10.2x↘
13:	9.5 →
14:	10.3x→
15:	9.3 →
16:	9.8 ↖
17:	10.7x↑
18:	9.7 ↖
19:	9.6 ←
20:	8.9 ←
<b>Serie 97.4</b>	
<b>Total 196.1</b>	

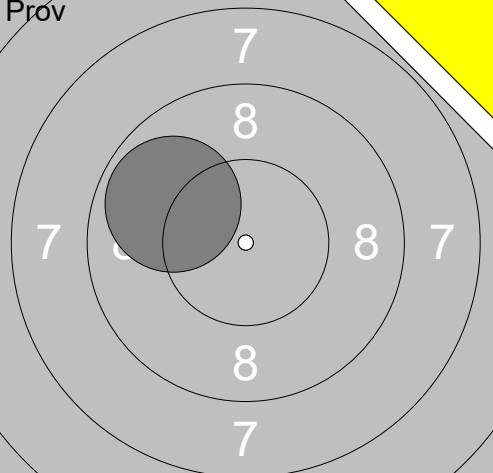


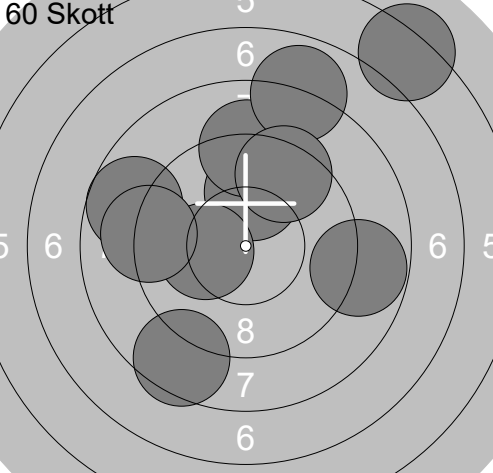
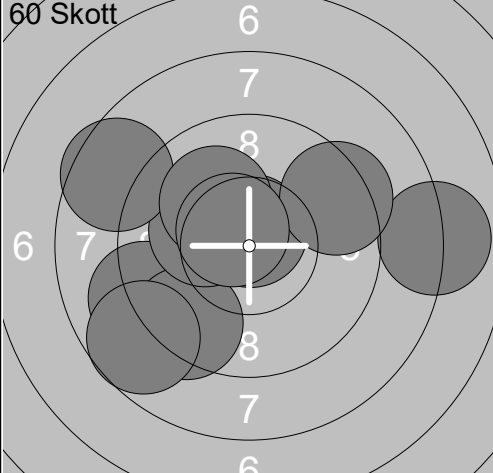
21:	10.1 →
22:	9.4 ↖
23:	10.4x↗
24:	9.5 ←
25:	10.5x↘
26:	8.6 ↖
27:	9.5 ↗
28:	9.4 ↘
29:	6.6 ←
30:	9.8 ←
<b>Serie 93.8</b>	
<b>Total 289.9</b>	

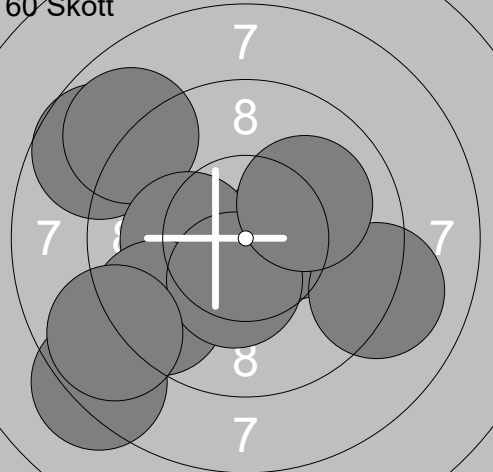


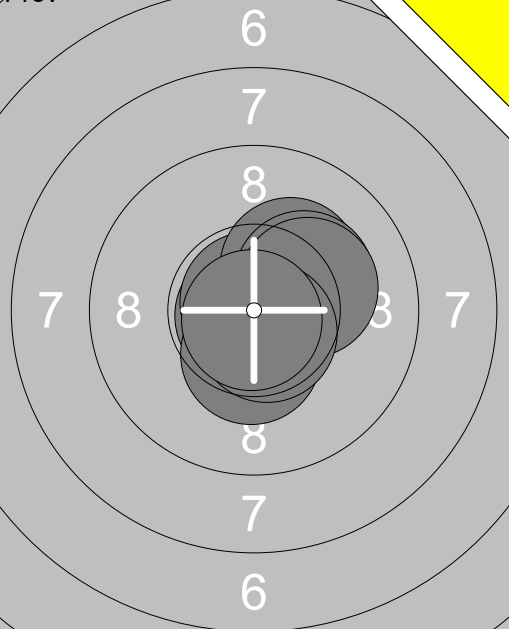
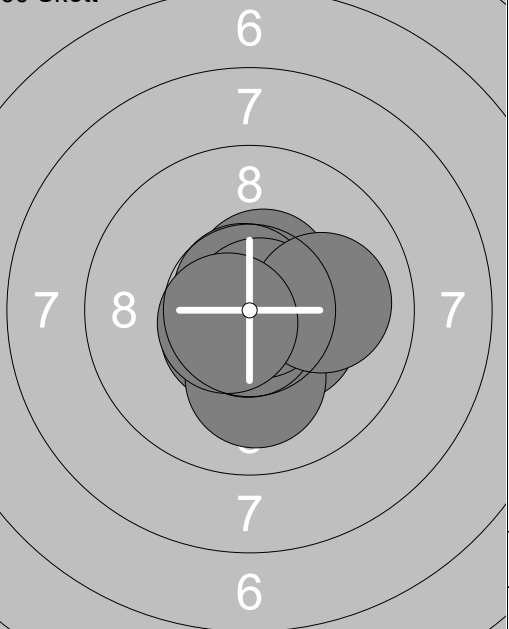
31:	10.1 ↘
32:	9.0 →
33:	10.3x↘
34:	9.1 ↑
35:	8.7 ↖
36:	8.6 ←
37:	10.0 →
38:	9.8 ↘
39:	7.9 ←
40:	10.4x↖
<b>Serie 93.9</b>	
<b>Total 383.8</b>	

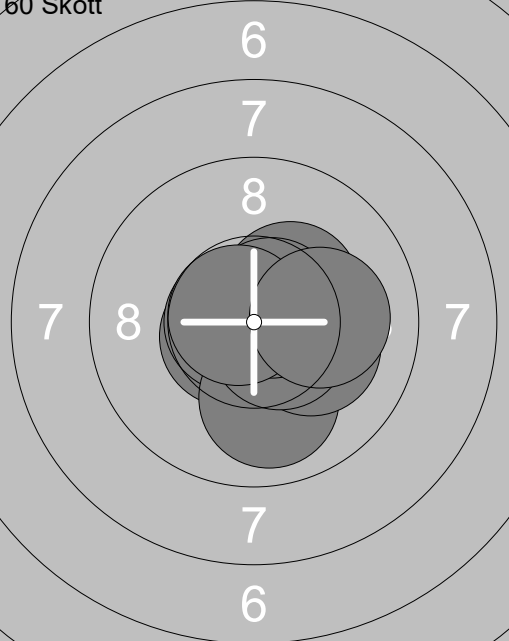
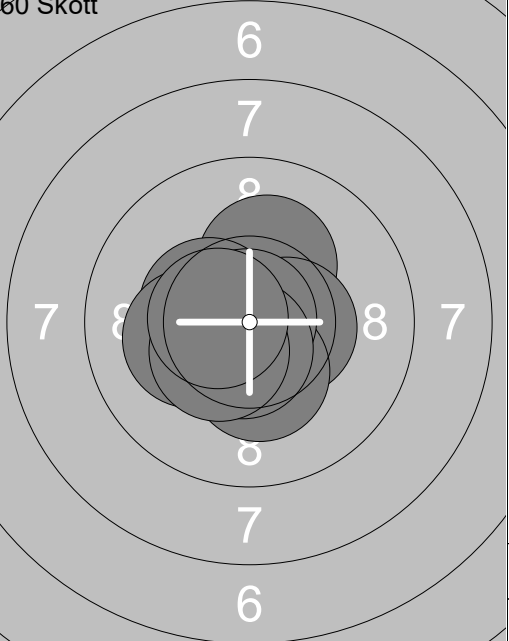
	<table style="width:100%; border-collapse: collapse;"> <tr><td>1:</td><td>10.0</td><td>↘</td></tr> <tr><td>2:</td><td>7.8</td><td>↘</td></tr> <tr><td>3:</td><td>9.7</td><td>↙</td></tr> <tr><td>4:</td><td>9.4</td><td>←</td></tr> <tr><td>5:</td><td>8.2</td><td>↑</td></tr> <tr><td>6:</td><td>10.3x</td><td>↑</td></tr> <tr><td>7:</td><td>8.7</td><td>←</td></tr> <tr><td>8:</td><td>8.7</td><td>↗</td></tr> <tr><td>9:</td><td>9.9</td><td>↑</td></tr> <tr><td>10:</td><td>8.6</td><td>↑</td></tr> <tr><td colspan="2">Serie</td><td>91.3</td></tr> <tr><td colspan="2">Total</td><td>0.0</td></tr> </table>	1:	10.0	↘	2:	7.8	↘	3:	9.7	↙	4:	9.4	←	5:	8.2	↑	6:	10.3x	↑	7:	8.7	←	8:	8.7	↗	9:	9.9	↑	10:	8.6	↑	Serie		91.3	Total		0.0	 <table style="width:100%; border-collapse: collapse;"> <tr><td>11:</td><td>7.9</td><td>↑</td></tr> <tr><td>12:</td><td>7.6</td><td>↗</td></tr> <tr><td>13:</td><td>9.2</td><td>↗</td></tr> <tr><td>14:</td><td>9.3</td><td>↗</td></tr> <tr><td>15:</td><td>7.0</td><td>↓</td></tr> <tr><td>16:</td><td>7.3</td><td>↑</td></tr> <tr><td>17:</td><td>9.9</td><td>↑</td></tr> <tr><td>18:</td><td>9.4</td><td>↑</td></tr> <tr><td>19:</td><td>9.7</td><td>←</td></tr> <tr><td>20:</td><td>8.0</td><td>↓</td></tr> <tr><td colspan="2">Serie</td><td>85.3</td></tr> <tr><td colspan="2">Total</td><td>0.0</td></tr> </table>	11:	7.9	↑	12:	7.6	↗	13:	9.2	↗	14:	9.3	↗	15:	7.0	↓	16:	7.3	↑	17:	9.9	↑	18:	9.4	↑	19:	9.7	←	20:	8.0	↓	Serie		85.3	Total		0.0
1:	10.0	↘																																																																								
2:	7.8	↘																																																																								
3:	9.7	↙																																																																								
4:	9.4	←																																																																								
5:	8.2	↑																																																																								
6:	10.3x	↑																																																																								
7:	8.7	←																																																																								
8:	8.7	↗																																																																								
9:	9.9	↑																																																																								
10:	8.6	↑																																																																								
Serie		91.3																																																																								
Total		0.0																																																																								
11:	7.9	↑																																																																								
12:	7.6	↗																																																																								
13:	9.2	↗																																																																								
14:	9.3	↗																																																																								
15:	7.0	↓																																																																								
16:	7.3	↑																																																																								
17:	9.9	↑																																																																								
18:	9.4	↑																																																																								
19:	9.7	←																																																																								
20:	8.0	↓																																																																								
Serie		85.3																																																																								
Total		0.0																																																																								

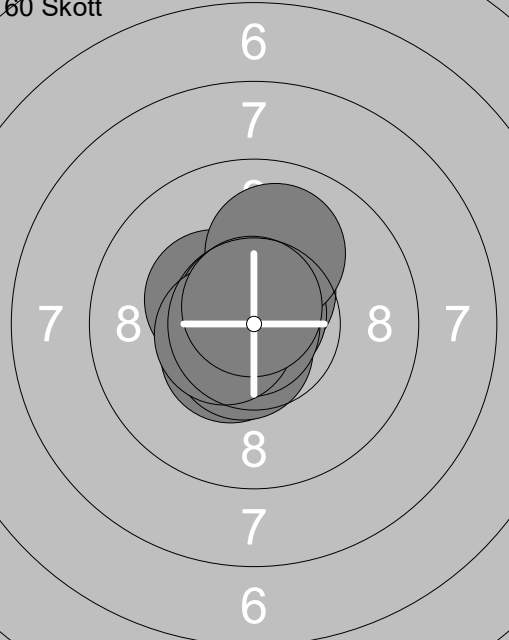
 <table style="width:100%; border-collapse: collapse;"> <tr><td>21:</td><td>9.9</td><td>↖</td></tr> <tr><td colspan="2">Serie</td><td>9.9</td></tr> <tr><td colspan="2">Total</td><td>0.0</td></tr> </table>	21:	9.9	↖	Serie		9.9	Total		0.0	<p style="text-align: center;"><b>60 Skott</b></p>  <table style="width:100%; border-collapse: collapse;"> <tr><td>1:</td><td>10.3x</td><td>↘</td></tr> <tr><td>2:</td><td>9.7</td><td>↑</td></tr> <tr><td>3:</td><td>10.3x</td><td>↘</td></tr> <tr><td>4:</td><td>8.9</td><td>↑</td></tr> <tr><td>5:</td><td>9.8</td><td>↗</td></tr> <tr><td>6:</td><td>7.3</td><td>↗</td></tr> <tr><td>7:</td><td>9.4</td><td>↓</td></tr> <tr><td>8:</td><td>7.3</td><td>←</td></tr> <tr><td>9:</td><td>8.8</td><td>→</td></tr> <tr><td>10:</td><td>10.3x</td><td>↗</td></tr> <tr><td colspan="2">Serie</td><td>92.1</td></tr> <tr><td colspan="2">Total</td><td>92.1</td></tr> </table>	1:	10.3x	↘	2:	9.7	↑	3:	10.3x	↘	4:	8.9	↑	5:	9.8	↗	6:	7.3	↗	7:	9.4	↓	8:	7.3	←	9:	8.8	→	10:	10.3x	↗	Serie		92.1	Total		92.1
21:	9.9	↖																																												
Serie		9.9																																												
Total		0.0																																												
1:	10.3x	↘																																												
2:	9.7	↑																																												
3:	10.3x	↘																																												
4:	8.9	↑																																												
5:	9.8	↗																																												
6:	7.3	↗																																												
7:	9.4	↓																																												
8:	7.3	←																																												
9:	8.8	→																																												
10:	10.3x	↗																																												
Serie		92.1																																												
Total		92.1																																												

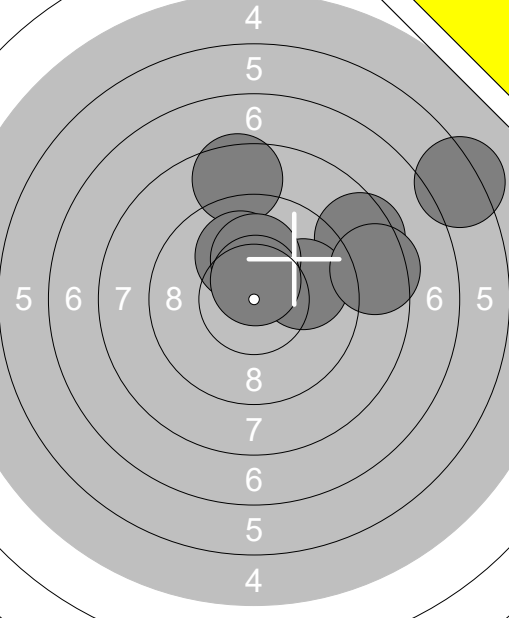
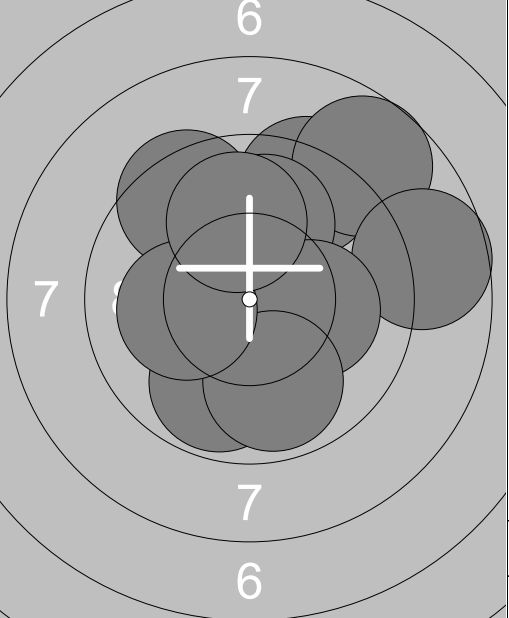
<p style="text-align: center;"><b>60 Skott</b></p>  <table style="width:100%; border-collapse: collapse;"> <tr><td>11:</td><td>9.9</td><td>↑</td></tr> <tr><td>12:</td><td>8.7</td><td>↖</td></tr> <tr><td>13:</td><td>6.2</td><td>↗</td></tr> <tr><td>14:</td><td>8.8</td><td>→</td></tr> <tr><td>15:</td><td>9.1</td><td>↑</td></tr> <tr><td>16:</td><td>10.2x</td><td>←</td></tr> <tr><td>17:</td><td>8.5</td><td>↘</td></tr> <tr><td>18:</td><td>7.9</td><td>↑</td></tr> <tr><td>19:</td><td>9.1</td><td>←</td></tr> <tr><td>20:</td><td>9.4</td><td>↑</td></tr> <tr><td colspan="2">Serie</td><td>87.8</td></tr> <tr><td colspan="2">Total</td><td>179.9</td></tr> </table>	11:	9.9	↑	12:	8.7	↖	13:	6.2	↗	14:	8.8	→	15:	9.1	↑	16:	10.2x	←	17:	8.5	↘	18:	7.9	↑	19:	9.1	←	20:	9.4	↑	Serie		87.8	Total		179.9	<p style="text-align: center;"><b>60 Skott</b></p>  <table style="width:100%; border-collapse: collapse;"> <tr><td>21:</td><td>8.0</td><td>→</td></tr> <tr><td>22:</td><td>10.7x</td><td>↑</td></tr> <tr><td>23:</td><td>9.1</td><td>←</td></tr> <tr><td>24:</td><td>9.4</td><td>↘</td></tr> <tr><td>25:</td><td>10.2x</td><td>←</td></tr> <tr><td>26:</td><td>9.4</td><td>↗</td></tr> <tr><td>27:</td><td>8.6</td><td>←</td></tr> <tr><td>28:</td><td>10.1</td><td>↗</td></tr> <tr><td>29:</td><td>10.6x</td><td>↗</td></tr> <tr><td>30:</td><td>8.7</td><td>↘</td></tr> <tr><td colspan="2">Serie</td><td>94.8</td></tr> <tr><td colspan="2">Total</td><td>274.7</td></tr> </table>	21:	8.0	→	22:	10.7x	↑	23:	9.1	←	24:	9.4	↘	25:	10.2x	←	26:	9.4	↗	27:	8.6	←	28:	10.1	↗	29:	10.6x	↗	30:	8.7	↘	Serie		94.8	Total		274.7
11:	9.9	↑																																																																							
12:	8.7	↖																																																																							
13:	6.2	↗																																																																							
14:	8.8	→																																																																							
15:	9.1	↑																																																																							
16:	10.2x	←																																																																							
17:	8.5	↘																																																																							
18:	7.9	↑																																																																							
19:	9.1	←																																																																							
20:	9.4	↑																																																																							
Serie		87.8																																																																							
Total		179.9																																																																							
21:	8.0	→																																																																							
22:	10.7x	↑																																																																							
23:	9.1	←																																																																							
24:	9.4	↘																																																																							
25:	10.2x	←																																																																							
26:	9.4	↗																																																																							
27:	8.6	←																																																																							
28:	10.1	↗																																																																							
29:	10.6x	↗																																																																							
30:	8.7	↘																																																																							
Serie		94.8																																																																							
Total		274.7																																																																							

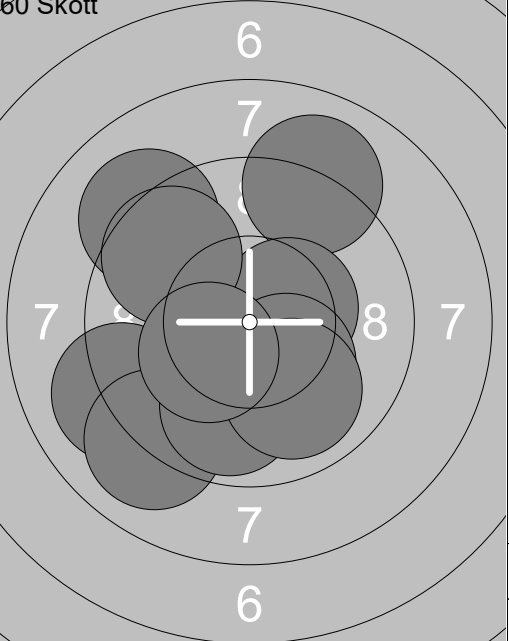
<p style="text-align: center;"><b>60 Skott</b></p>  <table style="width:100%; border-collapse: collapse;"> <tr><td>31:</td><td>10.3x</td><td>→</td></tr> <tr><td>32:</td><td>8.2</td><td>↘</td></tr> <tr><td>33:</td><td>8.7</td><td>↖</td></tr> <tr><td>34:</td><td>8.9</td><td>↗</td></tr> <tr><td>35:</td><td>10.2x</td><td>←</td></tr> <tr><td>36:</td><td>9.5</td><td>↘</td></tr> <tr><td>37:</td><td>10.4x</td><td>↘</td></tr> <tr><td>38:</td><td>8.8</td><td>↘</td></tr> <tr><td>39:</td><td>9.1</td><td>→</td></tr> <tr><td>40:</td><td>10.0</td><td>↗</td></tr> <tr><td colspan="2">Serie</td><td>94.1</td></tr> <tr><td colspan="2">Total</td><td>368.8</td></tr> </table>	31:	10.3x	→	32:	8.2	↘	33:	8.7	↖	34:	8.9	↗	35:	10.2x	←	36:	9.5	↘	37:	10.4x	↘	38:	8.8	↘	39:	9.1	→	40:	10.0	↗	Serie		94.1	Total		368.8	
31:	10.3x	→																																			
32:	8.2	↘																																			
33:	8.7	↖																																			
34:	8.9	↗																																			
35:	10.2x	←																																			
36:	9.5	↘																																			
37:	10.4x	↘																																			
38:	8.8	↘																																			
39:	9.1	→																																			
40:	10.0	↗																																			
Serie		94.1																																			
Total		368.8																																			

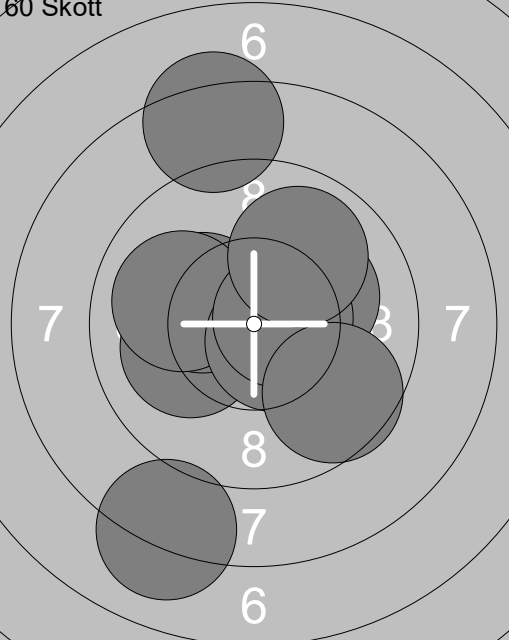
<p>Prov</p> 	<p>1: 10.5x↗</p> <p>2: 10.7x↘</p> <p>3: 10.8x↘</p> <p>4: 10.8x↖</p> <p>5: 10.2x↗</p> <p>6: 10.4x↓</p> <p>7: 10.2x↗</p> <p>8: 10.2x↗</p> <p>9: 10.6x↓</p> <p>10: 10.8x↓</p>	<p>60 Skott</p> 	<p>1: 10.4x↘</p> <p>2: 10.6x↘</p> <p>3: 10.6x↓</p> <p>4: 10.1 ↓</p> <p>5: 10.5x↗</p> <p>6: 10.7x↓</p> <p>7: 10.7x↖</p> <p>8: 10.8x➔</p> <p>9: 10.0 ➔</p> <p>10: 10.6x↘</p>
Serie	105.2	Serie	105.0
Total	0.0	Total	105.0

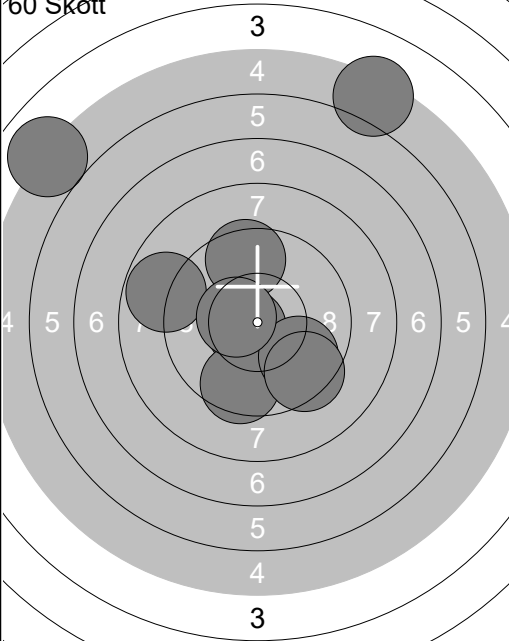
<p>60 Skott</p> 	<p>11: 10.6x↘</p> <p>12: 10.3x↗</p> <p>13: 10.8x➔</p> <p>14: 10.7x↖</p> <p>15: 10.0 ↓</p> <p>16: 10.2x➔</p> <p>17: 10.6x➔</p> <p>18: 10.7x↗</p> <p>19: 10.7x↖</p> <p>20: 10.1 ➔</p>	<p>60 Skott</p> 	<p>21: 10.7x↘</p> <p>22: 10.2x↗</p> <p>23: 10.5x➔</p> <p>24: 10.3x↓</p> <p>25: 10.4x↖</p> <p>26: 10.9x↖</p> <p>27: 10.6x↓</p> <p>28: 10.2x↖</p> <p>29: 10.4x↘</p> <p>30: 10.5x↖</p>
Serie	104.7	Serie	104.7
Total	209.7	Total	314.4

<p>60 Skott</p> 	<p>31: 10.5x↘</p> <p>32: 10.6x↘</p> <p>33: 10.4x↖</p> <p>34: 10.7x↖</p> <p>35: 10.5x↗</p> <p>36: 10.8x↗</p> <p>37: 10.9x↘</p> <p>38: 10.5x↖</p> <p>39: 10.0 ↗</p> <p>40: 10.7x↖</p>		
Serie	105.6		
Total	420.0		

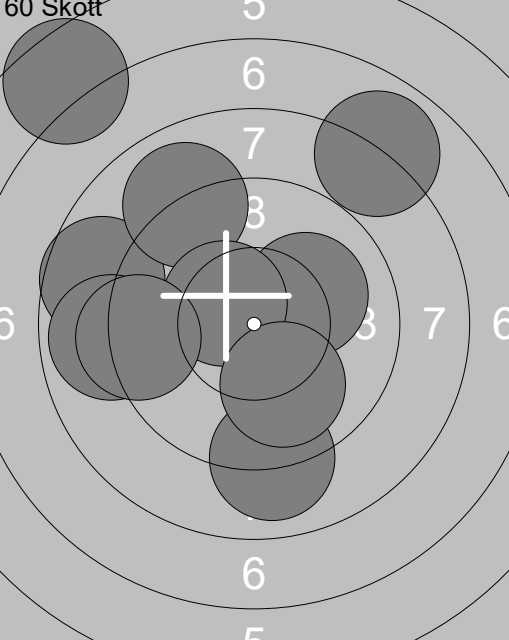
 <p>Prov</p>	<p>1: 8.5 ↑</p> <p>2: 8.5 →</p> <p>3: 9.9 →</p> <p>4: 6.2 →</p> <p>5: 10.0 ↑</p> <p>6: 8.5 →</p> <p>7: 10.2x↑</p> <p>8: 10.6x↑</p>	<p>60 Skott</p>  <p>1: 9.3 ↗</p> <p>2: 8.7 ↗</p> <p>3: 8.7 →</p> <p>4: 9.5 ↖</p> <p>5: 9.8 ↓</p> <p>6: 10.0 ↑</p> <p>7: 10.2x→</p> <p>8: 9.9 ↓</p> <p>9: 10.1 ←</p> <p>10: 10.0 ↑</p>	
Serie 72.4		Serie 96.2	
Total 0.0		Total 96.2	

<p>60 Skott</p> 	<p>11: 8.7 →</p> <p>12: 9.2 →</p> <p>13: 9.5 →</p> <p>14: 9.1 ↑</p> <p>15: 10.1 →</p> <p>16: 9.0 ↗</p> <p>17: 9.4 ↖</p> <p>18: 8.5 ↖</p> <p>19: 9.4 ↓</p> <p>20: 7.8 ↖</p>	<p>60 Skott</p>  <p>21: 9.1 ↖</p> <p>22: 9.0 ↑</p> <p>23: 10.4x→</p> <p>24: 9.0 ↖</p> <p>25: 9.1 ↖</p> <p>26: 9.9 ↓</p> <p>27: 9.6 ↖</p> <p>28: 10.2x↘</p> <p>29: 9.9 ↓</p> <p>30: 10.3x↘</p>	
Serie 90.7		Serie 96.5	
Total 186.9		Total 283.4	

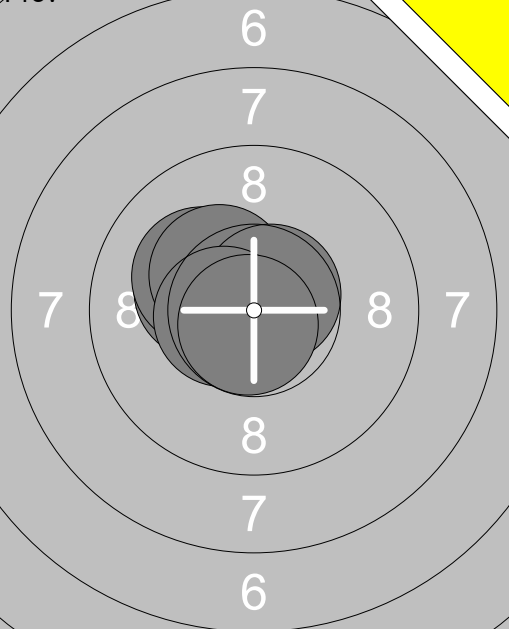
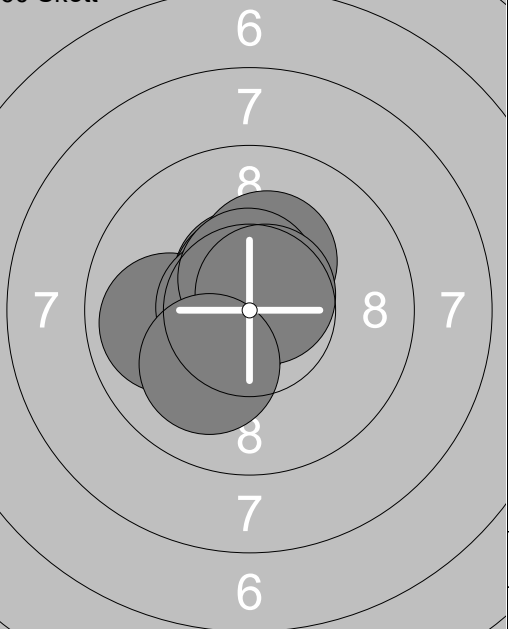
<p>60 Skott</p> 	<p>31: 10.1 ←</p> <p>32: 10.2x↖</p> <p>33: 10.2x→</p> <p>34: 10.0 ←</p> <p>35: 10.6x↘</p> <p>36: 10.6x→</p> <p>37: 9.9 ↗</p> <p>38: 9.6 ↘</p> <p>39: 8.1 ↓</p> <p>40: 8.3 ↑</p>	
Serie 97.6		
Total 381.0		

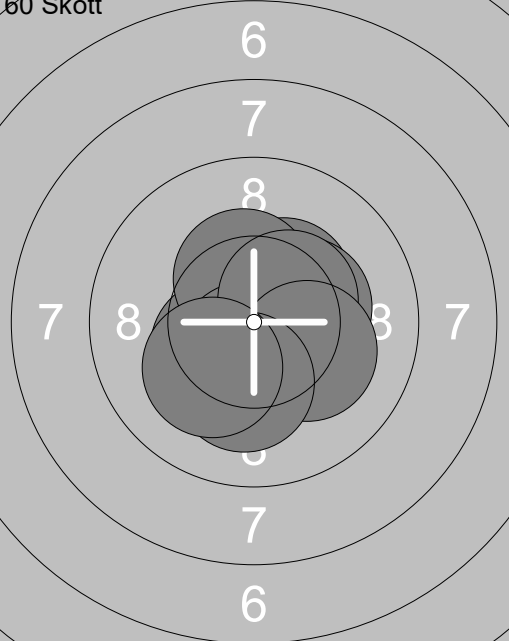
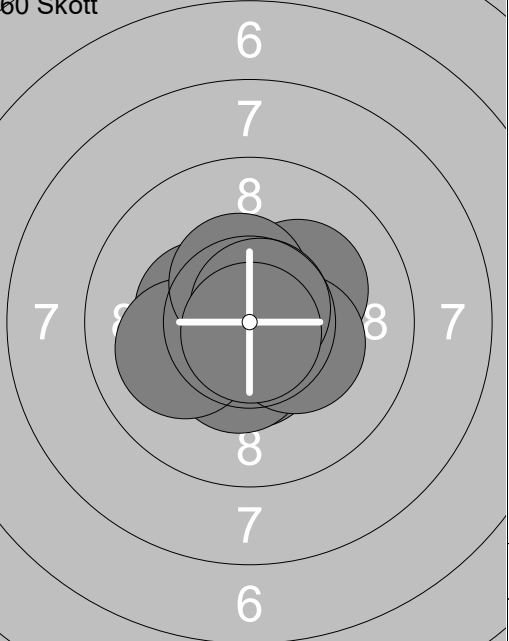
<p>Prov</p> 	<p>1: 8.6 ↘ 2: 9.1 ↙ 3: ☐ 4: 9.2 ↖ 5: 9.0 ← 6: 9.7 → 7: 6.9 ← 8: 8.8 ↓</p> <p>Serie 61.3 Total 0.0</p>	<p>60 Skott</p> 		<p>1: 10.7x ↘ 2: 8.8 ← 3: 9.5 ↓ 4: 9.5 ↑ 5: 5.3 ↗ 6: 9.8 ↘ 7: 5.0 ↖ 8: 10.5x ↘ 9: 9.4 ↘ 10: ☐</p> <p>Serie 78.5 Total 78.5</p>
--	--	--	--	--

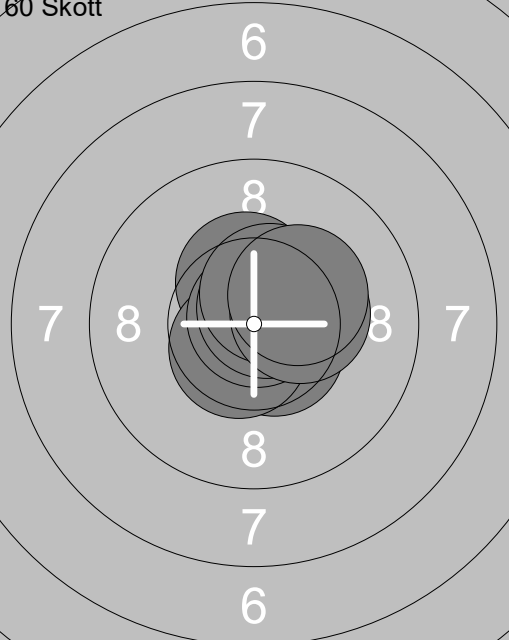
<p>60 Skott</p> 	<p>11: 9.3 ↓ 12: 9.5 ← 13: 9.0 ↖ 14: 8.5 → 15: 7.2 ← 16: 8.0 ← 17: 9.6 ↗ 18: 9.6 ← 19: 10.2x ↓ 20: 10.1 ↙</p> <p>Serie 91.0 Total 169.5</p>	<p>60 Skott</p> 		<p>21: 8.9 → 22: 9.1 ← 23: 9.7 ↓ 24: 7.8 ↑ 25: 10.1 ↘ 26: 9.8 ↗ 27: 10.1 ↓ 28: 9.3 ← 29: 9.1 ↙ 30: 10.5x ↓</p> <p>Serie 94.4 Total 263.9</p>
---	---	---	--	--

<p>60 Skott</p> 	<p>31: 8.7 ← 32: 10.1 ↗ 33: 6.5 ↖ 34: 9.0 ↗ 35: 7.9 ↗ 36: 10.4x ↘ 37: 8.9 ← 38: 9.0 ↓ 39: 9.3 ← 40: 10.0 ↓</p> <p>Serie 89.8 Total 353.7</p>			
--	--	--	--	--

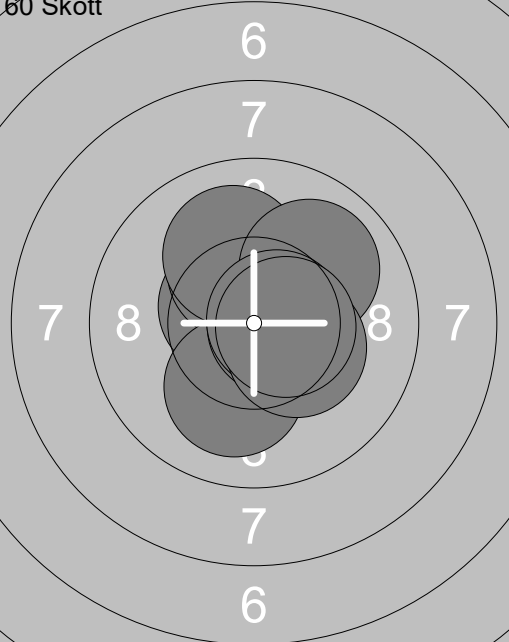
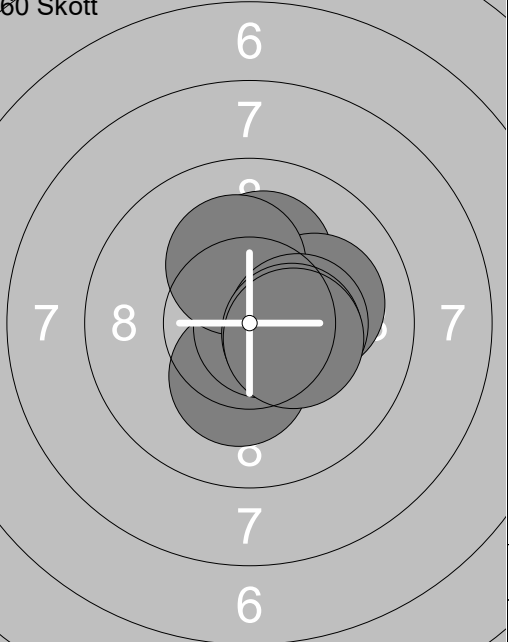


<p>Prov</p> 	<p>1: 10.3<del>x</del></p> <p>2: 10.3<del>x</del></p> <p>3: 10.7<del>x</del></p> <p>4: 10.2<del>x</del></p> <p>5: 10.3<del>x</del></p> <p>6: 10.7<del>x</del>↗</p> <p>7: 10.6<del>x</del>↖</p> <p>8: 10.7<del>x</del>↘</p>	<p>60 Skott</p> 	<p>1: 10.7<del>x</del>↗</p> <p>2: 10.5<del>x</del>↖</p> <p>3: 9.9 ←</p> <p>4: 10.5<del>x</del>↗</p> <p>5: 10.6<del>x</del>↗</p> <p>6: 10.3<del>x</del>↗</p> <p>7: 10.7<del>x</del>↖</p> <p>8: 10.5<del>x</del>↗</p> <p>9: 10.7<del>x</del>↗</p> <p>10: 10.1 ↘</p>
Serie	83.8	Serie	104.5
Total	0.0	Total	104.5

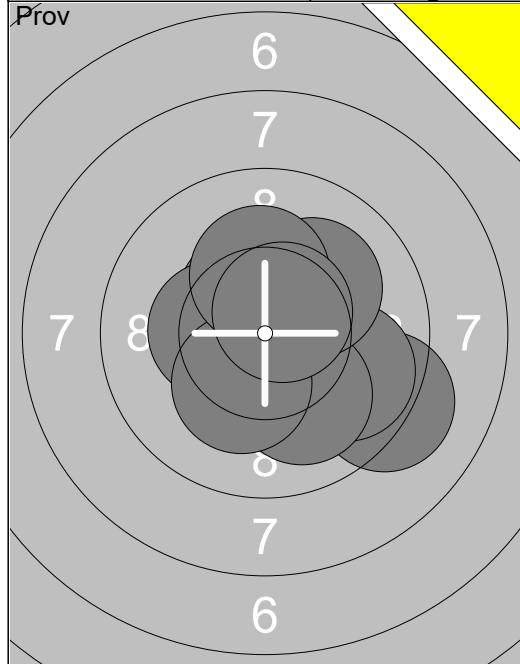
<p>60 Skott</p> 	<p>11: 10.4<del>x</del>↗</p> <p>12: 10.4<del>x</del>↖</p> <p>13: 10.5<del>x</del>➤</p> <p>14: 10.4<del>x</del>↗</p> <p>15: 10.6<del>x</del>↘</p> <p>16: 10.3<del>x</del>➤</p> <p>17: 10.4<del>x</del>↗</p> <p>18: 10.2<del>x</del>↘</p> <p>19: 10.2<del>x</del>↘</p> <p>20: 10.2<del>x</del>↖</p>	<p>60 Skott</p> 	<p>21: 10.5<del>x</del>↘</p> <p>22: 10.8<del>x</del>↗</p> <p>23: 10.4<del>x</del>↘</p> <p>24: 10.4<del>x</del>↖</p> <p>25: 10.1 ←</p> <p>26: 10.2<del>x</del>↗</p> <p>27: 10.4<del>x</del>↗</p> <p>28: 10.3<del>x</del>➤</p> <p>29: 10.7<del>x</del>↗</p> <p>30: 10.8<del>x</del>↘</p>
Serie	103.6	Serie	104.6
Total	208.1	Total	312.7

<p>60 Skott</p> 	<p>31: 10.8<del>x</del>➤</p> <p>32: 10.4<del>x</del>↗</p> <p>33: 10.3<del>x</del>↗</p> <p>34: 10.6<del>x</del>↘</p> <p>35: 10.6<del>x</del>↘</p> <p>36: 10.9<del>x</del>↗</p> <p>37: 10.7<del>x</del>↗</p> <p>38: 10.5<del>x</del>↗</p> <p>39: 10.3<del>x</del>➤</p> <p>40: 10.3<del>x</del>↗</p>		
Serie	105.4		
Total	418.1		

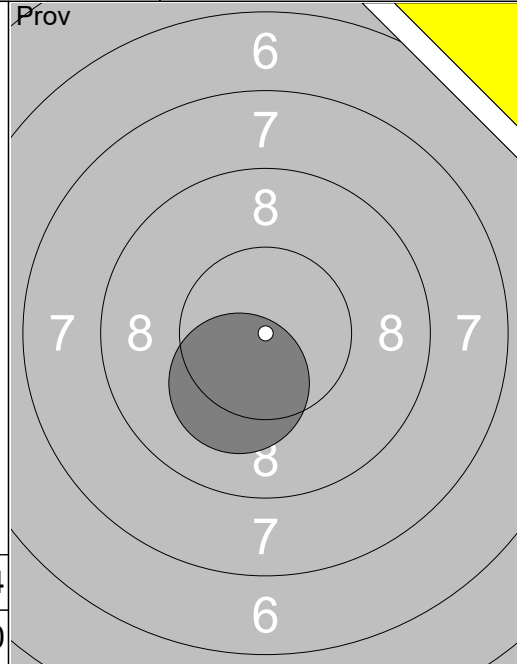
 <p style="font-size: small;">Pröv</p>	<p>1: 8.5 →</p> <p>2: 9.3 →</p> <p>3: 9.3 →</p> <p>4: 10.5x→</p> <p>5: 10.4x→</p> <p>6: 10.3x↘</p> <p>7: 10.2x↓</p> <p>8: 10.5x→</p> <p>9: 9.9 ↘</p> <p>10: 10.2x↓</p>	 <p style="font-size: small;">Pröv</p>	<p>11: 10.2x↘</p> <p>12: 10.2x↗</p> <p>13: 10.6x↘</p> <p>14: 10.4x↘</p> <p>15: 10.4x↘</p>
Serie 99.1		Serie 51.8	
Total 0.0		Total 0.0	

 <p style="font-size: small;">60 Skott</p>	<p>1: 10.6x↘</p> <p>2: 10.2x↗</p> <p>3: 10.1 ↓</p> <p>4: 10.7x→</p> <p>5: 10.4x↗</p> <p>6: 10.0 ↑</p> <p>7: 10.0 ↗</p> <p>8: 10.7x→</p> <p>9: 10.3x→</p> <p>10: 10.5x→</p>	 <p style="font-size: small;">60 Skott</p>	<p>11: 10.1 ↑</p> <p>12: 10.3x↘</p> <p>13: 10.5x→</p> <p>14: 10.1 →</p> <p>15: 10.5x→</p> <p>16: 10.8x→</p> <p>17: 10.2x↗</p> <p>18: 10.3x→</p> <p>19: 10.4x→</p> <p>20: 10.4x→</p>
Serie 103.5		Serie 103.6	
Total 103.5		Total 207.1	

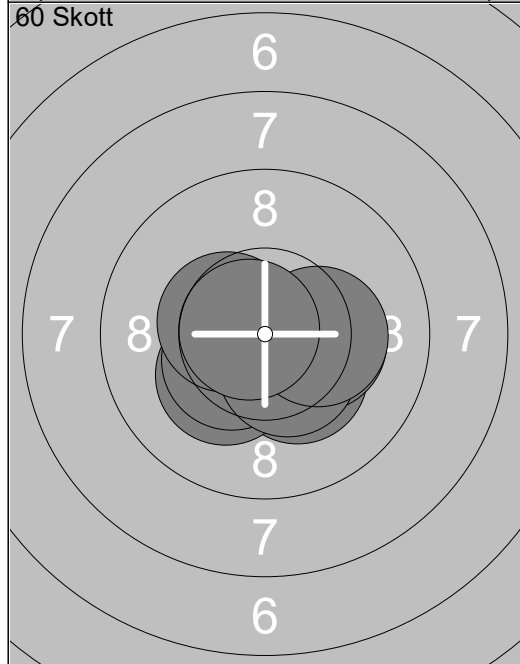
 <p style="font-size: small;">60 Skott</p>	<p>21: 10.6x↓</p> <p>22: 10.8x↗</p> <p>23: 10.7x↘</p> <p>24: 10.3x→</p> <p>25: 10.3x→</p> <p>26: 10.7x↘</p> <p>27: 10.6x↘</p> <p>28: 10.5x↗</p> <p>29: 10.6x↘</p> <p>30: 10.7x↘</p>	 <p style="font-size: small;">60 Skott</p>	<p>31: 10.7x→</p> <p>32: 10.6x↘</p> <p>33: 10.4x↓</p> <p>34: 10.6x→</p> <p>35: 10.2x↘</p> <p>36: 10.1 ↓</p> <p>37: 10.4x↗</p> <p>38: 10.6x↘</p> <p>39: 10.6x↘</p> <p>40: 10.8x↘</p>
Serie 105.8		Serie 105.0	
Total 312.9		Total 417.9	



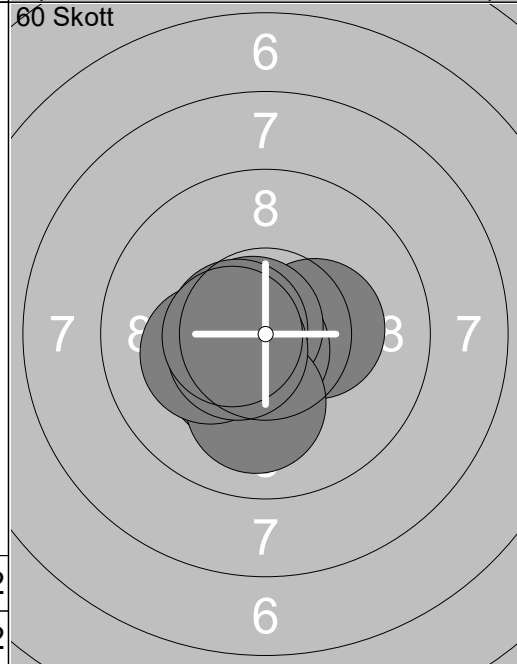
1: 9.2	➤
2: 9.8	➤
3: 10.0	⬇
4: 10.1	↗
5: 10.5	✂
6: 10.5	✂
7: 10.3	✂
8: 10.2	✂
9: 10.2	⬆
10: 10.6	↗
<b>Serie 101.4</b>	
<b>Total 0.0</b>	



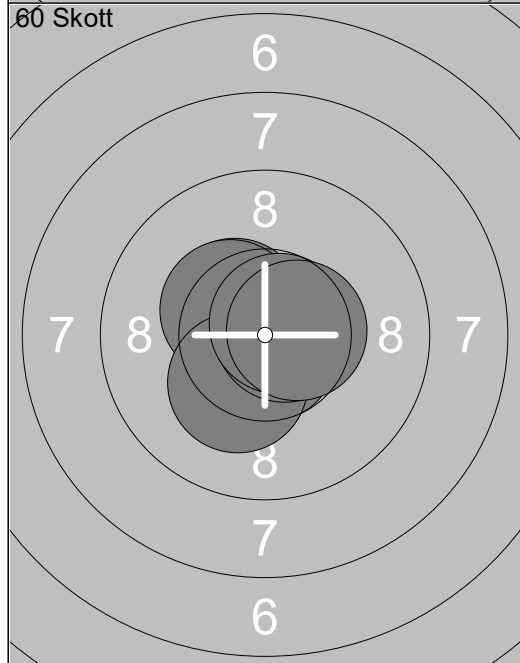
11: 10.2	✂
<b>Serie 10.2</b>	
<b>Total 0.0</b>	



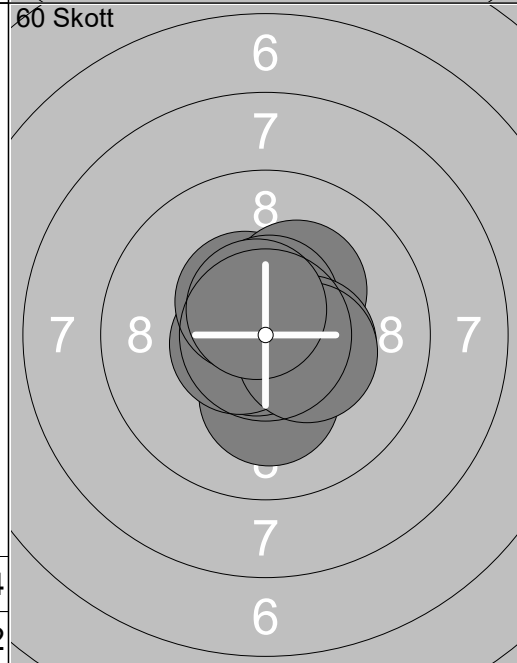
1: 10.4	✂
2: 10.3	✂
3: 10.3	➤
4: 10.2	✂
5: 10.7	✂
6: 10.4	✂
7: 10.4	✂
8: 10.3	➤
9: 10.5	✂
10: 10.7	✂
<b>Serie 104.2</b>	
<b>Total 104.2</b>	




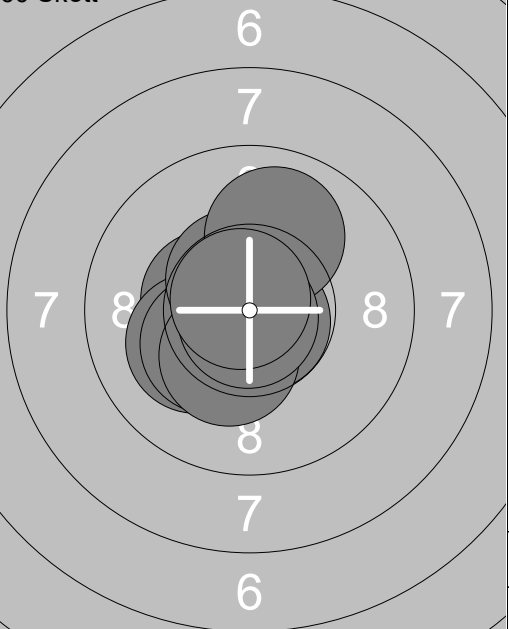
11: 10.3	➤
12: 10.7	✂
13: 10.3	✂
14: 10.8	✂
15: 10.6	✂
16: 10.1	⬇
17: 10.6	✂
18: 10.2	✂
19: 10.5	✂
20: 10.5	✂
<b>Serie 104.6</b>	
<b>Total 208.8</b>	

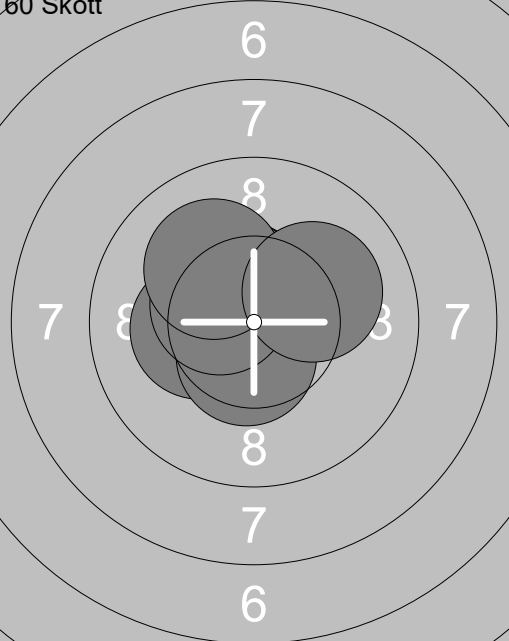
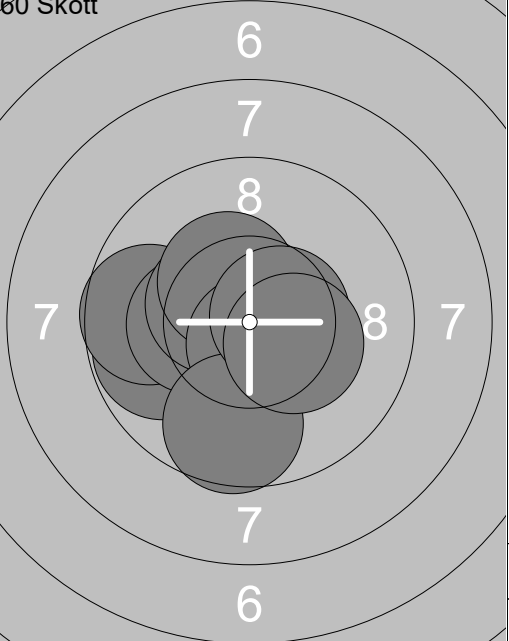


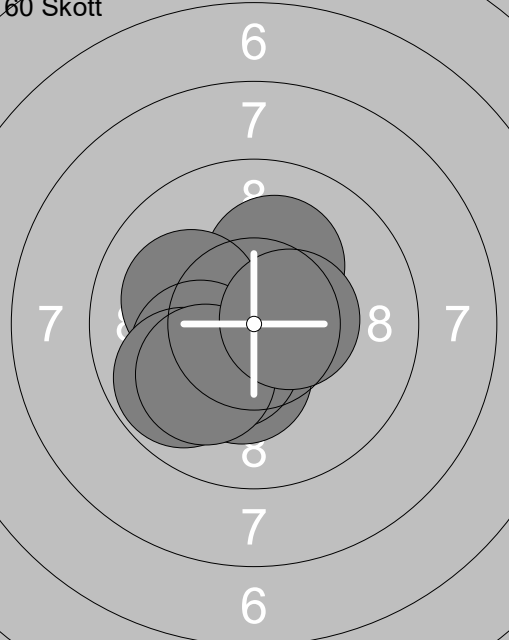
21: 10.4	✂
22: 10.7	⬇
23: 10.6	✂
24: 10.7	✂
25: 10.4	✂
26: 10.4	✂
27: 10.3	✂
28: 10.7	➤
29: 10.7	↗
30: 10.5	➤
<b>Serie 105.4</b>	
<b>Total 314.2</b>	

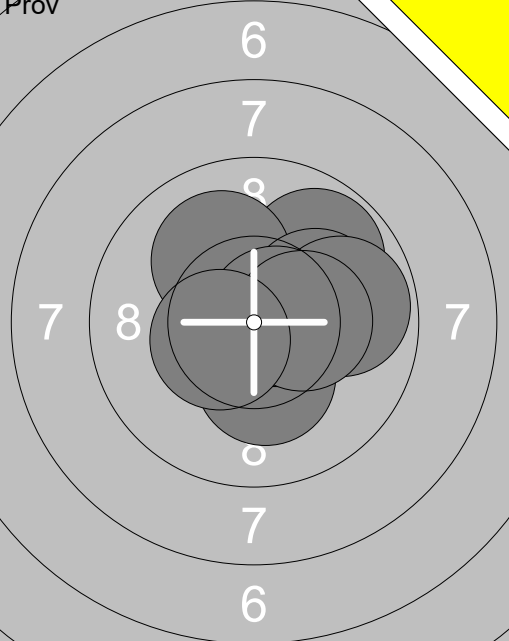


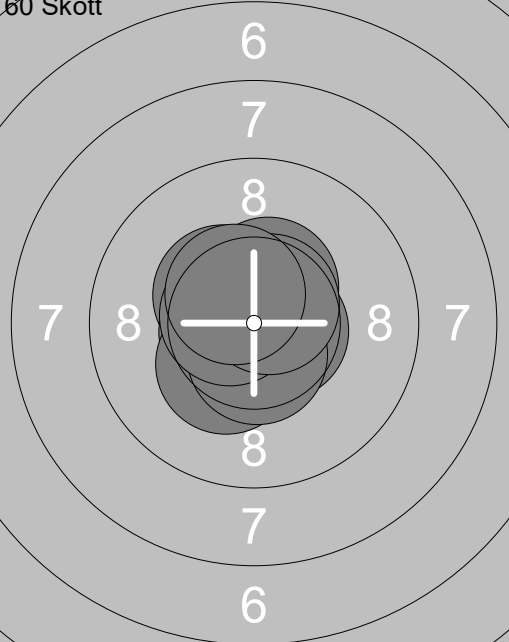
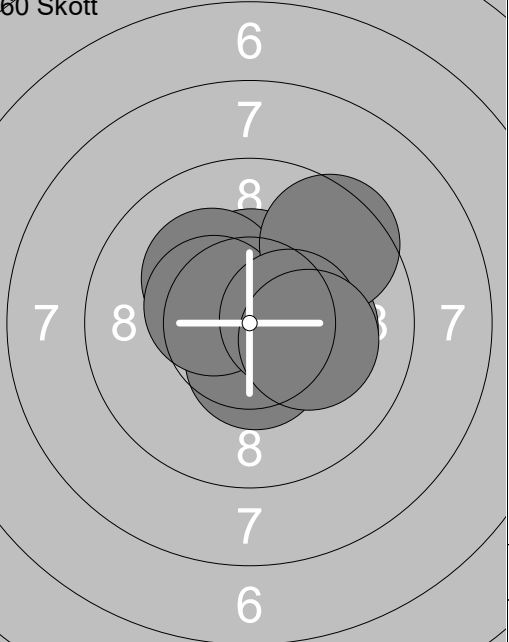
31: 10.9	✂
32: 10.2	⬇
33: 10.8	✂
34: 10.6	✂
35: 10.5	✂
36: 10.3	↗
37: 10.6	⬆
38: 10.4	➤
39: 10.4	➤
40: 10.6	✂
<b>Serie 105.3</b>	
<b>Total 419.5</b>	

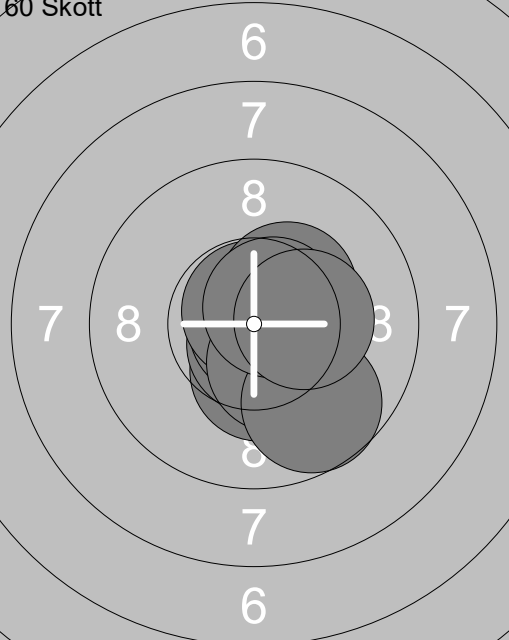
<p>Prov</p> 	<p>1: 10.0 ↓ 2: 10.1 ↓ 3: 10.5x↓ 4: 10.8x↓</p>	<p>60 Skott</p> 	<p>1: 10.4x↘ 2: 10.4x↘ 3: 10.2x↘ 4: 10.3x↘ 5: 10.5x↗ 6: 10.7x↘ 7: 10.3x↘ 8: 10.0 ↑ 9: 10.9x↓ 10: 10.8x↘</p>
Serie	41.4	Serie	104.5
Total	0.0	Total	104.5

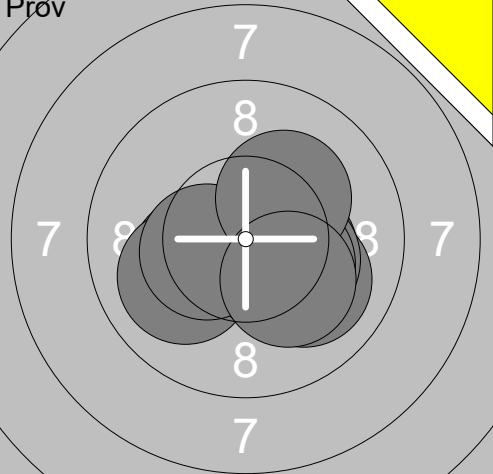
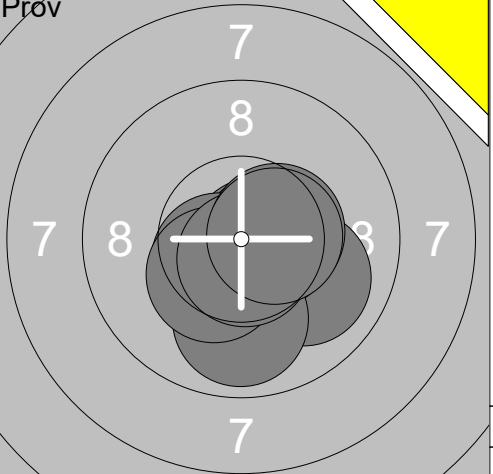
<p>60 Skott</p> 	<p>11: 10.8x↘ 12: 10.5x↘ 13: 10.5x↗ 14: 10.4x↗ 15: 10.5x↗ 16: 10.3x↘ 17: 10.5x↓ 18: 10.5x↘ 19: 10.1 ↖ 20: 10.1 ↗</p>	<p>60 Skott</p> 	<p>21: 9.8 ← 22: 10.3x↘ 23: 9.7 ← 24: 10.3x↘ 25: 10.5x↘ 26: 10.4x↗ 27: 10.7x↓ 28: 9.6 ↓ 29: 10.6x→ 30: 10.3x↘</p>
Serie	104.2	Serie	102.2
Total	208.7	Total	310.9

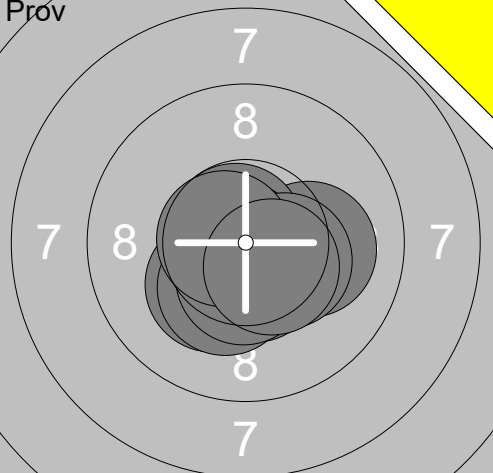
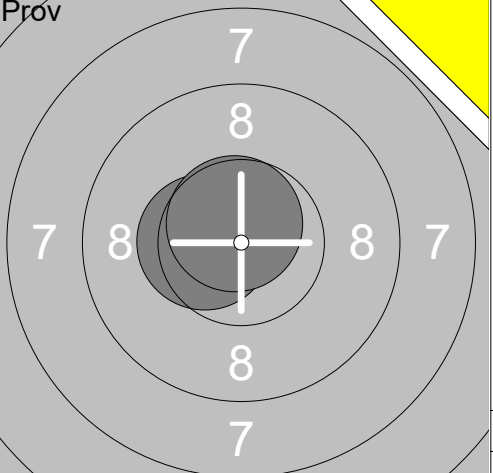
<p>60 Skott</p> 	<p>31: 10.7x↘ 32: 10.3x↓ 33: 10.2x↗ 34: 10.3x↘ 35: 10.1 ↖ 36: 10.4x↘ 37: 10.2x↘ 38: 9.8 ↖ 39: 10.1 ↖ 40: 10.5x→</p>		
Serie	102.6		
Total	413.5		

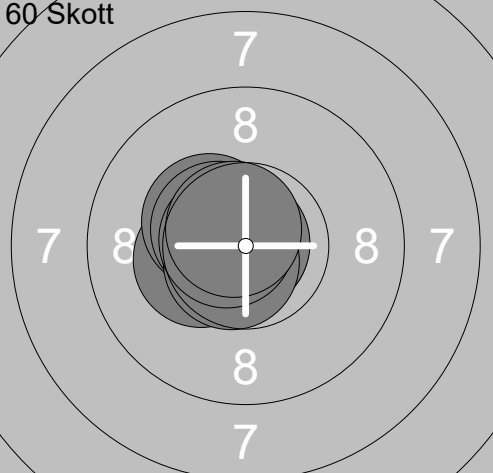
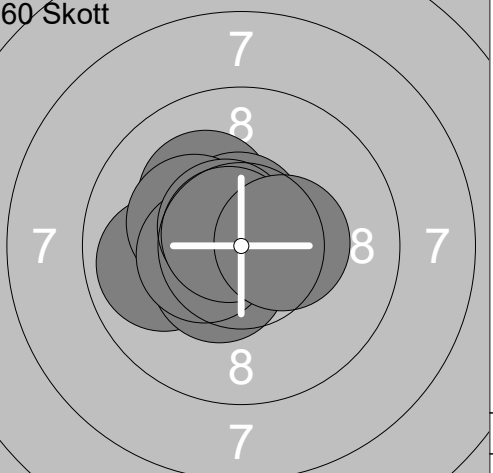
<p>Prov</p> 	<p>60 Skott</p> 	<p>1: 9.8 ↗ 2: 10.1 ↖ 3: 10.1 → 4: 9.8 → 5: 10.3x↓ 6: 10.7x→ 7: 10.3x→ 8: 10.5x↙</p> <p>Serie 81.6 Total 0.0</p>	<p>1: 10.4x→ 2: 10.8x↘ 3: 9.8 ↓ 4: 10.8x↓ 5: 10.1 ↙ 6: 10.4x↘ 7: 10.6x→ 8: 9.8 ↑ 9: 10.6x→ 10: 10.3x↘</p> <p>Serie 103.6 Total 103.6</p>
--	--	--	--

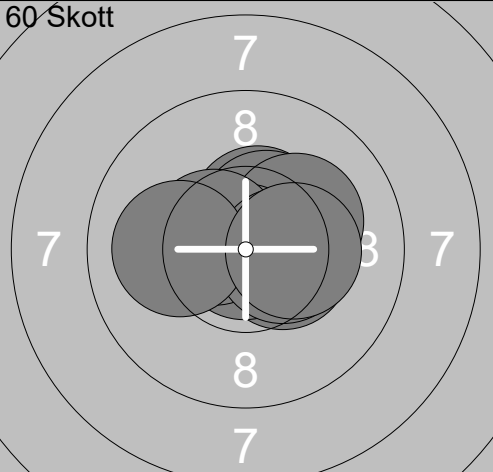
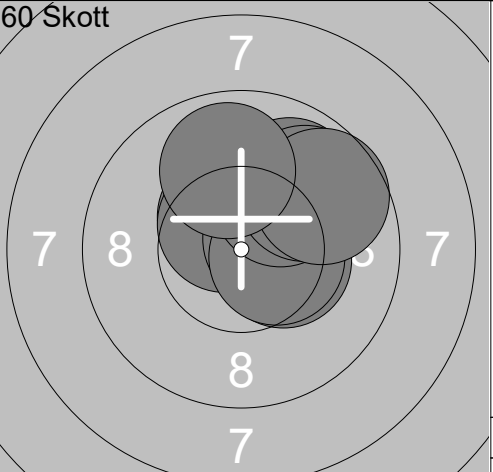
<p>60 Skott</p> 	<p>60 Skott</p> 	<p>11: 10.6x→ 12: 10.5x↑ 13: 10.4x↘ 14: 10.4x↙ 15: 10.6x↙ 16: 10.3x↙ 17: 10.6x↓ 18: 10.6x↙ 19: 10.6x↑ 20: 10.5x↘</p> <p>Serie 105.1 Total 208.7</p>	<p>21: 10.2x→ 22: 10.4x↑ 23: 10.6x→ 24: 10.5x↓ 25: 10.2x↘ 26: 10.4x→ 27: 10.4x↘ 28: 9.5 ↗ 29: 10.4x→ 30: 10.2x→</p> <p>Serie 102.8 Total 311.5</p>
---	---	---	--

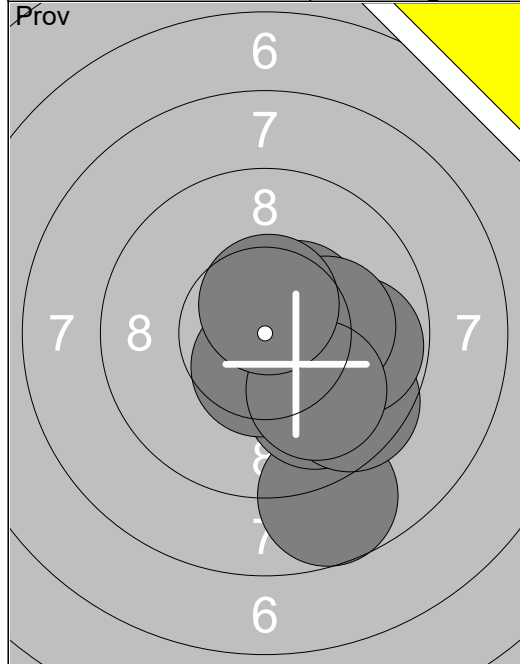
<p>60 Skott</p> 	<p>31: 10.5x→ 32: 10.3x↓ 33: 10.7x↓ 34: 10.9x↘ 35: 10.8x↑ 36: 10.4x↓ 37: 10.4x↗ 38: 9.7 ↓ 39: 10.6x↗ 40: 10.3x→</p> <p>Serie 104.6 Total 416.1</p>
--	--

<p>Pröv</p> 	<table border="1" style="width:100%; border-collapse: collapse;"> <tr><td>1:</td><td>10.3x</td><td>↙</td></tr> <tr><td>2:</td><td>10.3x</td><td>→</td></tr> <tr><td>3:</td><td>10.0</td><td>↙</td></tr> <tr><td>4:</td><td>10.0</td><td>↘</td></tr> <tr><td>5:</td><td>10.3x</td><td>↘</td></tr> <tr><td>6:</td><td>10.4x</td><td>↘</td></tr> <tr><td>7:</td><td>10.3x</td><td>↘</td></tr> <tr><td>8:</td><td>10.4x</td><td>↙</td></tr> <tr><td>9:</td><td>10.2x</td><td>↗</td></tr> <tr><td>10:</td><td>10.2x</td><td>↘</td></tr> <tr><td colspan="2">Serie</td><td>102.4</td></tr> <tr><td colspan="2">Total</td><td>0.0</td></tr> </table>	1:	10.3x	↙	2:	10.3x	→	3:	10.0	↙	4:	10.0	↘	5:	10.3x	↘	6:	10.4x	↘	7:	10.3x	↘	8:	10.4x	↙	9:	10.2x	↗	10:	10.2x	↘	Serie		102.4	Total		0.0	<p>Pröv</p>  <table border="1" style="width:100%; border-collapse: collapse;"> <tr><td>11:</td><td>10.5x</td><td>↓</td></tr> <tr><td>12:</td><td>10.0</td><td>↘</td></tr> <tr><td>13:</td><td>10.7x</td><td>→</td></tr> <tr><td>14:</td><td>10.6x</td><td>→</td></tr> <tr><td>15:</td><td>10.5x</td><td>↙</td></tr> <tr><td>16:</td><td>9.9</td><td>↓</td></tr> <tr><td>17:</td><td>10.4x</td><td>↙</td></tr> <tr><td>18:</td><td>10.7x</td><td>↓</td></tr> <tr><td>19:</td><td>10.5x</td><td>→</td></tr> <tr><td>20:</td><td>10.5x</td><td>→</td></tr> <tr><td colspan="2">Serie</td><td>104.3</td></tr> <tr><td colspan="2">Total</td><td>0.0</td></tr> </table>	11:	10.5x	↓	12:	10.0	↘	13:	10.7x	→	14:	10.6x	→	15:	10.5x	↙	16:	9.9	↓	17:	10.4x	↙	18:	10.7x	↓	19:	10.5x	→	20:	10.5x	→	Serie		104.3	Total		0.0
1:	10.3x	↙																																																																								
2:	10.3x	→																																																																								
3:	10.0	↙																																																																								
4:	10.0	↘																																																																								
5:	10.3x	↘																																																																								
6:	10.4x	↘																																																																								
7:	10.3x	↘																																																																								
8:	10.4x	↙																																																																								
9:	10.2x	↗																																																																								
10:	10.2x	↘																																																																								
Serie		102.4																																																																								
Total		0.0																																																																								
11:	10.5x	↓																																																																								
12:	10.0	↘																																																																								
13:	10.7x	→																																																																								
14:	10.6x	→																																																																								
15:	10.5x	↙																																																																								
16:	9.9	↓																																																																								
17:	10.4x	↙																																																																								
18:	10.7x	↓																																																																								
19:	10.5x	→																																																																								
20:	10.5x	→																																																																								
Serie		104.3																																																																								
Total		0.0																																																																								

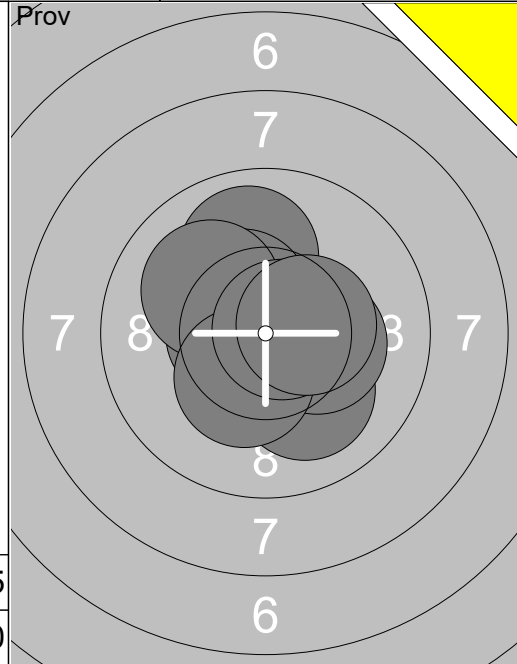
<p>Pröv</p> 	<table border="1" style="width:100%; border-collapse: collapse;"> <tr><td>21:</td><td>10.5x</td><td>↓</td></tr> <tr><td>22:</td><td>10.1</td><td>→</td></tr> <tr><td>23:</td><td>10.2x</td><td>↙</td></tr> <tr><td>24:</td><td>10.8x</td><td>↗</td></tr> <tr><td>25:</td><td>10.8x</td><td>↙</td></tr> <tr><td>26:</td><td>10.4x</td><td>↘</td></tr> <tr><td>27:</td><td>10.3x</td><td>↙</td></tr> <tr><td>28:</td><td>10.5x</td><td>↓</td></tr> <tr><td>29:</td><td>10.7x</td><td>↙</td></tr> <tr><td>30:</td><td>10.5x</td><td>↘</td></tr> <tr><td colspan="2">Serie</td><td>104.8</td></tr> <tr><td colspan="2">Total</td><td>0.0</td></tr> </table>	21:	10.5x	↓	22:	10.1	→	23:	10.2x	↙	24:	10.8x	↗	25:	10.8x	↙	26:	10.4x	↘	27:	10.3x	↙	28:	10.5x	↓	29:	10.7x	↙	30:	10.5x	↘	Serie		104.8	Total		0.0	<p>Pröv</p>  <table border="1" style="width:100%; border-collapse: collapse;"> <tr><td>31:</td><td>10.5x</td><td>↙</td></tr> <tr><td>32:</td><td>10.7x</td><td>↗</td></tr> <tr><td colspan="2">Serie</td><td>21.2</td></tr> <tr><td colspan="2">Total</td><td>0.0</td></tr> </table>	31:	10.5x	↙	32:	10.7x	↗	Serie		21.2	Total		0.0
21:	10.5x	↓																																																
22:	10.1	→																																																
23:	10.2x	↙																																																
24:	10.8x	↗																																																
25:	10.8x	↙																																																
26:	10.4x	↘																																																
27:	10.3x	↙																																																
28:	10.5x	↓																																																
29:	10.7x	↙																																																
30:	10.5x	↘																																																
Serie		104.8																																																
Total		0.0																																																
31:	10.5x	↙																																																
32:	10.7x	↗																																																
Serie		21.2																																																
Total		0.0																																																

<p>60 Skott</p> 	<table border="1" style="width:100%; border-collapse: collapse;"> <tr><td>1:</td><td>10.3x</td><td>↙</td></tr> <tr><td>2:</td><td>10.4x</td><td>↗</td></tr> <tr><td>3:</td><td>10.5x</td><td>↗</td></tr> <tr><td>4:</td><td>10.7x</td><td>↙</td></tr> <tr><td>5:</td><td>10.9x</td><td>↗</td></tr> <tr><td>6:</td><td>10.9x</td><td>↗</td></tr> <tr><td>7:</td><td>10.7x</td><td>↙</td></tr> <tr><td>8:</td><td>10.7x</td><td>↘</td></tr> <tr><td>9:</td><td>10.7x</td><td>↙</td></tr> <tr><td>10:</td><td>10.7x</td><td>↗</td></tr> <tr><td colspan="2">Serie</td><td>106.5</td></tr> <tr><td colspan="2">Total</td><td>106.5</td></tr> </table>	1:	10.3x	↙	2:	10.4x	↗	3:	10.5x	↗	4:	10.7x	↙	5:	10.9x	↗	6:	10.9x	↗	7:	10.7x	↙	8:	10.7x	↘	9:	10.7x	↙	10:	10.7x	↗	Serie		106.5	Total		106.5	<p>60 Skott</p>  <table border="1" style="width:100%; border-collapse: collapse;"> <tr><td>11:</td><td>10.2x</td><td>↖</td></tr> <tr><td>12:</td><td>9.9</td><td>↙</td></tr> <tr><td>13:</td><td>10.6x</td><td>↑</td></tr> <tr><td>14:</td><td>10.5x</td><td>↘</td></tr> <tr><td>15:</td><td>10.4x</td><td>↙</td></tr> <tr><td>16:</td><td>10.3x</td><td>↖</td></tr> <tr><td>17:</td><td>10.4x</td><td>↙</td></tr> <tr><td>18:</td><td>10.6x</td><td>↗</td></tr> <tr><td>19:</td><td>10.7x</td><td>↗</td></tr> <tr><td>20:</td><td>10.4x</td><td>→</td></tr> <tr><td colspan="2">Serie</td><td>104.0</td></tr> <tr><td colspan="2">Total</td><td>210.5</td></tr> </table>	11:	10.2x	↖	12:	9.9	↙	13:	10.6x	↑	14:	10.5x	↘	15:	10.4x	↙	16:	10.3x	↖	17:	10.4x	↙	18:	10.6x	↗	19:	10.7x	↗	20:	10.4x	→	Serie		104.0	Total		210.5
1:	10.3x	↙																																																																								
2:	10.4x	↗																																																																								
3:	10.5x	↗																																																																								
4:	10.7x	↙																																																																								
5:	10.9x	↗																																																																								
6:	10.9x	↗																																																																								
7:	10.7x	↙																																																																								
8:	10.7x	↘																																																																								
9:	10.7x	↙																																																																								
10:	10.7x	↗																																																																								
Serie		106.5																																																																								
Total		106.5																																																																								
11:	10.2x	↖																																																																								
12:	9.9	↙																																																																								
13:	10.6x	↑																																																																								
14:	10.5x	↘																																																																								
15:	10.4x	↙																																																																								
16:	10.3x	↖																																																																								
17:	10.4x	↙																																																																								
18:	10.6x	↗																																																																								
19:	10.7x	↗																																																																								
20:	10.4x	→																																																																								
Serie		104.0																																																																								
Total		210.5																																																																								

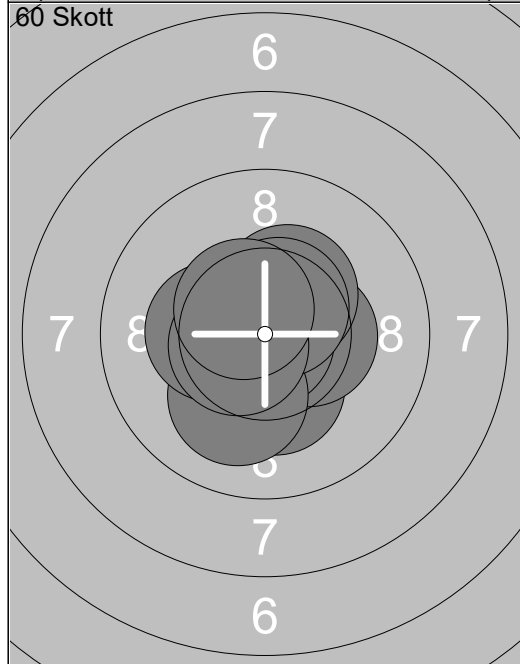
<p>60 Skott</p> 	<table border="1" style="width:100%; border-collapse: collapse;"> <tr><td>21:</td><td>10.6x</td><td>→</td></tr> <tr><td>22:</td><td>10.4x</td><td>→</td></tr> <tr><td>23:</td><td>10.5x</td><td>↗</td></tr> <tr><td>24:</td><td>10.5x</td><td>↗</td></tr> <tr><td>25:</td><td>10.2x</td><td>↗</td></tr> <tr><td>26:</td><td>10.9x</td><td>↘</td></tr> <tr><td>27:</td><td>10.5x</td><td>↙</td></tr> <tr><td>28:</td><td>10.5x</td><td>→</td></tr> <tr><td>29:</td><td>10.1</td><td>↙</td></tr> <tr><td>30:</td><td>10.3x</td><td>→</td></tr> <tr><td colspan="2">Serie</td><td>104.5</td></tr> <tr><td colspan="2">Total</td><td>315.0</td></tr> </table>	21:	10.6x	→	22:	10.4x	→	23:	10.5x	↗	24:	10.5x	↗	25:	10.2x	↗	26:	10.9x	↘	27:	10.5x	↙	28:	10.5x	→	29:	10.1	↙	30:	10.3x	→	Serie		104.5	Total		315.0	<p>60 Skott</p>  <table border="1" style="width:100%; border-collapse: collapse;"> <tr><td>31:</td><td>10.4x</td><td>→</td></tr> <tr><td>32:</td><td>9.9</td><td>↗</td></tr> <tr><td>33:</td><td>10.5x</td><td>↖</td></tr> <tr><td>34:</td><td>10.6x</td><td>↖</td></tr> <tr><td>35:</td><td>10.5x</td><td>→</td></tr> <tr><td>36:</td><td>10.5x</td><td>→</td></tr> <tr><td>37:</td><td>10.1</td><td>↗</td></tr> <tr><td>38:</td><td>9.8</td><td>↗</td></tr> <tr><td>39:</td><td>9.7</td><td>↗</td></tr> <tr><td>40:</td><td>9.9</td><td>↑</td></tr> <tr><td colspan="2">Serie</td><td>101.9</td></tr> <tr><td colspan="2">Total</td><td>416.9</td></tr> </table>	31:	10.4x	→	32:	9.9	↗	33:	10.5x	↖	34:	10.6x	↖	35:	10.5x	→	36:	10.5x	→	37:	10.1	↗	38:	9.8	↗	39:	9.7	↗	40:	9.9	↑	Serie		101.9	Total		416.9
21:	10.6x	→																																																																								
22:	10.4x	→																																																																								
23:	10.5x	↗																																																																								
24:	10.5x	↗																																																																								
25:	10.2x	↗																																																																								
26:	10.9x	↘																																																																								
27:	10.5x	↙																																																																								
28:	10.5x	→																																																																								
29:	10.1	↙																																																																								
30:	10.3x	→																																																																								
Serie		104.5																																																																								
Total		315.0																																																																								
31:	10.4x	→																																																																								
32:	9.9	↗																																																																								
33:	10.5x	↖																																																																								
34:	10.6x	↖																																																																								
35:	10.5x	→																																																																								
36:	10.5x	→																																																																								
37:	10.1	↗																																																																								
38:	9.8	↗																																																																								
39:	9.7	↗																																																																								
40:	9.9	↑																																																																								
Serie		101.9																																																																								
Total		416.9																																																																								



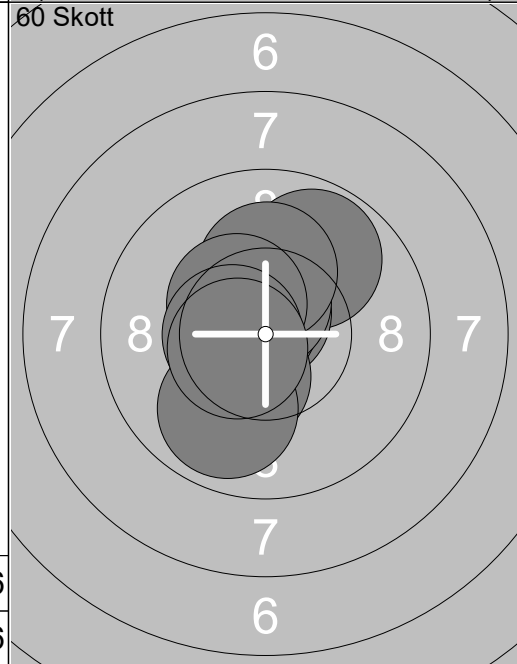
1:	8.7	↓
2:	9.7	↓
3:	10.5	↗
4:	9.9	↓
5:	9.6	↓
6:	9.8	→
7:	10.2	↗
8:	10.5	↓
9:	10.0	↓
10:	10.6	↗
Serie	99.5	
Total	0.0	



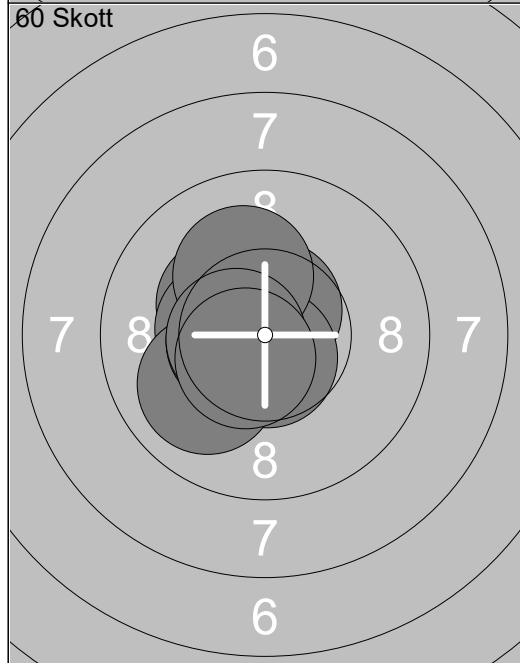
11:	10.1	↓
12:	10.7	↗
13:	9.9	↑
14:	10.6	↖
15:	10.4	↘
16:	10.3	↗
17:	10.1	↖
18:	10.3	↓
19:	10.7	↗
20:	10.4	↗
Serie	103.5	
Total	0.0	



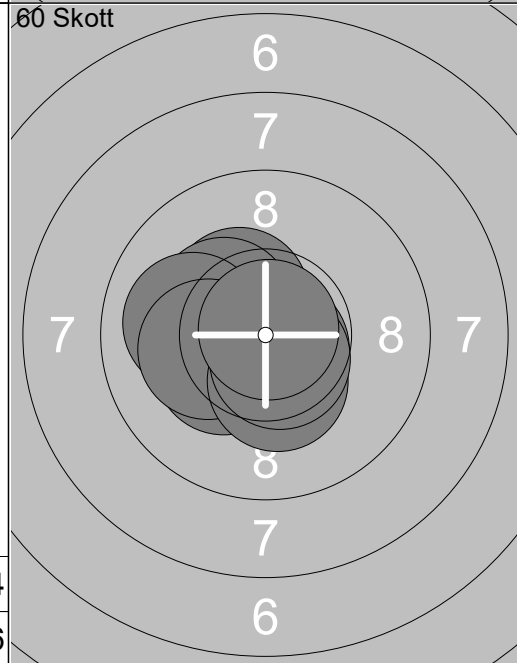
1:	10.3	↓
2:	10.4	↗
3:	10.9	↓
4:	10.1	↓
5:	10.3	↖
6:	10.5	↗
7:	10.4	↗
8:	10.6	↗
9:	10.6	↖
10:	10.5	↘
Serie	104.6	
Total	104.6	



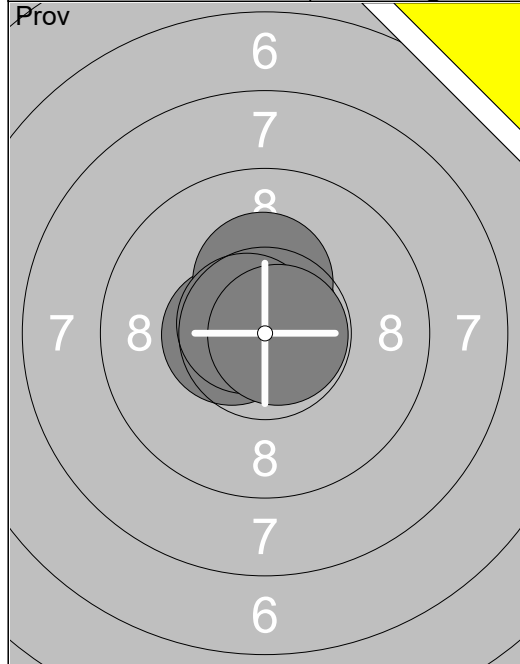
11:	9.8	↗
12:	10.7	↘
13:	10.7	↖
14:	10.5	↗
15:	10.2	↗
16:	10.4	↖
17:	10.3	↓
18:	9.9	↓
19:	10.5	↖
20:	10.6	↖
Serie	103.6	
Total	208.2	



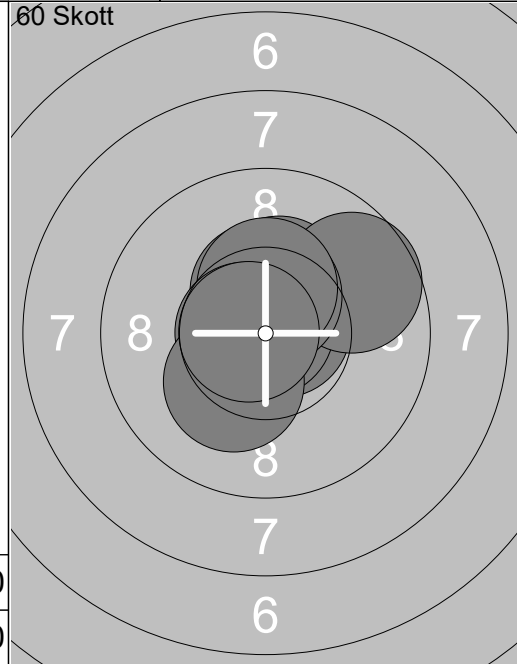
21:	10.6	↗
22:	10.7	↓
23:	10.3	↖
24:	10.5	↖
25:	10.4	↖
26:	10.1	↑
27:	10.0	↖
28:	10.6	↖
29:	10.6	↖
30:	10.6	↖
Serie	104.4	
Total	312.6	



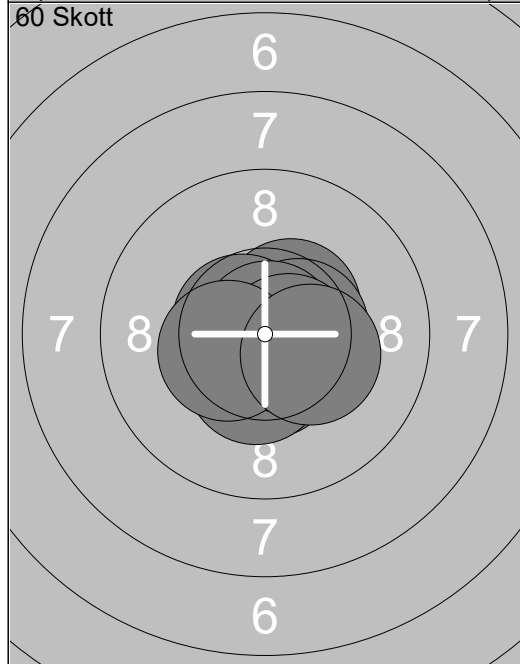
31:	10.4	↖
32:	10.3	↖
33:	10.7	↓
34:	10.7	↘
35:	10.0	↖
36:	10.3	↖
37:	10.2	↖
38:	10.3	↓
39:	10.6	↓
40:	10.9	↗
Serie	104.4	
Total	417.0	



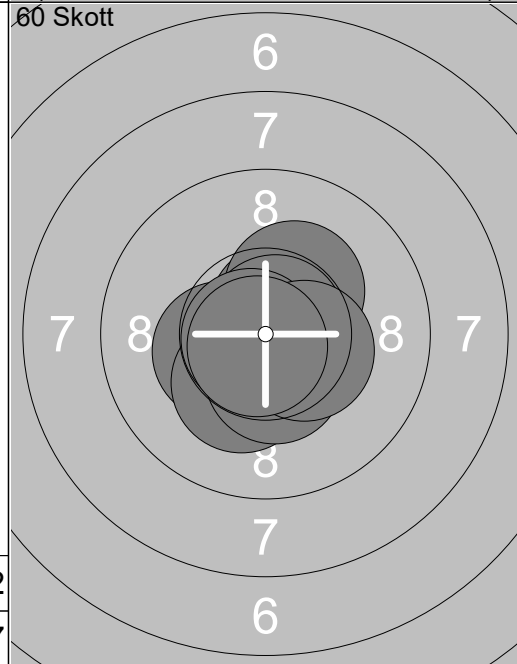
1:	10.5x↖
2:	10.7x↗
3:	10.3x↗
4:	10.7x↖
5:	10.8x→
<b>Serie 53.0</b>	
<b>Total 0.0</b>	



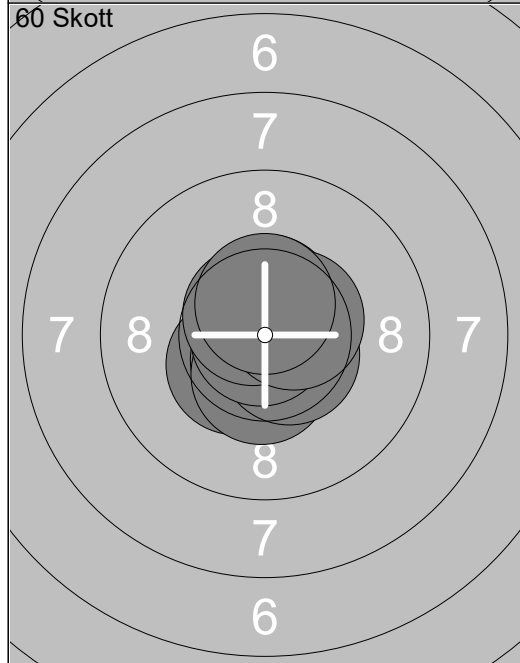
1:	10.4x↗
2:	10.7x↗
3:	10.9x↗
4:	10.3x↗
5:	9.7 →
6:	10.5x↗
7:	10.4x↗
8:	10.7x↖
9:	10.2x↘
10:	10.7x↖
<b>Serie 104.5</b>	
<b>Total 104.5</b>	



11:	10.5x↗
12:	10.5x↘
13:	10.5x↘
14:	10.6x↖
15:	10.5x→
16:	10.9x↗
17:	10.4x↘
18:	10.6x→
19:	10.4x↖
20:	10.3x→
<b>Serie 105.2</b>	
<b>Total 209.7</b>	

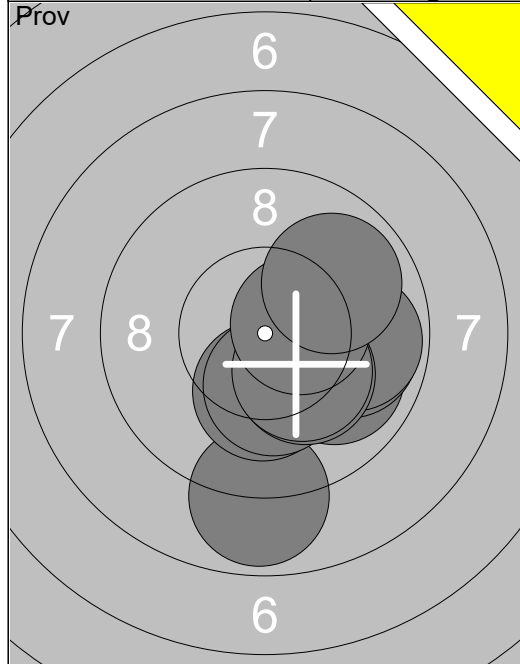


21:	10.4x↖
22:	10.6x↗
23:	10.3x↘
24:	10.6x↘
25:	10.3x↗
26:	10.4x↘
27:	10.8x↗
28:	10.8x↖
29:	10.4x→
30:	10.8x↘
<b>Serie 105.4</b>	
<b>Total 315.1</b>	

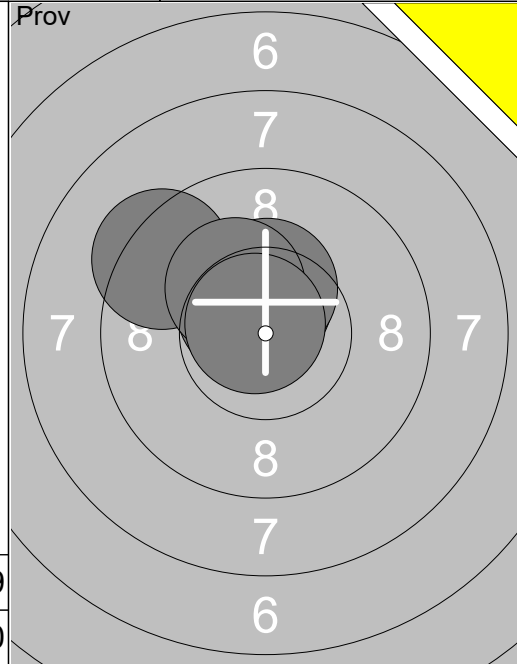


31:	10.4x↘
32:	10.7x→
33:	10.6x↘
34:	10.4x↘
35:	10.6x→
36:	10.6x↗
37:	10.9x↖
38:	10.7x↖
39:	10.5x↗
40:	10.6x↗
<b>Serie 106.0</b>	
<b>Total 421.1</b>	

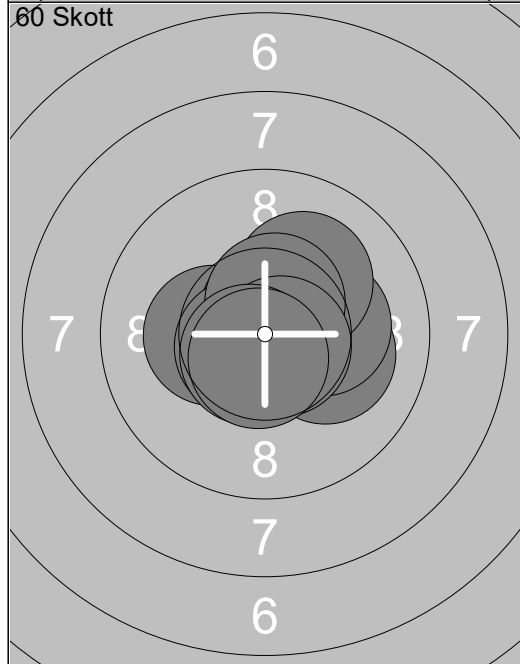




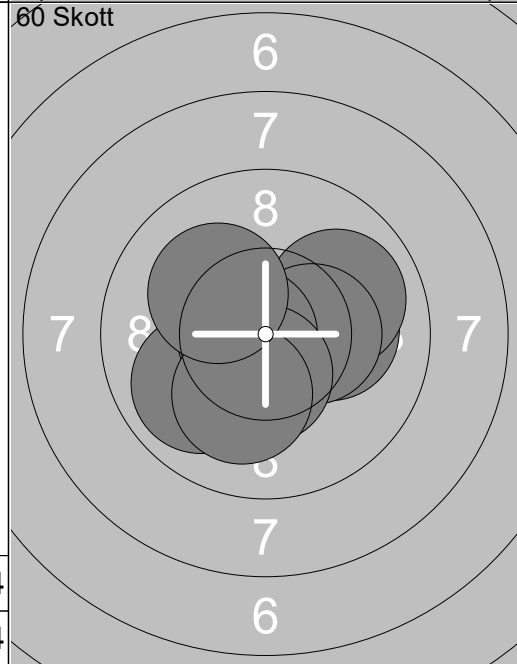
1:	8.9	↓
2:	9.9	→
3:	9.9	→
4:	10.2x	↓
5:	10.3x	↓
6:	9.8	→
7:	10.2x	↘
8:	10.3x	↘
9:	10.5x	→
10:	9.9	↗
Serie		99.9
Total		0.0



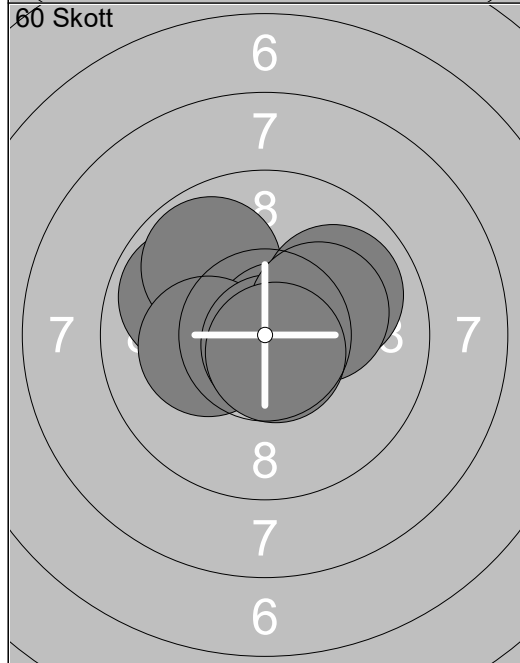
11:	10.7x	↘
12:	10.5x	↑
13:	9.3	↖
14:	10.6x	↘
15:	10.4x	↑
16:	10.3x	↘
17:	10.8x	↘
Serie		72.6
Total		0.0



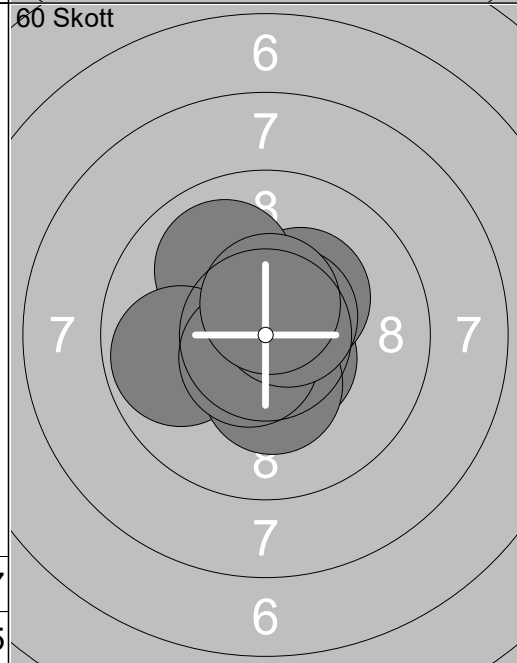
1:	10.3x	↖
2:	10.7x	↑
3:	10.6x	↖
4:	10.1	→
5:	10.2x	→
6:	10.1	↗
7:	10.5x	↑
8:	10.7x	↘
9:	10.6x	↖
10:	10.6x	↖
Serie		104.4
Total		104.4



11:	10.1	→
12:	9.9	↗
13:	10.5x	↖
14:	10.4x	→
15:	10.3x	↖
16:	9.9	↖
17:	10.7x	↖
18:	10.4x	↓
19:	10.1	↓
20:	10.1	↖
Serie		102.4
Total		206.8

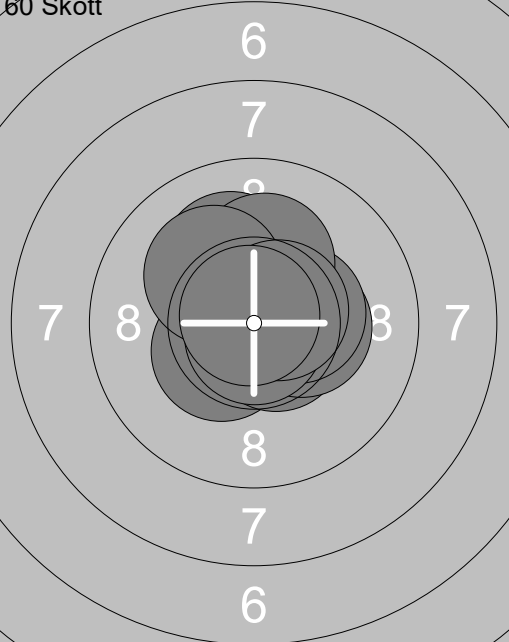
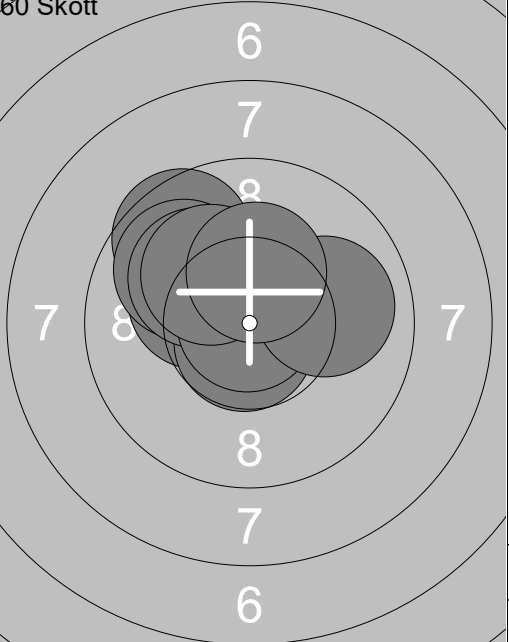


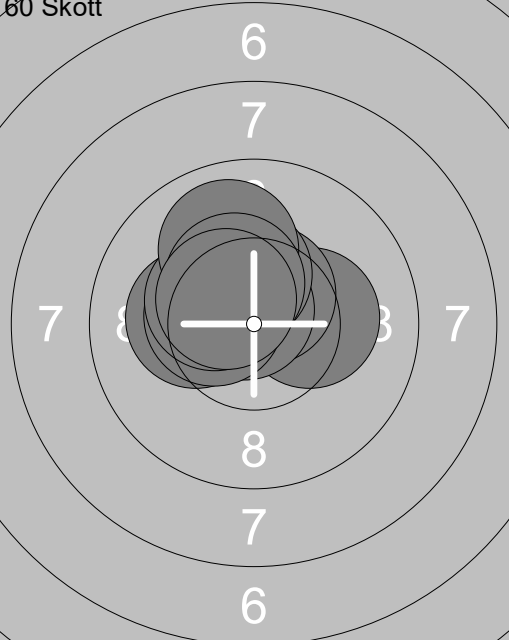
21:	10.7x	↗
22:	10.8x	↖
23:	9.9	↖
24:	9.8	↖
25:	10.7x	→
26:	9.9	↗
27:	10.2x	↖
28:	10.8x	↘
29:	10.2x	→
30:	10.7x	↘
Serie		103.7
Total		310.5

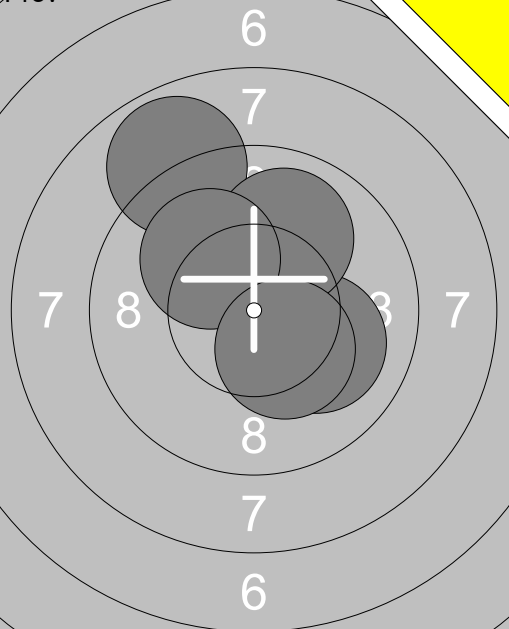
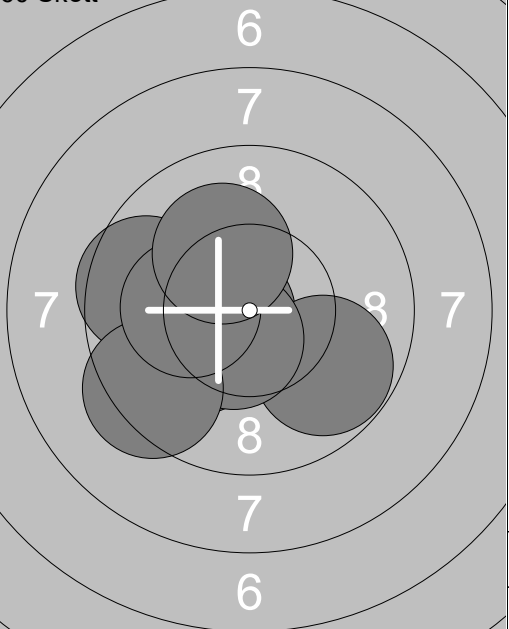


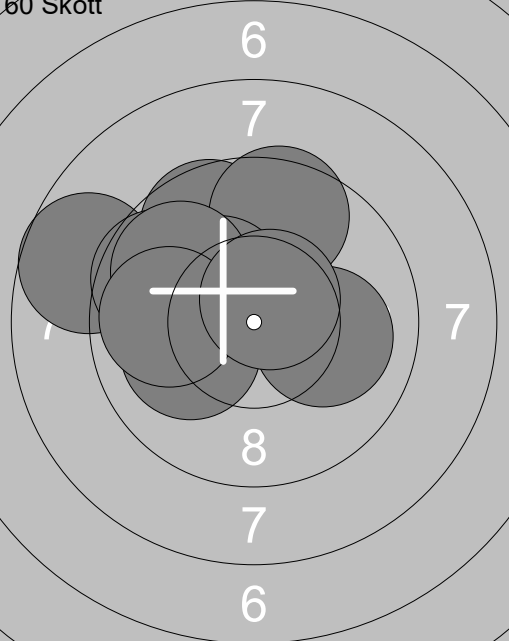
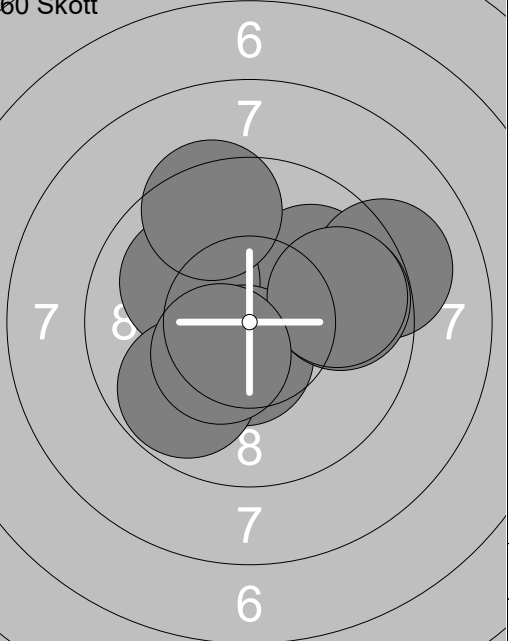
31:	10.5x	↘
32:	10.3x	↗
33:	10.5x	↘
34:	10.0	↖
35:	10.6x	↗
36:	9.8	↖
37:	10.3x	↓
38:	10.6x	↖
39:	10.6x	↗
40:	10.5x	↑
Serie		103.7
Total		414.2

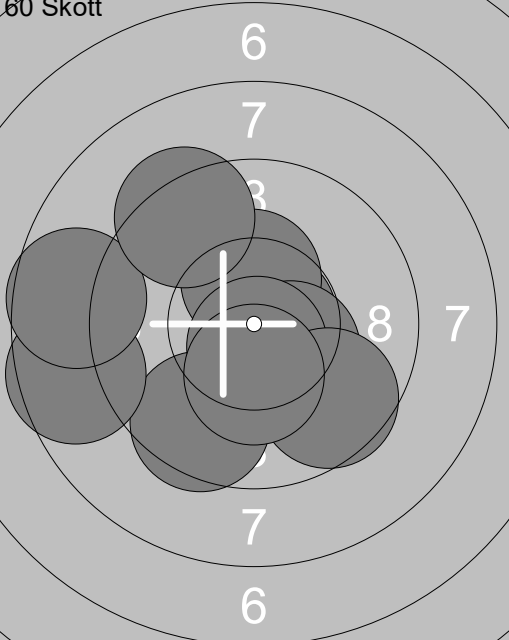
<p>Prov</p> 	<p>1: 9.9 →</p> <p>2: 10.2x↓</p> <p>3: 10.0 ↓</p> <p>4: 10.6x↓</p> <p>5: 10.5x↑</p> <p>6: 10.0 ↑</p> <p>7: 10.5x↖</p>	<p>60 Skott</p> 	<p>1: 10.2x↖</p> <p>2: 10.3x↖</p> <p>3: 10.0 ↑</p> <p>4: 10.1 ↖</p> <p>5: 9.9 ↑</p> <p>6: 9.5 ↖</p> <p>7: 10.5x↑</p> <p>8: 10.3x↖</p> <p>9: 10.7x↓</p> <p>10: 10.4x↖</p>
Serie 71.7		Serie 101.9	
Total 0.0		Total 101.9	

<p>60 Skott</p> 	<p>11: 10.4x↖</p> <p>12: 10.6x↖</p> <p>13: 10.3x→</p> <p>14: 10.1 ↑</p> <p>15: 10.4x→</p> <p>16: 10.8x↓</p> <p>17: 10.2x↑</p> <p>18: 10.2x↖</p> <p>19: 10.6x→</p> <p>20: 10.8x↖</p>	<p>60 Skott</p> 	<p>21: 10.2x↖</p> <p>22: 9.6 ↖</p> <p>23: 10.7x↓</p> <p>24: 9.9 ↖</p> <p>25: 10.1 ↖</p> <p>26: 10.6x↑</p> <p>27: 10.9x↖</p> <p>28: 10.2x↖</p> <p>29: 10.0 →</p> <p>30: 10.3x↑</p>
Serie 104.4		Serie 102.5	
Total 206.3		Total 308.8	

<p>60 Skott</p> 	<p>31: 10.2x→</p> <p>32: 10.5x↑</p> <p>33: 10.2x↖</p> <p>34: 10.7x↖</p> <p>35: 10.3x↑</p> <p>36: 10.4x↖</p> <p>37: 10.4x↖</p> <p>38: 9.9 ↑</p> <p>39: 10.4x↖</p> <p>40: 10.5x↖</p>		
Serie 103.5			
Total 412.3			

<p>Prov</p> 	<p>1: 8.9 ↖ 2: 10.1 → 3: 10.0 ↗ 4: 10.1 ↖ 5: 10.3x ↘</p>	<p>60 Skott</p> 		<p>1: 10.2x ↘ 2: 10.6x ↘ 3: 10.3x ↘ 4: 10.4x ↘ 5: 9.8 ↘ 6: 10.5x ↘ 7: 9.6 ← 8: 9.4 ↙ 9: 10.2x ↘ 10: 10.1 ↖</p>
Serie 49.4				Serie 101.1
Total 0.0				Total 101.1

<p>60 Skott</p> 	<p>11: 10.1 ← 12: 9.6 ↖ 13: 9.6 ↗ 14: 10.3x ↘ 15: 10.1 → 16: 8.7 ← 17: 9.6 ↙ 18: 9.8 ↙ 19: 9.9 ← 20: 10.6x ↗</p>	<p>60 Skott</p> 		<p>21: 10.4x ↗ 22: 10.0 ↗ 23: 9.1 → 24: 10.0 ↙ 25: 10.5x ↘ 26: 9.8 → 27: 9.8 ↙ 28: 9.4 ↖ 29: 9.8 → 30: 10.4x ↘</p>
Serie 98.3				Serie 99.2
Total 199.4				Total 298.6

<p>60 Skott</p> 	<p>31: 10.8x ↗ 32: 9.5 ↙ 33: 8.6 ← 34: 10.4x ↗ 35: 8.7 ← 36: 10.4x ↘ 37: 9.3 ↖ 38: 10.7x ↘ 39: 9.6 ↘ 40: 10.3x ↘</p>	
Serie 98.3		
Total 396.9		

<p>Prov</p>	<p>1: 8.5 ←</p> <p>2: 8.6 ←</p> <p>3: 10.5x↑</p> <p>4: 8.2 ←</p> <p>5: 6.6 ↑</p> <p>6: 10.0 ↘</p> <p>7: 9.0 ←</p> <p>8: 10.0 ←</p> <p>9: 9.5 ↓</p> <p>10: 10.5x→</p>	<p>60 Skott</p>		<p>1: 6.8 ↓</p> <p>2: 8.8 →</p> <p>3: 9.9 ↓</p> <p>4: 10.1 ←</p> <p>5: 10.3x←</p> <p>6: 8.3 ↘</p> <p>7: 10.5x↘</p> <p>8: 7.6 →</p> <p>9: 8.2 ↓</p> <p>10: 8.6 ↑</p>
Serie 91.4				Serie 89.1
Total 0.0				Total 89.1

<p>60 Skott</p>	<p>11: 9.0 →</p> <p>12: 8.8 ↑</p> <p>13: 7.4 ↖</p> <p>14: 7.8 ↗</p> <p>15: 9.1 ←</p> <p>16: 9.5 ↓</p> <p>17: 7.7 →</p> <p>18: 7.8 ↓</p> <p>19: 9.5 ↗</p> <p>20: 9.6 ↖</p>	<p>60 Skott</p>		<p>21: 6.9 ←</p> <p>22: 9.1 ↖</p> <p>23: 10.1 ←</p> <p>24: 9.5 →</p> <p>25: 9.3 →</p> <p>26: 7.0 ↗</p> <p>27: 8.9 →</p> <p>28: 7.0 ←</p> <p>29: 6.8 ↓</p> <p>30: 7.3 ←</p>
Serie 86.2				Serie 81.9
Total 175.3				Total 257.2

<p>60 Skott</p>	<p>31: 8.0 ↖</p> <p>32: 9.2 →</p> <p>33: 9.4 ←</p> <p>34: 10.1 ←</p> <p>35: 8.4 ↖</p> <p>36: 9.9 ↑</p> <p>37: 9.4 ↘</p> <p>38: 9.9 →</p> <p>39: 8.2 ↓</p> <p>40: 6.9 →</p>			
Serie 89.4				
Total 346.6				

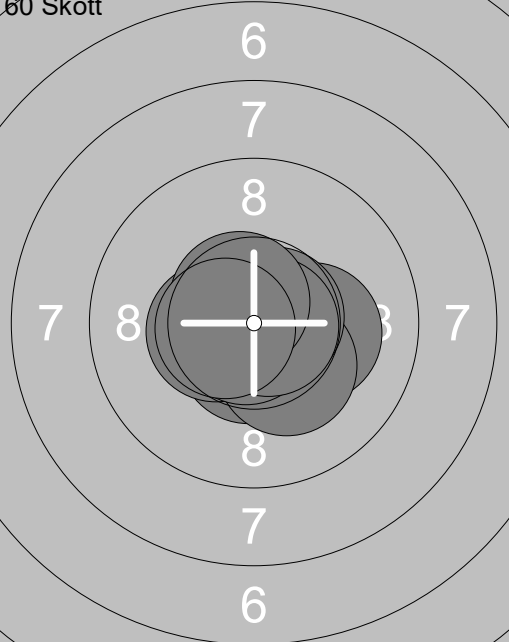

<p>Pröv</p>	<p>Pröv</p>
1: 10.5x ← 2: 9.9 ↓ 3: 10.2x ↓ 4: 9.3 ↗ 5: 10.5x ↗ 6: 10.1 ↓ 7: 9.9 → 8: 9.8 ↙ 9: 10.1 ↓ 10: 10.4x ← Serie 100.7 Total 0.0	11: 9.9 ↑ 12: 10.3x ↗ 13: 10.1 ← 14: 10.9x ↖ 15: 10.5x ← 16: 10.6x ↓ 17: 10.4x ↓ 18: 10.0 ↙ 19: 10.3x ↙ 20: 10.3x ↓ Serie 103.3 Total 0.0

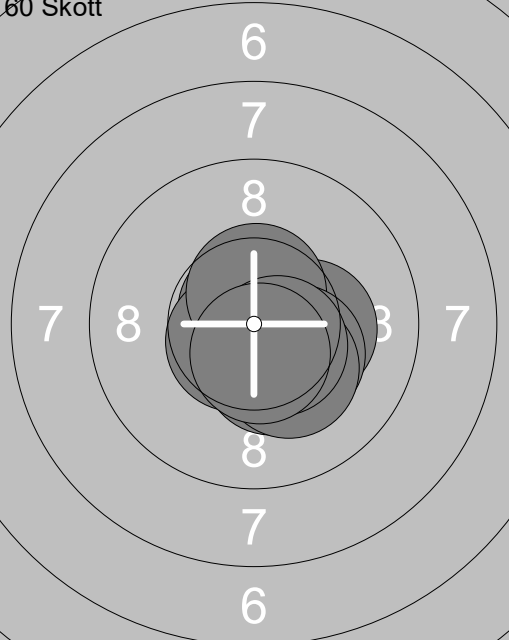
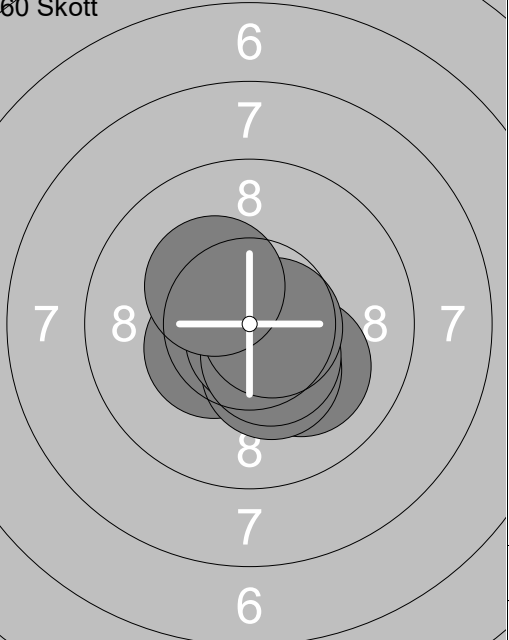
<p>Pröv</p>	<p>60 Skott</p>
21: 10.9x ← 22: 10.0 ← 23: 10.2x ← Serie 31.1 Total 0.0	1: 10.0 ↙ 2: 9.9 ← 3: 9.6 ← 4: 10.2x ↑ 5: 10.3x ↑ 6: 10.2x ← 7: 10.6x ↑ 8: 9.8 ↙ 9: 9.7 ← 10: 10.4x → Serie 100.7 Total 100.7

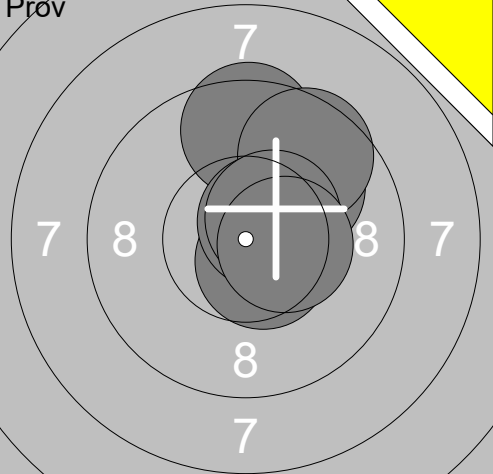
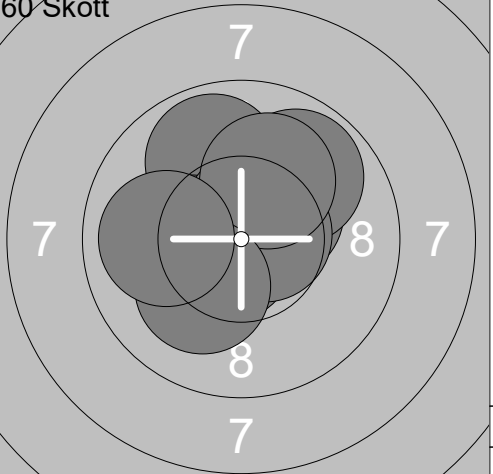
<p>60 Skott</p>	<p>60 Skott</p>
11: 10.3x ↙ 12: 10.0 ← 13: 10.5x ↑ 14: 9.6 ↙ 15: 10.4x ↗ 16: 10.7x → 17: 10.5x ↓ 18: 10.3x ↓ 19: 10.8x ↓ 20: 10.4x ← Serie 103.5 Total 204.2	21: 10.5x → 22: 10.9x → 23: 10.5x ↗ 24: 10.4x → 25: 10.3x ↓ 26: 10.7x ↘ 27: 10.4x ↗ 28: 10.0 ↖ 29: 10.5x ↗ 30: 10.3x ↓ Serie 104.5 Total 308.7

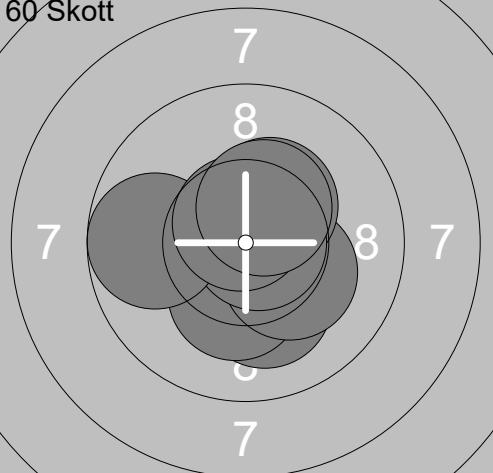
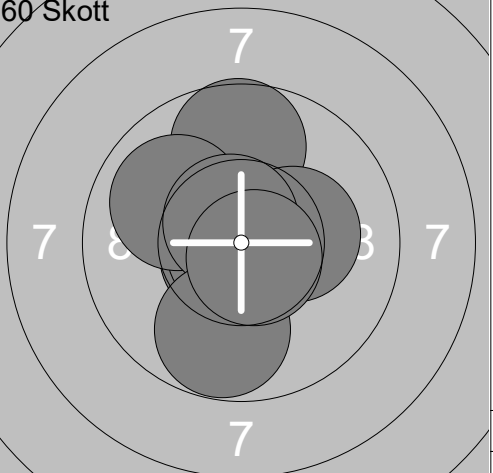
<p>60 Skott</p>	
31: 10.6x ↗ 32: 10.5x ↗ 33: 10.3x ← 34: 10.8x → 35: 9.8 ↗ 36: 10.7x ↘ 37: 10.9x ↓ 38: 10.2x ← 39: 10.7x ← 40: 9.9 → Serie 104.4 Total 413.1	

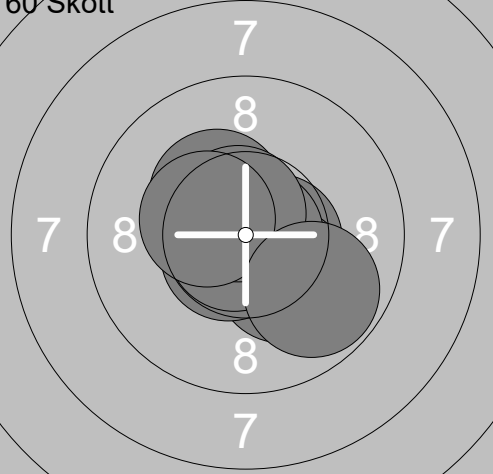
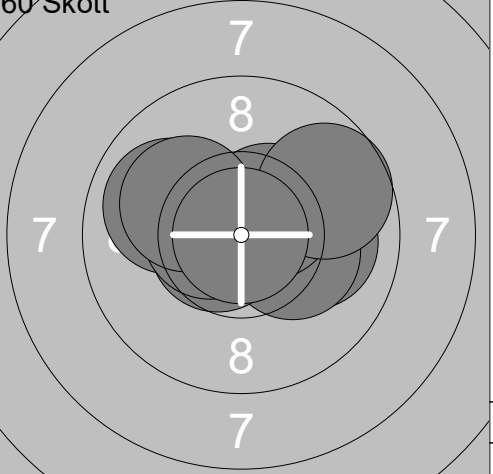
Prov 	1: 10.2x➤ 2: 10.4x➤ 3: 10.3x➤ 4: 9.8 ↓ 5: 10.6x➤ 6: 10.3x➤ 7: 10.4x➤ 8: 10.6x➤ 9: 10.3x↓ 10: 10.6x↑ <hr/> Serie 103.5 Total 0.0	Prov 	11: 10.8x↘ 12: 10.2x↔ 13: 10.5x↘ 14: 10.5x↔ 15: 10.4x➤ 16: 10.9x↗ 17: 10.7x↗ 18: 10.3x↓ 19: 10.5x➤ 20: 10.8x↘ <hr/> Serie 105.6 Total 0.0
--	--	--	--

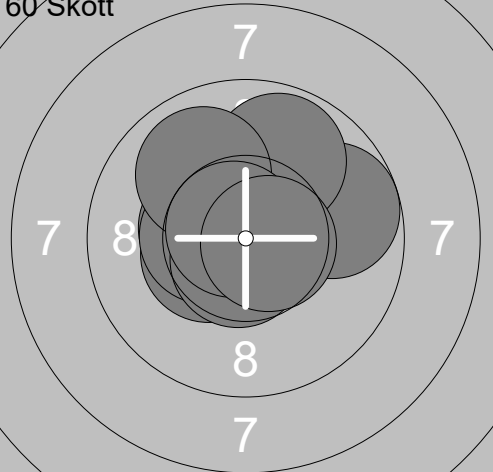
60 Skott 	1: 10.8x↘ 2: 10.2x➤ 3: 10.6x↓ 4: 10.5x↔ 5: 10.3x↘ 6: 10.7x➤ 7: 10.8x↘ 8: 10.8x➤ 9: 10.6x↘ 10: 10.6x↔ <hr/> Serie 105.9 Total 105.9	60 Skott 	11: 10.6x↘ 12: 10.8x➤ 13: 10.7x↔ 14: 10.7x↔ 15: 10.7x↗ 16: 10.8x↓ 17: 10.8x↘ 18: 10.7x↑ 19: 10.6x↑ 20: 10.9x➤ <hr/> Serie 107.3 Total 213.2
---	---	---	--

60 Skott 	21: 10.7x↓ 22: 10.3x➤ 23: 10.8x↘ 24: 10.4x↘ 25: 10.6x↘ 26: 10.6x↑ 27: 10.3x➤ 28: 10.2x↘ 29: 10.5x↘ 30: 10.6x↓ <hr/> Serie 105.0 Total 318.2	60 Skott 	31: 10.6x↘ 32: 10.4x↘ 33: 10.7x↘ 34: 10.1 ↓ 35: 10.4x↘ 36: 10.3x↘ 37: 10.8x↘ 38: 10.5x↘ 39: 10.7x➤ 40: 10.3x↘ <hr/> Serie 104.8 Total 423.0
--	--	--	--

<p><b>Pröv</b></p> 	<table border="1" style="width:100%; border-collapse: collapse;"> <tr><td>1:</td><td>10.0</td><td>↗</td></tr> <tr><td>2:</td><td>9.5</td><td>↑</td></tr> <tr><td>3:</td><td>9.6</td><td>↗</td></tr> <tr><td>4:</td><td>10.6x</td><td>↘</td></tr> <tr><td>5:</td><td>10.6x</td><td>↗</td></tr> <tr><td>6:</td><td>10.5x</td><td>↗</td></tr> <tr><td>7:</td><td>10.4x</td><td>→</td></tr> <tr><td colspan="2"><b>Serie</b></td><td>71.2</td></tr> <tr><td colspan="2"><b>Total</b></td><td>0.0</td></tr> </table>	1:	10.0	↗	2:	9.5	↑	3:	9.6	↗	4:	10.6x	↘	5:	10.6x	↗	6:	10.5x	↗	7:	10.4x	→	<b>Serie</b>		71.2	<b>Total</b>		0.0	<p><b>60 Skott</b></p>  <table border="1" style="width:100%; border-collapse: collapse;"> <tr><td>1:</td><td>9.9</td><td>↖</td></tr> <tr><td>2:</td><td>10.4x</td><td>↗</td></tr> <tr><td>3:</td><td>9.9</td><td>↗</td></tr> <tr><td>4:</td><td>10.7x</td><td>↘</td></tr> <tr><td>5:</td><td>10.3x</td><td>←</td></tr> <tr><td>6:</td><td>10.6x</td><td>↑</td></tr> <tr><td>7:</td><td>10.6x</td><td>→</td></tr> <tr><td>8:</td><td>10.1</td><td>↗</td></tr> <tr><td>9:</td><td>10.2x</td><td>↘</td></tr> <tr><td>10:</td><td>10.0</td><td>←</td></tr> <tr><td colspan="2"><b>Serie</b></td><td>102.7</td></tr> <tr><td colspan="2"><b>Total</b></td><td>102.7</td></tr> </table>	1:	9.9	↖	2:	10.4x	↗	3:	9.9	↗	4:	10.7x	↘	5:	10.3x	←	6:	10.6x	↑	7:	10.6x	→	8:	10.1	↗	9:	10.2x	↘	10:	10.0	←	<b>Serie</b>		102.7	<b>Total</b>		102.7
1:	10.0	↗																																																															
2:	9.5	↑																																																															
3:	9.6	↗																																																															
4:	10.6x	↘																																																															
5:	10.6x	↗																																																															
6:	10.5x	↗																																																															
7:	10.4x	→																																																															
<b>Serie</b>		71.2																																																															
<b>Total</b>		0.0																																																															
1:	9.9	↖																																																															
2:	10.4x	↗																																																															
3:	9.9	↗																																																															
4:	10.7x	↘																																																															
5:	10.3x	←																																																															
6:	10.6x	↑																																																															
7:	10.6x	→																																																															
8:	10.1	↗																																																															
9:	10.2x	↘																																																															
10:	10.0	←																																																															
<b>Serie</b>		102.7																																																															
<b>Total</b>		102.7																																																															

<p><b>60 Skott</b></p>  <table border="1" style="width:100%; border-collapse: collapse;"> <tr><td>11:</td><td>10.1</td><td>↘</td></tr> <tr><td>12:</td><td>10.6x</td><td>↘</td></tr> <tr><td>13:</td><td>10.5x</td><td>↘</td></tr> <tr><td>14:</td><td>10.3x</td><td>↘</td></tr> <tr><td>15:</td><td>10.2x</td><td>↘</td></tr> <tr><td>16:</td><td>10.4x</td><td>↗</td></tr> <tr><td>17:</td><td>10.8x</td><td>→</td></tr> <tr><td>18:</td><td>9.8</td><td>←</td></tr> <tr><td>19:</td><td>10.7x</td><td>↑</td></tr> <tr><td>20:</td><td>10.4x</td><td>↗</td></tr> <tr><td colspan="2"><b>Serie</b></td><td>103.8</td></tr> <tr><td colspan="2"><b>Total</b></td><td>206.5</td></tr> </table>	11:	10.1	↘	12:	10.6x	↘	13:	10.5x	↘	14:	10.3x	↘	15:	10.2x	↘	16:	10.4x	↗	17:	10.8x	→	18:	9.8	←	19:	10.7x	↑	20:	10.4x	↗	<b>Serie</b>		103.8	<b>Total</b>		206.5	<p><b>60 Skott</b></p>  <table border="1" style="width:100%; border-collapse: collapse;"> <tr><td>21:</td><td>10.7x</td><td>↘</td></tr> <tr><td>22:</td><td>10.8x</td><td>↘</td></tr> <tr><td>23:</td><td>10.3x</td><td>↖</td></tr> <tr><td>24:</td><td>10.2x</td><td>↖</td></tr> <tr><td>25:</td><td>9.7</td><td>↑</td></tr> <tr><td>26:</td><td>10.0</td><td>↖</td></tr> <tr><td>27:</td><td>10.3x</td><td>→</td></tr> <tr><td>28:</td><td>10.6x</td><td>↖</td></tr> <tr><td>29:</td><td>9.8</td><td>↘</td></tr> <tr><td>30:</td><td>10.7x</td><td>↘</td></tr> <tr><td colspan="2"><b>Serie</b></td><td>103.1</td></tr> <tr><td colspan="2"><b>Total</b></td><td>309.6</td></tr> </table>	21:	10.7x	↘	22:	10.8x	↘	23:	10.3x	↖	24:	10.2x	↖	25:	9.7	↑	26:	10.0	↖	27:	10.3x	→	28:	10.6x	↖	29:	9.8	↘	30:	10.7x	↘	<b>Serie</b>		103.1	<b>Total</b>		309.6
11:	10.1	↘																																																																							
12:	10.6x	↘																																																																							
13:	10.5x	↘																																																																							
14:	10.3x	↘																																																																							
15:	10.2x	↘																																																																							
16:	10.4x	↗																																																																							
17:	10.8x	→																																																																							
18:	9.8	←																																																																							
19:	10.7x	↑																																																																							
20:	10.4x	↗																																																																							
<b>Serie</b>		103.8																																																																							
<b>Total</b>		206.5																																																																							
21:	10.7x	↘																																																																							
22:	10.8x	↘																																																																							
23:	10.3x	↖																																																																							
24:	10.2x	↖																																																																							
25:	9.7	↑																																																																							
26:	10.0	↖																																																																							
27:	10.3x	→																																																																							
28:	10.6x	↖																																																																							
29:	9.8	↘																																																																							
30:	10.7x	↘																																																																							
<b>Serie</b>		103.1																																																																							
<b>Total</b>		309.6																																																																							

<p><b>60 Skott</b></p>  <table border="1" style="width:100%; border-collapse: collapse;"> <tr><td>31:</td><td>10.6x</td><td>→</td></tr> <tr><td>32:</td><td>10.2x</td><td>↘</td></tr> <tr><td>33:</td><td>10.8x</td><td>↘</td></tr> <tr><td>34:</td><td>10.8x</td><td>→</td></tr> <tr><td>35:</td><td>10.3x</td><td>↗</td></tr> <tr><td>36:</td><td>10.6x</td><td>↘</td></tr> <tr><td>37:</td><td>10.8x</td><td>↖</td></tr> <tr><td>38:</td><td>10.7x</td><td>↗</td></tr> <tr><td>39:</td><td>10.4x</td><td>↖</td></tr> <tr><td>40:</td><td>9.8</td><td>↘</td></tr> <tr><td colspan="2"><b>Serie</b></td><td>105.0</td></tr> <tr><td colspan="2"><b>Total</b></td><td>414.6</td></tr> </table>	31:	10.6x	→	32:	10.2x	↘	33:	10.8x	↘	34:	10.8x	→	35:	10.3x	↗	36:	10.6x	↘	37:	10.8x	↖	38:	10.7x	↗	39:	10.4x	↖	40:	9.8	↘	<b>Serie</b>		105.0	<b>Total</b>		414.6	<p><b>60 Skott</b></p>  <table border="1" style="width:100%; border-collapse: collapse;"> <tr><td>41:</td><td>9.9</td><td>↖</td></tr> <tr><td>42:</td><td>10.4x</td><td>→</td></tr> <tr><td>43:</td><td>10.0</td><td>→</td></tr> <tr><td>44:</td><td>10.2x</td><td>→</td></tr> <tr><td>45:</td><td>10.6x</td><td>←</td></tr> <tr><td>46:</td><td>10.5x</td><td>↗</td></tr> <tr><td>47:</td><td>9.7</td><td>↗</td></tr> <tr><td>48:</td><td>10.5x</td><td>←</td></tr> <tr><td>49:</td><td>10.1</td><td>↖</td></tr> <tr><td>50:</td><td>10.9x</td><td>↘</td></tr> <tr><td colspan="2"><b>Serie</b></td><td>102.8</td></tr> <tr><td colspan="2"><b>Total</b></td><td>517.4</td></tr> </table>	41:	9.9	↖	42:	10.4x	→	43:	10.0	→	44:	10.2x	→	45:	10.6x	←	46:	10.5x	↗	47:	9.7	↗	48:	10.5x	←	49:	10.1	↖	50:	10.9x	↘	<b>Serie</b>		102.8	<b>Total</b>		517.4
31:	10.6x	→																																																																							
32:	10.2x	↘																																																																							
33:	10.8x	↘																																																																							
34:	10.8x	→																																																																							
35:	10.3x	↗																																																																							
36:	10.6x	↘																																																																							
37:	10.8x	↖																																																																							
38:	10.7x	↗																																																																							
39:	10.4x	↖																																																																							
40:	9.8	↘																																																																							
<b>Serie</b>		105.0																																																																							
<b>Total</b>		414.6																																																																							
41:	9.9	↖																																																																							
42:	10.4x	→																																																																							
43:	10.0	→																																																																							
44:	10.2x	→																																																																							
45:	10.6x	←																																																																							
46:	10.5x	↗																																																																							
47:	9.7	↗																																																																							
48:	10.5x	←																																																																							
49:	10.1	↖																																																																							
50:	10.9x	↘																																																																							
<b>Serie</b>		102.8																																																																							
<b>Total</b>		517.4																																																																							

<p><b>60 Skott</b></p>  <table border="1" style="width:100%; border-collapse: collapse;"> <tr><td>51:</td><td>10.4x</td><td>←</td></tr> <tr><td>52:</td><td>10.7x</td><td>↗</td></tr> <tr><td>53:</td><td>10.4x</td><td>←</td></tr> <tr><td>54:</td><td>10.4x</td><td>←</td></tr> <tr><td>55:</td><td>9.8</td><td>→</td></tr> <tr><td>56:</td><td>9.8</td><td>↗</td></tr> <tr><td>57:</td><td>9.9</td><td>↗</td></tr> <tr><td>58:</td><td>10.7x</td><td>↘</td></tr> <tr><td>59:</td><td>10.8x</td><td>↗</td></tr> <tr><td>60:</td><td>10.6x</td><td>→</td></tr> <tr><td colspan="2"><b>Serie</b></td><td>103.5</td></tr> <tr><td colspan="2"><b>Total</b></td><td>620.9</td></tr> </table>	51:	10.4x	←	52:	10.7x	↗	53:	10.4x	←	54:	10.4x	←	55:	9.8	→	56:	9.8	↗	57:	9.9	↗	58:	10.7x	↘	59:	10.8x	↗	60:	10.6x	→	<b>Serie</b>		103.5	<b>Total</b>		620.9	
51:	10.4x	←																																			
52:	10.7x	↗																																			
53:	10.4x	←																																			
54:	10.4x	←																																			
55:	9.8	→																																			
56:	9.8	↗																																			
57:	9.9	↗																																			
58:	10.7x	↘																																			
59:	10.8x	↗																																			
60:	10.6x	→																																			
<b>Serie</b>		103.5																																			
<b>Total</b>		620.9																																			