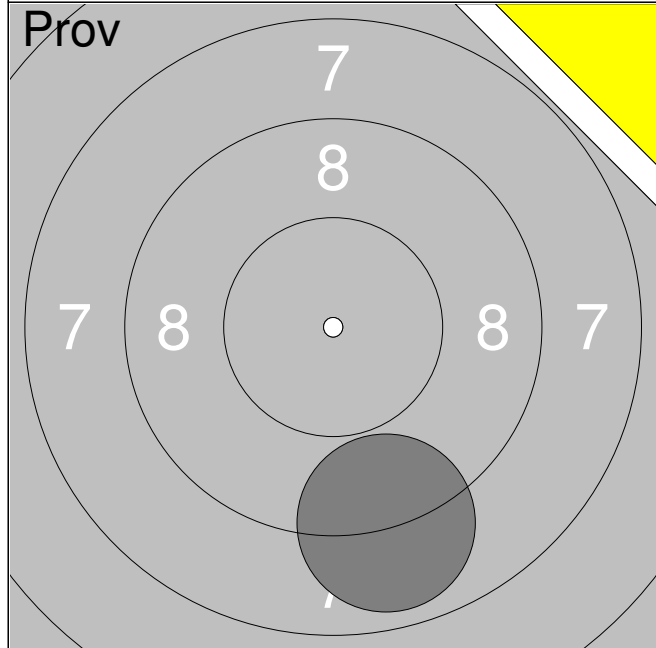
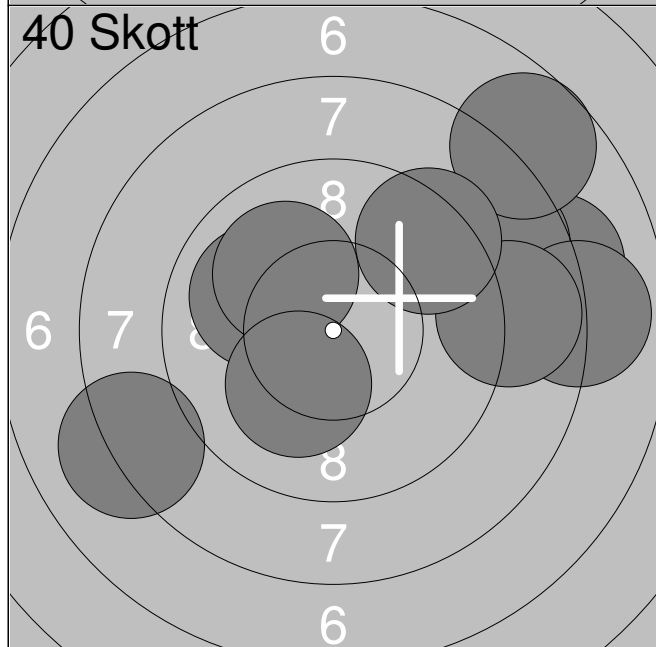


1:	9.1	↗
2:	6.4	→
3:	9.5	↘
4:	10.5x	→
5:	8.2	↗
6:	10.4x	↘
7:	9.0	↘
8:	8.5	↑
9:	8.9	→
10:	8.6	↘
Serie		89.1
Total		0.0



11:	8.9	↓
Serie		8.9
Total		0.0

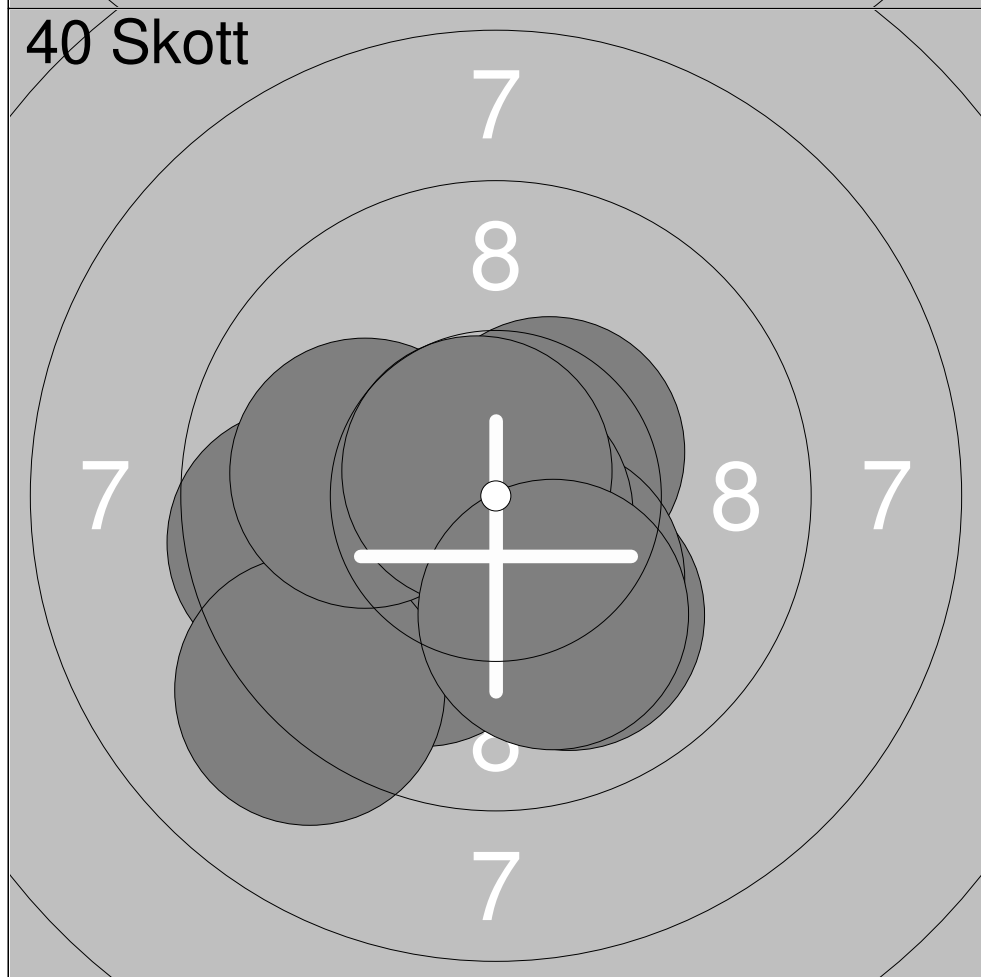


1:	10.0	↖
2:	8.2	→
3:	10.1	↗
4:	8.7	→
5:	10.2x	↘
6:	8.0	→
7:	7.7	↗
8:	8.8	→
9:	8.1	↖
10:	9.4	↗
Serie		89.2
Total		89.2



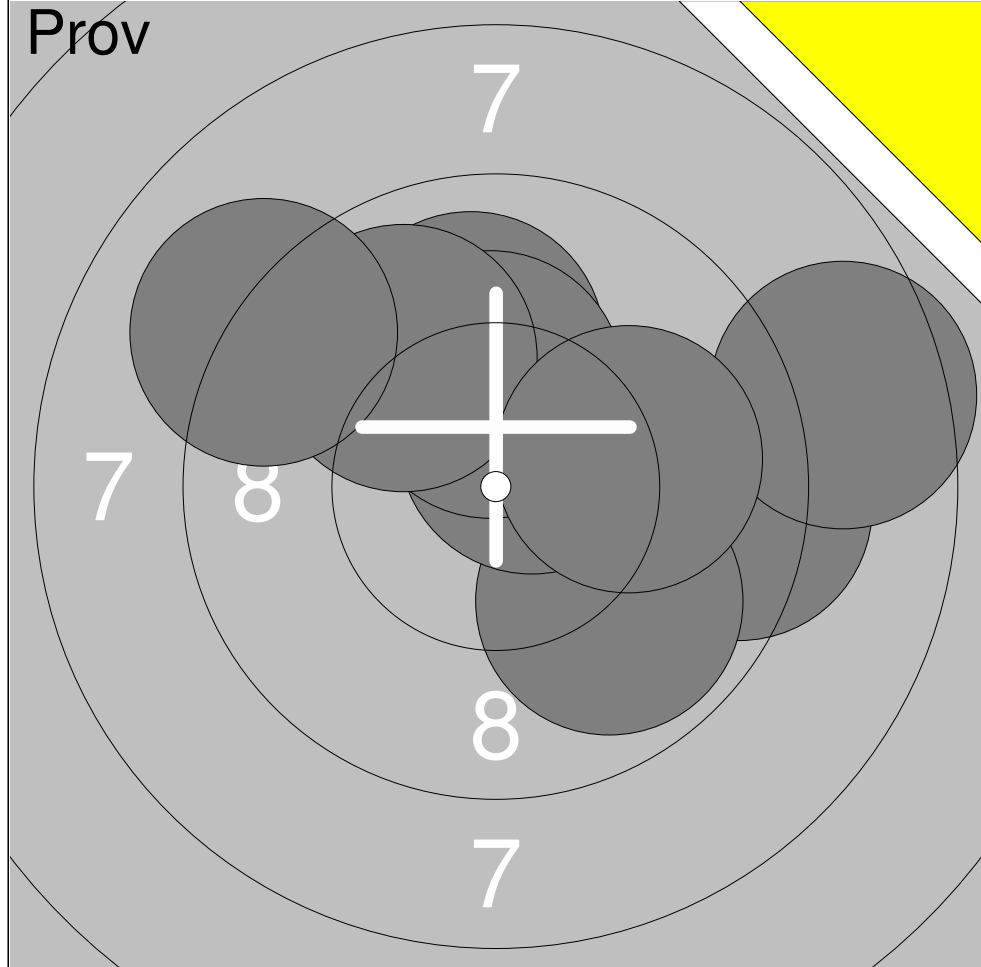
1:	8.2	↘
2:	10.9x	↘
3:	10.1	↘
4:	10.4x	↗
5:	10.6x	→
6:	10.5x	↗
7:	10.5x	←

Serie	71.2
Total	0.0



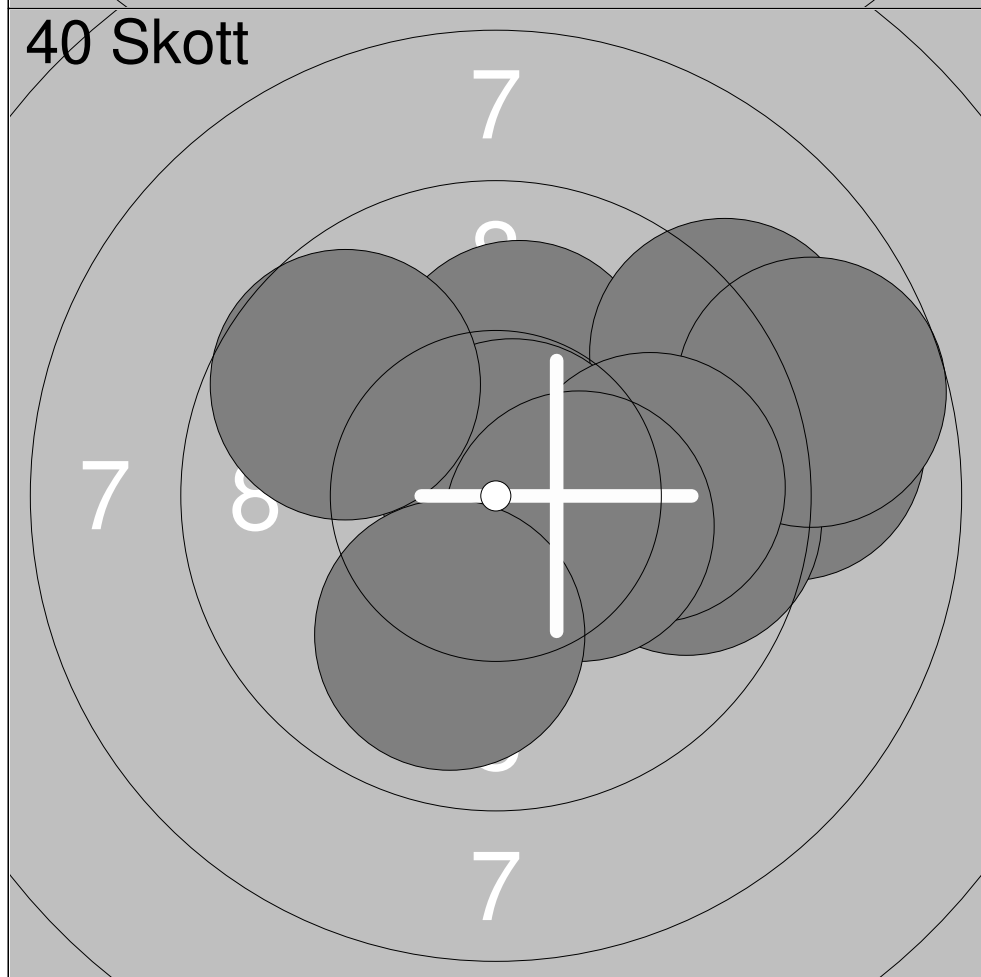
1:	10.5x	↗
2:	9.6	←
3:	10.0	↘
4:	10.3x	↘
5:	10.8x	↘
6:	10.0	↘
7:	9.2	↘
8:	10.1	←
9:	10.7x	↗
10:	10.1	↘

Serie	101.3
Total	101.3



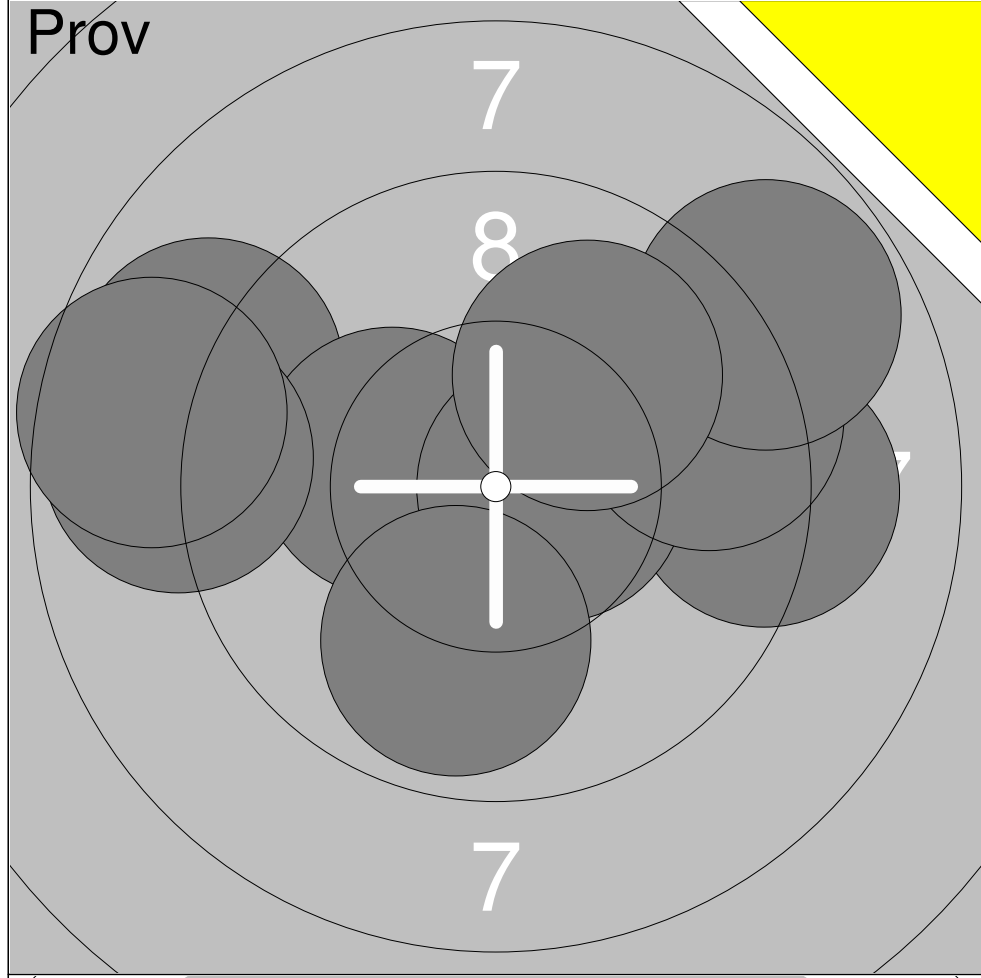
1:	9.3	→
2:	10.0	↑
3:	9.9	↘
4:	10.6x	↗
5:	10.3x	↑
6:	9.9	↗
7:	8.5	→
8:	9.1	↗
9:	10.0	→

Serie	87.6
Total	0.0

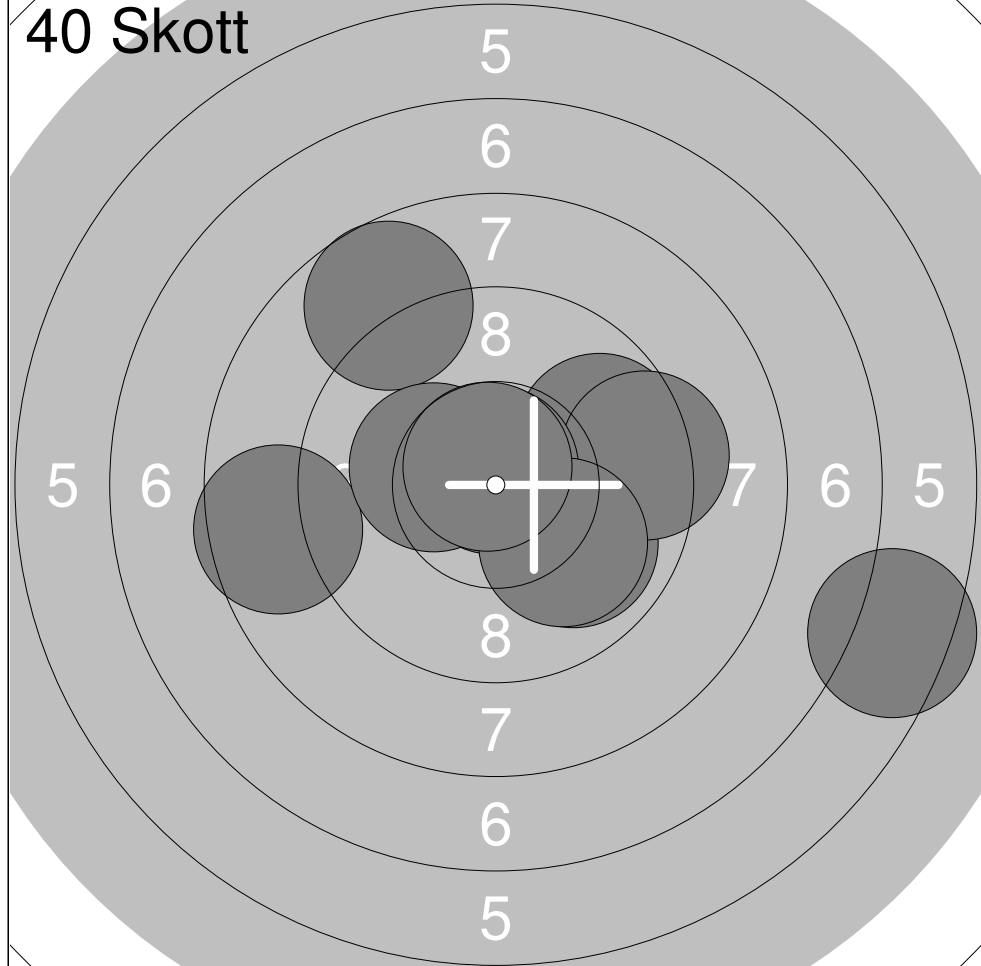


1:	10.1	↑
2:	9.0	→
3:	9.2	↗
4:	9.7	→
5:	8.7	→
6:	10.8x	↗
7:	9.9	→
8:	10.4x	→
9:	10.0	↘
10:	9.7	↘

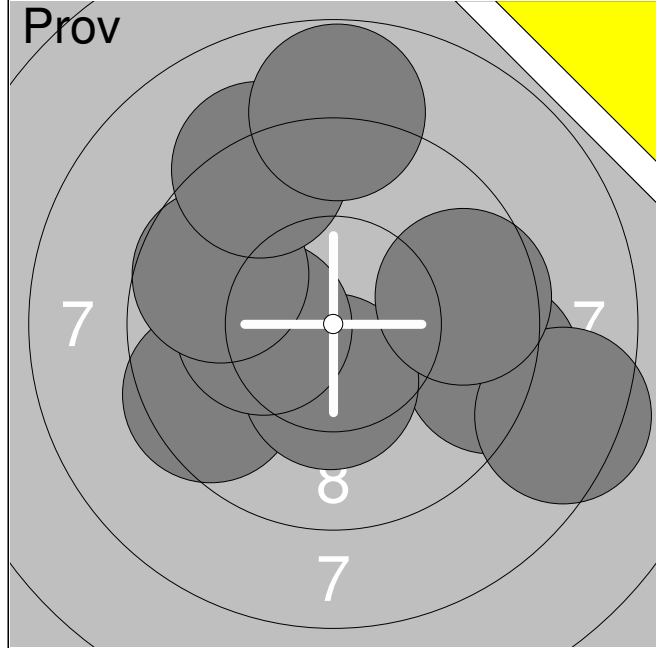
Serie	97.5
Total	97.5



1:	8.9	↖
2:	10.2x	↖
3:	9.2	→
4:	10.6x	→
5:	9.5	↗
6:	8.8	↗
7:	8.8	↖
8:	8.6	↖
9:	10.0	↗
10:	9.9	↓
Serie		94.5
Total		0.0



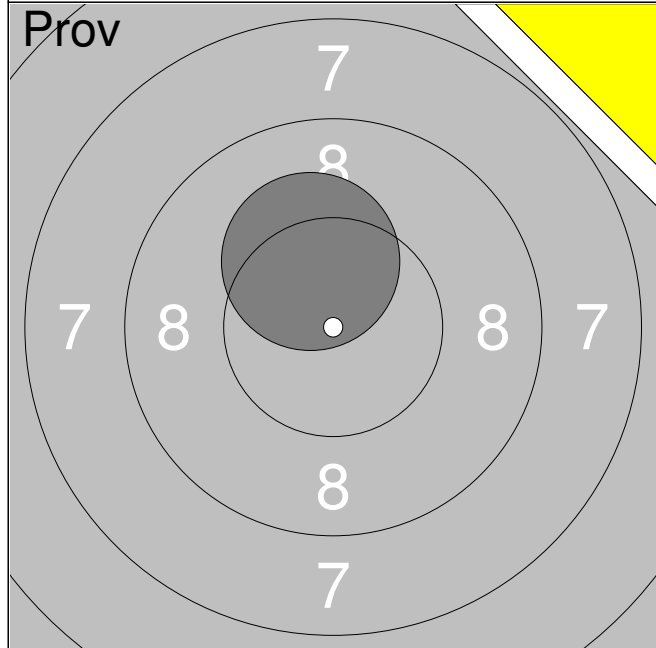
1:	9.7	↗
2:	9.9	↘
3:	6.5	↘
4:	8.6	↖
5:	9.3	→
6:	10.8x	↑
7:	8.7	↗
8:	10.0	↘
9:	10.3x	↖
10:	10.7x	↖
Serie		94.5
Total		94.5



1:	9.3	→
2:	9.5	←
3:	10.4x	↓
5:	10.2x	←
6:	9.7	↖
7:	8.4	→
8:	9.2	↗
9:	9.6	→
10:	8.8	↑

Serie	85.1
-------	------

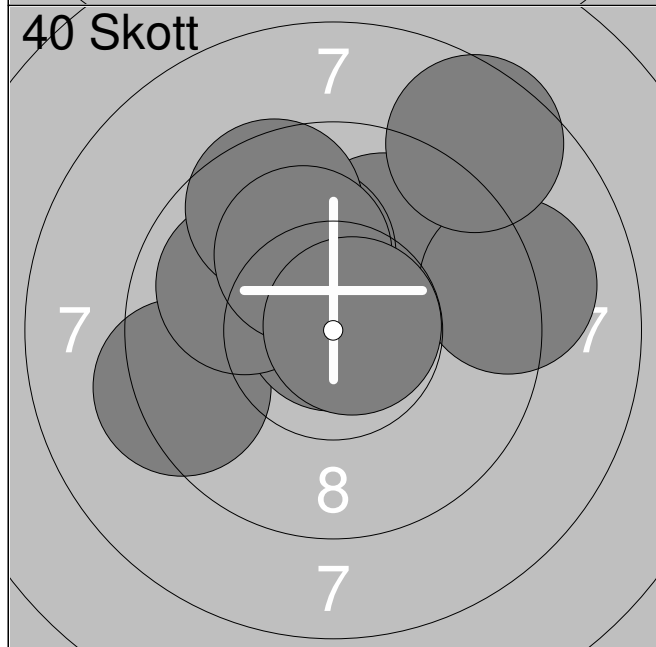
Total	0.0
-------	-----



11:	10.3x	↑
-----	-------	---

Serie	10.3
-------	------

Total	0.0
-------	-----



1:	9.3	←
2:	10.9x	↑
3:	9.9	↗
4:	10.0	↖
5:	10.1	↑
6:	9.1	→
7:	9.6	↗
8:	10.1	↗
9:	10.8x	→
10:	8.6	↗

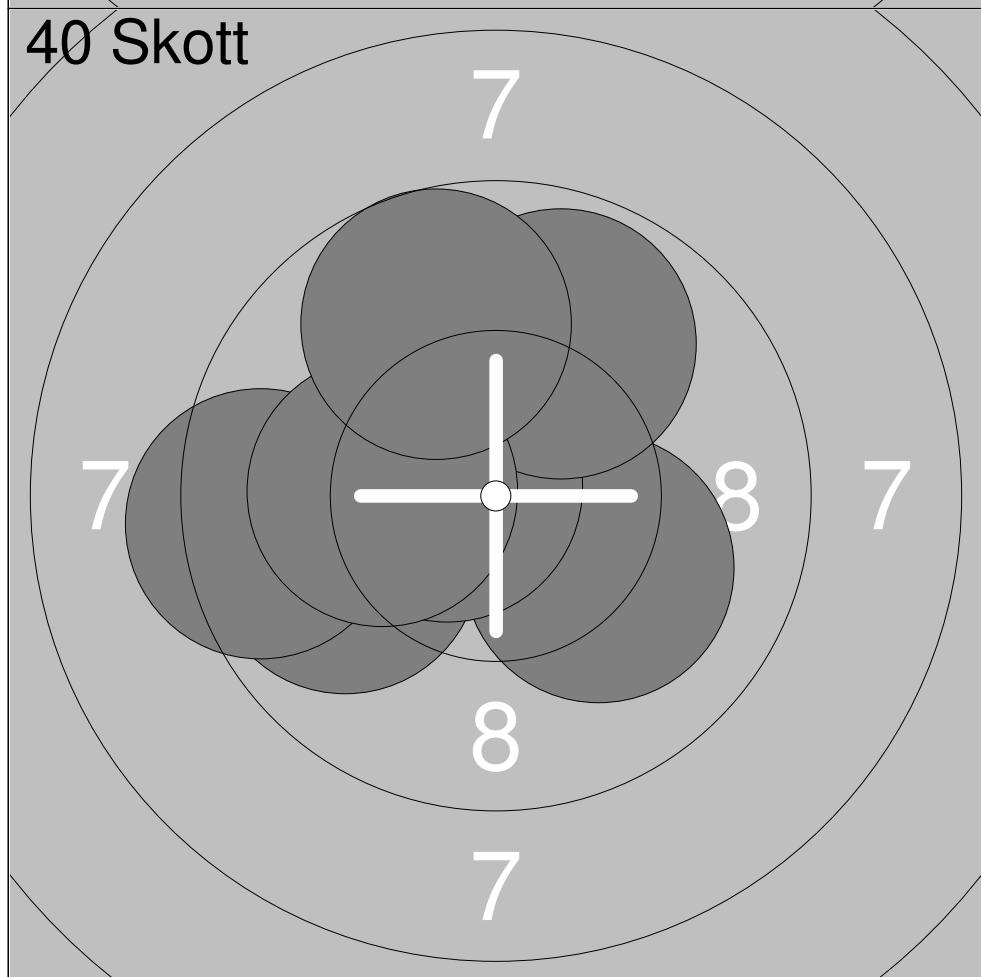
Serie	98.4
-------	------

Total	98.4
-------	------



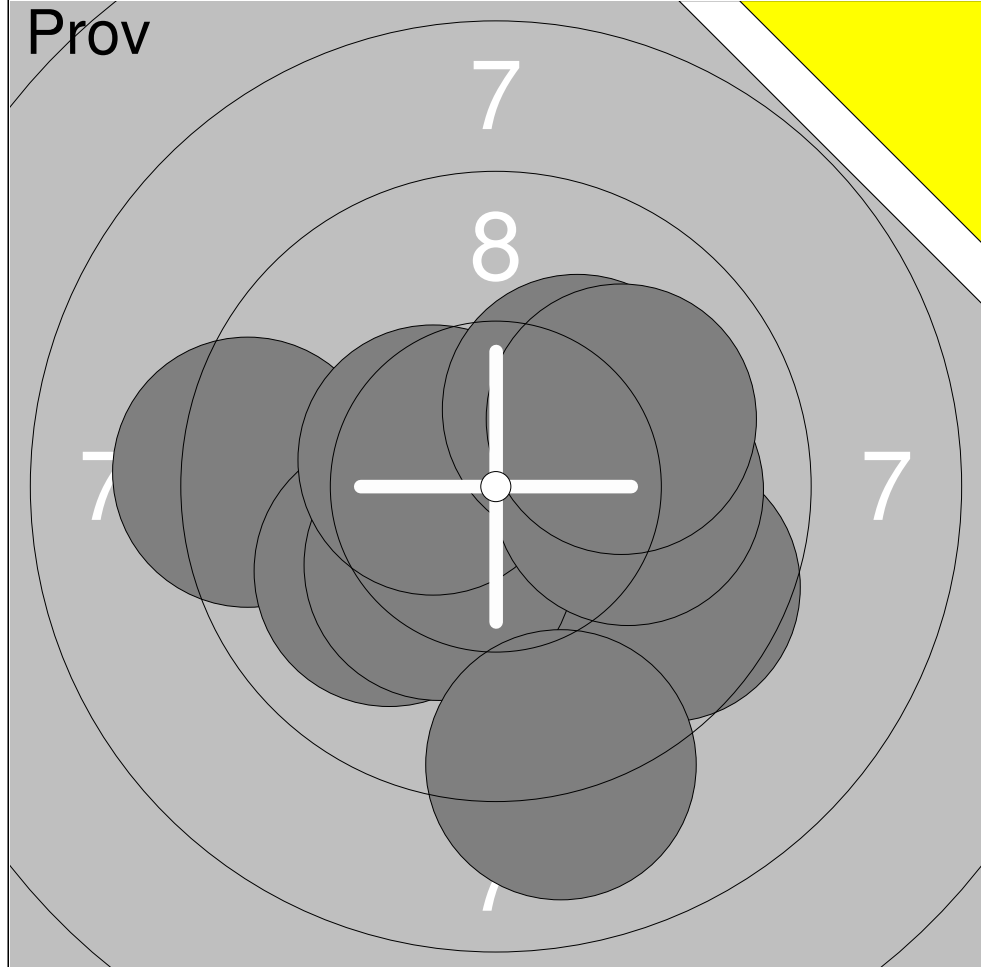
1:	10.0	→
2:	9.2	↗
3:	9.8	→
4:	10.3x	↗
5:	9.4	↗
6:	9.3	←
7:	9.7	↗
8:	10.3x	↘
9:	10.8x	↙

Serie	88.8
Total	0.0



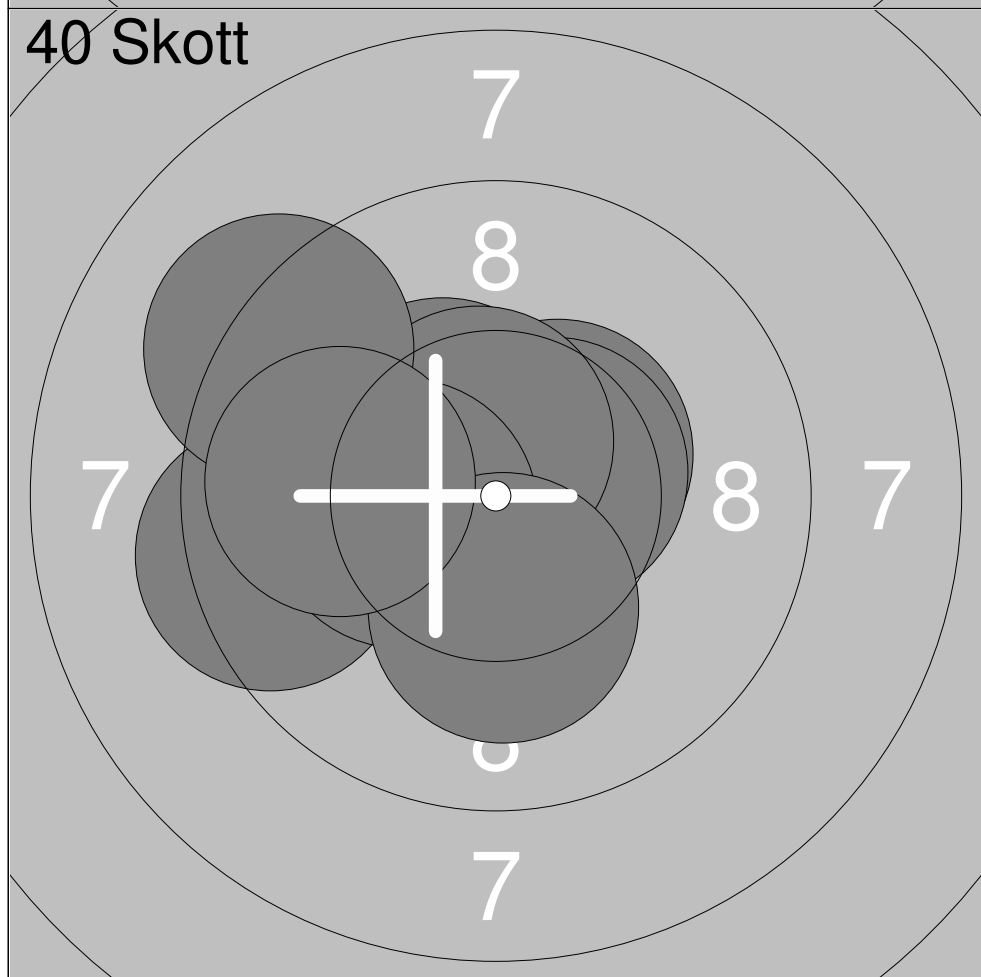
1:	10.7x	↑
2:	10.0	↑
3:	10.5x	↗
4:	9.9	←
5:	9.4	←
6:	10.1	↘
7:	10.6x	←
8:	9.8	↗
9:	10.2x	←
10:	9.7	↗

Serie	100.9
Total	100.9



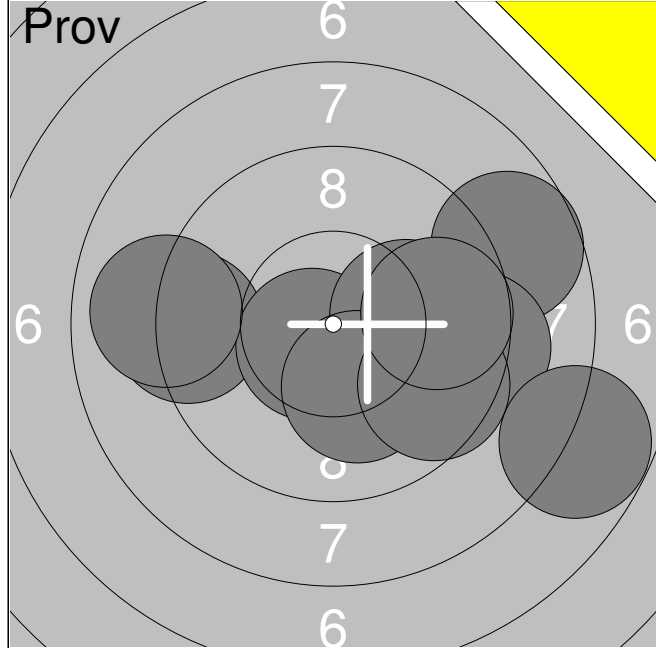
1:	9.6	↘
2:	9.3	←
3:	10.0	↙
4:	10.3x	↘
5:	10.5x	↙
6:	10.2x	↗
7:	9.0	↓
8:	10.1	→
9:	10.0	↗

Serie	89.0
Total	0.0



1:	10.5x	↗
2:	10.8x	↓
3:	10.4x	↖
4:	10.5x	↗
5:	9.4	←
6:	10.6x	↖
7:	10.3x	←
8:	9.2	↖
9:	10.2x	↓
10:	9.9	←

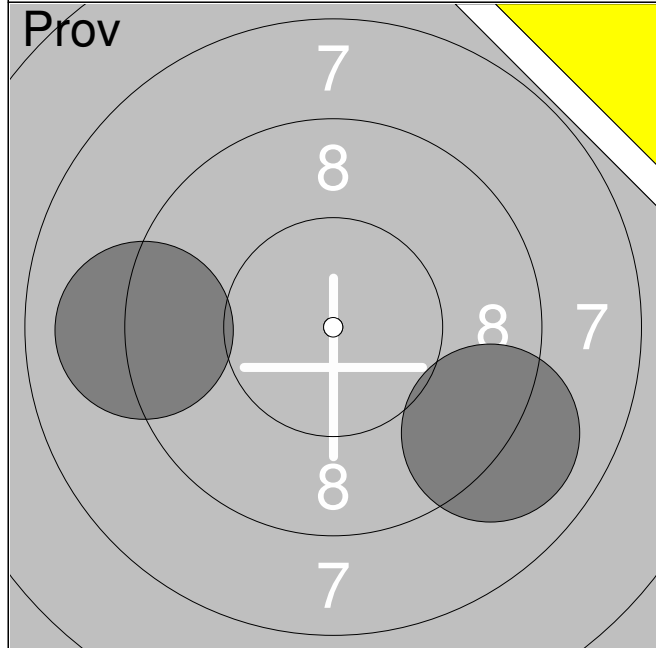
Serie	101.8
Total	101.8



1:	8.7	→
2:	9.2	←
3:	10.6x	↙
4:	10.1	→
5:	9.3	→
6:	7.8	↘
7:	10.2x	↙
8:	9.6	↘
9:	9.7	→
10:	9.0	←

Serie	94.2
-------	------

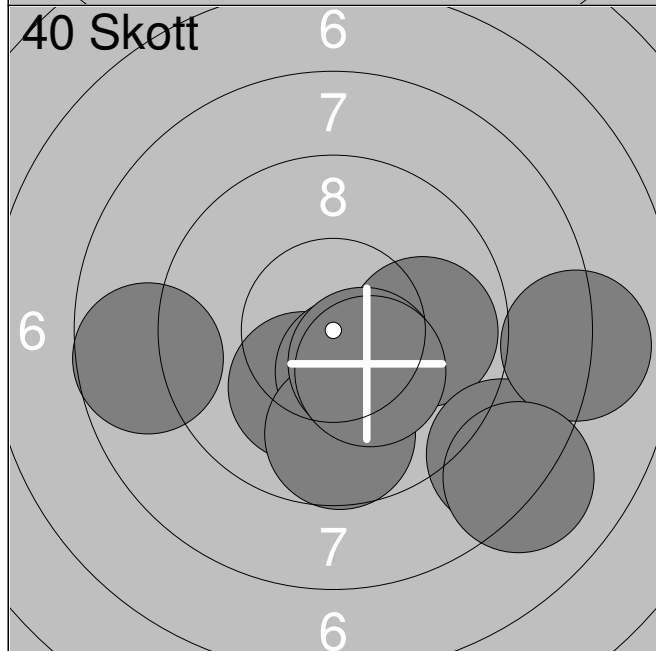
Total	0.0
-------	-----



11:	9.0	↘
12:	9.1	←

Serie	18.1
-------	------

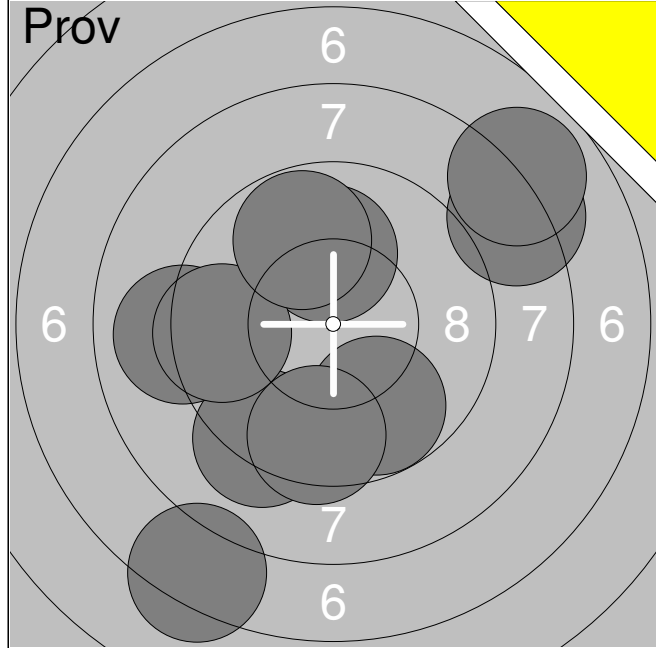
Total	0.0
-------	-----



1:	10.2x	↙
2:	9.9	→
3:	10.4x	↙
4:	9.7	↘
5:	8.4	↘
6:	10.4x	↙
7:	10.3x	↙
8:	8.0	→
9:	8.1	↘
10:	8.7	←

Serie	94.1
-------	------

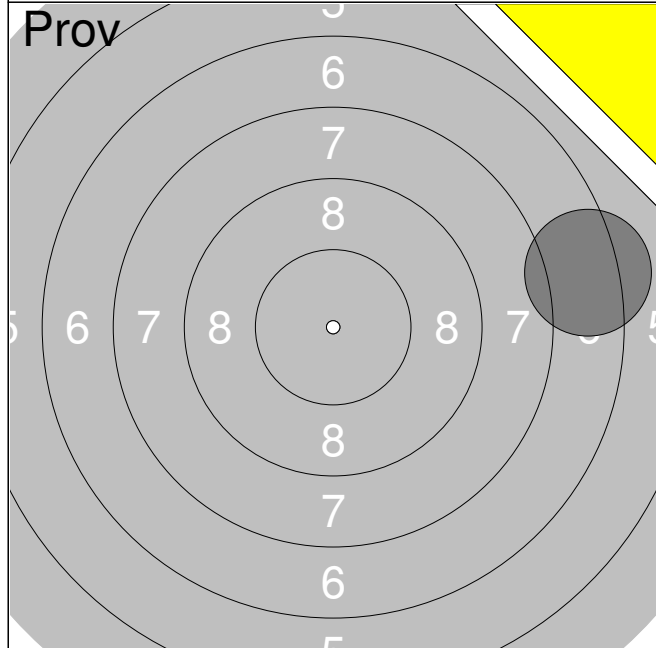
Total	94.1
-------	------



1:	8.2	↗
2:	7.9	↗
3:	9.2	↘
4:	9.0	←
5:	9.8	↘
6:	10.0	↑
7:	7.3	↘
8:	9.5	←
9:	9.8	↑
10:	9.5	↓

Serie	90.2
-------	------

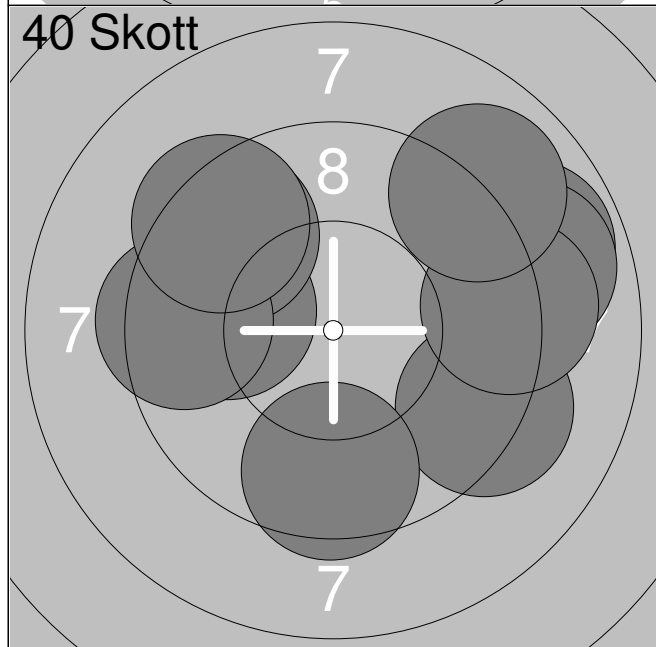
Total	0.0
-------	-----



11:	7.3	→
-----	-----	---

Serie	7.3
-------	-----

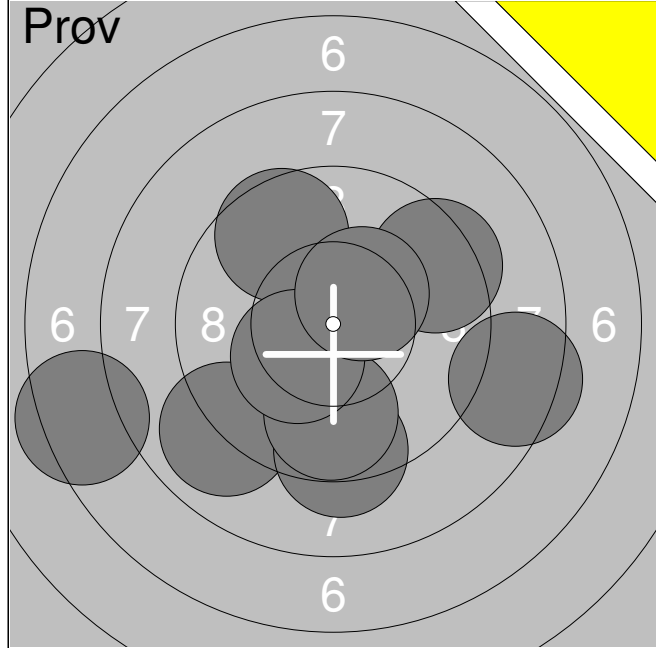
Total	0.0
-------	-----



1:	9.2	↘
2:	8.8	↗
3:	8.9	↗
4:	9.9	←
5:	9.5	↗
6:	9.5	↓
7:	9.4	←
8:	9.4	↗
9:	9.2	→
10:	8.9	↗

Serie	92.7
-------	------

Total	92.7
-------	------



1:	7.4	←
2:	9.0	↙
4:	9.3	↓
5:	9.8	↓
6:	9.6	↗
7:	10.3x	↙
8:	9.4	↗
9:	10.4x	↗
10:	8.4	→

Serie	83.6
-------	------

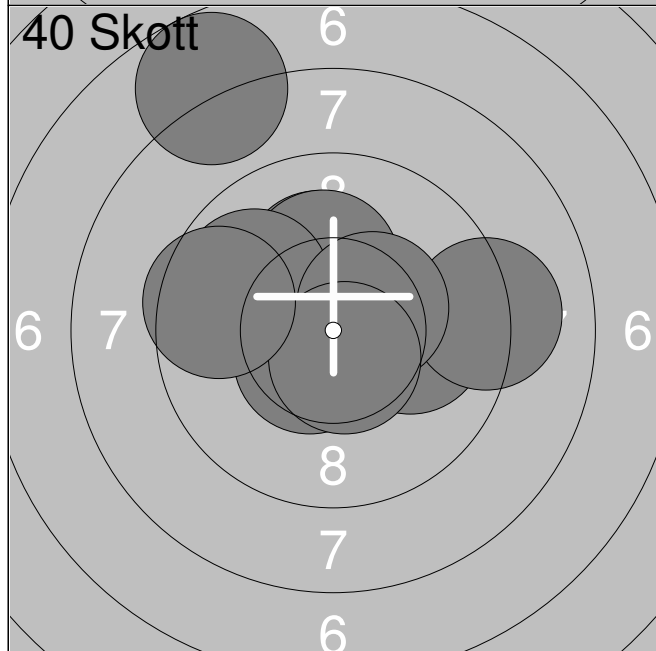
Total	0.0
-------	-----



11:	10.8x	↗
12:	9.3	↑
13:	10.2x	↖
14:	9.5	→
15:	10.3x	↓

Serie	50.1
-------	------

Total	0.0
-------	-----



1:	10.5x	↙
2:	10.2x	↑
3:	10.0	→
4:	10.2x	↑
5:	9.9	↖
6:	7.8	↗
7:	9.1	→
8:	10.4x	↗
9:	10.6x	↓
10:	9.6	←

Serie	98.3
-------	------

Total	98.3
-------	------



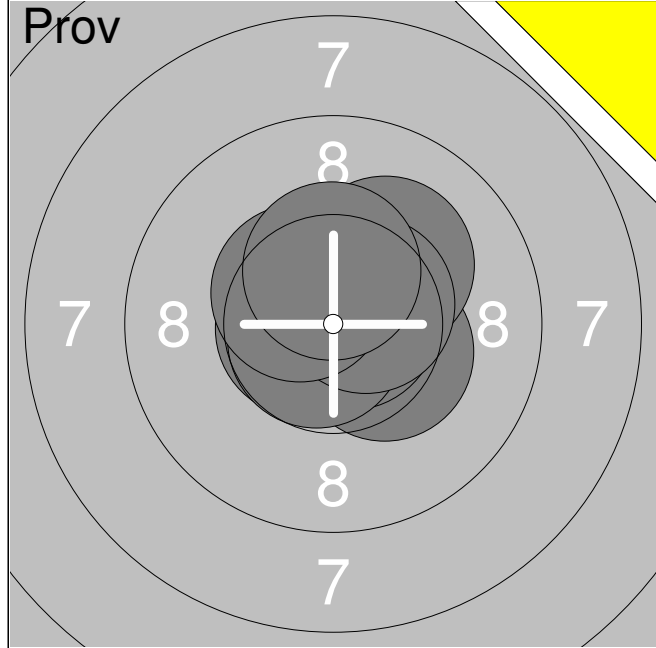
1:	10.7x	↗
2:	10.3x	↘
3:	10.5x	←
4:	10.3x	↙
5:	10.5x	→
6:	10.3x	↗
7:	10.8x	↗
8:	10.8x	↘
9:	10.6x	↙
10:	10.7x	↘

Serie	105.5
Total	0.0

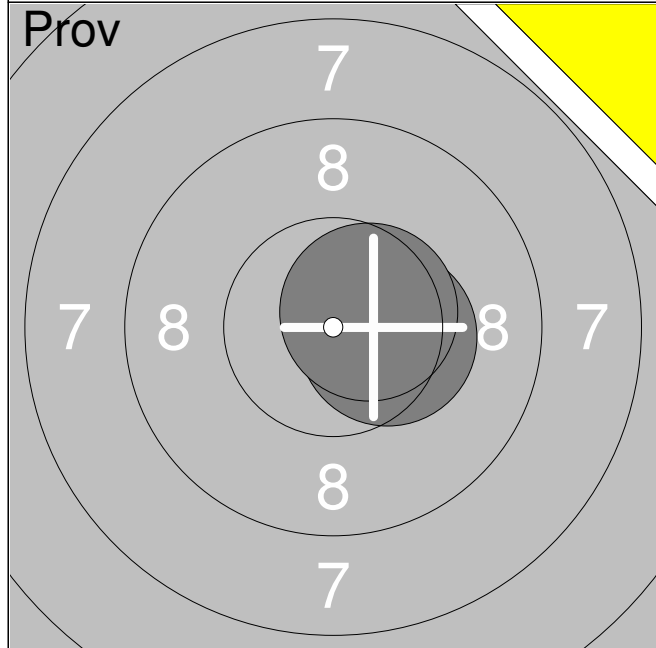


1:	10.7x	↗
2:	10.5x	↘
3:	10.5x	↘
4:	10.6x	↘
5:	10.4x	↗
6:	10.5x	↙
7:	10.6x	←
8:	10.5x	↙
9:	10.6x	↘
10:	10.6x	↙

Serie	105.5
Total	105.5



1:	10.4x	↘
2:	10.4x	↗
3:	10.8x	→
4:	10.7x	↖
5:	10.7x	←
6:	10.7x	↙
7:	10.2x	↗
8:	10.6x	↗
9:	10.5x	↖
10:	10.4x	↑
Serie		105.4
Total		0.0



11:	10.4x	→
12:	10.6x	→
Serie		21.0
Total		0.0



1:	10.8x	→
2:	10.4x	→
3:	10.3x	↗
4:	10.4x	↑
5:	10.0	↙
6:	10.2x	↙
7:	10.5x	↑
8:	10.5x	↗
9:	10.5x	↓
10:	10.6x	↘
Serie		104.2
Total		104.2



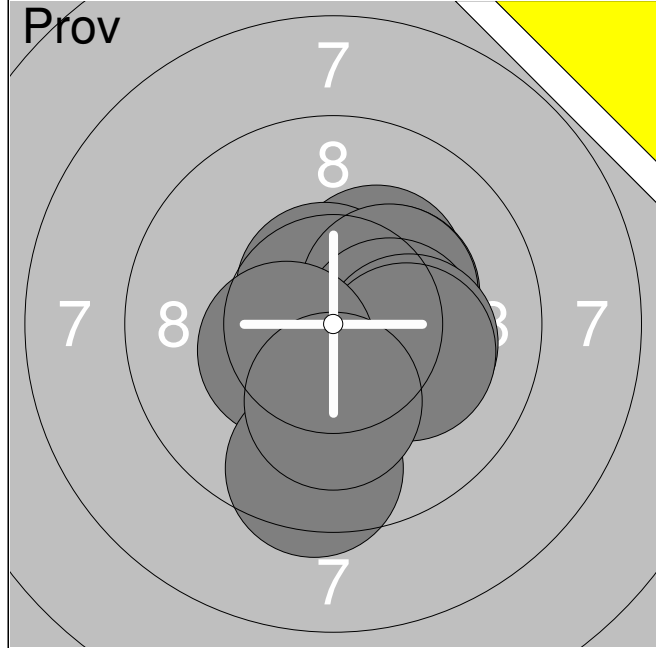
1:	10.3x	↓
2:	9.9	↘
3:	10.7x	↙
4:	9.8	←
5:	10.0	↓
6:	10.7x	↑
7:	10.9x	↓
8:	10.3x	↙
9:	10.8x	↘
10:	10.8x	↙

Serie	104.2
Total	0.0



1:	10.2x	↓
2:	10.7x	→
3:	10.5x	↙
4:	10.8x	↗
5:	10.7x	←
6:	10.3x	↗
7:	10.6x	↙
8:	10.2x	↙
9:	10.4x	↗
10:	10.6x	↗

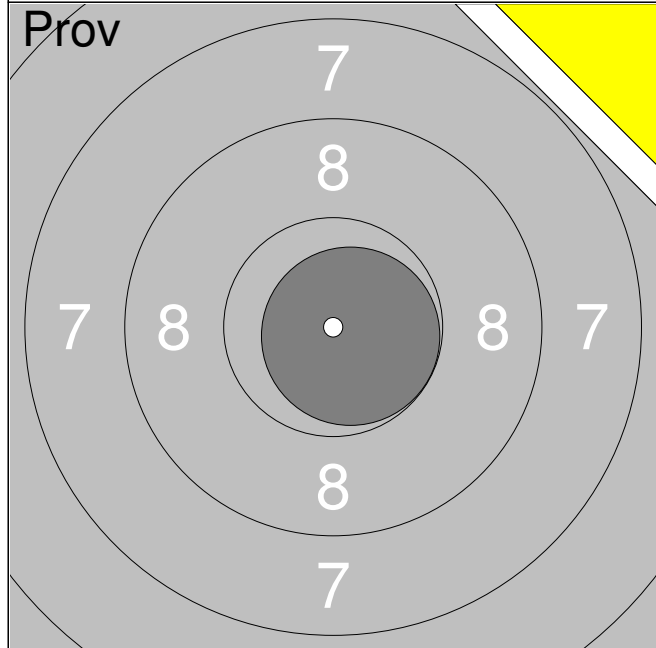
Serie	105.0
Total	105.0



1:	10.3x	↗
2:	10.3x	↘
3:	10.6x	↑
4:	10.3x	↘
5:	10.4x	→
6:	10.2x	→
7:	10.2x	→
8:	10.4x	↙
9:	9.5	↓
10:	10.2x	↓

Serie	102.4
-------	-------

Total	0.0
-------	-----



11:	10.7x	↘
-----	-------	---

Serie	10.7
-------	------

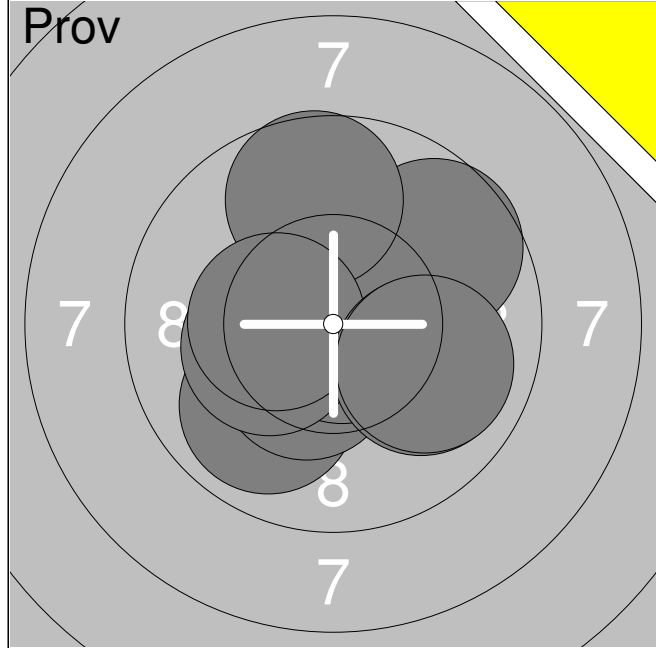
Total	0.0
-------	-----



1:	10.3x	↘
2:	10.7x	→
3:	10.3x	↙
4:	10.5x	←
5:	10.5x	↑
6:	9.4	↓
7:	9.8	↓
8:	10.6x	↓
9:	10.5x	↘
10:	10.7x	←

Serie	103.3
-------	-------

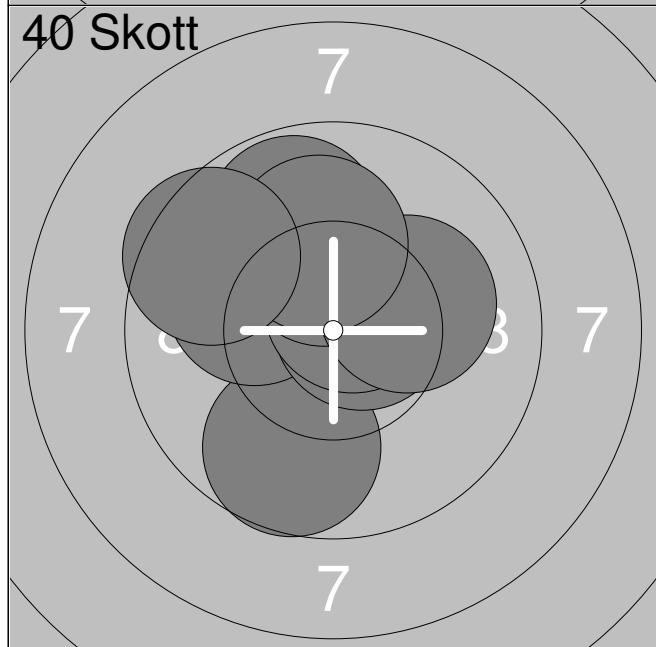
Total	103.3
-------	-------



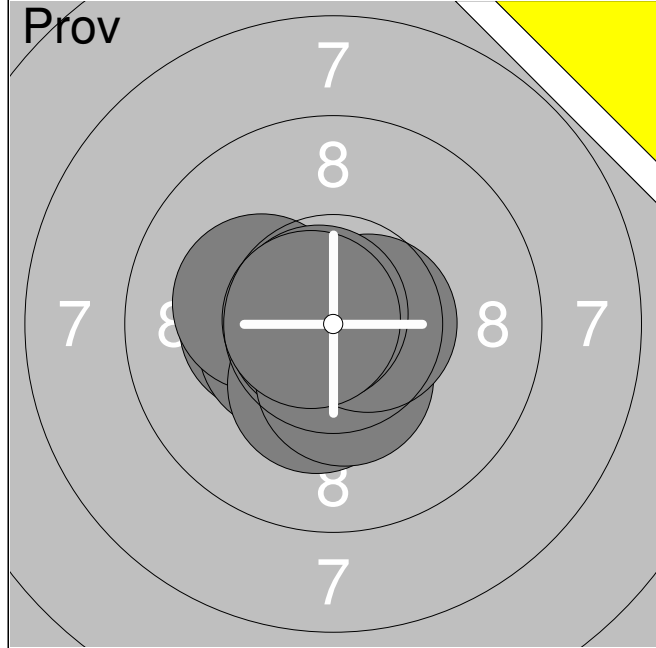
1:	10.6x	➔
2:	9.9	↙
3:	10.4x	↙
4:	10.8x	↙
5:	9.7	↗
6:	10.3x	←
7:	9.7	↑
8:	10.4x	←
9:	10.0	↘
10:	9.9	↘
Serie		101.7
Total		0.0



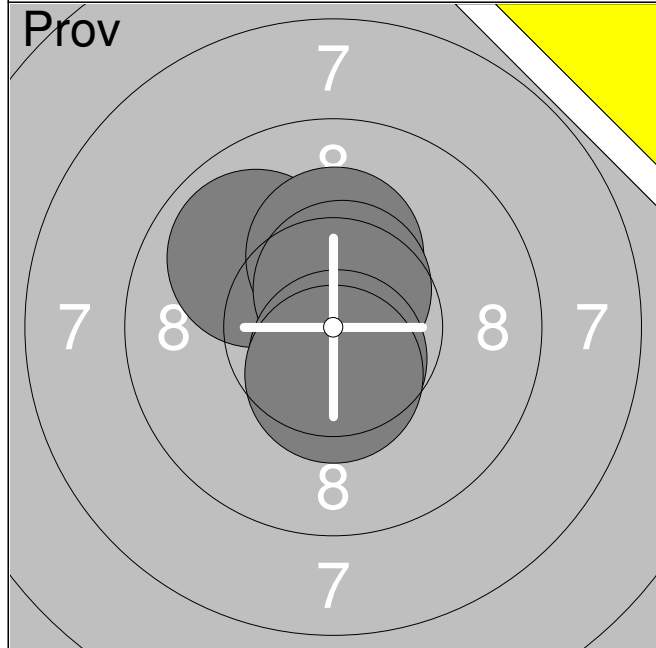
11:	10.5x	↗
12:	10.8x	➔
13:	10.7x	↑
Serie		32.0
Total		0.0



1:	9.7	↙
2:	9.8	↑
3:	10.5x	↑
4:	10.1	←
5:	10.6x	➔
6:	10.6x	↗
7:	10.2x	↑
8:	10.2x	➔
9:	10.1	↑
10:	9.5	↙
Serie		101.3
Total		101.3



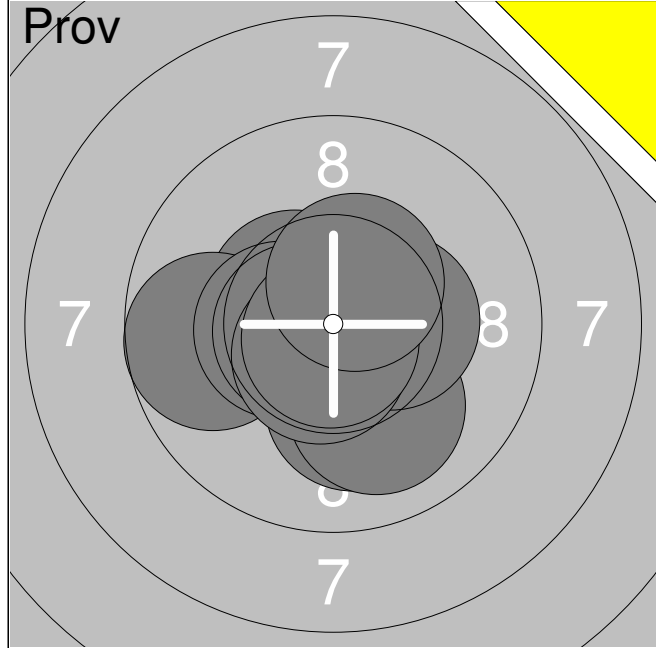
1:	10.3x	←
2:	10.4x	←
3:	10.5x	↓
4:	10.2x	←
5:	10.3x	↓
6:	10.8x	←
7:	10.4x	↓
8:	10.6x	→
9:	10.8x	↗
10:	10.7x	←
Serie		105.0
Total		0.0



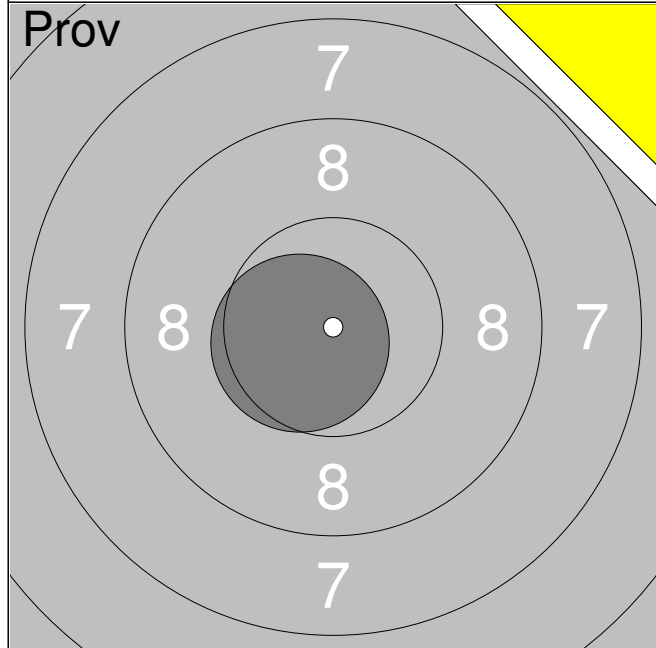
11:	9.9	↖
12:	10.2x	↑
13:	10.6x	↑
14:	10.6x	↓
15:	10.5x	↓
Serie		51.8
Total		0.0



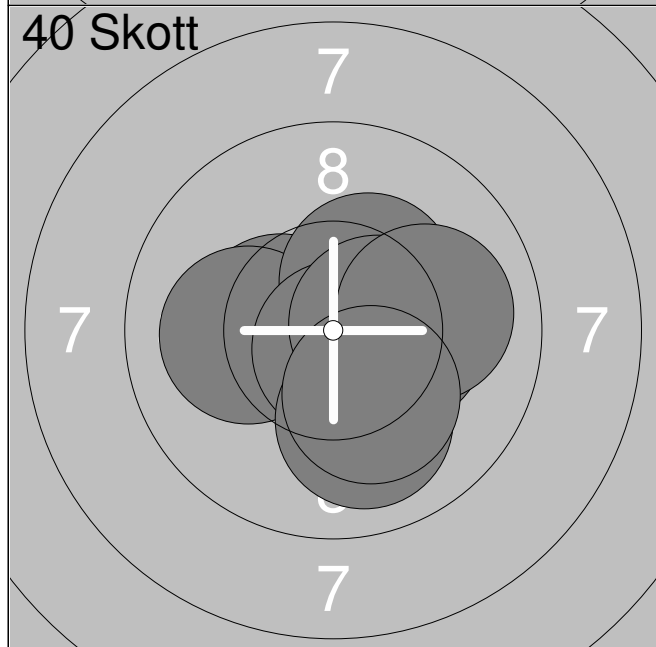
1:	10.4x	←
2:	10.3x	→
3:	10.5x	←
4:	10.6x	←
5:	10.3x	↓
6:	10.7x	↗
7:	10.7x	←
8:	10.8x	←
9:	10.8x	←
10:	10.9x	↓
Serie		106.0
Total		106.0



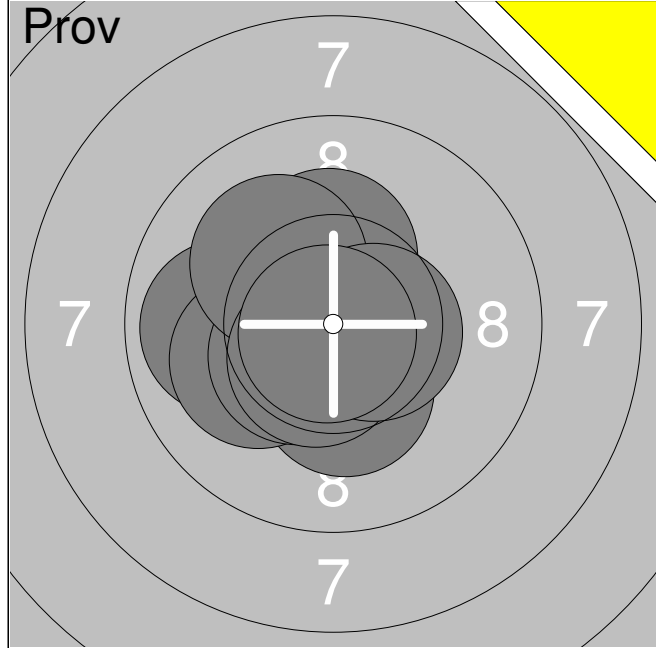
1:	10.5x	↗
2:	9.7	←
3:	10.4x	←
4:	10.1	↓
5:	10.0	↓
6:	10.6x	←
7:	10.4x	→
8:	10.6x	↓
9:	10.8x	↓
10:	10.5x	↗
Serie		103.6
Total		0.0



11:	10.6x	←
Serie		10.6
Total		0.0



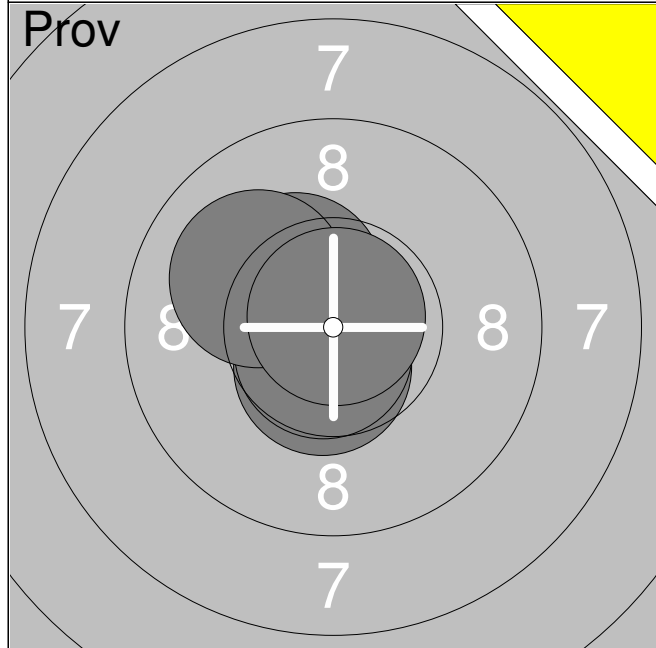
1:	10.5x	←
2:	10.4x	←
3:	10.3x	→
4:	10.1	←
5:	10.4x	↗
6:	10.7x	↓
7:	10.5x	→
8:	10.0	→
9:	10.0	↓
10:	10.2x	↓
Serie		103.1
Total		103.1



1:	10.1	←
2:	10.3x	↓
3:	9.9	←
4:	10.3x	↑
5:	10.1	←
6:	10.5x	↙
7:	10.1	↗
8:	10.6x	↓
9:	10.5x	→
10:	10.8x	↘

Serie 103.2

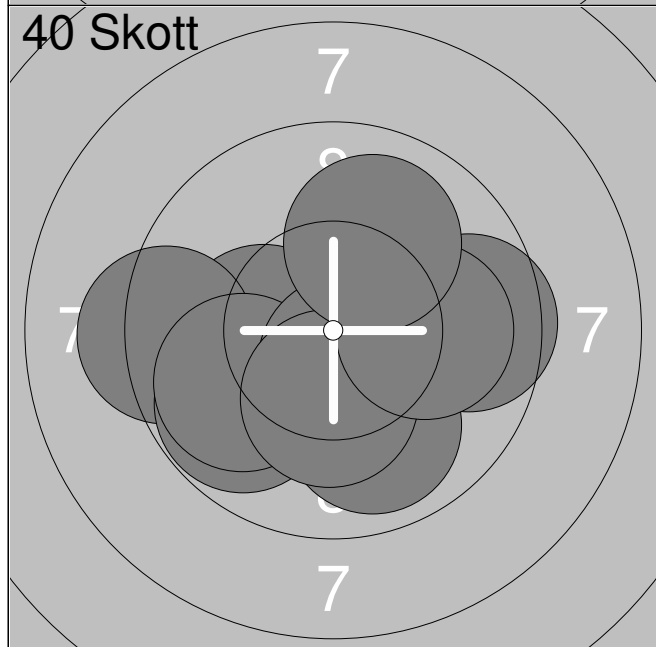
Total 0.0



11:	10.5x	↓
12:	10.4x	↗
13:	10.7x	↓
14:	10.1	↖
15:	10.8x	↑

Serie 52.5

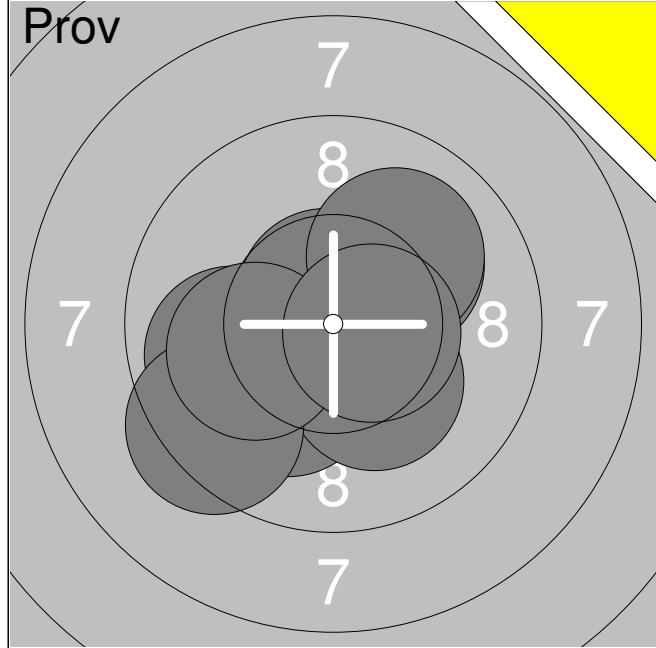
Total 0.0



1:	10.3x	←
2:	9.3	←
3:	9.8	↙
4:	9.9	←
5:	9.9	↓
6:	10.6x	↓
7:	10.3x	↓
8:	9.6	→
9:	10.0	→
10:	10.0	↗

Serie 99.7

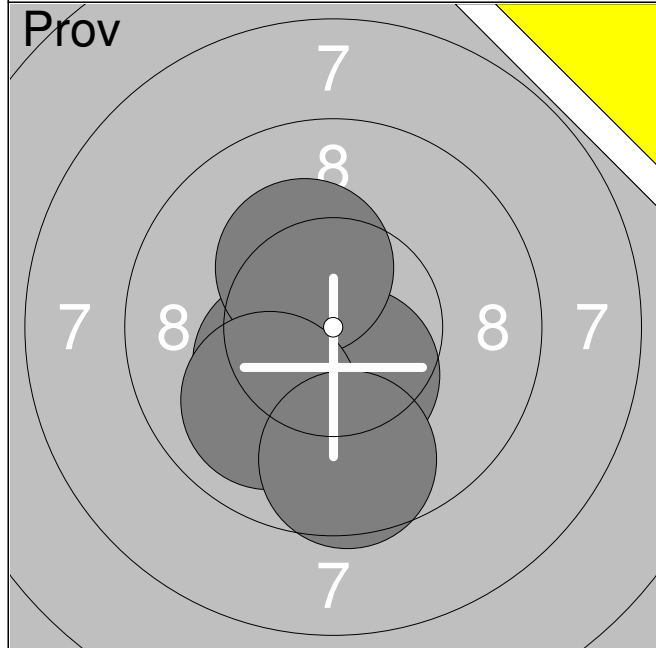
Total 99.7



1:	10.8x	↖
2:	9.9	←
3:	10.2x	↘
4:	10.2x	↘
5:	10.1	↗
6:	9.4	←
7:	10.7x	↑
8:	10.1	←
9:	10.0	↗
10:	10.6x	→

Serie	102.0
-------	-------

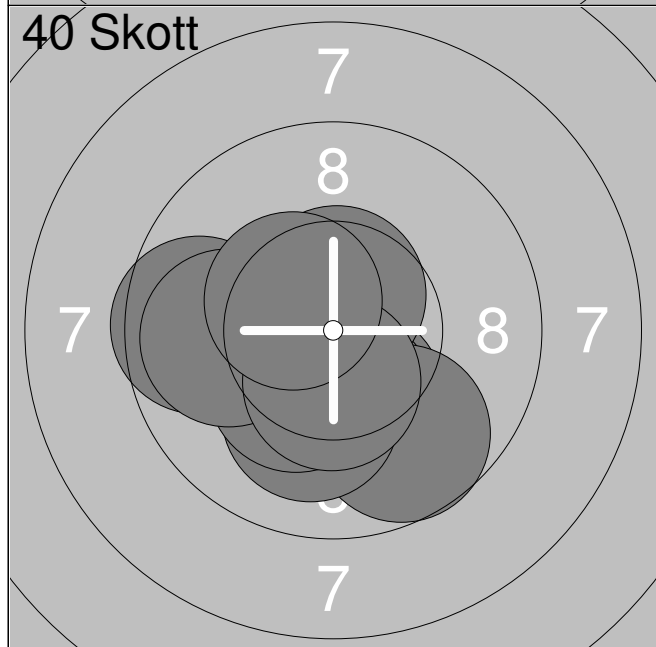
Total	0.0
-------	-----



11:	10.3x	←
12:	10.4x	↘
13:	10.3x	↗
14:	10.0	↘
15:	9.6	↓

Serie	50.6
-------	------

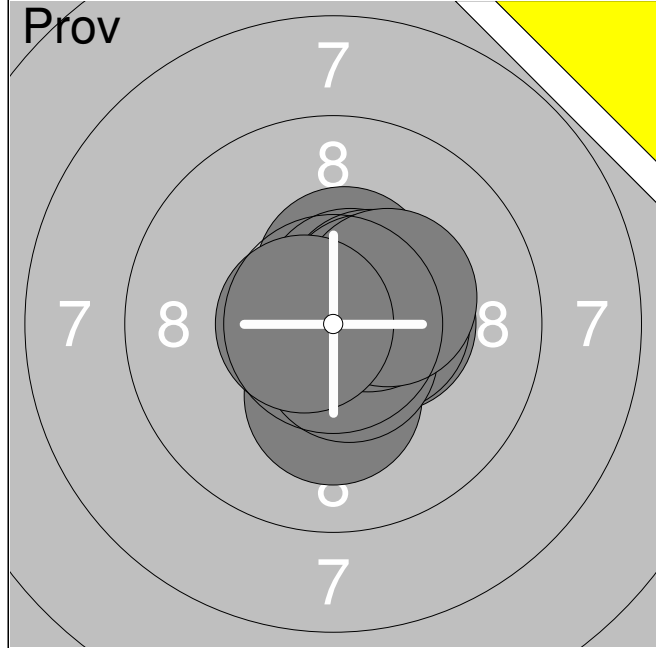
Total	0.0
-------	-----



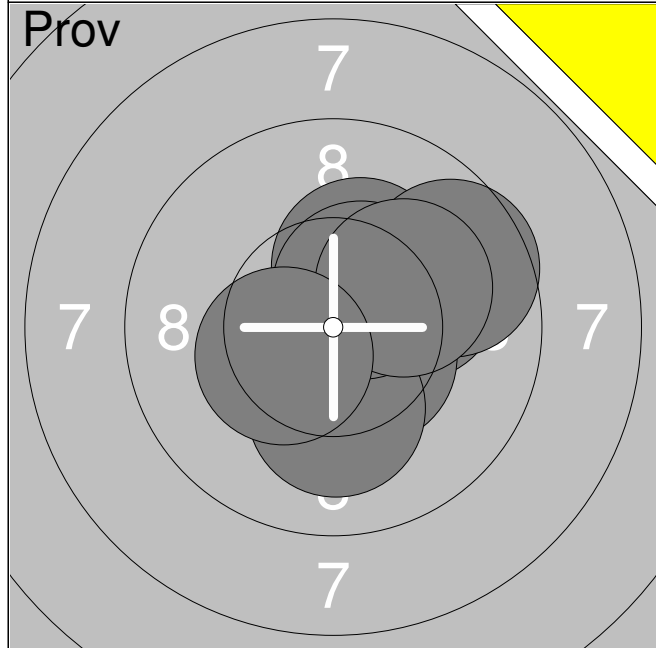
1:	10.3x	↘
2:	10.2x	↘
3:	9.7	↘
4:	10.1	↘
5:	10.3x	↘
6:	9.6	←
7:	10.6x	↑
8:	9.9	←
9:	10.4x	↓
10:	10.4x	↖

Serie	101.5
-------	-------

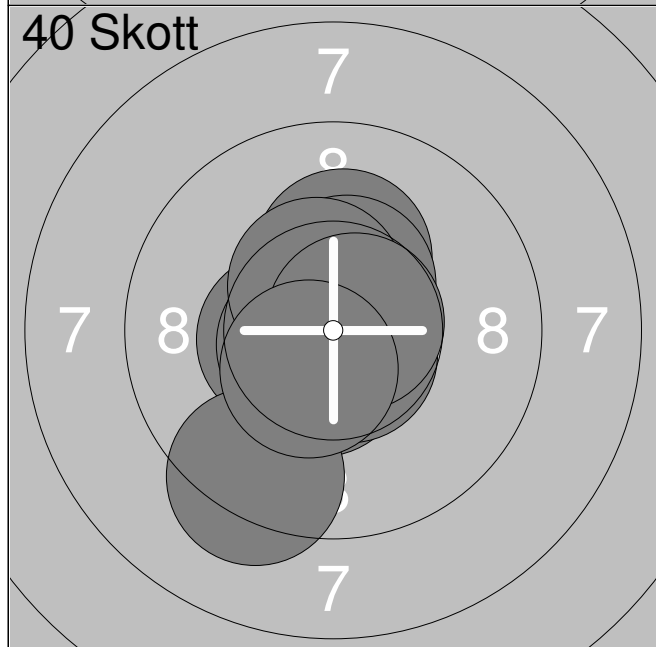
Total	101.5
-------	-------



1:	10.5x	↑
2:	10.6x	↗
3:	10.5x	↘
4:	10.4x	→
5:	10.5x	→
6:	10.2x	↓
7:	10.6x	↓
8:	10.5x	↗
9:	10.3x	↗
10:	10.7x	←
Serie		104.8
Total		0.0



11:	10.3x	↑
12:	10.1	↘
13:	9.6	↘
14:	10.5x	↘
15:	10.1	↓
16:	10.5x	↗
17:	10.1	↘
18:	10.4x	↙
Serie		81.6
Total		0.0

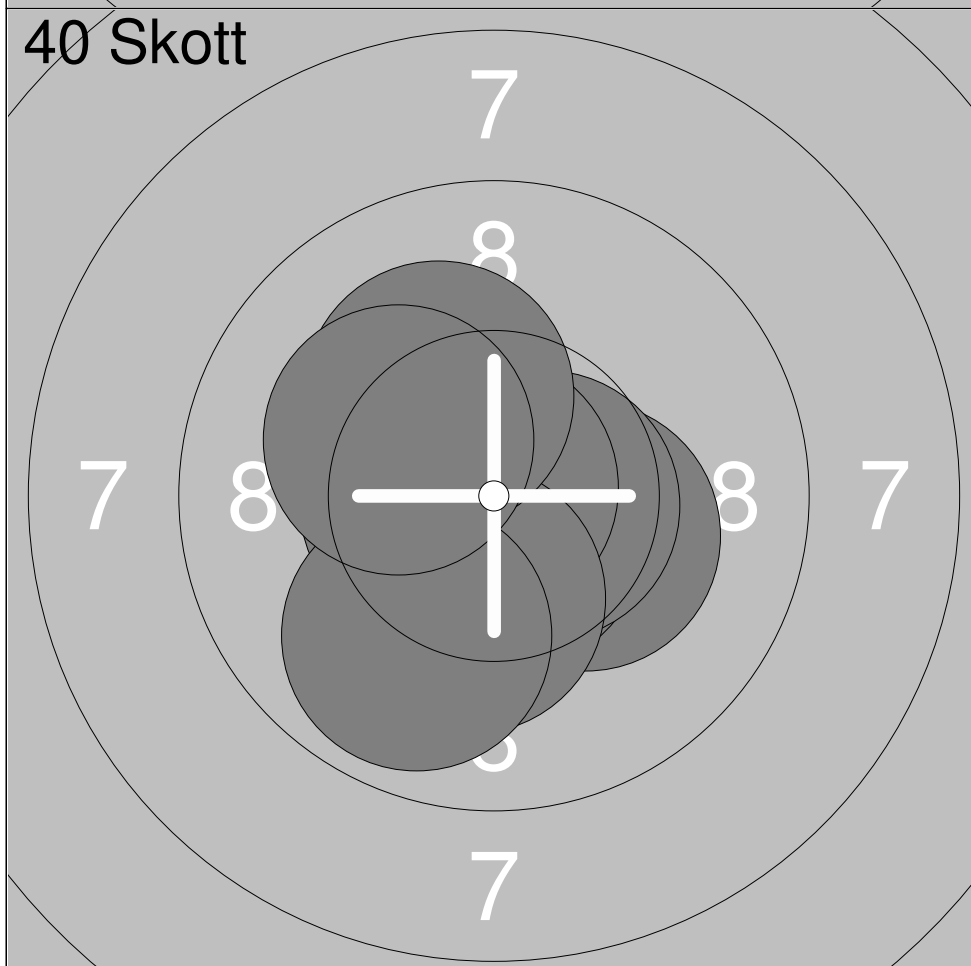


1:	10.5x	←
2:	10.2x	↑
3:	10.6x	←
4:	10.6x	↓
5:	10.5x	↑
6:	9.3	↓
7:	10.5x	↑
8:	10.7x	↓
9:	10.7x	↘
10:	10.5x	↓
Serie		104.1
Total		104.1



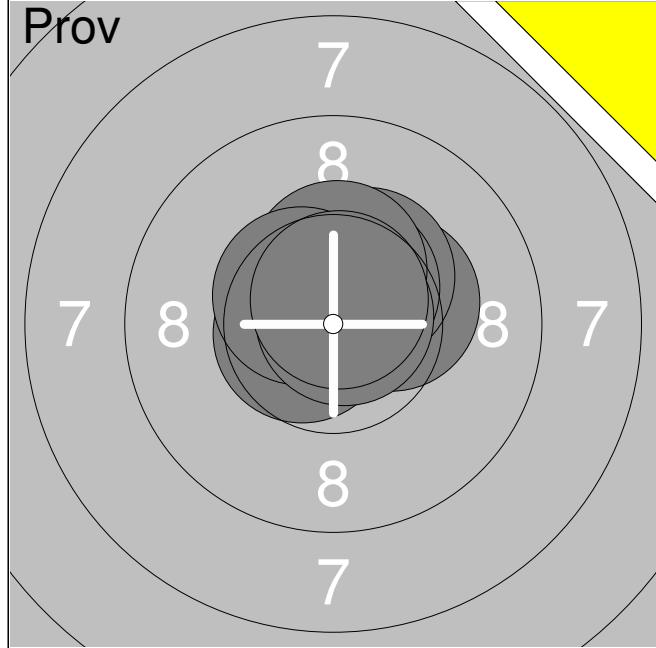
1:	10.6x	↙
2:	10.6x	↖
3:	10.7x	↓
4:	10.7x	↙
5:	10.8x	↙
6:	10.7x	→
7:	10.8x	↓

Serie	74.9
Total	0.0

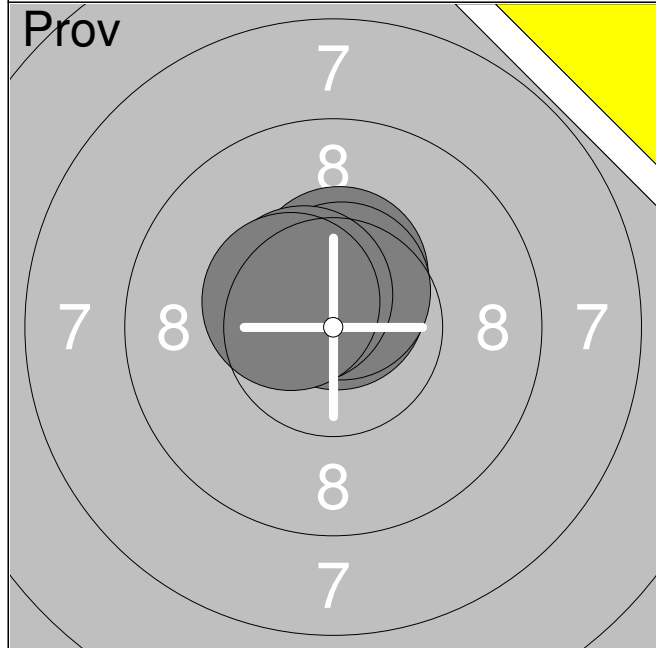


1:	10.6x	←
2:	10.3x	↘
3:	10.7x	↓
4:	10.7x	↙
5:	10.6x	→
6:	10.9x	↗
7:	10.2x	↓
8:	9.9	↙
9:	10.2x	↗
10:	10.2x	↖

Serie	104.3
Total	104.3



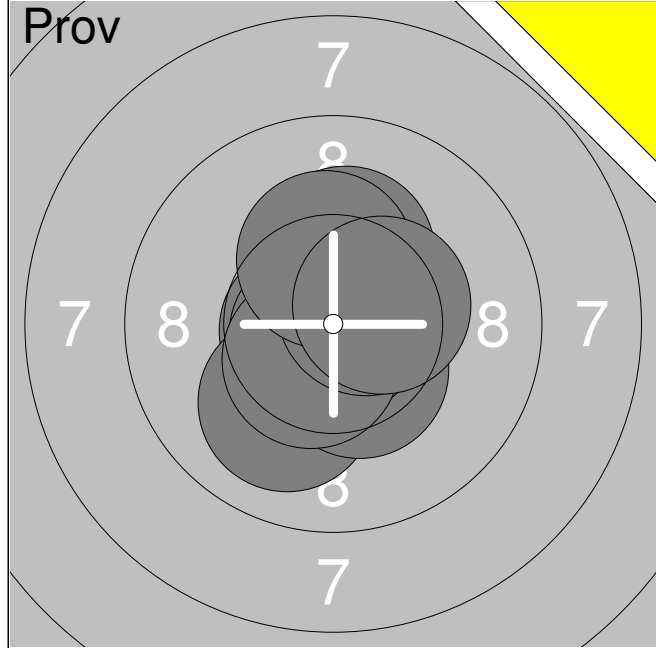
1:	10.3x	➔
2:	10.6x	➡
3:	10.7x	⬆
4:	10.4x	↗
5:	10.5x	↗
6:	10.4x	⬆
7:	10.7x	⬆
8:	10.5x	↖
9:	10.8x	↗
10:	10.7x	⬆
Serie		105.6
Total		0.0



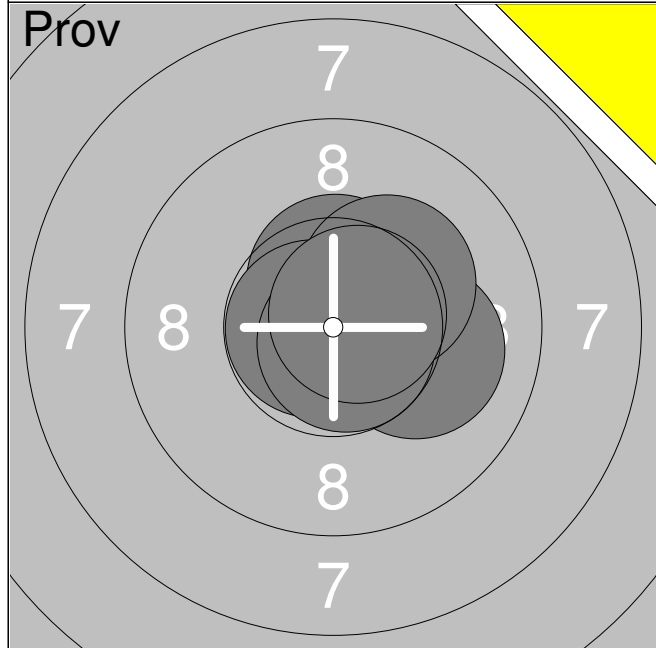
11:	10.7x	⬆
12:	10.4x	⬆
13:	10.6x	⬆
14:	10.5x	↖
15:	10.5x	↖
Serie		52.7
Total		0.0



1:	10.2x	⬆
2:	10.7x	⬆
3:	10.6x	⬆
4:	10.4x	↖
5:	10.9x	↗
6:	10.7x	↗
7:	10.7x	⬇
8:	10.8x	➡
9:	10.5x	➡
10:	10.8x	⬆
Serie		106.3
Total		106.3



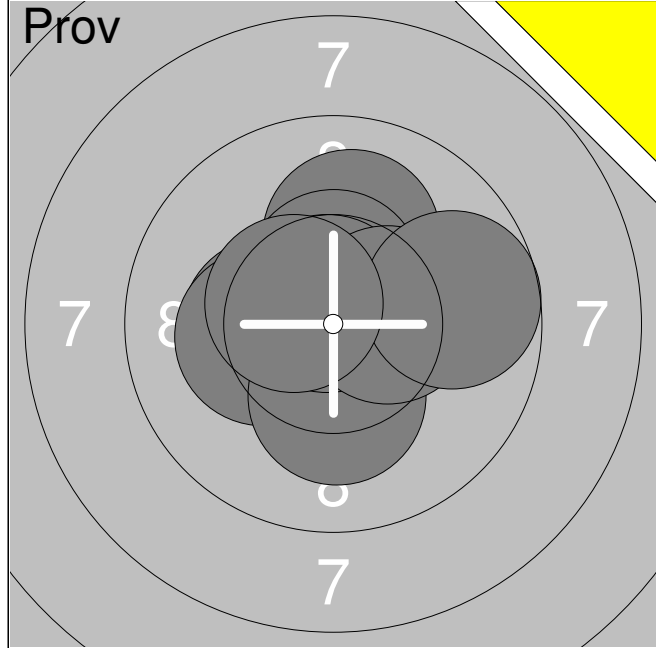
1:	10.3x	↑
2:	10.7x	←
3:	10.0	↓
4:	10.4x	↓
5:	10.9x	→
6:	10.8x	←
7:	10.5x	↓
8:	10.6x	→
9:	10.3x	↑
10:	10.4x	→
Serie		104.9
Total		0.0



11:	10.1	→
12:	10.5x	↑
13:	10.8x	←
14:	10.3x	→
15:	10.7x	↓
16:	10.7x	→
Serie		63.1
Total		0.0



1:	10.4x	↖
2:	10.4x	↓
3:	10.5x	↓
4:	10.8x	↓
5:	10.7x	↘
6:	10.7x	←
7:	10.4x	↑
8:	10.8x	↓
9:	10.5x	→
10:	10.8x	↑
Serie		106.0
Total		106.0



1:	10.3x	←
2:	10.2x	←
3:	10.1	↑
4:	10.6x	↖
5:	10.5x	↑
6:	10.2x	↓
7:	10.7x	↑
8:	10.4x	→
9:	9.7	→
10:	10.5x	↖
Serie		103.2
Total		0.0



11:	10.3x	→
12:	10.6x	↘
Serie		20.9
Total		0.0



1:	10.1	→
2:	10.5x	↘
3:	10.5x	↑
4:	10.4x	↗
5:	10.2x	↓
6:	10.6x	→
7:	10.1	↑
8:	10.2x	↗
9:	10.6x	↑
10:	10.5x	↑
Serie		103.7
Total		103.7