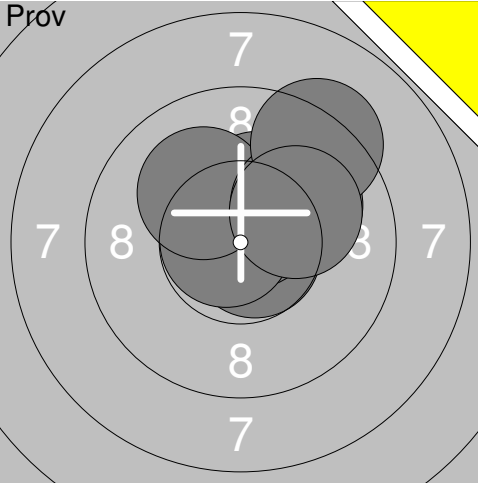
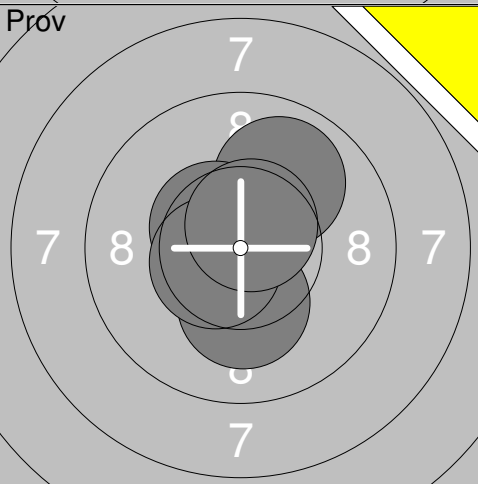
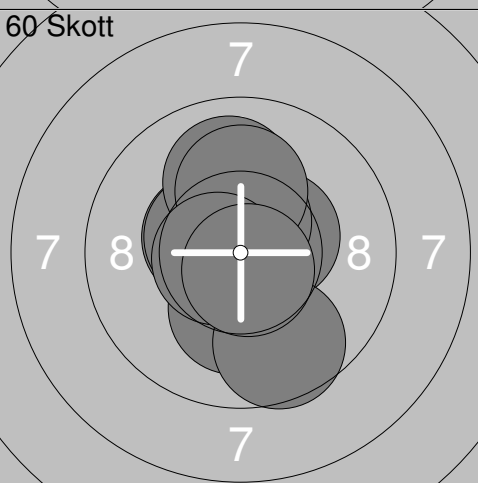
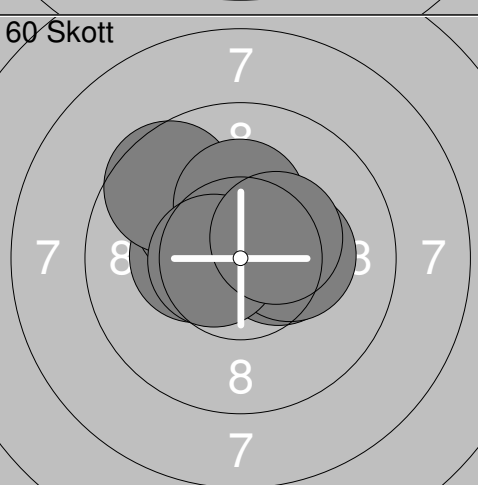
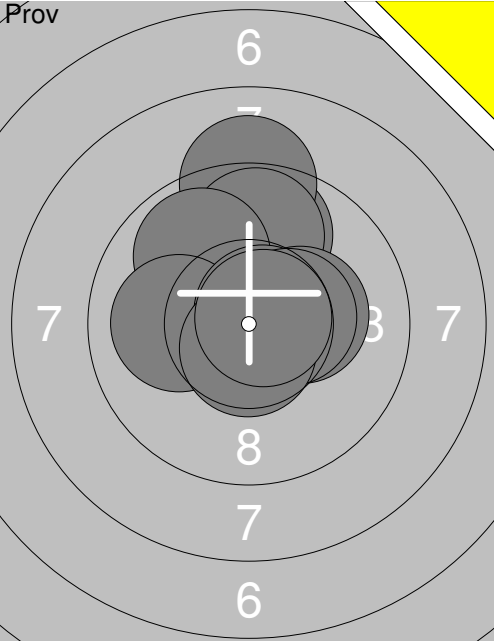

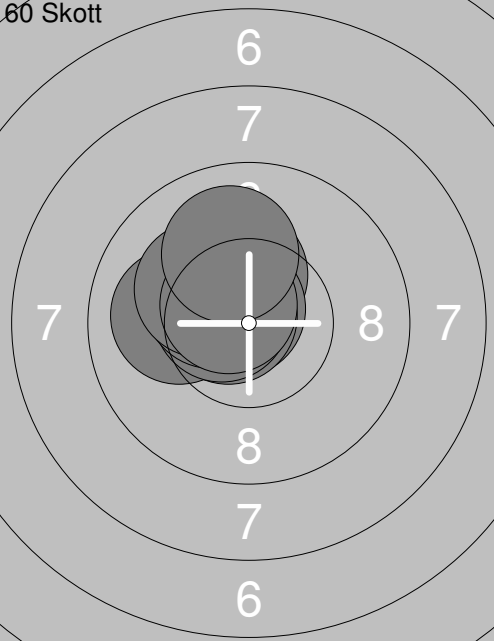
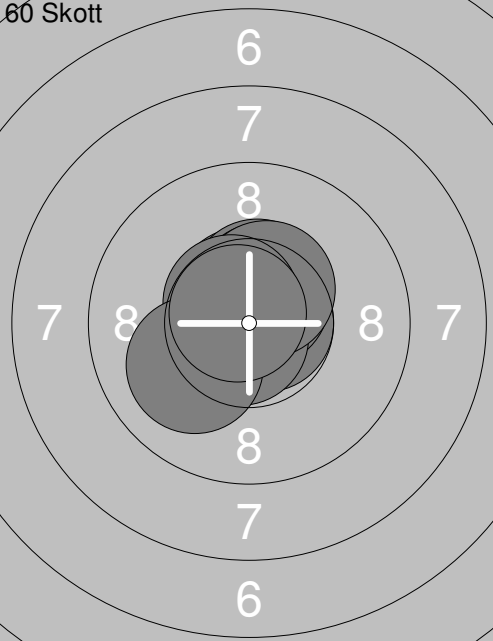
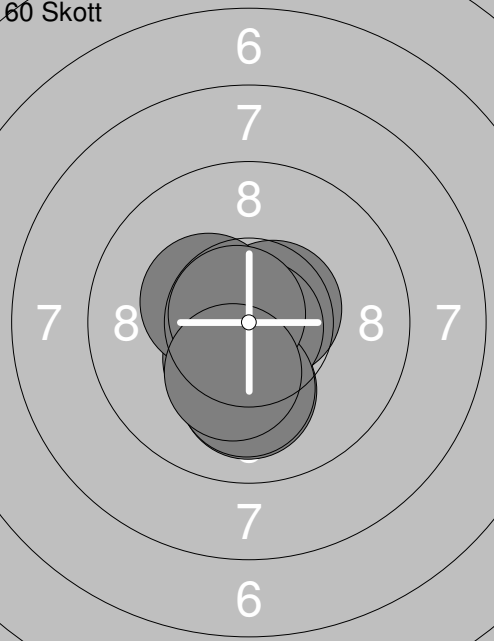
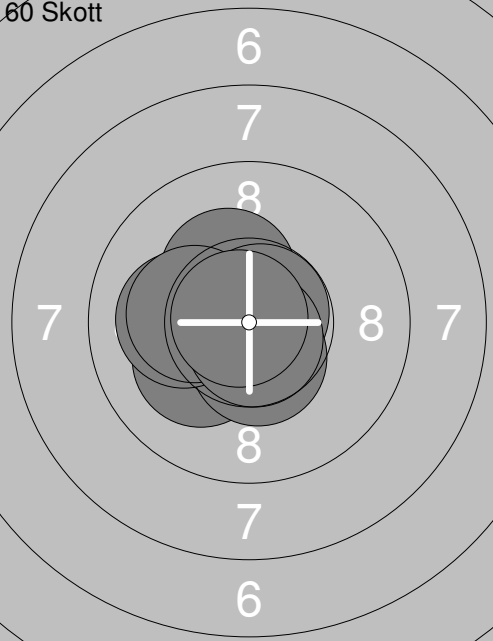


Skjutlag	Tavla	Ylva Lundstedt	
1	18		
S	Ramselefors	L11	Vb
19.11.2022	Vännästräffen 2022	Umeå skytteallians	
Prov		1: 10.7x ↘ 2: 10.5x ↑ 3: 10.6x ↗ 4: 10.3x ↗ 5: 10.7x ↑ 6: 10.7x ← 7: 10.1 ↗ 8: 10.0 ↗ 9: 9.3 ↗ 10: 10.1 ↗ Serie 103.0 Total 0.0	11: 10.3x ↗ 12: 9.9 ↑ 13: 10.5x ↘ 14: 10.9x ↗ 15: 10.6x ↑ 16: 10.2x ↓ 17: 10.0 ↗ 18: 10.7x → 19: 10.6x ↓ 20: 10.7x ↘ Serie 104.4 Total 0.0
Prov		21: 10.7x ← 22: 10.2x ↓ 23: 9.9 ↗ 24: 10.5x ↗ 25: 10.6x ← 26: 10.6x ↑ Serie 62.5 Total 0.0	60 Skott
			1: 10.4x ↓ 2: 10.9x ← 3: 10.4x ↑ 4: 10.7x ↘ 5: 10.4x ← 6: 10.7x ↑ 7: 10.5x ← 8: 10.4x ↑ 9: 10.4x ↓ 10: 10.7x ↓ Serie 105.5 Total 105.5
60 Skott		11: 10.5x ← 12: 10.5x ← 13: 10.0 ↑ 14: 10.5x ↗ 15: 10.5x ↑ 16: 10.1 ↑ 17: 10.2x ↓ 18: 9.6 ↓ 19: 10.6x ← 20: 10.7x ↓ Serie 103.2 Total 208.7	60 Skott
			21: 10.7x ← 22: 10.4x ↓ 23: 10.4x ↑ 24: 10.4x ↑ 25: 10.3x ↓ 26: 10.8x → 27: 10.3x ↓ 28: 10.7x ↘ 29: 10.7x ↗ 30: 10.9x ↗ Serie 105.6 Total 314.3
60 Skott		31: 10.3x ← 32: 10.2x ↗ 33: 9.6 ↗ 34: 10.7x ↑ 35: 10.7x ↗ 36: 10.4x → 37: 10.3x → 38: 10.2x ↑ 39: 10.6x ← 40: 10.4x ↗ Serie 103.4 Total 417.7	

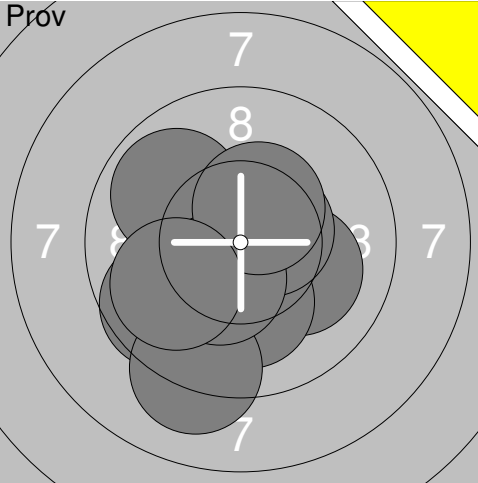
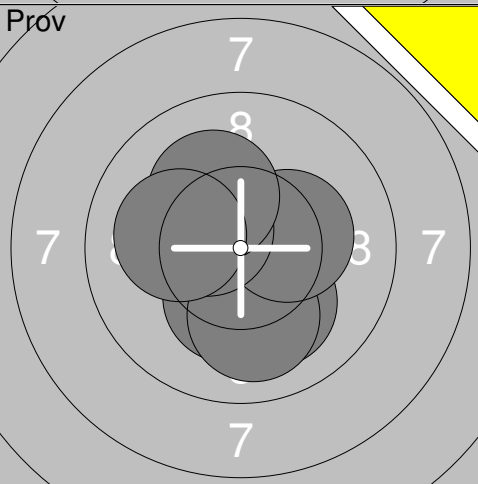
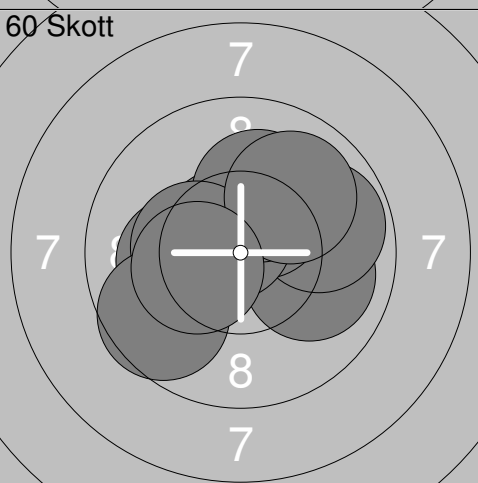
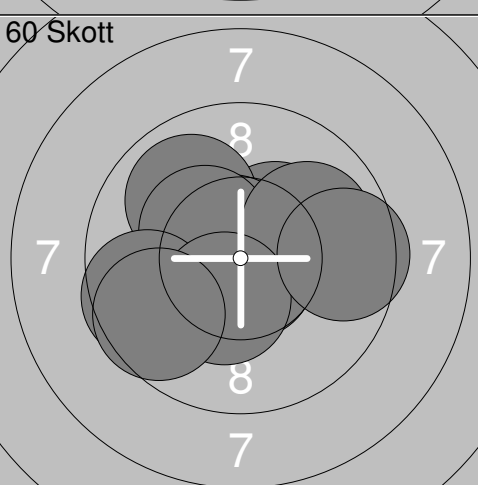
Skjutlag	Tavla	Alexander Lindahl	
1	19		
S	Vännäs	L11	Vb
19.11.2022	Vännästräffen 2022	Umeå skytteallians	
	1: 9.9 →		11: 10.3x→
	2: 8.7 →		12: 9.1 ↓
	3: 10.5x↘		13: 10.3x↑
	4: 9.5 ↑		14: 10.5x↘
	5: 10.8x↘		15: 9.7 ↙
	6: 10.8x↘		
	7: 10.6x↘		
	8: 10.5x↘		
	9: 9.9 ←		
	10: 10.1 ↓		
Serie	101.3	Serie	49.9
Total	0.0	Total	0.0
	1: 10.9x↘		11: 9.8 ←
	2: 10.5x↑		12: 9.8 ↖
	3: 9.3 ←		13: 10.5x↘
	4: 10.8x↓		14: 10.5x↓
	5: 9.7 ↗		15: 10.5x↘
	6: 10.2x←		16: 10.3x→
	7: 10.1 ↑		17: 10.9x↘
	8: 10.4x↑		18: 9.6 ↑
	9: 9.5 →		19: 9.7 →
	10: 9.3 ↑		20: 10.0 ↑
Serie	100.7	Serie	101.6
Total	100.7	Total	202.3
	21: 10.4x↓		31: 10.4x↓
	22: 10.2x↘		32: 10.6x↑
	23: 10.3x↗		33: 9.2 ←
	24: 10.3x→		34: 10.5x↓
	25: 10.4x↘		35: 10.5x↘
	26: 10.1 →		36: 10.3x→
	27: 9.9 ↖		37: 8.7 ←
	28: 10.1 →		38: 9.0 ←
	29: 10.0 ↑		39: 9.7 ↑
	30: 10.2x↓		40: 10.0 ↑
Serie	101.9	Serie	98.9
Total	304.2	Total	403.1

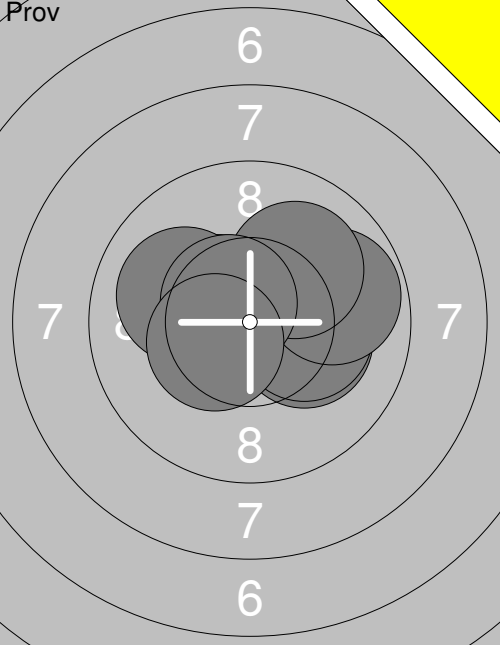
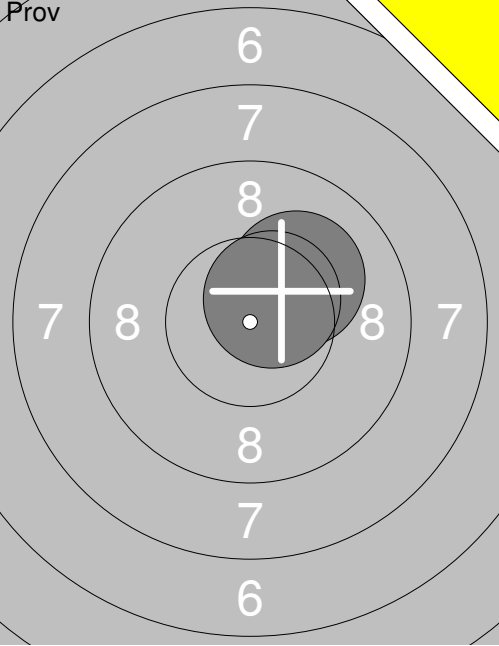
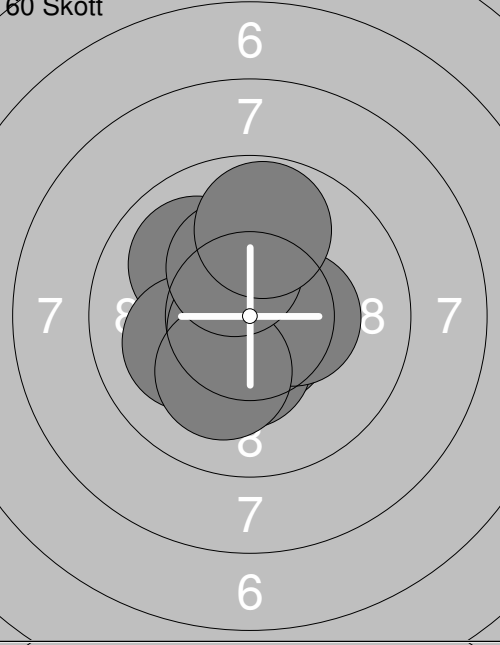
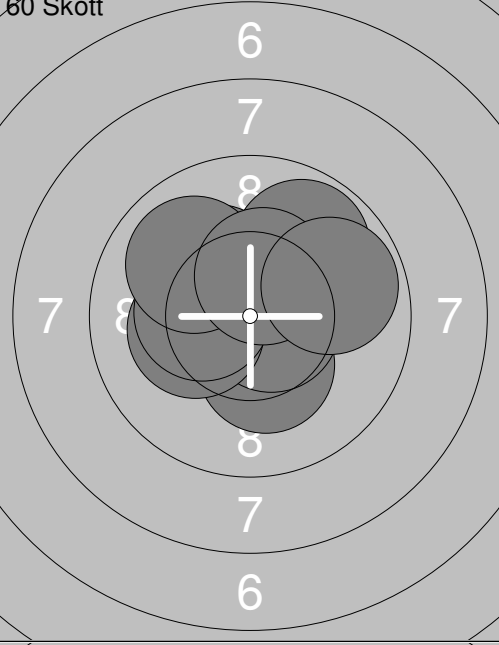
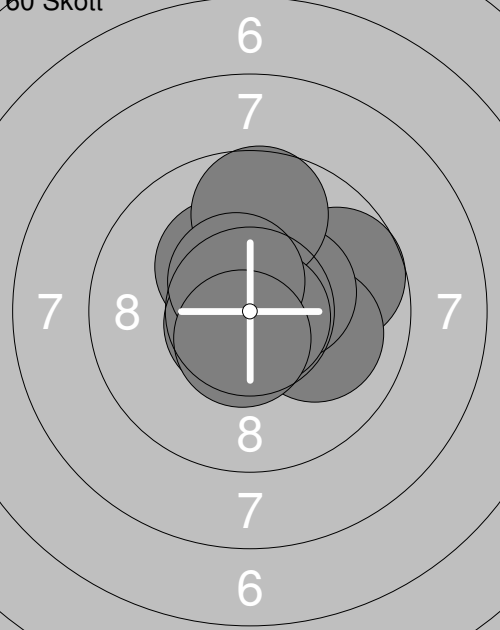
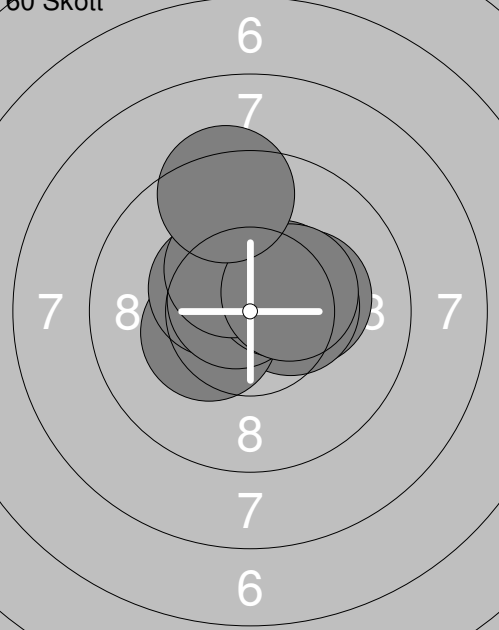
Skjutlag	Tavla	Alex Hansson	
1	21	Vännäs	L09 Vb
19.11.2022	Vännästräffen 2022	Umeå skytteallians	
Prov 	1: 9.7 ↓	Prov 	11: 10.4x↑
	2: 10.7x↓		12: 10.1 ↑
	3: 9.8 ↙		13: 10.7x↗
	4: 10.4x↔		
	5: 10.4x↔		
	6: 9.9 ↖		
	7: 10.6x↓		
	8: 10.5x↘		
	9: 10.4x↔		
	10: 10.2x↑		
	Serie 102.6		Serie 31.2
	Total 0.0		Total 0.0
60 Skott 	1: 10.9x↘	60 Skott 	11: 10.4x↔
	2: 10.7x↔		12: 10.4x↓
	3: 10.6x↑		13: 10.8x↑
	4: 10.8x↗		14: 10.8x↗
	5: 10.5x↑		15: 10.1 ↖
	6: 10.0 →		16: 10.5x↔
	7: 10.7x↓		17: 9.8 ↓
	8: 10.3x↘		18: 10.3x↑
	9: 10.6x→		19: 10.7x↔
	10: 10.7x↔		20: 10.2x↑
	Serie 105.8		Serie 104.0
	Total 105.8		Total 209.8
60 Skott 	21: 10.3x↘	60 Skott 	31: 10.6x↔
	22: 10.9x↘		32: 10.7x↔
	23: 10.4x↑		33: 10.9x→
	24: 10.6x↑		34: 10.7x↗
	25: 10.3x→		35: 10.3x↓
	26: 10.3x↓		36: 10.7x↔
	27: 10.6x↗		37: 10.6x↘
	28: 10.8x↘		38: 10.3x↔
	29: 10.3x↑		39: 10.5x↔
	30: 10.7x↓		40: 10.4x↔
	Serie 105.2		Serie 105.7
	Total 315.0		Total 420.7

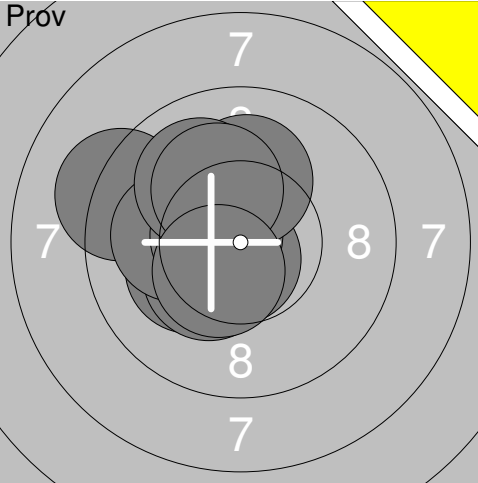

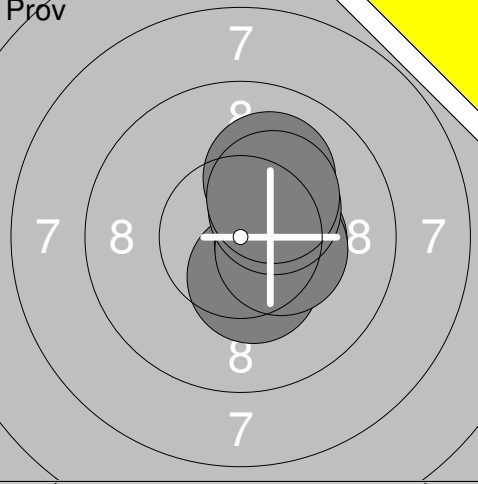
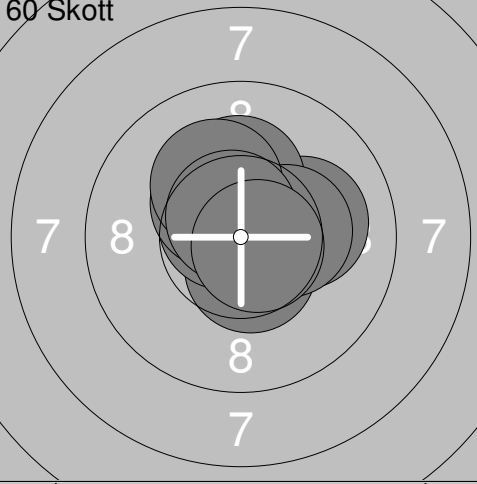
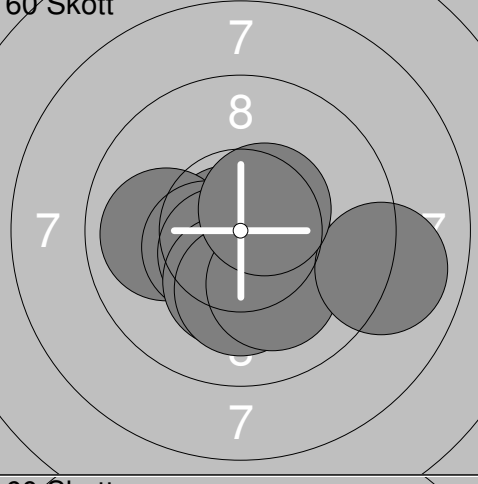
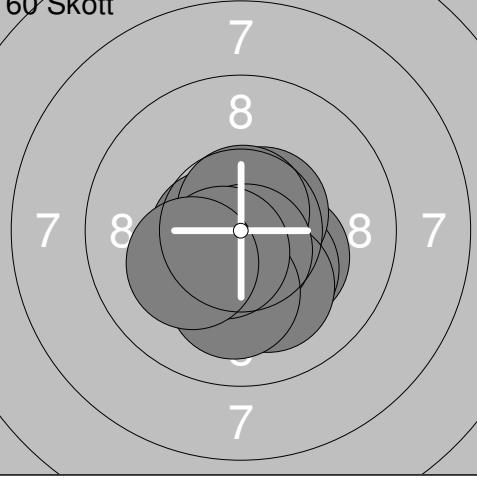
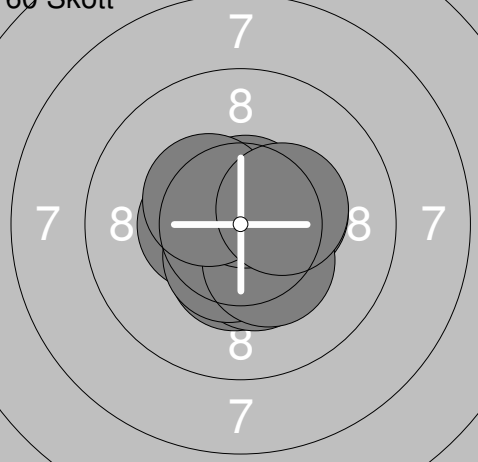
Skjutlag	Tavla	Filip Hansson	
1	22		
S	Vännäs	Umeå skytteallians	
19.11.2022	Vännästräffen 2022		
	1: 9.8 ↑		11: 10.5x↗
	2: 9.1 ↑		12: 10.5x↖
	3: 9.8 ↑		
	4: 9.9 ↖		
	5: 10.0 ←		
	6: 10.7x↗		
	7: 10.3x→		
	8: 10.4x→		
	9: 10.6x↓		
	10: 10.7x↗		
	Serie 101.3		Serie 21.0
	Total 0.0		Total 0.0
	1: 10.3x↗		11: 10.6x↗
	2: 10.7x↗		12: 10.5x↗
	3: 10.7x↖		13: 10.7x→
	4: 10.4x↖		14: 10.6x↗
	5: 10.0 ←		15: 10.5x↗
	6: 10.6x↖		16: 10.7x↖
	7: 10.4x↖		17: 10.5x↗
	8: 10.2x↖		18: 10.6x↖
	9: 10.6x↖		19: 10.1 ↙
	10: 10.0 ↑		20: 10.8x↖
	Serie 103.9		Serie 105.6
	Total 103.9		Total 209.5
	21: 10.4x↖		31: 10.6x↖
	22: 10.8x↖		32: 10.2x↖
	23: 10.8x→		33: 10.8x↖
	24: 10.1 ↓		34: 10.3x↖
	25: 10.6x↗		35: 10.8x↗
	26: 10.4x↖		36: 10.5x↖
	27: 10.8x↖		37: 10.1 ←
	28: 10.1 ↓		38: 10.2x↖
	29: 10.8x↖		39: 10.7x↖
	30: 10.3x↖		40: 10.8x↖
	Serie 105.1		Serie 105.0
	Total 314.6		Total 419.6

Skjutlag	Tavla	Henrik Albihn	
1	23		
S	Vännäs	Lsitt	Vb
19.11.2022	Vännästräffen 2022	Umeå skytteallians	
	1: 10.2x➤		11: 9.6 ↘
	2: 10.2x↓		12: 10.2x➤
	3: 10.2x↖		13: 10.7x↖
	4: 10.5x↓		14: 10.9x↗
	5: 10.1➤		
	6: 9.9 ↗		
	7: 10.6x↗		
	8: 10.6x↗		
	9: 10.3x➤		
	10: 10.0 ↓		
	Serie 102.6		Serie 41.4
	Total 0.0		Total 0.0
	1: 10.6x↓		11: 9.8 ↑
	2: 10.9x➤		12: 10.2x↖
	3: 10.2x↖		13: 10.4x↖
	4: 10.2x↓		14: 10.3x↖
	5: 10.7x➤		15: 10.3x↗
	6: 10.7x↖		16: 10.6x➤
	7: 10.6x↗		17: 10.6x↖
	8: 10.6x↖		18: 10.4x↖
	9: 10.9x↖		19: 10.8x➤
	10: 10.6x➤		20: 10.7x➤
	Serie 106.0		Serie 104.1
	Total 106.0		Total 210.1
	21: 10.6x↖		31: 10.7x↖
	22: 10.4x➤		32: 9.6 ↖
	23: 10.4x↖		33: 10.4x↖
	24: 10.5x↖		34: 10.4x↖
	25: 10.2x↓		35: 10.3x↖
	26: 10.6x↖		36: 10.4x↖
	27: 10.6x↓		37: 10.1 ↓
	28: 10.4x↓		38: 10.2x↗
	29: 10.9x↗		39: 10.1➤
	30: 9.9 ↗		40: 10.6x➤
	Serie 104.5		Serie 102.8
	Total 314.6		Total 417.4

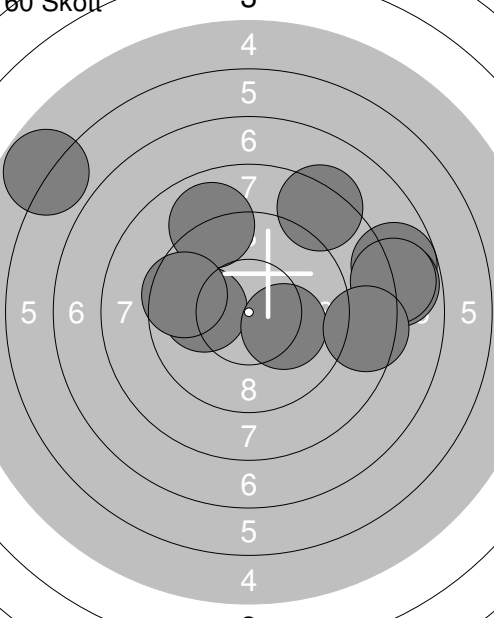
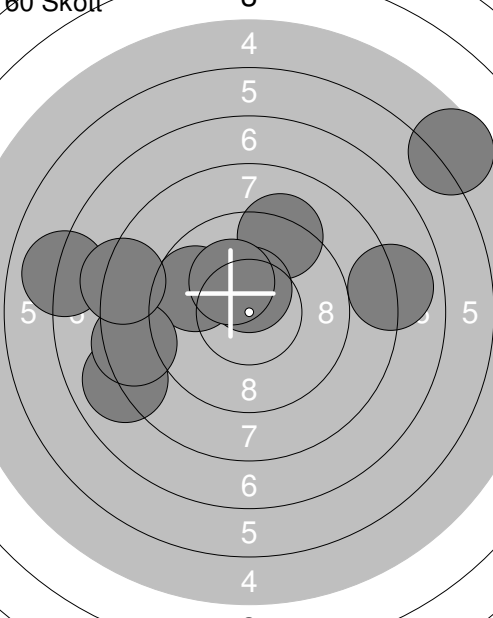
Skjutlag	Tavla	Emelie Albihn	
1	24		
S	Vännäs	L13	Vb
19.11.2022	Vännästräffen 2022	Umeå skytteallians	
Pröv 	1: 9.7 ↗ 2: 10.2x ↗ 3: 10.4x ↗ 4: 10.2x ↗ 5: 10.1 ↗ 6: 10.6x ← 7: 10.2x ↗ 8: 9.0 ↗ 9: 9.3 ↗ 10: 10.6x ↙ Serie 100.3 Total 0.0	Pröv 	11: 10.6x ↗ 12: 10.5x ↗ 13: 9.4 ↗ 14: 10.6x ↗ 15: 10.2x ↗ 16: 10.4x ↓ 17: 9.6 → 18: 10.3x ← 19: 10.8x ↙ 20: 10.7x ↙ Serie 103.1 Total 0.0
Pröv 	21: 10.3x ← 22: 10.4x → 23: 9.8 ↓ 24: 10.2x ↓ 25: 10.1 ↓ 26: 10.1 ↓ 27: 10.5x ↗ 28: 10.1 ↗ Serie 81.5 Total 0.0	60 Skott 	1: 9.4 ↓ 2: 10.1 ← 3: 10.6x ← 4: 9.8 ↗ 5: 10.5x ↗ 6: 10.7x ↓ 7: 9.8 → 8: 10.6x ↙ 9: 10.4x → 10: 9.9 ← Serie 101.8 Total 101.8
60 Skott 	11: 9.8 ↗ 12: 10.2x ← 13: 9.7 → 14: 10.8x ↗ 15: 10.1 ← 16: 10.3x ↙ 17: 10.3x ↗ 18: 10.1 ↗ 19: 10.1 → 20: 10.5x ← Serie 101.9 Total 203.7	60 Skott 	21: 10.8x ↗ 22: 10.3x ↗ 23: 10.1 ↗ 24: 10.7x ← 25: 10.4x → 26: 10.5x ↗ 27: 10.8x → 28: 9.9 ↙ 29: 9.9 ↓ 30: 10.0 ↓ Serie 103.4 Total 307.1
60 Skott 	31: 10.2x ↗ 32: 10.1 → 33: 9.4 ↓ 34: 10.5x ↗ 35: 10.3x ↗ 36: 9.9 ← 37: 10.3x ← 38: 9.7 ← 39: 10.5x ↗ 40: 9.9 ↙ Serie 100.8 Total 407.9		

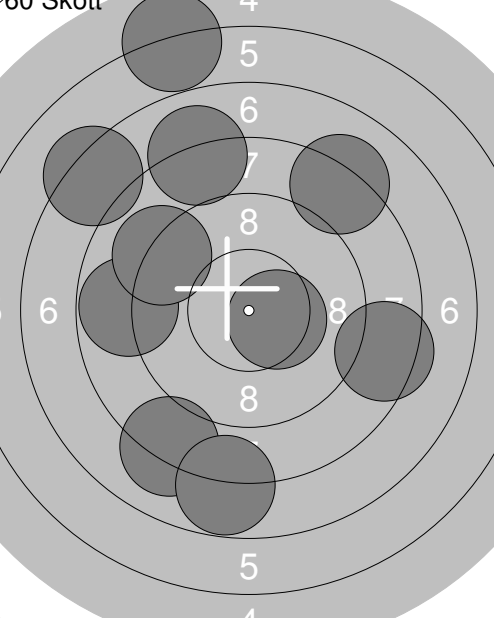
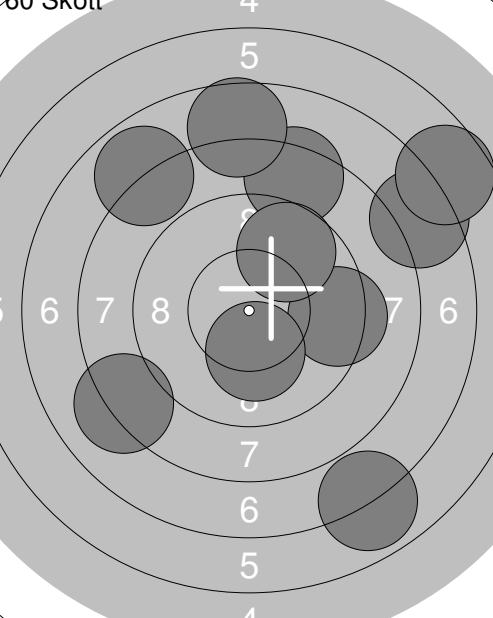
Skjutlag	Tavla	Emmy Långström	
1	25	Ramselefors	L13 Vb
19.11.2022	Vännästräffen 2022	Umeå skytteallians	
Prov		1: 10.4x ↘ 2: 9.6 ↙ 3: 10.1 ↘ 4: 10.1 ↙ 5: 9.2 ↙ 6: 10.6x → 7: 9.9 ↗ 8: 10.4x ↙ 9: 10.4x ↗ 10: 9.9 ↙ Serie 100.6 Total 0.0	11: 9.9 ↗ 12: 9.6 ↘ 13: 10.1 ↗ 14: 10.4x ↙ 15: 10.3x ↗ 16: 9.4 ↗ 17: 10.2x ↗ 18: 9.6 ↗ 19: 10.5x ↗ 20: 10.1 → Serie 100.1 Total 0.0
Prov		21: 10.1 ↘ 22: 10.3x ↘ 23: 10.2x ↖ 24: 10.4x ↗ 25: 10.1 ↘ 26: 10.0 ↙ 27: 10.3x → 28: 10.4x ↗ 29: 10.2x ↗ 30: 10.1 ↖ Serie 102.1 Total 0.0	31: 9.8 ↗ 32: 10.2x ↖ 33: 9.9 ↗ 34: 10.7x ↗ Serie 40.6 Total 0.0
60 Skott		1: 10.0 → 2: 9.8 → 3: 10.2x ↖ 4: 10.3x ↗ 5: 10.6x ↗ 6: 10.1 ↗ 7: 10.4x ↖ 8: 9.6 ↙ 9: 9.9 ↗ 10: 10.3x ↖ Serie 101.2 Total 101.2	11: 10.1 ↖ 12: 9.7 ↖ 13: 10.2x ↗ 14: 10.3x ↗ 15: 10.1 ↗ 16: 9.7 ↘ 17: 9.9 ↙ 18: 10.2x ↘ 19: 10.5x → 20: 8.6 → Serie 99.3 Total 200.5
60 Skott		21: 10.7x ↘ 22: 10.3x ↗ 23: 9.9 ↗ 24: 10.7x ↗ 25: 10.4x ↗ 26: 9.6 ↖ 27: 10.0 → 28: 10.4x ↘ 29: 9.6 ↖ 30: 9.6 → Serie 101.2 Total 301.7	31: 10.6x ↘ 32: 10.7x ↗ 33: 10.9x ↗ 34: 10.5x ↘ 35: 9.7 ↘ 36: 9.9 ↘ 37: 9.8 ↘ 38: 10.4x ↘ 39: 10.6x ↘ 40: 10.5x ↘ Serie 103.6 Total 405.3

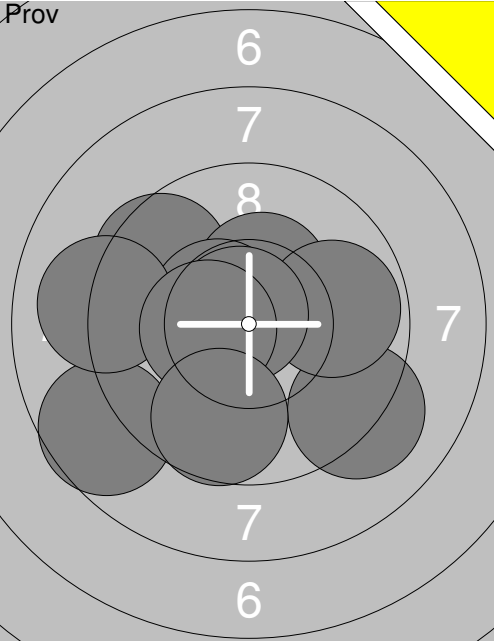
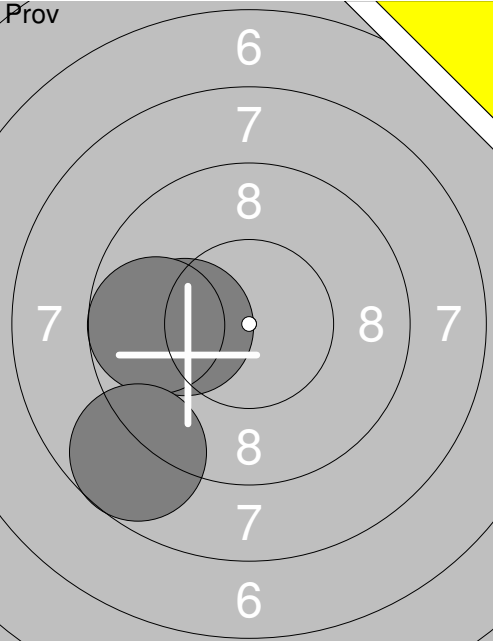
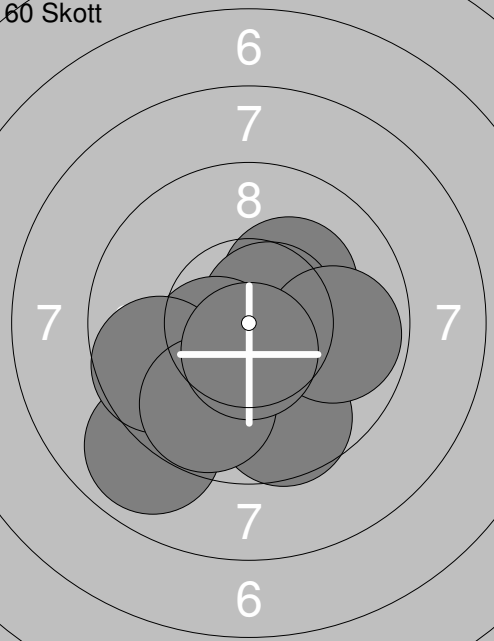
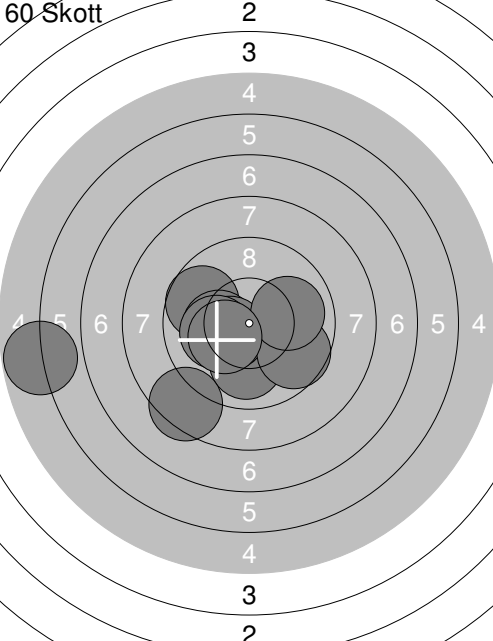
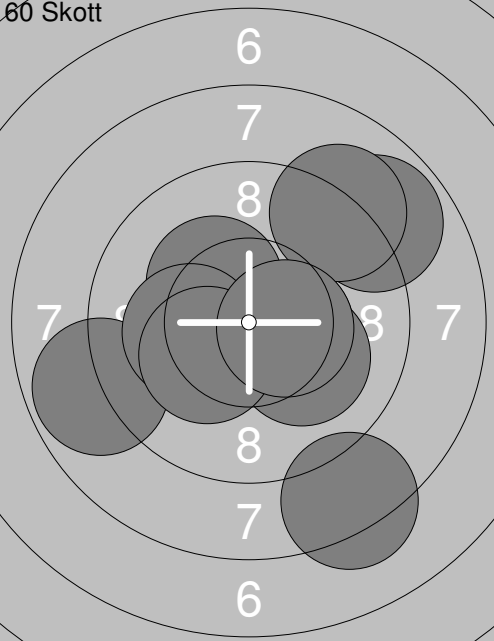
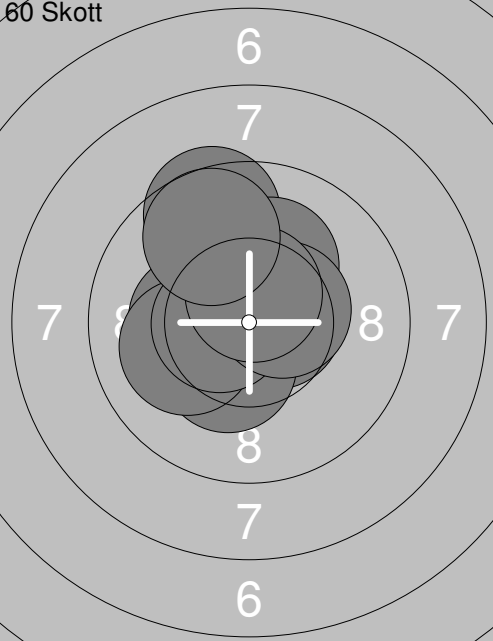
Skjutlag	Tavla	Bengt Lindberg	
1	26	Bjurholm	Umeå skytteallians
S		19.11.2022	Vännästräffen 2022
		Prov	Prov
	1: 10.4x➤ 2: 10.6x↙ 3: 10.5x↘ 4: 10.2x➤ 5: 10.2x➤ 6: 10.0↙ 7: 9.8 ➔ 8: 10.1 ↗ 9: 10.6x↘ 10: 10.4x↙		11: 10.1 ↗ 12: 10.5x↗
	Serie 102.8		Serie 20.6
	Total 0.0		Total 0.0
	1: 10.6x↗ 2: 10.6x↘ 3: 10.0 ↙ 4: 10.1↙ 5: 10.7x↘ 6: 10.4x↓ 7: 10.4x➤ 8: 10.2x↘ 9: 10.3x↗ 10: 9.8 ↗		11: 10.3x↘ 12: 10.6x➤ 13: 10.7x➤ 14: 10.2x↘ 15: 10.2x↘ 16: 9.8 ↗ 17: 10.3x↙ 18: 10.0 ↙ 19: 10.4x↗ 20: 9.8 ➔
	Serie 103.1		Serie 102.3
	Total 103.1		Total 205.4
	21: 9.7 ➔ 22: 10.3x↘ 23: 10.1 ➤ 24: 10.5x↗ 25: 10.4x➤ 26: 9.7 ↗ 27: 10.7x↘ 28: 10.8x➤ 29: 10.5x↘ 30: 10.6x↓		31: 10.2x➤ 32: 10.6x↘ 33: 10.4x➤ 34: 10.4x↙ 35: 10.4x↘ 36: 10.7x↘ 37: 10.5x↗ 38: 10.4x↘ 39: 10.4x➤ 40: 9.4 ↗
	Serie 103.3		Serie 103.4
	Total 308.7		Total 412.1

Skjutlag 1	Tavla 27	William Långström			
S		Ramselefors		Lsitt	Vb
19.11.2022		Vännästräffen 2022		Umeå skytteallians	
Prov		1: 10.2x ↙ 2: 10.3x ↙ 3: 9.2 ↗ 4: 10.7x ↓ 5: 10.1 ← 6: 10.6x ↖ 7: 10.1 ↑ 8: 10.0 ↗ 9: 10.2x ↗ 10: 10.5x ↙	Prov		11: 10.9x ↗ 12: 10.1 ↓ 13: 10.6x → 14: 10.6x → 15: 10.2x ↓ 16: 10.2x ← 17: 10.0 ↓ 18: 10.3x ← 19: 10.2x → 20: 10.6x ←
		Serie 101.9		Serie 103.7	
		Total 0.0		Total 0.0	
Prov		21: 10.4x ↓ 22: 10.1 ↗ 23: 10.4x → 24: 10.4x → 25: 10.3x ↗ 26: 10.3x ↗	60 Skott		1: 10.6x → 2: 10.5x ↓ 3: 10.7x ↗ 4: 10.1 → 5: 10.2x ↑ 6: 10.4x ↗ 7: 10.3x → 8: 10.2x ↗ 9: 10.6x ↗ 10: 10.7x ↘
		Serie 61.9		Serie 104.3	
		Total 0.0		Total 104.3	
60 Skott		11: 10.8x ← 12: 10.6x → 13: 10.0 ← 14: 10.5x ← 15: 10.6x ↓ 16: 10.3x ↓ 17: 10.2x ↓ 18: 10.1 ↓ 19: 9.0 → 20: 10.5x ↗	60 Skott		21: 10.3x ↘ 22: 10.3x ↓ 23: 10.6x ← 24: 10.6x ↗ 25: 10.1 ↓ 26: 10.7x ↑ 27: 10.7x ↓ 28: 10.1 ↓ 29: 10.6x ↓ 30: 10.2x ↙
		Serie 102.6		Serie 104.2	
		Total 206.9		Total 311.1	
60 Skott		31: 10.4x ↓ 32: 10.6x ↗ 33: 10.4x → 34: 10.4x ↓ 35: 10.5x ← 36: 10.5x ↓ 37: 10.3x ↓ 38: 10.6x ↑ 39: 10.4x ↗ 40: 10.3x →			
		Serie 104.4			
		Total 415.5			

	<p>1: 9.1 ←</p> <p>2: 9.6 →</p> <p>3: 8.6 ↓</p> <p>4: 9.7 ↖</p> <p>5: 9.2 ↖</p> <p>6: 10.0 ←</p> <p>7: 7.1 ↑</p> <p>8: 9.0 ↓</p> <p>9: 9.7 ↗</p> <p>10: 7.4 ↖</p> <p>Serie 89.4</p> <p>Total 0.0</p>		<p>11: 7.8 ↗</p> <p>12: 9.8 ↓</p> <p>13: 7.1 ↓</p> <p>14: 8.7 ↖</p> <p>15: 10.4x ↖</p> <p>16: 7.7 ↖</p> <p>17: 8.2 ↘</p> <p>18: 9.1 ↑</p> <p>19: 8.8 ↗</p> <p>20: 7.6 ←</p> <p>Serie 85.2</p> <p>Total 0.0</p>
--	--	--	--

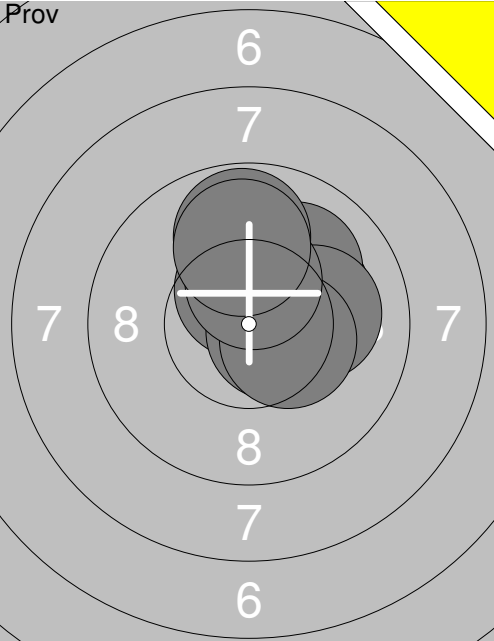
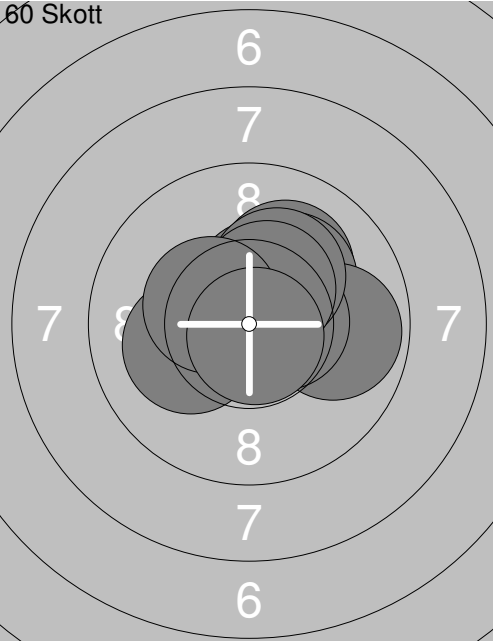
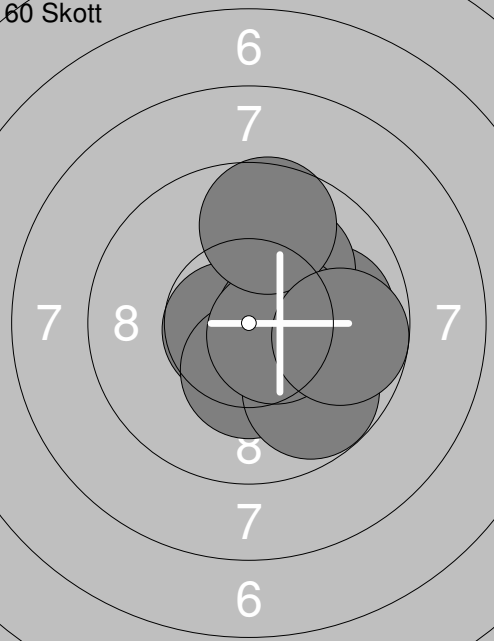
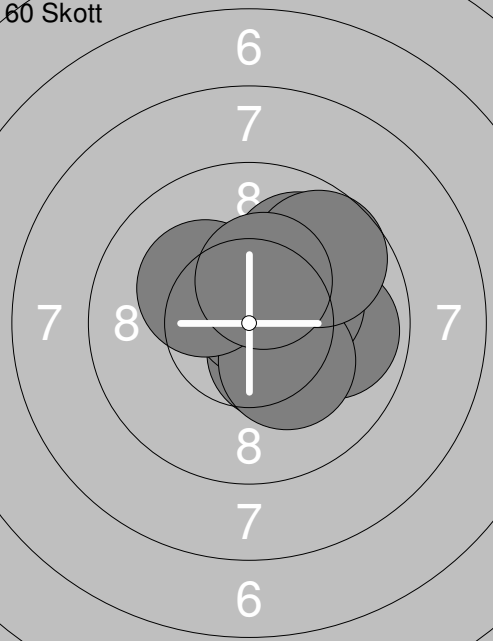
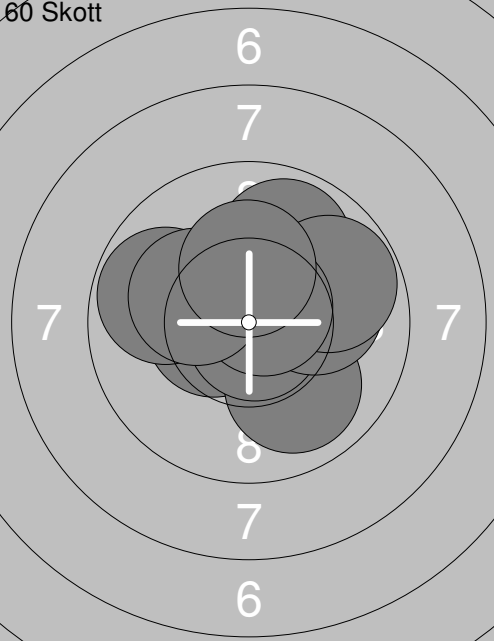
	<p>1: 9.0 ↗</p> <p>2: 7.8 →</p> <p>3: 10.0 ←</p> <p>4: 8.3 ↗</p> <p>5: 7.8 →</p> <p>6: 7.9 →</p> <p>7: 10.2x →</p> <p>8: 9.6 ←</p> <p>9: 8.5 →</p> <p>10: 5.8 ↖</p> <p>Serie 84.9</p> <p>Total 84.9</p>		<p>11: 7.0 ←</p> <p>12: 9.2 ↗</p> <p>13: 10.5x ↗</p> <p>14: 9.7 ↖</p> <p>15: 10.2x ↖</p> <p>16: 8.0 →</p> <p>17: 8.0 ←</p> <p>18: 8.5 ←</p> <p>19: 8.2 ←</p> <p>20: 5.6 ↗</p> <p>Serie 84.9</p> <p>Total 169.8</p>
---	---	---	--

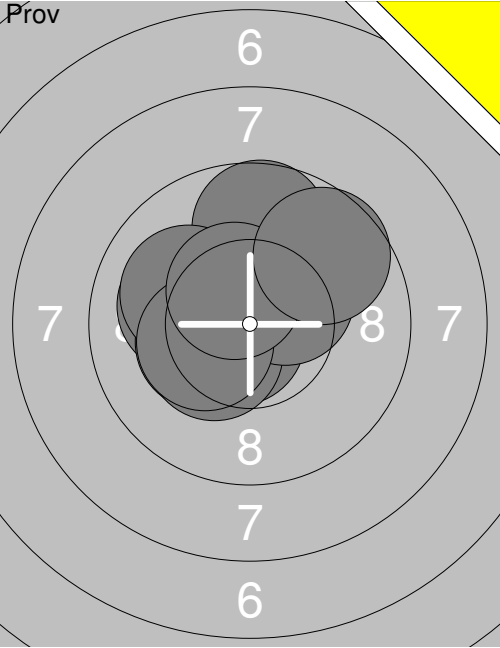
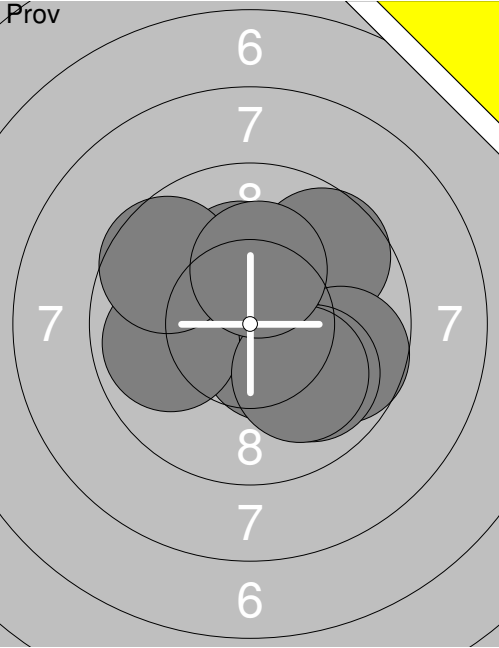
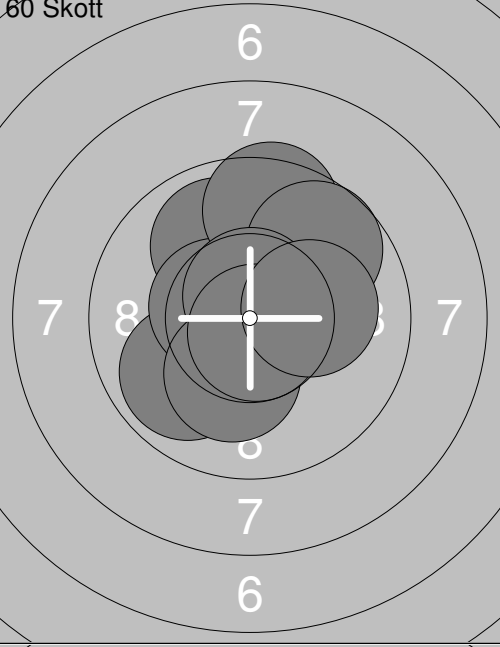
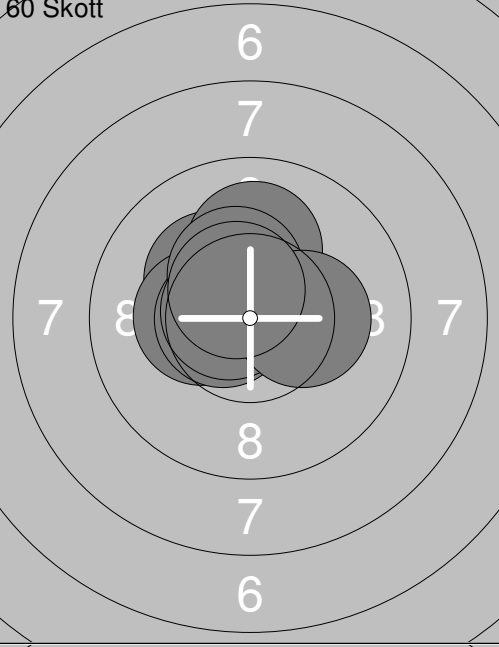
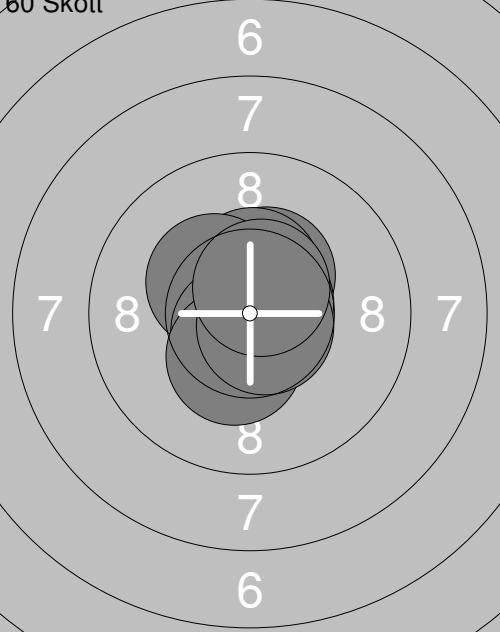
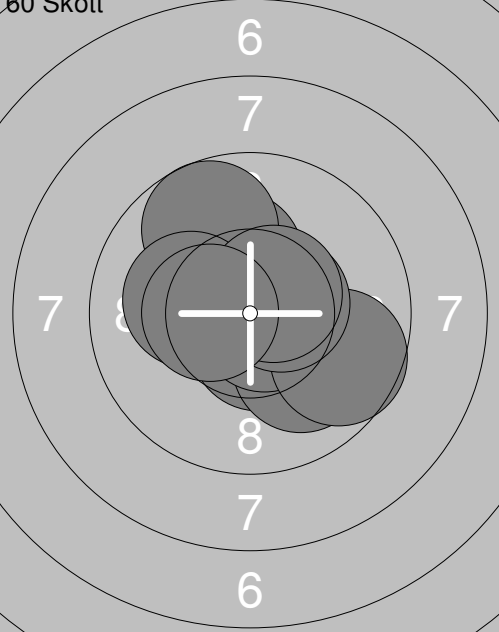
	<p>21: 8.1 ↓</p> <p>22: 8.8 ←</p> <p>23: 8.2 ↗</p> <p>24: 9.1 ↖</p> <p>25: 5.9 ↑</p> <p>26: 8.0 ↑</p> <p>27: 10.4x →</p> <p>28: 7.3 ↖</p> <p>29: 8.4 →</p> <p>30: 7.8 ↓</p> <p>Serie 82.0</p> <p>Total 251.8</p>		<p>31: 8.4 ↗</p> <p>32: 7.6 ↑</p> <p>33: 7.9 ↖</p> <p>34: 9.4 →</p> <p>35: 10.2x ↓</p> <p>36: 7.5 ↗</p> <p>37: 6.9 ↓</p> <p>38: 8.1 ↖</p> <p>39: 6.7 ↗</p> <p>40: 9.7 ↗</p> <p>Serie 82.4</p> <p>Total 334.2</p>
--	--	--	--

Skjutlag	Tavla	Valentin Häggström	
1	29	Ramselefors	L07 Vb
19.11.2022	Vännästräffen 2022	Umeå skytteallians	
	1: 9.6 ↖ 2: 9.2 ↘ 3: 10.4x↗ 4: 10.5x↖ 5: 8.7 ↙ 6: 9.8 → 7: 10.8x↖ 8: 9.1 ← 9: 10.4x← 10: 9.7 ↓		11: 10.1← 12: 9.7 ← 13: 8.7 ↙
Serie 98.2	Total 0.0	Serie 28.5	Total 0.0
	1: 10.5x↗ 2: 8.9 ↙ 3: 9.6 ↘ 4: 10.2x↗ 5: 10.6x↗ 6: 10.4x↖ 7: 9.7 ← 8: 9.8 → 9: 9.8 ↓ 10: 10.6x↓		11: 10.0 ↓ 12: 9.7 ↖ 13: 10.2x↖ 14: 10.4x↖ 15: 10.1← 16: 9.7 ↘ 17: 10.0→ 18: 8.4 ↙ 19: 5.8 ← 20: 10.3x↖
Serie 100.1	Total 100.1	Serie 94.6	Total 194.7
	21: 10.3x↖ 22: 8.8 ← 23: 10.5x→ 24: 8.9 ↗ 25: 10.2x↖ 26: 9.1 ↗ 27: 10.1 ↘ 28: 10.3x↖ 29: 8.3 ↓ 30: 10.5x→		31: 10.6x→ 32: 10.3x↖ 33: 9.5 ↗ 34: 10.3x↖ 35: 10.1← 36: 10.2x↗ 37: 10.6x↖ 38: 10.5x↗ 39: 10.6x↗ 40: 9.7 ↗
Serie 97.0	Total 291.7	Serie 102.4	Total 394.1

Skjutlag	Tavla	Melker Häggström			
1	30	Ramselefors		L09	Vb
19.11.2022	Vännästräffen 2022	Umeå skytteallians			
	1: 10.2x↓		11: 10.7x↘		
	2: 10.3x↓		12: 10.6x↗		
	3: 10.5x↖				
	4: 10.4x↖				
	5: 10.6x↗				
	6: 10.7x↗				
	7: 10.6x↖				
	8: 10.4x↗				
	9: 10.4x↗				
	10: 10.5x↘				
Serie 104.6		Serie 21.3			
Total 0.0		Total 0.0			
	1: 10.6x↗		11: 10.6x↗		
	2: 10.4x↓		12: 9.7 ↗		
	3: 10.5x↓		13: 10.6x↘		
	4: 10.9x↖		14: 10.4x↘		
	5: 10.6x↖		15: 10.6x↓		
	6: 10.7x↗		16: 10.3x↖		
	7: 10.6x↗		17: 10.2x↖		
	8: 10.6x↖		18: 10.8x↘		
	9: 10.6x↖		19: 9.9 ↘		
	10: 10.5x↘		20: 10.6x↖		
Serie 106.0		Serie 103.7			
Total 106.0		Total 209.7			
	21: 10.4x↗		31: 10.7x↘		
	22: 10.3x↘		32: 10.4x↗		
	23: 10.6x↘		33: 10.5x↗		
	24: 10.8x↖		34: 10.4x↗		
	25: 10.4x↗		35: 10.4x↗		
	26: 10.5x↘		36: 10.6x↓		
	27: 10.4x↗		37: 10.5x↘		
	28: 10.5x↘		38: 10.5x↘		
	29: 10.5x↘		39: 10.5x↓		
	30: 10.7x↖		40: 10.5x↘		
Serie 105.1		Serie 105.0			
Total 314.8		Total 419.8			

Skjuttag	Tavla	Alvin Långström			
1	31			S	Ramselefors
19.11.2022		Vännästräffen 2022		L07	Vb
1: 8.9 ← 2: 8.8 ↖ 3: 9.4 ↙ 4: 8.9 ↑ 5: 8.7 ← 6: 9.7 ← 7: 9.1 ↗ 8: 9.9 ↗ 9: 8.3 ↗ 10: 9.6 ↘ Serie 91.3 Total 0.0		11: 10.1 ↑ 12: 9.4 ↗ 13: 9.8 ↗ 14: 10.4x↘ Serie 39.7 Total 0.0			
1: 10.3x↘ 2: 10.3x↖ 3: 9.3 ↖ 4: 10.3x↘ 5: 9.4 ↗ 6: 8.7 → 7: 7.4 ← 8: 7.4 → 9: 10.0 ↖ 10: 9.5 ↗ Serie 92.6 Total 92.6		11: 7.8 ← 12: 8.1 ← 13: 7.4 ↗ 14: 10.9x↖ 15: 8.4 → 16: 9.8 → 17: 10.5x↗ 18: 8.8 ↗ 19: 10.5x↙ 20: 10.9x↖ Serie 93.1 Total 185.7			
21: 9.4 → 22: 9.4 ↖ 23: 8.3 ↗ 24: 9.4 ← 25: 9.4 ← 26: 9.0 ↑ 27: 7.1 ↖ 28: 10.5x↖ 29: 10.2x↖ 30: 9.2 ↑ Serie 91.9 Total 277.6		31: 8.2 ↗ 32: 8.1 ↑ 33: 10.4x↗ 34: 7.0 → 35: 9.8 → 36: 8.9 ← 37: 6.3 ← 38: 9.1 ↙ 39: 10.0 ↗ 40: 9.7 → Serie 87.5 Total 365.1			

Skjutlag 1	Tavla 33	Emma Hermansson	
S		Ramselefors	L09 Vb
19.11.2022		Vännästräffen 2022	Umeå skytteallians
	1: 10.5x ↗ 2: 10.2x ↗ 3: 10.2x ↗ 4: 10.0 ↗ 5: 10.1 → 6: 10.6x → 7: 10.4x → 8: 9.8 ↑ 9: 10.4x ↗ 10: 10.0 ↑ Serie 102.2 Total 0.0		1: 10.1 ↗ 2: 10.2x ↗ 3: 9.8 → 4: 10.1 ← 5: 10.5x ↗ 6: 10.5x → 7: 10.2x ↗ 8: 10.4x ↗ 9: 10.4x ↗ 10: 10.8x ↘ Serie 103.0 Total 103.0
	11: 9.9 → 12: 10.1 ↗ 13: 10.7x ← 14: 10.0 → 15: 10.3x ↘ 16: 10.5x → 17: 9.8 ↘ 18: 10.6x → 19: 9.7 ↑ 20: 9.7 → Serie 101.3 Total 204.3		21: 10.6x ↗ 22: 10.4x ↘ 23: 9.9 → 24: 10.3x → 25: 10.7x ↗ 26: 9.9 ↗ 27: 10.2x ↘ 28: 9.7 ↗ 29: 10.2x ↗ 30: 10.4x ↗ Serie 102.3 Total 306.6
	31: 10.5x ← 32: 10.0 ↘ 33: 9.9 ↗ 34: 9.8 ← 35: 10.8x ↘ 36: 10.1 → 37: 9.8 ↗ 38: 10.7x ↗ 39: 10.2x ↗ 40: 10.3x ↗ Serie 102.1 Total 408.7		

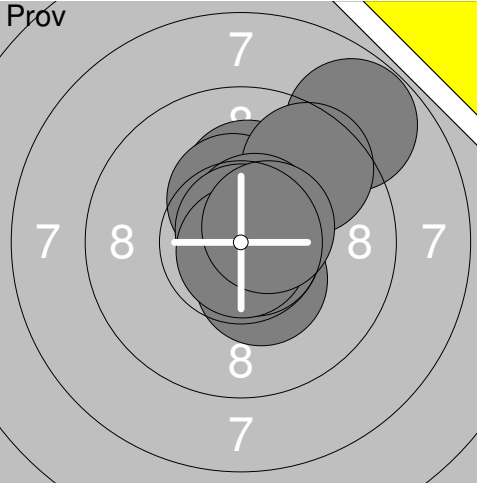
Skjutlag	Tavla	Isabell Lindberg	
1	34	Ramselefors	L09 Vb
19.11.2022	Vännästräffen 2022	Umeå skytteallians	
Prov 	1: 10.7x ↘ 2: 10.1 ← 3: 9.7 ↑ 4: 10.3x ↘ 5: 10.4x ↘ 6: 10.1 ↘ 7: 10.4x ↗ 8: 10.3x ↘ 9: 10.5x ↘ 10: 9.7 ↗ Serie 102.2 Total 0.0	Prov 	11: 9.7 ↗ 12: 10.2x ↗ 13: 9.7 → 14: 10.5x ↘ 15: 9.9 ← 16: 9.9 ↘ 17: 10.0 ↘ 18: 9.6 ↖ 19: 10.2x ↗ Serie 89.7 Total 0.0
60 Skott 	1: 9.9 ↖ 2: 10.8x ↘ 3: 9.9 ↙ 4: 10.5x ↘ 5: 9.5 ↑ 6: 9.7 ↗ 7: 10.7x ↗ 8: 10.2x ↘ 9: 10.7x ↘ 10: 10.2x → Serie 102.1 Total 102.1	60 Skott 	11: 10.3x ↘ 12: 10.5x ↘ 13: 10.7x ↗ 14: 10.1 ↑ 15: 10.3x ← 16: 10.6x ← 17: 10.4x ↗ 18: 10.7x ↘ 19: 10.3x → 20: 10.5x ↗ Serie 104.4 Total 206.5
60 Skott 	21: 10.4x ↗ 22: 10.7x ↗ 23: 10.5x ↗ 24: 10.8x ↘ 25: 10.3x ↘ 26: 10.8x → 27: 10.7x ↘ 28: 10.3x ↘ 29: 10.7x ↘ 30: 10.6x ↗ Serie 105.8 Total 312.3	60 Skott 	31: 10.2x ↗ 32: 9.7 ↖ 33: 10.2x ↘ 34: 10.6x ↘ 35: 10.0 ↘ 36: 10.7x ↘ 37: 9.7 → 38: 10.5x → 39: 10.6x ↗ 40: 10.4x ← Serie 102.6 Total 414.9

<p>Prov</p>	<p>1: 10.3x↓ 2: 9.6 ↑ 3: 10.3x→ 4: 10.4x↗ 5: 10.4x→ 6: 9.9 → 7: 8.7 ↗ 8: 10.5x↓ 9: 10.9x→ 10: 9.7 →</p> <p>Serie 100.7 Total 0.0</p>	<p>Prov</p>	<p>11: 9.7 ↗ 12: 9.7 ↑ 13: 9.8 → 14: 9.9 ↗ 15: 10.9x↓ 16: 10.0 ↖ 17: 9.9 ↗ 18: 10.0 ↗ 19: 10.2x↖ 20: 10.5x↖</p> <p>Serie 100.6 Total 0.0</p>
<p>60 Skott</p>	<p>1: 9.9 ↖ 2: 10.8x↖ 3: 10.5x↖ 4: 10.5x↓ 5: 10.6x↓ 6: 10.6x↓ 7: 10.4x↖ 8: 10.4x↖ 9: 10.6x↗ 10: 10.4x↗</p> <p>Serie 104.7 Total 104.7</p>	<p>60 Skott</p>	<p>11: 10.7x↖ 12: 10.3x↗ 13: 10.3x↗ 14: 10.7x↓ 15: 10.8x↗ 16: 10.7x↖ 17: 10.4x↖ 18: 10.7x→ 19: 9.9 → 20: 10.0↖</p> <p>Serie 104.5 Total 209.2</p>
<p>60 Skott</p>	<p>21: 10.3x↖ 22: 10.4x↗ 23: 10.6x↖ 24: 10.5x↖ 25: 10.4x→ 26: 10.3x↖ 27: 10.7x↓ 28: 10.2x→ 29: 10.8x↗ 30: 10.4x↗</p> <p>Serie 104.6 Total 313.8</p>	<p>60 Skott</p>	<p>31: 10.3x↗ 32: 10.5x↖ 33: 10.6x↓ 34: 10.2x→ 35: 10.5x↗ 36: 10.3x↖ 37: 10.2x↗ 38: 10.2x↓ 39: 10.6x↖ 40: 10.3x↖</p> <p>Serie 103.7 Total 417.5</p>

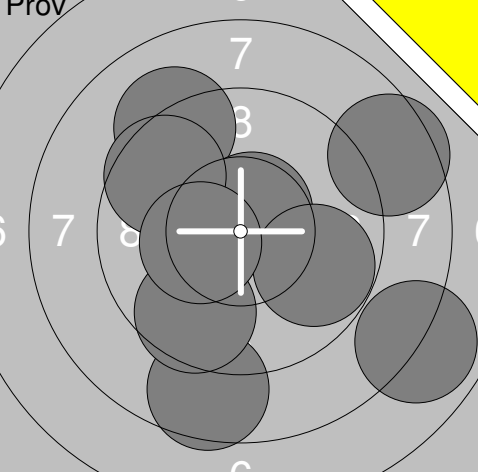
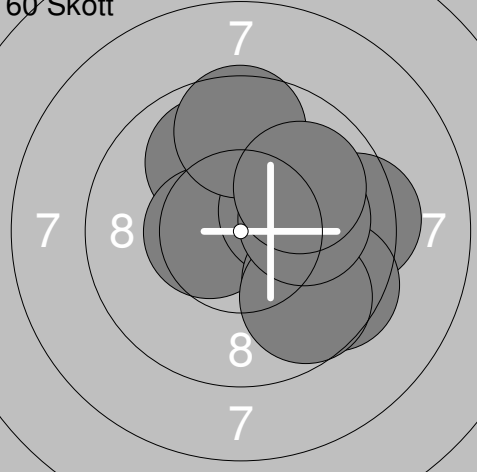
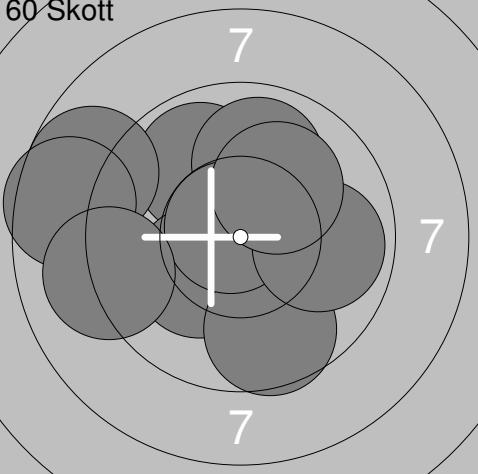
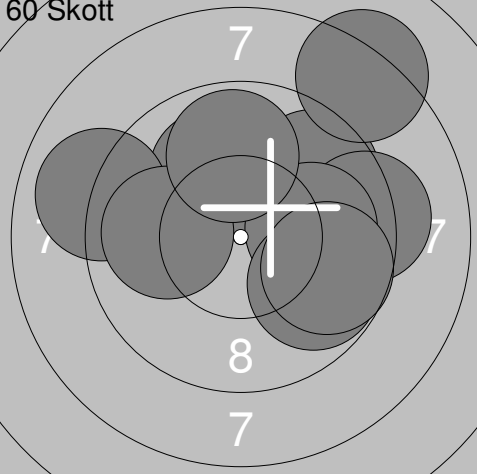
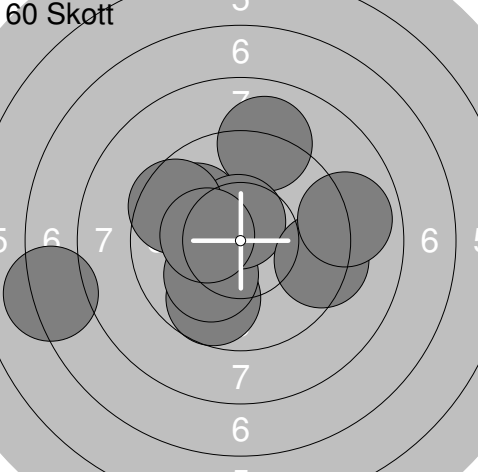
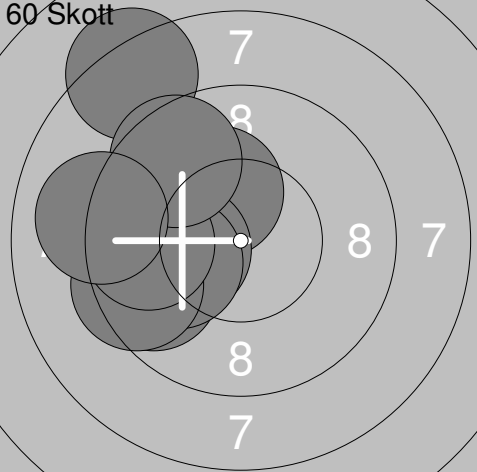
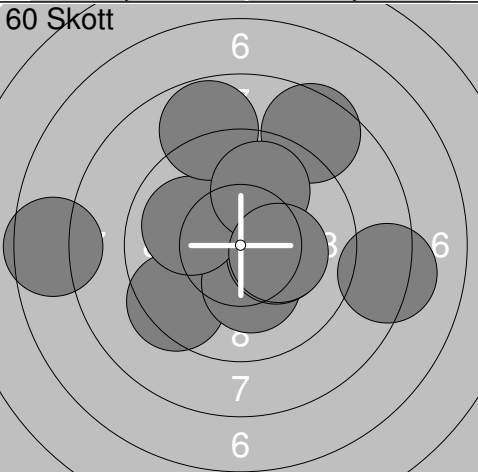
<p>Pröv</p>	<p>1: 9.1 ↘ 2: 4.4 ↓ 3: 8.5 ↙ 4: 6.0 → 5: 9.4 ↙ 6: 10.5x→ 7: 9.6 ↑ 8: 9.5 ↓ 9: 8.9 ↙ 10: 9.8 ↓</p> <p>Serie 85.7 Total 0.0</p>	<p>Pröv</p>	<p>11: 10.5x↘ 12: 10.5x↗</p> <p>Serie 21.0 Total 0.0</p>
-------------	--	-------------	--

<p>60 Skott</p>	<p>1: 9.9 ↘ 2: 8.3 ↓ 3: 8.6 ↘ 4: 9.8 ↑ 5: 9.2 ↑ 6: 10.2x← 7: 7.5 ↙ 8: 10.6x→ 9: 8.5 ↗ 10: 10.2x←</p> <p>Serie 92.8 Total 92.8</p>	<p>60 Skott</p>	<p>11: 10.6x→ 12: 10.9x→ 13: 9.5 ↙ 14: 9.8 ↙ 15: 8.7 ↗ 16: 9.4 ↓ 17: 9.6 ↓ 18: 10.4x← 19: 10.2x← 20: 9.5 ↙</p> <p>Serie 98.6 Total 191.4</p>
-----------------	---	-----------------	--

<p>60 Skott</p>	<p>21: 10.6x↘ 22: 8.7 → 23: 10.5x↓ 24: 10.5x→ 25: 10.3x→ 26: 9.8 ↙ 27: 9.4 ↑ 28: 10.0 ↗ 29: 10.3x← 30: 10.0 ↓</p> <p>Serie 100.1 Total 291.5</p>	<p>60 Skott</p>	<p>31: 9.6 ↓ 32: 10.5x↓ 33: 10.1 ↑ 34: 9.8 ↘ 35: 9.1 ↙ 36: 10.4x↘ 37: 10.0 ↙ 38: 10.5x→ 39: 9.9 ↓ 40: 10.5x↓</p> <p>Serie 100.4 Total 391.9</p>
-----------------	--	-----------------	---

Skjutlag	Tavla	Sture Lönnefjord		Lfunk	Vb
1	40				
S		Ramselefors			
19.11.2022	Vännästräffen 2022	Umeå skytteallians			
Prov		1: 10.0 ← 2: 10.4x ↙ 3: 8.8 ↑ 4: 9.5 → 5: 9.1 ↑ 6: 10.2x ← 7: 9.5 → 8: 10.0 ↘ 9: 10.6x ↗ 10: 9.7 ↑ Serie 97.8 Total 0.0	Prov		11: 10.4x ↘ 12: 10.2x ↑ 13: 10.4x ↑ 14: 8.8 ↗ 15: 9.6 ↗ 16: 10.6x ↗ 17: 10.7x → 18: 10.8x ↑ 19: 10.8x ↘ 20: 10.5x ↗ Serie 102.8 Total 0.0
Prov		21: 10.2x ← 22: 10.0 → 23: 10.0 ↘ 24: 10.1 → 25: 10.9x ↗ 26: 9.9 ↗ Serie 61.1 Total 0.0	60 Skott		1: 10.9x ↘ 2: 10.2x ↑ 3: 10.4x ↑ 4: 10.8x → 5: 9.7 → 6: 9.6 ↗ 7: 10.6x ↖ 8: 10.4x ↗ 9: 10.5x ↑ 10: 9.2 ↗ Serie 102.3 Total 102.3
60 Skott		11: 10.2x ↗ 12: 9.7 ↗ 13: 10.5x ↖ 14: 10.4x ← 15: 9.7 ↗ 16: 10.6x → 17: 10.1 ↗ 18: 10.2x → 19: 10.1 ↑ 20: 10.2x ← Serie 101.7 Total 204.0	60 Skott		21: 10.8x ↙ 22: 10.3x ↖ 23: 10.4x ↗ 24: 10.6x ↑ 25: 10.1 ↑ 26: 10.4x ↖ 27: 10.4x ↘ 28: 9.7 ↗ 29: 9.5 ↑ 30: 10.1 ↗ Serie 102.3 Total 306.3
60 Skott		31: 10.2x ← 32: 9.6 ↗ 33: 10.2x → 34: 10.2x ↑ 35: 10.5x ↑ 36: 9.5 ↑ 37: 9.8 ↗ 38: 9.9 ↑ 39: 9.9 ↑ 40: 9.6 ↑ Serie 99.4 Total 405.7			

Skjutlag	Tavla	Gustaf Pettersson	
2	11		
S	Umeå	Sen	Vb
19.11.2022	Vännästräffen 2022	Umeå skytteallians	
Prov 	1: 6.5 ↗ 2: 10.3x → 3: 10.3x → 4: 9.9 → 5: 10.3x ↗ 6: 10.0 ↗ 7: 10.2x ↗ 8: 10.3x → 9: 9.3 ← 10: 9.6 ← Serie 96.7 Total 0.0	Prov 	11: 10.4x ↑ Serie 10.4 Total 0.0
60 Skott 	1: 10.6x ← 2: 8.9 ↗ 3: 10.5x ↗ 4: 10.0 → 5: 10.7x ↗ 6: 9.6 ↗ 7: 10.0 ↗ 8: 9.5 → 9: 10.1 ← 10: 9.7 → Serie 99.6 Total 99.6	60 Skott 	11: 10.6x ↓ 12: 9.5 ← 13: 9.9 ↑ 14: 9.7 ↗ 15: 10.3x ← 16: 10.7x ↘ 17: 10.3x ↗ 18: 10.5x ↓ 19: 9.9 ← 20: 9.6 → Serie 101.0 Total 200.6
60 Skott 	21: 9.1 ← 22: 10.2x → 23: 10.5x ← 24: 10.6x ← 25: 10.6x ← 26: 10.4x ↘ 27: 10.7x ↘ 28: 10.5x ← 29: 10.7x → 30: 10.3x → Serie 103.6 Total 304.2	60 Skott 	31: 10.5x ← 32: 10.3x ← 33: 10.0 ← 34: 10.4x ← 35: 10.5x → 36: 10.6x ↑ 37: 10.4x ← 38: 10.3x → 39: 10.0 ↑ 40: 9.7 ↘ Serie 102.7 Total 406.9
60 Skott 	41: 9.8 → 42: 10.4x → 43: 10.7x ↗ 44: 10.1 ← 45: 10.4x ← 46: 10.4x ↘ 47: 10.6x ← 48: 10.3x ↗ 49: 10.4x ↓ 50: 10.3x ↑ Serie 103.4 Total 510.3	60 Skott 	51: 9.5 → 52: 10.4x ← 53: 9.5 → 54: 10.3x ↘ 55: 10.7x ↘ 56: 10.8x ↑ 57: 10.7x ↑ 58: 10.2x → 59: 10.1 ← 60: 9.9 ← Serie 102.1 Total 612.4

<p>Prov</p> 	<table border="1" style="width:100%; border-collapse: collapse;"> <tr><td>1:</td><td>9.2</td><td>↗</td></tr> <tr><td>2:</td><td>10.6x</td><td>↗</td></tr> <tr><td>3:</td><td>9.6</td><td>↗</td></tr> <tr><td>4:</td><td>9.8</td><td>↘</td></tr> <tr><td>5:</td><td>7.9</td><td>↘</td></tr> <tr><td>6:</td><td>8.6</td><td>↓</td></tr> <tr><td>7:</td><td>9.6</td><td>↓</td></tr> <tr><td>8:</td><td>8.5</td><td>↗</td></tr> <tr><td>9:</td><td>10.3x</td><td>←</td></tr> <tr><td colspan="2">Serie</td><td>84.1</td></tr> <tr><td colspan="2">Total</td><td>0.0</td></tr> </table>	1:	9.2	↗	2:	10.6x	↗	3:	9.6	↗	4:	9.8	↘	5:	7.9	↘	6:	8.6	↓	7:	9.6	↓	8:	8.5	↗	9:	10.3x	←	Serie		84.1	Total		0.0	<p>60 Skott</p> 	<table border="1" style="width:100%; border-collapse: collapse;"> <tr><td>1:</td><td>9.9</td><td>↗</td></tr> <tr><td>2:</td><td>9.4</td><td>→</td></tr> <tr><td>3:</td><td>10.5x</td><td>←</td></tr> <tr><td>4:</td><td>10.3x</td><td>↗</td></tr> <tr><td>5:</td><td>9.8</td><td>↘</td></tr> <tr><td>6:</td><td>9.5</td><td>↘</td></tr> <tr><td>7:</td><td>9.6</td><td>↑</td></tr> <tr><td>8:</td><td>9.7</td><td>↘</td></tr> <tr><td>9:</td><td>10.1</td><td>→</td></tr> <tr><td>10:</td><td>10.0</td><td>↗</td></tr> <tr><td colspan="2">Serie</td><td>98.8</td></tr> <tr><td colspan="2">Total</td><td>98.8</td></tr> </table>	1:	9.9	↗	2:	9.4	→	3:	10.5x	←	4:	10.3x	↗	5:	9.8	↘	6:	9.5	↘	7:	9.6	↑	8:	9.7	↘	9:	10.1	→	10:	10.0	↗	Serie		98.8	Total		98.8			
1:	9.2	↗																																																																									
2:	10.6x	↗																																																																									
3:	9.6	↗																																																																									
4:	9.8	↘																																																																									
5:	7.9	↘																																																																									
6:	8.6	↓																																																																									
7:	9.6	↓																																																																									
8:	8.5	↗																																																																									
9:	10.3x	←																																																																									
Serie		84.1																																																																									
Total		0.0																																																																									
1:	9.9	↗																																																																									
2:	9.4	→																																																																									
3:	10.5x	←																																																																									
4:	10.3x	↗																																																																									
5:	9.8	↘																																																																									
6:	9.5	↘																																																																									
7:	9.6	↑																																																																									
8:	9.7	↘																																																																									
9:	10.1	→																																																																									
10:	10.0	↗																																																																									
Serie		98.8																																																																									
Total		98.8																																																																									
<p>60 Skott</p> 	<table border="1" style="width:100%; border-collapse: collapse;"> <tr><td>11:</td><td>9.9</td><td>↗</td></tr> <tr><td>12:</td><td>10.2x</td><td>↖</td></tr> <tr><td>13:</td><td>8.8</td><td>↖</td></tr> <tr><td>14:</td><td>8.6</td><td>↖</td></tr> <tr><td>15:</td><td>9.6</td><td>↘</td></tr> <tr><td>16:</td><td>9.9</td><td>↑</td></tr> <tr><td>17:</td><td>10.8x</td><td>↗</td></tr> <tr><td>18:</td><td>9.9</td><td>→</td></tr> <tr><td>19:</td><td>10.1</td><td>↗</td></tr> <tr><td>20:</td><td>9.1</td><td>←</td></tr> <tr><td colspan="2">Serie</td><td>96.9</td></tr> <tr><td colspan="2">Total</td><td>195.7</td></tr> </table>	11:	9.9	↗	12:	10.2x	↖	13:	8.8	↖	14:	8.6	↖	15:	9.6	↘	16:	9.9	↑	17:	10.8x	↗	18:	9.9	→	19:	10.1	↗	20:	9.1	←	Serie		96.9	Total		195.7	<p>60 Skott</p> 	<table border="1" style="width:100%; border-collapse: collapse;"> <tr><td>21:</td><td>10.0</td><td>↗</td></tr> <tr><td>22:</td><td>9.7</td><td>↗</td></tr> <tr><td>23:</td><td>9.2</td><td>→</td></tr> <tr><td>24:</td><td>10.0</td><td>→</td></tr> <tr><td>25:</td><td>9.0</td><td>←</td></tr> <tr><td>26:</td><td>8.2</td><td>↗</td></tr> <tr><td>27:</td><td>9.8</td><td>↘</td></tr> <tr><td>28:</td><td>9.7</td><td>→</td></tr> <tr><td>29:</td><td>10.0</td><td>←</td></tr> <tr><td>30:</td><td>9.9</td><td>↑</td></tr> <tr><td colspan="2">Serie</td><td>95.5</td></tr> <tr><td colspan="2">Total</td><td>291.2</td></tr> </table>	21:	10.0	↗	22:	9.7	↗	23:	9.2	→	24:	10.0	→	25:	9.0	←	26:	8.2	↗	27:	9.8	↘	28:	9.7	→	29:	10.0	←	30:	9.9	↑	Serie		95.5	Total		291.2
11:	9.9	↗																																																																									
12:	10.2x	↖																																																																									
13:	8.8	↖																																																																									
14:	8.6	↖																																																																									
15:	9.6	↘																																																																									
16:	9.9	↑																																																																									
17:	10.8x	↗																																																																									
18:	9.9	→																																																																									
19:	10.1	↗																																																																									
20:	9.1	←																																																																									
Serie		96.9																																																																									
Total		195.7																																																																									
21:	10.0	↗																																																																									
22:	9.7	↗																																																																									
23:	9.2	→																																																																									
24:	10.0	→																																																																									
25:	9.0	←																																																																									
26:	8.2	↗																																																																									
27:	9.8	↘																																																																									
28:	9.7	→																																																																									
29:	10.0	←																																																																									
30:	9.9	↑																																																																									
Serie		95.5																																																																									
Total		291.2																																																																									
<p>60 Skott</p> 	<table border="1" style="width:100%; border-collapse: collapse;"> <tr><td>31:</td><td>9.1</td><td>↑</td></tr> <tr><td>32:</td><td>9.7</td><td>↓</td></tr> <tr><td>33:</td><td>10.1</td><td>↖</td></tr> <tr><td>34:</td><td>9.9</td><td>↗</td></tr> <tr><td>35:</td><td>10.6x</td><td>↑</td></tr> <tr><td>36:</td><td>7.2</td><td>←</td></tr> <tr><td>37:</td><td>9.5</td><td>↗</td></tr> <tr><td>38:</td><td>9.4</td><td>→</td></tr> <tr><td>39:</td><td>10.3x</td><td>←</td></tr> <tr><td>40:</td><td>8.9</td><td>→</td></tr> <tr><td colspan="2">Serie</td><td>94.7</td></tr> <tr><td colspan="2">Total</td><td>385.9</td></tr> </table>	31:	9.1	↑	32:	9.7	↓	33:	10.1	↖	34:	9.9	↗	35:	10.6x	↑	36:	7.2	←	37:	9.5	↗	38:	9.4	→	39:	10.3x	←	40:	8.9	→	Serie		94.7	Total		385.9	<p>60 Skott</p> 	<table border="1" style="width:100%; border-collapse: collapse;"> <tr><td>41:</td><td>10.2x</td><td>↗</td></tr> <tr><td>42:</td><td>9.6</td><td>←</td></tr> <tr><td>43:</td><td>9.3</td><td>←</td></tr> <tr><td>44:</td><td>10.2x</td><td>←</td></tr> <tr><td>45:</td><td>10.0</td><td>←</td></tr> <tr><td>46:</td><td>8.3</td><td>↗</td></tr> <tr><td>47:</td><td>9.4</td><td>←</td></tr> <tr><td>48:</td><td>9.7</td><td>←</td></tr> <tr><td>49:</td><td>9.6</td><td>↗</td></tr> <tr><td>50:</td><td>9.0</td><td>←</td></tr> <tr><td colspan="2">Serie</td><td>95.3</td></tr> <tr><td colspan="2">Total</td><td>481.2</td></tr> </table>	41:	10.2x	↗	42:	9.6	←	43:	9.3	←	44:	10.2x	←	45:	10.0	←	46:	8.3	↗	47:	9.4	←	48:	9.7	←	49:	9.6	↗	50:	9.0	←	Serie		95.3	Total		481.2
31:	9.1	↑																																																																									
32:	9.7	↓																																																																									
33:	10.1	↖																																																																									
34:	9.9	↗																																																																									
35:	10.6x	↑																																																																									
36:	7.2	←																																																																									
37:	9.5	↗																																																																									
38:	9.4	→																																																																									
39:	10.3x	←																																																																									
40:	8.9	→																																																																									
Serie		94.7																																																																									
Total		385.9																																																																									
41:	10.2x	↗																																																																									
42:	9.6	←																																																																									
43:	9.3	←																																																																									
44:	10.2x	←																																																																									
45:	10.0	←																																																																									
46:	8.3	↗																																																																									
47:	9.4	←																																																																									
48:	9.7	←																																																																									
49:	9.6	↗																																																																									
50:	9.0	←																																																																									
Serie		95.3																																																																									
Total		481.2																																																																									
<p>60 Skott</p> 	<table border="1" style="width:100%; border-collapse: collapse;"> <tr><td>51:</td><td>9.4</td><td>↖</td></tr> <tr><td>52:</td><td>10.2x</td><td>↓</td></tr> <tr><td>53:</td><td>10.3x</td><td>→</td></tr> <tr><td>54:</td><td>8.2</td><td>→</td></tr> <tr><td>55:</td><td>8.6</td><td>↗</td></tr> <tr><td>56:</td><td>10.0</td><td>↖</td></tr> <tr><td>57:</td><td>8.8</td><td>↗</td></tr> <tr><td>58:</td><td>7.6</td><td>←</td></tr> <tr><td>59:</td><td>9.9</td><td>↗</td></tr> <tr><td>60:</td><td>10.3x</td><td>→</td></tr> <tr><td colspan="2">Serie</td><td>93.3</td></tr> <tr><td colspan="2">Total</td><td>574.5</td></tr> </table>	51:	9.4	↖	52:	10.2x	↓	53:	10.3x	→	54:	8.2	→	55:	8.6	↗	56:	10.0	↖	57:	8.8	↗	58:	7.6	←	59:	9.9	↗	60:	10.3x	→	Serie		93.3	Total		574.5																																						
51:	9.4	↖																																																																									
52:	10.2x	↓																																																																									
53:	10.3x	→																																																																									
54:	8.2	→																																																																									
55:	8.6	↗																																																																									
56:	10.0	↖																																																																									
57:	8.8	↗																																																																									
58:	7.6	←																																																																									
59:	9.9	↗																																																																									
60:	10.3x	→																																																																									
Serie		93.3																																																																									
Total		574.5																																																																									

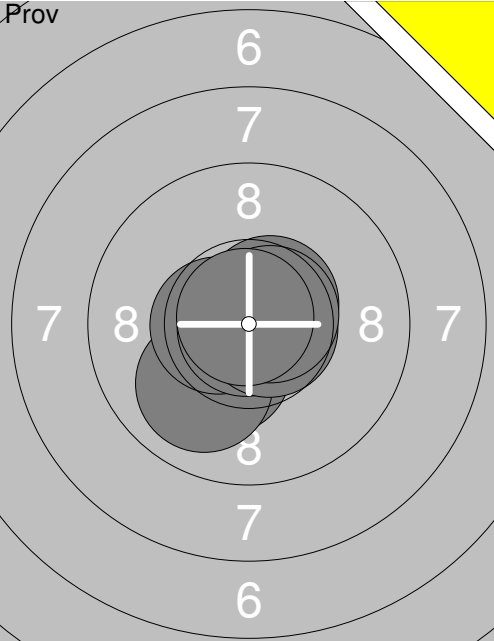
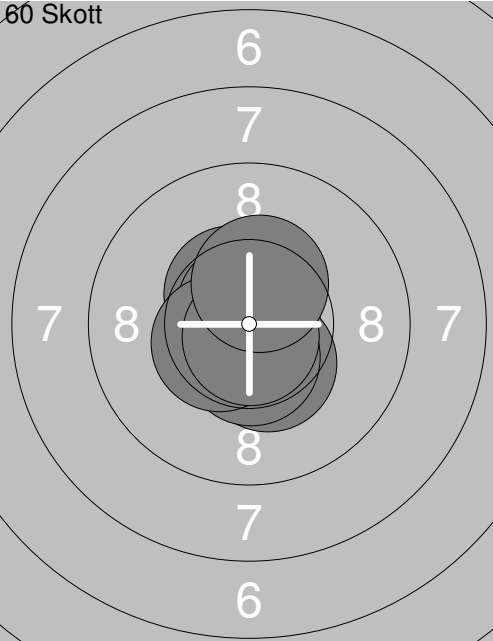
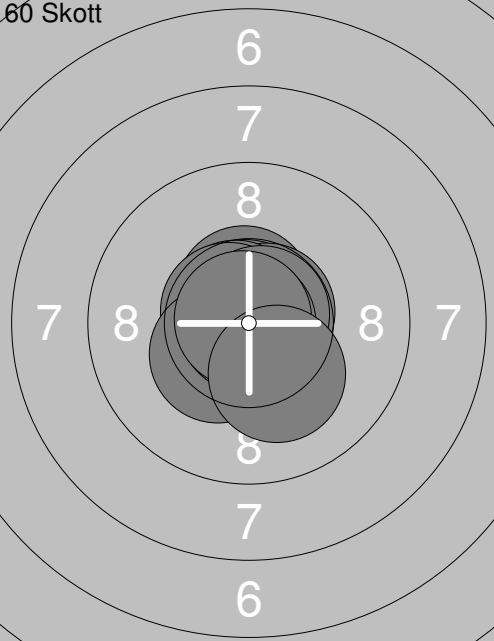
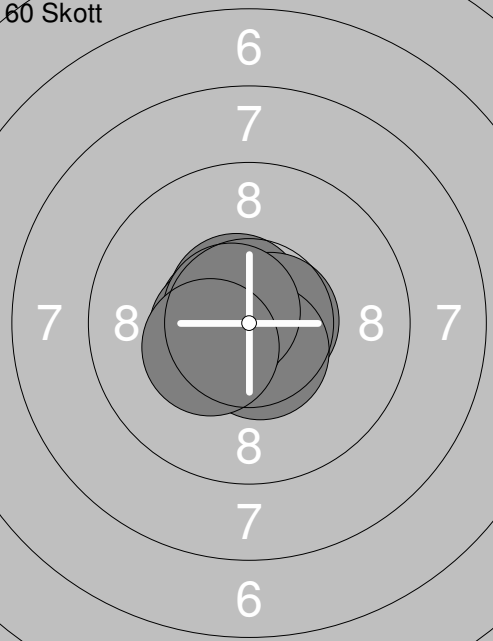
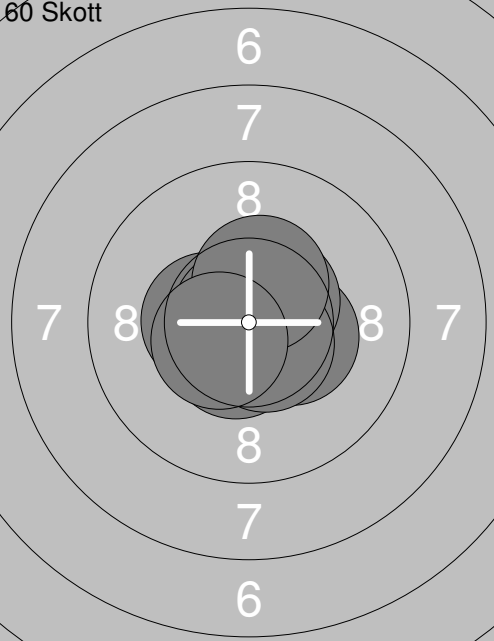
Pröv 	1: 8.6 → 2: 9.7 ↑ 3: 9.4 ↗ 4: 10.8x ↓ 5: 9.8 ↓ 6: 10.4x ↗ 7: 10.5x ↑ 8: 9.8 → 9: 10.4x ↓ 10: 9.9 → <hr/> Serie 99.3 Total 0.0	Pröv 	11: 10.7x ↖ <hr/> Serie 10.7 Total 0.0
60 Skott 	1: 10.1 ↗ 2: 9.7 → 3: 10.3x ← 4: 10.2x ↓ 5: 10.1 → 6: 9.9 ← 7: 10.8x ↓ 8: 9.9 ↑ 9: 10.5x ↗ 10: 10.4x → <hr/> Serie 101.9 Total 101.9	60 Skott 	11: 9.9 → 12: 10.5x → 13: 10.0 ← 14: 10.4x ↑ 15: 10.5x ↓ 16: 10.7x ↗ 17: 9.8 ↑ 18: 10.4x ↗ 19: 10.1 ↑ 20: 9.5 → <hr/> Serie 101.8 Total 203.7
60 Skott 	21: 10.5x ↓ 22: 10.7x → 23: 9.7 ↓ 24: 10.1 ↓ 25: 10.6x → 26: 10.7x ↓ 27: 9.6 ↑ 28: 9.8 → 29: 10.2x ↑ 30: 9.4 ↓ <hr/> Serie 101.3 Total 305.0	60 Skott 	31: 10.2x ↖ 32: 10.0 ↑ 33: 9.7 ↘ 34: 9.7 ↓ 35: 10.6x ↓ 36: 9.8 → 37: 10.7x ↓ 38: 9.6 → 39: 9.3 ← 40: 10.0 ← <hr/> Serie 99.6 Total 404.6
60 Skott 	41: 10.3x ↓ 42: 10.2x ↗ 43: 10.3x → 44: 9.8 ↖ 45: 9.8 ↑ 46: 10.2x ↖ 47: 9.9 ← 48: 9.3 ↑ 49: 9.2 → 50: 10.4x ↗ <hr/> Serie 99.4 Total 504.0	60 Skott 	51: 10.2x ↖ 52: 9.9 ↑ 53: 9.4 ← 54: 10.1 ↘ 55: 10.0 ↓ 56: 10.2x ↘ 57: 9.1 ← 58: 9.1 ← 59: 10.5x ↖ 60: 9.1 ↑ <hr/> Serie 97.6 Total 601.6

Skjutlag	Tavla	Emma Eriksson	
2	14		
S	Ramselefors	Sen	Vb
19.11.2022	Vännästräffen 2022	Umeå skytteallians	
Prov		Prov	
	1: 7.5 ↘ 2: 8.3 ↓ 4: 9.1 ↘ 5: 10.2x➤ 6: 10.4x↘ 7: 10.4x↗ 8: 10.5x↘ 9: 10.4x↓ 10: 10.1 ↓		11: 10.5x↘ 12: 10.4x↘ 13: 10.1 ↖ 14: 9.6 ➤ 15: 9.7 ➤ 16: 10.7x↗
	Serie 86.9		Serie 61.0
	Total 0.0		Total 0.0
60 Skott		60 Skott	
	1: 9.6 ← 2: 10.2x↘ 3: 9.9 ↓ 4: 8.6 ↗ 5: 10.5x↘ 6: 9.5 ↓ 7: 10.0 ↘ 8: 10.8x↓ 9: 10.4x↓ 10: 10.4x↓		11: 10.3x↗ 12: 10.5x↗ 13: 9.5 ↖ 14: 10.1↖ 15: 9.6 ↗ 16: 9.9 ↓ 17: 10.2x↘ 18: 10.1 ↓ 19: 9.5 ➤ 20: 10.5x↘
	Serie 99.9		Serie 100.2
	Total 99.9		Total 200.1
60 Skott		60 Skott	
	21: 10.4x↘ 22: 10.7x↗ 23: 10.6x↖ 24: 10.8x➤ 25: 9.3 ← 26: 10.3x↗ 27: 10.7x↘ 28: 10.8x↘ 29: 10.1 ↗ 30: 10.5x↖		31: 10.0 ↗ 32: 10.3x↘ 33: 10.6x↖ 34: 10.7x➤ 35: 10.6x↘ 36: 10.1↖ 37: 10.4x↓ 38: 10.1 ↓ 39: 10.8x↗ 40: 10.1↖
	Serie 104.2		Serie 103.7
	Total 304.3		Total 408.0

Skjutlag	Tavla	Ida Lundmark		Sen	Vb
S		Drängsmark			
19.11.2022	Vännästräffen 2022	Umeå skytteallians			
Prov		1: 9.2 ↓ 2: 9.7 ↗ 3: 7.7 ← 4: 10.6x ↗ 5: 9.2 ← 6: 9.7 ↗ 7: 10.1 ↗ 8: 8.0 ← 9: 10.0 ↗ 10: 8.9 ←	Prov		11: 10.4x → 12: 9.9 ↓ 13: 8.1 → 14: 9.5 ↗ 15: 8.8 ↗ 16: 10.3x ↗ 17: 10.1 ↗ 18: 9.0 ↗ 19: 10.2x → 20: 10.6x ↗
		Serie 93.1 Total 0.0			Serie 96.9 Total 0.0
Prov		21: 9.9 ↓ 22: 9.3 ↑ 23: 9.1 ↗ 24: 10.5x ↗	60 Skott		1: 8.4 → 2: 8.7 → 3: 9.3 ← 4: 10.6x → 5: 8.2 ↗ 6: 9.5 ↗ 7: 8.9 → 8: 10.0 ↑ 9: 10.0 → 10: 10.3x ↓
		Serie 38.8 Total 0.0			Serie 93.9 Total 93.9
60 Skott		11: 10.2x ↗ 12: 9.4 ↓ 13: 10.2x ↓ 14: 10.4x ↗ 15: 9.4 ↗ 16: 10.8x ↗ 17: 8.4 ↓ 18: 9.6 ↓ 19: 8.1 ↗ 20: 9.6 ↓	60 Skott		21: 8.8 → 22: 9.7 ↗ 23: 8.2 ← 24: 9.5 ↑ 25: 9.4 ↑ 26: 7.2 ← 27: 8.3 ↗ 28: 9.8 ↓ 29: 9.6 → 30: 7.9 ←
		Serie 96.1 Total 190.0			Serie 88.4 Total 278.4
60 Skott		31: 9.9 ↗ 32: 10.3x ↗ 33: 9.7 ↗ 34: 8.5 ↑ 35: 9.8 ← 36: 8.9 ↑ 37: 9.1 ↗ 38: 8.4 ← 39: 9.6 ↑ 40: 9.1 ↑			
		Serie 93.3 Total 371.7			

Skjutlag	Tavla	Hanna Johansson	
2	16		
S	Ramselefors	Sen	Vb
19.11.2022	Vännästräffen 2022	Umeå skytteallians	
Prov 	1: 9.0 ←	Prov 	11: 7.4 →
	2: 10.4x ←		12: 9.2 ↗
	3: 9.2 →		13: 10.5x →
	4: 10.3x ←		14: 10.1 ↗
	5: 8.3 →		15: 8.5 →
	6: 10.1 →		
	7: 9.6 ↗		
	8: 8.7 ↗		
	9: 9.4 ↗		
	10: 9.8 →		
	Serie 94.8		Serie 45.7
	Total 0.0		Total 0.0
60 Skott 	1: 10.8x ↗	60 Skott 	11: 10.4x ↑
	2: 10.2x ←		12: 10.6x ↗
	3: 10.3x ↗		13: 10.0 →
	4: 10.7x →		14: 9.4 →
	5: 10.6x ←		15: 10.0 ←
	6: 10.8x ↘		16: 9.2 →
	7: 10.1 →		17: 9.7 →
	8: 10.3x ↗		18: 10.7x ↗
	9: 10.1 ↗		19: 9.6 ←
	10: 9.5 →		20: 10.5x ↑
	Serie 103.4		Serie 100.1
	Total 103.4		Total 203.5
60 Skott 	21: 10.2x ↑	60 Skott 	31: 9.7 ↑
	22: 10.3x ↗		32: 10.3x →
	23: 10.4x ←		33: 9.3 ←
	24: 10.6x ↑		34: 9.7 ↗
	25: 9.8 ↗		35: 10.7x ↗
	26: 10.5x ←		36: 10.4x ←
	27: 9.2 →		37: 10.5x ←
	28: 10.1 ←		38: 10.2x ↗
	29: 10.3x ↗		39: 10.0 ←
	30: 10.2x →		40: 10.9x ↗
	Serie 101.6		Serie 101.7
	Total 305.1		Total 406.8
60 Skott 	41: 10.3x ↘	60 Skott 	51: 10.5x ↘
	42: 10.4x ↑		52: 8.7 →
	43: 10.5x →		53: 9.5 →
	44: 10.6x ↘		54: 10.3x ↗
	45: 10.2x ↗		55: 10.4x ←
	46: 10.4x ↘		56: 9.7 ↘
	47: 8.9 ←		57: 10.5x ←
	48: 9.9 ↘		58: 10.4x →
	49: 9.3 ←		59: 10.4x ↑
	50: 10.2x ↘		60: 9.0 ↘
	Serie 100.7		Serie 99.4
	Total 507.5		Total 606.9

<p>Prov</p>	<p>1: 10.7x↘ 2: 10.4x↙ 3: 10.6x↑ 4: 10.0 ↘ 5: 9.8 ↖ 6: 10.1↙ 7: 8.9 ↓ 8: 10.6x➔ 9: 9.6 ➔ 10: 9.5 ↙</p> <p>Serie 100.2 Total 0.0</p>	<p>Prov</p>	<p>11: 10.6x↘ 12: 10.4x↑ 13: 10.1 ↙ 14: 10.7x↘ 15: 10.1 ↑ 16: 10.3x↓ 17: 10.8x↑ 18: 10.4x↘ 19: 10.3x↙ 20: 10.6x↓</p> <p>Serie 104.3 Total 0.0</p>
<p>60 Skott</p>	<p>1: 10.2x↘ 2: 10.3x↙ 3: 10.3x↘ 4: 10.6x↙ 5: 10.5x↘ 6: 10.4x➔ 7: 10.8x↘ 8: 10.4x↙ 9: 9.6 ↖ 10: 9.8 ↑</p> <p>Serie 102.9 Total 102.9</p>	<p>60 Skott</p>	<p>11: 9.9 ➔ 12: 10.2x↘ 13: 10.5x↑ 14: 9.6 ↑ 15: 9.4 ↖ 16: 8.6 ↑ 17: 10.5x↙ 18: 10.6x↓ 19: 10.7x↓ 20: 10.6x➔</p> <p>Serie 100.6 Total 203.5</p>
<p>60 Skott</p>	<p>21: 10.5x↓ 22: 10.2x↓ 23: 10.3x↑ 24: 9.8 ↘ 25: 10.7x↓ 26: 10.6x➔ 27: 10.0 ↘ 28: 9.1 ↓ 29: 10.1 ↓ 30: 10.6x↙</p> <p>Serie 101.9 Total 305.4</p>	<p>60 Skott</p>	<p>31: 9.9 ↑ 32: 10.0 ↘ 33: 9.9 ➔ 34: 10.6x↓ 35: 9.2 ➔ 36: 10.2x↓ 37: 10.4x↙ 38: 10.4x➔ 39: 10.2x↘ 40: 10.3x↘</p> <p>Serie 101.1 Total 406.5</p>

Skjutlag	Tavla	Kristina Hermansson	
2	20		
S	Ramselefors	Rsitt	Vb
19.11.2022	Vännästräffen 2022	Umeå skytteallians	
	1: 10.3x ↘		1: 10.5x ↗
	2: 10.0 ↘		2: 10.8x ↗
	3: 10.6x ←		3: 10.5x ↘
	4: 10.8x ↗		4: 10.7x ↗
	5: 10.6x ↗		5: 10.9x ↘
	6: 10.9x ↘		6: 10.4x ↘
	7: 10.7x →		7: 10.5x ↘
	8: 10.6x →		8: 10.5x ↘
	9: 10.8x ↗		9: 10.8x ↘
	10: 10.4x ↗		10: 10.4x ↗
Serie	95.3	Serie	106.0
Total	0.0	Total	106.0
	11: 10.6x ↗		21: 10.7x ↘
	12: 10.8x ↗		22: 10.9x ↘
	13: 10.7x ↗		23: 10.6x ↘
	14: 10.7x ↘		24: 10.6x ←
	15: 10.7x ↘		25: 10.8x ↘
	16: 10.8x ↗		26: 10.7x →
	17: 10.4x ↘		27: 10.6x ↘
	18: 10.9x ↘		28: 10.5x ←
	19: 10.9x ↘		29: 10.7x ↘
	20: 10.2x ↘		30: 10.4x ↘
Serie	106.7	Serie	106.5
Total	212.7	Total	319.2
	31: 10.4x ←		
	32: 10.9x ↗		
	33: 10.8x ↘		
	34: 10.6x ↘		
	35: 10.5x →		
	36: 10.4x →		
	37: 10.5x ↗		
	38: 10.6x ↘		
	39: 10.4x ↗		
	40: 10.5x ↘		
Serie	105.6		
Total	424.8		

Skjutlag	Tavla	Axel Sundvall	
2	21	Luleå	No
S		L11	
19.11.2022	Vännästräffen 2022	Umeå skytteallians	
Prov 	1: 9.7 ← 2: 9.9 ← 3: 8.6 ← 4: 9.1 ← 5: 9.7 ↗ 6: 9.8 ↗ 7: 10.2x ← 8: 10.3x ← 9: 9.3 ↙ 10: 9.2 ↙	Prov 	11: 10.2x ↑ 12: 10.3x → 13: 10.6x ↗ 14: 10.4x ↗ 15: 10.1 → 16: 10.5x ↓ 17: 9.9 ↙ 18: 10.3x ↗ 19: 10.5x ↗ 20: 10.3x ↓
	Serie 95.8		Serie 103.1
	Total 0.0		Total 0.0
Prov 	21: 9.9 ↗ 22: 10.2x ↘ 23: 10.7x ↗ 24: 10.4x ↗ 25: 9.9 ↘ 26: 10.4x ← 27: 10.7x ↗ 28: 10.5x ↓	60 Skott 	1: 10.2x ↑ 2: 10.4x ↗ 3: 9.8 ↘ 4: 8.4 ↗ 5: 10.4x ↘ 6: 10.6x ↗ 7: 10.5x → 8: 9.6 ↘ 9: 10.4x ↗ 10: 10.7x ↑
	Serie 82.7		Serie 101.0
	Total 0.0		Total 101.0
60 Skott 	11: 10.4x ↙ 12: 10.8x ↙ 13: 10.1 ↘ 14: 9.8 ↗ 15: 10.0 ↗ 16: 10.5x ↗ 17: 10.7x ↘ 18: 10.6x ↘ 19: 10.3x → 20: 9.9 ↘	60 Skott 	21: 10.5x ↗ 22: 8.6 → 23: 10.2x → 24: 9.6 ↘ 25: 10.6x ← 26: 10.5x ↗ 27: 10.2x → 28: 9.9 ↘ 29: 10.0 ↘ 30: 9.9 ↗
	Serie 103.1		Serie 100.0
	Total 204.1		Total 304.1
60 Skott 	31: 9.8 ↘ 32: 9.9 → 33: 10.4x ↘ 34: 10.6x ↘ 35: 10.6x → 36: 10.2x ↗ 37: 10.7x ↘ 38: 10.3x ↘ 39: 10.3x ↘ 40: 10.2x →		
	Serie 103.0		
	Total 407.1		

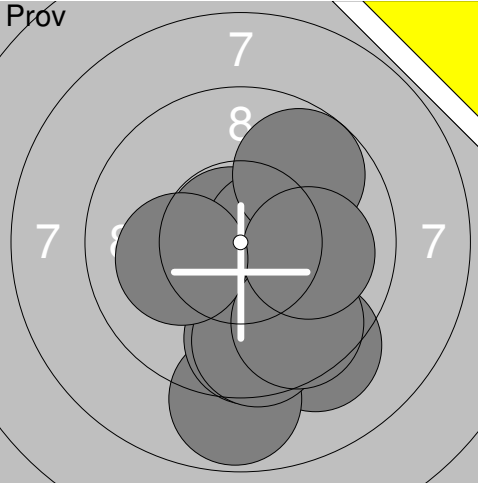
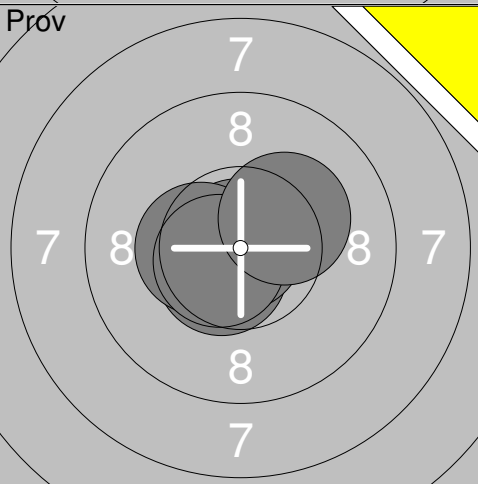
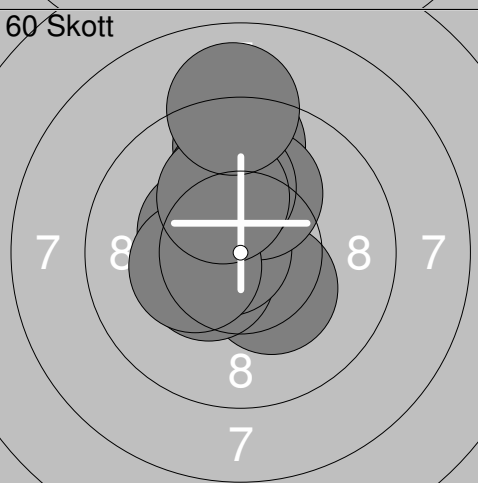
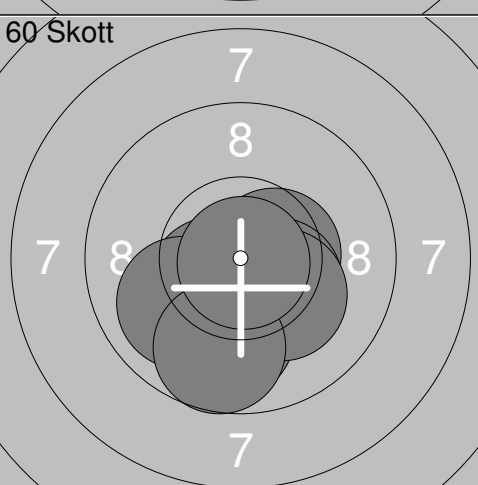
Skjutlag	Tavla	William Scherdin			
2	22	Umeå		L11	Vb
19.11.2022		Vännästräffen 2022		Umeå skytteallians	
Prov		1: 10.7x ↘		11: 8.6 ↗	
		2: 10.0 ↗		12: 9.5 ↗	
		3: 9.7 ↗		13: 9.5 ↑	
		4: 10.3x →		14: 10.0 ↘	
		5: 9.6 ↗		15: 10.2x ↑	
		6: 8.5 ↗		16: 10.7x ↓	
		7: 9.1 ↗		17: 10.3x ←	
		8: 9.8 ↗		18: 9.1 ↑	
		9: 8.5 ↑		19: 9.6 ←	
		10: 9.6 →		20: 10.1 ←	
		Serie 95.8		Serie 97.6	
		Total 0.0		Total 0.0	
Prov		21: 9.7 ↑		31: 9.5 ↙	
		22: 10.4x ↑			
		23: 9.6 ↑			
		24: 10.2x ↙			
		25: 9.8 ↘			
		26: 9.8 ↘			
		27: 9.2 ←			
		28: 9.6 ↘			
		29: 9.4 ←			
		30: 9.9 ↘			
		Serie 97.6		Serie 9.5	
		Total 0.0		Total 0.0	
60 Skott		1: 9.6 ↘		11: 8.9 ↗	
		2: 10.3x →		12: 9.1 →	
		3: 9.6 ←		13: 10.4x ↓	
		4: 10.6x ↘		14: 10.2x ↘	
		5: 9.8 ↑		15: 10.5x ↘	
		6: 10.5x ←		16: 10.5x ←	
		7: 9.5 ↗		17: 10.9x ↗	
		8: 10.8x ↗		18: 10.3x ↘	
		9: 9.6 →		19: 9.2 ↓	
		10: 10.7x ↘		20: 10.2x ←	
		Serie 101.0		Serie 100.2	
		Total 101.0		Total 201.2	
60 Skott		21: 9.9 ↘		31: 9.9 →	
		22: 9.5 ↘		32: 10.3x ←	
		23: 10.4x ↘		33: 10.0 ↗	
		24: 10.0 ↘		34: 9.8 ↙	
		25: 10.6x ↙		35: 10.3x ↘	
		26: 10.2x ↗		36: 10.3x ←	
		27: 10.8x ↑		37: 10.4x ↓	
		28: 10.3x →		38: 10.3x ↓	
		29: 10.2x ↗		39: 10.6x ↗	
		30: 10.4x ←		40: 10.0 ←	
		Serie 102.3		Serie 101.9	
		Total 303.5		Total 405.4	

<p>Prov</p>	<p>1: 9.3 ↖ 2: 10.6x↓ 3: 10.5x↑ 4: 10.4x↓ 5: 10.3x↘ 6: 10.5x↘ 7: 10.1 ↗ 8: 10.4x➡ 9: 10.9x↘ 10: 10.5x↑</p> <p>Serie 103.5 Total 0.0</p>	<p>Prov</p>	<p>11: 10.7x↗ 12: 9.5 ↓ 13: 9.3 ➡ 14: 10.3x↓ 15: 9.9 ↓ 16: 9.4 ↗</p> <p>Serie 59.1 Total 0.0</p>
<p>60 Skott</p>	<p>1: 9.6 ↗ 2: 10.3x➡ 3: 9.9 ↖ 4: 10.3x↑ 5: 9.8 ➡ 6: 10.3x↘ 7: 9.5 ↑ 8: 10.8x↘ 9: 10.6x↓ 10: 10.6x➡</p> <p>Serie 101.7 Total 101.7</p>	<p>60 Skott</p>	<p>11: 10.8x↓ 12: 10.1 ➡ 13: 10.7x↑ 14: 10.2x↘ 15: 10.5x↑ 16: 10.8x↑ 17: 10.4x↓ 18: 10.2x↓ 19: 10.8x↘ 20: 10.8x↑</p> <p>Serie 105.3 Total 207.0</p>
<p>60 Skott</p>	<p>21: 10.1 ↙ 22: 8.8 ↙ 23: 10.7x↓ 24: 10.5x↑ 25: 10.8x↘ 26: 10.1 ↗ 27: 10.3x↓ 28: 10.2x↙ 29: 10.0 ↑ 30: 9.7 ↓</p> <p>Serie 101.2 Total 308.2</p>	<p>60 Skott</p>	<p>31: 10.8x➡ 32: 9.9 ➡ 33: 10.5x↑ 34: 10.8x↙ 35: 10.2x↓ 36: 9.8 ↓ 37: 10.2x↑ 38: 9.8 ↘ 39: 10.6x↑ 40: 10.5x↘</p> <p>Serie 103.1 Total 411.3</p>

<p>Prov</p>	<p>1: 9.4 ↓ 2: 9.5 ← 3: 9.2 ↗ 4: 7.4 ↓ 5: 9.8 ↗ 6: 9.6 ↘ 7: 7.7 ← 8: 7.9 ← 9: 10.7x ↘ 10: 7.9 →</p> <p>Serie 89.1 Total 0.0</p>	<p>Prov</p>	<p>11: 9.1 ↗ 12: 9.7 ↗ 13: 9.0 ↙ 14: 10.4x ↗ 15: 10.5x ↘ 16: 8.1 ↙ 17: 9.0 ↙ 18: 9.5 ↗ 19: 9.0 ↘</p> <p>Serie 84.3 Total 0.0</p>
-------------	--	-------------	--

<p>60 Skott</p>	<p>1: 9.3 ← 2: 8.7 ← 3: 8.3 ↗ 4: 9.1 ↙ 5: 9.6 ← 6: 10.6x ↘ 7: 10.1 ↓ 8: 10.1 → 9: 9.5 ↗ 10: 10.4x ↗</p> <p>Serie 95.7 Total 95.7</p>	<p>60 Skott</p>	<p>11: 8.3 ↗ 12: 6.7 ↗ 13: 10.3x ↘ 14: 10.0 ↑ 15: 9.1 ↙ 16: 10.8x ↗ 17: 9.1 ← 18: 10.1 ↙ 19: 9.7 ↑ 20: 10.4x ↗</p> <p>Serie 94.5 Total 190.2</p>
-----------------	---	-----------------	---

<p>60 Skott</p>	<p>21: 10.1 ↗ 22: 10.2x ↗ 23: 9.9 ↘ 24: 8.9 ↑ 25: 10.3x ↘ 26: 9.2 ↑ 27: 8.9 ← 28: 9.6 ↘ 29: 9.3 → 30: 10.9x ↘</p> <p>Serie 97.3 Total 287.5</p>	<p>60 Skott</p>	<p>31: 9.8 ↙ 32: 9.8 ← 33: 10.5x ↘ 34: 8.7 ↑ 35: 7.6 ↙ 36: 8.5 ↗ 37: 8.7 → 38: 9.4 ↗ 39: 10.2x ↘ 40: 8.5 →</p> <p>Serie 91.7 Total 379.2</p>
-----------------	--	-----------------	---

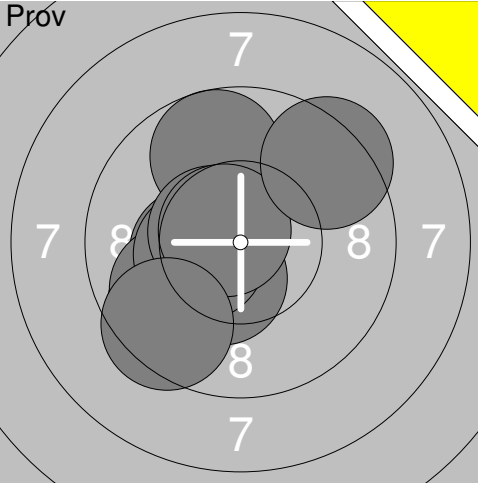
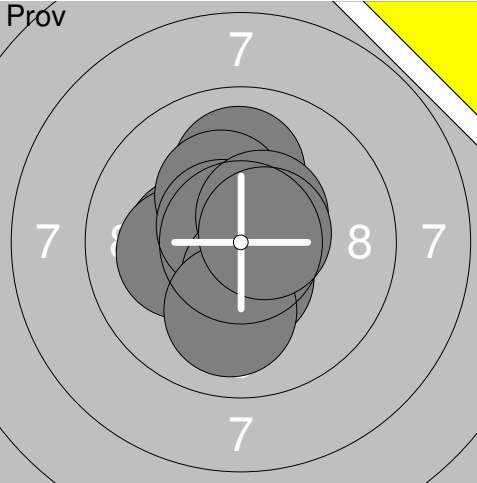
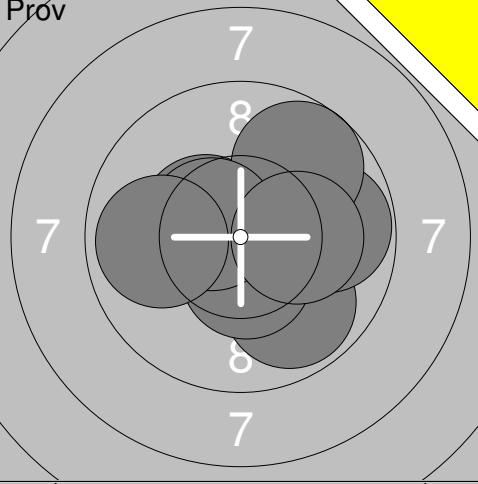
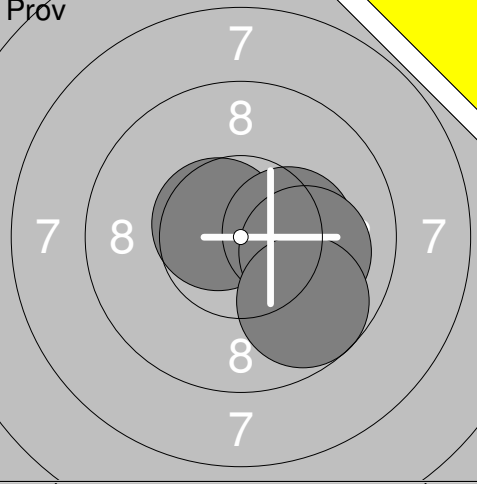
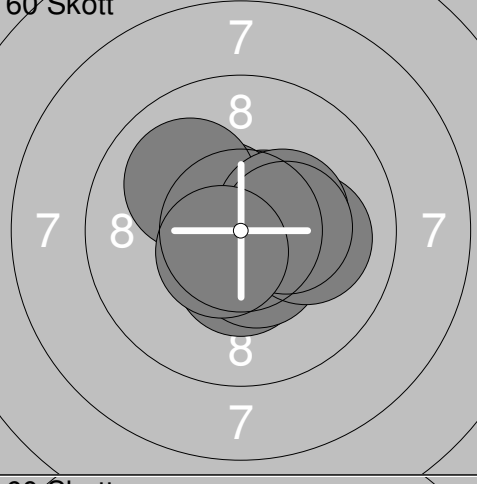
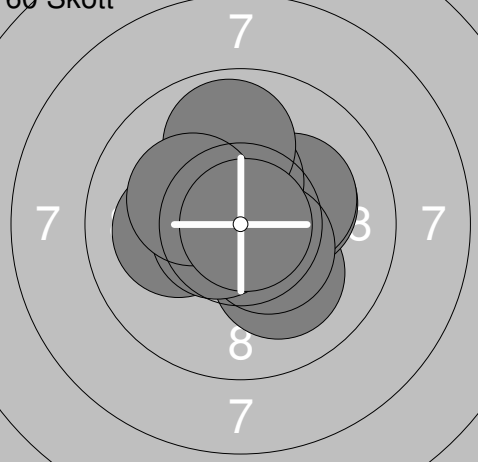
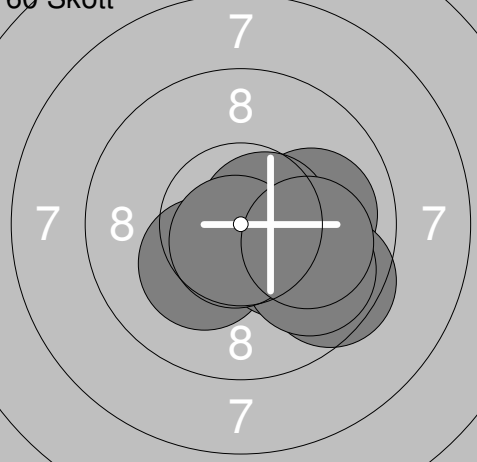
Skjutlag	Tavla	Helena Dahlström	
2	28		
S	Umeå	L13	Vb
19.11.2022	Vännästräffen 2022	Umeå skytteallians	
Prov		1: 10.8x ↗ 2: 10.5x → 3: 9.2 ↘ 4: 8.8 ↓ 5: 9.7 ↓ 6: 9.6 ↓ 7: 9.6 ↓ 8: 9.7 ↗ 9: 10.0 → 10: 10.1 ←	11: 10.5x ↘ 12: 10.1 ↓ 13: 10.4x ↗ 14: 9.7 ↙ 15: 10.4x ↘ 16: 10.3x ↗ 17: 9.7 ↓ 18: 10.3x ↗ 19: 10.4x ↗ 20: 10.0 ↗
		Serie 98.0	Serie 101.8
		Total 0.0	Total 0.0
Prov		21: 10.6x ↘ 22: 10.9x ↗ 23: 10.4x ← 24: 10.6x ↙ 25: 10.2x ↗	1: 9.6 ↘ 2: 9.5 ↘ 3: 10.0 ↘ 4: 9.6 ↘ 5: 9.9 → 6: 9.7 ↓ 7: 10.5x ↗ 8: 10.9x ↘ 9: 9.7 ↗ 10: 9.9 ↗
		Serie 52.7	Serie 99.3
		Total 0.0	Total 99.3
60 Skott		11: 9.5 ↑ 12: 10.3x ↘ 13: 10.4x ↗ 14: 10.4x ↙ 15: 10.7x ↙ 16: 10.1 ↑ 17: 10.1 ↑ 18: 10.3x ← 19: 10.2x ↗ 20: 9.0 ↑	21: 9.0 ↑ 22: 9.0 ↑ 23: 10.7x ↙ 24: 9.7 ↗ 25: 8.8 ↑ 26: 9.1 ↗ 27: 10.6x → 28: 10.9x ↘ 29: 10.0 ↓ 30: 10.5x ↗
		Serie 101.0	Serie 98.3
		Total 200.3	Total 298.6
60 Skott		31: 10.2x ↘ 32: 10.5x ↘ 33: 10.5x → 34: 9.9 ↓ 35: 10.1 ↓ 36: 10.4x ↘ 37: 10.0 ↙ 38: 10.2x ↘ 39: 9.7 ↓ 40: 10.9x ↘	
		Serie 102.4	
		Total 401.0	

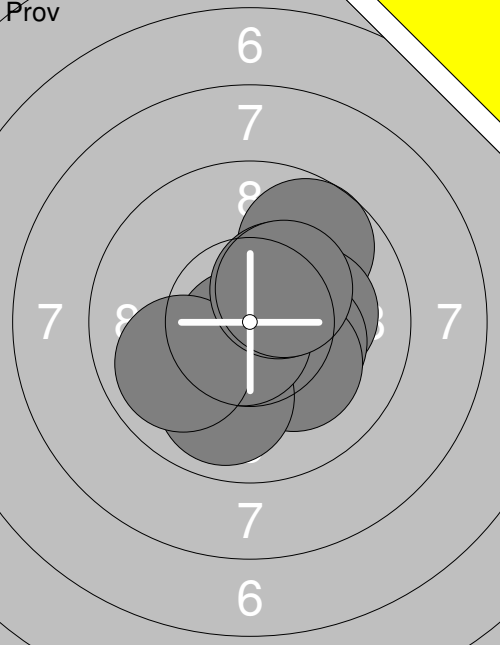
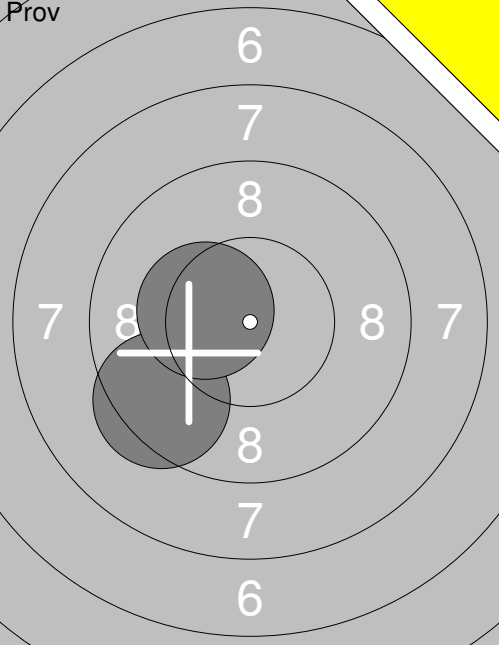
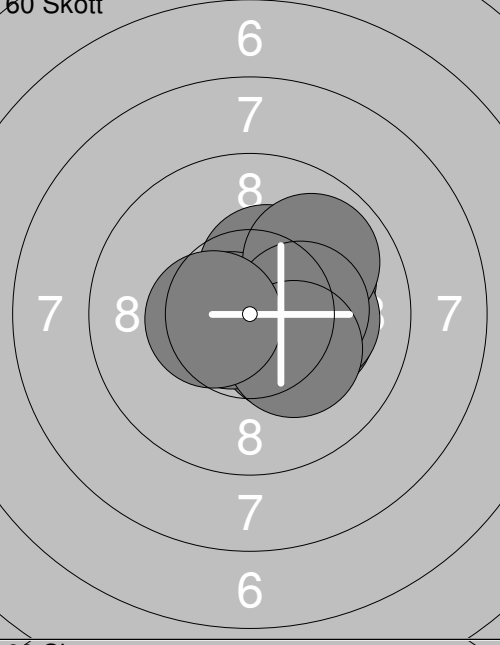
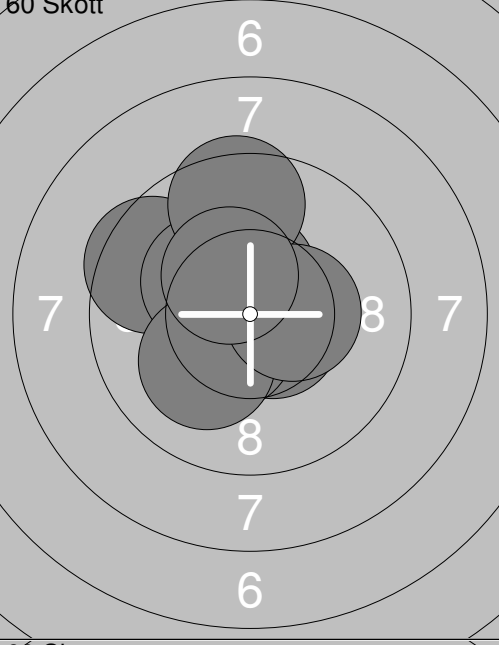
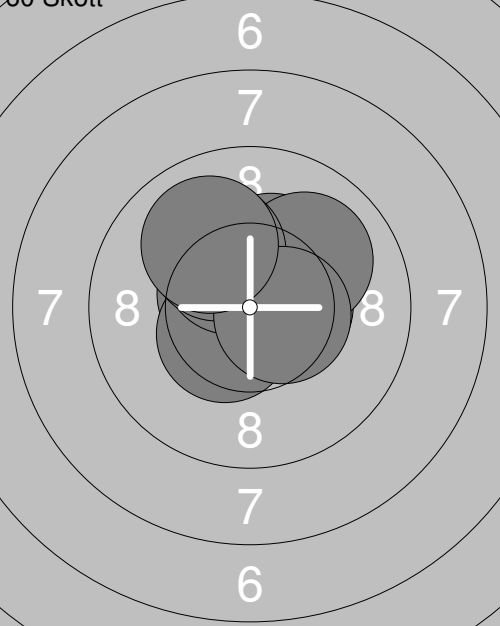
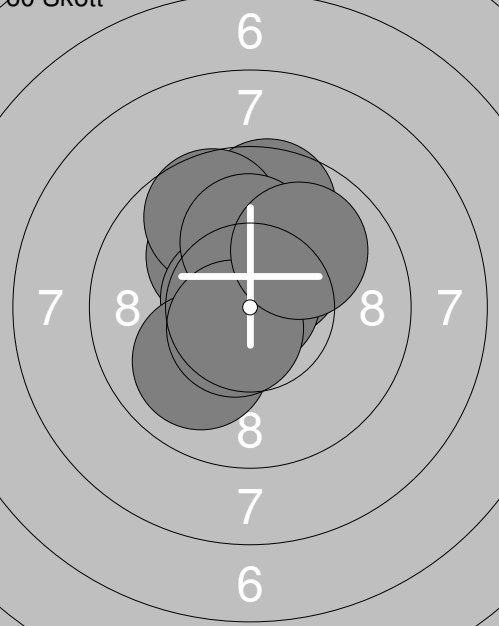
Skjutlag	Tavla	Sandra Dahlström Ekvall		S	Umeå	Lsitt	Vb
2	30			19.11.2022	Vännästräffen 2022	Umeå skytteallians	
Prov			1: 5.8 ↘ 2: 10.3x ↓ 3: 9.9 ↗ 4: 10.5x ↓ 5: 10.4x ↓ 6: 10.4x ↓ 7: 10.8x ← 8: 9.8 ← 9: 10.8x ↗ 10: 10.2x ↓ Serie 98.9 Total 0.0	Prov			11: 10.7x ← 12: 10.0 ↗ 13: 10.5x ↓ 14: 10.3x ↓ 15: 9.7 ↓ 16: 10.4x ↗ 17: 10.3x ← 18: 10.2x ↗ 19: 10.1 ↗ 20: 10.1 ↓ Serie 102.3 Total 0.0
Prov			21: 10.1 ← 22: 10.7x → 23: 9.8 ↗ 24: 10.1 ↓ 25: 10.2x ↓ 26: 10.7x ↓ 27: 10.5x → 28: 9.7 ↓ 29: 10.8x ↓ 30: 9.6 ↓ Serie 102.2 Total 0.0	Prov			31: 10.4x ↓ 32: 10.2x ↗ Serie 20.6 Total 0.0
60 Skott			1: 10.5x ↑ 2: 10.2x ↗ 3: 10.7x ← 4: 10.6x ↗ 5: 10.6x ↓ 6: 10.3x ↗ 7: 10.6x ↗ 8: 10.3x ← 9: 10.4x ↗ 10: 10.3x ↗ Serie 104.5 Total 104.5	60 Skott			11: 10.6x ↗ 12: 10.3x ↑ 13: 10.5x ↗ 14: 10.1 ↗ 15: 10.3x ↗ 16: 10.5x ← 17: 9.8 ↗ 18: 10.6x ↓ 19: 10.4x ↑ 20: 10.5x ↓ Serie 103.6 Total 208.1
60 Skott			21: 9.9 → 22: 10.4x ↗ 23: 9.9 ↗ 24: 10.5x ← 25: 10.6x → 26: 10.4x ↓ 27: 10.4x ↗ 28: 10.7x ↓ 29: 10.1 ↓ 30: 10.3x ↓ Serie 103.2 Total 311.3	60 Skott			31: 10.0 ← 32: 10.1 ↓ 33: 10.0 ↑ 34: 9.7 ↗ 35: 10.5x ↑ 36: 10.2x ↓ 37: 9.8 ↗ 38: 10.3x ↗ 39: 10.1 ← 40: 10.3x ← Serie 101.0 Total 412.3

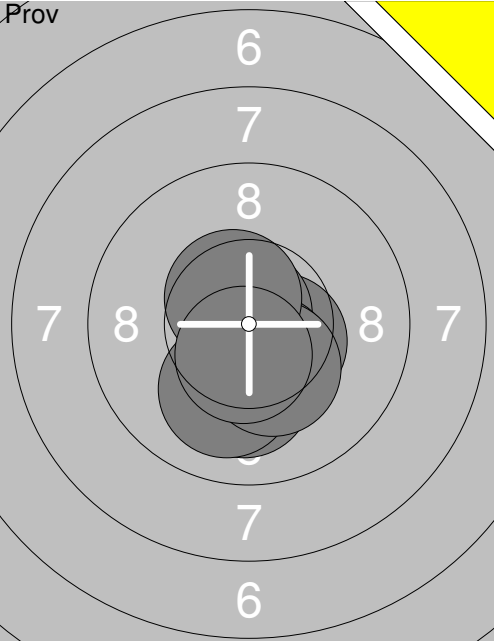
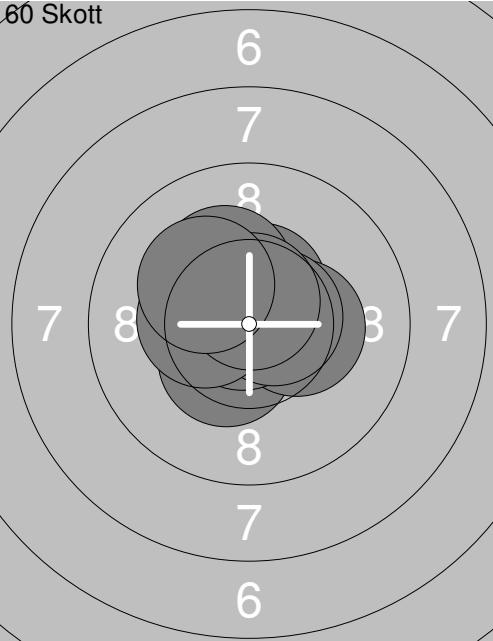
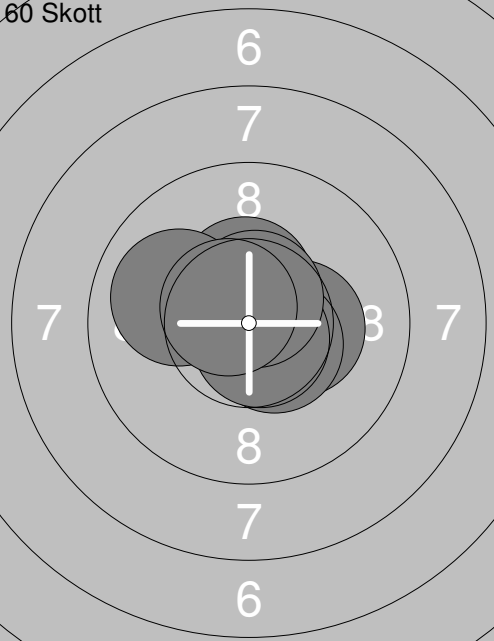
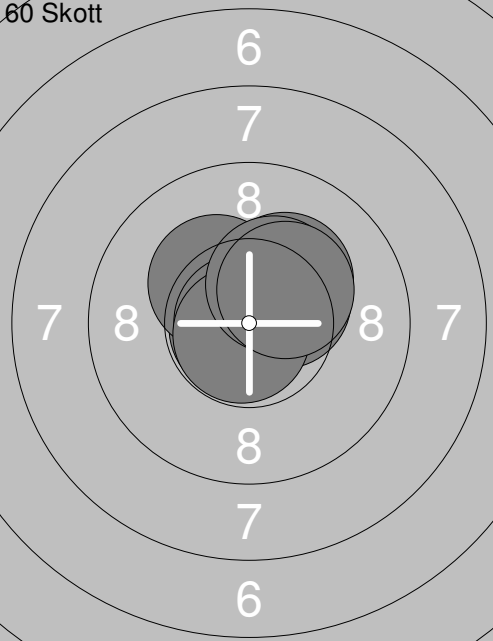
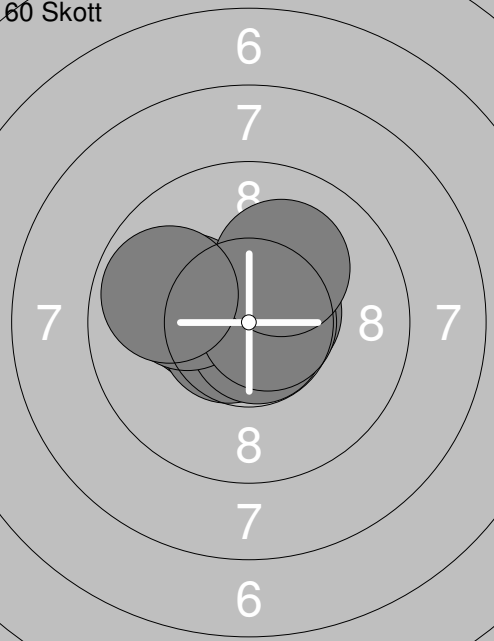
<p>Pröv</p>	<p>1: 10.3x ↗</p> <p>2: 9.5 ←</p> <p>3: 9.3 →</p> <p>4: 9.9 →</p> <p>5: 9.1 ←</p> <p>6: 8.9 ↑</p> <p>7: 9.9 →</p> <p>8: 8.3 ↑</p> <p>9: 9.5 ←</p> <p>10: 9.4 ↖</p> <p>Serie 94.1</p> <p>Total 0.0</p>	<p>Pröv</p>	<p>11: 8.4 ←</p> <p>12: 10.0 ↓</p> <p>13: 10.8x ↘</p> <p>14: 9.2 ↑</p> <p>15: 8.6 ↖</p> <p>16: 8.6 →</p> <p>17: 10.2x ↘</p> <p>18: 8.9 ↑</p> <p>19: 9.5 ↘</p> <p>20: 9.6 ↑</p> <p>Serie 93.8</p> <p>Total 0.0</p>
-------------	---	-------------	---

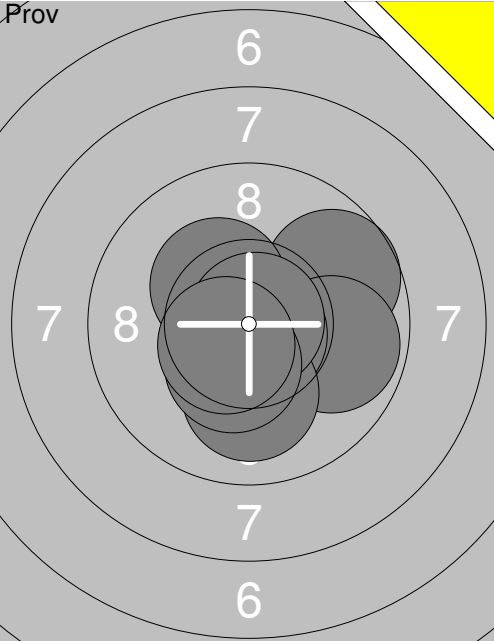
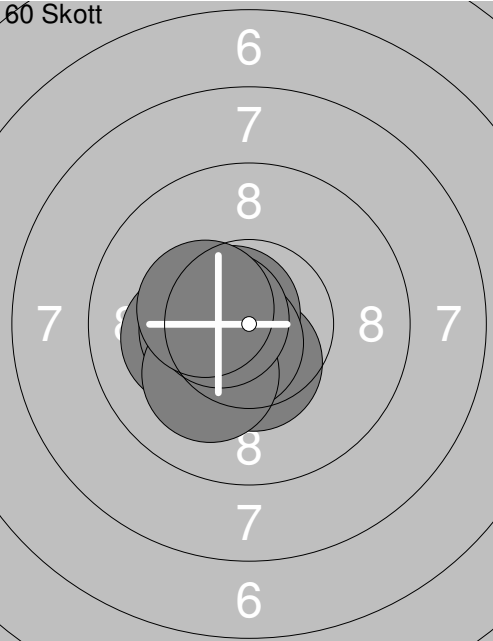
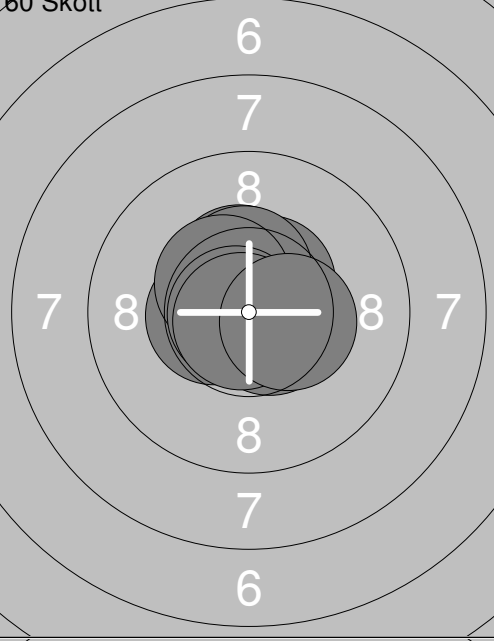
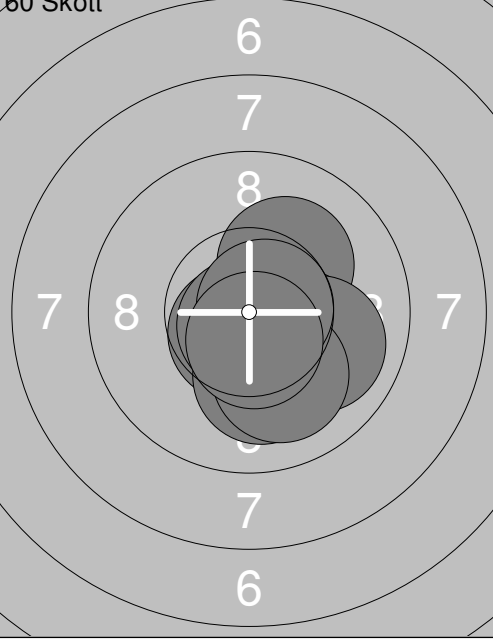
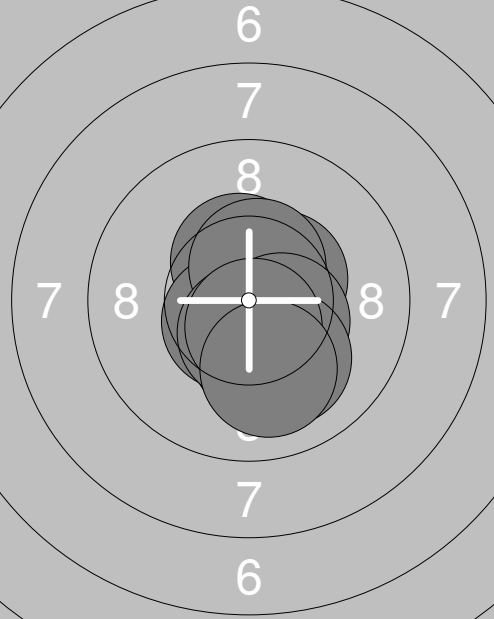
<p>60 Skott</p>	<p>1: 9.4 ↖</p> <p>2: 8.4 →</p> <p>3: 10.3x ↘</p> <p>4: 10.0 →</p> <p>5: 9.1 ↗</p> <p>6: 9.1 ↗</p> <p>7: 10.5x ↘</p> <p>8: 8.4 ↑</p> <p>9: 9.3 ↖</p> <p>10: 9.9 →</p> <p>Serie 94.4</p> <p>Total 94.4</p>	<p>60 Skott</p>	<p>11: 7.7 ↓</p> <p>12: 9.1 ↓</p> <p>13: 9.8 →</p> <p>14: 7.2 ↗</p> <p>15: 10.0 ↓</p> <p>16: 6.4 →</p> <p>17: 9.6 →</p> <p>18: 10.0 ↖</p> <p>19: 9.5 →</p> <p>20: 9.4 ↓</p> <p>Serie 88.7</p> <p>Total 183.1</p>
-----------------	---	-----------------	--

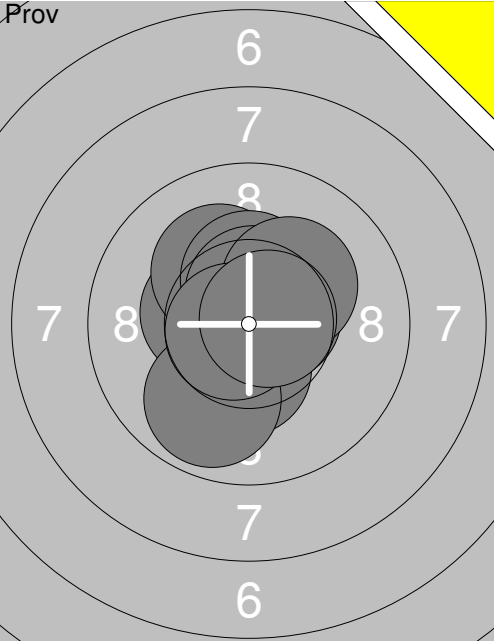
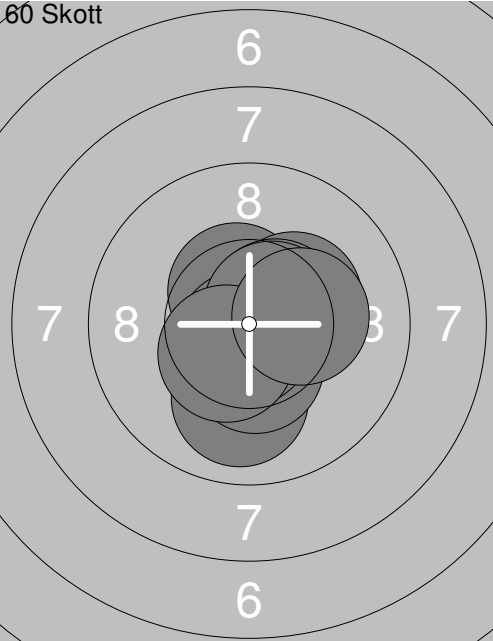
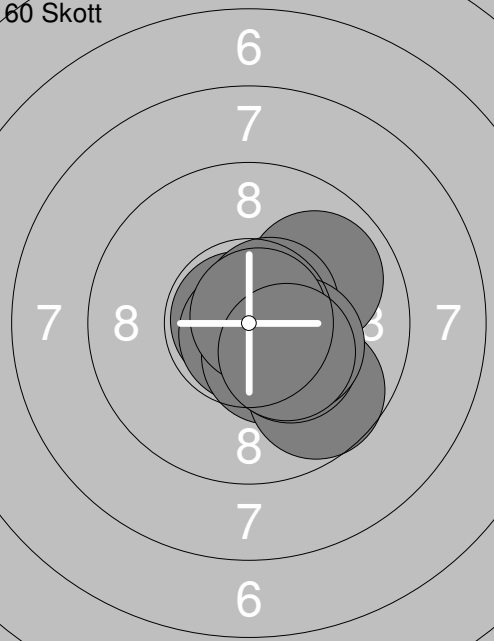
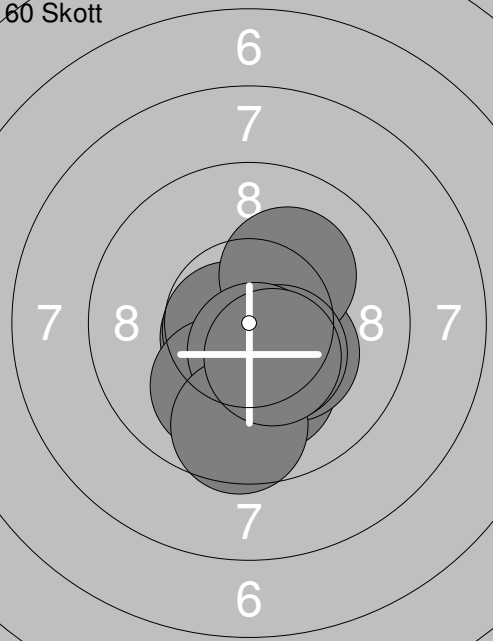
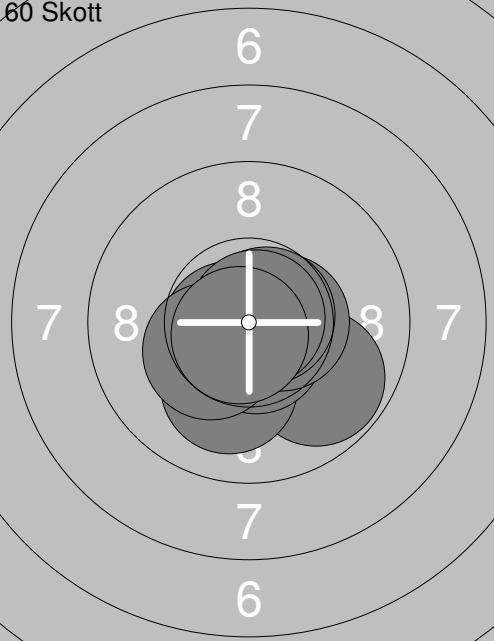
<p>60 Skott</p>	<p>21: 8.9 →</p> <p>22: 8.0 ↖</p> <p>23: 9.0 ←</p> <p>24: 8.6 ↖</p> <p>25: 10.3x ↗</p> <p>26: 9.6 ↖</p> <p>27: 9.1 ←</p> <p>28: 7.7 ↘</p> <p>29: 9.8 ↑</p> <p>30: 9.5 ↓</p> <p>Serie 90.5</p> <p>Total 273.6</p>	<p>60 Skott</p>	<p>31: 8.4 ↓</p> <p>32: 10.9x ↗</p> <p>33: 10.2x ↗</p> <p>34: 9.6 ↓</p> <p>35: 8.4 ↘</p> <p>36: 10.1 ↓</p> <p>37: 8.1 ↘</p> <p>38: 6.0 →</p> <p>39: 9.5 ↖</p> <p>40: 10.4x ↗</p> <p>Serie 91.6</p> <p>Total 365.2</p>
-----------------	--	-----------------	---

Skjutlag	Tavla	Robert Scherdin	
2	32		
S	Umeå	Umeå skytteallians	Vb
19.11.2022	Vännästräffen 2022		
Pröv 	1: 9.7 ↙	Pröv 	11: 10.3x ←
	2: 10.3x ←		12: 10.0 ↑
	3: 9.9 ↙		13: 10.3x ←
	4: 10.4x ↘		14: 10.2x ←
	5: 10.4x ←		15: 10.3x ↑
	6: 9.7 ↗		16: 10.6x ↗
	7: 10.6x ↗		17: 10.5x ↗
	8: 10.7x ↗		18: 10.5x ↓
	9: 9.4 ↗		19: 10.0 ↓
	10: 9.5 ↘		20: 10.6x →
	Serie 100.6		Serie 103.3
	Total 0.0		Total 0.0
Pröv 	21: 9.9 ↘	Pröv 	31: 10.6x ↗
	22: 10.4x →		32: 10.3x →
	23: 10.7x ↘		33: 10.1 →
	24: 9.8 →		34: 9.7 ↘
	25: 10.5x ↘		
	26: 10.4x ↗		
	27: 9.7 ↗		
	28: 10.5x ↗		
	29: 9.9 ←		
	30: 10.2x →		
	Serie 102.0		Serie 40.7
	Total 0.0		Total 0.0
60 Skott 	1: 10.3x ↘	60 Skott 	11: 10.7x ↗
	2: 10.4x ↗		12: 10.4x ↓
	3: 10.8x ↗		13: 10.5x ↓
	4: 10.1 ↘		14: 10.6x →
	5: 9.9 ↘		15: 10.5x ↗
	6: 10.3x ↗		16: 10.1 →
	7: 10.3x ↗		17: 10.0 ↗
	8: 10.4x ←		18: 10.4x →
	9: 10.6x ↗		19: 10.3x →
	10: 10.3x ↗		20: 10.6x ↘
	Serie 103.4		Serie 104.1
	Total 103.4		Total 207.5
60 Skott 	21: 10.1 ↘	60 Skott 	31: 10.0 →
	22: 10.2x →		32: 10.7x →
	23: 10.2x →		33: 10.4x →
	24: 10.1 ←		34: 10.2x ↘
	25: 10.5x ↘		35: 9.5 ↘
	26: 10.4x ↑		36: 10.6x →
	27: 9.9 ↑		37: 10.3x ↘
	28: 10.6x ←		38: 9.8 ↘
	29: 10.2x ↗		39: 10.7x ↓
	30: 10.9x →		40: 10.0 →
	Serie 103.1		Serie 102.2
	Total 310.6		Total 412.8

Skjutlag	Tavla	Emma Lindahl	
2	33		
S	Vännäs	Umeå skytteallians	
19.11.2022	Vännästräffen 2022		
	1: 9.7 ↗		11: 9.4 ↙
	2: 10.7x ➤		12: 10.4x ↘
	3: 10.2x ➤		
	4: 10.3x ➤		
	5: 10.2x ↘		
	6: 9.9 ↓		
	7: 10.7x ↘		
	8: 9.9 ↙		
	9: 10.4x ↗		
	10: 10.3x ↗		
Serie	102.3	Serie	19.8
Total	0.0	Total	0.0
	1: 10.4x ↗		11: 10.6x ↘
	2: 10.2x ➤		12: 10.5x ↘
	3: 10.4x ↘		13: 9.5 ↖
	4: 10.1 ↗		14: 10.6x ↘
	5: 10.1 ➔		15: 10.5x ↗
	6: 10.7x ↘		16: 10.3x ↘
	7: 9.9 ↗		17: 9.5 ↑
	8: 10.3x ➤		18: 10.1 ↙
	9: 10.2x ↘		19: 10.4x ➤
	10: 10.5x ↘		20: 10.4x ↘
Serie	102.8	Serie	102.4
Total	102.8	Total	205.2
	21: 10.6x ↘		31: 9.6 ↑
	22: 10.5x ↘		32: 10.1 ↖
	23: 10.4x ↘		33: 9.7 ↗
	24: 10.3x ↗		34: 10.4x ↗
	25: 10.3x ↗		35: 10.8x ↗
	26: 10.5x ➤		36: 10.7x ↘
	27: 10.0 ↗		37: 10.0 ↙
	28: 10.1 ↖		38: 10.1 ↑
	29: 10.5x ➤		39: 10.6x ↘
	30: 10.0 ↖		40: 10.0 ↗
Serie	103.2	Serie	102.0
Total	308.4	Total	410.4

Skjutlag 2	Tavla 34	Peder Östlund	
S	Vännäs	Lsitt	Vb
19.11.2022	Vännästräffen 2022	Umeå skytteallians	
	1: 10.5x↘ 2: 10.1 ↓ 3: 10.8x↗ 4: 10.1 ↓ 5: 10.4x↘ 6: 10.3x↘ 7: 10.6x↗ 8: 10.5x↘		1: 10.4x↘ 2: 10.5x↗ 3: 10.2x↗ 4: 10.6x↖ 5: 10.3x→ 6: 10.9x↖ 7: 10.6x→ 8: 10.4x↖ 9: 10.6x↗ 10: 10.2x↖
	Serie 83.3		Serie 104.7
	Total 0.0		Total 104.7
	11: 10.8x↘ 12: 10.5x↗ 13: 10.8x→ 14: 10.3x→ 15: 10.6x↘ 16: 10.5x↘ 17: 10.7x↘ 18: 10.6x↗ 19: 10.0↖ 20: 10.6x↖		21: 10.6x↖ 22: 10.8x↖ 23: 10.5x↖ 24: 10.4x↗ 25: 10.2x↗ 26: 10.3x↖ 27: 10.9x↖ 28: 10.8x↘ 29: 10.3x↗ 30: 10.3x↗
	Serie 105.4		Serie 105.1
	Total 210.1		Total 315.2
	31: 10.5x↖ 32: 10.6x→ 33: 10.9x↖ 34: 10.3x↖ 35: 10.6x↖ 36: 10.8x↘ 37: 10.1↖ 38: 10.7x→ 39: 10.1 ↗ 40: 9.8 ↖		
	Serie 104.4		
	Total 419.6		

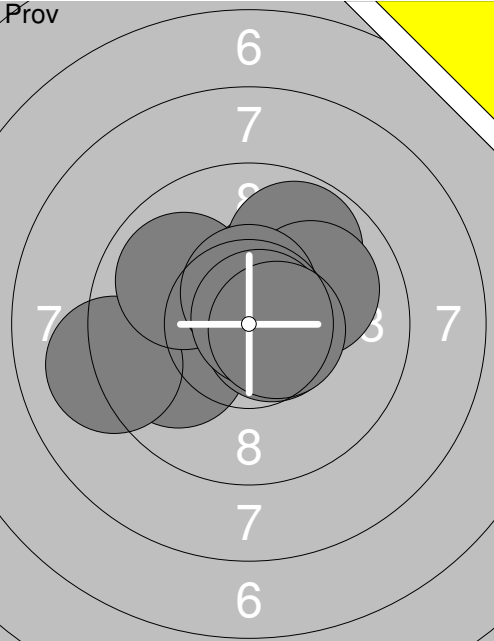

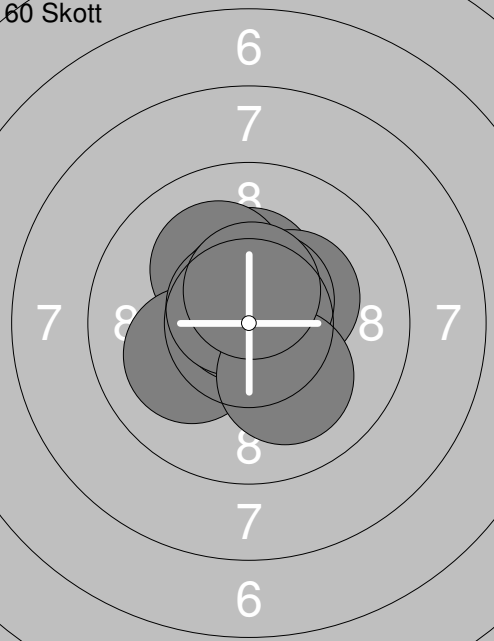
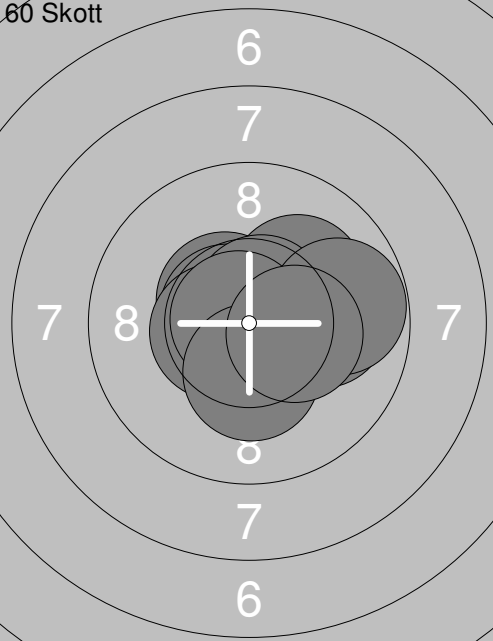
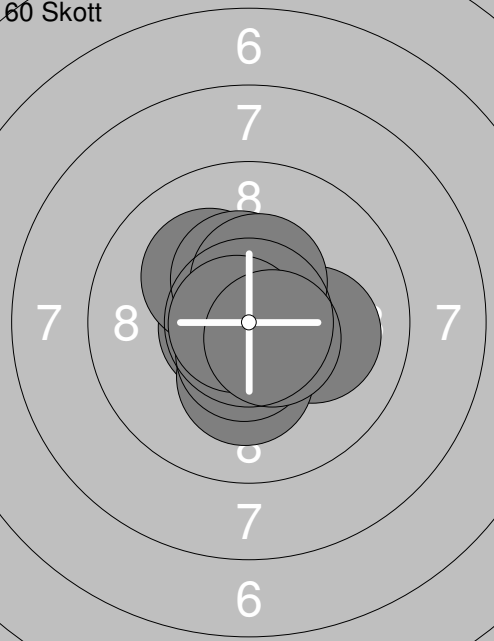
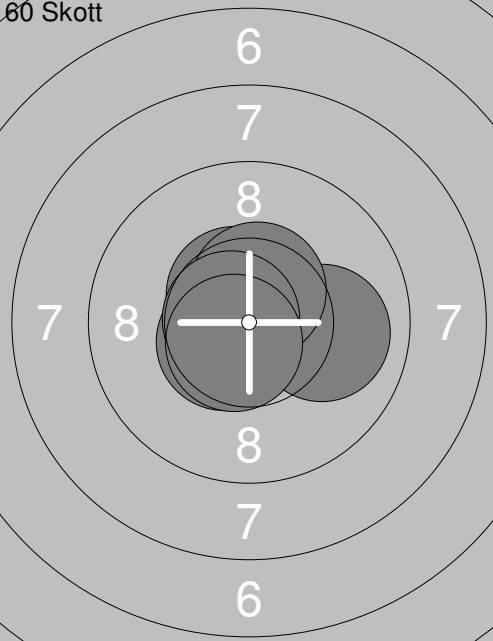
Skjutlag	Tavla	Anders Hansson	
2	35		
S	Vännäs	Lsitt	Vb
19.11.2022	Vännästräffen 2022	Umeå skytteallians	
Prov 	1: 9.7 ↗	60 Skott 	1: 10.6x↘
	2: 9.8 ➡		2: 10.4x↓
	3: 10.6x↓		3: 10.3x↖
	4: 10.8x↘		4: 10.7x↖
	5: 10.8x↘		5: 10.6x↘
	6: 10.3x↖		6: 10.1←
	7: 10.1 ↓		7: 10.4x↖
	8: 10.9x➡		8: 10.1 ↓
	9: 10.4x↓		9: 10.6x↖
	10: 10.5x↘		10: 10.3x↖
	Serie 103.9		Serie 104.1
	Total 0.0		Total 104.1
60 Skott 	11: 10.5x↗	60 Skott 	21: 10.6x↘
	12: 10.4x↗		22: 10.2x↗
	13: 10.5x↖		23: 10.8x↓
	14: 10.6x↘		24: 10.3x↘
	15: 10.9x↖		25: 10.1 ↓
	16: 10.5x↗		26: 10.6x↘
	17: 10.4x↖		27: 10.0 ➡
	18: 10.8x↖		28: 10.1 ↓
	19: 10.8x↘		29: 10.7x➡
	20: 10.4x➡		30: 10.6x↓
	Serie 105.8		Serie 104.0
	Total 209.9		Total 313.9
60 Skott 	31: 10.5x↗		
	32: 10.4x↗		
	33: 10.6x↘		
	34: 10.5x↗		
	35: 10.3x↓		
	36: 10.4x↘		
	37: 10.5x↓		
	38: 10.1 ↓		
	39: 10.6x↓		
	40: 10.0 ↓		
	Serie 103.9		
	Total 417.8		

Skjutlag	Tavla	Nils Fredriksson		
2	36	Umeå	Lsitt	Vb
19.11.2022	Vännästräffen 2022	Umeå skytteallians		
	1: 10.4x↖		1: 10.0 ↓	
	2: 10.4x↓		2: 10.4x↓	
	3: 10.6x↗		3: 10.7x↗	
	4: 10.2x↖		4: 10.5x↖	
	5: 10.4x↑		5: 10.3x↗	
	6: 9.9 ↓		6: 10.8x↓	
	7: 10.6x↑		7: 10.5x↗	
	8: 10.2x↗		8: 10.6x↗	
	9: 10.7x↖		9: 10.5x↓	
	10: 10.7x↗		10: 10.3x↗	
	Serie 104.1		Serie 104.6	
	Total 0.0		Total 104.6	
	11: 9.9 ↗		21: 10.6x↖	
	12: 10.8x↖		22: 10.7x↖	
	13: 10.8x↓		23: 10.1 ↓	
	14: 10.4x↓		24: 10.0 ↓	
	15: 9.7 ↓		25: 10.3x↘	
	16: 10.3x↘		26: 10.1 ↗	
	17: 10.6x↗		27: 10.4x↘	
	18: 10.3x↘		28: 10.6x↓	
	19: 10.8x↗		29: 9.6 ↓	
	20: 10.3x↘		30: 10.4x↓	
	Serie 103.9		Serie 102.8	
	Total 208.5		Total 311.3	
	31: 9.8 ↓			
	32: 10.6x↓			
	33: 10.1 ↓			
	34: 10.6x↓			
	35: 10.7x↖			
	36: 10.5x↗			
	37: 10.7x↗			
	38: 10.3x↖			
	39: 10.8x↗			
	40: 10.7x↓			
	Serie 104.8			
	Total 416.1			

<p>Prov</p>	<p>1: 10.6x ↘</p> <p>2: 10.5x ➤</p> <p>3: 10.5x ➤</p> <p>4: 10.2x ➤</p> <p>5: 9.7 ↗</p> <p>6: 9.9 ↗</p> <p>7: 10.2x ↗</p> <p>8: 10.0 ↖</p> <p>9: 9.3 ↗</p> <p>10: 10.4x ↗</p> <hr/> <p>Serie 101.3</p> <hr/> <p>Total 0.0</p>	<p>Prov</p>	<p>11: 10.4x ↗</p> <p>12: 10.4x ↗</p> <p>13: 10.5x ➤</p> <p>14: 10.4x ↘</p> <p>15: 10.8x ✖</p> <p>16: 10.7x ➤</p> <p>17: 10.6x ➤</p> <p>18: 10.7x ✖</p> <p>19: 10.7x ↗</p> <p>20: 10.4x ↘</p> <hr/> <p>Serie 105.6</p> <hr/> <p>Total 0.0</p>
<p>60 Skott</p>	<p>1: 10.1 ↘</p> <p>2: 10.2x ↘</p> <p>3: 10.5x ✖</p> <p>4: 10.2x ↗</p> <p>5: 10.3x ↗</p> <p>6: 10.8x ✖</p> <p>7: 9.6 ↖</p> <p>8: 10.7x ↘</p> <p>9: 10.3x ↗</p> <p>10: 10.5x ✖</p> <hr/> <p>Serie 103.2</p> <hr/> <p>Total 103.2</p>	<p>60 Skott</p>	<p>11: 10.0 ➤</p> <p>12: 10.4x ↗</p> <p>13: 10.5x ↘</p> <p>14: 10.7x ↗</p> <p>15: 10.4x ✖</p> <p>16: 10.4x ✖</p> <p>17: 10.5x ✖</p> <p>18: 10.4x ✖</p> <p>19: 10.7x ↗</p> <p>20: 10.3x ↗</p> <hr/> <p>Serie 104.3</p> <hr/> <p>Total 207.5</p>
<p>60 Skott</p>	<p>21: 10.3x ↗</p> <p>22: 10.7x ↘</p> <p>23: 10.8x ↘</p> <p>24: 10.2x ↗</p> <p>25: 10.7x ✖</p> <p>26: 9.9 ↗</p> <p>27: 9.8 ↖</p> <p>28: 10.5x ↗</p> <p>29: 10.6x ✖</p> <p>30: 9.6 ↖</p> <hr/> <p>Serie 103.1</p> <hr/> <p>Total 310.6</p>	<p>60 Skott</p>	<p>31: 10.0 ↖</p> <p>32: 10.4x ✖</p> <p>33: 10.6x ↘</p> <p>34: 10.6x ↘</p> <p>35: 10.5x ✖</p> <p>36: 10.5x ↗</p> <p>37: 10.2x ↗</p> <p>38: 10.6x ↗</p> <p>39: 10.6x ✖</p> <p>40: 10.7x ↗</p> <hr/> <p>Serie 104.7</p> <hr/> <p>Total 415.3</p>

<p>Prov</p>	<p>1: 9.2 ↘ 2: 9.4 ↘ 3: 9.5 ↘ 4: 10.3x↓ 5: 9.9 ← 6: 10.5x↖ 7: 10.6x↗ 8: 10.3x↓ 9: 10.5x↗ 10: 10.4x↖</p> <p>Serie 100.6 Total 0.0</p>	<p>Prov</p>	<p>11: 10.5x↘ 12: 10.6x↖ 13: 10.7x↓ 14: 10.2x↖ 15: 10.6x↓ 16: 10.5x↘ 17: 10.7x↗ 18: 10.5x↗</p> <p>Serie 84.3 Total 0.0</p>
<p>60 Skott</p>	<p>1: 10.4x↖ 2: 10.0 ↘ 3: 10.7x↖ 4: 10.9x↗ 5: 10.3x↗ 6: 10.2x↗ 7: 10.7x↓ 8: 10.2x↖ 9: 10.5x↗ 10: 10.7x↓</p> <p>Serie 104.6 Total 104.6</p>	<p>60 Skott</p>	<p>11: 10.4x↓ 12: 10.5x↓ 13: 10.2x↖ 14: 10.3x↖ 15: 10.5x↗ 16: 9.9 ← 17: 10.4x↖ 18: 10.5x↖ 19: 10.8x↗ 20: 10.2x↖</p> <p>Serie 103.7 Total 208.3</p>
<p>60 Skott</p>	<p>21: 10.5x↖ 22: 10.5x↓ 23: 10.2x↗ 24: 10.4x↖ 25: 10.7x↖ 26: 10.6x↖ 27: 10.9x↗ 28: 10.2x↖ 29: 9.8 ↗ 30: 10.5x↗</p> <p>Serie 104.3 Total 312.6</p>	<p>60 Skott</p>	<p>31: 10.6x↗ 32: 10.8x↓ 33: 9.9 ↗ 34: 10.4x↗ 35: 10.7x↗ 36: 10.4x↗ 37: 10.0 ↑ 38: 10.5x↗ 39: 10.5x↗ 40: 10.6x↖</p> <p>Serie 104.4 Total 417.0</p>

<p>Prov</p>	<p>1: 10.1 ↗ 2: 9.9 ↘ 3: 10.2 ✕ 4: 10.1 ↓ 5: 10.4 ✕ 6: 10.5 ✕ 7: 10.7 ✕ 8: 10.0 → 9: 9.8 ↖ 10: 10.4 ✕</p> <p>Serie 102.1 Total 0.0</p>	<p>Prov</p>	<p>11: 10.4 ✕ 12: 10.4 ✕ 13: 10.7 ✕ 14: 10.2 ✕ 15: 10.5 ✕</p> <p>Serie 52.2 Total 0.0</p>
<p>60 Skott</p>	<p>1: 10.6 ✕ 2: 10.4 ✕ 3: 9.8 ← 4: 10.4 ✕ 5: 10.4 ✕ 6: 10.6 ✕ 7: 10.3 ✕ 8: 10.5 ✕ 9: 10.2 ✕ 10: 10.1 ←</p> <p>Serie 103.3 Total 103.3</p>	<p>60 Skott</p>	<p>11: 10.7 ✕ 12: 10.7 ✕ 13: 10.6 ✕ 14: 10.6 ✕ 15: 10.6 ✕ 16: 10.6 ✕ 17: 10.2 ✕ 18: 10.4 ✕ 19: 10.5 ✕ 20: 10.5 ✕</p> <p>Serie 105.4 Total 208.7</p>
<p>60 Skott</p>	<p>21: 10.4 ✕ 22: 10.6 ✕ 23: 10.1 ↗ 24: 10.8 ✕ 25: 10.8 ✕ 26: 10.5 ✕ 27: 10.5 ✕ 28: 10.2 ✕ 29: 10.2 ✕ 30: 10.6 ✕</p> <p>Serie 104.7 Total 313.4</p>	<p>60 Skott</p>	<p>31: 9.9 ↗ 32: 10.2 ✕ 33: 9.5 ↑ 34: 10.1 ↗ 35: 10.4 ✕ 36: 10.0 ✕ 37: 10.4 ✕ 38: 10.4 ✕ 39: 10.2 ✕ 40: 10.8 ✕</p> <p>Serie 101.9 Total 415.3</p>

Skjuttag	Tavla	Edvin Strömberg		Lrem	Vb
2	40				
S	Vännäs				
19.11.2022	Vännästräffen 2022	Umeå skytteallians			
Prov		1: 9.9 ↙ 2: 9.1 ← 3: 9.9 ↖ 4: 10.3x ↗ 5: 9.8 ↗ 6: 10.0 ↗ 7: 10.6x ➤ 8: 10.6x ↗ 9: 10.8x ↗ 10: 10.6x ➤	Prov		11: 10.3x ↗ 12: 10.4x ↗
	Serie 101.6			Serie 20.7	
	Total 0.0			Total 0.0	
60 Skott		1: 10.3x ↗ 2: 10.1 ↖ 3: 10.1 ↖ 4: 10.8x ↖ 5: 10.3x ↗ 6: 10.6x ↗ 7: 10.6x ↗ 8: 10.7x ↖ 9: 10.1 ↘ 10: 10.5x ↗	60 Skott		11: 10.5x ↖ 12: 10.6x ↖ 13: 10.5x ↖ 14: 10.1 ↗ 15: 10.0 → 16: 10.7x ↗ 17: 9.8 → 18: 10.8x ↖ 19: 10.3x ↘ 20: 10.3x ➤
	Serie 104.1			Serie 103.6	
	Total 104.1			Total 207.7	
60 Skott		21: 10.7x ↖ 22: 10.2x ↖ 23: 10.1 → 24: 10.9x ↗ 25: 10.2x ↘ 26: 10.4x ↗ 27: 10.6x ↘ 28: 10.4x ↗ 29: 10.8x ↖ 30: 10.6x ➤	60 Skott		31: 10.6x ↗ 32: 10.7x ↗ 33: 10.8x ↘ 34: 10.6x ↖ 35: 10.7x ↖ 36: 10.0 → 37: 10.5x ↖ 38: 10.5x ↗ 39: 10.7x ↖ 40: 10.6x ↘
	Serie 104.9			Serie 105.7	
	Total 312.6			Total 418.3	