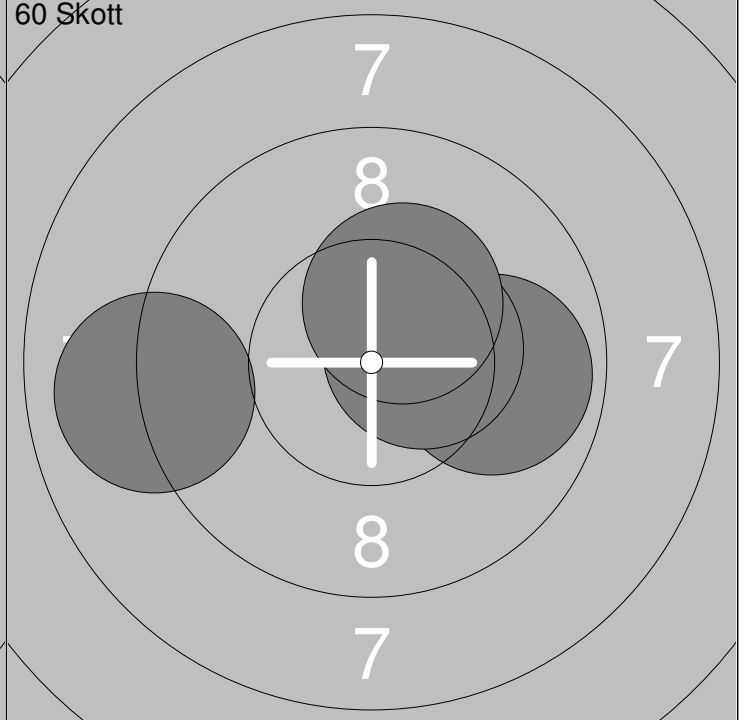
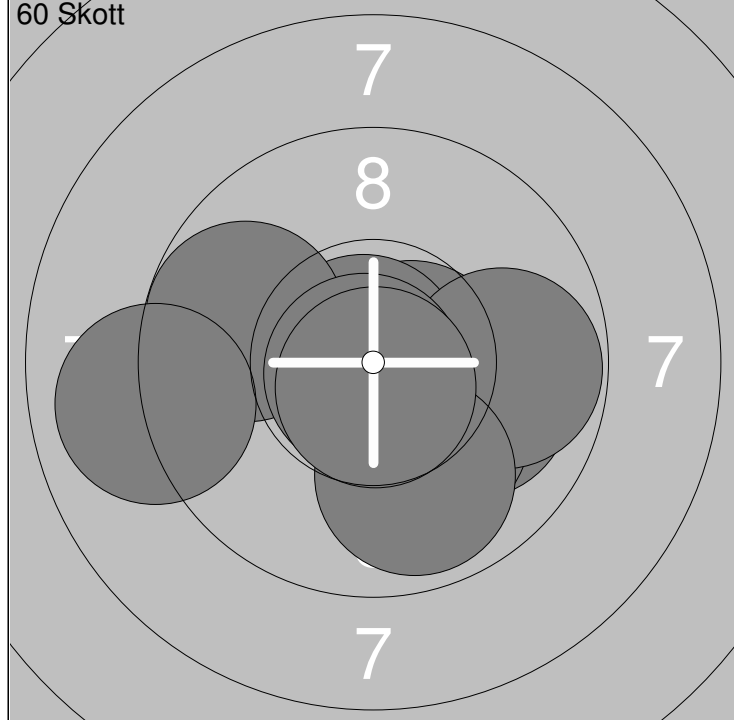


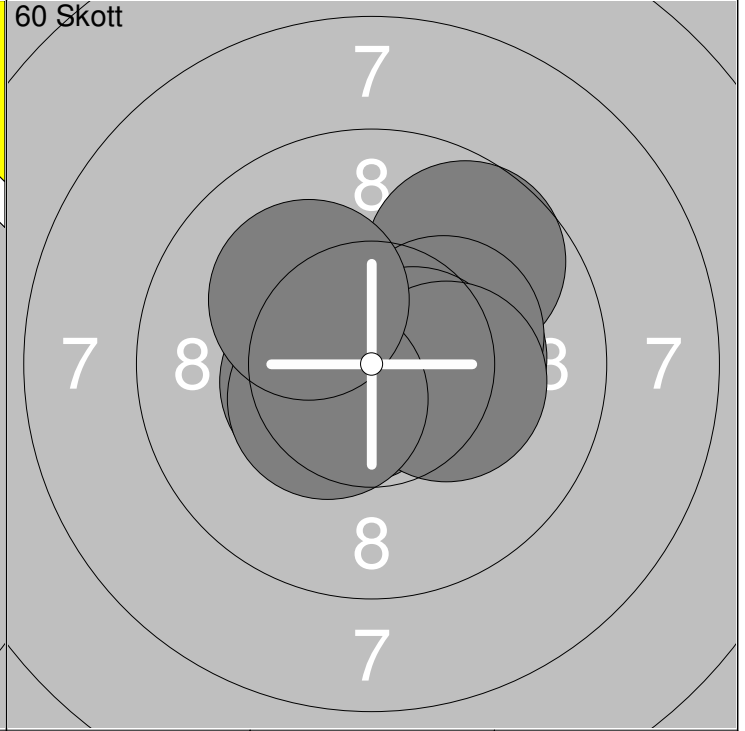
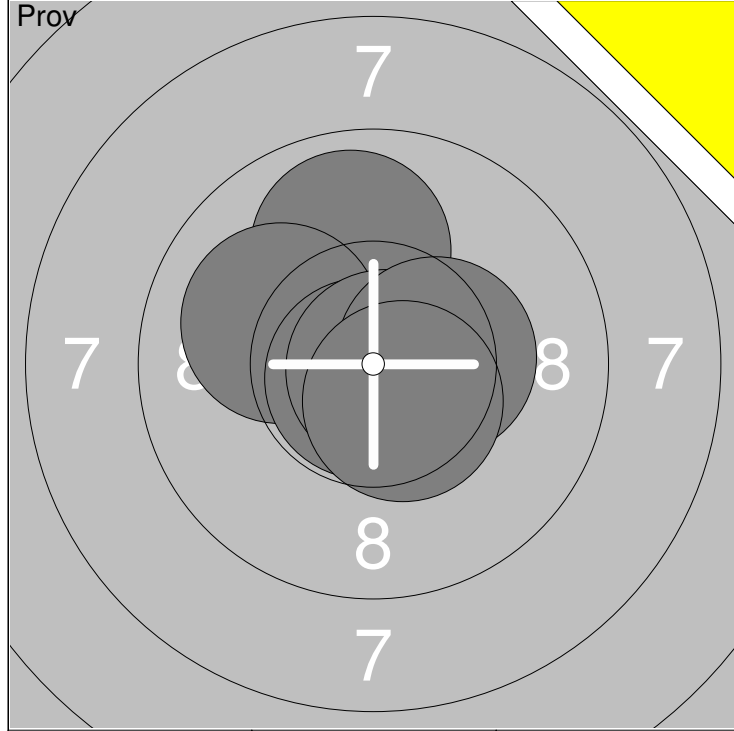
1: 10.7x ←	6: 10.2x ↓		Serie	90.3
2: 10.1 ↓	8: 8.9 ←			
3: 9.6 →	9: 10.1 ↓	Total		0.0
4: 10.4x ↓	10: 10.1 ↗			
5: 10.2x ←				

1: 9.2 ↓	6: 9.3 ↓		Serie	96.0
2: 9.9 ←	7: 10.4x ↘			
3: 9.8 ←	8: 10.3x ←	Total		96.0
4: 9.1 ↗	9: 9.6 →			
5: 9.5 ↗	10: 8.9 ↗			



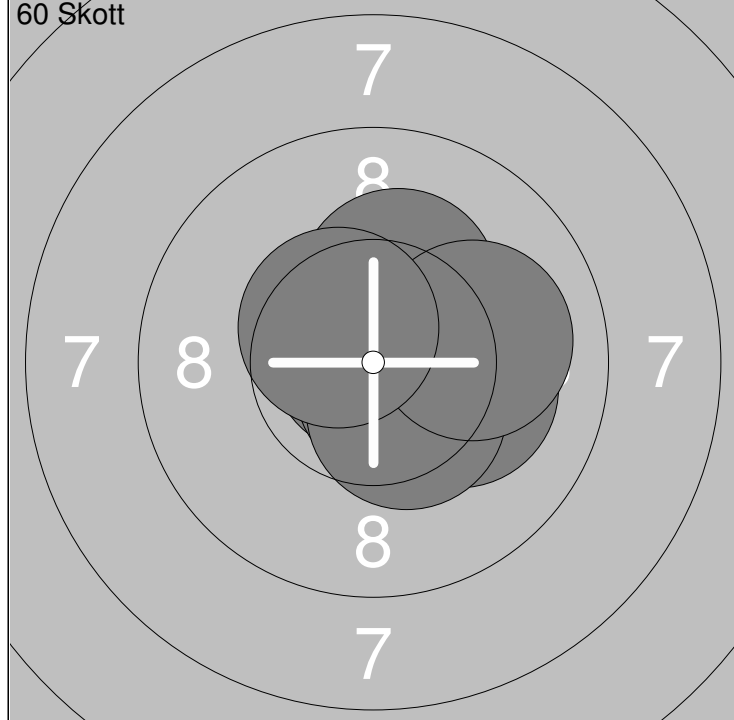
11: 10.6x →	16: 9.8 →		Serie	101.5
12: 10.8x ↗	17: 10.8x ↓			
13: 10.0 →	18: 9.9 ↓	Total		197.5
14: 10.2x ↓	19: 10.7x ↓			
15: 9.7 ←	20: 9.0 ←			

21: 9.0 ←		Serie	39.8
22: 9.9 →			
23: 10.5x →	Total		237.3
24: 10.4x ↗			



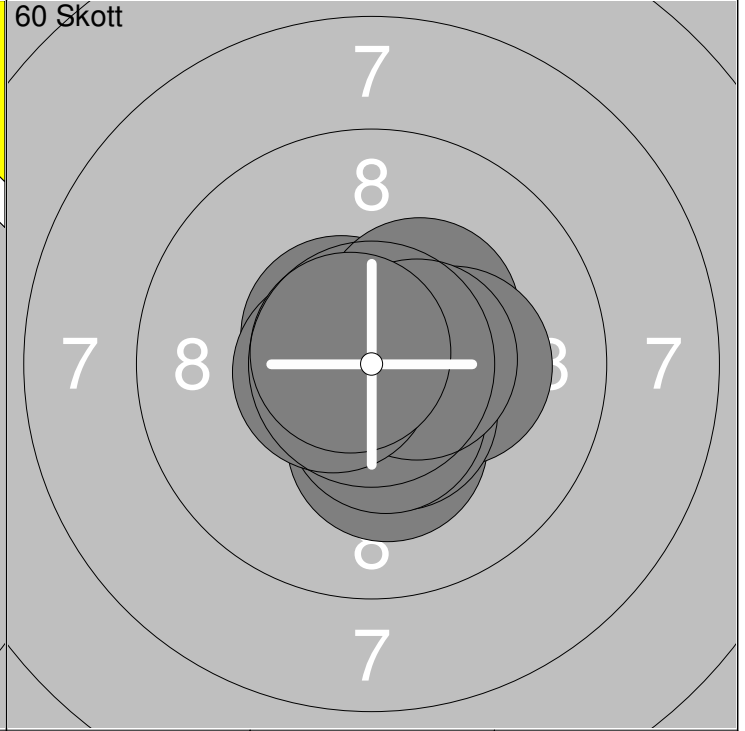
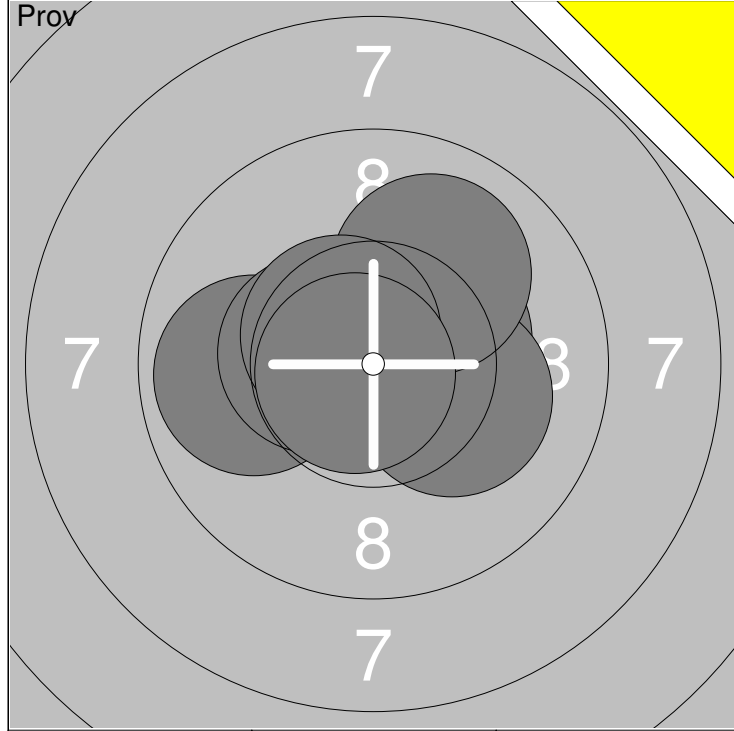
1: 9.9 ↗	6: 10.5x ↘		
2: 10.1 ↖		Serie	62.5
3: 10.8x ↙			
4: 10.8x ➡		Total	0.0
5: 10.4x ➡			

1: 9.7 ↗	6: 10.3x ➡		
2: 10.5x ↖	7: 10.6x ➡	Serie	103.9
3: 10.3x ➡	8: 10.3x ➡		
4: 10.7x ↙	9: 10.5x ↙	Total	103.9
5: 10.9x ↗	10: 10.1 ↖		



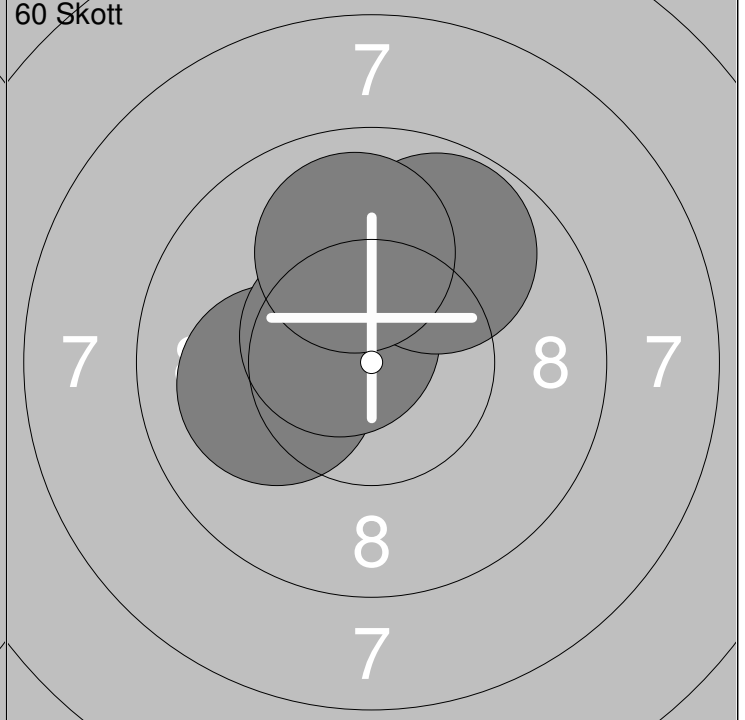
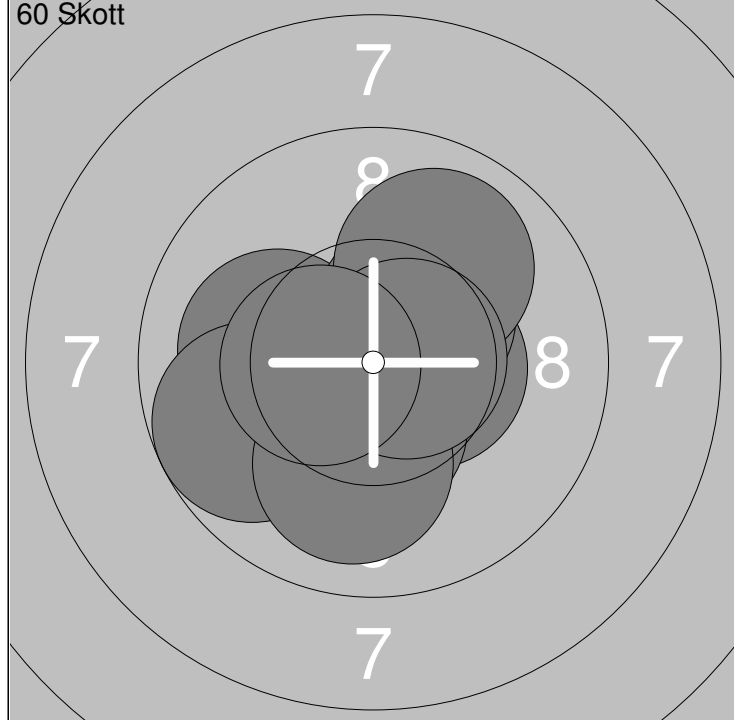
11: 10.5x ➡	16: 10.3x ↗		
12: 10.6x ↗	17: 10.7x ↘	Serie	104.5
13: 10.2x ➡	18: 10.4x ↘		
14: 10.4x ↗	19: 10.0 ➡	Total	208.4
15: 10.9x ↗	20: 10.5x ↖		

21: 10.8x ↖			
22: 10.7x ↘		Serie	42.4
23: 10.4x ↗			
24: 10.5x ↗		Total	250.8



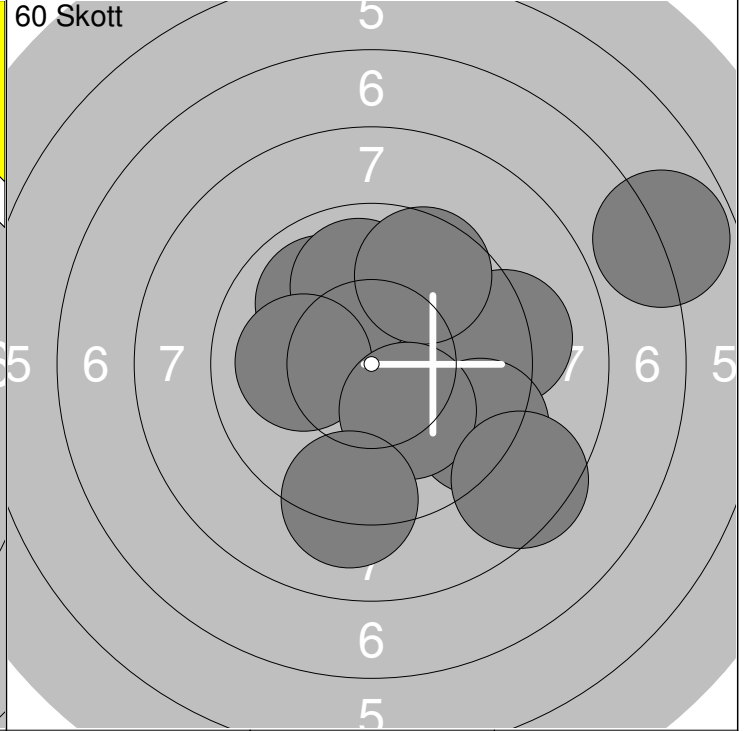
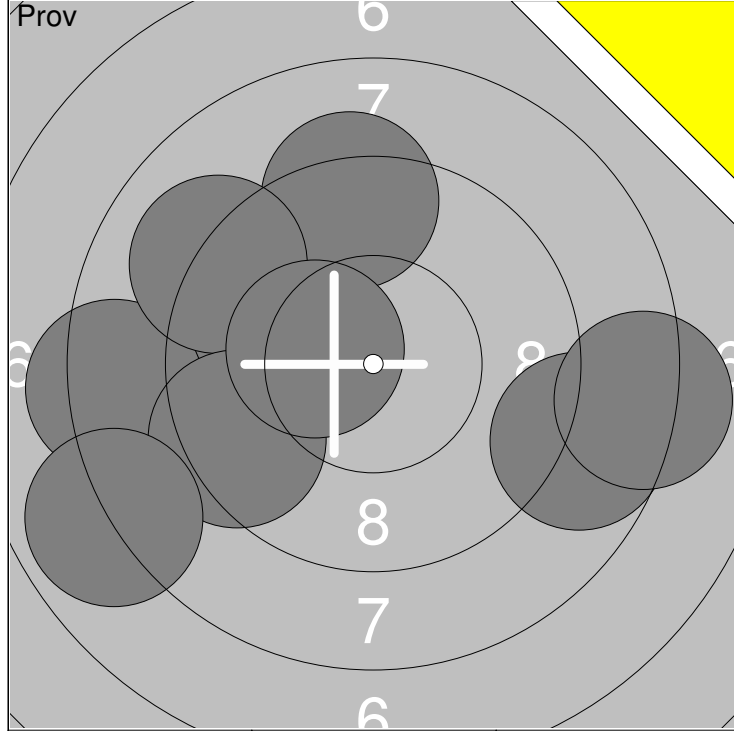
1: 10.4x ↗	6: 10.0 ↗		Serie	83.0
2: 10.7x ↗	7: 10.6x ↘			
3: 10.2x ↘	8: 10.8x ↙			
4: 9.9 ←				
5: 10.4x ←				
			Total	0.0

1: 10.7x ↘	6: 10.5x ↘		Serie	104.9
2: 10.2x ↘	7: 10.5x ↘			
3: 10.6x ↗	8: 10.5x →			
4: 10.4x ↗	9: 10.6x ←			
5: 10.2x →	10: 10.7x ↙			
			Total	104.9



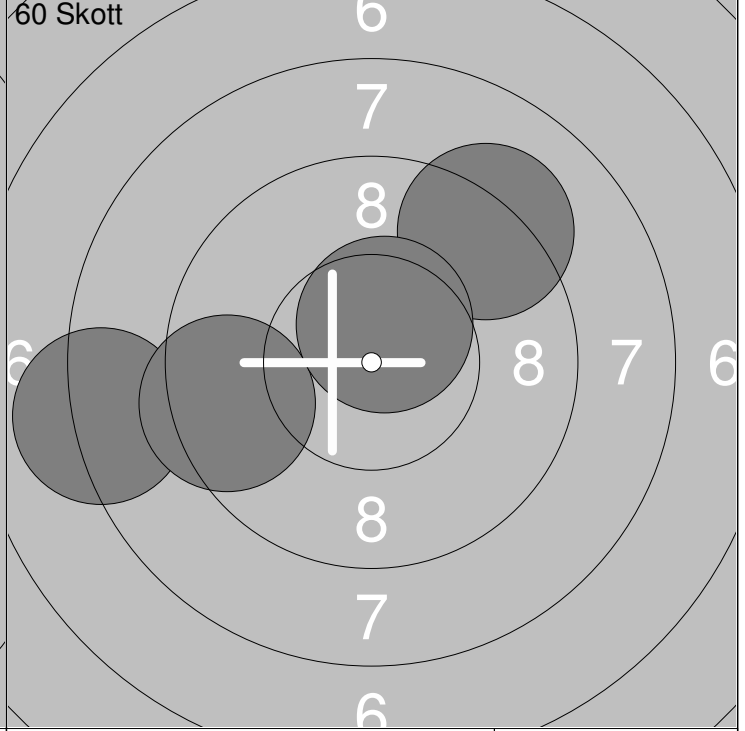
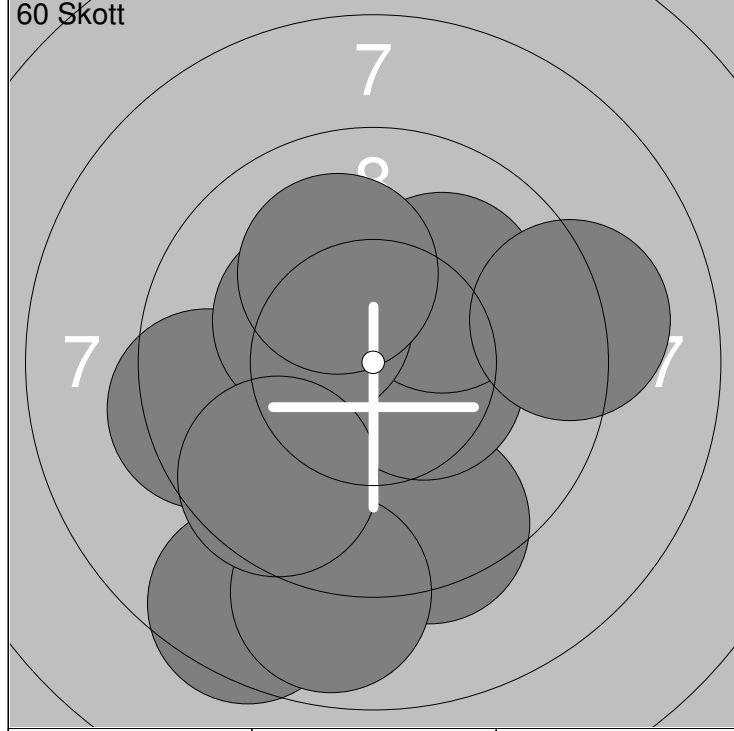
11: 10.6x ↙	16: 9.7 ←		Serie	102.9
12: 10.5x →	17: 10.4x ↓			
13: 10.1 ←	18: 10.0 ↓			
14: 10.4x ↗	19: 10.7x →			
15: 10.0 ↗	20: 10.5x ←			
			Total	207.8

21: 10.1 ←		Serie	40.5	
22: 10.6x ↗				
23: 9.8 ↗				
24: 10.0 ↗				
			Total	248.3



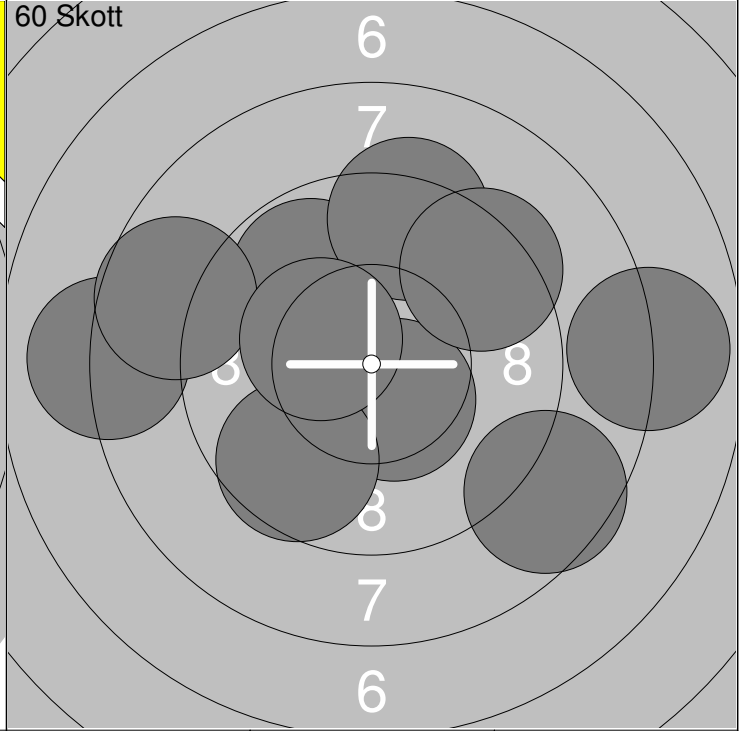
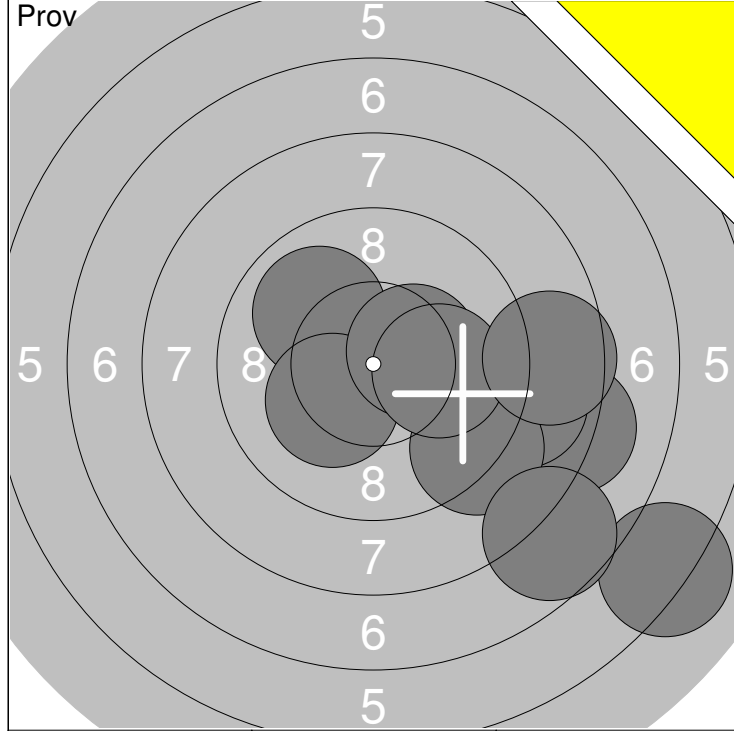
1: 8.8 ←	6: 8.2 →	Serie	80.0
2: 8.3 ←	7: 9.4 ↙		
3: 9.3 ↑	8: 10.3x ↙	Total	0.0
4: 9.1 ↖	9: 7.9 ↙		
5: 8.7 ↘			

1: 9.9 ↖	6: 9.6 ↗	Serie	92.7
2: 9.2 →	7: 10.2x ↘		
3: 9.9 ↑	8: 6.8 →	Total	92.7
4: 10.1 ←	9: 8.5 ↘		
5: 9.3 ↘	10: 9.2 ↓		



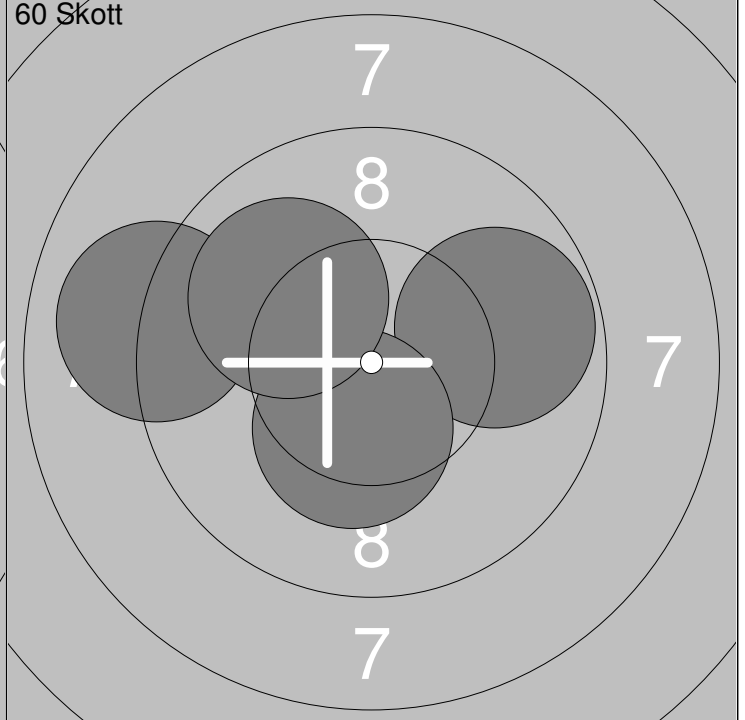
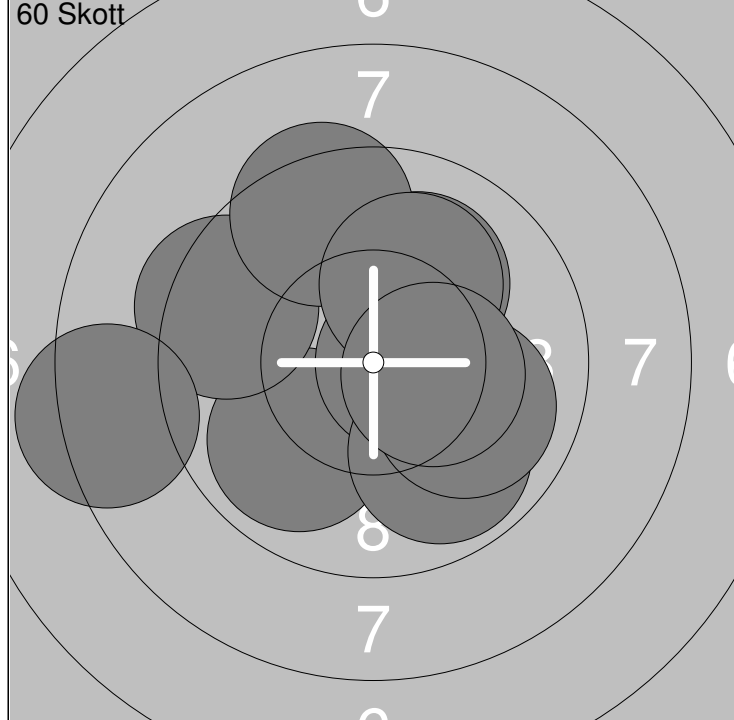
11: 9.4 ↓	16: 9.2 →	Serie	96.0
12: 10.5x →	17: 10.3x ↖		
13: 8.5 ↓	18: 10.1 ↗	Total	188.7
14: 10.1 ↗	19: 8.9 ↓		
15: 9.4 ←	20: 9.6 ↙		

21: 8.1 ←	Serie	37.2
22: 9.2 ↗		
23: 9.4 ←	Total	225.9
24: 10.5x ↑		



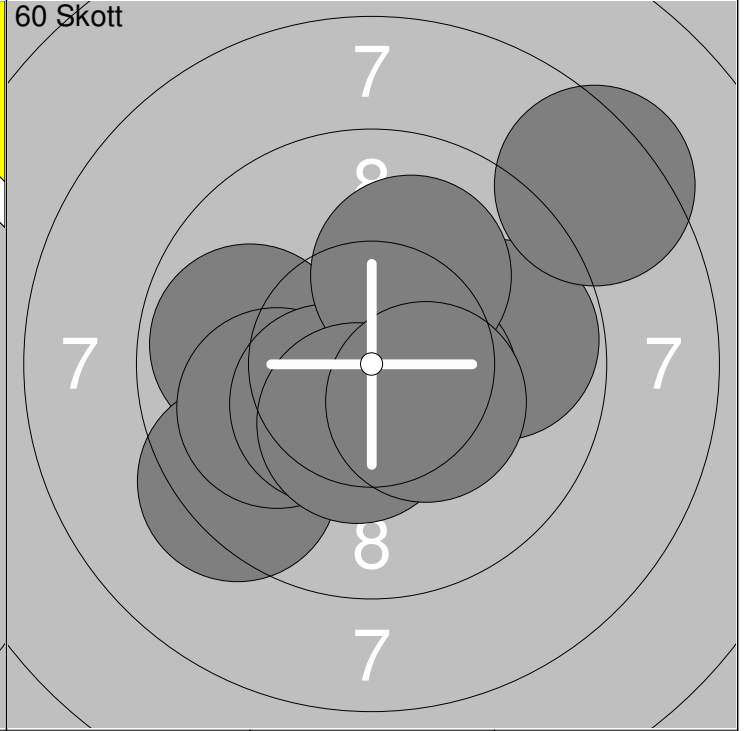
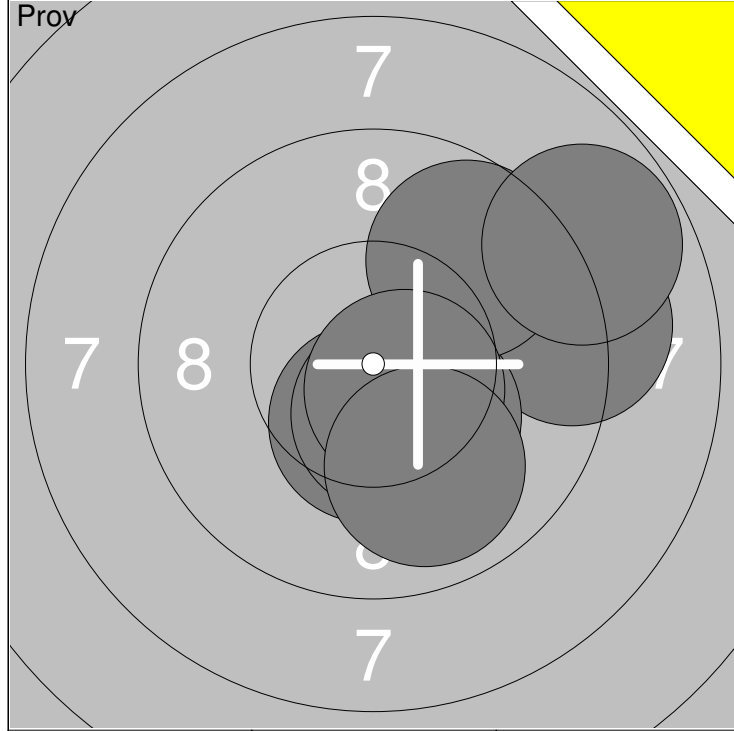
1: 6.2 ↘	6: 10.4x →	Serie	89.5
2: 8.2 →	7: 9.2 ↘		
3: 10.0 ↗	8: 7.7 ↘	Total	0.0
4: 10.2x ↙	9: 10.1 →		
5: 8.9 →	10: 8.6 →		

1: 8.1 ←	6: 9.4 ↗	Serie	92.2
2: 9.8 ↗	7: 9.6 ↘		
3: 10.5x ↘	8: 10.3x ←	Total	92.2
4: 9.3 ↑	9: 7.9 →		
5: 8.7 ←	10: 8.6 ↘		



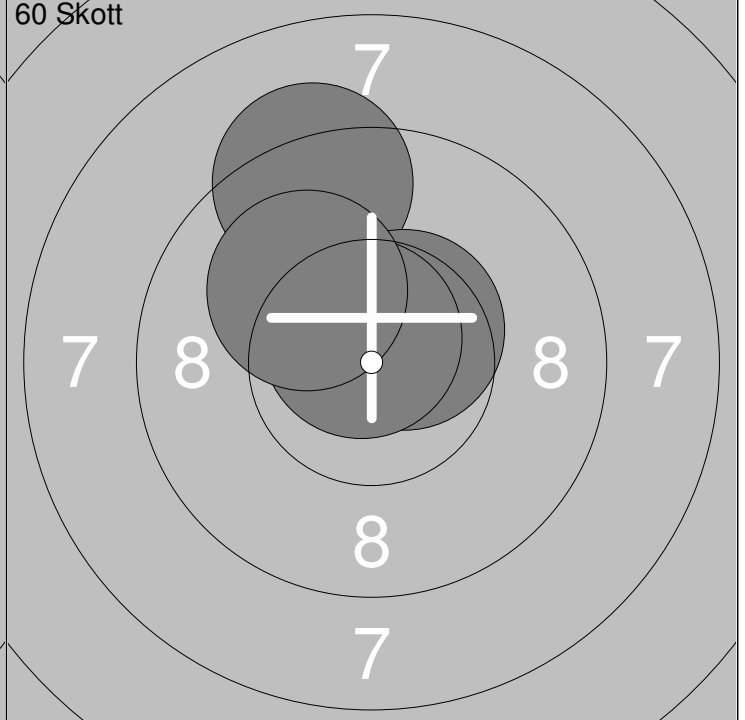
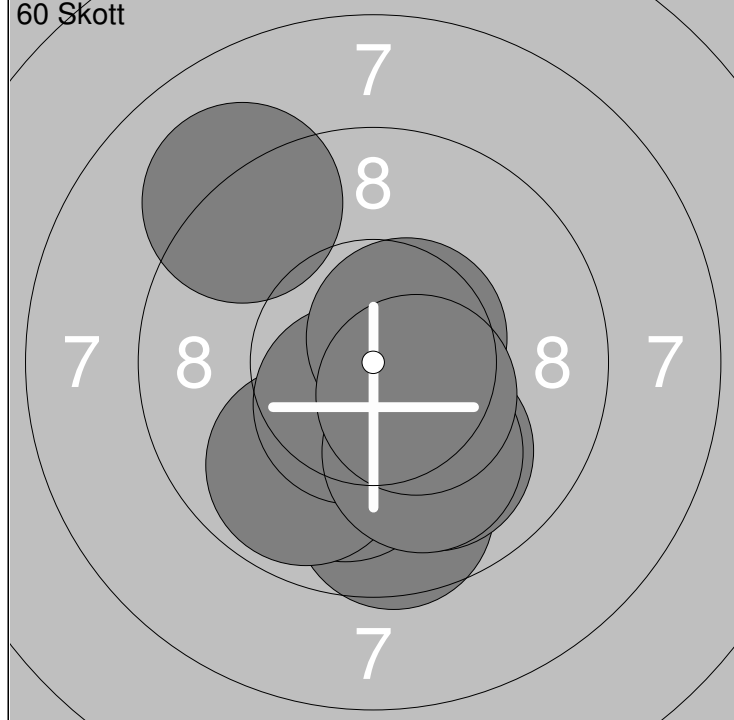
11: 10.1 ↗	16: 10.1 ↗	Serie	98.1
12: 9.9 ↘	17: 8.3 ←		
13: 9.4 ←	18: 9.9 ↘	Total	190.3
14: 9.4 ↗	19: 10.0 ↘		
15: 10.6x →	20: 10.4x →		

21: 9.0 ←	Serie	39.1
22: 9.8 →		
23: 10.3x ↘	Total	229.4
24: 10.0 ←		



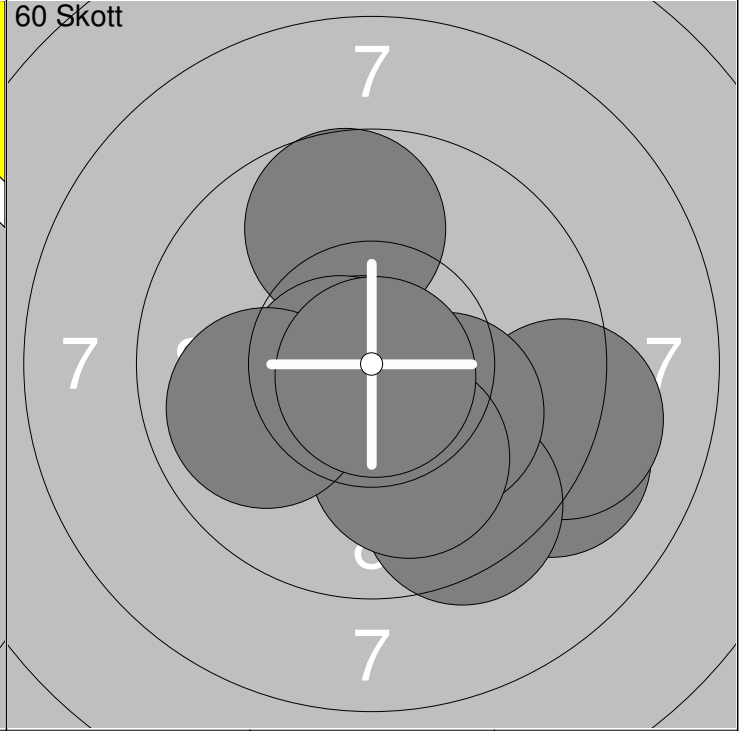
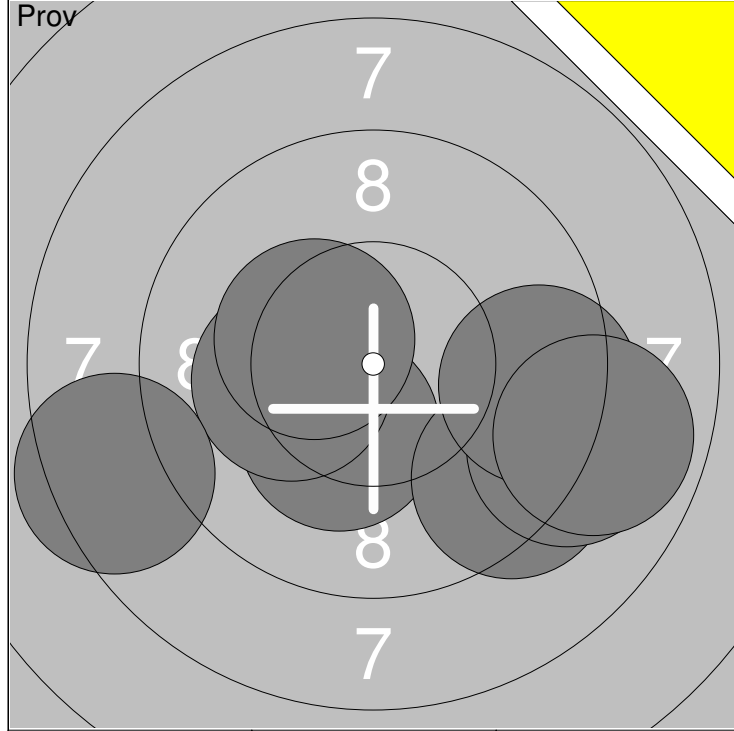
1: 10.5x ↓	6: 10.5x ↓	Serie	89.8
2: 10.4x ↓	7: 8.8 ↗		
3: 9.1 →	8: 10.6x ↓	Total	0.0
4: 10.3x ↘	9: 9.9 ↓		
5: 9.7 ↗			

1: 9.8 ←	6: 10.5x →	Serie	99.2
2: 9.4 ↙	7: 10.4x ↙		
3: 9.8 →	8: 10.1 ↗	Total	99.2
4: 8.4 ↗	9: 10.4x ↓		
5: 10.0 ←	10: 10.4x ↘		



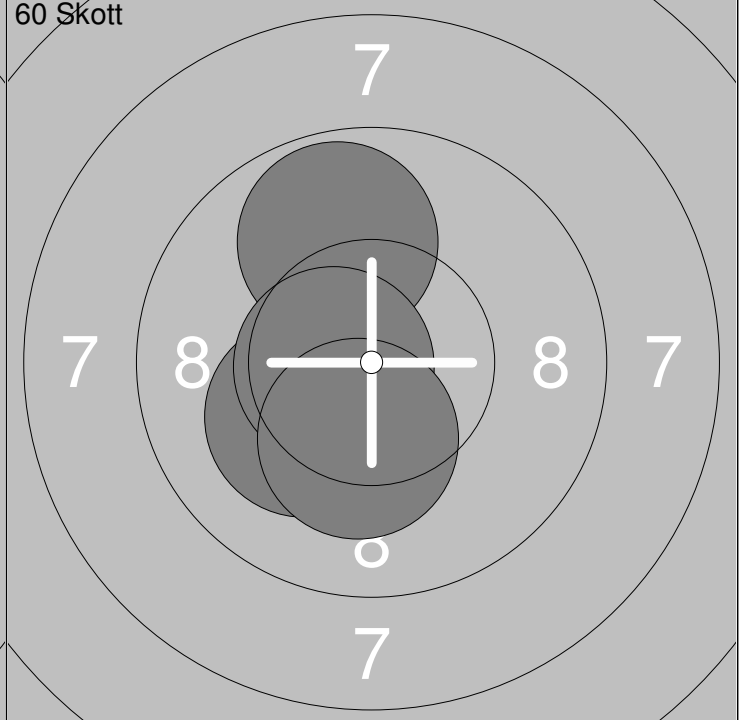
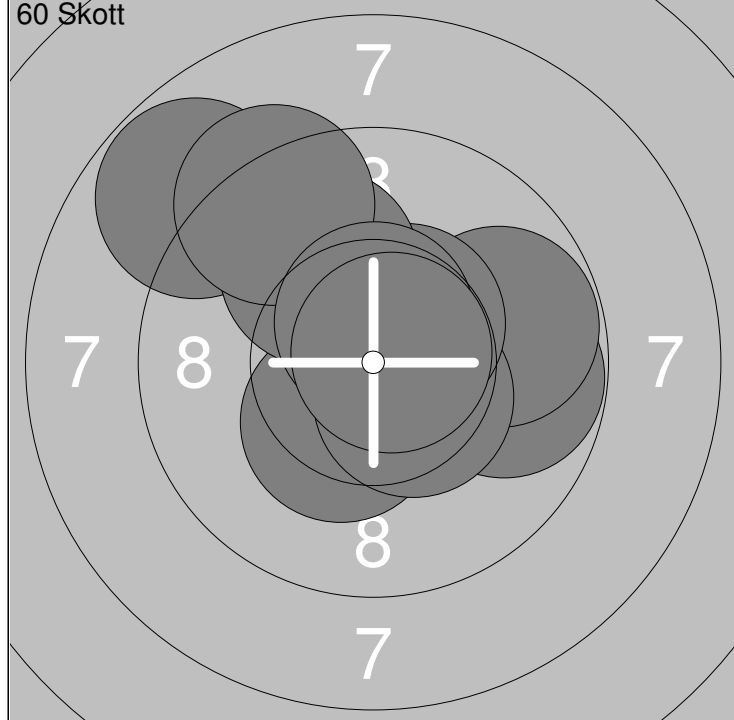
11: 9.6 ↓	16: 10.5x ↓	Serie	100.8
12: 10.0 ↓	17: 10.0 ↓		
13: 9.9 ↙	18: 9.1 ↗	Total	200.0
14: 10.6x ↓	19: 10.6x ↗		
15: 10.0 ↓	20: 10.5x ↘		

21: 9.3 ↗	Serie	40.6
22: 10.5x ↗		
23: 10.7x ↗	Total	240.6
24: 10.1 ↙		



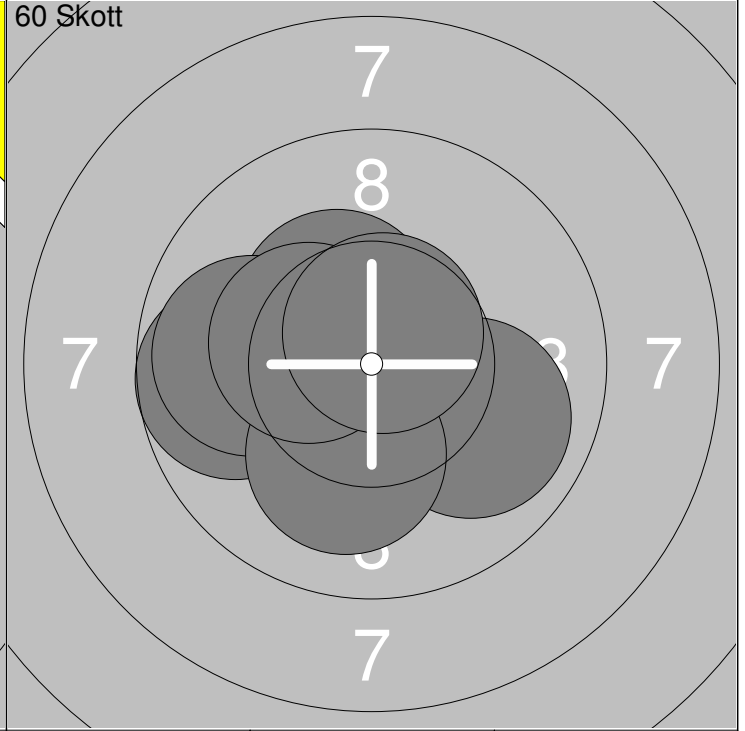
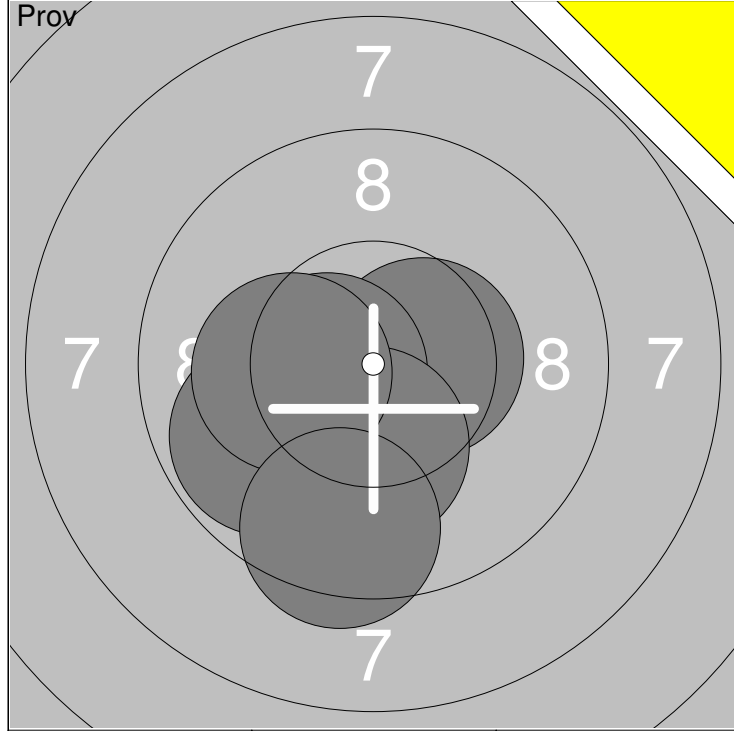
1: 10.3x ↙	6: 8.4 ←		Serie	76.1
2: 10.2x ←	7: 8.9 →			
3: 9.3 ↘	8: 10.4x ↖			
4: 9.1 →			Total	0.0
5: 9.5 →				

1: 9.1 →	6: 10.7x ←		Serie	99.9
2: 9.2 →	7: 10.2x ↘			
3: 9.5 ↘	8: 10.0 ↘			
4: 9.7 ↑	9: 9.9 ←		Total	99.9
5: 10.8x ↙	10: 10.8x ↘			



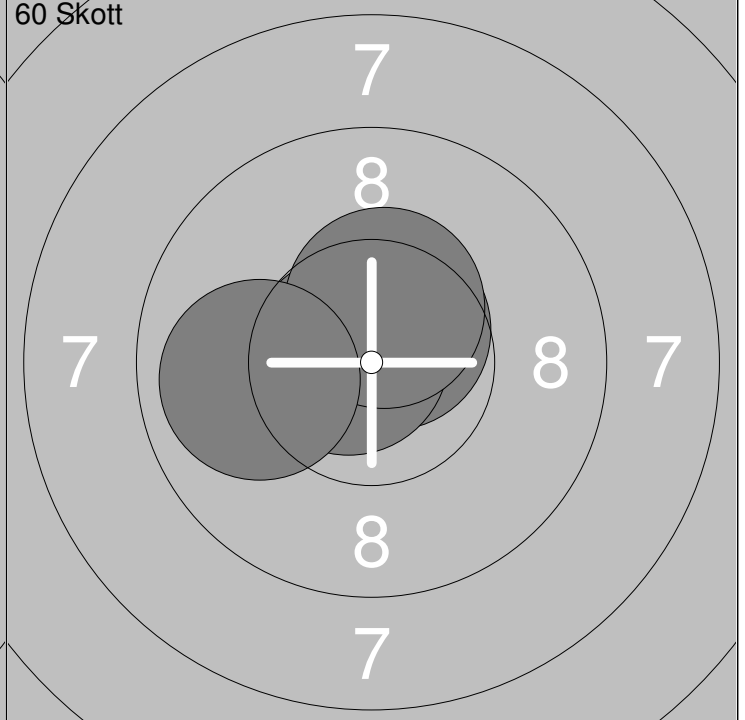
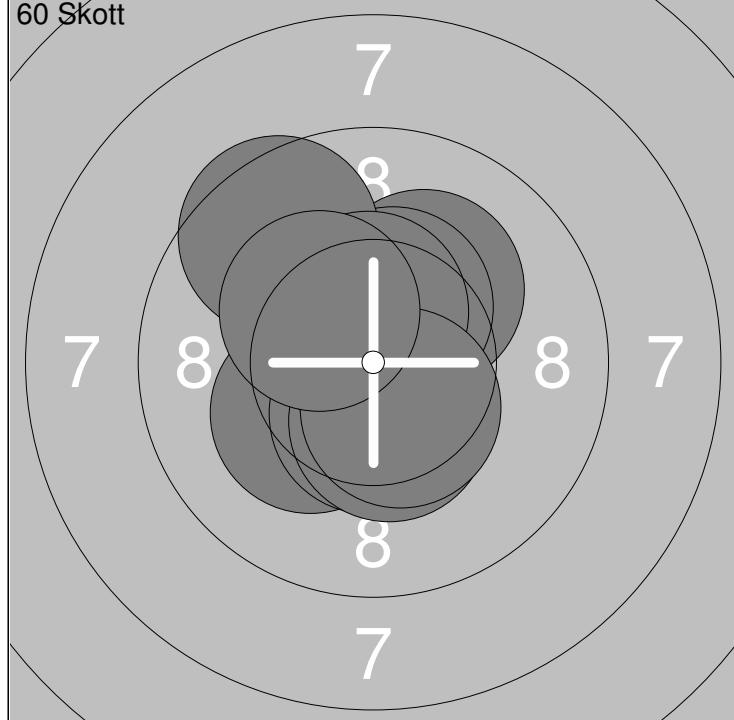
11: 9.8 →	16: 10.5x ↗		Serie	100.4
12: 9.8 →	17: 10.0 ↗			
13: 10.3x ↘	18: 9.3 ↗			
14: 10.5x ↘	19: 10.6x ↑		Total	200.3
15: 8.8 ↖	20: 10.8x ↗			

21: 9.8 ↑		Serie	40.9
22: 10.2x ↙			
23: 10.6x ←			
24: 10.3x ↘		Total	241.2



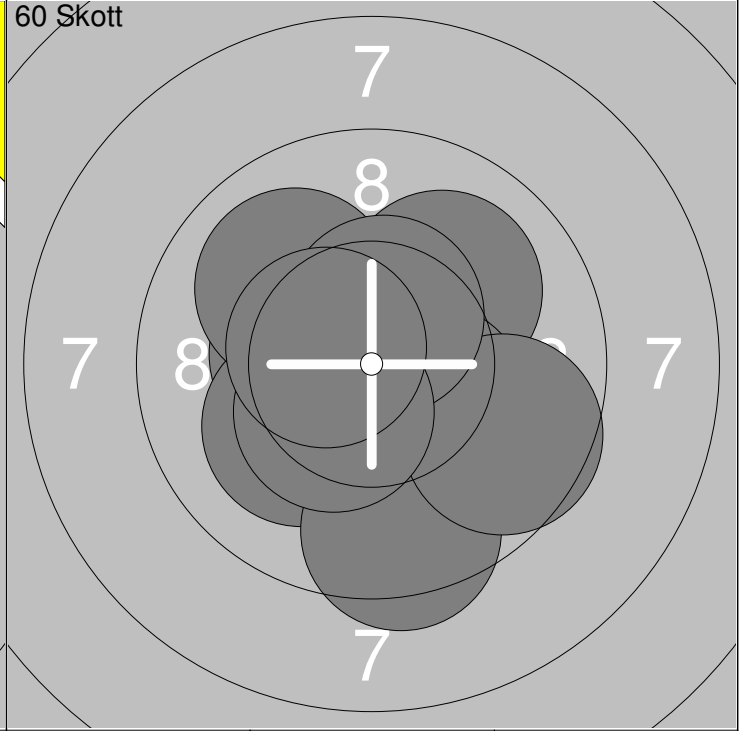
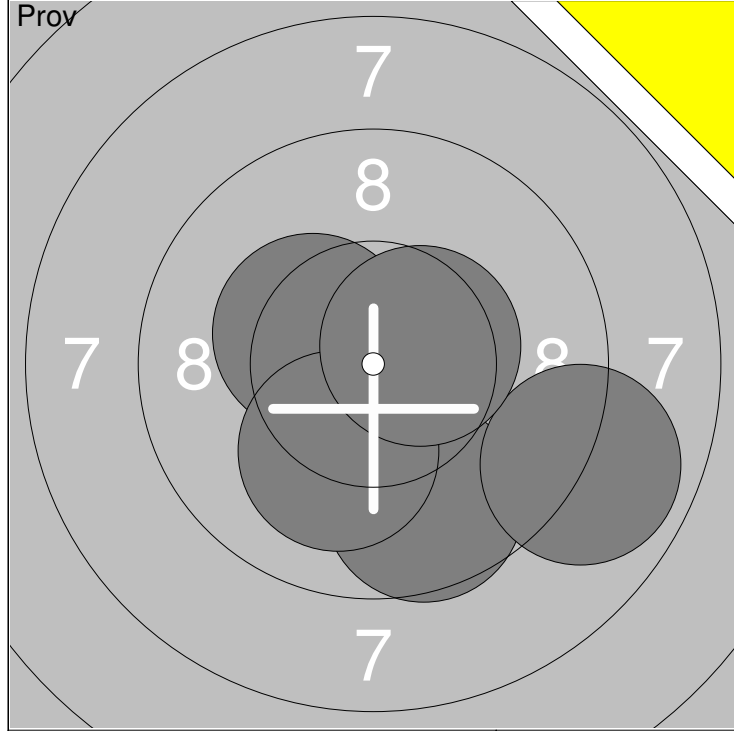
1: 9.8 ↙	7: 10.2x ←		Serie	71.1
2: 10.4x ↓	8: 9.5 ↓			
3: 10.5x →				
4: 10.5x ←				
6: 10.2x ↓				
			Total	0.0

1: 9.7 ←	6: 10.3x ↘		Serie	102.7
2: 10.5x ↓	7: 9.9 ↘			
3: 10.4x ↖	8: 10.1 ↓			
4: 9.9 ←	9: 10.4x ←			
5: 10.8x →	10: 10.7x ↗			
			Total	102.7



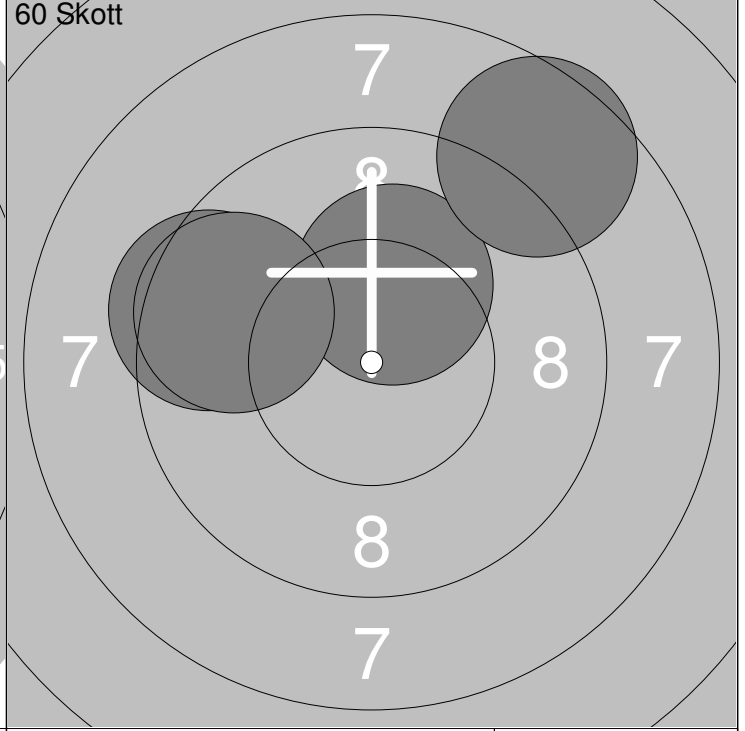
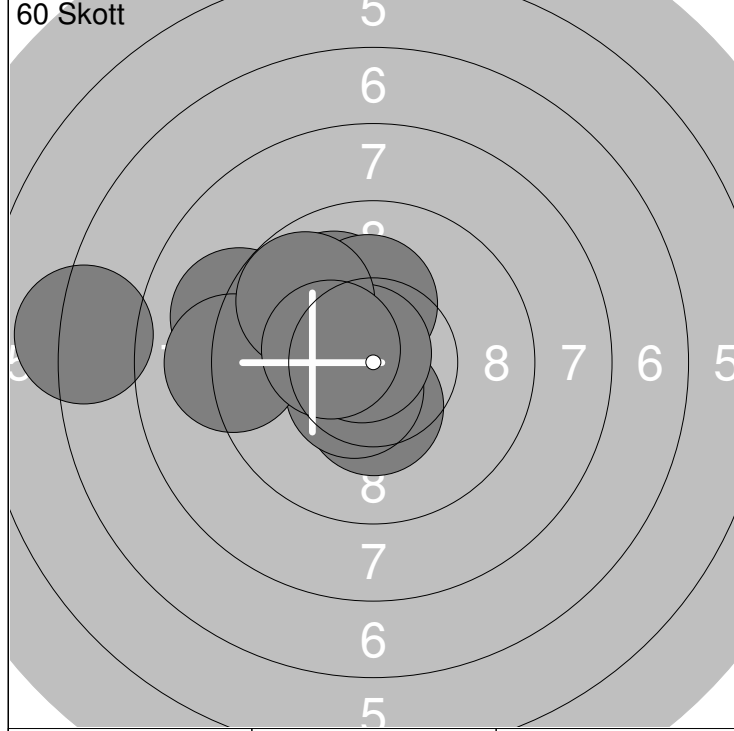
11: 10.2x ↙	16: 10.7x ↗		Serie	103.2
12: 10.5x ↓	17: 9.5 ↗			
13: 10.4x ↓	18: 10.5x ↗			
14: 10.2x ↗	19: 10.5x ↓			
15: 10.4x ↗	20: 10.3x ↖			
			Total	205.9

21: 10.6x ↗		Serie	41.7	
22: 10.7x ←				
23: 10.5x ↗				
24: 9.9 ←				
			Total	247.6



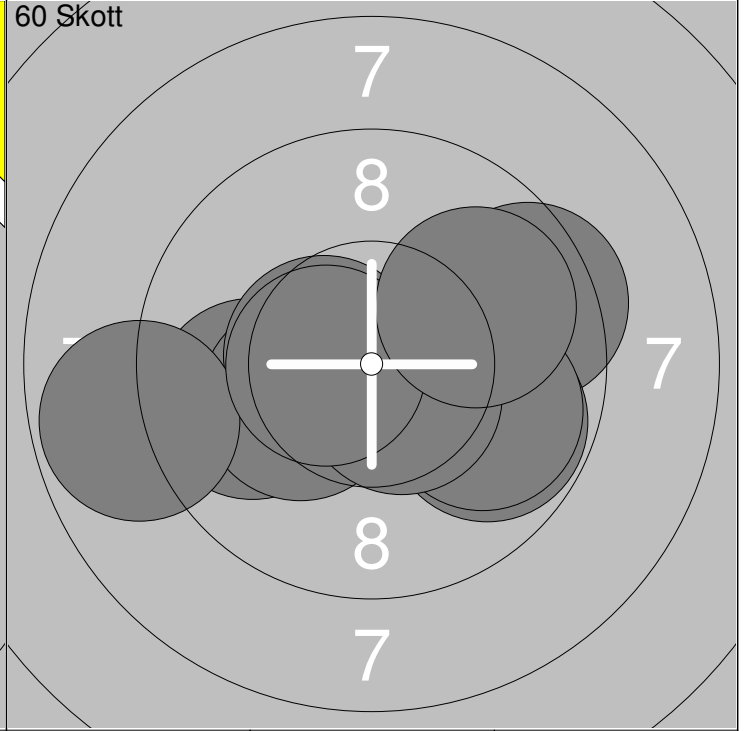
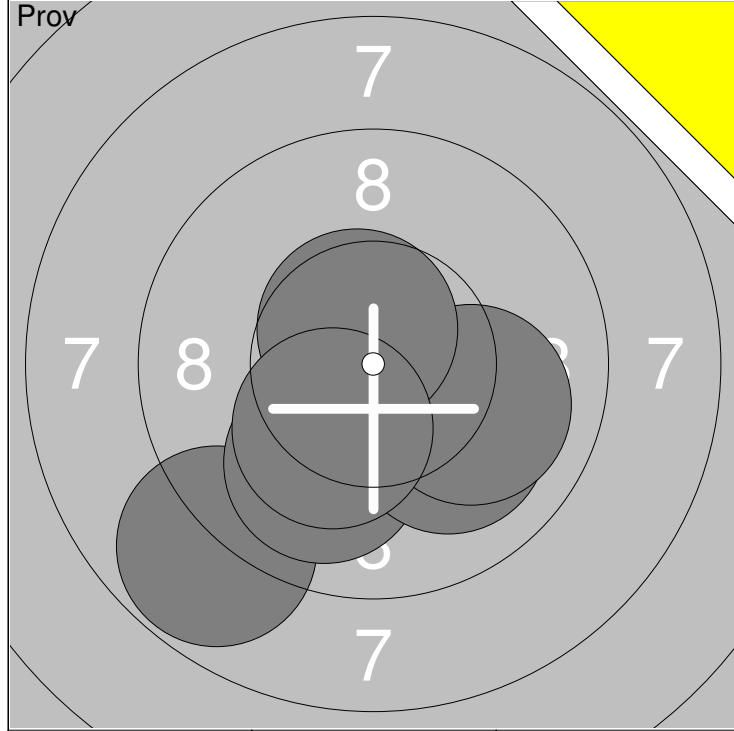
1: 9.6 ↓	Serie	49.4
2: 10.3x ↖		
3: 10.1 ↓		
4: 8.9 →		
5: 10.5x →		
Total		0.0

1: 10.0 ↗	6: 9.4 ↓	Serie	101.2
2: 10.4x ←	7: 9.6 →		
3: 10.1 ↙	8: 10.5x ↑		
4: 10.0 ↖	9: 10.4x ↙		
5: 10.3x ↘	10: 10.5x ←		
Total		101.2	



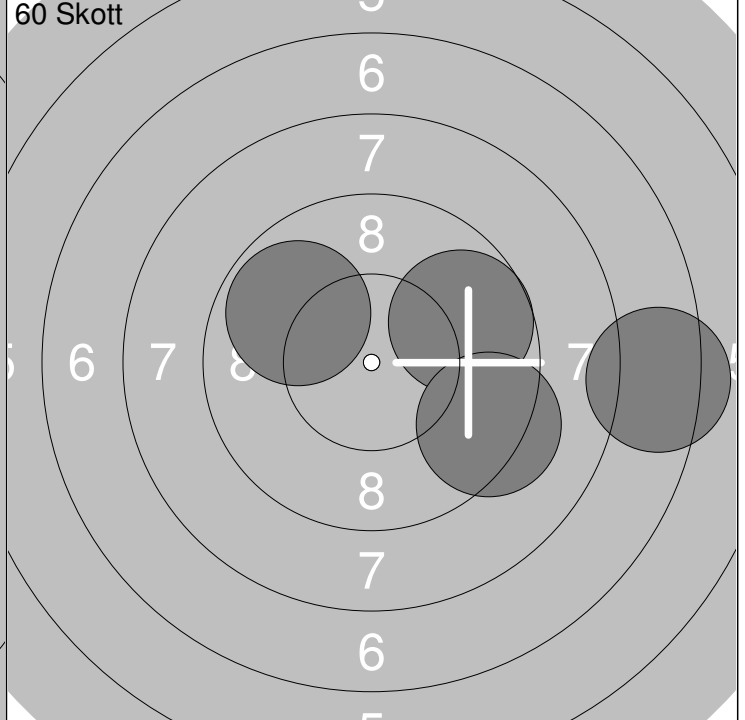
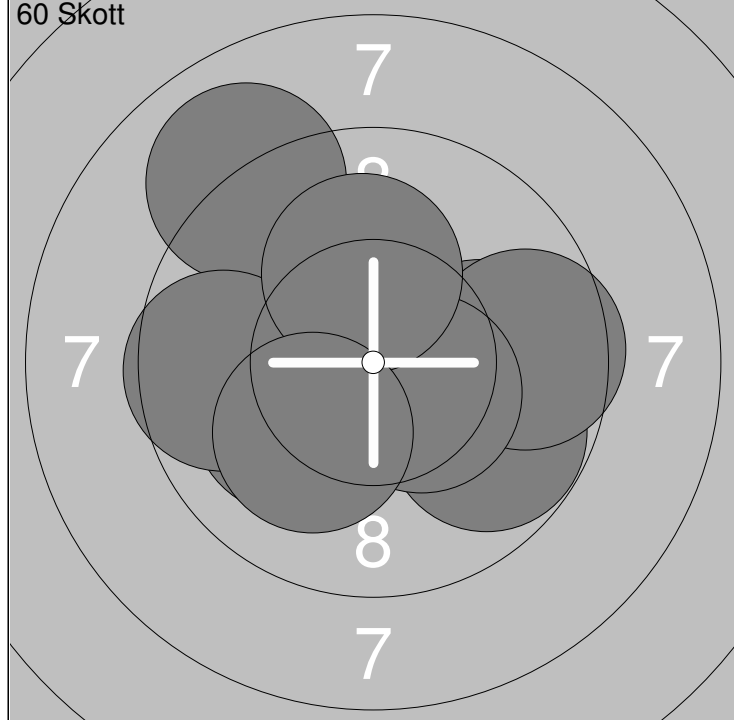
11: 9.1 ↖	16: 9.1 ←	Serie	97.5
12: 7.2 ←	17: 10.2x ↑		
13: 10.0 ↗	18: 10.8x ↖		
14: 10.4x ↓	19: 9.8 ↖		
15: 10.5x ↙	20: 10.4x ←		
Total		198.7	

21: 9.4 ←	Serie	37.8
22: 10.2x ↑		
23: 9.6 ←		
24: 8.6 ↗		
Total		



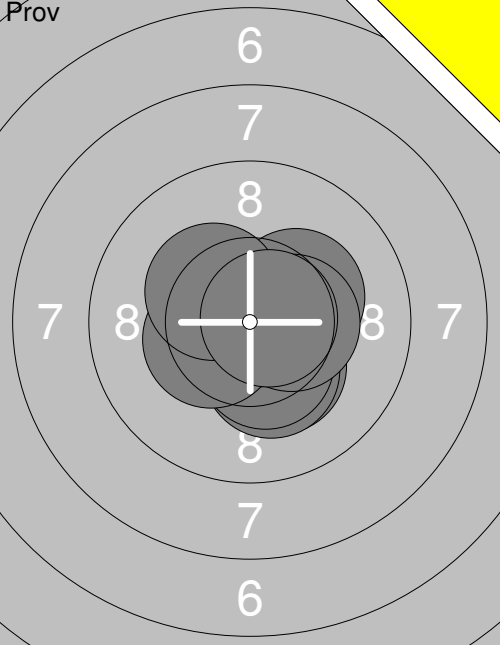
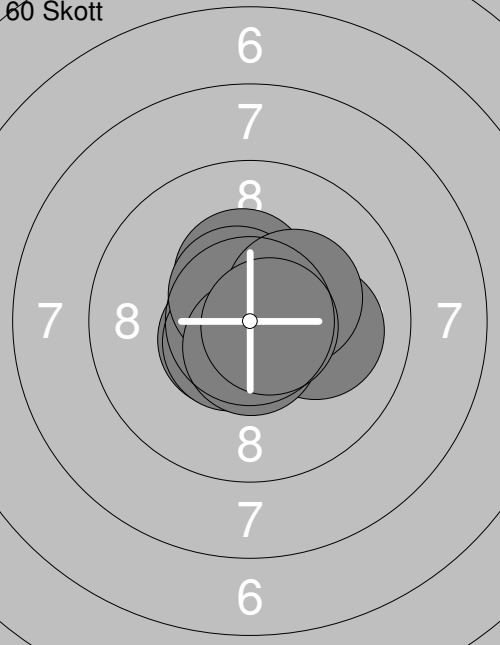
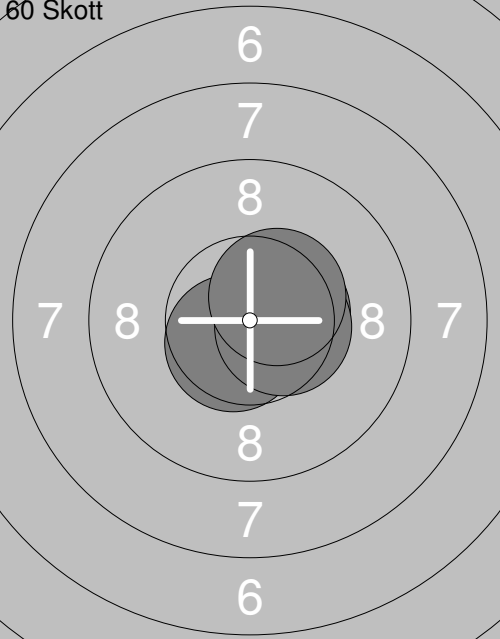
1: 8.8 ↙	7: 10.3x ↙		
2: 10.0 ↙			
3: 10.0 ↙		Serie	59.7
4: 10.0 ➔		Total	0.0
5: 10.6x ↗			

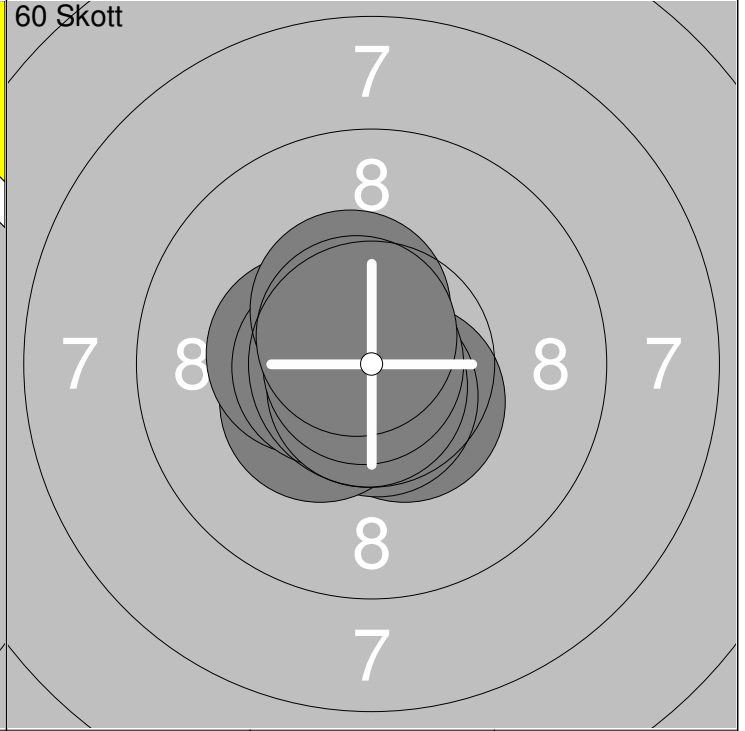
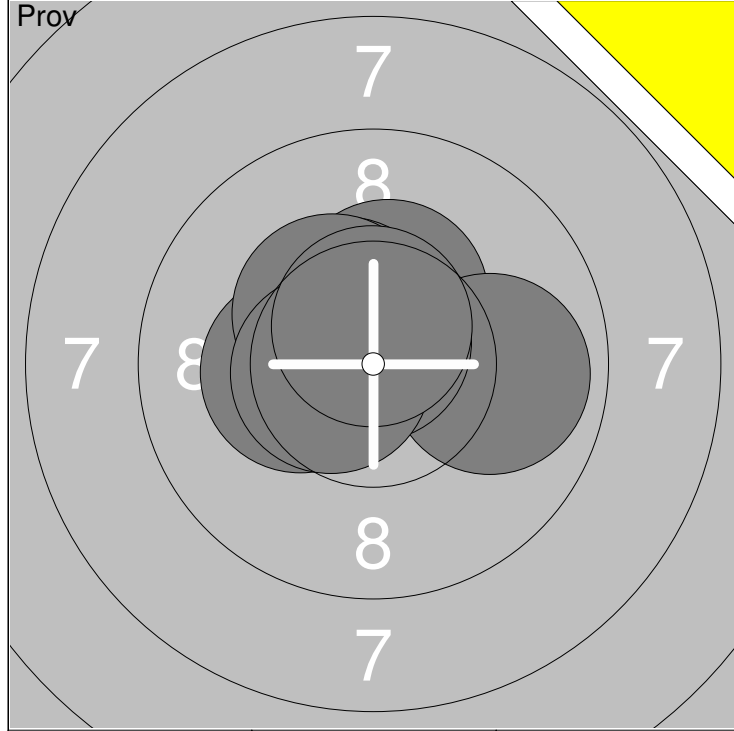
1: 9.4 ➔	6: 10.6x ↘		
2: 9.8 ←	7: 10.5x ←		
3: 9.8 ➔	8: 8.8 ←	Serie	99.4
4: 10.2x ←	9: 10.5x ←	Total	99.4
5: 9.9 ➔	10: 9.9 ➔		



11: 10.2x ➔	16: 9.6 ←		
12: 10.0 ➔	17: 9.6 ➔		
13: 9.8 ↘	18: 10.4x ↘	Serie	99.0
14: 10.1 ←	19: 10.2x ↑	Total	198.4
15: 9.0 ↗	20: 10.1 ↙		

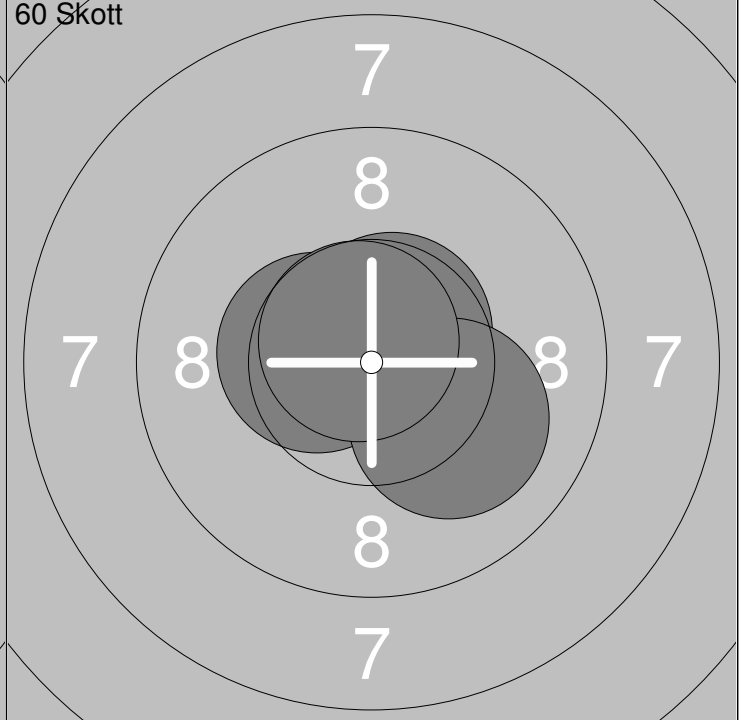
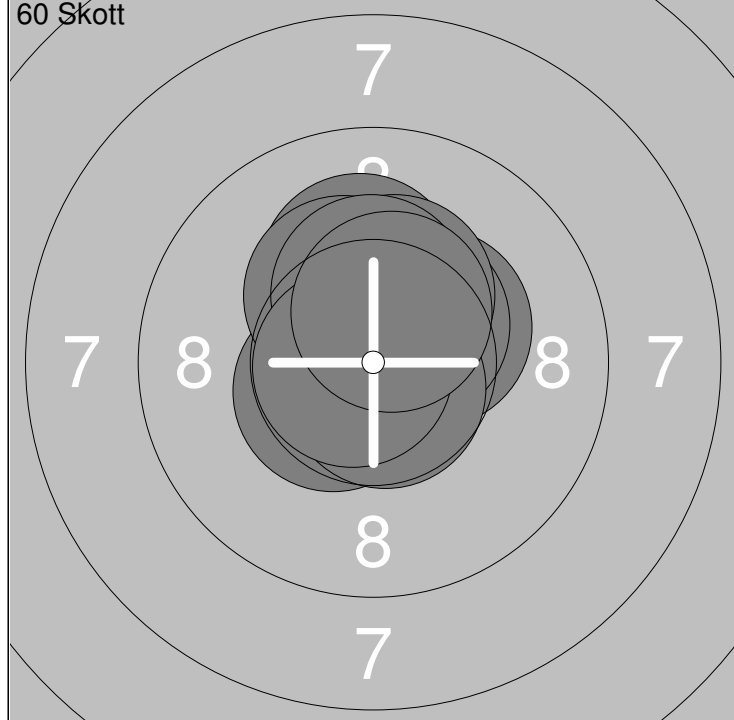
21: 9.9 ↖			
22: 9.7 ➔			
23: 9.3 ↘	Serie	36.3	
24: 7.4 ➔	Total	234.7	

Skjuttag	Tavla	Rasmus Lindgren	
2	21	Umeå Skf	Vb
22.10.2022	UME-Skottet 2022	Umeå skytteallians	
Prov		1: 10.3x↘ 2: 10.3x↘ 3: 10.4x↘ 4: 10.3x➤ 5: 10.9x↗ 6: 10.4x➤ 7: 10.6x↙ 8: 10.4x↙ 9: 10.3x↘ 10: 10.7x➤	11: 10.7x↗ 12: 10.4x↗ 13: 10.0↙ 14: 10.4x↘ 15: 9.8 ↘ 16: 10.8x↘ 17: 10.7x↘
		Serie 104.6	Serie 72.8
		Total 0.0	Total 0.0
60 Skott		1: 10.6x↘ 2: 10.6x↙ 3: 10.1➔ 4: 10.6x↗ 5: 10.4x↗ 6: 10.6x↙ 7: 10.6x↘ 8: 10.3x➤ 9: 10.6x↘ 10: 10.7x➤	11: 10.6x➤ 12: 10.9x↘ 13: 10.4x↘ 14: 10.3x↘ 15: 10.8x↘ 16: 10.5x↘ 17: 10.7x↘ 18: 10.4x➤ 19: 10.5x↘ 20: 10.7x↘
		Serie 105.1	Serie 105.8
		Total 105.1	Total 210.9
60 Skott		21: 10.5x➤ 22: 10.6x↘ 23: 10.5x➤ 24: 10.5x↗	
		Serie 42.1	
		Total 253.0	



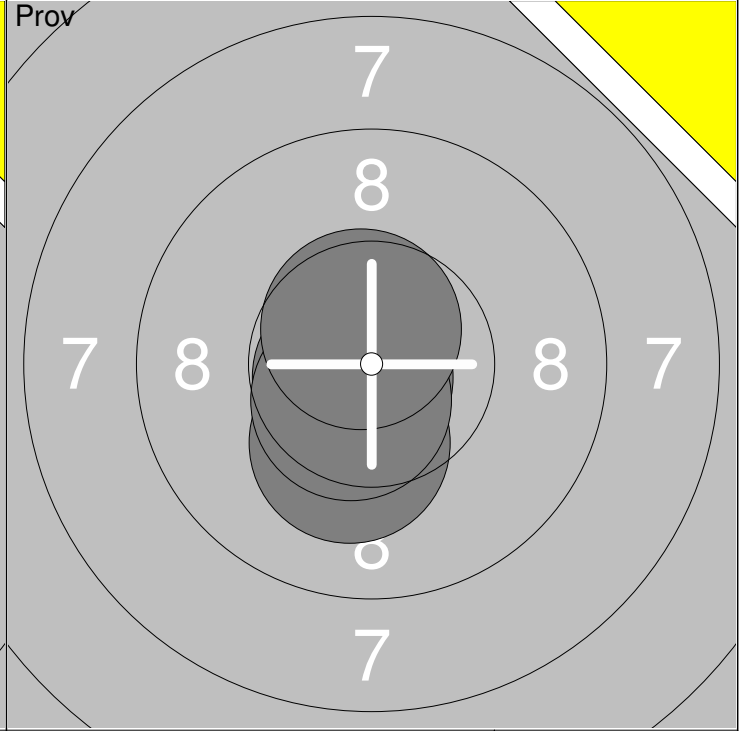
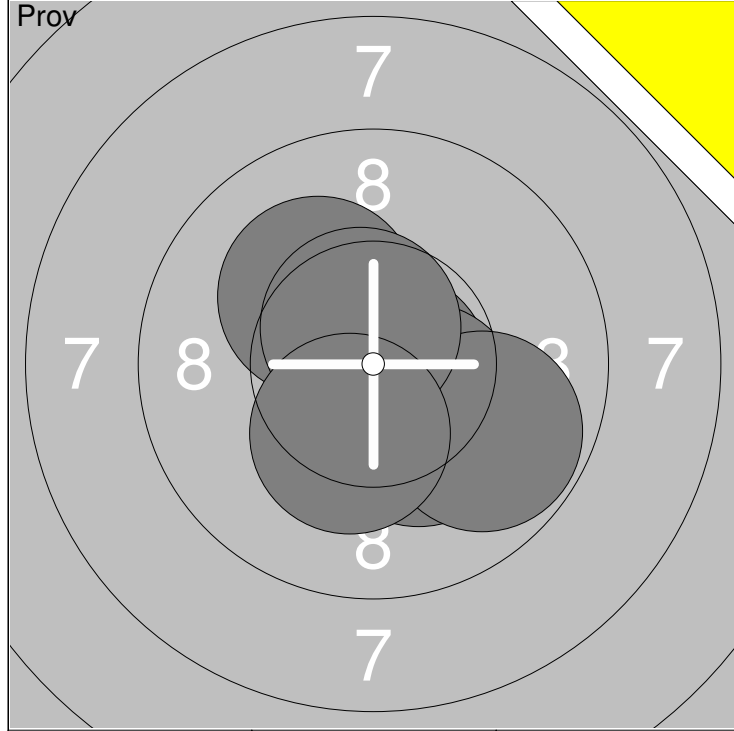
1: 10.4x ↗	7: 10.4x ↖	Serie	83.4
2: 9.9 →	8: 10.6x ←		
3: 10.5x ↖	9: 10.6x ↑	Total	0.0
4: 10.7x ↑			
6: 10.3x ←			

1: 10.5x ↘	6: 10.6x ←	Serie	106.0
2: 10.7x ↙	7: 10.7x ↓		
3: 10.7x ↓	8: 10.9x ←	Total	106.0
4: 10.4x ↙	9: 10.4x ↗		
5: 10.4x ←	10: 10.7x ↖		



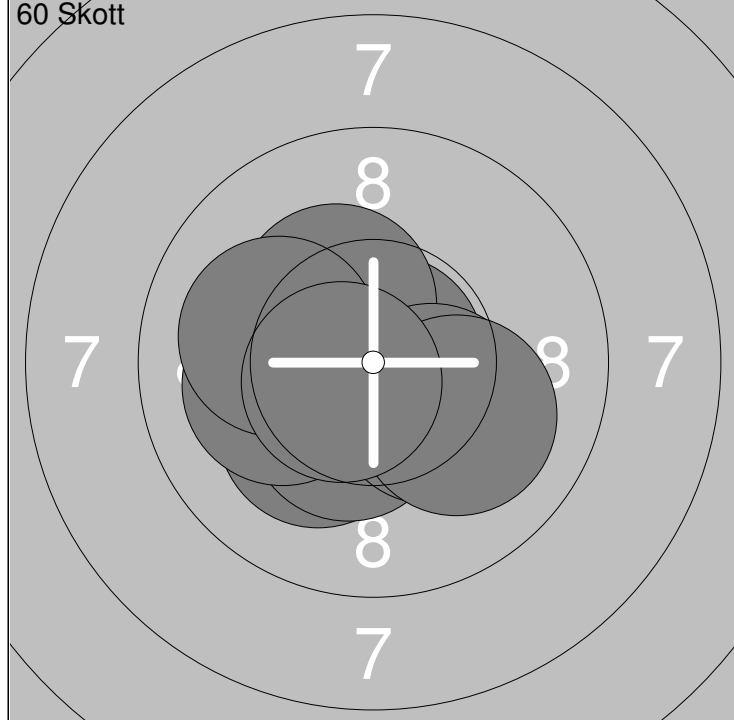
11: 10.3x ↗	16: 10.3x ↖	Serie	104.3
12: 10.5x ↙	17: 10.3x ↑		
13: 10.1 ↑	18: 10.3x ↑	Total	210.3
14: 10.5x ↗	19: 10.8x ←		
15: 10.7x ↘	20: 10.5x ↑		

21: 10.5x ←	Serie	41.9
22: 10.6x ↗		
23: 10.1 ↘	Total	252.2
24: 10.7x ↖		



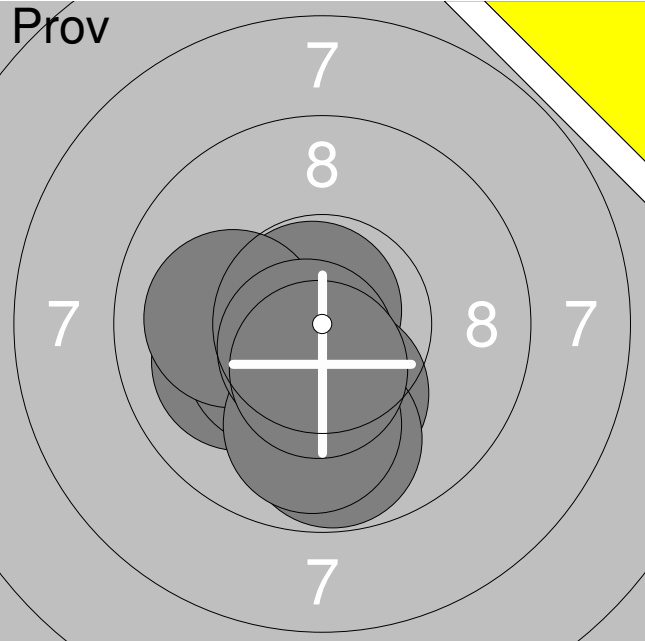


1: 10.7x ↘	6: 10.4x ↘	Serie	103.9
2: 10.8x ↘	7: 9.8 ↘		
3: 10.4x ↘	8: 10.2x ↗	Total	0.0
4: 10.4x ↘	9: 10.6x ↗		
5: 10.3x ↘	10: 10.3x ↘		

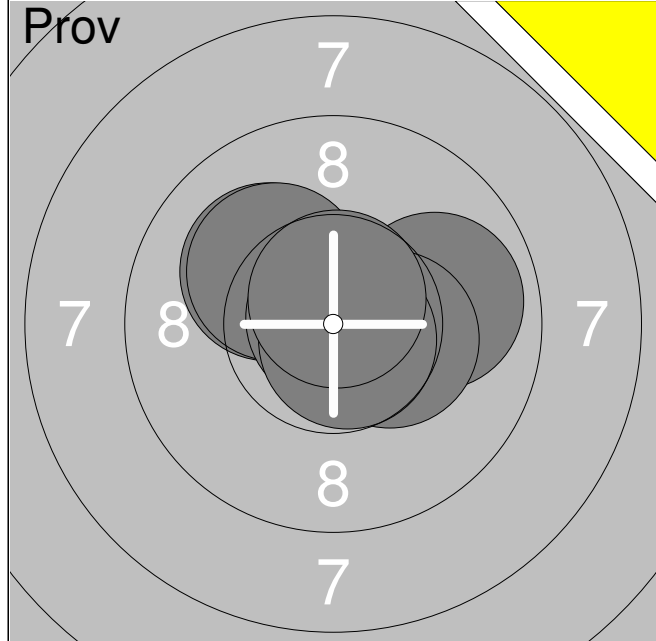
11: 10.7x ↙	Serie	42.1
12: 10.2x ↘		
13: 10.6x ↘	Total	0.0
14: 10.6x ↗		



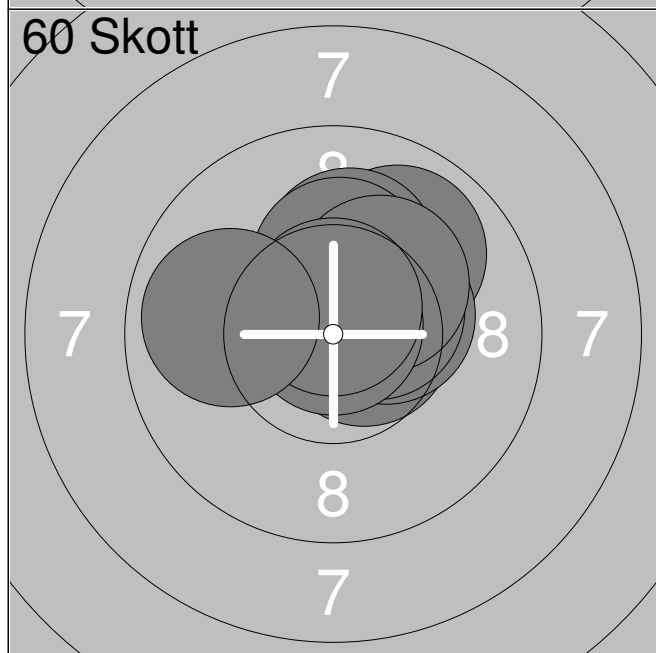
1: 10.2x ↙	6: 10.3x ↘	Serie	103.1
2: 10.8x ↗	7: 10.1 ↘		
3: 10.2x ↘	8: 10.1 ↙	Total	103.1
4: 10.3x ↗	9: 10.1 ↙		
5: 10.4x ↘	10: 10.6x ↙		

11: 10.6x ↗	16: 10.3x ↘	Serie	83.8
12: 10.6x ↘	17: 10.7x ↘		
13: 10.3x ↗	18: 10.5x ↘	Total	186.9
14: 10.6x ↙			
15: 10.2x →			

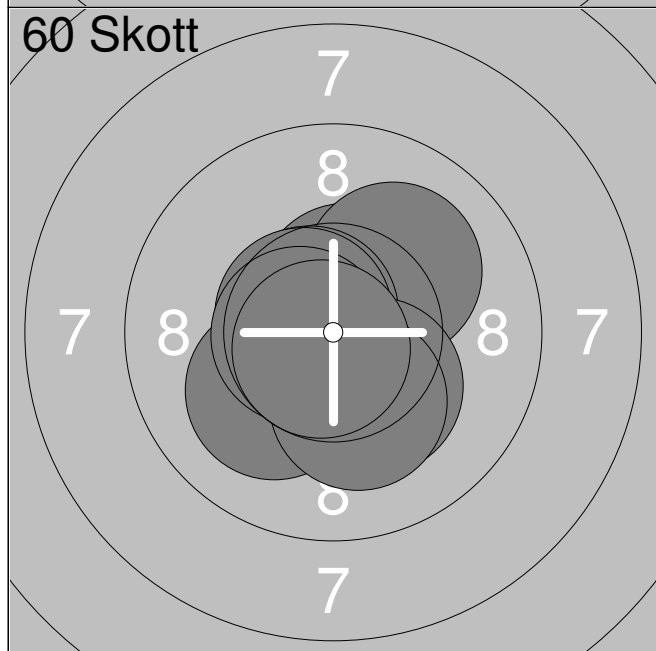
Skjutlag	Tavla	Milly Burström	
2	26		
S	Bjurholm/Balsjö Skf		Vb
22.10.2022	UME-Skottet 2022	Umeå skytteallians	
Prov 	1:	10.0	↙
	2:	10.8x	↗
	3:	10.5x	↙
	4:	10.2x	↓
	5:	10.4x	↙
	6:	10.1	←
	7:	9.8	↓
	8:	9.9	↓
	9:	10.7x	↙
	10:	10.5x	↓
	Serie		102.9
Total		0.0	
60 Skott 	1:	10.8x	→
	2:	10.2x	↙
	3:	10.4x	↘
	4:	10.2x	↘
	5:	10.3x	↓
	6:	9.9	↓
	7:	10.1	←
	8:	9.6	↙
	9:	10.7x	↓
	10:	10.4x	↓
Serie		102.6	
Total		102.6	
60 Skott 	11:	10.1	↙
	12:	9.5	↓
Serie		19.6	
Total		122.2	



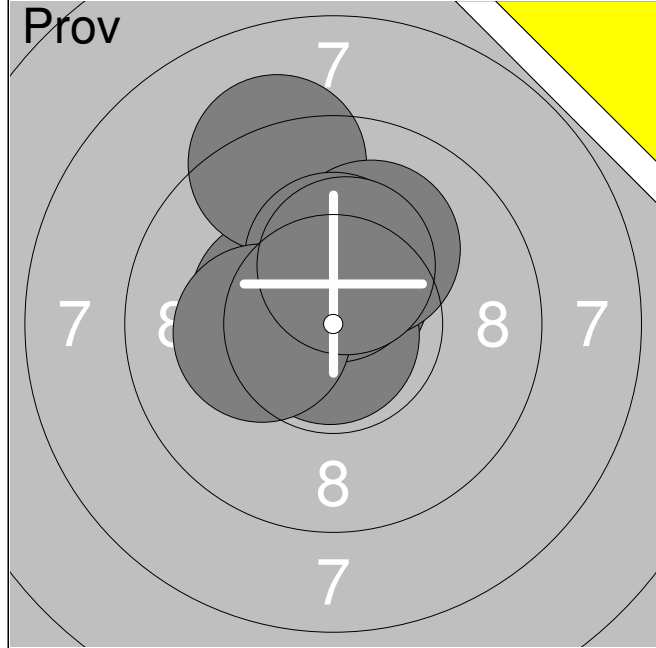
1:	9.9	→
2:	10.1	↗
3:	10.2x	↗
4:	10.9x	↑
5:	10.4x	→
6:	10.7x	↘
7:	10.7x	↑
Serie		72.9
Total		0.0



1:	9.9	↗
2:	10.6x	→
3:	10.4x	→
4:	10.2x	↑
5:	10.3x	↑
6:	10.5x	↗
7:	10.3x	↗
8:	10.9x	↑
9:	10.7x	↑
10:	9.9	←
Serie		103.7
Total		103.7



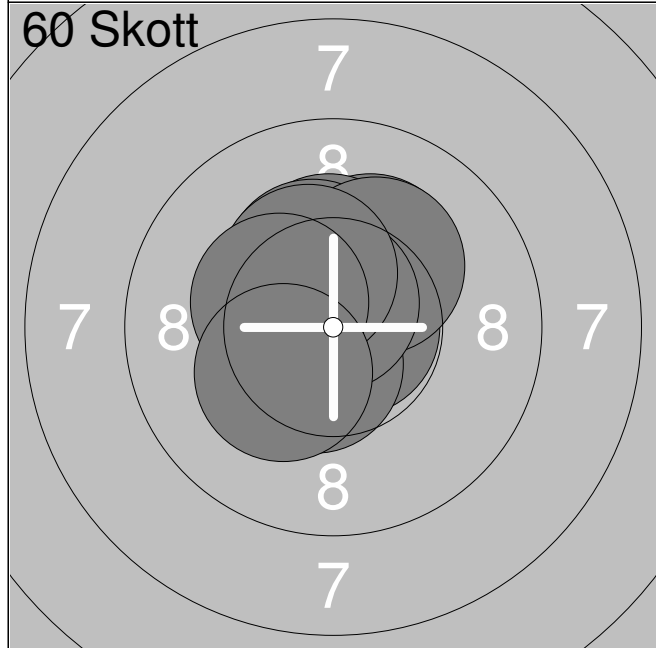
11:	10.8x	↘
12:	10.5x	↑
13:	10.1	↗
14:	10.7x	↖
15:	10.6x	↖
16:	10.1	↘
17:	10.3x	↘
18:	10.2x	↘
19:	10.6x	←
20:	10.7x	↘
Serie		104.6
Total		208.3



1:	10.6x	↑
2:	10.4x	←
3:	10.8x	↓
4:	9.2	↑
5:	10.1	↗
6:	10.4x	↑
7:	10.3x	↑
8:	10.2x	←
9:	10.4x	↑

Serie 92.4

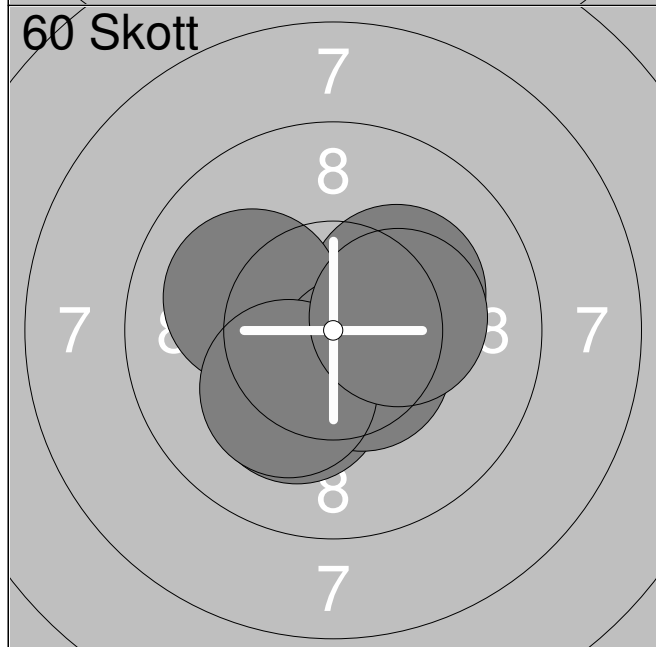
Total 0.0



1:	10.2x	↗
2:	10.3x	↑
3:	10.3x	↑
4:	10.8x	→
5:	10.2x	↗
6:	10.5x	↓
7:	10.7x	↑
8:	10.4x	↑
9:	10.4x	←
10:	10.3x	↙

Serie 104.1

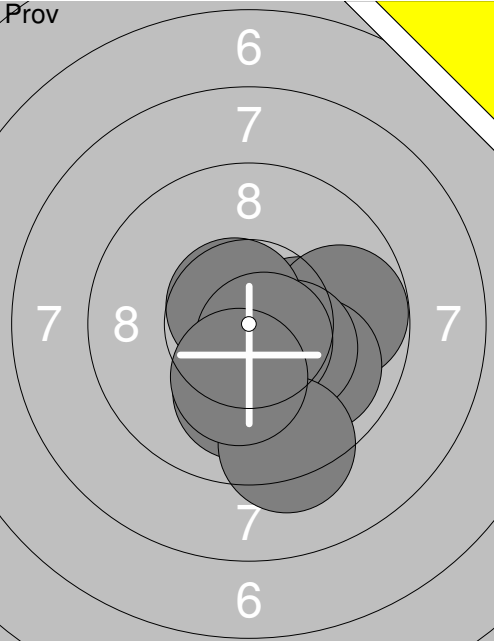
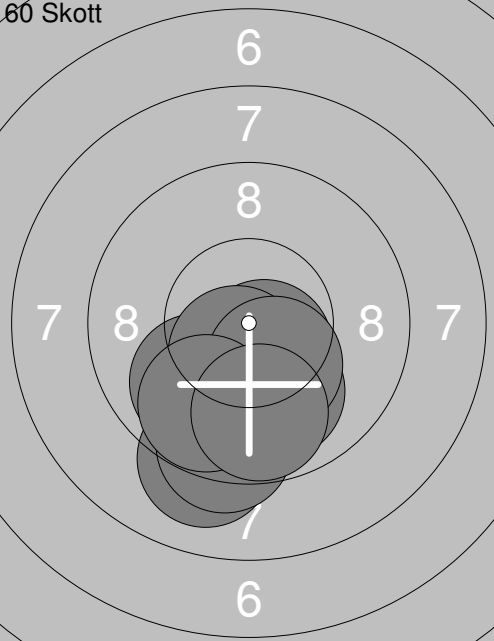
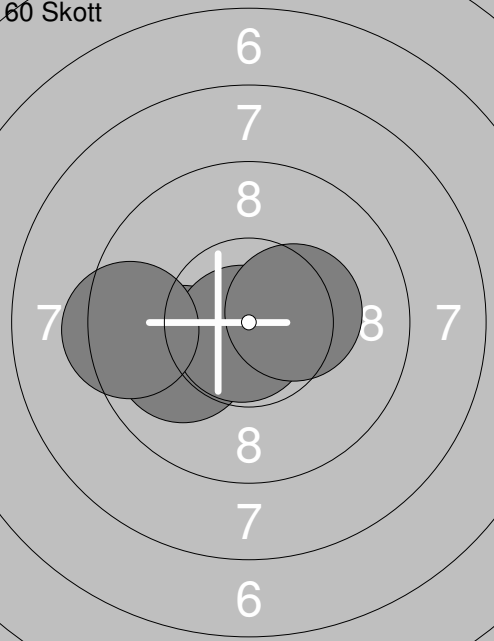
Total 104.1



11:	10.2x	↗
12:	10.2x	↓
13:	10.1	←
14:	10.5x	↘
15:	10.2x	↓
16:	10.3x	→

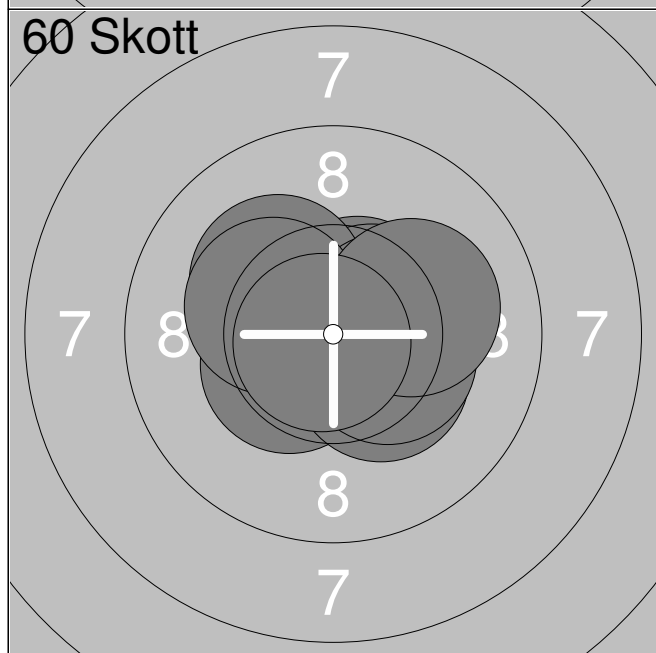
Serie 61.5

Total 165.6

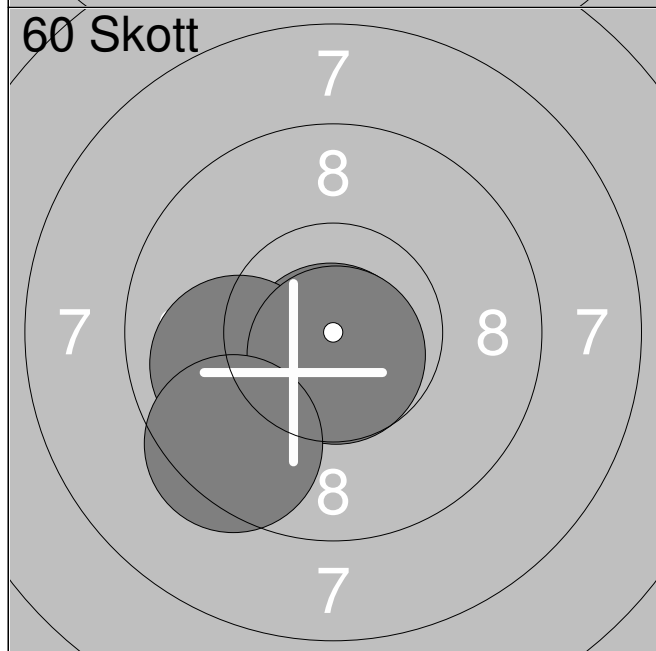
Skjuttag	Tavla	Sture Lönnefjord	
2	30	Ramselefors Skf	Vb
22.10.2022	UME-Skottet 2022	Umeå skytteallians	
Prov		1: 10.3x➤ 2: 9.8 → 3: 9.9 ↓ 4: 10.1 ↓ 5: 9.9 ➤ 6: 10.3x➤ 7: 10.7x↘ 8: 10.7x↘ 9: 9.3 ↓ 10: 10.2x↓ Serie 101.2 Total 0.0	11: 10.4x↘ 12: 10.2x↓ 13: 9.7 ↓ 14: 10.6x↓ Serie 40.9 Total 0.0
60 Skott		1: 10.0 ↓ 2: 10.1 ↓ 3: 9.1 ↓ 4: 10.6x↘ 5: 9.9 ↓ 6: 10.5x↘ 7: 10.3x↘ 8: 9.3 ↓ 9: 9.8 ↓ 10: 9.8 ↓ Serie 99.4 Total 99.4	11: 10.6x↖ 12: 9.6 ← 13: 9.9 ↓ 14: 9.5 ↓ 15: 9.1 ← 16: 10.2x↖ 17: 10.2x↖ 18: 10.3x➤ 19: 9.5 ↓ 20: 10.8x↘ Serie 99.7 Total 199.1
60 Skott		21: 10.0↖ 22: 10.8x↘ 23: 9.4 ← 24: 10.4x➤ Serie 40.6 Total 239.7	



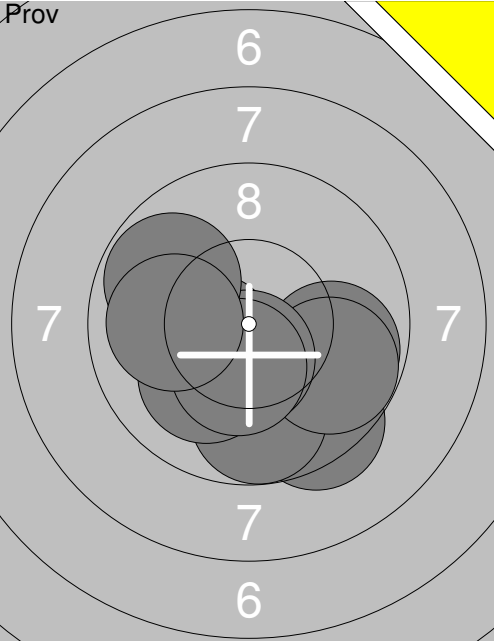
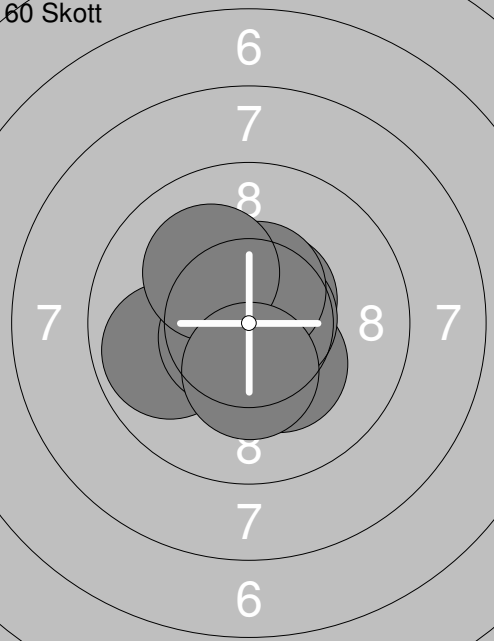
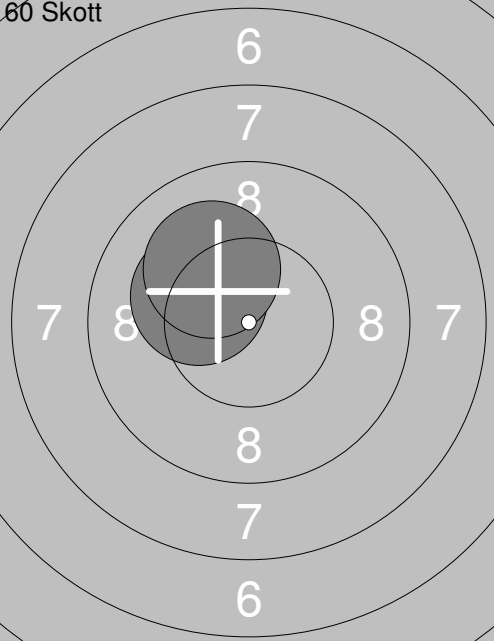
1:	10.4x	→
2:	10.4x	←
3:	10.7x	↗
4:	10.3x	→
5:	10.9x	→
Serie		52.7
Total		0.0



1:	10.4x	←
2:	10.6x	↗
3:	10.5x	↗
4:	10.2x	↗
5:	10.3x	↘
6:	10.4x	→
7:	10.3x	↖
8:	10.4x	→
9:	10.1	→
10:	10.8x	←
Serie		104.0
Total		104.0



11:	10.8x	↓
12:	9.9	←
13:	10.7x	↓
14:	9.5	↙
Serie		40.9
Total		144.9

Skjuttag 2	Tavla 32	Dennis Alenius	
S		Ramselefors Skf	Vb
22.10.2022	UME-Skottet 2022	Umeå skytteallians	
Prov		1: 9.8 → 2: 9.4 ↓ 3: 9.8 ↓ 4: 9.8 → 5: 10.4x↘ 6: 10.5x↓ 7: 10.1 ↓ 8: 10.4x↓ 9: 9.8 ↖ 10: 10.0 ← Serie 100.0 Total 0.0	Prov
			11: 10.3x↘ Serie 10.3 Total 0.0
60 Skott		1: 10.8x↘ 2: 10.7x↘ 3: 9.9 ← 4: 10.3x↘ 5: 10.6x↘ 6: 10.6x↗ 7: 10.7x→ 8: 10.5x↗ 9: 10.1 ↖ 10: 10.3x↓ Serie 104.5 Total 104.5	60 Skott
			11: 10.6x↓ 12: 10.5x↓ 13: 10.6x→ 14: 10.4x↘ 15: 10.3x↘ 16: 10.5x↘ 17: 10.4x↘ 18: 10.0 ↖ 19: 10.5x→ 20: 10.2x↘ Serie 104.0 Total 208.5
60 Skott		21: 10.2x↘ 22: 10.1 ↖ Serie 20.3 Total 228.8	