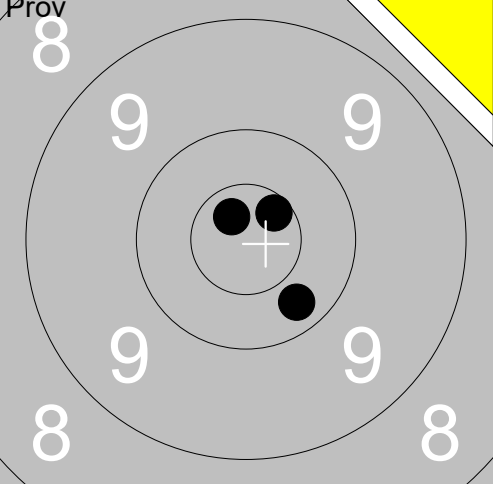
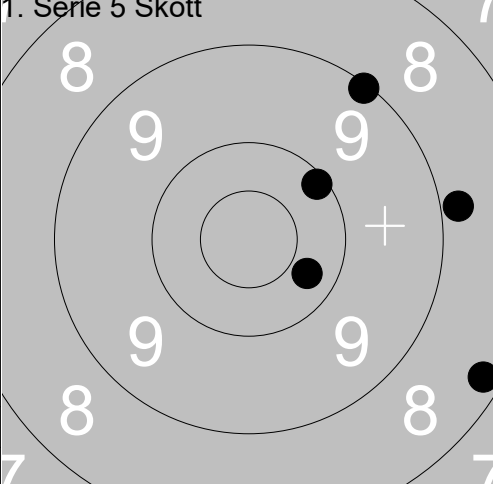
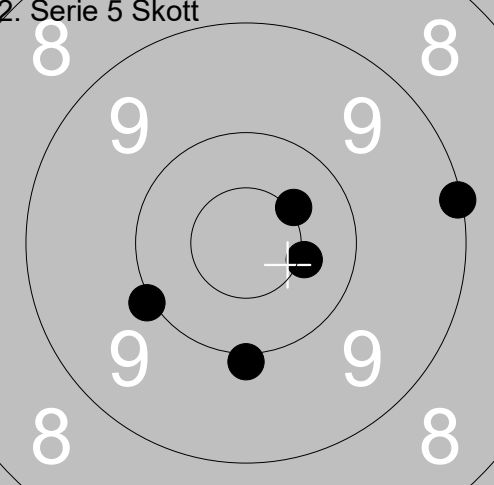
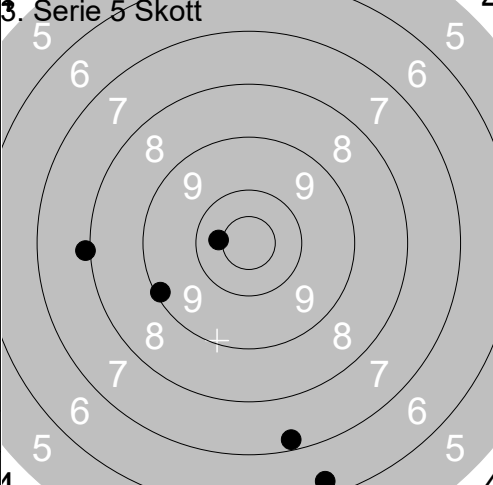
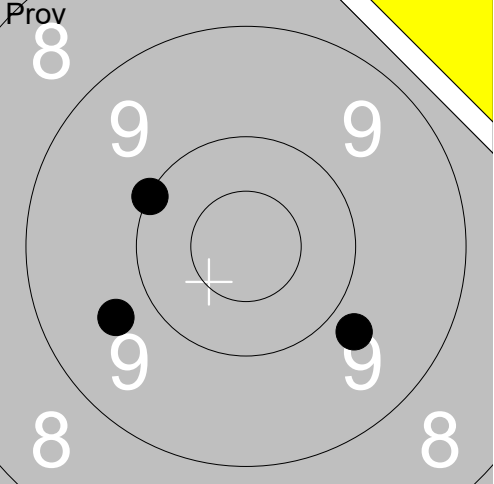
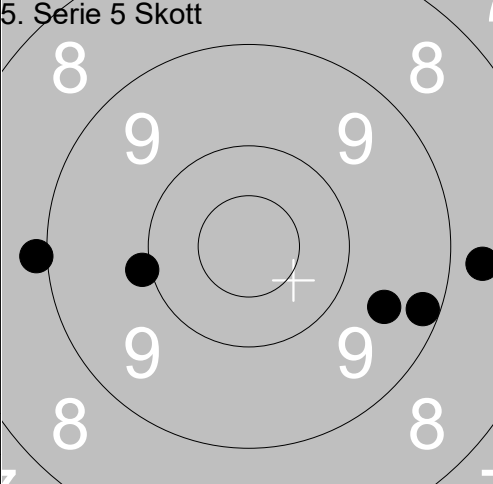
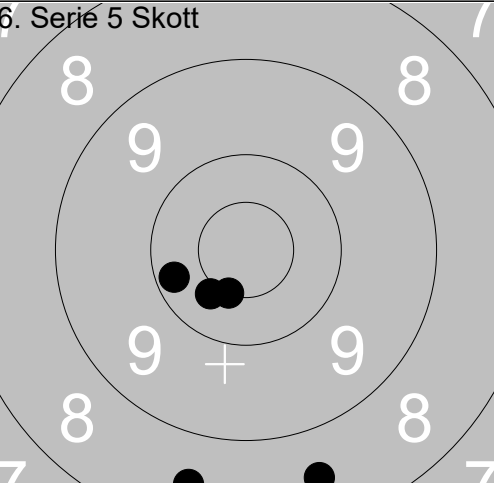
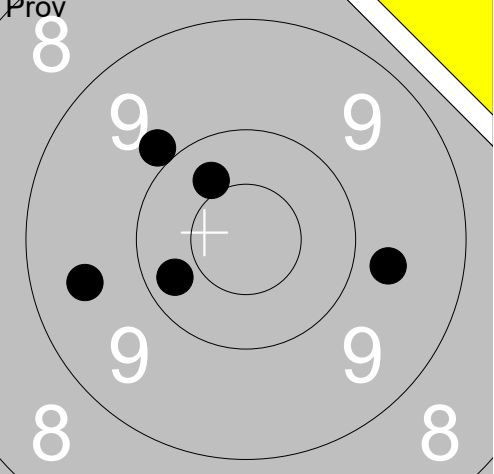
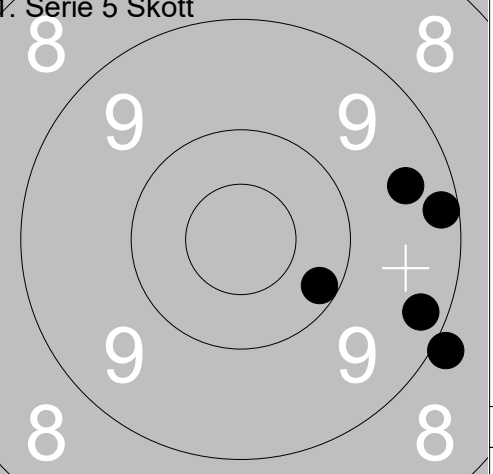
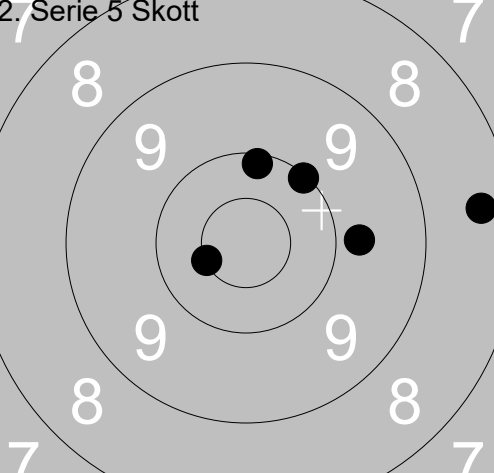
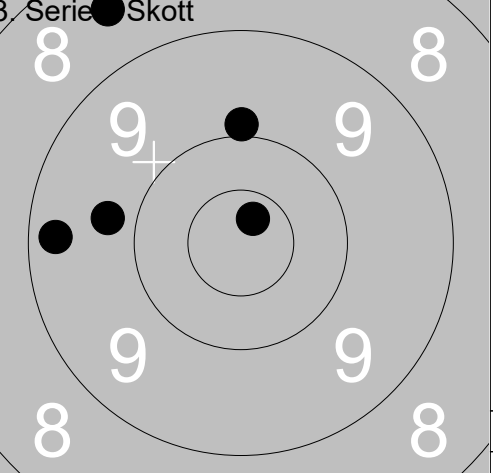
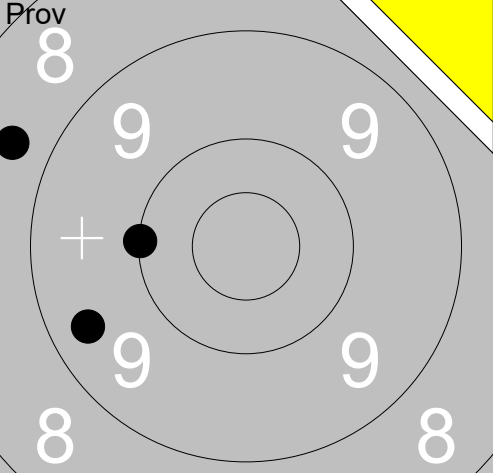
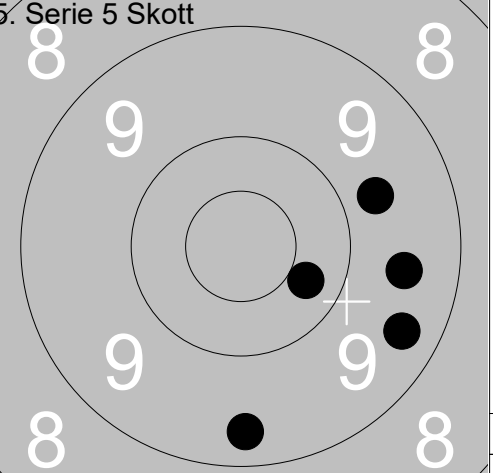
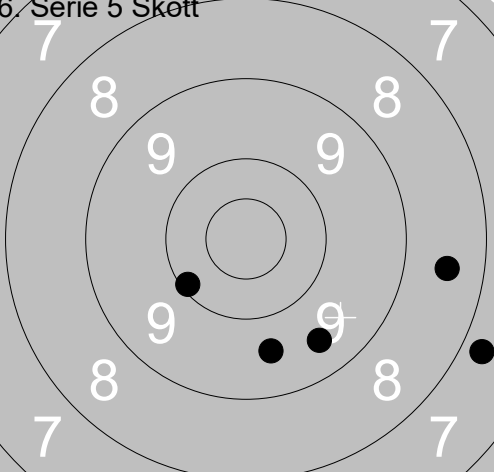


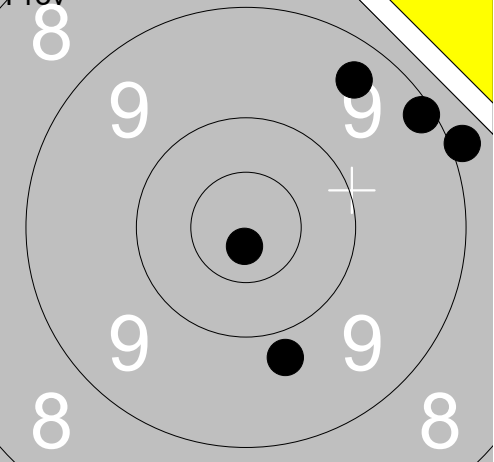
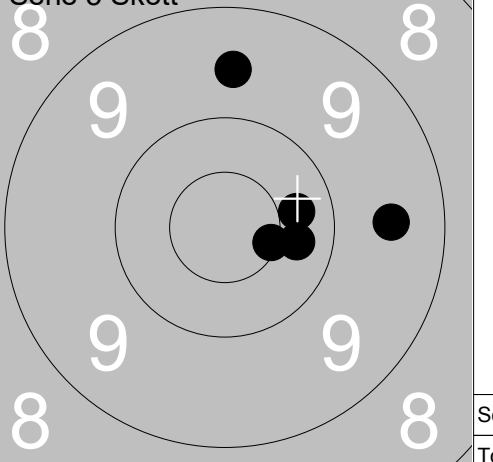
<p>Prov</p>  <table border="1" style="width:100%; border-collapse: collapse;"> <tr> <td>1:</td> <td>10.7x</td> <td>↗</td> </tr> <tr> <td>2:</td> <td>10.3</td> <td>↘</td> </tr> <tr> <td>3:</td> <td>10.6x</td> <td>↗</td> </tr> <tr> <td colspan="2">Serie</td> <td>30.0</td> </tr> <tr> <td colspan="2">Total</td> <td>0.0</td> </tr> </table>	1:	10.7x	↗	2:	10.3	↘	3:	10.6x	↗	Serie		30.0	Total		0.0	<p>1. Serie 5 Skott</p>  <table border="1" style="width:100%; border-collapse: collapse;"> <tr> <td>1:</td> <td>10.1</td> <td>↗</td> </tr> <tr> <td>2:</td> <td>8.8</td> <td>→</td> </tr> <tr> <td>3:</td> <td>9.1</td> <td>↗</td> </tr> <tr> <td>4:</td> <td>10.3</td> <td>↘</td> </tr> <tr> <td>5:</td> <td>8.2</td> <td>↘</td> </tr> <tr> <td colspan="2">Serie</td> <td>45.0</td> </tr> <tr> <td colspan="2">Total</td> <td>45.0</td> </tr> </table>	1:	10.1	↗	2:	8.8	→	3:	9.1	↗	4:	10.3	↘	5:	8.2	↘	Serie		45.0	Total		45.0																																																																				
1:	10.7x	↗																																																																																																							
2:	10.3	↘																																																																																																							
3:	10.6x	↗																																																																																																							
Serie		30.0																																																																																																							
Total		0.0																																																																																																							
1:	10.1	↗																																																																																																							
2:	8.8	→																																																																																																							
3:	9.1	↗																																																																																																							
4:	10.3	↘																																																																																																							
5:	8.2	↘																																																																																																							
Serie		45.0																																																																																																							
Total		45.0																																																																																																							
<p>2. Serie 5 Skott</p>  <table border="1" style="width:100%; border-collapse: collapse;"> <tr> <td>1:</td> <td>10.0</td> <td>↖</td> </tr> <tr> <td>2:</td> <td>9.1</td> <td>→</td> </tr> <tr> <td>3:</td> <td>10.4x</td> <td>→</td> </tr> <tr> <td>4:</td> <td>10.5x</td> <td>↗</td> </tr> <tr> <td>5:</td> <td>10.0</td> <td>↓</td> </tr> <tr> <td colspan="2">Serie</td> <td>49.0</td> </tr> <tr> <td colspan="2">Total</td> <td>94.0</td> </tr> </table>	1:	10.0	↖	2:	9.1	→	3:	10.4x	→	4:	10.5x	↗	5:	10.0	↓	Serie		49.0	Total		94.0	<p>3. Serie 5 Skott</p>  <table border="1" style="width:100%; border-collapse: collapse;"> <tr> <td>1:</td> <td>10.4x</td> <td>←</td> </tr> <tr> <td>2:</td> <td>6.3</td> <td>↓</td> </tr> <tr> <td>3:</td> <td>7.9</td> <td>←</td> </tr> <tr> <td>4:</td> <td>7.2</td> <td>↓</td> </tr> <tr> <td>5:</td> <td>9.1</td> <td>↖</td> </tr> <tr> <td colspan="2">Serie</td> <td>39.0</td> </tr> <tr> <td colspan="2">Total</td> <td>133.0</td> </tr> </table>	1:	10.4x	←	2:	6.3	↓	3:	7.9	←	4:	7.2	↓	5:	9.1	↖	Serie		39.0	Total		133.0	<p>Prov</p>  <table border="1" style="width:100%; border-collapse: collapse;"> <tr> <td>1:</td> <td>10.0</td> <td>↖</td> </tr> <tr> <td>2:</td> <td>9.7</td> <td>↖</td> </tr> <tr> <td>3:</td> <td>9.8</td> <td>↘</td> </tr> <tr> <td colspan="2">Serie</td> <td>28.0</td> </tr> <tr> <td colspan="2">Total</td> <td>133.0</td> </tr> </table>	1:	10.0	↖	2:	9.7	↖	3:	9.8	↘	Serie		28.0	Total		133.0	<p>5. Serie 5 Skott</p>  <table border="1" style="width:100%; border-collapse: collapse;"> <tr> <td>1:</td> <td>8.9</td> <td>←</td> </tr> <tr> <td>2:</td> <td>9.9</td> <td>←</td> </tr> <tr> <td>3:</td> <td>8.7</td> <td>→</td> </tr> <tr> <td>4:</td> <td>9.2</td> <td>→</td> </tr> <tr> <td>5:</td> <td>9.6</td> <td>↘</td> </tr> <tr> <td colspan="2">Serie</td> <td>43.0</td> </tr> <tr> <td colspan="2">Total</td> <td>176.0</td> </tr> </table>	1:	8.9	←	2:	9.9	←	3:	8.7	→	4:	9.2	→	5:	9.6	↘	Serie		43.0	Total		176.0	<p>6. Serie 5 Skott</p>  <table border="1" style="width:100%; border-collapse: collapse;"> <tr> <td>1:</td> <td>10.2</td> <td>←</td> </tr> <tr> <td>2:</td> <td>8.5</td> <td>↓</td> </tr> <tr> <td>3:</td> <td>8.5</td> <td>↓</td> </tr> <tr> <td>4:</td> <td>10.4</td> <td>↖</td> </tr> <tr> <td>5:</td> <td>10.5x</td> <td>↓</td> </tr> <tr> <td colspan="2">Serie</td> <td>46.0</td> </tr> <tr> <td colspan="2">Total</td> <td>222.0</td> </tr> </table>	1:	10.2	←	2:	8.5	↓	3:	8.5	↓	4:	10.4	↖	5:	10.5x	↓	Serie		46.0	Total		222.0	<p>7</p>	<p>7</p>
1:	10.0	↖																																																																																																							
2:	9.1	→																																																																																																							
3:	10.4x	→																																																																																																							
4:	10.5x	↗																																																																																																							
5:	10.0	↓																																																																																																							
Serie		49.0																																																																																																							
Total		94.0																																																																																																							
1:	10.4x	←																																																																																																							
2:	6.3	↓																																																																																																							
3:	7.9	←																																																																																																							
4:	7.2	↓																																																																																																							
5:	9.1	↖																																																																																																							
Serie		39.0																																																																																																							
Total		133.0																																																																																																							
1:	10.0	↖																																																																																																							
2:	9.7	↖																																																																																																							
3:	9.8	↘																																																																																																							
Serie		28.0																																																																																																							
Total		133.0																																																																																																							
1:	8.9	←																																																																																																							
2:	9.9	←																																																																																																							
3:	8.7	→																																																																																																							
4:	9.2	→																																																																																																							
5:	9.6	↘																																																																																																							
Serie		43.0																																																																																																							
Total		176.0																																																																																																							
1:	10.2	←																																																																																																							
2:	8.5	↓																																																																																																							
3:	8.5	↓																																																																																																							
4:	10.4	↖																																																																																																							
5:	10.5x	↓																																																																																																							
Serie		46.0																																																																																																							
Total		222.0																																																																																																							

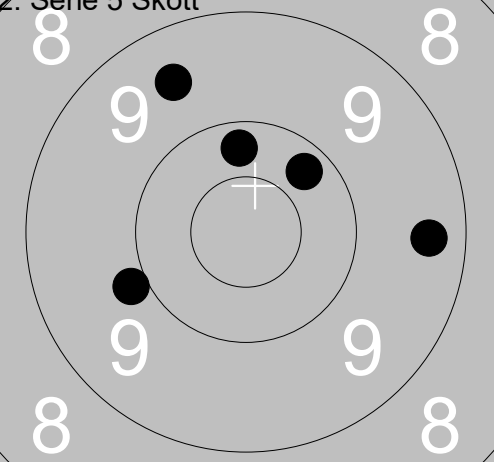
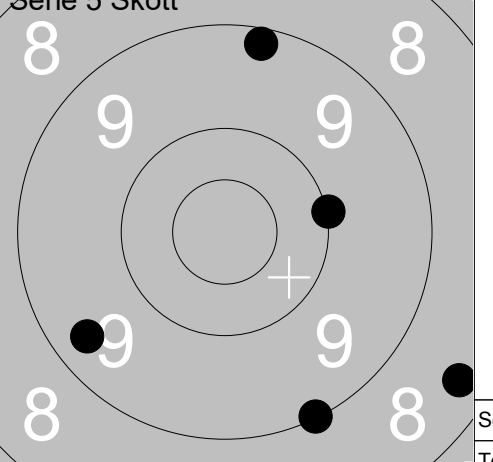
<p>Prov</p> 	<p>1: 9.5 ←</p> <p>2: 9.7 →</p> <p>3: 10.4 ↗</p> <p>4: 9.9 ↗</p> <p>5: 10.3 ←</p>	<p>1. Serie 5 Skott</p> 	<p>1: 8.9 ↘</p> <p>2: 9.5 →</p> <p>3: 10.2 ↘</p> <p>4: 9.2 →</p> <p>5: 9.3 ↘</p>
Serie 47.0		Serie 45.0	
Total 0.0		Total 45.0	

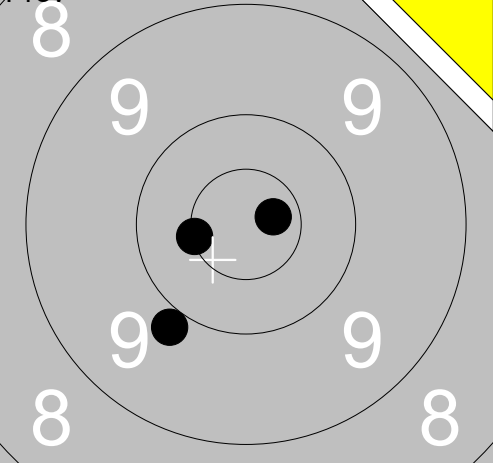
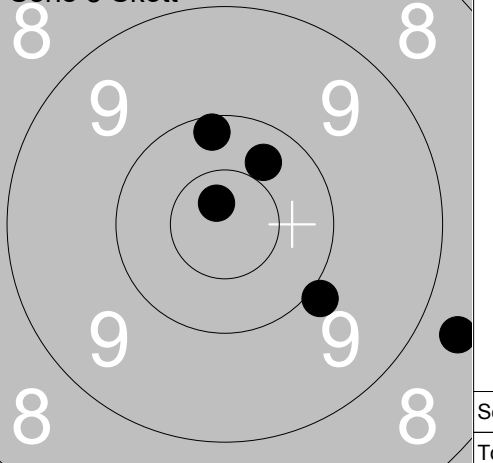
<p>2. Serie 5 Skott</p> 	<p>1: 8.4 →</p> <p>2: 10.1 ↑</p> <p>3: 10.1 ↗</p> <p>4: 9.8 →</p> <p>5: 10.5x ←</p>	<p>3. Serie 5 Skott</p> 	<p>1: 9.9 ↑</p> <p>2: 9.8 ←</p> <p>3: 10.7x ↗</p> <p>4: 9.3 ←</p> <p>5: 8.5 ↗</p>
Serie 47.0		Serie 45.0	
Total 92.0		Total 137.0	

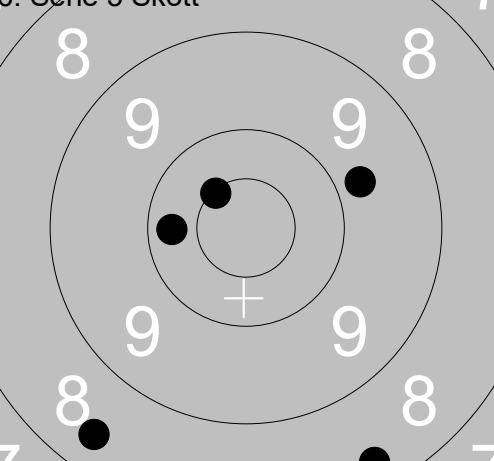
<p>Prov</p> 	<p>1: 8.7 ←</p> <p>2: 9.4 ←</p> <p>3: 10.0 ←</p>	<p>5. Serie 5 Skott</p> 	<p>1: 9.7 ↗</p> <p>2: 10.3 ↘</p> <p>3: 9.5 →</p> <p>4: 9.4 ↘</p> <p>5: 9.3 ↓</p>
Serie 27.0		Serie 46.0	
Total 137.0		Total 183.0	

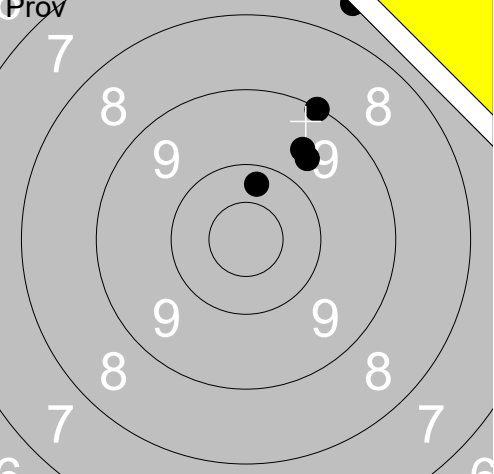
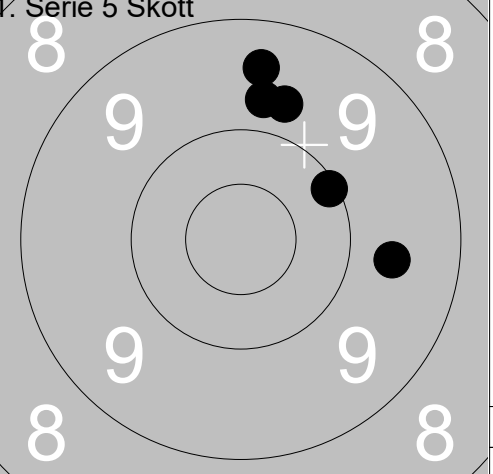
<p>6. Serie 5 Skott</p> 	<p>1: 8.5 →</p> <p>2: 7.8 ↘</p> <p>3: 9.5 ↘</p> <p>4: 9.6 ↘</p> <p>5: 10.1 ↘</p>		
Serie 43.0			
Total 226.0			

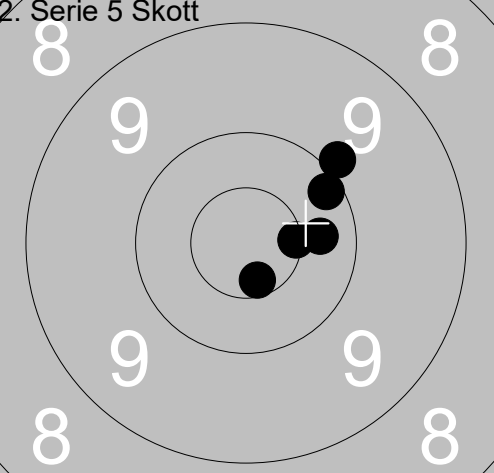
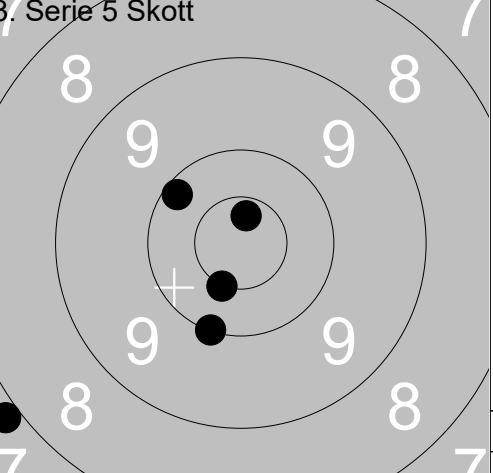
<p>Prov</p> 	<p>1: 8.9 →</p> <p>2: 9.1 ↗</p> <p>3: 9.4 ↗</p> <p>4: 9.8 ↓</p> <p>5: 10.8x ↓</p>	<p>1. Serie 5 Skott</p> 	<p>1: 9.5 →</p> <p>2: 10.3 →</p> <p>3: 10.3 →</p> <p>4: 9.6 ↑</p> <p>5: 10.5x →</p>
Serie 45.0		Serie 48.0	
Total 0.0		Total 48.0	

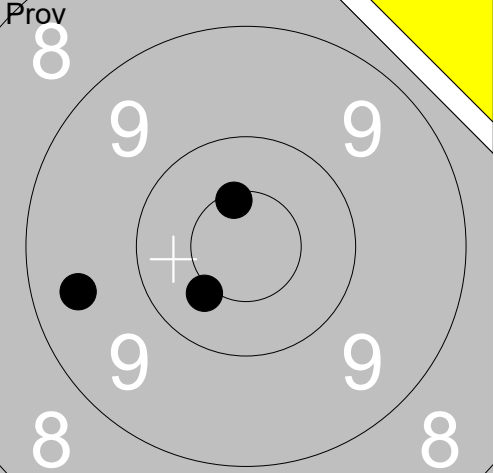
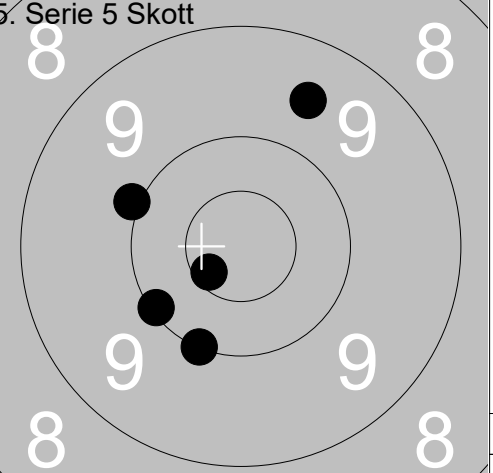
<p>2. Serie 5 Skott</p> 	<p>1: 9.9 ↙</p> <p>2: 10.2 ↑</p> <p>3: 10.2 ↗</p> <p>4: 9.5 ↖</p> <p>5: 9.4 →</p>	<p>3. Serie 5 Skott</p> 	<p>1: 9.0 ↓</p> <p>2: 10.0 →</p> <p>3: 9.2 ↑</p> <p>4: 8.4 ↘</p> <p>5: 9.4 ↙</p>
Serie 47.0		Serie 45.0	
Total 95.0		Total 140.0	

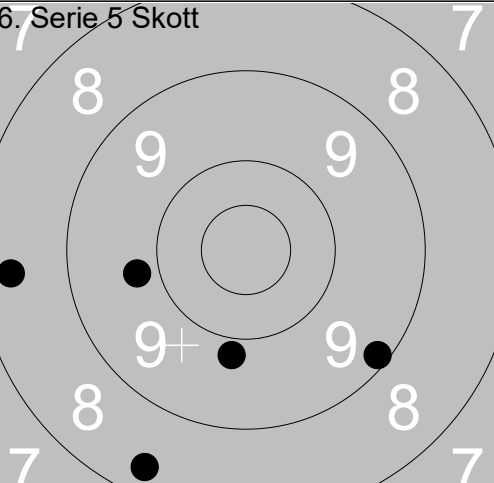
<p>Prov</p> 	<p>1: 9.9 ↘</p> <p>2: 10.7x →</p> <p>3: 10.5x ←</p>	<p>5. Serie 5 Skott</p> 	<p>1: 9.9 ↘</p> <p>2: 10.8x ↖</p> <p>3: 10.3 ↗</p> <p>4: 10.2 ↑</p> <p>5: 8.7 ↘</p>
Serie 29.0		Serie 47.0	
Total 140.0		Total 187.0	

<p>6. Serie 5 Skott</p> 	<p>1: 10.2 ←</p> <p>2: 8.3 ↓</p> <p>3: 9.8 →</p> <p>4: 8.4 ↘</p> <p>5: 10.5x ↖</p>		
Serie 45.0			
Total 232.0			

<p>Prov</p> 	<p>1: 7.6 ↗ 2: 9.6 ↗ 3: 9.0 ↗ 4: 9.7 ↗ 5: 10.2 ↑</p> <p>Serie 44.0 Total 0.0</p>	<p>1. Serie 5 Skott</p>  <p>1: 10.1 ↗ 2: 9.7 ↑ 3: 9.5 ↑ 4: 9.7 ↑ 5: 9.6 →</p> <p>Serie 46.0 Total 46.0</p>
--	--	--

<p>2. Serie 5 Skott</p>  <p>1: 9.9 ↗ 2: 10.5x → 3: 10.3 → 4: 10.2 ↗ 5: 10.6x ↓</p> <p>Serie 49.0 Total 95.0</p>	<p>3. Serie 5 Skott</p>  <p>1: 10.0 ↓ 2: 10.7x ↑ 3: 7.9 ↙ 4: 10.2 ↖ 5: 10.5x ↓</p> <p>Serie 47.0 Total 142.0</p>
--	---

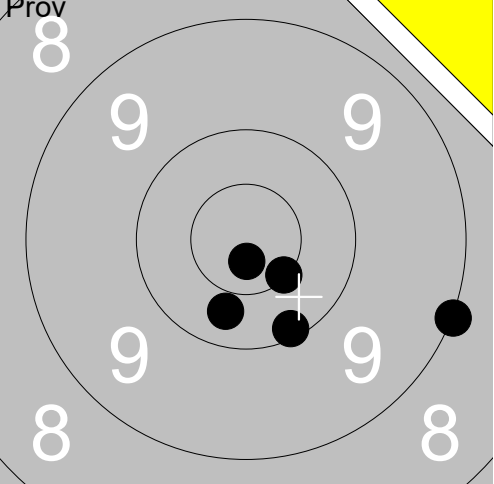
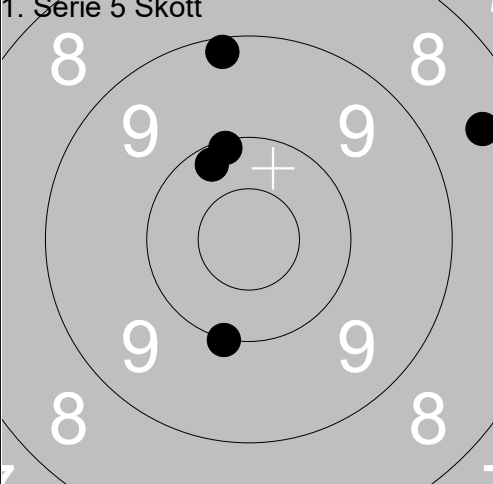
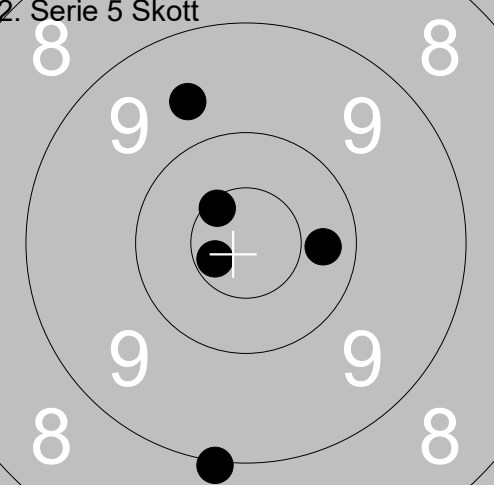
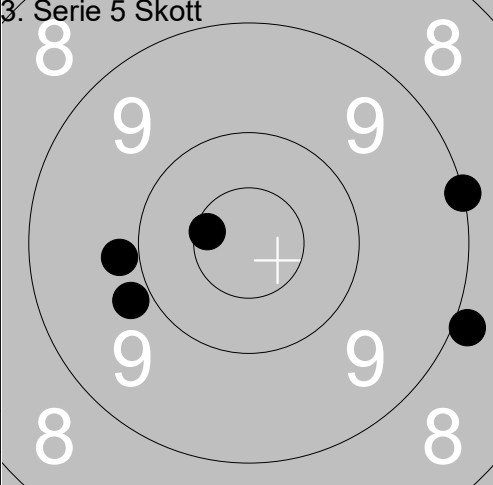
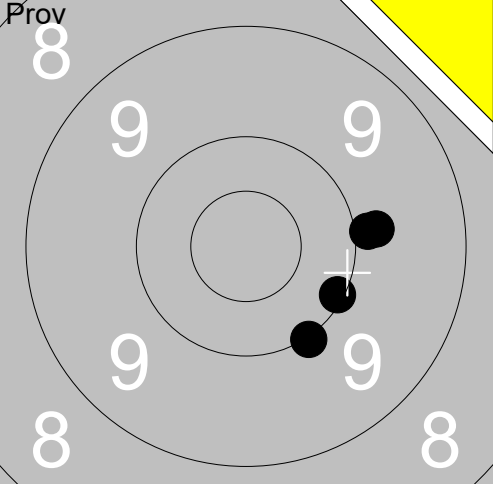
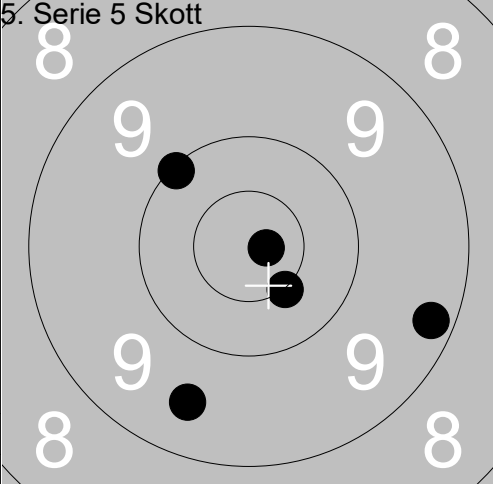
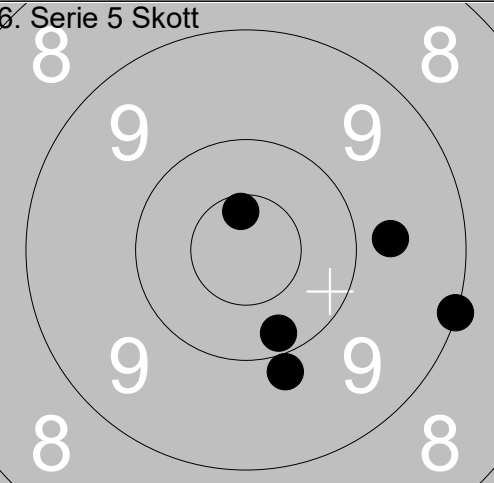
<p>Prov</p>  <p>1: 10.5x ↑ 2: 9.4 ← 3: 10.4x ↙</p> <p>Serie 29.0 Total 142.0</p>	<p>5. Serie 5 Skott</p>  <p>1: 9.6 ↗ 2: 10.6x ↙ 3: 10.0 ↓ 4: 10.0 ↖ 5: 10.1 ↙</p> <p>Serie 49.0 Total 191.0</p>
--	---

<p>6. Serie 5 Skott</p>  <p>1: 9.1 ↘ 2: 8.4 ↓ 3: 8.4 ← 4: 9.8 ← 5: 9.8 ↓</p> <p>Serie 43.0 Total 234.0</p>	
--	--

<p>Prov</p>	<p>1: 9.2 →</p> <p>2: 10.0 →</p> <p>3: 8.7 →</p> <p>4: 7.8 →</p> <p>5: 6.9 →</p>	<p>1. Serie 5 Skott</p>	<p>1: 10.2 ↓</p> <p>2: 7.4 ↘</p> <p>3: 7.7 ↘</p> <p>4: 8.4 ↓</p> <p>5: 8.9 ↘</p>
Serie 40.0	Total 0.0	Serie 40.0	Total 40.0

<p>2. Serie 5 Skott</p>	<p>1: 9.7 ↖</p> <p>2: 10.2 ←</p> <p>3: 9.9 ↗</p> <p>4: 8.1 ↓</p> <p>5: 8.5 ↙</p>	<p>3. Serie 5 Skott</p>	<p>1: 10.3 ↗</p> <p>2: 9.3 ↖</p> <p>3: 7.7 ↓</p> <p>4: 9.6 ←</p> <p>5: 7.5 ↖</p>
Serie 44.0	Total 84.0	Serie 42.0	Total 126.0

<p>6. Serie 5 Skott</p>	<p>1: 9.9 ↙</p> <p>2: 9.3 ↓</p> <p>3: 7.9 ↙</p> <p>4: 8.3 ←</p> <p>5: 6.6 ↓</p>		
Serie 39.0	Total 165.0		

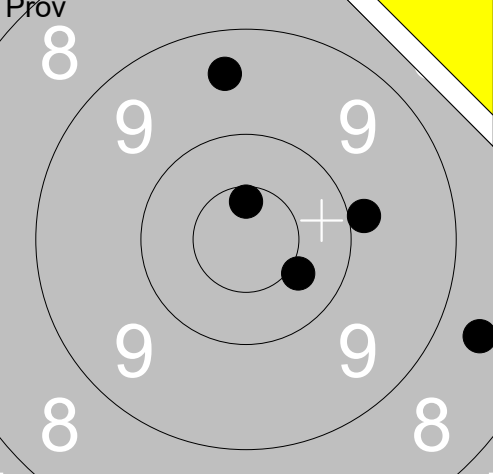
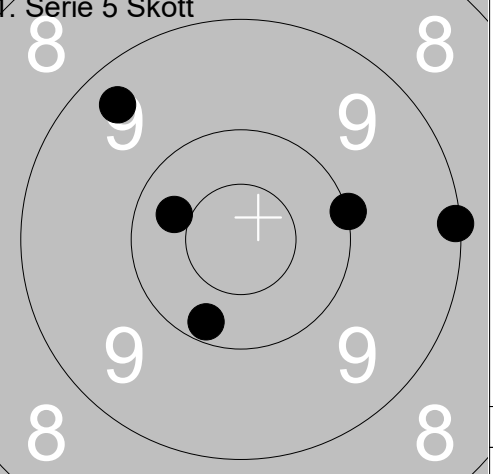
<p>Prov</p> 	<p>1: 10.3 ↓ 2: 10.5x ↓ 3: 9.0 → 4: 10.1 ↓ 5: 10.8x ↓</p>	<p>1. Serie 5 Skott</p> 	<p>1: 9.2 ↑ 2: 8.5 → 3: 10.2 ↖ 4: 10.1 ↑ 5: 10.0 ↓</p>
Serie 49.0		Serie 47.0	
Total 0.0		Total 47.0	
<p>2. Serie 5 Skott</p> 	<p>1: 9.6 ↗ 2: 10.3 → 3: 10.6x ↗ 4: 10.7x ↖ 5: 9.0 ↓</p>	<p>3. Serie 5 Skott</p> 	<p>1: 8.9 → 2: 10.6x ↖ 3: 9.0 → 4: 9.8 ↖ 5: 9.8 ←</p>
Serie 48.0		Serie 45.0	
Total 95.0		Total 140.0	
<p>Prov</p> 	<p>1: 10.1 → 2: 9.8 → 3: 9.9 → 4: 10.0 ↓</p>	<p>5. Serie 5 Skott</p> 	<p>1: 10.5x ↓ 2: 10.8x → 3: 10.1 ↗ 4: 9.2 ↓ 5: 9.5 ↓</p>
Serie 38.0		Serie 48.0	
Total 140.0		Total 188.0	
<p>6. Serie 5 Skott</p> 	<p>1: 9.0 → 2: 9.9 ↓ 3: 10.6x ↗ 4: 10.2 ↓ 5: 9.7 →</p>		
Serie 47.0			
Total 235.0			

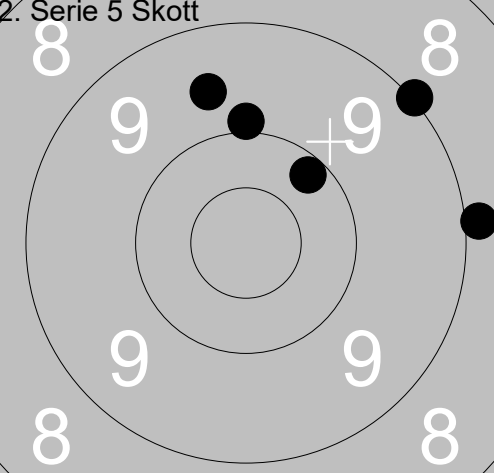
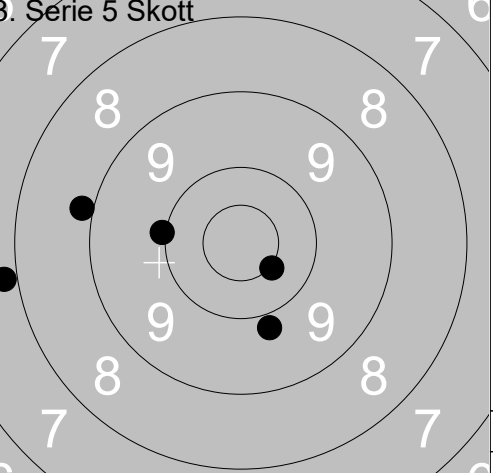
<p>Prov</p>	<p>1: 9.9 ↘ 2: 9.8 ↘ 3: 10.5x ↗ 4: 10.2 ↘ 5: 10.0 ↘</p>	<p>1. Serie 5 Skott</p>	<p>1: 10.5x ↘ 2: 9.3 → 3: 9.8 → 4: 10.2 ↘ 5: 9.5 ↘</p>
Serie 48.0		Serie 47.0	
Total 0.0		Total 47.0	

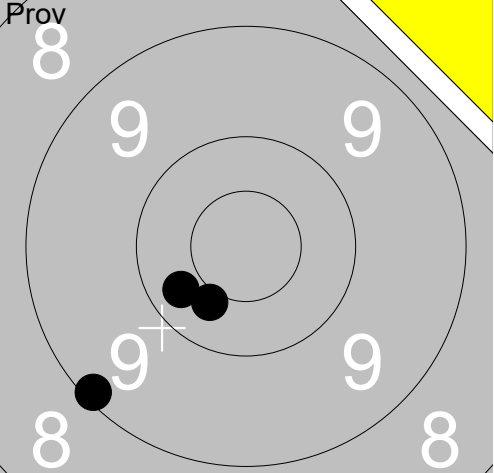
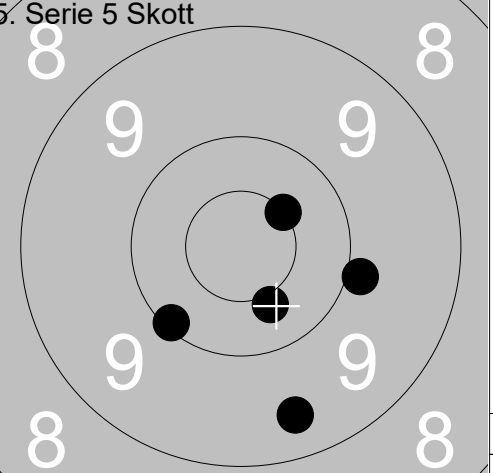
<p>2. Serie 5 Skott</p>	<p>1: 9.8 ↘ 2: 10.1 ← 3: 8.3 ↗ 4: 10.1 ← 5: 10.0 ↘</p>	<p>3. Serie 5 Skott</p>	<p>1: 9.8 ↘ 2: 10.2 ↘ 3: 9.2 ↘ 4: 8.7 ↗ 5: 10.1 ↘</p>
Serie 47.0		Serie 46.0	
Total 94.0		Total 140.0	

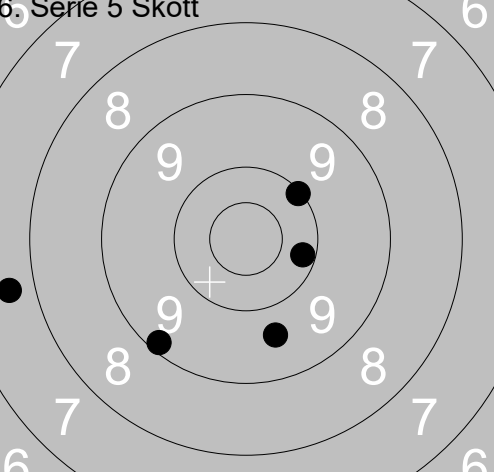
<p>Prov</p>	<p>1: 9.6 ← 2: 10.2 ← 3: 9.4 ↑ 4: 10.0 ↘</p>	<p>5. Serie 5 Skott</p>	<p>1: 9.7 ← 2: 10.1 ↗ 3: 10.5x ↗ 4: 9.5 ↘ 5: 9.8 ↗</p>
Serie 38.0		Serie 47.0	
Total 140.0		Total 187.0	

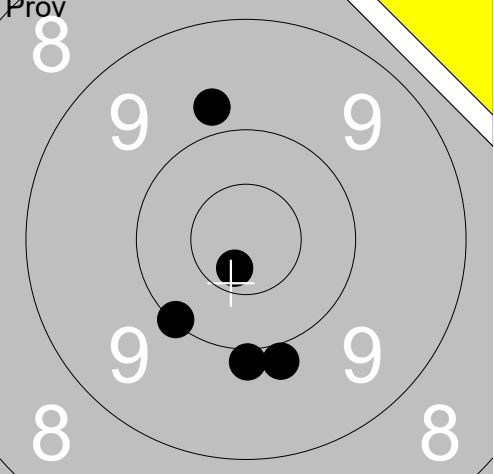
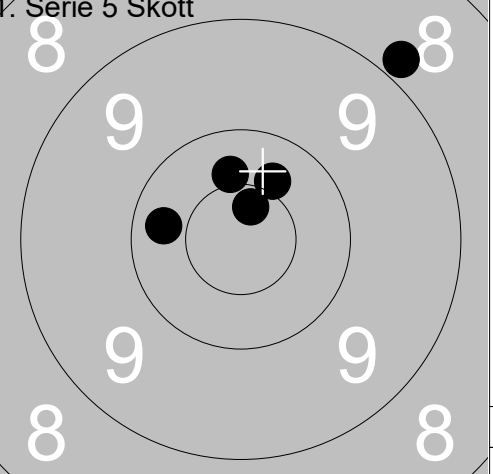
<p>6. Serie 5 Skott</p>	<p>1: 9.5 → 2: 10.3 ↘ 3: 9.2 ↘ 4: 8.9 ↑ 5: 9.4 ↗</p>		
Serie 45.0			
Total 232.0			

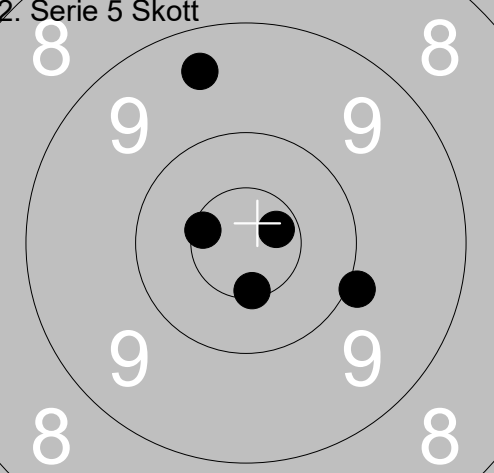
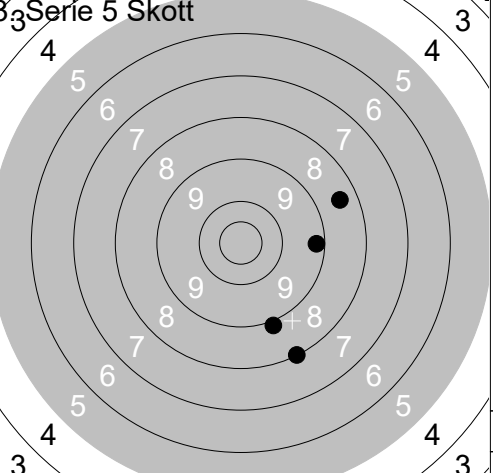
<p>Prov</p> 	<p>1: 9.9 →</p> <p>2: 9.4 ↑</p> <p>3: 10.6x ↑</p> <p>4: 8.6 →</p> <p>5: 10.4 ↘</p>	<p>1. Serie 5 Skott</p> 	<p>1: 10.2 ↓</p> <p>2: 9.1 →</p> <p>3: 9.4 ↗</p> <p>4: 10.4 ↖</p> <p>5: 10.0 →</p>
Serie 46.0		Serie 48.0	
Total 0.0		Total 48.0	

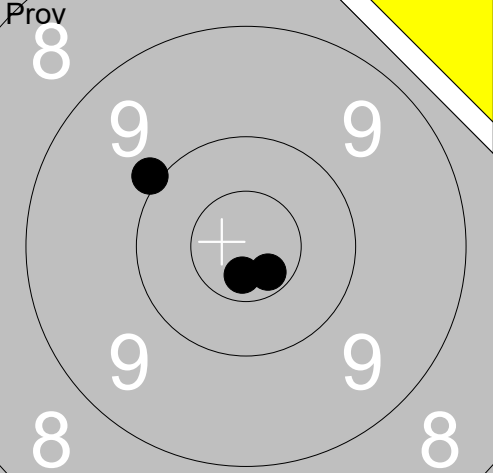
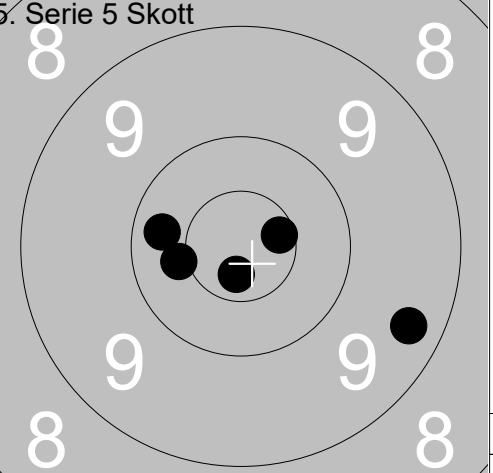
<p>2. Serie 5 Skott</p> 	<p>1: 9.6 ↑</p> <p>2: 10.2 ↗</p> <p>3: 9.0 ↗</p> <p>4: 9.9 ↑</p> <p>5: 8.9 →</p>	<p>3. Serie 5 Skott</p> 	<p>1: 8.9 ←</p> <p>2: 9.8 ↓</p> <p>3: 10.0 ←</p> <p>4: 10.5x ↓</p> <p>5: 7.9 ←</p>
Serie 45.0		Serie 44.0	
Total 93.0		Total 137.0	

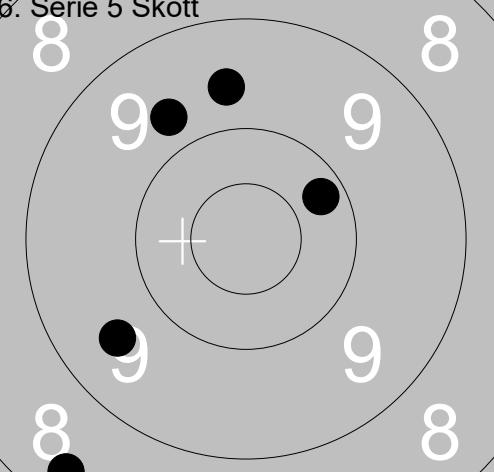
<p>Prov</p> 	<p>1: 9.1 ↙</p> <p>2: 10.3 ↙</p> <p>3: 10.4 ↙</p>	<p>5. Serie 5 Skott</p> 	<p>1: 10.1 ↙</p> <p>2: 10.5x ↗</p> <p>3: 10.4 ↓</p> <p>4: 9.9 →</p> <p>5: 9.4 ↓</p>
Serie 29.0		Serie 48.0	
Total 137.0		Total 185.0	

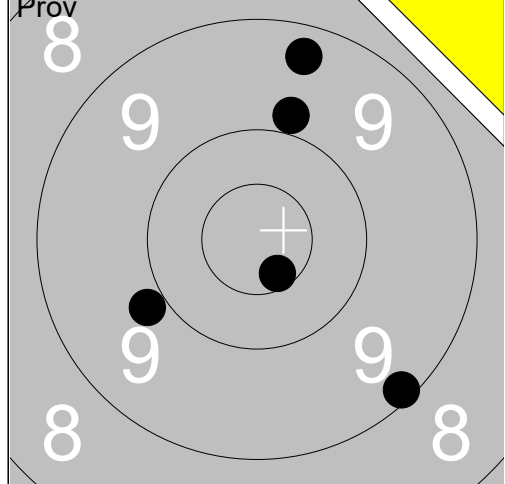
<p>6. Serie 5 Skott</p> 	<p>1: 7.7 ←</p> <p>2: 9.2 ↙</p> <p>3: 10.2 →</p> <p>4: 10.1 ↗</p> <p>5: 9.6 ↓</p>		
Serie 45.0			
Total 230.0			

<p>Prov</p> 	<p>1. Serie 5 Skott</p> 	<table style="width:100%; border-collapse: collapse;"> <tr><td>1:</td><td>10.7x</td><td>↘</td></tr> <tr><td>2:</td><td>10.1</td><td>↙</td></tr> <tr><td>3:</td><td>9.8</td><td>↑</td></tr> <tr><td>4:</td><td>9.9</td><td>↓</td></tr> <tr><td>5:</td><td>9.9</td><td>↓</td></tr> </table> <table style="width:100%; border-collapse: collapse; margin-top: 5px;"> <tr><td style="border-top: 1px solid black;">Serie</td><td style="border-top: 1px solid black; text-align: right;">47.0</td></tr> <tr><td style="border-top: 1px solid black;">Total</td><td style="border-top: 1px solid black; text-align: right;">0.0</td></tr> </table>	1:	10.7x	↘	2:	10.1	↙	3:	9.8	↑	4:	9.9	↓	5:	9.9	↓	Serie	47.0	Total	0.0
1:	10.7x	↘																			
2:	10.1	↙																			
3:	9.8	↑																			
4:	9.9	↓																			
5:	9.9	↓																			
Serie	47.0																				
Total	0.0																				
<table style="width:100%; border-collapse: collapse;"> <tr><td>1:</td><td>8.8</td><td>↗</td></tr> <tr><td>2:</td><td>10.7x</td><td>↑</td></tr> <tr><td>3:</td><td>10.4</td><td>↑</td></tr> <tr><td>4:</td><td>10.3</td><td>←</td></tr> <tr><td>5:</td><td>10.4</td><td>↗</td></tr> </table> <table style="width:100%; border-collapse: collapse; margin-top: 5px;"> <tr><td style="border-top: 1px solid black;">Serie</td><td style="border-top: 1px solid black; text-align: right;">48.0</td></tr> <tr><td style="border-top: 1px solid black;">Total</td><td style="border-top: 1px solid black; text-align: right;">48.0</td></tr> </table>	1:	8.8	↗	2:	10.7x	↑	3:	10.4	↑	4:	10.3	←	5:	10.4	↗	Serie	48.0	Total	48.0		
1:	8.8	↗																			
2:	10.7x	↑																			
3:	10.4	↑																			
4:	10.3	←																			
5:	10.4	↗																			
Serie	48.0																				
Total	48.0																				

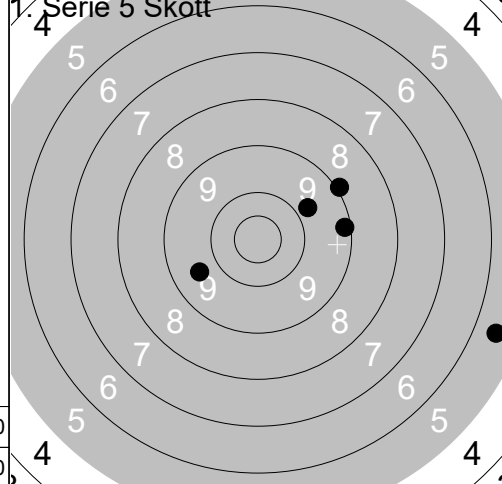
<p>2. Serie 5 Skott</p> 	<p>3. Serie 5 Skott</p> 	<table style="width:100%; border-collapse: collapse;"> <tr><td>1:</td><td>10.5x</td><td>↓</td></tr> <tr><td>2:</td><td>10.7x</td><td>→</td></tr> <tr><td>3:</td><td>9.4</td><td>↑</td></tr> <tr><td>4:</td><td>10.6x</td><td>←</td></tr> <tr><td>5:</td><td>9.9</td><td>↘</td></tr> </table> <table style="width:100%; border-collapse: collapse; margin-top: 5px;"> <tr><td style="border-top: 1px solid black;">Serie</td><td style="border-top: 1px solid black; text-align: right;">48.0</td></tr> <tr><td style="border-top: 1px solid black;">Total</td><td style="border-top: 1px solid black; text-align: right;">96.0</td></tr> </table>	1:	10.5x	↓	2:	10.7x	→	3:	9.4	↑	4:	10.6x	←	5:	9.9	↘	Serie	48.0	Total	96.0
1:	10.5x	↓																			
2:	10.7x	→																			
3:	9.4	↑																			
4:	10.6x	←																			
5:	9.9	↘																			
Serie	48.0																				
Total	96.0																				
<table style="width:100%; border-collapse: collapse;"> <tr><td>1:</td><td>9.2</td><td>→</td></tr> <tr><td>2:</td><td>8.0</td><td>↓</td></tr> <tr><td>3:</td><td>8.9</td><td>↓</td></tr> <tr><td>4:</td><td>8.4</td><td>→</td></tr> <tr><td>5:</td><td>5.3</td><td>↓</td></tr> </table> <table style="width:100%; border-collapse: collapse; margin-top: 5px;"> <tr><td style="border-top: 1px solid black;">Serie</td><td style="border-top: 1px solid black; text-align: right;">38.0</td></tr> <tr><td style="border-top: 1px solid black;">Total</td><td style="border-top: 1px solid black; text-align: right;">134.0</td></tr> </table>	1:	9.2	→	2:	8.0	↓	3:	8.9	↓	4:	8.4	→	5:	5.3	↓	Serie	38.0	Total	134.0		
1:	9.2	→																			
2:	8.0	↓																			
3:	8.9	↓																			
4:	8.4	→																			
5:	5.3	↓																			
Serie	38.0																				
Total	134.0																				

<p>Prov</p> 	<p>5. Serie 5 Skott</p> 	<table style="width:100%; border-collapse: collapse;"> <tr><td>1:</td><td>10.7x</td><td>↓</td></tr> <tr><td>2:</td><td>9.9</td><td>↗</td></tr> <tr><td>3:</td><td>10.7x</td><td>↘</td></tr> </table> <table style="width:100%; border-collapse: collapse; margin-top: 5px;"> <tr><td style="border-top: 1px solid black;">Serie</td><td style="border-top: 1px solid black; text-align: right;">29.0</td></tr> <tr><td style="border-top: 1px solid black;">Total</td><td style="border-top: 1px solid black; text-align: right;">134.0</td></tr> </table>	1:	10.7x	↓	2:	9.9	↗	3:	10.7x	↘	Serie	29.0	Total	134.0				
1:	10.7x	↓																	
2:	9.9	↗																	
3:	10.7x	↘																	
Serie	29.0																		
Total	134.0																		
<table style="width:100%; border-collapse: collapse;"> <tr><td>1:</td><td>10.6x</td><td>→</td></tr> <tr><td>2:</td><td>9.3</td><td>↘</td></tr> <tr><td>3:</td><td>10.3</td><td>←</td></tr> <tr><td>4:</td><td>10.7x</td><td>↓</td></tr> <tr><td>5:</td><td>10.4x</td><td>←</td></tr> </table> <table style="width:100%; border-collapse: collapse; margin-top: 5px;"> <tr><td style="border-top: 1px solid black;">Serie</td><td style="border-top: 1px solid black; text-align: right;">49.0</td></tr> <tr><td style="border-top: 1px solid black;">Total</td><td style="border-top: 1px solid black; text-align: right;">183.0</td></tr> </table>	1:	10.6x	→	2:	9.3	↘	3:	10.3	←	4:	10.7x	↓	5:	10.4x	←	Serie	49.0	Total	183.0
1:	10.6x	→																	
2:	9.3	↘																	
3:	10.3	←																	
4:	10.7x	↓																	
5:	10.4x	←																	
Serie	49.0																		
Total	183.0																		

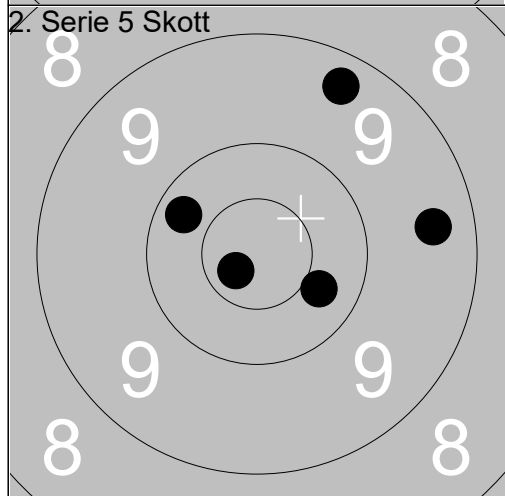
<p>6. Serie 5 Skott</p> 	<table style="width:100%; border-collapse: collapse;"> <tr><td>1:</td><td>9.6</td><td>↙</td></tr> <tr><td>2:</td><td>10.2</td><td>↗</td></tr> <tr><td>3:</td><td>9.6</td><td>↑</td></tr> <tr><td>4:</td><td>9.7</td><td>↗</td></tr> <tr><td>5:</td><td>8.4</td><td>↘</td></tr> </table> <table style="width:100%; border-collapse: collapse; margin-top: 5px;"> <tr><td style="border-top: 1px solid black;">Serie</td><td style="border-top: 1px solid black; text-align: right;">45.0</td></tr> <tr><td style="border-top: 1px solid black;">Total</td><td style="border-top: 1px solid black; text-align: right;">228.0</td></tr> </table>	1:	9.6	↙	2:	10.2	↗	3:	9.6	↑	4:	9.7	↗	5:	8.4	↘	Serie	45.0	Total	228.0	
1:	9.6	↙																			
2:	10.2	↗																			
3:	9.6	↑																			
4:	9.7	↗																			
5:	8.4	↘																			
Serie	45.0																				
Total	228.0																				



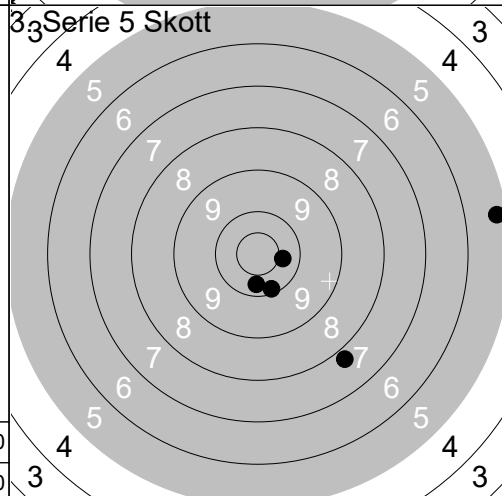
1:	9.3	↗
2:	9.9	↖
3:	9.1	↘
4:	10.6x	↘
5:	9.9	↗
Serie		46.0
Total		0.0



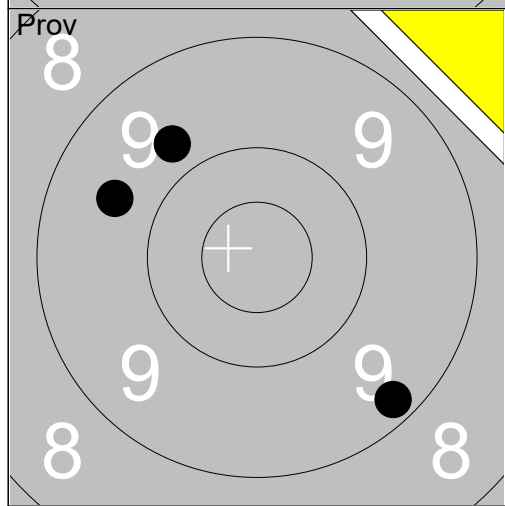
1:	9.8	↗
2:	9.1	→
3:	5.5	↘
4:	9.0	↗
5:	9.6	↖
Serie		41.0
Total		41.0



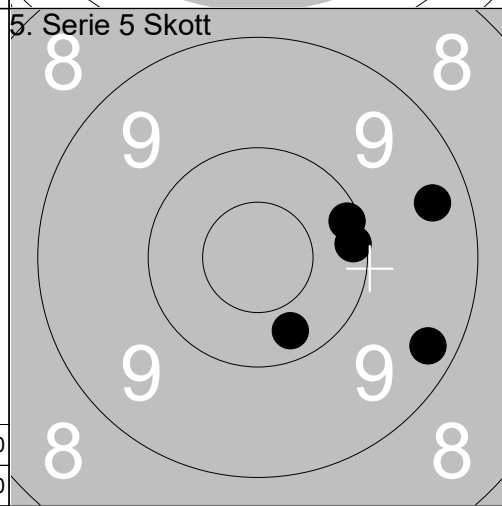
1:	10.7x	↖
2:	9.4	→
3:	9.3	↗
4:	10.4	↘
5:	10.3	↗
Serie		48.0
Total		89.0



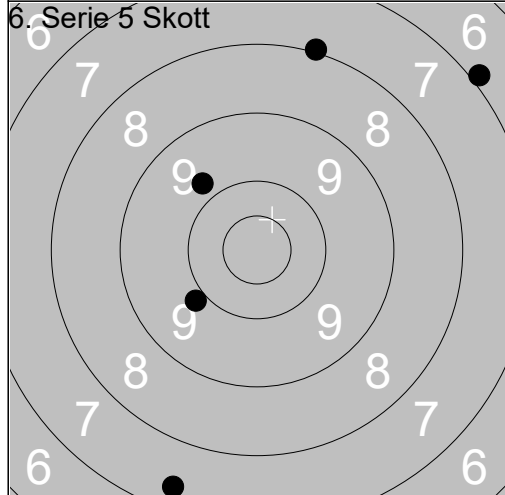
1:	10.1	↘
2:	10.4	→
3:	10.3	↘
4:	5.3	→
5:	7.8	↘
Serie		42.0
Total		131.0



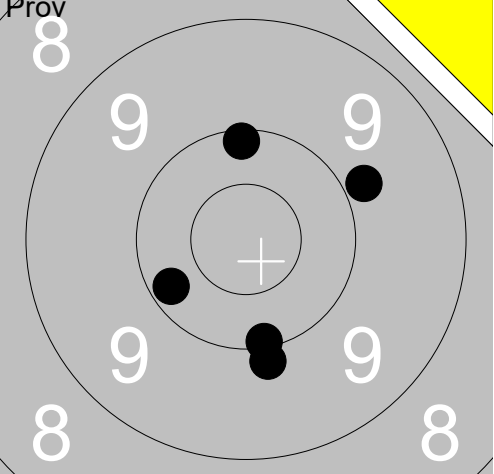
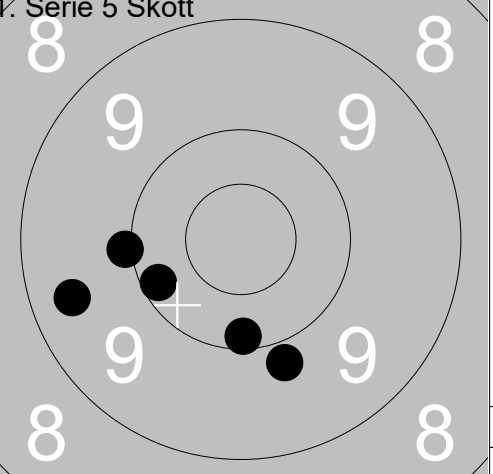
1:	9.7	↗
2:	9.6	↗
3:	9.2	↘
Serie		27.0
Total		131.0

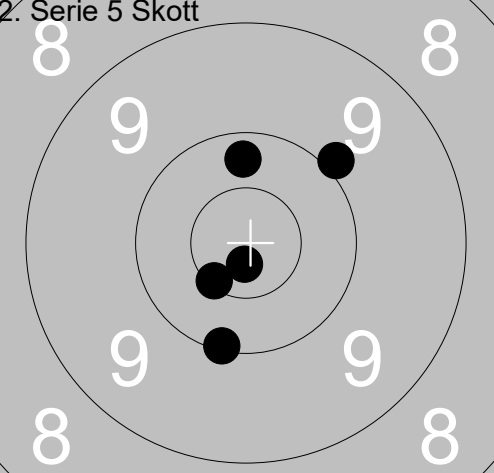
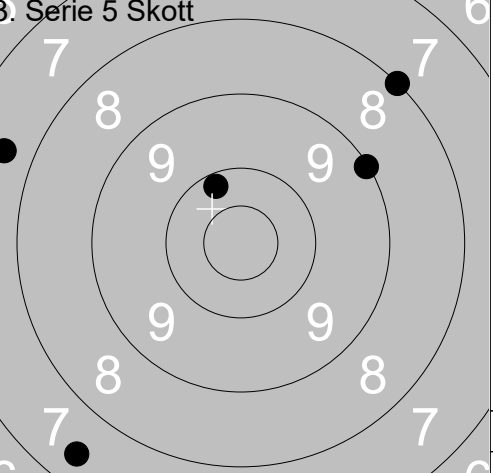


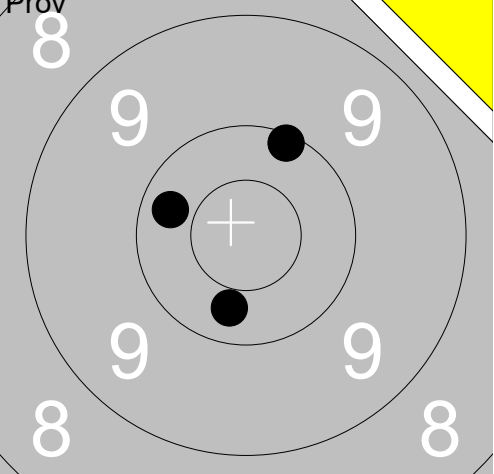
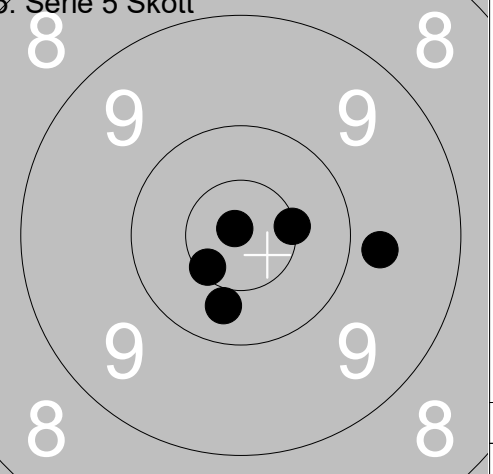
1:	9.4	→
2:	9.3	↘
3:	10.1	→
4:	10.1	↗
5:	10.3	↘
Serie		48.0
Total		179.0

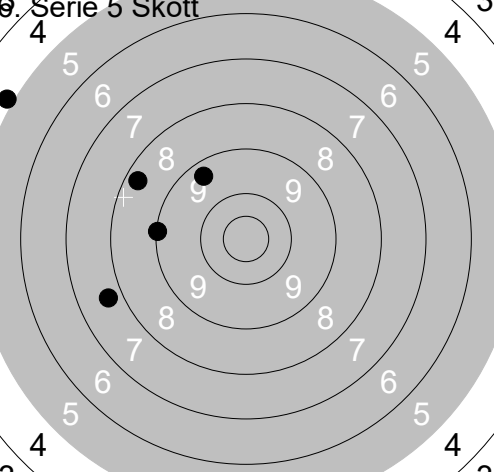


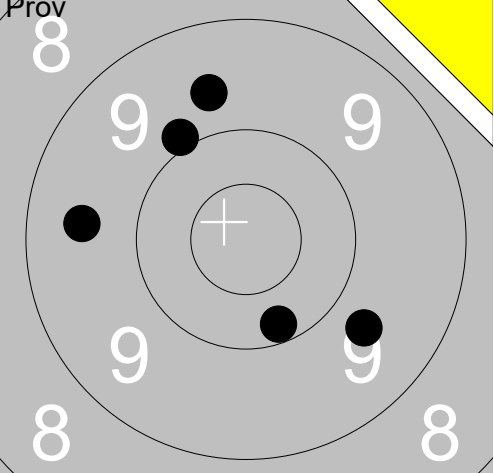
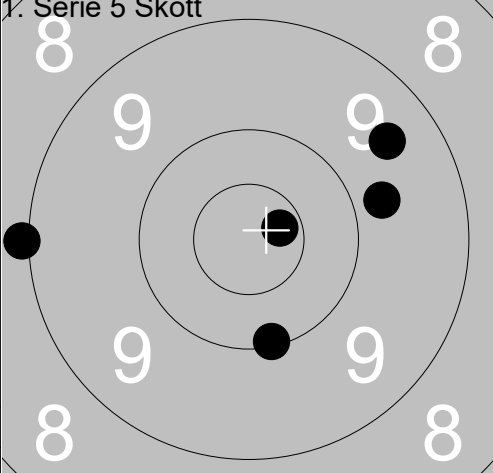
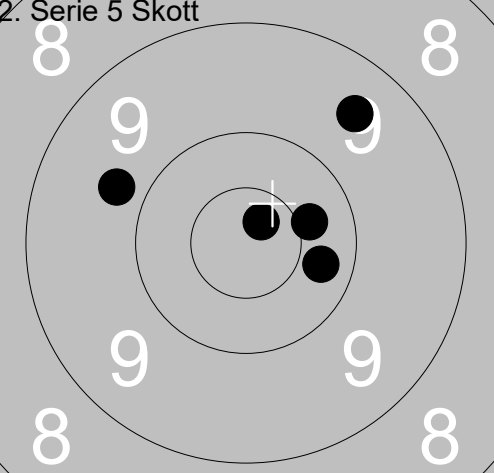
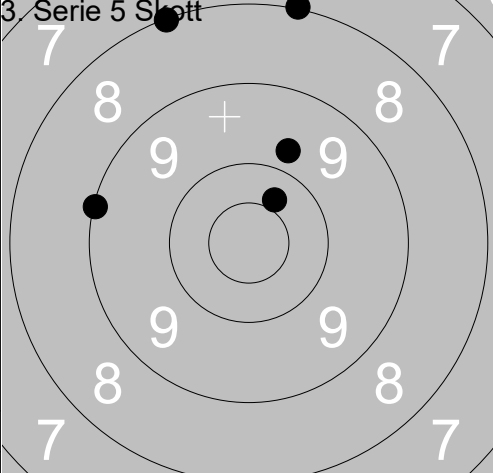
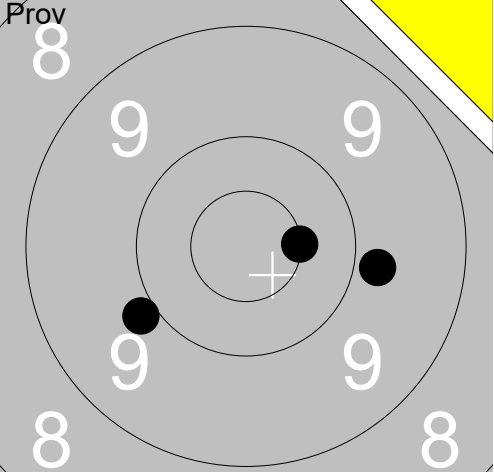
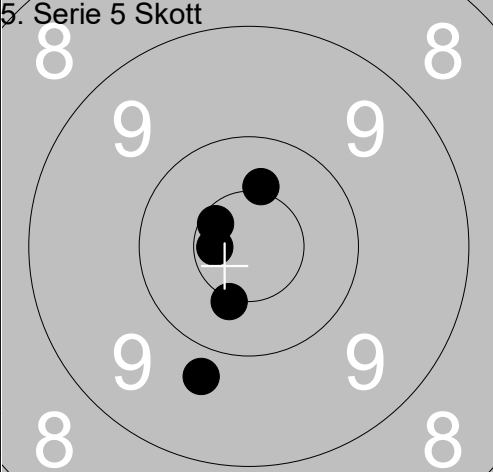
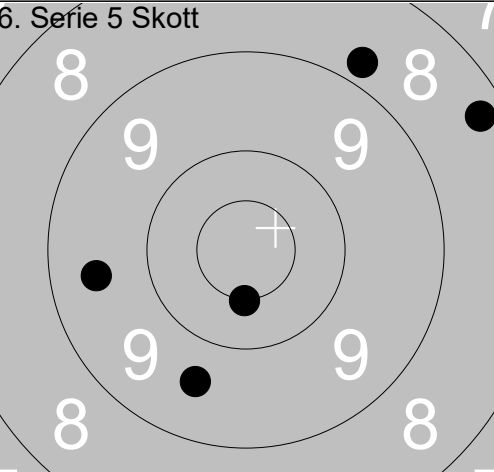
1:	9.8	↗
2:	9.9	↖
3:	7.4	↘
4:	6.9	↗
5:	8.0	↗
Serie		39.0
Total		218.0

<p>Prov</p> 	<p>1: 10.1 ↑</p> <p>2: 10.2 ↙</p> <p>3: 9.9 ↓</p> <p>4: 9.8 →</p> <p>5: 10.1 ↓</p>	<p>1. Serie 5 Skott</p> 	<p>1: 10.0 ←</p> <p>2: 10.2 ↙</p> <p>3: 9.4 ↙</p> <p>4: 10.1 ↓</p> <p>5: 9.8 ↓</p>
Serie 48.0	Total 0.0	Serie 48.0	Total 48.0

<p>2. Serie 5 Skott</p> 	<p>1: 10.8x ↓</p> <p>2: 10.2 ↑</p> <p>3: 9.9 ↗</p> <p>4: 10.5x ↙</p> <p>5: 10.1 ↓</p>	<p>3. Serie 5 Skott</p> 	<p>1: 10.2 ↗</p> <p>2: 8.0 ↗</p> <p>3: 9.1 ↗</p> <p>4: 7.4 ↓</p> <p>5: 7.6 ←</p>
Serie 49.0	Total 97.0	Serie 41.0	Total 138.0

<p>Prov</p> 	<p>1: 10.1 ↑</p> <p>2: 10.3 ←</p> <p>3: 10.3 ↓</p>	<p>5. Serie 5 Skott</p> 	<p>1: 10.6x ↙</p> <p>2: 9.8 →</p> <p>3: 10.9x ↗</p> <p>4: 10.5x →</p> <p>5: 10.3 ↓</p>
Serie 30.0	Total 138.0	Serie 49.0	Total 187.0

<p>6. Serie 5 Skott</p> 	<p>1: 9.1 ←</p> <p>2: 8.3 ↗</p> <p>3: 9.4 ↗</p> <p>4: 4.9 ↗</p> <p>5: 7.7 ←</p>		
Serie 37.0	Total 224.0		

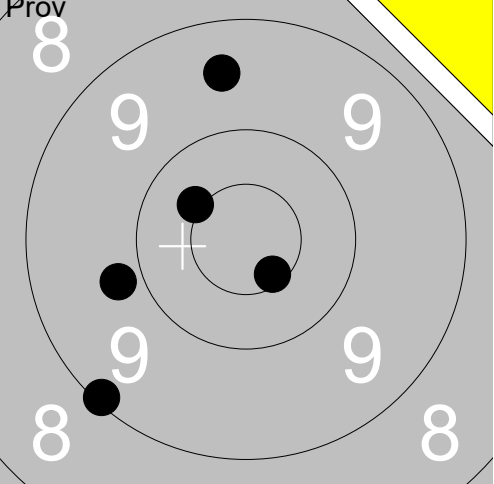
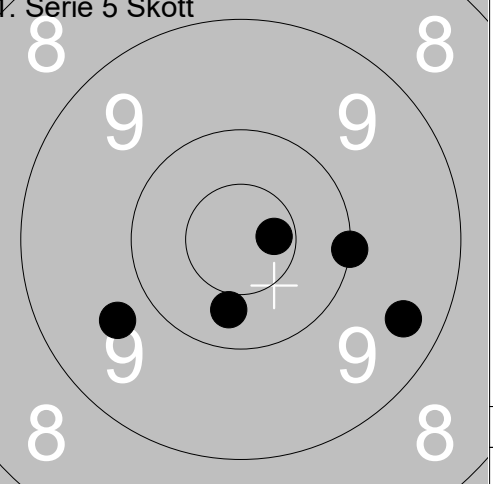
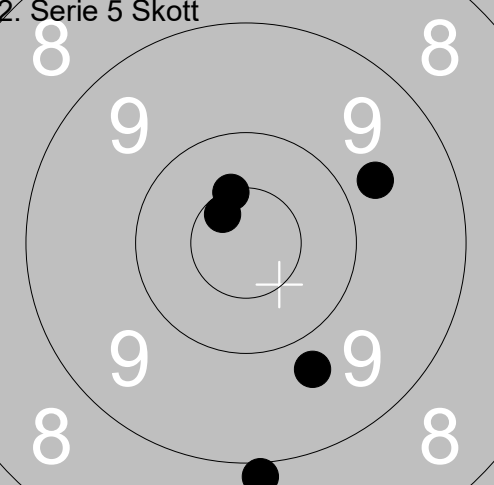
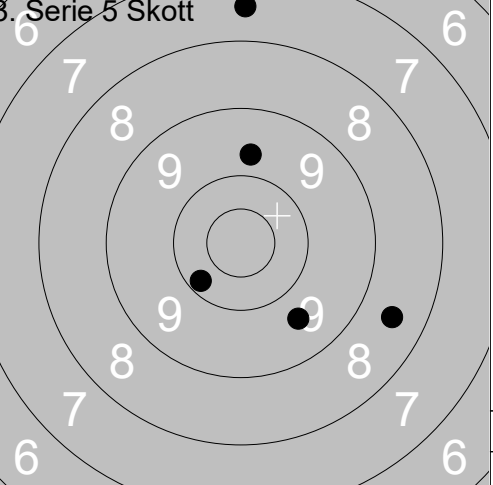
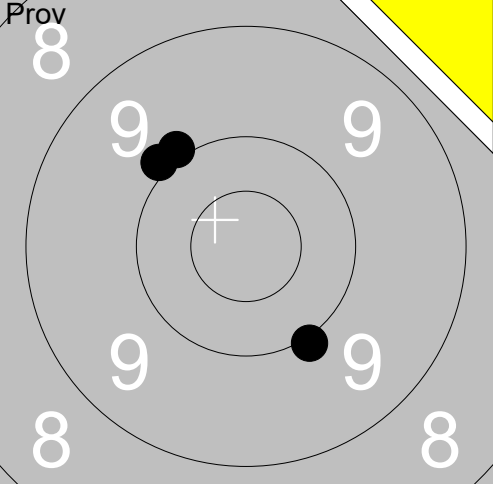
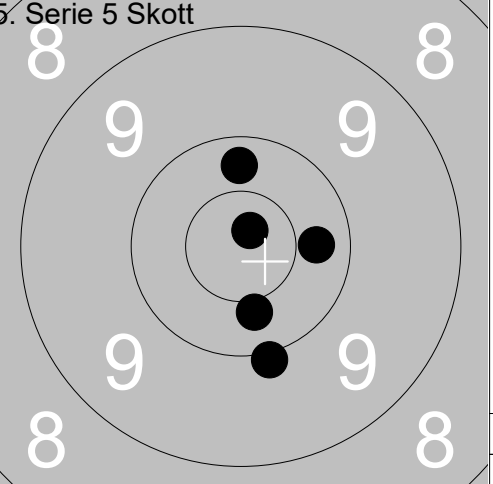
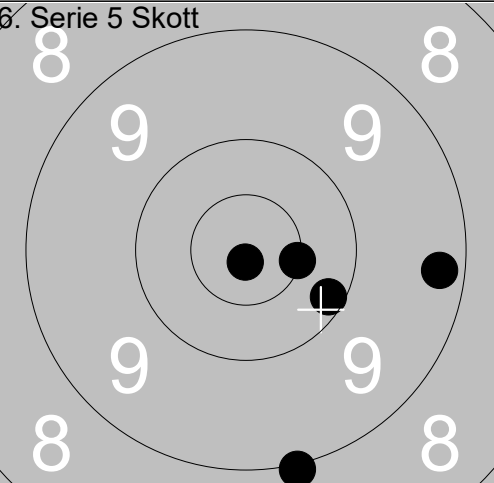
<p>Prov</p> 	<p>1: 9.7 ↗</p> <p>2: 9.9 ↗</p> <p>3: 9.5 ←</p> <p>4: 10.2 ↓</p> <p>5: 9.7 ↓</p>	<p>1. Serie 5 Skott</p> 	<p>1: 10.1 ↓</p> <p>2: 9.8 →</p> <p>3: 9.5 ↗</p> <p>4: 9.0 ←</p> <p>5: 10.7x →</p>
Serie 46.0	Total 0.0	Serie 47.0	Total 47.0
<p>2. Serie 5 Skott</p> 	<p>1: 9.8 ←</p> <p>2: 9.5 ↗</p> <p>3: 10.3 →</p> <p>4: 10.4 →</p> <p>5: 10.7x ↗</p>	<p>3. Serie 5 Skott</p> 	<p>1: 9.1 ←</p> <p>2: 8.0 ↑</p> <p>3: 10.4 ↗</p> <p>4: 9.8 ↗</p> <p>5: 8.1 ↑</p>
Serie 48.0	Total 95.0	Serie 44.0	Total 139.0
<p>Prov</p> 	<p>1: 9.9 ←</p> <p>2: 9.8 →</p> <p>3: 10.5x →</p>	<p>5. Serie 5 Skott</p> 	<p>1: 10.7x ←</p> <p>2: 10.5x ↓</p> <p>3: 9.8 ↓</p> <p>4: 10.4x ↑</p> <p>5: 10.6x ↖</p>
Serie 28.0	Total 139.0	Serie 49.0	Total 188.0
<p>6. Serie 5 Skott</p> 	<p>1: 9.5 ←</p> <p>2: 9.6 ↓</p> <p>3: 8.3 ↗</p> <p>4: 8.8 ↗</p> <p>5: 10.5x ↓</p>		
Serie 44.0	Total 232.0		

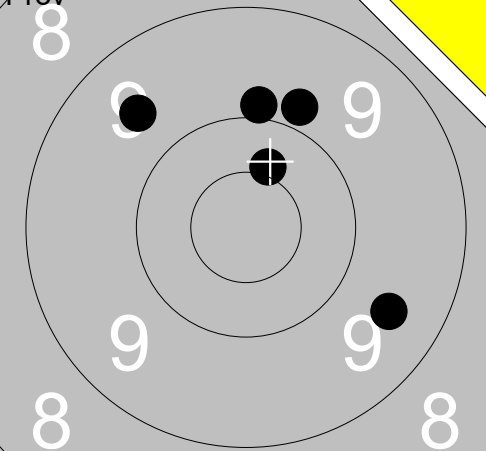
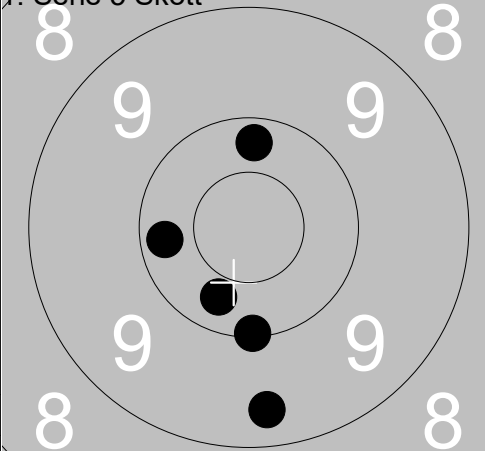
<p>Prov</p>	<p>1. Serie 5 Skott</p>	<table border="1" style="width:100%; border-collapse: collapse;"> <tr><td>1:</td><td>10.1</td><td>↗</td></tr> <tr><td>2:</td><td>10.3</td><td>↑</td></tr> <tr><td>3:</td><td>9.7</td><td>→</td></tr> <tr><td>4:</td><td>10.6x</td><td>↓</td></tr> <tr><td>5:</td><td>10.0</td><td>↑</td></tr> <tr><td colspan="2">Serie</td><td>49.0</td></tr> <tr><td colspan="2">Total</td><td>0.0</td></tr> </table>	1:	10.1	↗	2:	10.3	↑	3:	9.7	→	4:	10.6x	↓	5:	10.0	↑	Serie		49.0	Total		0.0
1:	10.1	↗																					
2:	10.3	↑																					
3:	9.7	→																					
4:	10.6x	↓																					
5:	10.0	↑																					
Serie		49.0																					
Total		0.0																					

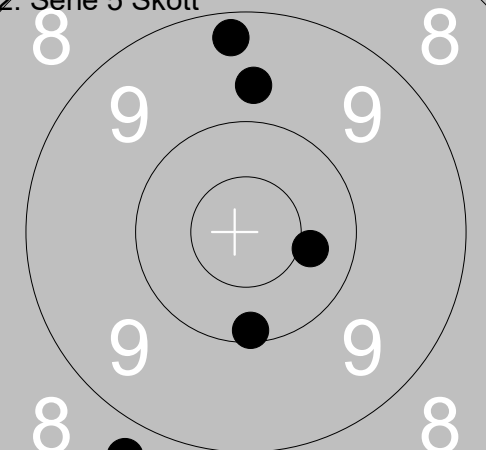
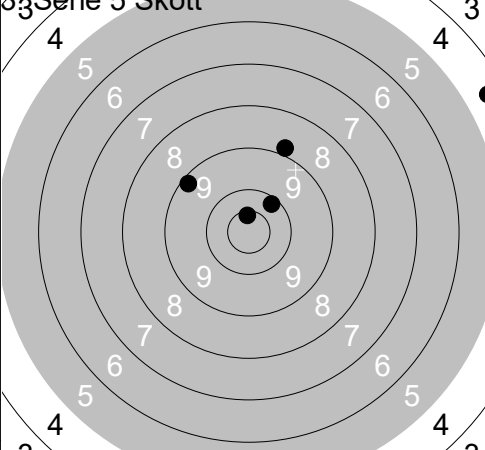
<p>2. Serie 5 Skott</p>	<p>3. Serie 5 Skott</p>	<table border="1" style="width:100%; border-collapse: collapse;"> <tr><td>1:</td><td>10.7x</td><td>↗</td></tr> <tr><td>2:</td><td>10.5x</td><td>↑</td></tr> <tr><td>3:</td><td>9.9</td><td>↓</td></tr> <tr><td>4:</td><td>10.5x</td><td>←</td></tr> <tr><td>5:</td><td>10.2</td><td>→</td></tr> <tr><td colspan="2">Serie</td><td>49.0</td></tr> <tr><td colspan="2">Total</td><td>98.0</td></tr> </table>	1:	10.7x	↗	2:	10.5x	↑	3:	9.9	↓	4:	10.5x	←	5:	10.2	→	Serie		49.0	Total		98.0
1:	10.7x	↗																					
2:	10.5x	↑																					
3:	9.9	↓																					
4:	10.5x	←																					
5:	10.2	→																					
Serie		49.0																					
Total		98.0																					

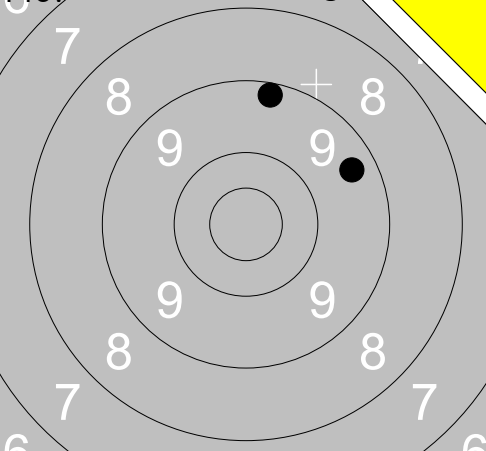
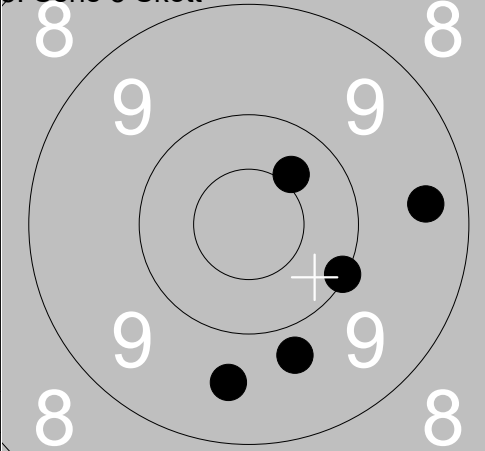
<p>Prov</p>	<p>5. Serie 5 Skott</p>	<table border="1" style="width:100%; border-collapse: collapse;"> <tr><td>1:</td><td>10.0</td><td>←</td></tr> <tr><td>2:</td><td>9.6</td><td>↗</td></tr> <tr><td>3:</td><td>9.5</td><td>↗</td></tr> <tr><td colspan="2">Serie</td><td>28.0</td></tr> <tr><td colspan="2">Total</td><td>143.0</td></tr> </table>	1:	10.0	←	2:	9.6	↗	3:	9.5	↗	Serie		28.0	Total		143.0
1:	10.0	←															
2:	9.6	↗															
3:	9.5	↗															
Serie		28.0															
Total		143.0															

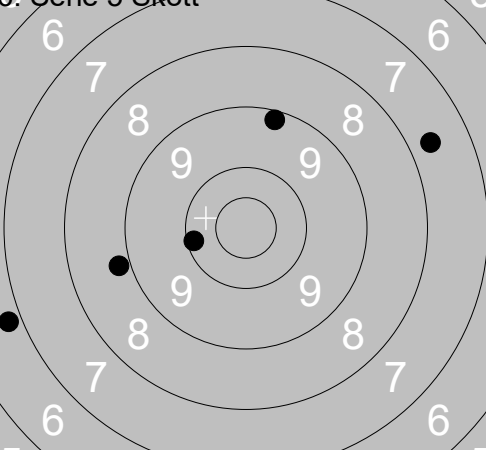
<p>6. Serie 5 Skott</p>		<table border="1" style="width:100%; border-collapse: collapse;"> <tr><td>1:</td><td>8.7</td><td>←</td></tr> <tr><td>2:</td><td>10.2</td><td>↓</td></tr> <tr><td>3:</td><td>9.7</td><td>→</td></tr> <tr><td>4:</td><td>10.4x</td><td>↗</td></tr> <tr><td>5:</td><td>10.5x</td><td>↑</td></tr> <tr><td colspan="2">Serie</td><td>47.0</td></tr> <tr><td colspan="2">Total</td><td>190.0</td></tr> </table>	1:	8.7	←	2:	10.2	↓	3:	9.7	→	4:	10.4x	↗	5:	10.5x	↑	Serie		47.0	Total		190.0
1:	8.7	←																					
2:	10.2	↓																					
3:	9.7	→																					
4:	10.4x	↗																					
5:	10.5x	↑																					
Serie		47.0																					
Total		190.0																					

<p>Prov</p> 	<p>1: 10.4x ↗ 3: 9.5 ↑ 4: 9.8 ← 5: 9.1 ↘ 6: 10.6x ↘</p> <p>Serie 47.0 Total 0.0</p>	<p>1. Serie 5 Skott</p>  <p>1: 10.3 ↓ 2: 9.7 ↙ 3: 10.0 → 4: 10.7x → 5: 9.4 ↘</p> <p>Serie 48.0 Total 48.0</p>
<p>2. Serie 5 Skott</p> 	<p>1: 9.7 ↗ 2: 10.5x ↑ 3: 10.6x ↗ 4: 9.7 ↘ 5: 8.9 ↓</p> <p>Serie 46.0 Total 94.0</p>	<p>3. Serie 5 Skott</p>  <p>1: 10.2 ↙ 2: 9.7 ↑ 3: 9.6 ↘ 4: 8.5 ↘ 5: 7.5 ↑</p> <p>Serie 43.0 Total 137.0</p>
<p>Prov</p> 	<p>1: 10.0 ↗ 2: 9.9 ↗ 3: 10.0 ↘</p> <p>Serie 29.0 Total 137.0</p>	<p>5. Serie 5 Skott</p>  <p>1: 10.3 → 2: 10.3 ↑ 3: 10.0 ↓ 4: 10.8x ↗ 5: 10.4 ↓</p> <p>Serie 50.0 Total 187.0</p>
<p>6. Serie 5 Skott</p> 	<p>1: 9.0 ↓ 2: 10.5x → 3: 10.8x ↓ 4: 10.2 ↘ 5: 9.3 →</p> <p>Serie 48.0 Total 235.0</p>	

<p>Prov</p> 	<p>1: 9.9 ↑</p> <p>2: 9.6 ↗</p> <p>3: 10.4 ↑</p> <p>4: 9.5 ↘</p> <p>5: 9.8 ↑</p>	<p>1. Serie 5 Skott</p> 	<p>1: 10.3 ↓</p> <p>2: 9.4 ↓</p> <p>3: 10.2 ←</p> <p>4: 10.2 ↑</p> <p>5: 10.1 ↓</p>
Serie 46.0		Serie 49.0	
Total 0.0		Total 49.0	

<p>2. Serie 5 Skott</p> 	<p>1: 9.7 ↑</p> <p>2: 9.3 ↑</p> <p>3: 10.1 ↓</p> <p>4: 10.4 →</p> <p>5: 8.7 ↓</p>	<p>3. Serie 5 Skott</p> 	<p>1: 8.9 ↑</p> <p>2: 9.2 ↖</p> <p>3: 10.6x ↑</p> <p>4: 4.5 ↗</p> <p>5: 10.2 ↗</p>
Serie 46.0		Serie 41.0	
Total 95.0		Total 136.0	

<p>Prov</p> 	<p>1: 7.5 ↑</p> <p>2: 9.4 →</p> <p>3: 9.2 ↑</p>	<p>5. Serie 5 Skott</p> 	<p>1: 9.4 →</p> <p>2: 9.8 ↓</p> <p>3: 10.4 ↗</p> <p>4: 9.6 ↓</p> <p>5: 10.1 ↘</p>
Serie 25.0		Serie 47.0	
Total 136.0		Total 183.0	

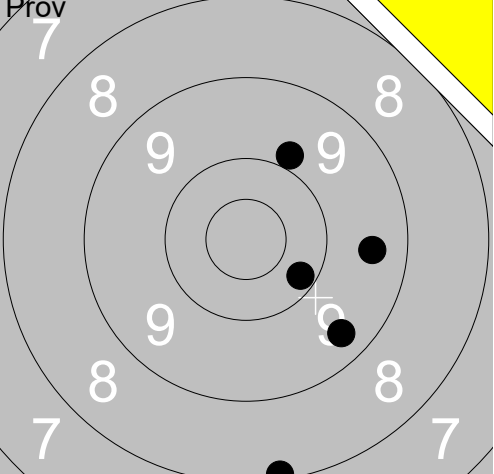
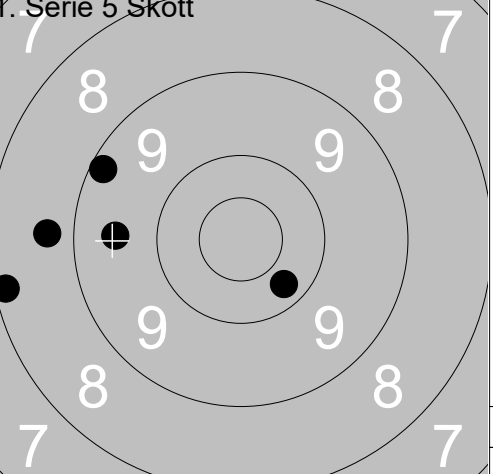
<p>6. Serie 5 Skott</p> 	<p>1: 9.2 ↑</p> <p>2: 10.1 ←</p> <p>3: 6.8 ←</p> <p>4: 8.8 ←</p> <p>5: 7.7 →</p>		
Serie 40.0			
Total 223.0			

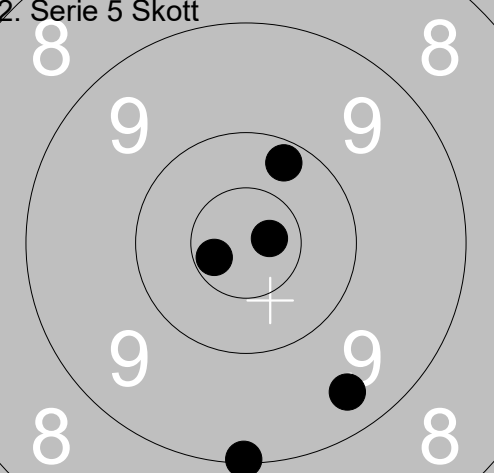
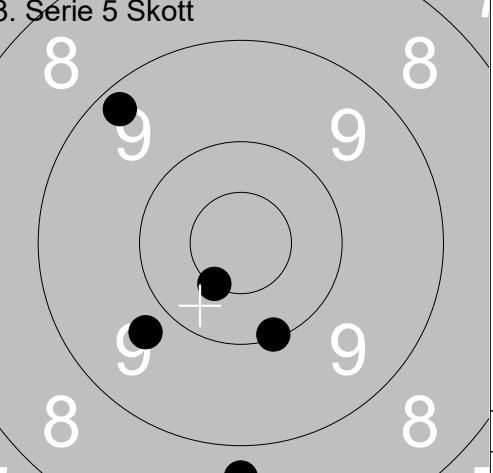
<p>Prov</p>	<p>1: 8.6 ↗ 2: 10.1 ↙ 3: 10.2 ← 4: 9.9 ↗ 5: 9.1 ↘</p>	<p>1. Serie 5 Skott</p>	<p>1: 10.1 ↘ 2: 10.7x → 3: 9.0 → 4: 9.9 ← 5: 8.6 ←</p>
Serie 46.0		Serie 46.0	
Total 0.0		Total 46.0	

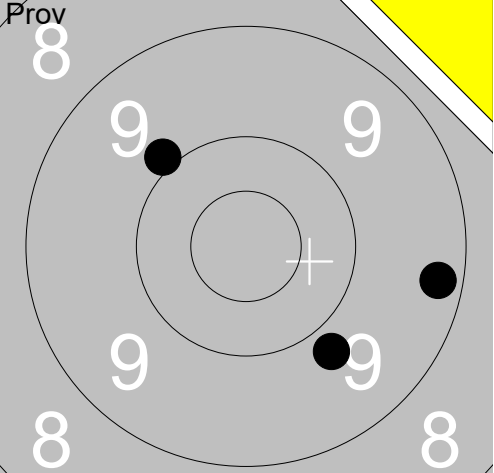

<p>2. Serie 5 Skott</p>	<p>1: 10.6x ↑ 2: 9.6 → 3: 9.3 ↓ 4: 9.7 → 5: 10.0 ↓</p>	<p>3. Serie 5 Skott</p>	<p>1: 9.9 ↗ 2: 10.5x ← 3: 10.3 ↗ 4: 9.9 ↖ 5: 10.3 ↘</p>
Serie 47.0		Serie 48.0	
Total 93.0		Total 141.0	

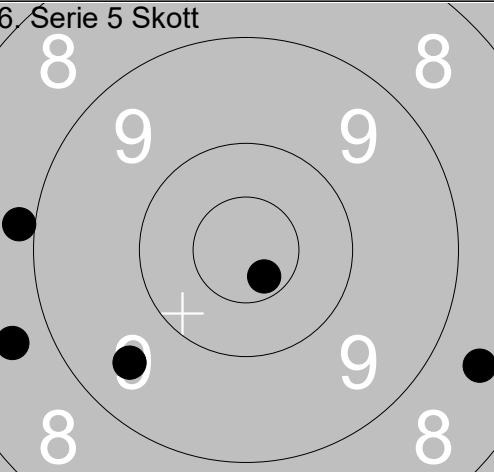
<p>Prov</p>	<p>1: 10.4 ↓ 2: 10.4x ↘ 3: 10.6x ↘</p>	<p>5. Serie 5 Skott</p>	<p>1: 9.9 ← 2: 10.1 ↓ 3: 10.2 ↓ 4: 9.4 ↑ 5: 10.4x ↗</p>
Serie 30.0		Serie 48.0	
Total 141.0		Total 189.0	

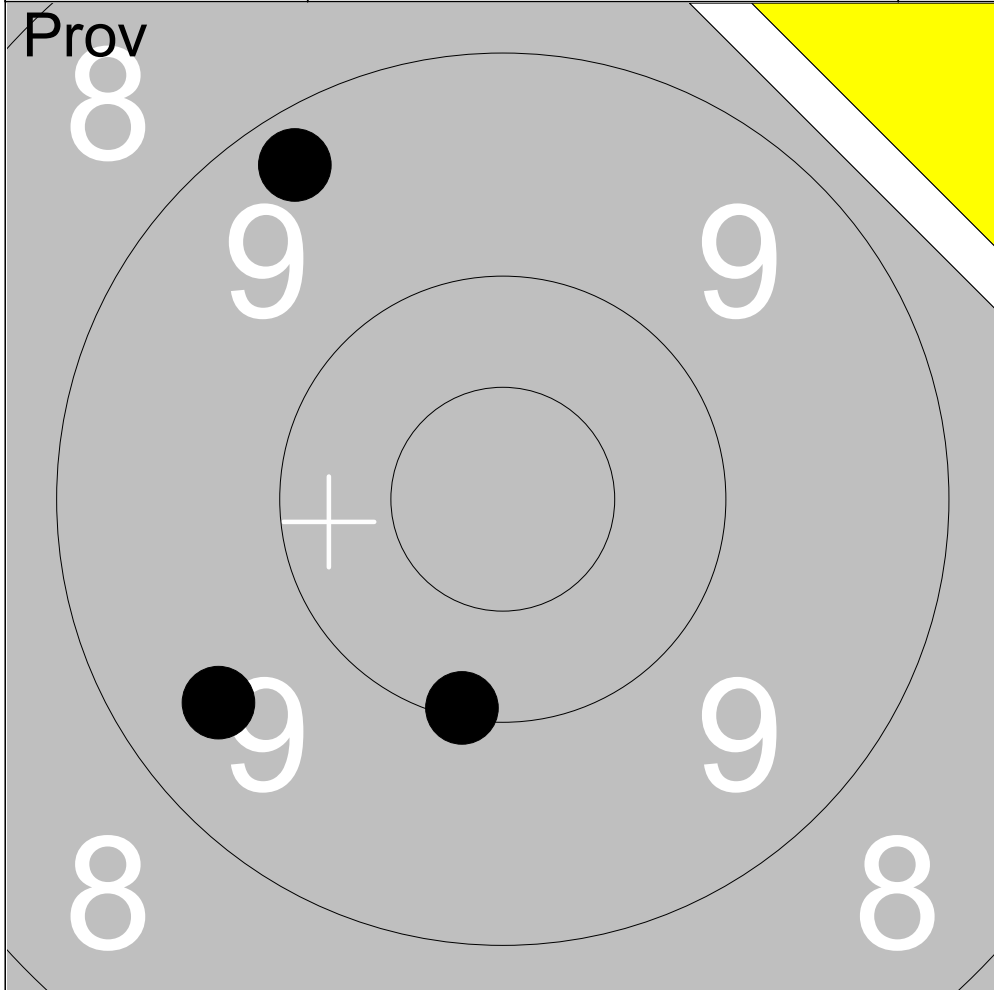
<p>6. Serie 5 Skott</p>	<p>1: 9.3 ↓ 2: 9.2 ↙ 3: 10.0 ← 4: 10.4 ↗ 5: 9.6 ↑</p>		
Serie 47.0			
Total 236.0			

<p>Prov</p> 	<p>1: 9.5 →</p> <p>2: 8.1 ↓</p> <p>3: 9.9 ↗</p> <p>4: 9.4 ↘</p> <p>5: 10.2 ↓</p>	<p>1. Serie 5 Skott</p> 	<p>1: 9.5 ←</p> <p>2: 9.2 ↖</p> <p>3: 10.3 ↘</p> <p>4: 8.7 ←</p> <p>5: 8.2 ←</p>
Serie 45.0		Serie 44.0	
Total 0.0		Total 44.0	

<p>2. Serie 5 Skott</p> 	<p>1: 9.4 ↓</p> <p>2: 10.8x →</p> <p>3: 10.7x ←</p> <p>4: 10.2 ↗</p> <p>5: 9.1 ↓</p>	<p>3. Serie 5 Skott</p> 	<p>1: 10.5x ↘</p> <p>2: 9.7 ↘</p> <p>3: 10.1 ↘</p> <p>4: 9.3 ↗</p> <p>5: 8.7 ↓</p>
Serie 48.0		Serie 46.0	
Total 92.0		Total 138.0	

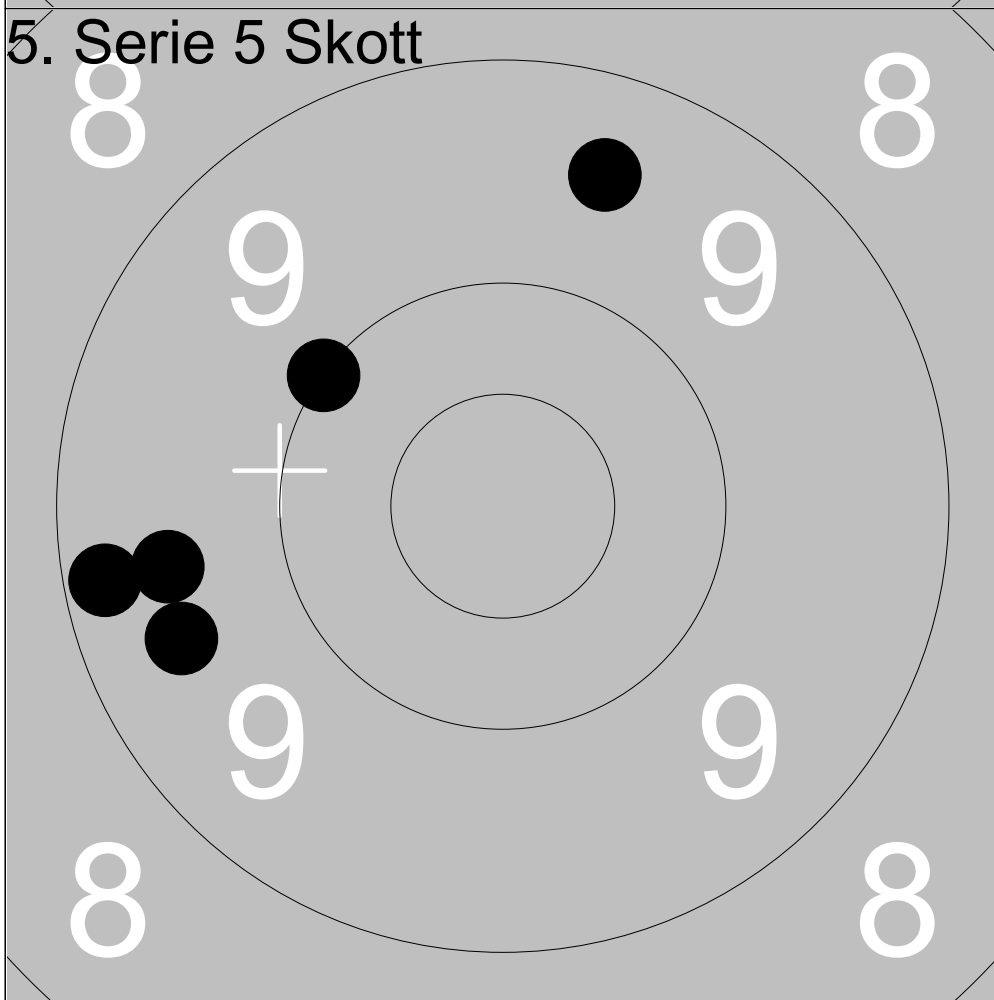
<p>Prov</p> 	<p>1: 9.9 ↗</p> <p>2: 9.3 →</p> <p>3: 9.8 ↘</p>	<p>5. Serie 5 Skott</p> 	<p>1: 10.1 ↗</p> <p>2: 9.0 ↗</p> <p>3: 8.5 ↘</p> <p>4: 10.1 ↓</p> <p>5: 10.5x ↗</p>
Serie 27.0		Serie 47.0	
Total 138.0		Total 185.0	

<p>6. Serie 5 Skott</p> 	<p>1: 10.7x ↘</p> <p>2: 9.5 ↘</p> <p>3: 8.9 ←</p> <p>4: 8.7 ←</p> <p>5: 8.6 ↘</p>		
Serie 43.0			
Total 228.0			



1:	9.3	↖
2:	9.5	↙
3:	10.1	↘

Serie	28.0
Total	0.0



1:	9.5	↗
2:	9.5	↖
3:	9.2	↖
4:	10.0	↗
5:	9.5	↖

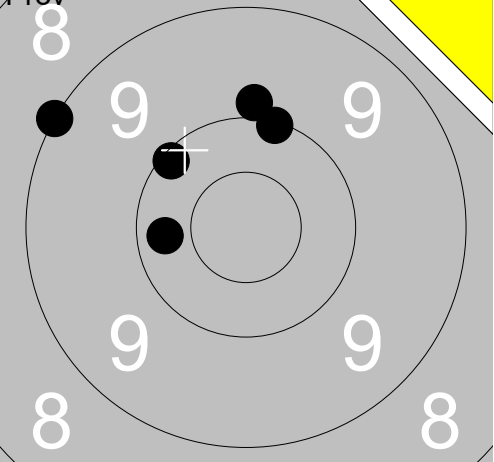
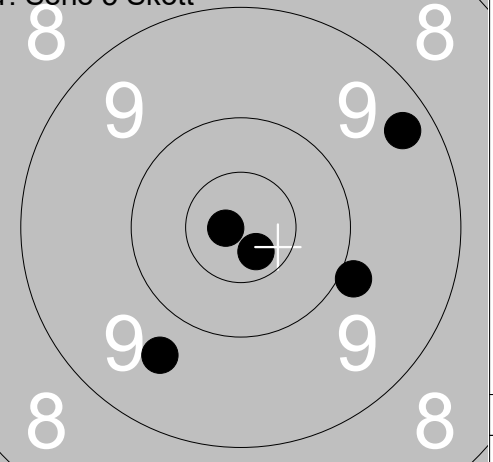
Serie	46.0
Total	46.0

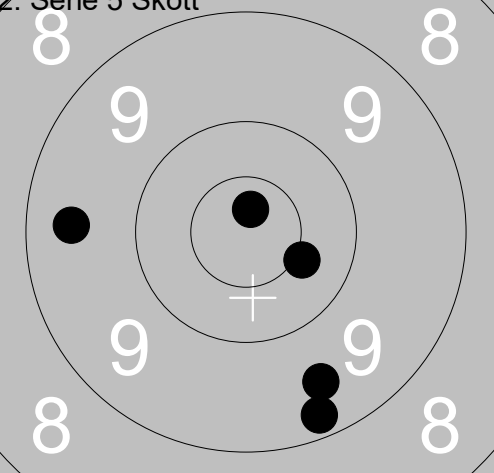
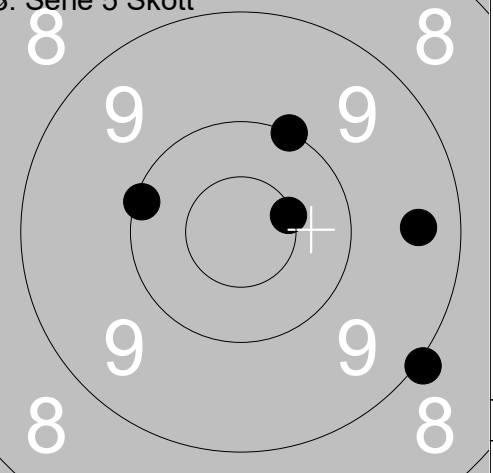
<p>Prov</p>	<p>1. Serie 5 Skott</p>	<p>1: 10.7x ↗ 2: 10.2 ↓ 3: 9.8 ↑ 4: 9.8 ↗ 5: 9.8 →</p> <p>Serie 47.0 Total 0.0</p>	<p>1: 10.3 ↓ 2: 10.2 ↑ 3: 9.4 ↘ 4: 9.4 ↗ 5: 10.5x ←</p> <p>Serie 48.0 Total 48.0</p>
-------------	-------------------------	--	--

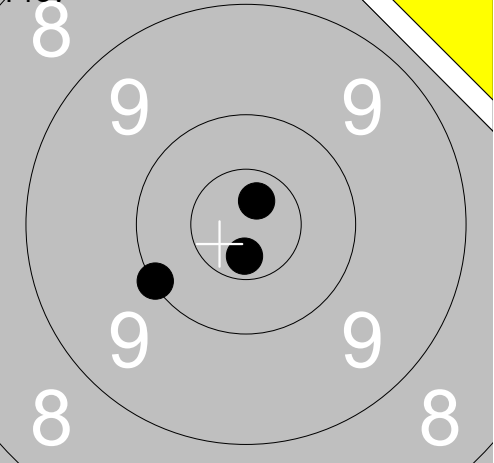
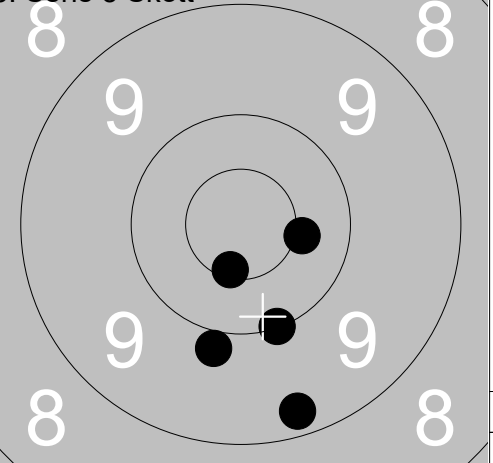
<p>2. Serie 5 Skott</p>	<p>3. Serie 5 Skott</p>	<p>1: 9.7 → 2: 9.2 ↑ 3: 9.0 ↓ 4: 8.8 ↑ 5: 9.2 →</p> <p>Serie 44.0 Total 92.0</p>	<p>1: 9.1 ↘ 2: 6.1 → 3: 8.6 ↓ 4: 10.5x ↑ 5: 6.2 ↓</p> <p>Serie 39.0 Total 131.0</p>
-------------------------	-------------------------	--	---

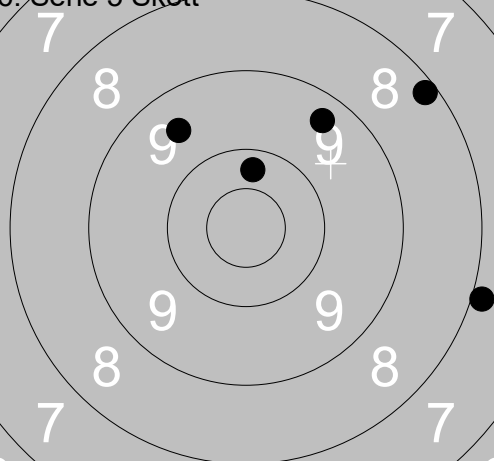
<p>Prov</p>	<p>4. Serie 5 Skott</p>	<p>1: 10.1 → 2: 8.8 ↓ 3: 10.2 ↓</p> <p>Serie 28.0 Total 131.0</p>	<p>1: 9.6 → 2: 9.5 ↓ 3: 8.5 ↓ 4: 9.4 ↘ 5: 10.0 ↓</p> <p>Serie 45.0 Total 176.0</p>
-------------	-------------------------	---	--

<p>5. Serie 5 Skott</p>	<p>6. Serie 5 Skott</p>	<p>1: 9.6 ↗ 2: 8.4 ↓ 3: 6.8 → 4: 7.6 ↘ 5: 5.1 →</p> <p>Serie 35.0 Total 211.0</p>	<p>7. Serie 5 Skott</p>
-------------------------	-------------------------	---	-------------------------

<p>Prov</p> 	<p>1. Serie 5 Skott</p> 	
1: 9.0 ↖ 2: 10.1 ↗ 3: 10.1 ↑ 4: 10.3 ← 5: 9.9 ↑	1: 9.7 ↙ 2: 9.9 → 3: 9.3 ↗ 4: 10.7x ↘ 5: 10.8x ←	
Serie 48.0 Total 0.0	Serie 47.0 Total 47.0	

<p>2. Serie 5 Skott</p> 	<p>3. Serie 5 Skott</p> 	
1: 9.4 ← 2: 10.4x → 3: 10.8x ↑ 4: 9.5 ↘ 5: 9.2 ↘	1: 9.4 → 2: 10.1 ← 3: 10.0 ↗ 4: 9.0 ↘ 5: 10.5x →	
Serie 47.0 Total 94.0	Serie 48.0 Total 142.0	

<p>Prov</p> 	<p>5. Serie 5 Skott</p> 	
1: 10.7x ↗ 2: 10.7x ↘ 3: 10.1 ←	1: 10.4x → 2: 10.0 ↘ 3: 10.6x ↘ 4: 9.9 ↘ 5: 9.3 ↘	
Serie 30.0 Total 142.0	Serie 48.0 Total 190.0	

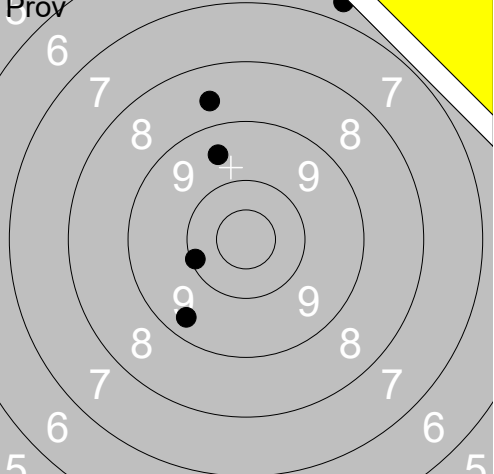
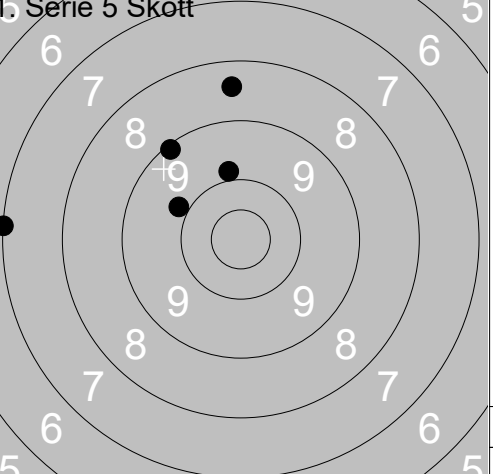
<p>6. Serie 5 Skott</p> 		
1: 9.5 ↗ 2: 7.9 → 3: 10.3 ↑ 4: 8.2 ↗ 5: 9.4 ↗		
Serie 43.0 Total 233.0		

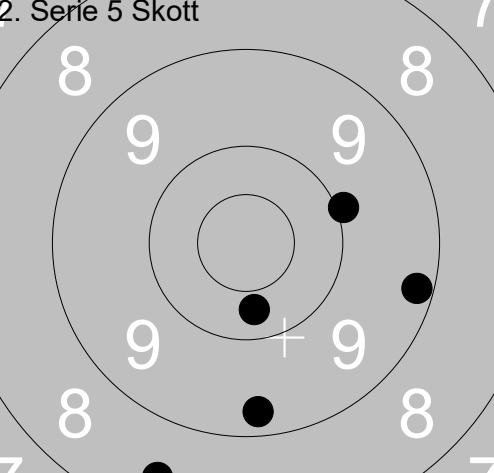
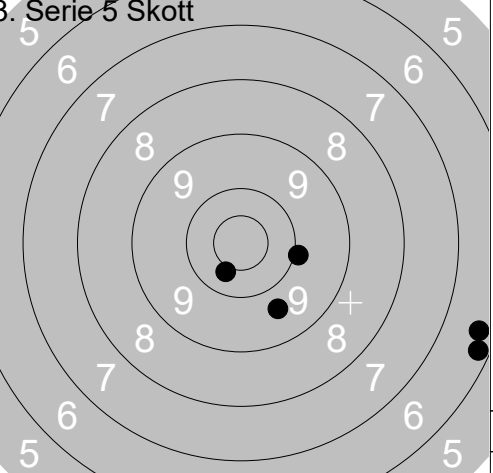
<p>Prov</p>	<p>1: 9.4 ←</p> <p>2: 9.9 ↗</p> <p>3: 9.9 ↗</p> <p>4: 7.5 ↓</p> <p>5: 9.5 ↓</p>	<p>16. Serie 5 Skott</p>	<p>1: 10.2 ↗</p> <p>2: 7.9 ↓</p> <p>3: 9.3 ↓</p> <p>4: 7.7 ↓</p> <p>5: 7.7 →</p>
Serie 43.0		Serie 40.0	
Total 0.0		Total 40.0	

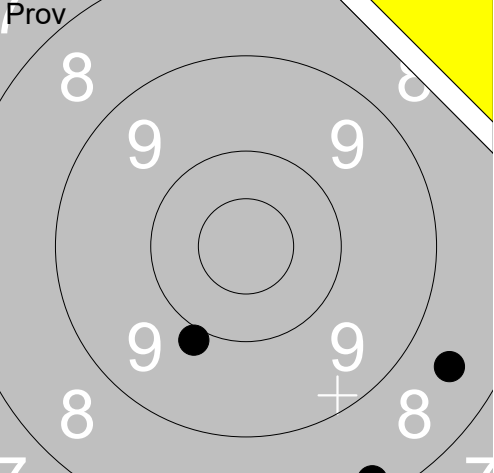

<p>2. Serie 5 Skott</p>	<p>1: 9.9 ←</p> <p>2: 8.0 →</p> <p>3: 10.0 ↗</p> <p>4: 10.4 ↓</p> <p>5: 9.6 ↓</p>	<p>3. Serie 5 Skott</p>	<p>1: 8.3 ↘</p> <p>2: 10.1 ↗</p> <p>3: 7.4 ↗</p> <p>4: 8.7 →</p> <p>5: 0.0</p>
Serie 46.0		Serie 33.0	
Total 86.0		Total 119.0	

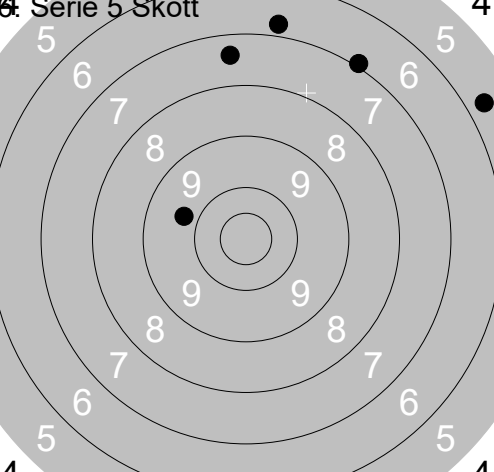
<p>Prov</p>	<p>1: 9.0 ↓</p> <p>2: 10.0 ↓</p> <p>3: 8.7 ↘</p>	<p>5. Serie 5 Skott</p>	<p>1: 10.2 ↗</p> <p>2: 10.1 →</p> <p>3: 9.7 →</p> <p>4: 10.2 ↗</p> <p>5: 8.8 ↓</p>
Serie 27.0		Serie 47.0	
Total 119.0		Total 166.0	

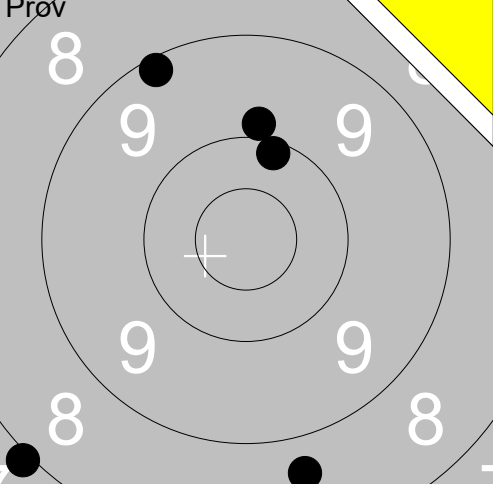
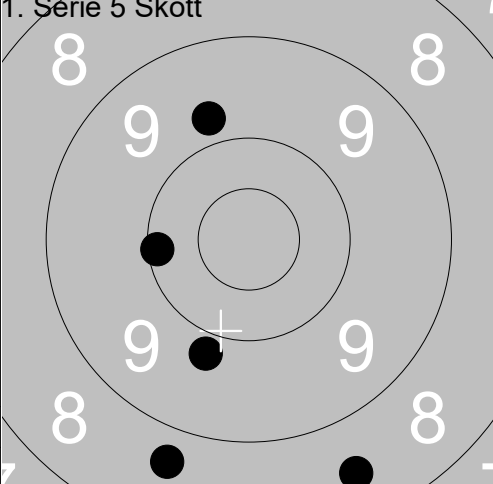
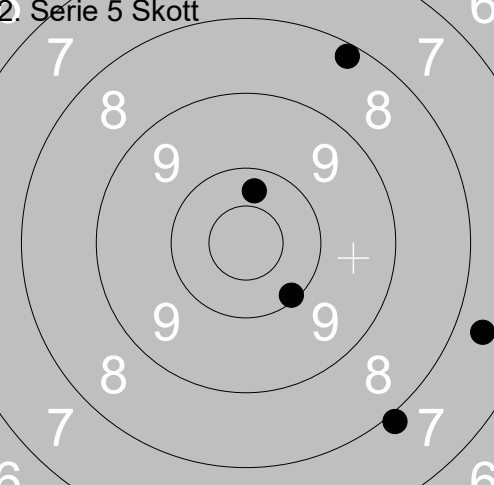
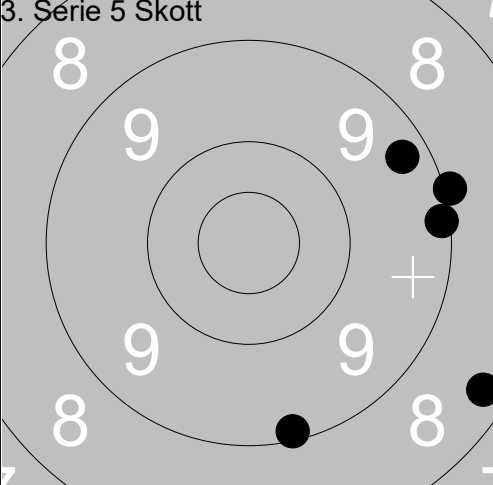
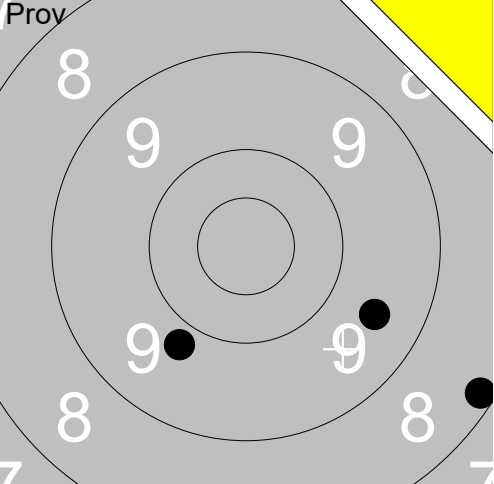
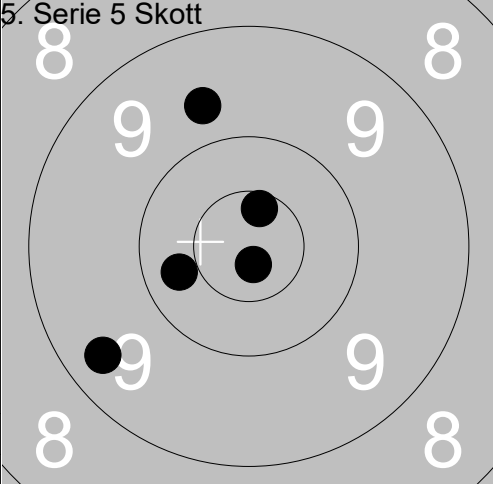
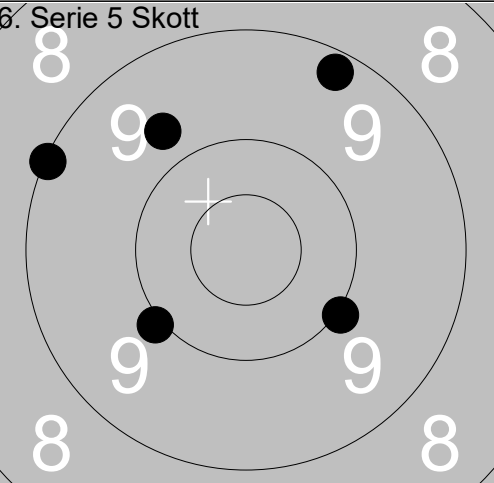
<p>6. Serie 5 Skott</p>	<p>1: 6.3 ↗</p> <p>2: 7.3 ↘</p> <p>3: 8.8 ↑</p> <p>4: 3.1 ←</p> <p>5: 4.4 ↑</p>		
Serie 28.0			
Total 194.0			

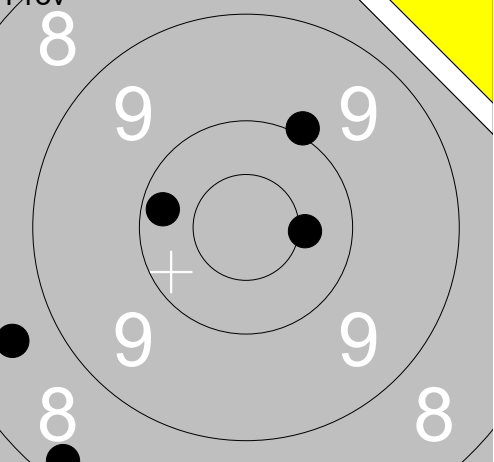
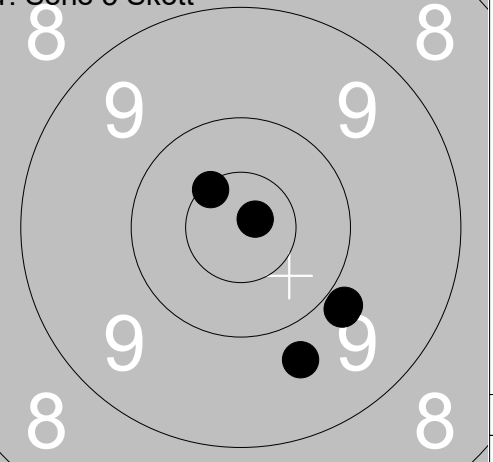
<p>Prov</p> 	<table border="1" style="width:100%; border-collapse: collapse;"> <tr><td>1:</td><td>6.7</td><td>↗</td></tr> <tr><td>2:</td><td>8.6</td><td>↑</td></tr> <tr><td>3:</td><td>9.4</td><td>↘</td></tr> <tr><td>4:</td><td>9.5</td><td>↑</td></tr> <tr><td>5:</td><td>10.1</td><td>←</td></tr> </table>	1:	6.7	↗	2:	8.6	↑	3:	9.4	↘	4:	9.5	↑	5:	10.1	←	<p>15 Serie 5 Skott</p> 	<table border="1" style="width:100%; border-collapse: collapse;"> <tr><td>1:</td><td>9.9</td><td>↖</td></tr> <tr><td>2:</td><td>9.9</td><td>↑</td></tr> <tr><td>3:</td><td>8.5</td><td>↑</td></tr> <tr><td>4:</td><td>7.0</td><td>←</td></tr> <tr><td>5:</td><td>9.1</td><td>↗</td></tr> </table>	1:	9.9	↖	2:	9.9	↑	3:	8.5	↑	4:	7.0	←	5:	9.1	↗
1:	6.7	↗																															
2:	8.6	↑																															
3:	9.4	↘																															
4:	9.5	↑																															
5:	10.1	←																															
1:	9.9	↖																															
2:	9.9	↑																															
3:	8.5	↑																															
4:	7.0	←																															
5:	9.1	↗																															
<table border="1" style="width:100%; border-collapse: collapse;"> <tr><td style="width:50%;">Serie</td><td style="text-align:right;">42.0</td></tr> <tr><td>Total</td><td style="text-align:right;">0.0</td></tr> </table>		Serie	42.0	Total	0.0	<table border="1" style="width:100%; border-collapse: collapse;"> <tr><td style="width:50%;">Serie</td><td style="text-align:right;">42.0</td></tr> <tr><td>Total</td><td style="text-align:right;">42.0</td></tr> </table>		Serie	42.0	Total	42.0																						
Serie	42.0																																
Total	0.0																																
Serie	42.0																																
Total	42.0																																

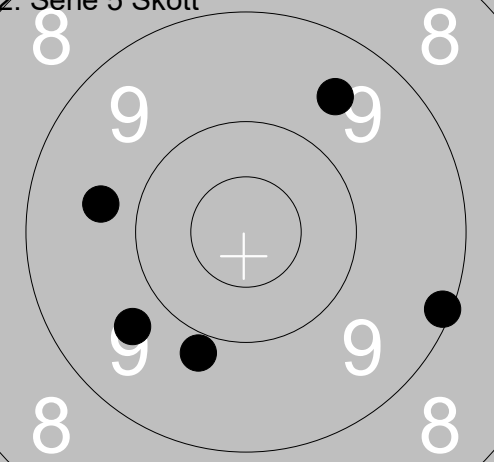
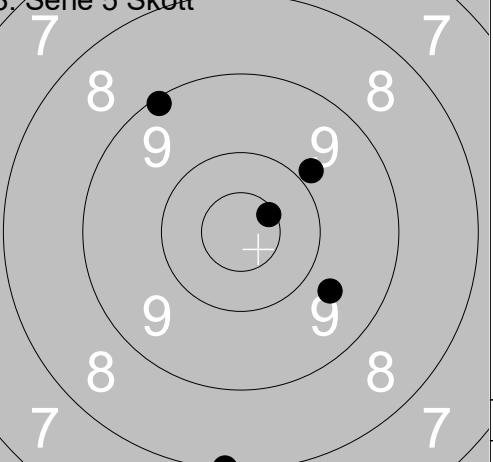
<p>2. Serie 5 Skott</p> 	<table border="1" style="width:100%; border-collapse: collapse;"> <tr><td>1:</td><td>9.3</td><td>↓</td></tr> <tr><td>2:</td><td>10.3</td><td>↓</td></tr> <tr><td>3:</td><td>10.0</td><td>→</td></tr> <tr><td>4:</td><td>9.2</td><td>→</td></tr> <tr><td>5:</td><td>8.4</td><td>↓</td></tr> </table>	1:	9.3	↓	2:	10.3	↓	3:	10.0	→	4:	9.2	→	5:	8.4	↓	<p>3. Serie 5 Skott</p> 	<table border="1" style="width:100%; border-collapse: collapse;"> <tr><td>1:</td><td>10.4</td><td>↘</td></tr> <tr><td>2:</td><td>9.6</td><td>↘</td></tr> <tr><td>3:</td><td>10.0</td><td>→</td></tr> <tr><td>4:</td><td>6.4</td><td>→</td></tr> <tr><td>5:</td><td>6.2</td><td>↘</td></tr> </table>	1:	10.4	↘	2:	9.6	↘	3:	10.0	→	4:	6.4	→	5:	6.2	↘
1:	9.3	↓																															
2:	10.3	↓																															
3:	10.0	→																															
4:	9.2	→																															
5:	8.4	↓																															
1:	10.4	↘																															
2:	9.6	↘																															
3:	10.0	→																															
4:	6.4	→																															
5:	6.2	↘																															
<table border="1" style="width:100%; border-collapse: collapse;"> <tr><td style="width:50%;">Serie</td><td style="text-align:right;">46.0</td></tr> <tr><td>Total</td><td style="text-align:right;">88.0</td></tr> </table>		Serie	46.0	Total	88.0	<table border="1" style="width:100%; border-collapse: collapse;"> <tr><td style="width:50%;">Serie</td><td style="text-align:right;">41.0</td></tr> <tr><td>Total</td><td style="text-align:right;">129.0</td></tr> </table>		Serie	41.0	Total	129.0																						
Serie	46.0																																
Total	88.0																																
Serie	41.0																																
Total	129.0																																

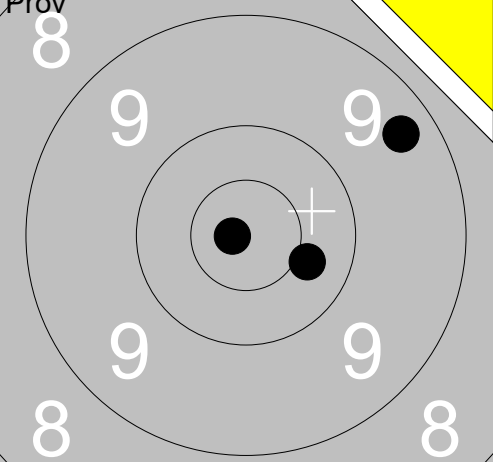
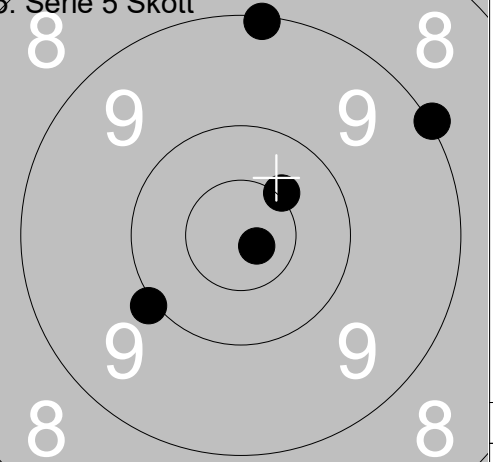
<p>Prov</p> 	<table border="1" style="width:100%; border-collapse: collapse;"> <tr><td>1:</td><td>8.2</td><td>↘</td></tr> <tr><td>2:</td><td>8.6</td><td>→</td></tr> <tr><td>3:</td><td>9.9</td><td>↘</td></tr> </table>	1:	8.2	↘	2:	8.6	→	3:	9.9	↘	<p>5. Serie 5 Skott</p> 	<table border="1" style="width:100%; border-collapse: collapse;"> <tr><td>1:</td><td>9.1</td><td>↘</td></tr> <tr><td>2:</td><td>9.0</td><td>↑</td></tr> <tr><td>3:</td><td>9.9</td><td>↗</td></tr> <tr><td>4:</td><td>10.2</td><td>↓</td></tr> <tr><td>5:</td><td>10.3</td><td>↓</td></tr> </table>	1:	9.1	↘	2:	9.0	↑	3:	9.9	↗	4:	10.2	↓	5:	10.3	↓
1:	8.2	↘																									
2:	8.6	→																									
3:	9.9	↘																									
1:	9.1	↘																									
2:	9.0	↑																									
3:	9.9	↗																									
4:	10.2	↓																									
5:	10.3	↓																									
<table border="1" style="width:100%; border-collapse: collapse;"> <tr><td style="width:50%;">Serie</td><td style="text-align:right;">25.0</td></tr> <tr><td>Total</td><td style="text-align:right;">129.0</td></tr> </table>		Serie	25.0	Total	129.0	<table border="1" style="width:100%; border-collapse: collapse;"> <tr><td style="width:50%;">Serie</td><td style="text-align:right;">47.0</td></tr> <tr><td>Total</td><td style="text-align:right;">176.0</td></tr> </table>		Serie	47.0	Total	176.0																
Serie	25.0																										
Total	129.0																										
Serie	47.0																										
Total	176.0																										

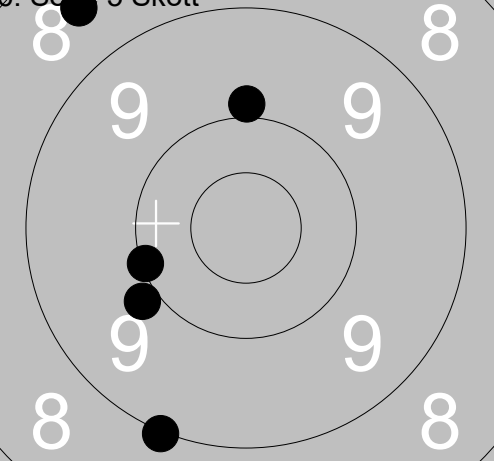
<p>4. Serie 5 Skott</p> 	<table border="1" style="width:100%; border-collapse: collapse;"> <tr><td>1:</td><td>9.7</td><td>←</td></tr> <tr><td>2:</td><td>6.8</td><td>↑</td></tr> <tr><td>3:</td><td>7.0</td><td>↗</td></tr> <tr><td>4:</td><td>5.7</td><td>↗</td></tr> <tr><td>5:</td><td>7.4</td><td>↑</td></tr> </table>	1:	9.7	←	2:	6.8	↑	3:	7.0	↗	4:	5.7	↗	5:	7.4	↑		
1:	9.7	←																
2:	6.8	↑																
3:	7.0	↗																
4:	5.7	↗																
5:	7.4	↑																
<table border="1" style="width:100%; border-collapse: collapse;"> <tr><td style="width:50%;">Serie</td><td style="text-align:right;">34.0</td></tr> <tr><td>Total</td><td style="text-align:right;">210.0</td></tr> </table>		Serie	34.0	Total	210.0													
Serie	34.0																	
Total	210.0																	

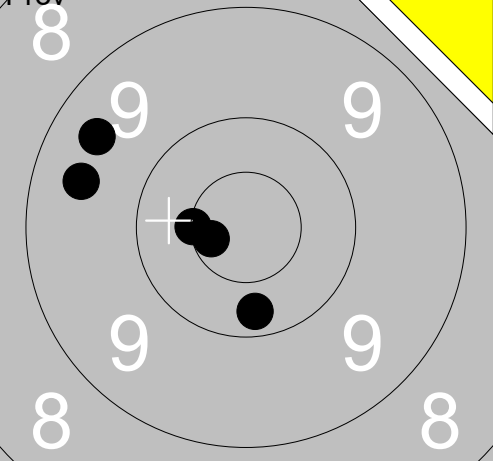
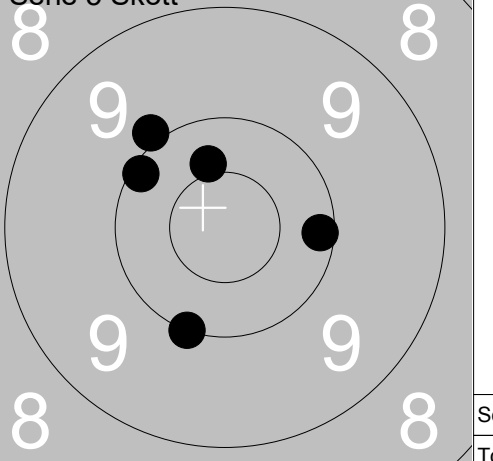
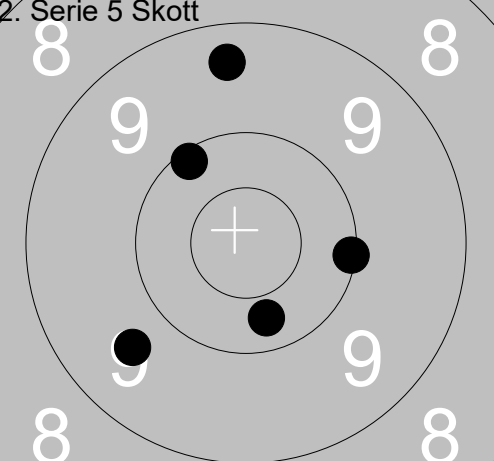
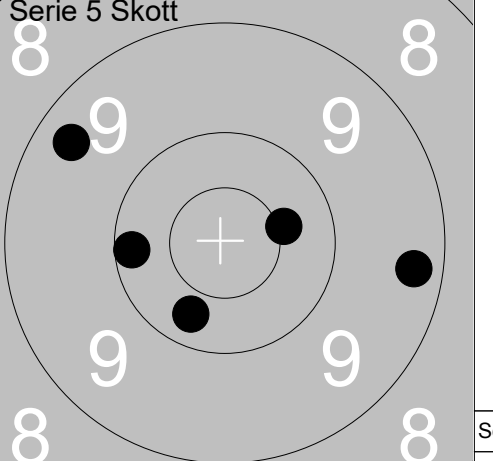
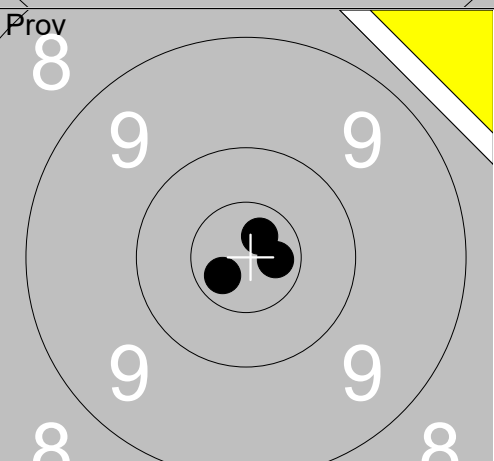
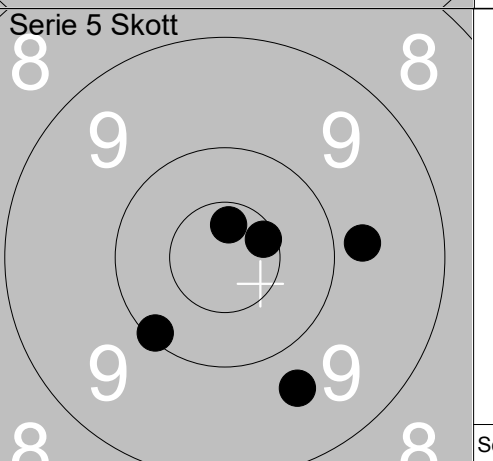
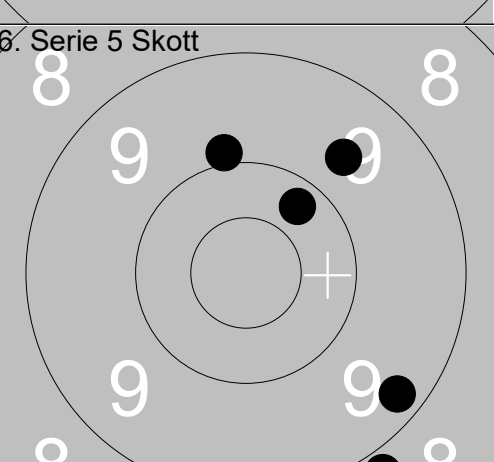
<p>Prov</p> 	<table style="width:100%; border-collapse: collapse;"> <tr><td>1:</td><td>8.0</td><td>↙</td></tr> <tr><td>3:</td><td>9.1</td><td>↗</td></tr> <tr><td>4:</td><td>9.9</td><td>↑</td></tr> <tr><td>5:</td><td>10.1</td><td>↗</td></tr> <tr><td>6:</td><td>8.7</td><td>↘</td></tr> </table> <table style="width:100%; border-collapse: collapse; margin-top: 5px;"> <tr><td style="border-top: 1px solid black;">Serie</td><td style="border-top: 1px solid black; text-align: right;">44.0</td></tr> <tr><td style="border-top: 1px solid black;">Total</td><td style="border-top: 1px solid black; text-align: right;">0.0</td></tr> </table>	1:	8.0	↙	3:	9.1	↗	4:	9.9	↑	5:	10.1	↗	6:	8.7	↘	Serie	44.0	Total	0.0	<p>1. Serie 5 Skott</p> 	<table style="width:100%; border-collapse: collapse;"> <tr><td>1:</td><td>10.1</td><td>←</td></tr> <tr><td>2:</td><td>9.8</td><td>↘</td></tr> <tr><td>3:</td><td>8.7</td><td>↘</td></tr> <tr><td>4:</td><td>8.5</td><td>↘</td></tr> <tr><td>5:</td><td>9.8</td><td>↗</td></tr> </table> <table style="width:100%; border-collapse: collapse; margin-top: 5px;"> <tr><td style="border-top: 1px solid black;">Serie</td><td style="border-top: 1px solid black; text-align: right;">44.0</td></tr> <tr><td style="border-top: 1px solid black;">Total</td><td style="border-top: 1px solid black; text-align: right;">44.0</td></tr> </table>	1:	10.1	←	2:	9.8	↘	3:	8.7	↘	4:	8.5	↘	5:	9.8	↗	Serie	44.0	Total	44.0
1:	8.0	↙																																							
3:	9.1	↗																																							
4:	9.9	↑																																							
5:	10.1	↗																																							
6:	8.7	↘																																							
Serie	44.0																																								
Total	0.0																																								
1:	10.1	←																																							
2:	9.8	↘																																							
3:	8.7	↘																																							
4:	8.5	↘																																							
5:	9.8	↗																																							
Serie	44.0																																								
Total	44.0																																								
<p>2. Serie 5 Skott</p> 	<table style="width:100%; border-collapse: collapse;"> <tr><td>1:</td><td>10.1</td><td>↘</td></tr> <tr><td>2:</td><td>8.2</td><td>↗</td></tr> <tr><td>3:</td><td>10.3</td><td>↑</td></tr> <tr><td>4:</td><td>7.9</td><td>↘</td></tr> <tr><td>5:</td><td>7.7</td><td>↘</td></tr> </table> <table style="width:100%; border-collapse: collapse; margin-top: 5px;"> <tr><td style="border-top: 1px solid black;">Serie</td><td style="border-top: 1px solid black; text-align: right;">42.0</td></tr> <tr><td style="border-top: 1px solid black;">Total</td><td style="border-top: 1px solid black; text-align: right;">86.0</td></tr> </table>	1:	10.1	↘	2:	8.2	↗	3:	10.3	↑	4:	7.9	↘	5:	7.7	↘	Serie	42.0	Total	86.0	<p>3. Serie 5 Skott</p> 	<table style="width:100%; border-collapse: collapse;"> <tr><td>1:</td><td>9.1</td><td>↘</td></tr> <tr><td>2:</td><td>9.1</td><td>→</td></tr> <tr><td>3:</td><td>9.0</td><td>→</td></tr> <tr><td>4:</td><td>8.3</td><td>↘</td></tr> <tr><td>5:</td><td>9.3</td><td>↗</td></tr> </table> <table style="width:100%; border-collapse: collapse; margin-top: 5px;"> <tr><td style="border-top: 1px solid black;">Serie</td><td style="border-top: 1px solid black; text-align: right;">44.0</td></tr> <tr><td style="border-top: 1px solid black;">Total</td><td style="border-top: 1px solid black; text-align: right;">130.0</td></tr> </table>	1:	9.1	↘	2:	9.1	→	3:	9.0	→	4:	8.3	↘	5:	9.3	↗	Serie	44.0	Total	130.0
1:	10.1	↘																																							
2:	8.2	↗																																							
3:	10.3	↑																																							
4:	7.9	↘																																							
5:	7.7	↘																																							
Serie	42.0																																								
Total	86.0																																								
1:	9.1	↘																																							
2:	9.1	→																																							
3:	9.0	→																																							
4:	8.3	↘																																							
5:	9.3	↗																																							
Serie	44.0																																								
Total	130.0																																								
<p>Prov</p> 	<table style="width:100%; border-collapse: collapse;"> <tr><td>1:</td><td>8.2</td><td>↘</td></tr> <tr><td>2:</td><td>9.5</td><td>↘</td></tr> <tr><td>3:</td><td>9.8</td><td>↘</td></tr> </table> <table style="width:100%; border-collapse: collapse; margin-top: 5px;"> <tr><td style="border-top: 1px solid black;">Serie</td><td style="border-top: 1px solid black; text-align: right;">26.0</td></tr> <tr><td style="border-top: 1px solid black;">Total</td><td style="border-top: 1px solid black; text-align: right;">130.0</td></tr> </table>	1:	8.2	↘	2:	9.5	↘	3:	9.8	↘	Serie	26.0	Total	130.0	<p>5. Serie 5 Skott</p> 	<table style="width:100%; border-collapse: collapse;"> <tr><td>1:</td><td>10.8x</td><td>↘</td></tr> <tr><td>2:</td><td>9.7</td><td>↗</td></tr> <tr><td>3:</td><td>10.3</td><td>←</td></tr> <tr><td>4:</td><td>10.6x</td><td>↑</td></tr> <tr><td>5:</td><td>9.4</td><td>↙</td></tr> </table> <table style="width:100%; border-collapse: collapse; margin-top: 5px;"> <tr><td style="border-top: 1px solid black;">Serie</td><td style="border-top: 1px solid black; text-align: right;">48.0</td></tr> <tr><td style="border-top: 1px solid black;">Total</td><td style="border-top: 1px solid black; text-align: right;">178.0</td></tr> </table>	1:	10.8x	↘	2:	9.7	↗	3:	10.3	←	4:	10.6x	↑	5:	9.4	↙	Serie	48.0	Total	178.0						
1:	8.2	↘																																							
2:	9.5	↘																																							
3:	9.8	↘																																							
Serie	26.0																																								
Total	130.0																																								
1:	10.8x	↘																																							
2:	9.7	↗																																							
3:	10.3	←																																							
4:	10.6x	↑																																							
5:	9.4	↙																																							
Serie	48.0																																								
Total	178.0																																								
<p>6. Serie 5 Skott</p> 	<table style="width:100%; border-collapse: collapse;"> <tr><td>1:</td><td>10.0</td><td>↙</td></tr> <tr><td>2:</td><td>9.1</td><td>↗</td></tr> <tr><td>3:</td><td>10.0</td><td>↘</td></tr> <tr><td>4:</td><td>9.7</td><td>↗</td></tr> <tr><td>5:</td><td>9.2</td><td>↗</td></tr> </table> <table style="width:100%; border-collapse: collapse; margin-top: 5px;"> <tr><td style="border-top: 1px solid black;">Serie</td><td style="border-top: 1px solid black; text-align: right;">47.0</td></tr> <tr><td style="border-top: 1px solid black;">Total</td><td style="border-top: 1px solid black; text-align: right;">225.0</td></tr> </table>	1:	10.0	↙	2:	9.1	↗	3:	10.0	↘	4:	9.7	↗	5:	9.2	↗	Serie	47.0	Total	225.0																					
1:	10.0	↙																																							
2:	9.1	↗																																							
3:	10.0	↘																																							
4:	9.7	↗																																							
5:	9.2	↗																																							
Serie	47.0																																								
Total	225.0																																								

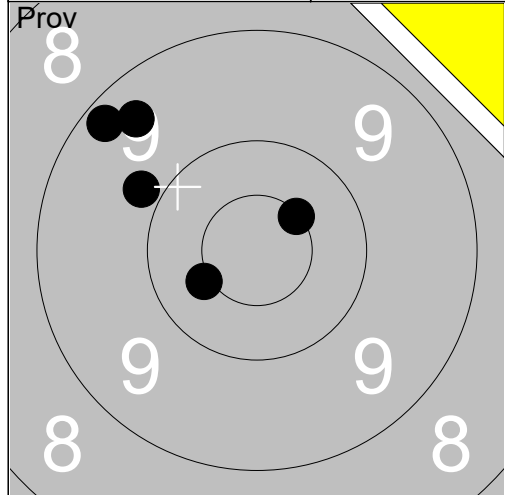
<p>Prov</p> 	<p>1. Serie 5 Skott</p> 	
1: 8.2 ↙ 2: 8.6 ← 3: 10.4x → 4: 10.0 ↗ 5: 10.2 ←	1: 10.5x ↗ 2: 9.7 ↓ 3: 9.9 ↘ 4: 10.8x ↗ 5: 9.8 ↘	
Serie 46.0 Total 0.0	Serie 47.0 Total 47.0	

<p>2. Serie 5 Skott</p> 	<p>3. Serie 5 Skott</p> 	
1: 9.9 ↓ 2: 9.1 → 3: 9.7 ← 4: 9.7 ↘ 5: 9.6 ↗	1: 8.0 ↓ 2: 9.9 ↗ 3: 10.6x ↗ 4: 9.1 ↗ 5: 9.7 ↘	
Serie 45.0 Total 92.0	Serie 45.0 Total 137.0	

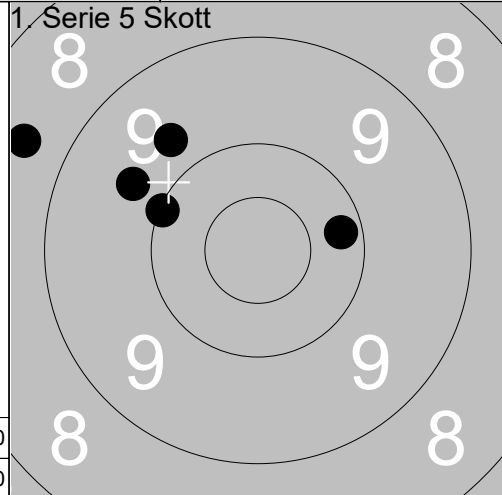
<p>Prov</p> 	<p>5. Serie 5 Skott</p> 	
1: 9.3 ↗ 2: 10.4 → 3: 10.8x ←	1: 9.0 ↗ 2: 9.1 ↑ 3: 10.0 ← 4: 10.8x ↘ 5: 10.5x ↗	
Serie 29.0 Total 137.0	Serie 48.0 Total 185.0	

<p>6. Serie 5 Skott</p> 		
1: 8.5 ↗ 2: 9.9 ↑ 3: 9.9 ← 4: 10.1 ← 5: 9.0 ↓		
Serie 45.0 Total 230.0		

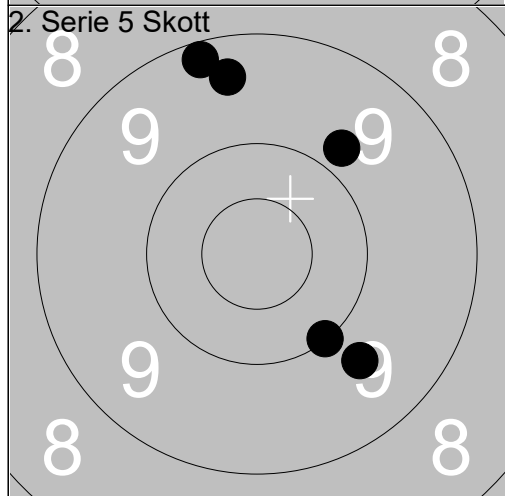
<p>Prov</p>  <p style="text-align: right;">Serie 48.0 Total 0.0</p>	<p>1. Serie 5 Skott</p>  <p style="text-align: right;">Serie 49.0 Total 49.0</p>	<table style="width:100%; border-collapse: collapse;"> <tr><td>1:</td><td>10.2</td><td>↓</td></tr> <tr><td>2:</td><td>10.5x</td><td>←</td></tr> <tr><td>3:</td><td>9.5</td><td>↖</td></tr> <tr><td>4:</td><td>9.4</td><td>↗</td></tr> <tr><td>5:</td><td>10.6x</td><td>←</td></tr> </table>	1:	10.2	↓	2:	10.5x	←	3:	9.5	↖	4:	9.4	↗	5:	10.6x	←
1:	10.2	↓															
2:	10.5x	←															
3:	9.5	↖															
4:	9.4	↗															
5:	10.6x	←															
<p>2. Serie 5 Skott</p>  <p style="text-align: right;">Serie 48.0 Total 97.0</p>	<p>3. Serie 5 Skott</p>  <p style="text-align: right;">Serie 48.0 Total 145.0</p>	<table style="width:100%; border-collapse: collapse;"> <tr><td>1:</td><td>10.1</td><td>→</td></tr> <tr><td>2:</td><td>10.1</td><td>↗</td></tr> <tr><td>3:</td><td>9.4</td><td>↑</td></tr> <tr><td>4:</td><td>10.3</td><td>↓</td></tr> <tr><td>5:</td><td>9.6</td><td>↙</td></tr> </table>	1:	10.1	→	2:	10.1	↗	3:	9.4	↑	4:	10.3	↓	5:	9.6	↙
1:	10.1	→															
2:	10.1	↗															
3:	9.4	↑															
4:	10.3	↓															
5:	9.6	↙															
<p>Prov</p>  <p style="text-align: right;">Serie 30.0 Total 145.0</p>	<p>5. Serie 5 Skott</p>  <p style="text-align: right;">Serie 48.0 Total 193.0</p>	<table style="width:100%; border-collapse: collapse;"> <tr><td>1:</td><td>10.7x</td><td>↙</td></tr> <tr><td>2:</td><td>10.7x</td><td>→</td></tr> <tr><td>3:</td><td>10.7x</td><td>↗</td></tr> </table>	1:	10.7x	↙	2:	10.7x	→	3:	10.7x	↗						
1:	10.7x	↙															
2:	10.7x	→															
3:	10.7x	↗															
<p>6. Serie 5 Skott</p>  <p style="text-align: right;">Serie 45.0 Total 238.0</p>	<table style="width:100%; border-collapse: collapse;"> <tr><td>1:</td><td>9.3</td><td>↘</td></tr> <tr><td>2:</td><td>8.8</td><td>↘</td></tr> <tr><td>3:</td><td>9.7</td><td>↗</td></tr> <tr><td>4:</td><td>10.2</td><td>↗</td></tr> <tr><td>5:</td><td>9.9</td><td>↑</td></tr> </table>		1:	9.3	↘	2:	8.8	↘	3:	9.7	↗	4:	10.2	↗	5:	9.9	↑
1:	9.3	↘															
2:	8.8	↘															
3:	9.7	↗															
4:	10.2	↗															
5:	9.9	↑															



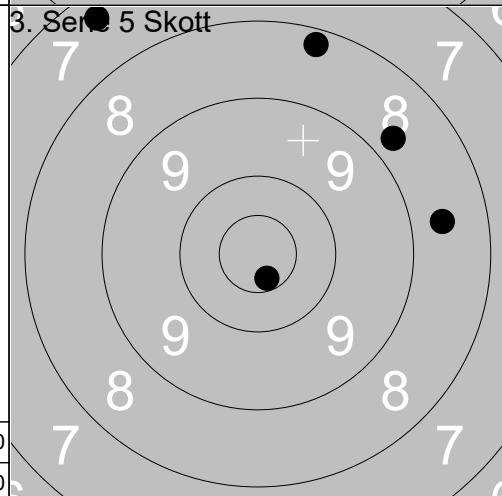
1:	10.5x	↗
2:	9.8	↖
3:	9.2	↗
4:	9.4	↗
5:	10.4x	↖
Serie		47.0
Total		0.0



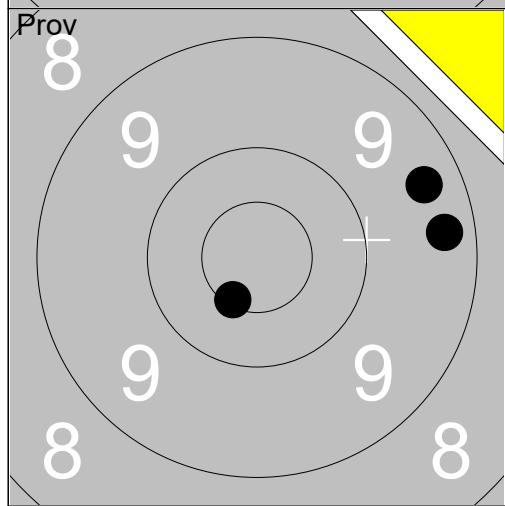
1:	9.7	↖
2:	8.6	↖
3:	9.7	↗
4:	10.1	↖
5:	10.2	→
Serie		46.0
Total		46.0



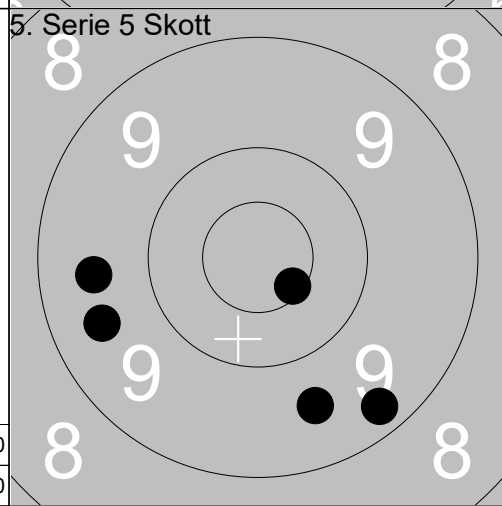
1:	9.2	↑
2:	9.8	↗
3:	9.7	↘
4:	9.4	↑
5:	10.0	↘
Serie		46.0
Total		92.0



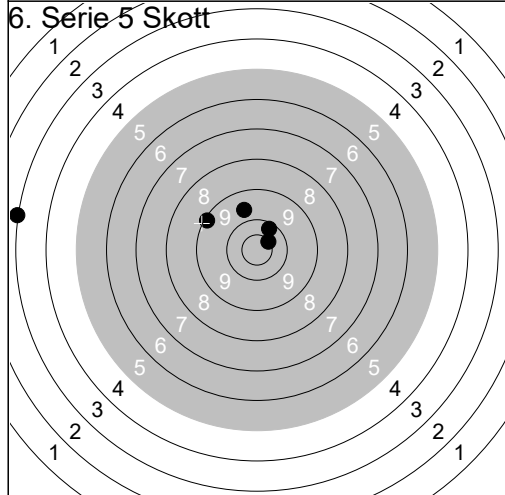
1:	8.6	→
2:	7.4	↗
3:	8.7	↗
4:	8.2	↑
5:	10.6x	↘
Serie		41.0
Total		133.0



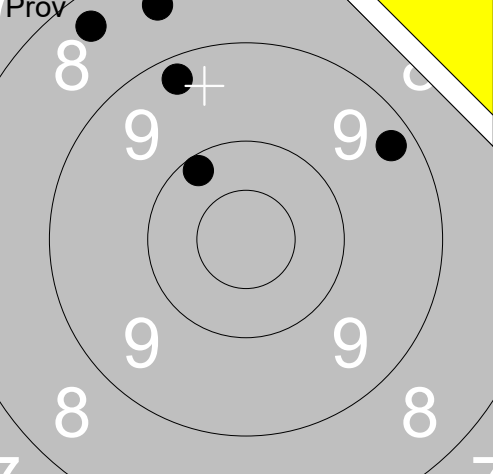
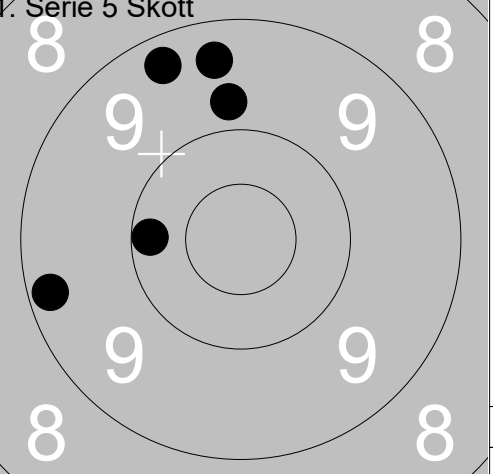
1:	9.4	→
2:	9.3	→
3:	10.5x	↘
Serie		28.0
Total		133.0

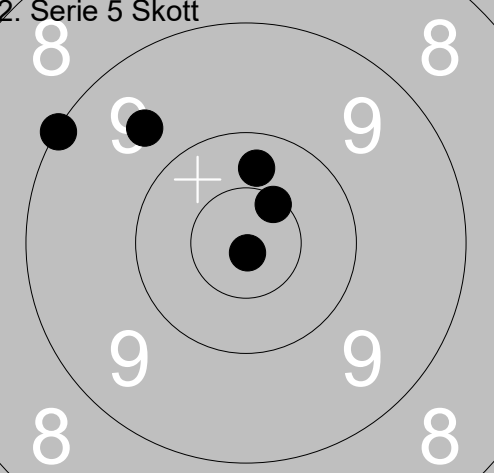
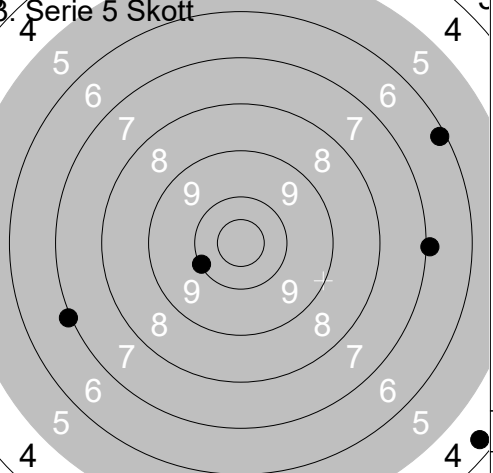


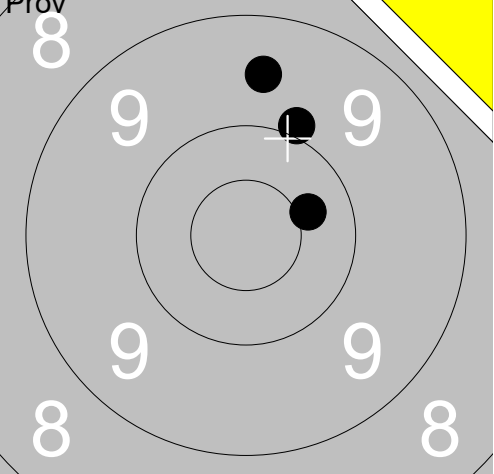
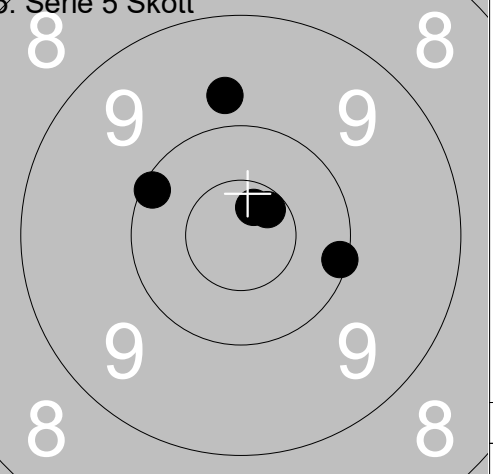
1:	10.6x	↘
2:	9.6	↘
3:	9.5	↖
4:	9.3	↘
5:	9.5	↖
Serie		46.0
Total		179.0

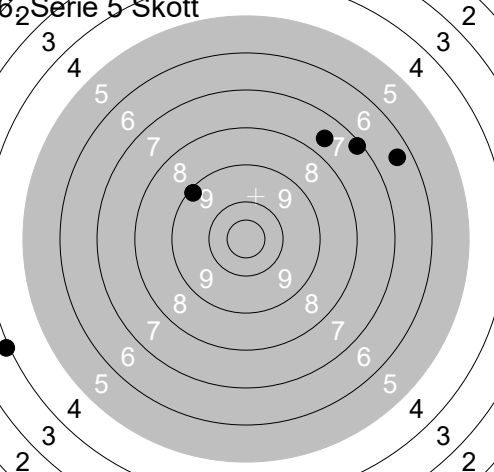


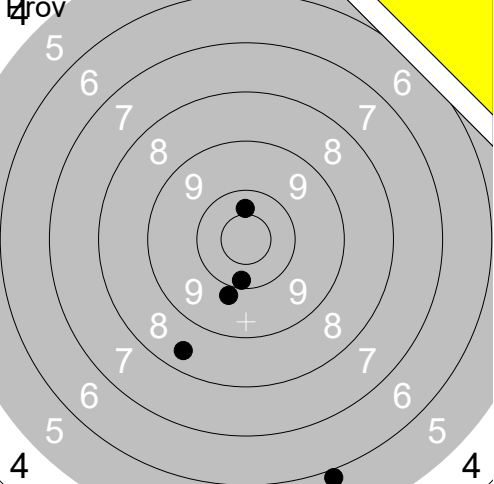
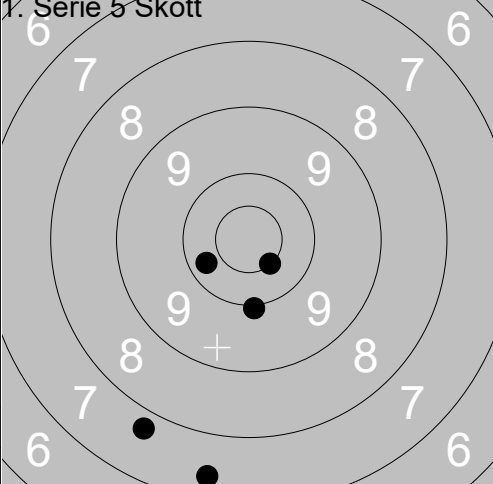
1:	10.2	↗
2:	10.5x	↗
3:	9.1	↖
4:	3.0	↖
5:	9.6	↗
Serie		41.0
Total		220.0

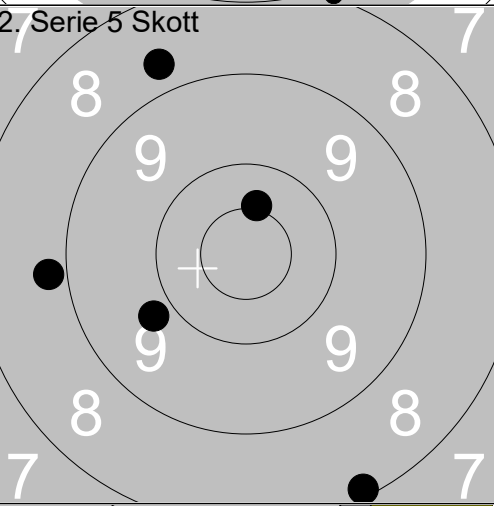
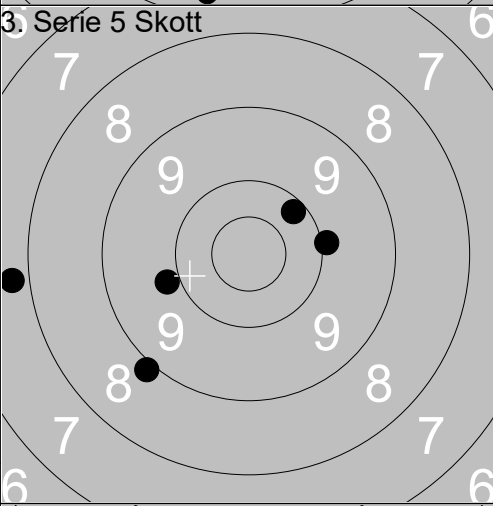
<p>Prov</p> 	<table border="1" style="width:100%; border-collapse: collapse;"> <tr><td>1:</td><td>9.3</td><td>↗</td></tr> <tr><td>2:</td><td>9.3</td><td>↗</td></tr> <tr><td>3:</td><td>8.5</td><td>↗</td></tr> <tr><td>4:</td><td>8.3</td><td>↗</td></tr> <tr><td>5:</td><td>10.2</td><td>↗</td></tr> <tr><td colspan="2">Serie</td><td>44.0</td></tr> <tr><td colspan="2">Total</td><td>0.0</td></tr> </table>	1:	9.3	↗	2:	9.3	↗	3:	8.5	↗	4:	8.3	↗	5:	10.2	↗	Serie		44.0	Total		0.0	<p>1. Serie 5 Skott</p>  <table border="1" style="width:100%; border-collapse: collapse;"> <tr><td>1:</td><td>10.2</td><td>←</td></tr> <tr><td>2:</td><td>9.2</td><td>←</td></tr> <tr><td>3:</td><td>9.4</td><td>↑</td></tr> <tr><td>4:</td><td>9.8</td><td>↑</td></tr> <tr><td>5:</td><td>9.3</td><td>↖</td></tr> <tr><td colspan="2">Serie</td><td>46.0</td></tr> <tr><td colspan="2">Total</td><td>46.0</td></tr> </table>	1:	10.2	←	2:	9.2	←	3:	9.4	↑	4:	9.8	↑	5:	9.3	↖	Serie		46.0	Total		46.0
1:	9.3	↗																																										
2:	9.3	↗																																										
3:	8.5	↗																																										
4:	8.3	↗																																										
5:	10.2	↗																																										
Serie		44.0																																										
Total		0.0																																										
1:	10.2	←																																										
2:	9.2	←																																										
3:	9.4	↑																																										
4:	9.8	↑																																										
5:	9.3	↖																																										
Serie		46.0																																										
Total		46.0																																										

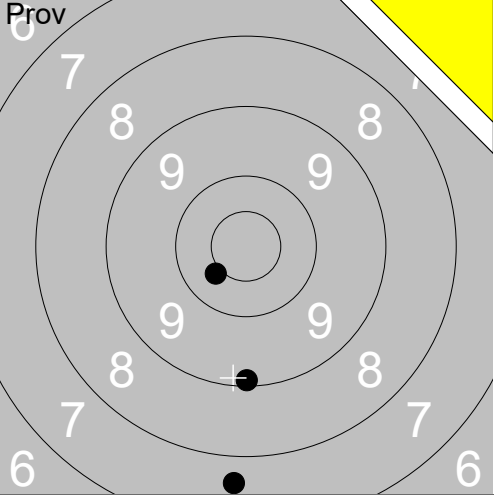
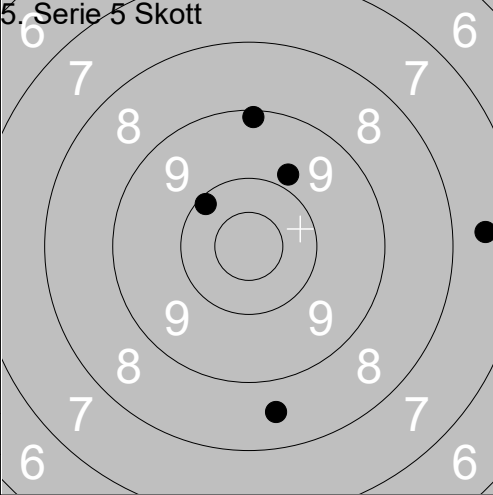
<p>2. Serie 5 Skott</p>  <table border="1" style="width:100%; border-collapse: collapse;"> <tr><td>1:</td><td>9.6</td><td>↖</td></tr> <tr><td>2:</td><td>9.1</td><td>↖</td></tr> <tr><td>3:</td><td>10.9x</td><td>↓</td></tr> <tr><td>4:</td><td>10.3</td><td>↑</td></tr> <tr><td>5:</td><td>10.6x</td><td>↗</td></tr> <tr><td colspan="2">Serie</td><td>48.0</td></tr> <tr><td colspan="2">Total</td><td>94.0</td></tr> </table>	1:	9.6	↖	2:	9.1	↖	3:	10.9x	↓	4:	10.3	↑	5:	10.6x	↗	Serie		48.0	Total		94.0	<p>3. Serie 5 Skott</p>  <table border="1" style="width:100%; border-collapse: collapse;"> <tr><td>1:</td><td>6.2</td><td>↗</td></tr> <tr><td>2:</td><td>4.4</td><td>↘</td></tr> <tr><td>3:</td><td>6.9</td><td>→</td></tr> <tr><td>4:</td><td>7.0</td><td>←</td></tr> <tr><td>5:</td><td>10.1</td><td>←</td></tr> <tr><td colspan="2">Serie</td><td>33.0</td></tr> <tr><td colspan="2">Total</td><td>127.0</td></tr> </table>	1:	6.2	↗	2:	4.4	↘	3:	6.9	→	4:	7.0	←	5:	10.1	←	Serie		33.0	Total		127.0
1:	9.6	↖																																									
2:	9.1	↖																																									
3:	10.9x	↓																																									
4:	10.3	↑																																									
5:	10.6x	↗																																									
Serie		48.0																																									
Total		94.0																																									
1:	6.2	↗																																									
2:	4.4	↘																																									
3:	6.9	→																																									
4:	7.0	←																																									
5:	10.1	←																																									
Serie		33.0																																									
Total		127.0																																									

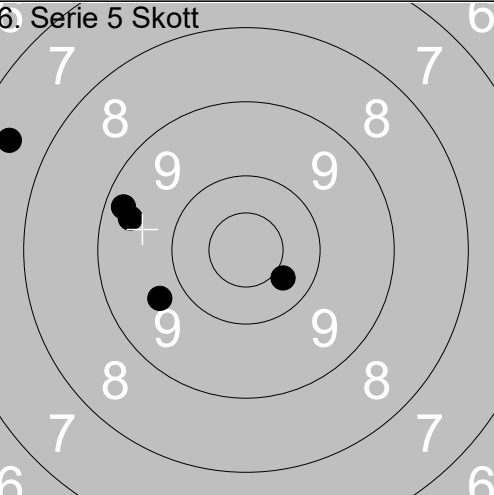
<p>Prov</p>  <table border="1" style="width:100%; border-collapse: collapse;"> <tr><td>1:</td><td>10.4</td><td>↗</td></tr> <tr><td>2:</td><td>9.9</td><td>↗</td></tr> <tr><td>3:</td><td>9.6</td><td>↑</td></tr> <tr><td colspan="2">Serie</td><td>28.0</td></tr> <tr><td colspan="2">Total</td><td>127.0</td></tr> </table>	1:	10.4	↗	2:	9.9	↗	3:	9.6	↑	Serie		28.0	Total		127.0	<p>5. Serie 5 Skott</p>  <table border="1" style="width:100%; border-collapse: collapse;"> <tr><td>1:</td><td>10.1</td><td>→</td></tr> <tr><td>2:</td><td>9.8</td><td>↑</td></tr> <tr><td>3:</td><td>10.6x</td><td>↗</td></tr> <tr><td>4:</td><td>10.7x</td><td>↗</td></tr> <tr><td>5:</td><td>10.1</td><td>←</td></tr> <tr><td colspan="2">Serie</td><td>49.0</td></tr> <tr><td colspan="2">Total</td><td>176.0</td></tr> </table>	1:	10.1	→	2:	9.8	↑	3:	10.6x	↗	4:	10.7x	↗	5:	10.1	←	Serie		49.0	Total		176.0
1:	10.4	↗																																			
2:	9.9	↗																																			
3:	9.6	↑																																			
Serie		28.0																																			
Total		127.0																																			
1:	10.1	→																																			
2:	9.8	↑																																			
3:	10.6x	↗																																			
4:	10.7x	↗																																			
5:	10.1	←																																			
Serie		49.0																																			
Total		176.0																																			

<p>6. Serie 5 Skott</p>  <table border="1" style="width:100%; border-collapse: collapse;"> <tr><td>1:</td><td>4.0</td><td>←</td></tr> <tr><td>2:</td><td>7.1</td><td>↗</td></tr> <tr><td>3:</td><td>6.4</td><td>↗</td></tr> <tr><td>4:</td><td>7.6</td><td>↗</td></tr> <tr><td>5:</td><td>9.1</td><td>↖</td></tr> <tr><td colspan="2">Serie</td><td>33.0</td></tr> <tr><td colspan="2">Total</td><td>209.0</td></tr> </table>	1:	4.0	←	2:	7.1	↗	3:	6.4	↗	4:	7.6	↗	5:	9.1	↖	Serie		33.0	Total		209.0		
1:	4.0	←																					
2:	7.1	↗																					
3:	6.4	↗																					
4:	7.6	↗																					
5:	9.1	↖																					
Serie		33.0																					
Total		209.0																					

 <p>Provs</p>	<p>1: 10.4 ↑</p> <p>2: 9.8 ↓</p> <p>3: 10.2 ↓</p> <p>4: 8.4 ↘</p> <p>5: 5.9 ↓</p>	 <p>1. Serie 5 Skott</p>	<p>1: 10.3 ↙</p> <p>2: 10.5x ↘</p> <p>3: 7.8 ↘</p> <p>4: 10.0 ↓</p> <p>5: 7.4 ↓</p>
Serie 42.0		Serie 44.0	
Total 0.0		Total 44.0	

 <p>2. Serie 5 Skott</p>	<p>1: 8.7 ↑</p> <p>2: 8.8 ←</p> <p>3: 10.4x ↑</p> <p>4: 8.1 ↓</p> <p>5: 9.8 ↙</p>	 <p>3. Serie 5 Skott</p>	<p>1: 8.9 ↘</p> <p>2: 10.2 ↗</p> <p>3: 7.8 ←</p> <p>4: 10.0 →</p> <p>5: 9.9 ←</p>
Serie 43.0		Serie 44.0	
Total 87.0		Total 131.0	

 <p>Provs</p>	<p>1: 7.7 ↓</p> <p>2: 10.4x ↙</p> <p>3: 9.1 ↓</p>	 <p>5. Serie 5 Skott</p>	<p>1: 9.1 ↑</p> <p>2: 10.1 ↖</p> <p>3: 9.8 ↗</p> <p>4: 7.5 →</p> <p>5: 8.6 ↓</p>
Serie 26.0		Serie 43.0	
Total 131.0		Total 174.0	

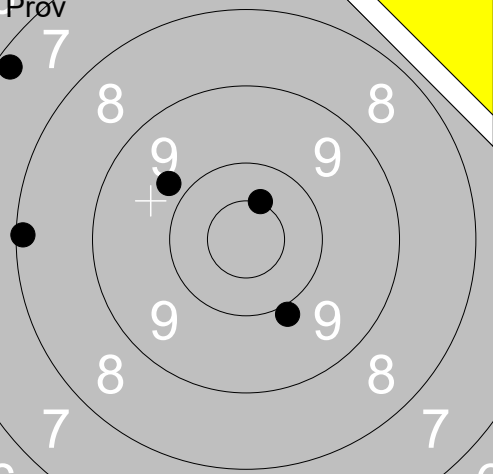
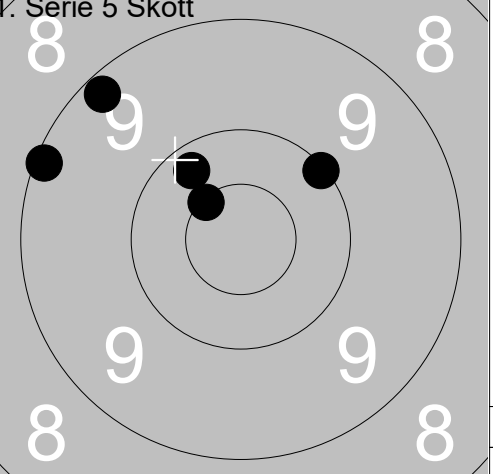
 <p>6. Serie 5 Skott</p>	<p>1: 9.3 ↙</p> <p>2: 9.7 ↙</p> <p>3: 10.4 ↘</p> <p>4: 7.5 ↗</p> <p>5: 9.4 ↖</p>		
Serie 44.0			
Total 218.0			

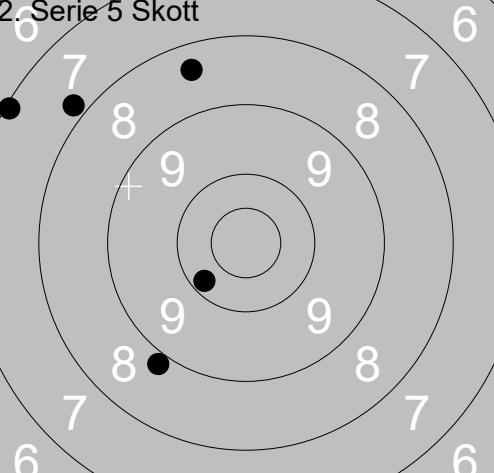
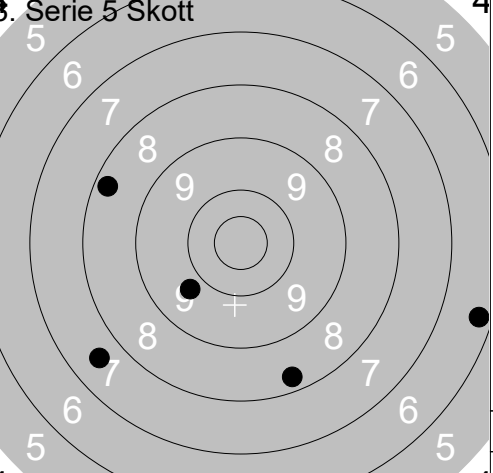
<p>Pröv</p>	1: 8.8 ↓ 2: 9.1 ↓ 3: 10.3 → 4: 9.7 ↓ 5: 10.0 →	<p>1. Serie 5 Skott</p>	1: 9.9 ↗ 2: 10.4 ↓ 3: 9.8 ↓ 4: 10.4 ↓ 5: 10.0 ↗
Serie 46.0		Serie 48.0	
Total 0.0		Total 48.0	

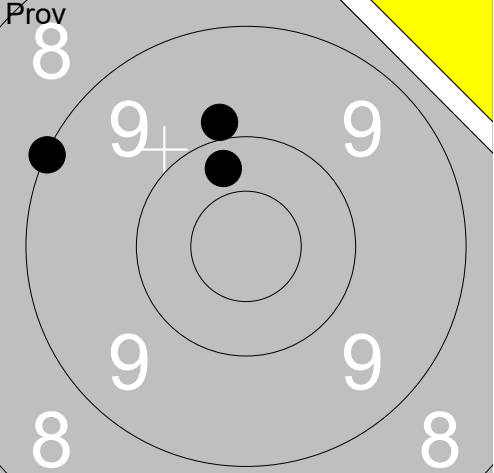
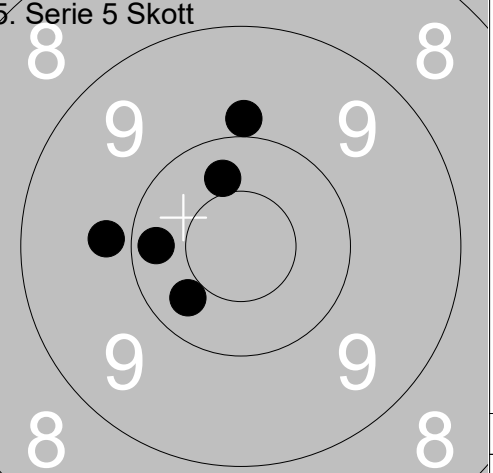
<p>2. Serie 5 Skott</p>	1: 9.0 ↓ 2: 9.8 ↓ 3: 8.6 ↗ 4: 10.4 ← 5: 9.1 ←	<p>3. Serie 5 Skott</p>	1: 9.4 ↙ 2: 9.5 ↗ 3: 9.5 ↑ 4: 9.7 ↗ 5: 10.0 ↑
Serie 45.0		Serie 46.0	
Total 93.0		Total 139.0	

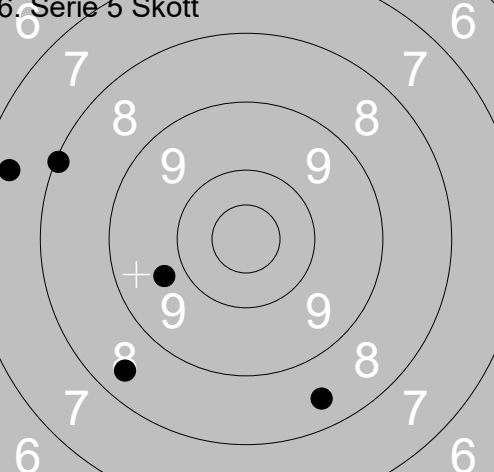
<p>Pröv</p>	1: 9.7 ↗ 2: 9.4 ↗ 3: 9.7 ↑	<p>5. Serie 5 Skott</p>	1: 9.7 → 2: 8.8 → 3: 9.9 → 4: 9.3 ← 5: 10.0 ↗
Serie 27.0		Serie 45.0	
Total 139.0		Total 184.0	

<p>6. Serie 5 Skott</p>	1: 9.5 ↑ 2: 9.1 ↙ 3: 9.4 ↑ 4: 10.4x ↓ 5: 9.8 ↗		
Serie 46.0			
Total 230.0			

<p>Pröv</p> 	<p>1: 8.1 ←</p> <p>2: 10.5x ↑</p> <p>3: 9.9 ↓</p> <p>4: 7.2 ↗</p> <p>5: 9.8 ↗</p>	<p>1. Serie 5 Skott</p> 	<p>1: 9.1 ↖</p> <p>2: 10.2 ↗</p> <p>3: 9.2 ↗</p> <p>4: 10.1 ↗</p> <p>5: 10.5x ↗</p>
Serie 43.0		Serie 48.0	
Total 0.0		Total 48.0	

<p>2. Serie 5 Skott</p> 	<p>1: 7.1 ↖</p> <p>2: 10.2 ↖</p> <p>3: 8.4 ↑</p> <p>4: 7.8 ↗</p> <p>5: 8.9 ↓</p>	<p>3. Serie 5 Skott</p> 	<p>1: 7.6 ↖</p> <p>2: 9.7 ↖</p> <p>3: 8.3 ↓</p> <p>4: 6.3 →</p> <p>5: 8.3 ↖</p>
Serie 40.0		Serie 38.0	
Total 88.0		Total 126.0	

<p>Pröv</p> 	<p>1: 9.0 ↖</p> <p>2: 9.9 ↑</p> <p>3: 10.3 ↑</p>	<p>4. Serie 5 Skott</p> 	<p>1: 9.9 ↑</p> <p>2: 10.4 ↑</p> <p>3: 10.3 ↖</p> <p>4: 10.2 ←</p> <p>5: 9.8 ←</p>
Serie 28.0		Serie 48.0	
Total 126.0		Total 174.0	

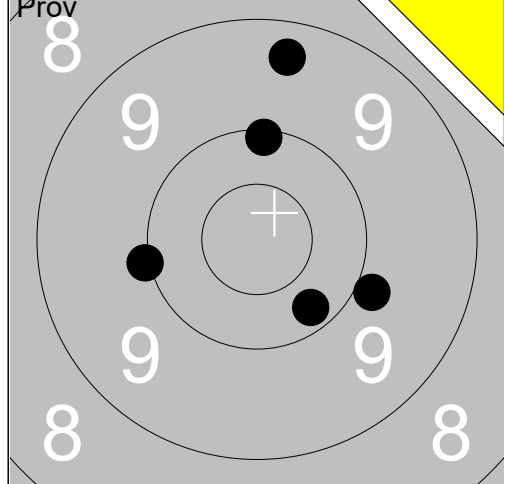
<p>6. Serie 5 Skott</p> 	<p>1: 7.4 ↖</p> <p>2: 8.1 ↗</p> <p>3: 8.5 ↓</p> <p>4: 9.7 ↖</p> <p>5: 8.4 ↖</p>		
Serie 40.0			
Total 214.0			

<p>Prov</p>	<table border="1" style="width:100%; border-collapse: collapse;"> <tr><td>1:</td><td>8.2</td><td>↘</td></tr> <tr><td>2:</td><td>10.4x</td><td>↗</td></tr> <tr><td>3:</td><td>10.6x</td><td>↘</td></tr> <tr><td>4:</td><td>8.6</td><td>↘</td></tr> <tr><td>5:</td><td>9.2</td><td>↘</td></tr> </table>	1:	8.2	↘	2:	10.4x	↗	3:	10.6x	↘	4:	8.6	↘	5:	9.2	↘	<p>1. Serie 5 Skott</p>	<table border="1" style="width:100%; border-collapse: collapse;"> <tr><td>1:</td><td>9.8</td><td>↗</td></tr> <tr><td>2:</td><td>10.0</td><td>←</td></tr> <tr><td>3:</td><td>9.8</td><td>↗</td></tr> <tr><td>4:</td><td>8.2</td><td>←</td></tr> <tr><td>5:</td><td>9.7</td><td>↗</td></tr> </table>	1:	9.8	↗	2:	10.0	←	3:	9.8	↗	4:	8.2	←	5:	9.7	↗
1:	8.2	↘																															
2:	10.4x	↗																															
3:	10.6x	↘																															
4:	8.6	↘																															
5:	9.2	↘																															
1:	9.8	↗																															
2:	10.0	←																															
3:	9.8	↗																															
4:	8.2	←																															
5:	9.7	↗																															
<table border="1" style="width:100%; border-collapse: collapse;"> <tr><td style="width:80%;">Serie</td><td style="text-align: right;">45.0</td></tr> <tr><td>Total</td><td style="text-align: right;">0.0</td></tr> </table>		Serie	45.0	Total	0.0	<table border="1" style="width:100%; border-collapse: collapse;"> <tr><td style="width:80%;">Serie</td><td style="text-align: right;">45.0</td></tr> <tr><td>Total</td><td style="text-align: right;">45.0</td></tr> </table>		Serie	45.0	Total	45.0																						
Serie	45.0																																
Total	0.0																																
Serie	45.0																																
Total	45.0																																

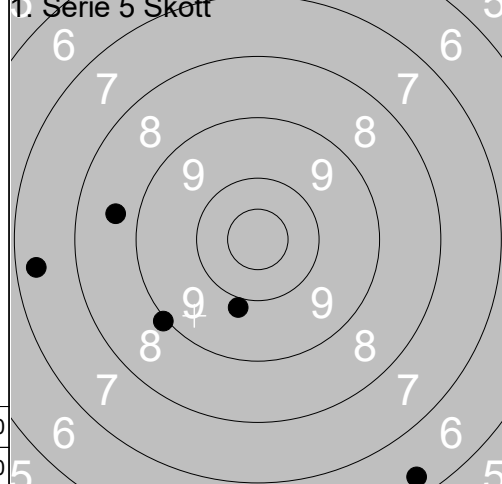
<p>2. Serie 5 Skott</p>	<table border="1" style="width:100%; border-collapse: collapse;"> <tr><td>1:</td><td>8.8</td><td>↘</td></tr> <tr><td>2:</td><td>10.3</td><td>→</td></tr> <tr><td>3:</td><td>10.6x</td><td>↗</td></tr> <tr><td>4:</td><td>9.6</td><td>↘</td></tr> <tr><td>5:</td><td>6.2</td><td>↗</td></tr> </table>	1:	8.8	↘	2:	10.3	→	3:	10.6x	↗	4:	9.6	↘	5:	6.2	↗	<p>3. Serie 5 Skott</p>	<table border="1" style="width:100%; border-collapse: collapse;"> <tr><td>1:</td><td>8.1</td><td>↘</td></tr> <tr><td>2:</td><td>8.4</td><td>→</td></tr> <tr><td>3:</td><td>10.1</td><td>↗</td></tr> <tr><td>4:</td><td>7.5</td><td>↗</td></tr> <tr><td>5:</td><td>10.2</td><td>←</td></tr> </table>	1:	8.1	↘	2:	8.4	→	3:	10.1	↗	4:	7.5	↗	5:	10.2	←
1:	8.8	↘																															
2:	10.3	→																															
3:	10.6x	↗																															
4:	9.6	↘																															
5:	6.2	↗																															
1:	8.1	↘																															
2:	8.4	→																															
3:	10.1	↗																															
4:	7.5	↗																															
5:	10.2	←																															
<table border="1" style="width:100%; border-collapse: collapse;"> <tr><td style="width:80%;">Serie</td><td style="text-align: right;">43.0</td></tr> <tr><td>Total</td><td style="text-align: right;">88.0</td></tr> </table>		Serie	43.0	Total	88.0	<table border="1" style="width:100%; border-collapse: collapse;"> <tr><td style="width:80%;">Serie</td><td style="text-align: right;">43.0</td></tr> <tr><td>Total</td><td style="text-align: right;">131.0</td></tr> </table>		Serie	43.0	Total	131.0																						
Serie	43.0																																
Total	88.0																																
Serie	43.0																																
Total	131.0																																

<p>Prov</p>	<table border="1" style="width:100%; border-collapse: collapse;"> <tr><td>1:</td><td>9.3</td><td>↘</td></tr> <tr><td>2:</td><td>7.8</td><td>↘</td></tr> <tr><td>3:</td><td>8.3</td><td>↘</td></tr> </table>	1:	9.3	↘	2:	7.8	↘	3:	8.3	↘	<p>5. Serie 5 Skott</p>	<table border="1" style="width:100%; border-collapse: collapse;"> <tr><td>1:</td><td>7.9</td><td>↗</td></tr> <tr><td>2:</td><td>10.4</td><td>←</td></tr> <tr><td>3:</td><td>8.6</td><td>↗</td></tr> <tr><td>4:</td><td>9.1</td><td>↖</td></tr> <tr><td>5:</td><td>7.5</td><td>↗</td></tr> </table>	1:	7.9	↗	2:	10.4	←	3:	8.6	↗	4:	9.1	↖	5:	7.5	↗
1:	9.3	↘																									
2:	7.8	↘																									
3:	8.3	↘																									
1:	7.9	↗																									
2:	10.4	←																									
3:	8.6	↗																									
4:	9.1	↖																									
5:	7.5	↗																									
<table border="1" style="width:100%; border-collapse: collapse;"> <tr><td style="width:80%;">Serie</td><td style="text-align: right;">24.0</td></tr> <tr><td>Total</td><td style="text-align: right;">131.0</td></tr> </table>		Serie	24.0	Total	131.0	<table border="1" style="width:100%; border-collapse: collapse;"> <tr><td style="width:80%;">Serie</td><td style="text-align: right;">41.0</td></tr> <tr><td>Total</td><td style="text-align: right;">172.0</td></tr> </table>		Serie	41.0	Total	172.0																
Serie	24.0																										
Total	131.0																										
Serie	41.0																										
Total	172.0																										

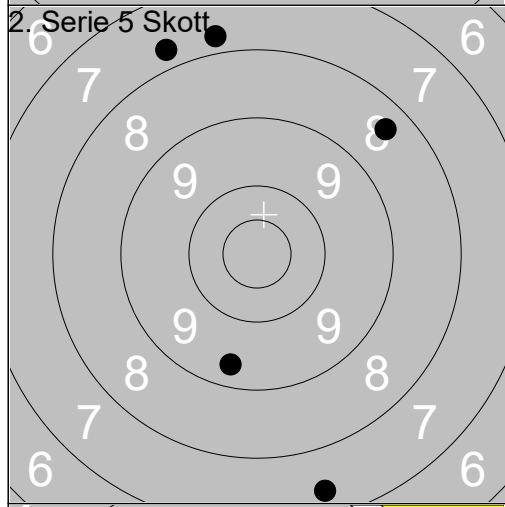
<p>2. Serie 5 Skott</p>	<table border="1" style="width:100%; border-collapse: collapse;"> <tr><td>1:</td><td>6.3</td><td>↗</td></tr> <tr><td>2:</td><td>6.3</td><td>↗</td></tr> <tr><td>3:</td><td>9.7</td><td>↗</td></tr> <tr><td>4:</td><td>7.6</td><td>↘</td></tr> <tr><td>5:</td><td>4.8</td><td>←</td></tr> </table>	1:	6.3	↗	2:	6.3	↗	3:	9.7	↗	4:	7.6	↘	5:	4.8	←		
1:	6.3	↗																
2:	6.3	↗																
3:	9.7	↗																
4:	7.6	↘																
5:	4.8	←																
<table border="1" style="width:100%; border-collapse: collapse;"> <tr><td style="width:80%;">Serie</td><td style="text-align: right;">32.0</td></tr> <tr><td>Total</td><td style="text-align: right;">204.0</td></tr> </table>		Serie	32.0	Total	204.0													
Serie	32.0																	
Total	204.0																	



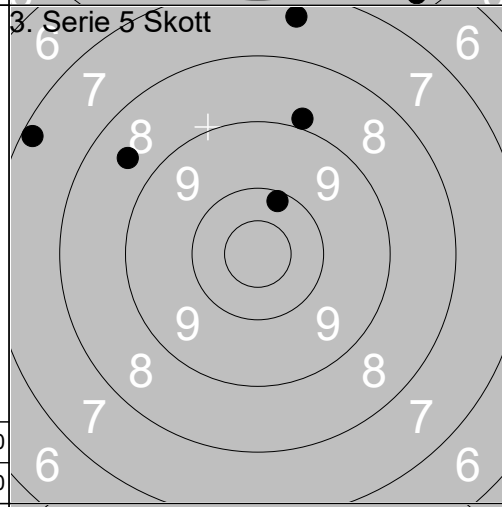
1:	10.1	↑
2:	9.4	↑
3:	10.2	↓
4:	9.9	→
5:	10.0	←
Serie		48.0
Total		0.0



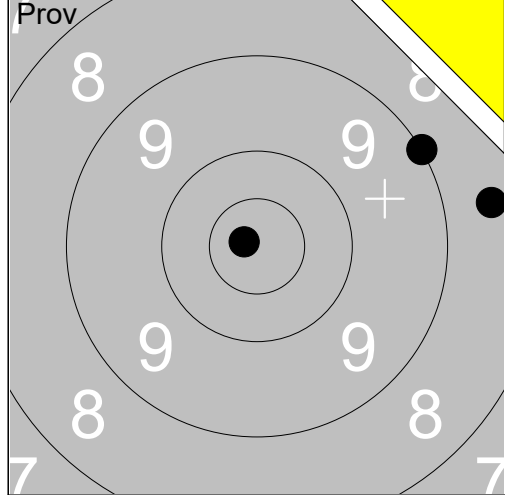
1:	9.0	↙
2:	8.7	←
3:	7.4	←
4:	6.3	↓
5:	9.9	↓
Serie		39.0
Total		39.0



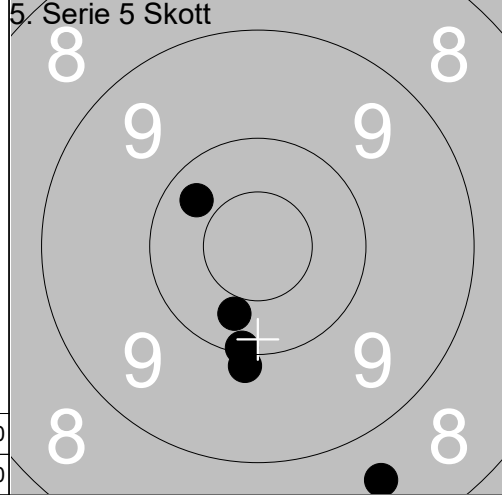
1:	8.4	↗
2:	7.4	↓
3:	9.4	↓
4:	7.8	↑
5:	7.7	↑
Serie		38.0
Total		77.0



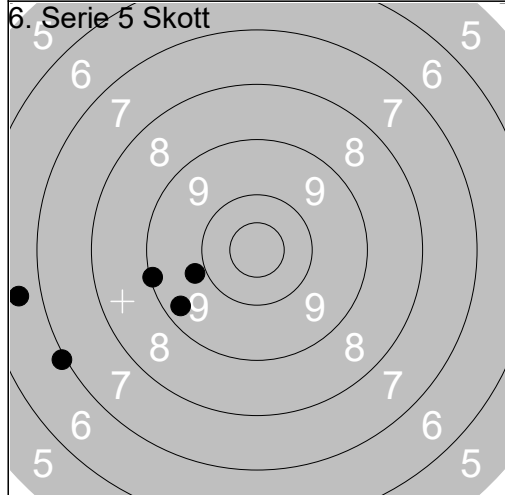
1:	7.2	↖
2:	8.6	↖
3:	8.9	↑
4:	7.4	↑
5:	10.2	↑
Serie		40.0
Total		117.0



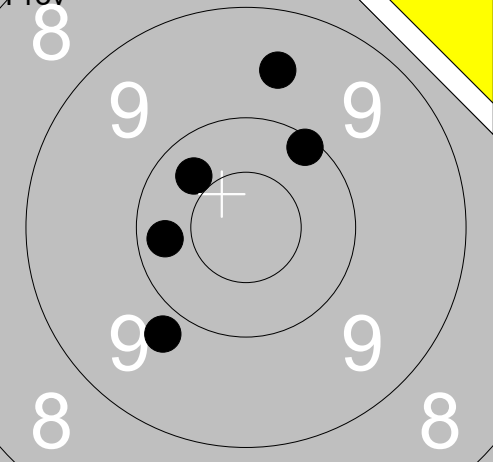
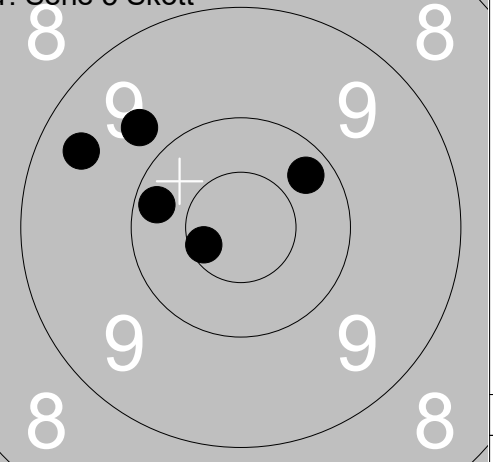
1:	9.0	↗
2:	8.5	→
3:	10.8x	←
Serie		27.0
Total		117.0

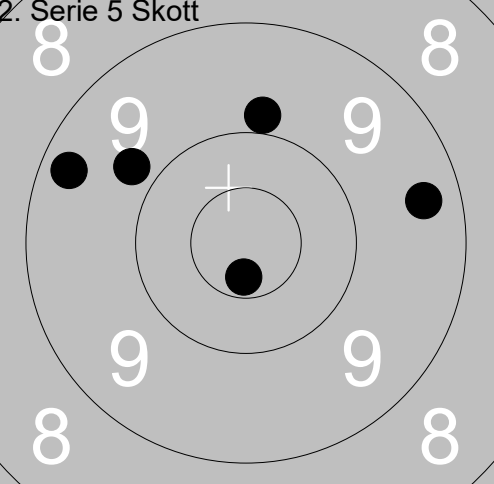
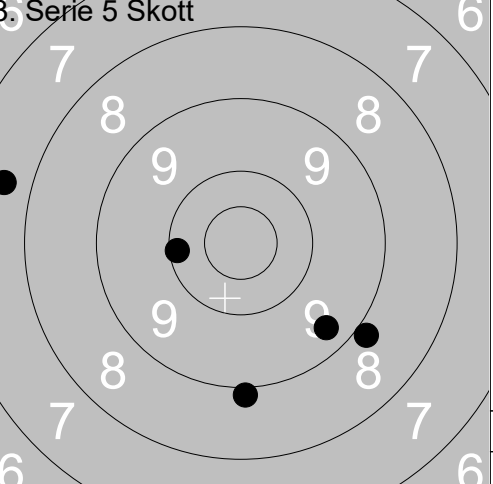


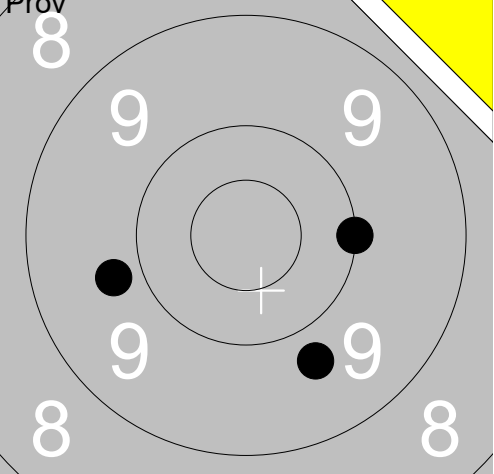
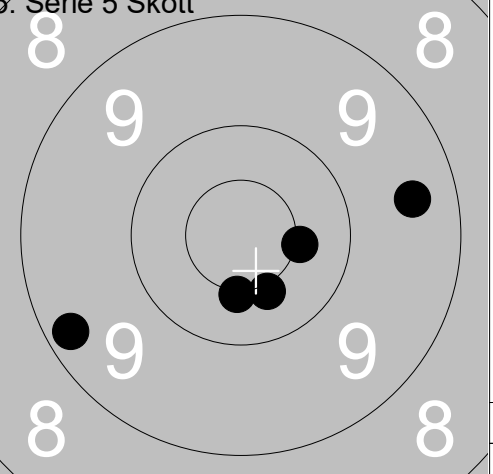
1:	8.6	↓
2:	9.9	↓
3:	10.3	↖
4:	10.1	↓
5:	10.3	↓
Serie		47.0
Total		164.0

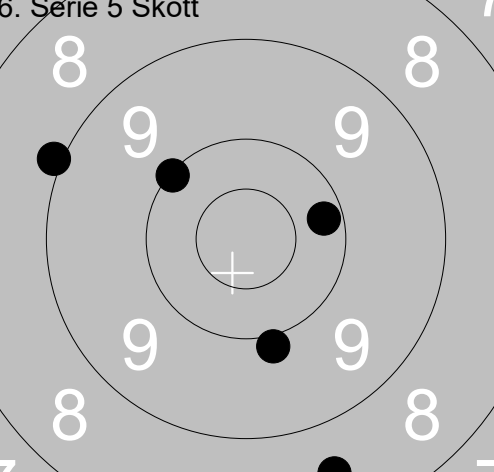


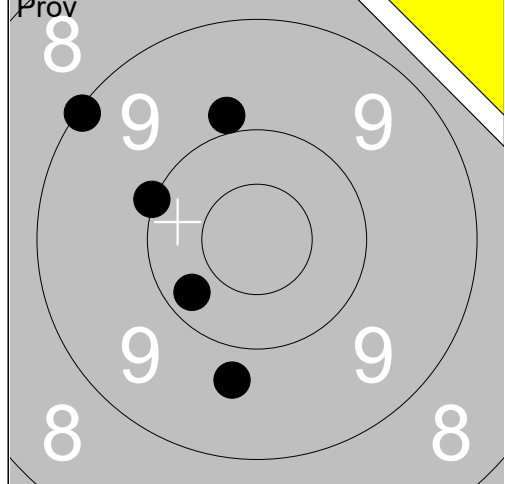
1:	9.8	←
2:	6.6	←
3:	7.0	←
4:	9.1	←
5:	9.3	↙
Serie		40.0
Total		204.0

<p>Prov</p> 	<p>1: 9.6 ↑</p> <p>2: 9.8 ↓</p> <p>3: 10.3 ←</p> <p>4: 10.3 ↗</p> <p>5: 10.1 ↗</p>	<p>1. Serie 5 Skott</p> 	<p>1: 10.2 ←</p> <p>2: 9.4 ↖</p> <p>3: 10.2 ↗</p> <p>4: 9.7 ↗</p> <p>5: 10.6x ←</p>
Serie 48.0	Total 0.0	Serie 48.0	Total 48.0

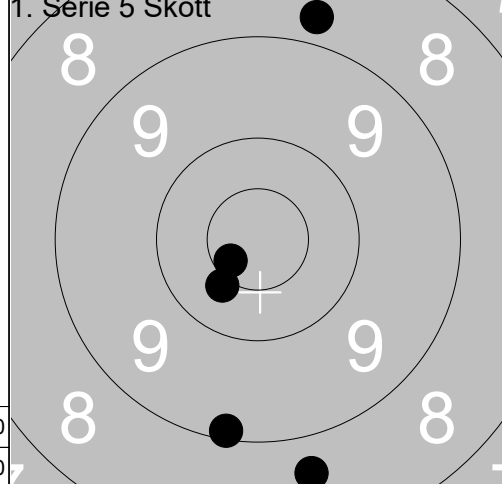
<p>2. Serie 5 Skott</p> 	<p>1: 9.8 ↖</p> <p>2: 9.4 →</p> <p>3: 10.7x ↓</p> <p>4: 9.9 ↑</p> <p>5: 9.3 ↖</p>	<p>3. Serie 5 Skott</p> 	<p>1: 7.6 ←</p> <p>2: 9.4 ↓</p> <p>3: 10.1 ←</p> <p>4: 8.9 ↓</p> <p>5: 8.9 ↓</p>
Serie 46.0	Total 94.0	Serie 42.0	Total 136.0

<p>Prov</p> 	<p>1: 10.0 →</p> <p>2: 9.8 ←</p> <p>3: 9.7 ↓</p>	<p>4. Serie 5 Skott</p> 	<p>1: 10.4x →</p> <p>2: 9.3 ↖</p> <p>3: 10.4x ↓</p> <p>4: 9.4 →</p> <p>5: 10.5x ↓</p>
Serie 28.0	Total 136.0	Serie 48.0	Total 184.0

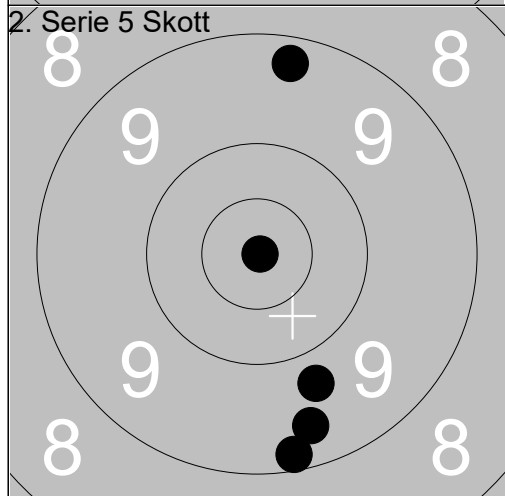
<p>6. Serie 5 Skott</p> 	<p>1: 10.0 ↗</p> <p>2: 8.5 ↓</p> <p>3: 8.9 ↗</p> <p>4: 10.2 →</p> <p>5: 9.9 ↓</p>		
Serie 45.0	Total 229.0		



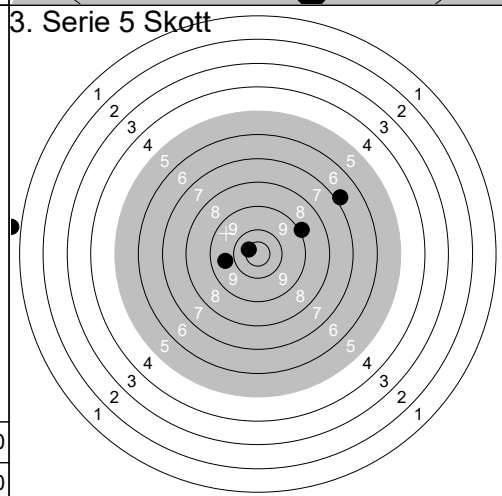
1:	9.1	↖
2:	9.9	↑
3:	9.7	↓
4:	10.2	↙
5:	10.0	↖
Serie		47.0
Total		0.0



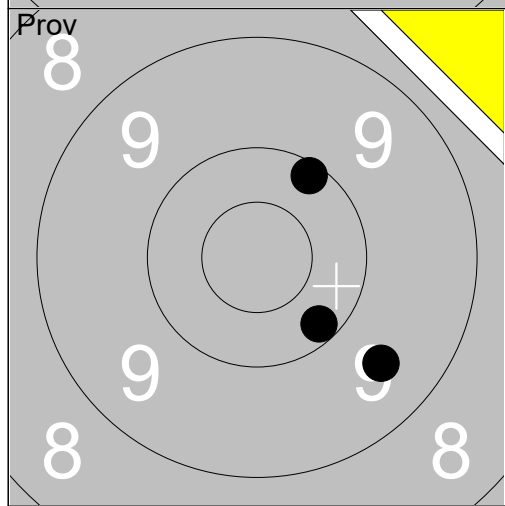
1:	9.1	↓
2:	8.8	↑
3:	10.4x	↙
4:	8.7	↓
5:	10.6x	↙
Serie		45.0
Total		45.0



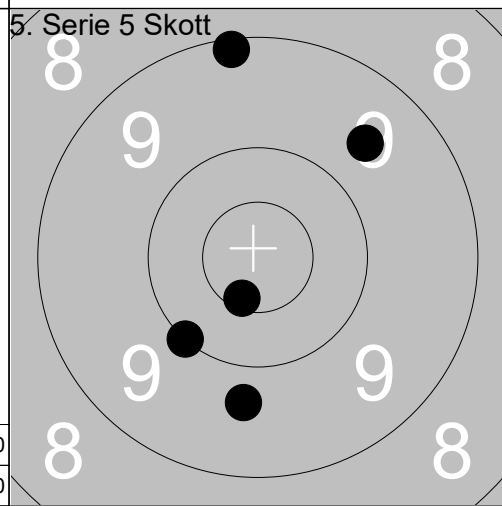
1:	9.4	↓
2:	10.9x	→
3:	9.2	↓
4:	9.7	↓
5:	9.3	↑
Serie		46.0
Total		91.0



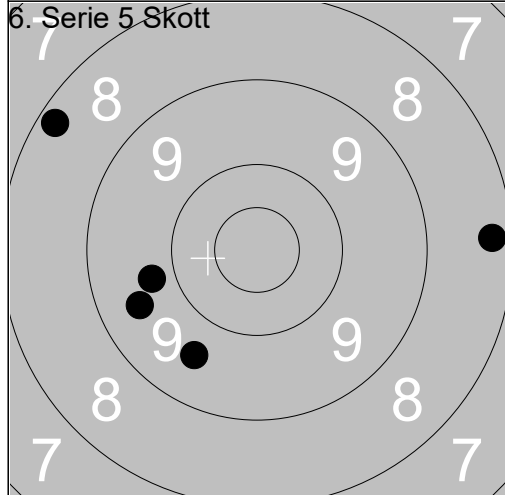
1:	8.9	↗
2:	10.6x	↖
3:	9.6	←
4:	6.8	↗
5:	0.0	←
Serie		33.0
Total		124.0



1:	9.5	↘
2:	10.1	↗
3:	10.2	↘
Serie		29.0
Total		124.0



1:	9.7	↓
2:	10.6x	↓
3:	9.6	↗
4:	10.0	↙
5:	9.1	↑
Serie		47.0
Total		171.0



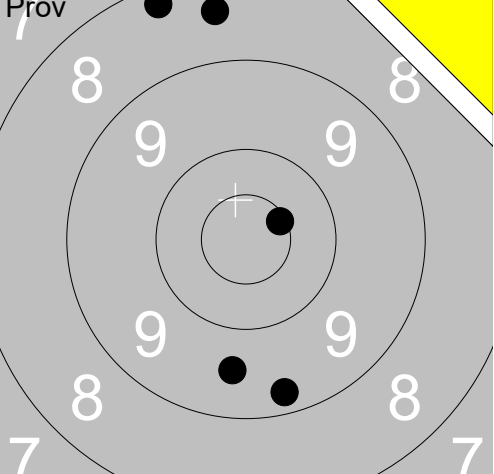
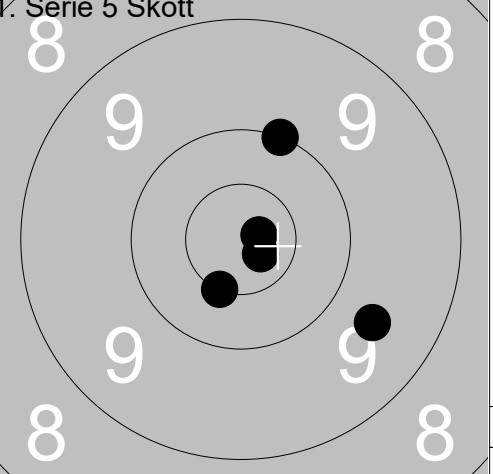
1:	9.5	←
2:	9.6	↘
3:	9.8	←
4:	8.3	→
5:	8.2	↗
Serie		43.0
Total		214.0

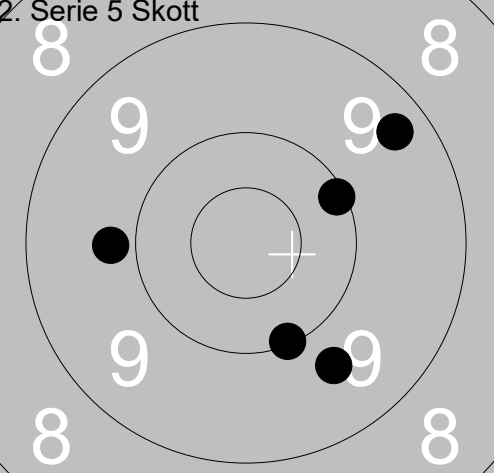
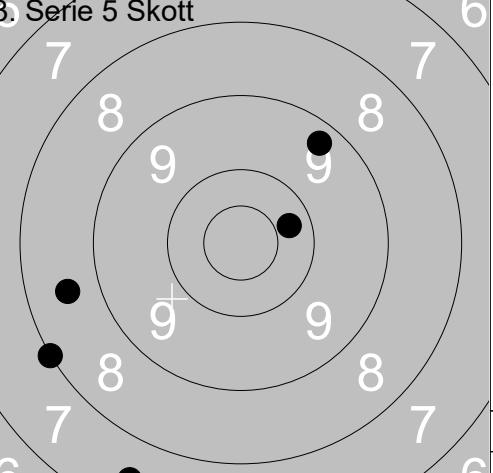
<p>Prov</p>	<table border="1" style="width:100%; border-collapse: collapse;"> <tr><td>1:</td><td>9.5</td><td>↙</td></tr> <tr><td>2:</td><td>8.9</td><td>↙</td></tr> <tr><td>3:</td><td>9.8</td><td>↗</td></tr> <tr><td>4:</td><td>8.2</td><td>↗</td></tr> <tr><td>5:</td><td>10.1</td><td>↙</td></tr> </table>	1:	9.5	↙	2:	8.9	↙	3:	9.8	↗	4:	8.2	↗	5:	10.1	↙	<p>1. Serie 5 Skott</p> <table border="1" style="width:100%; border-collapse: collapse;"> <tr><td>1:</td><td>10.8x</td><td>↓</td></tr> <tr><td>2:</td><td>9.3</td><td>↓</td></tr> <tr><td>3:</td><td>9.1</td><td>↓</td></tr> <tr><td>4:</td><td>10.4x</td><td>→</td></tr> <tr><td>5:</td><td>9.7</td><td>↗</td></tr> </table>	1:	10.8x	↓	2:	9.3	↓	3:	9.1	↓	4:	10.4x	→	5:	9.7	↗
1:	9.5	↙																														
2:	8.9	↙																														
3:	9.8	↗																														
4:	8.2	↗																														
5:	10.1	↙																														
1:	10.8x	↓																														
2:	9.3	↓																														
3:	9.1	↓																														
4:	10.4x	→																														
5:	9.7	↗																														
<table border="1" style="width:100%; border-collapse: collapse;"> <tr><td style="width:80%;">Serie</td><td style="text-align: right;">44.0</td></tr> <tr><td>Total</td><td style="text-align: right;">0.0</td></tr> </table>		Serie	44.0	Total	0.0	<table border="1" style="width:100%; border-collapse: collapse;"> <tr><td style="width:80%;">Serie</td><td style="text-align: right;">47.0</td></tr> <tr><td>Total</td><td style="text-align: right;">47.0</td></tr> </table>	Serie	47.0	Total	47.0																						
Serie	44.0																															
Total	0.0																															
Serie	47.0																															
Total	47.0																															

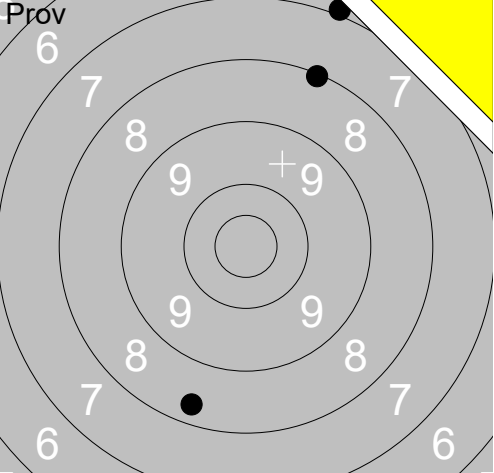
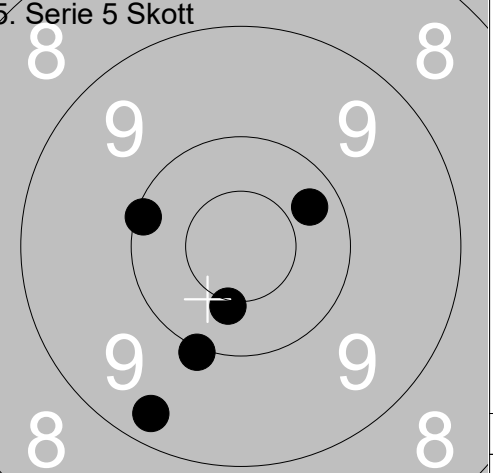
<p>2. Serie 5 Skott</p>	<table border="1" style="width:100%; border-collapse: collapse;"> <tr><td>1:</td><td>10.1</td><td>↗</td></tr> <tr><td>2:</td><td>10.9x</td><td>→</td></tr> <tr><td>3:</td><td>10.8x</td><td>→</td></tr> <tr><td>4:</td><td>10.3</td><td>↗</td></tr> <tr><td>5:</td><td>10.2</td><td>↓</td></tr> </table>	1:	10.1	↗	2:	10.9x	→	3:	10.8x	→	4:	10.3	↗	5:	10.2	↓	<p>3. Serie 5 Skott</p> <table border="1" style="width:100%; border-collapse: collapse;"> <tr><td>1:</td><td>7.3</td><td>↗</td></tr> <tr><td>2:</td><td>10.2</td><td>↗</td></tr> <tr><td>3:</td><td>10.0</td><td>↓</td></tr> <tr><td>4:</td><td>6.2</td><td>↗</td></tr> <tr><td>5:</td><td>9.9</td><td>→</td></tr> </table>	1:	7.3	↗	2:	10.2	↗	3:	10.0	↓	4:	6.2	↗	5:	9.9	→
1:	10.1	↗																														
2:	10.9x	→																														
3:	10.8x	→																														
4:	10.3	↗																														
5:	10.2	↓																														
1:	7.3	↗																														
2:	10.2	↗																														
3:	10.0	↓																														
4:	6.2	↗																														
5:	9.9	→																														
<table border="1" style="width:100%; border-collapse: collapse;"> <tr><td style="width:80%;">Serie</td><td style="text-align: right;">50.0</td></tr> <tr><td>Total</td><td style="text-align: right;">97.0</td></tr> </table>		Serie	50.0	Total	97.0	<table border="1" style="width:100%; border-collapse: collapse;"> <tr><td style="width:80%;">Serie</td><td style="text-align: right;">42.0</td></tr> <tr><td>Total</td><td style="text-align: right;">139.0</td></tr> </table>	Serie	42.0	Total	139.0																						
Serie	50.0																															
Total	97.0																															
Serie	42.0																															
Total	139.0																															

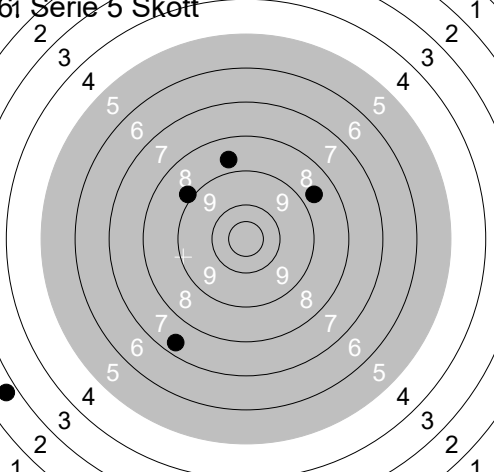
<p>Prov</p>	<table border="1" style="width:100%; border-collapse: collapse;"> <tr><td>1:</td><td>8.8</td><td>↗</td></tr> <tr><td>2:</td><td>9.8</td><td>↙</td></tr> <tr><td>3:</td><td>10.2</td><td>↗</td></tr> </table>	1:	8.8	↗	2:	9.8	↙	3:	10.2	↗	<p>5. Serie 5 Skott</p> <table border="1" style="width:100%; border-collapse: collapse;"> <tr><td>1:</td><td>10.3</td><td>→</td></tr> <tr><td>2:</td><td>9.3</td><td>↓</td></tr> <tr><td>3:</td><td>10.2</td><td>↓</td></tr> <tr><td>4:</td><td>10.0</td><td>↓</td></tr> <tr><td>5:</td><td>8.3</td><td>↓</td></tr> </table>	1:	10.3	→	2:	9.3	↓	3:	10.2	↓	4:	10.0	↓	5:	8.3	↓
1:	8.8	↗																								
2:	9.8	↙																								
3:	10.2	↗																								
1:	10.3	→																								
2:	9.3	↓																								
3:	10.2	↓																								
4:	10.0	↓																								
5:	8.3	↓																								
<table border="1" style="width:100%; border-collapse: collapse;"> <tr><td style="width:80%;">Serie</td><td style="text-align: right;">27.0</td></tr> <tr><td>Total</td><td style="text-align: right;">139.0</td></tr> </table>		Serie	27.0	Total	139.0	<table border="1" style="width:100%; border-collapse: collapse;"> <tr><td style="width:80%;">Serie</td><td style="text-align: right;">47.0</td></tr> <tr><td>Total</td><td style="text-align: right;">186.0</td></tr> </table>	Serie	47.0	Total	186.0																
Serie	27.0																									
Total	139.0																									
Serie	47.0																									
Total	186.0																									

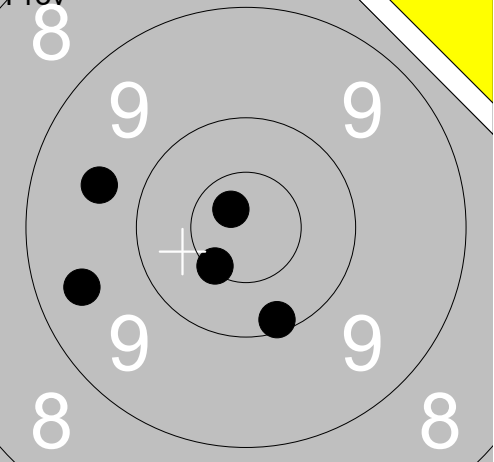
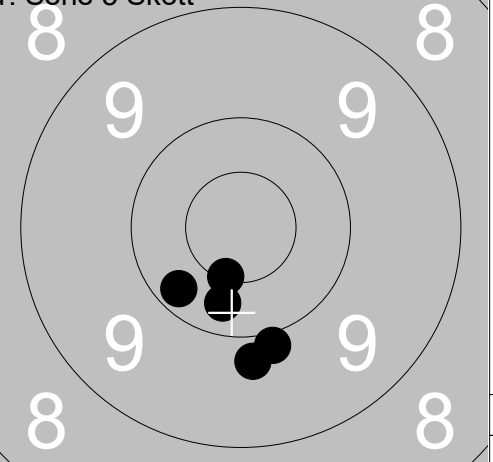
<p>6. Serie 5 Skott</p>	<table border="1" style="width:100%; border-collapse: collapse;"> <tr><td>1:</td><td>9.3</td><td>↗</td></tr> <tr><td>2:</td><td>8.5</td><td>↓</td></tr> <tr><td>3:</td><td>10.8x</td><td>↙</td></tr> <tr><td>4:</td><td>9.4</td><td>↘</td></tr> <tr><td>5:</td><td>7.3</td><td>↗</td></tr> </table>	1:	9.3	↗	2:	8.5	↓	3:	10.8x	↙	4:	9.4	↘	5:	7.3	↗	
1:	9.3	↗															
2:	8.5	↓															
3:	10.8x	↙															
4:	9.4	↘															
5:	7.3	↗															
<table border="1" style="width:100%; border-collapse: collapse;"> <tr><td style="width:80%;">Serie</td><td style="text-align: right;">43.0</td></tr> <tr><td>Total</td><td style="text-align: right;">229.0</td></tr> </table>		Serie	43.0	Total	229.0												
Serie	43.0																
Total	229.0																

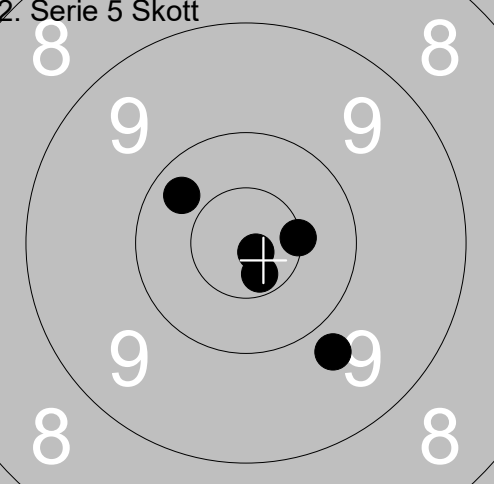
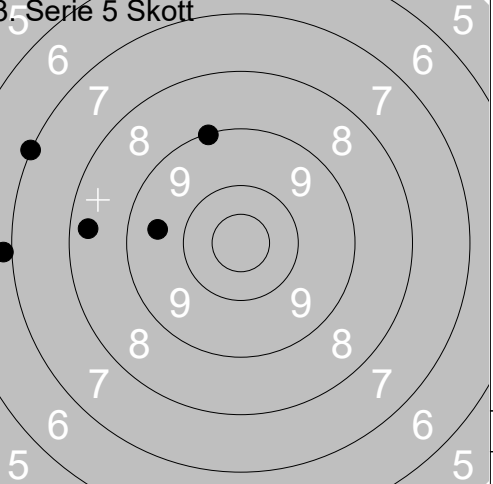
<p>Prov</p> 	<table border="1" style="width:100%; border-collapse: collapse;"> <tr><td>1:</td><td>8.5</td><td>↑</td></tr> <tr><td>2:</td><td>8.2</td><td>↑</td></tr> <tr><td>3:</td><td>10.5x</td><td>→</td></tr> <tr><td>4:</td><td>9.6</td><td>↓</td></tr> <tr><td>5:</td><td>9.3</td><td>↓</td></tr> <tr><td colspan="2">Serie</td><td>44.0</td></tr> <tr><td colspan="2">Total</td><td>0.0</td></tr> </table>	1:	8.5	↑	2:	8.2	↑	3:	10.5x	→	4:	9.6	↓	5:	9.3	↓	Serie		44.0	Total		0.0	<p>1. Serie 5 Skott</p>  <table border="1" style="width:100%; border-collapse: collapse;"> <tr><td>1:</td><td>10.7x</td><td>↘</td></tr> <tr><td>2:</td><td>10.5x</td><td>↓</td></tr> <tr><td>3:</td><td>9.6</td><td>↘</td></tr> <tr><td>4:</td><td>10.8x</td><td>→</td></tr> <tr><td>5:</td><td>10.0</td><td>↑</td></tr> <tr><td colspan="2">Serie</td><td>49.0</td></tr> <tr><td colspan="2">Total</td><td>49.0</td></tr> </table>	1:	10.7x	↘	2:	10.5x	↓	3:	9.6	↘	4:	10.8x	→	5:	10.0	↑	Serie		49.0	Total		49.0
1:	8.5	↑																																										
2:	8.2	↑																																										
3:	10.5x	→																																										
4:	9.6	↓																																										
5:	9.3	↓																																										
Serie		44.0																																										
Total		0.0																																										
1:	10.7x	↘																																										
2:	10.5x	↓																																										
3:	9.6	↘																																										
4:	10.8x	→																																										
5:	10.0	↑																																										
Serie		49.0																																										
Total		49.0																																										

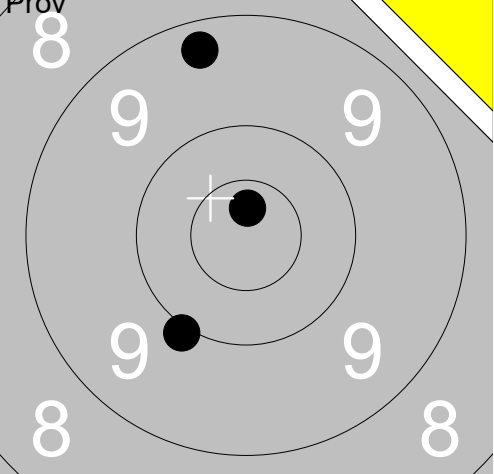
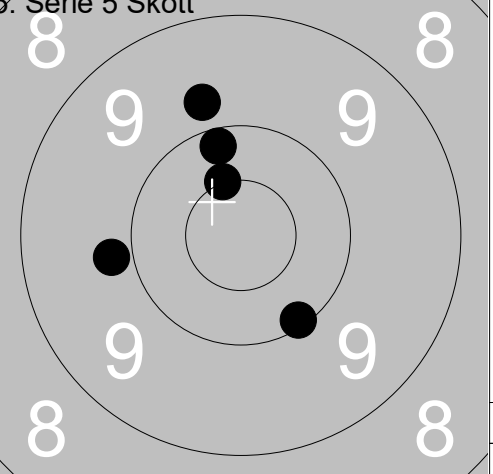
<p>2. Serie 5 Skott</p>  <table border="1" style="width:100%; border-collapse: collapse;"> <tr><td>1:</td><td>10.1</td><td>→</td></tr> <tr><td>2:</td><td>9.7</td><td>↓</td></tr> <tr><td>3:</td><td>9.8</td><td>←</td></tr> <tr><td>4:</td><td>9.3</td><td>→</td></tr> <tr><td>5:</td><td>10.0</td><td>↓</td></tr> <tr><td colspan="2">Serie</td><td>47.0</td></tr> <tr><td colspan="2">Total</td><td>96.0</td></tr> </table>	1:	10.1	→	2:	9.7	↓	3:	9.8	←	4:	9.3	→	5:	10.0	↓	Serie		47.0	Total		96.0	<p>3. Serie 5 Skott</p>  <table border="1" style="width:100%; border-collapse: collapse;"> <tr><td>1:</td><td>7.5</td><td>↓</td></tr> <tr><td>2:</td><td>9.3</td><td>↗</td></tr> <tr><td>3:</td><td>8.6</td><td>←</td></tr> <tr><td>4:</td><td>8.0</td><td>↙</td></tr> <tr><td>5:</td><td>10.3</td><td>→</td></tr> <tr><td colspan="2">Serie</td><td>42.0</td></tr> <tr><td colspan="2">Total</td><td>138.0</td></tr> </table>	1:	7.5	↓	2:	9.3	↗	3:	8.6	←	4:	8.0	↙	5:	10.3	→	Serie		42.0	Total		138.0
1:	10.1	→																																									
2:	9.7	↓																																									
3:	9.8	←																																									
4:	9.3	→																																									
5:	10.0	↓																																									
Serie		47.0																																									
Total		96.0																																									
1:	7.5	↓																																									
2:	9.3	↗																																									
3:	8.6	←																																									
4:	8.0	↙																																									
5:	10.3	→																																									
Serie		42.0																																									
Total		138.0																																									

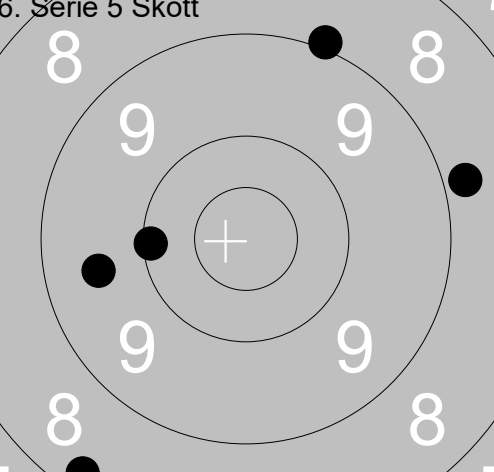
<p>Prov</p>  <table border="1" style="width:100%; border-collapse: collapse;"> <tr><td>1:</td><td>6.9</td><td>↑</td></tr> <tr><td>2:</td><td>8.1</td><td>↑</td></tr> <tr><td>3:</td><td>8.3</td><td>↓</td></tr> <tr><td colspan="2">Serie</td><td>22.0</td></tr> <tr><td colspan="2">Total</td><td>138.0</td></tr> </table>	1:	6.9	↑	2:	8.1	↑	3:	8.3	↓	Serie		22.0	Total		138.0	<p>5. Serie 5 Skott</p>  <table border="1" style="width:100%; border-collapse: collapse;"> <tr><td>1:</td><td>10.4x</td><td>↓</td></tr> <tr><td>2:</td><td>9.3</td><td>↓</td></tr> <tr><td>3:</td><td>10.0</td><td>↓</td></tr> <tr><td>4:</td><td>10.3</td><td>↗</td></tr> <tr><td>5:</td><td>10.1</td><td>←</td></tr> <tr><td colspan="2">Serie</td><td>49.0</td></tr> <tr><td colspan="2">Total</td><td>187.0</td></tr> </table>	1:	10.4x	↓	2:	9.3	↓	3:	10.0	↓	4:	10.3	↗	5:	10.1	←	Serie		49.0	Total		187.0
1:	6.9	↑																																			
2:	8.1	↑																																			
3:	8.3	↓																																			
Serie		22.0																																			
Total		138.0																																			
1:	10.4x	↓																																			
2:	9.3	↓																																			
3:	10.0	↓																																			
4:	10.3	↗																																			
5:	10.1	←																																			
Serie		49.0																																			
Total		187.0																																			

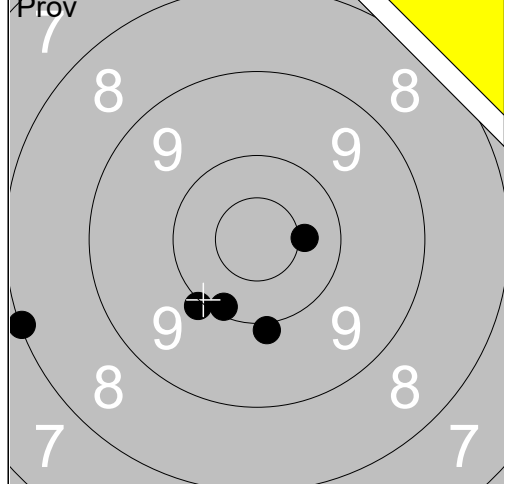
<p>6. Serie 5 Skott</p>  <table border="1" style="width:100%; border-collapse: collapse;"> <tr><td>1:</td><td>8.7</td><td>↗</td></tr> <tr><td>2:</td><td>7.4</td><td>↙</td></tr> <tr><td>3:</td><td>8.7</td><td>↑</td></tr> <tr><td>4:</td><td>8.9</td><td>↖</td></tr> <tr><td>5:</td><td>2.7</td><td>↙</td></tr> <tr><td colspan="2">Serie</td><td>33.0</td></tr> <tr><td colspan="2">Total</td><td>220.0</td></tr> </table>	1:	8.7	↗	2:	7.4	↙	3:	8.7	↑	4:	8.9	↖	5:	2.7	↙	Serie		33.0	Total		220.0		
1:	8.7	↗																					
2:	7.4	↙																					
3:	8.7	↑																					
4:	8.9	↖																					
5:	2.7	↙																					
Serie		33.0																					
Total		220.0																					

<p>Prov</p> 	<p>1. Serie 5 Skott</p> 	
1: 9.6 ↙ 2: 9.4 ← 3: 10.1 ↓ 4: 10.5x ↙ 5: 10.7x ↗	1: 10.2 ↙ 2: 9.8 ↓ 3: 10.5x ↓ 4: 10.3 ↓ 5: 9.9 ↓	
Serie 48.0 Total 0.0	Serie 48.0 Total 48.0	

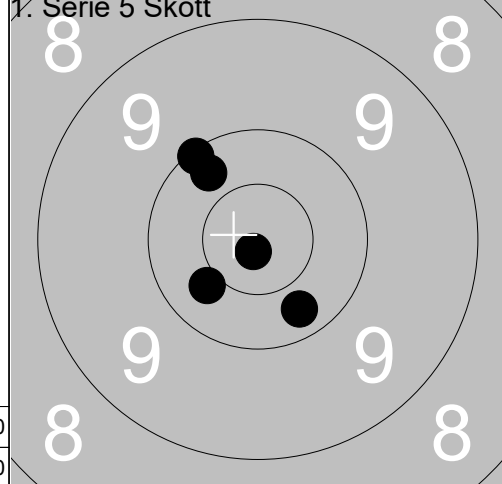
<p>2. Serie 5 Skott</p> 	<p>3. Serie 5 Skott</p> 	
1: 10.8x ↓ 2: 9.8 ↓ 3: 10.5x → 4: 10.3 ↗ 5: 10.7x ↓	1: 8.3 ← 2: 9.6 ← 3: 9.1 ↗ 4: 6.9 ← 5: 7.0 ↙	
Serie 49.0 Total 97.0	Serie 39.0 Total 136.0	

<p>Prov</p> 	<p>5. Serie 5 Skott</p> 	
1: 9.3 ↗ 2: 10.7x ↗ 3: 10.0 ↓	1: 9.8 ↗ 2: 9.8 ← 3: 10.1 ↓ 4: 10.5x ↗ 5: 10.2 ↗	
Serie 29.0 Total 136.0	Serie 48.0 Total 184.0	

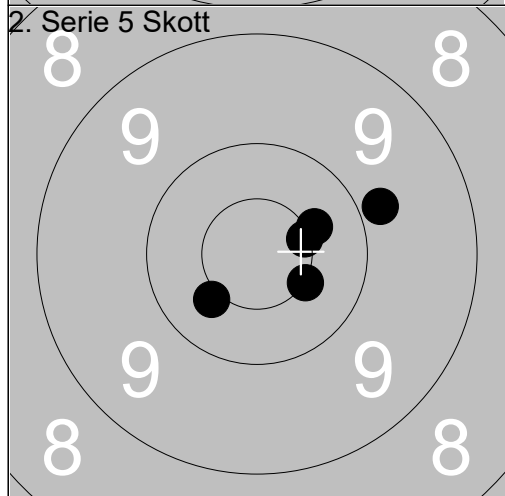
<p>6. Serie 5 Skott</p> 		
1: 8.8 → 2: 10.1 ← 3: 9.6 ← 4: 8.2 ↙ 5: 9.0 ↗		
Serie 44.0 Total 228.0		



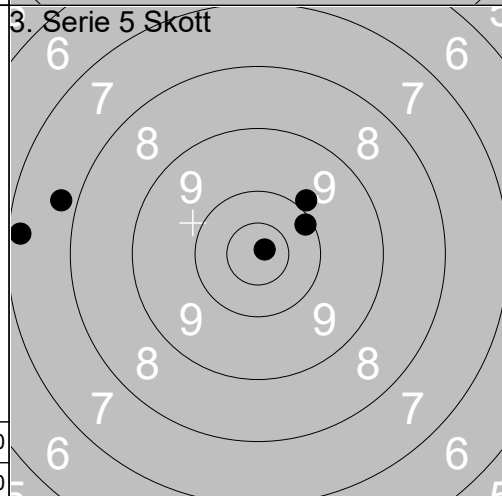
1:	8.0	←
2:	9.9	↓
3:	10.1	↓
4:	10.4x	→
5:	10.0	↓
Serie		47.0
Total		0.0



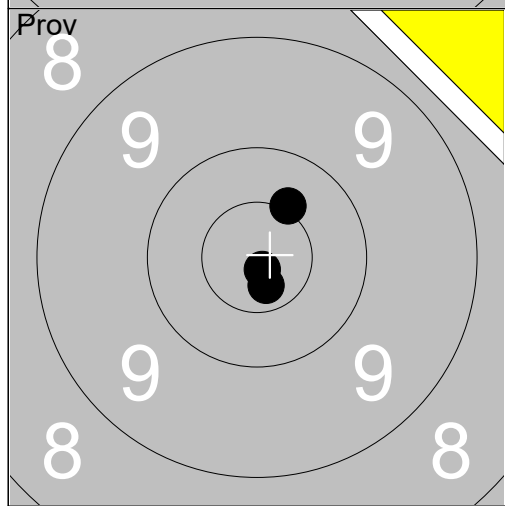
1:	10.8x	↓
2:	10.3	↗
3:	10.1	↗
4:	10.4	↙
5:	10.3	↓
Serie		50.0
Total		50.0



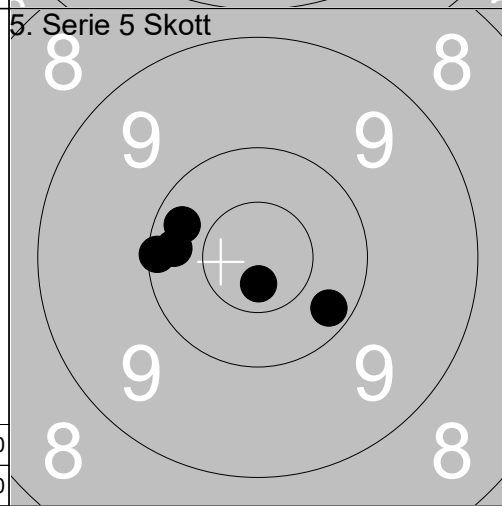
1:	10.5x	→
2:	10.4	↙
3:	10.5x	↘
4:	9.8	→
5:	10.4x	→
Serie		49.0
Total		99.0



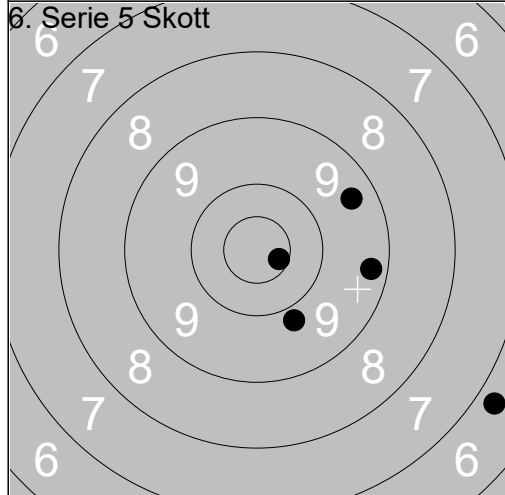
1:	10.8x	↗
2:	9.9	↗
3:	10.1	↗
4:	7.2	←
5:	7.8	←
Serie		43.0
Total		142.0



1:	10.4x	↗
2:	10.7x	↓
3:	10.8x	↓
Serie		30.0
Total		142.0



1:	10.1	←
2:	10.3	←
3:	10.2	←
4:	10.7x	↓
5:	10.2	↘
Serie		50.0
Total		192.0



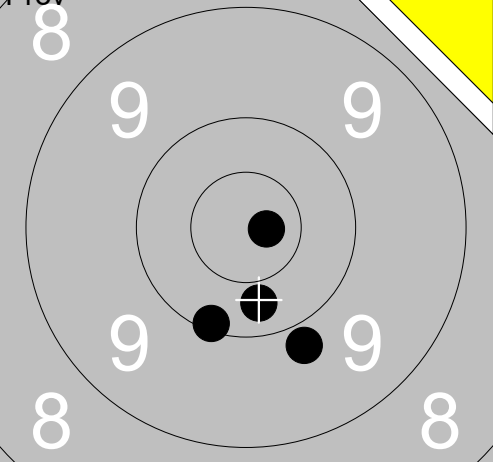
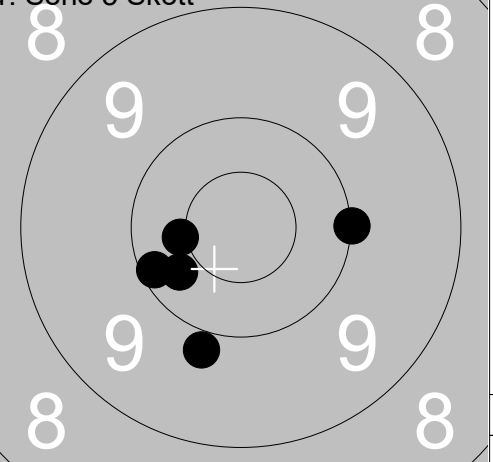
1:	9.8	↓
2:	10.6x	→
3:	9.4	↗
4:	6.8	↓
5:	9.3	→
Serie		43.0
Total		235.0

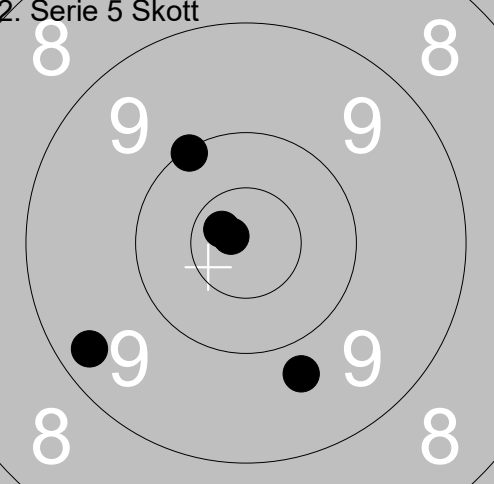
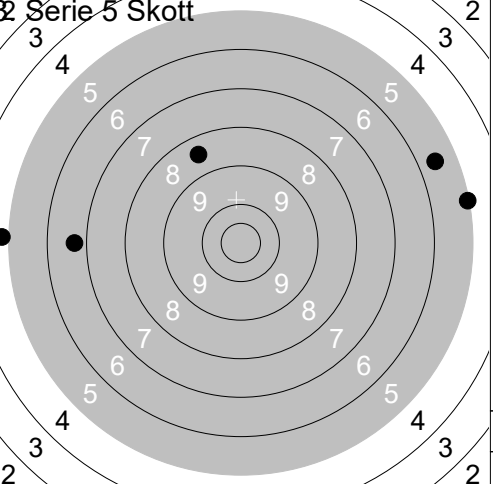
<p>Prov</p>	<p>1: 10.5x ↙ 2: 9.5 ← 3: 9.7 ↗ 4: 9.8 ↗ 5: 10.8x ↗</p>	<p>1. Serie 5 Skott</p>	<p>1: 10.7x → 2: 10.3 → 3: 10.3 → 4: 9.6 ↘ 5: 10.5x ↗</p>
Serie 47.0		Serie 49.0	
Total 0.0		Total 49.0	

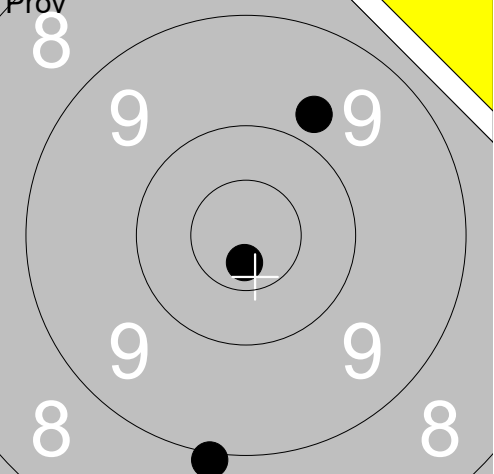
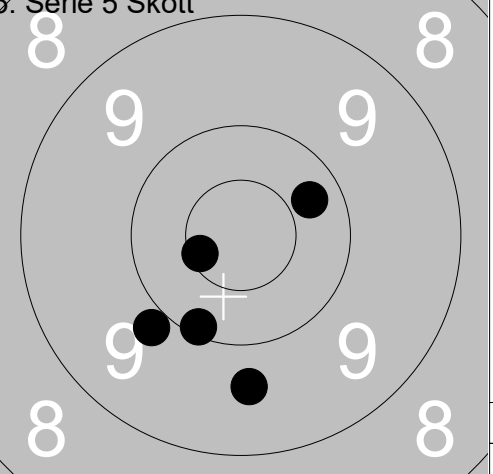
<p>2. Serie 5 Skott</p>	<p>1: 10.7x ← 2: 9.8 → 3: 9.7 → 4: 10.7x ↘ 5: 9.9 ↓</p>	<p>3. Serie 5 Skott</p>	<p>1: 9.8 ← 2: 9.1 → 3: 9.7 ↙ 4: 9.8 ↓ 5: 6.7 ↖</p>
Serie 47.0		Serie 42.0	
Total 96.0		Total 138.0	

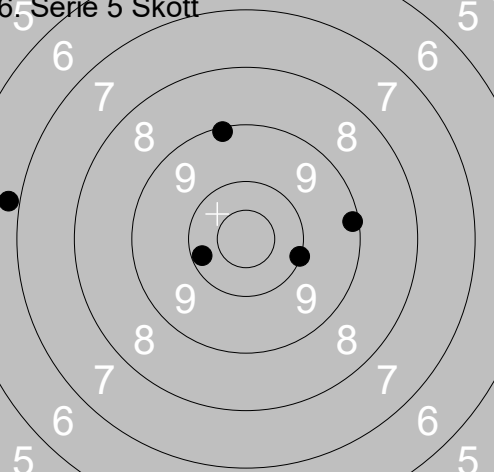
<p>Prov</p>	<p>1: 9.9 ← 2: 10.5x ↘ 3: 10.1 ←</p>	<p>5. Serie 5 Skott</p>	<p>1: 10.4 ↓ 2: 9.9 ↗ 3: 10.2 ↑ 4: 10.7x ↗ 5: 9.6 ←</p>
Serie 29.0		Serie 48.0	
Total 138.0		Total 186.0	

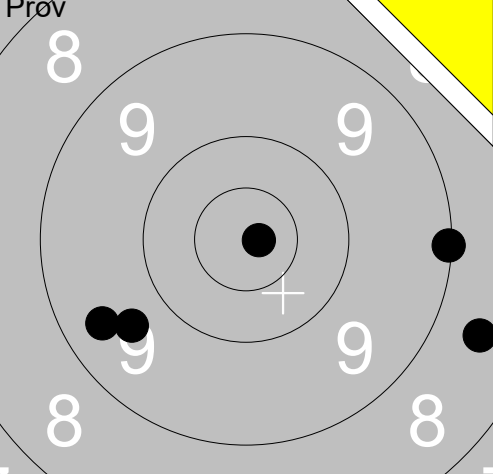
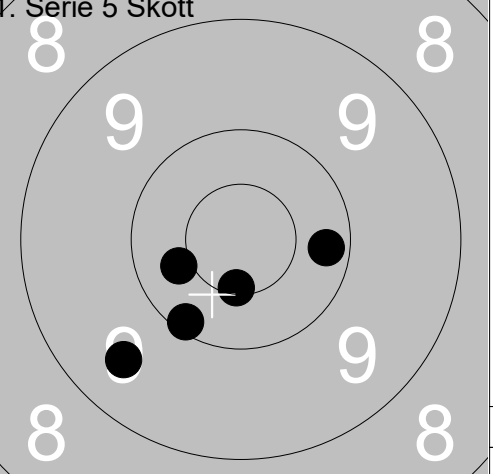
<p>6. Serie 5 Skott</p>	<p>1: 8.5 ↗ 2: 9.7 ↘ 3: 9.4 ↘ 4: 4.5 ↘ 5: 10.3 ↗</p>		
Serie 40.0			
Total 226.0			

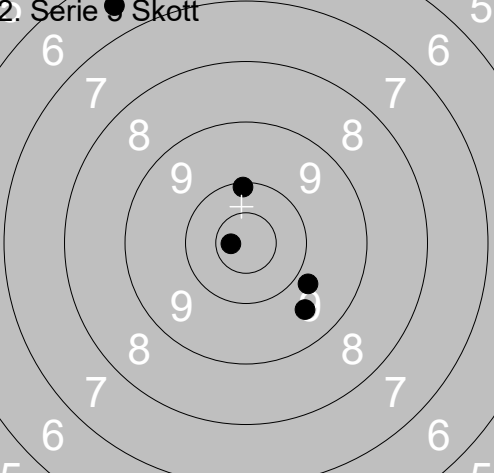
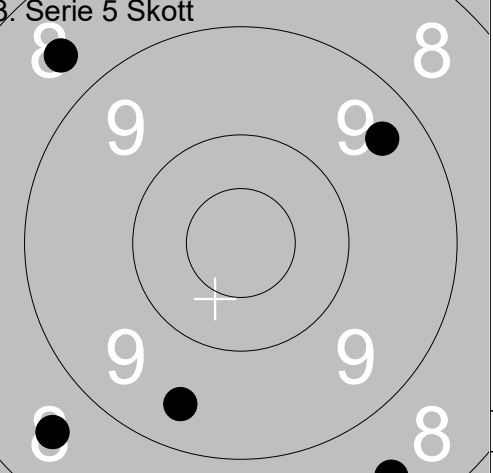
<p>Prov</p> 	<p>1: 9.8 ↘ 2: 10.8x → 3: 10.1 ↘ 4: 10.3 ↓</p>	<p>1. Serie 5 Skott</p> 	<p>1: 10.4x ← 2: 10.0 → 3: 10.3 ↙ 4: 9.9 ↓ 5: 10.1 ↙</p>
Serie 39.0		Serie 49.0	
Total 0.0		Total 49.0	

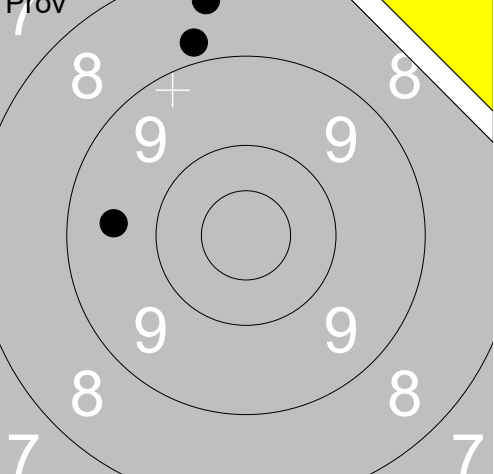
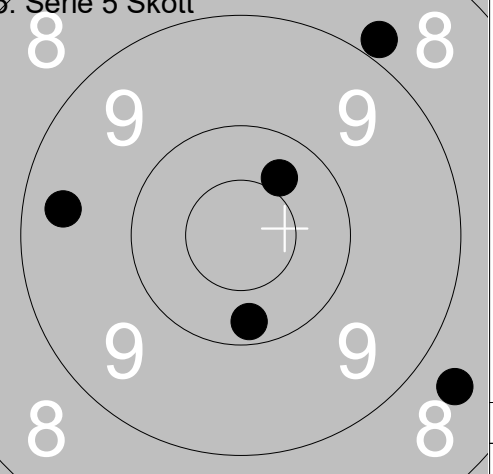
<p>2. Serie 5 Skott</p> 	<p>1: 10.7x ↖ 2: 10.1 ↗ 3: 9.7 ↓ 4: 9.3 ↙ 5: 10.8x ↖</p>	<p>3. Serie 5 Skott</p> 	<p>1: 4.8 ← 2: 6.7 ← 3: 8.5 ↗ 4: 5.6 ↗ 5: 5.1 →</p>
Serie 48.0		Serie 28.0	
Total 97.0		Total 125.0	

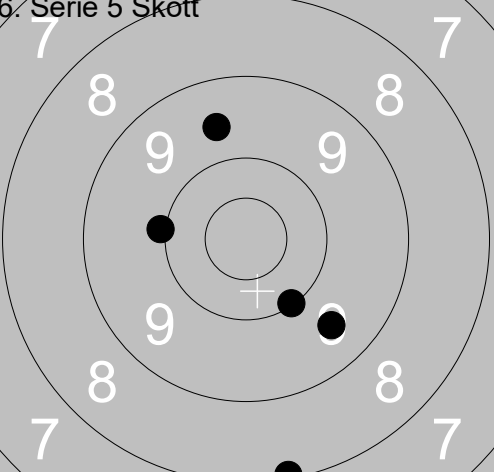
<p>Prov</p> 	<p>1: 9.8 ↗ 2: 9.0 ↓ 3: 10.7x ↓</p>	<p>4. Serie 5 Skott</p> 	<p>1: 9.9 ↙ 2: 10.6x ← 3: 9.7 ↓ 4: 10.3 ↗ 5: 10.1 ↓</p>
Serie 28.0		Serie 48.0	
Total 125.0		Total 173.0	

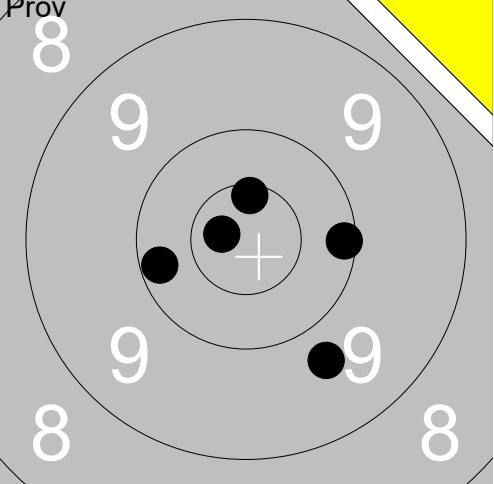
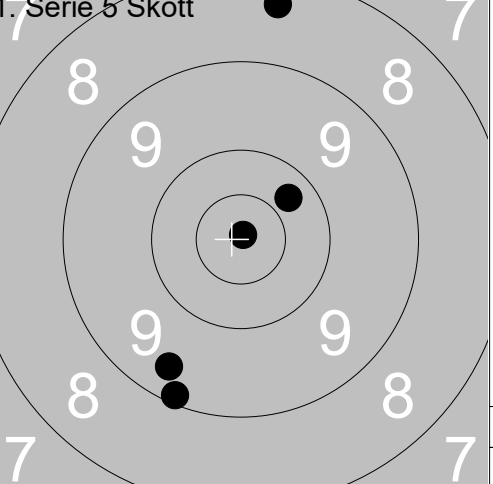
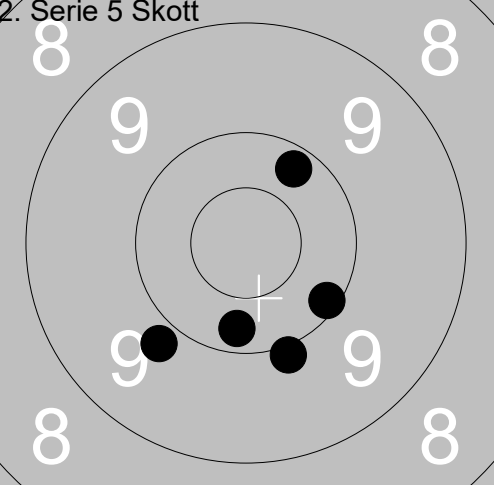
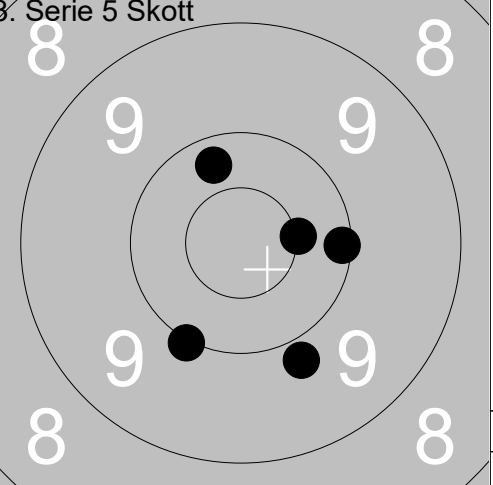
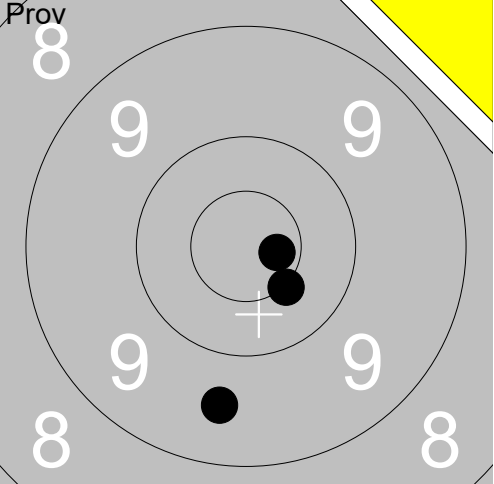
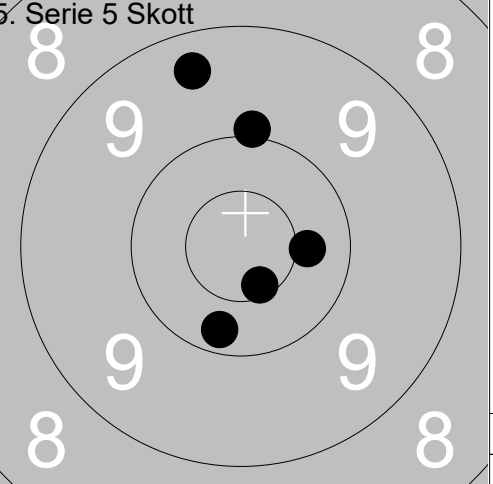
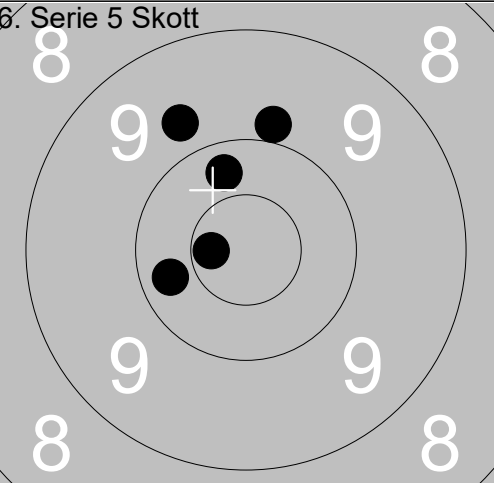
<p>5. Serie 5 Skott</p> 	<p>1: 6.8 ← 2: 10.0 → 3: 10.2 ← 4: 9.1 → 5: 9.1 ↗</p>		
Serie 44.0			
Total 217.0			

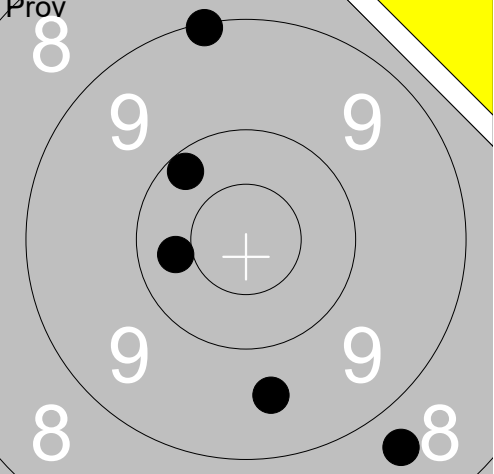
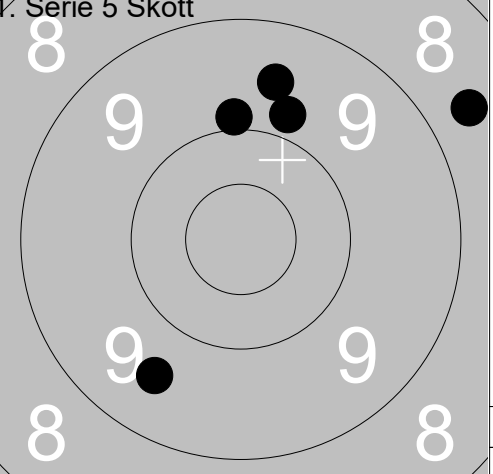
<p>Prøv</p>  <table border="1" style="width:100%; border-collapse: collapse;"> <tr><td>1:</td><td>10.8x</td><td>→</td></tr> <tr><td>2:</td><td>9.6</td><td>↙</td></tr> <tr><td>3:</td><td>8.6</td><td>↘</td></tr> <tr><td>4:</td><td>9.1</td><td>→</td></tr> <tr><td>5:</td><td>9.4</td><td>↙</td></tr> <tr><td colspan="2">Serie</td><td>45.0</td></tr> <tr><td colspan="2">Total</td><td>0.0</td></tr> </table>	1:	10.8x	→	2:	9.6	↙	3:	8.6	↘	4:	9.1	→	5:	9.4	↙	Serie		45.0	Total		0.0	<p>1. Serie 5 Skott</p>  <table border="1" style="width:100%; border-collapse: collapse;"> <tr><td>1:</td><td>10.2</td><td>→</td></tr> <tr><td>2:</td><td>10.5x</td><td>↓</td></tr> <tr><td>3:</td><td>9.5</td><td>↙</td></tr> <tr><td>4:</td><td>10.1</td><td>↘</td></tr> <tr><td>5:</td><td>10.4</td><td>↙</td></tr> <tr><td colspan="2">Serie</td><td>49.0</td></tr> <tr><td colspan="2">Total</td><td>49.0</td></tr> </table>	1:	10.2	→	2:	10.5x	↓	3:	9.5	↙	4:	10.1	↘	5:	10.4	↙	Serie		49.0	Total		49.0	
1:	10.8x	→																																										
2:	9.6	↙																																										
3:	8.6	↘																																										
4:	9.1	→																																										
5:	9.4	↙																																										
Serie		45.0																																										
Total		0.0																																										
1:	10.2	→																																										
2:	10.5x	↓																																										
3:	9.5	↙																																										
4:	10.1	↘																																										
5:	10.4	↙																																										
Serie		49.0																																										
Total		49.0																																										


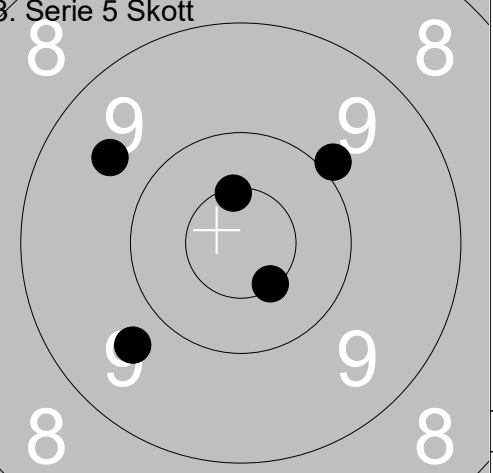
<p>2. Serie 5 Skott</p>  <table border="1" style="width:100%; border-collapse: collapse;"> <tr><td>1:</td><td>10.7x</td><td>←</td></tr> <tr><td>2:</td><td>10.1</td><td>↑</td></tr> <tr><td>3:</td><td>9.6</td><td>↘</td></tr> <tr><td>4:</td><td>9.8</td><td>↘</td></tr> <tr><td>5:</td><td>6.5</td><td>↗</td></tr> <tr><td colspan="2">Serie</td><td>44.0</td></tr> <tr><td colspan="2">Total</td><td>93.0</td></tr> </table>	1:	10.7x	←	2:	10.1	↑	3:	9.6	↘	4:	9.8	↘	5:	6.5	↗	Serie		44.0	Total		93.0	<p>3. Serie 5 Skott</p>  <table border="1" style="width:100%; border-collapse: collapse;"> <tr><td>1:</td><td>8.6</td><td>↖</td></tr> <tr><td>2:</td><td>8.6</td><td>↙</td></tr> <tr><td>3:</td><td>9.4</td><td>↓</td></tr> <tr><td>4:</td><td>8.5</td><td>↘</td></tr> <tr><td>5:</td><td>9.4</td><td>↗</td></tr> <tr><td colspan="2">Serie</td><td>42.0</td></tr> <tr><td colspan="2">Total</td><td>135.0</td></tr> </table>	1:	8.6	↖	2:	8.6	↙	3:	9.4	↓	4:	8.5	↘	5:	9.4	↗	Serie		42.0	Total		135.0	
1:	10.7x	←																																										
2:	10.1	↑																																										
3:	9.6	↘																																										
4:	9.8	↘																																										
5:	6.5	↗																																										
Serie		44.0																																										
Total		93.0																																										
1:	8.6	↖																																										
2:	8.6	↙																																										
3:	9.4	↓																																										
4:	8.5	↘																																										
5:	9.4	↗																																										
Serie		42.0																																										
Total		135.0																																										

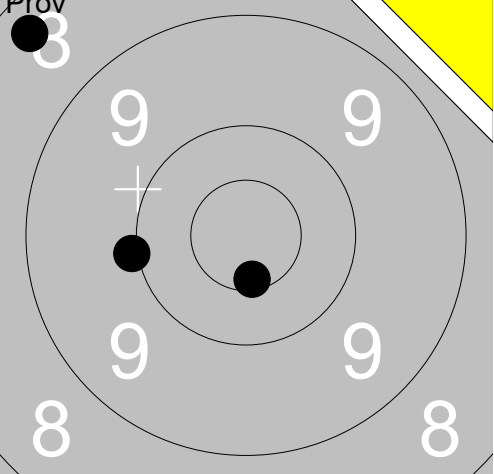
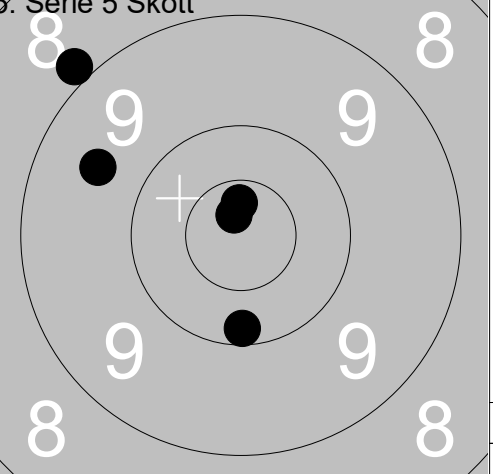
<p>Prøv</p>  <table border="1" style="width:100%; border-collapse: collapse;"> <tr><td>1:</td><td>8.4</td><td>↑</td></tr> <tr><td>2:</td><td>8.8</td><td>↑</td></tr> <tr><td>3:</td><td>9.5</td><td>←</td></tr> <tr><td colspan="2">Serie</td><td>25.0</td></tr> <tr><td colspan="2">Total</td><td>135.0</td></tr> </table>	1:	8.4	↑	2:	8.8	↑	3:	9.5	←	Serie		25.0	Total		135.0	<p>5. Serie 5 Skott</p>  <table border="1" style="width:100%; border-collapse: collapse;"> <tr><td>1:</td><td>10.4</td><td>↗</td></tr> <tr><td>2:</td><td>8.8</td><td>↗</td></tr> <tr><td>3:</td><td>10.2</td><td>↓</td></tr> <tr><td>4:</td><td>8.6</td><td>↘</td></tr> <tr><td>5:</td><td>9.4</td><td>←</td></tr> <tr><td colspan="2">Serie</td><td>45.0</td></tr> <tr><td colspan="2">Total</td><td>180.0</td></tr> </table>	1:	10.4	↗	2:	8.8	↗	3:	10.2	↓	4:	8.6	↘	5:	9.4	←	Serie		45.0	Total		180.0	
1:	8.4	↑																																				
2:	8.8	↑																																				
3:	9.5	←																																				
Serie		25.0																																				
Total		135.0																																				
1:	10.4	↗																																				
2:	8.8	↗																																				
3:	10.2	↓																																				
4:	8.6	↘																																				
5:	9.4	←																																				
Serie		45.0																																				
Total		180.0																																				

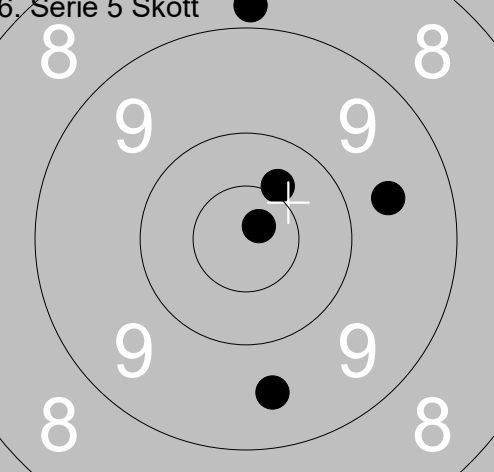
<p>6. Serie 5 Skott</p>  <table border="1" style="width:100%; border-collapse: collapse;"> <tr><td>1:</td><td>10.0</td><td>←</td></tr> <tr><td>2:</td><td>8.1</td><td>↘</td></tr> <tr><td>3:</td><td>9.6</td><td>↗</td></tr> <tr><td>4:</td><td>10.1</td><td>↘</td></tr> <tr><td>5:</td><td>9.5</td><td>↘</td></tr> <tr><td colspan="2">Serie</td><td>46.0</td></tr> <tr><td colspan="2">Total</td><td>226.0</td></tr> </table>	1:	10.0	←	2:	8.1	↘	3:	9.6	↗	4:	10.1	↘	5:	9.5	↘	Serie		46.0	Total		226.0		
1:	10.0	←																					
2:	8.1	↘																					
3:	9.6	↗																					
4:	10.1	↘																					
5:	9.5	↘																					
Serie		46.0																					
Total		226.0																					

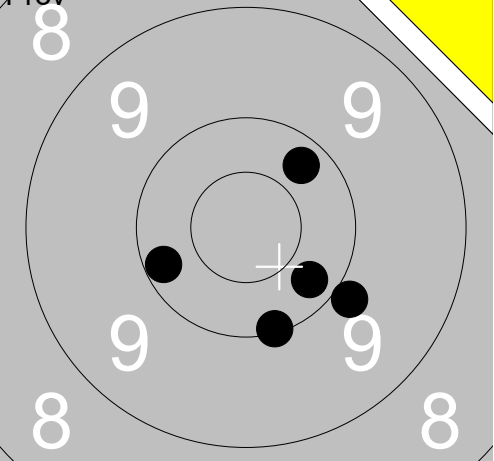
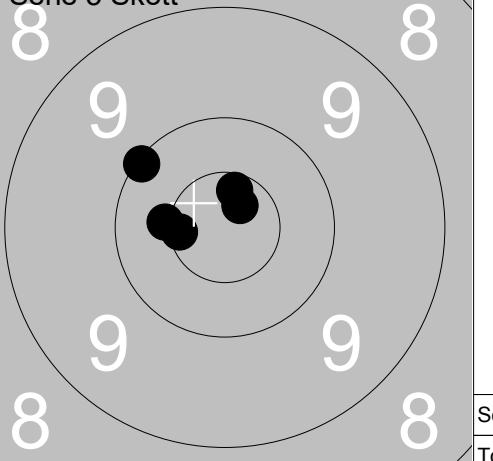
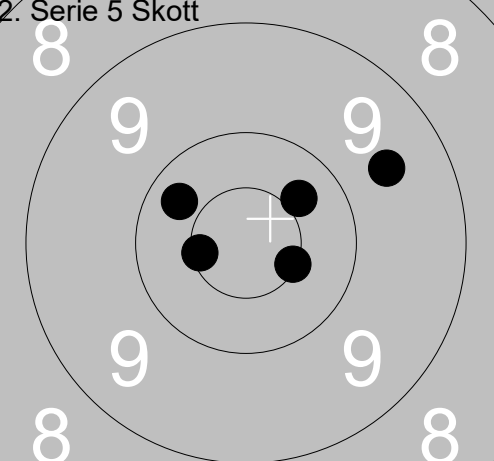
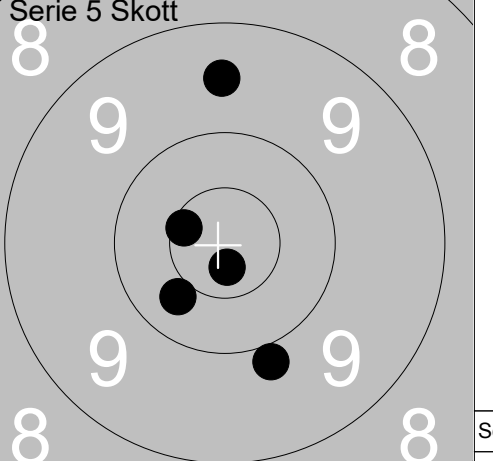
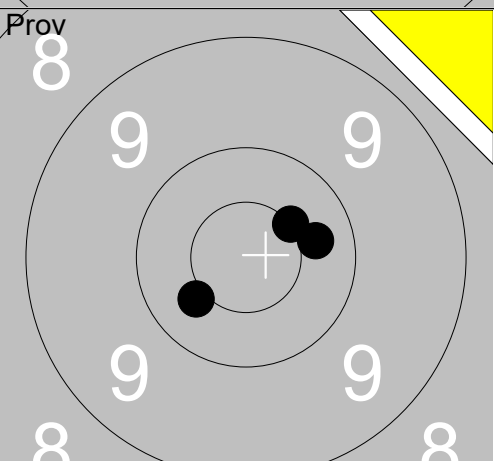
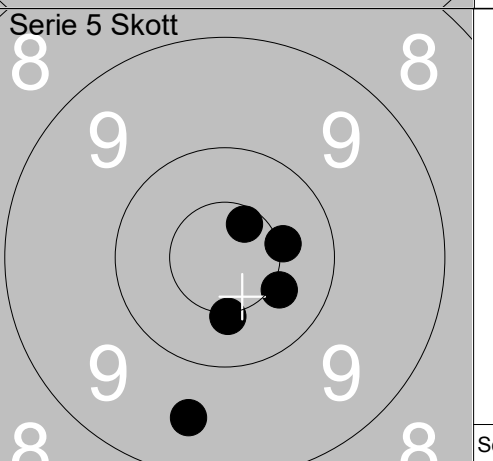

<p>Prov</p> 	<p>1: 10.2 ←</p> <p>2: 10.1 →</p> <p>3: 10.6x ↑</p> <p>4: 10.7x ←</p> <p>5: 9.7 ↓</p> <hr/> <p>Serie 49.0</p> <hr/> <p>Total 0.0</p>	<p>1. Serie 5 Skott</p> 	<p>1: 9.1 ↓</p> <p>2: 8.4 ↑</p> <p>3: 10.9x ↗</p> <p>4: 10.3 ↗</p> <p>5: 9.4 ↓</p> <hr/> <p>Serie 46.0</p> <hr/> <p>Total 46.0</p>
<p>2. Serie 5 Skott</p> 	<p>1: 10.1 ↘</p> <p>2: 10.2 ↗</p> <p>3: 9.9 ↓</p> <p>4: 10.2 ↓</p> <p>5: 9.8 ↙</p> <hr/> <p>Serie 48.0</p> <hr/> <p>Total 94.0</p>	<p>3. Serie 5 Skott</p> 	<p>1: 10.5x →</p> <p>2: 10.3 ↗</p> <p>3: 9.8 ↓</p> <p>4: 10.1 →</p> <p>5: 10.0 ↓</p> <hr/> <p>Serie 49.0</p> <hr/> <p>Total 143.0</p>
<p>Prov</p> 	<p>1: 9.6 ↓</p> <p>2: 10.7x →</p> <p>3: 10.5x ↘</p> <hr/> <p>Serie 29.0</p> <hr/> <p>Total 143.0</p>	<p>5. Serie 5 Skott</p> 	<p>1: 9.4 ↑</p> <p>2: 10.6x ↓</p> <p>3: 10.0 ↑</p> <p>4: 10.4 →</p> <p>5: 10.2 ↓</p> <hr/> <p>Serie 49.0</p> <hr/> <p>Total 192.0</p>
<p>6. Serie 5 Skott</p> 	<p>1: 9.7 ↗</p> <p>2: 10.7x ←</p> <p>3: 10.3 ↑</p> <p>4: 10.3 ←</p> <p>5: 9.9 ↑</p> <hr/> <p>Serie 48.0</p> <hr/> <p>Total 240.0</p>		

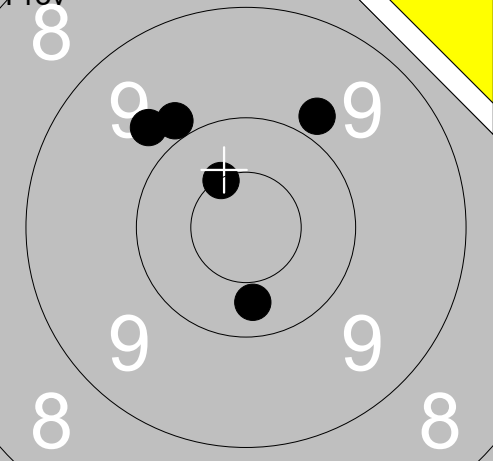
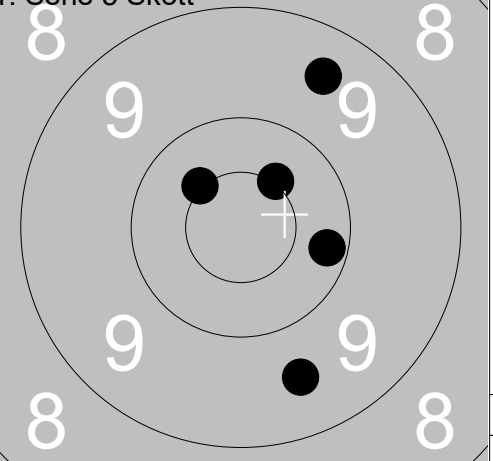
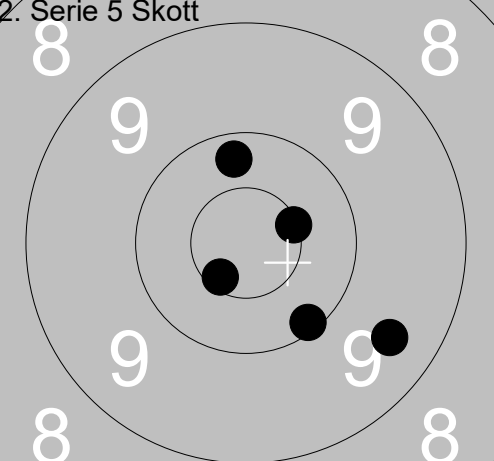
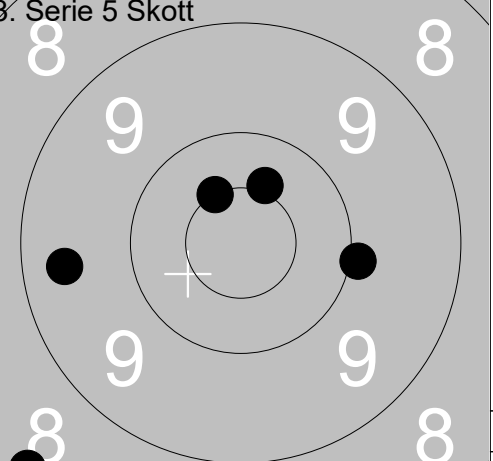
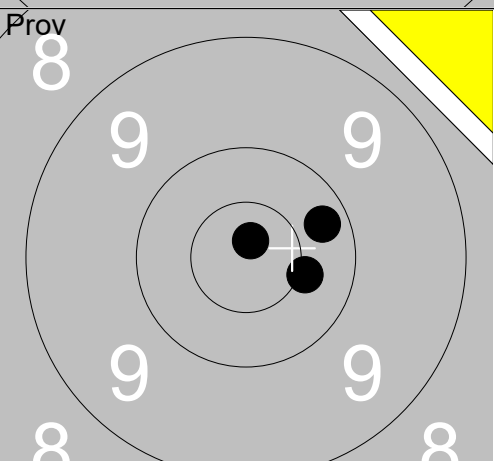


<p>Prov</p> 	<table border="1" style="width:100%; border-collapse: collapse;"> <tr><td>1:</td><td>9.1</td><td>↑</td></tr> <tr><td>2:</td><td>10.2</td><td>↗</td></tr> <tr><td>3:</td><td>9.6</td><td>↘</td></tr> <tr><td>4:</td><td>8.7</td><td>↘</td></tr> <tr><td>5:</td><td>10.3</td><td>←</td></tr> </table>	1:	9.1	↑	2:	10.2	↗	3:	9.6	↘	4:	8.7	↘	5:	10.3	←	<p>1. Serie 5 Skott</p> 	<table border="1" style="width:100%; border-collapse: collapse;"> <tr><td>1:</td><td>9.8</td><td>↑</td></tr> <tr><td>2:</td><td>9.9</td><td>↑</td></tr> <tr><td>3:</td><td>8.6</td><td>↗</td></tr> <tr><td>4:</td><td>9.6</td><td>↑</td></tr> <tr><td>5:</td><td>9.6</td><td>↘</td></tr> </table>	1:	9.8	↑	2:	9.9	↑	3:	8.6	↗	4:	9.6	↑	5:	9.6	↘
1:	9.1	↑																															
2:	10.2	↗																															
3:	9.6	↘																															
4:	8.7	↘																															
5:	10.3	←																															
1:	9.8	↑																															
2:	9.9	↑																															
3:	8.6	↗																															
4:	9.6	↑																															
5:	9.6	↘																															
Serie	46.0		Serie	44.0																													
Total	0.0		Total	44.0																													

<p>2. Serie 5 Skott</p> 	<table border="1" style="width:100%; border-collapse: collapse;"> <tr><td>1:</td><td>10.8x</td><td>↓</td></tr> <tr><td>2:</td><td>9.8</td><td>↓</td></tr> <tr><td>3:</td><td>0.0</td><td></td></tr> <tr><td>4:</td><td>10.0</td><td>↘</td></tr> <tr><td>5:</td><td>9.6</td><td>↓</td></tr> </table>	1:	10.8x	↓	2:	9.8	↓	3:	0.0		4:	10.0	↘	5:	9.6	↓	<p>3. Serie 5 Skott</p> 	<table border="1" style="width:100%; border-collapse: collapse;"> <tr><td>1:</td><td>9.9</td><td>↗</td></tr> <tr><td>2:</td><td>10.5x</td><td>↑</td></tr> <tr><td>3:</td><td>9.7</td><td>↘</td></tr> <tr><td>4:</td><td>9.6</td><td>↖</td></tr> <tr><td>5:</td><td>10.5x</td><td>↘</td></tr> </table>	1:	9.9	↗	2:	10.5x	↑	3:	9.7	↘	4:	9.6	↖	5:	10.5x	↘
1:	10.8x	↓																															
2:	9.8	↓																															
3:	0.0																																
4:	10.0	↘																															
5:	9.6	↓																															
1:	9.9	↗																															
2:	10.5x	↑																															
3:	9.7	↘																															
4:	9.6	↖																															
5:	10.5x	↘																															
Serie	38.0		Serie	47.0																													
Total	82.0		Total	129.0																													

<p>Prov</p> 	<table border="1" style="width:100%; border-collapse: collapse;"> <tr><td>1:</td><td>8.3</td><td>↖</td></tr> <tr><td>2:</td><td>10.0</td><td>←</td></tr> <tr><td>3:</td><td>10.6x</td><td>↓</td></tr> </table>	1:	8.3	↖	2:	10.0	←	3:	10.6x	↓	<p>5. Serie 5 Skott</p> 	<table border="1" style="width:100%; border-collapse: collapse;"> <tr><td>1:</td><td>10.8x</td><td>↑</td></tr> <tr><td>2:</td><td>10.7x</td><td>↑</td></tr> <tr><td>3:</td><td>9.6</td><td>↖</td></tr> <tr><td>4:</td><td>10.2</td><td>↓</td></tr> <tr><td>5:</td><td>8.9</td><td>↗</td></tr> </table>	1:	10.8x	↑	2:	10.7x	↑	3:	9.6	↖	4:	10.2	↓	5:	8.9	↗
1:	8.3	↖																									
2:	10.0	←																									
3:	10.6x	↓																									
1:	10.8x	↑																									
2:	10.7x	↑																									
3:	9.6	↖																									
4:	10.2	↓																									
5:	8.9	↗																									
Serie	28.0		Serie	47.0																							
Total	129.0		Total	176.0																							

<p>6. Serie 5 Skott</p> 	<table border="1" style="width:100%; border-collapse: collapse;"> <tr><td>1:</td><td>9.6</td><td>→</td></tr> <tr><td>2:</td><td>10.8x</td><td>↗</td></tr> <tr><td>3:</td><td>8.8</td><td>↑</td></tr> <tr><td>4:</td><td>9.6</td><td>↓</td></tr> <tr><td>5:</td><td>10.4</td><td>↗</td></tr> </table>	1:	9.6	→	2:	10.8x	↗	3:	8.8	↑	4:	9.6	↓	5:	10.4	↗		
1:	9.6	→																
2:	10.8x	↗																
3:	8.8	↑																
4:	9.6	↓																
5:	10.4	↗																
Serie	46.0																	
Total	222.0																	

Prov 	1: 10.2 ↙ 2: 10.2 ↗ 3: 10.3 ↘ 4: 10.1 ↘ 5: 9.9 ↘ <hr/> Serie 49.0 Total 0.0	1. Serie 5 Skott 	1: 10.7x ↗ 2: 10.6x ↗ 3: 10.6x ← 4: 10.4x ← 5: 10.1 ↗ <hr/> Serie 50.0 Total 50.0
2. Serie 5 Skott 	1: 9.6 ↗ 2: 10.6x ← 3: 10.5x ↘ 4: 10.3 ↗ 5: 10.4 ↗ <hr/> Serie 49.0 Total 99.0	3. Serie 5 Skott 	1: 9.5 ↑ 2: 10.6x ← 3: 10.4 ↘ 4: 10.7x ↓ 5: 9.9 ↓ <hr/> Serie 48.0 Total 147.0
Prov 	1: 10.4 ↙ 2: 10.3 → 3: 10.5x ↗ <hr/> Serie 30.0 Total 147.0	5. Serie 5 Skott 	1: 10.5x ↓ 2: 10.4x → 3: 10.6x ↗ 4: 9.5 ↓ 5: 10.4x ↘ <hr/> Serie 49.0 Total 196.0
6. Serie 5 Skott 	1: 10.1 ↓ 2: 10.7x ↗ 3: 9.7 → 4: 9.7 ↓ 5: 10.4x ↘ <hr/> Serie 48.0 Total 244.0		

<p>Prov</p>  <table border="1" style="width:100%; border-collapse: collapse;"> <tr><td>1:</td><td>9.8</td><td>↗</td></tr> <tr><td>2:</td><td>10.3</td><td>↓</td></tr> <tr><td>3:</td><td>9.8</td><td>↗</td></tr> <tr><td>4:</td><td>10.5x</td><td>↗</td></tr> <tr><td>5:</td><td>9.9</td><td>↗</td></tr> <tr><td colspan="2">Serie</td><td>47.0</td></tr> <tr><td colspan="2">Total</td><td>0.0</td></tr> </table>	1:	9.8	↗	2:	10.3	↓	3:	9.8	↗	4:	10.5x	↗	5:	9.9	↗	Serie		47.0	Total		0.0	<p>1. Serie 5 Skott</p>  <table border="1" style="width:100%; border-collapse: collapse;"> <tr><td>1:</td><td>9.5</td><td>↗</td></tr> <tr><td>2:</td><td>10.5x</td><td>↗</td></tr> <tr><td>3:</td><td>10.2</td><td>→</td></tr> <tr><td>4:</td><td>9.6</td><td>↓</td></tr> <tr><td>5:</td><td>10.5x</td><td>↗</td></tr> <tr><td colspan="2">Serie</td><td>48.0</td></tr> <tr><td colspan="2">Total</td><td>48.0</td></tr> </table>	1:	9.5	↗	2:	10.5x	↗	3:	10.2	→	4:	9.6	↓	5:	10.5x	↗	Serie		48.0	Total		48.0																																																													
1:	9.8	↗																																																																																																						
2:	10.3	↓																																																																																																						
3:	9.8	↗																																																																																																						
4:	10.5x	↗																																																																																																						
5:	9.9	↗																																																																																																						
Serie		47.0																																																																																																						
Total		0.0																																																																																																						
1:	9.5	↗																																																																																																						
2:	10.5x	↗																																																																																																						
3:	10.2	→																																																																																																						
4:	9.6	↓																																																																																																						
5:	10.5x	↗																																																																																																						
Serie		48.0																																																																																																						
Total		48.0																																																																																																						
<p>2. Serie 5 Skott</p>  <table border="1" style="width:100%; border-collapse: collapse;"> <tr><td>1:</td><td>10.2</td><td>↑</td></tr> <tr><td>2:</td><td>10.1</td><td>↓</td></tr> <tr><td>3:</td><td>9.5</td><td>↘</td></tr> <tr><td>4:</td><td>10.6x</td><td>↘</td></tr> <tr><td>5:</td><td>10.5x</td><td>→</td></tr> <tr><td colspan="2">Serie</td><td>49.0</td></tr> <tr><td colspan="2">Total</td><td>97.0</td></tr> </table>	1:	10.2	↑	2:	10.1	↓	3:	9.5	↘	4:	10.6x	↘	5:	10.5x	→	Serie		49.0	Total		97.0	<p>3. Serie 5 Skott</p>  <table border="1" style="width:100%; border-collapse: collapse;"> <tr><td>1:</td><td>9.4</td><td>←</td></tr> <tr><td>2:</td><td>10.4x</td><td>↗</td></tr> <tr><td>3:</td><td>8.2</td><td>↙</td></tr> <tr><td>4:</td><td>10.5x</td><td>↗</td></tr> <tr><td>5:</td><td>9.9</td><td>→</td></tr> <tr><td colspan="2">Serie</td><td>46.0</td></tr> <tr><td colspan="2">Total</td><td>143.0</td></tr> </table>	1:	9.4	←	2:	10.4x	↗	3:	8.2	↙	4:	10.5x	↗	5:	9.9	→	Serie		46.0	Total		143.0	<p>Prov</p>  <table border="1" style="width:100%; border-collapse: collapse;"> <tr><td>1:</td><td>10.2</td><td>→</td></tr> <tr><td>2:</td><td>10.4x</td><td>→</td></tr> <tr><td>3:</td><td>10.8x</td><td>↑</td></tr> <tr><td colspan="2">Serie</td><td>30.0</td></tr> <tr><td colspan="2">Total</td><td>143.0</td></tr> </table>	1:	10.2	→	2:	10.4x	→	3:	10.8x	↑	Serie		30.0	Total		143.0	<p>5. Serie 5 Skott</p>  <table border="1" style="width:100%; border-collapse: collapse;"> <tr><td>1:</td><td>9.0</td><td>↙</td></tr> <tr><td>2:</td><td>10.6x</td><td>←</td></tr> <tr><td>3:</td><td>10.5x</td><td>→</td></tr> <tr><td>4:</td><td>10.8x</td><td>←</td></tr> <tr><td>5:</td><td>9.2</td><td>↓</td></tr> <tr><td colspan="2">Serie</td><td>48.0</td></tr> <tr><td colspan="2">Total</td><td>191.0</td></tr> </table>	1:	9.0	↙	2:	10.6x	←	3:	10.5x	→	4:	10.8x	←	5:	9.2	↓	Serie		48.0	Total		191.0	<p>6. Serie 5 Skott</p>  <table border="1" style="width:100%; border-collapse: collapse;"> <tr><td>1:</td><td>10.3</td><td>→</td></tr> <tr><td>2:</td><td>10.1</td><td>↘</td></tr> <tr><td>3:</td><td>9.6</td><td>↘</td></tr> <tr><td>4:</td><td>9.8</td><td>→</td></tr> <tr><td>5:</td><td>10.1</td><td>↘</td></tr> <tr><td colspan="2">Serie</td><td>48.0</td></tr> <tr><td colspan="2">Total</td><td>239.0</td></tr> </table>	1:	10.3	→	2:	10.1	↘	3:	9.6	↘	4:	9.8	→	5:	10.1	↘	Serie		48.0	Total		239.0	
1:	10.2	↑																																																																																																						
2:	10.1	↓																																																																																																						
3:	9.5	↘																																																																																																						
4:	10.6x	↘																																																																																																						
5:	10.5x	→																																																																																																						
Serie		49.0																																																																																																						
Total		97.0																																																																																																						
1:	9.4	←																																																																																																						
2:	10.4x	↗																																																																																																						
3:	8.2	↙																																																																																																						
4:	10.5x	↗																																																																																																						
5:	9.9	→																																																																																																						
Serie		46.0																																																																																																						
Total		143.0																																																																																																						
1:	10.2	→																																																																																																						
2:	10.4x	→																																																																																																						
3:	10.8x	↑																																																																																																						
Serie		30.0																																																																																																						
Total		143.0																																																																																																						
1:	9.0	↙																																																																																																						
2:	10.6x	←																																																																																																						
3:	10.5x	→																																																																																																						
4:	10.8x	←																																																																																																						
5:	9.2	↓																																																																																																						
Serie		48.0																																																																																																						
Total		191.0																																																																																																						
1:	10.3	→																																																																																																						
2:	10.1	↘																																																																																																						
3:	9.6	↘																																																																																																						
4:	9.8	→																																																																																																						
5:	10.1	↘																																																																																																						
Serie		48.0																																																																																																						
Total		239.0																																																																																																						

	<p>1: 7.6 ←</p> <p>2: 9.2 →</p> <p>3: 7.5 ↗</p> <p>4: 6.2 ←</p> <p>5: 9.3 ↘</p>	<p>1. Serie 5 Skott</p>	<p>1: 9.6 →</p> <p>2: 8.2 ↑</p> <p>3: 9.3 ↙</p> <p>4: 10.0 ↑</p> <p>5: 10.2 ↖</p>
Serie 38.0	Total 0.0	Serie 46.0	Total 46.0

<p>2. Serie 5 Skott</p>	<p>1: 9.5 ↘</p> <p>2: 8.2 →</p> <p>3: 8.0 ↘</p> <p>4: 6.9 ↘</p> <p>5: 10.4 ↘</p>	<p>3. Serie 5 Skott</p>	<p>1: 8.6 ↑</p> <p>2: 7.7 ↗</p> <p>3: 8.7 ↑</p> <p>4: 8.5 ↖</p> <p>5: 8.4 ↙</p>
Serie 41.0	Total 87.0	Serie 39.0	Total 126.0

<p>3. Proov</p>	<p>1: 8.8 ←</p> <p>2: 9.6 ↗</p> <p>3: 9.9 ↗</p>	<p>4. Serie 5 Skott</p>	<p>1: 9.3 ↓</p> <p>2: 8.1 ↘</p> <p>3: 10.0 ↙</p> <p>4: 9.0 ↘</p> <p>5: 9.2 ↗</p>
Serie 26.0	Total 126.0	Serie 45.0	Total 171.0

<p>4. Serie 5 Skott</p>	<p>1: 9.3 →</p> <p>2: 7.8 →</p> <p>3: 9.5 →</p> <p>4: 7.9 ↗</p> <p>5: 10.0 →</p>		
Serie 42.0	Total 213.0		