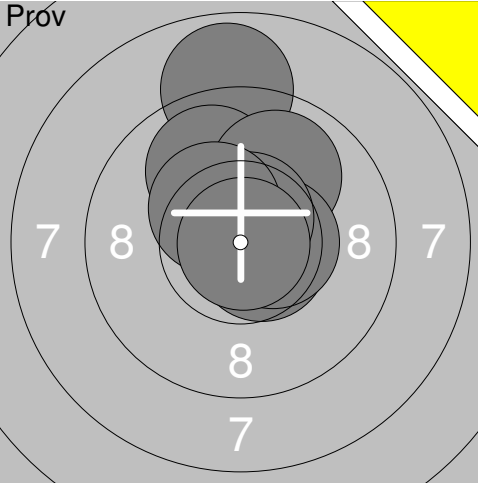
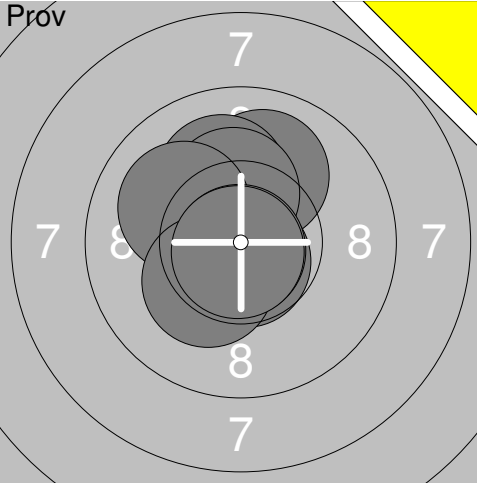
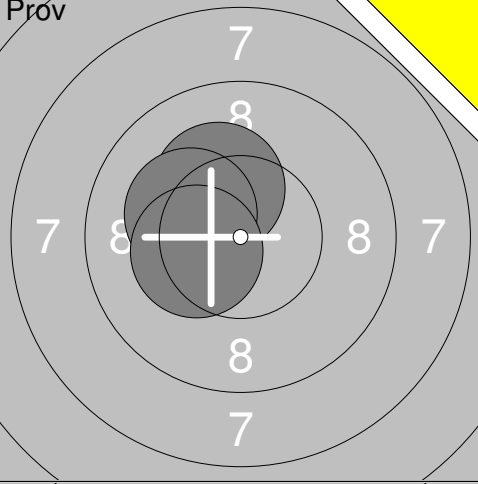
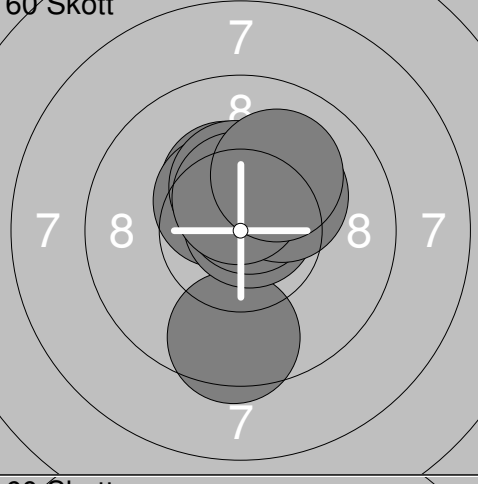
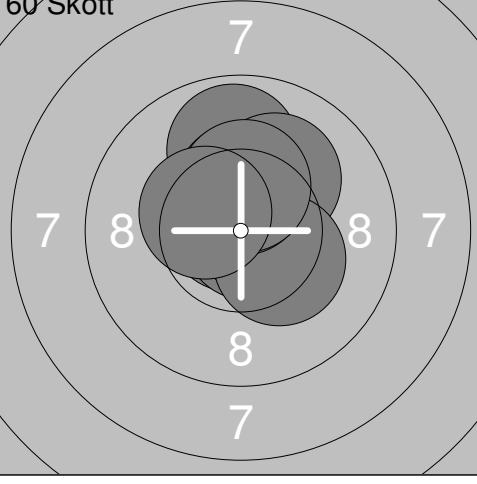
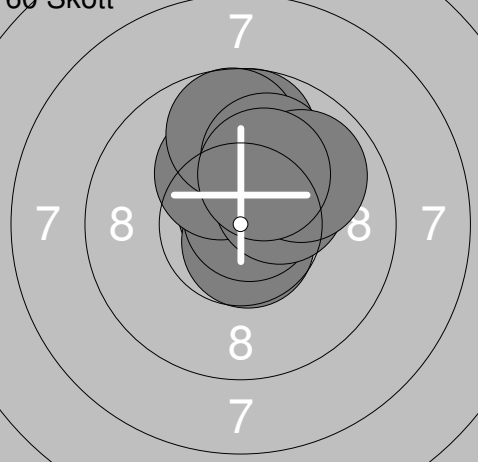
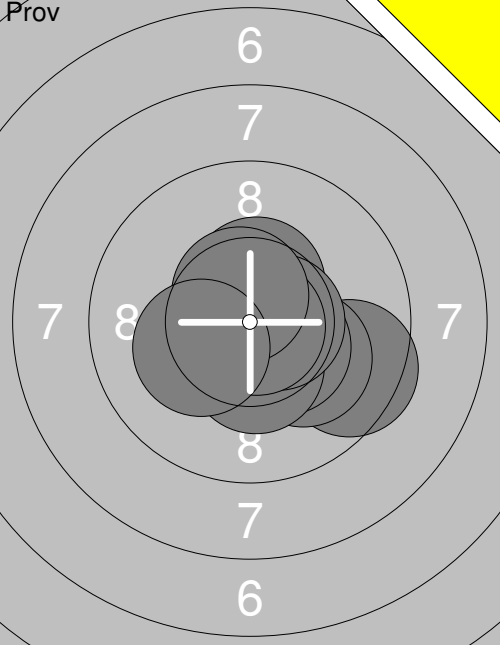
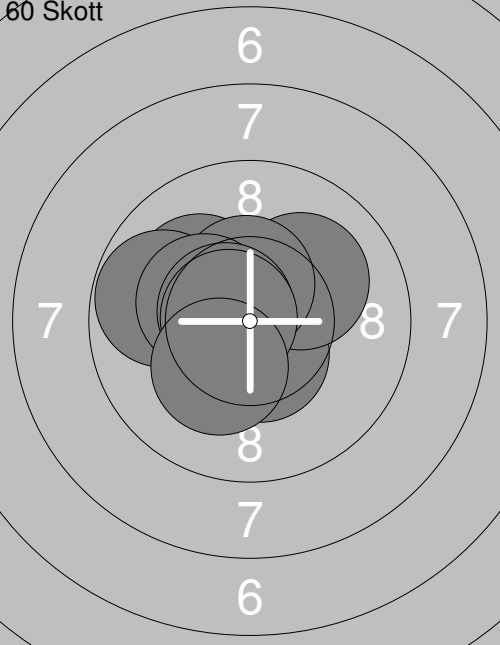
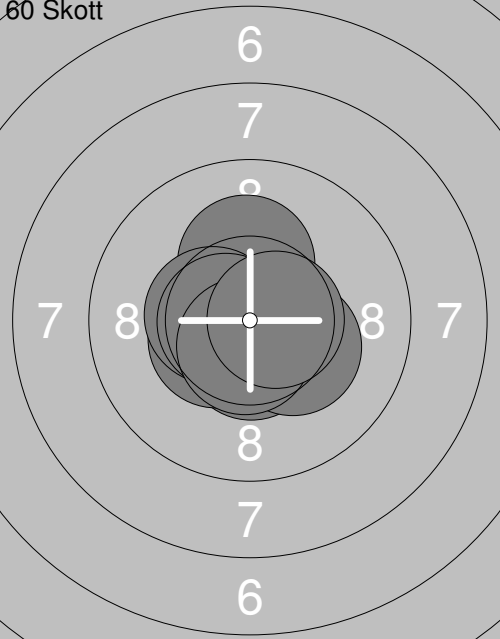
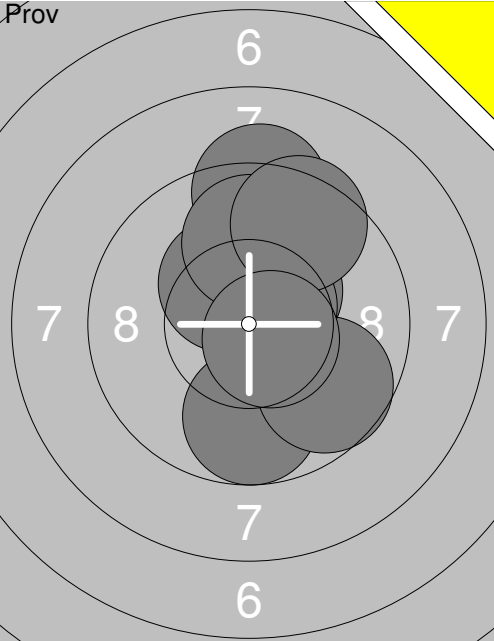
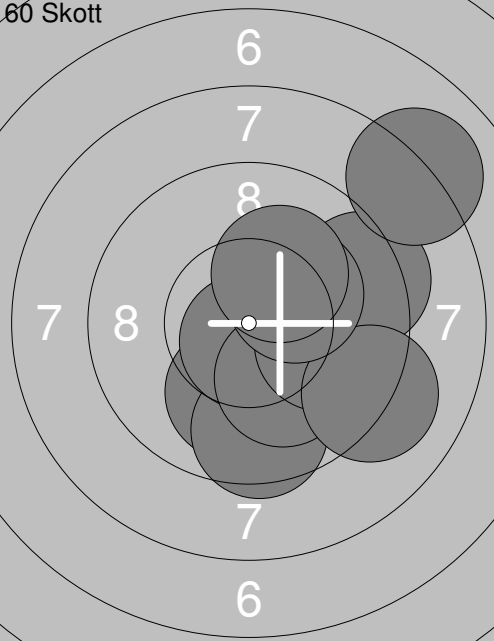
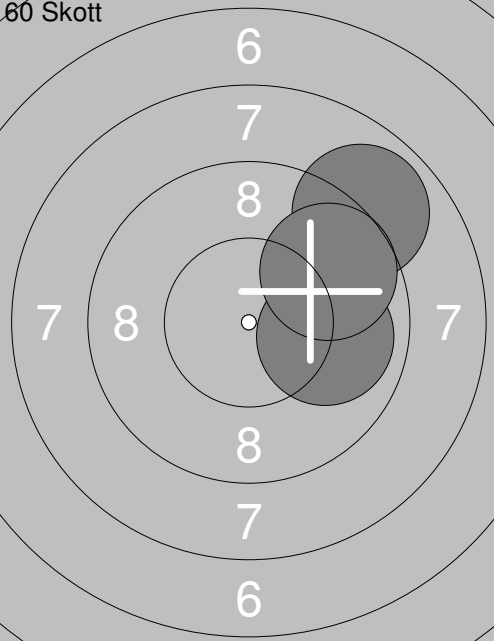


Skjutlag	Tavla	Emma Lindah	
1	9		
S	Vännäs Skf	LSitt	Vb
02.04.2022	UME-Kulan 2022	Umeå skytteallians	
	1: 10.0 ↘		11: 9.9 ↘
	2: 9.0 ↓		12: 10.2x ↗
	3: 10.3x ↘		13: 10.3x ↗
	4: 10.0 ↘		14: 10.5x ↗
	5: 9.9 ↘		15: 9.6 ↗
	6: 10.5x ↗		16: 10.9x ↘
	7: 9.4 ↖		17: 10.5x ↘
	8: 10.5x ↘		18: 10.5x ↖
	10: 10.1 ↘		19: 10.7x ↘
Serie 89.7		Serie 93.1	
Total 0.0		Total 0.0	
	1: 10.5x ↘		11: 10.1 ↗
	2: 10.6x ↘		12: 10.2x ↗
	3: 9.2 ↗		13: 10.7x ↖
	4: 10.2x ↖		14: 10.5x ↗
	5: 9.6 →		15: 10.6x ↘
	6: 10.6x ↗		16: 9.9 ↖
	7: 9.7 ↗		17: 10.1 ↗
	8: 9.3 ↘		18: 10.6x ↗
	9: 10.6x ↗		19: 10.3x ↖
	10: 10.2x ↘		20: 10.3x ↘
Serie 100.5		Serie 103.3	
Total 100.5		Total 203.8	
	21: 10.9x ↘		31: 10.3x ↘
	22: 10.2x ↘		32: 10.7x ↘
	23: 10.1 ↖		33: 10.1 →
	24: 10.5x ↘		34: 10.0 ↖
	25: 9.8 ↗		35: 9.3 ↖
	26: 10.7x ↘		36: 10.2x ↘
	27: 9.9 ↖		37: 10.3x ↗
	28: 10.3x ↗		38: 10.7x ↗
	29: 10.7x ↗		39: 10.8x ↗
	30: 10.6x ↗		40: 10.0 ↗
Serie 103.7		Serie 102.4	
Total 307.5		Total 409.9	

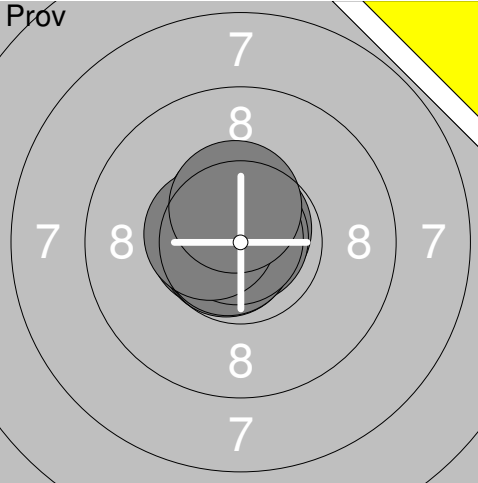
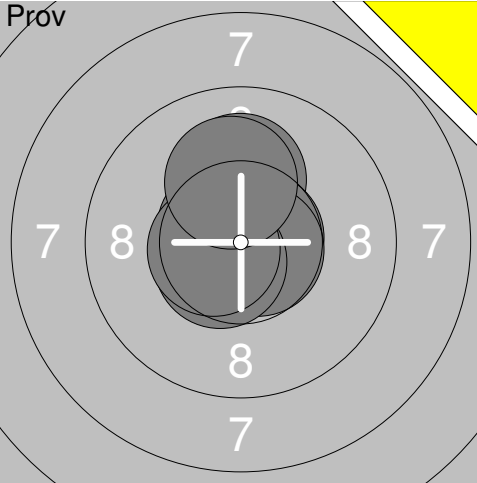

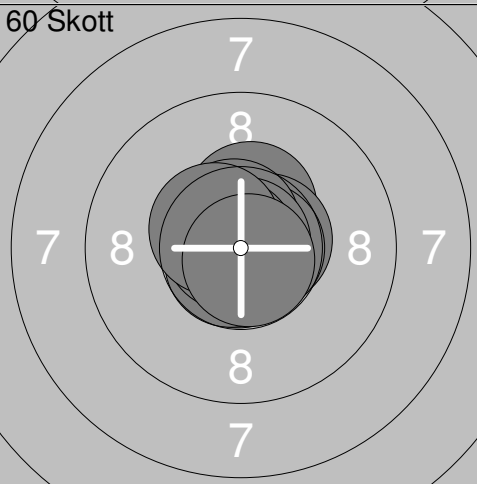
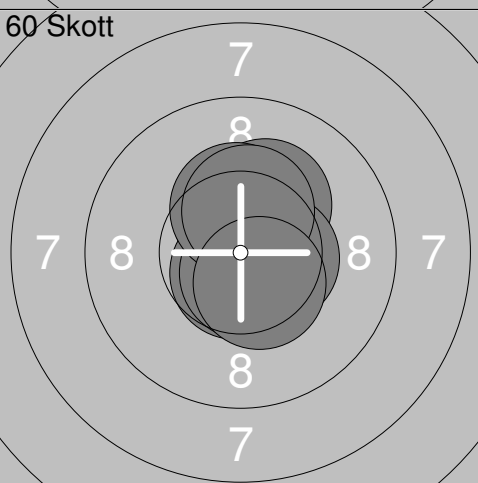
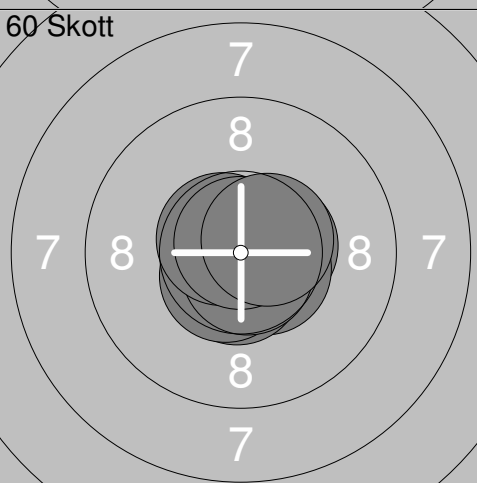
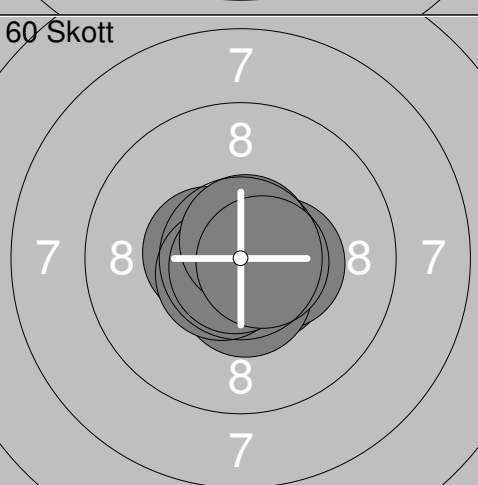
Skjutlag	Tavla	Filip Hansson		LSitt	Vb
S		Vännäs Skf			
02.04.2022		UME-Kulan 2022		Umeå skytteallians	
Prov		1: 8.9 ↑		11: 10.0 ↗	
		2: 9.9 ↗		13: 10.1 ↗	
		3: 10.6x ↘		14: 10.4x ↗	
		4: 10.7x ↗		15: 10.3x ↑	
		5: 10.4x ↑		16: 10.7x ↓	
		6: 9.9 ↗		17: 10.1 ↗	
		7: 10.5x →		18: 10.8x ↓	
		8: 10.6x ↑		19: 10.3x ↙	
		9: 10.4x ↗		20: 10.8x ↓	
		10: 10.9x ↘			
		Serie 102.8		Serie 93.5	
		Total 0.0		Total 0.0	
Prov		21: 10.2x ↗	60 Skott	1: 10.5x ↖	
		22: 10.2x ↖		2: 10.3x ↗	
		23: 10.3x ←		3: 10.3x ↖	
		Serie 30.7		Serie 104.5	
		Total 0.0		Total 104.5	
60 Skott		11: 10.6x ↖		21: 10.8x ↖	
		12: 9.5 ↓		22: 10.8x →	
		13: 10.3x ↗		23: 9.9 ↑	
		14: 10.5x ↗		24: 10.4x ↗	
		15: 10.4x ↑		25: 10.7x →	
		16: 10.8x ↗		26: 10.1 ↗	
		17: 10.6x ↑		27: 10.3x ↘	
		18: 10.2x ↗		28: 10.4x ↑	
		19: 10.5x ↑		29: 10.3x ↑	
		20: 10.1 ↗		30: 10.4x ↖	
		Serie 103.5		Serie 104.1	
		Total 208.0		Total 312.1	
60 Skott		31: 10.7x ↑			
		32: 10.7x ↓			
		33: 10.8x ↗			
		34: 9.7 ↑			
		35: 10.2x ↖			
		36: 10.3x ↗			
		37: 9.7 ↑			
		38: 10.0 ↗			
		39: 9.9 ↗			
		40: 10.2x ↗			
		Serie 102.2			
		Total 414.3			

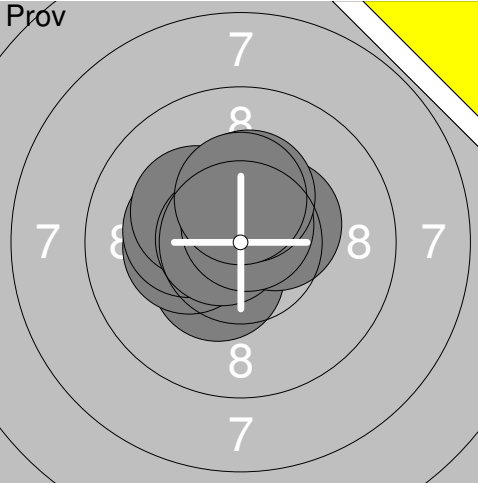
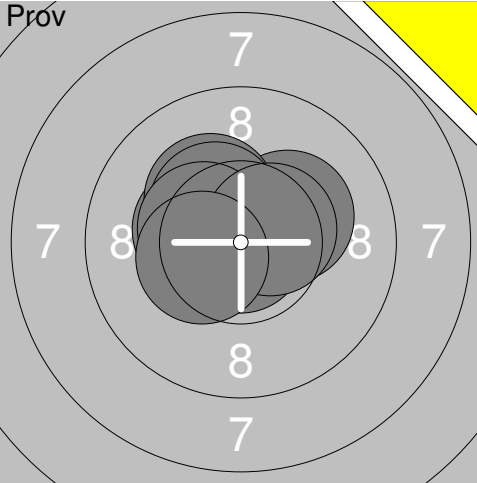
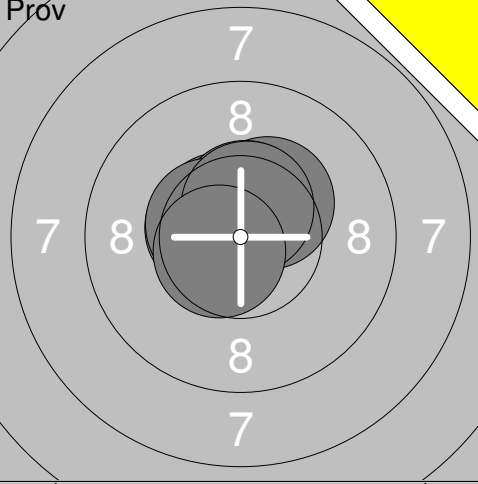
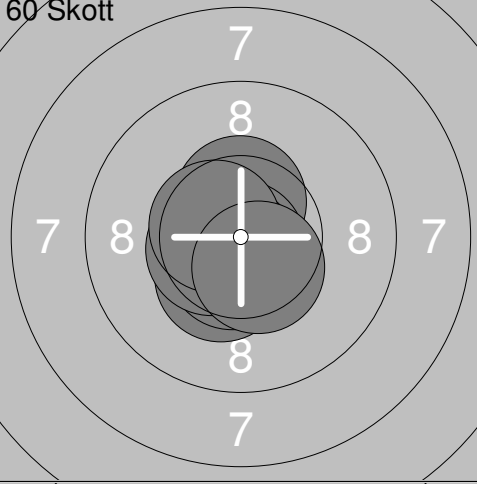
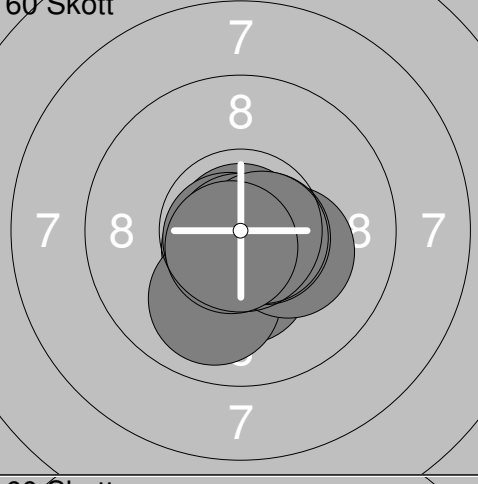
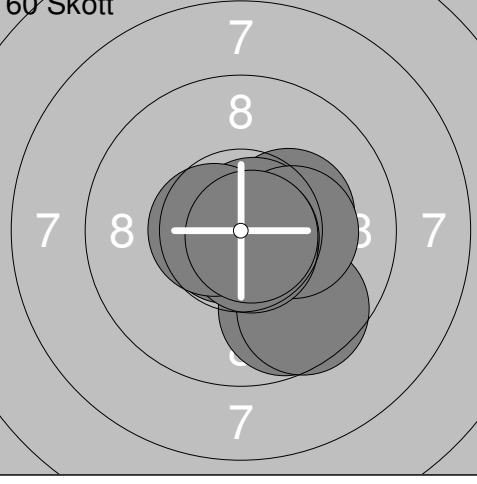
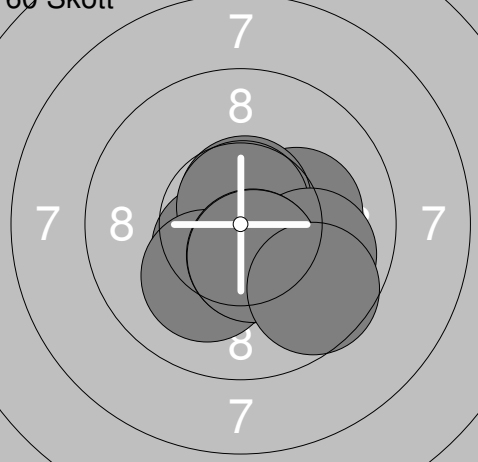
Skjutlag	Tavla	Henrik Albihn	
1	13	Vännäs Skf	LSitt Vb
02.04.2022	UME-Kulan 2022	Umeå skytteallians	
Prov		1: 9.5 ↘ 2: 10.1 ↘ 3: 10.5x↓ 4: 10.4x↘ 5: 10.4x↓ 6: 10.5x↗ 7: 10.6x→ 8: 10.8x↘ 9: 10.6x↗ 10: 10.2x↘	11: 10.5x↓ 12: 10.6x↗ 13: 10.3x↘ 14: 10.2x↘
		Serie 103.6	Serie 41.6
		Total 0.0	Total 0.0
60 Skott		1: 10.1 ↘ 2: 10.5x↓ 3: 10.1 ↗ 4: 10.5x↗ 5: 10.4x↘ 6: 9.8 ← 7: 10.3x↘ 8: 10.6x↘ 9: 10.7x↘ 10: 10.2x↓	11: 10.0 ↘ 12: 10.3x↗ 13: 10.5x↘ 14: 10.1 ← 15: 10.8x↗ 16: 10.3x↓ 17: 10.5x↗ 18: 10.6x→ 19: 10.5x↘ 20: 10.7x↗
		Serie 103.2	Serie 104.3
		Total 103.2	Total 207.5
60 Skott		21: 10.5x↓ 22: 10.6x↘ 23: 10.4x↘ 24: 10.3x↘ 25: 10.7x→ 26: 10.2x↗ 27: 10.5x↘ 28: 10.6x↘ 29: 10.6x↓ 30: 10.6x→	31: 10.6x↓ 32: 10.6x→ 33: 10.2x↘ 34: 10.3x↓ 35: 10.3x↘ 36: 10.2x↗ 37: 10.6x↗ 38: 10.3x→ 39: 10.1 ← 40: 10.7x↗
		Serie 105.0	Serie 103.9
		Total 312.5	Total 416.4

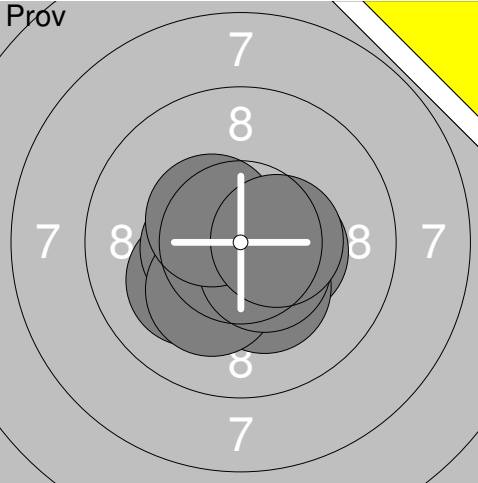
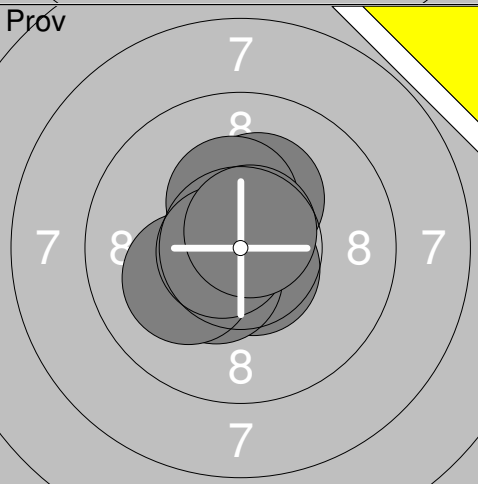
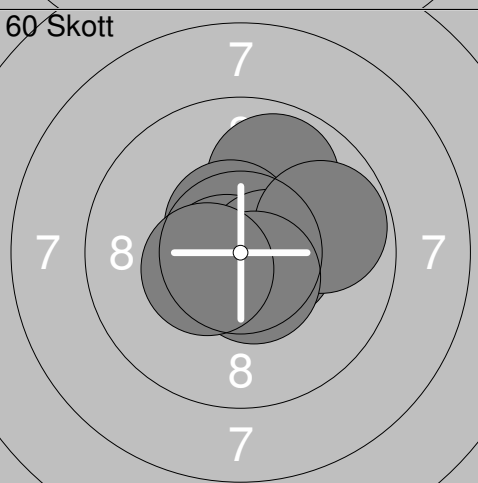
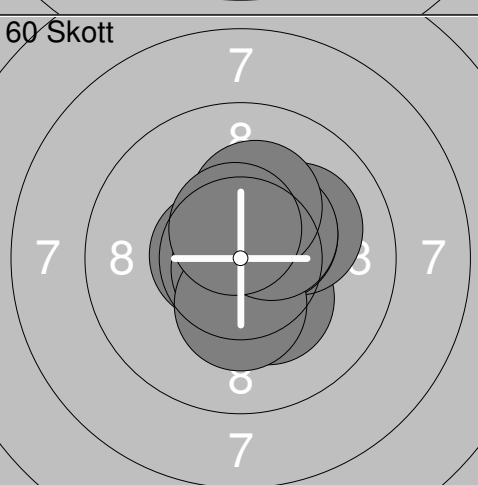
Skjutlag	Tavla	Ingemar Öhman	
S	Umeå Skf	LSitt	Vb
02.04.2022	UME-Kulan 2022	Umeå skytteallians	
Prov 	1: 9.0 ↘ 2: 10.3x ← 3: 9.7 ↘ 4: 10.3x ↘ 5: 10.8x ↗ 6: 10.3x ↗ 7: 10.0 ← 8: 10.4x ↘ 9: 10.7x → 10: 9.9 → Serie 101.4 Total 0.0	Prov 	11: 10.1 ↘ 12: 9.9 ↘ 14: 9.9 → 15: 10.7x ↗ 16: 10.6x ↘ 17: 9.8 ↘ 18: 10.5x ← 19: 10.1 ← 20: 10.4x ↗ Serie 92.0 Total 0.0
Prov 	21: 10.6x ↘ Serie 10.6 Total 0.0	60 Skott 	1: 10.1 ↘ 2: 10.0 ↘ 3: 10.0 ↖ 4: 10.6x ↖ 5: 10.0 ↗ 6: 10.3x ↗ 7: 10.7x ↘ 8: 9.8 → 9: 10.5x ↗ 10: 10.7x ↘ Serie 102.7 Total 102.7
60 Skott 	11: 10.1 ↗ 12: 9.7 ↗ 13: 10.6x ↘ 14: 10.0 ↘ 15: 10.5x ↘ 16: 10.1 → 17: 10.5x ↘ 18: 10.8x ↘ 19: 10.4x ← 20: 10.1 → Serie 102.8 Total 205.5	60 Skott 	21: 10.6x ↖ 22: 9.8 → 23: 10.4x ↗ 24: 10.2x ↗ 25: 10.5x ↖ 26: 10.4x ↗ 27: 10.2x → 28: 10.1 ↗ 29: 10.7x ↖ 30: 10.7x ↗ Serie 103.6 Total 309.1
60 Skott 	31: 10.0 ↗ 32: 10.0 ↗ 33: 10.4x ↘ 34: 10.6x ↗ 35: 9.9 → 36: 10.0 ↘ 37: 10.8x → 38: 10.5x ← 39: 10.3x ↘ 40: 10.1 ↘ Serie 102.6 Total 411.7		

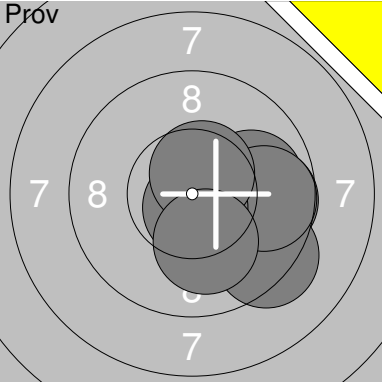
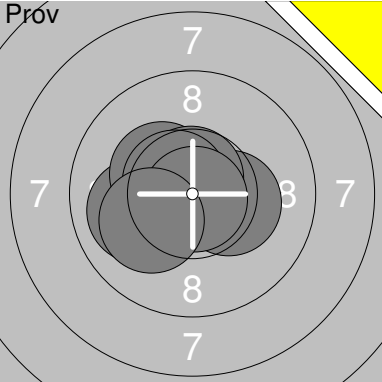
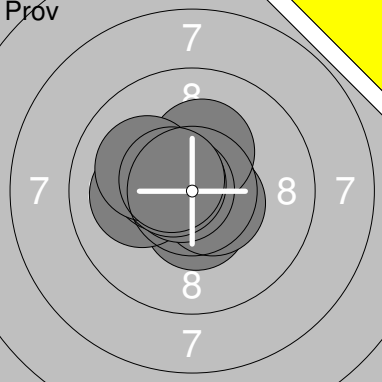
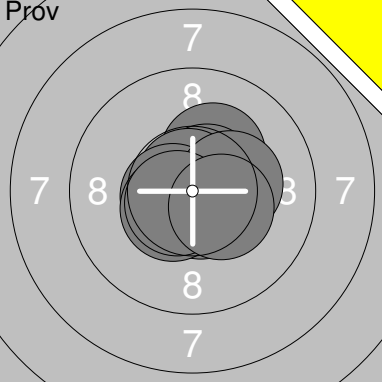

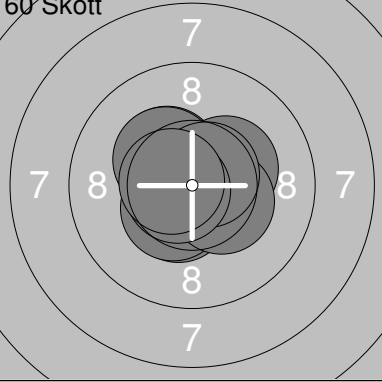
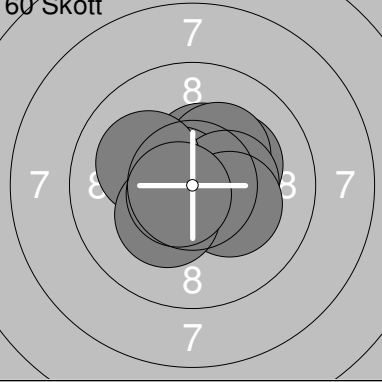
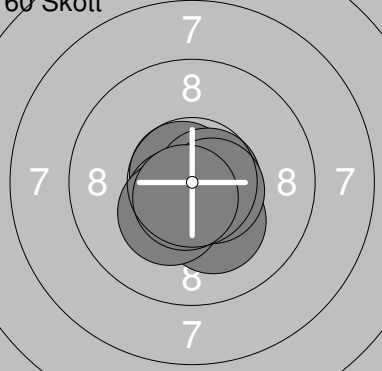
Skjutlag	Tavla	Martin Albihn	
S	Vännäs Skf	LSitt	Vb
02.04.2022	UME-Kulan 2022	Umeå skytteallians	
Prov		1: 9.7 ↓ 2: 9.7 ↘ 3: 10.4↗ 4: 10.6↗ 5: 9.2 ↑ 6: 10.4↘ 7: 9.9 ↑ 8: 9.5 ↗ 9: 10.6↘	Prov
		Serie 90.0 Total 0.0	11: 10.1 → 12: 9.5 ↓ 13: 9.7 ↘ 14: 9.6 ↙ 15: 10.0 → 16: 9.9 ↗ 17: 9.8 → 18: 9.8 ↗ 19: 10.2↗
			Serie 88.6 Total 0.0
60 Skott		1: 10.0 ↓ 2: 9.6 ↓ 3: 10.7x↓ 4: 10.1 ↓ 5: 10.0 → 6: 9.4 → 7: 9.1 ↘ 8: 10.2x↗ 9: 10.2x↗ 10: 8.1 ↗	60 Skott
		Serie 97.4 Total 97.4	11: 9.2 → 12: 10.8x↓ 13: 10.2x↗ 14: 9.5 → 15: 10.4x↗ 16: 8.8 ↑ 17: 9.8 ↗ 18: 9.6 ↑ 19: 10.1 ↗ 20: 10.1 ←
			Serie 98.5 Total 195.9
60 Skott		21: 9.9 → 22: 8.9 ↗ 23: 9.7 ↗	
		Serie 28.5 Total 224.4	

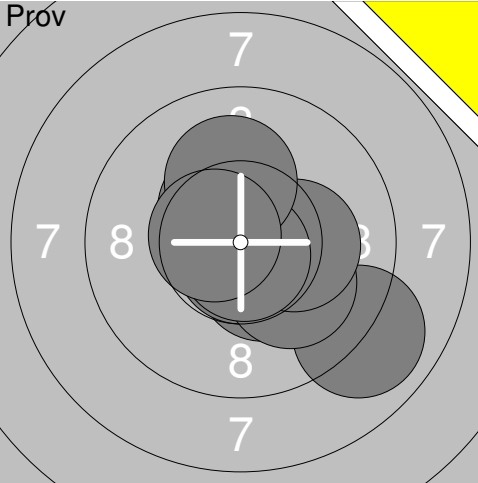
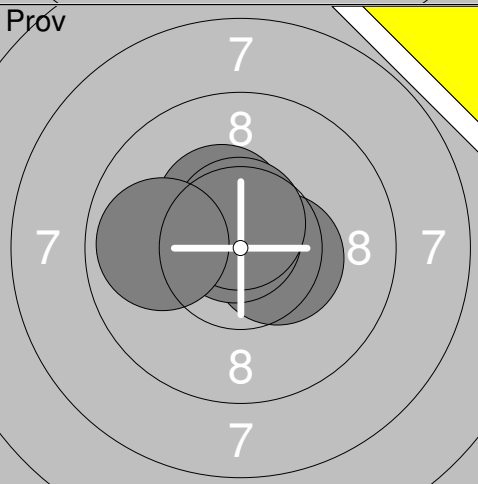
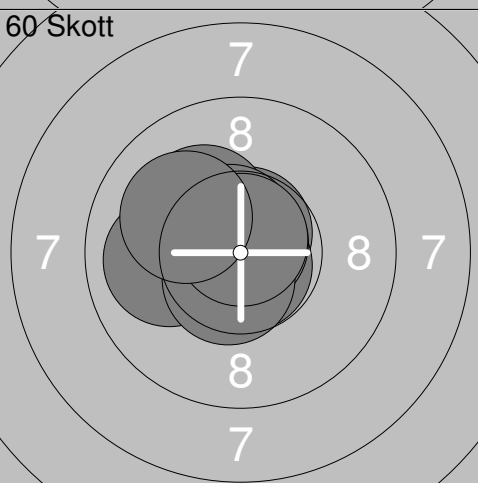
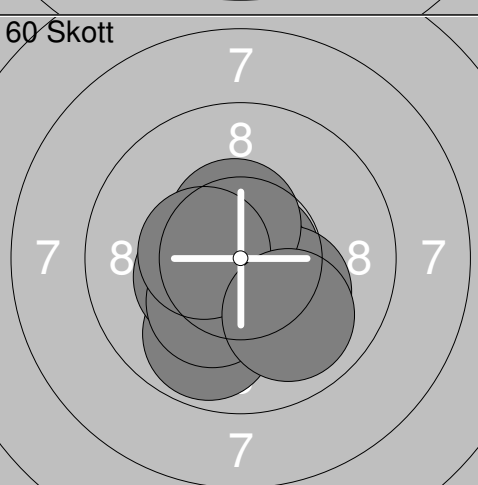
Skjutlag	Tavla	Erika Augustsson	
1	16	Vännäs Skf	LSitt Vb
02.04.2022	UME-Kulan 2022	Umeå skytteallians	
Prov		1: 10.6x 2: 10.4x 3: 10.7x 4: 10.7x 5: 10.7x 6: 10.5x 7: 10.7x 8: 10.6x 9: 10.6x 10: 10.8x	11: 10.3x 12: 10.3x 13: 10.6x 14: 10.5x 15: 10.7x
	Serie 106.3	Serie 52.4	
	Total 0.0	Total 0.0	
60 Skott		1: 10.7x 2: 10.6x 3: 10.3x 4: 10.3x 5: 10.6x 6: 10.4x 7: 10.4x 8: 10.6x 9: 10.5x 10: 10.5x	11: 10.7x 12: 10.7x 13: 10.6x 14: 10.9x 15: 10.7x 16: 10.7x 17: 10.7x 18: 10.7x 19: 10.4x 20: 10.7x
	Serie 104.9	Serie 106.8	
	Total 104.9	Total 211.7	
60 Skott		21: 10.9x 22: 10.6x 23: 10.5x 24: 10.6x 25: 10.5x 26: 10.5x 27: 10.4x 28: 10.6x 29: 10.7x 30: 10.8x	31: 10.5x 32: 10.7x 33: 10.9x 34: 10.9x 35: 10.9x 36: 10.6x 37: 10.5x 38: 10.7x 39: 10.6x 40: 10.5x
	Serie 106.1	Serie 106.8	
	Total 317.8	Total 424.6	

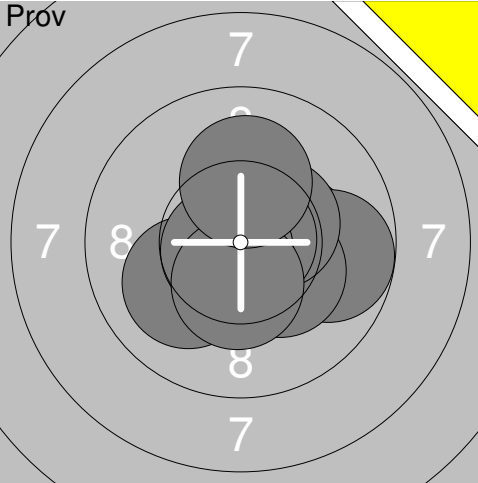
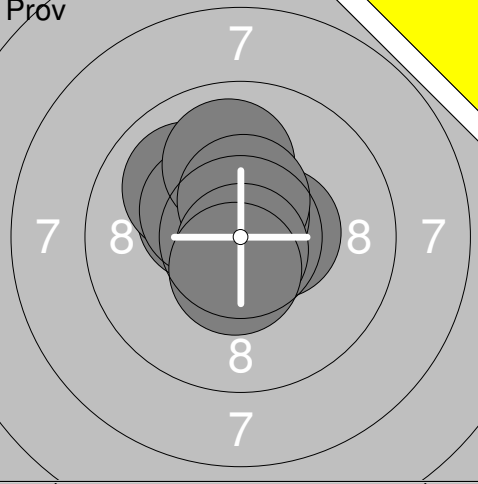
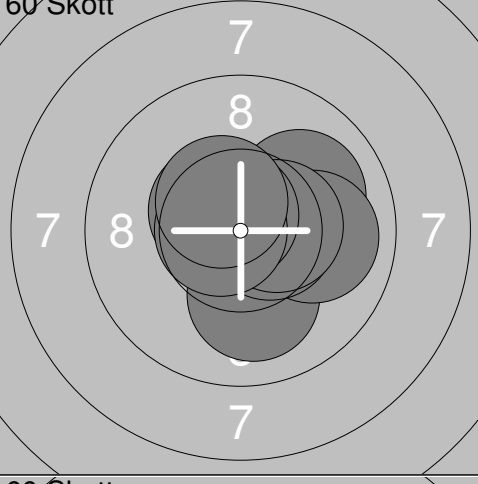

Skjutlag 1	Tavla 18	Rasmus Alfredsson			
S		Umeå Skf		LSitt	Vb
02.04.2022		UME-Kulan 2022		Umeå skytteallians	
Prov		1: 10.8x ↗ 2: 10.9x ↗ 3: 10.7x ← 4: 10.6x ← 5: 10.5x ↗ 6: 10.7x ↙ 7: 10.7x ↙ 8: 10.9x ↗ 9: 10.5x ← 10: 10.5x ↗	Prov		11: 10.8x ↗ 12: 10.1 ↗ 13: 10.7x → 14: 10.7x ↙ 15: 10.6x ↙ 16: 10.6x ↙ 17: 10.7x → 18: 10.6x ↙ 19: 10.6x ← 20: 10.1 ↗
		Serie 106.8			Serie 105.5
		Total 0.0			Total 0.0
Prov		21: 10.5x ↗ 22: 10.8x →	60 Skott		1: 10.8x ↓ 2: 10.4x ↗ 3: 10.6x → 4: 10.7x → 5: 10.6x ↗ 6: 10.9x ↗ 7: 10.7x ↙ 8: 10.8x ↙ 9: 10.5x ↙ 10: 10.8x ↓
		Serie 21.3			Serie 106.8
		Total 0.0			Total 106.8
60 Skott		11: 10.5x ↗ 12: 10.5x ↗ 13: 10.7x ↓ 14: 10.6x ↗ 15: 10.7x ↓ 16: 10.2x ↗ 17: 10.5x → 18: 10.4x ↗ 19: 10.4x ↗ 20: 10.5x ↓	60 Skott		21: 10.8x ↗ 22: 10.5x → 23: 10.8x ↗ 24: 10.6x ↙ 25: 10.6x ↓ 26: 10.6x ↙ 27: 10.7x ↓ 28: 10.6x ↙ 29: 10.8x ↗ 30: 10.6x →
		Serie 105.0			Serie 106.6
		Total 211.8			Total 318.4
60 Skott		31: 10.6x ↙ 32: 10.5x ← 33: 10.6x ↓ 34: 10.4x → 35: 10.5x ↓ 36: 10.8x ↗ 37: 10.6x ↙ 38: 10.8x ↙ 39: 10.7x ↗ 40: 10.7x →			
		Serie 106.2			
		Total 424.6			

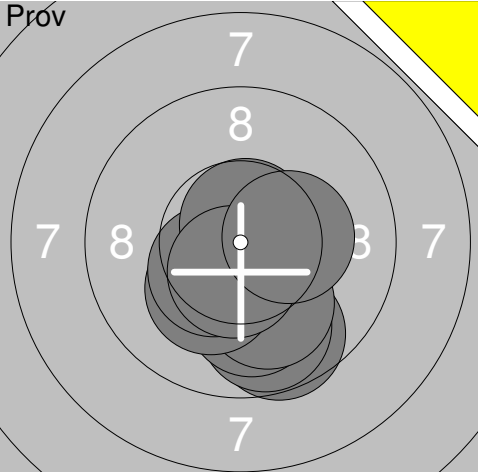
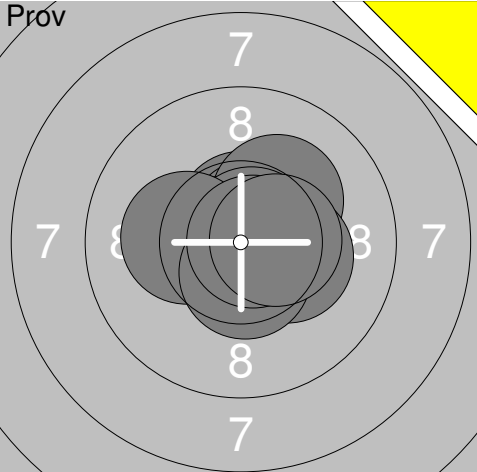
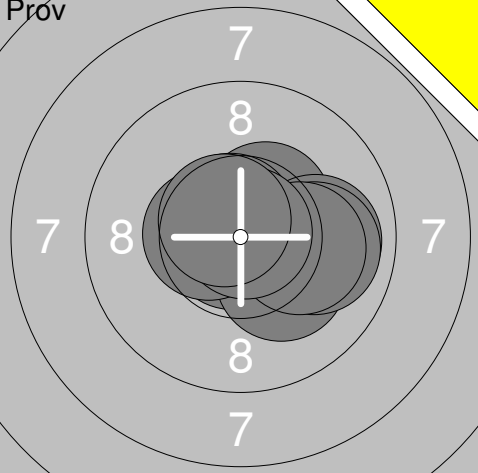
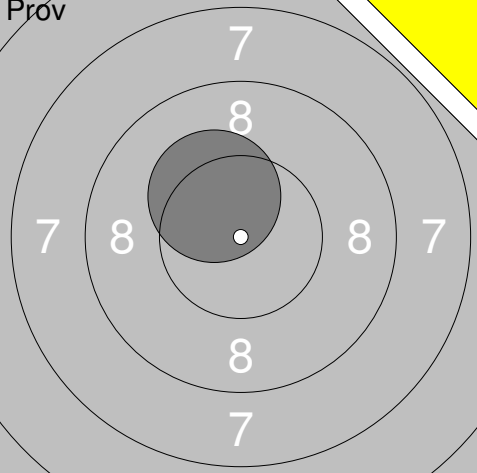
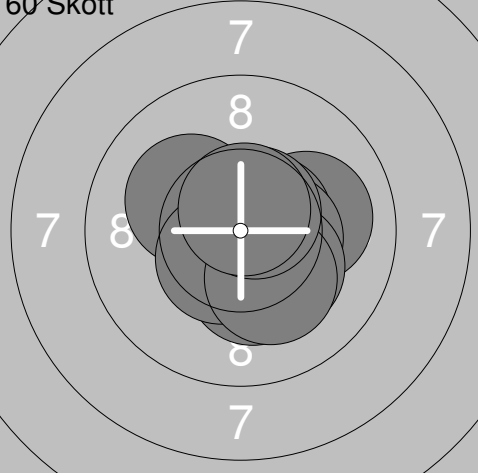
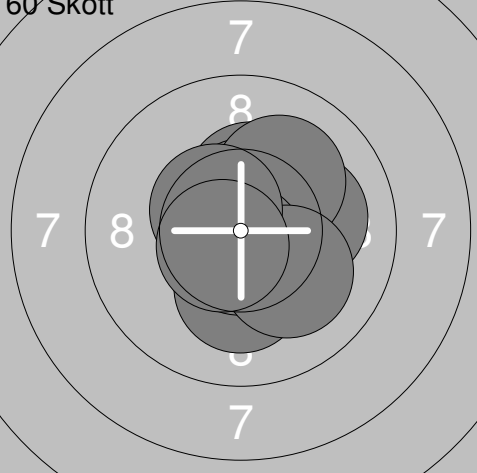
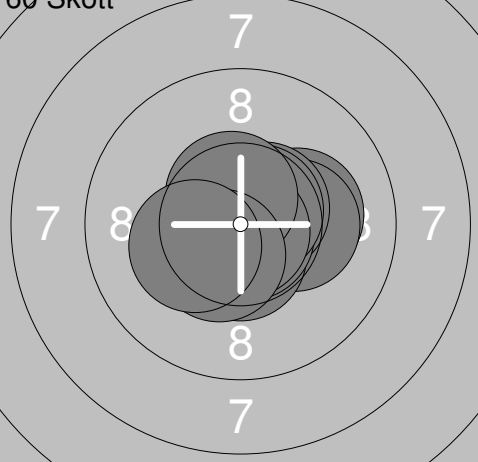
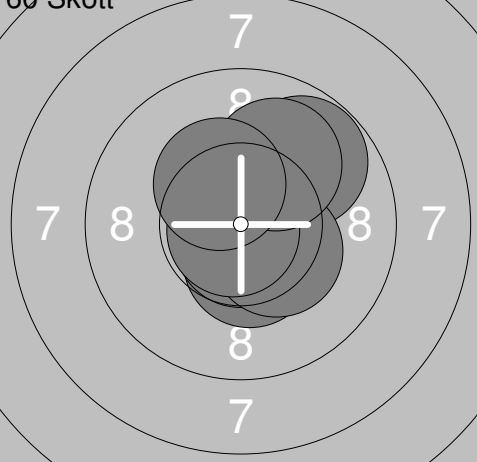
Skjutlag	Tavla	Rasmus Lindgren		LSitt	Vb
1	19	Umeå Skf			
02.04.2022	UME-Kulan 2022	Umeå skytteallians			
Prov		1: 10.4x ↙ 2: 10.3x ← 3: 10.3x ← 4: 10.2x ← 5: 10.2x ↗ 6: 10.7x ← 7: 10.4x → 8: 10.7x ↑ 9: 10.3x ↑ 10: 10.4x ↑	Prov		11: 10.5x → 12: 10.2x → 13: 10.5x ← 14: 10.4x ← 15: 10.9x ↓ 16: 10.2x ↗ 17: 10.4x ↗ 18: 10.4x ← 19: 10.5x → 20: 10.4x ←
		Serie 103.9		Serie 104.4	
		Total 0.0		Total 0.0	
Prov		21: 10.4x ↗ 22: 10.6x ↗ 23: 10.5x ↑ 24: 10.5x ← 25: 10.5x ← 26: 10.5x ↑ 27: 10.6x ←	60 Skott		1: 10.7x ↓ 2: 10.4x ↓ 3: 10.5x ↑ 4: 10.6x ← 5: 10.8x ↓ 6: 10.7x ↓ 7: 10.6x ↓ 8: 10.5x ← 9: 10.6x ← 10: 10.5x ↓
		Serie 73.6		Serie 105.9	
		Total 0.0		Total 105.9	
60 Skott		11: 10.3x ↓ 12: 10.7x ↓ 13: 10.9x ↑ 14: 10.0 ↓ 15: 10.2x → 16: 10.8x ← 17: 10.6x → 18: 10.8x ↓ 19: 10.6x → 20: 10.7x ↓	60 Skott		21: 9.7 ↓ 22: 10.8x ← 23: 9.6 ↓ 24: 10.3x → 25: 10.8x → 26: 10.3x → 27: 10.8x ↓ 28: 10.7x ↓ 29: 10.6x ← 30: 10.8x →
		Serie 105.6		Serie 104.4	
		Total 211.5		Total 315.9	
60 Skott		31: 10.5x ↓ 32: 10.2x → 33: 10.5x ← 34: 10.7x ↑ 35: 10.7x ↑ 36: 9.9 → 37: 10.1 ↓ 38: 10.5x ↓ 39: 10.5x ↓ 40: 9.6 ↓			
		Serie 103.2			
		Total 419.1			

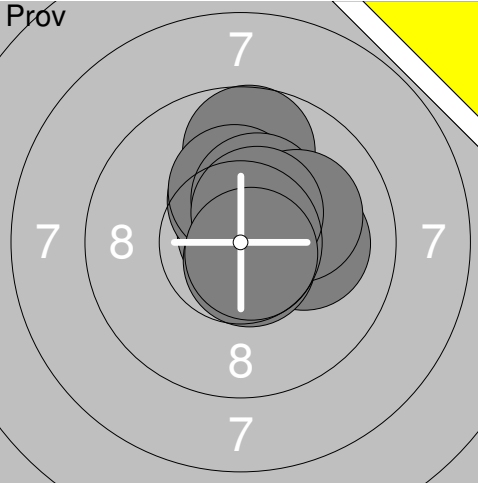
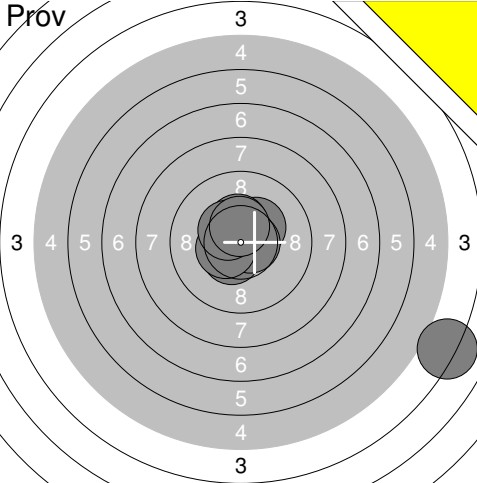
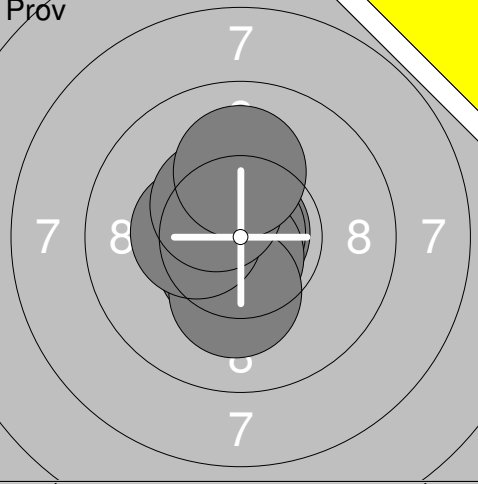
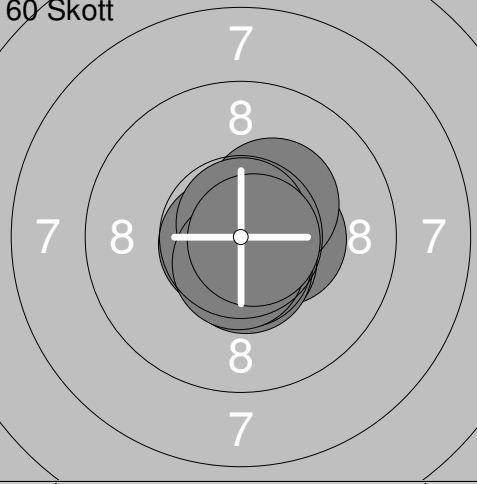
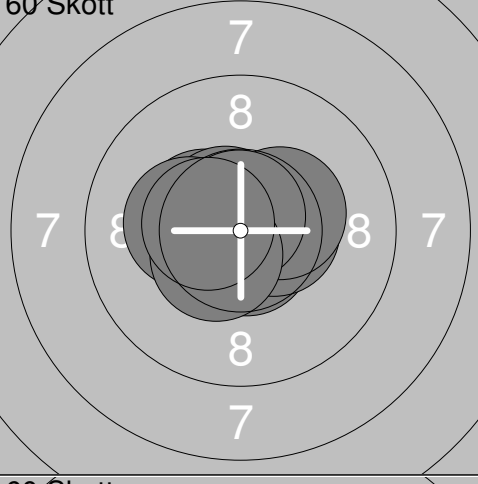
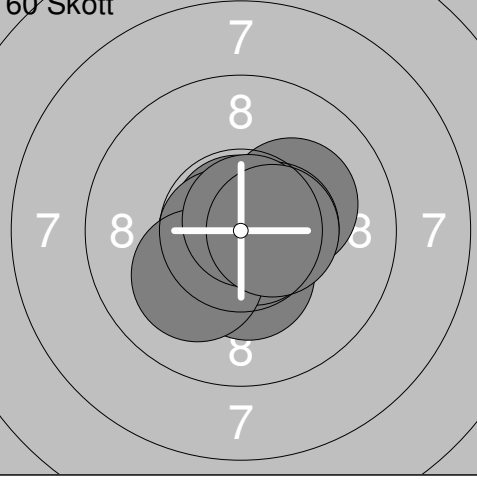
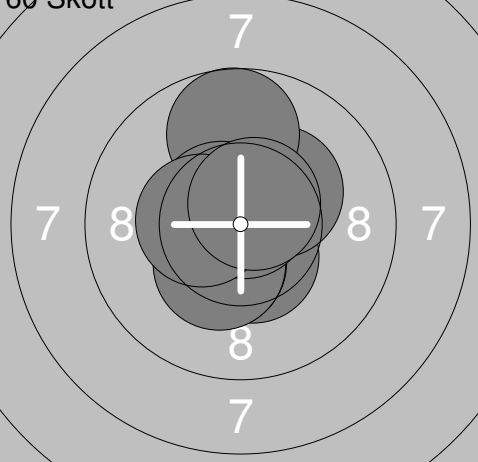
Skjutlag	Tavla	Emil Arntsen		
1	20			
S	Kyrkås Skf	LSitt	Jä	
02.04.2022	UME-Kulan 2022	Umeå skytteallians		
Prov		1: 10.5x ↘ 2: 10.1 ↙ 3: 10.4x → 4: 10.5x ← 5: 10.3x ↘ 6: 10.2x ↙ 7: 10.2x ↙ 8: 10.5x ↘ 9: 10.5x ↗ 10: 10.5x →	11: 10.6x → 12: 10.4x ↑ 13: 10.4x ↘ 14: 10.6x ↘ 15: 10.6x ↘ 16: 10.2x ↗ 17: 10.8x ↘ 18: 10.5x ↘ 19: 10.1 ↙ 20: 10.3x ↗	
	Serie	93.5	Serie	104.5
	Total	0.0	Total	0.0
Prov		21: 10.6x ↘ 22: 10.4x ↙ 23: 10.1 ↙ 24: 10.2x ↑ 25: 10.3x ↑ 26: 10.7x ← 27: 10.7x ↗	1: 10.7x ↗ 2: 10.7x → 3: 10.6x ↘ 4: 10.6x ↘ 5: 10.8x → 6: 10.0 ↘ 7: 10.7x ↘ 8: 10.3x ↘ 9: 10.4x ↑ 10: 10.5x ↙	
	Serie	73.0	Serie	105.3
	Total	0.0	Total	105.3
60 Skott		11: 10.2x → 12: 9.9 ↑ 13: 10.7x ↘ 14: 10.6x → 15: 10.6x ↑ 16: 10.7x ← 17: 10.6x → 18: 9.8 → 19: 10.6x ↘ 20: 10.4x ↙	21: 10.2x ← 22: 10.6x ↘ 23: 10.6x ↘ 24: 10.5x ↗ 25: 10.4x ↗ 26: 10.6x ↘ 27: 10.4x ↗ 28: 10.8x → 29: 10.2x ↑ 30: 10.9x ←	
	Serie	104.1	Serie	105.2
	Total	209.4	Total	314.6
60 Skott		31: 10.3x ↘ 32: 10.1 → 33: 10.4x ↗ 34: 10.6x ← 35: 10.8x ↘ 36: 10.6x ↗ 37: 10.3x ↘ 38: 10.4x ↗ 39: 10.2x ↑ 40: 10.5x ↑		
	Serie	104.2		
	Total	418.8		

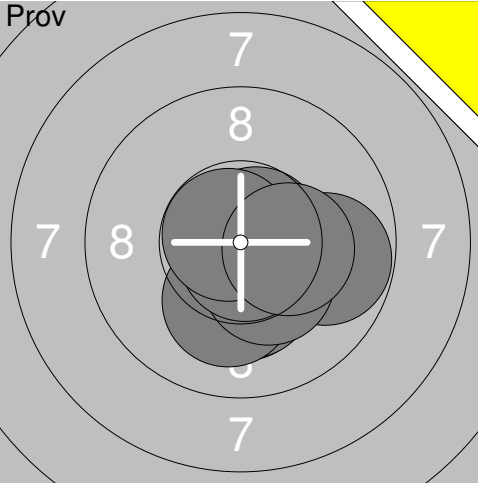
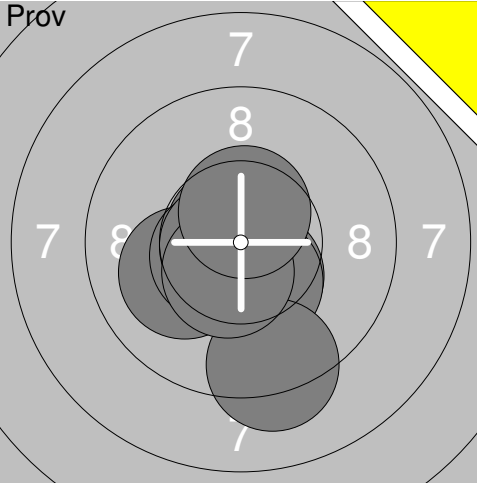
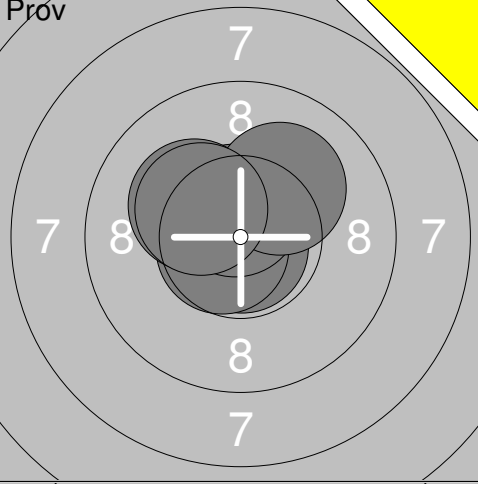
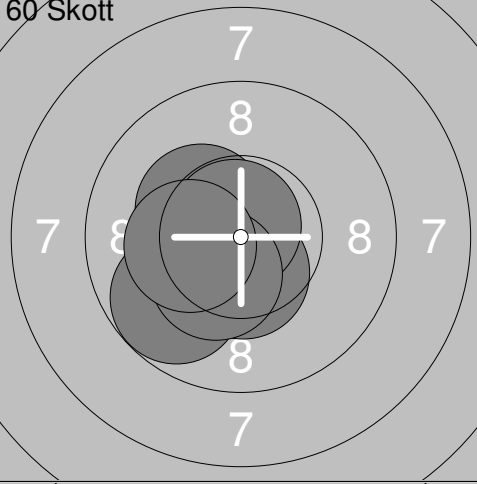
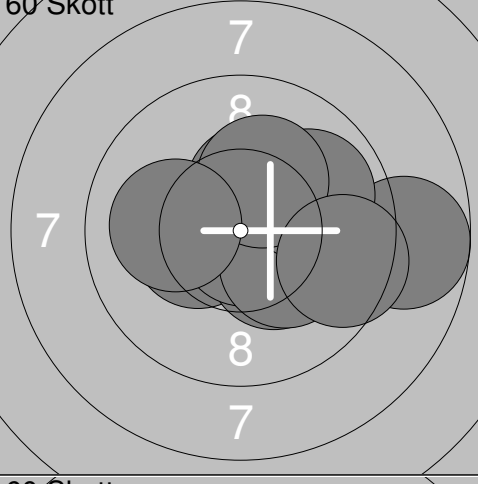
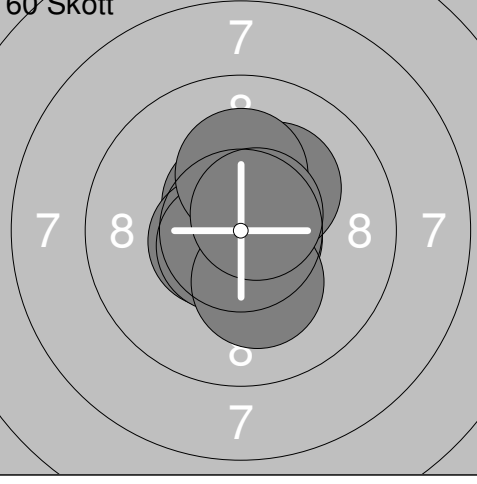
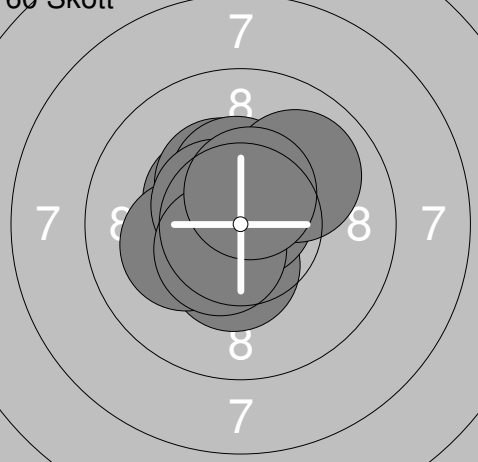
Skjutlag	Tavla	Tilde Hedlind	
S		Kyrkås Skf	L13 Jä
02.04.2022	UME-Kulan 2022	Umeå skytteallians	
Pröv 	1: 9.7 →	Pröv 	11: 10.6x ←
	2: 10.3x ↘		12: 10.9x ←
	3: 9.3 ↘		13: 10.0 ←
	4: 10.4x →		14: 10.8x ↖
	5: 9.9 →		15: 10.3x →
	6: 10.6x ↘		16: 10.3x ↗
	7: 9.7 →		17: 10.7x ↑
	8: 10.7x ↘		18: 10.6x ↗
	9: 10.6x ↗		19: 10.9x ↓
	10: 10.1 ↓		20: 10.1 ↙
	Serie 101.3		Serie 105.2
	Total 0.0		Total 0.0
Pröv 	21: 10.7x ←	Pröv 	31: 10.3x ↗
	22: 10.5x ↓		32: 10.7x ↓
	23: 10.5x ↘		33: 10.6x ↗
	24: 10.1 ←		34: 10.8x ↗
	25: 10.4x ←		35: 10.7x ↓
	26: 10.3x ↑		36: 10.6x ←
	27: 10.8x ←		37: 10.3x →
	28: 10.6x ←		38: 10.5x ↙
	29: 10.1 ↖		39: 10.6x ↙
	30: 10.6x ↖		40: 10.4x ↘
	Serie 104.6		Serie 105.5
	Total 0.0		Total 0.0
Pröv 	41: 10.5x ↑	60 Skott 	1: 10.5x ↘
	42: 10.1 ↑		2: 10.4x ↗
			3: 10.3x ↑
			4: 10.8x ←
			5: 10.5x ↓
			6: 10.5x ↗
			7: 10.0 →
			8: 10.4x ↙
			9: 10.6x ↘
			10: 10.4x ↖
	Serie 20.6		Serie 104.4
	Total 0.0		Total 104.4
60 Skott 	11: 10.5x ↘	60 Skott 	21: 10.5x ←
	12: 10.4x ↘		22: 10.2x ↗
	13: 10.3x ↖		23: 10.4x ↑
	14: 10.3x →		24: 10.3x ↗
	15: 10.7x →		25: 10.7x ↖
	16: 10.3x ↗		26: 10.4x →
	17: 10.4x ↘		27: 10.2x ↘
	18: 10.6x ↗		28: 10.1 ↖
	19: 10.7x ←		29: 10.3x ↙
	20: 10.6x ←		30: 10.7x ↙
	Serie 104.8		Serie 103.8
	Total 209.2		Total 313.0
60 Skott 	31: 10.7x ↗		
	32: 10.6x ↓		
	33: 10.7x →		
	34: 10.5x ↓		
	35: 10.6x ↘		
	36: 10.2x ↓		
	37: 10.6x →		
	38: 10.5x ↓		
	39: 10.3x ↓		
	40: 10.7x ↓		
	Serie 105.4		
	Total 418.4		

Skjutlag	Tavla	Emelie Albihn	
1	24		
S	Vännäs Skf	L13	Vb
02.04.2022	UME-Kulan 2022	Umeå skytteallians	
Prov		1: 10.4x ↘ 2: 10.7x ↓ 3: 10.6x ↘ 4: 9.0 ↓ 5: 10.1 ↘ 6: 10.5x ↗ 7: 10.2x → 8: 10.8x ↘ 9: 10.1 ↗ 10: 10.6x ←	11: 10.5x ↗ 12: 10.4x ← 13: 10.2x ↘ 14: 10.6x ↗ 15: 10.8x ← 16: 10.3x ↘ 17: 10.3x → 18: 10.2x → 19: 10.2x ↗ 20: 10.7x ↗
	Serie 103.0	Serie 104.2	
	Total 0.0	Total 0.0	
Prov		21: 10.4x → 22: 10.8x ↗ 23: 10.4x ↗ 24: 10.6x ↑ 25: 9.9 ←	1: 10.3x ↗ 2: 10.4x ← 3: 9.6 ↗ 4: 10.1 ← 5: 10.6x → 6: 10.4x ↗ 7: 10.2x → 8: 10.9x ↓ 9: 10.4x ↓ 10: 10.3x ←
	Serie 52.1	Serie 103.2	
	Total 0.0	Total 103.2	
60 Skott		11: 10.7x ↗ 12: 10.6x ↘ 13: 10.8x ↘ 14: 10.2x ↗ 15: 10.6x ↗ 16: 10.0 ← 17: 10.8x ↗ 18: 10.6x ↘ 19: 10.8x ↗ 20: 10.1 ↗	21: 10.6x ↗ 22: 10.4x ← 23: 10.2x ↗ 24: 10.5x ← 25: 10.8x ↓ 26: 10.7x ↗ 27: 10.9x → 28: 10.6x ↗ 29: 10.2x ↘ 30: 9.6 →
	Serie 105.2	Serie 104.5	
	Total 208.4	Total 312.9	
60 Skott		31: 10.8x → 32: 10.8x ↘ 33: 9.8 ↘ 34: 10.2x ↘ 35: 10.8x ← 36: 10.5x ↗ 37: 10.3x ← 38: 10.3x ↘ 39: 10.5x ← 40: 9.9 ↘	
	Serie 103.9		
	Total 416.8		

Skjutlag	Tavla	Robin Alfredsson	
S	Umeå Skf	L11	Vb
02.04.2022	UME-Kulan 2022	Umeå skytteallians	
Prov		1: 10.3x → 2: 10.7x ↓ 3: 9.7 → 4: 10.1 ↙ 5: 10.3x ↘ 6: 10.4x ↗ 7: 10.8x → 8: 10.7x ↖ 9: 10.4x ↓ 10: 10.1 ↑	11: 10.6x ↓ 12: 10.2x ↓ 13: 10.6x ↓ 14: 10.5x ↗ 15: 10.6x ↗ 16: 10.6x ↗ 17: 10.5x ↓ 18: 10.5x ↙ 19: 10.2x ↙ 20: 9.8 ↑
	Serie 103.5	Serie 104.1	
	Total 0.0	Total 0.0	
Prov		21: 10.8x ↘ 22: 10.4x ↗ 23: 10.0 ↗ 24: 10.5x → 25: 10.7x ↑ 26: 10.4x ↗ 27: 10.0 ↗ 28: 10.5x ↑ 29: 10.8x ↓ 30: 10.5x ↓	31: 10.4x ↗ 32: 10.5x ↘
	Serie 104.6	Serie 20.9	
	Total 0.0	Total 0.0	
60 Skott		1: 10.5x → 2: 10.1 ↓ 3: 10.0 ↗ 4: 10.0 → 5: 10.5x → 6: 10.5x → 7: 10.5x ↗ 8: 10.7x ↗ 9: 10.7x ↖ 10: 10.5x ↗	11: 10.3x ↘ 12: 10.3x ↓ 13: 10.6x → 14: 10.5x ↖ 15: 10.2x ↗ 16: 10.8x → 17: 10.8x ↓ 18: 10.7x ↖ 19: 10.6x ↗ 20: 10.7x →
	Serie 104.0	Serie 105.5	
	Total 104.0	Total 209.5	
60 Skott		21: 10.8x ↖ 22: 10.8x ↖ 23: 10.6x ↑ 24: 10.4x ↗ 25: 10.2x ↘ 26: 10.3x ↖ 27: 10.3x ↓ 28: 10.8x ↓ 29: 10.3x ↓ 30: 10.8x →	31: 10.9x ↖ 32: 10.7x ↗ 33: 10.5x ↑ 34: 10.5x ↘ 35: 10.7x ↗ 36: 10.5x → 37: 10.3x ↗ 38: 10.6x → 39: 10.7x ↗ 40: 10.7x ↑
	Serie 105.3	Serie 106.1	
	Total 314.8	Total 420.9	

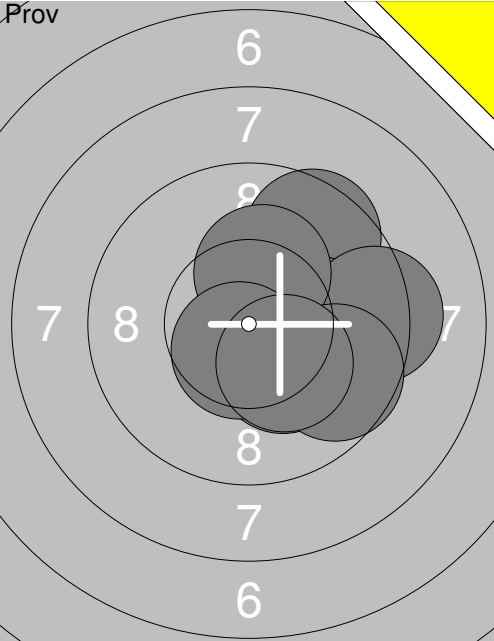
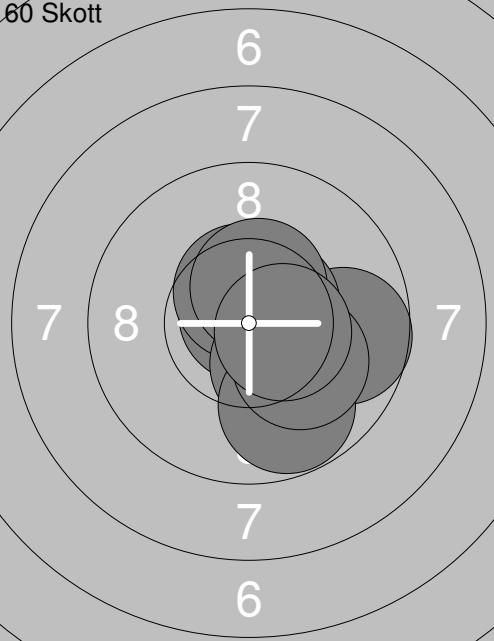
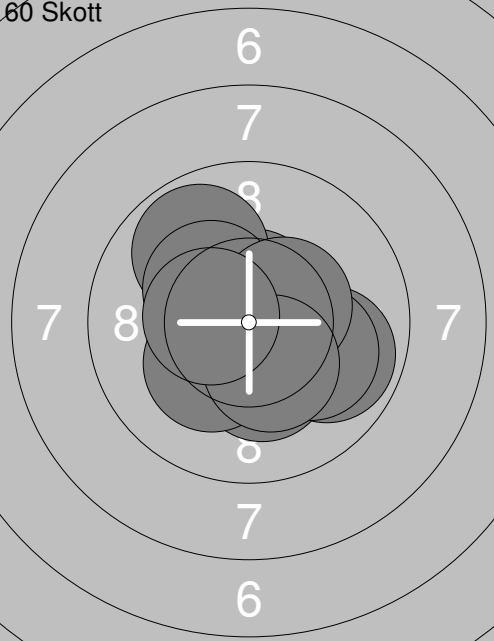
Skjutlag	Tavla	Stella Medin	
S	Kyrkås Skf	L11	Jä
02.04.2022	UME-Kulan 2022	Umeå skytteallians	
Prov		1: 9.6 ↓	
		2: 9.8 ↓	
		3: 10.0 ↓	
		4: 10.5x ↓	
		5: 10.1 ↓	
		6: 10.2x ↓	
		7: 10.4x ↓	
		8: 10.7x ↑	
		9: 10.5x ↓	
		10: 10.3x →	
	Serie	102.1	
	Total	0.0	
			Serie
			105.2
			Total
			0.0
Prov		21: 10.4x ↗	
		22: 9.9 →	
		23: 10.8x ↙	
		24: 10.2x ↓	
		25: 10.0 →	
		26: 10.1 →	
		27: 10.5x ↙	
		28: 10.7x ↗	
		29: 10.9x ↗	
		30: 10.6x ↗	
	Serie	104.1	
	Total	0.0	
			Serie
			10.3
			Total
			0.0
60 Skott		1: 10.3x ↓	
		2: 10.0 →	
		3: 10.6x →	
		4: 10.5x →	
		5: 10.2x ↗	
		6: 10.2x ↓	
		7: 10.5x ↓	
		8: 10.2x ↓	
		9: 10.6x ↗	
		10: 10.7x ↑	
	Serie	103.8	
	Total	103.8	
			Serie
			103.9
			Total
			207.7
60 Skott		21: 10.2x →	
		22: 10.2x →	
		23: 10.5x ↓	
		24: 10.6x ↗	
		25: 10.8x ↓	
		26: 10.7x ↗	
		27: 10.8x ↓	
		28: 10.6x ↗	
		29: 10.4x ↓	
		30: 10.3x ↙	
	Serie	105.1	
	Total	312.8	
			Serie
			104.7
			Total
			417.5

Skjutlag 1	Tavla 28	Emil Holmlund				
S		Umeå Skf		L11	Vb	
02.04.2022		UME-Kulan 2022		Umeå skytteallians		
Pröv		1: 10.8x ↑ 2: 9.7 ↑ 3: 10.4x ↑ 4: 10.3x ↑ 5: 10.3x ↑ 6: 10.1 → 7: 10.7x ↓ 8: 10.1 → 9: 10.5x ↑ 10: 10.7x ↓	Pröv		11: 10.9x ← 12: 10.6x ↑ 13: 4.1 → 14: 10.3x ↗ 15: 10.5x ↘ 16: 10.7x → 17: 10.4x ↑ 18: 10.5x ← 19: 10.4x ↖ 20: 10.5x ↑	
		Serie	103.6			
		Total	0.0	Serie	98.9	
				Total	0.0	
Pröv		21: 10.9x ↑ 22: 10.9x ↑ 23: 10.6x ↘ 24: 10.7x ↓ 25: 10.2x ↓ 26: 10.4x ← 27: 10.4x ↗ 28: 10.1 ↑	60 Skott		1: 10.8x ↓ 2: 10.4x → 3: 10.6x ↓ 4: 10.7x ← 5: 10.3x ↗ 6: 10.5x ↓ 7: 10.6x ↓ 8: 10.8x ↑ 9: 10.6x ↓ 10: 10.8x →	
		Serie	84.2			
		Total	0.0	Serie	106.1	
				Total	106.1	
60 Skott		11: 10.7x ↓ 12: 10.5x → 13: 10.4x → 14: 10.4x ← 15: 10.6x ↗ 16: 10.8x ↗ 17: 10.3x ← 18: 10.8x ↑ 19: 10.5x ↓ 20: 10.5x ←	60 Skott		21: 10.8x ↑ 22: 10.8x → 23: 10.7x ← 24: 10.4x ↓ 25: 10.2x ↗ 26: 10.5x → 27: 10.7x ↓ 28: 10.1 ↘ 29: 10.8x ↗ 30: 10.5x →	
		Serie	105.5			
		Total	211.6	Serie	105.5	
				Total	317.1	
60 Skott		31: 10.5x ↓ 32: 10.8x ↗ 33: 10.4x ↓ 34: 10.3x ↓ 35: 10.3x ↗ 36: 10.8x ↑ 37: 9.7 ↑ 38: 10.6x ↗ 39: 10.4x ← 40: 10.6x ↗				
		Serie	104.4			
		Total	421.5			

Skjutlag 1	Tavla 29	Dennis Alenius			
S		Ramselefors Skf		L11	Vb
02.04.2022		UME-Kulan 2022		Umeå skytteallians	
Prov		1: 10.7x ↗ 2: 10.2x ↓ 3: 9.8 → 4: 10.3x ↓ 5: 10.7x ↘ 6: 10.1 ↓ 7: 10.3x ↓ 8: 10.8x ↓ 9: 10.8x ↗ 10: 10.3x →	Prov		11: 10.8x ↖ 12: 10.4x ↓ 14: 10.1 ↖ 15: 10.6x ↖ 16: 10.4x ↓ 17: 9.2 ↓ 18: 10.7x ← 19: 10.5x ↓ 20: 10.5x ↑
		Serie 104.0			Serie 93.2
		Total 0.0			Total 0.0
Prov		21: 10.8x ↖ 22: 10.8x ↓ 23: 10.7x ↖ 24: 10.7x ↖ 25: 10.6x ↗ 26: 10.2x ↗ 27: 10.1 ↗ 28: 10.3x ↗	60 Skott		1: 10.7x ← 2: 10.8x ← 3: 9.8 ↖ 4: 10.4x ← 5: 10.3x ↖ 6: 10.6x ← 7: 10.5x ↓ 8: 10.8x ↗ 9: 10.3x ↓ 10: 10.3x ←
		Serie 84.2			Serie 104.5
		Total 0.0			Total 104.5
60 Skott		11: 10.4x ← 12: 10.3x ↓ 13: 10.4x ↗ 14: 10.8x ↓ 15: 10.2x ↓ 16: 8.7 → 17: 9.9 → 18: 10.2x ↗ 19: 9.5 → 20: 10.1 ←	60 Skott		21: 10.6x ↗ 22: 10.6x ← 23: 10.7x ↘ 24: 10.6x ← 25: 10.6x ↖ 26: 10.3x ↗ 27: 10.2x ↗ 28: 10.2x ↑ 29: 10.2x ↓ 30: 10.6x ↗
		Serie 100.5			Serie 104.6
		Total 205.0			Total 309.6
60 Skott		31: 10.4x ↓ 32: 10.4x ↖ 33: 10.8x ↗ 34: 10.2x ← 35: 10.3x ↗ 36: 10.4x ↑ 37: 10.0 ↗ 38: 10.5x ↗ 39: 10.5x ↓ 40: 10.5x ↑			
		Serie 104.0			
		Total 413.6			

Skjutlag	Tavla	Alexander Lindahl	
1	30	Vännäs Skf	L11 Vb
02.04.2022	UME-Kulan 2022	Umeå skytteallians	
Prov		1: 8.7 ↗ 2: 8.0 ↗ 3: 9.9 ↓ 4: 9.0 ↗ 5: 9.5 ↗ 6: 10.6x↘ 7: 10.0 ↗ 8: 10.7x→ 9: 10.2x↘ 10: 10.0 ↓	11: 9.6 ↖ 12: 10.1 ↗ 13: 10.1 → 14: 9.8 ↓
	Serie 96.6	Serie 39.6	
	Total 0.0	Total 0.0	
60 Skott		1: 10.2x↓ 2: 10.7x↗ 3: 10.1 → 4: 9.4 ↗ 5: 9.9 ↗ 6: 9.7 → 7: 10.2x↗ 8: 10.6x↘ 9: 8.2 ↖ 10: 10.1 ↓	11: 9.8 ↖ 12: 10.1 ↓ 13: 10.0 ↓ 14: 9.5 ← 15: 9.1 ↖ 16: 9.6 ↓ 17: 10.2x↘ 18: 10.2x↓ 19: 9.7 ← 20: 10.2x↗
	Serie 99.1	Serie 98.4	
	Total 99.1	Total 197.5	
60 Skott		21: 9.5 ↖ 22: 9.3 ↖ 23: 10.9x↗ 24: 10.8x↓ 25: 9.2 ↗ 26: 10.9x↘ 27: 10.5x↓ 28: 9.7 ↗ 29: 9.8 → 30: 10.9x↘	31: 9.0 ↖ 32: 9.2 ↓ 33: 9.4 ↗ 34: 10.4x↗ 35: 10.3x↗ 36: 9.7 ↗ 37: 10.4x↗ 38: 8.8 ↖ 39: 9.7 ↗ 40: 10.0 ↖
	Serie 101.5	Serie 96.9	
	Total 299.0	Total 395.9	

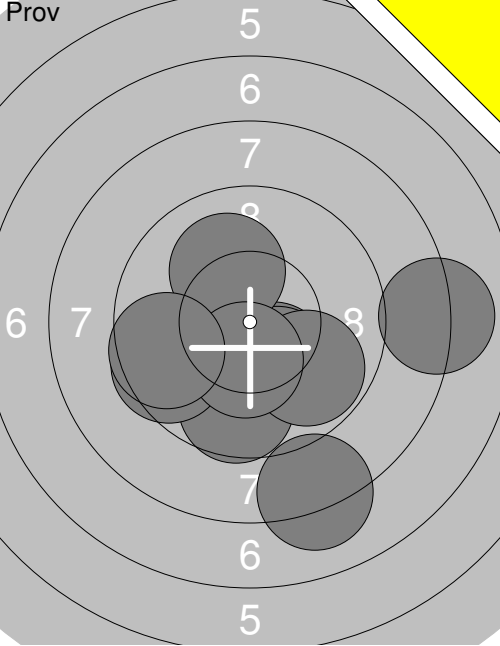
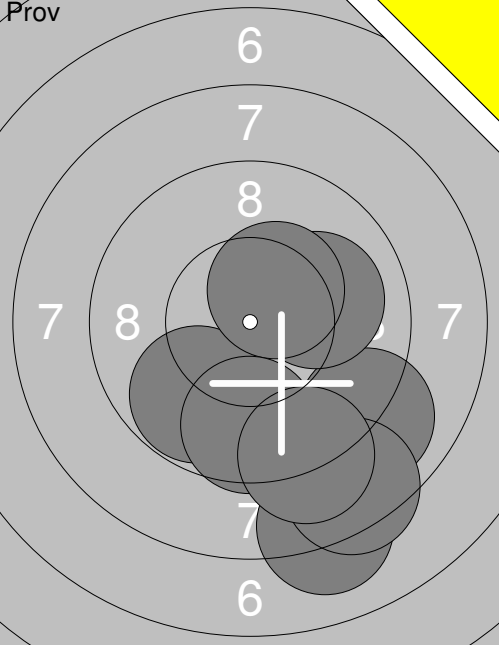
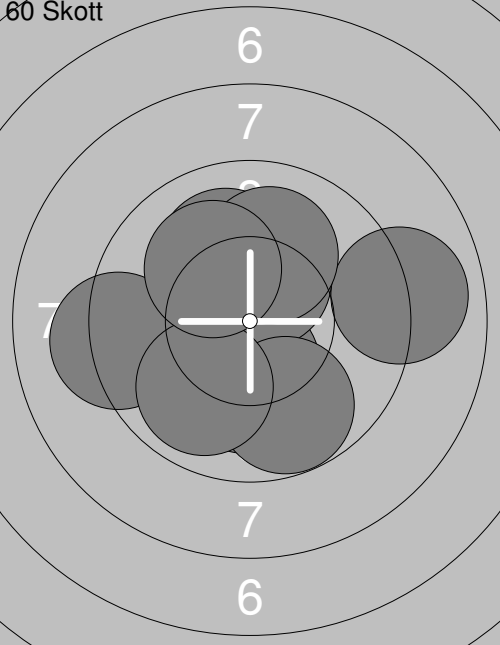
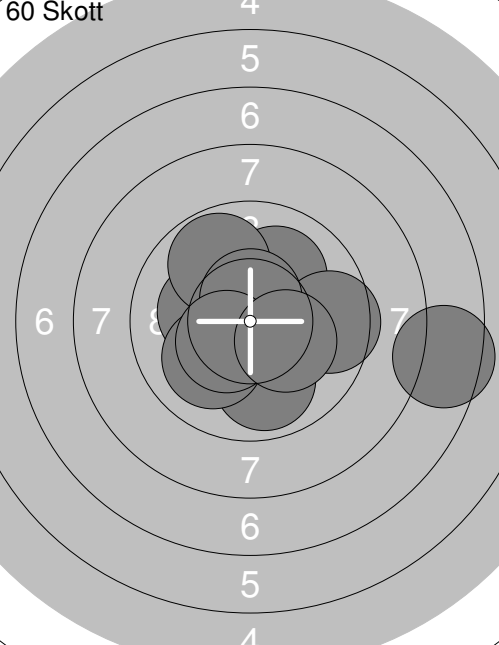
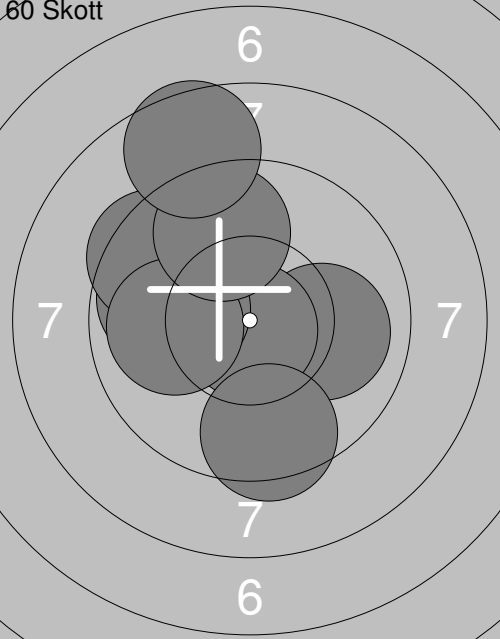
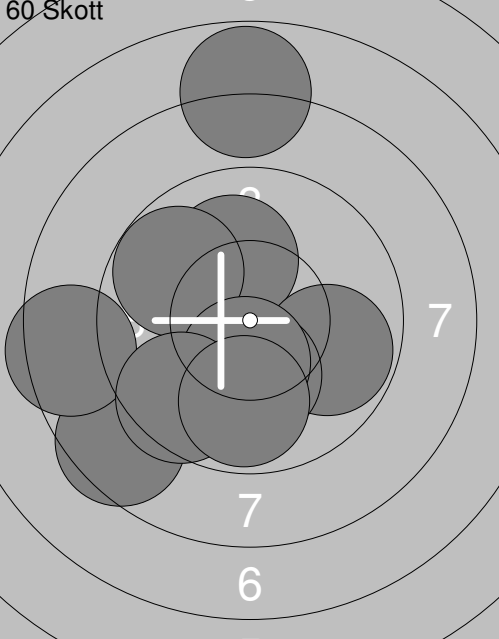
Skjutlag	Tavla	Linus Holmlund	
S	Umeå Skf	L9	Vb
02.04.2022	UME-Kulan 2022	Umeå skytteallians	
Pröv 	1: 10.2x ↗ 2: 10.0 ↗ 3: 9.7 ↗ 4: 10.3x ↘ 5: 10.6x ↘ 6: 10.4x ↗ 7: 10.5x → 8: 10.8x ← 9: 10.7x ↙ 10: 10.1 → Serie 103.3 Total 0.0	Pröv 	11: 10.5x ↓ 12: 10.6x → 13: 10.7x ↘ 14: 10.4x ↘ 15: 10.1 ↗ 16: 9.9 ↗ 17: 10.5x ↗ 18: 10.5x ↗ 19: 10.7x ↘ 20: 10.7x ↘ Serie 104.6 Total 0.0
Pröv 	21: 10.6x ↓ 22: 10.6x ↓ 23: 10.4x ↓ 24: 10.3x → Serie 41.9 Total 0.0	60 Skott 	1: 10.6x ↑ 2: 10.3x → 3: 10.5x ↙ 4: 10.2x ↗ 5: 10.2x → 6: 10.8x ↙ 7: 10.6x ↙ 8: 10.5x ↑ 9: 10.6x ↙ 10: 10.6x ↑ Serie 104.9 Total 104.9
60 Skott 	11: 10.6x → 12: 9.9 ↗ 13: 10.2x ← 14: 10.8x ↘ 15: 9.8 ↗ 16: 10.3x ↗ 17: 10.3x ↘ 18: 10.6x ↙ 19: 10.6x → 20: 10.6x ↗ Serie 103.7 Total 208.6	60 Skott 	21: 10.3x ↗ 22: 10.4x ↗ 23: 10.2x ↗ 24: 10.6x → 25: 10.8x ↘ 26: 10.4x → 27: 10.3x ↘ 28: 10.5x ↘ 29: 10.7x ↗ 30: 10.6x ↗ Serie 104.8 Total 313.4
60 Skott 	31: 10.8x ↓ 32: 10.7x ↗ 33: 10.4x ↗ 34: 10.7x ↗ 35: 10.4x ↗ 36: 9.8 ↗ 37: 10.5x ← 38: 10.5x ↗ 39: 10.6x → 40: 10.4x ↓ Serie 104.8 Total 418.2		

Skjutlag	Tavla	Alex Hansson	
S	Vännäs Skf	L9	Vb
02.04.2022	UME-Kulan 2022	Umeå skytteallians	
Prov		1: 10.1 → 2: 10.3x ↘ 3: 9.5 ↗ 4: 10.1 → 5: 10.3x → 6: 9.3 → 7: 10.3x ↗ 8: 9.7 ↘ 9: 10.6x ↘ 10: 10.3x ↘ Serie 100.5 Total 0.0	11: 10.5x ↗ 12: 10.0 → Serie 20.5 Total 0.0
60 Skott		1: 10.8x ↗ 2: 9.7 → 3: 10.6x ↗ 4: 10.4x ↘ 5: 10.5x ↗ 6: 10.5x ↗ 7: 10.3x ↘ 8: 9.8 ↘ 9: 10.1 ↘ 10: 10.5x → Serie 103.2 Total 103.2	11: 10.5x ↘ 12: 9.9 → 13: 10.4x → 14: 9.7 ↘ 15: 9.7 ↗ 16: 10.1 → 17: 10.2x ↗ 18: 10.0 ↗ 19: 10.5x ↘ 20: 9.8 ↘ Serie 100.8 Total 204.0
60 Skott		21: 9.9 → 22: 10.3x ↘ 23: 10.6x ↗ 24: 10.2x ↘ 25: 9.8 ↗ 26: 10.1 → 27: 10.3x ↘ 28: 10.5x ↗ 29: 10.3x ↘ 30: 10.5x ↘ Serie 102.5 Total 306.5	31: 9.3 ↘ 32: 10.5x ↘ 33: 10.2x ↗ 34: 10.5x ↗ 35: 10.7x → 36: 10.5x → 37: 10.3x ↘ 38: 10.4x ↘ 39: 10.2x ↘ 40: 10.5x ↘ Serie 103.1 Total 409.6

		<p>1: 10.7x ↘</p> <p>2: 9.3 ↘</p> <p>3: 9.2 ↓</p> <p>4: 8.8 ↘</p> <p>5: 8.9 ↓</p> <p>6: 10.6x ↘</p> <p>7: 8.7 ↘</p> <p>8: 9.1 ↗</p> <p>9: 7.9 ↘</p> <p>10: 8.4 ↘</p> <hr/> <p>Serie 91.6</p> <hr/> <p>Total 0.0</p>
<p>11: 8.9 ↗</p> <hr/> <p>Serie 8.9</p> <hr/> <p>Total 0.0</p>		

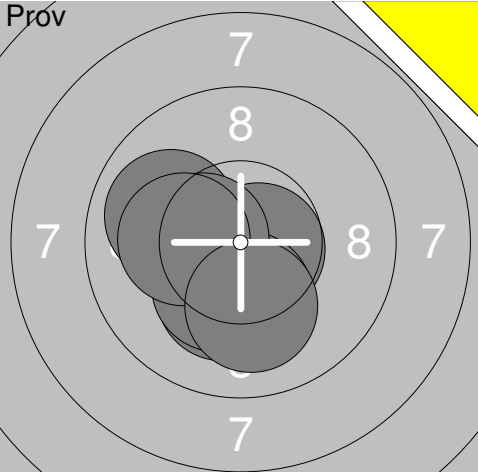
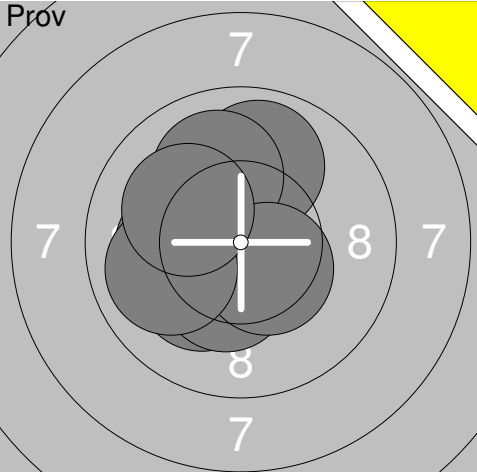
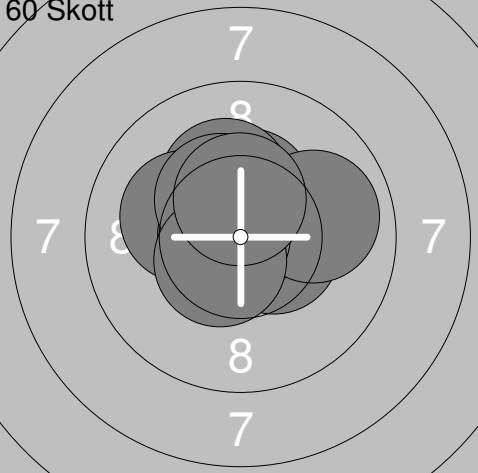
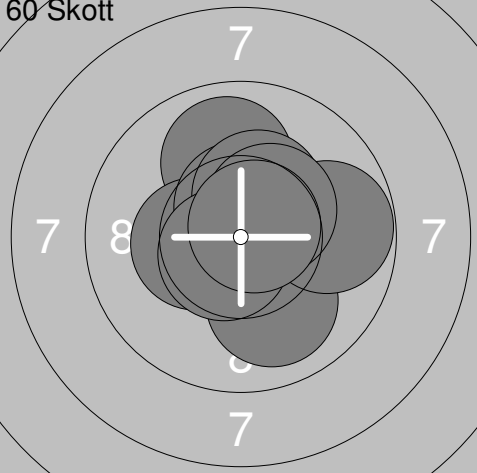
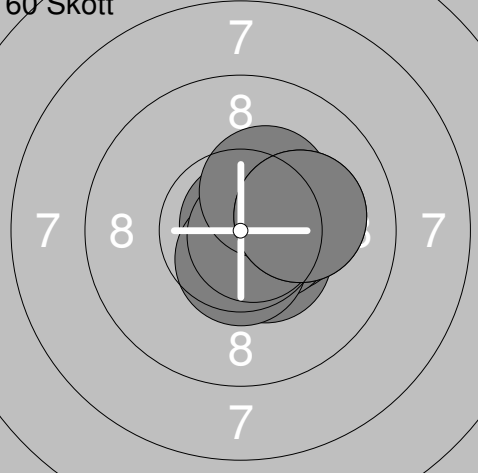
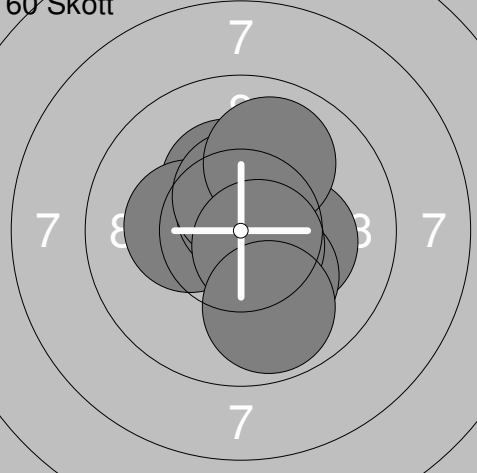
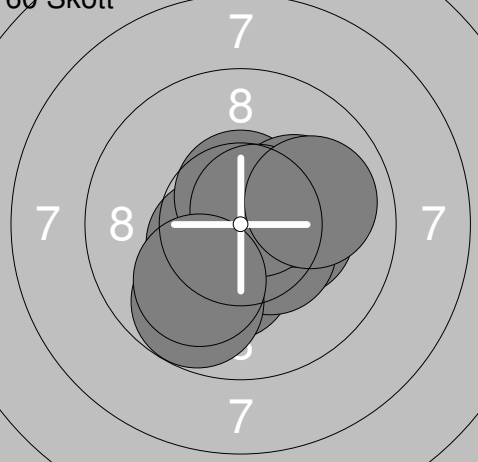
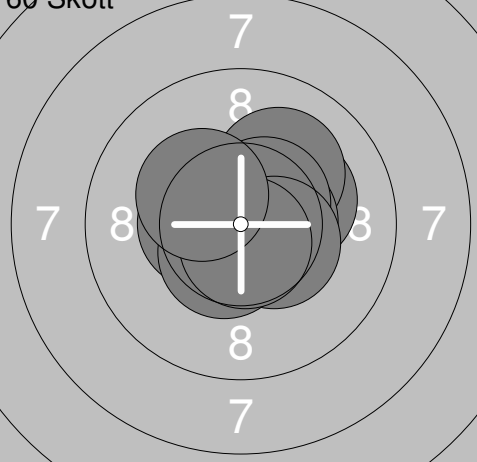
		<p>1: 9.5 ↗</p> <p>2: 9.6 ↗</p> <p>3: 7.0 ↘</p> <p>4: 10.4x ↘</p> <p>5: 9.2 ↘</p> <p>6: 8.2 ↗</p> <p>7: 10.5x ↗</p> <p>8: 10.9x ↗</p> <p>9: 10.0 ➡</p> <p>10: 10.4x ➡</p> <hr/> <p>Serie 95.7</p> <hr/> <p>Total 95.7</p>
<p>11: 6.7 ←</p> <p>12: 7.8 ↘</p> <p>13: 7.6 ➡</p> <p>14: 10.0 ↗</p> <p>15: 8.9 ➡</p> <p>16: 9.4 ←</p> <p>17: 8.1 ➡</p> <p>18: 9.3 ↗</p> <p>19: 10.3x ↘</p> <p>20: 8.8 ↗</p> <hr/> <p>Serie 86.9</p> <hr/> <p>Total 182.6</p>		

		<p>21: 7.8 ➡</p> <p>22: 7.2 ↘</p> <p>23: 10.2x ➡</p> <p>24: 8.4 ➡</p> <p>25: 9.5 ↗</p> <p>26: 10.2x ➡</p> <p>27: 7.4 ➡</p> <p>28: 8.4 ↗</p> <p>29: 9.8 ↓</p> <p>30: 9.3 ➡</p> <hr/> <p>Serie 88.2</p> <hr/> <p>Total 270.8</p>
<p>31: 8.4 ➡</p> <p>32: 7.2 ↗</p> <p>33: 9.5 ↗</p> <p>34: 7.3 ←</p> <p>35: 9.0 ←</p> <p>36: 9.6 ↗</p> <p>37: 9.6 ↗</p> <p>38: 8.7 ↓</p> <p>39: 10.1 ➡</p> <p>40: 10.1 ↘</p> <hr/> <p>Serie 89.5</p> <hr/> <p>Total 360.3</p>		

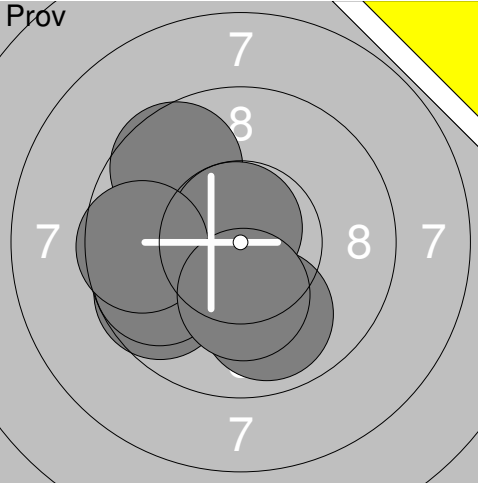
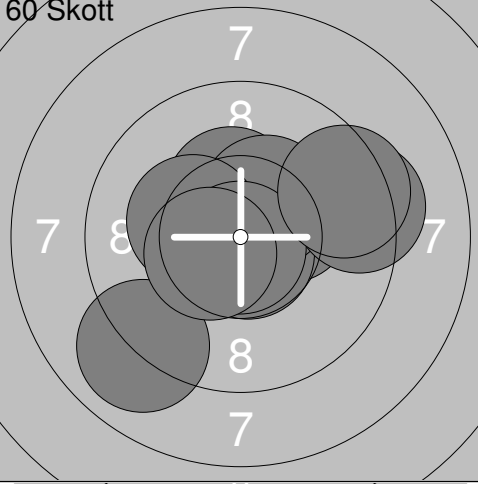
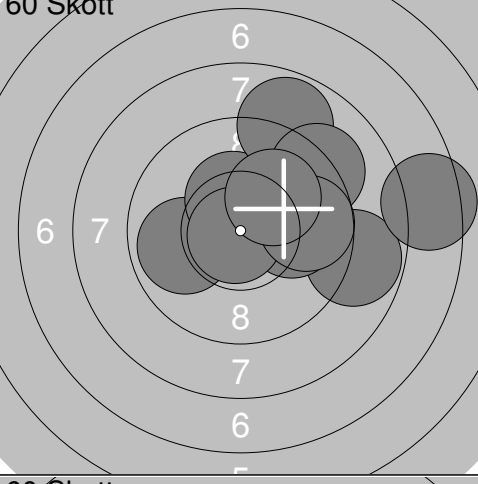
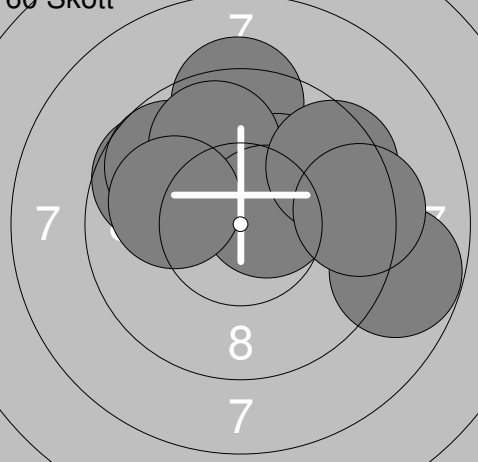
Skjuttag	Tavla	Frida Holmlund			
1	37	Umeå Skf	L7	Vb	
02.04.2022	UME-Kulan 2022	Umeå skytteallians			
Prov		1: 8.1 ↘ 2: 8.1 → 3: 10.3x↘ 4: 10.2x↘ 5: 9.6 ↓ 6: 9.5 ← 7: 10.1 ↗ 8: 9.8 ↘ 9: 10.4x↓ 10: 9.6 ←	Prov		11: 9.0 ↘ 12: 8.1 ↓ 13: 8.4 ↓ 14: 10.0 → 15: 9.8 ↓ 16: 10.4x↗ 17: 9.6 ↓ 18: 9.1 ↓
		Serie 95.7		Serie 74.4	
		Total 0.0		Total 0.0	
60 Skott		1: 10.1 ↗ 2: 10.1 ↓ 3: 10.4x↓ 4: 9.0 → 5: 9.2 ← 6: 10.4x↗ 7: 10.1 ↗ 8: 9.8 ↓ 9: 9.9 ↓ 10: 10.1 ↗	60 Skott		11: 10.1 ↗ 12: 7.5 → 13: 10.2x← 14: 9.8 ↗ 15: 9.9 ↓ 16: 9.6 → 17: 10.6x↗ 18: 10.0 ↘ 19: 10.4x↘ 20: 10.2x↘
		Serie 99.1		Serie 98.3	
		Total 99.1		Total 197.4	
60 Skott		21: 9.8 ← 22: 9.5 ↗ 23: 10.0 → 24: 10.8x↓ 25: 9.5 ↓ 26: 10.0 ← 27: 9.5 ↗ 28: 10.0 ← 29: 9.7 ↗ 30: 8.6 ↗	60 Skott		31: 10.1 ↗ 32: 9.8 → 33: 10.2x↓ 34: 8.5 ↘ 35: 9.8 ↗ 36: 7.8 ↗ 37: 10.4x↓ 38: 8.5 ← 39: 9.5 ↘ 40: 9.8 ↓
		Serie 97.4		Serie 94.4	
		Total 294.8		Total 389.2	

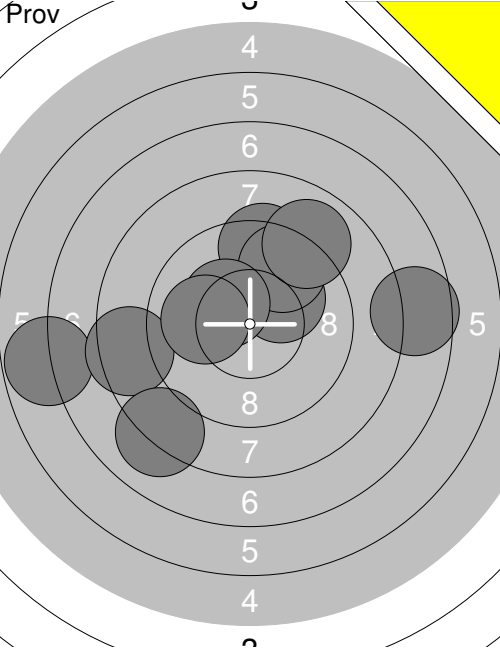
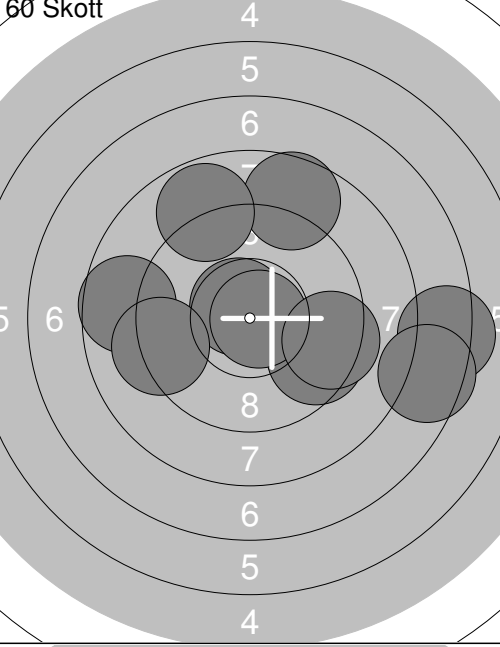
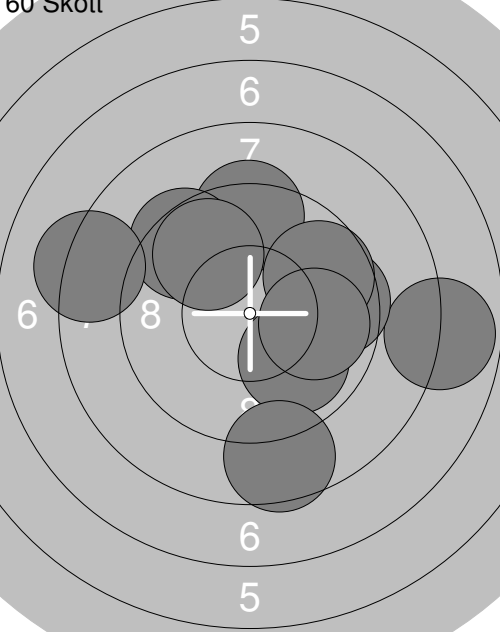
Skjutlag	Tavla	Esther Häggström	
1	39		
S	Ramselefors Skf	L7	Vb
02.04.2022	UME-Kulan 2022	Umeå skytteallians	
Prov 	1: 6.2 ↓ 2: 5.5 ↓ 3: 7.3 ↘ 4: 3.1 → 5: 4.0 ↓ 6: 6.9 ↘ 7: 6.8 ↓ 8: 4.9 ↑ 9: 6.5 ← 10: 7.5 ↗	Prov 	11: 8.3 ↑ 12: 6.0 → 13: 6.9 ← 14: 8.4 ↗ 15: 5.4 ↗ 16: 8.6 ↗
	Serie 58.7		Serie 43.6
	Total 0.0		Total 0.0
60 Skott 	1: 4.8 → 2: 6.2 ← 3: 5.5 ↓ 4: 8.2 ← 5: 6.1 ↖ 6: 9.7 ↖ 7: 7.3 ↓ 8: 6.6 ↓ 9: 8.0 ↓ 10: 1.4 ←	60 Skott 	11: 8.4 ← 12: 3.9 ← 13: 3.9 ← 14: 6.0 ↗ 15: 8.7 ↑ 16: 5.5 ↓ 17: 6.2 ↓ 18: 8.9 ↘ 19: 7.7 → 20: 4.4 →
	Serie 63.8		Serie 63.6
	Total 63.8		Total 127.4
60 Skott 	21: 5.4 → 22: 6.5 ↗ 23: 5.8 ↘ 24: 5.1 ↗ 25: 10.7 ✖ 26: 6.9 ← 27: 9.0 ↓ 28: 1.6 ← 29: 8.2 ↓ 30: 6.4 ↗	60 Skott 	31: 6.1 ← 32: 8.5 → 33: 5.8 → 34: 9.3 ↘ 35: 5.3 ↓ 36: 8.7 ↓ 37: 8.7 ↖ 38: 4.7 ↓ 39: 8.4 ↓ 40: 7.4 ←
	Serie 65.6		Serie 72.9
	Total 193.0		Total 265.9

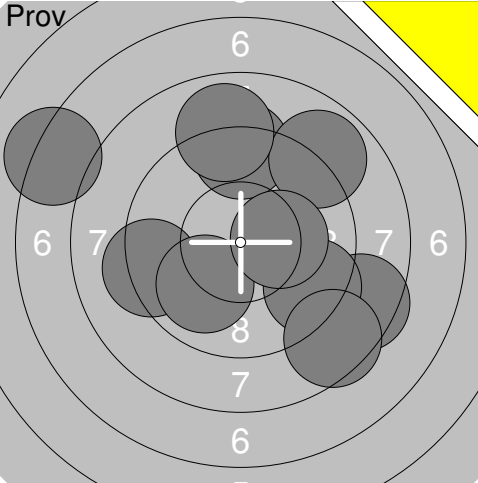
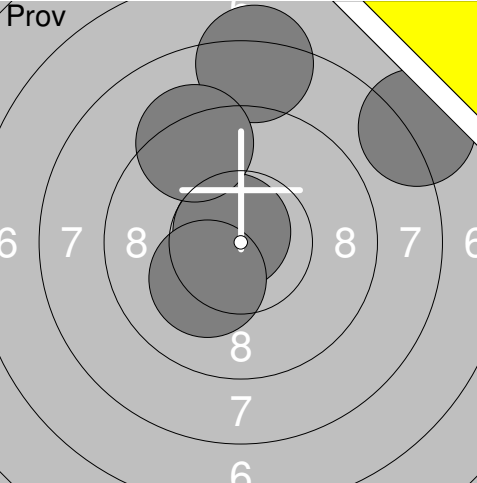
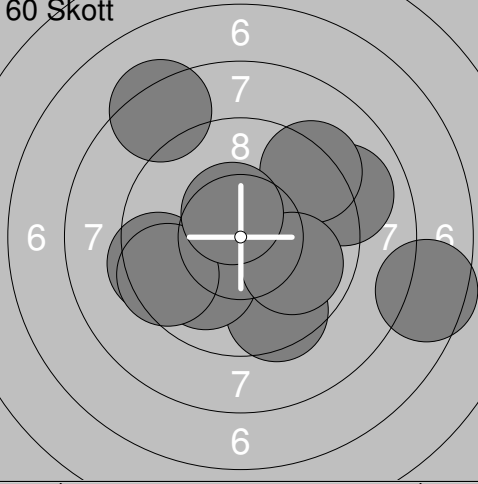
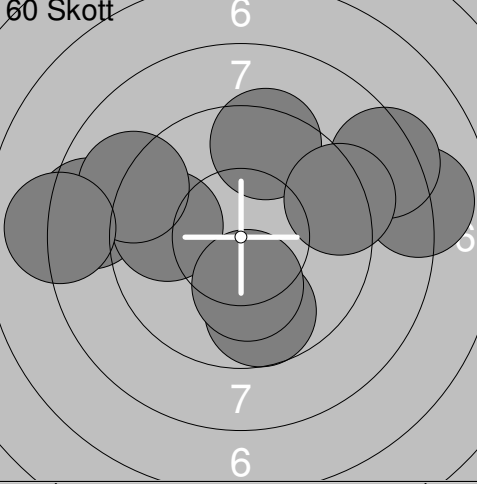
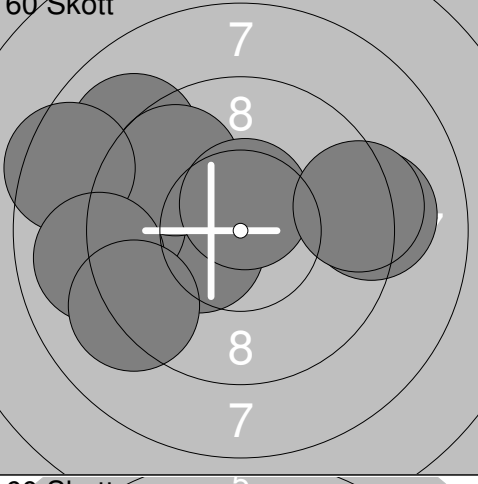
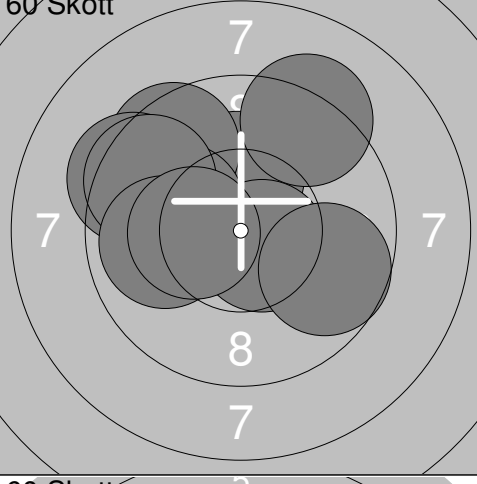
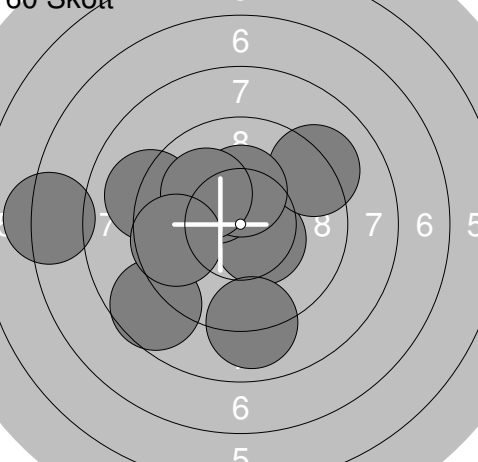
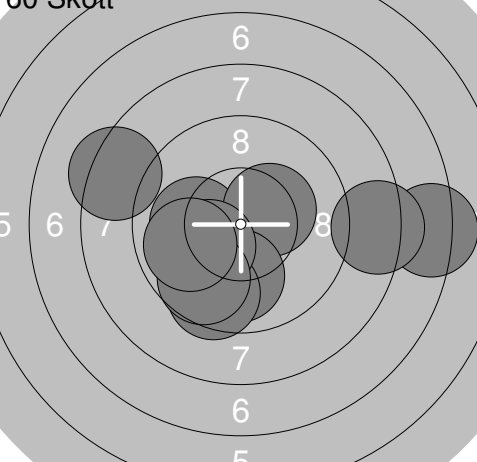
Skjutlag	Tavla	Gustav Pettersson			
S		Umeå Skf	Sen	Vb	
02.04.2022	UME-Kulan 2022	Umeå skytteallians			
Pröv 	1: 8.9 →	Pröv 	11: 9.6 ←		
	2: 9.1 ←		12: 9.4 ↗		
	3: 10.2x ↑		13: 9.9 ↗		
	4: 8.8 ←		14: 9.0 →		
	5: 9.9 ↑		15: 9.5 ←		
	6: 9.3 ↗		16: 10.2x ↑		
	7: 9.8 →		17: 9.3 ↗		
	8: 9.8 ←		18: 9.8 ↗		
	9: 10.0 →		19: 9.9 →		
	10: 10.3x ↗		20: 8.9 ↗		
	Serie 96.1		Serie 95.5		
	Total 0.0		Total 0.0		
Pröv 	21: 10.6x →	60 Skott 	1: 10.5x ↑		
	22: 10.4x ↑		2: 9.9 ↑		
			3: 9.7 ↗		
			4: 9.3 ←		
			5: 10.1 ↘		
			6: 10.7x ↑		
			7: 9.2 ↗		
			8: 10.4x →		
			9: 10.7x ←		
			10: 8.7 ↑		
	Serie 21.0		Serie 99.2		
	Total 0.0		Total 99.2		
60 Skott 	11: 8.6 →	60 Skott 	21: 10.6x ←		
	12: 10.8x ↘		22: 10.3x ←		
	13: 9.9 ↑		23: 10.3x ↑		
	14: 10.3x →		24: 10.6x ↘		
	15: 9.8 →		25: 8.8 ←		
	16: 9.9 ↗		26: 9.7 →		
	17: 8.8 →		27: 8.5 →		
	18: 10.1 ↗		28: 10.1 →		
	19: 9.3 ↘		29: 10.8x ↘		
	20: 10.5x ↗		30: 9.4 →		
	Serie 98.0		Serie 99.1		
	Total 197.2		Total 296.3		
60 Skott 	31: 9.7 →	60 Skott 	41: 10.4x ↘		
	32: 10.4x →		42: 10.2x ↘		
	33: 10.4x ↗		43: 9.8 ↘		
	34: 10.0 ↘		44: 10.5x ↘		
	35: 10.0 ←		45: 9.4 ↗		
	36: 9.7 ↘		46: 10.2x →		
	37: 10.1 ↘		47: 8.6 ↗		
	38: 9.3 ↗		48: 8.9 ←		
	39: 9.6 ↘		49: 9.6 ←		
	40: 9.4 ↘		50: 9.2 ←		
	Serie 98.6		Serie 96.8		
	Total 394.9		Total 491.7		
60 Skott 	51: 9.7 ↑				
	52: 9.2 →				
	53: 10.8x ↘				
	54: 9.9 ↘				
	55: 9.9 ←				
	56: 10.2x ↑				
	57: 9.1 ↗				
	58: 9.9 →				
	59: 10.6x ↘				
	60: 10.3x ↘				
	Serie 99.6				
	Total 591.3				

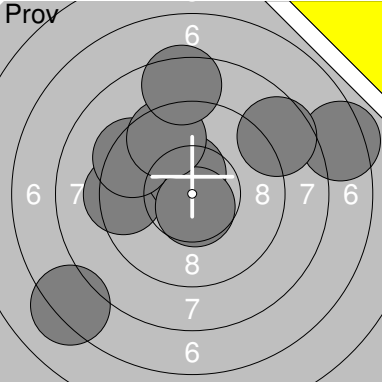
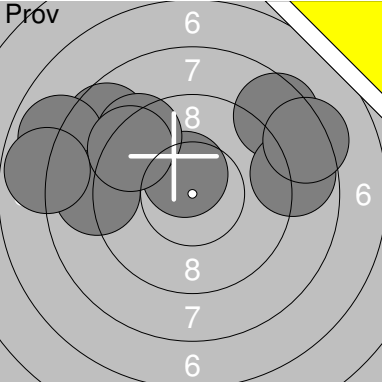
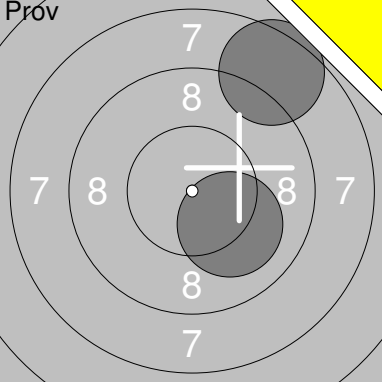
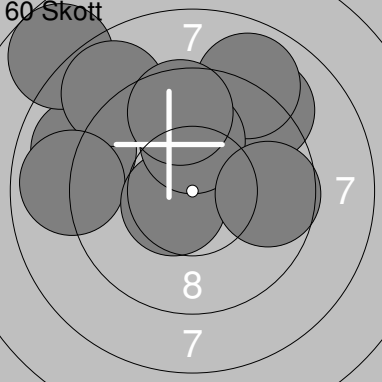
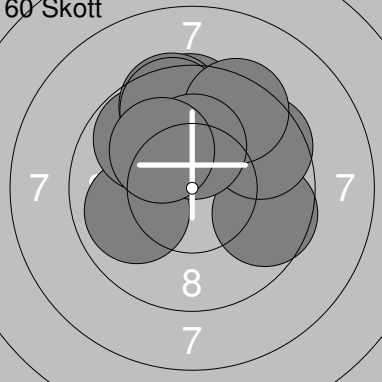
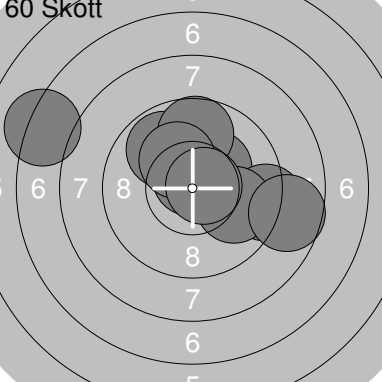
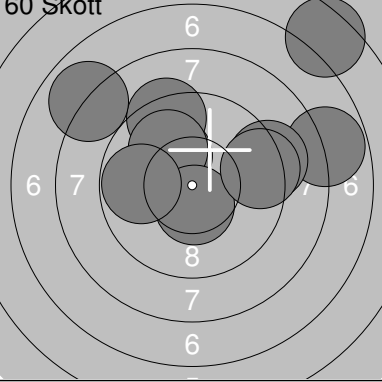
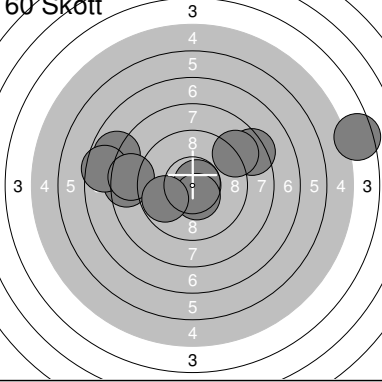
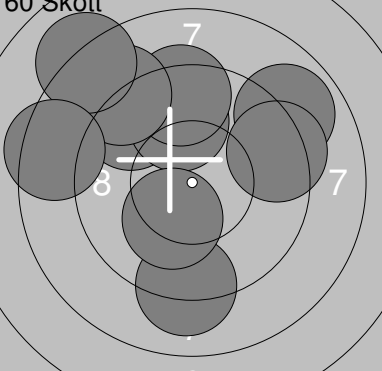
Skjutlag	Tavla	Oscar Wässman	
2	3		
S	Björksta Uskf	Sen	Vm
02.04.2022	UME-Kulan 2022	Umeå skytteallians	
Pröv 	1: 10.4x ← 2: 10.7x → 3: 10.2x ↓ 4: 10.2x ↓ 5: 10.2x ↓ 6: 9.9 ↗ 7: 10.3x ↓ 8: 10.4x ← 9: 10.2x ← 10: 10.1 ↓	Pröv 	11: 10.2x ↘ 12: 10.3x ↓ 13: 10.1 ← 14: 9.9 ↑ 15: 10.0 ↑ 16: 10.4x ↘ 17: 9.9 ← 18: 10.1 ↖
	Serie 102.6		Serie 80.9
	Total 0.0		Total 0.0
60 Skott 	1: 10.4x ↑ 2: 10.2x ↑ 3: 10.5x → 4: 10.8x ↑ 5: 9.9 → 6: 10.2x ↗ 7: 10.7x ← 8: 10.4x ↗ 9: 10.5x ↓ 10: 10.4x ↑	60 Skott 	11: 10.0 ↓ 12: 9.9 ↑ 13: 10.4x ← 14: 10.4x ↗ 15: 10.5x ↑ 16: 10.4x ↗ 17: 9.8 → 18: 10.4x ↗ 19: 10.6x ↓ 20: 10.7x ↗
	Serie 104.0		Serie 103.1
	Total 104.0		Total 207.1
60 Skott 	21: 10.5x ↘ 22: 10.4x → 23: 10.8x ↘ 24: 10.6x → 25: 10.9x ↗ 26: 10.6x ↓ 27: 10.8x → 28: 10.3x ↗ 29: 10.1 → 30: 10.1 →	60 Skott 	31: 10.2x → 32: 10.8x ← 33: 10.2x ↘ 34: 10.3x ↑ 35: 10.3x ← 36: 10.7x ↑ 37: 10.5x ↑ 38: 10.0 ↑ 39: 10.6x ↘ 40: 9.9 ↓
	Serie 105.1		Serie 103.5
	Total 312.2		Total 415.7
60 Skott 	41: 10.5x ↖ 42: 10.3x → 43: 10.3x ↓ 44: 10.6x ↑ 45: 10.4x ↘ 46: 9.8 ↓ 47: 10.2x → 48: 10.7x ↗ 49: 10.0 → 50: 10.0 ↓	60 Skott 	51: 10.2x ↗ 52: 10.1 ↗ 53: 10.5x ← 54: 10.5x → 55: 10.5x ↗ 56: 10.4x ↘ 57: 10.7x ↓ 58: 10.5x ↓ 59: 10.7x ↓ 60: 10.3x ↖
	Serie 102.8		Serie 104.4
	Total 518.5		Total 622.9

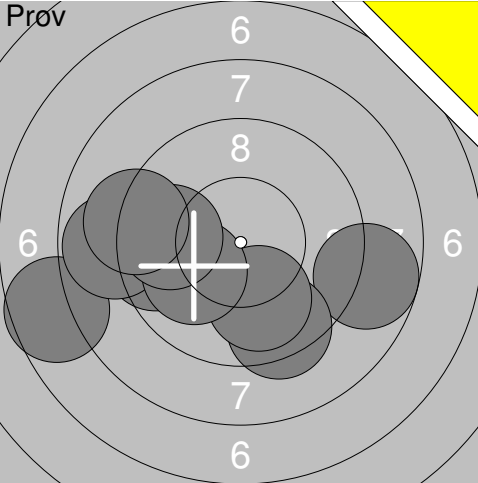
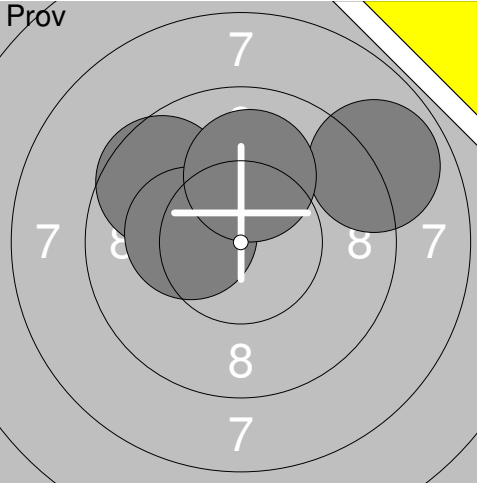
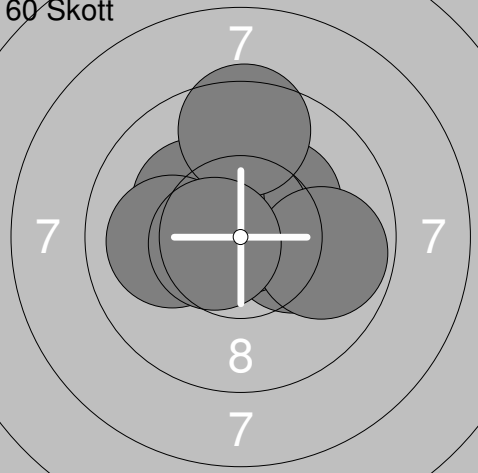
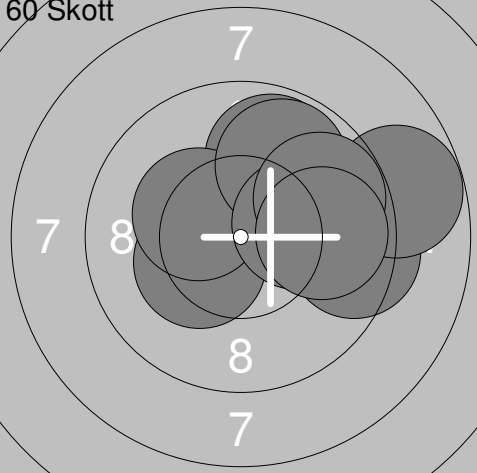
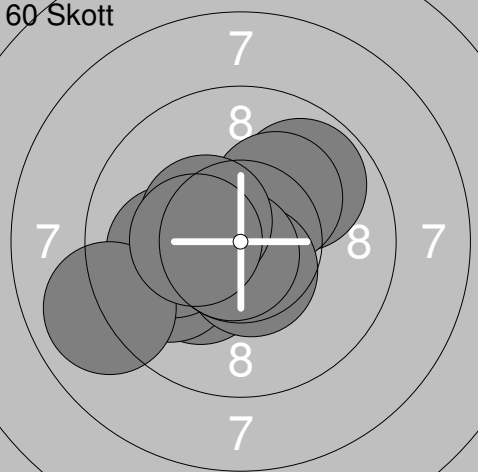
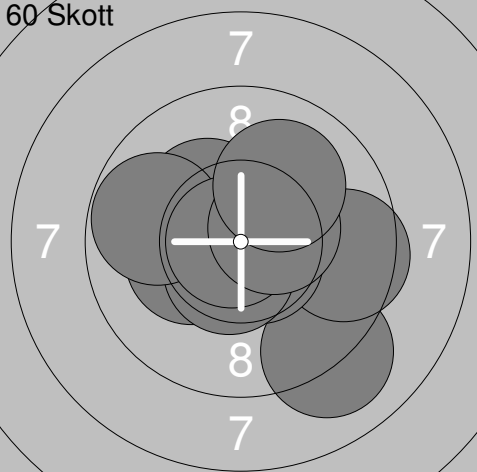
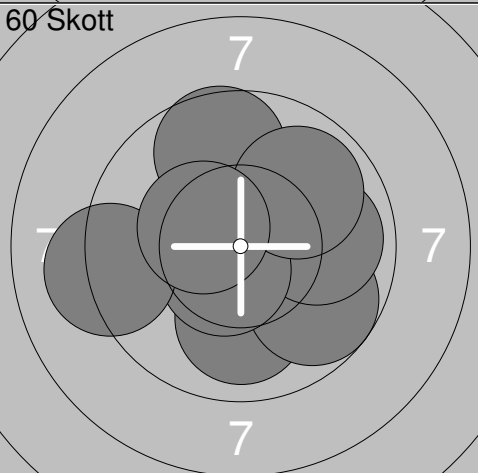
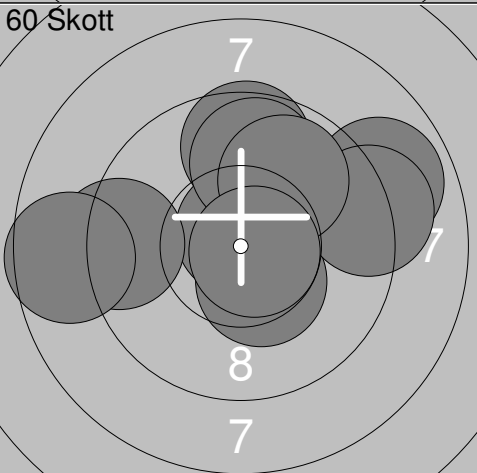
Skjutlag	Tavla	Emma Johansson	
2	5		
S	Ramselefors Skf	Sen	Vb
02.04.2022	UME-Kulan 2022	Umeå skytteallians	
Pröv 	1: 10.3x ↙ 2: 10.3x → 3: 9.8 → 4: 10.8x → 5: 10.1 ↘ 6: 10.6x → 7: 9.0 → 8: 9.7 ↘ 9: 9.8 ← 10: 9.6 ↑	Pröv 	11: 9.6 ↗ 12: 9.2 ↑
	Serie 100.0		Serie 18.8
	Total 0.0		Total 0.0
60 Skott 	1: 9.1 → 2: 10.4x → 3: 9.0 ↗ 4: 10.6x ↗ 5: 9.3 ↘ 6: 10.4x ↗ 7: 10.2x ↘ 8: 10.5x ↘ 9: 10.5x ↘ 10: 9.8 ↘	60 Skott 	11: 10.5x → 12: 9.5 ↖ 13: 9.5 → 14: 10.6x ↘ 15: 9.5 → 16: 9.9 → 17: 8.8 ↘ 18: 10.2x ↗ 19: 10.3x ← 20: 9.9 ↘
	Serie 99.8		Serie 98.7
	Total 99.8		Total 198.5
60 Skott 	21: 10.6x ↗ 22: 9.3 ↘ 23: 10.0 ↘ 24: 10.0 ↘ 25: 9.1 ← 26: 10.6x ↘ 27: 10.7x ↗ 28: 10.0 ↗ 29: 10.3x ↘ 30: 10.2x →	60 Skott 	31: 8.9 ↖ 32: 9.3 ← 33: 8.6 ↖ 34: 10.9x ↗ 35: 10.5x ↘ 36: 10.3x ↗ 37: 10.2x ↗ 38: 10.3x ← 39: 10.6x ← 40: 10.1 →
	Serie 100.8		Serie 99.7
	Total 299.3		Total 399.0
60 Skott 	41: 9.2 → 42: 10.5x ↘ 43: 9.6 → 44: 10.0 ↗ 45: 9.7 ← 46: 9.5 ↘ 47: 10.5x ↘ 48: 9.3 ← 49: 9.4 ← 50: 9.9 ↗	60 Skott 	51: 10.2x ↖ 52: 10.5x ↘ 53: 10.6x ↗ 54: 10.3x → 55: 10.2x ↘ 56: 10.3x ↘ 57: 10.1 ↘ 58: 9.7 ↘ 59: 9.9 ↗ 60: 10.1 ↖
	Serie 97.6		Serie 101.9
	Total 496.6		Total 598.5

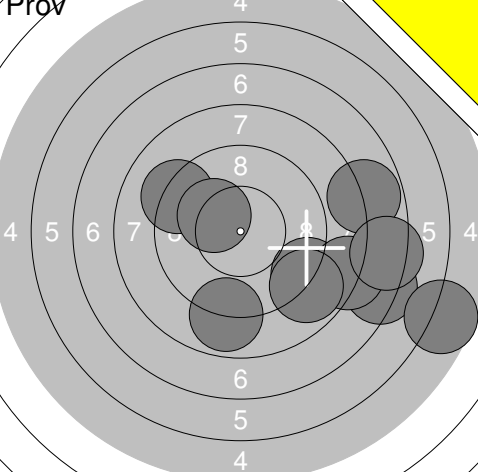
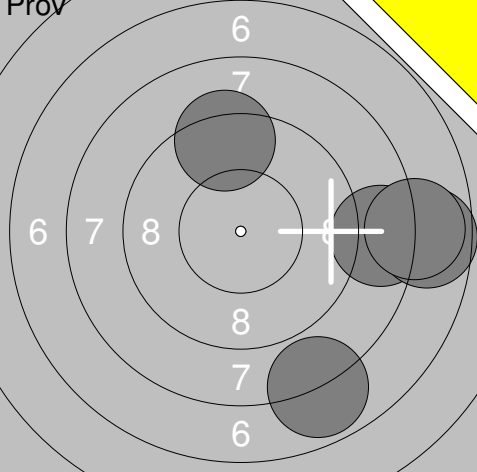
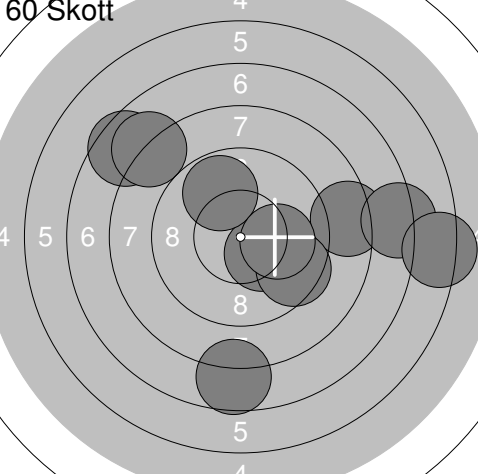
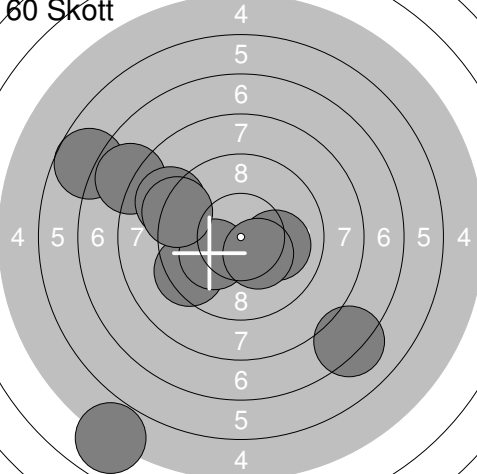
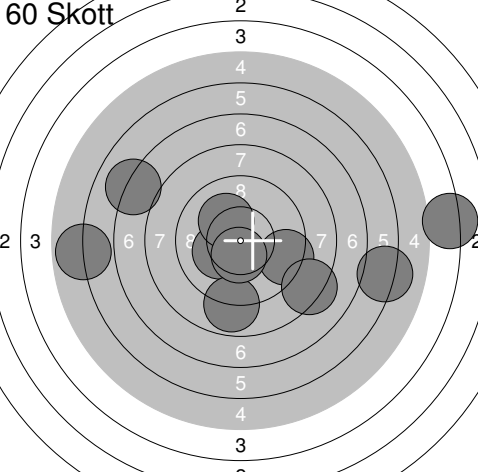
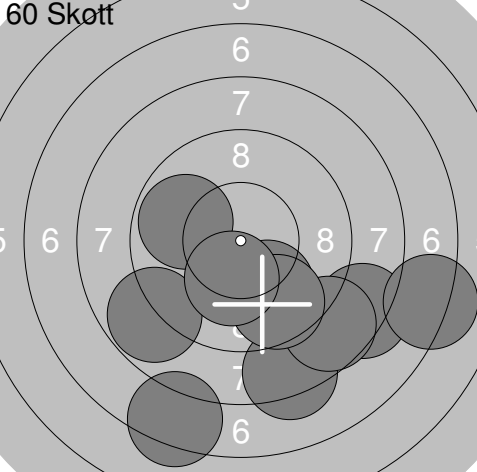
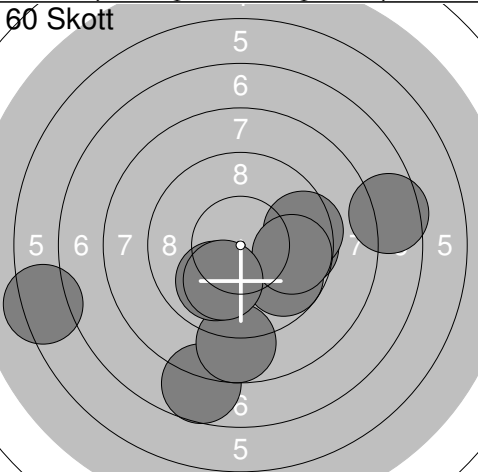
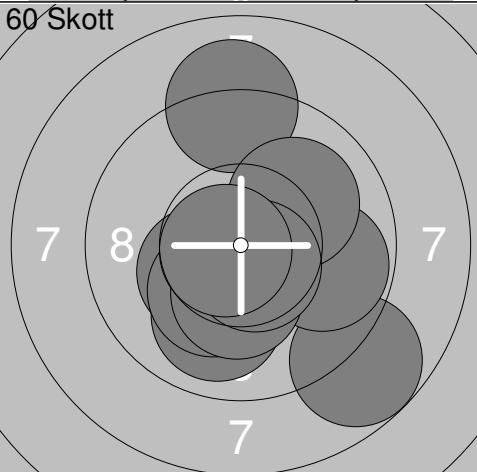
Skjutlag	Tavla	Monica Häggström		Sen	Vb
S		Ramselefors Skf			
02.04.2022	UME-Kulan 2022	Umeå skytteallians			
Pröv		1: 9.6 ↗ 3: 10.7x ↗ 4: 9.7 ↖ 5: 9.7 ↖ 6: 9.9 ↘ 7: 9.6 ← 8: 10.2x ↘	60 Skott	1: 9.2 ← 2: 9.3 ↖ 3: 9.8 ↑ 4: 7.8 → 5: 10.1 ↖ 6: 9.1 ↑ 7: 10.5x → 8: 9.3 → 9: 10.7x ↑ 10: 10.9x ↘	
		Serie 69.4		Serie 96.7	
		Total 0.0		Total 96.7	
60 Skott		11: 10.3x → 12: 10.4x ↑ 13: 9.0 ↖ 14: 10.7x ↘ 15: 10.4x ↗ 16: 9.3 → 17: 10.3x ↖ 18: 10.8x ↘ 19: 10.5x ↖ 20: 9.4 →	60 Skott	21: 9.9 → 22: 9.6 ↑ 23: 9.9 ↘ 24: 10.6x ↖ 25: 9.9 ← 26: 8.4 → 27: 10.5x ↑ 28: 8.7 ↗ 29: 9.2 → 30: 9.5 →	
		Serie 101.1		Serie 96.2	
		Total 197.8		Total 294.0	
60 Skott		31: 8.8 → 32: 9.9 ← 33: 10.4x ↑ 34: 8.8 ↑ 35: 9.2 ↗ 36: 10.0 → 37: 10.8x ↖ 38: 7.4 → 39: 9.7 → 40: 10.1 ↗	60 Skott	41: 9.9 ↖ 42: 9.9 → 43: 10.7x ↘ 44: 9.5 → 45: 9.4 → 46: 10.6x ↖ 47: 10.0 ↑ 48: 9.5 ↗ 49: 9.1 ↑ 50: 9.3 ↖	
		Serie 95.1		Serie 97.9	
		Total 389.1		Total 487.0	
60 Skott		51: 9.3 ↑ 52: 10.2x ↗ 53: 9.7 ↖ 54: 9.7 ↖ 55: 9.9 ↑ 56: 10.6x → 57: 8.8 → 58: 10.0 ↖ 59: 9.5 ↗ 60: 9.3 →			
		Serie 97.0			
		Total 584.0			

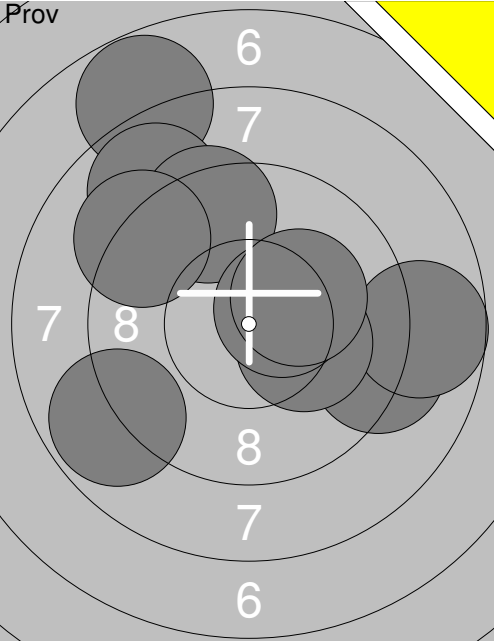
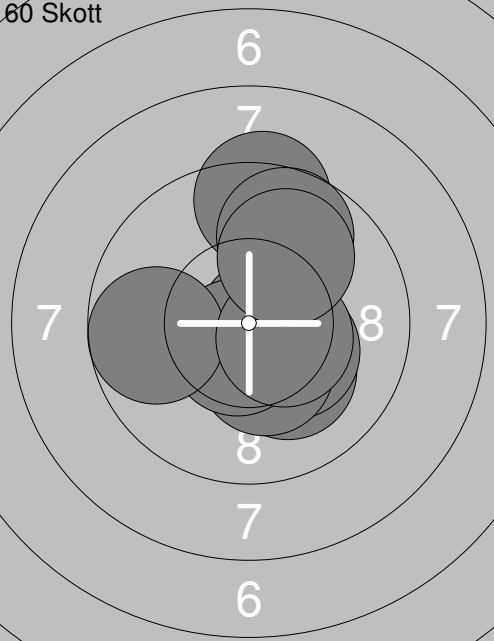
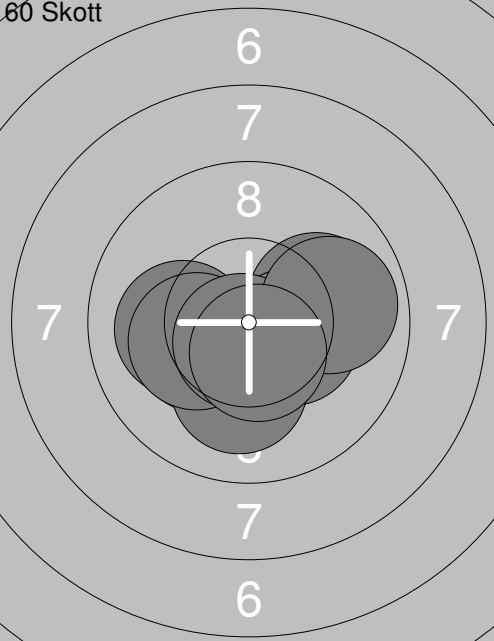
Skjuttag	Tavla	Ida Lundmark	
2	8		
S		Drängsmarks Skf	Sen Vb
02.04.2022	UME-Kulan 2022	Umeå skytteallians	
Prov		1: 6.8 ← 2: 9.4 ↑ 3: 10.1 ↗ 4: 9.6 ↗ 5: 8.4 ← 6: 8.1 ↘ 7: 9.0 ↗ 8: 7.6 → 9: 10.3x ↘ 10: 10.0 ← Serie 89.3 Total 0.0	11: 9.1 ← 12: 9.7 ↙ 13: 10.2x ↓ 14: 9.6 → 15: 10.2x ↘ 16: 8.5 → 17: 7.5 ↖ 18: 9.1 ↗ 19: 9.5 → Serie 83.4 Total 0.0
60 Skott		1: 9.6 ↘ 2: 10.7x ↘ 3: 7.3 → 4: 7.5 → 5: 8.7 ↑ 6: 8.7 ← 7: 9.2 ← 8: 10.8x → 9: 9.4 → 10: 8.8 ↑ Serie 90.7 Total 90.7	11: 9.0 ↓ 12: 9.9 ↓ 13: 7.6 ↓ 14: 7.8 → 15: 9.1 ↑ 16: 9.6 ← 17: 9.7 → 18: 8.7 ↑ 19: 8.5 ← 20: 9.6 ↖ Serie 89.5 Total 180.2
60 Skott		21: 9.9 ↘ 22: 9.4 ↑ 23: 7.9 → 24: 9.6 → 25: 9.7 ↗ 26: 9.4 ↗ 27: 9.9 → 28: 8.2 ← 29: 8.6 ↓ 30: 9.8 ↗ Serie 92.4 Total 272.6	31: 8.5 ← 32: 10.4x ← 33: 10.2x ↘ 34: 10.1 ↓ 35: 9.8 → 36: 9.6 ↓ 37: 9.8 ↑ 38: 9.2 ← 39: 9.8 ↙ 40: 9.2 ↗ Serie 96.6 Total 369.2

Skjutlag	Tavla	Mats Österlund		Sen	Vb
S		Ramselefors Skf			
02.04.2022	UME-Kulan 2022	Umeå skytteallians			
Prov		1: 9.3 ← 2: 8.5 → 3: 9.3 ↑ 4: 10.0 ↓ 5: 8.9 ↗ 6: 9.4 ↓ 7: 8.5 ↓ 8: 7.2 ↗ 9: 10.2x → 10: 8.9 ↑ Serie 90.2 Total 0.0	Prov		11: 10.7x ↖ 12: 8.2 ↑ 13: 9.3 ↗ 14: 7.7 ↗ 15: 10.2x ↓ Serie 46.1 Total 0.0
60 Skott		1: 9.4 ← 2: 9.0 → 3: 9.5 ↓ 4: 10.0 ↓ 5: 7.5 → 6: 9.5 ← 7: 9.3 ↗ 8: 9.9 ↓ 9: 10.5x ↗ 10: 8.3 ↗ Serie 92.9 Total 92.9	60 Skott		11: 8.5 ← 12: 9.4 ↑ 13: 9.8 ← 14: 9.1 ↖ 15: 8.0 → 16: 9.7 ↓ 17: 8.4 ↗ 18: 10.2x ↓ 19: 8.1 ← 20: 9.3 → Serie 90.5 Total 183.4
60 Skott		21: 9.2 → 22: 10.3x ← 23: 9.3 ← 24: 9.0 ↗ 25: 9.7 ↗ 26: 8.5 ← 27: 10.6x ↑ 28: 9.0 ← 29: 9.2 ↓ 30: 9.3 → Serie 94.1 Total 277.5	60 Skott		31: 10.2x ↑ 32: 9.5 ↗ 33: 10.1 ↖ 34: 9.2 ↗ 35: 9.3 ↖ 36: 9.6 ↖ 37: 10.6x ↓ 38: 9.9 ← 39: 10.3x ← 40: 9.7 → Serie 98.4 Total 375.9
60 Skott		41: 10.5x ↓ 42: 8.7 ↓ 43: 9.0 ↓ 44: 9.2 ↗ 45: 10.2x ↗ 46: 10.3x ↑ 47: 9.1 ← 48: 10.1 ↗ 49: 7.2 ← 50: 9.7 ← Serie 94.0 Total 469.9	60 Skott		51: 10.1 ← 52: 7.3 → 53: 10.3x → 54: 10.0 ↓ 55: 9.5 ↓ 56: 10.2x ↖ 57: 9.7 ↓ 58: 9.9 ← 59: 8.3 ← 60: 8.3 → Serie 93.6 Total 563.5

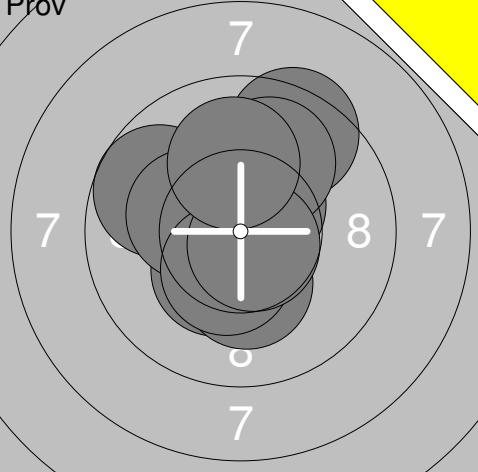
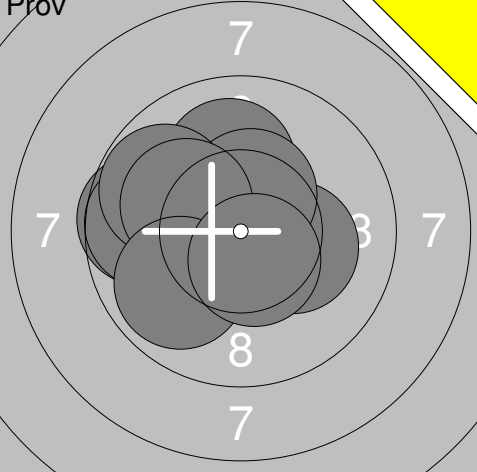
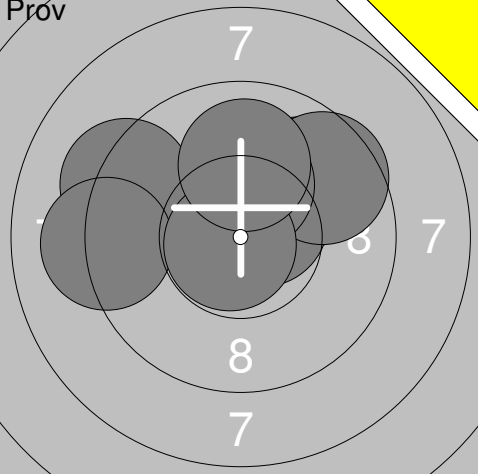
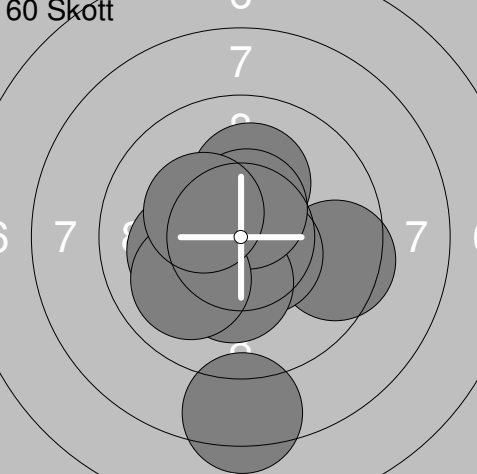
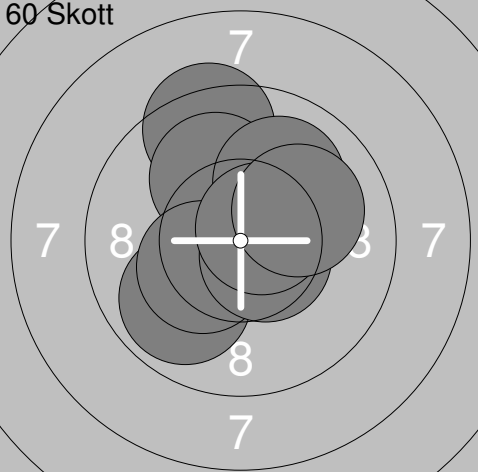
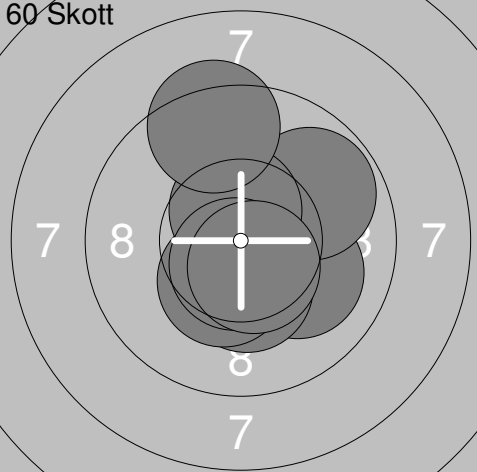
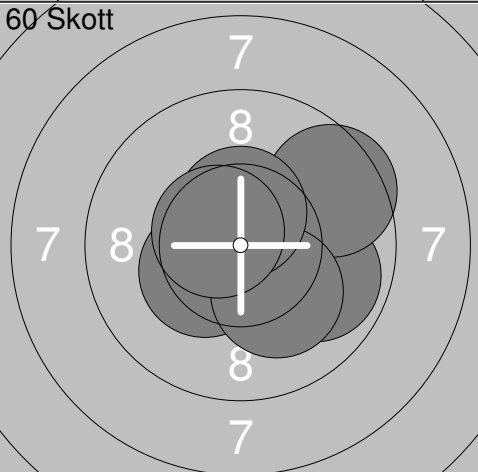
Skjutlag	Tavla	Jacob Hedman				
2	10	Umeå Skf			L15s	Vb
02.04.2022		UME-Kulan 2022		Umeå skytteallians		
Prov		1: 9.4 ← 2: 10.5x ↑ 3: 10.7x ↓ 5: 9.4 ↖ 6: 9.6 ↑ 7: 7.4 → 8: 8.6 ↗ 9: 8.5 ↑ 10: 7.2 ↙	Prov		11: 8.6 ↖ 12: 7.9 ↖ 13: 8.9 ← 14: 10.5x ↑ 15: 8.5 ↗ 16: 9.3 ↗ 17: 8.8 → 18: 8.3 → 19: 9.3 ↗ 20: 7.8 ←	
		Serie 81.3 Total 0.0			Serie 87.9 Total 0.0	
Prov		21: 10.1 ↘ 22: 8.5 ↗	60 Skott		1: 9.1 ↗ 2: 9.0 ← 3: 7.8 ↗ 4: 8.8 ↗ 5: 8.9 ← 6: 10.6x ↙ 7: 8.9 ↑ 8: 10.1 ↑ 9: 9.7 → 10: 9.6 ↑	
		Serie 18.6 Total 0.0			Serie 92.5 Total 92.5	
60 Skott		11: 9.9 ← 12: 9.6 → 13: 9.6 ↗ 14: 9.8 ↗ 15: 9.6 ↑ 16: 9.5 ↑ 17: 9.6 ↑ 18: 9.4 ↗ 19: 10.2x ↑ 20: 10.1 ↖	60 Skott		21: 9.8 ↖ 22: 10.3x ↗ 23: 10.7x ↑ 24: 9.2 → 25: 9.9 → 26: 9.7 ↑ 27: 8.7 → 28: 10.2x ↖ 29: 10.7x → 30: 7.2 ↖	
		Serie 97.3 Total 189.8			Serie 96.4 Total 286.2	
60 Skott		31: 7.8 → 32: 10.1 ↖ 33: 9.1 → 34: 9.3 ↗ 35: 10.0 ↑ 36: 7.9 ↗ 37: 6.4 ↗ 38: 10.5x ↓ 39: 9.8 ← 40: 9.4 →	60 Skott		41: 10.8x ↗ 42: 10.5x ↓ 43: 4.5 → 44: 7.9 ↖ 45: 8.5 ← 46: 8.3 ↗ 47: 7.6 ← 48: 8.6 ← 49: 9.8 ↖ 50: 8.9 ↗	
		Serie 90.3 Total 376.5			Serie 85.4 Total 461.9	
60 Skott		51: 9.4 ↖ 52: 8.9 ↗ 53: 9.8 ↑ 54: 9.4 ↑ 55: 9.3 → 56: 9.1 ↓ 57: 10.2x ↙ 58: 8.9 ↗ 59: 8.1 ↗ 60: 8.4 ←				
		Serie 91.5 Total 553.4				

Skjutlag	Tavla	Hanna Johansson	
S	Umeå Skf	Sen	Vb
02.04.2022	UME-Kulan 2022	Umeå skytteallians	
Pröv 	1: 7.6 ← 2: 8.8 → 4: 9.4 ↓ 5: 10.0 ↓ 6: 9.5 ← 7: 8.8 ← 8: 10.0 ← 9: 9.8 ← 10: 9.1 ← Serie 83.0 Total 0.0	Pröv 	11: 8.9 → 12: 9.6 ↖ 13: 10.3x ← 14: 10.0 ↑ Serie 38.8 Total 0.0
60 Skott 	1: 10.5x ↗ 2: 10.2x → 3: 10.3x ↗ 4: 10.8x ↑ 5: 10.7x ↑ 6: 10.2x ↗ 7: 9.8 → 8: 9.5 ↑ 9: 10.0 ← 10: 10.6x ← Serie 102.6 Total 102.6	60 Skott 	11: 9.8 ↑ 12: 10.3x ↖ 13: 9.7 → 14: 10.3x ↖ 15: 9.8 ↑ 16: 9.4 → 17: 8.8 → 18: 10.2x → 19: 9.8 → 20: 9.9 → Serie 98.0 Total 200.6
60 Skott 	21: 9.8 ↗ 22: 10.2x ↗ 23: 10.2x ↖ 24: 9.9 ← 25: 10.0 ← 26: 10.5x ↘ 27: 10.7x ↘ 28: 9.0 ← 29: 10.4x ↗ 30: 10.4x ← Serie 101.1 Total 301.7	60 Skott 	31: 10.2x ↖ 32: 10.3x ↗ 33: 9.1 ↘ 34: 9.5 → 35: 10.6x ↘ 36: 10.6x ↘ 37: 9.8 ← 38: 10.8x ← 39: 10.5x → 40: 10.0 ↗ Serie 101.4 Total 403.1
60 Skott 	41: 10.5x → 42: 10.0 ↓ 43: 10.5x ↑ 44: 9.7 ↑ 45: 9.7 ↘ 46: 9.9 → 47: 10.6x ↘ 48: 9.2 ← 49: 9.9 ↗ 50: 10.4x ↖ Serie 100.4 Total 503.5	60 Skott 	51: 10.4x ↘ 52: 8.9 → 53: 9.6 ↑ 54: 10.8x ↑ 55: 9.8 ↑ 56: 9.1 → 57: 9.9 ↗ 58: 9.3 ← 59: 8.6 ← 60: 10.7x → Serie 97.1 Total 600.6

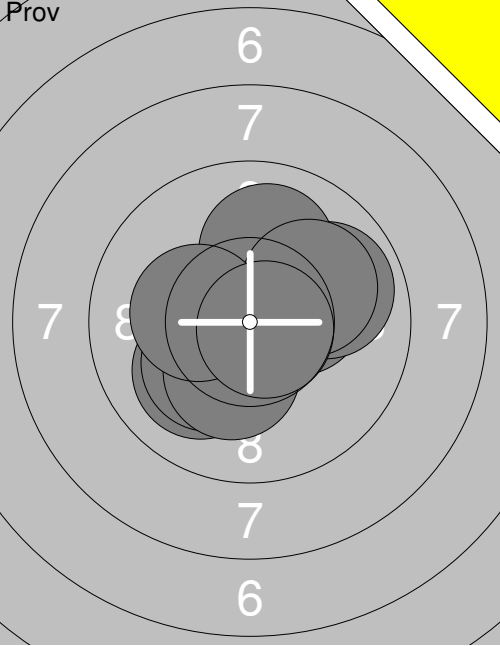

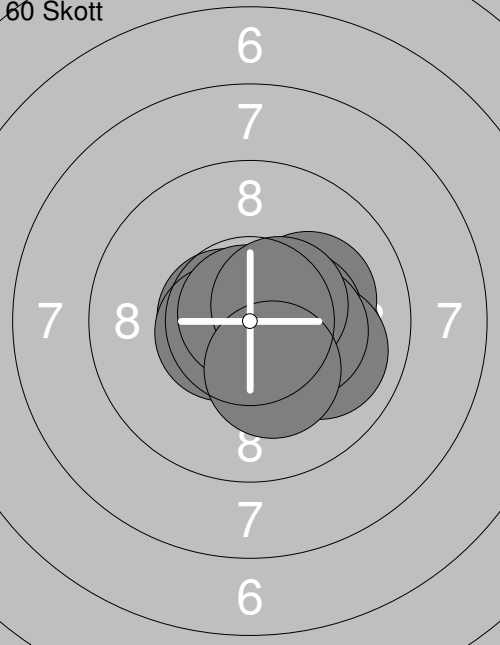
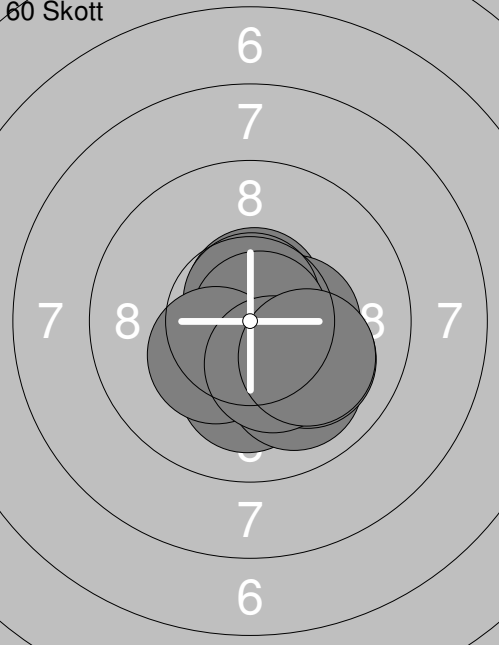
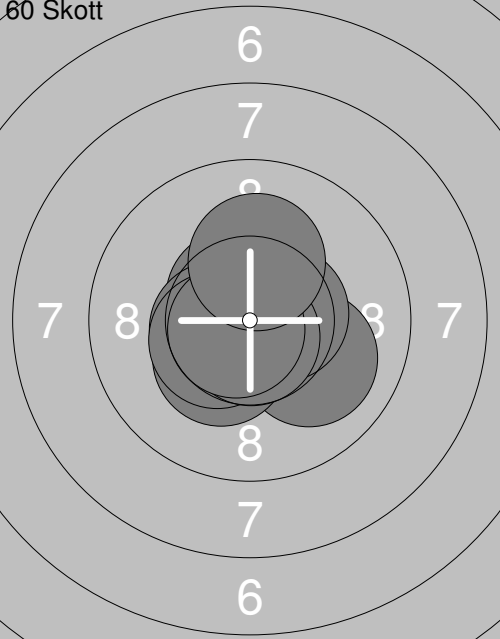
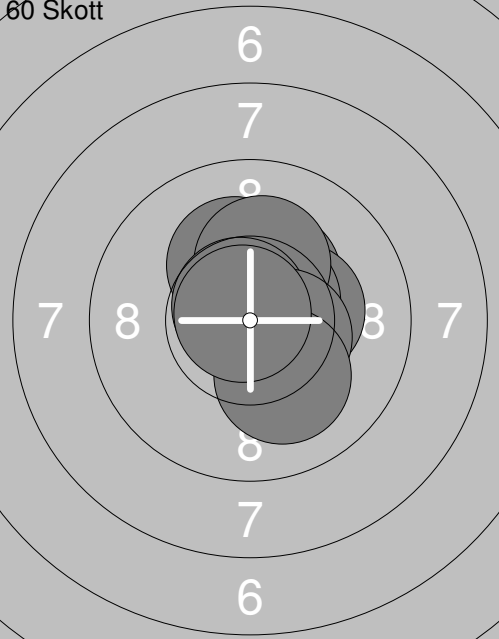
Prov 	1: 7.3 → 2: 9.0 ↓ 3: 5.6 → 4: 8.9 ↓ 5: 8.1 → 6: 7.8 → 7: 9.2 ↗ 8: 7.4 → 9: 10.2x ↗ 10: 8.9 ↓ <hr/> Serie 82.4 Total 0.0	Prov 	11: 8.5 → 12: 7.6 → 13: 7.9 → 14: 7.9 ↓ 15: 9.3 ↑ <hr/> Serie 41.2 Total 0.0
60 Skott 	1: 8.4 → 2: 7.2 → 3: 10.3x ↓ 4: 7.5 ↗ 5: 9.8 ↗ 6: 9.5 ↓ 7: 8.0 ↗ 8: 7.6 ↓ 9: 6.3 → 10: 10.1 → <hr/> Serie 84.7 Total 84.7	60 Skott 	11: 6.7 ↖ 12: 7.8 ↖ 13: 9.0 ↖ 14: 7.2 ↓ 15: 9.4 ↙ 16: 10.2x ↙ 17: 10.1 → 18: 9.2 ↗ 19: 10.3x ↓ 20: 4.9 ↓ <hr/> Serie 84.8 Total 169.5
60 Skott 	21: 9.4 → 22: 8.3 ↓ 23: 10.2x ↙ 24: 10.2x ↗ 25: 4.2 → 26: 5.9 ← 27: 6.2 → 28: 8.9 ↓ 29: 7.1 ↗ 30: 10.5x ↓ <hr/> Serie 80.9 Total 250.4	60 Skott 	31: 8.3 → 32: 8.8 ↙ 33: 8.3 ↓ 34: 9.9 ↓ 35: 7.3 ↓ 36: 7.2 → 37: 8.7 ↓ 38: 9.6 ↓ 39: 9.8 ↖ 40: 10.2x ↓ <hr/> Serie 88.1 Total 338.5
60 Skott 	41: 6.3 ← 42: 7.5 → 43: 9.6 → 44: 9.7 ↓ 45: 9.5 → 46: 7.7 ↓ 47: 8.8 ↓ 48: 9.8 → 49: 10.0 ↓ 50: 10.1 ↓ <hr/> Serie 89.0 Total 427.5	60 Skott 	51: 10.0 ↓ 52: 10.3x ↙ 53: 9.1 ↑ 54: 8.8 ↓ 55: 10.2x ↙ 56: 9.8 → 57: 10.1 ↗ 58: 10.3x ↓ 59: 10.6x ↓ 60: 10.7x ← <hr/> Serie 99.9 Total 527.4

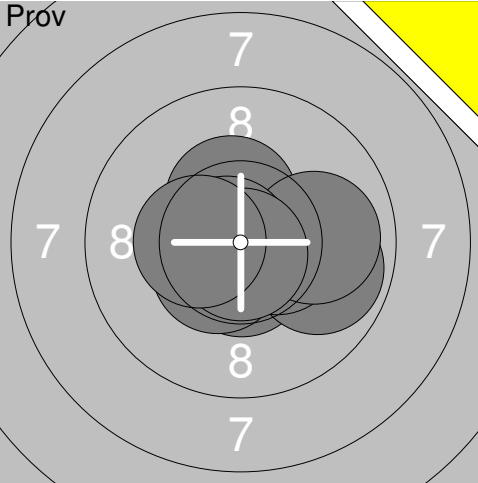
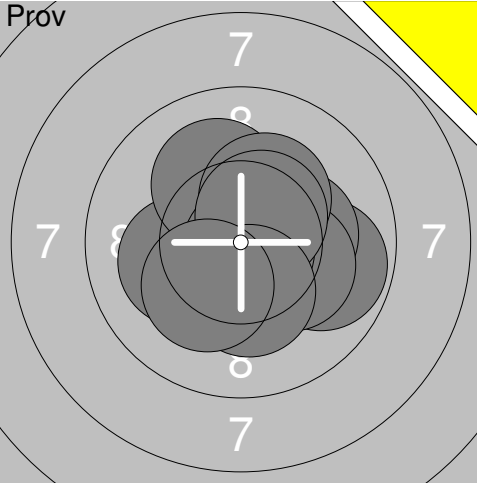
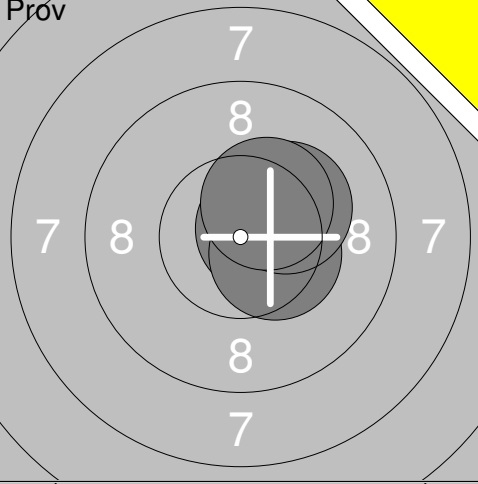
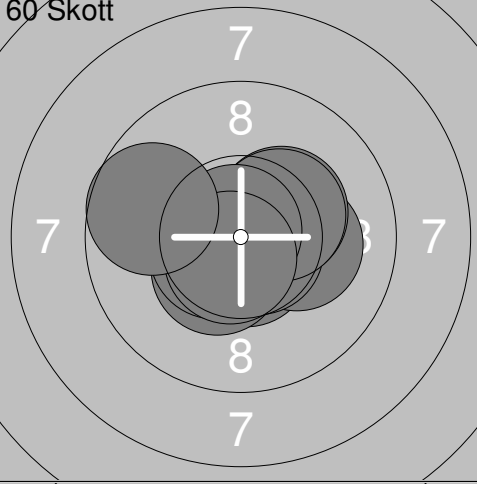
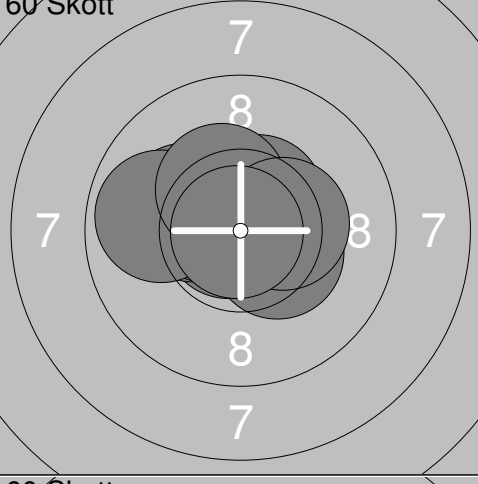
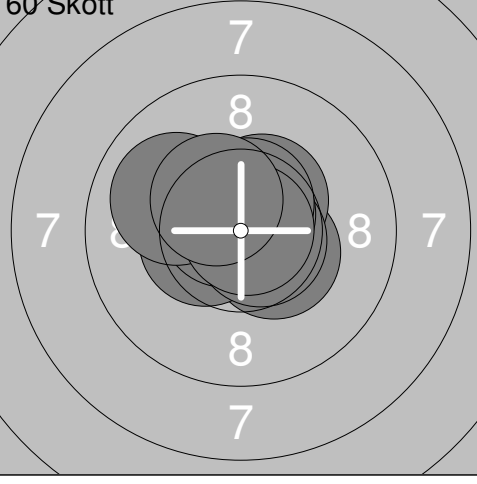

Skjuttlag	Tavla	Ari Perkiömäki		LSitt	Vb
S		Umeå Skf			
02.04.2022	UME-Kulan 2022	Umeå skytteallians			
Prov		1: 7.8 ↗ 2: 8.8 ↙ 3: 8.8 ↗ 4: 9.4 ↗ 5: 9.2 ↖ 6: 9.2 → 7: 8.7 → 8: 10.2x↘ 9: 10.5x↗ 10: 10.2x↗	Prov	11: 10.8x↑ 12: 10.4x↓	
		Serie 92.8		Serie 21.2	
		Total 0.0		Total 0.0	
60 Skott		1: 10.7x↘ 2: 10.1 ↓ 3: 10.3x↘ 4: 10.3x↓ 5: 10.6x↓ 6: 9.3 ↑ 7: 9.7 ← 8: 9.7 ↑ 9: 10.4x↘ 10: 10.0 ↗	60 Skott	11: 10.2x↘ 12: 9.9 ↓ 13: 9.3 ↖ 14: 10.6x↓ 15: 9.2 ↑ 16: 9.7 ↖ 17: 8.6 ↗ 18: 9.8 ↖ 19: 10.4x↖ 20: 10.3x↖	
		Serie 101.1		Serie 98.0	
		Total 101.1		Total 199.1	
60 Skott		21: 10.1 ← 22: 10.3x↖ 23: 10.0 → 24: 10.4x↓ 25: 10.4x↘ 26: 10.1 ↓ 27: 10.2x↖ 28: 10.7x↓ 29: 9.9 → 30: 10.5x↓	60 Skott	31: 9.9 ↑ 32: 10.3x↖ 33: 9.0 → 34: 10.7x↘ 35: 10.9x↗ 36: 9.3 ↓ 37: 10.2x↘ 38: 9.5 ↓ 39: 10.6x↓ 40: 9.7 ↘	
		Serie 102.6		Serie 100.1	
		Total 301.7		Total 401.8	

Skjutlag	Tavla	Helena Dahlström	
2	16	Umeå Skf	L13 Vb
02.04.2022	UME-Kulan 2022	Umeå skytteallians	
Prov 	1: 10.3x ↗	Prov 	11: 10.2x ↓
	2: 10.3x ↓		12: 10.6x ↖
	3: 9.5 ↓		13: 7.7 ↓
	4: 10.5x ↙		14: 10.6x ↖
	5: 9.9 ←		15: 10.4x ↓
	6: 10.6x ↗		16: 10.8x ↗
	7: 10.5x ↓		17: 10.1 ↓
	8: 10.4x ←		18: 10.3x ↓
	9: 9.8 ↑		19: 10.6x ↓
	10: 9.1 ↙		20: 10.5x ↖
	Serie 100.9		Serie 101.8
	Total 0.0		Total 0.0
Prov 	21: 10.5x ↓	Prov 	31: 10.5x ↖
	22: 10.1 ←		32: 10.6x ↖
	23: 9.9 ↙		33: 10.4x ↑
	24: 9.7 ↓		
	25: 9.8 ↙		
	26: 10.2x ↗		
	27: 9.4 ↗		
	28: 9.9 ↗		
	29: 10.8x →		
	30: 10.4x ↘		
	Serie 100.7		Serie 31.5
	Total 0.0		Total 0.0
60 Skott 	1: 10.2x ↖	60 Skott 	11: 10.4x ↙
	2: 9.9 ↗		12: 10.6x ↖
	3: 10.6x ↗		13: 10.2x ←
	4: 10.5x ↗		14: 10.0 ←
	5: 10.0 ↗		15: 10.1 ↓
	6: 10.1 ←		16: 10.1 ↓
	7: 10.8x ↑		17: 10.1 ↗
	8: 9.8 ↗		18: 10.3x ↘
	9: 9.7 ↙		19: 10.6x →
	10: 10.2x ↑		20: 10.1 ↖
	Serie 101.8		Serie 102.5
	Total 101.8		Total 204.3
60 Skott 	21: 10.5x ↓	60 Skott 	31: 10.0 ↓
	22: 10.2x ↓		32: 10.4x ←
	23: 9.3 ↙		33: 9.7 ↓
	24: 10.0 ↗		34: 10.3x ↓
	25: 10.8x →		35: 10.0 ↓
	26: 10.8x ↗		36: 10.4x ↙
	27: 10.6x ←		37: 10.1 →
	28: 10.1 →		38: 10.2x ↓
	29: 9.3 ↗		39: 10.4x ↑
	30: 10.6x ↓		40: 10.3x ↓
	Serie 102.2		Serie 101.8
	Total 306.5		Total 408.3

<p>Prov</p> 	<table border="1" style="width:100%; border-collapse: collapse;"> <tr><td>1:</td><td>10.3x</td><td>↙</td></tr> <tr><td>2:</td><td>9.7</td><td>↖</td></tr> <tr><td>3:</td><td>9.5</td><td>↗</td></tr> <tr><td>4:</td><td>10.5x</td><td>↗</td></tr> <tr><td>5:</td><td>9.9</td><td>↗</td></tr> <tr><td>6:</td><td>10.3x</td><td>↖</td></tr> <tr><td>7:</td><td>10.2x</td><td>↘</td></tr> <tr><td>8:</td><td>10.4x</td><td>↘</td></tr> <tr><td>9:</td><td>10.7x</td><td>↘</td></tr> <tr><td>10:</td><td>10.0</td><td>↑</td></tr> <tr><td colspan="2">Serie</td><td>101.5</td></tr> <tr><td colspan="2">Total</td><td>0.0</td></tr> </table>	1:	10.3x	↙	2:	9.7	↖	3:	9.5	↗	4:	10.5x	↗	5:	9.9	↗	6:	10.3x	↖	7:	10.2x	↘	8:	10.4x	↘	9:	10.7x	↘	10:	10.0	↑	Serie		101.5	Total		0.0	<p>Prov</p> 	<table border="1" style="width:100%; border-collapse: collapse;"> <tr><td>11:</td><td>10.0</td><td>↑</td></tr> <tr><td>12:</td><td>10.8x</td><td>↘</td></tr> <tr><td>13:</td><td>9.6</td><td>↖</td></tr> <tr><td>14:</td><td>10.2x</td><td>→</td></tr> <tr><td>15:</td><td>9.7</td><td>↖</td></tr> <tr><td>16:</td><td>10.4x</td><td>↑</td></tr> <tr><td>17:</td><td>9.8</td><td>↗</td></tr> <tr><td>18:</td><td>10.1</td><td>↗</td></tr> <tr><td>19:</td><td>9.9</td><td>↘</td></tr> <tr><td>20:</td><td>10.5x</td><td>↘</td></tr> <tr><td colspan="2">Serie</td><td>101.0</td></tr> <tr><td colspan="2">Total</td><td>0.0</td></tr> </table>	11:	10.0	↑	12:	10.8x	↘	13:	9.6	↖	14:	10.2x	→	15:	9.7	↖	16:	10.4x	↑	17:	9.8	↗	18:	10.1	↗	19:	9.9	↘	20:	10.5x	↘	Serie		101.0	Total		0.0
1:	10.3x	↙																																																																									
2:	9.7	↖																																																																									
3:	9.5	↗																																																																									
4:	10.5x	↗																																																																									
5:	9.9	↗																																																																									
6:	10.3x	↖																																																																									
7:	10.2x	↘																																																																									
8:	10.4x	↘																																																																									
9:	10.7x	↘																																																																									
10:	10.0	↑																																																																									
Serie		101.5																																																																									
Total		0.0																																																																									
11:	10.0	↑																																																																									
12:	10.8x	↘																																																																									
13:	9.6	↖																																																																									
14:	10.2x	→																																																																									
15:	9.7	↖																																																																									
16:	10.4x	↑																																																																									
17:	9.8	↗																																																																									
18:	10.1	↗																																																																									
19:	9.9	↘																																																																									
20:	10.5x	↘																																																																									
Serie		101.0																																																																									
Total		0.0																																																																									
<p>Prov</p> 	<table border="1" style="width:100%; border-collapse: collapse;"> <tr><td>21:</td><td>10.7x</td><td>↖</td></tr> <tr><td>22:</td><td>9.9</td><td>↗</td></tr> <tr><td>23:</td><td>10.6x</td><td>↗</td></tr> <tr><td>24:</td><td>9.6</td><td>↗</td></tr> <tr><td>25:</td><td>10.2x</td><td>↑</td></tr> <tr><td>26:</td><td>9.3</td><td>↖</td></tr> <tr><td>27:</td><td>9.1</td><td>↖</td></tr> <tr><td>28:</td><td>10.8x</td><td>↖</td></tr> <tr><td>29:</td><td>10.0</td><td>↑</td></tr> <tr><td colspan="2">Serie</td><td>90.2</td></tr> <tr><td colspan="2">Total</td><td>0.0</td></tr> </table>	21:	10.7x	↖	22:	9.9	↗	23:	10.6x	↗	24:	9.6	↗	25:	10.2x	↑	26:	9.3	↖	27:	9.1	↖	28:	10.8x	↖	29:	10.0	↑	Serie		90.2	Total		0.0	<p>60 Skott</p> 	<table border="1" style="width:100%; border-collapse: collapse;"> <tr><td>1:</td><td>10.1</td><td>↑</td></tr> <tr><td>2:</td><td>10.1</td><td>↖</td></tr> <tr><td>3:</td><td>10.7x</td><td>↘</td></tr> <tr><td>4:</td><td>9.5</td><td>→</td></tr> <tr><td>5:</td><td>10.5x</td><td>↘</td></tr> <tr><td>6:</td><td>10.3x</td><td>↘</td></tr> <tr><td>7:</td><td>10.5x</td><td>↑</td></tr> <tr><td>8:</td><td>8.3</td><td>↘</td></tr> <tr><td>9:</td><td>10.0</td><td>↖</td></tr> <tr><td>10:</td><td>10.3x</td><td>↗</td></tr> <tr><td colspan="2">Serie</td><td>100.3</td></tr> <tr><td colspan="2">Total</td><td>100.3</td></tr> </table>	1:	10.1	↑	2:	10.1	↖	3:	10.7x	↘	4:	9.5	→	5:	10.5x	↘	6:	10.3x	↘	7:	10.5x	↑	8:	8.3	↘	9:	10.0	↖	10:	10.3x	↗	Serie		100.3	Total		100.3			
21:	10.7x	↖																																																																									
22:	9.9	↗																																																																									
23:	10.6x	↗																																																																									
24:	9.6	↗																																																																									
25:	10.2x	↑																																																																									
26:	9.3	↖																																																																									
27:	9.1	↖																																																																									
28:	10.8x	↖																																																																									
29:	10.0	↑																																																																									
Serie		90.2																																																																									
Total		0.0																																																																									
1:	10.1	↑																																																																									
2:	10.1	↖																																																																									
3:	10.7x	↘																																																																									
4:	9.5	→																																																																									
5:	10.5x	↘																																																																									
6:	10.3x	↘																																																																									
7:	10.5x	↑																																																																									
8:	8.3	↘																																																																									
9:	10.0	↖																																																																									
10:	10.3x	↗																																																																									
Serie		100.3																																																																									
Total		100.3																																																																									
<p>60 Skott</p> 	<table border="1" style="width:100%; border-collapse: collapse;"> <tr><td>11:</td><td>9.9</td><td>↘</td></tr> <tr><td>12:</td><td>10.3x</td><td>↗</td></tr> <tr><td>13:</td><td>10.4x</td><td>↗</td></tr> <tr><td>14:</td><td>9.4</td><td>↑</td></tr> <tr><td>15:</td><td>10.0</td><td>↗</td></tr> <tr><td>16:</td><td>10.0</td><td>↗</td></tr> <tr><td>17:</td><td>10.3x</td><td>↖</td></tr> <tr><td>18:</td><td>10.6x</td><td>→</td></tr> <tr><td>19:</td><td>10.6x</td><td>↗</td></tr> <tr><td>20:</td><td>10.1</td><td>↗</td></tr> <tr><td colspan="2">Serie</td><td>101.6</td></tr> <tr><td colspan="2">Total</td><td>201.9</td></tr> </table>	11:	9.9	↘	12:	10.3x	↗	13:	10.4x	↗	14:	9.4	↑	15:	10.0	↗	16:	10.0	↗	17:	10.3x	↖	18:	10.6x	→	19:	10.6x	↗	20:	10.1	↗	Serie		101.6	Total		201.9	<p>60 Skott</p> 	<table border="1" style="width:100%; border-collapse: collapse;"> <tr><td>21:</td><td>10.1</td><td>→</td></tr> <tr><td>22:</td><td>10.3x</td><td>↘</td></tr> <tr><td>23:</td><td>10.8x</td><td>→</td></tr> <tr><td>24:</td><td>10.6x</td><td>↘</td></tr> <tr><td>25:</td><td>10.4x</td><td>↘</td></tr> <tr><td>26:</td><td>9.8</td><td>↗</td></tr> <tr><td>27:</td><td>10.5x</td><td>↑</td></tr> <tr><td>28:</td><td>10.6x</td><td>↘</td></tr> <tr><td>29:</td><td>9.4</td><td>↑</td></tr> <tr><td>30:</td><td>10.6x</td><td>↘</td></tr> <tr><td colspan="2">Serie</td><td>103.1</td></tr> <tr><td colspan="2">Total</td><td>305.0</td></tr> </table>	21:	10.1	→	22:	10.3x	↘	23:	10.8x	→	24:	10.6x	↘	25:	10.4x	↘	26:	9.8	↗	27:	10.5x	↑	28:	10.6x	↘	29:	9.4	↑	30:	10.6x	↘	Serie		103.1	Total		305.0
11:	9.9	↘																																																																									
12:	10.3x	↗																																																																									
13:	10.4x	↗																																																																									
14:	9.4	↑																																																																									
15:	10.0	↗																																																																									
16:	10.0	↗																																																																									
17:	10.3x	↖																																																																									
18:	10.6x	→																																																																									
19:	10.6x	↗																																																																									
20:	10.1	↗																																																																									
Serie		101.6																																																																									
Total		201.9																																																																									
21:	10.1	→																																																																									
22:	10.3x	↘																																																																									
23:	10.8x	→																																																																									
24:	10.6x	↘																																																																									
25:	10.4x	↘																																																																									
26:	9.8	↗																																																																									
27:	10.5x	↑																																																																									
28:	10.6x	↘																																																																									
29:	9.4	↑																																																																									
30:	10.6x	↘																																																																									
Serie		103.1																																																																									
Total		305.0																																																																									
<p>60 Skott</p> 	<table border="1" style="width:100%; border-collapse: collapse;"> <tr><td>31:</td><td>9.9</td><td>→</td></tr> <tr><td>32:</td><td>10.6x</td><td>↘</td></tr> <tr><td>33:</td><td>10.7x</td><td>↗</td></tr> <tr><td>34:</td><td>10.5x</td><td>↖</td></tr> <tr><td>35:</td><td>9.5</td><td>↗</td></tr> <tr><td>36:</td><td>10.8x</td><td>↖</td></tr> <tr><td>37:</td><td>10.4x</td><td>↖</td></tr> <tr><td>38:</td><td>10.2x</td><td>↘</td></tr> <tr><td>39:</td><td>10.5x</td><td>↑</td></tr> <tr><td>40:</td><td>10.6x</td><td>↖</td></tr> <tr><td colspan="2">Serie</td><td>103.7</td></tr> <tr><td colspan="2">Total</td><td>408.7</td></tr> </table>	31:	9.9	→	32:	10.6x	↘	33:	10.7x	↗	34:	10.5x	↖	35:	9.5	↗	36:	10.8x	↖	37:	10.4x	↖	38:	10.2x	↘	39:	10.5x	↑	40:	10.6x	↖	Serie		103.7	Total		408.7																																						
31:	9.9	→																																																																									
32:	10.6x	↘																																																																									
33:	10.7x	↗																																																																									
34:	10.5x	↖																																																																									
35:	9.5	↗																																																																									
36:	10.8x	↖																																																																									
37:	10.4x	↖																																																																									
38:	10.2x	↘																																																																									
39:	10.5x	↑																																																																									
40:	10.6x	↖																																																																									
Serie		103.7																																																																									
Total		408.7																																																																									

Skjutlag	Tavla	Love Gunnarsson	
2	18		
S	Gideå Skf	LSitt	Vn
02.04.2022	UME-Kulan 2022	Umeå skytteallians	
Pröv		1: 7.2 ↑ 2: 9.7 ↑ 3: 9.3 ↑ 4: 5.6 ↓ 5: 10.4x ↗ 6: 10.8x ↗ 7: 10.3x ↗ 8: 9.6 ↗ 9: 9.9 ↗ 10: 9.9 →	Pröv
	11: 10.5x ↗ 12: 10.4x → 13: 10.5x ↘ 14: 9.6 ↑ 15: 10.3x ↑ 16: 10.4x ↗ 17: 10.3x ↗ 18: 10.2x ← 19: 10.3x ↗ 20: 10.3x ↑	Serie 92.7 Total 0.0	Serie 102.8 Total 0.0
Pröv		21: 10.1 ↑ 22: 10.5x ↙	60 Skott
	1: 10.4x ↗ 2: 10.5x ↖ 3: 10.3x ↗ 4: 10.5x ↑ 5: 10.5x ↘ 6: 10.6x ↑ 7: 10.0 ↗ 8: 10.8x ↗ 9: 10.1 ↘ 10: 10.1 ←	Serie 20.6 Total 0.0	Serie 103.8 Total 103.8
60 Skott		11: 10.3x → 12: 10.2x ↗ 13: 10.4x ↘ 14: 10.1 ↗ 15: 10.5x → 16: 10.5x ← 17: 10.5x ↗ 18: 10.5x ↑ 19: 9.9 ↗ 20: 10.7x ↗	60 Skott
	21: 9.9 ↗ 22: 10.6x ← 23: 10.5x ↗ 24: 10.3x ↘ 25: 10.8x ↑ 26: 10.2x → 27: 9.9 ← 28: 10.7x ↗ 29: 10.5x ↗ 30: 10.3x ↖	Serie 103.6 Total 207.4	Serie 103.7 Total 311.1
60 Skott		31: 10.3x ↗ 32: 10.0 ↖ 33: 10.5x ↗ 34: 10.7x ↘ 35: 9.9 ↗ 36: 10.3x ↗ 37: 10.6x ↘ 38: 9.8 ← 39: 10.7x ↖ 40: 9.5 ↑	
	Serie 102.3 Total 413.4		

Skjuttag	Tavla	Anders Hansson	
2	19	Vännäs Skf	LSitt Vb
02.04.2022	UME-Kulan 2022	Umeå skytteallians	
	1: 10.3x➤ 2: 9.9 ➤ 3: 10.0 ↑ 4: 10.1 ➤ 5: 10.0 ↙ 6: 10.3x↙ 7: 10.2x↙ 8: 10.3x↙ 9: 10.3x↔ 10: 10.7x➤ Serie 102.1 Total 0.0		11: 10.5x↑ 12: 10.5x↗ Serie 21.0 Total 0.0
	1: 10.0 ➤ 2: 10.6x↔ 3: 10.1 ➤ 4: 10.4x➤ 5: 10.6x↔ 6: 10.0 ➤ 7: 10.3x➤ 8: 10.8x↗ 9: 10.5x➤ 10: 10.3x↙ Serie 103.6 Total 103.6		11: 10.6x↑ 12: 10.1 ↓ 13: 10.0 ↘ 14: 10.4x➤ 15: 10.0 ↘ 16: 10.7x↑ 17: 10.8x➤ 18: 10.3x↙ 19: 10.3x↙ 20: 10.1 ↘ Serie 103.3 Total 206.9
	21: 10.4x➤ 22: 10.0 ↘ 23: 10.5x➤ 24: 10.6x↗ 25: 10.5x↔ 26: 10.3x↙ 27: 10.5x↔ 28: 10.7x↘ 29: 10.7x↔ 30: 10.2x↑ Serie 104.4 Total 311.3		31: 10.3x↗ 32: 10.3x➤ 33: 10.6x➤ 34: 10.6x↗ 35: 10.2x↗ 36: 10.2x↗ 37: 10.7x↗ 38: 10.5x➤ 39: 10.1 ↓ 40: 10.8x↔ Serie 104.3 Total 415.6

Skjutlag	Tavla	Linda Holmlund				
2	20	Umeå Skf			LSitt	Vb
02.04.2022	UME-Kulan 2022	Umeå skytteallians				
Prov		1: 10.6x ↓ 2: 9.9 → 3: 10.9x ← 4: 10.5x ↙ 5: 10.5x → 6: 10.4x ↗ 7: 10.0 → 8: 10.8x ← 9: 10.8x ↓ 10: 10.4x ←	Prov		11: 9.8 → 12: 10.1 ← 13: 10.2x → 14: 10.1 ↗ 15: 10.2x → 16: 10.8x ↘ 17: 10.3x ↗ 18: 10.5x ↗ 19: 10.3x ↓ 20: 10.2x ↙	
		Serie 104.8 Total 0.0			Serie 102.5 Total 0.0	
Prov		21: 10.6x → 22: 10.4x → 23: 10.2x ↗ 24: 10.4x ↗	60 Skott		1: 10.6x ↓ 2: 10.2x → 3: 10.7x ↘ 4: 10.4x ↙ 5: 10.3x ↗ 6: 10.4x ↗ 7: 10.5x ← 8: 10.8x ↗ 9: 10.6x ↓ 10: 9.7 ←	
		Serie 41.6 Total 0.0			Serie 104.2 Total 104.2	
60 Skott		11: 10.8x ← 12: 10.5x ↗ 13: 10.3x ← 14: 10.5x ← 15: 10.2x ↗ 16: 9.9 ← 17: 10.4x ↘ 18: 10.3x ↗ 19: 10.4x → 20: 10.9x ←	60 Skott		21: 10.4x ↘ 22: 10.4x ← 23: 10.7x ↗ 24: 10.0 ← 25: 10.5x ↗ 26: 10.7x → 27: 10.7x ↗ 28: 10.6x ↑ 29: 10.9x → 30: 10.4x ↗	
		Serie 104.2 Total 208.4			Serie 105.3 Total 313.7	
60 Skott		31: 10.9x ← 32: 10.1 → 33: 10.6x ↗ 34: 10.5x ↘ 35: 10.5x ↗ 36: 10.9x ↑ 37: 10.1 ↑ 38: 9.8 → 39: 10.6x → 40: 10.7x ←				
		Serie 104.7 Total 418.4				

Skjutlag 2	Tavla 21	Mattias Malinen			
S		Gideå Skf		LFunk	Vn
02.04.2022		UME-Kulan 2022		Umeå skytteallians	
Prov		1: 10.7x ↙ 2: 3.3 → 3: 9.9 ↙ 4: 9.2 ↙ 5: 7.8 → 6: 10.5x ↙ 7: 7.7 ↙ 8: 8.0 ↙ 9: 10.3x ↙ 10: 7.8 ↙	Prov		11: 6.7 → 12: 5.9 ↓ 13: 9.9 → 14: 7.0 ↓ 15: 7.4 ↙ 16: 8.5 ↙ 17: 3.8 ↙ 18: 8.7 ↙ 19: 9.0 ↖ 20: 8.2 ↓
		Serie 85.2 Total 0.0			Serie 75.1 Total 0.0
Prov		21: 3.1 ← 22: 10.1 → 23: 7.7 ↙ 24: 8.1 ↗ 25: 8.4 ↙ 26: 8.3 ↗ 27: 10.5x → 28: 9.4 ↖	60 Skott		1: 3.3 ↙ 2: 7.1 ↙ 3: 8.4 ← 4: 7.9 ↗ 5: 6.8 ← 6: 9.4 ↙ 7: 7.5 ← 8: 7.8 ← 9: 7.6 → 10: 9.1 ↓
		Serie 65.6 Total 0.0			Serie 74.9 Total 74.9
60 Skott		11: 8.4 ↙ 12: 6.5 ↙ 13: 8.2 ↙ 14: 7.9 ↙ 15: 7.0 ↙ 16: 9.8 ↗ 17: 10.1 → 18: 10.2x ↗ 19: 7.7 ↗ 20: 9.3 ↗	60 Skott		21: 8.9 ← 22: 8.8 → 23: 7.4 ↗ 24: 8.2 ↗ 25: 10.4x ↑ 26: 7.4 ↗ 27: 9.1 ← 28: 8.6 ↗ 29: 8.8 ← 30: 10.4x ←
		Serie 85.1 Total 160.0			Serie 88.0 Total 248.0
60 Skott		31: 9.9 ↗ 32: 8.9 ↗ 33: 9.6 → 34: 10.4x ↙ 35: 9.4 ← 36: 9.8 ↗ 37: 9.6 ↗ 38: 10.6x ← 39: 9.2 ↗ 40: 9.0 ↗			
		Serie 96.4 Total 344.4			

<p>Prov</p>	<p>Prov</p>	
1: 10.2x	11: 4.0 ↑	
2: 10.1	12: 8.6 →	
3: 9.8 ↑	13: 9.6 ↖	
4: 8.9 ↑	14: 9.9 ↗	
5: 10.6x	15: 10.3x ↗	
6: 7.9 ↗	16: 8.2 ←	
7: 8.7 ↘	17: 2.2 ↘	
8: 8.5 ↑	18: 10.2x ←	
9: 8.7 ←		
10: 9.3 ↘		
Serie 92.7	Serie 63.0	
Total 0.0	Total 0.0	

<p>60 Skott</p>	<p>60 Skott</p>	
1: 7.9 ↑	11: 10.2x ↓	
2: 8.6 ↓	12: 10.1 ↑	
3: 8.3 ←	13: 9.5 ↖	
4: 8.0 ↘	14: 9.9 ↑	
5: 10.2x	15: 9.5 ↖	
6: 9.6 ↖	16: 8.2 ↑	
7: 8.5 ←	17: 8.5 ↓	
8: 9.0 ↑	18: 10.4x ←	
9: 8.8 ↖	19: 10.7x ↘	
10: 8.1 ↖	20: 6.7 ↘	
Serie 87.0	Serie 93.7	
Total 87.0	Total 180.7	

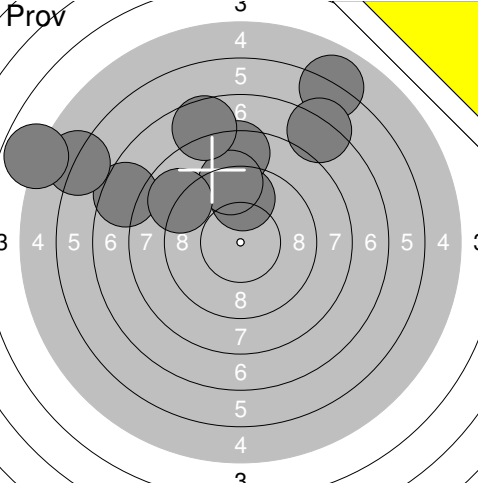
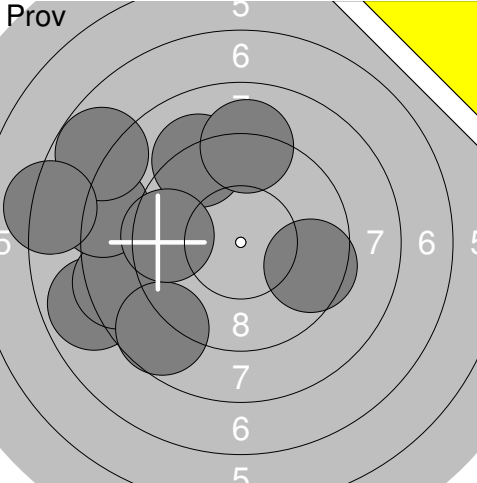
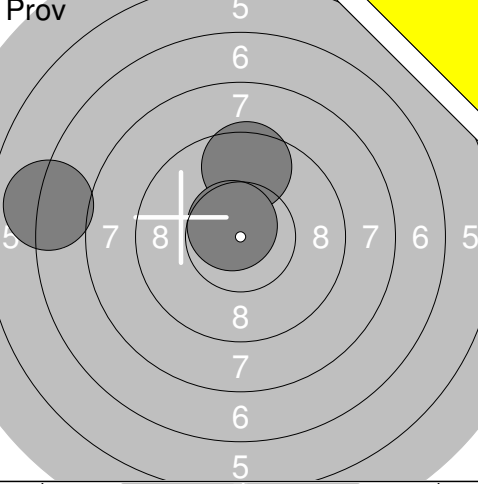
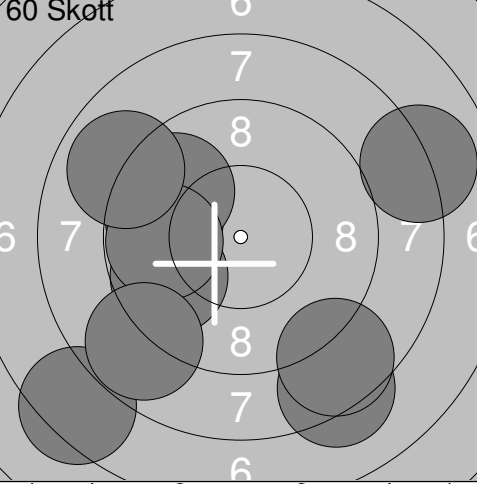
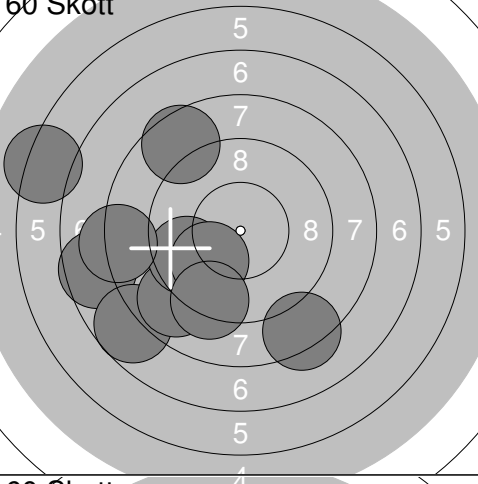
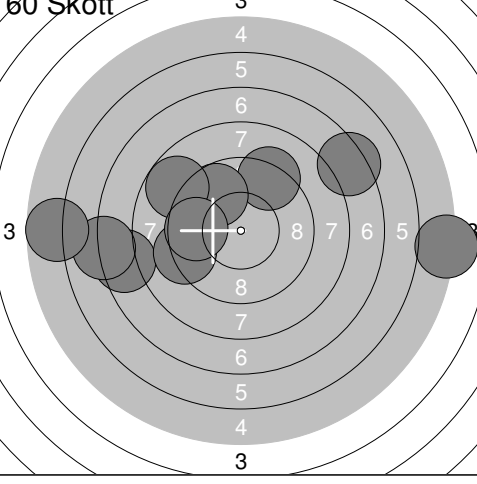
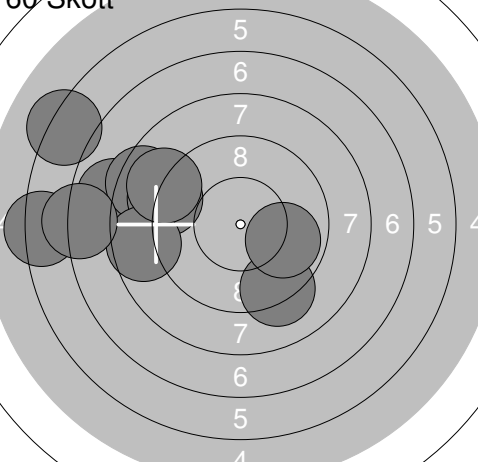
<p>60 Skott</p>	<p>60 Skott</p>	
21: 10.6x	31: 8.8 ↙	
22: 10.4x	32: 8.8 ↓	
23: 9.8 ↓	33: 7.7 →	
24: 10.2x	34: 9.8 ↗	
25: 9.9 ↘	35: 8.4 ↓	
26: 10.6x	36: 9.2 ↗	
27: 9.7 ↘	37: 10.5x ↗	
28: 8.5 ↓	38: 8.9 ↖	
29: 9.8 ↗	39: 7.7 ↘	
30: 10.4x	40: 8.1 ↓	
Serie 99.9	Serie 87.9	
Total 280.6	Total 368.5	

<p>Prov</p>	<table border="1" style="width:100%; border-collapse: collapse;"> <tr><td>1:</td><td>6.8</td><td>↘</td></tr> <tr><td>2:</td><td>5.8</td><td>↘</td></tr> <tr><td>3:</td><td>5.7</td><td>↘</td></tr> <tr><td>4:</td><td>6.5</td><td>↘</td></tr> <tr><td>5:</td><td>7.4</td><td>↘</td></tr> <tr><td>6:</td><td>8.5</td><td>↘</td></tr> <tr><td>7:</td><td>7.8</td><td>↘</td></tr> <tr><td>8:</td><td>9.2</td><td>↘</td></tr> <tr><td>9:</td><td>9.4</td><td>↘</td></tr> <tr><td>10:</td><td>10.8x</td><td>↗</td></tr> <tr><td colspan="2">Serie</td><td>77.9</td></tr> <tr><td colspan="2">Total</td><td>0.0</td></tr> </table>	1:	6.8	↘	2:	5.8	↘	3:	5.7	↘	4:	6.5	↘	5:	7.4	↘	6:	8.5	↘	7:	7.8	↘	8:	9.2	↘	9:	9.4	↘	10:	10.8x	↗	Serie		77.9	Total		0.0	<p>Prov</p>	<table border="1" style="width:100%; border-collapse: collapse;"> <tr><td>11:</td><td>9.9</td><td>↗</td></tr> <tr><td>12:</td><td>9.7</td><td>↗</td></tr> <tr><td>13:</td><td>10.2x</td><td>↗</td></tr> <tr><td>14:</td><td>9.4</td><td>↗</td></tr> <tr><td>15:</td><td>9.8</td><td>↗</td></tr> <tr><td>16:</td><td>10.1</td><td>↗</td></tr> <tr><td>17:</td><td>9.1</td><td>↗</td></tr> <tr><td>18:</td><td>7.7</td><td>↗</td></tr> <tr><td>19:</td><td>9.3</td><td>↗</td></tr> <tr><td>20:</td><td>8.9</td><td>↗</td></tr> <tr><td colspan="2">Serie</td><td>94.1</td></tr> <tr><td colspan="2">Total</td><td>0.0</td></tr> </table>	11:	9.9	↗	12:	9.7	↗	13:	10.2x	↗	14:	9.4	↗	15:	9.8	↗	16:	10.1	↗	17:	9.1	↗	18:	7.7	↗	19:	9.3	↗	20:	8.9	↗	Serie		94.1	Total		0.0
1:	6.8	↘																																																																									
2:	5.8	↘																																																																									
3:	5.7	↘																																																																									
4:	6.5	↘																																																																									
5:	7.4	↘																																																																									
6:	8.5	↘																																																																									
7:	7.8	↘																																																																									
8:	9.2	↘																																																																									
9:	9.4	↘																																																																									
10:	10.8x	↗																																																																									
Serie		77.9																																																																									
Total		0.0																																																																									
11:	9.9	↗																																																																									
12:	9.7	↗																																																																									
13:	10.2x	↗																																																																									
14:	9.4	↗																																																																									
15:	9.8	↗																																																																									
16:	10.1	↗																																																																									
17:	9.1	↗																																																																									
18:	7.7	↗																																																																									
19:	9.3	↗																																																																									
20:	8.9	↗																																																																									
Serie		94.1																																																																									
Total		0.0																																																																									

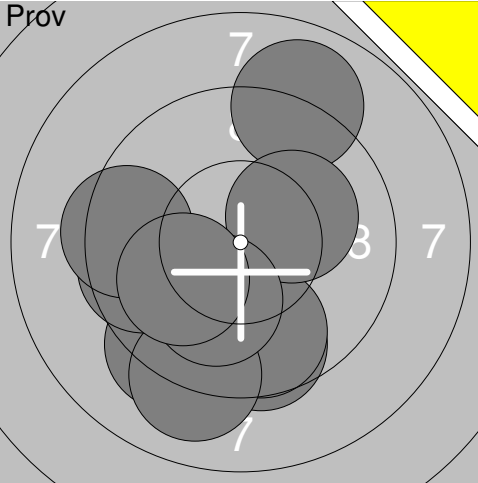
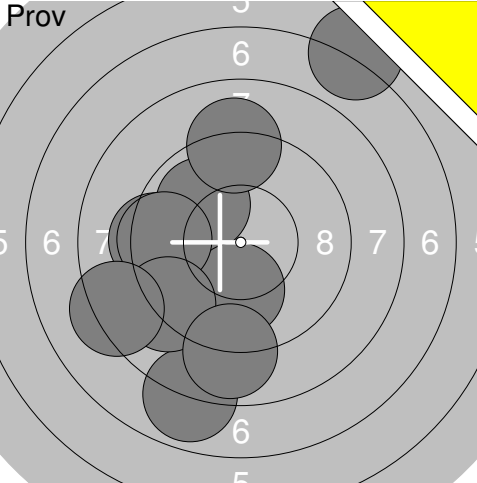
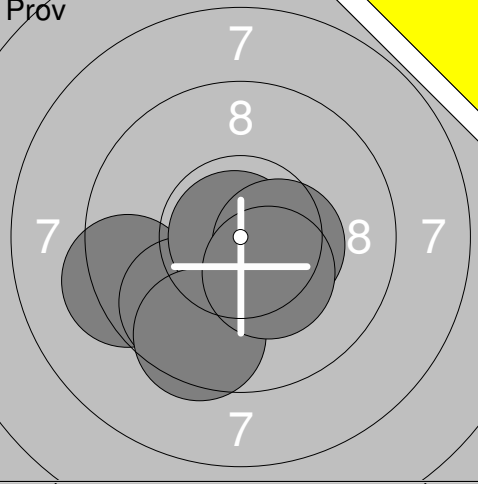
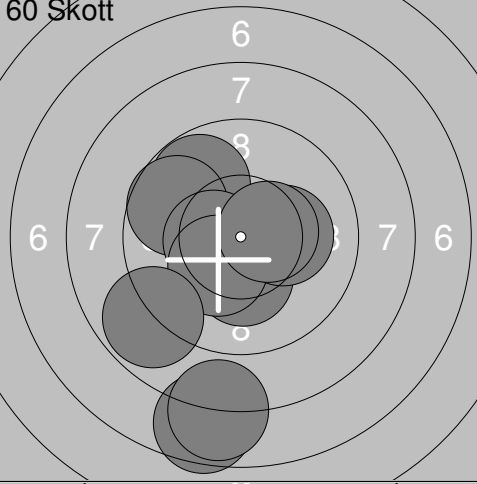
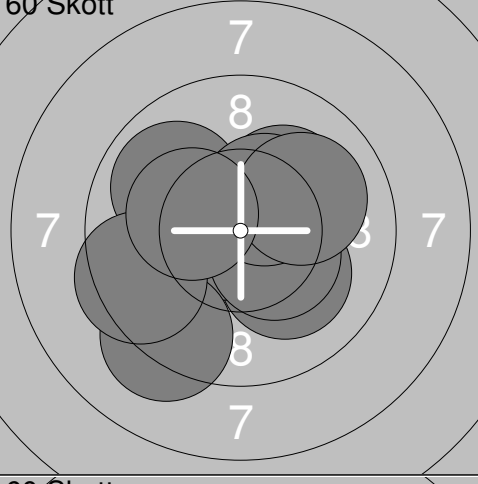
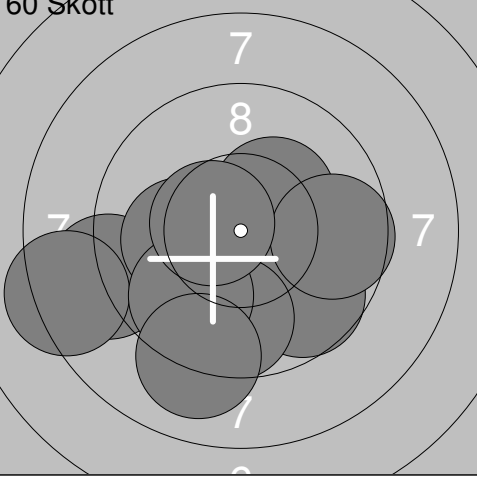
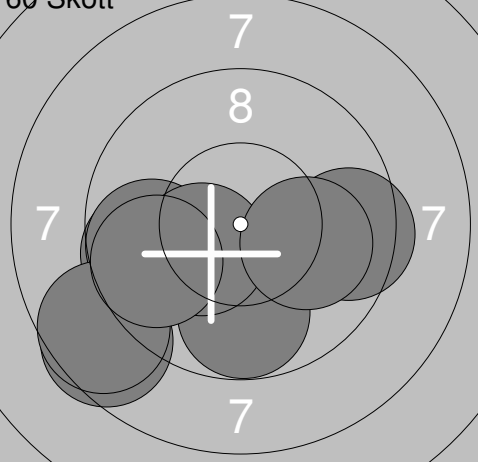
<p>Prov</p>	<table border="1" style="width:100%; border-collapse: collapse;"> <tr><td>21:</td><td>9.3</td><td>↗</td></tr> <tr><td>22:</td><td>9.6</td><td>↗</td></tr> <tr><td>23:</td><td>10.2x</td><td>↗</td></tr> <tr><td>24:</td><td>9.3</td><td>↗</td></tr> <tr><td>25:</td><td>8.4</td><td>↗</td></tr> <tr><td>26:</td><td>9.2</td><td>↗</td></tr> <tr><td>27:</td><td>9.7</td><td>↗</td></tr> <tr><td>28:</td><td>9.7</td><td>↗</td></tr> <tr><td>29:</td><td>6.6</td><td>↗</td></tr> <tr><td>30:</td><td>9.6</td><td>↗</td></tr> <tr><td colspan="2">Serie</td><td>91.6</td></tr> <tr><td colspan="2">Total</td><td>0.0</td></tr> </table>	21:	9.3	↗	22:	9.6	↗	23:	10.2x	↗	24:	9.3	↗	25:	8.4	↗	26:	9.2	↗	27:	9.7	↗	28:	9.7	↗	29:	6.6	↗	30:	9.6	↗	Serie		91.6	Total		0.0	<p>Prov</p>	<table border="1" style="width:100%; border-collapse: collapse;"> <tr><td>31:</td><td>10.4x</td><td>→</td></tr> <tr><td colspan="2">Serie</td><td>10.4</td></tr> <tr><td colspan="2">Total</td><td>0.0</td></tr> </table>	31:	10.4x	→	Serie		10.4	Total		0.0
21:	9.3	↗																																														
22:	9.6	↗																																														
23:	10.2x	↗																																														
24:	9.3	↗																																														
25:	8.4	↗																																														
26:	9.2	↗																																														
27:	9.7	↗																																														
28:	9.7	↗																																														
29:	6.6	↗																																														
30:	9.6	↗																																														
Serie		91.6																																														
Total		0.0																																														
31:	10.4x	→																																														
Serie		10.4																																														
Total		0.0																																														

<p>60 Skott</p>	<table border="1" style="width:100%; border-collapse: collapse;"> <tr><td>1:</td><td>9.3</td><td>↗</td></tr> <tr><td>2:</td><td>7.9</td><td>↗</td></tr> <tr><td>3:</td><td>7.8</td><td>↗</td></tr> <tr><td>4:</td><td>10.5x</td><td>↗</td></tr> <tr><td>5:</td><td>9.3</td><td>↗</td></tr> <tr><td>6:</td><td>9.8</td><td>↗</td></tr> <tr><td>7:</td><td>9.3</td><td>↗</td></tr> <tr><td>8:</td><td>10.6x</td><td>↖</td></tr> <tr><td>9:</td><td>9.4</td><td>↖</td></tr> <tr><td>10:</td><td>9.7</td><td>↗</td></tr> <tr><td colspan="2">Serie</td><td>93.6</td></tr> <tr><td colspan="2">Total</td><td>93.6</td></tr> </table>	1:	9.3	↗	2:	7.9	↗	3:	7.8	↗	4:	10.5x	↗	5:	9.3	↗	6:	9.8	↗	7:	9.3	↗	8:	10.6x	↖	9:	9.4	↖	10:	9.7	↗	Serie		93.6	Total		93.6	<p>60 Skott</p>	<table border="1" style="width:100%; border-collapse: collapse;"> <tr><td>11:</td><td>9.3</td><td>↗</td></tr> <tr><td>12:</td><td>10.0</td><td>↗</td></tr> <tr><td>13:</td><td>9.0</td><td>↗</td></tr> <tr><td>14:</td><td>8.0</td><td>↗</td></tr> <tr><td>15:</td><td>9.1</td><td>↗</td></tr> <tr><td>16:</td><td>9.4</td><td>↗</td></tr> <tr><td>17:</td><td>8.7</td><td>↗</td></tr> <tr><td>18:</td><td>9.0</td><td>↗</td></tr> <tr><td>19:</td><td>8.4</td><td>↗</td></tr> <tr><td>20:</td><td>9.3</td><td>↗</td></tr> <tr><td colspan="2">Serie</td><td>90.2</td></tr> <tr><td colspan="2">Total</td><td>183.8</td></tr> </table>	11:	9.3	↗	12:	10.0	↗	13:	9.0	↗	14:	8.0	↗	15:	9.1	↗	16:	9.4	↗	17:	8.7	↗	18:	9.0	↗	19:	8.4	↗	20:	9.3	↗	Serie		90.2	Total		183.8
1:	9.3	↗																																																																									
2:	7.9	↗																																																																									
3:	7.8	↗																																																																									
4:	10.5x	↗																																																																									
5:	9.3	↗																																																																									
6:	9.8	↗																																																																									
7:	9.3	↗																																																																									
8:	10.6x	↖																																																																									
9:	9.4	↖																																																																									
10:	9.7	↗																																																																									
Serie		93.6																																																																									
Total		93.6																																																																									
11:	9.3	↗																																																																									
12:	10.0	↗																																																																									
13:	9.0	↗																																																																									
14:	8.0	↗																																																																									
15:	9.1	↗																																																																									
16:	9.4	↗																																																																									
17:	8.7	↗																																																																									
18:	9.0	↗																																																																									
19:	8.4	↗																																																																									
20:	9.3	↗																																																																									
Serie		90.2																																																																									
Total		183.8																																																																									

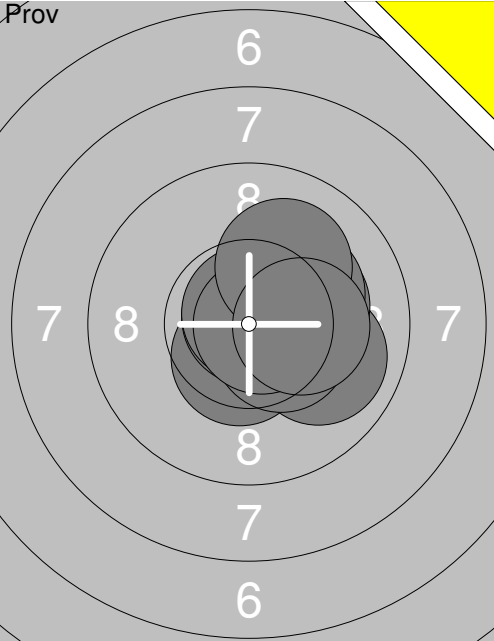
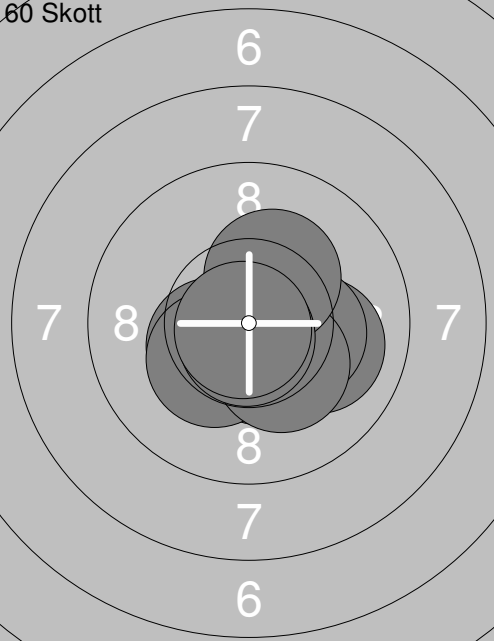
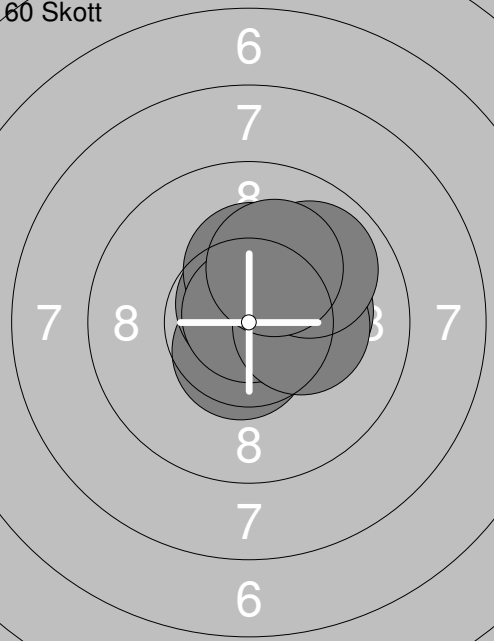
<p>60 Skott</p>	<table border="1" style="width:100%; border-collapse: collapse;"> <tr><td>21:</td><td>7.9</td><td>↗</td></tr> <tr><td>22:</td><td>7.5</td><td>↗</td></tr> <tr><td>23:</td><td>9.1</td><td>↗</td></tr> <tr><td>24:</td><td>8.3</td><td>↗</td></tr> <tr><td>25:</td><td>9.1</td><td>↗</td></tr> <tr><td>26:</td><td>9.3</td><td>↗</td></tr> <tr><td>27:</td><td>8.7</td><td>↗</td></tr> <tr><td>28:</td><td>9.3</td><td>↗</td></tr> <tr><td>29:</td><td>8.8</td><td>↗</td></tr> <tr><td>30:</td><td>8.3</td><td>↗</td></tr> <tr><td colspan="2">Serie</td><td>86.3</td></tr> <tr><td colspan="2">Total</td><td>270.1</td></tr> </table>	21:	7.9	↗	22:	7.5	↗	23:	9.1	↗	24:	8.3	↗	25:	9.1	↗	26:	9.3	↗	27:	8.7	↗	28:	9.3	↗	29:	8.8	↗	30:	8.3	↗	Serie		86.3	Total		270.1	<p>60 Skott</p>	<table border="1" style="width:100%; border-collapse: collapse;"> <tr><td>31:</td><td>7.0</td><td>↗</td></tr> <tr><td>32:</td><td>6.9</td><td>↗</td></tr> <tr><td>33:</td><td>8.2</td><td>↗</td></tr> <tr><td>34:</td><td>8.6</td><td>↗</td></tr> <tr><td>35:</td><td>8.2</td><td>↗</td></tr> <tr><td>36:</td><td>7.1</td><td>↗</td></tr> <tr><td>37:</td><td>9.0</td><td>↗</td></tr> <tr><td>38:</td><td>8.2</td><td>↗</td></tr> <tr><td>39:</td><td>8.0</td><td>↗</td></tr> <tr><td>40:</td><td>7.8</td><td>↗</td></tr> <tr><td colspan="2">Serie</td><td>79.0</td></tr> <tr><td colspan="2">Total</td><td>349.1</td></tr> </table>	31:	7.0	↗	32:	6.9	↗	33:	8.2	↗	34:	8.6	↗	35:	8.2	↗	36:	7.1	↗	37:	9.0	↗	38:	8.2	↗	39:	8.0	↗	40:	7.8	↗	Serie		79.0	Total		349.1
21:	7.9	↗																																																																									
22:	7.5	↗																																																																									
23:	9.1	↗																																																																									
24:	8.3	↗																																																																									
25:	9.1	↗																																																																									
26:	9.3	↗																																																																									
27:	8.7	↗																																																																									
28:	9.3	↗																																																																									
29:	8.8	↗																																																																									
30:	8.3	↗																																																																									
Serie		86.3																																																																									
Total		270.1																																																																									
31:	7.0	↗																																																																									
32:	6.9	↗																																																																									
33:	8.2	↗																																																																									
34:	8.6	↗																																																																									
35:	8.2	↗																																																																									
36:	7.1	↗																																																																									
37:	9.0	↗																																																																									
38:	8.2	↗																																																																									
39:	8.0	↗																																																																									
40:	7.8	↗																																																																									
Serie		79.0																																																																									
Total		349.1																																																																									

Skjuttag	Tavla	Sixten Melin			
S		Gideå Skf		L7	Vn
02.04.2022		UME-Kulan 2022		Umeå skytteallians	
Prov		1: 6.0 ↗ 2: 7.5 ↖ 3: 9.7 ↗ 4: 6.0 ↖ 5: 8.5 ↗ 6: 9.3 ↗ 7: 7.2 ↗ 8: 8.9 ↗ 9: 7.6 ↗ 10: 4.8 ↖ Serie 75.5 Total 0.0	Prov		11: 7.9 ↖ 12: 8.5 ↖ 13: 8.2 ↖ 14: 9.2 ↗ 15: 7.8 ↗ 16: 8.7 ↖ 17: 7.2 ↖ 18: 9.1 ↗ 19: 9.5 → 20: 9.5 ↖ Serie 85.6 Total 0.0
Prov		21: 7.1 ↖ 22: 9.5 ↗ 23: 10.7x ↗ Serie 27.3 Total 0.0	60 Skott		1: 9.7 ↖ 2: 8.2 ↘ 3: 8.6 ↘ 4: 7.4 ↘ 5: 8.0 → 6: 9.8 ↖ 7: 9.7 ↗ 8: 9.8 ↖ 9: 8.8 ↘ 10: 8.9 ↗ Serie 88.9 Total 88.9
60 Skott		11: 7.6 ↖ 12: 7.7 ↖ 13: 8.8 ↖ 14: 9.6 ↖ 15: 10.0 ↖ 16: 8.2 ↖ 17: 6.2 ↗ 18: 9.2 ↘ 19: 8.6 ↗ 20: 8.3 ↘ Serie 84.2 Total 173.1	60 Skott		21: 7.5 ↖ 22: 9.3 ↗ 23: 9.7 ↗ 24: 7.3 → 25: 9.2 ↖ 26: 8.8 ↗ 27: 7.0 ↖ 28: 5.1 → 29: 9.7 ↖ 30: 5.7 ↖ Serie 79.3 Total 252.4
60 Skott		31: 9.2 ↘ 32: 7.9 ↖ 33: 8.5 ↗ 34: 6.2 ↗ 35: 9.1 ↖ 36: 6.2 ↖ 37: 9.9 ↘ 38: 8.6 ↖ 39: 8.9 ↗ 40: 7.1 ↖ Serie 81.6 Total 334.0			

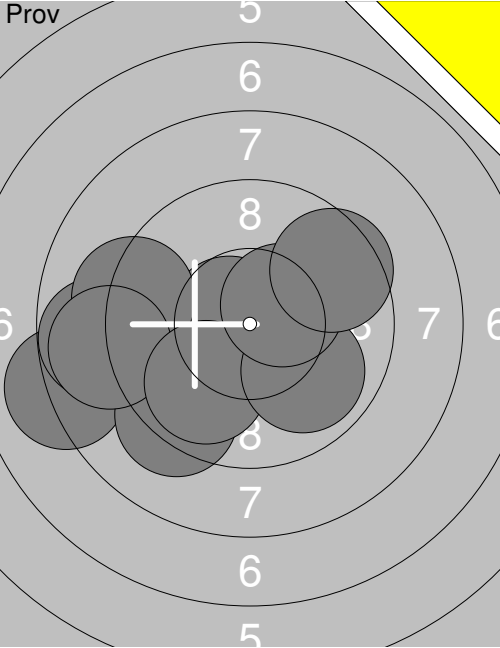
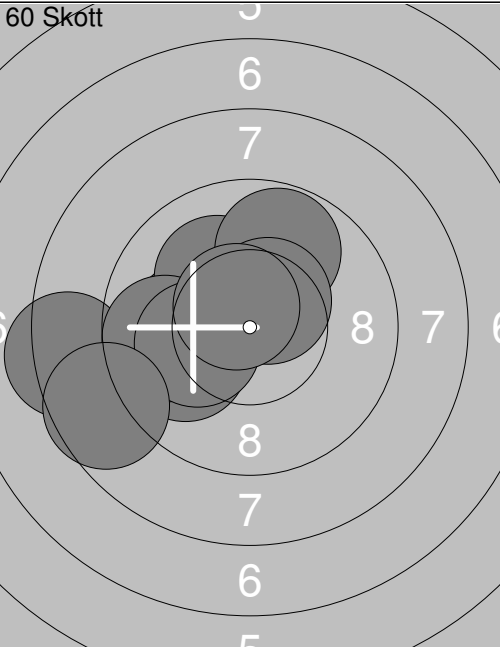
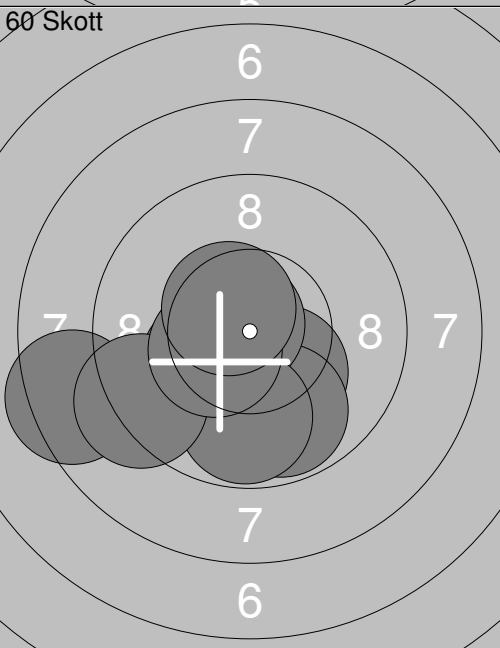
Skjuttag 2	Tavla 30	Ebbe Hallin		
S		Gideå Skf	L7 Vn	
02.04.2022		UME-Kulan 2022	Umeå skytteallians	
Prov		1: 4.6 ↑ 2: 8.4 ↑ 3: 4.2 ↑ 4: 6.9 ↑ 5: 6.8 ↑ 6: 8.5 ↗ 7: 7.5 ↗ 8: 6.7 ↑ 9: 6.6 ↑ 10: 7.3 ↑ Serie 67.5 Total 0.0	Prov	11: 7.3 ↑ 12: 9.5 → 13: 10.3x ↓ 14: 8.1 ↓ 15: 8.4 ↑ 16: 9.1 ↓ 17: 8.9 ↗ 18: 10.3x ↗ 19: 9.7 ↗ 20: 9.7 ↗ Serie 91.3 Total 0.0
Prov		21: 6.7 ← 22: 7.6 ← 23: 10.0 ↗ 24: 9.9 ↑ Serie 34.2 Total 0.0	60 Skott	1: 9.3 ← 2: 10.5x ↗ 3: 6.3 ← 4: 7.3 ↗ 5: 9.5 ↗ 6: 8.6 ↗ 7: 10.0 ↗ 8: 10.2x ↓ 9: 10.2x ← 10: 8.8 ↗ Serie 90.7 Total 90.7
60 Skott		11: 6.9 ← 12: 9.6 ↗ 13: 4.1 ↗ 14: 9.6 ← 15: 3.7 ↗ 16: 9.3 ↑ 17: 8.3 ↓ 18: 7.6 ← 19: 9.1 ← 20: 9.3 ↓ Serie 77.5 Total 168.2	60 Skott	21: 7.9 → 22: 9.1 ↗ 23: 10.1 ↑ 24: 6.8 → 25: 7.1 ← 26: 8.5 ↑ 27: 10.0 → 28: 7.6 ← 29: 7.2 ↘ 30: 8.3 ↑ Serie 82.6 Total 250.8
60 Skott		31: 2.2 → 32: 8.6 ↑ 33: 9.7 ← 34: 8.0 ← 35: 6.8 ↗ 36: 8.4 ↑ 37: 6.6 ↘ 38: 7.1 ↗ 39: 9.2 ↓ 40: 0.0 ↗ Serie 66.6 Total 317.4		

Skjutlag 2	Tavla 31	Tove Hallin		
S		Gideå Skf		L13
02.04.2022		UME-Kulan 2022		Umeå skytteallians
Prov		1: 9.5 ↓ 2: 9.0 ↑ 3: 9.3 ↓ 4: 9.7 ↓ 5: 9.1 ↓ 6: 9.6 ← 7: 10.2x → 8: 10.1 ↓ 9: 9.4 ← 10: 10.0 ↙ Serie 95.9 Total 0.0	Prov	 11: 9.9 ↗ 12: 7.9 ↓ 13: 10.0 ↓ 14: 9.3 ← 15: 9.5 ← 16: 9.1 ↑ 17: 9.1 ↙ 18: 8.3 ↙ 19: 8.9 ↓ 20: 6.7 ↗ Serie 88.7 Total 0.0
Prov		21: 9.3 ← 22: 9.8 ↙ 23: 10.9x ← 24: 9.5 ↓ 25: 10.4x → 26: 10.3x ↘ Serie 60.2 Total 0.0	60 Skott	 1: 9.8 ↗ 2: 9.7 ↙ 3: 10.3x ↓ 4: 7.6 ↓ 5: 10.5x ← 6: 10.3x ↙ 7: 7.8 ↓ 8: 8.8 ↙ 9: 10.2x → 10: 10.5x → Serie 95.5 Total 95.5
60 Skott		11: 10.1 ↘ 12: 9.9 ↗ 13: 10.2x ↗ 14: 10.7x ← 15: 10.4x ↘ 16: 9.2 ↙ 17: 10.4x ↗ 18: 9.5 ← 19: 10.0 → 20: 10.3x ← Serie 100.7 Total 196.2	60 Skott	 21: 10.3x ↗ 22: 9.7 ↘ 23: 9.6 → 24: 9.0 ← 25: 9.7 ↓ 26: 10.1 ← 27: 8.3 ← 28: 9.8 ↙ 29: 10.5x ← 30: 9.1 ↓ Serie 96.1 Total 292.3
60 Skott		31: 9.6 ← 32: 8.6 ↙ 33: 9.6 ← 34: 9.5 → 35: 9.7 ← 36: 9.8 ↓ 37: 8.6 ↙ 38: 10.3x ← 39: 9.7 ← 40: 10.0 → Serie 95.4 Total 387.7		

<p>Prov</p>	<table border="1" style="width:100%; border-collapse: collapse;"> <tr><td>1:</td><td>9.2</td><td>→</td></tr> <tr><td>2:</td><td>10.0</td><td>↑</td></tr> <tr><td>3:</td><td>9.8</td><td>↑</td></tr> <tr><td>4:</td><td>9.3</td><td>↑</td></tr> <tr><td>5:</td><td>9.7</td><td>←</td></tr> <tr><td>6:</td><td>9.2</td><td>↑</td></tr> <tr><td>7:</td><td>10.4x</td><td>→</td></tr> <tr><td>8:</td><td>8.5</td><td>↑</td></tr> <tr><td>9:</td><td>9.2</td><td>→</td></tr> <tr><td>10:</td><td>10.2x</td><td>↓</td></tr> <tr><td colspan="2">Serie</td><td>95.5</td></tr> <tr><td colspan="2">Total</td><td>0.0</td></tr> </table>	1:	9.2	→	2:	10.0	↑	3:	9.8	↑	4:	9.3	↑	5:	9.7	←	6:	9.2	↑	7:	10.4x	→	8:	8.5	↑	9:	9.2	→	10:	10.2x	↓	Serie		95.5	Total		0.0	<p>Prov</p>	<table border="1" style="width:100%; border-collapse: collapse;"> <tr><td>11:</td><td>10.2x</td><td>↙</td></tr> <tr><td>12:</td><td>9.4</td><td>↗</td></tr> <tr><td>13:</td><td>8.3</td><td>←</td></tr> <tr><td>14:</td><td>9.5</td><td>↑</td></tr> <tr><td>15:</td><td>10.1</td><td>↑</td></tr> <tr><td>16:</td><td>10.3x</td><td>↗</td></tr> <tr><td>17:</td><td>8.6</td><td>←</td></tr> <tr><td>18:</td><td>9.9</td><td>↗</td></tr> <tr><td>19:</td><td>10.5x</td><td>→</td></tr> <tr><td>20:</td><td>10.3x</td><td>↖</td></tr> <tr><td colspan="2">Serie</td><td>97.1</td></tr> <tr><td colspan="2">Total</td><td>0.0</td></tr> </table>	11:	10.2x	↙	12:	9.4	↗	13:	8.3	←	14:	9.5	↑	15:	10.1	↑	16:	10.3x	↗	17:	8.6	←	18:	9.9	↗	19:	10.5x	→	20:	10.3x	↖	Serie		97.1	Total		0.0
1:	9.2	→																																																																									
2:	10.0	↑																																																																									
3:	9.8	↑																																																																									
4:	9.3	↑																																																																									
5:	9.7	←																																																																									
6:	9.2	↑																																																																									
7:	10.4x	→																																																																									
8:	8.5	↑																																																																									
9:	9.2	→																																																																									
10:	10.2x	↓																																																																									
Serie		95.5																																																																									
Total		0.0																																																																									
11:	10.2x	↙																																																																									
12:	9.4	↗																																																																									
13:	8.3	←																																																																									
14:	9.5	↑																																																																									
15:	10.1	↑																																																																									
16:	10.3x	↗																																																																									
17:	8.6	←																																																																									
18:	9.9	↗																																																																									
19:	10.5x	→																																																																									
20:	10.3x	↖																																																																									
Serie		97.1																																																																									
Total		0.0																																																																									
<p>Prov</p>	<table border="1" style="width:100%; border-collapse: collapse;"> <tr><td>21:</td><td>8.6</td><td>↖</td></tr> <tr><td colspan="2">Serie</td><td>8.6</td></tr> <tr><td colspan="2">Total</td><td>0.0</td></tr> </table>	21:	8.6	↖	Serie		8.6	Total		0.0	<p>60 Skott</p>	<table border="1" style="width:100%; border-collapse: collapse;"> <tr><td>1:</td><td>10.0</td><td>→</td></tr> <tr><td>2:</td><td>8.8</td><td>↑</td></tr> <tr><td>3:</td><td>10.5x</td><td>→</td></tr> <tr><td>4:</td><td>10.0</td><td>↗</td></tr> <tr><td>5:</td><td>10.1</td><td>↑</td></tr> <tr><td>6:</td><td>9.9</td><td>←</td></tr> <tr><td>7:</td><td>10.6x</td><td>→</td></tr> <tr><td>8:</td><td>9.3</td><td>→</td></tr> <tr><td>9:</td><td>10.2x</td><td>↑</td></tr> <tr><td>10:</td><td>9.3</td><td>↑</td></tr> <tr><td colspan="2">Serie</td><td>98.7</td></tr> <tr><td colspan="2">Total</td><td>98.7</td></tr> </table>	1:	10.0	→	2:	8.8	↑	3:	10.5x	→	4:	10.0	↗	5:	10.1	↑	6:	9.9	←	7:	10.6x	→	8:	9.3	→	9:	10.2x	↑	10:	9.3	↑	Serie		98.7	Total		98.7																											
21:	8.6	↖																																																																									
Serie		8.6																																																																									
Total		0.0																																																																									
1:	10.0	→																																																																									
2:	8.8	↑																																																																									
3:	10.5x	→																																																																									
4:	10.0	↗																																																																									
5:	10.1	↑																																																																									
6:	9.9	←																																																																									
7:	10.6x	→																																																																									
8:	9.3	→																																																																									
9:	10.2x	↑																																																																									
10:	9.3	↑																																																																									
Serie		98.7																																																																									
Total		98.7																																																																									
<p>60 Skott</p>	<table border="1" style="width:100%; border-collapse: collapse;"> <tr><td>11:</td><td>8.7</td><td>↓</td></tr> <tr><td>12:</td><td>9.9</td><td>↗</td></tr> <tr><td>13:</td><td>9.5</td><td>↗</td></tr> <tr><td>14:</td><td>9.1</td><td>←</td></tr> <tr><td>15:</td><td>10.6x</td><td>↗</td></tr> <tr><td>16:</td><td>9.4</td><td>←</td></tr> <tr><td>17:</td><td>10.0</td><td>↙</td></tr> <tr><td>18:</td><td>10.0</td><td>←</td></tr> <tr><td>19:</td><td>8.9</td><td>←</td></tr> <tr><td>20:</td><td>10.0</td><td>↗</td></tr> <tr><td colspan="2">Serie</td><td>96.1</td></tr> <tr><td colspan="2">Total</td><td>194.8</td></tr> </table>	11:	8.7	↓	12:	9.9	↗	13:	9.5	↗	14:	9.1	←	15:	10.6x	↗	16:	9.4	←	17:	10.0	↙	18:	10.0	←	19:	8.9	←	20:	10.0	↗	Serie		96.1	Total		194.8	<p>60 Skott</p>	<table border="1" style="width:100%; border-collapse: collapse;"> <tr><td>21:</td><td>8.5</td><td>↖</td></tr> <tr><td>22:</td><td>10.2x</td><td>↙</td></tr> <tr><td>23:</td><td>10.4x</td><td>↗</td></tr> <tr><td>24:</td><td>10.6x</td><td>↖</td></tr> <tr><td>25:</td><td>10.1</td><td>↖</td></tr> <tr><td>26:</td><td>10.4x</td><td>↑</td></tr> <tr><td>27:</td><td>10.1</td><td>↗</td></tr> <tr><td>28:</td><td>10.2x</td><td>→</td></tr> <tr><td>29:</td><td>9.2</td><td>←</td></tr> <tr><td>30:</td><td>10.1</td><td>↙</td></tr> <tr><td colspan="2">Serie</td><td>99.8</td></tr> <tr><td colspan="2">Total</td><td>294.6</td></tr> </table>	21:	8.5	↖	22:	10.2x	↙	23:	10.4x	↗	24:	10.6x	↖	25:	10.1	↖	26:	10.4x	↑	27:	10.1	↗	28:	10.2x	→	29:	9.2	←	30:	10.1	↙	Serie		99.8	Total		294.6
11:	8.7	↓																																																																									
12:	9.9	↗																																																																									
13:	9.5	↗																																																																									
14:	9.1	←																																																																									
15:	10.6x	↗																																																																									
16:	9.4	←																																																																									
17:	10.0	↙																																																																									
18:	10.0	←																																																																									
19:	8.9	←																																																																									
20:	10.0	↗																																																																									
Serie		96.1																																																																									
Total		194.8																																																																									
21:	8.5	↖																																																																									
22:	10.2x	↙																																																																									
23:	10.4x	↗																																																																									
24:	10.6x	↖																																																																									
25:	10.1	↖																																																																									
26:	10.4x	↑																																																																									
27:	10.1	↗																																																																									
28:	10.2x	→																																																																									
29:	9.2	←																																																																									
30:	10.1	↙																																																																									
Serie		99.8																																																																									
Total		294.6																																																																									
<p>60 Skott</p>	<table border="1" style="width:100%; border-collapse: collapse;"> <tr><td>31:</td><td>10.5x</td><td>↗</td></tr> <tr><td>32:</td><td>10.4x</td><td>←</td></tr> <tr><td>33:</td><td>7.2</td><td>↓</td></tr> <tr><td>34:</td><td>9.7</td><td>↑</td></tr> <tr><td>35:</td><td>10.6x</td><td>←</td></tr> <tr><td>36:</td><td>8.4</td><td>←</td></tr> <tr><td>37:</td><td>9.8</td><td>↗</td></tr> <tr><td>38:</td><td>9.8</td><td>↗</td></tr> <tr><td>39:</td><td>10.6x</td><td>←</td></tr> <tr><td>40:</td><td>10.4x</td><td>↓</td></tr> <tr><td colspan="2">Serie</td><td>97.4</td></tr> <tr><td colspan="2">Total</td><td>392.0</td></tr> </table>	31:	10.5x	↗	32:	10.4x	←	33:	7.2	↓	34:	9.7	↑	35:	10.6x	←	36:	8.4	←	37:	9.8	↗	38:	9.8	↗	39:	10.6x	←	40:	10.4x	↓	Serie		97.4	Total		392.0																																						
31:	10.5x	↗																																																																									
32:	10.4x	←																																																																									
33:	7.2	↓																																																																									
34:	9.7	↑																																																																									
35:	10.6x	←																																																																									
36:	8.4	←																																																																									
37:	9.8	↗																																																																									
38:	9.8	↗																																																																									
39:	10.6x	←																																																																									
40:	10.4x	↓																																																																									
Serie		97.4																																																																									
Total		392.0																																																																									

Skjutlag	Tavla	Milly Burström	
S	Bjurholm/Balsjö Skf	L11	Vb
02.04.2022	UME-Kulan 2022	Umeå skytteallians	
Prov		1: 10.5x↘ 2: 10.0 → 3: 10.9x↗ 4: 10.5x↘ 5: 10.8x↗ 6: 10.2x→ 7: 10.2x↗ 8: 10.8x→ 9: 10.1 ↗ 10: 10.3x→ Serie 104.3 Total 0.0	11: 10.5x↘ 12: 10.8x↗ 13: 10.2x↘ 14: 10.1 ↓ 15: 10.4x↘ Serie 52.0 Total 0.0
60 Skott		1: 10.0 → 2: 10.5x↘ 3: 10.4x↘ 4: 10.3x→ 5: 10.4x↘ 6: 10.3x↘ 7: 10.3x↘ 8: 10.3x↗ 9: 10.8x↘ 10: 10.8x↘ Serie 104.1 Total 104.1	11: 10.4x↘ 12: 10.1 ← 13: 10.6x↘ 14: 10.7x↘ 15: 10.2x↗ 16: 10.0 ↗ 17: 10.4x↗ 18: 10.4x↘ 19: 10.6x↘ 20: 10.8x↘ Serie 104.2 Total 208.3
60 Skott		21: 10.7x↗ 22: 10.6x↘ 23: 10.7x↗ 24: 10.3x↗ 25: 10.3x→ 26: 10.8x↗ 27: 10.2x→ 28: 10.3x→ 29: 9.9 ↗ 30: 10.2x↗ Serie 104.0 Total 312.3	31: 10.1 ↗ 32: 9.9 ↗ 33: 10.1 ↗ 34: 10.7x→ 35: 10.6x→ 36: 10.9x↘ 37: 10.8x↘ 38: 10.3x→ 39: 10.4x→ 40: 10.1 ↘ Serie 103.9 Total 416.2

<p>Prov</p>	<p>1: 10.4x ↘ 2: 10.4x ↘ 3: 10.6x ↘ 4: 10.7x ↗ 5: 10.4x ↘ 6: 10.3x ↘ 7: 9.9 ↓ 8: 10.5x ↑ 9: 10.8x ↘ 10: 10.1 ↑</p> <p>Serie 104.1 Total 0.0</p>	<p>Prov</p>	<p>11: 10.7x ↘ 12: 10.7x ↘ 13: 10.4x ↘ 14: 10.4x ↘ 15: 10.8x ↓ 16: 10.6x ↘ 17: 10.5x ↗ 18: 10.9x ↑ 19: 10.4x ↑ 20: 10.4x ↗</p> <p>Serie 105.8 Total 0.0</p>
<p>60 Skott</p>	<p>1: 10.2x ↗ 2: 10.5x → 3: 10.7x ↓ 4: 10.6x → 5: 10.5x ↗ 6: 10.7x → 7: 10.7x ↓ 8: 10.5x ↘ 9: 10.8x ↗ 10: 10.1 ↙</p> <p>Serie 105.3 Total 105.3</p>	<p>60 Skott</p>	<p>11: 9.9 ↖ 12: 10.6x ↘ 13: 10.4x ↘ 14: 10.8x ↘ 15: 10.5x ↑ 16: 10.8x ↘ 17: 10.8x ↑ 18: 10.5x ↓ 19: 10.5x → 20: 10.7x ↘</p> <p>Serie 105.5 Total 210.8</p>
<p>60 Skott</p>	<p>21: 10.3x ↓ 22: 10.2x → 23: 10.6x ↘ 24: 9.8 ↓ 25: 10.7x ↘ 26: 10.7x ↓ 27: 10.6x ↘ 28: 10.7x ↓ 29: 10.5x ↘ 30: 10.7x ↘</p> <p>Serie 104.8 Total 315.6</p>	<p>60 Skott</p>	<p>31: 10.5x ↑ 32: 10.0 ↑ 33: 10.6x ↑ 34: 10.6x ↑ 35: 10.5x ↑ 36: 9.9 ↘ 37: 10.6x ↘ 38: 10.6x ↘ 39: 10.6x ↘ 40: 10.2x ↓</p> <p>Serie 104.1 Total 419.7</p>

Skjuttlag	Tavla	Maria Olsson		LFunk	Vb
S		Umeå Skf			
02.04.2022		UME-Kulan 2022		Umeå skytteallians	
Prov		1: 8.1 ← 2: 8.8 ← 3: 10.6x 4: 9.3 ↓ 5: 9.2 ← 6: 8.9 ← 7: 9.9 ↓ 8: 9.9 ↓ 9: 10.4x↗ 10: 9.5 ↗	Prov	11: 8.0 ↗ 12: 10.5x↘	
		Serie 94.6		Serie 18.5	
		Total 0.0		Total 0.0	
60 Skott		1: 9.9 ← 2: 10.2x 3: 10.1 ↗ 4: 8.3 ← 5: 9.7 ← 6: 10.2x 7: 9.8 ↗ 8: 10.5x↗ 9: 10.6x↘ 10: 8.6 ←	60 Skott	11: 10.2x↗ 12: 9.3 ↗ 13: 10.3x 14: 10.4x↓ 15: 9.4 ↗ 16: 10.5x↘ 17: 10.1 ← 18: 10.1 ↓ 19: 9.9 ↓ 20: 9.4 ↓	
		Serie 97.9		Serie 99.6	
		Total 97.9		Total 197.5	
60 Skott		21: 10.2x↓ 22: 8.4 ← 23: 10.2x 24: 10.3x↓ 25: 9.8 ↓ 26: 10.8x↘ 27: 9.8 ↓ 28: 9.2 ← 29: 10.4x 30: 10.5x↘	60 Skott	31: 10.6x> 32: 9.9 ↗ 33: 10.2x↗ 34: 10.5x↓ 35: 10.2x 36: 9.5 ← 37: 8.5 ↗ 38: 10.2x↓ 39: 10.5x↘ 40: 10.6x↓	
		Serie 99.6		Serie 100.7	
		Total 297.1		Total 397.8	