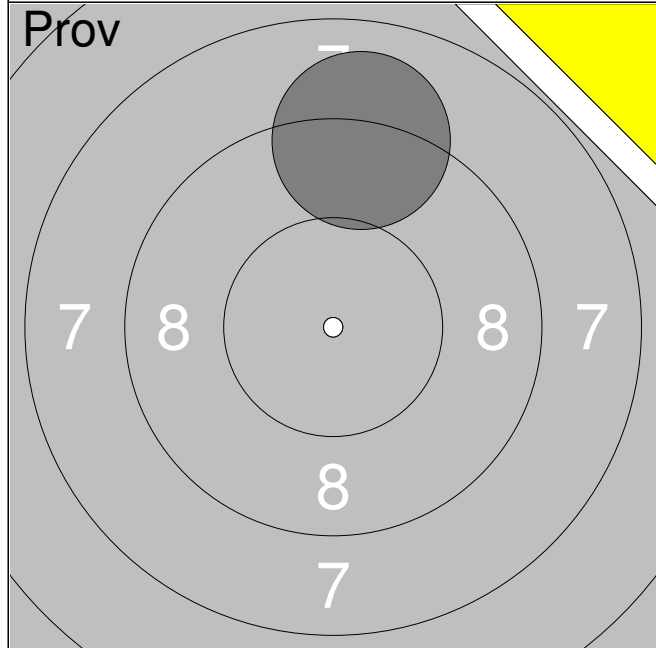


1:	9.1	←
2:	10.4x	→
3:	9.0	→
4:	10.2x	↗
5:	10.2x	↗
6:	9.5	↗
7:	7.9	→
8:	8.8	←
9:	7.4	→
10:	10.2x	→

Serie	92.7
-------	------

Total	346.0
-------	-------



11:	9.1	↑
-----	-----	---

Serie	9.1
-------	-----

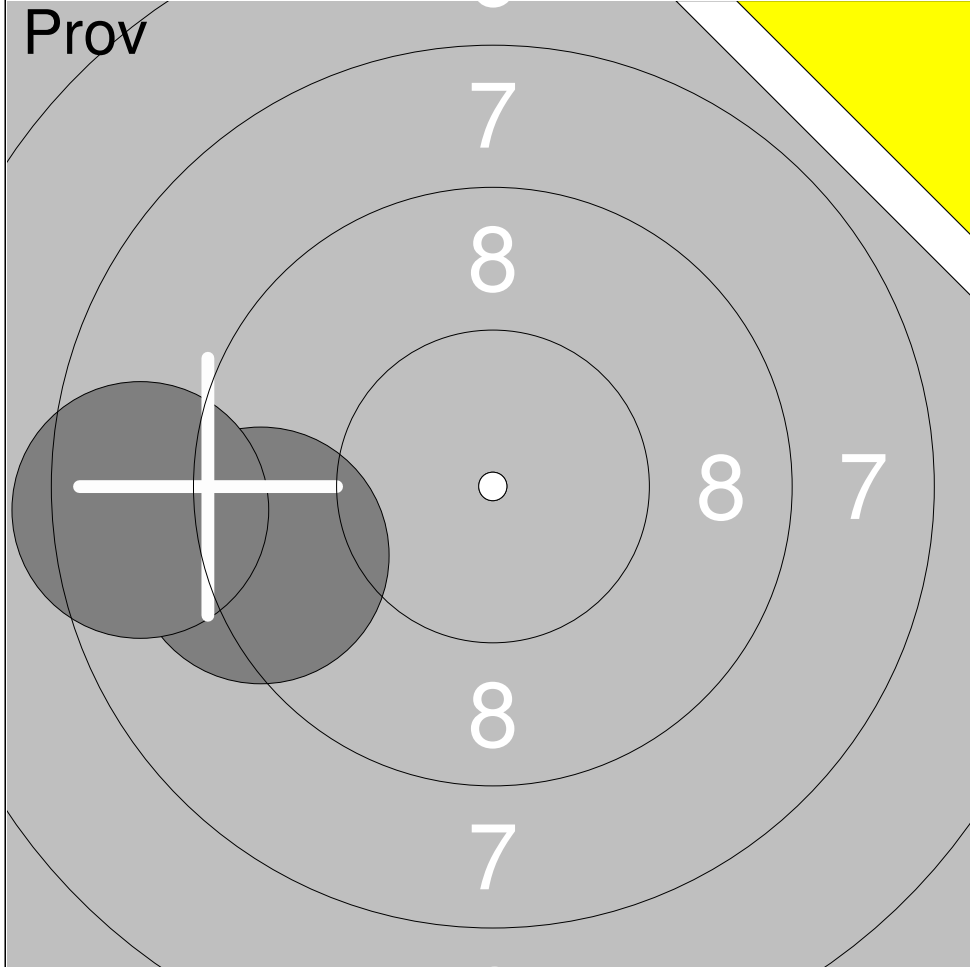
Total	346.0
-------	-------



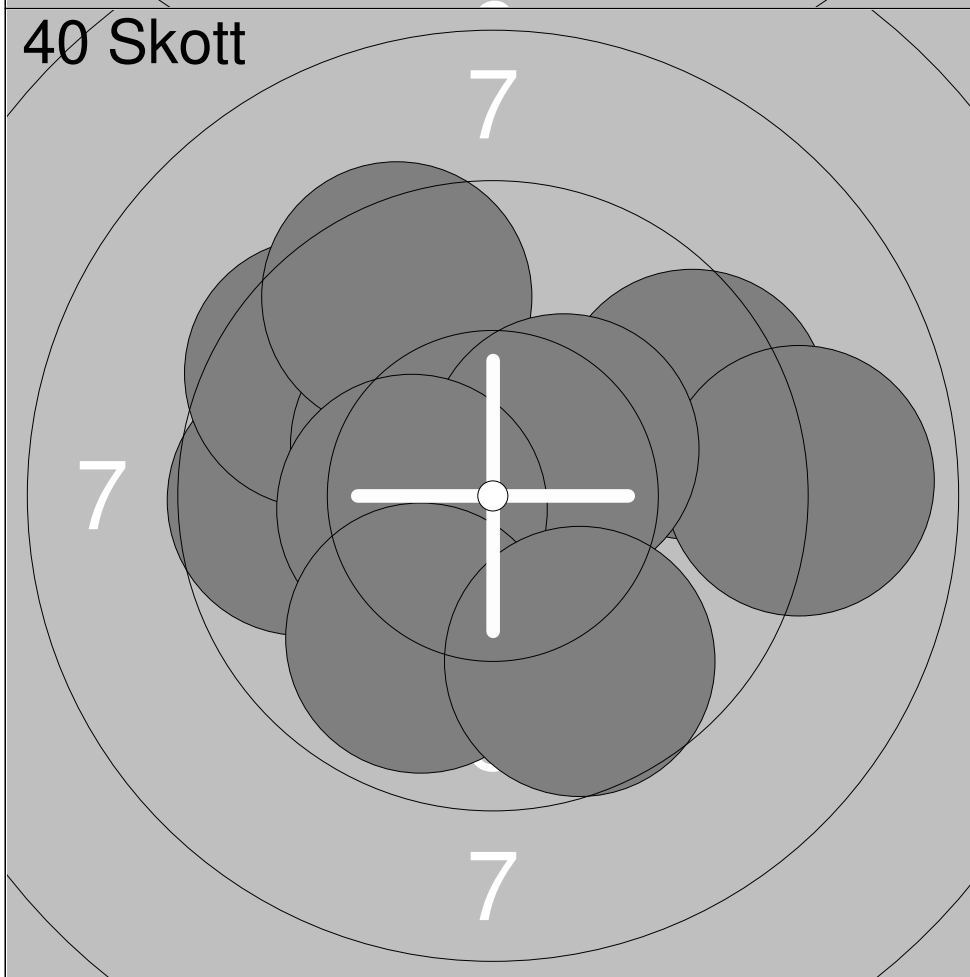
1:	10.0	←
2:	10.4x	→
3:	7.2	←
4:	8.1	←
5:	10.2x	↗
6:	10.5x	↗
7:	9.9	↗
8:	10.6x	↑
9:	10.5x	↑
10:	9.5	←

Serie	96.9
-------	------

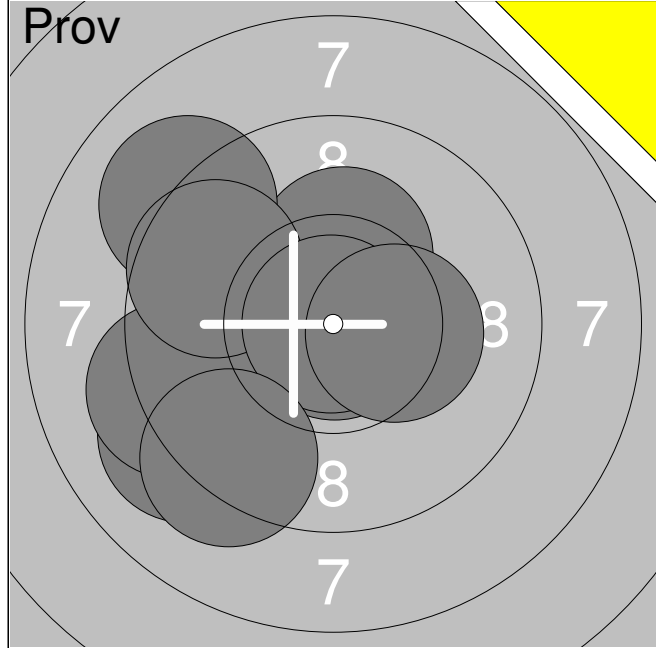
Total	442.9
-------	-------



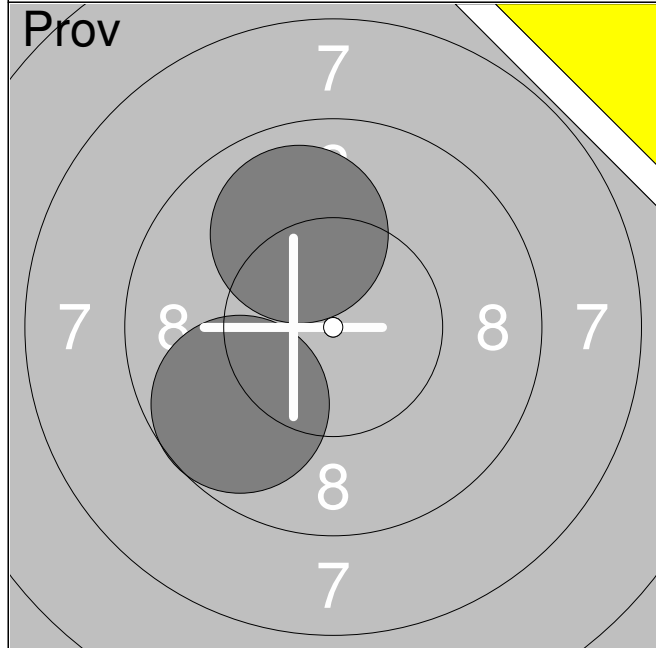
1:	9.3	←
2:	8.5	←
Serie	17.8	
Total	382.0	



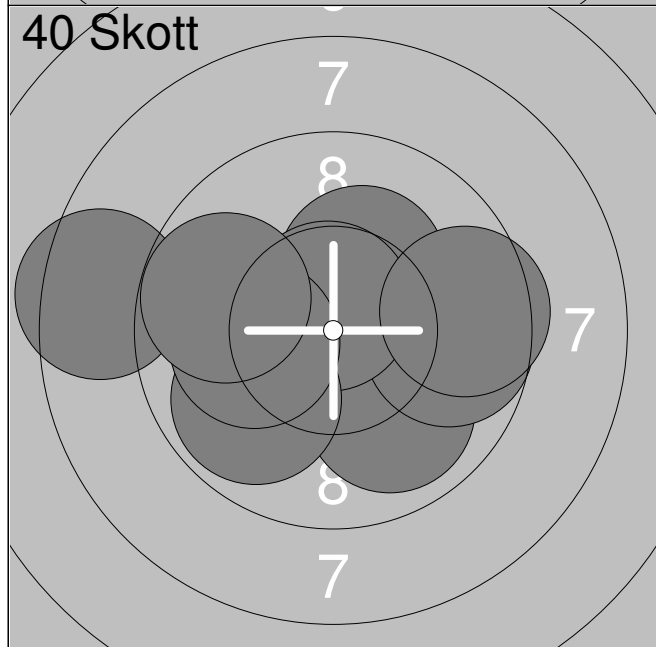
1:	9.5	↗
2:	8.9	→
3:	9.7	←
4:	9.5	↖
5:	10.4x	↖
6:	9.5	↖
7:	10.4x	↗
8:	10.4x	←
9:	9.9	↘
10:	9.7	↘
Serie	97.9	
Total	479.9	



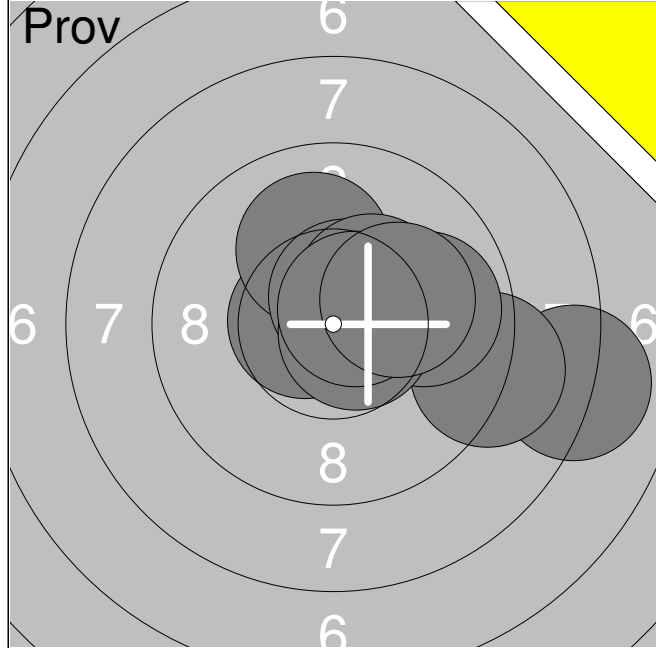
1:	9.4	↙
2:	9.1	↙
3:	10.9x	↓
4:	10.3x	↑
5:	9.2	↙
6:	9.1	↗
7:	9.6	↙
8:	10.9x	←
9:	9.2	↘
10:	10.3x	→
Serie	98.0	
Total	378.0	



11:	9.7	↙
12:	10.0	↑
Serie	19.7	
Total	378.0	



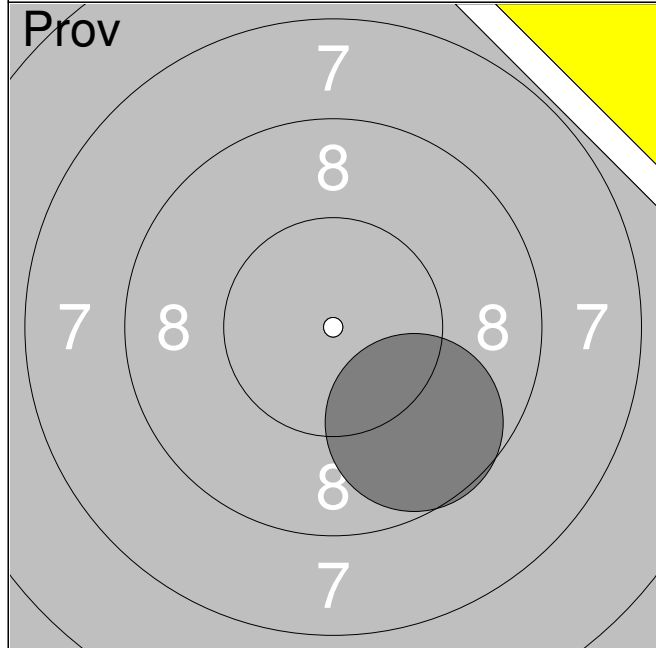
1:	10.6x	↗
2:	10.3x	↗
3:	9.9	↘
4:	9.7	→
5:	10.7x	↑
6:	8.5	←
7:	9.9	↙
8:	9.5	→
9:	10.1	←
10:	9.8	↙
Serie	99.0	
Total	477.0	



1:	8.1	→
2:	10.6x	←
3:	10.1	↑
4:	9.1	→
5:	10.6x	↑
6:	9.9	→
7:	10.7x	→
8:	10.4x	↗
9:	10.6x	↗
10:	10.2x	→

Serie	100.3
-------	-------

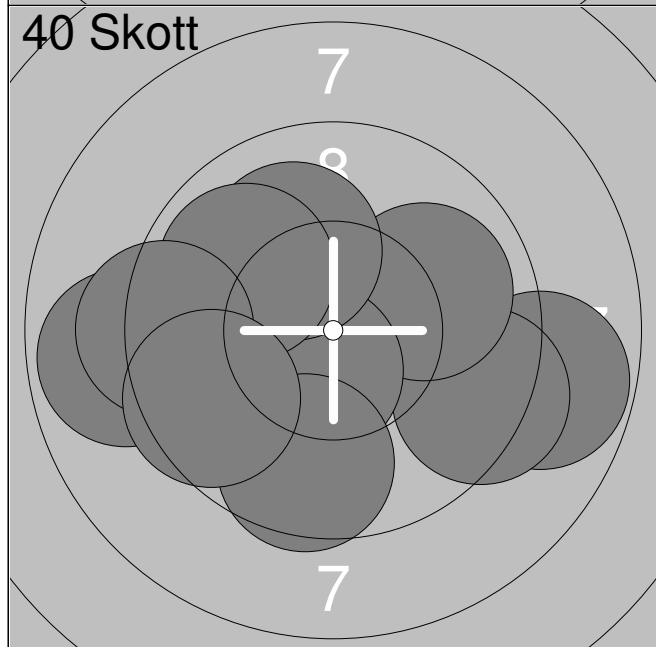
Total	380.0
-------	-------



11:	9.7	↘
-----	-----	---

Serie	9.7
-------	-----

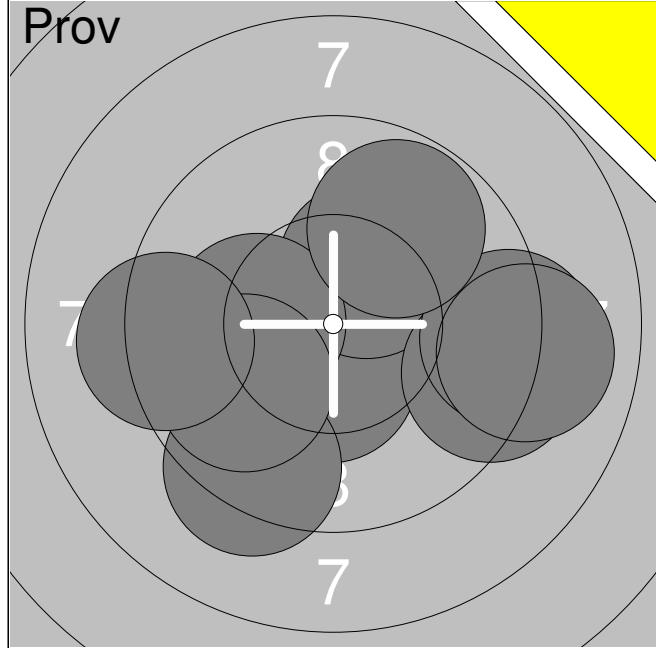
Total	380.0
-------	-------



1:	8.8	→
2:	9.3	→
3:	10.0	→
4:	8.9	←
5:	10.5x	↓
6:	10.1	↑
7:	9.9	↖
8:	9.6	↓
9:	9.3	←
10:	9.6	↙

Serie	96.0
-------	------

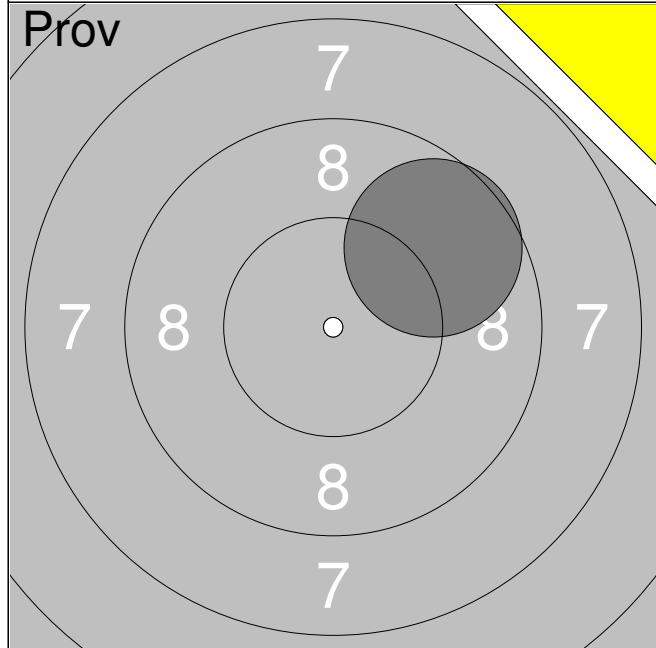
Total	476.0
-------	-------



1:	10.4x	↓
2:	9.3	↙
3:	10.3x	↗
4:	9.3	→
5:	9.2	→
6:	10.2x	←
7:	9.8	↗
8:	9.9	↙
9:	9.0	→
10:	9.3	←

Serie	96.7
-------	------

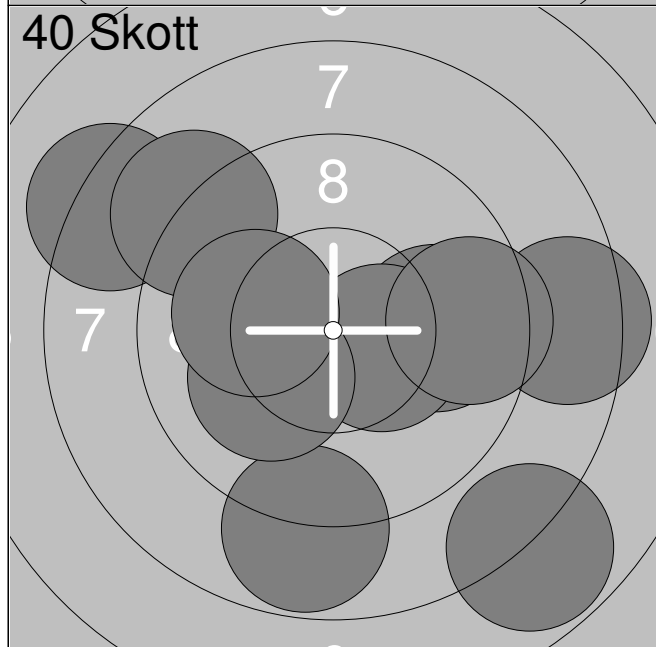
Total	360.0
-------	-------



11:	9.7	↗
-----	-----	---

Serie	9.7
-------	-----

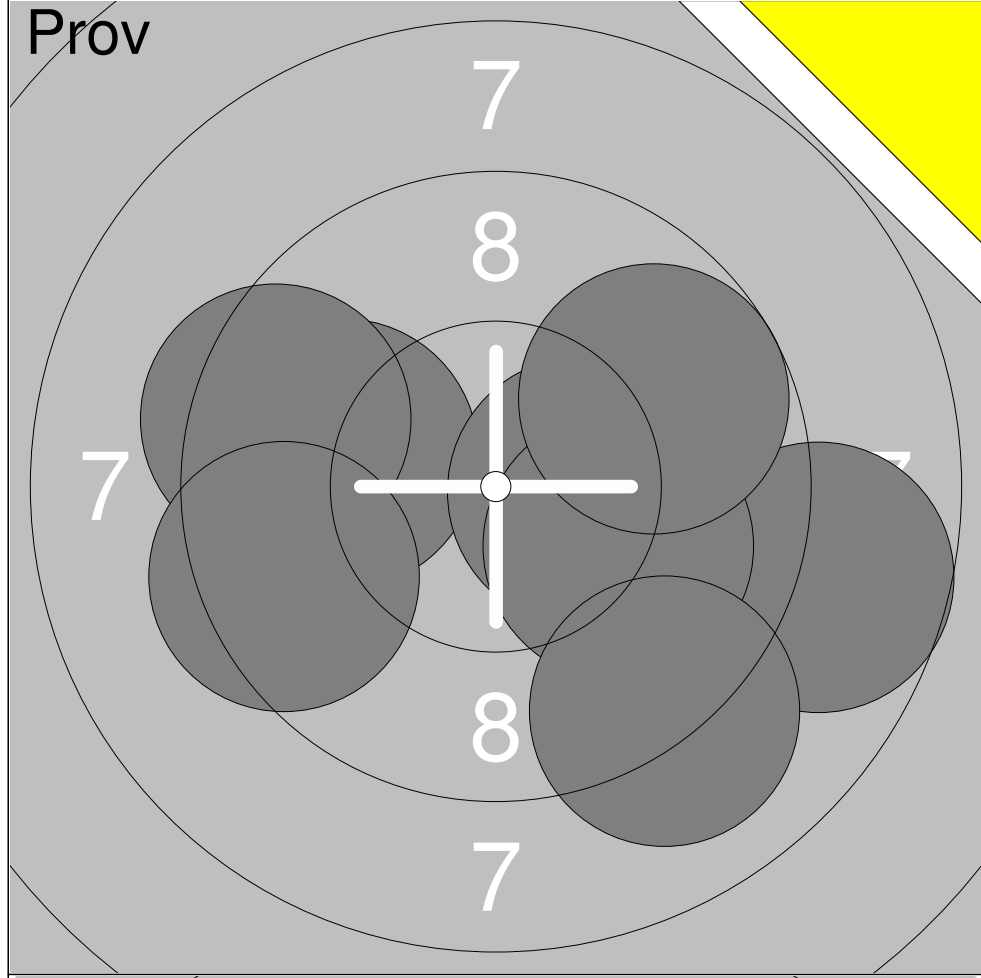
Total	360.0
-------	-------



1:	8.4	→
2:	8.2	↗
3:	7.8	↙
4:	9.9	→
5:	10.4x	→
6:	8.8	↓
7:	9.0	↗
8:	10.1	↙
9:	9.5	→
10:	10.1	←

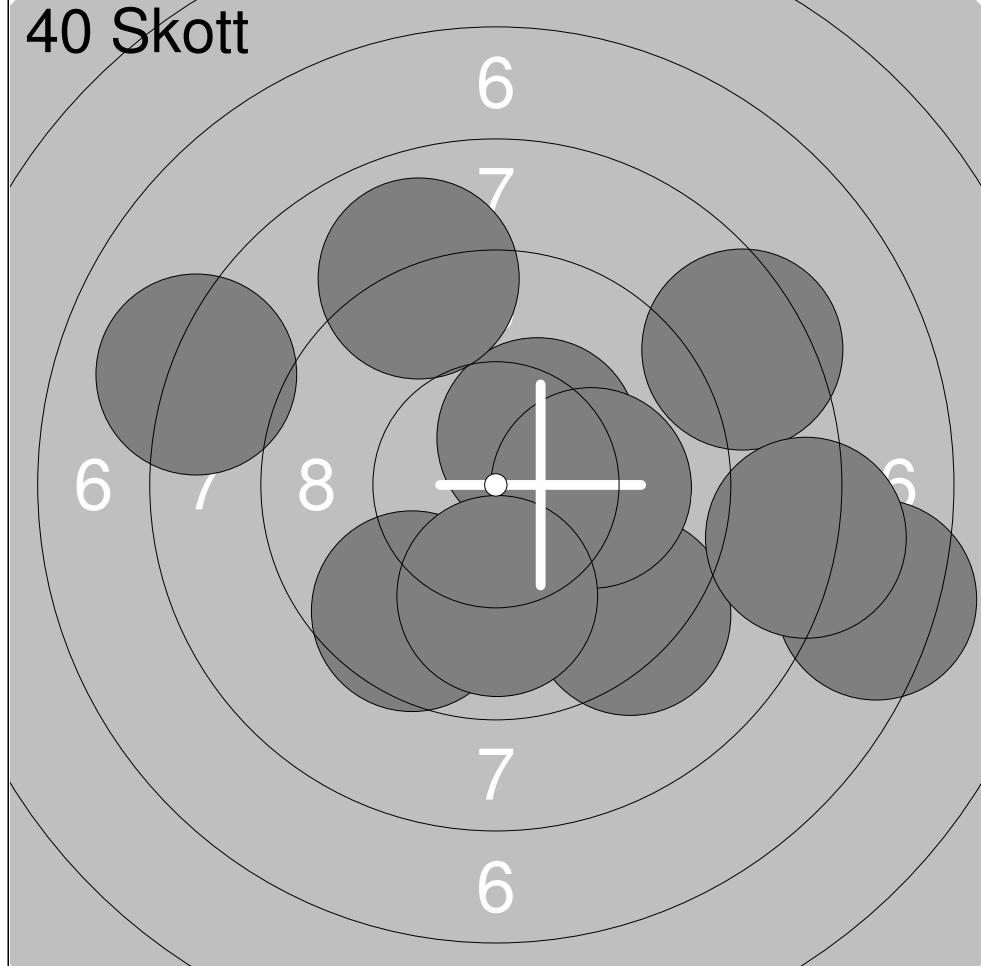
Serie	92.2
-------	------

Total	452.2
-------	-------



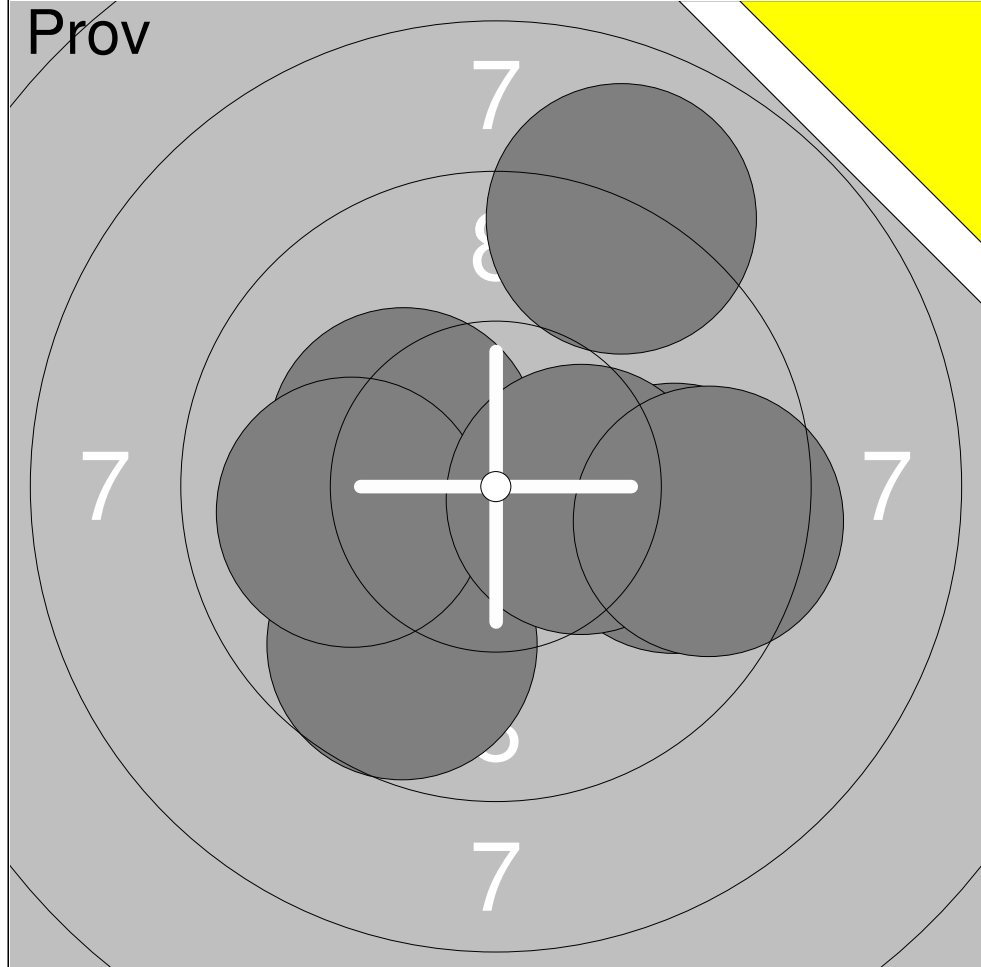
1:	9.9	←
2:	8.7	→
3:	10.4x	→
4:	9.4	←
5:	10.0	→
6:	9.4	←
7:	9.7	↗
8:	9.1	↘

Serie	76.6
Total	362.0



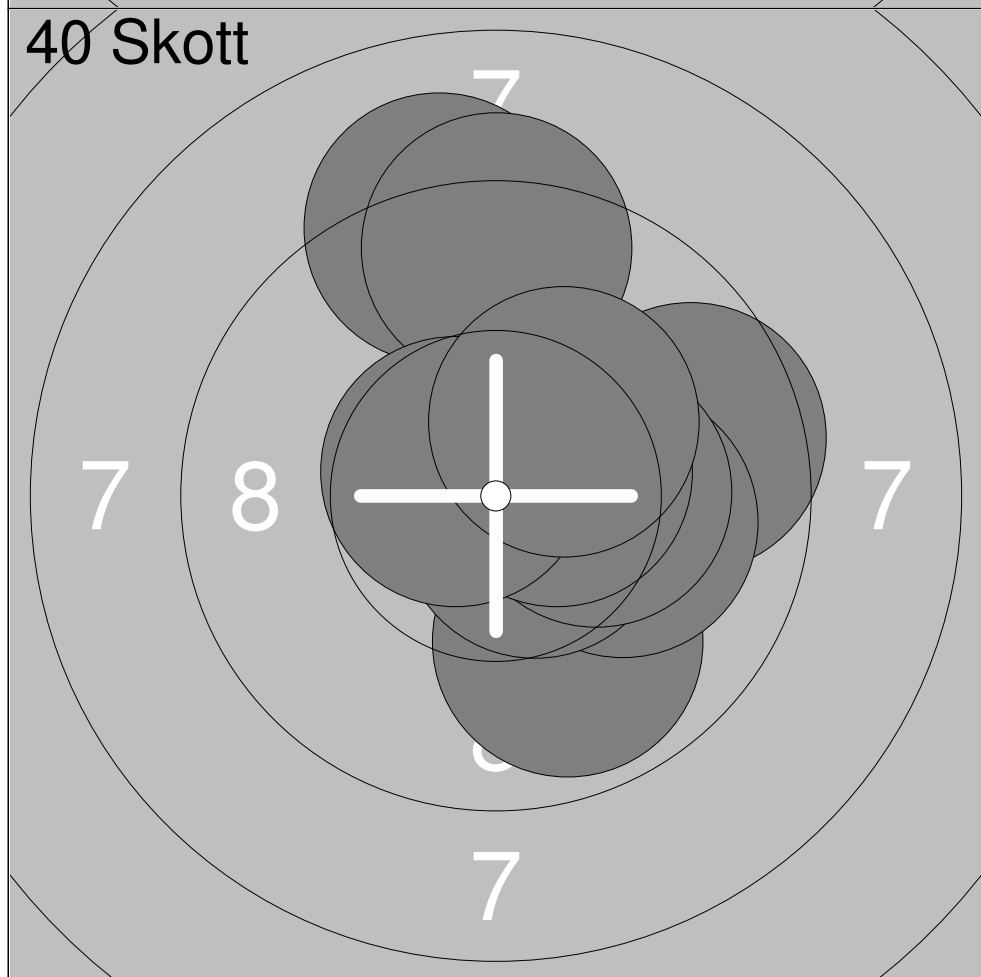
1:	7.4	→
2:	10.4x	↗
3:	8.1	←
4:	9.3	↘
5:	10.1	→
6:	9.0	↗
7:	9.6	↘
8:	8.4	↗
9:	8.1	→
10:	10.0	↓

Serie	90.4
Total	452.4



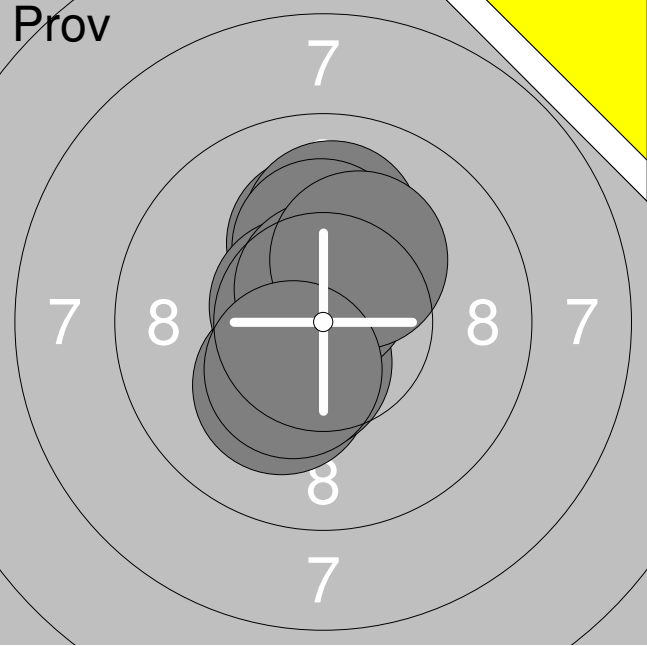


1:	9.7	→
2:	9.7	↙
3:	10.3x	↖
4:	9.0	↗
5:	10.0	←
6:	10.4x	→
7:	9.5	→

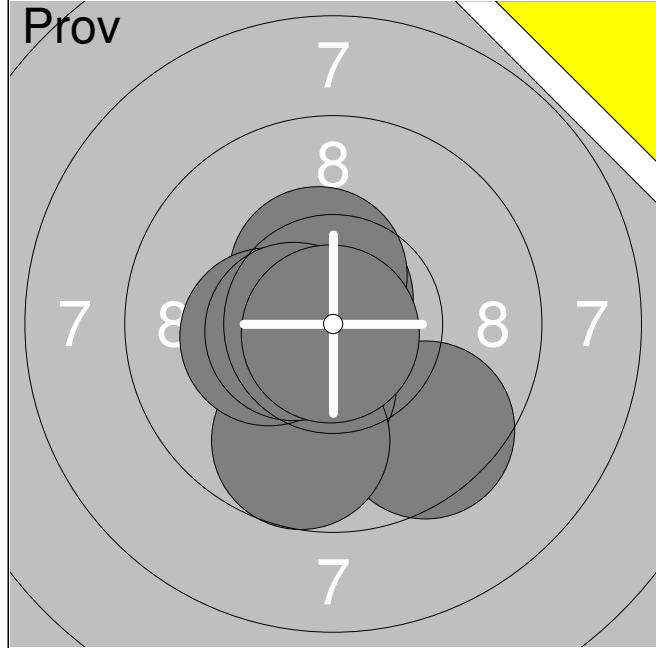
Serie	68.6
Total	369.0



1:	9.6	→
2:	9.9	↙
3:	10.1	→
4:	10.6x	↙
5:	9.1	↑
6:	10.3x	→
7:	10.5x	→
8:	9.3	↑
9:	10.6x	↖
10:	10.3x	↗

Serie	100.3
Total	469.3

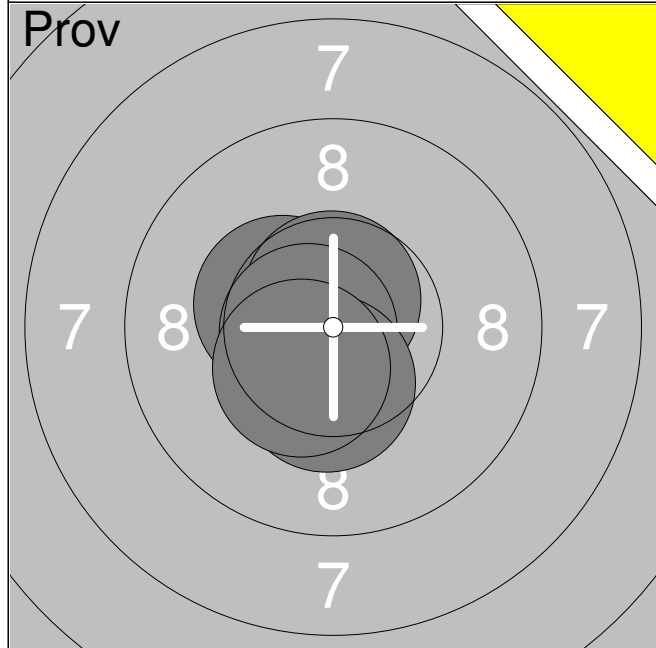
Skjutlag	Tavla	Rasmus Alfredsson		
3	18	Umeå Skf		Sitt
29.01.2022	Förbundsmästerskap 2022	Umeå skytteallians		
Prov 	1:	10.2x	↑	
	2:	10.0	↑	
	3:	10.4x	↑	
	4:	10.2x	↑	
	5:	10.2x	↓	
	6:	10.7x	↖	
	7:	10.5x	↓	
	8:	10.6x	↑	
	9:	10.2x	↗	
	10:	10.4x	↓	
	Serie			103.4
Total			400.0	
Prov 	11:	10.9x	↓	
	12:	10.9x	↖	
	13:	10.5x	↑	
	14:	10.7x	↖	
	15:	10.5x	↓	
Serie			53.5	
Total			400.0	
40 Skott 	1:	10.8x	→	
	2:	10.7x	↖	
	3:	10.7x	↗	
	4:	10.6x	↖	
	5:	10.3x	↓	
	6:	10.6x	↓	
	7:	10.5x	↓	
	8:	10.8x	↗	
	9:	10.6x	↓	
	10:	10.6x	↑	
Serie			106.2	
Total			506.2	



1:	10.6x	↙
2:	9.5	↘
3:	10.7x	↑
4:	10.6x	↘
5:	10.3x	↘
6:	9.7	↘
7:	10.4x	↑
8:	10.3x	←
9:	10.6x	←
10:	10.8x	↘

Serie	103.5
-------	-------

Total	399.0
-------	-------



11:	10.5x	↘
12:	10.4x	↖
13:	10.7x	↑
14:	10.7x	←
15:	10.4x	↘
16:	10.4x	↘

Serie	63.1
-------	------

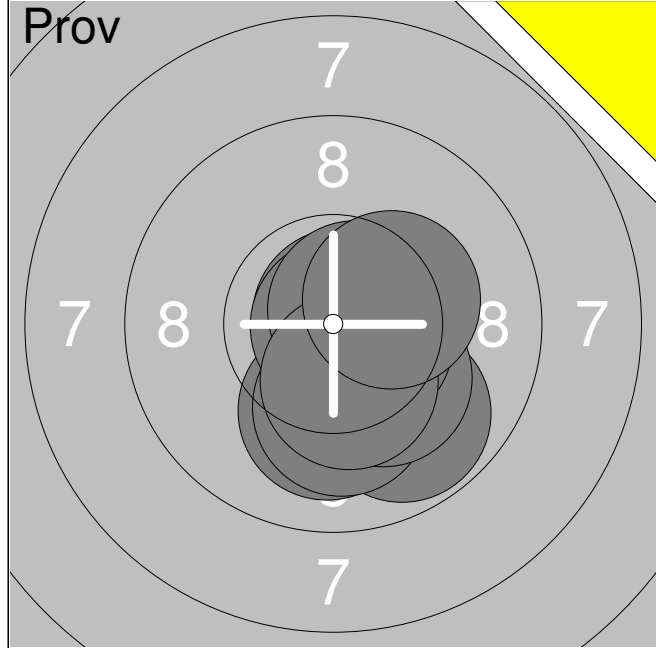
Total	399.0
-------	-------



1:	10.6x	↘
2:	10.6x	↖
3:	10.7x	↘
4:	10.6x	↘
5:	10.5x	↘
6:	10.2x	↘
7:	10.7x	↘
8:	10.7x	↘
9:	10.7x	↘
10:	10.5x	↘

Serie	105.8
-------	-------

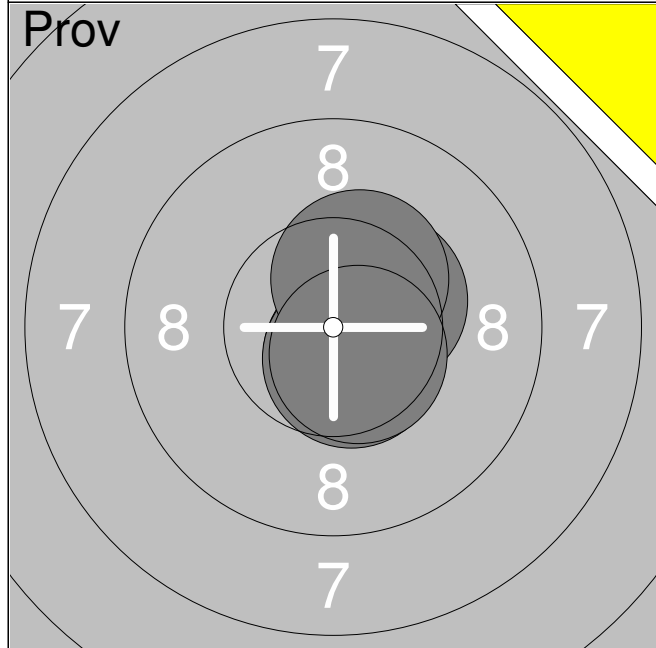
Total	504.8
-------	-------



1:	9.8	↘
2:	10.1	↓
3:	10.1	↓
4:	10.2x	↘
5:	10.8x	↗
6:	10.9x	→
7:	10.6x	↘
8:	10.7x	↗
9:	10.4x	↓
10:	10.3x	→

Serie	103.9
-------	-------

Total	398.0
-------	-------



11:	10.6x	↘
12:	10.6x	↘
13:	10.4x	↗
14:	10.4x	↗
15:	10.6x	↘

Serie	52.6
-------	------

Total	398.0
-------	-------



1:	10.5x	↗
2:	9.8	→
3:	10.2x	↗
4:	10.7x	→
5:	10.5x	→
6:	10.7x	↘
7:	10.2x	→
8:	10.3x	↘
9:	10.6x	↗
10:	10.8x	←

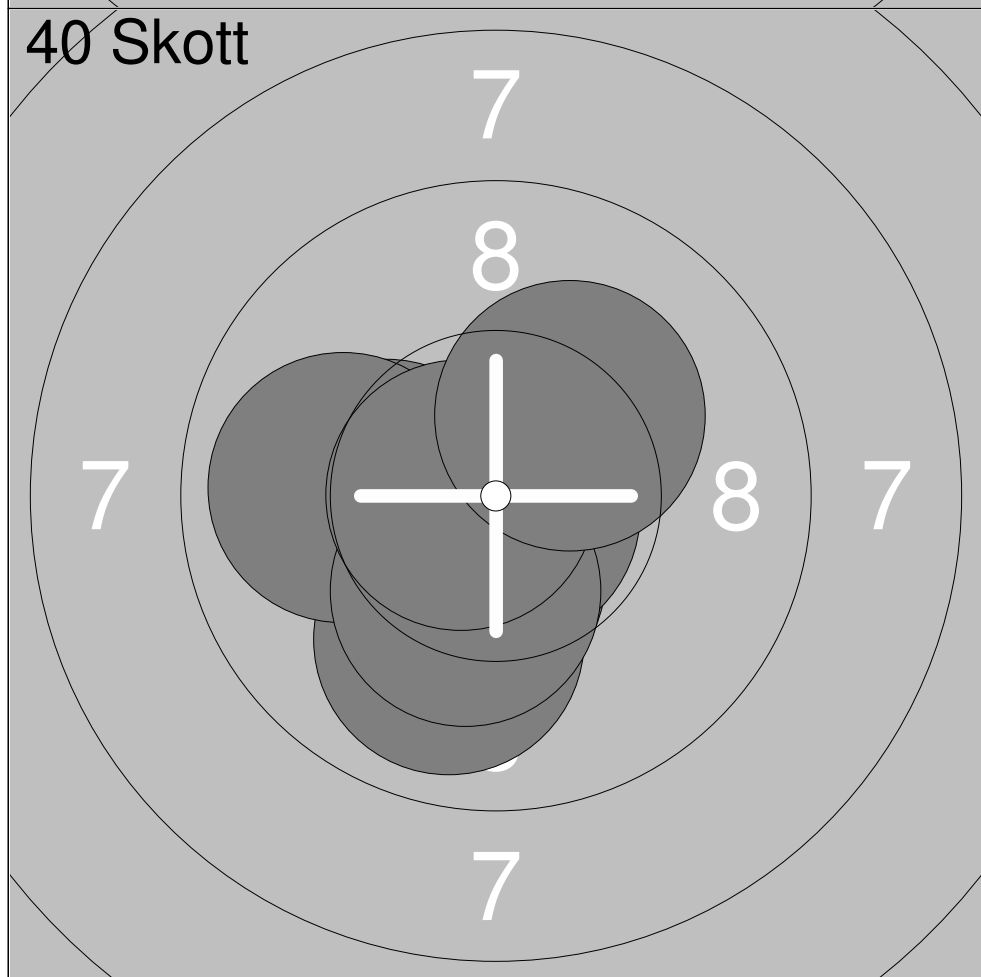
Serie	104.3
-------	-------

Total	502.3
-------	-------



1:	10.0	→
2:	10.4x	→
3:	10.6x	←
4:	10.7x	←
5:	10.1	↘
6:	10.2x	←
7:	10.6x	↘
8:	10.5x	←

Serie	83.1
Total	397.0



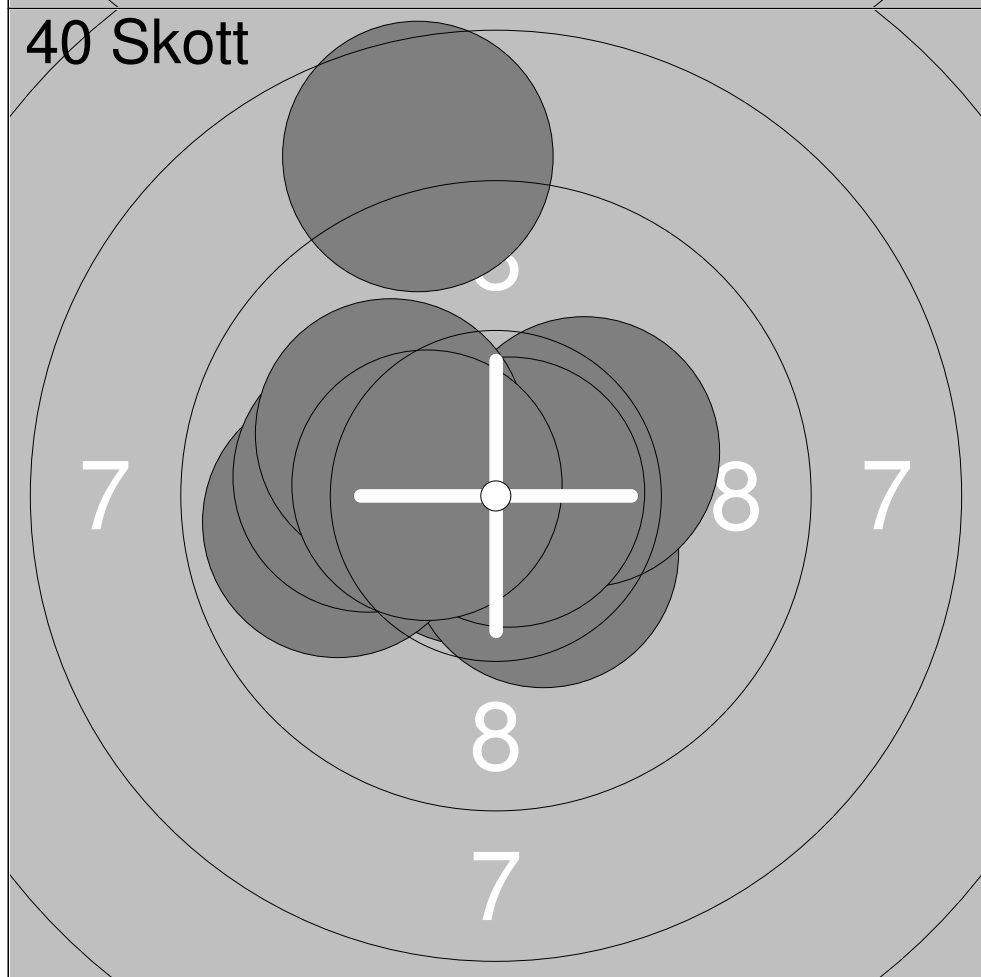
1:	10.6x	↘
2:	10.6x	↘
3:	10.2x	←
4:	10.4x	↘
5:	10.8x	↘
6:	9.9	↘
7:	9.9	←
8:	10.3x	↘
9:	10.7x	←
10:	10.2x	↗

Serie	103.6
Total	500.6



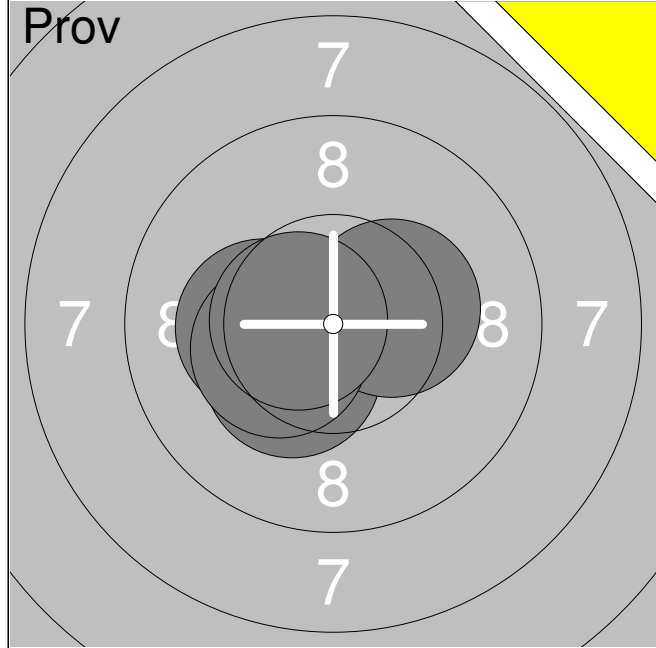
1:	10.1	→
2:	10.8x	↙
3:	10.1	→
4:	10.0	↘
5:	10.1	↘
6:	10.2x	→
7:	10.6x	↗
8:	10.9x	←
9:	10.7x	↑
10:	10.4x	→

Serie	103.9
Total	397.0

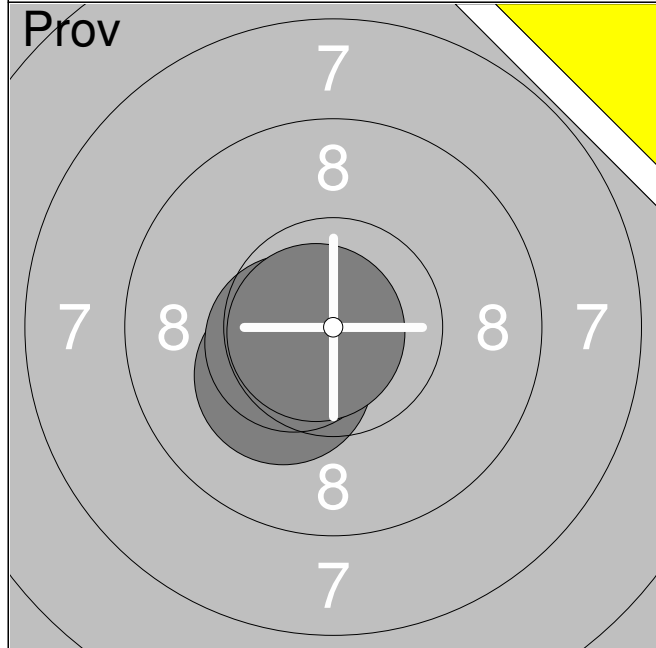


1:	10.1	←
2:	10.8x	↙
3:	10.5x	↘
4:	10.3x	↗
5:	10.9x	→
6:	8.6	↑
7:	9.9	←
8:	10.1	←
9:	10.1	↗
10:	10.5x	←

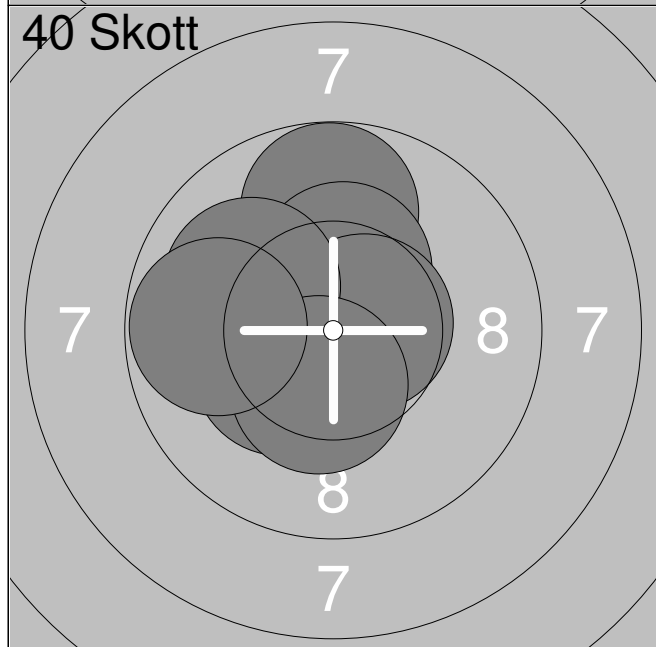
Serie	101.8
Total	498.8



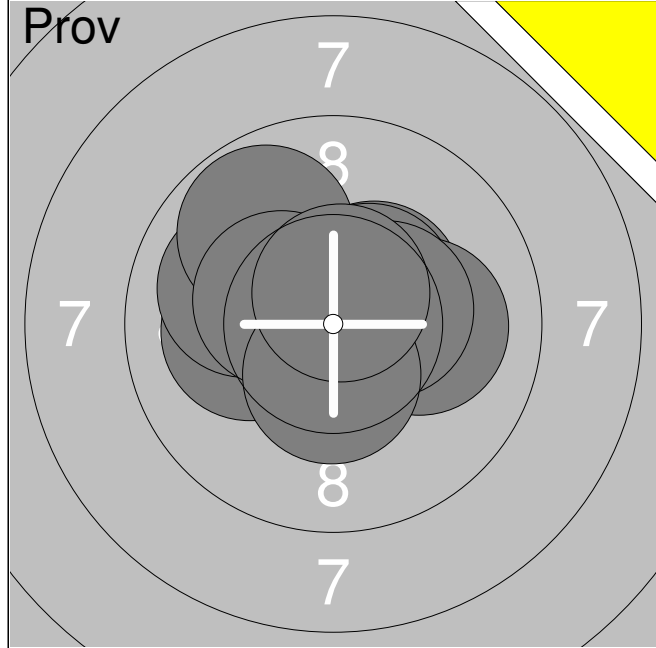
2:	10.3x	←
4:	10.3x	↙
6:	10.3x	→
8:	10.4x	←
10:	10.6x	←
Serie		51.9
Total		396.0



12:	10.2x	↙
14:	10.5x	←
16:	10.8x	←
Serie		31.5
Total		396.0



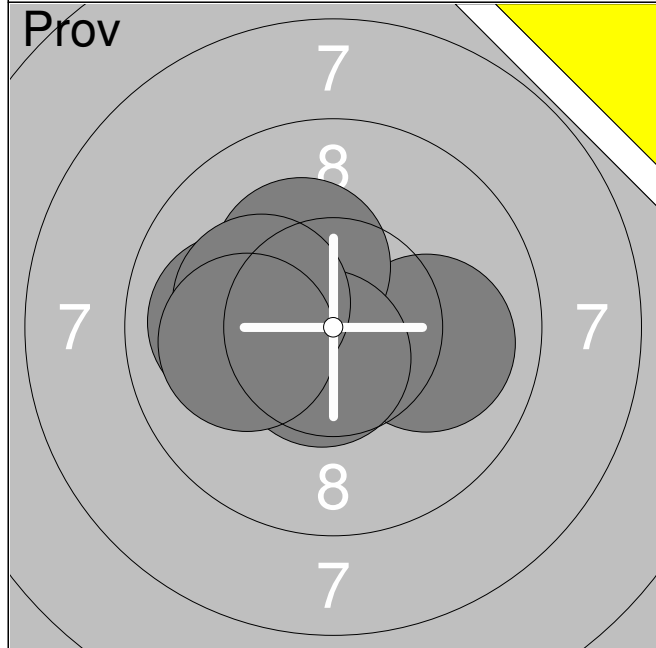
1:	10.5x	←
2:	9.8	↑
3:	10.5x	↖
4:	10.2x	←
5:	10.3x	↑
6:	10.3x	↙
7:	10.6x	→
8:	10.0	↖
9:	10.4x	↘
10:	9.8	←
Serie		102.4
Total		498.4



1:	10.1	←
2:	10.0	←
3:	9.8	↗
4:	10.4x	←
5:	10.4x	↗
6:	10.5x	↗
7:	10.1	→
8:	10.4x	→
9:	10.4x	↓
10:	10.6x	↑

Serie	102.7
-------	-------

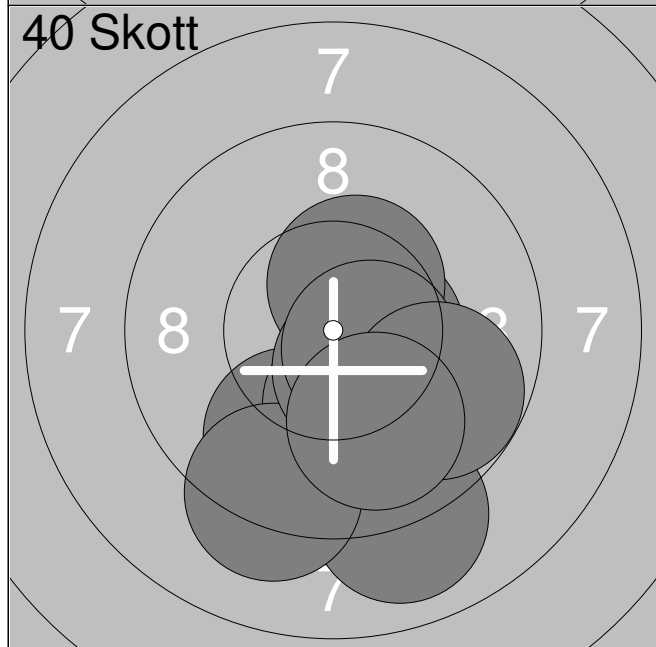
Total	395.0
-------	-------



11:	10.0	→
12:	10.0	←
13:	10.3x	↗
14:	10.6x	↓
15:	10.2x	←
16:	10.1	←

Serie	61.2
-------	------

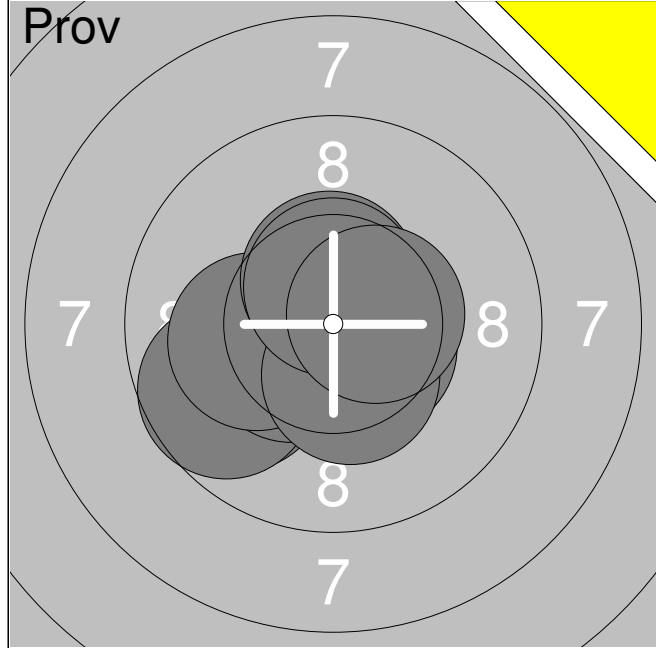
Total	395.0
-------	-------



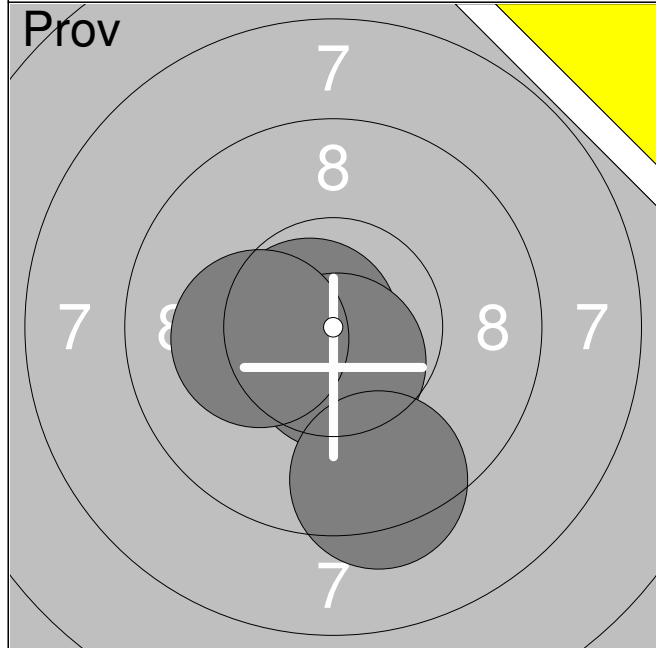
1:	9.0	↓
2:	9.8	↓
3:	10.5x	→
4:	10.4x	↗
5:	10.2x	↓
6:	9.2	↓
7:	10.5x	↓
8:	10.5x	↓
9:	9.8	↓
10:	9.9	↓

Serie	99.8
-------	------

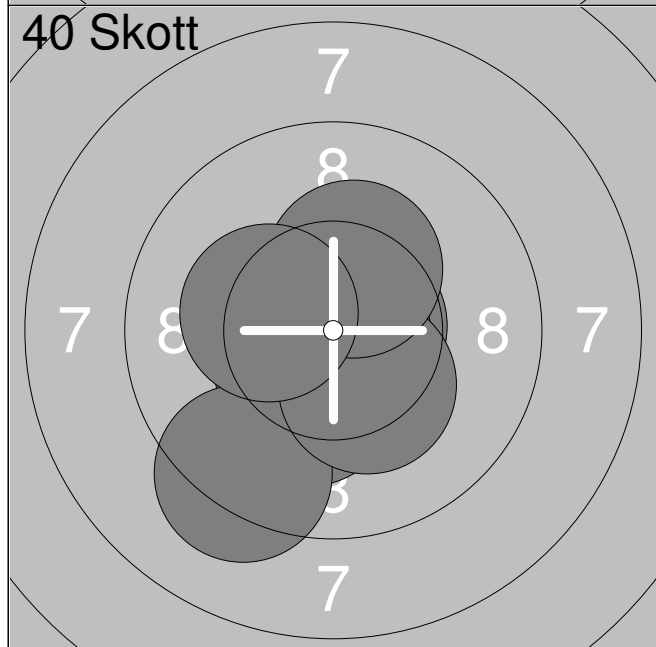
Total	494.8
-------	-------



1:	9.8	↙
2:	9.7	↙
3:	10.5x	↘
4:	10.4x	↙
5:	10.8x	↘
6:	10.2x	←
7:	10.4x	↘
8:	10.5x	↑
9:	10.6x	↑
10:	10.5x	→
Serie	103.4	
Total	395.0	

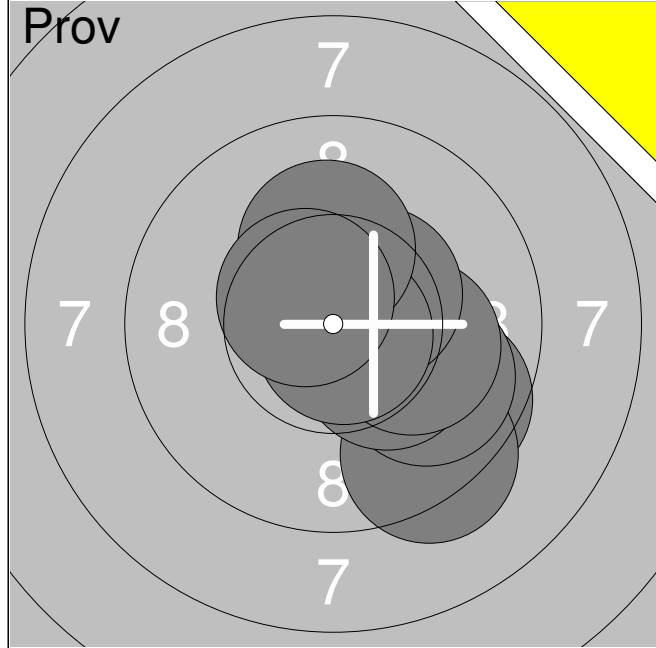


11:	10.7x	←
12:	10.6x	↓
13:	10.2x	←
14:	9.3	↓
Serie	40.8	
Total	395.0	



1:	10.7x	→
2:	10.8x	↘
3:	10.2x	↘
4:	10.5x	↘
5:	10.6x	←
6:	10.5x	↘
7:	9.3	↘
8:	10.3x	↘
9:	10.3x	↑
10:	10.3x	←
Serie	103.5	
Total	498.5	

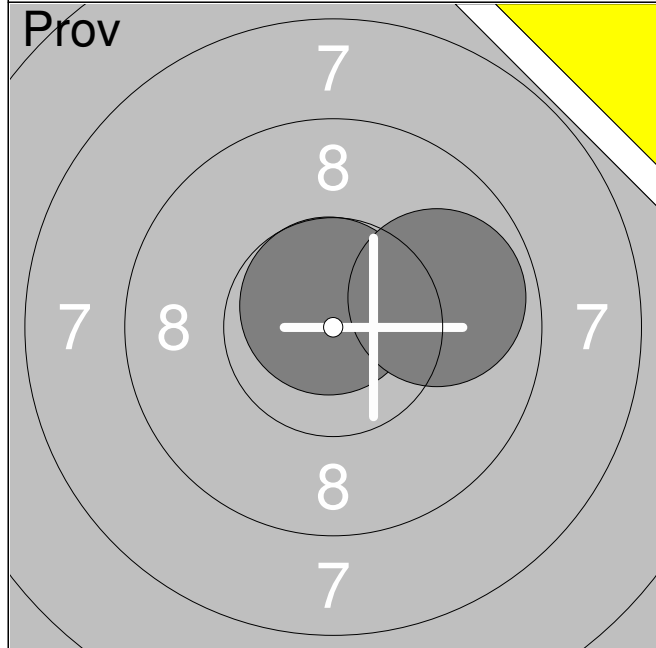
Skjutlag	Tavla	Robin Alfredsson		
3	34	Umeå Skf		Sitt
29.01.2022	Förbundsmästerskap 2022	Umeå skytteallians		
Prov 	1:	10.0	↗	
	2:	9.6	↑	
	3:	10.2x	↑	
	4:	10.1	↑	
	5:	10.6x	↓	
	6:	10.3x	↗	
	7:	10.4x	↘	
	8:	10.4x	↘	
	9:	10.3x	↗	
	10:	10.6x	↖	
	Serie			102.5
Total			394.0	
Prov 	11:	10.0	↗	
	12:	10.2x	↗	
	13:	10.0	↗	
	14:	9.5	↖	
	15:	10.5x	↗	
Serie			50.2	
Total			394.0	
40 Skott 	1:	9.9	↘	
	2:	10.2x	↘	
	3:	10.5x	↘	
	4:	9.9	↘	
	5:	9.7	↘	
	6:	10.5x	↘	
	7:	10.1	↖	
	8:	10.0	↖	
	9:	10.5x	↘	
	10:	9.8	↓	
Serie			101.1	
Total			495.1	



1:	9.6	↘
2:	9.3	↘
3:	9.9	↘
4:	10.3x	↘
5:	10.1	→
6:	10.4x	↗
7:	10.9x	↑
8:	10.8x	↘
9:	10.2x	↑
10:	10.6x	↖

Serie 102.1

Total 394.0



11:	10.7x	↑
12:	9.9	→

Serie 20.6

Total 394.0



1:	10.4x	←
2:	10.8x	↗
3:	10.3x	←
4:	10.5x	↑
5:	10.6x	↘
6:	10.0	→
7:	10.2x	↖

Serie 72.8

Total 466.8