

<p>Prov</p>	<table style="width:100%; border-collapse: collapse;"> <tr><td>1:</td><td>10.8x</td><td>←</td></tr> <tr><td>2:</td><td>10.3x</td><td>↙</td></tr> <tr><td>3:</td><td>10.8x</td><td>↗</td></tr> <tr><td>4:</td><td>10.7x</td><td>↘</td></tr> <tr><td>5:</td><td>10.5x</td><td>↓</td></tr> <tr><td>6:</td><td>10.6x</td><td>↙</td></tr> <tr><td>7:</td><td>10.8x</td><td>←</td></tr> <tr><td>8:</td><td>10.8x</td><td>↗</td></tr> <tr><td>9:</td><td>10.6x</td><td>↘</td></tr> <tr><td>10:</td><td>10.6x</td><td>←</td></tr> </table> <table style="width:100%; border-collapse: collapse;"> <tr><td>Serie</td><td style="text-align: right;">106.5</td></tr> <tr><td>Total</td><td style="text-align: right;">400.0</td></tr> </table>	1:	10.8x	←	2:	10.3x	↙	3:	10.8x	↗	4:	10.7x	↘	5:	10.5x	↓	6:	10.6x	↙	7:	10.8x	←	8:	10.8x	↗	9:	10.6x	↘	10:	10.6x	←	Serie	106.5	Total	400.0	<p>Prov</p>	<table style="width:100%; border-collapse: collapse;"> <tr><td>11:</td><td>10.7x</td><td>↓</td></tr> <tr><td>12:</td><td>10.7x</td><td>←</td></tr> <tr><td>13:</td><td>10.4x</td><td>↗</td></tr> <tr><td>14:</td><td>10.4x</td><td>↘</td></tr> <tr><td>15:</td><td>10.4x</td><td>←</td></tr> <tr><td>16:</td><td>10.7x</td><td>↓</td></tr> <tr><td>17:</td><td>10.8x</td><td>↗</td></tr> </table> <table style="width:100%; border-collapse: collapse;"> <tr><td>Serie</td><td style="text-align: right;">74.1</td></tr> <tr><td>Total</td><td style="text-align: right;">400.0</td></tr> </table>	11:	10.7x	↓	12:	10.7x	←	13:	10.4x	↗	14:	10.4x	↘	15:	10.4x	←	16:	10.7x	↓	17:	10.8x	↗	Serie	74.1	Total	400.0
1:	10.8x	←																																																												
2:	10.3x	↙																																																												
3:	10.8x	↗																																																												
4:	10.7x	↘																																																												
5:	10.5x	↓																																																												
6:	10.6x	↙																																																												
7:	10.8x	←																																																												
8:	10.8x	↗																																																												
9:	10.6x	↘																																																												
10:	10.6x	←																																																												
Serie	106.5																																																													
Total	400.0																																																													
11:	10.7x	↓																																																												
12:	10.7x	←																																																												
13:	10.4x	↗																																																												
14:	10.4x	↘																																																												
15:	10.4x	←																																																												
16:	10.7x	↓																																																												
17:	10.8x	↗																																																												
Serie	74.1																																																													
Total	400.0																																																													

<p>1. Serie 5 Skott</p>	<table style="width:100%; border-collapse: collapse;"> <tr><td>1:</td><td>10.6x</td><td>←</td></tr> <tr><td>2:</td><td>10.5x</td><td>→</td></tr> <tr><td>3:</td><td>10.5x</td><td>↗</td></tr> <tr><td>4:</td><td>10.9x</td><td>←</td></tr> <tr><td>5:</td><td>10.7x</td><td>↓</td></tr> </table> <table style="width:100%; border-collapse: collapse;"> <tr><td>Serie</td><td style="text-align: right;">53.2</td></tr> <tr><td>Total</td><td style="text-align: right;">453.2</td></tr> </table>	1:	10.6x	←	2:	10.5x	→	3:	10.5x	↗	4:	10.9x	←	5:	10.7x	↓	Serie	53.2	Total	453.2	<p>2. Serie 1 Skott</p>	<table style="width:100%; border-collapse: collapse;"> <tr><td>1:</td><td>10.7x</td><td>↓</td></tr> </table> <table style="width:100%; border-collapse: collapse;"> <tr><td>Serie</td><td style="text-align: right;">10.7</td></tr> <tr><td>Total</td><td style="text-align: right;">463.9</td></tr> </table>	1:	10.7x	↓	Serie	10.7	Total	463.9
1:	10.6x	←																											
2:	10.5x	→																											
3:	10.5x	↗																											
4:	10.9x	←																											
5:	10.7x	↓																											
Serie	53.2																												
Total	453.2																												
1:	10.7x	↓																											
Serie	10.7																												
Total	463.9																												

<p>3. Serie 1 Skott</p>	<table style="width:100%; border-collapse: collapse;"> <tr><td>1:</td><td>10.6x</td><td>↓</td></tr> </table> <table style="width:100%; border-collapse: collapse;"> <tr><td>Serie</td><td style="text-align: right;">10.6</td></tr> <tr><td>Total</td><td style="text-align: right;">474.5</td></tr> </table>	1:	10.6x	↓	Serie	10.6	Total	474.5	<p>4. Serie 1 Skott</p>	<table style="width:100%; border-collapse: collapse;"> <tr><td>1:</td><td>10.7x</td><td>↑</td></tr> </table> <table style="width:100%; border-collapse: collapse;"> <tr><td>Serie</td><td style="text-align: right;">10.7</td></tr> <tr><td>Total</td><td style="text-align: right;">485.2</td></tr> </table>	1:	10.7x	↑	Serie	10.7	Total	485.2
1:	10.6x	↓															
Serie	10.6																
Total	474.5																
1:	10.7x	↑															
Serie	10.7																
Total	485.2																

<p>5. Serie 1 Skott</p>	<table style="width:100%; border-collapse: collapse;"> <tr><td>1:</td><td>10.7x</td><td>↙</td></tr> </table> <table style="width:100%; border-collapse: collapse;"> <tr><td>Serie</td><td style="text-align: right;">10.7</td></tr> <tr><td>Total</td><td style="text-align: right;">495.9</td></tr> </table>	1:	10.7x	↙	Serie	10.7	Total	495.9	<p>6. Serie 1 Skott</p>	<table style="width:100%; border-collapse: collapse;"> <tr><td>1:</td><td>10.7x</td><td>↗</td></tr> </table> <table style="width:100%; border-collapse: collapse;"> <tr><td>Serie</td><td style="text-align: right;">10.7</td></tr> <tr><td>Total</td><td style="text-align: right;">506.6</td></tr> </table>	1:	10.7x	↗	Serie	10.7	Total	506.6
1:	10.7x	↙															
Serie	10.7																
Total	495.9																
1:	10.7x	↗															
Serie	10.7																
Total	506.6																

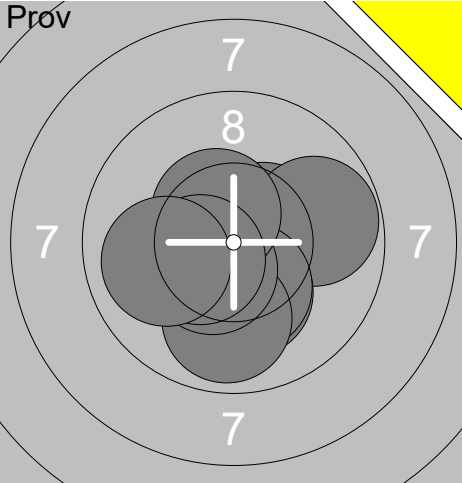
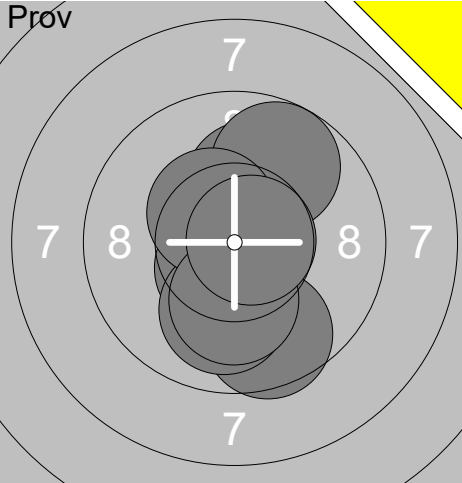
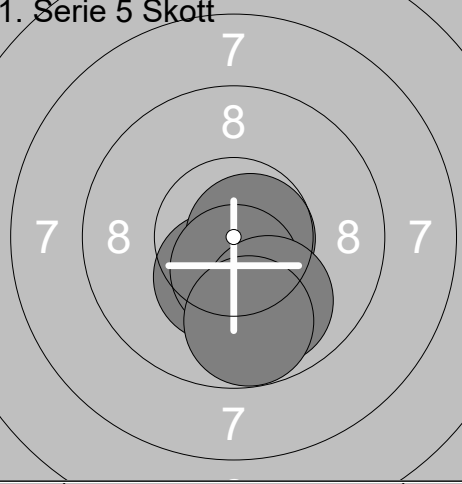
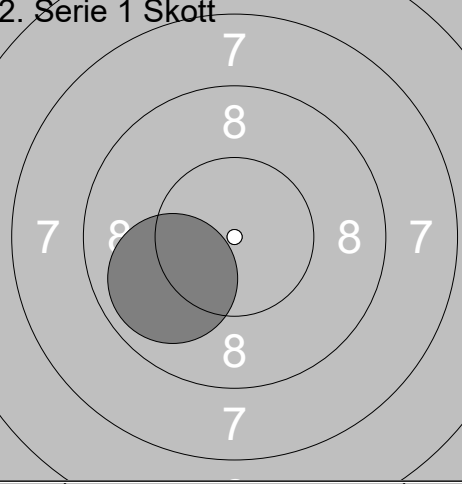
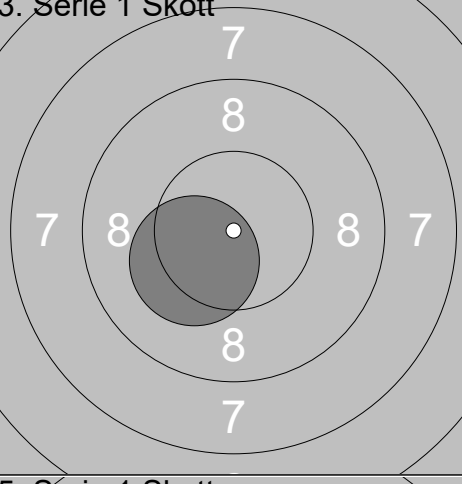
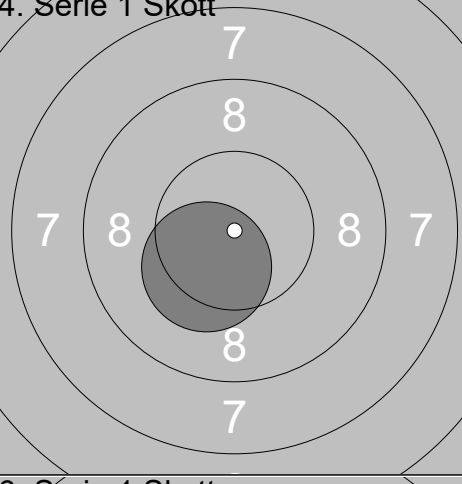
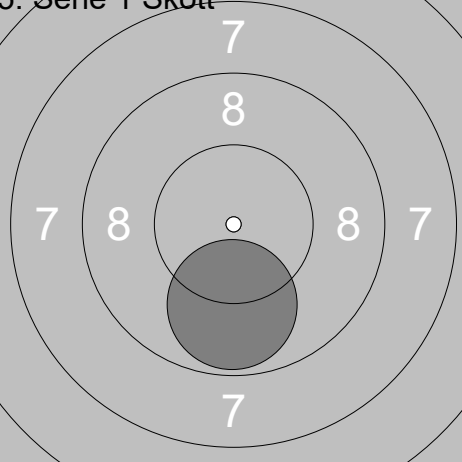
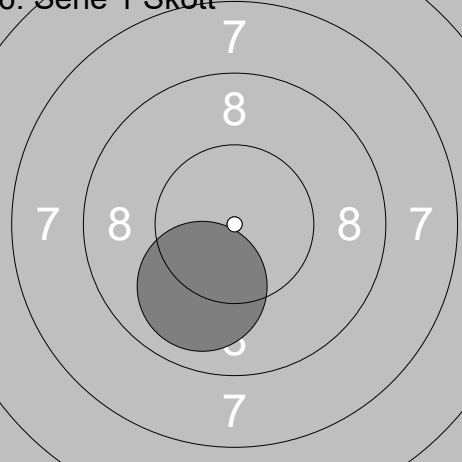
<p>Prov</p>	<table border="1" style="width:100%; border-collapse: collapse;"> <tr><td>1:</td><td>9.8</td><td>↘</td></tr> <tr><td>2:</td><td>10.9x</td><td>↘</td></tr> <tr><td>3:</td><td>10.7x</td><td>→</td></tr> <tr><td>4:</td><td>10.5x</td><td>→</td></tr> <tr><td>5:</td><td>10.3x</td><td>↓</td></tr> <tr><td>6:</td><td>10.8x</td><td>←</td></tr> <tr><td>7:</td><td>10.7x</td><td>↙</td></tr> <tr><td>8:</td><td>10.5x</td><td>↓</td></tr> <tr><td>9:</td><td>10.3x</td><td>←</td></tr> <tr><td>10:</td><td>10.0</td><td>↙</td></tr> <tr><td colspan="2">Serie</td><td>104.5</td></tr> <tr><td colspan="2">Total</td><td>400.0</td></tr> </table>	1:	9.8	↘	2:	10.9x	↘	3:	10.7x	→	4:	10.5x	→	5:	10.3x	↓	6:	10.8x	←	7:	10.7x	↙	8:	10.5x	↓	9:	10.3x	←	10:	10.0	↙	Serie		104.5	Total		400.0	<p>Prov</p> <table border="1" style="width:100%; border-collapse: collapse;"> <tr><td>11:</td><td>10.0</td><td>↙</td></tr> <tr><td>12:</td><td>10.5x</td><td>←</td></tr> <tr><td>13:</td><td>10.8x</td><td>↙</td></tr> <tr><td>14:</td><td>10.5x</td><td>←</td></tr> <tr><td>15:</td><td>10.8x</td><td>↗</td></tr> <tr><td colspan="2">Serie</td><td>52.6</td></tr> <tr><td colspan="2">Total</td><td>400.0</td></tr> </table>	11:	10.0	↙	12:	10.5x	←	13:	10.8x	↙	14:	10.5x	←	15:	10.8x	↗	Serie		52.6	Total		400.0
1:	9.8	↘																																																									
2:	10.9x	↘																																																									
3:	10.7x	→																																																									
4:	10.5x	→																																																									
5:	10.3x	↓																																																									
6:	10.8x	←																																																									
7:	10.7x	↙																																																									
8:	10.5x	↓																																																									
9:	10.3x	←																																																									
10:	10.0	↙																																																									
Serie		104.5																																																									
Total		400.0																																																									
11:	10.0	↙																																																									
12:	10.5x	←																																																									
13:	10.8x	↙																																																									
14:	10.5x	←																																																									
15:	10.8x	↗																																																									
Serie		52.6																																																									
Total		400.0																																																									

<p>1. Serie 5 Skott</p> <table border="1" style="width:100%; border-collapse: collapse;"> <tr><td>1:</td><td>10.5x</td><td>↗</td></tr> <tr><td>2:</td><td>10.3x</td><td>↖</td></tr> <tr><td>3:</td><td>10.7x</td><td>↗</td></tr> <tr><td>4:</td><td>10.9x</td><td>↗</td></tr> <tr><td>5:</td><td>10.4x</td><td>↖</td></tr> <tr><td colspan="2">Serie</td><td>52.8</td></tr> <tr><td colspan="2">Total</td><td>452.8</td></tr> </table>	1:	10.5x	↗	2:	10.3x	↖	3:	10.7x	↗	4:	10.9x	↗	5:	10.4x	↖	Serie		52.8	Total		452.8	<p>2. Serie 1 Skott</p> <table border="1" style="width:100%; border-collapse: collapse;"> <tr><td>1:</td><td>10.6x</td><td>↖</td></tr> <tr><td colspan="2">Serie</td><td>10.6</td></tr> <tr><td colspan="2">Total</td><td>463.4</td></tr> </table>	1:	10.6x	↖	Serie		10.6	Total		463.4
1:	10.5x	↗																													
2:	10.3x	↖																													
3:	10.7x	↗																													
4:	10.9x	↗																													
5:	10.4x	↖																													
Serie		52.8																													
Total		452.8																													
1:	10.6x	↖																													
Serie		10.6																													
Total		463.4																													

<p>3. Serie 1 Skott</p> <table border="1" style="width:100%; border-collapse: collapse;"> <tr><td>1:</td><td>10.4x</td><td>↓</td></tr> <tr><td colspan="2">Serie</td><td>10.4</td></tr> <tr><td colspan="2">Total</td><td>473.8</td></tr> </table>	1:	10.4x	↓	Serie		10.4	Total		473.8	<p>4. Serie 1 Skott</p> <table border="1" style="width:100%; border-collapse: collapse;"> <tr><td>1:</td><td>10.5x</td><td>↑</td></tr> <tr><td colspan="2">Serie</td><td>10.5</td></tr> <tr><td colspan="2">Total</td><td>484.3</td></tr> </table>	1:	10.5x	↑	Serie		10.5	Total		484.3
1:	10.4x	↓																	
Serie		10.4																	
Total		473.8																	
1:	10.5x	↑																	
Serie		10.5																	
Total		484.3																	

<p>5. Serie 1 Skott</p> <table border="1" style="width:100%; border-collapse: collapse;"> <tr><td>1:</td><td>10.3x</td><td>↘</td></tr> <tr><td colspan="2">Serie</td><td>10.3</td></tr> <tr><td colspan="2">Total</td><td>494.6</td></tr> </table>	1:	10.3x	↘	Serie		10.3	Total		494.6	<p>6. Serie 1 Skott</p> <table border="1" style="width:100%; border-collapse: collapse;"> <tr><td>1:</td><td>10.3x</td><td>←</td></tr> <tr><td colspan="2">Serie</td><td>10.3</td></tr> <tr><td colspan="2">Total</td><td>504.9</td></tr> </table>	1:	10.3x	←	Serie		10.3	Total		504.9
1:	10.3x	↘																	
Serie		10.3																	
Total		494.6																	
1:	10.3x	←																	
Serie		10.3																	
Total		504.9																	

<p>Prov</p>	<p>1: 10.5x ↑</p> <p>2: 10.5x ↗</p> <p>3: 10.8x ↗</p> <p>4: 9.9 →</p> <p>5: 10.1 →</p> <p>6: 10.7x →</p> <p>7: 10.4x ↘</p>	<p>1. Serie 5 Skott</p>	<p>1: 10.9x ↓</p> <p>2: 10.6x ↖</p> <p>3: 10.6x ←</p> <p>4: 10.3x →</p> <p>5: 10.5x ↗</p>
Serie 72.9	Total 399.0	Serie 52.9	Total 451.9
<p>2. Serie 1 Skott</p>	<p>1: 10.4x ↘</p>	<p>3. Serie 1 Skott</p>	<p>1: 10.1 ↗</p>
Serie 10.4	Total 462.3	Serie 10.1	Total 472.4
<p>4. Serie 1 Skott</p>	<p>1: 10.3x ↘</p>	<p>5. Serie 1 Skott</p>	<p>1: 10.3x ↖</p>
Serie 10.3	Total 482.7	Serie 10.3	Total 493.0
<p>6. Serie 1 Skott</p>	<p>1: 10.4x ↖</p>		
Serie 10.4	Total 503.4		

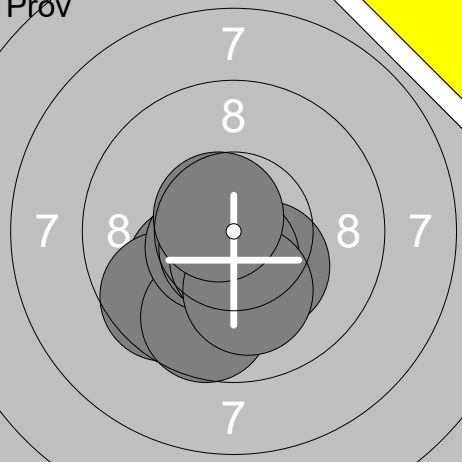
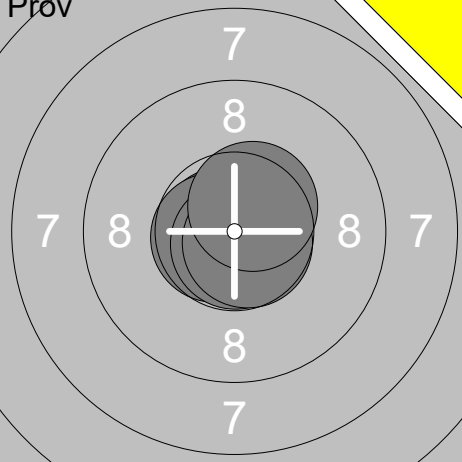
Skjutlag 3	Tavla 24	Linus Holmlund																																																																					
Ramselefors	Umeå	Sitt	Vb																																																																				
07.11.2021	Vindelnskyttet 2021	Ramselefors SKF																																																																					
Prov	 <table border="1"> <tr><td>1:</td><td>10.4x</td><td>↙</td></tr> <tr><td>2:</td><td>10.5x</td><td>→</td></tr> <tr><td>3:</td><td>9.8</td><td>→</td></tr> <tr><td>4:</td><td>10.2x</td><td>↘</td></tr> <tr><td>5:</td><td>10.3x</td><td>↘</td></tr> <tr><td>6:</td><td>9.9</td><td>↘</td></tr> <tr><td>7:</td><td>10.5x</td><td>↙</td></tr> <tr><td>8:</td><td>10.5x</td><td>↗</td></tr> <tr><td>9:</td><td>10.4x</td><td>↖</td></tr> <tr><td>10:</td><td>10.0</td><td>←</td></tr> <tr><td>Serie</td><td>102.5</td><td></td></tr> <tr><td>Total</td><td>399.0</td><td></td></tr> </table>	1:	10.4x	↙	2:	10.5x	→	3:	9.8	→	4:	10.2x	↘	5:	10.3x	↘	6:	9.9	↘	7:	10.5x	↙	8:	10.5x	↗	9:	10.4x	↖	10:	10.0	←	Serie	102.5		Total	399.0		Prov  <table border="1"> <tr><td>11:</td><td>10.5x</td><td>↙</td></tr> <tr><td>12:</td><td>10.1</td><td>↑</td></tr> <tr><td>13:</td><td>9.6</td><td>↘</td></tr> <tr><td>14:</td><td>10.0</td><td>↘</td></tr> <tr><td>15:</td><td>10.7x</td><td>↗</td></tr> <tr><td>16:</td><td>9.8</td><td>↗</td></tr> <tr><td>17:</td><td>10.4x</td><td>↖</td></tr> <tr><td>18:</td><td>10.1</td><td>↘</td></tr> <tr><td>19:</td><td>10.7x</td><td>→</td></tr> <tr><td>Serie</td><td>91.9</td><td></td></tr> <tr><td>Total</td><td>399.0</td><td></td></tr> </table>	11:	10.5x	↙	12:	10.1	↑	13:	9.6	↘	14:	10.0	↘	15:	10.7x	↗	16:	9.8	↗	17:	10.4x	↖	18:	10.1	↘	19:	10.7x	→	Serie	91.9		Total	399.0	
1:	10.4x	↙																																																																					
2:	10.5x	→																																																																					
3:	9.8	→																																																																					
4:	10.2x	↘																																																																					
5:	10.3x	↘																																																																					
6:	9.9	↘																																																																					
7:	10.5x	↙																																																																					
8:	10.5x	↗																																																																					
9:	10.4x	↖																																																																					
10:	10.0	←																																																																					
Serie	102.5																																																																						
Total	399.0																																																																						
11:	10.5x	↙																																																																					
12:	10.1	↑																																																																					
13:	9.6	↘																																																																					
14:	10.0	↘																																																																					
15:	10.7x	↗																																																																					
16:	9.8	↗																																																																					
17:	10.4x	↖																																																																					
18:	10.1	↘																																																																					
19:	10.7x	→																																																																					
Serie	91.9																																																																						
Total	399.0																																																																						
1. Serie 5 Skott	 <table border="1"> <tr><td>1:</td><td>10.4x</td><td>↘</td></tr> <tr><td>2:</td><td>10.7x</td><td>→</td></tr> <tr><td>3:</td><td>10.5x</td><td>↘</td></tr> <tr><td>4:</td><td>9.9</td><td>↘</td></tr> <tr><td>5:</td><td>9.8</td><td>↘</td></tr> <tr><td>Serie</td><td>51.3</td><td></td></tr> <tr><td>Total</td><td>450.3</td><td></td></tr> </table>	1:	10.4x	↘	2:	10.7x	→	3:	10.5x	↘	4:	9.9	↘	5:	9.8	↘	Serie	51.3		Total	450.3		2. Serie 1 Skott	 <table border="1"> <tr><td>1:</td><td>9.9</td><td>↖</td></tr> <tr><td>Serie</td><td>9.9</td><td></td></tr> <tr><td>Total</td><td>460.2</td><td></td></tr> </table>	1:	9.9	↖	Serie	9.9		Total	460.2																																							
1:	10.4x	↘																																																																					
2:	10.7x	→																																																																					
3:	10.5x	↘																																																																					
4:	9.9	↘																																																																					
5:	9.8	↘																																																																					
Serie	51.3																																																																						
Total	450.3																																																																						
1:	9.9	↖																																																																					
Serie	9.9																																																																						
Total	460.2																																																																						
3. Serie 1 Skott	 <table border="1"> <tr><td>1:</td><td>10.3x</td><td>↖</td></tr> <tr><td>Serie</td><td>10.3</td><td></td></tr> <tr><td>Total</td><td>470.5</td><td></td></tr> </table>	1:	10.3x	↖	Serie	10.3		Total	470.5		4. Serie 1 Skott	 <table border="1"> <tr><td>1:</td><td>10.3x</td><td>↖</td></tr> <tr><td>Serie</td><td>10.3</td><td></td></tr> <tr><td>Total</td><td>480.8</td><td></td></tr> </table>	1:	10.3x	↖	Serie	10.3		Total	480.8																																																			
1:	10.3x	↖																																																																					
Serie	10.3																																																																						
Total	470.5																																																																						
1:	10.3x	↖																																																																					
Serie	10.3																																																																						
Total	480.8																																																																						
5. Serie 1 Skott	 <table border="1"> <tr><td>1:</td><td>9.8</td><td>↘</td></tr> <tr><td>Serie</td><td>9.8</td><td></td></tr> <tr><td>Total</td><td>490.6</td><td></td></tr> </table>	1:	9.8	↘	Serie	9.8		Total	490.6		6. Serie 1 Skott	 <table border="1"> <tr><td>1:</td><td>10.0</td><td>↘</td></tr> <tr><td>Serie</td><td>10.0</td><td></td></tr> <tr><td>Total</td><td>500.6</td><td></td></tr> </table>	1:	10.0	↘	Serie	10.0		Total	500.6																																																			
1:	9.8	↘																																																																					
Serie	9.8																																																																						
Total	490.6																																																																						
1:	10.0	↘																																																																					
Serie	10.0																																																																						
Total	500.6																																																																						


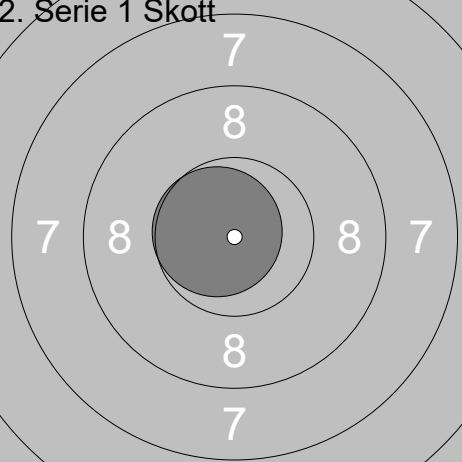
<p>Prov</p>	<table border="1" style="width:100%; border-collapse: collapse;"> <tr><td>1:</td><td>10.1</td><td>↗</td></tr> <tr><td>2:</td><td>9.7</td><td>↑</td></tr> <tr><td>3:</td><td>9.5</td><td>↖</td></tr> <tr><td>4:</td><td>9.1</td><td>↙</td></tr> <tr><td>5:</td><td>10.8x</td><td>↘</td></tr> <tr><td>6:</td><td>10.6x</td><td>↗</td></tr> <tr><td>7:</td><td>9.6</td><td>↘</td></tr> <tr><td>8:</td><td>10.5x</td><td>↗</td></tr> <tr><td>9:</td><td>10.8x</td><td>↖</td></tr> <tr><td>10:</td><td>10.6x</td><td>↘</td></tr> <tr><td colspan="2">Serie</td><td>101.3</td></tr> <tr><td colspan="2">Total</td><td>399.0</td></tr> </table>	1:	10.1	↗	2:	9.7	↑	3:	9.5	↖	4:	9.1	↙	5:	10.8x	↘	6:	10.6x	↗	7:	9.6	↘	8:	10.5x	↗	9:	10.8x	↖	10:	10.6x	↘	Serie		101.3	Total		399.0	<p>Prov</p> <table border="1" style="width:100%; border-collapse: collapse;"> <tr><td>11:</td><td>10.6x</td><td>↖</td></tr> <tr><td>12:</td><td>10.1</td><td>↗</td></tr> <tr><td>13:</td><td>10.2x</td><td>↖</td></tr> <tr><td>14:</td><td>10.5x</td><td>↘</td></tr> <tr><td>15:</td><td>10.3x</td><td>↘</td></tr> <tr><td>16:</td><td>10.5x</td><td>↗</td></tr> <tr><td>17:</td><td>10.6x</td><td>↘</td></tr> <tr><td>18:</td><td>9.7</td><td>↘</td></tr> <tr><td>19:</td><td>10.8x</td><td>↖</td></tr> <tr><td>20:</td><td>10.8x</td><td>↖</td></tr> <tr><td colspan="2">Serie</td><td>104.1</td></tr> <tr><td colspan="2">Total</td><td>399.0</td></tr> </table>	11:	10.6x	↖	12:	10.1	↗	13:	10.2x	↖	14:	10.5x	↘	15:	10.3x	↘	16:	10.5x	↗	17:	10.6x	↘	18:	9.7	↘	19:	10.8x	↖	20:	10.8x	↖	Serie		104.1	Total		399.0
1:	10.1	↗																																																																								
2:	9.7	↑																																																																								
3:	9.5	↖																																																																								
4:	9.1	↙																																																																								
5:	10.8x	↘																																																																								
6:	10.6x	↗																																																																								
7:	9.6	↘																																																																								
8:	10.5x	↗																																																																								
9:	10.8x	↖																																																																								
10:	10.6x	↘																																																																								
Serie		101.3																																																																								
Total		399.0																																																																								
11:	10.6x	↖																																																																								
12:	10.1	↗																																																																								
13:	10.2x	↖																																																																								
14:	10.5x	↘																																																																								
15:	10.3x	↘																																																																								
16:	10.5x	↗																																																																								
17:	10.6x	↘																																																																								
18:	9.7	↘																																																																								
19:	10.8x	↖																																																																								
20:	10.8x	↖																																																																								
Serie		104.1																																																																								
Total		399.0																																																																								

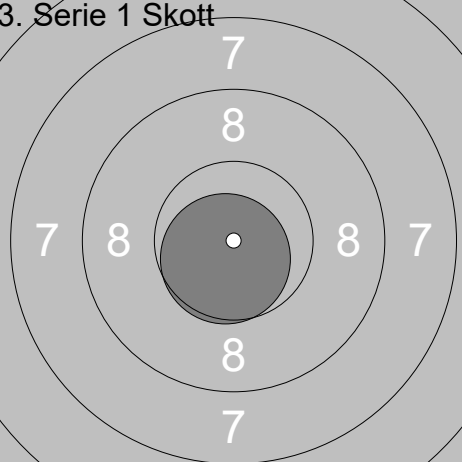
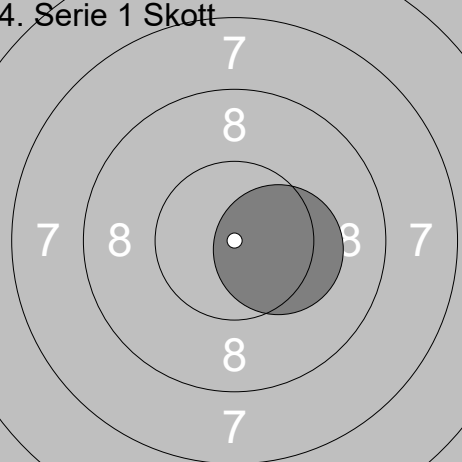
<p>1. Serie 5 Skott</p> <table border="1" style="width:100%; border-collapse: collapse;"> <tr><td>1:</td><td>9.4</td><td>↘</td></tr> <tr><td>2:</td><td>9.5</td><td>↘</td></tr> <tr><td>3:</td><td>9.0</td><td>↖</td></tr> <tr><td>4:</td><td>8.8</td><td>↗</td></tr> <tr><td>5:</td><td>9.8</td><td>↘</td></tr> <tr><td colspan="2">Serie</td><td>46.5</td></tr> <tr><td colspan="2">Total</td><td>445.5</td></tr> </table>	1:	9.4	↘	2:	9.5	↘	3:	9.0	↖	4:	8.8	↗	5:	9.8	↘	Serie		46.5	Total		445.5	<p>2. Serie 1 Skott</p> <table border="1" style="width:100%; border-collapse: collapse;"> <tr><td>1:</td><td>10.1</td><td>↗</td></tr> <tr><td colspan="2">Serie</td><td>10.1</td></tr> <tr><td colspan="2">Total</td><td>455.6</td></tr> </table>	1:	10.1	↗	Serie		10.1	Total		455.6	
1:	9.4	↘																														
2:	9.5	↘																														
3:	9.0	↖																														
4:	8.8	↗																														
5:	9.8	↘																														
Serie		46.5																														
Total		445.5																														
1:	10.1	↗																														
Serie		10.1																														
Total		455.6																														

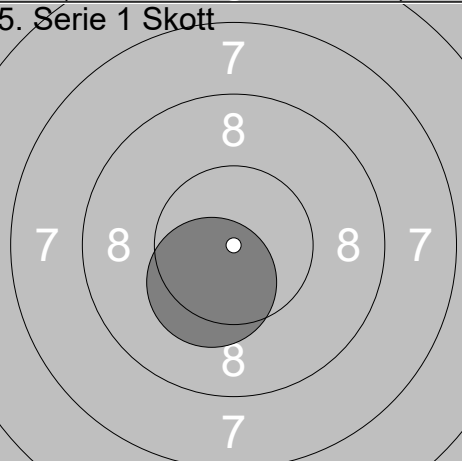
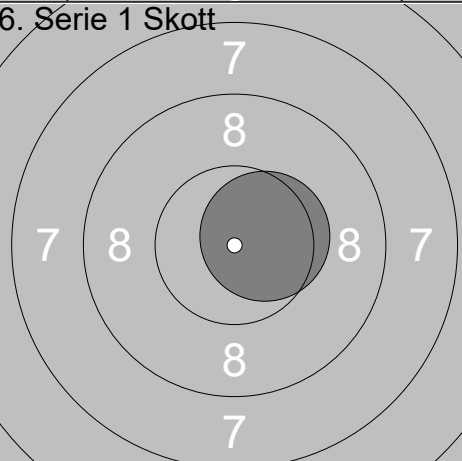
<p>3. Serie 1 Skott</p> <table border="1" style="width:100%; border-collapse: collapse;"> <tr><td>1:</td><td>9.1</td><td>↘</td></tr> <tr><td colspan="2">Serie</td><td>9.1</td></tr> <tr><td colspan="2">Total</td><td>464.7</td></tr> </table>	1:	9.1	↘	Serie		9.1	Total		464.7	<p>4. Serie 1 Skott</p> <table border="1" style="width:100%; border-collapse: collapse;"> <tr><td>1:</td><td>8.7</td><td>↘</td></tr> <tr><td colspan="2">Serie</td><td>8.7</td></tr> <tr><td colspan="2">Total</td><td>473.4</td></tr> </table>	1:	8.7	↘	Serie		8.7	Total		473.4	
1:	9.1	↘																		
Serie		9.1																		
Total		464.7																		
1:	8.7	↘																		
Serie		8.7																		
Total		473.4																		

<p>5. Serie 1 Skott</p> <table border="1" style="width:100%; border-collapse: collapse;"> <tr><td>1:</td><td>9.7</td><td>↘</td></tr> <tr><td colspan="2">Serie</td><td>9.7</td></tr> <tr><td colspan="2">Total</td><td>483.1</td></tr> </table>	1:	9.7	↘	Serie		9.7	Total		483.1	<p>6. Serie 1 Skott</p> <table border="1" style="width:100%; border-collapse: collapse;"> <tr><td>1:</td><td>9.7</td><td>↘</td></tr> <tr><td colspan="2">Serie</td><td>9.7</td></tr> <tr><td colspan="2">Total</td><td>492.8</td></tr> </table>	1:	9.7	↘	Serie		9.7	Total		492.8	
1:	9.7	↘																		
Serie		9.7																		
Total		483.1																		
1:	9.7	↘																		
Serie		9.7																		
Total		492.8																		

<p>Prov</p> 	<table border="1" style="width:100%; border-collapse: collapse;"> <tr><td>1:</td><td>10.0</td><td>↙</td></tr> <tr><td>2:</td><td>10.2x</td><td>↙</td></tr> <tr><td>3:</td><td>9.6</td><td>↙</td></tr> <tr><td>4:</td><td>9.7</td><td>↓</td></tr> <tr><td>5:</td><td>10.6x</td><td>↙</td></tr> <tr><td>6:</td><td>10.7x</td><td>↙</td></tr> <tr><td>7:</td><td>10.3x</td><td>↘</td></tr> <tr><td>8:</td><td>10.6x</td><td>↓</td></tr> <tr><td>9:</td><td>10.1</td><td>↓</td></tr> <tr><td>10:</td><td>10.7x</td><td>↗</td></tr> <tr><td colspan="2">Serie</td><td>102.5</td></tr> <tr><td colspan="2">Total</td><td>398.0</td></tr> </table>	1:	10.0	↙	2:	10.2x	↙	3:	9.6	↙	4:	9.7	↓	5:	10.6x	↙	6:	10.7x	↙	7:	10.3x	↘	8:	10.6x	↓	9:	10.1	↓	10:	10.7x	↗	Serie		102.5	Total		398.0	<p>Prov</p>  <table border="1" style="width:100%; border-collapse: collapse;"> <tr><td>11:</td><td>10.8x</td><td>←</td></tr> <tr><td>12:</td><td>10.7x</td><td>←</td></tr> <tr><td>13:</td><td>10.8x</td><td>↓</td></tr> <tr><td>14:</td><td>10.7x</td><td>↘</td></tr> <tr><td>15:</td><td>10.5x</td><td>↗</td></tr> <tr><td colspan="2">Serie</td><td>53.5</td></tr> <tr><td colspan="2">Total</td><td>398.0</td></tr> </table>	11:	10.8x	←	12:	10.7x	←	13:	10.8x	↓	14:	10.7x	↘	15:	10.5x	↗	Serie		53.5	Total		398.0
1:	10.0	↙																																																									
2:	10.2x	↙																																																									
3:	9.6	↙																																																									
4:	9.7	↓																																																									
5:	10.6x	↙																																																									
6:	10.7x	↙																																																									
7:	10.3x	↘																																																									
8:	10.6x	↓																																																									
9:	10.1	↓																																																									
10:	10.7x	↗																																																									
Serie		102.5																																																									
Total		398.0																																																									
11:	10.8x	←																																																									
12:	10.7x	←																																																									
13:	10.8x	↓																																																									
14:	10.7x	↘																																																									
15:	10.5x	↗																																																									
Serie		53.5																																																									
Total		398.0																																																									

<p>1. Serie 5 Skott</p>  <table border="1" style="width:100%; border-collapse: collapse;"> <tr><td>1:</td><td>10.2x</td><td>↘</td></tr> <tr><td>2:</td><td>10.8x</td><td>←</td></tr> <tr><td>3:</td><td>10.6x</td><td>↙</td></tr> <tr><td>4:</td><td>10.7x</td><td>↓</td></tr> <tr><td>5:</td><td>10.5x</td><td>↓</td></tr> <tr><td colspan="2">Serie</td><td>52.8</td></tr> <tr><td colspan="2">Total</td><td>450.8</td></tr> </table>	1:	10.2x	↘	2:	10.8x	←	3:	10.6x	↙	4:	10.7x	↓	5:	10.5x	↓	Serie		52.8	Total		450.8	<p>2. Serie 1 Skott</p>  <table border="1" style="width:100%; border-collapse: collapse;"> <tr><td>1:</td><td>10.7x</td><td>←</td></tr> <tr><td colspan="2">Serie</td><td>10.7</td></tr> <tr><td colspan="2">Total</td><td>461.5</td></tr> </table>	1:	10.7x	←	Serie		10.7	Total		461.5
1:	10.2x	↘																													
2:	10.8x	←																													
3:	10.6x	↙																													
4:	10.7x	↓																													
5:	10.5x	↓																													
Serie		52.8																													
Total		450.8																													
1:	10.7x	←																													
Serie		10.7																													
Total		461.5																													

<p>3. Serie 1 Skott</p>  <table border="1" style="width:100%; border-collapse: collapse;"> <tr><td>1:</td><td>10.7x</td><td>↘</td></tr> <tr><td colspan="2">Serie</td><td>10.7</td></tr> <tr><td colspan="2">Total</td><td>472.2</td></tr> </table>	1:	10.7x	↘	Serie		10.7	Total		472.2	<p>4. Serie 1 Skott</p>  <table border="1" style="width:100%; border-collapse: collapse;"> <tr><td>1:</td><td>10.3x</td><td>→</td></tr> <tr><td colspan="2">Serie</td><td>10.3</td></tr> <tr><td colspan="2">Total</td><td>482.5</td></tr> </table>	1:	10.3x	→	Serie		10.3	Total		482.5
1:	10.7x	↘																	
Serie		10.7																	
Total		472.2																	
1:	10.3x	→																	
Serie		10.3																	
Total		482.5																	

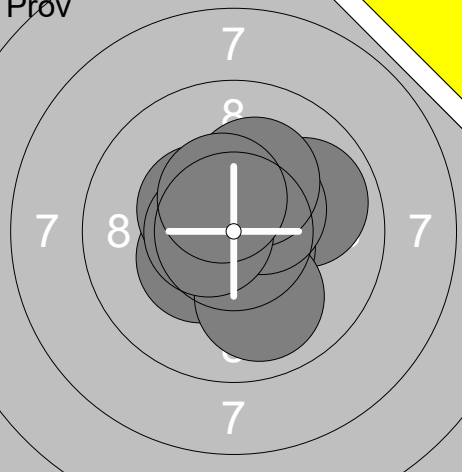
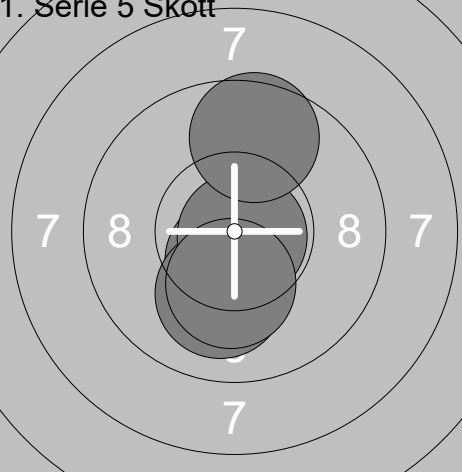
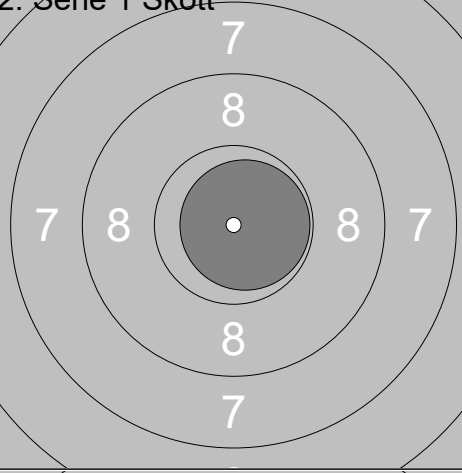
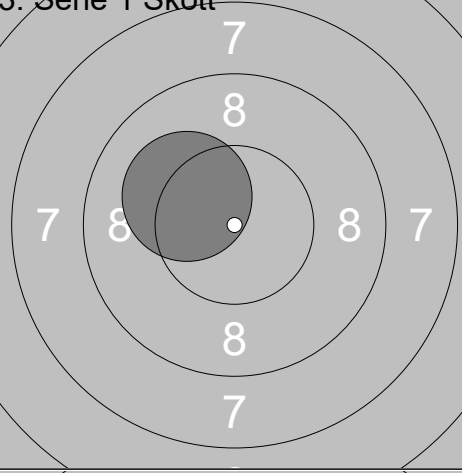
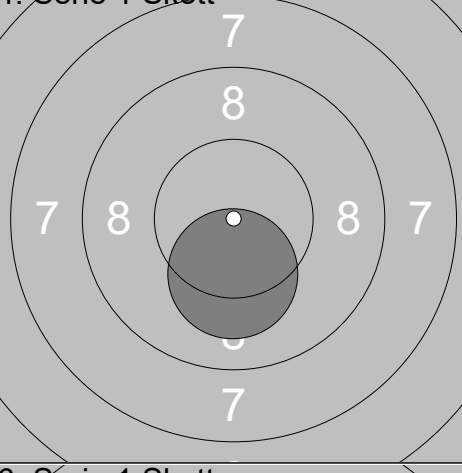
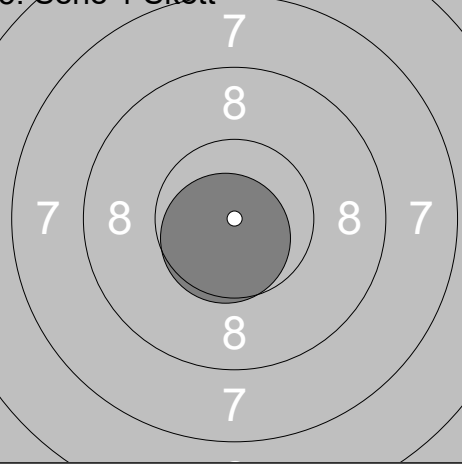
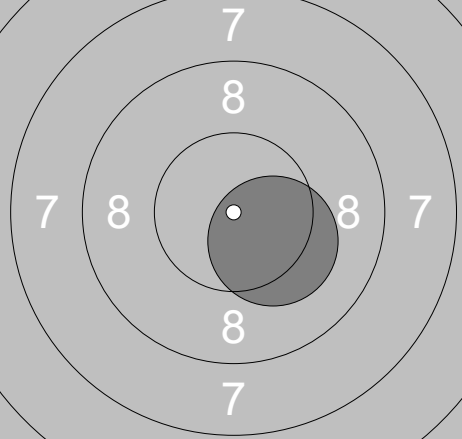
<p>5. Serie 1 Skott</p>  <table border="1" style="width:100%; border-collapse: collapse;"> <tr><td>1:</td><td>10.4x</td><td>↘</td></tr> <tr><td colspan="2">Serie</td><td>10.4</td></tr> <tr><td colspan="2">Total</td><td>492.9</td></tr> </table>	1:	10.4x	↘	Serie		10.4	Total		492.9	<p>6. Serie 1 Skott</p>  <table border="1" style="width:100%; border-collapse: collapse;"> <tr><td>1:</td><td>10.5x</td><td>→</td></tr> <tr><td colspan="2">Serie</td><td>10.5</td></tr> <tr><td colspan="2">Total</td><td>503.4</td></tr> </table>	1:	10.5x	→	Serie		10.5	Total		503.4
1:	10.4x	↘																	
Serie		10.4																	
Total		492.9																	
1:	10.5x	→																	
Serie		10.5																	
Total		503.4																	

<p>Prov</p>	<table border="1" style="width:100%; border-collapse: collapse;"> <tr><td>1:</td><td>10.0</td><td>↙</td></tr> <tr><td>2:</td><td>9.9</td><td>↗</td></tr> <tr><td>3:</td><td>10.7x</td><td>→</td></tr> <tr><td>4:</td><td>10.6x</td><td>↘</td></tr> <tr><td>5:</td><td>10.2x</td><td>↗</td></tr> <tr><td>6:</td><td>10.4x</td><td>↑</td></tr> <tr><td>7:</td><td>10.3x</td><td>↘</td></tr> <tr><td>8:</td><td>10.6x</td><td>↑</td></tr> <tr><td>9:</td><td>9.6</td><td>↘</td></tr> <tr><td>10:</td><td>10.1</td><td>↙</td></tr> </table> <table border="1" style="width:100%; border-collapse: collapse;"> <tr><td>Serie</td><td>102.4</td></tr> <tr><td>Total</td><td>397.0</td></tr> </table>	1:	10.0	↙	2:	9.9	↗	3:	10.7x	→	4:	10.6x	↘	5:	10.2x	↗	6:	10.4x	↑	7:	10.3x	↘	8:	10.6x	↑	9:	9.6	↘	10:	10.1	↙	Serie	102.4	Total	397.0	<p>Prov</p>	<table border="1" style="width:100%; border-collapse: collapse;"> <tr><td>11:</td><td>10.1</td><td>↗</td></tr> <tr><td>12:</td><td>10.5x</td><td>↘</td></tr> <tr><td>13:</td><td>10.1</td><td>↗</td></tr> </table> <table border="1" style="width:100%; border-collapse: collapse;"> <tr><td>Serie</td><td>30.7</td></tr> <tr><td>Total</td><td>397.0</td></tr> </table>	11:	10.1	↗	12:	10.5x	↘	13:	10.1	↗	Serie	30.7	Total	397.0
1:	10.0	↙																																																
2:	9.9	↗																																																
3:	10.7x	→																																																
4:	10.6x	↘																																																
5:	10.2x	↗																																																
6:	10.4x	↑																																																
7:	10.3x	↘																																																
8:	10.6x	↑																																																
9:	9.6	↘																																																
10:	10.1	↙																																																
Serie	102.4																																																	
Total	397.0																																																	
11:	10.1	↗																																																
12:	10.5x	↘																																																
13:	10.1	↗																																																
Serie	30.7																																																	
Total	397.0																																																	

<p>1. Serie 5 Skott</p>	<table border="1" style="width:100%; border-collapse: collapse;"> <tr><td>1:</td><td>10.4x</td><td>←</td></tr> <tr><td>2:</td><td>10.8x</td><td>↗</td></tr> <tr><td>3:</td><td>10.6x</td><td>↘</td></tr> <tr><td>4:</td><td>10.3x</td><td>→</td></tr> <tr><td>5:</td><td>10.8x</td><td>↗</td></tr> </table> <table border="1" style="width:100%; border-collapse: collapse;"> <tr><td>Serie</td><td>52.9</td></tr> <tr><td>Total</td><td>449.9</td></tr> </table>	1:	10.4x	←	2:	10.8x	↗	3:	10.6x	↘	4:	10.3x	→	5:	10.8x	↗	Serie	52.9	Total	449.9	<p>2. Serie 1 Skott</p>	<table border="1" style="width:100%; border-collapse: collapse;"> <tr><td>1:</td><td>10.3x</td><td>↓</td></tr> </table> <table border="1" style="width:100%; border-collapse: collapse;"> <tr><td>Serie</td><td>10.3</td></tr> <tr><td>Total</td><td>460.2</td></tr> </table>	1:	10.3x	↓	Serie	10.3	Total	460.2
1:	10.4x	←																											
2:	10.8x	↗																											
3:	10.6x	↘																											
4:	10.3x	→																											
5:	10.8x	↗																											
Serie	52.9																												
Total	449.9																												
1:	10.3x	↓																											
Serie	10.3																												
Total	460.2																												

<p>3. Serie 1 Skott</p>	<table border="1" style="width:100%; border-collapse: collapse;"> <tr><td>1:</td><td>10.4x</td><td>←</td></tr> </table> <table border="1" style="width:100%; border-collapse: collapse;"> <tr><td>Serie</td><td>10.4</td></tr> <tr><td>Total</td><td>470.6</td></tr> </table>	1:	10.4x	←	Serie	10.4	Total	470.6	<p>4. Serie 1 Skott</p>	<table border="1" style="width:100%; border-collapse: collapse;"> <tr><td>1:</td><td>10.1</td><td>↗</td></tr> </table> <table border="1" style="width:100%; border-collapse: collapse;"> <tr><td>Serie</td><td>10.1</td></tr> <tr><td>Total</td><td>480.7</td></tr> </table>	1:	10.1	↗	Serie	10.1	Total	480.7
1:	10.4x	←															
Serie	10.4																
Total	470.6																
1:	10.1	↗															
Serie	10.1																
Total	480.7																

<p>5. Serie 1 Skott</p>	<table border="1" style="width:100%; border-collapse: collapse;"> <tr><td>1:</td><td>10.4x</td><td>↗</td></tr> </table> <table border="1" style="width:100%; border-collapse: collapse;"> <tr><td>Serie</td><td>10.4</td></tr> <tr><td>Total</td><td>491.1</td></tr> </table>	1:	10.4x	↗	Serie	10.4	Total	491.1	<p>6. Serie 1 Skott</p>	<table border="1" style="width:100%; border-collapse: collapse;"> <tr><td>1:</td><td>9.9</td><td>↓</td></tr> </table> <table border="1" style="width:100%; border-collapse: collapse;"> <tr><td>Serie</td><td>9.9</td></tr> <tr><td>Total</td><td>501.0</td></tr> </table>	1:	9.9	↓	Serie	9.9	Total	501.0
1:	10.4x	↗															
Serie	10.4																
Total	491.1																
1:	9.9	↓															
Serie	9.9																
Total	501.0																

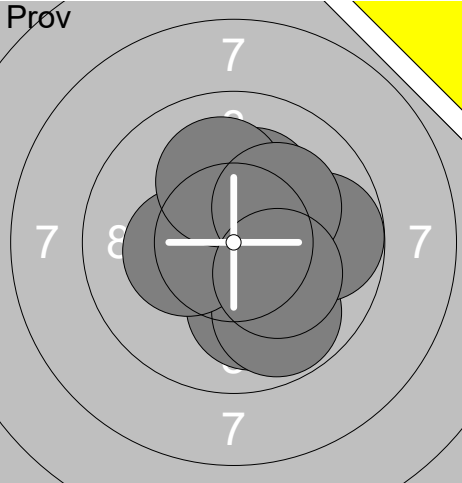
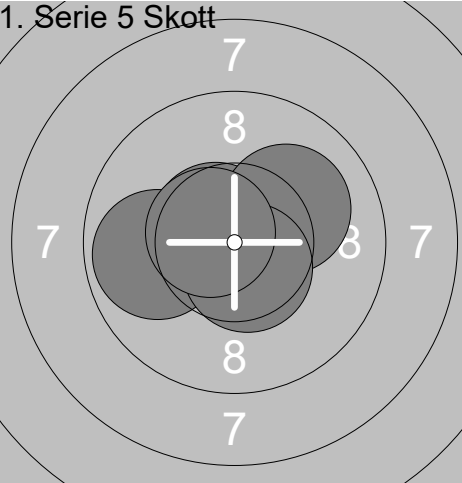
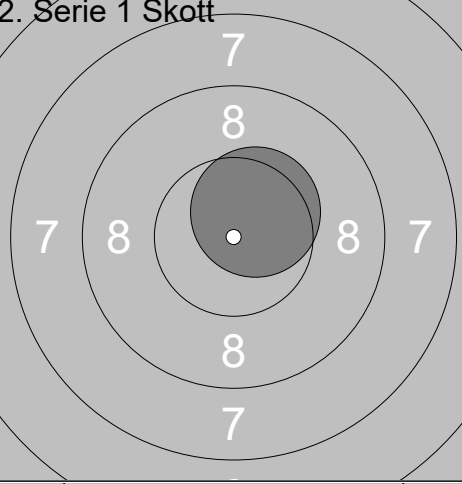
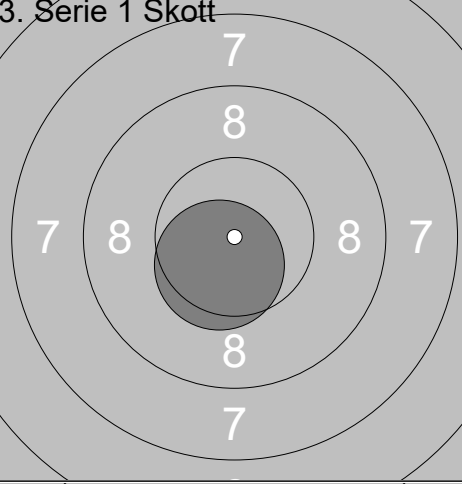
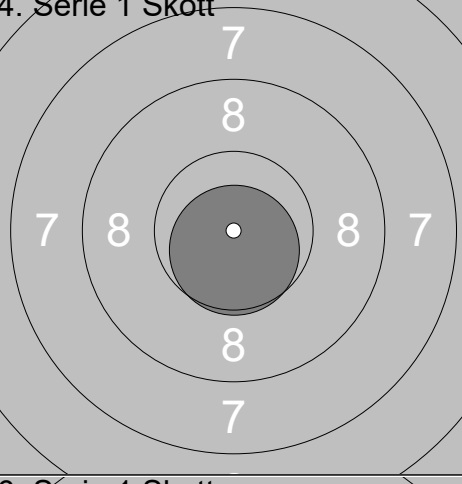
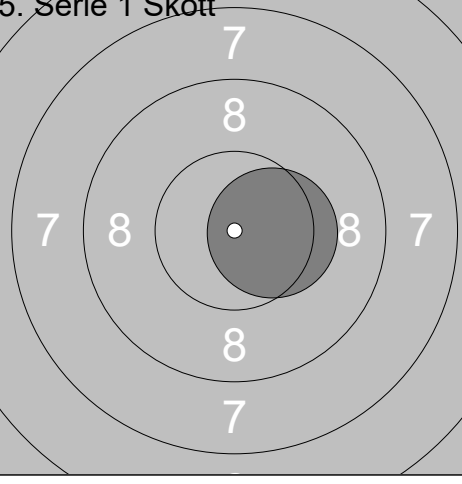
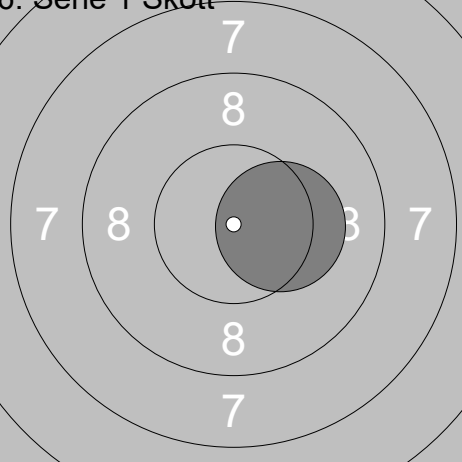
Prov 	<table border="1" style="width:100%; border-collapse: collapse;"> <tr><td>1:</td><td>9.9</td><td>→</td></tr> <tr><td>2:</td><td>10.6x</td><td>↓</td></tr> <tr><td>3:</td><td>10.4x</td><td>↙</td></tr> <tr><td>4:</td><td>10.4x</td><td>↗</td></tr> <tr><td>5:</td><td>10.6x</td><td>↓</td></tr> <tr><td>6:</td><td>10.0</td><td>↓</td></tr> <tr><td>7:</td><td>10.5x</td><td>↗</td></tr> <tr><td>8:</td><td>10.2x</td><td>↑</td></tr> <tr><td>9:</td><td>10.6x</td><td>←</td></tr> <tr><td>10:</td><td>10.5x</td><td>↖</td></tr> <tr><td colspan="2">Serie</td><td>103.7</td></tr> <tr><td colspan="2">Total</td><td>396.0</td></tr> </table>	1:	9.9	→	2:	10.6x	↓	3:	10.4x	↙	4:	10.4x	↗	5:	10.6x	↓	6:	10.0	↓	7:	10.5x	↗	8:	10.2x	↑	9:	10.6x	←	10:	10.5x	↖	Serie		103.7	Total		396.0	1. Serie 5 Skott  <table border="1" style="width:100%; border-collapse: collapse;"> <tr><td>1:</td><td>10.5x</td><td>↓</td></tr> <tr><td>2:</td><td>10.1</td><td>↓</td></tr> <tr><td>3:</td><td>10.8x</td><td>↗</td></tr> <tr><td>4:</td><td>9.6</td><td>↑</td></tr> <tr><td>5:</td><td>10.2x</td><td>↓</td></tr> <tr><td colspan="2">Serie</td><td>51.2</td></tr> <tr><td colspan="2">Total</td><td>447.2</td></tr> </table>	1:	10.5x	↓	2:	10.1	↓	3:	10.8x	↗	4:	9.6	↑	5:	10.2x	↓	Serie		51.2	Total		447.2
1:	9.9	→																																																									
2:	10.6x	↓																																																									
3:	10.4x	↙																																																									
4:	10.4x	↗																																																									
5:	10.6x	↓																																																									
6:	10.0	↓																																																									
7:	10.5x	↗																																																									
8:	10.2x	↑																																																									
9:	10.6x	←																																																									
10:	10.5x	↖																																																									
Serie		103.7																																																									
Total		396.0																																																									
1:	10.5x	↓																																																									
2:	10.1	↓																																																									
3:	10.8x	↗																																																									
4:	9.6	↑																																																									
5:	10.2x	↓																																																									
Serie		51.2																																																									
Total		447.2																																																									
2. Serie 1 Skott 	<table border="1" style="width:100%; border-collapse: collapse;"> <tr><td>1:</td><td>10.8x</td><td>→</td></tr> <tr><td colspan="2">Serie</td><td>10.8</td></tr> <tr><td colspan="2">Total</td><td>458.0</td></tr> </table>	1:	10.8x	→	Serie		10.8	Total		458.0	3. Serie 1 Skott  <table border="1" style="width:100%; border-collapse: collapse;"> <tr><td>1:</td><td>10.2x</td><td>↖</td></tr> <tr><td colspan="2">Serie</td><td>10.2</td></tr> <tr><td colspan="2">Total</td><td>468.2</td></tr> </table>	1:	10.2x	↖	Serie		10.2	Total		468.2																																							
1:	10.8x	→																																																									
Serie		10.8																																																									
Total		458.0																																																									
1:	10.2x	↖																																																									
Serie		10.2																																																									
Total		468.2																																																									
4. Serie 1 Skott 	<table border="1" style="width:100%; border-collapse: collapse;"> <tr><td>1:</td><td>10.2x</td><td>↓</td></tr> <tr><td colspan="2">Serie</td><td>10.2</td></tr> <tr><td colspan="2">Total</td><td>478.4</td></tr> </table>	1:	10.2x	↓	Serie		10.2	Total		478.4	5. Serie 1 Skott  <table border="1" style="width:100%; border-collapse: collapse;"> <tr><td>1:</td><td>10.6x</td><td>↓</td></tr> <tr><td colspan="2">Serie</td><td>10.6</td></tr> <tr><td colspan="2">Total</td><td>489.0</td></tr> </table>	1:	10.6x	↓	Serie		10.6	Total		489.0																																							
1:	10.2x	↓																																																									
Serie		10.2																																																									
Total		478.4																																																									
1:	10.6x	↓																																																									
Serie		10.6																																																									
Total		489.0																																																									
6. Serie 1 Skott 	<table border="1" style="width:100%; border-collapse: collapse;"> <tr><td>1:</td><td>10.3x</td><td>↘</td></tr> <tr><td colspan="2">Serie</td><td>10.3</td></tr> <tr><td colspan="2">Total</td><td>499.3</td></tr> </table>	1:	10.3x	↘	Serie		10.3	Total		499.3																																																	
1:	10.3x	↘																																																									
Serie		10.3																																																									
Total		499.3																																																									

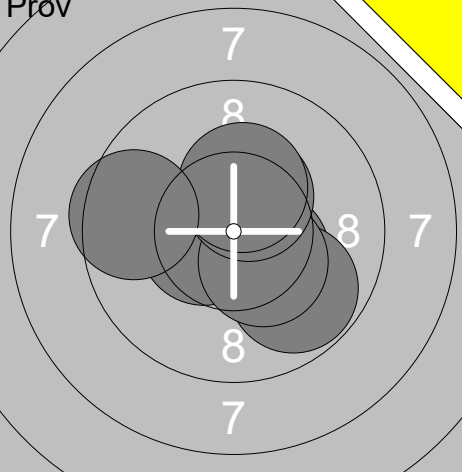
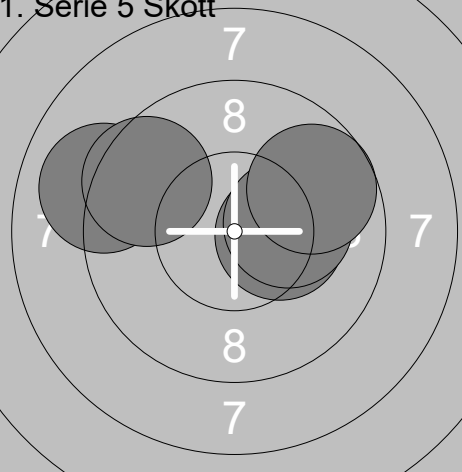
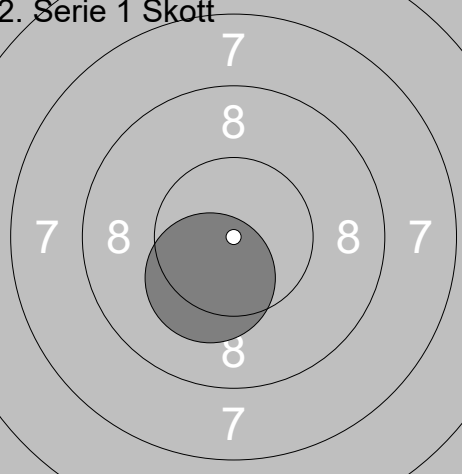
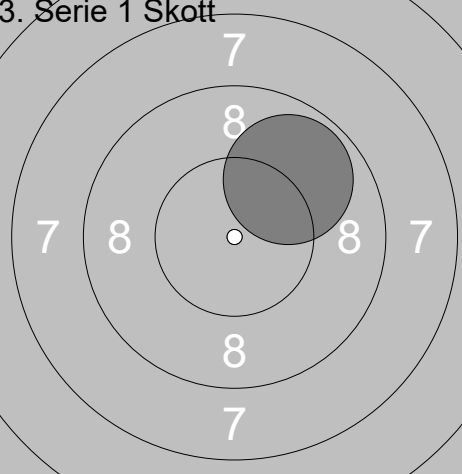
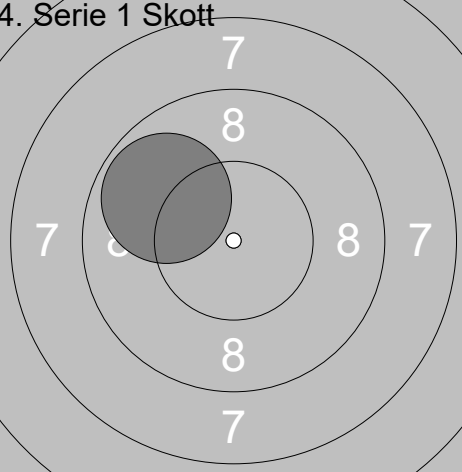
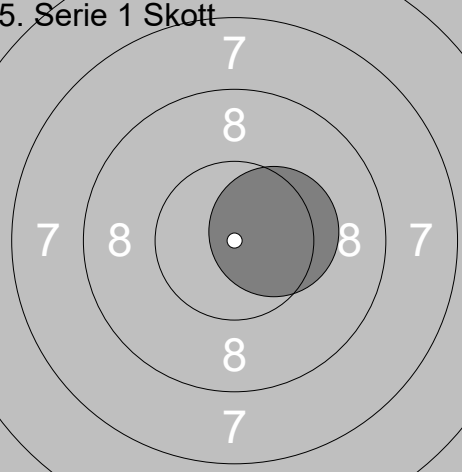
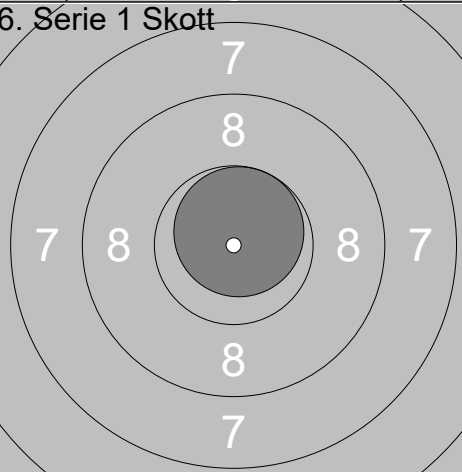
<p>Prov</p>	<table style="width:100%; border-collapse: collapse;"> <tr><td>1:</td><td>10.3x</td><td>↑</td></tr> <tr><td>2:</td><td>10.1</td><td>↑</td></tr> <tr><td>3:</td><td>10.8x</td><td>←</td></tr> <tr><td>4:</td><td>10.1</td><td>↓</td></tr> <tr><td>5:</td><td>10.3x</td><td>↓</td></tr> <tr><td>6:</td><td>10.1</td><td>↓</td></tr> <tr><td>7:</td><td>10.4x</td><td>→</td></tr> <tr><td>8:</td><td>10.6x</td><td>↓</td></tr> <tr><td>9:</td><td>10.7x</td><td>↓</td></tr> <tr><td>10:</td><td>10.1</td><td>↓</td></tr> </table> <table style="width:100%; border-collapse: collapse;"> <tr><td>Serie</td><td style="text-align: right;">103.5</td></tr> <tr><td>Total</td><td style="text-align: right;">396.0</td></tr> </table>	1:	10.3x	↑	2:	10.1	↑	3:	10.8x	←	4:	10.1	↓	5:	10.3x	↓	6:	10.1	↓	7:	10.4x	→	8:	10.6x	↓	9:	10.7x	↓	10:	10.1	↓	Serie	103.5	Total	396.0	<p>Prov</p>	<table style="width:100%; border-collapse: collapse;"> <tr><td>11:</td><td>10.5x</td><td>→</td></tr> <tr><td>12:</td><td>10.2x</td><td>↓</td></tr> <tr><td>13:</td><td>10.7x</td><td>←</td></tr> </table> <table style="width:100%; border-collapse: collapse;"> <tr><td>Serie</td><td style="text-align: right;">31.4</td></tr> <tr><td>Total</td><td style="text-align: right;">396.0</td></tr> </table>	11:	10.5x	→	12:	10.2x	↓	13:	10.7x	←	Serie	31.4	Total	396.0
1:	10.3x	↑																																																
2:	10.1	↑																																																
3:	10.8x	←																																																
4:	10.1	↓																																																
5:	10.3x	↓																																																
6:	10.1	↓																																																
7:	10.4x	→																																																
8:	10.6x	↓																																																
9:	10.7x	↓																																																
10:	10.1	↓																																																
Serie	103.5																																																	
Total	396.0																																																	
11:	10.5x	→																																																
12:	10.2x	↓																																																
13:	10.7x	←																																																
Serie	31.4																																																	
Total	396.0																																																	

<p>1. Serie 5 Skott</p>	<table style="width:100%; border-collapse: collapse;"> <tr><td>1:</td><td>10.4x</td><td>→</td></tr> <tr><td>2:</td><td>10.1</td><td>←</td></tr> <tr><td>3:</td><td>10.6x</td><td>↓</td></tr> <tr><td>4:</td><td>10.5x</td><td>↓</td></tr> <tr><td>5:</td><td>10.1</td><td>←</td></tr> </table> <table style="width:100%; border-collapse: collapse;"> <tr><td>Serie</td><td style="text-align: right;">51.7</td></tr> <tr><td>Total</td><td style="text-align: right;">447.7</td></tr> </table>	1:	10.4x	→	2:	10.1	←	3:	10.6x	↓	4:	10.5x	↓	5:	10.1	←	Serie	51.7	Total	447.7	<p>2. Serie 1 Skott</p>	<table style="width:100%; border-collapse: collapse;"> <tr><td>1:</td><td>10.2x</td><td>↑</td></tr> </table> <table style="width:100%; border-collapse: collapse;"> <tr><td>Serie</td><td style="text-align: right;">10.2</td></tr> <tr><td>Total</td><td style="text-align: right;">457.9</td></tr> </table>	1:	10.2x	↑	Serie	10.2	Total	457.9
1:	10.4x	→																											
2:	10.1	←																											
3:	10.6x	↓																											
4:	10.5x	↓																											
5:	10.1	←																											
Serie	51.7																												
Total	447.7																												
1:	10.2x	↑																											
Serie	10.2																												
Total	457.9																												

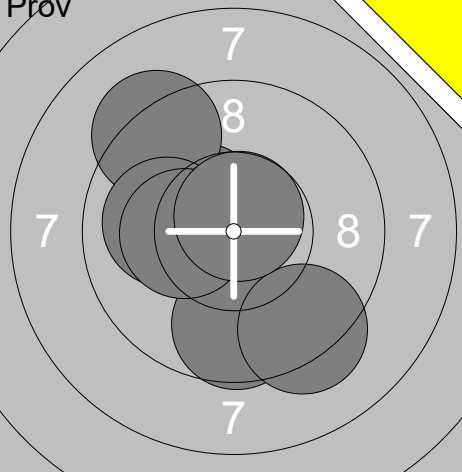
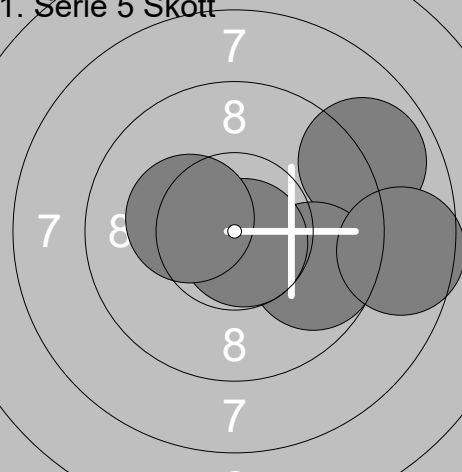
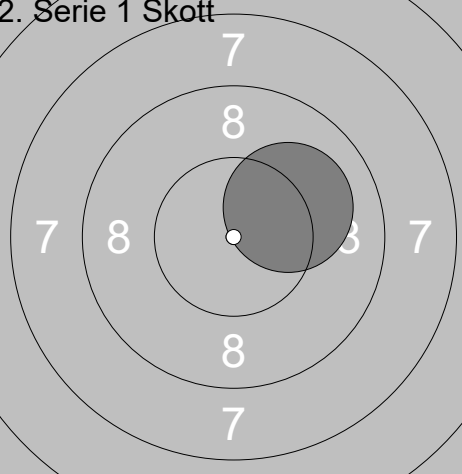
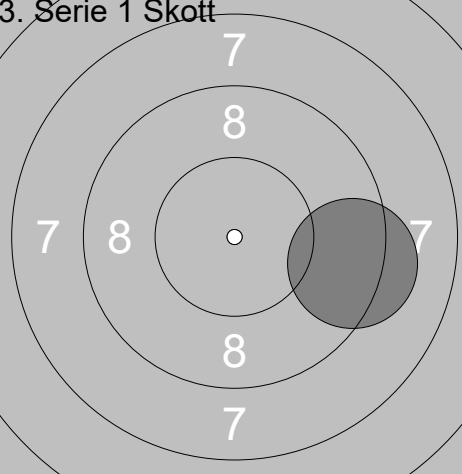
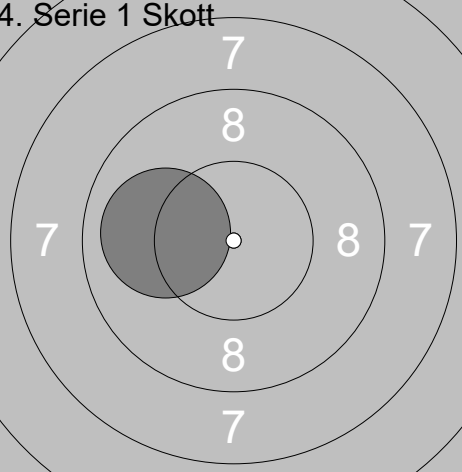
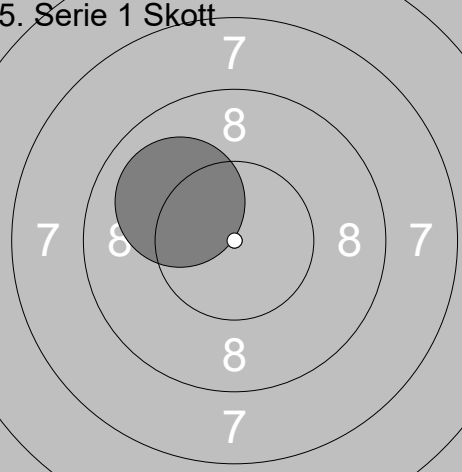
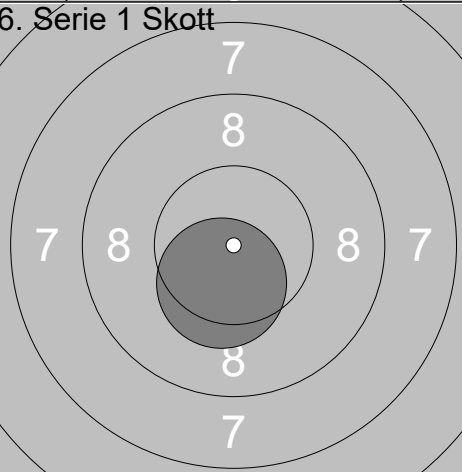
<p>3. Serie 1 Skott</p>	<table style="width:100%; border-collapse: collapse;"> <tr><td>1:</td><td>10.8x</td><td>↑</td></tr> </table> <table style="width:100%; border-collapse: collapse;"> <tr><td>Serie</td><td style="text-align: right;">10.8</td></tr> <tr><td>Total</td><td style="text-align: right;">468.7</td></tr> </table>	1:	10.8x	↑	Serie	10.8	Total	468.7	<p>4. Serie 1 Skott</p>	<table style="width:100%; border-collapse: collapse;"> <tr><td>1:</td><td>10.5x</td><td>↓</td></tr> </table> <table style="width:100%; border-collapse: collapse;"> <tr><td>Serie</td><td style="text-align: right;">10.5</td></tr> <tr><td>Total</td><td style="text-align: right;">479.2</td></tr> </table>	1:	10.5x	↓	Serie	10.5	Total	479.2
1:	10.8x	↑															
Serie	10.8																
Total	468.7																
1:	10.5x	↓															
Serie	10.5																
Total	479.2																

<p>5. Serie 1 Skott</p>	<table style="width:100%; border-collapse: collapse;"> <tr><td>1:</td><td>10.4x</td><td>↗</td></tr> </table> <table style="width:100%; border-collapse: collapse;"> <tr><td>Serie</td><td style="text-align: right;">10.4</td></tr> <tr><td>Total</td><td style="text-align: right;">489.6</td></tr> </table>	1:	10.4x	↗	Serie	10.4	Total	489.6	<p>6. Serie 1 Skott</p>	<table style="width:100%; border-collapse: collapse;"> <tr><td>1:</td><td>10.5x</td><td>←</td></tr> </table> <table style="width:100%; border-collapse: collapse;"> <tr><td>Serie</td><td style="text-align: right;">10.5</td></tr> <tr><td>Total</td><td style="text-align: right;">500.1</td></tr> </table>	1:	10.5x	←	Serie	10.5	Total	500.1
1:	10.4x	↗															
Serie	10.4																
Total	489.6																
1:	10.5x	←															
Serie	10.5																
Total	500.1																

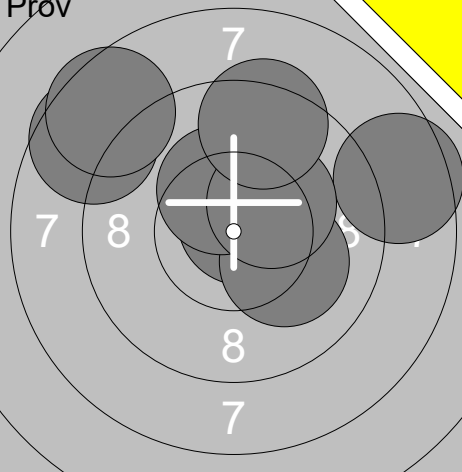
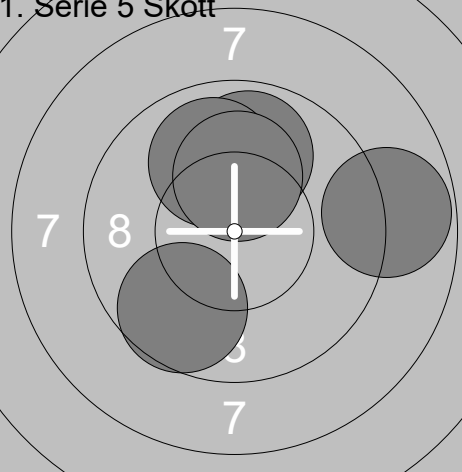
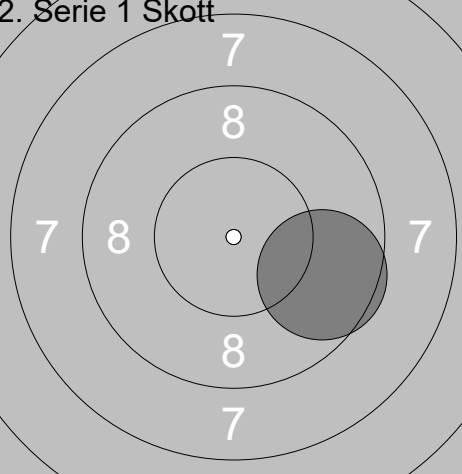
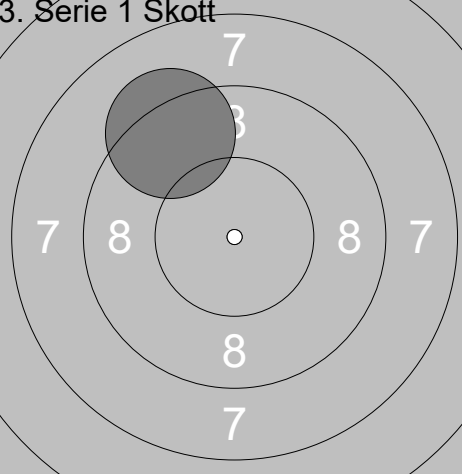
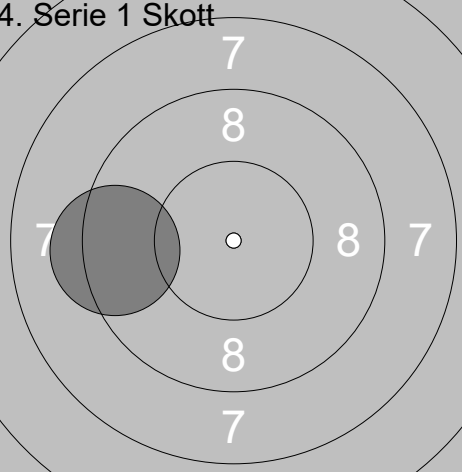
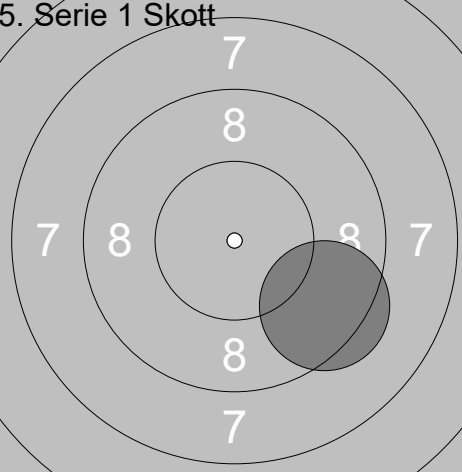
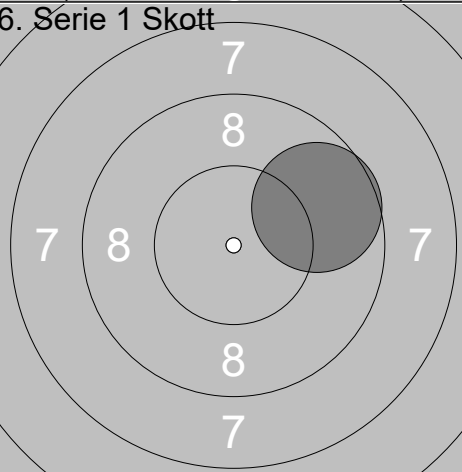
Skjutlag 3	Tavla 30	Henrik Albihn	
Ramselefors		Vännäs	Sitt Vb
07.11.2021	Vindelnskyttet 2021	Ramselefors SKF	
Prov 	1: 10.3x ↘ 2: 10.0 ↓ 3: 9.8 ↓ 4: 10.6x ↗ 5: 10.2x ↗ 6: 10.3x ← 7: 9.8 → 8: 10.1 ↑ 9: 10.2x ↗ 10: 10.2x ↘ Serie 101.5 Total 394.0	1. Serie 5 Skott 	1: 9.9 ← 2: 10.6x ↗ 3: 10.1 ↗ 4: 10.6x ↓ 5: 10.6x ↖ Serie 51.8 Total 445.8
2. Serie 1 Skott 	1: 10.5x ↗ Serie 10.5 Total 456.3	3. Serie 1 Skott 	1: 10.5x ↓ Serie 10.5 Total 466.8
4. Serie 1 Skott 	1: 10.7x ↓ Serie 10.7 Total 477.5	5. Serie 1 Skott 	1: 10.4x → Serie 10.4 Total 487.9
6. Serie 1 Skott 	1: 10.3x → Serie 10.3 Total 498.2		

Prov 	<table style="width:100%; border-collapse: collapse;"> <tr><td>1:</td><td>10.4x</td><td>↘</td></tr> <tr><td>2:</td><td>9.8</td><td>↘</td></tr> <tr><td>3:</td><td>10.5x</td><td>←</td></tr> <tr><td>4:</td><td>10.4x</td><td>↘</td></tr> <tr><td>5:</td><td>10.4x</td><td>↗</td></tr> <tr><td>6:</td><td>10.3x</td><td>↗</td></tr> <tr><td>7:</td><td>9.5</td><td>←</td></tr> </table> <table style="width:100%; border-collapse: collapse; margin-top: 5px;"> <tr><td style="border-top: 1px solid black;">Serie</td><td style="border-top: 1px solid black; text-align: right;">71.3</td></tr> <tr><td style="border-top: 1px solid black;">Total</td><td style="border-top: 1px solid black; text-align: right;">395.0</td></tr> </table>	1:	10.4x	↘	2:	9.8	↘	3:	10.5x	←	4:	10.4x	↘	5:	10.4x	↗	6:	10.3x	↗	7:	9.5	←	Serie	71.3	Total	395.0	1. Serie 5 Skott 	<table style="width:100%; border-collapse: collapse;"> <tr><td>1:</td><td>9.0</td><td>←</td></tr> <tr><td>2:</td><td>10.3x</td><td>→</td></tr> <tr><td>3:</td><td>10.2x</td><td>→</td></tr> <tr><td>4:</td><td>9.7</td><td>↗</td></tr> <tr><td>5:</td><td>9.5</td><td>↖</td></tr> </table> <table style="width:100%; border-collapse: collapse; margin-top: 5px;"> <tr><td style="border-top: 1px solid black;">Serie</td><td style="border-top: 1px solid black; text-align: right;">48.7</td></tr> <tr><td style="border-top: 1px solid black;">Total</td><td style="border-top: 1px solid black; text-align: right;">443.7</td></tr> </table>	1:	9.0	←	2:	10.3x	→	3:	10.2x	→	4:	9.7	↗	5:	9.5	↖	Serie	48.7	Total	443.7
1:	10.4x	↘																																													
2:	9.8	↘																																													
3:	10.5x	←																																													
4:	10.4x	↘																																													
5:	10.4x	↗																																													
6:	10.3x	↗																																													
7:	9.5	←																																													
Serie	71.3																																														
Total	395.0																																														
1:	9.0	←																																													
2:	10.3x	→																																													
3:	10.2x	→																																													
4:	9.7	↗																																													
5:	9.5	↖																																													
Serie	48.7																																														
Total	443.7																																														
2. Serie 1 Skott 	<table style="width:100%; border-collapse: collapse;"> <tr><td>1:</td><td>10.3x</td><td>↘</td></tr> </table> <table style="width:100%; border-collapse: collapse; margin-top: 5px;"> <tr><td style="border-top: 1px solid black;">Serie</td><td style="border-top: 1px solid black; text-align: right;">10.3</td></tr> <tr><td style="border-top: 1px solid black;">Total</td><td style="border-top: 1px solid black; text-align: right;">454.0</td></tr> </table>	1:	10.3x	↘	Serie	10.3	Total	454.0	3. Serie 1 Skott 	<table style="width:100%; border-collapse: collapse;"> <tr><td>1:</td><td>9.9</td><td>↗</td></tr> </table> <table style="width:100%; border-collapse: collapse; margin-top: 5px;"> <tr><td style="border-top: 1px solid black;">Serie</td><td style="border-top: 1px solid black; text-align: right;">9.9</td></tr> <tr><td style="border-top: 1px solid black;">Total</td><td style="border-top: 1px solid black; text-align: right;">463.9</td></tr> </table>	1:	9.9	↗	Serie	9.9	Total	463.9																														
1:	10.3x	↘																																													
Serie	10.3																																														
Total	454.0																																														
1:	9.9	↗																																													
Serie	9.9																																														
Total	463.9																																														
4. Serie 1 Skott 	<table style="width:100%; border-collapse: collapse;"> <tr><td>1:</td><td>9.8</td><td>←</td></tr> </table> <table style="width:100%; border-collapse: collapse; margin-top: 5px;"> <tr><td style="border-top: 1px solid black;">Serie</td><td style="border-top: 1px solid black; text-align: right;">9.8</td></tr> <tr><td style="border-top: 1px solid black;">Total</td><td style="border-top: 1px solid black; text-align: right;">473.7</td></tr> </table>	1:	9.8	←	Serie	9.8	Total	473.7	5. Serie 1 Skott 	<table style="width:100%; border-collapse: collapse;"> <tr><td>1:</td><td>10.4x</td><td>→</td></tr> </table> <table style="width:100%; border-collapse: collapse; margin-top: 5px;"> <tr><td style="border-top: 1px solid black;">Serie</td><td style="border-top: 1px solid black; text-align: right;">10.4</td></tr> <tr><td style="border-top: 1px solid black;">Total</td><td style="border-top: 1px solid black; text-align: right;">484.1</td></tr> </table>	1:	10.4x	→	Serie	10.4	Total	484.1																														
1:	9.8	←																																													
Serie	9.8																																														
Total	473.7																																														
1:	10.4x	→																																													
Serie	10.4																																														
Total	484.1																																														
6. Serie 1 Skott 	<table style="width:100%; border-collapse: collapse;"> <tr><td>1:</td><td>10.7x</td><td>↗</td></tr> </table> <table style="width:100%; border-collapse: collapse; margin-top: 5px;"> <tr><td style="border-top: 1px solid black;">Serie</td><td style="border-top: 1px solid black; text-align: right;">10.7</td></tr> <tr><td style="border-top: 1px solid black;">Total</td><td style="border-top: 1px solid black; text-align: right;">494.8</td></tr> </table>	1:	10.7x	↗	Serie	10.7	Total	494.8																																							
1:	10.7x	↗																																													
Serie	10.7																																														
Total	494.8																																														

<p>Prov</p>	<p>1: 8.6 → 2: 8.9 ← 3: 10.2x ↓ 4: 9.1 ↓ 5: 10.8x ↑ 6: 10.5x ↑ 7: 9.5 ↑</p> <table border="1" style="width:100%; border-collapse: collapse;"> <tr><td>Serie</td><td style="text-align: right;">67.6</td></tr> <tr><td>Total</td><td style="text-align: right;">353.0</td></tr> </table>	Serie	67.6	Total	353.0	<p>1. Serie 5 Skott</p> <p>1: 8.7 → 2: 10.1 ← 3: 9.8 ↓ 4: 7.8 ↑ 5: 10.4x ↑</p> <table border="1" style="width:100%; border-collapse: collapse;"> <tr><td>Serie</td><td style="text-align: right;">46.8</td></tr> <tr><td>Total</td><td style="text-align: right;">399.8</td></tr> </table>	Serie	46.8	Total	399.8	
Serie	67.6										
Total	353.0										
Serie	46.8										
Total	399.8										
<p>2. Serie 1 Skott</p>	<p>1: 8.8 ↑</p> <table border="1" style="width:100%; border-collapse: collapse;"> <tr><td>Serie</td><td style="text-align: right;">8.8</td></tr> <tr><td>Total</td><td style="text-align: right;">408.6</td></tr> </table>	Serie	8.8	Total	408.6	<p>3. Serie 1 Skott</p>	<p>1: 8.5 ←</p> <table border="1" style="width:100%; border-collapse: collapse;"> <tr><td>Serie</td><td style="text-align: right;">8.5</td></tr> <tr><td>Total</td><td style="text-align: right;">417.1</td></tr> </table>	Serie	8.5	Total	417.1
Serie	8.8										
Total	408.6										
Serie	8.5										
Total	417.1										
<p>4. Serie 1 Skott</p>	<p>1: 10.2x ←</p> <table border="1" style="width:100%; border-collapse: collapse;"> <tr><td>Serie</td><td style="text-align: right;">10.2</td></tr> <tr><td>Total</td><td style="text-align: right;">427.3</td></tr> </table>	Serie	10.2	Total	427.3	<p>5. Serie 1 Skott</p>	<p>1: 10.0 →</p> <table border="1" style="width:100%; border-collapse: collapse;"> <tr><td>Serie</td><td style="text-align: right;">10.0</td></tr> <tr><td>Total</td><td style="text-align: right;">437.3</td></tr> </table>	Serie	10.0	Total	437.3
Serie	10.2										
Total	427.3										
Serie	10.0										
Total	437.3										
<p>6. Serie 1 Skott</p>	<p>1: 9.4 ←</p> <table border="1" style="width:100%; border-collapse: collapse;"> <tr><td>Serie</td><td style="text-align: right;">9.4</td></tr> <tr><td>Total</td><td style="text-align: right;">446.7</td></tr> </table>	Serie	9.4	Total	446.7						
Serie	9.4										
Total	446.7										

<p>Prov</p> 	<p>1: 10.4x ↗ 2: 9.2 ↗ 3: 9.7 ↓ 4: 10.0 ← 5: 9.3 ↓ 6: 10.3x ← 7: 10.7x ↑</p>	<p>1. Serie 5 Skott</p> 	<p>1: 8.9 → 2: 9.7 → 3: 8.6 → 4: 10.7x ↓ 5: 10.3x ↑</p>
Serie 69.6	Total 380.0	Serie 48.2	Total 428.2
<p>2. Serie 1 Skott</p> 	<p>1: 10.1 →</p>	<p>3. Serie 1 Skott</p> 	<p>1: 9.3 →</p>
Serie 10.1	Total 438.3	Serie 9.3	Total 447.6
<p>4. Serie 1 Skott</p> 	<p>1: 10.0 ←</p>	<p>5. Serie 1 Skott</p> 	<p>1: 10.0 ←</p>
Serie 10.0	Total 457.6	Serie 10.0	Total 467.6
<p>6. Serie 1 Skott</p> 	<p>1: 10.4x ↓</p>		
Serie 10.4	Total 478.0		

<p>Prov</p>	<p>1: 10.1 ↑ 2: 10.7x ↑ 3: 9.7 ← 4: 9.9 → 5: 9.7 → 6: 10.8x ↖ 7: 10.5x → 8: 9.8 →</p> <table border="1" style="width:100%; border-collapse: collapse;"> <tr><td>Serie</td><td style="text-align: right;">81.2</td></tr> <tr><td>Total</td><td style="text-align: right;">376.0</td></tr> </table>	Serie	81.2	Total	376.0	<p>1. Serie 5 Skott</p> <p>1: 10.8x ↙ 2: 8.0 → 3: 9.8 ↖ 4: 9.8 → 5: 9.2 →</p> <table border="1" style="width:100%; border-collapse: collapse;"> <tr><td>Serie</td><td style="text-align: right;">47.6</td></tr> <tr><td>Total</td><td style="text-align: right;">423.6</td></tr> </table>	Serie	47.6	Total	423.6	
Serie	81.2										
Total	376.0										
Serie	47.6										
Total	423.6										
<p>2. Serie 1 Skott</p>	<p>1: 9.5 →</p> <table border="1" style="width:100%; border-collapse: collapse;"> <tr><td>Serie</td><td style="text-align: right;">9.5</td></tr> <tr><td>Total</td><td style="text-align: right;">433.1</td></tr> </table>	Serie	9.5	Total	433.1	<p>3. Serie 1 Skott</p>	<p>1: 9.2 →</p> <table border="1" style="width:100%; border-collapse: collapse;"> <tr><td>Serie</td><td style="text-align: right;">9.2</td></tr> <tr><td>Total</td><td style="text-align: right;">442.3</td></tr> </table>	Serie	9.2	Total	442.3
Serie	9.5										
Total	433.1										
Serie	9.2										
Total	442.3										
<p>4. Serie 1 Skott</p>	<p>1: 9.5 →</p> <table border="1" style="width:100%; border-collapse: collapse;"> <tr><td>Serie</td><td style="text-align: right;">9.5</td></tr> <tr><td>Total</td><td style="text-align: right;">451.8</td></tr> </table>	Serie	9.5	Total	451.8	<p>5. Serie 1 Skott</p>	<p>1: 9.2 →</p> <table border="1" style="width:100%; border-collapse: collapse;"> <tr><td>Serie</td><td style="text-align: right;">9.2</td></tr> <tr><td>Total</td><td style="text-align: right;">461.0</td></tr> </table>	Serie	9.2	Total	461.0
Serie	9.5										
Total	451.8										
Serie	9.2										
Total	461.0										
<p>6. Serie 1 Skott</p>	<p>1: 9.8 →</p> <table border="1" style="width:100%; border-collapse: collapse;"> <tr><td>Serie</td><td style="text-align: right;">9.8</td></tr> <tr><td>Total</td><td style="text-align: right;">470.8</td></tr> </table>	Serie	9.8	Total	470.8						
Serie	9.8										
Total	470.8										

<p>Prov</p> 	<p>1: 10.8x ↗ 2: 8.6 ↖ 3: 8.5 → 4: 10.1 ↘ 5: 8.6 ↗ 6: 10.3x ↗ 7: 10.3x ↗ 8: 9.4 ↗</p> <table border="1" style="width:100%; border-collapse: collapse;"> <tr><td>Serie</td><td style="text-align: right;">76.6</td></tr> <tr><td>Total</td><td style="text-align: right;">361.0</td></tr> </table>	Serie	76.6	Total	361.0	<p>1. Serie 5 Skott</p>  <table border="1" style="width:100%; border-collapse: collapse;"> <tr><td>Serie</td><td style="text-align: right;">48.5</td></tr> <tr><td>Total</td><td style="text-align: right;">409.5</td></tr> </table>	Serie	48.5	Total	409.5	<p>1: 8.8 → 2: 9.7 ↘ 3: 9.9 ↑ 4: 9.9 ↗ 5: 10.2x ↑</p>
Serie	76.6										
Total	361.0										
Serie	48.5										
Total	409.5										
<p>2. Serie 1 Skott</p>  <table border="1" style="width:100%; border-collapse: collapse;"> <tr><td>Serie</td><td style="text-align: right;">9.6</td></tr> <tr><td>Total</td><td style="text-align: right;">419.1</td></tr> </table>	Serie	9.6	Total	419.1	<p>1: 9.6 →</p>	<p>3. Serie 1 Skott</p>  <table border="1" style="width:100%; border-collapse: collapse;"> <tr><td>Serie</td><td style="text-align: right;">9.3</td></tr> <tr><td>Total</td><td style="text-align: right;">428.4</td></tr> </table>	Serie	9.3	Total	428.4	<p>1: 9.3 ↖</p>
Serie	9.6										
Total	419.1										
Serie	9.3										
Total	428.4										
<p>4. Serie 1 Skott</p>  <table border="1" style="width:100%; border-collapse: collapse;"> <tr><td>Serie</td><td style="text-align: right;">9.3</td></tr> <tr><td>Total</td><td style="text-align: right;">437.7</td></tr> </table>	Serie	9.3	Total	437.7	<p>1: 9.3 ←</p>	<p>5. Serie 1 Skott</p>  <table border="1" style="width:100%; border-collapse: collapse;"> <tr><td>Serie</td><td style="text-align: right;">9.4</td></tr> <tr><td>Total</td><td style="text-align: right;">447.1</td></tr> </table>	Serie	9.4	Total	447.1	<p>1: 9.4 ↘</p>
Serie	9.3										
Total	437.7										
Serie	9.4										
Total	447.1										
<p>6. Serie 1 Skott</p>  <table border="1" style="width:100%; border-collapse: collapse;"> <tr><td>Serie</td><td style="text-align: right;">9.7</td></tr> <tr><td>Total</td><td style="text-align: right;">456.8</td></tr> </table>	Serie	9.7	Total	456.8	<p>1: 9.7 →</p>						
Serie	9.7										
Total	456.8										