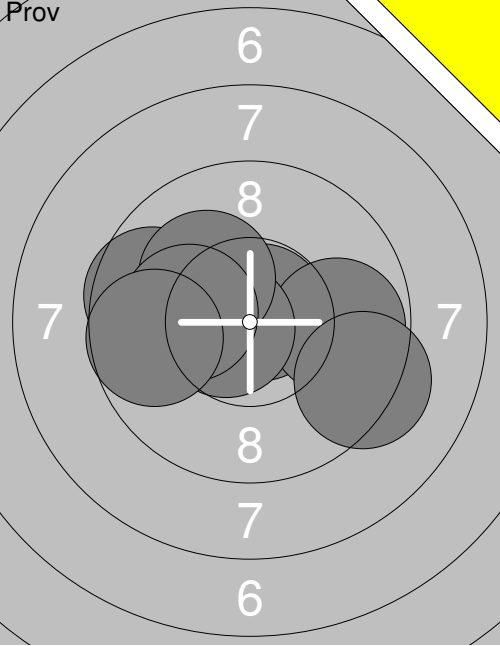
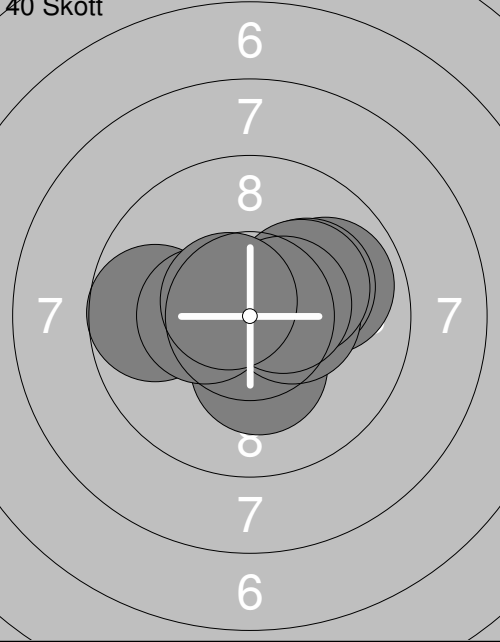
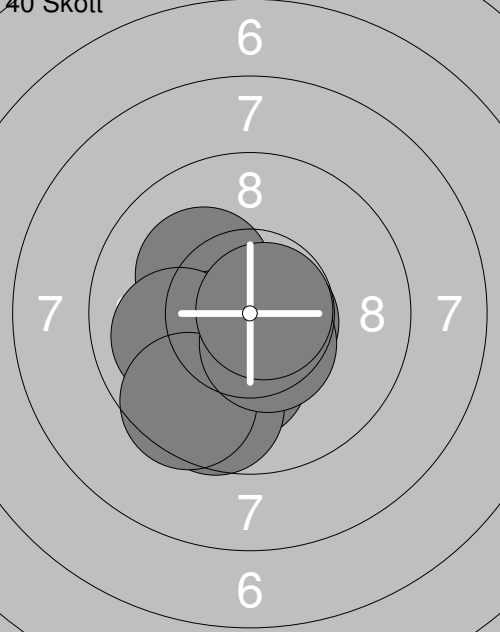
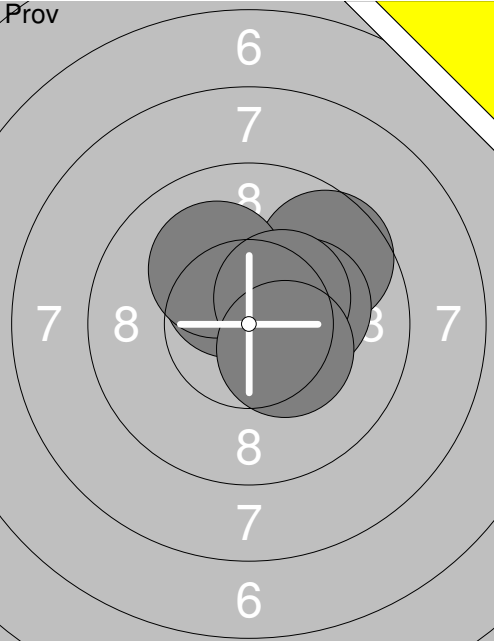
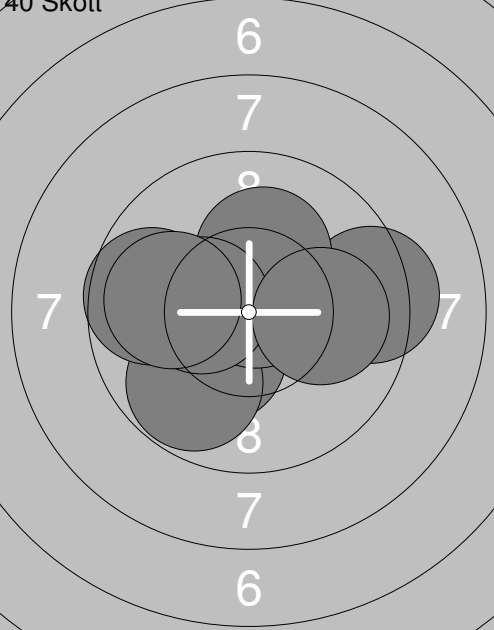
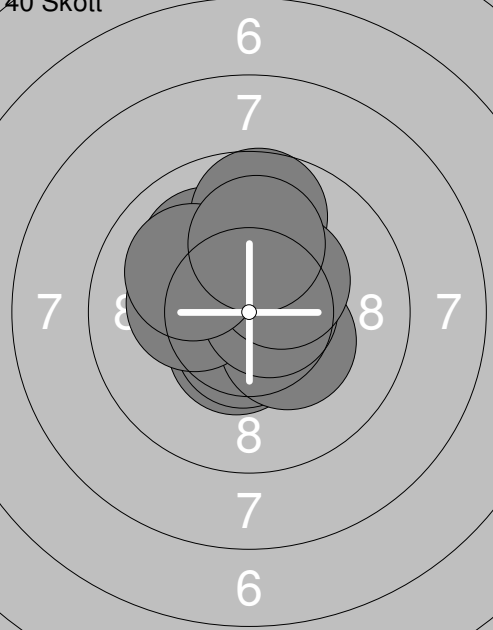
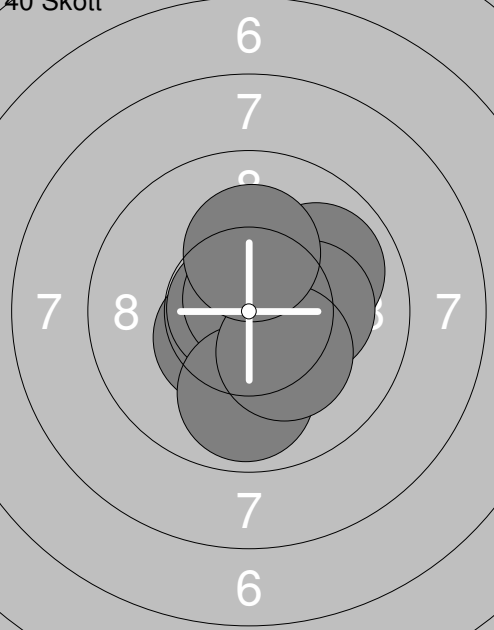
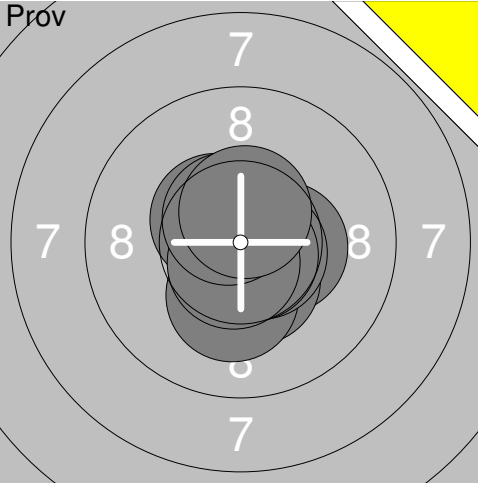
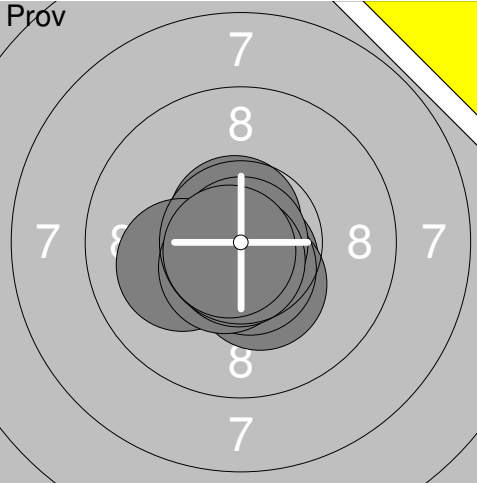

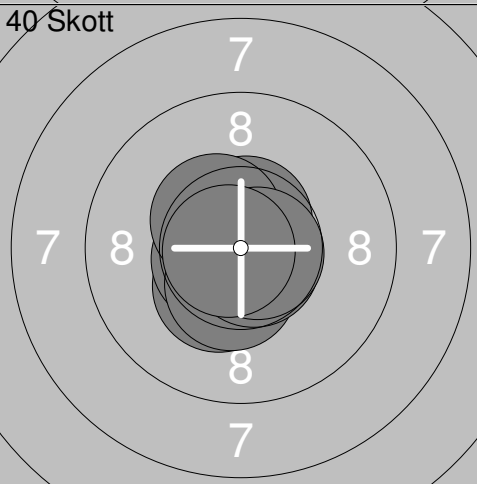
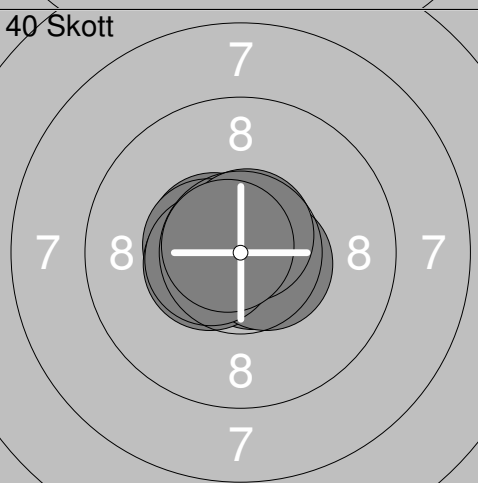
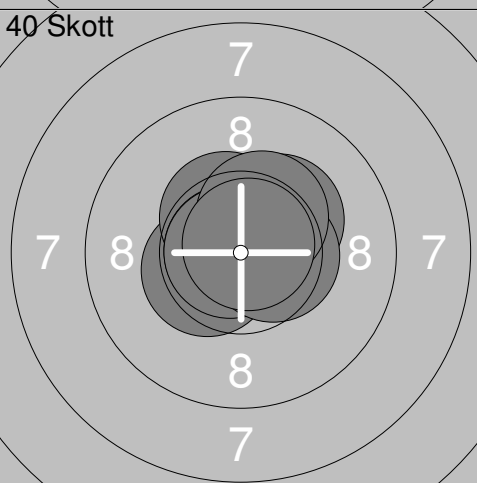

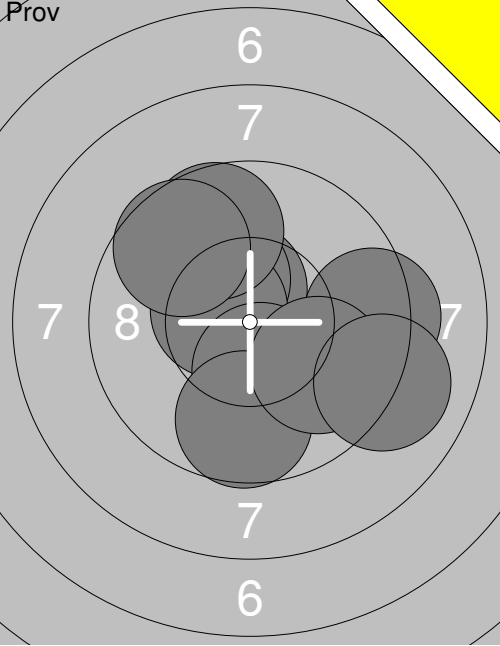
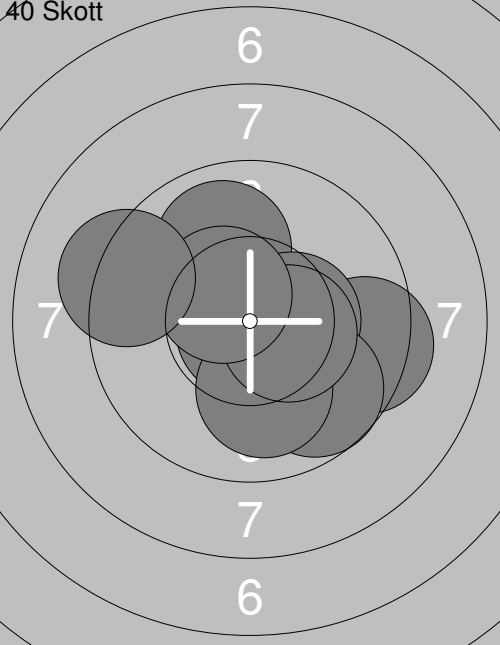
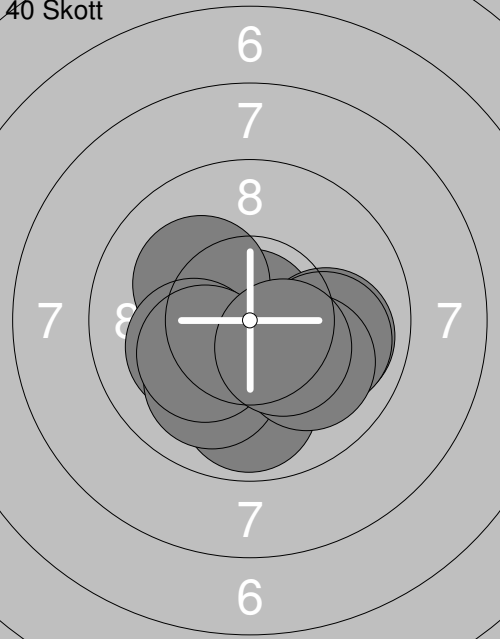
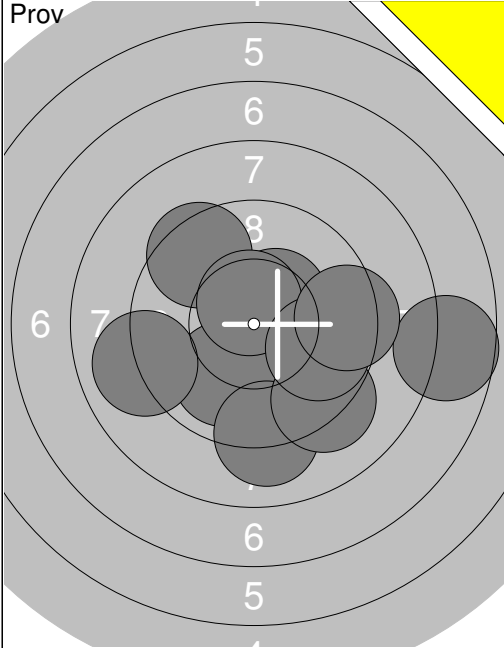
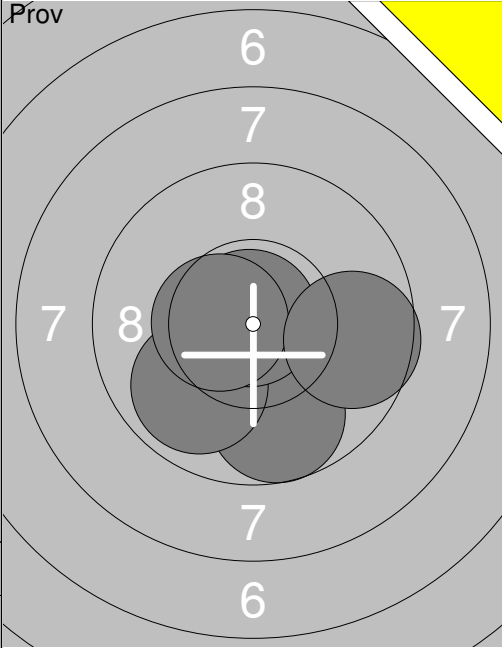
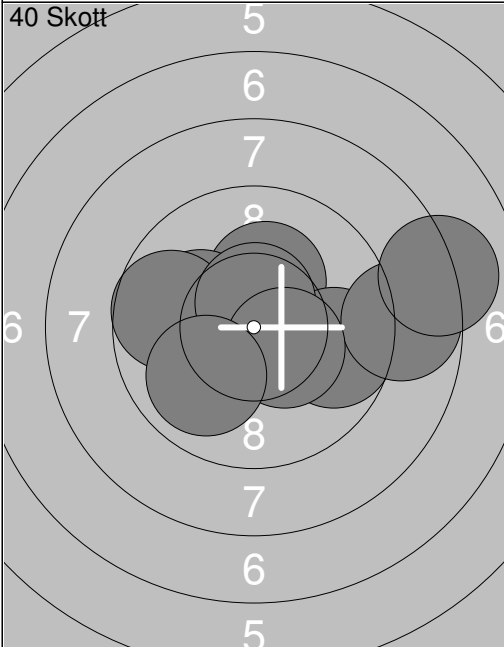
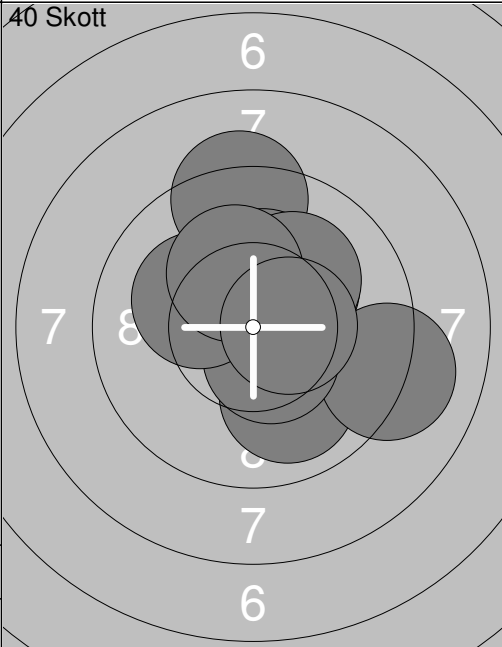
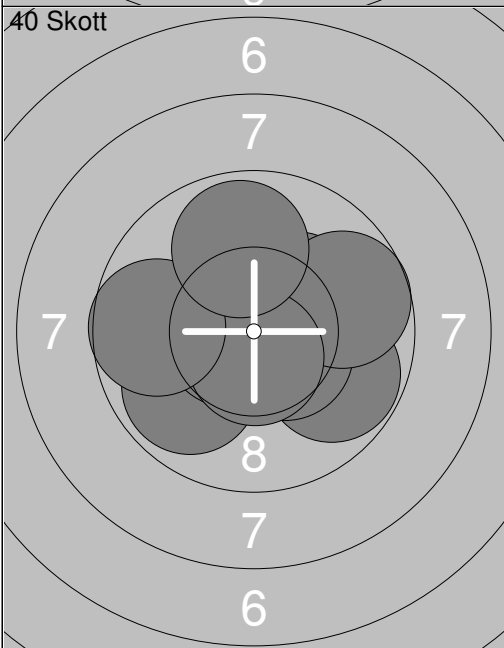
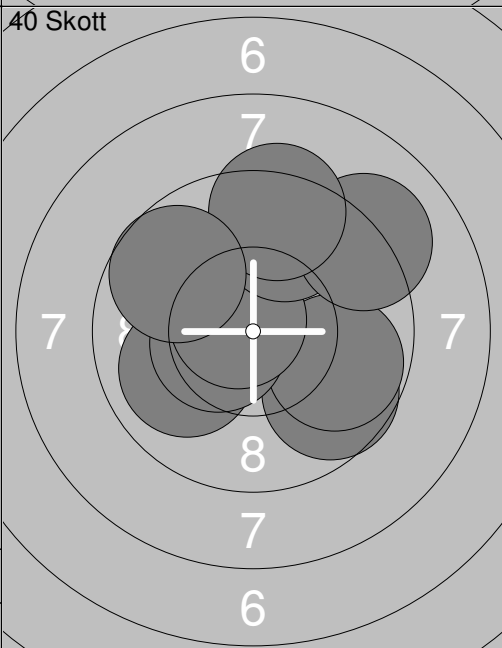


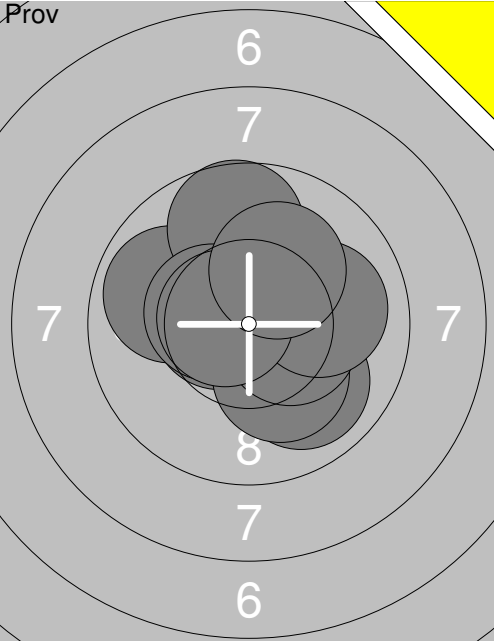
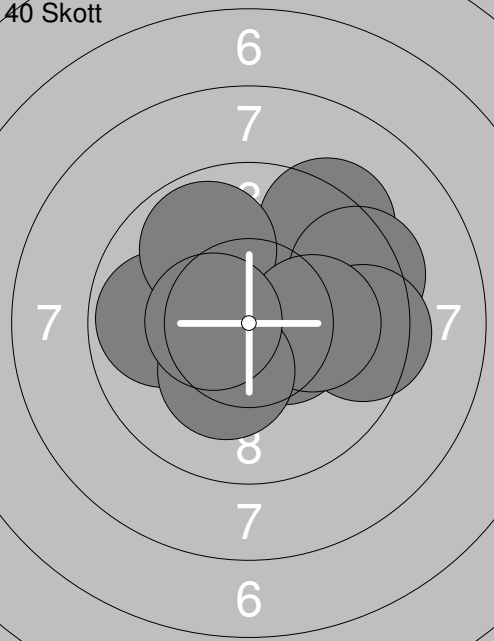
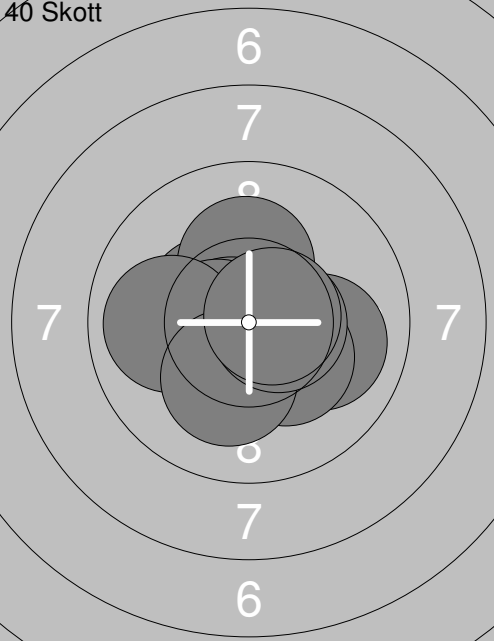
Skjutlag	Tavla	Nicolle Nygren		
1	16	Umeå Skytteförening	Jun	
06.11.2021	Nationellt SM 2021	Umeå skytteallians		
Prov		1: 10.6x↘ 2: 10.8x↗ 3: 9.8 → 4: 9.3 ↘ 5: 10.0← 6: 9.6 ← 7: 10.6x↘ 8: 10.2x↘ 9: 10.2x↘ 10: 9.7 ←	Prov	11: 10.9x↑
		Serie 96.0		Serie 10.0
		Total 0.0		Total 0.0
40 Skott		1: 10.3x↓ 2: 9.9 → 3: 10.4x↗ 4: 9.7 ← 5: 10.4x← 6: 10.1 ↗ 7: 10.4x→ 8: 10.2x↗ 9: 10.5x→ 10: 10.6x↘	40 Skott	11: 8.9 ↘ 12: 10.1 ↗ 13: 10.3x↑ 14: 9.7 ↘ 15: 9.4 ↘ 16: 9.3 ↘ 17: 9.9 ← 18: 10.5x↘ 19: 10.2x↘ 20: 9.8 ↖
		Serie 98.0		Serie 93.0
		Total 98.0		Total 191.0
40 Skott		21: 10.2x↘ 22: 10.2x↓ 23: 10.2x↘ 24: 10.7x→ 25: 10.5x↘ 26: 10.0← 27: 9.7 ↓ 28: 9.6 ↓ 29: 10.5x↓ 30: 10.8x→	40 Skott	31: 10.5x↘ 32: 10.2x↑ 33: 9.7 → 34: 9.2 ↘ 35: 10.0 ↓ 36: 10.9x↗ 37: 10.2x↓ 38: 10.3x↓ 39: 9.6 → 40: 10.3x↗
		Serie 98.0		Serie 97.0
		Total 289.0		Total 386.0

Skjutlag 1	Tavla 19	Helena Perkiömäki	
S		Umeå Skytteförening	Jun
06.11.2021	Nationellt SM 2021	Umeå skytteallians	
Prov 	1: 10.4x ↘ 2: 10.4x ↗ 3: 9.6 ↗ 4: 10.1 ↖ 5: 10.2x ➔ 6: 10.4x ↗ 7: 10.4x ↘ Serie 69.0 Total 0.0	40 Skott 	1: 9.6 ↑ 2: 10.0 ↑ 3: 10.1 ➔ 4: 9.9 ↓ 5: 10.5x ↘ 6: 10.2x ↓ 7: 10.0 ↑ 8: 10.7x ↘ 9: 9.9 ↘ 10: 9.6 ↓ Serie 96.0 Total 96.0
40 Skott 	11: 9.3 ➔ 12: 10.5x ↘ 13: 10.3x ↘ 14: 9.8 ↘ 15: 10.8x ↗ 16: 9.7 ← 17: 10.2x ↗ 18: 10.3x ↘ 19: 10.0 ➔ 20: 9.9 ← Serie 96.0 Total 192.0	40 Skott 	21: 10.5x ↘ 22: 10.0 ↖ 23: 10.6x ↘ 24: 10.3x ↘ 25: 10.2x ↘ 26: 9.7 ↑ 27: 10.7x ➔ 28: 10.4x ↗ 29: 10.1 ↖ 30: 10.1 ↑ Serie 99.0 Total 291.0
40 Skott 	31: 10.8x ➔ 32: 10.5x ↗ 33: 10.5x ↘ 34: 10.8x ↘ 35: 10.8x ↗ 36: 9.9 ↗ 37: 9.9 ↓ 38: 10.2x ➔ 39: 10.2x ↘ 40: 10.2x ↑ Serie 98.0 Total 389.0		

Skjutlag 1	Tavla 21	Rasmus Alfredsson			
S		Umeå Skytteförening		JunSitt	
06.11.2021		Nationellt SM 2021		Umeå skytteallians	
Prov		1: 10.5x ↓ 2: 10.4x → 3: 10.4x ↓ 4: 10.2x ↓ 5: 10.6x → 6: 10.5x ↗ 7: 10.7x ↓ 8: 10.7x ↓ 9: 10.6x ↗ 10: 10.5x ↑	Prov		11: 10.7x ↓ 12: 10.7x ↗ 13: 10.7x ↓ 14: 10.3x ↓ 15: 10.6x ↓ 16: 10.1 ← 17: 10.6x ↓ 18: 10.9x ↓ 19: 10.7x ↓ 20: 10.8x ↙
		Serie 105.1		Serie 106.1	
		Total 0.0		Total 0.0	
Prov		21: 10.8x ↓ 22: 10.8x → 23: 10.7x → 24: 10.6x ← 25: 10.6x ← 26: 10.7x ↓ 27: 10.9x ↓ 28: 10.7x ↓	40 Skott		1: 10.7x ← 2: 10.4x ↓ 3: 10.6x ← 4: 10.4x ↓ 5: 10.6x ↑ 6: 10.9x ↗ 7: 10.7x ↓ 8: 10.5x ↗ 9: 10.7x → 10: 10.8x ←
		Serie 85.8		Serie 106.3	
		Total 0.0		Total 106.3	
40 Skott		11: 10.8x ← 12: 10.7x ↓ 13: 10.6x ↗ 14: 10.9x ← 15: 10.5x ← 16: 10.5x ← 17: 10.6x → 18: 10.5x ← 19: 10.7x ↗ 20: 10.8x ↙	40 Skott		21: 10.8x → 22: 10.3x ↗ 23: 10.6x ↗ 24: 10.4x ← 25: 10.4x ↗ 26: 10.8x ← 27: 10.8x ← 28: 10.5x → 29: 10.4x ↗ 30: 10.8x ↗
		Serie 106.6		Serie 105.8	
		Total 212.9		Total 318.7	
40 Skott		31: 10.9x ↗ 32: 10.6x ↗ 33: 10.8x ↗ 34: 10.6x ← 35: 10.9x ↓ 36: 10.4x ↓ 37: 10.7x ↓ 38: 10.5x ↓ 39: 10.8x → 40: 10.6x ↓			
		Serie 106.8			
		Total 425.5			

Skjuttag	Tavla	Nicolle Nygren	
2	16	Umeå Skytteförening	Sen
06.11.2021	Nationellt SM 2021	Umeå skytteallians	
Prov		1: 10.5x ↗ 2: 10.3x ↘ 3: 10.5x ↘ 4: 10.3x ↘ 5: 9.7 ↓ 6: 9.4 → 7: 9.9 ↘ 8: 9.1 ↘ 9: 9.7 ↗ 10: 9.6 ↗ Serie 94.0 Total 0.0	11: 10.1 → 12: 10.2x ↘ 13: 9.7 ↙ 14: 9.6 ↙ 15: 9.5 ↓ 16: 9.0 ↘ 17: 10.2x ↘ 18: 10.4x ↘ Serie 76.0 Total 0.0
40 Skott		1: 9.4 → 2: 10.0 ↗ 3: 10.9x ↗ 4: 10.4x → 5: 9.7 ↘ 6: 10.8x ↘ 7: 10.0 ↓ 8: 10.4x → 9: 10.5x ↘ 10: 9.2 ← Serie 97.0 Total 97.0	11: 10.7x ↘ 12: 9.7 ↘ 13: 10.9x ↘ 14: 10.5x ↘ 15: 10.4x ↘ 16: 9.8 ↗ 17: 9.8 → 18: 10.4x → 19: 10.2x ↘ 20: 10.9x ↘ Serie 97.0 Total 194.0
40 Skott		21: 10.9x ↗ 22: 10.2x ↘ 23: 10.1 ↙ 24: 9.9 → 25: 10.0 → 26: 9.9 ↓ 27: 10.0 ↘ 28: 10.2x ↘ 29: 10.0 ↘ 30: 10.4x ↘ Serie 98.0 Total 292.0	31: 10.3x ↗ 32: 10.4x ↗ 33: 10.7x ↗ 34: 9.8 → 35: 10.7x ↘ 36: 9.9 → 37: 10.7x ↘ 38: 9.1 → 39: 10.0 ↗ 40: 10.6x ↘ Serie 97.0 Total 389.0

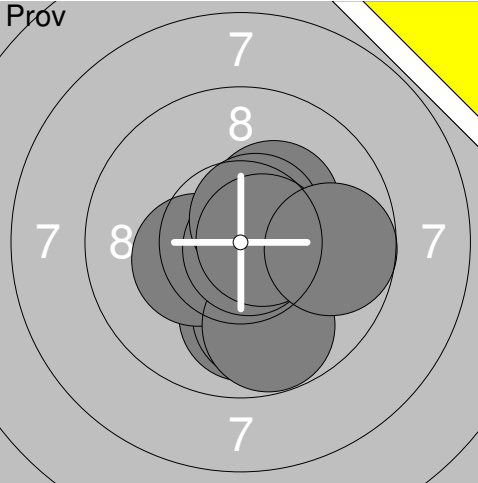
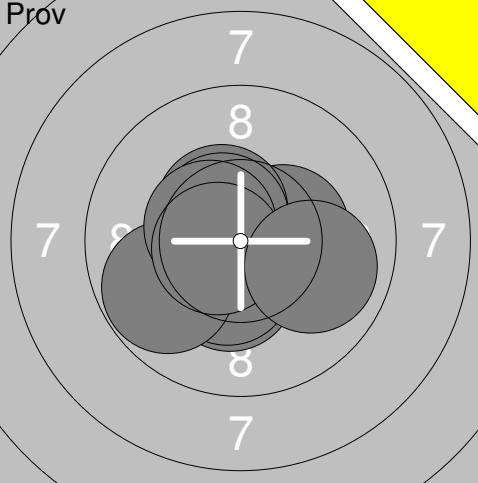
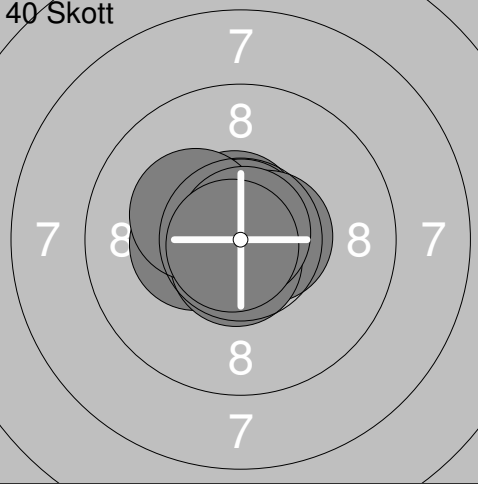
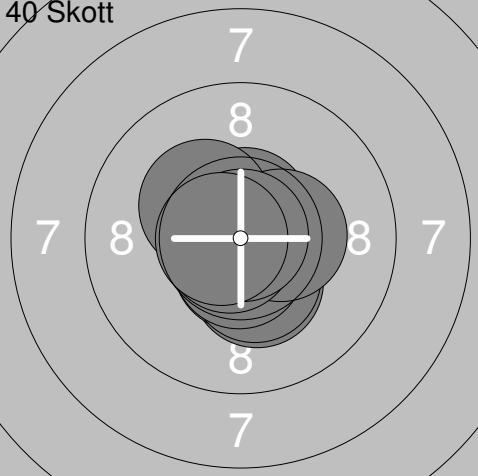
Skjutlag 2	Tavla 17	Hanna Johansson	
S		Umeå Skytteförening	Jun
06.11.2021	Nationellt SM 2021	Umeå skytteallians	
Prov		Prov	
	1: 10.0 ↘ 2: 9.1 ↓ 3: 10.4x↗ 4: 9.0 ← 5: 9.2 ↘ 6: 9.5 ↗ 7: 10.6x↗ 8: 9.8 → 9: 7.7 → 10: 9.4 →		11: 9.7 ↓ 12: 9.9 ↘ 13: 10.9x↗ 14: 10.5x← 15: 9.6 →
	Serie 91.0 Total 0.0		Serie 47.0 Total 0.0
40 Skott		40 Skott	
	1: 10.3x↗ 2: 10.1← 3: 9.7 → 4: 10.6x↘ 5: 9.7 ← 6: 10.6x↗ 7: 8.8 → 8: 8.1 → 9: 10.4x↘ 10: 9.9 ↘		11: 9.3 ↑ 12: 10.0 ↓ 13: 10.3x↗ 14: 9.1 → 15: 10.2x↗ 16: 10.5x↘ 17: 10.1 ↗ 18: 10.2x← 19: 10.2x↗ 20: 10.5x→
	Serie 93.0 Total 93.0		Serie 98.0 Total 191.0
40 Skott		40 Skott	
	21: 9.8 → 22: 10.3x↗ 23: 9.9 ↘ 24: 10.5x→ 25: 10.6x← 26: 10.5x↘ 27: 9.7 → 28: 10.6x↓ 29: 9.7 ← 30: 9.9 ↑		31: 9.7 ↘ 32: 10.0← 33: 9.8 → 34: 10.5x← 35: 10.1 ↖ 36: 10.7x↘ 37: 9.6 ↑ 38: 9.1 ↗ 39: 9.4 ↑ 40: 9.7 ↖
	Serie 95.0 Total 286.0		Serie 94.0 Total 380.0

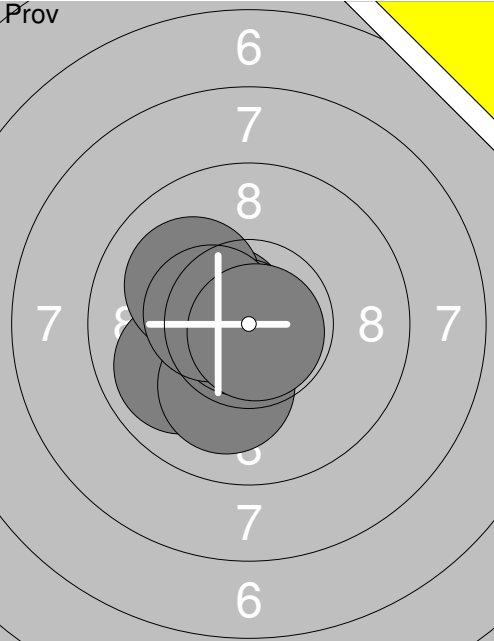
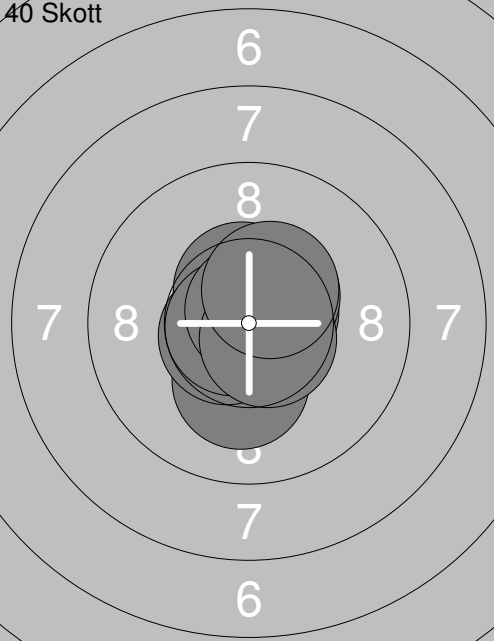
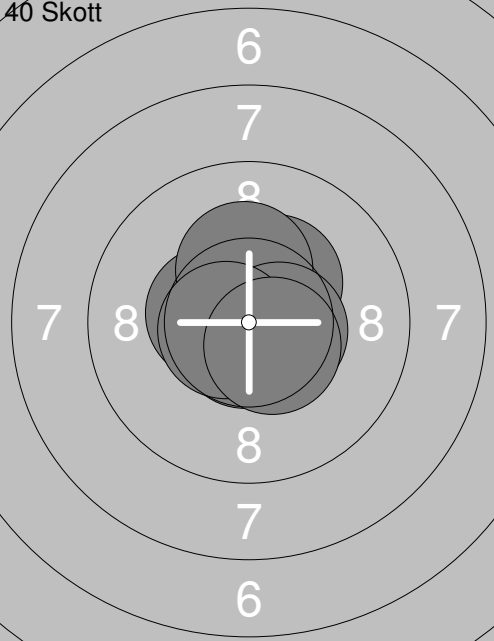
Skjuttlag	Tavla	Hanna Lundin	
2	18	Umeå Skytteförening	Sen
06.11.2021	Nationellt SM 2021	Umeå skytteallians	
Prov		1: 10.6✕ 2: 9.9 ↘ 3: 10.2✕↘ 4: 9.9 ← 5: 10.4✕→ 6: 9.7 ↑ 7: 10.5✕← 8: 10.0 → 9: 10.6✕← 10: 10.2✕↗	11: 10.0 → 12: 10.5✕←
		Serie 97.0	Serie 20.0
		Total 0.0	Total 0.0
40 Skott		1: 9.3 ↗ 2: 9.4 → 3: 10.5✕→ 4: 9.8 ← 5: 9.9 ↖ 6: 10.5✕↙ 7: 9.5 → 8: 10.1 → 9: 10.3✕↙ 10: 10.5✕←	11: 10.1 ↓ 12: 10.5✕→ 13: 10.6✕↗ 14: 10.5✕↙ 15: 10.5✕↗ 16: 10.8✕↘ 17: 9.9 ↓ 18: 10.5✕↗ 19: 10.7✕→ 20: 10.5✕→
		Serie 95.0	Serie 99.0
		Total 95.0	Total 194.0
40 Skott		21: 10.4✕← 22: 10.2✕↗ 23: 10.0 → 24: 10.7✕← 25: 10.5✕← 26: 9.9 ← 27: 10.3✕↘ 28: 10.2✕↘ 29: 10.6✕→ 30: 10.6✕→	31: 10.3✕↘ 32: 9.6 → 33: 10.5✕← 34: 10.1 ← 35: 9.7 → 36: 9.3 → 37: 10.8✕↗ 38: 10.8✕↘ 39: 10.2✕↗ 40: 10.2✕↗
		Serie 99.0	Serie 97.0
		Total 293.0	Total 390.0

<p>Prov</p>	<p>1: 9.2 ↖ 2: 9.7 ↑ 3: 9.7 ← 4: 10.2x↗ 5: 10.0 ↗ 6: 9.7 → 7: 9.8 ↓ 8: 9.4 ↓ 9: 8.0 ← 10: 8.5 ↖</p> <p>Serie 90.0 Total 0.0</p>	<p>Prov</p>	<p>11: 9.4 → 12: 9.3 ← 13: 10.2x↘ 14: 9.7 ↖ 15: 9.8 ←</p> <p>Serie 46.0 Total 0.0</p>
-------------	---	-------------	---

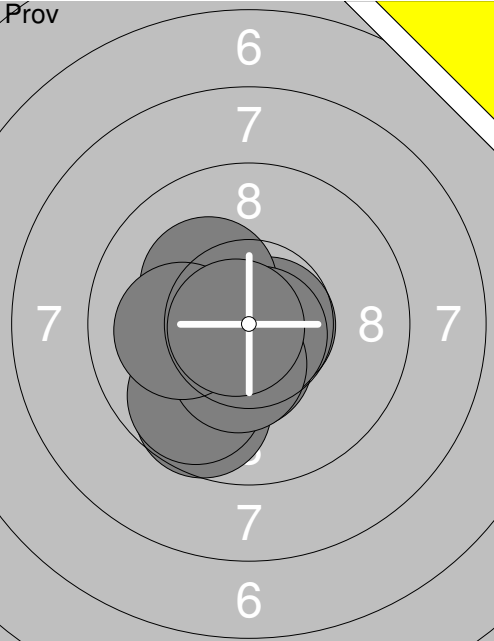
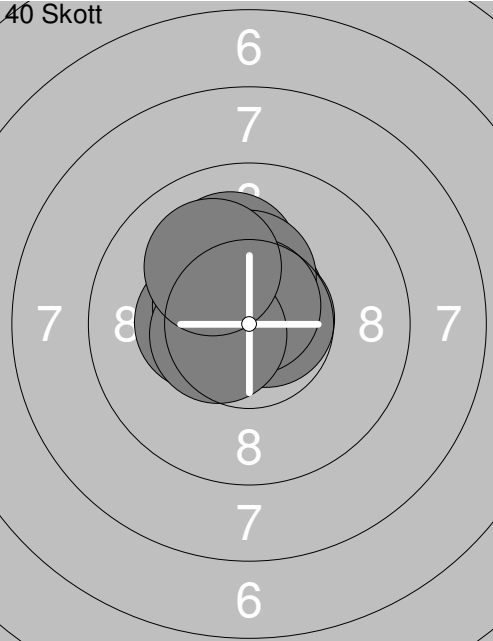
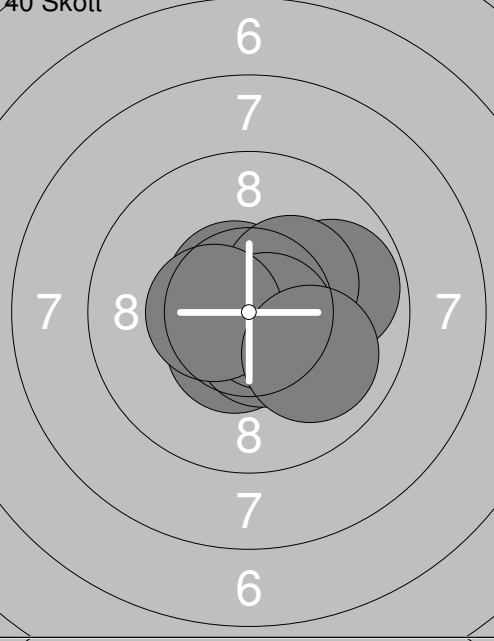
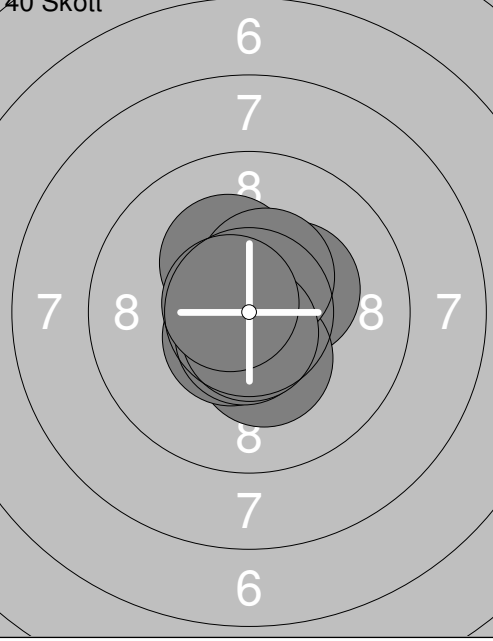
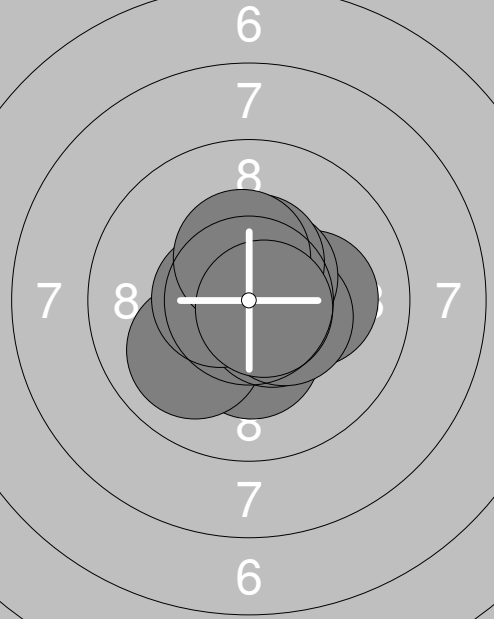
<p>40 Skott</p>	<p>1: 10.6x→ 2: 8.6 ↖ 3: 9.6 → 4: 10.0 → 5: 9.6 ← 6: 9.4 ↑ 7: 9.8 ↗ 8: 10.4x↘ 9: 9.9 ↓ 10: 10.0 →</p> <p>Serie 93.0 Total 93.0</p>	<p>40 Skott</p>	<p>11: 10.4x↓ 12: 9.6 ↓ 13: 10.0 ↓ 14: 10.5x↘ 15: 8.1 ← 16: 9.9 ↑ 17: 9.4 ↖ 18: 10.3x↘ 19: 10.2x↘ 20: 9.3 ↖</p> <p>Serie 94.0 Total 187.0</p>
-----------------	--	-----------------	---

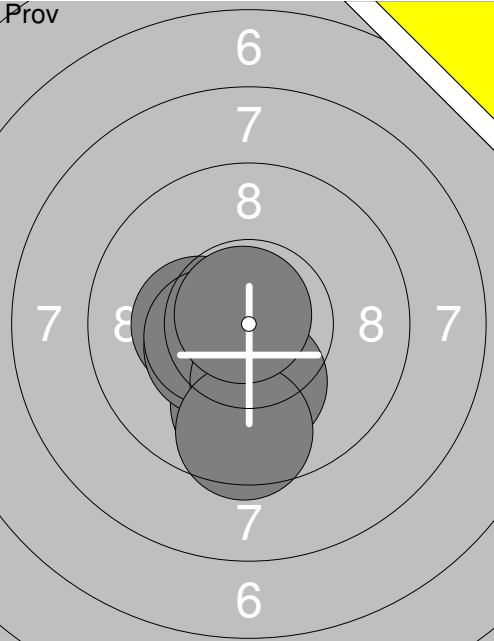

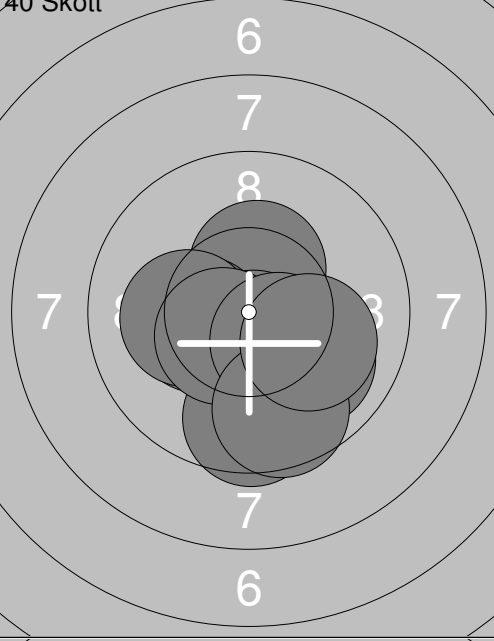
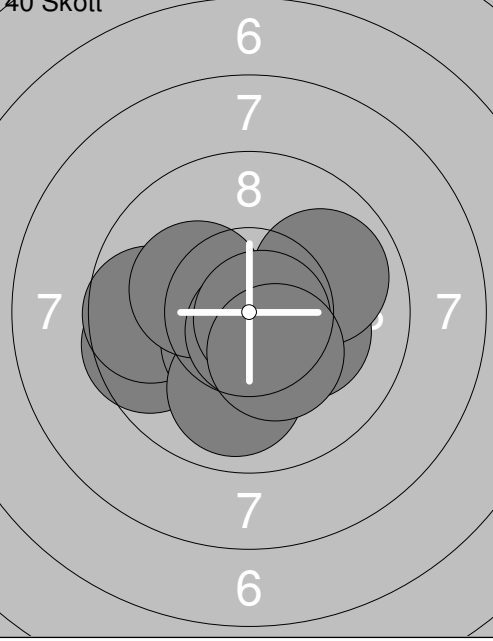
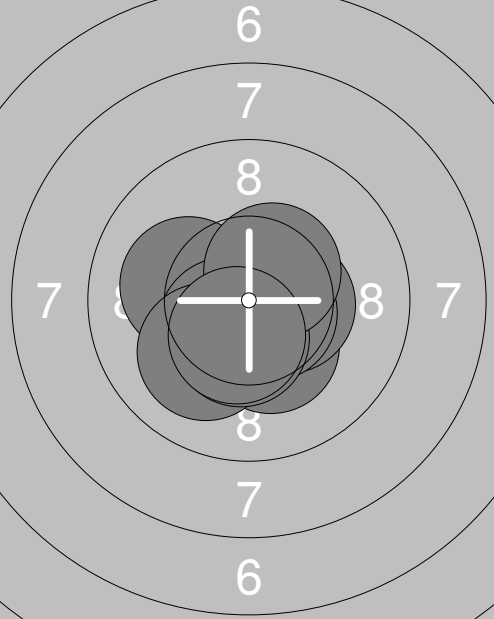
<p>40 Skott</p>	<p>21: 10.0 ↖ 22: 9.0 ↖ 23: 10.3x↗ 24: 9.9 ↓ 25: 10.3x↘ 26: 9.7 ↖ 27: 10.3x↓ 28: 10.7x↘ 29: 9.6 ← 30: 10.1 ↘</p> <p>Serie 96.0 Total 283.0</p>	<p>40 Skott</p>	<p>31: 10.1 ↘ 32: 10.1 → 33: 9.6 ↑ 34: 10.0 ↓ 35: 9.5 → 36: 10.8x→ 37: 10.2x↗ 38: 10.3x← 39: 8.9 ↖ 40: 10.0 →</p> <p>Serie 96.0 Total 379.0</p>
-----------------	--	-----------------	---

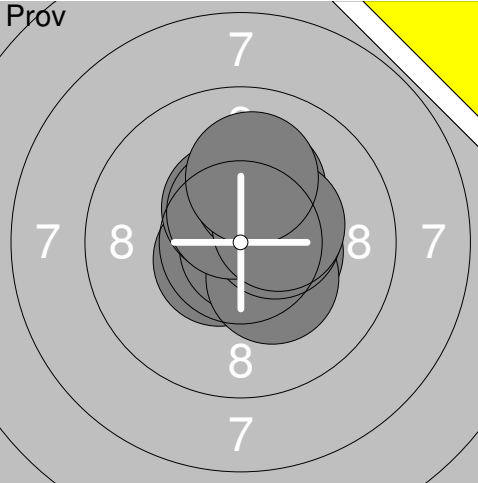

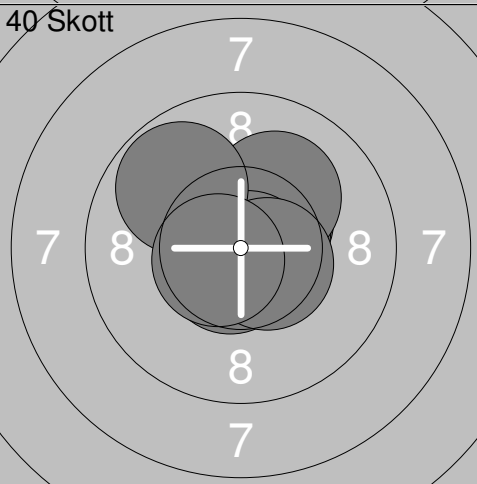
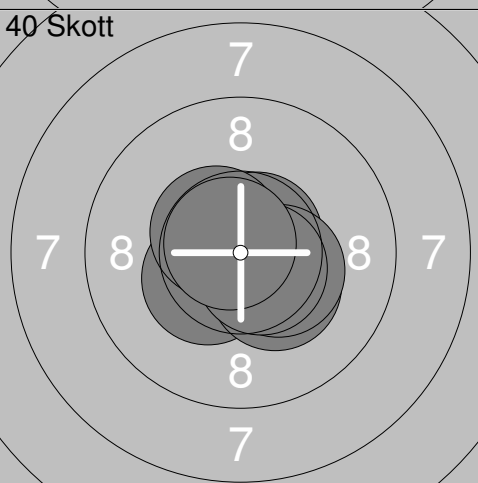
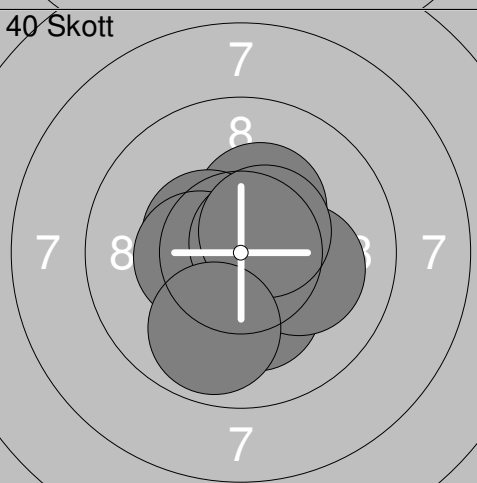
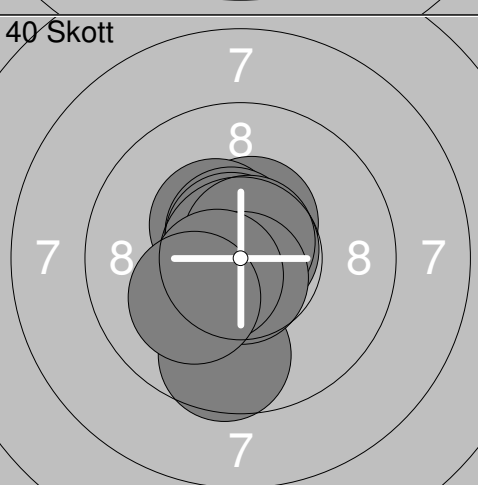
Skjutlag	Tavla	Rasmus Alfredsson	
S		Umeå Skytteförening	SenSitt
06.11.2021	Nationellt SM 2021	Umeå skytteallians	
Prov		1: 10.0 ↓ 2: 10.4x ↓ 3: 9.9 ↓ 4: 10.3x ← 5: 10.3x ↗ 6: 9.8 ↓ 7: 10.8x ↓ 8: 10.6x ↗ 9: 10.6x → 10: 9.7 →	11: 10.7x ↗ 12: 9.9 ← 13: 10.2x → 14: 10.7x ↓ 15: 10.5x ↑ 16: 10.6x ↗ 17: 10.8x ↗ 18: 10.5x ↗ 19: 10.6x ↗ 20: 10.4x ↗
		Serie 102.4	Serie 104.9
		Total 0.0	Total 0.0
Prov		21: 10.4x → 22: 10.5x ↗ 23: 10.3x ↓ 24: 10.6x ↗ 25: 10.5x ↓ 26: 10.4x ↓ 27: 9.8 ← 28: 10.5x ↗ 29: 10.6x ← 30: 9.9 →	31: 10.4x ↘ 32: 10.7x ←
		Serie 103.5	Serie 21.1
		Total 0.0	Total 0.0
40 Skott		1: 10.6x ↗ 2: 10.7x ← 3: 10.8x ↑ 4: 10.6x → 5: 10.7x ↓ 6: 10.3x ← 7: 10.7x ↓ 8: 10.3x ↗ 9: 10.8x ↗ 10: 10.8x ←	11: 10.2x ↘ 12: 10.2x ↓ 13: 10.5x ↑ 14: 10.5x → 15: 10.4x ↘ 16: 10.7x ↗ 17: 10.8x ↘ 18: 10.7x ↗ 19: 10.4x ↓ 20: 10.2x ↓
		Serie 106.3	Serie 104.6
		Total 106.3	Total 210.9
40 Skott		21: 10.3x ↓ 22: 10.6x ↑ 23: 10.6x ↓ 24: 10.4x ↓ 25: 10.6x ↓ 26: 10.4x → 27: 10.8x ← 28: 10.3x ↗ 29: 10.9x ↗ 30: 10.7x ←	31: 10.7x → 32: 10.3x ↓ 33: 10.7x ← 34: 10.5x → 35: 10.8x ↘ 36: 10.4x ← 37: 10.3x ← 38: 10.1 ↗ 39: 10.2x ↓ 40: 10.4x →
		Serie 105.6	Serie 104.4
		Total 316.5	Total 420.9

Skjuttag	Tavla	Helena Perkiömäki	
2	23	Umeå Skytteförening	JunSitt
06.11.2021	Nationellt SM 2021	Umeå skytteallians	
Prov		1: 10.5x ↘ 2: 10.1 ↙ 3: 10.6x ↘ 4: 9.9 ↙ 5: 10.1 ↓ 6: 10.6x ↘ 7: 10.1 ↙ 8: 10.8x ↘ 9: 10.5x ↘ 10: 10.8x ↘	11: 10.6x ↗ 12: 10.7x ↘ 13: 10.2x → 14: 10.5x → 15: 10.9x → 16: 10.5x ↙ 17: 10.5x ↘ 18: 10.6x →
		Serie 104.0	Serie 84.5
		Total 0.0	Total 0.0
40 Skott		1: 10.5x ↗ 2: 10.6x ↗ 3: 10.2x ↘ 4: 10.8x ↘ 5: 10.6x ↘ 6: 10.7x ↘ 7: 10.5x ↗ 8: 10.8x ↗ 9: 10.6x ↘ 10: 10.4x ↗	11: 10.7x → 12: 10.6x ↗ 13: 10.0 ↘ 14: 10.6x ↗ 15: 10.5x ↗ 16: 10.1 ↗ 17: 10.9x ↘ 18: 10.7x ↘ 19: 10.5x ↘ 20: 10.3x ↘
		Serie 105.7	Serie 104.9
		Total 105.7	Total 210.6
40 Skott		21: 10.5x ↘ 22: 10.8x → 23: 10.6x ↗ 24: 10.3x ↗ 25: 10.9x ↘ 26: 10.3x ↗ 27: 10.7x ↘ 28: 10.5x → 29: 10.6x ↘ 30: 10.5x ↘	31: 10.5x → 32: 10.3x ↘ 33: 10.1 → 34: 10.9x ↗ 35: 10.8x ↘ 36: 10.4x ↘ 37: 10.6x ↘ 38: 10.5x ↘ 39: 10.8x ↘ 40: 10.5x ↘
		Serie 105.7	Serie 105.4
		Total 316.3	Total 421.7

Skjuttlag	Tavla	Ingemar Öhman	
2	25	Umeå Skytteförening	VetSitt
06.11.2021	Nationellt SM 2021	Umeå skytteallians	
Prov		1: 10.3x ↘ 2: 10.5x ↘ 3: 10.7x ↘ 4: 10.3x ↗ 5: 10.6x ↘ 6: 10.2x ↗ 7: 10.3x ↖ 8: 10.7x ↘ 9: 10.4x ↘ 10: 9.8 ↗	11: 10.6x ↘ 12: 10.1 ↗ 13: 10.2x ↗ 14: 10.3x ↘ 15: 9.8 ↗ 16: 10.4x ↗ 17: 10.8x ↘ 18: 10.3x ↘ 19: 10.9x ↗ 20: 10.2x ↘
	Serie 103.8 Total 0.0	Serie 103.6 Total 0.0	
40 Skott		1: 10.2x ↘ 2: 10.4x ↘ 3: 10.3x ↘ 4: 10.3x ↘ 5: 10.3x ↗ 6: 10.7x ↖ 7: 10.8x ↗ 8: 10.0 ↘ 9: 10.7x ↘ 10: 10.6x ↗	11: 10.7x ↗ 12: 10.4x ↘ 13: 10.2x ↘ 14: 10.3x ↘ 15: 10.7x ↘ 16: 10.4x ↘ 17: 10.4x ↘ 18: 10.8x ↘ 19: 10.8x ↖ 20: 10.8x ↘
	Serie 104.3 Total 104.3	Serie 105.5 Total 209.8	
40 Skott		21: 10.8x ↘ 22: 10.3x ↗ 23: 10.4x ↘ 24: 9.7 ↖ 25: 10.4x ↖ 26: 10.2x ↘ 27: 10.4x ↘ 28: 10.9x ↘ 29: 10.3x ↘ 30: 10.4x ↘	31: 10.3x ↖ 32: 10.7x ↘ 33: 10.1 ↘ 34: 10.8x ↘ 35: 10.7x ↘ 36: 10.5x ↗ 37: 10.4x ↖ 38: 10.1 ↖ 39: 10.3x ↗ 40: 9.7 ↗
	Serie 103.8 Total 313.6	Serie 103.6 Total 417.2	

Skjutlag	Tavla	Claes-Göran Johansson	
2	27	Umeå Skytteförening	SenSitt
06.11.2021	Nationellt SM 2021	Umeå skytteallians	
Prov 	1: 10.7x➤ 2: 9.7 ↙ 3: 9.8 ↙ 4: 10.5x↓ 5: 10.2x↘ 6: 10.8x↘ 7: 10.7x↘ 8: 10.4x↓ 9: 10.1← 10: 10.8x↘ Serie 103.7 Total 0.0	40 Skott 	1: 10.7x↘ 2: 10.4x↘ 3: 10.1 ↗ 4: 10.6x↗ 5: 10.7x➤ 6: 10.5x↘ 7: 10.4x↗ 8: 10.7x↗ 9: 10.5x↘ 10: 10.1 ↙ Serie 104.7 Total 104.7
40 Skott 	11: 10.8x↘ 12: 10.5x↓ 13: 10.6x↓ 14: 10.7x↗ 15: 10.6x↘ 16: 9.8 ➔ 17: 10.3x↗ 18: 10.7x➤ 19: 10.5x↘ 20: 10.0 ↘ Serie 104.5 Total 209.2	40 Skott 	21: 10.3x↗ 22: 10.6x↓ 23: 10.3x↓ 24: 10.5x↓ 25: 10.8x↘ 26: 10.3x↘ 27: 10.4x↗ 28: 10.6x↓ 29: 10.7x↓ 30: 10.7x↘ Serie 105.2 Total 314.4
40 Skott 	31: 10.3x↓ 32: 10.0 ↙ 33: 10.6x↘ 34: 10.2x➤ 35: 10.4x↘ 36: 10.5x↗ 37: 10.6x↘ 38: 10.5x↗ 39: 10.4x↗ 40: 10.7x↘ Serie 104.2 Total 418.6		

Skjutlag 2	Tavla 29	Nils Fredriksson	
S		Umeå Skytteförening	VetSitt
06.11.2021	Nationellt SM 2021	Umeå skytteallians	
Prov		40 Skott	
	1: 10.3x↖ 2: 9.9 ↓ 3: 10.4x↖ 4: 10.4x↖ 5: 10.2x↓ 6: 9.5 ↓ 7: 10.8x↗	1: 10.6x↗ 2: 10.6x↓ 3: 10.3x↖ 4: 9.3 ↓ 5: 10.3x→ 6: 10.6x↖ 7: 9.7 ↓ 8: 10.2x↓ 9: 10.4x↖ 10: 10.2x↘	
	Serie 71.5		Serie 102.2
	Total 0.0		Total 102.2
40 Skott		40 Skott	
	11: 10.4x↗ 12: 10.0 ↘ 13: 9.6 ↓ 14: 10.3x↖ 15: 10.2x↖ 16: 10.6x↓ 17: 10.5x↖ 18: 10.4x↘ 19: 9.6 ↓ 20: 10.1 ↘	21: 9.6 ← 22: 10.2x→ 23: 9.9 ↗ 24: 9.7 ← 25: 10.5x↓ 26: 10.0 ↓ 27: 10.2x↖ 28: 10.7x↓ 29: 10.8x↘ 30: 10.3x↘	
	Serie 101.7		Serie 101.9
	Total 203.9		Total 305.8
40 Skott			
	31: 10.3x↓ 32: 10.1 ← 33: 10.5x→ 34: 10.5x↓ 35: 10.5x→ 36: 10.6x↘ 37: 10.1 ↓ 38: 10.4x↓ 39: 10.5x↗ 40: 10.5x↓		
	Serie 104.0		
	Total 409.8		

Skjutlag	Tavla	Stina Edholm	
2	31		
S	Umeå Skytteförening	JunSitt	
06.11.2021	Nationellt SM 2021	Umeå skytteallians	
Prov		1: 10.6x ↙ 2: 10.4x → 3: 10.9x ↘ 4: 10.3x ↘ 5: 10.5x → 6: 10.5x ↗ 7: 10.5x ↗ 8: 10.2x ↗ 9: 10.4x → 10: 10.1 ↗	11: 10.5x ↗ 12: 9.8 ↗ 13: 9.9 ↗ 14: 10.4x ↘ 15: 10.7x → 16: 10.7x ↘ 17: 10.6x ↗ 18: 10.4x → 19: 10.6x ↗ 20: 10.1 →
	Serie 104.4	Serie 103.7	
	Total 0.0	Total 0.0	
Prov		40 Skott	 1: 10.5x ↗ 2: 10.4x ↗ 3: 10.6x ↗ 4: 10.6x ↘ 5: 10.8x → 6: 10.1 ↗ 7: 10.8x ↘ 8: 9.8 ↗ 9: 10.5x ↘ 10: 10.6x ↙
	Serie 31.7	Serie 104.7	
	Total 0.0	Total 104.7	
40 Skott	 11: 10.7x → 12: 10.4x ↙ 13: 10.5x ↘ 14: 10.3x ↘ 15: 10.7x → 16: 10.7x ↗ 17: 10.4x ↘ 18: 10.6x ↘ 19: 10.5x ↗ 20: 10.8x ↗	40 Skott	 21: 10.3x ↗ 22: 10.7x ↙ 23: 10.5x ↙ 24: 10.2x ↘ 25: 10.9x → 26: 10.4x ↙ 27: 10.7x ↗ 28: 10.1 → 29: 10.5x ↗ 30: 9.9 ↘
	Serie 105.6	Serie 104.2	
	Total 210.3	Total 314.5	
40 Skott	 31: 10.5x ↗ 32: 10.7x ↗ 33: 10.4x ↗ 34: 10.6x ↗ 35: 10.7x ↗ 36: 10.7x ↗ 37: 9.6 ↘ 38: 10.7x ↘ 39: 10.6x ↙ 40: 10.1 ↙		
	Serie 104.6		
	Total 419.1		