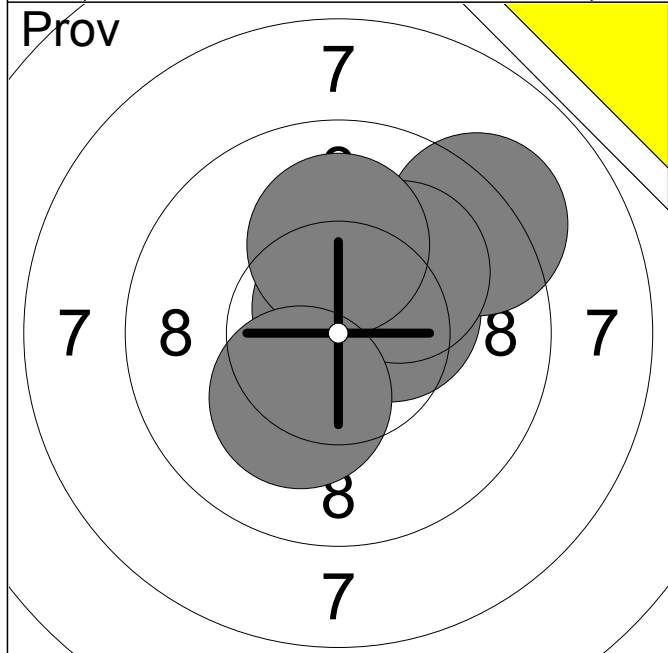
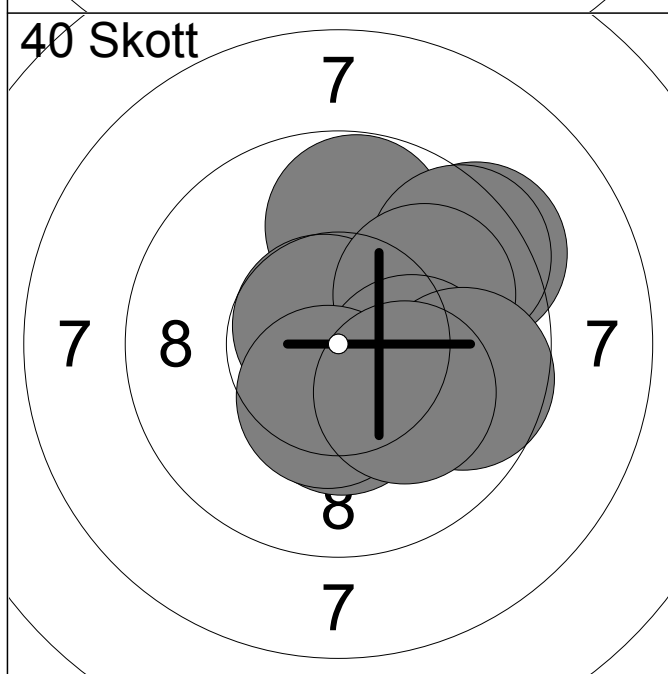


1:	9.7	↑
2:	10.6x	↙
3:	10.1	←
4:	10.0	↙
5:	10.2x	↓
6:	10.2x	←
7:	10.0	↗
8:	10.8x	↘
9:	10.3x	↑
10:	10.5x	→
Serie		102.4
Total		411.1

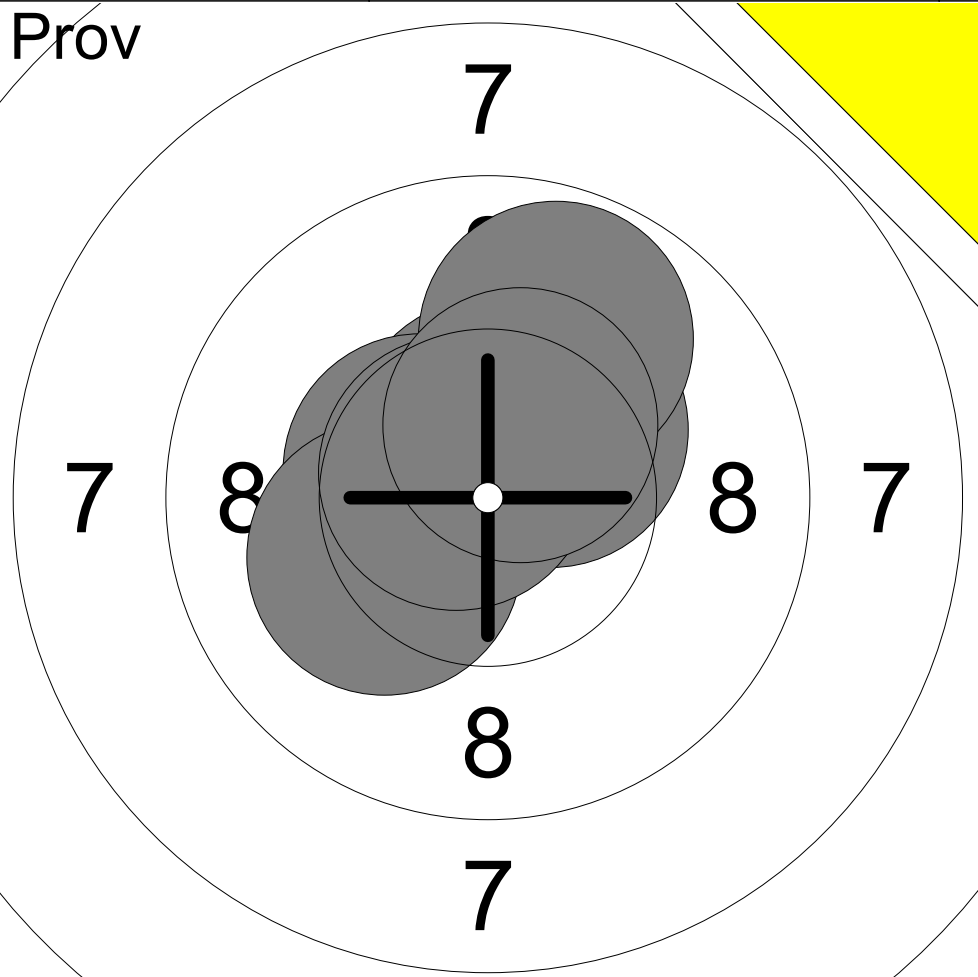


11:	10.7x	↑
12:	10.4x	↗
13:	9.2	↗
14:	10.1	↗
15:	10.1	↑
16:	10.2x	↘
Serie		60.7
Total		411.1



1:	9.3	↗
2:	9.8	↑
3:	10.4x	↓
4:	10.7x	↖
5:	9.5	↗
6:	10.0	↗
7:	10.2x	→
8:	9.7	→
9:	10.4x	↓
10:	10.1	↘
Serie		100.1
Total		511.2

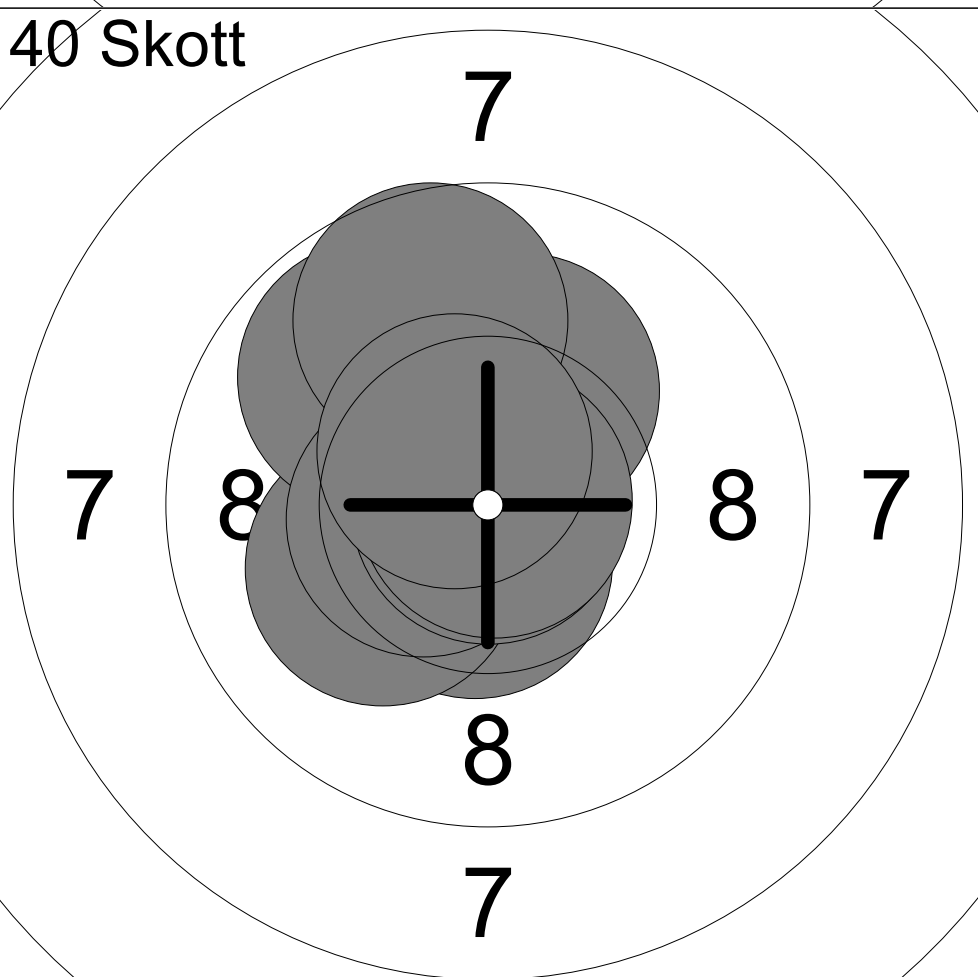
Prov



1:	10.3x	↗
2:	10.5x	↑
3:	9.8	↗
4:	10.5x	↖
5:	10.2x	↖
6:	10.7x	↖
7:	10.4x	↗

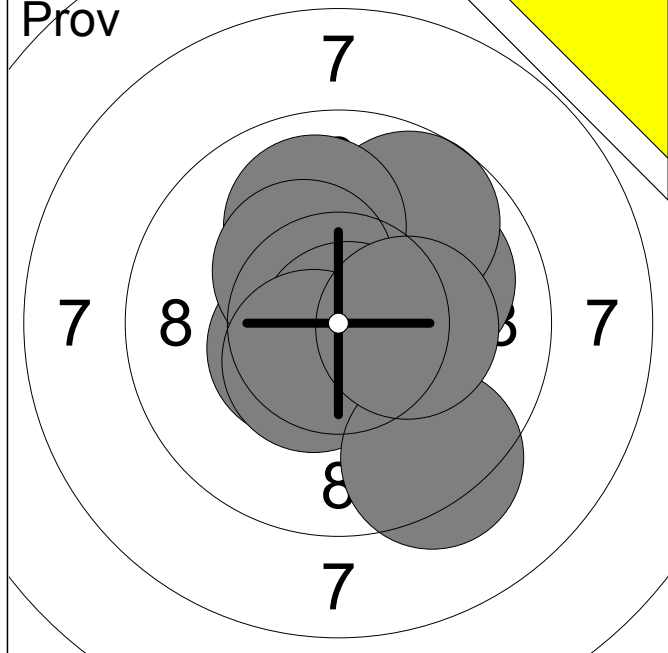
Serie	72.4
Total	411.1

40 Skott

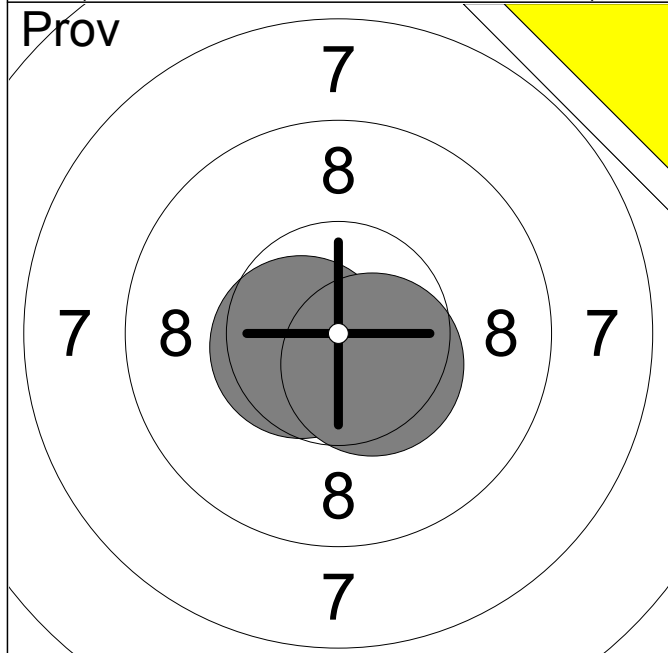


1:	10.6x	↓
2:	10.2x	↖
3:	10.2x	↑
4:	9.8	↖
5:	10.2x	↑
6:	10.5x	↖
7:	10.9x	↓
8:	10.9x	↗
9:	9.7	↑
10:	10.5x	↗

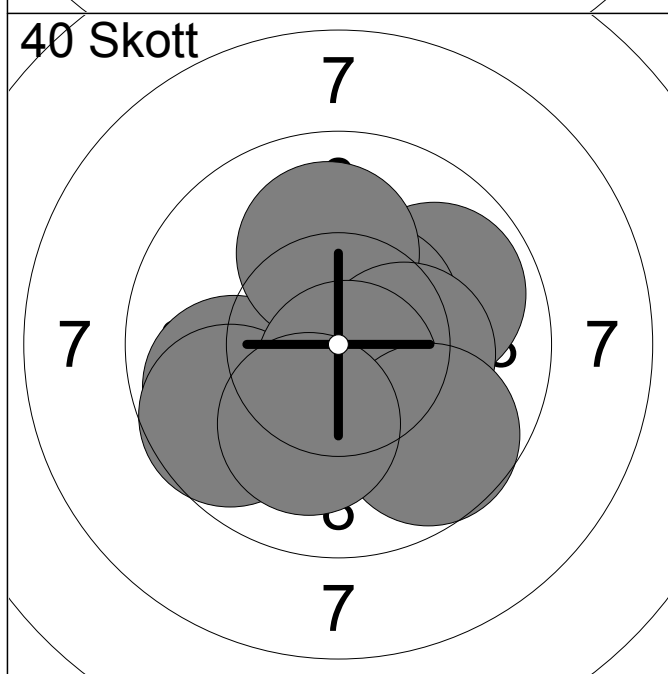
Serie	103.5
Total	514.6



1:	10.0	→
2:	10.6x	→
3:	9.7	↗
4:	10.5x	↖
5:	10.0	↑
6:	10.3x	↗
7:	10.8x	↘
8:	10.5x	↙
9:	9.3	↘
10:	10.3x	→
Serie		102.0
Total		410.7

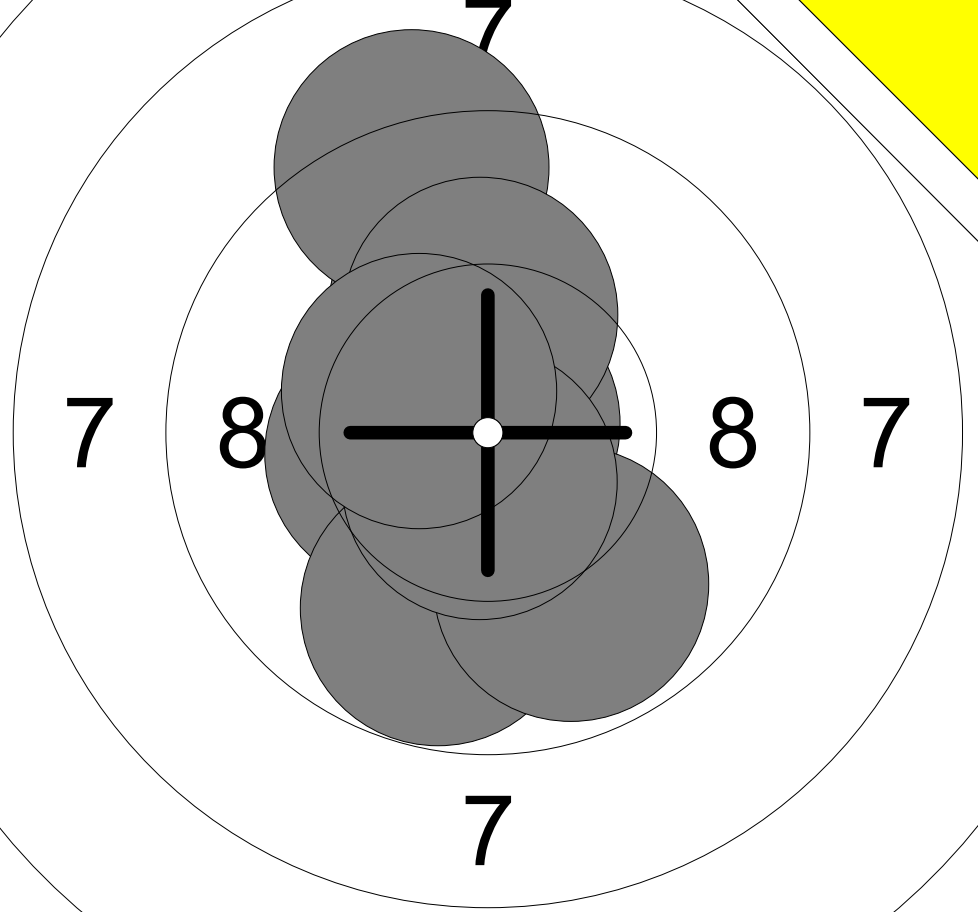


11:	10.6x	↖
12:	10.5x	↘
Serie		21.1
Total		410.7



1:	9.9	↗
2:	10.5x	↗
3:	9.8	↖
4:	9.7	↖
5:	10.2x	↘
6:	10.0	↑
7:	10.3x	→
8:	10.7x	↘
9:	9.7	↘
10:	10.1	↘
Serie		100.9
Total		511.6

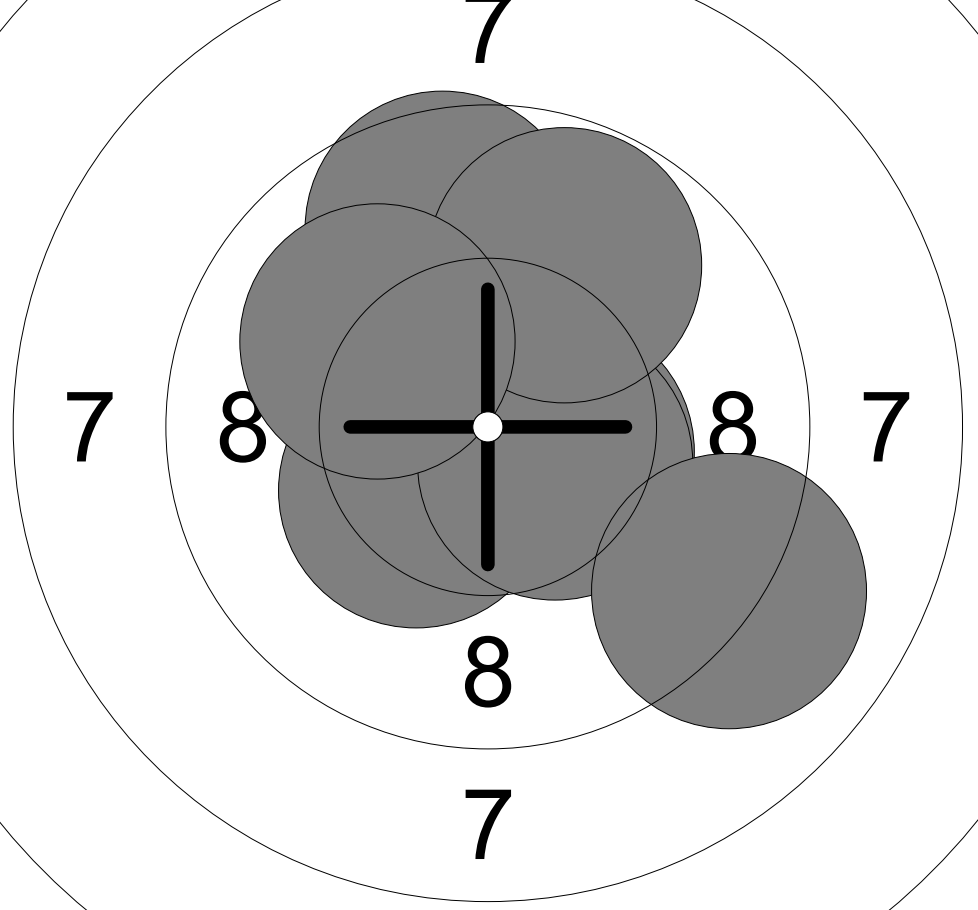
Prov



1:	10.1	↑
2:	9.1	↑
3:	10.9x	↗
4:	10.4x	←
5:	10.2x	↑
6:	10.0	↓
7:	9.8	↓
8:	9.8	↘
9:	10.6x	↓
10:	10.4x	↖

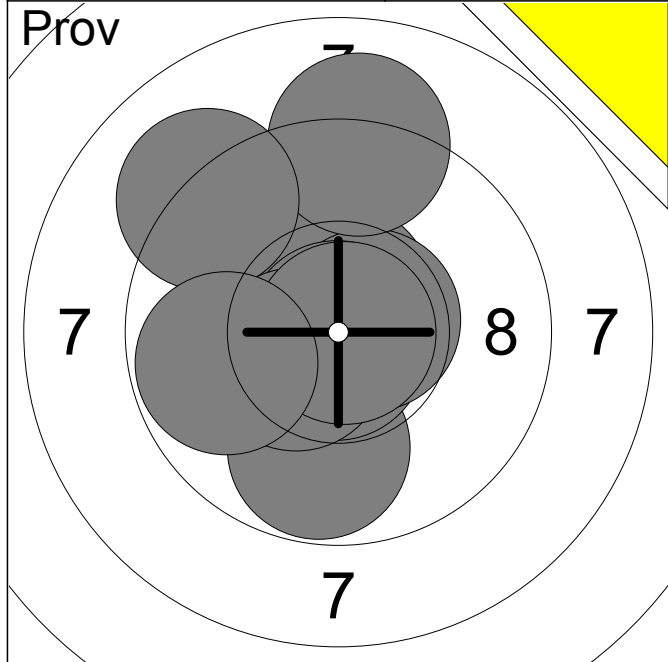
Serie	101.3
Total	410.2

40 Skott

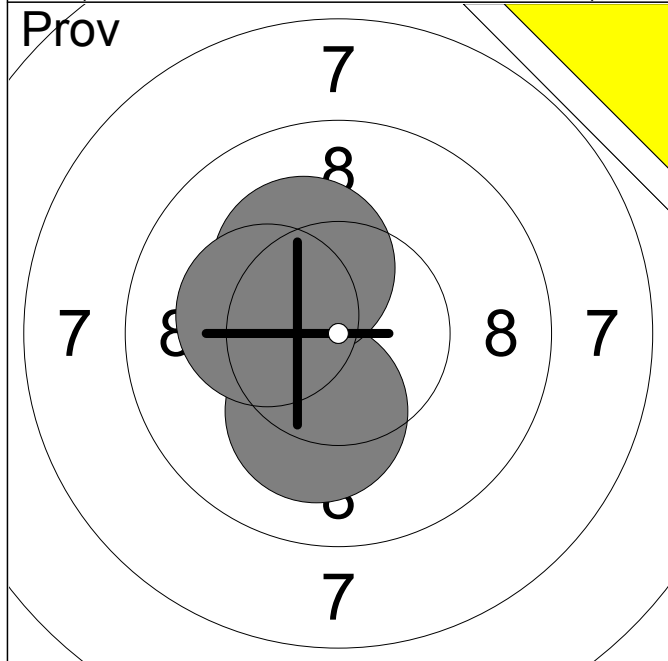


1:	10.2x	↑
2:	10.3x	↖
3:	10.2x	↑
4:	10.5x	→
5:	10.5x	↘
6:	9.8	↑
7:	9.6	↑
8:	9.8	↗
9:	10.0	↖
10:	9.0	↘

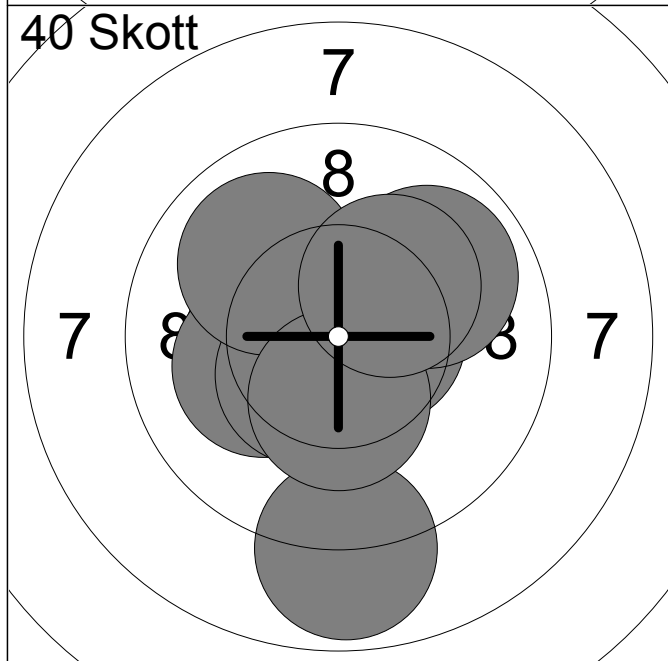
Serie	99.9
Total	510.1



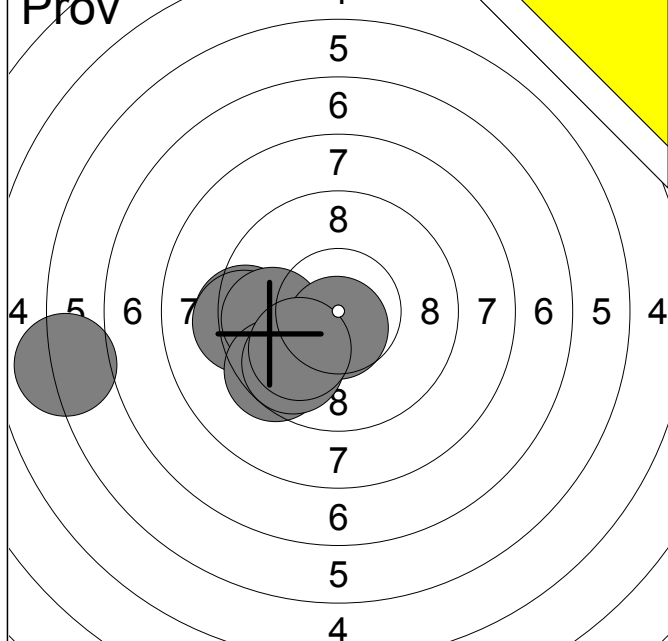
1:	9.8	↓
2:	10.6x	↑
3:	10.8x	↓
4:	10.6x	→
5:	10.9x	←
6:	9.1	↑
7:	9.1	↖
8:	10.5x	↙
9:	10.9x	→
10:	9.8	←
Serie		102.1
Total		405.4



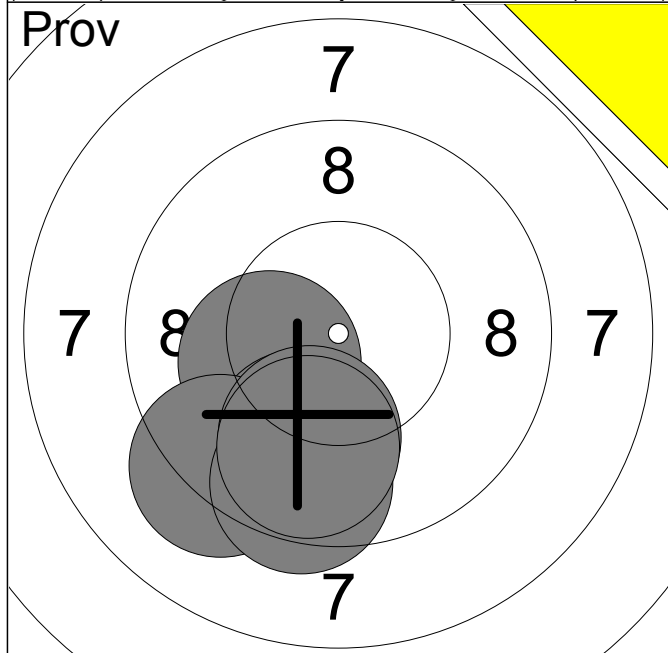
11:	10.1	↓
12:	10.2x	↖
13:	10.2x	←
Serie		30.5
Total		405.4



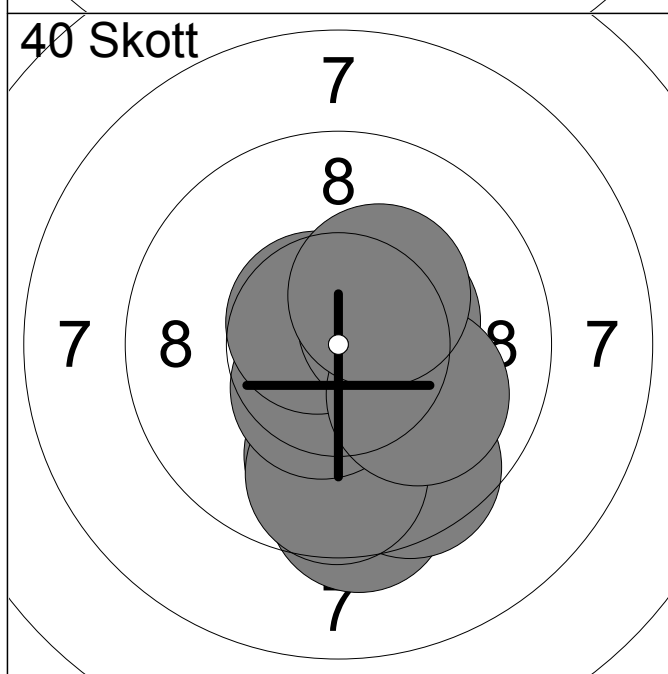
1:	10.6x	→
2:	10.7x	↙
3:	10.3x	←
4:	9.9	↗
5:	10.2x	←
6:	10.5x	↙
7:	8.9	↓
8:	10.0	↖
9:	10.3x	↓
10:	10.2x	↗
Serie		101.6
Total		507.0



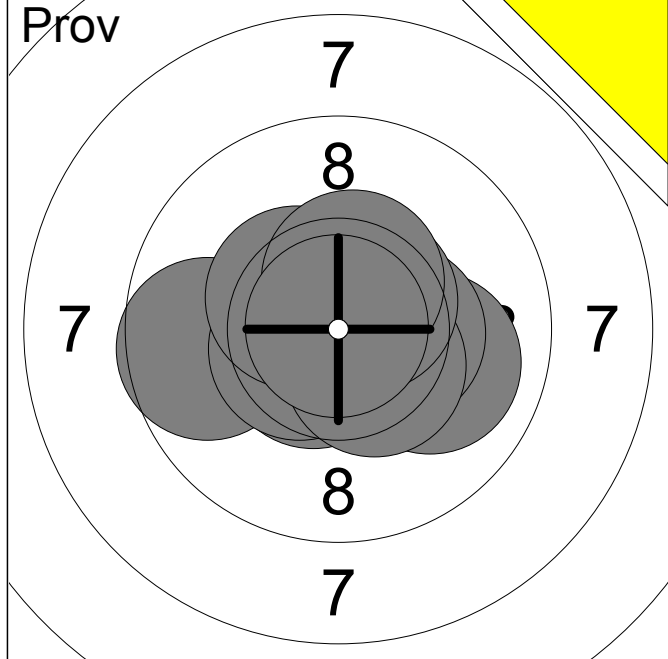
1:	9.6	←
2:	9.3	←
3:	9.3	←
4:	10.2x	↙
5:	9.8	←
6:	10.7x	↓
7:	9.4	↙
8:	9.7	↙
9:	6.1	←
10:	10.0	↙
Serie		94.1
Total		398.0



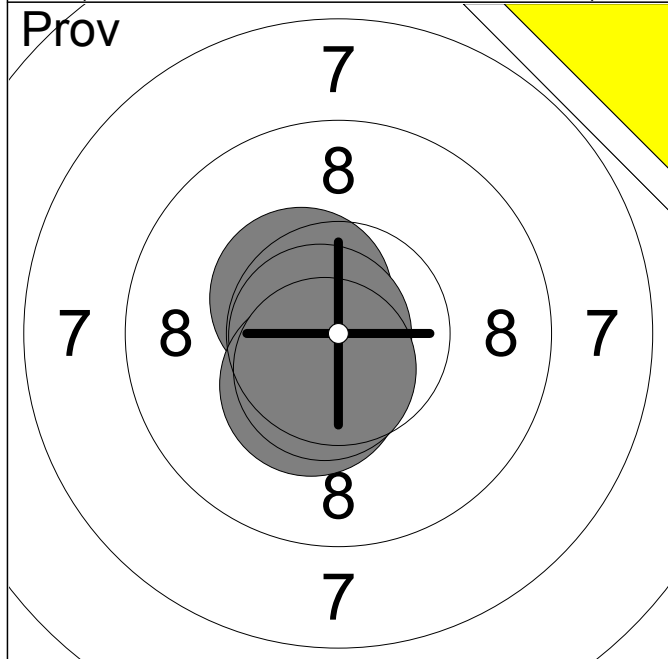
11:	10.2x	←
12:	9.8	↓
13:	9.2	↙
14:	9.4	↓
15:	9.9	↓
16:	9.8	↓
Serie		58.3
Total		398.0



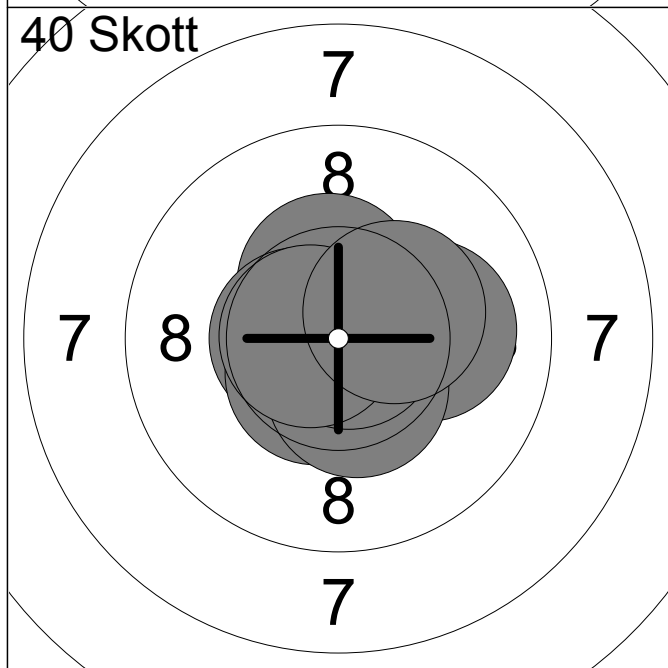
1:	9.9	↓
2:	9.4	↓
3:	9.5	↓
4:	9.7	↓
5:	10.5x	↓
6:	10.4x	↗
7:	10.7x	↗
8:	10.4x	↗
9:	10.0	↘
10:	10.3x	↗
Serie		100.8
Total		498.8



1:	10.0	→
2:	10.4x	→
3:	9.6	←
4:	10.6x	↙
5:	10.5x	←
6:	10.4x	↘
7:	10.4x	↗
8:	10.6x	↗
9:	10.5x	↑
10:	10.9x	↖
Serie		103.9
Total		420.0

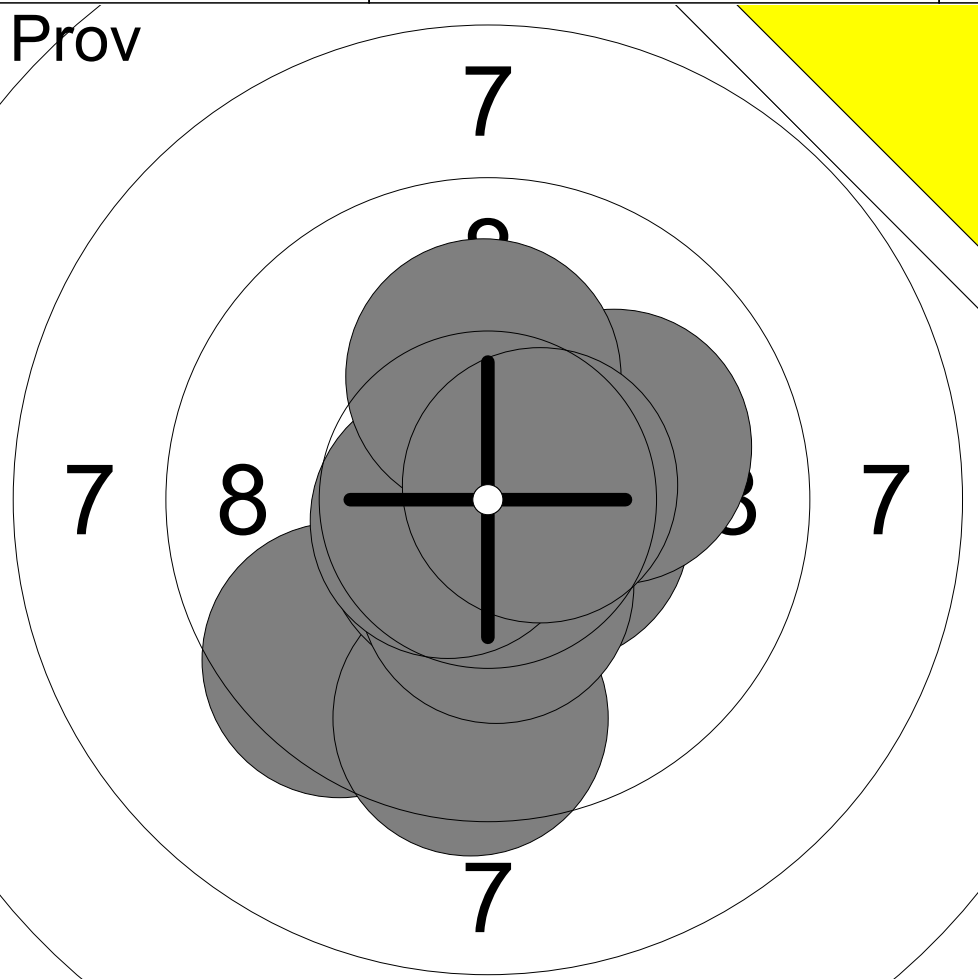


11:	10.5x	↖
12:	10.8x	←
13:	10.4x	↙
14:	10.6x	↙
Serie		42.3
Total		420.0



1:	10.6x	↗
2:	10.8x	↖
3:	10.4x	↑
4:	10.6x	←
5:	10.5x	↙
6:	10.1	→
7:	10.4x	↘
8:	10.8x	→
9:	10.7x	←
10:	10.3x	↗
Serie		105.2
Total		525.2

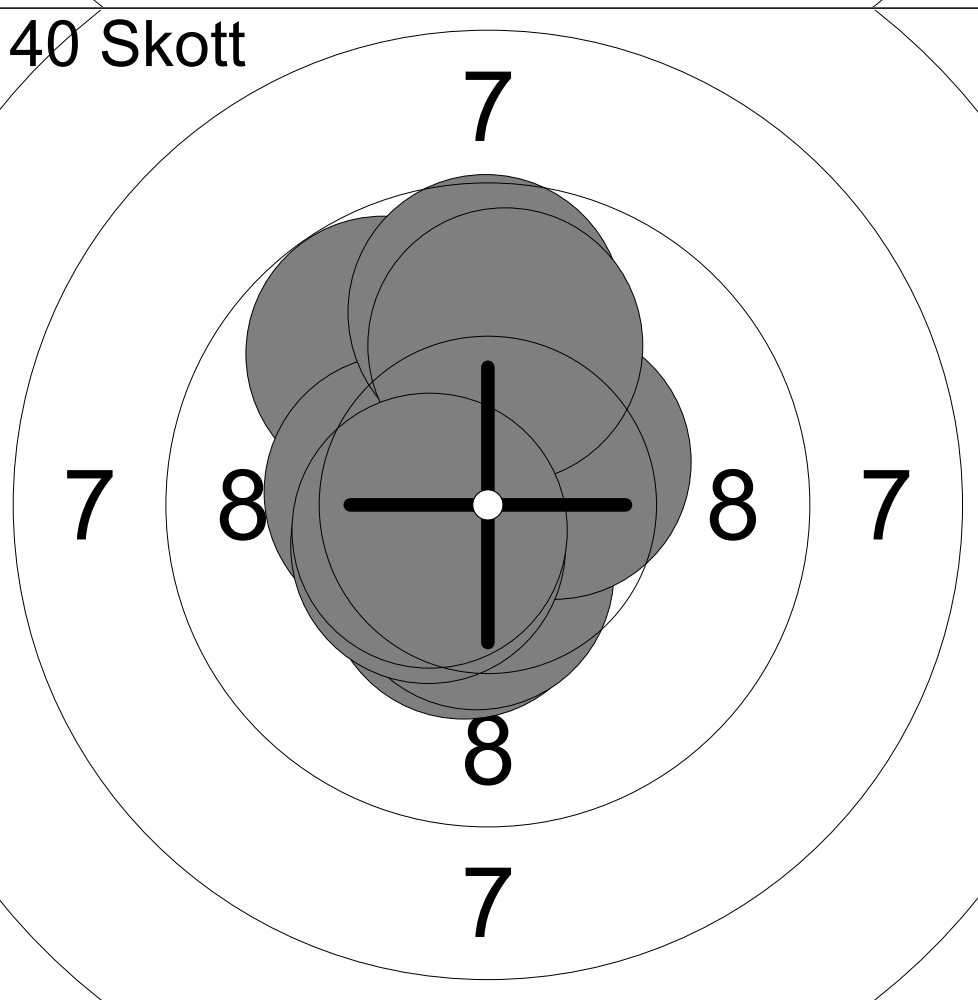
Prov



1:	10.8x	↖
2:	9.5	↙
3:	9.5	↓
4:	10.6x	↘
5:	10.5x	→
6:	10.4x	↓
7:	10.7x	↙
8:	10.1	→
9:	10.1	↑
10:	10.6x	→

Serie	102.8
Total	417.9

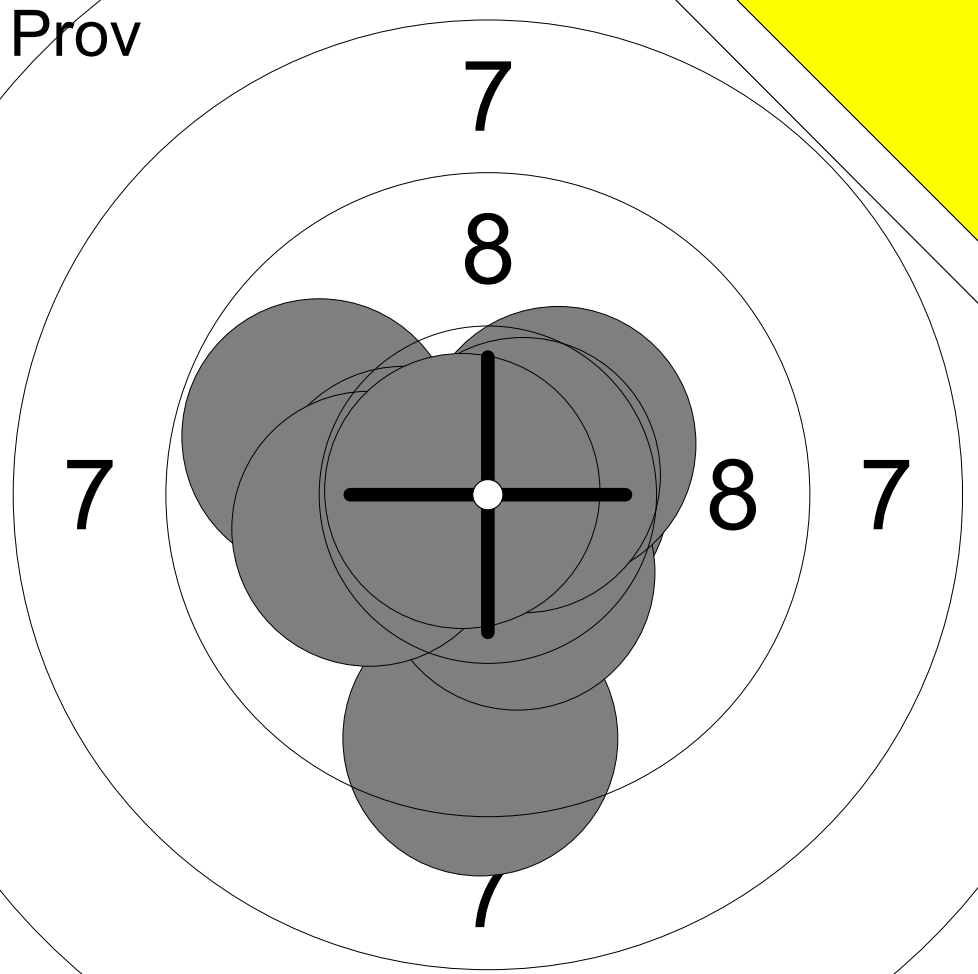
40 Skott



1:	9.7	↖
2:	10.4x	↙
3:	10.5x	↙
4:	10.6x	↑
5:	10.4x	←
6:	9.7	↑
7:	10.4x	↗
8:	10.5x	↙
9:	9.9	↑
10:	10.5x	↙

Serie	102.6
Total	520.5

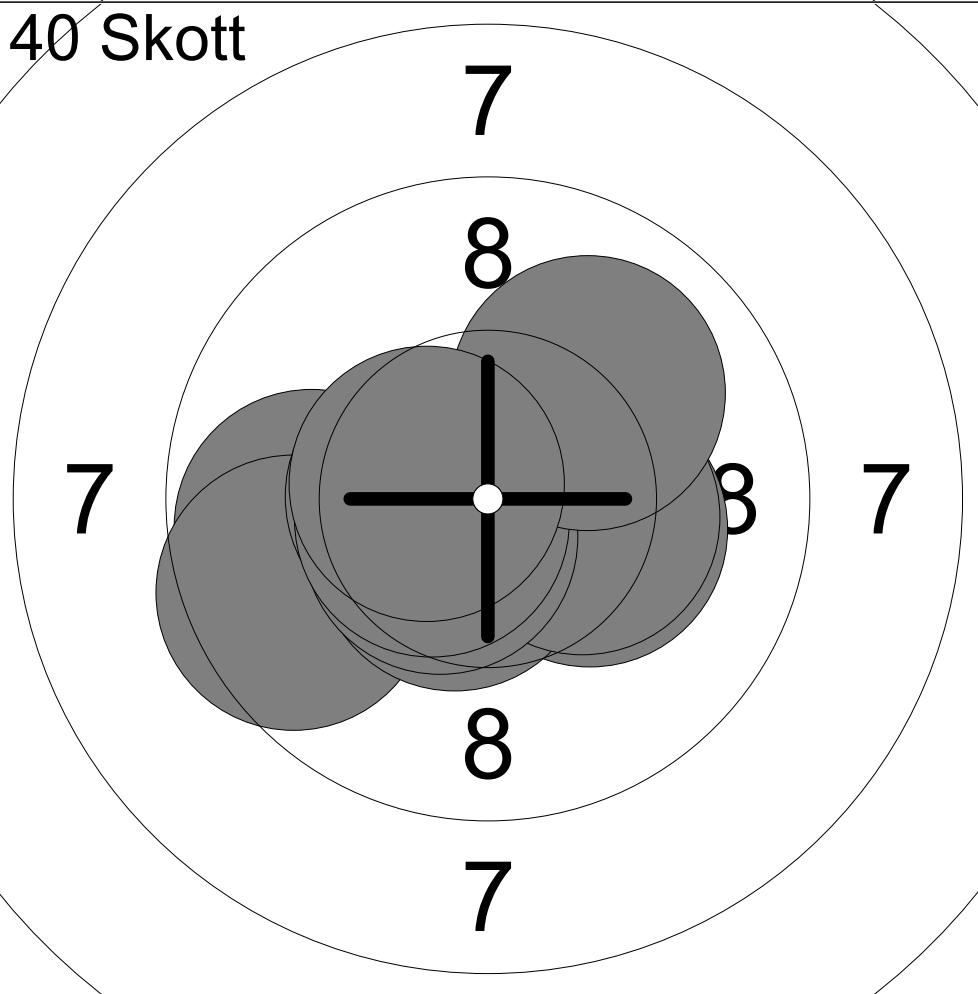
Prov



1:	9.4	↓
2:	10.7x	→
3:	9.8	↖
4:	10.4x	↓
5:	10.4x	↗
6:	10.4x	↖
7:	10.1	↖
8:	10.7x	↗
9:	10.8x	↖

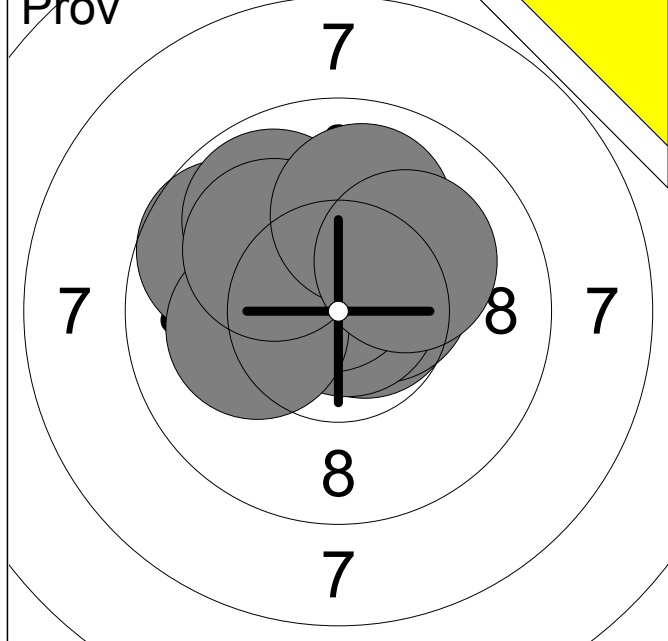
Serie	92.7
Total	417.3

40 Skott

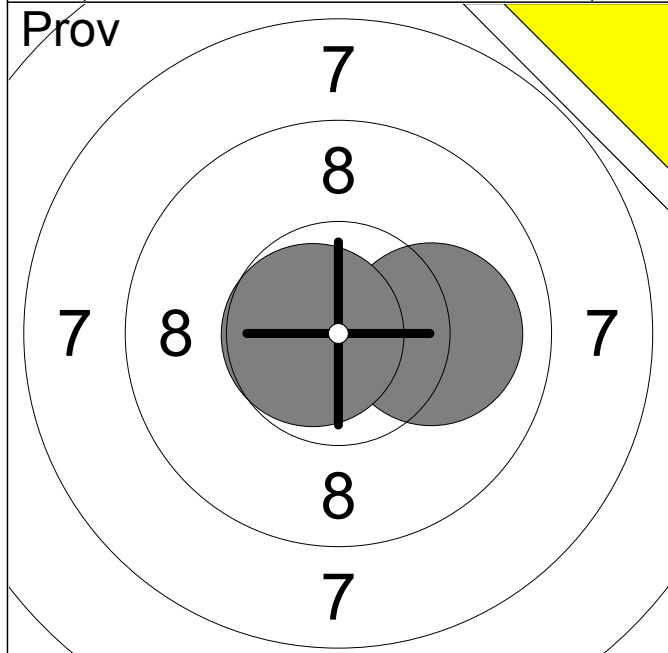


1:	9.8	↖
2:	9.5	↖
3:	10.3x	→
4:	10.5x	↖
5:	10.5x	↓
6:	10.3x	→
7:	10.6x	↖
8:	10.6x	↖
9:	10.0	↗
10:	10.5x	↖

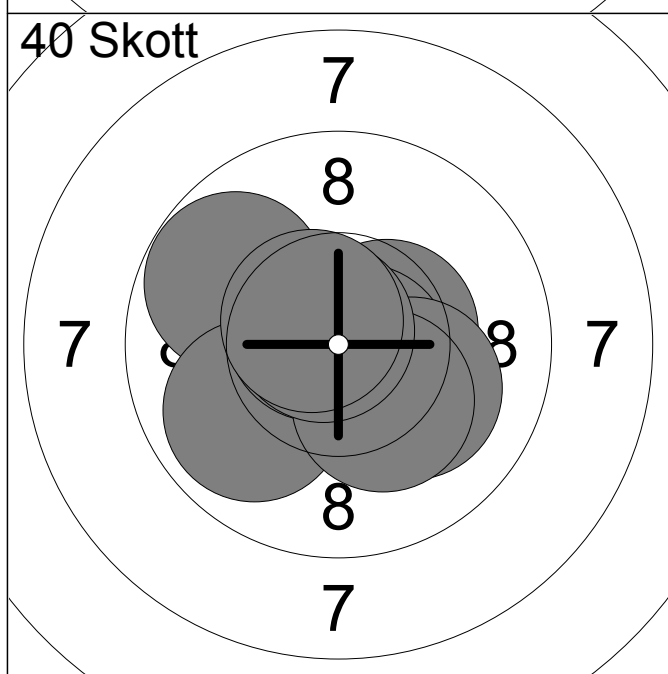
Serie	102.6
Total	519.9



1:	10.7x	→
2:	10.5x	→
3:	10.8x	↗
4:	9.7	↖
5:	10.6x	↑
6:	10.1	←
7:	9.8	↗
8:	10.1	↗
9:	10.0	↑
10:	10.1	↗
Serie		102.4
Total		415.9

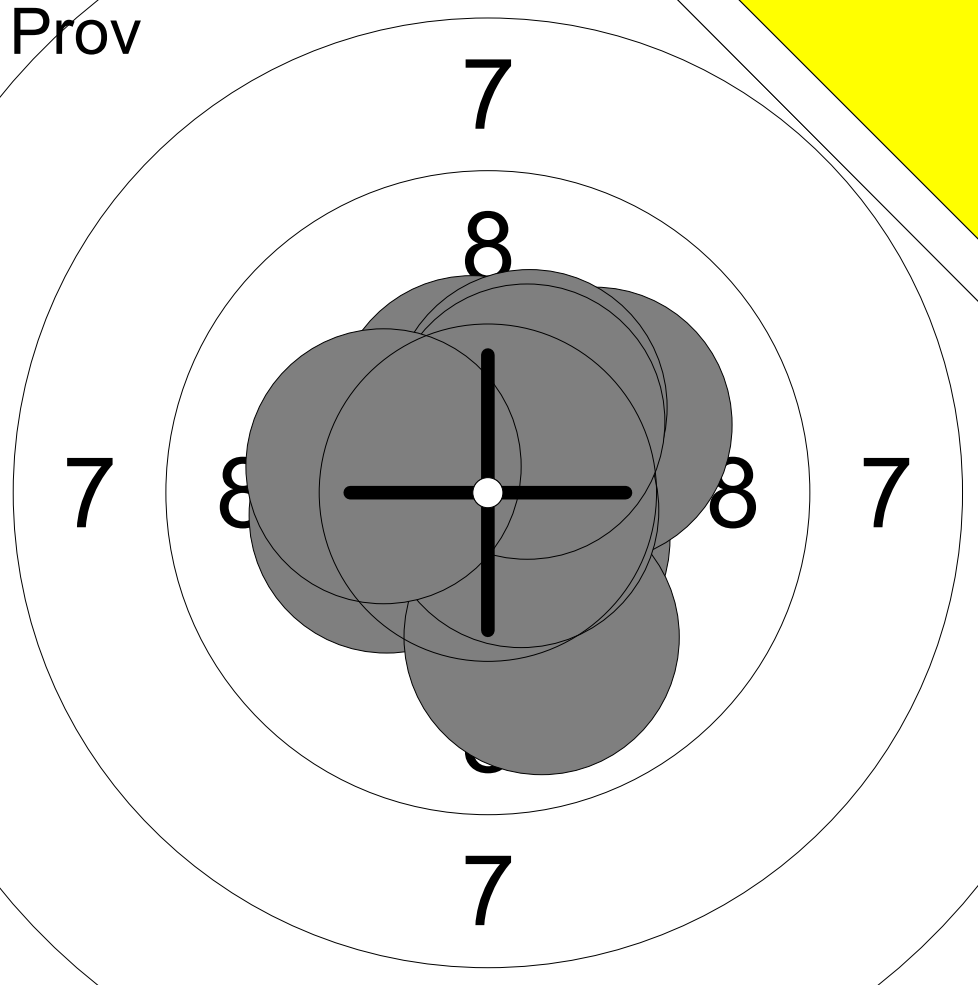


11:	10.0	→
12:	10.7x	←
Serie		20.7
Total		415.9



1:	10.5x	→
2:	9.8	↗
3:	10.8x	↓
4:	9.9	↖
5:	10.7x	↓
6:	10.7x	↗
7:	10.1	↓
8:	10.2x	↓
9:	10.7x	↗
10:	10.6x	↗
Serie		104.0
Total		519.9

Prov

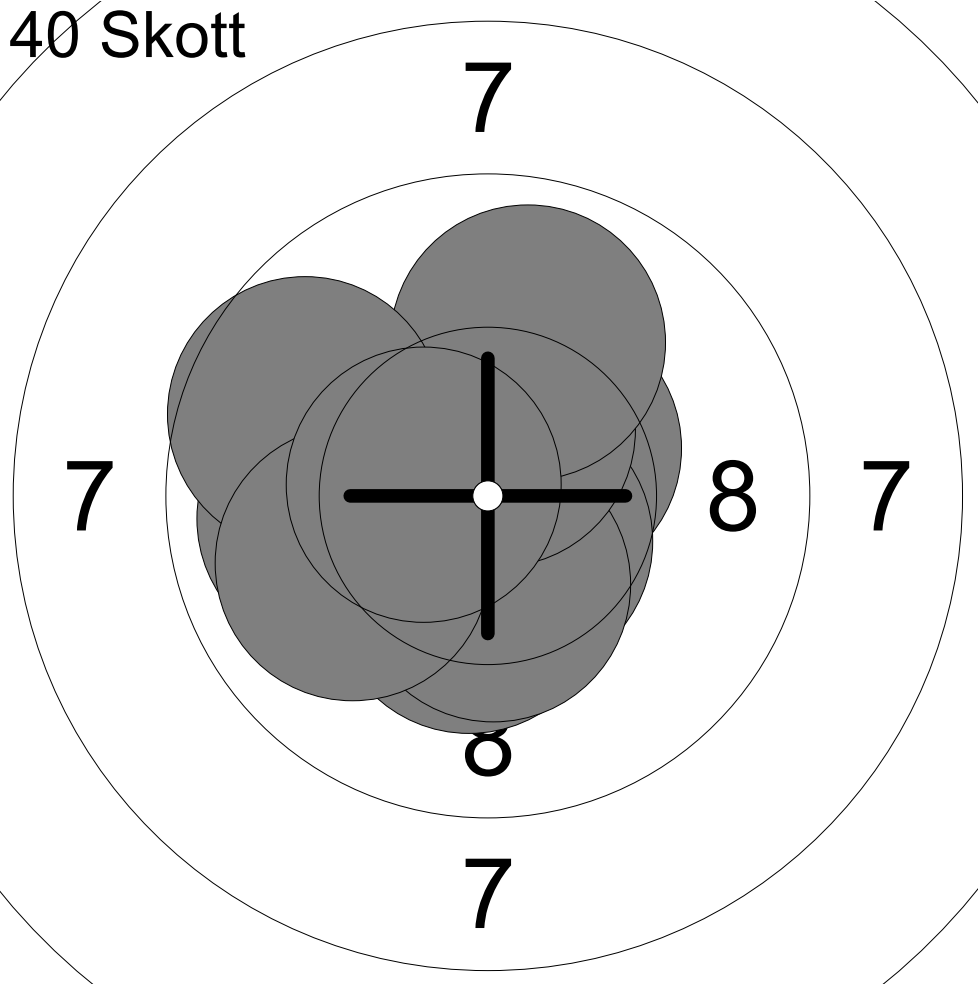


1:	10.3x	←
2:	10.5x	↘
3:	9.9	↘
4:	10.4x	↑
5:	10.7x	→
6:	10.1	↗
7:	10.7x	↘
8:	10.3x	↗
9:	10.4x	↗
10:	10.2x	←

Serie	103.5
-------	-------

Total	414.1
-------	-------

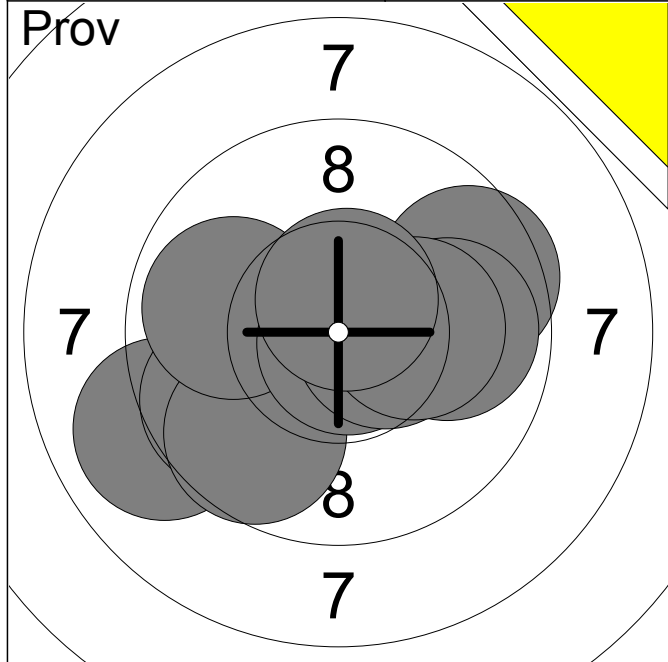
40 Skott



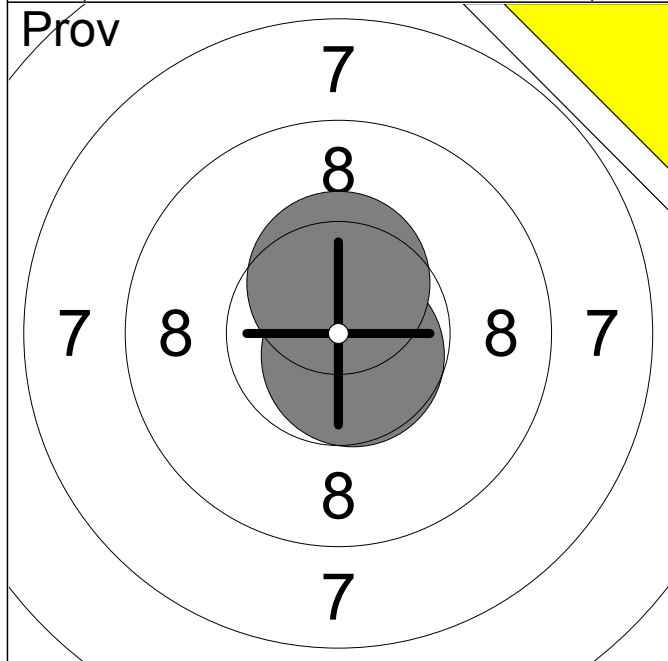
1:	10.3x	↓
2:	10.5x	↗
3:	10.6x	↘
4:	10.4x	↓
5:	9.9	←
6:	10.5x	↑
7:	9.9	↑
8:	9.6	↖
9:	10.0	↖
10:	10.5x	←

Serie	102.2
-------	-------

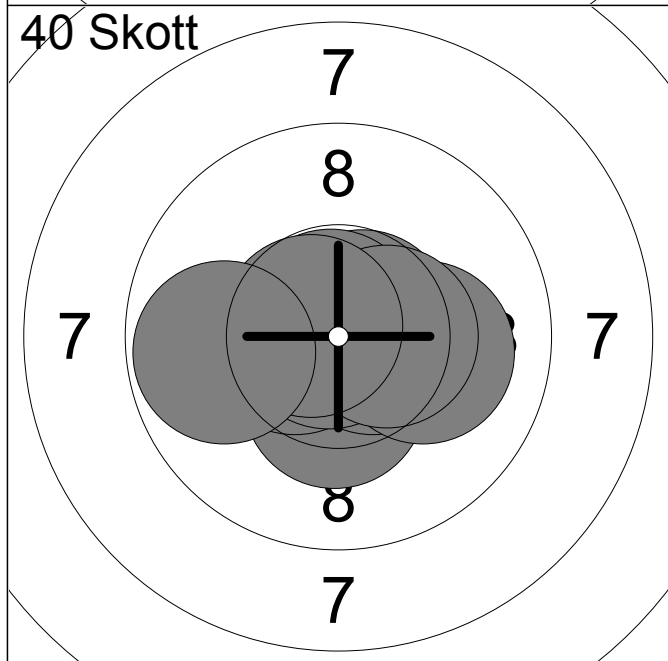
Total	516.3
-------	-------



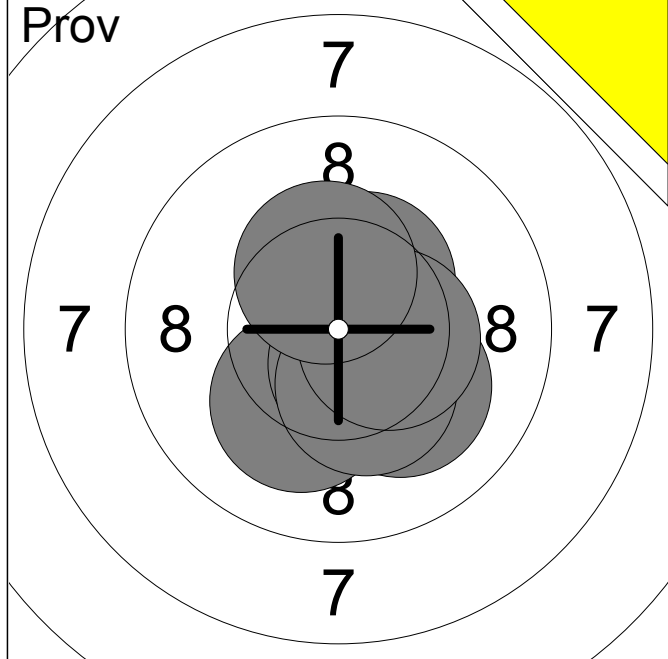
1:	9.0	↙
2:	9.7	↙
3:	9.7	↙
4:	9.9	←
5:	10.8x	↘
6:	9.6	→
7:	10.5x	→
8:	9.9	→
9:	10.2x	→
10:	10.6x	↑
Serie		99.9
Total		412.6



11:	10.7x	↘
12:	10.5x	↑
Serie		21.2
Total		412.6



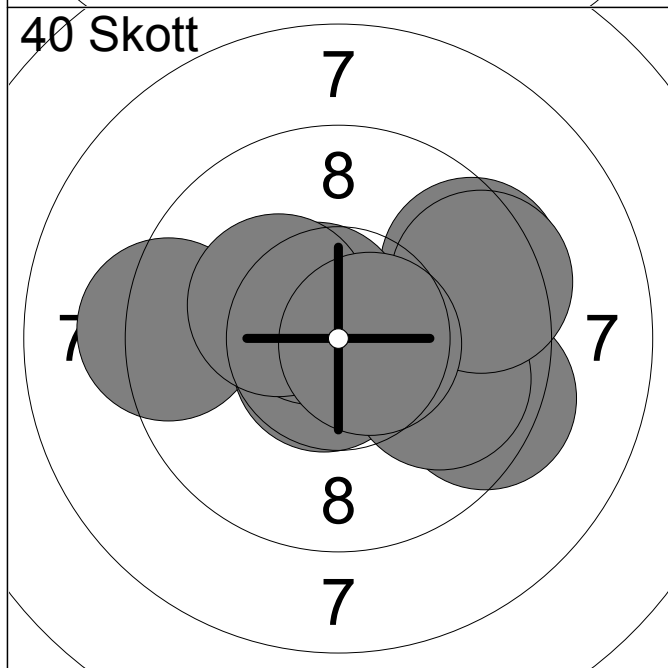
1:	10.4x	↓
2:	10.6x	→
3:	10.5x	←
4:	10.9x	←
5:	10.1	→
6:	10.7x	↗
7:	10.8x	↗
8:	10.5x	→
9:	10.7x	↙
10:	9.8	←
Serie		105.0
Total		517.6



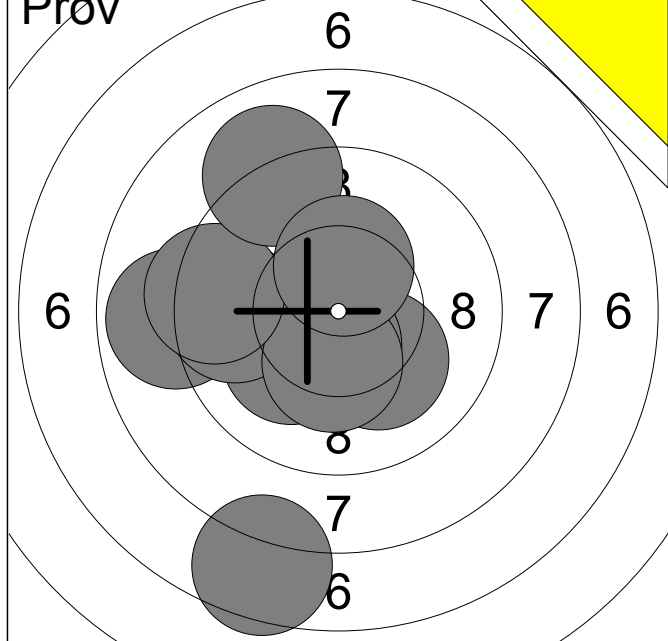
1:	10.2x	↙
2:	10.3x	↘
3:	10.7x	→
4:	10.5x	↘
5:	10.5x	↙
6:	10.1	↘
7:	10.3x	↙
8:	10.4x	↗
9:	10.4x	→
10:	10.4x	↑
Serie		103.8
Total		407.2



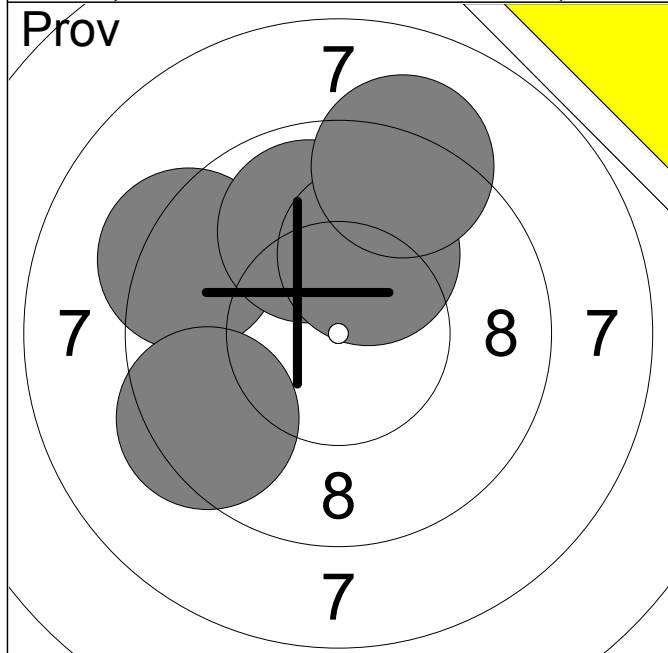
11:	10.5x	↑
Serie		10.5
Total		407.2



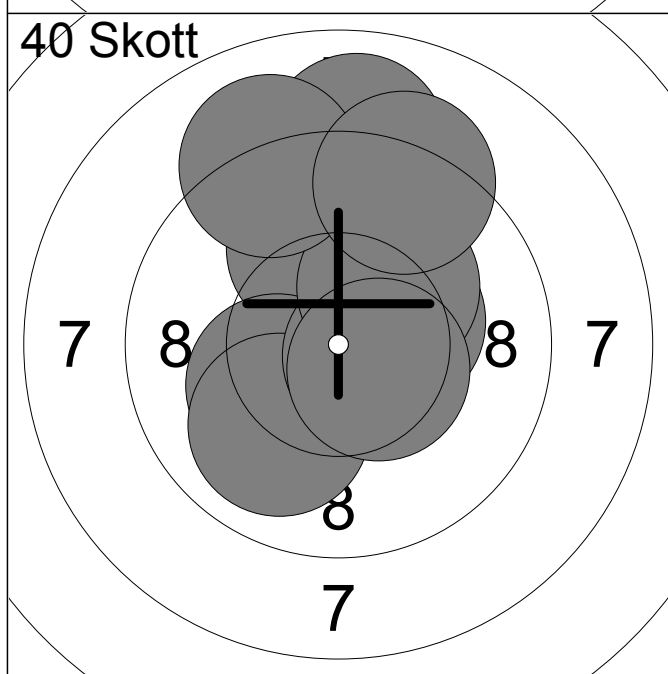
1:	9.3	←
2:	10.2x	→
3:	10.7x	↙
4:	9.5	→
5:	9.4	↘
6:	9.9	↘
7:	10.6x	↗
8:	10.3x	↗
9:	9.4	→
10:	10.6x	→
Serie		99.9
Total		507.1



1:	8.9	←
2:	10.1	↘
3:	10.5x	↓
4:	10.1	↙
5:	9.6	←
6:	10.3x	↓
7:	7.5	↘
8:	9.3	←
9:	9.0	↑
10:	10.4x	↑
Serie		95.7
Total		403.6



11:	9.3	↖
12:	9.9	↑
13:	10.1	↑
14:	9.4	↙
15:	9.2	↑
Serie		47.9
Total		403.6



1:	10.0	↑
2:	10.2x	↙
3:	10.0	↙
4:	10.4x	→
5:	10.6x	→
6:	9.0	↑
7:	10.2x	↗
8:	9.1	↑
9:	10.5x	↘
10:	9.2	↑
Serie		99.2
Total		502.8