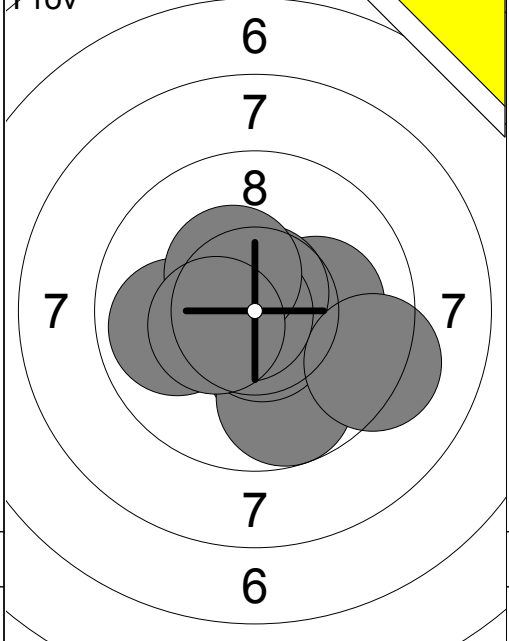
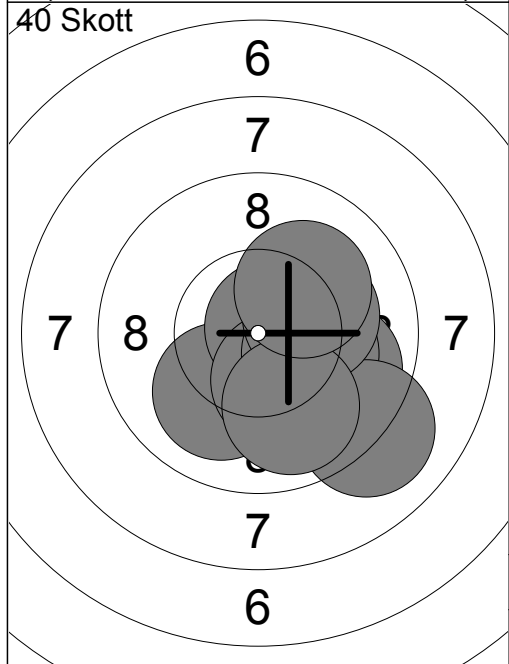


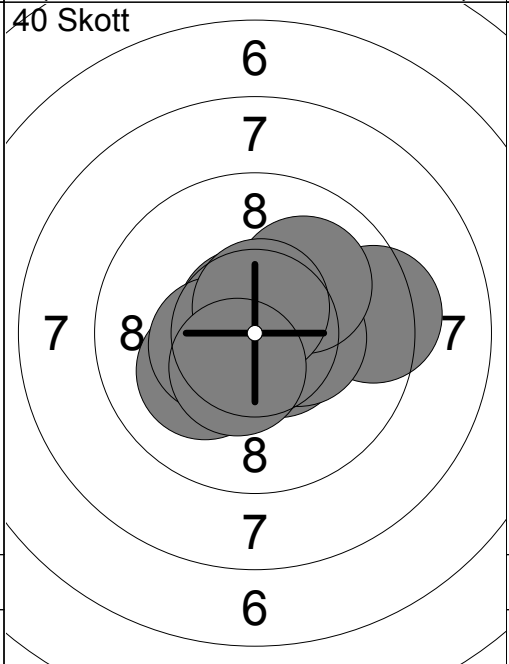
1:	9.1	↓
2:	10.1	→
3:	9.9	↓
4:	9.5	↓
5:	9.9	←
6:	10.3x	→
7:	10.3x	↗
8:	10.3x	↓
9:	9.9	↙
10:	10.4x	↖
Serie		99.7
Total		0.0



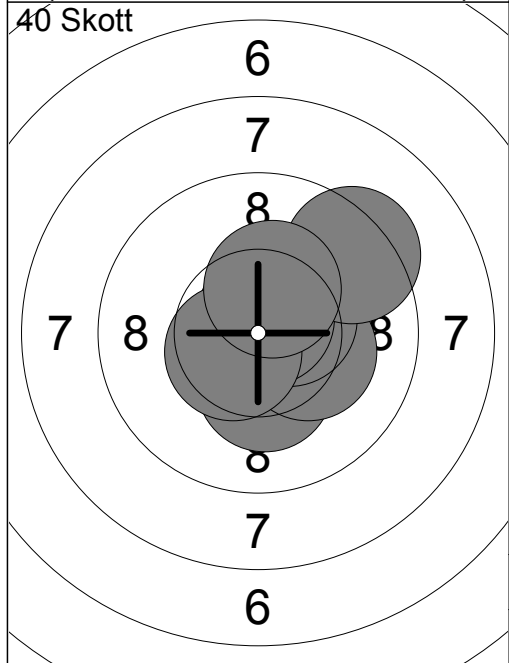
11:	10.3x	↓
12:	10.2x	→
13:	9.9	←
14:	9.8	↓
15:	10.6x	↓
16:	10.7x	↑
17:	9.3	→
18:	10.8x	←
19:	10.4x	↖
20:	10.4x	←
Serie		102.4
Total		0.0



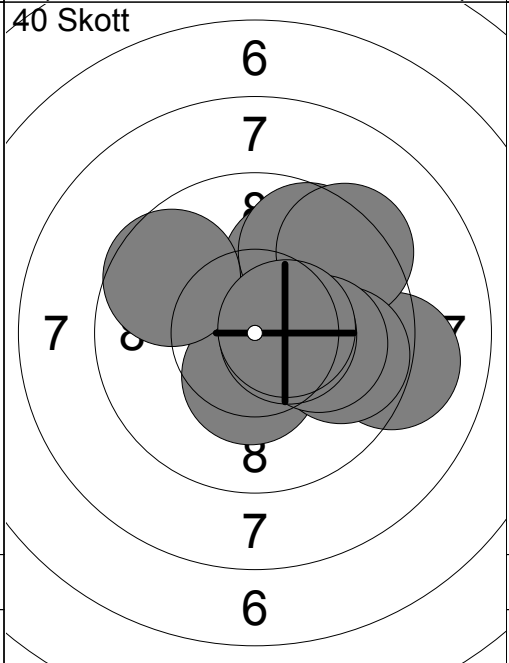
1:	10.6x	→
2:	10.0	↓
3:	9.9	→
4:	10.7x	→
5:	10.3x	↓
6:	10.2x	→
7:	9.1	↓
8:	10.2x	→
9:	9.9	↓
10:	10.1	↗
Serie		101.0
Total		101.0



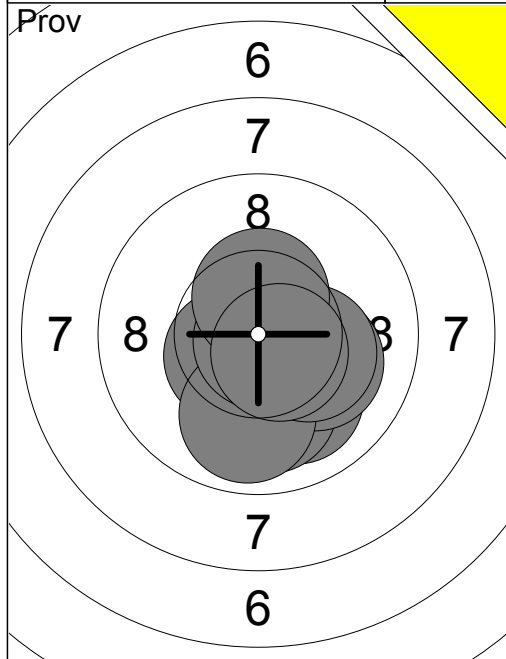
11:	9.4	→
12:	10.7x	↖
13:	10.1	↙
14:	10.8x	→
15:	10.6x	↓
16:	10.4x	→
17:	10.1	↗
18:	10.4x	←
19:	10.6x	↑
20:	10.4x	↓
Serie		103.5
Total		204.5



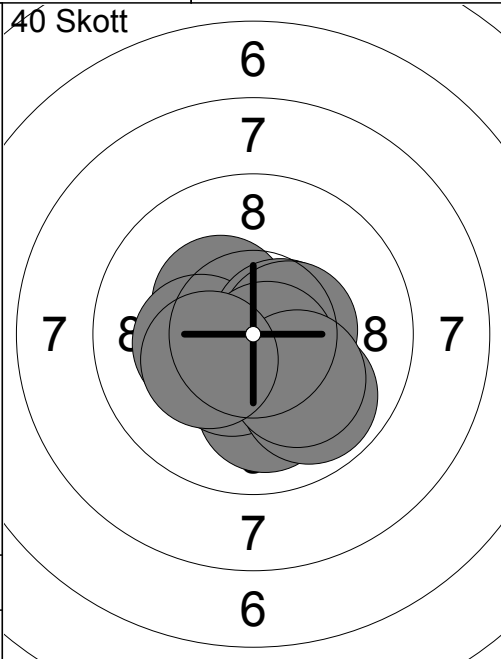
21:	10.6x	↓
22:	10.3x	↓
23:	10.6x	↗
24:	10.2x	→
25:	10.5x	↗
26:	10.5x	→
27:	10.7x	↗
28:	10.5x	↙
29:	9.4	↗
30:	10.3x	↗
Serie		103.6
Total		308.1



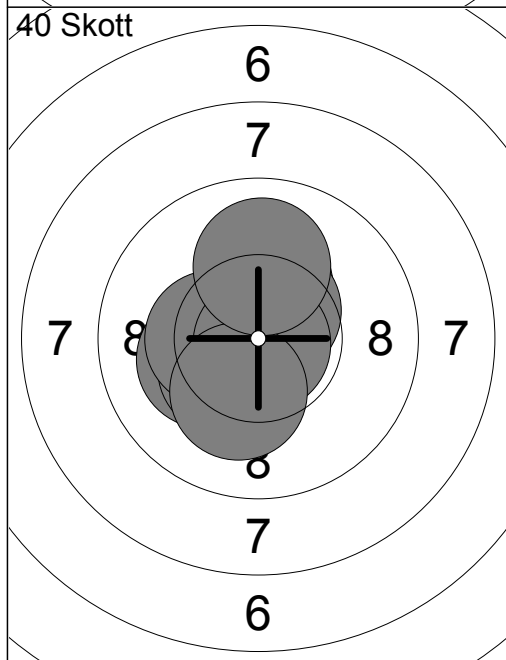
31:	10.0	↗
32:	9.7	↗
33:	10.4x	↓
34:	9.1	→
35:	9.4	↗
36:	9.8	→
37:	10.1	→
38:	9.6	↙
39:	10.5x	→
40:	10.5x	→
Serie		99.1
Total		407.2



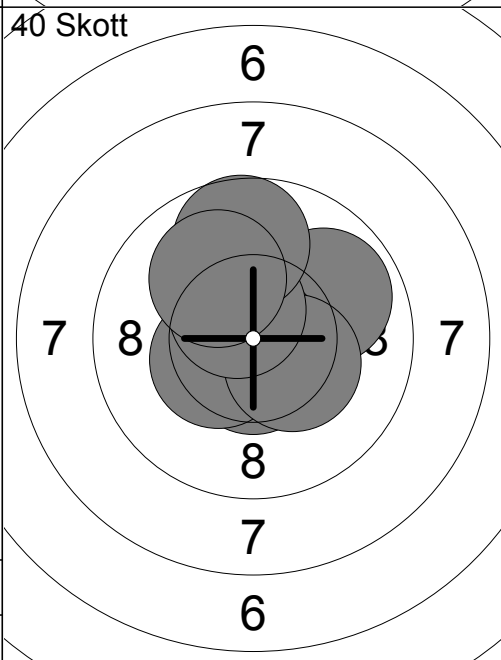
1:	10.0	↘
2:	10.0	↓
3:	10.1	→
4:	10.5x	↙
5:	9.9	↓
6:	10.9x	↘
7:	10.3x	→
8:	10.5x	↑
9:	10.6x	↘
Serie		92.8
Total		0.0



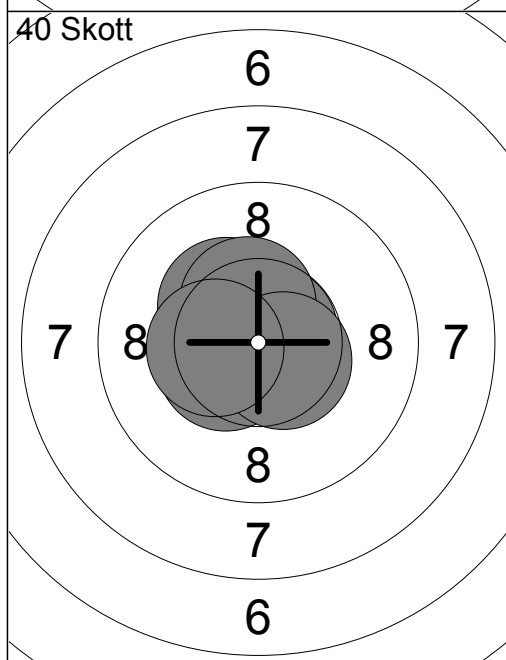
1:	10.4x	↖
2:	10.3x	←
3:	10.6x	→
4:	10.0	↓
5:	10.5x	→
6:	10.4x	↙
7:	10.7x	↘
8:	9.9	↓
9:	10.1	↓
10:	10.3x	↙
Serie		103.2
Total		103.2



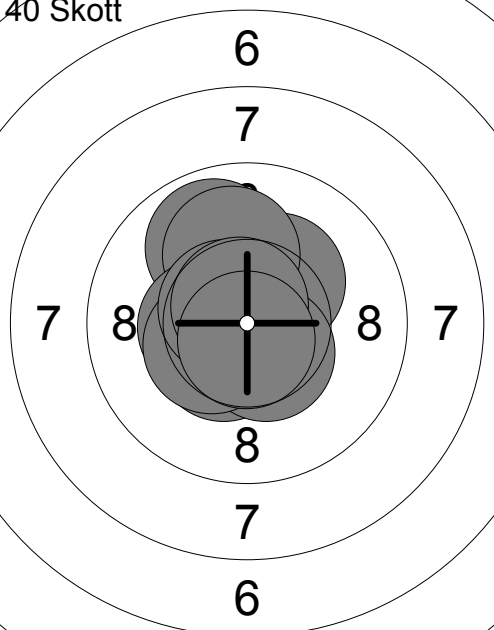
11:	10.7x	↖
12:	10.3x	↑
13:	10.2x	←
14:	10.8x	↙
15:	10.5x	↑
16:	10.4x	↙
17:	10.4x	←
18:	10.9x	↘
19:	10.2x	↓
20:	10.0	↑
Serie		104.4
Total		207.6

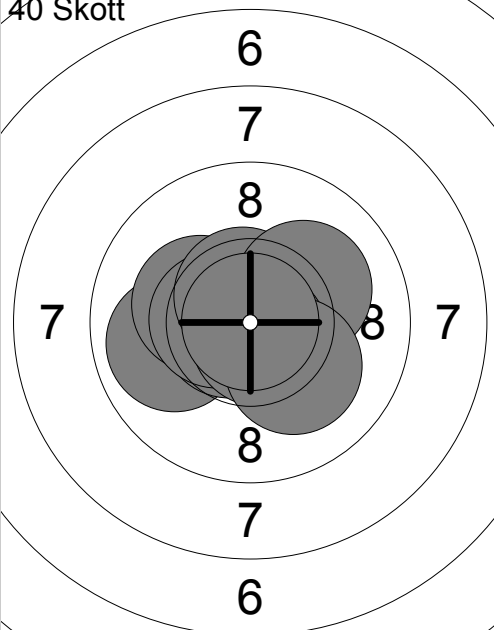
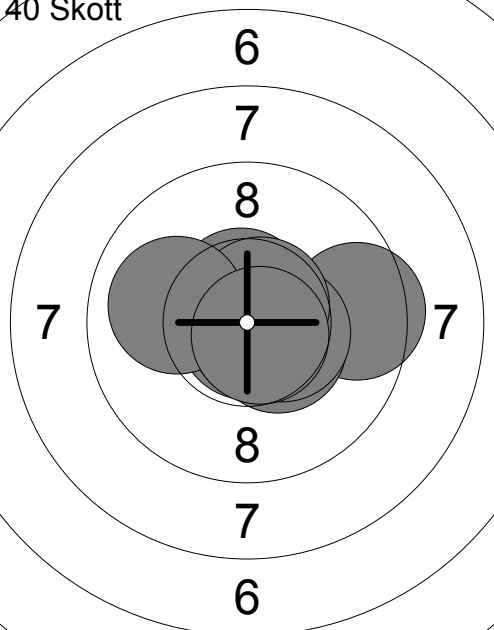


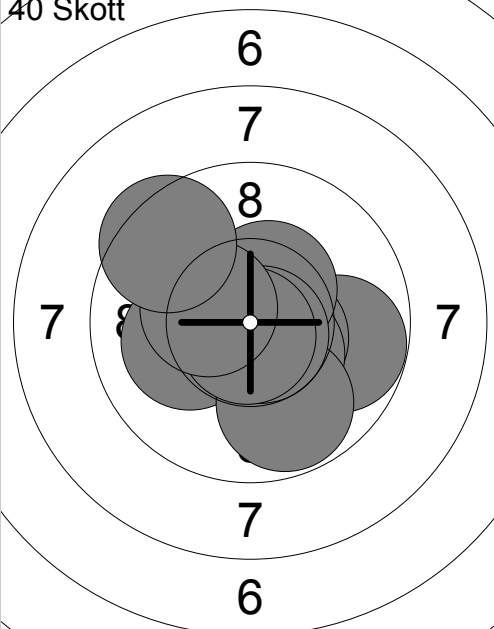
21:	10.7x	↖
22:	9.9	↗
23:	10.7x	←
24:	10.6x	↓
25:	10.9x	↘
26:	10.4x	↙
27:	10.4x	↘
28:	10.5x	↖
29:	9.7	↑
30:	10.0	↖
Serie		103.8
Total		311.4

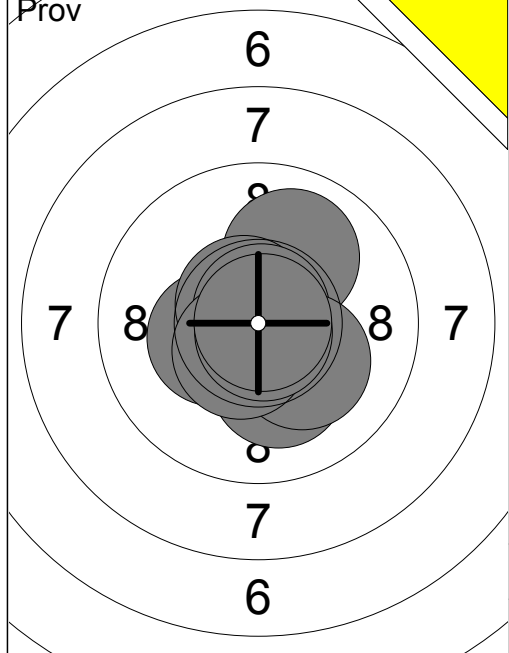


31:	10.8x	↗
32:	10.5x	↙
33:	10.9x	←
34:	10.9x	↙
35:	10.7x	↖
36:	10.5x	←
37:	10.3x	↖
38:	10.4x	↑
39:	10.5x	↘
40:	10.4x	←
Serie		105.9
Total		417.3

Pröv 	1: 10.5x ← 2: 10.1 ↓ 3: 10.6x ↓ 4: 10.2x → 5: 10.4x → 6: 10.0 ↑ 7: 10.3x ↖ 8: 10.3x ↙ 9: 9.8 → 10: 10.3x ↖ Serie 102.5 Total 0.0	40 Skott 	1: 9.9 ↗ 2: 10.5x ↙ 3: 10.3x ↗ 4: 10.0 ↑ 5: 10.4x ← 6: 10.5x ↘ 7: 10.4x ↙ 8: 10.6x ↖ 9: 10.7x ↗ 10: 10.7x ↓ Serie 104.0 Total 104.0
--	---	--	--

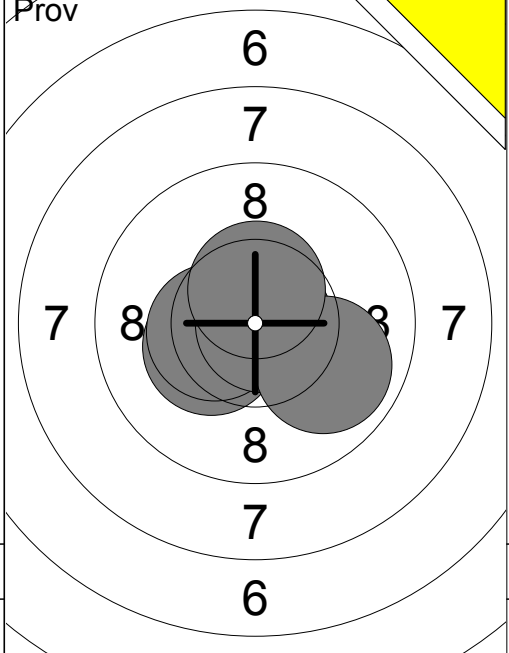
40 Skott 	11: 9.9 ← 12: 10.3x ↖ 13: 10.8x ↗ 14: 10.7x ← 15: 10.5x ← 16: 10.6x ↑ 17: 10.1 → 18: 10.7x ↓ 19: 10.2x ↓ 20: 10.9x ↑ Serie 104.7 Total 208.7	40 Skott 	21: 10.8x ↓ 22: 10.7x ↘ 23: 10.7x → 24: 10.6x ↑ 25: 9.5 → 26: 10.5x ↘ 27: 10.5x → 28: 10.7x ↗ 29: 10.0 ← 30: 10.7x ↘ Serie 104.7 Total 313.4
---	---	---	---

40 Skott 	31: 10.1 ← 32: 9.8 → 33: 10.5x → 34: 10.4x ↘ 35: 9.8 ↓ 36: 10.5x ↗ 37: 10.7x ↘ 38: 10.8x ↓ 39: 10.4x ↖ 40: 9.5 ↖ Serie 102.5 Total 415.9		
--	---	--	--



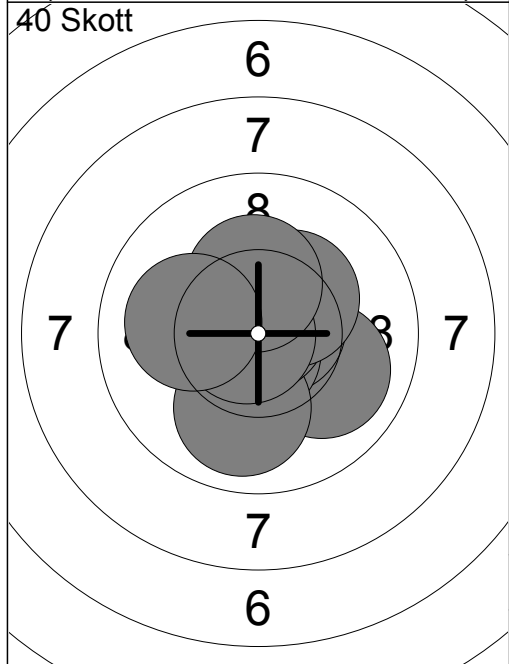
Pröv

1:	10.4x ←
2:	10.0 ↗
3:	10.7x ↘
4:	10.2x ↓
5:	10.6x ↖
6:	10.8x ↗
7:	10.2x ↘
8:	10.5x ↘
9:	10.8x ↓
10:	10.9x →
Serie	105.1
Total	0.0



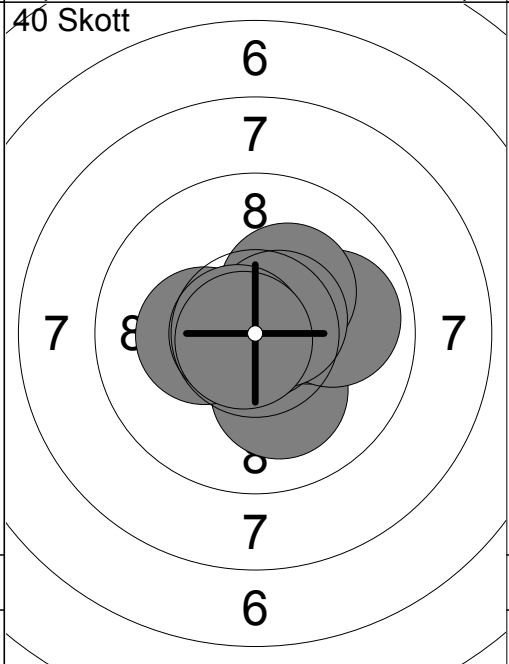
Pröv

11:	10.3x ↘
12:	10.4x ←
13:	10.8x →
14:	9.9 ↘
15:	10.5x ↑
Serie	51.9
Total	0.0



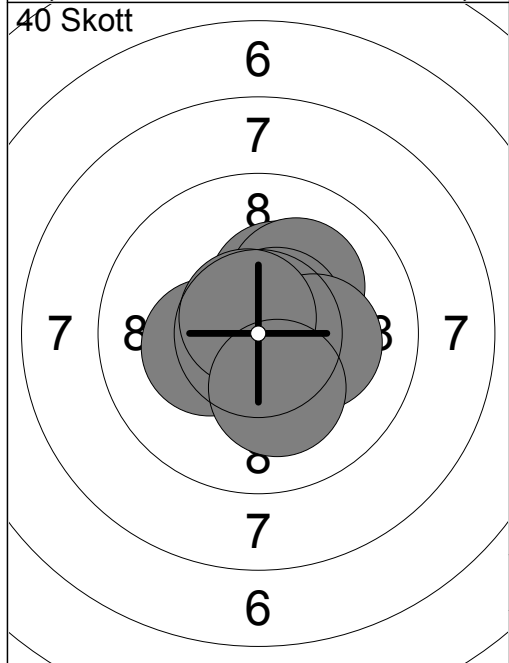
40 Skott

1:	10.0 →
2:	10.6x ↗
3:	10.7x →
4:	10.7x ↓
5:	10.0 ↓
6:	10.8x ↑
7:	10.3x ↗
8:	10.8x ←
9:	10.3x ↑
10:	10.1 ←
Serie	104.3
Total	104.3



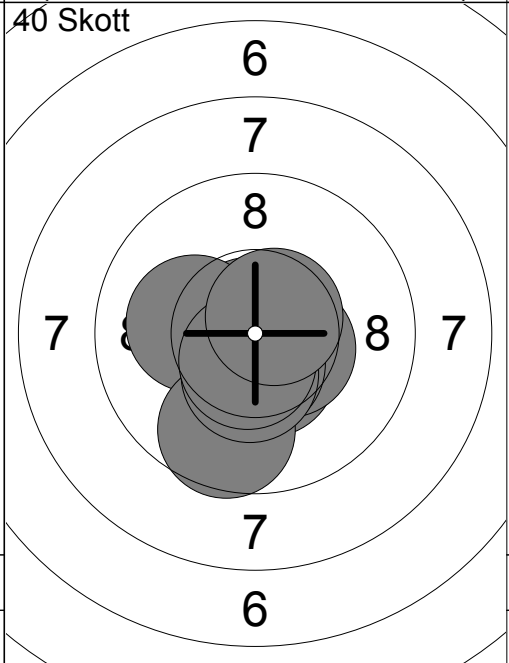
40 Skott

11:	10.1 ↓
12:	10.2x →
13:	10.3x ←
14:	9.9 →
15:	10.6x ↗
16:	10.9x ↗
17:	10.3x ↗
18:	10.6x ↗
19:	10.7x ←
20:	10.8x ↘
Serie	104.4
Total	208.7



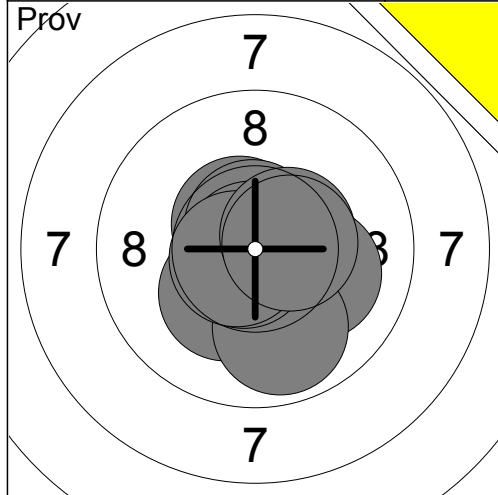
40 Skott

21:	10.3x ↗
22:	10.2x ↗
23:	10.6x ↓
24:	10.7x →
25:	10.8x ↘
26:	10.6x ↗
27:	10.2x →
28:	10.3x ←
29:	10.7x ↖
30:	10.2x ↓
Serie	104.6
Total	313.3

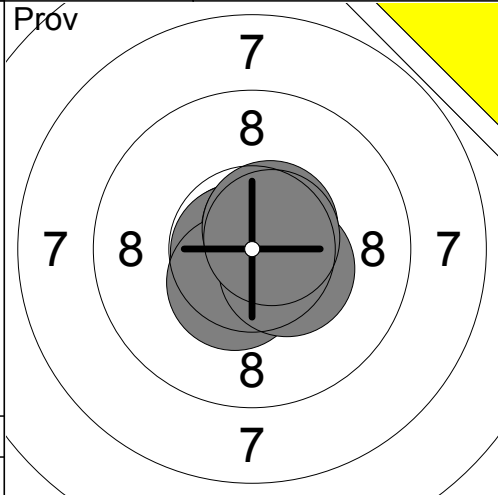


40 Skott

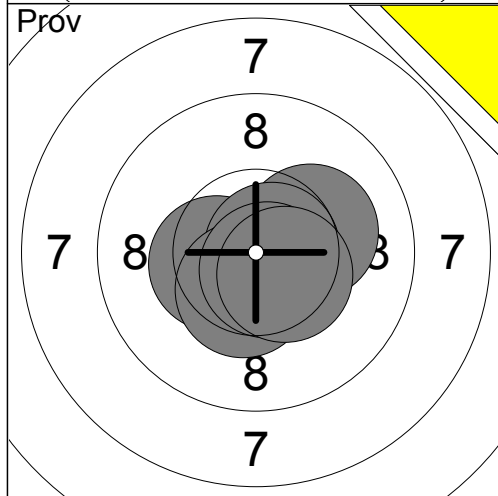
31:	10.5x ↓
32:	10.9x →
33:	10.8x ↖
34:	10.1 ←
35:	10.5x →
36:	10.6x ↓
37:	9.6 ↓
38:	10.4x ↓
39:	10.6x ↓
40:	10.6x ↗
Serie	104.6
Total	417.9



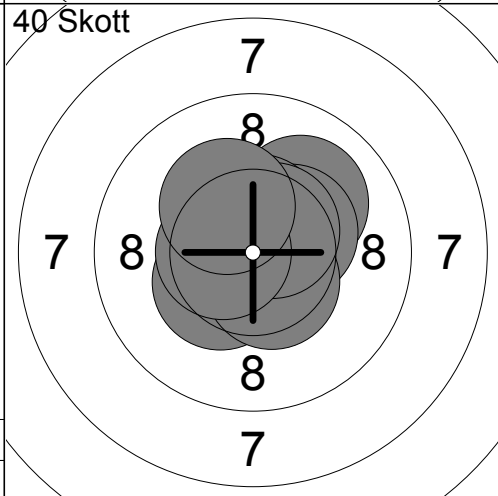
1:	10.3x	↙
2:	10.6x	↗
3:	10.7x	↑
4:	10.1	→
5:	9.9	↓
6:	10.7x	↙
7:	10.9x	←
8:	10.7x	↙
9:	10.5x	→
10:	10.5x	→
Serie		104.9
Total		0.0



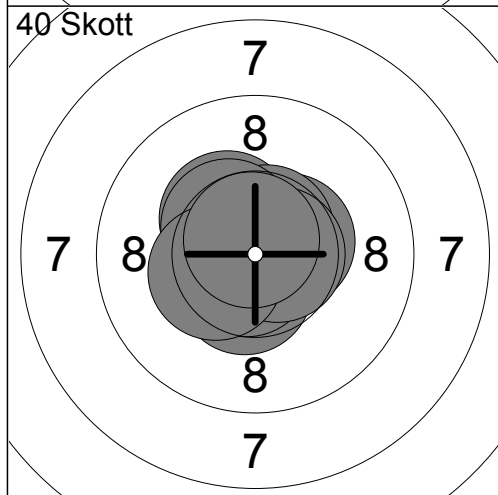
11:	10.8x	←
12:	10.9x	↓
13:	10.8x	←
14:	10.6x	↘
15:	10.6x	↗
16:	10.8x	→
17:	10.4x	↓
18:	10.4x	↘
19:	10.6x	↗
20:	10.7x	↗
Serie		106.6
Total		0.0



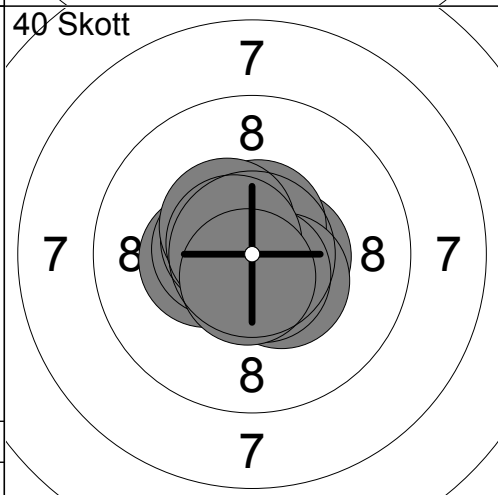
21:	10.4x	←
22:	10.2x	→
23:	10.7x	→
24:	10.4x	↓
25:	10.7x	↓
26:	10.5x	↓
Serie		62.9
Total		0.0



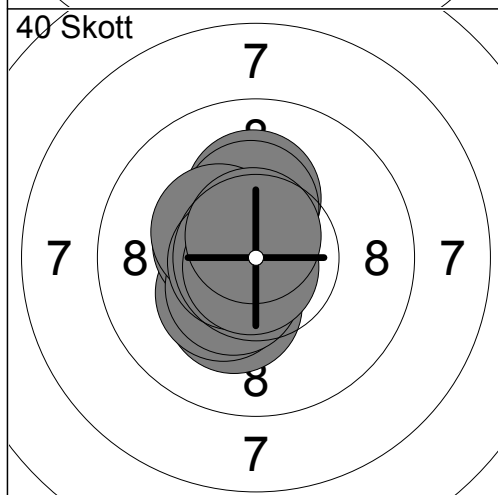
1:	10.7x	→
2:	10.4x	↙
3:	10.4x	↗
4:	10.1	↗
5:	10.4x	→
6:	10.5x	↓
7:	10.5x	↑
8:	10.6x	↗
9:	10.6x	←
10:	10.3x	↗
Serie		104.5
Total		104.5



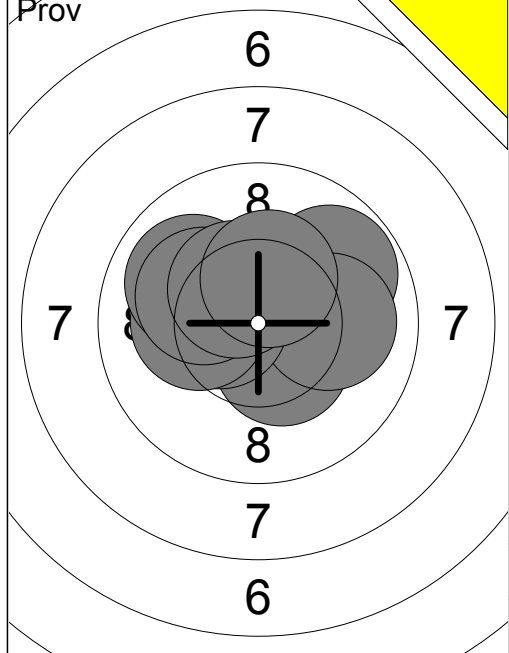
11:	10.6x	↗
12:	10.5x	→
13:	10.4x	↗
14:	10.5x	↓
15:	10.7x	↓
16:	10.6x	↗
17:	10.7x	→
18:	10.5x	↗
19:	10.4x	←
20:	10.7x	↑
Serie		105.6
Total		210.1



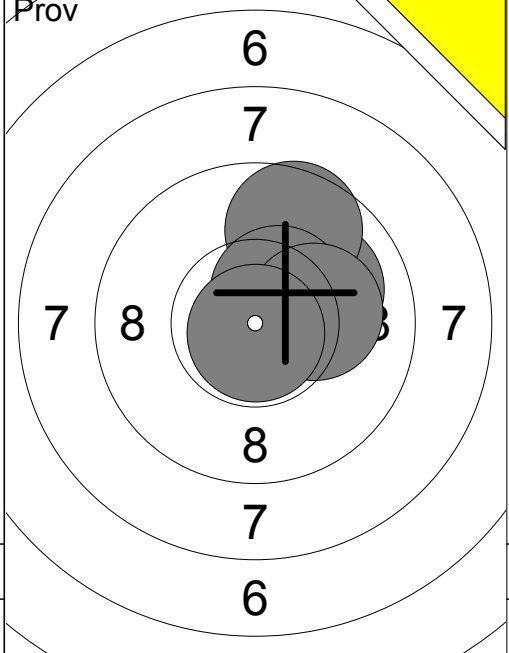
21:	10.5x	→
22:	10.6x	↑
23:	10.3x	←
24:	10.5x	←
25:	10.4x	↓
26:	10.6x	↗
27:	10.6x	↓
28:	10.5x	↗
29:	10.7x	↗
30:	10.6x	↓
Serie		105.3
Total		315.4



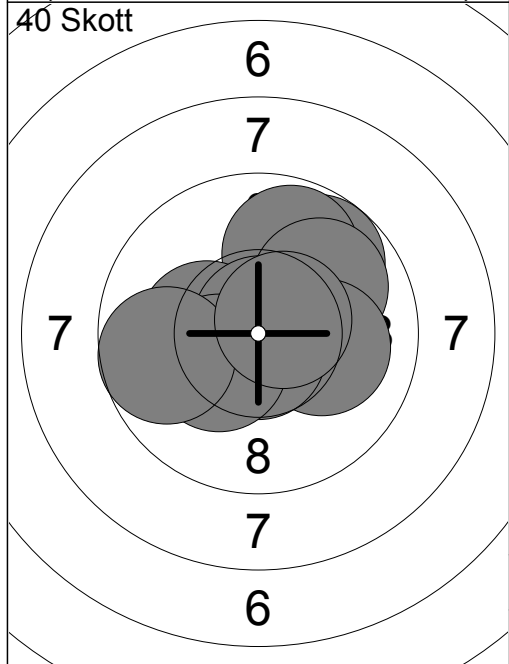
31:	10.3x	↓
32:	10.3x	↙
33:	10.2x	↑
34:	10.4x	↙
35:	10.3x	↑
36:	10.5x	↙
37:	10.4x	↗
38:	10.7x	←
39:	10.8x	↙
40:	10.7x	↑
Serie		104.6
Total		420.0



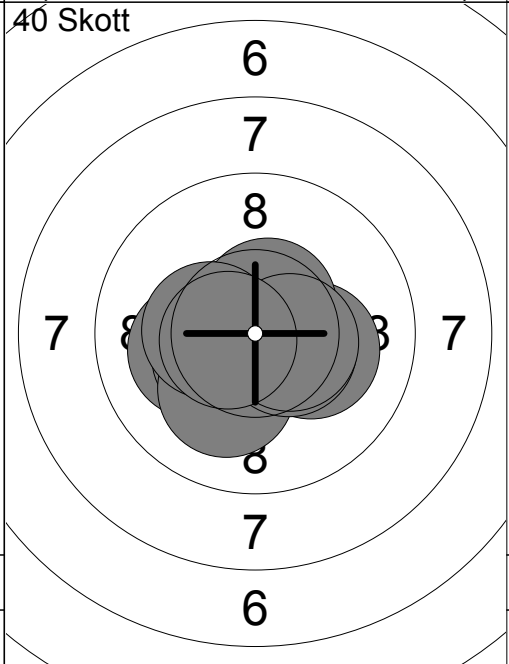
1:	10.3x ↗
2:	9.8 ↗
3:	10.4x ↘
4:	10.0 →
5:	10.4x ←
6:	10.2x ←
7:	9.9 ↖
8:	10.2x ↖
9:	10.4x ↖
10:	10.4x ↑
Serie 102.0	
Total 0.0	



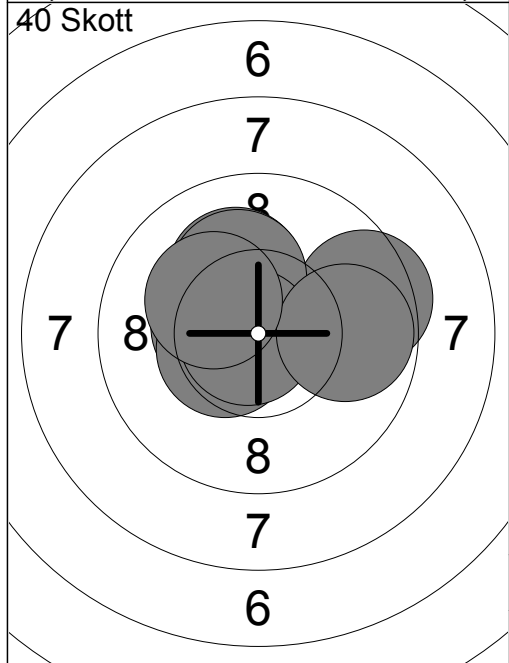
11:	10.0 ↗
12:	9.6 ↑
13:	10.5x ↗
14:	10.2x →
15:	10.8x ↘
Serie 51.1	
Total 0.0	



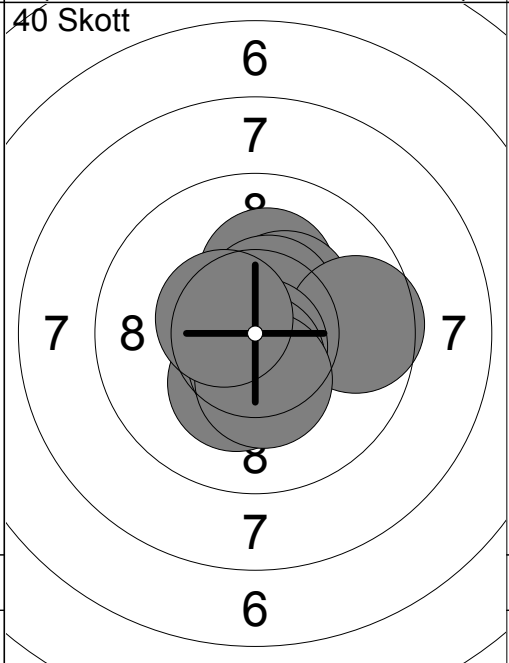
1:	9.8 ↗
2:	9.8 ↑
3:	10.3x ←
4:	9.9 ↗
5:	10.8x ↑
6:	10.1 →
7:	10.7x ↓
8:	10.3x ↙
9:	9.7 ←
10:	10.6x →
Serie 102.0	
Total 102.0	



11:	10.2x →
12:	10.1 ←
13:	10.6x ←
14:	10.6x ↑
15:	10.4x ↙
16:	10.1 ↓
17:	10.5x →
18:	10.4x ←
19:	10.5x →
20:	10.6x ←
Serie 104.0	
Total 206.0	



21:	10.4x ↑
22:	10.8x ←
23:	10.1 ↑
24:	10.4x ←
25:	9.5 →
26:	10.5x ←
27:	10.2x ↑
28:	10.8x ←
29:	9.8 →
30:	10.2x ↖
Serie 102.7	
Total 308.7	

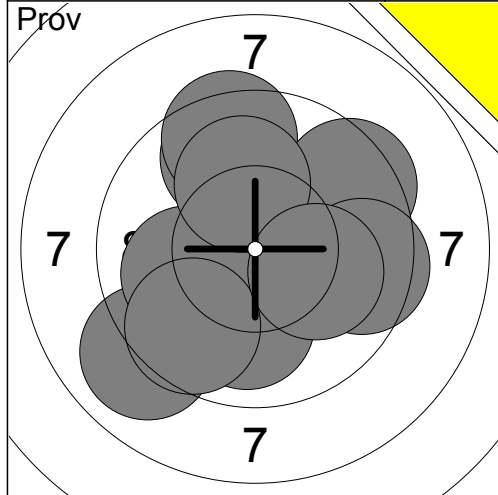


31:	10.2x ↑
32:	10.4x ↗
33:	10.7x ↑
34:	10.5x ↑
35:	9.6 →
36:	10.3x ↘
37:	10.8x ↓
38:	10.6x ↓
39:	10.3x ↓
40:	10.5x ↖
Serie 103.9	
Total 412.6	

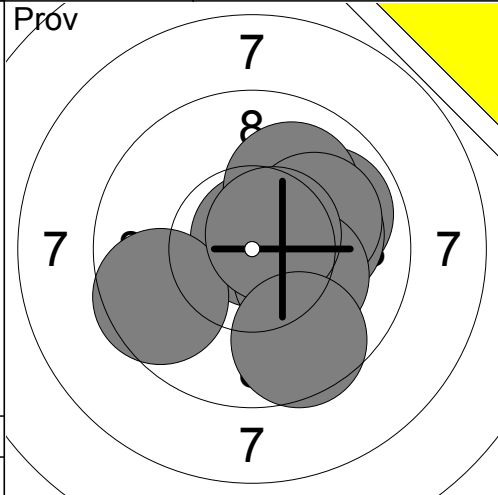
<p>Pröv</p>	<p>1: 9.9 → 2: 9.4 → 3: 10.4x ↖ 4: 10.3x ↙ 5: 10.8x ↙ 6: 10.5x ↙ 7: 10.7x ↘ 8: 10.7x ↘ 9: 10.7x ↘ 10: 10.4x ←</p> <p>Serie 103.8 Total 0.0</p>	<p>Pröv</p>	<p>11: 10.4x ↘ 12: 9.9 ↗ 13: 10.5x ← 14: 9.8 → 15: 9.8 ↑ 16: 10.5x →</p> <p>Serie 60.9 Total 0.0</p>
-------------	---	-------------	---

<p>40 Skott</p>	<p>1: 10.6x ↑ 2: 10.0 ↑ 3: 10.5x ↘ 4: 10.6x ↑ 5: 10.1 ↑ 6: 10.6x → 7: 10.3x ↑ 8: 10.7x ↘ 9: 10.6x ↖ 10: 10.7x ↘</p> <p>Serie 104.7 Total 104.7</p>	<p>40 Skott</p>	<p>11: 9.4 ← 12: 10.2x ↖ 13: 10.3x ↑ 14: 10.2x → 15: 10.2x ↘ 16: 9.9 ↑ 17: 9.9 → 18: 10.4x ↘ 19: 10.1 ↑ 20: 10.4x →</p> <p>Serie 101.0 Total 205.7</p>
-----------------	---	-----------------	---

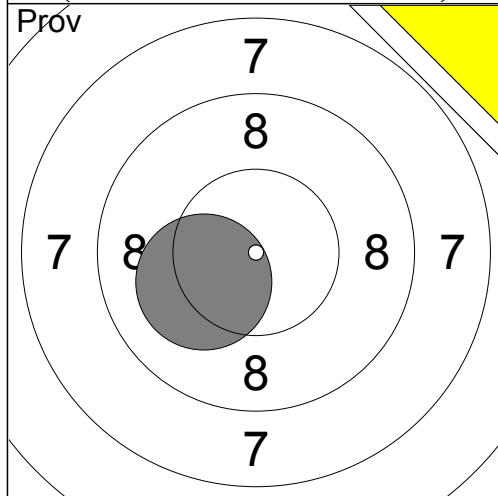
<p>40 Skott</p>	<p>21: 10.4x → 22: 10.5x ↑ 23: 10.3x ↑ 24: 10.8x → 25: 10.7x ↘ 26: 9.9 ← 27: 10.3x → 28: 10.3x ↖ 29: 10.2x ← 30: 10.5x ↗</p> <p>Serie 103.9 Total 309.6</p>	<p>40 Skott</p>	<p>31: 10.4x ↑ 32: 10.1 → 33: 10.6x ↖ 34: 10.6x ↘ 35: 10.4x ↙ 36: 10.4x ← 37: 10.7x ↑ 38: 10.8x ↖ 39: 10.6x ↗ 40: 9.9 ↖</p> <p>Serie 104.5 Total 414.1</p>
-----------------	--	-----------------	---



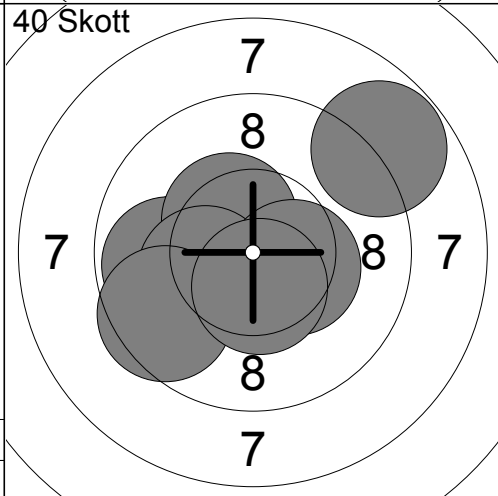
1:	9.7	↑
2:	9.0	↙
3:	9.4	↑
4:	10.0	↓
5:	9.5	↗
6:	10.0	←
7:	10.1	↑
8:	9.6	↙
9:	9.5	→
10:	10.1	→
Serie		96.9
Total		0.0



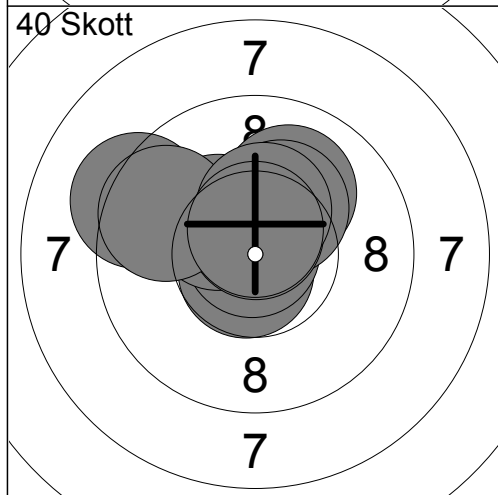
11:	10.3x	→
12:	10.8x	↗
13:	9.9	↗
14:	10.0	↗
15:	10.1	→
16:	10.0	↗
17:	10.2x	→
18:	9.6	←
19:	10.6x	↗
20:	9.6	↓
Serie		101.1
Total		0.0



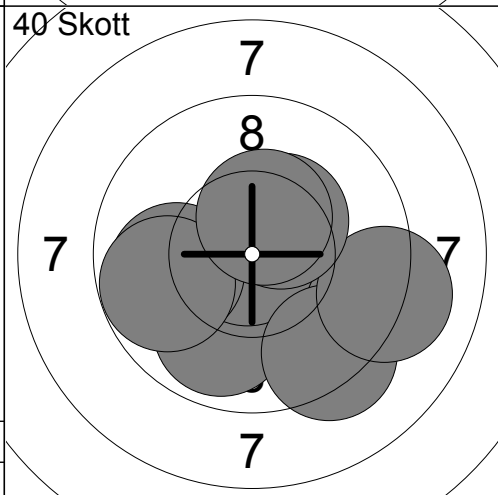
21:	10.2x	←
Serie		10.2
Total		0.0



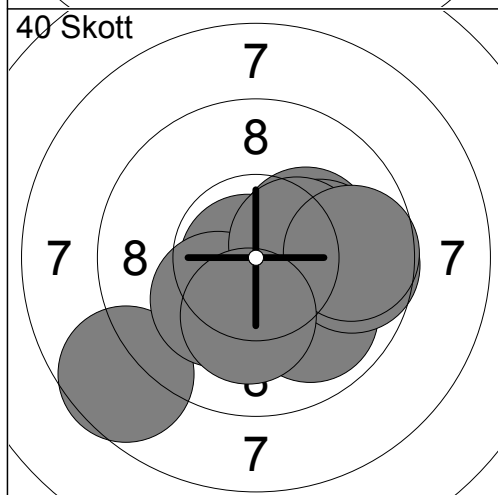
1:	10.6x	←
2:	10.1	←
3:	8.8	↗
4:	9.8	←
5:	10.8x	←
6:	10.4x	↗
7:	10.3x	←
8:	9.5	↙
9:	10.4x	→
10:	10.5x	↓
Serie		101.2
Total		101.2



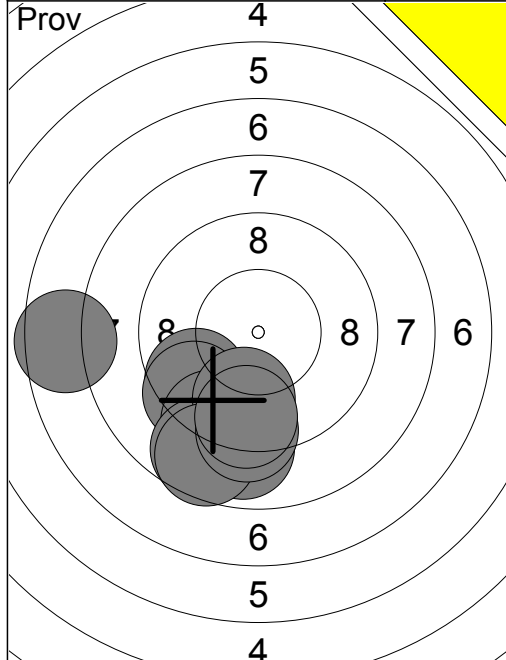
11:	10.7x	↙
12:	10.0	↗
13:	10.9x	↗
14:	10.2x	↗
15:	10.3x	↗
16:	9.2	↙
17:	10.6x	↑
18:	9.6	↙
19:	10.4x	↑
20:	10.6x	↑
Serie		102.5
Total		203.7



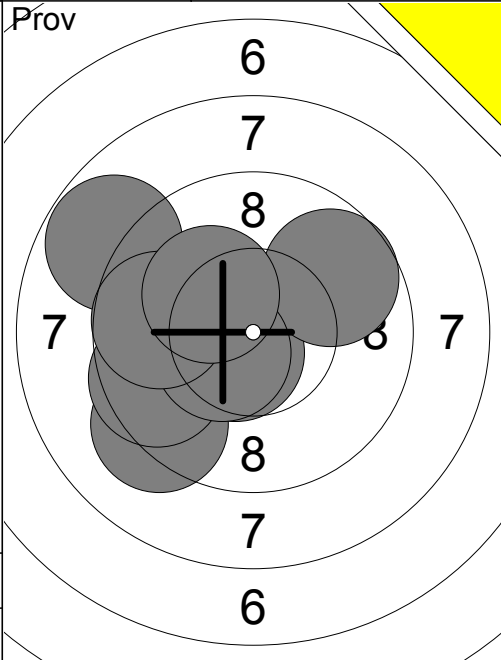
21:	10.8x	↗
22:	9.6	↘
23:	9.9	↓
24:	10.9x	↙
25:	9.9	←
26:	9.8	←
27:	9.3	↘
28:	9.1	→
29:	10.4x	↗
30:	10.4x	↑
Serie		100.1
Total		303.8



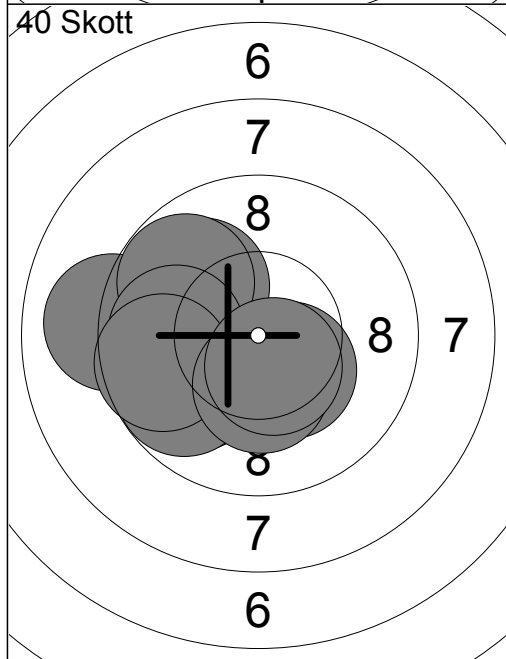
31:	10.8x	←
32:	10.2x	→
33:	8.6	↙
34:	10.1	→
35:	10.2x	↙
36:	9.9	↘
37:	9.7	→
38:	10.4x	→
39:	9.7	→
40:	10.2x	↓
Serie		99.8
Total		403.6



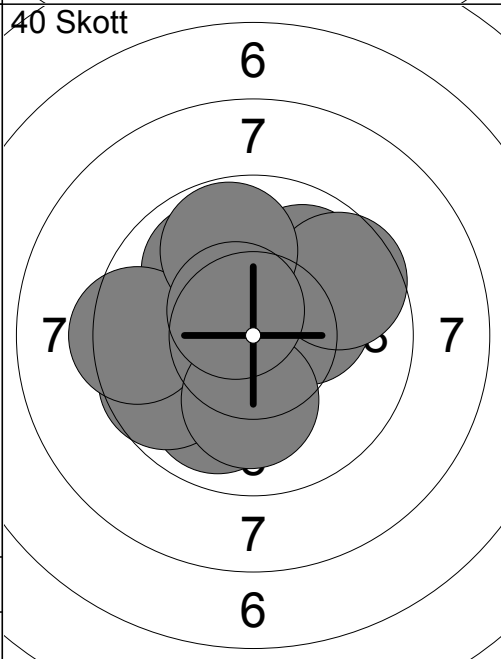
1:	9.6	↙
2:	9.4	↙
3:	9.2	↘
4:	8.7	↘
5:	8.9	↓
6:	9.8	↓
7:	8.6	↘
8:	7.6	←
9:	9.2	↓
10:	9.4	↓
Serie		90.4
Total		0.0



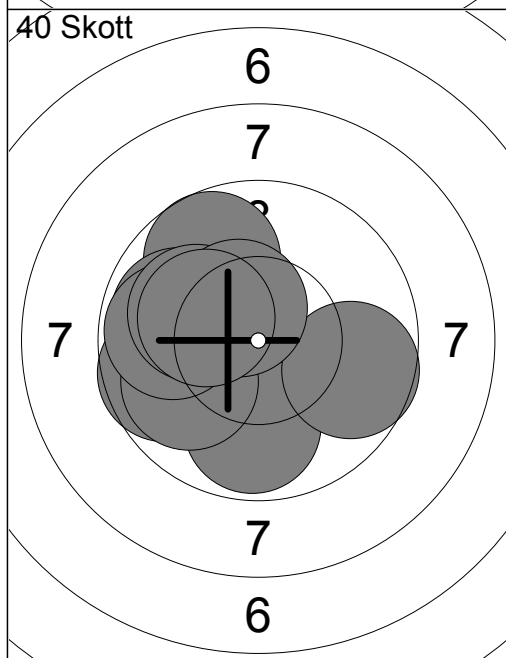
11:	8.8	↗
12:	9.2	↘
13:	9.6	↙
14:	10.6x	↘
15:	9.7	↗
16:	10.5x	↙
17:	9.7	←
18:	10.2x	↖
Serie		78.3
Total		0.0



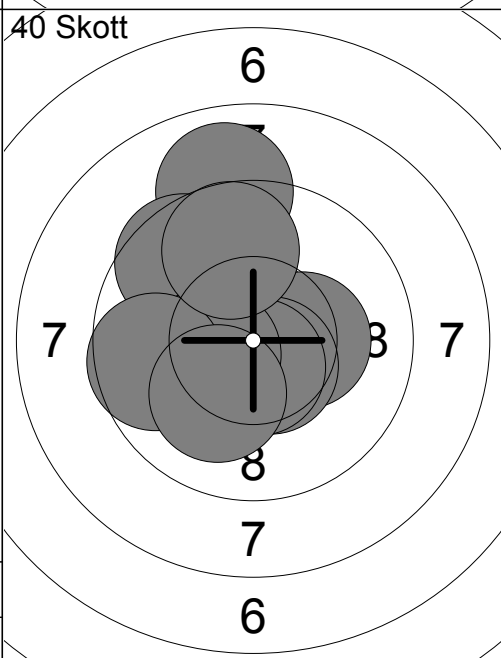
1:	9.0	←
2:	10.4x	↘
3:	10.0	↗
4:	9.8	↗
5:	9.9	↙
6:	9.8	↙
7:	9.9	←
8:	9.6	←
9:	10.3x	↓
10:	10.5x	↓
Serie		99.2
Total		99.2



11:	9.9	↘
12:	9.9	↖
13:	9.7	↙
14:	9.9	↗
15:	9.4	←
16:	10.3x	→
17:	9.6	↗
18:	9.8	↑
19:	10.1	↓
20:	10.6x	↖
Serie		99.2
Total		198.4



21:	9.7	←
22:	9.7	↗
23:	9.9	↓
24:	9.9	↙
25:	9.7	→
26:	9.9	↙
27:	9.8	←
28:	10.1	↖
29:	10.4x	↗
30:	10.2x	↖
Serie		99.3
Total		297.7

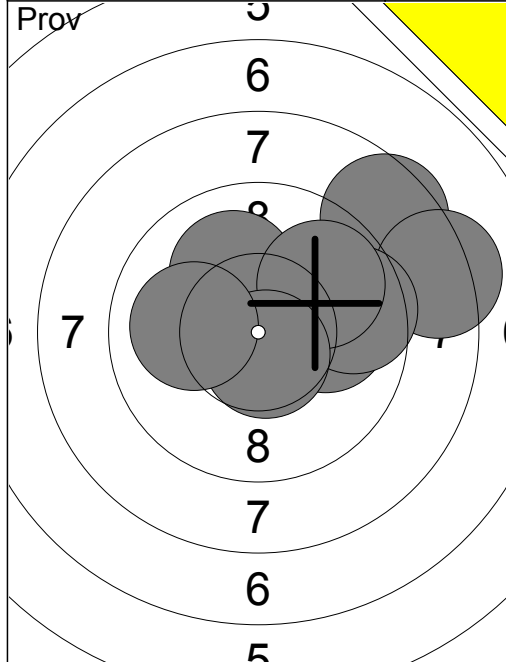


31:	10.4x	↖
32:	10.3x	→
33:	10.6x	↘
34:	10.6x	↓
35:	9.0	↑
36:	9.6	↖
37:	10.4x	↙
38:	9.6	←
39:	10.1	↘
40:	9.7	↑
Serie		100.3
Total		398.0

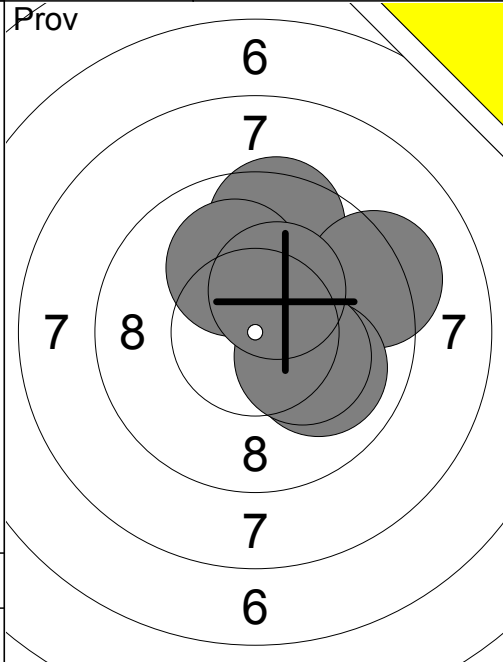
Pröv		Pröv	
	1: 9.3 ↙ 2: 9.4 ↓ 3: 10.2x ↑ 4: 10.2x → 5: 10.1 ↓ 6: 9.9 ↑ 7: 10.7x ↘ 8: 9.6 ↑ 9: 10.4x ↑ 10: 10.6x →		11: 10.7x ↘ 12: 9.0 ↑ 13: 10.1 ↘ 14: 10.7x ↗ 15: 10.2x ↘
Serie	100.4	Serie	50.7
Total	0.0	Total	0.0

40 Skott		40 Skott	
	1: 10.0 ↙ 2: 8.9 ← 3: 10.3x ← 4: 10.6x ↖ 5: 10.3x ↘ 6: 10.0 ↓ 7: 10.3x ↘ 8: 10.0 ↓ 9: 10.3x ↑ 10: 10.3x ↑		11: 10.3x ↑ 12: 10.6x → 13: 9.4 ↓ 14: 10.3x ↖ 15: 9.8 ↑ 16: 9.1 ↑ 17: 10.4x ← 18: 10.1 ↗ 19: 9.5 ← 20: 10.6x ↑
Serie	101.0	Serie	100.1
Total	101.0	Total	201.1

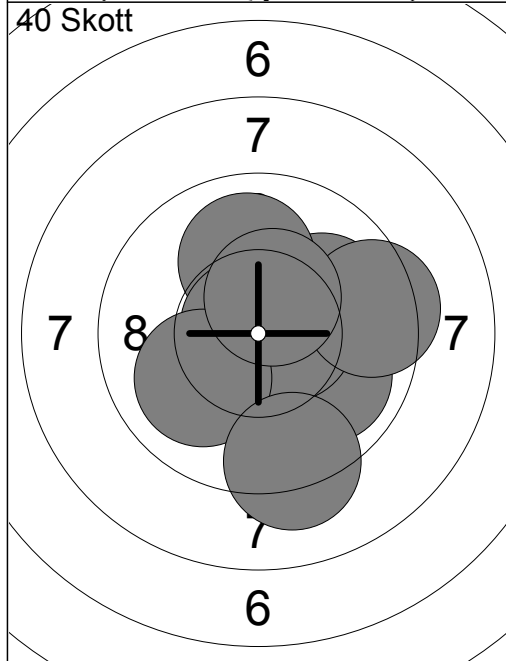
40 Skott		40 Skott	
	21: 10.3x ↘ 22: 10.1 ↓ 23: 10.3x ← 24: 10.2x ↗ 25: 10.8x ↓ 26: 9.5 ↘ 27: 10.1 ↑ 28: 10.3x ↓ 29: 10.4x ↖ 30: 10.8x ↓		31: 10.0 ↖ 32: 9.7 ↖ 33: 10.1 ↓ 34: 10.6x ↖ 35: 10.6x ↗ 36: 10.2x ← 37: 9.6 ↘ 38: 10.2x ↘ 39: 10.4x ↘ 40: 10.1 →
Serie	102.8	Serie	101.5
Total	303.9	Total	405.4



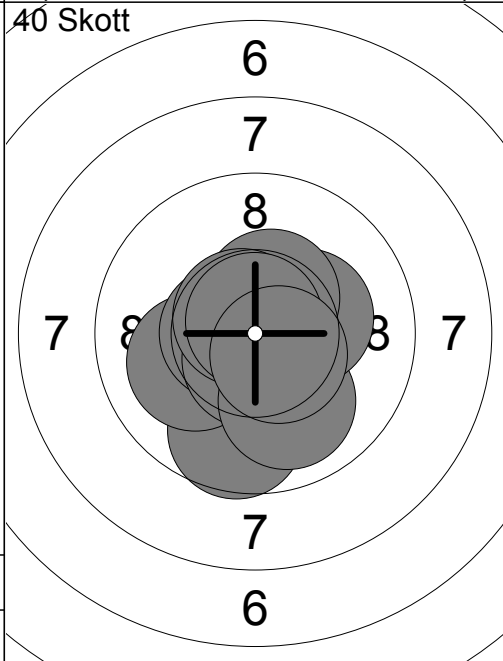
1:	9.7	→
2:	10.3x	→
3:	8.6	↗
4:	8.3	→
5:	10.0	→
6:	10.1	↖
7:	9.6	→
8:	9.8	↗
9:	10.6x	↓
10:	10.0	←
Serie		97.0
Total		0.0



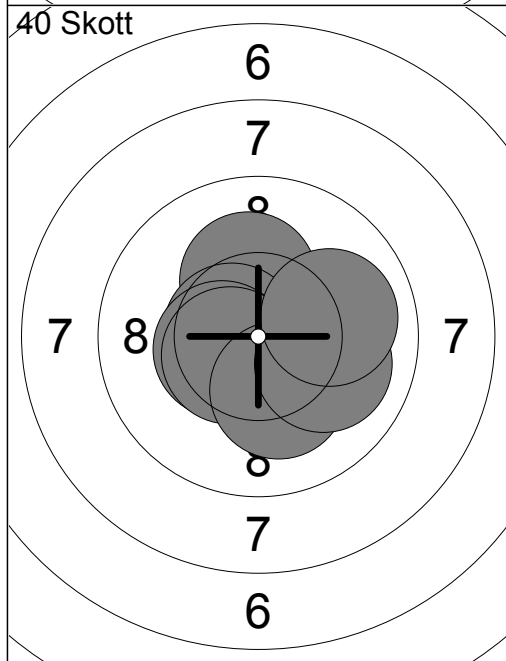
11:	9.5	↑
12:	9.2	→
13:	10.0	↘
14:	10.2x	↘
15:	10.1	↖
16:	10.3x	↗
Serie		59.3
Total		0.0



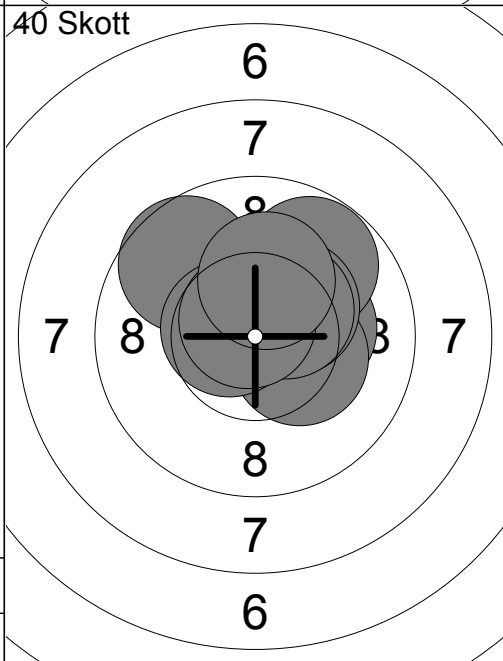
1:	10.4x	↘
2:	10.0	↗
3:	10.0	↑
4:	9.9	↘
5:	10.8x	↖
6:	10.6x	→
7:	10.0	↙
8:	9.4	→
9:	10.4x	↖
10:	9.2	↓
Serie		100.7
Total		100.7



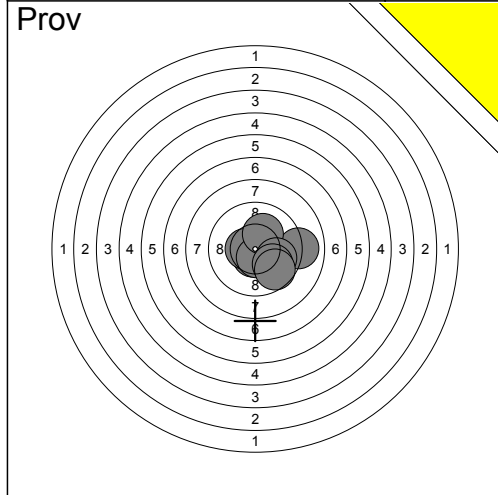
11:	9.7	↓
12:	10.1	←
13:	10.6x	←
14:	10.6x	↓
15:	10.0	↓
16:	10.3x	→
17:	10.4x	↖
18:	10.7x	↖
19:	10.8x	↑
20:	10.5x	↘
Serie		103.7
Total		204.4



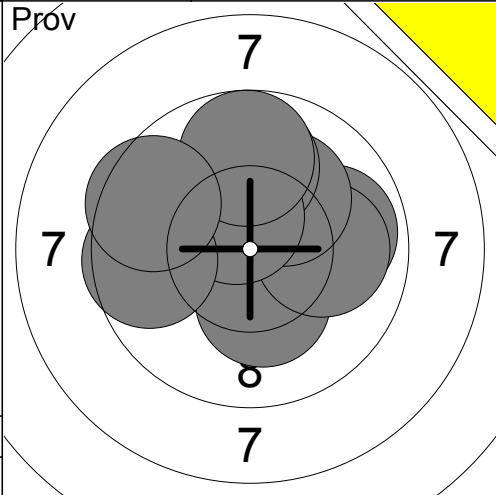
21:	10.4x	→
22:	10.6x	→
23:	10.2x	↑
24:	10.6x	←
25:	10.5x	←
26:	10.4x	↓
27:	10.5x	↙
28:	10.2x	↓
29:	10.0	→
30:	10.0	→
Serie		103.4
Total		307.8



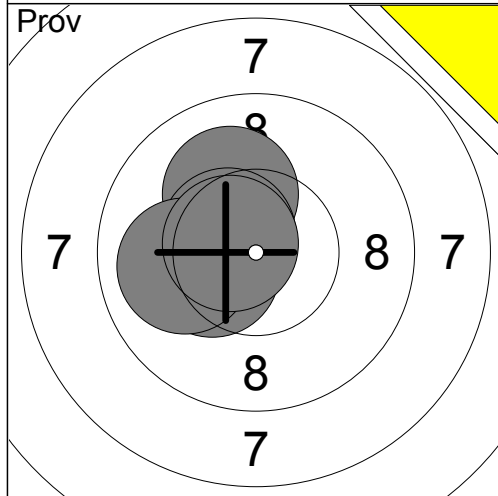
31:	10.7x	↖
32:	10.2x	→
33:	9.7	↖
34:	9.8	↖
35:	10.3x	↘
36:	10.6x	←
37:	10.3x	↗
38:	10.4x	↗
39:	10.7x	↖
40:	10.2x	↑
Serie		102.9
Total		410.7



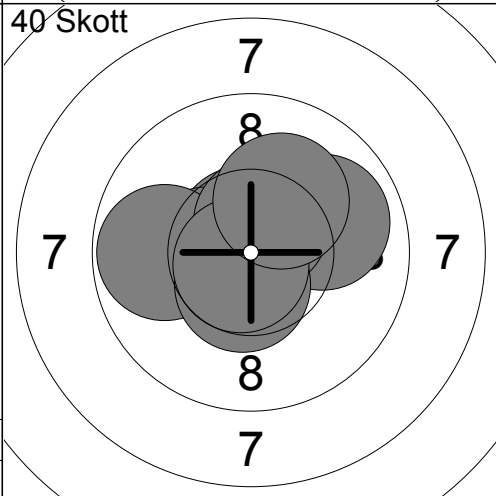
1:	10.6x	↓
2:	10.5x	←
3:	10.6x	↓
4:	9.0	→
5:	10.2x	↗
6:	9.9	↘
7:	9.9	↘
8:	9.7	↘
9:	0.0	↓
10:	0.0	↓
Serie		80.4
Total		0.0



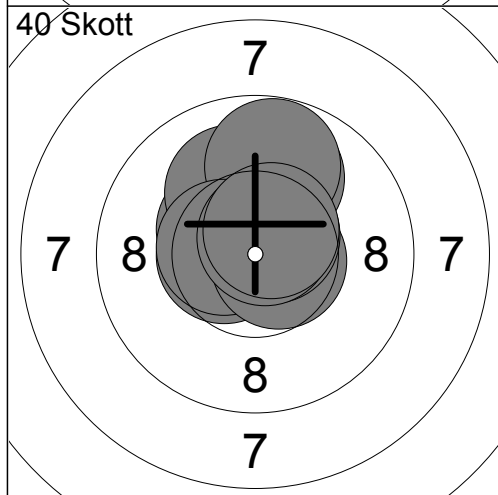
12:	10.3x	↓
13:	9.9	→
14:	10.0	→
15:	10.1	↗
16:	9.9	↑
17:	10.5x	↗
18:	9.6	←
19:	9.7	↑
20:	9.5	↖
Serie		89.5
Total		0.0



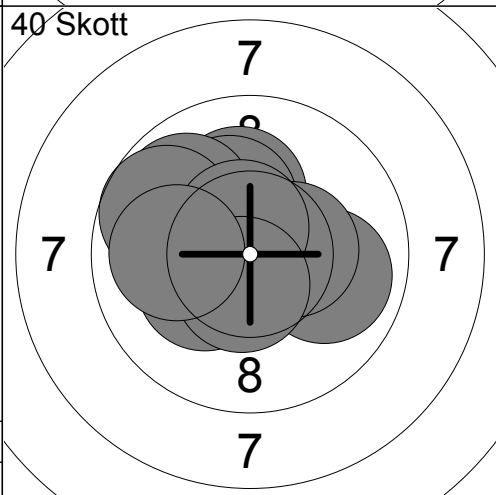
21:	10.1	↗
22:	10.3x	←
23:	10.5x	↗
24:	10.0	←
25:	10.6x	←
Serie		51.5
Total		0.0



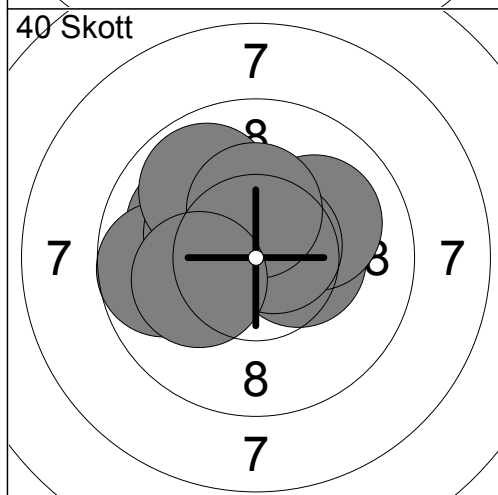
1:	10.7x	↗
2:	10.4x	←
3:	9.8	←
4:	10.9x	→
5:	10.3x	↗
6:	9.9	↗
7:	10.5x	↑
8:	10.5x	↓
9:	10.7x	↘
10:	10.2x	↗
Serie		103.9
Total		103.9



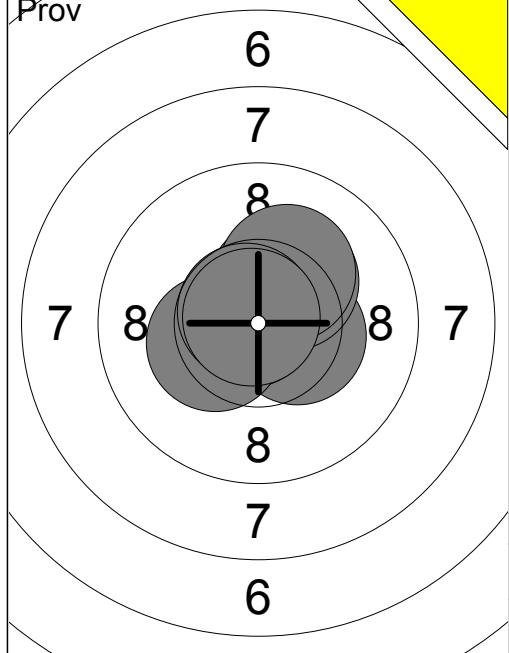
11:	10.4x	↗
12:	10.1	↗
13:	10.5x	←
14:	9.9	↑
15:	9.8	↑
16:	10.5x	←
17:	10.6x	→
18:	10.6x	↗
19:	10.7x	↗
20:	10.6x	↗
Serie		103.7
Total		207.6



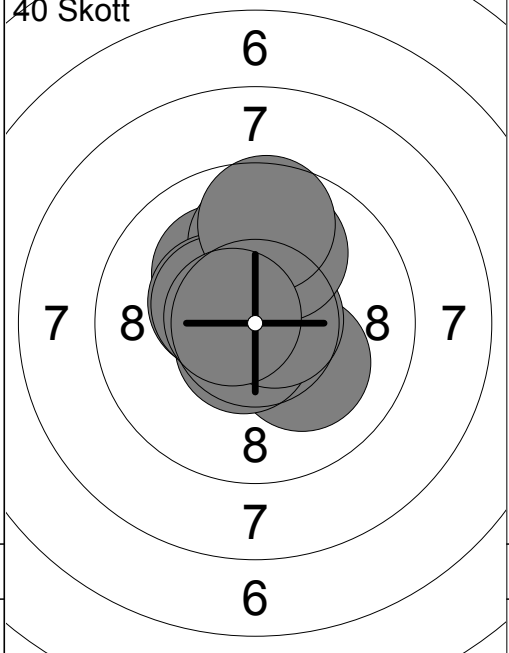
21:	10.2x	←
22:	10.1	↑
23:	10.2x	↗
24:	9.9	↗
25:	9.9	→
26:	9.7	↖
27:	10.4x	→
28:	10.6x	↑
29:	10.5x	↓
30:	10.0	←
Serie		101.5
Total		309.1



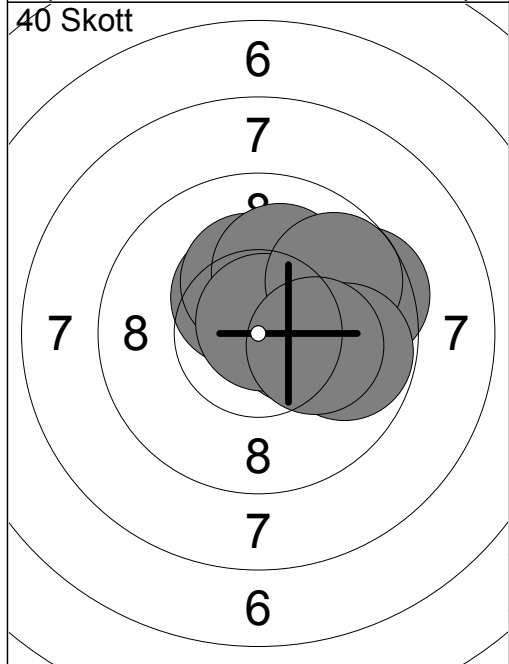
31:	10.4x	→
32:	10.0	←
33:	9.7	←
34:	10.5x	↗
35:	10.1	↗
36:	10.7x	↗
37:	10.3x	←
38:	9.9	↗
39:	10.3x	↑
40:	10.1	←
Serie		102.0
Total		411.1



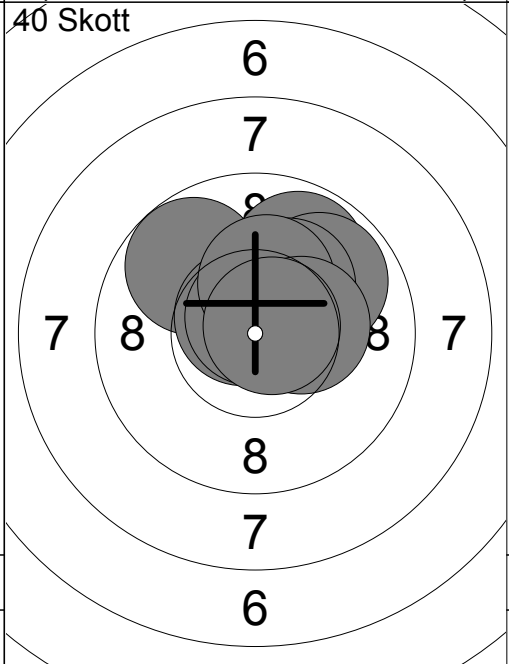
1:	10.4x ↗
2:	10.4x →
3:	10.3x ↗
4:	10.2x ↗
5:	10.8x ↖
6:	10.3x ↙
7:	10.7x ↖
8:	10.8x ↖
Serie 83.9	
Total 0.0	



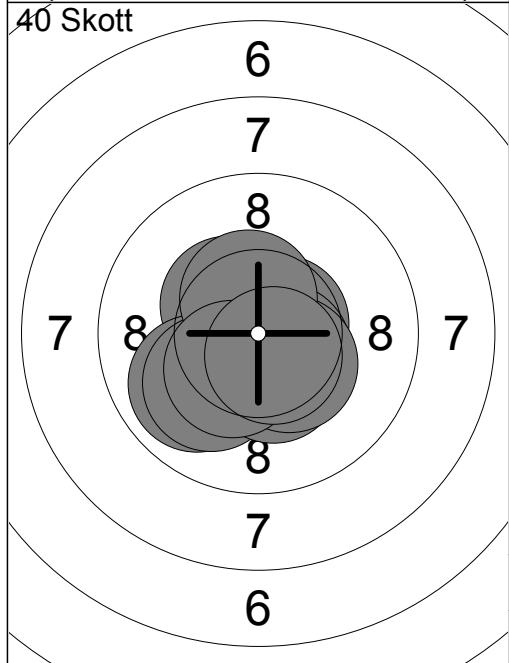
1:	10.1 ↘
2:	10.6x ↘
3:	10.2x ↖
4:	10.7x →
5:	9.9 ↑
6:	10.4x ↖
7:	10.4x ↖
8:	10.0 ↑
9:	9.6 ↑
10:	10.6x ↙
Serie 102.5	
Total 102.5	



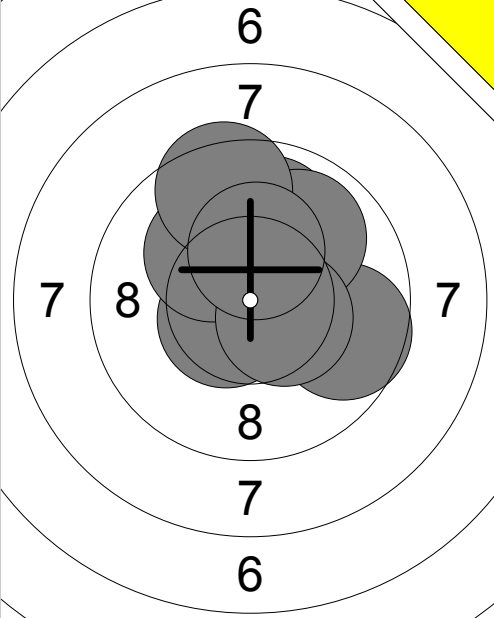
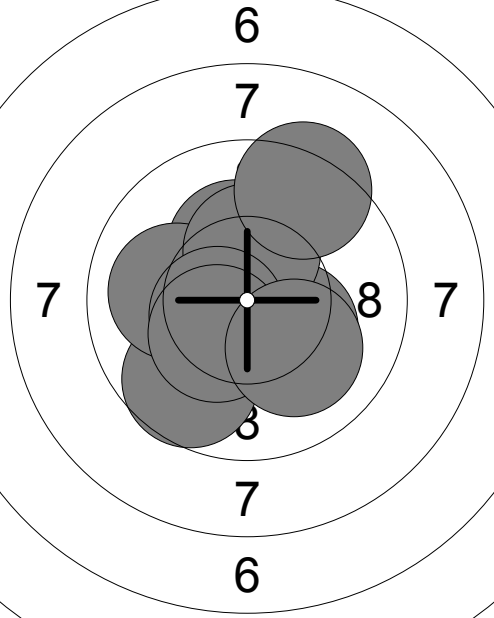
11:	10.5x →
12:	10.4x ↖
13:	10.3x ↑
14:	10.1 ↑
15:	9.5 →
16:	10.4x →
17:	10.8x ↗
18:	9.7 ↗
19:	9.8 →
20:	10.2x →
Serie 101.7	
Total 204.2	



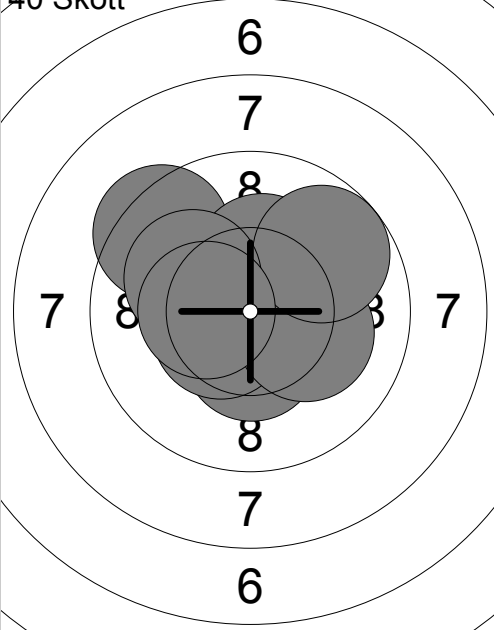
21:	10.6x ↗
22:	9.8 ↖
23:	9.8 ↗
24:	10.7x ↖
25:	9.9 ↗
26:	10.2x ↗
27:	10.7x ↑
28:	10.3x ↑
29:	10.3x →
30:	10.7x →
Serie 103.0	
Total 307.2	



31:	10.4x ↖
32:	10.6x →
33:	9.9 ↙
34:	10.6x ↘
35:	10.1 ↙
36:	10.4x ↘
37:	10.4x ↘
38:	10.5x ↑
39:	10.4x ↙
40:	10.6x ↘
Serie 103.9	
Total 411.1	

Prov 	40 Skott 	1: 10.0 ↑ 2: 10.3x ↗ 3: 9.9 ↑ 4: 9.7 → 5: 10.5x ↙ 6: 10.2x ↖ 7: 9.9 ↗ 8: 9.5 ↑ 9: 10.4x → 10: 10.3x ↑ Serie 100.7 Total 0.0	1: 10.5x ← 2: 10.3x ↑ 3: 9.7 ↙ 4: 10.3x → 5: 10.0 ← 6: 10.3x ↑ 7: 9.3 ↑ 8: 10.5x ↙ 9: 10.4x ↙ 10: 10.1 ↘ Serie 101.4 Total 101.4
--	--	--	---

40 Skott 	40 Skott 	11: 10.3x ← 12: 10.7x ← 13: 10.4x → 14: 10.4x ← 15: 10.8x ↓ 16: 10.8x ↑ 17: 10.2x ↘ 18: 10.5x ← 19: 10.8x ↓ 20: 10.4x ← Serie 105.3 Total 206.7	21: 10.0 ↖ 22: 10.0 ↙ 23: 9.8 → 24: 10.2x ↑ 25: 10.5x ← 26: 9.8 ↑ 27: 9.4 ↖ 28: 10.4x ← 29: 10.8x ↗ 30: 10.8x → Serie 101.7 Total 308.4
---	---	--	--

40 Skott 	31: 9.4 ↖ 32: 10.4x ↓ 33: 10.3x ↗ 34: 10.5x ↙ 35: 10.4x ↗ 36: 10.3x ↑ 37: 10.2x → 38: 9.8 ↗ 39: 10.1 ↖ 40: 10.4x ← Serie 101.8 Total 410.2		
--	---	--	--