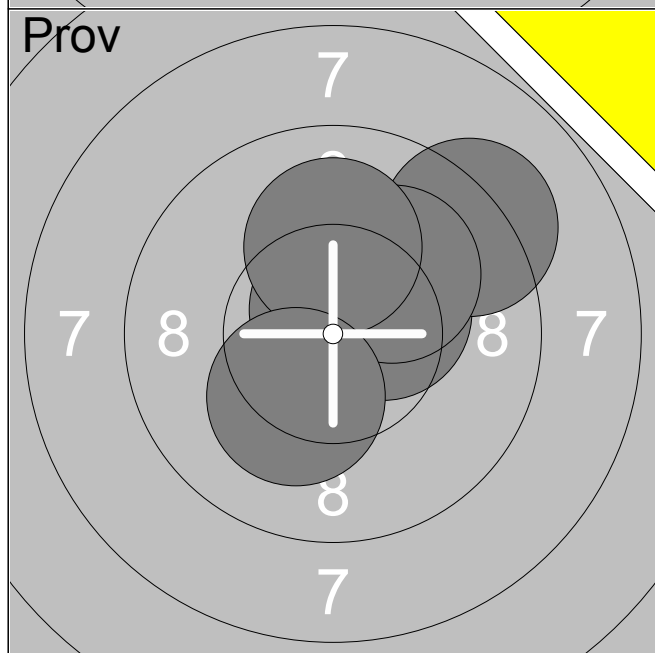
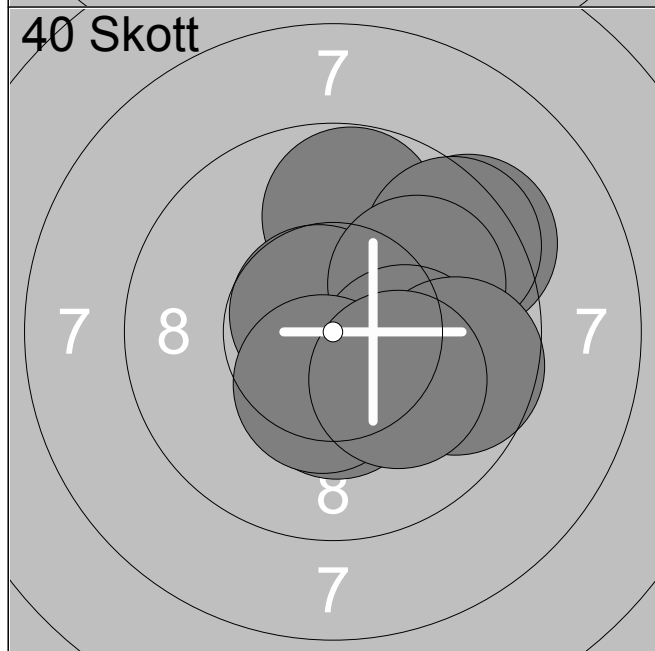


1:	9.7	↑
2:	10.6x	↙
3:	10.1	←
4:	10.0	↙
5:	10.2x	↓
6:	10.2x	←
7:	10.0	↗
8:	10.8x	↘
9:	10.3x	↑
10:	10.5x	→
Serie	102.4	
Total	411.1	



11:	10.7x	↑
12:	10.4x	↗
13:	9.2	↗
14:	10.1	↗
15:	10.1	↑
16:	10.2x	↘
Serie	60.7	
Total	411.1	

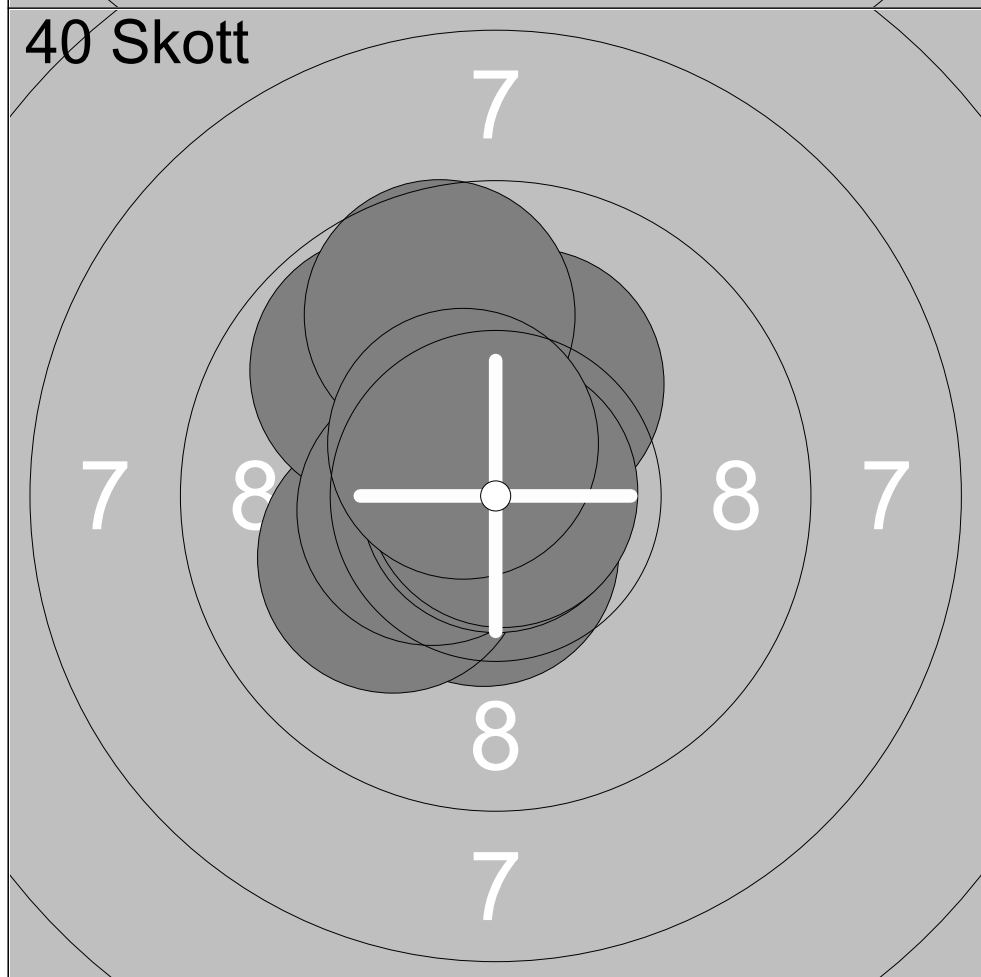


1:	9.3	↗
2:	9.8	↑
3:	10.4x	↓
4:	10.7x	↗
5:	9.5	↗
6:	10.0	↗
7:	10.2x	→
8:	9.7	→
9:	10.4x	↓
10:	10.1	↘
Serie	100.1	
Total	511.2	



1:	10.3x	↗
2:	10.5x	↑
3:	9.8	↗
4:	10.5x	↖
5:	10.2x	↖
6:	10.7x	↖
7:	10.4x	↗

Serie	72.4
Total	411.1



1:	10.6x	↓
2:	10.2x	↖
3:	10.2x	↑
4:	9.8	↖
5:	10.2x	↑
6:	10.5x	↖
7:	10.9x	↓
8:	10.9x	↗
9:	9.7	↑
10:	10.5x	↖

Serie	103.5
Total	514.6


05.11.2017	Vindelnskottet 2017	Ramselefors SKF
------------	---------------------	-----------------



Prov

1:	10.0	➔
2:	10.6x	➔
3:	9.7	↗
4:	10.5x	↙
5:	10.0	↑
6:	10.3x	↗
7:	10.8x	↘
8:	10.5x	↘
9:	9.3	↘
10:	10.3x	➔

Serie	102.0
Total	410.7

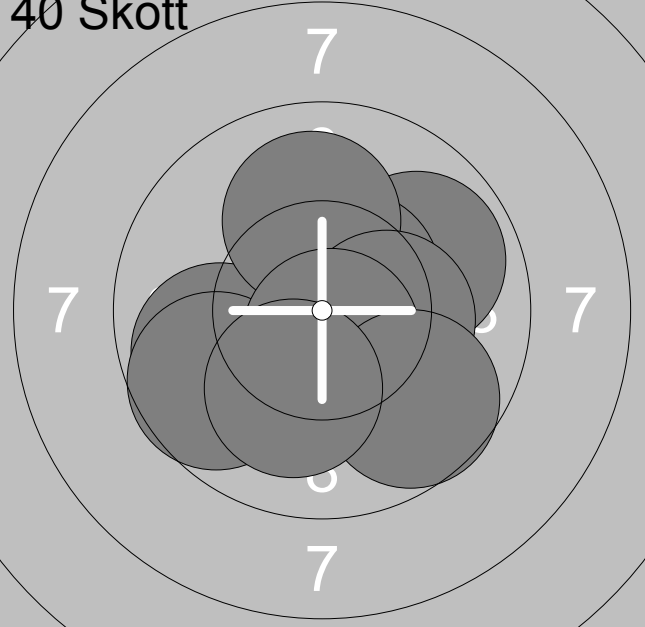


Prov

11:	10.6x	↙
12:	10.5x	↘

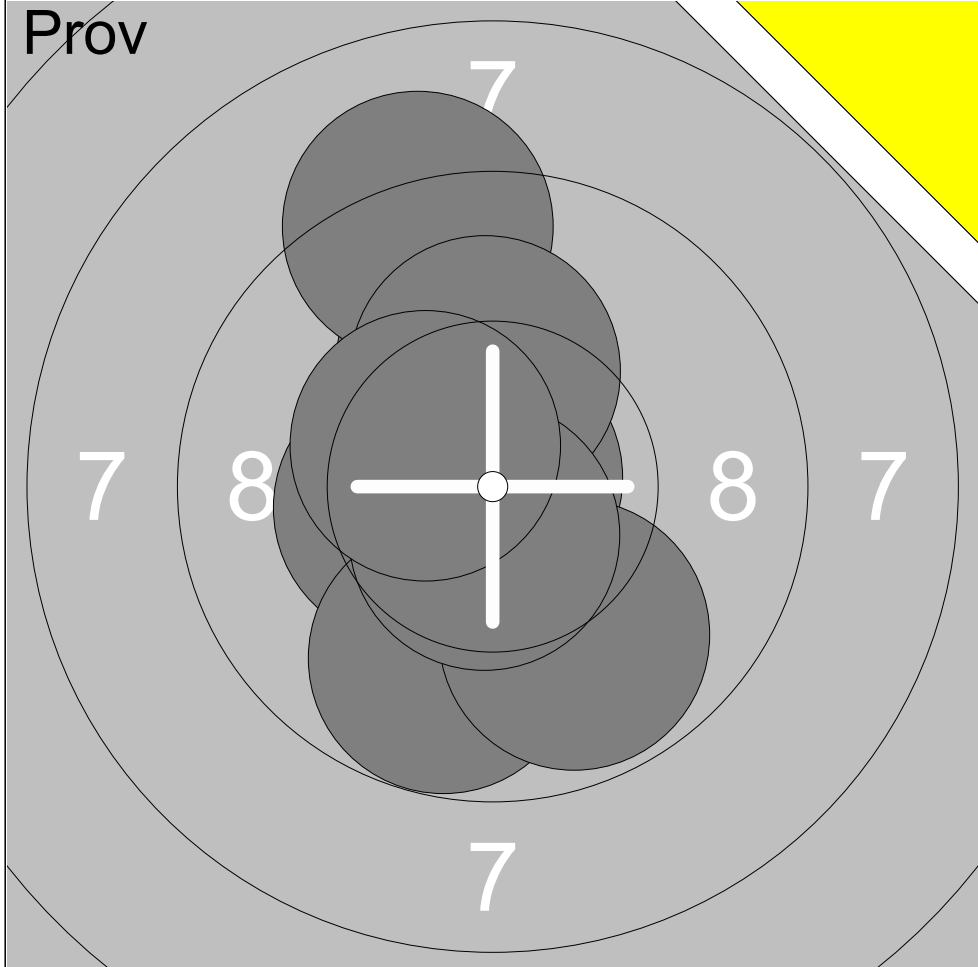
Serie	21.1
Total	410.7

40 Skott

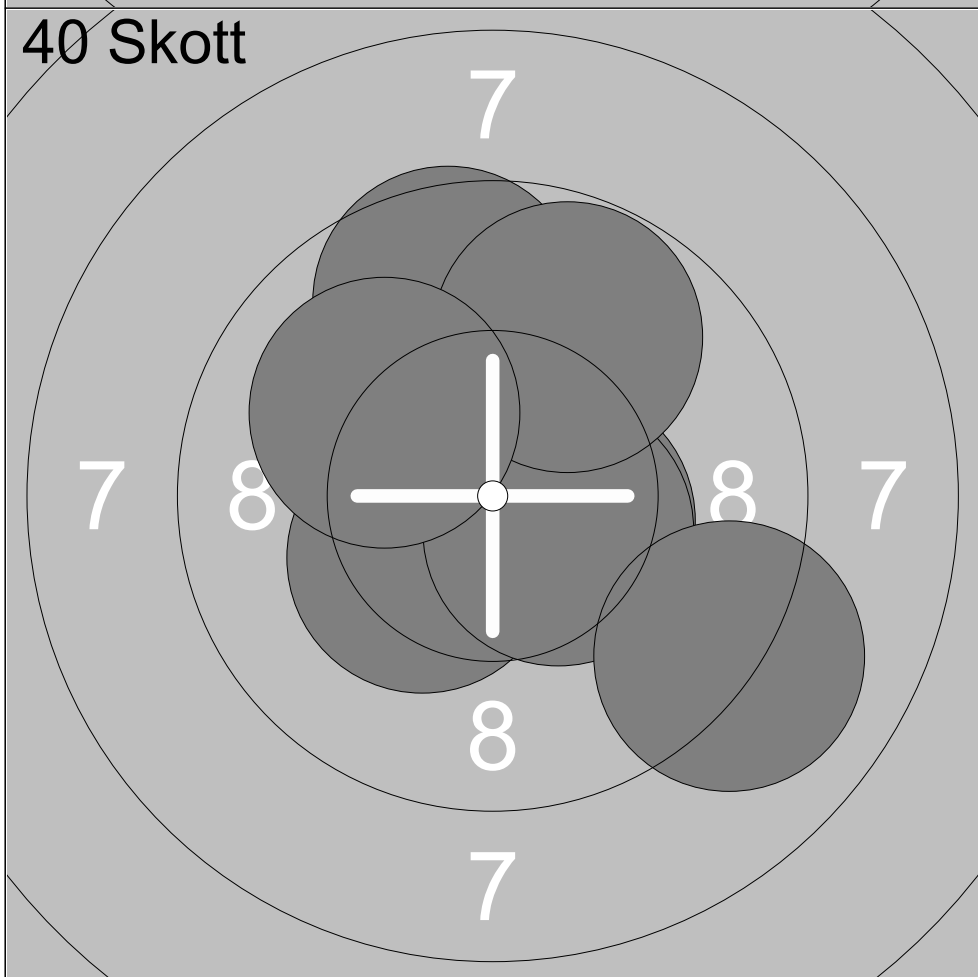


1:	9.9	➔
2:	10.5x	↗
3:	9.8	↙
4:	9.7	↙
5:	10.2x	↘
6:	10.0	↑
7:	10.3x	➔
8:	10.7x	↘
9:	9.7	↘
10:	10.1	↘

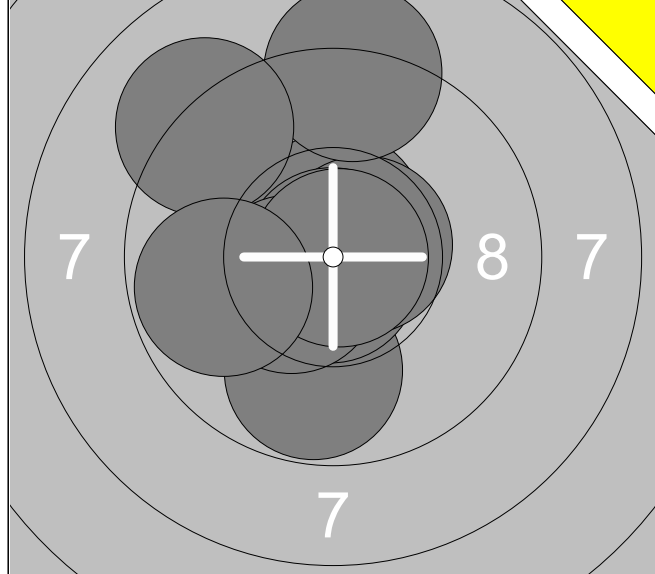
Serie	100.9
Total	511.6



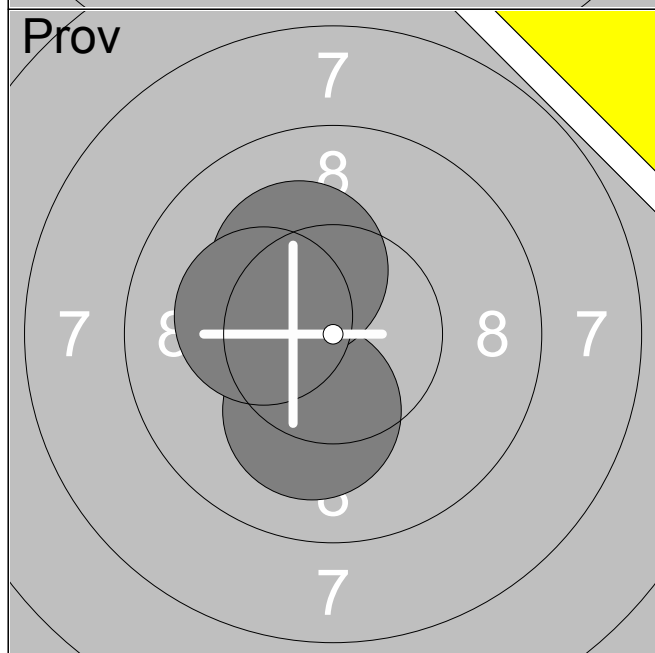
1:	10.1	↑
2:	9.1	↑
3:	10.9x	↗
4:	10.4x	↖
5:	10.2x	↑
6:	10.0	↓
7:	9.8	↘
8:	9.8	↘
9:	10.6x	↓
10:	10.4x	↖
Serie		101.3
Total		410.2



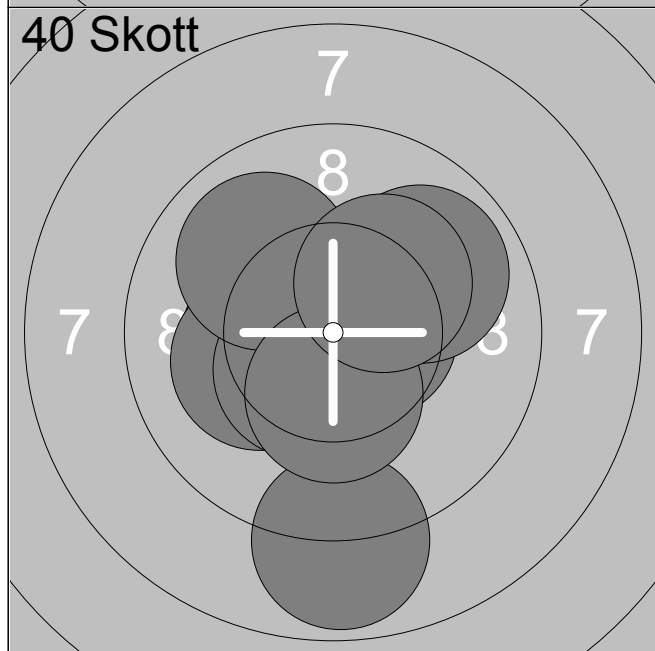
1:	10.2x	↑
2:	10.3x	↖
3:	10.2x	↑
4:	10.5x	↗
5:	10.5x	↘
6:	9.8	↑
7:	9.6	↑
8:	9.8	↗
9:	10.0	↗
10:	9.0	↘
Serie		99.9
Total		510.1



1:	9.8	↓
2:	10.6x	↑
3:	10.8x	↓
4:	10.6x	→
5:	10.9x	←
6:	9.1	↑
7:	9.1	↖
8:	10.5x	↙
9:	10.9x	→
10:	9.8	←
Serie		102.1
Total		405.4




11:	10.1	↓
12:	10.2x	↖
13:	10.2x	←
Serie		30.5
Total		405.4




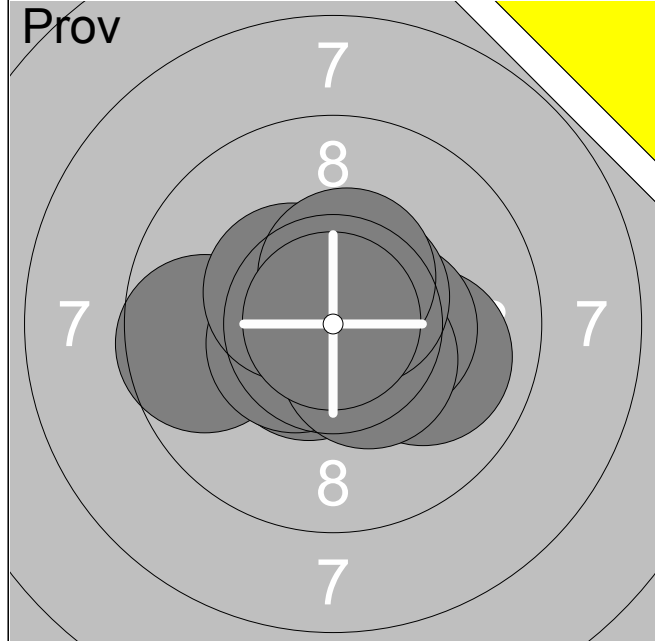
1:	10.6x	→
2:	10.7x	↙
3:	10.3x	←
4:	9.9	↗
5:	10.2x	←
6:	10.5x	↙
7:	8.9	↓
8:	10.0	↖
9:	10.3x	↓
10:	10.2x	↗
Serie		101.6
Total		507.0

05.11.2017	Vindelnskottet 2017	Ramselefors SKF
------------	---------------------	-----------------

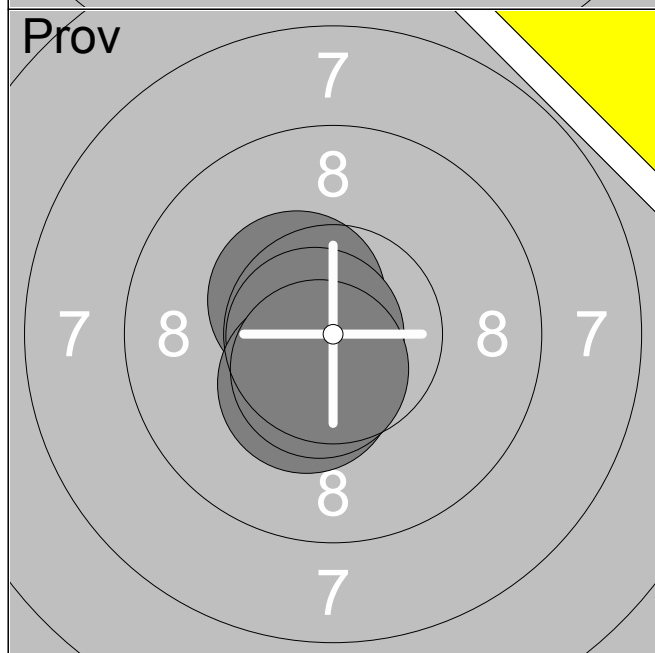
	<table style="width:100%; border-collapse: collapse;"> <tr><td>1:</td><td>9.6</td><td style="text-align: right;">←</td></tr> <tr><td>2:</td><td>9.3</td><td style="text-align: right;">←</td></tr> <tr><td>3:</td><td>9.3</td><td style="text-align: right;">←</td></tr> <tr><td>4:</td><td>10.2x</td><td style="text-align: right;">↙</td></tr> <tr><td>5:</td><td>9.8</td><td style="text-align: right;">←</td></tr> <tr><td>6:</td><td>10.7x</td><td style="text-align: right;">↓</td></tr> <tr><td>7:</td><td>9.4</td><td style="text-align: right;">↙</td></tr> <tr><td>8:</td><td>9.7</td><td style="text-align: right;">↙</td></tr> <tr><td>9:</td><td>6.1</td><td style="text-align: right;">←</td></tr> <tr><td>10:</td><td>10.0</td><td style="text-align: right;">↙</td></tr> <tr><td colspan="2">Serie</td><td style="text-align: right;">94.1</td></tr> <tr><td colspan="2">Total</td><td style="text-align: right;">398.0</td></tr> </table>	1:	9.6	←	2:	9.3	←	3:	9.3	←	4:	10.2x	↙	5:	9.8	←	6:	10.7x	↓	7:	9.4	↙	8:	9.7	↙	9:	6.1	←	10:	10.0	↙	Serie		94.1	Total		398.0
1:	9.6	←																																			
2:	9.3	←																																			
3:	9.3	←																																			
4:	10.2x	↙																																			
5:	9.8	←																																			
6:	10.7x	↓																																			
7:	9.4	↙																																			
8:	9.7	↙																																			
9:	6.1	←																																			
10:	10.0	↙																																			
Serie		94.1																																			
Total		398.0																																			

	<table style="width:100%; border-collapse: collapse;"> <tr><td>11:</td><td>10.2x</td><td style="text-align: right;">←</td></tr> <tr><td>12:</td><td>9.8</td><td style="text-align: right;">↓</td></tr> <tr><td>13:</td><td>9.2</td><td style="text-align: right;">↙</td></tr> <tr><td>14:</td><td>9.4</td><td style="text-align: right;">↓</td></tr> <tr><td>15:</td><td>9.9</td><td style="text-align: right;">↓</td></tr> <tr><td>16:</td><td>9.8</td><td style="text-align: right;">↓</td></tr> <tr><td colspan="2">Serie</td><td style="text-align: right;">58.3</td></tr> <tr><td colspan="2">Total</td><td style="text-align: right;">398.0</td></tr> </table>	11:	10.2x	←	12:	9.8	↓	13:	9.2	↙	14:	9.4	↓	15:	9.9	↓	16:	9.8	↓	Serie		58.3	Total		398.0
11:	10.2x	←																							
12:	9.8	↓																							
13:	9.2	↙																							
14:	9.4	↓																							
15:	9.9	↓																							
16:	9.8	↓																							
Serie		58.3																							
Total		398.0																							

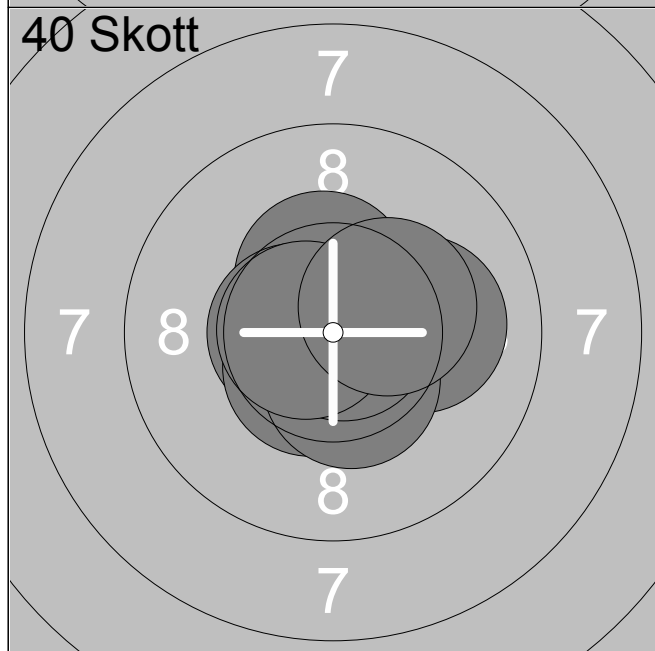
	<table style="width:100%; border-collapse: collapse;"> <tr><td>1:</td><td>9.9</td><td style="text-align: right;">↓</td></tr> <tr><td>2:</td><td>9.4</td><td style="text-align: right;">↓</td></tr> <tr><td>3:</td><td>9.5</td><td style="text-align: right;">↓</td></tr> <tr><td>4:</td><td>9.7</td><td style="text-align: right;">↓</td></tr> <tr><td>5:</td><td>10.5x</td><td style="text-align: right;">↙</td></tr> <tr><td>6:</td><td>10.4x</td><td style="text-align: right;">↗</td></tr> <tr><td>7:</td><td>10.7x</td><td style="text-align: right;">↖</td></tr> <tr><td>8:</td><td>10.4x</td><td style="text-align: right;">↗</td></tr> <tr><td>9:</td><td>10.0</td><td style="text-align: right;">↘</td></tr> <tr><td>10:</td><td>10.3x</td><td style="text-align: right;">↗</td></tr> <tr><td colspan="2">Serie</td><td style="text-align: right;">100.8</td></tr> <tr><td colspan="2">Total</td><td style="text-align: right;">498.8</td></tr> </table>	1:	9.9	↓	2:	9.4	↓	3:	9.5	↓	4:	9.7	↓	5:	10.5x	↙	6:	10.4x	↗	7:	10.7x	↖	8:	10.4x	↗	9:	10.0	↘	10:	10.3x	↗	Serie		100.8	Total		498.8
1:	9.9	↓																																			
2:	9.4	↓																																			
3:	9.5	↓																																			
4:	9.7	↓																																			
5:	10.5x	↙																																			
6:	10.4x	↗																																			
7:	10.7x	↖																																			
8:	10.4x	↗																																			
9:	10.0	↘																																			
10:	10.3x	↗																																			
Serie		100.8																																			
Total		498.8																																			



1:	10.0	➔
2:	10.4x	➔
3:	9.6	←
4:	10.6x	↙
5:	10.5x	←
6:	10.4x	↘
7:	10.4x	↗
8:	10.6x	↗
9:	10.5x	↑
10:	10.9x	↗
Serie		103.9
Total		420.0



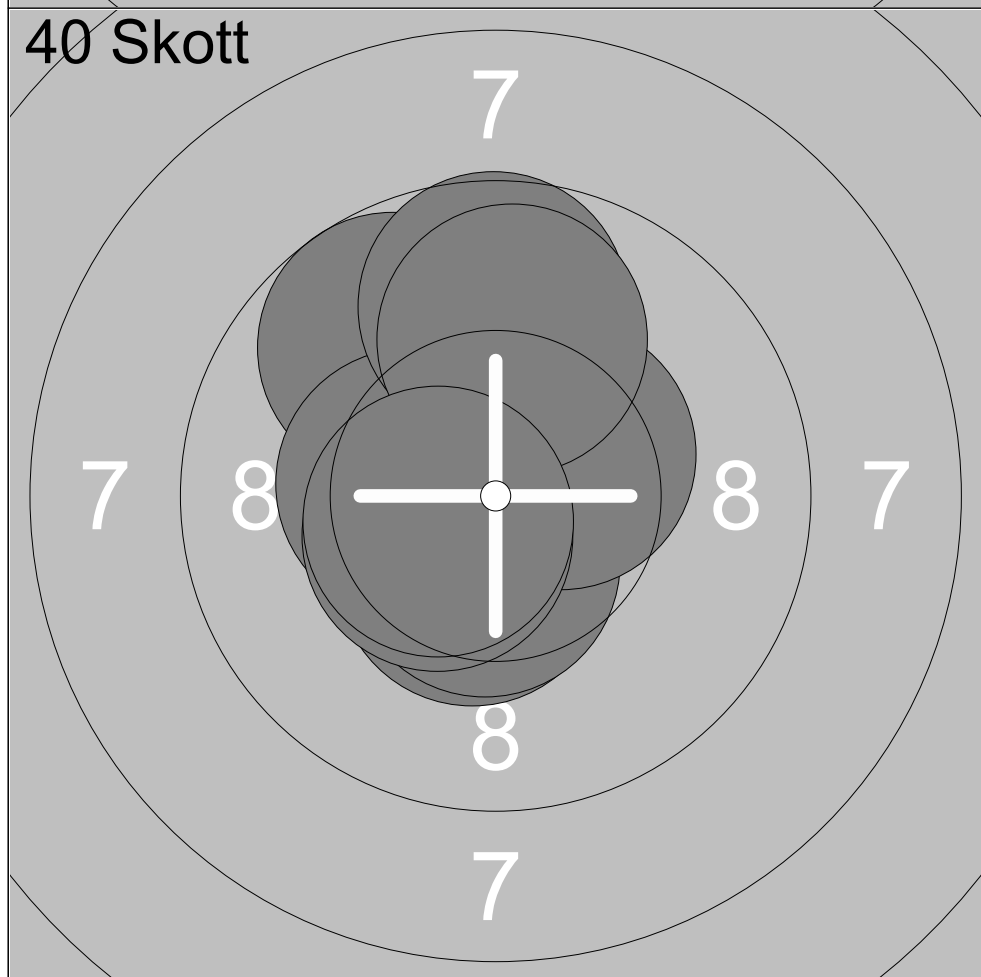
11:	10.5x	↖
12:	10.8x	←
13:	10.4x	↙
14:	10.6x	↙
Serie		42.3
Total		420.0



1:	10.6x	↗
2:	10.8x	↗
3:	10.4x	↑
4:	10.6x	←
5:	10.5x	↙
6:	10.1	➔
7:	10.4x	↘
8:	10.8x	➔
9:	10.7x	←
10:	10.3x	↗
Serie		105.2
Total		525.2



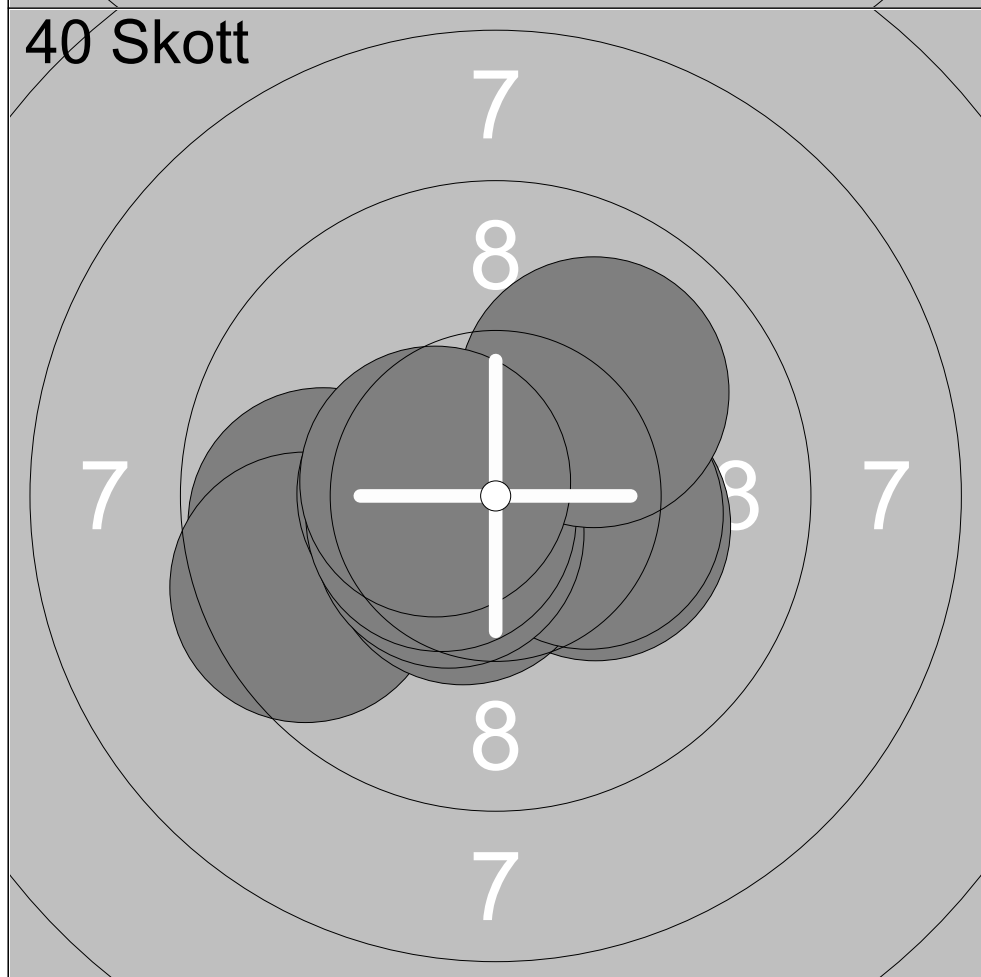
1:	10.8x	↖
2:	9.5	↙
3:	9.5	↓
4:	10.6x	↘
5:	10.5x	→
6:	10.4x	↓
7:	10.7x	↖
8:	10.1	↗
9:	10.1	↑
10:	10.6x	↗
Serie		102.8
Total		417.9



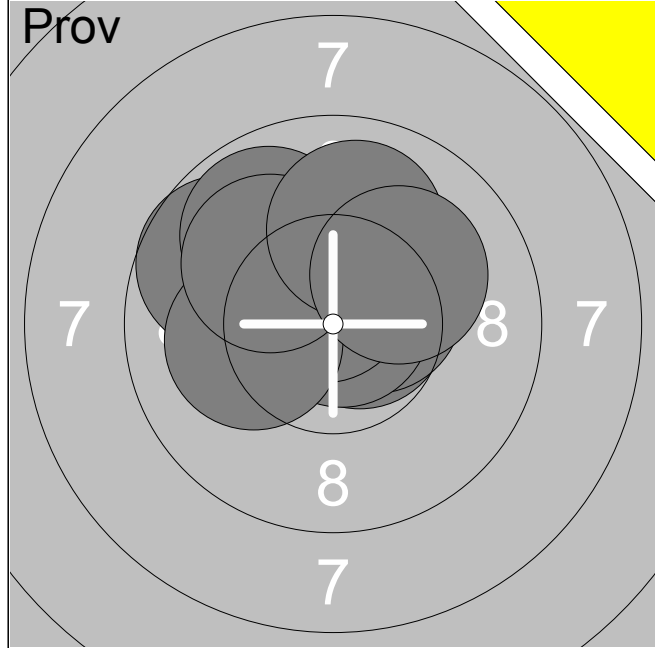
1:	9.7	↖
2:	10.4x	↙
3:	10.5x	↓
4:	10.6x	↑
5:	10.4x	←
6:	9.7	↑
7:	10.4x	↗
8:	10.5x	↖
9:	9.9	↑
10:	10.5x	↖
Serie		102.6
Total		520.5



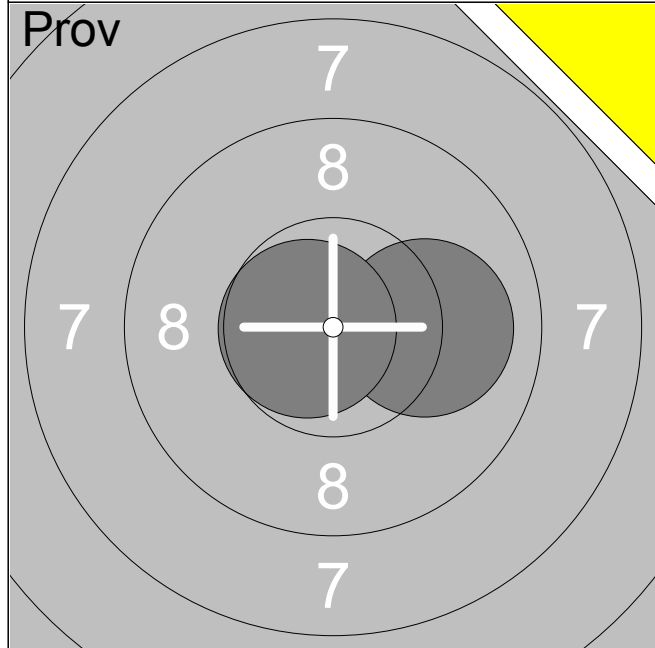
1:	9.4	↓
2:	10.7x	→
3:	9.8	↖
4:	10.4x	↓
5:	10.4x	↗
6:	10.4x	←
7:	10.1	←
8:	10.7x	↗
9:	10.8x	←
Serie		92.7
Total		417.3



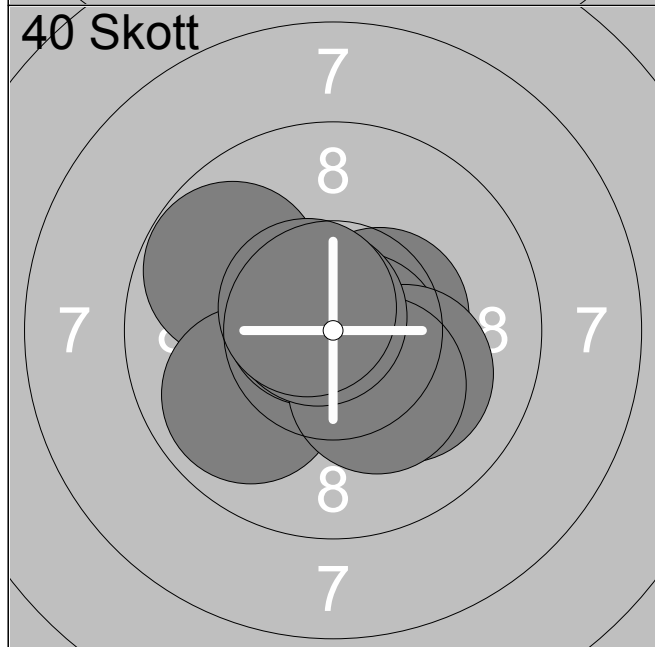
1:	9.8	←
2:	9.5	←
3:	10.3x	→
4:	10.5x	←
5:	10.5x	↘
6:	10.3x	→
7:	10.6x	↘
8:	10.6x	←
9:	10.0	↗
10:	10.5x	←
Serie		102.6
Total		519.9



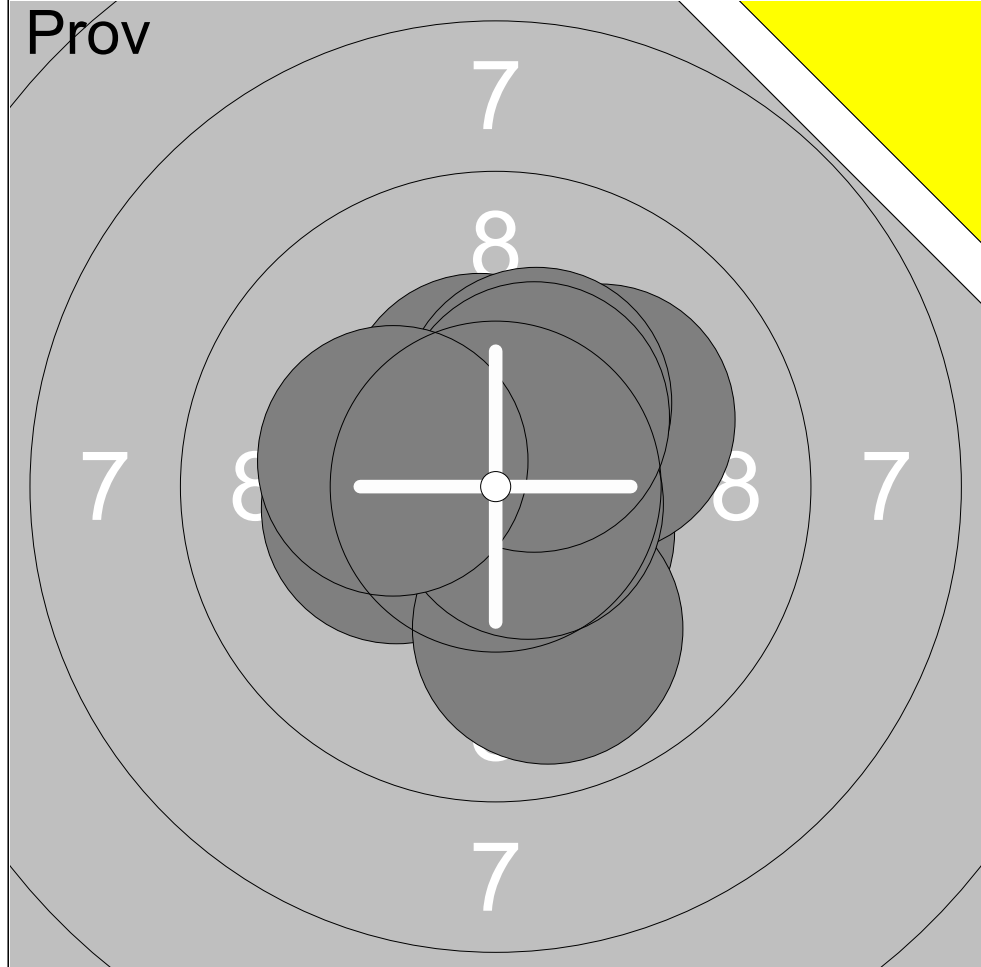
1:	10.7x	→
2:	10.5x	→
3:	10.8x	↗
4:	9.7	↖
5:	10.6x	↑
6:	10.1	←
7:	9.8	↗
8:	10.1	↗
9:	10.0	↑
10:	10.1	↗
Serie		102.4
Total		415.9



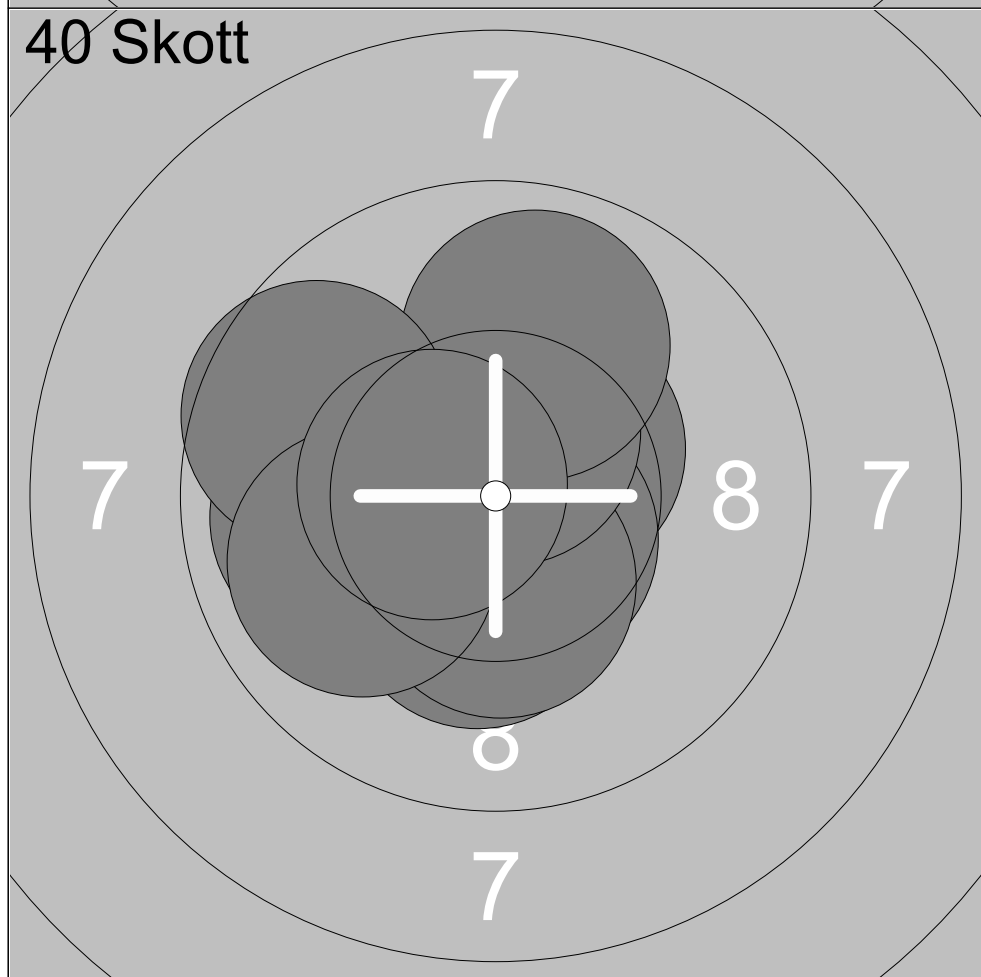
11:	10.0	→
12:	10.7x	←
Serie		20.7
Total		415.9



1:	10.5x	→
2:	9.8	↗
3:	10.8x	↘
4:	9.9	↖
5:	10.7x	↘
6:	10.7x	↗
7:	10.1	↘
8:	10.2x	↘
9:	10.7x	↗
10:	10.6x	↗
Serie		104.0
Total		519.9



1:	10.3x	←
2:	10.5x	↘
3:	9.9	↘
4:	10.4x	↑
5:	10.7x	→
6:	10.1	↗
7:	10.7x	↘
8:	10.3x	↗
9:	10.4x	↗
10:	10.2x	←
Serie		103.5
Total		414.1

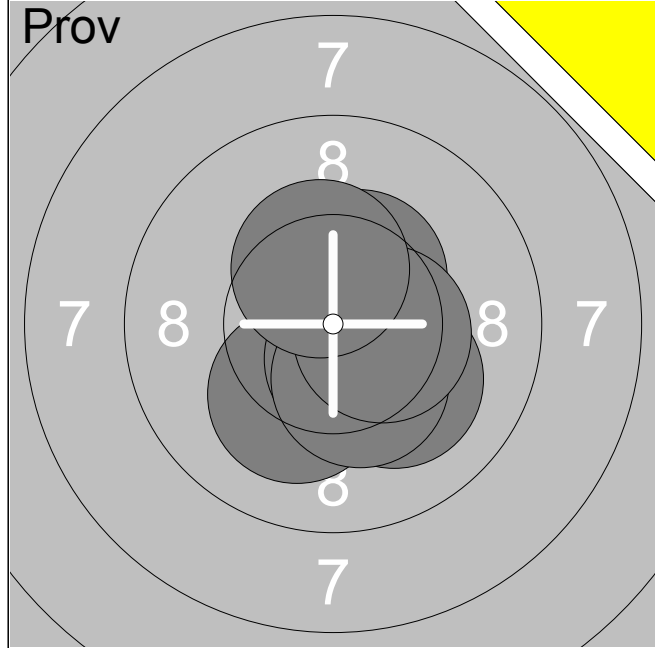


1:	10.3x	↓
2:	10.5x	↗
3:	10.6x	↘
4:	10.4x	↓
5:	9.9	←
6:	10.5x	↑
7:	9.9	↑
8:	9.6	←
9:	10.0	←
10:	10.5x	←
Serie		102.2
Total		516.3

05.11.2017	Vindelnskottet 2017	Ramselefors SKF	
Prov 	1:	9.0	↙
	2:	9.7	↙
	3:	9.7	↘
	4:	9.9	↖
	5:	10.8x	↘
	6:	9.6	➔
	7:	10.5x	➔
	8:	9.9	➔
	9:	10.2x	➔
	10:	10.6x	↑
	Serie		99.9
Total		412.6	

Prov 	11:	10.7x	↘
	12:	10.5x	↑
	Serie		21.2
Total		412.6	

40 Skott 	1:	10.4x	↓
	2:	10.6x	➔
	3:	10.5x	↖
	4:	10.9x	↖
	5:	10.1	➔
	6:	10.7x	➔
	7:	10.8x	↑
	8:	10.5x	➔
	9:	10.7x	↖
	10:	9.8	↖
	Serie		105.0
Total		517.6	



1:	10.2x	↘
2:	10.3x	↘
3:	10.7x	↗
4:	10.5x	↘
5:	10.5x	↘
6:	10.1	↘
7:	10.3x	↘
8:	10.4x	↗
9:	10.4x	→
10:	10.4x	↑

Serie 103.8

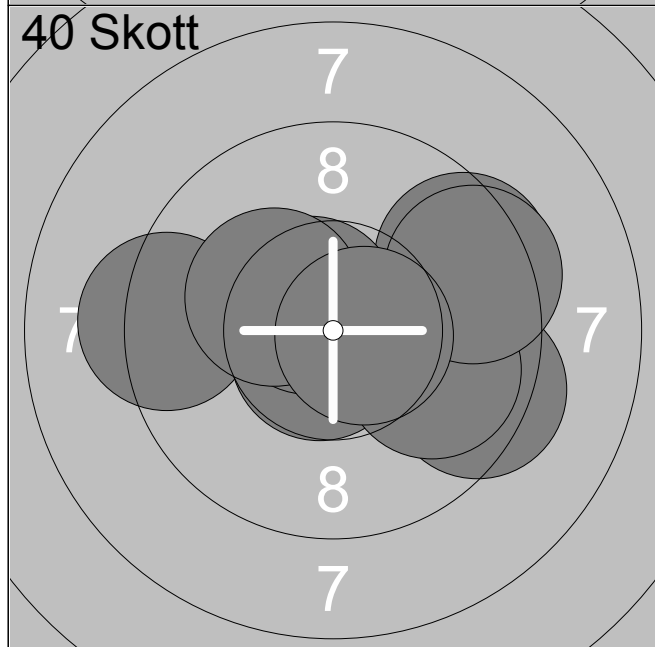
Total 407.2



11:	10.5x	↑
-----	-------	---

Serie 10.5

Total 407.2

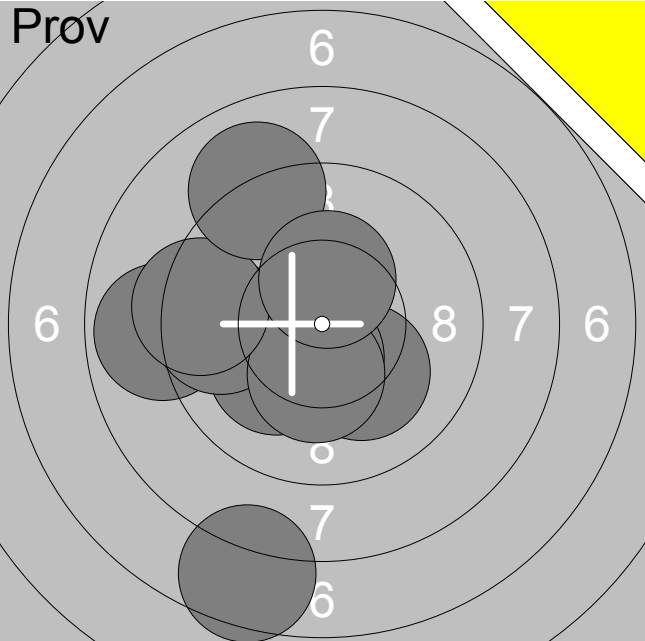
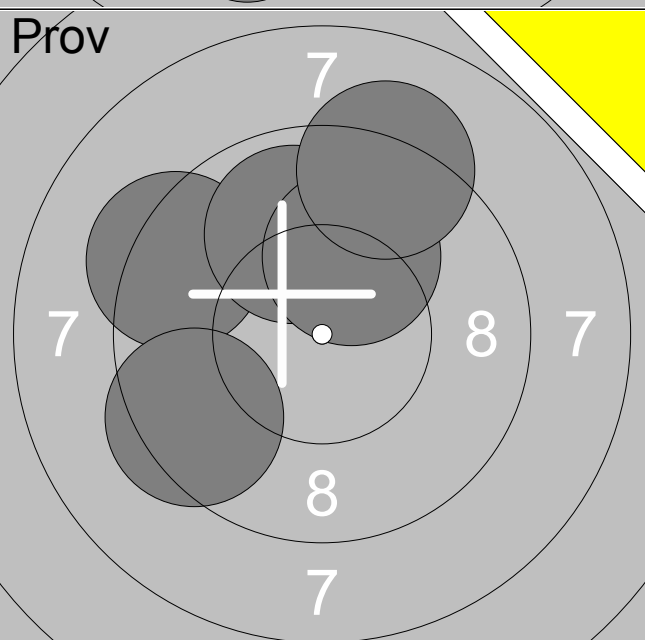
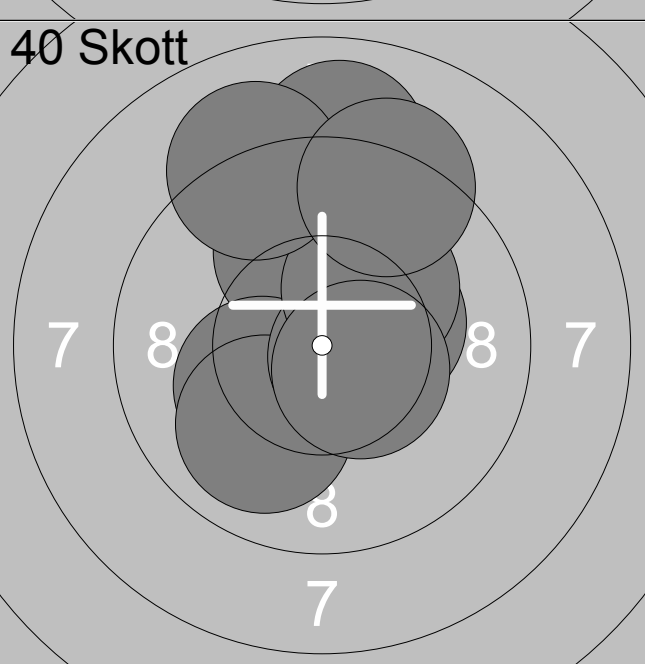


1:	9.3	←
2:	10.2x	→
3:	10.7x	↘
4:	9.5	↗
5:	9.4	↘
6:	9.9	↘
7:	10.6x	↗
8:	10.3x	↗
9:	9.4	→
10:	10.6x	→

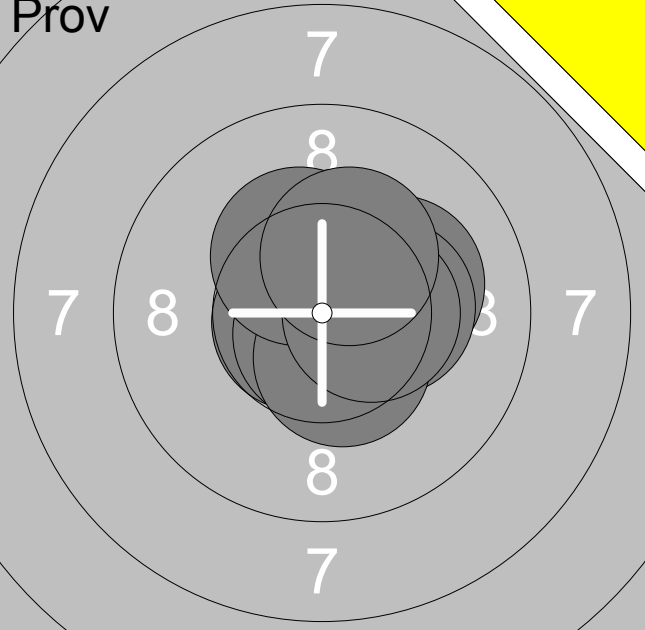


Serie 99.9

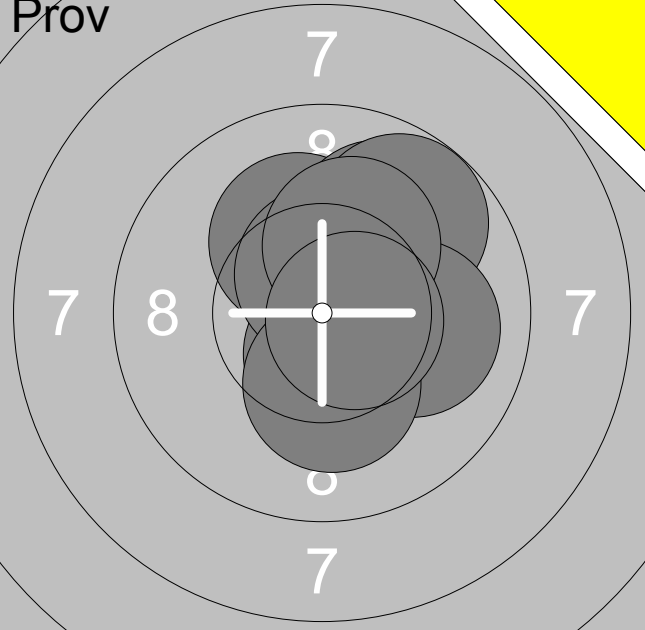

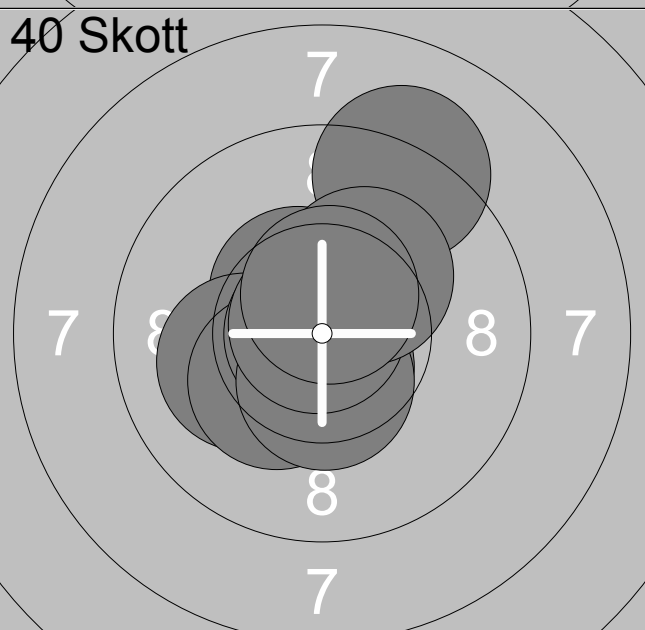
Total 507.1

05.11.2017	Vindelnskottet 2017	Ramselefors SKF
------------	---------------------	-----------------

Prov 	<table style="width:100%; border-collapse: collapse;"> <tr><td style="width:5%;">1:</td><td style="width:20%;">8.9</td><td style="width:10%; text-align: right;">←</td></tr> <tr><td>2:</td><td>10.1</td><td style="text-align: right;">↘</td></tr> <tr><td>3:</td><td>10.5x</td><td style="text-align: right;">↓</td></tr> <tr><td>4:</td><td>10.1</td><td style="text-align: right;">↙</td></tr> <tr><td>5:</td><td>9.6</td><td style="text-align: right;">←</td></tr> <tr><td>6:</td><td>10.3x</td><td style="text-align: right;">↓</td></tr> <tr><td>7:</td><td>7.5</td><td style="text-align: right;">↓</td></tr> <tr><td>8:</td><td>9.3</td><td style="text-align: right;">←</td></tr> <tr><td>9:</td><td>9.0</td><td style="text-align: right;">↗</td></tr> <tr><td>10:</td><td>10.4x</td><td style="text-align: right;">↑</td></tr> <tr><td colspan="2">Serie</td><td style="text-align: right;">95.7</td></tr> <tr><td colspan="2">Total</td><td style="text-align: right;">403.6</td></tr> </table>	1:	8.9	←	2:	10.1	↘	3:	10.5x	↓	4:	10.1	↙	5:	9.6	←	6:	10.3x	↓	7:	7.5	↓	8:	9.3	←	9:	9.0	↗	10:	10.4x	↑	Serie		95.7	Total		403.6
1:	8.9	←																																			
2:	10.1	↘																																			
3:	10.5x	↓																																			
4:	10.1	↙																																			
5:	9.6	←																																			
6:	10.3x	↓																																			
7:	7.5	↓																																			
8:	9.3	←																																			
9:	9.0	↗																																			
10:	10.4x	↑																																			
Serie		95.7																																			
Total		403.6																																			
Prov 	<table style="width:100%; border-collapse: collapse;"> <tr><td style="width:5%;">11:</td><td style="width:20%;">9.3</td><td style="width:10%; text-align: right;">↖</td></tr> <tr><td>12:</td><td>9.9</td><td style="text-align: right;">↑</td></tr> <tr><td>13:</td><td>10.1</td><td style="text-align: right;">↗</td></tr> <tr><td>14:</td><td>9.4</td><td style="text-align: right;">↙</td></tr> <tr><td>15:</td><td>9.2</td><td style="text-align: right;">↑</td></tr> <tr><td colspan="2">Serie</td><td style="text-align: right;">47.9</td></tr> <tr><td colspan="2">Total</td><td style="text-align: right;">403.6</td></tr> </table>	11:	9.3	↖	12:	9.9	↑	13:	10.1	↗	14:	9.4	↙	15:	9.2	↑	Serie		47.9	Total		403.6															
11:	9.3	↖																																			
12:	9.9	↑																																			
13:	10.1	↗																																			
14:	9.4	↙																																			
15:	9.2	↑																																			
Serie		47.9																																			
Total		403.6																																			
40 Skott 	<table style="width:100%; border-collapse: collapse;"> <tr><td style="width:5%;">1:</td><td style="width:20%;">10.0</td><td style="width:10%; text-align: right;">↑</td></tr> <tr><td>2:</td><td>10.2x</td><td style="text-align: right;">↙</td></tr> <tr><td>3:</td><td>10.0</td><td style="text-align: right;">↘</td></tr> <tr><td>4:</td><td>10.4x</td><td style="text-align: right;">→</td></tr> <tr><td>5:</td><td>10.6x</td><td style="text-align: right;">↘</td></tr> <tr><td>6:</td><td>9.0</td><td style="text-align: right;">↑</td></tr> <tr><td>7:</td><td>10.2x</td><td style="text-align: right;">↗</td></tr> <tr><td>8:</td><td>9.1</td><td style="text-align: right;">↑</td></tr> <tr><td>9:</td><td>10.5x</td><td style="text-align: right;">↘</td></tr> <tr><td>10:</td><td>9.2</td><td style="text-align: right;">↑</td></tr> <tr><td colspan="2">Serie</td><td style="text-align: right;">99.2</td></tr> <tr><td colspan="2">Total</td><td style="text-align: right;">502.8</td></tr> </table>	1:	10.0	↑	2:	10.2x	↙	3:	10.0	↘	4:	10.4x	→	5:	10.6x	↘	6:	9.0	↑	7:	10.2x	↗	8:	9.1	↑	9:	10.5x	↘	10:	9.2	↑	Serie		99.2	Total		502.8
1:	10.0	↑																																			
2:	10.2x	↙																																			
3:	10.0	↘																																			
4:	10.4x	→																																			
5:	10.6x	↘																																			
6:	9.0	↑																																			
7:	10.2x	↗																																			
8:	9.1	↑																																			
9:	10.5x	↘																																			
10:	9.2	↑																																			
Serie		99.2																																			
Total		502.8																																			

05.11.2017	Vindelnskottet 2017	Ramselefors SKF	
Prov 	1:	10.7x	↗
	2:	10.7x	→
	3:	9.8	→
	4:	10.4x	↗
	5:	10.6x	↗
	6:	10.4x	→
	7:	10.7x	←
	8:	10.9x	↙
	9:	10.6x	↙
	10:	10.7x	↗
	Serie		105.5
Total		400.0	
Prov 	11:	10.8x	→
	12:	10.7x	↑
	13:	10.8x	←
Serie		32.3	
Total		400.0	
40 Skott 	1:	10.6x	→
	2:	10.6x	→
	3:	10.9x	↗
	4:	10.9x	↓
	5:	10.5x	↓
	6:	10.5x	↓
	7:	10.5x	↗
	8:	10.5x	↗
	9:	10.8x	↓
	10:	10.6x	↗
	Serie		106.4
Total		506.4	

05.11.2017	Vindelnskottet 2017	Ramselefors SKF	
Prov 	1:	10.2x	➔
	2:	10.3x	➔
	3:	10.4x	⬆
	4:	10.5x	⬆
	5:	10.7x	⬅
	6:	10.7x	⬇
	7:	10.5x	⬇
	8:	10.3x	⬆
	9:	10.5x	➔
	10:	10.3x	⬆
	Serie		104.4
Total		400.0	
Prov 	11:	10.5x	⬆
	12:	10.3x	➔
	13:	10.6x	⬆
	14:	10.6x	➔
Serie		42.0	
Total		400.0	
40 Skott 	1:	10.8x	⬆
	2:	10.4x	⬆
	3:	10.6x	⬅
	4:	10.3x	➔
	5:	10.7x	➔
	6:	10.2x	⬇
	7:	10.4x	➔
	8:	10.8x	⬅
	9:	10.3x	➔
	10:	10.5x	⬇
Serie		105.0	
Total		505.0	

05.11.2017	Vindelnskottet 2017	Ramselefors SKF	
Prov 	1:	10.2x	↗
	2:	10.5x	↓
	3:	9.9	↗
	4:	9.8	↗
	5:	10.0	→
	6:	10.7x	→
	7:	10.6x	↑
	8:	10.2x	↗
	9:	10.2x	↓
	10:	10.6x	→
	Serie		102.7
Total		399.0	
Prov 	11:	10.0	↖
	12:	10.7x	↑
	13:	10.7x	↑
	14:	10.6x	→
	15:	10.6x	←
	16:	10.8x	↗
	Serie		63.4
Total		399.0	
40 Skott 	1:	10.5x	↖
	2:	10.6x	↓
	3:	10.1	←
	4:	10.3x	↙
	5:	10.9x	←
	6:	9.2	↗
	7:	10.5x	↓
	8:	10.8x	↖
	9:	10.2x	↗
	10:	10.6x	↑
	Serie		103.7
Total		502.7	

05.11.2017	Vindelnskottet 2017	Ramselefors SKF	
Prov 	1:	10.2x	↖
	2:	10.5x	↑
	3:	10.7x	→
	4:	10.5x	↗
	5:	10.8x	↙
	6:	10.3x	→
	7:	10.3x	↑
	8:	10.6x	↗
	9:	10.5x	↗
	10:	10.7x	↑
	Serie		105.1
Total		398.0	
Prov 	11:	10.3x	↖
	12:	10.3x	↙
	13:	10.7x	↓
	14:	10.7x	↗
	15:	10.6x	↓
	16:	10.6x	↙
	Serie		63.2
Total		398.0	
40 Skott 	1:	10.2x	↙
	2:	10.7x	↓
	3:	10.8x	↓
	4:	10.5x	↖
	5:	10.8x	→
	6:	10.8x	↘
	7:	10.6x	↗
	8:	10.6x	→
	9:	10.5x	↖
	10:	10.4x	→
	Serie		105.9
Total		503.9	

05.11.2017	Vindelnskottet 2017	Ramselefors SKF	
Prov 	1:	10.5x	↗
	2:	10.5x	↗
	3:	10.6x	↗
	4:	10.5x	↘
	5:	10.7x	↘
	6:	10.8x	↗
	7:	10.5x	↘
	8:	10.1	↘
	9:	10.1	↘
	10:	10.4x	↘
	Serie		104.7
Total		398.0	
Prov 	11:	10.3x	↓
	12:	10.7x	↓
	13:	10.7x	↑
Serie		31.7	
Total		398.0	
40 Skott 	1:	10.5x	←
	2:	10.3x	←
	3:	10.8x	↘
	4:	10.9x	→
	5:	10.8x	←
	6:	9.7	↗
	7:	10.4x	↘
	8:	10.0	↗
	9:	10.5x	→
	10:	10.6x	↘
Serie		104.5	
Total		502.5	

05.11.2017	Vindelnskottet 2017	Ramselefors SKF	
Prov 	1:	10.4x	←
	2:	10.4x	→
	3:	10.6x	↑
	4:	10.0	↓
	5:	10.4x	↙
	6:	10.6x	↗
	7:	10.3x	↓
	8:	10.6x	↙
	9:	10.4x	↓
	10:	10.7x	↖
	Serie		104.4
Total		398.0	

Prov 	11:	10.7x	→
	12:	10.4x	↓
	13:	9.9	→
	14:	10.0	←
	15:	10.6x	↓
	Serie		51.6
Total		398.0	

40 Skott 	1:	10.8x	↑
	2:	10.5x	↙
	3:	10.2x	↓
	4:	9.6	↓
	5:	10.5x	↑
	6:	10.0	↗
	7:	10.4x	←
	8:	10.4x	↓
	9:	10.6x	↗
	10:	10.4x	↙
Serie		103.4	
Total		501.4	


05.11.2017	Vindelnskottet 2017	Ramselefors SKF
------------	---------------------	-----------------

Prov




1:	10.5x	↖
2:	10.4x	↖
3:	9.9	↗
4:	10.2x	↖
5:	10.3x	↙
6:	10.1	↖
7:	10.8x	↗
8:	10.1	↖
9:	10.5x	↖
10:	10.3x	↖
Serie		103.1
Total		398.0

Prov

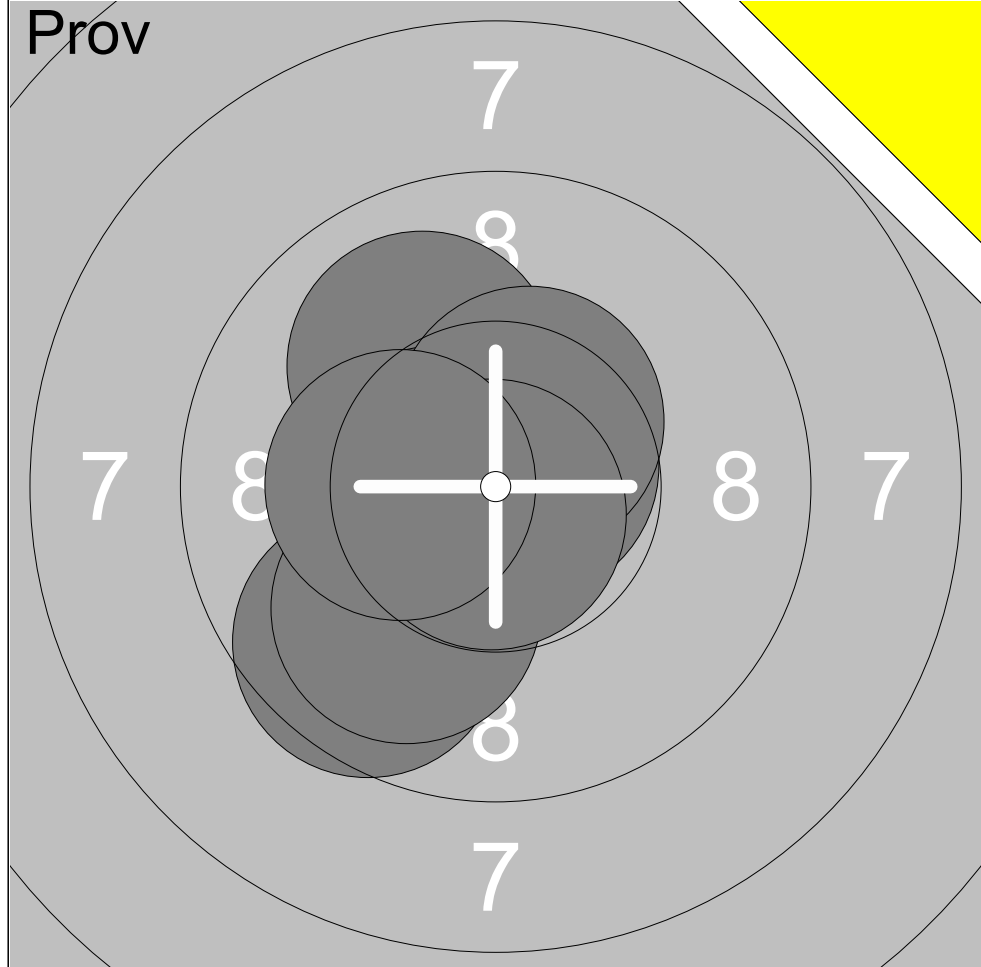


11:	10.4x	↑
Serie		10.4
Total		398.0

40 Skott



1:	10.0	↗
2:	10.9x	↙
3:	10.6x	↙
4:	9.9	↙
5:	10.6x	↖
6:	10.4x	→
7:	10.6x	↗
8:	10.5x	↙
9:	10.3x	↖
10:	10.6x	↖
Serie		104.4
Total		502.4



1:	10.0	↖
3:	10.7x	↗
4:	10.6x	←
5:	9.6	↙
6:	10.5x	↗
7:	9.9	↙
8:	10.8x	↓
9:	10.3x	←


Serie	82.4
Total	397.0




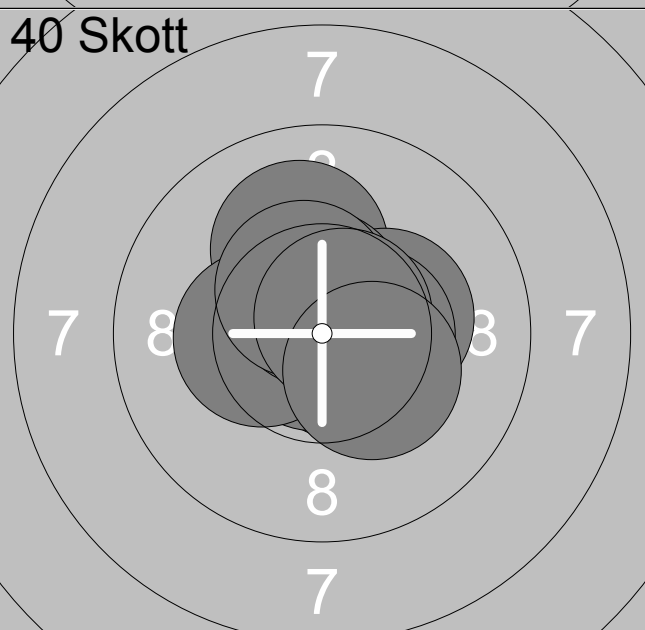
1:	10.8x	↓
2:	9.9	↗
3:	10.5x	←
4:	10.5x	↙
5:	10.6x	↗
6:	10.3x	↙
7:	10.2x	↙
8:	10.9x	↑
9:	10.5x	↓
10:	9.6	↘

Serie	103.8
Total	500.8

05.11.2017	Vindelnskottet 2017	Ramselefors SKF
------------	---------------------	-----------------

Prov 	<table style="width:100%; border-collapse: collapse;"> <tr><td style="width:5%;">1:</td><td style="width:25%;">9.2</td><td style="width:10%; text-align: right;">↓</td></tr> <tr><td>2:</td><td>10.1</td><td style="text-align: right;">↙</td></tr> <tr><td>3:</td><td>10.3x</td><td style="text-align: right;">↓</td></tr> <tr><td>4:</td><td>10.8x</td><td style="text-align: right;">↓</td></tr> <tr><td>5:</td><td>10.7x</td><td style="text-align: right;">↓</td></tr> <tr><td>6:</td><td>10.9x</td><td style="text-align: right;">↓</td></tr> <tr><td>7:</td><td>10.4x</td><td style="text-align: right;">↓</td></tr> <tr><td>8:</td><td>10.0</td><td style="text-align: right;">←</td></tr> <tr><td>9:</td><td>10.5x</td><td style="text-align: right;">↑</td></tr> <tr><td>10:</td><td>10.4x</td><td style="text-align: right;">↓</td></tr> </table>	1:	9.2	↓	2:	10.1	↙	3:	10.3x	↓	4:	10.8x	↓	5:	10.7x	↓	6:	10.9x	↓	7:	10.4x	↓	8:	10.0	←	9:	10.5x	↑	10:	10.4x	↓	
1:	9.2	↓																														
2:	10.1	↙																														
3:	10.3x	↓																														
4:	10.8x	↓																														
5:	10.7x	↓																														
6:	10.9x	↓																														
7:	10.4x	↓																														
8:	10.0	←																														
9:	10.5x	↑																														
10:	10.4x	↓																														
		Serie 103.3																														
		Total 397.0																														

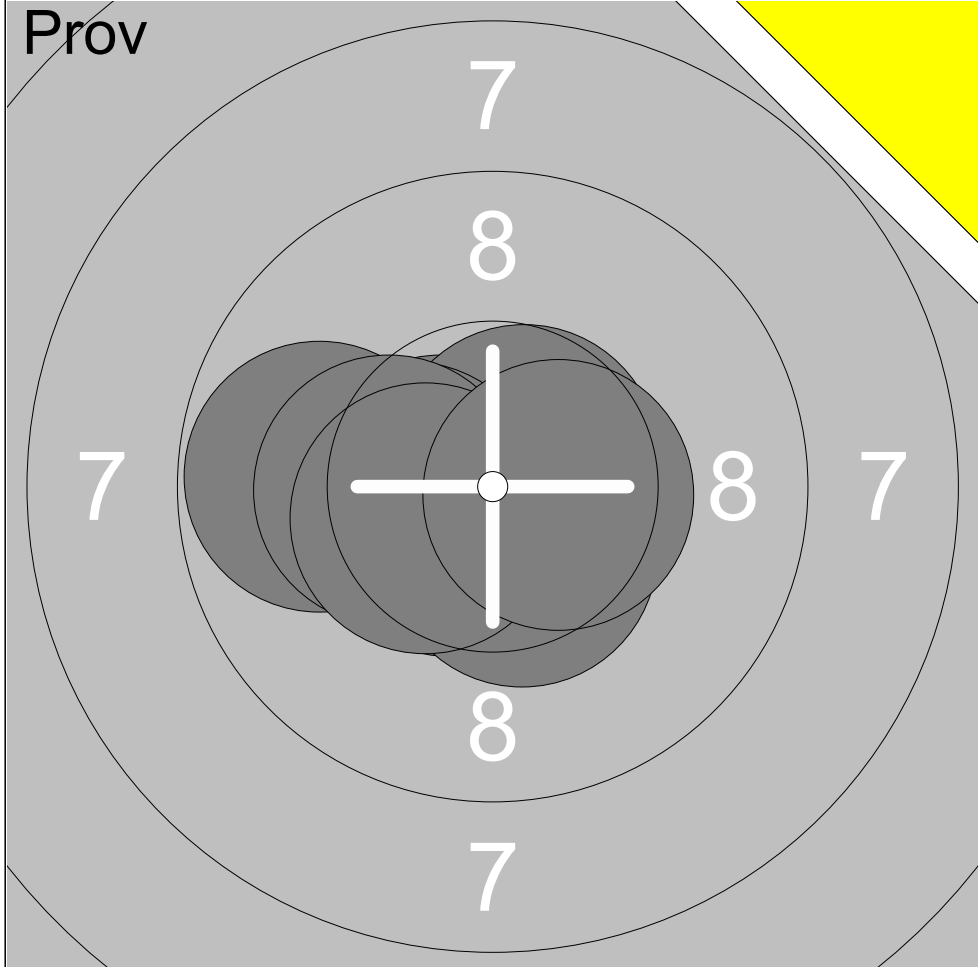
Prov 	<table style="width:100%; border-collapse: collapse;"> <tr><td style="width:5%;">11:</td><td style="width:25%;">10.6x</td><td style="width:10%; text-align: right;">↖</td></tr> </table>	11:	10.6x	↖	
11:	10.6x	↖			
		Serie 10.6			
		Total 397.0			

40 Skott 	<table style="width:100%; border-collapse: collapse;"> <tr><td style="width:5%;">1:</td><td style="width:25%;">10.1</td><td style="width:10%; text-align: right;">↑</td></tr> <tr><td>2:</td><td>10.3x</td><td style="text-align: right;">→</td></tr> <tr><td>3:</td><td>10.7x</td><td style="text-align: right;">↓</td></tr> <tr><td>4:</td><td>10.8x</td><td style="text-align: right;">↓</td></tr> <tr><td>5:</td><td>10.3x</td><td style="text-align: right;">←</td></tr> <tr><td>6:</td><td>10.5x</td><td style="text-align: right;">→</td></tr> <tr><td>7:</td><td>10.6x</td><td style="text-align: right;">↑</td></tr> <tr><td>8:</td><td>10.5x</td><td style="text-align: right;">↑</td></tr> <tr><td>9:</td><td>10.7x</td><td style="text-align: right;">↗</td></tr> <tr><td>10:</td><td>10.3x</td><td style="text-align: right;">↓</td></tr> </table>	1:	10.1	↑	2:	10.3x	→	3:	10.7x	↓	4:	10.8x	↓	5:	10.3x	←	6:	10.5x	→	7:	10.6x	↑	8:	10.5x	↑	9:	10.7x	↗	10:	10.3x	↓	
1:	10.1	↑																														
2:	10.3x	→																														
3:	10.7x	↓																														
4:	10.8x	↓																														
5:	10.3x	←																														
6:	10.5x	→																														
7:	10.6x	↑																														
8:	10.5x	↑																														
9:	10.7x	↗																														
10:	10.3x	↓																														
		Serie 104.8																														
		Total 501.8																														

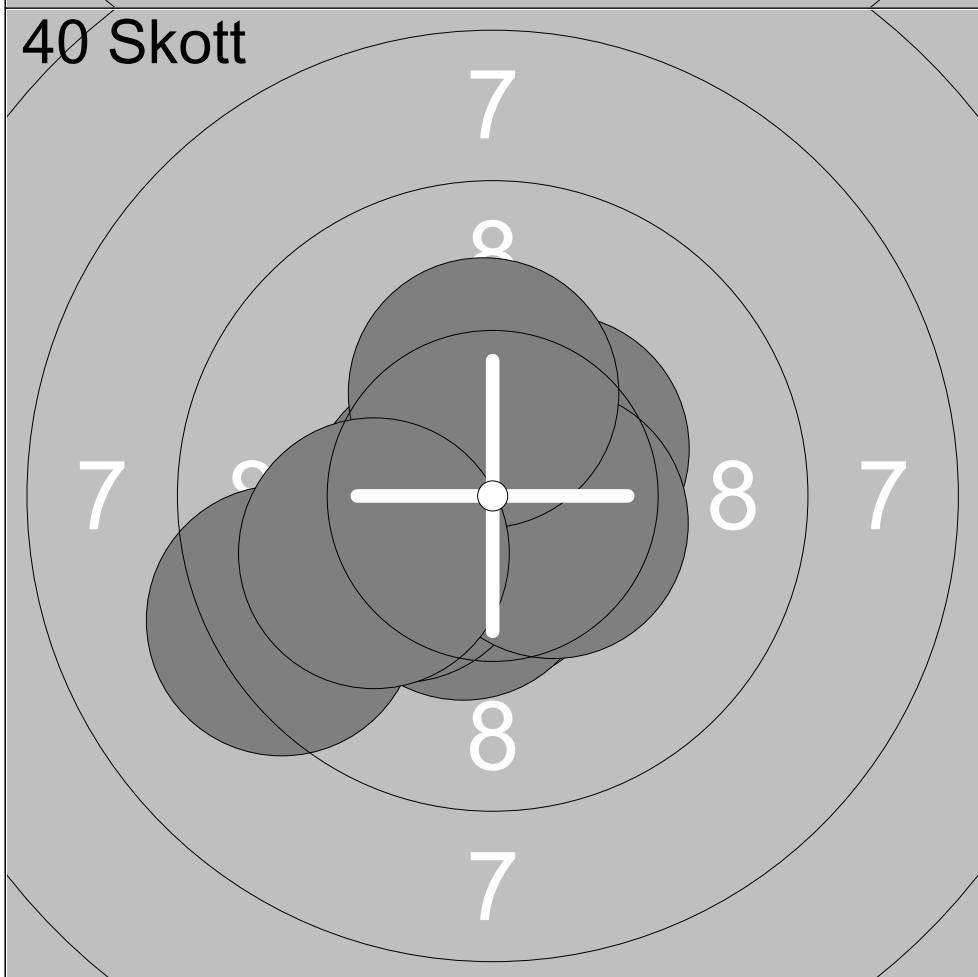
05.11.2017	Vindelnskottet 2017	Ramselefors SKF	
Prov 	1:	10.2x	↘
	2:	9.5	→
	3:	10.1	→
	4:	10.5x	↘
	5:	10.4x	→
	6:	9.6	↗
	7:	10.8x	↗
	8:	9.8	↗
	9:	10.7x	↖
	10:	10.5x	↙
	Serie		102.1
Total		396.0	

Prov 	11:	10.3x	↗
	12:	10.0	→
	13:	10.5x	→
	14:	10.8x	↗
	15:	10.6x	→
	16:	10.6x	↗
	Serie		62.8
Total		396.0	

40 Skott 	1:	10.6x	→
	2:	10.4x	←
	3:	10.6x	↗
	4:	10.7x	↙
	5:	10.6x	←
	6:	10.4x	↑
	7:	10.8x	↑
	8:	10.5x	→
	9:	10.7x	↘
	10:	10.4x	↗
Serie		105.7	
Total		501.7	

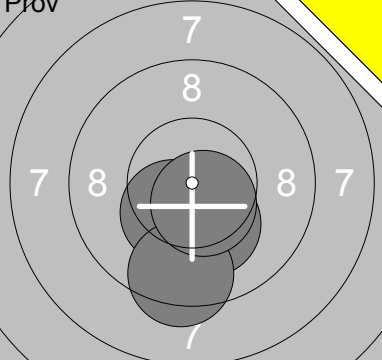
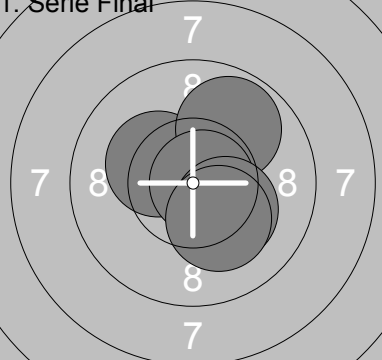



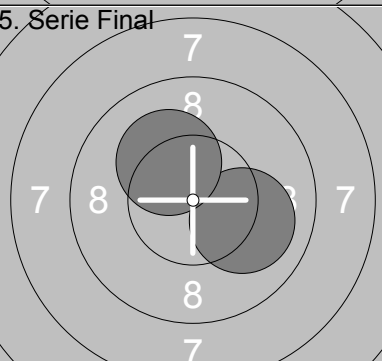






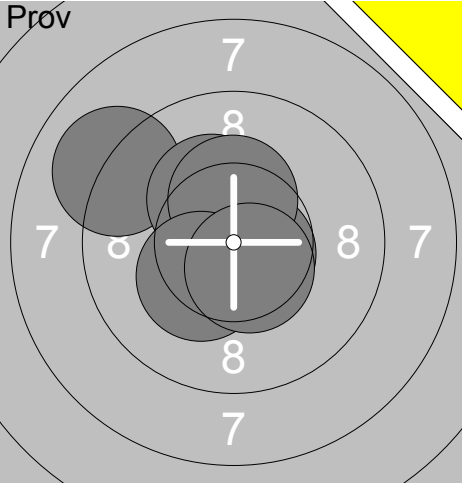
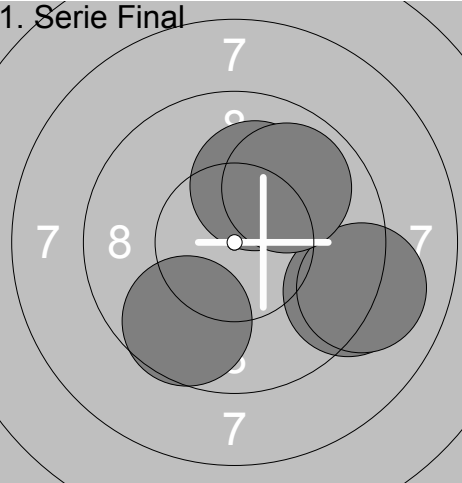
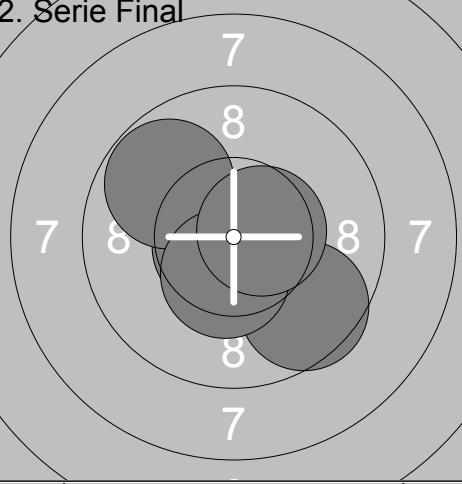
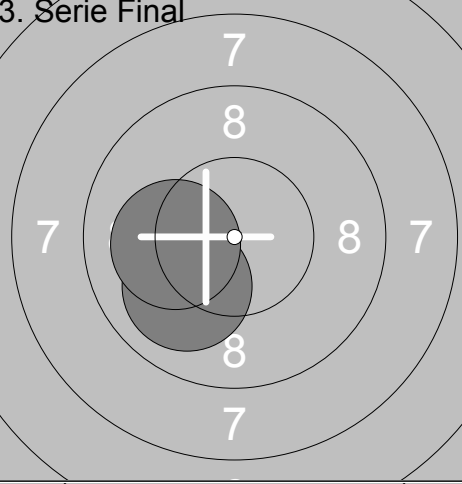
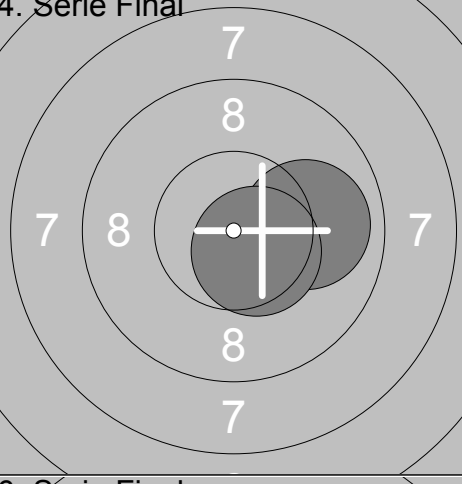
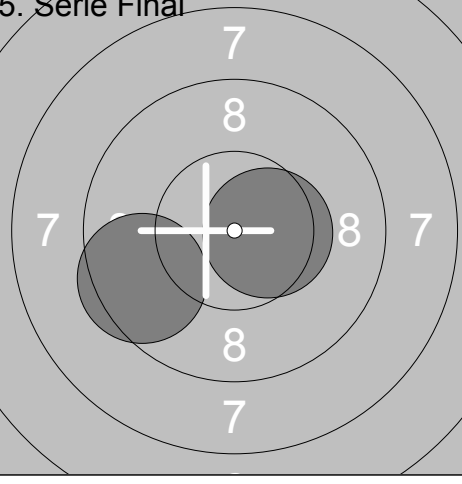
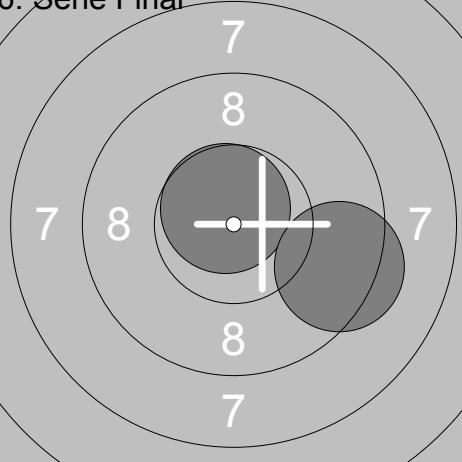
1:	10.6x	←
2:	10.7x	↗
3:	9.8	←
4:	10.6x	↙
5:	10.4x	←
6:	10.5x	↘
7:	10.3x	←
8:	10.5x	↙
9:	10.5x	→
Serie		93.9
Total		396.0

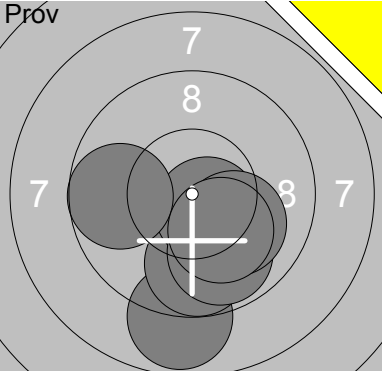
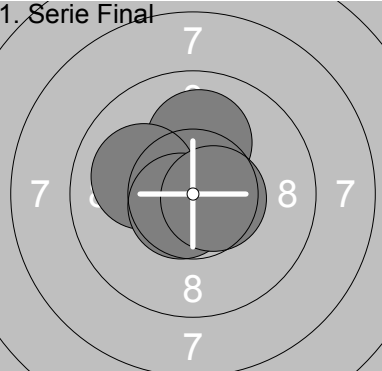
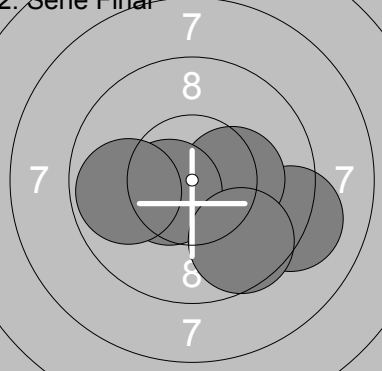
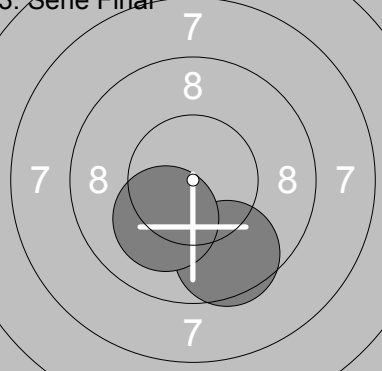
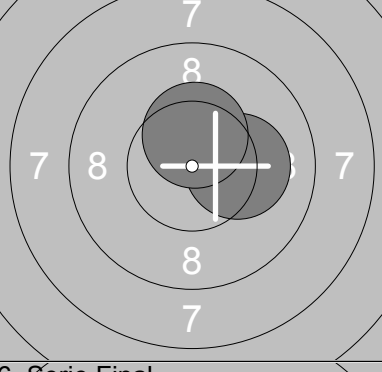
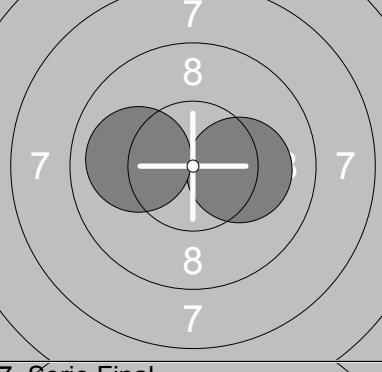
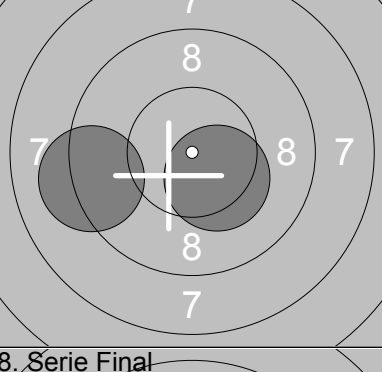
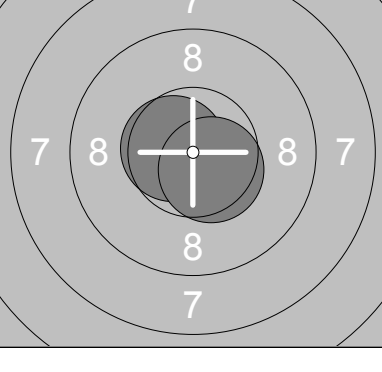
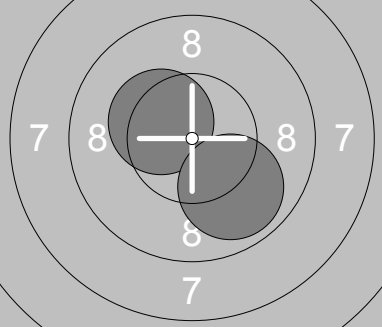


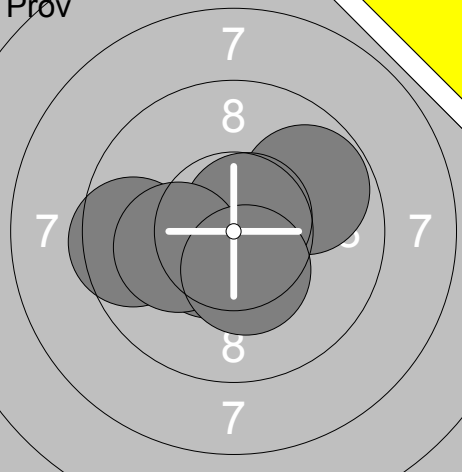
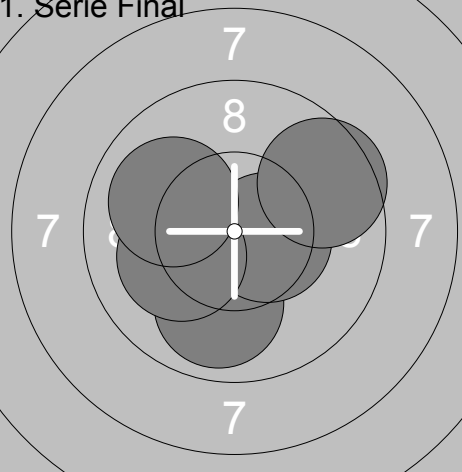
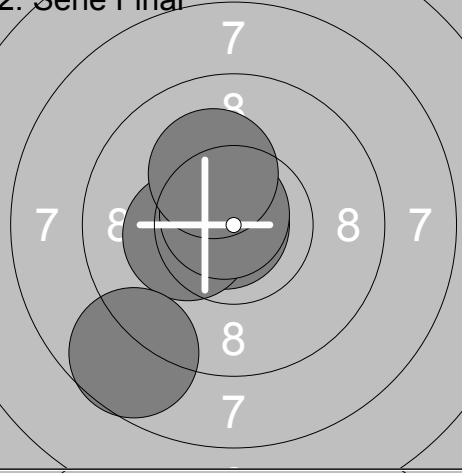

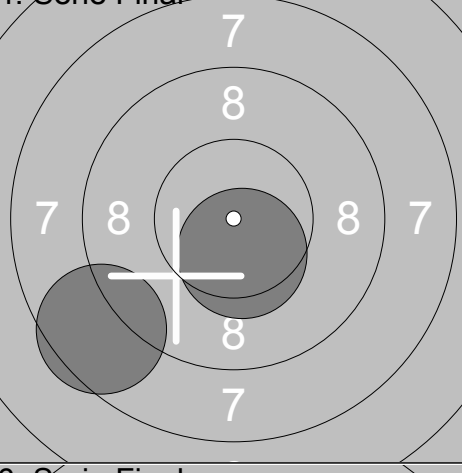
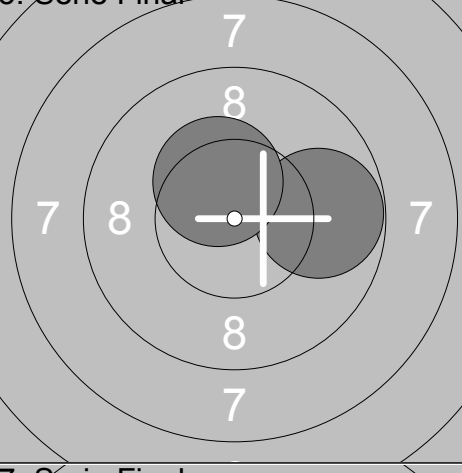

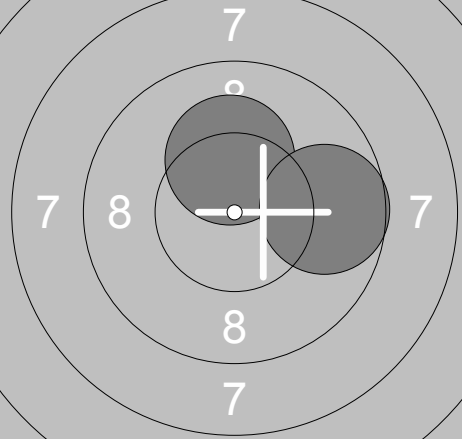
1:	10.6x	↓
2:	9.3	↙
3:	10.9x	↗
4:	10.6x	←
5:	10.5x	↘
6:	10.4x	↗
7:	10.2x	↙
8:	10.5x	→
9:	10.3x	↑
10:	10.1	↙
Serie		103.4
Total		499.4

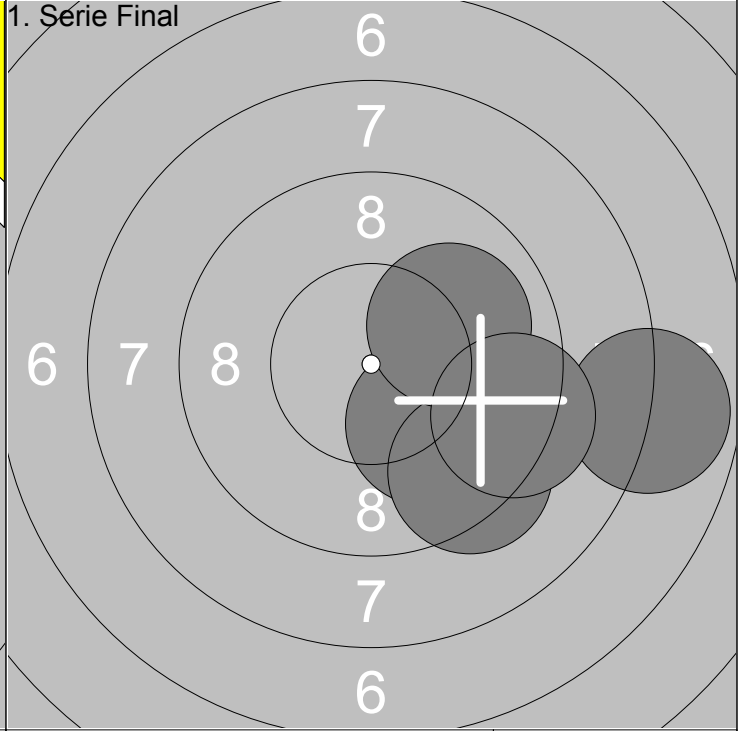
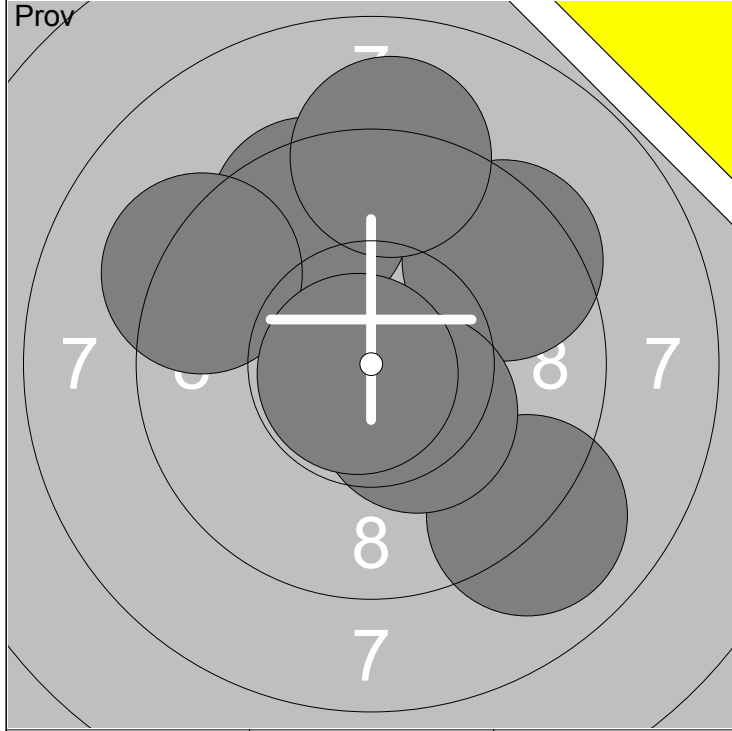
Skjuttlag	Tavla	Lotten Johansson		
6	21	Ramselefors	Ramselefors	Stå
05.11.2017	Vindelnskottet 2017	Ramselefors SKF		
Prøv 	1: 10.2x ↓ 2: 10.0 → 3: 9.6 ← 4: 10.8x ← 5: 10.9x → 6: 10.5x ↓ 7: 10.7x ↓ 8: 10.5x ←	1. Serie Final 	1: 10.5x ↓ 2: 10.7x ← 3: 10.6x ↓ 4: 10.6x → 5: 10.5x ←	
	Serie 83.2		Serie 52.9	
	Total 0.0		Total 52.9	
2. Serie Final 	1: 10.4x ← 2: 10.6x ↗ 3: 10.5x ← 4: 10.2x ↓ 5: 10.6x ←	3. Serie Final 	1: 10.5x ↓ 2: 10.2x ←	
	Serie 52.3		Serie 20.7	
	Total 105.2		Total 125.9	
4. Serie Final 	1: 10.8x ↗ 2: 10.4x ↓	5. Serie Final 	1: 10.7x ↓ 2: 9.8 ↓	
	Serie 21.2		Serie 20.5	
	Total 147.1		Total 167.6	
6. Serie Final 	1: 10.7x → 2: 10.6x →	7. Serie Final 	1: 10.0 ↓ 2: 10.4x ↓	
	Serie 21.3		Serie 20.4	
	Total 188.9		Total 209.3	
8. Serie Final 	1: 10.4x ← 2: 9.5 ←	9. Serie Final 	1: 10.6x ← 2: 10.4x ←	
	Serie 19.9		Serie 21.0	
	Total 229.2		Total 250.2	

Pröv 	1: 10.2x ↓ 2: 10.4x ↓ 3: 9.4 ↓ 4: 10.6x ↓ <hr/> Serie 40.6 Total 0.0	1. Serie Final 	1: 10.3x ↖ 2: 9.9 ↗ 3: 10.8x → 4: 10.2x ↓ 5: 10.2x ↓ <hr/> Serie 51.4 Total 51.4
2. Serie Final 	1: 9.7 → 2: 10.6x ↓ 3: 10.8x → 4: 9.9 ↓ 5: 10.2x ↗ <hr/> Serie 51.2 Total 102.6	3. Serie Final 	1: 10.0 ← 2: 10.2x ↓ <hr/> Serie 20.2 Total 122.8
4. Serie Final 	1: 10.8x ↓ 2: 10.0 ↑ <hr/> Serie 20.8 Total 143.6	5. Serie Final 	1: 10.0 → 2: 10.2x ↗ <hr/> Serie 20.2 Total 163.8
6. Serie Final 	1: 10.6x ↘ 2: 10.1 ↗ <hr/> Serie 20.7 Total 184.5	7. Serie Final 	1: 10.7x ↓ 2: 10.4x ← <hr/> Serie 21.1 Total 205.6
8. Serie Final 	1: 10.4x ← 2: 10.2x ↑ <hr/> Serie 20.6 Total 226.2	9. Serie Final 	1: 10.0 → 2: 10.7x → <hr/> Serie 20.7 Total 246.9

Skjuttag 6	Tavla 23	Hanna Lundin	
Ramselefors	Umeå	Stå	Vb
05.11.2017	Vindelnskottet 2017	Ramselefors SKF	
Prov 	1: 9.1 ↖ 2: 10.7x ↘ 3: 10.3x ↗ 4: 10.4x ↑ 5: 10.3x ↙ 6: 10.5x ↘	1. Serie Final 	1: 9.2 → 2: 9.1 → 3: 9.7 ↙ 4: 10.1 ↑ 5: 9.9 ↗
	Serie 61.3 Total 0.0		Serie 48.0 Total 48.0
2. Serie Final 	1: 10.7x ← 2: 9.6 ↘ 3: 9.8 ↗ 4: 10.4x ↙ 5: 10.5x →	3. Serie Final 	1: 10.0 ↙ 2: 10.1 ←
	Serie 51.0 Total 99.0		Serie 20.1 Total 119.1
4. Serie Final 	1: 9.9 → 2: 10.5x ↘	5. Serie Final 	1: 9.5 ← 2: 10.5x →
	Serie 20.4 Total 139.5		Serie 20.0 Total 159.5
6. Serie Final 	1: 10.7x ↗ 2: 9.4 ↘		
	Serie 20.1 Total 179.6		

Ramselefors	Ramselefors	Stå	Vb
05.11.2017	Vindelnskottet 2017	Ramselefors SKF	
Pröv 	1: 8.9 ↓ 2: 9.8 ↓↓ 3: 10.6x ↓↓ 4: 9.7 ← 5: 9.9 ↓ 6: 10.1 ↓ 7: 10.2x ↓	1. Serie Final 	1: 10.5x ↑ 2: 10.1 ↑ 3: 10.1 ← 4: 10.7x ↓ 5: 10.6x →
	Serie 69.2		Serie 52.0
	Total 0.0		Total 52.0
2. Serie Final 	1: 9.2 → 2: 10.3x → 3: 10.5x ← 4: 9.9 ← 5: 9.6 ↓	3. Serie Final 	1: 9.6 ↓ 2: 10.1 ↓
	Serie 49.5		Serie 19.7
	Total 101.5		Total 121.2
4. Serie Final 	1: 10.2x → 2: 10.4x ↑	5. Serie Final 	1: 10.2x → 2: 10.0 ←
	Serie 20.6		Serie 20.2
	Total 141.8		Total 162.0
6. Serie Final 	1: 9.2 ← 2: 10.3x ↓	7. Serie Final 	1: 10.6x ← 2: 10.5x ↓
	Serie 19.5		Serie 21.1
	Total 181.5		Total 202.6
8. Serie Final 	1: 10.4x ↗ 2: 9.9 ↓		
	Serie 20.3		
	Total 222.9		

Prov 	1: 9.8 ↗ 2: 10.5x ↙ 3: 9.5 ← 4: 10.7x ↗ 5: 10.2x ← 6: 10.4x ↓ <hr/> Serie 61.1 Total 0.0	1. Serie Final 	1: 9.9 ↓ 2: 10.5x → 3: 10.1 ↙ 4: 10.0 ↖ 5: 9.6 ↗ <hr/> Serie 50.1 Total 50.1
2. Serie Final 	1: 10.8x ← 2: 10.3x ← 3: 8.7 ↙ 4: 10.8x ↗ 5: 10.2x ↗ <hr/> Serie 50.8 Total 100.9	3. Serie Final 	1: 10.1 ↗ 2: 10.4x ↗ <hr/> Serie 20.5 Total 121.4
4. Serie Final 	1: 10.5x ↓ 2: 8.6 ↙ <hr/> Serie 19.1 Total 140.5	5. Serie Final 	1: 9.8 → 2: 10.4x ↗ <hr/> Serie 20.2 Total 160.7
6. Serie Final 	1: 10.7x ↓ 2: 10.6x ↓ <hr/> Serie 21.3 Total 182.0	7. Serie Final 	1: 10.2x ↑ 2: 9.7 → <hr/> Serie 19.9 Total 201.9

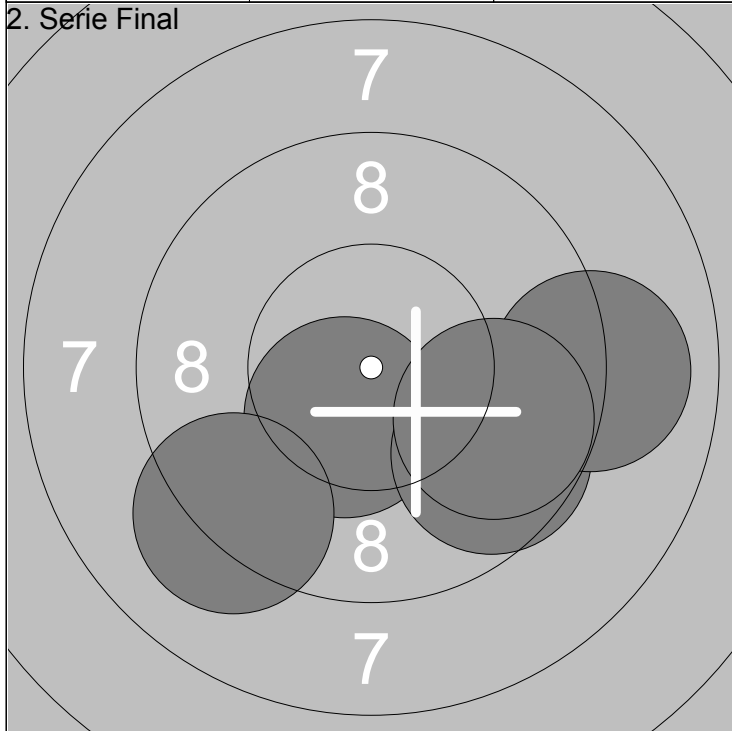


1: 9.5 ↗	6: 10.4x ↘
2: 9.0 ↘	7: 10.8x ↙
3: 9.5 ↗	
4: 9.1 ↑	
5: 9.2 ↖	

Serie	67.5
Total	0.0

1: 10.1 ↘
2: 7.9 →
3: 9.4 ↘
4: 10.0 ↗
5: 9.3 ↘

Serie	46.7
Total	46.7



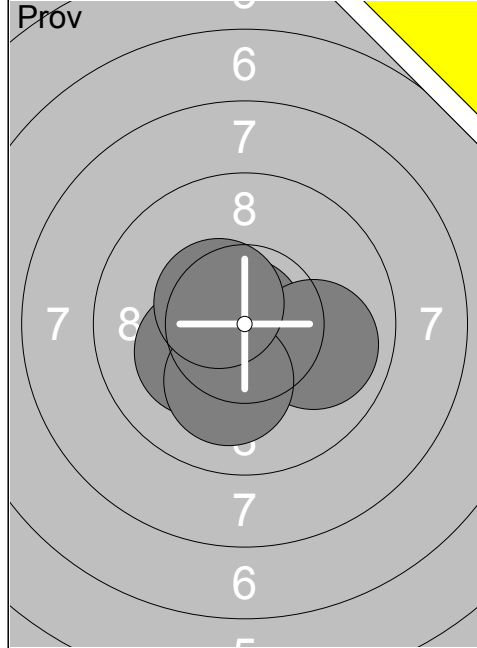
1: 10.4x ↘
2: 9.6 ↘
3: 9.0 →
4: 9.8 ↘
5: 9.2 ↘

Serie	48.0
Total	94.7

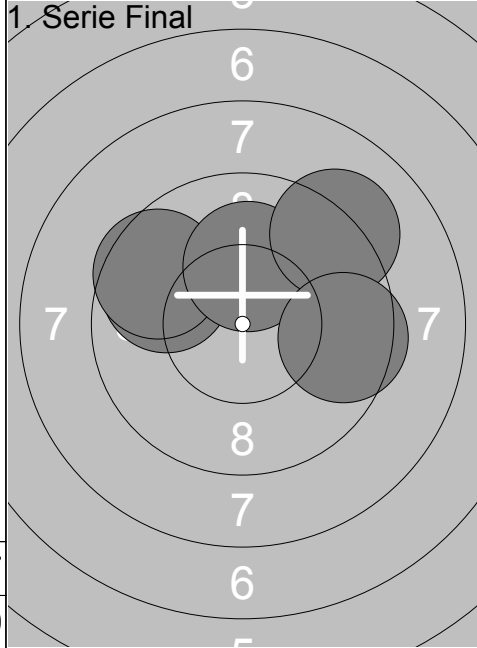
1: 9.5 ↘
2: 10.5x ↘

Serie	20.0
Total	114.7

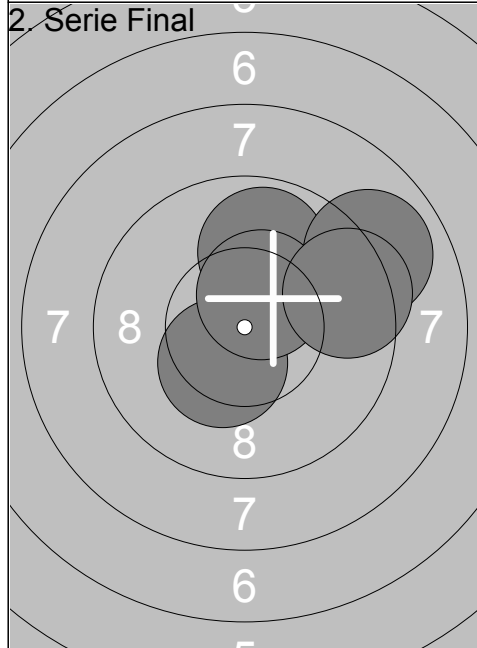
Skjutlag	Tavla	Miranda Karlsson		
6	27	Ramselefors	Gällivare	Stå
05.11.2017	Vindelnskottet 2017	Ramselefors SKF		
Prov 	1: 8.4 → 2: 9.8 ↓ 3: 9.5 ↙ 4: 10.9x↙ 5: 9.6 ←	1. Serie Final 	1: 10.3x↙ 2: 10.3x↗ 3: 9.0 ↑ 4: 9.8 ↓ 5: 10.0 →	
	Serie 48.2		Serie 49.4	
	Total 0.0		Total 49.4	
2. Serie Final 	1: 10.4x↗ 2: 10.0 ↑ 3: 8.6 ↗ 4: 10.0 ↘ 5: 10.3x↓	3. Serie Final 	1: 8.3 ↗ 2: 9.8 →	
	Serie 49.3		Serie 18.1	
	Total 98.7		Total 116.8	
4. Serie Final 	1: 10.0 ↙ 2: 10.3x↓	5. Serie Final 	1: 9.3 ↗ 2: 10.4x↑	
	Serie 20.3		Serie 19.7	
	Total 137.1		Total 156.8	



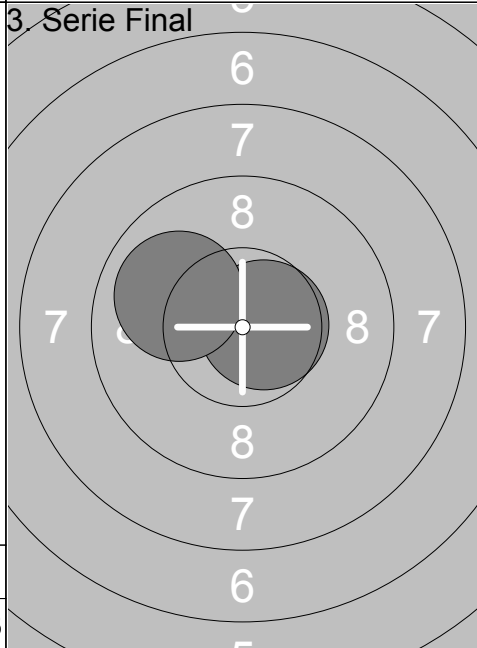
1:	10.2x ↙
2:	10.9x ↙
3:	10.0 →
4:	10.1 ↓
5:	10.5x ↙
Serie 51.7	
Total 0.0	



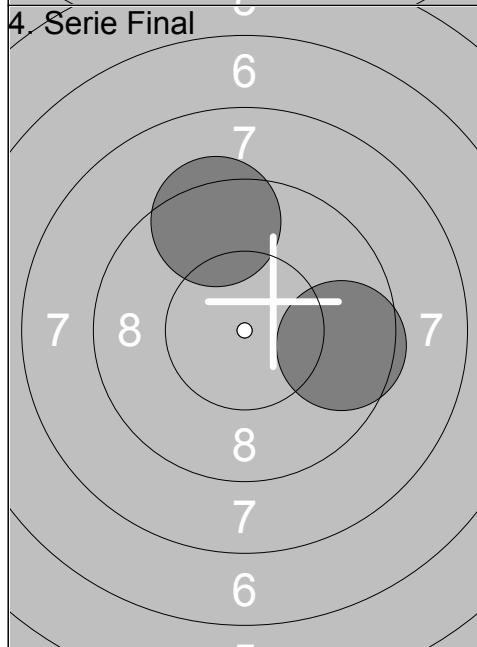
1:	9.8 ↙
2:	9.6 ↙
3:	10.1 ↑
4:	9.2 ↗
5:	9.5 →
Serie 48.2	
Total 48.2	



1:	10.4x ↙
2:	9.9 ↑
3:	10.4x ↗
4:	9.0 ↗
5:	9.4 →
Serie 49.1	
Total 97.3	



1:	10.7x →
2:	10.0 ↙
Serie 20.7	
Total 118.0	



1:	9.4 ↑
2:	9.6 →
Serie 19.0	
Total 137.0	