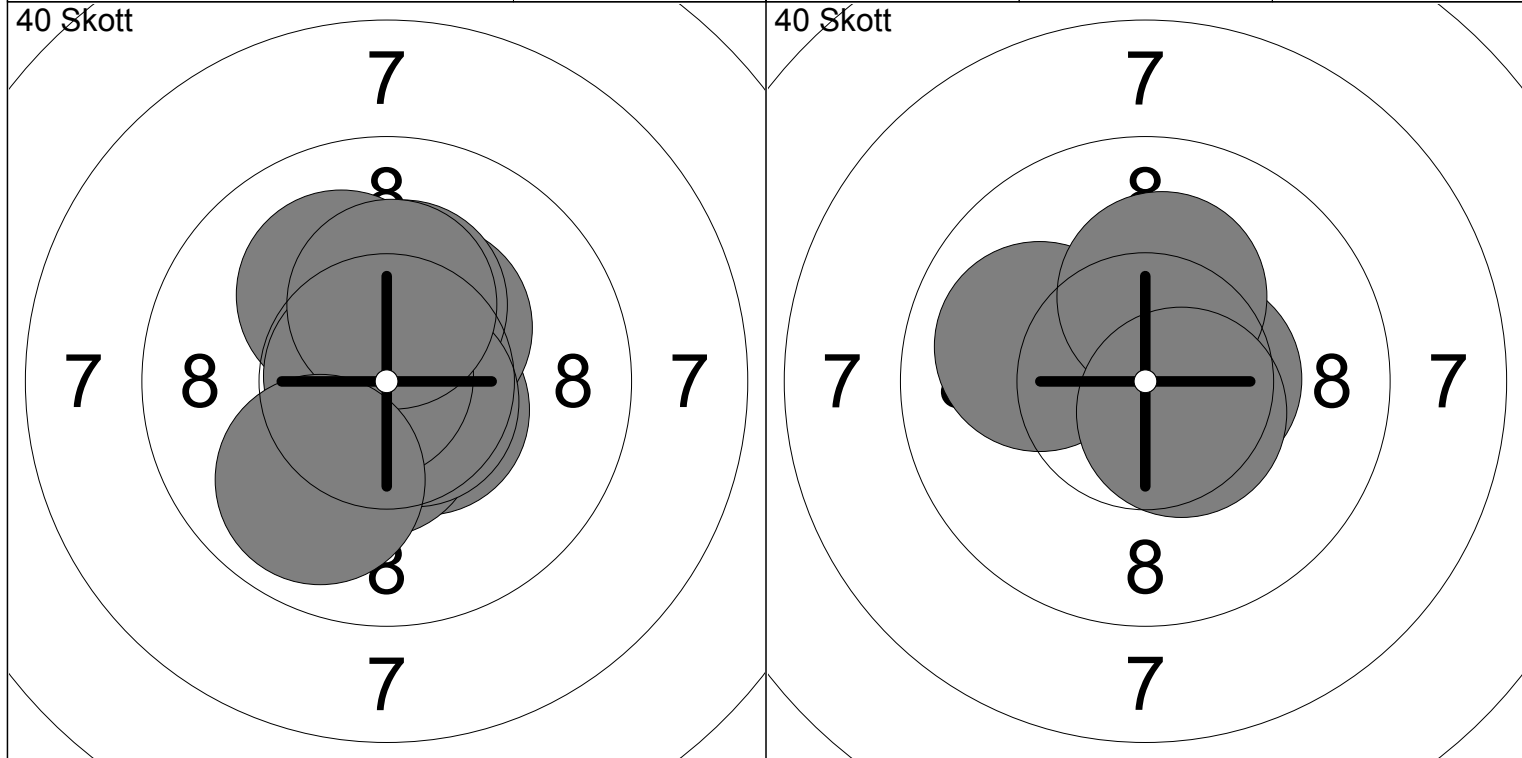


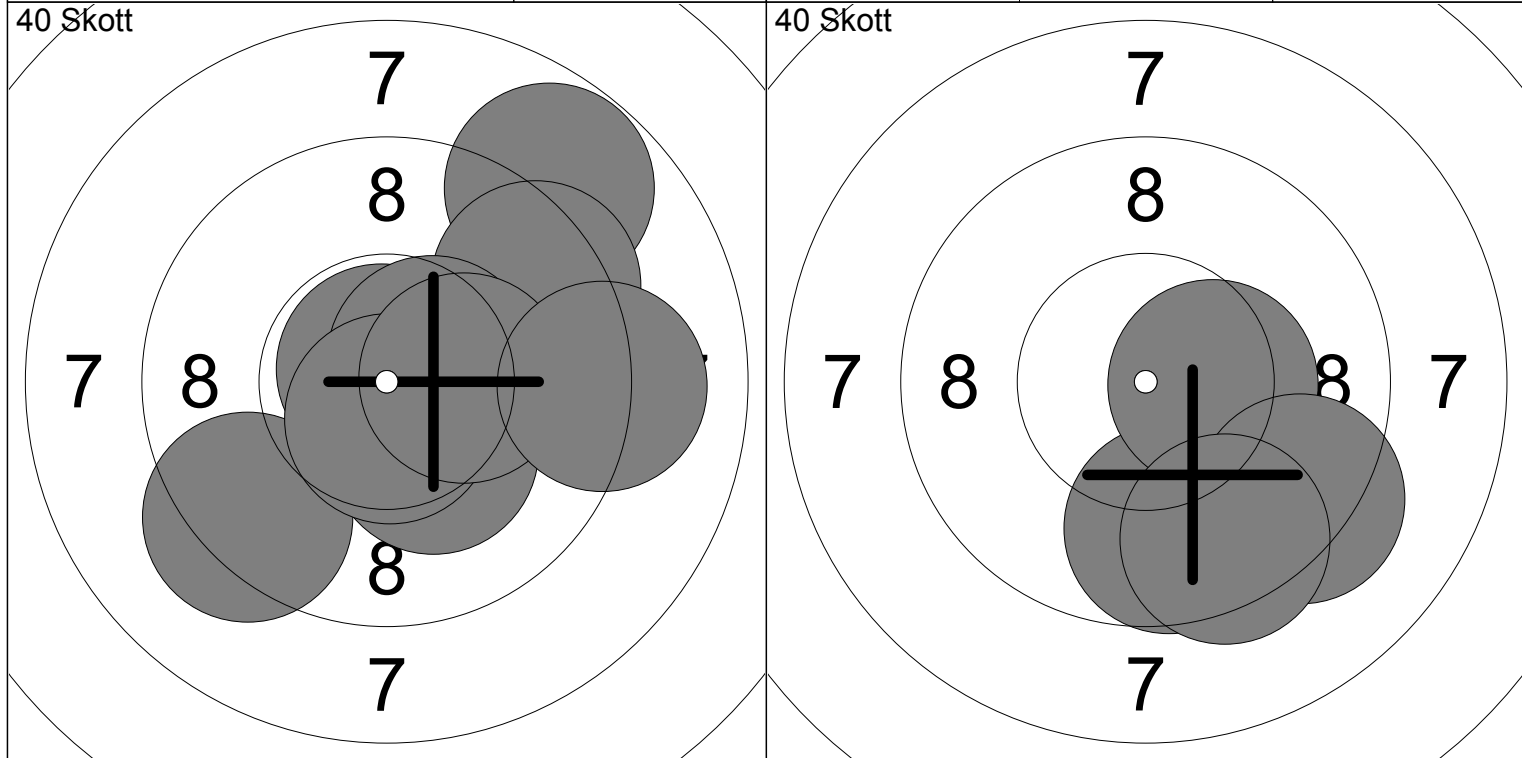
1: 10.6x ↘	Serie	51.3	1: 10.4x ↙	6: 10.1 ↗	Serie	102.3		
2: 10.3x ↗		Total	0.0	2: 9.6 ↗		7: 10.7x →	Total	102.3
3: 10.3x ↘			10.3x ↗	8: 9.9 ↗				
4: 10.3x ↘			10.4x ↗	9: 10.3x ↗				
5: 9.8 ↖			10.2x ↘	10: 10.4x ↖				



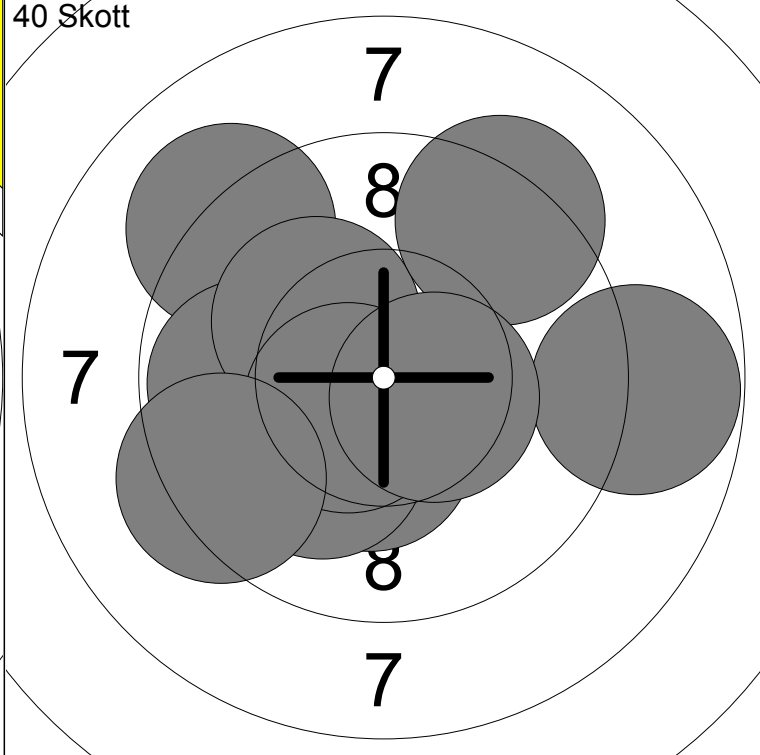
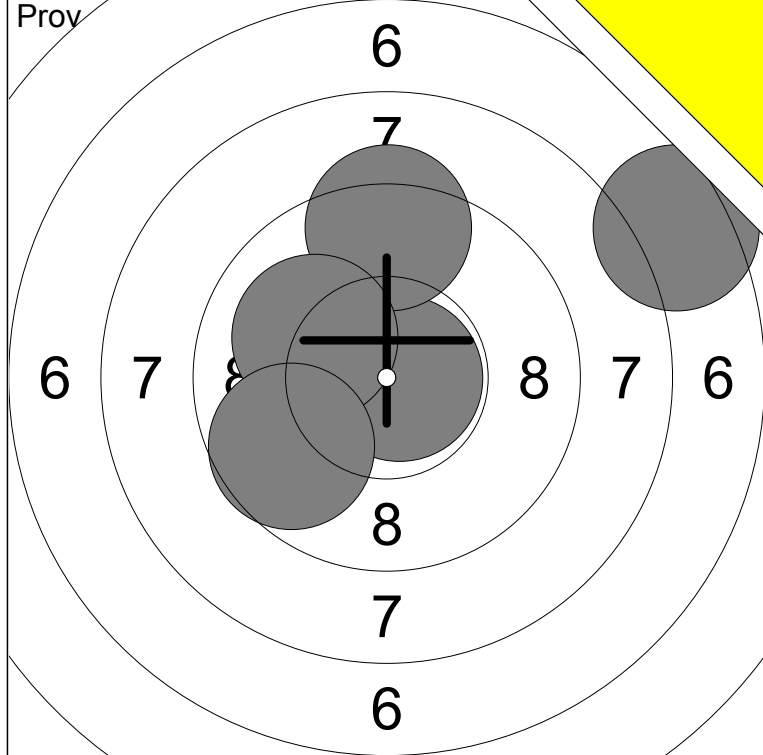
11: 10.5x ↘	16: 10.3x ↗	Serie	104.2	21: 10.5x →	Serie	41.2		
12: 10.5x ↘	17: 10.7x ↘		Total	206.5		22: 10.0 ↙	Total	247.7
13: 10.7x ↗	18: 10.8x ↙			23: 10.2x ↗				
14: 10.1 ↗	19: 10.3x ↗			24: 10.5x ↘				
15: 10.4x ↗	20: 9.9 ↘							



1: 10.5x ↘	2: 9.7 ↗	3: 9.6 ↗	4: 9.5 ↘		Serie	39.3	1: 10.0 ↘	2: 9.4 ↗	3: 10.2x ↖	4: 9.1 ↗	5: 9.8 ↗		6: 9.9 ↗	7: 10.8x ↘	8: 9.2 ↘	9: 9.3 ↗	10: 9.9 ↗		Serie	97.6
					Total	0.0						Total	97.6							

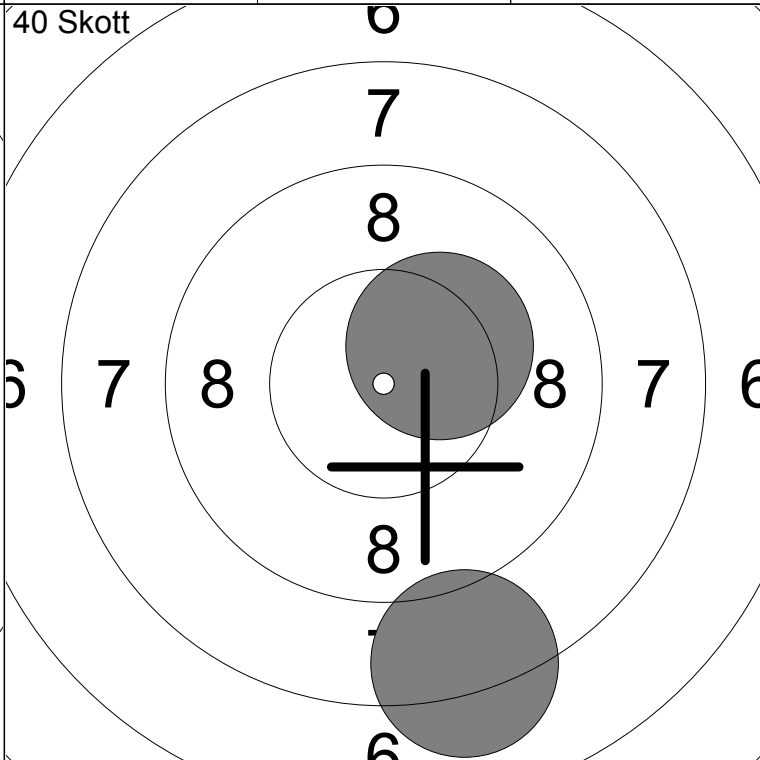
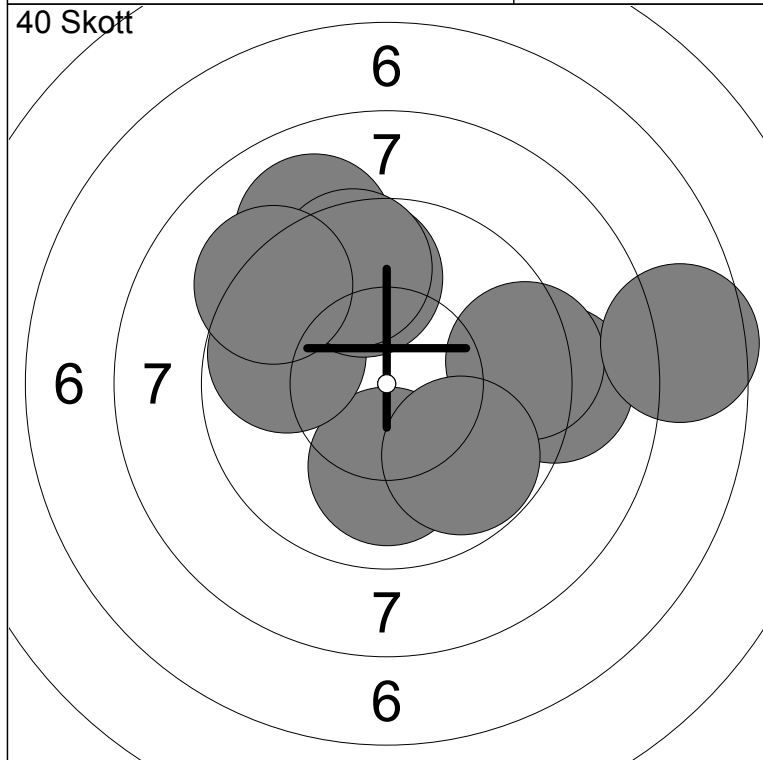


11: 10.8x ↗	12: 10.4x ↘	13: 10.2x ↘	14: 8.8 ↗	15: 9.4 ↗		16: 9.3 ↘	17: 10.5x ↗	18: 10.6x ↘	19: 10.3x →	20: 9.1 →		21: 9.7 ↘	22: 10.4x →	23: 9.3 ↘	24: 9.4 ↘		Serie	99.4		Serie	38.8
					Total	197.0						Total	235.8								



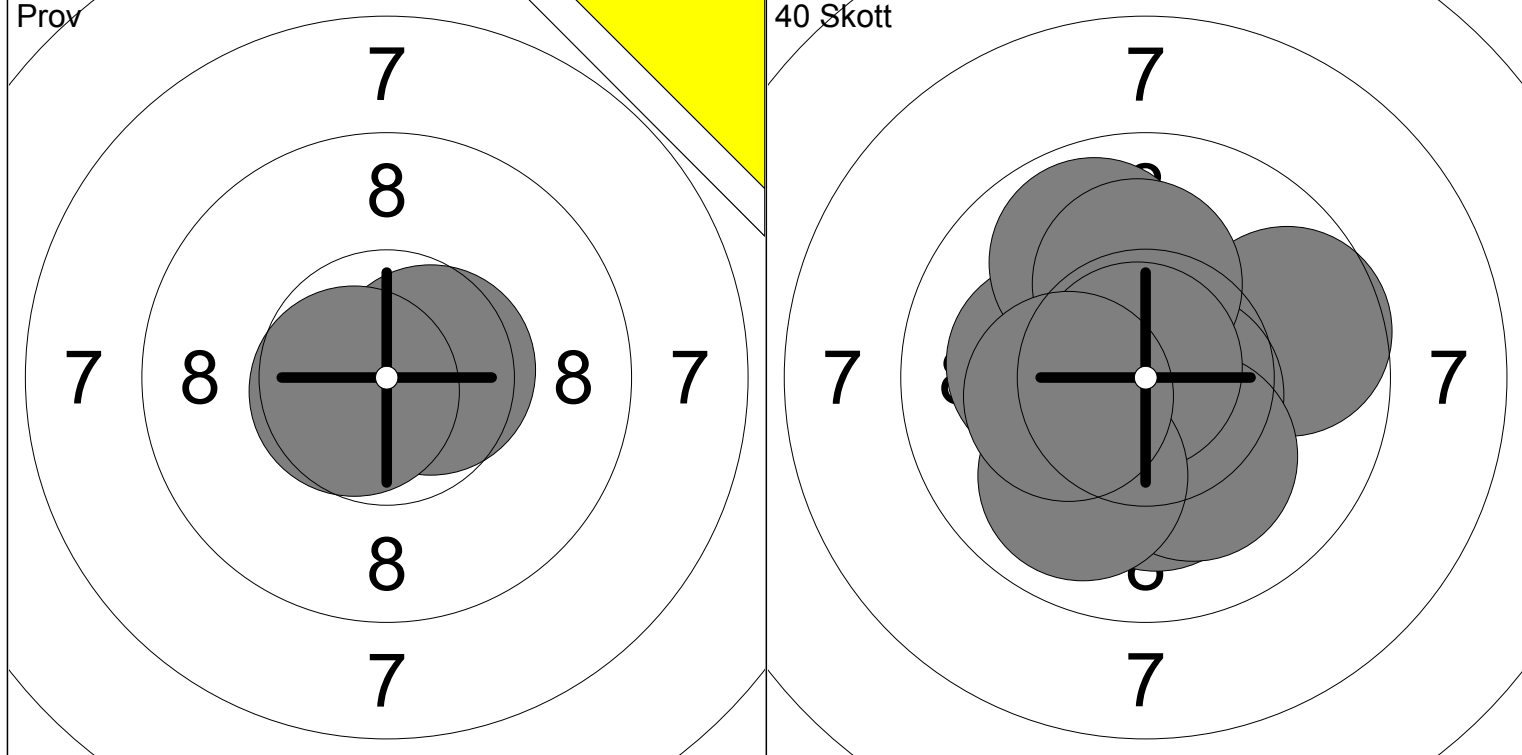
1: 7.4 ↗	Serie	47.3
2: 10.8x →		
3: 9.3 ↑		
4: 10.1 ↖		
5: 9.7 ↙		
Total		0.0

1: 10.3x ↓	Serie	98.0
2: 9.1 ↗		
3: 8.8 →		
4: 9.8 ←		
5: 10.1 ↙		
6: 10.2x ↖	Total	98.0
7: 9.3 ↗		
8: 10.6x ↙		
9: 10.5x →		
10: 9.3 ↖		

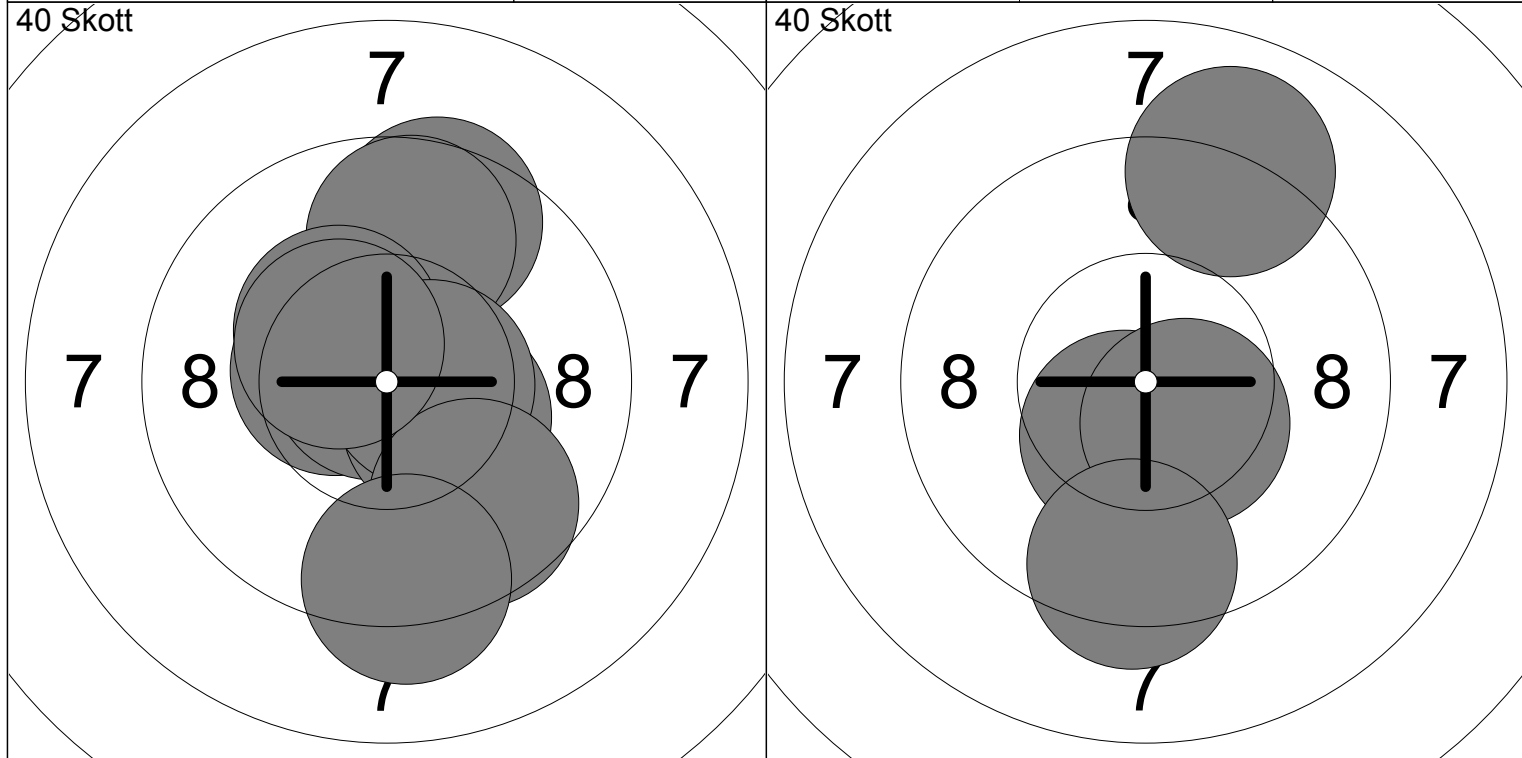


11: 10.0 ↓	Serie	93.2
12: 9.0 →		
13: 9.1 ↗		
14: 9.4 →		
15: 9.8 ←		
16: 9.7 ↑	Total	191.2
17: 9.6 ↑		
18: 7.6 →		
19: 9.2 ↗		
20: 9.8 ↙		

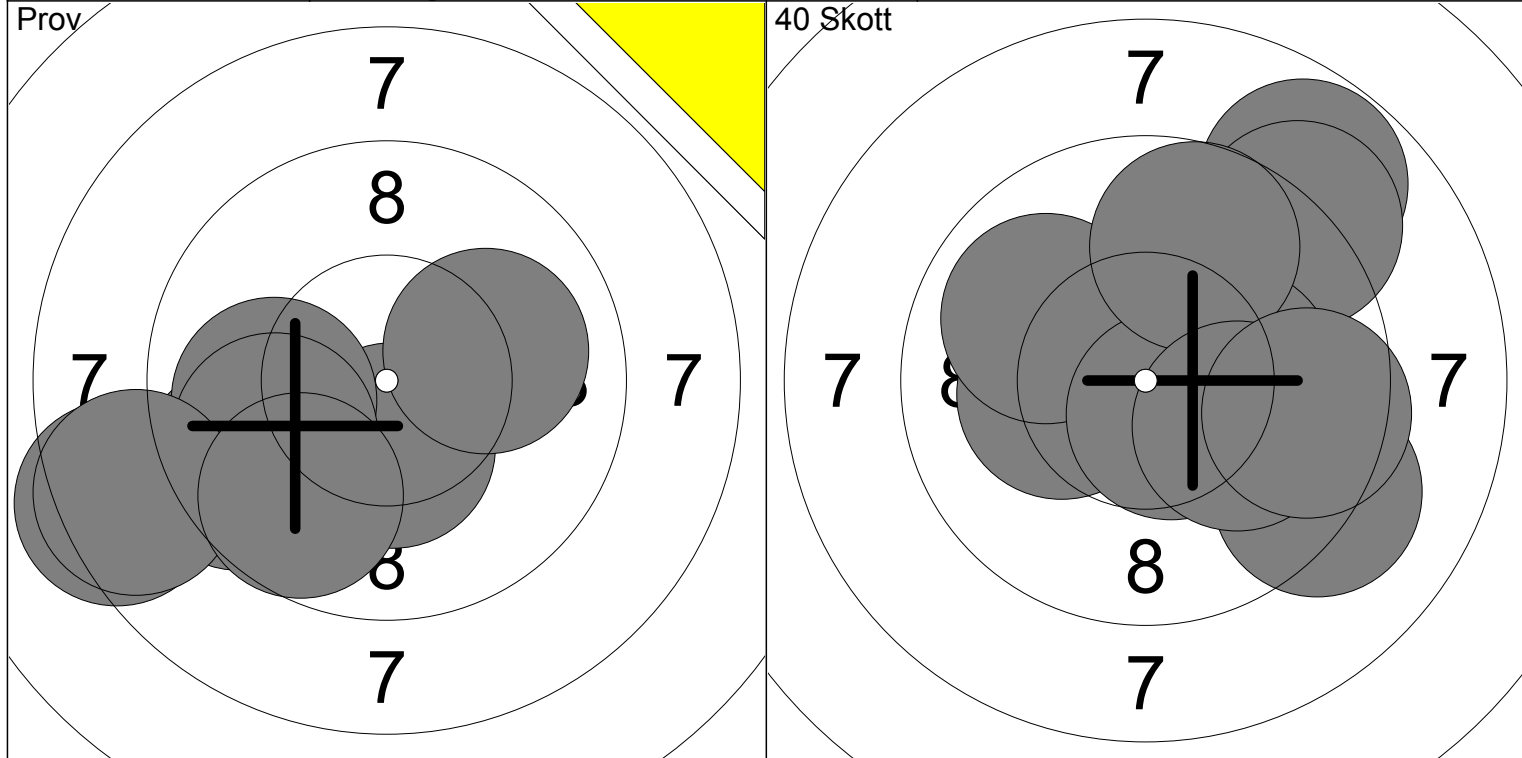
21: 10.3x ↗	Serie	18.5
22: 8.2 ↓		
Total		209.7



1: 10.6x →	Serie 21.2	1: 9.7 →	6: 9.9 ↗	Serie 101.8
2: 10.6x ←		2: 10.6x →	7: 10.1 ↑	
	Total 0.0	3: 10.2x ↓	8: 10.8x ↗	Total 101.8
		4: 10.1 ←	9: 9.9 ↓	
		5: 10.2x ↘	10: 10.3x ←	

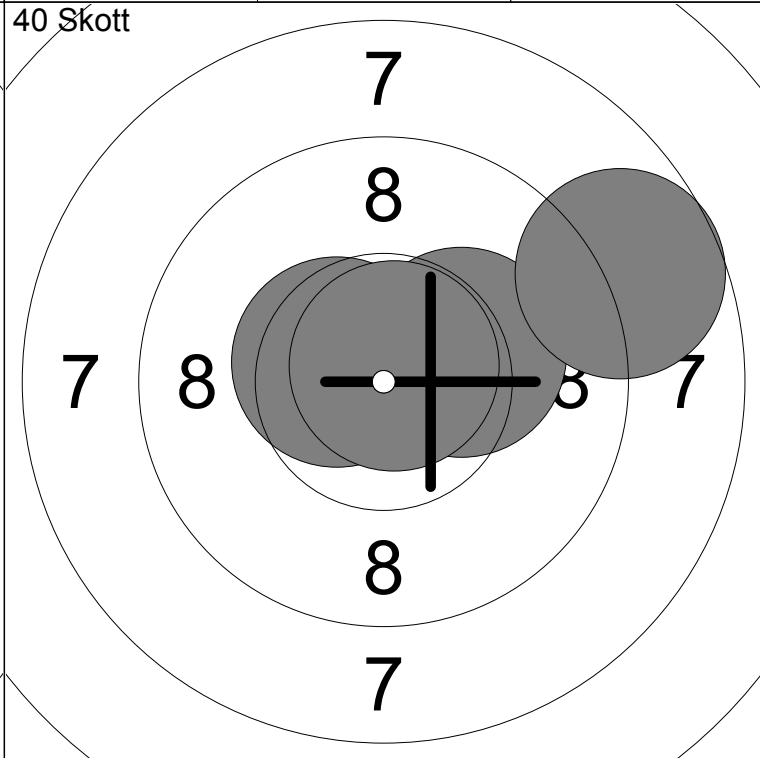
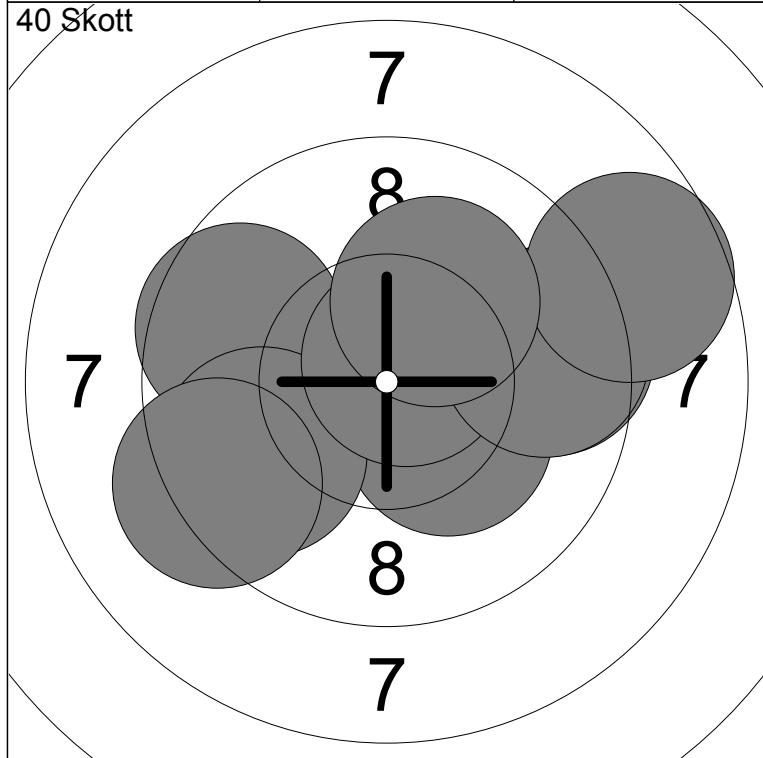


11: 9.5 ↗	16: 10.4x ↘	Serie 101.1	21: 10.5x ↓	Serie 39.4
12: 9.7 ↑	17: 10.6x →		22: 10.5x ↓	
13: 10.5x ←	18: 9.7 ↘	Total 202.9	23: 9.4 ↓	Total 242.3
14: 10.3x ↗	19: 10.4x ↗		24: 9.0 ↗	
15: 10.8x ↖	20: 9.2 ↓			



1: 8.4 ←	6: 8.5 ←	Serie	76.4
2: 9.5 ←	7: 10.0 →		
3: 10.4x ↓	8: 9.7 ↙	Total	0.0
4: 10.0 ←			
5: 9.9 ←			

1: 10.2x ←	6: 10.2x →	Serie	97.3
2: 8.8 ↗	7: 10.6x ↘		
3: 9.9 ↖	8: 9.7 ↗	Total	97.3
4: 9.1 ↗	9: 10.1 ↘		
5: 9.2 ↘	10: 9.5 →		



11: 9.5 →	16: 9.3 ←	Serie	97.4
12: 9.9 ←	17: 10.7x ↗		
13: 9.6 ←	18: 9.6 →	Total	194.7
14: 10.3x ↘	19: 8.7 →		
15: 9.7 ←	20: 10.1 ↗		

21: 10.2x →	Serie	40.2
22: 10.5x ←		
23: 8.7 →	Total	234.9
24: 10.8x ↗		