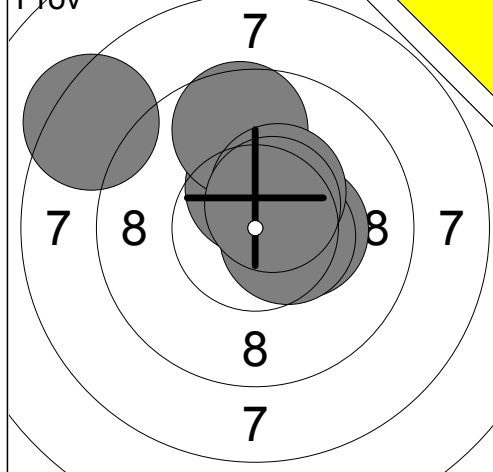


<p>Pröv</p>	<table border="1" style="width:100%; border-collapse: collapse;"> <tr><td>1:</td><td>9.6</td><td>↓</td></tr> <tr><td>2:</td><td>10.4x</td><td>←</td></tr> <tr><td>3:</td><td>9.1</td><td>↓</td></tr> <tr><td>4:</td><td>10.2x</td><td>←</td></tr> <tr><td>5:</td><td>10.7x</td><td>↓</td></tr> <tr><td>6:</td><td>10.0</td><td>↗</td></tr> <tr><td>7:</td><td>10.9x</td><td>←</td></tr> <tr><td>8:</td><td>10.6x</td><td>↓</td></tr> <tr><td>9:</td><td>10.6x</td><td>↗</td></tr> <tr><td>10:</td><td>10.3x</td><td>←</td></tr> <tr><td colspan="2">Serie</td><td>102.4</td></tr> <tr><td colspan="2">Total</td><td>0.0</td></tr> </table>	1:	9.6	↓	2:	10.4x	←	3:	9.1	↓	4:	10.2x	←	5:	10.7x	↓	6:	10.0	↗	7:	10.9x	←	8:	10.6x	↓	9:	10.6x	↗	10:	10.3x	←	Serie		102.4	Total		0.0	<p>Pröv</p>	<table border="1" style="width:100%; border-collapse: collapse;"> <tr><td>11:</td><td>10.6x</td><td>←</td></tr> <tr><td>12:</td><td>10.5x</td><td>↑</td></tr> <tr><td colspan="2">Serie</td><td>21.1</td></tr> <tr><td colspan="2">Total</td><td>0.0</td></tr> </table>	11:	10.6x	←	12:	10.5x	↑	Serie		21.1	Total		0.0
1:	9.6	↓																																																	
2:	10.4x	←																																																	
3:	9.1	↓																																																	
4:	10.2x	←																																																	
5:	10.7x	↓																																																	
6:	10.0	↗																																																	
7:	10.9x	←																																																	
8:	10.6x	↓																																																	
9:	10.6x	↗																																																	
10:	10.3x	←																																																	
Serie		102.4																																																	
Total		0.0																																																	
11:	10.6x	←																																																	
12:	10.5x	↑																																																	
Serie		21.1																																																	
Total		0.0																																																	

<p>60 Skott</p>	<table border="1" style="width:100%; border-collapse: collapse;"> <tr><td>1:</td><td>10.2x</td><td>↓</td></tr> <tr><td>2:</td><td>9.4</td><td>→</td></tr> <tr><td>3:</td><td>10.4x</td><td>↑</td></tr> <tr><td>4:</td><td>10.5x</td><td>↗</td></tr> <tr><td>5:</td><td>9.6</td><td>→</td></tr> <tr><td>6:</td><td>10.5x</td><td>←</td></tr> <tr><td>7:</td><td>10.1</td><td>←</td></tr> <tr><td>8:</td><td>10.7x</td><td>↓</td></tr> <tr><td>9:</td><td>10.2x</td><td>↗</td></tr> <tr><td>10:</td><td>10.0</td><td>←</td></tr> <tr><td colspan="2">Serie</td><td>101.6</td></tr> <tr><td colspan="2">Total</td><td>101.6</td></tr> </table>	1:	10.2x	↓	2:	9.4	→	3:	10.4x	↑	4:	10.5x	↗	5:	9.6	→	6:	10.5x	←	7:	10.1	←	8:	10.7x	↓	9:	10.2x	↗	10:	10.0	←	Serie		101.6	Total		101.6	<p>60 Skott</p>	<table border="1" style="width:100%; border-collapse: collapse;"> <tr><td>11:</td><td>9.7</td><td>↑</td></tr> <tr><td>12:</td><td>10.5x</td><td>↗</td></tr> <tr><td>13:</td><td>10.7x</td><td>↓</td></tr> <tr><td>14:</td><td>10.1</td><td>↑</td></tr> <tr><td>15:</td><td>10.7x</td><td>↗</td></tr> <tr><td>16:</td><td>10.1</td><td>→</td></tr> <tr><td>17:</td><td>10.7x</td><td>→</td></tr> <tr><td>18:</td><td>9.6</td><td>←</td></tr> <tr><td>19:</td><td>10.0</td><td>↓</td></tr> <tr><td>20:</td><td>10.6x</td><td>↓</td></tr> <tr><td colspan="2">Serie</td><td>102.7</td></tr> <tr><td colspan="2">Total</td><td>204.3</td></tr> </table>	11:	9.7	↑	12:	10.5x	↗	13:	10.7x	↓	14:	10.1	↑	15:	10.7x	↗	16:	10.1	→	17:	10.7x	→	18:	9.6	←	19:	10.0	↓	20:	10.6x	↓	Serie		102.7	Total		204.3
1:	10.2x	↓																																																																									
2:	9.4	→																																																																									
3:	10.4x	↑																																																																									
4:	10.5x	↗																																																																									
5:	9.6	→																																																																									
6:	10.5x	←																																																																									
7:	10.1	←																																																																									
8:	10.7x	↓																																																																									
9:	10.2x	↗																																																																									
10:	10.0	←																																																																									
Serie		101.6																																																																									
Total		101.6																																																																									
11:	9.7	↑																																																																									
12:	10.5x	↗																																																																									
13:	10.7x	↓																																																																									
14:	10.1	↑																																																																									
15:	10.7x	↗																																																																									
16:	10.1	→																																																																									
17:	10.7x	→																																																																									
18:	9.6	←																																																																									
19:	10.0	↓																																																																									
20:	10.6x	↓																																																																									
Serie		102.7																																																																									
Total		204.3																																																																									

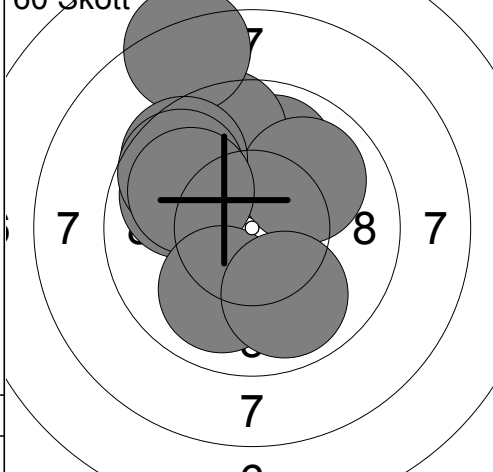
<p>60 Skott</p>	<table border="1" style="width:100%; border-collapse: collapse;"> <tr><td>21:</td><td>10.6x</td><td>↑</td></tr> <tr><td>22:</td><td>9.7</td><td>→</td></tr> <tr><td>23:</td><td>10.3x</td><td>←</td></tr> <tr><td>24:</td><td>10.4x</td><td>↑</td></tr> <tr><td>25:</td><td>9.9</td><td>←</td></tr> <tr><td>26:</td><td>10.7x</td><td>↑</td></tr> <tr><td>27:</td><td>10.7x</td><td>↗</td></tr> <tr><td>28:</td><td>10.4x</td><td>↓</td></tr> <tr><td>29:</td><td>10.6x</td><td>↗</td></tr> <tr><td>30:</td><td>10.8x</td><td>↓</td></tr> <tr><td colspan="2">Serie</td><td>104.1</td></tr> <tr><td colspan="2">Total</td><td>308.4</td></tr> </table>	21:	10.6x	↑	22:	9.7	→	23:	10.3x	←	24:	10.4x	↑	25:	9.9	←	26:	10.7x	↑	27:	10.7x	↗	28:	10.4x	↓	29:	10.6x	↗	30:	10.8x	↓	Serie		104.1	Total		308.4	<p>60 Skott</p>	<table border="1" style="width:100%; border-collapse: collapse;"> <tr><td>31:</td><td>10.7x</td><td>←</td></tr> <tr><td>32:</td><td>10.0</td><td>→</td></tr> <tr><td>33:</td><td>10.0</td><td>↑</td></tr> <tr><td>34:</td><td>10.7x</td><td>↓</td></tr> <tr><td>35:</td><td>10.8x</td><td>↑</td></tr> <tr><td>36:</td><td>10.4x</td><td>↗</td></tr> <tr><td>37:</td><td>9.5</td><td>←</td></tr> <tr><td>38:</td><td>10.1</td><td>↗</td></tr> <tr><td>39:</td><td>10.6x</td><td>↓</td></tr> <tr><td>40:</td><td>9.7</td><td>↓</td></tr> <tr><td colspan="2">Serie</td><td>102.5</td></tr> <tr><td colspan="2">Total</td><td>410.9</td></tr> </table>	31:	10.7x	←	32:	10.0	→	33:	10.0	↑	34:	10.7x	↓	35:	10.8x	↑	36:	10.4x	↗	37:	9.5	←	38:	10.1	↗	39:	10.6x	↓	40:	9.7	↓	Serie		102.5	Total		410.9
21:	10.6x	↑																																																																									
22:	9.7	→																																																																									
23:	10.3x	←																																																																									
24:	10.4x	↑																																																																									
25:	9.9	←																																																																									
26:	10.7x	↑																																																																									
27:	10.7x	↗																																																																									
28:	10.4x	↓																																																																									
29:	10.6x	↗																																																																									
30:	10.8x	↓																																																																									
Serie		104.1																																																																									
Total		308.4																																																																									
31:	10.7x	←																																																																									
32:	10.0	→																																																																									
33:	10.0	↑																																																																									
34:	10.7x	↓																																																																									
35:	10.8x	↑																																																																									
36:	10.4x	↗																																																																									
37:	9.5	←																																																																									
38:	10.1	↗																																																																									
39:	10.6x	↓																																																																									
40:	9.7	↓																																																																									
Serie		102.5																																																																									
Total		410.9																																																																									

<p>60 Skott</p>	<table border="1" style="width:100%; border-collapse: collapse;"> <tr><td>41:</td><td>10.4x</td><td>←</td></tr> <tr><td>42:</td><td>9.6</td><td>→</td></tr> <tr><td>43:</td><td>9.9</td><td>↗</td></tr> <tr><td>44:</td><td>9.6</td><td>↗</td></tr> <tr><td>45:</td><td>10.4x</td><td>↗</td></tr> <tr><td>46:</td><td>9.9</td><td>↗</td></tr> <tr><td>47:</td><td>10.6x</td><td>↓</td></tr> <tr><td>48:</td><td>10.3x</td><td>↓</td></tr> <tr><td>49:</td><td>9.8</td><td>←</td></tr> <tr><td>50:</td><td>10.0</td><td>←</td></tr> <tr><td colspan="2">Serie</td><td>100.5</td></tr> <tr><td colspan="2">Total</td><td>511.4</td></tr> </table>	41:	10.4x	←	42:	9.6	→	43:	9.9	↗	44:	9.6	↗	45:	10.4x	↗	46:	9.9	↗	47:	10.6x	↓	48:	10.3x	↓	49:	9.8	←	50:	10.0	←	Serie		100.5	Total		511.4	<p>60 Skott</p>	<table border="1" style="width:100%; border-collapse: collapse;"> <tr><td>51:</td><td>9.3</td><td>←</td></tr> <tr><td>52:</td><td>10.1</td><td>←</td></tr> <tr><td>53:</td><td>9.4</td><td>→</td></tr> <tr><td>54:</td><td>9.6</td><td>↗</td></tr> <tr><td>55:</td><td>9.4</td><td>↓</td></tr> <tr><td>56:</td><td>9.9</td><td>↓</td></tr> <tr><td>57:</td><td>10.8x</td><td>↑</td></tr> <tr><td>58:</td><td>10.4x</td><td>↓</td></tr> <tr><td>59:</td><td>9.6</td><td>↗</td></tr> <tr><td>60:</td><td>9.5</td><td>↑</td></tr> <tr><td colspan="2">Serie</td><td>98.0</td></tr> <tr><td colspan="2">Total</td><td>609.4</td></tr> </table>	51:	9.3	←	52:	10.1	←	53:	9.4	→	54:	9.6	↗	55:	9.4	↓	56:	9.9	↓	57:	10.8x	↑	58:	10.4x	↓	59:	9.6	↗	60:	9.5	↑	Serie		98.0	Total		609.4
41:	10.4x	←																																																																									
42:	9.6	→																																																																									
43:	9.9	↗																																																																									
44:	9.6	↗																																																																									
45:	10.4x	↗																																																																									
46:	9.9	↗																																																																									
47:	10.6x	↓																																																																									
48:	10.3x	↓																																																																									
49:	9.8	←																																																																									
50:	10.0	←																																																																									
Serie		100.5																																																																									
Total		511.4																																																																									
51:	9.3	←																																																																									
52:	10.1	←																																																																									
53:	9.4	→																																																																									
54:	9.6	↗																																																																									
55:	9.4	↓																																																																									
56:	9.9	↓																																																																									
57:	10.8x	↑																																																																									
58:	10.4x	↓																																																																									
59:	9.6	↗																																																																									
60:	9.5	↑																																																																									
Serie		98.0																																																																									
Total		609.4																																																																									



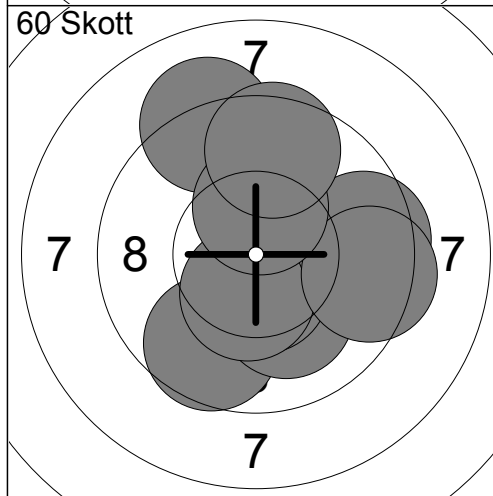
1:	8.4	↖
2:	10.4x	↑
3:	10.3x	→
4:	10.5x	→
5:	9.6	↑
6:	10.4x	↗
7:	10.6x	↗

Serie	70.2
Total	0.0



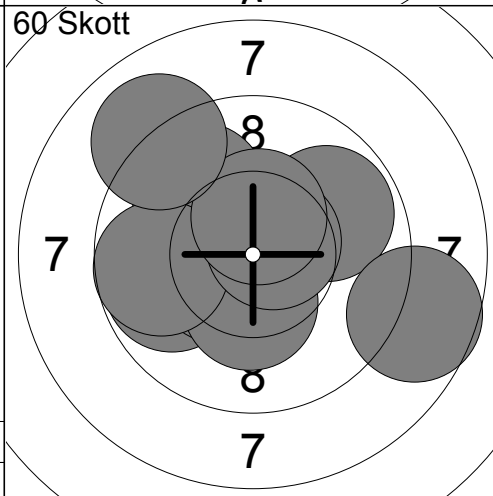
1:	9.8	↖
2:	9.9	↑
3:	9.5	↑
4:	10.0	↗
5:	8.3	↑
6:	9.6	↗
7:	9.7	↗
8:	9.9	↗
9:	10.0	↓
10:	9.9	↓

Serie	96.6
Total	96.6



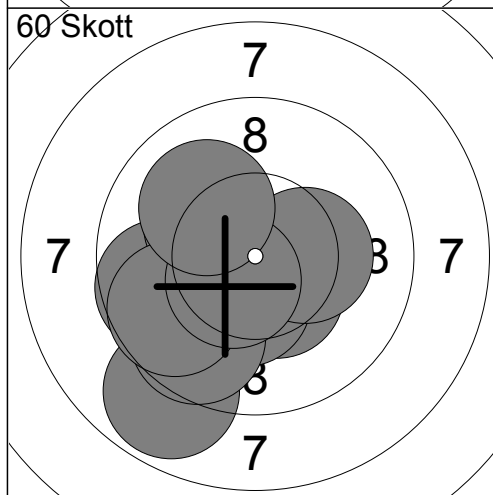
11:	9.6	↓
12:	10.1	↓
13:	10.5x	↓
14:	10.3x	→
15:	10.4x	↓
16:	9.5	→
17:	9.1	↗
18:	9.4	→
19:	10.3x	↑
20:	9.5	↑

Serie	98.7
Total	195.3



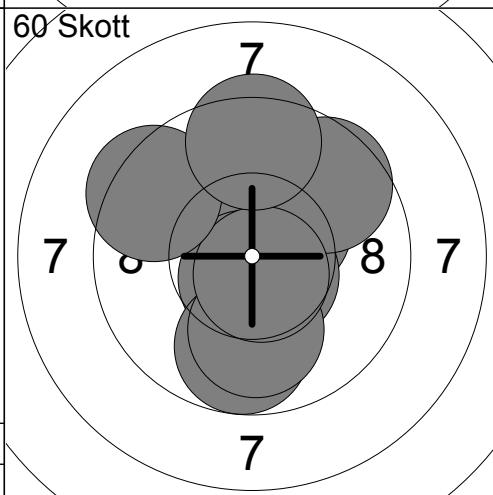
21:	9.8	←
22:	9.8	↗
23:	10.4x	←
24:	10.3x	↓
25:	9.8	↗
26:	8.7	→
27:	9.7	←
28:	10.6x	↗
29:	10.4x	↑
30:	9.0	↗

Serie	98.5
Total	293.8



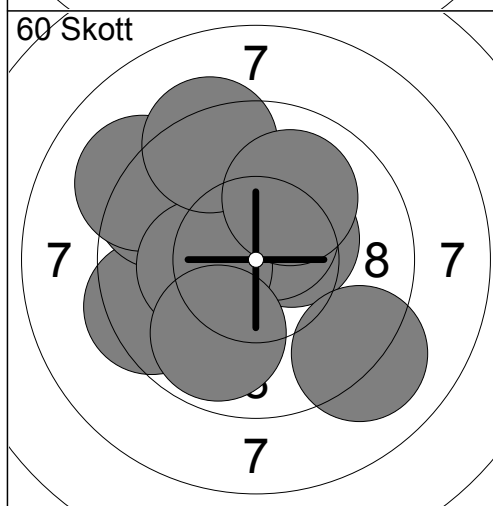
31:	8.8	↓
32:	10.4x	↓
33:	10.4x	↓
34:	9.6	↓
35:	9.7	←
36:	10.2x	↗
37:	10.3x	→
38:	9.7	←
39:	10.5x	↘
40:	10.0	↗

Serie	99.6
Total	393.4



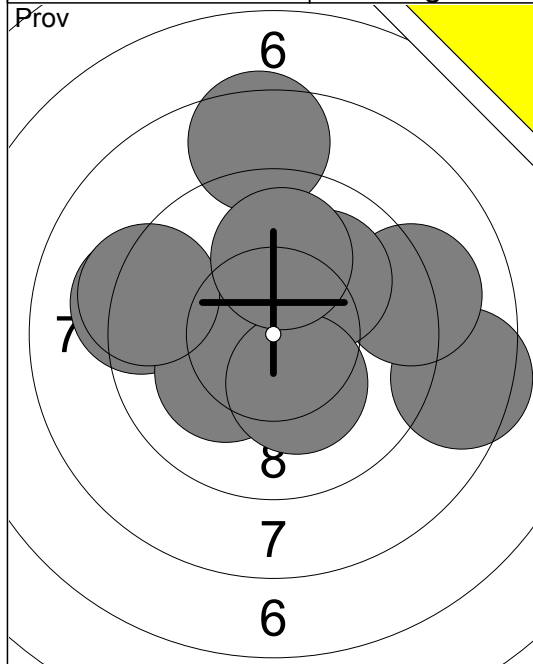
41:	10.4x	↗
42:	10.6x	↓
43:	9.8	↗
44:	10.6x	↘
45:	9.7	↓
46:	9.6	↗
47:	10.0	↓
48:	10.7x	↓
49:	9.4	↖
50:	9.4	↑

Serie	100.2
Total	493.6

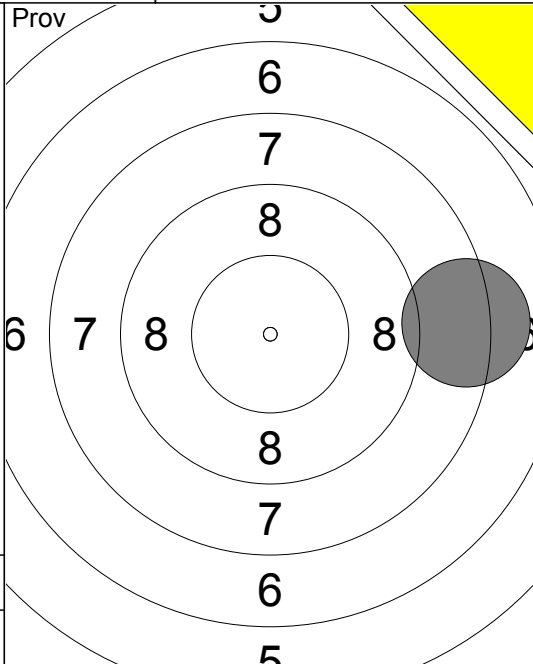


51:	10.4x	↗
52:	9.4	←
53:	9.1	↘
54:	9.5	↗
55:	9.1	↗
56:	10.5x	↗
57:	10.3x	←
58:	9.9	↓
59:	9.3	↗
60:	10.0	↗

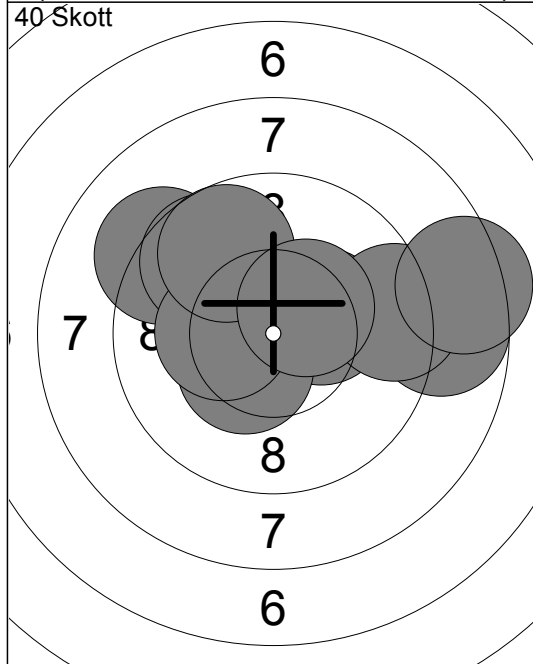
Serie	97.5
Total	591.1



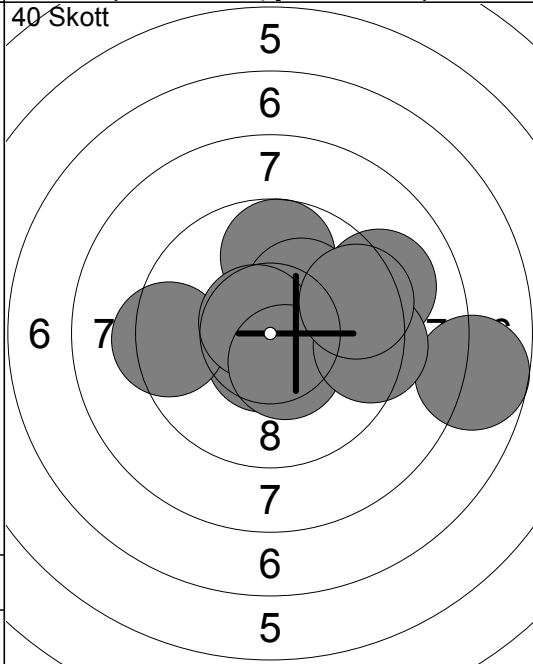
1:	8.5	→
2:	9.2	←
3:	10.8x	↗
4:	9.1	→
5:	10.2x	↘
6:	10.0	↗
7:	9.3	←
8:	8.5	↑
9:	10.3x	↘
10:	10.0	↑
Serie		95.9
Total		0.0



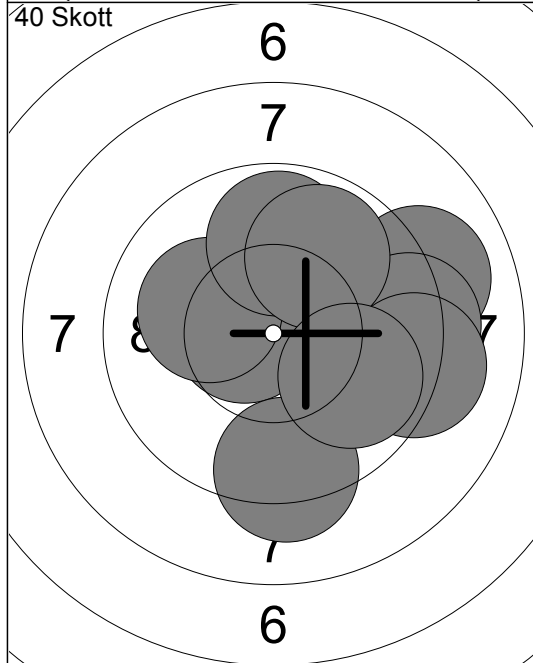
11:	8.2	→
Serie		8.2
Total		0.0



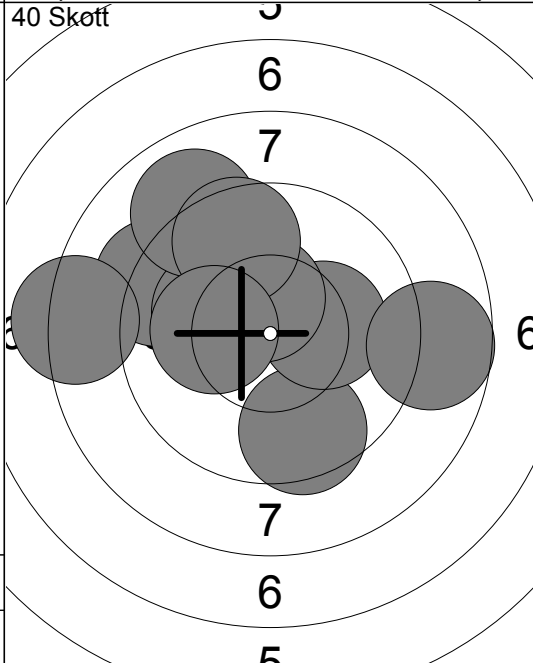
1:	10.3x	↗
2:	8.7	→
3:	9.3	→
4:	8.4	→
5:	10.4x	↘
6:	9.2	←
7:	9.7	↖
8:	10.3x	←
9:	9.7	↖
10:	10.4x	↗
Serie		96.4
Total		96.4



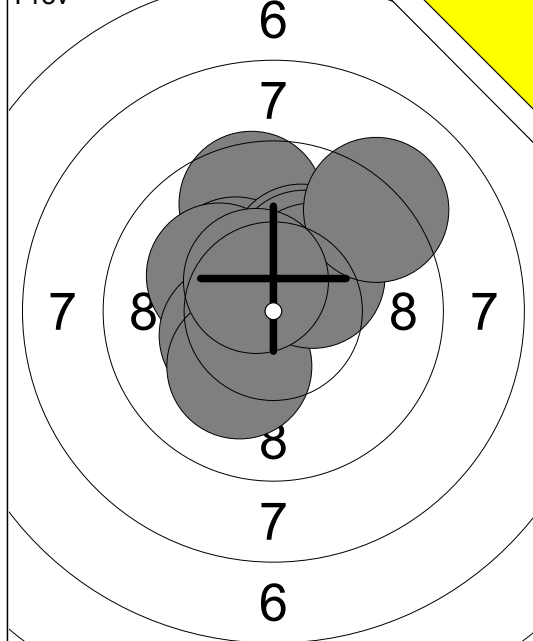
11:	9.7	↑
12:	10.2x	↗
13:	10.6x	↘
14:	9.4	←
15:	10.7x	↘
16:	7.7	→
17:	9.1	↗
18:	10.4x	↘
19:	9.4	→
20:	9.5	→
Serie		96.7
Total		193.1



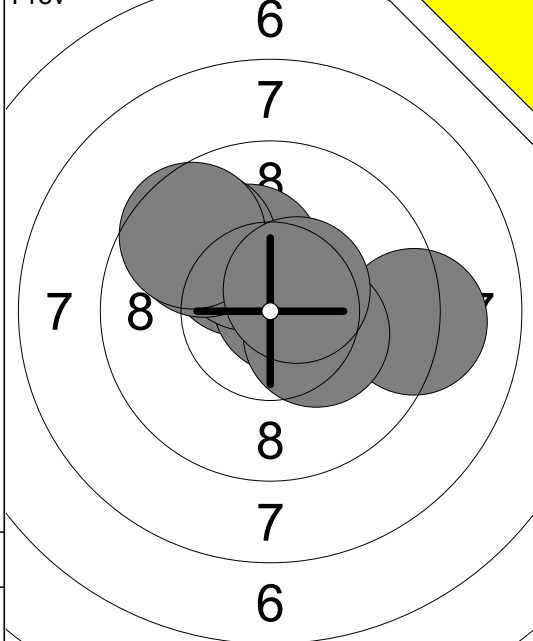
21:	10.8x	↗
22:	10.6x	←
23:	10.1	←
24:	9.0	→
25:	9.3	→
26:	9.2	→
27:	9.8	↑
28:	9.9	↗
29:	9.3	↓
30:	9.9	→
Serie		97.9
Total		291.0



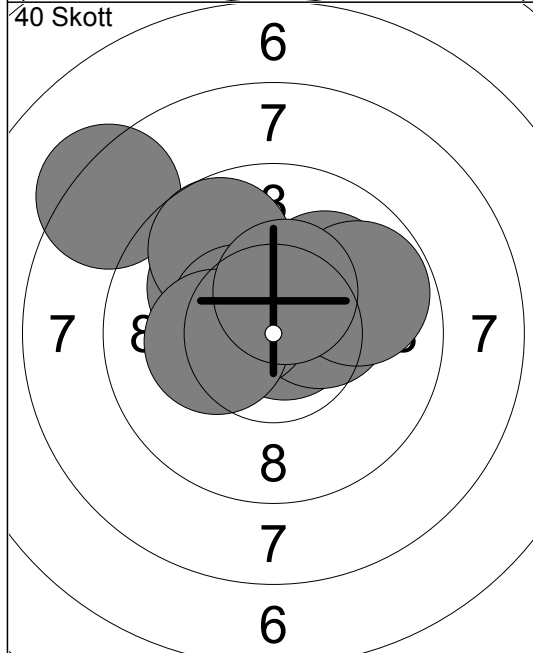
31:	9.5	↓
32:	10.2x	↗
33:	8.7	→
34:	9.2	←
35:	10.1	←
36:	9.0	↖
37:	8.2	←
38:	10.4x	↗
39:	9.6	↖
40:	10.2x	←
Serie		95.1
Total		386.1



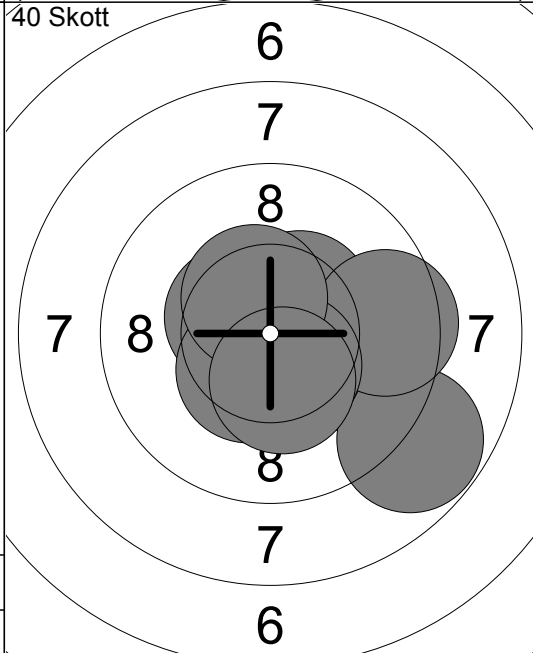
1:	9.6	↗
2:	10.3	↘
3:	10.1	↖
4:	10.2	↗
5:	10.4	↘
6:	10.2	↗
7:	10.2	↘
8:	10.3	↗
9:	9.2	↗
10:	10.5	↘
Serie		101.0
Total		0.0



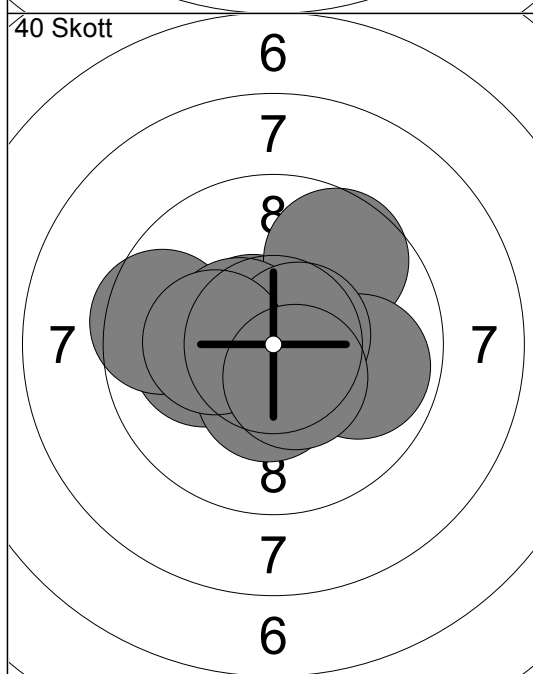
11:	10.3	↘
12:	10.7	↗
13:	9.2	→
14:	10.3	↘
15:	10.2	↗
16:	9.8	↖
17:	9.6	↖
18:	10.5	↗
Serie		80.6
Total		0.0



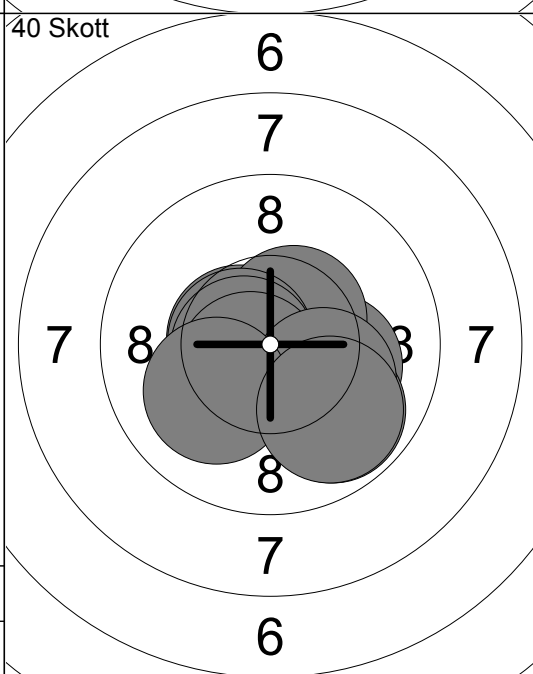
1:	10.8	↗
2:	10.3	→
3:	10.1	↗
4:	10.1	↖
5:	9.8	→
6:	8.3	↖
7:	9.7	↗
8:	10.5	↘
9:	10.2	↘
10:	10.4	↗
Serie		100.2
Total		100.2



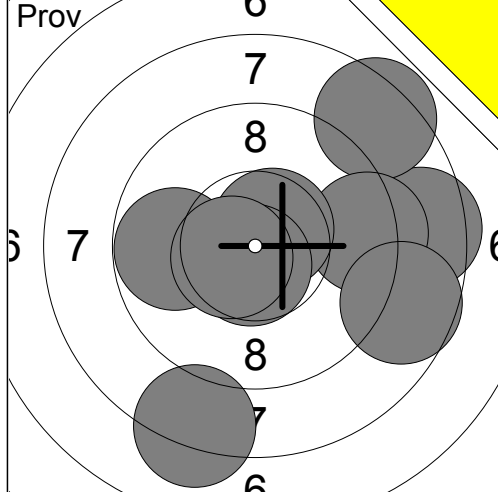
11:	10.4	↗
12:	10.2	↘
13:	8.8	↘
14:	10.5	↘
15:	10.4	↘
16:	10.5	↘
17:	9.5	→
18:	10.5	↘
19:	10.5	↗
20:	10.4	↘
Serie		101.7
Total		201.9



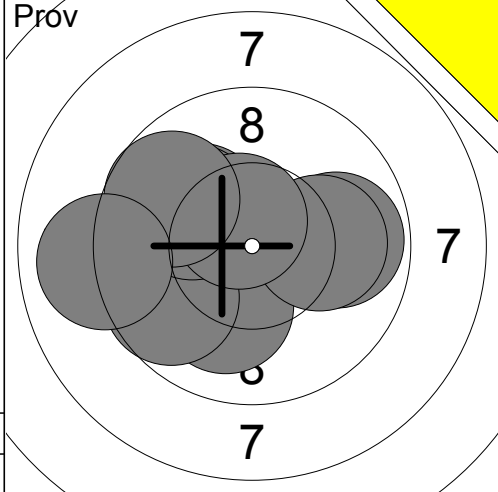
21:	10.1	←
22:	10.6	↘
23:	9.5	←
24:	9.7	↗
25:	9.9	→
26:	10.4	↘
27:	10.5	↘
28:	10.6	↗
29:	10.2	↘
30:	10.5	↘
Serie		102.0
Total		303.9



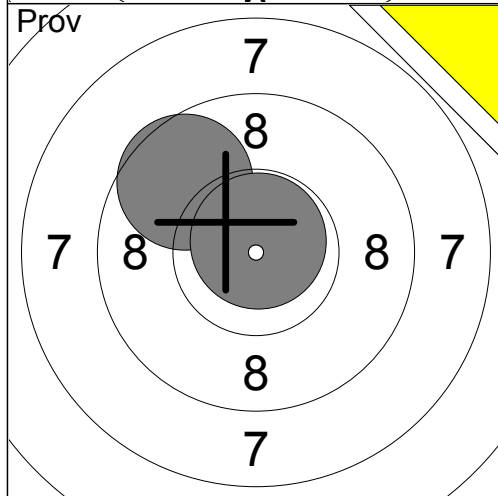
31:	10.2	↘
32:	10.6	↘
33:	10.5	↗
34:	10.6	↘
35:	10.6	↘
36:	9.8	↘
37:	10.6	↘
38:	10.2	↘
39:	10.1	↖
40:	9.9	↘
Serie		103.1
Total		407.0



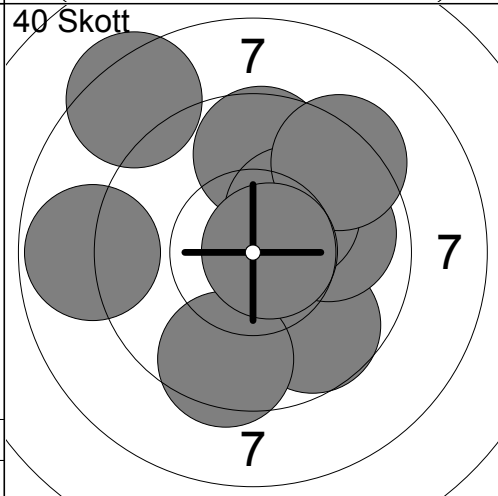
2:	8.5	→
3:	8.2	↓
4:	8.4	↗
5:	9.3	→
6:	8.6	↘
7:	10.6x	↗
8:	9.8	←
9:	10.7x	↓
10:	10.6x	↙
Serie		84.7
Total		0.0



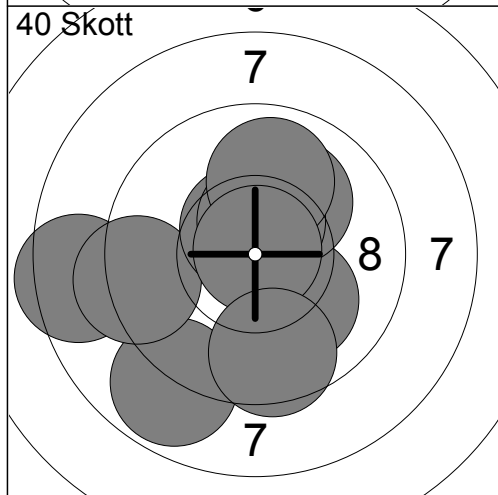
11:	10.1	↓
12:	10.1	↖
13:	9.8	→
14:	9.6	←
15:	9.7	↙
16:	10.0	↖
17:	10.1	→
18:	10.6x	↗
19:	9.7	↖
20:	9.0	←
Serie		98.7
Total		0.0



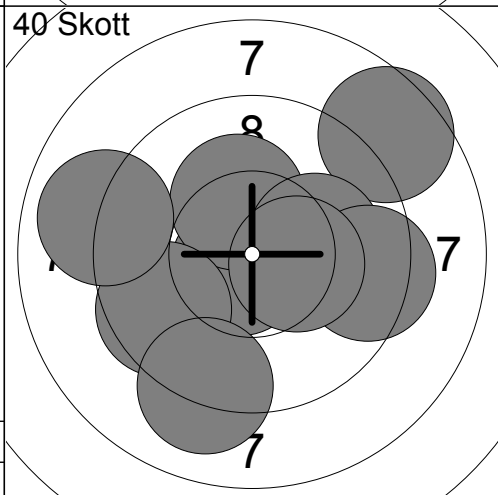
21:	9.6	↖
22:	10.8x	↑
Serie		20.4
Total		0.0



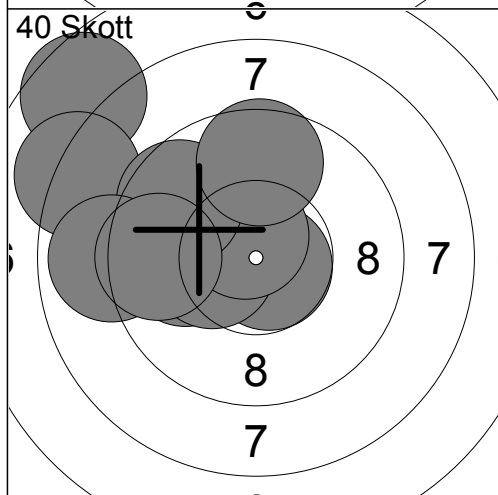
1:	10.1	↓
2:	9.7	↓
3:	9.6	↑
4:	8.8	←
5:	9.5	↓
6:	9.9	→
7:	10.2x	↗
8:	9.3	↗
9:	8.4	↖
10:	10.7x	→
Serie		96.2
Total		96.2



11:	8.8	↓
12:	8.5	←
13:	10.1	↓
14:	10.1	↗
15:	9.3	←
16:	10.6x	↖
17:	10.5x	↑
18:	9.9	↑
19:	10.9x	↗
20:	9.6	↓
Serie		98.3
Total		194.5



21:	10.7x	→
22:	10.7x	↙
23:	10.2x	↑
24:	9.6	↙
25:	9.0	←
26:	8.6	↗
27:	9.1	↓
28:	10.1	→
29:	9.4	→
30:	10.3x	→
Serie		97.7
Total		292.2



31:	9.9	←
32:	10.7x	↓
33:	10.3x	←
34:	10.6x	↗
35:	7.6	↗
36:	8.2	↖
37:	9.6	↖
38:	8.9	←
39:	9.6	↑
40:	9.6	←
Serie		95.0
Total		387.2