

Skjutlag

1

Tavla

1

Nils Ström

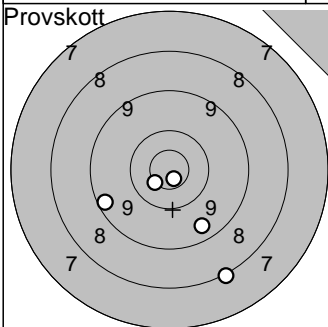
Övertorneå

2010-07-22

Tavelträffen B 2010 Final

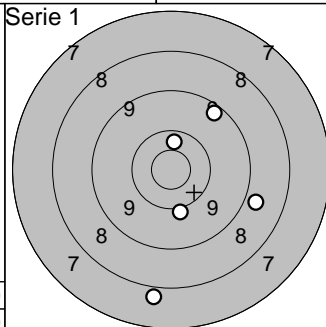
Ramselefors SKF

Provskott



1: 9,5  
2: 10,7\*  
3: 10,9\*  
4: 8,1  
5: 9,3

Serie 1

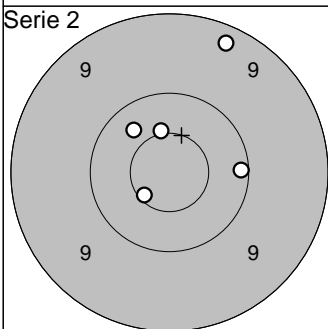


1: 9,4  
2: 10,4  
3: 8,9  
4: 10,0  
5: 7,9

Serie 46,0  
Totalt 274,0

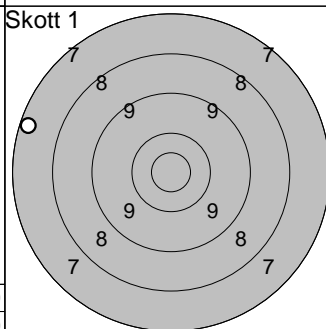
Serie 44,0  
Totalt 318,0

Serie 2



1: 9,3  
2: 10,5\*  
3: 10,4  
4: 10,1  
5: 10,6\*

Skott 1

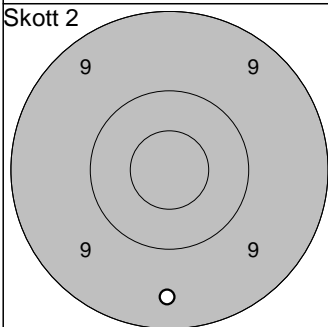


1: 7,4

Serie 49,0  
Totalt 367,0

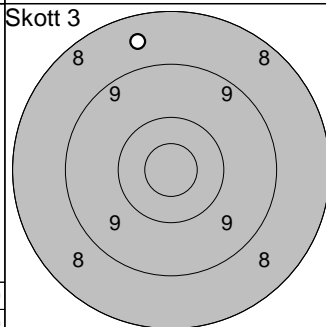
Serie 7,0  
Totalt 374,0

Skott 2



1: 9,4

Skott 3

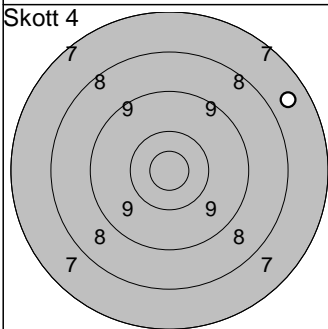


1: 8,6

Serie 9,0  
Totalt 383,0

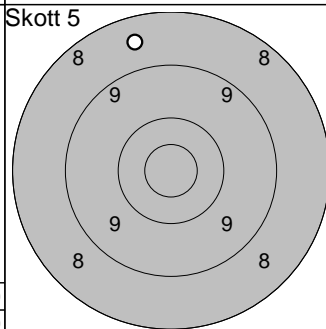
Serie 8,0  
Totalt 391,0

Skott 4



1: 7,7

Skott 5

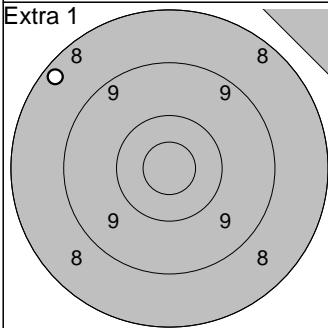


1: 8,6

Serie 7,0  
Totalt 398,0

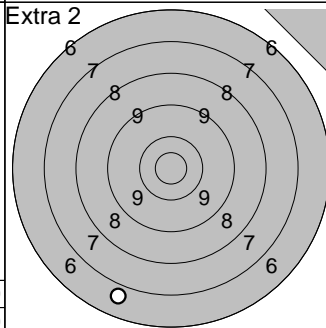
Serie 8,0  
Totalt 406,0

Extra 1



1: 8,3

Extra 2

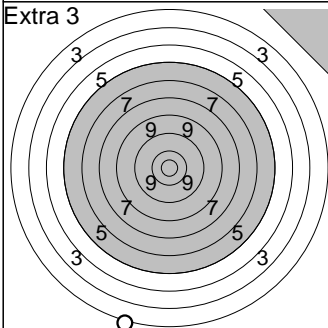


1: 6,8

Serie 8,0  
Totalt 406,0

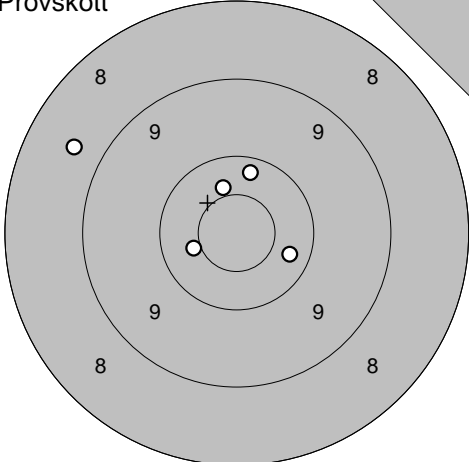
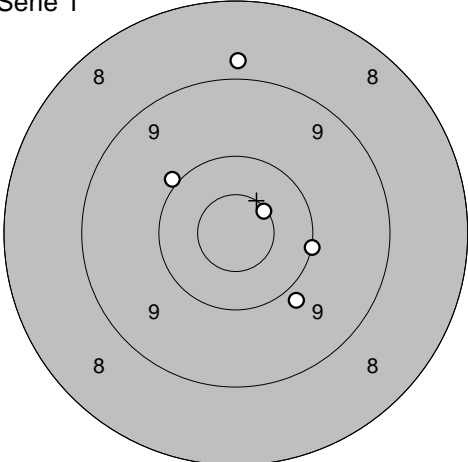
Serie 6,0  
Totalt 406,0

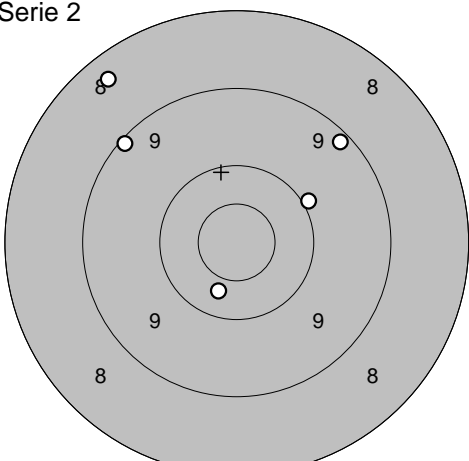
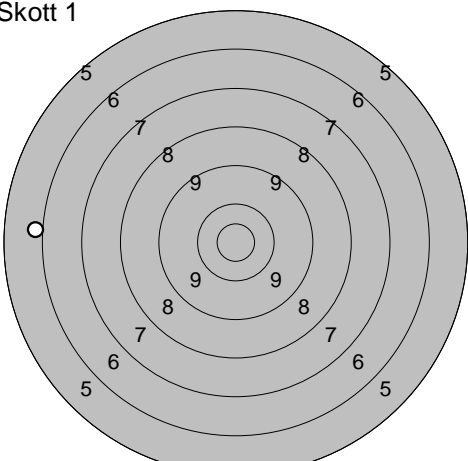
Extra 3

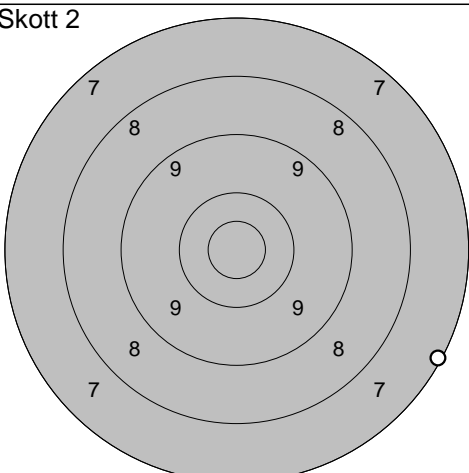
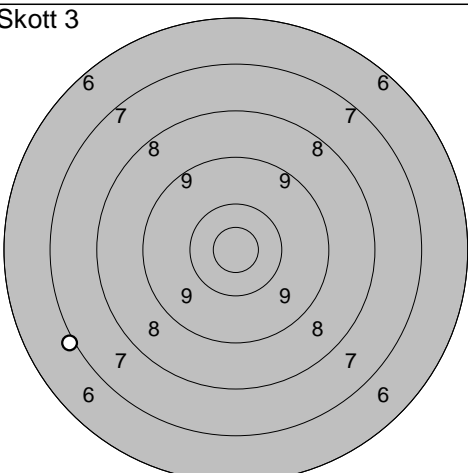


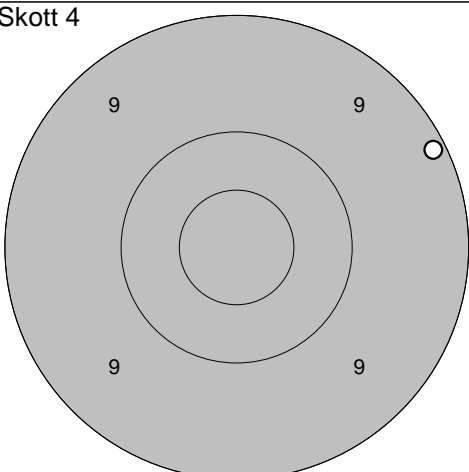
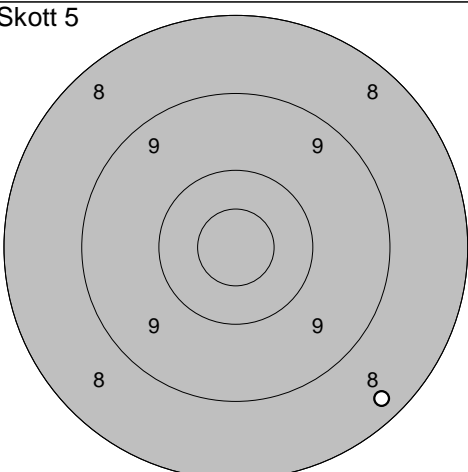
1: 2,2

Serie 2,0  
Totalt 406,0

<b>Provs-kott</b> 	1: 10,4 ↑ 2: 10,2 ↑ 3: 10,3 → 4: 8,7 ↖ 5: 10,5* ←	<b>Serie 1</b> 	1: 8,8 ↑ 2: 10,6* ↗ 3: 10,0 → 4: 9,9 ↘ 5: 10,0 ↗
Serie 48,0		Serie 47,0	
Totalt 273,0		Totalt 320,0	

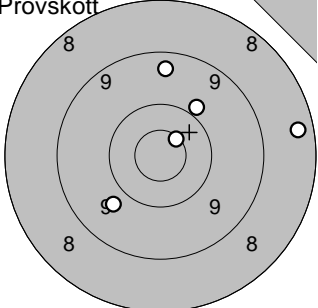
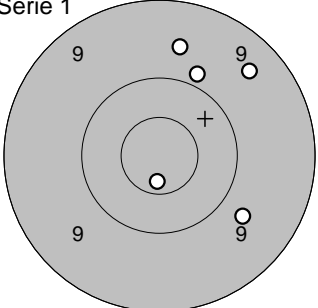
<b>Serie 2</b> 	1: 10,0 ↗ 2: 9,1 ↖ 3: 8,4 ↗ 4: 9,2 ↗ 5: 10,4 ↓	<b>Skott 1</b> 	1: 6,0 ←
Serie 46,0		Serie 6,0	
Totalt 366,0		Totalt 372,0	

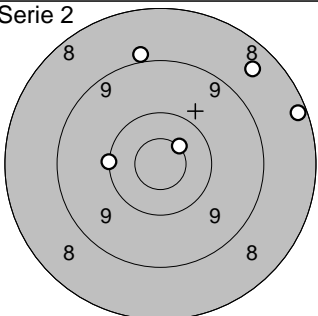
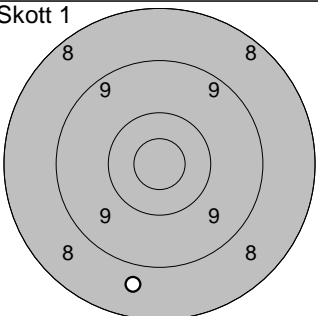
<b>Skott 2</b> 	1: 7,1 →	<b>Skott 3</b> 	1: 7,0 ↖
Serie 7,0		Serie 7,0	
Totalt 379,0		Totalt 386,0	

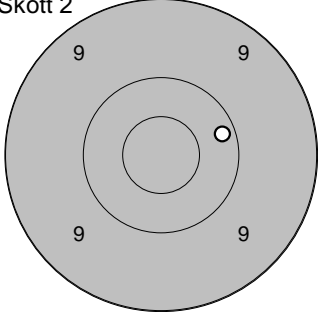
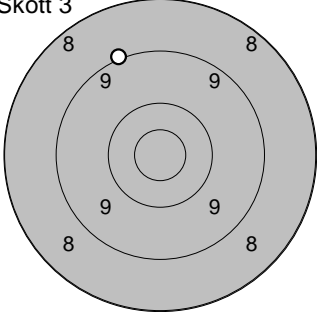
<b>Skott 4</b> 	1: 9,1 ↗	<b>Skott 5</b> 	1: 8,3 ↓
Serie 9,0		Serie 8,0	
Totalt 395,0		Totalt 403,0	

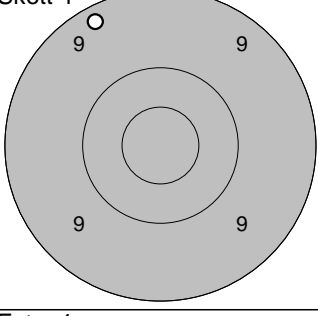
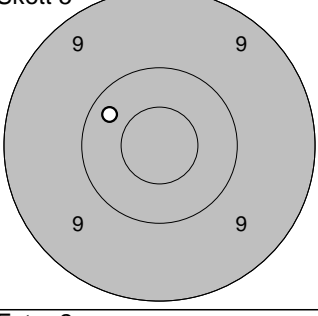
Djurö

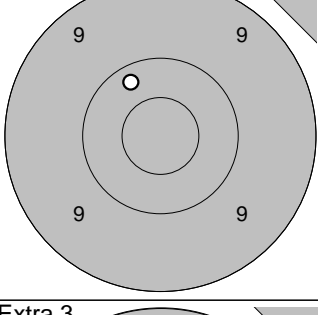
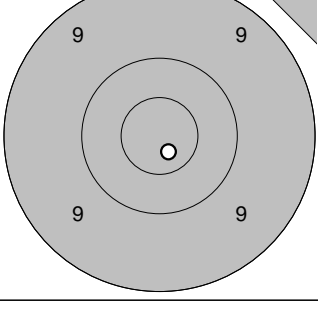
2010-07-22	Tavelträffen B 2010 Final	Ramselefors SKF
------------	---------------------------	-----------------

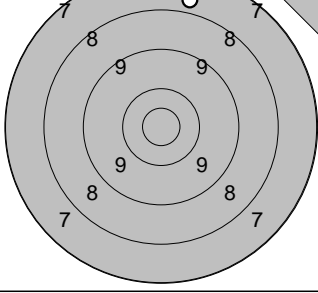
<b>Provskott</b> 	1: 9,9 ↑ 2: 9,4 ↑ 3: 9,8 ↙ 4: 8,4 → 5: 10,7* ↗	<b>Serie 1</b> 	1: 9,6 ↑ 2: 9,9 ↑ 3: 9,7 ↘ 4: 10,7* ↓ 5: 9,5 ↗
Serie 45,0 Totalt 269,0		Serie 46,0 Totalt 315,0	

<b>Serie 2</b> 	1: 8,5 ↗ 2: 9,0 ↑ 3: 10,1 ← 4: 8,3 → 5: 10,6* ↗	<b>Skott 1</b> 	1: 8,7 ↓
Serie 45,0 Totalt 360,0		Serie 8,0 Totalt 368,0	

<b>Skott 2</b> 	1: 10,2 →	<b>Skott 3</b> 	1: 9,1 ↖
Serie 10,0 Totalt 378,0		Serie 9,0 Totalt 387,0	

<b>Skott 4</b> 	1: 9,3 ↖	<b>Skott 5</b> 	1: 10,3 ↖
Serie 9,0 Totalt 396,0		Serie 10,0 Totalt 406,0	

<b>Extra 1</b> 	1: 10,3 ↖	<b>Extra 2</b> 	1: 10,8* ↘
Serie 10,0 Totalt 406,0		Serie 10,0 Totalt 406,0	

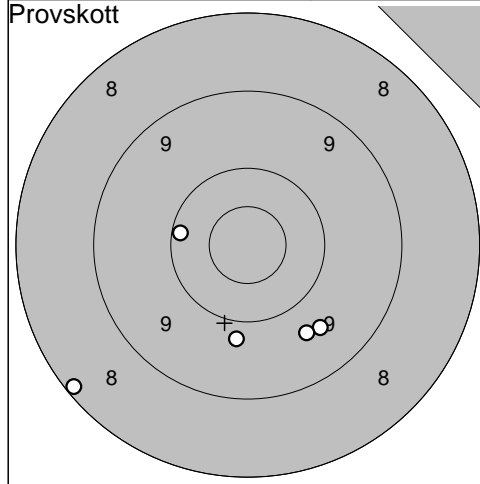
<b>Extra 3</b> 	1: 7,8 ↑		
Serie 7,0 Totalt 406,0			

<p>Provsrott</p>	<p>1: 10,6* ↑                  2: 9,3 ↗                  3: 8,9 ↖                  4: 8,6 ↗                  5: 6,5 ←</p>	<p>Serie 1</p>	<p>1: 9,5 ↗                  2: 9,7 ←                  3: 8,8 ↖                  4: 8,3 ←                  5: 9,2 ↓</p>
Serie 41,0		Serie 43,0	
Totalt 262,0		Totalt 305,0	

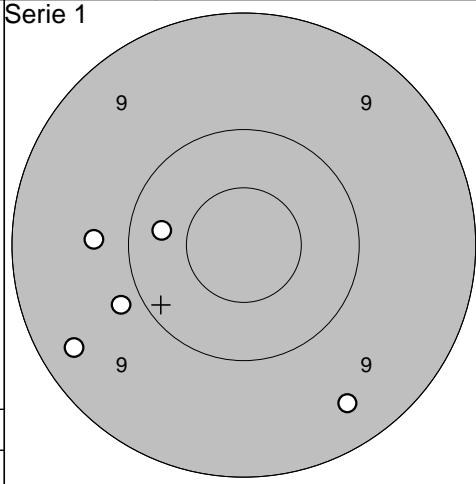
<p>Serie 2</p>	<p>1: 7,4 ←                  2: 8,9 ↗                  3: 7,2 ←                  4: 8,3 ←                  5: 10,7* ↘</p>	<p>Skott 1</p>	<p>1: 10,5* →</p>
Serie 40,0		Serie 10,0	
Totalt 345,0		Totalt 355,0	

<p>Skott 2</p>	<p>1: 4,8 ↖</p>	<p>Skott 3</p>	<p>1: 9,0 ←</p>
Serie 4,0		Serie 9,0	
Totalt 359,0		Totalt 368,0	

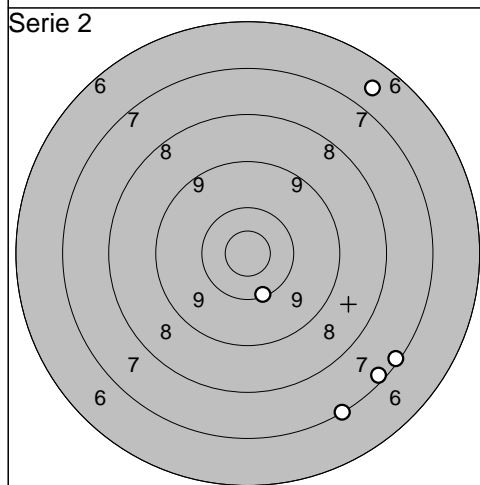
<p>Skott 4</p>	<p>1: 9,9 ←</p>	<p>Skott 5</p>	<p>1: 10,1 ←</p>
Serie 9,0		Serie 10,0	
Totalt 377,0		Totalt 387,0	



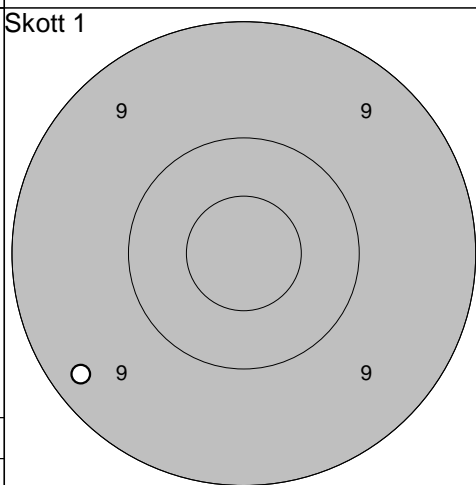
1: 8,1	↙
2: 9,6	↘
3: 9,8	↓
4: 10,2	←
5: 9,7	↘
<b>Serie</b>	<b>45,0</b>
<b>Totalt</b>	<b>261,0</b>



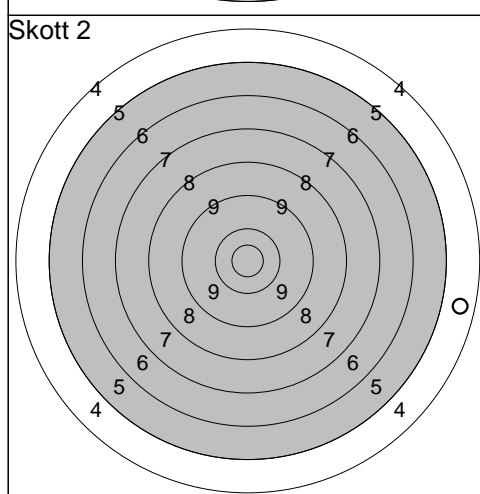
1: 9,9	↙
2: 9,7	←
3: 9,4	↘
4: 10,3	←
5: 9,3	↙
<b>Serie</b>	<b>46,0</b>
<b>Totalt</b>	<b>307,0</b>



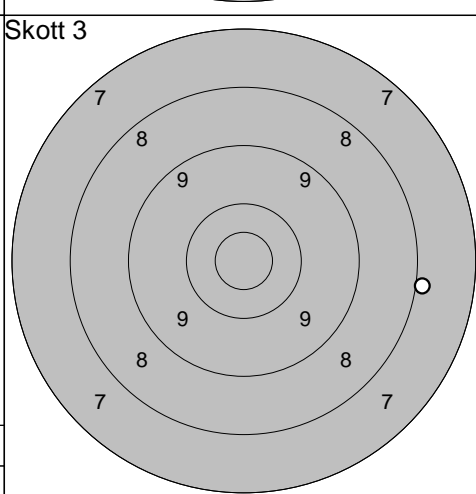
1: 7,1	↘
2: 6,6	↗
3: 7,2	↘
4: 10,2	↓
5: 7,3	↘
<b>Serie</b>	<b>37,0</b>
<b>Totalt</b>	<b>344,0</b>



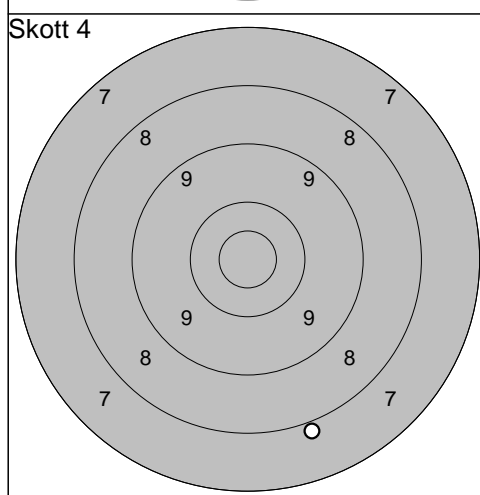
1: 9,3	↙
<b>Serie</b>	<b>9,0</b>
<b>Totalt</b>	<b>353,0</b>



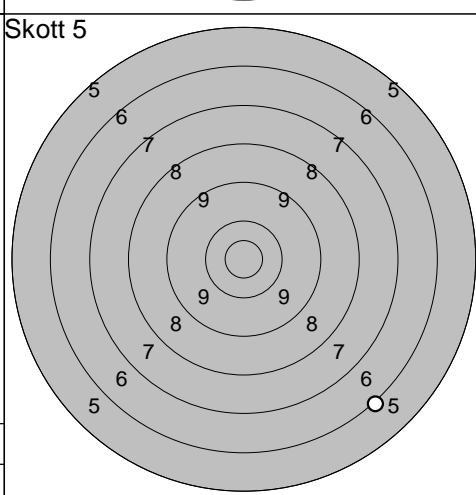
1: 4,6	→
<b>Serie</b>	<b>4,0</b>
<b>Totalt</b>	<b>357,0</b>



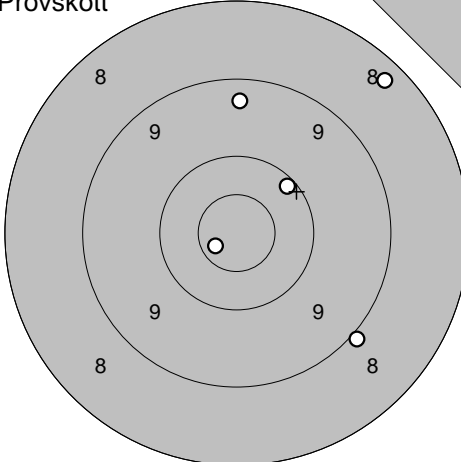
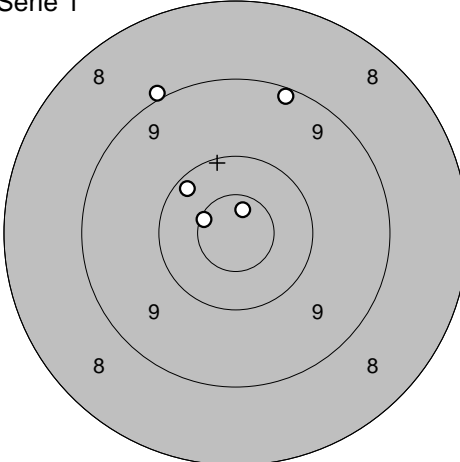
1: 8,0	→
<b>Serie</b>	<b>8,0</b>
<b>Totalt</b>	<b>365,0</b>

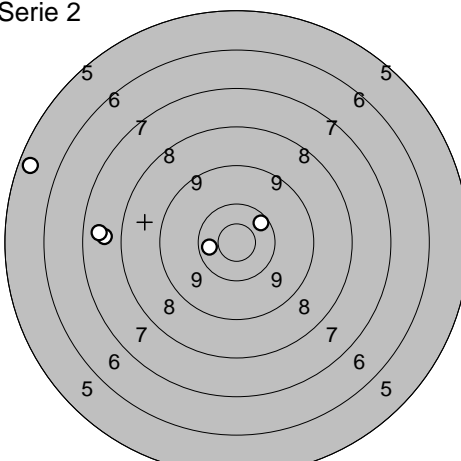
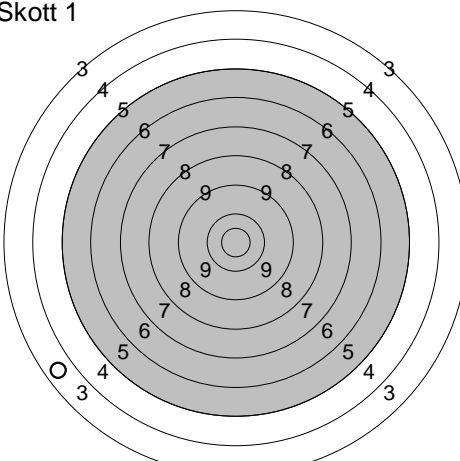


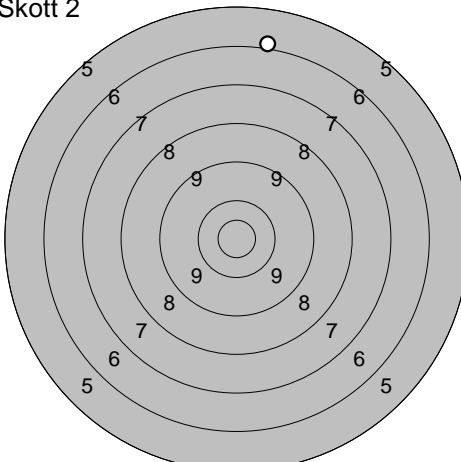
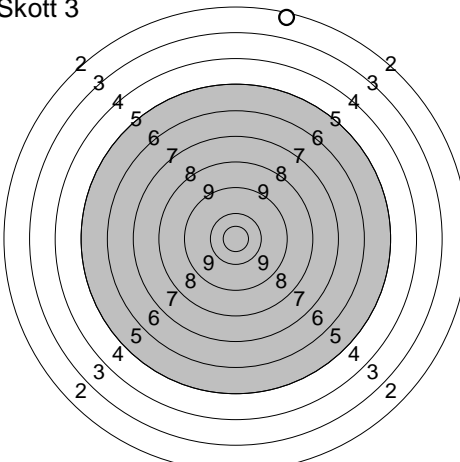
1: 7,9	↘
<b>Serie</b>	<b>7,0</b>
<b>Totalt</b>	<b>372,0</b>

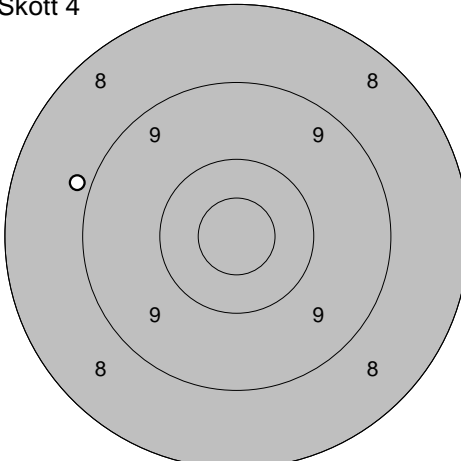
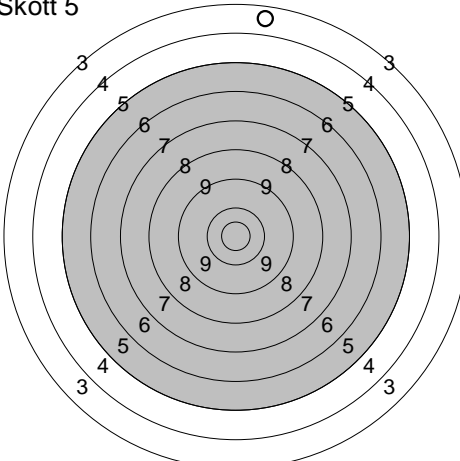


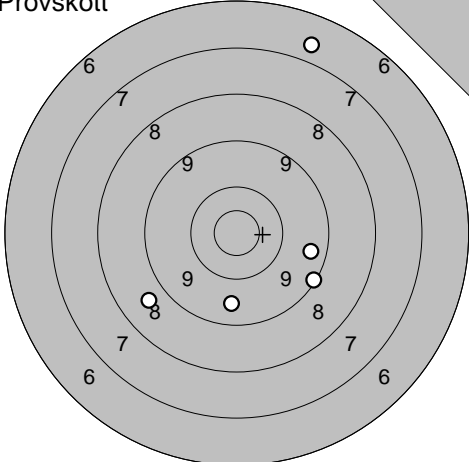
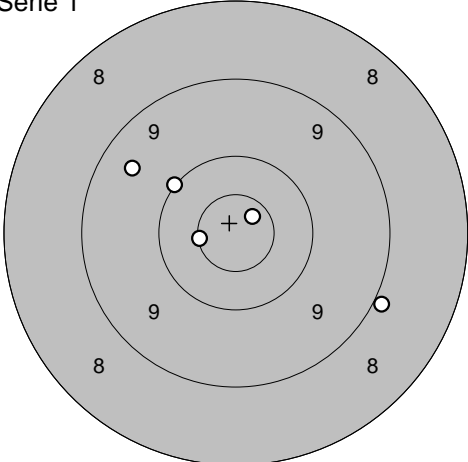
1: 6,1	↘
<b>Serie</b>	<b>6,0</b>
<b>Totalt</b>	<b>378,0</b>

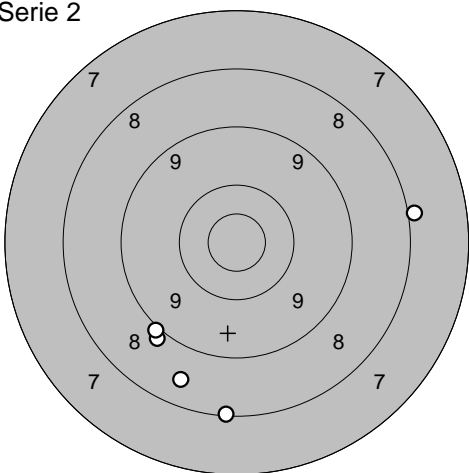
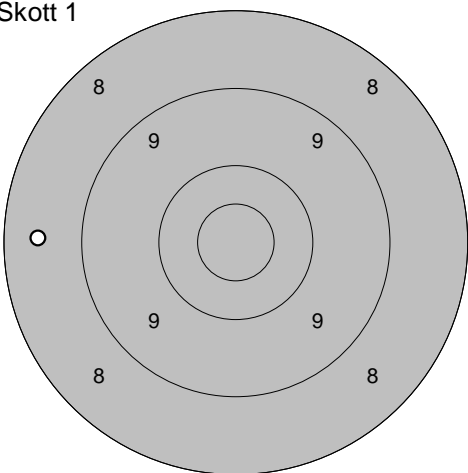
<p>Provskott</p> 	<p>1: 8,3 ↗ 2: 10,7* ↙ 3: 10,2 ↗ 4: 9,0 ↘ 5: 9,3 ↑</p>	<p>Serie 1</p> 	<p>1: 9,0 ↗ 2: 10,2 ↗ 3: 10,6* ↙ 4: 9,2 ↑ 5: 10,7* ↑</p>
Serie 46,0		Serie 48,0	
Totalt 261,0		Totalt 309,0	

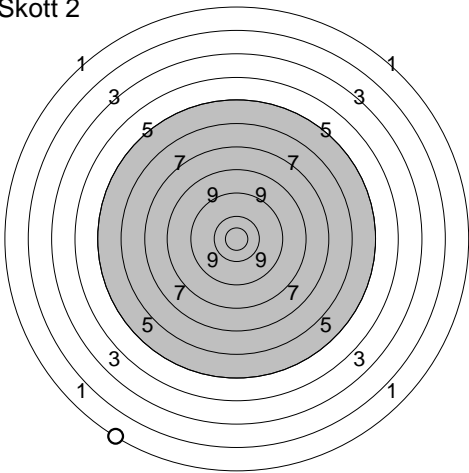
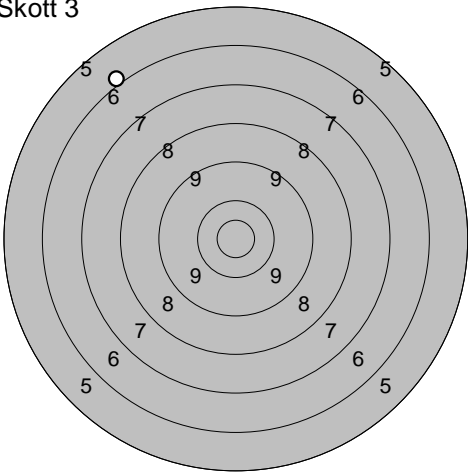
<p>Serie 2</p> 	<p>1: 7,7 ← 2: 10,3 ↗ 3: 5,5 ← 4: 10,4 ← 5: 7,6 ←</p>	<p>Skott 1</p> 	<p>1: 3,7 ↙</p>
Serie 39,0		Serie 3,0	
Totalt 348,0		Totalt 351,0	

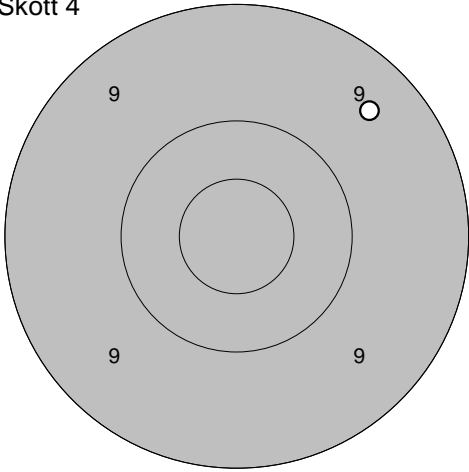
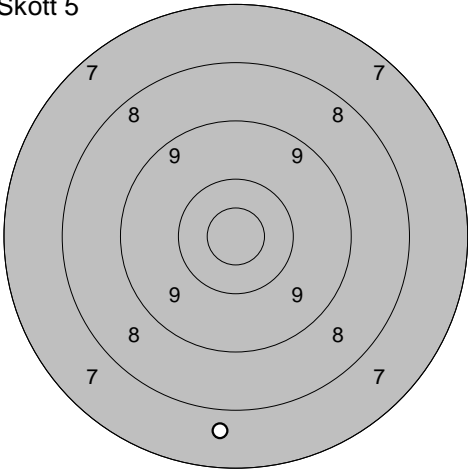
<p>Skott 2</p> 	<p>1: 6,1 ↑</p>	<p>Skott 3</p> 	<p>1: 2,5 ↑</p>
Serie 6,0		Serie 2,0	
Totalt 357,0		Totalt 359,0	

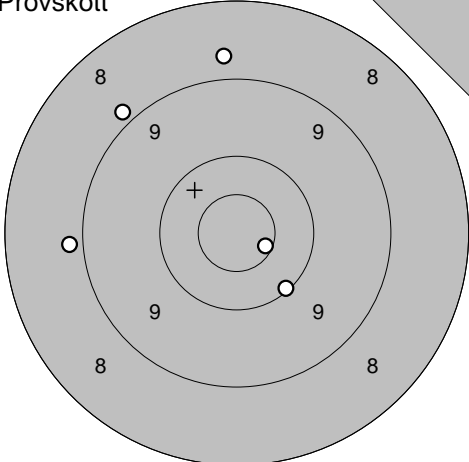
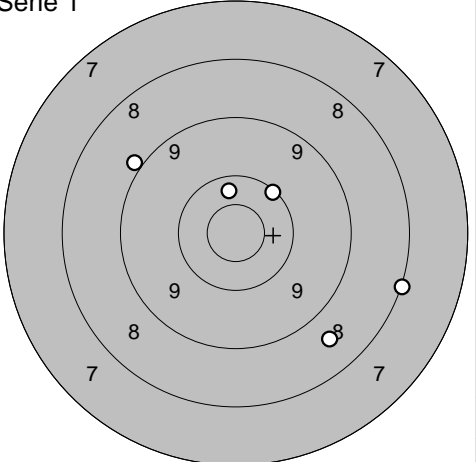
<p>Skott 4</p> 	<p>1: 8,9 ←</p>	<p>Skott 5</p> 	<p>1: 3,7 ↑</p>
Serie 8,0		Serie 3,0	
Totalt 367,0		Totalt 370,0	

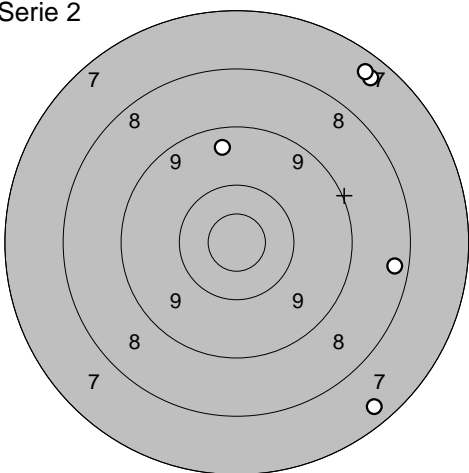
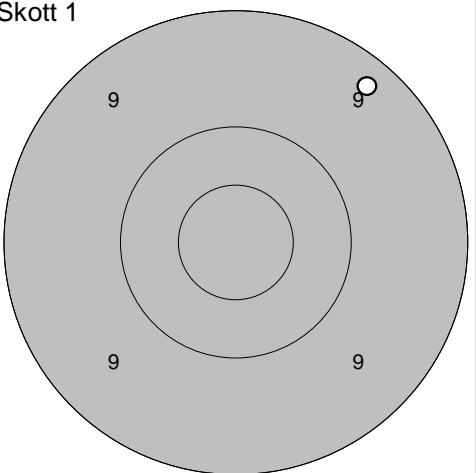
<p>Provsrott</p> 	<p>1: 9,5 → 2: 9,2 → 3: 9,6 ↓ 4: 6,8 ↑ 5: 8,7 ↙</p> <table border="1" style="width:100%; border-collapse: collapse;"> <tr><td>Serie</td><td style="text-align: right;">41,0</td></tr> <tr><td>Totalt</td><td style="text-align: right;">260,0</td></tr> </table>	Serie	41,0	Totalt	260,0	<p>Serie 1</p> 	<p>1: 10,7* ↗ 2: 9,5 ↖ 3: 10,6* ← 4: 8,9 → 5: 10,1 ↗</p> <table border="1" style="width:100%; border-collapse: collapse;"> <tr><td>Serie</td><td style="text-align: right;">47,0</td></tr> <tr><td>Totalt</td><td style="text-align: right;">307,0</td></tr> </table>	Serie	47,0	Totalt	307,0
Serie	41,0										
Totalt	260,0										
Serie	47,0										
Totalt	307,0										

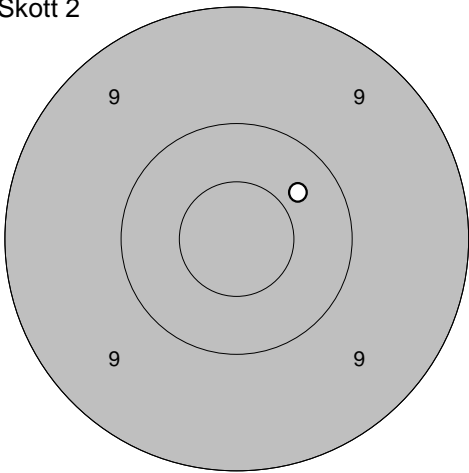
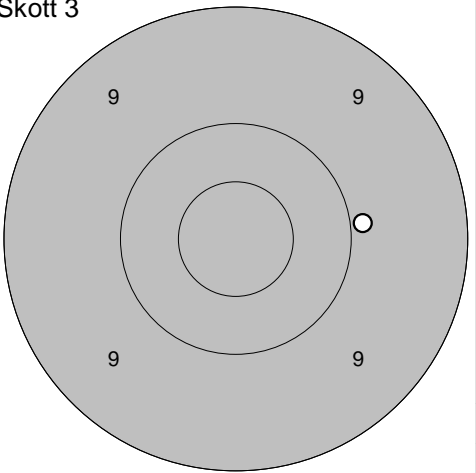
<p>Serie 2</p> 	<p>1: 8,5 ↓ 2: 8,9 ↙ 3: 8,1 ↓ 4: 8,0 → 5: 9,0 ↙</p> <table border="1" style="width:100%; border-collapse: collapse;"> <tr><td>Serie</td><td style="text-align: right;">41,0</td></tr> <tr><td>Totalt</td><td style="text-align: right;">348,0</td></tr> </table>	Serie	41,0	Totalt	348,0	<p>Skott 1</p> 	<p>1: 8,5 ←</p> <table border="1" style="width:100%; border-collapse: collapse;"> <tr><td>Serie</td><td style="text-align: right;">8,0</td></tr> <tr><td>Totalt</td><td style="text-align: right;">356,0</td></tr> </table>	Serie	8,0	Totalt	356,0
Serie	41,0										
Totalt	348,0										
Serie	8,0										
Totalt	356,0										

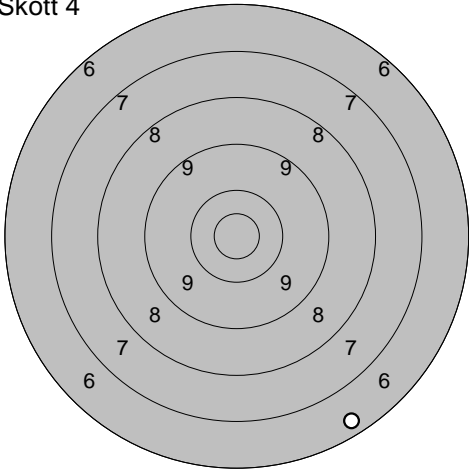
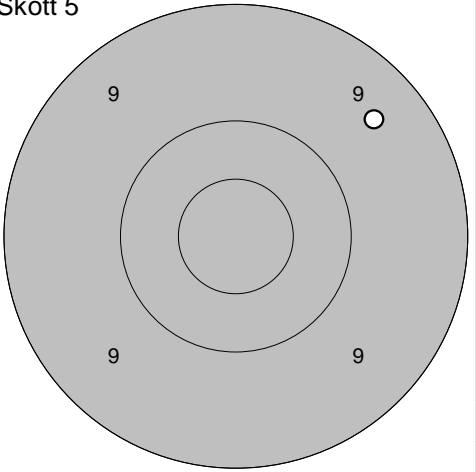
<p>Skott 2</p> 	<p>1: 1,3 ↙</p> <table border="1" style="width:100%; border-collapse: collapse;"> <tr><td>Serie</td><td style="text-align: right;">1,0</td></tr> <tr><td>Totalt</td><td style="text-align: right;">357,0</td></tr> </table>	Serie	1,0	Totalt	357,0	<p>Skott 3</p> 	<p>1: 6,0 ↖</p> <table border="1" style="width:100%; border-collapse: collapse;"> <tr><td>Serie</td><td style="text-align: right;">6,0</td></tr> <tr><td>Totalt</td><td style="text-align: right;">363,0</td></tr> </table>	Serie	6,0	Totalt	363,0
Serie	1,0										
Totalt	357,0										
Serie	6,0										
Totalt	363,0										

<p>Skott 4</p> 	<p>1: 9,5 ↗</p> <table border="1" style="width:100%; border-collapse: collapse;"> <tr><td>Serie</td><td style="text-align: right;">9,0</td></tr> <tr><td>Totalt</td><td style="text-align: right;">372,0</td></tr> </table>	Serie	9,0	Totalt	372,0	<p>Skott 5</p> 	<p>1: 7,7 ↓</p> <table border="1" style="width:100%; border-collapse: collapse;"> <tr><td>Serie</td><td style="text-align: right;">7,0</td></tr> <tr><td>Totalt</td><td style="text-align: right;">379,0</td></tr> </table>	Serie	7,0	Totalt	379,0
Serie	9,0										
Totalt	372,0										
Serie	7,0										
Totalt	379,0										

<p>Provskott</p> 	<p>1: 8,9 ↗ 2: 8,9 ← 3: 10,6* → 4: 8,8 ↑ 5: 10,1 ↓</p> <table border="1" style="width:100%; border-collapse: collapse;"> <tr><td>Serie</td><td style="text-align: right;">44,0</td></tr> <tr><td>Totalt</td><td style="text-align: right;">257,0</td></tr> </table>	Serie	44,0	Totalt	257,0	<p>Serie 1</p> 	<p>1: 9,0 ↖ 2: 10,1 ↗ 3: 10,3 ↑ 4: 8,1 → 5: 8,6 ↓</p> <table border="1" style="width:100%; border-collapse: collapse;"> <tr><td>Serie</td><td style="text-align: right;">45,0</td></tr> <tr><td>Totalt</td><td style="text-align: right;">302,0</td></tr> </table>	Serie	45,0	Totalt	302,0
Serie	44,0										
Totalt	257,0										
Serie	45,0										
Totalt	302,0										

<p>Serie 2</p> 	<p>1: 7,4 ↗ 2: 7,4 ↗ 3: 9,4 ↑ 4: 8,3 → 5: 7,4 ↓</p> <table border="1" style="width:100%; border-collapse: collapse;"> <tr><td>Serie</td><td style="text-align: right;">38,0</td></tr> <tr><td>Totalt</td><td style="text-align: right;">340,0</td></tr> </table>	Serie	38,0	Totalt	340,0	<p>Skott 1</p> 	<p>1: 9,3 ↗</p> <table border="1" style="width:100%; border-collapse: collapse;"> <tr><td>Serie</td><td style="text-align: right;">9,0</td></tr> <tr><td>Totalt</td><td style="text-align: right;">349,0</td></tr> </table>	Serie	9,0	Totalt	349,0
Serie	38,0										
Totalt	340,0										
Serie	9,0										
Totalt	349,0										

<p>Skott 2</p> 	<p>1: 10,4 ↗</p> <table border="1" style="width:100%; border-collapse: collapse;"> <tr><td>Serie</td><td style="text-align: right;">10,0</td></tr> <tr><td>Totalt</td><td style="text-align: right;">359,0</td></tr> </table>	Serie	10,0	Totalt	359,0	<p>Skott 3</p> 	<p>1: 9,9 →</p> <table border="1" style="width:100%; border-collapse: collapse;"> <tr><td>Serie</td><td style="text-align: right;">9,0</td></tr> <tr><td>Totalt</td><td style="text-align: right;">368,0</td></tr> </table>	Serie	9,0	Totalt	368,0
Serie	10,0										
Totalt	359,0										
Serie	9,0										
Totalt	368,0										

<p>Skott 4</p> 	<p>1: 6,4 ↓</p> <table border="1" style="width:100%; border-collapse: collapse;"> <tr><td>Serie</td><td style="text-align: right;">6,0</td></tr> <tr><td>Totalt</td><td style="text-align: right;">374,0</td></tr> </table>	Serie	6,0	Totalt	374,0	<p>Skott 5</p> 	<p>1: 9,5 ↗</p> <table border="1" style="width:100%; border-collapse: collapse;"> <tr><td>Serie</td><td style="text-align: right;">9,0</td></tr> <tr><td>Totalt</td><td style="text-align: right;">383,0</td></tr> </table>	Serie	9,0	Totalt	383,0
Serie	6,0										
Totalt	374,0										
Serie	9,0										
Totalt	383,0										



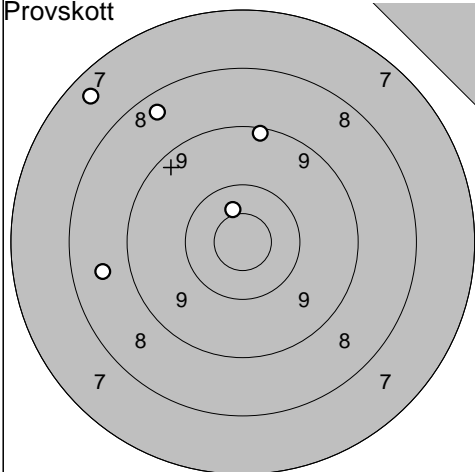
Ale

2010-07-22

Tavelträffen B 2010 Final

Ramselefors SKF

Provskott

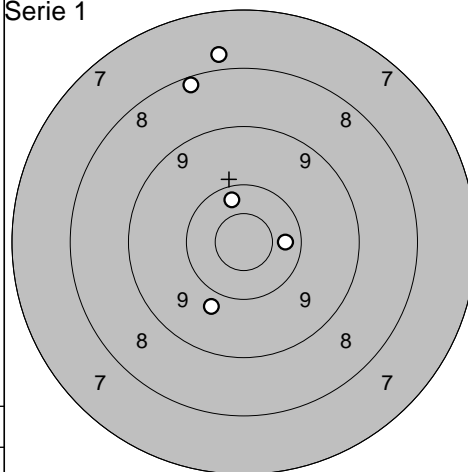


1: 8,4 ↖  
 2: 9,2 ↑  
 3: 10,5\* ↑  
 4: 8,6 ←  
 5: 7,5 ↘

Serie 42,0

Totalt 254,0

Serie 1

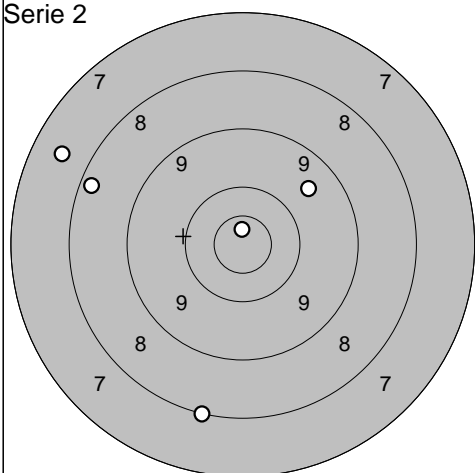


1: 8,2 ↖  
 2: 7,8 ↑  
 3: 10,4 →  
 4: 10,3 ↑  
 5: 9,8 ↓

Serie 44,0

Totalt 298,0

Serie 2

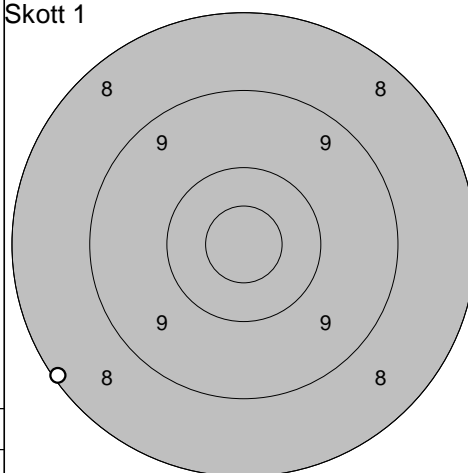


1: 8,3 ←  
 2: 7,6 ↖  
 3: 9,6 ↗  
 4: 10,8\* ↑  
 5: 8,1 ↓

Serie 42,0

Totalt 340,0

Skott 1

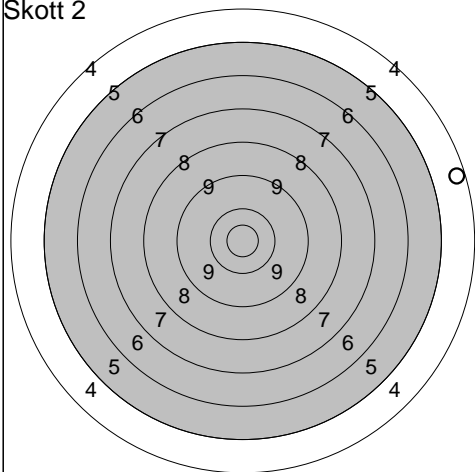


1: 8,1 ↖

Serie 8,0

Totalt 348,0

Skott 2

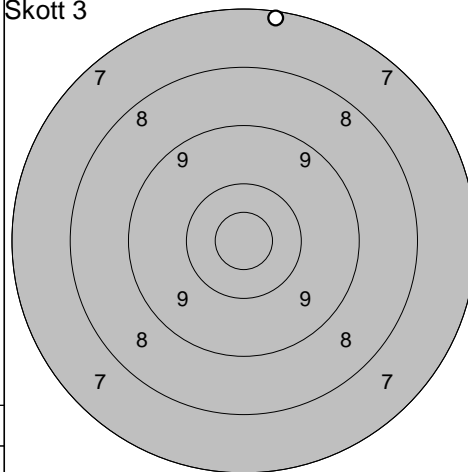


1: 4,4 →

Serie 4,0

Totalt 352,0

Skott 3

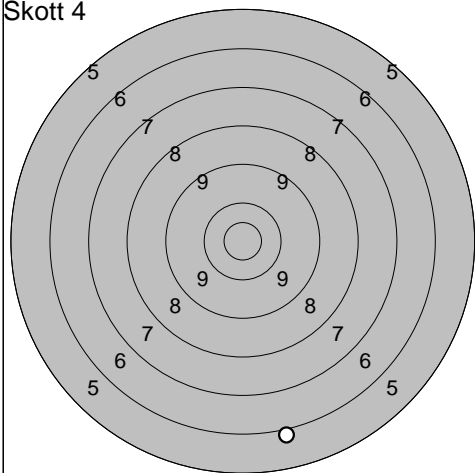


1: 7,2 ↑

Serie 7,0

Totalt 359,0

Skott 4

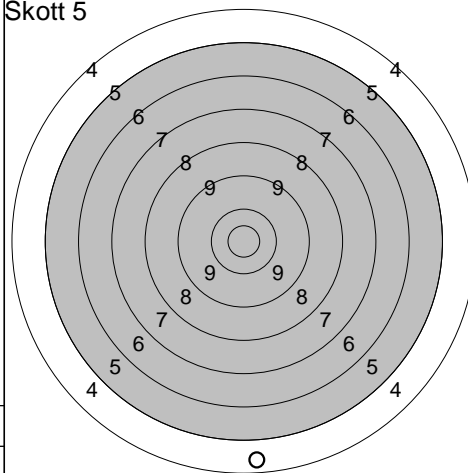


1: 6,0 ↓

Serie 6,0

Totalt 365,0

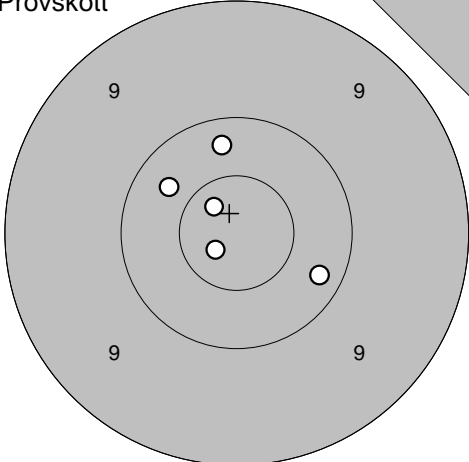
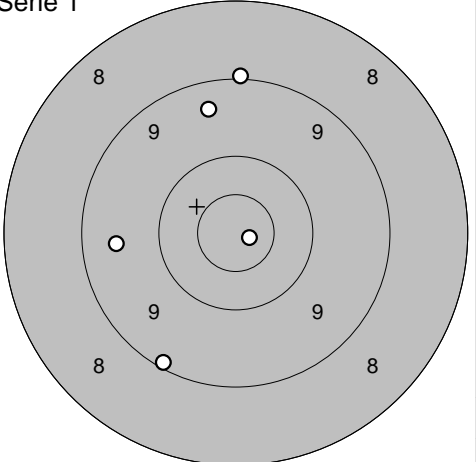
Skott 5

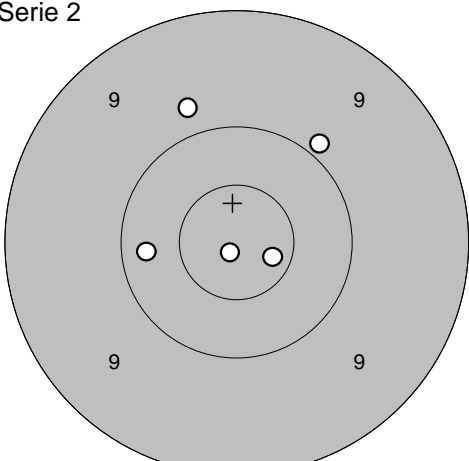
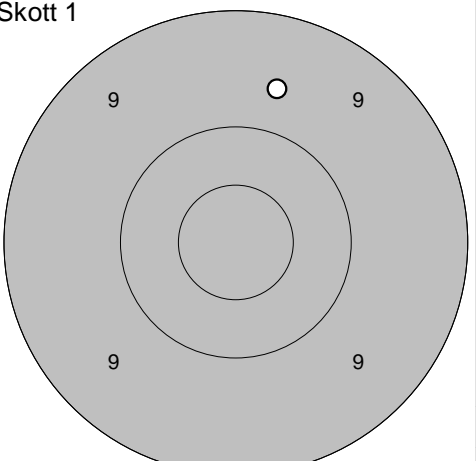


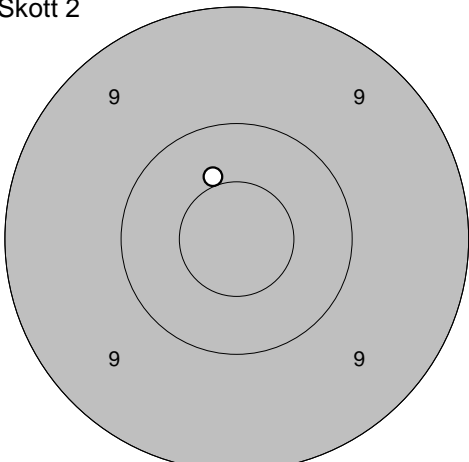
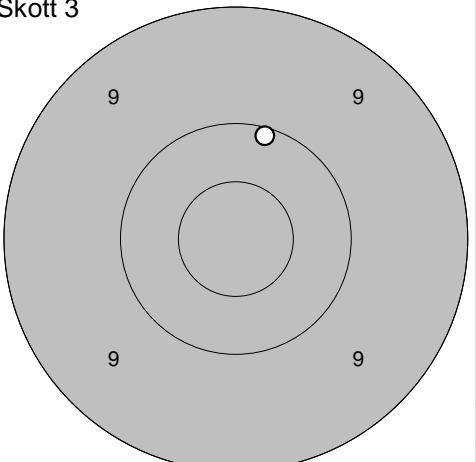
1: 4,6 ↓

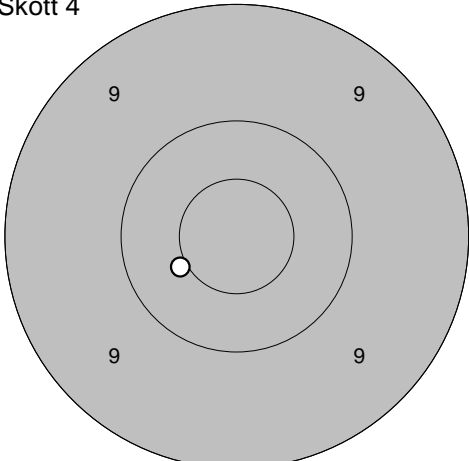
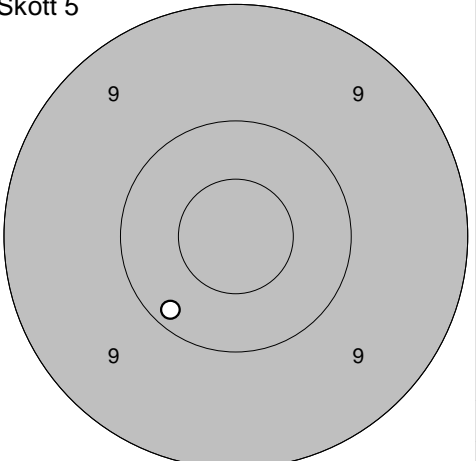
Serie 4,0

Totalt 369,0

<b>Provsrott</b> 	<table style="width:100%; border-collapse: collapse;"> <tr><td style="padding: 2px;">1: 10,2</td><td style="padding: 2px;">➤</td></tr> <tr><td style="padding: 2px;">2: 10,8*</td><td style="padding: 2px;">↙</td></tr> <tr><td style="padding: 2px;">3: 10,7*</td><td style="padding: 2px;">↗</td></tr> <tr><td style="padding: 2px;">4: 10,3</td><td style="padding: 2px;">↑</td></tr> <tr><td style="padding: 2px;">5: 10,3</td><td style="padding: 2px;">↖</td></tr> </table> <table style="width:100%; border-collapse: collapse; margin-top: 5px;"> <tr><td style="border-top: 1px solid black;">Serie</td><td style="border-top: 1px solid black; text-align: right;">50,0</td></tr> <tr><td style="border-top: 1px solid black;">Totalt</td><td style="border-top: 1px solid black; text-align: right;">289,0</td></tr> </table>	1: 10,2	➤	2: 10,8*	↙	3: 10,7*	↗	4: 10,3	↑	5: 10,3	↖	Serie	50,0	Totalt	289,0	<b>Serie 1</b>  <table style="width:100%; border-collapse: collapse; margin-top: 5px;"> <tr><td style="padding: 2px;">1: 9,5</td><td style="padding: 2px;">←</td></tr> <tr><td style="padding: 2px;">2: 9,1</td><td style="padding: 2px;">↙</td></tr> <tr><td style="padding: 2px;">3: 9,0</td><td style="padding: 2px;">↑</td></tr> <tr><td style="padding: 2px;">4: 10,9*</td><td style="padding: 2px;">➤</td></tr> <tr><td style="padding: 2px;">5: 9,4</td><td style="padding: 2px;">↑</td></tr> </table> <table style="width:100%; border-collapse: collapse; margin-top: 5px;"> <tr><td style="border-top: 1px solid black;">Serie</td><td style="border-top: 1px solid black; text-align: right;">46,0</td></tr> <tr><td style="border-top: 1px solid black;">Totalt</td><td style="border-top: 1px solid black; text-align: right;">335,0</td></tr> </table>	1: 9,5	←	2: 9,1	↙	3: 9,0	↑	4: 10,9*	➤	5: 9,4	↑	Serie	46,0	Totalt	335,0
1: 10,2	➤																													
2: 10,8*	↙																													
3: 10,7*	↗																													
4: 10,3	↑																													
5: 10,3	↖																													
Serie	50,0																													
Totalt	289,0																													
1: 9,5	←																													
2: 9,1	↙																													
3: 9,0	↑																													
4: 10,9*	➤																													
5: 9,4	↑																													
Serie	46,0																													
Totalt	335,0																													

<b>Serie 2</b>  <table style="width:100%; border-collapse: collapse; margin-top: 5px;"> <tr><td style="padding: 2px;">1: 9,8</td><td style="padding: 2px;">↑</td></tr> <tr><td style="padding: 2px;">2: 10,9*</td><td style="padding: 2px;">↙</td></tr> <tr><td style="padding: 2px;">3: 10,3</td><td style="padding: 2px;">←</td></tr> <tr><td style="padding: 2px;">4: 9,9</td><td style="padding: 2px;">↗</td></tr> <tr><td style="padding: 2px;">5: 10,7*</td><td style="padding: 2px;">➤</td></tr> </table> <table style="width:100%; border-collapse: collapse; margin-top: 5px;"> <tr><td style="border-top: 1px solid black;">Serie</td><td style="border-top: 1px solid black; text-align: right;">48,0</td></tr> <tr><td style="border-top: 1px solid black;">Totalt</td><td style="border-top: 1px solid black; text-align: right;">383,0</td></tr> </table>	1: 9,8	↑	2: 10,9*	↙	3: 10,3	←	4: 9,9	↗	5: 10,7*	➤	Serie	48,0	Totalt	383,0	<b>Skott 1</b>  <table style="width:100%; border-collapse: collapse; margin-top: 5px;"> <tr><td style="padding: 2px;">1: 9,7</td><td style="padding: 2px;">↑</td></tr> </table> <table style="width:100%; border-collapse: collapse; margin-top: 5px;"> <tr><td style="border-top: 1px solid black;">Serie</td><td style="border-top: 1px solid black; text-align: right;">9,0</td></tr> <tr><td style="border-top: 1px solid black;">Totalt</td><td style="border-top: 1px solid black; text-align: right;">392,0</td></tr> </table>	1: 9,7	↑	Serie	9,0	Totalt	392,0
1: 9,8	↑																				
2: 10,9*	↙																				
3: 10,3	←																				
4: 9,9	↗																				
5: 10,7*	➤																				
Serie	48,0																				
Totalt	383,0																				
1: 9,7	↑																				
Serie	9,0																				
Totalt	392,0																				

<b>Skott 2</b>  <table style="width:100%; border-collapse: collapse; margin-top: 5px;"> <tr><td style="padding: 2px;">1: 10,5*</td><td style="padding: 2px;">↖</td></tr> </table> <table style="width:100%; border-collapse: collapse; margin-top: 5px;"> <tr><td style="border-top: 1px solid black;">Serie</td><td style="border-top: 1px solid black; text-align: right;">10,0</td></tr> <tr><td style="border-top: 1px solid black;">Totalt</td><td style="border-top: 1px solid black; text-align: right;">402,0</td></tr> </table>	1: 10,5*	↖	Serie	10,0	Totalt	402,0	<b>Skott 3</b>  <table style="width:100%; border-collapse: collapse; margin-top: 5px;"> <tr><td style="padding: 2px;">1: 10,1</td><td style="padding: 2px;">↑</td></tr> </table> <table style="width:100%; border-collapse: collapse; margin-top: 5px;"> <tr><td style="border-top: 1px solid black;">Serie</td><td style="border-top: 1px solid black; text-align: right;">10,0</td></tr> <tr><td style="border-top: 1px solid black;">Totalt</td><td style="border-top: 1px solid black; text-align: right;">412,0</td></tr> </table>	1: 10,1	↑	Serie	10,0	Totalt	412,0
1: 10,5*	↖												
Serie	10,0												
Totalt	402,0												
1: 10,1	↑												
Serie	10,0												
Totalt	412,0												

<b>Skott 4</b>  <table style="width:100%; border-collapse: collapse; margin-top: 5px;"> <tr><td style="padding: 2px;">1: 10,5*</td><td style="padding: 2px;">↙</td></tr> </table> <table style="width:100%; border-collapse: collapse; margin-top: 5px;"> <tr><td style="border-top: 1px solid black;">Serie</td><td style="border-top: 1px solid black; text-align: right;">10,0</td></tr> <tr><td style="border-top: 1px solid black;">Totalt</td><td style="border-top: 1px solid black; text-align: right;">422,0</td></tr> </table>	1: 10,5*	↙	Serie	10,0	Totalt	422,0	<b>Skott 5</b>  <table style="width:100%; border-collapse: collapse; margin-top: 5px;"> <tr><td style="padding: 2px;">1: 10,2</td><td style="padding: 2px;">↙</td></tr> </table> <table style="width:100%; border-collapse: collapse; margin-top: 5px;"> <tr><td style="border-top: 1px solid black;">Serie</td><td style="border-top: 1px solid black; text-align: right;">10,0</td></tr> <tr><td style="border-top: 1px solid black;">Totalt</td><td style="border-top: 1px solid black; text-align: right;">432,0</td></tr> </table>	1: 10,2	↙	Serie	10,0	Totalt	432,0
1: 10,5*	↙												
Serie	10,0												
Totalt	422,0												
1: 10,2	↙												
Serie	10,0												
Totalt	432,0												



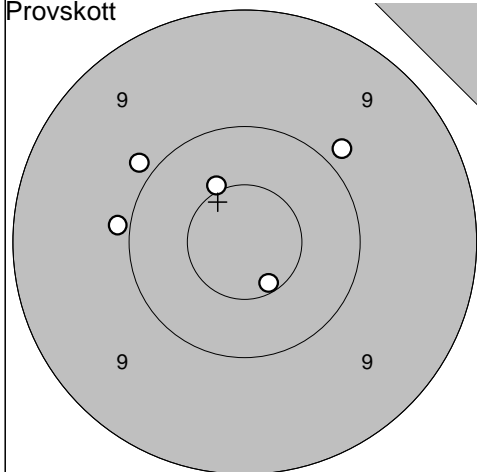
Skellefteå

2010-07-22

Tavelträffen B 2010 Final

Ramselefors SKF

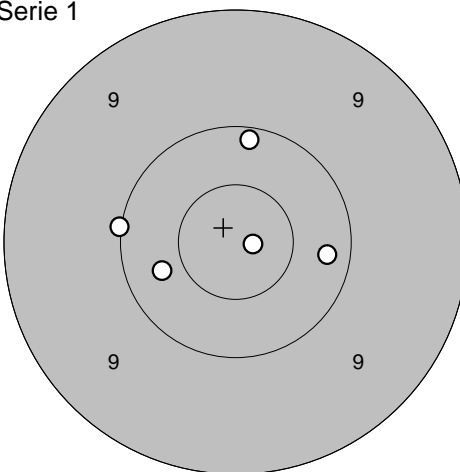
Provsnitt



- 1: 9,9 ↗
- 2: 9,9 ↗
- 3: 10,5\* ↗
- 4: 9,9 ←
- 5: 10,6\* ↘

Serie	47,0
Totalt	286,0

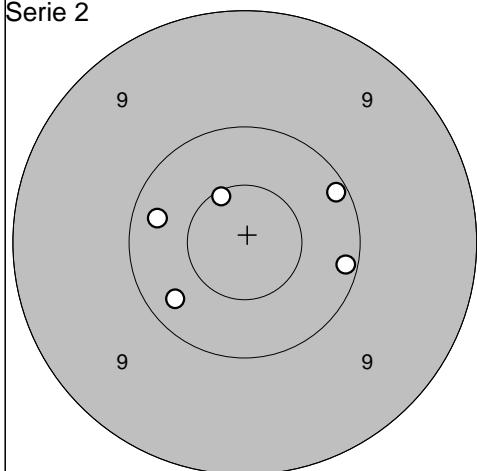
Serie 1



- 1: 10,0 ←
- 2: 10,4 ←
- 3: 10,2 →
- 4: 10,1 ↑
- 5: 10,9\* →

Serie	50,0
Totalt	336,0

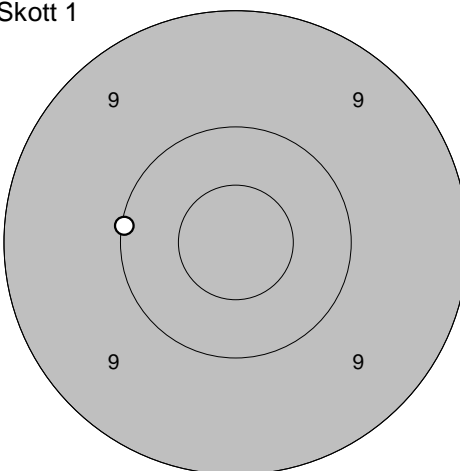
Serie 2



- 1: 10,1 ↗
- 2: 10,3 ←
- 3: 10,1 →
- 4: 10,3 ↙
- 5: 10,6\* ↗

Serie	50,0
Totalt	386,0

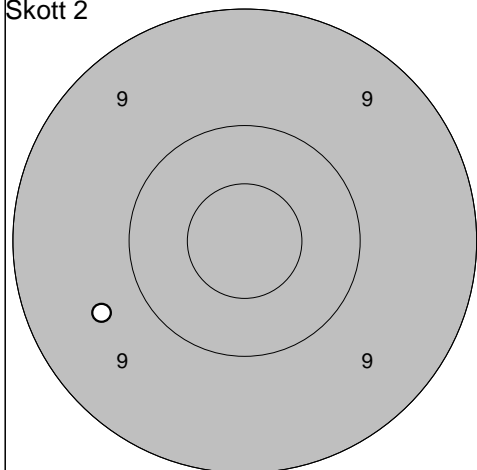
Skott 1



- 1: 10,1 ←

Serie	10,0
Totalt	396,0

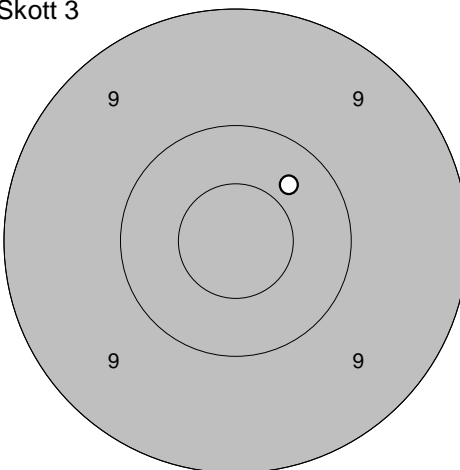
Skott 2



- 1: 9,7 ↙

Serie	9,0
Totalt	405,0

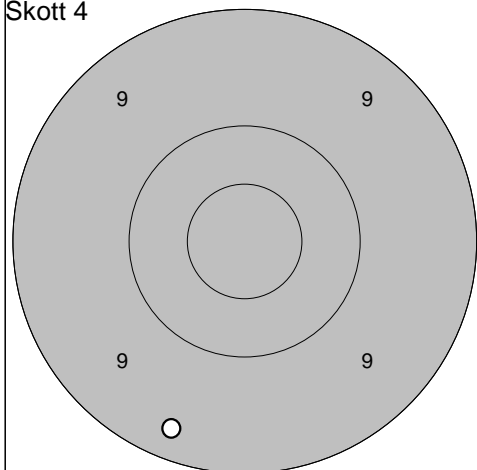
Skott 3



- 1: 10,4 ↗

Serie	10,0
Totalt	415,0

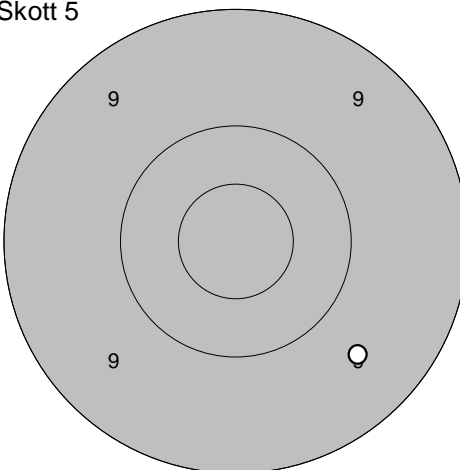
Skott 4



- 1: 9,3 ↘

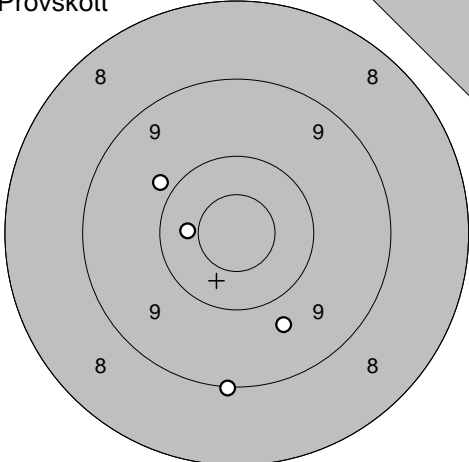
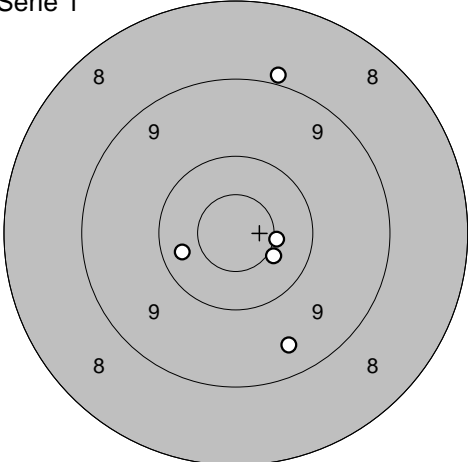
Serie	9,0
Totalt	424,0

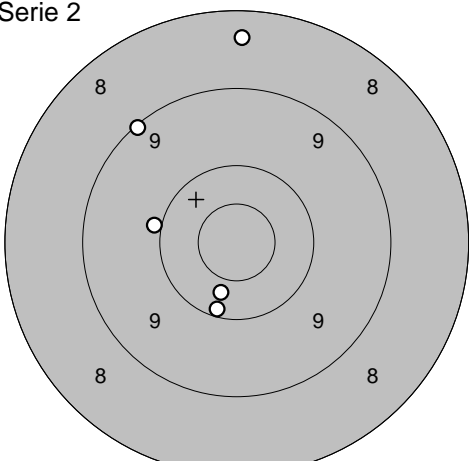
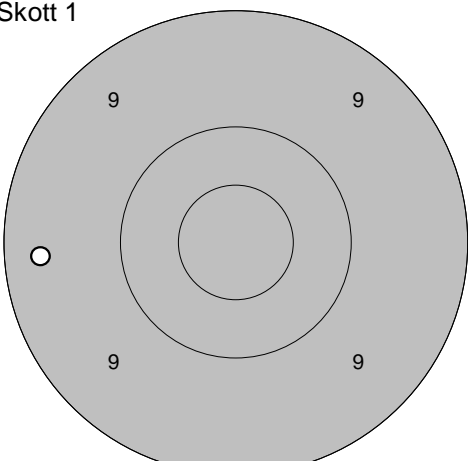
Skott 5

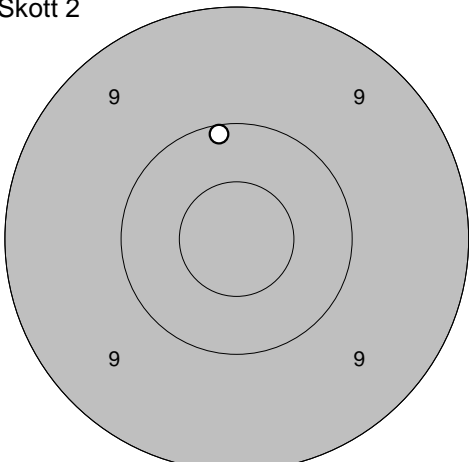
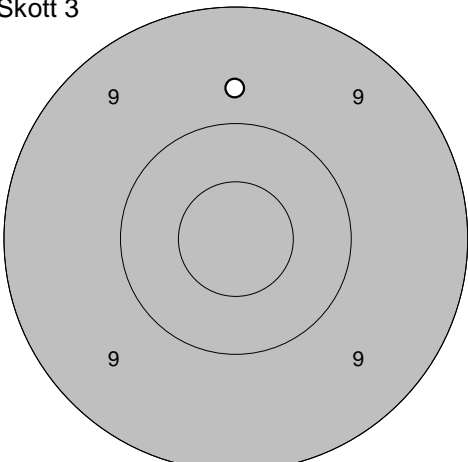


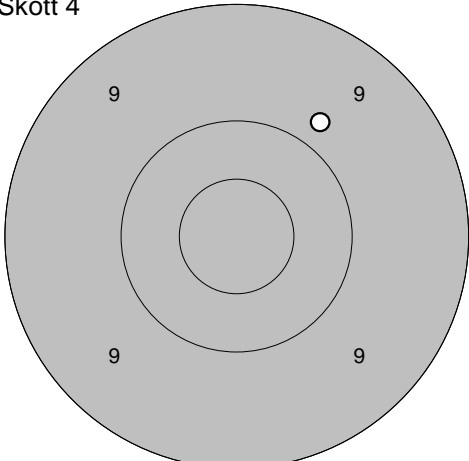
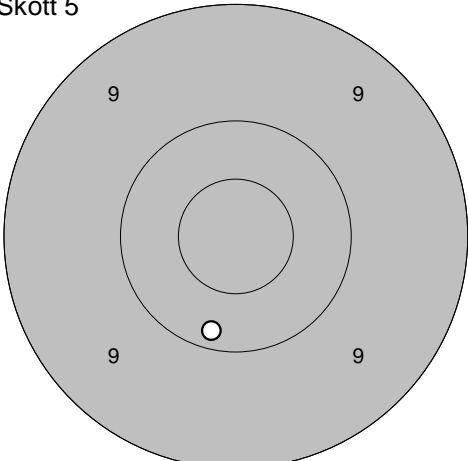
- 1: 9,6 ↘

Serie	9,0
Totalt	433,0

<p>Provskott</p> 	<p>1: 10,4 ← 2: 9,7 ↘ 3: 9,9 ↗ 4: 9,0 ↓</p> <table border="1" style="width:100%; border-collapse: collapse;"> <tr><td>Serie</td><td style="text-align: right;">37,0</td></tr> <tr><td>Totalt</td><td style="text-align: right;">285,0</td></tr> </table>	Serie	37,0	Totalt	285,0	<p>Serie 1</p> 	<p>1: 10,3 ← 2: 10,5* ↘ 3: 8,9 ↑ 4: 10,5* → 5: 9,4 ↓</p> <table border="1" style="width:100%; border-collapse: collapse;"> <tr><td>Serie</td><td style="text-align: right;">47,0</td></tr> <tr><td>Totalt</td><td style="text-align: right;">332,0</td></tr> </table>	Serie	47,0	Totalt	332,0
Serie	37,0										
Totalt	285,0										
Serie	47,0										
Totalt	332,0										

<p>Serie 2</p> 	<p>1: 9,1 ↗ 2: 10,2 ↓ 3: 8,4 ↑ 4: 10,4 ↓ 5: 10,0 ←</p> <table border="1" style="width:100%; border-collapse: collapse;"> <tr><td>Serie</td><td style="text-align: right;">47,0</td></tr> <tr><td>Totalt</td><td style="text-align: right;">379,0</td></tr> </table>	Serie	47,0	Totalt	379,0	<p>Skott 1</p> 	<p>1: 9,3 ←</p> <table border="1" style="width:100%; border-collapse: collapse;"> <tr><td>Serie</td><td style="text-align: right;">9,0</td></tr> <tr><td>Totalt</td><td style="text-align: right;">388,0</td></tr> </table>	Serie	9,0	Totalt	388,0
Serie	47,0										
Totalt	379,0										
Serie	9,0										
Totalt	388,0										

<p>Skott 2</p> 	<p>1: 10,1 ↑</p> <table border="1" style="width:100%; border-collapse: collapse;"> <tr><td>Serie</td><td style="text-align: right;">10,0</td></tr> <tr><td>Totalt</td><td style="text-align: right;">398,0</td></tr> </table>	Serie	10,0	Totalt	398,0	<p>Skott 3</p> 	<p>1: 9,7 ↑</p> <table border="1" style="width:100%; border-collapse: collapse;"> <tr><td>Serie</td><td style="text-align: right;">9,0</td></tr> <tr><td>Totalt</td><td style="text-align: right;">407,0</td></tr> </table>	Serie	9,0	Totalt	407,0
Serie	10,0										
Totalt	398,0										
Serie	9,0										
Totalt	407,0										

<p>Skott 4</p> 	<p>1: 9,8 ↗</p> <table border="1" style="width:100%; border-collapse: collapse;"> <tr><td>Serie</td><td style="text-align: right;">9,0</td></tr> <tr><td>Totalt</td><td style="text-align: right;">416,0</td></tr> </table>	Serie	9,0	Totalt	416,0	<p>Skott 5</p> 	<p>1: 10,2 ↓</p> <table border="1" style="width:100%; border-collapse: collapse;"> <tr><td>Serie</td><td style="text-align: right;">10,0</td></tr> <tr><td>Totalt</td><td style="text-align: right;">426,0</td></tr> </table>	Serie	10,0	Totalt	426,0
Serie	9,0										
Totalt	416,0										
Serie	10,0										
Totalt	426,0										

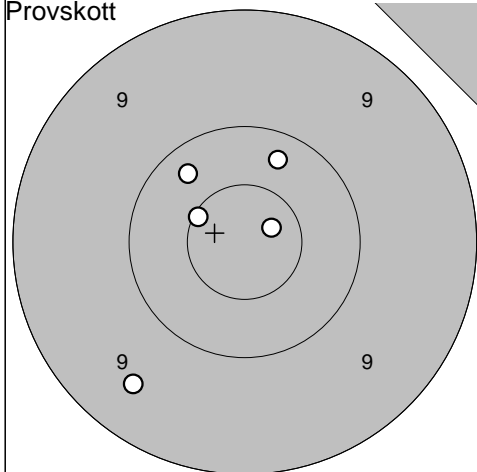
S 3

2010-07-22

Tavelträffen B 2010 Final

Ramselefors SKF

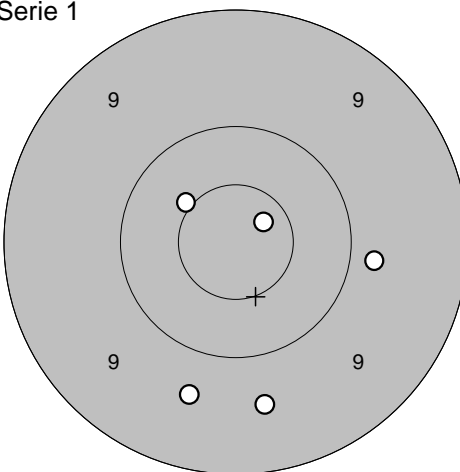
Provs-kott



- 1: 10,3 ↗
- 2: 10,8\* →
- 3: 10,6\* ↖
- 4: 10,3 ↗
- 5: 9,5 ↘

Serie	49,0
Totalt	283,0

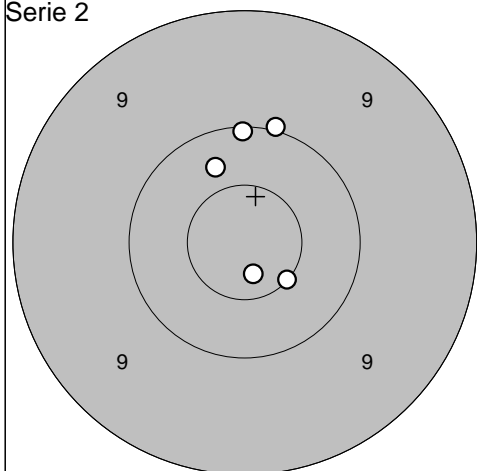
Serie 1



- 1: 10,5\* ↖
- 2: 9,8 →
- 3: 9,7 ↓
- 4: 10,7\* ↗
- 5: 9,6 ↓

Serie	47,0
Totalt	330,0

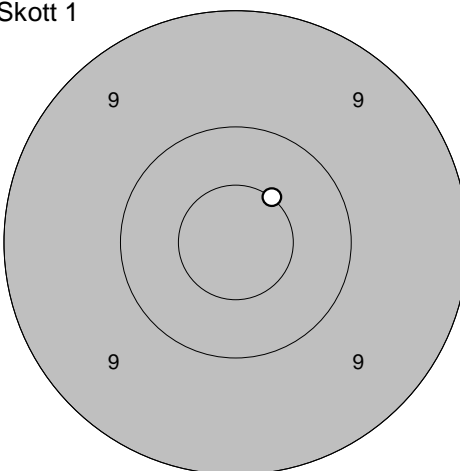
Serie 2



- 1: 10,1 ↑
- 2: 10,3 ↗
- 3: 10,5\* ↘
- 4: 10,0 ↑
- 5: 10,7\* ↘

Serie	50,0
Totalt	380,0

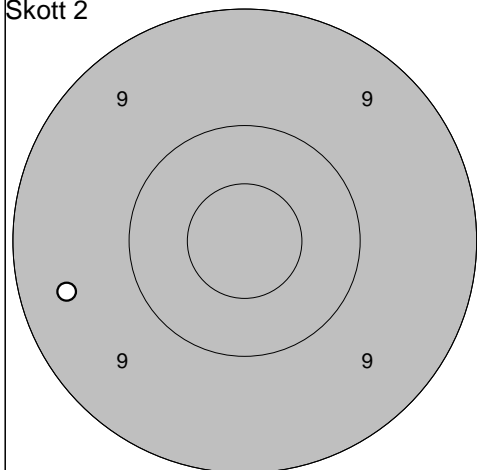
Skott 1



- 1: 10,5\* ↗

Serie	10,0
Totalt	390,0

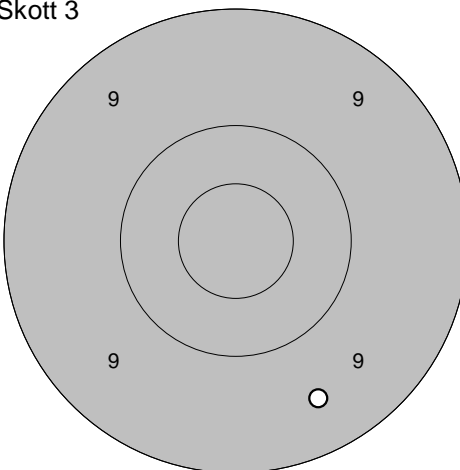
Skott 2



- 1: 9,4 ←

Serie	9,0
Totalt	399,0

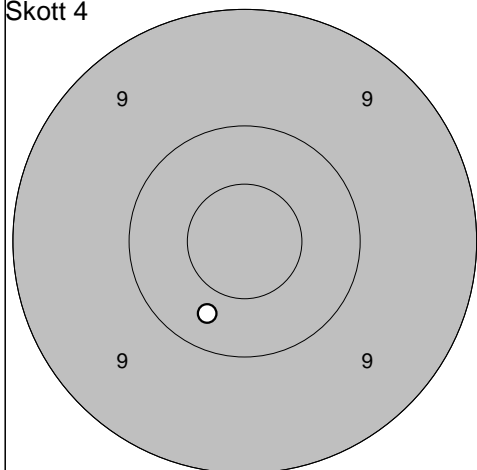
Skott 3



- 1: 9,5 ↘

Serie	9,0
Totalt	408,0

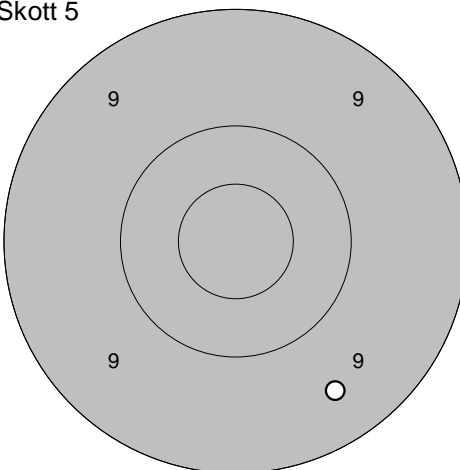
Skott 4



- 1: 10,3 ↘

Serie	10,0
Totalt	418,0

Skott 5



- 1: 9,5 ↘

Serie	9,0
Totalt	427,0

<p>Provs-kott</p>	<p>Serie 1</p>	
Serie 48,0 Totalt 272,0	Serie 41,0 Totalt 313,0	

<p>Serie 2</p>	<p>Skott 1</p>	
Serie 46,0 Totalt 359,0	Serie 9,0 Totalt 368,0	

<p>Skott 2</p>	<p>Skott 3</p>	
Serie 9,0 Totalt 377,0	Serie 10,0 Totalt 387,0	

<p>Skott 4</p>	<p>Skott 5</p>	
Serie 10,0 Totalt 397,0	Serie 10,0 Totalt 407,0	

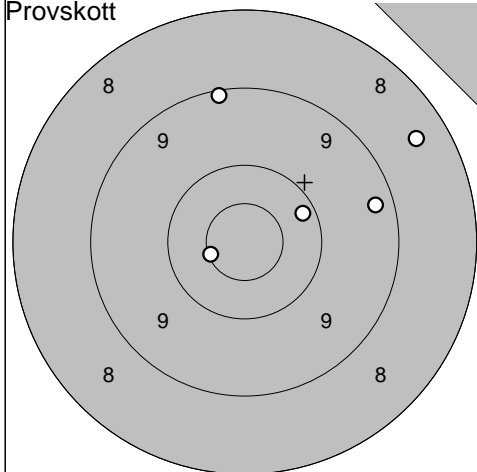
Ununge

2010-07-22

Tavelträffen B 2010 Final

Ramselefors SKF

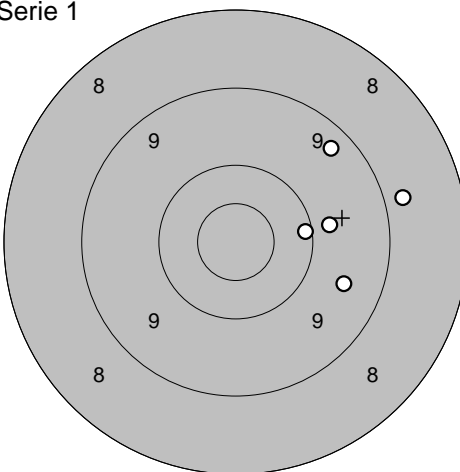
Provs-kott



- 1: 8,5 →
- 2: 9,1 ↑
- 3: 10,2 →
- 4: 9,3 →
- 5: 10,6\* ←

Serie	46,0
Totalt	291,0

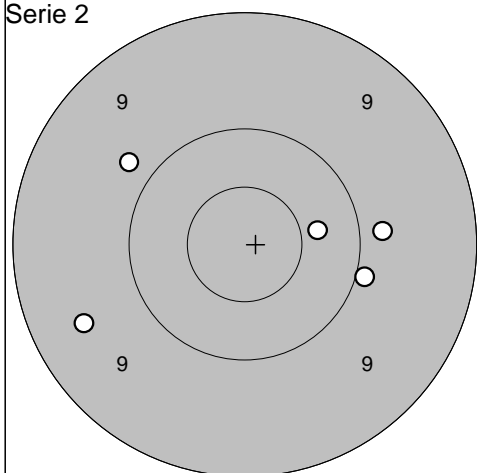
Serie 1



- 1: 10,1 →
- 2: 9,5 →
- 3: 9,8 →
- 4: 8,8 →
- 5: 9,3 ↗

Serie	45,0
Totalt	336,0

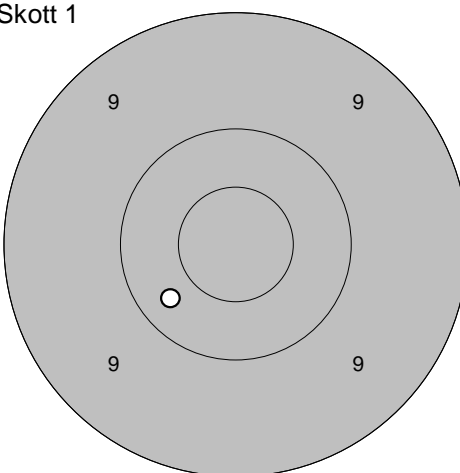
Serie 2



- 1: 9,8 →
- 2: 9,5 ←
- 3: 9,8 ↗
- 4: 10,4 →
- 5: 10,0 →

Serie	47,0
Totalt	383,0

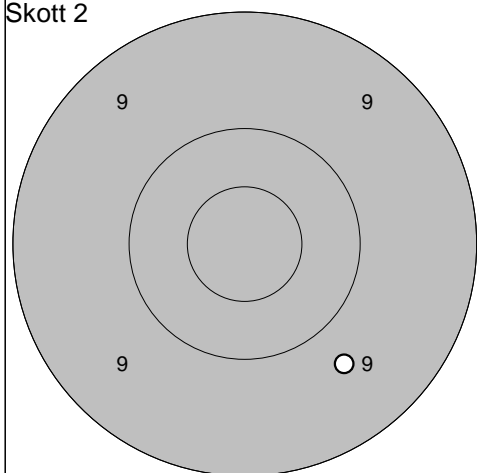
Skott 1



- 1: 10,3 ↙

Serie	10,0
Totalt	393,0

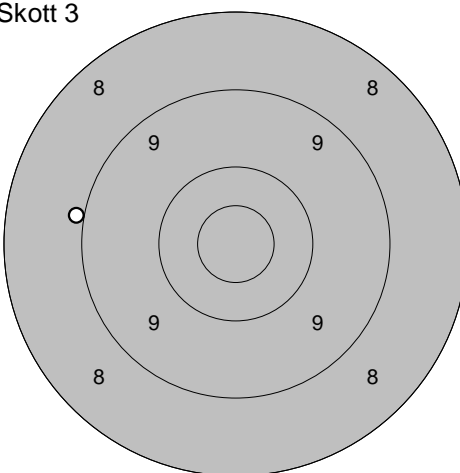
Skott 2



- 1: 9,7 ↘

Serie	9,0
Totalt	402,0

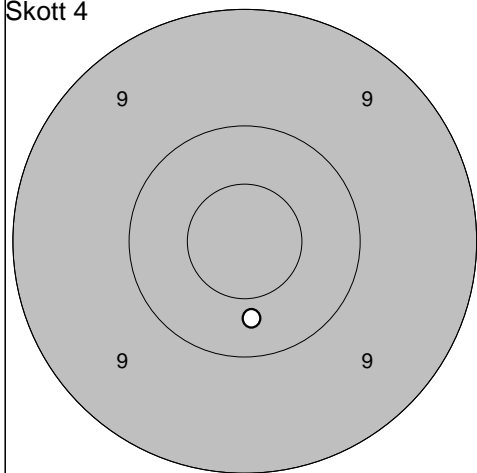
Skott 3



- 1: 9,0 ←

Serie	9,0
Totalt	411,0

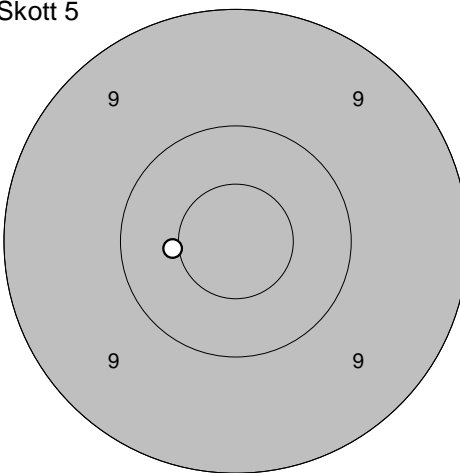
Skott 4



- 1: 10,4 ↓

Serie	10,0
Totalt	421,0

Skott 5



- 1: 10,5\* ←

Serie	10,0
Totalt	431,0



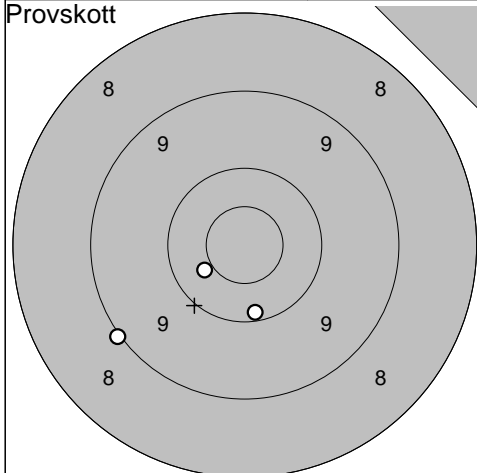
Ununge

2010-07-22

Tavelträffen B 2010 Final

Ramselefors SKF

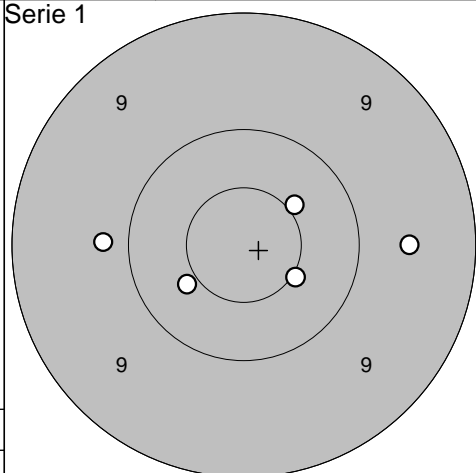
Provsnitt



1: 10,2 ↓  
2: 9,0 ↙  
3: 10,4 ↖

Serie 29,0  
Totalt 286,0

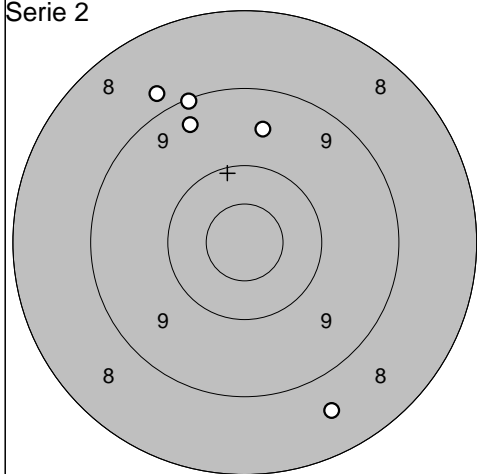
Serie 1



1: 10,4 ↙  
2: 9,8 ←  
3: 10,5\* ↗  
4: 9,6 →  
5: 10,5\* ↘

Serie 48,0  
Totalt 334,0

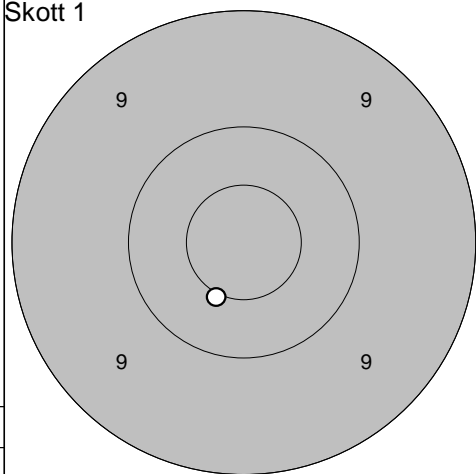
Serie 2



1: 9,6 ↑  
2: 9,1 ↗  
3: 8,6 ↓  
4: 9,4 ↗  
5: 8,8 ↗

Serie 43,0  
Totalt 377,0

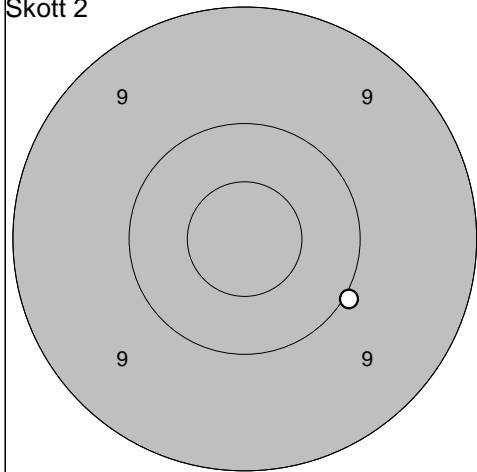
Skott 1



1: 10,5\* ↘

Serie 10,0  
Totalt 387,0

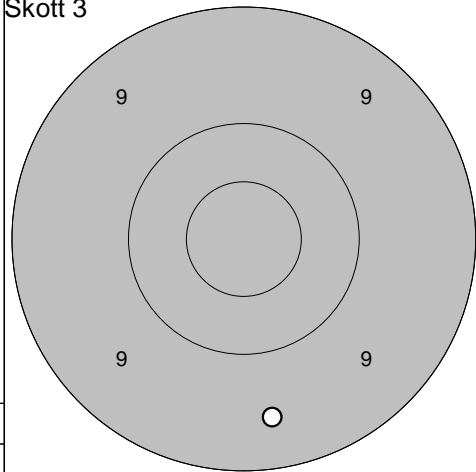
Skott 2



1: 10,0 ↘

Serie 10,0  
Totalt 397,0

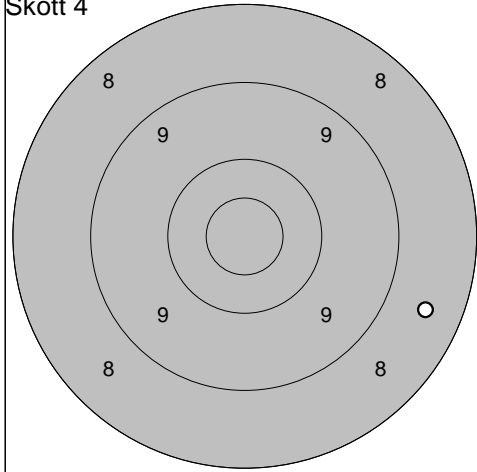
Skott 3



1: 9,5 ↓

Serie 9,0  
Totalt 406,0

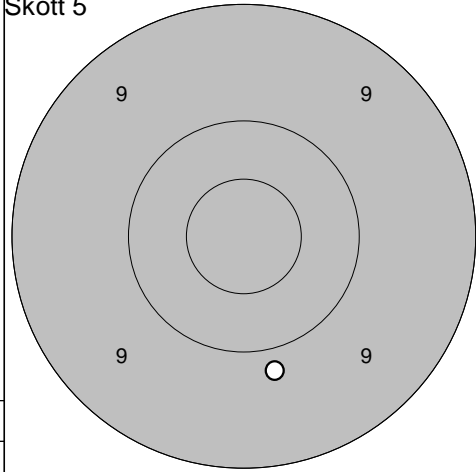
Skott 4



1: 8,5 ↘

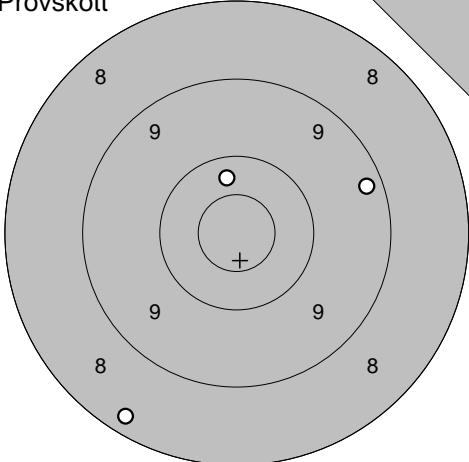
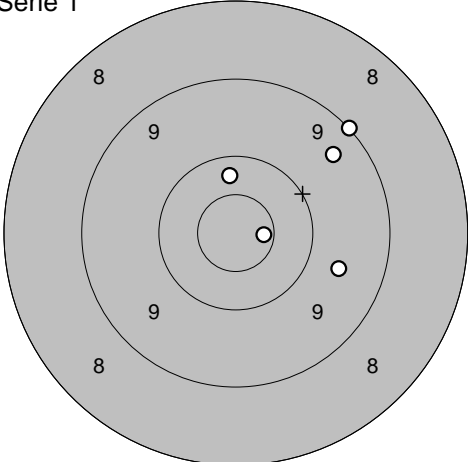
Serie 8,0  
Totalt 414,0

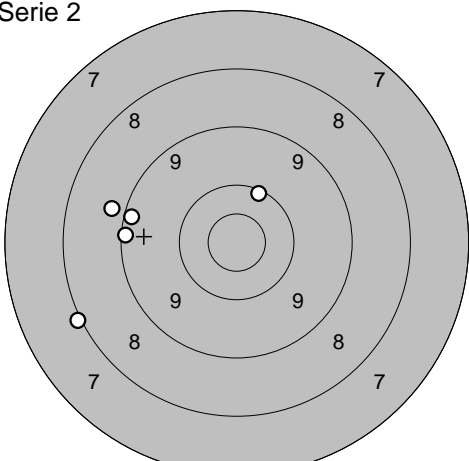
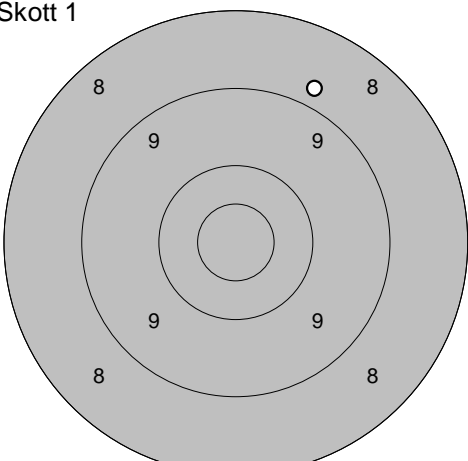
Skott 5

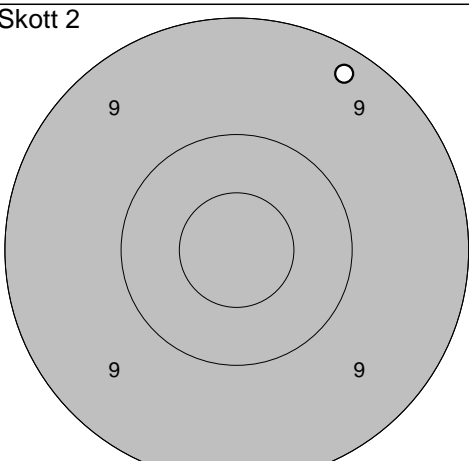
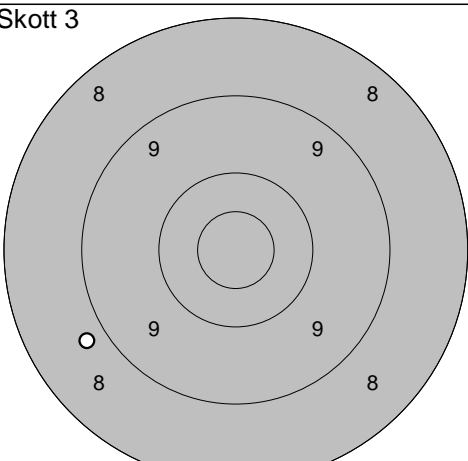


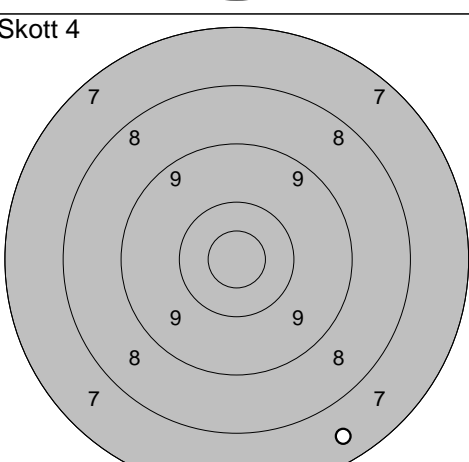
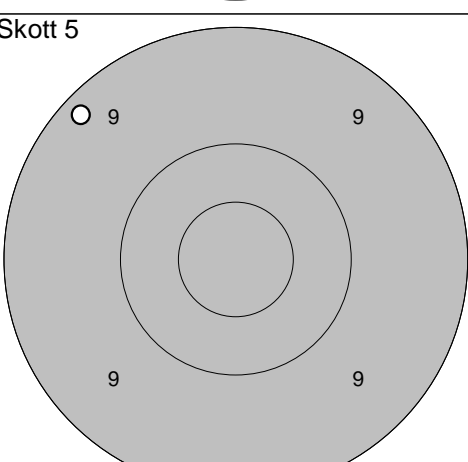
1: 9,8 ↓

Serie 9,0  
Totalt 423,0

<p>Provskott</p> 	<p>1: 8,3 ↘ 2: 10,3 ↑ 3: 9,3 →</p> <table border="1" style="width:100%; border-collapse: collapse;"> <tr><td>Serie</td><td style="text-align: right;">27,0</td></tr> <tr><td>Totalt</td><td style="text-align: right;">257,0</td></tr> </table>	Serie	27,0	Totalt	257,0	<p>Serie 1</p> 	<p>1: 10,3 ↑ 2: 9,0 ↗ 3: 9,6 → 4: 9,4 ↗ 5: 10,7* →</p> <table border="1" style="width:100%; border-collapse: collapse;"> <tr><td>Serie</td><td style="text-align: right;">47,0</td></tr> <tr><td>Totalt</td><td style="text-align: right;">304,0</td></tr> </table>	Serie	47,0	Totalt	304,0
Serie	27,0										
Totalt	257,0										
Serie	47,0										
Totalt	304,0										

<p>Serie 2</p> 	<p>1: 9,2 ← 2: 9,2 ← 3: 10,2 ↑ 4: 8,9 ← 5: 8,0 ←</p> <table border="1" style="width:100%; border-collapse: collapse;"> <tr><td>Serie</td><td style="text-align: right;">44,0</td></tr> <tr><td>Totalt</td><td style="text-align: right;">348,0</td></tr> </table>	Serie	44,0	Totalt	348,0	<p>Skott 1</p> 	<p>1: 8,8 ↗</p> <table border="1" style="width:100%; border-collapse: collapse;"> <tr><td>Serie</td><td style="text-align: right;">8,0</td></tr> <tr><td>Totalt</td><td style="text-align: right;">356,0</td></tr> </table>	Serie	8,0	Totalt	356,0
Serie	44,0										
Totalt	348,0										
Serie	8,0										
Totalt	356,0										

<p>Skott 2</p> 	<p>1: 9,3 ↗</p> <table border="1" style="width:100%; border-collapse: collapse;"> <tr><td>Serie</td><td style="text-align: right;">9,0</td></tr> <tr><td>Totalt</td><td style="text-align: right;">365,0</td></tr> </table>	Serie	9,0	Totalt	365,0	<p>Skott 3</p> 	<p>1: 8,8 ↖</p> <table border="1" style="width:100%; border-collapse: collapse;"> <tr><td>Serie</td><td style="text-align: right;">8,0</td></tr> <tr><td>Totalt</td><td style="text-align: right;">373,0</td></tr> </table>	Serie	8,0	Totalt	373,0
Serie	9,0										
Totalt	365,0										
Serie	8,0										
Totalt	373,0										

<p>Skott 4</p> 	<p>1: 7,5 ↘</p> <table border="1" style="width:100%; border-collapse: collapse;"> <tr><td>Serie</td><td style="text-align: right;">7,0</td></tr> <tr><td>Totalt</td><td style="text-align: right;">380,0</td></tr> </table>	Serie	7,0	Totalt	380,0	<p>Skott 5</p> 	<p>1: 9,2 ↗</p> <table border="1" style="width:100%; border-collapse: collapse;"> <tr><td>Serie</td><td style="text-align: right;">9,0</td></tr> <tr><td>Totalt</td><td style="text-align: right;">389,0</td></tr> </table>	Serie	9,0	Totalt	389,0
Serie	7,0										
Totalt	380,0										
Serie	9,0										
Totalt	389,0										

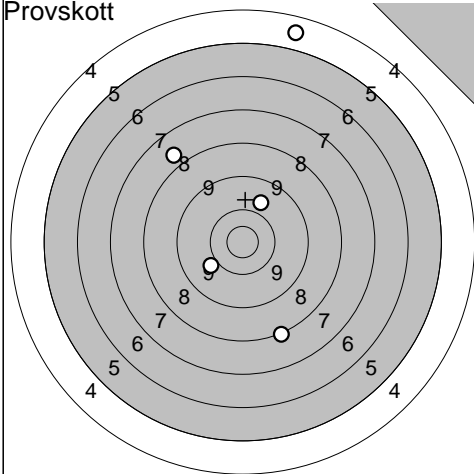
Söderala

2010-07-22

Tavelträffen B 2010 Final

Ramselefors SKF

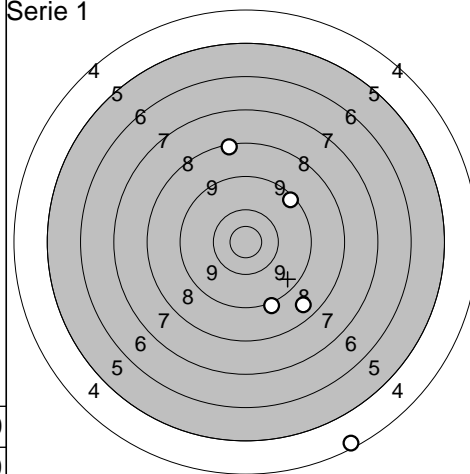
Provskott



1: 4,7 ↗  
 2: 8,1 ↘  
 3: 7,8 ↗  
 4: 10,0 ↙  
 5: 9,9 ↗

Serie 38,0  
 Totalt 213,0

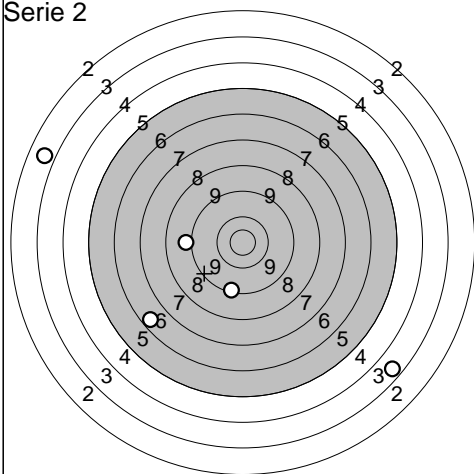
Serie 1



1: 9,3 ↗  
 2: 8,6 ↘  
 3: 9,1 ↘  
 4: 4,3 ↘  
 5: 8,3 ↗

Serie 38,0  
 Totalt 251,0

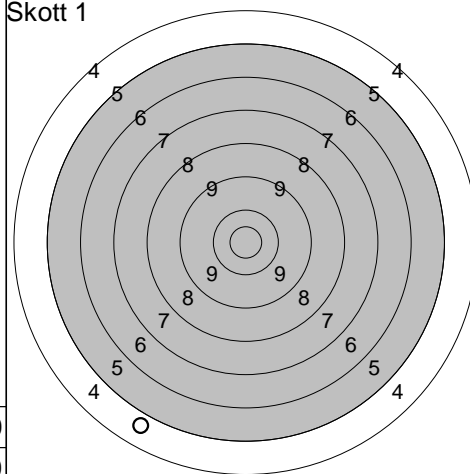
Serie 2



1: 9,1 ←  
 2: 9,3 ↘  
 3: 3,6 ↘  
 4: 6,6 ↙  
 5: 2,9 ↙

Serie 29,0  
 Totalt 280,0

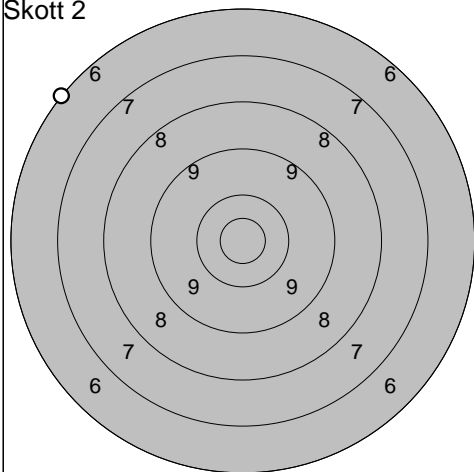
Skott 1



1: 4,8 ↘

Serie 4,0  
 Totalt 284,0

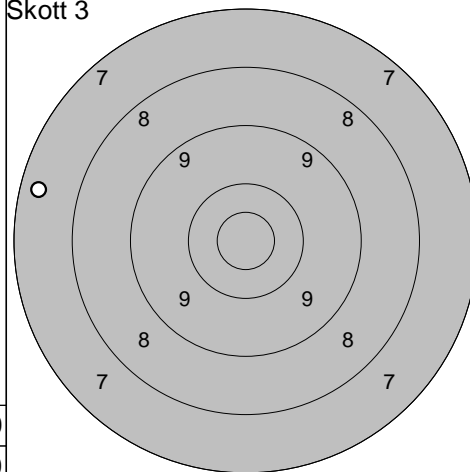
Skott 2



1: 6,1 ↙

Serie 6,0  
 Totalt 290,0

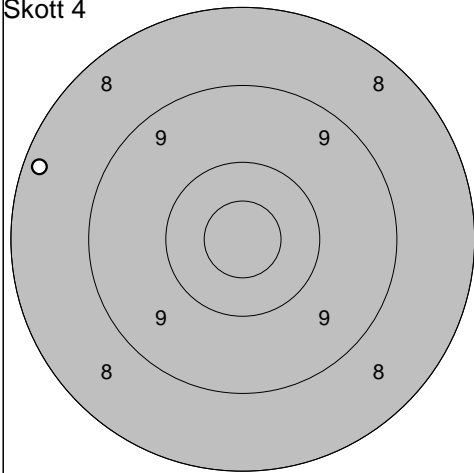
Skott 3



1: 7,4 ←

Serie 7,0  
 Totalt 297,0

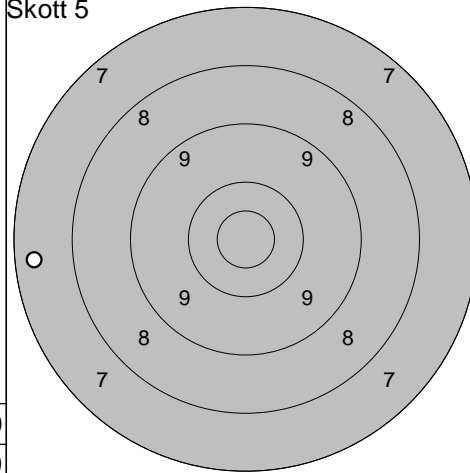
Skott 4



1: 8,3 ←

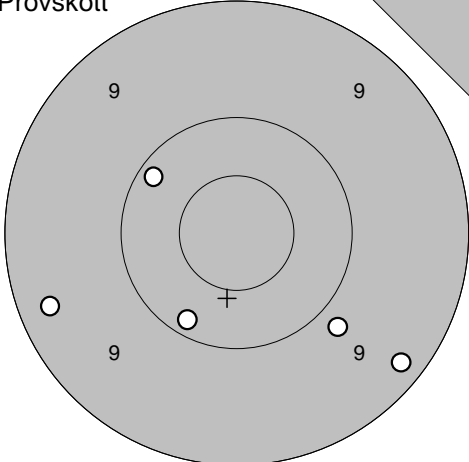
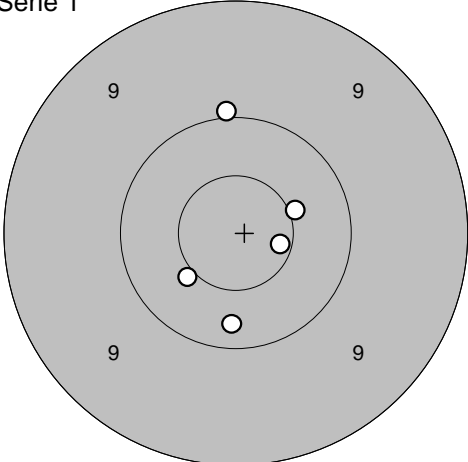
Serie 8,0  
 Totalt 305,0

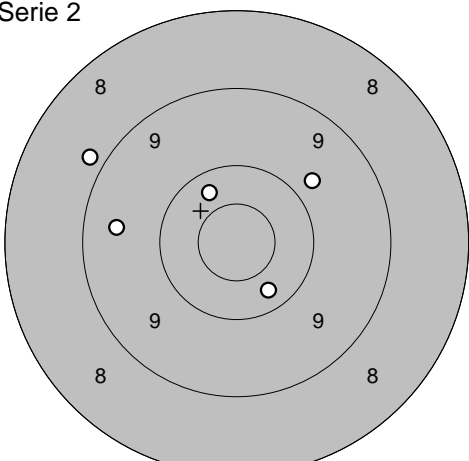
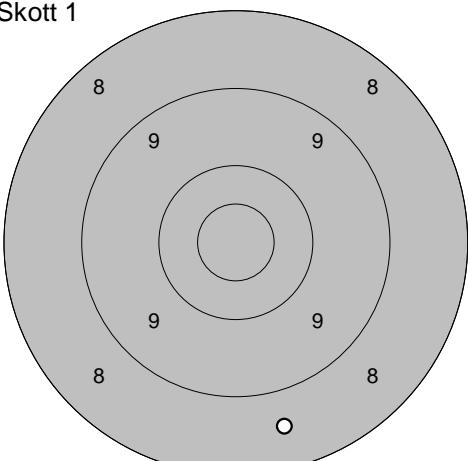
Skott 5

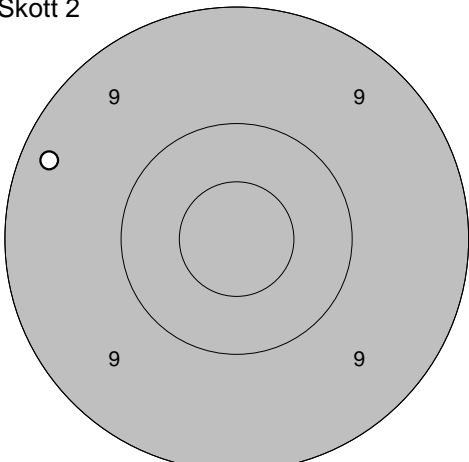
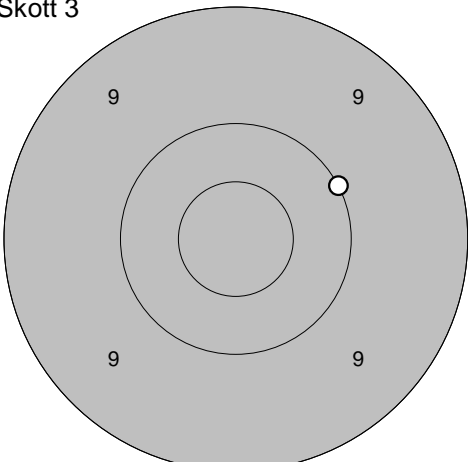


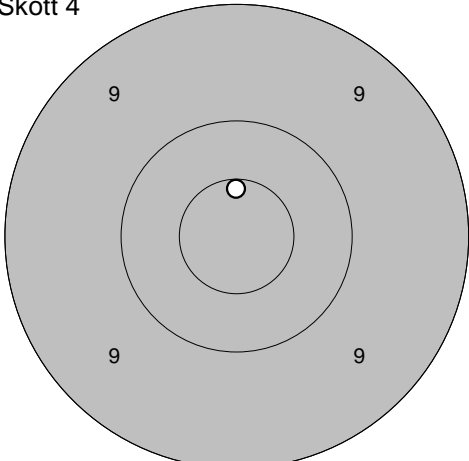
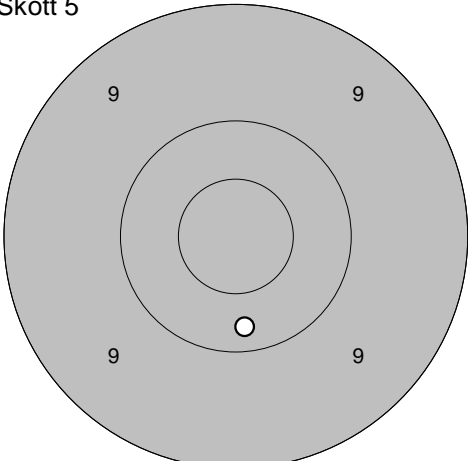
1: 7,4 ←

Serie 7,0  
 Totalt 312,0

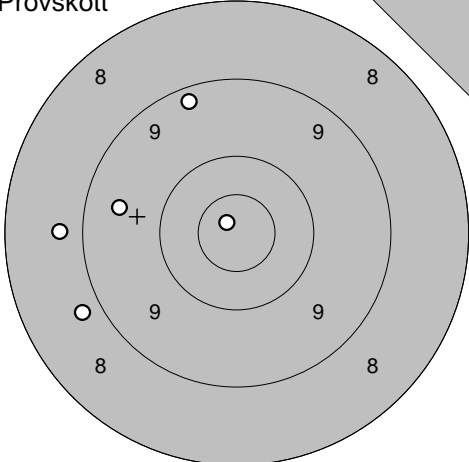
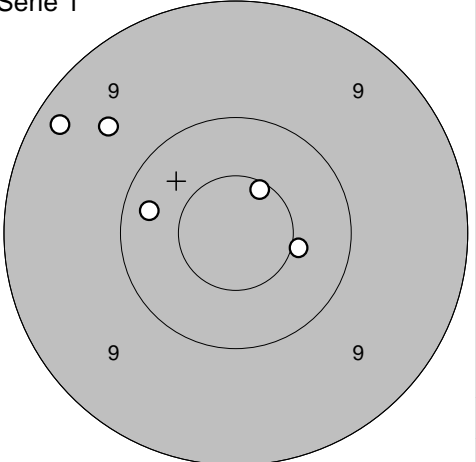
<b>Provs-kott</b> 	1: 9,8 ↘ 2: 10,2 ↗ 3: 9,2 ↘ 4: 10,2 ↘ 5: 9,3 ←	<b>Serie 1</b> 	1: 10,5* ↙ 2: 10,5* → 3: 10,0 ↑ 4: 10,6* → 5: 10,2 ↓
Serie 47,0		Serie 50,0	
Totalt 286,0		Totalt 336,0	

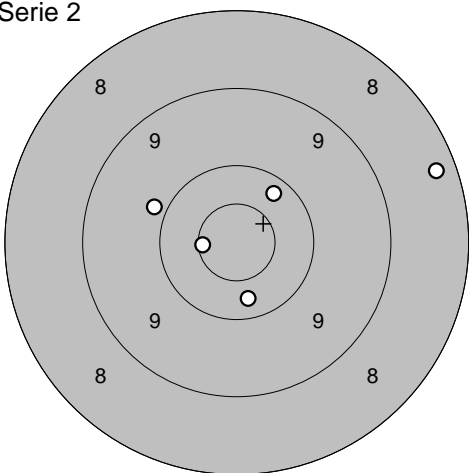
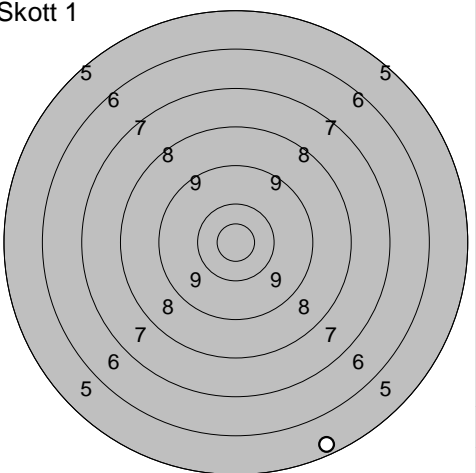
<b>Serie 2</b> 	1: 10,3 ↗ 2: 8,9 ↖ 3: 9,8 ↗ 4: 10,3 ↘ 5: 9,5 ←	<b>Skott 1</b> 	1: 8,6 ↓
Serie 46,0		Serie 8,0	
Totalt 382,0		Totalt 390,0	

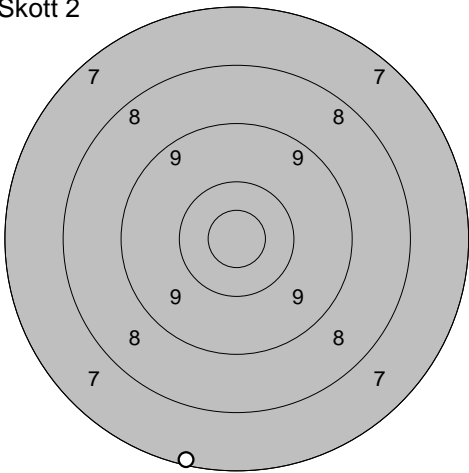
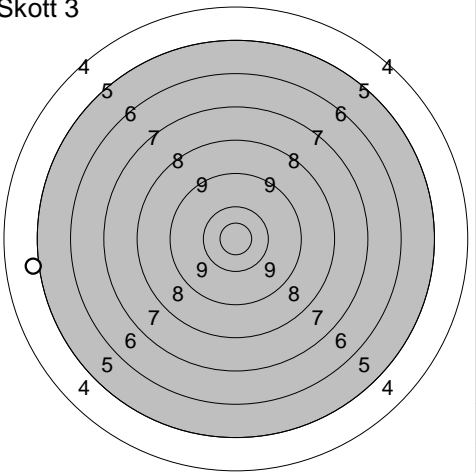
<b>Skott 2</b> 	1: 9,3 ←	<b>Skott 3</b> 	1: 10,0 →
Serie 9,0		Serie 10,0	
Totalt 399,0		Totalt 409,0	

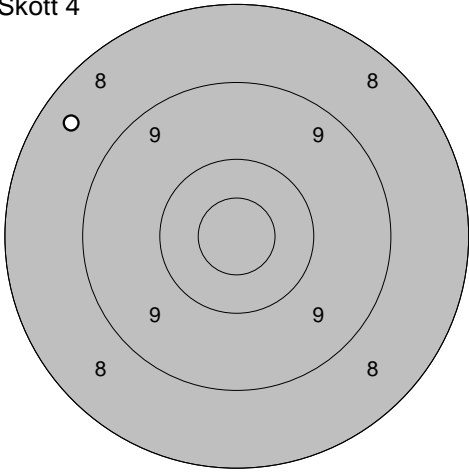
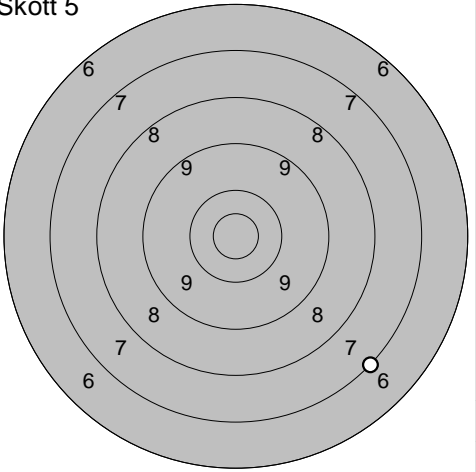
<b>Skott 4</b> 	1: 10,6* ↑	<b>Skott 5</b> 	1: 10,2 ↓
Serie 10,0		Serie 10,0	
Totalt 419,0		Totalt 429,0	



<p>Provskott</p> 	<p>1: 9,2 ↗ 2: 8,8 ← 3: 10,9* ↗ 4: 8,8 ← 5: 9,5 ←</p> <table border="1" style="width:100%; border-collapse: collapse;"> <tr><td>Serie</td><td style="text-align: right;">44,0</td></tr> <tr><td>Totalt</td><td style="text-align: right;">280,0</td></tr> </table>	Serie	44,0	Totalt	280,0	<p>Serie 1</p> 	<p>1: 10,3 ← 2: 9,6 ↗ 3: 9,3 ↗ 4: 10,6* ↗ 5: 10,5* →</p> <table border="1" style="width:100%; border-collapse: collapse;"> <tr><td>Serie</td><td style="text-align: right;">48,0</td></tr> <tr><td>Totalt</td><td style="text-align: right;">328,0</td></tr> </table>	Serie	48,0	Totalt	328,0
Serie	44,0										
Totalt	280,0										
Serie	48,0										
Totalt	328,0										

<p>Serie 2</p> 	<p>1: 9,9 ← 2: 8,3 → 3: 10,3 ↗ 4: 10,3 ↓ 5: 10,6* ←</p> <table border="1" style="width:100%; border-collapse: collapse;"> <tr><td>Serie</td><td style="text-align: right;">47,0</td></tr> <tr><td>Totalt</td><td style="text-align: right;">375,0</td></tr> </table>	Serie	47,0	Totalt	375,0	<p>Skott 1</p> 	<p>1: 5,4 ↓</p> <table border="1" style="width:100%; border-collapse: collapse;"> <tr><td>Serie</td><td style="text-align: right;">5,0</td></tr> <tr><td>Totalt</td><td style="text-align: right;">380,0</td></tr> </table>	Serie	5,0	Totalt	380,0
Serie	47,0										
Totalt	375,0										
Serie	5,0										
Totalt	380,0										

<p>Skott 2</p> 	<p>1: 7,2 ↓</p> <table border="1" style="width:100%; border-collapse: collapse;"> <tr><td>Serie</td><td style="text-align: right;">7,0</td></tr> <tr><td>Totalt</td><td style="text-align: right;">387,0</td></tr> </table>	Serie	7,0	Totalt	387,0	<p>Skott 3</p> 	<p>1: 5,0 ←</p> <table border="1" style="width:100%; border-collapse: collapse;"> <tr><td>Serie</td><td style="text-align: right;">5,0</td></tr> <tr><td>Totalt</td><td style="text-align: right;">392,0</td></tr> </table>	Serie	5,0	Totalt	392,0
Serie	7,0										
Totalt	387,0										
Serie	5,0										
Totalt	392,0										

<p>Skott 4</p> 	<p>1: 8,5 ←</p> <table border="1" style="width:100%; border-collapse: collapse;"> <tr><td>Serie</td><td style="text-align: right;">8,0</td></tr> <tr><td>Totalt</td><td style="text-align: right;">400,0</td></tr> </table>	Serie	8,0	Totalt	400,0	<p>Skott 5</p> 	<p>1: 7,1 ↓</p> <table border="1" style="width:100%; border-collapse: collapse;"> <tr><td>Serie</td><td style="text-align: right;">7,0</td></tr> <tr><td>Totalt</td><td style="text-align: right;">407,0</td></tr> </table>	Serie	7,0	Totalt	407,0
Serie	8,0										
Totalt	400,0										
Serie	7,0										
Totalt	407,0										

Ununge

2010-07-22	Tavelträffen B 2010 Final	Ramselefors SKF
------------	---------------------------	-----------------

<p>Provskott</p>	<p>1: 9,4 ← 2: 9,9 ↙ 3: 10,2 → 4: 7,7 → 5: 9,2 ↘</p>	<p>Serie 1</p>	<p>1: 10,8* ← 2: 9,8 ↖ 3: 10,4 ↘ 4: 10,2 → 5: 10,6* ←</p>
Serie 44,0		Serie 49,0	
Totalt 279,0		Totalt 328,0	

<p>Serie 2</p>	<p>1: 10,3 ↗ 2: 9,5 ↖ 3: 8,3 → 4: 7,7 ↘ 5: 10,0 →</p>	<p>Skott 1</p>	<p>1: 8,3 ↖</p>
Serie 44,0		Serie 8,0	
Totalt 372,0		Totalt 380,0	

<p>Skott 2</p>	<p>1: 7,4 →</p>	<p>Skott 3</p>	<p>1: 8,1 ↓</p>
Serie 7,0		Serie 8,0	
Totalt 387,0		Totalt 395,0	

<p>Skott 4</p>	<p>1: 5,7 ↗</p>	<p>Skott 5</p>	<p>1: 7,1 →</p>
Serie 5,0		Serie 7,0	
Totalt 400,0		Totalt 407,0	

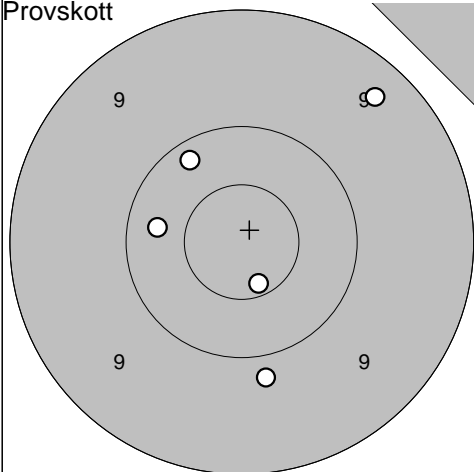
Bälgviken

2010-07-22

Tavelträffen B 2010 Final

Ramselefors SKF

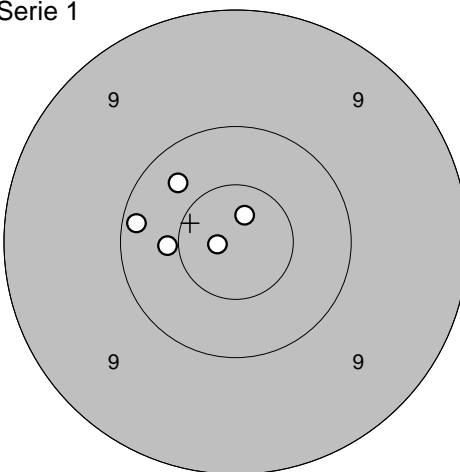
Provs-kott



- 1: 10,2 ↗
- 2: 10,3 ←
- 3: 9,3 ↗
- 4: 10,6\* ↓
- 5: 9,8 ↓

Serie	48,0
Totalt	276,0

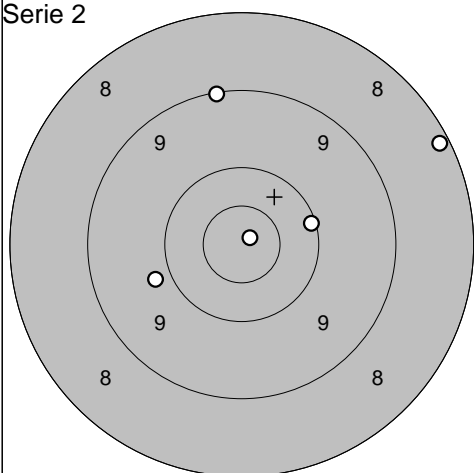
Serie 1



- 1: 10,8\* ↗
- 2: 10,2 ←
- 3: 10,4 ←
- 4: 10,3 ↗
- 5: 10,9\* ←

Serie	50,0
Totalt	326,0

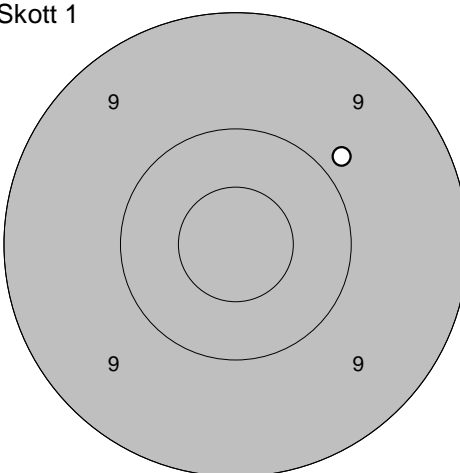
Serie 2



- 1: 9,1 ↑
- 2: 8,2 →
- 3: 9,9 ←
- 4: 10,9\* ↗
- 5: 10,1 →

Serie	46,0
Totalt	372,0

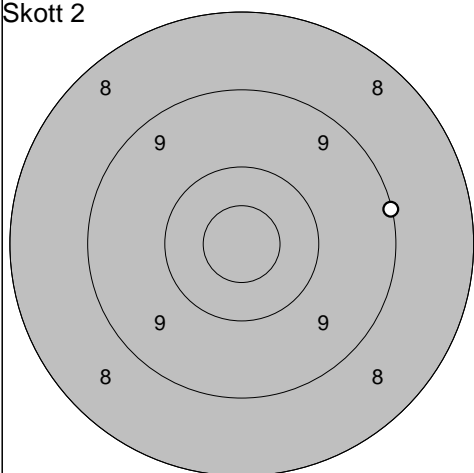
Skott 1



- 1: 9,8 ↗

Serie	9,0
Totalt	381,0

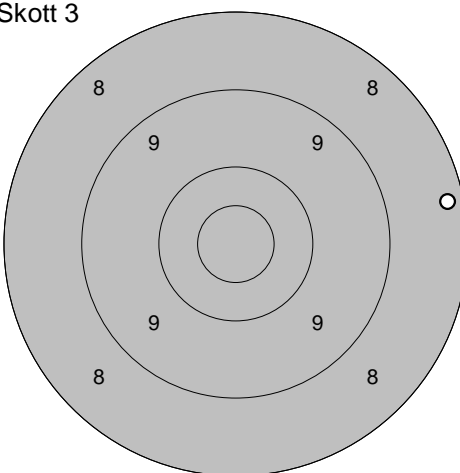
Skott 2



- 1: 9,1 →

Serie	9,0
Totalt	390,0

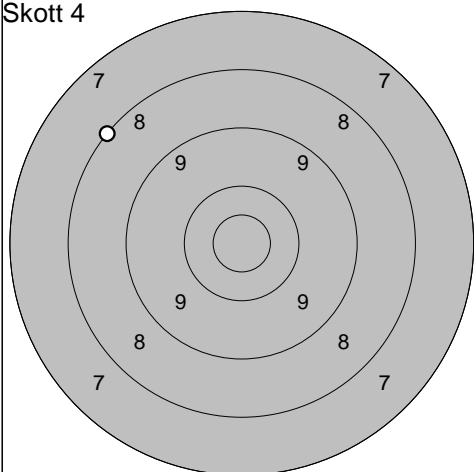
Skott 3



- 1: 8,3 →

Serie	8,0
Totalt	398,0

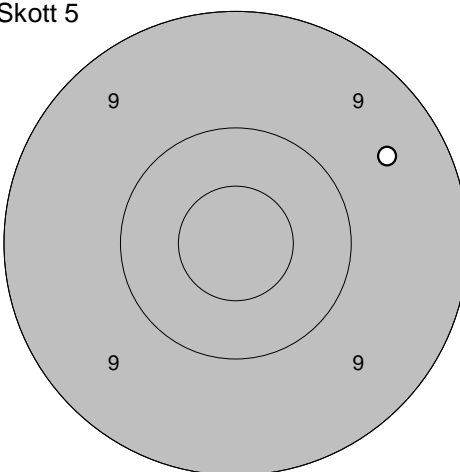
Skott 4



- 1: 8,1 ↖

Serie	8,0
Totalt	406,0

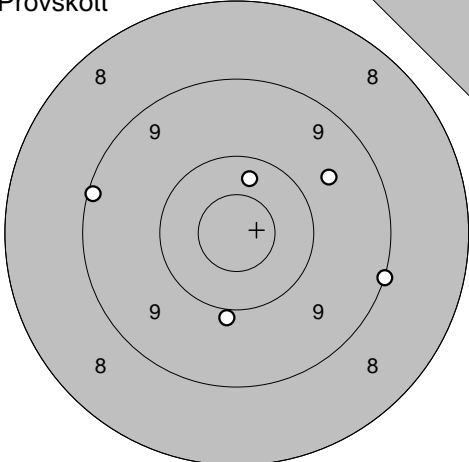
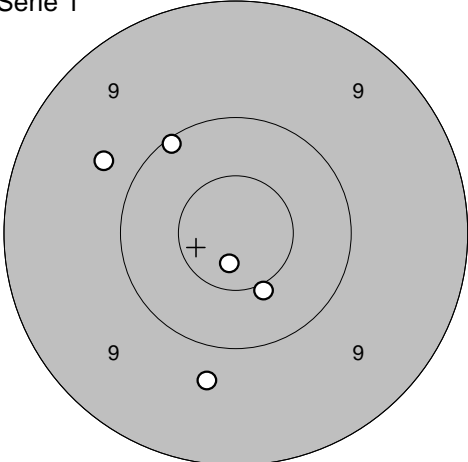
Skott 5

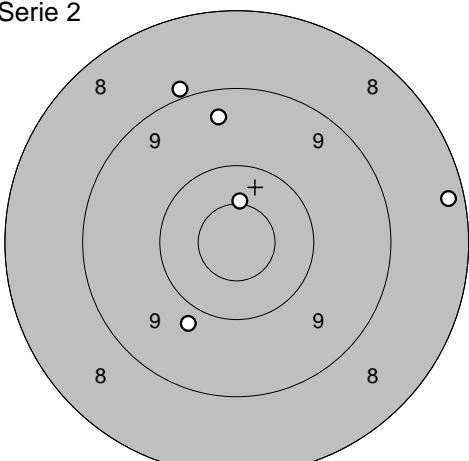
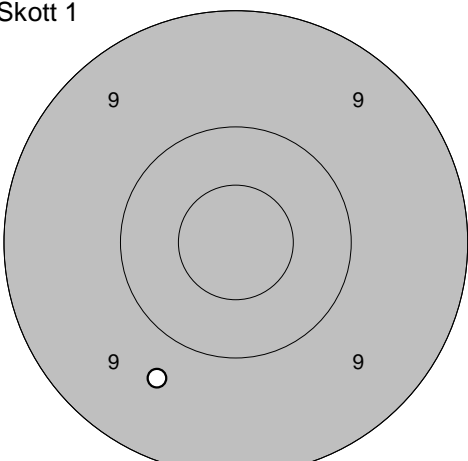


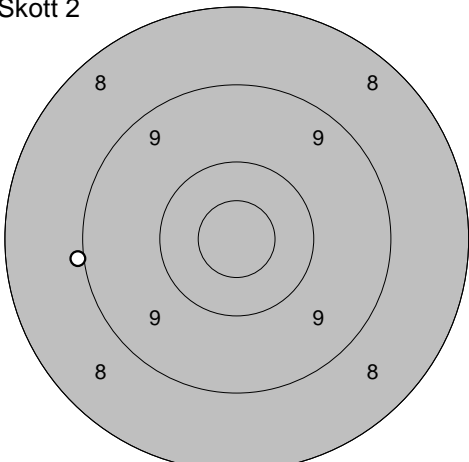
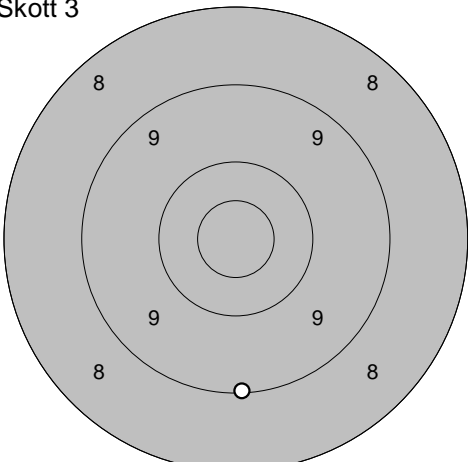
- 1: 9,5 ↗

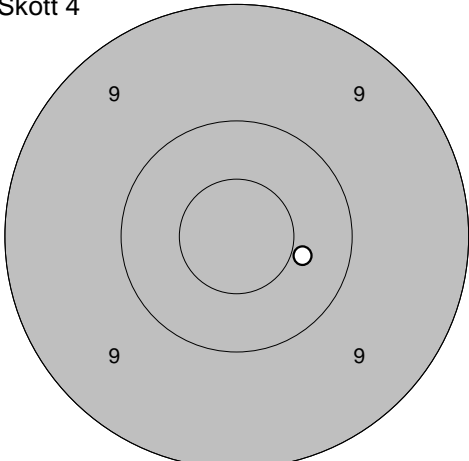
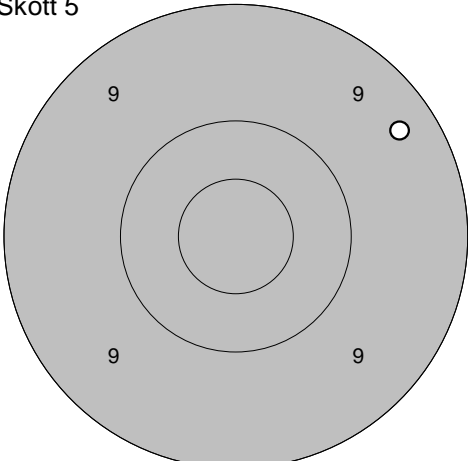
Serie	9,0
Totalt	415,0

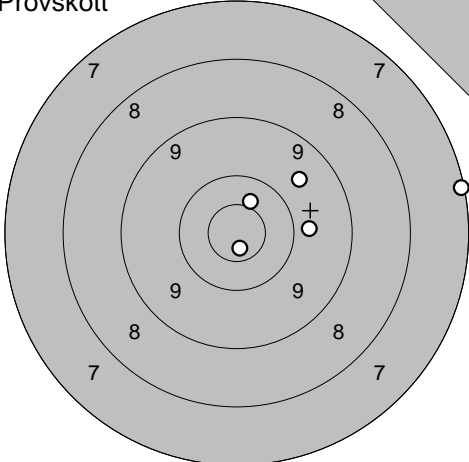
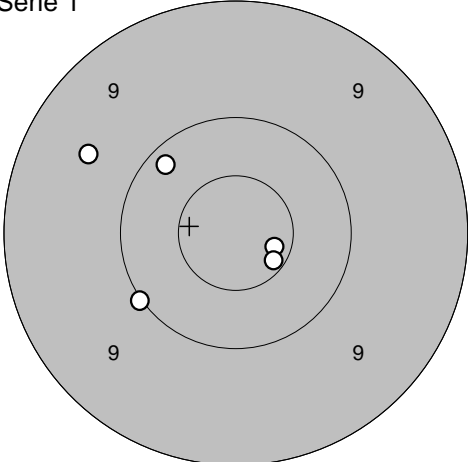


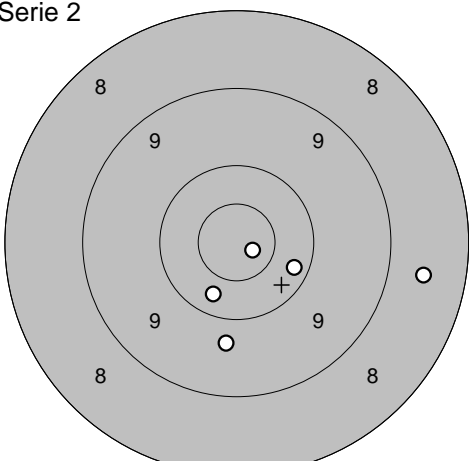
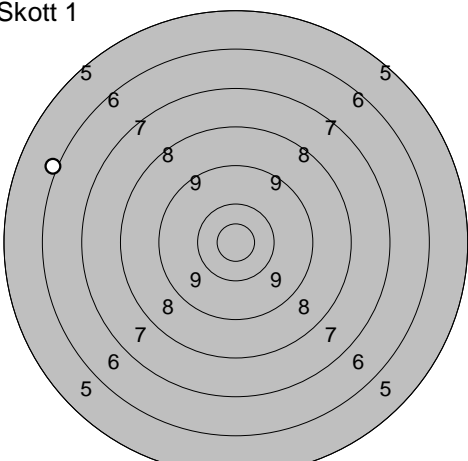
<p>Provsnitt</p> 	<p>Serie 1</p> <p>1: 9,1 ← 2: 9,7 ↗ 3: 10,3 ↑ 4: 9,0 → 5: 9,9 ↓</p> 	<p>Serie 1</p> <p>1: 10,1 ↗ 2: 9,7 ↖ 3: 9,7 ↓ 4: 10,5* ↓ 5: 10,8* ↓</p>
Serie 46,0	Serie 48,0	
Totalt 274,0	Totalt 322,0	

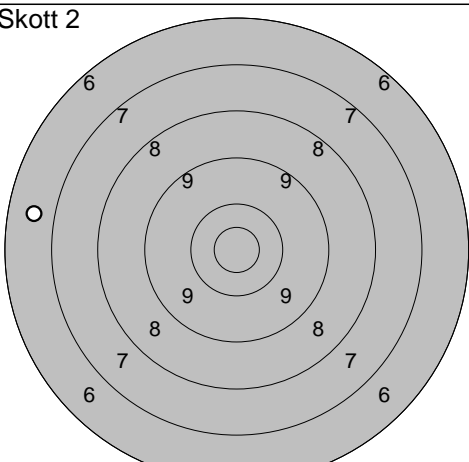
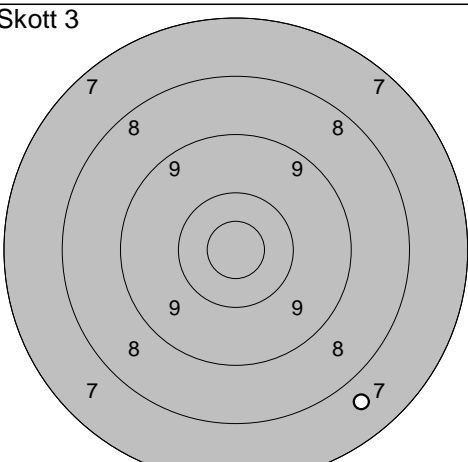
<p>Serie 2</p> 	<p>Skott 1</p> <p>1: 8,9 ↑ 2: 9,4 ↑ 3: 8,3 → 4: 9,8 ↘ 5: 10,5* ↑</p> 	<p>Skott 1</p> <p>1: 9,7 ↘</p>
Serie 44,0	Serie 9,0	
Totalt 366,0	Totalt 375,0	

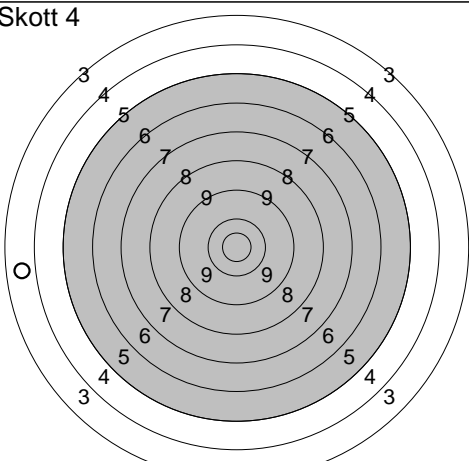
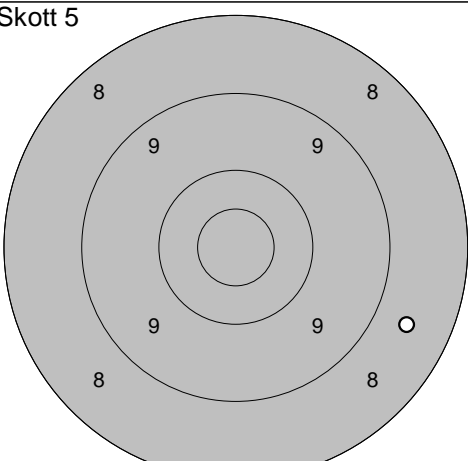
<p>Skott 2</p> 	<p>Skott 3</p> <p>1: 9,0 ←</p> 	<p>Skott 3</p> <p>1: 9,1 ↓</p>
Serie 9,0	Serie 9,0	
Totalt 384,0	Totalt 393,0	

<p>Skott 4</p> 	<p>Skott 5</p> 	<p>Skott 5</p> <p>1: 9,4 ↗</p>
Serie 10,0	Serie 9,0	
Totalt 403,0	Totalt 412,0	

<b>Provskott</b> 	1: 10,5* ↗ 2: 10,8* ↓ 3: 9,8 → 4: 7,1 → 5: 9,7 ↗ <hr/> Serie 45,0 Totalt 272,0	<b>Serie 1</b> 	1: 10,2 ↗ 2: 9,6 ↗ 3: 10,0 ↙ 4: 10,7* ↘ 5: 10,6* ↘ <hr/> Serie 49,0 Totalt 321,0
--	--	--	--

<b>Serie 2</b> 	1: 10,8* → 2: 10,3 ↓ 3: 8,6 → 4: 9,7 ↓ 5: 10,2 → <hr/> Serie 47,0 Totalt 368,0	<b>Skott 1</b> 	1: 6,0 ← <hr/> Serie 6,0 Totalt 374,0
---	--	---	---

<b>Skott 2</b> 	1: 6,7 ← <hr/> Serie 6,0 Totalt 380,0	<b>Skott 3</b> 	1: 7,7 ↘ <hr/> Serie 7,0 Totalt 387,0
--	---	--	---

<b>Skott 4</b> 	1: 3,8 ← <hr/> Serie 3,0 Totalt 390,0	<b>Skott 5</b> 	1: 8,6 → <hr/> Serie 8,0 Totalt 398,0
--	---	--	---



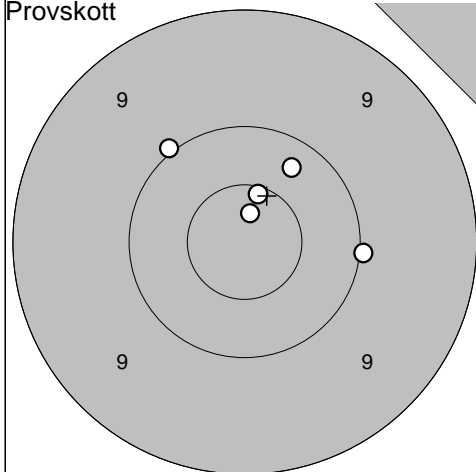
Hogdal

2010-07-22

Tavelträffen B 2010 Final

Ramselefors SKF

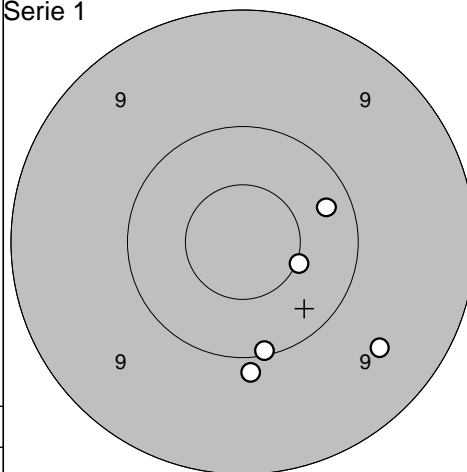
Provskott



1: 10,8\* ↑  
 2: 10,0 →  
 3: 10,3 ↗  
 4: 10,0 ↖  
 5: 10,6\* ↑

Serie 50,0  
 Totalt 270,0

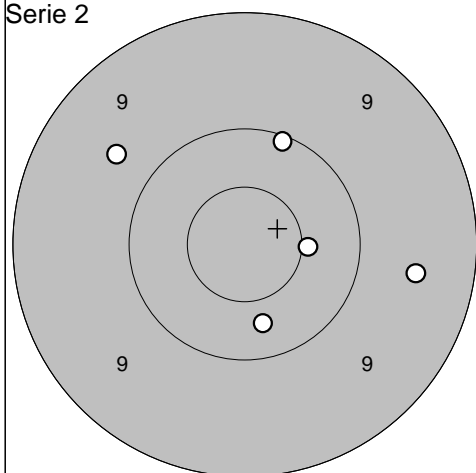
Serie 1



1: 10,5\* →  
 2: 9,5 ↘  
 3: 10,3 ↗  
 4: 9,9 ↓  
 5: 10,1 ↓

Serie 48,0  
 Totalt 318,0

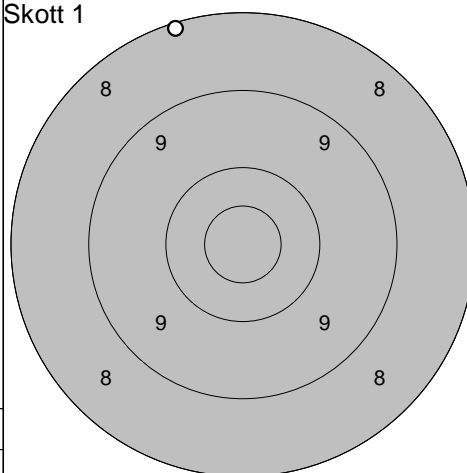
Serie 2



1: 10,3 ↓  
 2: 9,5 →  
 3: 10,5\* →  
 4: 9,7 ↖  
 5: 10,1 ↑

Serie 48,0  
 Totalt 366,0

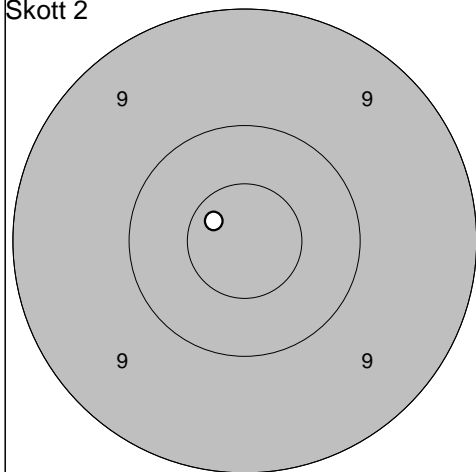
Skott 1



1: 8,1 ↑

Serie 8,0  
 Totalt 374,0

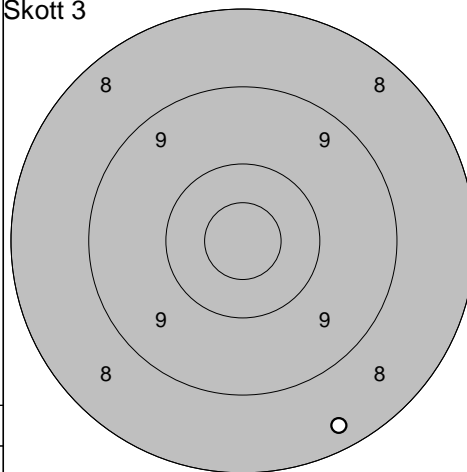
Skott 2



1: 10,7\* ↖

Serie 10,0  
 Totalt 384,0

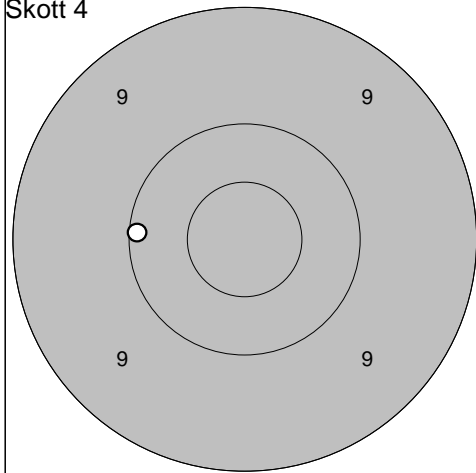
Skott 3



1: 8,4 ↓

Serie 8,0  
 Totalt 392,0

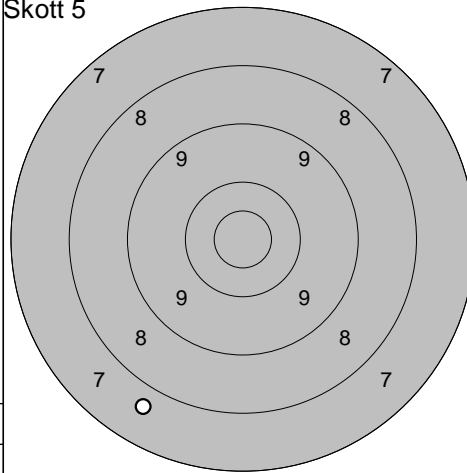
Skott 4



1: 10,1 ←

Serie 10,0  
 Totalt 402,0

Skott 5

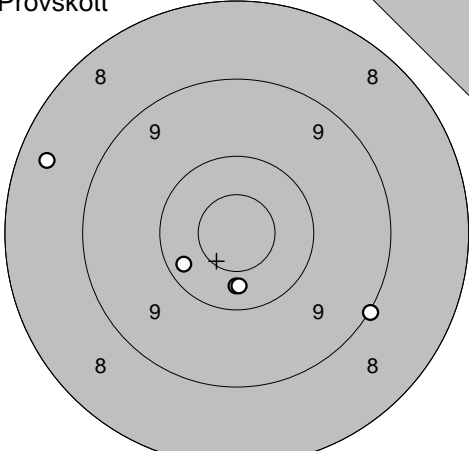
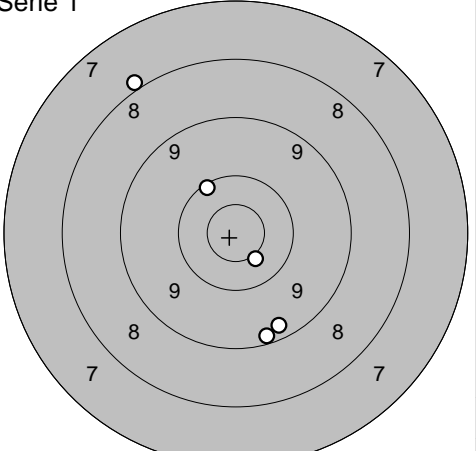


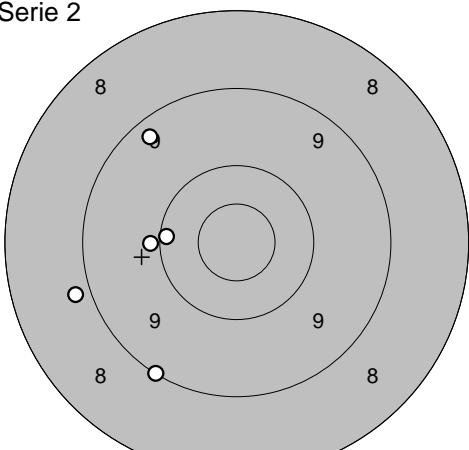
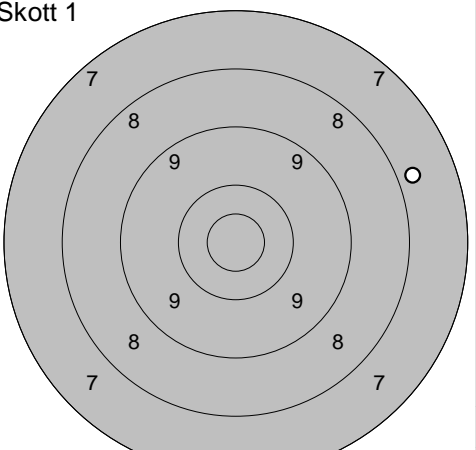
1: 7,7 ↘

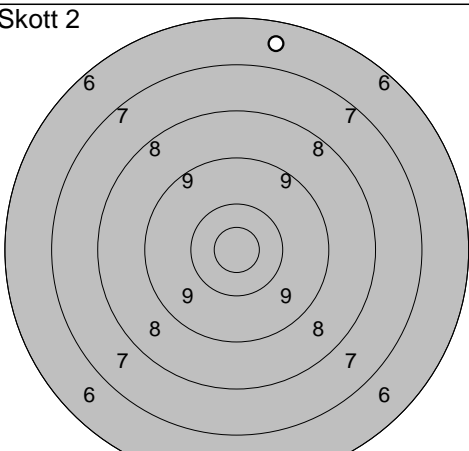
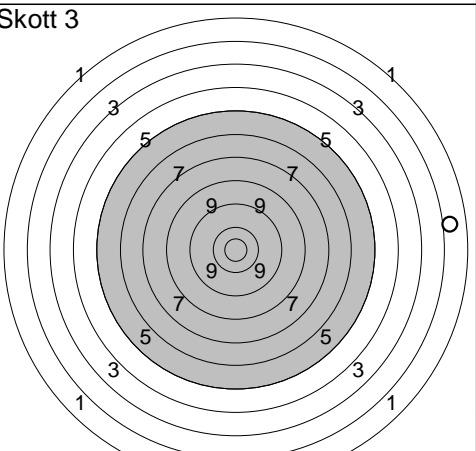
Serie 7,0  
 Totalt 409,0

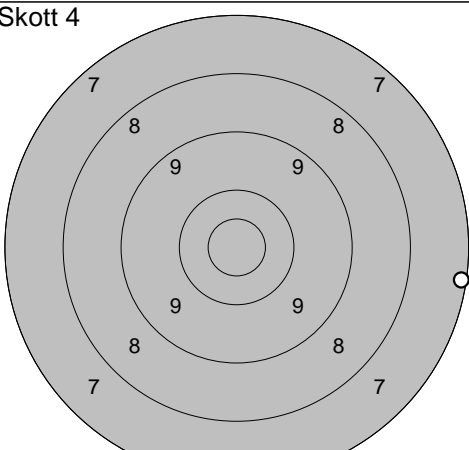
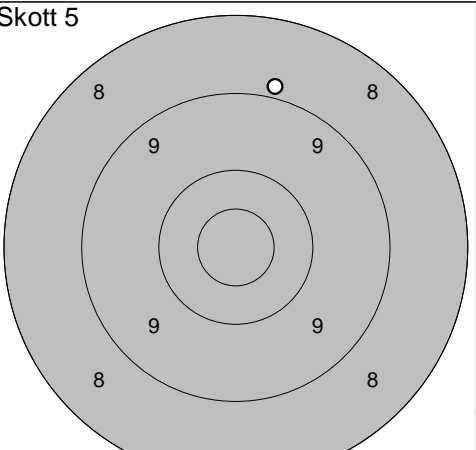




<p>Provskott</p> 	<p>1: 10,3 ↙ 2: 10,4 ↓ 3: 9,0 → 4: 8,4 ↖ 5: 10,4 ↓</p>	<p>Serie 1</p> 	<p>1: 9,3 ↘ 2: 9,2 ↘ 3: 10,2 ↗ 4: 8,0 ↗ 5: 10,5* ↘</p>
Serie 47,0		Serie 46,0	
Totalt 267,0		Totalt 313,0	

<p>Serie 2</p> 	<p>1: 10,1 ← 2: 8,9 ← 3: 9,1 ↘ 4: 9,3 ↗ 5: 9,9 ←</p>	<p>Skott 1</p> 	<p>1: 7,8 →</p>
Serie 45,0		Serie 7,0	
Totalt 358,0		Totalt 365,0	

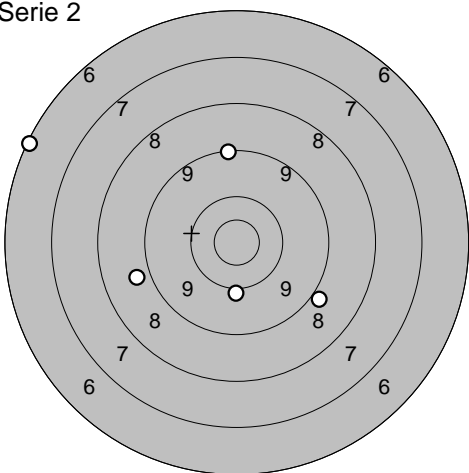
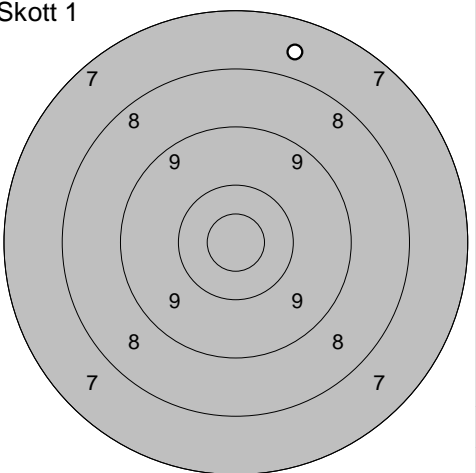
<p>Skott 2</p> 	<p>1: 6,6 ↑</p>	<p>Skott 3</p> 	<p>1: 2,0 →</p>
Serie 6,0		Serie 2,0	
Totalt 371,0		Totalt 373,0	

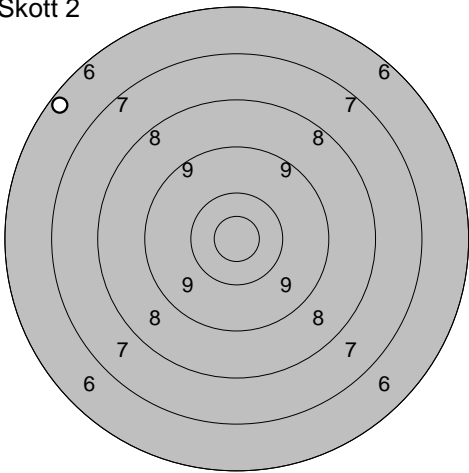
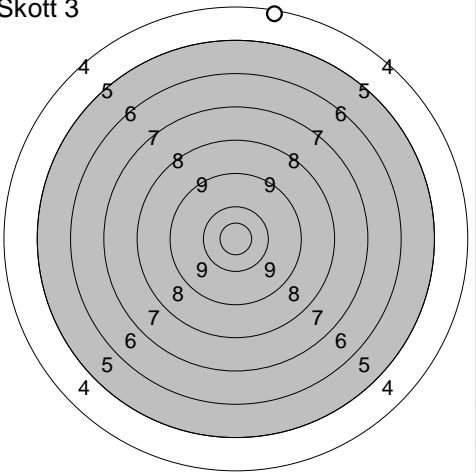
<p>Skott 4</p> 	<p>1: 7,2 →</p>	<p>Skott 5</p> 	<p>1: 8,9 ↑</p>
Serie 7,0		Serie 8,0	
Totalt 380,0		Totalt 388,0	

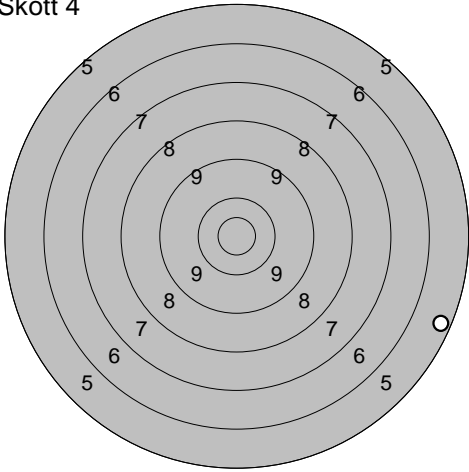
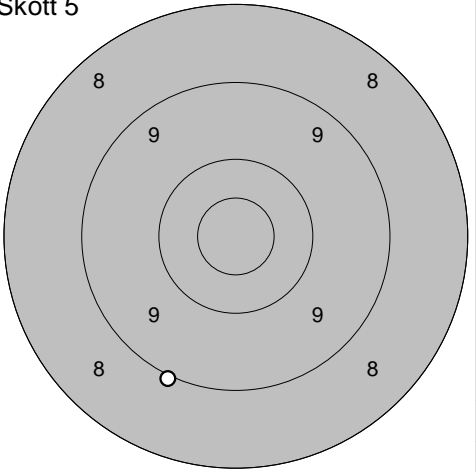




<p>Provskott</p> 	<p>1: 10,4 ↗ 2: 9,6 ↗ 3: 9,7 ↖ 4: 8,9 ↖ 5: 9,2 ↓</p> <table border="1" style="width:100%; border-collapse: collapse;"> <tr><td>Serie</td><td style="text-align: right;">45,0</td></tr> <tr><td>Totalt</td><td style="text-align: right;">264,0</td></tr> </table>	Serie	45,0	Totalt	264,0	<p>Serie 1</p> 	<p>1: 9,8 ↘ 2: 10,4 ↗ 3: 9,8 ↖ 4: 8,5 ↓ 5: 9,9 ↗</p> <table border="1" style="width:100%; border-collapse: collapse;"> <tr><td>Serie</td><td style="text-align: right;">45,0</td></tr> <tr><td>Totalt</td><td style="text-align: right;">309,0</td></tr> </table>	Serie	45,0	Totalt	309,0
Serie	45,0										
Totalt	264,0										
Serie	45,0										
Totalt	309,0										

<p>Serie 2</p> 	<p>1: 8,9 ↘ 2: 9,2 ↑ 3: 6,2 ↖ 4: 8,8 ↖ 5: 10,0 ↓</p> <table border="1" style="width:100%; border-collapse: collapse;"> <tr><td>Serie</td><td style="text-align: right;">41,0</td></tr> <tr><td>Totalt</td><td style="text-align: right;">350,0</td></tr> </table>	Serie	41,0	Totalt	350,0	<p>Skott 1</p> 	<p>1: 7,6 ↑</p> <table border="1" style="width:100%; border-collapse: collapse;"> <tr><td>Serie</td><td style="text-align: right;">7,0</td></tr> <tr><td>Totalt</td><td style="text-align: right;">357,0</td></tr> </table>	Serie	7,0	Totalt	357,0
Serie	41,0										
Totalt	350,0										
Serie	7,0										
Totalt	357,0										

<p>Skott 2</p> 	<p>1: 6,3 ↖</p> <table border="1" style="width:100%; border-collapse: collapse;"> <tr><td>Serie</td><td style="text-align: right;">6,0</td></tr> <tr><td>Totalt</td><td style="text-align: right;">363,0</td></tr> </table>	Serie	6,0	Totalt	363,0	<p>Skott 3</p> 	<p>1: 4,3 ↑</p> <table border="1" style="width:100%; border-collapse: collapse;"> <tr><td>Serie</td><td style="text-align: right;">4,0</td></tr> <tr><td>Totalt</td><td style="text-align: right;">367,0</td></tr> </table>	Serie	4,0	Totalt	367,0
Serie	6,0										
Totalt	363,0										
Serie	4,0										
Totalt	367,0										

<p>Skott 4</p> 	<p>1: 5,4 ↗</p> <table border="1" style="width:100%; border-collapse: collapse;"> <tr><td>Serie</td><td style="text-align: right;">5,0</td></tr> <tr><td>Totalt</td><td style="text-align: right;">372,0</td></tr> </table>	Serie	5,0	Totalt	372,0	<p>Skott 5</p> 	<p>1: 9,0 ↘</p> <table border="1" style="width:100%; border-collapse: collapse;"> <tr><td>Serie</td><td style="text-align: right;">9,0</td></tr> <tr><td>Totalt</td><td style="text-align: right;">381,0</td></tr> </table>	Serie	9,0	Totalt	381,0
Serie	5,0										
Totalt	372,0										
Serie	9,0										
Totalt	381,0										

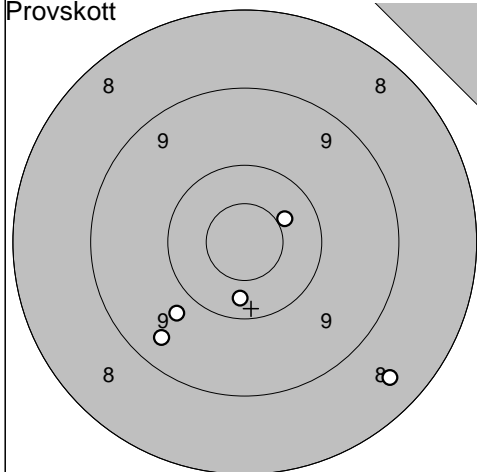
Ununge

2010-07-22

Tavelträffen B 2010 Final

Ramselefors SKF

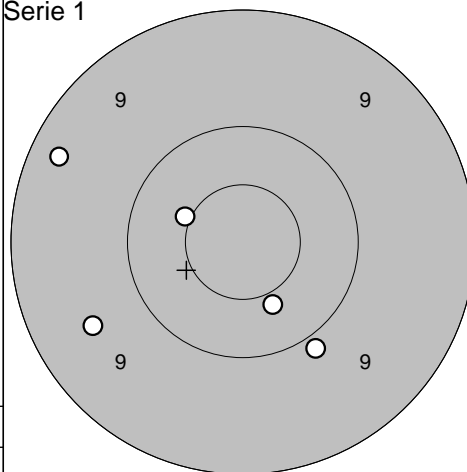
Provskott



- 1: 10,4 ↗
- 2: 10,3 ↓
- 3: 9,8 ↙
- 4: 9,4 ↙
- 5: 8,5 ↙

Serie	46,0
<b>Totalt</b>	<b>260,0</b>

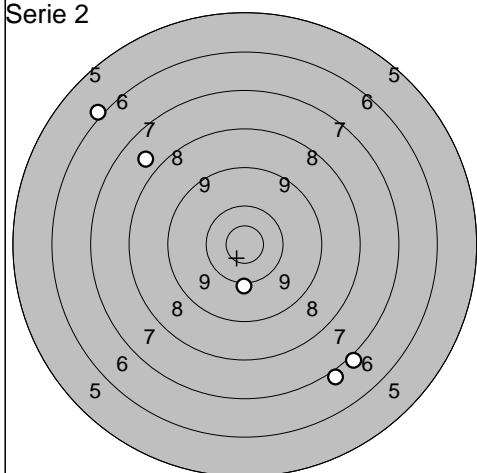
Serie 1



- 1: 9,6 ↙
- 2: 10,5\* ↖
- 3: 9,3 ↖
- 4: 10,4 ↘
- 5: 9,9 ↘

Serie	47,0
<b>Totalt</b>	<b>307,0</b>

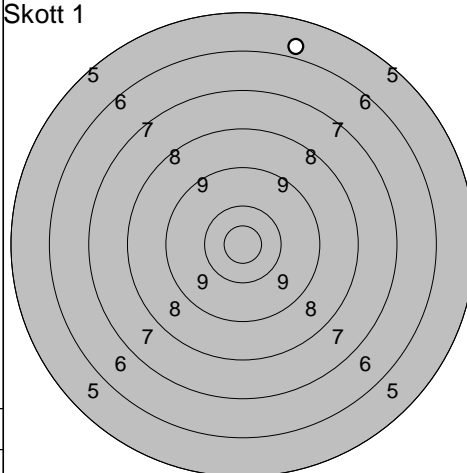
Serie 2



- 1: 6,0 ↗
- 2: 7,8 ↗
- 3: 7,0 ↘
- 4: 7,0 ↘
- 5: 10,1 ↓

Serie	37,0
<b>Totalt</b>	<b>344,0</b>

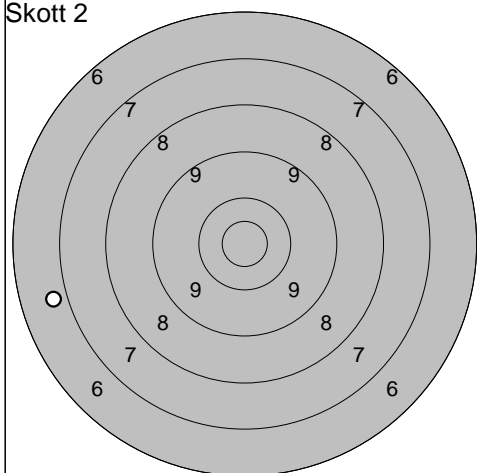
Skott 1



- 1: 5,9 ↑

Serie	5,0
<b>Totalt</b>	<b>349,0</b>

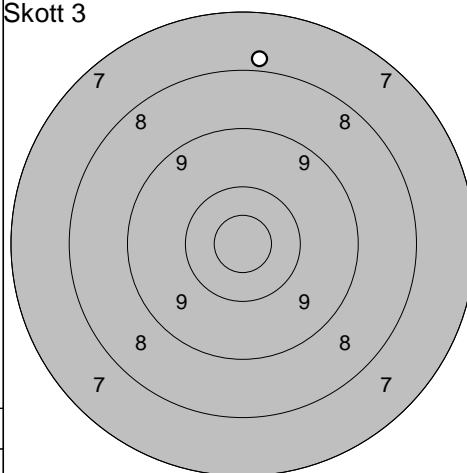
Skott 2



- 1: 6,8 ←

Serie	6,0
<b>Totalt</b>	<b>355,0</b>

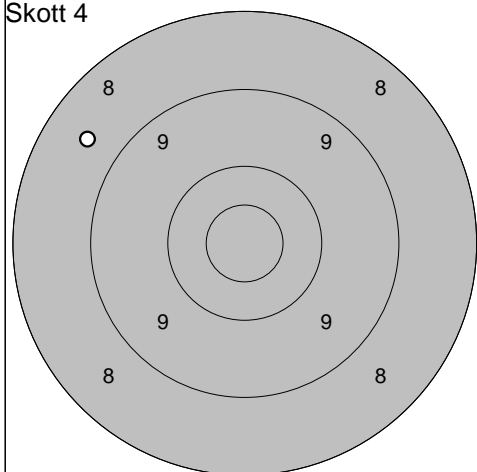
Skott 3



- 1: 7,9 ↑

Serie	7,0
<b>Totalt</b>	<b>362,0</b>

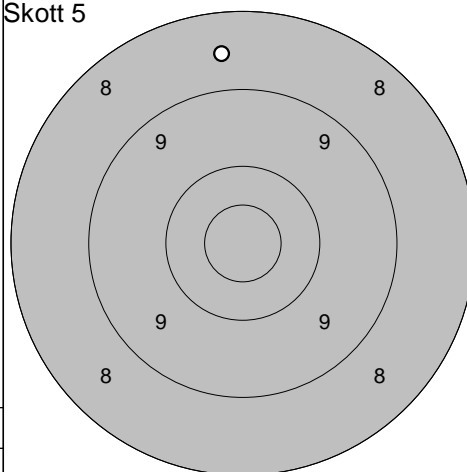
Skott 4



- 1: 8,6 ↖

Serie	8,0
<b>Totalt</b>	<b>370,0</b>

Skott 5



- 1: 8,6 ↑

Serie	8,0
<b>Totalt</b>	<b>378,0</b>

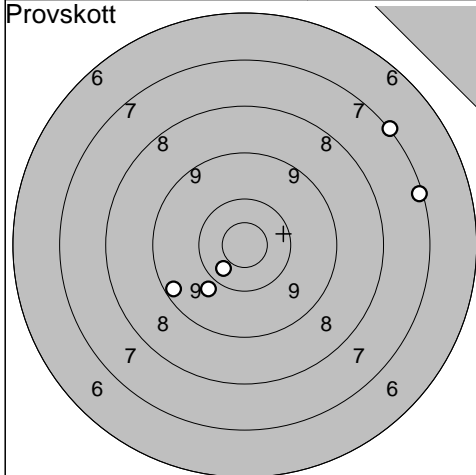
Frötuna

2010-07-22

Tavelträffen B 2010 Final

Ramselefors SKF

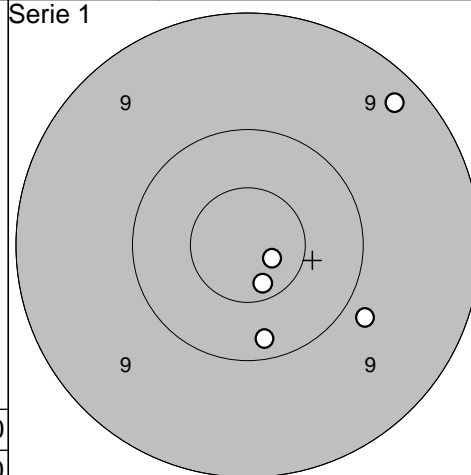
Provskott



1: 9,3 ↙  
 2: 10,4 ↘  
 3: 9,9 ↘  
 4: 7,2 →  
 5: 7,1 ↗

Serie 42,0  
 Totalt 260,0

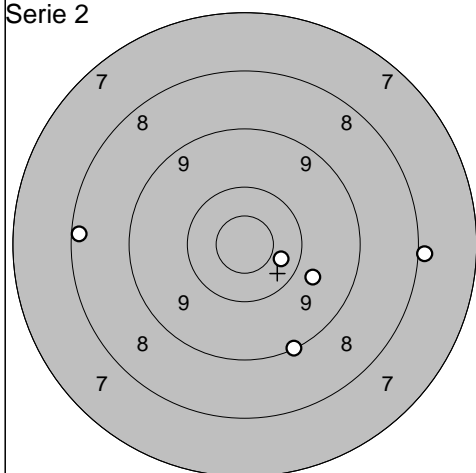
Serie 1



1: 10,2 ↓  
 2: 9,8 ↘  
 3: 10,7\* ↓  
 4: 10,8\* ↘  
 5: 9,3 ↗

Serie 48,0  
 Totalt 308,0

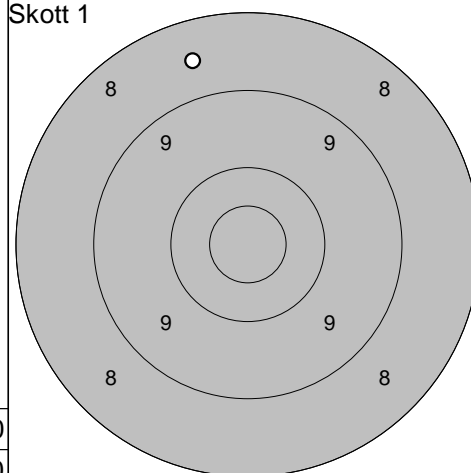
Serie 2



1: 10,4 →  
 2: 8,0 →  
 3: 8,2 ←  
 4: 9,8 ↘  
 5: 9,1 ↘

Serie 44,0  
 Totalt 352,0

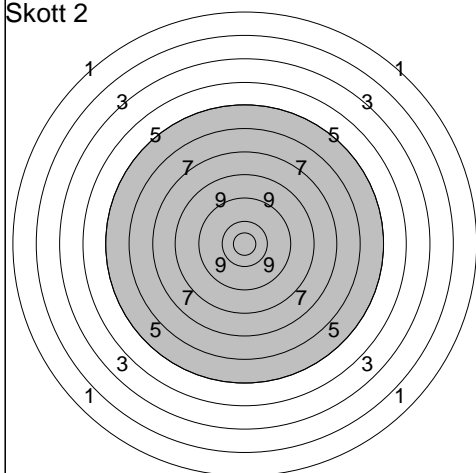
Skott 1



1: 8,6 ↑

Serie 8,0  
 Totalt 360,0

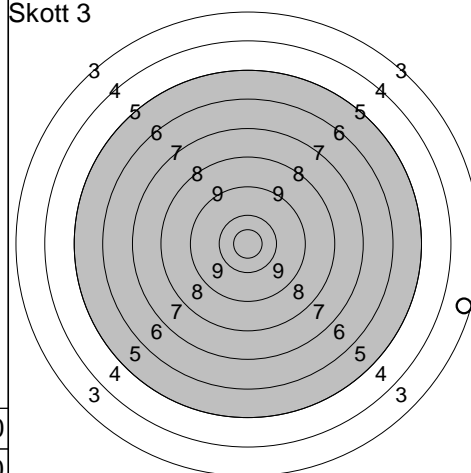
Skott 2



0,0

Serie 0,0  
 Totalt 360,0

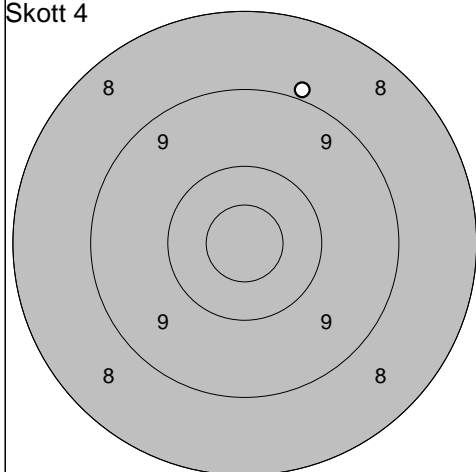
Skott 3



1: 3,5 →

Serie 3,0  
 Totalt 363,0

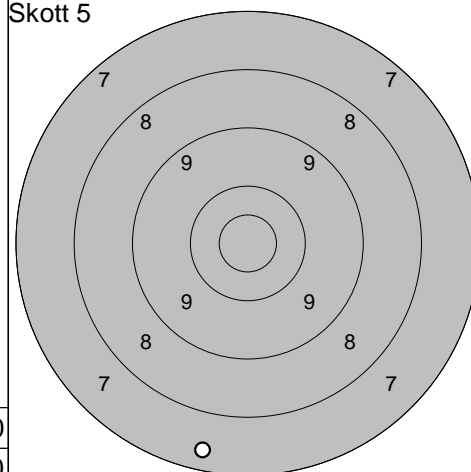
Skott 4



1: 8,9 ↑

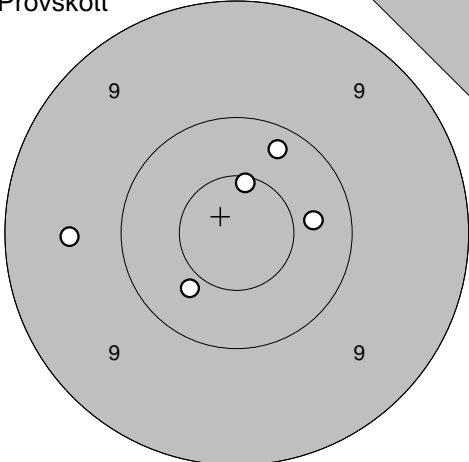
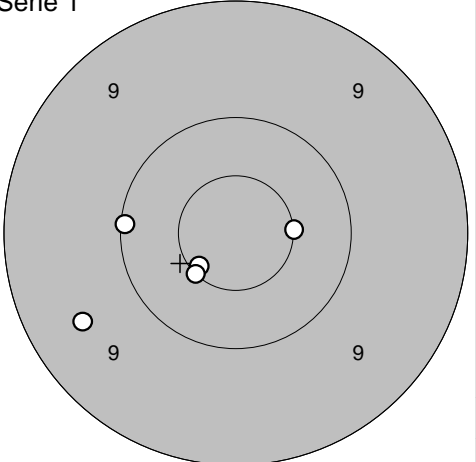
Serie 8,0  
 Totalt 371,0

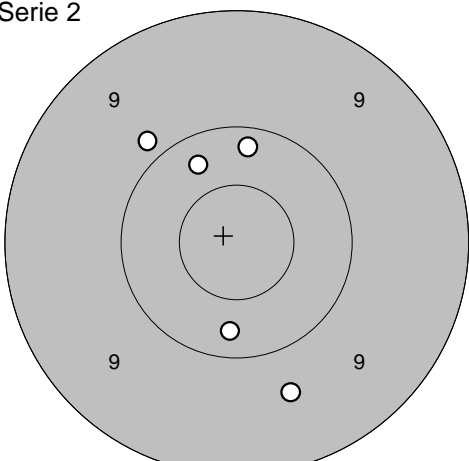
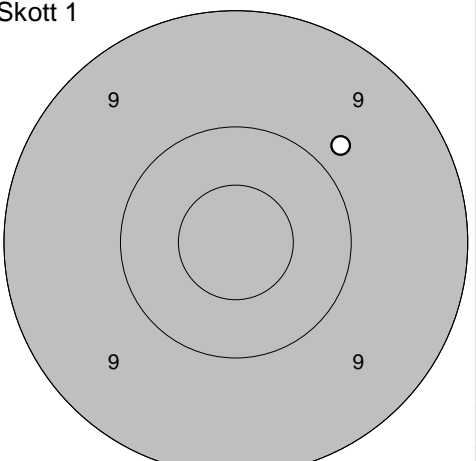
Skott 5

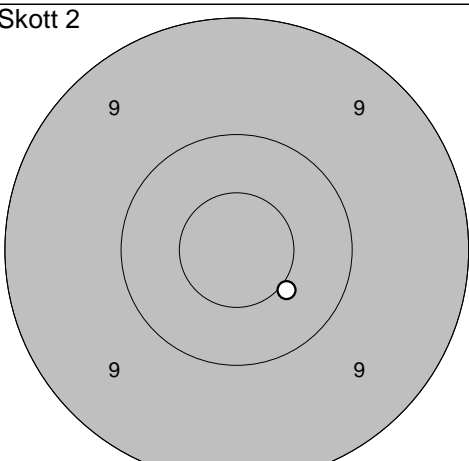
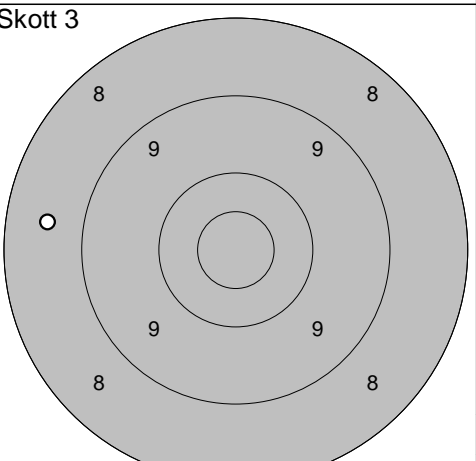


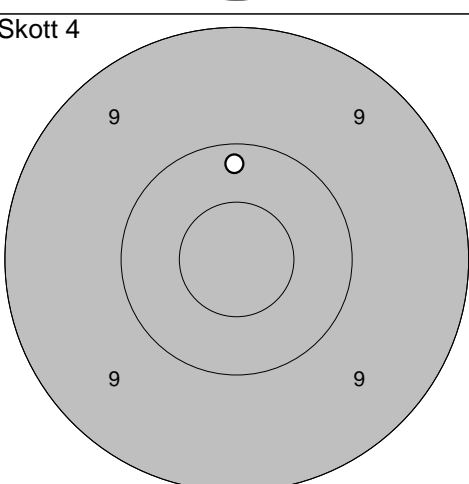
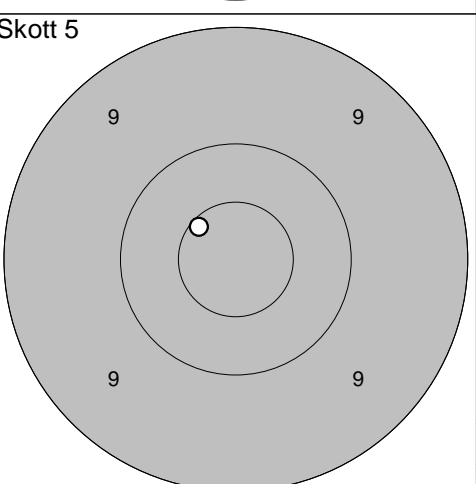
1: 7,4 ↓

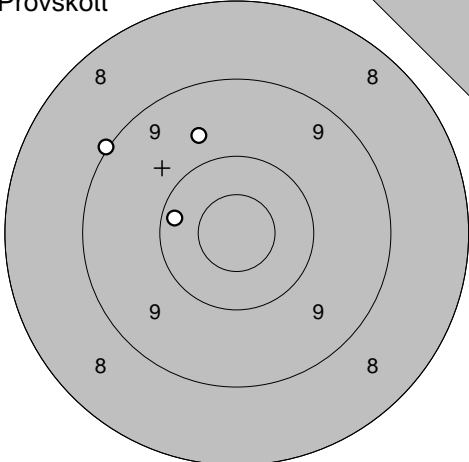
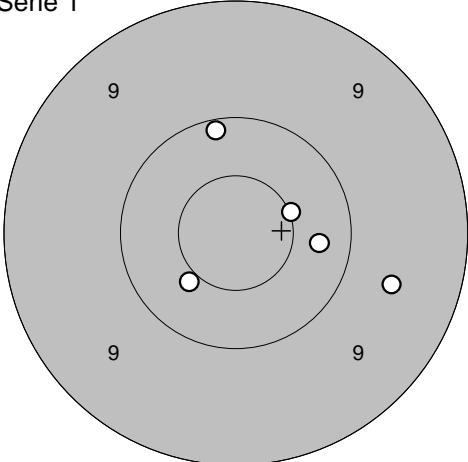
Serie 7,0  
 Totalt 378,0

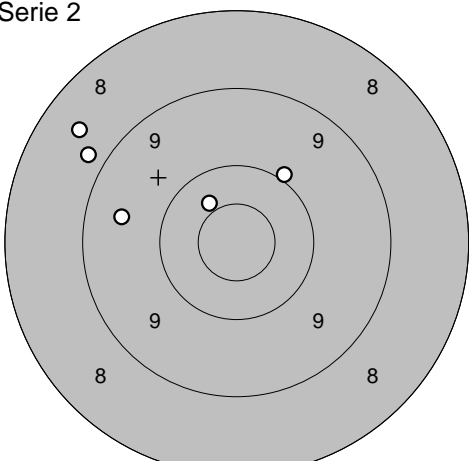
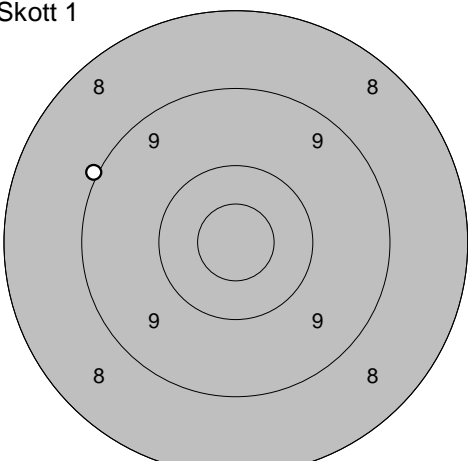
<p>Provsnitt</p> 	<p>Serie 1</p> 	
1: 10,4 ↙ 2: 10,2 ↗ 3: 10,4 → 4: 9,6 ← 5: 10,6* ↑	1: 10,6* ↙ 2: 10,1 ← 3: 9,5 ↙ 4: 10,5* ↙ 5: 10,5* →	
Serie 49,0 Totalt 284,0	Serie 49,0 Totalt 333,0	

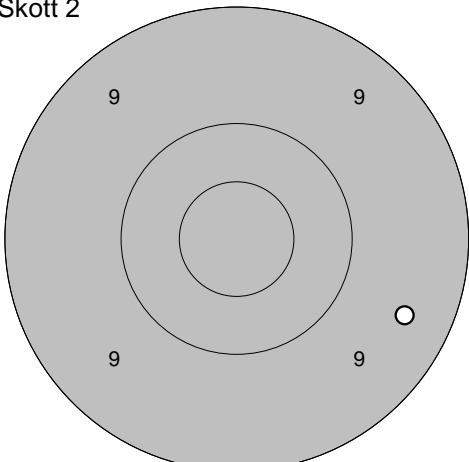
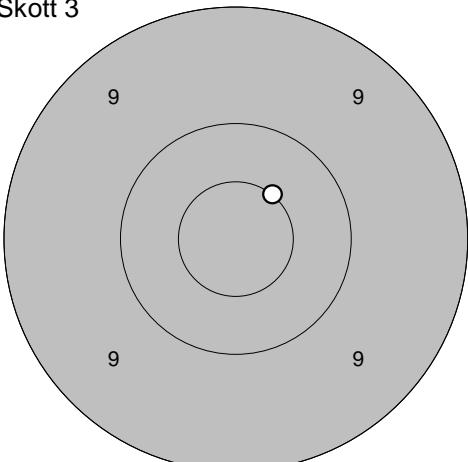
<p>Serie 2</p> 	<p>Skott 1</p> 	
1: 9,7 ↓ 2: 9,9 ↗ 3: 10,2 ↑ 4: 10,3 ↗ 5: 10,3 ↓	1: 9,8 ↗	
Serie 48,0 Totalt 381,0	Serie 9,0 Totalt 390,0	

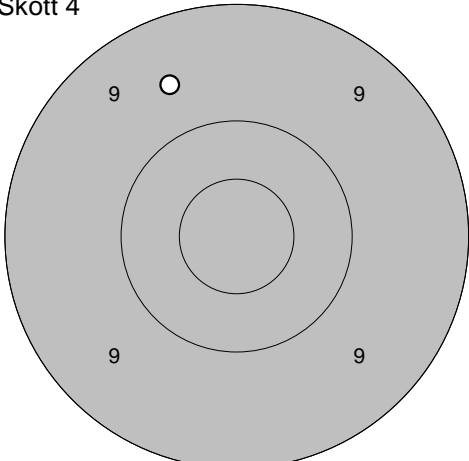
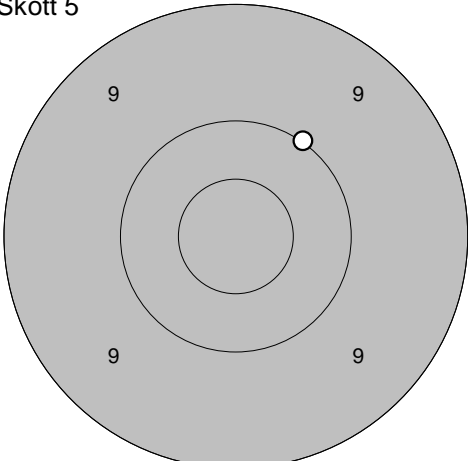
<p>Skott 2</p> 	<p>Skott 3</p> 	
1: 10,5* ↘	1: 8,6 ←	
Serie 10,0 Totalt 400,0	Serie 8,0 Totalt 408,0	

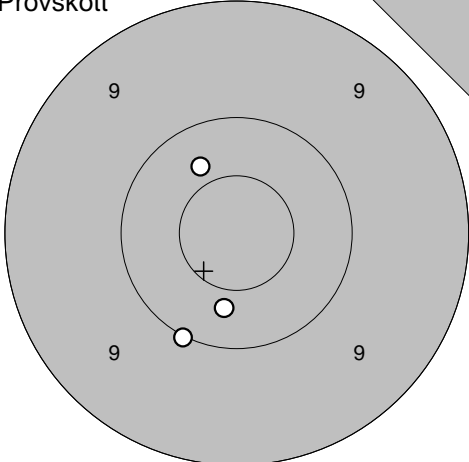
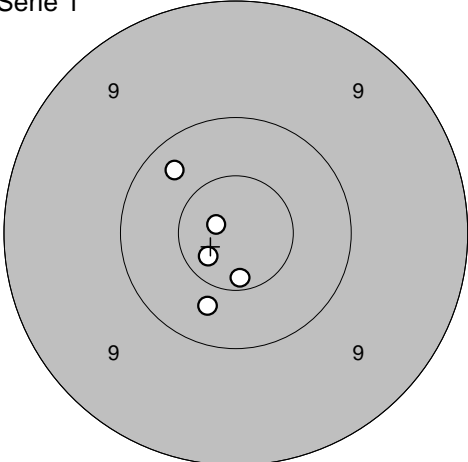
<p>Skott 4</p> 	<p>Skott 5</p> 	
1: 10,2 ↑	1: 10,6* ↗	
Serie 10,0 Totalt 418,0	Serie 10,0 Totalt 428,0	

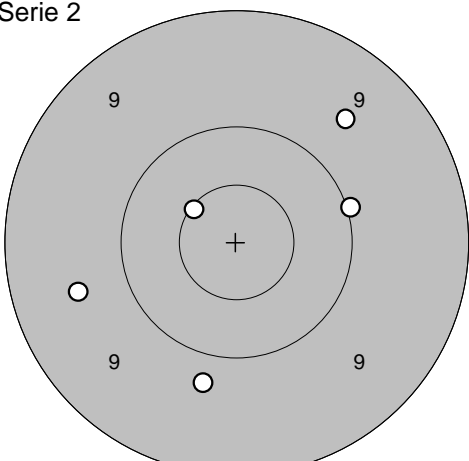
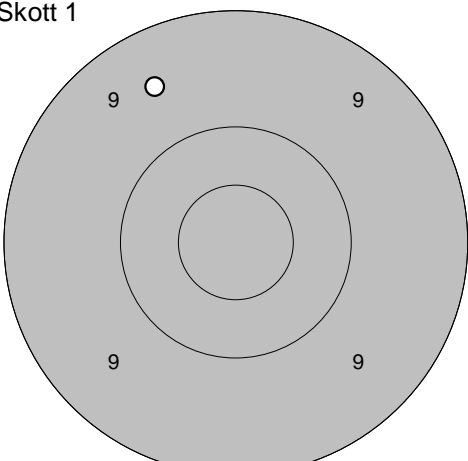
<p>Provsrott</p> 	<p>1: 9,0 ↖ 2: 9,7 ↗ 3: 10,2 ↖</p> <table border="1" style="width:100%; border-collapse: collapse;"> <tr><td style="text-align: right;">Serie</td><td style="text-align: right;">28,0</td></tr> <tr><td style="text-align: right;">Totalt</td><td style="text-align: right;">276,0</td></tr> </table>	Serie	28,0	Totalt	276,0	<p>Serie 1</p> 	<p>1: 10,3 → 2: 10,5* ↙ 3: 10,5* → 4: 9,6 → 5: 10,1 ↗</p> <table border="1" style="width:100%; border-collapse: collapse;"> <tr><td style="text-align: right;">Serie</td><td style="text-align: right;">49,0</td></tr> <tr><td style="text-align: right;">Totalt</td><td style="text-align: right;">325,0</td></tr> </table>	Serie	49,0	Totalt	325,0
Serie	28,0										
Totalt	276,0										
Serie	49,0										
Totalt	325,0										

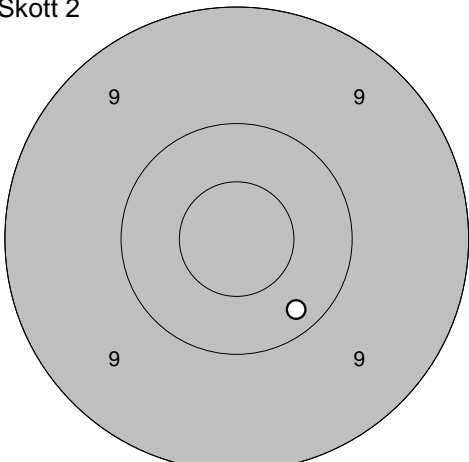
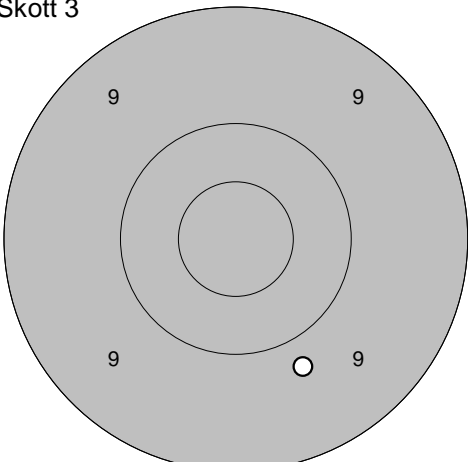
<p>Serie 2</p> 	<p>1: 10,0 ↗ 2: 8,6 ↖ 3: 10,4 ↗ 4: 8,8 ↖ 5: 9,5 ↖</p> <table border="1" style="width:100%; border-collapse: collapse;"> <tr><td style="text-align: right;">Serie</td><td style="text-align: right;">45,0</td></tr> <tr><td style="text-align: right;">Totalt</td><td style="text-align: right;">370,0</td></tr> </table>	Serie	45,0	Totalt	370,0	<p>Skott 1</p> 	<p>1: 9,0 ↖</p> <table border="1" style="width:100%; border-collapse: collapse;"> <tr><td style="text-align: right;">Serie</td><td style="text-align: right;">9,0</td></tr> <tr><td style="text-align: right;">Totalt</td><td style="text-align: right;">379,0</td></tr> </table>	Serie	9,0	Totalt	379,0
Serie	45,0										
Totalt	370,0										
Serie	9,0										
Totalt	379,0										

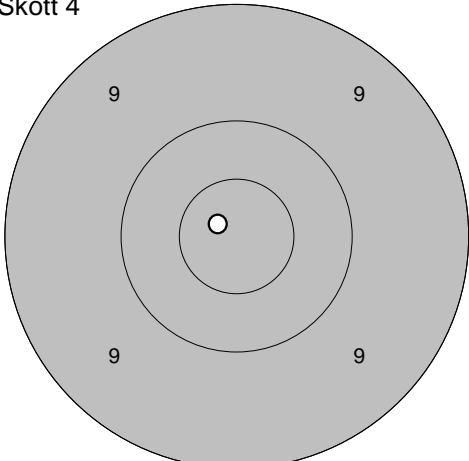
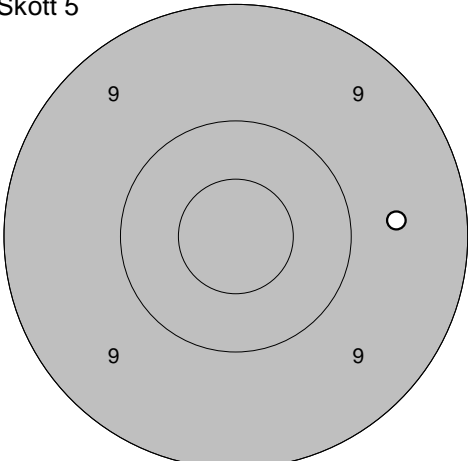
<p>Skott 2</p> 	<p>1: 9,4 →</p> <table border="1" style="width:100%; border-collapse: collapse;"> <tr><td style="text-align: right;">Serie</td><td style="text-align: right;">9,0</td></tr> <tr><td style="text-align: right;">Totalt</td><td style="text-align: right;">388,0</td></tr> </table>	Serie	9,0	Totalt	388,0	<p>Skott 3</p> 	<p>1: 10,5* ↗</p> <table border="1" style="width:100%; border-collapse: collapse;"> <tr><td style="text-align: right;">Serie</td><td style="text-align: right;">10,0</td></tr> <tr><td style="text-align: right;">Totalt</td><td style="text-align: right;">398,0</td></tr> </table>	Serie	10,0	Totalt	398,0
Serie	9,0										
Totalt	388,0										
Serie	10,0										
Totalt	398,0										

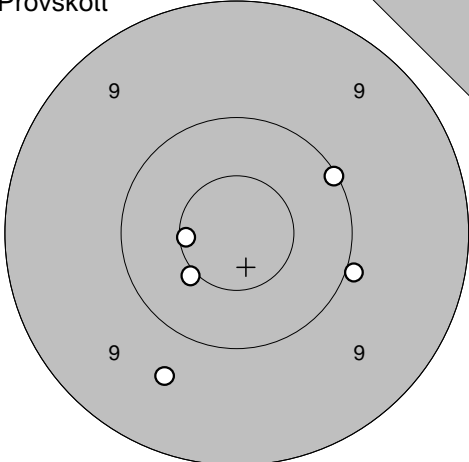
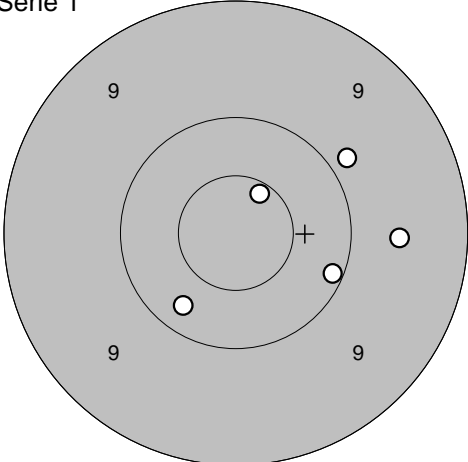
<p>Skott 4</p> 	<p>1: 9,6 ↖</p> <table border="1" style="width:100%; border-collapse: collapse;"> <tr><td style="text-align: right;">Serie</td><td style="text-align: right;">9,0</td></tr> <tr><td style="text-align: right;">Totalt</td><td style="text-align: right;">407,0</td></tr> </table>	Serie	9,0	Totalt	407,0	<p>Skott 5</p> 	<p>1: 10,0 ↗</p> <table border="1" style="width:100%; border-collapse: collapse;"> <tr><td style="text-align: right;">Serie</td><td style="text-align: right;">10,0</td></tr> <tr><td style="text-align: right;">Totalt</td><td style="text-align: right;">417,0</td></tr> </table>	Serie	10,0	Totalt	417,0
Serie	9,0										
Totalt	407,0										
Serie	10,0										
Totalt	417,0										

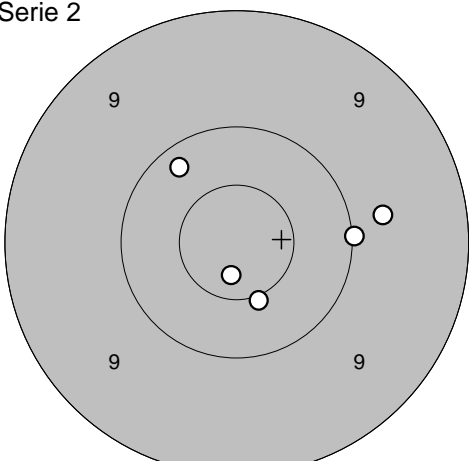
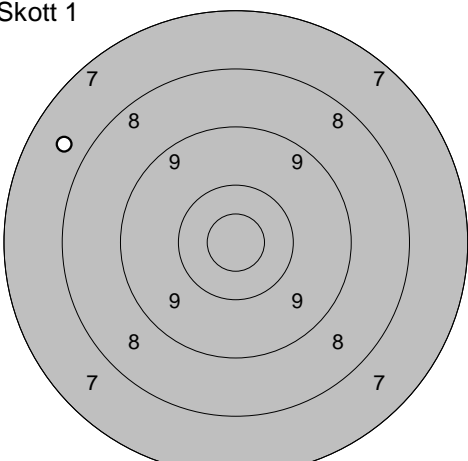
<b>Provsrott</b> 	1: 10,4 ↓ 2: 10,0 ↓ 3: 10,4 ↗  Serie 30,0 Totalt 275,0	<b>Serie 1</b> 	1: 10,7* ↙ 2: 10,3 ↗ 3: 10,4 ↓ 4: 10,8* ↗ 5: 10,6* ↓  Serie 50,0 Totalt 325,0
--	---	--	--

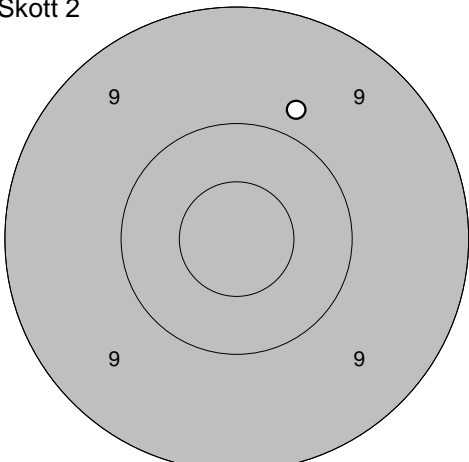
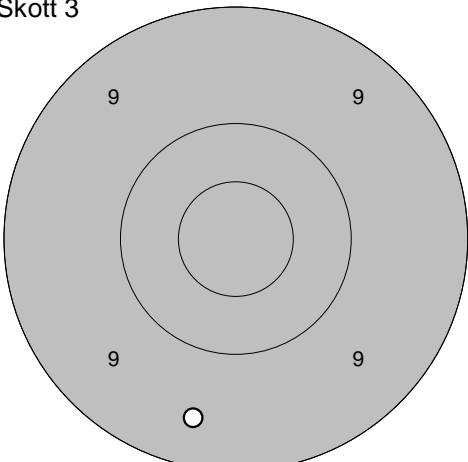
<b>Serie 2</b> 	1: 9,6 ↗ 2: 10,0 → 3: 9,8 ↓ 4: 10,6* ↗ 5: 9,6 ←  Serie 47,0 Totalt 372,0	<b>Skott 1</b> 	1: 9,5 ↗         Serie 9,0 Totalt 381,0
---	---	---	---

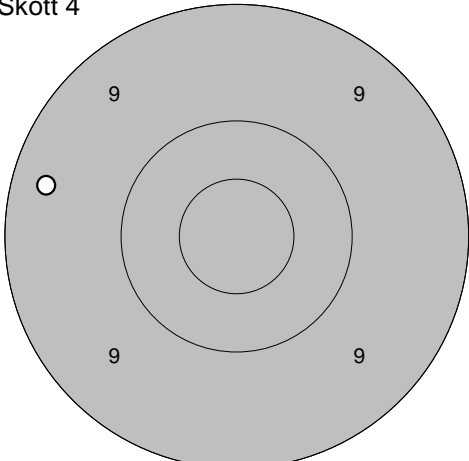
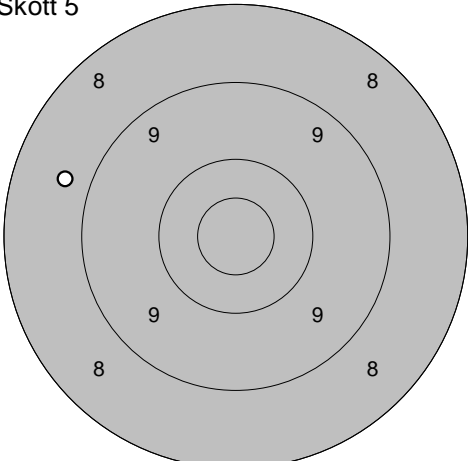
<b>Skott 2</b> 	1: 10,2 ↓         Serie 10,0 Totalt 391,0	<b>Skott 3</b> 	1: 9,8 ↓         Serie 9,0 Totalt 400,0
--	---	--	---

<b>Skott 4</b> 	1: 10,8* ↙         Serie 10,0 Totalt 410,0	<b>Skott 5</b> 	1: 9,6 →         Serie 9,0 Totalt 419,0
--	--	--	---

<p>Provsrott</p> 	<p>Serie 1</p> <p>1: 10,6* ← 2: 10,5* ↙ 3: 10,0 → 4: 9,6 ↘ 5: 10,1 ↗</p> <table border="1" style="width:100%; border-collapse: collapse;"> <tr><td style="padding: 2px;">Serie</td><td style="text-align: right; padding: 2px;">49,0</td></tr> <tr><td style="padding: 2px;">Totalt</td><td style="text-align: right; padding: 2px;">294,0</td></tr> </table>	Serie	49,0	Totalt	294,0	 <p>Serie 1</p> <p>1: 10,3 ↙ 2: 9,6 → 3: 10,6* ↗ 4: 9,9 ↗ 5: 10,1 ⇒</p> <table border="1" style="width:100%; border-collapse: collapse;"> <tr><td style="padding: 2px;">Serie</td><td style="text-align: right; padding: 2px;">48,0</td></tr> <tr><td style="padding: 2px;">Totalt</td><td style="text-align: right; padding: 2px;">342,0</td></tr> </table>	Serie	48,0	Totalt	342,0
Serie	49,0									
Totalt	294,0									
Serie	48,0									
Totalt	342,0									

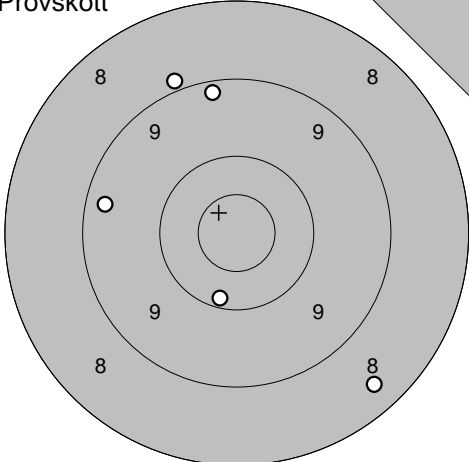
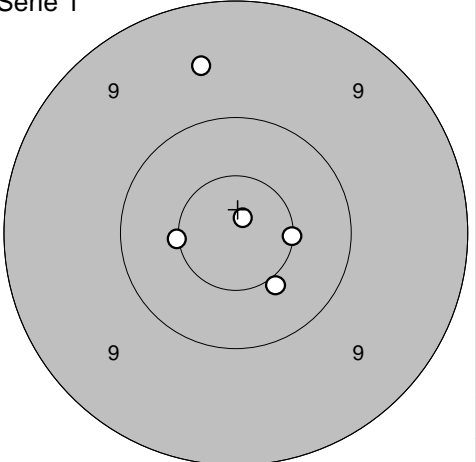
<p>Serie 2</p> 	<p>Serie 2</p> <p>1: 10,7* ↓ 2: 10,2 ↗ 3: 10,0 → 4: 10,5* ↘ 5: 9,7 →</p> <table border="1" style="width:100%; border-collapse: collapse;"> <tr><td style="padding: 2px;">Serie</td><td style="text-align: right; padding: 2px;">49,0</td></tr> <tr><td style="padding: 2px;">Totalt</td><td style="text-align: right; padding: 2px;">391,0</td></tr> </table>	Serie	49,0	Totalt	391,0	<p>Skott 1</p>  <p>Skott 1</p> <p>1: 7,7 ↖</p> <table border="1" style="width:100%; border-collapse: collapse;"> <tr><td style="padding: 2px;">Serie</td><td style="text-align: right; padding: 2px;">7,0</td></tr> <tr><td style="padding: 2px;">Totalt</td><td style="text-align: right; padding: 2px;">398,0</td></tr> </table>	Serie	7,0	Totalt	398,0
Serie	49,0									
Totalt	391,0									
Serie	7,0									
Totalt	398,0									

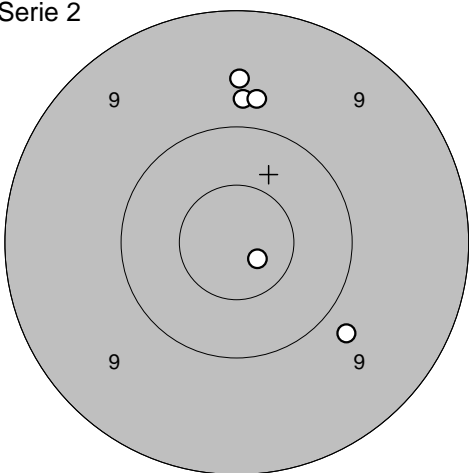
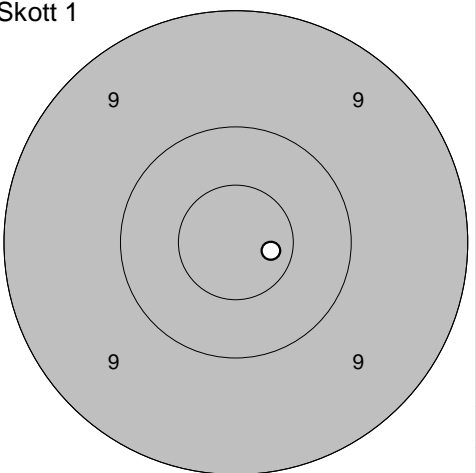
<p>Skott 2</p> 	<p>Skott 2</p> <p>1: 9,8 ↗</p> <table border="1" style="width:100%; border-collapse: collapse;"> <tr><td style="padding: 2px;">Serie</td><td style="text-align: right; padding: 2px;">9,0</td></tr> <tr><td style="padding: 2px;">Totalt</td><td style="text-align: right; padding: 2px;">407,0</td></tr> </table>	Serie	9,0	Totalt	407,0	<p>Skott 3</p> 	<p>Skott 3</p> <p>1: 9,4 ↓</p> <table border="1" style="width:100%; border-collapse: collapse;"> <tr><td style="padding: 2px;">Serie</td><td style="text-align: right; padding: 2px;">9,0</td></tr> <tr><td style="padding: 2px;">Totalt</td><td style="text-align: right; padding: 2px;">416,0</td></tr> </table>	Serie	9,0	Totalt	416,0
Serie	9,0										
Totalt	407,0										
Serie	9,0										
Totalt	416,0										

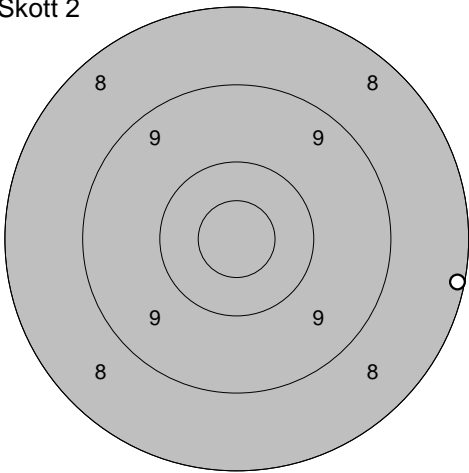
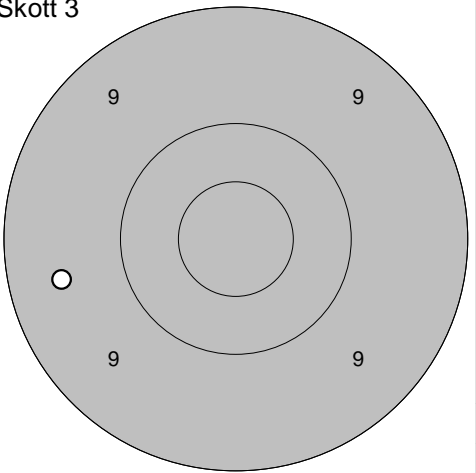
<p>Skott 4</p> 	<p>Skott 4</p> <p>1: 9,3 ←</p> <table border="1" style="width:100%; border-collapse: collapse;"> <tr><td style="padding: 2px;">Serie</td><td style="text-align: right; padding: 2px;">9,0</td></tr> <tr><td style="padding: 2px;">Totalt</td><td style="text-align: right; padding: 2px;">425,0</td></tr> </table>	Serie	9,0	Totalt	425,0	<p>Skott 5</p> 	<p>Skott 5</p> <p>1: 8,7 ↖</p> <table border="1" style="width:100%; border-collapse: collapse;"> <tr><td style="padding: 2px;">Serie</td><td style="text-align: right; padding: 2px;">8,0</td></tr> <tr><td style="padding: 2px;">Totalt</td><td style="text-align: right; padding: 2px;">433,0</td></tr> </table>	Serie	8,0	Totalt	433,0
Serie	9,0										
Totalt	425,0										
Serie	8,0										
Totalt	433,0										

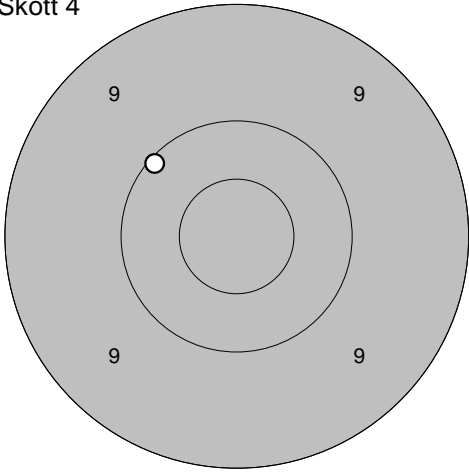
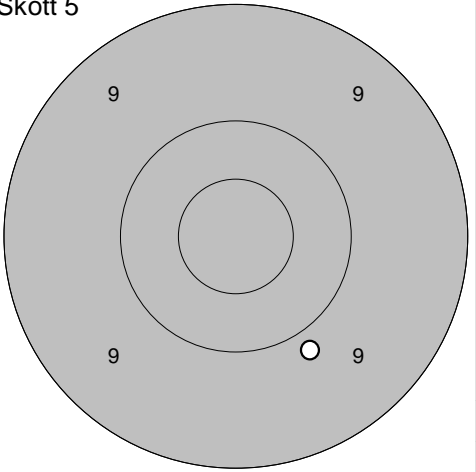




<p>Provsjott</p> 	<p>1: 10,2 ↓                  2: 9,2 ↑                  3: 8,9 ↑                  4: 8,4 ↓                  5: 9,3 ←</p> <table border="1" style="width:100%; border-collapse: collapse;"> <tr><td>Serie</td><td style="text-align: right;">44,0</td></tr> <tr><td>Totalt</td><td style="text-align: right;">285,0</td></tr> </table>	Serie	44,0	Totalt	285,0	<p>Serie 1</p> 	<p>1: 9,6 ↑                  2: 10,9* ↗                  3: 10,5* ←                  4: 10,5* →                  5: 10,5* ↘</p> <table border="1" style="width:100%; border-collapse: collapse;"> <tr><td>Serie</td><td style="text-align: right;">49,0</td></tr> <tr><td>Totalt</td><td style="text-align: right;">334,0</td></tr> </table>	Serie	49,0	Totalt	334,0
Serie	44,0										
Totalt	285,0										
Serie	49,0										
Totalt	334,0										

<p>Serie 2</p> 	<p>1: 9,8 ↘                  2: 10,8* ↘                  3: 9,6 ↑                  4: 9,8 ↑                  5: 9,8 ↑</p> <table border="1" style="width:100%; border-collapse: collapse;"> <tr><td>Serie</td><td style="text-align: right;">46,0</td></tr> <tr><td>Totalt</td><td style="text-align: right;">380,0</td></tr> </table>	Serie	46,0	Totalt	380,0	<p>Skott 1</p> 	<p>1: 10,7* →</p> <table border="1" style="width:100%; border-collapse: collapse;"> <tr><td>Serie</td><td style="text-align: right;">10,0</td></tr> <tr><td>Totalt</td><td style="text-align: right;">390,0</td></tr> </table>	Serie	10,0	Totalt	390,0
Serie	46,0										
Totalt	380,0										
Serie	10,0										
Totalt	390,0										

<p>Skott 2</p> 	<p>1: 8,1 →</p> <table border="1" style="width:100%; border-collapse: collapse;"> <tr><td>Serie</td><td style="text-align: right;">8,0</td></tr> <tr><td>Totalt</td><td style="text-align: right;">398,0</td></tr> </table>	Serie	8,0	Totalt	398,0	<p>Skott 3</p> 	<p>1: 9,5 ←</p> <table border="1" style="width:100%; border-collapse: collapse;"> <tr><td>Serie</td><td style="text-align: right;">9,0</td></tr> <tr><td>Totalt</td><td style="text-align: right;">407,0</td></tr> </table>	Serie	9,0	Totalt	407,0
Serie	8,0										
Totalt	398,0										
Serie	9,0										
Totalt	407,0										

<p>Skott 4</p> 	<p>1: 10,1 ↖</p> <table border="1" style="width:100%; border-collapse: collapse;"> <tr><td>Serie</td><td style="text-align: right;">10,0</td></tr> <tr><td>Totalt</td><td style="text-align: right;">417,0</td></tr> </table>	Serie	10,0	Totalt	417,0	<p>Skott 5</p> 	<p>1: 9,9 ↘</p> <table border="1" style="width:100%; border-collapse: collapse;"> <tr><td>Serie</td><td style="text-align: right;">9,0</td></tr> <tr><td>Totalt</td><td style="text-align: right;">426,0</td></tr> </table>	Serie	9,0	Totalt	426,0
Serie	10,0										
Totalt	417,0										
Serie	9,0										
Totalt	426,0										



Skjutlag

Tavla

3

5

## Gustav Lövgren

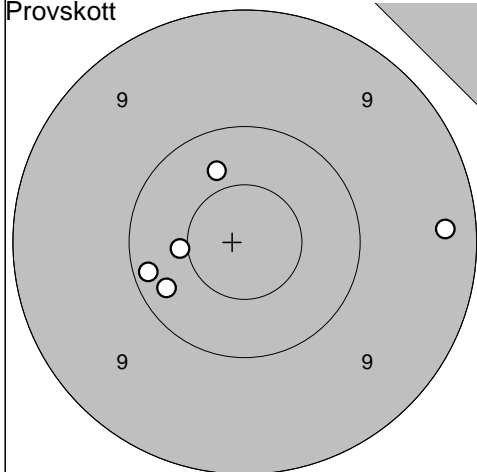
Niemisel

2010-07-22

Tavelträffen B 2010 Final

Ramselefors SKF

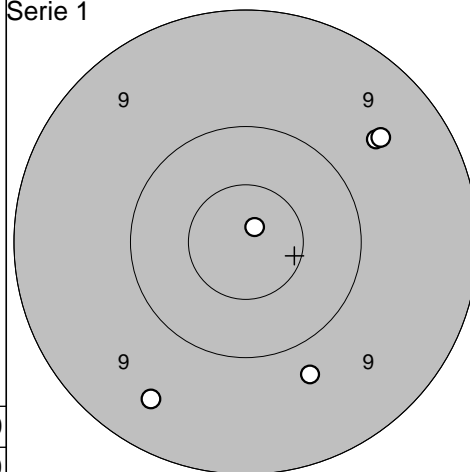
Provs-kott



1: 10,5\* ←  
 2: 10,2 ←  
 3: 10,2 ←  
 4: 10,4 ↑  
 5: 9,3 →

Serie 49,0  
 Totalt 283,0

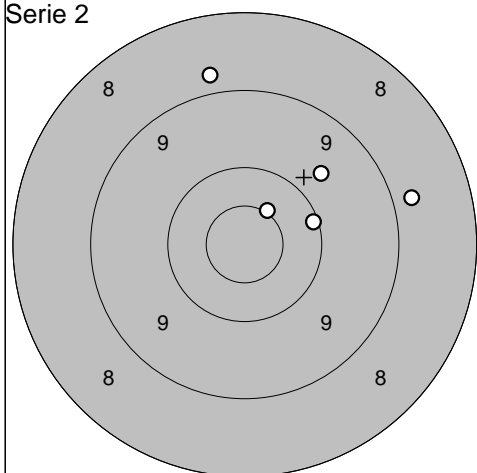
Serie 1



1: 9,6 ↗  
 2: 10,9\* ↑  
 3: 9,6 ↗  
 4: 9,5 ↓  
 5: 9,8 ↓

Serie 46,0  
 Totalt 329,0

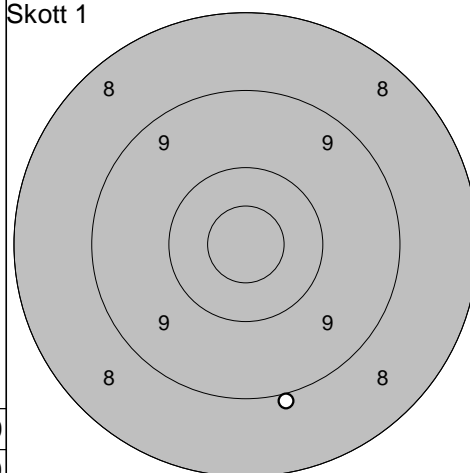
Serie 2



1: 10,5\* ↗  
 2: 10,1 →  
 3: 9,7 ↗  
 4: 8,8 →  
 5: 8,8 ↑

Serie 45,0  
 Totalt 374,0

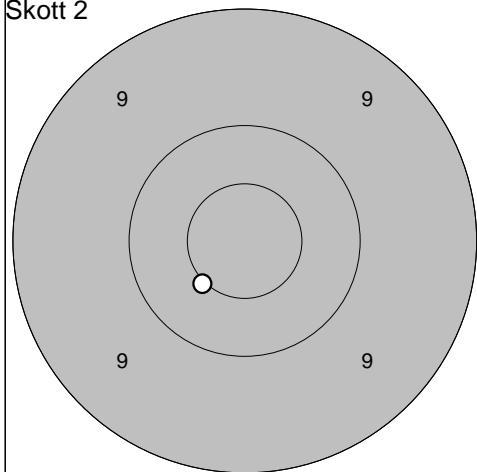
Skott 1



1: 9,0 ↓

Serie 9,0  
 Totalt 383,0

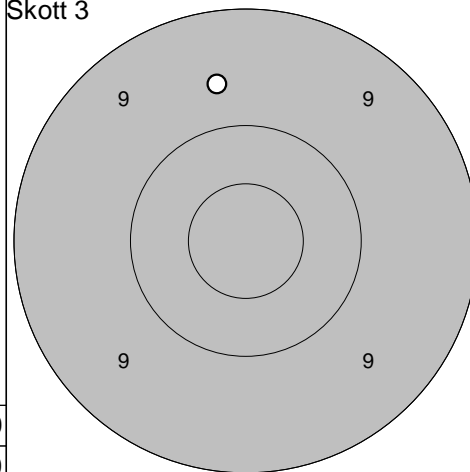
Skott 2



1: 10,5\* ↙

Serie 10,0  
 Totalt 393,0

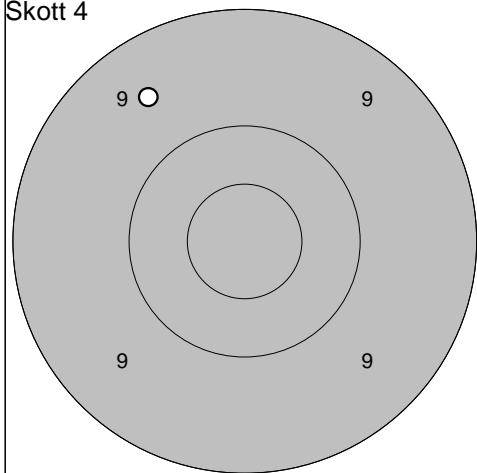
Skott 3



1: 9,7 ↑

Serie 9,0  
 Totalt 402,0

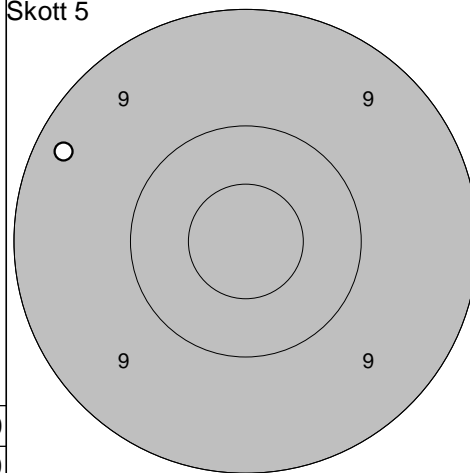
Skott 4



1: 9,5 ↑

Serie 9,0  
 Totalt 411,0

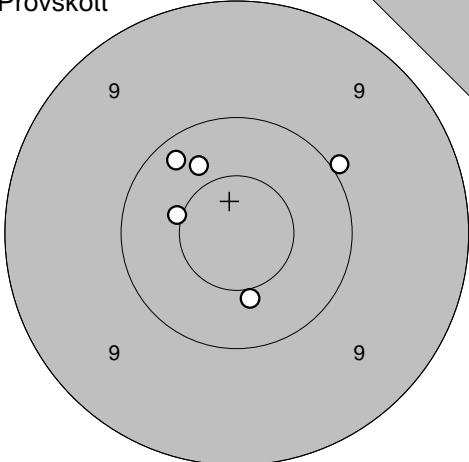
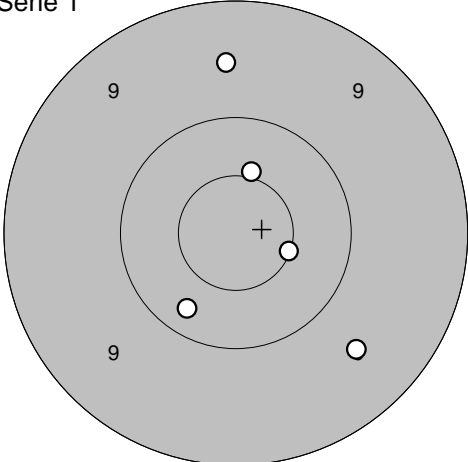
Skott 5

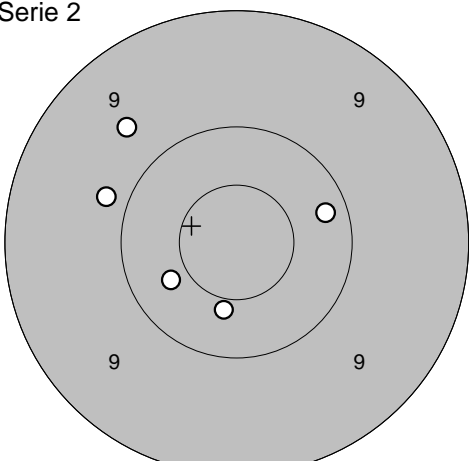
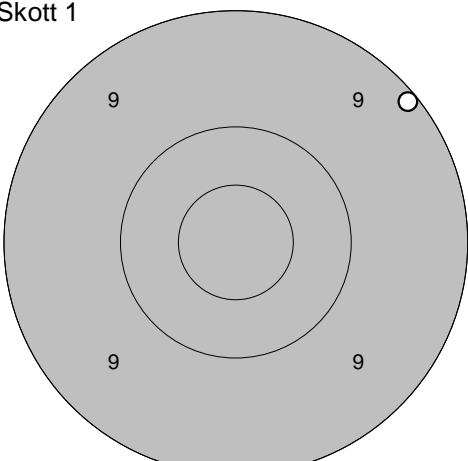


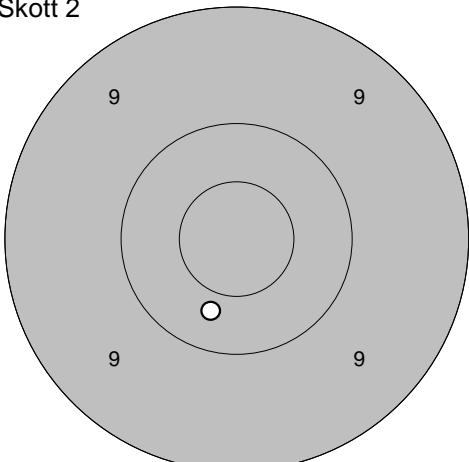
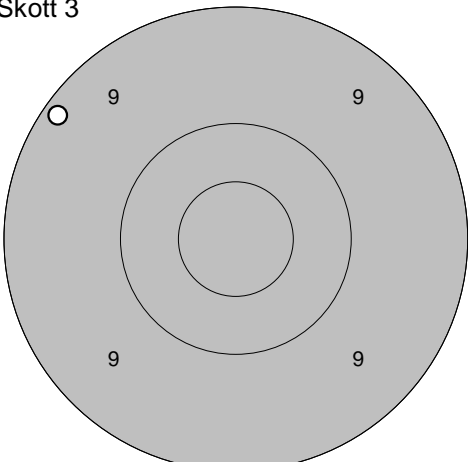
1: 9,3 ↙

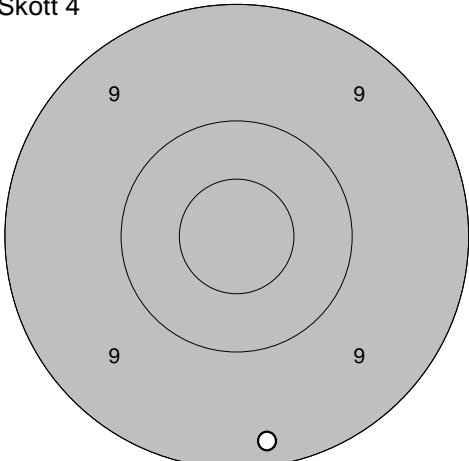
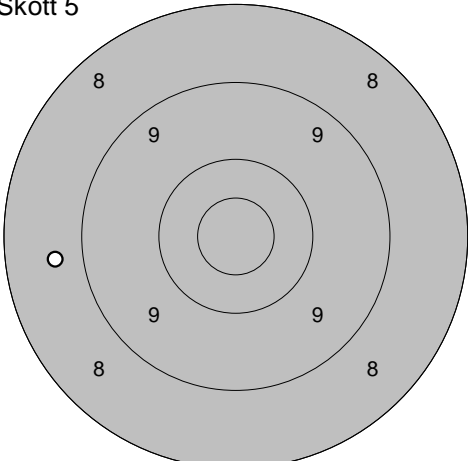
Serie 9,0  
 Totalt 420,0



<p>Provsnitt</p> 	<p>1: 10,0 ↗ 2: 10,4 ↗ 3: 10,5* ↓ 4: 10,5* ← 5: 10,2 ↗</p> <table border="1" style="width:100%; border-collapse: collapse;"> <tr><td>Serie</td><td style="text-align: right;">50,0</td></tr> <tr><td>Totalt</td><td style="text-align: right;">281,0</td></tr> </table>	Serie	50,0	Totalt	281,0	<p>Serie 1</p>  <p>1: 9,6 ↘ 2: 10,3 ↘ 3: 9,6 ↑ 4: 10,5* → 5: 10,5* ↑</p> <table border="1" style="width:100%; border-collapse: collapse;"> <tr><td>Serie</td><td style="text-align: right;">48,0</td></tr> <tr><td>Totalt</td><td style="text-align: right;">329,0</td></tr> </table>	Serie	48,0	Totalt	329,0
Serie	50,0									
Totalt	281,0									
Serie	48,0									
Totalt	329,0									

<p>Serie 2</p> 	<p>1: 9,7 ↖ 2: 10,4 ↖ 3: 9,8 ← 4: 10,4 ↓ 5: 10,2 →</p> <table border="1" style="width:100%; border-collapse: collapse;"> <tr><td>Serie</td><td style="text-align: right;">48,0</td></tr> <tr><td>Totalt</td><td style="text-align: right;">377,0</td></tr> </table>	Serie	48,0	Totalt	377,0	<p>Skott 1</p>  <p>1: 9,1 ↗</p> <table border="1" style="width:100%; border-collapse: collapse;"> <tr><td>Serie</td><td style="text-align: right;">9,0</td></tr> <tr><td>Totalt</td><td style="text-align: right;">386,0</td></tr> </table>	Serie	9,0	Totalt	386,0
Serie	48,0									
Totalt	377,0									
Serie	9,0									
Totalt	386,0									

<p>Skott 2</p> 	<p>1: 10,4 ↓</p> <table border="1" style="width:100%; border-collapse: collapse;"> <tr><td>Serie</td><td style="text-align: right;">10,0</td></tr> <tr><td>Totalt</td><td style="text-align: right;">396,0</td></tr> </table>	Serie	10,0	Totalt	396,0	<p>Skott 3</p>  <p>1: 9,2 ↖</p> <table border="1" style="width:100%; border-collapse: collapse;"> <tr><td>Serie</td><td style="text-align: right;">9,0</td></tr> <tr><td>Totalt</td><td style="text-align: right;">405,0</td></tr> </table>	Serie	9,0	Totalt	405,0
Serie	10,0									
Totalt	396,0									
Serie	9,0									
Totalt	405,0									

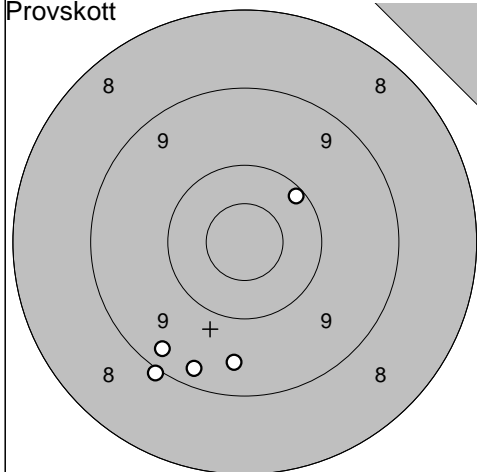
<p>Skott 4</p> 	<p>1: 9,2 ↓</p> <table border="1" style="width:100%; border-collapse: collapse;"> <tr><td>Serie</td><td style="text-align: right;">9,0</td></tr> <tr><td>Totalt</td><td style="text-align: right;">414,0</td></tr> </table>	Serie	9,0	Totalt	414,0	<p>Skott 5</p>  <p>1: 8,7 ←</p> <table border="1" style="width:100%; border-collapse: collapse;"> <tr><td>Serie</td><td style="text-align: right;">8,0</td></tr> <tr><td>Totalt</td><td style="text-align: right;">422,0</td></tr> </table>	Serie	8,0	Totalt	422,0
Serie	9,0									
Totalt	414,0									
Serie	8,0									
Totalt	422,0									

2010-07-22

Tavelträffen B 2010 Final

Ramselefors SKF

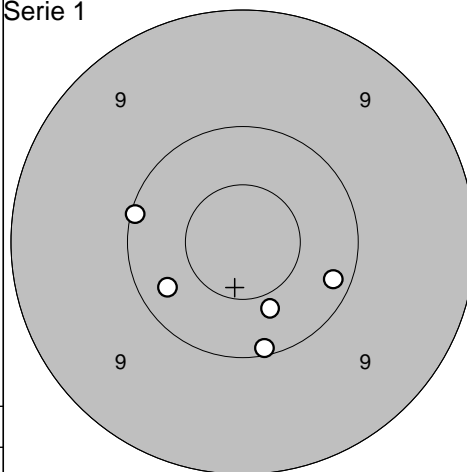
Provsnitt



1: 9,3 ↙  
 2: 9,3 ↓  
 3: 9,5 ↓  
 4: 10,1 ↗  
 5: 9,0 ↓

Serie 46,0  
 Totalt 280,0

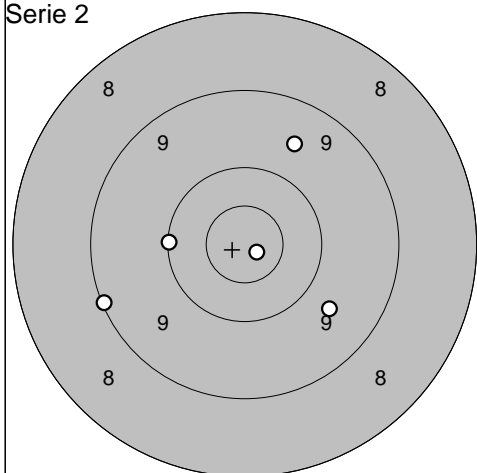
Serie 1



1: 10,1 ←  
 2: 10,2 →  
 3: 10,3 ←  
 4: 10,4 ↓  
 5: 10,1 ↓

Serie 50,0  
 Totalt 330,0

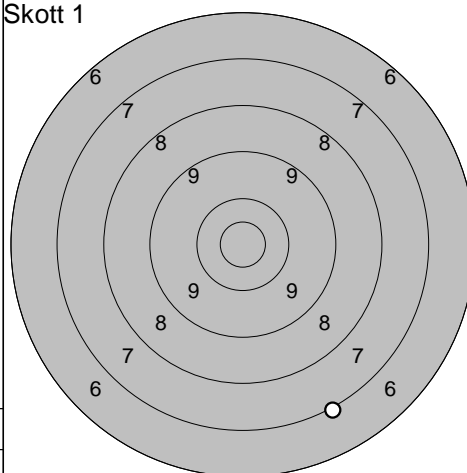
Serie 2



1: 10,1 ←  
 2: 10,9\* →  
 3: 9,7 →  
 4: 9,6 ↗  
 5: 9,1 ←

Serie 47,0  
 Totalt 377,0

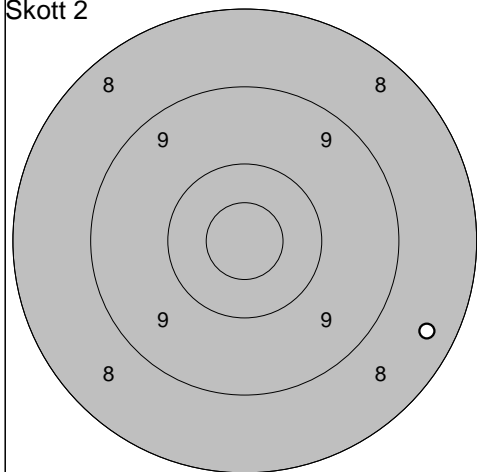
Skott 1



1: 7,0 ↓

Serie 7,0  
 Totalt 384,0

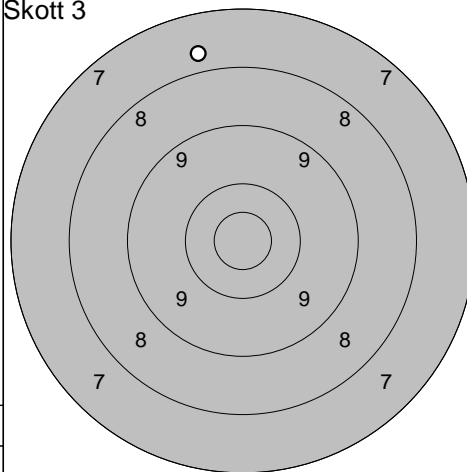
Skott 2



1: 8,4 →

Serie 8,0  
 Totalt 392,0

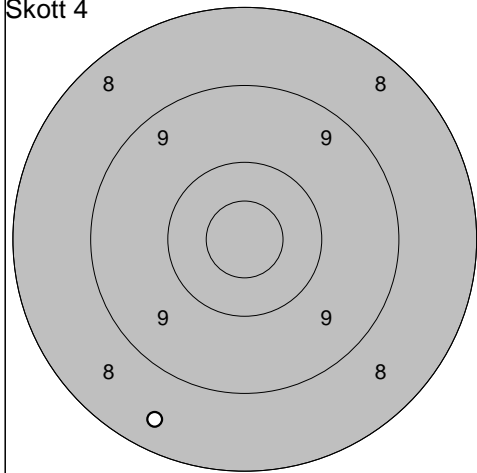
Skott 3



1: 7,8 ↗

Serie 7,0  
 Totalt 399,0

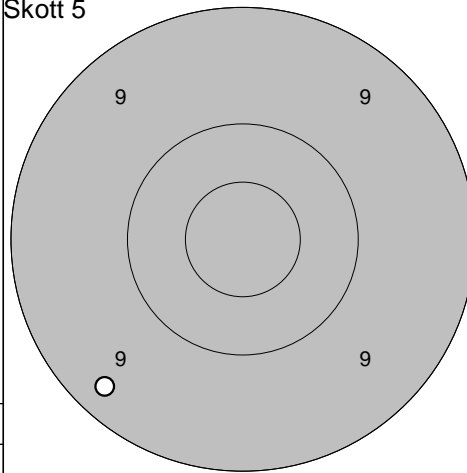
Skott 4



1: 8,4 ↓

Serie 8,0  
 Totalt 407,0

Skott 5



1: 9,3 ↙

Serie 9,0  
 Totalt 416,0

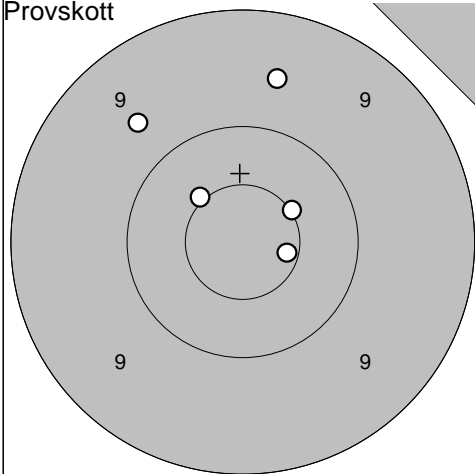
Umeå

2010-07-22

Tavelträffen B 2010 Final

Ramselefors SKF

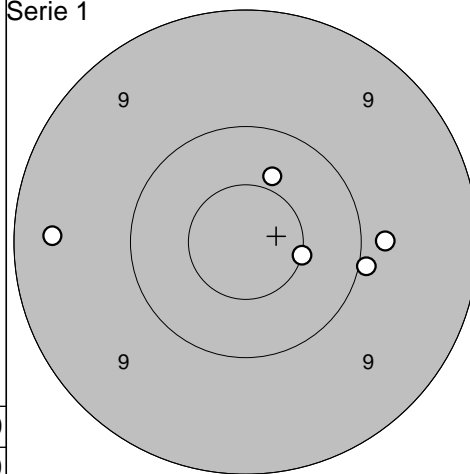
Provskott



1: 9,6 ↑  
 2: 10,6\* →  
 3: 10,5\* ↗  
 4: 10,5\* ↗  
 5: 9,7 ↑

Serie 48,0  
 Totalt 279,0

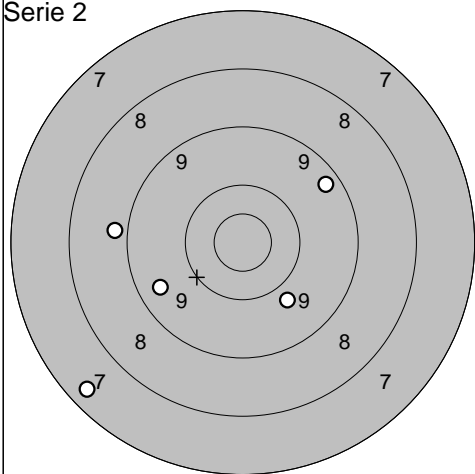
Serie 1



1: 9,4 ←  
 2: 10,0 →  
 3: 10,5\* →  
 4: 9,8 →  
 5: 10,4 ↑

Serie 48,0  
 Totalt 327,0

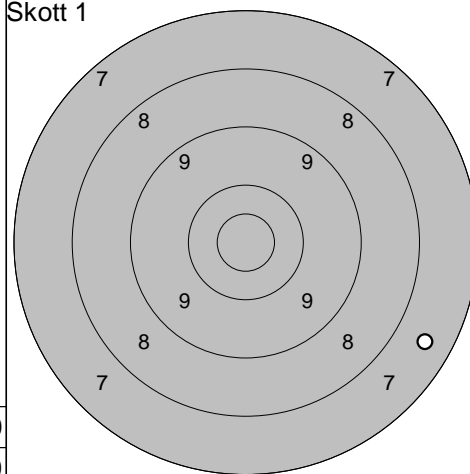
Serie 2



1: 9,3 ↗  
 2: 8,9 ←  
 3: 9,5 ←  
 4: 9,8 ↓  
 5: 7,4 ↙

Serie 42,0  
 Totalt 369,0

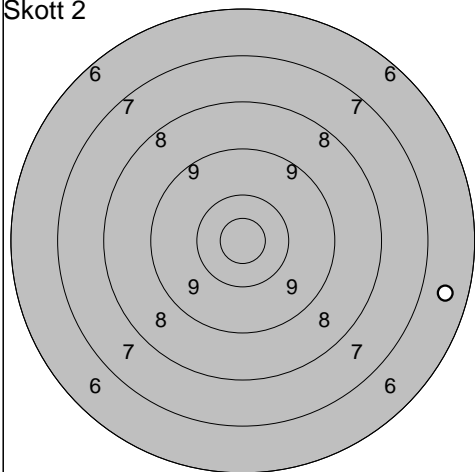
Skott 1



1: 7,5 →

Serie 7,0  
 Totalt 376,0

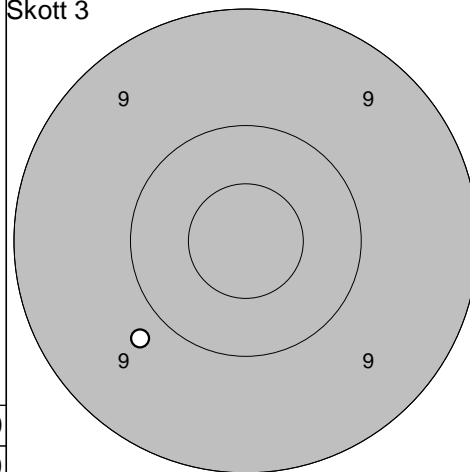
Skott 2



1: 6,6 →

Serie 6,0  
 Totalt 382,0

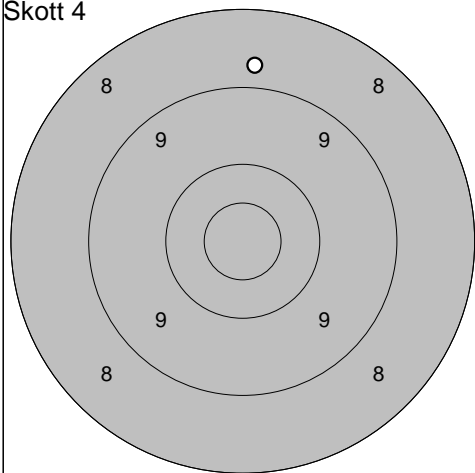
Skott 3



1: 9,8 ↙

Serie 9,0  
 Totalt 391,0

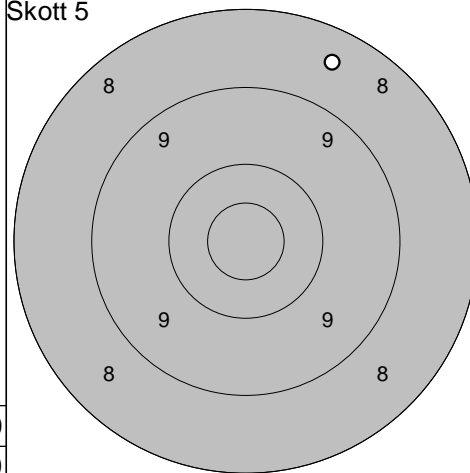
Skott 4



1: 8,8 ↑

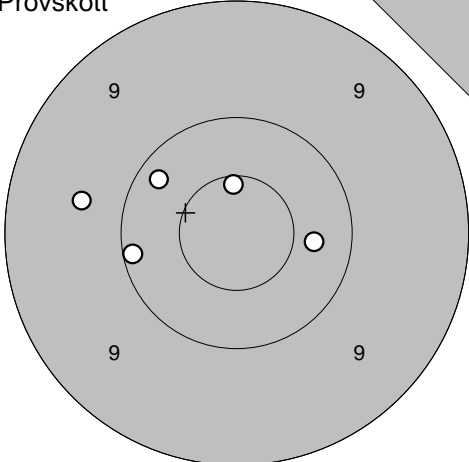
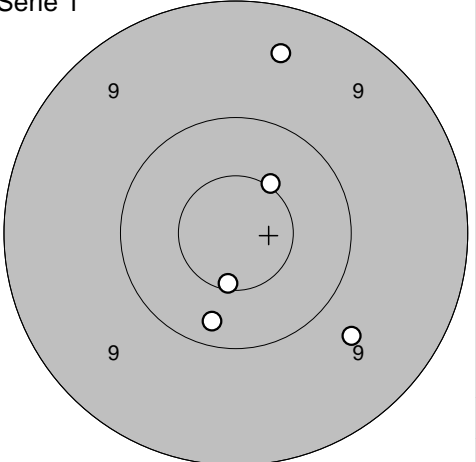
Serie 8,0  
 Totalt 399,0

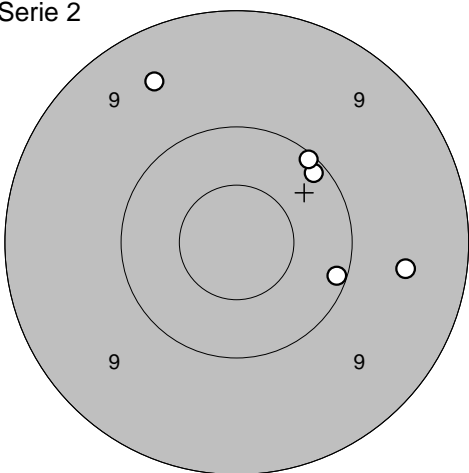
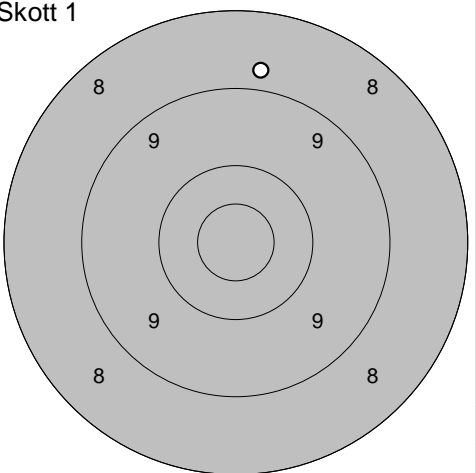
Skott 5

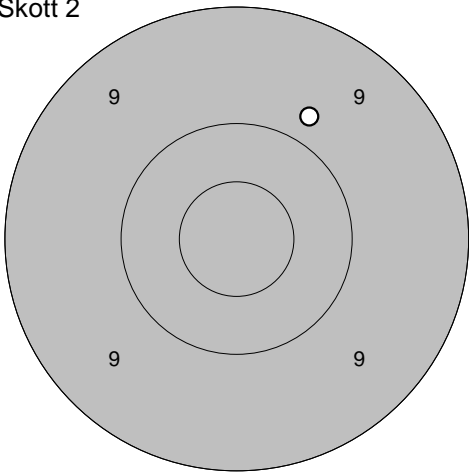
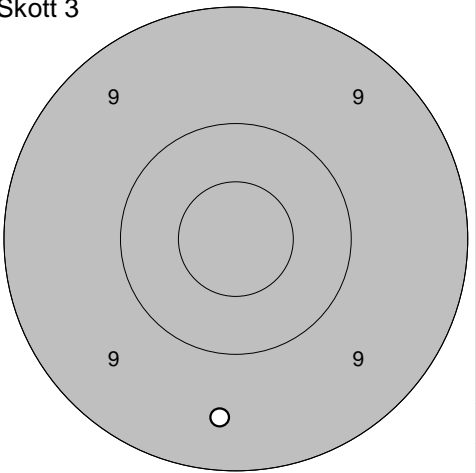


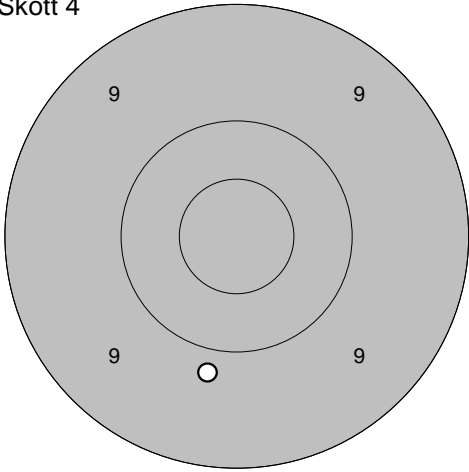
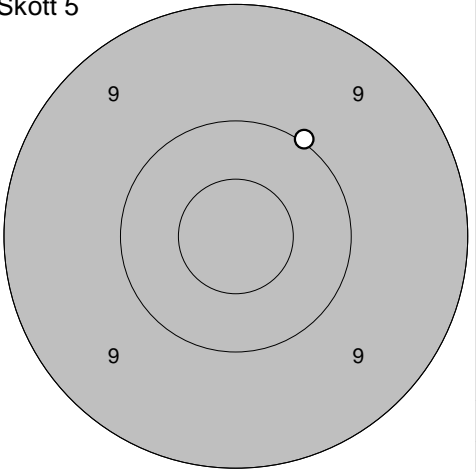
1: 8,5 ↑

Serie 8,0  
 Totalt 407,0

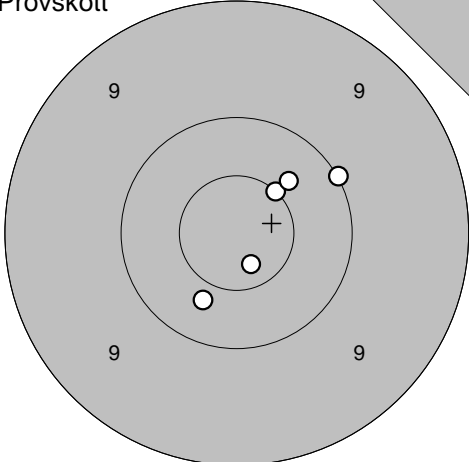
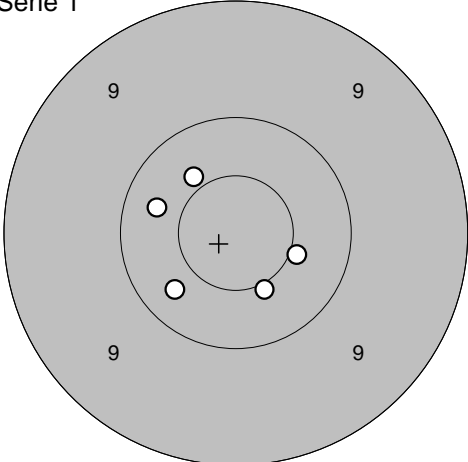
<b>Provsrott</b> 	<b>Serie 1</b> 	
1: 10,1 ← 2: 9,7 ← 3: 10,4 → 4: 10,2 ↗ 5: 10,6* ↑	1: 10,5* ↗ 2: 10,2 ↓ 3: 9,7 ↘ 4: 10,6* ↓ 5: 9,4 ↑	
Serie 49,0 Totalt 276,0	Serie 48,0 Totalt 324,0	

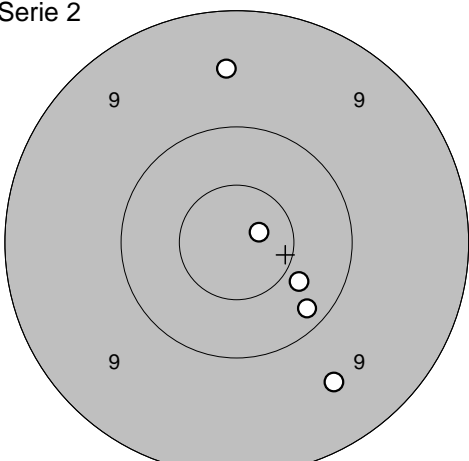
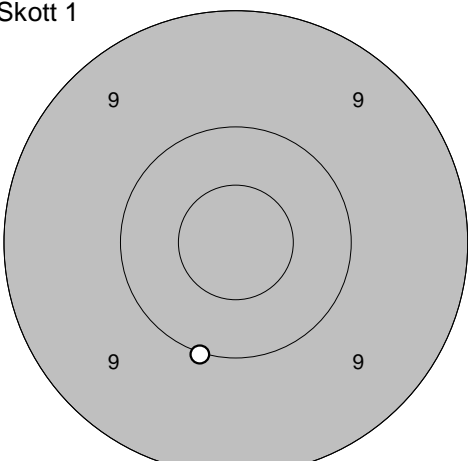
<b>Serie 2</b> 	<b>Skott 1</b> 	
1: 9,5 ↖ 2: 10,1 ↗ 3: 10,1 ↗ 4: 9,6 → 5: 10,1 →	1: 8,8 ↑	
Serie 48,0 Totalt 372,0	Serie 8,0 Totalt 380,0	

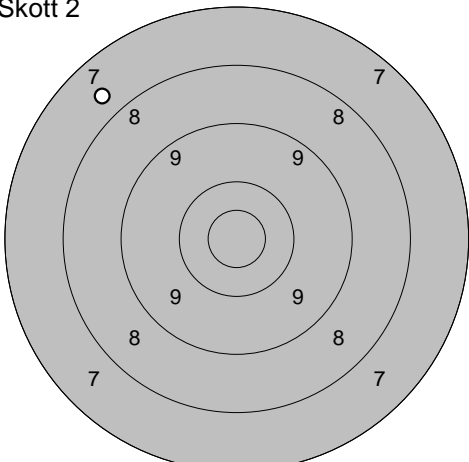
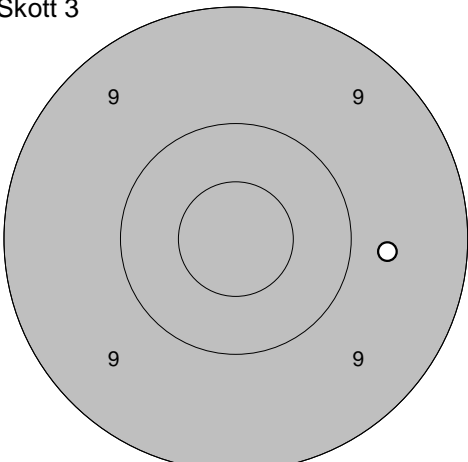
<b>Skott 2</b> 	<b>Skott 3</b> 	
1: 9,8 ↑	1: 9,5 ↓	
Serie 9,0 Totalt 389,0	Serie 9,0 Totalt 398,0	

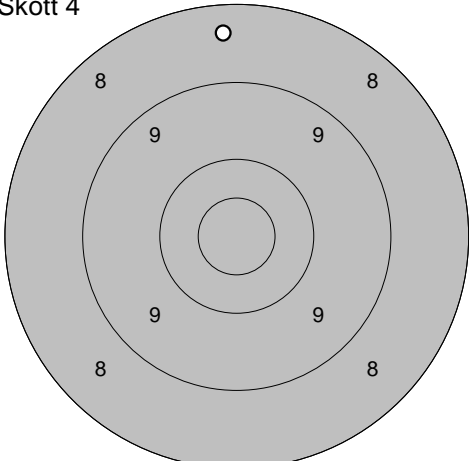
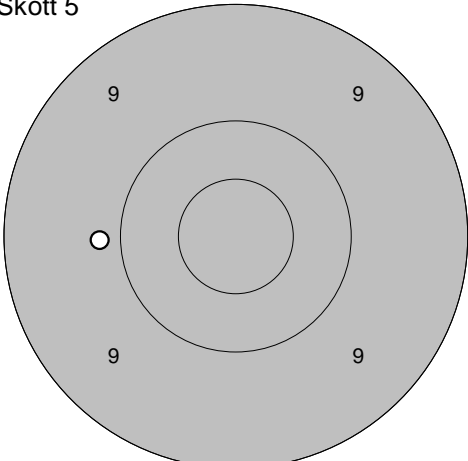
<b>Skott 4</b> 	<b>Skott 5</b> 	
1: 9,8 ↓	1: 10,0 ↗	
Serie 9,0 Totalt 407,0	Serie 10,0 Totalt 417,0	



Provsrott 	1: 10,5* ↗ 2: 10,0 ↗ 3: 10,4 ↘ 4: 10,4 ↗ 5: 10,7* ↘	Serie 1 	1: 10,4 ↗ 2: 10,3 ↘ 3: 10,3 ← 4: 10,5* → 5: 10,5* ↘
	Serie 50,0 Totalt 276,0		Serie 50,0 Totalt 326,0

Serie 2 	1: 10,8* → 2: 9,6 ↘ 3: 10,2 ↘ 4: 9,5 ↑ 5: 10,4 ↘	Skott 1 	1: 10,0 ↘
	Serie 48,0 Totalt 374,0		Serie 10,0 Totalt 384,0

Skott 2 	1: 7,7 ↖	Skott 3 	1: 9,7 →
	Serie 7,0 Totalt 391,0		Serie 9,0 Totalt 400,0

Skott 4 	1: 8,4 ↑	Skott 5 	1: 9,9 ←
	Serie 8,0 Totalt 408,0		Serie 9,0 Totalt 417,0

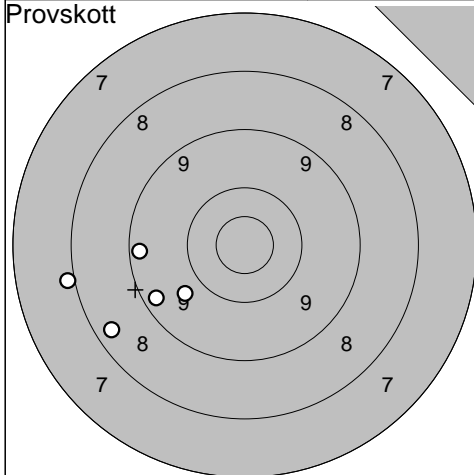
Ununge

2010-07-22

Tavelträffen B 2010 Final

Ramselefors SKF

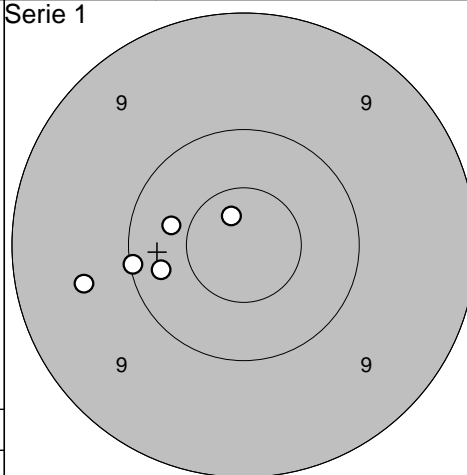
Provskott



1: 8,0 ←  
 2: 9,3 ←  
 3: 8,4 ↙  
 4: 9,8 ↙  
 5: 9,3 ↙

Serie 43,0  
 Totalt 275,0

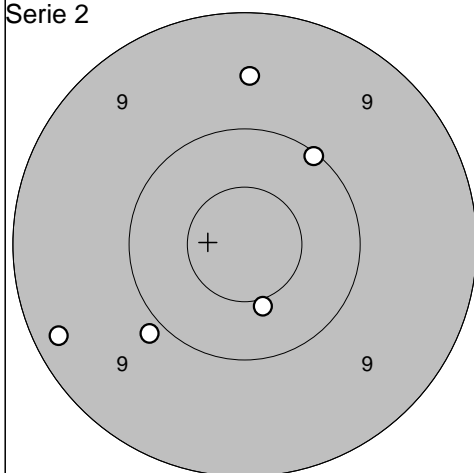
Serie 1



1: 10,4 ←  
 2: 9,6 ←  
 3: 10,1 ←  
 4: 10,3 ←  
 5: 10,8\* ↗

Serie 49,0  
 Totalt 324,0

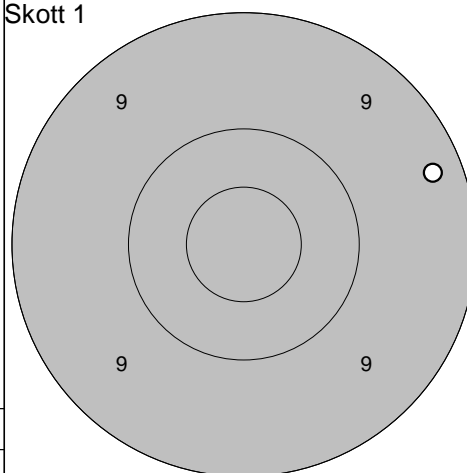
Serie 2



1: 9,9 ↙  
 2: 9,2 ←  
 3: 10,5\* ↓  
 4: 10,1 ↗  
 5: 9,6 ↑

Serie 47,0  
 Totalt 371,0

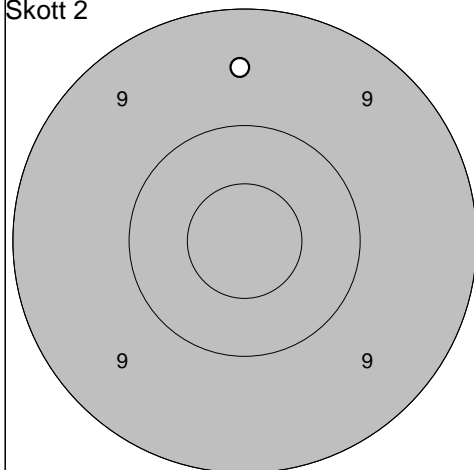
Skott 1



1: 9,3 →

Serie 9,0  
 Totalt 380,0

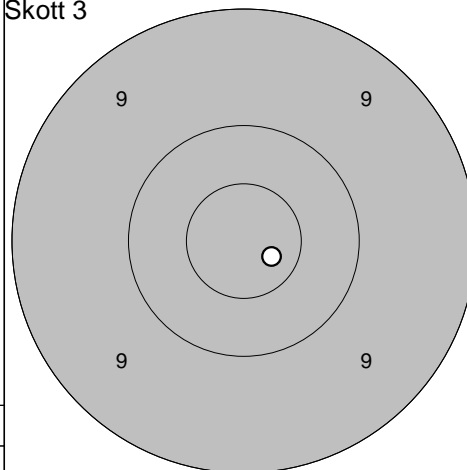
Skott 2



1: 9,5 ↑

Serie 9,0  
 Totalt 389,0

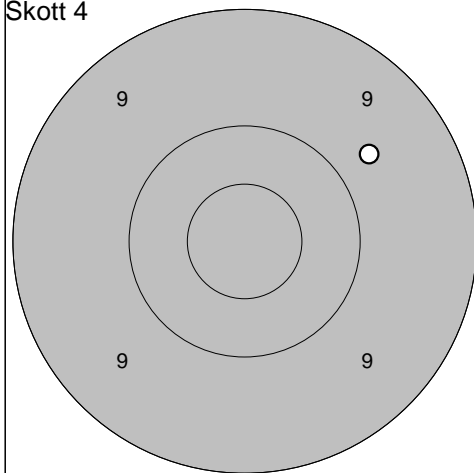
Skott 3



1: 10,8\* ↘

Serie 10,0  
 Totalt 399,0

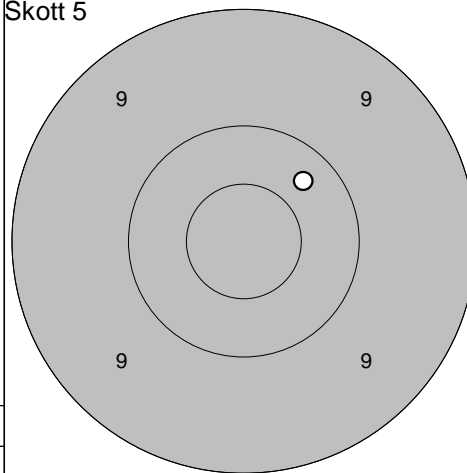
Skott 4



1: 9,7 ↗

Serie 9,0  
 Totalt 408,0

Skott 5

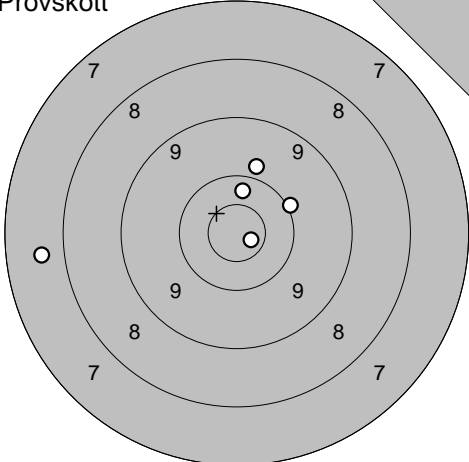
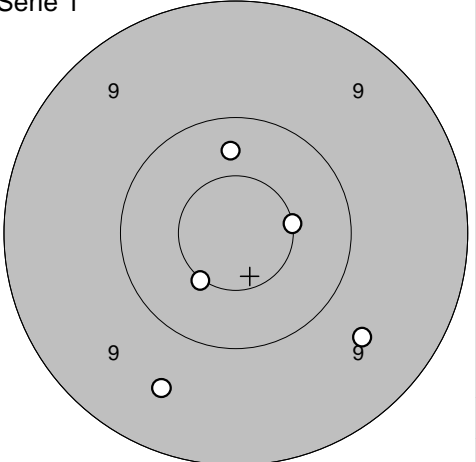


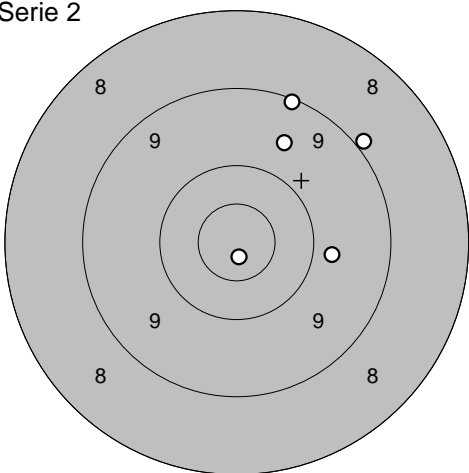
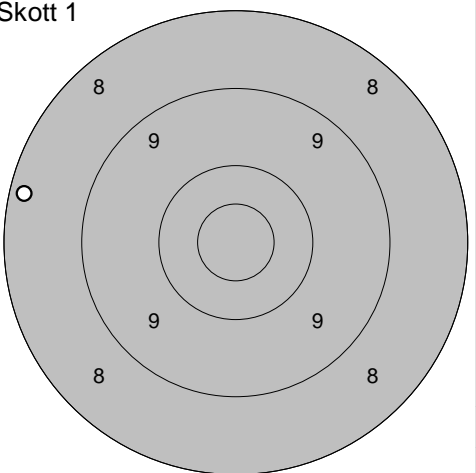
1: 10,3 ↗

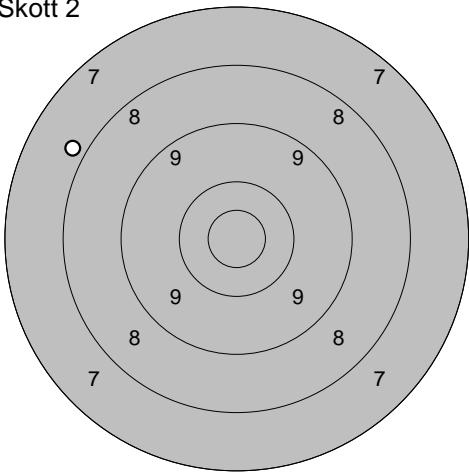
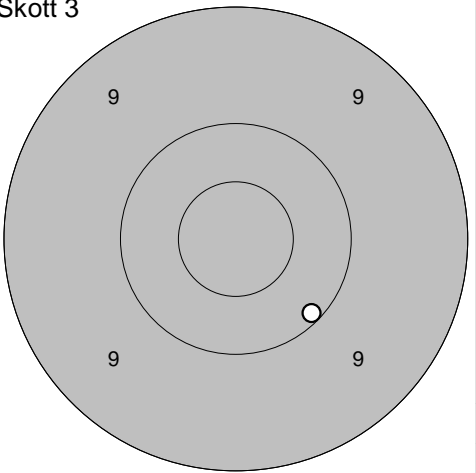
Serie 10,0  
 Totalt 418,0

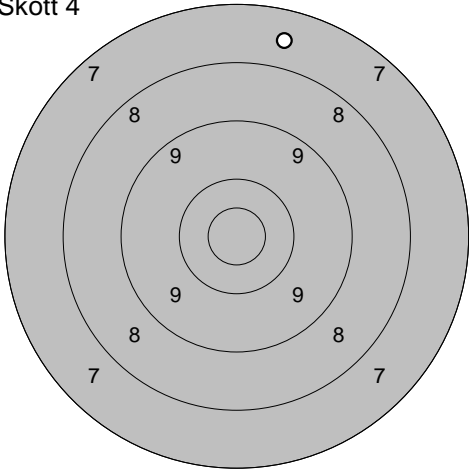
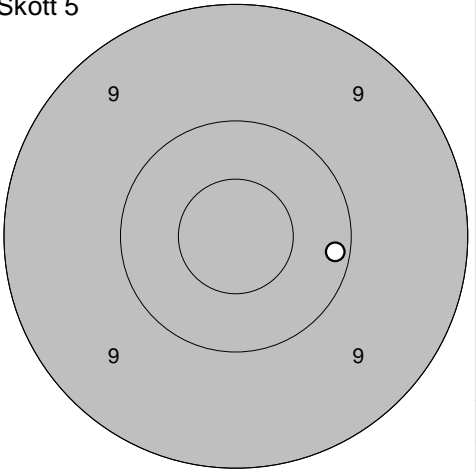
F 21

2010-07-22	Tavelträffen B 2010 Final	Ramselefors SKF
------------	---------------------------	-----------------

<p>Provsrott</p> 	<p>1: 10,4 ↑                  2: 10,0 →                  3: 10,8* ↘                  4: 9,9 ↑                  5: 7,7 ←</p>	<p>Serie 1</p> 	<p>1: 9,6 ↘                  2: 10,5* →                  3: 9,5 ↘                  4: 10,5* ↘                  5: 10,3 ↑</p>
Serie 46,0		Serie 48,0	
Totalt 272,0		Totalt 320,0	

<p>Serie 2</p> 	<p>1: 9,1 ↑                  2: 8,9 →                  3: 9,8 →                  4: 10,9* ↓                  5: 9,6 ↑</p>	<p>Skott 1</p> 	<p>1: 8,2 ←</p>
Serie 45,0		Serie 8,0	
Totalt 365,0		Totalt 373,0	

<p>Skott 2</p> 	<p>1: 7,9 ←</p>	<p>Skott 3</p> 	<p>1: 10,1 ↘</p>
Serie 7,0		Serie 10,0	
Totalt 380,0		Totalt 390,0	

<p>Skott 4</p> 	<p>1: 7,6 ↑</p>	<p>Skott 5</p> 	<p>1: 10,2 →</p>
Serie 7,0		Serie 10,0	
Totalt 397,0		Totalt 407,0	

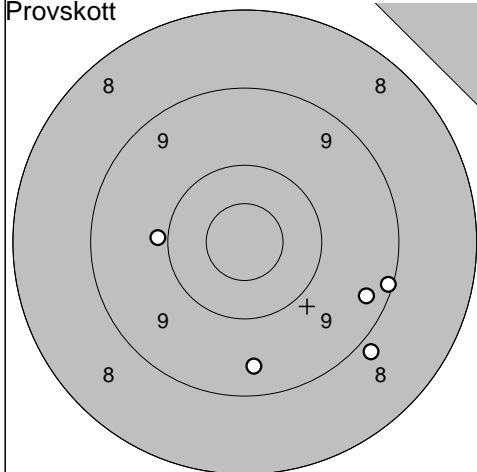
Ununge

2010-07-22

Tavelträffen B 2010 Final

Ramselefors SKF

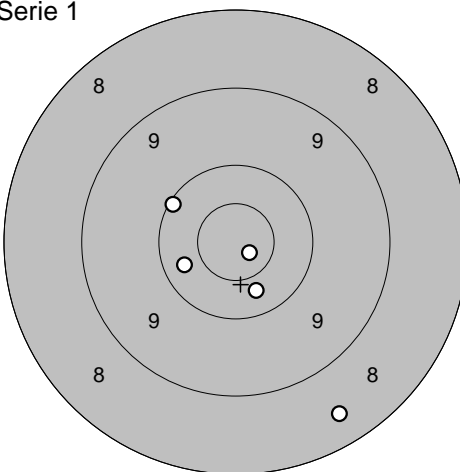
Provskott



- 1: 9,9 ←
- 2: 9,4 ↓
- 3: 9,1 →
- 4: 8,9 ↘
- 5: 9,3 ↘

Serie	44,0
Totalt	267,0

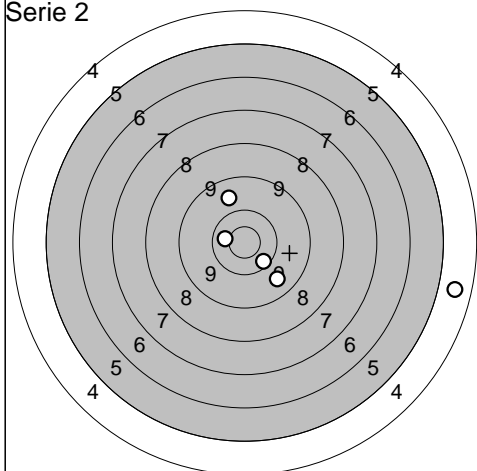
Serie 1



- 1: 10,1 ↗
- 2: 10,3 ↖
- 3: 10,4 ↓
- 4: 10,8\* ↘
- 5: 8,5 ↘

Serie	48,0
Totalt	315,0

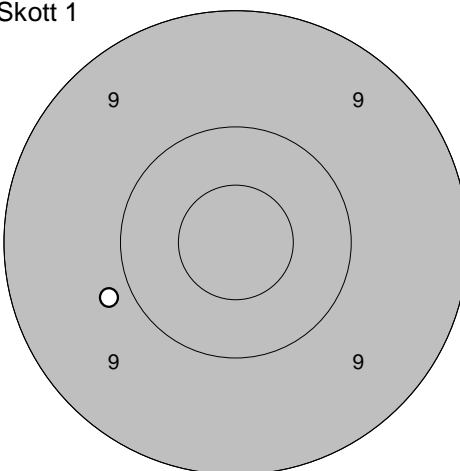
Serie 2



- 1: 10,6\* ←
- 2: 9,8 ↗
- 3: 9,7 ↘
- 4: 10,4 ↘
- 5: 4,7 →

Serie	42,0
Totalt	357,0

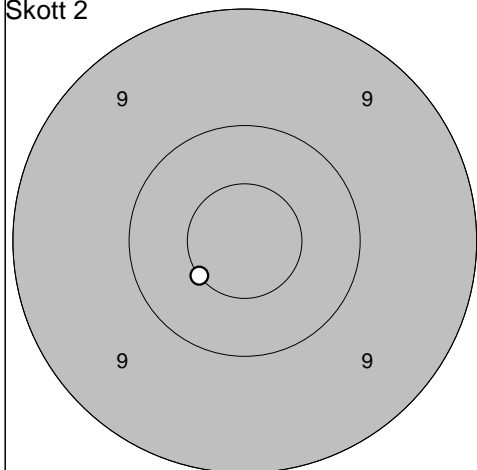
Skott 1



- 1: 9,8 ←

Serie	9,0
Totalt	366,0

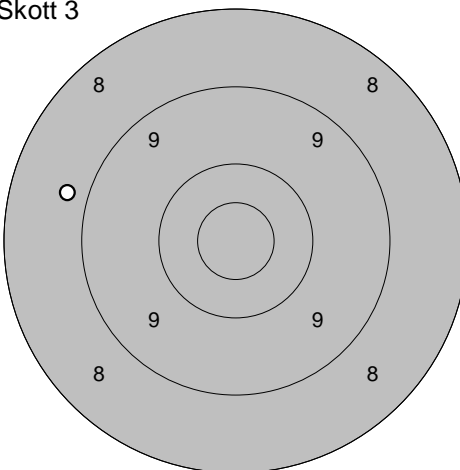
Skott 2



- 1: 10,5\* ↖

Serie	10,0
Totalt	376,0

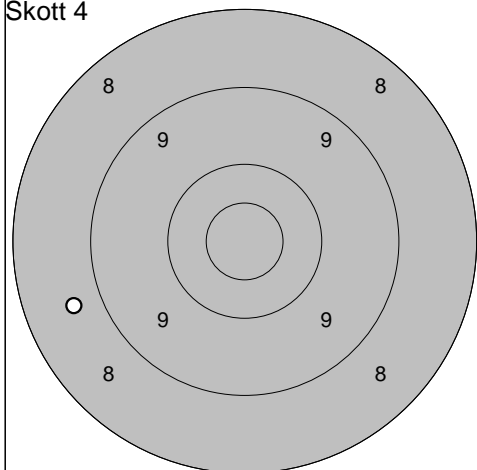
Skott 3



- 1: 8,8 ←

Serie	8,0
Totalt	384,0

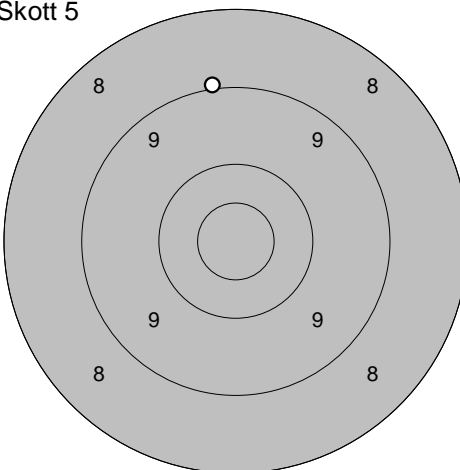
Skott 4



- 1: 8,7 ←

Serie	8,0
Totalt	392,0

Skott 5



- 1: 9,0 ↑

Serie	9,0
Totalt	401,0

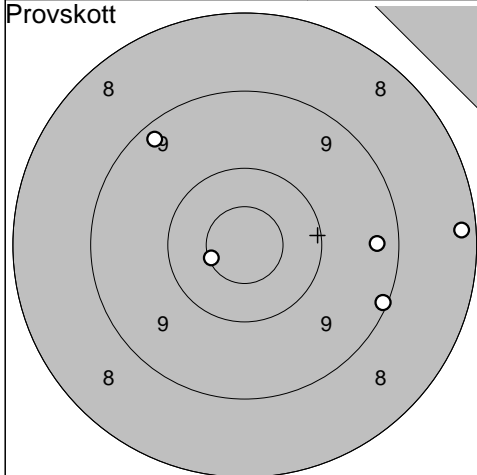
S 3

2010-07-22

Tavelträffen B 2010 Final

Ramselefors SKF

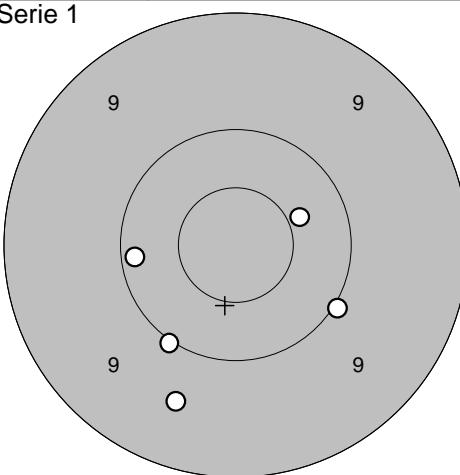
Provsrott



- 1: 10,6\* ←
- 2: 9,3 →
- 3: 9,1 →
- 4: 8,2 →
- 5: 9,3 ↗

Serie	45,0
Totalt	266,0

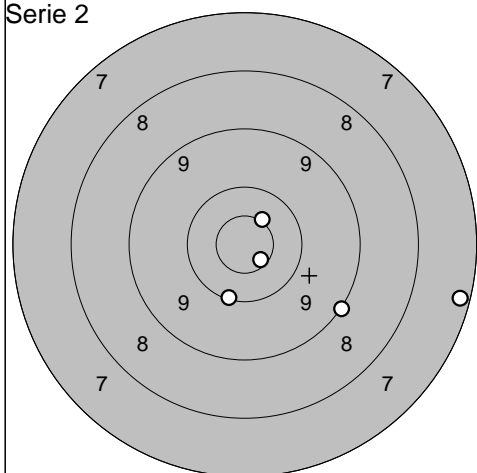
Serie 1



- 1: 10,0 →
- 2: 9,6 ↓
- 3: 10,2 ←
- 4: 10,4 →
- 5: 10,0 ↓

Serie	49,0
Totalt	315,0

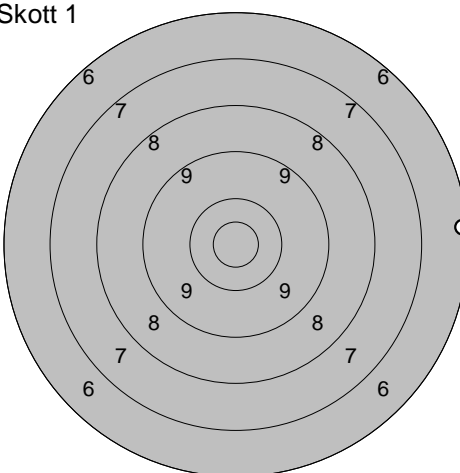
Serie 2



- 1: 10,7\* ↓
- 2: 10,1 ↓
- 3: 7,2 →
- 4: 10,6\* ↗
- 5: 9,1 ↓

Serie	46,0
Totalt	361,0

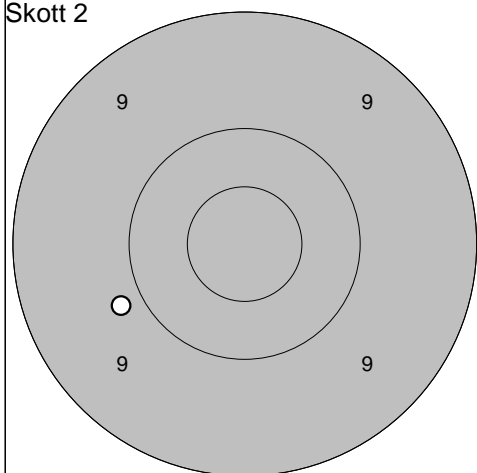
Skott 1



- 1: 6,2 →

Serie	6,0
Totalt	367,0

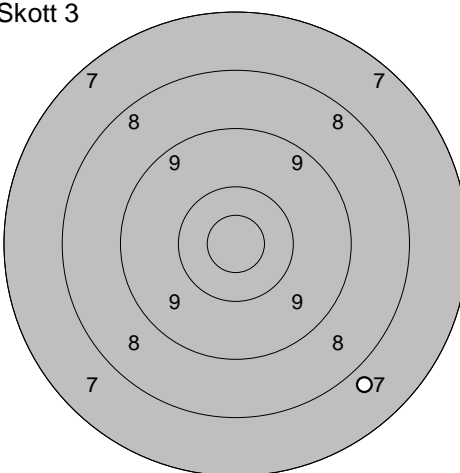
Skott 2



- 1: 9,8 ←

Serie	9,0
Totalt	376,0

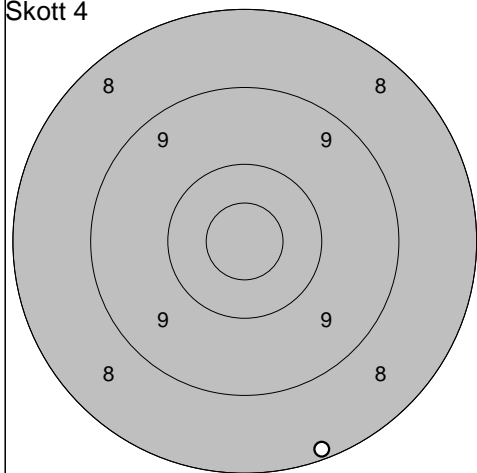
Skott 3



- 1: 7,8 ↓

Serie	7,0
Totalt	383,0

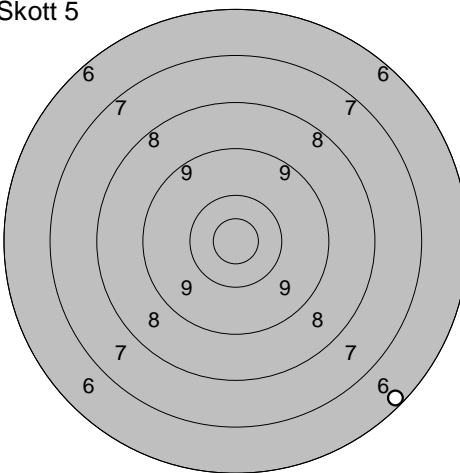
Skott 4



- 1: 8,2 ↓

Serie	8,0
Totalt	391,0

Skott 5



- 1: 6,3 ↓

Serie	6,0
Totalt	397,0