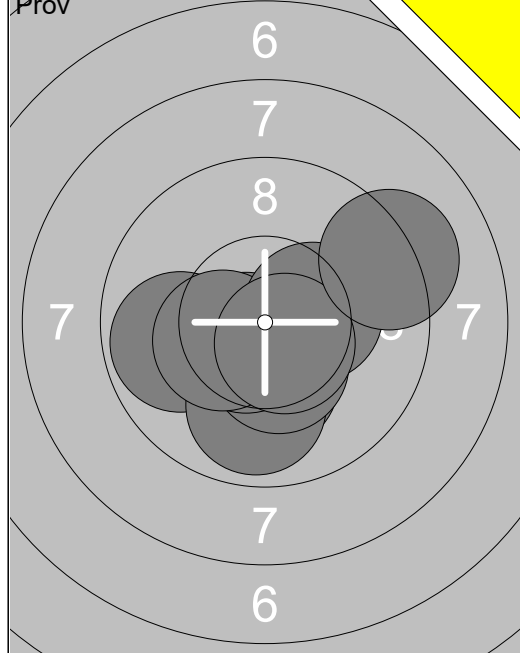


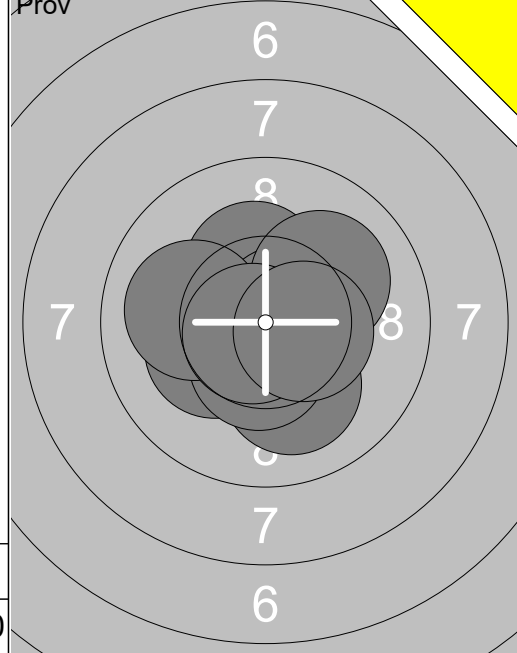
<p>Prov</p>	<p>1: 10.2x↘ 2: 10.0 ↓ 3: 10.2x↘ 4: 10.3x↘ 5: 10.2x→ 6: 9.8 ↙ 7: 10.3x↘ 8: 10.4x↗ 9: 10.3x↘ 10: 9.9 ↙</p>	<p>Prov</p>	<p>11: 10.7x↘ 12: 10.5x↗ 13: 10.7x↘ 14: 10.7x↘</p>
Serie 101.6		Serie 42.6	
Total 0.0		Total 0.0	

<p>40 Skott</p>	<p>1: 10.7x↗ 2: 10.3x↘ 3: 10.7x↗ 4: 10.3x↗ 5: 10.7x↘ 6: 10.7x→ 7: 10.7x↗ 8: 10.5x↘ 9: 10.7x↘ 10: 10.6x↘</p>	<p>40 Skott</p>	<p>11: 9.9 ↗ 12: 10.7x↗ 13: 10.5x↗ 14: 10.0 ↗ 15: 10.6x↘ 16: 10.4x↘ 17: 10.4x↘ 18: 10.3x↘ 19: 10.6x↘ 20: 10.2x↘</p>
Serie 105.9		Serie 103.6	
Total 105.9		Total 209.5	

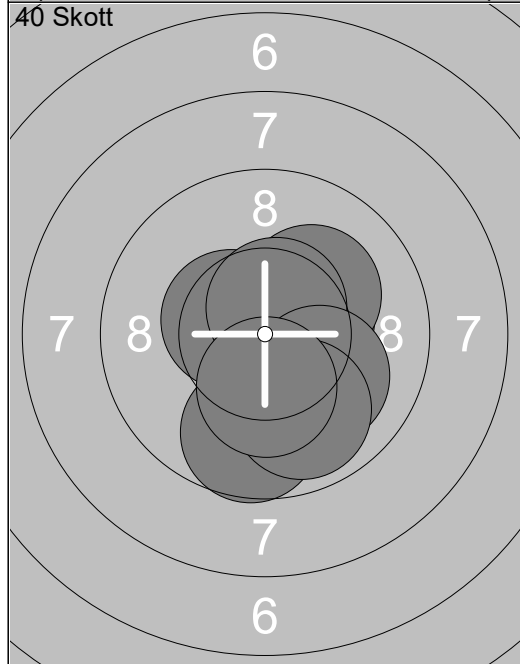
<p>40 Skott</p>	<p>21: 10.6x↘ 22: 10.2x↘ 23: 10.4x↘ 24: 10.1 ↙ 25: 10.9x↘ 26: 10.3x→ 27: 10.3x↘ 28: 10.4x↘ 29: 10.6x↗ 30: 10.8x↘</p>	<p>40 Skott</p>	<p>31: 10.4x↘ 32: 10.7x↘ 33: 10.8x↘ 34: 10.7x↘ 35: 10.5x↗ 36: 10.8x↗ 37: 10.6x↘ 38: 10.7x↘ 39: 10.0 ↙ 40: 10.8x↘</p>
Serie 104.6		Serie 106.0	
Total 314.1		Total 420.1	



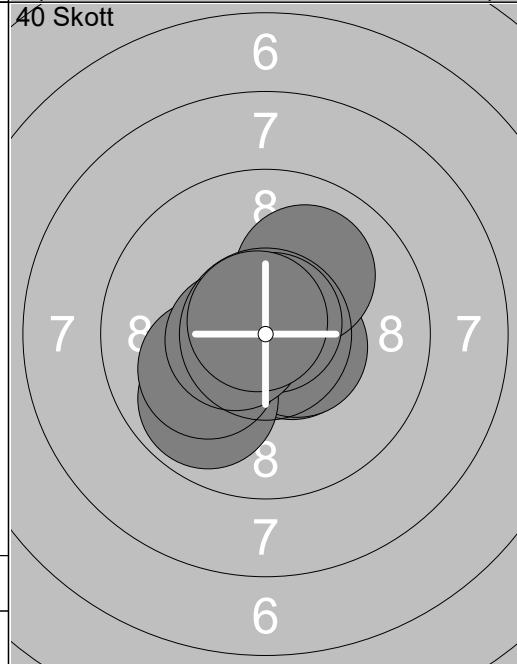
1:	9.8	←
2:	10.7	x↓
3:	10.2	x↓
4:	9.9	↓
5:	10.4	x↓
6:	10.6	x↘
7:	10.4	x↘
8:	10.3	x→
9:	10.6	x↘
10:	9.2	↗
Serie		102.1
Total		0.0



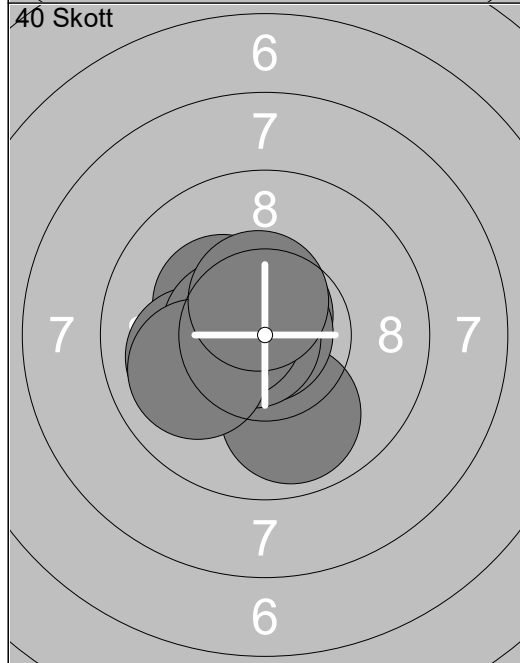
11:	10.6	x←
12:	10.3	x↗
13:	10.1	↓
14:	10.7	x→
15:	10.2	x↘
16:	10.5	x↓
17:	10.0	←
18:	10.1	↗
19:	10.7	x↘
20:	10.5	x→
Serie		103.7
Total		0.0



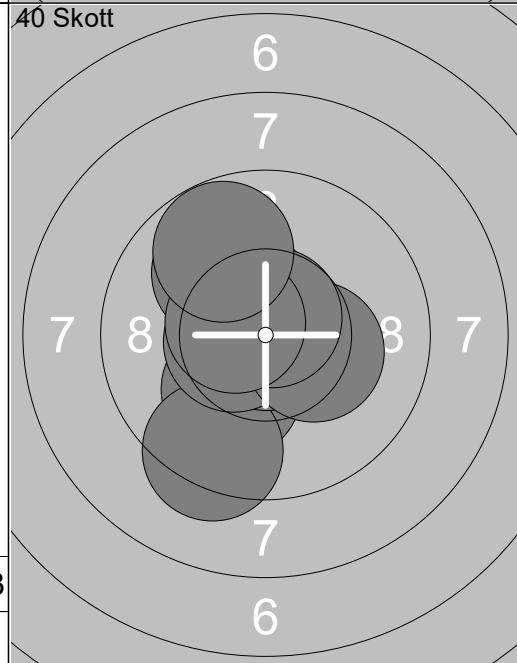
1:	10.4	x→
2:	9.7	↓
3:	10.8	x↘
4:	10.2	x↗
5:	10.5	x↘
6:	10.6	x↘
7:	10.6	x↗
8:	10.1	↘
9:	9.9	↓
10:	10.3	x↓
Serie		103.1
Total		103.1



11:	10.7	x↘
12:	10.8	x↗
13:	10.6	x↘
14:	10.5	x→
15:	9.8	↘
16:	10.1	↘
17:	10.0	↗
18:	10.8	x↗
19:	10.6	x↘
20:	10.8	x↘
Serie		104.7
Total		207.8



21:	10.3	x↘
22:	9.9	↓
23:	10.7	x↗
24:	10.7	x↘
25:	10.9	x↘
26:	10.0	←
27:	10.8	x↘
28:	10.5	x↘
29:	10.0	←
30:	10.5	x↗
Serie		104.3
Total		312.1

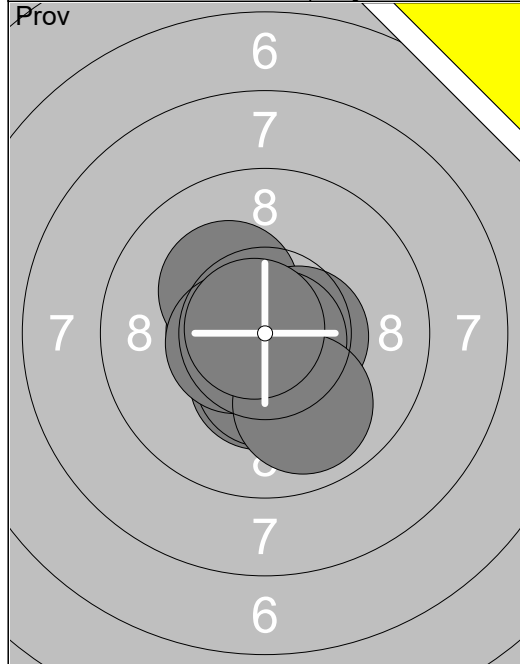


31:	10.1	↘
32:	9.3	↘
33:	10.9	x↓
34:	10.0	↖
35:	10.4	x↘
36:	10.5	x↘
37:	10.3	x→
38:	10.7	x↗
39:	10.5	x↘
40:	9.8	↖
Serie		102.5
Total		414.6

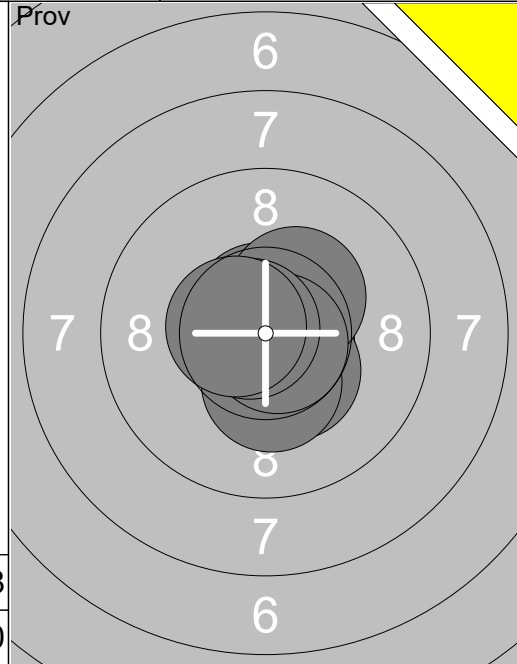
Prov 	1: 10.2x➤ 2: 10.3x↙ 3: 10.4x↙ 4: 10.6x↘ 5: 10.5x➤ 6: 10.2x↙ 7: 10.5x↘ 8: 10.5x↖ 9: 10.5x➤ 10: 10.5x➤	Prov 	11: 10.6x↙ 12: 10.7x➤ 13: 10.7x↙
Serie	104.2	Serie	32.0
Total	0.0	Total	0.0

40 Skott 	1: 10.2x↙ 2: 10.2x↘ 3: 10.6x↘ 4: 10.7x↘ 5: 10.8x↗ 6: 10.0↑ 7: 10.8x↑ 8: 10.4x➤ 9: 10.8x↗ 10: 10.6x↑	40 Skott 	11: 10.3x↘ 12: 10.2x↙ 13: 10.4x↖ 14: 10.6x↘ 15: 10.5x↗ 16: 10.4x➤ 17: 10.4x↘ 18: 10.0↙ 19: 10.4x↗ 20: 10.6x↑
Serie	105.1	Serie	103.8
Total	105.1	Total	208.9

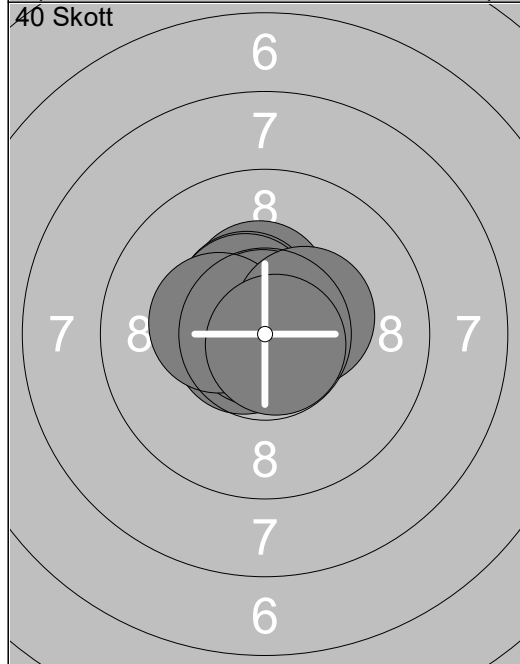
40 Skott 	21: 10.4x↘ 22: 10.7x↘ 23: 10.3x↘ 24: 10.3x↘ 25: 10.6x↑ 26: 10.3x↘ 27: 10.4x↘ 28: 10.4x↘ 29: 10.5x↘ 30: 10.8x↘	40 Skott 	31: 10.6x↗ 32: 10.0↖ 33: 10.4x↑ 34: 10.6x↘ 35: 10.0↗ 36: 10.2x↑ 37: 10.6x↘ 38: 10.4x↘ 39: 10.7x↘ 40: 10.1↓
Serie	104.7	Serie	103.6
Total	313.6	Total	417.2



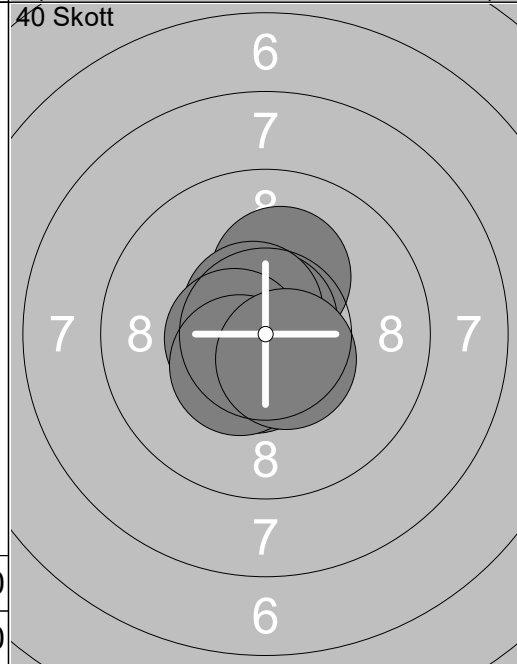
1:	10.6x↔
2:	10.2x↖
3:	10.4x↓
4:	10.6x↘
5:	10.5x→
6:	10.8x↘
7:	10.4x↓
8:	10.6x↔
9:	9.9 ↓
10:	10.8x↔
Serie 104.8	
Total 0.0	



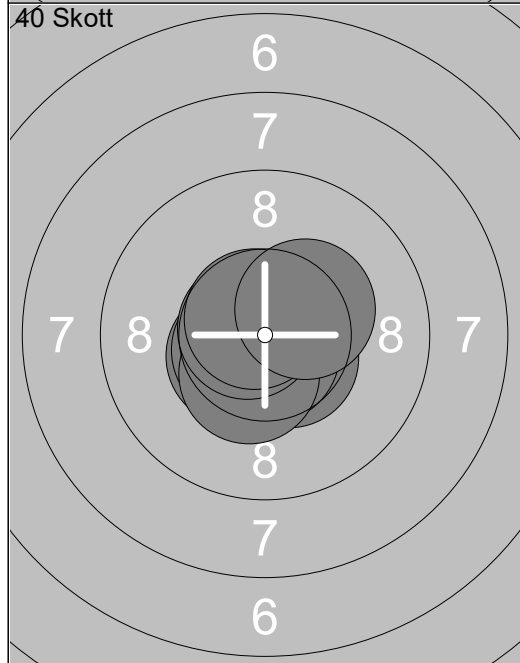
11:	10.7x↘
12:	10.6x↗
13:	10.4x↘
14:	10.7x↗
15:	10.3x↓
16:	10.8x↖
17:	10.4x↗
18:	10.8x↘
19:	10.7x↔
20:	10.6x↔
Serie 106.0	
Total 0.0	



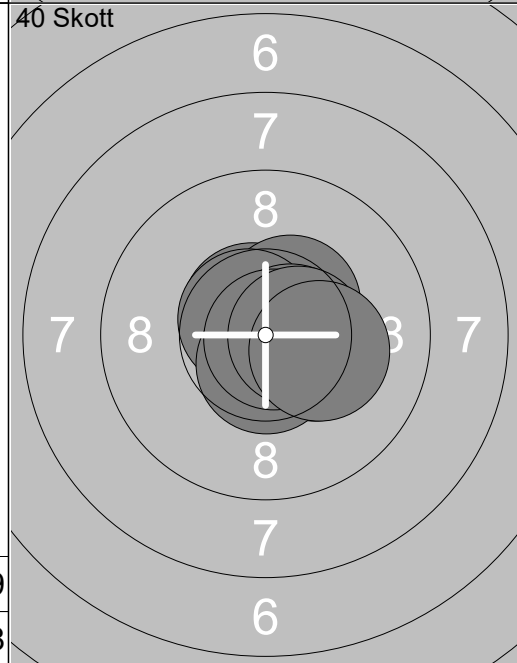
1:	10.7x↗
2:	10.4x↗
3:	10.5x↖
4:	10.5x↖
5:	10.7x↔
6:	10.9x↔
7:	10.8x↗
8:	10.3x↔
9:	10.4x↗
10:	10.8x↘
Serie 106.0	
Total 106.0	



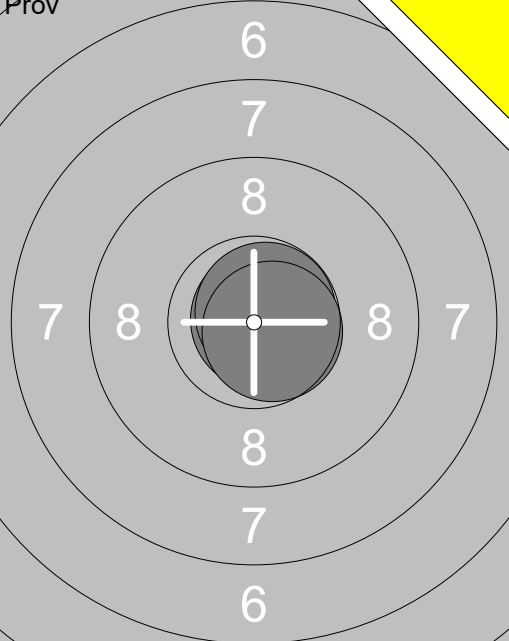
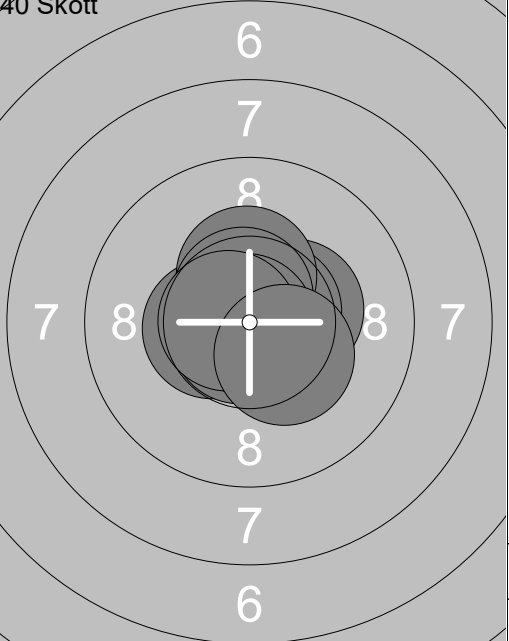
11:	10.2x↗
12:	10.7x↓
13:	10.9x↓
14:	10.8x↗
15:	10.6x↓
16:	10.6x↔
17:	10.6x↖
18:	10.6x↔
19:	10.4x↓
20:	10.5x↘
Serie 105.9	
Total 211.9	

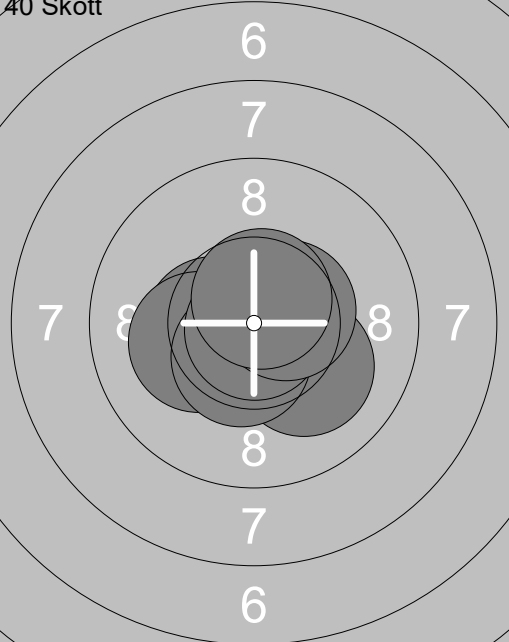
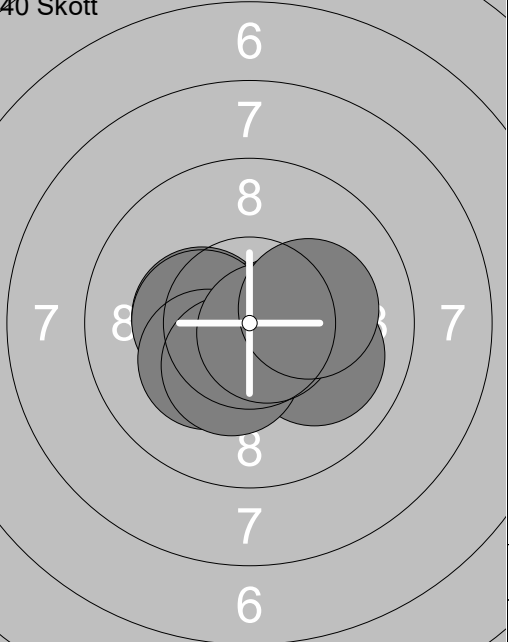


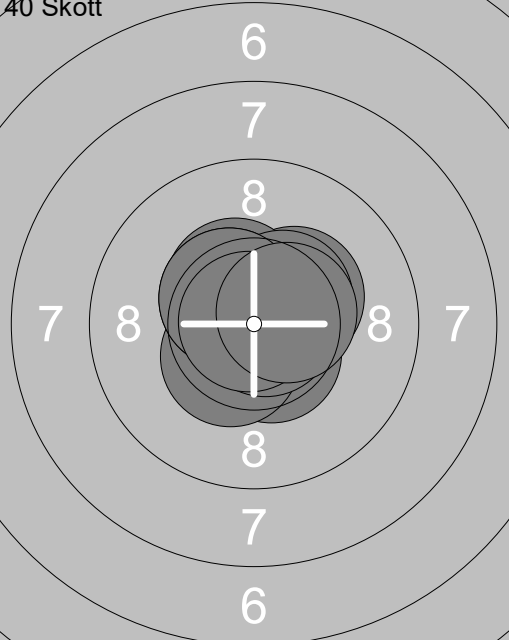
21:	10.7x↓
22:	10.5x↓
23:	10.8x→
24:	10.5x↘
25:	10.7x↓
26:	10.6x↔
27:	10.4x↓
28:	10.7x↔
29:	10.7x↖
30:	10.3x↗
Serie 105.9	
Total 317.8	

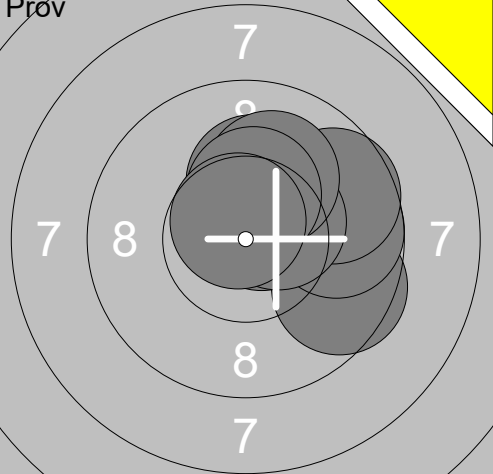
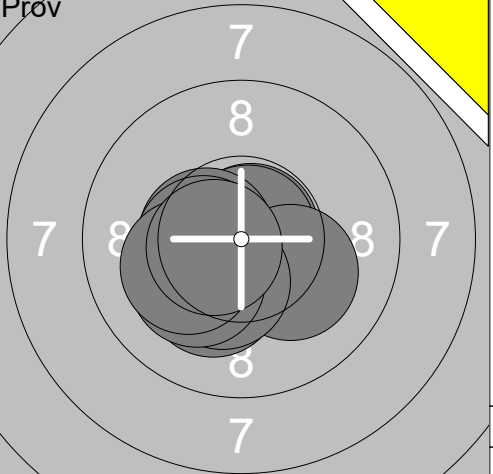


31:	10.6x↖
32:	10.4x→
33:	10.5x↗
34:	10.7x↖
35:	10.3x→
36:	10.6x↓
37:	10.6x→
38:	10.8x↘
39:	10.5x→
40:	10.2x→
Serie 105.2	
Total 423.0	

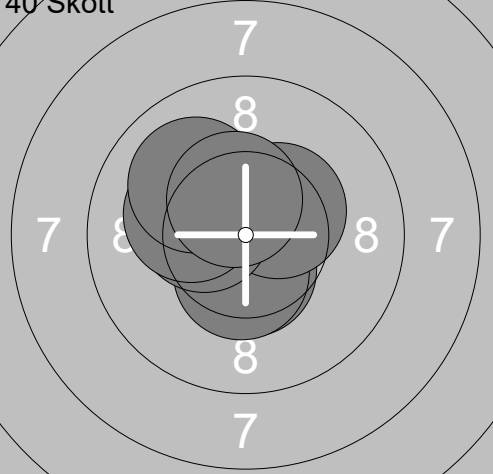
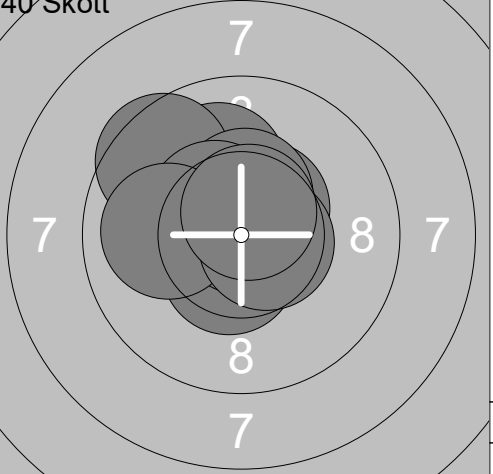
<p>Prov</p> 	<p>1: 10.8x➤</p> <p>2: 10.8x↗</p> <p>3: 10.7x➤</p>	<p>40 Skott</p> 	<p>1: 10.5x✗</p> <p>2: 10.8x↘</p> <p>3: 10.7x➤</p> <p>4: 10.4x➤</p> <p>5: 10.6x➤</p> <p>6: 10.4x↗</p> <p>7: 10.6x↗</p> <p>8: 10.9x✗</p> <p>9: 10.7x✗</p> <p>10: 10.3x↘</p>
Serie 32.3		Serie 105.9	
Total 0.0		Total 105.9	

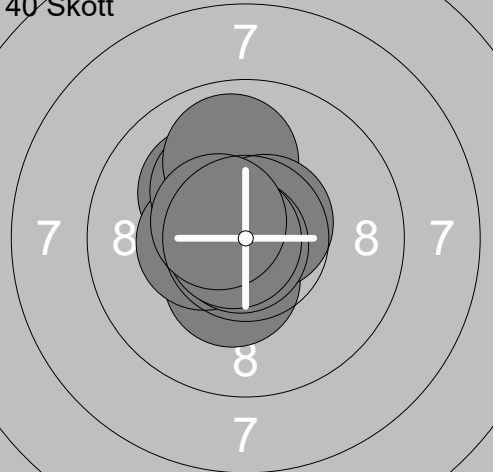
<p>40 Skott</p> 	<p>11: 10.7x↘</p> <p>12: 10.3x✗</p> <p>13: 10.5x✗</p> <p>14: 10.4x✗</p> <p>15: 10.2x✗</p> <p>16: 10.1 ➤</p> <p>17: 10.5x↘</p> <p>18: 10.9x↓</p> <p>19: 10.5x➤</p> <p>20: 10.6x↗</p>	<p>40 Skott</p> 	<p>21: 10.3x✗</p> <p>22: 10.8x↘</p> <p>23: 10.3x✗</p> <p>24: 10.2x↘</p> <p>25: 10.2x➤</p> <p>26: 10.5x➤</p> <p>27: 10.0 ➤</p> <p>28: 10.4x↘</p> <p>29: 10.7x➤</p> <p>30: 10.2x➤</p>
Serie 104.7		Serie 103.6	
Total 210.6		Total 314.2	

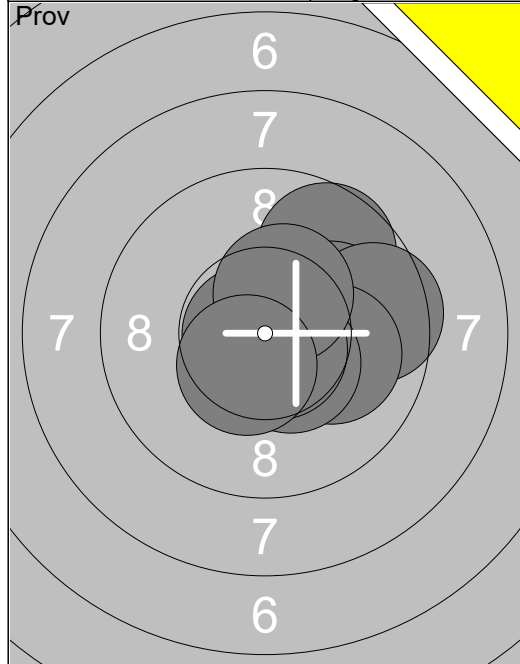
<p>40 Skott</p> 	<p>31: 10.3x↗</p> <p>32: 10.5x↘</p> <p>33: 10.4x↘</p> <p>34: 10.4x↗</p> <p>35: 10.5x✗</p> <p>36: 10.8x➤</p> <p>37: 10.5x↗</p> <p>38: 10.5x✗</p> <p>39: 10.9x✗</p> <p>40: 10.5x➤</p>		
Serie 105.3			
Total 419.5			

<p>Pröv</p> 	<p>1: 10.0 →</p> <p>2: 9.6 →</p> <p>3: 9.7 →</p> <p>4: 10.2x ↑</p> <p>5: 10.6x ↗</p> <p>6: 9.7 →</p> <p>7: 10.5x ↗</p> <p>8: 10.1 ↑</p> <p>9: 10.4x ↑</p> <p>10: 10.7x ↗</p>	<p>Pröv</p> 	<p>11: 10.8x ↗</p> <p>12: 10.8x ↗</p> <p>13: 10.2x →</p> <p>14: 10.2x ↓</p> <p>15: 10.5x ←</p> <p>16: 10.3x ↓</p> <p>17: 10.4x ←</p> <p>18: 10.2x ↙</p> <p>19: 10.2x ↙</p> <p>20: 10.6x ←</p>
Serie	101.5	Serie	104.2
Total	0.0	Total	0.0

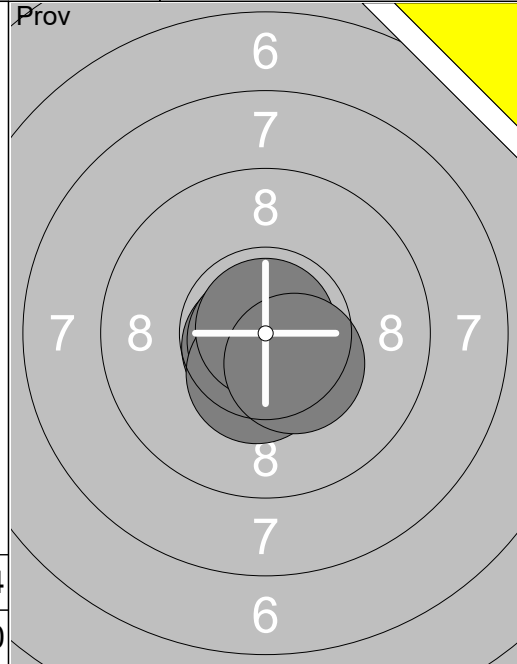
<p>Pröv</p> 	<p>21: 10.3x ↗</p> <p>22: 9.9 ↗</p> <p>23: 10.6x ↙</p>	<p>40 Skott</p> 	<p>1: 10.7x ←</p> <p>2: 10.7x →</p> <p>3: 10.6x ↖</p> <p>4: 10.2x ↓</p> <p>5: 10.3x ↗</p> <p>6: 10.8x ↓</p> <p>7: 10.7x ↓</p> <p>8: 10.1 ↗</p> <p>9: 10.1 ↗</p> <p>10: 10.6x →</p>
Serie	30.8	Serie	104.8
Total	0.0	Total	104.8

<p>40 Skott</p> 	<p>11: 10.5x ↓</p> <p>12: 10.3x ↗</p> <p>13: 10.5x ↓</p> <p>14: 10.4x ←</p> <p>15: 10.4x ↗</p> <p>16: 10.2x ↖</p> <p>17: 10.4x ←</p> <p>18: 10.2x ↖</p> <p>19: 10.0 ↗</p> <p>20: 10.5x ↑</p>	<p>40 Skott</p> 	<p>21: 10.0 ↗</p> <p>22: 10.5x ↓</p> <p>23: 9.5 ↗</p> <p>24: 10.5x ↗</p> <p>25: 10.4x ↑</p> <p>26: 10.8x ↑</p> <p>27: 10.5x ↗</p> <p>28: 10.0 ←</p> <p>29: 10.6x →</p> <p>30: 10.6x ↑</p>
Serie	103.4	Serie	103.4
Total	208.2	Total	311.6

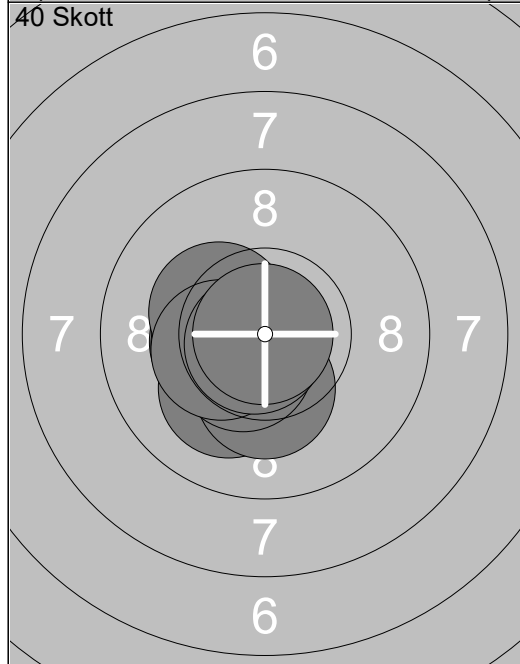
<p>40 Skott</p> 	<p>31: 10.6x ↓</p> <p>32: 10.4x ↓</p> <p>33: 10.2x ↗</p> <p>34: 10.4x ←</p> <p>35: 10.2x ↗</p> <p>36: 9.9 ↑</p> <p>37: 10.6x ↗</p> <p>38: 10.8x ↓</p> <p>39: 10.8x ←</p> <p>40: 10.5x ↗</p>		
Serie	104.4		
Total	416.0		



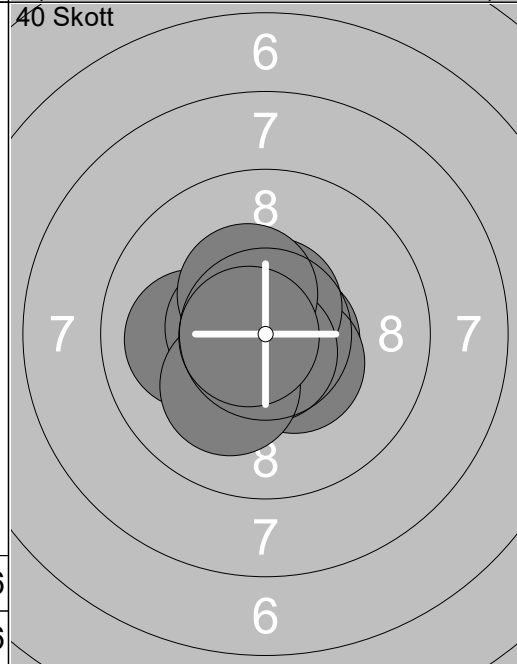
1:	10.1 ↗
2:	9.7 ↗
3:	10.1 →
4:	9.5 →
5:	10.8 ✕
6:	10.1 →
7:	10.5 ✕
8:	10.7 ✕
9:	10.4 ✕ ↗
10:	10.5 ✕
Serie 102.4	
Total 0.0	



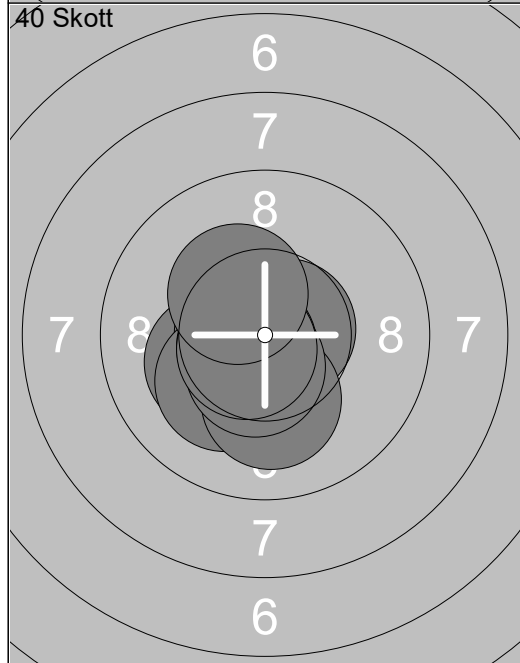
11:	10.7 ✕
12:	10.8 ✕
13:	10.4 ✕
14:	10.9 ✕ ↗
15:	10.4 ✕
Serie 53.2	
Total 0.0	



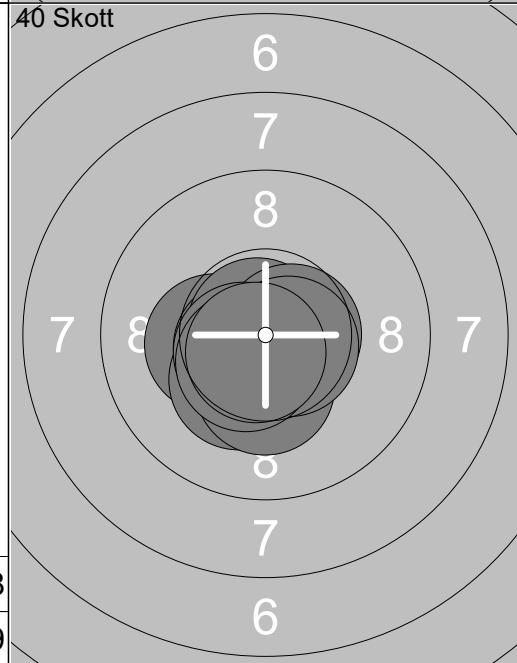
1:	10.1 ↓
2:	10.4 ✕
3:	10.5 ✕
4:	10.4 ✕
5:	10.3 ✕ ↓
6:	10.3 ✕
7:	10.5 ✕
8:	10.4 ✕
9:	10.8 ✕
10:	10.9 ✕
Serie 104.6	
Total 104.6	



11:	10.6 ✕ →
12:	10.3 ✕
13:	10.4 ✕
14:	10.6 ✕ ↗
15:	10.0 ←
16:	10.6 ✕
17:	10.7 ✕ ↓
18:	10.4 ✕ ↗
19:	10.2 ✕
20:	10.7 ✕
Serie 104.5	
Total 209.1	



21:	10.2 ✕
22:	10.7 ✕
23:	10.7 ✕
24:	10.7 ✕ →
25:	10.2 ✕
26:	10.1 ↓
27:	10.7 ✕
28:	10.5 ✕
29:	10.7 ✕
30:	10.3 ✕
Serie 104.8	
Total 313.9	



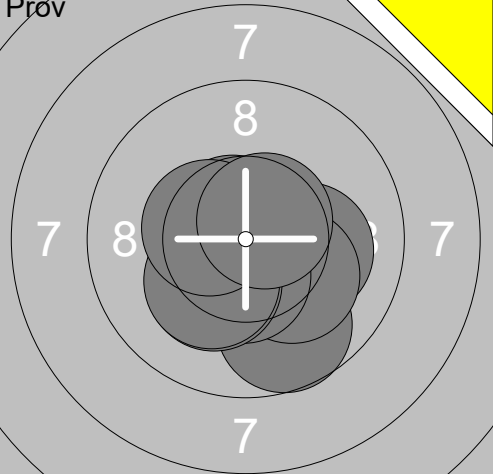
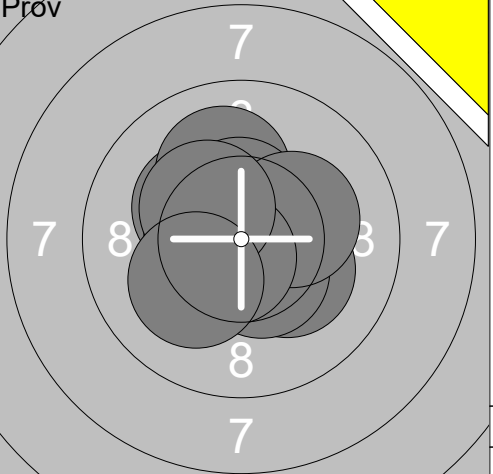
31:	10.3 ✕
32:	10.3 ✕
33:	10.6 ✕
34:	10.8 ✕
35:	10.3 ✕ ↓
36:	10.6 ✕ →
37:	10.6 ✕
38:	10.6 ✕ →
39:	10.5 ✕
40:	10.7 ✕
Serie 105.3	
Total 419.2	

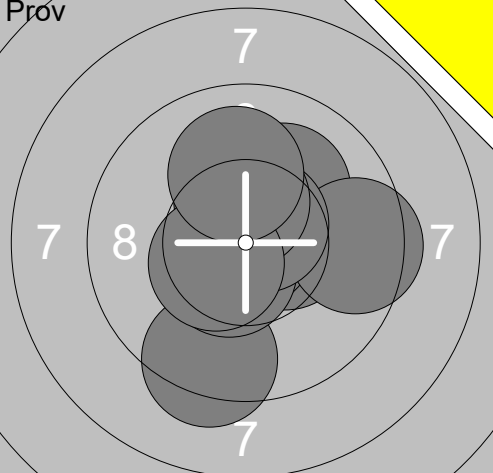
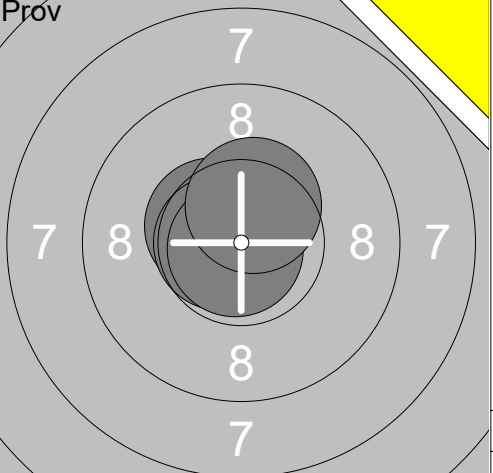
<p>Pröv</p>	<table border="1" style="width:100%; border-collapse: collapse;"> <tr><td>1:</td><td>8.6</td><td>↖</td></tr> <tr><td>2:</td><td>10.3x</td><td>↗</td></tr> <tr><td>3:</td><td>9.9</td><td>↘</td></tr> <tr><td>4:</td><td>10.7x</td><td>↙</td></tr> <tr><td>5:</td><td>10.6x</td><td>↙</td></tr> <tr><td>6:</td><td>10.1</td><td>↗</td></tr> <tr><td>7:</td><td>10.6x</td><td>←</td></tr> <tr><td>8:</td><td>10.0</td><td>↑</td></tr> <tr><td>9:</td><td>10.7x</td><td>→</td></tr> <tr><td>10:</td><td>10.0</td><td>↗</td></tr> <tr><td colspan="2">Serie</td><td>101.5</td></tr> <tr><td colspan="2">Total</td><td>0.0</td></tr> </table>	1:	8.6	↖	2:	10.3x	↗	3:	9.9	↘	4:	10.7x	↙	5:	10.6x	↙	6:	10.1	↗	7:	10.6x	←	8:	10.0	↑	9:	10.7x	→	10:	10.0	↗	Serie		101.5	Total		0.0	<p>Pröv</p>	<table border="1" style="width:100%; border-collapse: collapse;"> <tr><td>11:</td><td>10.0</td><td>↘</td></tr> <tr><td>12:</td><td>10.0</td><td>↗</td></tr> <tr><td>13:</td><td>10.4x</td><td>↗</td></tr> <tr><td>14:</td><td>10.3x</td><td>↗</td></tr> <tr><td>15:</td><td>10.3x</td><td>←</td></tr> <tr><td>16:</td><td>10.6x</td><td>↙</td></tr> <tr><td>17:</td><td>10.0</td><td>↘</td></tr> <tr><td>18:</td><td>10.3x</td><td>←</td></tr> <tr><td>19:</td><td>10.0</td><td>←</td></tr> <tr><td>20:</td><td>9.9</td><td>↘</td></tr> <tr><td colspan="2">Serie</td><td>101.8</td></tr> <tr><td colspan="2">Total</td><td>0.0</td></tr> </table>	11:	10.0	↘	12:	10.0	↗	13:	10.4x	↗	14:	10.3x	↗	15:	10.3x	←	16:	10.6x	↙	17:	10.0	↘	18:	10.3x	←	19:	10.0	←	20:	9.9	↘	Serie		101.8	Total		0.0
1:	8.6	↖																																																																									
2:	10.3x	↗																																																																									
3:	9.9	↘																																																																									
4:	10.7x	↙																																																																									
5:	10.6x	↙																																																																									
6:	10.1	↗																																																																									
7:	10.6x	←																																																																									
8:	10.0	↑																																																																									
9:	10.7x	→																																																																									
10:	10.0	↗																																																																									
Serie		101.5																																																																									
Total		0.0																																																																									
11:	10.0	↘																																																																									
12:	10.0	↗																																																																									
13:	10.4x	↗																																																																									
14:	10.3x	↗																																																																									
15:	10.3x	←																																																																									
16:	10.6x	↙																																																																									
17:	10.0	↘																																																																									
18:	10.3x	←																																																																									
19:	10.0	←																																																																									
20:	9.9	↘																																																																									
Serie		101.8																																																																									
Total		0.0																																																																									

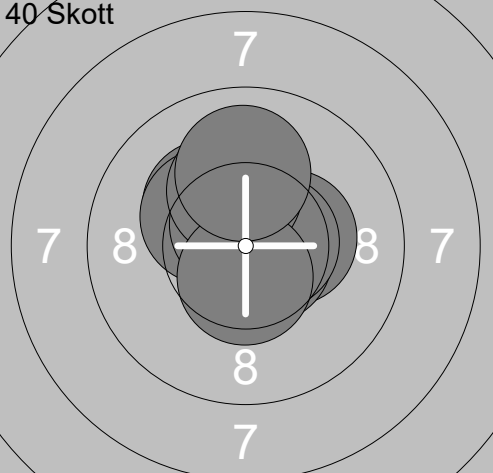
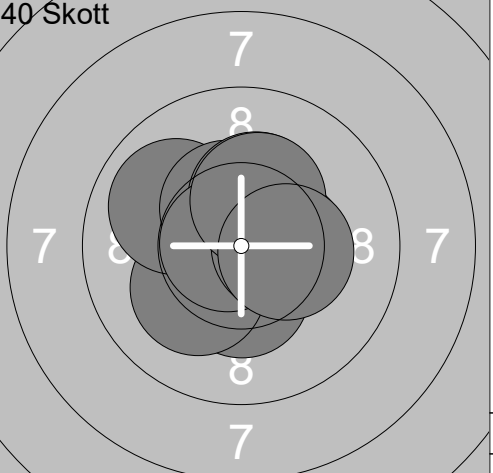
<p>Pröv</p>	<table border="1" style="width:100%; border-collapse: collapse;"> <tr><td>21:</td><td>10.3x</td><td>↙</td></tr> <tr><td colspan="2">Serie</td><td>10.3</td></tr> <tr><td colspan="2">Total</td><td>0.0</td></tr> </table>	21:	10.3x	↙	Serie		10.3	Total		0.0	<p>40 Skott</p>	<table border="1" style="width:100%; border-collapse: collapse;"> <tr><td>1:</td><td>10.3x</td><td>→</td></tr> <tr><td>2:</td><td>10.3x</td><td>→</td></tr> <tr><td>3:</td><td>10.9x</td><td>↘</td></tr> <tr><td>4:</td><td>10.1</td><td>↘</td></tr> <tr><td>5:</td><td>10.7x</td><td>↘</td></tr> <tr><td>6:</td><td>10.6x</td><td>↖</td></tr> <tr><td>7:</td><td>10.4x</td><td>↘</td></tr> <tr><td>8:</td><td>9.9</td><td>←</td></tr> <tr><td>9:</td><td>10.3x</td><td>↗</td></tr> <tr><td>10:</td><td>9.9</td><td>→</td></tr> <tr><td colspan="2">Serie</td><td>103.4</td></tr> <tr><td colspan="2">Total</td><td>103.4</td></tr> </table>	1:	10.3x	→	2:	10.3x	→	3:	10.9x	↘	4:	10.1	↘	5:	10.7x	↘	6:	10.6x	↖	7:	10.4x	↘	8:	9.9	←	9:	10.3x	↗	10:	9.9	→	Serie		103.4	Total		103.4
21:	10.3x	↙																																														
Serie		10.3																																														
Total		0.0																																														
1:	10.3x	→																																														
2:	10.3x	→																																														
3:	10.9x	↘																																														
4:	10.1	↘																																														
5:	10.7x	↘																																														
6:	10.6x	↖																																														
7:	10.4x	↘																																														
8:	9.9	←																																														
9:	10.3x	↗																																														
10:	9.9	→																																														
Serie		103.4																																														
Total		103.4																																														

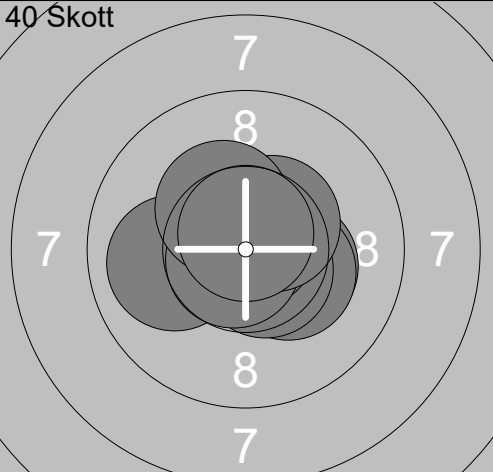
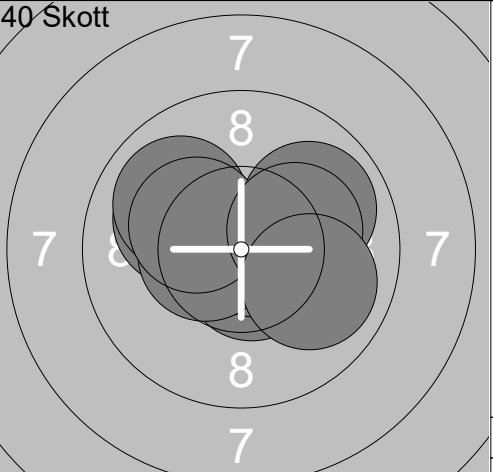
<p>40 Skott</p>	<table border="1" style="width:100%; border-collapse: collapse;"> <tr><td>11:</td><td>10.4x</td><td>↘</td></tr> <tr><td>12:</td><td>10.1</td><td>←</td></tr> <tr><td>13:</td><td>10.0</td><td>↗</td></tr> <tr><td>14:</td><td>10.2x</td><td>↘</td></tr> <tr><td>15:</td><td>9.6</td><td>↗</td></tr> <tr><td>16:</td><td>10.6x</td><td>↙</td></tr> <tr><td>17:</td><td>10.0</td><td>↘</td></tr> <tr><td>18:</td><td>10.6x</td><td>↘</td></tr> <tr><td>19:</td><td>10.1</td><td>↘</td></tr> <tr><td>20:</td><td>10.6x</td><td>→</td></tr> <tr><td colspan="2">Serie</td><td>102.2</td></tr> <tr><td colspan="2">Total</td><td>205.6</td></tr> </table>	11:	10.4x	↘	12:	10.1	←	13:	10.0	↗	14:	10.2x	↘	15:	9.6	↗	16:	10.6x	↙	17:	10.0	↘	18:	10.6x	↘	19:	10.1	↘	20:	10.6x	→	Serie		102.2	Total		205.6	<p>40 Skott</p>	<table border="1" style="width:100%; border-collapse: collapse;"> <tr><td>21:</td><td>9.7</td><td>→</td></tr> <tr><td>22:</td><td>10.6x</td><td>↘</td></tr> <tr><td>23:</td><td>10.3x</td><td>↘</td></tr> <tr><td>24:</td><td>10.0</td><td>↗</td></tr> <tr><td>25:</td><td>10.3x</td><td>↑</td></tr> <tr><td>26:</td><td>10.9x</td><td>↗</td></tr> <tr><td>27:</td><td>9.6</td><td>←</td></tr> <tr><td>28:</td><td>10.4x</td><td>←</td></tr> <tr><td>29:</td><td>10.3x</td><td>←</td></tr> <tr><td>30:</td><td>10.3x</td><td>↗</td></tr> <tr><td colspan="2">Serie</td><td>102.4</td></tr> <tr><td colspan="2">Total</td><td>308.0</td></tr> </table>	21:	9.7	→	22:	10.6x	↘	23:	10.3x	↘	24:	10.0	↗	25:	10.3x	↑	26:	10.9x	↗	27:	9.6	←	28:	10.4x	←	29:	10.3x	←	30:	10.3x	↗	Serie		102.4	Total		308.0
11:	10.4x	↘																																																																									
12:	10.1	←																																																																									
13:	10.0	↗																																																																									
14:	10.2x	↘																																																																									
15:	9.6	↗																																																																									
16:	10.6x	↙																																																																									
17:	10.0	↘																																																																									
18:	10.6x	↘																																																																									
19:	10.1	↘																																																																									
20:	10.6x	→																																																																									
Serie		102.2																																																																									
Total		205.6																																																																									
21:	9.7	→																																																																									
22:	10.6x	↘																																																																									
23:	10.3x	↘																																																																									
24:	10.0	↗																																																																									
25:	10.3x	↑																																																																									
26:	10.9x	↗																																																																									
27:	9.6	←																																																																									
28:	10.4x	←																																																																									
29:	10.3x	←																																																																									
30:	10.3x	↗																																																																									
Serie		102.4																																																																									
Total		308.0																																																																									

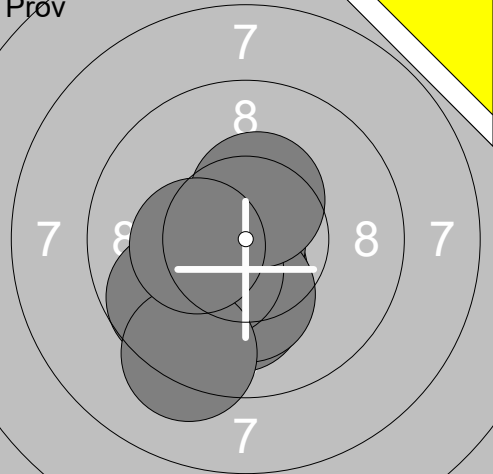
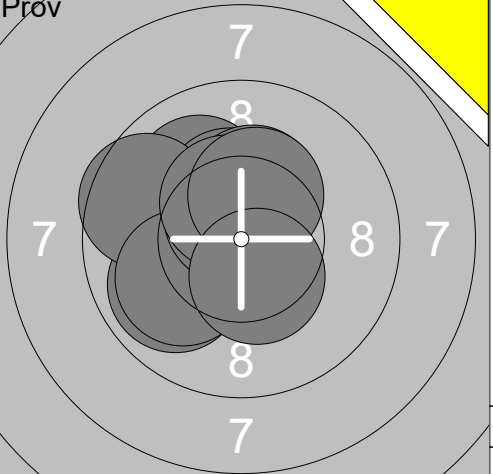
<p>40 Skott</p>	<table border="1" style="width:100%; border-collapse: collapse;"> <tr><td>31:</td><td>10.1</td><td>↘</td></tr> <tr><td>32:</td><td>10.2x</td><td>↑</td></tr> <tr><td>33:</td><td>10.8x</td><td>↘</td></tr> <tr><td>34:</td><td>10.1</td><td>↘</td></tr> <tr><td>35:</td><td>10.4x</td><td>↑</td></tr> <tr><td>36:</td><td>10.2x</td><td>→</td></tr> <tr><td>37:</td><td>10.1</td><td>↗</td></tr> <tr><td>38:</td><td>9.3</td><td>←</td></tr> <tr><td>39:</td><td>10.1</td><td>↑</td></tr> <tr><td>40:</td><td>9.8</td><td>↗</td></tr> <tr><td colspan="2">Serie</td><td>101.1</td></tr> <tr><td colspan="2">Total</td><td>409.1</td></tr> </table>	31:	10.1	↘	32:	10.2x	↑	33:	10.8x	↘	34:	10.1	↘	35:	10.4x	↑	36:	10.2x	→	37:	10.1	↗	38:	9.3	←	39:	10.1	↑	40:	9.8	↗	Serie		101.1	Total		409.1		
31:	10.1	↘																																					
32:	10.2x	↑																																					
33:	10.8x	↘																																					
34:	10.1	↘																																					
35:	10.4x	↑																																					
36:	10.2x	→																																					
37:	10.1	↗																																					
38:	9.3	←																																					
39:	10.1	↑																																					
40:	9.8	↗																																					
Serie		101.1																																					
Total		409.1																																					


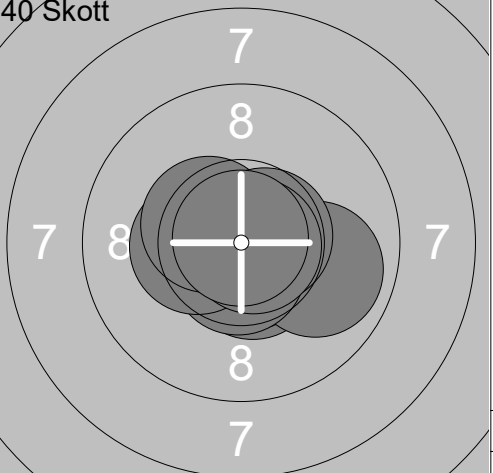
<p>Pröv</p> 	<p>1: 9.7 ↘ 2: 10.1 → 3: 10.2x ↘ 4: 10.8x ↗ 5: 10.7x ↗ 6: 10.5x ↓ 7: 10.2x ↘ 8: 10.2x ↘ 9: 10.4x ← 10: 10.6x ↗</p> <p>Serie 103.4 Total 0.0</p>	<p>Pröv</p> 	<p>11: 10.3x ↗ 12: 10.1 ↑ 13: 10.2x ↘ 14: 10.6x ← 15: 10.5x ↓ 16: 10.5x ↑ 17: 10.2x → 18: 10.7x ↘ 19: 10.3x ↗ 20: 10.1 ↘</p> <p>Serie 103.5 Total 0.0</p>
--	--	--	--

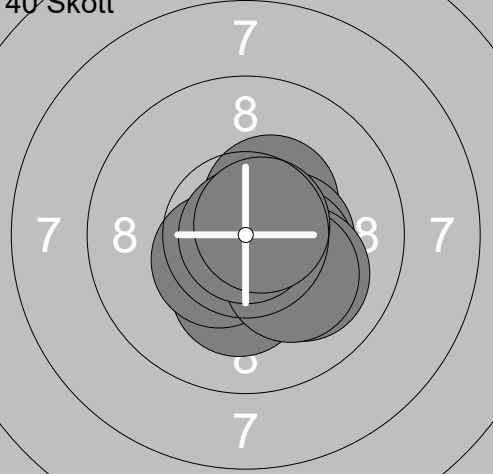
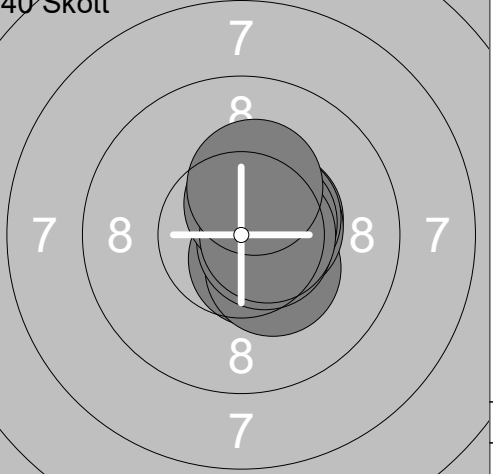
<p>Pröv</p> 	<p>21: 10.4x → 22: 10.9x ↗ 23: 10.1 ↗ 24: 9.5 → 25: 9.3 ↓ 26: 10.5x ↘ 27: 10.6x ↗ 28: 10.4x ↑ 29: 10.5x ↘ 30: 10.0 ↑</p> <p>Serie 102.2 Total 0.0</p>	<p>Pröv</p> 	<p>31: 10.5x ↘ 32: 10.7x ← 33: 10.8x ↘ 34: 10.4x ↗</p> <p>Serie 42.4 Total 0.0</p>
---	--	---	---

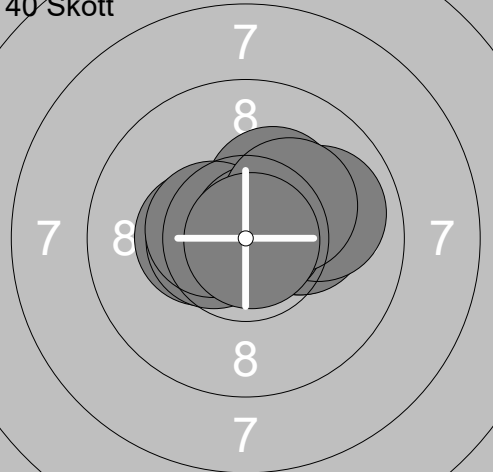
<p>40 Skott</p> 	<p>1: 10.3x ↗ 2: 10.3x ↗ 3: 10.4x → 4: 10.7x ↘ 5: 10.6x ↗ 6: 10.7x ↗ 7: 10.6x → 8: 10.2x ↑ 9: 10.5x ↓ 10: 10.0 ↑</p> <p>Serie 104.3 Total 104.3</p>	<p>40 Skott</p> 	<p>11: 10.4x ↓ 12: 10.2x ↘ 13: 10.4x ↑ 14: 9.9 ↘ 15: 10.4x ↗ 16: 10.3x ↗ 17: 10.8x ← 18: 10.4x → 19: 10.3x ↗ 20: 10.4x →</p> <p>Serie 103.5 Total 207.8</p>
--	--	--	--

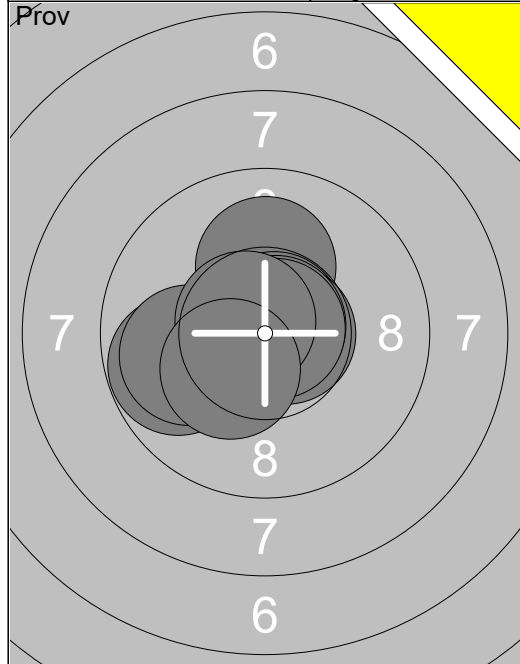
<p>40 Skott</p> 	<p>21: 10.3x → 22: 10.3x → 23: 10.6x ↘ 24: 10.7x ↗ 25: 10.0 ← 26: 10.8x ↗ 27: 10.7x ↘ 28: 10.5x ↗ 29: 10.3x ↗ 30: 10.7x ↑</p> <p>Serie 104.9 Total 312.7</p>	<p>40 Skott</p> 	<p>31: 10.9x ↘ 32: 10.6x ↘ 33: 9.9 ↗ 34: 10.1 ↗ 35: 10.8x → 36: 10.5x ← 37: 10.0 ↗ 38: 10.3x ↗ 39: 10.2x → 40: 10.0 ↘</p> <p>Serie 103.3 Total 416.0</p>
--	---	--	---

<p>Pröv</p> 	<p>1: 10.5x ↓ 2: 10.2x ↓ 3: 9.7 ↙ 4: 10.1 ↓ 5: 10.8x ↙ 6: 10.2x ↓ 7: 10.4x ↙ 8: 9.3 ↓ 9: 10.4x ↑ 10: 10.3x ←</p> <p>Serie 101.9 Total 0.0</p>	<p>Pröv</p> 	<p>11: 9.9 ↙ 12: 10.0 ↗ 13: 10.4x ↑ 14: 9.6 ↙ 15: 10.3x ↑ 16: 10.0 ↙ 17: 10.6x ↗ 18: 10.4x ↗ 19: 10.3x ↑ 20: 10.4x ↓</p> <p>Serie 101.9 Total 0.0</p>
---	---	---	---

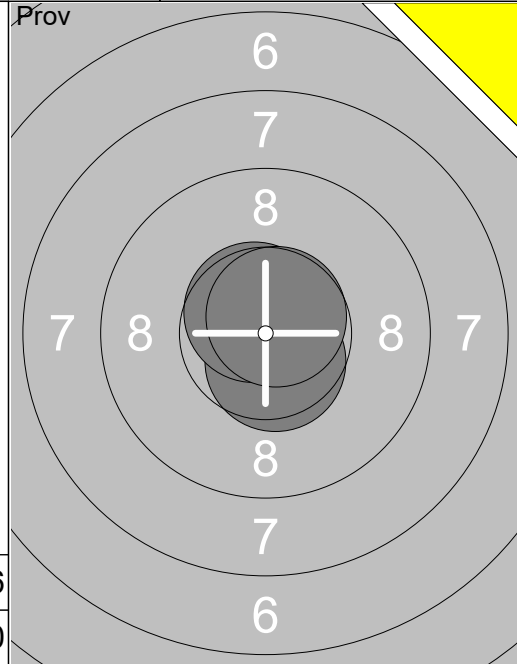
<p>Pröv</p> 	<p>21: 10.6x ↓ 22: 10.3x ↓</p> <p>Serie 20.9 Total 0.0</p>	<p>40 Skott</p> 	<p>1: 10.5x ↓ 2: 10.8x ↗ 3: 10.7x ↓ 4: 9.9 → 5: 10.6x ↓ 6: 10.4x ← 7: 10.5x ↗ 8: 10.6x → 9: 10.8x → 10: 10.9x ↑</p> <p>Serie 105.7 Total 105.7</p>
--	--	--	--

<p>40 Skott</p> 	<p>11: 10.2x ↓ 12: 10.4x ↗ 13: 10.8x ↓ 14: 10.4x → 15: 10.4x ↓ 16: 10.1 ↓ 17: 10.5x ↙ 18: 10.2x ↓ 19: 10.9x ↓ 20: 10.7x ↗</p> <p>Serie 104.6 Total 210.3</p>	<p>40 Skott</p> 	<p>21: 10.5x → 22: 10.6x ↓ 23: 10.3x ↓ 24: 10.5x → 25: 10.5x ↗ 26: 10.6x → 27: 10.6x → 28: 10.5x ↑ 29: 10.6x → 30: 10.3x ↑</p> <p>Serie 105.0 Total 315.3</p>
---	--	---	---

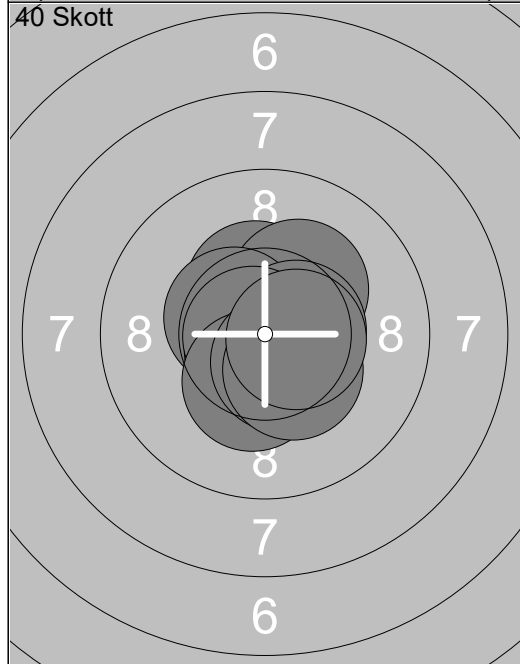
<p>40 Skott</p> 	<p>31: 10.2x → 32: 10.2x → 33: 10.4x ← 34: 10.3x ↗ 35: 9.9 → 36: 10.5x ← 37: 10.5x ← 38: 10.8x → 39: 10.2x ↗ 40: 10.9x →</p> <p>Serie 103.9 Total 419.2</p>		
---	---	--	--



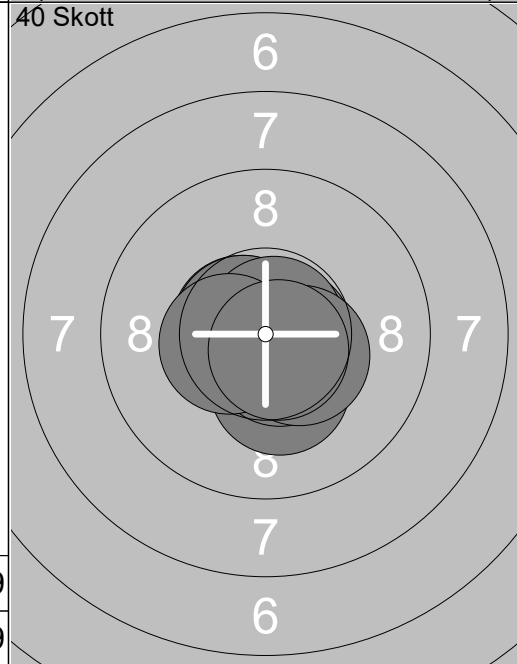
1:	10.1 ↑
2:	10.8 ↗
3:	9.8 ←
4:	9.9 ←
5:	10.7x →
6:	10.8x ↗
7:	10.7x ↘
8:	10.8x ↗
9:	10.7x ↘
10:	10.3x ↘
Serie 104.6	
Total 0.0	



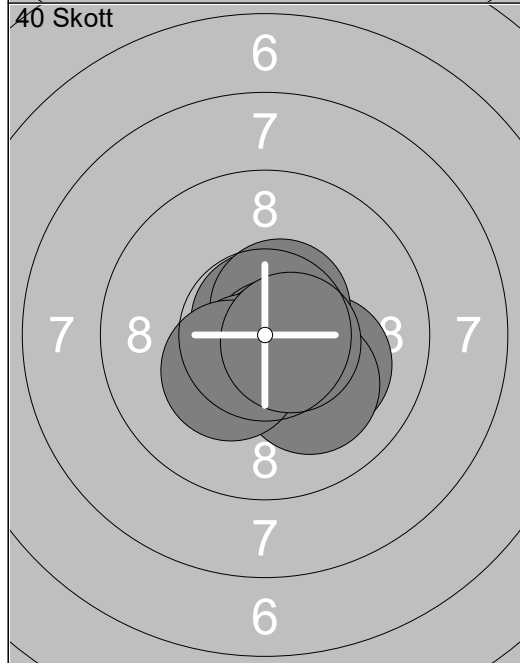
11:	10.6x ↘
12:	10.6x ↘
13:	10.7x ↗
Serie 31.9	
Total 0.0	



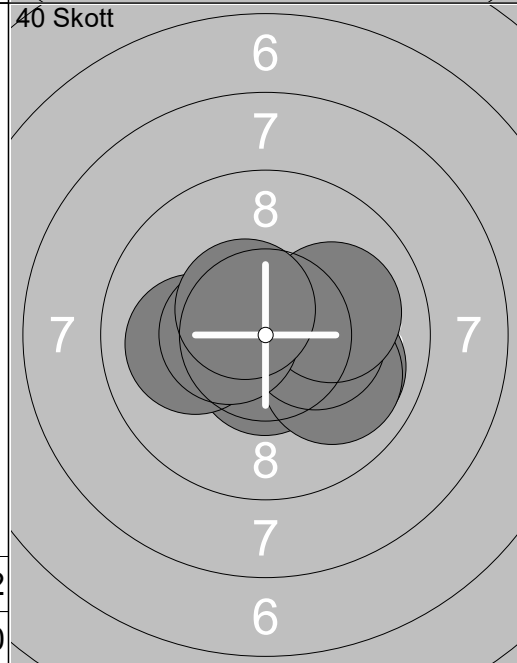
1:	10.4x ↗
2:	10.2x ↗
3:	10.5x ↘
4:	10.6x →
5:	10.7x ↘
6:	10.8x ↘
7:	10.3x ↘
8:	10.5x ↘
9:	10.4x ↘
10:	10.5x →
Serie 104.9	
Total 104.9	



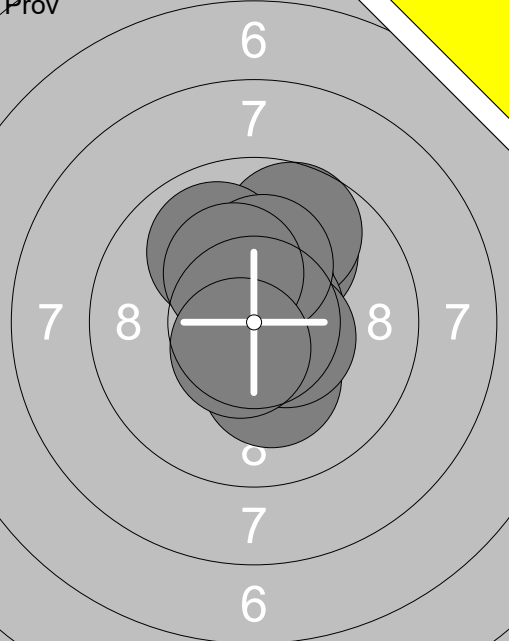
11:	10.6x ↘
12:	10.7x ↘
13:	10.6x ↘
14:	10.3x ↘
15:	10.7x →
16:	10.8x ↗
17:	10.6x ↘
18:	10.4x →
19:	10.5x ↘
20:	10.7x ↘
Serie 105.9	
Total 210.8	

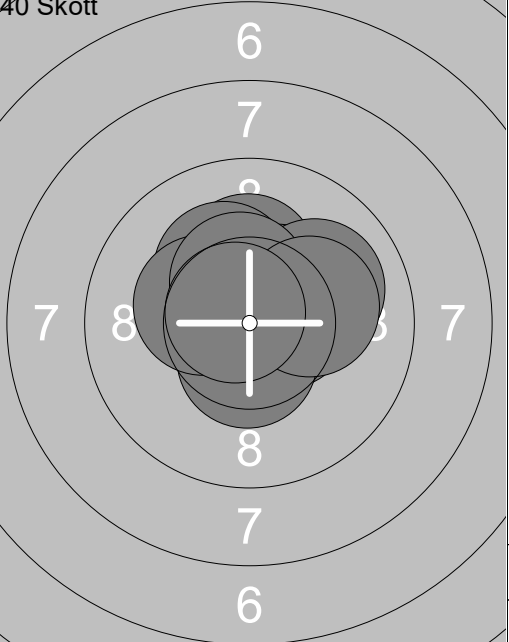


21:	10.1 →
22:	10.8x ↘
23:	10.8x ↗
24:	10.6x ↗
25:	10.7x ↘
26:	10.7x ↘
27:	10.5x ↘
28:	10.1 ↘
29:	10.3x ↘
30:	10.6x →
Serie 105.2	
Total 316.0	



31:	10.7x ↘
32:	10.6x ↘
33:	10.2x →
34:	10.0 →
35:	10.0 →
36:	10.3x →
37:	10.1 →
38:	10.0 ←
39:	10.5x ↘
40:	10.5x ↘
Serie 102.9	
Total 418.9	

Prov 	1: 10.0 ↗ 2: 9.7 ↗ 3: 9.9 ↖ 4: 10.5x ↗ 5: 10.7x ➤ 6: 10.2x ↘ 7: 10.5x ➤ 8: 10.2x ↗ 9: 10.3x ↘ 10: 10.6x ↘ <hr/> Serie 102.6 Total 0.0	Prov 	11: 10.3x ↘ 12: 10.8x ↘ 13: 10.0 ➤ 14: 10.6x ↘ <hr/> Serie 41.7 Total 0.0
--	--	--	--

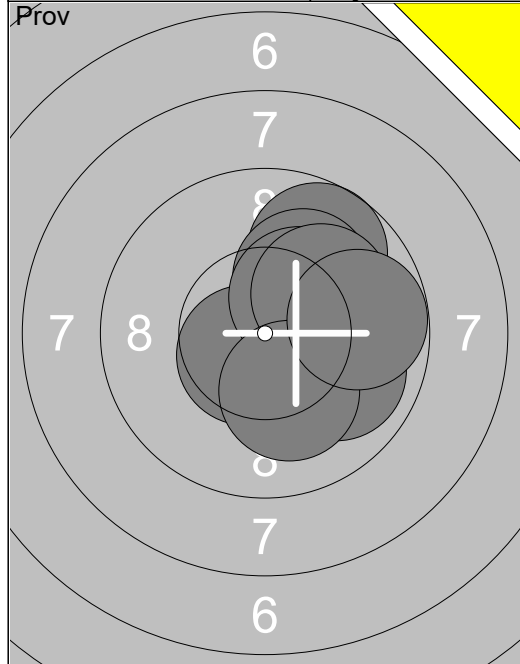
40 Skott 	1: 10.5x ↗ 2: 10.6x ↘ 3: 10.6x ↗ 4: 10.4x ↗ 5: 10.7x ↘ 6: 10.4x ↘ 7: 10.3x ➤ 8: 10.6x ↘ 9: 10.9x ↗ 10: 10.2x ↘ <hr/> Serie 105.2 Total 105.2	40 Skott 	11: 10.5x ➤ 12: 10.2x ↗ 13: 10.4x ↗ 14: 10.0 ➤ 15: 10.2x ↘ 16: 10.5x ↘ 17: 10.3x ↘ 18: 10.4x ↗ 19: 10.2x ➤ 20: 10.7x ↘ <hr/> Serie 103.4 Total 208.6
---	---	---	---

40 Skott 	21: 10.6x ↘ 22: 10.5x ↗ 23: 9.9 ↗ 24: 10.6x ➤ 25: 10.8x ➤ 26: 10.7x ↘ 27: 10.0 ↗ 28: 10.4x ↘ 29: 10.6x ↘ 30: 10.6x ↘ <hr/> Serie 104.7 Total 313.3	40 Skott 	31: 10.2x ↘ 32: 10.8x ↘ 33: 10.3x ↘ 34: 10.8x ↘ 35: 10.5x ➤ 36: 10.4x ➤ 37: 10.5x ↘ 38: 10.6x ↘ 39: 10.8x ↘ 40: 10.5x ↘ <hr/> Serie 105.4 Total 418.7
--	---	--	--

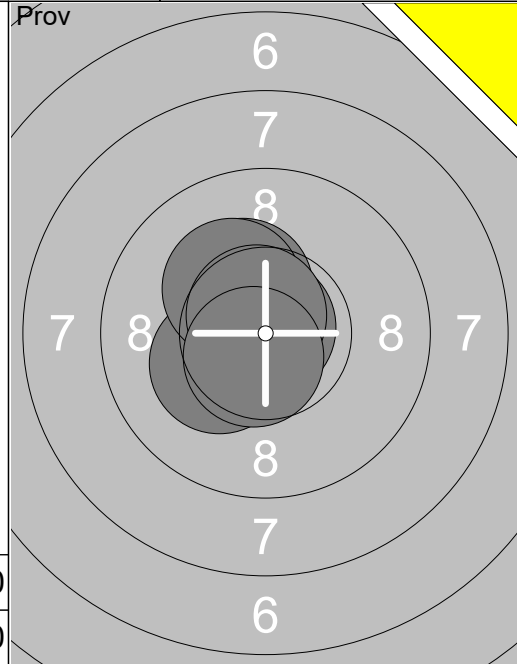
<p>Prov</p>	<p>1: 9.0 ↘ 2: 10.6x↓ 3: 9.8 ↓ 4: 10.4x↑ 5: 10.2x↘</p>	<p>40 Skott</p>	<p>1: 10.0 ↗ 2: 9.5 ↗ 3: 10.1 ↗ 4: 9.8 ← 5: 10.4x↘ 6: 10.4x↘ 7: 10.1 ↖ 8: 10.7x→ 9: 9.8 ↙ 10: 9.0 ↑</p>
Serie 50.0		Serie 99.8	
Total 0.0		Total 99.8	

<p>40 Skott</p>	<p>11: 10.3x← 12: 9.9 ← 13: 10.5x↑ 14: 9.8 → 15: 9.8 ↖ 16: 10.5x← 17: 9.7 ↑ 18: 10.4x↘ 19: 10.2x↑ 20: 9.8 ↑</p>	<p>40 Skott</p>	<p>21: 10.0 ↑ 22: 10.3x↘ 23: 9.5 ← 24: 10.3x← 25: 9.3 ↑ 26: 9.1 ← 27: 10.7x↘ 28: 9.7 ↗ 29: 9.9 ← 30: 9.6 ↑</p>
Serie 100.9		Serie 98.4	
Total 200.7		Total 299.1	

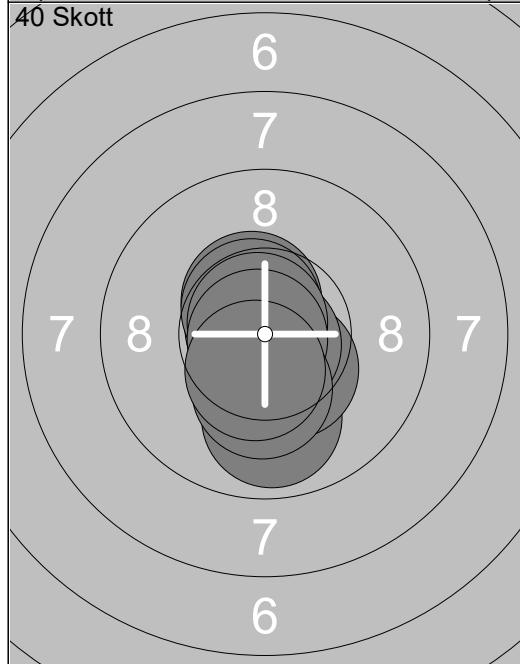
<p>40 Skott</p>	<p>31: 10.2x↑ 32: 10.6x→ 33: 10.2x↑ 34: 10.2x↘ 35: 10.7x→ 36: 9.4 ↙ 37: 10.7x↘ 38: 10.4x↑ 39: 10.0 ↖ 40: 10.4x↑</p>		
Serie 102.8			
Total 401.9			



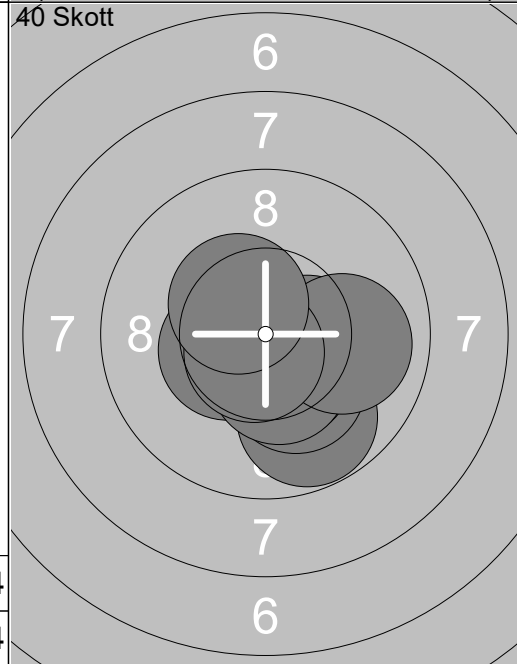
1: 9.7 ↗
2: 10.3x ↗
3: 10.0 →
4: 10.1 ↗
5: 10.6x ↘
6: 10.3x ↗
7: 10.1 ↗
8: 9.9 →
9: 10.2x ↘
10: 9.8 →
Serie 101.0
Total 0.0



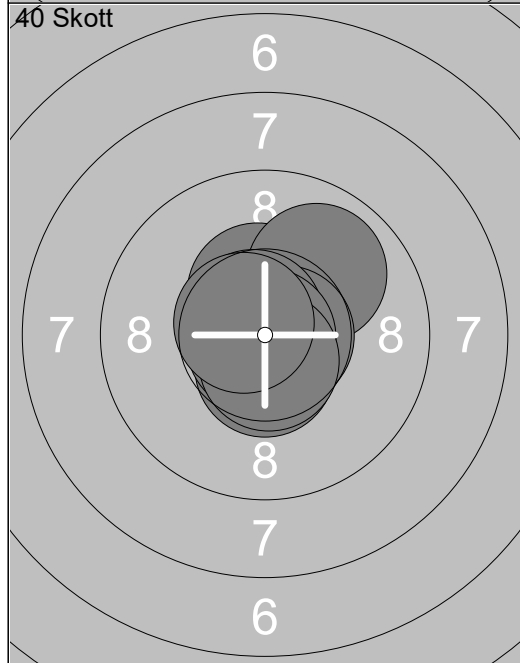
11: 10.9x ↗
12: 10.2x ↘
13: 10.3x ↗
14: 10.2x ↗
15: 10.7x ↗
16: 10.6x ↘
Serie 62.9
Total 0.0



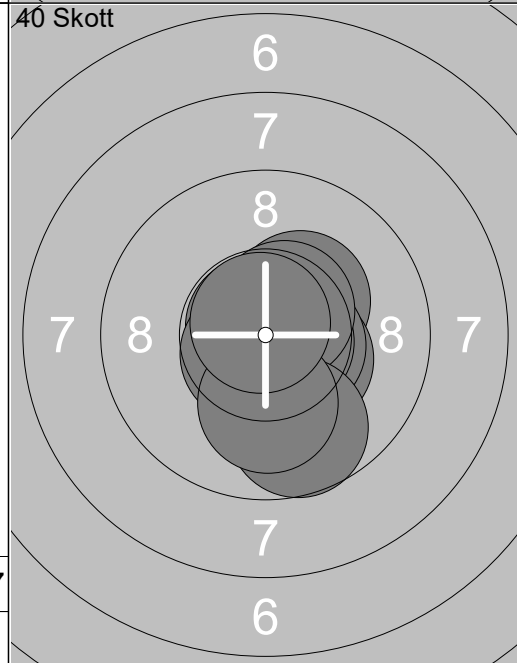
1: 10.5x ↘
2: 9.9 ↓
3: 10.8x ↘
4: 10.6x ↘
5: 10.4x ↘
6: 10.8x ↘
7: 10.8x ↘
8: 10.8x ↘
9: 10.3x ↘
10: 10.5x ↘
Serie 105.4
Total 105.4



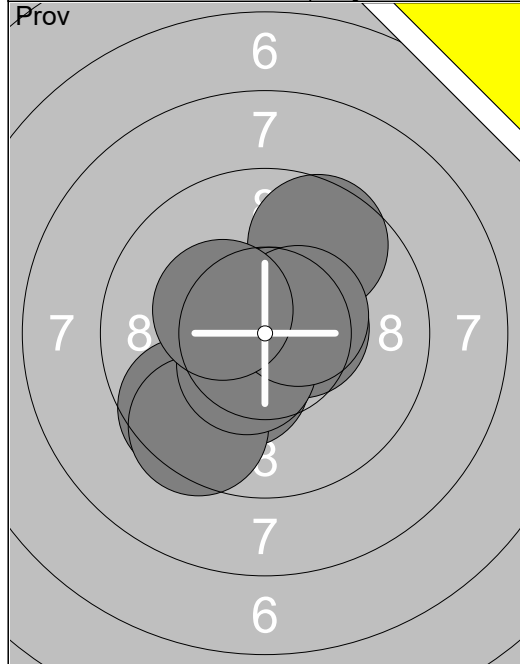
11: 10.4x ↘
12: 9.8 ↓
13: 10.4x →
14: 10.3x ↘
15: 10.2x ↘
16: 10.4x ↘
17: 10.4x ↘
18: 10.0 →
19: 10.7x ↘
20: 10.4x ↘
Serie 103.0
Total 208.4



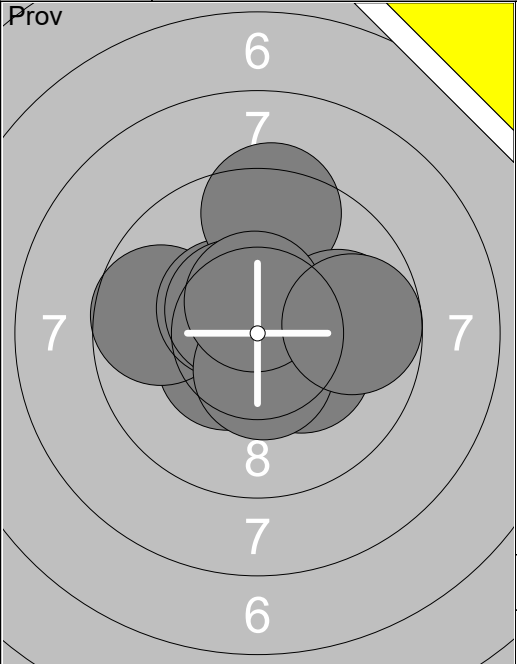
21: 10.4x ↗
22: 9.9 ↗
23: 10.7x →
24: 10.6x ↘
25: 10.7x ↘
26: 10.5x ↘
27: 10.8x ↘
28: 10.9x ↘
29: 10.6x ↘
30: 10.6x ↘
Serie 105.7
Total 314.1



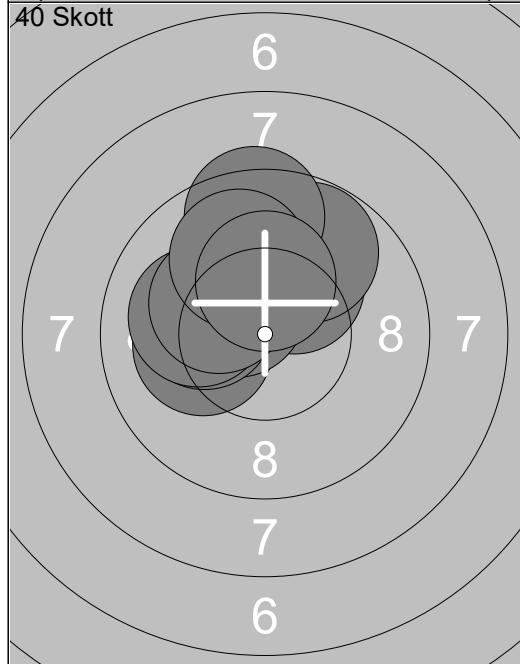
31: 10.8x ↘
32: 10.6x ↘
33: 10.3x ↗
34: 10.4x ↘
35: 10.5x →
36: 10.7x →
37: 10.6x ↗
38: 9.7 ↓
39: 10.1 ↓
40: 10.8x ↗
Serie 104.5
Total 418.6



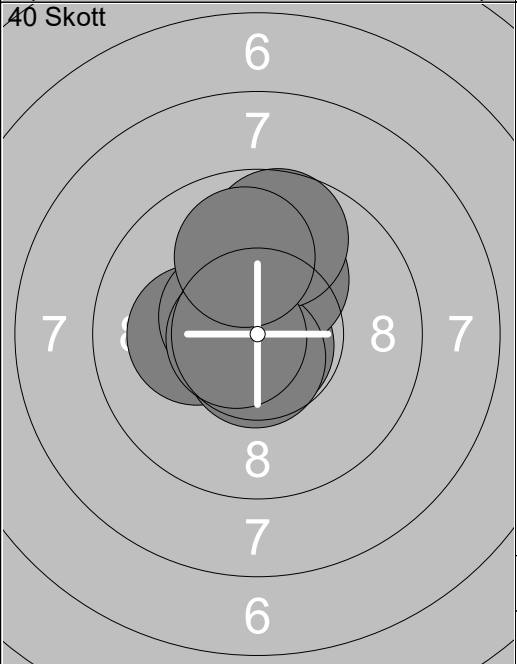
1: 10.3x ↘
2: 9.6 ↙
3: 10.5x ➤
4: 9.6 ↗
5: 10.7x ↗
6: 9.5 ↙
7: 10.6x ↘
8: 10.5x ↘
9: 10.5x ➤
10: 10.3x ↘
Serie 102.1
Total 0.0



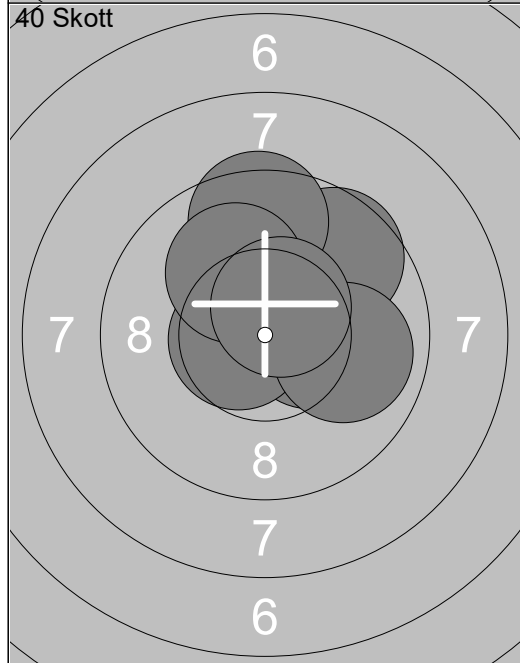
11: 10.4x ↘
12: 9.7 ↙
13: 10.4x ↘
14: 10.3x ↘
15: 9.4 ↗
16: 10.5x ↘
17: 9.9 ➤
18: 10.5x ↘
19: 10.5x ↗
20: 9.7 ➤
Serie 101.3
Total 0.0



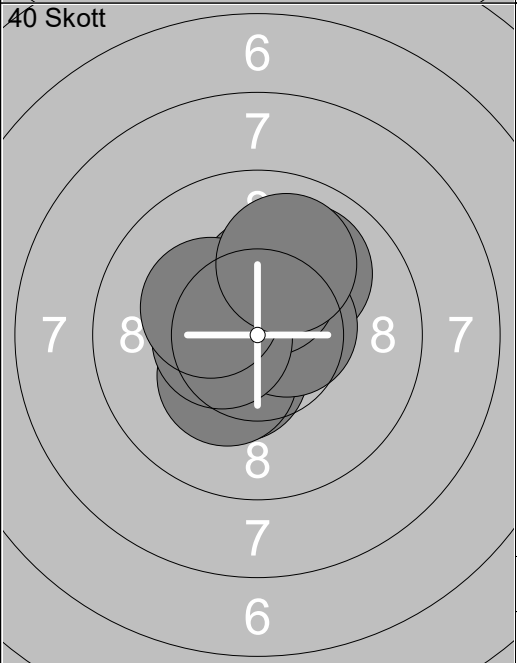
1: 10.2x ↗
2: 10.1 ↙
3: 10.4x ↘
4: 10.2x ↘
5: 9.8 ↗
6: 9.4 ↗
7: 10.1 ↙
8: 10.2x ↘
9: 9.9 ↗
10: 10.3x ↗
Serie 100.6
Total 100.6



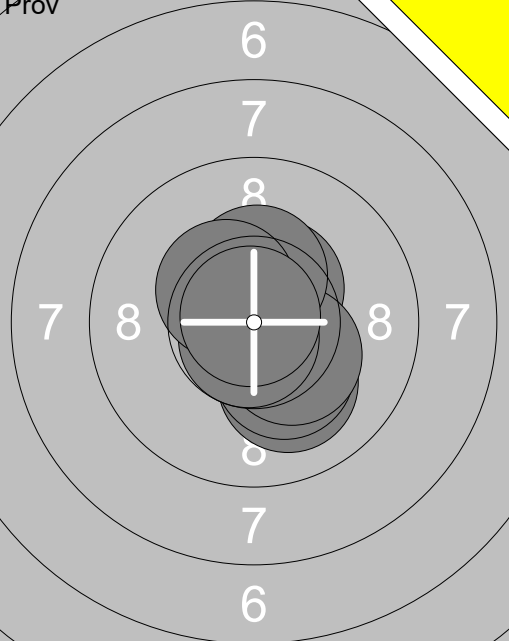
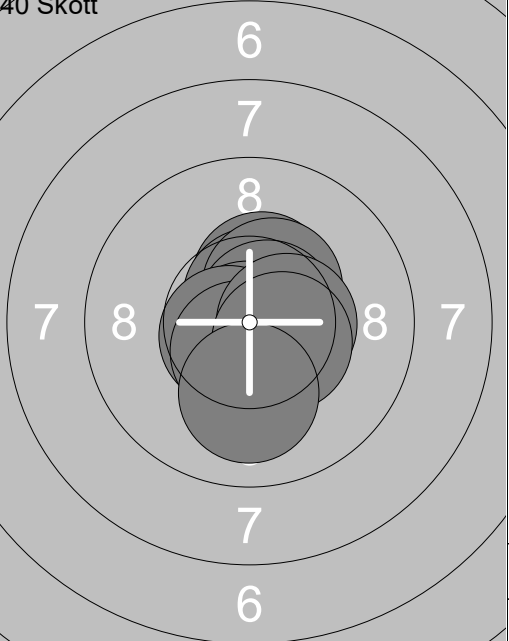
11: 10.6x ↗
12: 10.2x ↘
13: 10.7x ↘
14: 10.8x ↘
15: 10.2x ↗
16: 10.5x ↘
17: 10.6x ↘
18: 9.7 ↗
19: 10.7x ↘
20: 10.0 ↗
Serie 104.0
Total 204.6

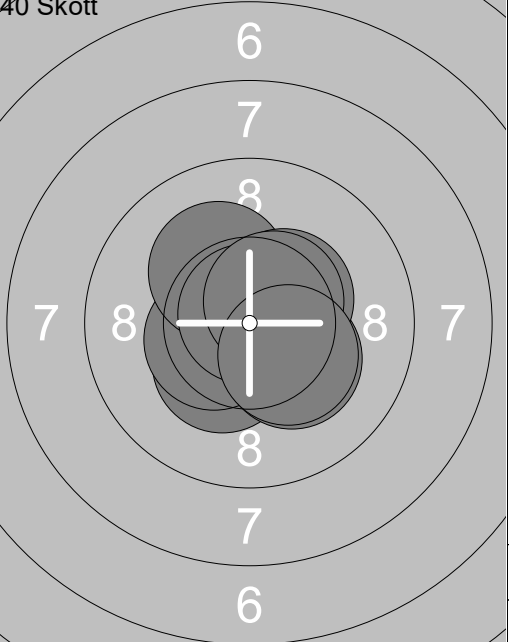


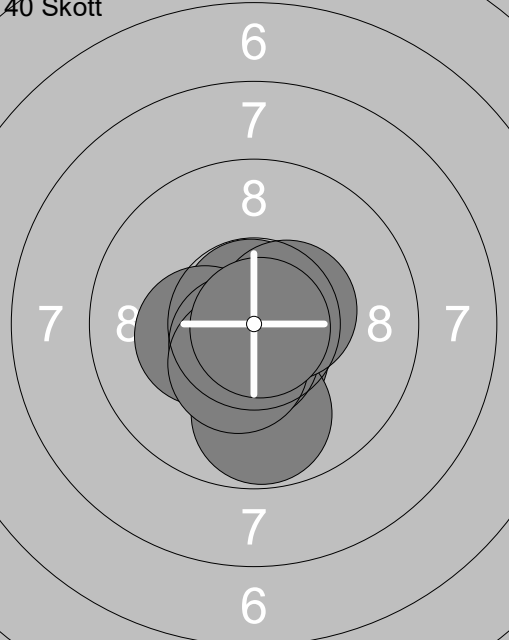
21: 10.1 ↗
22: 10.8x ↗
23: 10.8x ↗
24: 10.4x ➤
25: 9.6 ↗
26: 10.6x ↘
27: 9.5 ↗
28: 9.9 ➤
29: 10.1 ↗
30: 10.5x ↗
Serie 102.3
Total 306.9

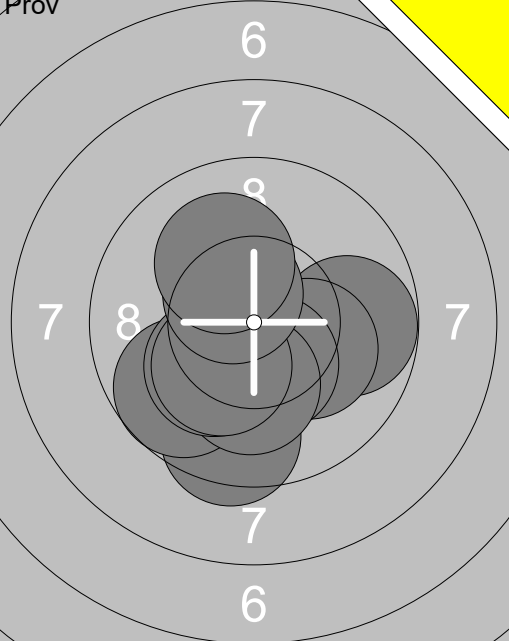


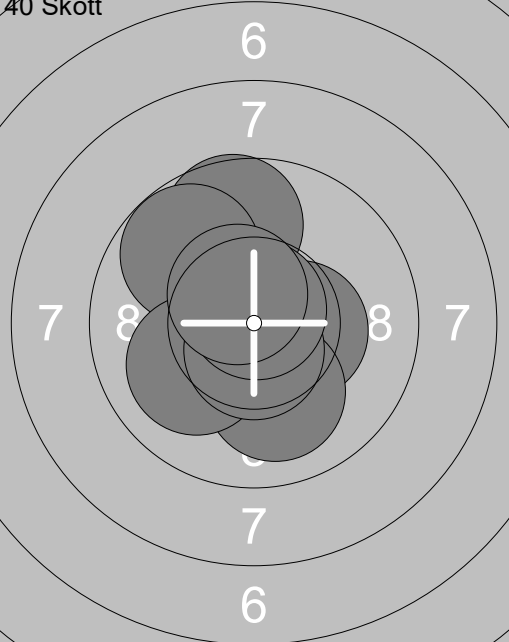
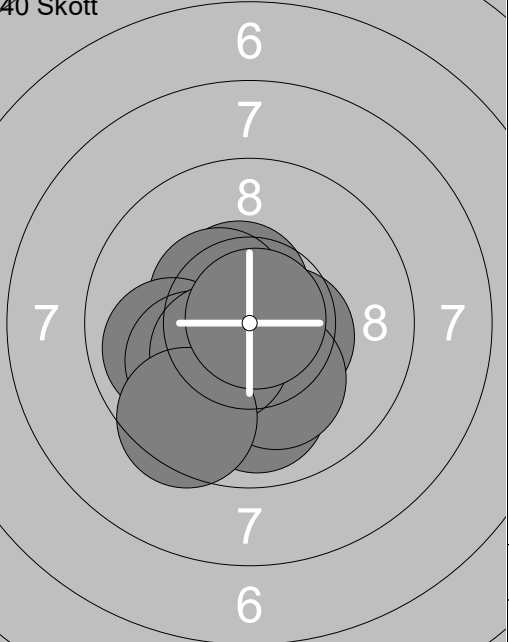
31: 10.6x ↗
32: 10.0 ↗
33: 10.4x ↘
34: 10.3x ↘
35: 10.5x ↗
36: 10.6x ➤
37: 10.3x ↗
38: 10.5x ↘
39: 10.3x ↘
40: 10.0 ↗
Serie 103.5
Total 410.4

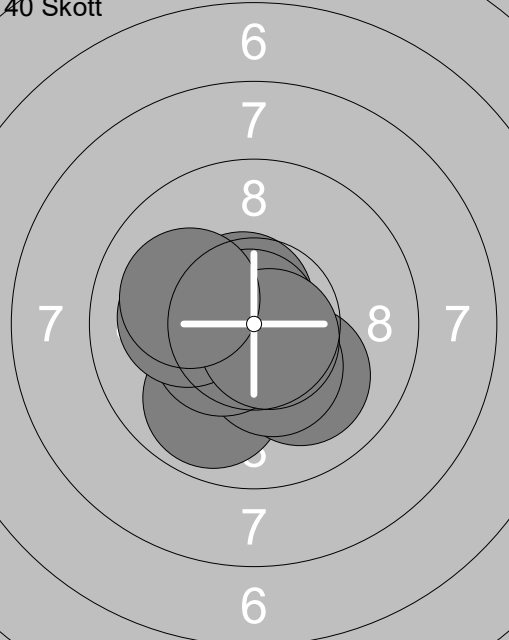
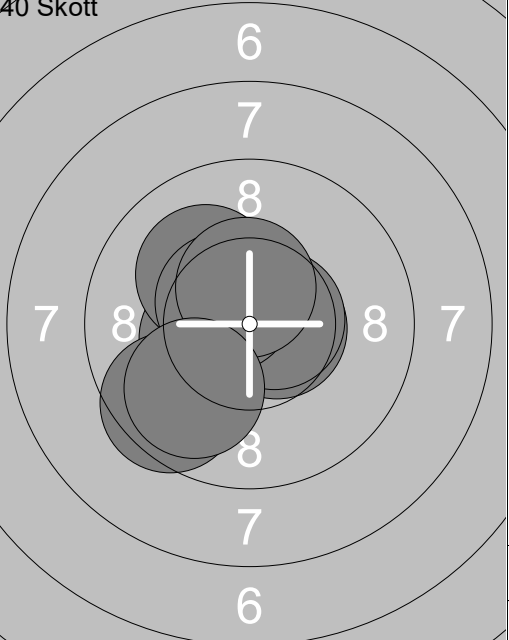
<p>Prov</p> 	<p>40 Skott</p> 	<p>1: 10.1 ↓</p> <p>2: 10.2x↘</p> <p>3: 10.4x↑</p> <p>4: 10.4x↑</p> <p>5: 10.3x↘</p> <p>6: 10.3x↑</p> <p>7: 10.7x↓</p> <p>8: 10.4x↘</p> <p>9: 10.9x↘</p> <hr/> <p>Serie 93.7</p> <p>Total 0.0</p>	<p>1: 10.4x↗</p> <p>2: 10.6x↗</p> <p>3: 10.4x↗</p> <p>4: 10.7x↗</p> <p>5: 10.8x↓</p> <p>6: 10.6x↘</p> <p>7: 10.6x↓</p> <p>8: 10.5x➤</p> <p>9: 10.5x↘</p> <p>10: 10.1 ↓</p> <hr/> <p>Serie 105.2</p> <p>Total 105.2</p>
--	--	---	--

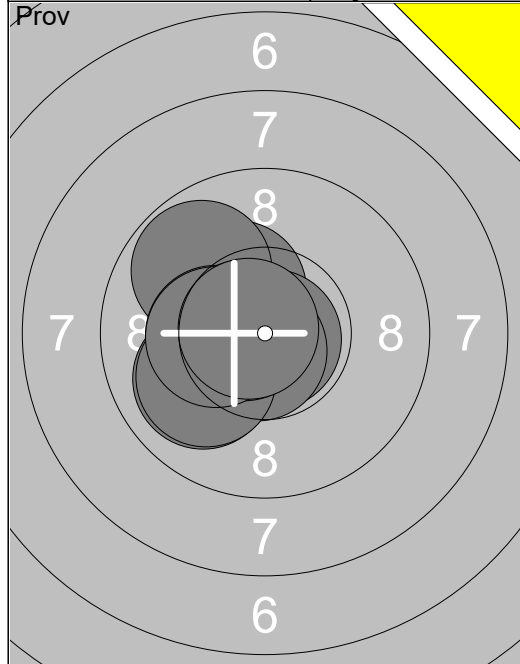
<p>40 Skott</p> 	<p>40 Skott</p> 	<p>11: 10.5x↘</p> <p>12: 10.8x↑</p> <p>13: 10.7x↗</p> <p>14: 10.6x↘</p> <p>15: 10.5x↘</p> <p>16: 10.4x↑</p> <p>17: 10.9x↓</p> <p>18: 10.7x↓</p> <p>19: 10.8x↗</p> <p>20: 10.9x↘</p> <hr/> <p>Serie 106.8</p> <p>Total 212.0</p>	<p>21: 10.7x↘</p> <p>22: 10.6x↗</p> <p>23: 10.3x↘</p> <p>24: 10.4x↘</p> <p>25: 10.2x↘</p> <p>26: 10.2x↘</p> <p>27: 10.8x↑</p> <p>28: 10.4x↗</p> <p>29: 10.5x↗</p> <p>30: 10.3x↘</p> <hr/> <p>Serie 104.4</p> <p>Total 316.4</p>
---	---	---	---

<p>40 Skott</p> 	<p>31: 10.6x↓</p> <p>32: 10.8x↑</p> <p>33: 9.8 ↓</p> <p>34: 10.6x↓</p> <p>35: 10.6x↘</p> <p>36: 10.3x↘</p> <p>37: 10.6x↘</p> <p>38: 10.4x↘</p> <p>39: 10.5x↗</p> <p>40: 10.9x↘</p> <hr/> <p>Serie 105.1</p> <p>Total 421.5</p>		
--	--	--	--

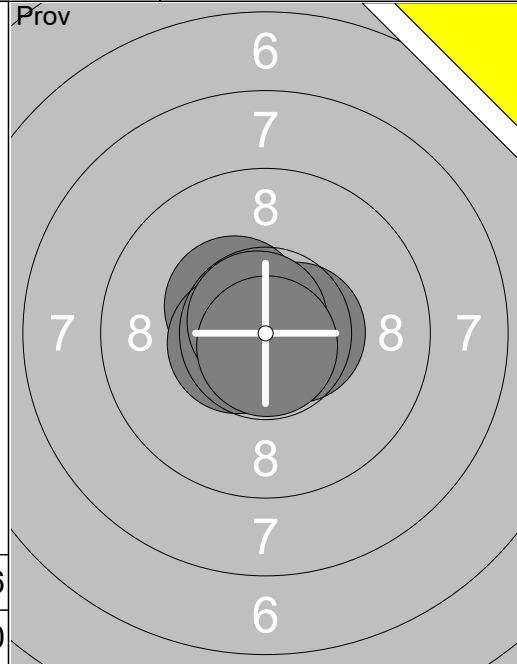
Prov 	1: 9.8 → 2: 10.2x→ 3: 10.4x↓ 4: 9.5 ↓ 5: 9.7 ↙ 6: 10.2x↓ 7: 10.2x↘ 8: 10.3x↘ 9: 10.5x↗ 10: 10.1 ↖	Prov 	11: 10.6x↗ 12: 10.5x↓
Serie 100.9		Serie 21.1	
Total 0.0		Total 0.0	

40 Skott 	1: 10.7x↓ 2: 10.4x→ 3: 10.4x↓ 4: 9.7 ↑ 5: 9.8 ↖ 6: 10.0 ↓ 7: 10.1 ↙ 8: 10.6x↓ 9: 10.8x↑ 10: 10.5x↘	40 Skott 	11: 10.5x↗ 12: 10.5x↘ 13: 10.5x→ 14: 9.9 ← 15: 10.1 ↙ 16: 9.9 ↓ 17: 10.2x↓ 18: 10.4x↘ 19: 9.5 ↙ 20: 10.9x↗
Serie 103.0		Serie 102.4	
Total 103.0		Total 205.4	

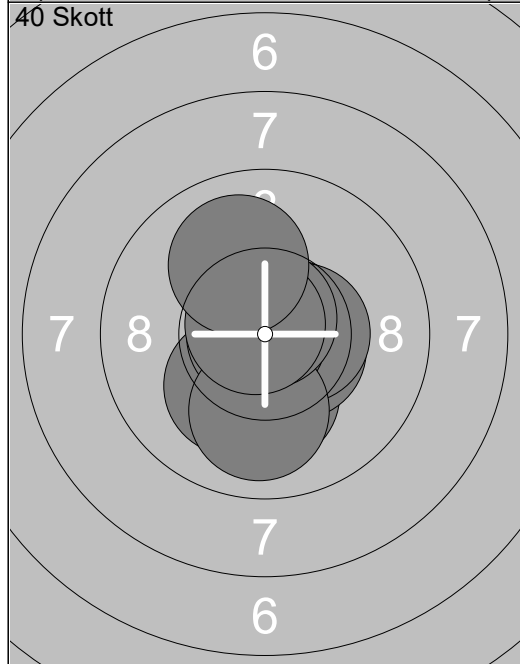
40 Skott 	21: 10.3x↘ 22: 10.6x↘ 23: 9.9 ↓ 24: 10.1 ↓ 25: 10.4x↓ 26: 10.9x↘ 27: 10.5x↘ 28: 10.1 ← 29: 10.7x↘ 30: 10.1 ←	40 Skott 	31: 10.5x↘ 32: 10.4x↘ 33: 10.6x→ 34: 10.8x↘ 35: 10.6x→ 36: 10.1 ↖ 37: 9.5 ↙ 38: 10.5x↘ 39: 10.5x↑ 40: 9.9 ↙
Serie 103.6		Serie 103.4	
Total 309.0		Total 412.4	



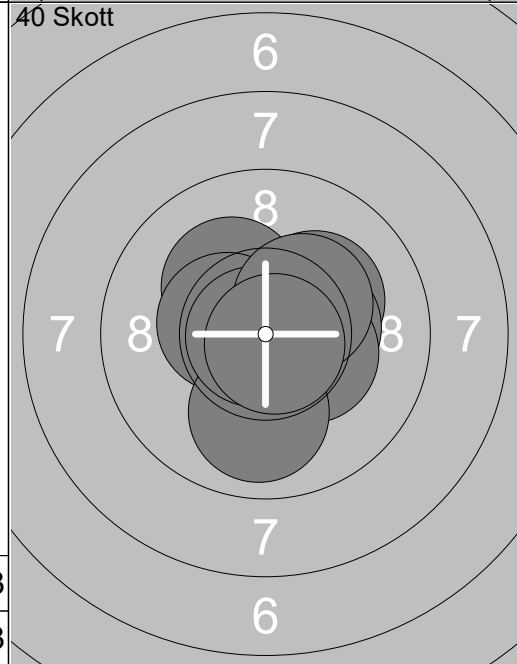
1:	10.3x ↘
2:	10.0 ↙
3:	9.8 ↖
4:	10.3x ←
5:	10.8x →
6:	10.7x ↓
7:	10.0 ↙
8:	10.7x ←
9:	10.3x ←
10:	10.7x ←
Serie 103.6	
Total 0.0	



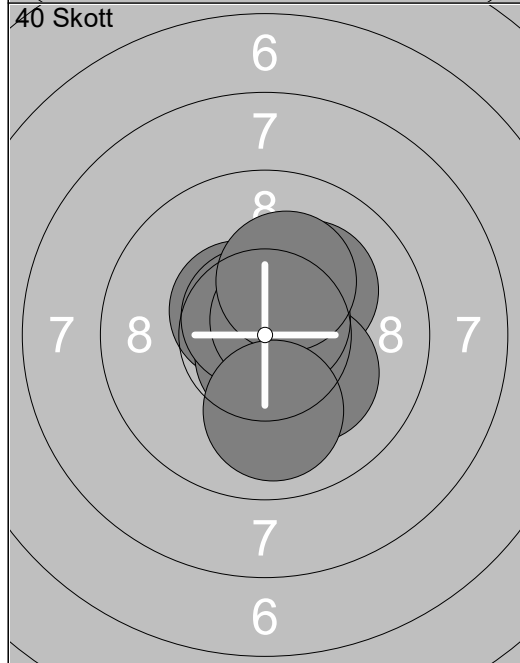
11:	10.4x ↘
12:	10.6x →
13:	10.6x ←
14:	10.8x ↘
15:	10.8x ↓
Serie 53.2	
Total 0.0	



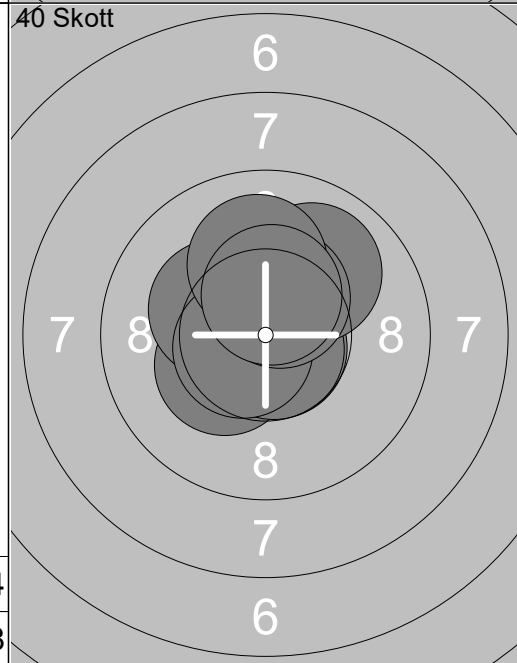
1:	10.2x ↓
2:	10.6x →
3:	10.5x →
4:	10.5x →
5:	10.2x ↓
6:	10.8x ←
7:	10.0 ↓
8:	10.7x ↑
9:	10.8x ↘
10:	10.0 ↑
Serie 104.3	
Total 104.3	



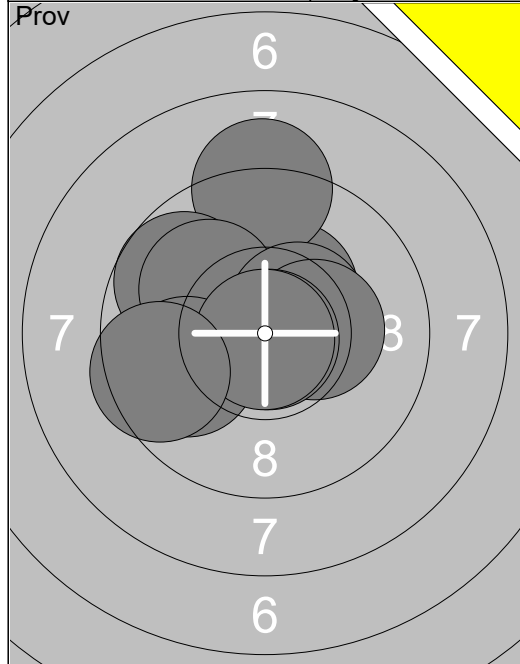
11:	10.2x ↗
12:	10.7x ↘
13:	10.4x →
14:	10.2x ↘
15:	10.4x ←
16:	10.3x →
17:	10.0 ↓
18:	10.8x ←
19:	10.3x ↗
20:	10.8x ↘
Serie 104.1	
Total 208.4	



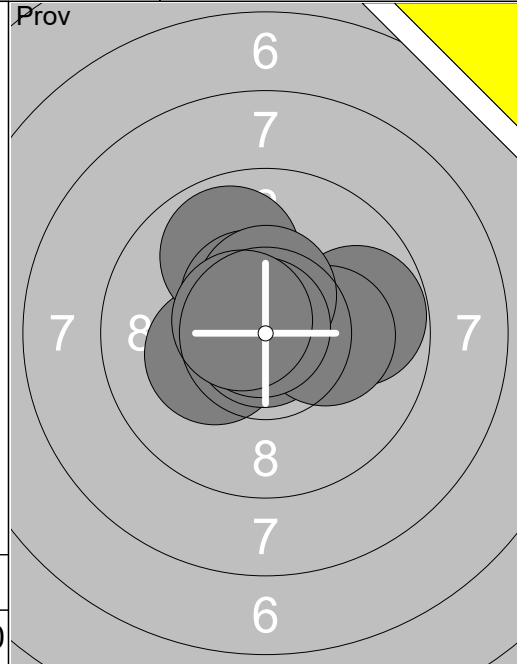
21:	10.5x ↘
22:	10.5x ↘
23:	10.7x →
24:	10.7x ↓
25:	10.2x ↗
26:	10.2x →
27:	10.7x ↘
28:	10.7x ↗
29:	10.2x ↗
30:	10.0 ↓
Serie 104.4	
Total 312.8	



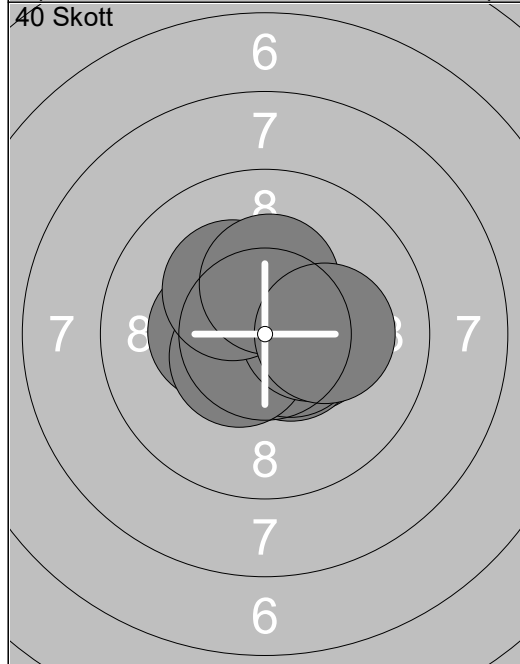
31:	10.3x ↘
32:	10.3x ↘
33:	10.7x ↘
34:	10.9x →
35:	10.7x ↘
36:	10.0 ↗
37:	10.6x ←
38:	10.4x ↗
39:	10.0 ↑
40:	10.4x ↗
Serie 104.3	
Total 417.1	



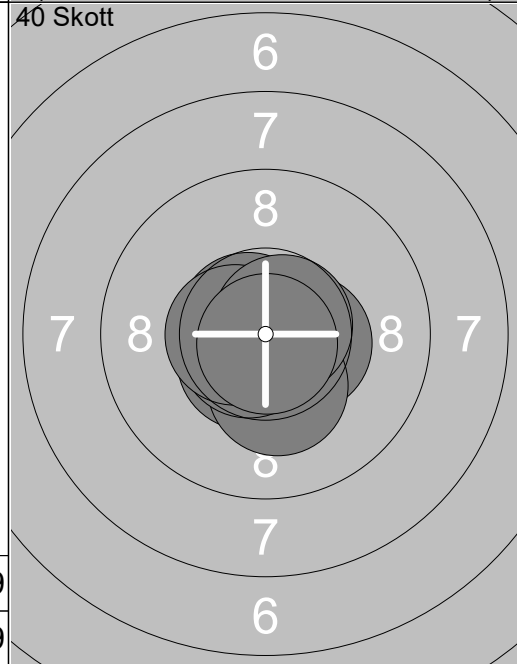
1:	10.3x ↗
2:	9.1 ↑
3:	9.7 ↖
4:	10.0 ↖
5:	9.9 ↙
6:	10.5x ↗
7:	10.3x →
8:	10.9x ↘
9:	10.9x ↘
10:	9.5 ←
Serie 101.1	
Total 0.0	



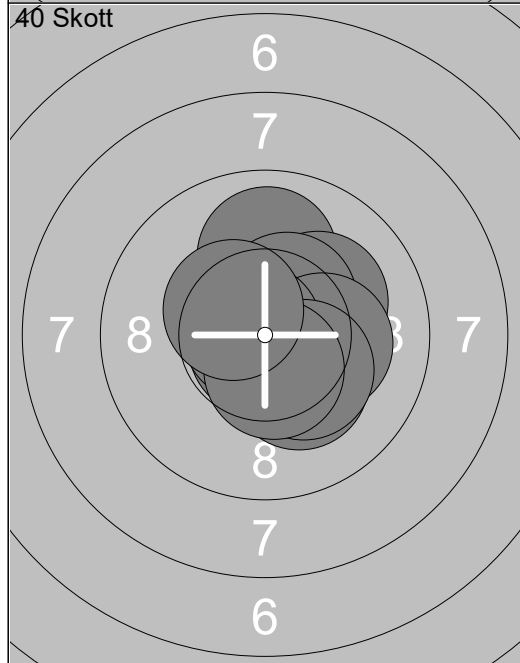
11:	10.7x ↘
12:	9.8 →
13:	10.2x ↙
14:	10.9x ↘
15:	9.9 ↖
16:	10.2x →
17:	10.5x ↘
18:	10.5x ↗
19:	10.9x ↘
20:	10.6x ↙
Serie 104.2	
Total 0.0	



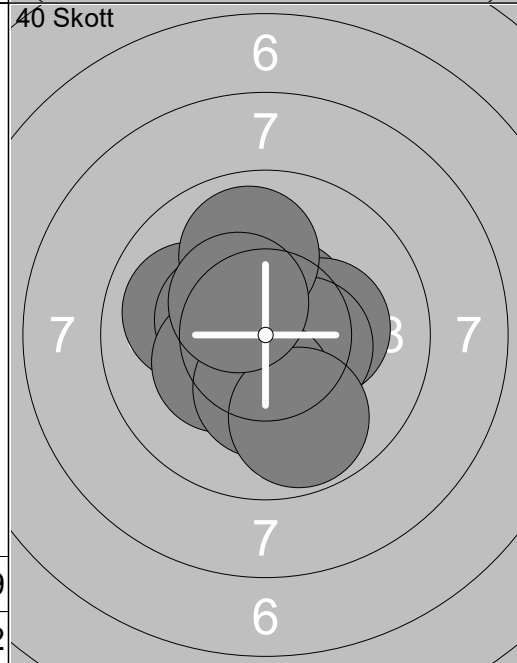
1:	10.4x →
2:	10.6x →
3:	10.6x →
4:	10.3x ↖
5:	10.4x ↗
6:	10.5x ↙
7:	10.4x →
8:	10.2x ↘
9:	10.3x ↗
10:	10.2x →
Serie 103.9	
Total 103.9	



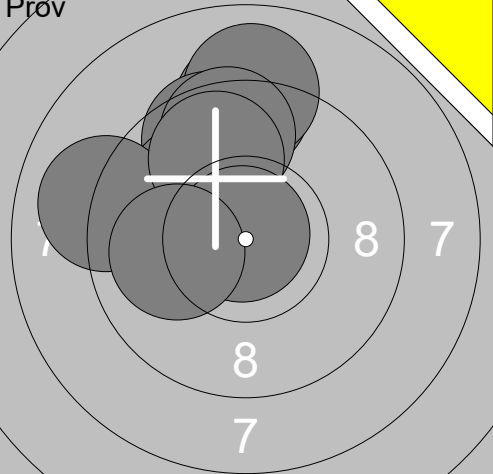
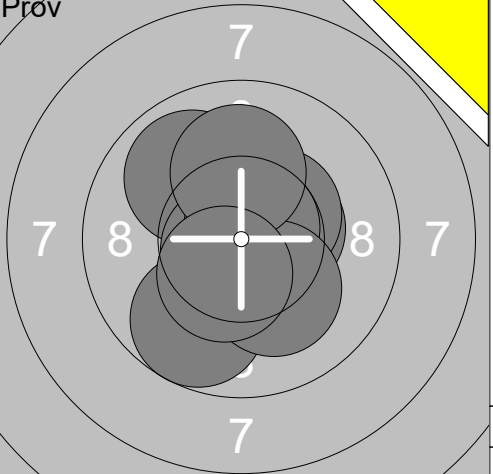
11:	10.9x ↘
12:	10.7x ↘
13:	10.5x ↘
14:	10.7x ↘
15:	10.5x →
16:	10.3x ↘
17:	10.7x ↘
18:	10.6x ↖
19:	10.7x →
20:	10.8x ↘
Serie 106.4	
Total 210.3	


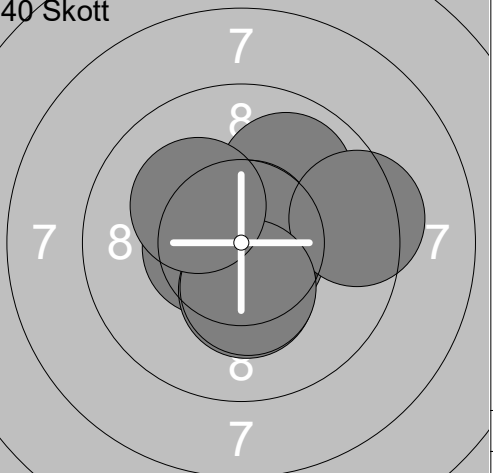


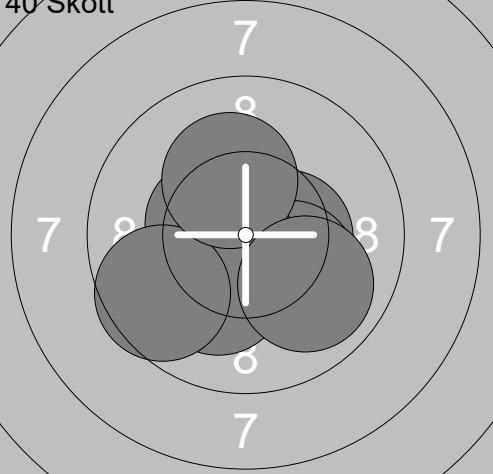
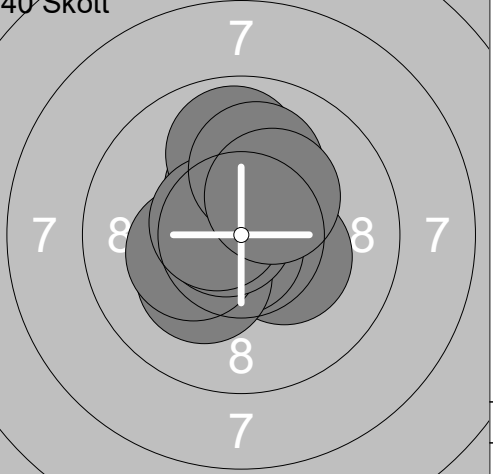
21:	10.0 ↑
22:	10.2x ↗
23:	10.2x ↘
24:	10.5x ↗
25:	10.8x ↘
26:	10.2x →
27:	10.8x ↖
28:	10.3x ↘
29:	10.5x ↘
30:	10.4x ↖
Serie 103.9	
Total 314.2	

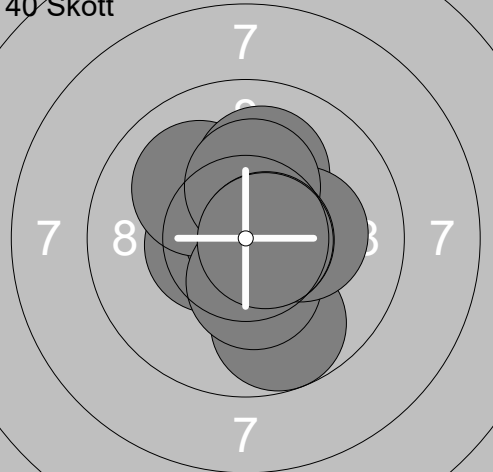


31:	10.6x ↗
32:	10.0 ↖
33:	10.4x ↖
34:	10.2x →
35:	10.5x →
36:	10.3x ↙
37:	10.3x ↘
38:	9.8 ↘
39:	9.9 ↗
40:	10.4x ↖
Serie 102.4	
Total 416.6	

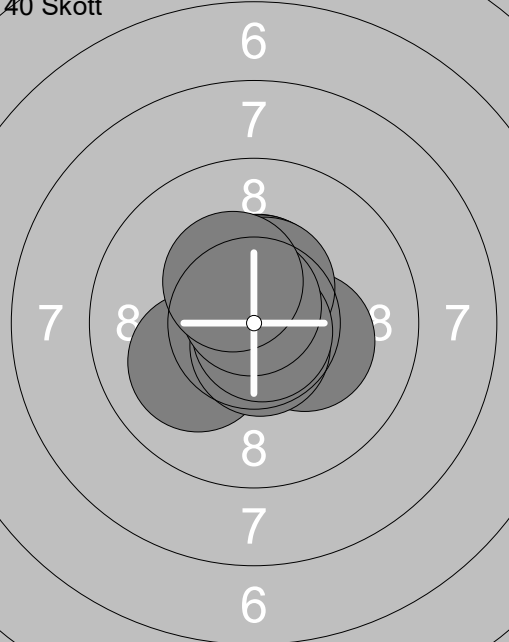
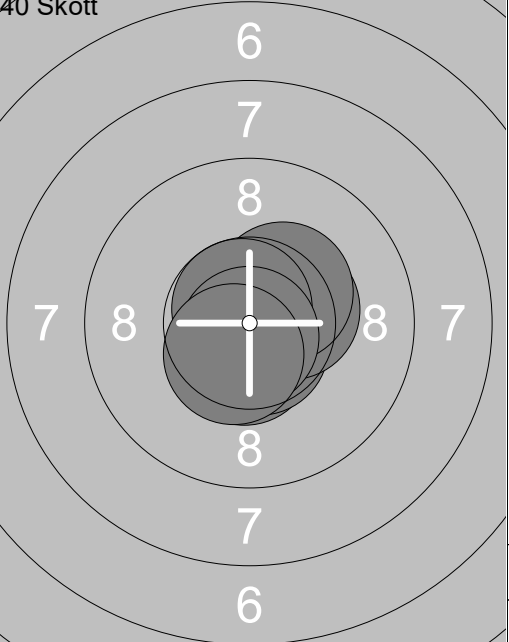
Pröv 	Pröv 	<table border="1" style="width:100%; border-collapse: collapse;"> <tr><td>1:</td><td>9.2</td><td>↑</td></tr> <tr><td>2:</td><td>9.0</td><td>↑</td></tr> <tr><td>3:</td><td>9.5</td><td>↑</td></tr> <tr><td>4:</td><td>10.0</td><td>↗</td></tr> <tr><td>5:</td><td>9.6</td><td>↑</td></tr> <tr><td>6:</td><td>10.3x</td><td>↗</td></tr> <tr><td>7:</td><td>9.0</td><td>←</td></tr> <tr><td>8:</td><td>9.8</td><td>↑</td></tr> <tr><td>9:</td><td>10.9x</td><td>↗</td></tr> <tr><td>10:</td><td>10.0</td><td>←</td></tr> <tr><td colspan="2">Serie</td><td>97.3</td></tr> <tr><td colspan="2">Total</td><td>0.0</td></tr> </table>	1:	9.2	↑	2:	9.0	↑	3:	9.5	↑	4:	10.0	↗	5:	9.6	↑	6:	10.3x	↗	7:	9.0	←	8:	9.8	↑	9:	10.9x	↗	10:	10.0	←	Serie		97.3	Total		0.0
1:	9.2	↑																																				
2:	9.0	↑																																				
3:	9.5	↑																																				
4:	10.0	↗																																				
5:	9.6	↑																																				
6:	10.3x	↗																																				
7:	9.0	←																																				
8:	9.8	↑																																				
9:	10.9x	↗																																				
10:	10.0	←																																				
Serie		97.3																																				
Total		0.0																																				

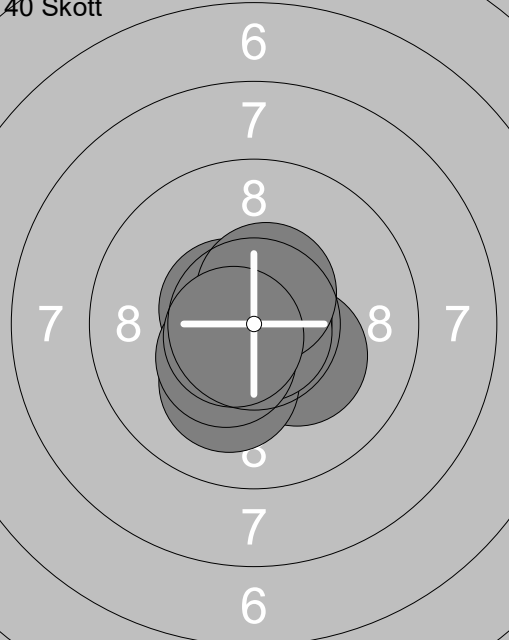
Pröv 	40 Skott 	<table border="1" style="width:100%; border-collapse: collapse;"> <tr><td>21:</td><td>10.5x</td><td>↖</td></tr> <tr><td>22:</td><td>10.5x</td><td>↗</td></tr> <tr><td>23:</td><td>10.8x</td><td>→</td></tr> <tr><td colspan="2">Serie</td><td>31.8</td></tr> <tr><td colspan="2">Total</td><td>0.0</td></tr> </table>	21:	10.5x	↖	22:	10.5x	↗	23:	10.8x	→	Serie		31.8	Total		0.0
21:	10.5x	↖															
22:	10.5x	↗															
23:	10.8x	→															
Serie		31.8															
Total		0.0															

40 Skott 	40 Skott 	<table border="1" style="width:100%; border-collapse: collapse;"> <tr><td>11:</td><td>10.7x</td><td>↓</td></tr> <tr><td>12:</td><td>10.7x</td><td>↗</td></tr> <tr><td>13:</td><td>10.4x</td><td>→</td></tr> <tr><td>14:</td><td>10.2x</td><td>↘</td></tr> <tr><td>15:</td><td>10.5x</td><td>↖</td></tr> <tr><td>16:</td><td>10.6x</td><td>↓</td></tr> <tr><td>17:</td><td>10.2x</td><td>↓</td></tr> <tr><td>18:</td><td>9.6</td><td>↖</td></tr> <tr><td>19:</td><td>10.2x</td><td>↑</td></tr> <tr><td>20:</td><td>9.9</td><td>↘</td></tr> <tr><td colspan="2">Serie</td><td>103.0</td></tr> <tr><td colspan="2">Total</td><td>206.2</td></tr> </table>	11:	10.7x	↓	12:	10.7x	↗	13:	10.4x	→	14:	10.2x	↘	15:	10.5x	↖	16:	10.6x	↓	17:	10.2x	↓	18:	9.6	↖	19:	10.2x	↑	20:	9.9	↘	Serie		103.0	Total		206.2
11:	10.7x	↓																																				
12:	10.7x	↗																																				
13:	10.4x	→																																				
14:	10.2x	↘																																				
15:	10.5x	↖																																				
16:	10.6x	↓																																				
17:	10.2x	↓																																				
18:	9.6	↖																																				
19:	10.2x	↑																																				
20:	9.9	↘																																				
Serie		103.0																																				
Total		206.2																																				

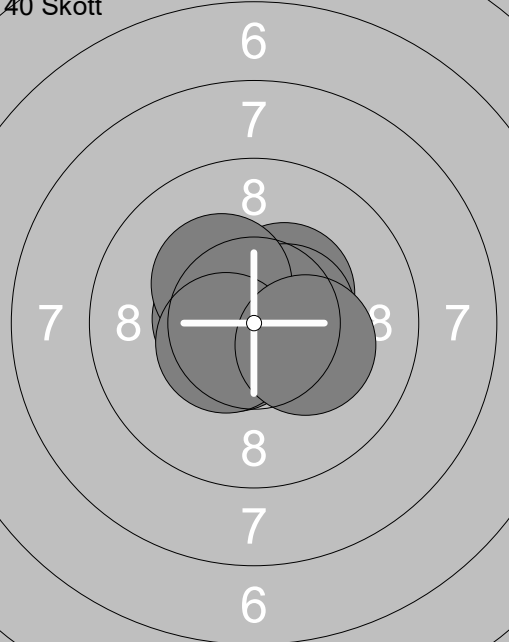
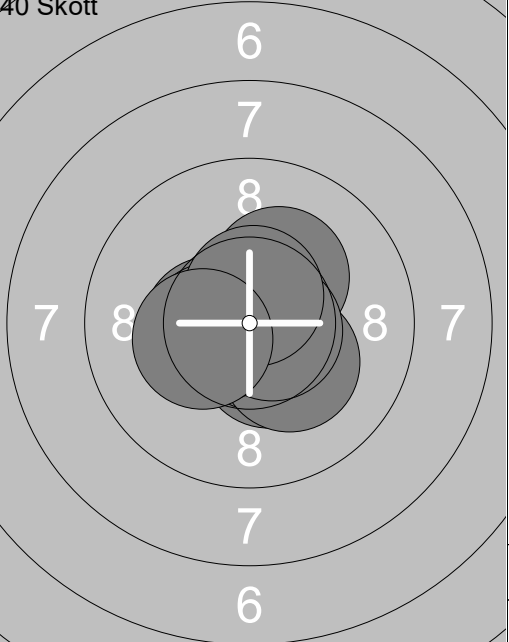
40 Skott 	<table border="1" style="width:100%; border-collapse: collapse;"> <tr><td>21:</td><td>10.3x</td><td>↘</td></tr> <tr><td>22:</td><td>10.8x</td><td>↓</td></tr> <tr><td>23:</td><td>10.2x</td><td>↘</td></tr> <tr><td>24:</td><td>10.3x</td><td>←</td></tr> <tr><td>25:</td><td>10.7x</td><td>↖</td></tr> <tr><td>26:</td><td>10.3x</td><td>↑</td></tr> <tr><td>27:</td><td>9.9</td><td>↑</td></tr> <tr><td>28:</td><td>10.6x</td><td>↖</td></tr> <tr><td>29:</td><td>10.1</td><td>↑</td></tr> <tr><td>30:</td><td>10.3x</td><td>↗</td></tr> <tr><td colspan="2">Serie</td><td>103.5</td></tr> <tr><td colspan="2">Total</td><td>309.7</td></tr> </table>	21:	10.3x	↘	22:	10.8x	↓	23:	10.2x	↘	24:	10.3x	←	25:	10.7x	↖	26:	10.3x	↑	27:	9.9	↑	28:	10.6x	↖	29:	10.1	↑	30:	10.3x	↗	Serie		103.5	Total		309.7	<table border="1" style="width:100%; border-collapse: collapse;"> <tr><td>31:</td><td>10.5x</td><td>←</td></tr> <tr><td>32:</td><td>10.8x</td><td>↗</td></tr> <tr><td>33:</td><td>10.0</td><td>↗</td></tr> <tr><td>34:</td><td>10.1</td><td>↑</td></tr> <tr><td>35:</td><td>9.8</td><td>↓</td></tr> <tr><td>36:</td><td>10.4x</td><td>↓</td></tr> <tr><td>37:</td><td>10.2x</td><td>→</td></tr> <tr><td>38:</td><td>10.3x</td><td>↑</td></tr> <tr><td>39:</td><td>10.7x</td><td>→</td></tr> <tr><td>40:</td><td>10.7x</td><td>→</td></tr> <tr><td colspan="2">Serie</td><td>103.5</td></tr> <tr><td colspan="2">Total</td><td>413.2</td></tr> </table>	31:	10.5x	←	32:	10.8x	↗	33:	10.0	↗	34:	10.1	↑	35:	9.8	↓	36:	10.4x	↓	37:	10.2x	→	38:	10.3x	↑	39:	10.7x	→	40:	10.7x	→	Serie		103.5	Total		413.2
21:	10.3x	↘																																																																								
22:	10.8x	↓																																																																								
23:	10.2x	↘																																																																								
24:	10.3x	←																																																																								
25:	10.7x	↖																																																																								
26:	10.3x	↑																																																																								
27:	9.9	↑																																																																								
28:	10.6x	↖																																																																								
29:	10.1	↑																																																																								
30:	10.3x	↗																																																																								
Serie		103.5																																																																								
Total		309.7																																																																								
31:	10.5x	←																																																																								
32:	10.8x	↗																																																																								
33:	10.0	↗																																																																								
34:	10.1	↑																																																																								
35:	9.8	↓																																																																								
36:	10.4x	↓																																																																								
37:	10.2x	→																																																																								
38:	10.3x	↑																																																																								
39:	10.7x	→																																																																								
40:	10.7x	→																																																																								
Serie		103.5																																																																								
Total		413.2																																																																								

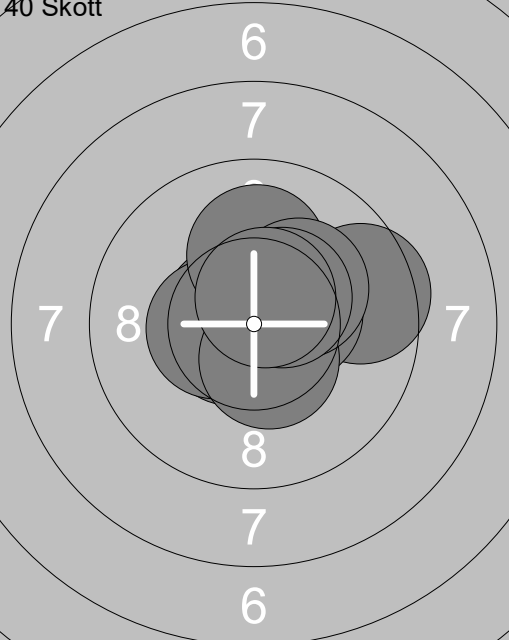
Prov 	1: 9.7 → 2: 10.7 ↗ 3: 10.4x → 4: 10.5x → 5: 10.5x → 6: 10.3x ← 7: 10.7x ← 8: 10.4x ← 9: 10.8x ↓ 10: 10.8x ↓ <hr/> Serie 104.8 Total 0.0	40 Skott 	1: 10.5x ↘ 2: 10.0 ↓ 3: 10.0 ← 4: 10.7x ↓ 5: 10.8x → 6: 10.3x ↗ 7: 10.7x ↗ 8: 10.5x → 9: 10.5x → 10: 10.3x → <hr/> Serie 104.3 Total 104.3
--	--	--	---

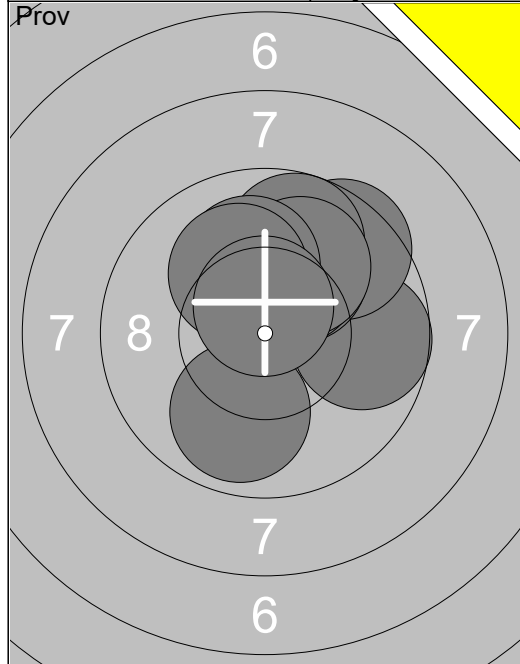
40 Skott 	11: 10.7x ↓ 12: 10.5x ↗ 13: 10.1 ← 14: 10.3x → 15: 10.6x ↓ 16: 10.5x ↗ 17: 10.5x ↗ 18: 10.8x → 19: 10.7x ↗ 20: 10.4x ↘ <hr/> Serie 105.1 Total 209.4	40 Skott 	21: 10.5x ↓ 22: 10.7x ↓ 23: 10.9x → 24: 10.4x → 25: 10.9x ← 26: 10.7x ↓ 27: 10.4x ↗ 28: 10.7x ↘ 29: 10.8x ↓ 30: 10.5x ↓ <hr/> Serie 106.5 Total 315.9
---	---	---	--

40 Skott 	31: 10.3x → 32: 10.1 ↓ 33: 10.7x ← 34: 10.6x ← 35: 10.8x → 36: 10.6x ← 37: 10.8x → 38: 10.4x ↘ 39: 10.5x ↗ 40: 10.6x ← <hr/> Serie 105.4 Total 421.3		
--	---	--	--

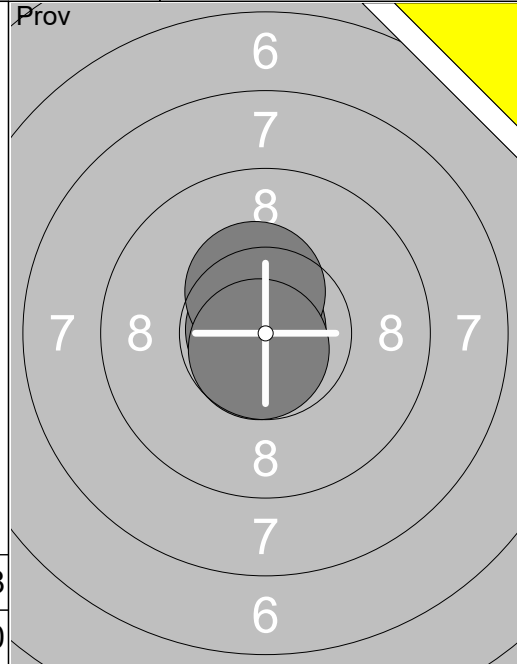
Prov 	1: 10.4x ↘ 2: 10.5x ↓ 3: 10.8x ↑ 4: 10.1 ← 5: 10.6x ↘ 6: 10.5x ↗ 7: 10.6x ↘ 8: 10.1 ↖ 9: 10.2x ↘ 10: 10.8x ↖ <hr/> Serie 104.6 Total 0.0	40 Skott 	1: 10.6x ↗ 2: 10.5x ↘ 3: 10.4x ↘ 4: 10.5x ↗ 5: 10.3x ↘ 6: 10.3x ↘ 7: 10.5x ↘ 8: 10.6x ↘ 9: 10.4x ↓ 10: 10.5x ↖ <hr/> Serie 104.6 Total 104.6
--	---	--	---

40 Skott 	11: 10.8x ↖ 12: 10.5x ↖ 13: 10.5x ↖ 14: 10.4x ↗ 15: 10.4x → 16: 10.5x → 17: 10.6x ↘ 18: 10.3x ↘ 19: 10.5x ↘ 20: 10.2x → <hr/> Serie 104.7 Total 209.3	40 Skott 	21: 10.7x ↓ 22: 10.4x ↘ 23: 10.7x ↓ 24: 10.2x ↘ 25: 10.2x ↗ 26: 10.5x ↖ 27: 10.5x ↖ 28: 10.6x → 29: 10.6x ↗ 30: 10.3x ↖ <hr/> Serie 104.7 Total 314.0
---	--	---	--

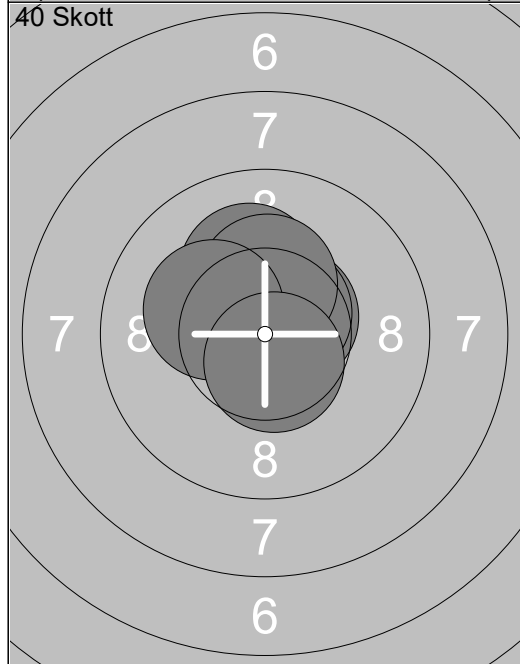
40 Skott 	31: 10.6x ↖ 32: 10.6x ↖ 33: 9.5 → 34: 10.4x → 35: 10.5x ↖ 36: 10.1 ↑ 37: 10.5x ↓ 38: 10.2x ↗ 39: 10.5x ↗ 40: 10.6x ↗ <hr/> Serie 103.5 Total 417.5		
--	---	--	--



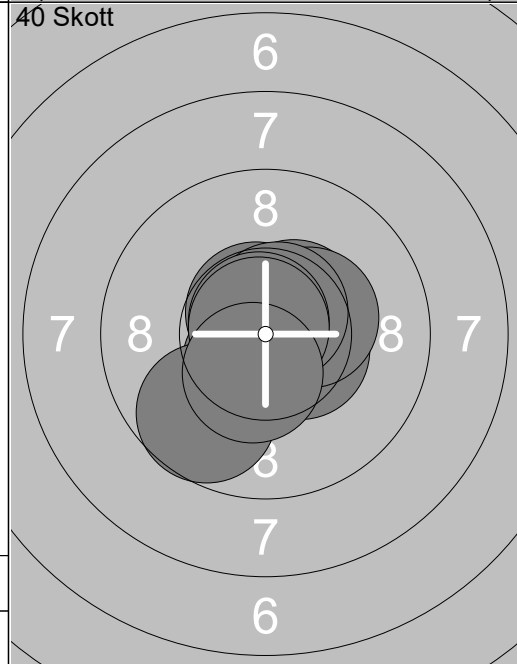
1:	9.9	↘
2:	9.7	→
3:	9.5	↗
4:	10.1	↗
5:	9.7	↗
6:	10.1	↗
7:	10.0	↗
8:	10.1	↗
9:	10.1	↖
10:	10.6	↗
Serie		99.8
Total		0.0



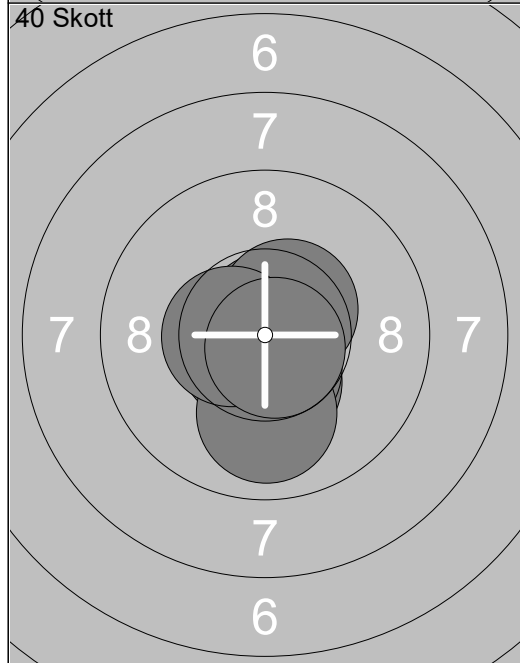
11:	10.8	↘
12:	10.4	↗
13:	10.7	↘
Serie		31.9
Total		0.0



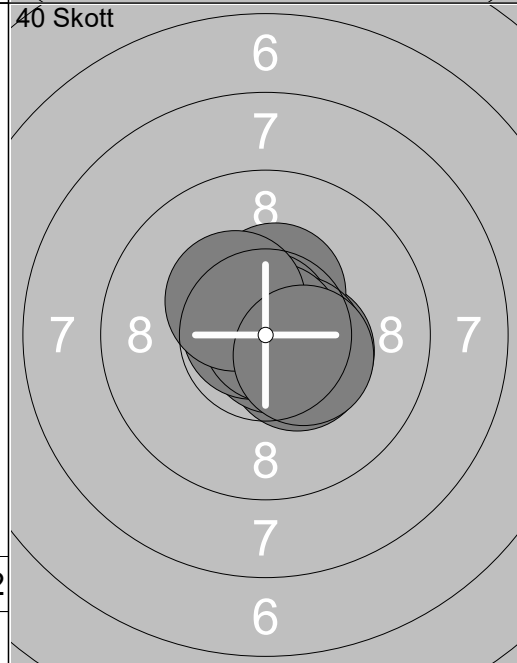
1:	10.7	↘
2:	10.1	↗
3:	10.7	↗
4:	10.6	↗
5:	10.6	↗
6:	10.7	↘
7:	10.6	↗
8:	10.3	↗
9:	10.2	↘
10:	10.6	↘
Serie		105.1
Total		105.1



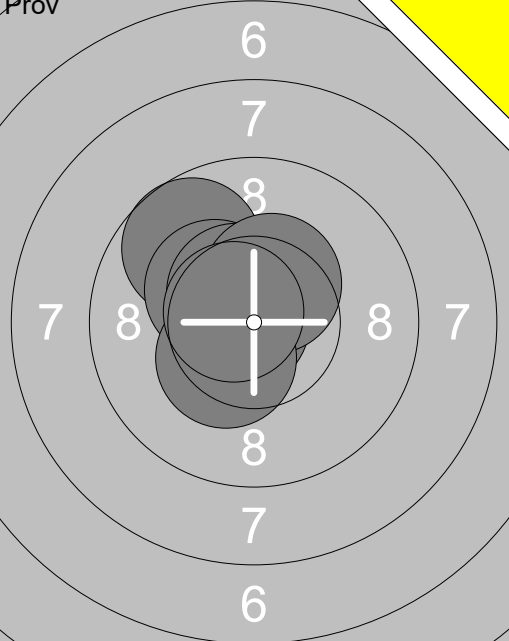
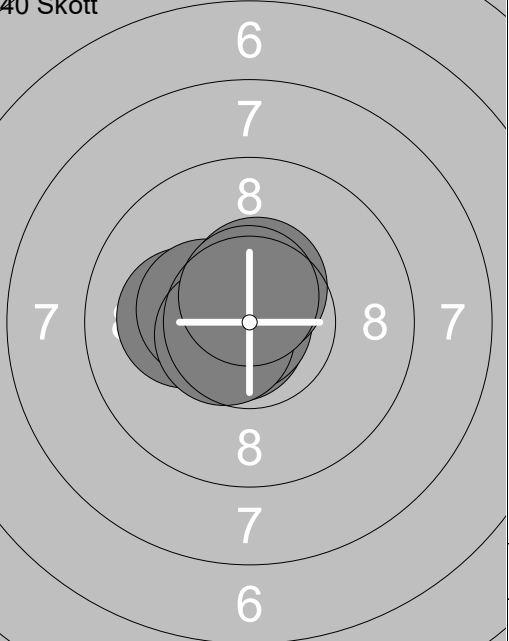
11:	10.6	↘
12:	10.5	↘
13:	10.5	↘
14:	10.5	↗
15:	9.7	↘
16:	10.4	↗
17:	10.6	↗
18:	10.8	↘
19:	10.8	↘
20:	10.4	↘
Serie		104.8
Total		209.9



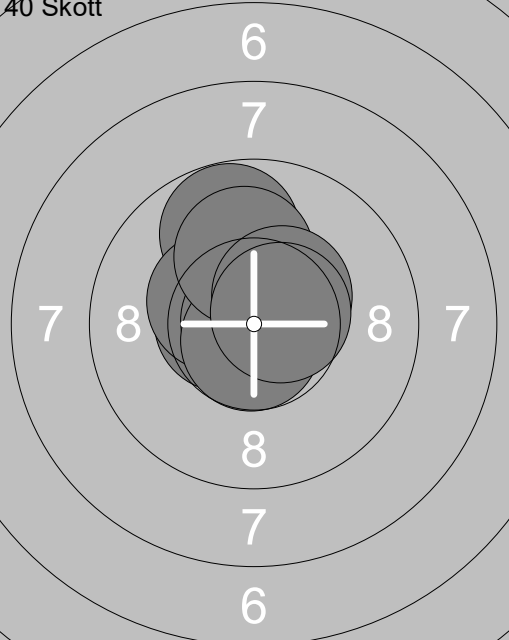
21:	10.3	↘
22:	10.7	↘
23:	10.6	↘
24:	10.6	↘
25:	10.8	↗
26:	10.5	↘
27:	10.5	↗
28:	10.0	↘
29:	10.5	↘
30:	10.7	↘
Serie		105.2
Total		315.1

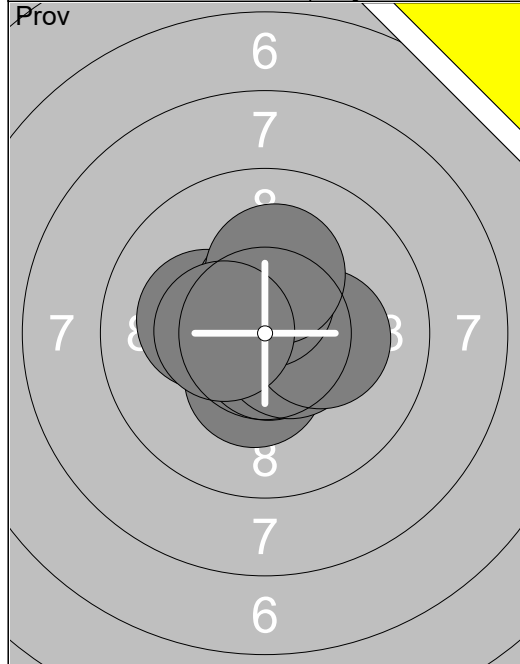


31:	10.4	↘
32:	10.4	↗
33:	10.4	↘
34:	10.8	↘
35:	10.8	↗
36:	10.5	↘
37:	10.8	↘
38:	10.9	↗
39:	10.4	↘
40:	10.4	↘
Serie		105.8
Total		420.9

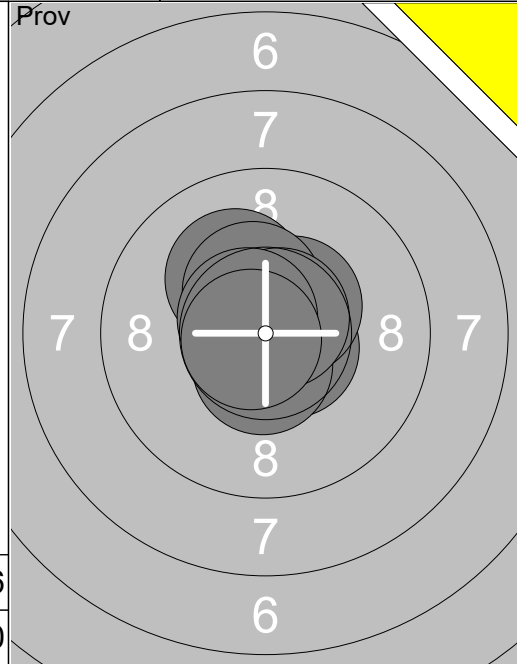
<p>Prov</p> 	<p>40 Skott</p> 	<p>1: 9.7 ↖</p> <p>2: 10.3 ✕</p> <p>3: 10.5 ✕</p> <p>4: 10.8 ✕</p> <p>5: 10.4 ✕ ↗</p> <p>6: 10.4 ✕ ↘</p> <p>7: 10.7 ✕</p> <hr/> <p>Serie 72.8</p> <p>Total 0.0</p>	<p>1: 10.4 ✕</p> <p>2: 10.6 ✕</p> <p>3: 10.7 ✕ ↘</p> <p>4: 10.5 ✕</p> <p>5: 10.2 ✕</p> <p>6: 10.4 ✕</p> <p>7: 10.9 ✕</p> <p>8: 10.5 ✕ ↗</p> <p>9: 10.6 ✕</p> <p>10: 10.6 ✕ ↗</p> <hr/> <p>Serie 105.4</p> <p>Total 105.4</p>
--	--	--	--

<p>40 Skott</p> 	<p>40 Skott</p> 	<p>11: 10.7 ✕</p> <p>12: 10.8 ✕ ↗</p> <p>13: 10.4 ✕ ↗</p> <p>14: 10.5 ✕ ↗</p> <p>15: 10.3 ✕</p> <p>16: 10.5 ✕</p> <p>17: 10.8 ✕ ↘</p> <p>18: 10.7 ✕</p> <p>19: 10.8 ✕ ↗</p> <p>20: 10.5 ✕</p> <hr/> <p>Serie 106.0</p> <p>Total 211.4</p>	<p>21: 10.6 ✕</p> <p>22: 10.2 ✕</p> <p>23: 10.3 ✕</p> <p>24: 10.3 ✕ ↗</p> <p>25: 10.5 ✕</p> <p>26: 10.1 ↗</p> <p>27: 10.4 ✕ ➤</p> <p>28: 10.0 ↗</p> <p>29: 10.6 ✕ ➤</p> <p>30: 10.7 ✕</p> <hr/> <p>Serie 103.7</p> <p>Total 315.1</p>
---	---	---	---

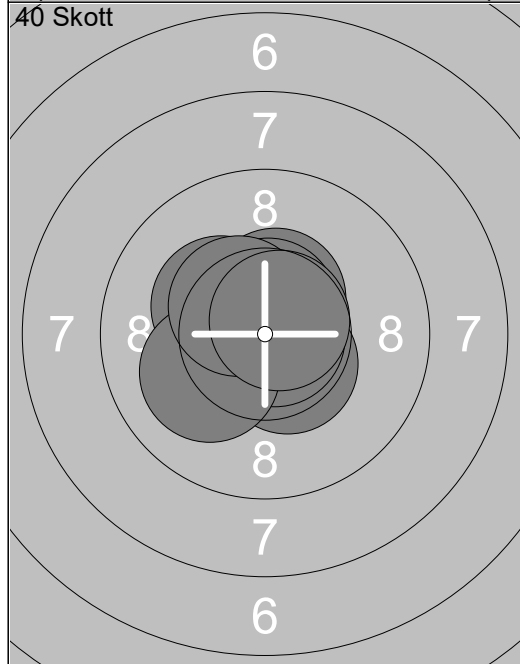
<p>40 Skott</p> 	<p>31: 10.6 ✕</p> <p>32: 9.8 ↗</p> <p>33: 10.9 ✕ ➤</p> <p>34: 10.7 ✕</p> <p>35: 10.4 ✕</p> <p>36: 10.9 ✕</p> <p>37: 10.7 ✕ ↘</p> <p>38: 10.1 ↗</p> <p>39: 10.4 ✕ ↗</p> <p>40: 10.6 ✕ ➤</p> <hr/> <p>Serie 105.1</p> <p>Total 420.2</p>		
--	--	--	--



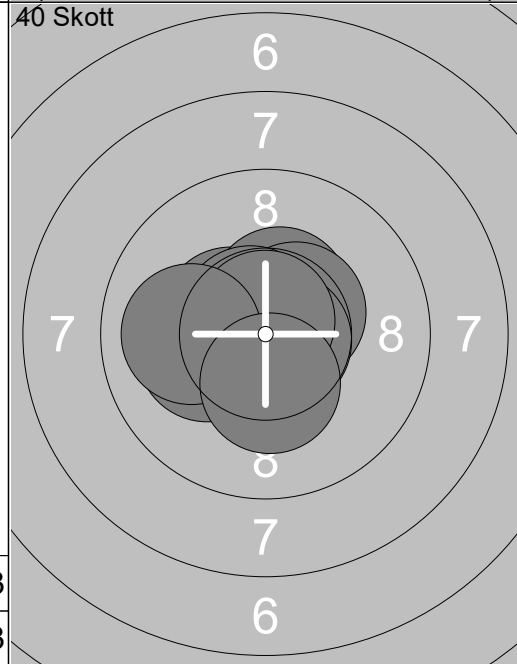
1:	10.7x
2:	10.4x
3:	10.2x
4:	10.7x
5:	10.7x
6:	10.6x
7:	10.2x
8:	10.5x
9:	10.2x
10:	10.4x
Serie 104.6	
Total 0.0	



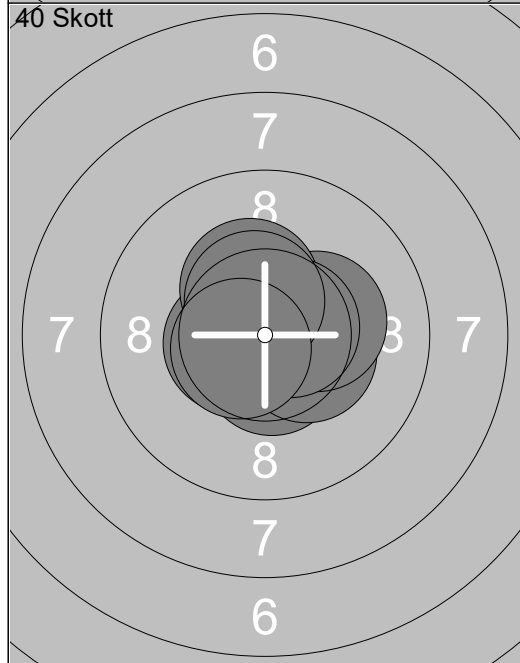
11:	10.7x
12:	10.6x
13:	10.1
14:	10.6x
15:	10.5x
16:	10.4x
17:	10.7x
18:	10.6x
19:	10.8x
Serie 95.0	
Total 0.0	



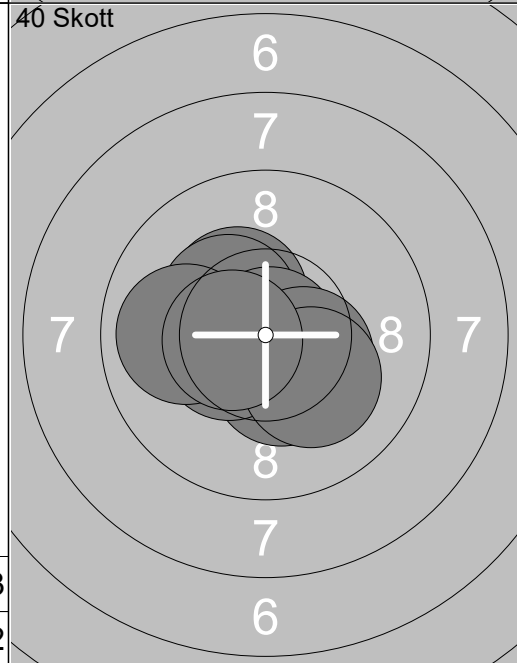
1:	10.8x
2:	10.5x
3:	10.5x
4:	10.3x
5:	10.8x
6:	10.5x
7:	10.6x
8:	10.1
9:	10.5x
10:	10.7x
Serie 105.3	
Total 105.3	



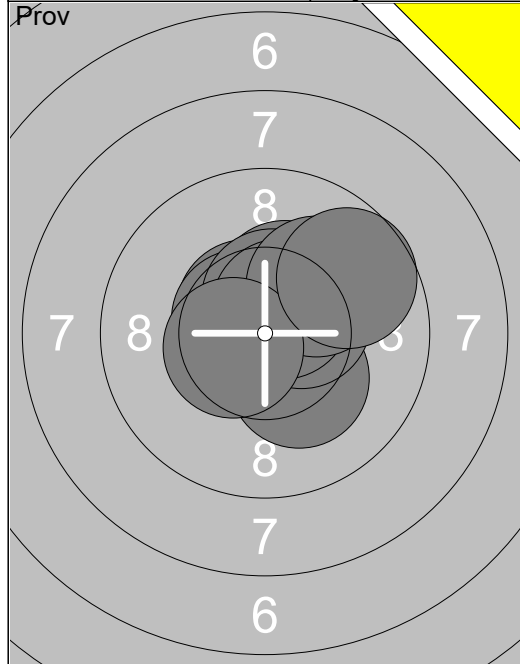
11:	10.6x
12:	10.2x
13:	10.5x
14:	10.4x
15:	10.5x
16:	10.6x
17:	10.7x
18:	10.8x
19:	10.0
20:	10.3x
Serie 104.6	
Total 209.9	



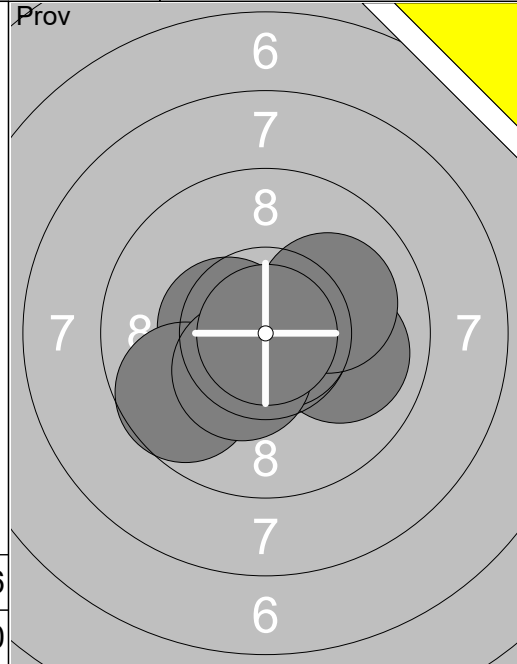
21:	10.5x
22:	10.8x
23:	10.5x
24:	10.4x
25:	10.3x
26:	10.8x
27:	10.3x
28:	10.6x
29:	10.5x
30:	10.6x
Serie 105.3	
Total 315.2	



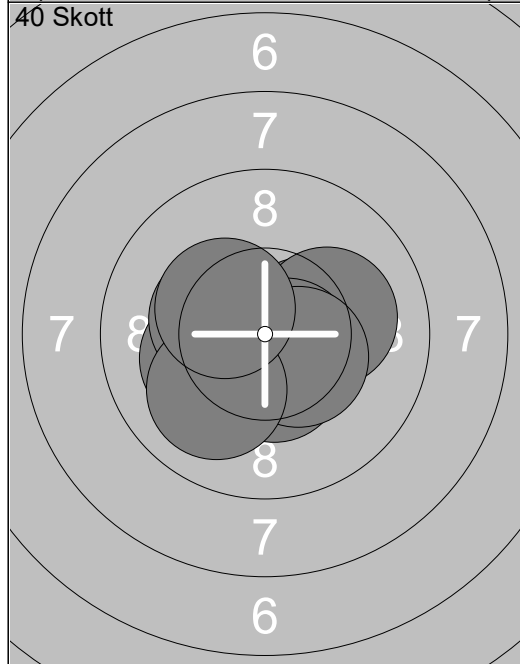
31:	10.5x
32:	10.4x
33:	10.3x
34:	10.3x
35:	10.4x
36:	10.9x
37:	9.9
38:	10.4x
39:	10.2x
40:	10.5x
Serie 103.8	
Total 419.0	



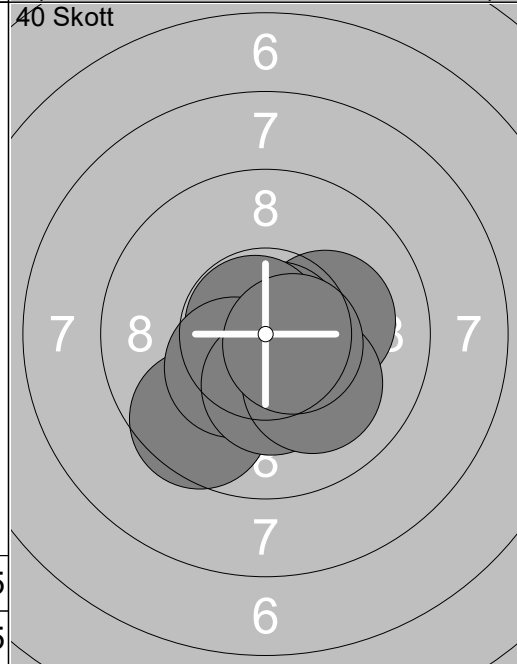
1:	10.2x↘
2:	10.4x↗
3:	10.6x↘
4:	10.6x↘
5:	10.5x↗
6:	10.4x→
7:	10.6x↗
8:	10.1↗
9:	10.5x↙
10:	9.7↗
Serie 103.6	
Total 0.0	



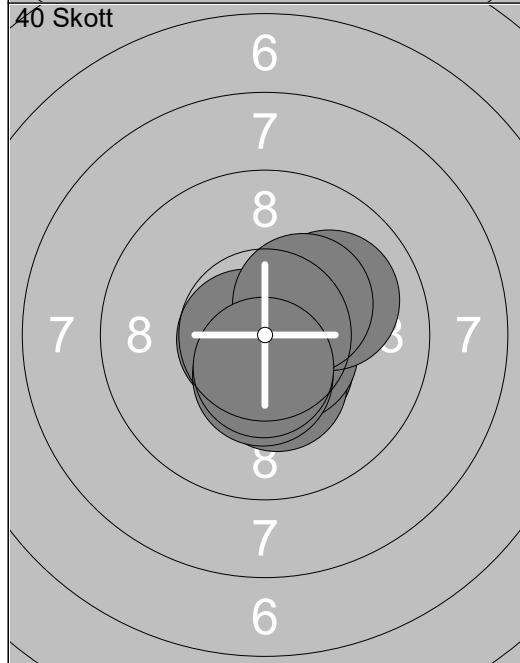
11:	10.0→
12:	10.7x→
13:	10.7x↙
14:	10.5x↙
15:	9.7↙
16:	10.4x↙
17:	10.1↗
18:	10.9x↘
Serie 83.0	
Total 0.0	



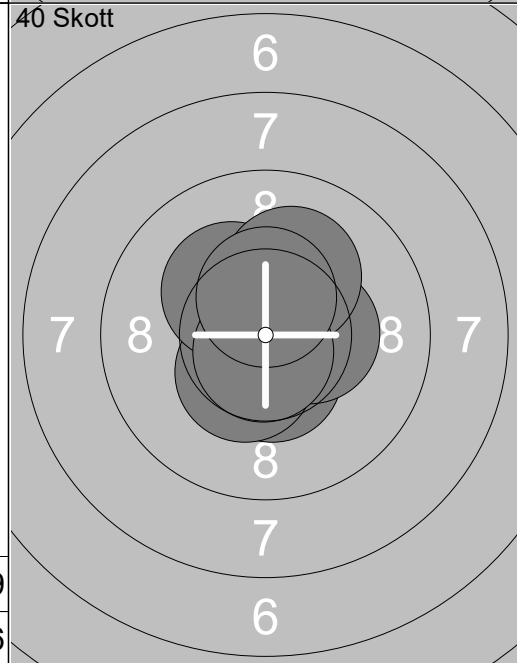
1:	10.2x↙
2:	10.3x↙
3:	10.4x→
4:	10.1→
5:	10.6x↘
6:	10.7x↙
7:	10.5x↓
8:	10.4x↘
9:	10.0↙
10:	10.3x↙
Serie 103.5	
Total 103.5	



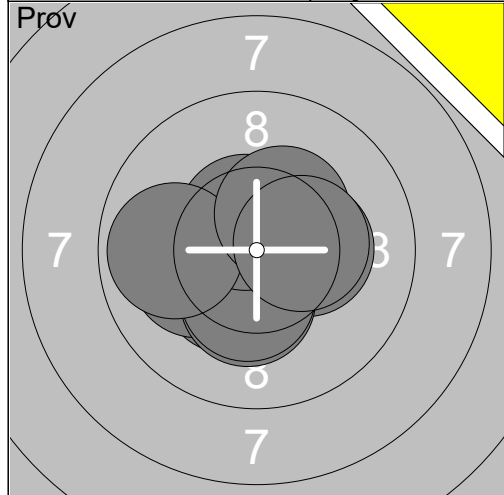
11:	10.7x↘
12:	10.7x↓
13:	10.2x→
14:	10.8x→
15:	10.8x↙
16:	9.6↙
17:	10.4x↙
18:	10.3x↓
19:	10.1↓
20:	10.6x→
Serie 104.2	
Total 207.7	



21:	10.5x↘
22:	10.9x↙
23:	10.3x↓
24:	10.6x↘
25:	10.7x↙
26:	10.7x↙
27:	10.0↗
28:	10.3x↗
29:	10.4x↓
30:	10.5x↓
Serie 104.9	
Total 312.6	

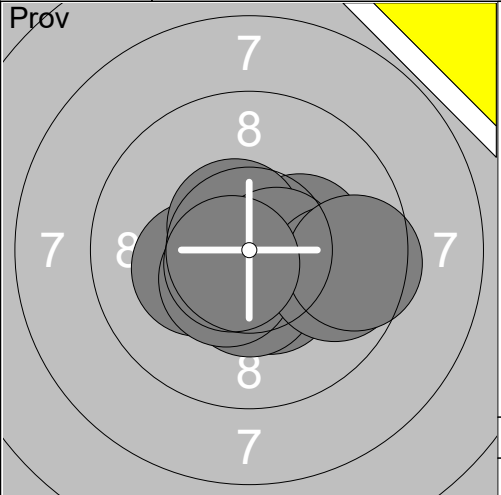


31:	10.6x↗
32:	10.8x↓
33:	10.5x↓
34:	10.8x↙
35:	10.4x→
36:	10.4x↙
37:	10.2x↘
38:	10.1↗
39:	10.7x↓
40:	10.5x↗
Serie 105.0	
Total 417.6	



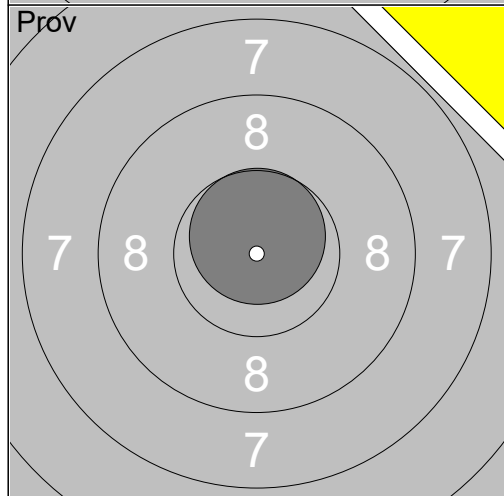
1:	10.3x	→
2:	10.4x	↙
3:	10.1	←
4:	10.3x	↓
5:	10.8x	↘
6:	10.4x	↓
7:	10.6x	↗
8:	9.9	←
9:	10.4x	↗
10:	10.4x	→

Serie	103.6
Total	0.0



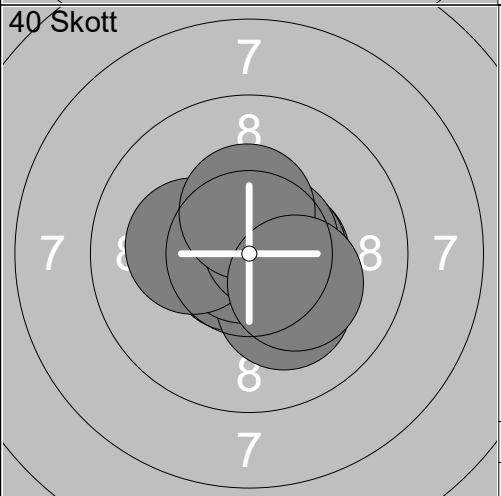
11:	10.3x	←
12:	10.3x	→
13:	10.4x	↙
14:	10.6x	↗
15:	10.6x	→
16:	10.4x	↓
17:	10.5x	↙
18:	9.8	→
19:	9.6	→
20:	10.7x	↙

Serie	103.2
Total	0.0



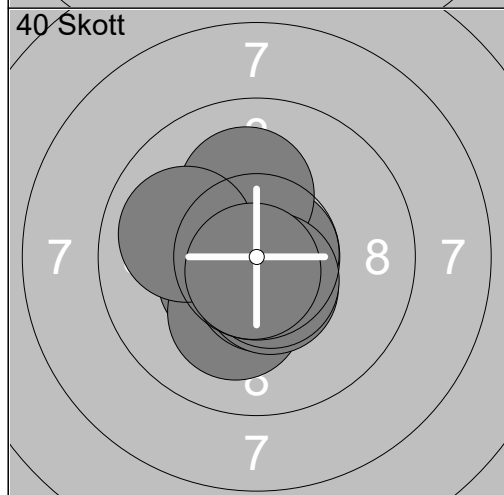
21:	10.7x	↑
-----	-------	---

Serie	10.7
Total	0.0



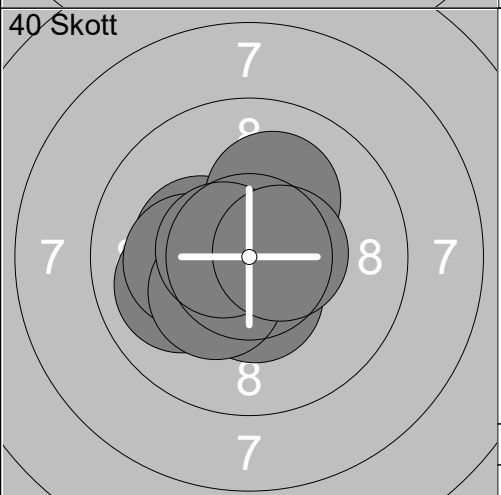
1:	10.5x	→
2:	10.7x	↙
3:	10.5x	↗
4:	10.2x	↓
5:	10.9x	←
6:	10.6x	→
7:	10.2x	←
8:	10.6x	↗
9:	10.4x	↑
10:	10.2x	↘

Serie	104.8
Total	104.8



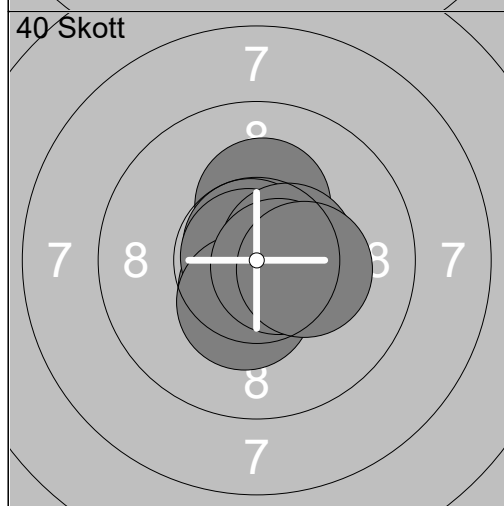
11:	10.8x	→
12:	10.5x	↙
13:	10.3x	↗
14:	10.2x	↓
15:	10.1	↗
16:	10.6x	↓
17:	10.0	←
18:	10.5x	↓
19:	10.6x	↓
20:	10.8x	↓

Serie	104.4
Total	209.2




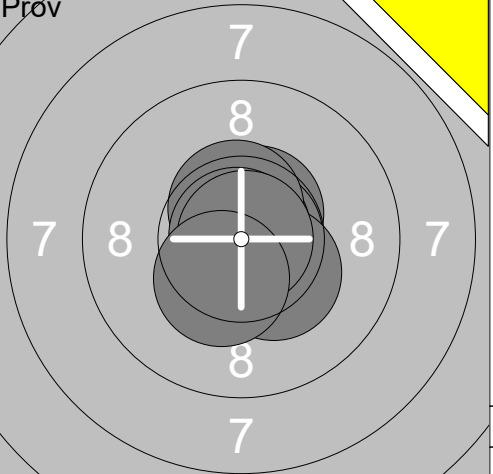
21:	10.8x	↓
22:	10.0	←
23:	10.5x	←
24:	10.3x	←
25:	10.1	↗
26:	10.2x	←
27:	10.4x	↓
28:	10.3x	↙
29:	10.6x	←
30:	10.5x	→


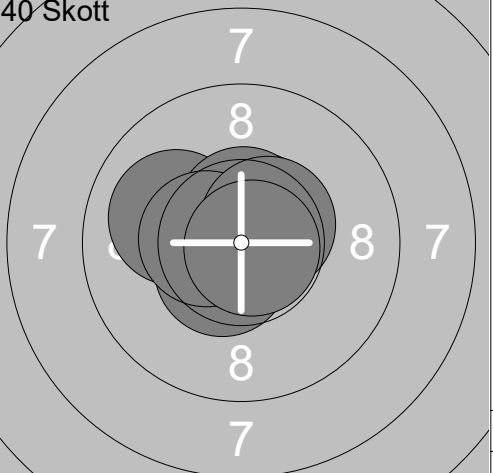
Serie	103.7
Total	312.9

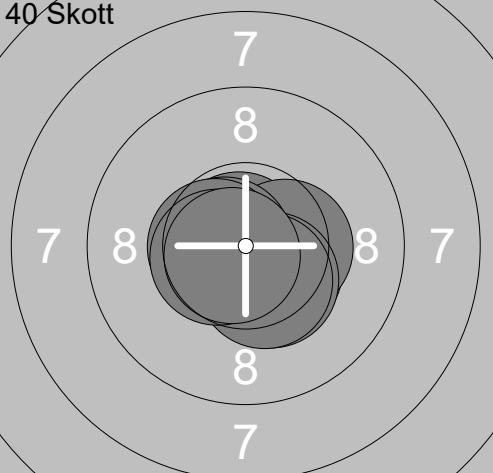
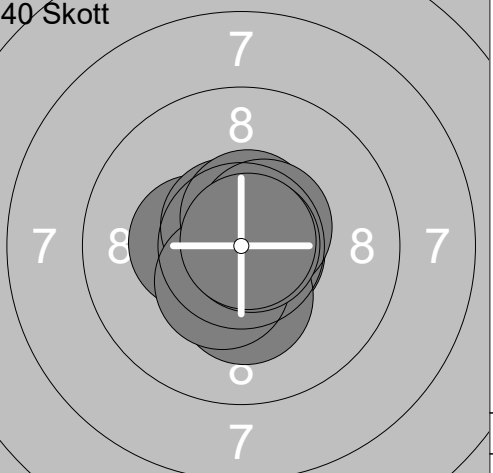


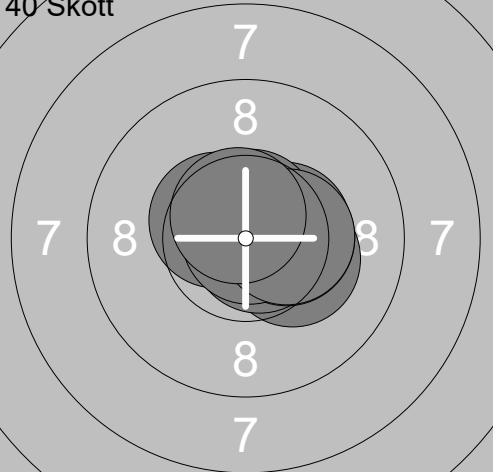
31:	10.7x	→
32:	10.5x	↓
33:	10.2x	↗
34:	10.8x	↗
35:	10.4x	→
36:	10.8x	↙
37:	10.5x	→
38:	10.4x	↓
39:	10.6x	→
40:	10.3x	→


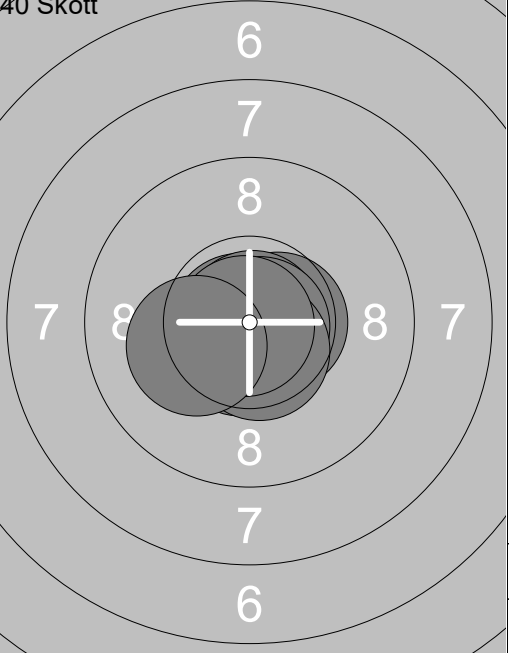
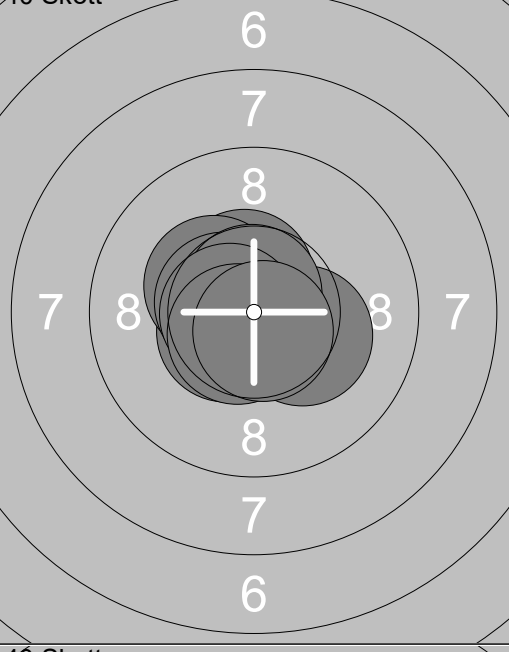
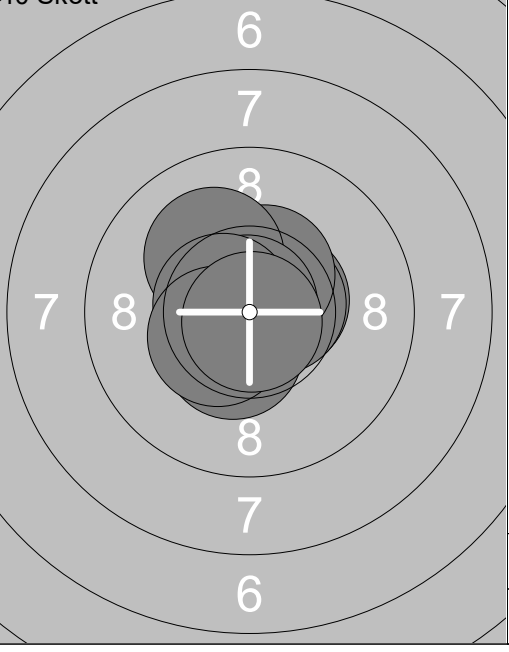
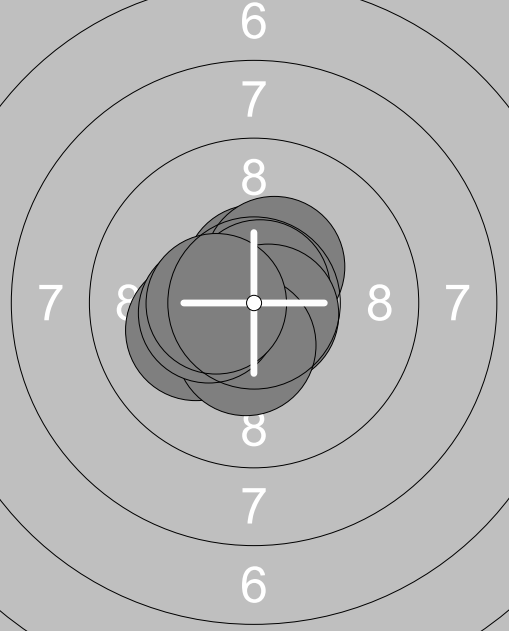
Serie	105.2
Total	418.1

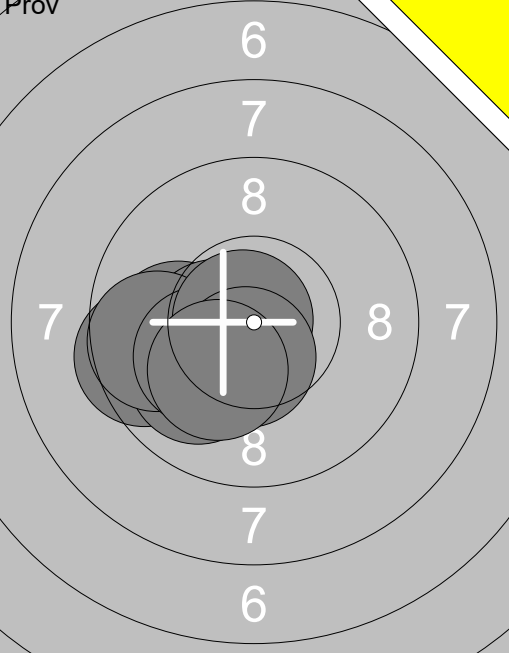
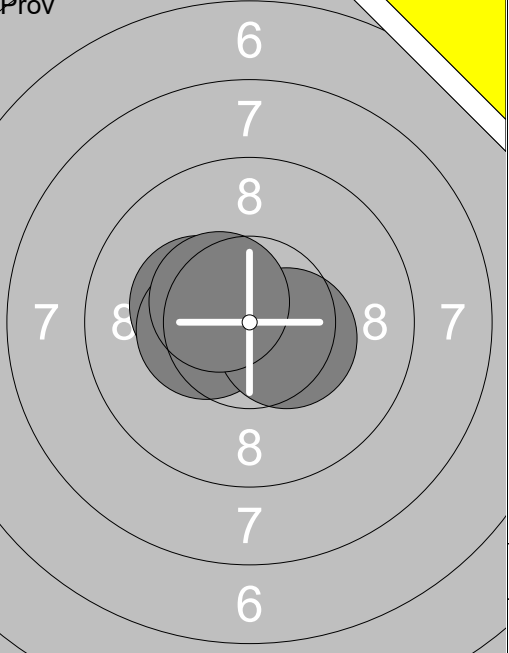
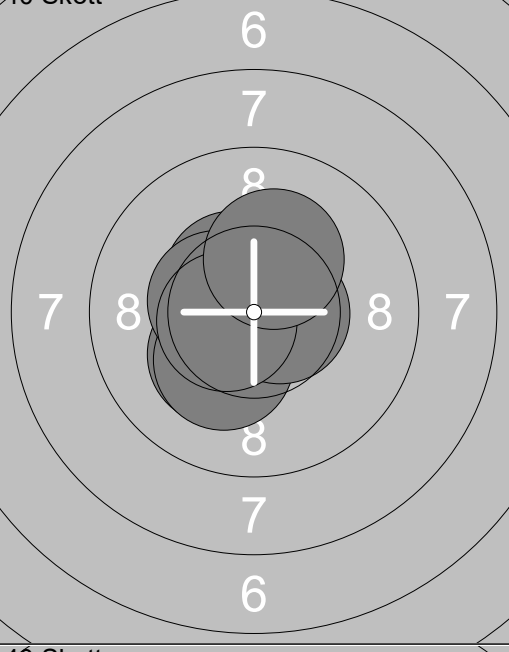
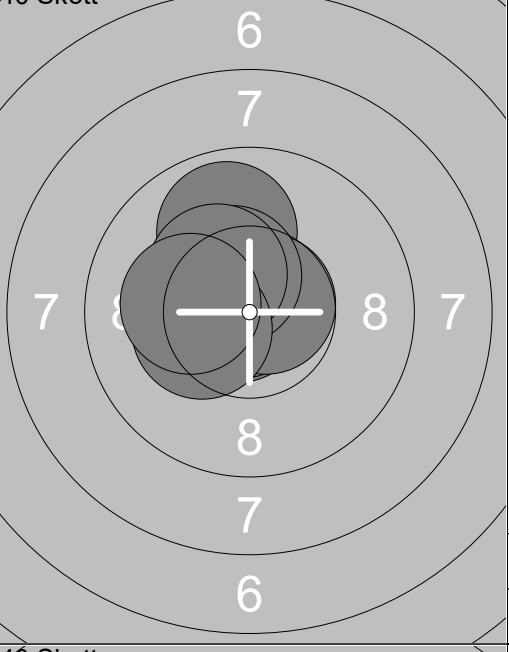
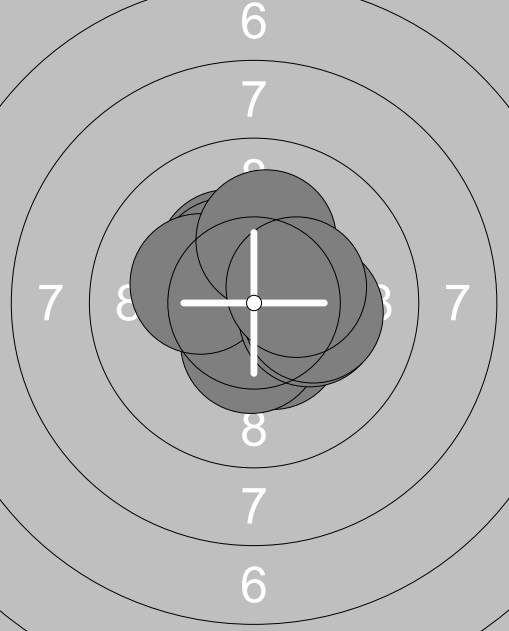
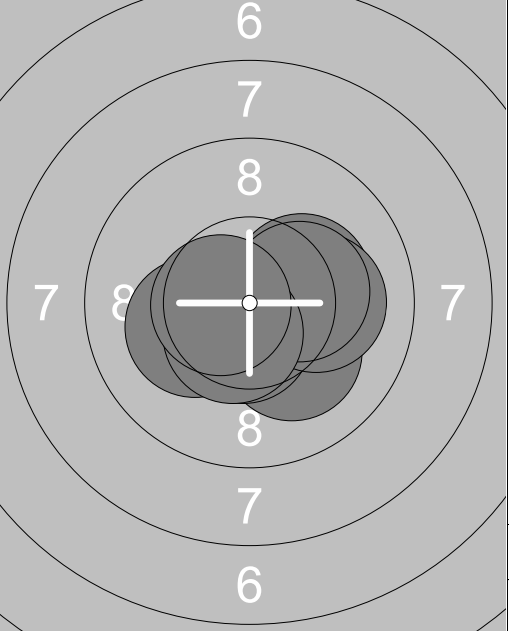
<p>Pröv</p> 	<p>1: 10.3x ↗ 2: 10.5x ← 3: 10.7x ↓ 4: 10.3x ↗ 5: 10.5x ↑ 6: 10.4x ↑ 7: 10.5x ↑ 8: 10.4x ↗ 9: 10.1 ↑ 10: 10.0 ↑</p>	<p>Pröv</p> 	<p>11: 10.8x ↓ 12: 10.6x ↗ 13: 10.8x → 14: 10.8x ↑ 15: 10.5x ↑ 16: 10.6x ↓ 17: 10.9x ↗ 18: 10.3x ↓ 19: 10.9x → 20: 10.4x ↓</p>
Serie 103.7		Serie 106.6	
Total 0.0		Total 0.0	

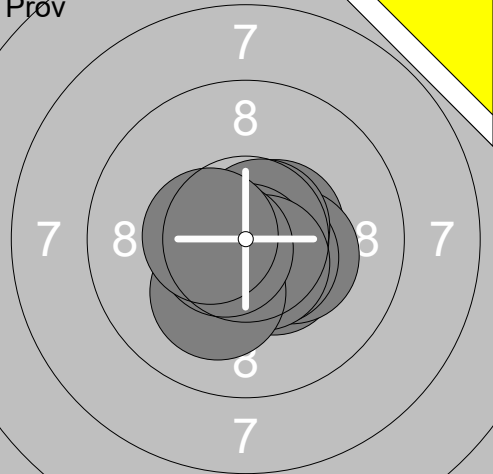
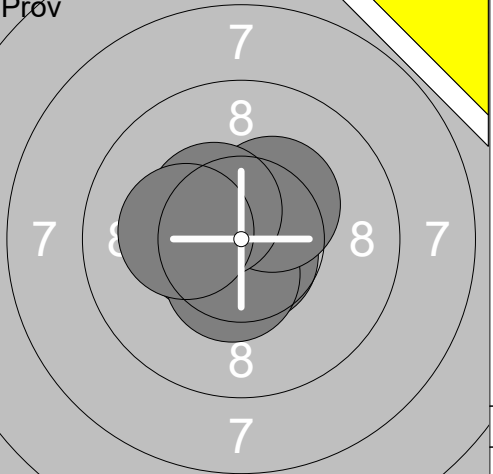
<p>Pröv</p> 	<p>21: 10.2x ↓ 22: 10.5x ↓ 23: 10.8x ↑ 24: 10.8x ↘</p>	<p>40 Skott</p> 	<p>1: 10.8x ← 2: 10.6x ↗ 3: 10.8x → 4: 10.7x ↑ 5: 10.0 ← 6: 10.5x ↓ 7: 10.6x ↑ 8: 10.5x ← 9: 10.5x ↗ 10: 10.8x ↘</p>
Serie 42.3		Serie 105.8	
Total 0.0		Total 105.8	

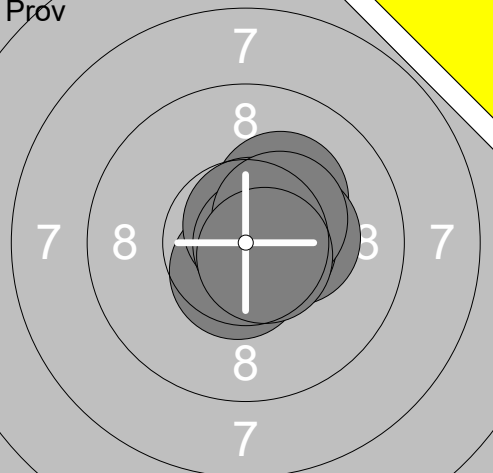
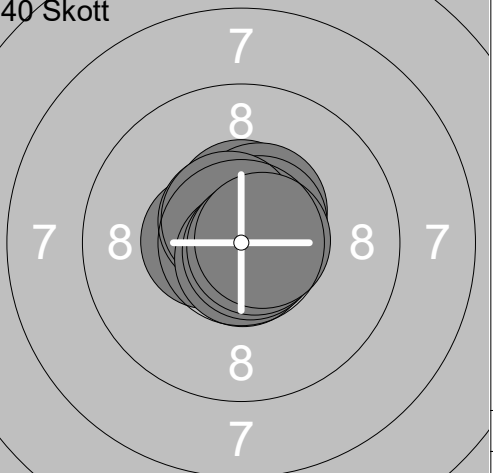
<p>40 Skott</p> 	<p>11: 10.8x ↓ 12: 10.5x ↓ 13: 10.8x ↗ 14: 10.4x → 15: 10.4x ↓ 16: 10.4x ↓ 17: 10.7x ← 18: 10.5x ← 19: 10.6x ← 20: 10.7x ↙</p>	<p>40 Skott</p> 	<p>21: 10.7x → 22: 10.3x ↓ 23: 10.8x ← 24: 10.4x ← 25: 10.6x ↗ 26: 10.4x ↓ 27: 10.6x ↑ 28: 10.6x ↗ 29: 10.8x → 30: 10.8x ↗</p>
Serie 105.8		Serie 106.0	
Total 211.6		Total 317.6	

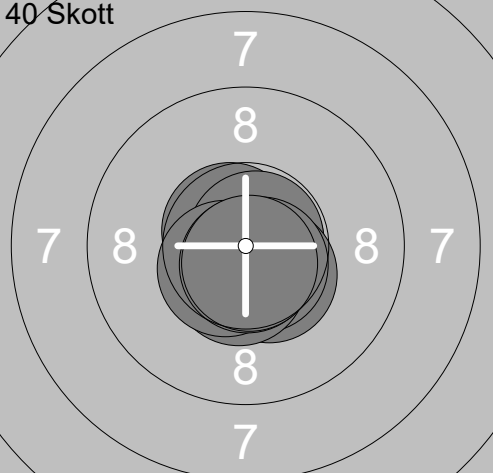
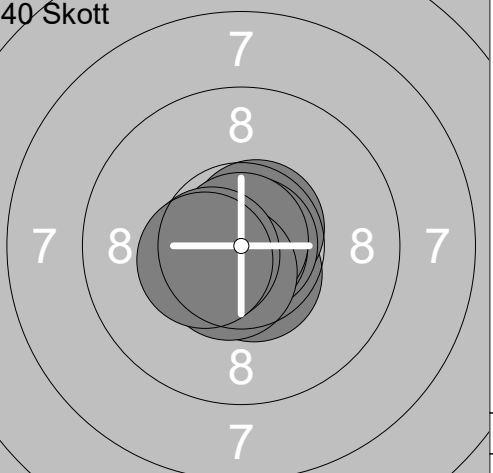
<p>40 Skott</p> 	<p>31: 10.4x → 32: 10.7x ↑ 33: 10.8x → 34: 10.3x ↘ 35: 10.7x ↘ 36: 10.5x ↗ 37: 10.4x → 38: 10.9x ↗ 39: 10.4x → 40: 10.6x ↗</p>		
Serie 105.7			
Total 423.3			

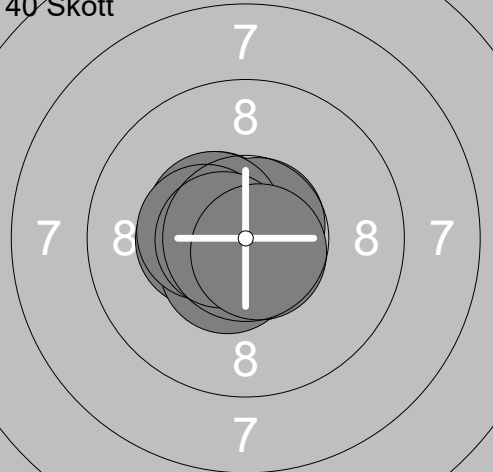
Prov 	1: 10.5x➤ 2: 10.9x↙ 3: 10.7x↙ 4: 10.7x↙ 5: 10.6x↙ 6: 10.8x➤ 7: 10.9x➤ 8: 10.8x↔	40 Skott 	1: 10.9x↔ 2: 10.8x↔ 3: 10.7x↙ 4: 10.6x➤ 5: 10.6x↙ 6: 10.9x➤ 7: 10.8x➤ 8: 10.6x↙ 9: 10.9x↔ 10: 10.2x↔
	Serie 85.9		Serie 107.0
	Total 0.0		Total 107.0
40 Skott 	11: 10.3x➤ 12: 10.5x↔ 13: 10.5x↗ 14: 10.7x↔ 15: 10.3x↔ 16: 10.6x↔ 17: 10.7x↗ 18: 10.6x↔ 19: 10.6x↙ 20: 10.7x↙	40 Skott 	21: 10.4x↙ 22: 10.5x➤ 23: 10.6x➤ 24: 10.4x↗ 25: 10.5x↔ 26: 10.1↖ 27: 10.9x↗ 28: 10.6x↔ 29: 10.4x↔ 30: 10.8x↙
	Serie 105.5		Serie 105.2
	Total 212.5		Total 317.7
40 Skott 	31: 10.9x➤ 32: 10.6x↗ 33: 10.1↖ 34: 10.8x➤ 35: 10.4x↗ 36: 10.8x↗ 37: 10.7x➤ 38: 10.4x↙ 39: 10.4x↔ 40: 10.5x↔		
	Serie 105.6		
	Total 423.3		

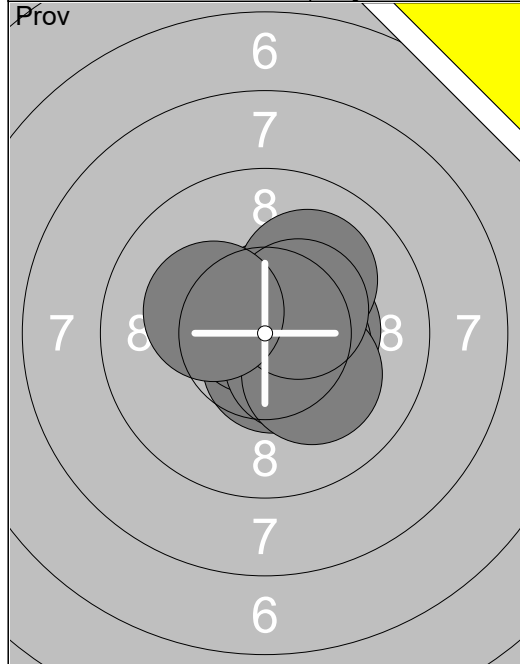
<p>Prov</p> 	<p>1: 9.5 ←</p> <p>2: 10.0 ←</p> <p>3: 10.3 ✕</p> <p>4: 10.4 ✕</p> <p>5: 10.0 ↘</p> <p>6: 9.7 ←</p> <p>7: 10.2 ✕</p> <p>8: 10.8 ✕</p> <p>9: 10.5 ✕</p> <p>10: 10.2 ✕</p> <hr/> <p>Serie 101.6</p> <p>Total 0.0</p>	<p>Prov</p> 	<p>11: 10.3 ✕</p> <p>12: 10.4 ✕</p> <p>13: 10.4 ✕</p> <p>14: 10.5 ✕</p> <hr/> <p>Serie 41.6</p> <p>Total 0.0</p>
<p>40 Skott</p> 	<p>1: 10.7 ✕</p> <p>2: 10.2 ✕</p> <p>3: 10.2 ✕</p> <p>4: 10.7 ✕</p> <p>5: 10.5 ✕</p> <p>6: 10.8 ✕</p> <p>7: 10.6 ✕</p> <p>8: 10.5 ✕</p> <p>9: 10.6 ✕</p> <p>10: 10.2 ✕</p> <hr/> <p>Serie 105.0</p> <p>Total 105.0</p>	<p>40 Skott</p> 	<p>11: 10.8 ✕</p> <p>12: 10.8 ✕</p> <p>13: 10.8 ✕</p> <p>14: 9.9 ↑</p> <p>15: 10.4 ✕</p> <p>16: 10.7 ✕</p> <p>17: 10.4 ✕</p> <p>18: 10.3 ✕</p> <p>19: 10.3 ✕</p> <p>20: 10.2 ✕</p> <hr/> <p>Serie 104.6</p> <p>Total 209.6</p>
<p>40 Skott</p> 	<p>21: 10.4 ✕</p> <p>22: 10.4 ✕</p> <p>23: 10.4 ✕</p> <p>24: 10.3 ✕</p> <p>25: 10.4 ✕</p> <p>26: 10.2 ✕</p> <p>27: 10.2 ✕</p> <p>28: 10.1 ↑</p> <p>29: 10.2 ✕</p> <p>30: 10.4 ✕</p> <hr/> <p>Serie 103.0</p> <p>Total 312.6</p>	<p>40 Skott</p> 	<p>31: 10.5 ✕</p> <p>32: 10.2 ✕</p> <p>33: 10.1 ↘</p> <p>34: 10.6 ✕</p> <p>35: 10.6 ✕</p> <p>36: 10.2 ✕</p> <p>37: 10.1 →</p> <p>38: 10.3 ✕</p> <p>39: 10.5 ✕</p> <p>40: 10.6 ✕</p> <hr/> <p>Serie 103.7</p> <p>Total 416.3</p>

Pröv 	1: 10.4x ↘ 2: 10.5x → 3: 10.3x → 4: 10.5x ↘ 5: 10.7x ↗ 6: 10.8x ↓ 7: 10.6x ↓ 8: 10.2x ↓ 9: 10.7x ← 10: 10.5x ← <hr/> Serie 105.2 Total 0.0	Pröv 	11: 10.6x ← 12: 10.5x ← 13: 10.8x ← 14: 10.7x ↘ 15: 10.7x ↗ 16: 10.4x ← 17: 10.5x ↓ 18: 10.3x ↗ 19: 10.4x ↗ 20: 10.2x ← <hr/> Serie 105.1 Total 0.0
--	---	--	--

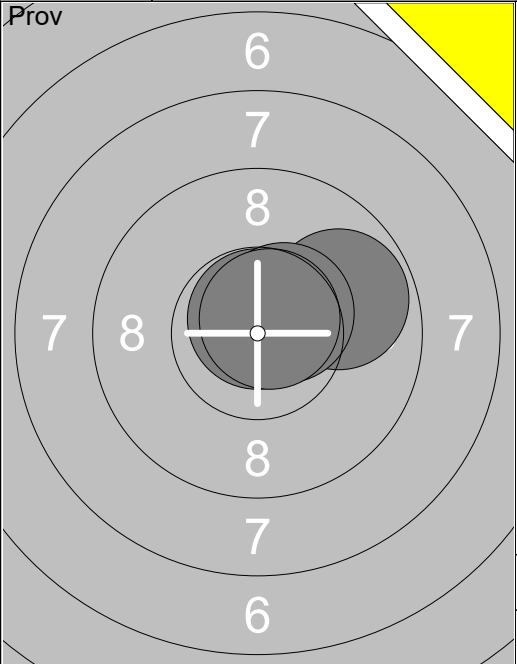
Pröv 	21: 10.8x → 22: 10.2x ↗ 23: 10.6x ↓ 24: 10.7x ↑ 25: 10.3x → 26: 10.6x → 27: 10.7x → 28: 10.4x ↗ 29: 10.7x ↘ <hr/> Serie 95.0 Total 0.0	40 Skott 	1: 10.5x ← 2: 10.5x ↑ 3: 10.6x ↗ 4: 10.5x ↗ 5: 10.6x ↗ 6: 10.6x ↗ 7: 10.7x ↓ 8: 10.8x ↓ 9: 10.8x → 10: 10.7x → <hr/> Serie 106.3 Total 106.3
---	--	---	---

40 Skott 	11: 10.8x → 12: 10.6x ↓ 13: 10.7x ↗ 14: 10.8x ↗ 15: 10.5x ↘ 16: 10.6x ↘ 17: 10.5x ↓ 18: 10.5x ↓ 19: 10.7x ↓ 20: 10.7x ↓ <hr/> Serie 106.4 Total 212.7	40 Skott 	21: 10.5x ↓ 22: 10.6x ↗ 23: 10.8x → 24: 10.6x ↘ 25: 10.9x ↘ 26: 10.8x ← 27: 10.9x ↑ 28: 10.6x ↓ 29: 10.5x ← 30: 10.4x ← <hr/> Serie 106.6 Total 319.3
--	--	--	--

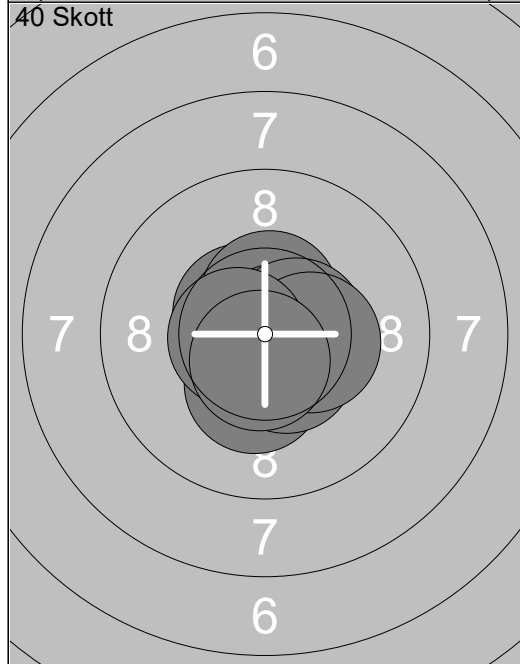
40 Skott 	31: 10.5x ↗ 32: 10.7x ↓ 33: 10.4x ← 34: 10.5x ↘ 35: 10.7x ↗ 36: 10.7x ↗ 37: 10.5x ↗ 38: 10.4x ← 39: 10.7x ← 40: 10.7x ↘ <hr/> Serie 105.8 Total 425.1		
--	--	--	--



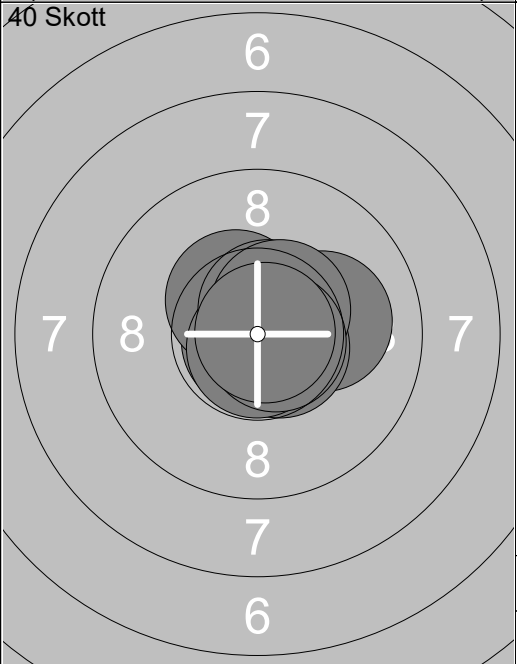
1:	10.4x➤
2:	10.5x➤
3:	10.6x↘
4:	10.8x↖
5:	10.4x➤
6:	10.6x↗
7:	10.1 ↗
8:	10.2x➤
9:	10.4x↗
10:	10.2x↖
Serie 104.2	
Total 0.0	



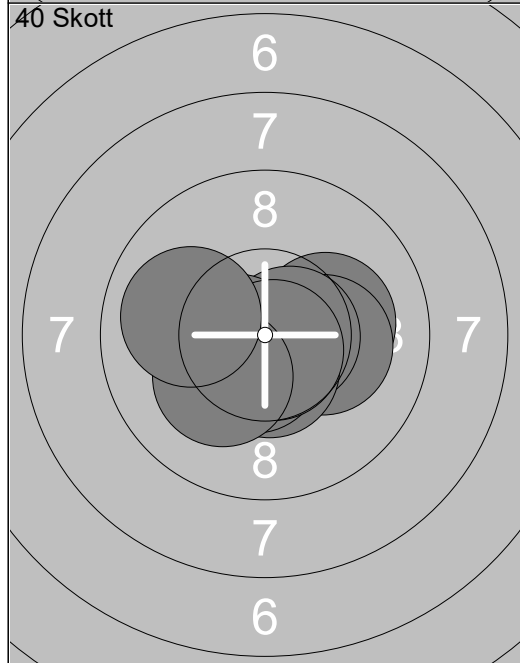
11:	9.8 ➔
12:	10.8x↗
13:	10.5x↗
14:	10.7x↗
Serie 41.8	
Total 0.0	



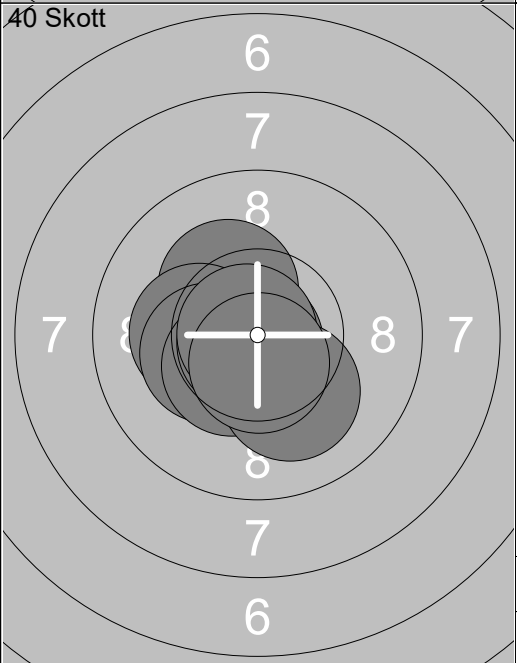
1:	10.6x↖
2:	10.3x↘
3:	10.7x↖
4:	10.5x↗
5:	10.5x➤
6:	10.8x➤
7:	10.5x➤
8:	10.4x➤
9:	10.6x↖
10:	10.6x↘
Serie 105.5	
Total 105.5	



11:	10.8x↗
12:	10.1 ➔
13:	10.6x➤
14:	10.8x↖
15:	10.4x↖
16:	10.8x↘
17:	10.6x↗
18:	10.5x↗
19:	10.7x➤
20:	10.8x➤
Serie 106.1	
Total 211.6	



21:	10.2x➤
22:	10.7x↘
23:	10.2x➤
24:	10.6x➤
25:	10.5x↘
26:	10.6x↘
27:	10.6x↖
28:	10.7x↘
29:	10.2x↖
30:	10.0↖
Serie 104.3	
Total 315.9	

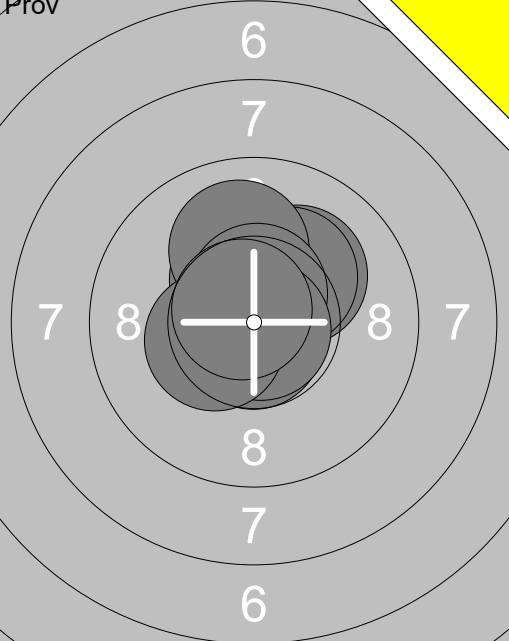


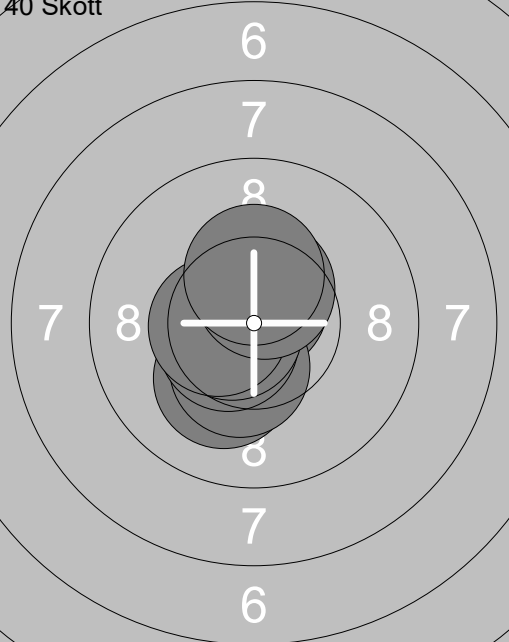
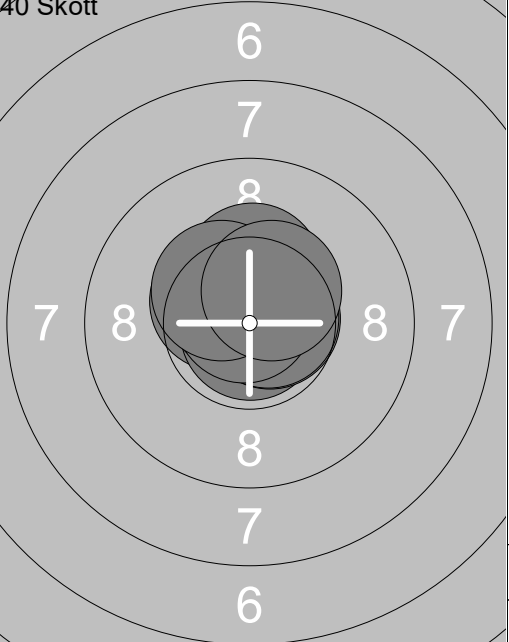
31:	10.3x↖
32:	10.2x↖
33:	10.3x↖
34:	10.7x↘
35:	10.8x↘
36:	10.4x↘
37:	10.8x↖
38:	10.8x↖
39:	10.1 ↘
40:	10.6x↘
Serie 105.0	
Total 420.9	

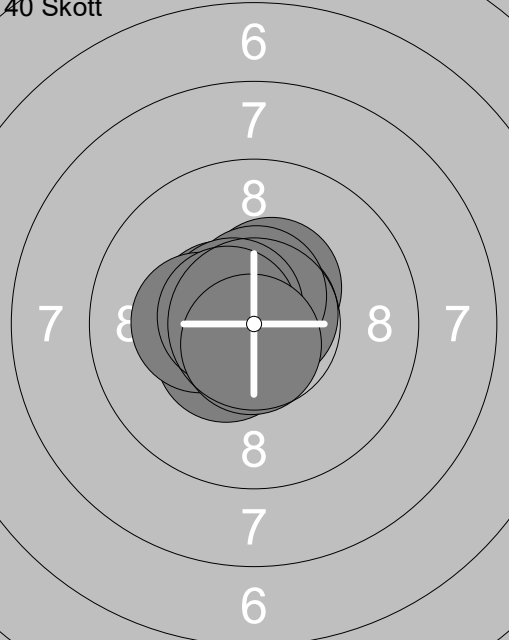
<p>Prov</p>	<p>1: 9.9 ↗ 2: 10.3x ↗ 3: 10.7x ↘ 4: 10.3x ↗ 5: 10.2x ↗ 6: 10.6x → 7: 10.7x → 8: 10.4x ↗ 9: 10.5x ↘ 10: 10.3x ↓</p>	<p>Prov</p>	<p>11: 10.4x ↖ 12: 10.7x ↘</p>
Serie 103.9		Serie 21.1	
Total 0.0		Total 0.0	

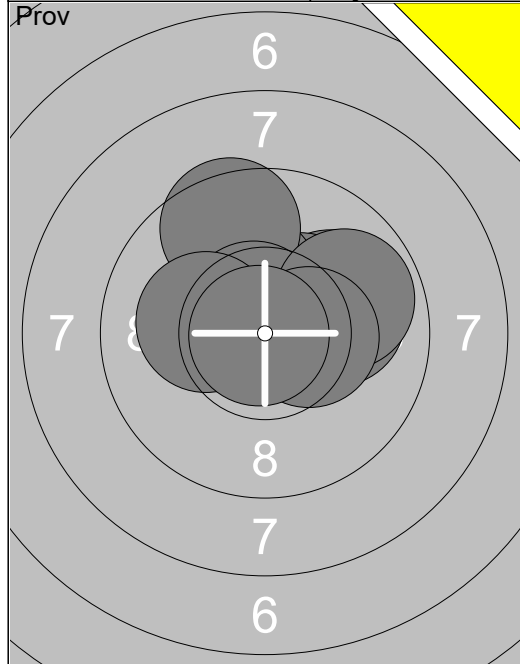
<p>40 Skott</p>	<p>1: 10.8x ↖ 2: 10.3x ↗ 3: 10.6x → 4: 10.4x ↘ 5: 10.4x ↓ 6: 10.7x ↘ 7: 10.8x ↘ 8: 10.8x ↖ 9: 9.8 ↖ 10: 10.1 ↗</p>	<p>40 Skott</p>	<p>11: 10.3x ↗ 12: 10.3x ↘ 13: 10.9x ↘ 14: 10.8x ↖ 15: 10.6x ↘ 16: 10.4x ↗ 17: 10.2x ↓ 18: 10.5x ↘ 19: 10.5x → 20: 10.5x ↖</p>
Serie 104.7		Serie 105.0	
Total 104.7		Total 209.7	

<p>40 Skott</p>	<p>21: 10.7x ↘ 22: 10.6x ↗ 23: 10.3x ↗ 24: 9.8 ↖ 25: 10.9x ↓ 26: 9.9 ↖ 27: 10.4x ↘ 28: 10.5x ↗ 29: 10.2x ↘ 30: 10.8x ↘</p>	<p>40 Skott</p>	<p>31: 10.3x ↖ 32: 10.9x ↘ 33: 10.8x ↗ 34: 10.6x ↓ 35: 10.3x ↗ 36: 10.2x ↓ 37: 10.1 ↖ 38: 10.4x ↗ 39: 10.2x ↗ 40: 10.7x ↘</p>
Serie 104.1		Serie 104.5	
Total 313.8		Total 418.3	

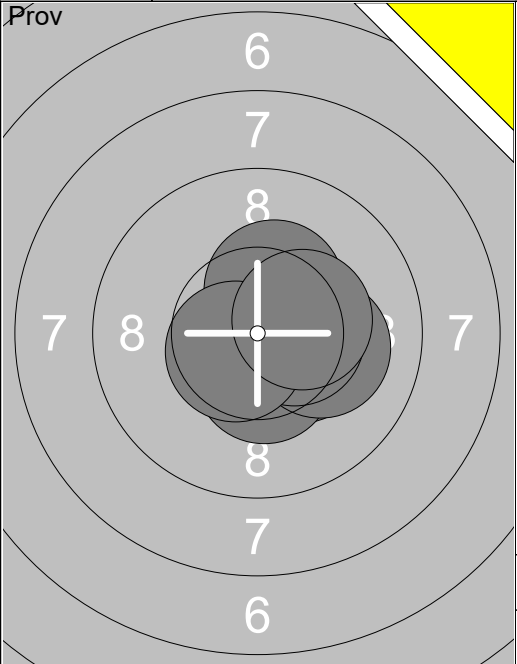
Prov 	1: 10.1 ↗ 2: 10.2 ↗ 3: 10.4 ↗ 4: 10.0 ↑ 5: 10.7x ↓ 6: 10.6x ↗ 7: 10.8x ← 8: 10.8x ↘ 9: 10.4x ← 10: 10.7x ↘ <hr/> Serie 104.7 Total 0.0	40 Skott 	1: 10.8x ↗ 2: 10.5x ← 3: 10.7x ↗ 4: 10.7x ↘ 5: 10.2x ↗ 6: 10.3x → 7: 10.3x ↗ 8: 10.7x ↘ 9: 10.7x ↗ 10: 10.5x ↗ <hr/> Serie 105.4 Total 105.4
--	---	--	---

40 Skott 	11: 10.6x ↗ 12: 10.7x ↗ 13: 10.1 ↓ 14: 10.6x ← 15: 10.4x ↘ 16: 10.5x ← 17: 10.7x ← 18: 10.5x ← 19: 10.5x ↗ 20: 10.3x ↗ <hr/> Serie 104.9 Total 210.3	40 Skott 	21: 10.7x ↘ 22: 10.5x ← 23: 10.9x ↓ 24: 10.3x ↗ 25: 10.6x ↘ 26: 10.7x → 27: 10.7x → 28: 10.8x ↘ 29: 10.4x ↘ 30: 10.5x ↗ <hr/> Serie 106.1 Total 316.4
---	---	---	--

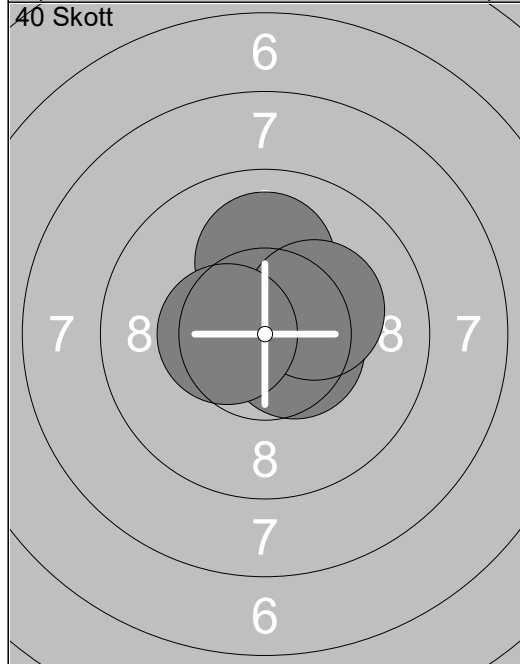
40 Skott 	31: 10.5x ← 32: 10.7x ← 33: 10.4x ↗ 34: 10.7x ↗ 35: 10.4x ← 36: 10.6x ↗ 37: 10.6x ← 38: 10.3x ← 39: 10.6x ← 40: 10.7x ↘ <hr/> Serie 105.5 Total 421.9		
--	--	--	--



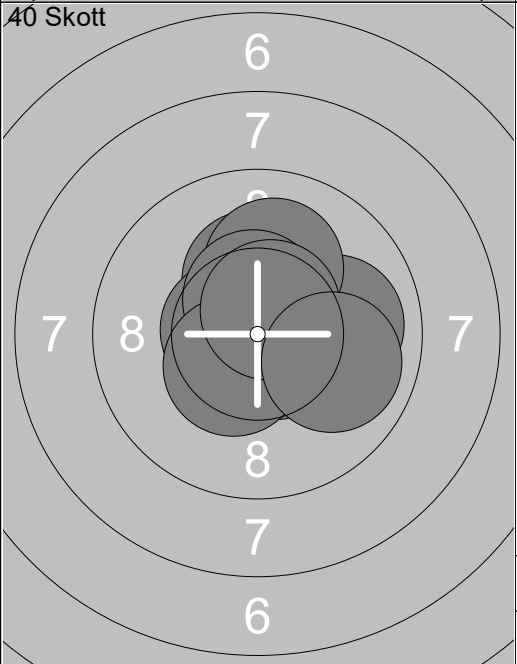
1:	10.0 →
2:	10.0 →
3:	10.4x ↗
4:	10.3x ↗
5:	9.5 ↑
6:	10.6x ↗
7:	10.2x ←
8:	9.9 →
9:	10.4x →
10:	10.9x ←
Serie 102.2	
Total 0.0	



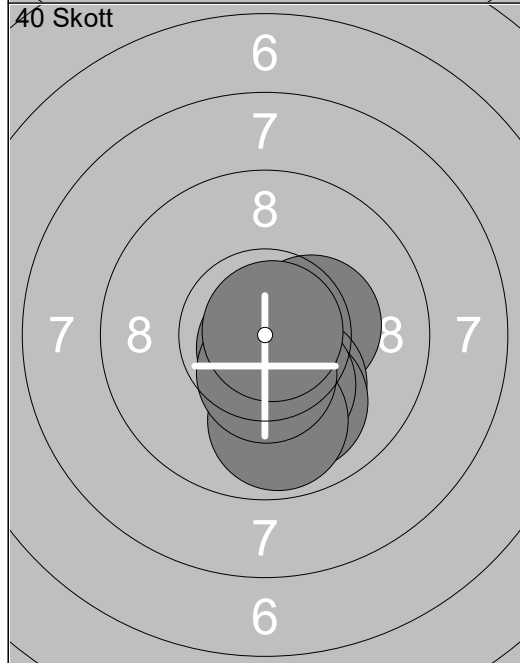
11:	10.4x →
12:	10.4x ↓
13:	10.1 →
14:	10.6x ↗
15:	10.5x →
16:	10.4x ↗
17:	10.6x ↘
18:	10.4x →
Serie 83.4	
Total 0.0	



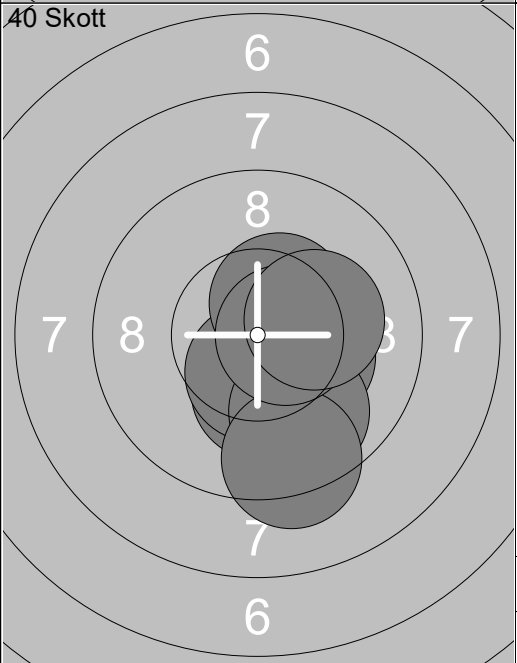
1:	10.7x ↗
2:	10.6x ↗
3:	10.4x →
4:	10.7x →
5:	10.6x →
6:	10.8x →
7:	10.0 ↑
8:	10.5x →
9:	10.3x ↗
10:	10.5x ←
Serie 105.1	
Total 105.1	



11:	10.3x ↗
12:	10.7x ↘
13:	10.0 →
14:	10.6x ←
15:	10.7x ↘
16:	10.1 ↑
17:	10.5x ↗
18:	10.4x ↘
19:	10.6x ↗
20:	9.9 →
Serie 103.8	
Total 208.9	



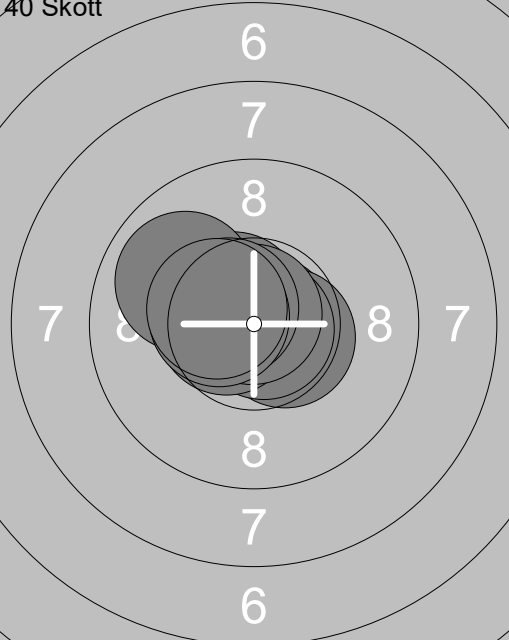
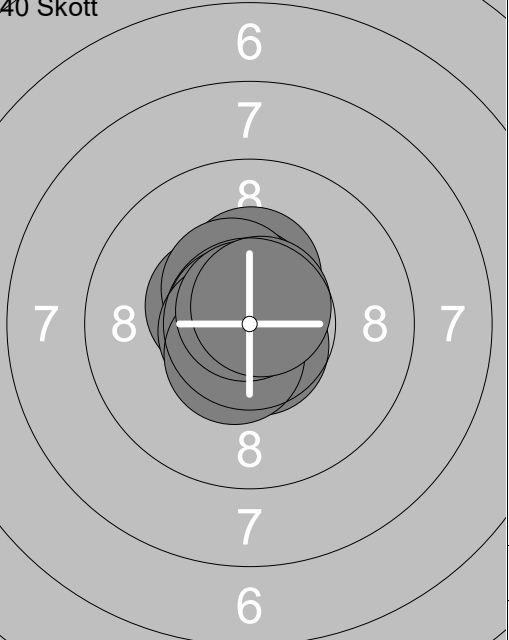
21:	10.8x ↓
22:	10.4x ↓
23:	10.3x →
24:	10.3x ↓
25:	10.2x ↓
26:	10.0 ↓
27:	10.3x ↓
28:	9.9 ↓
29:	10.5x ↓
30:	10.8x ↗
Serie 103.5	
Total 312.4	

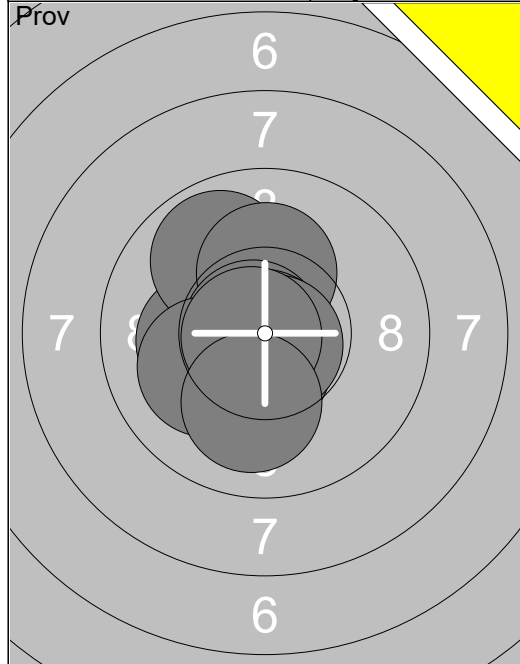


31:	10.4x ↘
32:	10.5x →
33:	10.2x ↓
34:	10.3x →
35:	10.5x ↓
36:	9.8 ↓
37:	9.3 ↓
38:	10.5x ↗
39:	10.6x →
40:	10.2x →
Serie 102.3	
Total 414.7	

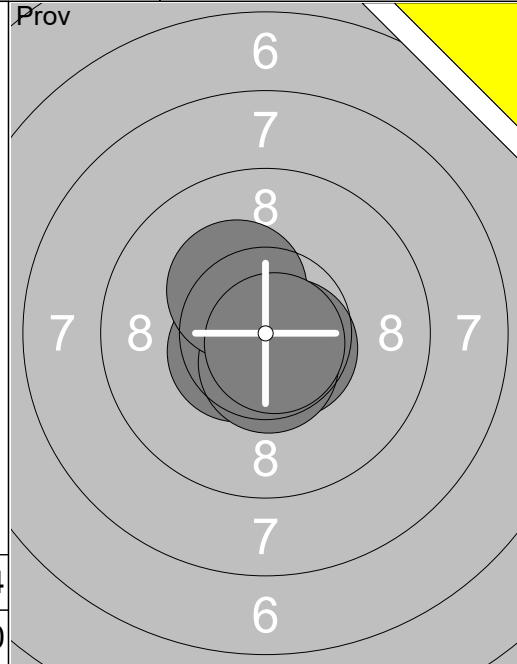
<p>Prov</p> 	<p>1: 10.1 ↑</p> <p>2: 10.4 ↘</p> <p>3: 10.2 ↗</p> <p>4: 10.8 ↘</p> <p>5: 10.1 →</p> <p>6: 10.5 ↘</p> <p>7: 10.8 ↗</p> <p>8: 10.4 ↙</p> <p>9: 10.8 ↖</p> <p>10: 10.6 ↘</p>	<p>Prov</p> 	<p>11: 10.9x ➤</p>
Serie 104.7		Serie 10.9	
Total 0.0		Total 0.0	

<p>40 Skott</p> 	<p>1: 10.6x ↓</p> <p>2: 10.5x ↓</p> <p>3: 10.8x ➤</p> <p>4: 10.7x ↗</p> <p>5: 10.5x ↓</p> <p>6: 10.7x ↘</p> <p>7: 10.6x ↘</p> <p>8: 10.9x ➤</p> <p>9: 10.0 ➤</p> <p>10: 10.3x ↘</p>	<p>40 Skott</p> 	<p>11: 10.5x ↓</p> <p>12: 10.4x ↘</p> <p>13: 10.5x ➤</p> <p>14: 10.6x ↗</p> <p>15: 10.2x ↙</p> <p>16: 10.7x ➤</p> <p>17: 10.7x ↙</p> <p>18: 10.6x ↓</p> <p>19: 10.7x ↘</p> <p>20: 10.4x ↙</p>
Serie 105.6		Serie 105.3	
Total 105.6		Total 210.9	

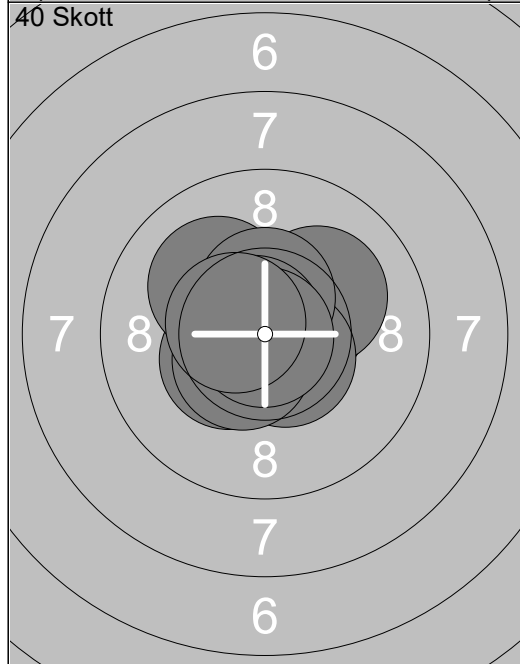
<p>40 Skott</p> 	<p>21: 10.8x ➤</p> <p>22: 10.5x ➤</p> <p>23: 10.8x ➤</p> <p>24: 10.6x ↘</p> <p>25: 10.6x ↖</p> <p>26: 10.8x ↗</p> <p>27: 9.9 ↖</p> <p>28: 10.6x ↘</p> <p>29: 10.5x ↖</p> <p>30: 10.4x ↙</p>	<p>40 Skott</p> 	<p>31: 10.5x ↖</p> <p>32: 10.7x ↓</p> <p>33: 10.3x ↗</p> <p>34: 10.6x ↗</p> <p>35: 10.4x ↘</p> <p>36: 10.8x ↖</p> <p>37: 10.7x ↙</p> <p>38: 10.5x ↓</p> <p>39: 10.8x ↗</p> <p>40: 10.7x ↗</p>
Serie 105.5		Serie 106.0	
Total 316.4		Total 422.4	



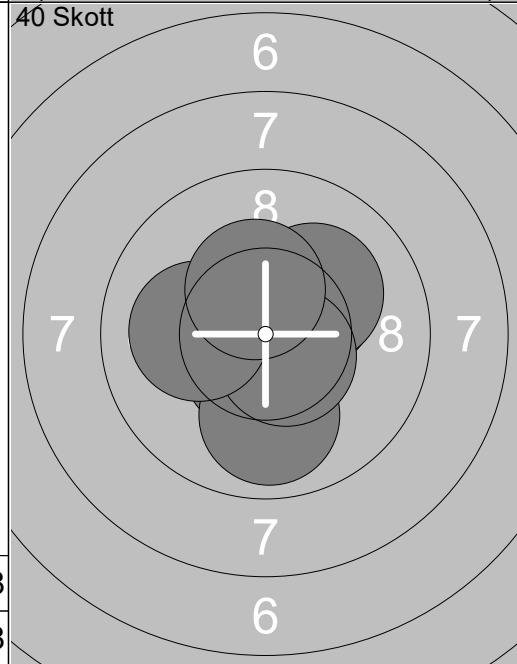
1:	10.6x
2:	10.2x
3:	9.9
4:	10.2x
5:	10.8x
6:	10.1
7:	10.9x
8:	10.8x
9:	10.8x
10:	10.1
Serie 104.4	
Total 0.0	



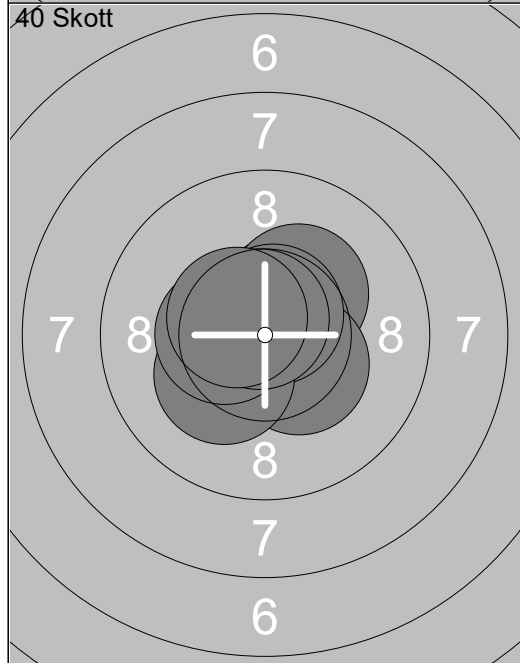
11:	10.6x
12:	10.5x
13:	10.6x
14:	10.3x
15:	10.8x
Serie 52.8	
Total 0.0	



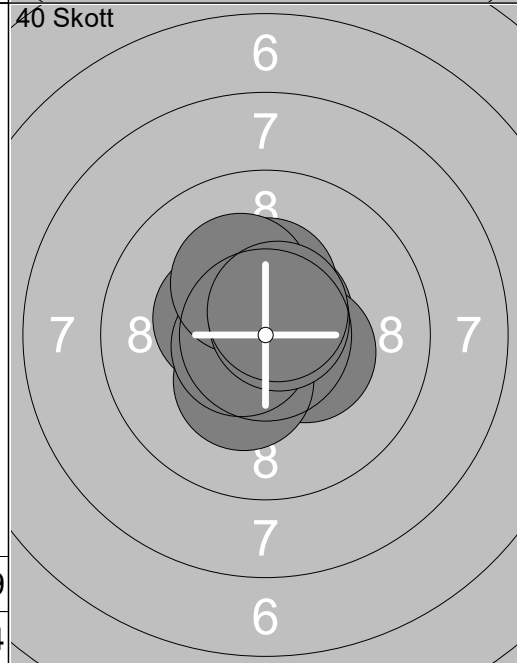
1:	10.4x
2:	10.1
3:	10.6x
4:	10.4x
5:	10.1
6:	10.5x
7:	10.5x
8:	10.8x
9:	10.9x
10:	10.5x
Serie 104.8	
Total 104.8	



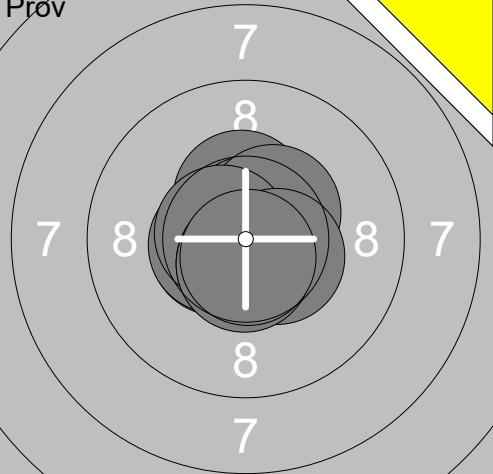
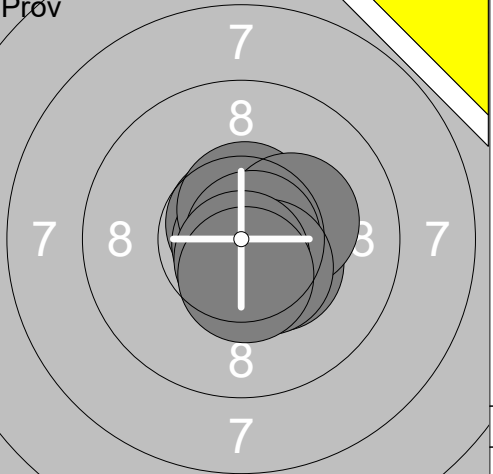
11:	10.6x
12:	10.7x
13:	10.3x
14:	10.5x
15:	10.5x
16:	9.9
17:	10.1
18:	10.6x
19:	10.1
20:	10.4x
Serie 103.7	
Total 208.5	

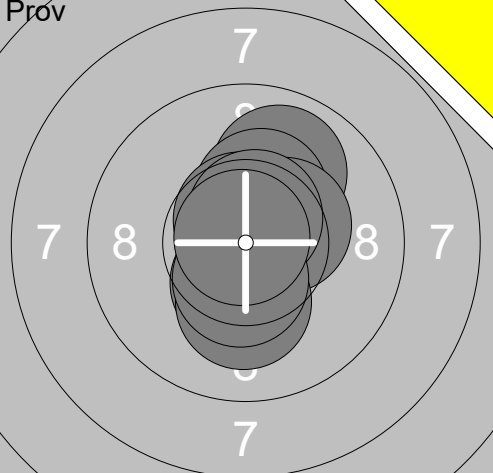
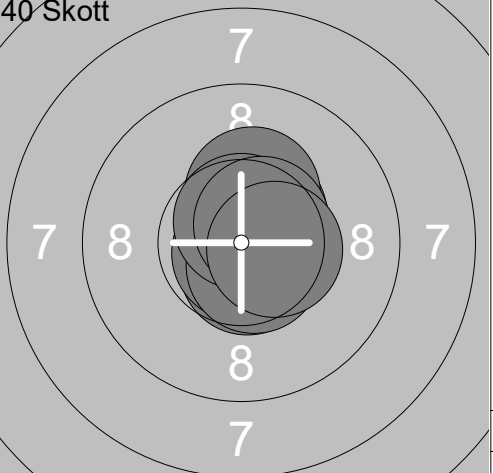


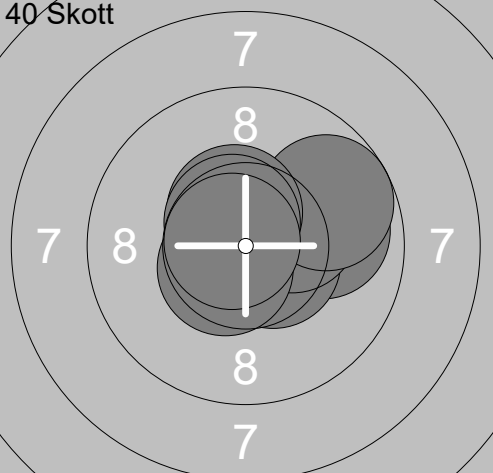
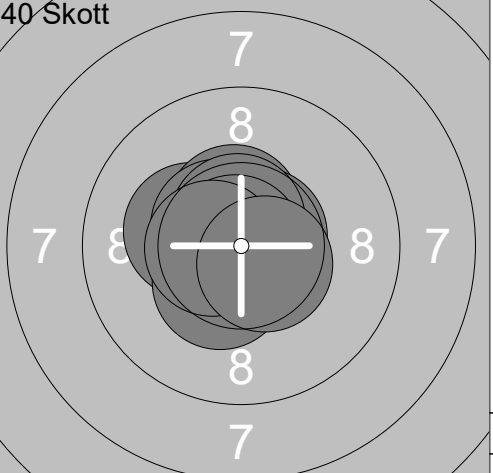
21:	10.5x
22:	10.3x
23:	10.7x
24:	10.4x
25:	10.5x
26:	10.7x
27:	10.2x
28:	10.4x
29:	10.7x
30:	10.5x
Serie 104.9	
Total 313.4	

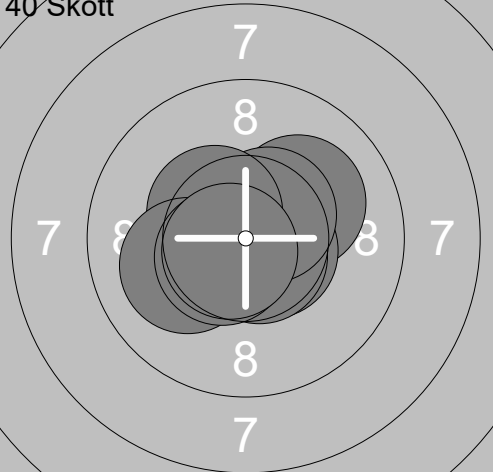


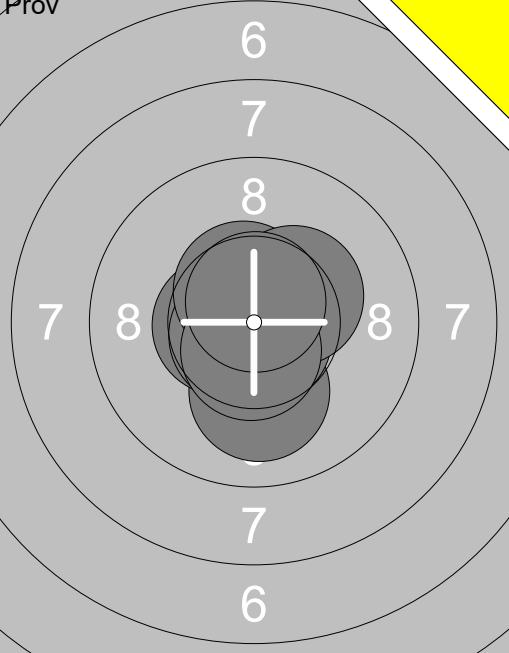
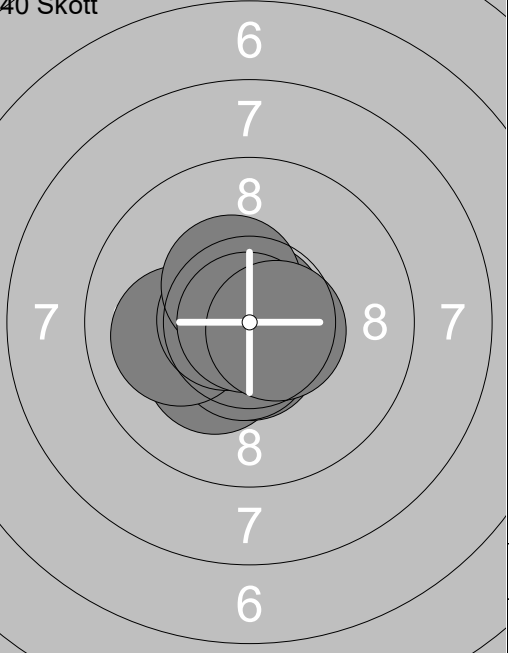
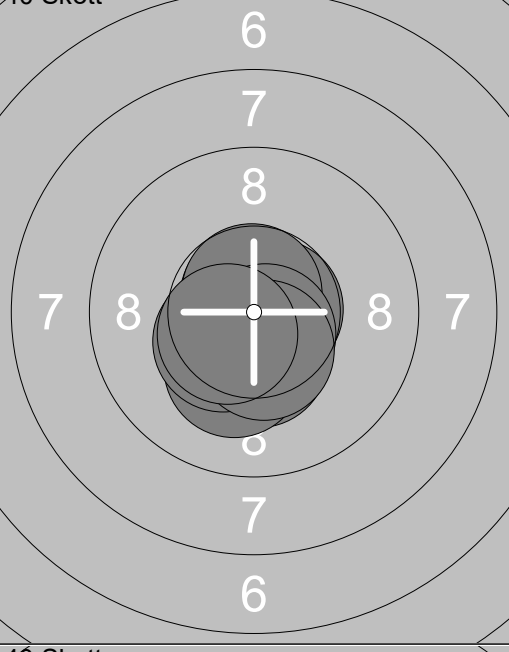
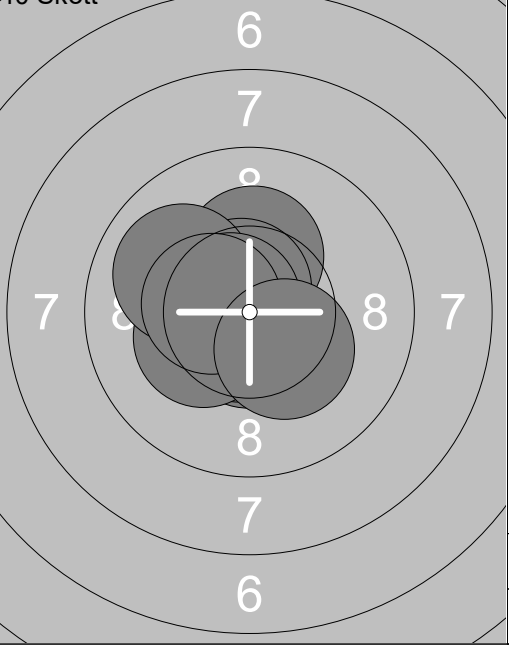
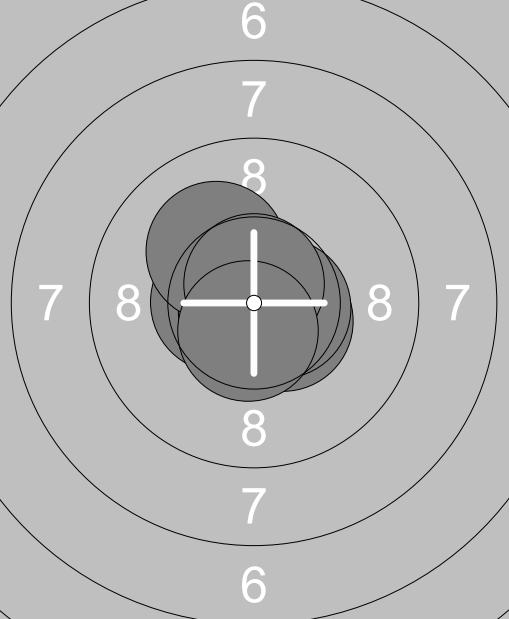
31:	10.6x
32:	10.4x
33:	10.4x
34:	10.3x
35:	10.5x
36:	10.3x
37:	10.6x
38:	10.2x
39:	10.7x
40:	10.6x
Serie 104.6	
Total 418.0	

<p>Pröv</p> 	<table border="1" style="width:100%; border-collapse: collapse;"> <tr><td>1:</td><td>10.4x</td><td>↑</td></tr> <tr><td>2:</td><td>10.7x</td><td>↑</td></tr> <tr><td>3:</td><td>10.4x</td><td>↗</td></tr> <tr><td>4:</td><td>10.6x</td><td>←</td></tr> <tr><td>5:</td><td>10.6x</td><td>←</td></tr> <tr><td>6:</td><td>10.6x</td><td>←</td></tr> <tr><td>7:</td><td>10.6x</td><td>↓</td></tr> <tr><td>8:</td><td>10.5x</td><td>↘</td></tr> <tr><td>9:</td><td>10.6x</td><td>↓</td></tr> <tr><td>10:</td><td>10.7x</td><td>↓</td></tr> <tr><td colspan="2">Serie</td><td>105.7</td></tr> <tr><td colspan="2">Total</td><td>0.0</td></tr> </table>	1:	10.4x	↑	2:	10.7x	↑	3:	10.4x	↗	4:	10.6x	←	5:	10.6x	←	6:	10.6x	←	7:	10.6x	↓	8:	10.5x	↘	9:	10.6x	↓	10:	10.7x	↓	Serie		105.7	Total		0.0	<p>Pröv</p> 	<table border="1" style="width:100%; border-collapse: collapse;"> <tr><td>11:</td><td>10.7x</td><td>↖</td></tr> <tr><td>12:</td><td>10.4x</td><td>↘</td></tr> <tr><td>13:</td><td>10.9x</td><td>↓</td></tr> <tr><td>14:</td><td>10.6x</td><td>↑</td></tr> <tr><td>15:</td><td>10.2x</td><td>↗</td></tr> <tr><td>16:</td><td>10.7x</td><td>↘</td></tr> <tr><td>17:</td><td>10.8x</td><td>→</td></tr> <tr><td>18:</td><td>10.5x</td><td>↘</td></tr> <tr><td>19:</td><td>10.7x</td><td>↓</td></tr> <tr><td>20:</td><td>10.5x</td><td>↓</td></tr> <tr><td colspan="2">Serie</td><td>106.0</td></tr> <tr><td colspan="2">Total</td><td>0.0</td></tr> </table>	11:	10.7x	↖	12:	10.4x	↘	13:	10.9x	↓	14:	10.6x	↑	15:	10.2x	↗	16:	10.7x	↘	17:	10.8x	→	18:	10.5x	↘	19:	10.7x	↓	20:	10.5x	↓	Serie		106.0	Total		0.0
1:	10.4x	↑																																																																									
2:	10.7x	↑																																																																									
3:	10.4x	↗																																																																									
4:	10.6x	←																																																																									
5:	10.6x	←																																																																									
6:	10.6x	←																																																																									
7:	10.6x	↓																																																																									
8:	10.5x	↘																																																																									
9:	10.6x	↓																																																																									
10:	10.7x	↓																																																																									
Serie		105.7																																																																									
Total		0.0																																																																									
11:	10.7x	↖																																																																									
12:	10.4x	↘																																																																									
13:	10.9x	↓																																																																									
14:	10.6x	↑																																																																									
15:	10.2x	↗																																																																									
16:	10.7x	↘																																																																									
17:	10.8x	→																																																																									
18:	10.5x	↘																																																																									
19:	10.7x	↓																																																																									
20:	10.5x	↓																																																																									
Serie		106.0																																																																									
Total		0.0																																																																									

<p>Pröv</p> 	<table border="1" style="width:100%; border-collapse: collapse;"> <tr><td>21:</td><td>10.4x</td><td>↓</td></tr> <tr><td>22:</td><td>9.9</td><td>↑</td></tr> <tr><td>23:</td><td>10.3x</td><td>↑</td></tr> <tr><td>24:</td><td>10.6x</td><td>↗</td></tr> <tr><td>25:</td><td>10.4x</td><td>↗</td></tr> <tr><td>26:</td><td>10.6x</td><td>↑</td></tr> <tr><td>27:</td><td>10.6x</td><td>↑</td></tr> <tr><td>28:</td><td>10.2x</td><td>↓</td></tr> <tr><td>29:</td><td>10.5x</td><td>↓</td></tr> <tr><td>30:</td><td>10.9x</td><td>↖</td></tr> <tr><td colspan="2">Serie</td><td>104.4</td></tr> <tr><td colspan="2">Total</td><td>0.0</td></tr> </table>	21:	10.4x	↓	22:	9.9	↑	23:	10.3x	↑	24:	10.6x	↗	25:	10.4x	↗	26:	10.6x	↑	27:	10.6x	↑	28:	10.2x	↓	29:	10.5x	↓	30:	10.9x	↖	Serie		104.4	Total		0.0	<p>40 Skott</p> 	<table border="1" style="width:100%; border-collapse: collapse;"> <tr><td>1:</td><td>10.7x</td><td>→</td></tr> <tr><td>2:</td><td>10.5x</td><td>↗</td></tr> <tr><td>3:</td><td>10.6x</td><td>→</td></tr> <tr><td>4:</td><td>10.6x</td><td>↓</td></tr> <tr><td>5:</td><td>10.8x</td><td>↓</td></tr> <tr><td>6:</td><td>10.6x</td><td>↓</td></tr> <tr><td>7:</td><td>10.3x</td><td>↑</td></tr> <tr><td>8:</td><td>10.7x</td><td>↑</td></tr> <tr><td>9:</td><td>10.6x</td><td>↗</td></tr> <tr><td>10:</td><td>10.5x</td><td>→</td></tr> <tr><td colspan="2">Serie</td><td>105.9</td></tr> <tr><td colspan="2">Total</td><td>105.9</td></tr> </table>	1:	10.7x	→	2:	10.5x	↗	3:	10.6x	→	4:	10.6x	↓	5:	10.8x	↓	6:	10.6x	↓	7:	10.3x	↑	8:	10.7x	↑	9:	10.6x	↗	10:	10.5x	→	Serie		105.9	Total		105.9
21:	10.4x	↓																																																																									
22:	9.9	↑																																																																									
23:	10.3x	↑																																																																									
24:	10.6x	↗																																																																									
25:	10.4x	↗																																																																									
26:	10.6x	↑																																																																									
27:	10.6x	↑																																																																									
28:	10.2x	↓																																																																									
29:	10.5x	↓																																																																									
30:	10.9x	↖																																																																									
Serie		104.4																																																																									
Total		0.0																																																																									
1:	10.7x	→																																																																									
2:	10.5x	↗																																																																									
3:	10.6x	→																																																																									
4:	10.6x	↓																																																																									
5:	10.8x	↓																																																																									
6:	10.6x	↓																																																																									
7:	10.3x	↑																																																																									
8:	10.7x	↑																																																																									
9:	10.6x	↗																																																																									
10:	10.5x	→																																																																									
Serie		105.9																																																																									
Total		105.9																																																																									

<p>40 Skott</p> 	<table border="1" style="width:100%; border-collapse: collapse;"> <tr><td>11:</td><td>10.1</td><td>→</td></tr> <tr><td>12:</td><td>9.9</td><td>→</td></tr> <tr><td>13:</td><td>10.6x</td><td>↗</td></tr> <tr><td>14:</td><td>10.5x</td><td>↘</td></tr> <tr><td>15:</td><td>10.3x</td><td>↗</td></tr> <tr><td>16:</td><td>9.7</td><td>↗</td></tr> <tr><td>17:</td><td>10.6x</td><td>↘</td></tr> <tr><td>18:</td><td>10.5x</td><td>↑</td></tr> <tr><td>19:</td><td>10.6x</td><td>↗</td></tr> <tr><td>20:</td><td>10.8x</td><td>←</td></tr> <tr><td colspan="2">Serie</td><td>103.6</td></tr> <tr><td colspan="2">Total</td><td>209.5</td></tr> </table>	11:	10.1	→	12:	9.9	→	13:	10.6x	↗	14:	10.5x	↘	15:	10.3x	↗	16:	9.7	↗	17:	10.6x	↘	18:	10.5x	↑	19:	10.6x	↗	20:	10.8x	←	Serie		103.6	Total		209.5	<p>40 Skott</p> 	<table border="1" style="width:100%; border-collapse: collapse;"> <tr><td>21:</td><td>10.9x</td><td>→</td></tr> <tr><td>22:</td><td>10.3x</td><td>←</td></tr> <tr><td>23:</td><td>10.5x</td><td>↑</td></tr> <tr><td>24:</td><td>10.7x</td><td>↗</td></tr> <tr><td>25:</td><td>10.4x</td><td>↘</td></tr> <tr><td>26:</td><td>10.6x</td><td>↖</td></tr> <tr><td>27:</td><td>10.6x</td><td>↑</td></tr> <tr><td>28:</td><td>10.9x</td><td>↖</td></tr> <tr><td>29:</td><td>10.6x</td><td>←</td></tr> <tr><td>30:</td><td>10.6x</td><td>↘</td></tr> <tr><td colspan="2">Serie</td><td>106.1</td></tr> <tr><td colspan="2">Total</td><td>315.6</td></tr> </table>	21:	10.9x	→	22:	10.3x	←	23:	10.5x	↑	24:	10.7x	↗	25:	10.4x	↘	26:	10.6x	↖	27:	10.6x	↑	28:	10.9x	↖	29:	10.6x	←	30:	10.6x	↘	Serie		106.1	Total		315.6
11:	10.1	→																																																																									
12:	9.9	→																																																																									
13:	10.6x	↗																																																																									
14:	10.5x	↘																																																																									
15:	10.3x	↗																																																																									
16:	9.7	↗																																																																									
17:	10.6x	↘																																																																									
18:	10.5x	↑																																																																									
19:	10.6x	↗																																																																									
20:	10.8x	←																																																																									
Serie		103.6																																																																									
Total		209.5																																																																									
21:	10.9x	→																																																																									
22:	10.3x	←																																																																									
23:	10.5x	↑																																																																									
24:	10.7x	↗																																																																									
25:	10.4x	↘																																																																									
26:	10.6x	↖																																																																									
27:	10.6x	↑																																																																									
28:	10.9x	↖																																																																									
29:	10.6x	←																																																																									
30:	10.6x	↘																																																																									
Serie		106.1																																																																									
Total		315.6																																																																									

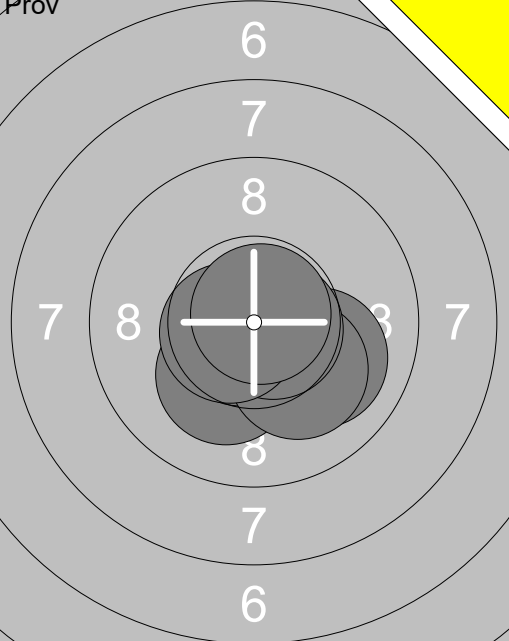
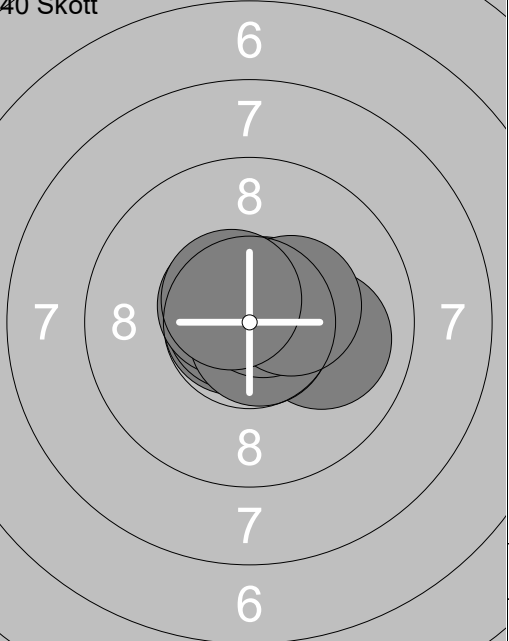
<p>40 Skott</p> 	<table border="1" style="width:100%; border-collapse: collapse;"> <tr><td>31:</td><td>10.5x</td><td>←</td></tr> <tr><td>32:</td><td>10.1</td><td>↗</td></tr> <tr><td>33:</td><td>10.6x</td><td>↘</td></tr> <tr><td>34:</td><td>10.7x</td><td>↘</td></tr> <tr><td>35:</td><td>10.5x</td><td>↗</td></tr> <tr><td>36:</td><td>10.6x</td><td>←</td></tr> <tr><td>37:</td><td>10.4x</td><td>↖</td></tr> <tr><td>38:</td><td>10.1</td><td>←</td></tr> <tr><td>39:</td><td>10.6x</td><td>↘</td></tr> <tr><td>40:</td><td>10.7x</td><td>↖</td></tr> <tr><td colspan="2">Serie</td><td>104.8</td></tr> <tr><td colspan="2">Total</td><td>420.4</td></tr> </table>	31:	10.5x	←	32:	10.1	↗	33:	10.6x	↘	34:	10.7x	↘	35:	10.5x	↗	36:	10.6x	←	37:	10.4x	↖	38:	10.1	←	39:	10.6x	↘	40:	10.7x	↖	Serie		104.8	Total		420.4		
31:	10.5x	←																																					
32:	10.1	↗																																					
33:	10.6x	↘																																					
34:	10.7x	↘																																					
35:	10.5x	↗																																					
36:	10.6x	←																																					
37:	10.4x	↖																																					
38:	10.1	←																																					
39:	10.6x	↘																																					
40:	10.7x	↖																																					
Serie		104.8																																					
Total		420.4																																					

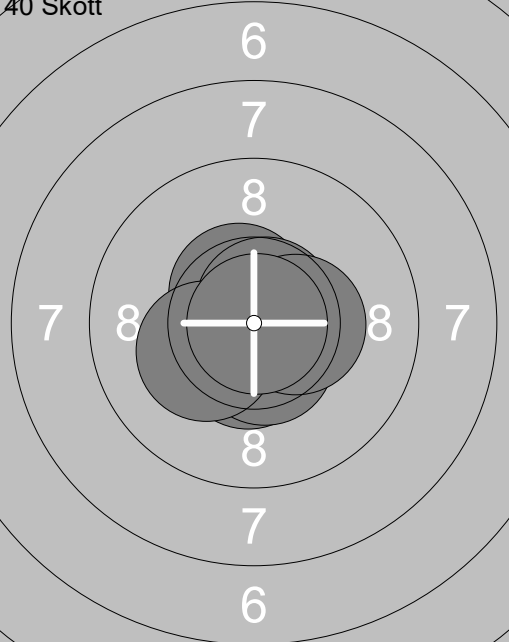
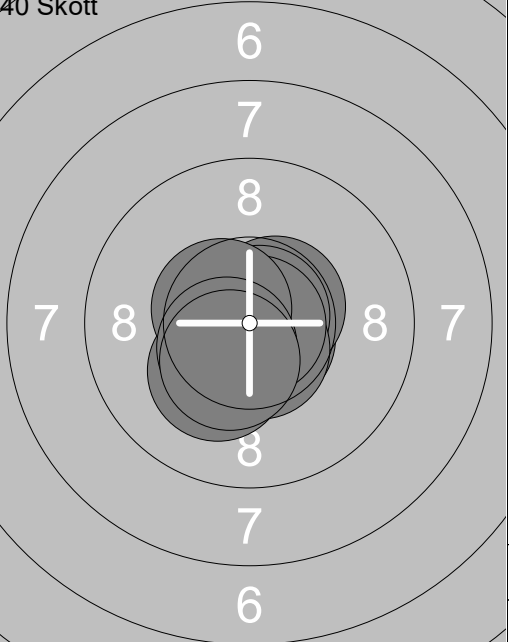
Prov 	40 Skott 	1: 10.1 ↓ 2: 10.8x ➔ 3: 10.5x ← 4: 10.7x ↓ 5: 10.7x ↘ 6: 10.5x ↗ 7: 10.8x ↗ 8: 10.3x ➔ 9: 10.6x ↓ 10: 10.7x ↗ <hr/> Serie 105.7 Total 0.0	1: 10.6x ↘ 2: 10.3x ↘ 3: 10.6x ↓ 4: 10.6x ↓ 5: 10.8x ↗ 6: 10.1 ← 7: 10.7x ← 8: 10.4x ↗ 9: 10.9x ← 10: 10.6x ➔ <hr/> Serie 105.6 Total 105.6
40 Skott 	40 Skott 	11: 10.7x ➔ 12: 10.8x ↗ 13: 10.4x ↓ 14: 10.7x ↘ 15: 10.7x ↗ 16: 10.2x ↓ 17: 10.4x ↘ 18: 10.6x ↓ 19: 10.5x ↓ 20: 10.5x ↘ <hr/> Serie 105.5 Total 211.1	21: 10.6x ↓ 22: 10.7x ↘ 23: 10.8x ↘ 24: 10.3x ← 25: 10.2x ↗ 26: 10.6x ↗ 27: 10.0 ← 28: 10.7x ← 29: 10.5x ← 30: 10.3x ↘ <hr/> Serie 104.7 Total 315.8
40 Skott 	31: 10.9x ➔ 32: 10.5x ↘ 33: 10.5x ← 34: 10.8x ↘ 35: 10.8x ➔ 36: 10.5x ➔ 37: 10.1 ↗ 38: 10.6x ➔ 39: 10.7x ↗ 40: 10.6x ↓ <hr/> Serie 106.0 Total 421.8		

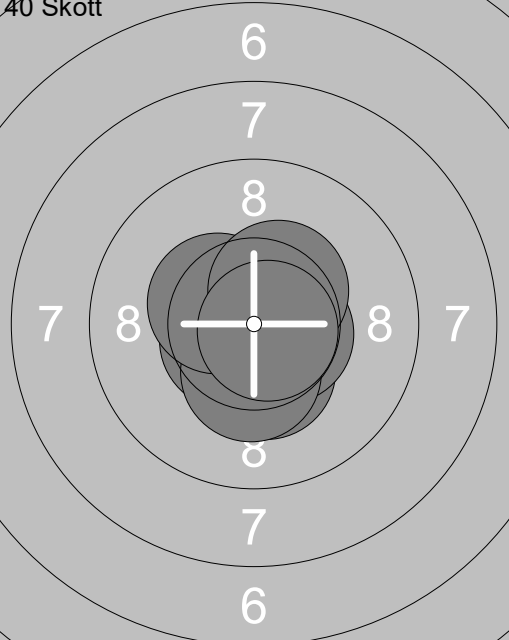
<p>Prov</p>	<p>40 Skott</p>	<p>40 Skott</p>
<p>1: 10.5x➤</p> <p>2: 10.0 ↗</p> <p>3: 10.4x↗</p> <p>4: 10.2x↗</p> <p>5: 10.2x➤</p> <p>6: 10.3x↓</p> <p>7: 10.8x➤</p> <p>8: 10.6x↘</p> <p>9: 10.6x↗</p> <p>10: 10.7x↘</p>	<p>11: 10.4x↗</p> <p>12: 10.8x↘</p> <p>13: 10.5x↘</p> <p>14: 10.4x↗</p> <p>15: 10.5x↗</p> <p>16: 10.3x↘</p> <p>17: 10.8x↘</p> <p>18: 10.1 ↗</p> <p>19: 10.4x↘</p> <p>20: 10.3x↘</p>	<p>21: 10.5x↘</p> <p>22: 10.2x↘</p> <p>23: 10.3x↗</p> <p>24: 10.6x↘</p> <p>25: 10.8x↓</p> <p>26: 10.5x↓</p> <p>27: 10.5x↘</p> <p>28: 9.4 ←</p> <p>29: 10.6x↓</p> <p>30: 10.0 ↓</p>
<p>Serie 104.3</p> <p>Total 0.0</p>	<p>Serie 104.5</p> <p>Total 210.3</p>	<p>Serie 105.8</p> <p>Total 105.8</p>

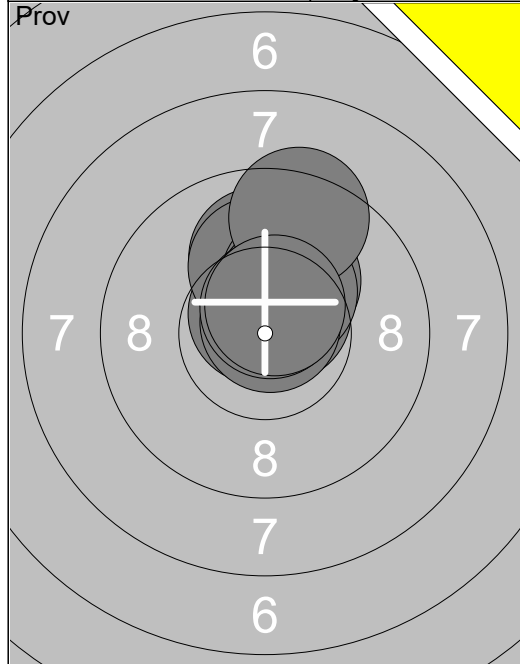
<p>40 Skott</p>	<p>40 Skott</p>
<p>31: 10.4x↘</p> <p>32: 10.6x↘</p> <p>33: 10.1 ↘</p> <p>34: 10.0←</p> <p>35: 10.4x↓</p> <p>36: 9.8 ←</p> <p>37: 10.5x↘</p> <p>38: 10.6x↓</p> <p>39: 10.7x↓</p> <p>40: 10.5x↓</p>	<p>41: 10.3x↘</p> <p>42: 10.4x↘</p> <p>43: 10.5x↘</p> <p>44: 10.6x↘</p> <p>45: 10.7x↘</p> <p>46: 10.8x↘</p> <p>47: 10.9x↘</p> <p>48: 10.0↘</p> <p>49: 10.1↘</p> <p>50: 10.2x↘</p>
<p>Serie 103.6</p> <p>Total 417.3</p>	<p>Serie 103.4</p> <p>Total 313.7</p>

<p>40 Skott</p>	<p>40 Skott</p>
<p>51: 10.3x↘</p> <p>52: 10.4x↘</p> <p>53: 10.5x↘</p> <p>54: 10.6x↘</p> <p>55: 10.7x↘</p> <p>56: 10.8x↘</p> <p>57: 10.9x↘</p> <p>58: 10.0↘</p> <p>59: 10.1↘</p> <p>60: 10.2x↘</p>	<p>61: 10.3x↘</p> <p>62: 10.4x↘</p> <p>63: 10.5x↘</p> <p>64: 10.6x↘</p> <p>65: 10.7x↘</p> <p>66: 10.8x↘</p> <p>67: 10.9x↘</p> <p>68: 10.0↘</p> <p>69: 10.1↘</p> <p>70: 10.2x↘</p>
<p>Serie 103.6</p> <p>Total 417.3</p>	<p>Serie 103.4</p> <p>Total 313.7</p>

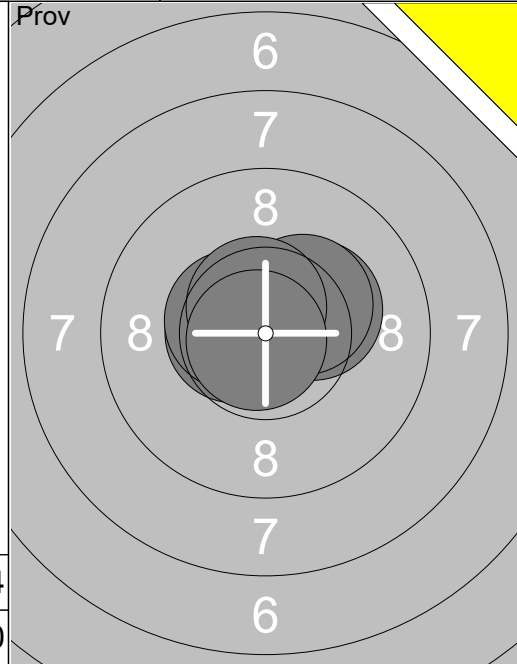
Prov 	1: 10.2x ↘ 2: 10.7x ↘ 3: 10.0 → 4: 10.1 ↘ 5: 10.9x ↗ 6: 10.7x → 7: 10.6x ↘ 8: 10.8x ↗ <hr/> Serie 84.0 Total 0.0	40 Skott 	1: 10.8x ↘ 2: 10.7x ↘ 3: 10.9x ↗ 4: 10.8x ↘ 5: 10.6x ↘ 6: 10.0 → 7: 10.7x ↘ 8: 10.7x ↗ 9: 10.4x → 10: 10.6x ↘ <hr/> Serie 106.2 Total 106.2
--	---	--	--

40 Skott 	11: 10.6x → 12: 10.8x ↘ 13: 10.5x ↘ 14: 10.7x ↗ 15: 10.5x ↘ 16: 10.8x ↘ 17: 10.5x ↘ 18: 10.2x ↘ 19: 10.4x → 20: 10.9x → <hr/> Serie 105.9 Total 212.1	40 Skott 	21: 10.7x ↘ 22: 10.6x ↗ 23: 10.8x ↗ 24: 10.5x ↘ 25: 10.2x ↘ 26: 10.6x ↘ 27: 10.9x → 28: 10.6x ↘ 29: 10.5x ↘ 30: 10.4x ↘ <hr/> Serie 105.8 Total 317.9
---	--	---	--

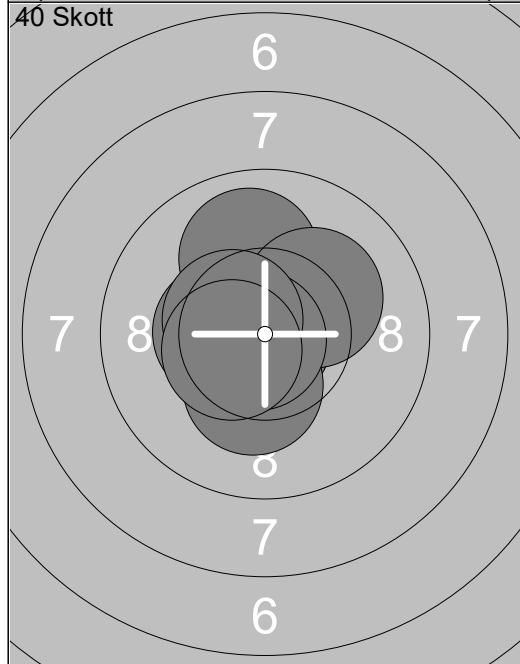
40 Skott 	31: 10.4x ↘ 32: 10.7x ↘ 33: 10.9x ↘ 34: 10.6x ↘ 35: 10.9x ↘ 36: 10.6x → 37: 10.3x ↘ 38: 10.4x ↘ 39: 10.4x ↗ 40: 10.8x → <hr/> Serie 106.0 Total 423.9		
--	--	--	--



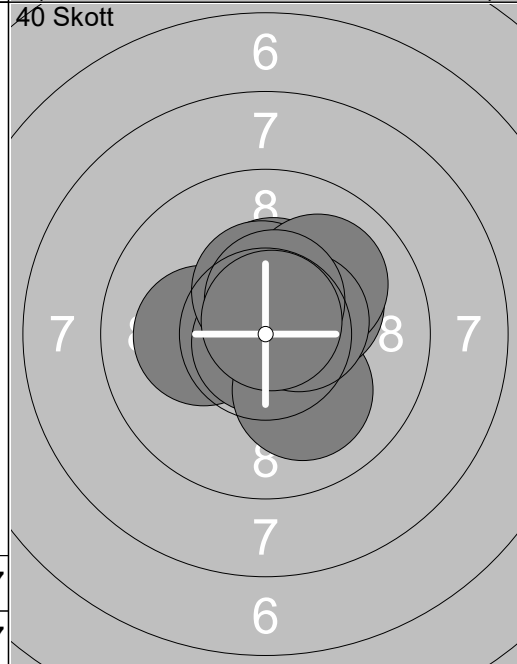
1:	10.6x↗
2:	10.0 ↑
3:	10.7x↘
4:	10.1 ↑
5:	10.2x↗
6:	10.4x↗
7:	9.4 ↑
8:	10.8x↗
9:	10.6x↗
10:	10.6x↗
Serie 103.4	
Total 0.0	



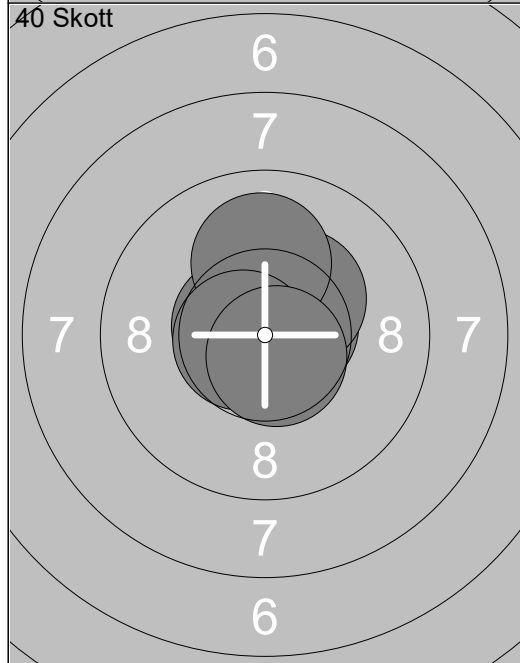
11:	10.3x↗
12:	10.6x↔
13:	10.3x↗
14:	10.5x↔
15:	10.6x↗
16:	10.8x↘
Serie 63.1	
Total 0.0	



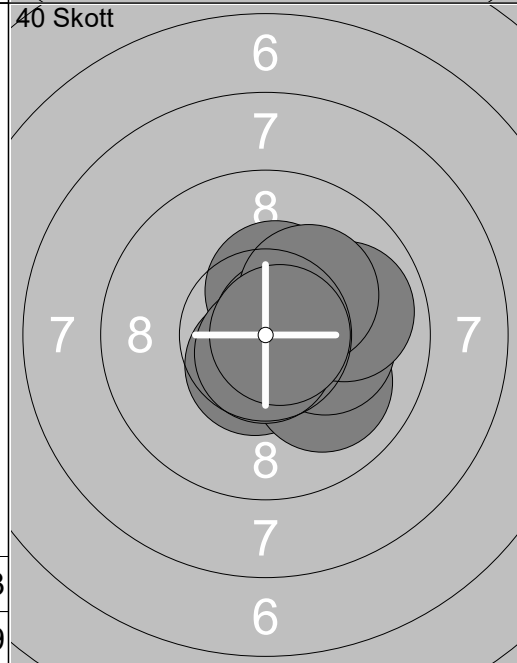
1:	10.5x↘
2:	10.9x↘
3:	10.6x↘
4:	10.3x↘
5:	10.4x↔
6:	10.0 ↑
7:	10.2x↗
8:	10.8x↘
9:	10.5x↔
10:	10.5x↘
Serie 104.7	
Total 104.7	



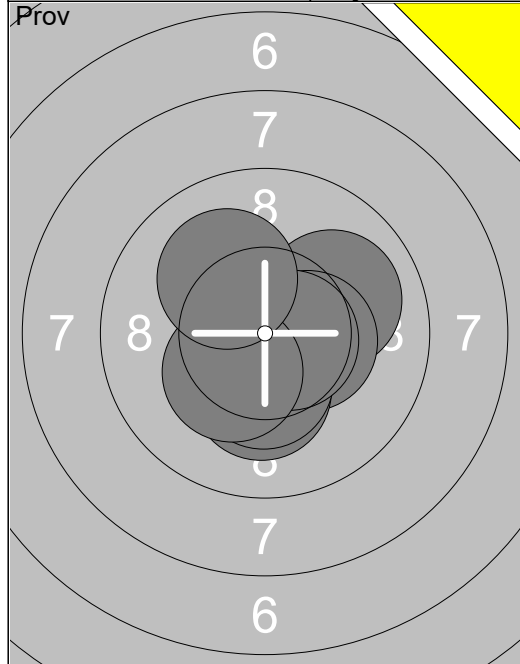
11:	10.2x↔
12:	10.4x↗
13:	10.8x↘
14:	10.1 ↘
15:	10.2x↗
16:	10.4x↗
17:	10.0 ↗
18:	10.5x↗
19:	10.5x↗
20:	10.8x↗
Serie 103.9	
Total 208.6	



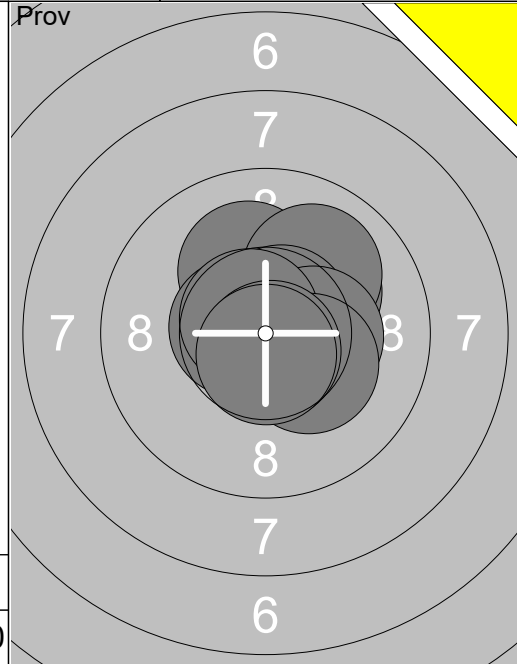
21:	10.7x↘
22:	10.6x↗
23:	10.5x↗
24:	10.6x↗
25:	10.3x↗
26:	10.7x↘
27:	10.6x↔
28:	10.0 ↑
29:	10.7x↔
30:	10.6x↘
Serie 105.3	
Total 313.9	



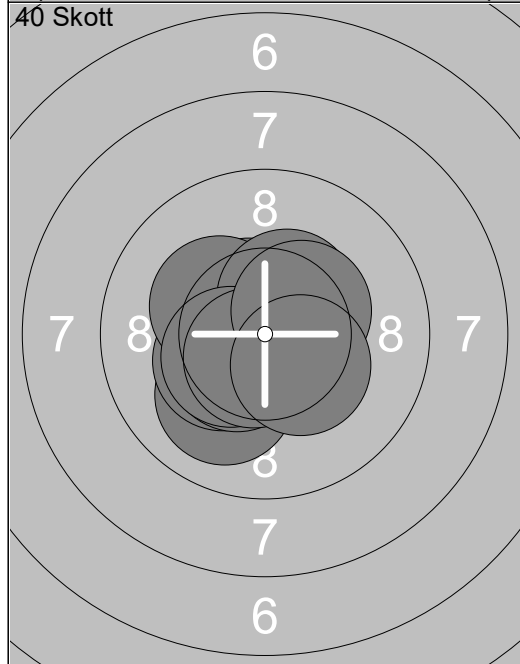
31:	10.5x↘
32:	10.0 ↘
33:	10.7x↗
34:	10.4x↗
35:	10.7x↗
36:	10.2x↗
37:	9.9 →
38:	10.2x↗
39:	10.7x↘
40:	10.8x↗
Serie 104.1	
Total 418.0	



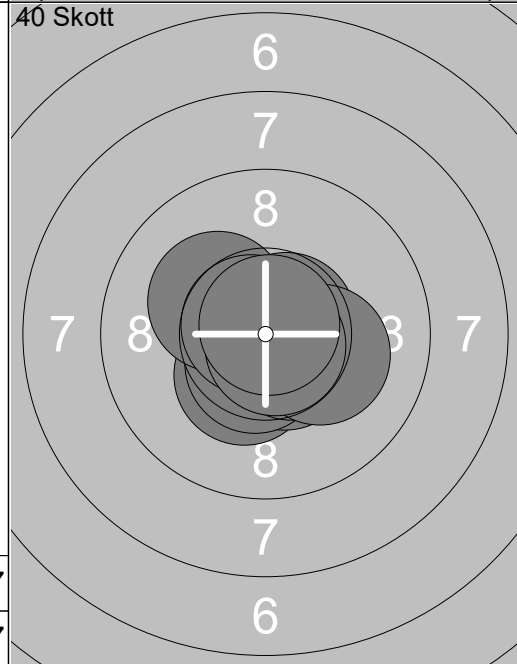
1:	10.0 →
2:	10.7 ↘
3:	10.4x →
4:	10.5 ↘
5:	10.2x ↓
6:	10.9x ↓
7:	10.4x ↓
8:	10.6x →
9:	10.3 ↘
10:	10.1 ↖
Serie 104.1	
Total 0.0	



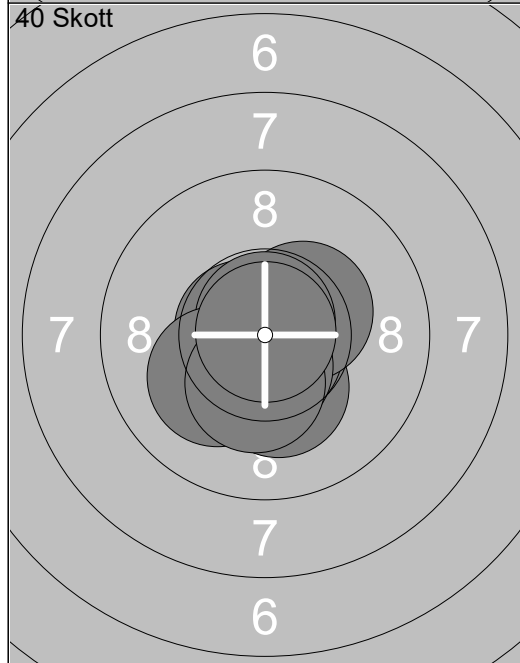
11:	10.1 ↖
12:	10.2x ↗
13:	10.0 ↗
14:	10.6x ↗
15:	10.6x ↗
16:	10.3x →
17:	10.7x ↗
18:	10.3x →
19:	10.7x ↓
20:	10.7x ↓
Serie 104.2	
Total 0.0	



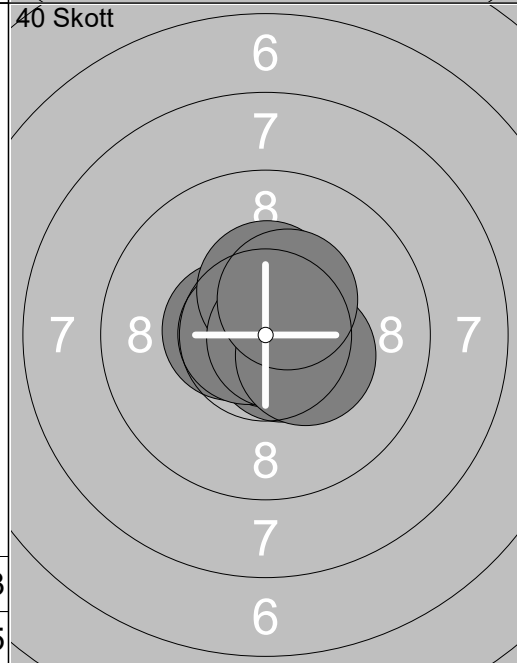
1:	10.0 ↓
2:	10.3x ↘
3:	10.6x ↗
4:	10.4x ↘
5:	10.3x ↗
6:	10.4x ↗
7:	10.4x ↘
8:	10.6x ↓
9:	10.4x ↗
10:	10.3x →
Serie 103.7	
Total 103.7	



11:	10.7x ↗
12:	10.4x ↓
13:	10.5x ↓
14:	10.6x ↓
15:	10.6x →
16:	10.2x ↗
17:	10.7x ↗
18:	10.2x →
19:	10.8x →
20:	10.8x ↗
Serie 105.5	
Total 209.2	



21:	10.3x ↓
22:	10.6x ↓
23:	10.7x ↗
24:	10.7x ↓
25:	10.4x ↗
26:	10.5x ↓
27:	10.8x ↗
28:	10.1 ↖
29:	10.3x ↓
30:	10.9x ↗
Serie 105.3	
Total 314.5	



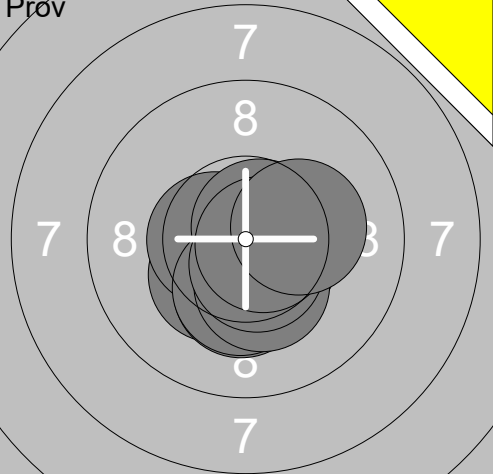
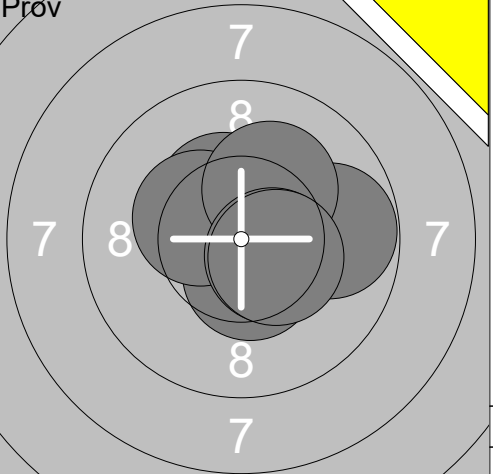
31:	10.7x →
32:	10.9x →
33:	10.5x ↗
34:	10.5x ↗
35:	10.7x ↗
36:	10.4x ↗
37:	10.6x ↗
38:	10.8x →
39:	10.4x →
40:	10.4x ↗
Serie 105.9	
Total 420.4	


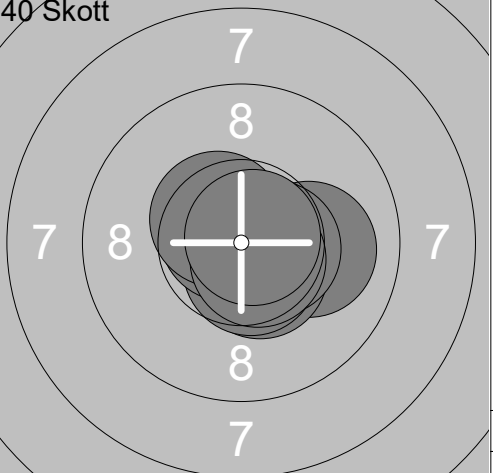
<p>Pröv</p>	<table border="1" style="width:100%; border-collapse: collapse;"> <tr><td>1:</td><td>9.2</td><td>↓</td></tr> <tr><td>2:</td><td>10.4x</td><td>↙</td></tr> <tr><td>3:</td><td>10.2x</td><td>↘</td></tr> <tr><td>4:</td><td>9.6</td><td>↘</td></tr> <tr><td>5:</td><td>10.3x</td><td>↗</td></tr> <tr><td>6:</td><td>10.3x</td><td>↗</td></tr> <tr><td>7:</td><td>10.8x</td><td>↘</td></tr> <tr><td>8:</td><td>10.1</td><td>↓</td></tr> <tr><td>9:</td><td>10.3x</td><td>↙</td></tr> <tr><td>10:</td><td>10.7x</td><td>↓</td></tr> <tr><td colspan="2">Serie</td><td>101.9</td></tr> <tr><td colspan="2">Total</td><td>0.0</td></tr> </table>	1:	9.2	↓	2:	10.4x	↙	3:	10.2x	↘	4:	9.6	↘	5:	10.3x	↗	6:	10.3x	↗	7:	10.8x	↘	8:	10.1	↓	9:	10.3x	↙	10:	10.7x	↓	Serie		101.9	Total		0.0	<p>Pröv</p>	<table border="1" style="width:100%; border-collapse: collapse;"> <tr><td>11:</td><td>10.7x</td><td>↑</td></tr> <tr><td>12:</td><td>10.6x</td><td>↓</td></tr> <tr><td>13:</td><td>10.8x</td><td>↘</td></tr> <tr><td>14:</td><td>10.5x</td><td>↑</td></tr> <tr><td>15:</td><td>10.6x</td><td>↓</td></tr> <tr><td>16:</td><td>10.7x</td><td>↓</td></tr> <tr><td>17:</td><td>10.0</td><td>↓</td></tr> <tr><td>18:</td><td>10.0</td><td>↗</td></tr> <tr><td>19:</td><td>10.2x</td><td>↗</td></tr> <tr><td>20:</td><td>10.7x</td><td>↓</td></tr> <tr><td colspan="2">Serie</td><td>104.8</td></tr> <tr><td colspan="2">Total</td><td>0.0</td></tr> </table>	11:	10.7x	↑	12:	10.6x	↓	13:	10.8x	↘	14:	10.5x	↑	15:	10.6x	↓	16:	10.7x	↓	17:	10.0	↓	18:	10.0	↗	19:	10.2x	↗	20:	10.7x	↓	Serie		104.8	Total		0.0
1:	9.2	↓																																																																									
2:	10.4x	↙																																																																									
3:	10.2x	↘																																																																									
4:	9.6	↘																																																																									
5:	10.3x	↗																																																																									
6:	10.3x	↗																																																																									
7:	10.8x	↘																																																																									
8:	10.1	↓																																																																									
9:	10.3x	↙																																																																									
10:	10.7x	↓																																																																									
Serie		101.9																																																																									
Total		0.0																																																																									
11:	10.7x	↑																																																																									
12:	10.6x	↓																																																																									
13:	10.8x	↘																																																																									
14:	10.5x	↑																																																																									
15:	10.6x	↓																																																																									
16:	10.7x	↓																																																																									
17:	10.0	↓																																																																									
18:	10.0	↗																																																																									
19:	10.2x	↗																																																																									
20:	10.7x	↓																																																																									
Serie		104.8																																																																									
Total		0.0																																																																									

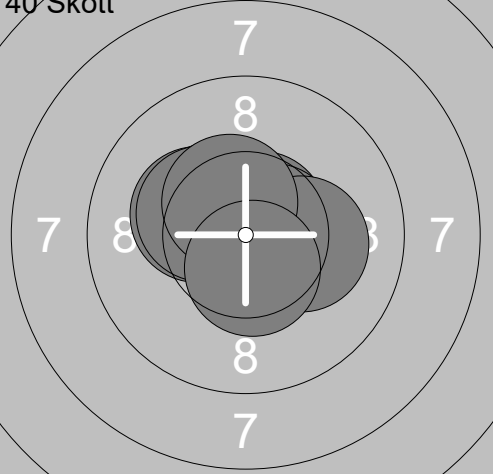
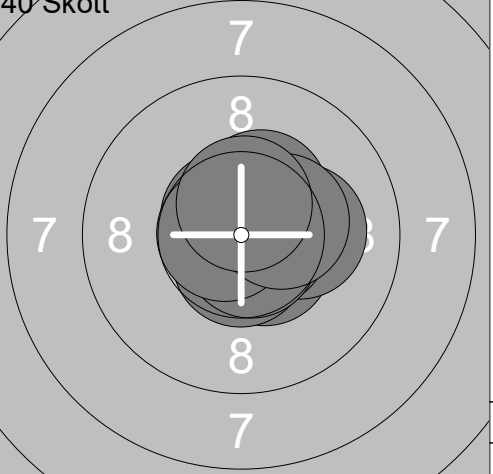
<p>Pröv</p>	<table border="1" style="width:100%; border-collapse: collapse;"> <tr><td>21:</td><td>10.3x</td><td>↓</td></tr> <tr><td>22:</td><td>10.6x</td><td>↗</td></tr> <tr><td>23:</td><td>10.6x</td><td>↗</td></tr> <tr><td>24:</td><td>10.7x</td><td>←</td></tr> <tr><td colspan="2">Serie</td><td>42.2</td></tr> <tr><td colspan="2">Total</td><td>0.0</td></tr> </table>	21:	10.3x	↓	22:	10.6x	↗	23:	10.6x	↗	24:	10.7x	←	Serie		42.2	Total		0.0	<p>40 Skott</p>	<table border="1" style="width:100%; border-collapse: collapse;"> <tr><td>1:</td><td>10.5x</td><td>←</td></tr> <tr><td>2:</td><td>10.3x</td><td>↗</td></tr> <tr><td>3:</td><td>10.7x</td><td>↖</td></tr> <tr><td>4:</td><td>10.3x</td><td>←</td></tr> <tr><td>5:</td><td>10.6x</td><td>↘</td></tr> <tr><td>6:</td><td>10.6x</td><td>↗</td></tr> <tr><td>7:</td><td>10.5x</td><td>↓</td></tr> <tr><td>8:</td><td>10.8x</td><td>↓</td></tr> <tr><td>9:</td><td>10.8x</td><td>↓</td></tr> <tr><td>10:</td><td>10.5x</td><td>↓</td></tr> <tr><td colspan="2">Serie</td><td>105.6</td></tr> <tr><td colspan="2">Total</td><td>105.6</td></tr> </table>	1:	10.5x	←	2:	10.3x	↗	3:	10.7x	↖	4:	10.3x	←	5:	10.6x	↘	6:	10.6x	↗	7:	10.5x	↓	8:	10.8x	↓	9:	10.8x	↓	10:	10.5x	↓	Serie		105.6	Total		105.6
21:	10.3x	↓																																																							
22:	10.6x	↗																																																							
23:	10.6x	↗																																																							
24:	10.7x	←																																																							
Serie		42.2																																																							
Total		0.0																																																							
1:	10.5x	←																																																							
2:	10.3x	↗																																																							
3:	10.7x	↖																																																							
4:	10.3x	←																																																							
5:	10.6x	↘																																																							
6:	10.6x	↗																																																							
7:	10.5x	↓																																																							
8:	10.8x	↓																																																							
9:	10.8x	↓																																																							
10:	10.5x	↓																																																							
Serie		105.6																																																							
Total		105.6																																																							

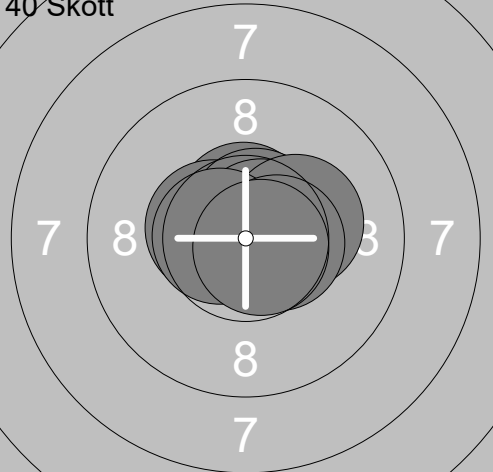
<p>40 Skott</p>	<table border="1" style="width:100%; border-collapse: collapse;"> <tr><td>11:</td><td>10.8x</td><td>↙</td></tr> <tr><td>12:</td><td>10.7x</td><td>↗</td></tr> <tr><td>13:</td><td>10.2x</td><td>↗</td></tr> <tr><td>14:</td><td>10.3x</td><td>↖</td></tr> <tr><td>15:</td><td>10.5x</td><td>↖</td></tr> <tr><td>16:</td><td>10.6x</td><td>←</td></tr> <tr><td>17:</td><td>10.3x</td><td>↘</td></tr> <tr><td>18:</td><td>10.4x</td><td>↗</td></tr> <tr><td>19:</td><td>10.8x</td><td>↗</td></tr> <tr><td>20:</td><td>10.6x</td><td>↗</td></tr> <tr><td colspan="2">Serie</td><td>105.2</td></tr> <tr><td colspan="2">Total</td><td>210.8</td></tr> </table>	11:	10.8x	↙	12:	10.7x	↗	13:	10.2x	↗	14:	10.3x	↖	15:	10.5x	↖	16:	10.6x	←	17:	10.3x	↘	18:	10.4x	↗	19:	10.8x	↗	20:	10.6x	↗	Serie		105.2	Total		210.8	<p>40 Skott</p>	<table border="1" style="width:100%; border-collapse: collapse;"> <tr><td>21:</td><td>10.8x</td><td>↘</td></tr> <tr><td>22:</td><td>10.4x</td><td>↑</td></tr> <tr><td>23:</td><td>10.3x</td><td>↗</td></tr> <tr><td>24:</td><td>10.6x</td><td>↑</td></tr> <tr><td>25:</td><td>10.6x</td><td>↗</td></tr> <tr><td>26:</td><td>10.8x</td><td>←</td></tr> <tr><td>27:</td><td>10.0</td><td>→</td></tr> <tr><td>28:</td><td>10.3x</td><td>↓</td></tr> <tr><td>29:</td><td>10.8x</td><td>↗</td></tr> <tr><td>30:</td><td>10.5x</td><td>↘</td></tr> <tr><td colspan="2">Serie</td><td>105.1</td></tr> <tr><td colspan="2">Total</td><td>315.9</td></tr> </table>	21:	10.8x	↘	22:	10.4x	↑	23:	10.3x	↗	24:	10.6x	↑	25:	10.6x	↗	26:	10.8x	←	27:	10.0	→	28:	10.3x	↓	29:	10.8x	↗	30:	10.5x	↘	Serie		105.1	Total		315.9
11:	10.8x	↙																																																																									
12:	10.7x	↗																																																																									
13:	10.2x	↗																																																																									
14:	10.3x	↖																																																																									
15:	10.5x	↖																																																																									
16:	10.6x	←																																																																									
17:	10.3x	↘																																																																									
18:	10.4x	↗																																																																									
19:	10.8x	↗																																																																									
20:	10.6x	↗																																																																									
Serie		105.2																																																																									
Total		210.8																																																																									
21:	10.8x	↘																																																																									
22:	10.4x	↑																																																																									
23:	10.3x	↗																																																																									
24:	10.6x	↑																																																																									
25:	10.6x	↗																																																																									
26:	10.8x	←																																																																									
27:	10.0	→																																																																									
28:	10.3x	↓																																																																									
29:	10.8x	↗																																																																									
30:	10.5x	↘																																																																									
Serie		105.1																																																																									
Total		315.9																																																																									

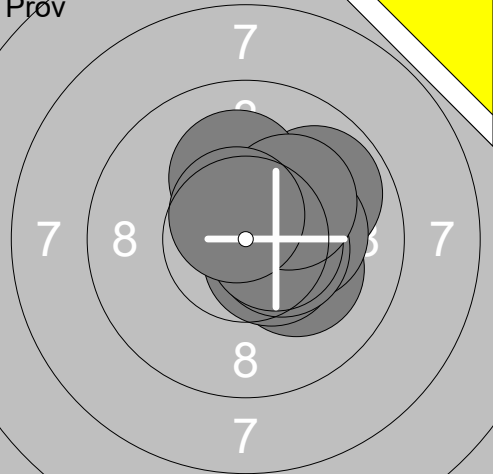
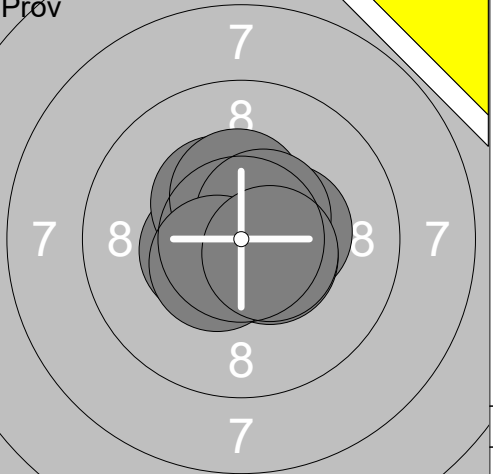
<p>40 Skott</p>	<table border="1" style="width:100%; border-collapse: collapse;"> <tr><td>31:</td><td>10.5x</td><td>←</td></tr> <tr><td>32:</td><td>10.4x</td><td>↓</td></tr> <tr><td>33:</td><td>10.6x</td><td>←</td></tr> <tr><td>34:</td><td>10.4x</td><td>↗</td></tr> <tr><td>35:</td><td>10.6x</td><td>↘</td></tr> <tr><td>36:</td><td>10.4x</td><td>↗</td></tr> <tr><td>37:</td><td>10.5x</td><td>↗</td></tr> <tr><td>38:</td><td>10.5x</td><td>↘</td></tr> <tr><td>39:</td><td>10.3x</td><td>↓</td></tr> <tr><td>40:</td><td>10.8x</td><td>↓</td></tr> <tr><td colspan="2">Serie</td><td>105.0</td></tr> <tr><td colspan="2">Total</td><td>420.9</td></tr> </table>	31:	10.5x	←	32:	10.4x	↓	33:	10.6x	←	34:	10.4x	↗	35:	10.6x	↘	36:	10.4x	↗	37:	10.5x	↗	38:	10.5x	↘	39:	10.3x	↓	40:	10.8x	↓	Serie		105.0	Total		420.9		
31:	10.5x	←																																					
32:	10.4x	↓																																					
33:	10.6x	←																																					
34:	10.4x	↗																																					
35:	10.6x	↘																																					
36:	10.4x	↗																																					
37:	10.5x	↗																																					
38:	10.5x	↘																																					
39:	10.3x	↓																																					
40:	10.8x	↓																																					
Serie		105.0																																					
Total		420.9																																					


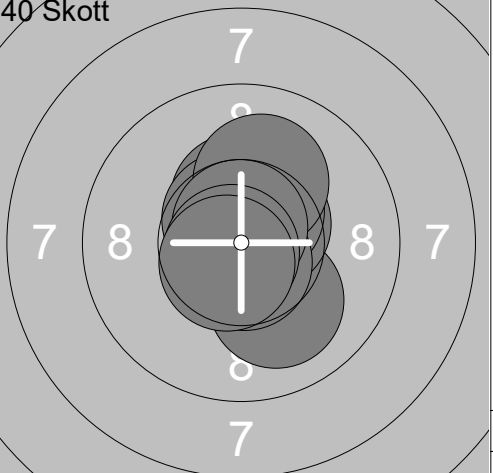
<p>Pröv</p> 	<p>1: 10.6x ↘ 2: 10.3x ↙ 3: 10.3x ↓ 4: 10.5x ← 5: 10.3x ↓ 6: 10.7x ↗ 7: 10.3x ↓ 8: 10.6x ↓ 9: 10.7x → 10: 10.2x →</p> <p>Serie 104.5 Total 0.0</p>	<p>Pröv</p> 	<p>11: 10.5x ↘ 12: 10.7x → 13: 10.4x ↑ 14: 10.5x ↓ 15: 10.4x ↗ 16: 9.8 → 17: 10.3x ↖ 18: 10.2x ↗ 19: 10.5x ↓ 20: 10.4x ↓</p> <p>Serie 103.7 Total 0.0</p>
--	---	--	--

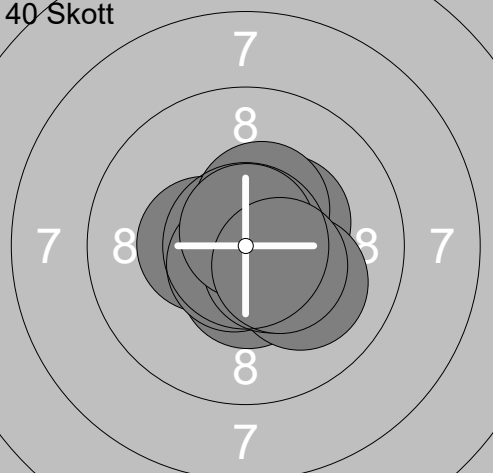
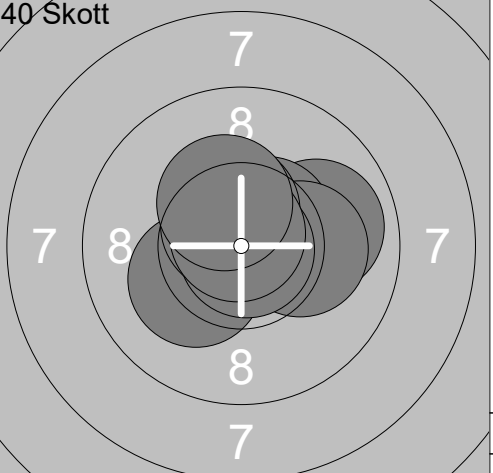
<p>Pröv</p> 	<p>21: 10.8x → 22: 10.7x ↙</p> <p>Serie 21.5 Total 0.0</p>	<p>40 Skott</p> 	<p>1: 10.1 → 2: 10.5x ↓ 3: 10.7x → 4: 10.8x ↓ 5: 10.5x → 6: 10.6x ↓ 7: 10.7x ↗ 8: 10.5x ↗ 9: 10.6x ↓ 10: 10.8x →</p> <p>Serie 105.8 Total 105.8</p>
---	---	---	--

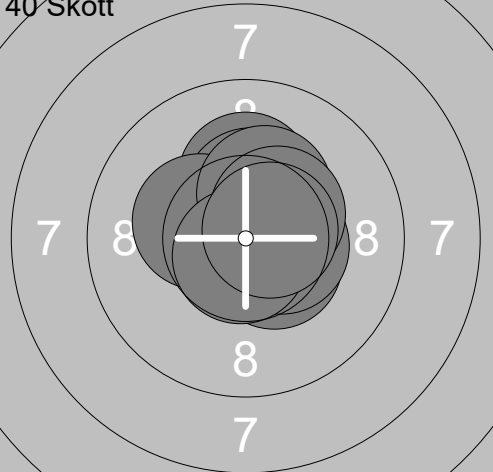
<p>40 Skott</p> 	<p>11: 10.7x ↓ 12: 10.7x ↗ 13: 10.6x → 14: 10.8x ↗ 15: 10.2x → 16: 10.3x ↖ 17: 10.4x ↗ 18: 10.3x ↗ 19: 10.5x ↗ 20: 10.5x ↓</p> <p>Serie 105.0 Total 210.8</p>	<p>40 Skott</p> 	<p>21: 10.7x ↗ 22: 10.5x ↓ 23: 10.2x → 24: 10.7x → 25: 10.6x ↓ 26: 10.7x ↓ 27: 10.4x ↗ 28: 10.7x ← 29: 10.4x → 30: 10.5x ↑</p> <p>Serie 105.4 Total 316.2</p>
--	--	--	--

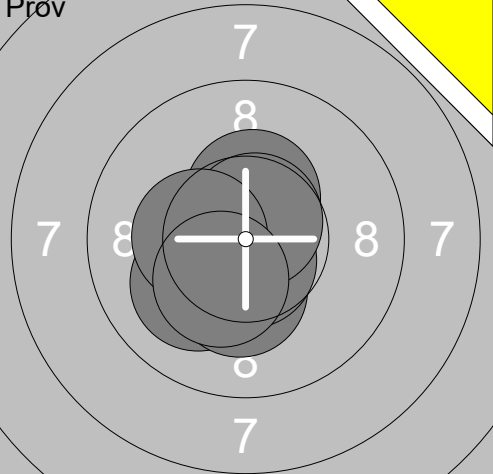
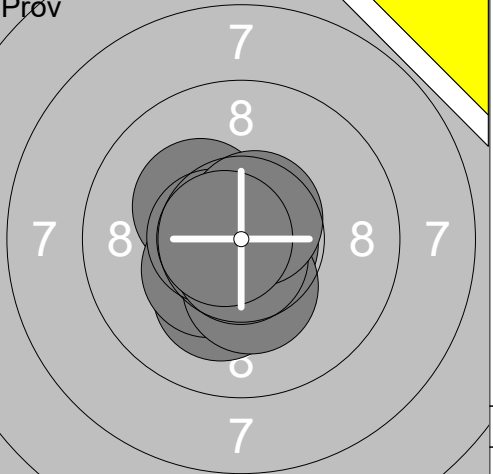
<p>40 Skott</p> 	<p>31: 10.6x ↑ 32: 10.8x ↑ 33: 10.5x ← 34: 10.6x ↗ 35: 10.6x ↗ 36: 10.7x ↗ 37: 10.3x → 38: 10.6x ← 39: 10.5x → 40: 10.7x ↘</p> <p>Serie 105.9 Total 422.1</p>		
--	--	--	--

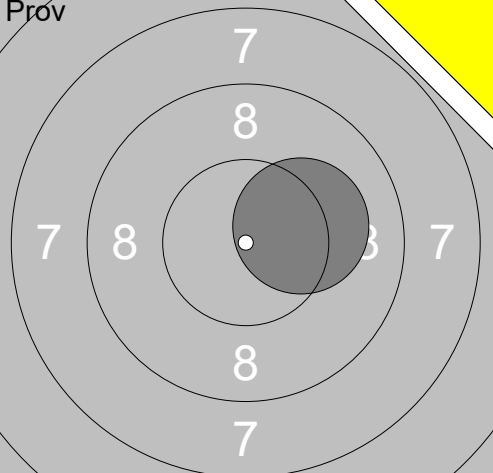
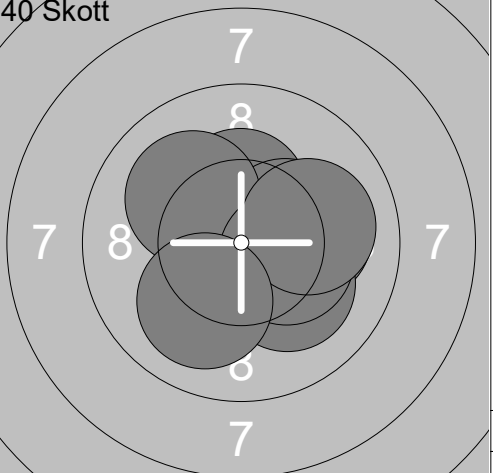
<p>Pröv</p> 	<p>1: 9.9 ↗ 2: 10.2x ↘ 3: 10.5x ↘ 4: 10.2x → 5: 10.5x → 6: 10.5x ↗ 7: 10.1 ↑ 8: 10.6x → 9: 10.2x ↗ 10: 10.6x ↗</p> <p>Serie 103.3 Total 0.0</p>	<p>Pröv</p> 	<p>11: 10.5x ← 12: 10.8x ↘ 13: 10.4x ↗ 14: 10.4x ↑ 15: 10.6x → 16: 10.4x → 17: 10.5x ↘ 18: 10.5x ↗ 19: 10.5x ↙ 20: 10.5x ↘</p> <p>Serie 105.1 Total 0.0</p>
--	--	--	--

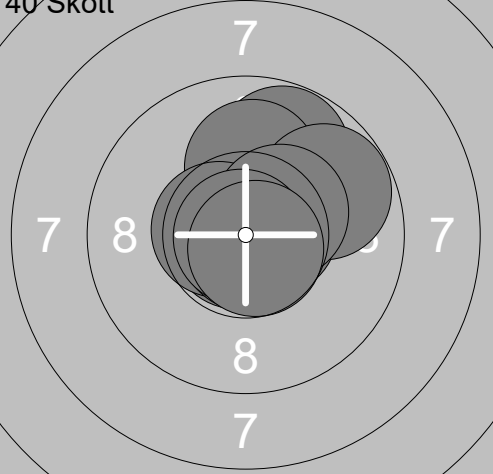
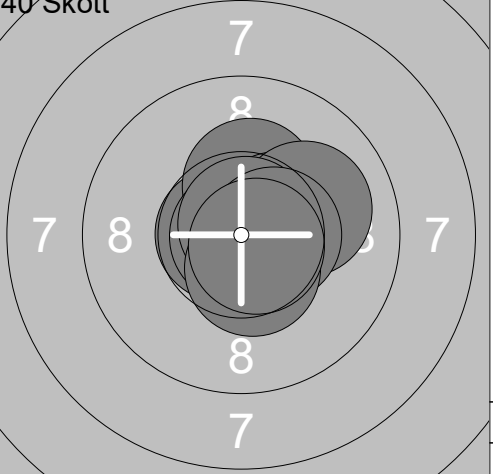
<p>Pröv</p> 	<p>21: 10.7x ↗ 22: 10.2x ↑ 23: 10.7x ↗</p> <p>Serie 31.6 Total 0.0</p>	<p>40 Skott</p> 	<p>1: 10.1 ↘ 2: 10.6x ↗ 3: 10.4x ↑ 4: 10.5x ↗ 5: 10.6x ↗ 6: 10.1 ↑ 7: 10.7x ↓ 8: 10.8x ↑ 9: 10.8x ↙ 10: 10.6x ↙</p> <p>Serie 105.2 Total 105.2</p>
---	--	---	---

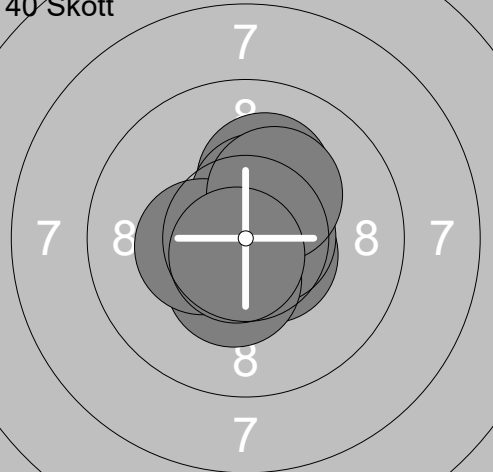
<p>40 Skott</p> 	<p>11: 10.4x ← 12: 10.7x → 13: 10.5x ↓ 14: 10.7x ↙ 15: 10.4x ↗ 16: 10.1 ↘ 17: 10.5x ↘ 18: 10.4x ↑ 19: 10.8x ↑ 20: 10.4x ↘</p> <p>Serie 104.9 Total 210.1</p>	<p>40 Skott</p> 	<p>21: 9.9 → 22: 10.5x ↗ 23: 10.7x ↗ 24: 10.2x ↙ 25: 10.2x → 26: 10.5x ↑ 27: 10.9x ↘ 28: 10.6x ↗ 29: 10.8x ↑ 30: 10.3x ↗</p> <p>Serie 104.6 Total 314.7</p>
--	---	--	--

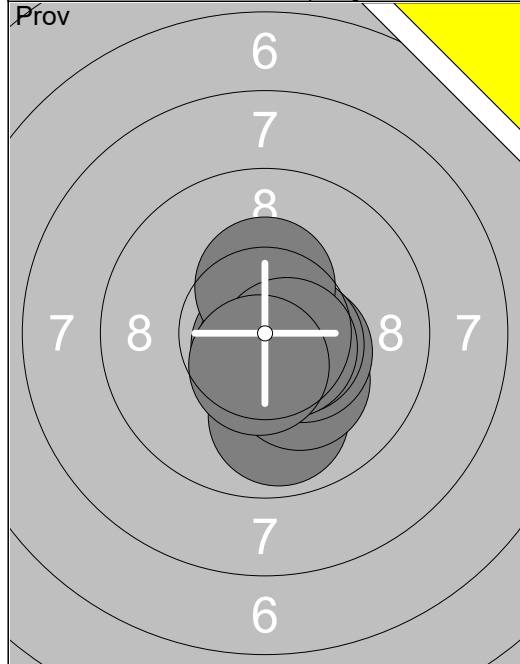
<p>40 Skott</p> 	<p>31: 10.8x ↗ 32: 10.5x ↘ 33: 10.2x ↑ 34: 10.4x ↑ 35: 10.5x → 36: 10.3x ← 37: 10.3x ↗ 38: 10.4x ↗ 39: 10.7x ↓ 40: 10.6x →</p> <p>Serie 104.7 Total 419.4</p>		
--	--	--	--

<p>Pröv</p> 	<table border="1" style="width:100%; border-collapse: collapse;"> <tr><td>1:</td><td>10.4x</td><td>↑</td></tr> <tr><td>2:</td><td>10.1</td><td>↙</td></tr> <tr><td>3:</td><td>10.6x</td><td>←</td></tr> <tr><td>4:</td><td>10.3x</td><td>↓</td></tr> <tr><td>5:</td><td>10.7x</td><td>↓</td></tr> <tr><td>6:</td><td>10.7x</td><td>←</td></tr> <tr><td>7:</td><td>10.6x</td><td>←</td></tr> <tr><td>8:</td><td>10.7x</td><td>↗</td></tr> <tr><td>9:</td><td>10.3x</td><td>←</td></tr> <tr><td>10:</td><td>10.3x</td><td>↘</td></tr> <tr><td colspan="2">Serie</td><td>104.7</td></tr> <tr><td colspan="2">Total</td><td>0.0</td></tr> </table>	1:	10.4x	↑	2:	10.1	↙	3:	10.6x	←	4:	10.3x	↓	5:	10.7x	↓	6:	10.7x	←	7:	10.6x	←	8:	10.7x	↗	9:	10.3x	←	10:	10.3x	↘	Serie		104.7	Total		0.0	<p>Pröv</p>  <table border="1" style="width:100%; border-collapse: collapse;"> <tr><td>11:</td><td>10.2x</td><td>↓</td></tr> <tr><td>12:</td><td>10.8x</td><td>→</td></tr> <tr><td>13:</td><td>10.6x</td><td>↙</td></tr> <tr><td>14:</td><td>10.3x</td><td>↖</td></tr> <tr><td>15:</td><td>10.4x</td><td>↙</td></tr> <tr><td>16:</td><td>10.3x</td><td>↓</td></tr> <tr><td>17:</td><td>10.6x</td><td>←</td></tr> <tr><td>18:</td><td>10.7x</td><td>↓</td></tr> <tr><td>19:</td><td>10.6x</td><td>↗</td></tr> <tr><td>20:</td><td>10.7x</td><td>←</td></tr> <tr><td colspan="2">Serie</td><td>105.2</td></tr> <tr><td colspan="2">Total</td><td>0.0</td></tr> </table>	11:	10.2x	↓	12:	10.8x	→	13:	10.6x	↙	14:	10.3x	↖	15:	10.4x	↙	16:	10.3x	↓	17:	10.6x	←	18:	10.7x	↓	19:	10.6x	↗	20:	10.7x	←	Serie		105.2	Total		0.0
1:	10.4x	↑																																																																								
2:	10.1	↙																																																																								
3:	10.6x	←																																																																								
4:	10.3x	↓																																																																								
5:	10.7x	↓																																																																								
6:	10.7x	←																																																																								
7:	10.6x	←																																																																								
8:	10.7x	↗																																																																								
9:	10.3x	←																																																																								
10:	10.3x	↘																																																																								
Serie		104.7																																																																								
Total		0.0																																																																								
11:	10.2x	↓																																																																								
12:	10.8x	→																																																																								
13:	10.6x	↙																																																																								
14:	10.3x	↖																																																																								
15:	10.4x	↙																																																																								
16:	10.3x	↓																																																																								
17:	10.6x	←																																																																								
18:	10.7x	↓																																																																								
19:	10.6x	↗																																																																								
20:	10.7x	←																																																																								
Serie		105.2																																																																								
Total		0.0																																																																								

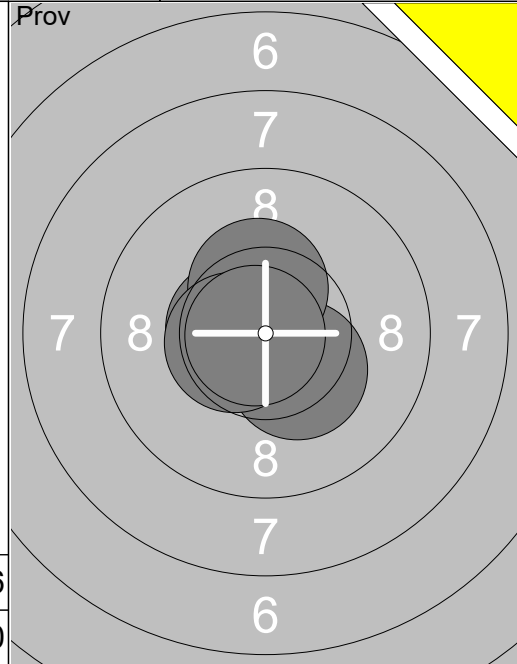
<p>Pröv</p>  <table border="1" style="width:100%; border-collapse: collapse;"> <tr><td>21:</td><td>10.2x</td><td>→</td></tr> <tr><td colspan="2">Serie</td><td>10.2</td></tr> <tr><td colspan="2">Total</td><td>0.0</td></tr> </table>	21:	10.2x	→	Serie		10.2	Total		0.0	<p>40 Skott</p>  <table border="1" style="width:100%; border-collapse: collapse;"> <tr><td>1:</td><td>10.1</td><td>→</td></tr> <tr><td>2:</td><td>10.2x</td><td>→</td></tr> <tr><td>3:</td><td>10.3x</td><td>↑</td></tr> <tr><td>4:</td><td>10.3x</td><td>→</td></tr> <tr><td>5:</td><td>10.7x</td><td>↓</td></tr> <tr><td>6:</td><td>10.1</td><td>↘</td></tr> <tr><td>7:</td><td>10.1</td><td>↗</td></tr> <tr><td>8:</td><td>10.3x</td><td>→</td></tr> <tr><td>9:</td><td>10.0</td><td>→</td></tr> <tr><td>10:</td><td>10.0</td><td>↘</td></tr> <tr><td colspan="2">Serie</td><td>102.1</td></tr> <tr><td colspan="2">Total</td><td>102.1</td></tr> </table>	1:	10.1	→	2:	10.2x	→	3:	10.3x	↑	4:	10.3x	→	5:	10.7x	↓	6:	10.1	↘	7:	10.1	↗	8:	10.3x	→	9:	10.0	→	10:	10.0	↘	Serie		102.1	Total		102.1
21:	10.2x	→																																												
Serie		10.2																																												
Total		0.0																																												
1:	10.1	→																																												
2:	10.2x	→																																												
3:	10.3x	↑																																												
4:	10.3x	→																																												
5:	10.7x	↓																																												
6:	10.1	↘																																												
7:	10.1	↗																																												
8:	10.3x	→																																												
9:	10.0	→																																												
10:	10.0	↘																																												
Serie		102.1																																												
Total		102.1																																												

<p>40 Skott</p>  <table border="1" style="width:100%; border-collapse: collapse;"> <tr><td>11:</td><td>9.8</td><td>↗</td></tr> <tr><td>12:</td><td>10.1</td><td>↑</td></tr> <tr><td>13:</td><td>10.6x</td><td>→</td></tr> <tr><td>14:</td><td>9.8</td><td>↗</td></tr> <tr><td>15:</td><td>10.8x</td><td>↙</td></tr> <tr><td>16:</td><td>10.6x</td><td>←</td></tr> <tr><td>17:</td><td>10.8x</td><td>↓</td></tr> <tr><td>18:</td><td>10.4x</td><td>↗</td></tr> <tr><td>19:</td><td>10.9x</td><td>←</td></tr> <tr><td>20:</td><td>10.7x</td><td>↘</td></tr> <tr><td colspan="2">Serie</td><td>104.5</td></tr> <tr><td colspan="2">Total</td><td>206.6</td></tr> </table>	11:	9.8	↗	12:	10.1	↑	13:	10.6x	→	14:	9.8	↗	15:	10.8x	↙	16:	10.6x	←	17:	10.8x	↓	18:	10.4x	↗	19:	10.9x	←	20:	10.7x	↘	Serie		104.5	Total		206.6	<p>40 Skott</p>  <table border="1" style="width:100%; border-collapse: collapse;"> <tr><td>21:</td><td>10.5x</td><td>↗</td></tr> <tr><td>22:</td><td>10.7x</td><td>←</td></tr> <tr><td>23:</td><td>10.3x</td><td>↑</td></tr> <tr><td>24:</td><td>10.9x</td><td>↙</td></tr> <tr><td>25:</td><td>10.4x</td><td>↗</td></tr> <tr><td>26:</td><td>10.1</td><td>↗</td></tr> <tr><td>27:</td><td>10.8x</td><td>↗</td></tr> <tr><td>28:</td><td>10.5x</td><td>→</td></tr> <tr><td>29:</td><td>10.5x</td><td>↓</td></tr> <tr><td>30:</td><td>10.7x</td><td>↘</td></tr> <tr><td colspan="2">Serie</td><td>105.4</td></tr> <tr><td colspan="2">Total</td><td>312.0</td></tr> </table>	21:	10.5x	↗	22:	10.7x	←	23:	10.3x	↑	24:	10.9x	↙	25:	10.4x	↗	26:	10.1	↗	27:	10.8x	↗	28:	10.5x	→	29:	10.5x	↓	30:	10.7x	↘	Serie		105.4	Total		312.0
11:	9.8	↗																																																																							
12:	10.1	↑																																																																							
13:	10.6x	→																																																																							
14:	9.8	↗																																																																							
15:	10.8x	↙																																																																							
16:	10.6x	←																																																																							
17:	10.8x	↓																																																																							
18:	10.4x	↗																																																																							
19:	10.9x	←																																																																							
20:	10.7x	↘																																																																							
Serie		104.5																																																																							
Total		206.6																																																																							
21:	10.5x	↗																																																																							
22:	10.7x	←																																																																							
23:	10.3x	↑																																																																							
24:	10.9x	↙																																																																							
25:	10.4x	↗																																																																							
26:	10.1	↗																																																																							
27:	10.8x	↗																																																																							
28:	10.5x	→																																																																							
29:	10.5x	↓																																																																							
30:	10.7x	↘																																																																							
Serie		105.4																																																																							
Total		312.0																																																																							

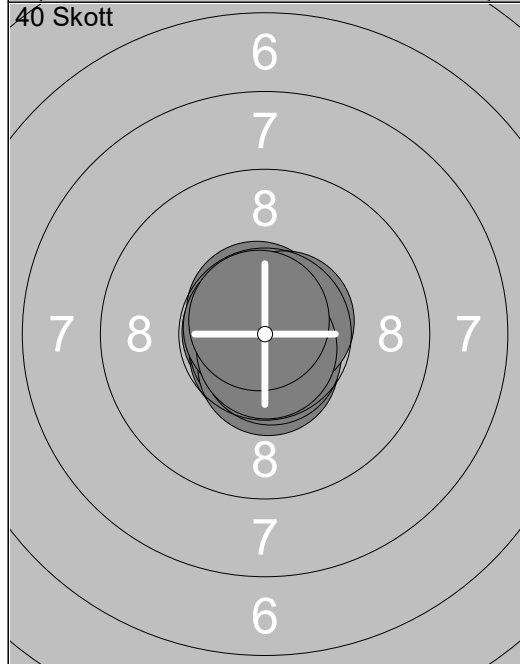
<p>40 Skott</p>  <table border="1" style="width:100%; border-collapse: collapse;"> <tr><td>31:</td><td>10.6x</td><td>↘</td></tr> <tr><td>32:</td><td>10.6x</td><td>↙</td></tr> <tr><td>33:</td><td>10.1</td><td>↗</td></tr> <tr><td>34:</td><td>10.6x</td><td>←</td></tr> <tr><td>35:</td><td>10.7x</td><td>→</td></tr> <tr><td>36:</td><td>10.4x</td><td>↗</td></tr> <tr><td>37:</td><td>10.4x</td><td>↓</td></tr> <tr><td>38:</td><td>10.4x</td><td>←</td></tr> <tr><td>39:</td><td>10.3x</td><td>↗</td></tr> <tr><td>40:</td><td>10.7x</td><td>↘</td></tr> <tr><td colspan="2">Serie</td><td>104.8</td></tr> <tr><td colspan="2">Total</td><td>416.8</td></tr> </table>	31:	10.6x	↘	32:	10.6x	↙	33:	10.1	↗	34:	10.6x	←	35:	10.7x	→	36:	10.4x	↗	37:	10.4x	↓	38:	10.4x	←	39:	10.3x	↗	40:	10.7x	↘	Serie		104.8	Total		416.8	
31:	10.6x	↘																																			
32:	10.6x	↙																																			
33:	10.1	↗																																			
34:	10.6x	←																																			
35:	10.7x	→																																			
36:	10.4x	↗																																			
37:	10.4x	↓																																			
38:	10.4x	←																																			
39:	10.3x	↗																																			
40:	10.7x	↘																																			
Serie		104.8																																			
Total		416.8																																			



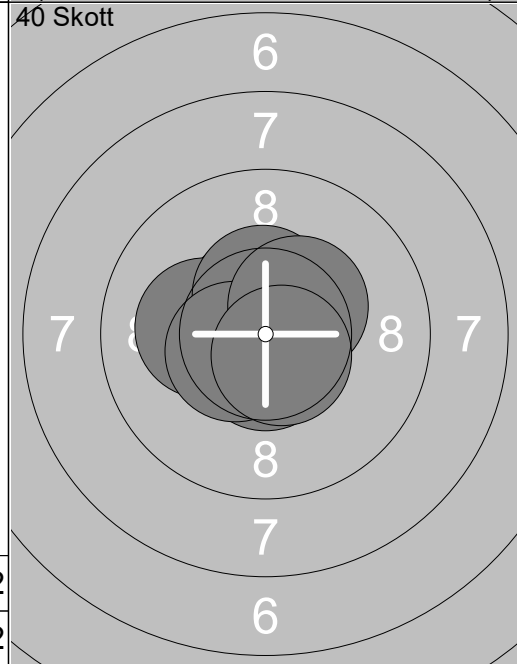
1:	10.5x↘
2:	9.9 ↓
3:	10.8x↘
4:	10.7x↓
5:	10.2x↘
6:	10.4x↘
7:	10.6x↘
8:	10.4x↑
9:	10.6x↘
10:	10.5x↓
Serie 104.6	
Total 0.0	



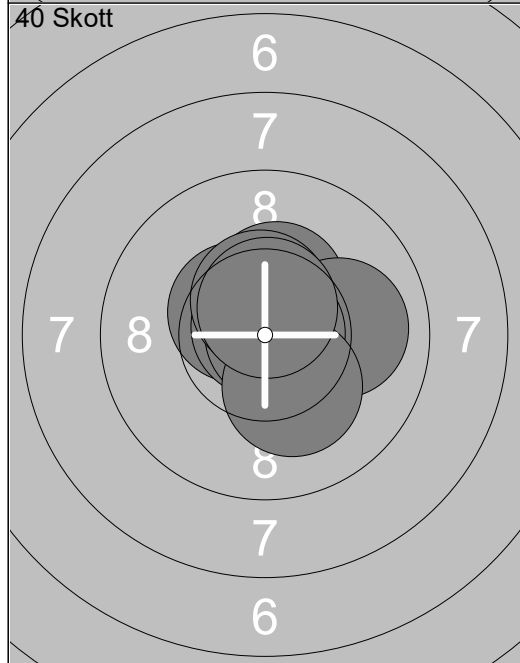
11:	10.8x↘
12:	10.6x↘
13:	10.3x↘
14:	10.4x↑
15:	10.5x↘
16:	10.8x↘
Serie 63.4	
Total 0.0	



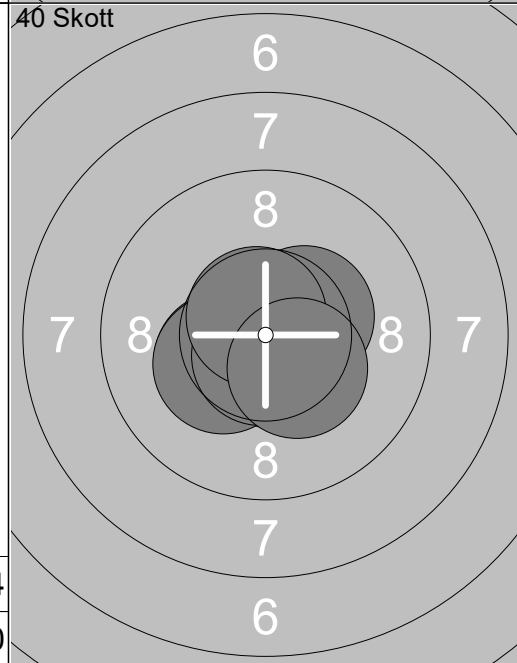
1:	10.6x↑
2:	10.8x↘
3:	10.7x↓
4:	10.8x↘
5:	10.5x↓
6:	10.8x↘
7:	10.7x↓
8:	10.7x↗
9:	10.8x↓
10:	10.8x↑
Serie 107.2	
Total 107.2	



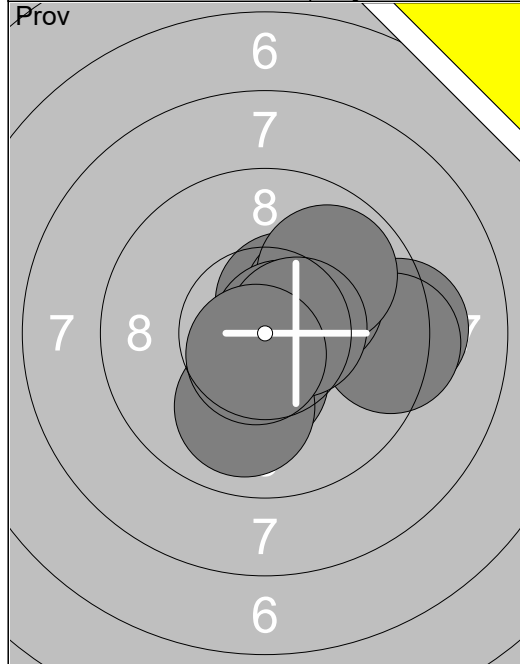
11:	10.9x↘
12:	10.7x↓
13:	10.6x↘
14:	10.4x↘
15:	10.2x↘
16:	10.5x↑
17:	10.6x↓
18:	10.5x↘
19:	10.4x↗
20:	10.6x↘
Serie 105.4	
Total 212.6	



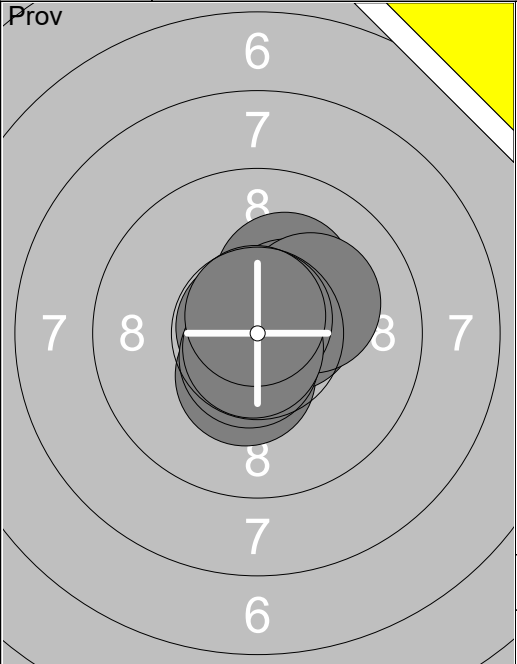
21:	10.7x↗
22:	10.4x↑
23:	10.9x↗
24:	10.5x↘
25:	10.0 →
26:	10.8x↑
27:	10.8x↗
28:	10.5x↑
29:	10.2x↓
30:	10.6x↑
Serie 105.4	
Total 318.0	



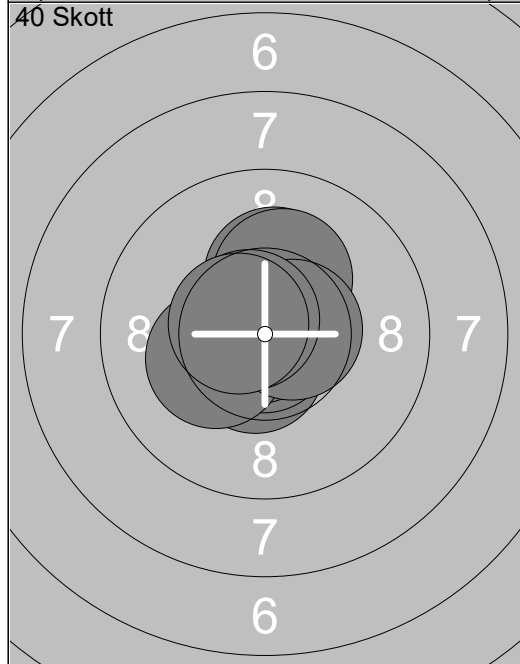
31:	10.7x↗
32:	10.8x↘
33:	10.3x↘
34:	10.9x↘
35:	10.6x↓
36:	10.3x↘
37:	10.4x↗
38:	10.7x↓
39:	10.7x↑
40:	10.4x↘
Serie 105.8	
Total 423.8	



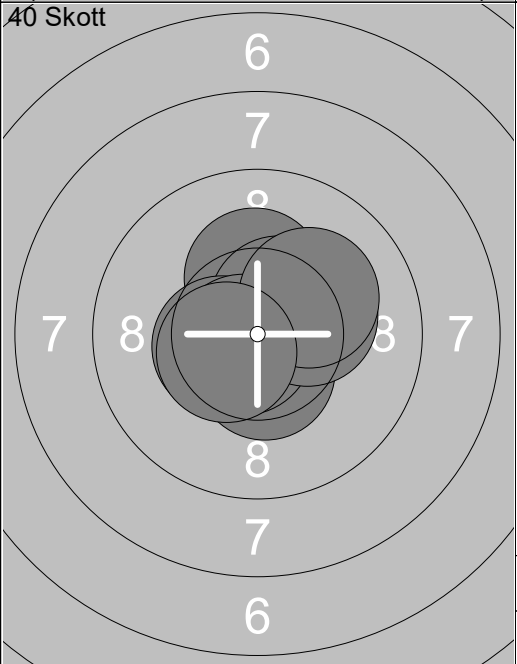
1:	9.3	→
2:	9.3	→
3:	10.5	↗
4:	10.2	↗
5:	9.9	↗
6:	10.7	→
7:	10.4	↓
8:	10.0	↓
9:	10.5	→
10:	10.7	↓
Serie		101.5
Total		0.0



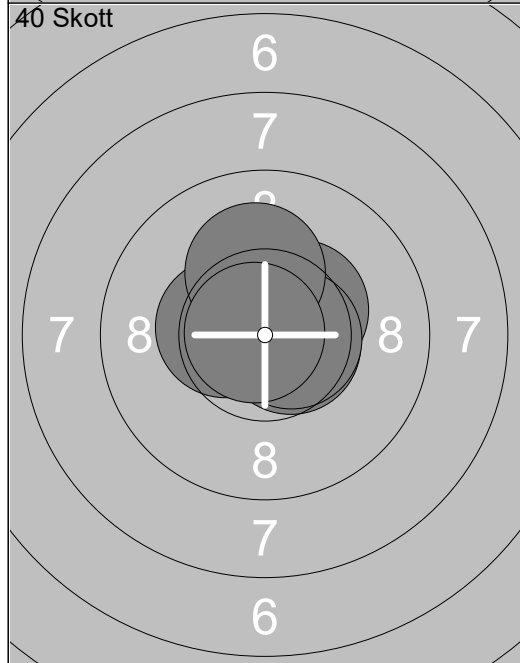
11:	10.2	↗
12:	10.4	↓
13:	10.5	→
14:	10.5	↗
15:	10.2	↗
16:	10.8	↗
17:	10.8	↘
18:	10.6	↓
19:	10.8	↓
20:	10.7	↗
Serie		105.5
Total		0.0



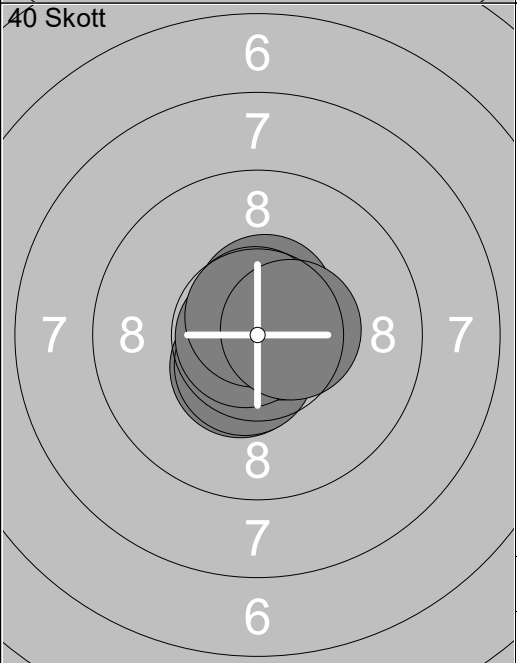
1:	10.7	↓
2:	10.6	↓
3:	10.8	↓
4:	10.8	↘
5:	10.2	↗
6:	10.2	↗
7:	10.2	↘
8:	10.6	→
9:	10.7	↘
10:	10.6	↘
Serie		105.4
Total		105.4



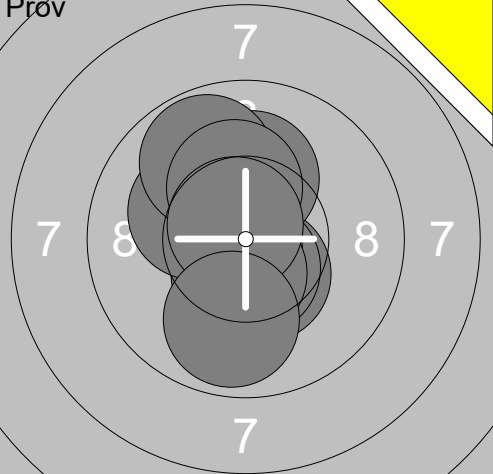
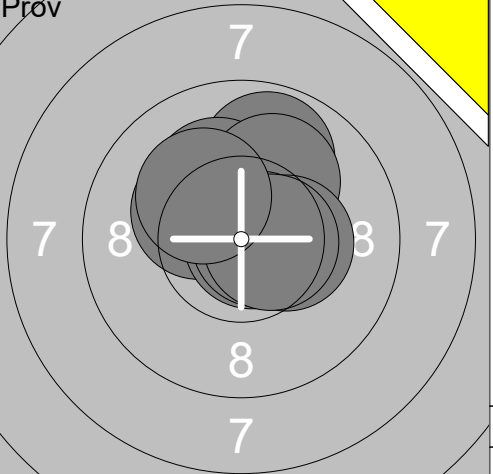
11:	10.7	↘
12:	10.2	↗
13:	10.5	↗
14:	10.5	↘
15:	10.7	↓
16:	10.5	↓
17:	10.7	↘
18:	10.3	→
19:	10.1	↗
20:	10.5	↘
Serie		104.7
Total		210.1


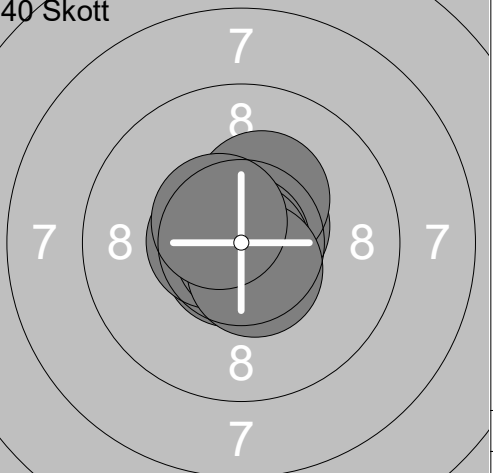


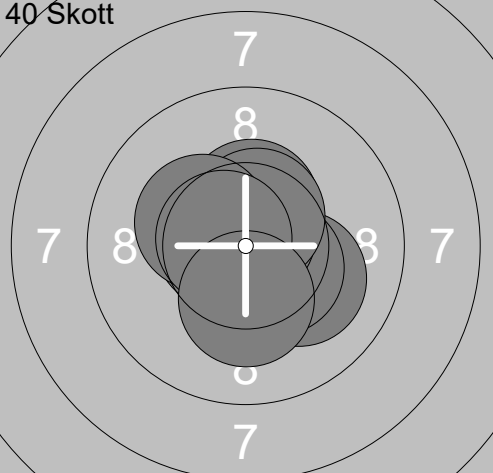
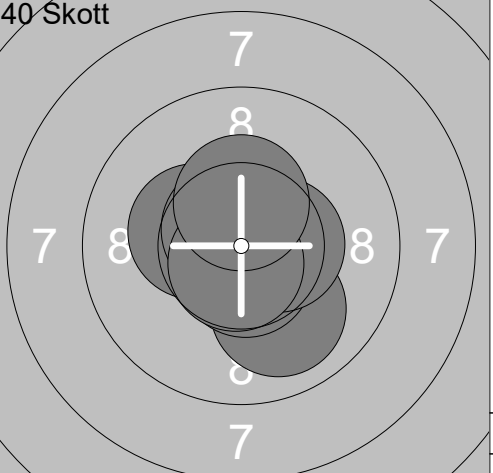
21:	10.7	→
22:	10.6	↗
23:	10.8	↗
24:	10.5	↘
25:	10.4	↘
26:	10.6	→
27:	10.4	↗
28:	10.6	→
29:	10.1	↑
30:	10.8	↘
Serie		105.5
Total		315.6

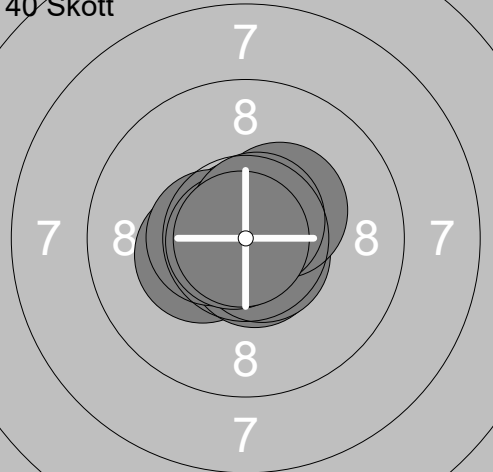


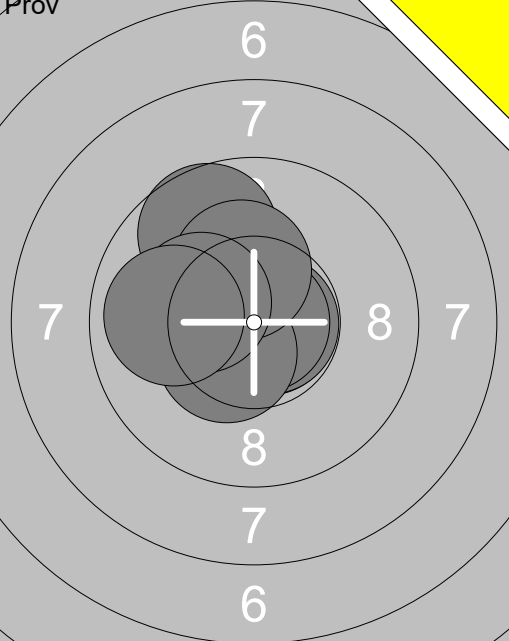
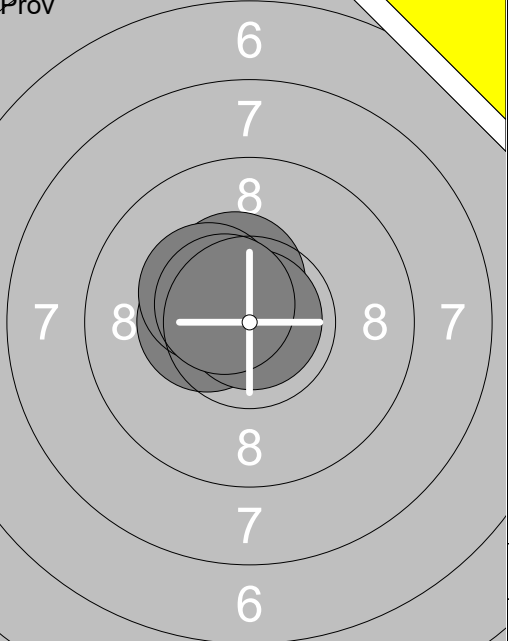
31:	10.5	↗
32:	10.7	→
33:	10.5	↓
34:	10.8	↗
35:	10.9	↗
36:	10.5	↓
37:	10.7	→
38:	10.8	↘
39:	10.7	↗
40:	10.5	→
Serie		106.6
Total		422.2

<p>Pröv</p> 	<table border="1" style="width:100%; border-collapse: collapse;"> <tr><td>1:</td><td>10.4x</td><td>↘</td></tr> <tr><td>2:</td><td>10.6x</td><td>↓</td></tr> <tr><td>3:</td><td>10.7x</td><td>↙</td></tr> <tr><td>4:</td><td>10.5x</td><td>↓</td></tr> <tr><td>5:</td><td>10.1</td><td>↑</td></tr> <tr><td>6:</td><td>10.2x</td><td>↗</td></tr> <tr><td>7:</td><td>9.8</td><td>↗</td></tr> <tr><td>8:</td><td>10.2x</td><td>↑</td></tr> <tr><td>9:</td><td>10.7x</td><td>↗</td></tr> <tr><td>10:</td><td>9.9</td><td>↓</td></tr> <tr><td colspan="2">Serie</td><td>103.1</td></tr> <tr><td colspan="2">Total</td><td>0.0</td></tr> </table>	1:	10.4x	↘	2:	10.6x	↓	3:	10.7x	↙	4:	10.5x	↓	5:	10.1	↑	6:	10.2x	↗	7:	9.8	↗	8:	10.2x	↑	9:	10.7x	↗	10:	9.9	↓	Serie		103.1	Total		0.0	<p>Pröv</p>  <table border="1" style="width:100%; border-collapse: collapse;"> <tr><td>11:</td><td>9.8</td><td>↑</td></tr> <tr><td>12:</td><td>10.2x</td><td>↑</td></tr> <tr><td>13:</td><td>10.3x</td><td>↖</td></tr> <tr><td>14:</td><td>10.4x</td><td>↗</td></tr> <tr><td>15:</td><td>10.8x</td><td>→</td></tr> <tr><td>16:</td><td>10.1</td><td>↑</td></tr> <tr><td>17:</td><td>10.4x</td><td>→</td></tr> <tr><td>18:</td><td>10.7x</td><td>→</td></tr> <tr><td>19:</td><td>10.6x</td><td>→</td></tr> <tr><td>20:</td><td>10.2x</td><td>↖</td></tr> <tr><td colspan="2">Serie</td><td>103.5</td></tr> <tr><td colspan="2">Total</td><td>0.0</td></tr> </table>	11:	9.8	↑	12:	10.2x	↑	13:	10.3x	↖	14:	10.4x	↗	15:	10.8x	→	16:	10.1	↑	17:	10.4x	→	18:	10.7x	→	19:	10.6x	→	20:	10.2x	↖	Serie		103.5	Total		0.0
1:	10.4x	↘																																																																								
2:	10.6x	↓																																																																								
3:	10.7x	↙																																																																								
4:	10.5x	↓																																																																								
5:	10.1	↑																																																																								
6:	10.2x	↗																																																																								
7:	9.8	↗																																																																								
8:	10.2x	↑																																																																								
9:	10.7x	↗																																																																								
10:	9.9	↓																																																																								
Serie		103.1																																																																								
Total		0.0																																																																								
11:	9.8	↑																																																																								
12:	10.2x	↑																																																																								
13:	10.3x	↖																																																																								
14:	10.4x	↗																																																																								
15:	10.8x	→																																																																								
16:	10.1	↑																																																																								
17:	10.4x	→																																																																								
18:	10.7x	→																																																																								
19:	10.6x	→																																																																								
20:	10.2x	↖																																																																								
Serie		103.5																																																																								
Total		0.0																																																																								

<p>Pröv</p>  <table border="1" style="width:100%; border-collapse: collapse;"> <tr><td>21:</td><td>10.5x</td><td>→</td></tr> <tr><td>22:</td><td>10.8x</td><td>↑</td></tr> <tr><td>23:</td><td>10.4x</td><td>↗</td></tr> <tr><td>24:</td><td>10.7x</td><td>↖</td></tr> <tr><td colspan="2">Serie</td><td>42.4</td></tr> <tr><td colspan="2">Total</td><td>0.0</td></tr> </table>	21:	10.5x	→	22:	10.8x	↑	23:	10.4x	↗	24:	10.7x	↖	Serie		42.4	Total		0.0	<p>40 Skott</p>  <table border="1" style="width:100%; border-collapse: collapse;"> <tr><td>1:</td><td>10.7x</td><td>↘</td></tr> <tr><td>2:</td><td>10.7x</td><td>↑</td></tr> <tr><td>3:</td><td>10.6x</td><td>↗</td></tr> <tr><td>4:</td><td>10.3x</td><td>↗</td></tr> <tr><td>5:</td><td>10.8x</td><td>↓</td></tr> <tr><td>6:</td><td>10.6x</td><td>←</td></tr> <tr><td>7:</td><td>10.9x</td><td>→</td></tr> <tr><td>8:</td><td>10.9x</td><td>↓</td></tr> <tr><td>9:</td><td>10.6x</td><td>↘</td></tr> <tr><td>10:</td><td>10.5x</td><td>↗</td></tr> <tr><td colspan="2">Serie</td><td>106.6</td></tr> <tr><td colspan="2">Total</td><td>106.6</td></tr> </table>	1:	10.7x	↘	2:	10.7x	↑	3:	10.6x	↗	4:	10.3x	↗	5:	10.8x	↓	6:	10.6x	←	7:	10.9x	→	8:	10.9x	↓	9:	10.6x	↘	10:	10.5x	↗	Serie		106.6	Total		106.6
21:	10.5x	→																																																					
22:	10.8x	↑																																																					
23:	10.4x	↗																																																					
24:	10.7x	↖																																																					
Serie		42.4																																																					
Total		0.0																																																					
1:	10.7x	↘																																																					
2:	10.7x	↑																																																					
3:	10.6x	↗																																																					
4:	10.3x	↗																																																					
5:	10.8x	↓																																																					
6:	10.6x	←																																																					
7:	10.9x	→																																																					
8:	10.9x	↓																																																					
9:	10.6x	↘																																																					
10:	10.5x	↗																																																					
Serie		106.6																																																					
Total		106.6																																																					

<p>40 Skott</p>  <table border="1" style="width:100%; border-collapse: collapse;"> <tr><td>11:</td><td>10.1</td><td>→</td></tr> <tr><td>12:</td><td>10.5x</td><td>↘</td></tr> <tr><td>13:</td><td>10.8x</td><td>↑</td></tr> <tr><td>14:</td><td>10.4x</td><td>↑</td></tr> <tr><td>15:</td><td>10.8x</td><td>↗</td></tr> <tr><td>16:</td><td>10.5x</td><td>↑</td></tr> <tr><td>17:</td><td>10.6x</td><td>←</td></tr> <tr><td>18:</td><td>10.3x</td><td>↖</td></tr> <tr><td>19:</td><td>10.6x</td><td>←</td></tr> <tr><td>20:</td><td>10.2x</td><td>↓</td></tr> <tr><td colspan="2">Serie</td><td>104.8</td></tr> <tr><td colspan="2">Total</td><td>211.4</td></tr> </table>	11:	10.1	→	12:	10.5x	↘	13:	10.8x	↑	14:	10.4x	↑	15:	10.8x	↗	16:	10.5x	↑	17:	10.6x	←	18:	10.3x	↖	19:	10.6x	←	20:	10.2x	↓	Serie		104.8	Total		211.4	<p>40 Skott</p>  <table border="1" style="width:100%; border-collapse: collapse;"> <tr><td>21:</td><td>10.0</td><td>↘</td></tr> <tr><td>22:</td><td>10.7x</td><td>→</td></tr> <tr><td>23:</td><td>10.6x</td><td>←</td></tr> <tr><td>24:</td><td>10.6x</td><td>↓</td></tr> <tr><td>25:</td><td>10.3x</td><td>↖</td></tr> <tr><td>26:</td><td>10.8x</td><td>↓</td></tr> <tr><td>27:</td><td>10.5x</td><td>→</td></tr> <tr><td>28:</td><td>10.7x</td><td>↗</td></tr> <tr><td>29:</td><td>10.7x</td><td>↓</td></tr> <tr><td>30:</td><td>10.4x</td><td>↑</td></tr> <tr><td colspan="2">Serie</td><td>105.3</td></tr> <tr><td colspan="2">Total</td><td>316.7</td></tr> </table>	21:	10.0	↘	22:	10.7x	→	23:	10.6x	←	24:	10.6x	↓	25:	10.3x	↖	26:	10.8x	↓	27:	10.5x	→	28:	10.7x	↗	29:	10.7x	↓	30:	10.4x	↑	Serie		105.3	Total		316.7
11:	10.1	→																																																																							
12:	10.5x	↘																																																																							
13:	10.8x	↑																																																																							
14:	10.4x	↑																																																																							
15:	10.8x	↗																																																																							
16:	10.5x	↑																																																																							
17:	10.6x	←																																																																							
18:	10.3x	↖																																																																							
19:	10.6x	←																																																																							
20:	10.2x	↓																																																																							
Serie		104.8																																																																							
Total		211.4																																																																							
21:	10.0	↘																																																																							
22:	10.7x	→																																																																							
23:	10.6x	←																																																																							
24:	10.6x	↓																																																																							
25:	10.3x	↖																																																																							
26:	10.8x	↓																																																																							
27:	10.5x	→																																																																							
28:	10.7x	↗																																																																							
29:	10.7x	↓																																																																							
30:	10.4x	↑																																																																							
Serie		105.3																																																																							
Total		316.7																																																																							

<p>40 Skott</p>  <table border="1" style="width:100%; border-collapse: collapse;"> <tr><td>31:</td><td>10.3x</td><td>←</td></tr> <tr><td>32:</td><td>10.6x</td><td>↓</td></tr> <tr><td>33:</td><td>10.9x</td><td>↑</td></tr> <tr><td>34:</td><td>10.7x</td><td>↘</td></tr> <tr><td>35:</td><td>10.4x</td><td>↗</td></tr> <tr><td>36:</td><td>10.8x</td><td>↑</td></tr> <tr><td>37:</td><td>10.5x</td><td>←</td></tr> <tr><td>38:</td><td>10.8x</td><td>←</td></tr> <tr><td>39:</td><td>10.7x</td><td>↗</td></tr> <tr><td>40:</td><td>10.9x</td><td>←</td></tr> <tr><td colspan="2">Serie</td><td>106.6</td></tr> <tr><td colspan="2">Total</td><td>423.3</td></tr> </table>	31:	10.3x	←	32:	10.6x	↓	33:	10.9x	↑	34:	10.7x	↘	35:	10.4x	↗	36:	10.8x	↑	37:	10.5x	←	38:	10.8x	←	39:	10.7x	↗	40:	10.9x	←	Serie		106.6	Total		423.3	
31:	10.3x	←																																			
32:	10.6x	↓																																			
33:	10.9x	↑																																			
34:	10.7x	↘																																			
35:	10.4x	↗																																			
36:	10.8x	↑																																			
37:	10.5x	←																																			
38:	10.8x	←																																			
39:	10.7x	↗																																			
40:	10.9x	←																																			
Serie		106.6																																			
Total		423.3																																			

<p>Prov</p> 	<p>1: 10.8x➤</p> <p>2: 10.8x➤</p> <p>3: 10.8x↖</p> <p>4: 10.6x↖</p> <p>5: 10.9x➤</p> <p>6: 9.7 ↖</p> <p>7: 10.4x↙</p> <p>8: 10.3x↗</p> <p>9: 10.2x↖</p> <p>10: 9.9 ←</p>	<p>Prov</p> 	<p>11: 10.4x↖</p> <p>12: 10.4x↖</p> <p>13: 10.3x↖</p> <p>14: 10.9x↗</p> <p>15: 10.6x↖</p>
Serie 104.4	Total 0.0	Serie 52.6	Total 0.0

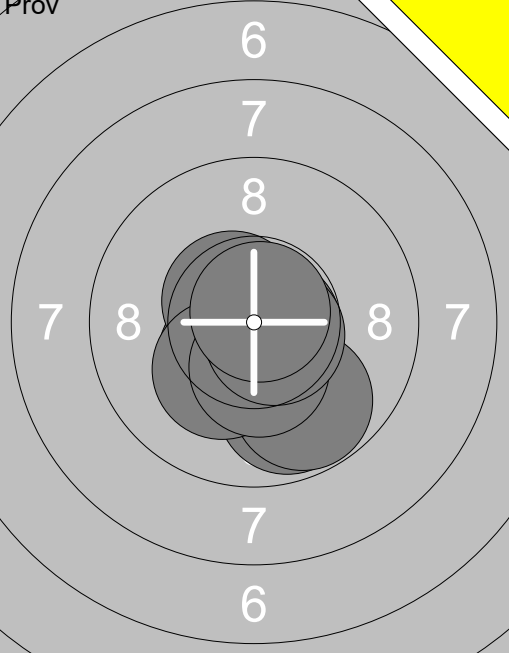
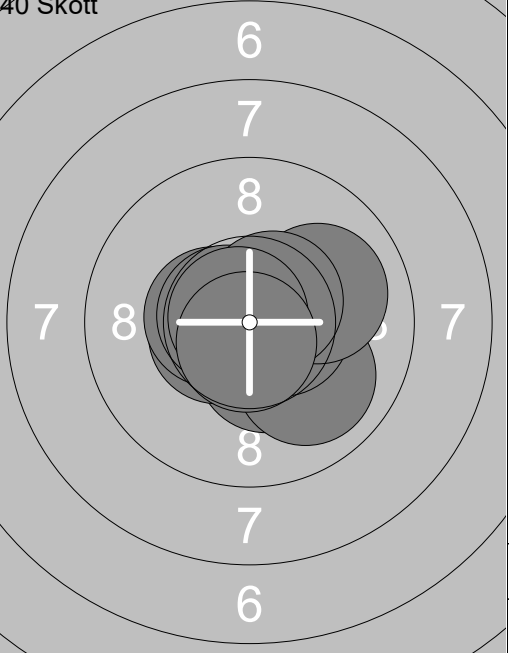
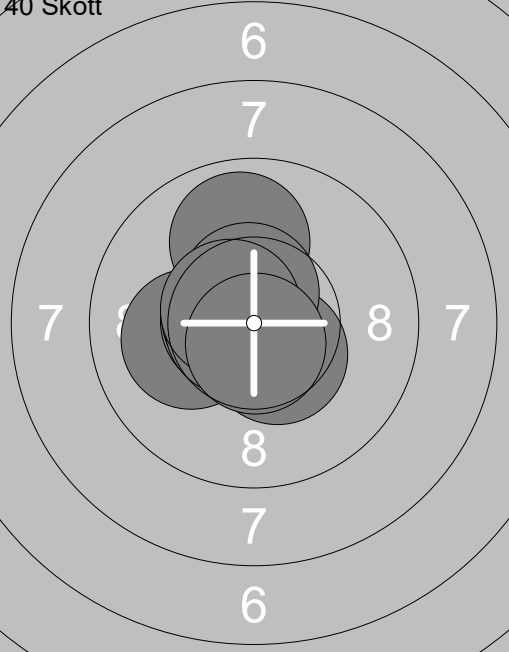
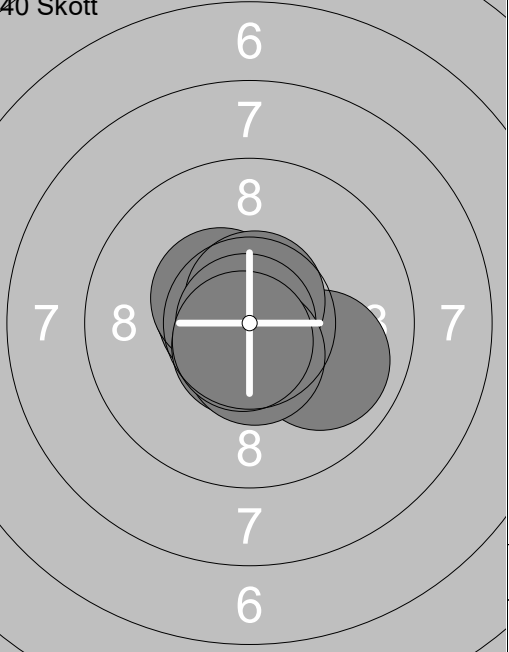
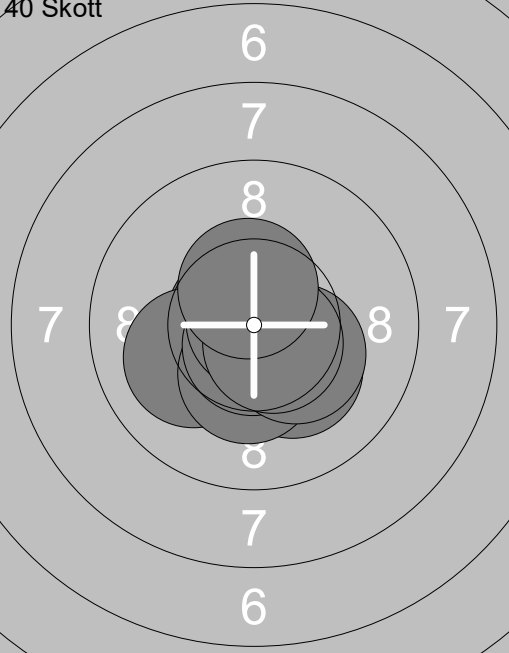
<p>40 Skott</p> 	<p>1: 9.7 ←</p> <p>2: 10.6x↗</p> <p>3: 10.1←</p> <p>4: 10.6x➤</p> <p>5: 9.6 ↑</p> <p>6: 10.3x↙</p> <p>7: 10.6x↖</p> <p>8: 10.9x↙</p> <p>9: 10.5x↙</p> <p>10: 10.4x↖</p>	<p>40 Skott</p> 	<p>11: 9.7 ↙</p> <p>12: 10.4x↖</p> <p>13: 9.8 ←</p> <p>14: 10.4x↖</p> <p>15: 10.6x↗</p> <p>16: 10.1←</p> <p>17: 9.9 ↖</p> <p>18: 10.3x↖</p> <p>19: 10.3x↗</p> <p>20: 10.4x↖</p>
Serie 103.3	Total 103.3	Serie 101.9	Total 205.2

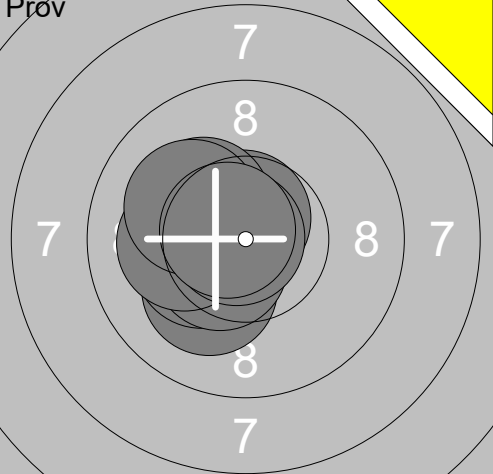
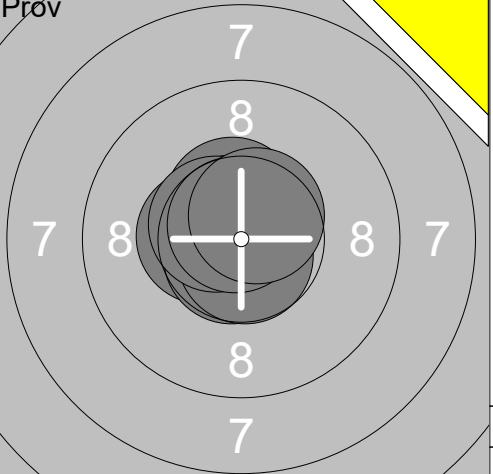
<p>40 Skott</p> 	<p>21: 10.7x↗</p> <p>22: 10.8x↙</p> <p>23: 10.3x↗</p> <p>24: 10.8x➤</p> <p>25: 10.7x➤</p> <p>26: 9.9 ↖</p> <p>27: 10.2x↗</p> <p>28: 10.6x↗</p> <p>29: 10.5x↗</p> <p>30: 10.4x↖</p>	<p>40 Skott</p> 	<p>31: 10.7x↖</p> <p>32: 10.7x➤</p> <p>33: 10.2x↗</p> <p>34: 10.7x↖</p> <p>35: 10.7x↖</p> <p>36: 10.6x➤</p> <p>37: 10.3x↖</p> <p>38: 10.9x↗</p> <p>39: 10.7x↖</p> <p>40: 10.6x↖</p>
Serie 104.9	Total 310.1	Serie 106.1	Total 416.2

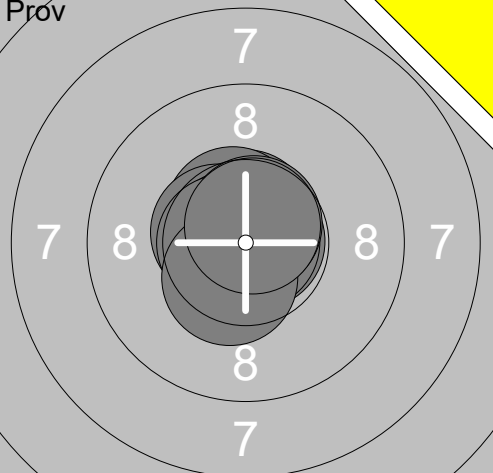
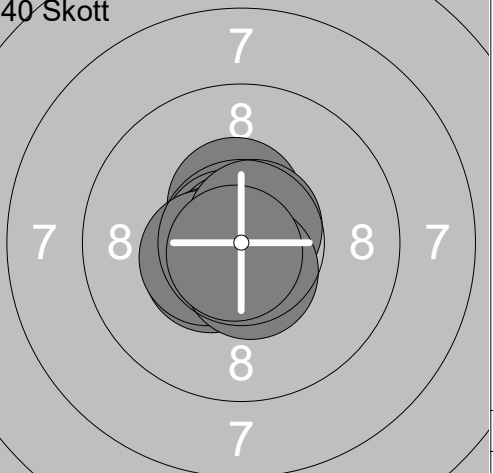
Prov 	1: 9.7 ↘ 2: 9.1 ↘ 3: 10.4x↘ 4: 10.0 ↘ 5: 10.5x→ 6: 10.7x↘ 7: 10.5x↙ 8: 10.5x↓ 9: 10.4x→ 10: 10.7x←	Prov 	11: 10.4x→ 12: 10.4x↗ 13: 10.2x→ 14: 10.8x↙
Serie	102.5	Serie	41.8
Total	0.0	Total	0.0

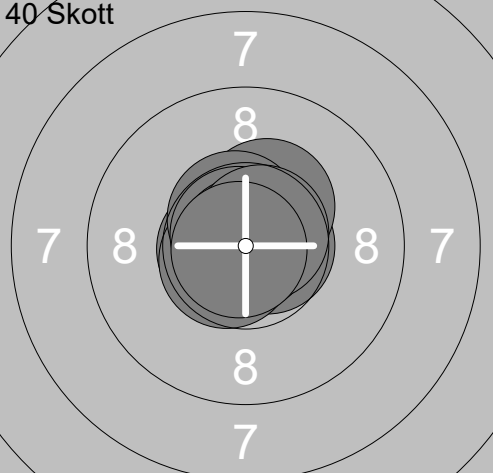
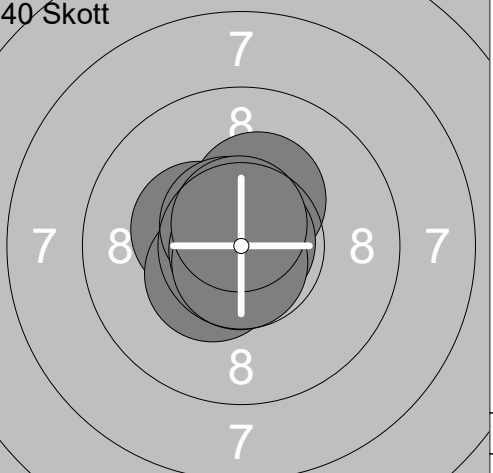
40 Skott 	1: 10.9x↘ 2: 10.5x↙ 3: 10.5x→ 4: 10.5x↙ 5: 10.8x↗ 6: 10.6x↗ 7: 10.5x↙ 8: 10.6x↘ 9: 10.7x↓ 10: 10.8x↓	40 Skott 	11: 10.7x↗ 12: 10.7x↙ 13: 10.8x↙ 14: 10.4x↗ 15: 10.0← 16: 10.0↑ 17: 10.8x↘ 18: 9.9↗ 19: 10.5x↙ 20: 10.4x↗
Serie	106.4	Serie	104.2
Total	106.4	Total	210.6

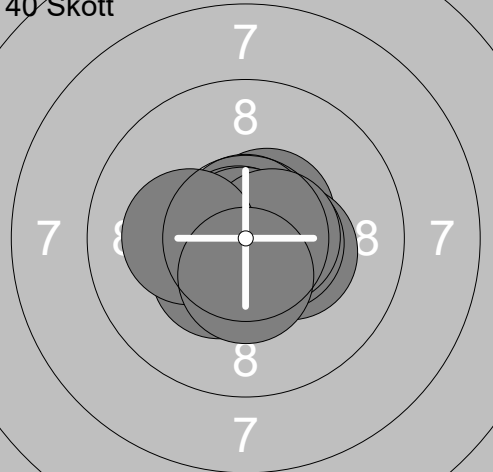
40 Skott 	21: 10.3x↗ 22: 9.9 ↘ 23: 10.4x↙ 24: 10.6x↓ 25: 10.2x→ 26: 10.5x↙ 27: 10.7x↙ 28: 10.9x→ 29: 10.5x↙ 30: 10.6x↓	40 Skott 	31: 10.8x↘ 32: 10.0↑ 33: 10.4x↙ 34: 10.4x↙ 35: 10.6x↙ 36: 10.7x↙ 37: 10.5x↙ 38: 10.8x↗ 39: 10.7x↗ 40: 10.3x↙
Serie	104.6	Serie	105.2
Total	315.2	Total	420.4

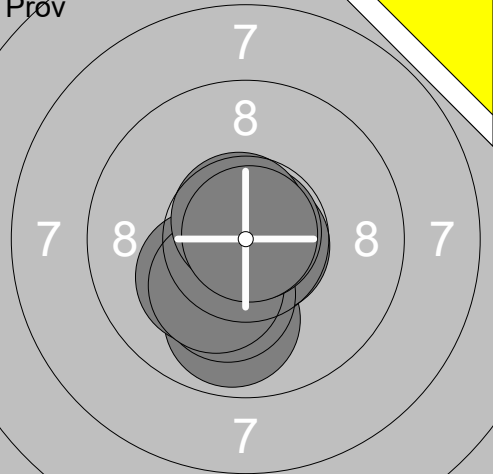
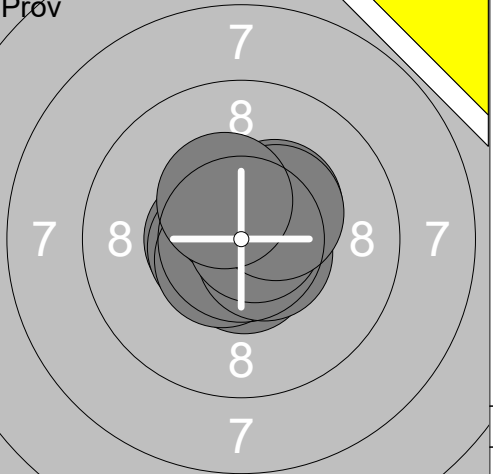
Prov 	1: 9.8 ↘ 2: 9.8 ↘ 3: 10.4x ↘ 4: 10.8x ↘ 5: 10.6x ↘ 6: 10.2x ↘ 7: 10.4x ↘ 8: 10.7x → 9: 10.6x → 10: 10.8x ↗ <hr/> Serie 104.1 Total 0.0	40 Skott 	1: 10.4x ↘ 2: 10.0 ↘ 3: 10.6x → 4: 10.0 → 5: 10.5x ↘ 6: 10.5x ↘ 7: 10.6x ↘ 8: 10.5x ↗ 9: 10.8x ↘ 10: 10.7x ↘ <hr/> Serie 104.6 Total 104.6
40 Skott 	11: 10.7x ↘ 12: 10.1 ← 13: 9.9 ↑ 14: 10.5x ↘ 15: 10.7x ↘ 16: 10.7x ↘ 17: 10.7x ↘ 18: 10.6x ↗ 19: 10.6x ↘ 20: 10.7x ↘ <hr/> Serie 105.2 Total 209.8	40 Skott 	21: 10.5x ↘ 22: 10.7x ↘ 23: 10.5x ↘ 24: 10.8x ↘ 25: 10.6x ↘ 26: 9.9 → 27: 10.7x ↗ 28: 10.9x ↘ 29: 10.5x ↘ 30: 10.7x ↘ <hr/> Serie 105.8 Total 315.6
40 Skott 	31: 10.2x ↘ 32: 10.7x ↘ 33: 10.6x ↘ 34: 10.1 ← 35: 10.3x ↘ 36: 10.7x ↘ 37: 10.3x ↘ 38: 10.9x ↗ 39: 10.6x ↘ 40: 10.5x ↗ <hr/> Serie 104.9 Total 420.5		

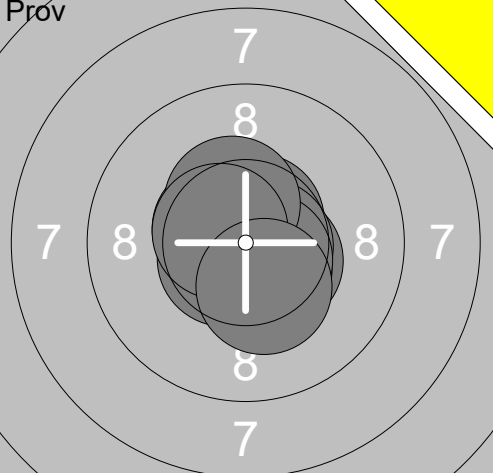
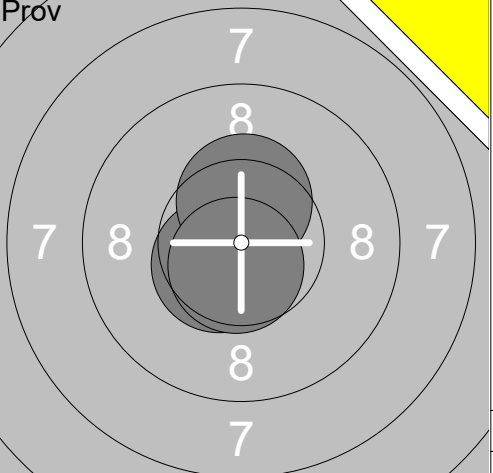
<p>Pröv</p> 	<p>1: 10.6x ← 2: 10.2x ↙ 3: 10.3x ← 4: 10.7x ↑ 5: 10.5x ↙ 6: 10.1 ← 7: 10.2x ↗ 8: 10.1 ↗ 9: 10.8x ← 10: 10.7x ↖</p> <p>Serie 104.2 Total 0.0</p>	<p>Pröv</p> 	<p>11: 10.5x ↑ 12: 10.7x ↗ 13: 10.7x ← 14: 10.5x ← 15: 10.7x ↙ 16: 10.7x ↑ 17: 10.7x ↓ 18: 10.6x ↖ 19: 10.7x ↗ 20: 10.6x ↗</p> <p>Serie 106.4 Total 0.0</p>
--	---	--	--

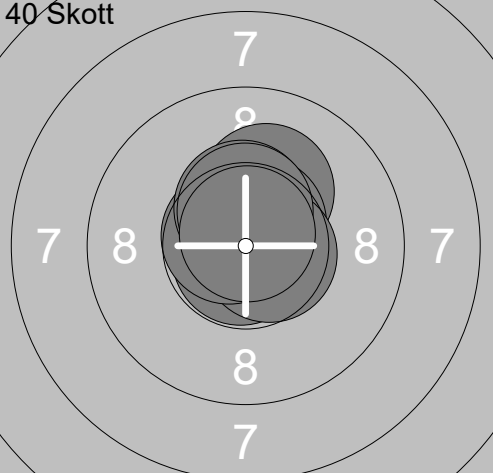
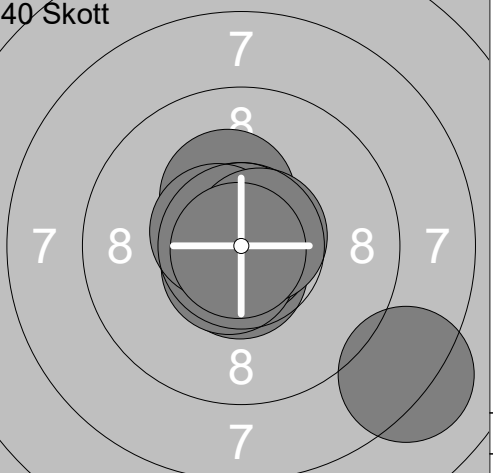
<p>Pröv</p> 	<p>21: 10.8x → 22: 10.6x ↑ 23: 10.5x ↗ 24: 10.6x ↖ 25: 10.9x → 26: 10.8x ↖ 27: 10.7x ↗ 28: 10.7x ← 29: 10.4x ↙ 30: 10.7x ↗</p> <p>Serie 106.7 Total 0.0</p>	<p>40 Skott</p> 	<p>1: 10.5x ↙ 2: 10.5x ↑ 3: 10.8x ↖ 4: 10.9x ↖ 5: 10.6x ↙ 6: 10.8x ↓ 7: 10.5x ← 8: 10.7x ↗ 9: 10.6x ↓ 10: 10.8x ↙</p> <p>Serie 106.7 Total 106.7</p>
---	--	---	---

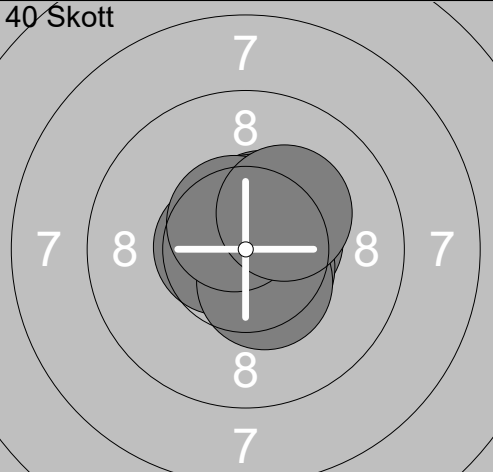
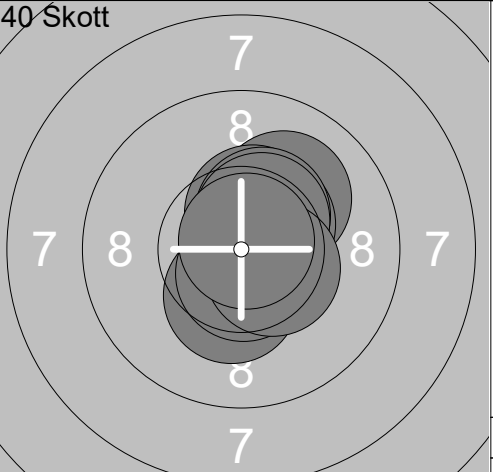
<p>40 Skott</p> 	<p>11: 10.7x ← 12: 10.7x ↗ 13: 10.7x → 14: 10.4x ↗ 15: 10.6x ↙ 16: 10.6x ↑ 17: 10.8x ↗ 18: 10.9x ↑ 19: 10.7x ↗ 20: 10.8x ←</p> <p>Serie 106.9 Total 213.6</p>	<p>40 Skott</p> 	<p>21: 10.7x ↖ 22: 10.4x ↖ 23: 10.4x ↙ 24: 10.3x ↑ 25: 10.8x ↗ 26: 10.8x ↗ 27: 10.6x ↗ 28: 10.9x ↙ 29: 10.7x ↓ 30: 10.7x ↑</p> <p>Serie 106.3 Total 319.9</p>
--	--	--	--

<p>40 Skott</p> 	<p>31: 10.6x ↗ 32: 10.7x ↑ 33: 10.4x ↙ 34: 10.3x → 35: 10.6x → 36: 10.8x ↖ 37: 10.9x ↗ 38: 10.6x → 39: 10.2x ← 40: 10.5x ↓</p> <p>Serie 105.6 Total 425.5</p>		
--	--	--	--

<p>Pröv</p> 	<table border="1" style="width:100%; border-collapse: collapse;"> <tr><td>1:</td><td>9.9</td><td>↓</td></tr> <tr><td>2:</td><td>10.3x</td><td>↓</td></tr> <tr><td>3:</td><td>10.7x</td><td>→</td></tr> <tr><td>4:</td><td>10.4x</td><td>↓</td></tr> <tr><td>5:</td><td>10.2x</td><td>←</td></tr> <tr><td>6:</td><td>10.2x</td><td>↓</td></tr> <tr><td>7:</td><td>10.2x</td><td>↓</td></tr> <tr><td>8:</td><td>10.8x</td><td>↗</td></tr> <tr><td>9:</td><td>10.7x</td><td>↑</td></tr> <tr><td>10:</td><td>10.9x</td><td>↗</td></tr> <tr><td colspan="2">Serie</td><td>104.3</td></tr> <tr><td colspan="2">Total</td><td>0.0</td></tr> </table>	1:	9.9	↓	2:	10.3x	↓	3:	10.7x	→	4:	10.4x	↓	5:	10.2x	←	6:	10.2x	↓	7:	10.2x	↓	8:	10.8x	↗	9:	10.7x	↑	10:	10.9x	↗	Serie		104.3	Total		0.0	<p>Pröv</p>  <table border="1" style="width:100%; border-collapse: collapse;"> <tr><td>11:</td><td>10.6x</td><td>↓</td></tr> <tr><td>12:</td><td>10.6x</td><td>←</td></tr> <tr><td>13:</td><td>10.6x</td><td>←</td></tr> <tr><td>14:</td><td>10.6x</td><td>↙</td></tr> <tr><td>15:</td><td>10.6x</td><td>↑</td></tr> <tr><td>16:</td><td>10.3x</td><td>↗</td></tr> <tr><td>17:</td><td>10.6x</td><td>→</td></tr> <tr><td>18:</td><td>10.8x</td><td>→</td></tr> <tr><td>19:</td><td>10.4x</td><td>↗</td></tr> <tr><td>20:</td><td>10.4x</td><td>↑</td></tr> <tr><td colspan="2">Serie</td><td>105.5</td></tr> <tr><td colspan="2">Total</td><td>0.0</td></tr> </table>	11:	10.6x	↓	12:	10.6x	←	13:	10.6x	←	14:	10.6x	↙	15:	10.6x	↑	16:	10.3x	↗	17:	10.6x	→	18:	10.8x	→	19:	10.4x	↗	20:	10.4x	↑	Serie		105.5	Total		0.0
1:	9.9	↓																																																																								
2:	10.3x	↓																																																																								
3:	10.7x	→																																																																								
4:	10.4x	↓																																																																								
5:	10.2x	←																																																																								
6:	10.2x	↓																																																																								
7:	10.2x	↓																																																																								
8:	10.8x	↗																																																																								
9:	10.7x	↑																																																																								
10:	10.9x	↗																																																																								
Serie		104.3																																																																								
Total		0.0																																																																								
11:	10.6x	↓																																																																								
12:	10.6x	←																																																																								
13:	10.6x	←																																																																								
14:	10.6x	↙																																																																								
15:	10.6x	↑																																																																								
16:	10.3x	↗																																																																								
17:	10.6x	→																																																																								
18:	10.8x	→																																																																								
19:	10.4x	↗																																																																								
20:	10.4x	↑																																																																								
Serie		105.5																																																																								
Total		0.0																																																																								

<p>Pröv</p>  <table border="1" style="width:100%; border-collapse: collapse;"> <tr><td>21:</td><td>10.5x</td><td>→</td></tr> <tr><td>22:</td><td>10.6x</td><td>↑</td></tr> <tr><td>23:</td><td>10.6x</td><td>←</td></tr> <tr><td>24:</td><td>10.7x</td><td>→</td></tr> <tr><td>25:</td><td>10.5x</td><td>↓</td></tr> <tr><td>26:</td><td>10.6x</td><td>↓</td></tr> <tr><td>27:</td><td>10.6x</td><td>↗</td></tr> <tr><td>28:</td><td>10.4x</td><td>↗</td></tr> <tr><td>29:</td><td>10.6x</td><td>↖</td></tr> <tr><td>30:</td><td>10.3x</td><td>↓</td></tr> <tr><td colspan="2">Serie</td><td>105.4</td></tr> <tr><td colspan="2">Total</td><td>0.0</td></tr> </table>	21:	10.5x	→	22:	10.6x	↑	23:	10.6x	←	24:	10.7x	→	25:	10.5x	↓	26:	10.6x	↓	27:	10.6x	↗	28:	10.4x	↗	29:	10.6x	↖	30:	10.3x	↓	Serie		105.4	Total		0.0	<p>Pröv</p>  <table border="1" style="width:100%; border-collapse: collapse;"> <tr><td>31:</td><td>10.5x</td><td>↙</td></tr> <tr><td>32:</td><td>10.4x</td><td>↑</td></tr> <tr><td>33:</td><td>10.6x</td><td>↓</td></tr> <tr><td colspan="2">Serie</td><td>31.5</td></tr> <tr><td colspan="2">Total</td><td>0.0</td></tr> </table>	31:	10.5x	↙	32:	10.4x	↑	33:	10.6x	↓	Serie		31.5	Total		0.0
21:	10.5x	→																																																		
22:	10.6x	↑																																																		
23:	10.6x	←																																																		
24:	10.7x	→																																																		
25:	10.5x	↓																																																		
26:	10.6x	↓																																																		
27:	10.6x	↗																																																		
28:	10.4x	↗																																																		
29:	10.6x	↖																																																		
30:	10.3x	↓																																																		
Serie		105.4																																																		
Total		0.0																																																		
31:	10.5x	↙																																																		
32:	10.4x	↑																																																		
33:	10.6x	↓																																																		
Serie		31.5																																																		
Total		0.0																																																		

<p>40 Skott</p>  <table border="1" style="width:100%; border-collapse: collapse;"> <tr><td>1:</td><td>10.2x</td><td>↑</td></tr> <tr><td>2:</td><td>10.8x</td><td>→</td></tr> <tr><td>3:</td><td>10.8x</td><td>↓</td></tr> <tr><td>4:</td><td>10.6x</td><td>↑</td></tr> <tr><td>5:</td><td>10.6x</td><td>↗</td></tr> <tr><td>6:</td><td>10.6x</td><td>→</td></tr> <tr><td>7:</td><td>10.7x</td><td>↖</td></tr> <tr><td>8:</td><td>10.4x</td><td>↑</td></tr> <tr><td>9:</td><td>10.5x</td><td>↑</td></tr> <tr><td>10:</td><td>10.8x</td><td>↑</td></tr> <tr><td colspan="2">Serie</td><td>106.0</td></tr> <tr><td colspan="2">Total</td><td>106.0</td></tr> </table>	1:	10.2x	↑	2:	10.8x	→	3:	10.8x	↓	4:	10.6x	↑	5:	10.6x	↗	6:	10.6x	→	7:	10.7x	↖	8:	10.4x	↑	9:	10.5x	↑	10:	10.8x	↑	Serie		106.0	Total		106.0	<p>40 Skott</p>  <table border="1" style="width:100%; border-collapse: collapse;"> <tr><td>11:</td><td>10.6x</td><td>↓</td></tr> <tr><td>12:</td><td>10.9x</td><td>→</td></tr> <tr><td>13:</td><td>10.3x</td><td>↑</td></tr> <tr><td>14:</td><td>10.9x</td><td>→</td></tr> <tr><td>15:</td><td>10.6x</td><td>↓</td></tr> <tr><td>16:</td><td>10.7x</td><td>↑</td></tr> <tr><td>17:</td><td>10.6x</td><td>↖</td></tr> <tr><td>18:</td><td>8.2</td><td>→</td></tr> <tr><td>19:</td><td>10.7x</td><td>↗</td></tr> <tr><td>20:</td><td>10.9x</td><td>↙</td></tr> <tr><td colspan="2">Serie</td><td>104.4</td></tr> <tr><td colspan="2">Total</td><td>210.4</td></tr> </table>	11:	10.6x	↓	12:	10.9x	→	13:	10.3x	↑	14:	10.9x	→	15:	10.6x	↓	16:	10.7x	↑	17:	10.6x	↖	18:	8.2	→	19:	10.7x	↗	20:	10.9x	↙	Serie		104.4	Total		210.4
1:	10.2x	↑																																																																							
2:	10.8x	→																																																																							
3:	10.8x	↓																																																																							
4:	10.6x	↑																																																																							
5:	10.6x	↗																																																																							
6:	10.6x	→																																																																							
7:	10.7x	↖																																																																							
8:	10.4x	↑																																																																							
9:	10.5x	↑																																																																							
10:	10.8x	↑																																																																							
Serie		106.0																																																																							
Total		106.0																																																																							
11:	10.6x	↓																																																																							
12:	10.9x	→																																																																							
13:	10.3x	↑																																																																							
14:	10.9x	→																																																																							
15:	10.6x	↓																																																																							
16:	10.7x	↑																																																																							
17:	10.6x	↖																																																																							
18:	8.2	→																																																																							
19:	10.7x	↗																																																																							
20:	10.9x	↙																																																																							
Serie		104.4																																																																							
Total		210.4																																																																							

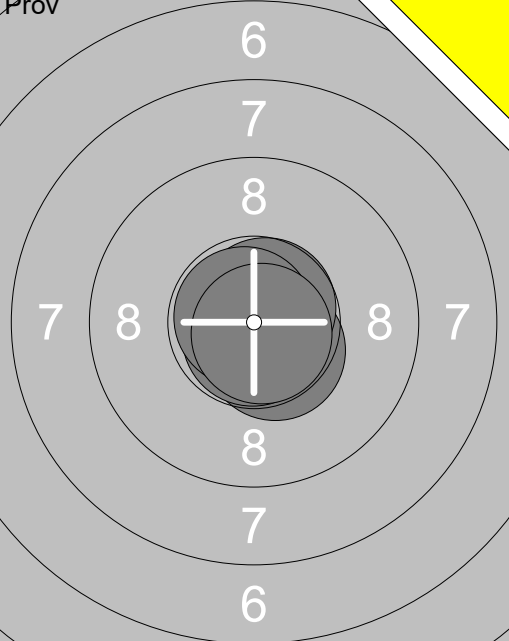
<p>40 Skott</p>  <table border="1" style="width:100%; border-collapse: collapse;"> <tr><td>21:</td><td>10.5x</td><td>↑</td></tr> <tr><td>22:</td><td>10.7x</td><td>↖</td></tr> <tr><td>23:</td><td>10.7x</td><td>↑</td></tr> <tr><td>24:</td><td>10.6x</td><td>↑</td></tr> <tr><td>25:</td><td>10.6x</td><td>←</td></tr> <tr><td>26:</td><td>10.5x</td><td>→</td></tr> <tr><td>27:</td><td>10.6x</td><td>↓</td></tr> <tr><td>28:</td><td>10.5x</td><td>↓</td></tr> <tr><td>29:</td><td>10.6x</td><td>↗</td></tr> <tr><td>30:</td><td>10.2x</td><td>↗</td></tr> <tr><td colspan="2">Serie</td><td>105.5</td></tr> <tr><td colspan="2">Total</td><td>315.9</td></tr> </table>	21:	10.5x	↑	22:	10.7x	↖	23:	10.7x	↑	24:	10.6x	↑	25:	10.6x	←	26:	10.5x	→	27:	10.6x	↓	28:	10.5x	↓	29:	10.6x	↗	30:	10.2x	↗	Serie		105.5	Total		315.9	<p>40 Skott</p>  <table border="1" style="width:100%; border-collapse: collapse;"> <tr><td>31:</td><td>10.1</td><td>↗</td></tr> <tr><td>32:</td><td>10.7x</td><td>↓</td></tr> <tr><td>33:</td><td>10.4x</td><td>↑</td></tr> <tr><td>34:</td><td>10.3x</td><td>↓</td></tr> <tr><td>35:</td><td>10.5x</td><td>↗</td></tr> <tr><td>36:</td><td>10.4x</td><td>↗</td></tr> <tr><td>37:</td><td>10.5x</td><td>↗</td></tr> <tr><td>38:</td><td>10.6x</td><td>↓</td></tr> <tr><td>39:</td><td>10.5x</td><td>→</td></tr> <tr><td>40:</td><td>10.8x</td><td>↗</td></tr> <tr><td colspan="2">Serie</td><td>104.8</td></tr> <tr><td colspan="2">Total</td><td>420.7</td></tr> </table>	31:	10.1	↗	32:	10.7x	↓	33:	10.4x	↑	34:	10.3x	↓	35:	10.5x	↗	36:	10.4x	↗	37:	10.5x	↗	38:	10.6x	↓	39:	10.5x	→	40:	10.8x	↗	Serie		104.8	Total		420.7
21:	10.5x	↑																																																																							
22:	10.7x	↖																																																																							
23:	10.7x	↑																																																																							
24:	10.6x	↑																																																																							
25:	10.6x	←																																																																							
26:	10.5x	→																																																																							
27:	10.6x	↓																																																																							
28:	10.5x	↓																																																																							
29:	10.6x	↗																																																																							
30:	10.2x	↗																																																																							
Serie		105.5																																																																							
Total		315.9																																																																							
31:	10.1	↗																																																																							
32:	10.7x	↓																																																																							
33:	10.4x	↑																																																																							
34:	10.3x	↓																																																																							
35:	10.5x	↗																																																																							
36:	10.4x	↗																																																																							
37:	10.5x	↗																																																																							
38:	10.6x	↓																																																																							
39:	10.5x	→																																																																							
40:	10.8x	↗																																																																							
Serie		104.8																																																																							
Total		420.7																																																																							

<p>Pröv</p>	<p>1: 10.3x ↗ 2: 10.5x ← 3: 10.0 ↗ 4: 10.3x ↗ 5: 10.8x → 6: 10.7x ↓ 7: 10.8x ↗ 8: 10.9x → 9: 10.5x ↗ 10: 10.2x ←</p> <p>Serie 105.0 Total 0.0</p>	<p>Pröv</p>	<p>11: 10.3x ↓ 12: 10.8x → 13: 10.2x ↓ 14: 10.8x ↗ 15: 10.3x ↓ 16: 10.3x ↓ 17: 10.2x ↓ 18: 10.8x ↓ 19: 10.9x → 20: 10.4x ↑</p> <p>Serie 105.0 Total 0.0</p>
-------------	--	-------------	--


<p>Pröv</p>	<p>21: 10.8x → 22: 10.9x ↓ 23: 10.7x ↗</p> <p>Serie 32.4 Total 0.0</p>	<p>40 Skott</p>	<p>1: 10.6x ↓ 2: 10.9x ← 3: 10.9x ↓ 4: 10.3x ↙ 5: 10.5x ← 6: 10.2x → 7: 10.5x ← 8: 10.6x ↙ 9: 10.5x ↗ 10: 10.4x ↙</p> <p>Serie 105.4 Total 105.4</p>
-------------	--	-----------------	---

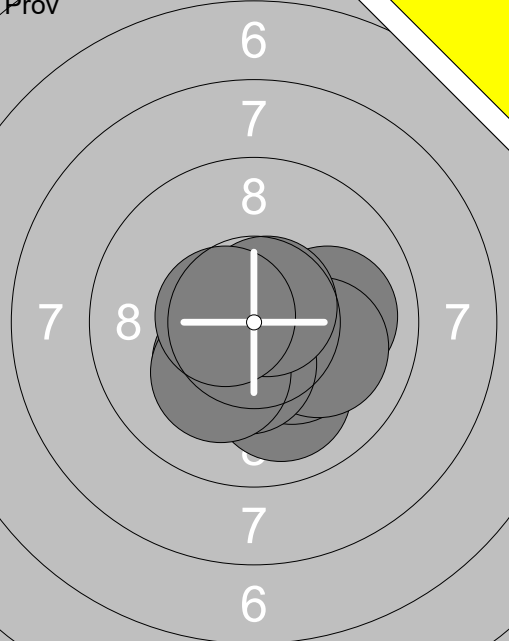
<p>40 Skott</p>	<p>11: 10.8x → 12: 10.3x → 13: 10.9x ↓ 14: 10.6x ↑ 15: 10.8x → 16: 10.6x ↓ 17: 10.5x → 18: 10.8x ↓ 19: 10.7x ← 20: 10.8x ↑</p> <p>Serie 106.8 Total 212.2</p>	<p>40 Skott</p>	<p>21: 10.5x ↓ 22: 10.6x → 23: 10.6x → 24: 10.9x ↗ 25: 10.8x ↓ 26: 10.8x ↓ 27: 10.5x → 28: 10.3x ↓ 29: 10.8x → 30: 10.5x ↓</p> <p>Serie 106.3 Total 318.5</p>
-----------------	--	-----------------	--

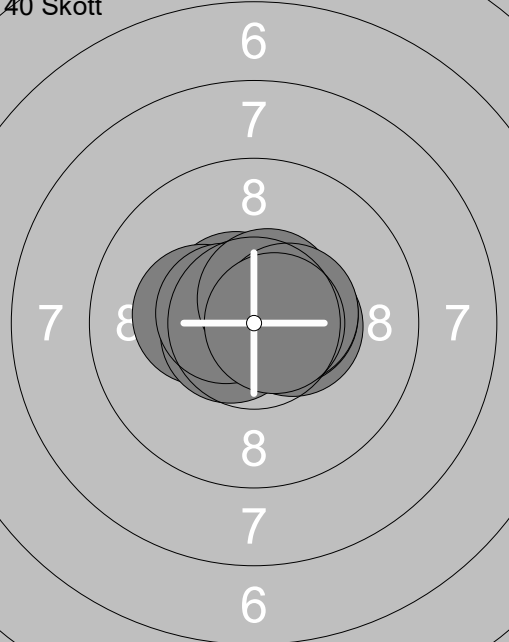
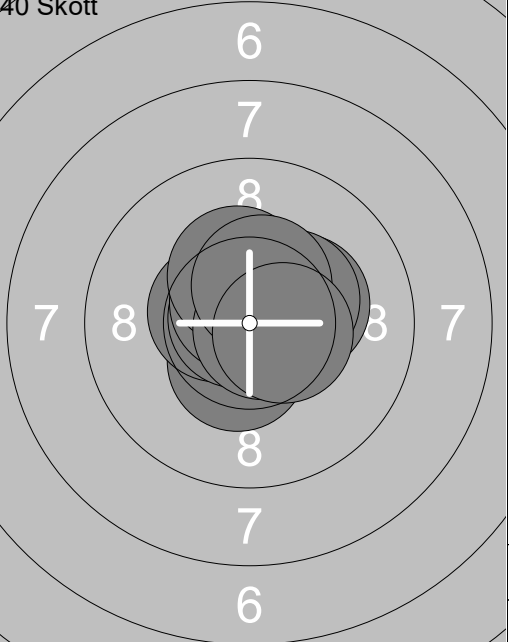
<p>40 Skott</p>	<p>31: 10.6x → 32: 10.7x ↗ 33: 10.5x ↗ 34: 10.4x ↓ 35: 10.6x ↙ 36: 10.5x ↓ 37: 10.6x ↙ 38: 10.0 ↙ 39: 10.8x ↓ 40: 10.5x ↓</p> <p>Serie 105.2 Total 423.7</p>		
-----------------	---	--	--

Prov 	1: 10.5x↘ 2: 10.8x↓ 3: 10.7x↗ 4: 10.8x↘ 5: 10.8x↘	40 Skott 	1: 10.7x↘ 2: 10.7x↗ 3: 10.8x↘ 4: 10.3x↓ 5: 10.9x↘ 6: 10.2x↓ 7: 10.4x↘ 8: 10.6x↘ 9: 10.6x↘ 10: 10.2x↘
Serie 53.6		Serie 105.4	
Total 0.0		Total 105.4	

40 Skott 	11: 10.3x↘ 12: 10.9x↘ 13: 10.9x↗ 14: 10.7x↘ 15: 10.6x↘ 16: 10.6x↘ 17: 10.5x↓ 18: 10.9x↘ 19: 10.9x↗ 20: 10.6x↘	40 Skott 	21: 10.6x↘ 22: 10.7x↘ 23: 10.7x↘ 24: 10.2x↓ 25: 10.6x↘ 26: 10.1 ↓ 27: 10.4x↓ 28: 10.3x↗ 29: 10.1 ↙ 30: 10.7x↘
Serie 106.9		Serie 104.4	
Total 212.3		Total 316.7	

40 Skott 	31: 10.6x↗ 32: 10.8x↓ 33: 10.9x↘ 34: 10.5x↗ 35: 10.7x↘ 36: 10.7x↗ 37: 10.7x↓ 38: 10.5x↗ 39: 10.7x↘ 40: 10.9x↘		
Serie 107.0			
Total 423.7			

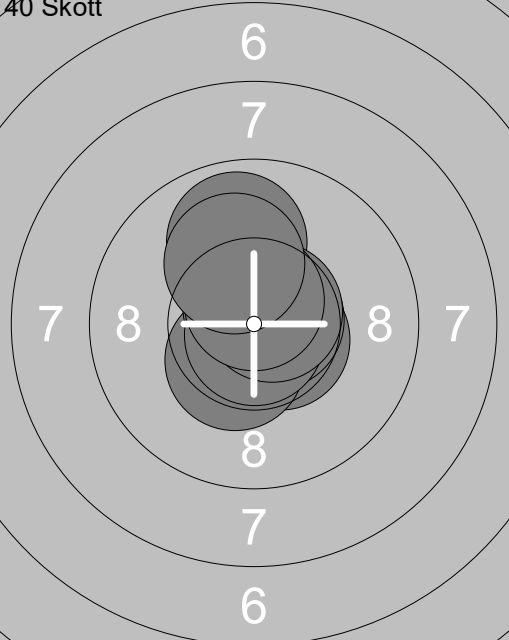
Prov 	1: 10.0 → 2: 10.0 ↓ 3: 10.3x ↘ 4: 10.1 → 5: 10.3x ↘ 6: 10.4x ↓ 7: 10.7x ← 8: 10.2x ↘ 9: 10.7x ↗ 10: 10.6x ← <hr/> Serie 103.3 Total 0.0	Prov 	11: 10.8x ← 12: 10.4x ← 13: 10.8x ← <hr/> Serie 32.0 Total 0.0
--	--	--	--

40 Skott 	1: 10.8x ↗ 2: 10.6x ↘ 3: 10.3x ← 4: 10.6x ← 5: 10.6x ← 6: 10.5x → 7: 10.5x → 8: 10.6x ↗ 9: 10.5x → 10: 10.7x → <hr/> Serie 105.7 Total 105.7	40 Skott 	11: 10.4x ↓ 12: 10.5x ← 13: 10.8x ← 14: 10.7x ↗ 15: 10.3x → 16: 10.3x ↗ 17: 10.4x ↗ 18: 10.8x → 19: 10.5x ↗ 20: 10.5x → <hr/> Serie 105.2 Total 210.9
---	---	---	--

40 Skott 	21: 10.2x ↗ 22: 10.4x ↘ 23: 10.5x ← 24: 10.2x ↓ 25: 10.7x ← 26: 10.7x ↗ 27: 10.7x ↓ 28: 10.4x ↓ 29: 10.3x ↓ 30: 10.6x ← <hr/> Serie 104.7 Total 315.6	40 Skott 	31: 10.7x → 32: 10.7x ↗ 33: 10.3x ← 34: 10.9x → 35: 10.5x → 36: 10.6x ↓ 37: 10.5x ← 38: 10.4x ↓ 39: 10.7x ↗ 40: 9.9 ↖ <hr/> Serie 105.2 Total 420.8
--	--	--	--

Prov 	1: 10.1 ↗ 2: 10.1 → 3: 10.8 ↘ 4: 10.4 ↘ 5: 10.6 ↘ 6: 10.4 ↘ 7: 10.8 ↘ 8: 10.6 ↘	40 Skott 	1: 10.6 ↘ 2: 10.1 → 3: 10.5 ↘ 4: 10.6 ↗ 5: 9.9 ↑ 6: 10.7 ↘ 7: 10.4 ↗ 8: 10.6 ↘ 9: 10.9 ↗ 10: 10.9 ↘
Serie 83.8		Serie 105.2	
Total 0.0		Total 105.2	


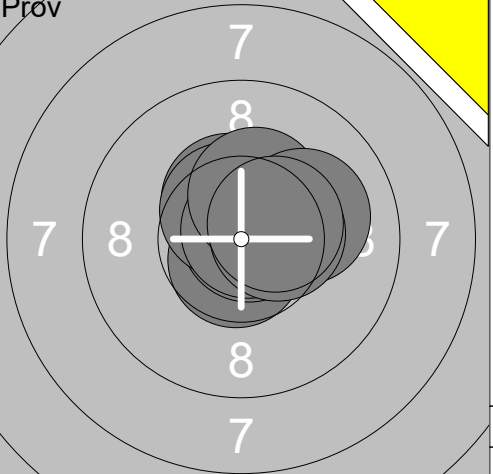
40 Skott 	11: 10.6 ↘ 12: 10.4 ↘ 13: 10.8 ✖ 14: 10.9 ↘ 15: 10.7 ↘ 16: 10.6 ↘ 17: 10.9 ↘ 18: 10.6 ↗ 19: 10.7 ↘ 20: 10.6 ↘	40 Skott 	21: 10.4 ↘ 22: 10.6 ✖ 23: 10.6 ↘ 24: 10.4 ↘ 25: 10.4 ↘ 26: 10.3 ↗ 27: 10.9 ✖ 28: 10.6 ↗ 29: 10.8 ✖ 30: 10.6 ↘
Serie 106.8		Serie 105.6	
Total 212.0		Total 317.6	

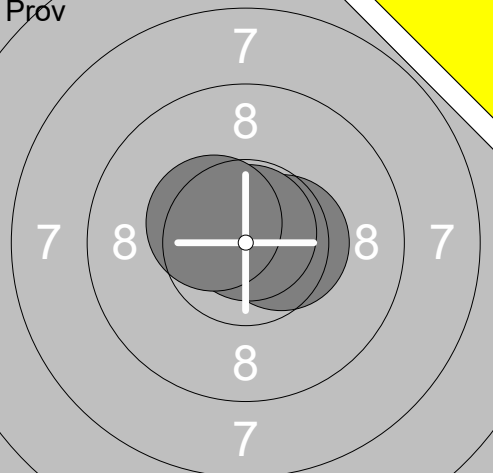
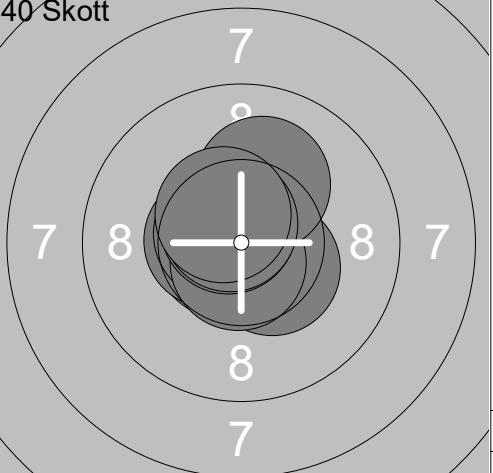
40 Skott 	31: 10.6 ↘ 32: 10.7 ↘ 33: 9.9 ↑ 34: 10.7 ↗ 35: 10.4 ↘ 36: 10.7 ↗ 37: 10.8 ↘ 38: 10.7 ↗ 39: 10.7 ↗ 40: 10.1 ↑		
Serie 105.3			
Total 422.9			

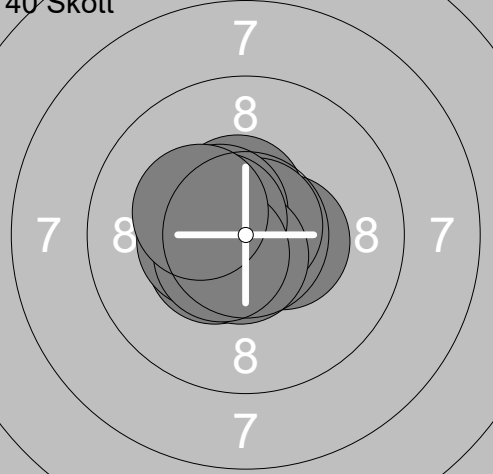
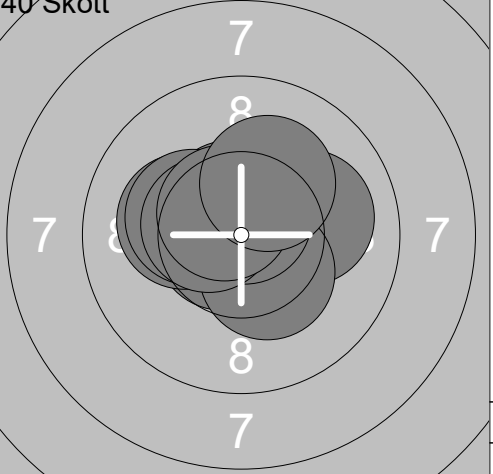
<p>Prov</p>	<p>1: 10.3x↗ 2: 10.3x↗ 3: 10.8x↘ 4: 10.4x↘ 5: 10.5x↗ 6: 10.5x↗ 7: 10.2x↗ 8: 10.1x↖ 9: 10.7x↖ 10: 10.6x↘</p>	<p>Prov</p>	<p>11: 10.3x↖ 12: 10.5x↗ 13: 10.8x↖ 14: 10.6x↘ 15: 10.2x↖ 16: 10.2x↖ 17: 10.3x↘ 18: 10.8x↗</p>
Serie 104.4		Serie 83.7	
Total 0.0		Total 0.0	

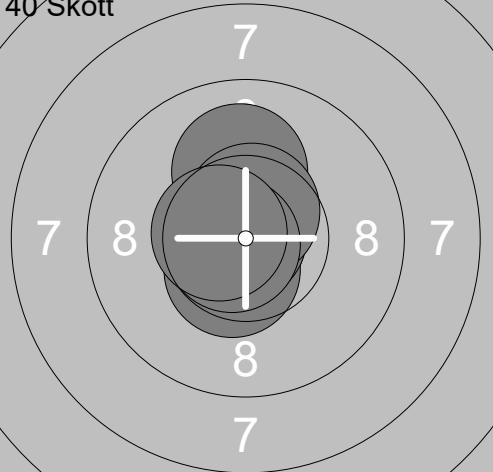
<p>40 Skott</p>	<p>1: 10.7x↘ 2: 10.5x→ 3: 10.7x↘ 4: 10.6x↘ 5: 10.5x↘ 6: 10.7x↘ 7: 10.6x↘ 8: 10.7x↗ 9: 10.7x→ 10: 10.4x↖</p>	<p>40 Skott</p>	<p>11: 10.3x↖ 12: 10.5x↘ 13: 10.5x↘ 14: 10.9x↗ 15: 10.6x↖ 16: 10.6x↖ 17: 10.7x↘ 18: 10.6x↘ 19: 10.4x↗ 20: 10.8x↖</p>
Serie 106.1		Serie 105.9	
Total 106.1		Total 212.0	

<p>40 Skott</p>	<p>21: 10.5x↖ 22: 10.1x↘ 23: 10.6x↘ 24: 10.8x↗ 25: 10.3x↗ 26: 10.4x↖ 27: 10.4x↘ 28: 10.6x↘ 29: 10.8x↖ 30: 10.6x↘</p>	<p>40 Skott</p>	<p>31: 10.2x↘ 32: 10.8x↗ 33: 10.6x↖ 34: 10.5x↘ 35: 10.6x↘ 36: 10.4x↘ 37: 10.8x↘ 38: 10.8x↖ 39: 10.5x↘ 40: 10.4x↘</p>
Serie 105.1		Serie 105.6	
Total 317.1		Total 422.7	

<p>Pröv</p> 	<table border="1" style="width:100%; border-collapse: collapse;"> <tr><td>1:</td><td>10.0</td><td>↓</td></tr> <tr><td>2:</td><td>10.6x</td><td>→</td></tr> <tr><td>3:</td><td>10.4x</td><td>→</td></tr> <tr><td>4:</td><td>10.6x</td><td>↓</td></tr> <tr><td>5:</td><td>10.7x</td><td>↓</td></tr> <tr><td>6:</td><td>10.9x</td><td>→</td></tr> <tr><td>7:</td><td>10.7x</td><td>↓</td></tr> <tr><td>8:</td><td>10.6x</td><td>↑</td></tr> <tr><td>9:</td><td>10.6x</td><td>↗</td></tr> <tr><td>10:</td><td>10.8x</td><td>↗</td></tr> <tr><td colspan="2">Serie</td><td>105.9</td></tr> <tr><td colspan="2">Total</td><td>0.0</td></tr> </table>	1:	10.0	↓	2:	10.6x	→	3:	10.4x	→	4:	10.6x	↓	5:	10.7x	↓	6:	10.9x	→	7:	10.7x	↓	8:	10.6x	↑	9:	10.6x	↗	10:	10.8x	↗	Serie		105.9	Total		0.0	<p>Pröv</p>  <table border="1" style="width:100%; border-collapse: collapse;"> <tr><td>11:</td><td>10.5x</td><td>↗</td></tr> <tr><td>12:</td><td>10.7x</td><td>↓</td></tr> <tr><td>13:</td><td>10.8x</td><td>↗</td></tr> <tr><td>14:</td><td>10.4x</td><td>↑</td></tr> <tr><td>15:</td><td>10.5x</td><td>↑</td></tr> <tr><td>16:</td><td>10.8x</td><td>↗</td></tr> <tr><td>17:</td><td>10.3x</td><td>↑</td></tr> <tr><td>18:</td><td>10.1</td><td>→</td></tr> <tr><td>19:</td><td>10.5x</td><td>→</td></tr> <tr><td>20:</td><td>10.5x</td><td>→</td></tr> <tr><td colspan="2">Serie</td><td>105.1</td></tr> <tr><td colspan="2">Total</td><td>0.0</td></tr> </table>	11:	10.5x	↗	12:	10.7x	↓	13:	10.8x	↗	14:	10.4x	↑	15:	10.5x	↑	16:	10.8x	↗	17:	10.3x	↑	18:	10.1	→	19:	10.5x	→	20:	10.5x	→	Serie		105.1	Total		0.0
1:	10.0	↓																																																																								
2:	10.6x	→																																																																								
3:	10.4x	→																																																																								
4:	10.6x	↓																																																																								
5:	10.7x	↓																																																																								
6:	10.9x	→																																																																								
7:	10.7x	↓																																																																								
8:	10.6x	↑																																																																								
9:	10.6x	↗																																																																								
10:	10.8x	↗																																																																								
Serie		105.9																																																																								
Total		0.0																																																																								
11:	10.5x	↗																																																																								
12:	10.7x	↓																																																																								
13:	10.8x	↗																																																																								
14:	10.4x	↑																																																																								
15:	10.5x	↑																																																																								
16:	10.8x	↗																																																																								
17:	10.3x	↑																																																																								
18:	10.1	→																																																																								
19:	10.5x	→																																																																								
20:	10.5x	→																																																																								
Serie		105.1																																																																								
Total		0.0																																																																								

<p>Pröv</p>  <table border="1" style="width:100%; border-collapse: collapse;"> <tr><td>21:</td><td>10.5x</td><td>→</td></tr> <tr><td>22:</td><td>10.8x</td><td>↑</td></tr> <tr><td>23:</td><td>10.5x</td><td>↖</td></tr> <tr><td colspan="2">Serie</td><td>31.8</td></tr> <tr><td colspan="2">Total</td><td>0.0</td></tr> </table>	21:	10.5x	→	22:	10.8x	↑	23:	10.5x	↖	Serie		31.8	Total		0.0	<p>40 Skott</p>  <table border="1" style="width:100%; border-collapse: collapse;"> <tr><td>1:</td><td>10.7x</td><td>↖</td></tr> <tr><td>2:</td><td>10.6x</td><td>↖</td></tr> <tr><td>3:</td><td>10.4x</td><td>↘</td></tr> <tr><td>4:</td><td>10.7x</td><td>↖</td></tr> <tr><td>5:</td><td>10.6x</td><td>↑</td></tr> <tr><td>6:</td><td>10.7x</td><td>↓</td></tr> <tr><td>7:</td><td>10.1</td><td>↑</td></tr> <tr><td>8:</td><td>10.7x</td><td>↗</td></tr> <tr><td>9:</td><td>10.7x</td><td>↗</td></tr> <tr><td>10:</td><td>10.5x</td><td>↗</td></tr> <tr><td colspan="2">Serie</td><td>105.7</td></tr> <tr><td colspan="2">Total</td><td>105.7</td></tr> </table>	1:	10.7x	↖	2:	10.6x	↖	3:	10.4x	↘	4:	10.7x	↖	5:	10.6x	↑	6:	10.7x	↓	7:	10.1	↑	8:	10.7x	↗	9:	10.7x	↗	10:	10.5x	↗	Serie		105.7	Total		105.7
21:	10.5x	→																																																		
22:	10.8x	↑																																																		
23:	10.5x	↖																																																		
Serie		31.8																																																		
Total		0.0																																																		
1:	10.7x	↖																																																		
2:	10.6x	↖																																																		
3:	10.4x	↘																																																		
4:	10.7x	↖																																																		
5:	10.6x	↑																																																		
6:	10.7x	↓																																																		
7:	10.1	↑																																																		
8:	10.7x	↗																																																		
9:	10.7x	↗																																																		
10:	10.5x	↗																																																		
Serie		105.7																																																		
Total		105.7																																																		

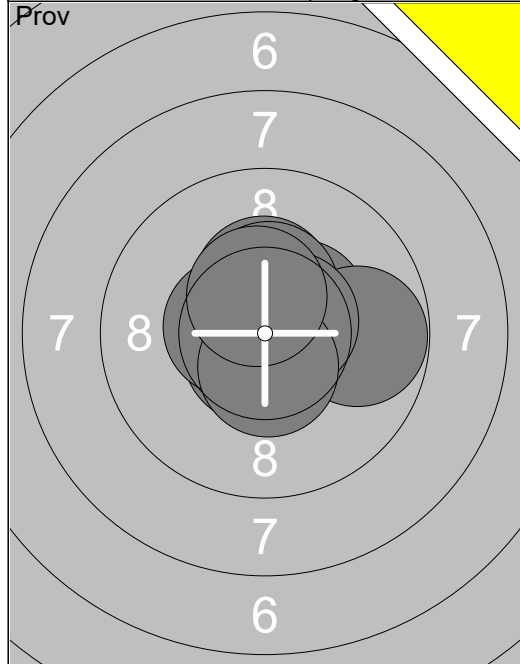
<p>40 Skott</p>  <table border="1" style="width:100%; border-collapse: collapse;"> <tr><td>11:</td><td>10.5x</td><td>↑</td></tr> <tr><td>12:</td><td>10.5x</td><td>→</td></tr> <tr><td>13:</td><td>10.5x</td><td>↖</td></tr> <tr><td>14:</td><td>10.8x</td><td>↗</td></tr> <tr><td>15:</td><td>10.4x</td><td>↖</td></tr> <tr><td>16:</td><td>10.5x</td><td>↗</td></tr> <tr><td>17:</td><td>10.7x</td><td>↓</td></tr> <tr><td>18:</td><td>10.6x</td><td>↖</td></tr> <tr><td>19:</td><td>10.5x</td><td>↖</td></tr> <tr><td>20:</td><td>10.3x</td><td>↖</td></tr> <tr><td colspan="2">Serie</td><td>105.3</td></tr> <tr><td colspan="2">Total</td><td>211.0</td></tr> </table>	11:	10.5x	↑	12:	10.5x	→	13:	10.5x	↖	14:	10.8x	↗	15:	10.4x	↖	16:	10.5x	↗	17:	10.7x	↓	18:	10.6x	↖	19:	10.5x	↖	20:	10.3x	↖	Serie		105.3	Total		211.0	<p>40 Skott</p>  <table border="1" style="width:100%; border-collapse: collapse;"> <tr><td>21:</td><td>10.7x</td><td>↖</td></tr> <tr><td>22:</td><td>10.2x</td><td>↖</td></tr> <tr><td>23:</td><td>10.1</td><td>→</td></tr> <tr><td>24:</td><td>10.6x</td><td>↑</td></tr> <tr><td>25:</td><td>10.4x</td><td>↘</td></tr> <tr><td>26:</td><td>10.3x</td><td>↖</td></tr> <tr><td>27:</td><td>10.7x</td><td>↑</td></tr> <tr><td>28:</td><td>10.5x</td><td>↖</td></tr> <tr><td>29:</td><td>10.6x</td><td>↗</td></tr> <tr><td>30:</td><td>10.2x</td><td>↑</td></tr> <tr><td colspan="2">Serie</td><td>104.3</td></tr> <tr><td colspan="2">Total</td><td>315.3</td></tr> </table>	21:	10.7x	↖	22:	10.2x	↖	23:	10.1	→	24:	10.6x	↑	25:	10.4x	↘	26:	10.3x	↖	27:	10.7x	↑	28:	10.5x	↖	29:	10.6x	↗	30:	10.2x	↑	Serie		104.3	Total		315.3
11:	10.5x	↑																																																																							
12:	10.5x	→																																																																							
13:	10.5x	↖																																																																							
14:	10.8x	↗																																																																							
15:	10.4x	↖																																																																							
16:	10.5x	↗																																																																							
17:	10.7x	↓																																																																							
18:	10.6x	↖																																																																							
19:	10.5x	↖																																																																							
20:	10.3x	↖																																																																							
Serie		105.3																																																																							
Total		211.0																																																																							
21:	10.7x	↖																																																																							
22:	10.2x	↖																																																																							
23:	10.1	→																																																																							
24:	10.6x	↑																																																																							
25:	10.4x	↘																																																																							
26:	10.3x	↖																																																																							
27:	10.7x	↑																																																																							
28:	10.5x	↖																																																																							
29:	10.6x	↗																																																																							
30:	10.2x	↑																																																																							
Serie		104.3																																																																							
Total		315.3																																																																							

<p>40 Skott</p>  <table border="1" style="width:100%; border-collapse: collapse;"> <tr><td>31:</td><td>10.1</td><td>↑</td></tr> <tr><td>32:</td><td>10.7x</td><td>↗</td></tr> <tr><td>33:</td><td>10.8x</td><td>↖</td></tr> <tr><td>34:</td><td>10.8x</td><td>↖</td></tr> <tr><td>35:</td><td>10.5x</td><td>↓</td></tr> <tr><td>36:</td><td>10.9x</td><td>↖</td></tr> <tr><td>37:</td><td>10.7x</td><td>↖</td></tr> <tr><td>38:</td><td>10.6x</td><td>↑</td></tr> <tr><td>39:</td><td>10.8x</td><td>↖</td></tr> <tr><td>40:</td><td>10.6x</td><td>↖</td></tr> <tr><td colspan="2">Serie</td><td>106.5</td></tr> <tr><td colspan="2">Total</td><td>421.8</td></tr> </table>	31:	10.1	↑	32:	10.7x	↗	33:	10.8x	↖	34:	10.8x	↖	35:	10.5x	↓	36:	10.9x	↖	37:	10.7x	↖	38:	10.6x	↑	39:	10.8x	↖	40:	10.6x	↖	Serie		106.5	Total		421.8	
31:	10.1	↑																																			
32:	10.7x	↗																																			
33:	10.8x	↖																																			
34:	10.8x	↖																																			
35:	10.5x	↓																																			
36:	10.9x	↖																																			
37:	10.7x	↖																																			
38:	10.6x	↑																																			
39:	10.8x	↖																																			
40:	10.6x	↖																																			
Serie		106.5																																			
Total		421.8																																			

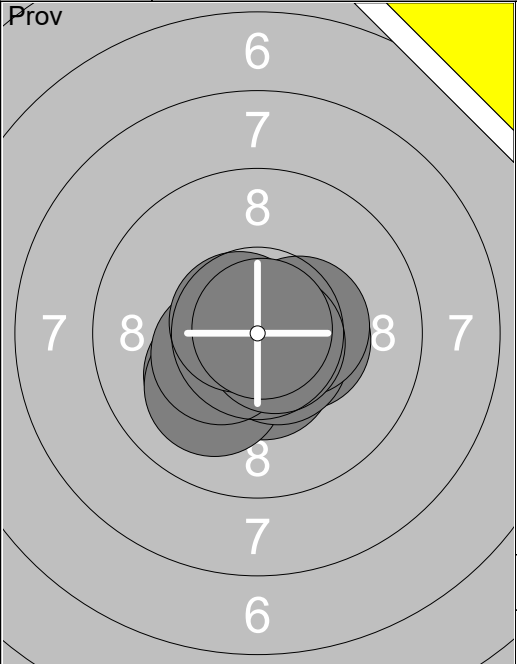
Prov 	1: 10.5x↘ 2: 10.5x↑ 3: 10.5x→ 4: 10.5x↓ 5: 10.6x↑ 6: 10.8x→ 7: 10.4x↓ 8: 10.8x← 9: 10.6x↙ 10: 10.5x↙	Prov 	11: 10.5x↙ 12: 10.5x↗ 13: 10.4x← 14: 10.8x↘
Serie	105.7	Serie	42.2
Total	0.0	Total	0.0

40 Skott 	1: 10.4x→ 2: 10.7x↘ 3: 10.6x↘ 4: 10.6x↓ 5: 10.2x↓ 6: 10.6x→ 7: 10.7x→ 8: 10.2x↓ 9: 10.6x↓ 10: 10.6x↓	40 Skott 	11: 10.3x← 12: 10.5x↘ 13: 10.5x↑ 14: 10.6x↓ 15: 10.6x→ 16: 10.4x→ 17: 10.7x← 18: 10.7x↑ 19: 10.4x↓ 20: 10.6x↓
Serie	105.2	Serie	105.3
Total	105.2	Total	210.5

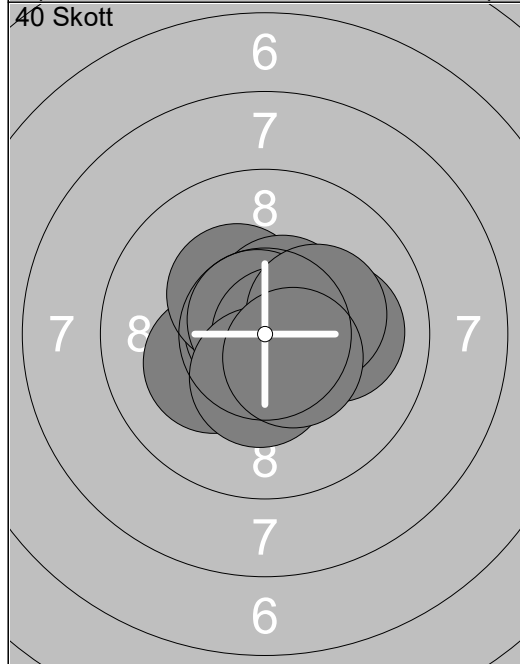
40 Skott 	21: 10.7x↗ 22: 10.6x↘ 23: 10.2x↘ 24: 10.4x↓ 25: 10.5x← 26: 10.4x↑ 27: 10.4x↓ 28: 10.1 ↘ 29: 10.7x↘ 30: 10.6x←	40 Skott 	31: 10.7x↓ 32: 10.4x← 33: 10.7x↗ 34: 10.4x← 35: 10.6x↑ 36: 10.8x→ 37: 10.7x← 38: 10.5x↘ 39: 10.6x↙ 40: 10.7x↑
Serie	104.6	Serie	106.1
Total	315.1	Total	421.2



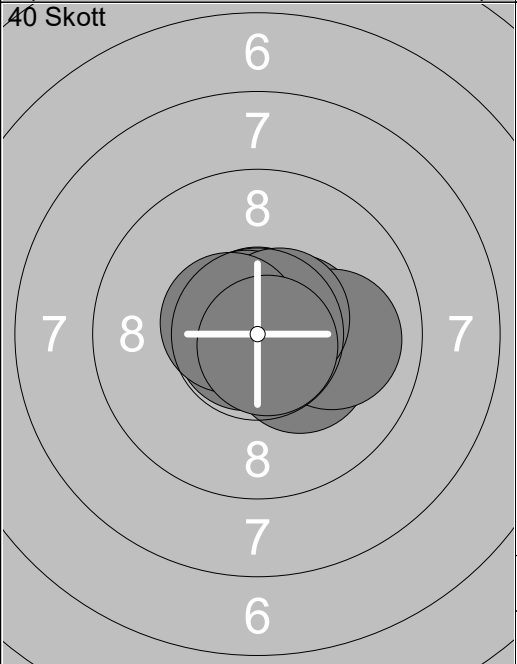
1:	10.9x↘
2:	10.7x↙
3:	10.3x↑
4:	10.4x↗
5:	10.4x↑
6:	9.8 →
7:	10.5x↖
8:	10.6x↗
9:	10.5x↓
10:	10.5x↑
Serie 104.6	
Total 0.0	



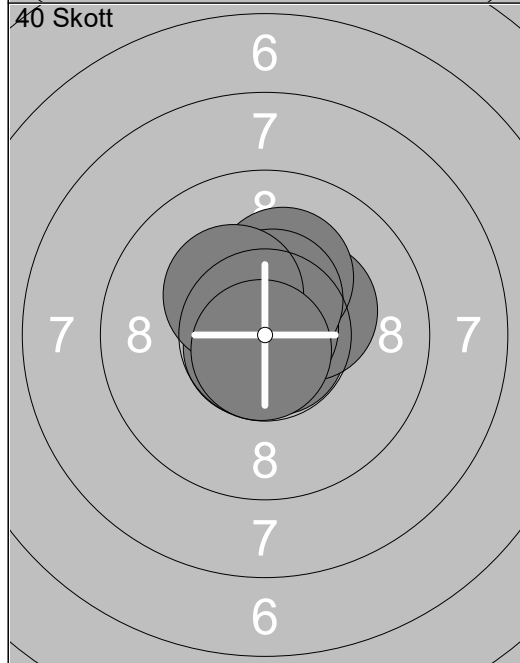
11:	10.2x↙
12:	10.4x→
13:	10.5x↓
14:	10.1 ↙
15:	10.6x↘
16:	10.4x↙
17:	10.4x→
18:	10.7x↘
19:	10.7x↖
20:	10.9x↗
Serie 104.9	
Total 0.0	



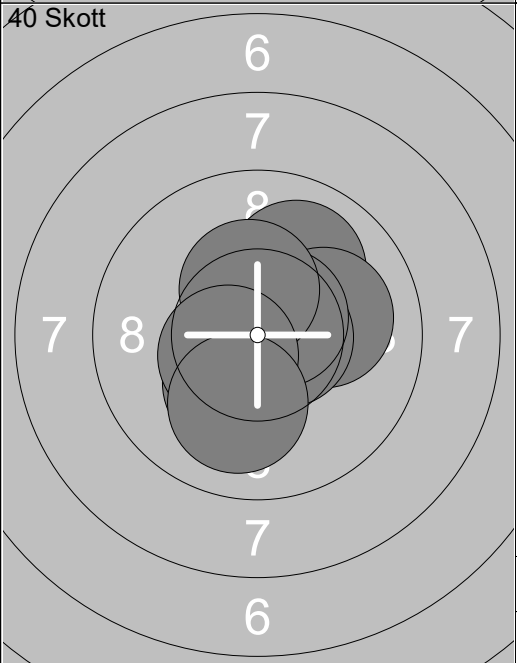
1:	10.2x↙
2:	10.8x↖
3:	10.3x↖
4:	10.1 →
5:	10.5x↗
6:	10.7x↖
7:	10.7x→
8:	10.4x↓
9:	10.3x↗
10:	10.5x↘
Serie 104.5	
Total 104.5	



11:	10.7x↑
12:	10.3x↘
13:	10.5x→
14:	10.7x↖
15:	10.8x↙
16:	10.0 →
17:	10.7x↗
18:	10.6x↗
19:	10.6x↖
20:	10.8x↘
Serie 105.7	
Total 210.2	


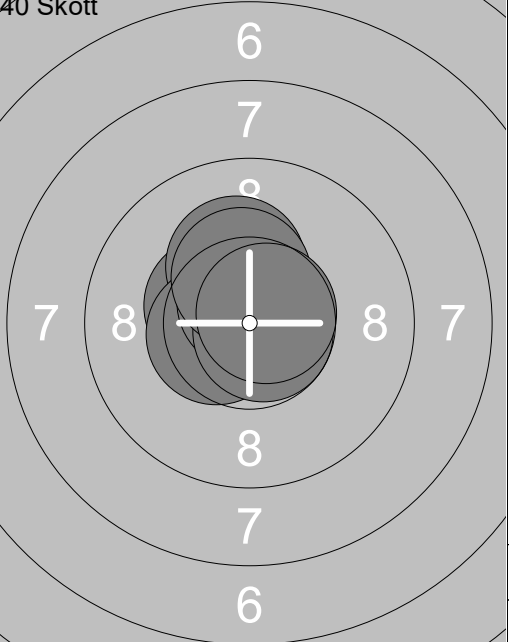


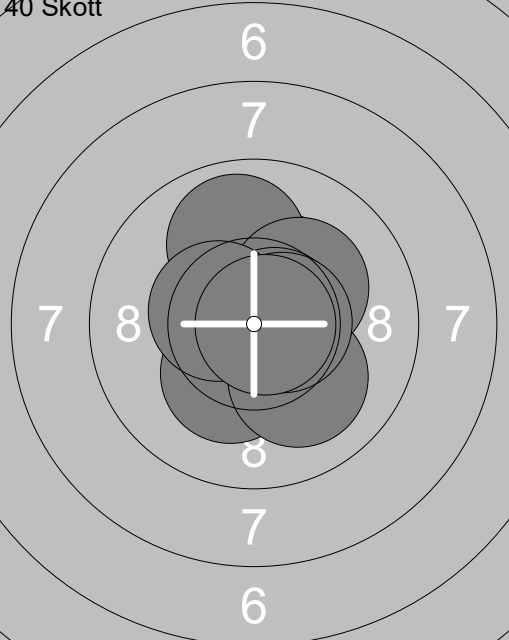

21:	10.7x↑
22:	10.5x↗
23:	10.8x↘
24:	10.3x↗
25:	10.2x↑
26:	10.8x↗
27:	10.5x↑
28:	10.7x↙
29:	10.3x↖
30:	10.8x↓
Serie 105.6	
Total 315.8	

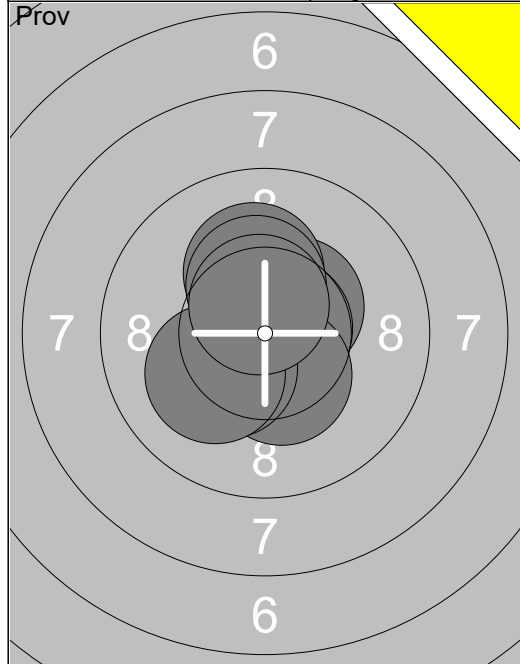


31:	10.8x↘
32:	10.0 ↗
33:	10.1 →
34:	10.6x→
35:	10.6x↑
36:	10.3x↙
37:	10.6x↗
38:	10.4x↑
39:	10.5x↙
40:	10.0 ↓
Serie 103.9	
Total 419.7	

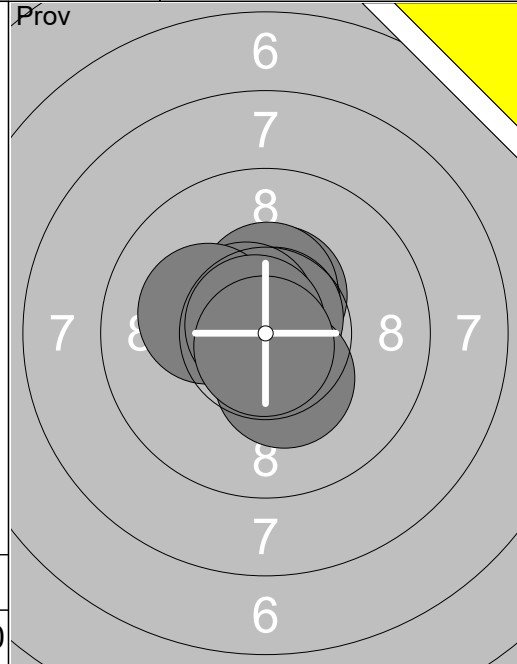
<p>Prov</p> 	<p>40 Skott</p> 	<table style="width:100%; border-collapse: collapse;"> <tr><td>1:</td><td>10.1</td><td>→</td></tr> <tr><td>2:</td><td>10.6</td><td>x→</td></tr> <tr><td>3:</td><td>10.5</td><td>x→</td></tr> <tr><td>4:</td><td>10.8</td><td>x↗</td></tr> <tr><td>5:</td><td>10.1</td><td>↓</td></tr> <tr><td>6:</td><td>10.8</td><td>x→</td></tr> <tr><td>7:</td><td>10.8</td><td>x↓</td></tr> <tr><td>8:</td><td>10.9</td><td>x→</td></tr> <tr><td>9:</td><td>10.5</td><td>x↗</td></tr> <tr><td>10:</td><td>10.5</td><td>x↓</td></tr> <tr><td colspan="3"><hr/></td></tr> <tr><td>Serie</td><td>105.6</td><td></td></tr> <tr><td>Total</td><td>0.0</td><td></td></tr> </table>	1:	10.1	→	2:	10.6	x→	3:	10.5	x→	4:	10.8	x↗	5:	10.1	↓	6:	10.8	x→	7:	10.8	x↓	8:	10.9	x→	9:	10.5	x↗	10:	10.5	x↓	<hr/>			Serie	105.6		Total	0.0	
1:	10.1	→																																							
2:	10.6	x→																																							
3:	10.5	x→																																							
4:	10.8	x↗																																							
5:	10.1	↓																																							
6:	10.8	x→																																							
7:	10.8	x↓																																							
8:	10.9	x→																																							
9:	10.5	x↗																																							
10:	10.5	x↓																																							
<hr/>																																									
Serie	105.6																																								
Total	0.0																																								

<p>40 Skott</p> 	<p>40 Skott</p> 	<table style="width:100%; border-collapse: collapse;"> <tr><td>11:</td><td>10.9</td><td>x↖</td></tr> <tr><td>12:</td><td>10.9</td><td>x→</td></tr> <tr><td>13:</td><td>10.6</td><td>x↓</td></tr> <tr><td>14:</td><td>10.7</td><td>x→</td></tr> <tr><td>15:</td><td>9.4</td><td>↓</td></tr> <tr><td>16:</td><td>10.8</td><td>x↖</td></tr> <tr><td>17:</td><td>10.7</td><td>x↖</td></tr> <tr><td>18:</td><td>10.5</td><td>x→</td></tr> <tr><td>19:</td><td>10.6</td><td>x↖</td></tr> <tr><td>20:</td><td>10.7</td><td>x↓</td></tr> <tr><td colspan="3"><hr/></td></tr> <tr><td>Serie</td><td>105.8</td><td></td></tr> <tr><td>Total</td><td>212.2</td><td></td></tr> </table>	11:	10.9	x↖	12:	10.9	x→	13:	10.6	x↓	14:	10.7	x→	15:	9.4	↓	16:	10.8	x↖	17:	10.7	x↖	18:	10.5	x→	19:	10.6	x↖	20:	10.7	x↓	<hr/>			Serie	105.8		Total	212.2	
11:	10.9	x↖																																							
12:	10.9	x→																																							
13:	10.6	x↓																																							
14:	10.7	x→																																							
15:	9.4	↓																																							
16:	10.8	x↖																																							
17:	10.7	x↖																																							
18:	10.5	x→																																							
19:	10.6	x↖																																							
20:	10.7	x↓																																							
<hr/>																																									
Serie	105.8																																								
Total	212.2																																								

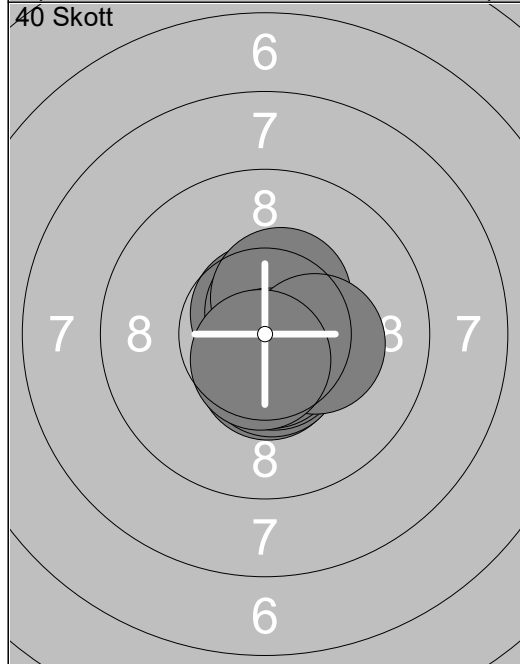
<p>40 Skott</p> 		<table style="width:100%; border-collapse: collapse;"> <tr><td>21:</td><td>10.8</td><td>x↖</td></tr> <tr><td>22:</td><td>10.4</td><td>x↖</td></tr> <tr><td>23:</td><td>10.6</td><td>x↖</td></tr> <tr><td>24:</td><td>10.2</td><td>x↗</td></tr> <tr><td>25:</td><td>10.7</td><td>x↖</td></tr> <tr><td>26:</td><td>10.5</td><td>x↖</td></tr> <tr><td>27:</td><td>10.7</td><td>x↗</td></tr> <tr><td>28:</td><td>10.8</td><td>x→</td></tr> <tr><td>29:</td><td>10.4</td><td>x↗</td></tr> <tr><td>30:</td><td>10.7</td><td>x↗</td></tr> <tr><td colspan="3"><hr/></td></tr> <tr><td>Serie</td><td>105.8</td><td></td></tr> <tr><td>Total</td><td>318.0</td><td></td></tr> </table> <table style="width:100%; border-collapse: collapse;"> <tr><td>31:</td><td>10.5</td><td>x↗</td></tr> <tr><td>32:</td><td>10.3</td><td>x↗</td></tr> <tr><td>33:</td><td>10.3</td><td>x↖</td></tr> <tr><td>34:</td><td>9.9</td><td>↑</td></tr> <tr><td>35:</td><td>10.1</td><td>↓</td></tr> <tr><td>36:</td><td>10.2</td><td>x↗</td></tr> <tr><td>37:</td><td>10.7</td><td>x→</td></tr> <tr><td>38:</td><td>10.5</td><td>x↖</td></tr> <tr><td>39:</td><td>10.6</td><td>x→</td></tr> <tr><td>40:</td><td>10.8</td><td>x→</td></tr> <tr><td colspan="3"><hr/></td></tr> <tr><td>Serie</td><td>103.9</td><td></td></tr> <tr><td>Total</td><td>421.9</td><td></td></tr> </table>	21:	10.8	x↖	22:	10.4	x↖	23:	10.6	x↖	24:	10.2	x↗	25:	10.7	x↖	26:	10.5	x↖	27:	10.7	x↗	28:	10.8	x→	29:	10.4	x↗	30:	10.7	x↗	<hr/>			Serie	105.8		Total	318.0		31:	10.5	x↗	32:	10.3	x↗	33:	10.3	x↖	34:	9.9	↑	35:	10.1	↓	36:	10.2	x↗	37:	10.7	x→	38:	10.5	x↖	39:	10.6	x→	40:	10.8	x→	<hr/>			Serie	103.9		Total	421.9	
21:	10.8	x↖																																																																														
22:	10.4	x↖																																																																														
23:	10.6	x↖																																																																														
24:	10.2	x↗																																																																														
25:	10.7	x↖																																																																														
26:	10.5	x↖																																																																														
27:	10.7	x↗																																																																														
28:	10.8	x→																																																																														
29:	10.4	x↗																																																																														
30:	10.7	x↗																																																																														
<hr/>																																																																																
Serie	105.8																																																																															
Total	318.0																																																																															
31:	10.5	x↗																																																																														
32:	10.3	x↗																																																																														
33:	10.3	x↖																																																																														
34:	9.9	↑																																																																														
35:	10.1	↓																																																																														
36:	10.2	x↗																																																																														
37:	10.7	x→																																																																														
38:	10.5	x↖																																																																														
39:	10.6	x→																																																																														
40:	10.8	x→																																																																														
<hr/>																																																																																
Serie	103.9																																																																															
Total	421.9																																																																															



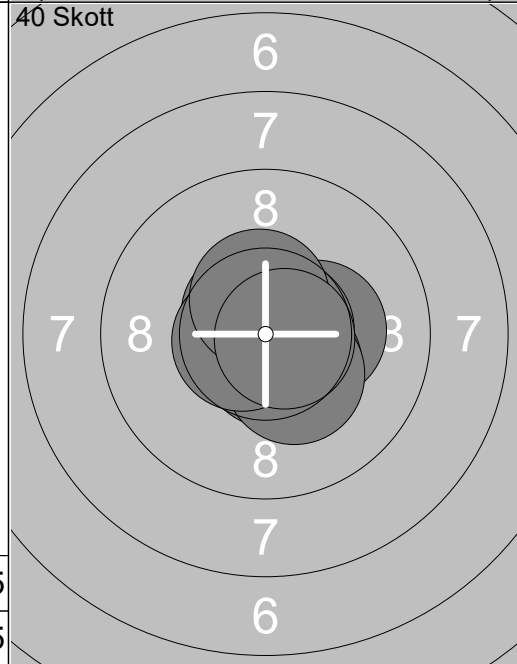
1:	10.4x↑
2:	10.5x↗
3:	10.2x↑
4:	10.7x→
5:	10.3x↑
6:	10.6x↓
7:	10.4x↓
8:	10.3x↙
9:	10.1↙
10:	10.6x↑
Serie 104.1	
Total 0.0	



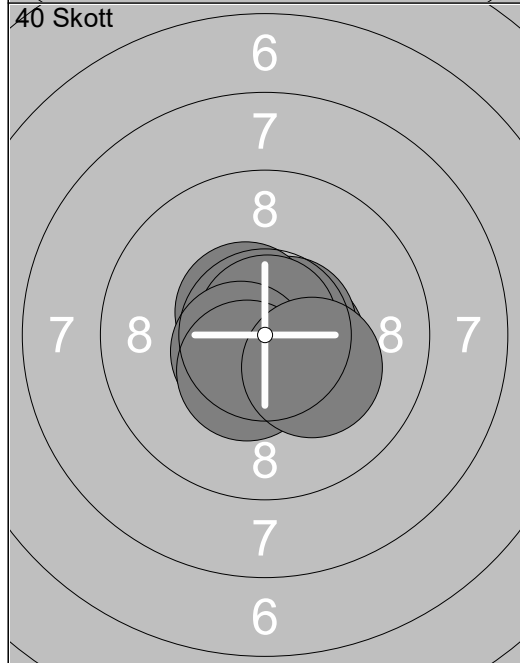
11:	10.4x↑
12:	10.6x↑
13:	10.9x↑
14:	10.4x↑
15:	10.7x↑
16:	10.3x↓
17:	10.6x↘
18:	10.2x↘
19:	10.8x↘
20:	10.8x↓
Serie 105.7	
Total 0.0	



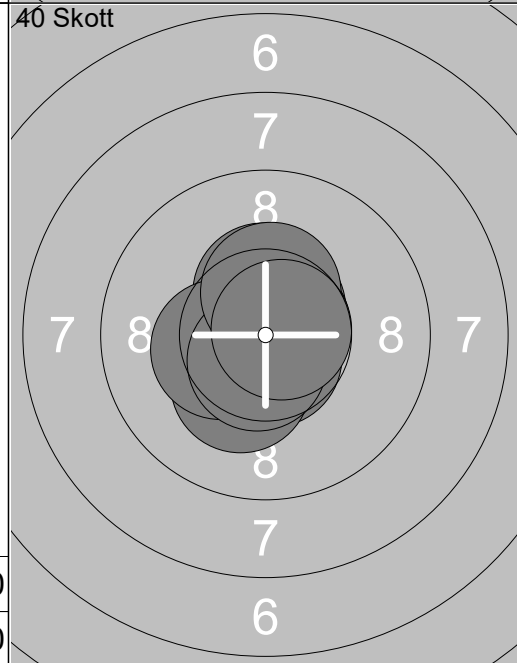
1:	10.5x↓
2:	10.5x↓
3:	10.7x↑
4:	10.7x↗
5:	10.6x↑
6:	10.6x↓
7:	10.4x↑
8:	10.6x↓
9:	10.3x→
10:	10.6x↓
Serie 105.5	
Total 105.5	



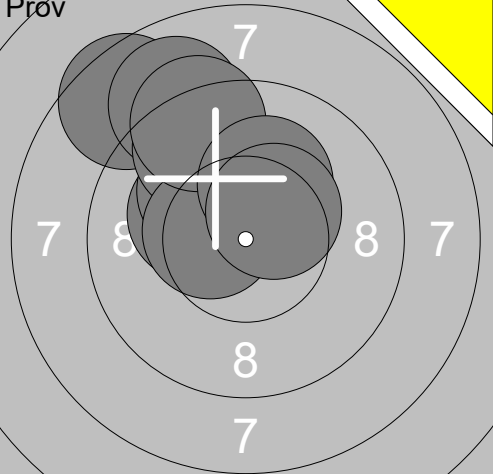
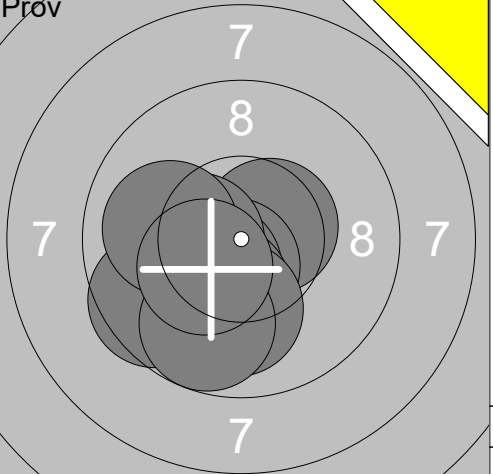
11:	10.8x→
12:	10.3x→
13:	10.7x→
14:	10.4x↘
15:	10.6x↓
16:	10.3x↘
17:	10.6x↘
18:	10.6x↘
19:	10.5x↑
20:	10.7x→
Serie 105.5	
Total 211.0	

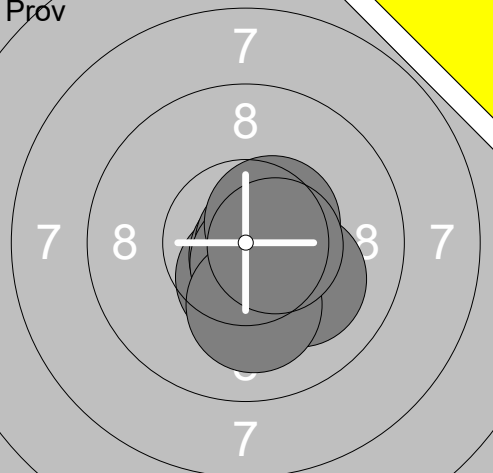
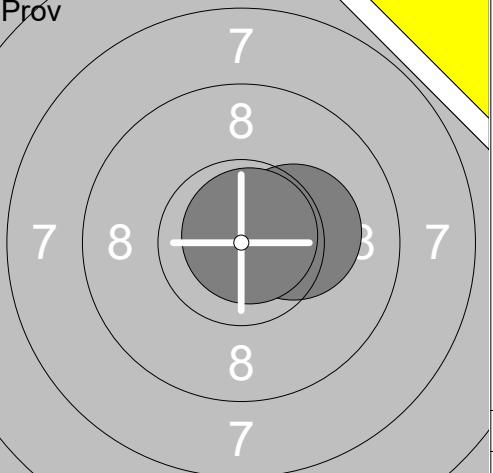


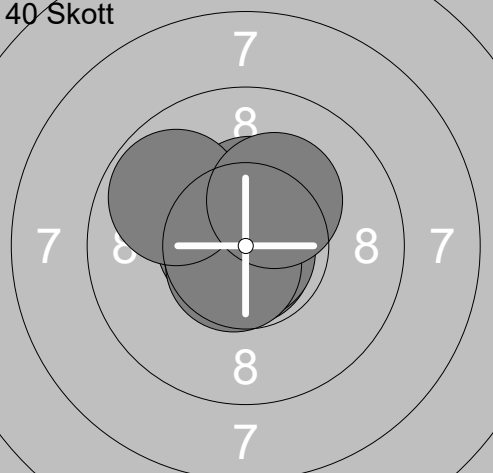
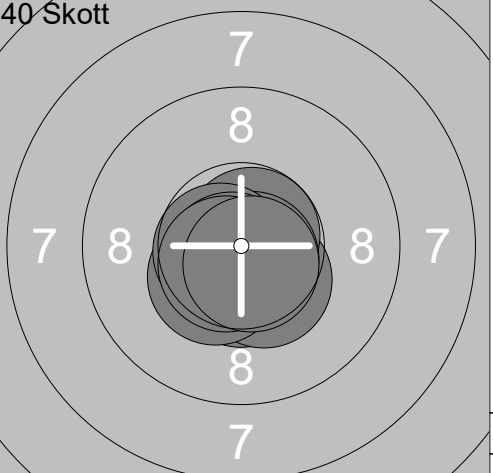
21:	10.7x↓
22:	10.5x→
23:	10.7x→
24:	10.8x↘
25:	10.7x↓
26:	10.6x↘
27:	10.8x↑
28:	10.6x↘
29:	10.4x↓
30:	10.2x↘
Serie 106.0	
Total 317.0	

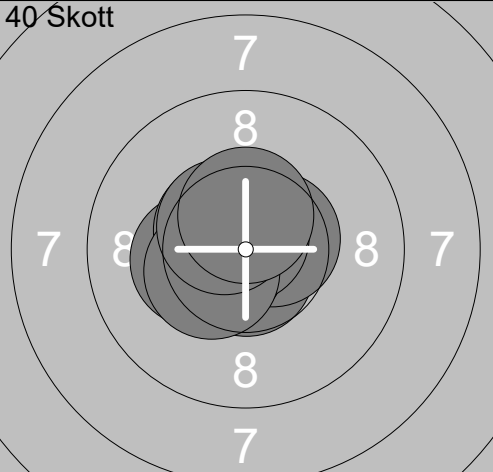
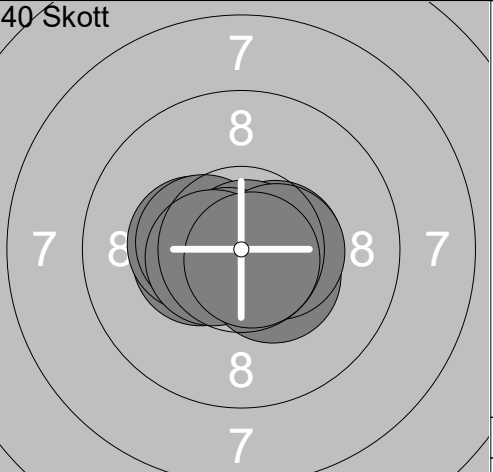


31:	10.4x↑
32:	10.6x↑
33:	10.8x↑
34:	10.7x↗
35:	10.7x↓
36:	10.3x↓
37:	10.4x↘
38:	10.6x↓
39:	10.4x↑
40:	10.7x→
Serie 105.6	
Total 422.6	

<p>Pröv</p> 	<table border="1" style="width:100%; border-collapse: collapse;"> <tr><td>1:</td><td>8.5</td><td>↗</td></tr> <tr><td>2:</td><td>10.2x</td><td>↗</td></tr> <tr><td>3:</td><td>10.4x</td><td>↗</td></tr> <tr><td>4:</td><td>9.0</td><td>↗</td></tr> <tr><td>5:</td><td>10.1</td><td>↗</td></tr> <tr><td>6:</td><td>9.6</td><td>↗</td></tr> <tr><td>7:</td><td>10.5x</td><td>↖</td></tr> <tr><td>8:</td><td>9.3</td><td>↗</td></tr> <tr><td>9:</td><td>10.2x</td><td>↗</td></tr> <tr><td>10:</td><td>10.4x</td><td>↗</td></tr> <tr><td colspan="2">Serie</td><td>98.2</td></tr> <tr><td colspan="2">Total</td><td>0.0</td></tr> </table>	1:	8.5	↗	2:	10.2x	↗	3:	10.4x	↗	4:	9.0	↗	5:	10.1	↗	6:	9.6	↗	7:	10.5x	↖	8:	9.3	↗	9:	10.2x	↗	10:	10.4x	↗	Serie		98.2	Total		0.0	<p>Pröv</p>  <table border="1" style="width:100%; border-collapse: collapse;"> <tr><td>11:</td><td>10.5x</td><td>↗</td></tr> <tr><td>12:</td><td>10.6x</td><td>↓</td></tr> <tr><td>13:</td><td>10.4x</td><td>↘</td></tr> <tr><td>14:</td><td>10.4x</td><td>←</td></tr> <tr><td>15:</td><td>10.2x</td><td>↓</td></tr> <tr><td>16:</td><td>9.6</td><td>↙</td></tr> <tr><td>17:</td><td>10.0</td><td>↓</td></tr> <tr><td>18:</td><td>9.8</td><td>↓</td></tr> <tr><td>19:</td><td>10.0</td><td>←</td></tr> <tr><td>20:</td><td>10.3x</td><td>↙</td></tr> <tr><td colspan="2">Serie</td><td>101.8</td></tr> <tr><td colspan="2">Total</td><td>0.0</td></tr> </table>	11:	10.5x	↗	12:	10.6x	↓	13:	10.4x	↘	14:	10.4x	←	15:	10.2x	↓	16:	9.6	↙	17:	10.0	↓	18:	9.8	↓	19:	10.0	←	20:	10.3x	↙	Serie		101.8	Total		0.0
1:	8.5	↗																																																																								
2:	10.2x	↗																																																																								
3:	10.4x	↗																																																																								
4:	9.0	↗																																																																								
5:	10.1	↗																																																																								
6:	9.6	↗																																																																								
7:	10.5x	↖																																																																								
8:	9.3	↗																																																																								
9:	10.2x	↗																																																																								
10:	10.4x	↗																																																																								
Serie		98.2																																																																								
Total		0.0																																																																								
11:	10.5x	↗																																																																								
12:	10.6x	↓																																																																								
13:	10.4x	↘																																																																								
14:	10.4x	←																																																																								
15:	10.2x	↓																																																																								
16:	9.6	↙																																																																								
17:	10.0	↓																																																																								
18:	9.8	↓																																																																								
19:	10.0	←																																																																								
20:	10.3x	↙																																																																								
Serie		101.8																																																																								
Total		0.0																																																																								

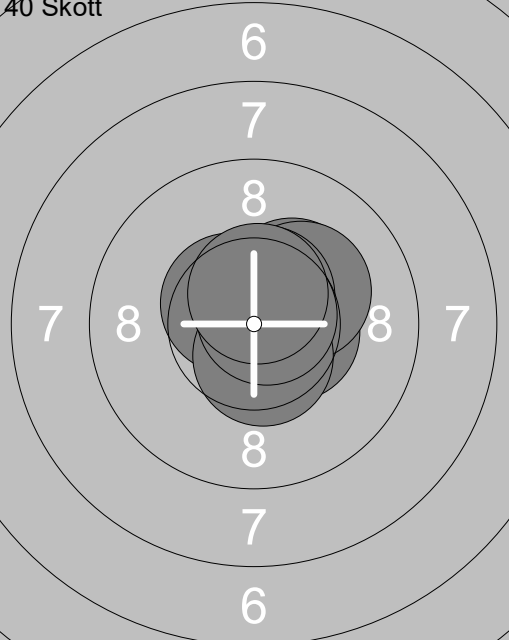
<p>Pröv</p>  <table border="1" style="width:100%; border-collapse: collapse;"> <tr><td>21:</td><td>10.5x</td><td>↓</td></tr> <tr><td>22:</td><td>10.5x</td><td>↓</td></tr> <tr><td>23:</td><td>10.7x</td><td>↓</td></tr> <tr><td>24:</td><td>10.3x</td><td>↓</td></tr> <tr><td>25:</td><td>10.7x</td><td>→</td></tr> <tr><td>26:</td><td>10.6x</td><td>↓</td></tr> <tr><td>27:</td><td>10.1</td><td>↓</td></tr> <tr><td>28:</td><td>10.5x</td><td>↗</td></tr> <tr><td>29:</td><td>10.1</td><td>↓</td></tr> <tr><td>30:</td><td>10.6x</td><td>→</td></tr> <tr><td colspan="2">Serie</td><td>104.6</td></tr> <tr><td colspan="2">Total</td><td>0.0</td></tr> </table>	21:	10.5x	↓	22:	10.5x	↓	23:	10.7x	↓	24:	10.3x	↓	25:	10.7x	→	26:	10.6x	↓	27:	10.1	↓	28:	10.5x	↗	29:	10.1	↓	30:	10.6x	→	Serie		104.6	Total		0.0	<p>Pröv</p>  <table border="1" style="width:100%; border-collapse: collapse;"> <tr><td>31:</td><td>10.2x</td><td>→</td></tr> <tr><td>32:</td><td>10.8x</td><td>↗</td></tr> <tr><td colspan="2">Serie</td><td>21.0</td></tr> <tr><td colspan="2">Total</td><td>0.0</td></tr> </table>	31:	10.2x	→	32:	10.8x	↗	Serie		21.0	Total		0.0
21:	10.5x	↓																																															
22:	10.5x	↓																																															
23:	10.7x	↓																																															
24:	10.3x	↓																																															
25:	10.7x	→																																															
26:	10.6x	↓																																															
27:	10.1	↓																																															
28:	10.5x	↗																																															
29:	10.1	↓																																															
30:	10.6x	→																																															
Serie		104.6																																															
Total		0.0																																															
31:	10.2x	→																																															
32:	10.8x	↗																																															
Serie		21.0																																															
Total		0.0																																															

<p>40 Skott</p>  <table border="1" style="width:100%; border-collapse: collapse;"> <tr><td>1:</td><td>10.8x</td><td>↓</td></tr> <tr><td>2:</td><td>10.9x</td><td>↓</td></tr> <tr><td>3:</td><td>10.7x</td><td>↗</td></tr> <tr><td>4:</td><td>10.7x</td><td>←</td></tr> <tr><td>5:</td><td>10.7x</td><td>↗</td></tr> <tr><td>6:</td><td>10.7x</td><td>↗</td></tr> <tr><td>7:</td><td>10.4x</td><td>↗</td></tr> <tr><td>8:</td><td>10.7x</td><td>↘</td></tr> <tr><td>9:</td><td>9.8</td><td>↗</td></tr> <tr><td>10:</td><td>10.2x</td><td>↗</td></tr> <tr><td colspan="2">Serie</td><td>105.6</td></tr> <tr><td colspan="2">Total</td><td>105.6</td></tr> </table>	1:	10.8x	↓	2:	10.9x	↓	3:	10.7x	↗	4:	10.7x	←	5:	10.7x	↗	6:	10.7x	↗	7:	10.4x	↗	8:	10.7x	↘	9:	9.8	↗	10:	10.2x	↗	Serie		105.6	Total		105.6	<p>40 Skott</p>  <table border="1" style="width:100%; border-collapse: collapse;"> <tr><td>11:</td><td>10.5x</td><td>↓</td></tr> <tr><td>12:</td><td>10.4x</td><td>↓</td></tr> <tr><td>13:</td><td>10.8x</td><td>↙</td></tr> <tr><td>14:</td><td>10.8x</td><td>↗</td></tr> <tr><td>15:</td><td>10.4x</td><td>↘</td></tr> <tr><td>16:</td><td>10.7x</td><td>↓</td></tr> <tr><td>17:</td><td>10.7x</td><td>←</td></tr> <tr><td>18:</td><td>10.7x</td><td>↘</td></tr> <tr><td>19:</td><td>10.6x</td><td>↘</td></tr> <tr><td>20:</td><td>10.7x</td><td>↓</td></tr> <tr><td colspan="2">Serie</td><td>106.3</td></tr> <tr><td colspan="2">Total</td><td>211.9</td></tr> </table>	11:	10.5x	↓	12:	10.4x	↓	13:	10.8x	↙	14:	10.8x	↗	15:	10.4x	↘	16:	10.7x	↓	17:	10.7x	←	18:	10.7x	↘	19:	10.6x	↘	20:	10.7x	↓	Serie		106.3	Total		211.9
1:	10.8x	↓																																																																							
2:	10.9x	↓																																																																							
3:	10.7x	↗																																																																							
4:	10.7x	←																																																																							
5:	10.7x	↗																																																																							
6:	10.7x	↗																																																																							
7:	10.4x	↗																																																																							
8:	10.7x	↘																																																																							
9:	9.8	↗																																																																							
10:	10.2x	↗																																																																							
Serie		105.6																																																																							
Total		105.6																																																																							
11:	10.5x	↓																																																																							
12:	10.4x	↓																																																																							
13:	10.8x	↙																																																																							
14:	10.8x	↗																																																																							
15:	10.4x	↘																																																																							
16:	10.7x	↓																																																																							
17:	10.7x	←																																																																							
18:	10.7x	↘																																																																							
19:	10.6x	↘																																																																							
20:	10.7x	↓																																																																							
Serie		106.3																																																																							
Total		211.9																																																																							

<p>40 Skott</p>  <table border="1" style="width:100%; border-collapse: collapse;"> <tr><td>21:</td><td>10.7x</td><td>←</td></tr> <tr><td>22:</td><td>10.7x</td><td>↓</td></tr> <tr><td>23:</td><td>10.6x</td><td>↗</td></tr> <tr><td>24:</td><td>10.6x</td><td>←</td></tr> <tr><td>25:</td><td>10.3x</td><td>←</td></tr> <tr><td>26:</td><td>10.5x</td><td>↗</td></tr> <tr><td>27:</td><td>10.8x</td><td>↗</td></tr> <tr><td>28:</td><td>10.4x</td><td>←</td></tr> <tr><td>29:</td><td>10.5x</td><td>↗</td></tr> <tr><td>30:</td><td>10.5x</td><td>↗</td></tr> <tr><td colspan="2">Serie</td><td>105.6</td></tr> <tr><td colspan="2">Total</td><td>317.5</td></tr> </table>	21:	10.7x	←	22:	10.7x	↓	23:	10.6x	↗	24:	10.6x	←	25:	10.3x	←	26:	10.5x	↗	27:	10.8x	↗	28:	10.4x	←	29:	10.5x	↗	30:	10.5x	↗	Serie		105.6	Total		317.5	<p>40 Skott</p>  <table border="1" style="width:100%; border-collapse: collapse;"> <tr><td>31:</td><td>10.4x</td><td>←</td></tr> <tr><td>32:</td><td>10.3x</td><td>←</td></tr> <tr><td>33:</td><td>10.4x</td><td>←</td></tr> <tr><td>34:</td><td>10.5x</td><td>→</td></tr> <tr><td>35:</td><td>10.9x</td><td>↗</td></tr> <tr><td>36:</td><td>10.8x</td><td>←</td></tr> <tr><td>37:</td><td>10.6x</td><td>←</td></tr> <tr><td>38:</td><td>10.4x</td><td>↘</td></tr> <tr><td>39:</td><td>10.5x</td><td>→</td></tr> <tr><td>40:</td><td>10.8x</td><td>↘</td></tr> <tr><td colspan="2">Serie</td><td>105.6</td></tr> <tr><td colspan="2">Total</td><td>423.1</td></tr> </table>	31:	10.4x	←	32:	10.3x	←	33:	10.4x	←	34:	10.5x	→	35:	10.9x	↗	36:	10.8x	←	37:	10.6x	←	38:	10.4x	↘	39:	10.5x	→	40:	10.8x	↘	Serie		105.6	Total		423.1
21:	10.7x	←																																																																							
22:	10.7x	↓																																																																							
23:	10.6x	↗																																																																							
24:	10.6x	←																																																																							
25:	10.3x	←																																																																							
26:	10.5x	↗																																																																							
27:	10.8x	↗																																																																							
28:	10.4x	←																																																																							
29:	10.5x	↗																																																																							
30:	10.5x	↗																																																																							
Serie		105.6																																																																							
Total		317.5																																																																							
31:	10.4x	←																																																																							
32:	10.3x	←																																																																							
33:	10.4x	←																																																																							
34:	10.5x	→																																																																							
35:	10.9x	↗																																																																							
36:	10.8x	←																																																																							
37:	10.6x	←																																																																							
38:	10.4x	↘																																																																							
39:	10.5x	→																																																																							
40:	10.8x	↘																																																																							
Serie		105.6																																																																							
Total		423.1																																																																							

Prov 	1: 9.7 ↗ 2: 10.7x ↘ 3: 10.5x ↗ 4: 10.8x ↗ 5: 10.7x ↗ 6: 10.4x ↘ 7: 10.4x ↗ 8: 10.5x ↗ 9: 10.1 ↖ 10: 10.6x ↘ <hr/> Serie 104.4 Total 0.0	Prov 	11: 10.7x ↘ <hr/> Serie 10.7 Total 0.0
--	--	--	--

40 Skott 	1: 10.5x ↘ 2: 10.2x ➔ 3: 10.3x ↗ 4: 10.5x ↘ 5: 10.3x ➔ 6: 10.5x ↘ 7: 10.6x ↘ 8: 10.6x ↘ 9: 10.6x ➔ 10: 10.3x ↗ <hr/> Serie 104.4 Total 104.4	40 Skott 	11: 10.3x ↗ 12: 10.5x ↘ 13: 10.5x ➔ 14: 10.1 ➔ 15: 10.3x ↗ 16: 10.5x ↘ 17: 10.2x ↗ 18: 10.4x ↗ 19: 10.4x ↗ 20: 10.1 ↗ <hr/> Serie 103.3 Total 207.7
---	---	---	--

40 Skott 	21: 10.3x ↗ 22: 10.7x ➔ 23: 10.5x ↗ 24: 10.5x ➔ 25: 10.2x ↗ 26: 10.6x ↘ 27: 10.5x ↘ 28: 10.6x ↗ 29: 10.7x ↗ 30: 10.6x ↗ <hr/> Serie 105.2 Total 312.9	40 Skott 	31: 10.3x ↗ 32: 10.6x ↗ 33: 10.4x ↘ 34: 10.4x ↘ 35: 10.4x ↘ 36: 10.1 ↗ 37: 10.8x ↘ 38: 10.6x ↘ 39: 10.6x ↘ 40: 10.9x ↗ <hr/> Serie 105.1 Total 418.0
--	--	--	---

Prov 	1: 9.2 ↓ 2: 9.5 ↓ 3: 9.3 ↓ 4: 9.3 ↓ 5: 10.1 ↓ 6: 10.2x↓ 7: 10.7x→ 8: 9.9 ↓ 9: 10.4x↓ 10: 10.8x→ <hr/> Serie 99.4 Total 0.0	Prov 	11: 10.5x↖ 12: 10.7x↓ 13: 10.7x↓ 14: 10.3x↖ 15: 10.6x↖ 16: 10.8x↖ 17: 10.9x↘ <hr/> Serie 74.5 Total 0.0
----------	---	----------	---

40 Skott 	1: 10.5x↖ 2: 10.7x↖ 3: 10.8x↖ 4: 10.7x↖ 5: 10.0← 6: 10.6x↖ 7: 10.5x↖ 8: 10.6x↖ 9: 10.1 ↖ 10: 10.3x↖ <hr/> Serie 104.8 Total 104.8	40 Skott 	11: 10.3x↖ 12: 10.9x↖ 13: 10.6x↖ 14: 10.3x↖ 15: 10.4x↖ 16: 10.3x↖ 17: 10.5x↖ 18: 10.9x↖ 19: 10.7x↖ 20: 10.6x↖ <hr/> Serie 105.5 Total 210.3
--------------	--	--------------	--

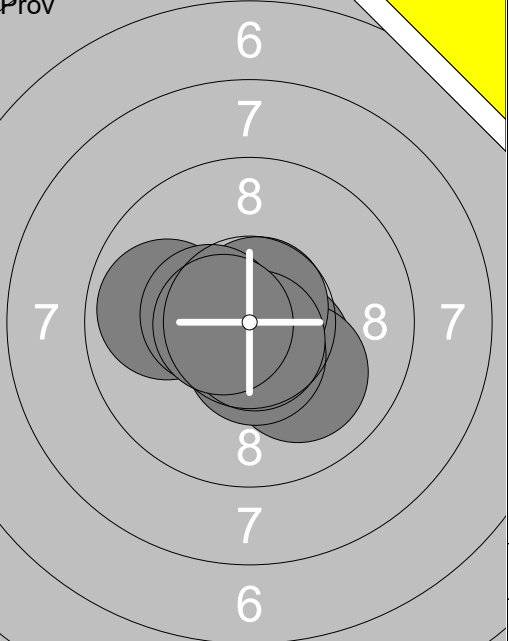
40 Skott 	21: 10.7x↖ 22: 10.8x↖ 23: 10.8x↖ 24: 10.8x↖ 25: 10.3x↖ 26: 10.5x↖ 27: 10.6x↖ 28: 10.3x→ 29: 10.3x↖ 30: 10.3x↖ <hr/> Serie 105.4 Total 315.7	40 Skott 	31: 10.6x↖ 32: 10.5x→ 33: 10.7x↖ 34: 10.1← 35: 10.7x↖ 36: 10.8x↖ 37: 10.4x↖ 38: 10.6x↖ 39: 10.7x↖ 40: 10.5x↖ <hr/> Serie 105.6 Total 421.3
--------------	--	--------------	---

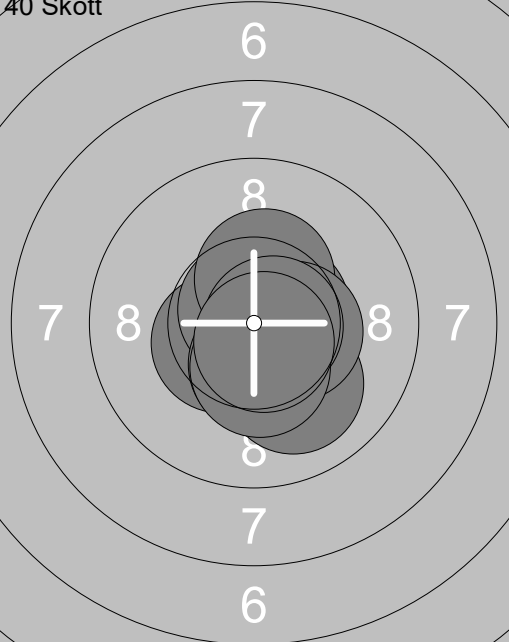
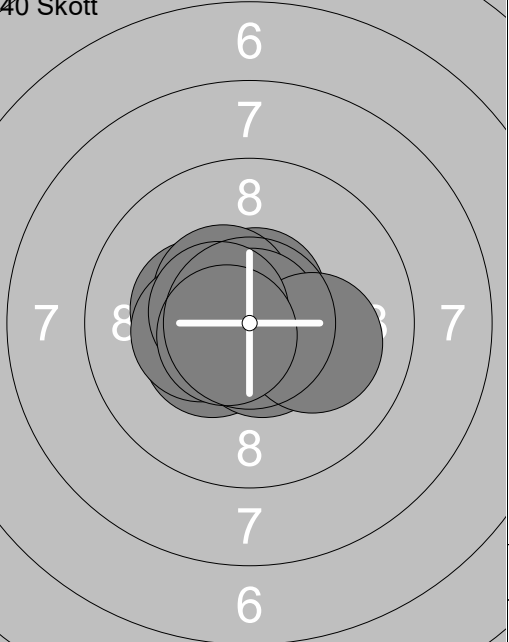
Prov 	1: 10.7x 2: 10.1 3: 10.6x 4: 10.5x 5: 10.8x 6: 10.9x 7: 10.5x 8: 10.2x 9: 10.0 10: 10.2x <hr/> Serie 104.5 Total 0.0	Prov 	11: 10.7x 12: 10.4x 13: 10.5x 14: 10.7x 15: 10.8x 16: 10.8x 17: 10.2x 18: 10.5x 19: 10.6x 20: 10.7x <hr/> Serie 105.9 Total 0.0
----------	---	----------	--

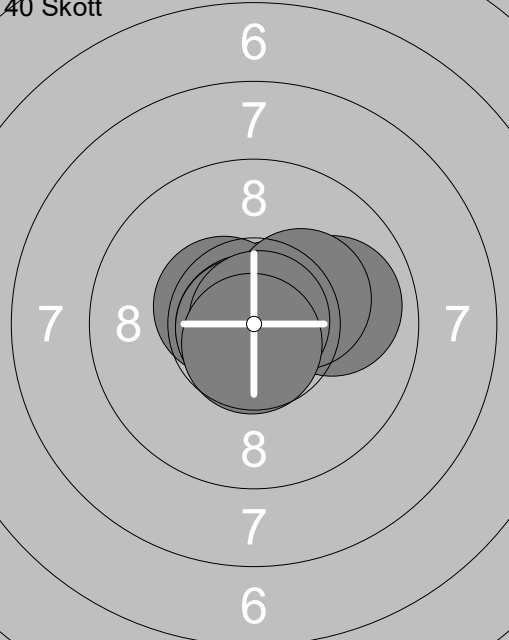
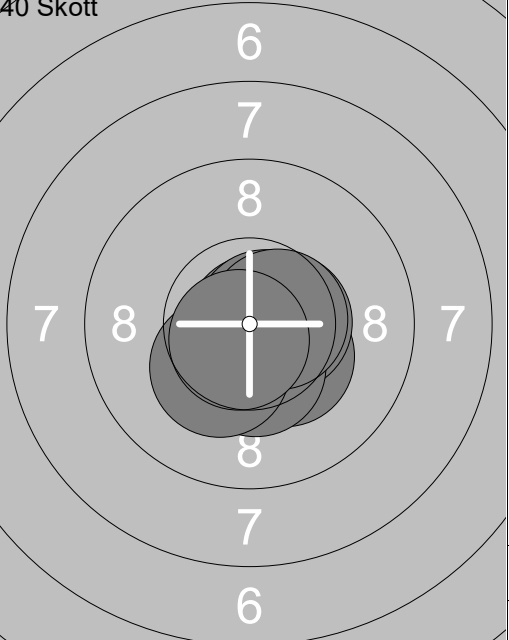
40 Skott 	1: 10.8x 2: 10.4x 3: 10.0 4: 10.8x 5: 10.3x 6: 10.9x 7: 10.7x 8: 10.7x 9: 10.7x 10: 10.8x <hr/> Serie 106.1 Total 106.1	40 Skott 	11: 10.7x 12: 10.4x 13: 10.6x 14: 10.4x 15: 10.9x 16: 10.6x 17: 10.8x 18: 10.7x 19: 10.7x 20: 10.8x <hr/> Serie 106.6 Total 212.7
--------------	--	--------------	--

40 Skott 	21: 10.7x 22: 10.6x 23: 10.6x 24: 10.7x 25: 10.5x 26: 10.6x 27: 10.7x 28: 10.3x 29: 10.6x 30: 10.4x <hr/> Serie 105.7 Total 318.4	40 Skott 	31: 10.4x 32: 9.9 33: 10.6x 34: 10.6x 35: 10.4x 36: 10.9x 37: 10.5x 38: 10.7x 39: 10.6x 40: 10.8x <hr/> Serie 105.4 Total 423.8
--------------	--	--------------	--

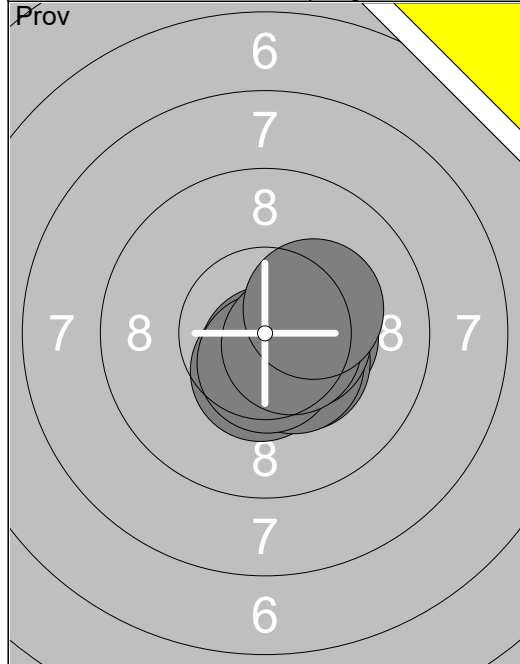
<p>Prov</p>	<p>1: 10.2x↗ 2: 9.7 ← 3: 10.7x↘ 4: 10.5x↖ 5: 10.3x↘ 6: 10.2x↘ 7: 10.7x↗ 8: 10.0 ↑ 9: 10.6x↖ 10: 10.4x↖</p> <p>Serie 103.3 Total 0.0</p>	<p>Prov</p>	<p>11: 10.2x↖ 12: 10.6x↖ 13: 10.4x↖ 14: 10.6x↘ 15: 10.6x→</p> <p>Serie 52.4 Total 0.0</p>
<p>40 Skott</p>	<p>1: 10.5x↖ 2: 10.5x↘ 3: 10.3x↘ 4: 10.1← 5: 10.7x↖ 6: 10.4x↖ 7: 10.6x↖ 8: 10.6x↖ 9: 9.6 ↑ 10: 10.6x↖</p> <p>Serie 103.9 Total 103.9</p>	<p>40 Skott</p>	<p>11: 10.5x→ 12: 10.4x↗ 13: 10.0← 14: 10.3x↗ 15: 10.3x→ 16: 10.7x↗ 17: 10.6x↖ 18: 10.7x→ 19: 10.9x↖ 20: 10.6x↘</p> <p>Serie 105.0 Total 208.9</p>
<p>40 Skott</p>	<p>21: 10.8x↗ 22: 10.6x↘ 23: 10.3x→ 24: 10.5x↖ 25: 10.9x↖ 26: 10.1 ↗ 27: 10.4x↖ 28: 10.9x↗ 29: 10.7x↗ 30: 10.3x↖</p> <p>Serie 105.5 Total 314.4</p>	<p>40 Skott</p>	<p>31: 9.9 ↖ 32: 10.3x↗ 33: 10.7x→ 34: 10.5x↘ 35: 10.5x↘ 36: 10.6x↖ 37: 10.5x↘ 38: 10.1 ↑ 39: 10.4x↖ 40: 10.7x↖</p> <p>Serie 104.2 Total 418.6</p>

Prov 	1: 10.5x [↑] 2: 10.8x [↘] 3: 10.5x [↔] 4: 10.5x [↑] 5: 10.7x [↘] 6: 10.4x [↑] 7: 10.6x [↘] 8: 10.0x [↙] 9: 10.6x [↑] 10: 10.3x [↔]	Prov 	11: 9.9x [↔] 12: 10.5x [↔] 13: 10.4x [↘] 14: 10.1x [↘] 15: 10.5x [↘] 16: 10.7x [↑] 17: 10.7x [↘] 18: 10.4x [↔] 19: 10.6x [↔]
Serie	104.9	Serie	93.8
Total	0.0	Total	0.0

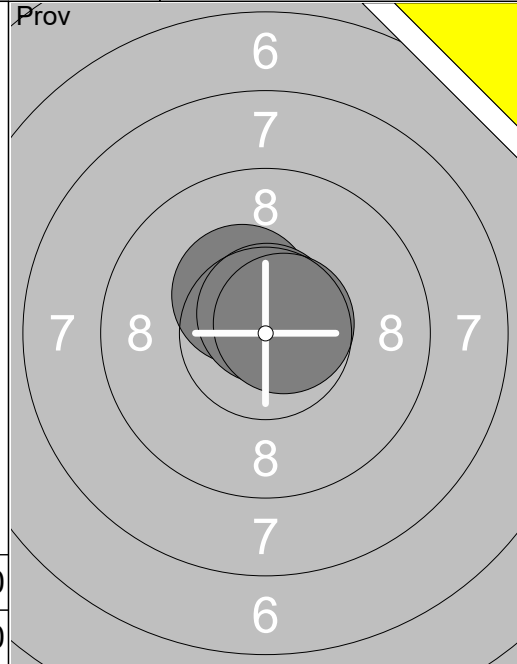
40 Skott 	1: 10.0x [↘] 2: 10.5x [↔] 3: 10.8x [↑] 4: 10.6x [↗] 5: 10.4x [↑] 6: 10.4x [↔] 7: 10.4x [↘] 8: 10.7x [↔] 9: 10.4x [↘] 10: 10.7x [↘]	40 Skott 	11: 10.3x [↔] 12: 10.6x [↑] 13: 10.5x [↔] 14: 10.9x [↑] 15: 10.4x [↔] 16: 10.6x [↘] 17: 10.3x [↔] 18: 10.1x [↔] 19: 10.5x [↔] 20: 10.6x [↔]
Serie	104.9	Serie	104.8
Total	104.9	Total	209.7

40 Skott 	21: 10.8x [↘] 22: 10.7x [↗] 23: 10.5x [↔] 24: 10.8x [↔] 25: 10.9x [↔] 26: 9.9x [↔] 27: 10.8x [↔] 28: 10.3x [↗] 29: 10.9x [↗] 30: 10.7x [↘]	40 Skott 	31: 10.3x [↘] 32: 10.5x [↔] 33: 10.9x [↔] 34: 10.7x [↘] 35: 10.8x [↔] 36: 10.4x [↘] 37: 10.3x [↘] 38: 10.7x [↔] 39: 10.6x [↔] 40: 10.7x [↘]
Serie	106.3	Serie	105.9
Total	316.0	Total	421.9

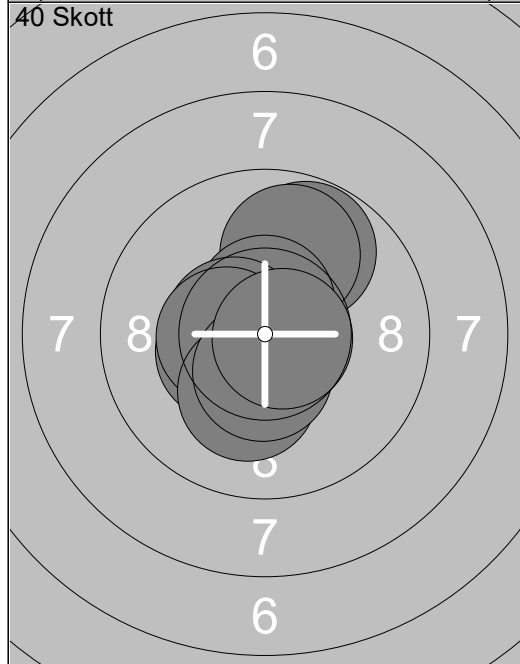
<p>Prov</p>	<p>1: 9.8 ↖ 2: 9.1 ← 3: 10.0 ← 4: 9.5 ← 5: 10.7 ✖ 6: 10.8x ↓ 7: 10.5 ✖ 8: 10.6x ↗ 9: 10.8 ✖ 10: 10.0 ↓</p> <p>Serie 101.8 Total 0.0</p>	<p>Prov</p>	<p>11: 9.8 ↖ 12: 10.1 ↑ 13: 10.8 ✖</p> <p>Serie 30.7 Total 0.0</p>
<p>40 Skott</p>	<p>1: 10.6x ↑ 2: 10.2x ↑ 3: 10.8x ↗ 4: 10.3x ↑ 5: 10.7x ↓ 6: 9.9 ↓ 7: 10.6x ↗ 8: 10.3x → 9: 10.7x ↓ 10: 10.4x ↑</p> <p>Serie 104.5 Total 104.5</p>	<p>40 Skott</p>	<p>11: 10.4x ↑ 12: 10.6x → 13: 10.9 ✖ 14: 10.6x ↗ 15: 10.4x ↑ 16: 10.8 ✖ 17: 10.5x ↑ 18: 10.2x ↑ 19: 10.7x → 20: 10.2 ✖</p> <p>Serie 105.3 Total 209.8</p>
<p>40 Skott</p>	<p>21: 10.6x ↑ 22: 10.8x ↑ 23: 10.8 ✖ 24: 10.1 → 25: 10.8x ↑ 26: 10.3x → 27: 10.5x ↗ 28: 10.4x → 29: 10.3x → 30: 10.7x ↗</p> <p>Serie 105.3 Total 315.1</p>	<p>40 Skott</p>	<p>31: 10.4x ↗ 32: 10.2 ✖ 33: 10.4 ✖ 34: 10.7x ↓ 35: 10.4x ↗ 36: 10.5x → 37: 10.7x → 38: 10.7x ↑ 39: 10.4x ↑ 40: 10.5x ↓</p> <p>Serie 104.9 Total 420.0</p>



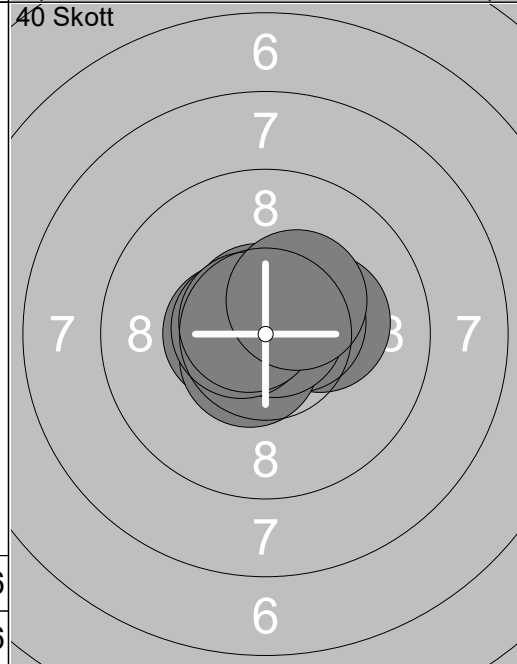
1:	10.6x↘
2:	10.4x→
3:	10.5x↓
4:	10.4x↘
5:	10.4x↘
6:	10.5x→
7:	10.7x↓
8:	10.6x↓
9:	10.6x→
10:	10.3x↗
Serie 105.0	
Total 0.0	



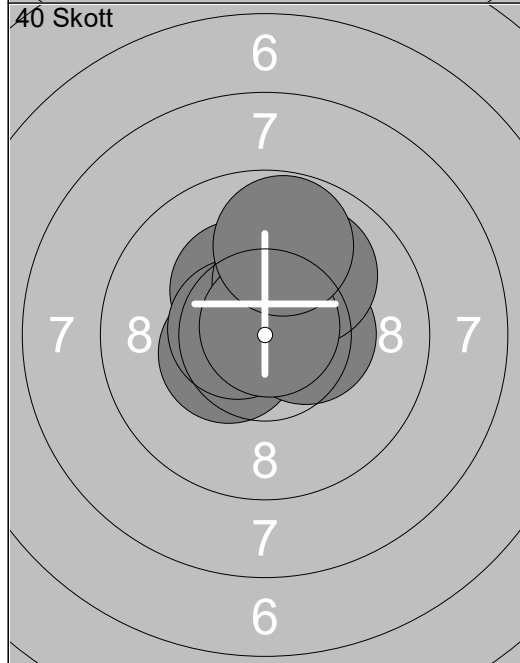
11:	10.4x↘
12:	10.7x↑
13:	10.7x↗
Serie 31.8	
Total 0.0	



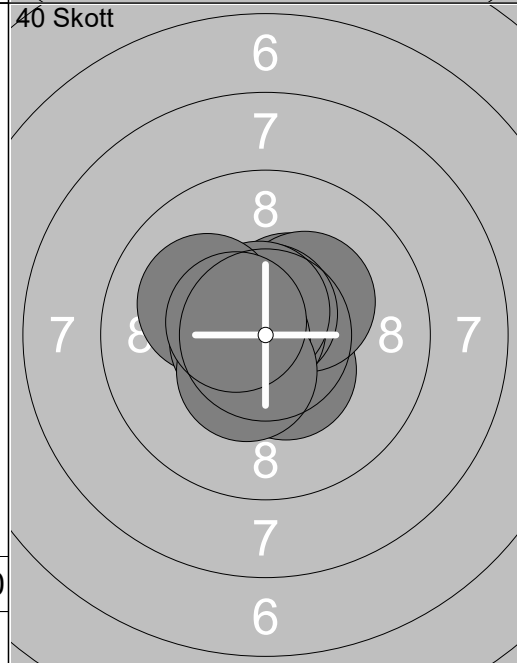
1:	9.8 ↑
2:	9.9 ↑
3:	10.5x↓
4:	10.6x↑
5:	10.4x↙
6:	10.5x↙
7:	10.5x↙
8:	10.2x↓
9:	10.5x↓
10:	10.7x→
Serie 103.6	
Total 103.6	



11:	10.5x↗
12:	10.2x→
13:	10.5x↙
14:	10.5x↗
15:	10.6x↓
16:	10.7x↘
17:	10.8x↗
18:	10.6x↙
19:	10.7x↙
20:	10.4x↗
Serie 105.5	
Total 209.1	



21:	10.3x↘
22:	10.4x↙
23:	10.3x↗
24:	10.6x↙
25:	10.2x↗
26:	10.4x→
27:	10.2x↑
28:	10.0 ↑
29:	10.8x↗
30:	9.8 ↑
Serie 103.0	
Total 312.1	

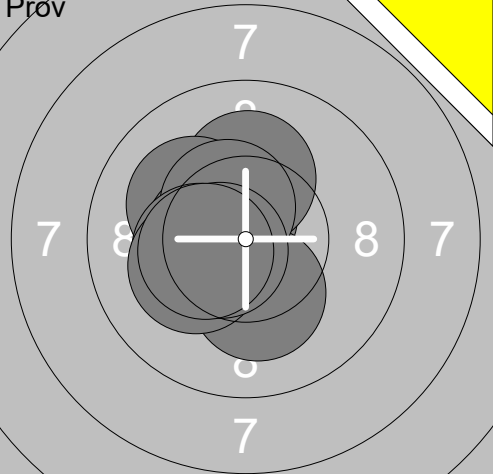
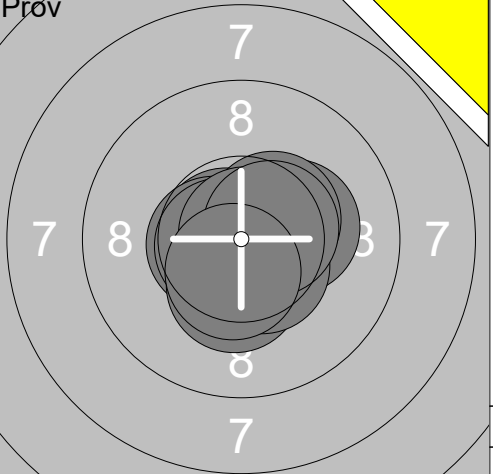



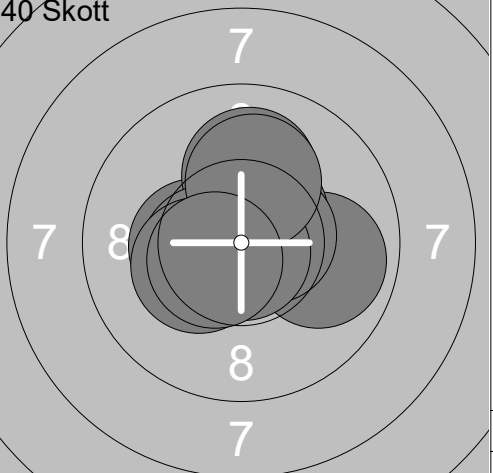
31:	10.4x↓
32:	10.4x↗
33:	10.3x↗
34:	10.7x↑
35:	10.8x↙
36:	10.6x↘
37:	10.1 ↙
38:	10.6x↙
39:	10.4x↓
40:	10.5x↙
Serie 104.8	
Total 416.9	

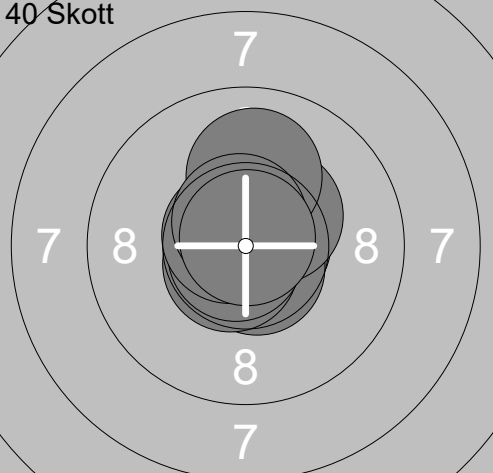
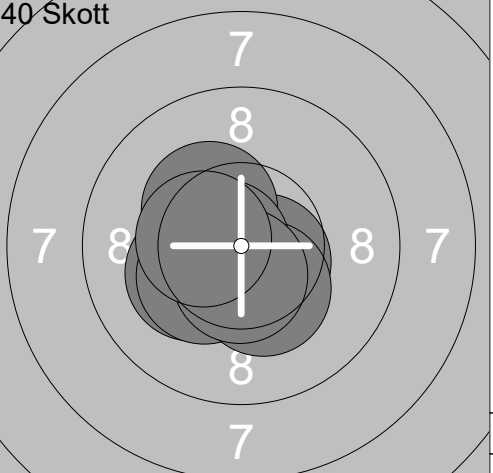
Prov 	Prov 	11: 10.5x ↘ 12: 10.6x ↘ 13: 10.8x ↘ 14: 10.6x ↘ 15: 10.8x ↘ <hr/> Serie 53.3 Total 0.0
1: 9.7 ↑ 2: 9.5 ↗ 3: 9.7 ↗ 4: 10.2x ↘ 5: 10.7x ↘ 6: 10.1 ↑ 7: 10.3x ↑ 8: 10.9x ↘ 9: 10.6x ↑ 10: 10.6x ↘ <hr/> Serie 102.3 Total 0.0	1: 10.2x ↑ 2: 10.6x ↘ 3: 10.7x ↗ 4: 10.6x ↑ 5: 10.3x ↘ 6: 10.6x ↘ 7: 10.7x ↓ 8: 10.7x ↖ 9: 10.6x ↓ 10: 10.7x ↘ <hr/> Serie 105.7 Total 105.7	11: 10.5x ↑ 12: 10.6x ↓ 13: 10.7x ↗ 14: 10.8x ↓ 15: 10.7x ↓ 16: 10.4x ↓ 17: 10.4x ↑ 18: 10.9x ↗ 19: 10.8x ↑ 20: 10.5x ↘ <hr/> Serie 106.4 Total 212.1

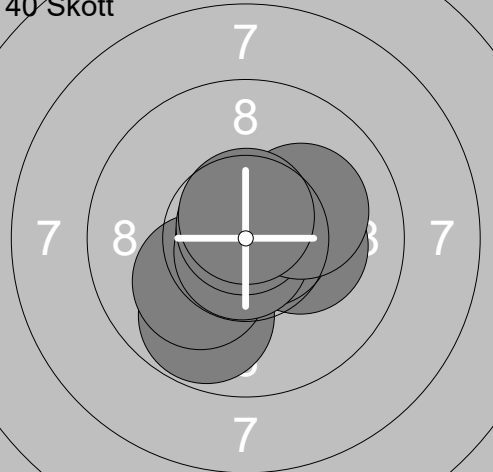
40 Skott 	40 Skott 	21: 10.7x ↘ 22: 10.5x ↘ 23: 10.4x ↘ 24: 10.3x ↑ 25: 10.4x ↘ 26: 10.5x ↑ 27: 10.4x ↘ 28: 10.7x ↑ 29: 10.5x ↑ 30: 10.5x ↘ <hr/> Serie 104.9 Total 317.0
11: 10.6x ↓ 12: 10.6x ↗ 13: 10.7x ↗ 14: 10.8x ↓ 15: 10.7x ↓ 16: 10.4x ↓ 17: 10.4x ↑ 18: 10.9x ↗ 19: 10.8x ↑ 20: 10.5x ↘ <hr/> Serie 106.4 Total 212.1	31: 10.5x ↑ 32: 10.6x ↓ 33: 10.1 ↓ 34: 10.0 ↓ 35: 10.3x ↑ 36: 10.7x ↗ 37: 10.5x ↑ 38: 10.0 ↖ 39: 10.8x ↘ 40: 10.7x ↘ <hr/> Serie 104.2 Total 421.2	

40 Skott 	40 Skott 	21: 10.7x ↘ 22: 10.5x ↘ 23: 10.4x ↘ 24: 10.3x ↑ 25: 10.4x ↘ 26: 10.5x ↑ 27: 10.4x ↘ 28: 10.7x ↑ 29: 10.5x ↑ 30: 10.5x ↘ <hr/> Serie 104.9 Total 317.0
11: 10.6x ↓ 12: 10.6x ↗ 13: 10.7x ↗ 14: 10.8x ↓ 15: 10.7x ↓ 16: 10.4x ↓ 17: 10.4x ↑ 18: 10.9x ↗ 19: 10.8x ↑ 20: 10.5x ↘ <hr/> Serie 106.4 Total 212.1	31: 10.5x ↑ 32: 10.6x ↓ 33: 10.1 ↓ 34: 10.0 ↓ 35: 10.3x ↑ 36: 10.7x ↗ 37: 10.5x ↑ 38: 10.0 ↖ 39: 10.8x ↘ 40: 10.7x ↘ <hr/> Serie 104.2 Total 421.2	

<p>Pröv</p> 	<p>1: 10.6x ↗ 2: 10.1 ↑ 3: 10.2x ↓ 4: 10.1 ↗ 5: 10.5x ← 6: 10.5x ↗ 7: 10.3x ← 8: 10.2x ← 9: 10.6x ← 10: 10.4x ←</p> <p>Serie 103.5 Total 0.0</p>	<p>Pröv</p> 	<p>11: 10.7x ← 12: 10.6x ← 13: 10.7x ← 14: 10.3x → 15: 10.5x ↗ 16: 10.3x ↓ 17: 10.5x ↓ 18: 10.9x ↗ 19: 10.5x → 20: 10.5x ↓</p> <p>Serie 105.5 Total 0.0</p>
---	---	---	--

<p>Pröv</p> 	<p>21: 10.7x ↙ 22: 10.8x ↘ 23: 10.6x ↑</p> <p>Serie 32.1 Total 0.0</p>	<p>40 Skott</p> 	<p>1: 9.9 → 2: 10.4x ← 3: 10.5x ↗ 4: 10.6x → 5: 10.1 ↑ 6: 10.5x ← 7: 10.8x ↓ 8: 10.1 ↑ 9: 10.3x ← 10: 10.5x ←</p> <p>Serie 103.7 Total 103.7</p>
--	--	--	---

<p>40 Skott</p> 	<p>11: 10.7x → 12: 10.6x ↓ 13: 10.4x ↗ 14: 10.0 ↑ 15: 10.9x ↗ 16: 10.6x ↓ 17: 10.8x ← 18: 10.7x ↗ 19: 10.6x ↑ 20: 10.8x ↑</p> <p>Serie 106.1 Total 209.8</p>	<p>40 Skott</p> 	<p>21: 10.2x ← 22: 10.8x ↓ 23: 10.8x ← 24: 10.6x ↘ 25: 10.3x ↗ 26: 10.3x ← 27: 10.3x ↓ 28: 10.7x ← 29: 10.6x ↓ 30: 10.4x ←</p> <p>Serie 105.0 Total 314.8</p>
---	---	---	--

<p>40 Skott</p> 	<p>31: 9.8 ↓ 32: 10.1 ↙ 33: 10.9x ↘ 34: 10.2x → 35: 10.7x → 36: 10.9x ← 37: 10.8x ↓ 38: 10.8x ↑ 39: 10.1 ↗ 40: 10.7x ↑</p> <p>Serie 105.0 Total 419.8</p>		
---	--	--	--

Prov 	1: 9.8 ↑ 2: 9.8 ↑ 3: 10.7✕ 4: 10.3✕ 5: 10.6✕↑ 6: 10.6✕ 7: 10.8✕↑ 8: 10.4✕ 9: 10.6✕> 10: 10.6✕	Prov 	11: 10.5✕> 12: 10.8✕ 13: 10.4✕ 14: 10.6✕ 15: 10.5✕> 16: 10.8✕> 17: 10.7✕ 18: 10.9✕
	Serie 104.2		Serie 85.2
	Total 0.0		Total 0.0

40 Skott 	1: 10.7✕ 2: 10.5✕> 3: 10.6✕ 4: 10.9✕ 5: 10.6✕ 6: 10.4✕ 7: 10.8✕ 8: 10.5✕ 9: 10.8✕ 10: 10.7✕	40 Skott 	11: 10.7✕ 12: 10.5✕> 13: 10.8✕> 14: 10.6✕ 15: 10.9✕> 16: 10.8✕ 17: 10.7✕ 18: 10.5✕ 19: 10.4✕ 20: 10.6✕
	Serie 106.5		Serie 106.5
	Total 106.5		Total 213.0

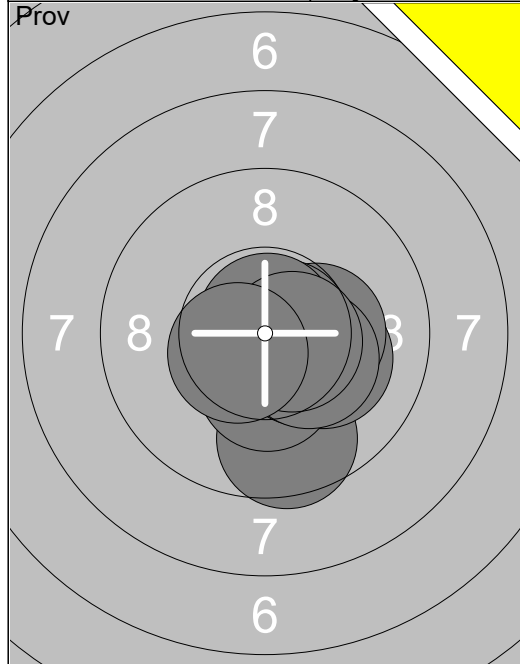
40 Skott 	21: 10.5✕ 22: 10.6✕ 23: 10.5✕ 24: 10.6✕ 25: 10.5✕ 26: 10.0> 27: 10.4✕ 28: 10.6✕ 29: 10.6✕> 30: 10.6✕	40 Skott 	31: 10.7✕ 32: 10.5✕ 33: 10.7✕> 34: 10.6✕ 35: 10.6✕ 36: 10.6✕ 37: 10.3✕ 38: 10.9✕ 39: 10.5✕ 40: 10.5✕
	Serie 104.9		Serie 105.9
	Total 317.9		Total 423.8

<p>Pröv</p>	<p>1: 10.7x ↗ 2: 10.3x ↑ 3: 10.6x ↙ 4: 10.7x ↖ 5: 10.4x ↗ 6: 10.6x ← 7: 10.3x ↗ 8: 10.7x ↙ 9: 10.4x ↗ 10: 10.7x ↑</p> <p>Serie 105.4 Total 0.0</p>	<p>Pröv</p>	<p>11: 10.5x ← 12: 10.7x ← 13: 10.2x ↗ 14: 9.9 ↖ 15: 10.4x ↗ 16: 10.5x ↓ 17: 10.5x ↓ 18: 10.1 ↓ 19: 10.1 → 20: 10.5x ↘</p> <p>Serie 103.4 Total 0.0</p>
--------------------	---	--------------------	--

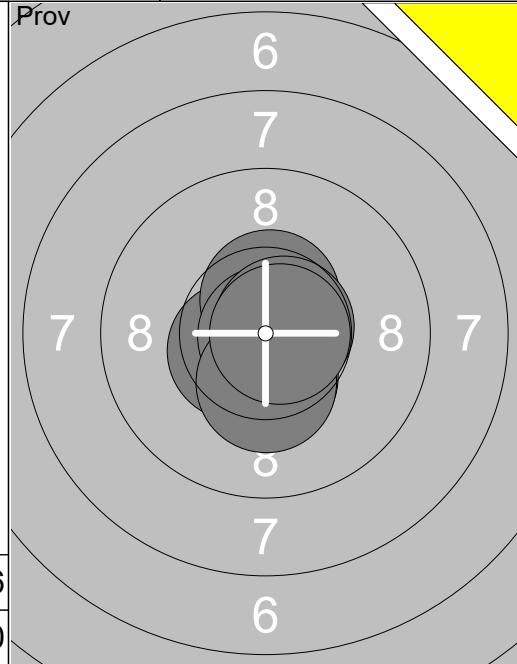
<p>Pröv</p>	<p>21: 10.2x ↗ 22: 9.8 → 23: 10.3x ↙ 24: 10.3x ↙ 25: 10.5x ↘</p> <p>Serie 51.1 Total 0.0</p>	<p>40 Skott</p>	<p>1: 10.3x ↓ 2: 10.8x ↓ 3: 10.3x ↓ 4: 10.4x ↗ 5: 10.4x ↗ 6: 10.2x ↓ 7: 10.7x → 8: 10.2x → 9: 10.5x ↗ 10: 10.4x ←</p> <p>Serie 104.2 Total 104.2</p>
--------------------	--	------------------------	---

<p>40 Skott</p>	<p>11: 10.7x ← 12: 10.5x → 13: 10.0 ↘ 14: 10.6x ↓ 15: 10.7x ↓ 16: 10.3x ↓ 17: 10.1 ← 18: 10.7x ↓ 19: 10.4x → 20: 10.6x ↗</p> <p>Serie 104.6 Total 208.8</p>	<p>40 Skott</p>	<p>21: 10.4x ↑ 22: 10.5x ↗ 23: 10.1 ↗ 24: 10.4x ↗ 25: 10.0 ↖ 26: 10.6x ↙ 27: 10.7x ← 28: 10.4x ← 29: 10.1 ↑ 30: 10.5x ←</p> <p>Serie 103.7 Total 312.5</p>
------------------------	--	------------------------	---

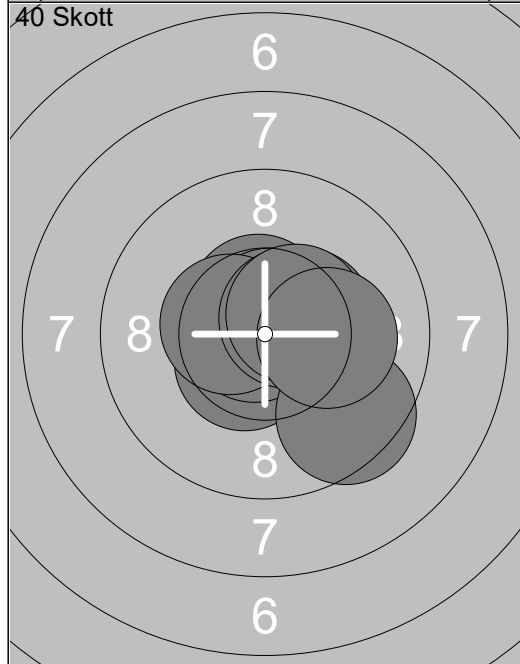
<p>40 Skott</p>	<p>31: 10.5x ← 32: 10.4x ↙ 33: 10.2x ↗ 34: 10.7x ↗ 35: 10.6x → 36: 10.5x ↓ 37: 10.5x ← 38: 10.7x ← 39: 10.6x → 40: 10.3x ↙</p> <p>Serie 105.0 Total 417.5</p>		
------------------------	--	--	--



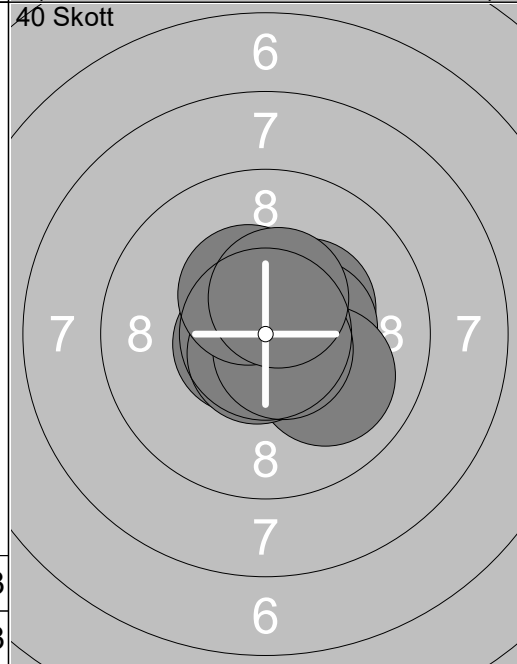
1: 9.6 ↓
2: 10.1 →
3: 10.3x →
4: 10.7x →
5: 10.3x ↓
6: 10.8x ↗
7: 10.4x ↘
8: 10.3x ↘
9: 10.6x →
10: 10.5x ↘
Serie 103.6
Total 0.0



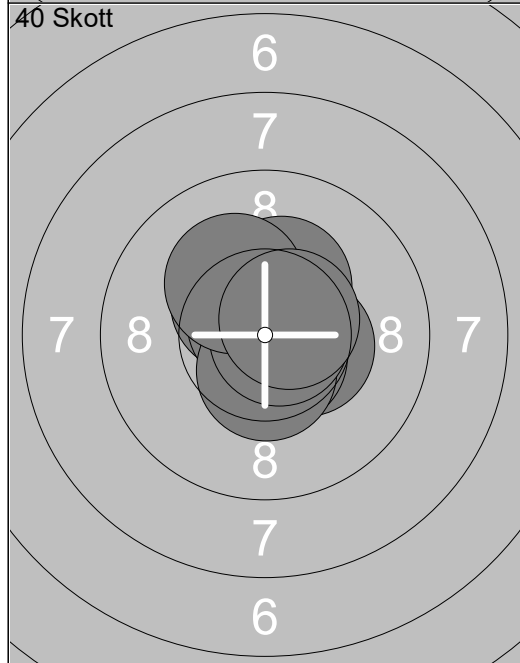
11: 10.7x ↘
12: 10.4x ↓
13: 10.5x ↘
14: 10.5x ↗
15: 10.9x ↘
16: 10.7x →
17: 10.3x ↓
18: 10.8x →
Serie 84.8
Total 0.0



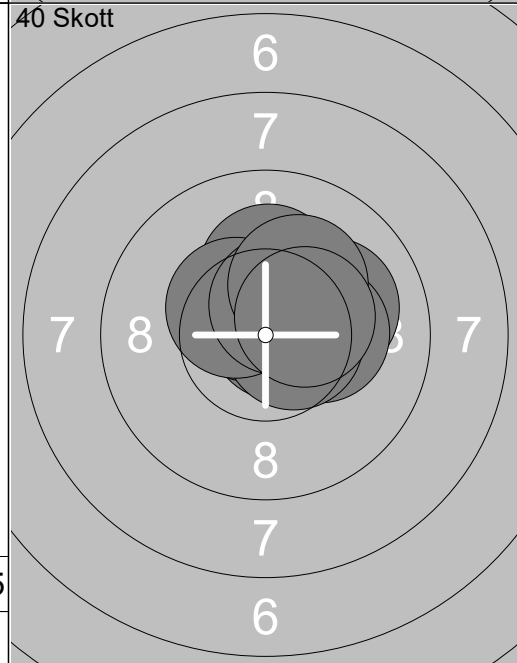
1: 10.5x ↘
2: 10.4x →
3: 10.6x ↗
4: 10.7x ↗
5: 10.8x ↘
6: 10.5x ↘
7: 10.6x ↗
8: 9.5 ↓
9: 10.5x ↗
10: 10.2x →
Serie 104.3
Total 104.3



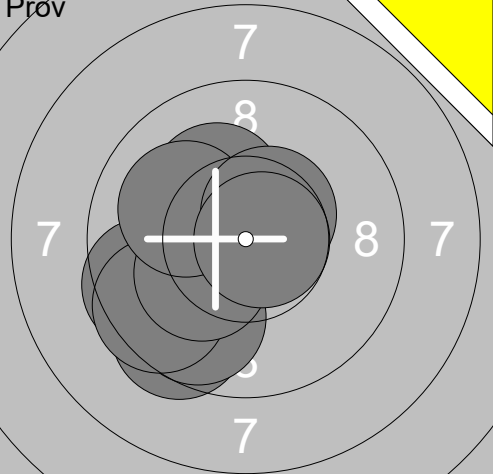
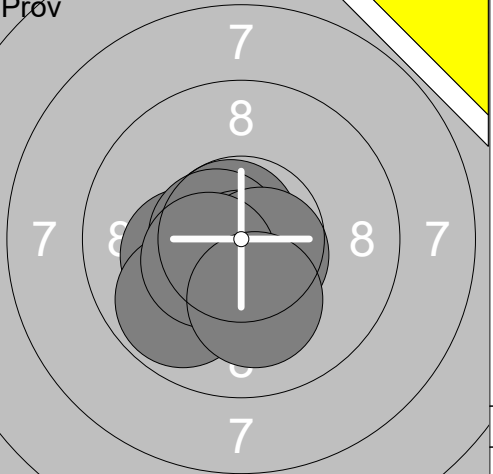
11: 10.3x ↗
12: 10.8x ↓
13: 10.4x →
14: 10.0 →
15: 10.9x ↘
16: 10.6x ↘
17: 10.7x ↓
18: 10.7x ↘
19: 10.4x ↘
20: 10.5x ↗
Serie 105.3
Total 209.6


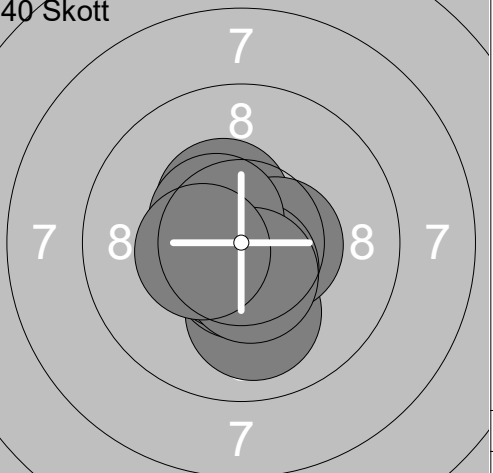


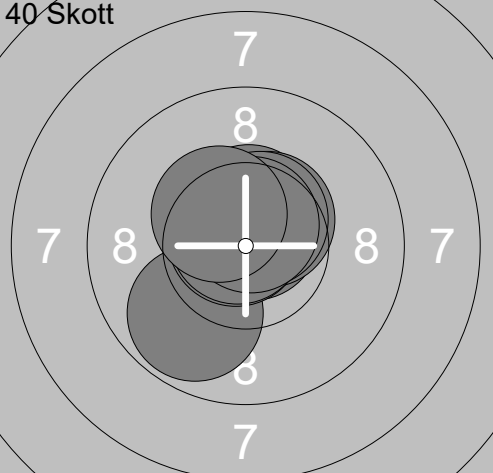
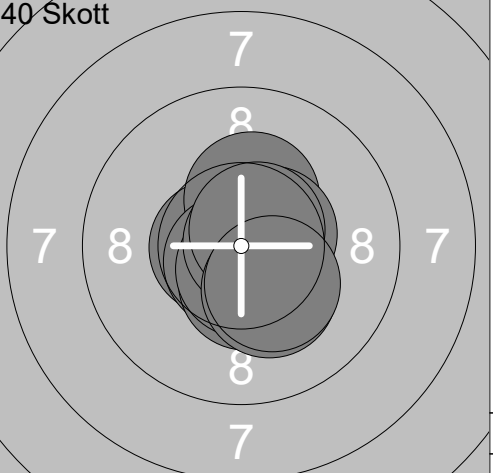
21: 10.4x →
22: 10.4x ↘
23: 10.6x ↓
24: 10.8x ↘
25: 10.9x ↗
26: 10.5x ↓
27: 10.3x ↗
28: 10.8x →
29: 10.2x ↘
30: 10.6x ↗
Serie 105.5
Total 315.1

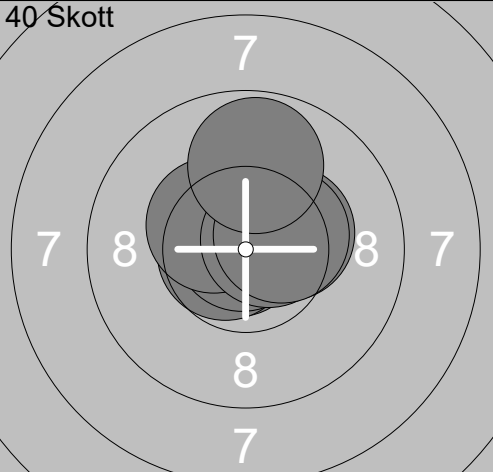


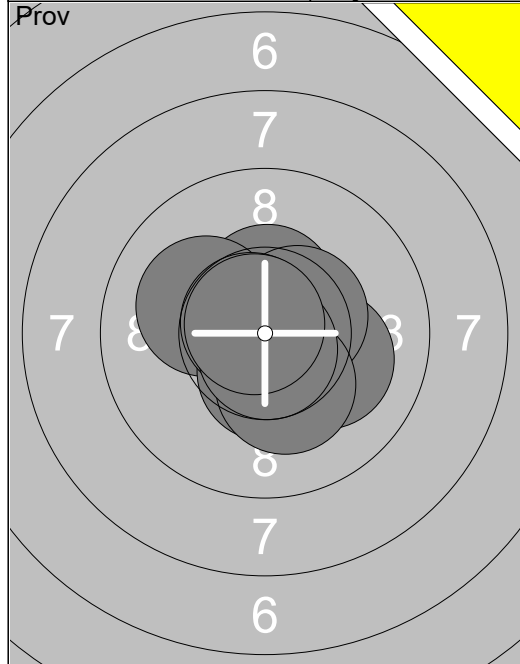
31: 10.1 →
32: 10.3x →
33: 10.8x →
34: 10.6x ↘
35: 10.2x ↗
36: 10.6x →
37: 10.4x ↘
38: 10.5x ↗
39: 10.2x ↗
40: 10.4x →
Serie 104.1
Total 419.2

<p>Pröv</p> 	<table border="1" style="width:100%; border-collapse: collapse;"> <tr><td>1:</td><td>9.4</td><td>↙</td></tr> <tr><td>2:</td><td>9.9</td><td>←</td></tr> <tr><td>3:</td><td>9.6</td><td>←</td></tr> <tr><td>4:</td><td>9.7</td><td>↙</td></tr> <tr><td>5:</td><td>9.5</td><td>←</td></tr> <tr><td>6:</td><td>10.2x</td><td>←</td></tr> <tr><td>7:</td><td>10.2x</td><td>↗</td></tr> <tr><td>8:</td><td>10.1</td><td>↖</td></tr> <tr><td>9:</td><td>10.5x</td><td>↗</td></tr> <tr><td>10:</td><td>10.7x</td><td>→</td></tr> <tr><td colspan="2">Serie</td><td style="text-align: right;">99.8</td></tr> <tr><td colspan="2">Total</td><td style="text-align: right;">0.0</td></tr> </table>	1:	9.4	↙	2:	9.9	←	3:	9.6	←	4:	9.7	↙	5:	9.5	←	6:	10.2x	←	7:	10.2x	↗	8:	10.1	↖	9:	10.5x	↗	10:	10.7x	→	Serie		99.8	Total		0.0	<p>Pröv</p>  <table border="1" style="width:100%; border-collapse: collapse;"> <tr><td>11:</td><td>10.2x</td><td>←</td></tr> <tr><td>12:</td><td>10.7x</td><td>↗</td></tr> <tr><td>13:</td><td>10.6x</td><td>←</td></tr> <tr><td>14:</td><td>10.5x</td><td>↙</td></tr> <tr><td>15:</td><td>10.7x</td><td>↓</td></tr> <tr><td>16:</td><td>10.6x</td><td>↓</td></tr> <tr><td>17:</td><td>10.6x</td><td>↘</td></tr> <tr><td>18:</td><td>9.8</td><td>↙</td></tr> <tr><td>19:</td><td>10.4x</td><td>←</td></tr> <tr><td>20:</td><td>10.1</td><td>↓</td></tr> <tr><td colspan="2">Serie</td><td style="text-align: right;">104.2</td></tr> <tr><td colspan="2">Total</td><td style="text-align: right;">0.0</td></tr> </table>	11:	10.2x	←	12:	10.7x	↗	13:	10.6x	←	14:	10.5x	↙	15:	10.7x	↓	16:	10.6x	↓	17:	10.6x	↘	18:	9.8	↙	19:	10.4x	←	20:	10.1	↓	Serie		104.2	Total		0.0
1:	9.4	↙																																																																								
2:	9.9	←																																																																								
3:	9.6	←																																																																								
4:	9.7	↙																																																																								
5:	9.5	←																																																																								
6:	10.2x	←																																																																								
7:	10.2x	↗																																																																								
8:	10.1	↖																																																																								
9:	10.5x	↗																																																																								
10:	10.7x	→																																																																								
Serie		99.8																																																																								
Total		0.0																																																																								
11:	10.2x	←																																																																								
12:	10.7x	↗																																																																								
13:	10.6x	←																																																																								
14:	10.5x	↙																																																																								
15:	10.7x	↓																																																																								
16:	10.6x	↓																																																																								
17:	10.6x	↘																																																																								
18:	9.8	↙																																																																								
19:	10.4x	←																																																																								
20:	10.1	↓																																																																								
Serie		104.2																																																																								
Total		0.0																																																																								

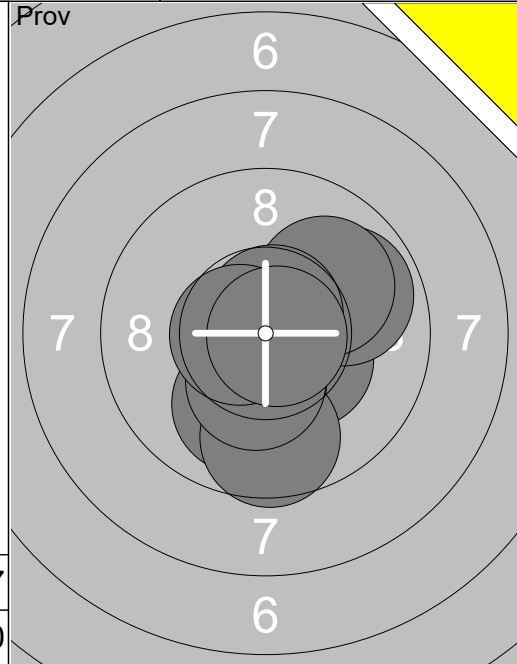
<p>Pröv</p>  <table border="1" style="width:100%; border-collapse: collapse;"> <tr><td>21:</td><td>10.3x</td><td>↓</td></tr> <tr><td>22:</td><td>10.5x</td><td>←</td></tr> <tr><td>23:</td><td>10.3x</td><td>↘</td></tr> <tr><td>24:</td><td>10.9x</td><td>→</td></tr> <tr><td>25:</td><td>10.6x</td><td>↗</td></tr> <tr><td colspan="2">Serie</td><td style="text-align: right;">52.6</td></tr> <tr><td colspan="2">Total</td><td style="text-align: right;">0.0</td></tr> </table>	21:	10.3x	↓	22:	10.5x	←	23:	10.3x	↘	24:	10.9x	→	25:	10.6x	↗	Serie		52.6	Total		0.0	<p>40 Skott</p>  <table border="1" style="width:100%; border-collapse: collapse;"> <tr><td>1:</td><td>10.0</td><td>↓</td></tr> <tr><td>2:</td><td>10.4x</td><td>↗</td></tr> <tr><td>3:</td><td>10.6x</td><td>↓</td></tr> <tr><td>4:</td><td>10.5x</td><td>→</td></tr> <tr><td>5:</td><td>10.6x</td><td>↓</td></tr> <tr><td>6:</td><td>10.7x</td><td>↙</td></tr> <tr><td>7:</td><td>10.7x</td><td>↙</td></tr> <tr><td>8:</td><td>10.5x</td><td>↗</td></tr> <tr><td>9:</td><td>10.5x</td><td>↓</td></tr> <tr><td>10:</td><td>10.4x</td><td>←</td></tr> <tr><td colspan="2">Serie</td><td style="text-align: right;">104.9</td></tr> <tr><td colspan="2">Total</td><td style="text-align: right;">104.9</td></tr> </table>	1:	10.0	↓	2:	10.4x	↗	3:	10.6x	↓	4:	10.5x	→	5:	10.6x	↓	6:	10.7x	↙	7:	10.7x	↙	8:	10.5x	↗	9:	10.5x	↓	10:	10.4x	←	Serie		104.9	Total		104.9
21:	10.3x	↓																																																								
22:	10.5x	←																																																								
23:	10.3x	↘																																																								
24:	10.9x	→																																																								
25:	10.6x	↗																																																								
Serie		52.6																																																								
Total		0.0																																																								
1:	10.0	↓																																																								
2:	10.4x	↗																																																								
3:	10.6x	↓																																																								
4:	10.5x	→																																																								
5:	10.6x	↓																																																								
6:	10.7x	↙																																																								
7:	10.7x	↙																																																								
8:	10.5x	↗																																																								
9:	10.5x	↓																																																								
10:	10.4x	←																																																								
Serie		104.9																																																								
Total		104.9																																																								

<p>40 Skott</p>  <table border="1" style="width:100%; border-collapse: collapse;"> <tr><td>11:</td><td>9.8</td><td>↙</td></tr> <tr><td>12:</td><td>10.7x</td><td>↑</td></tr> <tr><td>13:</td><td>10.8x</td><td>↗</td></tr> <tr><td>14:</td><td>10.5x</td><td>↑</td></tr> <tr><td>15:</td><td>10.5x</td><td>↗</td></tr> <tr><td>16:</td><td>10.8x</td><td>↖</td></tr> <tr><td>17:</td><td>10.6x</td><td>↗</td></tr> <tr><td>18:</td><td>10.8x</td><td>↖</td></tr> <tr><td>19:</td><td>10.7x</td><td>↑</td></tr> <tr><td>20:</td><td>10.4x</td><td>↖</td></tr> <tr><td colspan="2">Serie</td><td style="text-align: right;">105.6</td></tr> <tr><td colspan="2">Total</td><td style="text-align: right;">210.5</td></tr> </table>	11:	9.8	↙	12:	10.7x	↑	13:	10.8x	↗	14:	10.5x	↑	15:	10.5x	↗	16:	10.8x	↖	17:	10.6x	↗	18:	10.8x	↖	19:	10.7x	↑	20:	10.4x	↖	Serie		105.6	Total		210.5	<p>40 Skott</p>  <table border="1" style="width:100%; border-collapse: collapse;"> <tr><td>21:</td><td>10.6x</td><td>←</td></tr> <tr><td>22:</td><td>10.3x</td><td>↑</td></tr> <tr><td>23:</td><td>10.7x</td><td>↙</td></tr> <tr><td>24:</td><td>10.5x</td><td>↓</td></tr> <tr><td>25:</td><td>10.5x</td><td>↗</td></tr> <tr><td>26:</td><td>10.6x</td><td>↓</td></tr> <tr><td>27:</td><td>10.8x</td><td>→</td></tr> <tr><td>28:</td><td>10.7x</td><td>↗</td></tr> <tr><td>29:</td><td>10.3x</td><td>↓</td></tr> <tr><td>30:</td><td>10.3x</td><td>↘</td></tr> <tr><td colspan="2">Serie</td><td style="text-align: right;">105.3</td></tr> <tr><td colspan="2">Total</td><td style="text-align: right;">315.8</td></tr> </table>	21:	10.6x	←	22:	10.3x	↑	23:	10.7x	↙	24:	10.5x	↓	25:	10.5x	↗	26:	10.6x	↓	27:	10.8x	→	28:	10.7x	↗	29:	10.3x	↓	30:	10.3x	↘	Serie		105.3	Total		315.8
11:	9.8	↙																																																																							
12:	10.7x	↑																																																																							
13:	10.8x	↗																																																																							
14:	10.5x	↑																																																																							
15:	10.5x	↗																																																																							
16:	10.8x	↖																																																																							
17:	10.6x	↗																																																																							
18:	10.8x	↖																																																																							
19:	10.7x	↑																																																																							
20:	10.4x	↖																																																																							
Serie		105.6																																																																							
Total		210.5																																																																							
21:	10.6x	←																																																																							
22:	10.3x	↑																																																																							
23:	10.7x	↙																																																																							
24:	10.5x	↓																																																																							
25:	10.5x	↗																																																																							
26:	10.6x	↓																																																																							
27:	10.8x	→																																																																							
28:	10.7x	↗																																																																							
29:	10.3x	↓																																																																							
30:	10.3x	↘																																																																							
Serie		105.3																																																																							
Total		315.8																																																																							

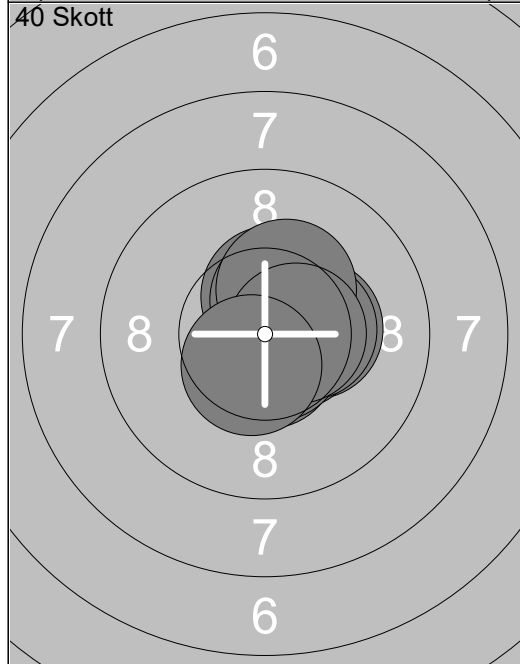
<p>40 Skott</p>  <table border="1" style="width:100%; border-collapse: collapse;"> <tr><td>31:</td><td>10.6x</td><td>↖</td></tr> <tr><td>32:</td><td>10.4x</td><td>↗</td></tr> <tr><td>33:</td><td>10.8x</td><td>←</td></tr> <tr><td>34:</td><td>10.7x</td><td>←</td></tr> <tr><td>35:</td><td>10.9x</td><td>↗</td></tr> <tr><td>36:</td><td>10.4x</td><td>↖</td></tr> <tr><td>37:</td><td>10.4x</td><td>↗</td></tr> <tr><td>38:</td><td>10.6x</td><td>↗</td></tr> <tr><td>39:</td><td>10.4x</td><td>↗</td></tr> <tr><td>40:</td><td>9.8</td><td>↑</td></tr> <tr><td colspan="2">Serie</td><td style="text-align: right;">105.0</td></tr> <tr><td colspan="2">Total</td><td style="text-align: right;">420.8</td></tr> </table>	31:	10.6x	↖	32:	10.4x	↗	33:	10.8x	←	34:	10.7x	←	35:	10.9x	↗	36:	10.4x	↖	37:	10.4x	↗	38:	10.6x	↗	39:	10.4x	↗	40:	9.8	↑	Serie		105.0	Total		420.8	
31:	10.6x	↖																																			
32:	10.4x	↗																																			
33:	10.8x	←																																			
34:	10.7x	←																																			
35:	10.9x	↗																																			
36:	10.4x	↖																																			
37:	10.4x	↗																																			
38:	10.6x	↗																																			
39:	10.4x	↗																																			
40:	9.8	↑																																			
Serie		105.0																																			
Total		420.8																																			



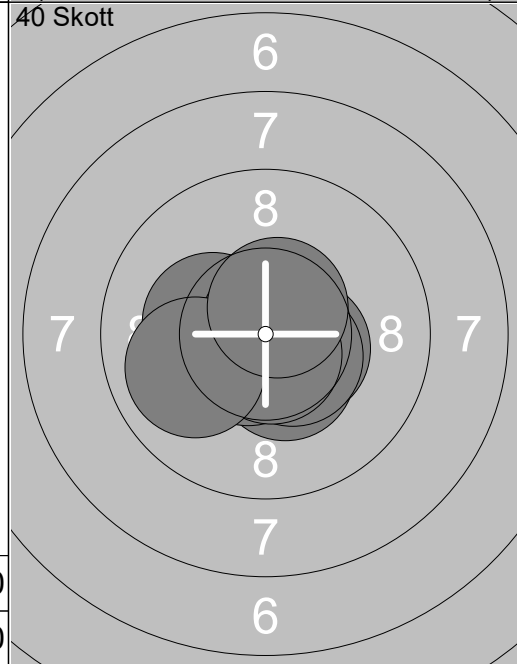
1:	10.1 →
2:	10.5 ↗
3:	10.5 ↗
4:	10.1 ←
5:	10.5 ↗
6:	10.5 ↓
7:	10.7 ↘
8:	10.3 ↓
9:	10.7 ↓
10:	10.8 ↘
Serie 104.7	
Total 0.0	



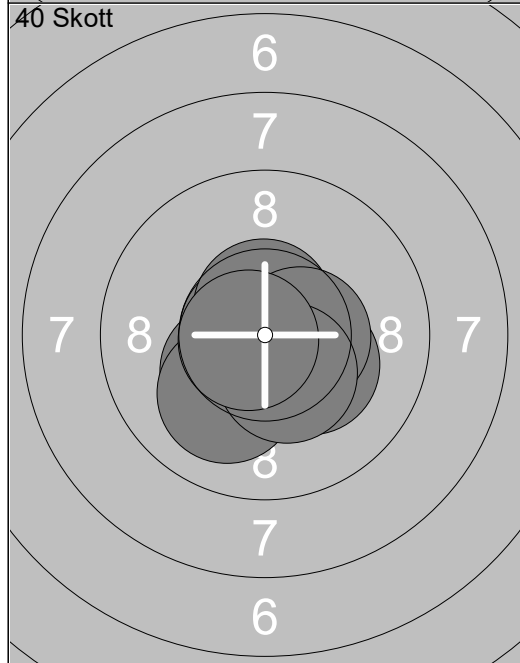
11:	10.4 ↘
12:	10.3 ↓
13:	10.0 ↓
14:	9.6 ↓
15:	10.3 ↓
16:	9.8 →
17:	10.0 ↗
18:	10.7 ↗
19:	10.6 ↘
20:	10.8 ↘
Serie 102.5	
Total 0.0	



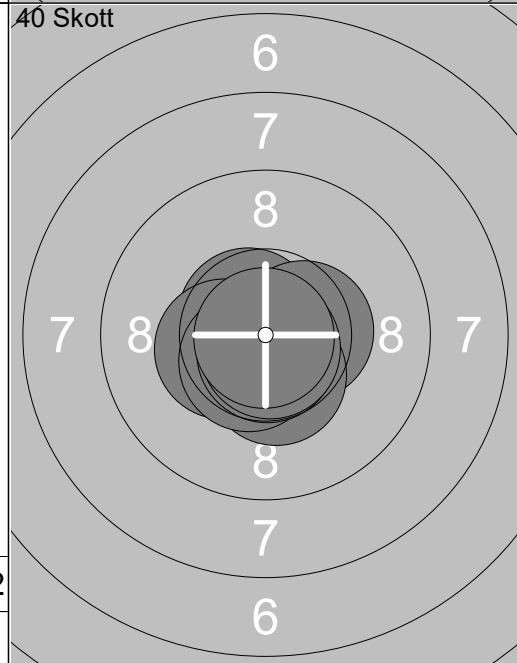
1:	10.3 ↘
2:	10.6 ↘
3:	10.6 ↓
4:	10.5 ↗
5:	10.4 ↘
6:	10.5 ↗
7:	10.7 ↓
8:	10.3 ↗
9:	10.6 ↘
10:	10.5 ↓
Serie 105.0	
Total 105.0	



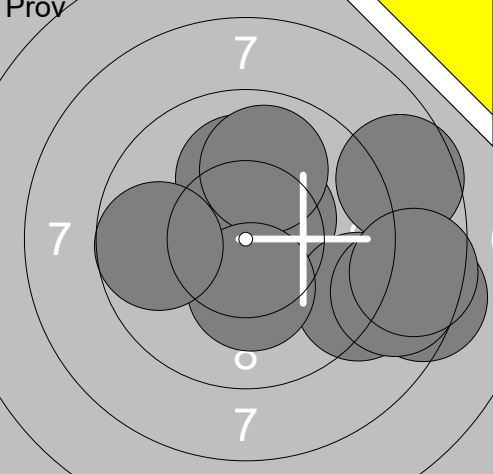
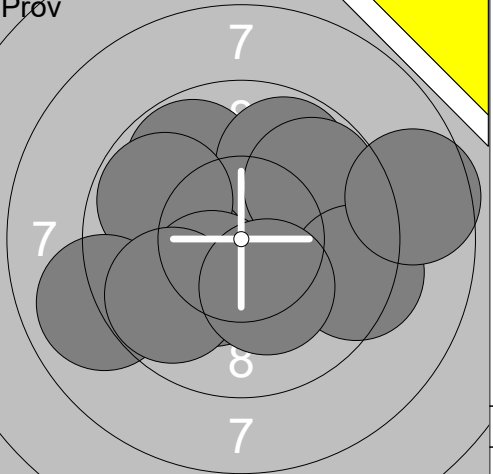
11:	10.5 ↘
12:	10.4 ↓
13:	10.3 ↘
14:	10.5 ↘
15:	10.5 ↘
16:	10.8 ↗
17:	10.6 ↓
18:	10.7 ↓
19:	10.0 ↙
20:	10.6 ↗
Serie 104.9	
Total 209.9	

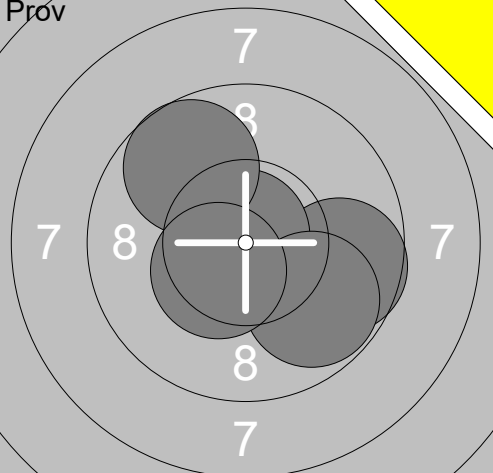
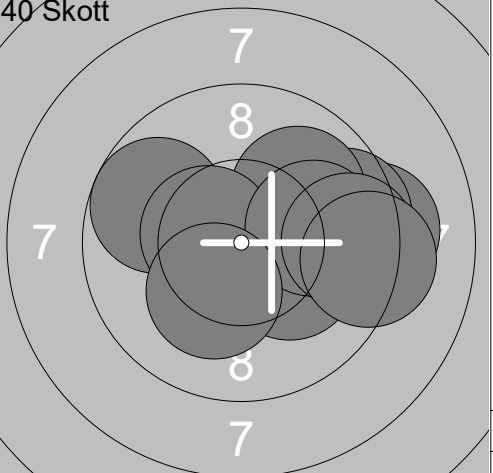


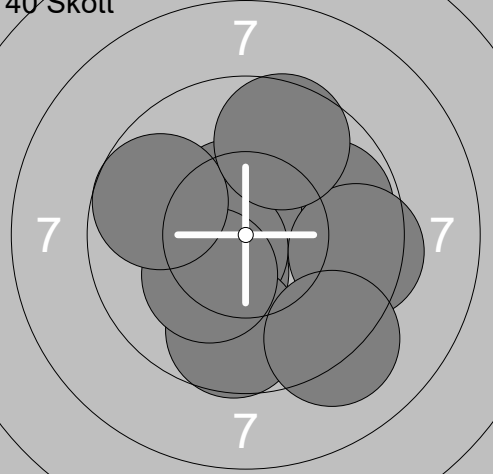
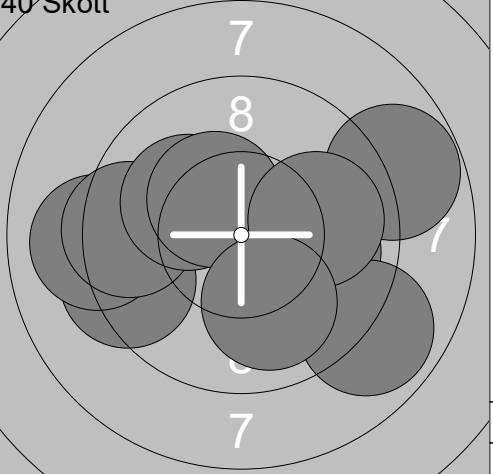
21:	10.7 ↘
22:	10.3 ↓
23:	10.3 ↘
24:	10.9 ↗
25:	10.7 ↓
26:	10.6 ↗
27:	10.1 ↓
28:	10.5 ↘
29:	10.4 ↓
30:	10.7 ↘
Serie 105.2	
Total 315.1	

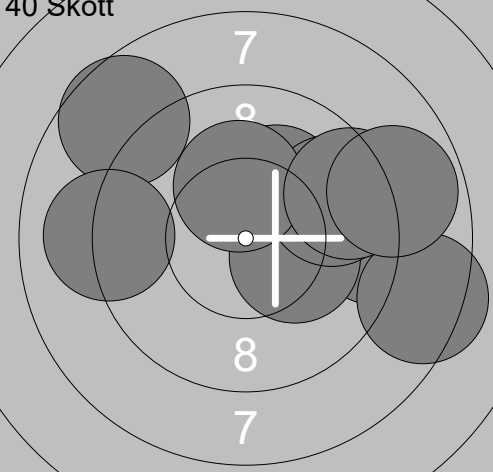


31:	10.6 ↘
32:	10.6 ↓
33:	10.6 ↓
34:	10.5 ↘
35:	10.4 ↓
36:	10.4 ↘
37:	10.6 ↓
38:	10.7 ↓
39:	10.8 ↓
40:	10.9 ↓
Serie 106.1	
Total 421.2	

Prov 	1: 8.3 → 2: 8.6 → 3: 10.1 ↑ 4: 10.5x ↗ 5: 9.9 ↑ 6: 9.2 ↘ 7: 8.7 → 8: 10.3x ↓ 9: 9.7 ← 10: 8.6 → <hr/> Serie 93.9 Total 0.0	Prov 	11: 9.8 ↖ 12: 9.8 ↗ 13: 9.8 ↖ 14: 10.3x ↘ 15: 9.8 ↗ 16: 9.0 ↖ 17: 9.4 → 18: 9.8 ↘ 19: 8.6 → 20: 10.2x ↘ <hr/> Serie 96.5 Total 0.0
--	---	--	---

Prov 	21: 9.7 → 22: 10.9x ↗ 23: 9.8 ↘ 24: 9.7 ↗ 25: 10.4x ↘ <hr/> Serie 50.5 Total 0.0	40 Skott 	1: 9.7 ↖ 2: 9.2 → 3: 9.5 → 4: 10.2x ↘ 5: 10.0 ↗ 6: 10.5x ↖ 7: 10.0 → 8: 9.5 → 9: 9.3 → 10: 10.2x ↘ <hr/> Serie 98.1 Total 98.1
---	--	---	---

40 Skott 	11: 9.8 → 12: 10.3x ↘ 13: 10.5x ↗ 14: 10.6x ↖ 15: 9.7 ↘ 16: 9.5 → 17: 9.2 ↘ 18: 10.2x ↘ 19: 9.7 ↖ 20: 9.6 ↗ <hr/> Serie 99.1 Total 197.2	40 Skott 	21: 9.3 ↖ 22: 10.0 → 23: 9.0 ↖ 24: 8.9 ↘ 25: 9.5 ↖ 26: 10.1 ↗ 27: 10.4x ↗ 28: 8.8 → 29: 9.9 → 30: 10.0 ↘ <hr/> Serie 95.9 Total 293.1
--	---	--	--

40 Skott 	31: 9.2 → 32: 10.2x ↗ 33: 10.2x → 34: 9.7 → 35: 10.2x ↑ 36: 8.4 → 37: 9.4 → 38: 8.6 ↗ 39: 9.1 ← 40: 8.8 → <hr/> Serie 93.8 Total 386.9		
--	---	--	--

Prov 	1: 10.5x ↗ 2: 10.3x → 3: 10.4x ↗ 4: 10.0 → 5: 9.9 ↗ 6: 10.3x ↗ 7: 10.8x ↗ 8: 9.9 ↖ 9: 9.9 ↘ 10: 10.5x ↖	Prov 		11: 10.1 ↗ 12: 10.5x ↖ 13: 10.7x ↖ 14: 10.8x ↖ 15: 10.7x →
Serie	102.5	Serie	52.8	
Total	0.0	Total	0.0	

40 Skott 	1: 9.9 ↖ 2: 10.4x ↖ 3: 9.6 → 4: 10.7x ↗ 5: 10.5x ↗ 6: 10.2x ↖ 7: 10.5x ↘ 8: 10.6x ↖ 9: 10.2x ↗ 10: 10.4x ↖	40 Skott 		11: 9.7 → 12: 10.7x ↗ 13: 10.3x ↗ 14: 10.3x ↖ 15: 9.9 ↘ 16: 10.6x ↖ 17: 10.6x ↘ 18: 10.4x → 19: 10.3x ↖ 20: 10.2x ↗
Serie	103.0	Serie	103.0	
Total	103.0	Total	206.0	

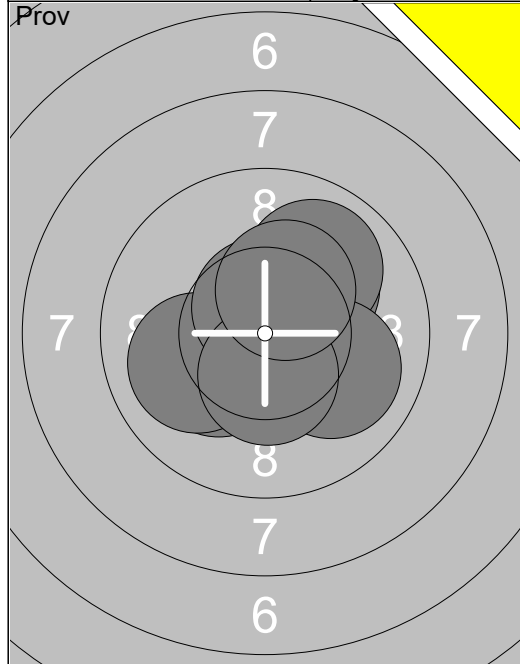
40 Skott 	21: 9.7 → 22: 9.6 ↖ 23: 10.4x → 24: 10.5x ↗ 25: 10.4x ↘ 26: 10.2x ↘ 27: 10.7x ↘ 28: 10.4x ↘ 29: 10.6x ↗ 30: 10.6x →	40 Skott 		31: 10.4x → 32: 10.5x → 33: 10.2x ↖ 34: 10.6x ↖ 35: 9.8 ↘ 36: 10.6x ↗ 37: 10.7x ↗ 38: 10.2x ↘ 39: 10.2x ↖ 40: 10.2x ↘
Serie	103.1	Serie	103.4	
Total	309.1	Total	412.5	

<p>Prov</p>	<p>1: 10.9x ↘ 2: 10.6x → 3: 9.6 → 4: 10.0 → 5: 10.2x ↙ 6: 10.5x ↗ 7: 10.9x → 8: 10.6x ↙ 9: 10.4x ↗ 10: 10.1 ↗</p> <p>Serie 103.8 Total 0.0</p>	<p>Prov</p>	<p>11: 10.4x ↘ 12: 10.4x ↗</p> <p>Serie 20.8 Total 0.0</p>
<p>40 Skott</p>	<p>1: 10.3x ↘ 2: 9.7 ↖ 3: 10.5x ↗ 4: 10.5x → 5: 10.2x ↗ 6: 10.7x → 7: 10.5x ↗ 8: 10.4x ↗ 9: 10.5x ↘ 10: 10.1 ↘</p> <p>Serie 103.4 Total 103.4</p>	<p>40 Skott</p>	<p>11: 9.6 ← 12: 10.5x ↘ 13: 10.3x ↘ 14: 10.8x ↘ 15: 9.9 ↗ 16: 10.5x ↙ 17: 10.5x → 18: 10.7x ↗ 19: 9.9 ↗ 20: 10.0 ↗</p> <p>Serie 102.7 Total 206.1</p>
<p>40 Skott</p>	<p>21: 10.2x ↗ 22: 10.6x ↘ 23: 9.8 ↗ 24: 9.5 → 25: 10.0 ↗ 26: 9.9 ↓ 27: 10.3x → 28: 10.4x ↘ 29: 10.6x ↘ 30: 10.0 ↘</p> <p>Serie 101.3 Total 307.4</p>	<p>40 Skott</p>	<p>31: 10.5x ↘ 32: 10.0 → 33: 10.5x ↗ 34: 10.4x ↗ 35: 10.2x → 36: 10.4x → 37: 10.7x ↘ 38: 10.1 ↗ 39: 10.4x ↘ 40: 9.9 ↘</p> <p>Serie 103.1 Total 410.5</p>

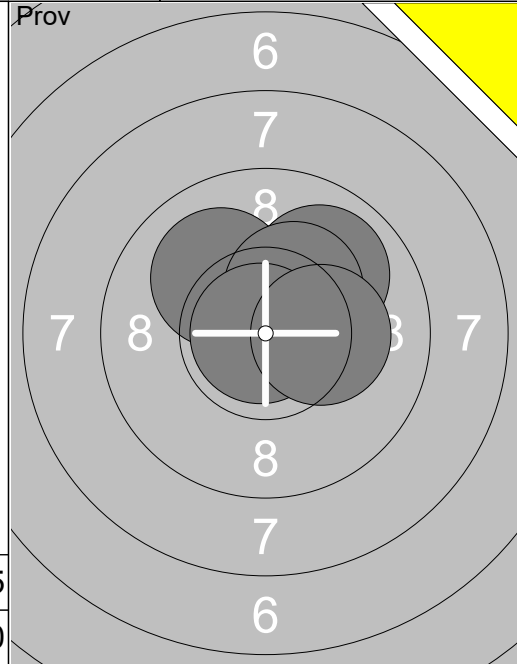
Prov 	1: 9.0 → 2: 9.8 → 3: 9.5 ← 4: 9.4 ↗ 5: 10.1 ↓ 6: 10.7x↘ 7: 10.3x→ 8: 9.7 → 9: 10.5x↗ 10: 9.6 ←	Prov 	11: 9.8 → 12: 10.6x→ 13: 8.6 ← 14: 8.8 ← 15: 10.4x↖
Serie	98.6	Serie	48.2
Total	0.0	Total	0.0

40 Skott 	1: 10.2x↗ 2: 10.1 ↗ 3: 9.6 → 4: 9.4 ← 5: 10.5x↗ 6: 9.7 → 7: 10.3x↘ 8: 10.3x↖ 9: 10.7x↗ 10: 10.6x↗	40 Skott 	11: 9.9 → 12: 10.1 ↗ 13: 10.1 ← 14: 9.5 ← 15: 9.6 ↗ 16: 10.2x↘ 17: 10.6x↘ 18: 10.7x↖ 19: 10.1 ↓ 20: 10.7x→
Serie	101.4	Serie	101.5
Total	101.4	Total	202.9

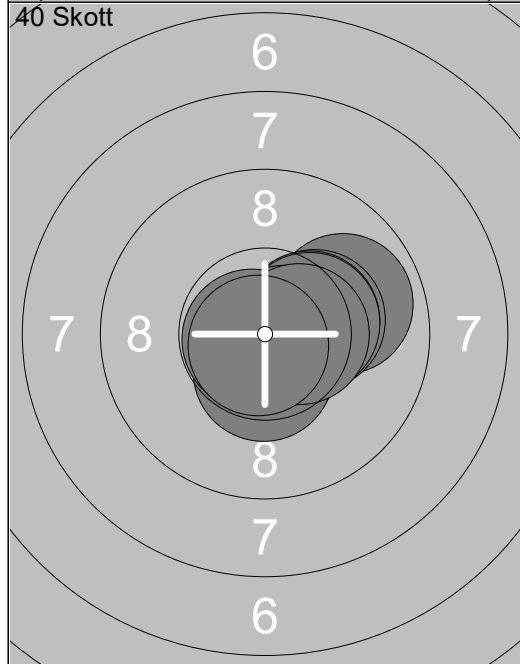
40 Skott 	21: 10.4x↗ 22: 10.5x↘ 23: 10.7x↗ 24: 9.1 → 25: 9.9 → 26: 10.5x→ 27: 10.3x↖ 28: 10.0 → 29: 10.4x↘ 30: 10.6x↖	40 Skott 	31: 10.2x→ 32: 10.2x↖ 33: 10.4x↘ 34: 9.5 ← 35: 9.8 → 36: 10.1 ↓ 37: 9.9 ↑ 38: 10.2x↗ 39: 9.7 ↘ 40: 10.1 ←
Serie	102.4	Serie	100.1
Total	305.3	Total	405.4



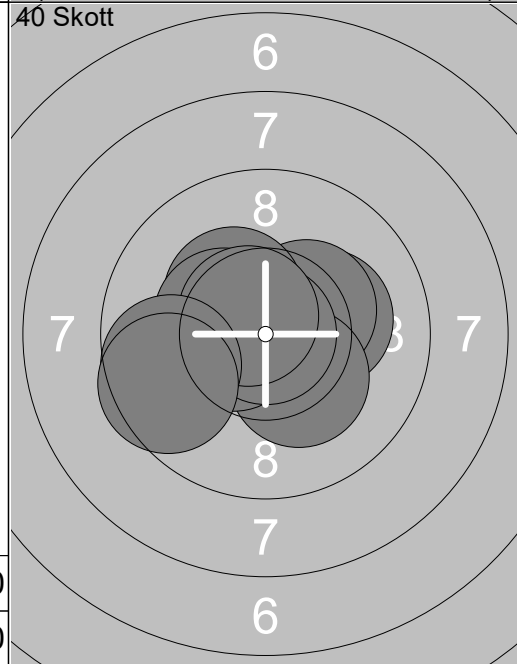
1: 10.4x
2: 10.2x
3: 10.6x
4: 10.0
5: 10.1
6: 9.9
7: 10.6x
8: 10.0
9: 10.4x
10: 10.3x
Serie 102.5
Total 0.0



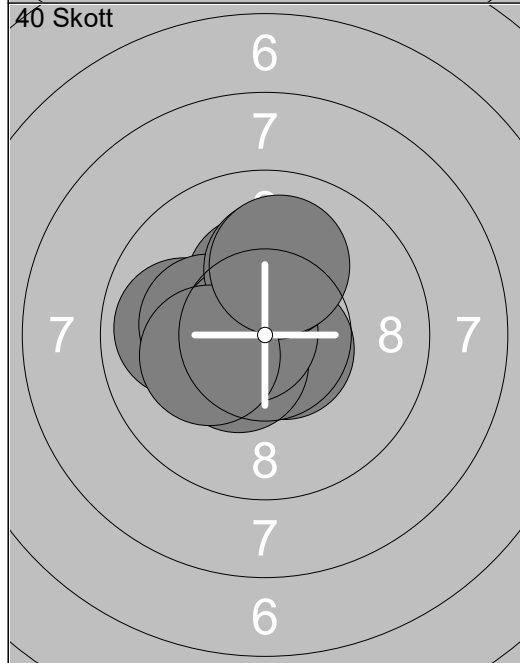
11: 10.0
12: 9.9
13: 10.3x
14: 10.9x
15: 10.2x
Serie 51.3
Total 0.0



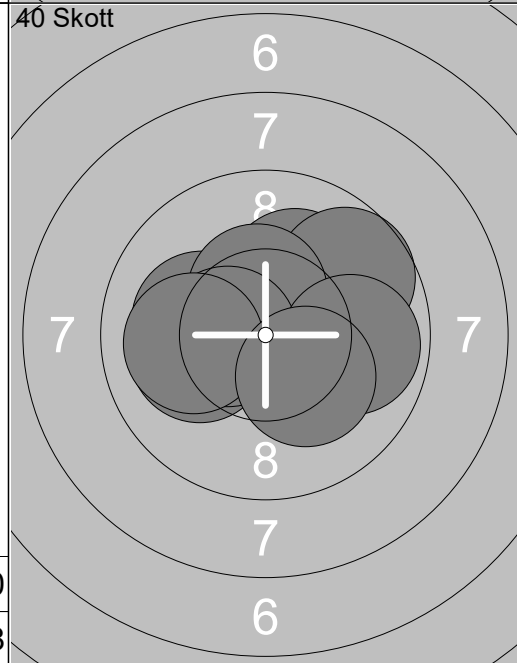
1: 9.9
2: 10.7x
3: 10.3x
4: 10.4x
5: 10.4x
6: 10.5x
7: 10.7x
8: 10.8x
9: 10.5x
10: 10.8x
Serie 105.0
Total 105.0



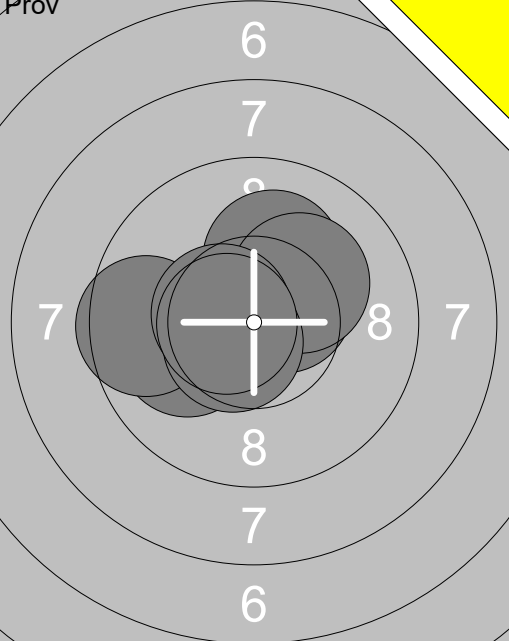
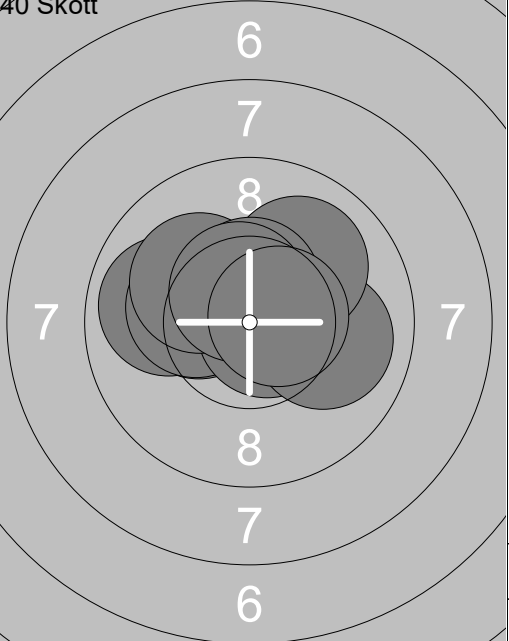
11: 10.2x
12: 10.3x
13: 10.3x
14: 10.3x
15: 10.5x
16: 10.4x
17: 10.9x
18: 10.6x
19: 9.7
20: 9.6
Serie 102.8
Total 207.8

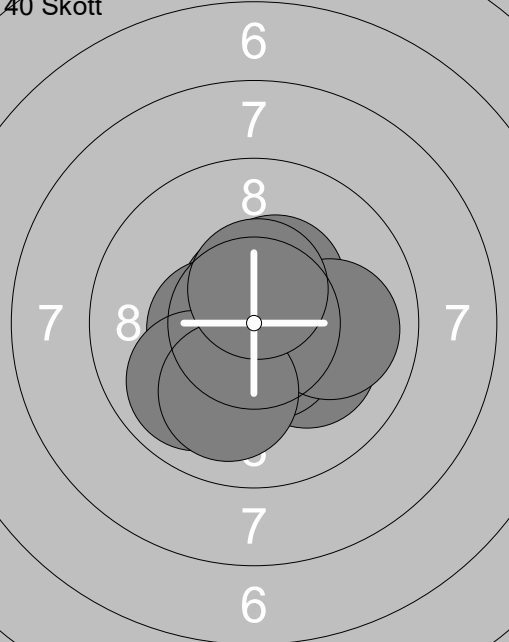
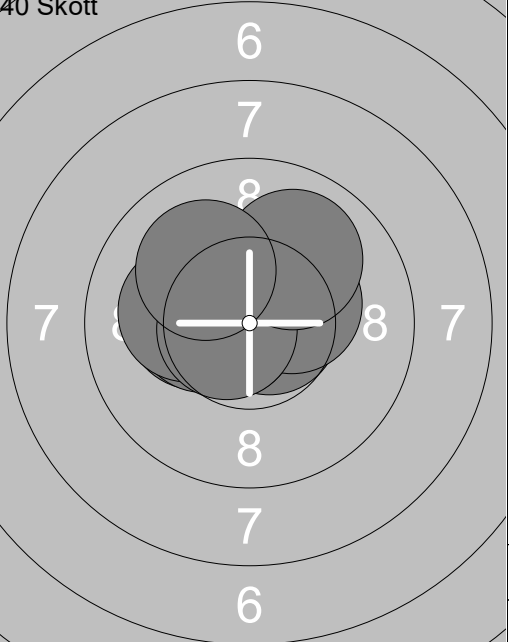


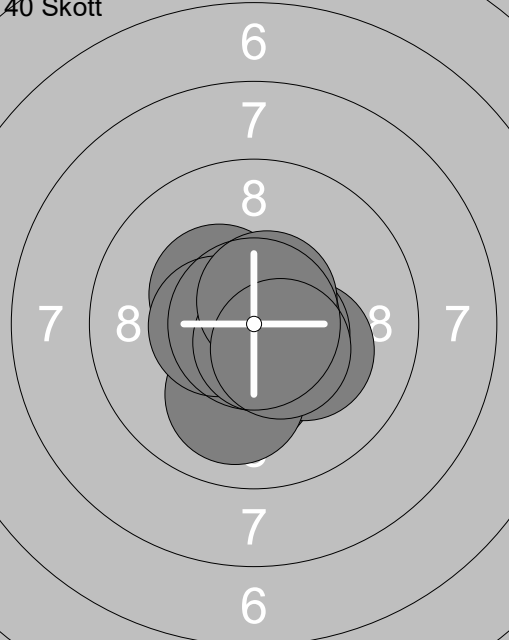
21: 10.5x
22: 10.6x
23: 9.9
24: 10.5x
25: 10.3x
26: 10.2x
27: 10.7x
28: 10.1
29: 10.2x
30: 10.0
Serie 103.0
Total 310.8

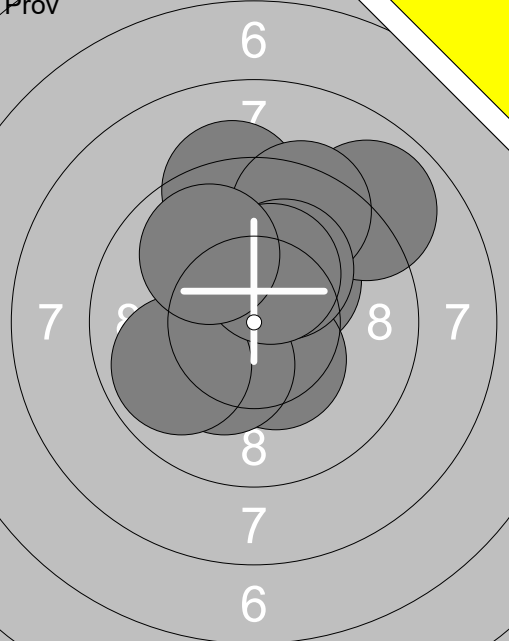
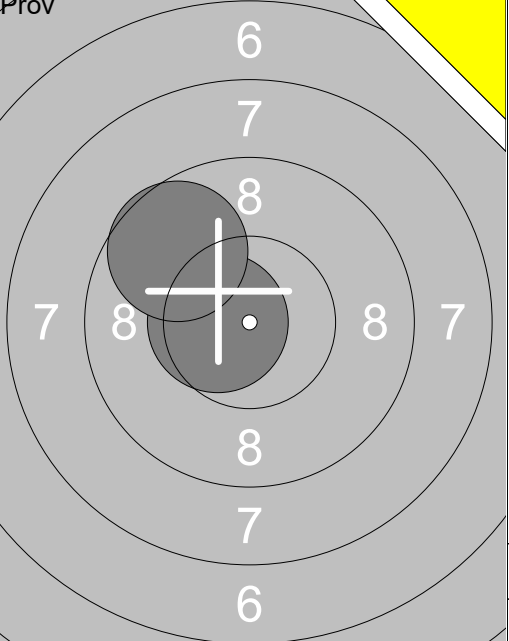


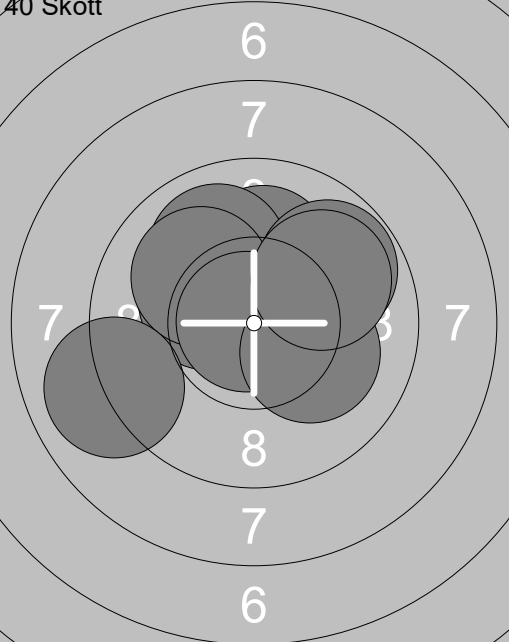
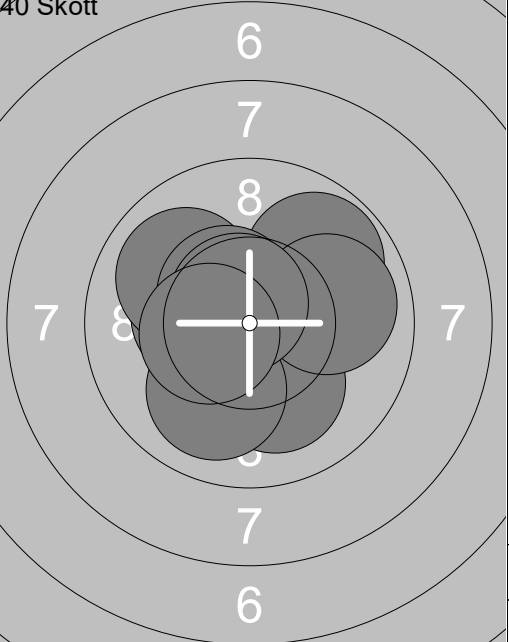
31: 10.1
32: 10.6x
33: 10.1
34: 9.7
35: 10.4x
36: 10.1
37: 10.5x
38: 10.0
39: 9.9
40: 10.2x
Serie 101.6
Total 412.4

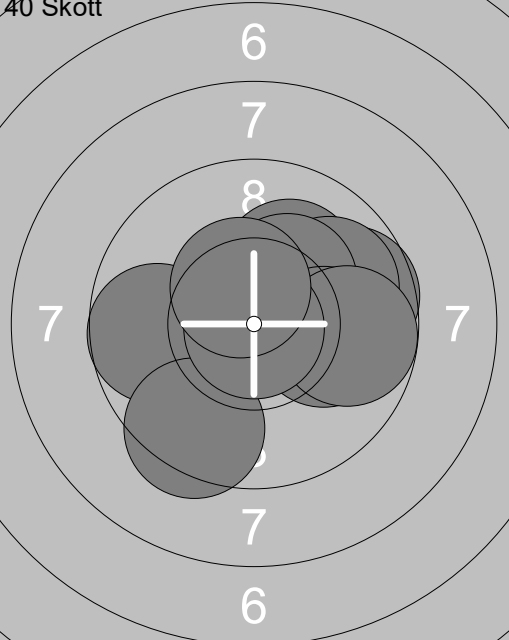
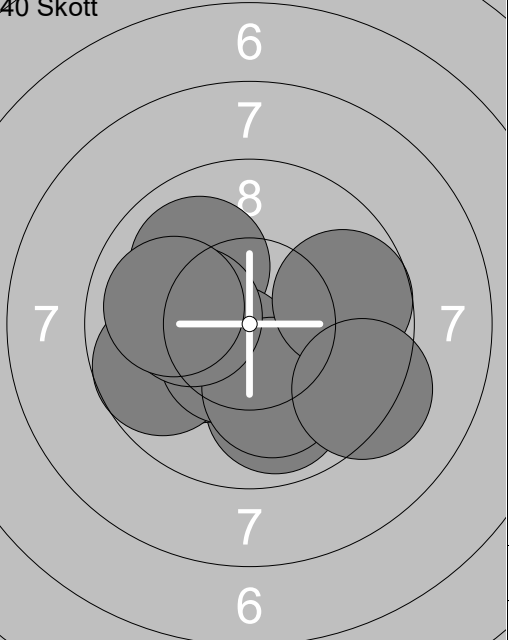
Prov 	1: 10.7x↗ 2: 10.0← 3: 10.5x↗ 4: 10.1↑ 5: 10.2x↗ 6: 9.6← 7: 10.6x↘ 8: 10.5x↘ 9: 10.6x↘	40 Skott 	1: 10.3x↘ 2: 9.9← 3: 10.2x↘ 4: 10.7x↗ 5: 10.0→ 6: 10.1↖ 7: 10.0↗ 8: 10.5x↑ 9: 10.5x↖ 10: 10.6x↗
Serie 92.8		Serie 102.8	
Total 0.0		Total 102.8	

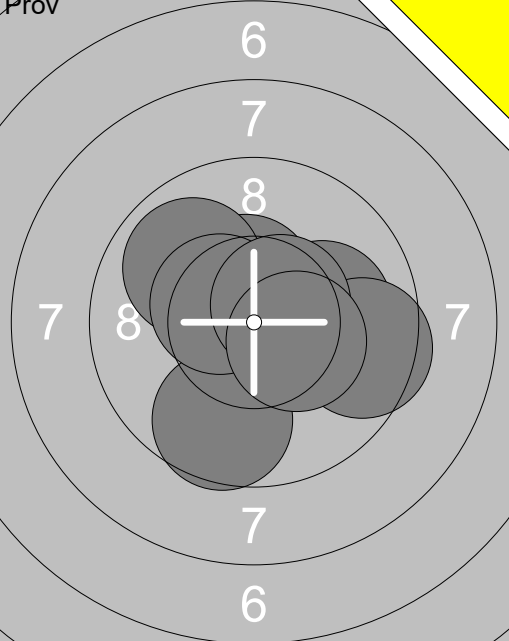
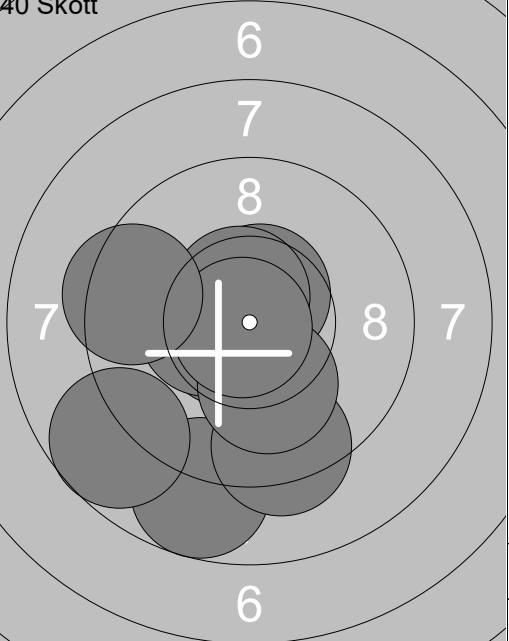
40 Skott 	11: 10.6x↑ 12: 10.4x↗ 13: 10.7x↘ 14: 10.1→ 15: 10.5x↘ 16: 10.6x↘ 17: 10.0→ 18: 9.9↙ 19: 10.0↓ 20: 10.5x↑	40 Skott 	21: 10.3x↘ 22: 10.4x↘ 23: 10.7x↗ 24: 10.7x↘ 25: 10.2x↘ 26: 10.4x↖ 27: 10.3x↗ 28: 10.6x↘ 29: 10.0↗ 30: 10.1↖
Serie 103.3		Serie 103.7	
Total 206.1		Total 309.8	

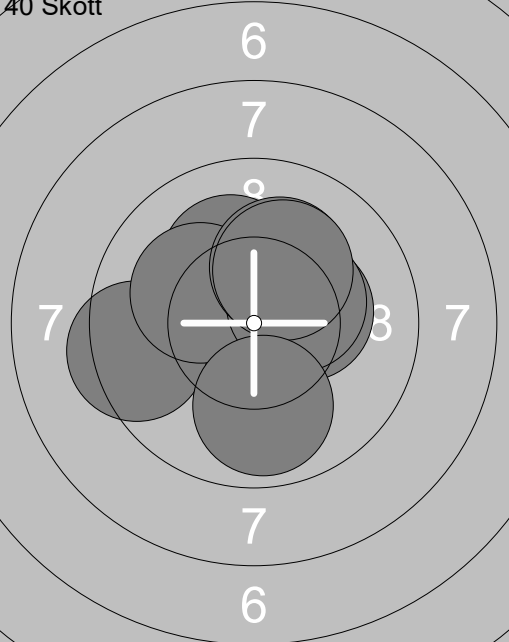
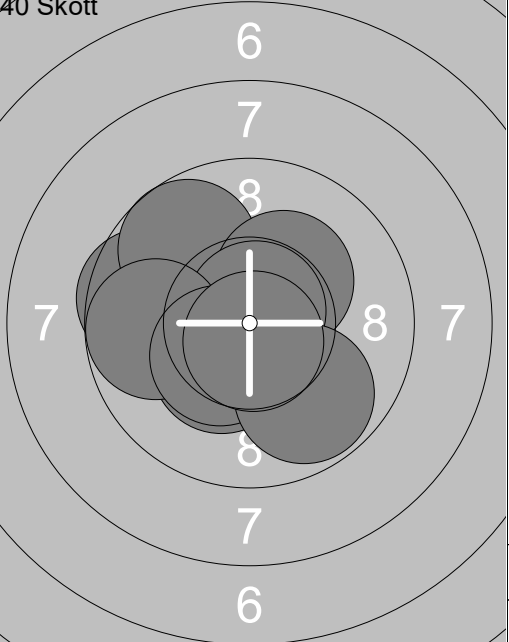
40 Skott 	31: 10.2x↓ 32: 10.2x↘ 33: 10.4x↘ 34: 10.0↓ 35: 10.6x↘ 36: 10.6x↘ 37: 10.5x↘ 38: 10.7x↘ 39: 10.6x↗ 40: 10.5x↘	
Serie 104.3		
Total 414.1		

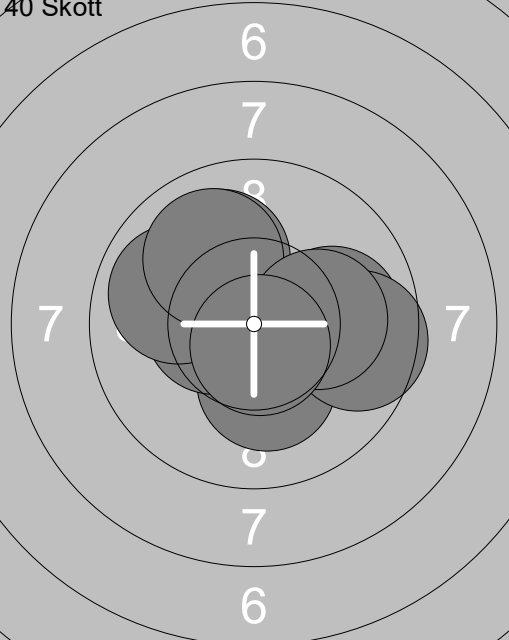
Prov 	1: 10.2x ↗ 2: 9.3 ↑ 3: 8.9 ↗ 4: 9.4 ↑ 5: 10.4x ↘ 6: 10.3x ↘ 7: 9.9 ← 8: 10.2x ↗ 9: 10.3x ↗ 10: 9.9 ↖	Prov 	11: 10.5x ← 12: 9.7 ↖
Serie	98.8	Serie	20.2
Total	0.0	Total	0.0

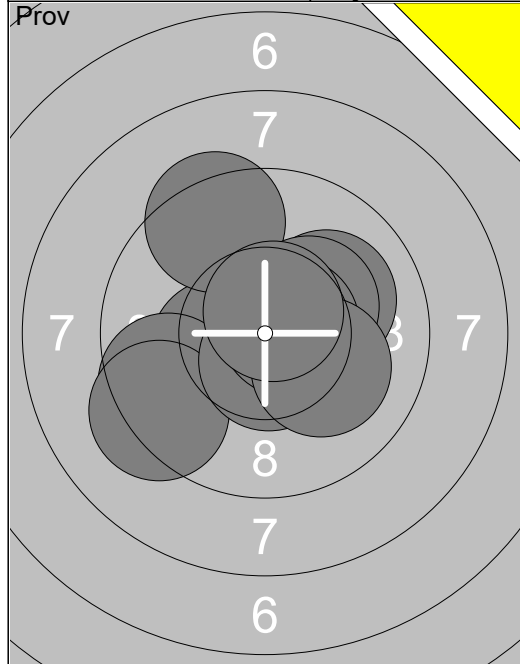
40 Skott 	1: 10.3x ↗ 2: 10.1 ↑ 3: 10.0 ↖ 4: 9.8 ↗ 5: 10.3x ↘ 6: 10.1 ↖ 7: 9.0 ← 8: 10.8x ↘ 9: 10.1 ↘ 10: 9.9 ↗	40 Skott 	11: 10.6x ➤ 12: 9.8 ↗ 13: 10.1 ↘ 14: 10.3x ↘ 15: 9.9 ↖ 16: 10.5x ↘ 17: 10.0 ↘ 18: 9.9 ➔ 19: 10.7x ↗ 20: 10.4x ↘
Serie	100.4	Serie	102.2
Total	100.4	Total	202.6

40 Skott 	21: 10.1 ↑ 22: 9.7 ➔ 23: 9.9 ↗ 24: 10.3x ↗ 25: 9.7 ← 26: 10.0 ➔ 27: 9.8 ➔ 28: 9.4 ↘ 29: 10.9x ↘ 30: 10.5x ↗	40 Skott 	31: 9.9 ↘ 32: 10.2x ↘ 33: 10.0 ↖ 34: 9.7 ← 35: 10.5x ↘ 36: 10.1 ↘ 37: 9.7 ➔ 38: 9.3 ↘ 39: 10.2x ↘ 40: 10.0 ←
Serie	100.3	Serie	99.6
Total	302.9	Total	402.5

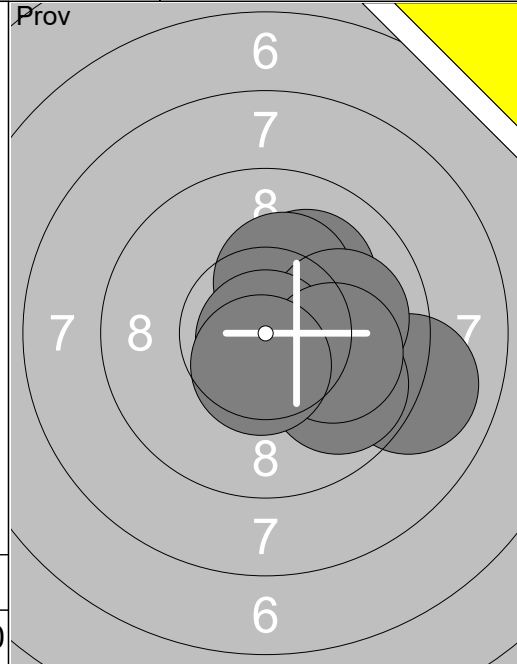
<p>Prov</p> 	<p>1: 10.5x ↗</p> <p>2: 9.9 ↖</p> <p>3: 10.8x →</p> <p>4: 10.1 →</p> <p>5: 10.6x →</p> <p>6: 9.5 →</p> <p>7: 9.6 ↓</p> <p>8: 10.5x ↖</p> <p>9: 10.5x ↗</p> <p>10: 10.4x →</p>	<p>40 Skott</p> 	<p>1: 8.7 ↓</p> <p>2: 10.6x ↖</p> <p>3: 10.6x ↗</p> <p>4: 10.4x ↖</p> <p>5: 8.7 ↖</p> <p>6: 9.3 ↓</p> <p>7: 10.1 ↓</p> <p>8: 10.6x ↗</p> <p>9: 10.8x ↖</p> <p>10: 9.4 ←</p>
Serie 102.4		Serie 99.2	
Total 0.0		Total 99.2	

<p>40 Skott</p> 	<p>11: 10.6x ↗</p> <p>12: 10.9x ↘</p> <p>13: 9.4 ←</p> <p>14: 10.1 ↗</p> <p>15: 10.2x ↖</p> <p>16: 10.3x →</p> <p>17: 10.3x ↗</p> <p>18: 10.2x ↗</p> <p>19: 10.2x ↗</p> <p>20: 9.9 ↓</p>	<p>40 Skott</p> 	<p>21: 10.7x ↖</p> <p>22: 9.6 ←</p> <p>23: 9.7 ↖</p> <p>24: 10.3x ↗</p> <p>25: 10.8x ↗</p> <p>26: 10.3x ↖</p> <p>27: 9.8 ←</p> <p>28: 10.4x ↖</p> <p>29: 9.8 ↓</p> <p>30: 10.7x ↘</p>
Serie 102.1		Serie 102.1	
Total 201.3		Total 303.4	

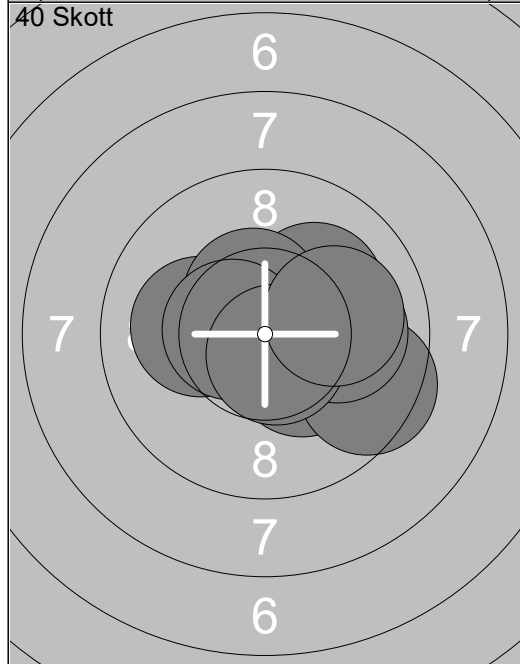
<p>40 Skott</p> 	<p>31: 10.5x ↖</p> <p>32: 10.2x ↓</p> <p>33: 10.0 ↖</p> <p>34: 10.5x ↖</p> <p>35: 10.0 →</p> <p>36: 9.9 ↖</p> <p>37: 10.0 ↖</p> <p>38: 9.6 →</p> <p>39: 10.1 →</p> <p>40: 10.7x ↓</p>		
Serie 101.5			
Total 404.9			



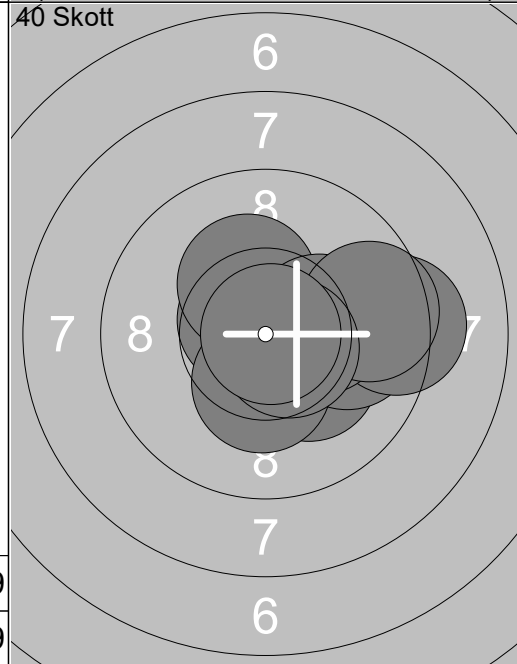
1:	10.4x ↘
2:	9.6 ↙
3:	9.3 ↙
4:	9.4 ↗
5:	10.1 ↗
6:	10.3x ↗
7:	10.6x ↓
8:	10.6x →
9:	10.1 →
10:	10.7x ↗
Serie 101.1	
Total 0.0	



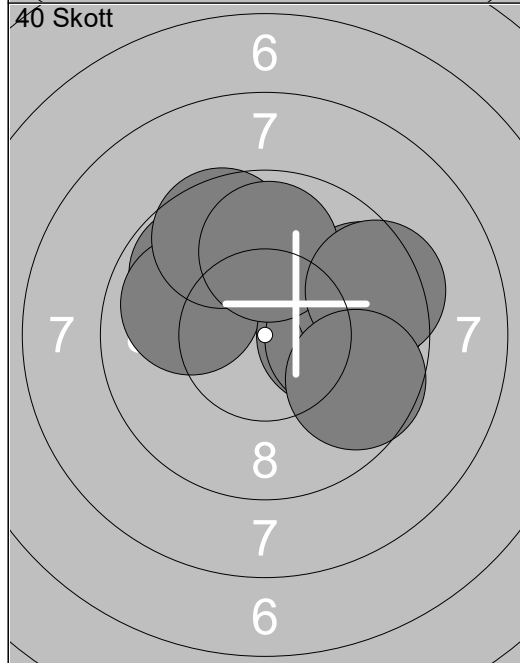
11:	10.1 ↗
12:	9.0 →
13:	10.3x ↗
14:	9.8 →
15:	10.2x →
16:	10.0 →
17:	10.9x ↓
18:	10.1 →
19:	10.5x ↓
Serie 90.9	
Total 0.0	



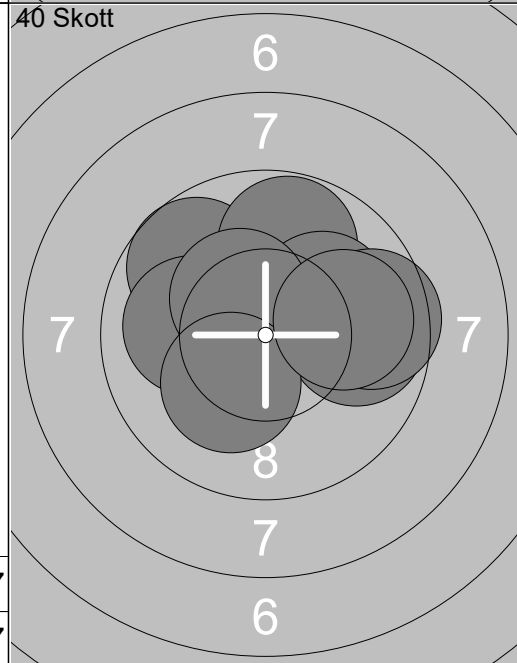
1:	10.3x ↘
2:	10.1 ↗
3:	10.1 ↙
4:	10.5x ↗
5:	10.2x →
6:	10.5x ↙
7:	9.5 →
8:	10.0 →
9:	10.7x ↘
10:	10.0 →
Serie 101.9	
Total 101.9	



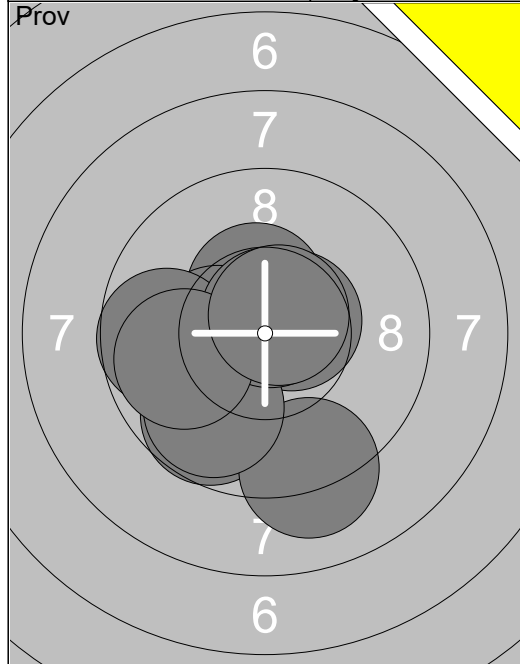
11:	10.2x ↘
12:	10.7x ↙
13:	9.9 →
14:	10.3x ↓
15:	10.3x ↗
16:	9.3 →
17:	10.3x →
18:	9.6 →
19:	10.6x →
20:	10.9x →
Serie 102.1	
Total 204.0	



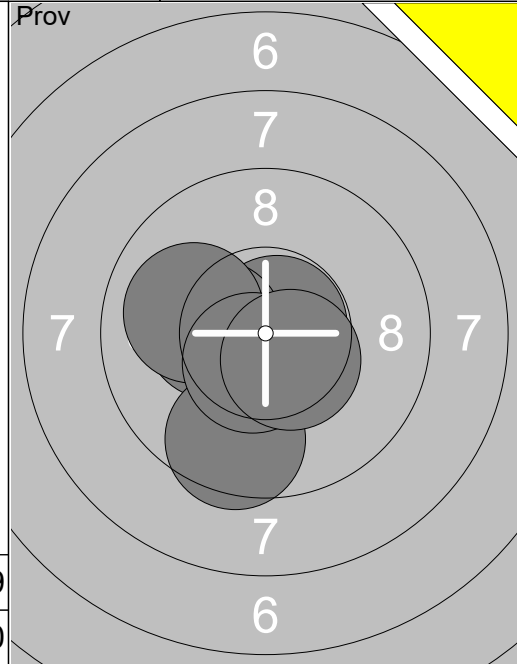
21:	9.8 ↙
22:	9.9 ↙
23:	10.2x →
24:	9.6 ↗
25:	9.6 →
26:	10.0 →
27:	9.6 →
28:	9.9 ↗
29:	9.4 →
30:	9.7 →
Serie 97.7	
Total 301.7	



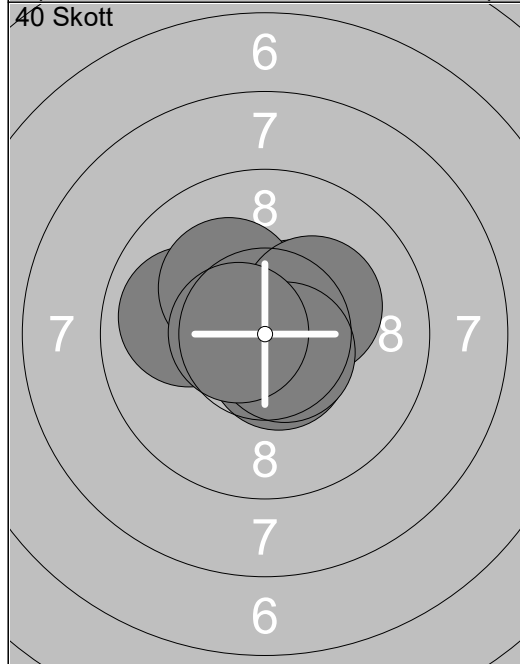
31:	10.4x ↗
32:	9.7 ↙
33:	9.8 ↗
34:	9.8 →
35:	10.0 ↙
36:	10.1 ↗
37:	10.4x ↙
38:	9.6 →
39:	10.2x ↙
40:	9.9 →
Serie 99.9	
Total 401.6	



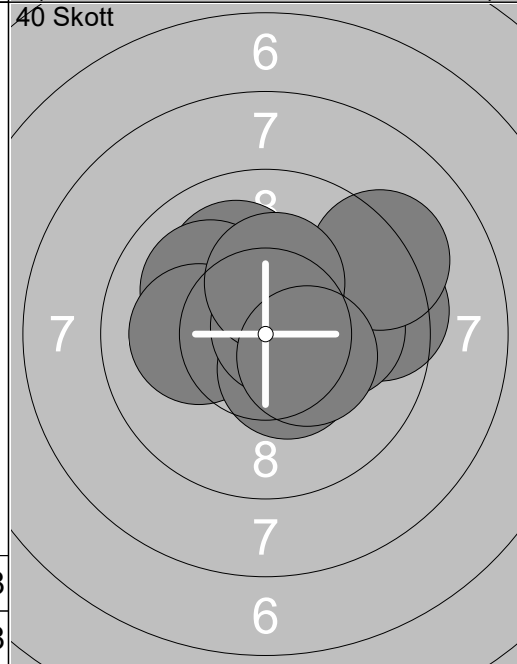
1:	9.7 ↘
2:	10.4 ↗
3:	9.1 ↓
4:	10.6 ↗
5:	10.3 ↖
6:	9.8 ↘
7:	9.7 ←
8:	10.7 ↗
9:	9.9 ←
10:	10.7 ↗
Serie 100.9	
Total 0.0	



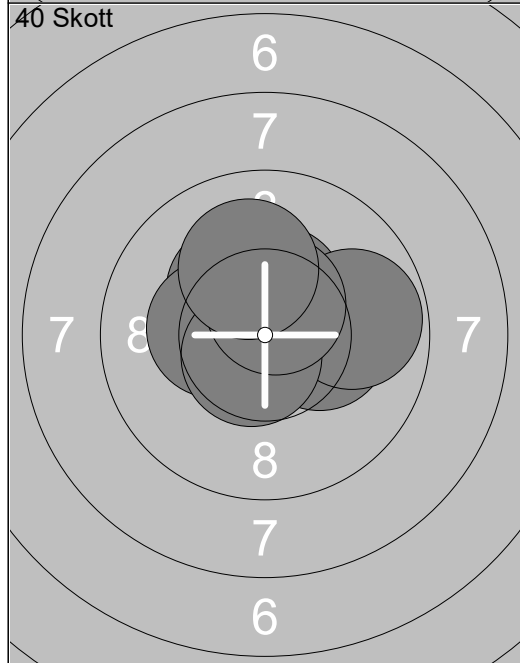
11:	10.8 ↗
12:	10.3 ↖
13:	9.5 ↓
14:	10.0 ↖
15:	10.5 ↘
16:	10.5 ↘
Serie 61.6	
Total 0.0	



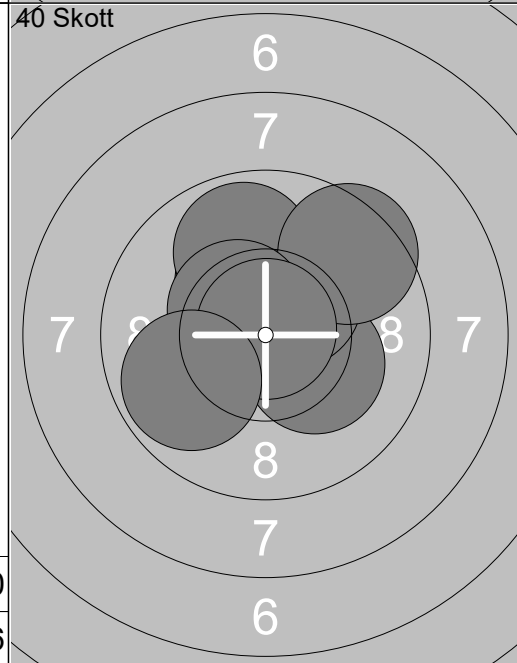
1:	10.6 ↗
2:	10.7 ↗
3:	10.5 ↗
4:	9.9 ←
5:	10.8 ↗
6:	10.2 ↖
7:	10.6 ↘
8:	10.3 ↗
9:	10.6 ↘
10:	10.6 ↖
Serie 104.8	
Total 104.8	



11:	9.5 →
12:	10.1 →
13:	10.1 ↗
14:	10.0 ↖
15:	10.1 ←
16:	9.2 ↗
17:	10.4 ↘
18:	10.7 ↗
19:	10.3 ↗
20:	10.4 ↘
Serie 100.8	
Total 205.6	

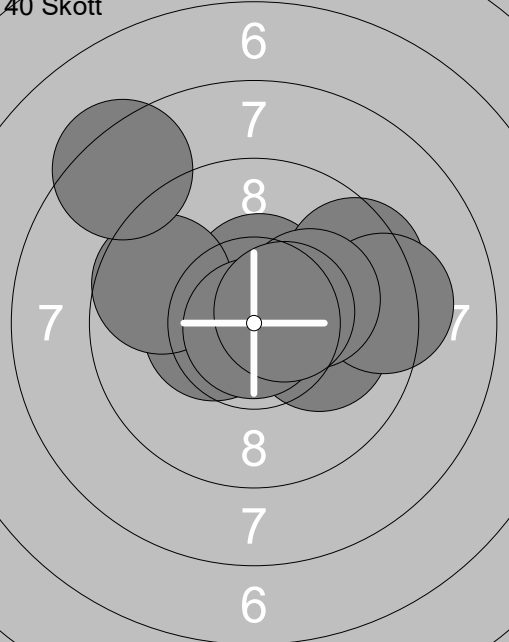
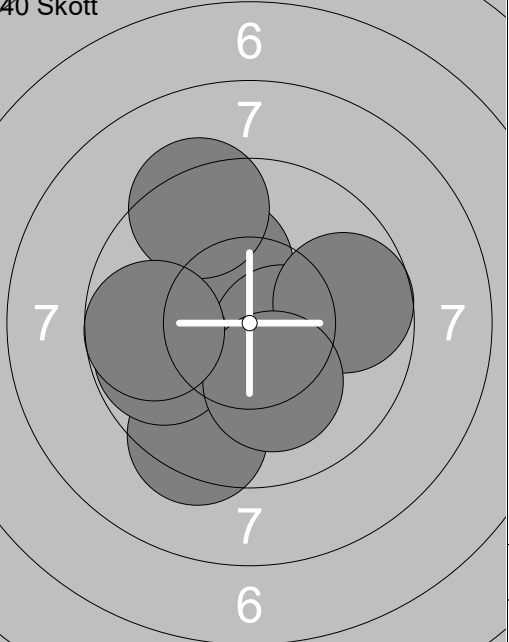


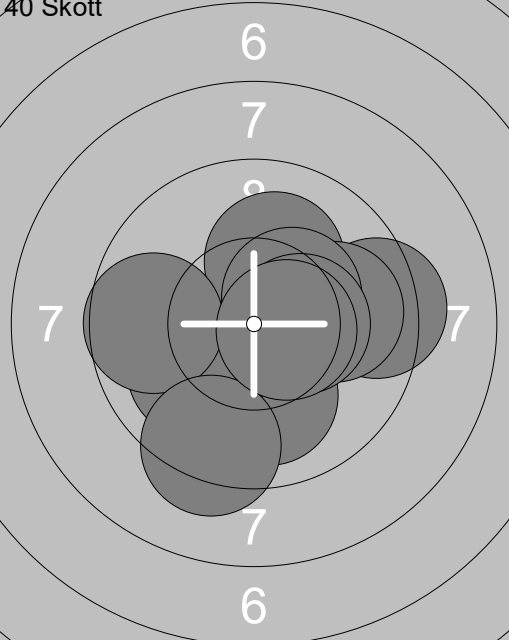
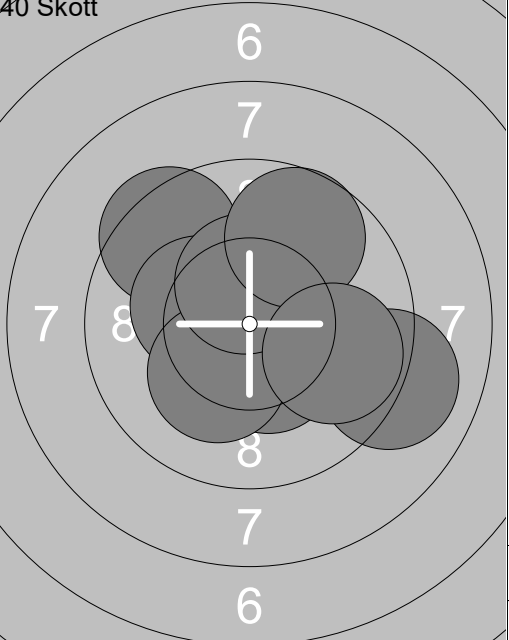
21:	10.3 ↗
22:	10.4 ↗
23:	10.4 ↖
24:	10.3 ↖
25:	10.3 →
26:	9.8 →
27:	10.3 ↖
28:	10.6 ↘
29:	10.5 ↗
30:	10.1 ↗
Serie 103.0	
Total 308.6	



31:	10.6 ↗
32:	10.2 ↖
33:	10.2 ↘
34:	10.4 ↗
35:	9.9 ↗
36:	10.7 ↖
37:	9.5 ↗
38:	10.5 ↖
39:	10.9 ↗
40:	9.8 ↖
Serie 102.7	
Total 411.3	

Pröv 	1: 8.5 → 2: 7.8 → 3: 9.3 ↓ 4: 9.3 ← 5: 10.9x↘ 6: 10.4x↙ 7: 9.5 ← 8: 10.5x↙ 9: 9.9 → 10: 10.2x↘	Pröv 	11: 9.9 ↙ 12: 10.0 ←← 13: 9.3 → 14: 10.5x→
	Serie 96.3		Serie 39.7
	Total 0.0		Total 0.0

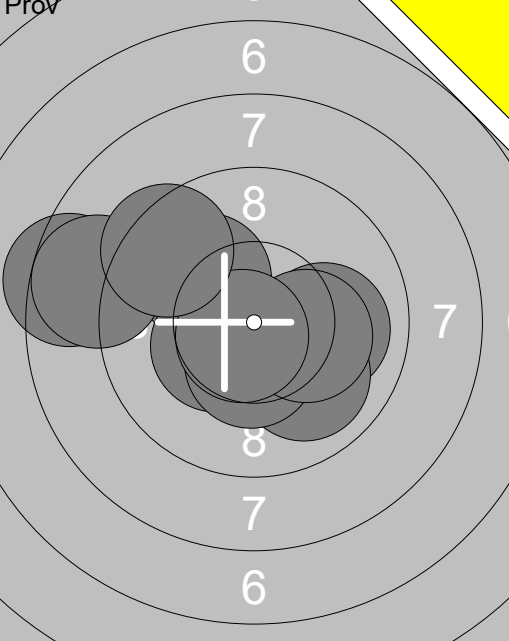
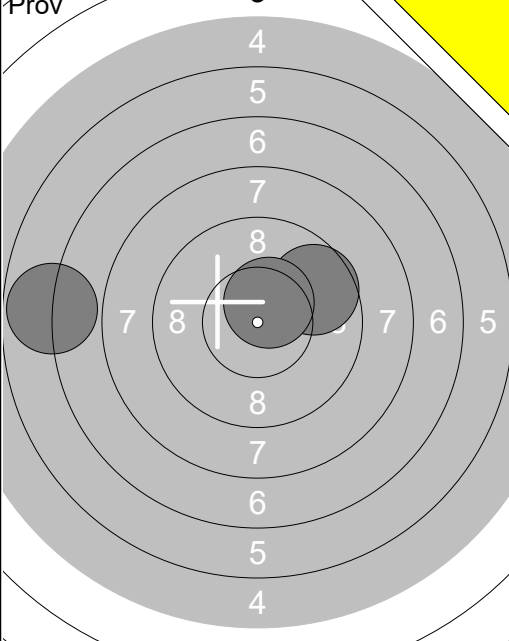
40 Skott 	1: 10.4x← 2: 10.1 → 3: 10.4x↑ 4: 9.5 → 5: 9.7 ← 6: 9.3 → 7: 10.2x↗ 8: 8.4 ↖ 9: 10.9x↓ 10: 10.5x↗	40 Skott 	11: 10.8x↙ 12: 10.6x↘ 13: 10.2x↖ 14: 9.4 ↓ 15: 9.3 ↖ 16: 10.5x↘ 17: 9.8 ← 18: 9.7 → 19: 10.2x↙ 20: 9.7 ←
	Serie 99.4		Serie 100.2
	Total 99.4		Total 199.6

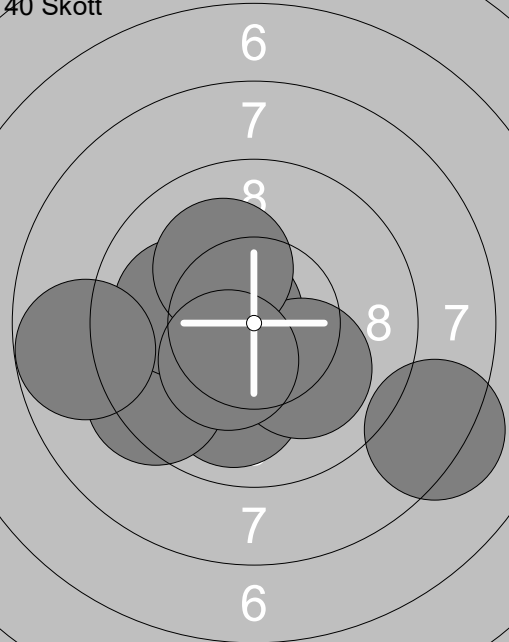
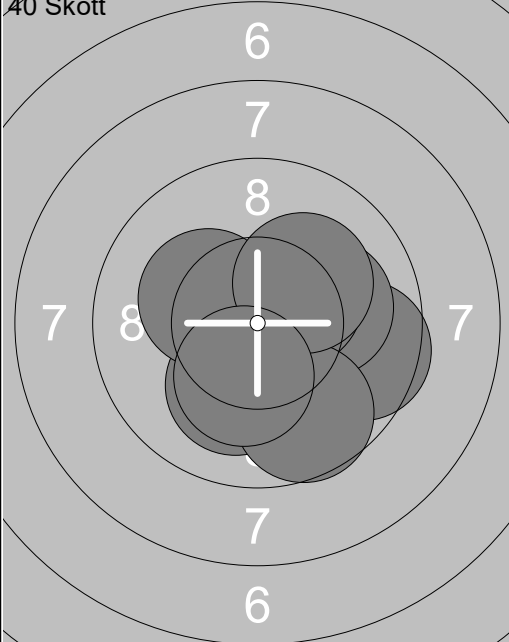
40 Skott 	21: 10.1 ↑ 22: 10.0 ↓ 23: 9.4 → 24: 9.9 → 25: 10.0 ↙ 26: 9.7 ← 27: 10.4x↗ 28: 9.3 ↓ 29: 10.4x→ 30: 10.5x→	40 Skott 	31: 10.6x↖ 32: 10.7x→ 33: 9.4 ↖ 34: 10.3x↖ 35: 10.4x↙ 36: 9.0 → 37: 10.2x↙ 38: 10.4x↖ 39: 9.7 ↖ 40: 9.8 →
	Serie 99.7		Serie 100.5
	Total 299.3		Total 399.8

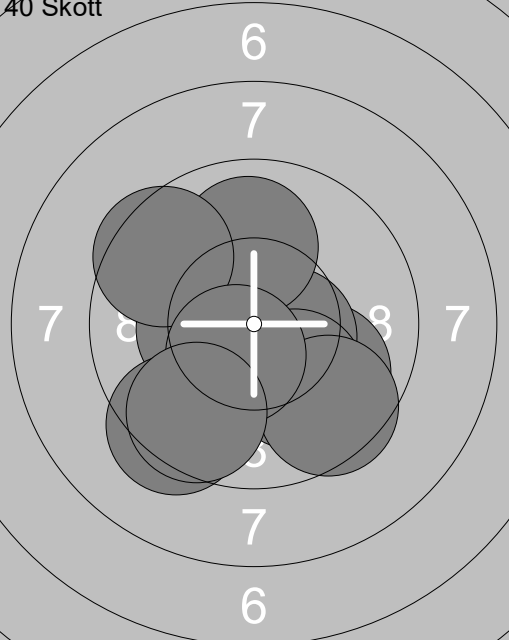
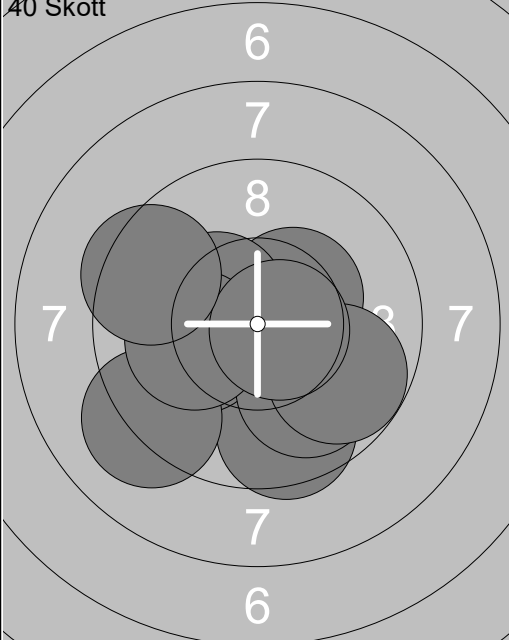
<p>Prov</p>	<p>1: 9.3 →</p> <p>2: 9.4 ↖</p> <p>3: 9.8 →</p> <p>4: 9.5 ↗</p> <p>5: 10.1 ↓</p> <p>6: 10.1 ←</p> <p>7: 10.1 ↑</p> <p>8: 9.1 ↖</p> <p>9: 10.3 ✕</p> <p>10: 9.7 ↗</p>	<p>Prov</p>	<p>11: 10.0 ↓</p> <p>12: 10.6 ✕↓</p> <p>13: 10.4 ✕</p>
Serie 97.4		Serie 31.0	
Total 0.0		Total 0.0	

<p>40 Skott</p>	<p>1: 10.2 ✕</p> <p>2: 9.7 ↓</p> <p>3: 9.2 ↖</p> <p>4: 8.6 ↖</p> <p>5: 9.2 ↖</p> <p>6: 9.3 →</p> <p>7: 10.4 ✕↓</p> <p>8: 9.8 ↗</p> <p>9: 10.7 ✕↓</p> <p>10: 10.0 →</p>	<p>40 Skott</p>	<p>11: 9.8 ↗</p> <p>12: 10.0 ↓</p> <p>13: 10.6 ✕↓</p> <p>14: 9.8 ↖</p> <p>15: 9.0 →</p> <p>16: 10.0 ↑</p> <p>17: 10.7 ✕→</p> <p>18: 10.4 ✕→</p> <p>19: 10.1 ↓</p> <p>20: 10.0 ↗</p>
Serie 97.1		Serie 100.4	
Total 97.1		Total 197.5	

<p>40 Skott</p>	<p>21: 9.8 →</p> <p>22: 10.9 ✕↓</p> <p>23: 10.7 ✕↓</p> <p>24: 10.0 ↓</p> <p>25: 10.2 ✕↓</p> <p>26: 9.9 ↗</p> <p>27: 8.9 →</p> <p>28: 9.8 ↖</p> <p>29: 9.9 ↓</p> <p>30: 9.9 →</p>	<p>40 Skott</p>	<p>31: 10.1 →</p> <p>32: 10.2 ✕</p> <p>33: 10.6 ✕↖</p> <p>34: 10.5 ✕→</p> <p>35: 10.0 ↖</p> <p>36: 10.8 ✕</p> <p>37: 9.6 ↖</p> <p>38: 9.3 ←</p> <p>39: 9.4 ←</p> <p>40: 10.3 ✕→</p>
Serie 100.0		Serie 100.8	
Total 297.5		Total 398.3	

<p>Prov</p> 	<p>1: 10.1 ↖ 2: 8.4 ← 3: 10.0 → 4: 10.4 ↘ 5: 8.8 ← 6: 10.0 ↓ 7: 10.4x ↓ 8: 10.2x → 9: 10.7x ↘ 10: 9.4 ↖</p>	<p>Prov</p> 	<p>11: 9.7 → 12: 6.8 ← 13: 10.5x ↗</p>
Serie 98.4		Serie 27.0	
Total 0.0		Total 0.0	

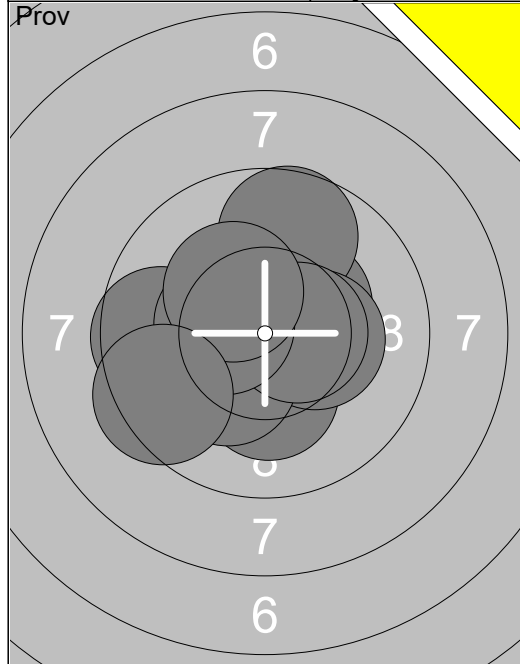
<p>40 Skott</p> 	<p>1: 10.4x ↖ 2: 10.7x ↖ 3: 8.3 → 4: 10.0 ↓ 5: 9.4 ↖ 6: 10.0 ← 7: 10.1 ↓ 8: 8.8 ← 9: 10.1 ↖ 10: 10.4x ↘</p>	<p>40 Skott</p> 	<p>11: 9.6 → 12: 10.1 → 13: 10.8x ↓ 14: 10.1 ↓ 15: 10.5x ↓ 16: 10.4x ↗ 17: 9.7 ↓ 18: 10.3x ↖ 19: 10.2x ↗ 20: 10.3x ↓</p>
Serie 98.2		Serie 102.0	
Total 98.2		Total 200.2	

<p>40 Skott</p> 	<p>21: 9.9 → 22: 10.3x ↖ 23: 9.3 ↓ 24: 10.5x → 25: 10.1 ↓ 26: 9.5 ↓ 27: 10.0 ↑ 28: 9.5 ↖ 29: 10.5x ↘ 30: 9.6 ↓</p>	<p>40 Skott</p> 	<p>31: 9.6 ↓ 32: 10.4x ↗ 33: 10.1 ← 34: 10.4x ↖ 35: 9.1 ↖ 36: 9.9 ↓ 37: 9.8 → 38: 10.1 ← 39: 10.7x → 40: 9.5 ←</p>
Serie 99.2		Serie 99.6	
Total 299.4		Total 399.0	

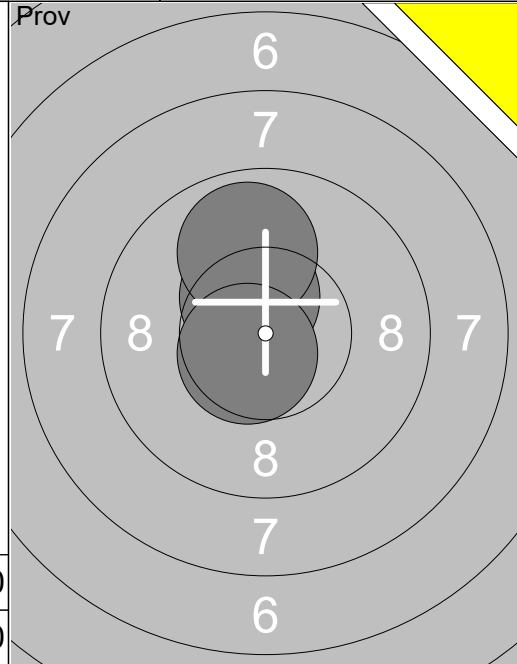
<p>Prov</p>	<p>1: 7.4 → 2: 9.7 ← 3: 9.0 ↑ 4: 10.1 ↓ 5: 10.0 ↗ 6: 9.8 → 7: 10.4x ↗ 8: 10.4x ↓ 9: 10.1 ← 10: 9.7 ↖</p>	<p>Prov</p>	<p>11: 9.6 → 12: 8.5 ← 13: 9.4 ←</p>
Serie 96.6		Serie 27.5	
Total 0.0		Total 0.0	

<p>40 Skott</p>	<p>1: 9.9 ↖ 2: 8.4 ↗ 3: 8.9 ↓ 4: 9.0 → 5: 10.0 ↓ 6: 10.4x → 7: 7.6 → 8: 9.2 → 9: 10.1 ↗ 10: 10.5x ↘</p>	<p>40 Skott</p>	<p>11: 9.8 → 12: 10.6x → 13: 9.3 ← 14: 10.8x ↗ 15: 9.5 ← 16: 9.4 ← 17: 7.8 ← 18: 9.4 ← 19: 9.6 ← 20: 7.9 →</p>
Serie 94.0		Serie 94.1	
Total 94.0		Total 188.1	

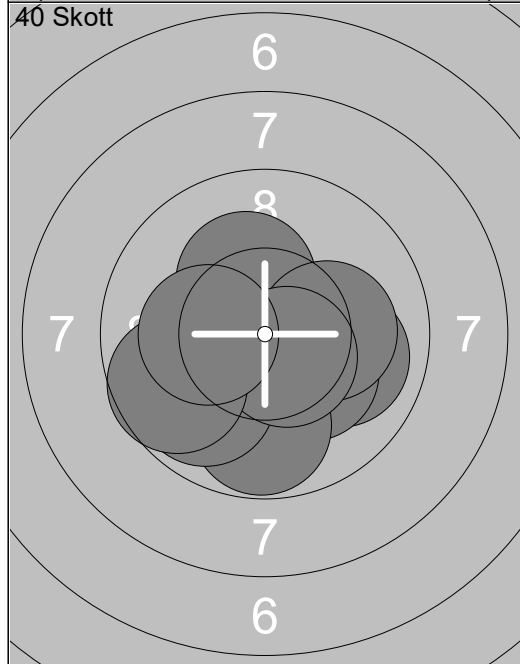
<p>40 Skott</p>	<p>21: 10.4x → 22: 9.7 ↗ 23: 9.8 ↖ 24: 10.0 ↙ 25: 9.1 ↗ 26: 10.4x ↓ 27: 9.1 ↑ 28: 10.9x → 29: 10.0 → 30: 9.8 ↖</p>	<p>40 Skott</p>	<p>31: 9.6 ← 32: 9.5 ↓ 33: 10.5x ↗ 34: 9.4 → 35: 9.7 ← 36: 9.3 ← 37: 9.2 ↓ 38: 10.4x ↘ 39: 9.2 ↓ 40: 9.9 ↓</p>
Serie 99.2		Serie 96.7	
Total 287.3		Total 384.0	



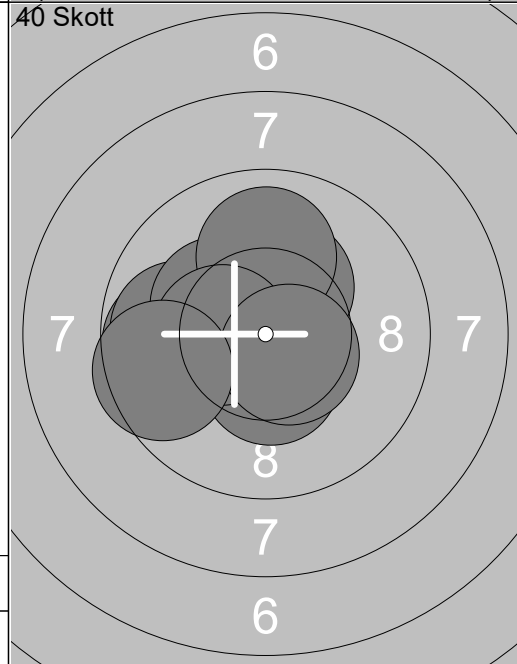
1:	10.4x ↗
2:	9.7 ↑
3:	10.2x ↓
4:	10.3x →
5:	9.6 ←
6:	10.2x ↘
7:	10.5x →
8:	10.4x ↖
9:	10.3x ↘
10:	9.4 ↙
Serie 101.0	
Total 0.0	



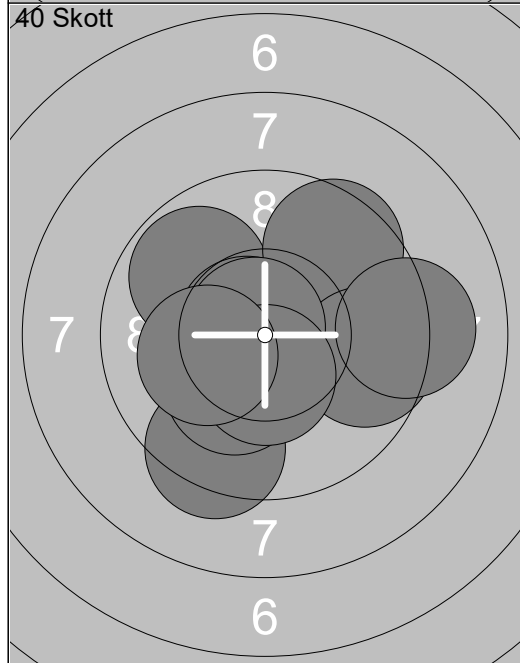
11:	10.4x ↘
12:	9.9 ↑
13:	10.6x ↘
Serie 30.9	
Total 0.0	



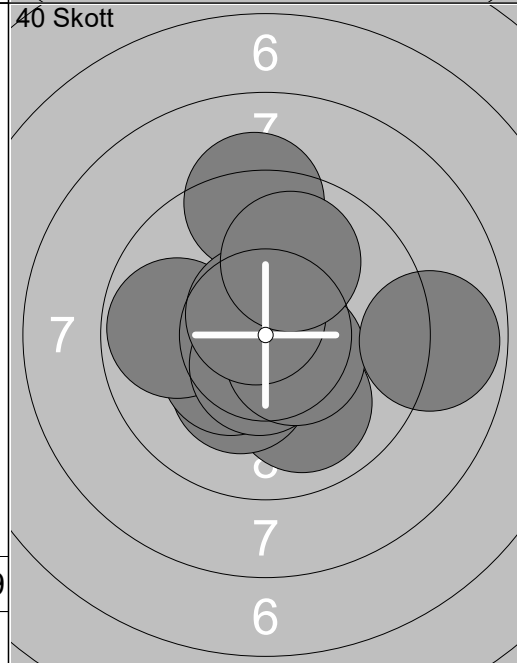
1:	10.4x ↓
2:	10.2x ↗
3:	10.0 →
4:	10.2x ↘
5:	9.8 ↓
6:	10.2x →
7:	9.9 ↙
8:	10.5x ↘
9:	9.7 ↙
10:	10.2x ↖
Serie 101.1	
Total 101.1	



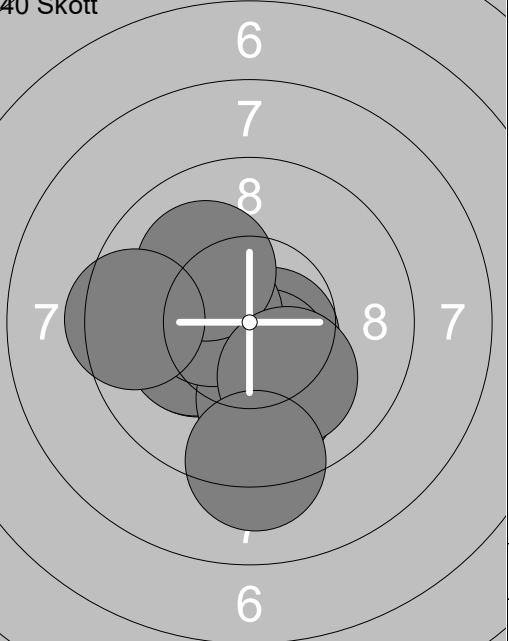
11:	10.3x ↗
12:	10.8x ↖
13:	10.4x ↓
14:	9.8 ←
15:	9.9 ←
16:	10.3x ↖
17:	10.0 ↑
18:	10.4x ↖
19:	10.6x ↘
20:	9.6 ↙
Serie 102.1	
Total 203.2	

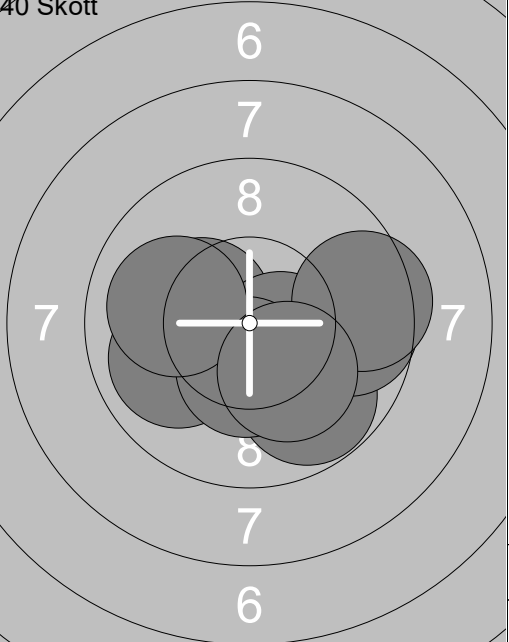


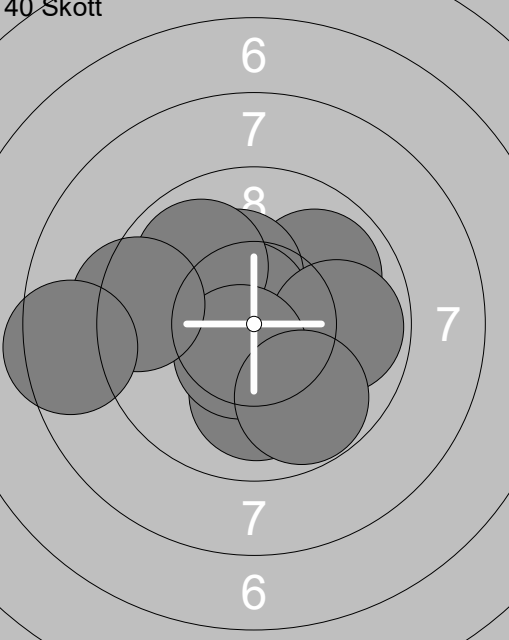
21:	9.8 ↖
22:	10.7x ↖
23:	9.6 ↗
24:	9.4 ↓
25:	9.6 →
26:	9.2 →
27:	10.2x ↘
28:	10.8x ↖
29:	10.4x ↓
30:	10.2x ↖
Serie 99.9	
Total 303.1	



31:	10.0 ↓
32:	10.3x ↘
33:	10.4x ↘
34:	9.8 ←
35:	10.6x ↓
36:	9.3 ↑
37:	10.5x ↘
38:	10.7x ↗
39:	10.0 ↑
40:	8.9 →
Serie 100.5	
Total 403.6	

<p>Prov</p> 	<p>1: 9.7 →</p> <p>2: 8.8 ↗</p> <p>3: 8.5 ←</p> <p>4: 10.3x ↘</p> <p>5: 10.6x ↗</p> <p>6: 9.6 ←</p> <p>7: 9.4 ↘</p> <p>8: 10.4x →</p> <p>9: 9.3 ↓</p> <p>10: 10.3x ↘</p>	<p>40 Skott</p> 	<p>1: 10.2x ↘</p> <p>2: 10.6x ↘</p> <p>3: 10.5x ↘</p> <p>4: 10.2x ↘</p> <p>5: 10.0 ↓</p> <p>6: 10.5x ↘</p> <p>7: 10.1 ↖</p> <p>8: 10.1 ↓</p> <p>9: 9.5 ←</p> <p>10: 9.2 ↓</p>
Serie 96.9		Serie 100.9	
Total 0.0		Total 100.9	

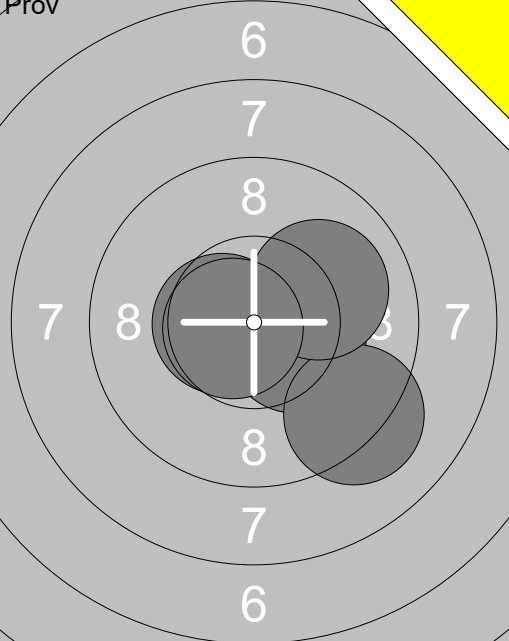
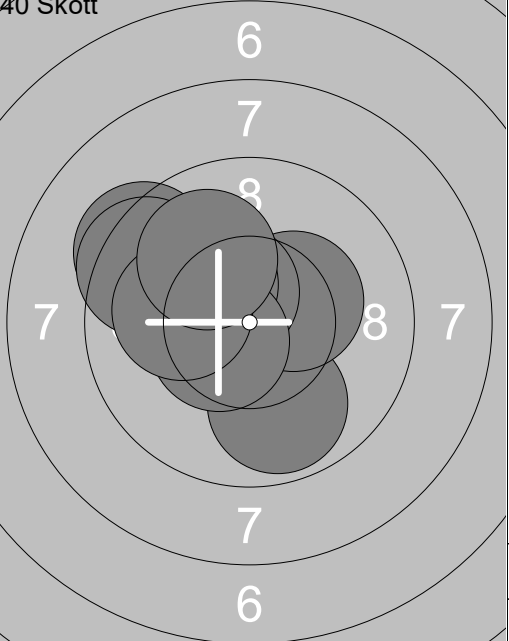
<p>40 Skott</p> 	<p>11: 10.8x ↗</p> <p>12: 10.0 ↘</p> <p>13: 10.6x →</p> <p>14: 10.0 ↓</p> <p>15: 9.6 ↘</p> <p>16: 9.7 ↓</p> <p>17: 10.1 ↓</p> <p>18: 10.2x ↗</p> <p>19: 10.4x ↗</p> <p>20: 10.3x ↘</p>	<p>40 Skott</p> 	<p>21: 10.3x ↘</p> <p>22: 10.3x ↘</p> <p>23: 9.8 ↓</p> <p>24: 9.7 →</p> <p>25: 10.5x ↘</p> <p>26: 9.9 ←</p> <p>27: 10.4x ↘</p> <p>28: 10.0 ←</p> <p>29: 9.5 →</p> <p>30: 10.2x ↘</p>
Serie 101.7		Serie 100.6	
Total 202.6		Total 303.2	

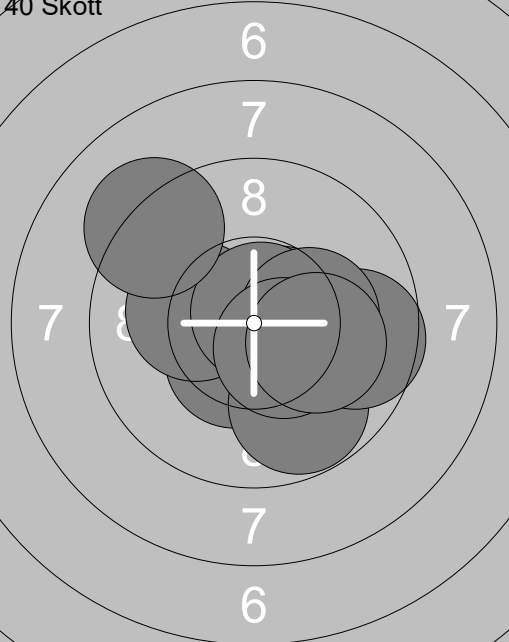
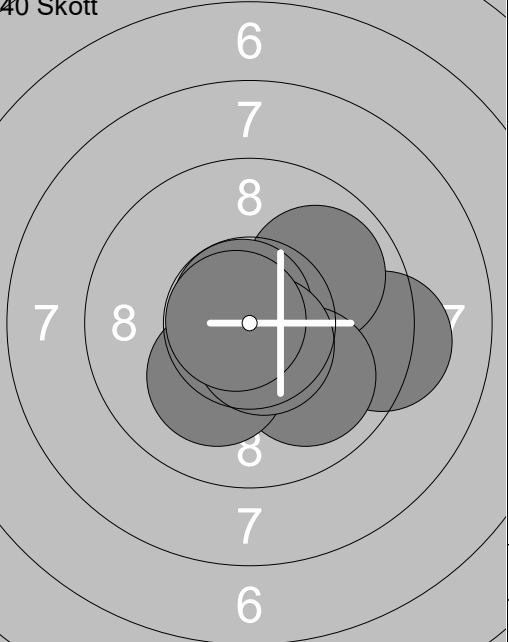
<p>40 Skott</p> 	<p>31: 9.9 ↗</p> <p>32: 10.0 ↓</p> <p>33: 10.3x ↘</p> <p>34: 10.7x ↘</p> <p>35: 9.9 ↖</p> <p>36: 9.9 →</p> <p>37: 10.5x ↘</p> <p>38: 9.8 ↓</p> <p>39: 9.4 ←</p> <p>40: 8.5 ←</p>		
Serie 98.9			
Total 402.1			

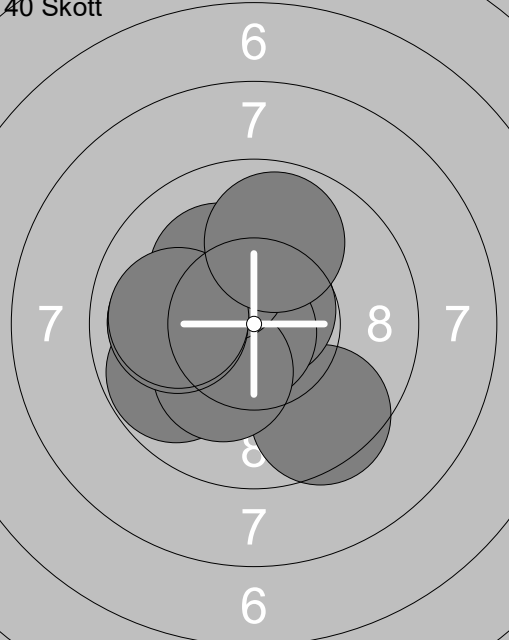
<p>Prov</p>	<p>40 Skott</p>	<table border="1" style="width:100%; border-collapse: collapse;"> <tr><td>1: 10.3</td><td>↖</td></tr> <tr><td>2: 10.1</td><td>↓</td></tr> <tr><td>3: 10.1</td><td>↙</td></tr> <tr><td>4: 10.5</td><td>↖</td></tr> <tr><td>5: 10.3</td><td>↗</td></tr> <tr><td>6: 10.5</td><td>→</td></tr> <tr><td>7: 10.6</td><td>↖</td></tr> <tr><td>8: 10.4</td><td>↖</td></tr> <tr><td colspan="2">Serie 82.8</td></tr> <tr><td colspan="2">Total 0.0</td></tr> </table>	1: 10.3	↖	2: 10.1	↓	3: 10.1	↙	4: 10.5	↖	5: 10.3	↗	6: 10.5	→	7: 10.6	↖	8: 10.4	↖	Serie 82.8		Total 0.0			
1: 10.3	↖																							
2: 10.1	↓																							
3: 10.1	↙																							
4: 10.5	↖																							
5: 10.3	↗																							
6: 10.5	→																							
7: 10.6	↖																							
8: 10.4	↖																							
Serie 82.8																								
Total 0.0																								
<table border="1" style="width:100%; border-collapse: collapse;"> <tr><td>1: 10.2</td><td>↘</td></tr> <tr><td>2: 9.3</td><td>↓</td></tr> <tr><td>3: 10.0</td><td>→</td></tr> <tr><td>4: 9.2</td><td>→</td></tr> <tr><td>5: 9.3</td><td>↘</td></tr> <tr><td>6: 10.2</td><td>↘</td></tr> <tr><td>7: 10.2</td><td>↖</td></tr> <tr><td>8: 10.0</td><td>↗</td></tr> <tr><td>9: 9.7</td><td>↑</td></tr> <tr><td>10: 9.6</td><td>↑</td></tr> <tr><td colspan="2">Serie 97.7</td></tr> <tr><td colspan="2">Total 97.7</td></tr> </table>	1: 10.2	↘	2: 9.3	↓	3: 10.0	→	4: 9.2	→	5: 9.3	↘	6: 10.2	↘	7: 10.2	↖	8: 10.0	↗	9: 9.7	↑	10: 9.6	↑	Serie 97.7		Total 97.7	
1: 10.2	↘																							
2: 9.3	↓																							
3: 10.0	→																							
4: 9.2	→																							
5: 9.3	↘																							
6: 10.2	↘																							
7: 10.2	↖																							
8: 10.0	↗																							
9: 9.7	↑																							
10: 9.6	↑																							
Serie 97.7																								
Total 97.7																								

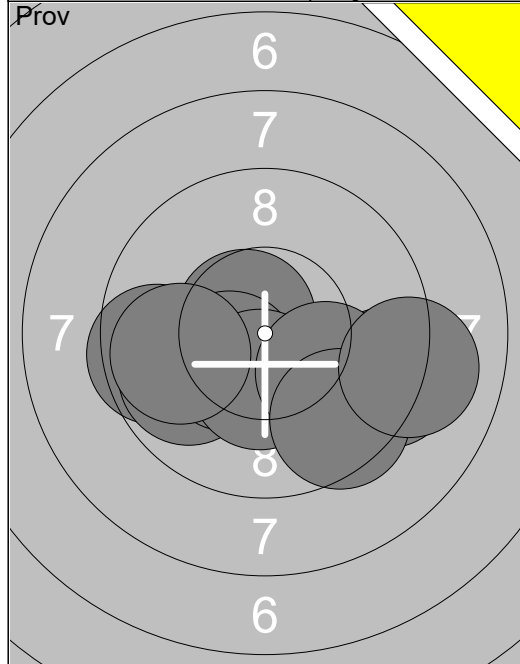
<p>40 Skott</p>	<p>40 Skott</p>	<table border="1" style="width:100%; border-collapse: collapse;"> <tr><td>11: 10.2</td><td>↗</td></tr> <tr><td>12: 10.1</td><td>↓</td></tr> <tr><td>13: 9.7</td><td>↑</td></tr> <tr><td>14: 10.3</td><td>↖</td></tr> <tr><td>15: 10.2</td><td>↘</td></tr> <tr><td>16: 10.5</td><td>↖</td></tr> <tr><td>17: 10.0</td><td>→</td></tr> <tr><td>18: 9.7</td><td>↖</td></tr> <tr><td>19: 10.1</td><td>→</td></tr> <tr><td>20: 9.9</td><td>↖</td></tr> <tr><td colspan="2">Serie 100.7</td></tr> <tr><td colspan="2">Total 198.4</td></tr> </table>	11: 10.2	↗	12: 10.1	↓	13: 9.7	↑	14: 10.3	↖	15: 10.2	↘	16: 10.5	↖	17: 10.0	→	18: 9.7	↖	19: 10.1	→	20: 9.9	↖	Serie 100.7		Total 198.4	
11: 10.2	↗																									
12: 10.1	↓																									
13: 9.7	↑																									
14: 10.3	↖																									
15: 10.2	↘																									
16: 10.5	↖																									
17: 10.0	→																									
18: 9.7	↖																									
19: 10.1	→																									
20: 9.9	↖																									
Serie 100.7																										
Total 198.4																										
<table border="1" style="width:100%; border-collapse: collapse;"> <tr><td>21: 10.0</td><td>↑</td></tr> <tr><td>22: 10.1</td><td>←</td></tr> <tr><td>23: 9.6</td><td>←</td></tr> <tr><td>24: 10.0</td><td>←</td></tr> <tr><td>25: 9.2</td><td>↑</td></tr> <tr><td>26: 10.3</td><td>↗</td></tr> <tr><td>27: 10.6</td><td>→</td></tr> <tr><td>28: 10.3</td><td>↘</td></tr> <tr><td>29: 10.5</td><td>↘</td></tr> <tr><td>30: 9.9</td><td>→</td></tr> <tr><td colspan="2">Serie 100.5</td></tr> <tr><td colspan="2">Total 298.9</td></tr> </table>	21: 10.0	↑	22: 10.1	←	23: 9.6	←	24: 10.0	←	25: 9.2	↑	26: 10.3	↗	27: 10.6	→	28: 10.3	↘	29: 10.5	↘	30: 9.9	→	Serie 100.5		Total 298.9			
21: 10.0	↑																									
22: 10.1	←																									
23: 9.6	←																									
24: 10.0	←																									
25: 9.2	↑																									
26: 10.3	↗																									
27: 10.6	→																									
28: 10.3	↘																									
29: 10.5	↘																									
30: 9.9	→																									
Serie 100.5																										
Total 298.9																										

<p>40 Skott</p>	<table border="1" style="width:100%; border-collapse: collapse;"> <tr><td>31: 10.8</td><td>↘</td></tr> <tr><td>32: 10.8</td><td>↗</td></tr> <tr><td>33: 10.3</td><td>↘</td></tr> <tr><td>34: 10.9</td><td>→</td></tr> <tr><td>35: 10.4</td><td>↘</td></tr> <tr><td>36: 9.9</td><td>↖</td></tr> <tr><td>37: 9.6</td><td>→</td></tr> <tr><td>38: 9.6</td><td>↑</td></tr> <tr><td>39: 10.8</td><td>→</td></tr> <tr><td>40: 9.6</td><td>↗</td></tr> <tr><td colspan="2">Serie 102.7</td></tr> <tr><td colspan="2">Total 401.6</td></tr> </table>	31: 10.8	↘	32: 10.8	↗	33: 10.3	↘	34: 10.9	→	35: 10.4	↘	36: 9.9	↖	37: 9.6	→	38: 9.6	↑	39: 10.8	→	40: 9.6	↗	Serie 102.7		Total 401.6		
31: 10.8	↘																									
32: 10.8	↗																									
33: 10.3	↘																									
34: 10.9	→																									
35: 10.4	↘																									
36: 9.9	↖																									
37: 9.6	→																									
38: 9.6	↑																									
39: 10.8	→																									
40: 9.6	↗																									
Serie 102.7																										
Total 401.6																										

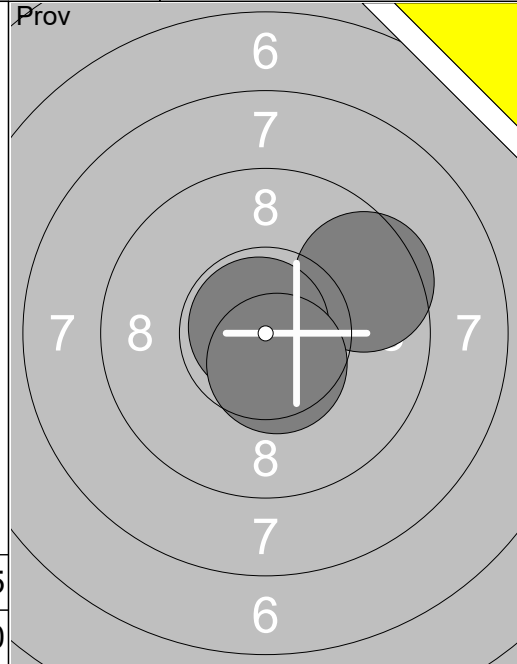
Prov 	1: 10.4x➤ 2: 10.5✖ 3: 9.2 ↘ 4: 10.0➤ 5: 10.7✖	40 Skott 	1: 10.4✖ 2: 9.3 ↖ 3: 9.9 ↘ 4: 9.5 ↖ 5: 10.3x➤ 6: 10.5x✖ 7: 10.2x✖ 8: 10.5x✖ 9: 10.1↖ 10: 10.0↖
Serie 50.8		Serie 100.7	
Total 0.0		Total 100.7	

40 Skott 	11: 10.6x➤ 12: 10.4x✖ 13: 10.2✖ 14: 9.8 ↘ 15: 10.8x↗ 16: 9.6 ➤ 17: 10.2x➤ 18: 10.5x✖ 19: 9.2 ↖ 20: 10.1➤	40 Skott 	21: 10.6x✖ 22: 10.2x➤ 23: 9.2 ➤ 24: 9.9 ↗ 25: 10.4x✖ 26: 10.0 ↘ 27: 10.2x✖ 28: 10.8x✖ 29: 10.6x✖ 30: 10.8x✖
Serie 101.4		Serie 102.7	
Total 202.1		Total 304.8	

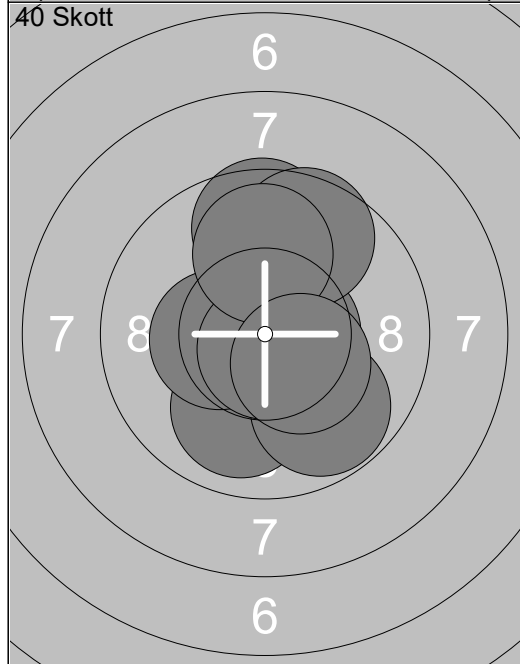
40 Skott 	31: 9.8 ↖ 32: 9.5 ↘ 33: 10.0↖ 34: 10.7x↗ 35: 10.8x✖ 36: 10.2x✖ 37: 10.2x✖ 38: 10.0↖ 39: 10.0↖ 40: 9.9 ↗		
Serie 101.1			
Total 405.9			



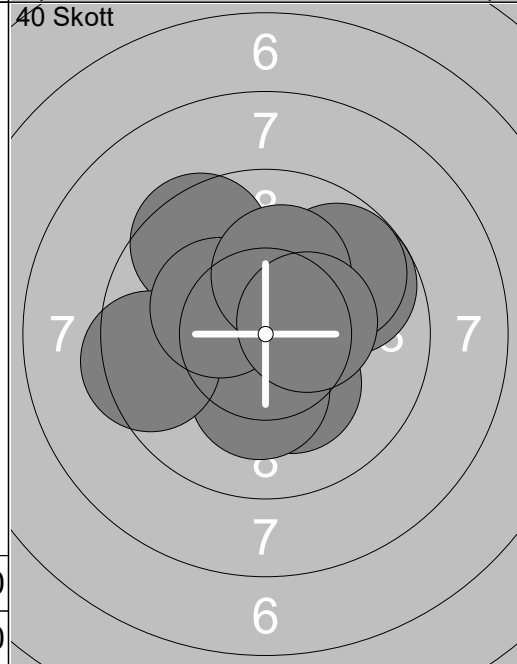
1:	10.7x ↘
2:	9.5 ←
3:	9.8 ↙
4:	10.4x ↘
5:	10.4x ↓
6:	9.3 →
7:	10.0 →
8:	9.8 ←
9:	9.5 ↘
10:	9.1 →
Serie 98.5	
Total 0.0	



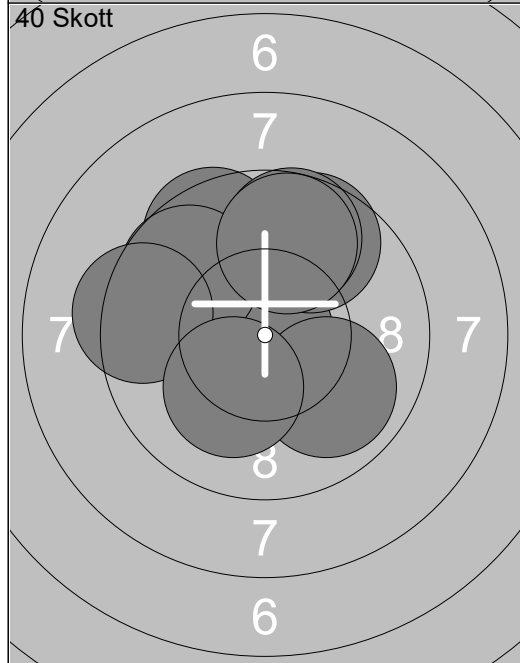
11:	9.5 →
12:	10.8x ↘
13:	10.5x ↓
Serie 30.8	
Total 0.0	



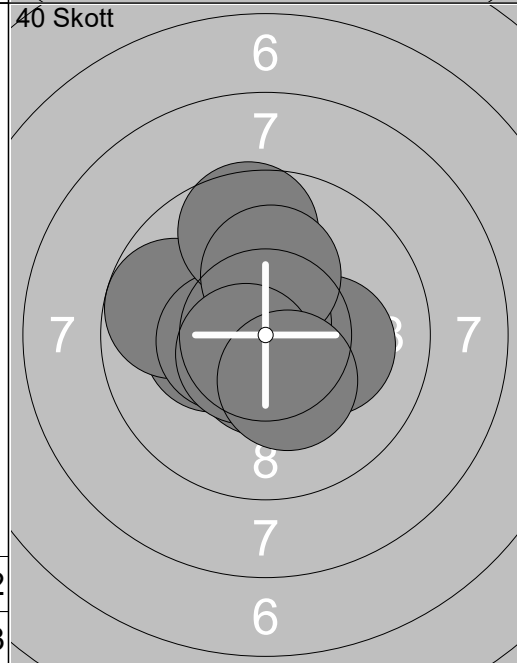
1:	10.9x ↘
2:	10.6x →
3:	10.0 ↓
4:	9.8 ↘
5:	9.6 ↑
6:	10.4x ←
7:	9.6 ↑
8:	10.8x ↓
9:	9.9 ↑
10:	10.4x ↘
Serie 102.0	
Total 102.0	



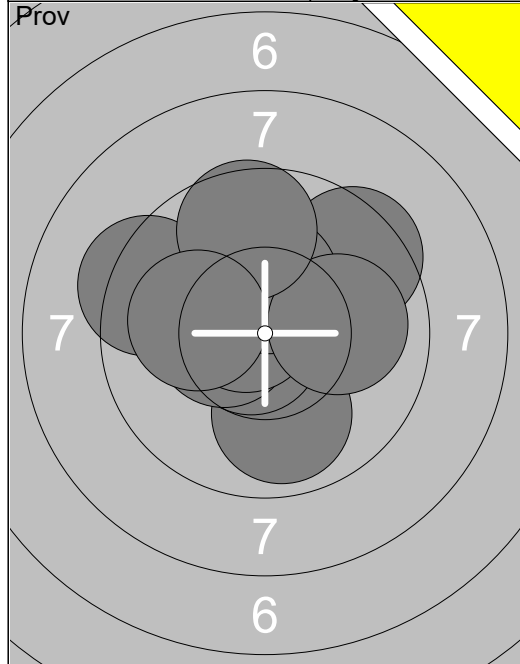
11:	10.2x ↓
12:	10.2x ↓
13:	9.5 ↖
14:	9.4 ←
15:	10.4x ↗
16:	9.7 →
17:	10.3x ↘
18:	9.8 ↗
19:	10.2x ↗
20:	10.4x →
Serie 100.1	
Total 202.1	



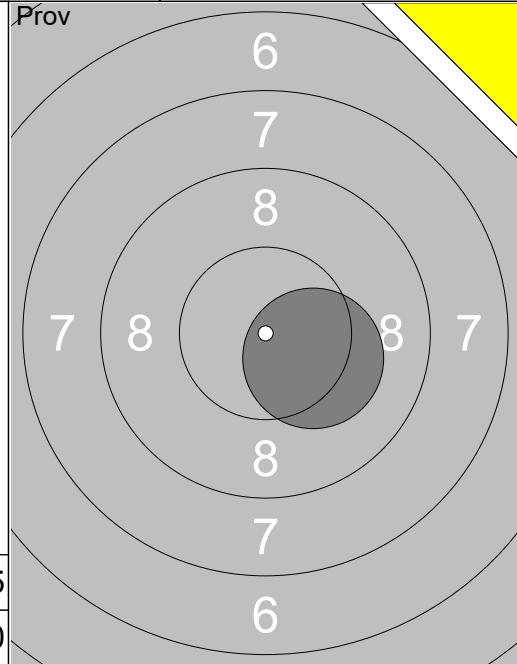
21:	10.6x ↘
22:	10.9x ↘
23:	9.9 ↘
24:	9.5 ↑
25:	9.7 ↖
26:	9.6 ↑
27:	9.7 ↑
28:	9.4 ←
29:	10.2x ↘
30:	9.7 ↑
Serie 99.2	
Total 301.3	



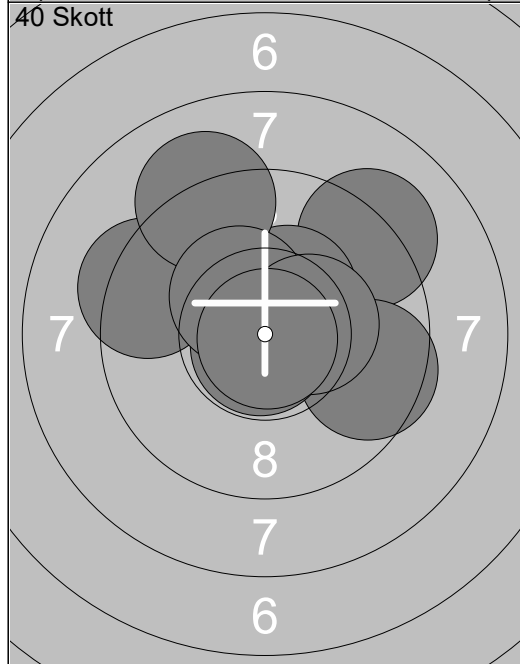
31:	10.2x →
32:	10.3x ←
33:	10.8x ↘
34:	9.7 ←
35:	10.4x ←
36:	9.6 ↑
37:	10.6x ↓
38:	10.2x ↗
39:	10.6x ↘
40:	10.3x ↓
Serie 102.7	
Total 404.0	



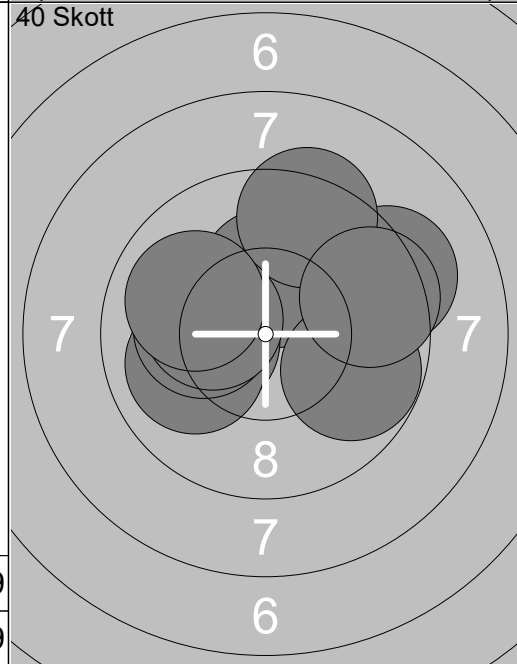
1: 9.9 ↓
2: 9.3 ↙
3: 10.7x ↘
4: 10.4x ↖
5: 9.5 ↗
6: 10.7x ↘
7: 10.3x ↑
8: 10.0 →
9: 9.6 ↑
10: 10.1 ←
Serie 100.5
Total 0.0



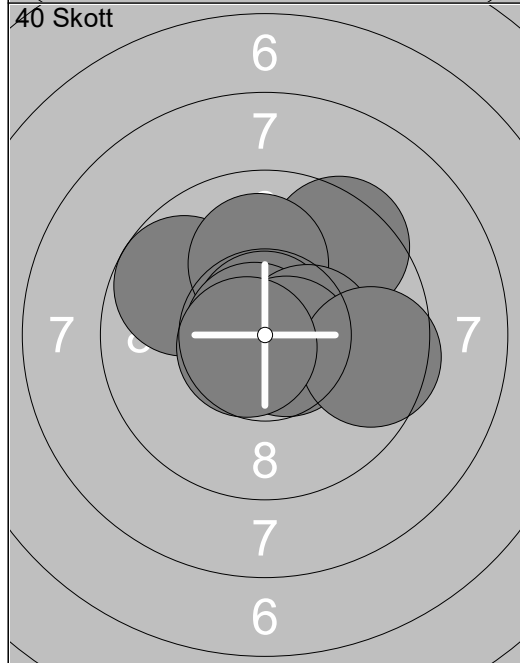
11: 10.3x ↘
Serie 10.3
Total 0.0



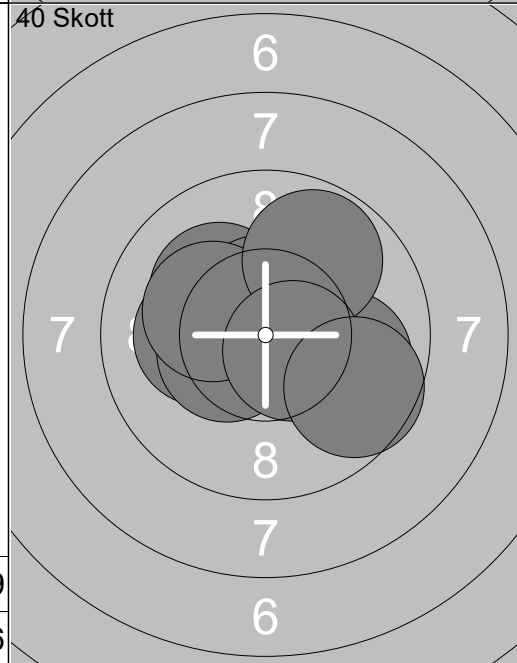
1: 9.2 ↗
2: 10.4x ↗
3: 10.8x ↑
4: 9.3 ↙
5: 9.1 ↑
6: 9.6 →
7: 10.8x ↘
8: 10.4x ↘
9: 10.4x →
10: 10.9x ↘
Serie 100.9
Total 100.9



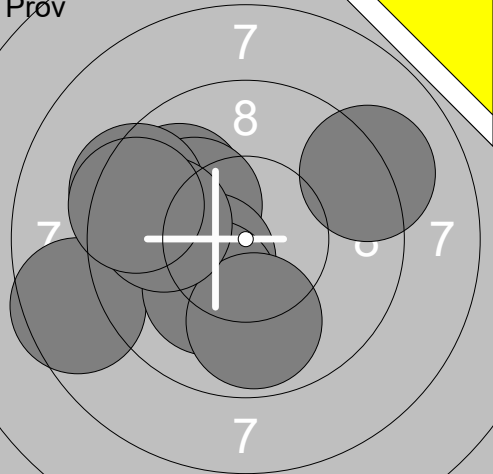
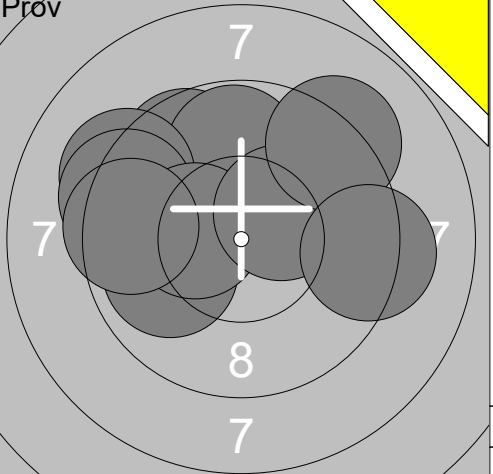
11: 10.2x ↑
12: 9.2 ↗
13: 10.2x ↖
14: 10.0 ↙
15: 9.8 →
16: 10.2x ↖
17: 9.4 ↑
18: 10.3x ↖
19: 10.0 ↙
20: 9.5 →
Serie 98.8
Total 199.7

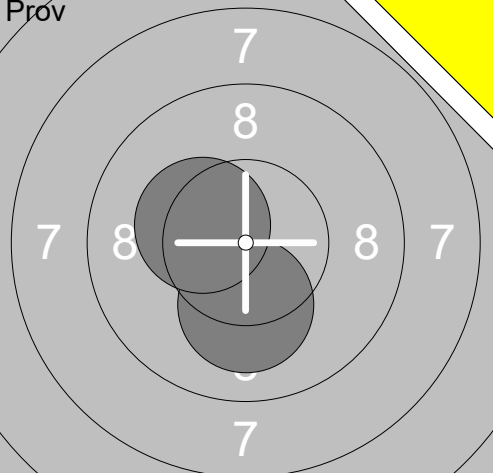
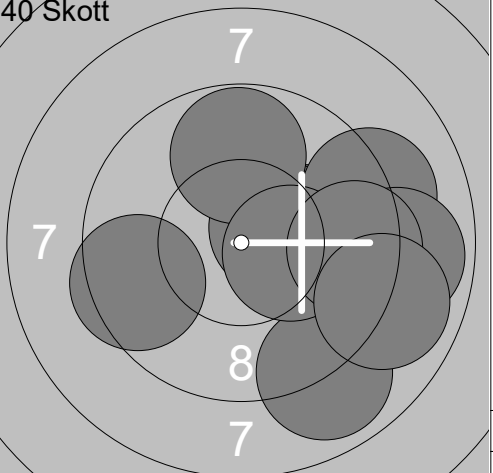


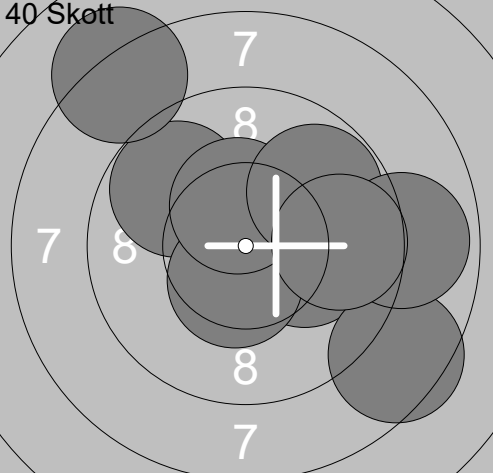
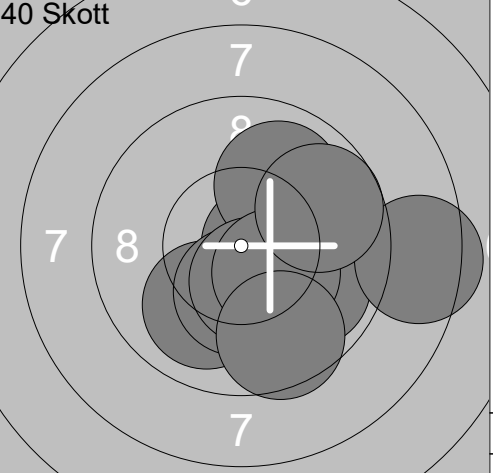
21: 9.5 ↗
22: 10.8x ↗
23: 9.7 ↙
24: 10.0 ↑
25: 10.8x ↑
26: 10.8x ↖
27: 10.4x →
28: 10.6x ↘
29: 9.6 →
30: 10.7x ↖
Serie 102.9
Total 302.6

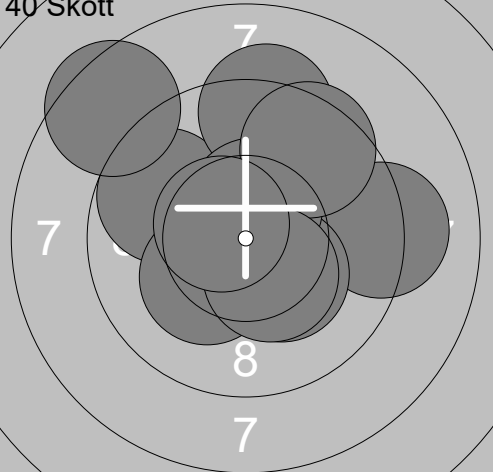


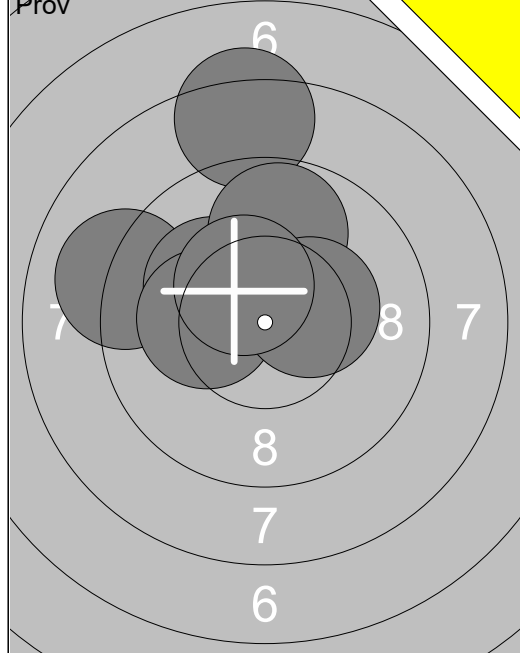
31: 10.2x ↖
32: 10.2x ↖
33: 10.8x ↖
34: 10.6x ↑
35: 10.4x ↖
36: 10.2x ↖
37: 9.9 →
38: 9.8 ↑
39: 10.5x ↘
40: 9.6 →
Serie 102.2
Total 404.8

<p>Pröv</p> 	<table border="1" style="width:100%; border-collapse: collapse;"> <tr><td>1:</td><td>9.9</td><td>↖</td></tr> <tr><td>2:</td><td>8.6</td><td>←</td></tr> <tr><td>3:</td><td>9.1</td><td>↗</td></tr> <tr><td>4:</td><td>10.1</td><td>↗</td></tr> <tr><td>5:</td><td>10.4x</td><td>←</td></tr> <tr><td>6:</td><td>9.4</td><td>↖</td></tr> <tr><td>7:</td><td>10.2x</td><td>↘</td></tr> <tr><td>8:</td><td>9.9</td><td>↓</td></tr> <tr><td>9:</td><td>9.9</td><td>←</td></tr> <tr><td>10:</td><td>9.4</td><td>←</td></tr> <tr><td colspan="2">Serie</td><td>96.9</td></tr> <tr><td colspan="2">Total</td><td>0.0</td></tr> </table>	1:	9.9	↖	2:	8.6	←	3:	9.1	↗	4:	10.1	↗	5:	10.4x	←	6:	9.4	↖	7:	10.2x	↘	8:	9.9	↓	9:	9.9	←	10:	9.4	←	Serie		96.9	Total		0.0	<p>Pröv</p>  <table border="1" style="width:100%; border-collapse: collapse;"> <tr><td>11:</td><td>9.6</td><td>↖</td></tr> <tr><td>12:</td><td>9.8</td><td>↑</td></tr> <tr><td>13:</td><td>9.2</td><td>↖</td></tr> <tr><td>14:</td><td>9.3</td><td>←</td></tr> <tr><td>15:</td><td>9.9</td><td>←</td></tr> <tr><td>16:</td><td>10.3x</td><td>←</td></tr> <tr><td>17:</td><td>10.3x</td><td>↗</td></tr> <tr><td>18:</td><td>9.5</td><td>←</td></tr> <tr><td>19:</td><td>9.2</td><td>↗</td></tr> <tr><td>20:</td><td>9.3</td><td>→</td></tr> <tr><td colspan="2">Serie</td><td>96.4</td></tr> <tr><td colspan="2">Total</td><td>0.0</td></tr> </table>	11:	9.6	↖	12:	9.8	↑	13:	9.2	↖	14:	9.3	←	15:	9.9	←	16:	10.3x	←	17:	10.3x	↗	18:	9.5	←	19:	9.2	↗	20:	9.3	→	Serie		96.4	Total		0.0
1:	9.9	↖																																																																								
2:	8.6	←																																																																								
3:	9.1	↗																																																																								
4:	10.1	↗																																																																								
5:	10.4x	←																																																																								
6:	9.4	↖																																																																								
7:	10.2x	↘																																																																								
8:	9.9	↓																																																																								
9:	9.9	←																																																																								
10:	9.4	←																																																																								
Serie		96.9																																																																								
Total		0.0																																																																								
11:	9.6	↖																																																																								
12:	9.8	↑																																																																								
13:	9.2	↖																																																																								
14:	9.3	←																																																																								
15:	9.9	←																																																																								
16:	10.3x	←																																																																								
17:	10.3x	↗																																																																								
18:	9.5	←																																																																								
19:	9.2	↗																																																																								
20:	9.3	→																																																																								
Serie		96.4																																																																								
Total		0.0																																																																								

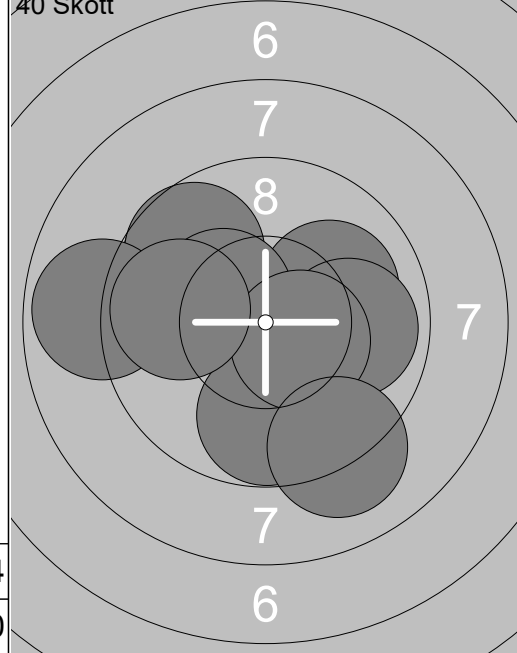
<p>Pröv</p>  <table border="1" style="width:100%; border-collapse: collapse;"> <tr><td>21:</td><td>10.1</td><td>↓</td></tr> <tr><td>22:</td><td>10.3x</td><td>↖</td></tr> <tr><td colspan="2">Serie</td><td>20.4</td></tr> <tr><td colspan="2">Total</td><td>0.0</td></tr> </table>	21:	10.1	↓	22:	10.3x	↖	Serie		20.4	Total		0.0	<p>40 Skott</p>  <table border="1" style="width:100%; border-collapse: collapse;"> <tr><td>1:</td><td>8.9</td><td>↘</td></tr> <tr><td>2:</td><td>10.1</td><td>→</td></tr> <tr><td>3:</td><td>10.4x</td><td>↗</td></tr> <tr><td>4:</td><td>9.5</td><td>←</td></tr> <tr><td>5:</td><td>9.8</td><td>↑</td></tr> <tr><td>6:</td><td>9.2</td><td>↗</td></tr> <tr><td>7:</td><td>8.9</td><td>→</td></tr> <tr><td>8:</td><td>10.3x</td><td>→</td></tr> <tr><td>9:</td><td>9.5</td><td>→</td></tr> <tr><td>10:</td><td>8.9</td><td>↘</td></tr> <tr><td colspan="2">Serie</td><td>95.5</td></tr> <tr><td colspan="2">Total</td><td>95.5</td></tr> </table>	1:	8.9	↘	2:	10.1	→	3:	10.4x	↗	4:	9.5	←	5:	9.8	↑	6:	9.2	↗	7:	8.9	→	8:	10.3x	→	9:	9.5	→	10:	8.9	↘	Serie		95.5	Total		95.5
21:	10.1	↓																																															
22:	10.3x	↖																																															
Serie		20.4																																															
Total		0.0																																															
1:	8.9	↘																																															
2:	10.1	→																																															
3:	10.4x	↗																																															
4:	9.5	←																																															
5:	9.8	↑																																															
6:	9.2	↗																																															
7:	8.9	→																																															
8:	10.3x	→																																															
9:	9.5	→																																															
10:	8.9	↘																																															
Serie		95.5																																															
Total		95.5																																															

<p>40 Skott</p>  <table border="1" style="width:100%; border-collapse: collapse;"> <tr><td>11:</td><td>10.1</td><td>→</td></tr> <tr><td>12:</td><td>10.2x</td><td>→</td></tr> <tr><td>13:</td><td>9.8</td><td>↗</td></tr> <tr><td>14:</td><td>10.5x</td><td>↓</td></tr> <tr><td>15:</td><td>10.4x</td><td>↗</td></tr> <tr><td>16:</td><td>8.1</td><td>↗</td></tr> <tr><td>17:</td><td>8.5</td><td>↘</td></tr> <tr><td>18:</td><td>9.8</td><td>↗</td></tr> <tr><td>19:</td><td>8.9</td><td>→</td></tr> <tr><td>20:</td><td>9.7</td><td>→</td></tr> <tr><td colspan="2">Serie</td><td>96.0</td></tr> <tr><td colspan="2">Total</td><td>191.5</td></tr> </table>	11:	10.1	→	12:	10.2x	→	13:	9.8	↗	14:	10.5x	↓	15:	10.4x	↗	16:	8.1	↗	17:	8.5	↘	18:	9.8	↗	19:	8.9	→	20:	9.7	→	Serie		96.0	Total		191.5	<p>40 Skott</p>  <table border="1" style="width:100%; border-collapse: collapse;"> <tr><td>21:</td><td>10.6x</td><td>→</td></tr> <tr><td>22:</td><td>10.0</td><td>↗</td></tr> <tr><td>23:</td><td>10.0</td><td>↘</td></tr> <tr><td>24:</td><td>10.3x</td><td>↓</td></tr> <tr><td>25:</td><td>9.9</td><td>↘</td></tr> <tr><td>26:</td><td>10.4x</td><td>↓</td></tr> <tr><td>27:</td><td>8.4</td><td>→</td></tr> <tr><td>28:</td><td>10.3x</td><td>↘</td></tr> <tr><td>29:</td><td>9.7</td><td>↗</td></tr> <tr><td>30:</td><td>9.6</td><td>↘</td></tr> <tr><td colspan="2">Serie</td><td>99.2</td></tr> <tr><td colspan="2">Total</td><td>290.7</td></tr> </table>	21:	10.6x	→	22:	10.0	↗	23:	10.0	↘	24:	10.3x	↓	25:	9.9	↘	26:	10.4x	↓	27:	8.4	→	28:	10.3x	↘	29:	9.7	↗	30:	9.6	↘	Serie		99.2	Total		290.7
11:	10.1	→																																																																							
12:	10.2x	→																																																																							
13:	9.8	↗																																																																							
14:	10.5x	↓																																																																							
15:	10.4x	↗																																																																							
16:	8.1	↗																																																																							
17:	8.5	↘																																																																							
18:	9.8	↗																																																																							
19:	8.9	→																																																																							
20:	9.7	→																																																																							
Serie		96.0																																																																							
Total		191.5																																																																							
21:	10.6x	→																																																																							
22:	10.0	↗																																																																							
23:	10.0	↘																																																																							
24:	10.3x	↓																																																																							
25:	9.9	↘																																																																							
26:	10.4x	↓																																																																							
27:	8.4	→																																																																							
28:	10.3x	↘																																																																							
29:	9.7	↗																																																																							
30:	9.6	↘																																																																							
Serie		99.2																																																																							
Total		290.7																																																																							

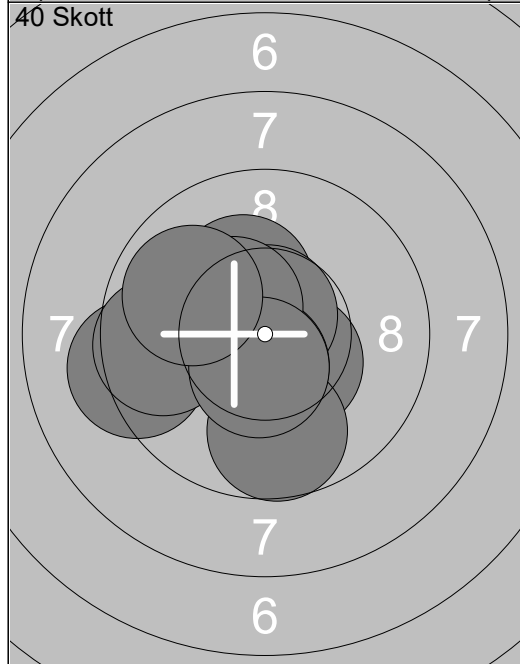
<p>40 Skott</p>  <table border="1" style="width:100%; border-collapse: collapse;"> <tr><td>31:</td><td>9.2</td><td>→</td></tr> <tr><td>32:</td><td>10.3x</td><td>↘</td></tr> <tr><td>33:</td><td>9.7</td><td>↖</td></tr> <tr><td>34:</td><td>10.2x</td><td>↖</td></tr> <tr><td>35:</td><td>9.3</td><td>↑</td></tr> <tr><td>36:</td><td>10.5x</td><td>↑</td></tr> <tr><td>37:</td><td>9.5</td><td>↗</td></tr> <tr><td>38:</td><td>10.4x</td><td>↘</td></tr> <tr><td>39:</td><td>10.6x</td><td>↖</td></tr> <tr><td>40:</td><td>8.5</td><td>↖</td></tr> <tr><td colspan="2">Serie</td><td>98.2</td></tr> <tr><td colspan="2">Total</td><td>388.9</td></tr> </table>	31:	9.2	→	32:	10.3x	↘	33:	9.7	↖	34:	10.2x	↖	35:	9.3	↑	36:	10.5x	↑	37:	9.5	↗	38:	10.4x	↘	39:	10.6x	↖	40:	8.5	↖	Serie		98.2	Total		388.9	
31:	9.2	→																																			
32:	10.3x	↘																																			
33:	9.7	↖																																			
34:	10.2x	↖																																			
35:	9.3	↑																																			
36:	10.5x	↑																																			
37:	9.5	↗																																			
38:	10.4x	↘																																			
39:	10.6x	↖																																			
40:	8.5	↖																																			
Serie		98.2																																			
Total		388.9																																			



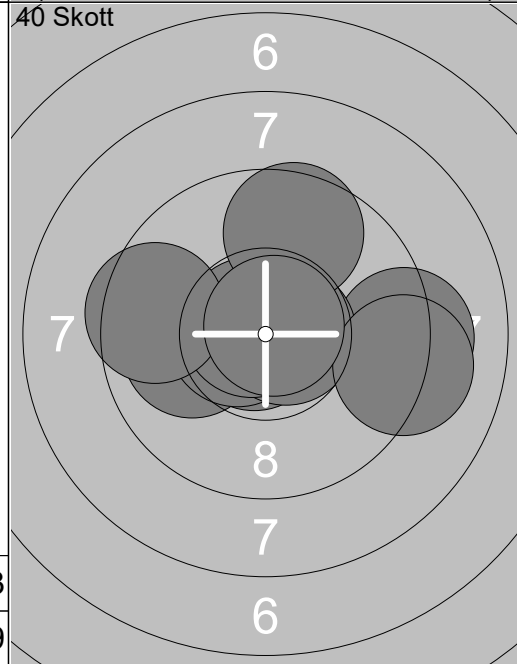
1:	9.1	↙
2:	8.3	↑
3:	10.2	↘
4:	10.2	↘
5:	9.8	↑
6:	10.4	➤
7:	10.4	↘
Serie		68.4
Total		0.0



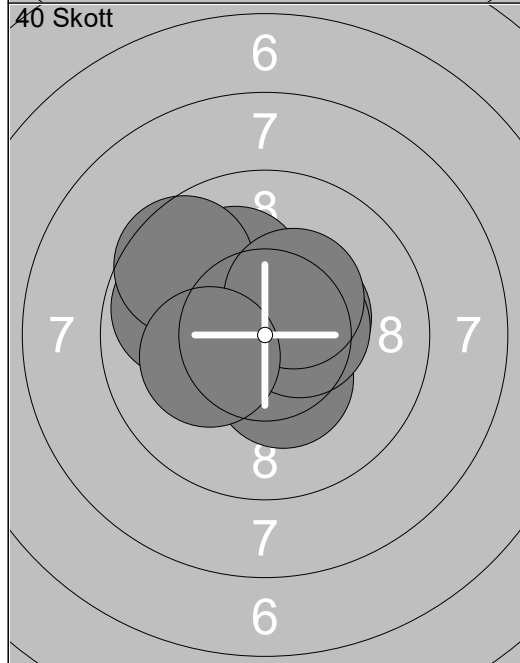
1:	9.7	↖
2:	10.0	➤
3:	9.7	↖
4:	9.9	➤
5:	8.9	←
6:	10.3	↘
7:	9.8	↓
8:	10.4	➤
9:	9.8	←
10:	9.1	↓
Serie		97.6
Total		97.6



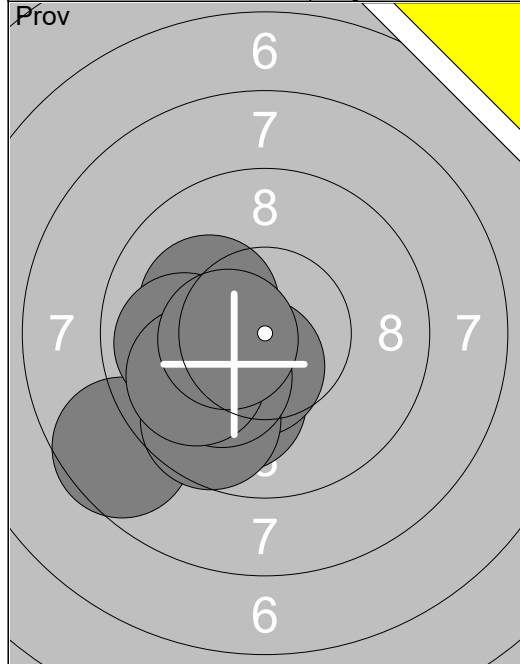
11:	9.3	↙
12:	10.4	↘
13:	10.3	↘
14:	10.7	↑
15:	9.7	↓
16:	10.5	↘
17:	9.6	←
18:	10.4	↘
19:	10.5	↘
20:	9.9	↙
Serie		101.3
Total		198.9



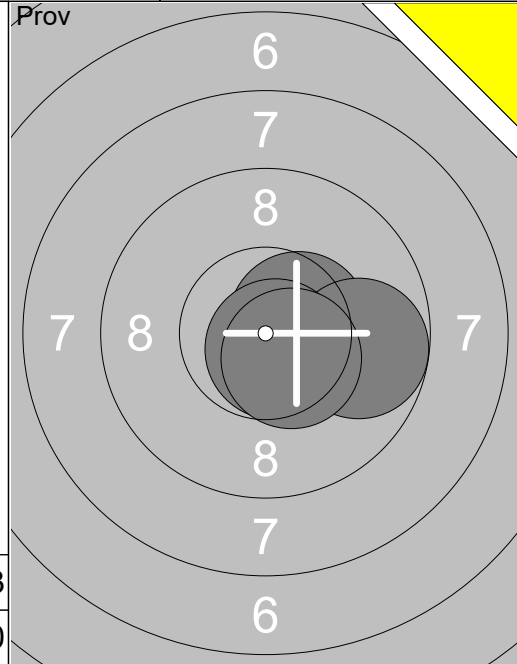
21:	10.0	↙
22:	10.8	↘
23:	9.2	➤
24:	10.6	↘
25:	10.7	➤
26:	9.1	➤
27:	10.8	↘
28:	9.6	↑
29:	9.5	←
30:	10.8	↗
Serie		101.1
Total		300.0



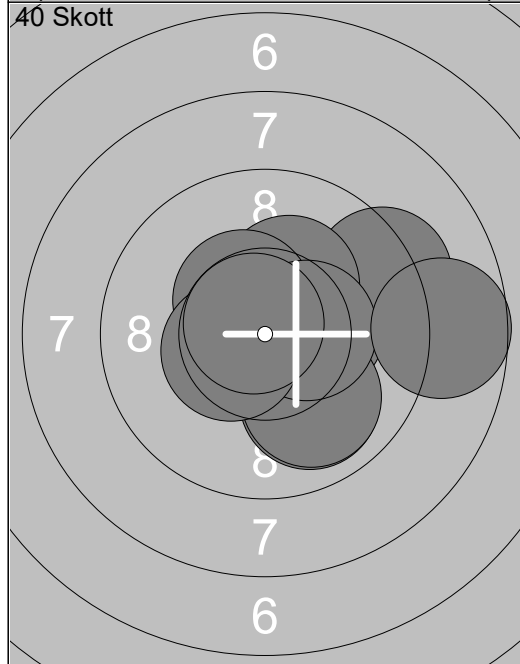
31:	10.5	↘
32:	10.3	↘
33:	10.4	↘
34:	10.4	➤
35:	9.8	←
36:	10.1	↑
37:	9.6	↖
38:	10.5	➤
39:	10.4	↗
40:	10.2	↘
Serie		102.2
Total		402.2



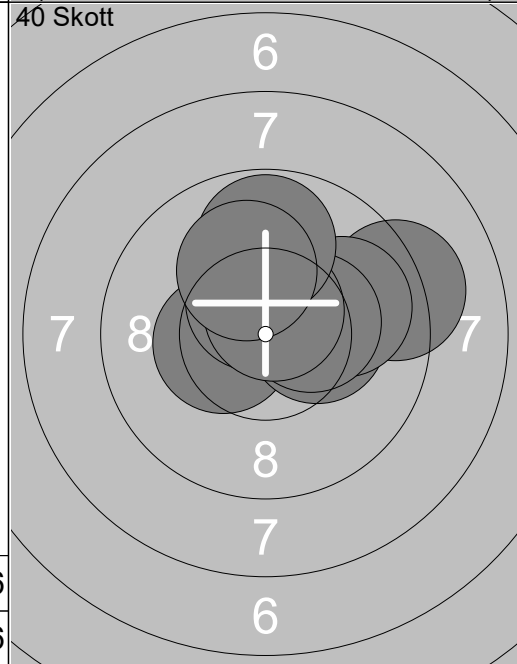
1:	9.9 ↙
2:	8.6 ↙
3:	10.2 ✕
4:	10.0 ↓
5:	9.9 ←
6:	10.5 ✕ ↓
7:	9.6 ↓
8:	10.2 ✕ ↓
9:	9.9 ↙
10:	10.5 ✕ ←
Serie 99.3	
Total 0.0	



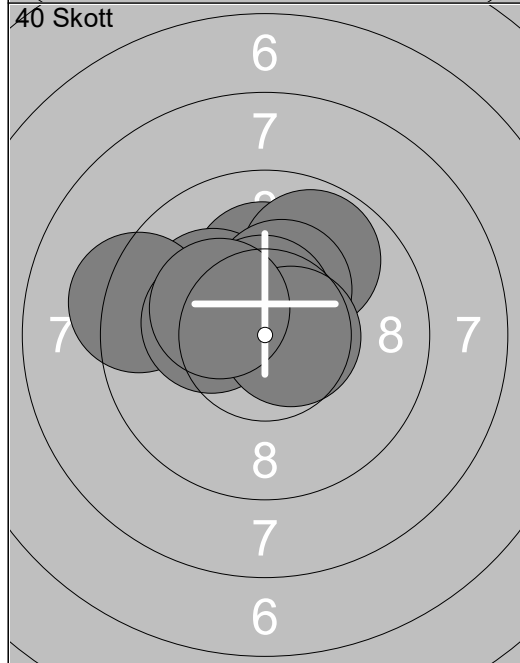
11:	10.5 ✕ →
12:	9.7 →
13:	10.7 ✕ ↓
14:	10.5 ✕ ↓
Serie 41.4	
Total 0.0	



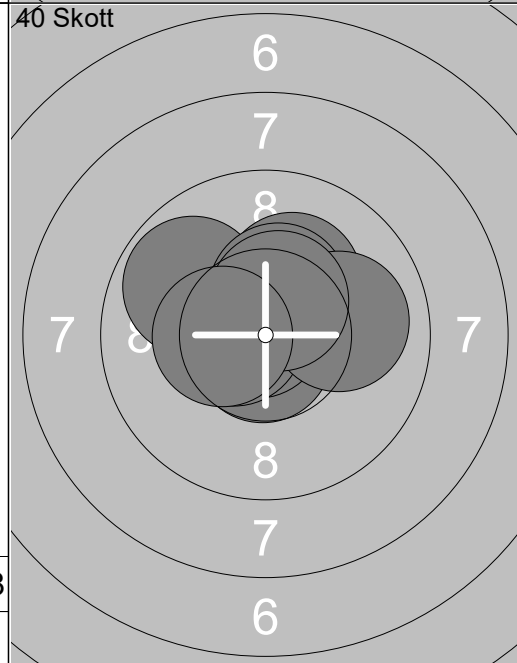
1:	10.3 ✕ →
2:	9.9 ↓
3:	10.0 ↓
4:	9.3 →
5:	10.3 ✕ ↗
6:	10.4 ✕ ↘
7:	10.4 ✕ →
8:	10.5 ✕ ↘
9:	10.8 ✕ ↘
10:	8.7 →
Serie 100.6	
Total 100.6	



11:	10.4 ✕ ↘
12:	10.3 ✕ →
13:	9.2 →
14:	9.9 →
15:	10.5 ✕ ↗
16:	10.5 ✕ ↘
17:	10.4 ✕ →
18:	10.6 ✕ ↗
19:	9.8 ↑
20:	10.1 ↗
Serie 101.7	
Total 202.3	



21:	10.1 ↑
22:	9.8 ↗
23:	10.1 ↘
24:	10.3 ✕ ↗
25:	10.5 ✕ ↘
26:	10.6 ✕ ↗
27:	9.3 ←
28:	10.2 ✕ ↘
29:	10.6 ✕ →
30:	10.3 ✕ ↘
Serie 101.8	
Total 304.1	

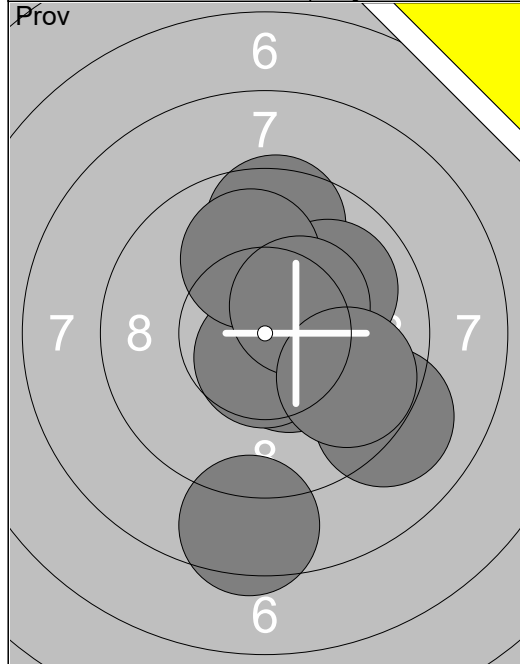


31:	10.2 ✕ ↗
32:	10.7 ✕ ↘
33:	9.8 ↘
34:	10.7 ✕ ↓
35:	10.4 ✕ ↗
36:	10.8 ✕ ↘
37:	10.5 ✕ ↘
38:	10.0 →
39:	10.5 ✕ ↗
40:	10.4 ✕ ↘
Serie 104.0	
Total 408.1	

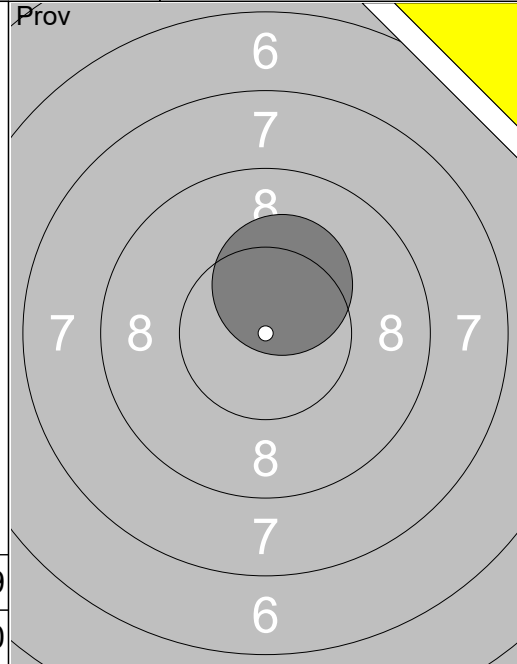
<p>Prov</p>	<p>1: 10.3x↓ 2: 10.4x↖ 3: 8.9 ↓ 4: 10.5x↖ 5: 9.9 → 6: 10.0 ↑ 7: 9.9 ↗ 8: 10.3x↑ 9: 10.8x↑ 10: 9.6 ↙</p>	<p>Prov</p>	<p>11: 10.1←</p>
Serie 100.6		Serie 10.1	
Total 0.0		Total 0.0	

<p>40 Skott</p>	<p>1: 10.3x↓ 2: 9.9 ↗ 3: 10.3x↖ 4: 9.2 → 5: 10.5x↘ 6: 9.9 → 7: 9.8 → 8: 10.0 ↓ 9: 9.9 ← 10: 10.1←</p>	<p>40 Skott</p>	<p>11: 10.8x↗ 12: 10.5x↖ 13: 9.4 ↓ 14: 10.2x→ 15: 8.3 ↗ 16: 9.2 ← 17: 10.0↗ 18: 10.0 ↘ 19: 9.0 ← 20: 10.8x↓</p>
Serie 99.9		Serie 98.2	
Total 99.9		Total 198.1	

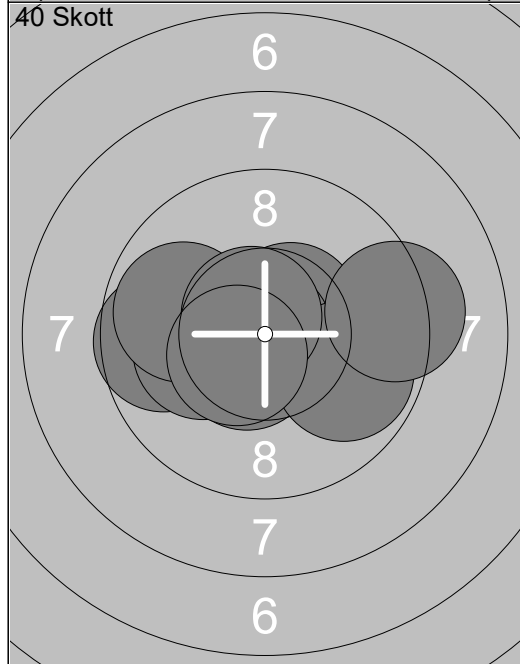
<p>40 Skott</p>	<p>21: 10.0 ↓ 22: 9.8 ↓ 23: 9.9 ↖ 24: 10.7x↑ 25: 10.0↗ 26: 10.1↗ 27: 8.5 ↑ 28: 10.5x↓ 29: 10.5x↖ 30: 9.6 ↗</p>	<p>40 Skott</p>	<p>31: 9.7 ↗ 32: 10.1 ↓ 33: 9.4 ↗ 34: 10.0↗ 35: 9.6 → 36: 9.1 ← 37: 9.4 ↓ 38: 10.3x↖ 39: 10.5x↖ 40: 8.0 ←</p>
Serie 99.6		Serie 96.1	
Total 297.7		Total 393.8	



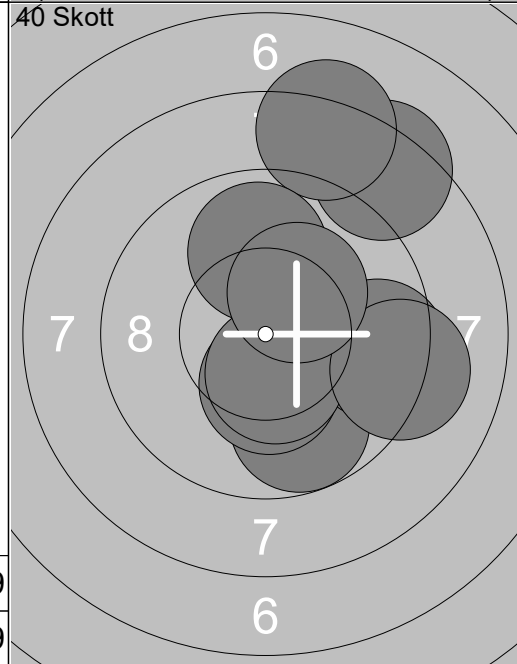
1:	10.4x	↘
2:	10.5x	↘
3:	9.6	↑
4:	8.5	↓
5:	10.6x	↓
6:	9.1	↘
7:	10.0	↗
8:	10.0	↑
9:	10.4x	↗
10:	9.8	↘
Serie		98.9
Total		0.0



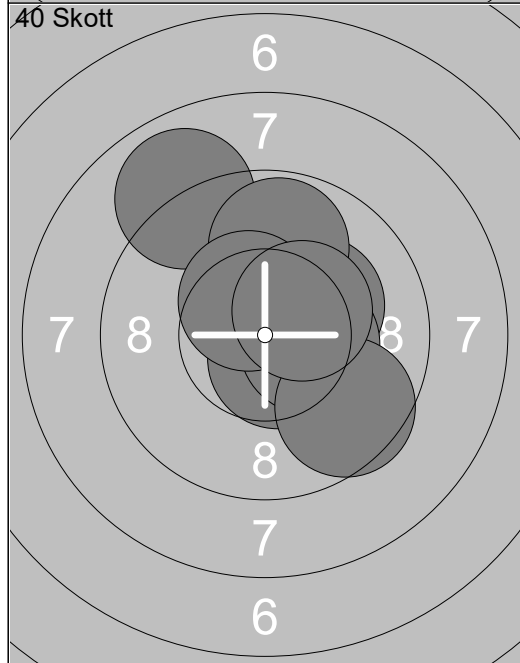
11:	10.3x	↗
Serie		10.3
Total		0.0



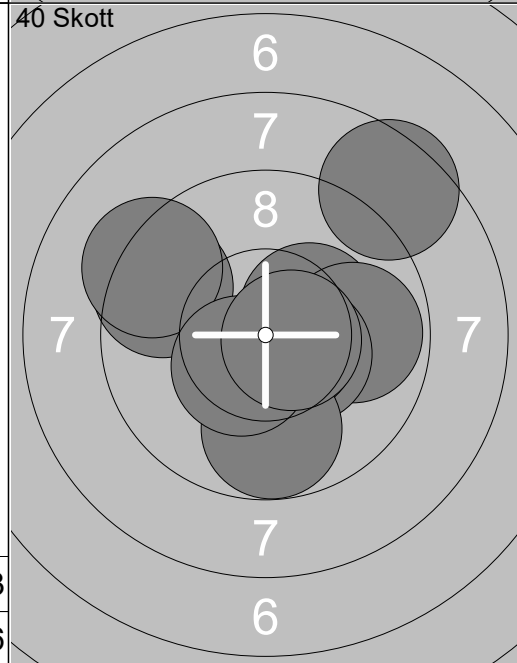
1:	10.5x	↗
2:	10.6x	↘
3:	10.9x	↘
4:	9.6	←
5:	10.1	←
6:	9.9	←
7:	9.8	↘
8:	10.7x	↘
9:	9.3	→
10:	10.5x	↘
Serie		101.9
Total		101.9



11:	9.7	↓
12:	8.4	↗
13:	9.5	→
14:	10.3x	↓
15:	8.2	↑
16:	9.9	↑
17:	10.5x	→
18:	10.4x	↓
19:	9.2	→
20:	10.3x	↗
Serie		96.4
Total		198.3



21:	10.6x	↗
22:	10.3x	↑
23:	10.6x	↘
24:	8.9	↖
25:	10.2x	↗
26:	10.4x	→
27:	9.8	↑
28:	9.6	↘
29:	10.5x	↘
30:	10.4x	↗
Serie		101.3
Total		299.6

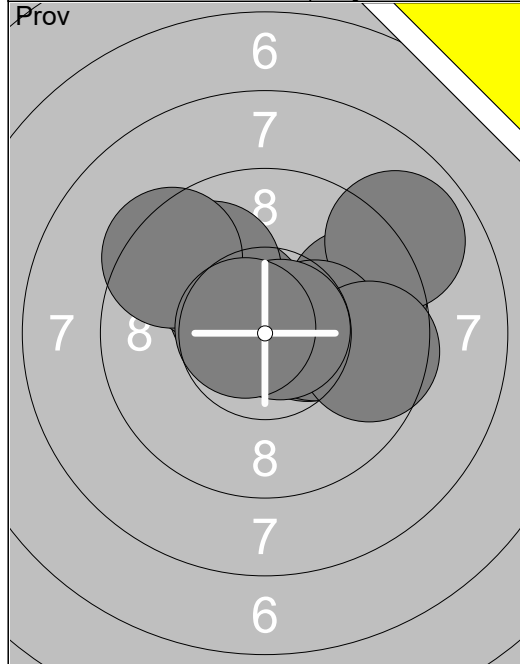


31:	10.3x	↗
32:	9.8	→
33:	10.4x	→
34:	10.6x	→
35:	9.5	↖
36:	9.3	↖
37:	9.7	↓
38:	8.5	↗
39:	10.5x	↘
40:	10.6x	→
Serie		99.2
Total		398.8

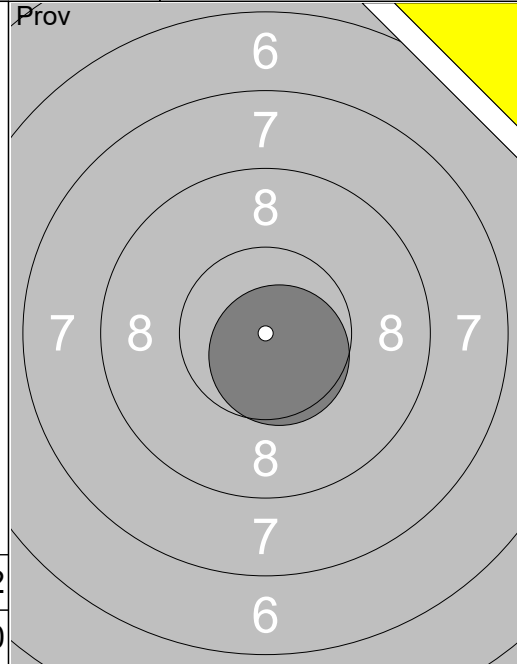
Prov 	1: 9.9 ↙ 2: 9.8 ↙ 3: 9.5 ↗ 4: 8.0 ← 5: 10.1 ↙ 6: 9.3 ← 7: 9.8 ← 8: 9.1 ↗ 9: 9.1 ↗ 10: 9.4 → <hr/> Serie 94.0 Total 0.0	Prov 	11: 8.5 → 12: 9.5 ↗ 13: 10.7 ✖ <hr/> Serie 28.7 Total 0.0
----------	---	----------	---

40 Skott 	1: 6.3 ← 2: 10.0 ↗ 3: 10.2 ✖ 4: 8.7 → 5: 9.9 ↓ 6: 10.2 ✖ 7: 9.6 ↓ 8: 9.8 ↓ 9: 10.3 ✖ 10: 10.2 ✖ <hr/> Serie 95.2 Total 95.2	40 Skott 	11: 10.4 ✖ 12: 10.3 ✖ 13: 9.7 ↙ 14: 10.1 ↖ 15: 9.9 ← 16: 9.7 ↓ 17: 8.7 ↙ 18: 10.5 ✖ 19: 10.1 ↓ 20: 10.4 ✖ <hr/> Serie 99.8 Total 195.0
--------------	--	--------------	---

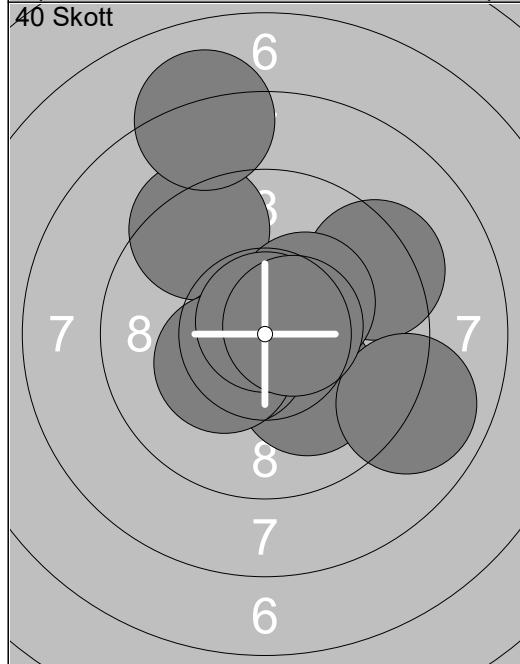
40 Skott 	21: 9.2 ↙ 22: 9.9 ↗ 23: 10.3 ✖ 24: 8.8 ← 25: 9.5 ↘ 26: 10.7 ✖ 27: 9.4 ← 28: 10.0 ↗ 29: 9.2 → 30: 10.1 ↘ <hr/> Serie 97.1 Total 292.1	40 Skott 	31: 9.3 ↙ 32: 10.3 ✖ 33: 10.6 ✖ 34: 8.8 → 35: 10.0 ↗ 36: 10.5 ✖ 37: 9.4 ↘ 38: 10.1 ↓ 39: 10.3 ✖ 40: 10.3 ✖ <hr/> Serie 99.6 Total 391.7
--------------	---	--------------	--



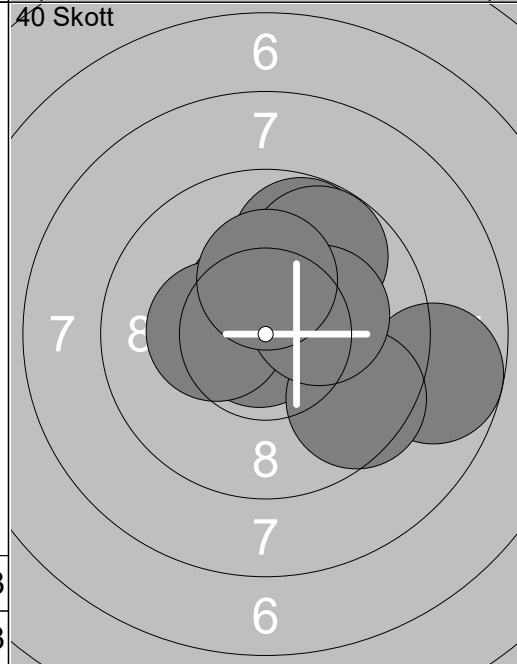
1: 10.5x
2: 9.9
3: 10.4x
4: 9.7
5: 8.9
6: 10.3x
7: 9.6
8: 10.8x
9: 9.4
10: 10.7x
Serie 100.2
Total 0.0



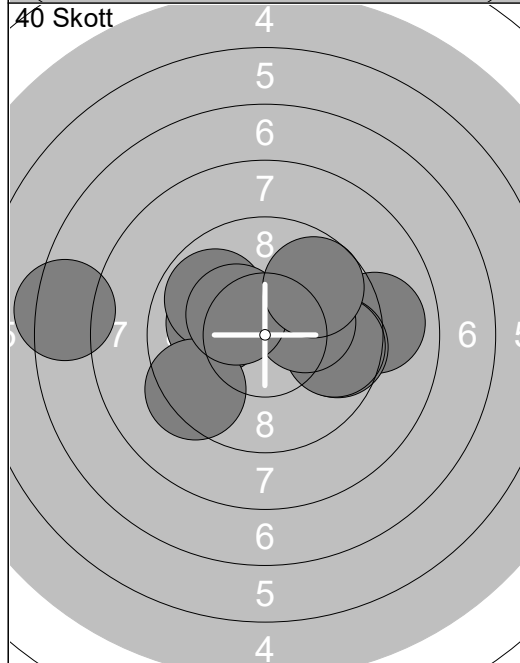
11: 10.6x
Serie 10.6
Total 0.0



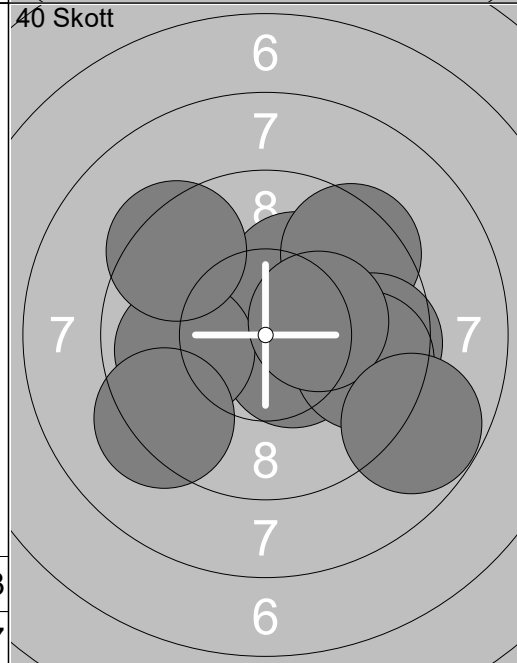
1: 10.1
2: 9.4
3: 9.3
4: 10.5x
5: 10.3x
6: 10.3x
7: 10.8x
8: 8.1
9: 8.9
10: 10.6x
Serie 98.3
Total 98.3



11: 10.1
12: 8.7
13: 9.8
14: 9.8
15: 10.5x
16: 10.9x
17: 9.5
18: 10.3x
19: 10.2x
20: 10.3x
Serie 100.1
Total 198.4

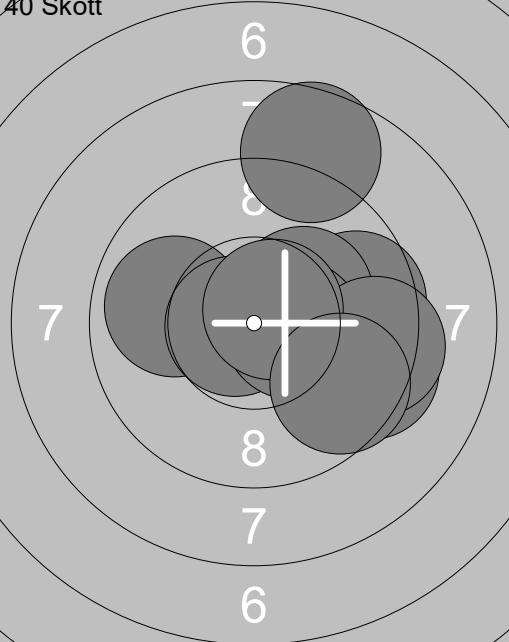
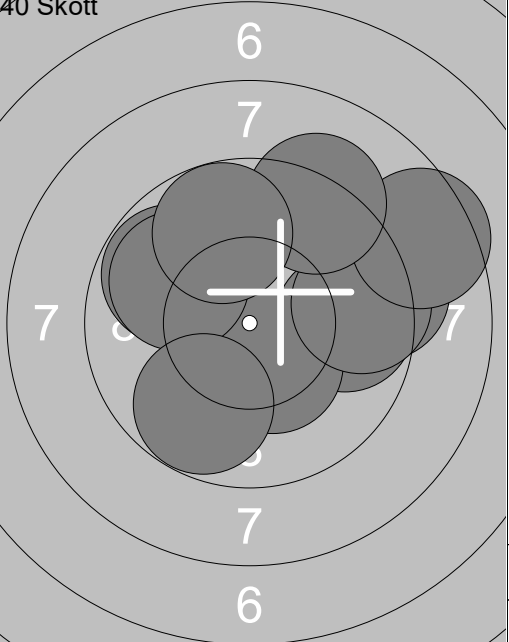


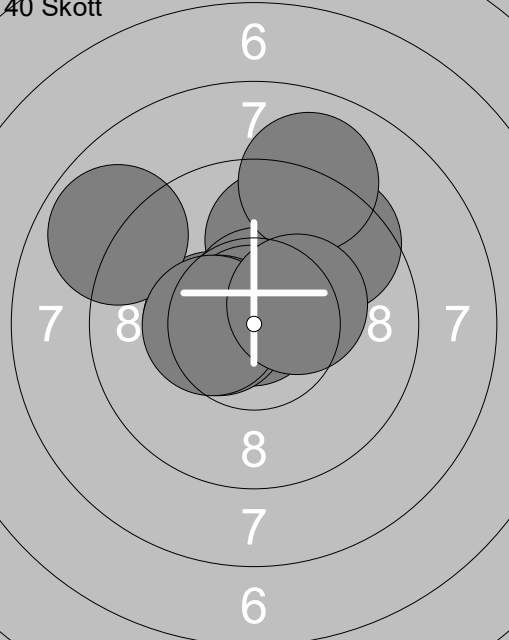
21: 10.1
22: 7.4
23: 9.0
24: 9.9
25: 9.4
26: 9.6
27: 9.7
28: 10.2x
29: 10.3x
30: 9.7
Serie 95.3
Total 293.7

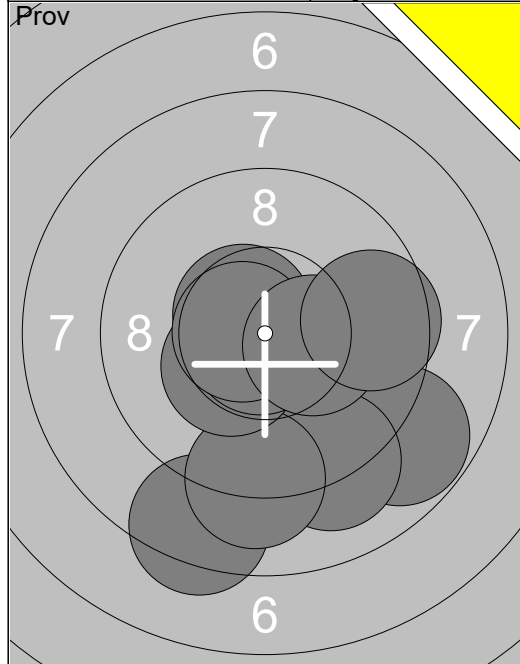


31: 10.5x
32: 10.2x
33: 9.9
34: 9.4
35: 9.4
36: 9.6
37: 9.3
38: 9.7
39: 10.3x
40: 8.8
Serie 97.1
Total 390.8

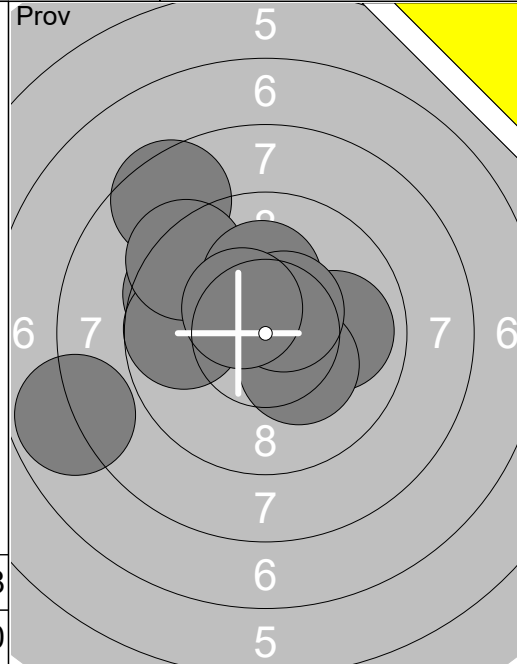
Prov 	1: 10.0 → 2: 10.2x → 3: 9.1 ↗ 4: 10.5x ↘ 5: 10.2x ↘ 6: 9.5 → 7: 10.6x → 8: 10.2x ↑ 9: 9.7 → 10: 10.0 ↗ <hr/> Serie 100.0 Total 0.0	40 Skott 	1: 10.0 ↑ 2: 9.1 ↑ 3: 10.3x ↓ 4: 10.1 ↗ 5: 9.4 → 6: 8.7 ↑ 7: 10.7x ↘ 8: 9.5 ↑ 9: 10.0 → 10: 9.9 ↘ <hr/> Serie 97.7 Total 97.7
--	---	--	--

40 Skott 	11: 9.9 ← 12: 9.6 → 13: 10.7x ← 14: 10.2x → 15: 9.4 → 16: 10.4x → 17: 9.4 → 18: 8.6 ↑ 19: 10.7x → 20: 9.6 → <hr/> Serie 98.5 Total 196.2	40 Skott 	21: 9.8 ← 22: 9.2 → 23: 9.7 → 24: 10.4x ↓ 25: 9.9 ← 26: 9.5 → 27: 8.5 ↗ 28: 9.2 ↑ 29: 9.8 ↑ 30: 9.8 ↓ <hr/> Serie 95.8 Total 292.0
---	---	---	---

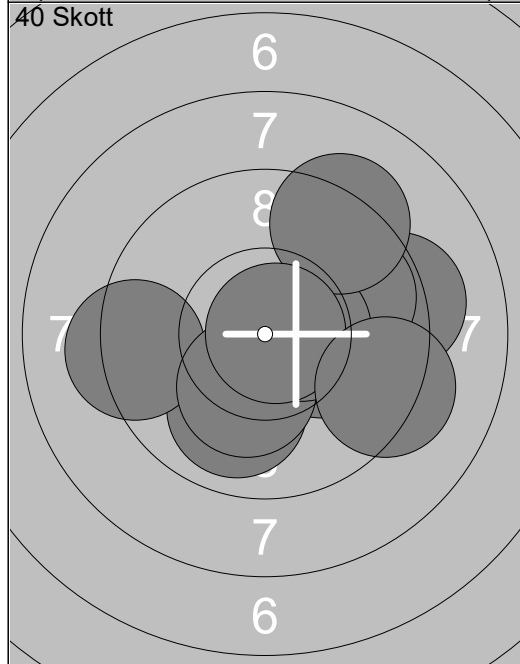
40 Skott 	31: 9.8 ↑ 32: 10.4x ← 33: 9.5 ↗ 34: 10.6x ↑ 35: 8.9 ← 36: 10.8x ↘ 37: 9.0 ↑ 38: 10.5x ← 39: 10.4x ← 40: 10.3x → <hr/> Serie 100.2 Total 392.2		
--	--	--	--



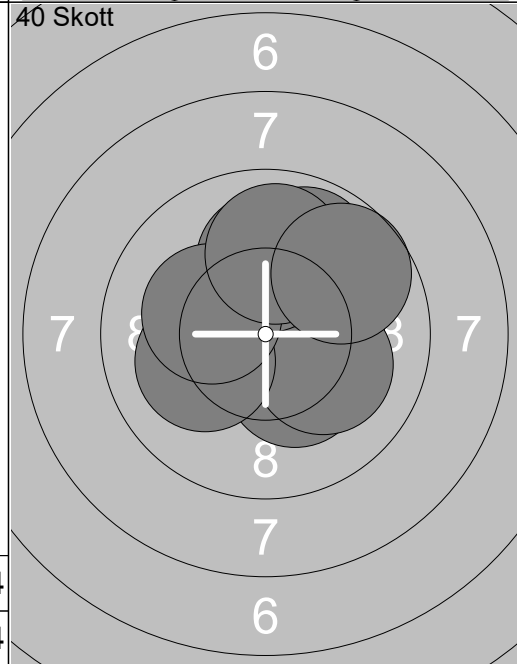
1:	8.4	↘
2:	8.8	↘
3:	9.1	↘
4:	9.1	↓
5:	10.4	✕
6:	10.8	✕
7:	10.6	✕
8:	10.7	↙
9:	10.3	→
10:	9.6	→
Serie		97.8
Total		0.0



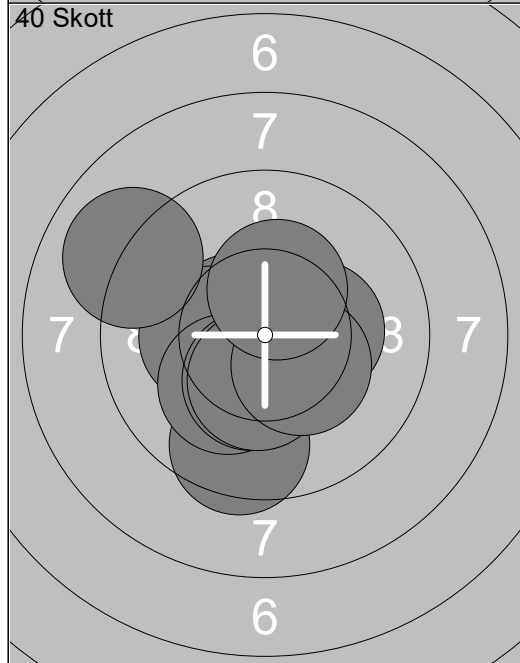
11:	9.6	↖
12:	7.9	↙
13:	8.5	↗
14:	9.7	↖
15:	9.3	↗
16:	9.9	→
17:	10.2	↗
18:	10.3	✕
19:	10.5	↗
20:	10.4	✕
Serie		96.3
Total		0.0



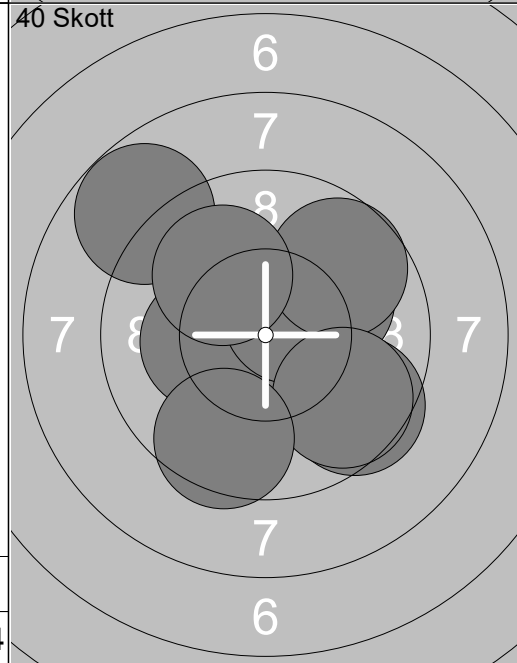
1:	9.2	→
2:	10.2	✕
3:	9.9	↓
4:	9.3	←
5:	10.2	✕
6:	9.8	→
7:	10.5	→
8:	9.2	↗
9:	10.8	→
10:	9.3	→
Serie		98.4
Total		98.4



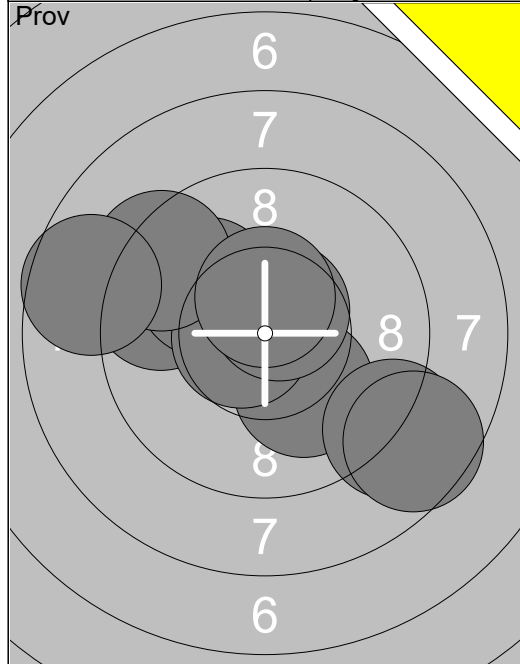
11:	10.3	→
12:	10.5	↗
13:	10.3	✕
14:	10.1	→
15:	9.8	↗
16:	10.1	↖
17:	10.0	↑
18:	10.2	✕
19:	9.9	↑
20:	9.7	↗
Serie		100.9
Total		199.3



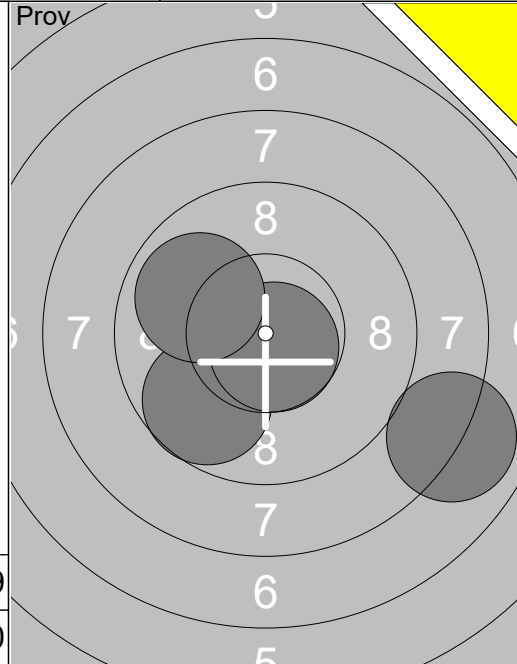
21:	10.6	✕
22:	10.2	✕
23:	10.3	→
24:	9.5	↓
25:	9.0	↖
26:	10.2	✕
27:	10.3	✕
28:	10.4	✕
29:	10.3	✕
30:	10.3	↗
Serie		101.1
Total		300.4



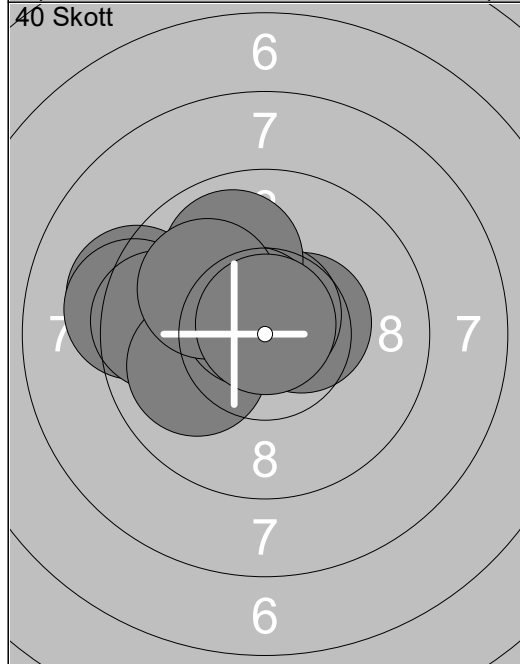
31:	9.5	↘
32:	10.5	✕
33:	10.1	↗
34:	10.2	✕
35:	10.5	↗
36:	8.8	↖
37:	9.7	↗
38:	10.0	↖
39:	9.7	↘
40:	9.5	↓
Serie		98.5
Total		398.9



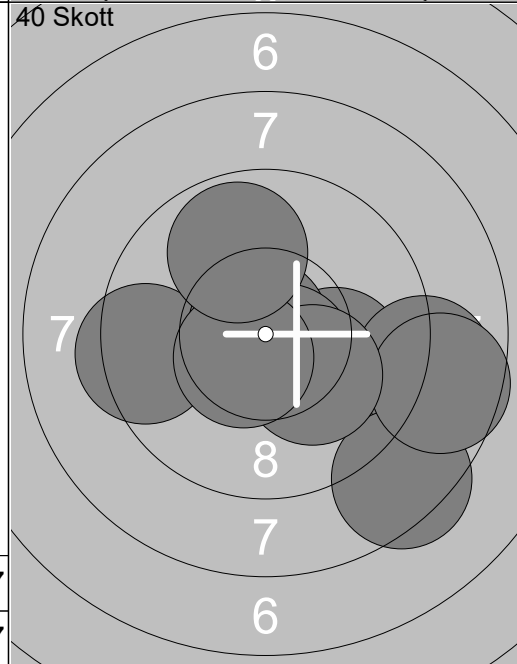
1:	10.1 ↘
2:	9.6 ←
3:	8.9 ↘
4:	8.6 ↘
5:	10.0 ↗
6:	10.6 ✕
7:	9.3 ↖
8:	10.6 ✕ ↗
9:	10.5 ✕ ↗
10:	8.7 ←
Serie 96.9	
Total 0.0	



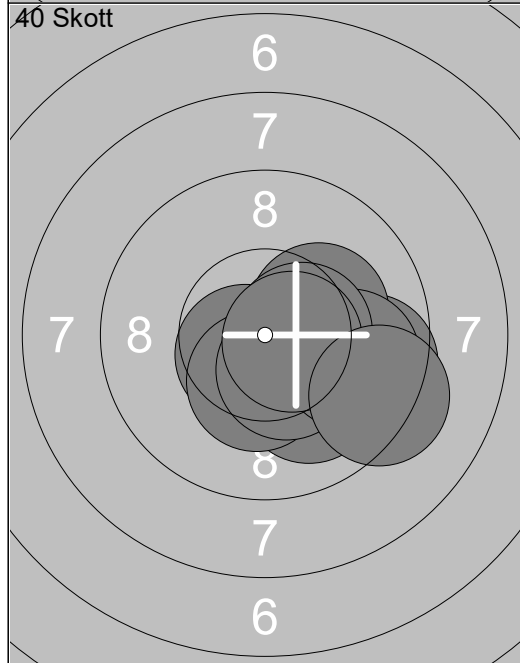
11:	8.0 →
12:	9.7 ↘
13:	10.7 ✕ ↘
14:	9.9 ↖
Serie 38.3	
Total 0.0	



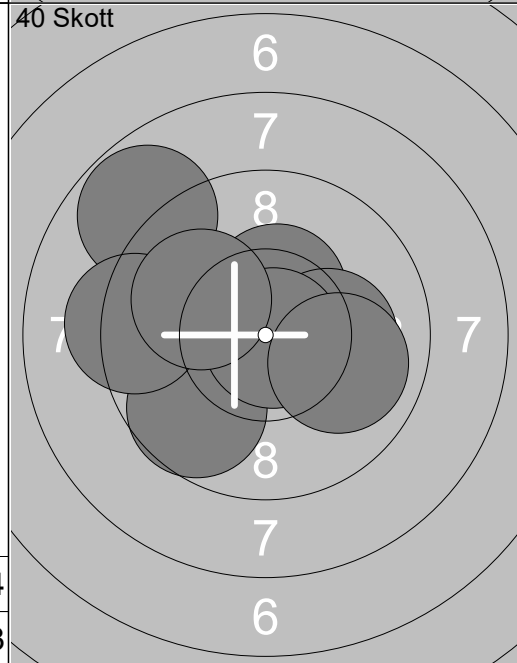
1:	10.5 ✕ →
2:	10.7 ✕ ↗
3:	9.2 ←
4:	9.3 ←
5:	9.9 ↗
6:	9.6 ←
7:	10.0 ↖
8:	10.7 ✕ ↘
9:	10.0 ↖
10:	10.8 ✕ ↗
Serie 100.7	
Total 100.7	



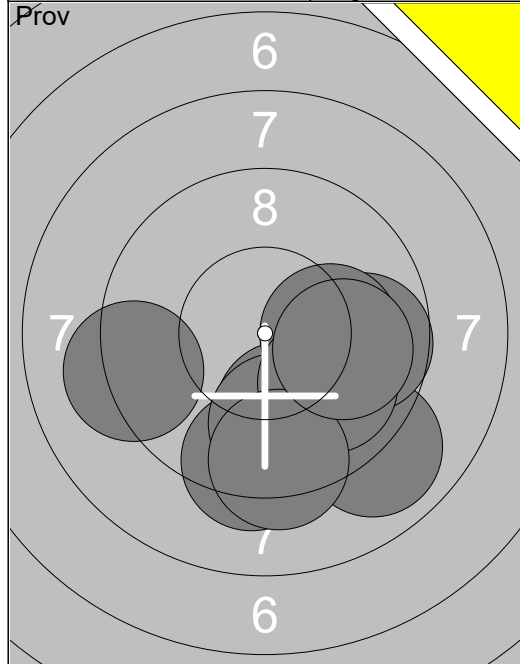
11:	10.0 →
12:	8.9 →
13:	9.4 ←
14:	8.4 ↘
15:	8.6 →
16:	10.8 ✕ ↘
17:	10.6 ✕ ↘
18:	10.2 ✕ ↘
19:	10.5 ✕ ↘
20:	9.8 ↖
Serie 97.2	
Total 197.9	



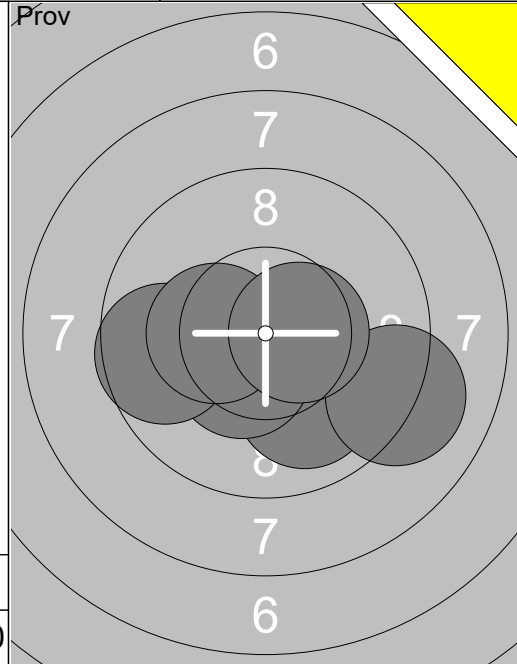
21:	10.0 ↘
22:	10.6 ✕ ↘
23:	10.4 ✕ ↘
24:	9.6 →
25:	10.2 ✕ →
26:	10.4 ✕ ↘
27:	9.8 →
28:	10.5 ✕ →
29:	10.6 ✕ →
30:	9.3 →
Serie 101.4	
Total 299.3	



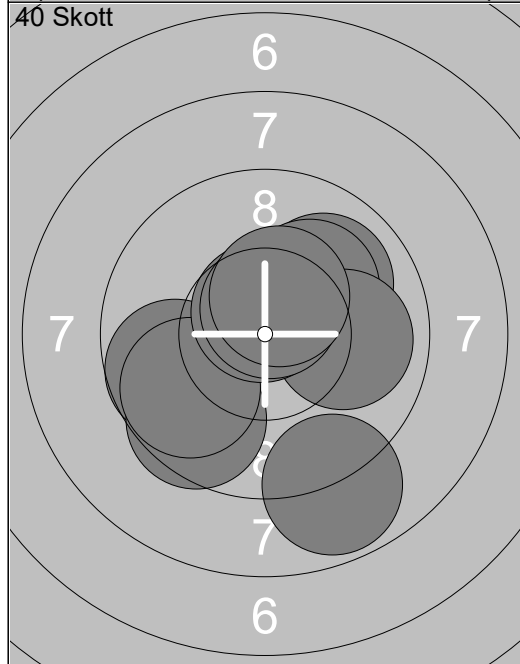
31:	10.0 ↖
32:	10.4 ✕ ↗
33:	10.2 ✕ →
34:	8.8 ↖
35:	10.1 ↖
36:	9.7 ↘
37:	10.8 ✕ →
38:	10.0 →
39:	9.3 ←
40:	10.0 ↖
Serie 99.3	
Total 398.6	



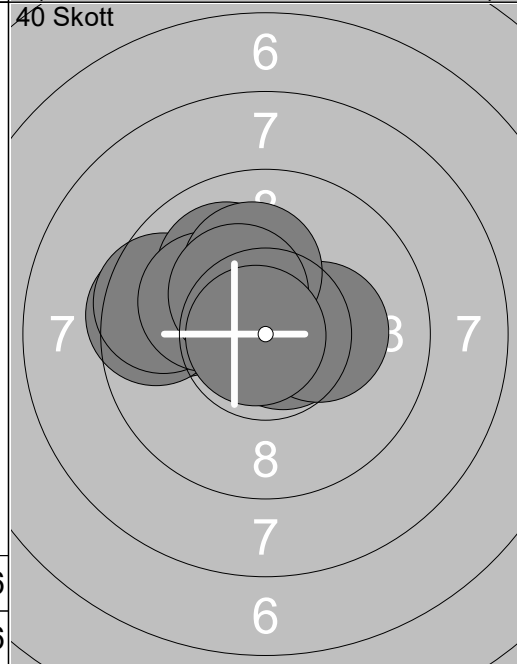
1: 9.3	↓
2: 9.0	↓
3: 9.9	↓
4: 9.8	↓
5: 9.7	→
6: 10.1	→
7: 9.9	↓
8: 9.3	↓
9: 9.9	→
10: 9.2	←
<hr/>	
Serie	96.1
Total	0.0



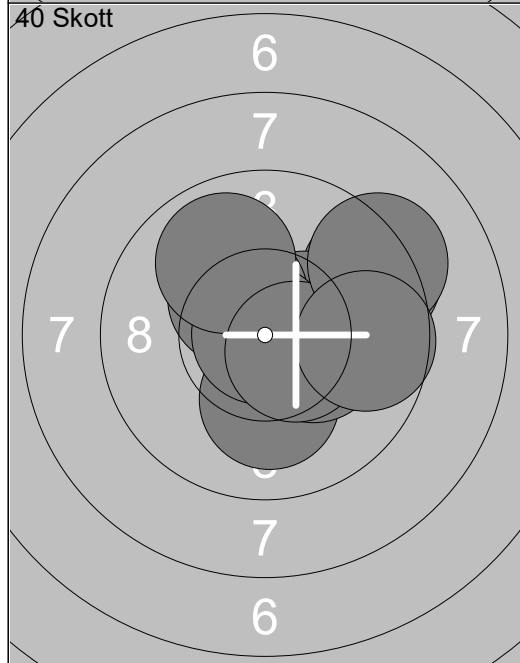
11: 10.0	↓
12: 10.5	←
13: 10.4	←
14: 9.6	←
15: 9.1	→
16: 10.3	←
17: 10.5	→
<hr/>	
Serie	70.4
Total	0.0



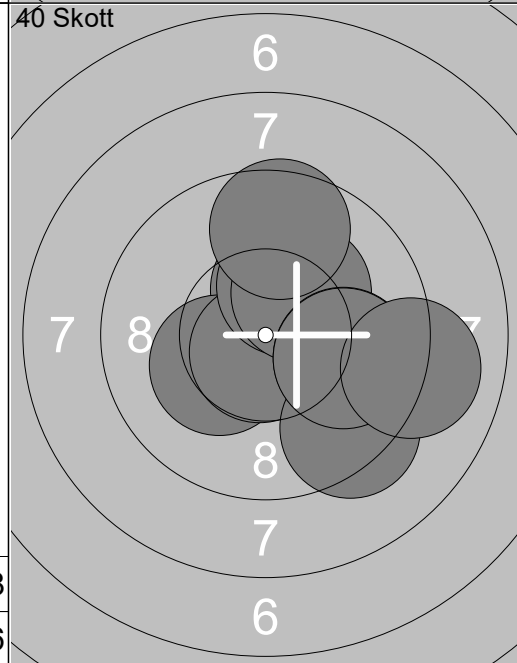
1: 9.7	←
2: 8.8	↓
3: 10.0	↗
4: 10.1	↗
5: 9.9	→
6: 9.6	↓
7: 9.8	←
8: 10.7x	↑
9: 10.6x	↑
10: 10.4x	↑
<hr/>	
Serie	99.6
Total	99.6



11: 9.8	←
12: 9.5	←
13: 9.6	←
14: 10.0	↑
15: 10.1	←
16: 10.7x	→
17: 10.3x	→
18: 10.1	↑
19: 10.3x	↗
20: 10.8x	←
<hr/>	
Serie	101.2
Total	200.8

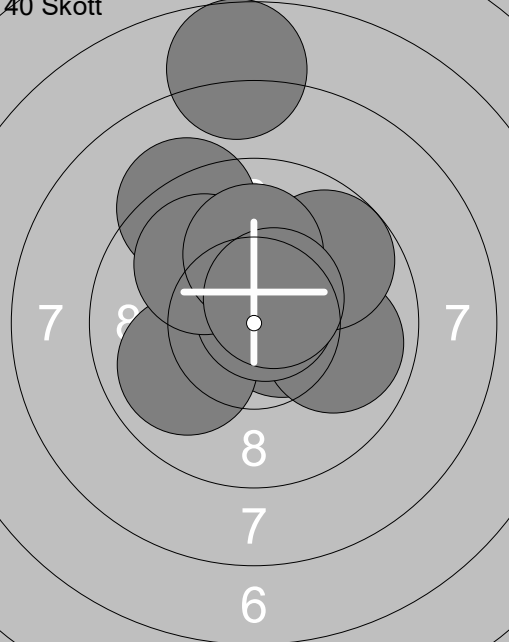
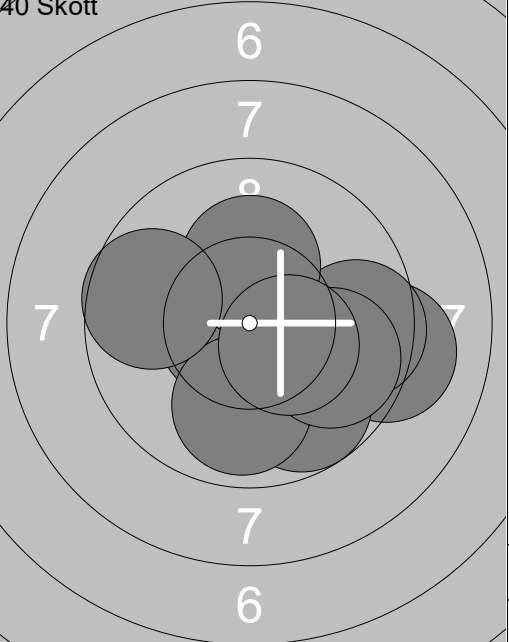


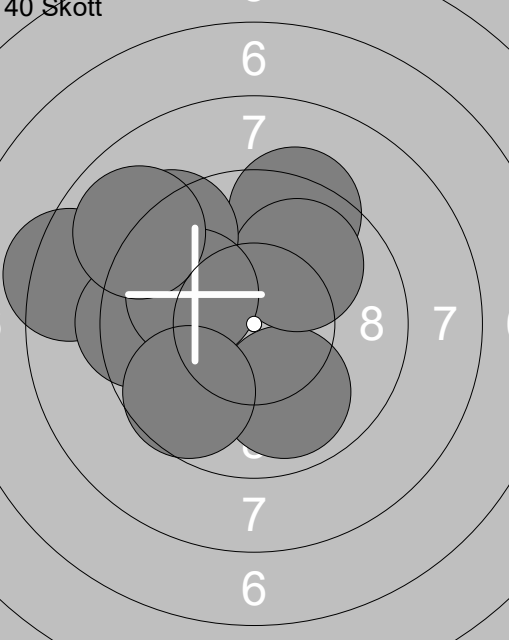
21: 9.4	↗
22: 10.4x	→
23: 10.1	↓
24: 10.4x	↖
25: 10.9x	←
26: 10.3x	→
27: 9.9	↑
28: 10.5x	→
29: 9.2	↗
30: 9.7	→
<hr/>	
Serie	100.8
Total	301.6



31: 10.3x	↑
32: 10.2x	←
33: 10.7x	↓
34: 10.3x	↑
35: 9.3	↓
36: 10.2x	↗
37: 9.9	→
38: 9.9	→
39: 9.0	→
40: 9.6	↑
<hr/>	
Serie	99.4
Total	401.0

<p>Prov</p> 	<p>1: 9.7 ↑</p> <p>2: 8.8 →</p> <p>3: 9.4 ↙</p> <p>4: 8.5 ↖</p> <p>5: 9.8 →</p> <p>6: 10.5x↓</p> <p>7: 10.1←</p> <p>8: 10.3x↑</p> <p>9: 10.3x↘</p> <p>10: 10.3x↖</p>	<p>40 Skott</p> 	<p>1: 10.7x↖</p> <p>2: 10.6x↑</p> <p>3: 9.8 →</p> <p>4: 10.2x↖</p> <p>5: 10.2x↖</p> <p>6: 9.7 ↖</p> <p>7: 10.5x↘</p> <p>8: 9.1 ↑</p> <p>9: 10.5x↖</p> <p>10: 9.9 →</p>
Serie 97.7		Serie 101.2	
Total 0.0		Total 101.2	

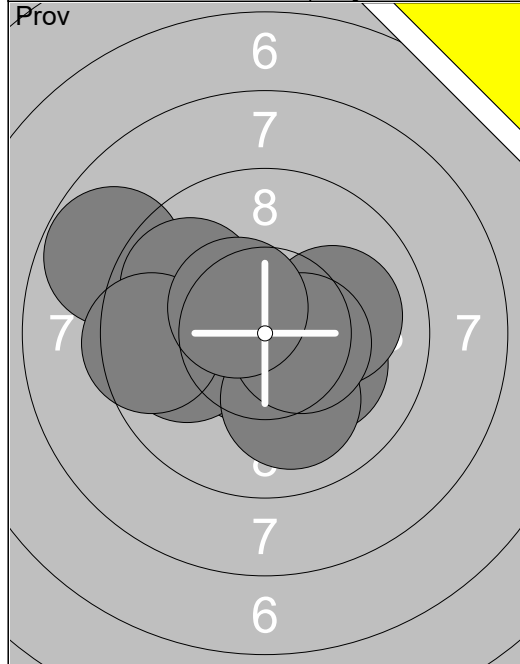
<p>40 Skott</p> 	<p>11: 10.6x→</p> <p>12: 9.9 ↙</p> <p>13: 9.9 →</p> <p>14: 9.2 ↑</p> <p>15: 7.7 ↑</p> <p>16: 9.7 ↗</p> <p>17: 10.7x↗</p> <p>18: 10.0 ↖</p> <p>19: 10.1 ↑</p> <p>20: 10.5x↗</p>	<p>40 Skott</p> 	<p>21: 9.2 →</p> <p>22: 9.7 ↘</p> <p>23: 9.6 →</p> <p>24: 10.7x↖</p> <p>25: 10.2x↑</p> <p>26: 10.1 →</p> <p>27: 9.9 ↓</p> <p>28: 9.8 →</p> <p>29: 9.7 ↖</p> <p>30: 10.4x↘</p>
Serie 98.3		Serie 99.3	
Total 199.5		Total 298.8	

<p>40 Skott</p> 	<p>31: 9.3 ↖</p> <p>32: 9.3 ↑</p> <p>33: 9.9 ↘</p> <p>34: 8.4 ↖</p> <p>35: 9.4 ↖</p> <p>36: 10.0 ↗</p> <p>37: 9.3 ↖</p> <p>38: 10.0 ↖</p> <p>39: 9.0 ↖</p> <p>40: 9.7 ↘</p>		
Serie 94.3			
Total 393.1			

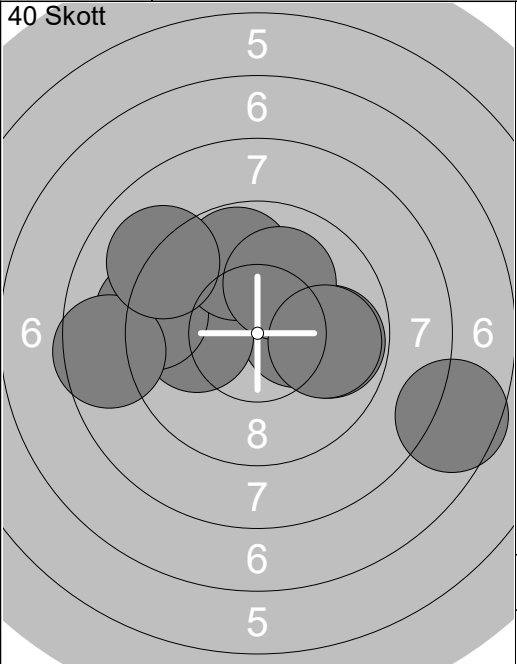
<p>Pröv</p>	<p>1: 7.1 →</p> <p>2: 9.1 →</p> <p>3: 9.0 →</p> <p>4: 9.0 ←</p> <p>5: 9.3 ↓</p> <p>6: 10.3x↗</p> <p>7: 9.9 ←</p> <p>8: 9.8 ↓</p> <p>9: 8.1 →</p> <p>10: 10.1 ↓</p> <hr/> <p>Serie 91.7</p> <p>Total 0.0</p>	<p>Pröv</p>	<p>11: 9.1 →</p> <p>12: 10.4x↘</p> <p>13: 9.2 ←</p> <p>14: 9.0 →</p> <p>15: 9.9 ↖</p> <p>16: 10.4x↓</p> <p>17: 9.6 ↖</p> <p>18: 10.7x↓</p> <p>19: 9.6 →</p> <p>20: 10.9x↗</p> <hr/> <p>Serie 98.8</p> <p>Total 0.0</p>
-------------	---	-------------	--

<p>40 Skott</p>	<p>1: 8.6 ↓</p> <p>2: 9.0 →</p> <p>3: 8.9 ↓</p> <p>4: 9.3 ←</p> <p>5: 9.4 ←</p> <p>6: 8.8 ↓</p> <p>7: 9.4 →</p> <p>8: 10.5x↘</p> <p>9: 10.3x→</p> <p>10: 9.4 →</p> <hr/> <p>Serie 93.6</p> <p>Total 93.6</p>	<p>40 Skott</p>	<p>11: 10.2x↘</p> <p>12: 10.7x↓</p> <p>13: 10.3x↘</p> <p>14: 8.8 →</p> <p>15: 10.1 ←</p> <p>16: 9.8 ←</p> <p>17: 9.9 ←</p> <p>18: 7.9 →</p> <p>19: 10.2x↓</p> <p>20: 10.4x↖</p> <hr/> <p>Serie 98.3</p> <p>Total 191.9</p>
-----------------	--	-----------------	--

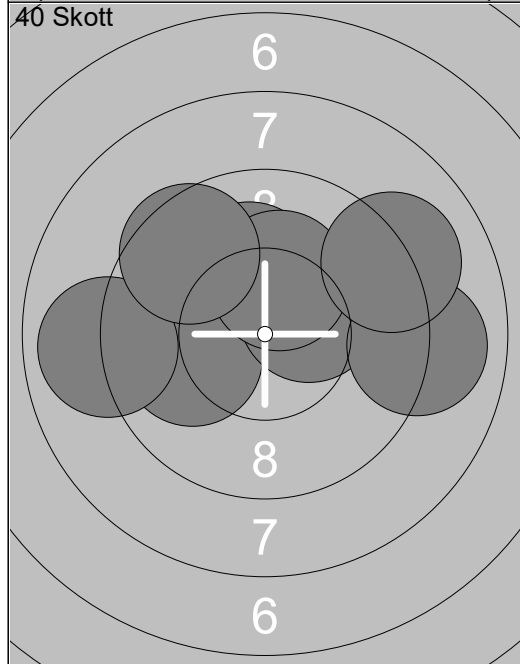
<p>40 Skott</p>	<p>21: 9.4 ←</p> <p>22: 7.7 ←</p> <p>23: 9.9 ←</p> <p>24: 8.9 →</p> <p>25: 9.4 ←</p> <p>26: 10.3x↖</p> <p>27: 9.4 ←</p> <p>28: 9.4 →</p> <p>29: 9.9 ↑</p> <p>30: 7.8 →</p> <hr/> <p>Serie 92.1</p> <p>Total 284.0</p>	<p>40 Skott</p>	<p>31: 10.5x→</p> <p>32: 10.0 →</p> <p>33: 10.5x↓</p> <p>34: 10.5x↘</p> <p>35: 9.6 →</p> <p>36: 9.8 →</p> <p>37: 10.0 ↓</p> <p>38: 10.3x↗</p> <p>39: 8.8 →</p> <p>40: 9.0 ←</p> <hr/> <p>Serie 99.0</p> <p>Total 383.0</p>
-----------------	---	-----------------	--



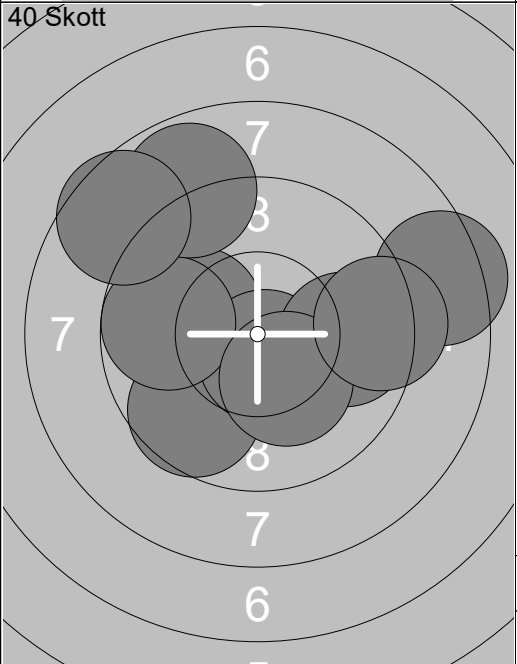
1:	10.6x ↘
2:	9.9 ←
3:	10.2x ↘
4:	10.1 →
5:	8.8 ↖
6:	9.8 ↖
7:	9.5 ←
8:	10.1 ↓
9:	10.5x →
10:	10.5x ↘
Serie 100.0	
Total 0.0	



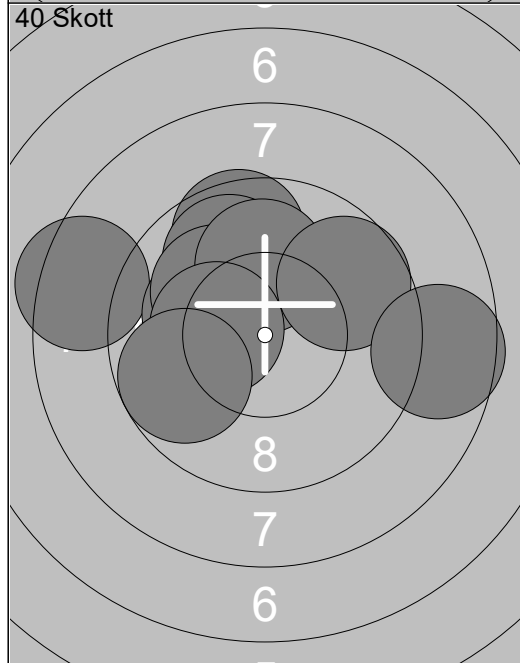
1:	10.3x →
2:	9.8 →
3:	10.0 ←
4:	9.2 ←
5:	9.8 ↑
6:	10.1 ↑
7:	8.6 ←
8:	9.1 ↖
9:	7.6 →
10:	9.9 →
Serie 94.4	
Total 94.4	



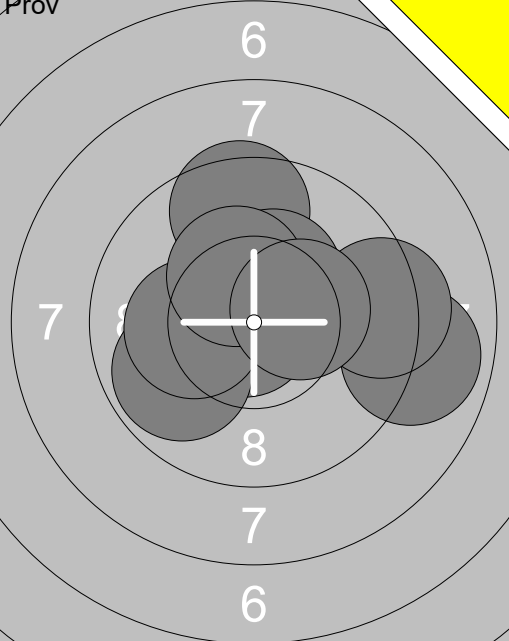
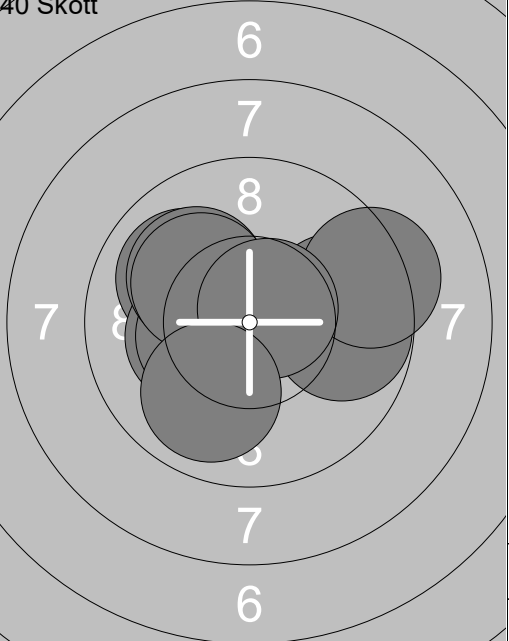
11:	10.1 ↑
12:	9.9 ←
13:	10.4x ↗
14:	10.0 ←
15:	10.3x ↗
16:	8.9 ←
17:	9.0 →
18:	10.2x ↗
19:	9.5 ↖
20:	9.1 ↗
Serie 97.4	
Total 191.8	

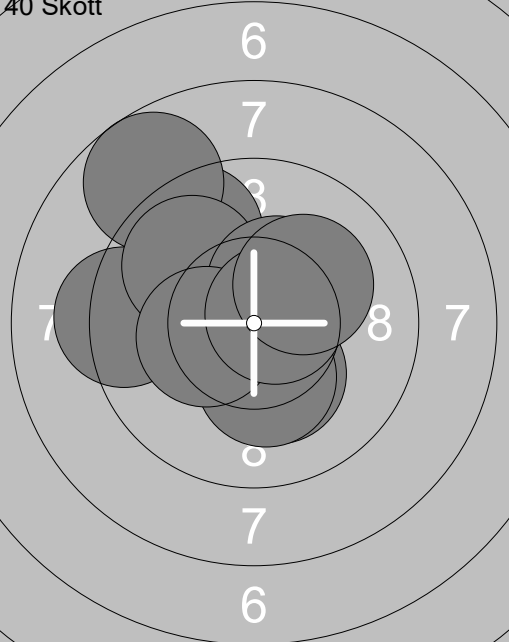
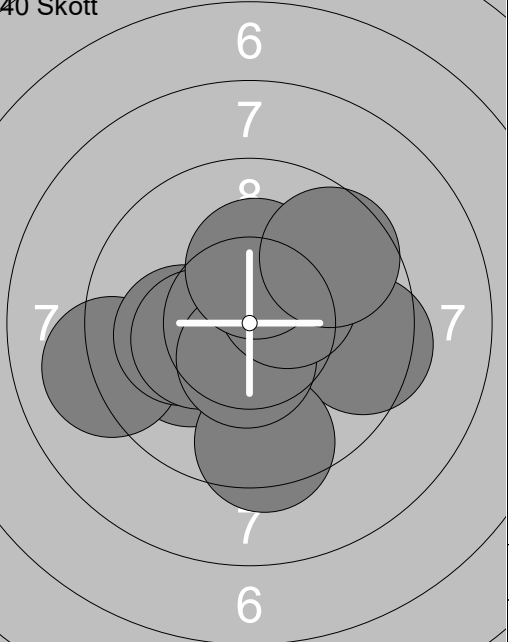


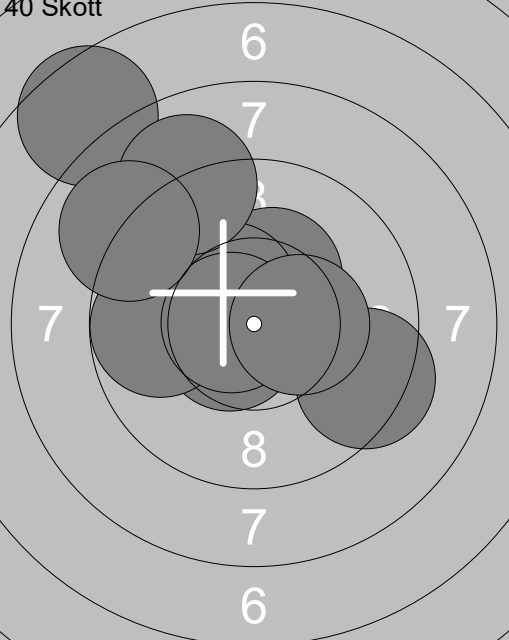
21:	9.6 ↘
22:	10.1 ←
23:	8.4 →
24:	10.6x ↘
25:	9.8 →
26:	9.7 ←
27:	10.2x ↘
28:	8.8 ↑
29:	8.6 ↖
30:	9.3 →
Serie 95.1	
Total 286.9	

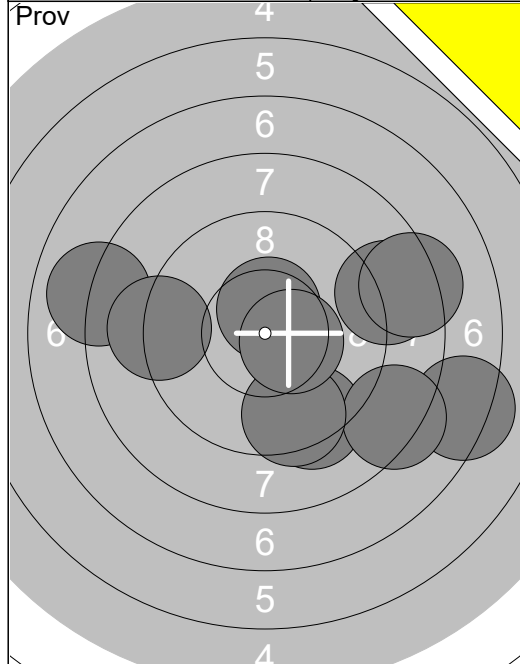


31:	8.4 ←
32:	9.6 ↑
33:	9.9 ↑
34:	10.2x ↘
35:	10.1 ↖
36:	10.0 ↑
37:	10.3x ↖
38:	9.7 ↗
39:	9.8 ←
40:	8.6 →
Serie 96.6	
Total 383.5	

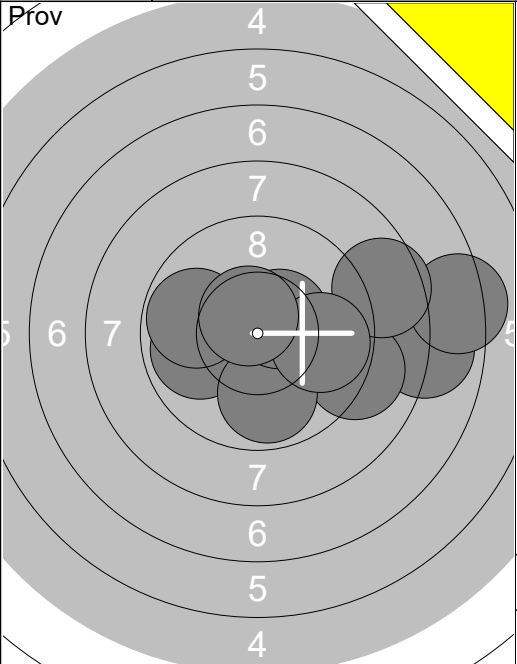
Prov 	1: 8.9 → 2: 9.5 ↑ 3: 9.3 → 4: 10.8✕ 5: 9.8 ↙ 6: 10.3✕↗ 7: 10.2✕← 8: 10.3✕↖ 9: 10.3✕→	40 Skott 	1: 10.0 ↖ 2: 9.8 → 3: 9.8 → 4: 10.2✕← 5: 10.4✕← 6: 10.1 ↖ 7: 9.3 → 8: 10.2✕↖ 9: 10.7✕↗ 10: 9.9 ↙
Serie 89.4		Serie 100.4	
Total 0.0		Total 100.4	

40 Skott 	11: 10.2✕↘ 12: 9.6 ↖ 13: 9.3 ← 14: 8.7 ↖ 15: 9.9 ↖ 16: 10.2✕↘ 17: 10.4✕↗ 18: 10.3✕← 19: 10.7✕→ 20: 10.2✕↗	40 Skott 	21: 10.1 ↖ 22: 9.5 → 23: 9.1 ← 24: 10.1← 25: 10.3✕← 26: 9.4 ↓ 27: 10.5✕↘ 28: 10.4✕↗ 29: 10.3✕↗ 30: 9.6 ↗
Serie 99.5		Serie 99.3	
Total 199.9		Total 299.2	

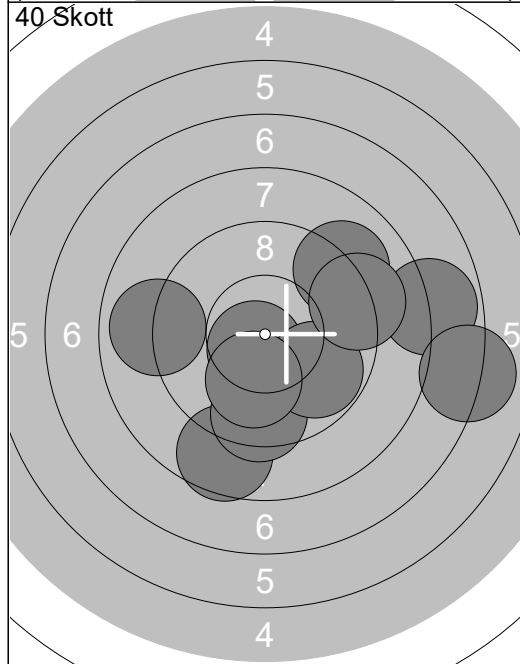
40 Skott 	31: 10.6✕← 32: 10.3✕↗ 33: 10.4✕↖ 34: 7.5 ↖ 35: 9.7 ← 36: 10.7✕← 37: 9.4 → 38: 9.0 ↖ 39: 9.0 ↖ 40: 10.4✕→		
Serie 97.0			
Total 396.2			



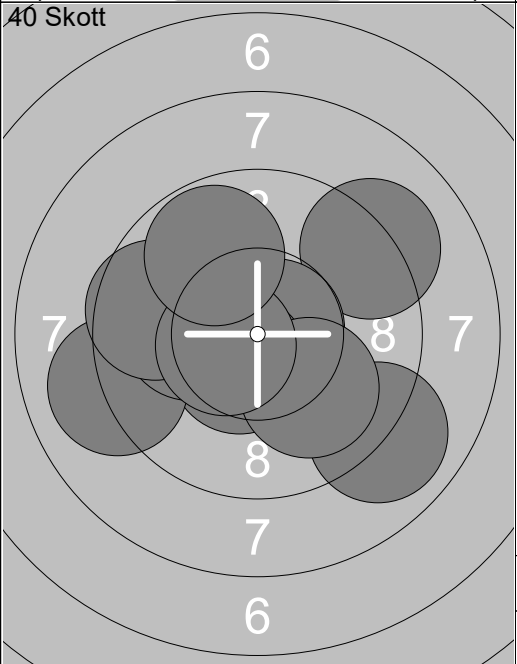
1:	7.3	→
2:	8.0	←
3:	10.5x	↗
4:	9.1	←
5:	9.3	↓
6:	8.3	↓
7:	9.5	↓
8:	8.7	→
9:	8.3	→
10:	10.5x	↘
Serie		89.5
Total		0.0



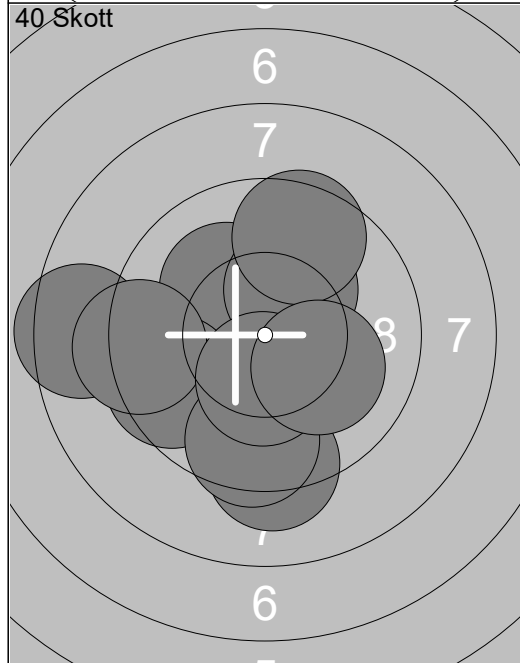
11:	7.9	→
12:	7.3	→
13:	9.9	←
14:	9.1	→
15:	8.6	→
16:	9.9	↓
17:	10.5x	↗
18:	9.8	→
19:	9.8	←
20:	10.6x	↖
Serie		93.4
Total		0.0



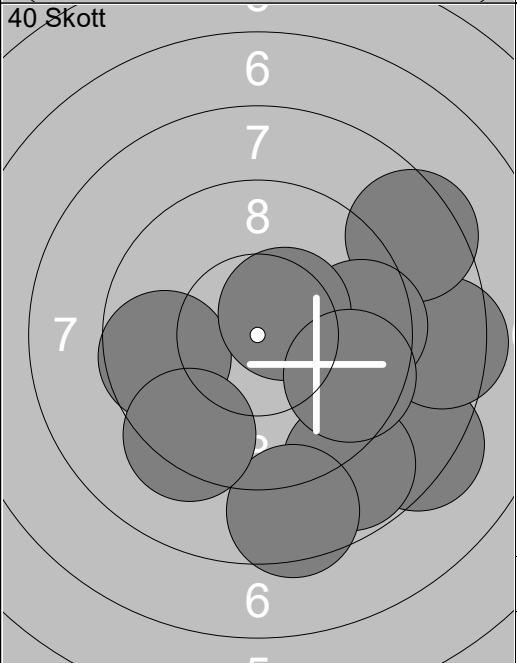
1:	8.6	↓
2:	9.0	←
3:	10.6x	↙
4:	7.9	→
5:	9.1	↗
6:	9.5	↓
7:	9.8	↘
8:	7.1	→
9:	9.1	→
10:	10.1	↓
Serie		90.8
Total		90.8



11:	9.1	↗
12:	10.7x	↘
13:	10.5x	↙
14:	9.0	←
15:	9.0	↓
16:	10.0	↓
17:	10.1	←
18:	9.6	←
19:	10.5x	↙
20:	9.8	↖
Serie		98.3
Total		189.1



21:	9.2	↓
22:	10.2x	↖
23:	9.6	←
24:	10.3x	↗
25:	9.5	↓
26:	8.5	←
27:	9.3	←
28:	9.6	↗
29:	10.4x	↓
30:	10.1	↘
Serie		96.7
Total		285.8

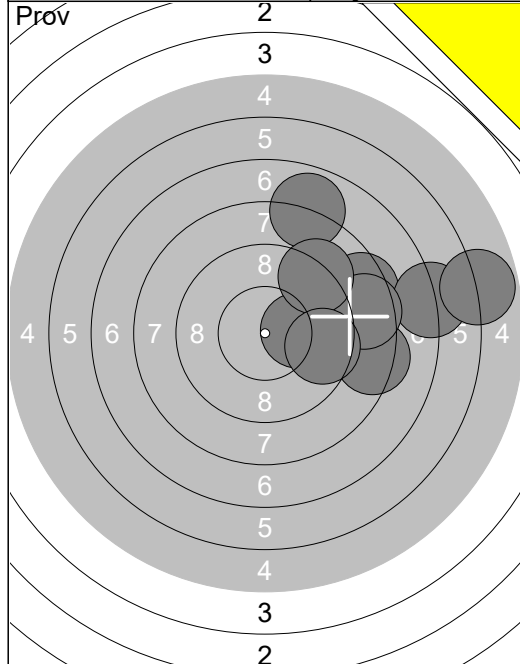


31:	8.3	↘
32:	8.5	→
33:	8.5	↗
34:	8.8	↓
35:	9.5	→
36:	9.7	←
37:	8.5	↓
38:	9.3	↙
39:	10.5x	↗
40:	9.6	→
Serie		91.2
Total		377.0

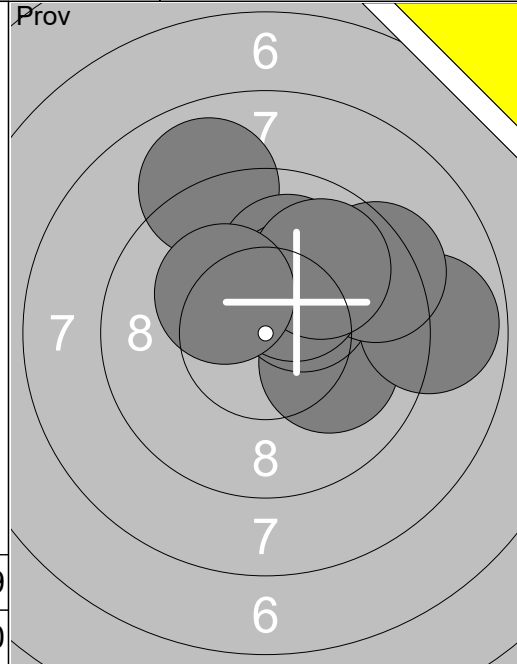
	<p>1: 7.5 →</p> <p>2: 8.4 ↖</p> <p>3: 10.3x→</p> <p>4: 10.4x→</p> <p>5: 8.5 ↖</p> <p>6: 8.6 ←</p> <p>7: 10.0→</p> <p>8: 10.1↖</p> <p>9: 10.6x↗</p> <p>10: 9.7 ↖</p>		<p>11: 9.0 ↖</p> <p>12: 10.1↖</p> <p>13: 10.0 ↓</p> <p>14: 8.4 →</p> <p>15: 9.4 ↓</p>
Serie 94.1		Serie 46.9	
Total 0.0		Total 0.0	

	<p>1: 9.8 ↓</p> <p>2: 9.0 ↓</p> <p>3: 9.1 →</p> <p>4: 9.8 ↗</p> <p>5: 8.6 →</p> <p>6: 8.0 ←</p> <p>7: 8.5 ↓</p> <p>8: 10.4x↖</p> <p>9: 10.1 ↘</p> <p>10: 9.0 ←</p>		<p>11: 9.8 →</p> <p>12: 9.9 ↗</p> <p>13: 10.6x↘</p> <p>14: 10.0 ↗</p> <p>15: 10.6x↘</p> <p>16: 7.8 →</p> <p>17: 10.3x→</p> <p>18: 9.8 ↖</p> <p>19: 9.2 ←</p> <p>20: 10.5x↖</p>
Serie 92.3		Serie 98.5	
Total 92.3		Total 190.8	

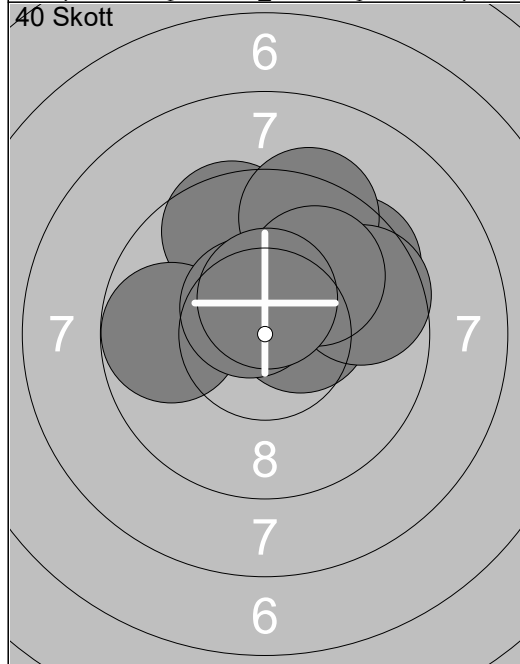
	<p>21: 9.6 ↓</p> <p>22: 10.5x↖</p> <p>23: 10.2x↖</p> <p>24: 9.6 →</p> <p>25: 10.6x↗</p> <p>26: 10.2x↘</p> <p>27: 8.9 →</p> <p>28: 10.4x↗</p> <p>29: 9.5 →</p> <p>30: 10.7x↘</p>		<p>31: 10.1↖</p> <p>32: 10.6x↘</p> <p>33: 9.8 ↖</p> <p>34: 10.6x↘</p> <p>35: 10.2x↖</p> <p>36: 9.4 ↖</p> <p>37: 10.7x↗</p> <p>38: 9.9 ↖</p> <p>39: 9.7 →</p> <p>40: 10.3x↗</p>
Serie 100.2		Serie 101.3	
Total 291.0		Total 392.3	



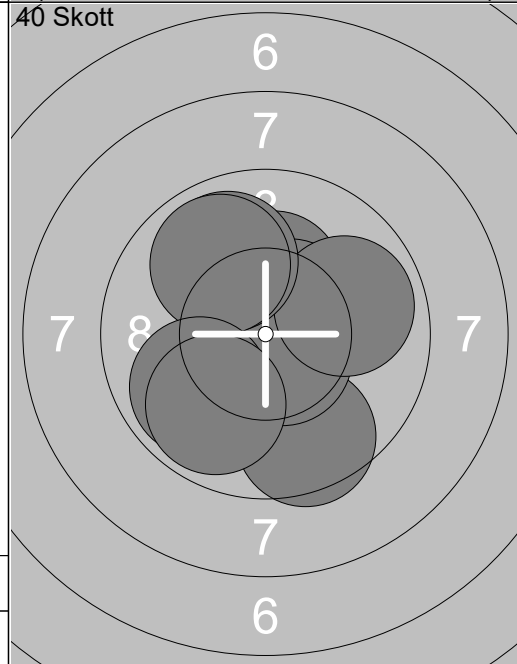
1:	8.5	➔
2:	7.9	↑
3:	7.0	➔
4:	9.7	➔
5:	10.2x	➔
6:	8.4	➔
7:	5.8	➔
8:	8.6	➔
9:	9.2	↗
10:	9.6	➔
Serie		84.9
Total		0.0



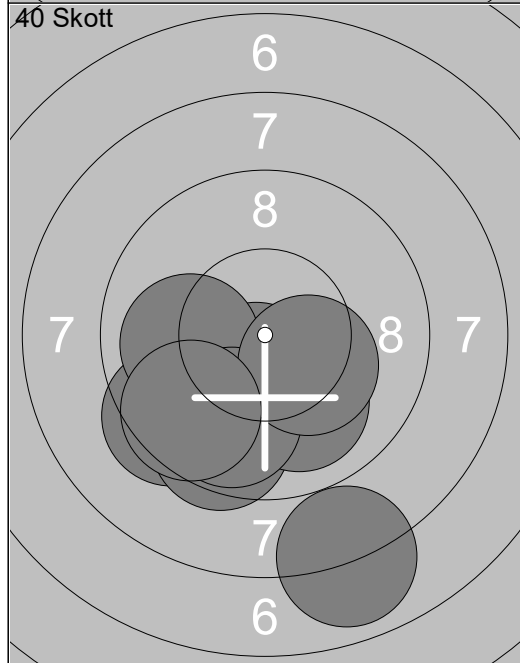
11:	10.1	➔
12:	10.1	↑
13:	8.9	➔
14:	9.0	↖
15:	10.3x	↘
16:	9.3	➔
17:	10.0	↑
18:	10.3x	↗
19:	9.9	↗
20:	10.2x	↘
Serie		98.1
Total		0.0



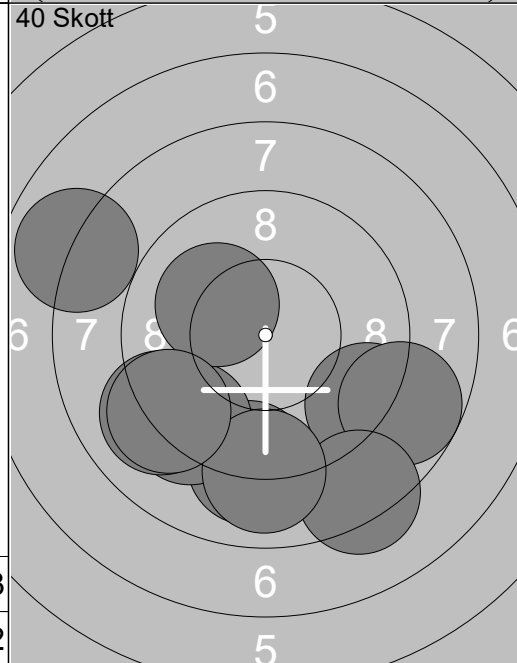
1:	10.5x	➔
2:	9.6	↑
3:	9.5	↗
4:	9.6	↑
5:	9.8	↖
6:	9.4	↑
7:	9.6	➔
8:	10.6x	↘
9:	10.0	↗
10:	10.5x	↑
Serie		99.1
Total		99.1



11:	10.3x	↑
12:	10.5x	↘
13:	10.5x	↗
14:	9.5	↓
15:	10.6x	↘
16:	9.9	➔
17:	9.9	↑
18:	9.9	↖
19:	9.9	↙
20:	9.8	↙
Serie		100.8
Total		199.9



21:	10.3x	↘
22:	9.4	↙
23:	9.5	↙
24:	10.5x	↘
25:	10.0	↘
26:	10.0	↖
27:	7.9	↓
28:	9.8	↙
29:	10.3x	↘
30:	9.6	↙
Serie		97.3
Total		297.2

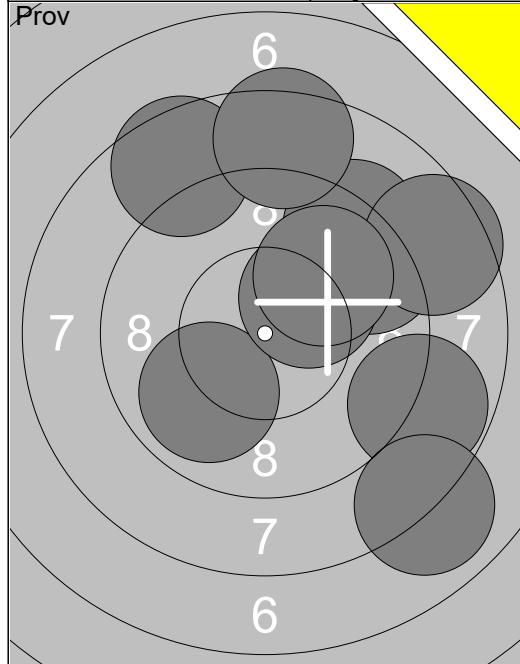


31:	9.2	↘
32:	8.8	➔
33:	9.1	↓
34:	9.3	↙
35:	8.3	↘
36:	9.0	↓
37:	9.1	↙
38:	10.1	↖
39:	7.9	↖
40:	9.2	↙
Serie		90.0
Total		387.2

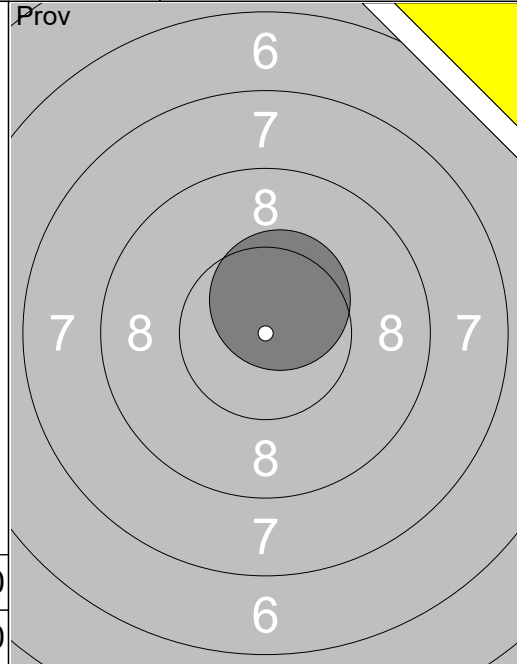
	<p>1: 8.6 →</p> <p>2: 10.3x↘</p> <p>3: 10.2x↙</p> <p>4: 8.8 →</p> <p>5: 10.1 ↑</p> <p>6: 9.7 ↓</p> <p>7: 8.6 ↓</p> <p>8: 9.3 ↓</p> <p>9: 7.8 ↓</p> <p>10: 10.3x→</p>	<p>11: 9.2 ↘</p> <p>12: 9.1 ↘</p> <p>13: 8.0 ↙</p> <p>14: 10.1 →</p> <p>15: 9.5 ↓</p> <p>16: 10.5x↘</p> <p>17: 10.1 ↙</p>
Serie 93.7		Serie 66.5
Total 0.0		Total 0.0

	<p>1: 9.0 ↓</p> <p>2: 9.4 ↓</p> <p>3: 8.3 ↑</p> <p>4: 8.1 →</p> <p>5: 8.2 ↓</p> <p>6: 10.2x↘</p> <p>7: 10.3x↘</p> <p>8: 9.8 ←</p> <p>9: 9.2 →</p> <p>10: 9.9 ↑</p>	<p>11: 9.9 ↙</p> <p>12: 8.2 ↖</p> <p>13: 10.2x→</p> <p>14: 10.8x↘</p> <p>15: 10.0 ↑</p> <p>16: 9.8 ↓</p> <p>17: 9.3 ↓</p> <p>18: 10.2x↘</p> <p>19: 7.9 ←</p> <p>20: 10.1 →</p>
Serie 92.4		Serie 96.4
Total 92.4		Total 188.8

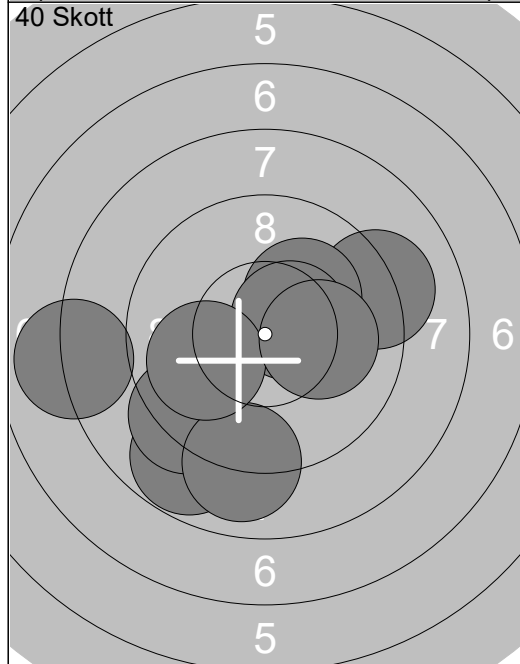
	<p>21: 10.3x↗</p> <p>22: 9.5 ↓</p> <p>23: 7.7 ←</p> <p>24: 9.9 ↓</p> <p>25: 8.5 ←</p> <p>26: 9.5 ↓</p> <p>27: 10.2x↘</p> <p>28: 10.5x↘</p> <p>29: 9.1 ↙</p> <p>30: 10.1 ↓</p>	<p>31: 10.0 ↑</p> <p>32: 9.4 ↖</p> <p>33: 9.9 ↘</p> <p>34: 8.7 ↖</p> <p>35: 9.1 →</p> <p>36: 9.1 ←</p> <p>37: 10.6x→</p> <p>38: 9.2 ↓</p> <p>39: 9.1 ↙</p> <p>40: 9.8 ↑</p>
Serie 95.3		Serie 94.9
Total 284.1		Total 379.0



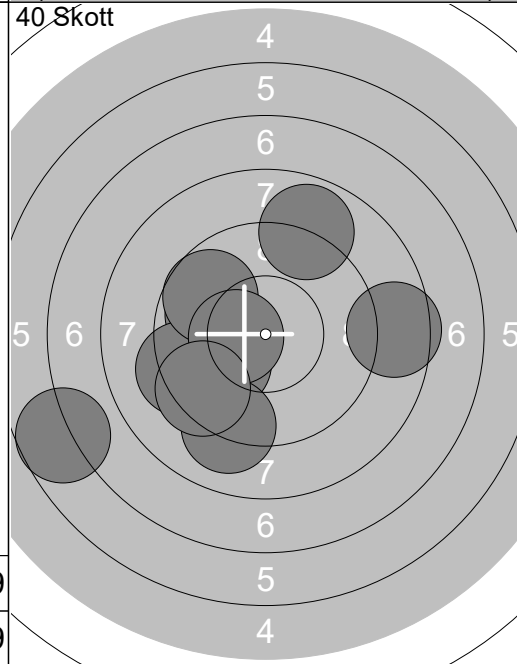
1: 9.4 ↗
2: 9.9 ↙
3: 9.2 ↗
4: 8.6 ↗
5: 8.8 →
6: 8.5 ↗
7: 8.0 ↘
8: 8.5 ↑
9: 10.2x ↗
10: 9.9 ↗
Serie 91.0
Total 0.0



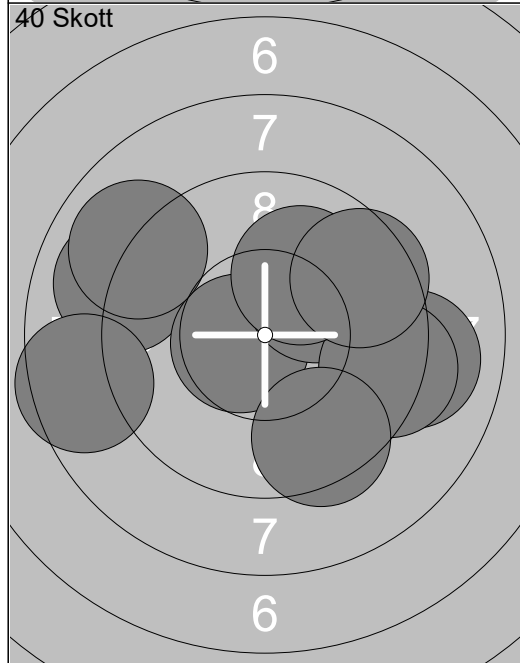
11: 10.5x ↗
Serie 10.5
Total 0.0



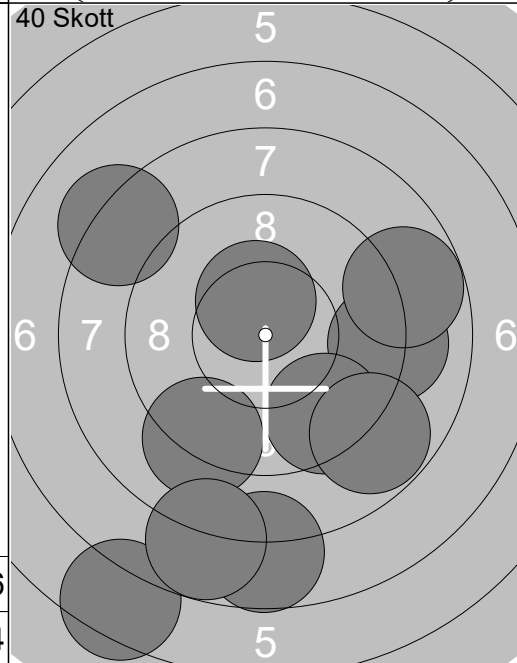
1: 8.9 ↙
2: 9.1 →
3: 8.8 ↙
4: 9.3 ↙
5: 9.0 ↓
6: 10.2x ↗
7: 8.0 ←
8: 10.5x ↗
9: 10.0 ←
10: 10.1 →
Serie 93.9
Total 93.9



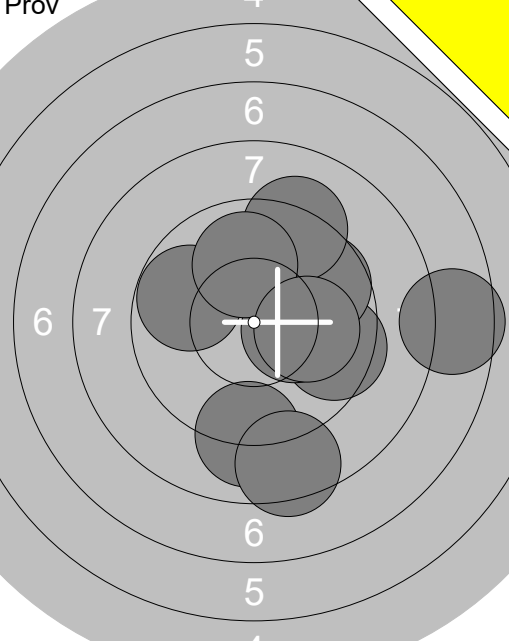
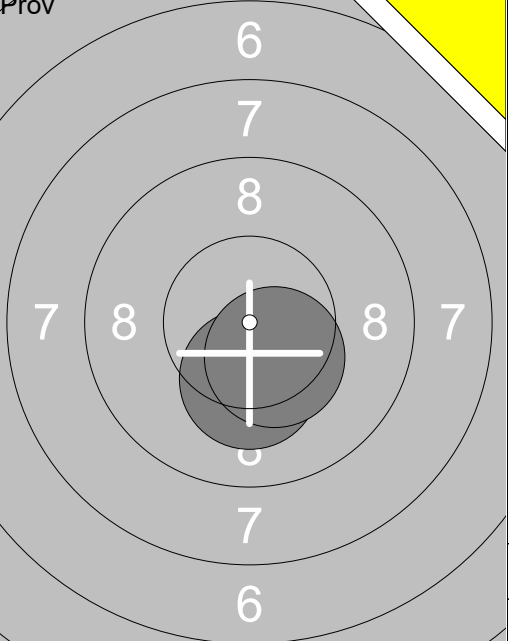
11: 6.7 ↙
12: 8.5 →
13: 8.9 ↗
14: 9.9 ←
15: 10.0 ↙
16: 9.1 ↙
17: 9.3 ←
18: 9.7 ↙
19: 10.4x ↗
20: 9.4 ↙
Serie 91.9
Total 185.8

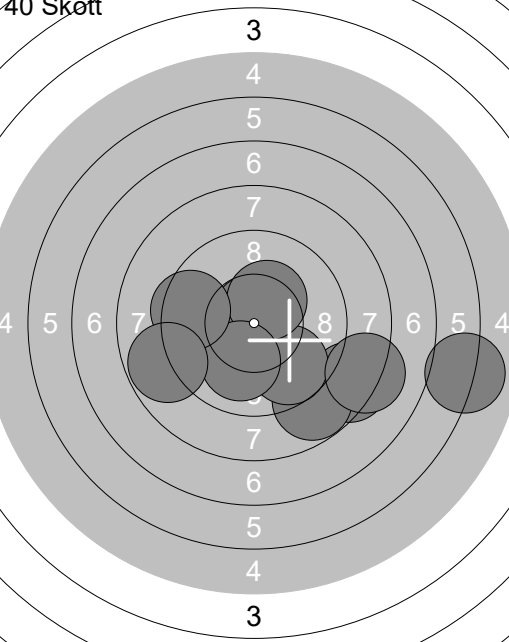


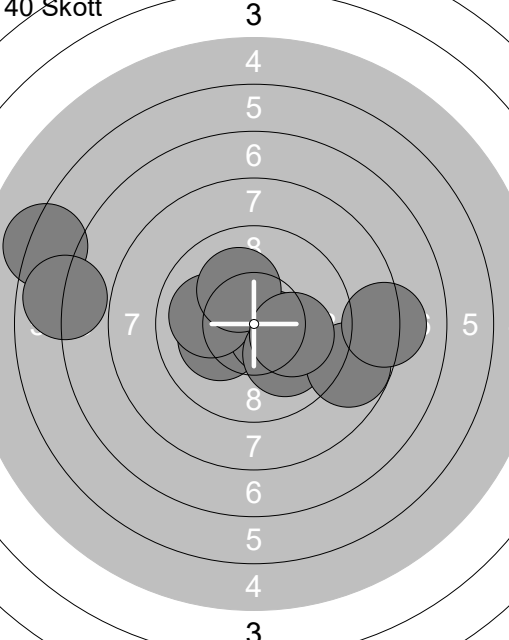
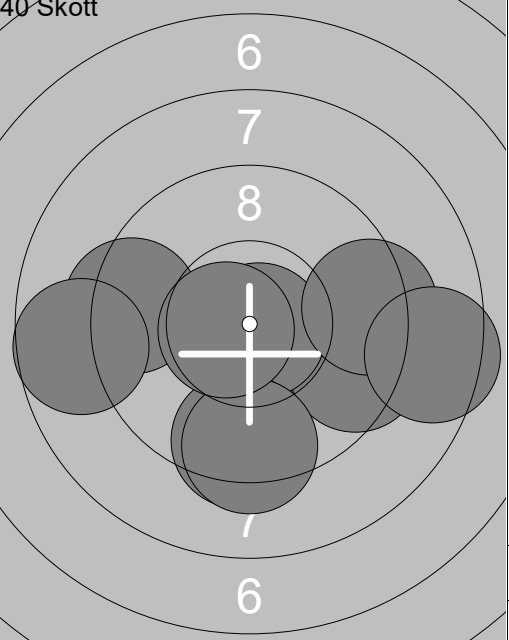
21: 9.0 ←
22: 10.6x ↗
23: 9.0 ↙
24: 10.1 ↗
25: 8.5 ←
26: 9.0 →
27: 9.3 →
28: 9.5 ↘
29: 10.1 ↗
30: 9.5 ↗
Serie 94.6
Total 280.4

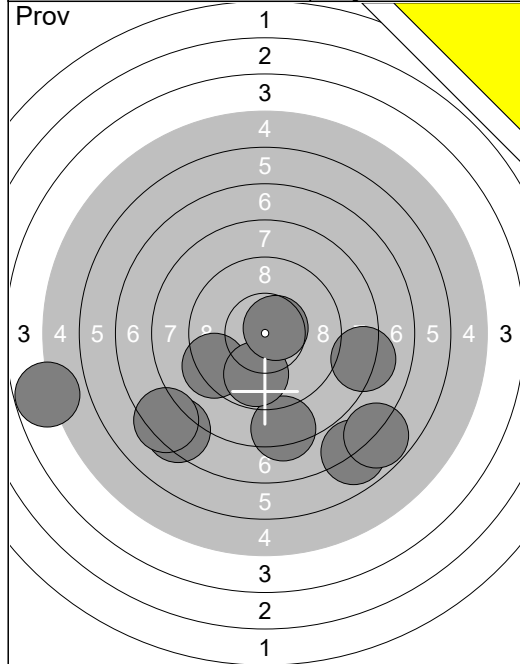


31: 9.1 ↙
32: 9.1 →
33: 7.7 ↓
34: 8.2 ↙
35: 10.4x ↗
36: 8.8 →
37: 6.4 ↙
38: 7.8 ↘
39: 9.5 ↘
40: 8.8 ↘
Serie 85.8
Total 366.2

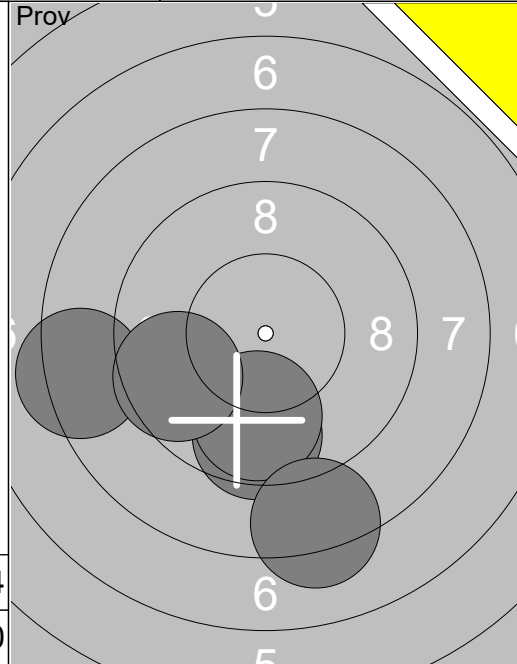
<p>Prov</p> 	<p>1: 9.5 →</p> <p>2: 9.7 ↗</p> <p>3: 9.0 ↓</p> <p>4: 9.2 ↗</p> <p>5: 10.3x→</p> <p>6: 8.5 ↓</p> <p>7: 9.8 ←</p> <p>8: 7.6 →</p> <p>9: 10.0 ↑</p> <p>10: 10.0 →</p>	<p>Prov</p> 	<p>11: 10.2x↓</p> <p>12: 10.4x↘</p>
Serie 93.6		Serie 20.6	
Total 0.0		Total 0.0	

<p>40 Skott</p> 	<p>1: 8.4 →</p> <p>2: 8.8 ↓</p> <p>3: 10.7x↗</p> <p>4: 9.7 ↓</p> <p>5: 6.1 →</p> <p>6: 10.4x↗</p> <p>7: 10.0 ↓</p> <p>8: 9.5 ←</p> <p>9: 8.2 →</p> <p>10: 8.8 ←</p>	<p>40 Skott</p> 	<p>11: 9.9 ↙</p> <p>12: 9.5 ↗</p> <p>13: 8.8 →</p> <p>14: 9.9 →</p> <p>15: 9.4 ↓</p> <p>16: 9.9 ↓</p> <p>17: 9.4 ←</p> <p>18: 10.1 ↙</p> <p>19: 9.9 →</p> <p>20: 10.3x→</p>
Serie 90.6		Serie 97.1	
Total 90.6		Total 187.7	

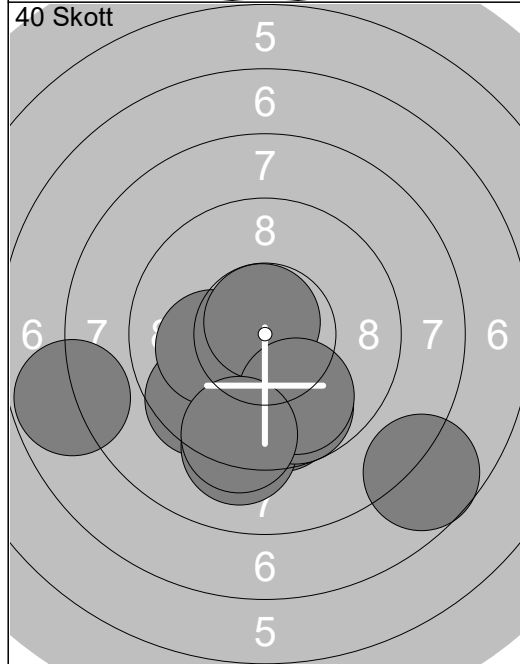
<p>40 Skott</p> 	<p>21: 6.2 ←</p> <p>22: 10.2x↙</p> <p>23: 10.5x→</p> <p>24: 10.0↙</p> <p>25: 10.2x↗</p> <p>26: 6.9 ←</p> <p>27: 10.0 ↓</p> <p>28: 8.8 →</p> <p>29: 8.2 →</p> <p>30: 10.1 →</p>	<p>40 Skott</p> 	<p>31: 10.5x↘</p> <p>32: 9.4 →</p> <p>33: 10.8x↘</p> <p>34: 9.4 ←</p> <p>35: 8.7 ←</p> <p>36: 9.4 ↓</p> <p>37: 9.3 →</p> <p>38: 9.3 ↓</p> <p>39: 10.6x↙</p> <p>40: 8.5 →</p>
Serie 91.1		Serie 95.9	
Total 278.8		Total 374.7	



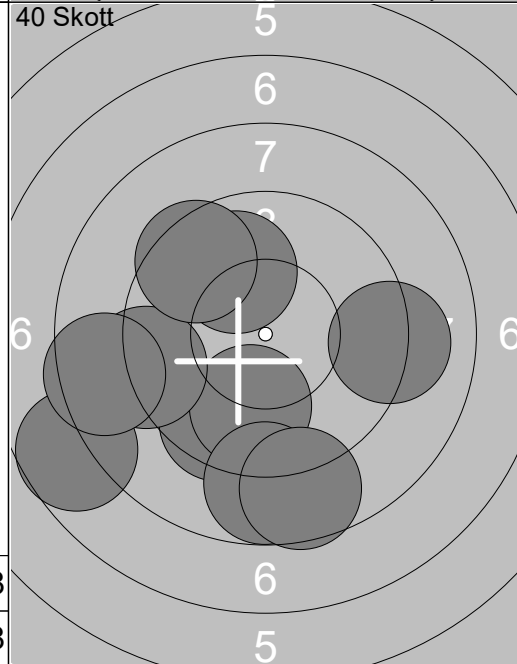
1:	8.3	↓
2:	9.3	↙
3:	8.2	→
4:	7.4	↙
5:	9.8	↓
6:	4.8	←
7:	10.6x	→
8:	7.3	↙
9:	6.9	↓
10:	6.8	↓
Serie		79.4
Total		0.0



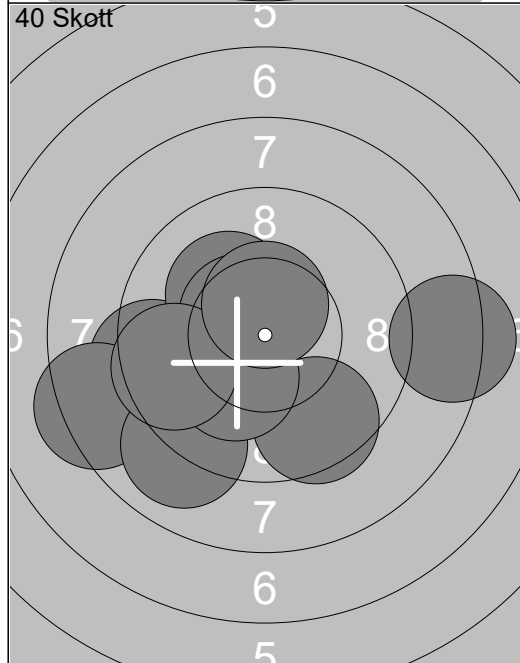
11:	9.5	↓
12:	9.8	↓
13:	8.2	↓
14:	8.3	↙
15:	9.6	↙
Serie		45.4
Total		0.0



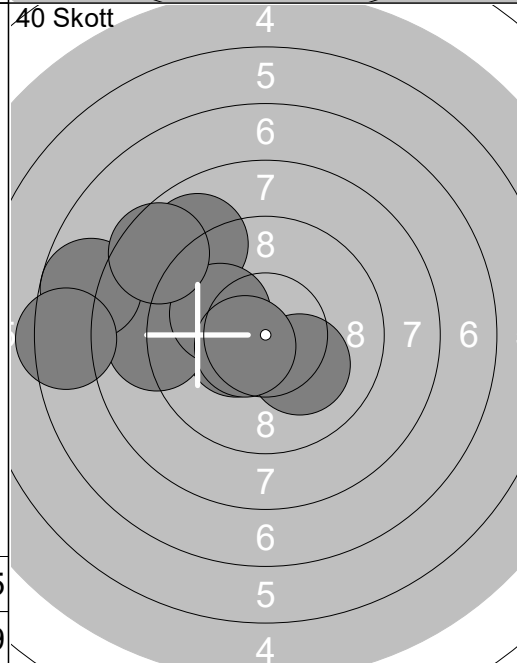
1:	9.6	↙
2:	7.7	↓
3:	9.7	↓
4:	10.1	←
5:	7.8	←
6:	10.8x	↗
7:	9.2	↓
8:	9.7	↓
9:	9.9	↓
10:	9.3	↓
Serie		93.8
Total		93.8



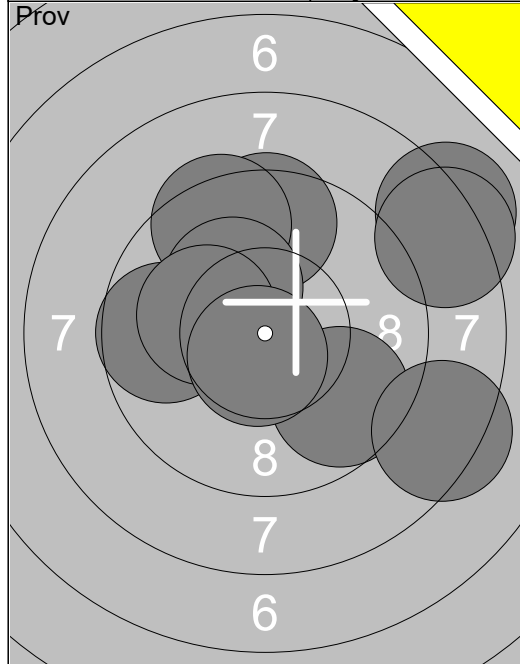
11:	9.9	↖
12:	9.5	↓
13:	9.9	↓
14:	9.1	←
15:	9.5	↖
16:	8.8	↓
17:	7.7	↙
18:	8.5	←
19:	8.6	↓
20:	9.1	→
Serie		90.6
Total		184.4



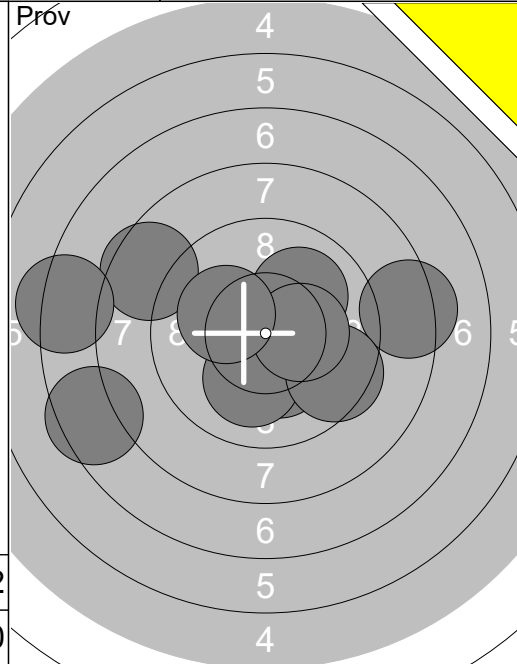
21:	9.3	←
22:	10.2x	↘
23:	8.3	→
24:	8.4	←
25:	9.5	↓
26:	9.0	↙
27:	10.5x	↘
28:	10.2x	↘
29:	9.6	←
30:	10.5x	↗
Serie		95.5
Total		279.9



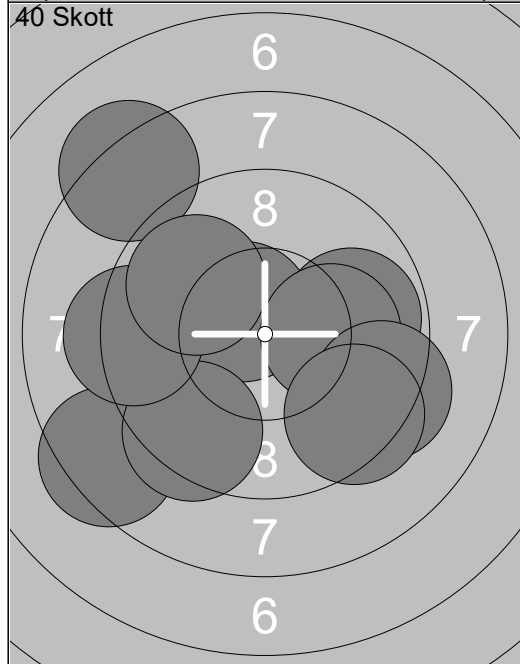
31:	10.2x	↘
32:	10.1	↙
33:	10.4x	↘
34:	9.0	←
35:	8.9	↖
36:	7.8	↙
37:	10.1	↙
38:	7.4	←
39:	8.6	↖
40:	10.5x	↘
Serie		93.0
Total		372.9



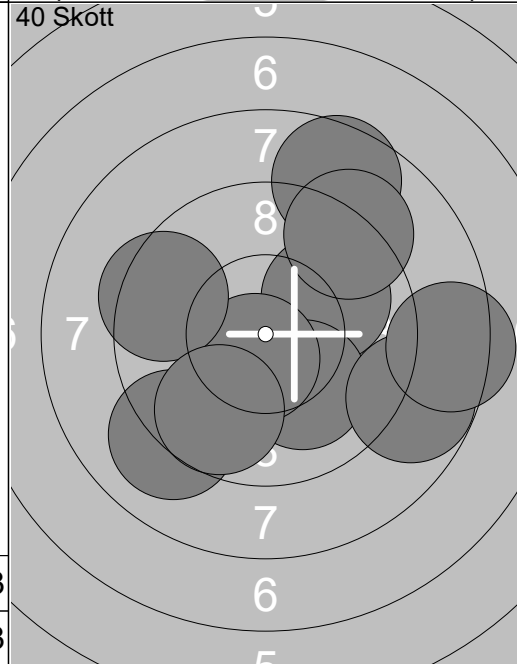
1: 8.2	↗
2: 9.5	↑
3: 9.4	↑
4: 8.3	↗
5: 9.7	←
6: 10.2	x
7: 10.2	x
8: 9.7	↘
9: 8.4	↘
10: 10.6	x
Serie 94.2	
Total 0.0	



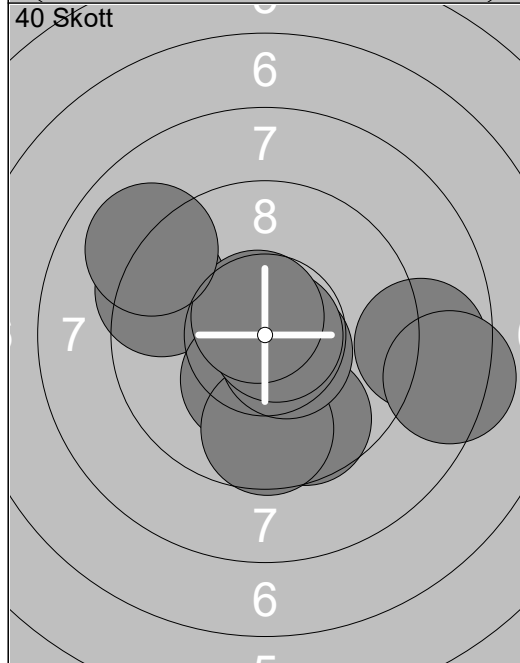
11: 10.0	↗
12: 7.5	↙
13: 8.6	↖
14: 8.3	→
15: 7.2	←
16: 10.3	x
17: 10.1	↓
18: 9.5	↘
19: 10.3	x
20: 10.1	↖
Serie 91.9	
Total 0.0	



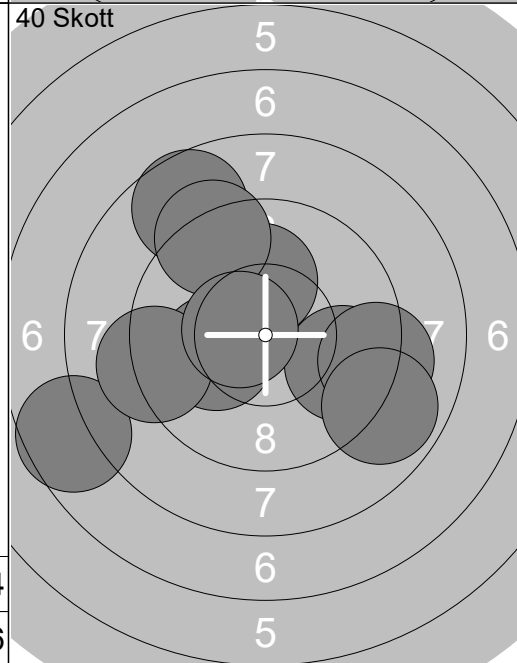
1: 10.5	x
2: 8.4	↙
3: 9.8	→
4: 10.1	→
5: 9.4	↙
6: 9.3	↘
7: 8.2	↗
8: 9.3	←
9: 9.4	↘
10: 9.9	↖
Serie 94.3	
Total 94.3	



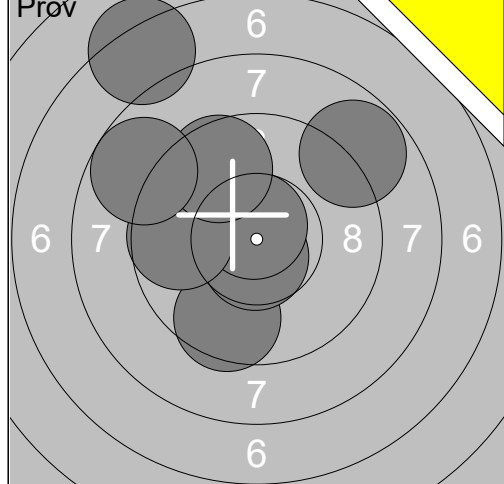
11: 10.0	↗
12: 10.1	↘
13: 10.6	x
14: 8.6	↑
15: 9.4	←
16: 9.1	↙
17: 8.8	↘
18: 9.2	↗
19: 9.7	↙
20: 8.4	→
Serie 93.9	
Total 188.2	



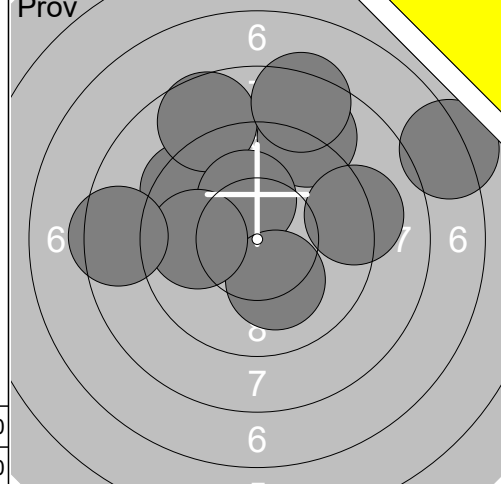
21: 9.4	↙
22: 9.7	↘
23: 10.3	x
24: 9.7	↓
25: 10.6	x
26: 8.8	→
27: 10.8	x
28: 10.7	x
29: 8.4	→
30: 9.0	↖
Serie 97.4	
Total 285.6	



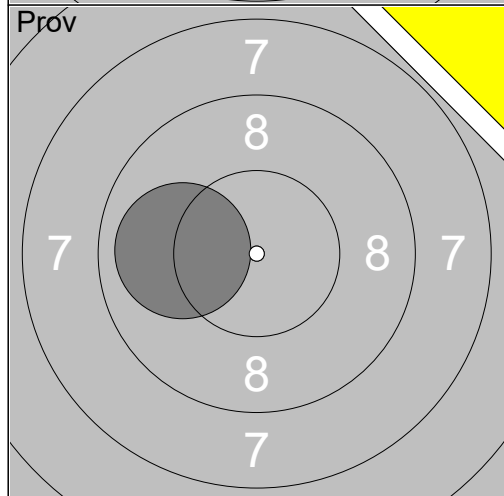
31: 10.1	↑
32: 9.7	→
33: 7.6	↙
34: 9.2	→
35: 8.9	↘
36: 8.7	↗
37: 10.1	↙
38: 9.2	←
39: 9.2	↗
40: 10.5	x
Serie 93.2	
Total 378.8	



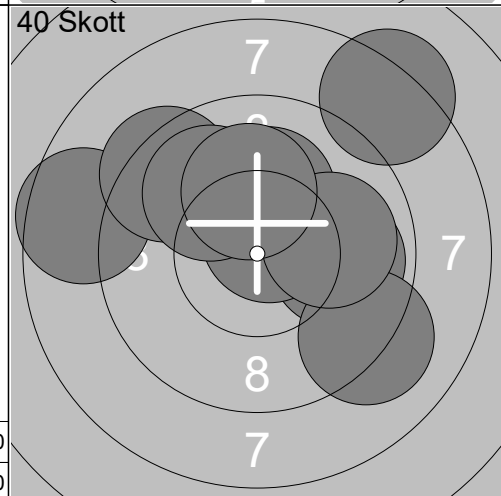
1:	10.3x	↗
2:	10.5x	↗
3:	8.8	↗
4:	9.6	↘
5:	10.7x	↘
6:	7.3	↗
7:	10.7x	↗
8:	9.7	←
9:	9.6	↗
10:	8.8	↗
Serie		96.0
Total		0.0



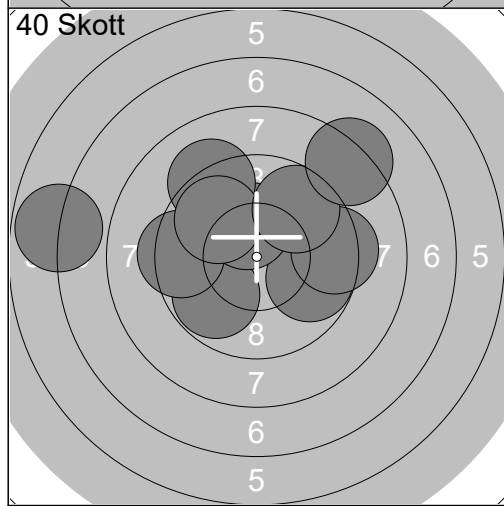
11:	9.5	↖
12:	8.7	↗
13:	8.9	↗
14:	10.2x	↗
15:	10.2x	↘
16:	7.1	↗
17:	9.2	→
18:	9.9	←
19:	8.4	↗
20:	8.5	←
Serie		90.6
Total		0.0



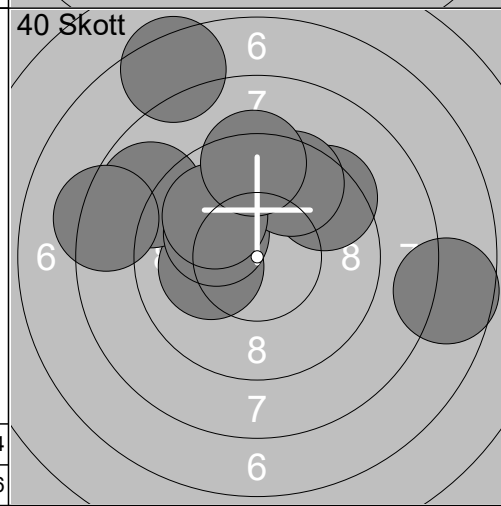
21:	10.0	←
Serie		10.0
Total		0.0



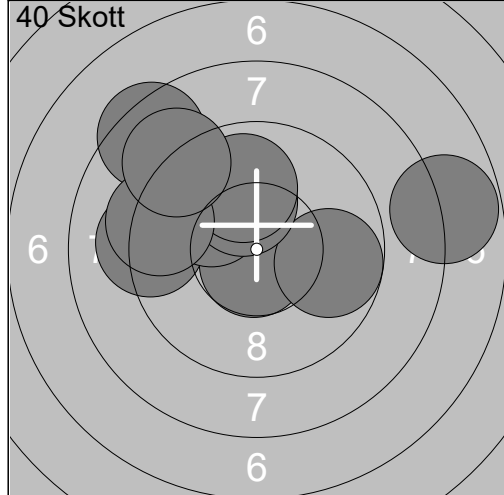
1:	9.9	→
2:	8.6	←
3:	9.1	↘
4:	8.3	↗
5:	10.2x	↗
6:	10.7x	↗
7:	9.4	↗
8:	10.0	→
9:	9.9	↗
10:	10.1	↗
Serie		96.2
Total		96.2



11:	9.8	→
12:	9.8	↖
13:	9.3	→
14:	10.3x	↗
15:	9.2	↗
16:	9.4	←
17:	9.9	↗
18:	9.7	↗
19:	8.2	↗
20:	6.8	←
Serie		92.4
Total		188.6



21:	9.4	↗
22:	10.1	←
23:	8.8	↖
24:	7.4	↗
25:	10.1	↖
26:	9.6	↗
27:	9.9	↗
28:	7.7	→
29:	8.3	←
30:	9.3	↗
Serie		90.6
Total		279.2

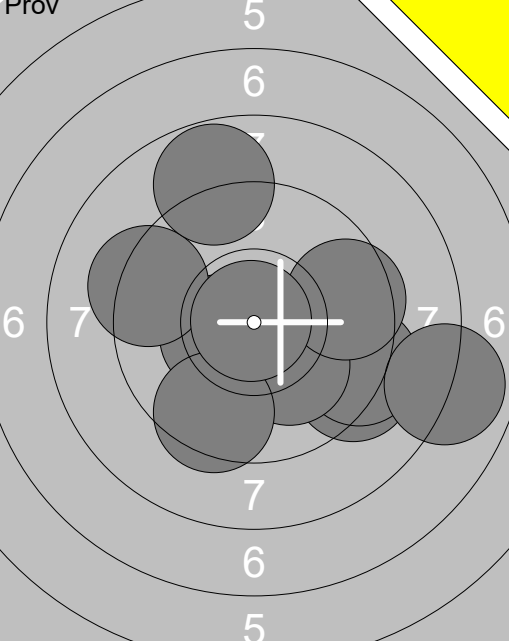
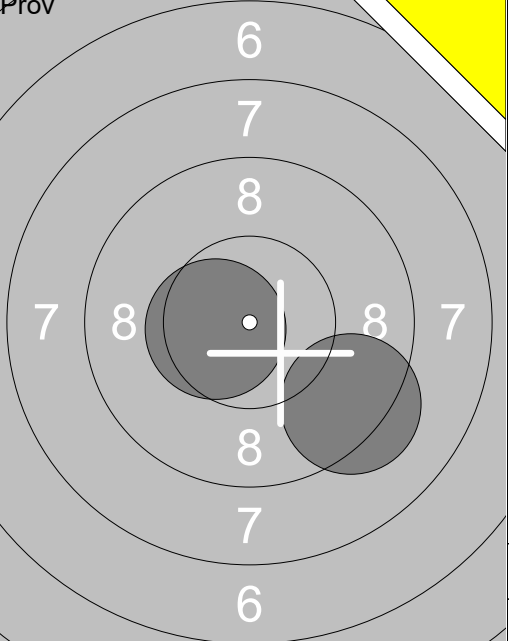


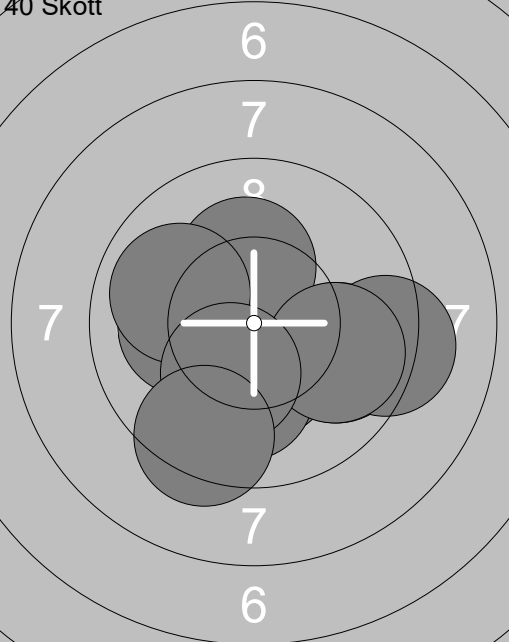
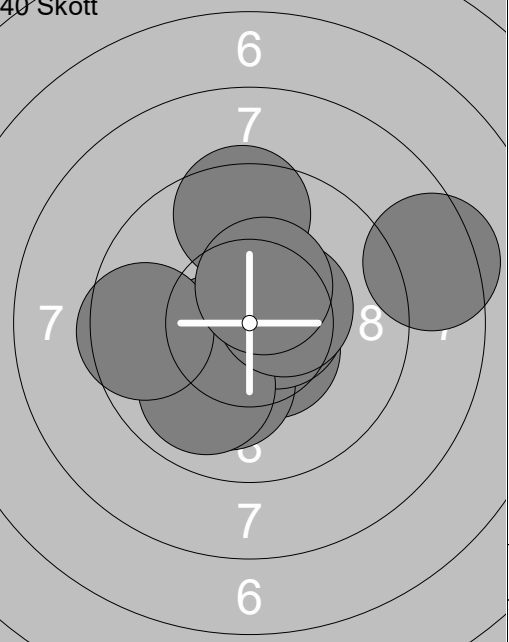
31:	10.7x	↘
32:	8.4	↗
33:	9.2	←
34:	9.8	→
35:	7.8	→
36:	10.0	↗
37:	10.1	↗
38:	9.9	↗
39:	9.3	←
40:	9.0	↗
Serie		94.2
Total		373.4

Prov 	1: 8.7 ← 2: 10.1 ↑ 3: 8.8 ↗ 4: 8.7 ← 5: 7.4 ↖ 6: 9.8 ← 7: 9.7 ← 8: 9.8 ← 9: 9.1 ↘ 10: 9.1 ↘ <hr/> Serie 91.2 Total 0.0	Prov 	11: 9.6 → 12: 10.3x↘ 13: 9.8 → 14: 8.9 ↖ 15: 9.1 ← 16: 10.3x↖ 17: 9.6 ↗ 18: 9.7 ↖ 19: 8.7 ↘ 20: 9.7 ↘ <hr/> Serie 95.7 Total 0.0
----------	---	----------	---

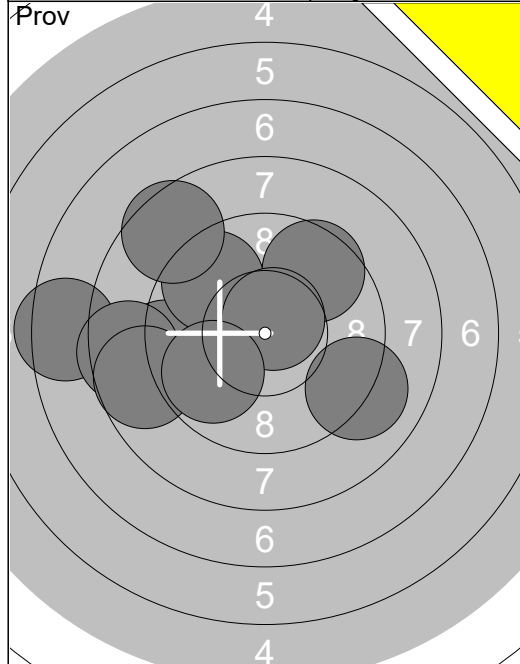
40 Skott 	1: 8.7 ← 2: 10.2x↘ 3: 10.0 ↘ 4: 10.1 ↖ 5: 10.6x↘ 6: 10.1 ← 7: 10.0 → 8: 9.9 ↓ 9: 9.4 → 10: 10.4x↗ <hr/> Serie 99.4 Total 99.4	40 Skott 	11: 9.5 ← 12: 9.4 ← 13: 10.1 ↑ 14: 10.4x↘ 15: 10.3x↗ 16: 10.4x↘ 17: 9.1 ← 18: 10.2x↗ 19: 10.0 ↑ 20: 9.6 ↘ <hr/> Serie 99.0 Total 198.4
--------------	--	--------------	---

40 Skott 	21: 9.3 ↘ 22: 9.9 → 23: 10.2x↗ 24: 9.5 → 25: 10.2x↘ 26: 10.8x↗ 27: 10.2x↘ 28: 9.2 → 29: 9.2 ↘ 30: 9.8 ↘ <hr/> Serie 98.3 Total 296.7	40 Skott 	31: 10.2x↖ 32: 10.4x↖ 33: 9.0 ↑ 34: 10.6x↖ 35: 9.5 ↖ 36: 9.7 ↖ 37: 10.6x↖ 38: 10.0 ↗ 39: 8.5 ← 40: 9.0 ↘ <hr/> Serie 97.5 Total 394.2
--------------	---	--------------	--

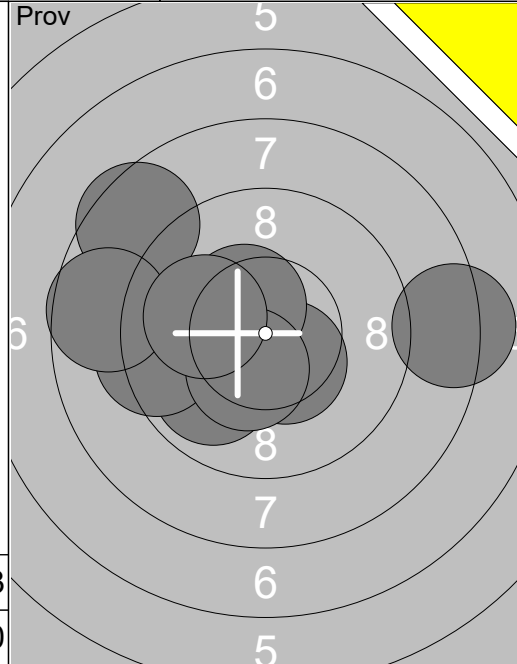
Prov 	1: 9.2 → 2: 10.4✕ 3: 9.3 ← 4: 9.3 → 5: 8.8 ↑ 6: 10.1 ↓ 7: 9.5 → 8: 9.5 ↓ 9: 10.9✕ 10: 8.0 → <hr/> Serie 95.0 Total 0.0	Prov 	11: 9.3 ↓ 12: 10.5✕ <hr/> Serie 19.8 Total 0.0
--	---	--	---

40 Skott 	1: 10.4✕↓ 2: 10.2✕↑ 3: 9.8 → 4: 9.2 → 5: 10.1 ↓ 6: 10.1← 7: 9.9 → 8: 9.9 ← 9: 10.2✕↓ 10: 9.4 ↓ <hr/> Serie 99.2 Total 99.2	40 Skott 	11: 10.5✕ 12: 10.5✕↓ 13: 10.1 ↓ 14: 10.6✕→ 15: 9.9 ↓ 16: 10.5✕→ 17: 8.4 → 18: 9.6 ← 19: 9.5 ↑ 20: 10.4✕↑ <hr/> Serie 100.0 Total 199.2
---	---	---	---

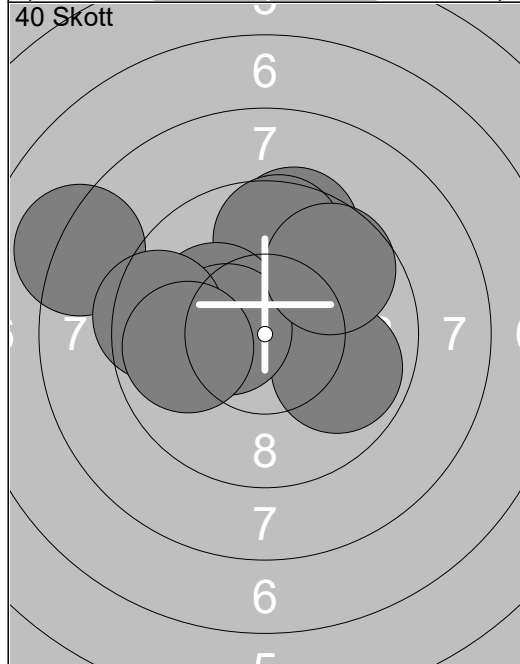
40 Skott 	21: 9.5 ← 22: 10.2✕↓ 23: 10.3✕← 24: 9.3 ↑ 25: 10.1← 26: 10.0← 27: 9.4 → 28: 10.4✕← 29: 8.6 ↑ 30: 9.5 ↑ <hr/> Serie 97.3 Total 296.5	40 Skott 	31: 9.6 → 32: 10.7✕← 33: 8.7 ↑ 34: 10.7✕← 35: 10.2✕↑ 36: 10.2✕↓ 37: 10.7✕← 38: 10.2✕↑ 39: 10.4✕↓ 40: 10.4✕↓ <hr/> Serie 101.8 Total 398.3
--	--	--	--



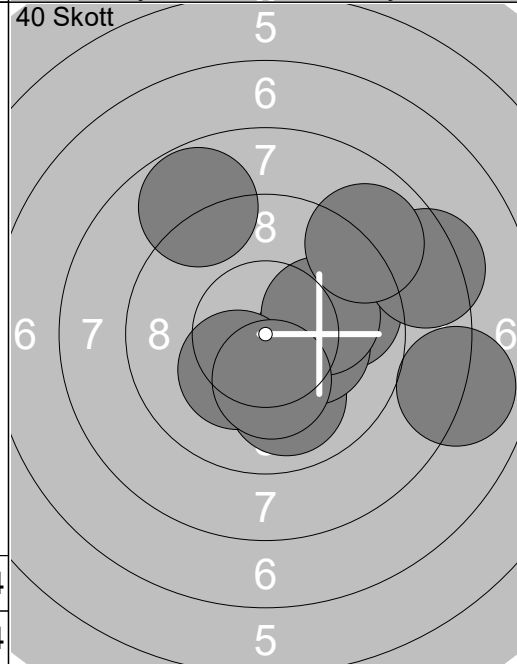
1: 9.2 ←
2: 9.1 →
3: 7.5 ←
4: 8.5 ←
5: 9.6 ↗
6: 8.7 ←
7: 9.7 ↖
8: 8.5 ↖
9: 10.7x↗
10: 9.8 ↙
Serie 91.3
Total 0.0



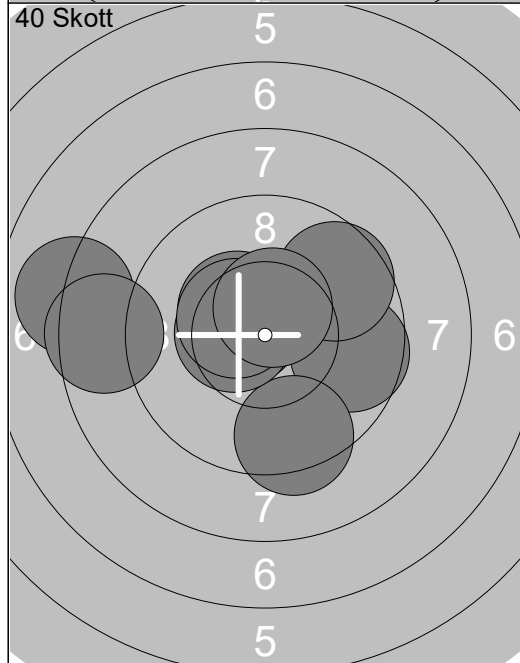
11: 9.9 ↘
12: 10.4x↘
13: 8.5 ↖
14: 9.4 ←
15: 8.7 ←
16: 10.5x↘
17: 8.2 →
18: 10.4x↘
19: 10.0 ↙
Serie 86.0
Total 0.0



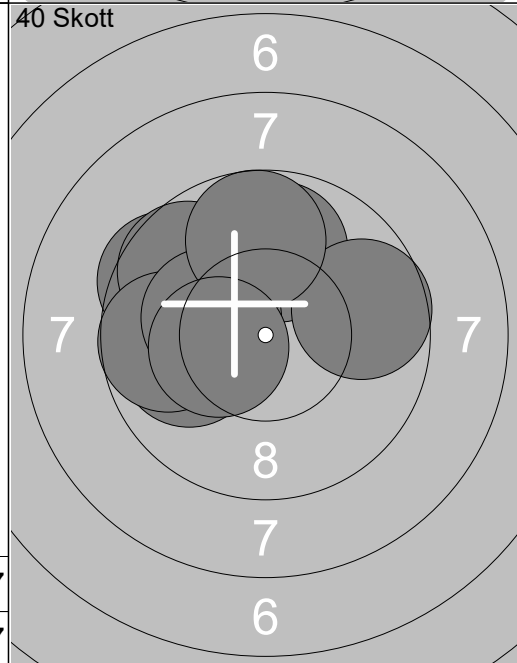
1: 9.5 ↗
2: 8.2 ←
3: 10.4x↗
4: 9.9 →
5: 9.7 ↗
6: 10.2x↘
7: 10.4x↖
8: 9.5 ←
9: 9.7 ↗
10: 9.9 ←
Serie 97.4
Total 97.4



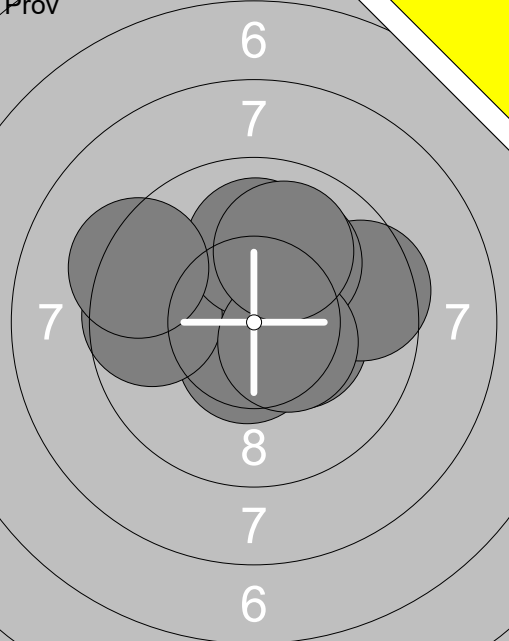
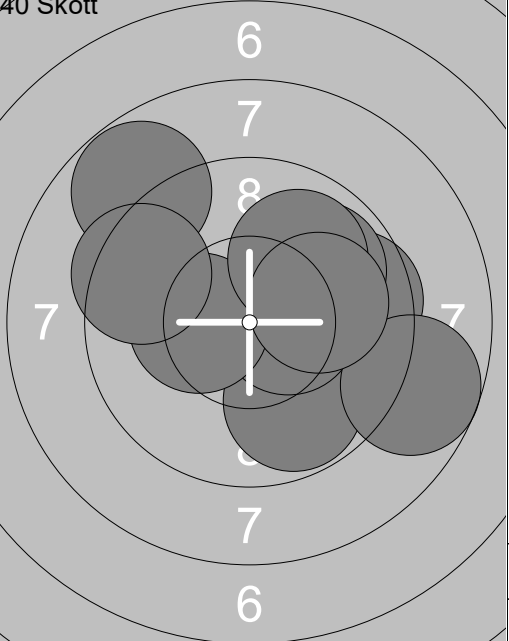
11: 9.7 →
12: 10.0 ↓
13: 10.2x→
14: 10.1 →
15: 10.3x↘
16: 8.3 →
17: 8.0 →
18: 8.9 ↗
19: 10.3x↘
20: 8.8 ↖
Serie 94.6
Total 192.0

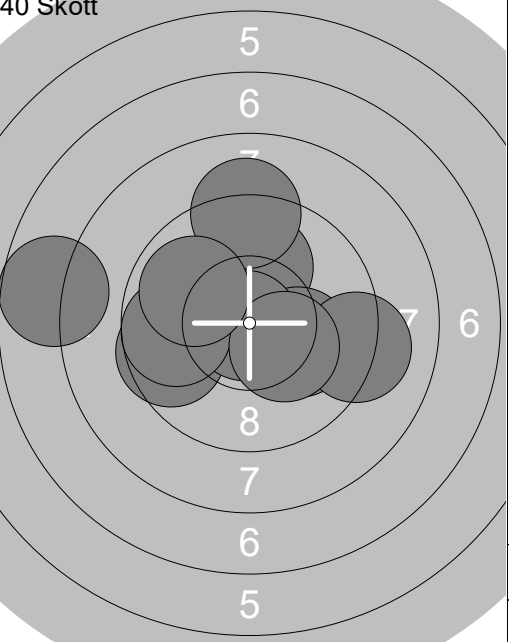


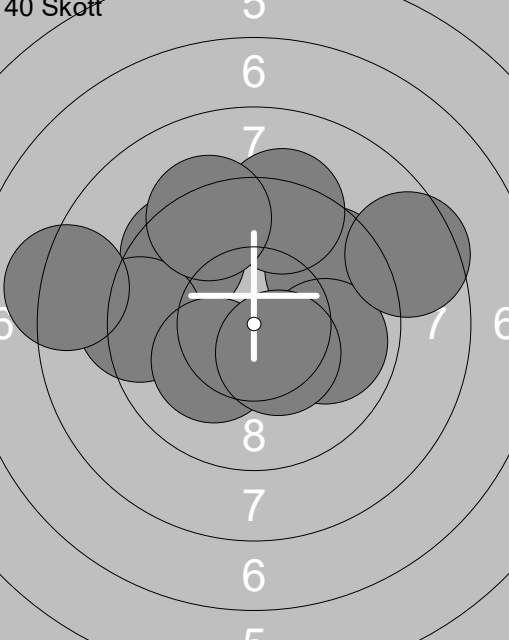
21: 10.4x↘
22: 9.7 →
23: 10.6x↘
24: 8.0 ←
25: 9.4 ↓
26: 9.6 ↗
27: 10.5x↖
28: 8.5 ←
29: 10.5x↘
30: 10.5x↗
Serie 97.7
Total 289.7

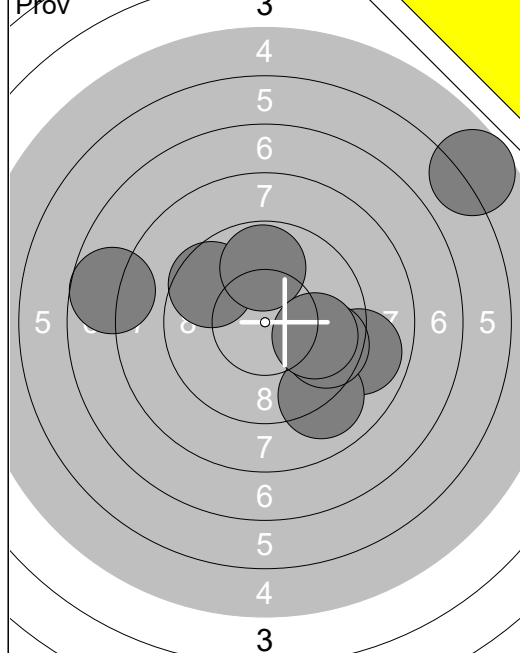


31: 9.5 ↖
32: 9.9 ←
33: 9.8 ↑
34: 9.9 ↑
35: 9.7 ↖
36: 9.7 ←
37: 10.2x↘
38: 9.7 →
39: 9.7 ↑
40: 10.3x↖
Serie 98.4
Total 388.1

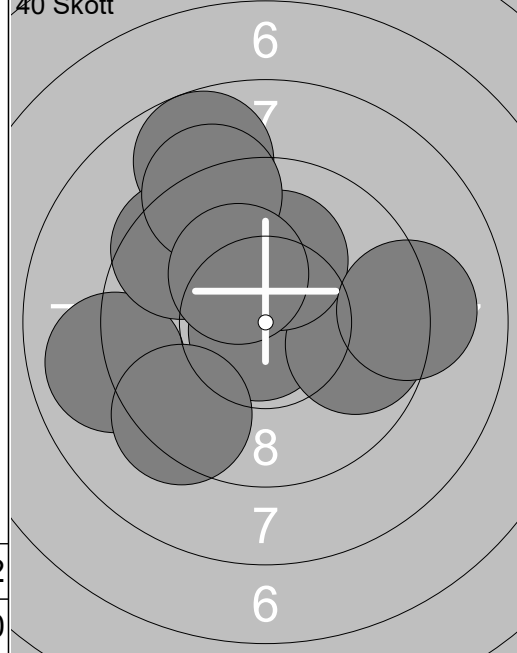
<p>Prov</p> 	<p>1: 10.5x ↘ 2: 10.4x ➤ 3: 9.5 ➔ 4: 9.6 ← 5: 10.0 ↗ 6: 10.0 ↑ 7: 9.3 ↖ 8: 10.4x ➤ 9: 10.0 ↗</p> <p>Serie 89.7 Total 0.0</p>	<p>40 Skott</p> 		<p>1: 9.8 ↘ 2: 9.6 ➔ 3: 8.8 ↖ 4: 9.9 ↗ 5: 10.5x ➤ 6: 8.7 ➔ 7: 10.3x ↖ 8: 9.4 ↖ 9: 9.9 ↗ 10: 10.0 ➔</p> <p>Serie 96.9 Total 96.9</p>
--	--	--	--	--

<p>40 Skott</p> 	<p>11: 7.7 ↖ 12: 10.3x ↘ 13: 10.7x ➤ 14: 9.6 ↗ 15: 10.4x ↖ 16: 9.0 ↑ 17: 10.3x ➤ 18: 10.0 ↖ 19: 8.3 ↗ 20: 9.5 ↖</p> <p>Serie 95.8 Total 192.7</p>	<p>40 Skott</p> 		<p>21: 10.0 ↑ 22: 7.7 ↖ 23: 9.2 ↑ 24: 10.1 ➤ 25: 9.6 ← 26: 10.9x ↖ 27: 9.7 ← 28: 9.2 ➔ 29: 10.3x ➤ 30: 9.9 ↖</p> <p>Serie 96.6 Total 289.3</p>
---	--	---	--	---

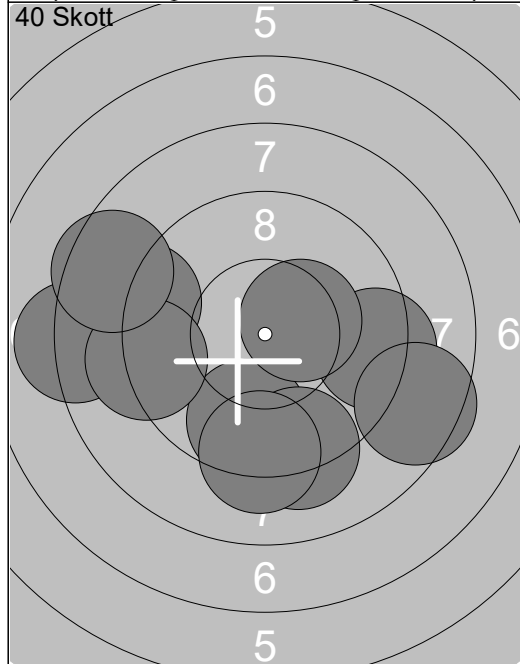
<p>40 Skott</p> 	<p>31: 9.6 ↗ 32: 9.5 ↖ 33: 9.3 ← 34: 9.9 ➔ 35: 8.5 ↗ 36: 9.3 ↑ 37: 10.2x ↘ 38: 10.4x ➤ 39: 8.2 ← 40: 9.3 ↗</p> <p>Serie 94.2 Total 383.5</p>	
--	---	--



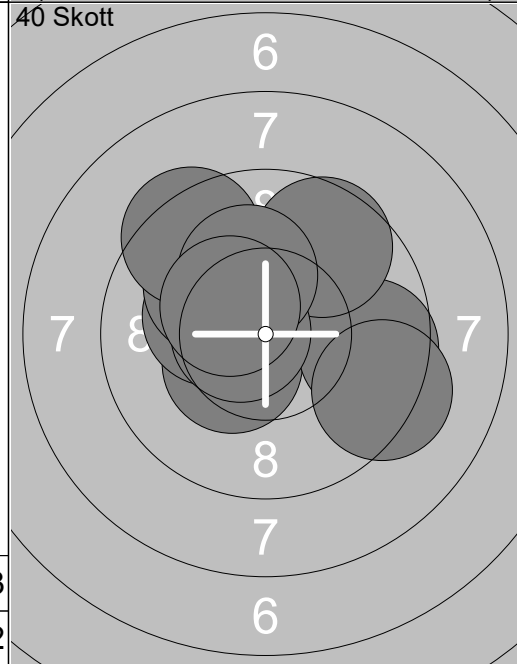
1: 8.9	➔
2: 5.7	↗
3: 9.6	↖
4: 9.0	↘
5: 9.6	➔
6: 9.8	↑
7: 9.9	➔
8: 7.7	←
Serie 70.2	
Total 0.0	



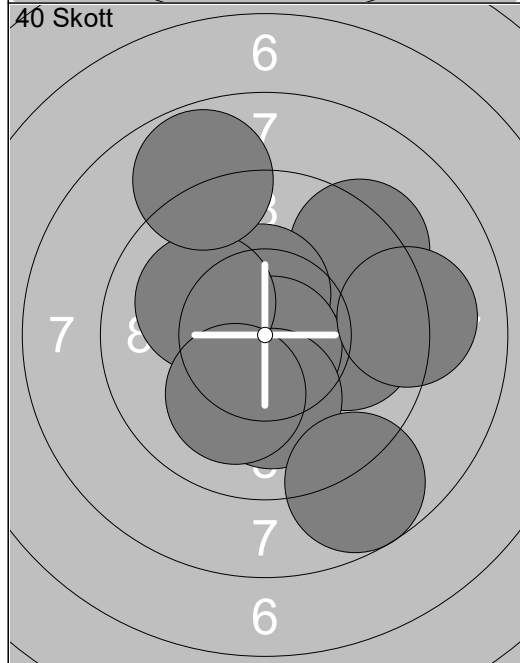
1: 10.8	↘
2: 9.8	➔
3: 8.8	↖
4: 10.1	↑
5: 9.0	←
6: 9.4	↘
7: 9.5	↖
8: 9.2	↑
9: 10.2	↘
10: 9.1	➔
Serie 95.9	
Total 95.9	



11: 9.7	↘
12: 9.2	↘
13: 9.3	➔
14: 10.4	↗
15: 8.5	➔
16: 9.1	←
17: 9.2	↘
18: 8.2	←
19: 9.2	←
20: 8.5	←
Serie 91.3	
Total 187.2	



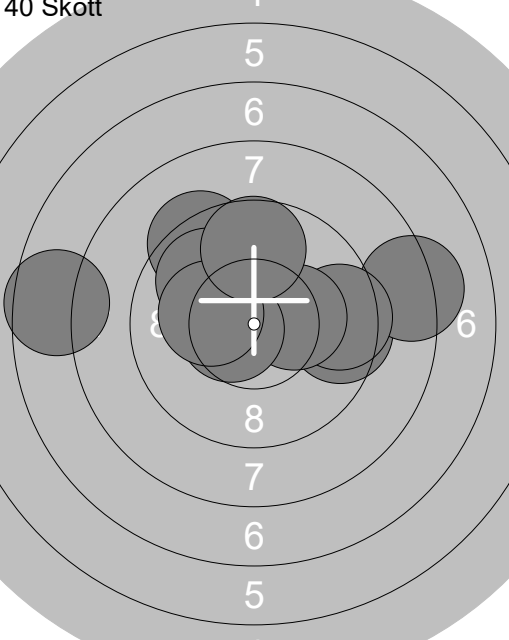
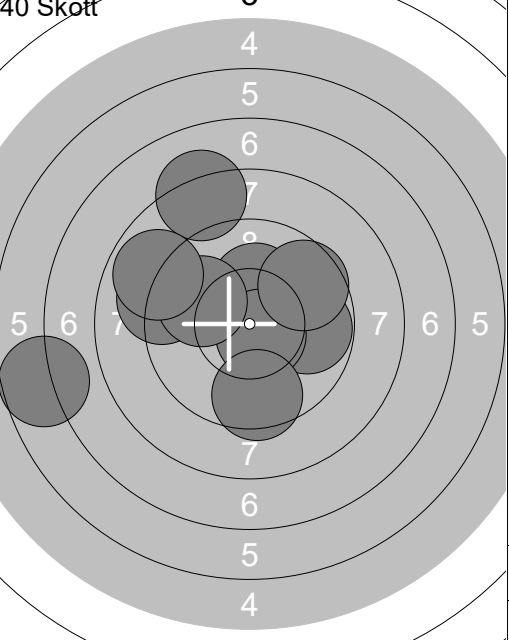
21: 10.4	↘
22: 10.2	↘
23: 9.6	➔
24: 9.6	↗
25: 10.0	↖
26: 9.4	↖
27: 10.6	↘
28: 10.2	↘
29: 10.4	↘
30: 9.3	➔
Serie 99.7	
Total 286.9	

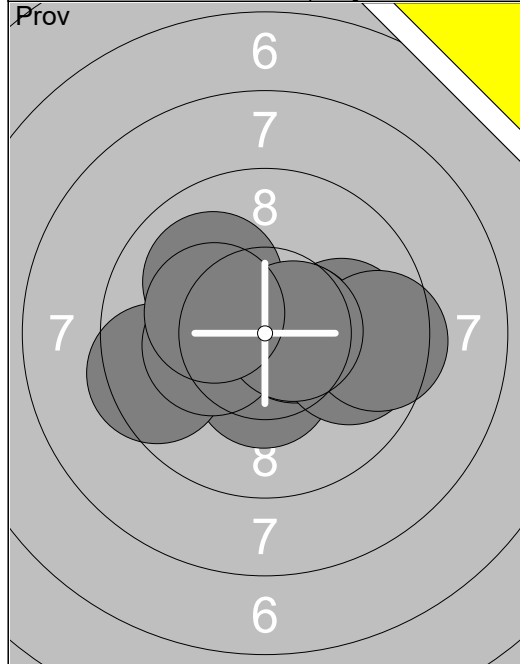


31: 9.9	➔
32: 9.3	↗
33: 10.4	↑
34: 10.8	↘
35: 10.1	↘
36: 10.1	↖
37: 8.7	↘
38: 9.1	➔
39: 8.8	↖
40: 10.1	↘
Serie 97.3	
Total 384.2	

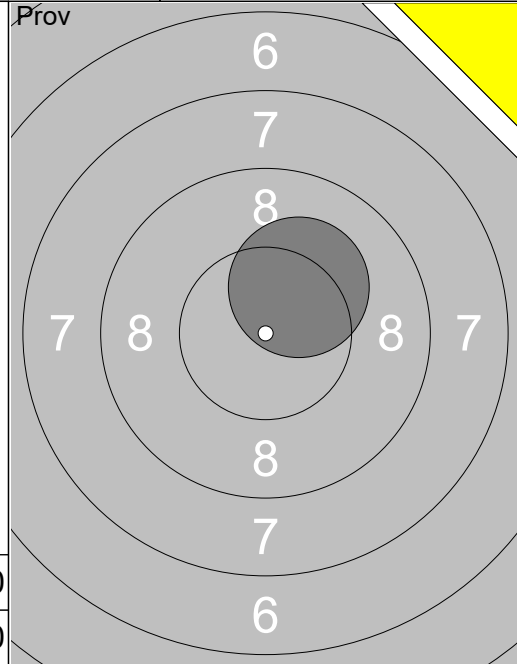
Prov 	1: 9.0 ↓ 2: 10.7x ↘ 3: 8.5 → 4: 9.0 ↓ 5: 9.6 ↓ 6: 8.5 ↓ 7: 7.3 ← 8: 8.9 ← 9: 8.3 → 10: 9.6 ↓ <hr/> Serie 89.4 Total 0.0	Prov 	11: 9.0 ↙ 12: 8.6 → 13: 10.1 ↙ 14: 9.8 ↗ 15: 9.2 ↗ <hr/> Serie 46.7 Total 0.0
--	--	--	---

40 Skott 	1: 9.5 ↗ 2: 9.5 ↙ 3: 9.4 → 4: 8.4 → 5: 9.5 ↗ 6: 9.6 ↗ 7: 8.7 ↙ 8: 9.8 → 9: 8.7 ↑ 10: 10.5x ↘ <hr/> Serie 93.6 Total 93.6	40 Skott 	11: 9.7 ↙ 12: 9.9 → 13: 8.9 ↗ 14: 10.6x ↘ 15: 9.4 ↗ 16: 10.8x → 17: 9.0 ↗ 18: 10.8x ↘ 19: 9.5 ← 20: 9.7 ↑ <hr/> Serie 98.3 Total 191.9
---	---	---	---

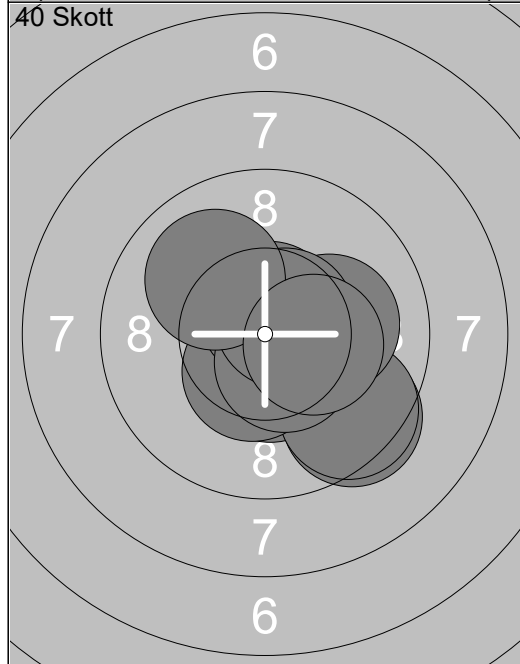
40 Skott 	21: 9.5 → 22: 8.2 → 23: 9.5 → 24: 10.3x → 25: 7.6 ← 26: 9.3 ↗ 27: 10.6x ↙ 28: 9.9 ↙ 29: 10.2x ↙ 30: 9.7 ↑ <hr/> Serie 94.8 Total 286.7	40 Skott 	31: 10.2x ↗ 32: 9.1 ↙ 33: 9.8 → 34: 10.6x ↘ 35: 9.9 ↙ 36: 9.5 ↓ 37: 8.2 ↗ 38: 8.9 ↙ 39: 9.6 ↗ 40: 6.7 ← <hr/> Serie 92.5 Total 379.2
--	---	--	---



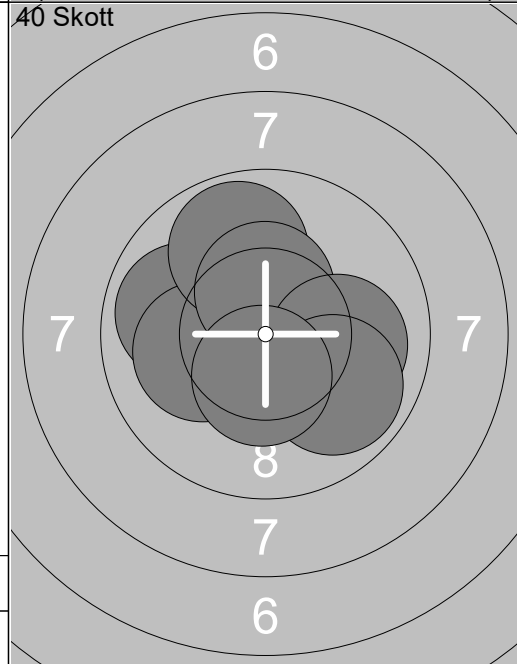
1:	10.0 →
2:	10.4x ↓
3:	10.6x →
4:	9.8 →
5:	9.5 →
6:	9.5 ←
7:	10.3x ←
8:	10.0 ↖
9:	10.6x →
10:	10.3x ←
Serie 101.0	
Total 0.0	



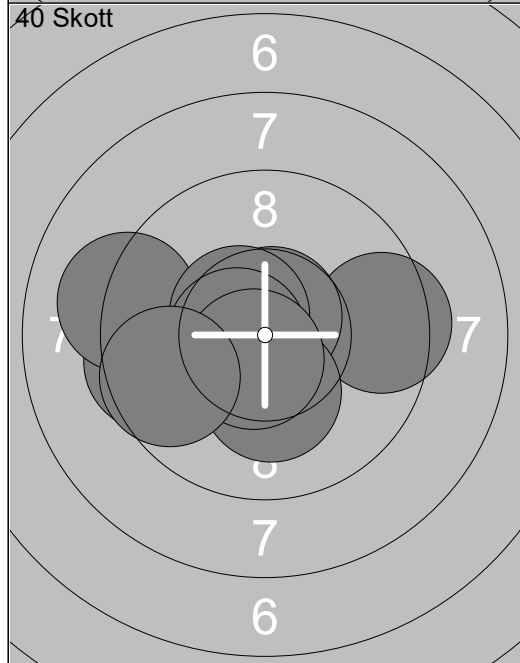
11:	10.2x ↗
Serie 10.2	
Total 0.0	



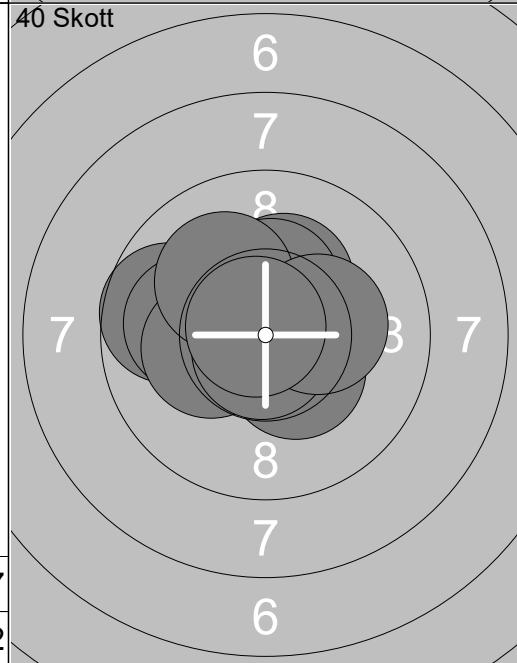
1:	10.5x ↓
2:	9.4 ↘
3:	9.5 ↘
4:	10.5x ↓
5:	10.7x ↗
6:	10.1 →
7:	10.5x ↓
8:	10.6x ↗
9:	10.0 ↖
10:	10.3x →
Serie 102.1	
Total 102.1	



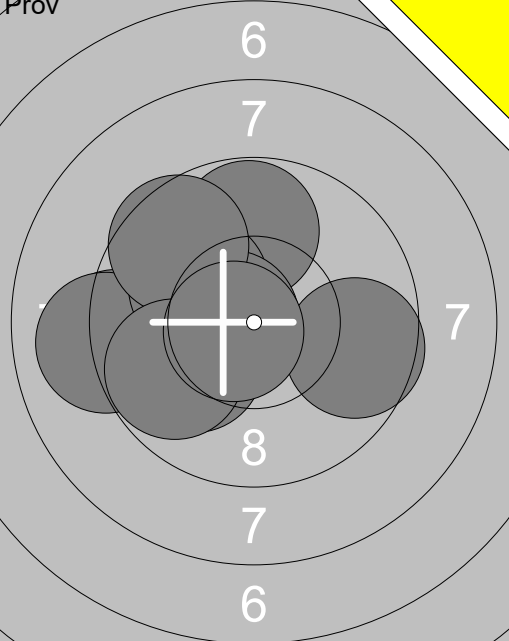
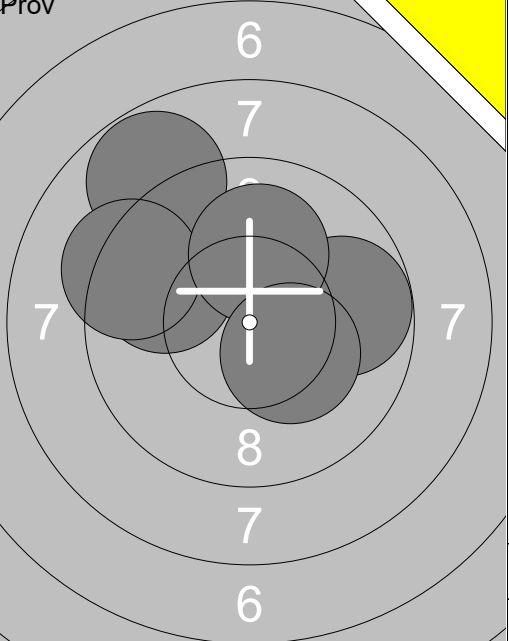
11:	10.7x ↓
12:	10.6x ←
13:	9.9 ←
14:	10.1 ←
15:	10.6x ↓
16:	9.8 ↖
17:	10.4x ↗
18:	10.0 →
19:	9.9 ↘
20:	10.4x ↓
Serie 102.4	
Total 204.5	

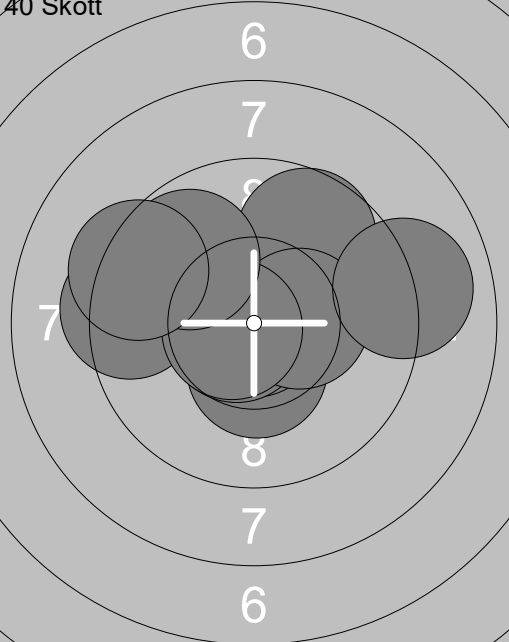
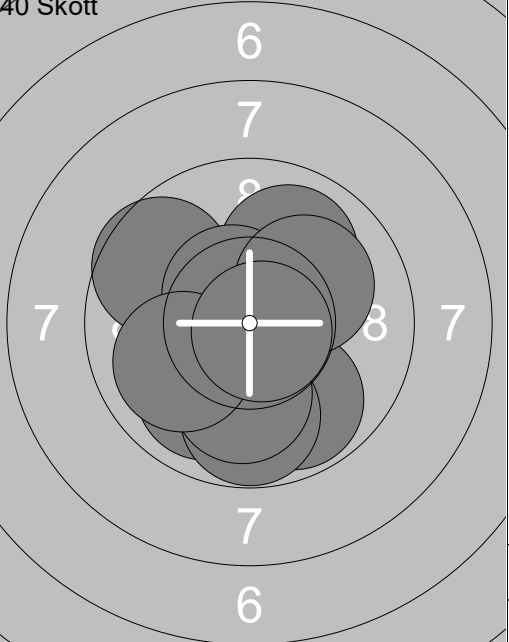


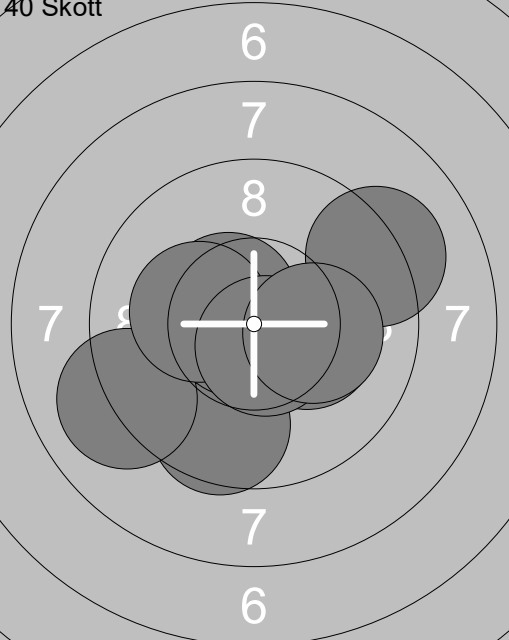
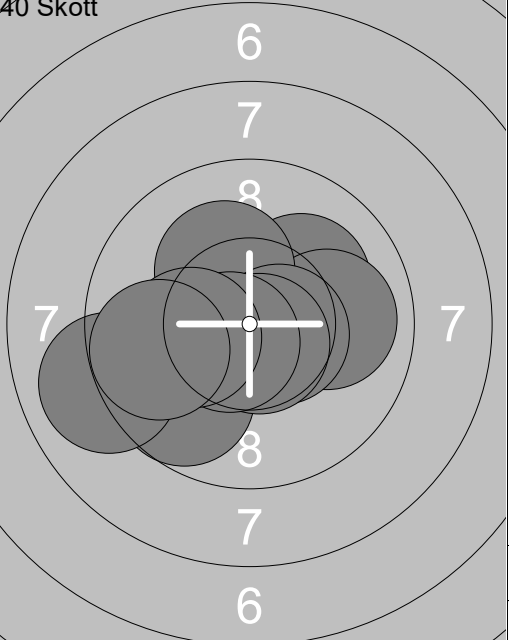
21:	10.5x ↘
22:	9.5 ←
23:	9.1 ←
24:	9.4 →
25:	10.7x ↗
26:	10.5x ←
27:	10.2x ↓
28:	10.6x ←
29:	10.6x ↘
30:	9.6 ←
Serie 100.7	
Total 305.2	

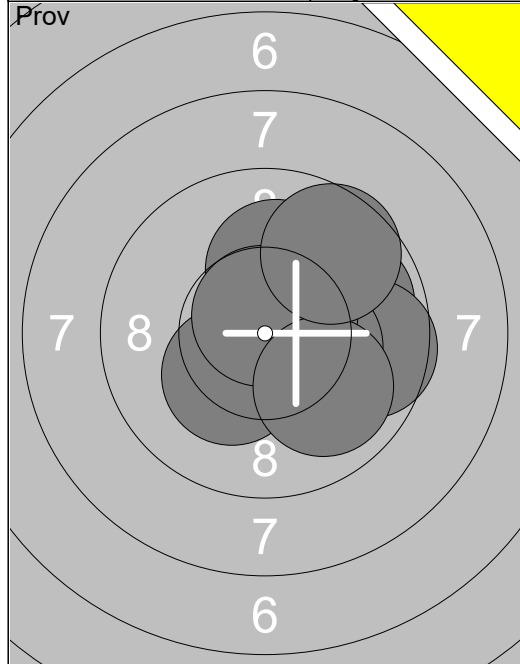


31:	9.7 ←
32:	10.4x ↓
33:	10.0 ←
34:	10.2x ←
35:	10.8x ↓
36:	10.3x ↗
37:	10.4x ↗
38:	10.1 ↖
39:	10.3x →
40:	10.8x ←
Serie 103.0	
Total 408.2	

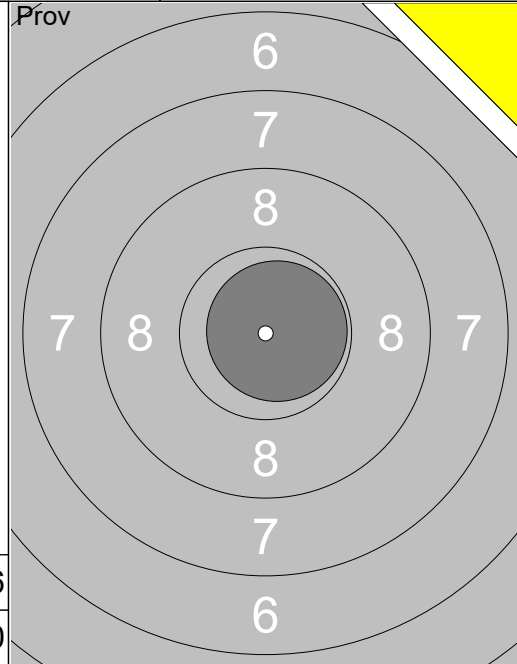
Prov 	1: 10.0 ↙ 2: 9.2 ← 3: 9.8 ↑ 4: 9.0 ← 5: 10.1 ↖ 6: 9.6 → 7: 10.6 ✕ 8: 9.6 ↗ 9: 9.8 ↙ 10: 10.7 ✕ <hr/> Serie 98.4 Total 0.0	Prov 	11: 9.8 → 12: 9.8 ↖ 13: 8.8 ↗ 14: 9.3 ↖ 15: 10.1 ↑ 16: 10.3 ✕ <hr/> Serie 58.1 Total 0.0
--	--	--	---

40 Skott 	1: 10.4 ✕ 2: 10.9 ✕ 3: 10.7 ✕ 4: 9.4 ← 5: 9.7 ↗ 6: 10.4 ✕ 7: 10.7 ✕ 8: 9.0 → 9: 9.8 ↗ 10: 9.3 ↖ <hr/> Serie 100.3 Total 100.3	40 Skott 	11: 9.9 ↙ 12: 9.8 ↘ 13: 9.8 ↓ 14: 10.0 ↓ 15: 10.0 ↗ 16: 9.6 ↖ 17: 10.5 ✕ 18: 10.1 ↗ 19: 10.0 ↙ 20: 10.8 ✕ <hr/> Serie 100.5 Total 200.8
---	--	---	--

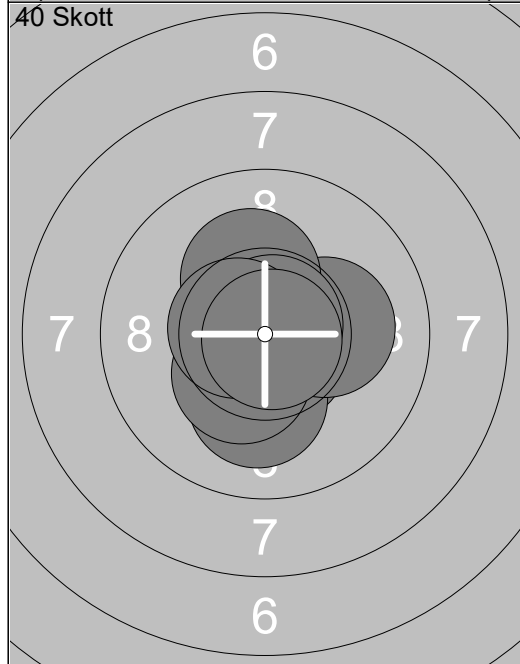
40 Skott 	21: 9.6 ↓ 22: 10.4 ✕ 23: 10.2 ✕ 24: 9.1 ← 25: 9.2 ↗ 26: 10.8 ✕ 27: 10.5 ✕ 28: 10.2 ✕ 29: 10.6 ✕ 30: 10.2 ✕ <hr/> Serie 100.8 Total 301.6	40 Skott 	31: 10.1 ↗ 32: 9.7 ↙ 33: 10.0 → 34: 10.2 ✕ 35: 9.0 ← 36: 10.5 ✕ 37: 10.7 ✕ 38: 10.6 ✕ 39: 10.2 ✕ 40: 9.8 ← <hr/> Serie 100.8 Total 402.4
--	---	--	---



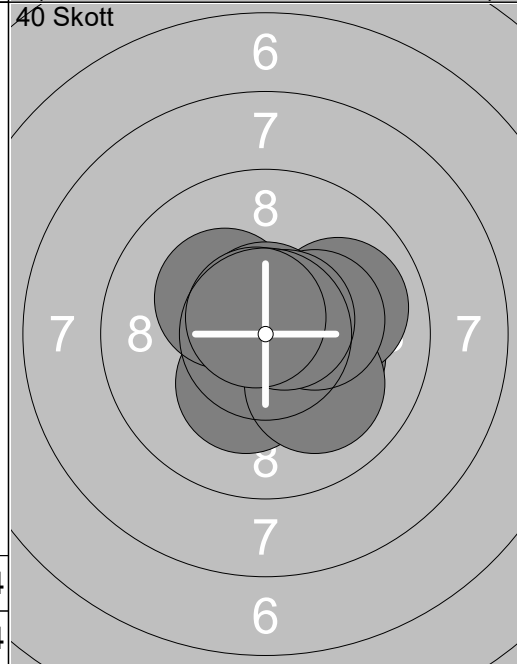
1:	10.6x ↘
2:	9.9 →
3:	9.6 →
4:	10.3x ↙
5:	10.1 ↑
6:	10.3x ➤
7:	10.6x ↗
8:	10.7x ↑
9:	9.9 ↘
10:	9.6 ↗
Serie 101.6	
Total 0.0	



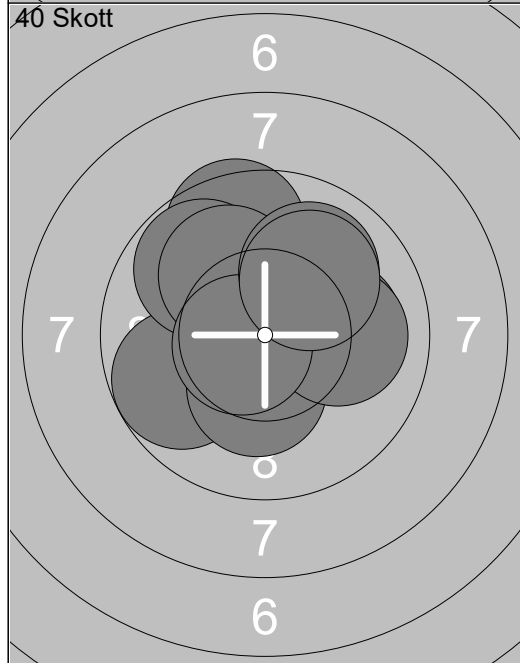
11:	10.8x ➤
Serie 10.8	
Total 0.0	



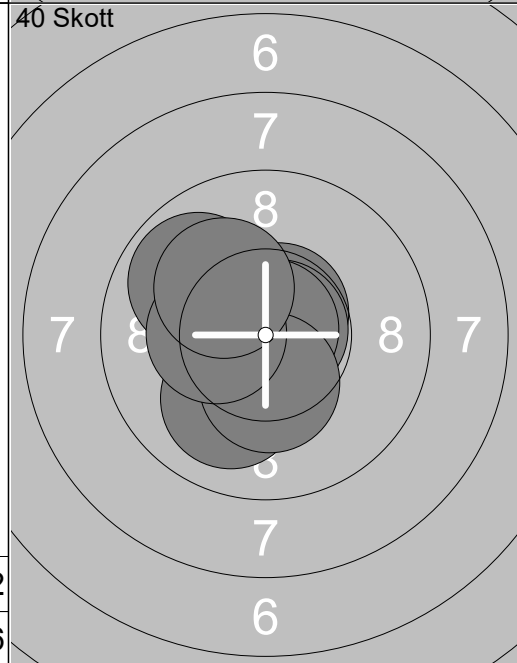
1:	10.7x ↘
2:	10.7x ➤
3:	10.9x ↘
4:	10.1 ↓
5:	10.2x ➤
6:	10.2x ↑
7:	10.4x ↙
8:	10.8x ↗
9:	10.6x ↖
10:	10.8x ↘
Serie 105.4	
Total 105.4	



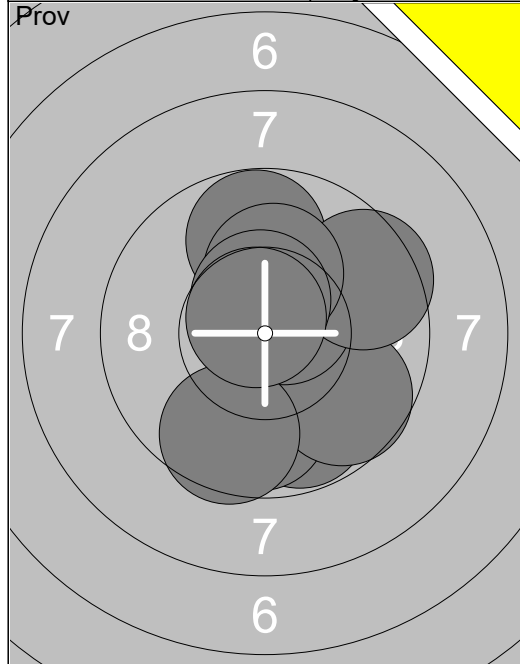
11:	10.7x ↙
12:	10.3x ➤
13:	10.0 →
14:	10.3x ↙
15:	10.1 ↘
16:	10.3x ↖
17:	10.3x ➤
18:	10.7x ↑
19:	10.6x ↗
20:	10.7x ↘
Serie 104.0	
Total 209.4	



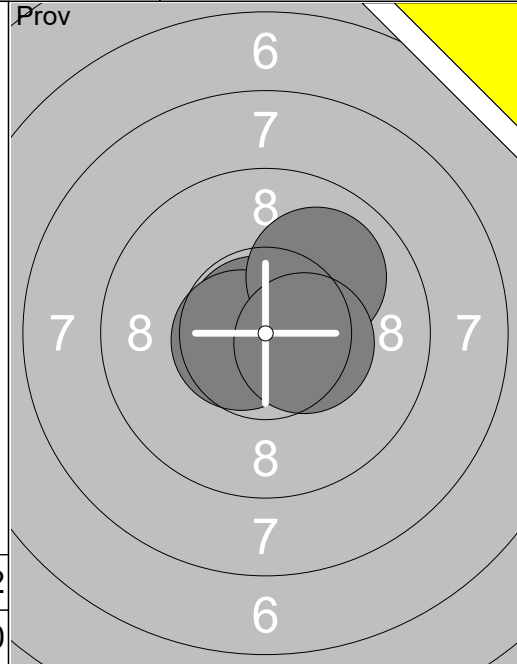
21:	9.7 ↖
22:	9.5 ↑
23:	9.8 ↖
24:	10.1 ↖
25:	10.1 →
26:	10.3x ↙
27:	10.0 →
28:	10.6x ↖
29:	10.0 ↗
30:	10.1 ↗
Serie 100.2	
Total 309.6	



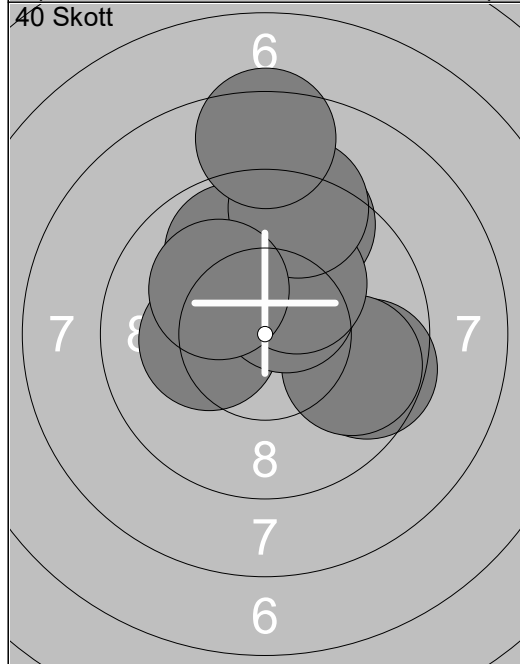
31:	10.6x ↖
32:	10.6x ↗
33:	10.9x ↙
34:	10.8x ➤
35:	10.0 ↓
36:	10.9x ↗
37:	9.9 ↖
38:	10.3x ↙
39:	10.3x ↖
40:	10.1 ↖
Serie 104.4	
Total 414.0	



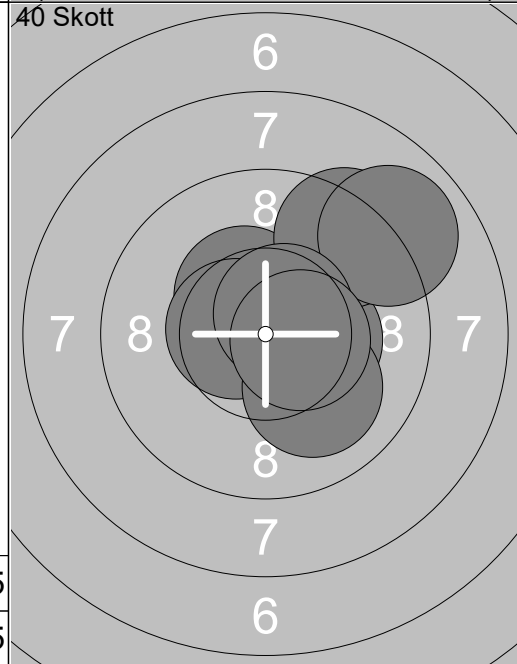
1:	9.8	↘
2:	9.8	↓
3:	9.7	↘
4:	10.6x	↗
5:	9.8	↑
6:	9.5	↗
7:	9.6	↓
8:	10.2x	↑
9:	10.5x	↑
10:	10.7x	↘
Serie		100.2
Total		0.0



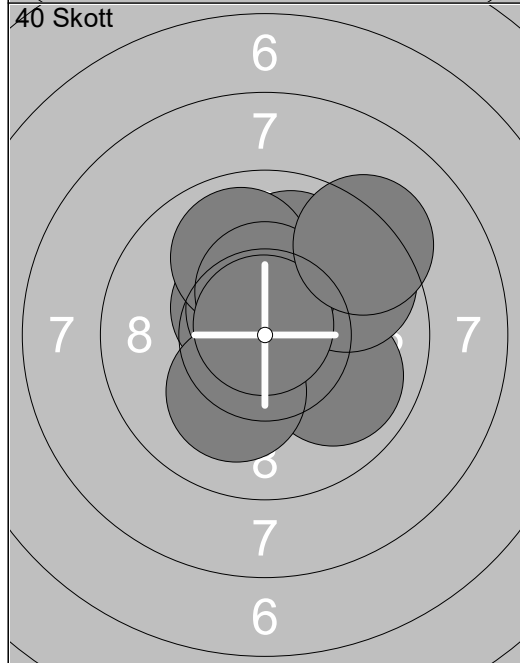
11:	10.8x	↘
12:	10.6x	↘
13:	10.0	↗
14:	10.4x	➤
Serie		41.8
Total		0.0



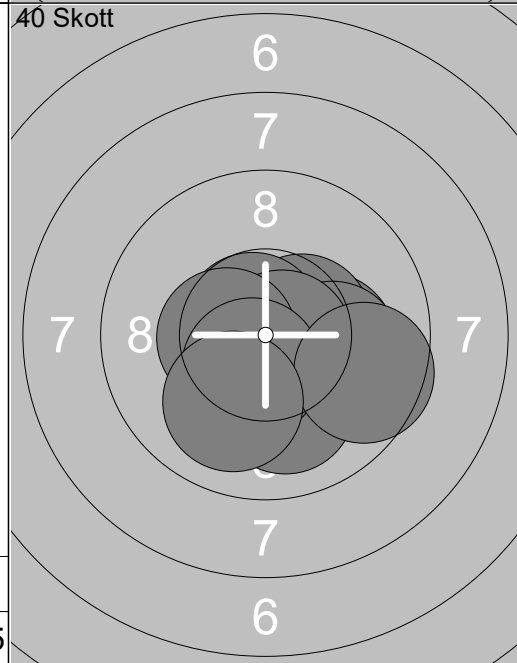
1:	9.6	➤
2:	9.8	↑
3:	9.5	↑
4:	10.2x	↘
5:	9.8	➤
6:	10.5x	↗
7:	10.2x	↗
8:	9.3	↑
9:	8.5	↑
10:	10.1	↘
Serie		97.5
Total		97.5



11:	10.5x	↘
12:	10.4x	➤
13:	10.4x	↘
14:	10.6x	↘
15:	10.6x	↗
16:	10.0	↘
17:	9.4	↗
18:	8.9	↗
19:	10.6x	↗
20:	10.5x	➤
Serie		101.9
Total		199.4



21:	9.9	↑
22:	9.9	➤
23:	9.7	↗
24:	10.5x	↘
25:	10.6x	↘
26:	10.1	↓
27:	9.9	↑
28:	10.4x	↑
29:	10.8x	↑
30:	9.3	↗
Serie		101.1
Total		300.5

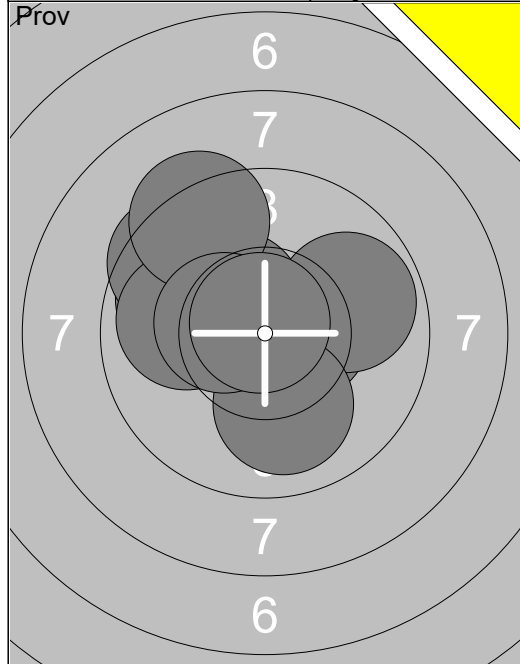


31:	10.2x	➤
32:	10.5x	➤
33:	10.7x	↘
34:	10.1	➤
35:	10.7x	➤
36:	10.5x	↘
37:	10.0	↓
38:	10.5x	↓
39:	9.6	➤
40:	10.0	↓
Serie		102.8
Total		403.3

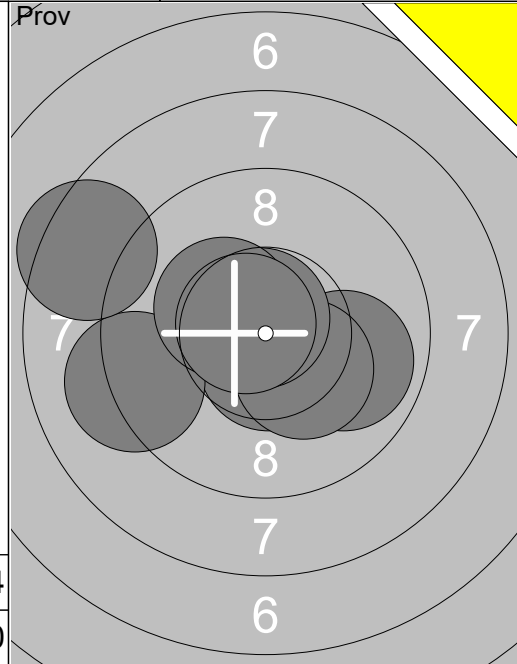
	1: 8.8 ↗ 2: 9.1 ↗ 3: 10.0 ↘ 4: 10.4 ✕ 5: 8.8 ↗ 6: 9.6 ↑ 7: 9.8 ← 8: 8.8 → 9: 8.2 ↖ 10: 9.3 ←		11: 10.1 ↖ 12: 10.2 ✕↑ 13: 9.5 ↗ 14: 10.1 → 15: 9.2 ←
Serie 92.8		Serie 49.1	
Total 0.0		Total 0.0	

	1: 8.5 → 2: 7.6 → 3: 9.3 → 4: 8.6 ← 5: 8.2 ↘ 6: 10.1 ← 7: 9.9 ↓ 8: 10.3 ✕ 9: 10.3 ✕↗ 10: 7.6 →		11: 9.4 ↘ 12: 9.6 → 13: 9.5 ↙ 14: 6.6 → 15: 9.9 → 16: 10.3 ✕ 17: 10.4 ✕↓ 18: 10.5 ✕↓ 19: 9.4 ↗ 20: 8.9 ←
Serie 90.4		Serie 94.5	
Total 90.4		Total 184.9	

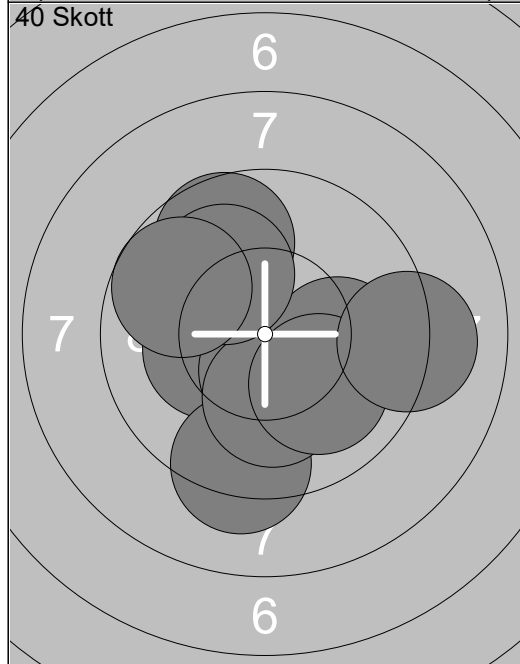
	21: 10.3 ✕↑ 22: 10.5 ✕ 23: 8.8 → 24: 9.5 ↗ 25: 9.1 ← 26: 9.9 → 27: 10.1 ↑ 28: 10.5 ✕↓ 29: 10.2 ✕→ 30: 10.1 ↗		31: 9.3 ↘ 32: 7.8 → 33: 9.3 ↗ 34: 8.3 ↘ 35: 9.5 → 36: 8.8 ↗ 37: 8.4 ↖ 38: 10.1 ↘ 39: 9.7 → 40: 8.2 →
Serie 99.0		Serie 89.4	
Total 283.9		Total 373.3	



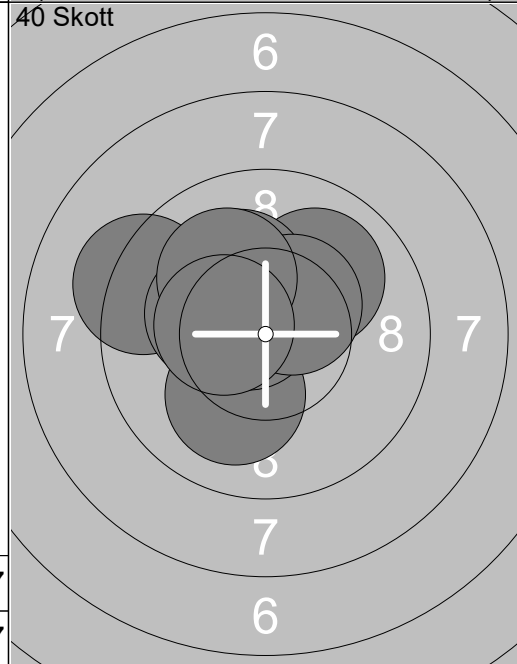
1:	9.8	↖
2:	10.5	→x
3:	9.5	↖
4:	10.4	↖x
5:	9.9	↖
6:	9.8	→
7:	10.0	↓
8:	9.3	↗
9:	10.4	↖x
10:	10.8	↗x
Serie		100.4
Total		0.0



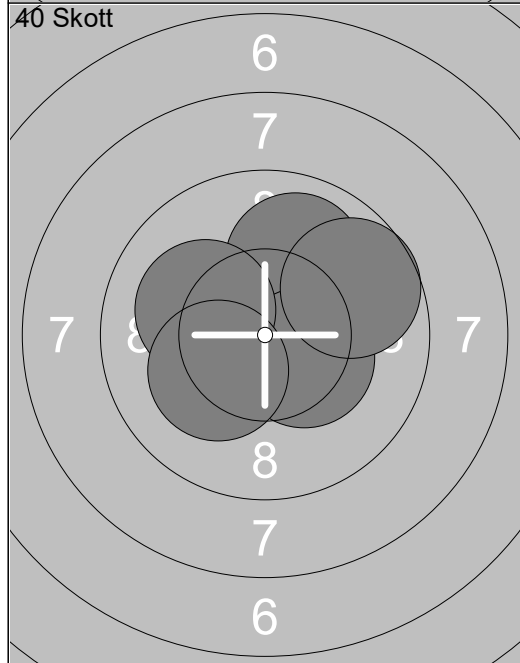
11:	10.6	↓x
12:	9.9	→
13:	10.3	↘x
14:	10.7	↗x
15:	9.2	↖
16:	8.4	↖
17:	10.3	↖x
18:	10.7	↖x
Serie		80.1
Total		0.0



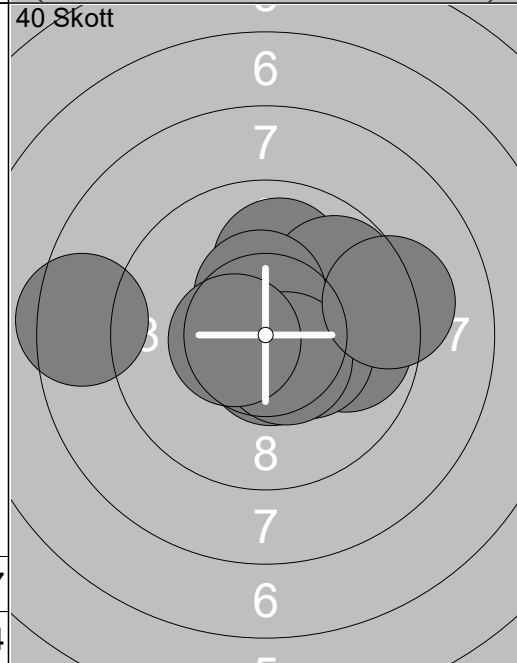
1:	10.3	↖x
2:	10.5	↓x
3:	9.3	↓
4:	10.1	↓
5:	10.0	→
6:	9.7	↗
7:	10.0	↓
8:	9.1	→
9:	10.0	↗
10:	9.7	↖
Serie		98.7
Total		98.7



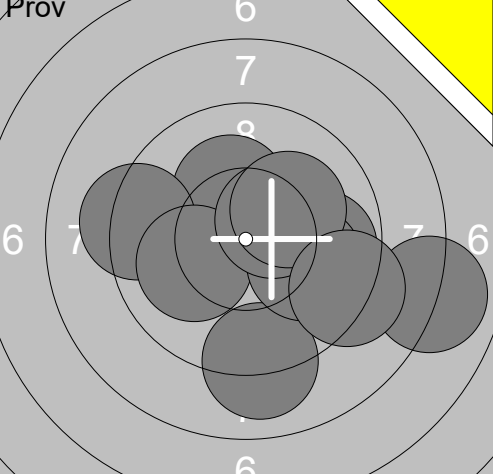
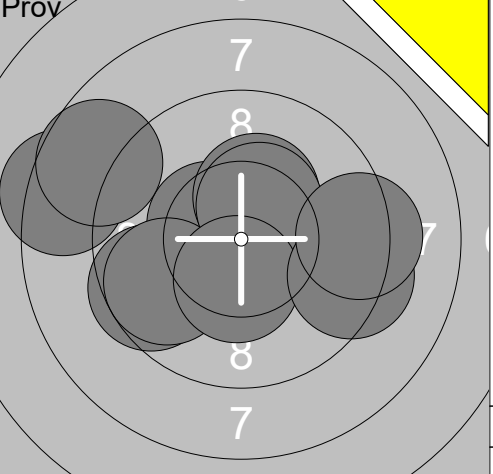
11:	10.1	↓
12:	9.3	↖
13:	10.2	↖x
14:	10.6	↖x
15:	10.0	↗
16:	10.2	↗x
17:	10.7	↖x
18:	10.4	↗x
19:	10.1	↖
20:	10.4	↖x
Serie		102.0
Total		200.7

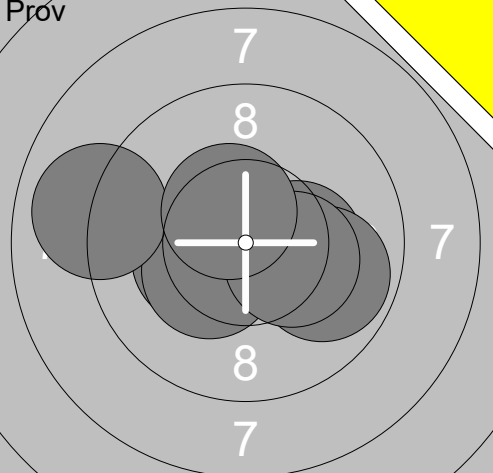
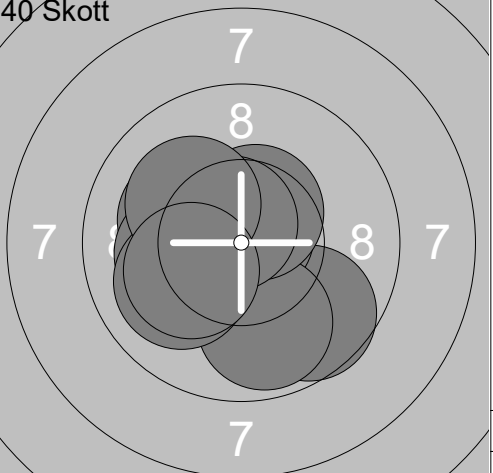


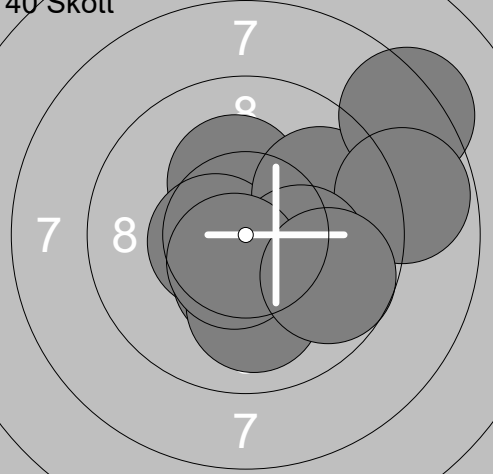
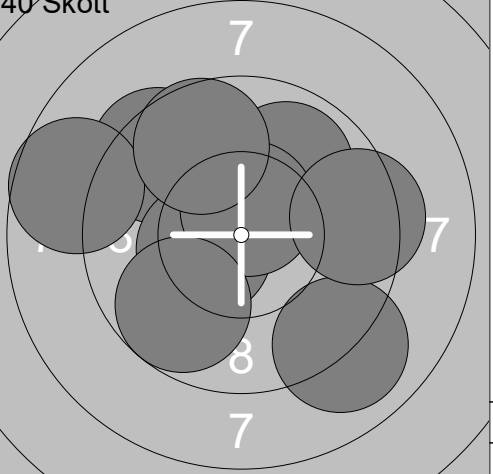
21:	10.8	↖x
22:	10.4	↖x
23:	10.5	→x
24:	10.8	↖x
25:	10.8	↖x
26:	10.0	↗
27:	10.4	↘
28:	9.7	↗
29:	10.1	↖
30:	10.2	↖x
Serie		103.7
Total		304.4

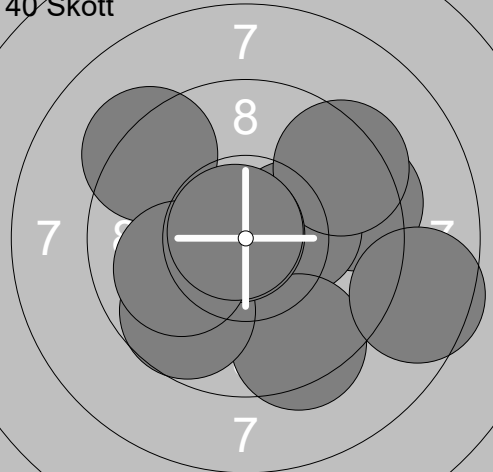


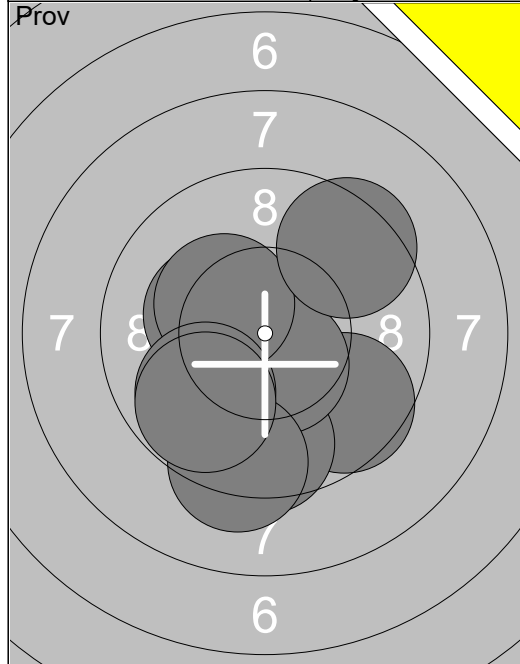
31:	10.6	↓x
32:	8.5	↖
33:	9.9	→
34:	10.3	→x
35:	10.0	↗
36:	9.8	↗
37:	10.4	↗x
38:	10.5	↘
39:	9.2	→
40:	10.5	↖x
Serie		99.7
Total		404.1

	<p>Prov</p> <p>1: 9.0 ↓ 2: 10.2x ↑ 3: 9.8 → 4: 9.3 ← 5: 10.1 ← 6: 10.0 ↓ 7: 10.4x ↗ 8: 8.0 → 9: 10.2x ↗ 10: 9.2 ↓</p> <p>Serie 96.2 Total 0.0</p>		<p>Prov</p> <p>11: 8.4 ← 12: 10.5x ← 13: 8.7 ↖ 14: 10.3x ↑ 15: 9.5 ← 16: 10.4x ↑ 17: 9.7 ← 18: 10.4x ↓ 19: 9.3 → 20: 9.3 →</p> <p>Serie 96.5 Total 0.0</p>
--	---	--	--

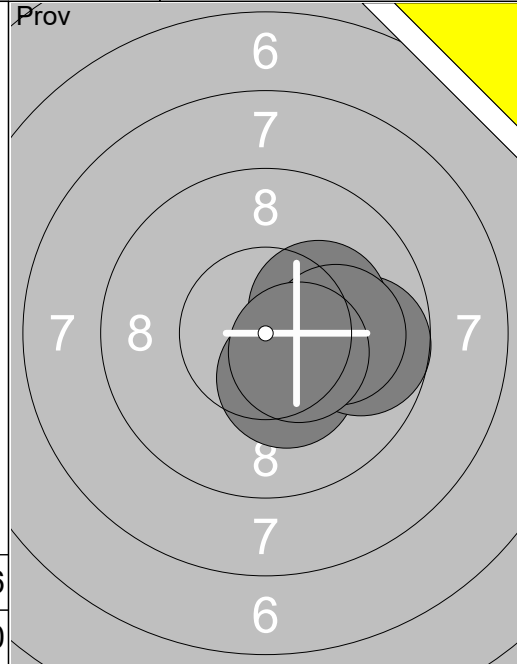
	<p>Prov</p> <p>21: 10.3x → 22: 9.9 → 23: 10.3x ← 24: 10.3x ← 25: 9.0 ← 26: 10.3x ↓ 27: 10.5x ↗</p> <p>Serie 70.6 Total 0.0</p>	<p>40 Skott</p> 	<p>1: 9.7 ↓ 2: 10.2x ← 3: 10.8x ↗ 4: 10.2x ← 5: 9.9 ↓ 6: 10.5x ↑ 7: 10.7x ↗ 8: 10.0 ← 9: 10.1 ↖ 10: 10.2x ←</p> <p>Serie 102.3 Total 102.3</p>
---	--	---	--

<p>40 Skott</p> 	<p>11: 10.2x ↑ 12: 10.5x ← 13: 9.8 ↗ 14: 8.3 ↗ 15: 8.8 → 16: 10.4x ↓ 17: 10.2x → 18: 10.0 ↓ 19: 10.6x ↓ 20: 9.7 ↓</p> <p>Serie 98.5 Total 200.8</p>	<p>40 Skott</p> 	<p>21: 10.0 ↗ 22: 9.9 ↗ 23: 9.4 ↖ 24: 10.4x ← 25: 10.6x ↑ 26: 9.0 ↓ 27: 8.7 ← 28: 9.7 ↓ 29: 9.7 ↗ 30: 9.4 →</p> <p>Serie 96.8 Total 297.6</p>
--	---	--	---

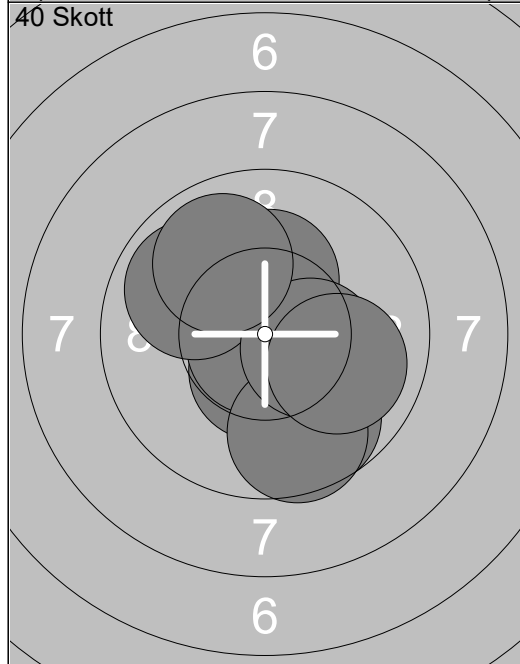
<p>40 Skott</p> 	<p>31: 9.4 → 32: 10.3x → 33: 9.4 ↗ 34: 9.4 ↓ 35: 8.6 → 36: 9.7 ↓ 37: 9.3 ↗ 38: 10.8x ↖ 39: 10.0 ← 40: 10.8x ↖</p> <p>Serie 97.7 Total 395.3</p>		
--	---	--	--



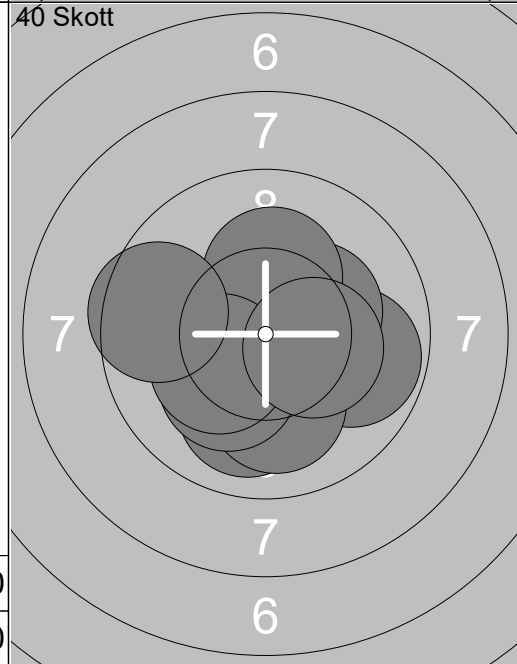
1: 10.3x
2: 9.6
3: 10.0
4: 9.5
5: 10.5x
6: 9.3
7: 10.3x
8: 9.4
9: 9.9
10: 9.8
Serie 98.6
Total 0.0



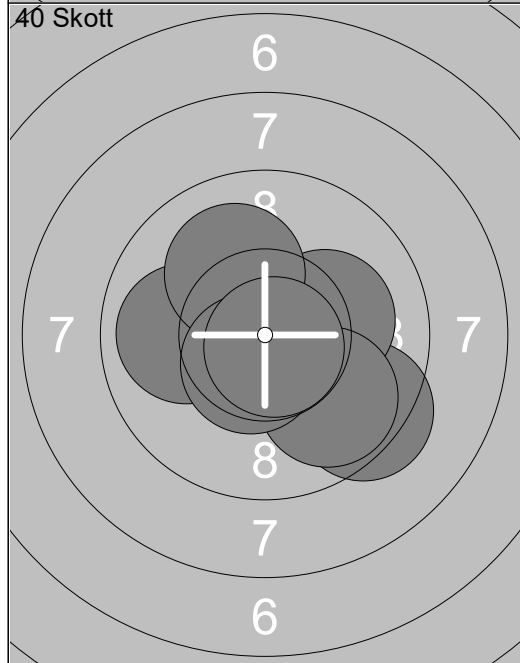
11: 10.3x
12: 9.7
13: 10.2x
14: 10.1
15: 10.5x
Serie 50.8
Total 0.0



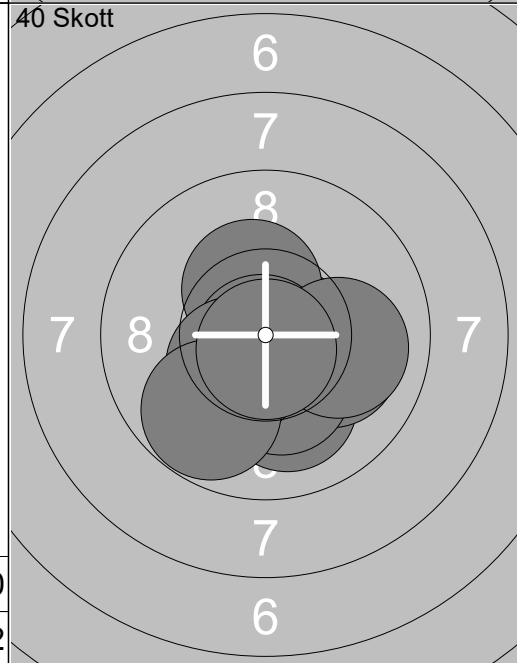
1: 10.0
2: 10.5x
3: 9.7
4: 10.3x
5: 10.8x
6: 9.6
7: 9.9
8: 10.3x
9: 9.9
10: 10.0
Serie 101.0
Total 101.0



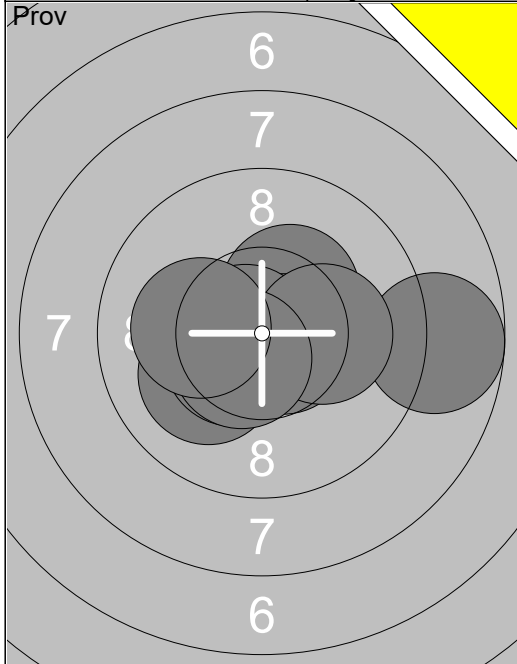
11: 9.8
12: 10.5x
13: 10.3x
14: 10.0
15: 10.1
16: 10.2x
17: 10.2x
18: 10.2x
19: 9.6
20: 10.3x
Serie 101.2
Total 202.2



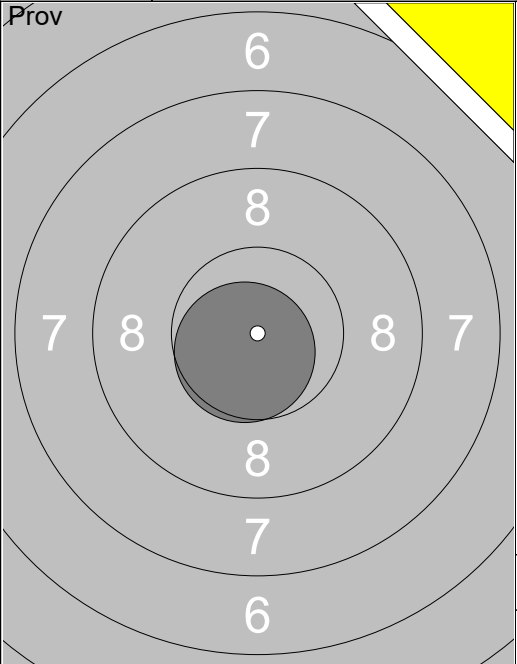
21: 10.4x
22: 10.2x
23: 10.7x
24: 9.4
25: 9.9
26: 10.2x
27: 9.8
28: 10.1
29: 10.5x
30: 10.8x
Serie 102.0
Total 304.2



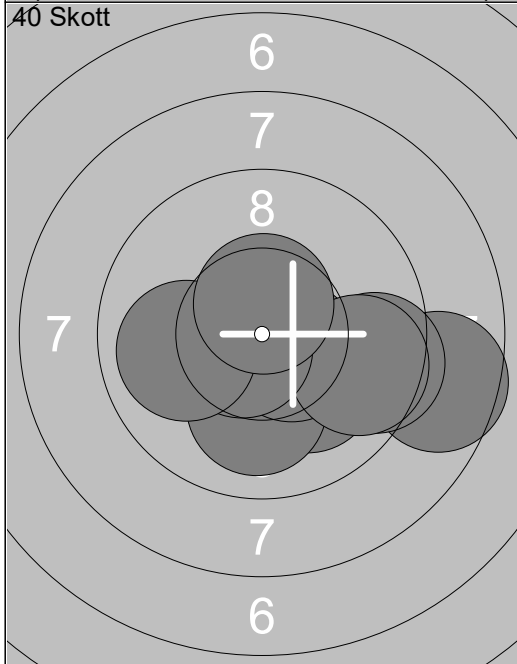
31: 10.1
32: 10.7x
33: 10.3x
34: 10.1
35: 10.3x
36: 10.8x
37: 10.4x
38: 10.0
39: 9.8
40: 10.8x
Serie 103.3
Total 407.5



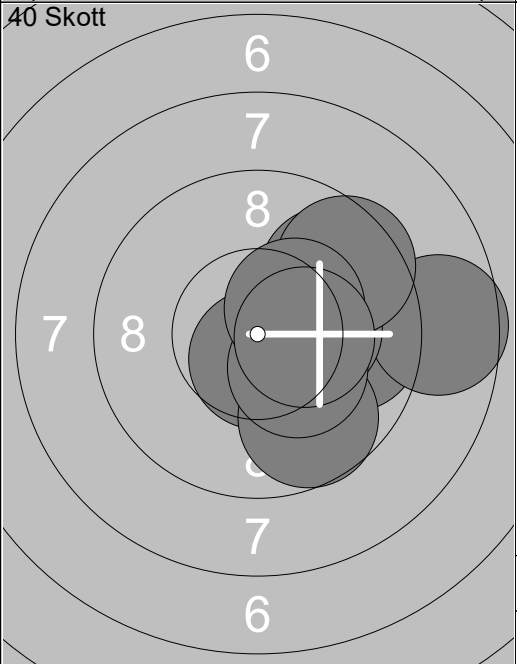
1:	10.1 ↙
2:	10.6 ↗
3:	10.3 ↗
4:	8.7 →
5:	10.7 ↘
6:	10.7 ↖
7:	10.2 ↘
8:	10.5 ↙
9:	10.5 ↙
10:	10.2 ↖
Serie 102.5	
Total 0.0	



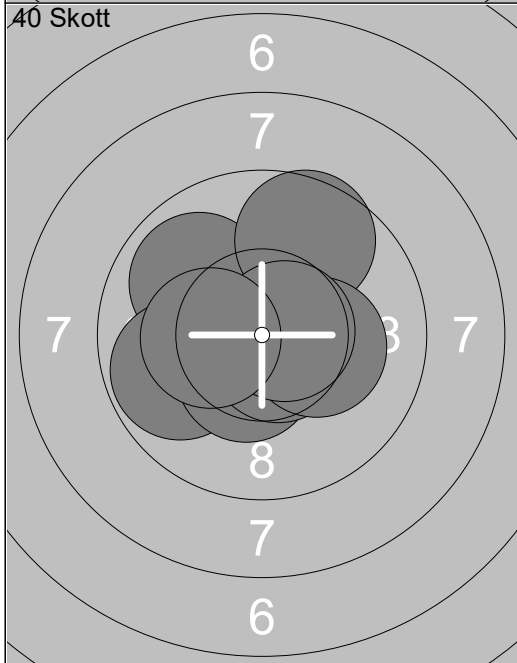
11:	10.7 ↙
Serie 10.7	
Total 0.0	



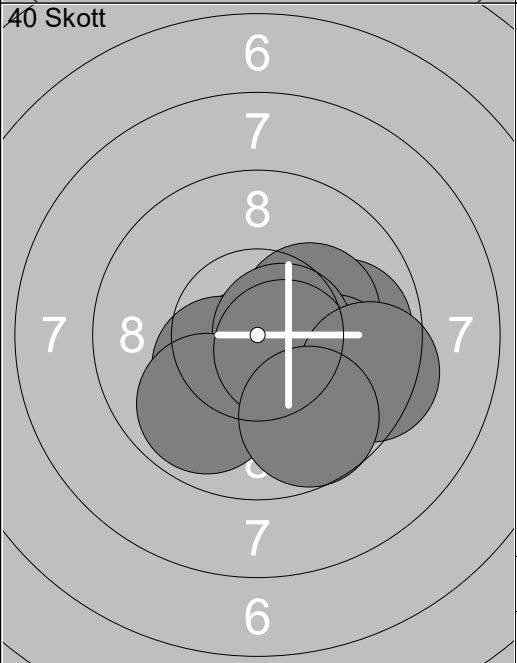
1:	8.6 →
2:	10.5 ↙
3:	9.5 →
4:	10.1 ↘
5:	10.0 ↓
6:	10.5 ↘
7:	9.7 →
8:	10.6 ↙
9:	10.0 ←
10:	10.6 ↗
Serie 100.1	
Total 100.1	



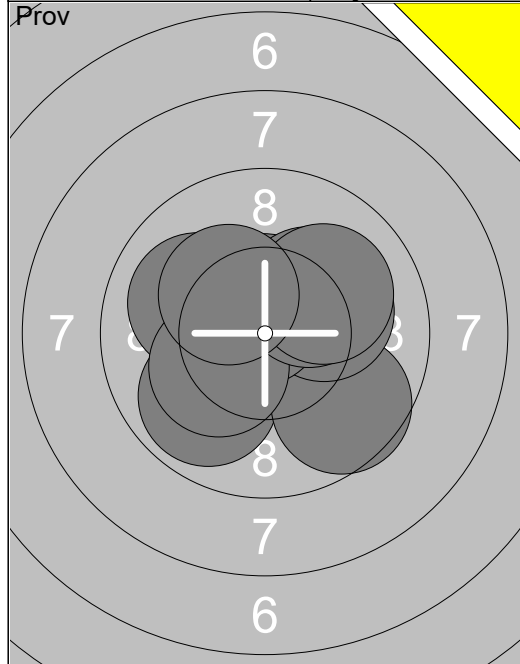
11:	9.8 →
12:	10.6 ↙
13:	9.7 ↘
14:	8.6 →
15:	10.2 ↘
16:	9.8 ↗
17:	9.5 ↗
18:	10.3 ↘
19:	10.4 ↗
20:	10.3 ↘
Serie 99.2	
Total 199.3	



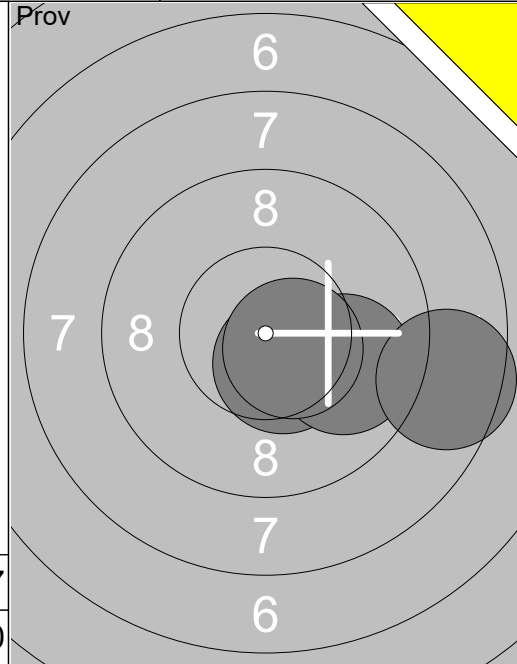
21:	10.6 ↙
22:	10.4 ↖
23:	9.9 ↖
24:	9.8 ←
25:	9.6 ↗
26:	10.4 ↙
27:	10.6 ↘
28:	10.2 ↘
29:	10.7 ↘
30:	10.3 ↖
Serie 102.5	
Total 301.8	



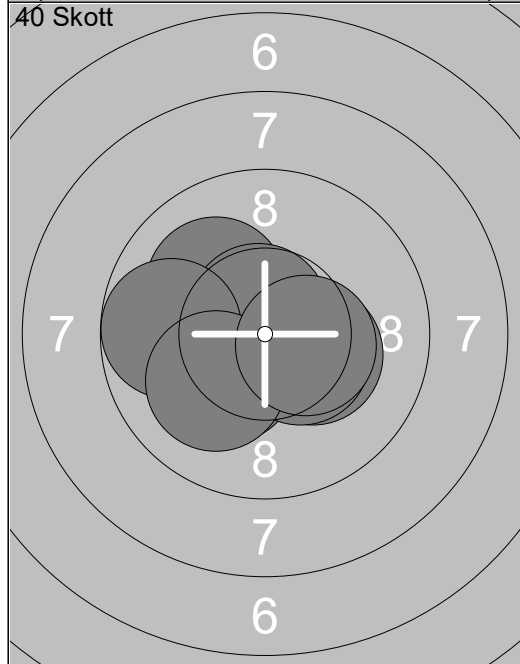
31:	9.9 →
32:	10.2 ↗
33:	10.7 ↙
34:	10.3 ↙
35:	10.0 →
36:	10.6 ↘
37:	9.9 ↙
38:	10.6 ↘
39:	9.4 →
40:	9.7 ↘
Serie 101.3	
Total 403.1	



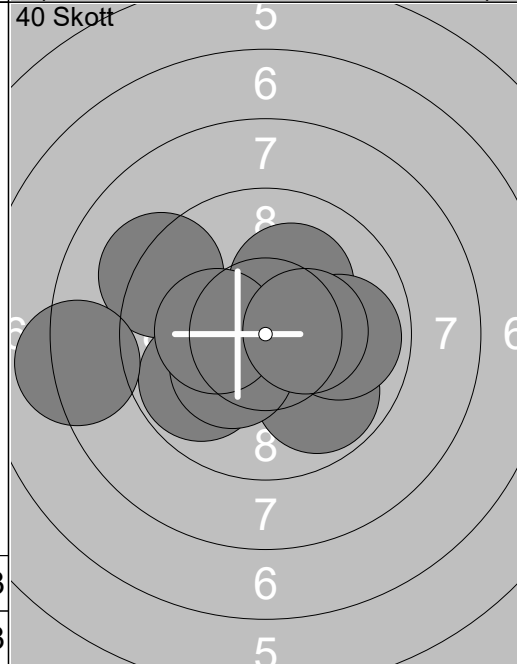
1:	9.9 ↙
2:	10.0 ↙
3:	9.6 ↘
4:	10.1 →
5:	10.6x ↑
6:	10.7x ↘
7:	10.2x ↘
8:	10.2x ↗
9:	10.1 ↗
10:	10.3x ↘
Serie 101.7	
Total 0.0	



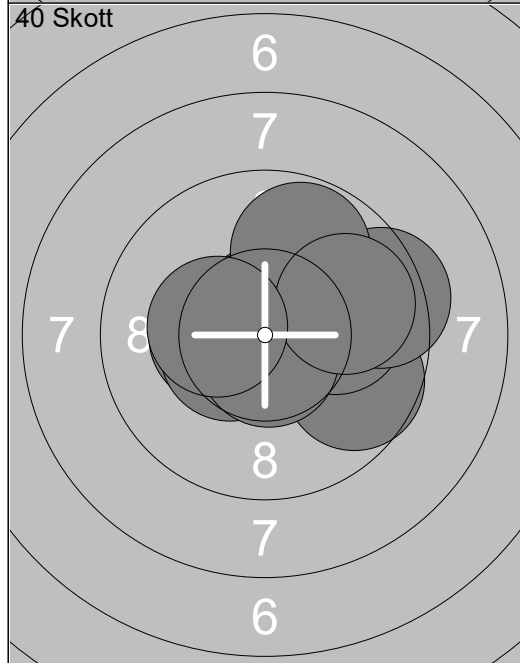
11:	10.5x ↘
12:	9.9 →
13:	8.6 →
14:	10.5x ↘
Serie 39.5	
Total 0.0	



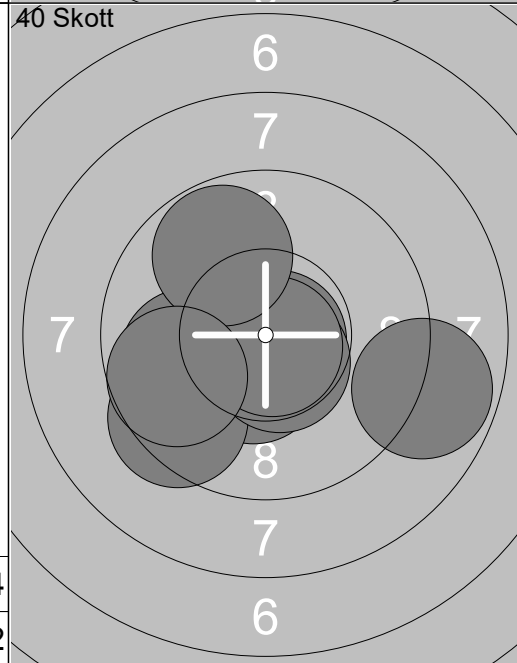
1:	10.3x ↘
2:	10.1 ↙
3:	10.3x ↘
4:	10.3x ↘
5:	10.9x ↑
6:	10.7x ↘
7:	9.8 ←
8:	10.4x ↘
9:	10.1 ↙
10:	10.4x ↘
Serie 103.3	
Total 103.3	



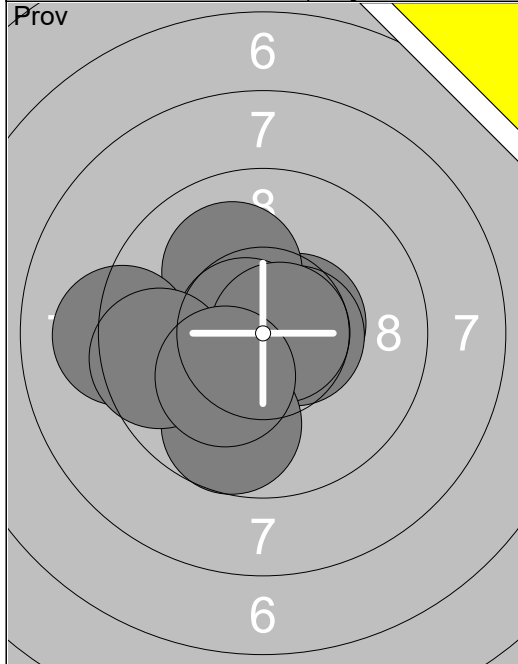
11:	9.2 ↙
12:	10.2x ↗
13:	9.8 ↙
14:	10.4x ↘
15:	8.2 ←
16:	9.9 ↘
17:	10.3x ↘
18:	10.2x ↘
19:	9.9 →
20:	10.4x ↘
Serie 98.5	
Total 201.8	



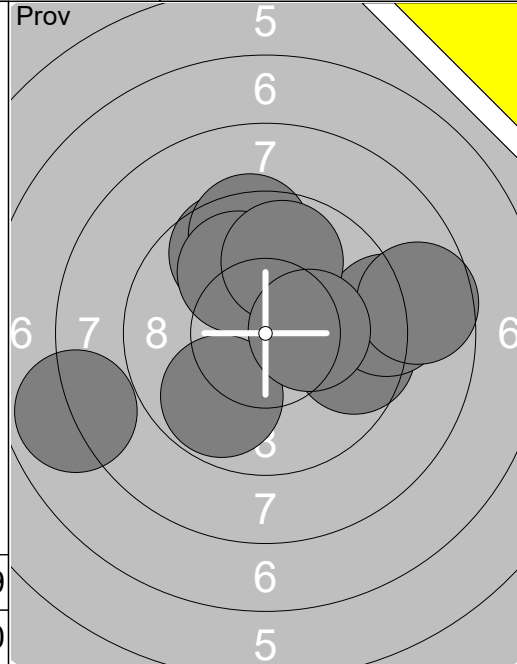
21:	9.7 →
22:	10.4x ↘
23:	10.7x ↑
24:	10.0 →
25:	9.4 →
26:	10.5x ↘
27:	9.8 ↑
28:	10.7x ↘
29:	9.9 →
30:	10.3x ↘
Serie 101.4	
Total 303.2	



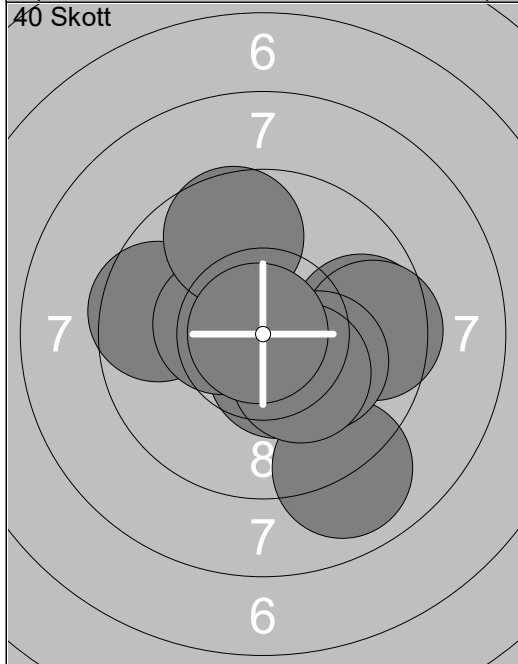
31:	9.9 ←
32:	10.4x ↘
33:	10.8x ↘
34:	9.4 ↙
35:	10.6x ↘
36:	8.8 →
37:	10.6x ↘
38:	10.8x ↘
39:	9.8 ↗
40:	9.7 ←
Serie 100.8	
Total 404.0	



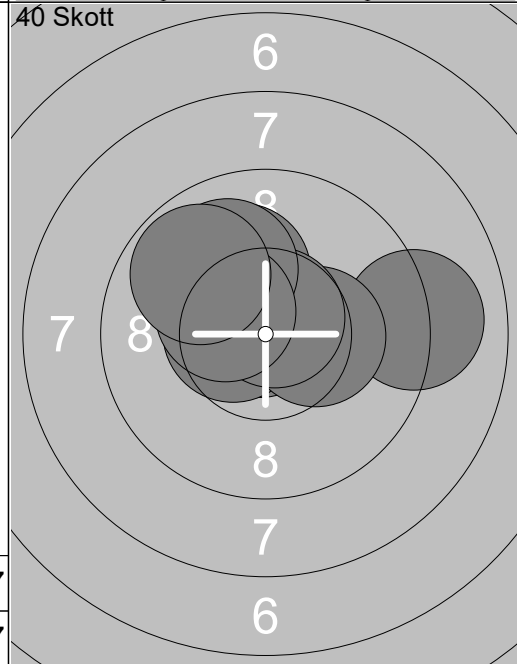
1:	10.7x ↘
2:	10.5x ➔
3:	10.1 ↖
4:	9.2 ←
5:	10.7x ↘
6:	10.5x ➔
7:	10.7x ➔
8:	9.7 ↓
9:	9.6 ←
10:	10.2x ↘
Serie 101.9	
Total 0.0	



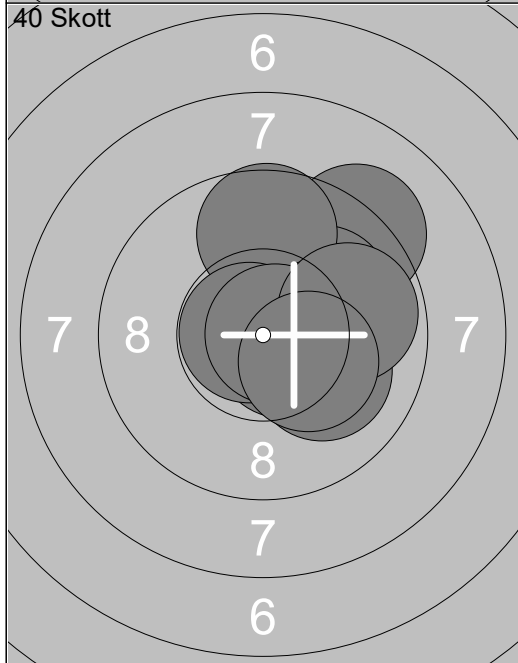
11:	9.7 ↖
12:	9.6 ➔
13:	9.5 ↖
14:	7.9 ↙
15:	9.8 ↙
16:	9.1 ➔
17:	10.0 ↖
18:	9.9 ↖
19:	8.7 ➔
20:	10.3x ➔
Serie 94.5	
Total 0.0	



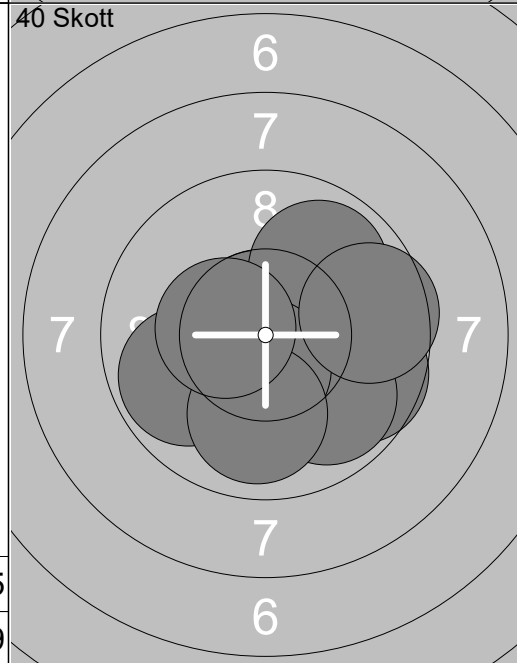
1:	9.6 ←
2:	9.7 ➔
3:	9.0 ↓
4:	10.5x ↘
5:	10.4x ↘
6:	9.6 ↖
7:	9.5 ➔
8:	10.2x ➔
9:	10.3x ↘
10:	10.9x ↘
Serie 99.7	
Total 99.7	



11:	10.1 ↖
12:	9.0 ➔
13:	10.8x ↘
14:	10.1 ↖
15:	10.5x ↘
16:	10.3x ➔
17:	10.7x ↗
18:	10.0 ↖
19:	10.4x ↘
20:	9.8 ↖
Serie 101.7	
Total 201.4	



21:	9.2 ↗
22:	10.1 ↘
23:	10.0 ↗
24:	9.7 ↖
25:	10.6x ↘
26:	10.8x ↘
27:	10.2x ➔
28:	10.8x ➔
29:	9.8 ➔
30:	10.3x ↘
Serie 101.5	
Total 302.9	

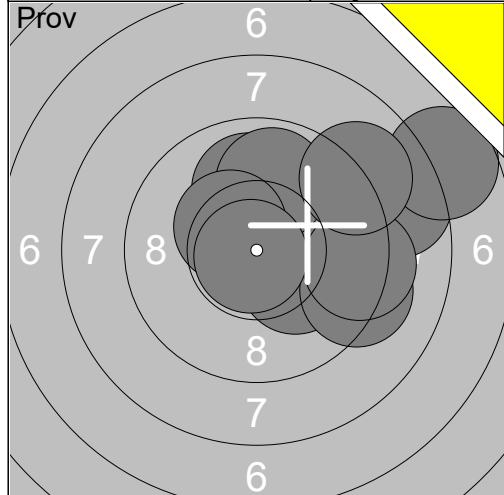


31:	10.2x ↘
32:	10.7x ↖
33:	9.7 ➔
34:	9.8 ↙
35:	9.9 ↗
36:	9.9 ↘
37:	10.5x ↘
38:	9.6 ➔
39:	9.9 ↓
40:	10.4x ↘
Serie 100.6	
Total 403.5	

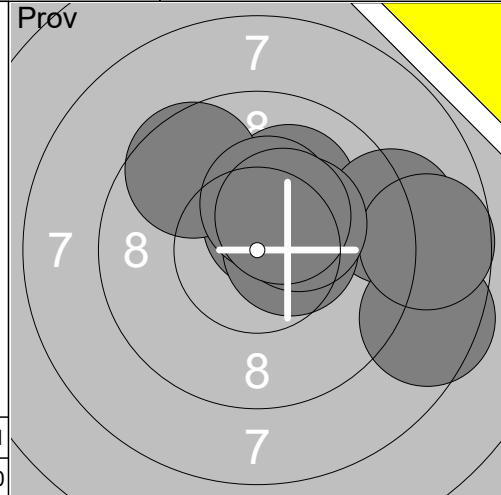
<p>Prov</p>	<p>1: 9.7 ↓ 2: 8.9 ↓ 3: 10.2x→ 4: 9.8 ← 5: 9.4 → 6: 9.5 ↓ 7: 10.0→ 8: 9.4 ↓ 9: 8.2 ↓ 10: 10.4x↓</p> <p>Serie 95.5 Total 0.0</p>	<p>Prov</p>	<p>11: 10.8x→ 12: 10.1 ↓ 13: 10.7x↓</p> <p>Serie 31.6 Total 0.0</p>
-------------	---	-------------	---

<p>40 Skott</p>	<p>1: 9.6 ↓ 2: 9.6 ← 3: 9.9 → 4: 9.0 ↓ 5: 9.9 ↓ 6: 10.1← 7: 10.2x→ 8: 9.8 ↓ 9: 9.6 ← 10: 10.1←</p> <p>Serie 97.8 Total 97.8</p>	<p>40 Skott</p>	<p>11: 9.6 ↓ 12: 10.1 ↓ 13: 10.1↖ 14: 10.5x→ 15: 10.1↖ 16: 10.7x↖ 17: 10.2x↖ 18: 10.6x→ 19: 9.5 ← 20: 9.1 ↓</p> <p>Serie 100.5 Total 198.3</p>
-----------------	---	-----------------	--

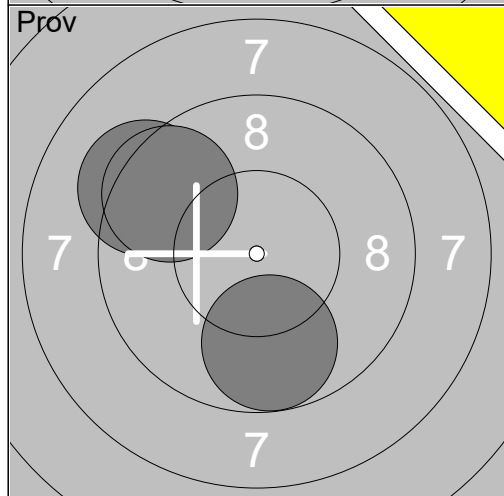
<p>40 Skott</p>	<p>21: 10.2x→ 22: 10.0 ↓ 23: 9.9 ↓ 24: 10.4x↓ 25: 9.5 ← 26: 9.7 → 27: 10.6x↖ 28: 10.2x↖ 29: 10.1 ↑ 30: 10.0←</p> <p>Serie 100.6 Total 298.9</p>	<p>40 Skott</p>	<p>31: 10.0↖ 32: 10.0↖ 33: 10.1↖ 34: 10.5x↗ 35: 10.4x↖ 36: 10.4x↓ 37: 10.6x→ 38: 10.6x↖ 39: 10.2x↓ 40: 10.2x↖</p> <p>Serie 103.0 Total 401.9</p>
-----------------	---	-----------------	--



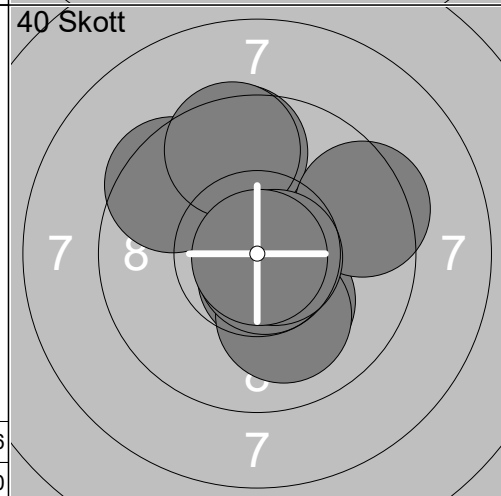
1:	10.2x	↘
2:	8.6	→
3:	10.0	↑
4:	7.7	→
5:	9.9	↑
6:	9.2	↘
7:	9.3	→
8:	10.4x	↗
9:	10.8x	↙
10:	9.0	↗
Serie		95.1
Total		0.0



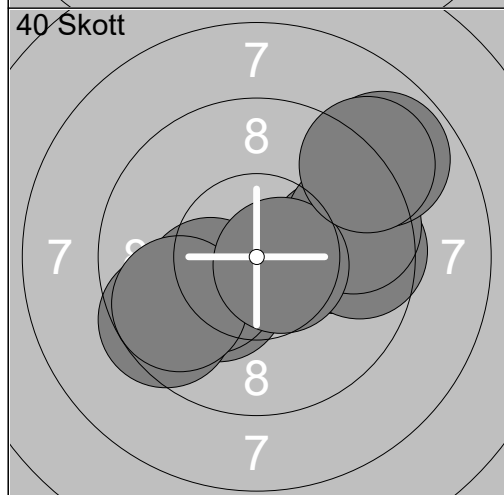
11:	10.5x	↗
12:	10.1	↗
13:	9.1	→
14:	8.5	↘
15:	10.5x	→
16:	9.6	↗
17:	8.7	→
18:	10.3x	↗
19:	10.3x	↑
20:	10.4x	↗
Serie		98.0
Total		0.0



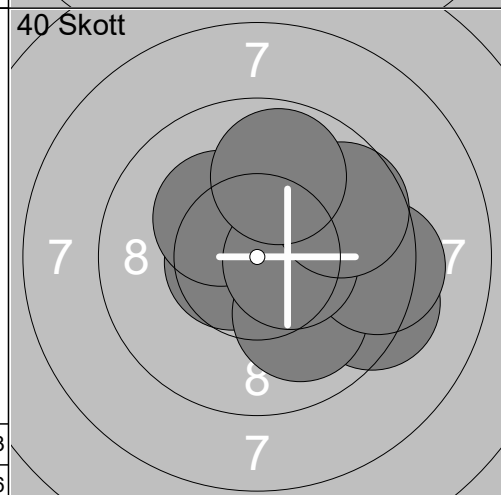
21:	9.8	↓
22:	9.2	↖
23:	9.6	↗
Serie		28.6
Total		0.0



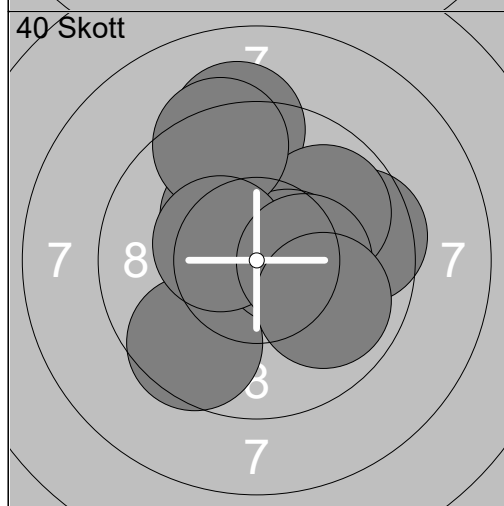
1:	9.5	↗
2:	10.6x	↓
3:	10.2x	↓
4:	9.6	↑
5:	10.1	↓
6:	10.8x	↓
7:	9.5	↑
8:	9.4	→
9:	10.7x	→
10:	10.9x	↓
Serie		101.3
Total		101.3



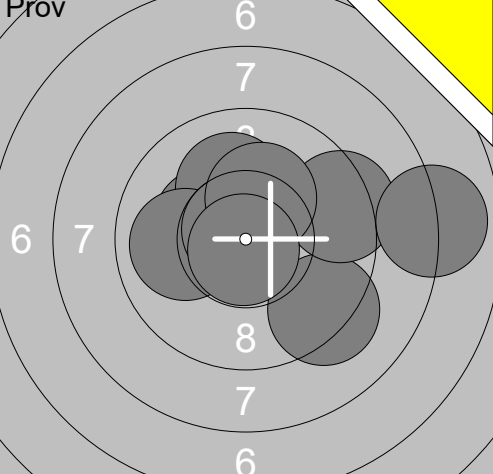
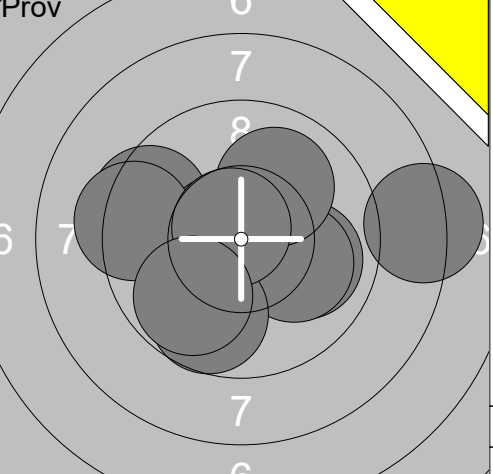
11:	10.2x	↙
12:	10.2x	↙
13:	9.5	↙
14:	9.8	↙
15:	9.9	→
16:	9.6	→
17:	9.6	→
18:	10.6x	↘
19:	8.9	↗
20:	9.0	↗
Serie		97.3
Total		198.6

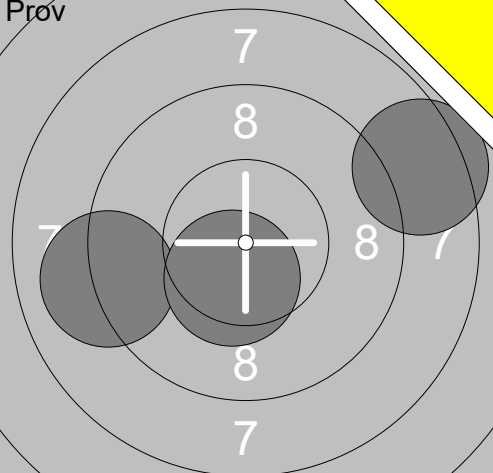
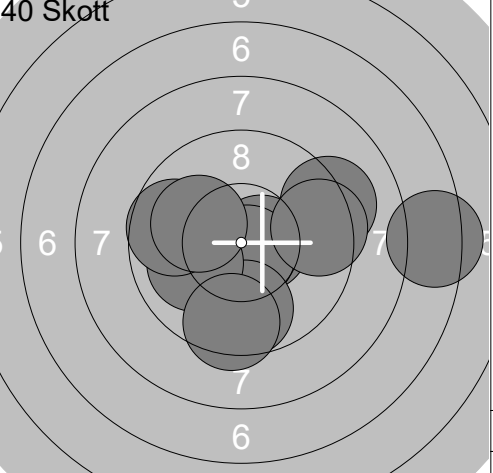


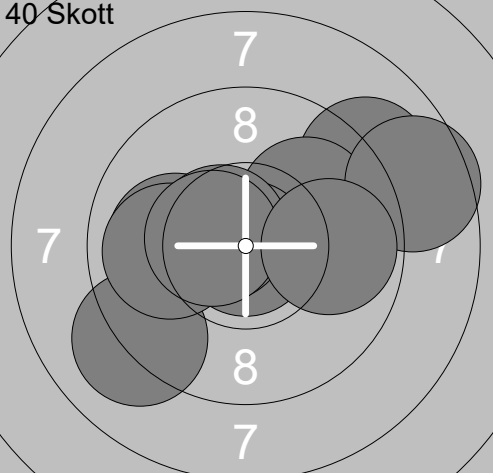
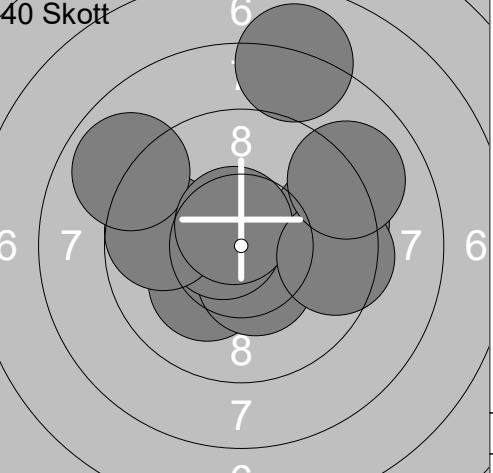
21:	10.2x	↗
22:	10.5x	↗
23:	9.3	↘
24:	10.6x	←
25:	10.0	↓
26:	10.3x	↗
27:	9.4	→
28:	10.5x	→
29:	9.7	↗
30:	9.9	↑
Serie		100.4
Total		299.0

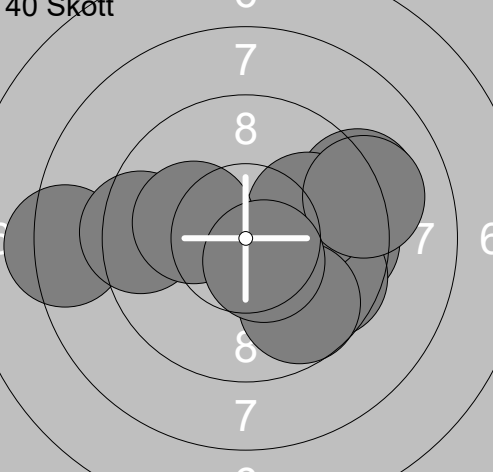


31:	10.3x	↗
32:	9.2	↑
33:	9.6	→
34:	9.6	↙
35:	9.9	↗
36:	10.5x	→
37:	9.4	↑
38:	10.4x	↖
39:	10.3x	→
40:	9.9	↘
Serie		99.1
Total		398.1

	<table border="1" style="width:100%; border-collapse: collapse;"> <tr><td>1:</td><td>10.3x</td><td>↖</td></tr> <tr><td>2:</td><td>10.1</td><td>↑</td></tr> <tr><td>3:</td><td>10.4x</td><td>↗</td></tr> <tr><td>4:</td><td>10.0</td><td>←</td></tr> <tr><td>5:</td><td>10.7x</td><td>↗</td></tr> <tr><td>6:</td><td>9.3</td><td>↘</td></tr> <tr><td>7:</td><td>9.3</td><td>→</td></tr> <tr><td>8:</td><td>10.3x</td><td>↗</td></tr> <tr><td>9:</td><td>8.0</td><td>→</td></tr> <tr><td>10:</td><td>10.8x</td><td>↘</td></tr> <tr><td colspan="2">Serie</td><td>99.2</td></tr> <tr><td colspan="2">Total</td><td>0.0</td></tr> </table>	1:	10.3x	↖	2:	10.1	↑	3:	10.4x	↗	4:	10.0	←	5:	10.7x	↗	6:	9.3	↘	7:	9.3	→	8:	10.3x	↗	9:	8.0	→	10:	10.8x	↘	Serie		99.2	Total		0.0		<table border="1" style="width:100%; border-collapse: collapse;"> <tr><td>11:</td><td>10.0</td><td>→</td></tr> <tr><td>12:</td><td>10.1</td><td>→</td></tr> <tr><td>13:</td><td>9.5</td><td>↖</td></tr> <tr><td>14:</td><td>10.6x</td><td>←</td></tr> <tr><td>15:</td><td>9.3</td><td>↖</td></tr> <tr><td>16:</td><td>10.0</td><td>↗</td></tr> <tr><td>17:</td><td>9.7</td><td>↘</td></tr> <tr><td>18:</td><td>10.7x</td><td>↖</td></tr> <tr><td>19:</td><td>9.8</td><td>↘</td></tr> <tr><td>20:</td><td>8.2</td><td>→</td></tr> <tr><td colspan="2">Serie</td><td>97.9</td></tr> <tr><td colspan="2">Total</td><td>0.0</td></tr> </table>	11:	10.0	→	12:	10.1	→	13:	9.5	↖	14:	10.6x	←	15:	9.3	↖	16:	10.0	↗	17:	9.7	↘	18:	10.7x	↖	19:	9.8	↘	20:	8.2	→	Serie		97.9	Total		0.0
1:	10.3x	↖																																																																									
2:	10.1	↑																																																																									
3:	10.4x	↗																																																																									
4:	10.0	←																																																																									
5:	10.7x	↗																																																																									
6:	9.3	↘																																																																									
7:	9.3	→																																																																									
8:	10.3x	↗																																																																									
9:	8.0	→																																																																									
10:	10.8x	↘																																																																									
Serie		99.2																																																																									
Total		0.0																																																																									
11:	10.0	→																																																																									
12:	10.1	→																																																																									
13:	9.5	↖																																																																									
14:	10.6x	←																																																																									
15:	9.3	↖																																																																									
16:	10.0	↗																																																																									
17:	9.7	↘																																																																									
18:	10.7x	↖																																																																									
19:	9.8	↘																																																																									
20:	8.2	→																																																																									
Serie		97.9																																																																									
Total		0.0																																																																									

	<table border="1" style="width:100%; border-collapse: collapse;"> <tr><td>21:</td><td>8.4</td><td>→</td></tr> <tr><td>22:</td><td>9.1</td><td>←</td></tr> <tr><td>23:</td><td>10.4x</td><td>↘</td></tr> <tr><td colspan="2">Serie</td><td>27.9</td></tr> <tr><td colspan="2">Total</td><td>0.0</td></tr> </table>	21:	8.4	→	22:	9.1	←	23:	10.4x	↘	Serie		27.9	Total		0.0	<p style="text-align:center;">40 Skott</p> 	<table border="1" style="width:100%; border-collapse: collapse;"> <tr><td>1:</td><td>10.6x</td><td>→</td></tr> <tr><td>2:</td><td>10.7x</td><td>↘</td></tr> <tr><td>3:</td><td>9.7</td><td>↓</td></tr> <tr><td>4:</td><td>10.0</td><td>←</td></tr> <tr><td>5:</td><td>9.5</td><td>↓</td></tr> <tr><td>6:</td><td>9.2</td><td>↗</td></tr> <tr><td>7:</td><td>9.7</td><td>←</td></tr> <tr><td>8:</td><td>7.3</td><td>→</td></tr> <tr><td>9:</td><td>9.5</td><td>→</td></tr> <tr><td>10:</td><td>10.1</td><td>↖</td></tr> <tr><td colspan="2">Serie</td><td>96.3</td></tr> <tr><td colspan="2">Total</td><td>96.3</td></tr> </table>	1:	10.6x	→	2:	10.7x	↘	3:	9.7	↓	4:	10.0	←	5:	9.5	↓	6:	9.2	↗	7:	9.7	←	8:	7.3	→	9:	9.5	→	10:	10.1	↖	Serie		96.3	Total		96.3
21:	8.4	→																																																				
22:	9.1	←																																																				
23:	10.4x	↘																																																				
Serie		27.9																																																				
Total		0.0																																																				
1:	10.6x	→																																																				
2:	10.7x	↘																																																				
3:	9.7	↓																																																				
4:	10.0	←																																																				
5:	9.5	↓																																																				
6:	9.2	↗																																																				
7:	9.7	←																																																				
8:	7.3	→																																																				
9:	9.5	→																																																				
10:	10.1	↖																																																				
Serie		96.3																																																				
Total		96.3																																																				

<p style="text-align:center;">40 Skott</p> 	<table border="1" style="width:100%; border-collapse: collapse;"> <tr><td>11:</td><td>9.0</td><td>↗</td></tr> <tr><td>12:</td><td>10.0</td><td>←</td></tr> <tr><td>13:</td><td>9.1</td><td>↘</td></tr> <tr><td>14:</td><td>9.9</td><td>←</td></tr> <tr><td>15:</td><td>10.0</td><td>↗</td></tr> <tr><td>16:</td><td>10.9x</td><td>↓</td></tr> <tr><td>17:</td><td>10.6x</td><td>↖</td></tr> <tr><td>18:</td><td>8.6</td><td>→</td></tr> <tr><td>19:</td><td>10.5x</td><td>←</td></tr> <tr><td>20:</td><td>9.8</td><td>→</td></tr> <tr><td colspan="2">Serie</td><td>98.4</td></tr> <tr><td colspan="2">Total</td><td>194.7</td></tr> </table>	11:	9.0	↗	12:	10.0	←	13:	9.1	↘	14:	9.9	←	15:	10.0	↗	16:	10.9x	↓	17:	10.6x	↖	18:	8.6	→	19:	10.5x	←	20:	9.8	→	Serie		98.4	Total		194.7	<p style="text-align:center;">40 Skott</p> 	<table border="1" style="width:100%; border-collapse: collapse;"> <tr><td>21:</td><td>10.2x</td><td>↘</td></tr> <tr><td>22:</td><td>8.0</td><td>↑</td></tr> <tr><td>23:</td><td>10.4x</td><td>↘</td></tr> <tr><td>24:</td><td>10.7x</td><td>←</td></tr> <tr><td>25:</td><td>9.7</td><td>←</td></tr> <tr><td>26:</td><td>8.9</td><td>↖</td></tr> <tr><td>27:</td><td>9.5</td><td>→</td></tr> <tr><td>28:</td><td>10.6x</td><td>↗</td></tr> <tr><td>29:</td><td>9.5</td><td>→</td></tr> <tr><td>30:</td><td>9.1</td><td>↗</td></tr> <tr><td colspan="2">Serie</td><td>96.6</td></tr> <tr><td colspan="2">Total</td><td>291.3</td></tr> </table>	21:	10.2x	↘	22:	8.0	↑	23:	10.4x	↘	24:	10.7x	←	25:	9.7	←	26:	8.9	↖	27:	9.5	→	28:	10.6x	↗	29:	9.5	→	30:	9.1	↗	Serie		96.6	Total		291.3
11:	9.0	↗																																																																									
12:	10.0	←																																																																									
13:	9.1	↘																																																																									
14:	9.9	←																																																																									
15:	10.0	↗																																																																									
16:	10.9x	↓																																																																									
17:	10.6x	↖																																																																									
18:	8.6	→																																																																									
19:	10.5x	←																																																																									
20:	9.8	→																																																																									
Serie		98.4																																																																									
Total		194.7																																																																									
21:	10.2x	↘																																																																									
22:	8.0	↑																																																																									
23:	10.4x	↘																																																																									
24:	10.7x	←																																																																									
25:	9.7	←																																																																									
26:	8.9	↖																																																																									
27:	9.5	→																																																																									
28:	10.6x	↗																																																																									
29:	9.5	→																																																																									
30:	9.1	↗																																																																									
Serie		96.6																																																																									
Total		291.3																																																																									

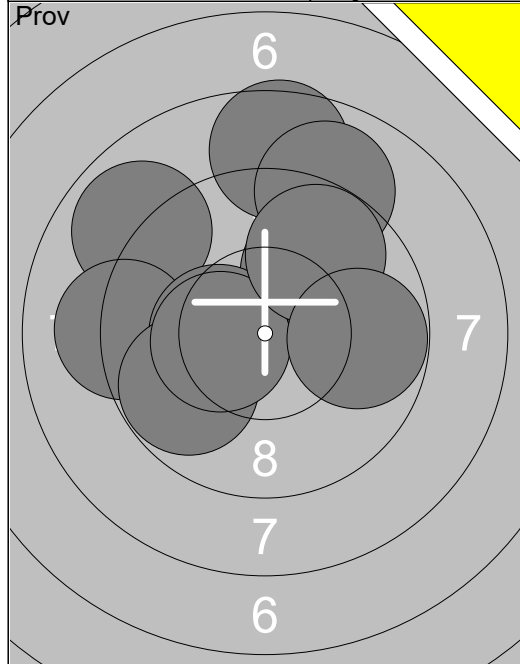
<p style="text-align:center;">40 Skott</p> 	<table border="1" style="width:100%; border-collapse: collapse;"> <tr><td>31:</td><td>9.2</td><td>→</td></tr> <tr><td>32:</td><td>9.6</td><td>→</td></tr> <tr><td>33:</td><td>9.6</td><td>↘</td></tr> <tr><td>34:</td><td>8.3</td><td>←</td></tr> <tr><td>35:</td><td>9.4</td><td>←</td></tr> <tr><td>36:</td><td>10.0</td><td>↗</td></tr> <tr><td>37:</td><td>9.7</td><td>↘</td></tr> <tr><td>38:</td><td>9.1</td><td>→</td></tr> <tr><td>39:</td><td>10.2x</td><td>←</td></tr> <tr><td>40:</td><td>10.5x</td><td>↘</td></tr> <tr><td colspan="2">Serie</td><td>95.6</td></tr> <tr><td colspan="2">Total</td><td>386.9</td></tr> </table>	31:	9.2	→	32:	9.6	→	33:	9.6	↘	34:	8.3	←	35:	9.4	←	36:	10.0	↗	37:	9.7	↘	38:	9.1	→	39:	10.2x	←	40:	10.5x	↘	Serie		95.6	Total		386.9		
31:	9.2	→																																					
32:	9.6	→																																					
33:	9.6	↘																																					
34:	8.3	←																																					
35:	9.4	←																																					
36:	10.0	↗																																					
37:	9.7	↘																																					
38:	9.1	→																																					
39:	10.2x	←																																					
40:	10.5x	↘																																					
Serie		95.6																																					
Total		386.9																																					

<p>Pröv</p>	<p>1: 8.9 ↓ 2: 8.7 ↓ 3: 9.6 ↗ 4: 10.8x → 5: 9.7 ↓ 6: 9.5 ↗ 7: 10.1 ← 8: 9.3 → 9: 9.9 ↓ 10: 9.3 ↑</p>	<p>Pröv</p>	<p>11: 9.3 → 12: 10.8x ↓ 13: 10.2x ↑ 14: 9.6 ↑ 15: 10.0 ↓ 16: 10.6x ↓ 17: 10.2x ↗ 18: 9.8 ↗ 19: 9.8 ↗ 20: 8.8 ↓</p>
Serie 95.8		Serie 99.1	
Total 0.0		Total 0.0	

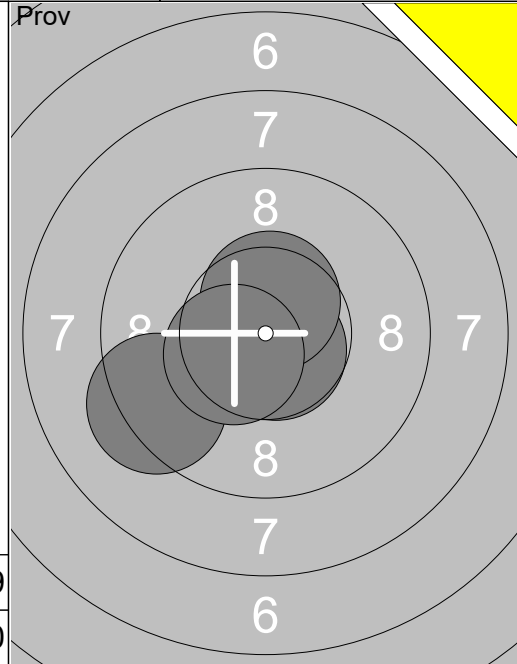
<p>Pröv</p>	<p>21: 9.5 ↑ 22: 10.5x ↓ 23: 9.6 → 24: 10.0 → 25: 10.5x ↑ 26: 10.0 ↑ 27: 10.8x →</p>	<p>40 Skott</p>	<p>1: 8.8 ↓ 2: 9.3 → 3: 10.1 ↓ 4: 10.6x ↓ 5: 10.7x ↗ 6: 10.1 ↓ 7: 10.3x ← 8: 10.5x ↓ 9: 10.2x ↓ 10: 9.6 →</p>
Serie 70.9		Serie 100.2	
Total 0.0		Total 100.2	

<p>40 Skott</p>	<p>11: 9.9 ↓ 12: 10.2x ↑ 13: 10.3x ↗ 14: 10.7x → 15: 10.2x ↓ 16: 10.5x ↙ 17: 8.8 ↑ 18: 9.7 ↓ 19: 9.4 → 20: 9.8 →</p>	<p>40 Skott</p>	<p>21: 9.5 → 22: 10.1 ↑ 23: 9.6 → 24: 10.0 ↓ 25: 10.0 ← 26: 10.5x ↓ 27: 9.6 ↑ 28: 9.5 ↓ 29: 9.5 → 30: 10.5x →</p>
Serie 99.5		Serie 98.8	
Total 199.7		Total 298.5	

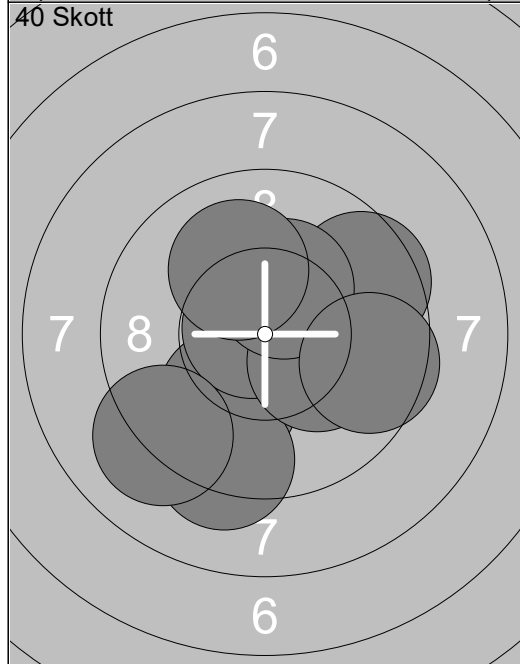
<p>40 Skott</p>	<p>31: 9.6 → 32: 10.7x ↓ 33: 10.7x ↓ 34: 10.3x ↙ 35: 9.9 ↓ 36: 10.3x ↗ 37: 9.9 → 38: 10.1 ↓ 39: 9.7 ↗ 40: 10.7x →</p>		
Serie 101.9			
Total 400.4			



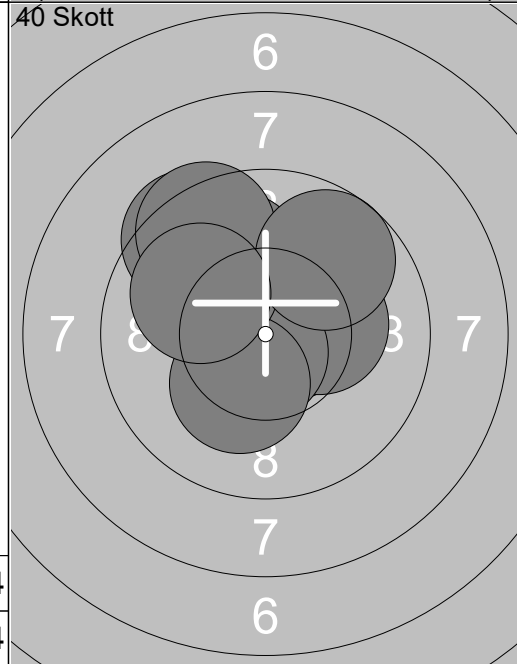
1:	8.6	↑
2:	9.0	↑
3:	10.0	↗
4:	8.9	↖
5:	9.2	←
6:	10.4	✕
7:	9.8	↙
8:	10.4	✕
9:	9.8	↗
10:	9.8	→
Serie		95.9
Total		0.0



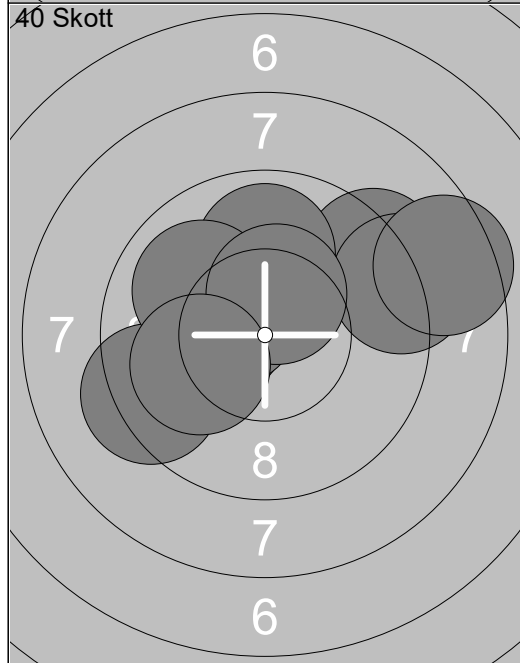
11:	9.3	↙
12:	10.7	✕↘
13:	10.5	↗
14:	10.5	✕↘
Serie		41.0
Total		0.0



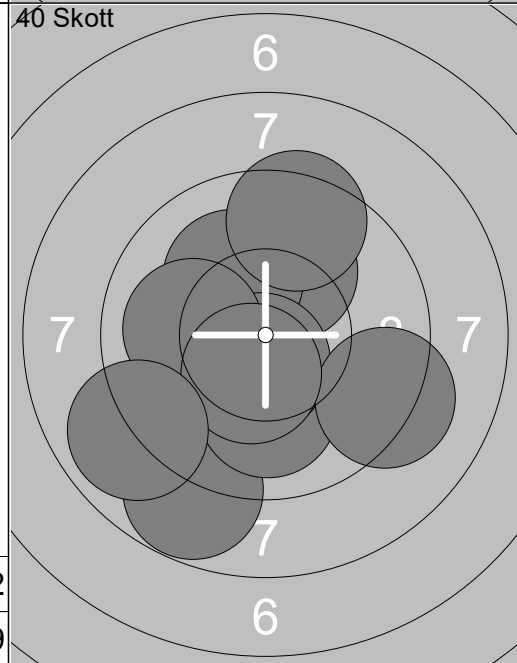
1:	10.4	✕↗
2:	10.0	↘
3:	9.6	↗
4:	9.3	↘
5:	10.8	✕
6:	9.1	↙
7:	10.2	✕↘
8:	10.3	✕↗
9:	9.6	→
10:	10.1	↗
Serie		99.4
Total		99.4



11:	10.7	✕→
12:	10.3	✕→
13:	9.4	↖
14:	9.9	↗
15:	10.7	✕↘
16:	10.2	✕↘
17:	10.0	↖
18:	9.4	↖
19:	9.7	↗
20:	10.0	↖
Serie		100.3
Total		199.7



21:	9.3	↗
22:	9.9	↑
23:	9.3	↙
24:	10.3	✕
25:	10.4	✕
26:	9.1	↗
27:	8.5	↗
28:	10.0	↖
29:	10.4	✕↗
30:	10.0	↙
Serie		97.2
Total		296.9

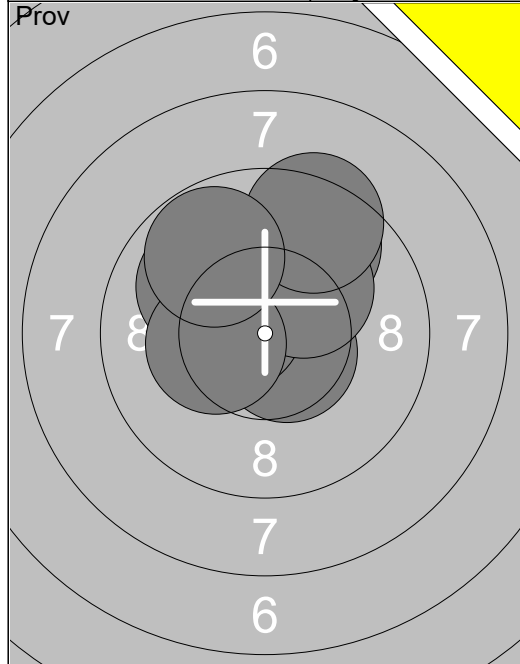


31:	8.8	↘
32:	10.1	↗
33:	10.0	↘
34:	10.1	↖
35:	10.6	✕↘
36:	10.0	←
37:	9.2	↗
38:	10.4	✕↘
39:	9.4	↗
40:	8.9	↙
Serie		97.5
Total		394.4

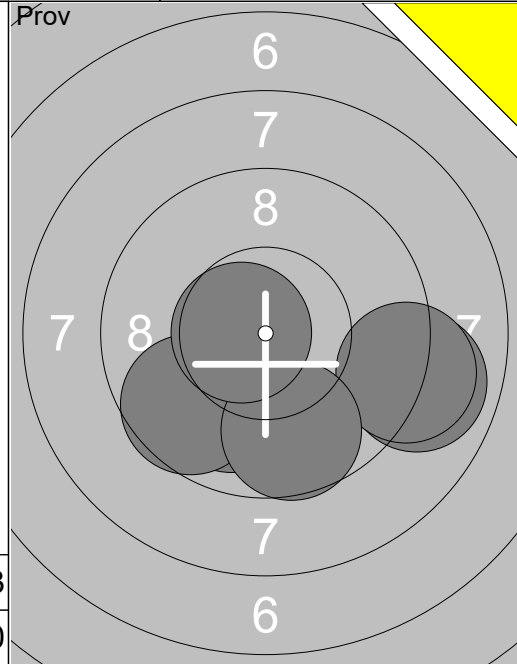
<p>Prov</p>	<p>1: 8.7 →</p> <p>2: 9.1 →</p> <p>3: 10.5x↑</p> <p>4: 9.7 ↑</p> <p>5: 10.5x↔</p> <p>6: 9.2 ←</p> <p>7: 9.6 ↑</p> <p>8: 10.6x↖</p> <p>9: 9.4 ↑</p> <p>10: 10.1 ↖</p>	<p>Prov</p>	<p>11: 10.3x↖</p>
Serie 97.4		Serie 10.3	
Total 0.0		Total 0.0	

<p>40 Skott</p>	<p>1: 10.7x↔</p> <p>2: 9.7 ↓</p> <p>3: 10.7x↗</p> <p>4: 8.5 ←</p> <p>5: 10.4x↖</p> <p>6: 9.8 ←</p> <p>7: 10.3x↔</p> <p>8: 10.5x↖</p> <p>9: 9.5 ↗</p> <p>10: 10.0 →</p>	<p>40 Skott</p>	<p>11: 10.3x↖</p> <p>12: 10.6x↖</p> <p>13: 10.0 ←</p> <p>14: 10.3x↔</p> <p>15: 9.9 ←</p> <p>16: 10.3x↗</p> <p>17: 9.5 →</p> <p>18: 10.0 →</p> <p>19: 10.2x↖</p> <p>20: 10.3x↗</p>
Serie 100.1		Serie 101.4	
Total 100.1		Total 201.5	

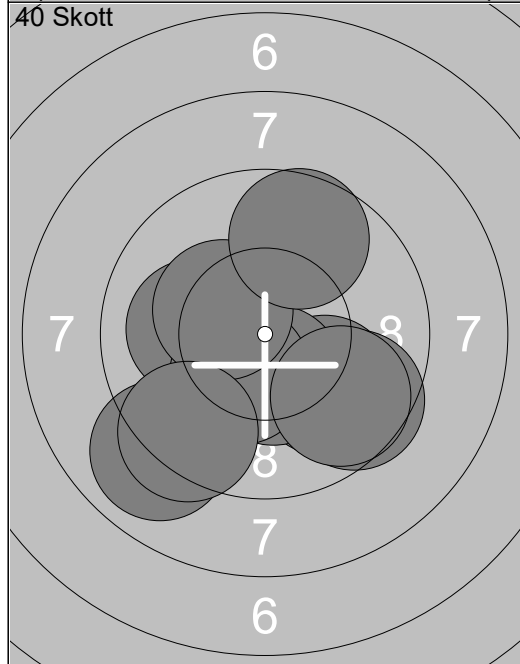
<p>40 Skott</p>	<p>21: 9.9 →</p> <p>22: 8.3 ←</p> <p>23: 10.5x↖</p> <p>24: 10.3x↑</p> <p>25: 10.7x↗</p> <p>26: 10.4x↔</p> <p>27: 9.1 ↗</p> <p>28: 8.9 ↖</p> <p>29: 10.0 →</p> <p>30: 9.3 ←</p>	<p>40 Skott</p>	<p>31: 10.5x↗</p> <p>32: 10.2x↗</p> <p>33: 9.2 →</p> <p>34: 10.8x↖</p> <p>35: 9.6 ↘</p> <p>36: 10.2x↗</p> <p>37: 9.7 →</p> <p>38: 9.6 ↖</p> <p>39: 9.0 ↘</p> <p>40: 9.0 ←</p>
Serie 97.4		Serie 97.8	
Total 298.9		Total 396.7	



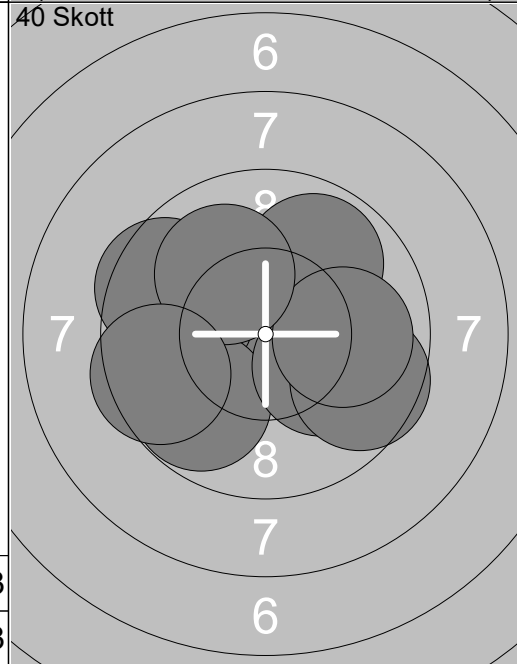
1:	9.9 ↖
2:	10.9 ✕
3:	10.0 ↙
4:	9.7 ↗
5:	10.6 ✕
6:	10.5 ✕
7:	10.2 ✕
8:	10.3 ✕
9:	9.4 ↗
10:	9.8 ↖
Serie 101.3	
Total 0.0	



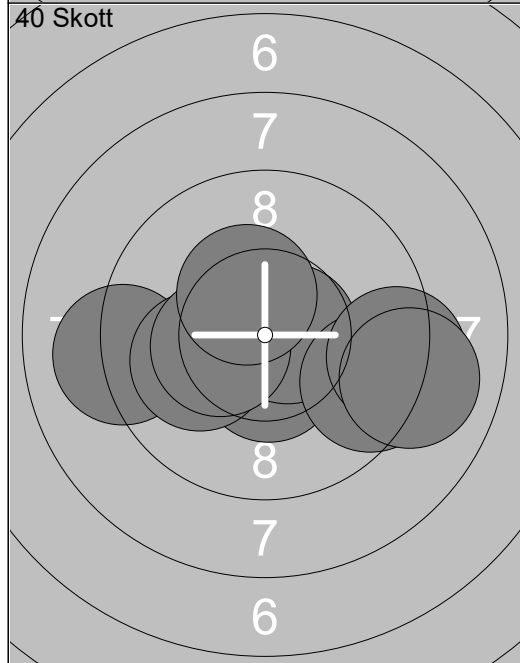
11:	8.9 ➡
12:	9.1 ➡
13:	10.0 ↙
14:	9.6 ↙
15:	9.7 ↘
16:	10.6 ✕
Serie 57.9	
Total 0.0	



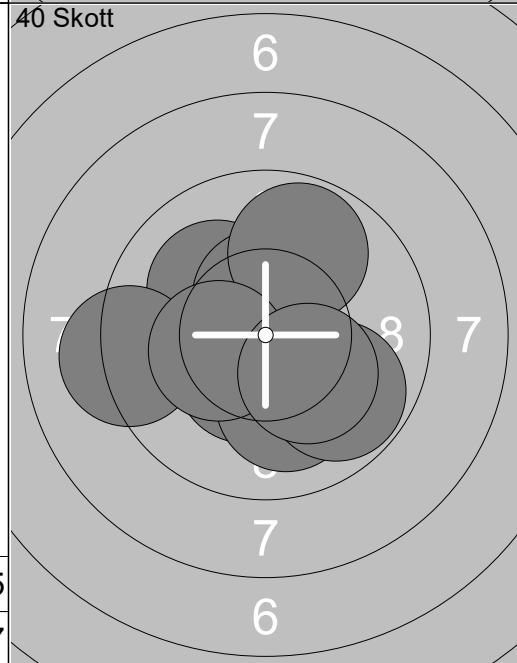
1:	9.9 ↘
2:	10.4 ✕
3:	9.5 ↘
4:	10.1 ←
5:	10.4 ✕
6:	10.3 ✕
7:	9.7 ↗
8:	9.7 ↘
9:	8.9 ↘
10:	9.4 ↘
Serie 98.3	
Total 98.3	



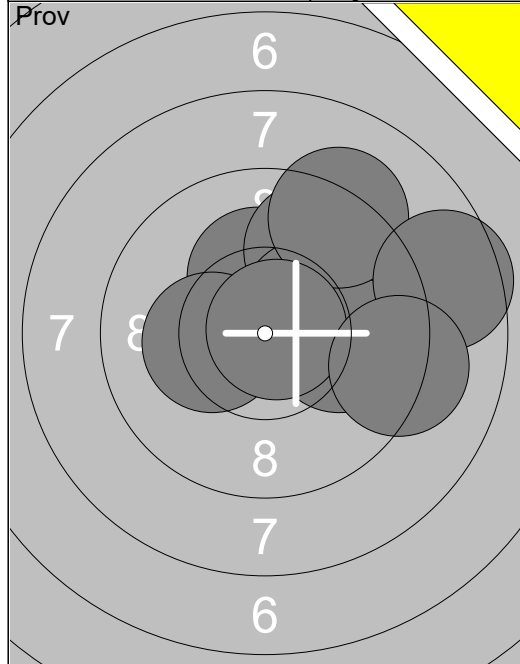
11:	10.6 ✕
12:	9.9 ←
13:	9.5 ↙
14:	9.8 ↙
15:	9.9 ↗
16:	10.1 ➡
17:	9.6 ➡
18:	10.0 ➡
19:	10.0 ↖
20:	9.5 ←
Serie 98.9	
Total 197.2	



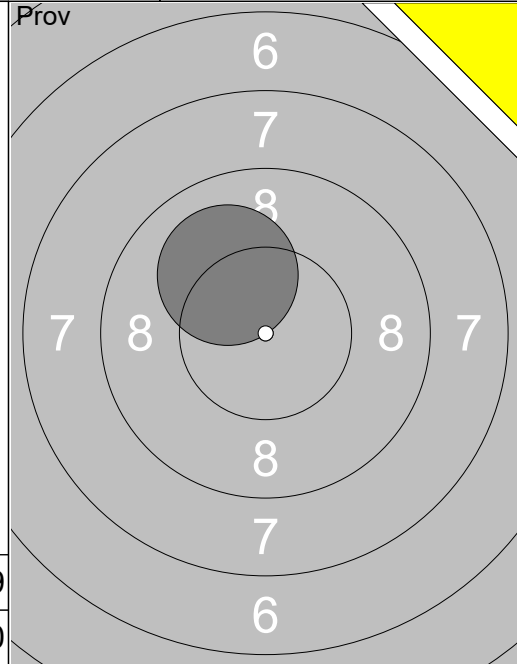
21:	10.5 ✕
22:	9.1 ←
23:	10.1 ←
24:	10.6 ✕
25:	10.7 ✕
26:	9.5 ➡
27:	9.2 ➡
28:	10.4 ✕
29:	9.0 ➡
30:	10.4 ✕
Serie 99.5	
Total 296.7	



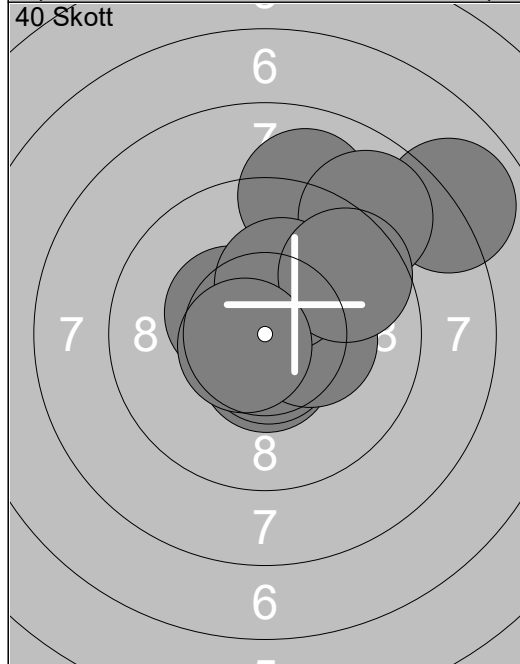
31:	10.1 ↖
32:	10.7 ✕
33:	10.4 ✕
34:	9.2 ←
35:	10.1 ↘
36:	10.5 ✕
37:	9.8 ↗
38:	10.3 ✕
39:	9.8 ↘
40:	10.2 ✕
Serie 101.1	
Total 397.8	



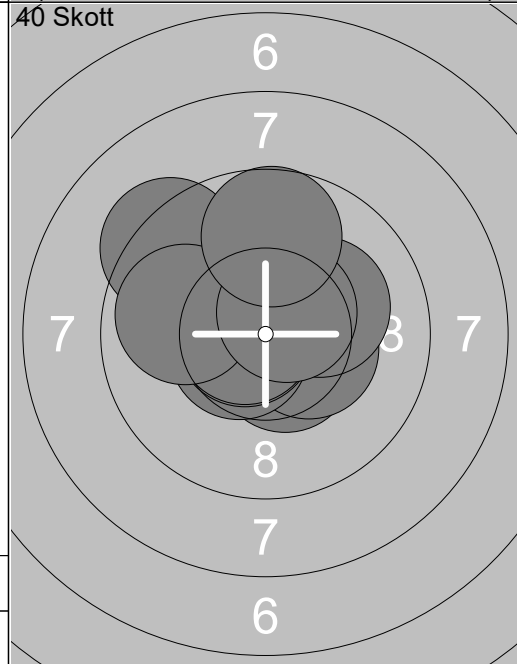
1:	10.6x➤
2:	10.2x⤴
3:	10.3x✖
4:	9.7 ⤴
5:	10.3x➤
6:	10.0 ➤
7:	9.2 ⤴
8:	10.8x➤
9:	8.6 ➤
10:	9.2 ➤
Serie 98.9	
Total 0.0	



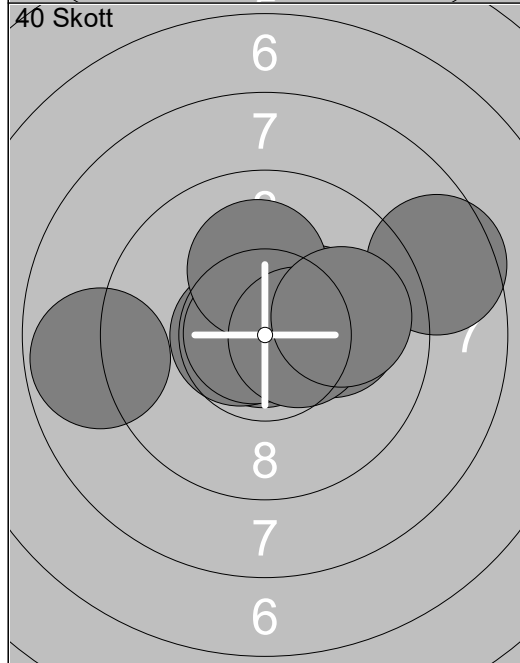
11:	10.1 ↖
Serie 10.1	
Total 0.0	



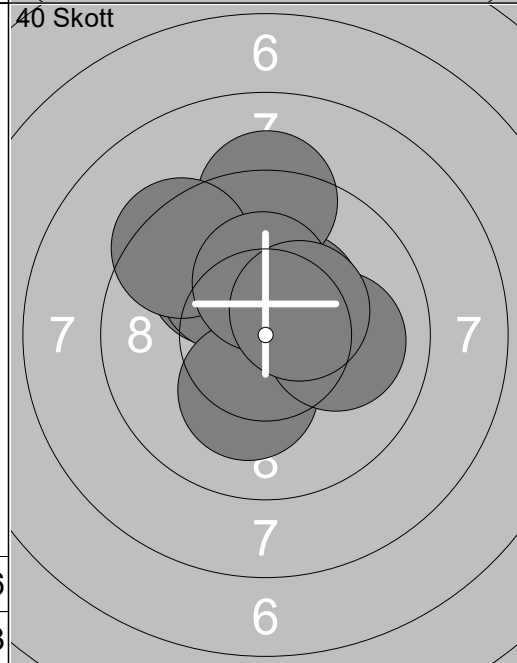
1:	10.5x↓
2:	10.4x✖
3:	10.6x↓
4:	10.3x➤
5:	7.9 ⤴
6:	9.0 ⤴
7:	8.9 ⤴
8:	10.3x⤴
9:	9.6 ⤴
10:	10.6x✖
Serie 98.1	
Total 98.1	



11:	10.5x↓
12:	10.4x➤
13:	10.6x✖
14:	10.7x✖
15:	10.7x✖
16:	9.3 ↖
17:	9.9 ←
18:	10.2x➤
19:	10.6x⤴
20:	9.7 ⤴
Serie 102.6	
Total 200.7	



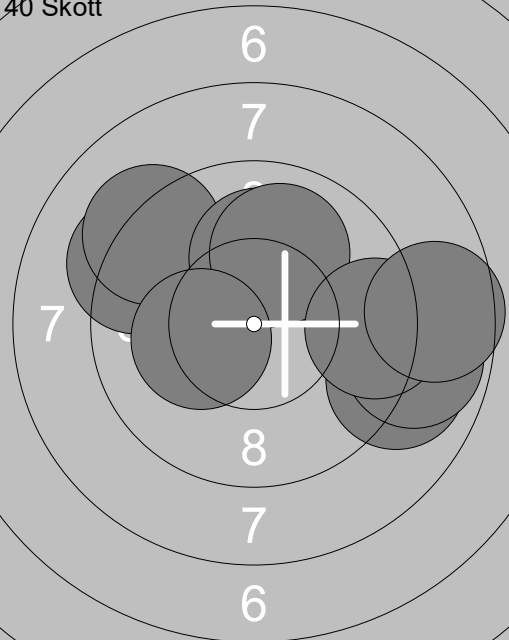
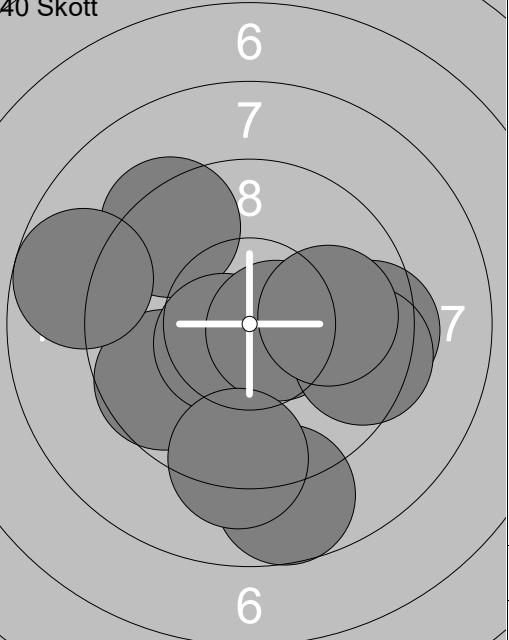
21:	8.6 ➤
22:	10.9x✖
23:	10.1 ➤
24:	10.6x✖
25:	10.3x➤
26:	10.8x✖
27:	10.1 ⤴
28:	10.5x➤
29:	9.9 ➤
30:	8.8 ←
Serie 100.6	
Total 301.3	

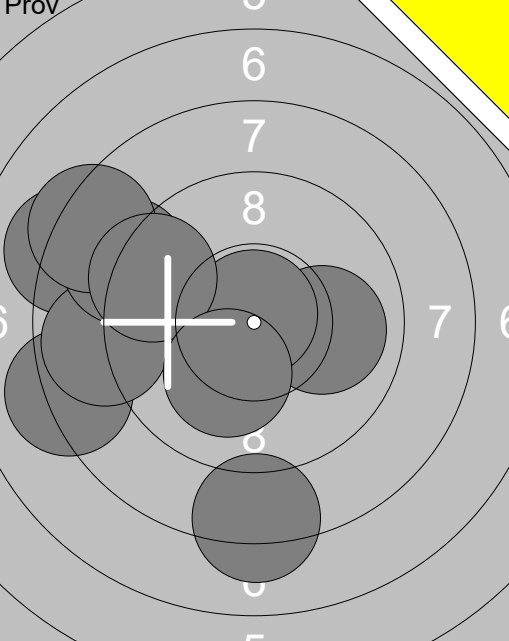
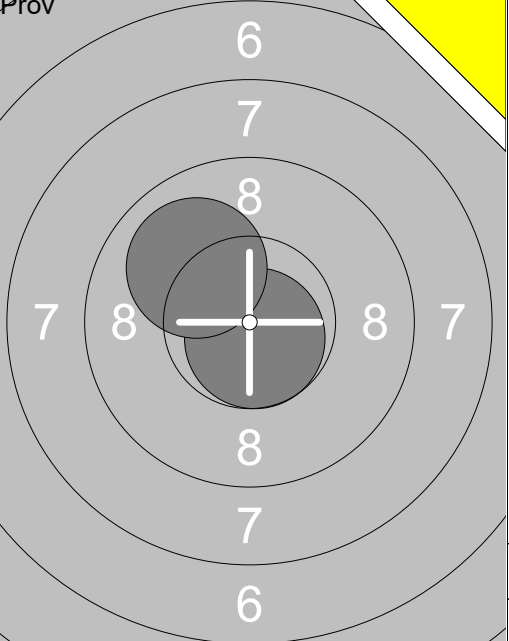


31:	10.0 ↖
32:	10.4x➤
33:	10.4x⤴
34:	10.1 ↖
35:	10.2x↓
36:	10.0 ➤
37:	9.2 ⤴
38:	9.4 ↖
39:	10.3x⤴
40:	10.4x➤
Serie 100.4	
Total 401.7	

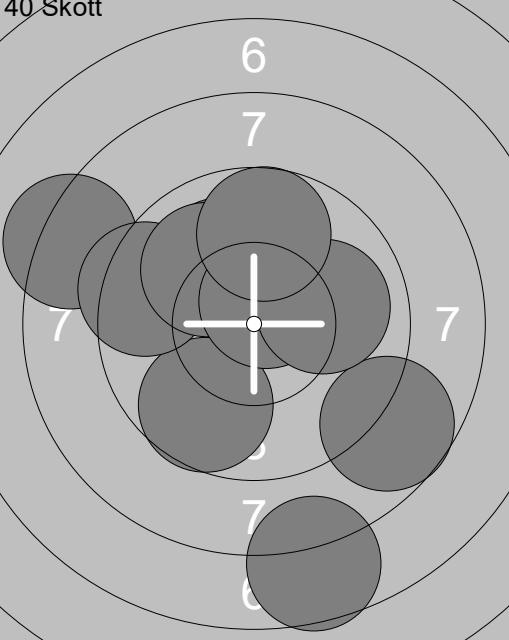
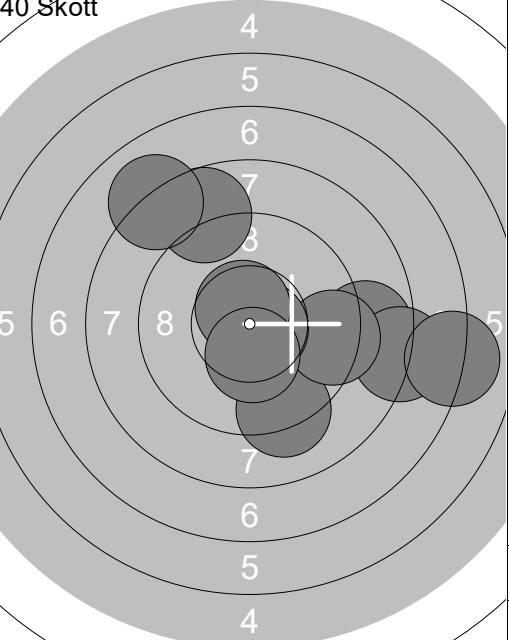
 <p>Prov</p>	<p>1: 8.9 →</p> <p>2: 8.2 →</p> <p>3: 8.5 ←</p> <p>4: 8.6 →</p> <p>5: 8.7 →</p> <p>6: 9.3 ↑</p> <p>7: 9.9 ↑</p> <p>8: 8.2 ←</p> <p>9: 10.4x ↘</p> <p>10: 9.8 ↓</p>	 <p>Prov</p>	<p>11: 10.3x ↘</p> <p>12: 9.7 →</p> <p>13: 9.1 ←</p>
Serie 90.5		Serie 29.1	
Total 0.0		Total 0.0	

 <p>40 Skott</p>	<p>1: 9.8 ↓</p> <p>2: 9.1 ←</p> <p>3: 10.5x ↘</p> <p>4: 10.3x ↘</p> <p>5: 10.3x ↘</p> <p>6: 8.3 →</p> <p>7: 9.2 ↖</p> <p>8: 10.3x ↗</p> <p>9: 10.8x →</p> <p>10: 9.9 ↗</p>	 <p>40 Skott</p>	<p>11: 9.3 →</p> <p>12: 9.1 ←</p> <p>13: 7.9 →</p> <p>14: 10.5x ↘</p> <p>15: 9.8 ↙</p> <p>16: 10.4x ↗</p> <p>17: 8.5 →</p> <p>18: 9.1 ↖</p> <p>19: 8.6 ↗</p> <p>20: 7.9 ←</p>
Serie 98.5		Serie 91.1	
Total 98.5		Total 189.6	

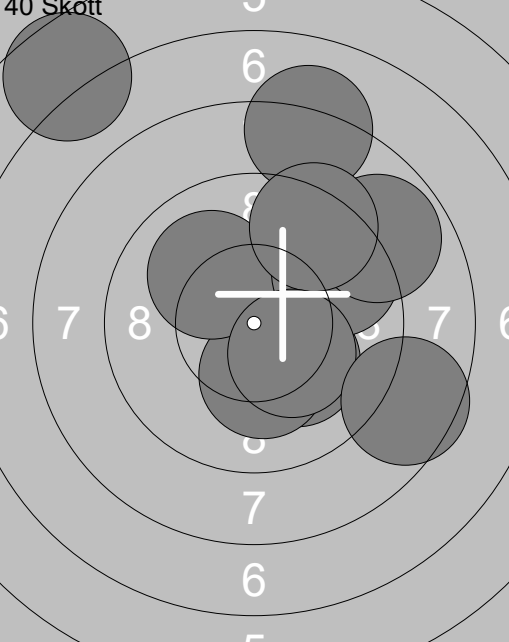
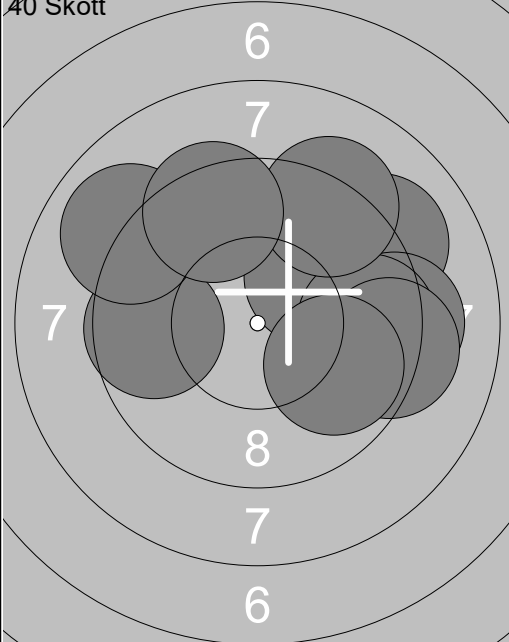
 <p>40 Skott</p>	<p>21: 9.0 →</p> <p>22: 10.0 ↑</p> <p>23: 9.2 ↖</p> <p>24: 9.2 ↖</p> <p>25: 10.1 ↑</p> <p>26: 8.8 →</p> <p>27: 10.0 ↑</p> <p>28: 10.2x ↘</p> <p>29: 9.4 →</p> <p>30: 8.6 →</p>	 <p>40 Skott</p>	<p>31: 9.6 ↙</p> <p>32: 8.7 ↓</p> <p>33: 9.4 ↖</p> <p>34: 10.5x ↘</p> <p>35: 10.6x →</p> <p>36: 8.7 ←</p> <p>37: 9.2 ↓</p> <p>38: 9.4 →</p> <p>39: 9.4 →</p> <p>40: 9.9 →</p>
Serie 94.5		Serie 95.4	
Total 284.1		Total 379.5	

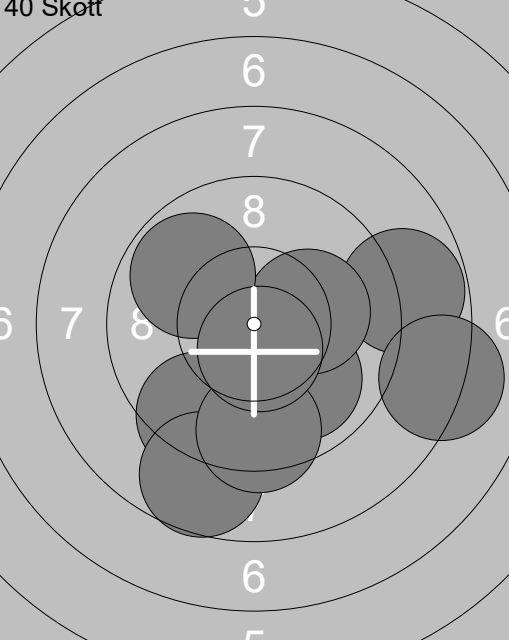
 <p>Prov</p>	<p>1: 10.0 →</p> <p>2: 8.2 ←</p> <p>3: 10.8x ↑</p> <p>4: 8.2 ←</p> <p>5: 8.8 ←</p> <p>6: 9.0 ←</p> <p>7: 8.3 ←</p> <p>8: 8.2 ↓</p> <p>9: 9.4 ←</p> <p>10: 10.1 ↓</p>	 <p>Prov</p>	<p>11: 10.7x ↓</p> <p>12: 10.0 ↖</p>
Serie 91.0		Serie 20.7	
Total 0.0		Total 0.0	

 <p>40 Skott</p>	<p>1: 9.2 ←</p> <p>2: 9.8 ←</p> <p>3: 10.1 ←</p> <p>4: 8.9 ↑</p> <p>5: 7.0 →</p> <p>6: 9.0 →</p> <p>7: 9.1 ↓</p> <p>8: 10.2x ↑</p> <p>9: 8.4 →</p> <p>10: 9.0 ↓</p>	 <p>40 Skott</p>	<p>11: 7.2 →</p> <p>12: 10.1 →</p> <p>13: 7.8 ↓</p> <p>14: 10.6x ↘</p> <p>15: 8.6 →</p> <p>16: 8.4 →</p> <p>17: 7.9 ↓</p> <p>18: 9.7 ↓</p> <p>19: 8.9 ↓</p> <p>20: 9.7 ←</p>
Serie 90.7		Serie 88.9	
Total 90.7		Total 179.6	

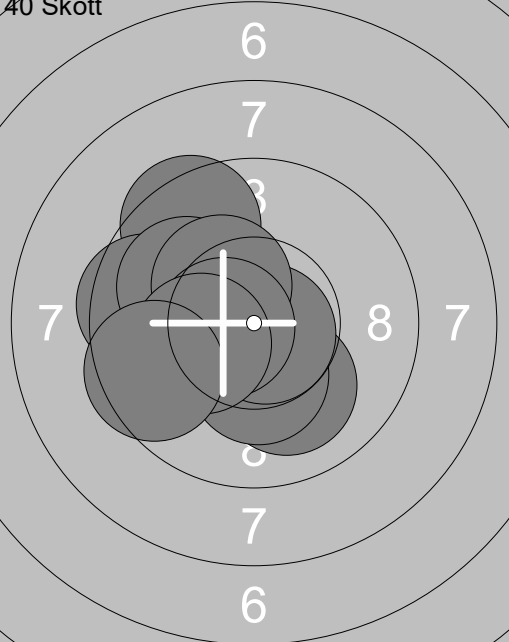
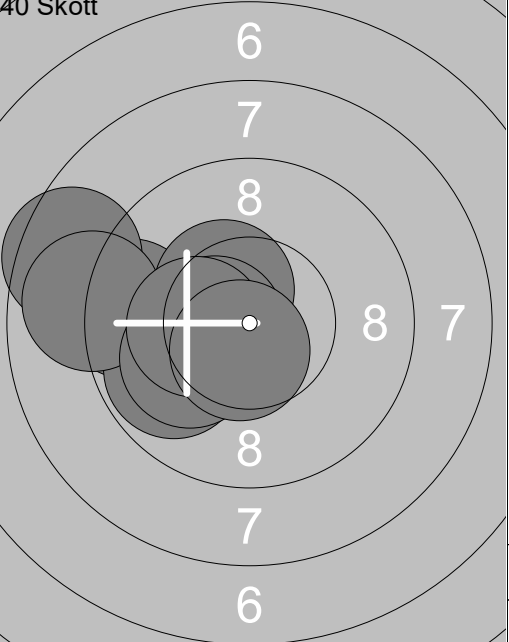
 <p>40 Skott</p>	<p>21: 7.6 ↓</p> <p>22: 10.0 ↖</p> <p>23: 8.3 ←</p> <p>24: 9.7 ↓</p> <p>25: 9.4 ←</p> <p>26: 10.0 ↖</p> <p>27: 10.6x ↗</p> <p>28: 8.7 ↘</p> <p>29: 10.0 →</p> <p>30: 9.7 ↑</p>	 <p>40 Skott</p>	<p>31: 9.2 ↓</p> <p>32: 8.8 →</p> <p>33: 8.0 →</p> <p>34: 9.4 →</p> <p>35: 10.7x ↗</p> <p>36: 8.7 ↑</p> <p>37: 10.6x ↗</p> <p>38: 7.1 →</p> <p>39: 8.1 ↖</p> <p>40: 10.4x ↓</p>
Serie 94.0		Serie 91.0	
Total 273.6		Total 364.6	

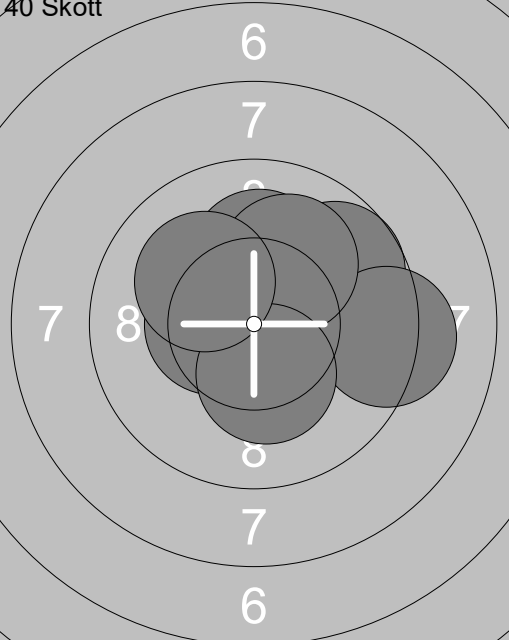
<p>Prov</p> 	<p>1: 9.3 ↑</p> <p>2: 9.1 →</p> <p>3: 10.9x↖</p> <p>4: 7.4 ↘</p> <p>5: 8.9 ↘</p> <p>6: 10.1↙</p> <p>7: 10.0→</p> <p>8: 9.6 ↙</p> <p>9: 9.2 ↗</p> <p>10: 9.4 ↑</p>	<p>40 Skott</p> 	<p>1: 10.7x↖</p> <p>2: 8.4 ↘</p> <p>3: 8.5 →</p> <p>4: 10.3x↘</p> <p>5: 10.7x↙</p> <p>6: 9.2 ↗</p> <p>7: 7.1 →</p> <p>8: 8.9 →</p> <p>9: 9.5 ↓</p> <p>10: 9.6 →</p>
Serie 93.9		Serie 92.9	
Total 0.0		Total 92.9	

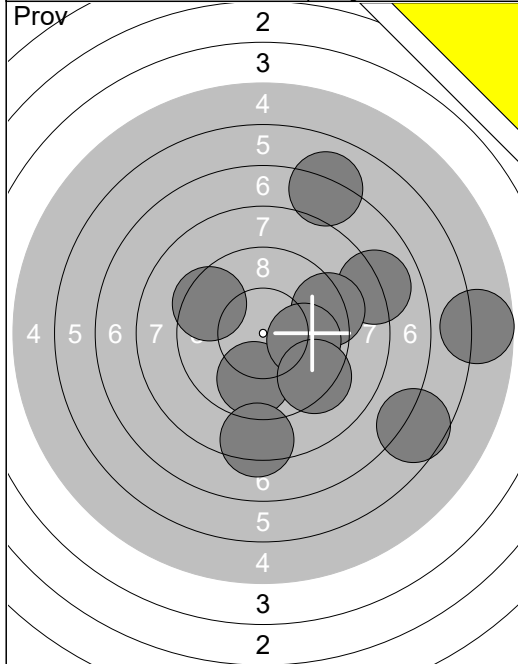
<p>40 Skott</p> 	<p>11: 10.1 ↘</p> <p>12: 10.2x↘</p> <p>13: 10.0 ↖</p> <p>14: 6.6 ↖</p> <p>15: 9.6 ↗</p> <p>16: 8.1 ↑</p> <p>17: 8.9 ↗</p> <p>18: 9.4 ↗</p> <p>19: 10.3x↘</p> <p>20: 8.6 →</p>	<p>40 Skott</p> 	<p>21: 9.1 ↗</p> <p>22: 10.0 ↗</p> <p>23: 9.2 →</p> <p>24: 9.5 →</p> <p>25: 9.2 →</p> <p>26: 9.8 ↘</p> <p>27: 9.6 ←</p> <p>28: 9.2 ↗</p> <p>29: 9.0 ↖</p> <p>30: 9.4 ↖</p>
Serie 91.8		Serie 94.0	
Total 184.7		Total 278.7	

<p>40 Skott</p> 	<p>31: 9.9 ↘</p> <p>32: 8.8 →</p> <p>33: 9.7 ↘</p> <p>34: 10.2x→</p> <p>35: 9.4 ↘</p> <p>36: 8.7 ↘</p> <p>37: 9.8 ↖</p> <p>38: 8.2 →</p> <p>39: 9.4 ↓</p> <p>40: 10.6x↘</p>		
Serie 94.7			
Total 373.4			

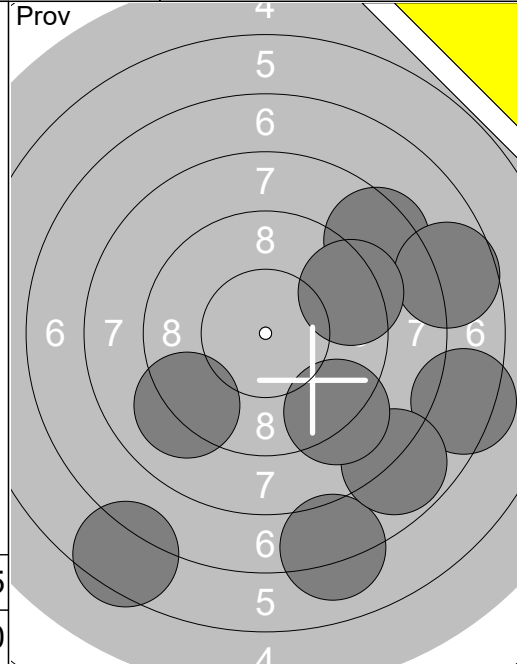
Prov 	1: 8.9 ↓ 2: 9.7 ↓ 3: 8.2 ↓ 4: 8.0 ↓ 5: 10.3✕ 6: 7.8 ← 7: 8.8 ← 8: 9.1 ↓ 9: 9.9 ↓	40 Skott 		1: 9.2 ↓ 2: 8.9 ← 3: 8.8 ← 4: 10.3✕↓ 5: 10.7✕→ 6: 10.1← 7: 9.4 ↓ 8: 10.0→ 9: 10.2✕↓ 10: 9.5 ↖
Serie 80.7				Serie 97.1
Total 0.0				Total 97.1

40 Skott 	11: 10.1 ↓ 12: 10.3✕↓ 13: 9.5 ↗ 14: 9.6 ← 15: 10.0↖ 16: 10.7✕↓ 17: 10.3✕↖ 18: 10.6✕← 19: 10.2✕← 20: 9.5 ←	40 Skott 		21: 10.3✕← 22: 9.4 ← 23: 9.8 ↖ 24: 10.4✕↖ 25: 8.5 ← 26: 8.9 ← 27: 10.1↖ 28: 10.5✕← 29: 10.3✕← 30: 10.6✕↓
Serie 100.8				Serie 98.8
Total 197.9				Total 296.7

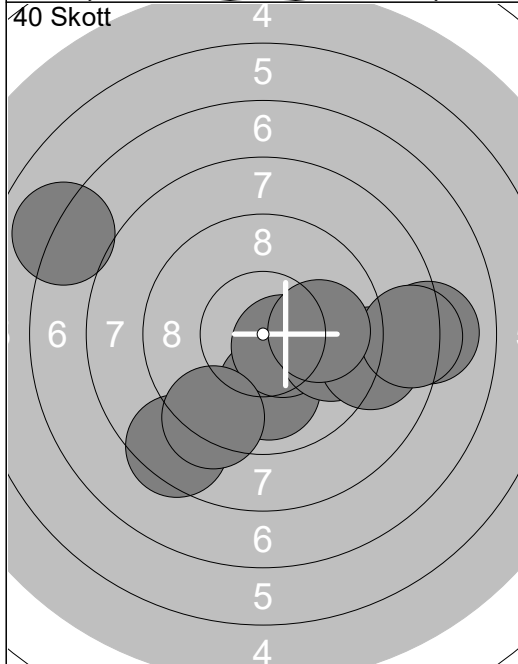
40 Skott 	31: 10.3✕↗ 32: 10.6✕↓ 33: 10.1 ↑ 34: 10.4✕← 35: 9.7 ↗ 36: 10.6✕↗ 37: 9.3 → 38: 10.1 ↗ 39: 10.3✕↓ 40: 10.1 ↖			
Serie 101.5				
Total 398.2				



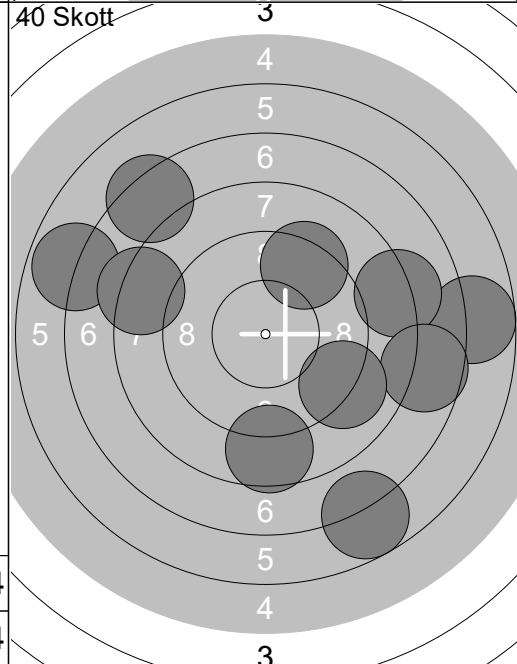
1:	5.7	→
2:	9.5	↖
3:	8.0	→
4:	9.8	↓
5:	9.3	→
6:	6.6	↘
7:	9.9	→
8:	7.1	↗
9:	8.3	↓
10:	9.3	↘
Serie		83.5
Total		0.0



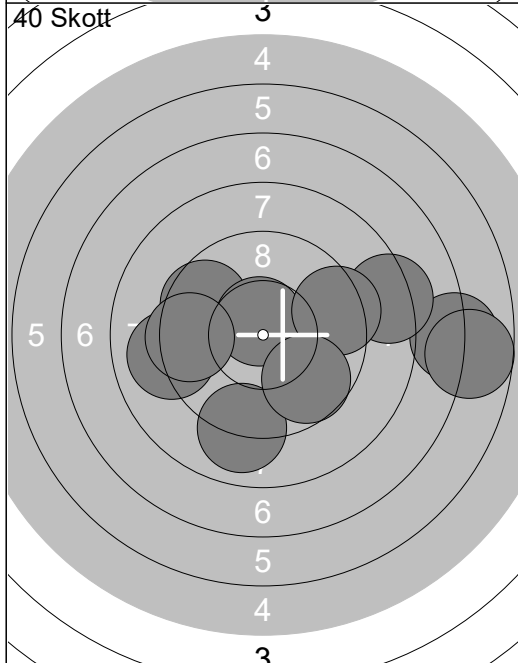
11:	7.4	→
12:	8.5	↗
13:	7.1	↓
14:	7.7	→
15:	7.8	↘
16:	9.1	↓
17:	9.1	↖
18:	9.3	↗
19:	6.5	↘
Serie		72.5
Total		0.0



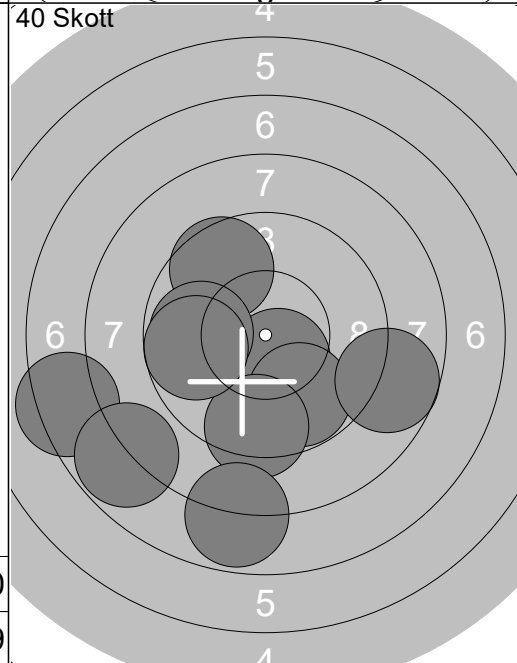
1:	10.0	↓
2:	8.5	↘
3:	10.5x	↘
4:	9.7	→
5:	9.0	→
6:	7.0	↖
7:	8.1	→
8:	8.4	→
9:	10.0	→
10:	9.2	↘
Serie		90.4
Total		90.4



11:	6.8	↖
12:	6.7	→
13:	6.7	↓
14:	8.6	↓
15:	8.3	↖
16:	7.3	↗
17:	9.3	↗
18:	8.1	→
19:	7.6	→
20:	9.1	↘
Serie		78.5
Total		168.9

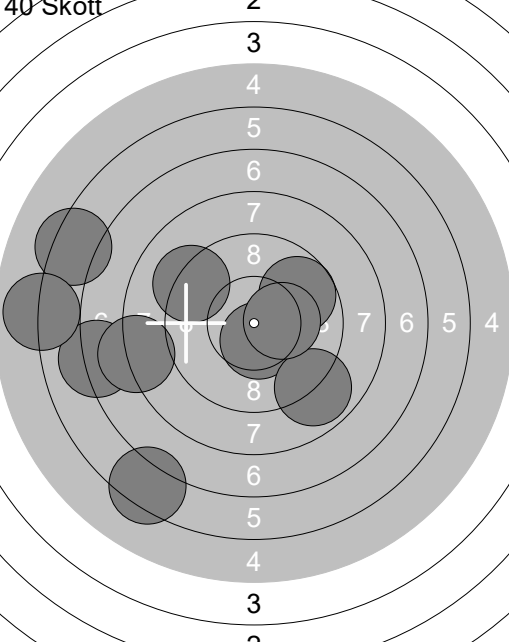
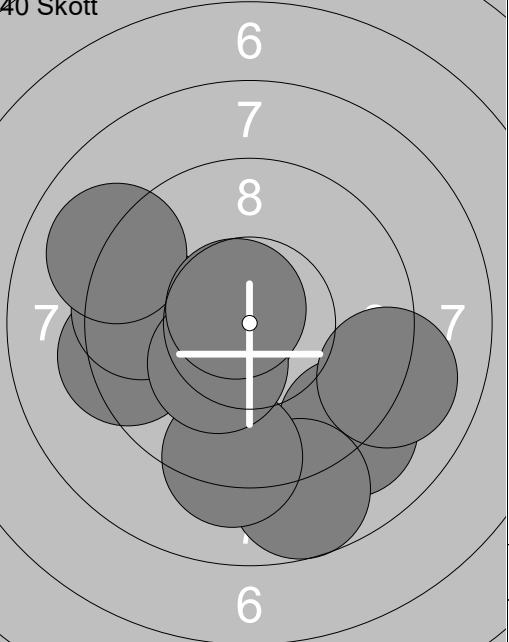


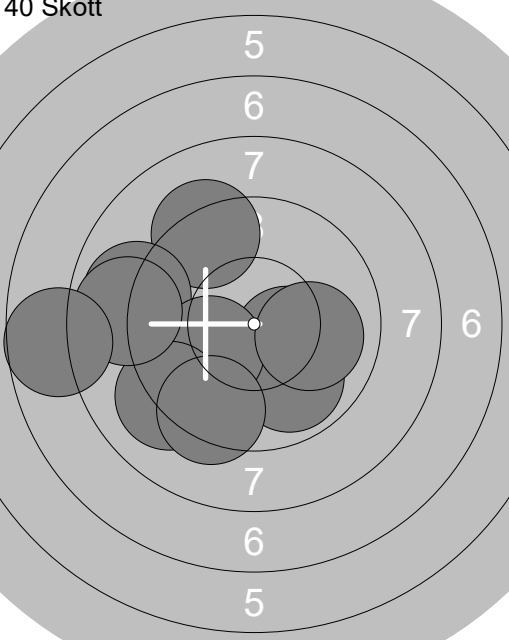
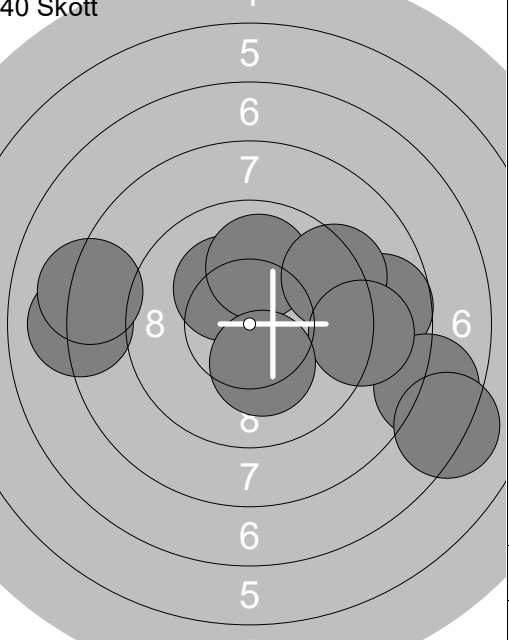
21:	7.1	→
22:	9.0	↓
23:	9.0	←
24:	8.3	→
25:	6.7	→
26:	9.6	↖
27:	10.7x	↗
28:	9.4	→
29:	9.5	←
30:	9.7	↘
Serie		89.0
Total		257.9



31:	10.5x	↘
32:	9.6	↗
33:	7.4	←
34:	7.8	↖
35:	9.8	↓
36:	9.4	↓
37:	7.8	↓
38:	9.9	←
39:	8.7	→
40:	9.7	←
Serie		90.6
Total		348.5

 <p>Prov</p>	<p>1: 9.7 ↗</p> <p>2: 8.9 ↓</p> <p>3: 8.0 ↓</p> <p>4: 7.9 ↓</p> <p>5: 7.8 ←</p> <p>6: 9.8 →</p> <p>7: 9.4 ↓</p> <p>8: 9.3 ↓</p> <p>9: 10.4x ↘</p> <p>10: 7.0 ←</p>	 <p>Prov</p>	<p>11: 7.5 ↙</p> <p>12: 8.6 ↙</p> <p>13: 10.4x ↘</p>
Serie 88.2		Serie 26.5	
Total 0.0		Total 0.0	

 <p>40 Skott</p>	<p>1: 7.2 ←</p> <p>2: 10.5x ↘</p> <p>3: 9.7 ↗</p> <p>4: 8.9 ↓</p> <p>5: 8.1 ←</p> <p>6: 6.4 ↓</p> <p>7: 9.2 ↗</p> <p>8: 6.3 ←</p> <p>9: 10.3x →</p> <p>10: 5.9 ←</p>	 <p>40 Skott</p>	<p>11: 9.1 ↓</p> <p>12: 9.1 →</p> <p>13: 8.7 ↓</p> <p>14: 10.7x ↘</p> <p>15: 9.3 ←</p> <p>16: 9.2 ↓</p> <p>17: 9.6 ←</p> <p>18: 10.3x ↘</p> <p>19: 9.0 ↙</p> <p>20: 10.7x ↘</p>
Serie 82.5		Serie 95.7	
Total 82.5		Total 178.2	

 <p>40 Skott</p>	<p>21: 9.3 ↗</p> <p>22: 9.0 ←</p> <p>23: 10.3x →</p> <p>24: 9.9 ↓</p> <p>25: 10.1 ↙</p> <p>26: 9.1 ↙</p> <p>27: 8.9 ←</p> <p>28: 7.7 ←</p> <p>29: 10.0 →</p> <p>30: 9.4 ↓</p>	 <p>40 Skott</p>	<p>31: 10.2x ↘</p> <p>32: 8.1 ←</p> <p>33: 8.7 →</p> <p>34: 8.2 ←</p> <p>35: 10.0 ↑</p> <p>36: 9.3 ↗</p> <p>37: 7.8 →</p> <p>38: 7.2 ↘</p> <p>39: 9.0 →</p> <p>40: 10.2x ↘</p>
Serie 93.7		Serie 88.7	
Total 271.9		Total 360.6	

<p>Prov</p>	<p>1: 10.2x ↙ 2: 10.0 ← 3: 10.1 ↗ 4: 10.6x ↗ 5: 10.2x ↗ 6: 10.0 → 7: 10.3x → 8: 10.0 → 9: 9.6 → 10: 9.4 ↙</p> <p>Serie 100.4 Total 0.0</p>	<p>Prov</p>	<p>11: 10.1 ↑ 12: 10.2x ← 13: 10.2x ← 14: 8.5 ↗ 15: 10.7x ← 16: 8.3 ← 17: 10.0 ↓ 18: 9.1 ↓ 19: 8.5 ← 20: 9.2 ↓</p> <p>Serie 94.8 Total 0.0</p>
-------------	--	-------------	--

<p>Prov</p>	<p>21: 8.4 ↙ 22: 10.5x ↑ 23: 10.5x ↗ 24: 10.2x ↓</p> <p>Serie 39.6 Total 0.0</p>	<p>40 Skott</p>	<p>1: 9.3 → 2: 10.7x ↓ 3: 8.0 ↓ 4: 10.3x ↗ 5: 8.9 ← 6: 9.7 ↓ 7: 8.7 ← 8: 10.8x → 9: 10.0 ← 10: 9.9 ←</p> <p>Serie 96.3 Total 96.3</p>
-------------	--	-----------------	---

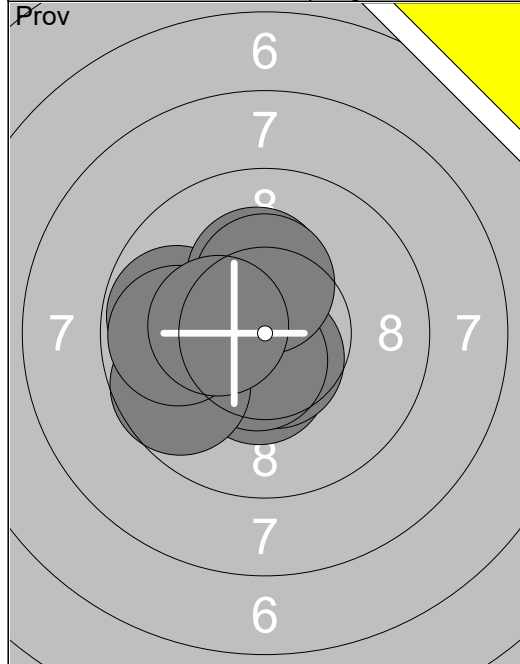
<p>40 Skott</p>	<p>11: 9.6 ↗ 12: 10.6x ↓ 13: 9.9 ↓ 14: 9.8 → 15: 10.4x ← 16: 8.8 ← 17: 10.3x ↓ 18: 9.5 ↙ 19: 8.8 ↓ 20: 10.1 ←</p> <p>Serie 97.8 Total 194.1</p>	<p>40 Skott</p>	<p>21: 9.8 ← 22: 9.0 ↓ 23: 9.8 ← 24: 8.9 ↗ 25: 10.5x ← 26: 10.7x ↓ 27: 9.4 ↗ 28: 10.7x ↗ 29: 9.1 ← 30: 9.8 →</p> <p>Serie 97.7 Total 291.8</p>
-----------------	---	-----------------	--

<p>40 Skott</p>	<p>31: 10.3x ↗ 32: 9.7 ↓ 33: 9.8 ← 34: 10.1 ↙ 35: 9.4 ↓ 36: 8.7 ↙ 37: 10.2x → 38: 9.0 → 39: 9.6 ← 40: 10.7x →</p> <p>Serie 97.5 Total 389.3</p>		
-----------------	---	--	--

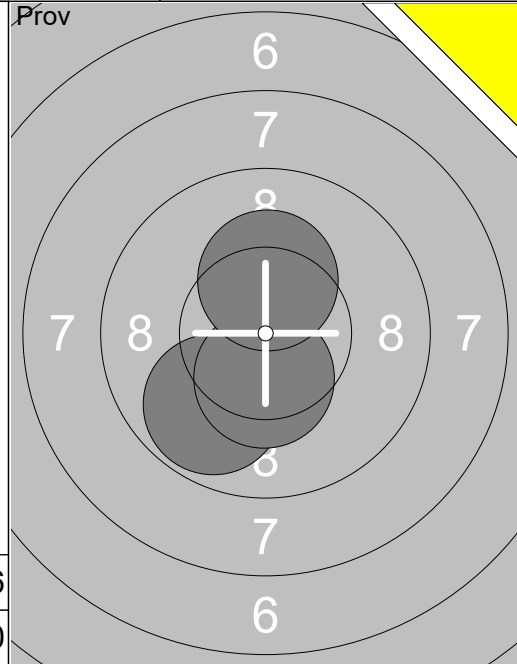
<p>Prov</p>	<p>1: 9.2 ↗</p> <p>2: 10.6x↗</p> <p>3: 8.7 ↖</p> <p>4: 8.6 ↑</p> <p>5: 10.1 ↗</p> <p>6: 7.7 ↖</p> <p>7: 9.2 ↗</p> <p>8: 9.3 ↗</p> <p>9: 8.9 ↗</p> <p>10: 9.6 ↖</p>	<p>Prov</p>	<p>11: 9.3 ↑</p> <p>12: 10.4x↖</p> <p>13: 7.9 ↘</p> <p>14: 9.3 ←</p> <p>15: 8.7 →</p> <p>16: 9.9 ↑</p>
Serie 91.9		Serie 55.5	
Total 0.0		Total 0.0	

<p>40 Skott</p>	<p>1: 10.5x↘</p> <p>2: 9.5 ↗</p> <p>3: 8.3 ↖</p> <p>4: 10.2x↗</p> <p>5: 10.0 ↑</p> <p>6: 9.8 ←</p> <p>7: 9.6 ↑</p> <p>8: 9.0 ↗</p> <p>9: 9.3 ↗</p> <p>10: 10.5x↘</p>	<p>40 Skott</p>	<p>11: 7.9 ↖</p> <p>12: 10.9x↘</p> <p>13: 9.6 ↑</p> <p>14: 9.6 ↑</p> <p>15: 9.1 ↖</p> <p>16: 10.6x↖</p> <p>17: 10.3x↖</p> <p>18: 10.3x↗</p> <p>19: 9.0 ↘</p> <p>20: 9.9 ↖</p>
Serie 96.7		Serie 97.2	
Total 96.7		Total 193.9	

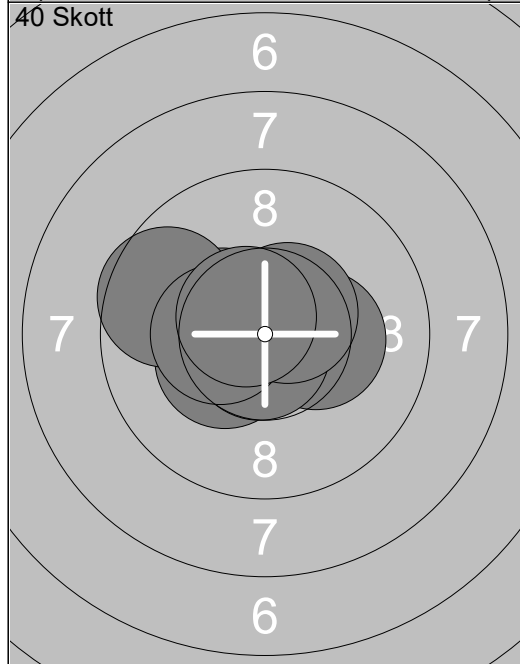
<p>40 Skott</p>	<p>21: 10.0 ↘</p> <p>22: 9.6 ←</p> <p>23: 10.4x→</p> <p>24: 10.6x↖</p> <p>25: 9.7 ↗</p> <p>26: 10.6x↗</p> <p>27: 10.0 ↖</p> <p>28: 9.6 ↑</p> <p>29: 9.9 ↗</p> <p>30: 9.0 ↑</p>	<p>40 Skott</p>	<p>31: 9.3 ↖</p> <p>32: 10.2x↖</p> <p>33: 10.4x↘</p> <p>34: 9.9 →</p> <p>35: 9.5 →</p> <p>36: 9.0 ↑</p> <p>37: 8.7 ↑</p> <p>38: 9.9 ↘</p> <p>39: 10.1 ↑</p> <p>40: 9.4 ↗</p>
Serie 99.4		Serie 96.4	
Total 293.3		Total 389.7	



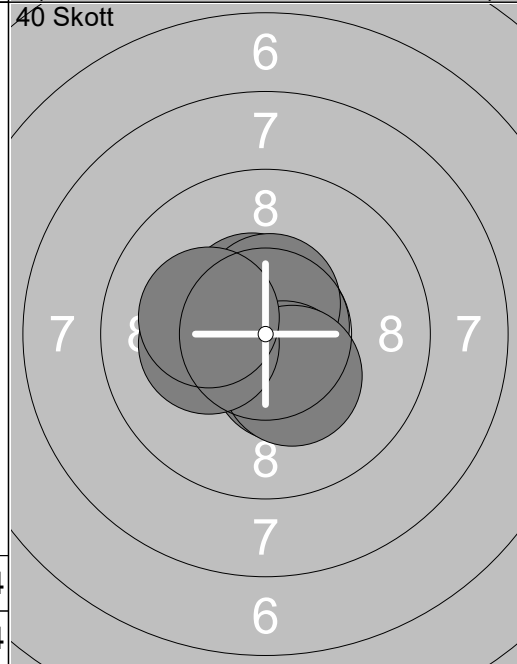
1:	10.4x↓
2:	10.6x↓
3:	9.9 ←
4:	10.6x↓
5:	9.7 ←
6:	9.8 ←
7:	10.2x↑
8:	10.3x↑
9:	9.8 ←
10:	10.3x↔
Serie 101.6	
Total 0.0	



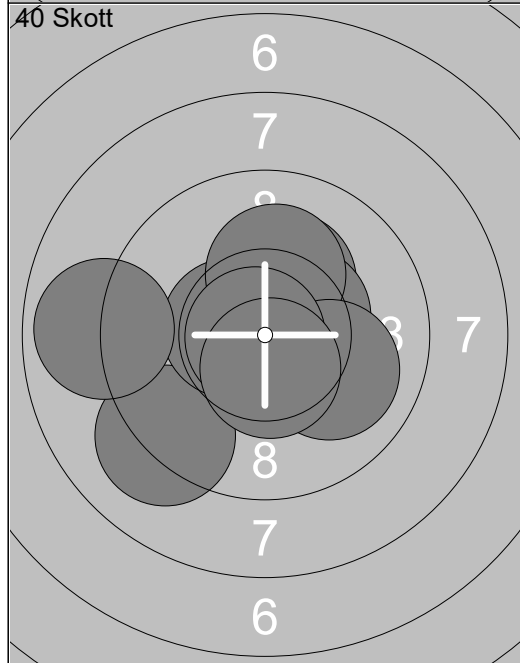
11:	9.8 ↙
12:	10.4x↓
13:	10.3x↑
Serie 30.5	
Total 0.0	



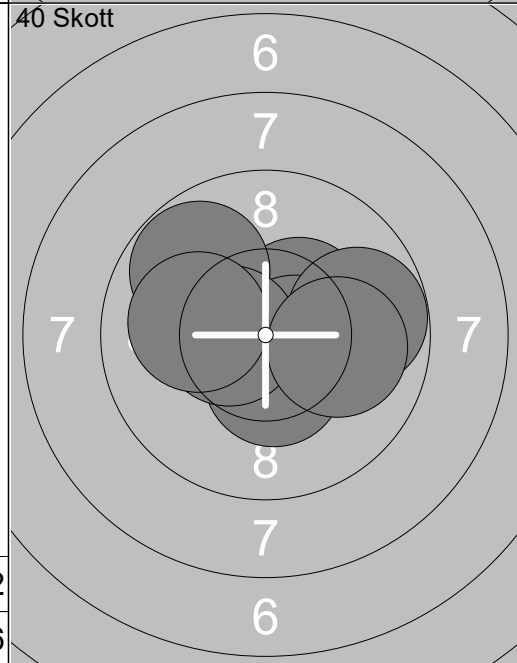
1:	10.4x↔
2:	10.7x→
3:	10.4x↙
4:	10.3x→
5:	10.7x↘
6:	10.7x↓
7:	9.6 ←
8:	10.6x↗
9:	10.4x↔
10:	10.6x↘
Serie 104.4	
Total 104.4	



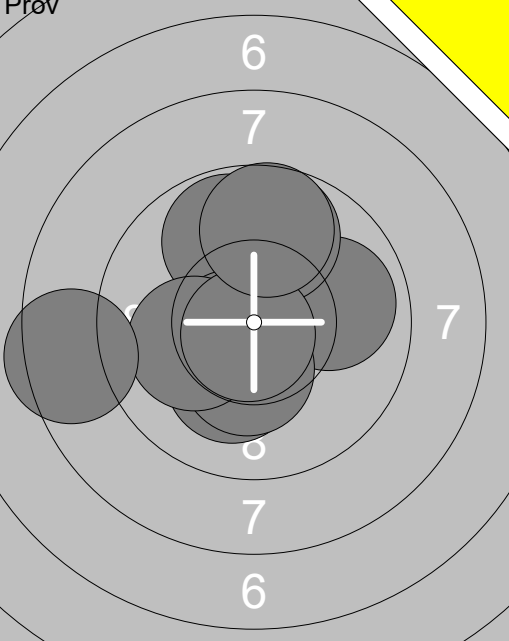
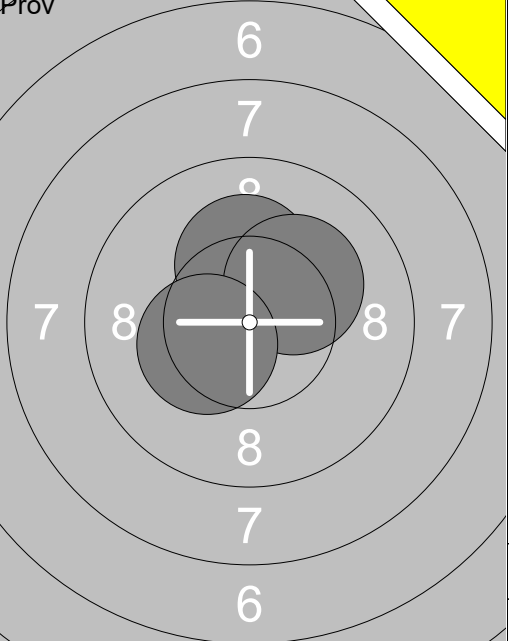
11:	10.6x↑
12:	10.7x↗
13:	10.5x↘
14:	10.7x↓
15:	10.8x↔
16:	10.6x↑
17:	10.4x↓
18:	10.3x↓
19:	10.2x↔
20:	10.2x↔
Serie 105.0	
Total 209.4	



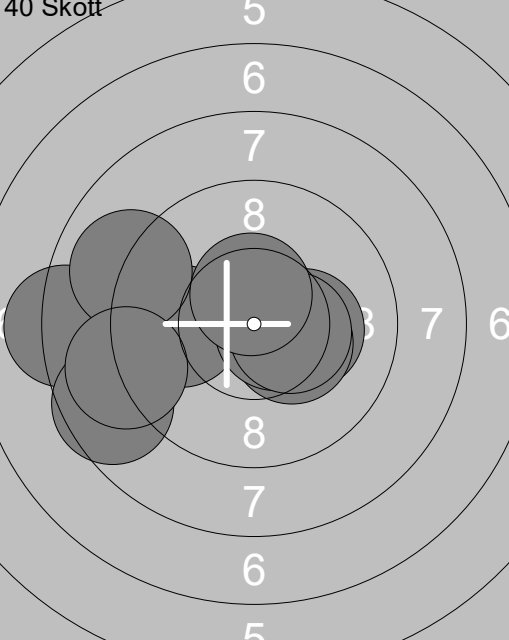
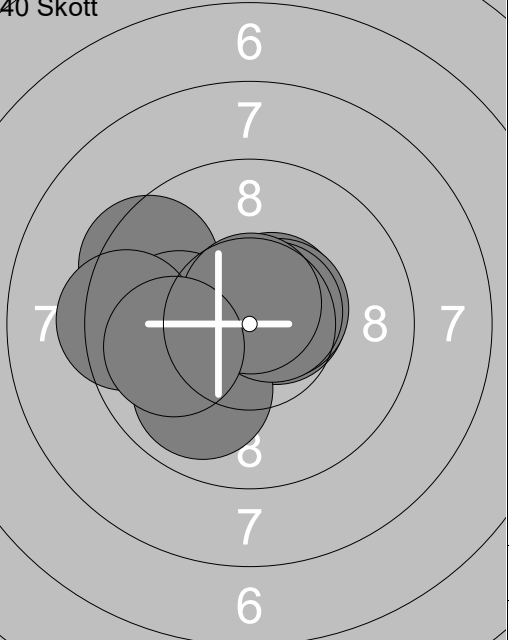
21:	9.1 ↙
22:	10.5x↔
23:	10.2x↑
24:	10.6x→
25:	10.4x→
26:	10.2x↑
27:	10.0 →
28:	10.8x↔
29:	8.9 ←
30:	10.5x↓
Serie 101.2	
Total 310.6	



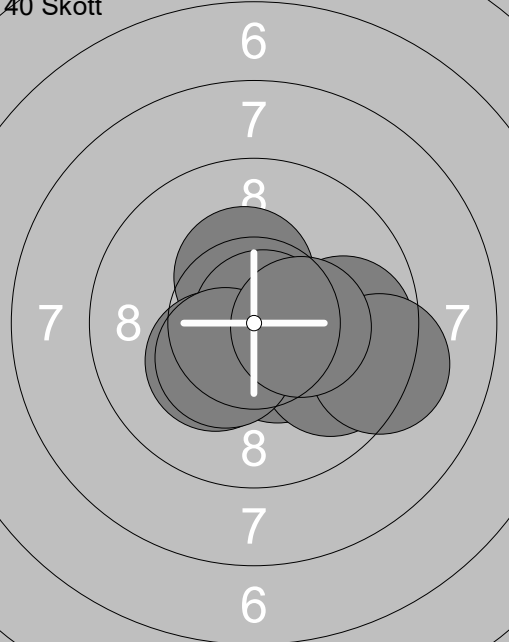
31:	10.3x→
32:	10.4x↗
33:	10.4x→
34:	9.8 ↙
35:	10.5x→
36:	10.4x↓
37:	10.5x↔
38:	10.1 ←
39:	9.8 →
40:	10.0 →
Serie 102.2	
Total 412.8	

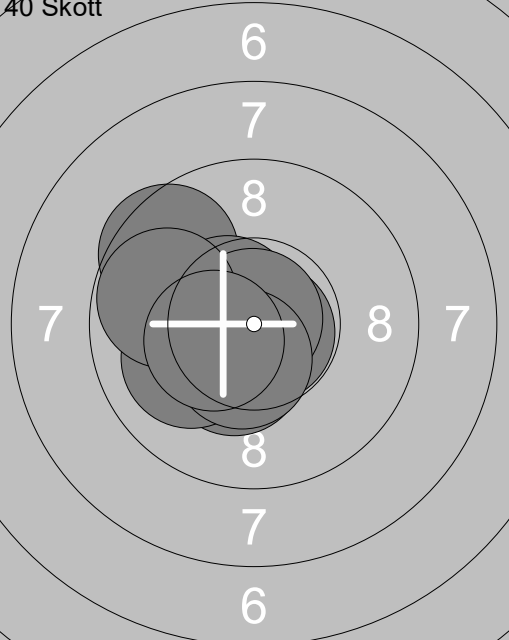
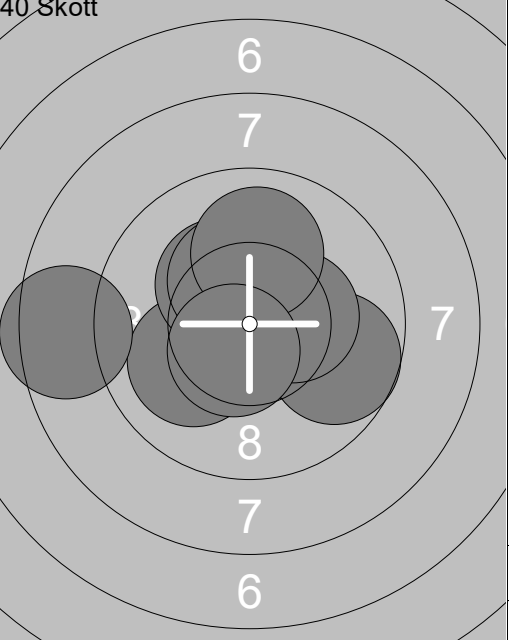
<p>Pröv</p> 	<p>1: 9.9 →</p> <p>2: 9.8 ↑</p> <p>3: 9.8 ↑</p> <p>4: 10.2x↓</p> <p>5: 10.6x↘</p> <p>6: 10.3x↓</p> <p>7: 10.1←</p> <p>8: 10.8x↘</p> <p>9: 9.7 ↑</p> <p>10: 8.5 ←</p>	<p>Pröv</p> 	<p>11: 10.2x↑</p> <p>12: 10.2x↗</p> <p>13: 10.3x↘</p>
Serie 99.7		Serie 30.7	
Total 0.0		Total 0.0	

<p>40 Skott</p> 	<p>1: 9.6 ←</p> <p>2: 10.0←</p> <p>3: 9.3 →</p> <p>4: 10.1←</p> <p>5: 9.7 →</p> <p>6: 9.8 →</p> <p>7: 9.4 ←</p> <p>8: 10.2x↘</p> <p>9: 10.7x↘</p> <p>10: 10.5x↘</p>	<p>40 Skott</p> 	<p>11: 9.5 ←</p> <p>12: 10.3x↘</p> <p>13: 8.5 →</p> <p>14: 10.1↗</p> <p>15: 9.6 ←</p> <p>16: 8.4 ←</p> <p>17: 10.5x→</p> <p>18: 10.5x→</p> <p>19: 9.8 ↑</p> <p>20: 9.7 ↖</p>
Serie 99.3		Serie 96.9	
Total 99.3		Total 196.2	

<p>40 Skott</p> 	<p>21: 9.9 ←</p> <p>22: 8.2 ←</p> <p>23: 10.2x→</p> <p>24: 10.3x→</p> <p>25: 9.0 ←</p> <p>26: 8.6 ←</p> <p>27: 9.0 ←</p> <p>28: 10.6x→</p> <p>29: 10.4x→</p> <p>30: 10.5x↑</p>	<p>40 Skott</p> 	<p>31: 9.5 ↖</p> <p>32: 10.6x→</p> <p>33: 10.6x↗</p> <p>34: 10.5x↗</p> <p>35: 9.9 ↘</p> <p>36: 10.6x↗</p> <p>37: 10.1←</p> <p>38: 9.4 ←</p> <p>39: 10.7x↑</p> <p>40: 9.9 ←</p>
Serie 96.7		Serie 101.8	
Total 292.9		Total 394.7	

Prov 	1: 10.0 ↗ 2: 10.1 ↓ 3: 10.5x↘ 4: 10.2x↙ 5: 10.4x→ 6: 10.1 ↓ 7: 10.4x↗ 8: 9.8 ↗ 9: 10.6x→ 10: 10.0 ↗ <hr/> Serie 102.1 Total 0.0	Prov 	11: 9.8 ↗ 12: 9.9 ↖ 13: 10.7x↙ 14: 10.8x→ 15: 10.5x↙ <hr/> Serie 51.7 Total 0.0
--	--	--	---

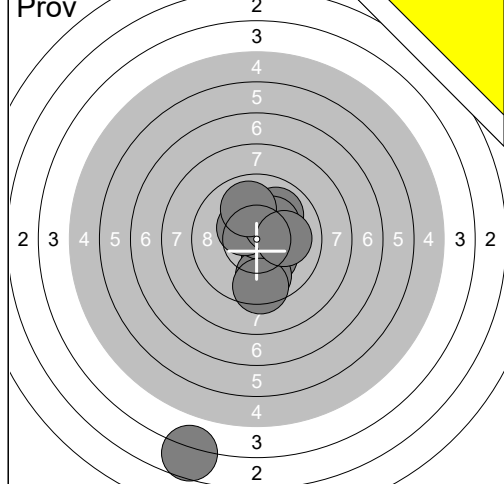
40 Skott 	1: 10.7x↙ 2: 10.3x↗ 3: 10.3x↙ 4: 10.5x↘ 5: 9.8 → 6: 10.8x→ 7: 9.8 → 8: 10.4x↙ 9: 9.3 → 10: 10.4x→ <hr/> Serie 102.3 Total 102.3	40 Skott 	11: 10.4x↗ 12: 10.3x↗ 13: 10.5x↗ 14: 9.1 ↖ 15: 10.1 ↖ 16: 10.2x↙ 17: 10.5x↗ 18: 10.2x↙ 19: 10.6x↖ 20: 10.0 → <hr/> Serie 101.9 Total 204.2
---	--	---	---

40 Skott 	21: 10.4x↙ 22: 10.6x↖ 23: 10.0 ↖ 24: 9.5 ↖ 25: 10.5x↖ 26: 10.8x↘ 27: 10.9x↗ 28: 9.8 ↖ 29: 10.5x↙ 30: 10.4x↖ <hr/> Serie 103.4 Total 307.6	40 Skott 	31: 10.1 ↖ 32: 10.3x↖ 33: 10.3x↖ 34: 10.6x→ 35: 10.4x→ 36: 9.7 → 37: 10.4x→ 38: 10.0 ↗ 39: 8.5 ↖ 40: 10.5x↙ <hr/> Serie 100.8 Total 408.4
--	--	--	--

Prov 	1: 9.0 → 2: 9.0 → 3: 9.5 ↘ 4: 9.1 → 5: 10.0 → 6: 10.0 → 7: 9.7 → 8: 10.0 ← 9: 9.6 ↓ 10: 9.7 → <hr/> Serie 95.6 Total 0.0	Prov 	11: 10.8 ✗ 12: 10.6 ✗ 13: 9.6 ← 14: 10.0 ↓ 15: 10.3 ✗ 16: 10.5 ✗ 17: 10.1 → <hr/> Serie 71.9 Total 0.0
----------	---	----------	--

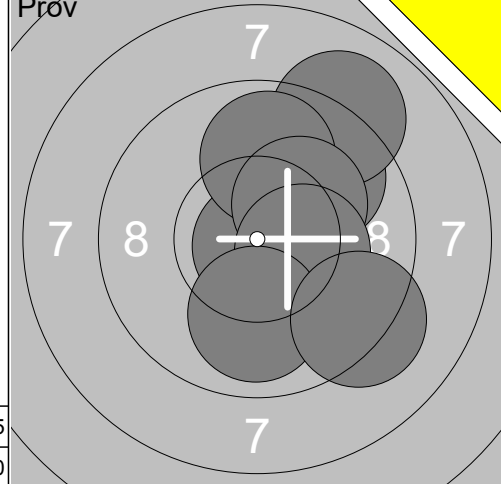
40 Skott 	1: 10.6 ✗ 2: 10.8 ✗ 3: 10.8 ✗ 4: 10.4 ✗ 5: 9.5 ↘ 6: 9.8 ↗ 7: 10.4 ✗ 8: 9.7 ↘ 9: 9.8 ↗ 10: 10.5 ✗ <hr/> Serie 102.3 Total 102.3	40 Skott 	11: 10.6 ✗ 12: 9.8 ↓ 13: 10.8 ✗ 14: 9.7 ← 15: 10.6 ✗ 16: 10.7 ✗ 17: 10.2 ✗ 18: 10.4 ✗ 19: 10.5 ✗ 20: 10.3 ✗ <hr/> Serie 103.6 Total 205.9
--------------	---	--------------	--

40 Skott 	21: 10.0 ↘ 22: 10.6 ✗ 23: 10.0 ↑ 24: 10.4 ✗ 25: 10.6 ✗ 26: 10.5 ✗ 27: 10.5 ✗ 28: 10.2 ✗ 29: 10.5 ✗ 30: 10.1 ↗ <hr/> Serie 103.4 Total 309.3	40 Skott 	31: 10.8 ✗ 32: 10.2 ✗ 33: 10.1 ↓ 34: 10.6 ✗ 35: 10.1 ↑ 36: 10.4 ✗ 37: 10.1 ↓ 38: 10.4 ✗ 39: 10.8 ✗ 40: 10.0 ↘ <hr/> Serie 103.5 Total 412.8
--------------	--	--------------	--



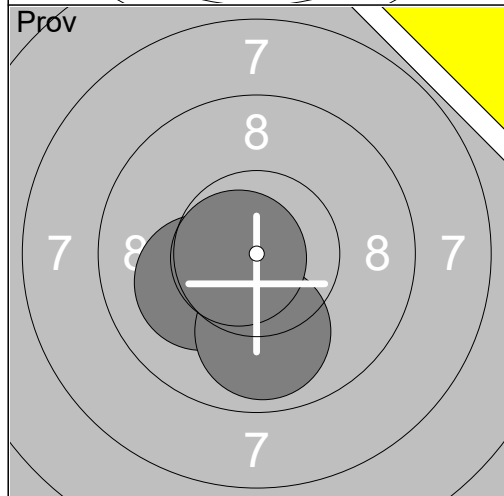
1:	10.0	↗
2:	10.3x	↘
3:	9.7	↘
4:	10.7x	↗
5:	3.7	↘
6:	9.4	↘
7:	10.4x	↗
8:	10.3x	↗
9:	9.9	↗
10:	10.1	→

Serie	94.5
Total	0.0



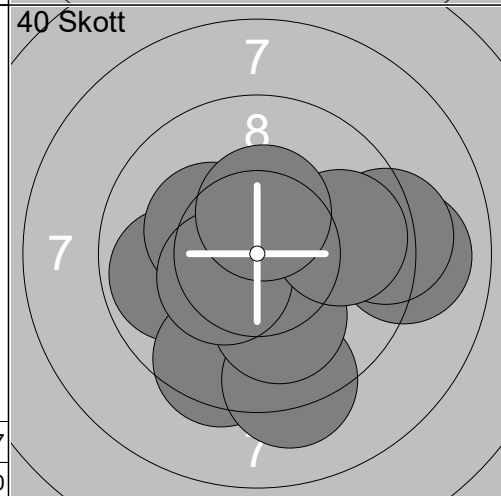
11:	9.8	↗
12:	9.0	↗
13:	10.7x	→
14:	10.9x	↘
15:	10.2x	↘
16:	9.9	↑
17:	10.2x	↗
18:	10.3x	→
19:	10.0	↘
20:	9.2	↘

Serie	100.2
Total	0.0



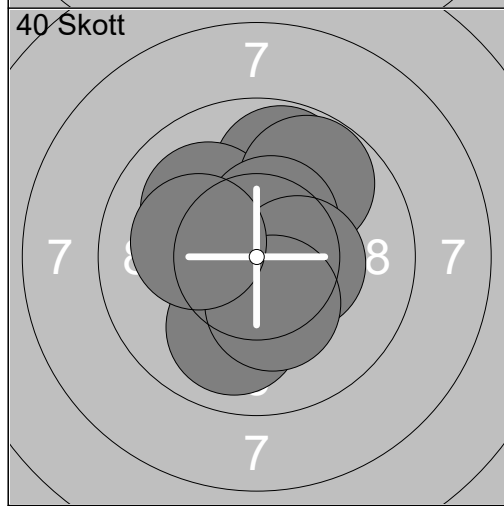
21:	10.1	←
22:	9.9	↘
23:	10.7x	←

Serie	30.7
Total	0.0



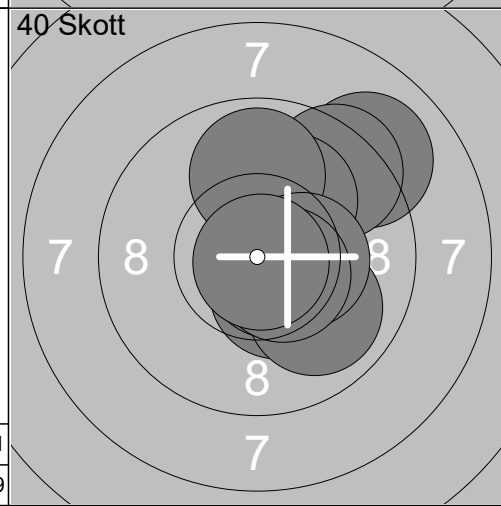
1:	9.9	←
2:	10.3x	←
3:	9.5	↘
4:	9.0	→
5:	9.2	↘
6:	10.1	↘
7:	9.2	→
8:	10.4x	↙
9:	9.8	→
10:	10.4x	↑

Serie	97.8
Total	97.8



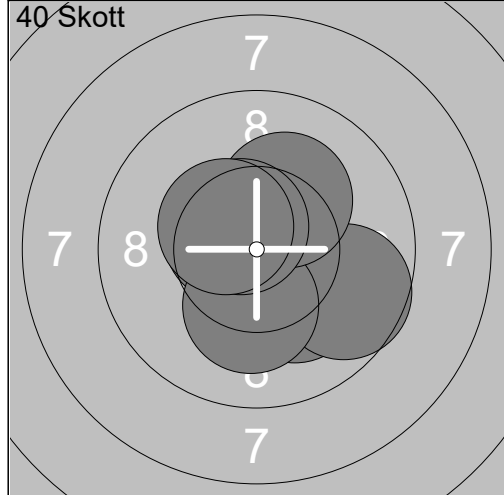
11:	10.7x	↗
12:	10.3x	↑
13:	10.0	↘
14:	9.8	↗
15:	10.1	↗
16:	9.8	↗
17:	10.5x	↗
18:	10.4x	→
19:	10.3x	↘
20:	10.2x	←

Serie	102.1
Total	199.9



21:	10.4x	↘
22:	9.9	↘
23:	9.0	↗
24:	9.4	↗
25:	10.1	↗
26:	9.9	↑
27:	10.7x	↘
28:	10.4x	→
29:	10.5x	↘
30:	10.9x	↘

Serie	101.2
Total	301.1

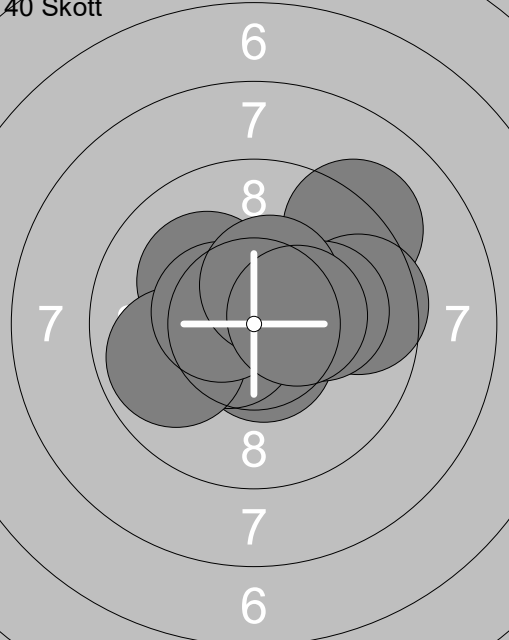


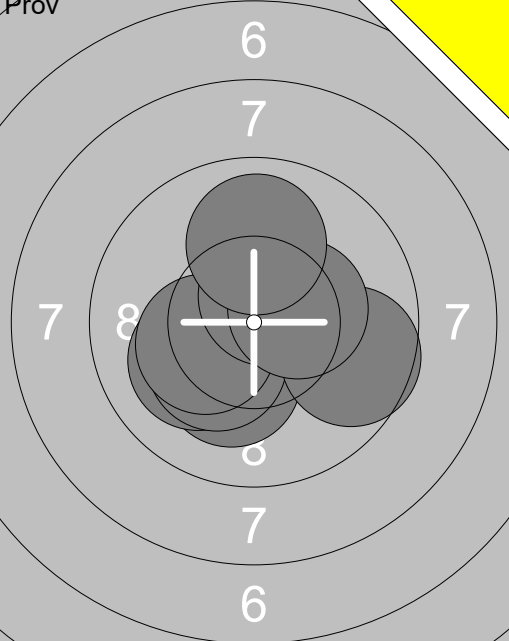
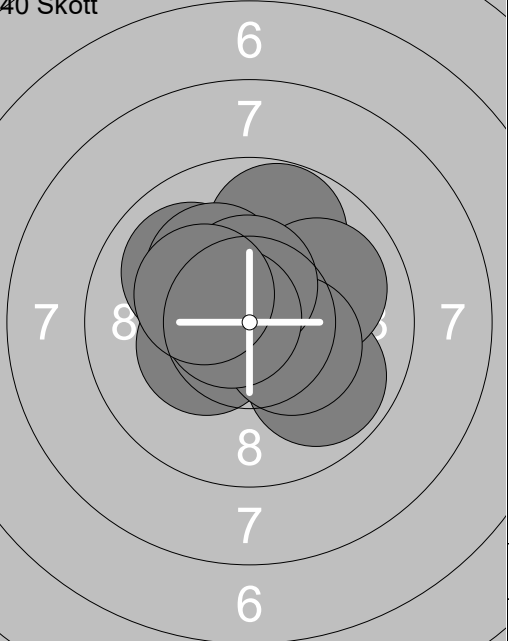
31:	10.6x	↑
32:	10.6x	↗
33:	10.2x	↘
34:	10.6x	↗
35:	9.7	↘
36:	10.6x	↗
37:	10.2x	↘
38:	10.2x	↗
39:	10.6x	↗
40:	10.4x	↗

Serie	103.7
Total	404.8

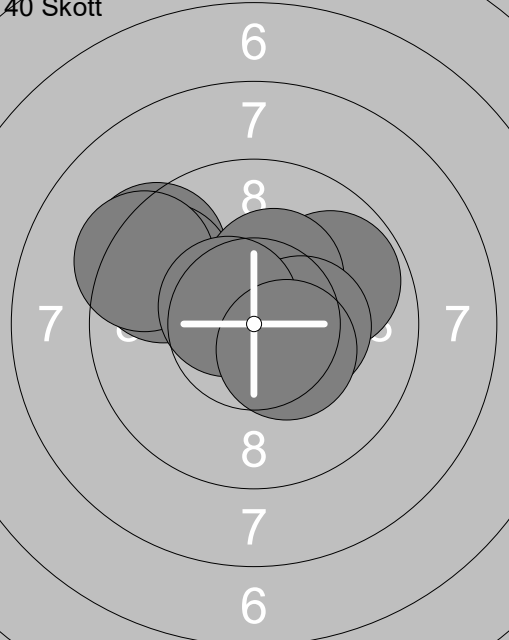
<p>Prov</p> 	<p>40 Skott</p> 	<p>1: 9.3 ↑</p> <p>2: 10.6x↑</p> <p>3: 9.7 →</p> <p>4: 10.0 →</p> <p>5: 10.2x↗</p> <p>6: 10.2x↖</p> <p>7: 9.8 ↑</p> <p>8: 10.5x↗</p> <hr/> <p>Serie 80.3</p> <p>Total 0.0</p>	<p>1: 10.0 ↙</p> <p>2: 10.1 ↓</p> <p>3: 10.7x↖</p> <p>4: 10.1 ↑</p> <p>5: 10.2x↘</p> <p>6: 10.4x↘</p> <p>7: 10.6x↘</p> <p>8: 9.7 →</p> <p>9: 9.9 ←</p> <p>10: 10.0 ←</p> <hr/> <p>Serie 101.7</p> <p>Total 101.7</p>
--	--	---	--

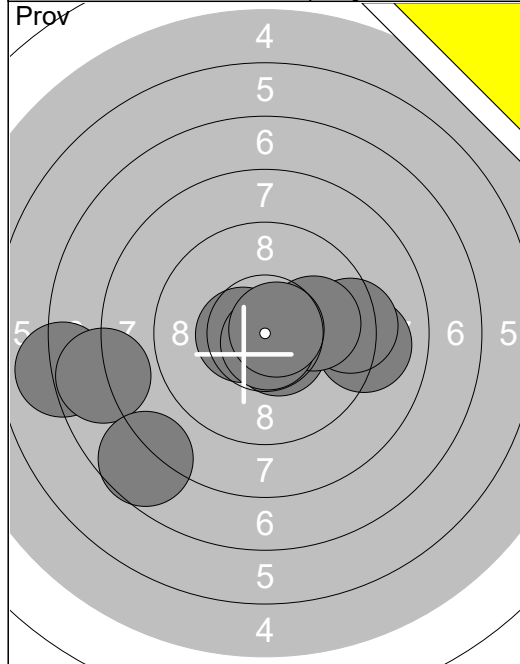
<p>40 Skott</p> 	<p>40 Skott</p> 	<p>11: 9.4 →</p> <p>12: 9.5 ↘</p> <p>13: 9.9 ↖</p> <p>14: 10.5x↖</p> <p>15: 9.9 →</p> <p>16: 10.8x↖</p> <p>17: 10.1 ↓</p> <p>18: 10.5x↓</p> <p>19: 10.1 ↓</p> <p>20: 10.5x←</p> <hr/> <p>Serie 101.2</p> <p>Total 202.9</p>	<p>21: 10.6x↖</p> <p>22: 10.4x↖</p> <p>23: 9.9 ←</p> <p>24: 8.8 ←</p> <p>25: 9.9 ↙</p> <p>26: 9.6 ↑</p> <p>27: 10.1 →</p> <p>28: 8.9 ←</p> <p>29: 8.1 →</p> <p>30: 10.1 ↖</p> <hr/> <p>Serie 96.4</p> <p>Total 299.3</p>
---	---	---	--

<p>40 Skott</p> 	<p>31: 9.2 ↗</p> <p>32: 10.6x↓</p> <p>33: 10.1 ↖</p> <p>34: 10.6x↖</p> <p>35: 9.6 →</p> <p>36: 9.9 ←</p> <p>37: 10.1 →</p> <p>38: 10.5x↖</p> <p>39: 10.4x↑</p> <p>40: 10.4x→</p> <hr/> <p>Serie 101.4</p> <p>Total 400.7</p>		
--	--	--	--

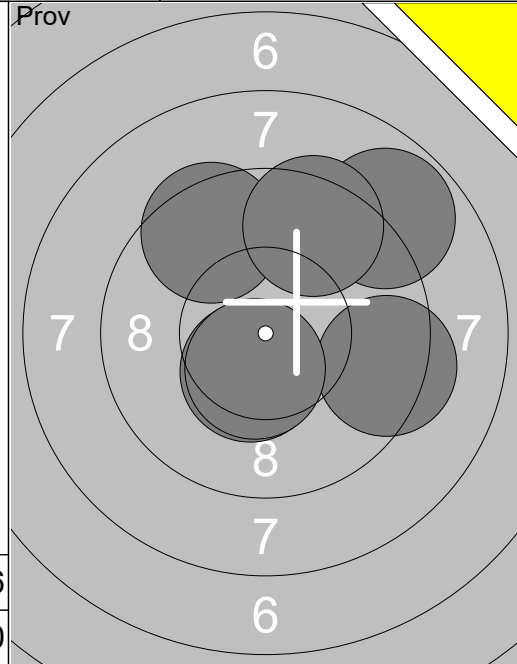
<p>Prov</p> 	<p>1: 10.2x ↘ 2: 10.1 ↙ 3: 10.3x ↘ 4: 10.3x ↘ 5: 10.6x ↗ 6: 9.6 → 7: 10.4x → 8: 10.0 ↑</p>	<p>40 Skott</p> 	<p>1: 10.3x ↘ 2: 9.9 ↘ 3: 10.0 ↙ 4: 9.8 ↑ 5: 10.0 → 6: 10.2x ↘ 7: 10.3x ↘ 8: 10.5x ↗ 9: 10.7x ↘ 10: 10.3x ↘</p>
Serie 81.5		Serie 102.0	
Total 0.0		Total 102.0	

<p>40 Skott</p> 	<p>11: 9.7 ↗ 12: 10.5x ↘ 13: 9.6 ← 14: 10.2x ↗ 15: 10.5x → 16: 10.0 ↙ 17: 9.5 ↑ 18: 10.1 ↘ 19: 10.5x ↗ 20: 10.8x ↘</p>	<p>40 Skott</p> 	<p>21: 10.0 ↑ 22: 10.6x ↘ 23: 10.6x ↘ 24: 9.7 ← 25: 10.7x ↘ 26: 10.7x → 27: 9.9 ↙ 28: 10.8x ↘ 29: 10.7x → 30: 10.3x ↘</p>
Serie 101.4		Serie 104.0	
Total 203.4		Total 307.4	

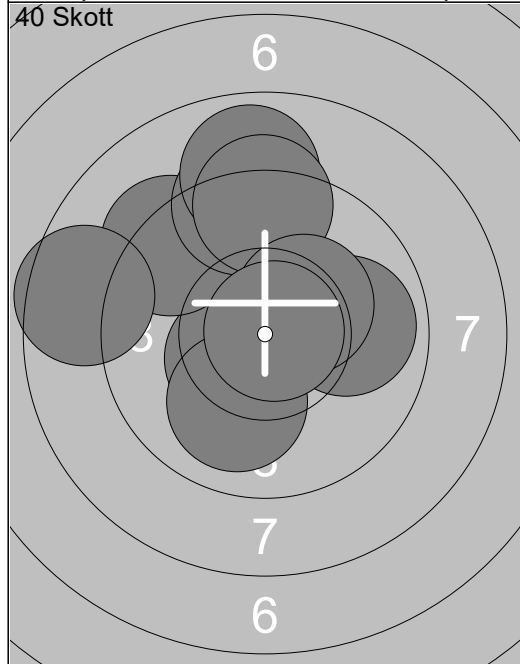
<p>40 Skott</p> 	<p>31: 9.8 → 32: 9.4 ↙ 33: 9.6 ↙ 34: 10.8x → 35: 10.3x ↗ 36: 9.3 ↙ 37: 10.6x → 38: 10.3x → 39: 10.6x ↘ 40: 10.4x ↘</p>		
Serie 101.1			
Total 408.5			



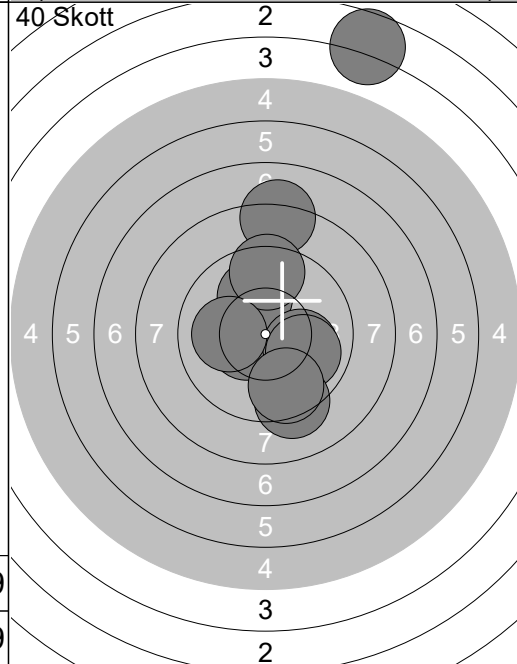
1: 9.1 →
2: 7.1 ←
3: 7.8 ←
4: 7.7 ↙
5: 10.6x↘
6: 10.5x←
7: 9.3 →
8: 10.0 →
9: 10.8x↘
10: 10.7x→
Serie 93.6
Total 0.0



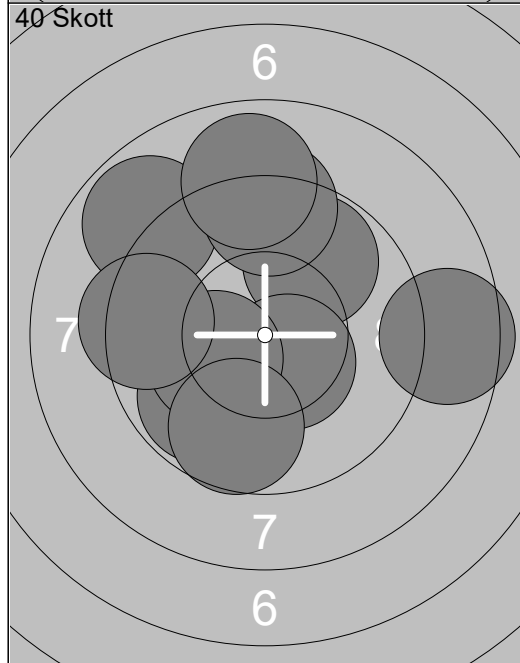
11: 9.3 →
12: 10.4x↘
13: 8.8 ↗
14: 9.5 ↖
15: 9.5 ↗
16: 10.5x↘
Serie 58.0
Total 0.0



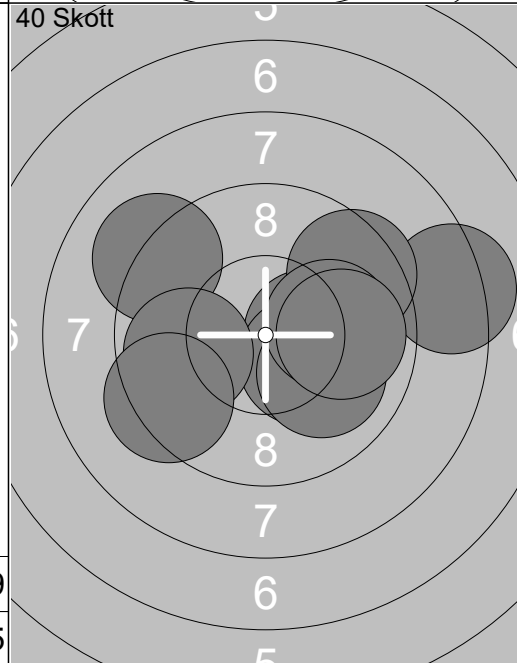
1: 10.5x↘
2: 9.3 ↖
3: 8.6 ←
4: 9.3 ↑
5: 10.0 ↘
6: 9.9 →
7: 8.9 ↑
8: 9.3 ↑
9: 10.3x↗
10: 10.8x→
Serie 96.9
Total 96.9



11: 8.1 ↑
12: 10.5x↘
13: 10.0 ↑
14: 10.1 →
15: 9.5 ↑
16: 9.9 →
17: 3.7 ↑
18: 9.2 ↘
19: 9.6 ↘
20: 10.1←
Serie 90.7
Total 187.6



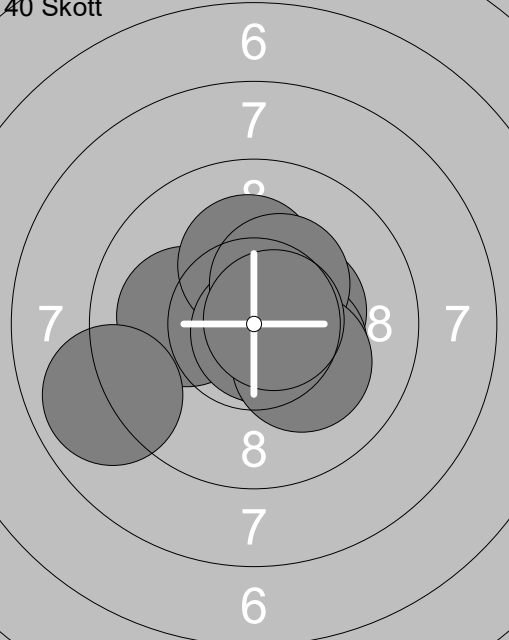
21: 9.8 ↗
22: 10.5x↘
23: 8.8 ↖
24: 9.3 ↑
25: 9.8 ↘
26: 10.2x↘
27: 9.4 ←
28: 8.5 →
29: 8.9 ↑
30: 9.7 ↘
Serie 94.9
Total 282.5

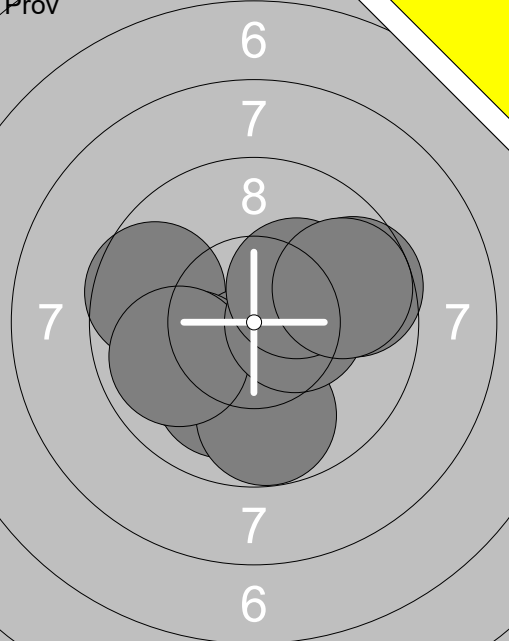
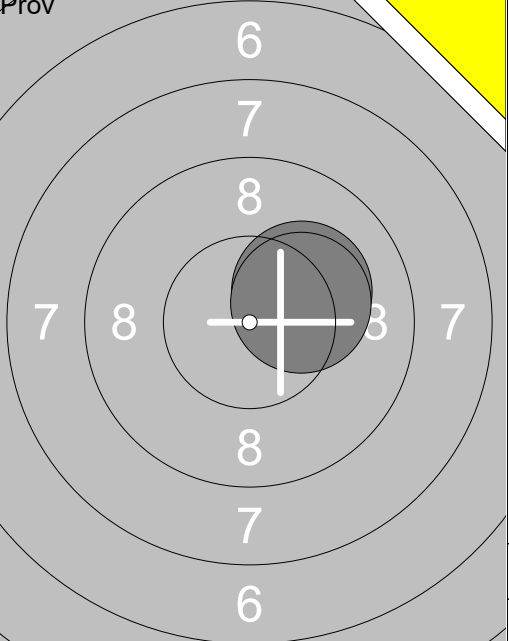


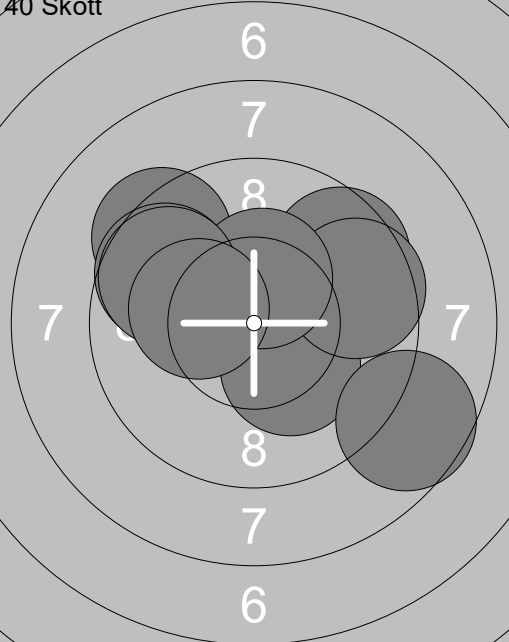
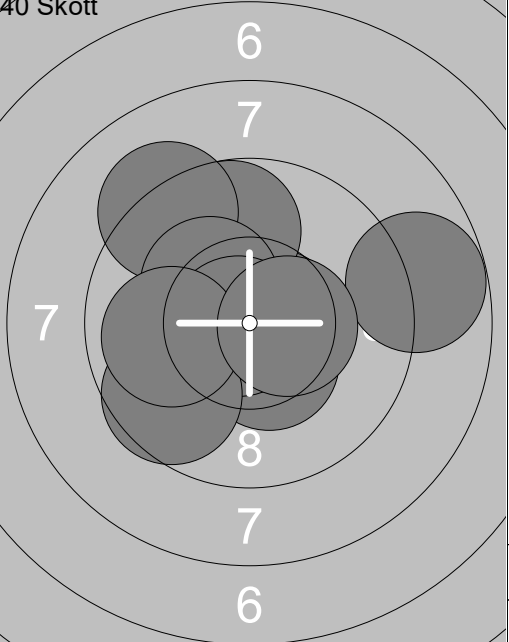
31: 10.3x→
32: 8.3 →
33: 9.1 ↖
34: 10.3x↘
35: 9.5 ↗
36: 10.0 ↘
37: 10.1→
38: 9.8 ←
39: 9.3 ↙
40: 9.9 →
Serie 96.6
Total 379.1

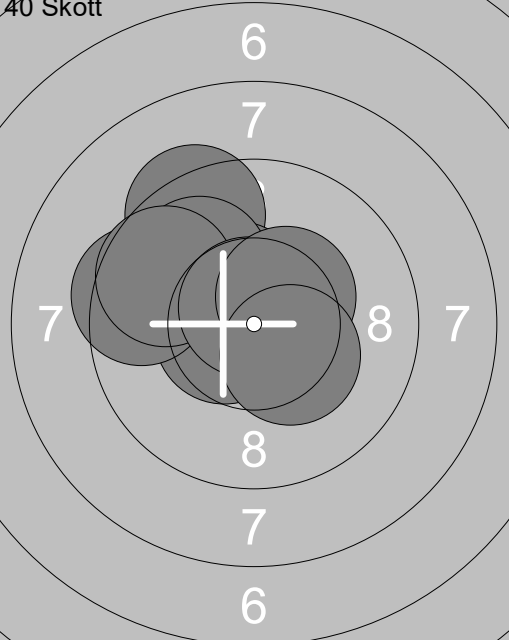
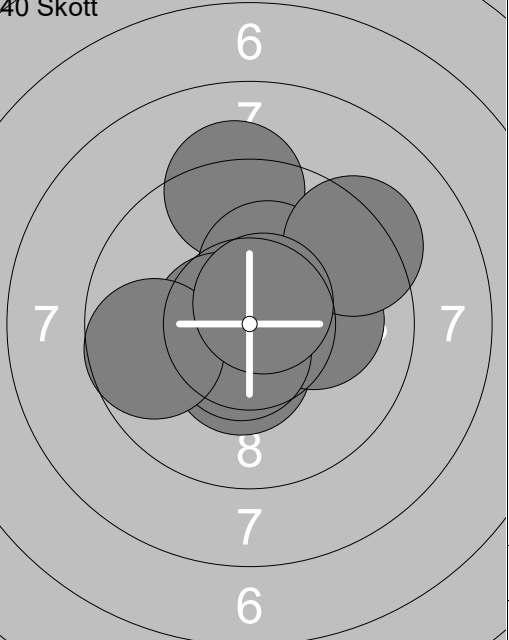
Prov 	1: 9.7 → 2: 9.2 → 3: 9.6 ↗ 4: 10.3x↗ 5: 10.4x↘ 6: 10.1 ↓ 7: 9.8 ↖ 8: 10.2x↗ 9: 10.5x↗ <hr/> Serie 89.8 Total 0.0	40 Skott 	1: 9.1 ← 2: 10.7x→ 3: 10.1← 4: 10.5x↖ 5: 10.0 ↓ 6: 9.6 ← 7: 10.4x↘ 8: 9.4 ↖ 9: 10.1 ↑ 10: 10.6x↗ <hr/> Serie 100.5 Total 100.5
--	--	--	---

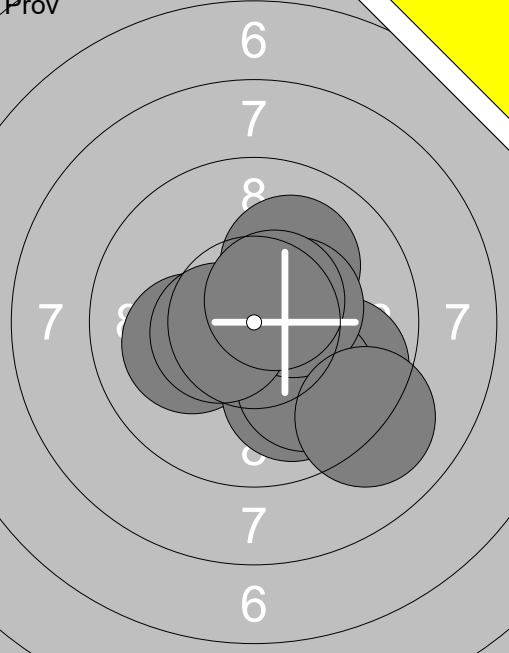
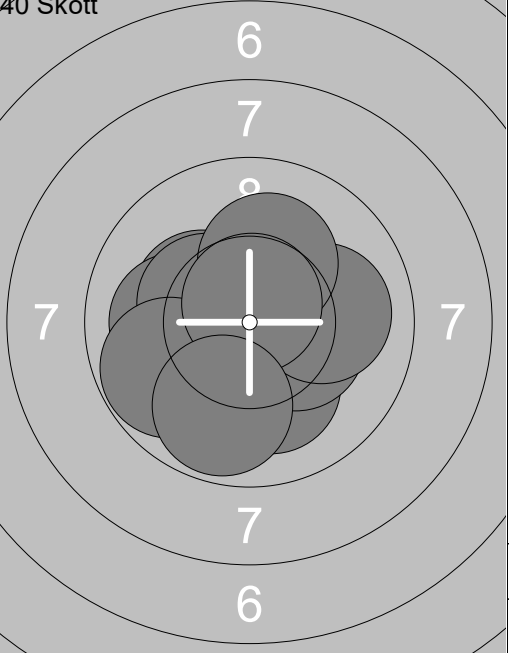
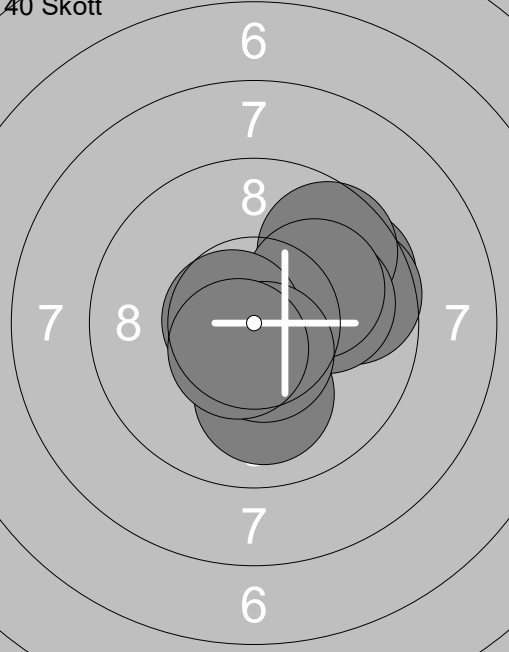
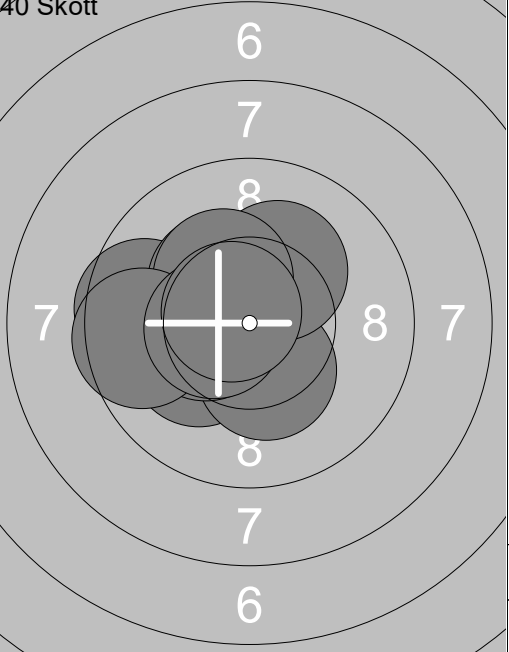
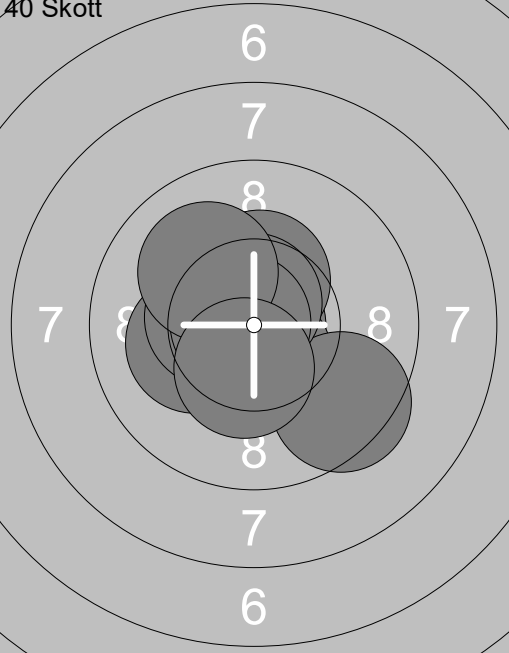
40 Skott 	11: 9.7 ↗ 12: 10.7x↓ 13: 9.2 ↑ 14: 10.4x↖ 15: 10.0 ↙ 16: 10.0 → 17: 9.7 → 18: 9.2 → 19: 10.0 ↖ 20: 9.5 ↗ <hr/> Serie 98.4 Total 198.9	40 Skott 	21: 9.2 ↗ 22: 10.9x↓ 23: 10.6x↖ 24: 10.7x↓ 25: 10.5x↘ 26: 10.2x↘ 27: 10.5x↗ 28: 9.8 ↑ 29: 10.3x↗ 30: 9.9 ↗ <hr/> Serie 102.6 Total 301.5
---	--	---	---

40 Skott 	31: 10.6x↘ 32: 10.1← 33: 10.4x→ 34: 8.9 ← 35: 10.2x↗ 36: 10.3x↘ 37: 10.8x↘ 38: 10.3x↗ 39: 10.2x↘ 40: 10.7x→ <hr/> Serie 102.5 Total 404.0		
--	--	--	--

Prov 	1: 9.6 ← 2: 10.5x↓ 3: 10.0↙ 4: 10.0↓ 5: 9.8 ↓ 6: 9.9 ← 7: 9.6 → 8: 10.4x→ 9: 10.3x↗ 10: 9.7 → <hr/> Serie 99.8 Total 0.0	Prov 	11: 10.2x↗ 12: 10.3x↗
--	---	--	--------------------------

40 Skott 	1: 9.6 ↗ 2: 10.4x→ 3: 9.3 ↖ 4: 10.2x↘ 5: 9.6 → 6: 8.6 ↘ 7: 9.6 ↖ 8: 10.4x↑ 9: 9.7 ↖ 10: 10.2x↖ <hr/> Serie 97.6 Total 97.6	40 Skott 	11: 10.7x→ 12: 9.7 ↑ 13: 10.4x↘ 14: 8.8 → 15: 9.2 ↖ 16: 10.3x↖ 17: 10.8x↖ 18: 9.6 ↙ 19: 9.9 ← 20: 10.5x→ <hr/> Serie 99.9 Total 197.5
---	---	---	--

40 Skott 	21: 10.7x↖ 22: 10.6x↖ 23: 9.4 ↖ 24: 10.5x↗ 25: 9.9 ↖ 26: 9.5 ← 27: 9.7 ↖ 28: 10.7x↗ 29: 10.4x↗ 30: 10.3x↘ <hr/> Serie 101.7 Total 299.2	40 Skott 	31: 10.1 ↗ 32: 9.2 ↑ 33: 10.4x↘ 34: 10.2x↗ 35: 10.6x↖ 36: 10.1→ 37: 10.6x↘ 38: 9.3 ↗ 39: 9.7 ← 40: 10.6x↗ <hr/> Serie 100.8 Total 400.0
--	--	--	--

Prov 	1: 9.7 ↘ 2: 9.7 ↘ 3: 10.1 ← 4: 10.0 ↓ 5: 9.9 ↓ 6: 10.1 ↗ 7: 10.4x ↗ 8: 9.1 ↓ 9: 10.5x ← 10: 10.6x ↗ <hr/> Serie 100.1 Total 0.0	40 Skott 	1: 10.3x ↘ 2: 10.1 ↓ 3: 10.3x ↗ 4: 10.1 ← 5: 10.4x ↘ 6: 10.0 → 7: 9.8 ← 8: 10.2x ↗ 9: 10.7x ↗ 10: 9.8 ↓ <hr/> Serie 101.7 Total 101.7
40 Skott 	11: 10.0 ↓ 12: 9.6 → 13: 10.5x ↗ 14: 9.7 → 15: 9.6 ↗ 16: 10.0 → 17: 10.1 ↗ 18: 10.7x ← 19: 10.6x ↓ 20: 10.6x ↓ <hr/> Serie 101.4 Total 203.1	40 Skott 	21: 10.2x ↘ 22: 10.3x ↓ 23: 9.6 ← 24: 10.2x ↗ 25: 10.4x ↘ 26: 10.3x ↘ 27: 10.3x ↘ 28: 9.6 ← 29: 10.5x ↘ 30: 10.7x ↘ <hr/> Serie 102.1 Total 305.2
40 Skott 	31: 10.9x ↗ 32: 10.4x ↗ 33: 10.5x ↓ 34: 10.2x ↘ 35: 10.4x ↘ 36: 9.5 ↓ 37: 10.7x ↗ 38: 10.8x ↘ 39: 10.1 ↗ 40: 10.4x ↓ <hr/> Serie 103.9 Total 409.1		

<p>Prov</p>	<p>1: 8.7 ↘ 2: 7.5 → 3: 10.2x ↘ 4: 10.5x ↘ 5: 9.5 ↗ 6: 9.3 ↑ 7: 9.3 → 8: 8.4 ↗ 9: 9.7 ↗ 10: 9.9 ↗</p> <p>Serie 93.0 Total 0.0</p>	<p>Prov</p>	<p>11: 10.3x → 12: 10.8x → 13: 10.2x →</p> <p>Serie 31.3 Total 0.0</p>
-------------	--	-------------	--

<p>40 Skott</p>	<p>1: 9.7 → 2: 10.0 ↘ 3: 10.9x ↘ 4: 9.8 → 5: 9.8 → 6: 9.1 ↗ 7: 9.9 ← 8: 10.3x ↘ 9: 9.3 ← 10: 9.6 →</p> <p>Serie 98.4 Total 98.4</p>	<p>40 Skott</p>	<p>11: 9.2 ↗ 12: 9.4 ↗ 13: 9.2 ↘ 14: 9.5 → 15: 9.0 ↘ 16: 9.3 ← 17: 8.4 → 18: 10.4x → 19: 9.0 ← 20: 9.0 ↘</p> <p>Serie 92.4 Total 190.8</p>
-----------------	--	-----------------	---

<p>40 Skott</p>	<p>21: 10.1 ↘ 22: 10.8x ↘ 23: 9.6 ↘ 24: 9.8 ↘ 25: 10.4x → 26: 10.7x → 27: 9.8 → 28: 10.9x ↘ 29: 10.5x ↗ 30: 9.2 ←</p> <p>Serie 101.8 Total 292.6</p>	<p>40 Skott</p>	<p>31: 9.6 ← 32: 10.7x ↘ 33: 10.5x → 34: 10.2x ↘ 35: 10.4x ↘ 36: 10.0 ← 37: 9.4 ↘ 38: 7.9 ← 39: 10.3x → 40: 9.9 ↘</p> <p>Serie 98.9 Total 391.5</p>
-----------------	---	-----------------	--

<p>Prov</p>	<p>1: 8.5 ↖</p> <p>2: 9.9 ↑</p> <p>3: 7.4 ↖</p> <p>4: 8.3 ←</p> <p>5: 9.0 ↖</p> <p>6: 10.4x ↗</p> <p>7: 9.1 ←</p> <p>8: 8.4 ↗</p> <p>9: 9.7 ←</p> <p>10: 10.6x ↗</p>	<p>Prov</p>	<p>11: 9.8 ↖</p> <p>12: 10.4x ↖</p> <p>13: 9.0 →</p> <p>14: 10.9x ↘</p> <p>15: 9.7 →</p> <p>16: 10.7x ↗</p>
Serie 91.3		Serie 60.5	
Total 0.0		Total 0.0	

<p>40 Skott</p>	<p>1: 10.3x ↗</p> <p>2: 9.3 ↑</p> <p>3: 10.2x ↗</p> <p>4: 10.5x ↘</p> <p>5: 10.9x ↗</p> <p>6: 9.6 →</p> <p>7: 9.4 ←</p> <p>8: 10.4x ↖</p> <p>9: 10.4x ↗</p> <p>10: 10.3x ↗</p>	<p>40 Skott</p>	<p>11: 10.0 ↖</p> <p>12: 10.5x ↘</p> <p>13: 10.0 ↗</p> <p>14: 9.4 →</p> <p>15: 9.9 →</p> <p>16: 10.9x ↖</p> <p>17: 10.6x ↘</p> <p>18: 9.7 ↑</p> <p>19: 10.1 →</p> <p>20: 10.1 ←</p>
Serie 101.3		Serie 101.2	
Total 101.3		Total 202.5	

<p>40 Skott</p>	<p>21: 10.1 ↖</p> <p>22: 8.9 ←</p> <p>23: 9.2 ↑</p> <p>24: 10.3x ↘</p> <p>25: 9.8 ←</p> <p>26: 10.4x ↖</p> <p>27: 10.5x ↗</p> <p>28: 10.1 ↖</p> <p>29: 10.1 →</p> <p>30: 9.8 →</p>	<p>40 Skott</p>	<p>31: 9.7 →</p> <p>32: 9.8 ↑</p> <p>33: 9.9 ↓</p> <p>34: 9.6 ↘</p> <p>35: 10.0 →</p> <p>36: 9.4 ↗</p> <p>37: 10.6x ↖</p> <p>38: 9.5 ↑</p> <p>39: 9.1 ↖</p> <p>40: 10.5x ↘</p>
Serie 99.2		Serie 98.1	
Total 301.7		Total 399.8	

<p>Prov</p>	<p>1: 9.3 →</p> <p>2: 10.7x ↗</p> <p>3: 8.9 →</p> <p>4: 9.7 ↖</p> <p>5: 10.0 →</p> <p>6: 10.5x ↖</p> <p>7: 10.0 ↓</p> <p>8: 10.1 ↖</p> <p>9: 10.4x →</p> <p>10: 10.1 ↗</p>	<p>Prov</p>	<p>11: 9.8 ↖</p> <p>12: 10.0 ←</p>
Serie 99.7		Serie 19.8	
Total 0.0		Total 0.0	

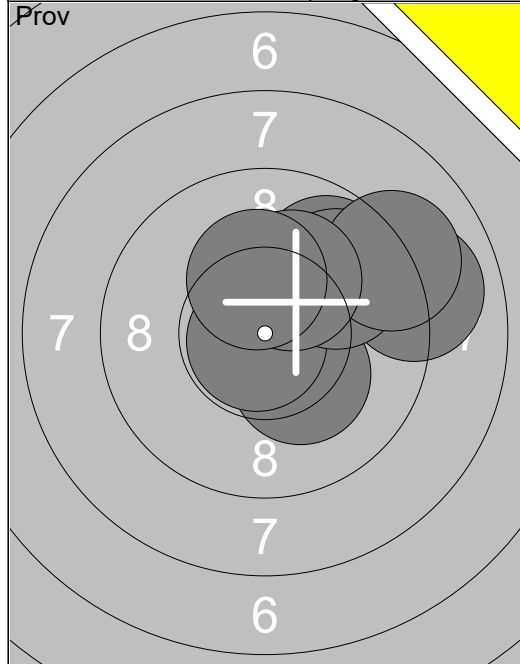
<p>40 Skott</p>	<p>1: 10.4x ↓</p> <p>2: 10.4x ↖</p> <p>3: 10.0 →</p> <p>4: 10.7x ↓</p> <p>5: 10.3x ↓</p> <p>6: 10.3x ↖</p> <p>7: 8.8 →</p> <p>8: 9.9 →</p> <p>9: 9.3 ←</p> <p>10: 10.4x ↖</p>	<p>40 Skott</p>	<p>11: 10.1 ↖</p> <p>12: 9.6 →</p> <p>13: 9.1 ↑</p> <p>14: 9.0 ↗</p> <p>15: 10.1 ↖</p> <p>16: 10.1 ←</p> <p>17: 9.5 →</p> <p>18: 9.3 ←</p> <p>19: 7.5 →</p> <p>20: 9.4 ↑</p>
Serie 100.5		Serie 93.7	
Total 100.5		Total 194.2	

<p>40 Skott</p>	<p>21: 8.7 ←</p> <p>22: 8.1 →</p> <p>23: 9.2 ↓</p> <p>24: 10.4x ↓</p> <p>25: 10.4x ↖</p> <p>26: 10.4x ↖</p> <p>27: 9.2 ↗</p> <p>28: 9.2 →</p> <p>29: 9.9 →</p> <p>30: 8.7 →</p>	<p>40 Skott</p>	<p>31: 10.4x ↗</p> <p>32: 9.8 →</p> <p>33: 9.4 ↖</p> <p>34: 10.4x ↖</p> <p>35: 10.0 ↗</p> <p>36: 10.4x ↗</p> <p>37: 10.8x →</p> <p>38: 9.9 →</p> <p>39: 10.4x ↗</p> <p>40: 9.3 →</p>
Serie 94.2		Serie 100.8	
Total 288.4		Total 389.2	

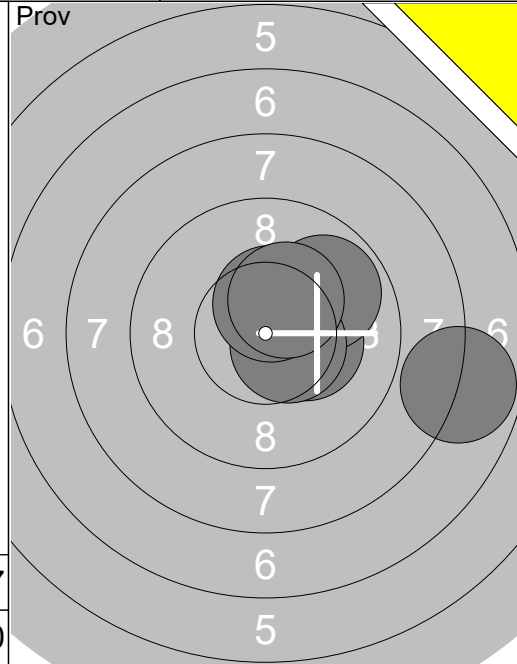
<p>Prov</p>	<p>1: 10.3x ↖</p> <p>2: 8.7 →</p> <p>3: 10.4x ↖</p> <p>4: 9.6 ↓</p> <p>5: 10.4x ↖</p> <p>6: 10.3x ↗</p> <p>7: 10.2x →</p> <p>8: 10.2x ↖</p> <p>9: 9.4 →</p> <p>10: 8.9 ↓</p>	<p>Prov</p>	<p>11: 9.7 ↖</p> <p>12: 7.5 →</p> <p>13: 9.6 ↗</p> <p>14: 10.0 ↘</p> <p>15: 9.9 ↙</p> <p>16: 10.1 ↘</p>
Serie 98.4		Serie 56.8	
Total 0.0		Total 0.0	

<p>40 Skott</p>	<p>1: 9.3 ↗</p> <p>2: 9.5 ←</p> <p>3: 9.9 ←</p> <p>4: 9.3 ↘</p> <p>5: 10.0 ↘</p> <p>6: 10.6x ↖</p> <p>7: 9.5 ←</p> <p>8: 10.3x ↖</p> <p>9: 8.9 ↘</p> <p>10: 10.1 ←</p>	<p>40 Skott</p>	<p>11: 10.2x ↘</p> <p>12: 10.6x ↘</p> <p>13: 10.2x ↗</p> <p>14: 10.1 ↙</p> <p>15: 10.3x ↘</p> <p>16: 10.1 →</p> <p>17: 9.9 ↓</p> <p>18: 10.6x ↖</p> <p>19: 8.2 →</p> <p>20: 10.1 ↘</p>
Serie 97.4		Serie 100.3	
Total 97.4		Total 197.7	

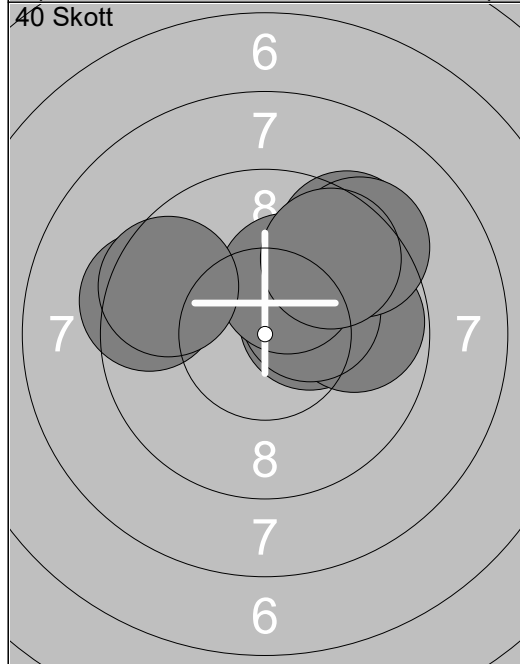
<p>40 Skott</p>	<p>21: 9.7 →</p> <p>22: 9.8 ←</p> <p>23: 10.3x ↖</p> <p>24: 9.7 ↘</p> <p>25: 8.1 ↘</p> <p>26: 9.9 ↗</p> <p>27: 8.4 ↘</p> <p>28: 10.0 ↘</p> <p>29: 9.6 ↗</p> <p>30: 10.6x ↘</p>	<p>40 Skott</p>	<p>31: 10.3x ↘</p> <p>32: 8.9 →</p> <p>33: 8.9 ←</p> <p>34: 10.6x →</p> <p>35: 9.7 ↗</p> <p>36: 10.2x ↗</p> <p>37: 10.3x ↗</p> <p>38: 10.2x ↘</p> <p>39: 10.1 ↘</p> <p>40: 10.5x ↗</p>
Serie 96.1		Serie 99.7	
Total 293.8		Total 393.5	



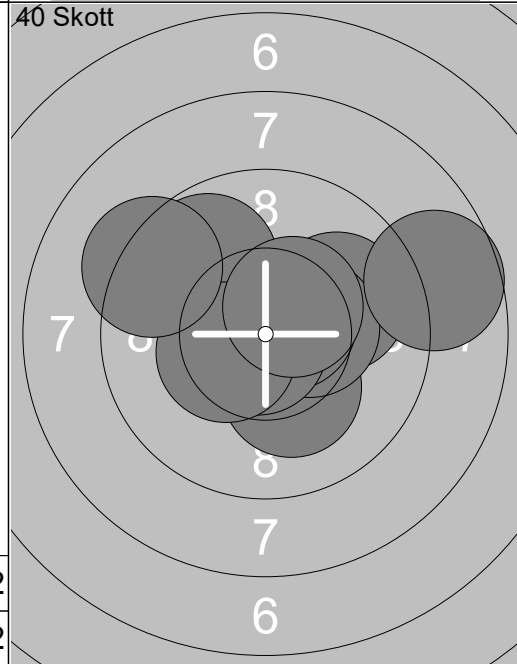
1: 10.1 ↗
2: 10.3x ↘
3: 10.3x ↗
4: 9.8 ↗
5: 9.0 →
6: 10.8x ↘
7: 9.8 ↗
8: 9.1 ↗
9: 10.2x ↗
10: 10.3x ↗
Serie 99.7
Total 0.0



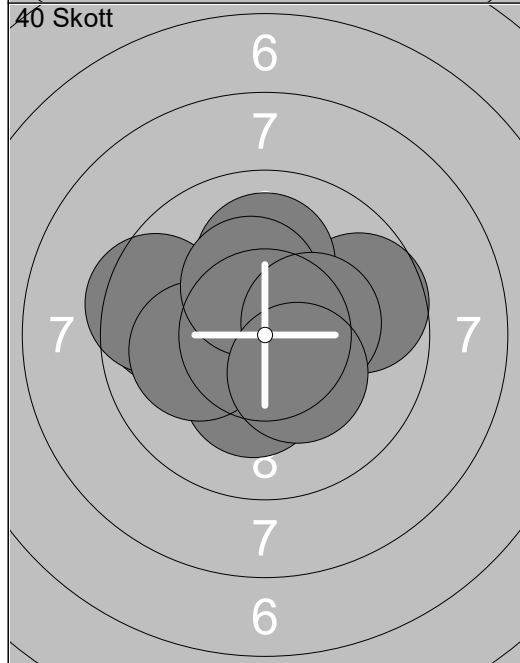
11: 7.9 →
12: 10.3x →
13: 9.9 ↗
14: 10.6x ↘
15: 10.5x ↗
16: 10.4x ↗
Serie 59.6
Total 0.0



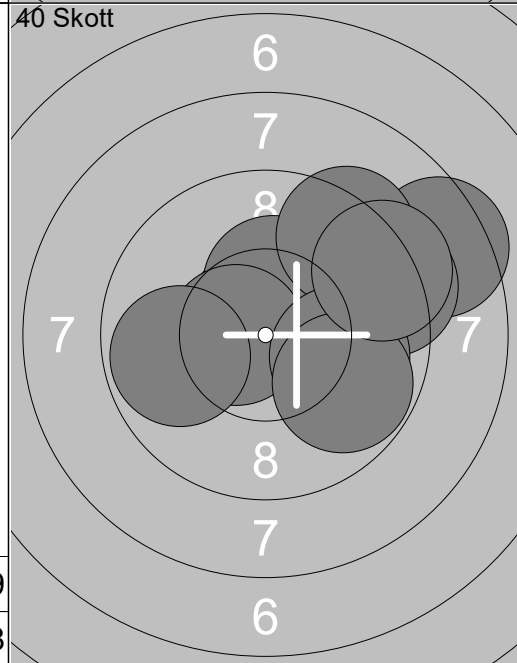
1: 10.3x →
2: 9.4 ↗
3: 10.2x ↗
4: 9.8 →
5: 10.3x →
6: 9.4 ←
7: 9.3 ↗
8: 10.2x ↗
9: 9.7 ↗
10: 9.6 ←
Serie 98.2
Total 98.2



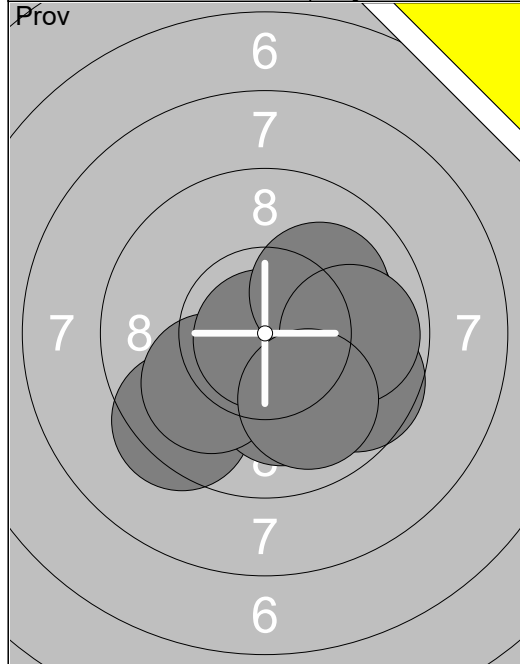
11: 10.0 →
12: 10.2x ↘
13: 10.4x →
14: 10.6x ↗
15: 10.8x ↘
16: 9.8 ↖
17: 10.4x ↘
18: 8.7 →
19: 10.5x ↗
20: 9.3 ↖
Serie 100.7
Total 198.9



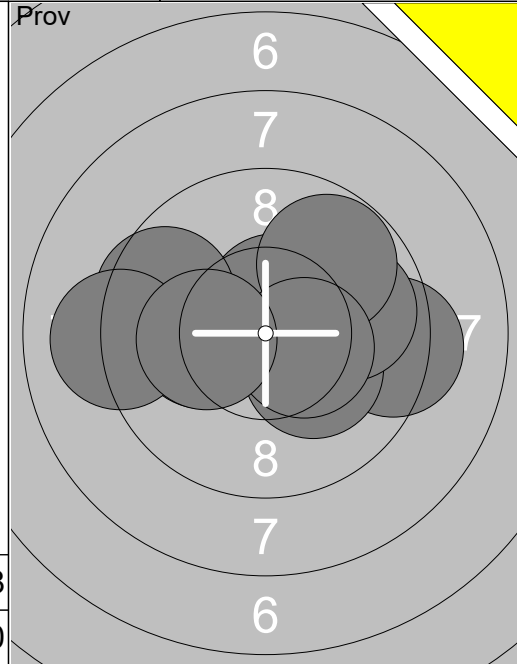
21: 10.3x ↘
22: 9.7 ←
23: 9.5 ←
24: 9.7 →
25: 10.0 ↑
26: 10.7x ↗
27: 10.1 ←
28: 10.3x ↗
29: 10.3x →
30: 10.3x ↘
Serie 100.9
Total 299.8



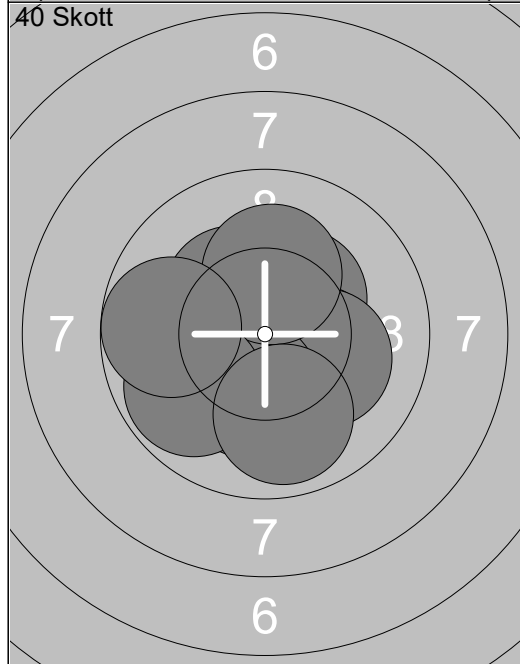
31: 10.7x ↘
32: 8.5 →
33: 10.3x ↗
34: 9.3 ↗
35: 10.6x ↘
36: 9.3 →
37: 9.8 ←
38: 10.0 →
39: 9.8 →
40: 9.3 →
Serie 97.6
Total 397.4



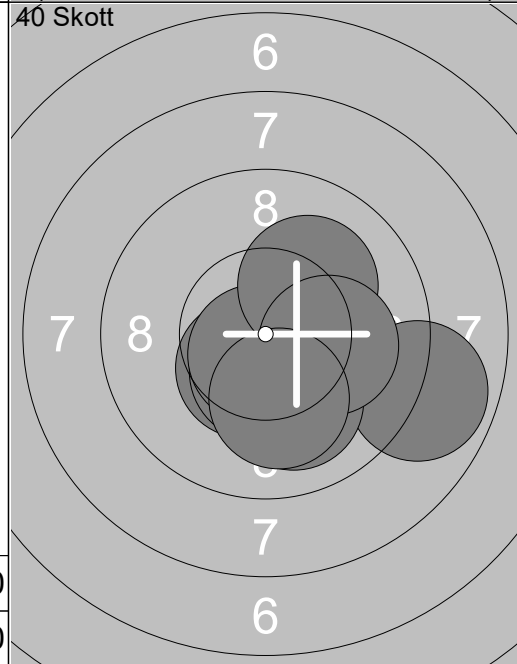
1:	9.4 ↙
2:	10.1 ↓
3:	10.0 ↙
4:	10.8x➤
5:	10.1 ➤
6:	10.9x↓
7:	9.6 ➤
8:	10.1 ↗
9:	9.9 ➔
10:	9.9 ↓
Serie	100.8
Total	0.0



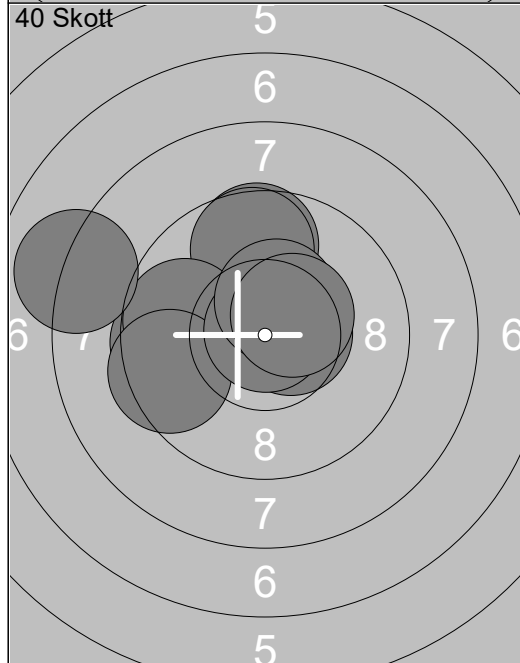
11:	9.3 ➔
12:	10.2x↘
13:	9.9 ➔
14:	10.5x↗
15:	10.2x↖
16:	9.6 ↖
17:	9.1 ↖
18:	9.8 ↗
19:	10.4x➤
20:	10.2x↖
Serie	99.2
Total	0.0



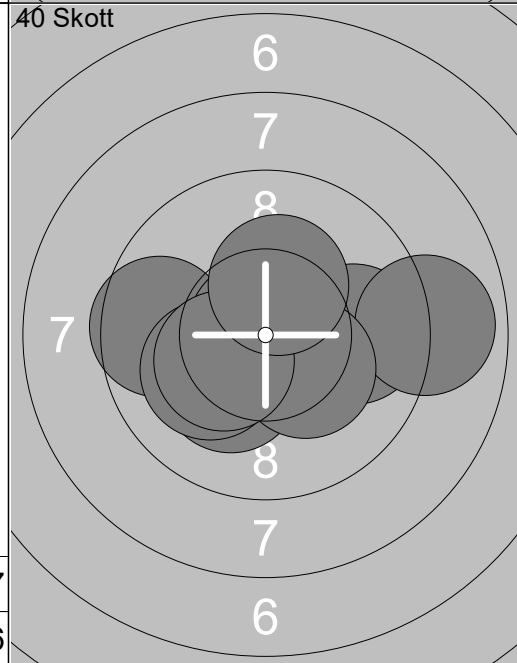
1:	10.3x↗
2:	10.3x➤
3:	10.2x➤
4:	10.3x↖
5:	10.0 ↖
6:	10.2x↓
7:	10.2x↗
8:	9.8 ↖
9:	9.8 ↖
10:	9.9 ↓
Serie	101.0
Total	101.0



11:	10.7x↘
12:	8.9 ➔
13:	10.4x↓
14:	10.5x↓
15:	10.0 ↓
16:	10.4x➤
17:	10.7x↓
18:	10.1 ↗
19:	10.1 ➔
20:	10.1 ↓
Serie	101.9
Total	202.9

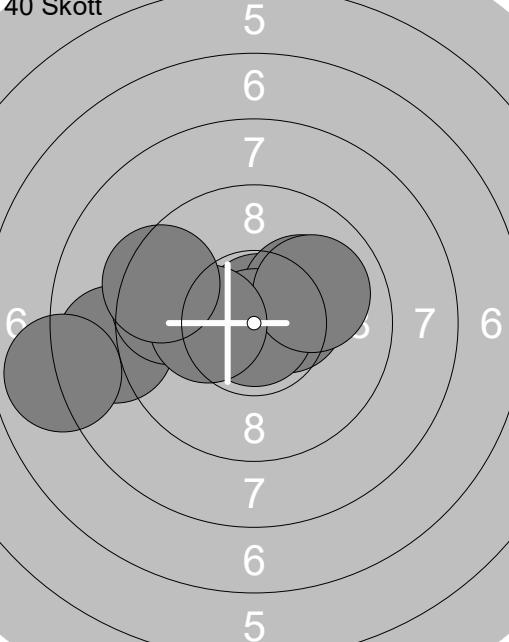


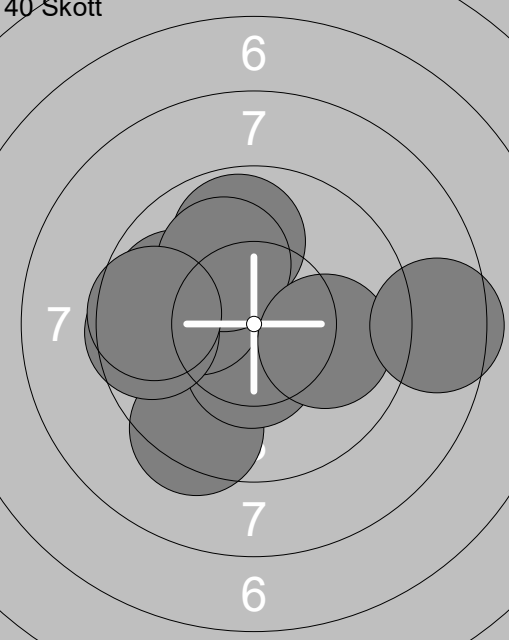
21:	9.6 ↑
22:	9.7 ↑
23:	9.6 ↖
24:	9.8 ↖
25:	10.6x➤
26:	9.5 ↖
27:	10.9x↗
28:	8.1 ↖
29:	10.4x↗
30:	10.5x↗
Serie	98.7
Total	301.6

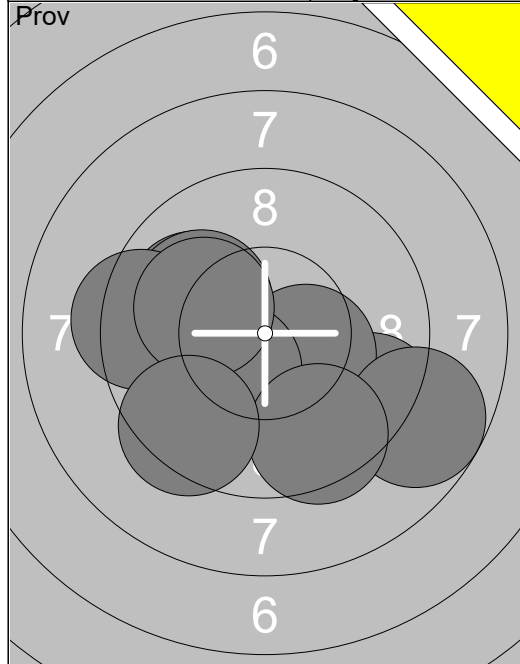


31:	10.8x↖
32:	9.6 ↖
33:	10.2x↓
34:	10.8x↖
35:	10.1 ↖
36:	9.8 ➔
37:	8.9 ➔
38:	10.3x↘
39:	10.3x↖
40:	10.3x↗
Serie	101.1
Total	402.7

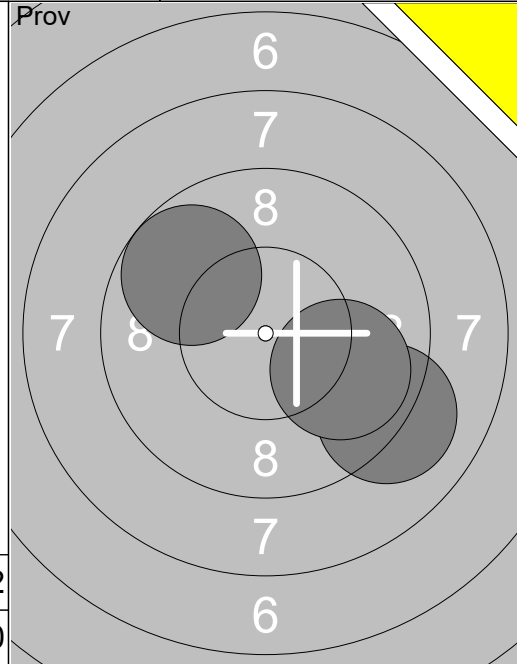
	<p>1: 10.4x↘</p> <p>2: 10.6x↘</p> <p>3: 9.8 →</p> <p>4: 10.5x↙</p> <p>5: 7.8 ←</p> <p>6: 10.4x↙</p> <p>7: 10.6x↘</p> <p>8: 8.9 ←</p> <p>9: 10.3x→</p> <p>10: 9.9 ↙</p>	<p>11: 9.6 ↙</p> <p>12: 10.4x→</p> <p>13: 8.2 →</p> <p>14: 10.1 ↙</p> <p>15: 10.7x↗</p>
Serie 99.2		Serie 49.0
Total 0.0		Total 0.0

	<p>1: 10.5x→</p> <p>2: 10.8x↗</p> <p>3: 8.8 ←</p> <p>4: 7.9 ←</p> <p>5: 10.1 ↗</p> <p>6: 10.9x↘</p> <p>7: 10.0 →</p> <p>8: 9.7 ←</p> <p>9: 10.3x←</p> <p>10: 9.4 ↙</p>	<p>11: 9.9 ↙</p> <p>12: 9.2 ↙</p> <p>13: 9.8 ↙</p> <p>14: 10.0 ↗</p> <p>15: 10.1 ↙</p> <p>16: 9.5 ↙</p> <p>17: 9.2 ↙</p> <p>18: 10.7x↙</p> <p>19: 10.1 →</p> <p>20: 10.1 ←</p>
Serie 98.4		Serie 98.6
Total 98.4		Total 197.0

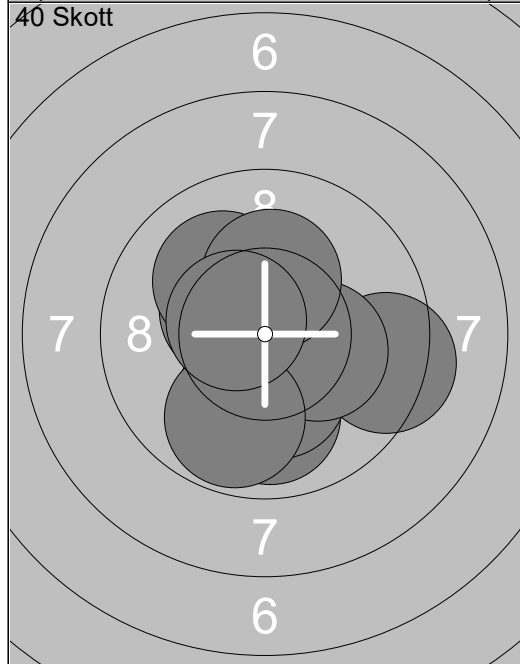
	<p>21: 9.4 ↙</p> <p>22: 10.5x↘</p> <p>23: 9.9 ←</p> <p>24: 9.8 ↗</p> <p>25: 10.2x↙</p> <p>26: 10.1 ↗</p> <p>27: 10.0 →</p> <p>28: 9.6 ←</p> <p>29: 9.6 ←</p> <p>30: 8.5 →</p>	<p>31: 10.6x↘</p> <p>32: 10.1 ↘</p> <p>33: 10.8x↙</p> <p>34: 9.1 ↙</p> <p>35: 9.1 →</p> <p>36: 9.2 ↙</p> <p>37: 9.7 ↙</p> <p>38: 9.9 ↗</p> <p>39: 10.7x→</p> <p>40: 10.1 ↘</p>
Serie 97.6		Serie 99.3
Total 294.6		Total 393.9



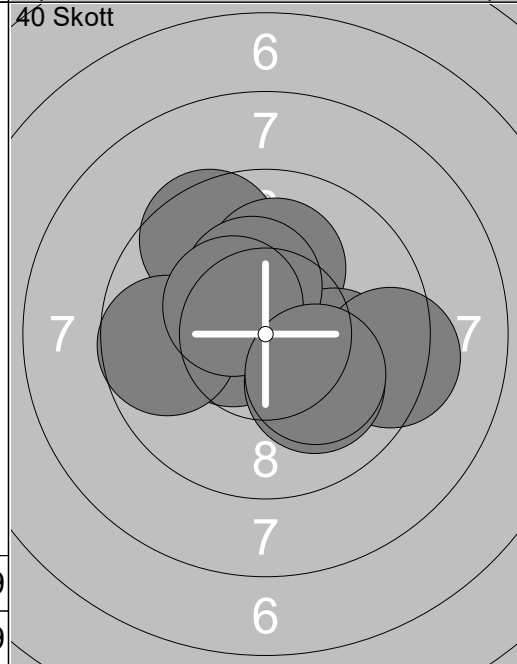
1:	10.0	↖
2:	9.3	➤
3:	10.0	↖
4:	10.4	✕➤
5:	10.3	✕↙
6:	9.4	↖
7:	8.8	➤
8:	10.1	↖
9:	9.5	↘
10:	9.4	↙
Serie		97.2
Total		0.0



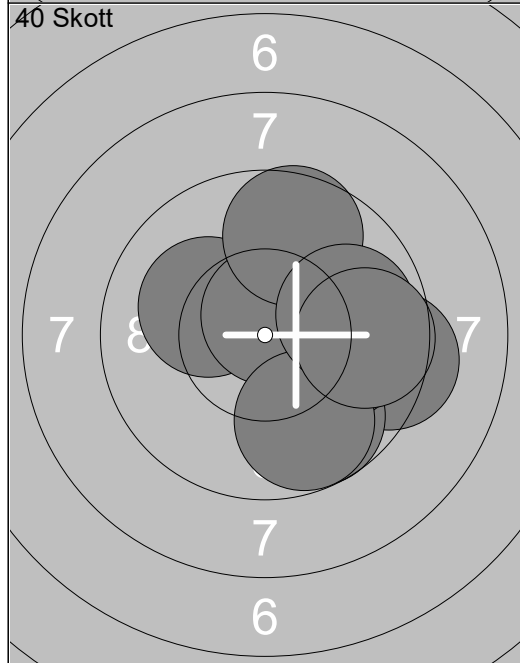
11:	9.1	➤
12:	9.7	↖
13:	9.9	➤
Serie		28.7
Total		0.0



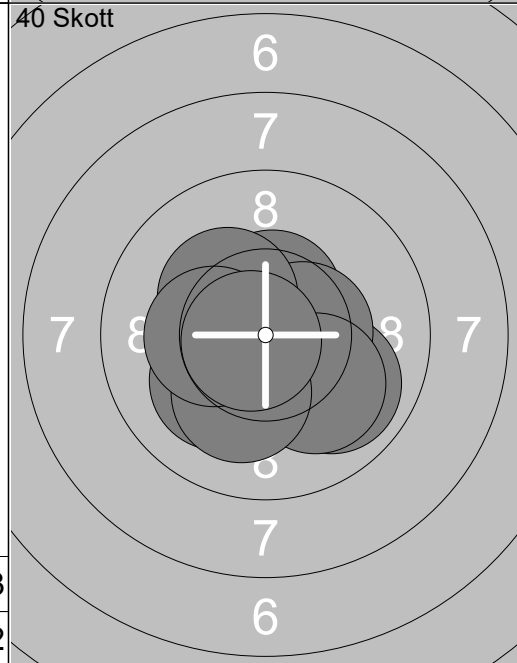
1:	9.4	➤
2:	10.2	✕↙
3:	9.9	↘
4:	10.2	✕↙
5:	10.2	✕➤
6:	9.8	↘
7:	10.4	✕↖
8:	10.1	↖
9:	10.2	✕↗
10:	10.5	✕↖
Serie		100.9
Total		100.9



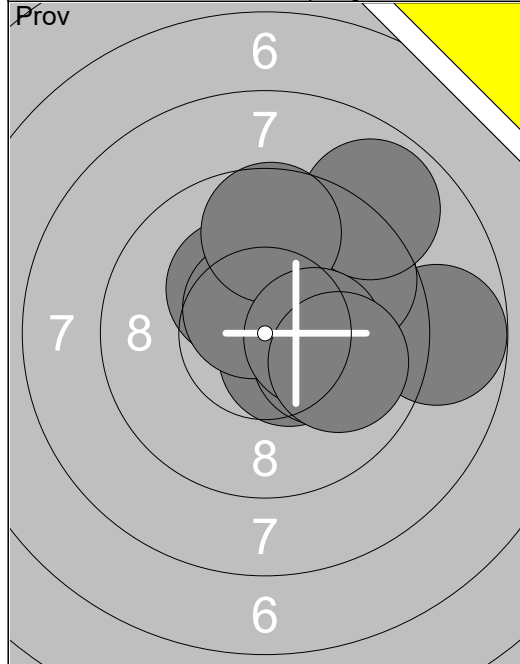
11:	9.5	↖
12:	10.5	✕↖
13:	10.1	↗
14:	10.0	➤
15:	10.3	✕↗
16:	9.7	↖
17:	9.3	➤
18:	10.1	↘
19:	10.4	✕↖
20:	10.1	↘
Serie		100.0
Total		200.9



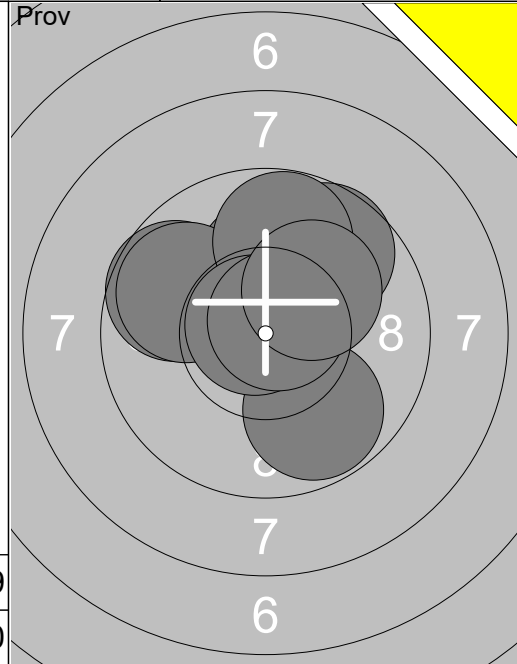
21:	9.3	➤
22:	9.7	↘
23:	10.5	✕➤
24:	10.1	↖
25:	10.0	➤
26:	10.7	✕↗
27:	9.6	↗
28:	9.8	↘
29:	9.9	➤
30:	9.7	➤
Serie		99.3
Total		300.2



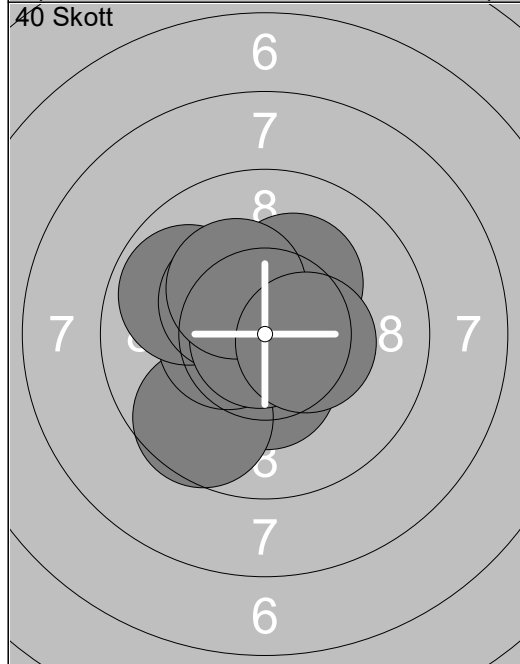
31:	10.5	✕↗
32:	10.1	↙
33:	9.9	↘
34:	10.5	✕➤
35:	10.5	✕➤
36:	10.1	↘
37:	10.2	✕↙
38:	10.3	✕↖
39:	10.3	✕↖
40:	10.7	✕↖
Serie		103.1
Total		403.3



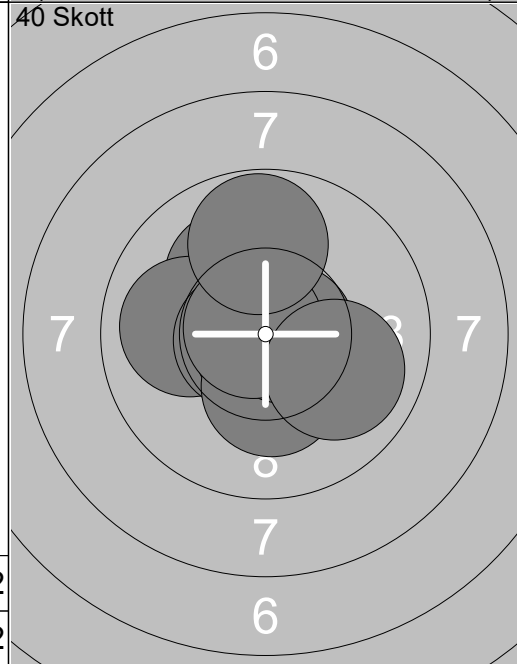
1:	10.5x ↘
2:	10.2x →
3:	8.8 →
4:	9.7 ↗
5:	8.9 ↗
6:	10.3x ↘
7:	10.6x ↘
8:	9.7 ↑
9:	10.3x →
10:	9.9 →
Serie 98.9	
Total 0.0	



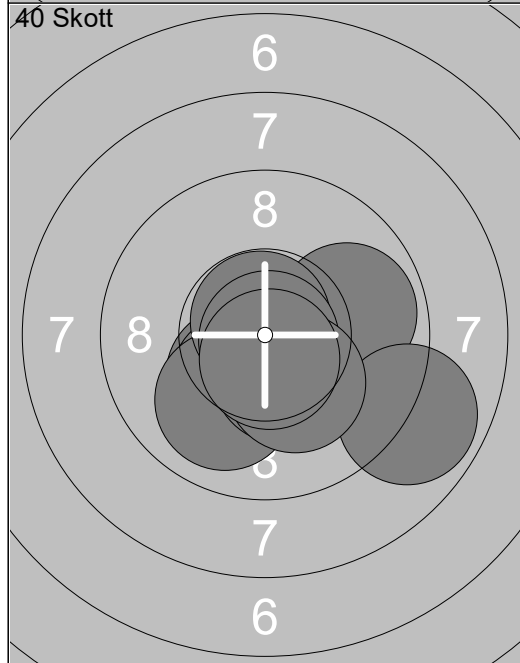
11:	9.8 ↘
12:	10.2x ↗
13:	9.7 ↖
14:	10.1 ↑
15:	9.7 ↗
16:	9.8 ↖
17:	9.8 ↑
18:	10.8x ↘
19:	10.7x ↗
20:	10.1 ↗
Serie 100.7	
Total 0.0	



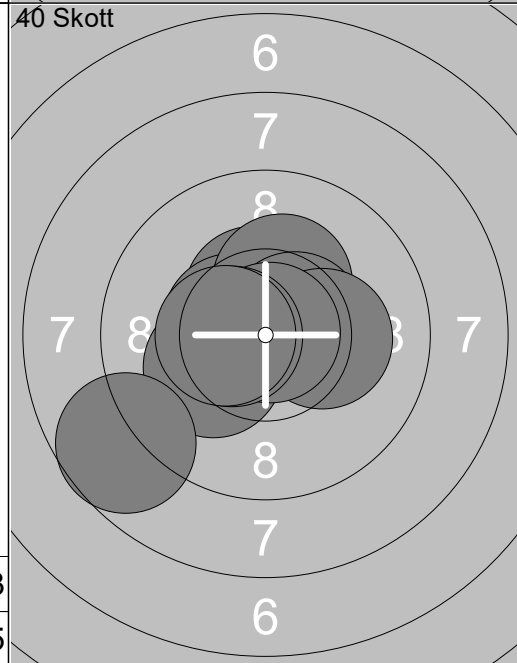
1:	10.4x ↓
2:	10.7x ↗
3:	9.6 ↘
4:	10.5x ↖
5:	9.9 ↖
6:	10.2x ↗
7:	10.3x ↘
8:	10.9x ↘
9:	10.3x ↘
10:	10.4x →
Serie 103.2	
Total 103.2	



11:	10.1 ↖
12:	10.0 ↖
13:	10.8x ↖
14:	10.7x ↖
15:	10.8x ↓
16:	10.3x ↓
17:	10.7x →
18:	10.8x ↖
19:	10.0 →
20:	9.8 ↑
Serie 104.0	
Total 207.2	



21:	9.9 →
22:	10.3x ↘
23:	10.3x ↘
24:	10.0 ↘
25:	10.8x ↘
26:	8.9 →
27:	10.9x ↘
28:	10.4x ↘
29:	10.2x ↘
30:	10.6x ↓
Serie 102.3	
Total 309.5	

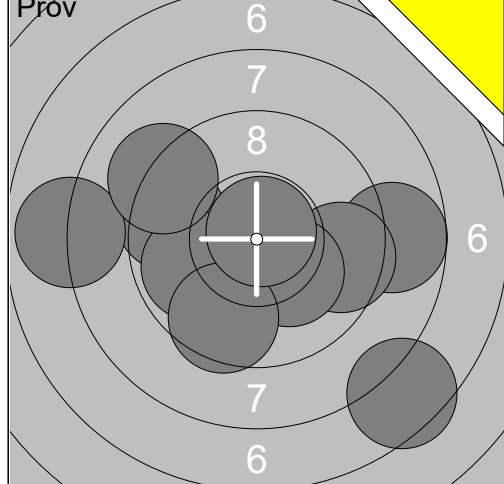


31:	10.4x ↘
32:	10.2x ↘
33:	10.5x ↖
34:	8.7 ↘
35:	10.3x ↗
36:	10.5x ↗
37:	10.2x →
38:	10.9x ↗
39:	10.5x ↖
40:	10.4x ↖
Serie 102.6	
Total 412.1	

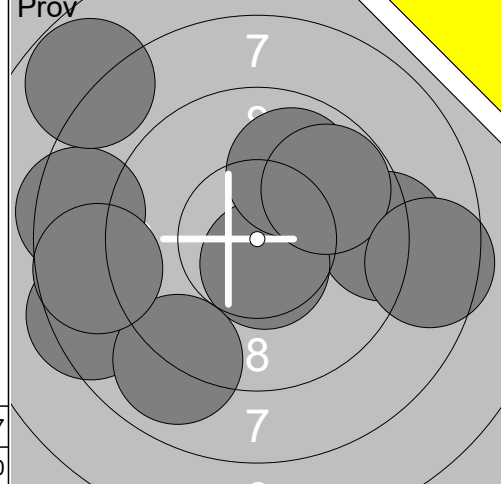
<p>Prov</p>	<p>1: 9.8 ↖ 2: 9.2 ↑ 3: 9.4 ↖ 4: 10.7 ✕ 5: 9.0 ↑ 6: 9.9 ↙ 7: 9.5 ↑ 8: 10.1 ↖ 9: 9.8 ← 10: 9.8 ↖</p> <p>Serie 97.2 Total 0.0</p>	<p>Prov</p>	<p>11: 9.3 → 12: 10.4 ✕ 13: 8.5 ↘ 14: 9.6 ↑ 15: 9.7 ↗ 16: 9.9 ← 17: 10.0 ↗</p> <p>Serie 67.4 Total 0.0</p>
-------------	---	-------------	--

<p>40 Skott</p>	<p>1: 8.7 ↘ 2: 9.2 ← 3: 10.4 ✕ 4: 9.5 ← 5: 9.1 → 6: 9.1 ↗ 7: 10.0 ↖ 8: 8.5 ← 9: 9.0 → 10: 8.8 ←</p> <p>Serie 92.3 Total 92.3</p>	<p>40 Skott</p>	<p>11: 9.8 → 12: 7.5 ↘ 13: 10.0 ↑ 14: 9.5 ↖ 15: 10.0 ↗ 16: 10.1 ↗ 17: 8.4 ↖ 18: 9.4 ↓ 19: 9.7 ↓ 20: 9.8 ↖</p> <p>Serie 94.2 Total 186.5</p>
-----------------	--	-----------------	---

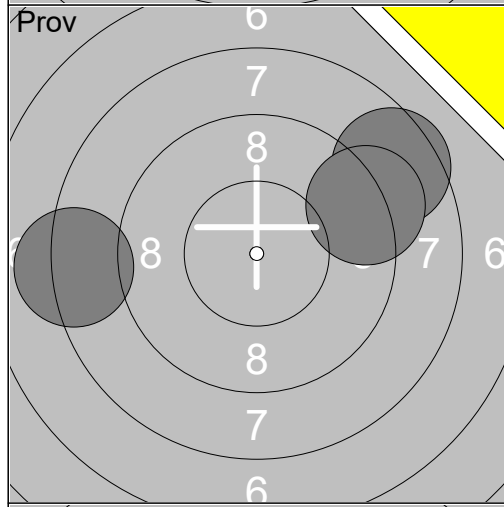
<p>40 Skott</p>	<p>21: 8.7 → 22: 10.5 ✕ 23: 9.4 ← 24: 9.3 ↘ 25: 9.8 → 26: 10.4 ✕ 27: 9.2 ↓ 28: 10.3 ✕ 29: 9.5 ↑ 30: 9.9 ↑</p> <p>Serie 97.0 Total 283.5</p>	<p>40 Skott</p>	<p>31: 9.1 ← 32: 9.3 ↗ 33: 10.5 ✕ 34: 9.9 ← 35: 10.3 ✕ 36: 8.5 ↑ 37: 9.8 ↘ 38: 9.8 ← 39: 10.4 ✕ 40: 8.8 →</p> <p>Serie 96.4 Total 379.9</p>
-----------------	---	-----------------	---



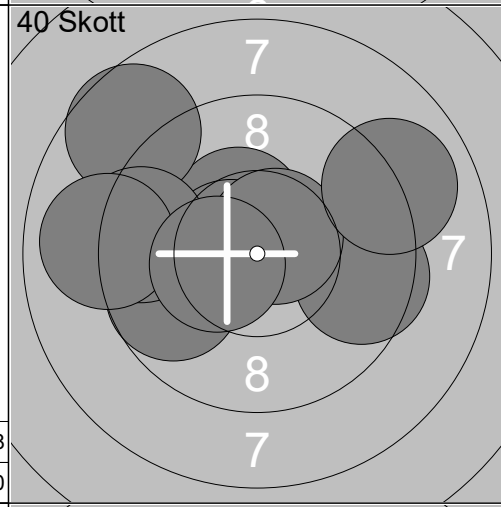
1:	7.5	↘
2:	9.5	↖
3:	9.9	↖
4:	8.7	→
5:	9.5	→
6:	7.9	↖
7:	10.2x	↘
8:	9.6	↘
9:	10.8x	↗
10:	9.1	↖
Serie		92.7
Total		0.0



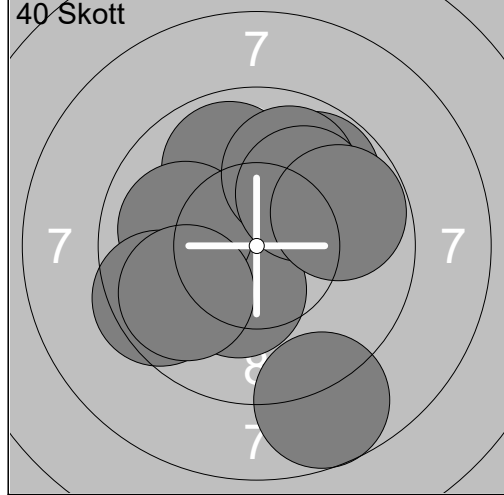
11:	9.2	→
12:	10.6x	↘
13:	9.9	↗
14:	8.5	↖
15:	8.4	↖
16:	9.0	↘
17:	7.8	↗
18:	9.8	↗
19:	8.7	↖
20:	8.5	→
Serie		90.4
Total		0.0



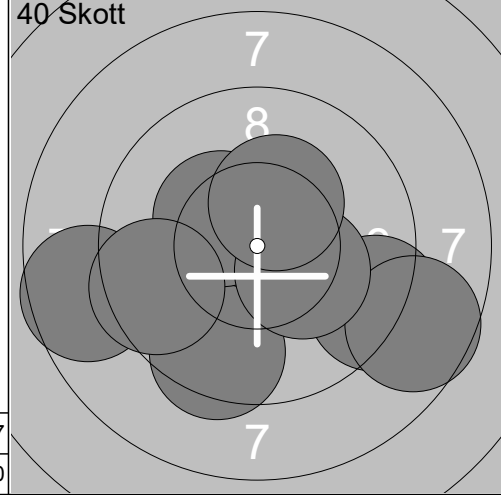
21:	8.5	↗
22:	9.1	↗
23:	8.2	↖
Serie		25.8
Total		0.0



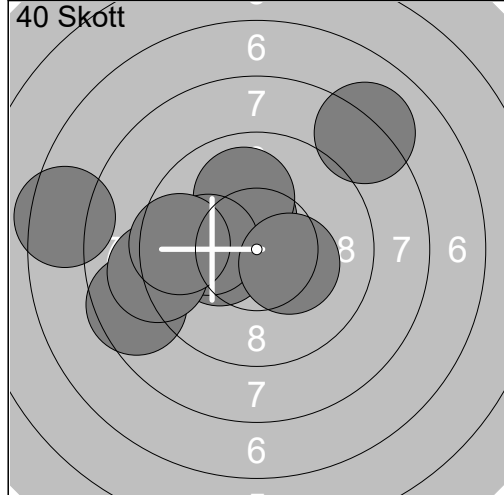
1:	10.4x	↗
2:	9.5	→
3:	9.7	↖
4:	8.7	↗
5:	10.6x	↖
6:	10.6x	↗
7:	9.4	↖
8:	9.0	↖
9:	9.0	↗
10:	10.4x	↖
Serie		97.3
Total		97.3



11:	9.9	↗
12:	10.3x	↘
13:	10.0	↖
14:	9.8	↗
15:	9.5	↖
16:	9.9	↗
17:	9.8	↖
18:	8.7	↘
19:	10.0	↗
20:	9.8	↗
Serie		97.7
Total		195.0

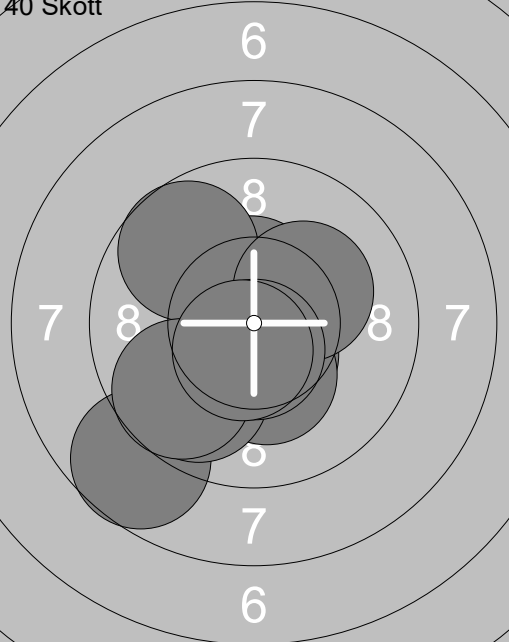
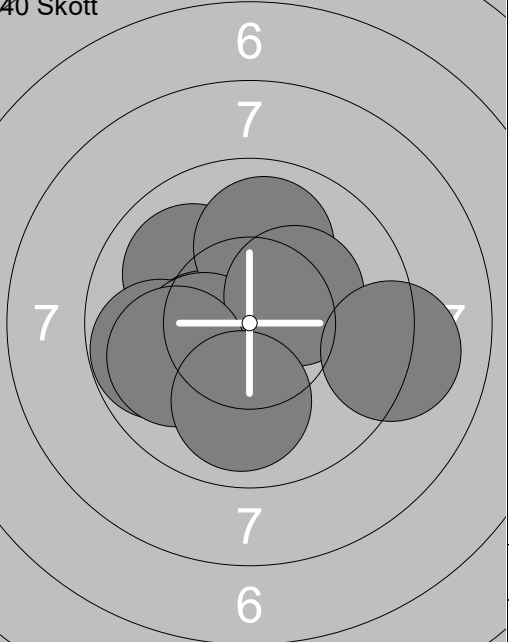


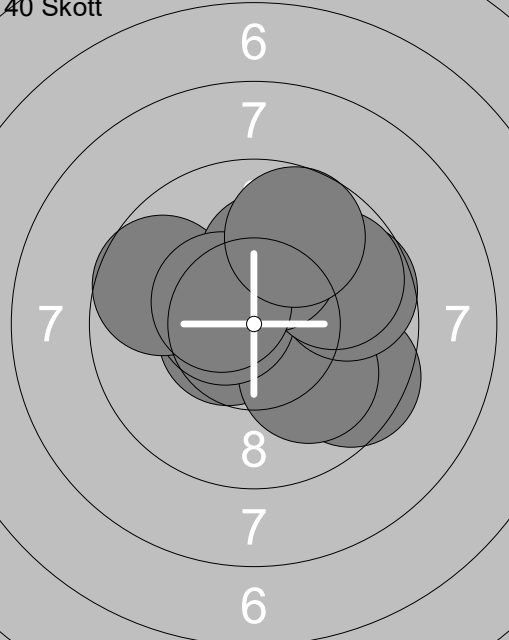
21:	10.0	↘
22:	10.4x	↖
23:	9.2	↗
24:	8.6	↖
25:	9.5	↘
26:	10.3x	↖
27:	9.5	↖
28:	8.6	↗
29:	10.3x	↗
30:	10.3x	↗
Serie		96.7
Total		291.7



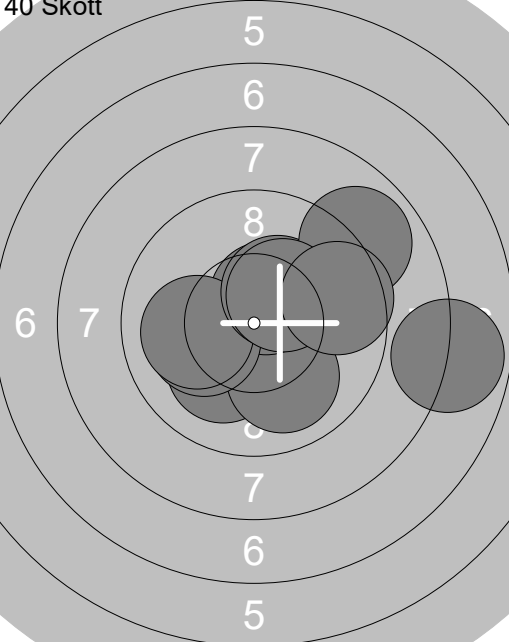
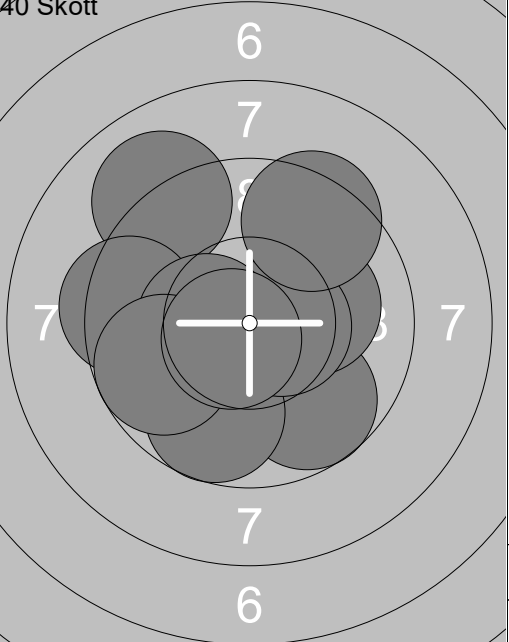
31:	8.6	↖
32:	10.3x	↖
33:	10.4x	↗
34:	7.5	↖
35:	10.0	↗
36:	10.1	↖
37:	10.3x	↗
38:	9.1	↖
39:	9.6	↖
40:	8.1	↗
Serie		94.0
Total		385.7

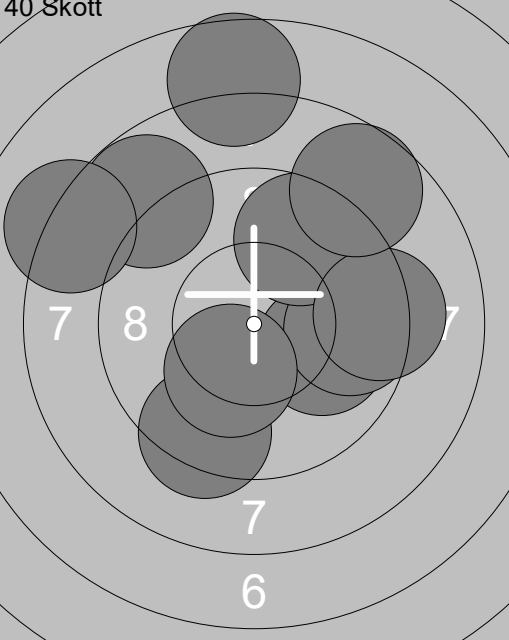
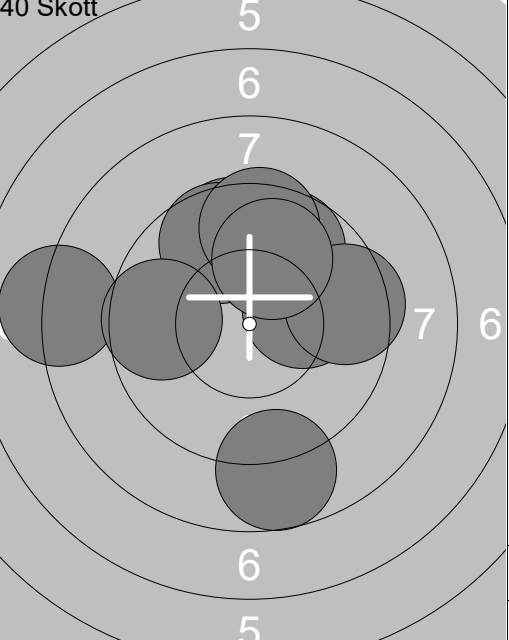
<p>Prov</p> 	<p>40 Skott</p> 	<p>1: 9.2 ↘ 2: 9.0 → 3: 10.5x→ 4: 10.5x↘ 5: 10.6x↗ 6: 9.2 ← 7: 10.3x→ 8: 10.3x↘ 9: 10.9x→ 10: 10.5x↘</p> <p>Serie 101.0 Total 0.0</p>	<p>1: 9.8 ↘ 2: 9.6 → 3: 10.6x↘ 4: 9.4 → 5: 9.9 ↘ 6: 10.6x↘ 7: 9.2 ↘ 8: 10.6x↘ 9: 10.0 → 10: 10.5x→</p> <p>Serie 100.2 Total 100.2</p>
--	--	---	---

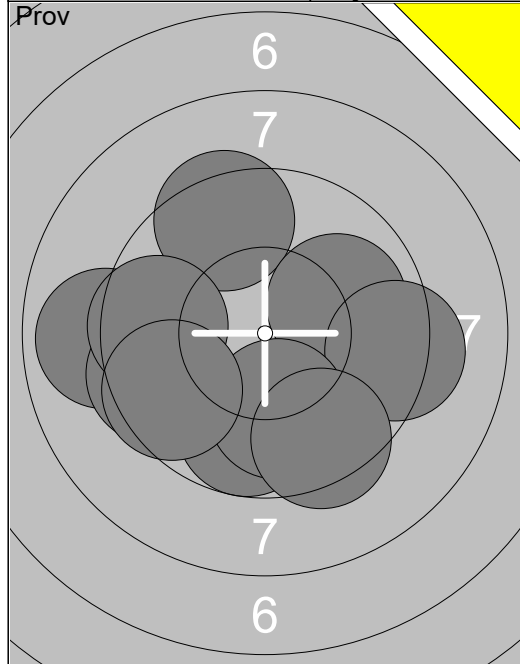
<p>40 Skott</p> 	<p>40 Skott</p> 	<p>11: 10.5x↗ 12: 9.7 ↖ 13: 8.7 ↘ 14: 10.5x↘ 15: 10.3x↘ 16: 9.8 ↘ 17: 10.2x↗ 18: 10.6x↘ 19: 9.7 ↘ 20: 10.6x↘</p> <p>Serie 100.6 Total 200.8</p>	<p>21: 10.0 ↖ 22: 10.4x↘ 23: 9.8 ← 24: 10.3x↘ 25: 10.0 ↑ 26: 10.3x↘ 27: 10.3x↗ 28: 9.9 ← 29: 9.1 → 30: 9.9 ↓</p> <p>Serie 100.0 Total 300.8</p>
---	---	---	---

<p>40 Skott</p> 	<p>31: 9.5 ↘ 32: 10.6x↘ 33: 10.0 ↘ 34: 9.7 → 35: 10.6x↘ 36: 9.8 → 37: 9.7 ← 38: 10.1 ↑ 39: 10.4x↘ 40: 9.7 ↗</p> <p>Serie 100.1 Total 400.9</p>		
--	--	--	--

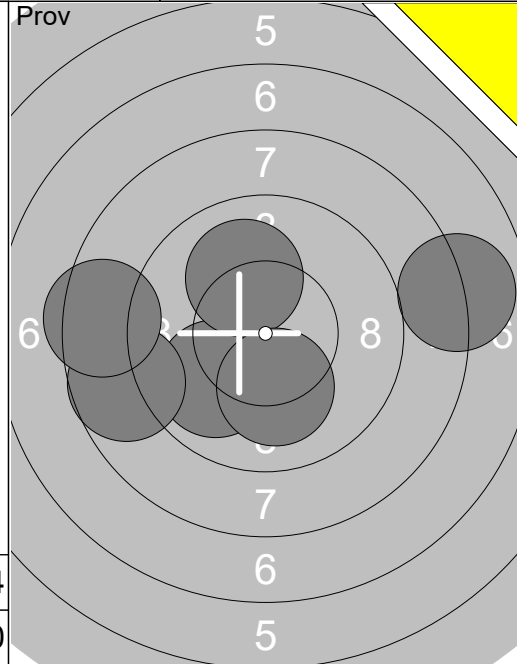
Prov		Prov
	1: 10.2x ✕ 2: 9.4 ↓ 3: 10.4x ✕ 4: 8.5 ↗ 5: 9.3 ← 6: 10.2x ➤ 7: 10.0 ↗ 8: 8.3 ← 9: 9.9 ↓ 10: 9.7 →	
Serie	95.9	Serie
Total	0.0	Total
		11: 9.9 ↓

40 Skott		40 Skott
	1: 10.1 ↓ 2: 10.0 ↓ 3: 10.5x ↗ 4: 10.1 ← 5: 10.0 ← 6: 10.3x ↗ 7: 8.9 ↗ 8: 10.3x ↗ 9: 7.9 → 10: 9.6 →	
Serie	97.7	Serie
Total	97.7	Total
		11: 9.0 ↗
		12: 9.7 ↓
		13: 9.7 ↓
		14: 10.1 ➤
		15: 9.4 ←
		16: 10.5x ➤
		17: 10.4x ✕
		18: 9.7 ←
		19: 10.6x ✕
		20: 9.4 ↗

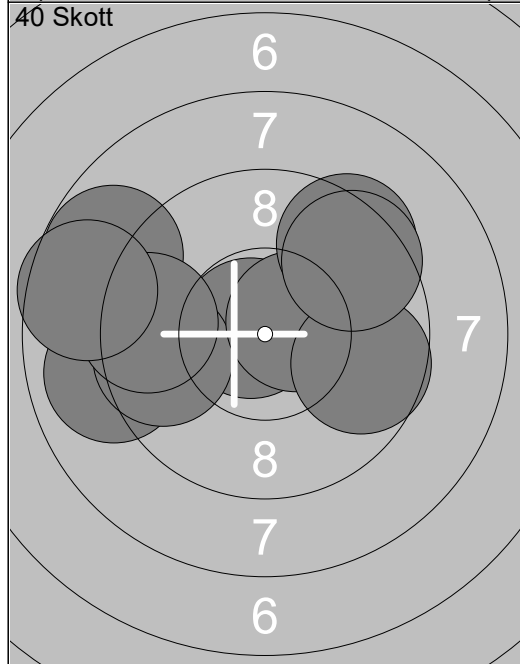
40 Skott		40 Skott
	21: 10.0 ➤ 22: 9.7 → 23: 8.8 ↗ 24: 9.7 ↗ 25: 9.3 → 26: 8.7 ↗ 27: 9.3 ↓ 28: 10.2x ✕ 29: 8.1 ↗ 30: 7.7 ↑	
Serie	91.5	Serie
Total	287.7	Total
		31: 9.6 ↑
		32: 10.1 ➤
		33: 9.7 ↗
		34: 8.7 ↓
		35: 9.5 ➤
		36: 8.1 ←
		37: 9.7 ↗
		38: 9.6 ←
		39: 9.5 ↑
		40: 9.9 ↗



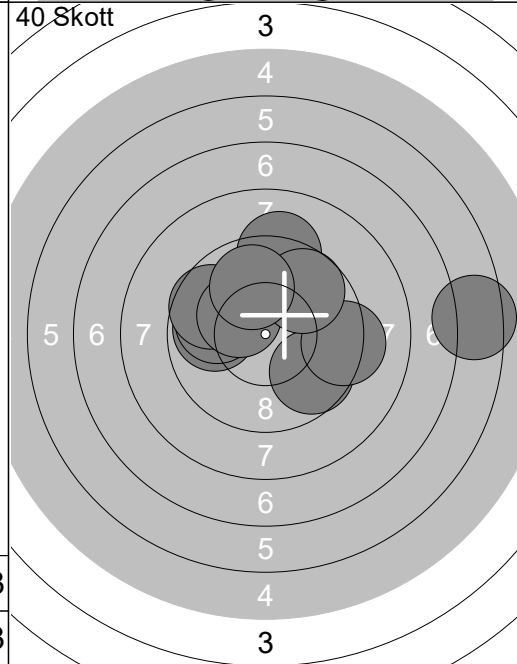
1:	9.4	↗
2:	10.0	→
3:	8.9	←
4:	9.3	→
5:	9.7	↓
6:	9.5	←
7:	10.0	↓
8:	9.6	←
9:	9.6	↙
10:	9.4	↓
Serie		95.4
Total		0.0



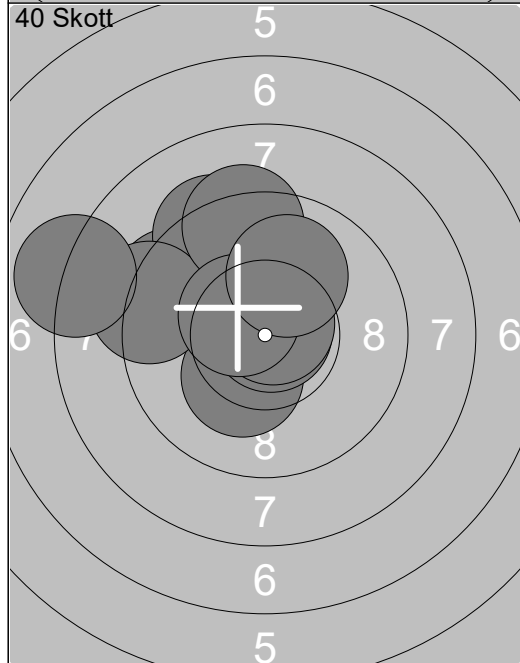
11:	9.9	↘
12:	8.0	→
13:	8.7	←
14:	10.1	↗
15:	8.5	←
16:	10.1	↓
Serie		55.3
Total		0.0



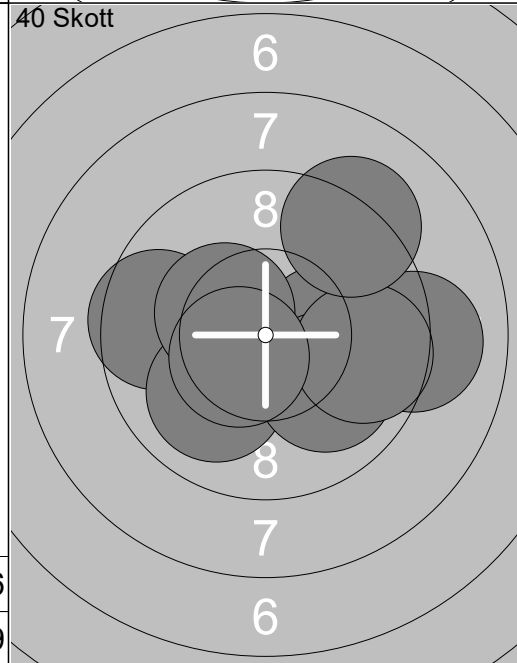
1:	9.0	←
2:	8.8	←
3:	10.8	↘
4:	9.6	←
5:	10.5	↗
6:	9.4	↗
7:	9.7	→
8:	9.5	↗
9:	9.4	←
10:	8.6	←
Serie		95.3
Total		95.3



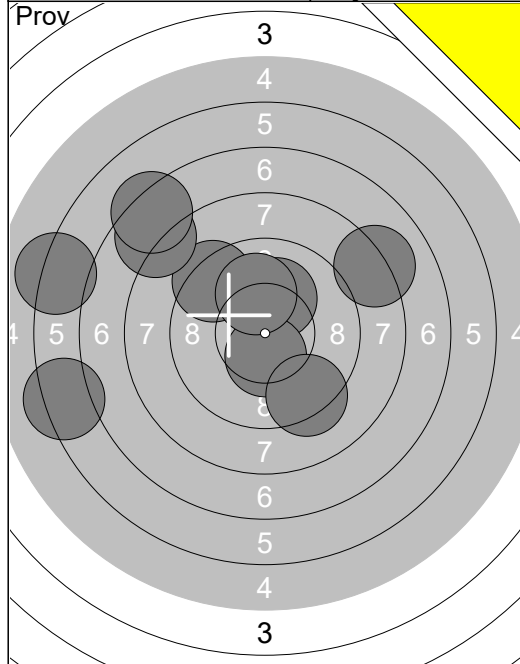
11:	9.7	↘
12:	9.9	←
13:	9.9	←
14:	9.6	←
15:	10.3	↘
16:	9.3	→
17:	9.2	↑
18:	9.7	↗
19:	9.9	↑
20:	6.5	→
Serie		94.0
Total		189.3



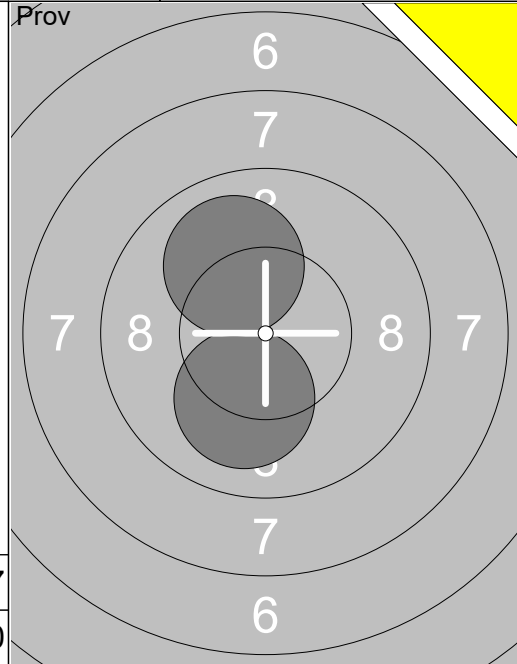
21:	9.5	←
22:	10.3	↘
23:	9.3	↗
24:	10.8	↗
25:	10.7	↗
26:	9.2	←
27:	8.0	←
28:	9.3	↑
29:	10.5	↘
30:	10.0	↑
Serie		97.6
Total		286.9



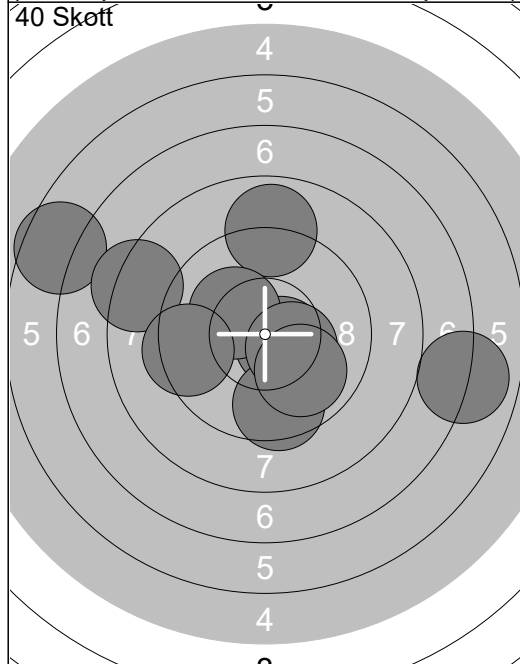
31:	9.6	←
32:	10.5	↘
33:	10.0	↘
34:	10.2	↗
35:	9.1	→
36:	10.0	↘
37:	9.7	→
38:	10.4	↘
39:	9.2	↗
40:	10.5	↘
Serie		99.2
Total		386.1



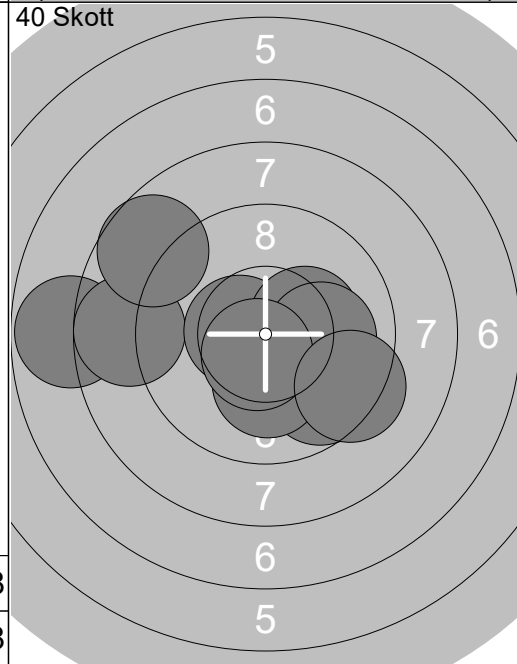
1: 8.1 ↗
2: 9.3 ↖
3: 10.1 ↗
4: 7.7 ↖
5: 7.3 ↖
6: 10.4x↓
7: 6.1 ←
8: 10.1 ↗
9: 6.3 ←
10: 9.3 ↓
Serie 84.7
Total 0.0



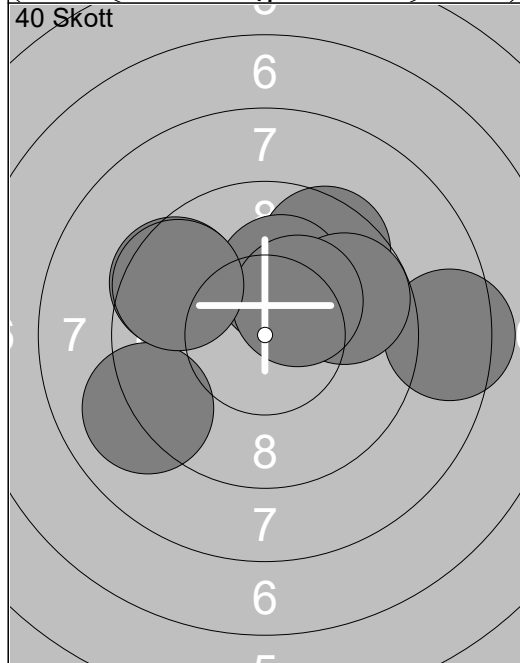
11: 10.1 ↓
12: 10.0 ↖
Serie 20.1
Total 0.0



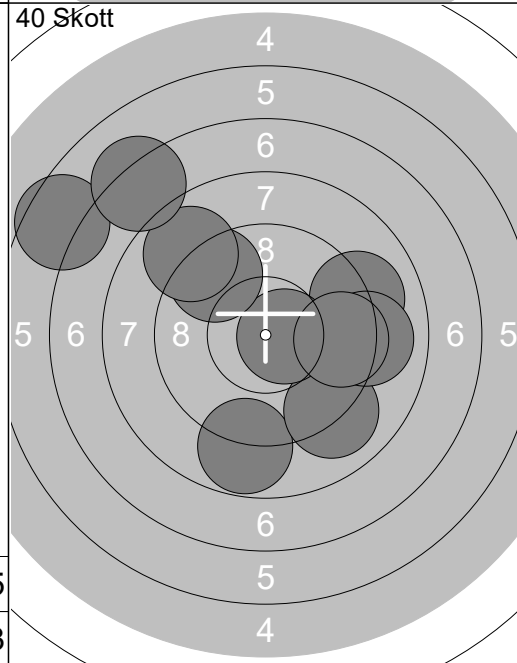
1: 7.0 →
2: 10.6x↘
3: 6.6 ↖
4: 8.3 ↖
5: 9.5 ↓
6: 8.9 ↑
7: 10.2x↘
8: 9.4 ←
9: 10.4x↘
10: 9.9 ↓
Serie 90.8
Total 90.8



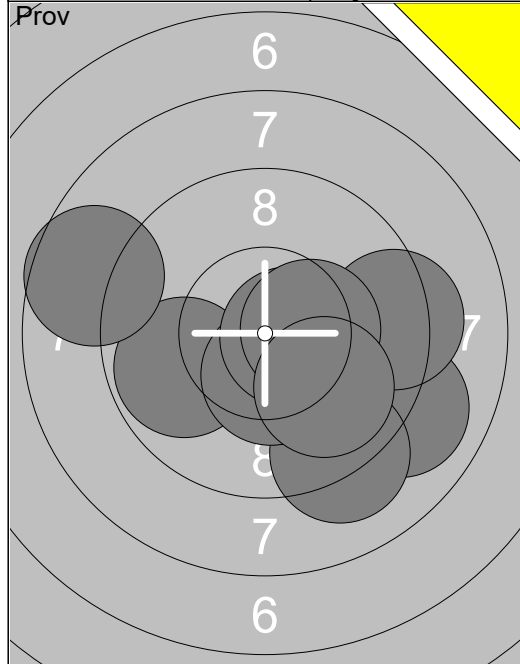
11: 7.8 ←
12: 8.7 ←
13: 9.7 ↓
14: 10.5x↘
15: 8.7 ↖
16: 10.3x↗
17: 10.1 →
18: 10.2x↓
19: 10.6x↓
20: 9.4 ↘
Serie 96.0
Total 186.8



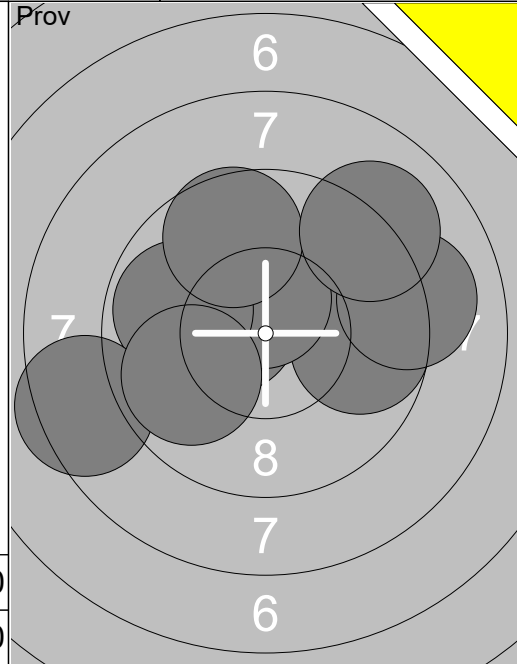
21: 10.1 ↗
22: 8.4 →
23: 9.9 ↗
24: 9.6 ↗
25: 10.2x↗
26: 9.1 ←
27: 9.8 →
28: 10.3x↗
29: 9.5 ↖
30: 9.6 ↖
Serie 96.5
Total 283.3



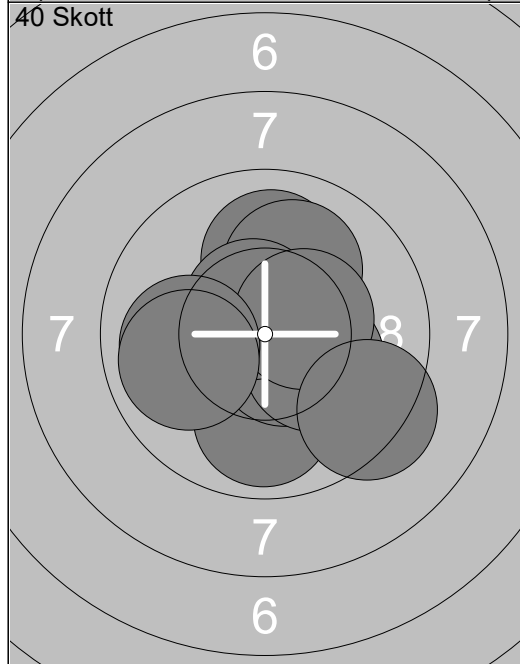
31: 9.1 →
32: 8.8 ↓
33: 9.1 ↓
34: 10.6x↘
35: 6.5 ↖
36: 9.0 →
37: 9.5 ↖
38: 9.5 →
39: 8.9 ↖
40: 7.2 ↖
Serie 88.2
Total 371.5



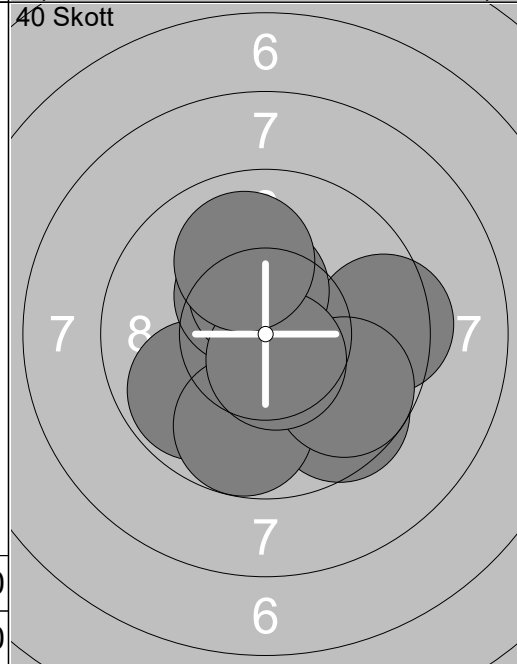
1:	9.8	←
2:	8.7	←
3:	9.7	→
4:	9.0	→
5:	9.3	→
6:	9.2	↓
7:	10.4x	↓
8:	10.6x	→
9:	10.4x	→
10:	9.9	↓
Serie		97.0
Total		0.0



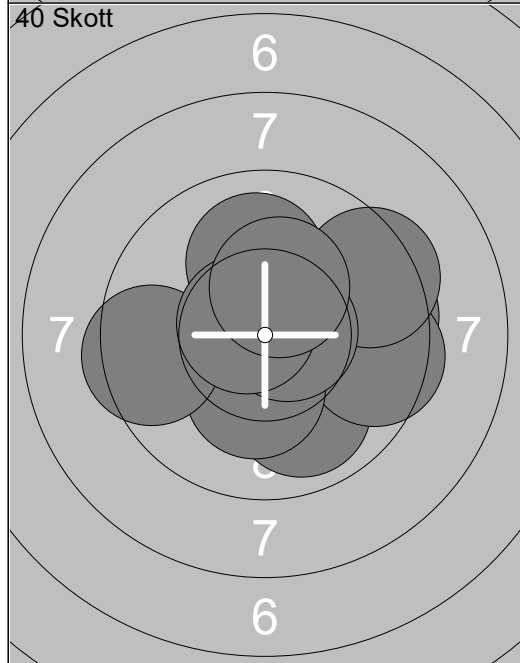
11:	10.5x	←
12:	9.7	→
13:	10.5x	↑
14:	9.8	←
15:	9.1	→
16:	9.6	↑
17:	9.1	↗
18:	8.5	←
19:	9.9	←
Serie		86.7
Total		0.0



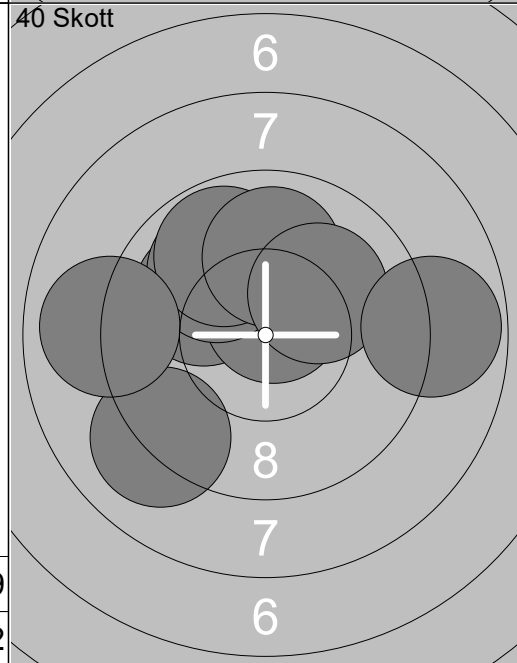
1:	9.9	↓
2:	10.6x	↘
3:	10.0	↑
4:	10.2x	↘
5:	10.1	↑
6:	10.6x	↘
7:	10.4x	→
8:	9.3	→
9:	10.0	←
10:	9.9	←
Serie		101.0
Total		101.0



11:	9.6	↓
12:	10.6x	↑
13:	9.8	←
14:	9.4	→
15:	9.8	↓
16:	9.7	→
17:	10.4x	↘
18:	10.4x	↑
19:	10.6x	↓
20:	10.0	↑
Serie		100.3
Total		201.3



21:	9.9	↓
22:	9.6	→
23:	9.5	→
24:	9.4	↗
25:	10.3x	↓
26:	10.7x	→
27:	10.0	↑
28:	9.5	←
29:	10.7x	↘
30:	10.3x	↑
Serie		99.9
Total		301.2



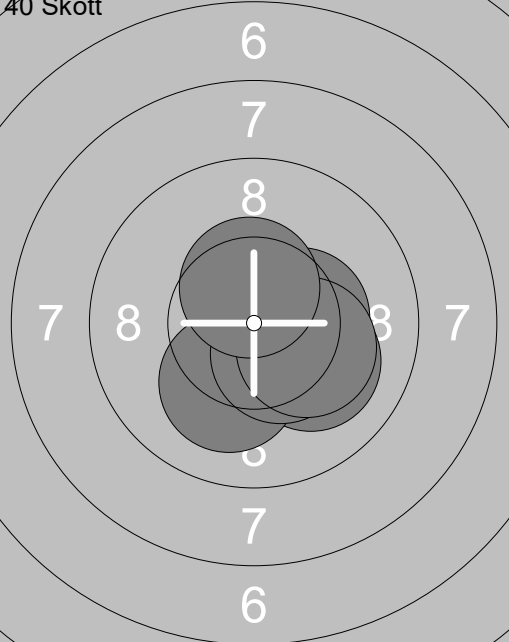
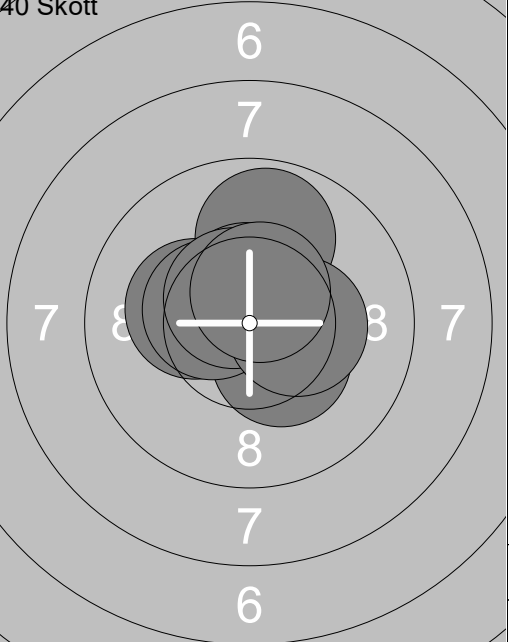
31:	10.0	↘
32:	10.2x	↑
33:	10.6x	↑
34:	9.9	↖
35:	9.8	↖
36:	9.9	↑
37:	10.1	↗
38:	8.8	→
39:	9.1	↙
40:	9.0	←
Serie		97.4
Total		398.6

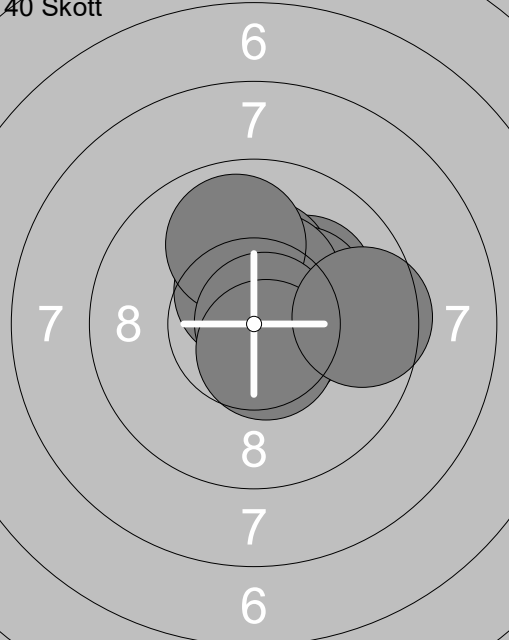
Prov 	1: 9.5 ← 2: 9.0 ← 3: 9.4 ← 4: 9.3 ← 5: 9.4 ↓ 6: 9.9 → 7: 9.9 ↓ 8: 9.6 ↓ 9: 9.5 ↖ 10: 10.5x↗ <hr/> Serie 96.0 Total 0.0	Prov 	11: 7.9 ↘ 12: 9.9 ↓ 13: 10.5x→ 14: 9.7 → 15: 10.4x↖ 16: 10.2x→ <hr/> Serie 58.6 Total 0.0
----------	---	----------	--

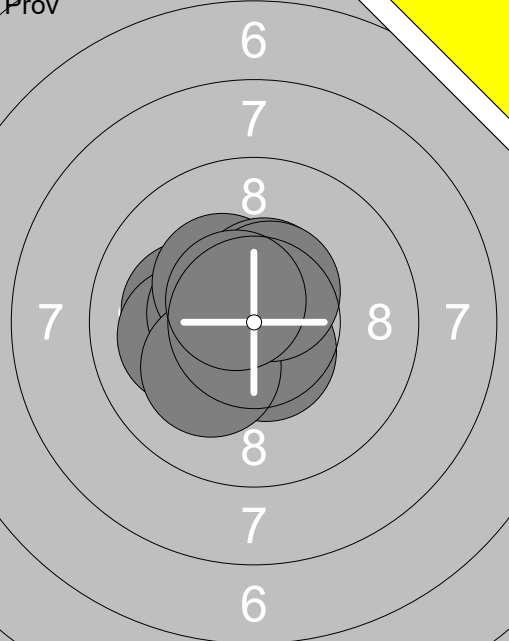
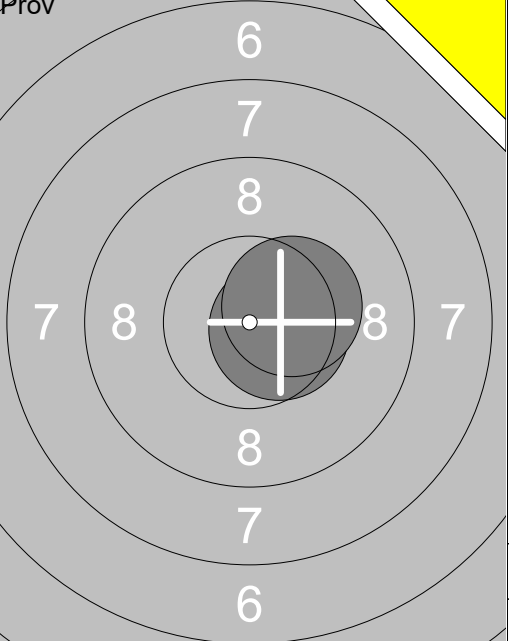
40 Skott 	1: 10.4x↖ 2: 10.6x↖ 3: 9.1 → 4: 9.7 ↗ 5: 9.1 → 6: 9.1 ↑ 7: 10.0 ↗ 8: 9.5 ↘ 9: 9.9 ↗ 10: 10.4x↗ <hr/> Serie 97.8 Total 97.8	40 Skott 	11: 10.3x↗ 12: 9.9 ↖ 13: 10.5x↘ 14: 9.6 ↖ 15: 10.6x↗ 16: 9.6 → 17: 9.9 ↓ 18: 9.9 ↗ 19: 10.0 ↘ 20: 10.2x→ <hr/> Serie 100.5 Total 198.3
--------------	---	--------------	---

40 Skott 	21: 9.7 ← 22: 10.1 ↑ 23: 10.3x↘ 24: 10.6x↘ 25: 9.5 ↘ 26: 10.9x→ 27: 10.3x↗ 28: 10.4x↘ 29: 9.8 ↖ 30: 10.8x↘ <hr/> Serie 102.4 Total 300.7	40 Skott 	31: 9.9 → 32: 9.9 ↓ 33: 10.5x↘ 34: 10.2x↖ 35: 10.4x→ 36: 10.4x↗ 37: 9.8 ↗ 38: 10.1 ← 39: 9.3 ↘ 40: 10.5x↗ <hr/> Serie 101.0 Total 401.7
--------------	---	--------------	--

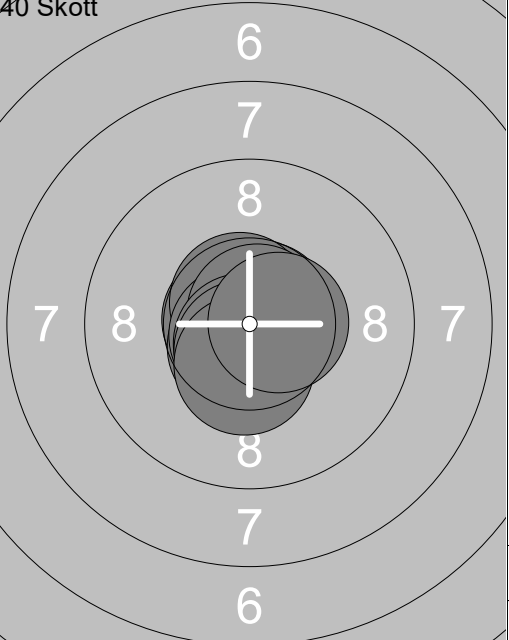
Prov 	1: 10.0 ↓ 2: 10.8 ↗ 3: 10.0 ↖ 4: 10.7 ✕ 5: 10.2 ✕ 6: 10.8 ✕ 7: 10.8 ✕ 8: 10.1 → 9: 10.0 ↖ 10: 10.8 ✕ <hr/> Serie 104.2 Total 0.0	40 Skott 	1: 10.6 ✕ 2: 10.3 ✕ 3: 10.4 ✕ 4: 10.3 ✕ 5: 10.8 ✕ 6: 10.2 ✕ 7: 10.0 ↓ 8: 10.2 ✕ 9: 10.3 ✕ 10: 10.8 ✕ <hr/> Serie 103.9 Total 103.9
--	---	--	---

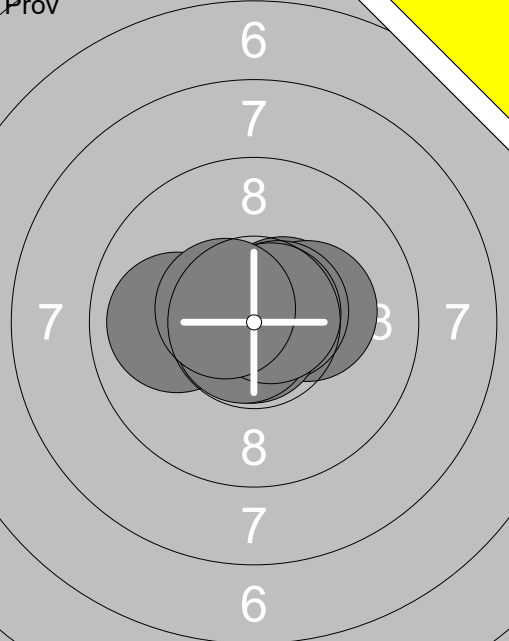
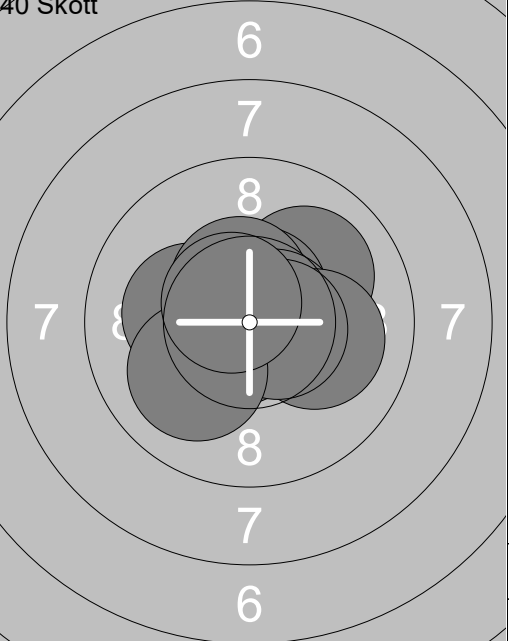
40 Skott 	11: 10.4 ✕ 12: 10.5 ✕ 13: 10.1 → 14: 10.7 ✕ 15: 10.5 ✕ 16: 10.1 ↓ 17: 10.4 ✕ 18: 10.4 ✕ 19: 10.2 ✕ 20: 10.5 ✕ <hr/> Serie 103.8 Total 207.7	40 Skott 	21: 10.6 ✕ 22: 10.6 ✕ 23: 9.9 ↖ 24: 10.4 ✕ 25: 10.2 ✕ 26: 10.6 ✕ 27: 10.4 ✕ 28: 10.6 ✕ 29: 10.3 ✕ 30: 10.5 ✕ <hr/> Serie 104.1 Total 311.8
---	--	---	---

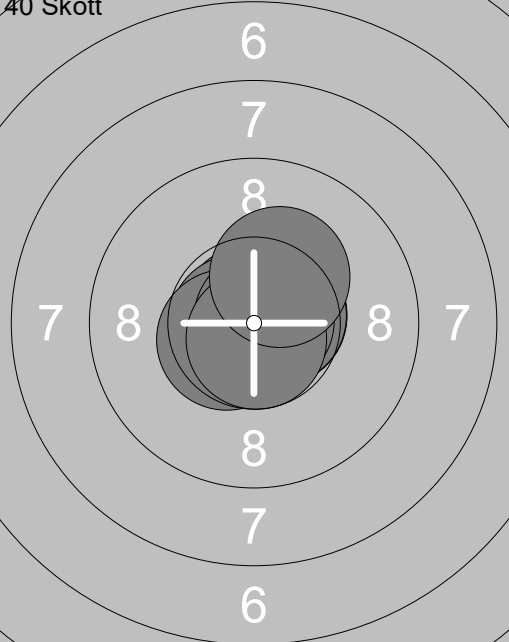
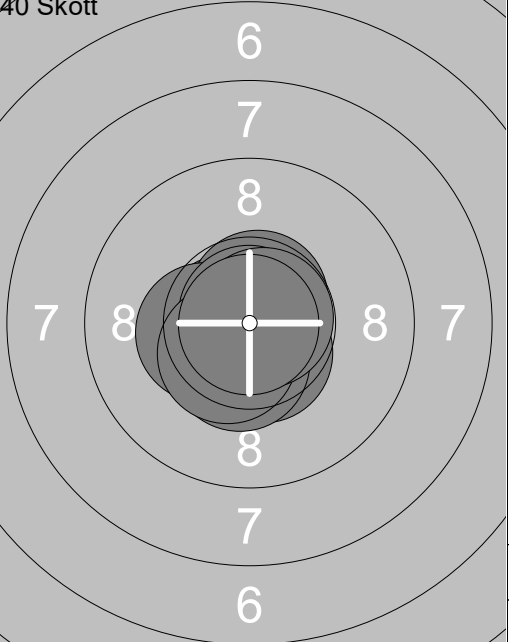
40 Skott 	31: 10.6 ✕ 32: 10.1 ↗ 33: 10.3 ✕ 34: 10.3 ✕ 35: 10.5 ✕ 36: 10.4 ✕ 37: 9.9 ↖ 38: 10.8 ✕ 39: 10.6 ✕ 40: 9.6 → <hr/> Serie 103.1 Total 414.9		
--	--	--	--

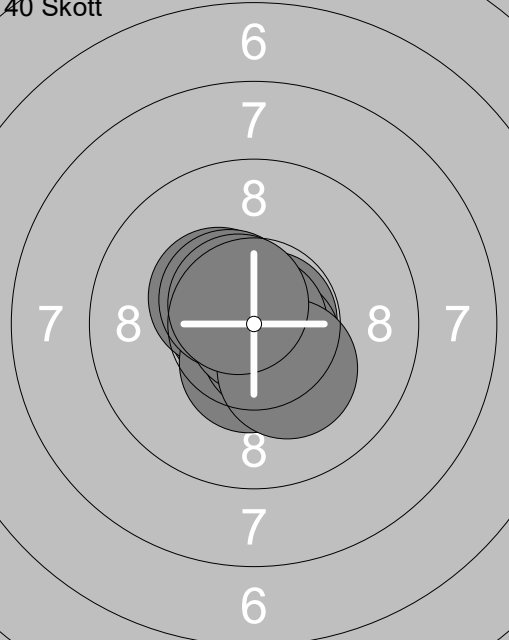
Prov 	1: 10.1 ← 2: 10.6x ↓ 3: 10.6x ↗ 4: 10.1 ← 5: 10.5x ↖ 6: 10.3x ↗ 7: 10.2x ↘ 8: 10.5x ↗ 9: 10.5x ↗ 10: 10.6x ↘ <hr/> Serie 104.0 Total 0.0	Prov 	11: 10.6x → 12: 10.4x → <hr/> Serie 21.0 Total 0.0
--	---	--	---

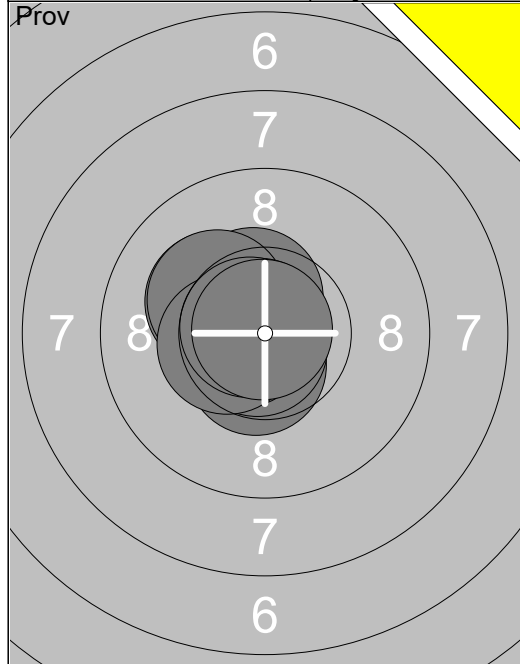
40 Skott 	1: 10.4x ↗ 2: 10.3x ↓ 3: 10.4x → 4: 10.7x → 5: 10.5x ↓ 6: 10.4x ↖ 7: 10.4x → 8: 10.5x ↖ 9: 10.5x ↖ 10: 10.8x ↓ <hr/> Serie 104.9 Total 104.9	40 Skott 	11: 10.5x ↖ 12: 10.3x ↗ 13: 10.6x ↖ 14: 10.8x ↖ 15: 10.7x ↓ 16: 10.6x ↖ 17: 10.5x ↗ 18: 9.9 ↓ 19: 10.7x ↖ 20: 10.7x → <hr/> Serie 105.3 Total 210.2
---	---	---	--

40 Skott 	21: 10.4x → 22: 10.5x → 23: 10.7x ↓ 24: 10.7x ↓ 25: 10.4x ↖ 26: 10.7x ↗ 27: 10.6x ↖ 28: 10.8x ↖ 29: 10.8x ↖ 30: 10.4x ↖ <hr/> Serie 106.0 Total 316.2	40 Skott 	31: 10.7x ↗ 32: 10.7x ↖ 33: 10.6x ↓ 34: 10.7x ↗ 35: 10.8x ↖ 36: 10.8x ↗ 37: 10.7x ↓ 38: 10.6x ↓ 39: 10.4x ↓ 40: 10.6x → <hr/> Serie 106.6 Total 422.8
--	--	--	--

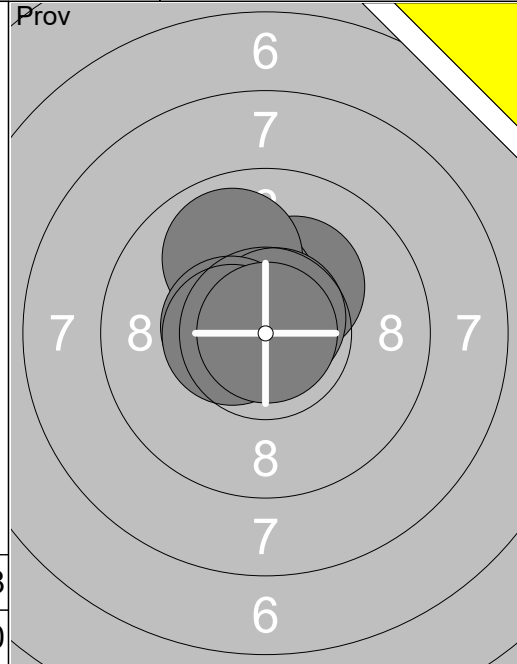
Prov 	1: 10.7x➤ 2: 10.5x➤ 3: 10.3x➤ 4: 10.8x↙ 5: 10.6x➤ 6: 10.8x↘ 7: 10.0← 8: 10.8x↙ 9: 10.7x➤ 10: 10.5x↖ <hr/> Serie 105.7 Total 0.0	40 Skott 	1: 10.2x↖ 2: 10.0↗ 3: 10.6x↗ 4: 10.5x↖ 5: 10.7x↙ 6: 10.6x➤ 7: 10.1➔ 8: 10.6x➤ 9: 10.0↙ 10: 10.6x↖ <hr/> Serie 103.9 Total 103.9
--	--	--	--

40 Skott 	11: 10.8x↗ 12: 10.8x↙ 13: 10.6x➤ 14: 10.7x➤ 15: 10.8x↗ 16: 10.8x↖ 17: 10.5x↙ 18: 10.8x➤ 19: 10.7x↘ 20: 10.3x↗ <hr/> Serie 106.8 Total 210.7	40 Skott 	21: 10.7x↖ 22: 10.8x↘ 23: 10.5x↘ 24: 10.5x↘ 25: 10.6x↗ 26: 10.4x↖ 27: 10.9x↗ 28: 10.5x↙ 29: 10.8x➤ 30: 10.9x↙ <hr/> Serie 106.6 Total 317.3
---	--	---	--

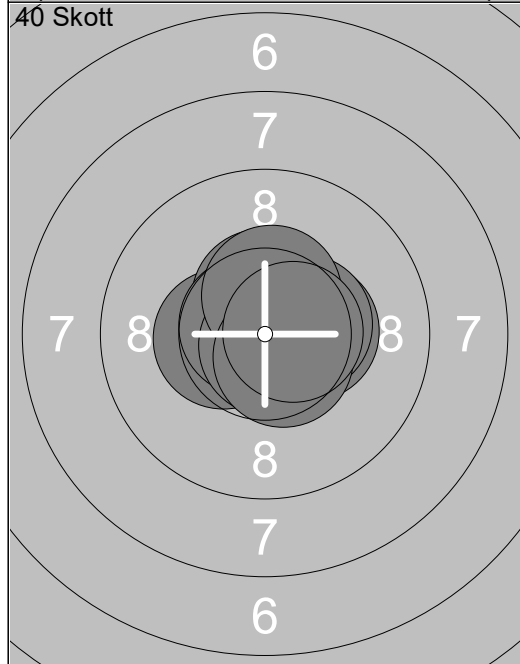
40 Skott 	31: 10.5x↘ 32: 10.7x↖ 33: 10.4x↖ 34: 10.5x↘ 35: 10.5x↖ 36: 10.8x➤ 37: 10.6x↘ 38: 10.9x➤ 39: 10.2x↘ 40: 10.6x↖ <hr/> Serie 105.7 Total 423.0		
--	--	--	--



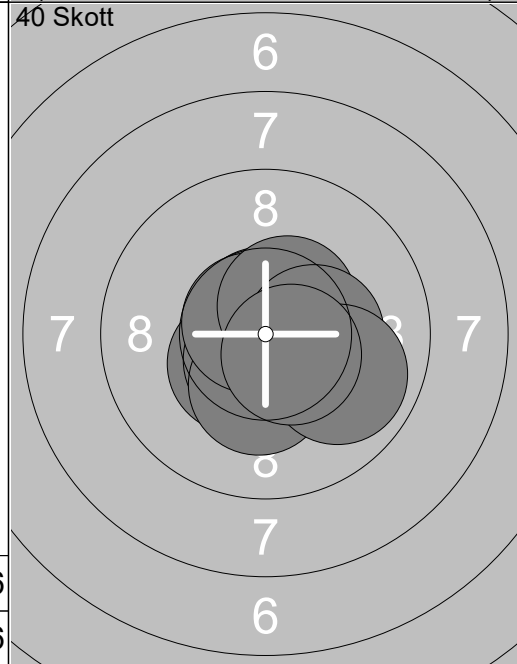
1:	10.5x
2:	10.2x
3:	10.8x
4:	10.5x
5:	10.2x
6:	10.9x
7:	10.6x
8:	10.5x
9:	10.7x
10:	10.9x
Serie 105.8	
Total 0.0	



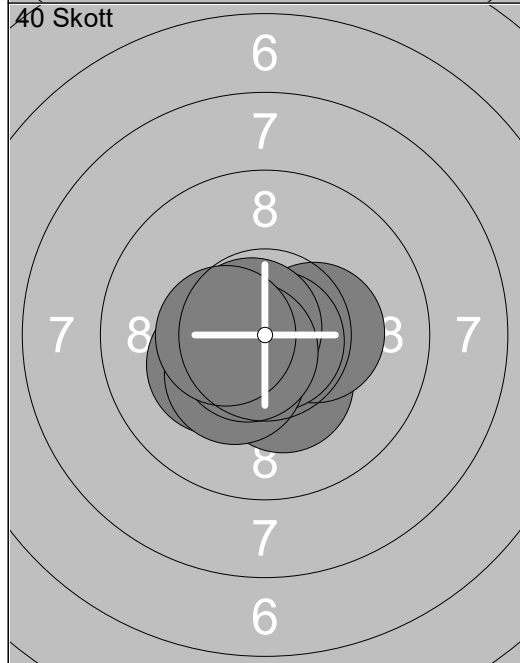
11:	10.6x
12:	10.5x
13:	10.2x
14:	10.4x
15:	10.5x
16:	9.9
17:	10.7x
18:	10.5x
19:	10.5x
20:	10.9x
Serie 104.7	
Total 0.0	



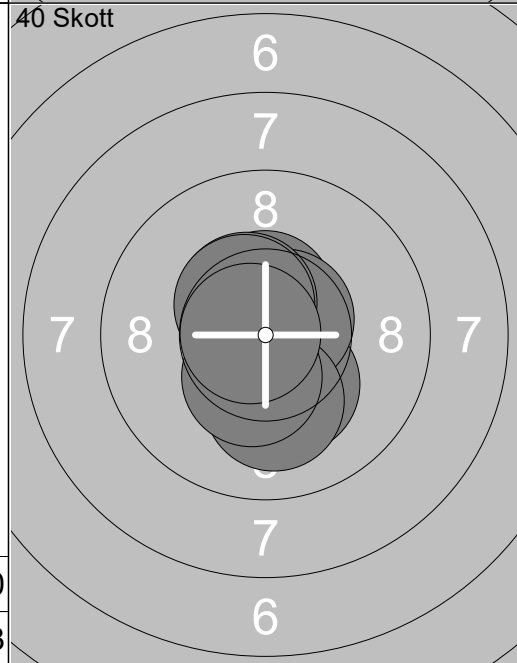
1:	10.4x
2:	10.5x
3:	10.7x
4:	10.4x
5:	10.7x
6:	10.8x
7:	10.5x
8:	10.4x
9:	10.6x
10:	10.6x
Serie 105.6	
Total 105.6	



11:	10.7x
12:	10.8x
13:	10.4x
14:	10.6x
15:	10.3x
16:	10.7x
17:	10.5x
18:	10.3x
19:	9.9
20:	10.5x
Serie 104.7	
Total 210.3	



21:	10.3x
22:	10.7x
23:	10.3x
24:	10.2x
25:	10.6x
26:	10.8x
27:	10.8x
28:	10.3x
29:	10.6x
30:	10.4x
Serie 105.0	
Total 315.3	

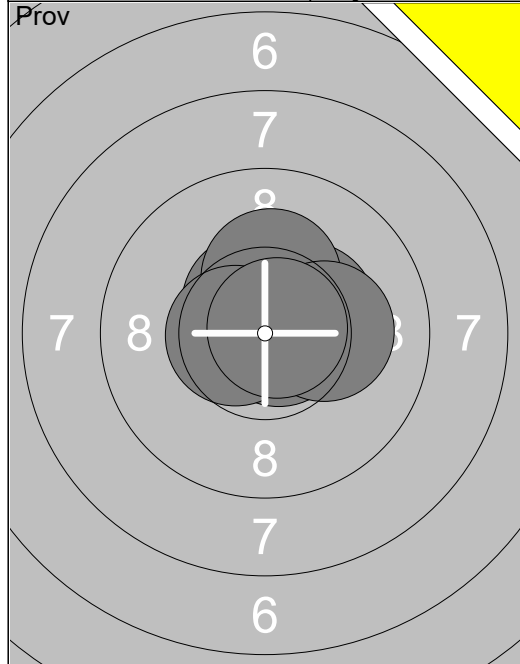


31:	10.5x
32:	10.5x
33:	10.7x
34:	10.3x
35:	10.6x
36:	10.5x
37:	10.5x
38:	10.1
39:	10.4x
40:	10.8x
Serie 104.9	
Total 420.2	

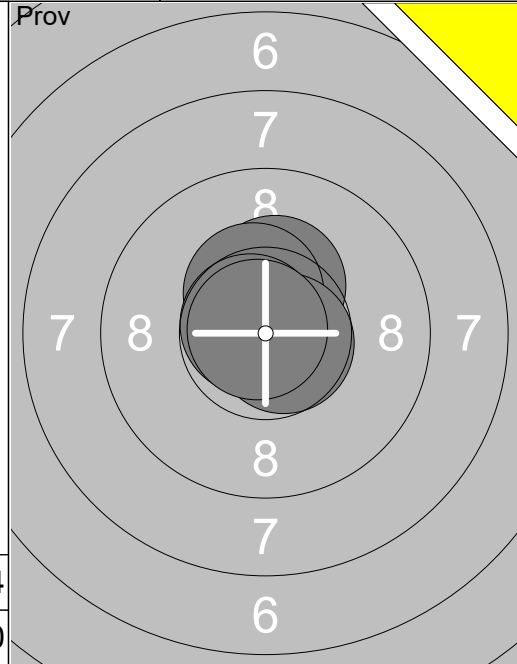
Prov 	1: 10.5x➤ 2: 10.7x↘ 3: 10.1↙ 4: 10.8x↘ 5: 10.4x↙ 6: 10.6x↙ 7: 10.4x➤ 8: 10.4x↗ 9: 10.5x↘ 10: 10.4x↔	Prov 	11: 10.6x↘ 12: 10.2x↘ 13: 10.0➤ 14: 10.5x↙ 15: 10.6x↙ 16: 10.3x↙ 17: 10.1↘ 18: 10.8x↘ 19: 10.4x↙
Serie	104.8	Serie	93.5
Total	0.0	Total	0.0

40 Skott 	1: 10.7x➤ 2: 10.7x➤ 3: 10.5x↗ 4: 10.7x➤ 5: 10.7x↘ 6: 10.2x➤ 7: 10.7x↘ 8: 10.5x↔ 9: 10.7x↔ 10: 10.4x↙	40 Skott 	11: 10.6x↘ 12: 10.3x↘ 13: 10.6x↘ 14: 10.3x↔ 15: 10.6x↗ 16: 10.6x↔ 17: 10.5x↘ 18: 10.8x↔ 19: 10.5x↘ 20: 10.3x↘
Serie	105.8	Serie	105.1
Total	105.8	Total	210.9

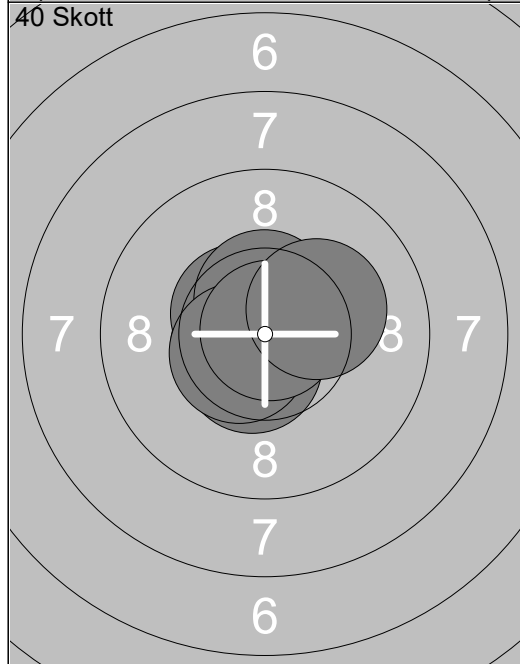
40 Skott 	21: 10.8x↗ 22: 10.9x↗ 23: 10.6x↙ 24: 10.6x↙ 25: 10.9x↘ 26: 10.3x↘ 27: 10.3x➤ 28: 10.4x↘ 29: 10.4x↘ 30: 10.5x➤	40 Skott 	31: 10.5x↘ 32: 9.9 ➤ 33: 10.8x↗ 34: 10.5x↔ 35: 10.3x↘ 36: 10.5x↘ 37: 10.8x➤ 38: 10.8x↗ 39: 10.1↙ 40: 10.5x↘
Serie	105.7	Serie	104.7
Total	316.6	Total	421.3



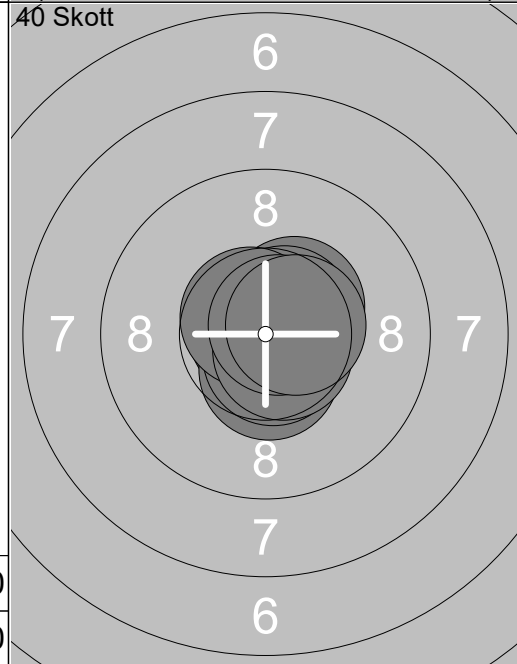
1:	10.5x↖
2:	10.8x→
3:	10.5x→
4:	10.7x↖
5:	10.4x↗
6:	10.7x↗
7:	10.2x↑
8:	10.2x→
9:	10.6x↙
10:	10.8x↗
Serie 105.4	
Total 0.0	



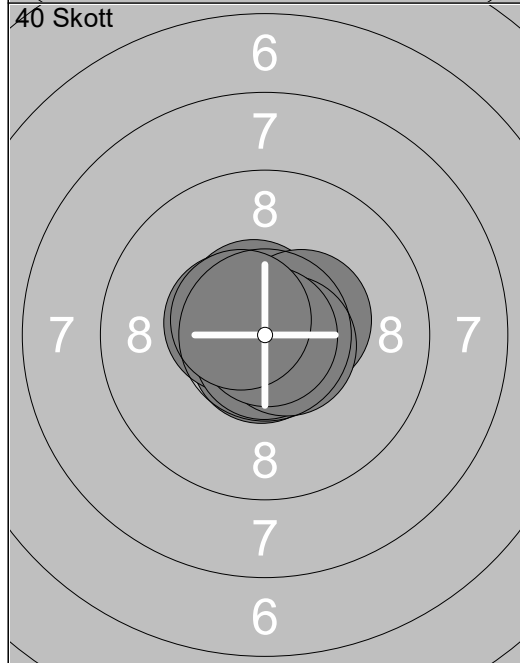
11:	10.3x↖
12:	10.4x↖
13:	10.7x↘
14:	10.7x↘
15:	10.8x↘
Serie 52.9	
Total 0.0	



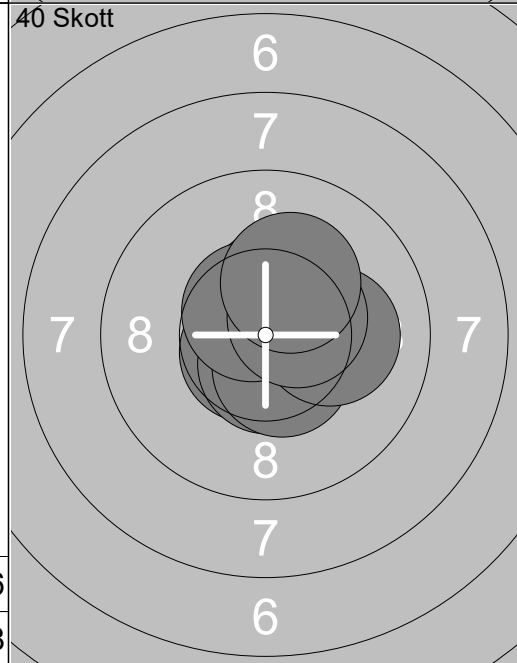
1:	10.6x↑
2:	10.9x↙
3:	10.6x↙
4:	10.7x↙
5:	10.6x↙
6:	10.5x↘
7:	10.5x↑
8:	10.5x↙
9:	10.9x↗
10:	10.2x↗
Serie 106.0	
Total 106.0	




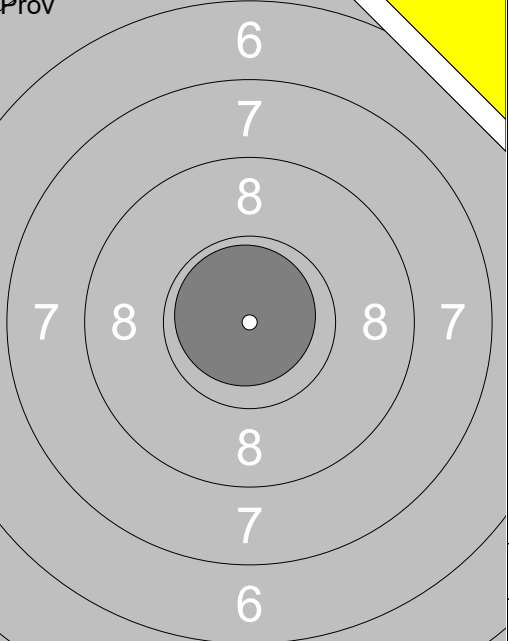
11:	10.4x↗
12:	10.8x↘
13:	10.5x↓
14:	10.7x↓
15:	10.7x↓
16:	10.6x↗
17:	10.7x↘
18:	10.6x↘
19:	10.7x↗
20:	10.5x↗
Serie 106.2	
Total 212.2	



21:	10.7x↓
22:	10.7x↘
23:	10.8x→
24:	10.6x↖
25:	10.5x↘
26:	10.8x↓
27:	10.4x↗
28:	10.6x↘
29:	10.9x↘
30:	10.6x↘
Serie 106.6	
Total 318.8	

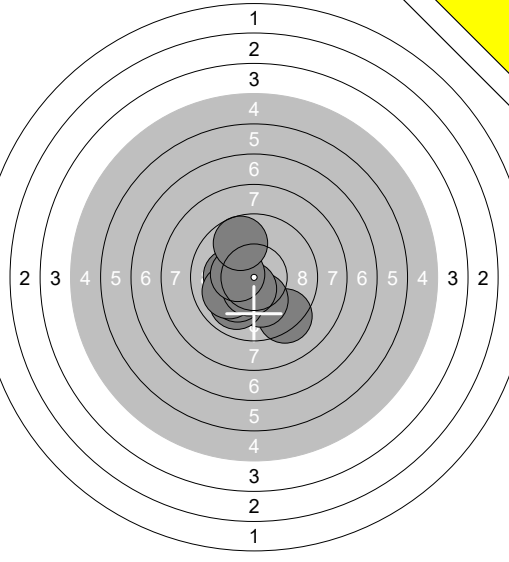
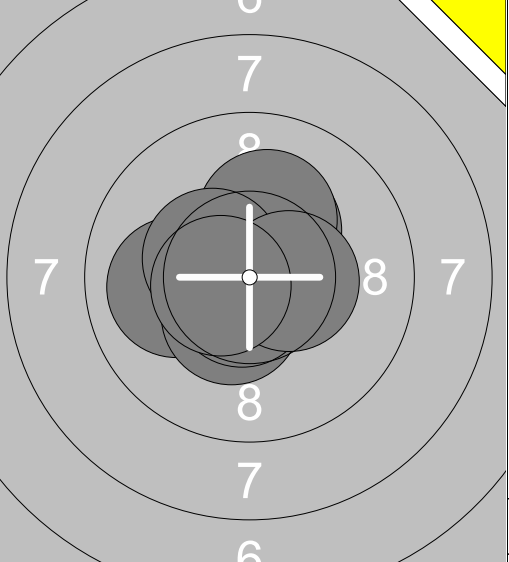


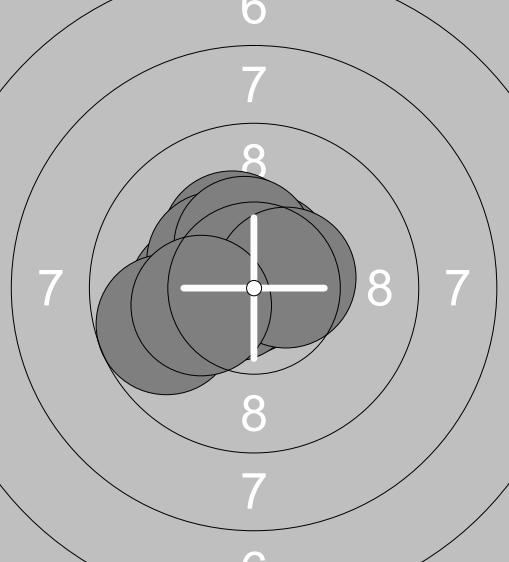
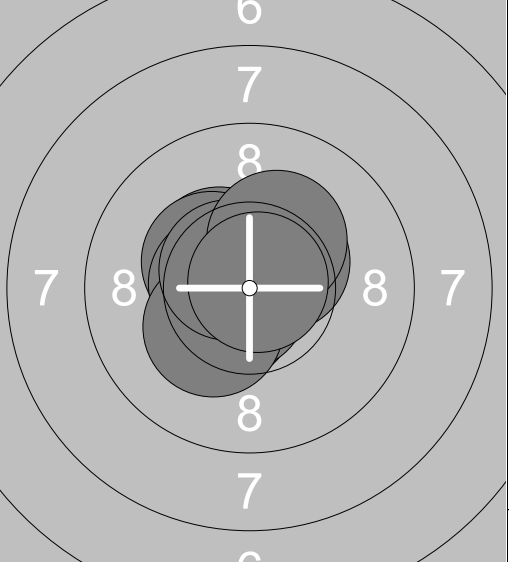
31:	10.8x↗
32:	10.6x↙
33:	10.6x→
34:	10.6x↓
35:	10.5x↓
36:	10.1→
37:	10.5x↖
38:	10.6x↖
39:	10.5x↗
40:	10.2x↖
Serie 105.0	
Total 423.8	

Prov 	1: 9.8 → 2: 9.7 → 3: 9.6 ↓ 4: 9.8 ↓ 5: 9.3 ↓ 6: 10.7x↘ 7: 10.3x↘ 8: 10.5x→ 9: 10.3x↓ 10: 10.8x↘	Prov 	11: 10.8x↘
Serie	100.8	Serie	10.8
Total	0.0	Total	0.0

40 Skott 	1: 10.4x↘ 2: 10.7x↘ 3: 10.6x↘ 4: 10.7x↘ 5: 10.5x→ 6: 10.3x→ 7: 10.3x↓ 8: 10.4x↓ 9: 10.7x↖ 10: 10.6x↗	40 Skott 	11: 10.6x↗ 12: 10.3x↘ 13: 10.5x↓ 14: 10.5x→ 15: 10.7x↗ 16: 10.6x↘ 17: 9.9 → 18: 10.3x↓ 19: 10.7x→ 20: 10.7x→
Serie	105.2	Serie	104.8
Total	105.2	Total	210.0

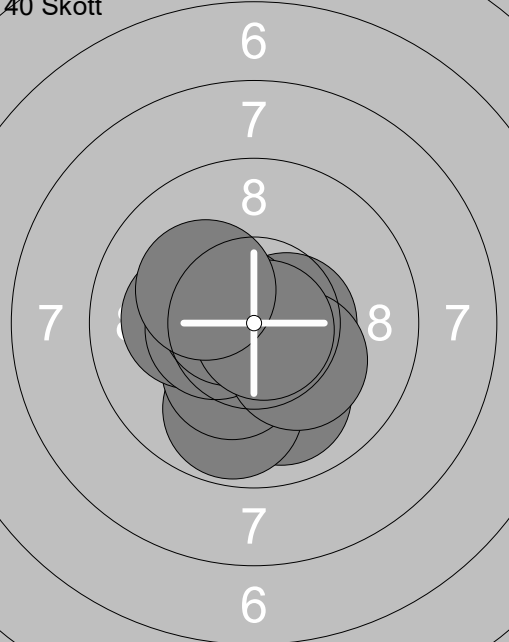
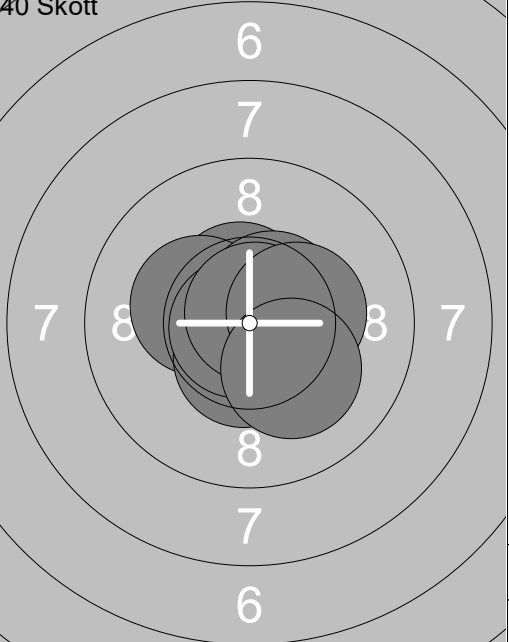
40 Skott 	21: 10.5x↑ 22: 10.7x→ 23: 10.6x→ 24: 10.5x↑ 25: 10.7x↘ 26: 10.6x↓ 27: 10.5x↖ 28: 10.9x↑ 29: 10.9x→ 30: 10.8x↓	40 Skott 	31: 10.7x↘ 32: 10.5x↑ 33: 10.3x↑ 34: 10.7x↗ 35: 10.8x↗ 36: 10.8x↖ 37: 10.5x↑ 38: 10.6x→ 39: 10.4x↘ 40: 10.9x↖
Serie	106.7	Serie	106.2
Total	316.7	Total	422.9

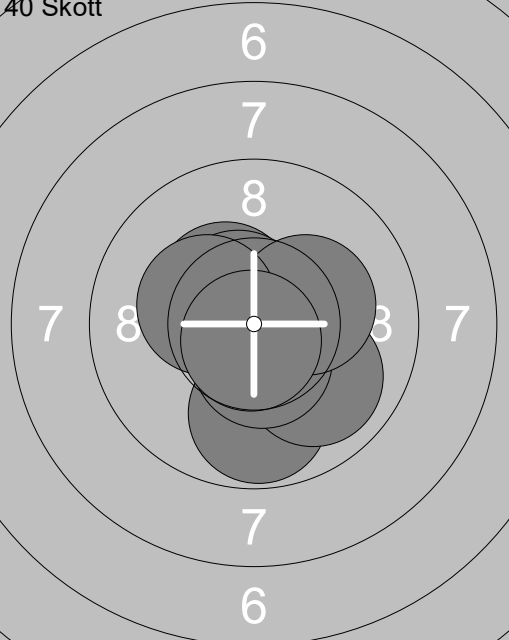

Prov 	1: 9.3 ↘ 2: 10.2x↘ 3: 9.9 ↘ 4: 10.1 ↘ 5: 10.2x↔ 6: 10.0 ↙ 7: 10.5x↘ 8: 0.0 ↓ 9: 10.4x↔ 10: 9.7 ↗	Prov 		11: 10.0↔ 12: 10.3x↗ 13: 10.7x↔ 14: 10.4x↘ 15: 10.7x↘ 16: 10.6x↗ 17: 10.2x↗ 18: 10.4x↔ 19: 10.4x↗ 20: 10.6x↔
	Serie 90.3			Serie 104.3
	Total 0.0			Total 0.0

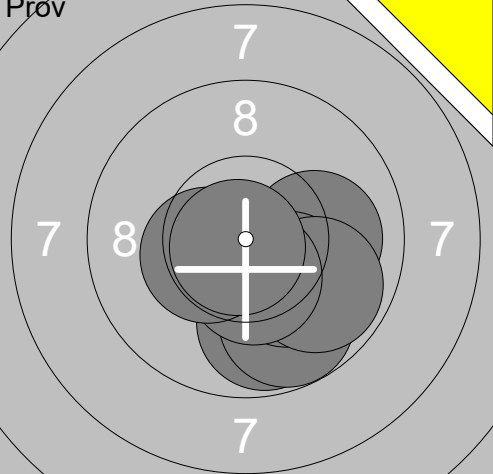
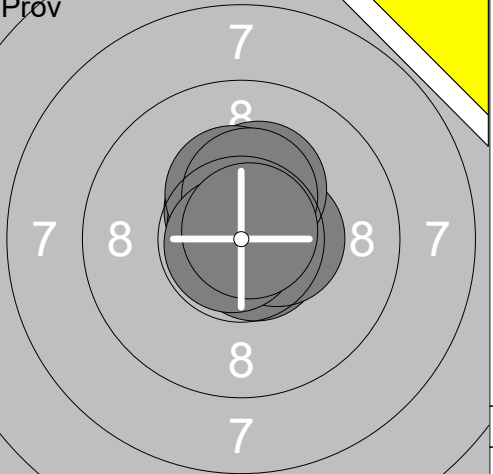
40 Skott 	1: 10.3x↘ 2: 10.2x↔ 3: 10.6x↗ 4: 10.8x↔ 5: 10.4x↔ 6: 10.7x↔ 7: 10.4x↗ 8: 9.7 ↔ 9: 10.5x↗ 10: 10.2x↔	40 Skott 		11: 10.4x↔ 12: 10.5x↘ 13: 10.4x↔ 14: 10.6x↔ 15: 10.7x↘ 16: 10.3x↘ 17: 10.6x↔ 18: 10.4x↗ 19: 10.3x↗ 20: 10.8x↗
	Serie 103.8			Serie 105.0
	Total 103.8			Total 208.8

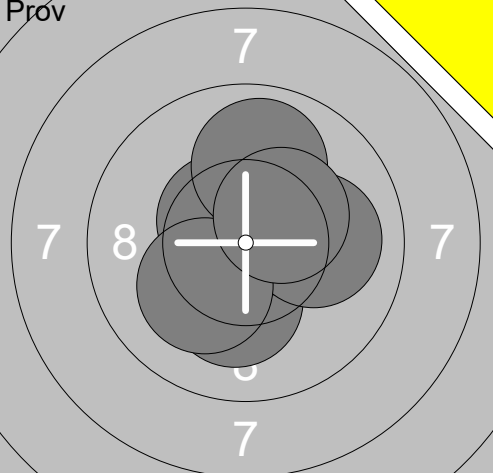
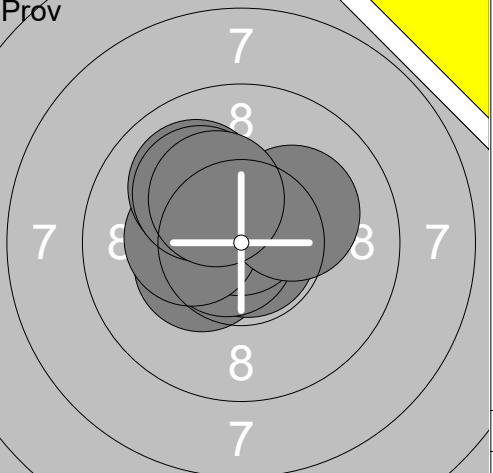
40 Skott 	21: 10.2x↗ 22: 9.7 ↗ 23: 10.0 ↘ 24: 10.1 ↗ 25: 10.3x↔ 26: 10.6x↔ 27: 10.3x↘ 28: 10.5x↗ 29: 9.6 ↔ 30: 10.4x↗	40 Skott 		31: 10.3x↘ 32: 10.2x↗ 33: 10.3x↔ 34: 10.5x↔ 35: 10.6x↘ 36: 10.2x↘ 37: 10.5x↗ 38: 10.1 ↗ 39: 10.2x↔ 40: 10.3x↔
	Serie 101.7			Serie 103.2
	Total 310.5			Total 413.7

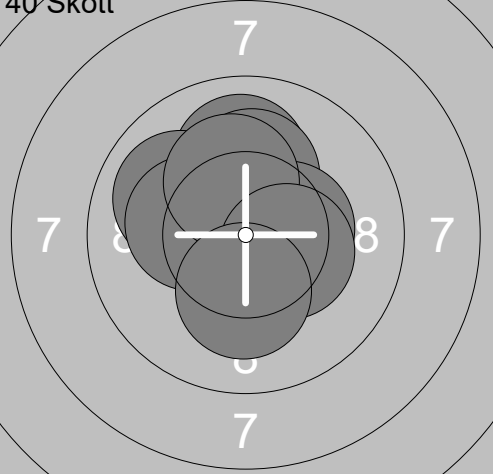
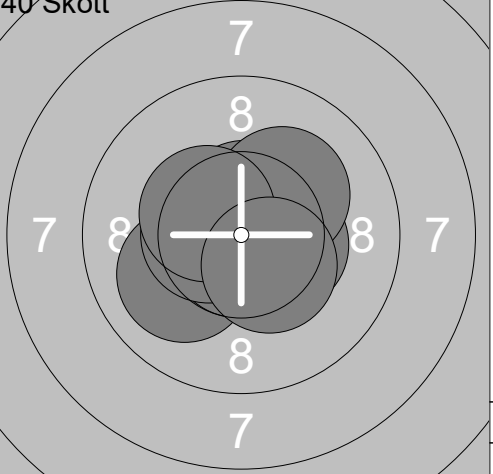
Prov 	40 Skott 	1: 10.6x ← 2: 9.9 ↓ 3: 10.6x ← 4: 10.1 → 5: 10.5x ↓ 6: 10.7x ↗ 7: 10.7x → 8: 10.6x ↗ 9: 9.6 ← 10: 10.8x ↗ <hr/> Serie 104.1 Total 0.0	1: 10.1 → 2: 10.2x ← 3: 10.3x ↗ 4: 10.6x ↘ 5: 9.5 ← 6: 10.0 → 7: 10.5x ↘ 8: 10.0 ↓ 9: 10.5x → 10: 10.6x → <hr/> Serie 102.3 Total 102.3
--	--	--	--

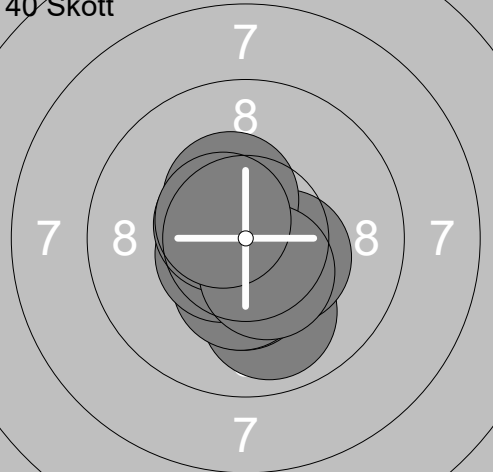
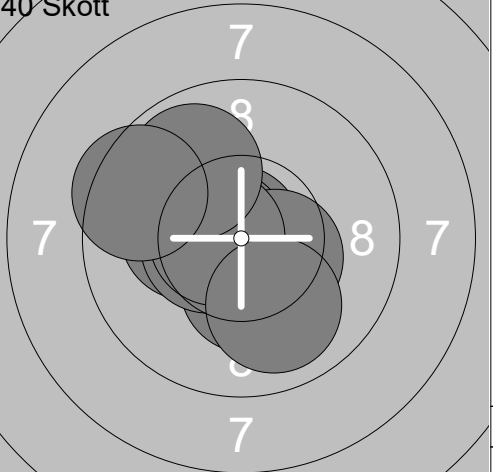
40 Skott 	40 Skott 	11: 10.0 ↓ 12: 9.8 ↓ 13: 10.3x ↘ 14: 10.5x → 15: 10.1 ← 16: 10.5x ← 17: 10.2x ↘ 18: 10.6x ← 19: 10.8x ↘ 20: 10.2x ← <hr/> Serie 103.0 Total 205.3	21: 10.8x ↘ 22: 10.5x ↗ 23: 10.6x → 24: 10.3x ← 25: 10.5x ↗ 26: 10.5x ↓ 27: 10.8x ← 28: 10.8x ↗ 29: 10.3x → 30: 10.2x ↘ <hr/> Serie 105.3 Total 310.6
---	---	--	--

40 Skott 	40 Skott 	31: 10.7x ↘ 32: 9.8 ↓ 33: 9.9 ↘ 34: 10.5x ↓ 35: 10.7x ↗ 36: 10.4x ↗ 37: 10.6x ↗ 38: 10.3x → 39: 10.3x ← 40: 10.7x ↓ <hr/> Serie 103.9 Total 414.5	
--	--	--	--

Pröv 	<table border="1" style="width:100%; border-collapse: collapse;"> <tr><td>1:</td><td>10.0</td><td>↘</td></tr> <tr><td>2:</td><td>10.0</td><td>↘</td></tr> <tr><td>3:</td><td>9.8</td><td>↘</td></tr> <tr><td>4:</td><td>9.8</td><td>↘</td></tr> <tr><td>5:</td><td>10.0</td><td>→</td></tr> <tr><td>6:</td><td>10.2x</td><td>↘</td></tr> <tr><td>7:</td><td>9.9</td><td>↘</td></tr> <tr><td>8:</td><td>10.4x</td><td>↘</td></tr> <tr><td>9:</td><td>10.4x</td><td>↙</td></tr> <tr><td>10:</td><td>10.8x</td><td>↘</td></tr> <tr><td colspan="2">Serie</td><td>101.3</td></tr> <tr><td colspan="2">Total</td><td>0.0</td></tr> </table>	1:	10.0	↘	2:	10.0	↘	3:	9.8	↘	4:	9.8	↘	5:	10.0	→	6:	10.2x	↘	7:	9.9	↘	8:	10.4x	↘	9:	10.4x	↙	10:	10.8x	↘	Serie		101.3	Total		0.0	Pröv  <table border="1" style="width:100%; border-collapse: collapse;"> <tr><td>11:</td><td>10.7x</td><td>↘</td></tr> <tr><td>12:</td><td>10.7x</td><td>↗</td></tr> <tr><td>13:</td><td>10.5x</td><td>→</td></tr> <tr><td>14:</td><td>10.2x</td><td>↑</td></tr> <tr><td>15:</td><td>10.6x</td><td>↑</td></tr> <tr><td>16:</td><td>10.8x</td><td>↑</td></tr> <tr><td>17:</td><td>10.3x</td><td>↑</td></tr> <tr><td>18:</td><td>10.4x</td><td>↑</td></tr> <tr><td>19:</td><td>10.8x</td><td>↙</td></tr> <tr><td>20:</td><td>10.8x</td><td>↗</td></tr> <tr><td colspan="2">Serie</td><td>105.8</td></tr> <tr><td colspan="2">Total</td><td>0.0</td></tr> </table>	11:	10.7x	↘	12:	10.7x	↗	13:	10.5x	→	14:	10.2x	↑	15:	10.6x	↑	16:	10.8x	↑	17:	10.3x	↑	18:	10.4x	↑	19:	10.8x	↙	20:	10.8x	↗	Serie		105.8	Total		0.0
1:	10.0	↘																																																																								
2:	10.0	↘																																																																								
3:	9.8	↘																																																																								
4:	9.8	↘																																																																								
5:	10.0	→																																																																								
6:	10.2x	↘																																																																								
7:	9.9	↘																																																																								
8:	10.4x	↘																																																																								
9:	10.4x	↙																																																																								
10:	10.8x	↘																																																																								
Serie		101.3																																																																								
Total		0.0																																																																								
11:	10.7x	↘																																																																								
12:	10.7x	↗																																																																								
13:	10.5x	→																																																																								
14:	10.2x	↑																																																																								
15:	10.6x	↑																																																																								
16:	10.8x	↑																																																																								
17:	10.3x	↑																																																																								
18:	10.4x	↑																																																																								
19:	10.8x	↙																																																																								
20:	10.8x	↗																																																																								
Serie		105.8																																																																								
Total		0.0																																																																								

Pröv  <table border="1" style="width:100%; border-collapse: collapse;"> <tr><td>21:</td><td>10.7x</td><td>↘</td></tr> <tr><td>22:</td><td>10.6x</td><td>→</td></tr> <tr><td>23:</td><td>10.8x</td><td>↙</td></tr> <tr><td>24:</td><td>10.2x</td><td>↘</td></tr> <tr><td>25:</td><td>10.4x</td><td>→</td></tr> <tr><td>26:</td><td>10.0</td><td>→</td></tr> <tr><td>27:</td><td>10.5x</td><td>↗</td></tr> <tr><td>28:</td><td>9.9</td><td>↑</td></tr> <tr><td>29:</td><td>10.2x</td><td>↙</td></tr> <tr><td>30:</td><td>10.4x</td><td>↗</td></tr> <tr><td colspan="2">Serie</td><td>103.7</td></tr> <tr><td colspan="2">Total</td><td>0.0</td></tr> </table>	21:	10.7x	↘	22:	10.6x	→	23:	10.8x	↙	24:	10.2x	↘	25:	10.4x	→	26:	10.0	→	27:	10.5x	↗	28:	9.9	↑	29:	10.2x	↙	30:	10.4x	↗	Serie		103.7	Total		0.0	Pröv  <table border="1" style="width:100%; border-collapse: collapse;"> <tr><td>31:</td><td>10.6x</td><td>↑</td></tr> <tr><td>32:</td><td>10.4x</td><td>↙</td></tr> <tr><td>33:</td><td>10.8x</td><td>↘</td></tr> <tr><td>34:</td><td>10.7x</td><td>↙</td></tr> <tr><td>35:</td><td>10.7x</td><td>↑</td></tr> <tr><td>36:</td><td>10.3x</td><td>↙</td></tr> <tr><td>37:</td><td>10.0</td><td>↗</td></tr> <tr><td>38:</td><td>10.2x</td><td>↗</td></tr> <tr><td>39:</td><td>10.1</td><td>↗</td></tr> <tr><td>40:</td><td>10.3x</td><td>↗</td></tr> <tr><td colspan="2">Serie</td><td>104.1</td></tr> <tr><td colspan="2">Total</td><td>0.0</td></tr> </table>	31:	10.6x	↑	32:	10.4x	↙	33:	10.8x	↘	34:	10.7x	↙	35:	10.7x	↑	36:	10.3x	↙	37:	10.0	↗	38:	10.2x	↗	39:	10.1	↗	40:	10.3x	↗	Serie		104.1	Total		0.0
21:	10.7x	↘																																																																							
22:	10.6x	→																																																																							
23:	10.8x	↙																																																																							
24:	10.2x	↘																																																																							
25:	10.4x	→																																																																							
26:	10.0	→																																																																							
27:	10.5x	↗																																																																							
28:	9.9	↑																																																																							
29:	10.2x	↙																																																																							
30:	10.4x	↗																																																																							
Serie		103.7																																																																							
Total		0.0																																																																							
31:	10.6x	↑																																																																							
32:	10.4x	↙																																																																							
33:	10.8x	↘																																																																							
34:	10.7x	↙																																																																							
35:	10.7x	↑																																																																							
36:	10.3x	↙																																																																							
37:	10.0	↗																																																																							
38:	10.2x	↗																																																																							
39:	10.1	↗																																																																							
40:	10.3x	↗																																																																							
Serie		104.1																																																																							
Total		0.0																																																																							

40 Skott  <table border="1" style="width:100%; border-collapse: collapse;"> <tr><td>1:</td><td>10.0</td><td>↑</td></tr> <tr><td>2:</td><td>10.4x</td><td>↖</td></tr> <tr><td>3:</td><td>10.3x</td><td>↑</td></tr> <tr><td>4:</td><td>10.0</td><td>↖</td></tr> <tr><td>5:</td><td>10.2x</td><td>↑</td></tr> <tr><td>6:</td><td>10.2x</td><td>↖</td></tr> <tr><td>7:</td><td>10.4x</td><td>→</td></tr> <tr><td>8:</td><td>10.2x</td><td>↑</td></tr> <tr><td>9:</td><td>10.4x</td><td>↘</td></tr> <tr><td>10:</td><td>10.2x</td><td>↘</td></tr> <tr><td colspan="2">Serie</td><td>102.3</td></tr> <tr><td colspan="2">Total</td><td>102.3</td></tr> </table>	1:	10.0	↑	2:	10.4x	↖	3:	10.3x	↑	4:	10.0	↖	5:	10.2x	↑	6:	10.2x	↖	7:	10.4x	→	8:	10.2x	↑	9:	10.4x	↘	10:	10.2x	↘	Serie		102.3	Total		102.3	40 Skott  <table border="1" style="width:100%; border-collapse: collapse;"> <tr><td>11:</td><td>10.0</td><td>↙</td></tr> <tr><td>12:</td><td>10.6x</td><td>↑</td></tr> <tr><td>13:</td><td>10.9x</td><td>↑</td></tr> <tr><td>14:</td><td>10.4x</td><td>→</td></tr> <tr><td>15:</td><td>10.6x</td><td>↙</td></tr> <tr><td>16:</td><td>10.8x</td><td>↘</td></tr> <tr><td>17:</td><td>10.5x</td><td>↙</td></tr> <tr><td>18:</td><td>10.2x</td><td>↗</td></tr> <tr><td>19:</td><td>10.4x</td><td>↙</td></tr> <tr><td>20:</td><td>10.4x</td><td>↘</td></tr> <tr><td colspan="2">Serie</td><td>104.8</td></tr> <tr><td colspan="2">Total</td><td>207.1</td></tr> </table>	11:	10.0	↙	12:	10.6x	↑	13:	10.9x	↑	14:	10.4x	→	15:	10.6x	↙	16:	10.8x	↘	17:	10.5x	↙	18:	10.2x	↗	19:	10.4x	↙	20:	10.4x	↘	Serie		104.8	Total		207.1
1:	10.0	↑																																																																							
2:	10.4x	↖																																																																							
3:	10.3x	↑																																																																							
4:	10.0	↖																																																																							
5:	10.2x	↑																																																																							
6:	10.2x	↖																																																																							
7:	10.4x	→																																																																							
8:	10.2x	↑																																																																							
9:	10.4x	↘																																																																							
10:	10.2x	↘																																																																							
Serie		102.3																																																																							
Total		102.3																																																																							
11:	10.0	↙																																																																							
12:	10.6x	↑																																																																							
13:	10.9x	↑																																																																							
14:	10.4x	→																																																																							
15:	10.6x	↙																																																																							
16:	10.8x	↘																																																																							
17:	10.5x	↙																																																																							
18:	10.2x	↗																																																																							
19:	10.4x	↙																																																																							
20:	10.4x	↘																																																																							
Serie		104.8																																																																							
Total		207.1																																																																							

40 Skott  <table border="1" style="width:100%; border-collapse: collapse;"> <tr><td>21:</td><td>9.9</td><td>↘</td></tr> <tr><td>22:</td><td>10.7x</td><td>↘</td></tr> <tr><td>23:</td><td>10.4x</td><td>↘</td></tr> <tr><td>24:</td><td>10.4x</td><td>↘</td></tr> <tr><td>25:</td><td>10.4x</td><td>↘</td></tr> <tr><td>26:</td><td>10.4x</td><td>↗</td></tr> <tr><td>27:</td><td>10.6x</td><td>↙</td></tr> <tr><td>28:</td><td>10.6x</td><td>↗</td></tr> <tr><td>29:</td><td>10.4x</td><td>↘</td></tr> <tr><td>30:</td><td>10.6x</td><td>↗</td></tr> <tr><td colspan="2">Serie</td><td>104.4</td></tr> <tr><td colspan="2">Total</td><td>311.5</td></tr> </table>	21:	9.9	↘	22:	10.7x	↘	23:	10.4x	↘	24:	10.4x	↘	25:	10.4x	↘	26:	10.4x	↗	27:	10.6x	↙	28:	10.6x	↗	29:	10.4x	↘	30:	10.6x	↗	Serie		104.4	Total		311.5	40 Skott  <table border="1" style="width:100%; border-collapse: collapse;"> <tr><td>31:</td><td>10.2x</td><td>↙</td></tr> <tr><td>32:</td><td>10.8x</td><td>↗</td></tr> <tr><td>33:</td><td>10.7x</td><td>↙</td></tr> <tr><td>34:</td><td>10.3x</td><td>↘</td></tr> <tr><td>35:</td><td>10.4x</td><td>↘</td></tr> <tr><td>36:</td><td>10.5x</td><td>↙</td></tr> <tr><td>37:</td><td>10.6x</td><td>↙</td></tr> <tr><td>38:</td><td>9.9</td><td>↗</td></tr> <tr><td>39:</td><td>9.5</td><td>↙</td></tr> <tr><td>40:</td><td>10.0</td><td>↘</td></tr> <tr><td colspan="2">Serie</td><td>102.9</td></tr> <tr><td colspan="2">Total</td><td>414.4</td></tr> </table>	31:	10.2x	↙	32:	10.8x	↗	33:	10.7x	↙	34:	10.3x	↘	35:	10.4x	↘	36:	10.5x	↙	37:	10.6x	↙	38:	9.9	↗	39:	9.5	↙	40:	10.0	↘	Serie		102.9	Total		414.4
21:	9.9	↘																																																																							
22:	10.7x	↘																																																																							
23:	10.4x	↘																																																																							
24:	10.4x	↘																																																																							
25:	10.4x	↘																																																																							
26:	10.4x	↗																																																																							
27:	10.6x	↙																																																																							
28:	10.6x	↗																																																																							
29:	10.4x	↘																																																																							
30:	10.6x	↗																																																																							
Serie		104.4																																																																							
Total		311.5																																																																							
31:	10.2x	↙																																																																							
32:	10.8x	↗																																																																							
33:	10.7x	↙																																																																							
34:	10.3x	↘																																																																							
35:	10.4x	↘																																																																							
36:	10.5x	↙																																																																							
37:	10.6x	↙																																																																							
38:	9.9	↗																																																																							
39:	9.5	↙																																																																							
40:	10.0	↘																																																																							
Serie		102.9																																																																							
Total		414.4																																																																							

Prov 	1: 10.9x↓ 2: 10.3x↓ 3: 10.8x↑ 4: 10.0 ↓ 5: 9.8 ← 6: 9.7 ← 7: 10.6x↑ 8: 9.7 ← 9: 10.3x↓ 10: 10.5x↔	Prov 	11: 10.4x↔ 12: 10.5x↘ 13: 10.2x↔ 14: 10.5x↗ 15: 10.2x↘ 16: 10.4x↑ 17: 10.5x↘ 18: 10.5x↗
Serie	102.6	Serie	83.2
Total	0.0	Total	0.0

40 Skott 	1: 10.3x↗ 2: 10.4x↔ 3: 10.5x↔ 4: 10.4x↑ 5: 10.4x↘ 6: 10.5x↘ 7: 10.7x↔ 8: 10.1 → 9: 10.3x↔ 10: 10.7x↘	40 Skott 	11: 10.8x↔ 12: 10.4x↗ 13: 10.7x↔ 14: 10.5x↔ 15: 10.5x↔ 16: 10.3x↘ 17: 10.6x↗ 18: 10.3x↑ 19: 10.3x↔ 20: 10.4x↗
Serie	104.3	Serie	104.8
Total	104.3	Total	209.1

40 Skott 	21: 10.3x↗ 22: 10.4x↗ 23: 10.2x↔ 24: 10.7x↔ 25: 10.3x↘ 26: 10.4x↔ 27: 10.2x↘ 28: 10.7x↔ 29: 10.3x↗ 30: 10.0←	40 Skott 	31: 10.4x↘ 32: 10.2x↔ 33: 10.4x↘ 34: 10.7x↔ 35: 10.6x↔ 36: 10.4x↗ 37: 10.2x↔ 38: 10.4x↘ 39: 9.8 ← 40: 10.1 →
Serie	103.5	Serie	103.2
Total	312.6	Total	415.8

Prov 	1: 10.2x↘ 2: 10.2x↓ 3: 10.7x→ 4: 10.4x↙ 5: 10.4x↘ 6: 10.6x↗ 7: 10.5x↓ 8: 10.5x↓ 9: 10.7x↙ 10: 10.4x↓ <hr/> Serie 104.6 Total 0.0	Prov 	11: 10.6x↘ 12: 10.1↗ 13: 10.1↓ 14: 10.4x↗ 15: 10.4x↘ 16: 10.4x↓ 17: 10.7x↘ 18: 10.6x↗ <hr/> Serie 83.3 Total 0.0
----------	---	----------	---

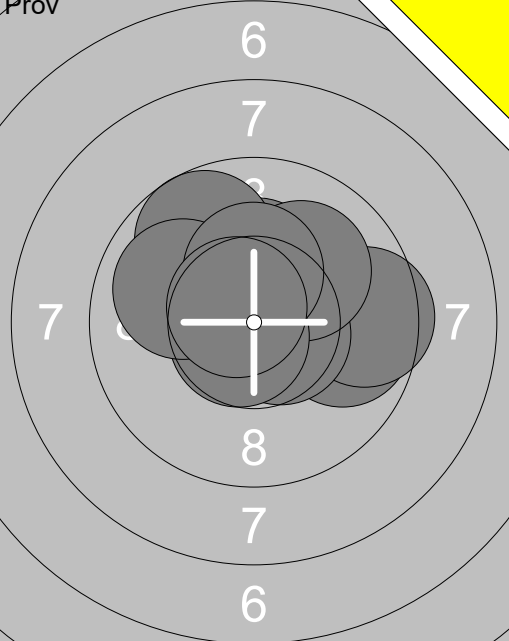
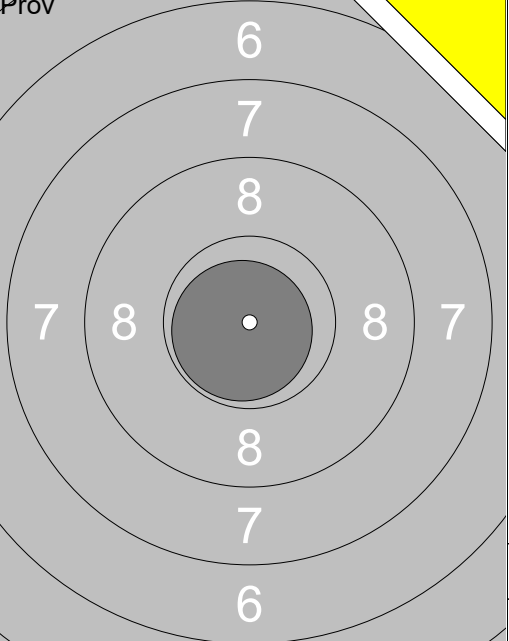
40 Skott 	1: 10.3x↓ 2: 10.6x↗ 3: 10.5x→ 4: 10.6x↙ 5: 10.8x↘ 6: 9.8 ↓ 7: 10.6x↗ 8: 10.7x↗ 9: 10.8x↘ 10: 10.6x↓ <hr/> Serie 105.3 Total 105.3	40 Skott 	11: 10.7x↓ 12: 10.8x↗ 13: 10.8x↙ 14: 10.5x↙ 15: 10.7x↗ 16: 10.9x→ 17: 10.6x→ 18: 10.2x↙ 19: 10.4x↗ 20: 10.5x↘ <hr/> Serie 106.1 Total 211.4
--------------	--	--------------	--

40 Skott 	21: 10.9x↘ 22: 10.5x↓ 23: 10.4x↘ 24: 10.2x↗ 25: 10.6x↙ 26: 10.8x↗ 27: 10.7x↗ 28: 10.8x↘ 29: 10.4x↓ 30: 10.6x↘ <hr/> Serie 105.9 Total 317.3	40 Skott 	31: 10.5x↙ 32: 10.5x↘ 33: 10.8x↙ 34: 10.4x↙ 35: 10.7x↘ 36: 10.6x↗ 37: 10.8x↗ 38: 10.7x→ 39: 10.7x↓ 40: 10.4x↗ <hr/> Serie 106.1 Total 423.4
--------------	--	--------------	--

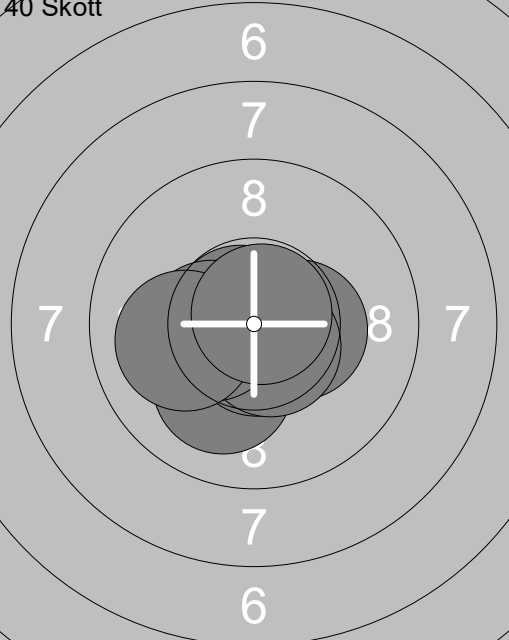
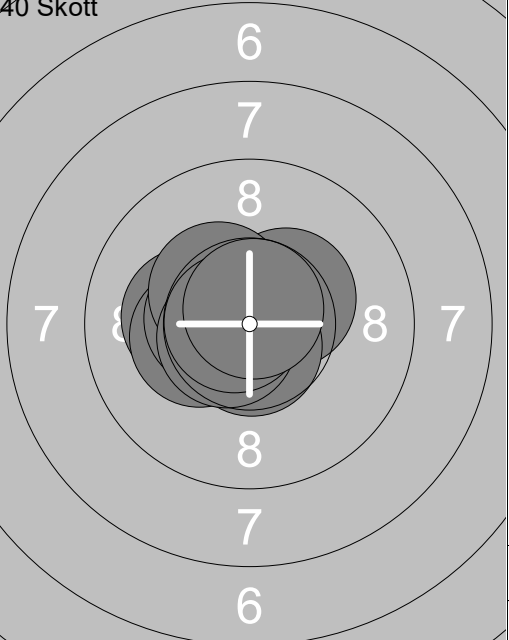
Prov 	1: 10.1 ↑ 2: 10.4 ↗ 3: 10.5 ✕ 4: 10.5 ↘ 5: 10.7 ✕ 6: 10.4 ↗ 7: 10.5 ↗ 8: 10.5 ↘ 9: 10.5 ↘ 10: 10.5 ↗ <hr/> Serie 104.6 Total 0.0	Prov 	11: 10.7x ↓ 12: 10.6x ↗ 13: 10.8x ✕ <hr/> Serie 32.1 Total 0.0
--	---	--	--

40 Skott 	1: 10.4x ↘ 2: 10.7 ✕ 3: 10.6x ↗ 4: 10.6x ↘ 5: 10.8x ↘ 6: 10.5x ↗ 7: 10.6x ↗ 8: 10.5 ✕ 9: 10.4x ↘ 10: 10.6x ↗ <hr/> Serie 105.7 Total 105.7	40 Skott 	11: 10.4x ↘ 12: 10.9x ↘ 13: 10.8x ↘ 14: 10.7 ✕ 15: 10.6x ➤ 16: 9.7 ← 17: 10.5x ↘ 18: 10.7x ↗ 19: 10.6x ➤ 20: 10.8x ↘ <hr/> Serie 105.7 Total 211.4
---	---	---	---

40 Skott 	21: 10.8x ➤ 22: 10.4x ↘ 23: 10.5x ➤ 24: 10.7x ↘ 25: 10.7x ↘ 26: 10.8x ↘ 27: 10.5 ✕ 28: 10.3x ↘ 29: 10.9x ✕ 30: 10.5x ↘ <hr/> Serie 106.1 Total 317.5	40 Skott 	31: 10.6x ↗ 32: 10.5x ➤ 33: 10.8x ↗ 34: 10.6x ↘ 35: 10.6x ➤ 36: 10.2x ➤ 37: 10.7x ✕ 38: 10.5x ↘ 39: 10.3x ↘ 40: 10.4x ↗ <hr/> Serie 105.2 Total 422.7
--	---	--	--

Prov 	1: 9.8 → 2: 9.5 → 3: 10.6x→ 4: 10.3x↑ 5: 10.1 ↗ 6: 10.7x↘ 7: 9.7 ↖ 8: 10.0 ↙ 9: 10.3x↑ 10: 10.7x↘ <hr/> Serie 101.7 Total 0.0	Prov 	11: 10.8x↘ <hr/> Serie 10.8 Total 0.0
--	--	--	---

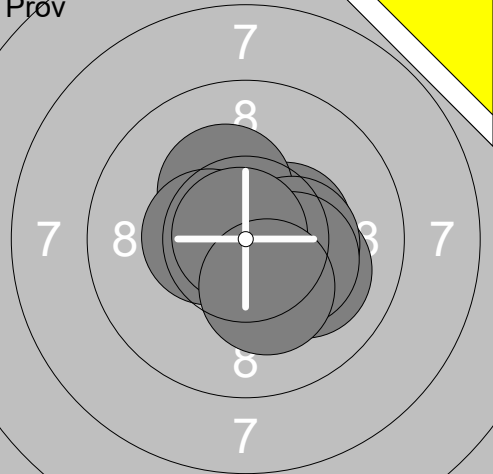
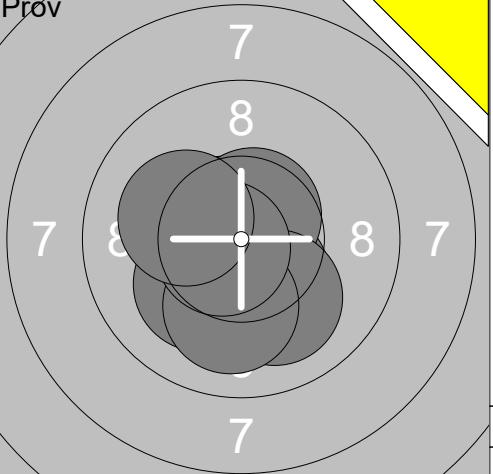
40 Skott 	1: 10.6x↘ 2: 10.7x↘ 3: 10.8x↑ 4: 10.3x↘ 5: 10.5x↑ 6: 10.4x↗ 7: 10.7x↘ 8: 10.4x↘ 9: 10.9x↓ 10: 10.4x↓ <hr/> Serie 105.7 Total 105.7	40 Skott 	11: 10.9x↘ 12: 10.8x↘ 13: 9.8 ← 14: 10.6x↘ 15: 10.7x↘ 16: 10.5x↘ 17: 10.8x↘ 18: 10.6x↓ 19: 10.5x↗ 20: 10.6x↘ <hr/> Serie 105.8 Total 211.5
---	---	---	---


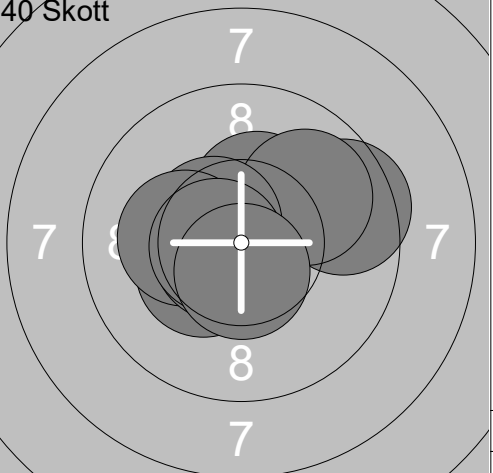
40 Skott 	21: 10.4x→ 22: 10.7x↘ 23: 10.1 ↓ 24: 10.8x↓ 25: 10.8x↗ 26: 10.7x↓ 27: 10.6x↘ 28: 10.4x↖ 29: 10.0 ← 30: 10.8x↗ <hr/> Serie 105.3 Total 316.8	40 Skott 	31: 10.6x↘ 32: 10.2x↘ 33: 10.4x↗ 34: 10.3x↘ 35: 10.5x↘ 36: 10.4x↘ 37: 10.7x↓ 38: 10.6x↘ 39: 10.8x↘ 40: 10.8x↗ <hr/> Serie 105.3 Total 422.1
--	--	--	--

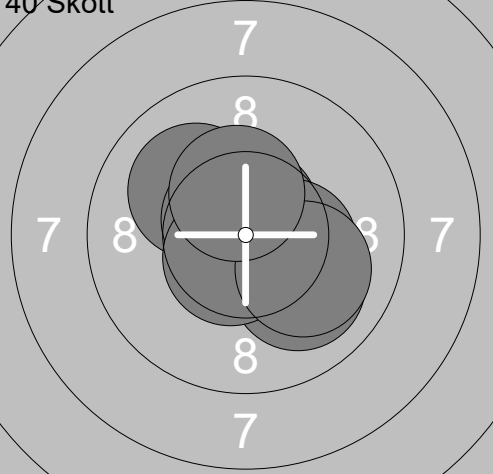
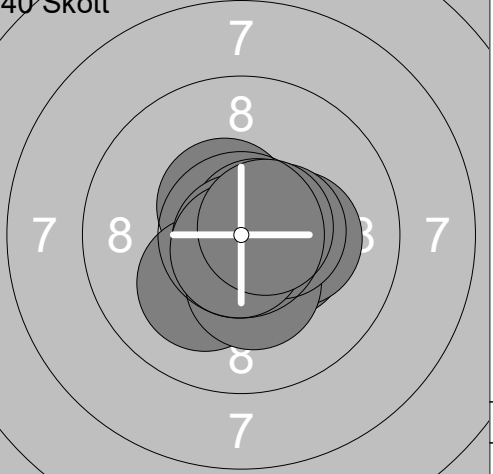
Prov 	1: 10.2x↓ 2: 10.2x↓ 3: 10.4x→ 4: 10.7x↗ 5: 10.5x↖ 6: 10.7x↖ 7: 10.2x↖ 8: 10.7x↖ 9: 10.5x→ 10: 10.5x→ <hr/> Serie 104.6 Total 0.0	Prov 	11: 10.3x↖ 12: 10.7x↖ 13: 10.6x↗ 14: 10.8x↗ 15: 10.4x↖ 16: 10.6x↓ <hr/> Serie 63.4 Total 0.0
--	---	--	---

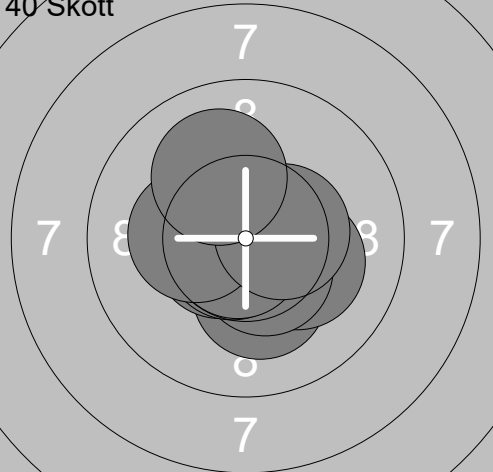
40 Skott 	1: 10.6x↖ 2: 10.8x↖ 3: 10.1↓ 4: 10.5x↓ 5: 10.8x↗ 6: 10.4x↖ 7: 10.8x↖ 8: 10.5x↖ 9: 10.5x↖ 10: 10.4x↖ <hr/> Serie 105.4 Total 105.4	40 Skott 	11: 10.3x↗ 12: 10.8x↗ 13: 10.1→ 14: 10.7x↗ 15: 10.4x↓ 16: 10.5x↗ 17: 10.8x↖ 18: 10.4x↓ 19: 10.6x↖ 20: 10.6x↖ <hr/> Serie 105.2 Total 210.6
---	--	---	---

40 Skott 	21: 10.3x↗ 22: 10.7x↓ 23: 10.7x↗ 24: 10.6x↖ 25: 10.9x↖ 26: 10.6x↓ 27: 10.3x↗ 28: 10.9x↖ 29: 10.6x→ 30: 10.8x↖ <hr/> Serie 106.4 Total 317.0	40 Skott 	31: 10.6x↗ 32: 10.6x↖ 33: 10.2x↖ 34: 10.3x↓ 35: 10.7x↖ 36: 10.9x↖ 37: 10.5x↗ 38: 10.6x↗ 39: 10.6x↖ 40: 10.2x↓ <hr/> Serie 105.2 Total 422.2
--	--	--	--

Pröv 	1: 10.8x ↓ 2: 10.7x ↓ 3: 10.4x → 4: 10.1 ↘ 5: 10.3x ↗ 6: 10.3x → 7: 10.3x ↘ 8: 10.5x ← 9: 10.9x ↗ 10: 10.3x ↓ <hr/> Serie 104.6 Total 0.0	Pröv 	11: 10.6x ↘ 12: 10.2x ↘ 13: 10.7x ↖ 14: 10.4x ↘ 15: 10.6x ↗ 16: 10.4x ↓ 17: 10.1 ↘ 18: 10.1 ↓ 19: 10.7x ← 20: 10.2x ← <hr/> Serie 104.0 Total 0.0
--	--	--	--

Pröv 	21: 10.4x ↓ 22: 10.7x ↗ <hr/> Serie 21.1 Total 0.0	40 Skott 	1: 10.6x ↓ 2: 9.5 → 3: 10.3x ↗ 4: 9.9 ↗ 5: 10.3x ← 6: 10.5x ↖ 7: 10.2x ← 8: 10.7x ← 9: 10.6x ← 10: 10.6x ↓ <hr/> Serie 103.2 Total 103.2
---	---	---	---

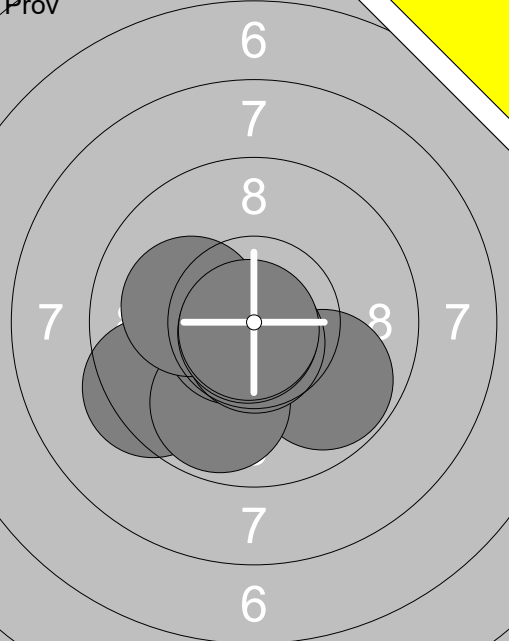
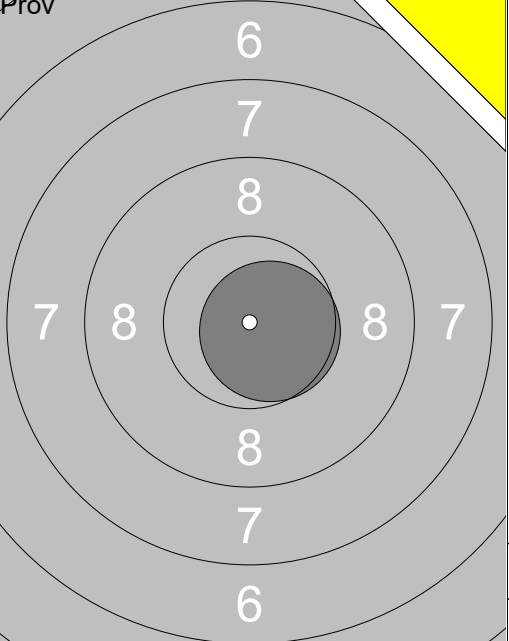
40 Skott 	11: 10.4x ↖ 12: 10.1 ↖ 13: 10.8x ↑ 14: 10.7x ↑ 15: 10.6x ↗ 16: 10.3x ↘ 17: 10.0 ↓ 18: 10.6x ↘ 19: 10.1 ↘ 20: 10.4x ↑ <hr/> Serie 104.0 Total 207.2	40 Skott 	21: 10.5x ↖ 22: 10.7x ↗ 23: 10.1 ↘ 24: 10.4x → 25: 10.3x → 26: 10.3x ↓ 27: 10.9x ↓ 28: 10.5x → 29: 10.7x ↓ 30: 10.6x → <hr/> Serie 105.0 Total 312.2
--	---	--	---

40 Skott 	31: 10.6x → 32: 10.2x ↓ 33: 10.2x ↘ 34: 10.6x ← 35: 10.5x ↓ 36: 10.7x ↘ 37: 10.8x ↘ 38: 10.3x ← 39: 10.5x → 40: 10.1 ↗ <hr/> Serie 104.5 Total 416.7		
--	---	--	--

Prov 	1: 10.3 x ← 2: 10.4 x ← 3: 10.2 x ↗ 4: 10.3 x ↘ 5: 10.8 x ↘ 6: 10.4 x → 7: 10.6 x ← 8: 10.6 x ↖ 9: 10.5 x ↘ 10: 10.5 x ↘	Prov 	11: 10.7 x ↘ 12: 10.4 x ↘ 13: 10.4 x → 14: 10.3 x → 15: 10.5 x ↘
Serie 104.6		Serie 52.3	
Total 0.0		Total 0.0	

40 Skott 	1: 10.6 x ↖ 2: 10.7 x ↗ 3: 10.8 x ↘ 4: 10.0 ↗ 5: 10.7 x ↘ 6: 10.4 x ↘ 7: 10.5 x ← 8: 10.7 x ↘ 9: 10.4 x ↗ 10: 10.6 x ↘	40 Skott 	11: 10.2 x ↗ 12: 10.4 x → 13: 10.4 x ↘ 14: 10.3 x ↘ 15: 10.2 x ↘ 16: 10.0 ↗ 17: 10.4 x ← 18: 10.9 x ← 19: 10.7 x ↗ 20: 10.6 x ↘
Serie 105.4		Serie 104.1	
Total 105.4		Total 209.5	

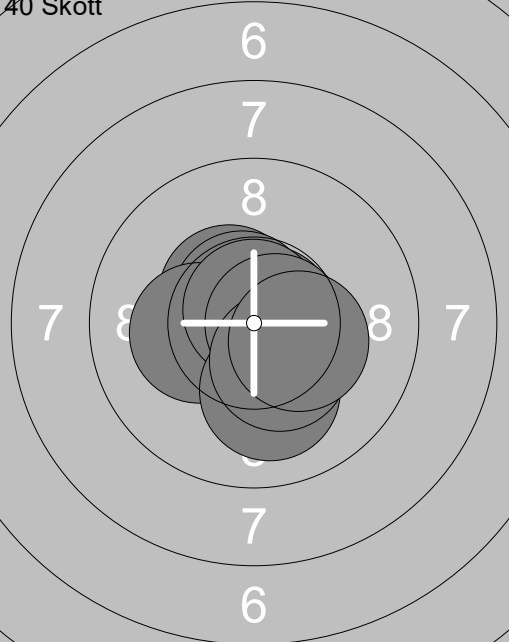
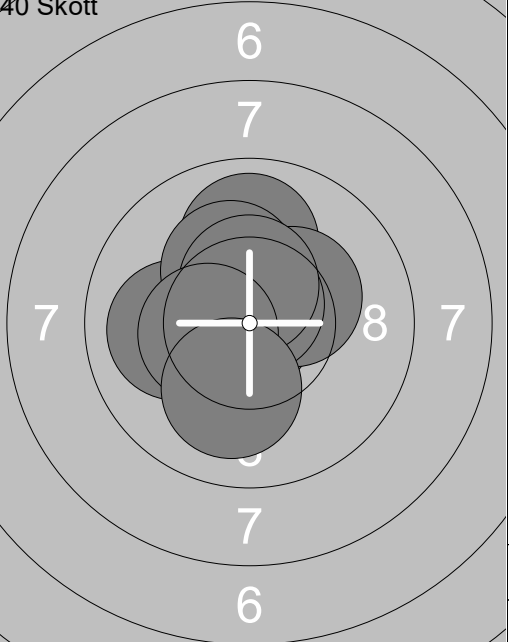
40 Skott 	21: 10.1 ↖ 22: 10.4 x → 23: 10.8 x ↘ 24: 10.4 x ↘ 25: 10.8 x ↘ 26: 10.7 x ↗ 27: 10.4 x ↖ 28: 10.5 x ↘ 29: 10.7 x ↘ 30: 10.8 x ↗	40 Skott 	31: 10.2 x ← 32: 10.7 x ↖ 33: 10.4 x ↗ 34: 10.6 x ↗ 35: 10.1 ↗ 36: 10.6 x ↘ 37: 10.4 x ← 38: 10.7 x ↖ 39: 10.5 x ↗ 40: 9.9 ←
Serie 105.6		Serie 104.1	
Total 315.1		Total 419.2	

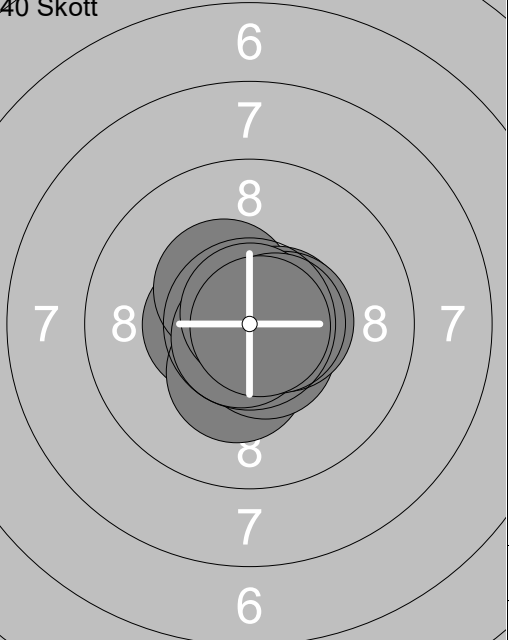
Prov 	1: 9.8 ↘ 2: 10.3 ↘ 3: 9.4 ↙ 4: 9.8 ↓ 5: 10.7 ↘ 6: 10.7 ↘ 7: 10.7x ↓ 8: 10.1 ← 9: 10.8x ↘ 10: 10.8x ↘ <hr/> Serie 103.1 Total 0.0	Prov 	11: 10.7x ⇒ <hr/> Serie 10.7 Total 0.0
--	---	--	--

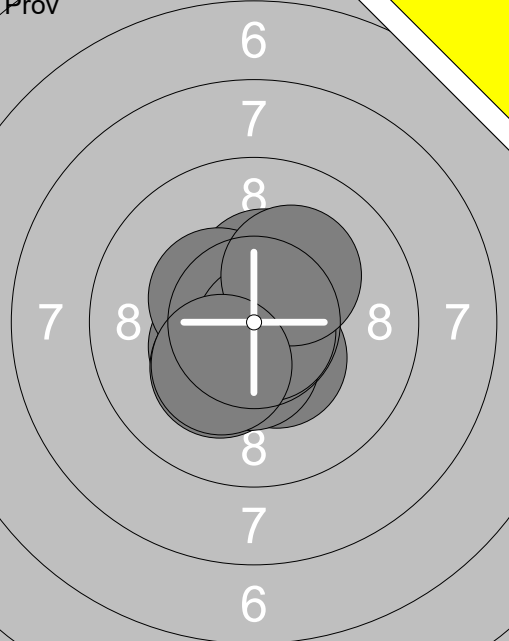
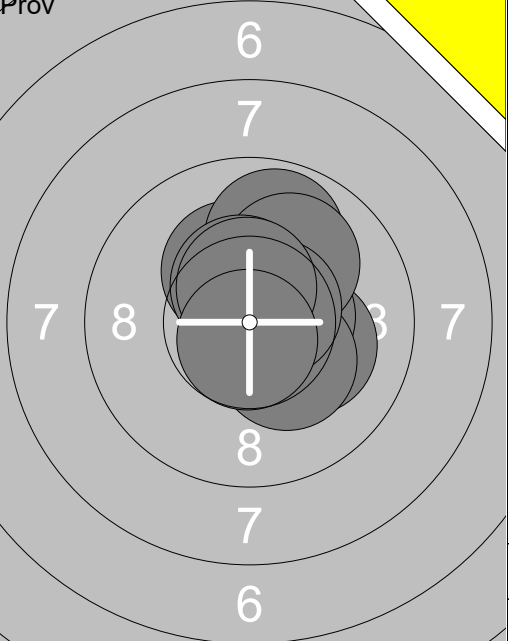
40 Skott 	1: 10.5x ↘ 2: 10.6x ↘ 3: 10.2x ↘ 4: 10.4x ↘ 5: 10.1 ↙ 6: 10.0 ↑ 7: 10.3x ↗ 8: 10.6x ↗ 9: 10.5x ⇒ 10: 10.5x ↗ <hr/> Serie 103.7 Total 103.7	40 Skott 	11: 10.3x ⇒ 12: 10.7x ↗ 13: 10.5x ↑ 14: 10.7x ↘ 15: 10.2x ↘ 16: 10.5x ⇒ 17: 10.5x ↓ 18: 10.7x ⇒ 19: 10.3x ↘ 20: 10.5x ↘ <hr/> Serie 104.9 Total 208.6
---	---	---	--

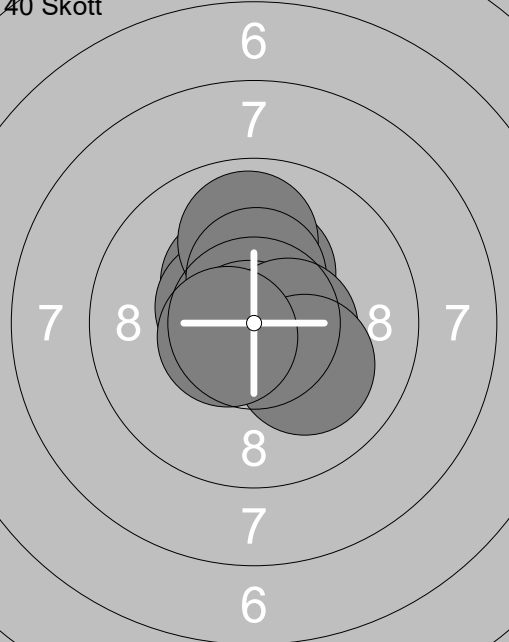
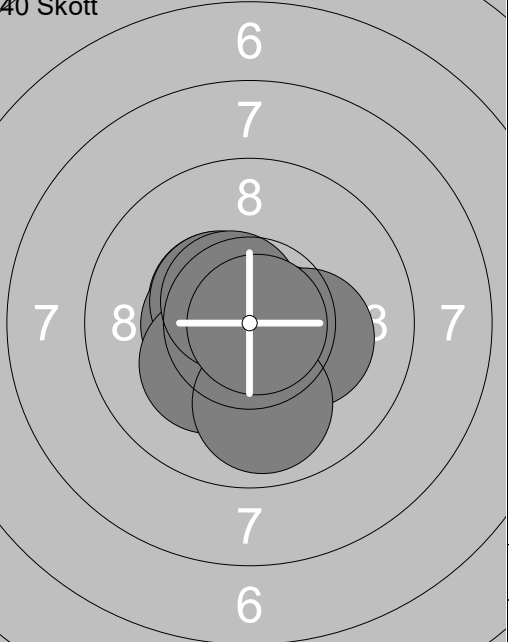
40 Skott 	21: 10.2x ↓ 22: 10.8x ↗ 23: 9.9 ↓ 24: 10.6x ↓ 25: 10.7x ⇒ 26: 10.4x ↘ 27: 10.5x ↘ 28: 9.8 ↓ 29: 10.6x ↓ 30: 10.4x ↘ <hr/> Serie 103.9 Total 312.5	40 Skott 	31: 10.7x ↗ 32: 10.6x ↗ 33: 10.3x ↘ 34: 10.5x ↘ 35: 10.6x ↘ 36: 10.7x ↗ 37: 10.5x ↘ 38: 10.4x ⇒ 39: 10.1 ⇒ 40: 10.5x ↘ <hr/> Serie 104.9 Total 417.4
--	--	--	---

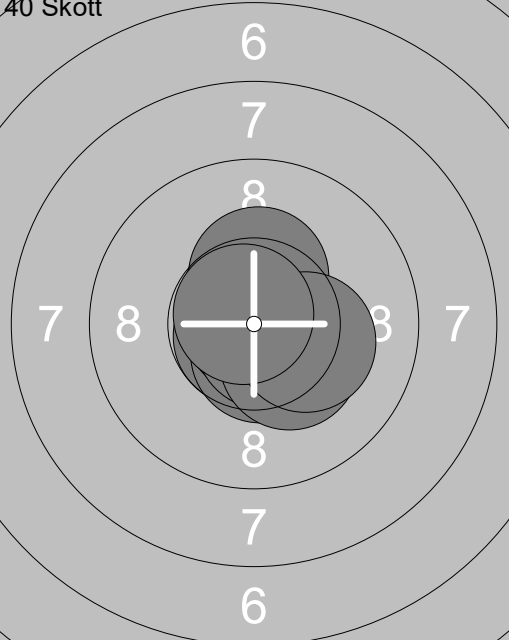
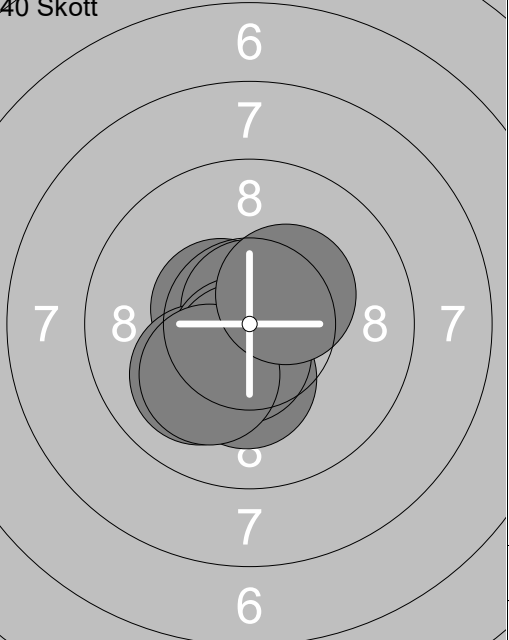
Prov 	1: 10.4x↘ 2: 10.4x↓ 3: 10.3x↘ 4: 9.5 ↓ 5: 10.7x↘ 6: 10.5x↘ 7: 10.8x→ 8: 10.8x↘ 9: 10.2x↘ 10: 10.2x↘ <hr/> Serie 103.8 Total 0.0	Prov 	11: 10.8x↗ <hr/> Serie 10.8 Total 0.0
--	--	--	---

40 Skott 	1: 10.8x↗ 2: 10.5x↘ 3: 10.8x↗ 4: 10.6x↘ 5: 10.2x↘ 6: 10.8x↑ 7: 10.1 ↓ 8: 10.7x→ 9: 10.4x↘ 10: 10.3x→ <hr/> Serie 105.2 Total 105.2	40 Skott 	11: 10.9x↘ 12: 10.4x↘ 13: 9.9 ↑ 14: 10.3x↗ 15: 10.7x↑ 16: 10.0← 17: 10.2x↘ 18: 10.5x↑ 19: 10.4x↘ 20: 10.1 ↓ <hr/> Serie 103.4 Total 208.6
---	---	---	--

40 Skott 	21: 10.9x↘ 22: 10.4x↘ 23: 10.6x→ 24: 10.9x↗ 25: 10.4x↘ 26: 10.4x↘ 27: 10.5x↘ 28: 10.5x↘ 29: 10.7x↘ 30: 10.9x↘ <hr/> Serie 106.2 Total 314.8	40 Skott 	31: 10.5x↘ 32: 10.4x↘ 33: 10.6x→ 34: 10.3x↓ 35: 10.6x↘ 36: 10.8x↘ 37: 10.5x→ 38: 10.8x↑ 39: 10.6x→ 40: 10.8x→ <hr/> Serie 105.9 Total 420.7
--	--	--	--

Prov 	1: 10.4x↘ 2: 10.2x↘ 3: 10.4x↘ 4: 10.5x↓ 5: 10.4x↑ 6: 10.9x↘ 7: 10.4x↘ 8: 10.8x↘ 9: 10.2x↗ 10: 10.3x↘ <hr/> Serie 104.5 Total 0.0	Prov 	11: 10.2x↘ 12: 10.3x↗ 13: 9.8 ↑ 14: 10.5x↘ 15: 10.3x↘ 16: 10.0 ↗ 17: 10.6x↗ 18: 10.5x↗ 19: 10.5x↗ 20: 10.7x↓ <hr/> Serie 103.4 Total 0.0
--	---	--	---

40 Skott 	1: 10.3x↘ 2: 10.3x↑ 3: 10.5x↘ 4: 10.7x↗ 5: 9.9 ↑ 6: 10.4x↑ 7: 10.8x↘ 8: 10.5x↘ 9: 10.1 ↘ 10: 10.6x↘ <hr/> Serie 104.1 Total 104.1	40 Skott 	11: 10.5x↘ 12: 10.5x↘ 13: 10.5x↘ 14: 10.2x↘ 15: 10.6x↘ 16: 10.4x↘ 17: 10.2x↘ 18: 9.9 ↓ 19: 10.6x↘ 20: 10.9x↘ <hr/> Serie 104.3 Total 208.4
---	--	---	---

40 Skott 	21: 10.6x↑ 22: 10.7x↘ 23: 10.6x↓ 24: 10.7x↘ 25: 10.9x↘ 26: 10.3x↑ 27: 10.7x↘ 28: 10.3x↘ 29: 10.3x↘ 30: 10.8x↘ <hr/> Serie 105.9 Total 314.3	40 Skott 	31: 10.7x↘ 32: 10.8x↘ 33: 10.5x↘ 34: 10.8x↑ 35: 10.0 ↘ 36: 10.6x↘ 37: 10.3x↓ 38: 10.6x↘ 39: 10.1 ↘ 40: 10.3x↗ <hr/> Serie 104.7 Total 419.0
--	--	--	--

Prov 	1: 10.3x ↘ 2: 10.5x ↘ 3: 10.8x ↗ 4: 10.1 ↖ 5: 9.5 ↖ 6: 10.8x ➤ 7: 10.3x ↗ 8: 10.1 ↖ 9: 10.6x ➤ 10: 10.5x ➤	Prov 	11: 9.9 ↑ 12: 10.2x ↗ 13: 10.4x ➤ 14: 10.7x ↘ 15: 10.7x ↗ 16: 10.9x ↘
Serie	103.5	Serie	62.8
Total	0.0	Total	0.0

40 Skott 	1: 10.4x ➤ 2: 10.5x ➤ 3: 10.7x ↗ 4: 10.6x ↘ 5: 10.6x ➤ 6: 10.4x ↗ 7: 10.6x ↘ 8: 10.7x ↗ 9: 10.5x ↗ 10: 10.4x ↗	40 Skott 	11: 10.6x ↗ 12: 10.3x ↗ 13: 10.1 ↖ 14: 10.4x ↘ 15: 10.4x ↗ 16: 10.0 ↖ 17: 9.8 ↖ 18: 10.2x ↗ 19: 10.2x ↘ 20: 10.5x ↘
Serie	105.4	Serie	102.5
Total	105.4	Total	207.9

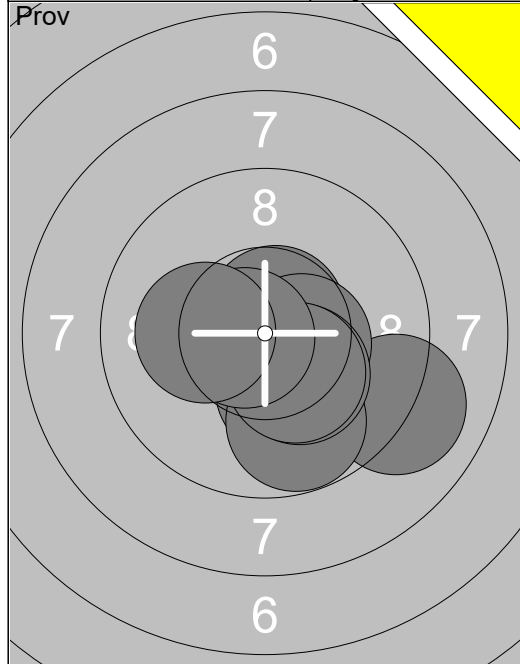
40 Skott 	21: 10.8x ↗ 22: 10.4x ↗ 23: 10.6x ↗ 24: 10.4x ↗ 25: 10.3x ↘ 26: 10.4x ↘ 27: 10.4x ↗ 28: 10.4x ↗ 29: 10.5x ↘ 30: 10.1 ↖	40 Skott 	31: 10.4x ↗ 32: 10.7x ↘ 33: 10.4x ↗ 34: 10.5x ↗ 35: 10.6x ↘ 36: 10.4x ↗ 37: 10.6x ↗ 38: 10.5x ➤ 39: 10.8x ➤ 40: 10.3x ↘
Serie	104.3	Serie	105.2
Total	312.2	Total	417.4

<p>Prov</p>	<p>1: 9.7 ← 2: 9.9 ↙ 3: 10.4x ↘ 4: 9.8 ↙ 5: 10.4x ↘ 6: 9.9 ← 7: 10.6x ↓ 8: 10.4x ↓ 9: 10.8x ↘ 10: 10.6x ↘</p> <p>Serie 102.5 Total 0.0</p>	<p>Prov</p>	<p>11: 10.4x ↓ 12: 10.8x ↘ 13: 10.3x ↘ 14: 10.1 ↓ 15: 10.5x ↘ 16: 10.2x ↗ 17: 10.7x →</p> <p>Serie 73.0 Total 0.0</p>
<p>40 Skott</p>	<p>1: 10.4x ↘ 2: 10.2x ↘ 3: 10.7x ↗ 4: 10.6x ↓ 5: 10.4x ↗ 6: 10.2x ↘ 7: 10.7x ↘ 8: 10.1 ↑ 9: 10.3x ↘ 10: 10.2x ↓</p> <p>Serie 103.8 Total 103.8</p>	<p>40 Skott</p>	<p>11: 10.4x ↓ 12: 10.6x ↘ 13: 10.8x ↗ 14: 10.6x ↗ 15: 10.8x → 16: 10.5x ↘ 17: 10.5x ↘ 18: 10.6x ↗ 19: 10.4x ↗ 20: 10.3x ↘</p> <p>Serie 105.5 Total 209.3</p>
<p>40 Skott</p>	<p>21: 10.4x ↗ 22: 10.5x ↗ 23: 10.3x ↘ 24: 10.5x ↗ 25: 10.3x ↓ 26: 10.9x ↘ 27: 10.2x ↗ 28: 10.2x ↗ 29: 10.2x ↘ 30: 10.7x →</p> <p>Serie 104.2 Total 313.5</p>	<p>40 Skott</p>	<p>31: 9.8 → 32: 10.7x ↓ 33: 9.9 ↓ 34: 10.0 ↓ 35: 10.8x ↗ 36: 10.0 ↑ 37: 10.7x → 38: 10.4x ↗ 39: 10.4x ↗ 40: 10.3x ↘</p> <p>Serie 103.0 Total 416.5</p>

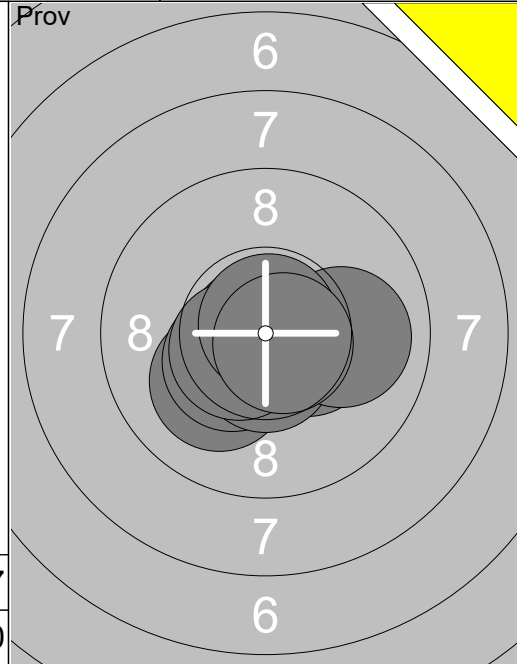
Prov 	1: 10.6x↘ 2: 10.2x→ 3: 9.2 ↘ 4: 9.5 ↘ 5: 9.6 ↘ 6: 10.2x→ 7: 10.0→ 8: 10.1 ↓ 9: 10.3x→ 10: 10.4x→ <hr/> Serie 100.1 Total 0.0	Prov 	11: 10.4x↖ 12: 10.2x→ 13: 9.9 ↘ 14: 10.0→ 15: 10.5x↘ <hr/> Serie 51.0 Total 0.0
----------	---	----------	---

40 Skott 	1: 10.8x↘ 2: 10.7x↗ 3: 10.3x→ 4: 10.4x↗ 5: 10.5x→ 6: 10.3x↓ 7: 9.9 ↘ 8: 10.8x→ 9: 10.6x→ 10: 10.4x↗ <hr/> Serie 104.7 Total 104.7	40 Skott 	11: 10.2x↓ 12: 10.6x↖ 13: 10.5x↗ 14: 10.5x→ 15: 10.5x↘ 16: 9.9 ↓ 17: 10.2x↖ 18: 10.7x↗ 19: 10.6x↘ 20: 10.4x↘ <hr/> Serie 104.1 Total 208.8
--------------	--	--------------	---

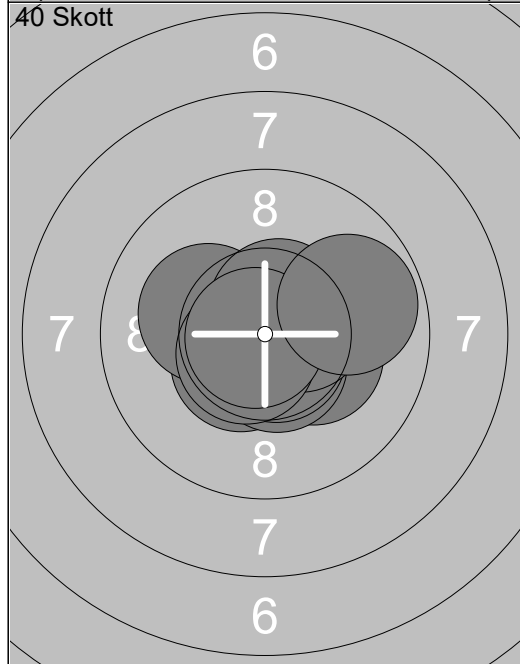
40 Skott 	21: 10.3x↓ 22: 10.5x↖ 23: 10.6x↗ 24: 10.8x↓ 25: 10.7x↖ 26: 10.7x↗ 27: 10.8x↗ 28: 10.2x↖ 29: 10.7x↘ 30: 10.6x→ <hr/> Serie 105.9 Total 314.7	40 Skott 	31: 9.6 ↑ 32: 10.1 ↓ 33: 10.5x↘ 34: 10.5x↗ 35: 10.2x↖ 36: 10.8x↓ 37: 10.1 ↓ 38: 10.1 ↖ 39: 10.6x↘ 40: 10.7x↖ <hr/> Serie 103.2 Total 417.9
--------------	--	--------------	---



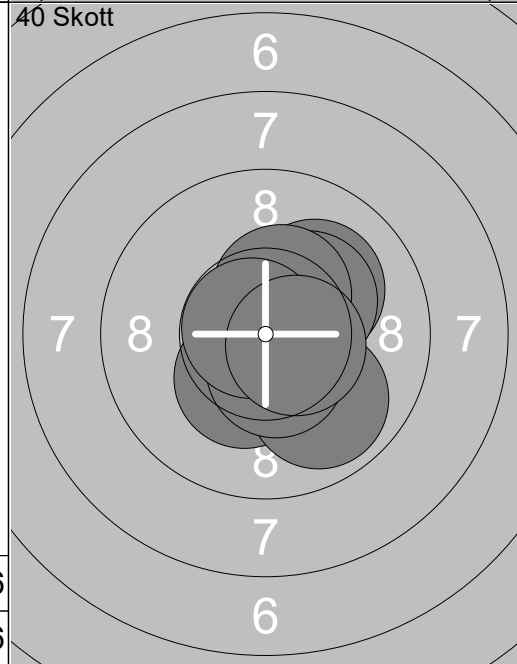
1:	9.1	↘
2:	10.9	✕→
3:	10.7	✕↗
4:	10.5	✕→
5:	10.2	✕↓
6:	9.8	↓
7:	10.3	✕↘
8:	10.3	✕↘
9:	10.7	✕←
10:	10.2	✕←
Serie		102.7
Total		0.0



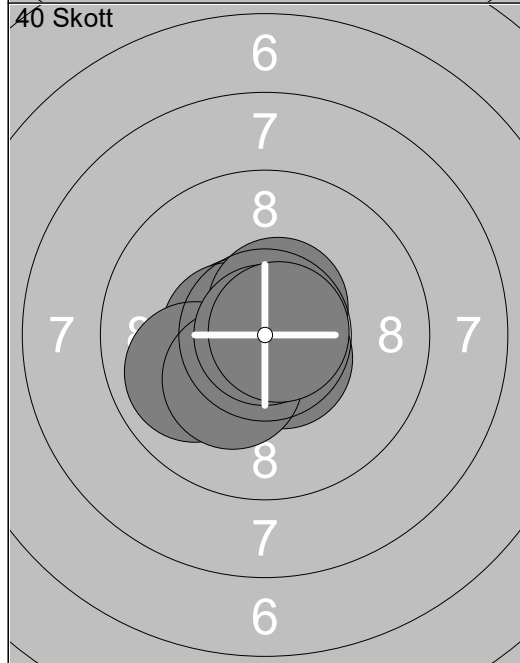
11:	10.1	↘
12:	10.4	✕↘
13:	10.4	✕→
14:	10.6	✕↓
15:	10.7	✕→
16:	10.9	✕←
17:	10.0	→
18:	10.5	✕←
19:	10.8	↗
20:	10.7	✕→
Serie		105.1
Total		0.0



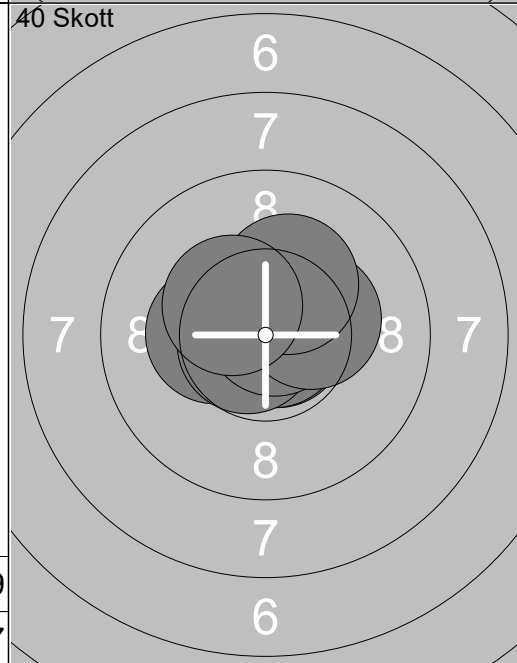
1:	10.5	✕↘
2:	10.2	✕←
3:	10.3	✕→
4:	10.6	✕↓
5:	10.7	✕↓
6:	10.5	✕→
7:	10.6	↗
8:	10.6	✕↘
9:	10.8	✕←
10:	9.8	→
Serie		104.6
Total		104.6



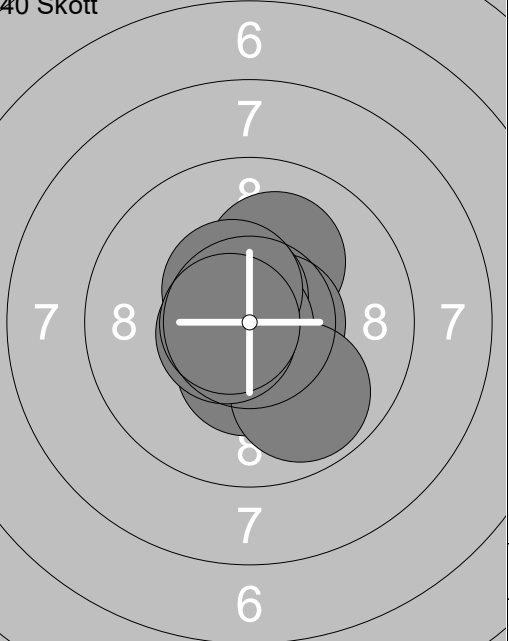
11:	10.6	✕→
12:	10.3	✕↘
13:	9.9	↓
14:	10.1	↗
15:	10.8	✕→
16:	10.5	✕↓
17:	10.3	↗
18:	10.4	↗
19:	10.8	✕←
20:	10.5	✕→
Serie		104.2
Total		208.8

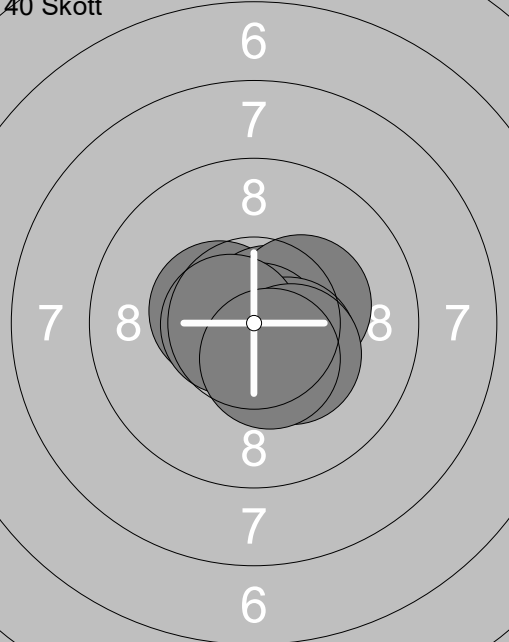
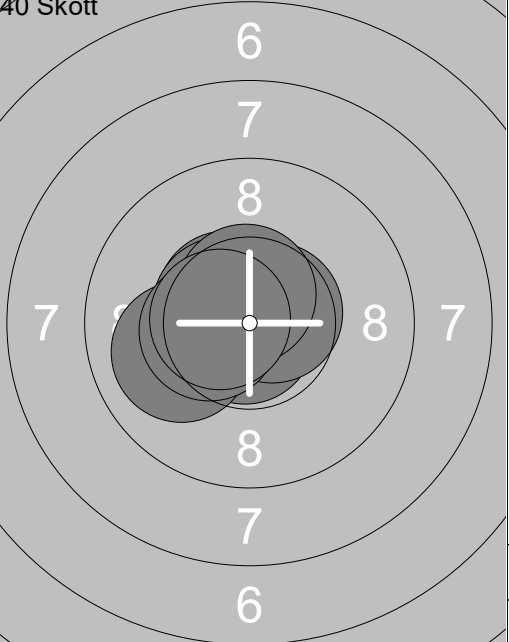



21:	10.8	✕↘
22:	10.7	✕←
23:	10.6	✕↓
24:	10.8	↗
25:	10.5	✕←
26:	10.6	↗
27:	9.9	←
28:	10.3	✕↘
29:	10.9	✕←
30:	10.8	✕→
Serie		105.9
Total		314.7



31:	10.6	✕←
32:	10.3	✕←
33:	10.6	↘
34:	10.8	✕→
35:	10.8	✕→
36:	10.7	✕←
37:	10.8	↗
38:	10.3	✕→
39:	10.2	↗
40:	10.4	✕←
Serie		105.5
Total		420.2

Prov 	1: 10.4x ↘ 2: 10.5x ↘ 3: 10.4x ↘ 4: 10.1 ↘ 5: 10.7x ↘ 6: 10.4x ↘ 7: 10.4x ↘ 8: 10.6x ↘ 9: 10.6x ↘ 10: 10.7x ↘ Serie 104.8 Total 0.0	40 Skott 	1: 10.1 ↗ 2: 10.6x ↘ 3: 10.4x ↘ 4: 10.6x → 5: 10.6x ↗ 6: 10.9x ↘ 7: 9.9 ↘ 8: 10.5x ↗ 9: 10.6x ↘ 10: 10.7x ↘ Serie 104.9 Total 104.9
--	--	--	--

40 Skott 	11: 10.5x ↘ 12: 10.9x → 13: 10.8x → 14: 10.7x ↗ 15: 10.3x ↗ 16: 10.8x ↘ 17: 10.4x ↘ 18: 10.7x ↘ 19: 10.3x ↘ 20: 10.5x ↘ Serie 105.9 Total 210.8	40 Skott 	21: 10.7x ↗ 22: 10.7x ↘ 23: 10.5x ↘ 24: 10.8x ↘ 25: 10.6x ↘ 26: 10.0 ↙ 27: 10.6x ↗ 28: 10.4x ↘ 29: 10.6x ↗ 30: 10.6x ↘ Serie 105.5 Total 316.3
---	--	---	---

40 Skott 	31: 10.6x ↗ 32: 10.5x → 33: 10.7x ↘ 34: 10.4x → 35: 10.3x ↗ 36: 10.6x → 37: 10.7x ↗ 38: 10.2x ↗ 39: 10.8x ↘ 40: 10.3x ↗ Serie 105.1 Total 421.4		
--	--	--	--