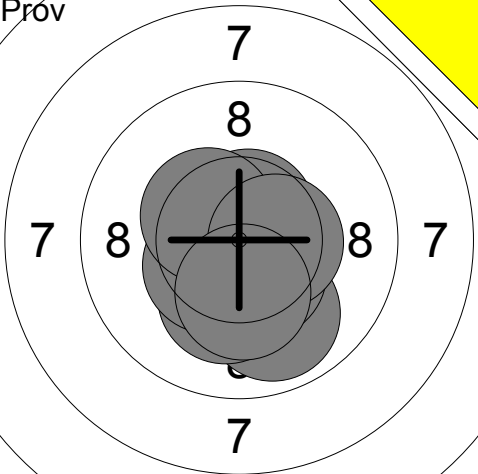
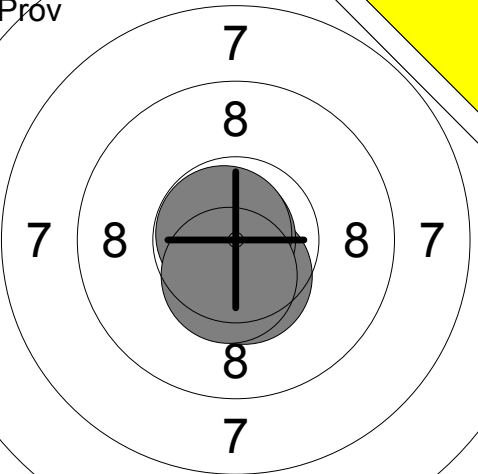
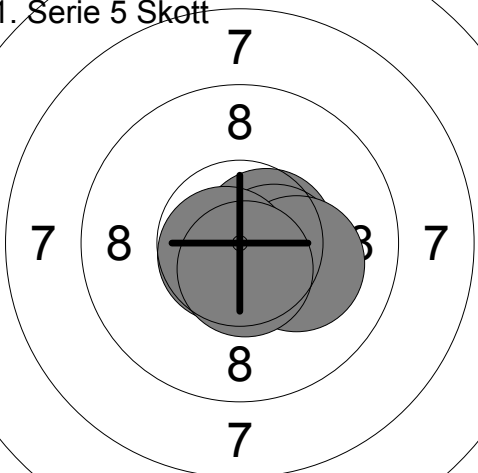
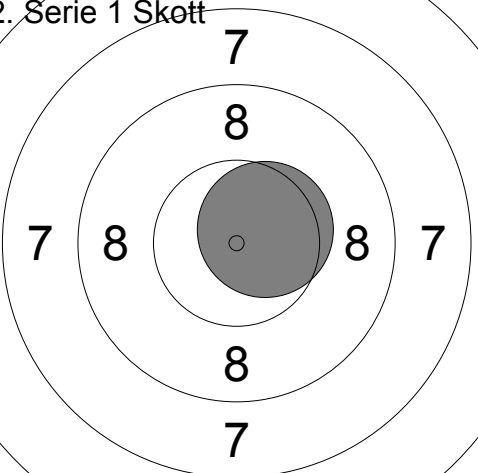
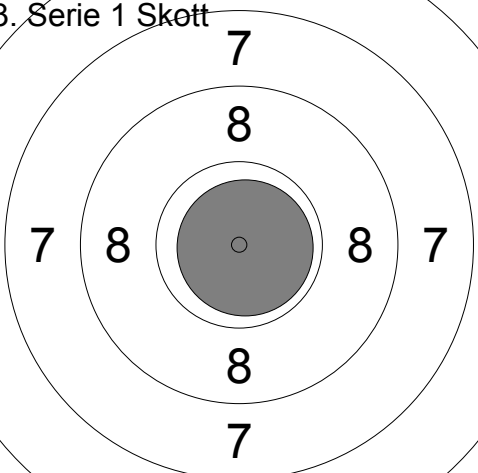
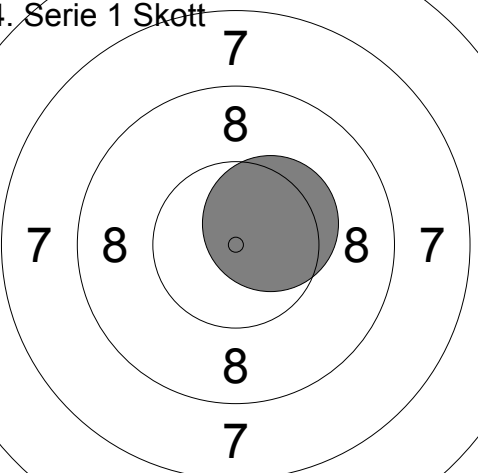
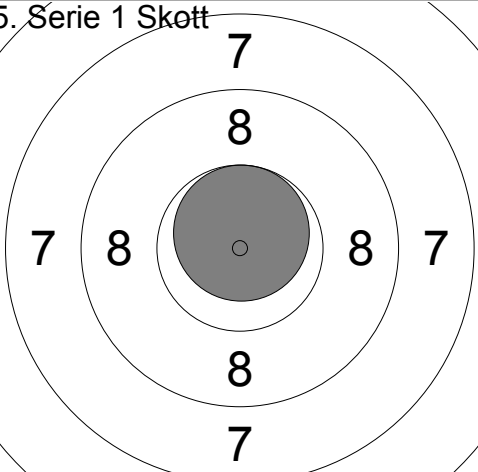
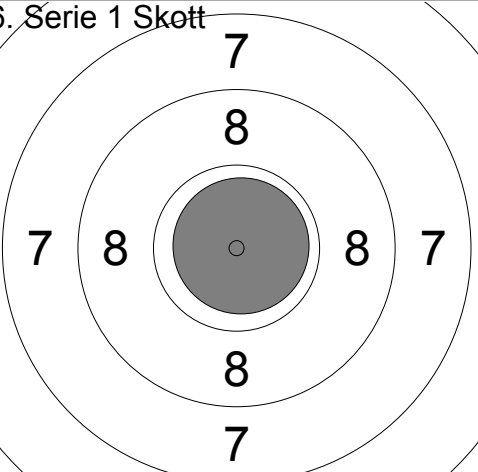
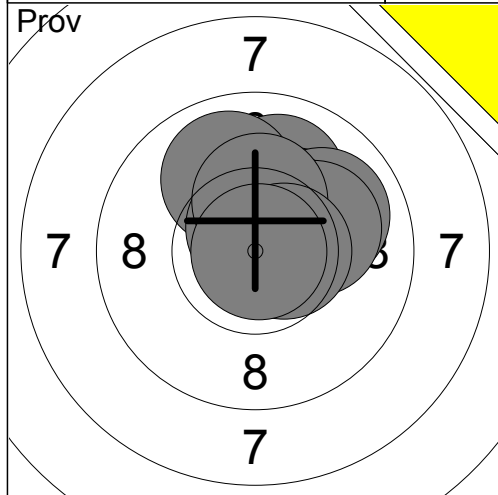


<p>Pröv</p> 	<table style="width:100%; border-collapse: collapse;"> <tr><td>1:</td><td>9.9</td><td>↘</td></tr> <tr><td>2:</td><td>10.6x</td><td>↘</td></tr> <tr><td>3:</td><td>10.5x</td><td>↘</td></tr> <tr><td>4:</td><td>10.2x</td><td>↘</td></tr> <tr><td>5:</td><td>10.4x</td><td>↙</td></tr> <tr><td>6:</td><td>10.8x</td><td>↘</td></tr> <tr><td>7:</td><td>10.6x</td><td>↗</td></tr> <tr><td>8:</td><td>10.4x</td><td>↗</td></tr> <tr><td>9:</td><td>10.5x</td><td>→</td></tr> <tr><td>10:</td><td>10.3x</td><td>↓</td></tr> </table>	1:	9.9	↘	2:	10.6x	↘	3:	10.5x	↘	4:	10.2x	↘	5:	10.4x	↙	6:	10.8x	↘	7:	10.6x	↗	8:	10.4x	↗	9:	10.5x	→	10:	10.3x	↓	<p>Pröv</p> 	<table style="width:100%; border-collapse: collapse;"> <tr><td>11:</td><td>10.5x</td><td>↓</td></tr> <tr><td>12:</td><td>10.8x</td><td>←</td></tr> <tr><td>13:</td><td>10.8x</td><td>↖</td></tr> <tr><td>14:</td><td>10.5x</td><td>↓</td></tr> </table>	11:	10.5x	↓	12:	10.8x	←	13:	10.8x	↖	14:	10.5x	↓
1:	9.9	↘																																											
2:	10.6x	↘																																											
3:	10.5x	↘																																											
4:	10.2x	↘																																											
5:	10.4x	↙																																											
6:	10.8x	↘																																											
7:	10.6x	↗																																											
8:	10.4x	↗																																											
9:	10.5x	→																																											
10:	10.3x	↓																																											
11:	10.5x	↓																																											
12:	10.8x	←																																											
13:	10.8x	↖																																											
14:	10.5x	↓																																											
Serie	104.2	Serie	42.6																																										
Total	0.0	Total	0.0																																										

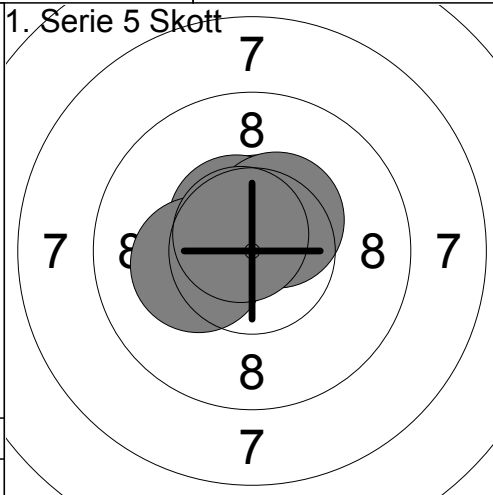
<p>1. Serie 5 Skott</p> 	<table style="width:100%; border-collapse: collapse;"> <tr><td>1:</td><td>10.6x</td><td>→</td></tr> <tr><td>2:</td><td>10.5x</td><td>→</td></tr> <tr><td>3:</td><td>10.2x</td><td>→</td></tr> <tr><td>4:</td><td>10.7x</td><td>↙</td></tr> <tr><td>5:</td><td>10.6x</td><td>↓</td></tr> </table>	1:	10.6x	→	2:	10.5x	→	3:	10.2x	→	4:	10.7x	↙	5:	10.6x	↓	<p>2. Serie 1 Skott</p> 	<table style="width:100%; border-collapse: collapse;"> <tr><td>1:</td><td>10.5x</td><td>↗</td></tr> </table>	1:	10.5x	↗
1:	10.6x	→																			
2:	10.5x	→																			
3:	10.2x	→																			
4:	10.7x	↙																			
5:	10.6x	↓																			
1:	10.5x	↗																			
Serie	52.6	Serie	10.5																		
Total	52.6	Total	63.1																		

<p>3. Serie 1 Skott</p> 	<table style="width:100%; border-collapse: collapse;"> <tr><td>1:</td><td>10.9x</td><td>↘</td></tr> </table>	1:	10.9x	↘	<p>4. Serie 1 Skott</p> 	<table style="width:100%; border-collapse: collapse;"> <tr><td>1:</td><td>10.4x</td><td>↗</td></tr> </table>	1:	10.4x	↗
1:	10.9x	↘							
1:	10.4x	↗							
Serie	10.9	Serie	10.4						
Total	74.0	Total	84.4						

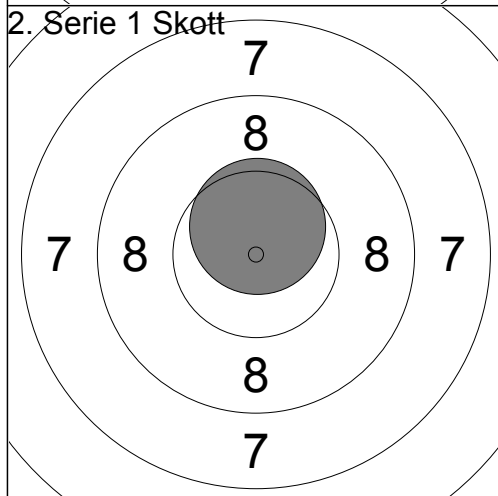
<p>5. Serie 1 Skott</p> 	<table style="width:100%; border-collapse: collapse;"> <tr><td>1:</td><td>10.7x</td><td>↑</td></tr> </table>	1:	10.7x	↑	<p>6. Serie 1 Skott</p> 	<table style="width:100%; border-collapse: collapse;"> <tr><td>1:</td><td>10.9x</td><td>↗</td></tr> </table>	1:	10.9x	↗
1:	10.7x	↑							
1:	10.9x	↗							
Serie	10.7	Serie	10.9						
Total	95.1	Total	106.0						



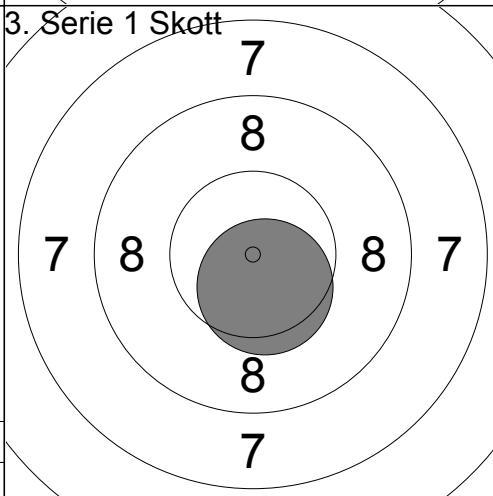
1:	10.0	↑
2:	10.3x	↗
3:	9.9	↗
4:	10.4x	↗
5:	10.1	↗
6:	9.9	↑
7:	10.6x	↑
8:	10.3x	↑
9:	10.6x	→
10:	10.9x	→
Serie		103.0
Total		0.0



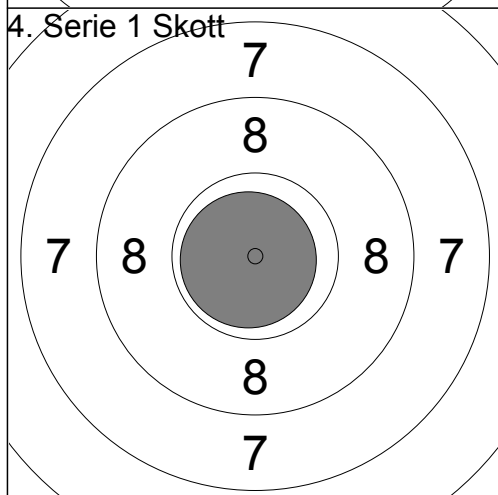
1:	10.6x	↑
2:	10.5x	↗
3:	10.4x	↗
4:	10.2x	←
5:	10.7x	↖
Serie		52.4
Total		52.4



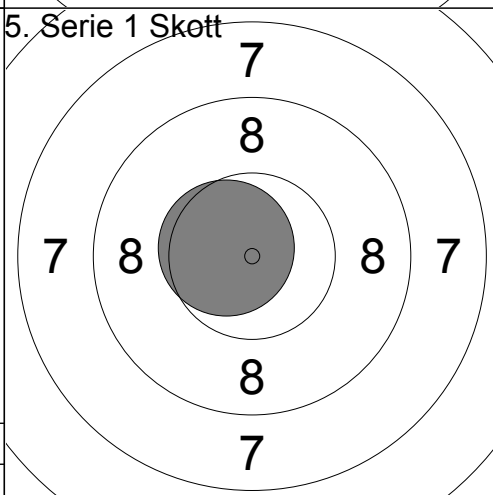
1:	10.6x	↑
Serie		10.6
Total		63.0



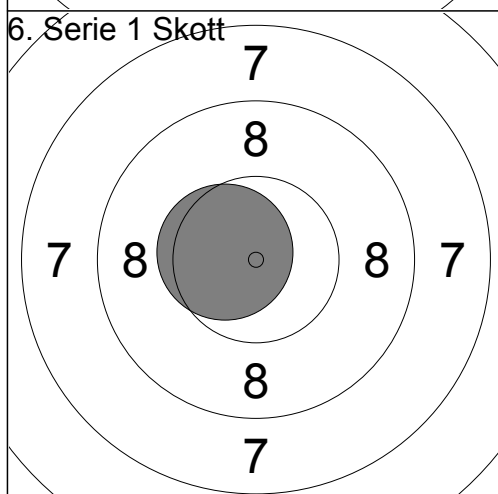
1:	10.5x	↓
Serie		10.5
Total		73.5



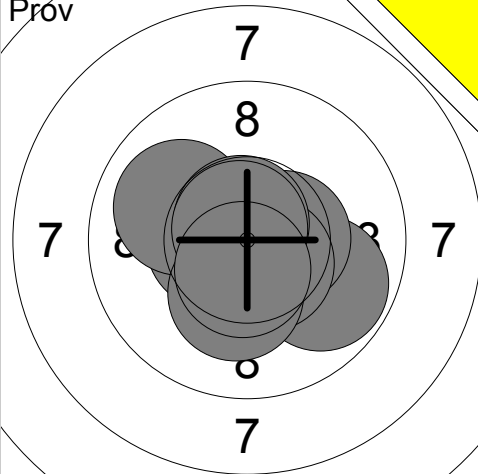
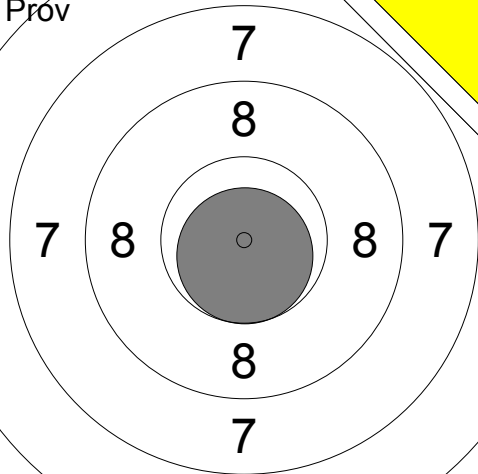
1:	10.8x	←
Serie		10.8
Total		84.3

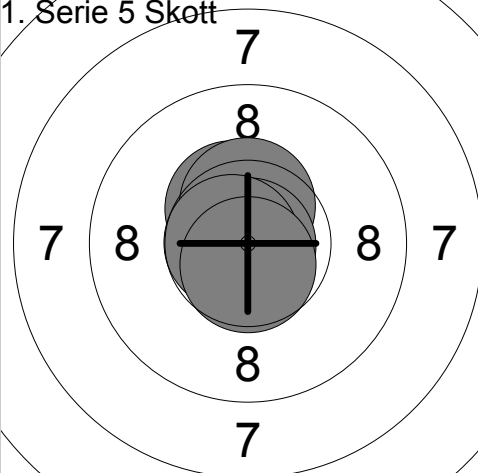
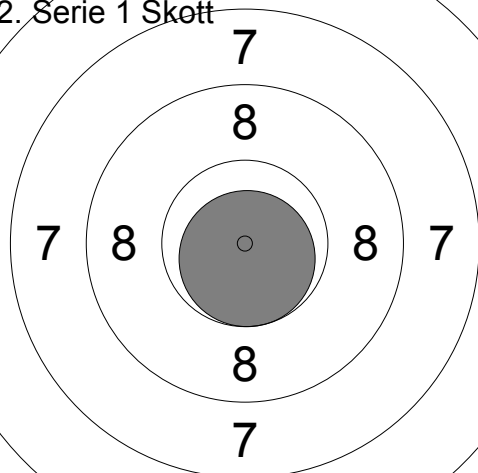


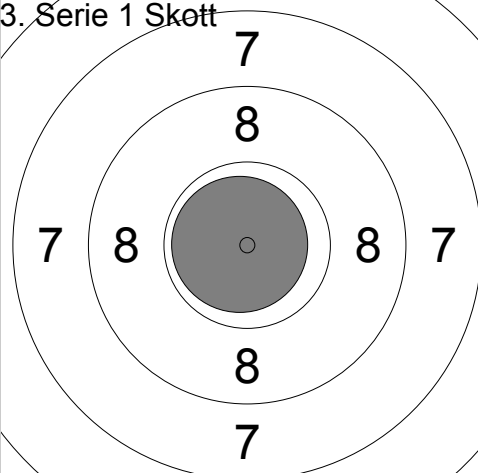
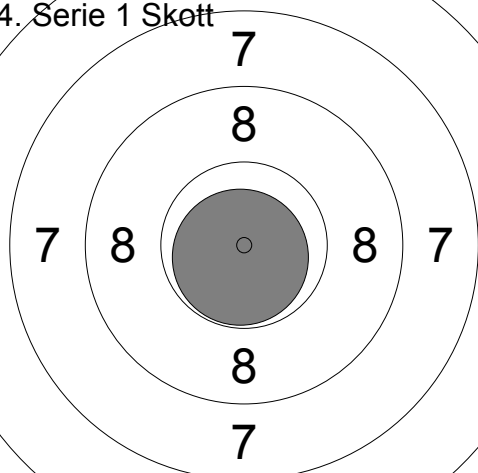
1:	10.6x	←
Serie		10.6
Total		94.9

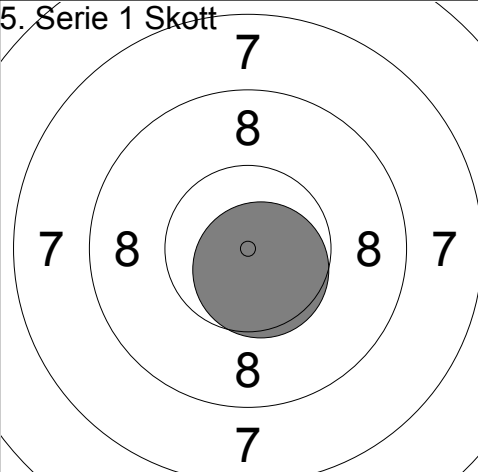
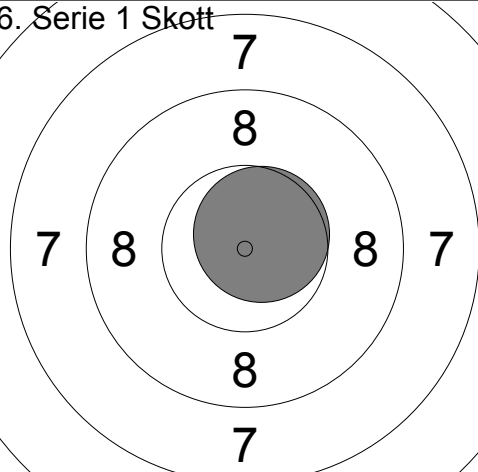


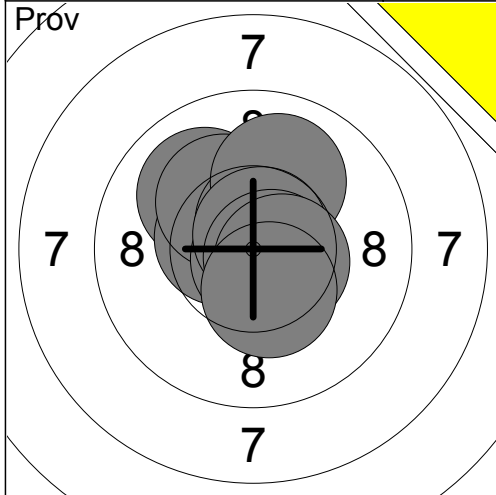
1:	10.5x	←
Serie		10.5
Total		105.4

Pröv 	1: 9.8 ↘ 2: 10.5x → 3: 10.5x ↘ 4: 10.7x ↓ 5: 10.5x ← 6: 10.0 ↗ 7: 10.2x ↓ 8: 10.7x ↗ 9: 10.8x ↗ 10: 10.6x ↓	Pröv 	11: 10.7x ↓
Serie 104.3	Total 0.0	Serie 10.7	Total 0.0

1. Serie 5 Skott 	1: 10.5x ↗ 2: 10.5x ↑ 3: 10.9x ↓ 4: 10.7x ← 5: 10.7x ↓	2. Serie 1 Skott 	1: 10.7x ↓
Serie 53.3	Total 53.3	Serie 10.7	Total 64.0

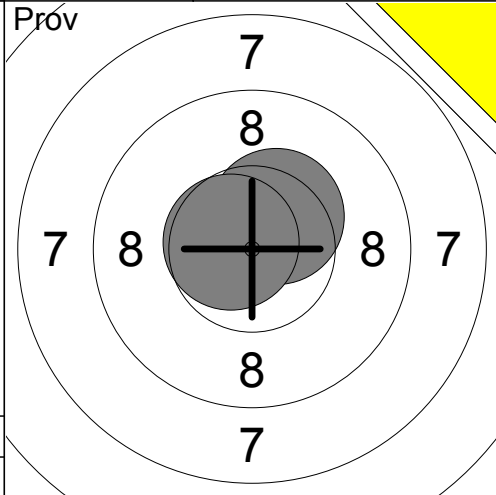
3. Serie 1 Skott 	1: 10.8x ←	4. Serie 1 Skott 	1: 10.8x ↓
Serie 10.8	Total 74.8	Serie 10.8	Total 85.6

5. Serie 1 Skott 	1: 10.6x ↘	6. Serie 1 Skott 	1: 10.7x ↗
Serie 10.6	Total 96.2	Serie 10.7	Total 106.9



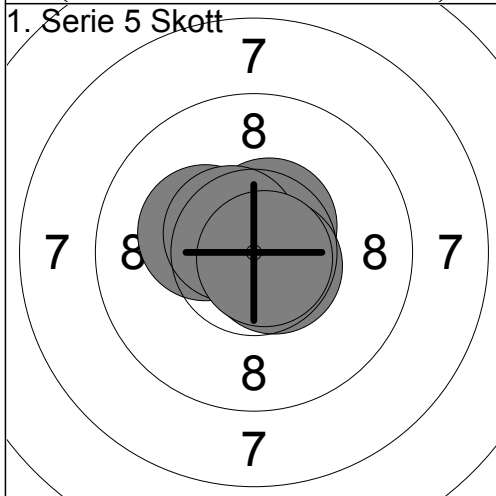
1:	10.0	↗
2:	10.5x	←
3:	10.2x	↗
4:	10.6x	↗
5:	10.0	↗
6:	10.8x	↘
7:	10.7x	↗
8:	10.7x	↘
9:	10.5x	↘
10:	10.4x	↘

Serie	104.4
Total	0.0



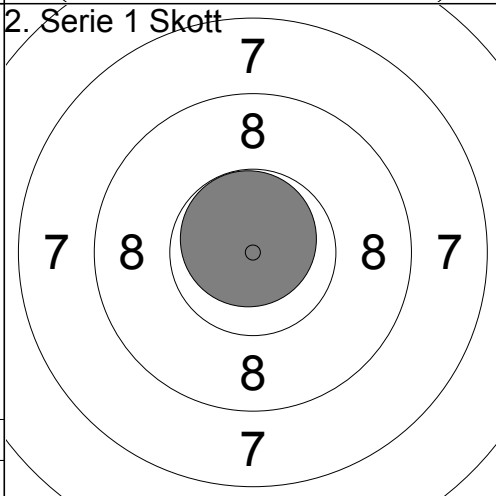
11:	10.4x	↗
12:	10.7x	←

Serie	21.1
Total	0.0



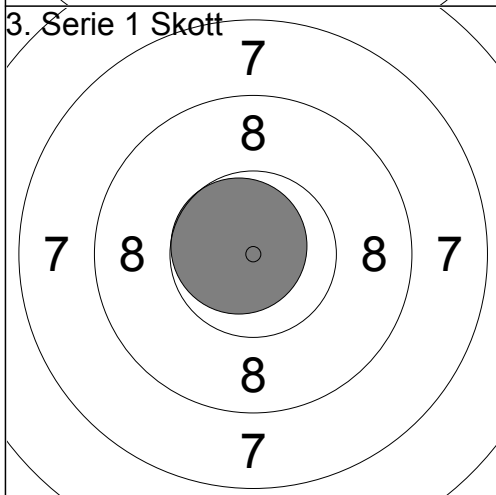
1:	10.3x	←
2:	10.6x	↗
3:	10.6x	↗
4:	10.6x	↘
5:	10.8x	↘

Serie	52.9
Total	52.9



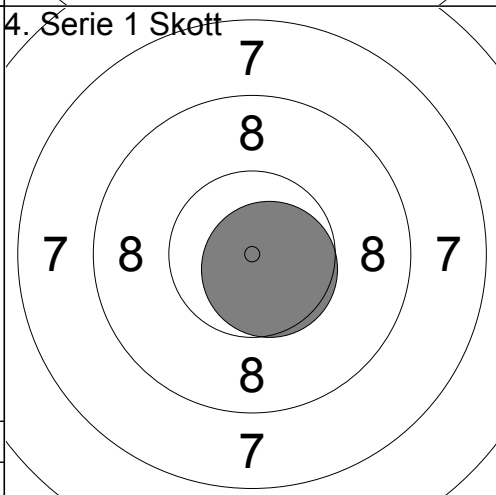
1:	10.8x	↗
----	-------	---

Serie	10.8
Total	63.7



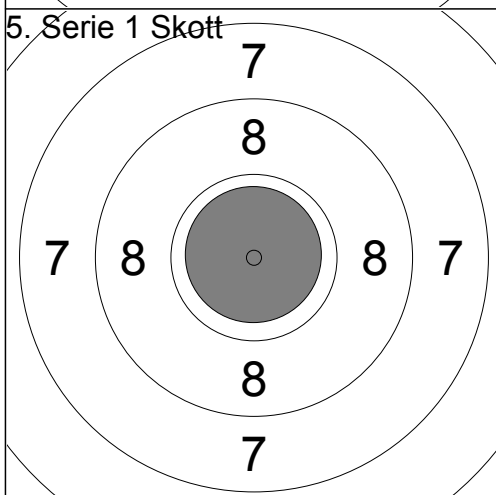
1:	10.7x	←
----	-------	---

Serie	10.7
Total	74.4



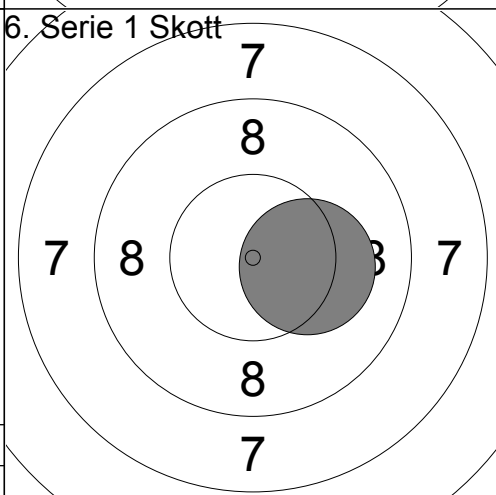
1:	10.6x	↘
----	-------	---

Serie	10.6
Total	85.0



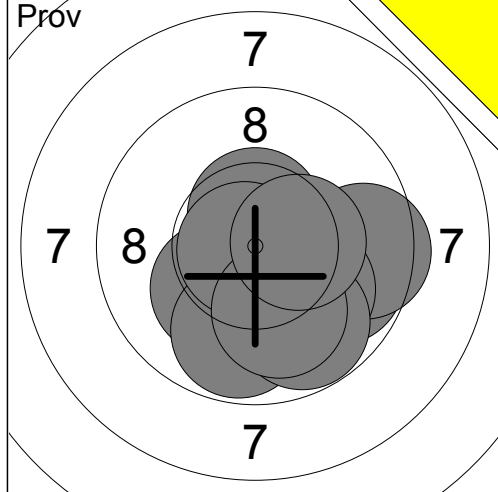
1:	10.9x	↗
----	-------	---

Serie	10.9
Total	95.9



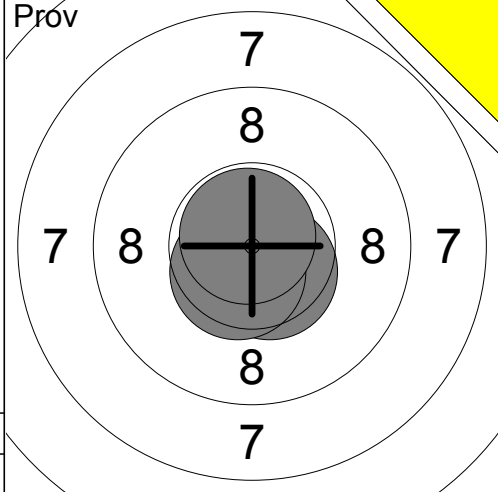
1:	10.2x	→
----	-------	---

Serie	10.2
Total	106.1



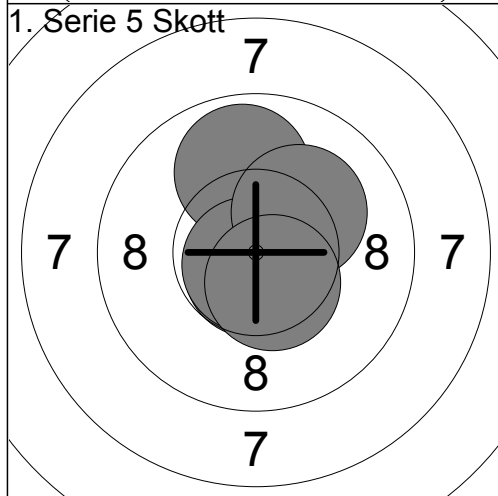
1:	10.2x	↙
2:	9.8	→
3:	9.5	→
4:	10.5x	↑
5:	9.8	↓
6:	10.1	↙
7:	9.8	↙
8:	10.8x	←
9:	10.0	↓
10:	10.4x	→

Serie	100.9
Total	0.0



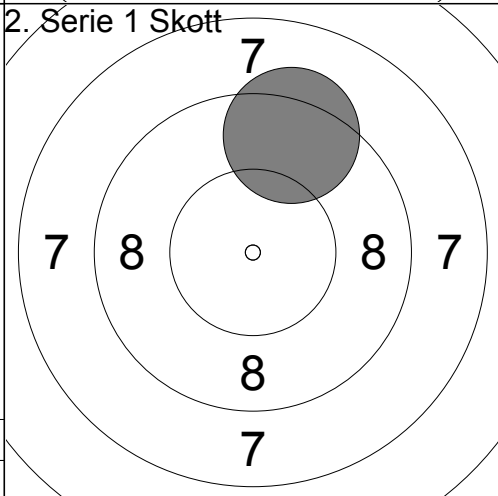
11:	10.5x	↘
12:	10.6x	↘
13:	10.8x	↗

Serie	31.9
Total	0.0



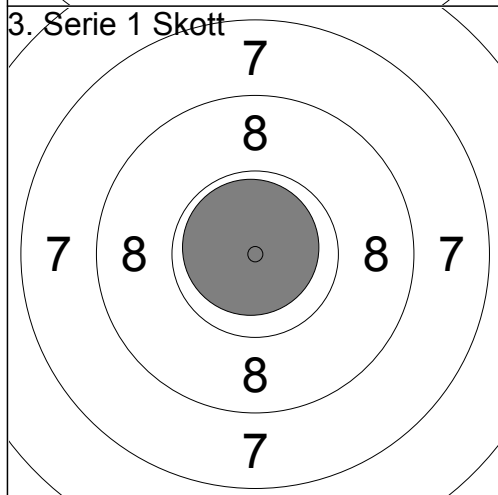
1:	10.7x	↓
2:	9.9	↑
3:	10.8x	↘
4:	10.2x	↗
5:	10.5x	↓

Serie	52.1
Total	52.1



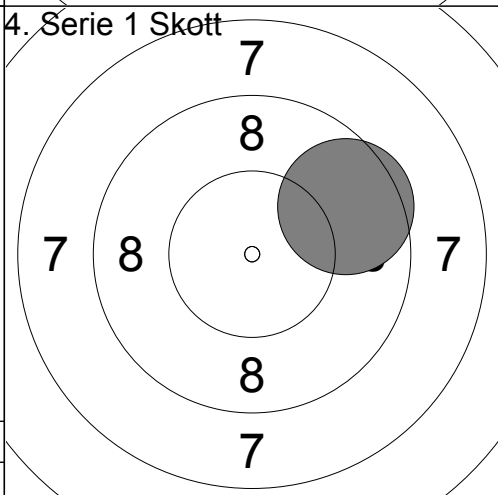
1:	9.3	↑
----	-----	---

Serie	9.3
Total	61.4



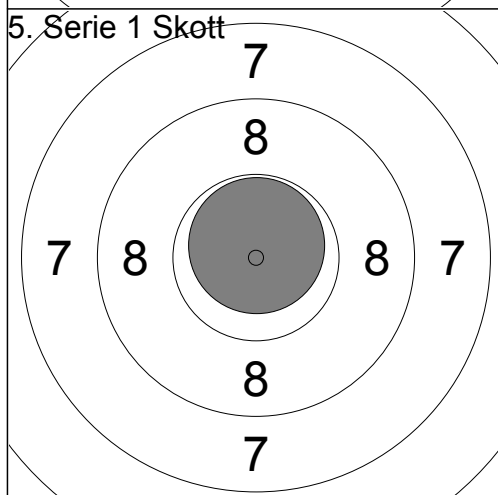
1:	10.8x	↖
----	-------	---

Serie	10.8
Total	72.2



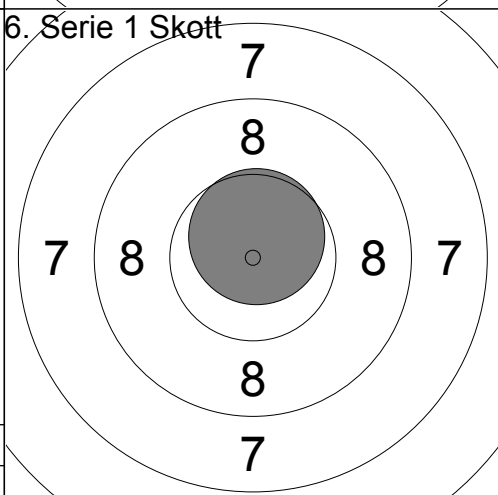
1:	9.5	↗
----	-----	---

Serie	9.5
Total	81.7



1:	10.8x	↑
----	-------	---

Serie	10.8
Total	92.5



1:	10.7x	↑
----	-------	---

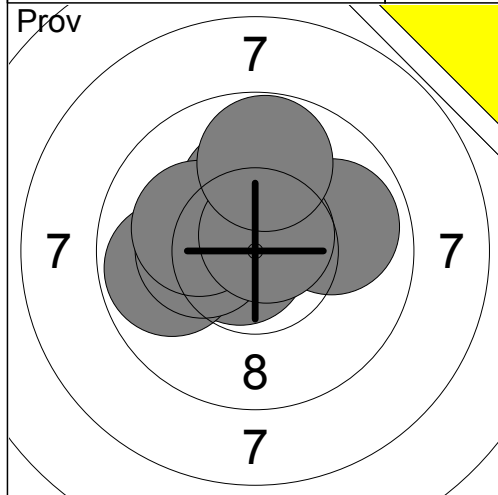
Serie	10.7
Total	103.2

Pröv 	1: 9.9 ↘ 2: 9.9 ↘ 3: 10.6x ← 4: 10.5x → 5: 10.3x ↘ 6: 10.4x ↘ 7: 10.2x ↗ 8: 10.6x ↑ 9: 10.6x ← 10: 10.7x → <hr/> Serie 103.7 Total 0.0	Pröv 	11: 10.7x ↗ 12: 10.2x ↖ 13: 10.2x ↖ 14: 10.7x ↘ <hr/> Serie 41.8 Total 0.0
----------	---	----------	---

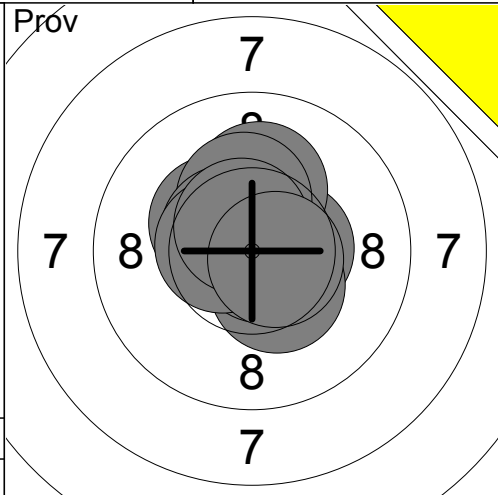
1. Serie 5 Skott 	1: 10.2x ↖ 2: 10.1 ↗ 3: 10.6x ↗ 4: 10.3x ↑ 5: 10.5x ↗ <hr/> Serie 51.7 Total 51.7	2. Serie 1 Skott 	1: 10.5x ↓ <hr/> Serie 10.5 Total 62.2
----------------------	---	----------------------	--

3. Serie 1 Skott 	1: 10.6x ↑ <hr/> Serie 10.6 Total 72.8	4. Serie 1 Skott 	1: 10.1 ↑ <hr/> Serie 10.1 Total 82.9
----------------------	--	----------------------	---

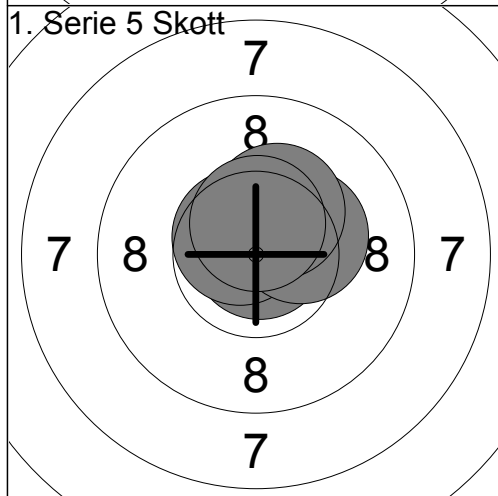
5. Serie 1 Skott 	1: 10.6x ↓ <hr/> Serie 10.6 Total 93.5	6. Serie 1 Skott 	1: 10.0 ↗ <hr/> Serie 10.0 Total 103.5
----------------------	--	----------------------	--



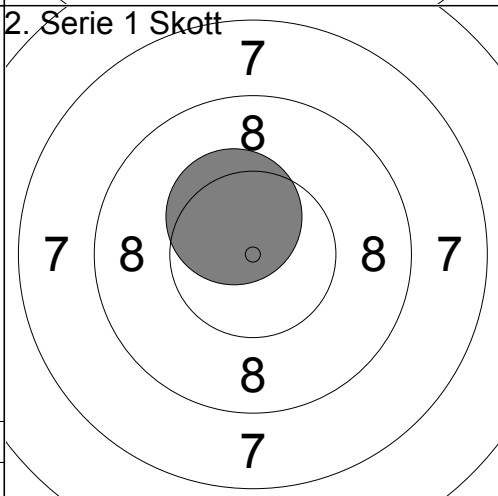
1:	9.9	→
2:	10.8x	↑
3:	10.2x	↑
4:	10.3x	←
5:	10.7x	←
6:	9.8	←
7:	10.3x	←
8:	10.1	←
9:	10.7x	↗
10:	9.8	↑
Serie		102.6
Total		0.0



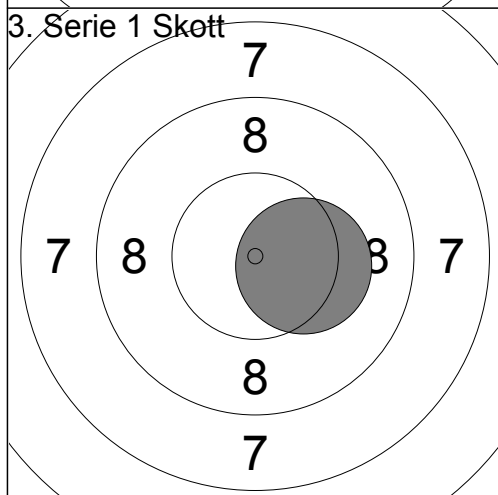
11:	10.5x	→
12:	10.4x	↗
13:	10.1	↑
14:	10.3x	↑
15:	10.4x	↘
16:	10.8x	↘
17:	10.6x	↗
18:	10.6x	←
19:	10.6x	↗
20:	10.6x	↘
Serie		104.9
Total		0.0



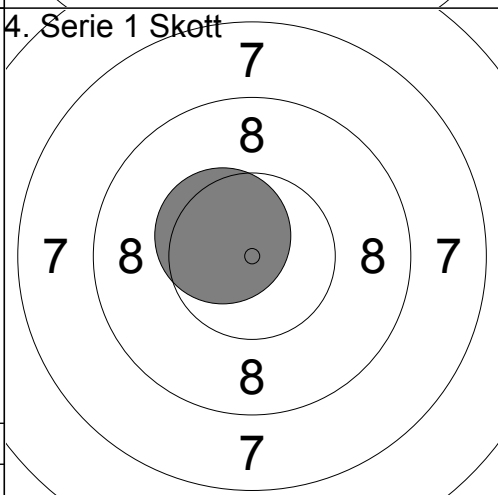
1:	10.9x	↗
2:	10.6x	↖
3:	10.3x	↗
4:	10.3x	↗
5:	10.5x	↑
Serie		52.6
Total		52.6



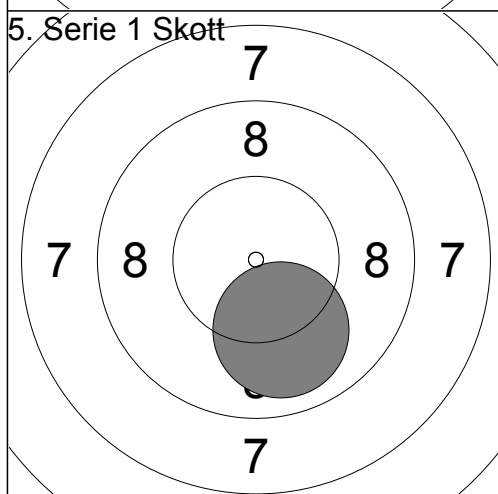
1:	10.4x	↖
Serie		10.4
Total		63.0



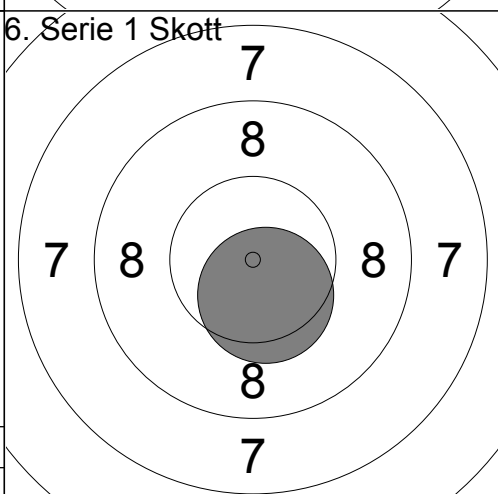
1:	10.3x	→
Serie		10.3
Total		73.3



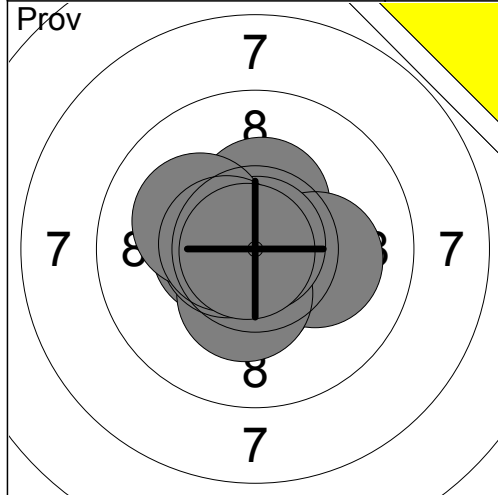
1:	10.5x	↖
Serie		10.5
Total		83.8



1:	10.0	↘
Serie		10.0
Total		93.8

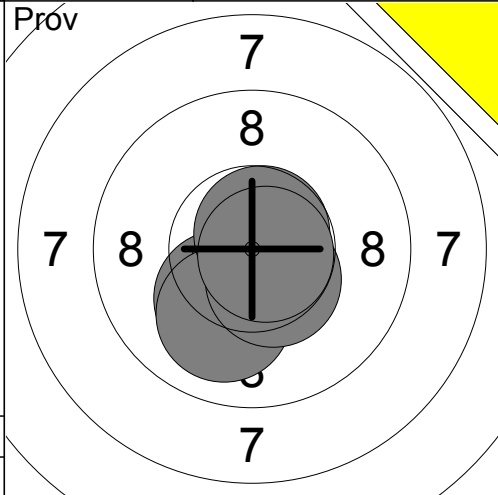


1:	10.5x	↘
Serie		10.5
Total		104.3



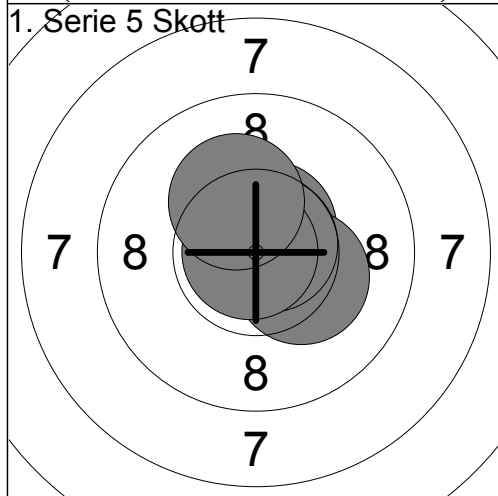
1:	10.4x	↑
2:	10.4x	↓
3:	10.5x	←
4:	10.1	→
5:	10.3x	↓
6:	10.9x	↑
7:	10.6x	←
8:	10.1	↖
9:	10.6x	←
10:	10.8x	←

Serie	104.7
Total	0.0



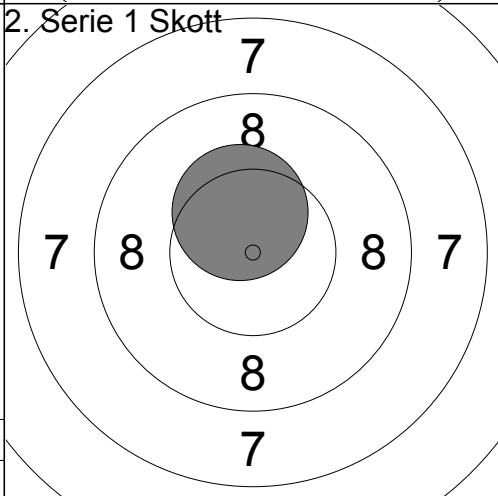
11:	10.2x	↙
12:	10.7x	↓
13:	10.0	↓
14:	10.5x	↘
15:	10.7x	↗
16:	10.8x	→

Serie	62.9
Total	0.0



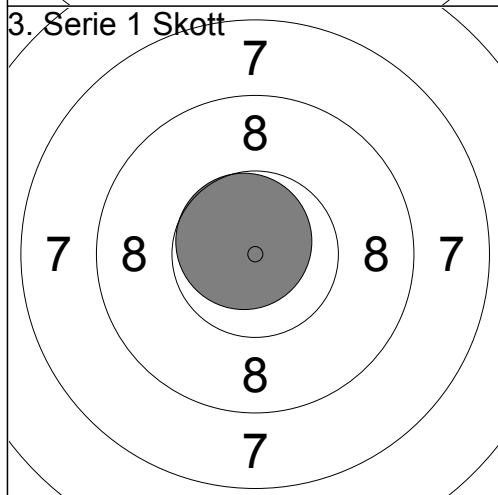
1:	10.6x	↗
2:	10.3x	→
3:	10.7x	↗
4:	10.9x	←
5:	10.2x	↑

Serie	52.7
Total	52.7



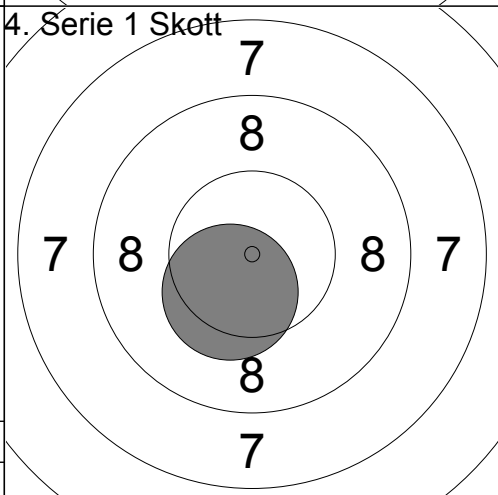
1:	10.4x	↑
----	-------	---

Serie	10.4
Total	63.1



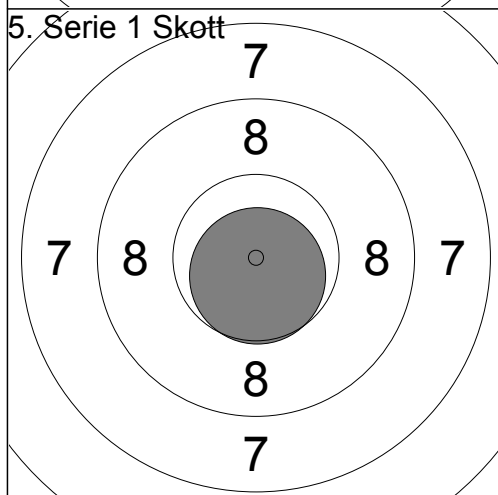
1:	10.7x	↖
----	-------	---

Serie	10.7
Total	73.8



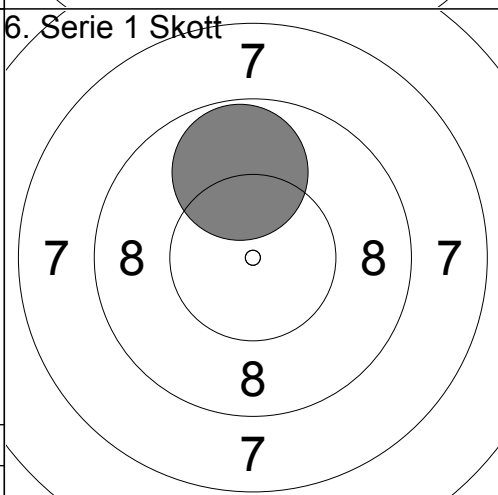
1:	10.4x	↙
----	-------	---

Serie	10.4
Total	84.2



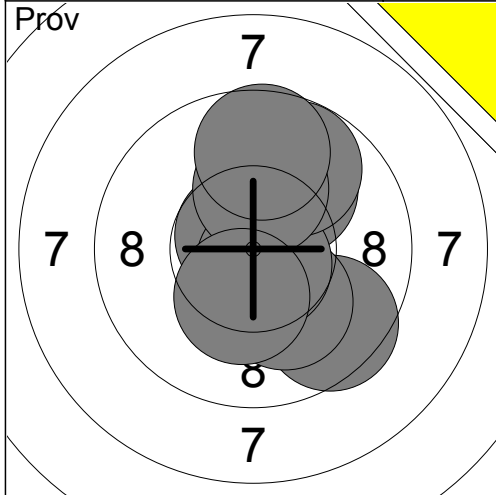
1:	10.7x	↓
----	-------	---

Serie	10.7
Total	94.9



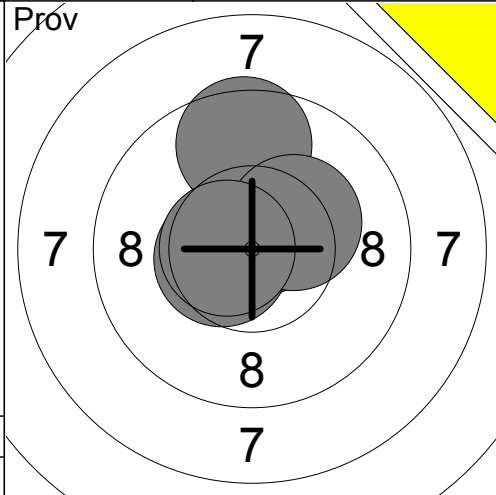
1:	9.8	↑
----	-----	---

Serie	9.8
Total	104.7



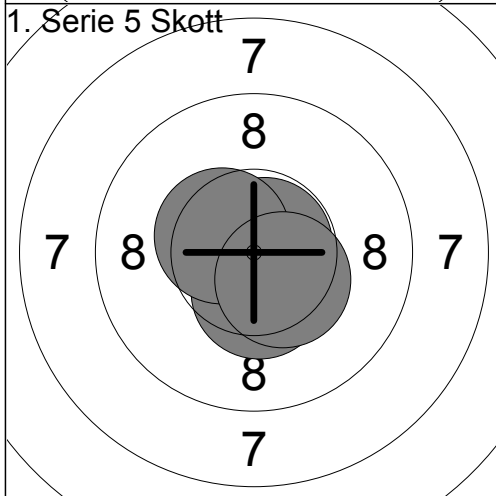
1:	9.5	↘
2:	10.1	↘
3:	10.1	↗
4:	10.7x	↗
5:	10.0	↗
6:	10.7x	↘
7:	9.8	↗
8:	10.1	↑
9:	9.7	↑
10:	10.3x	↓

Serie	101.0
Total	0.0



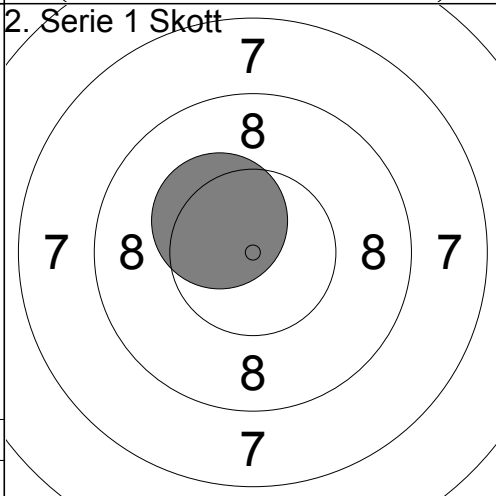
11:	10.7x	↑
12:	9.6	↑
13:	10.5x	←
14:	10.3x	↗
15:	10.6x	←

Serie	51.7
Total	0.0



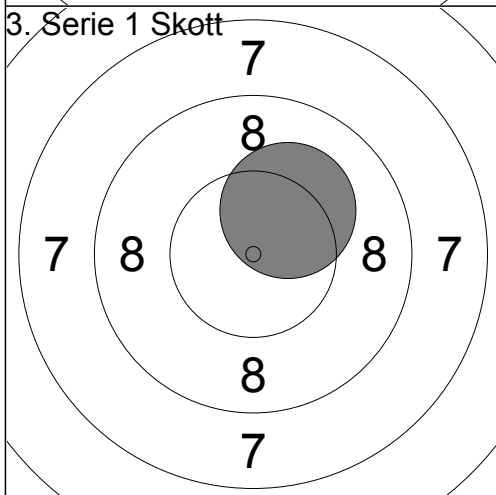
1:	10.9x	↙
2:	10.8x	↗
3:	10.4x	↓
4:	10.5x	↖
5:	10.4x	↘

Serie	53.0
Total	53.0



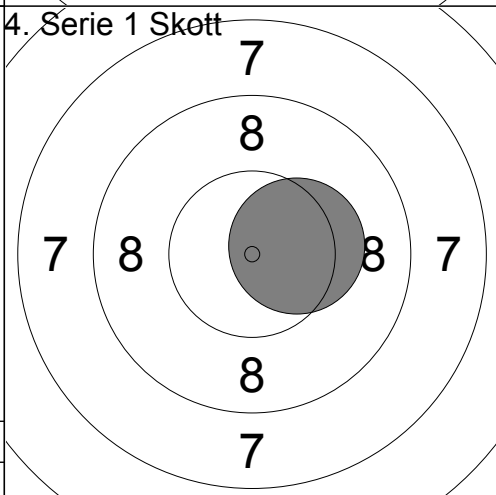
1:	10.3x	↖
----	-------	---

Serie	10.3
Total	63.3



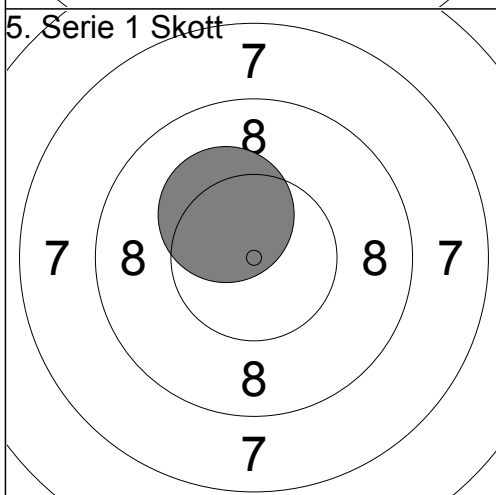
1:	10.2x	↗
----	-------	---

Serie	10.2
Total	73.5



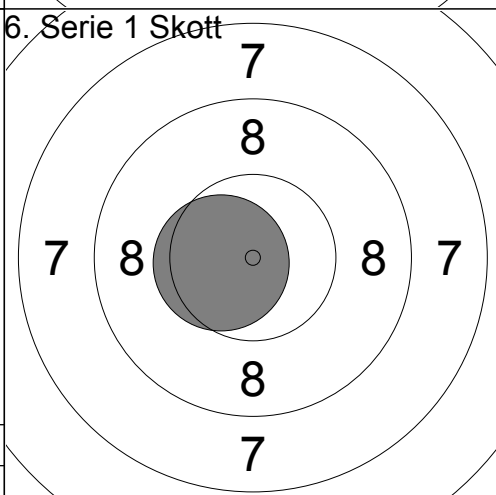
1:	10.3x	→
----	-------	---

Serie	10.3
Total	83.8



1:	10.3x	↖
----	-------	---

Serie	10.3
Total	94.1



1:	10.5x	←
----	-------	---

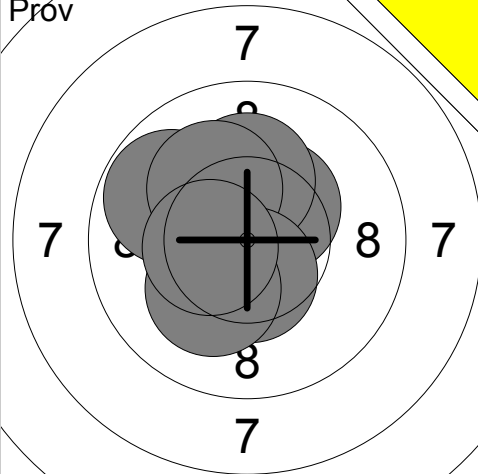
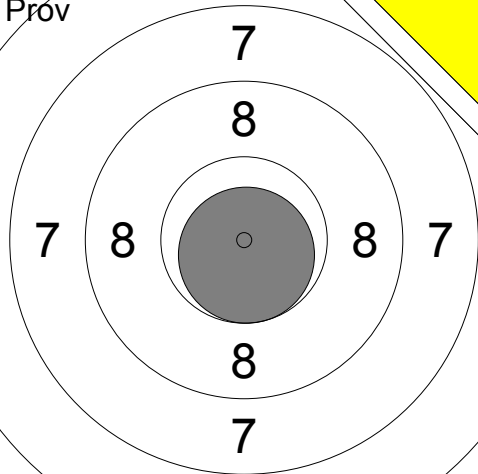
Serie	10.5
Total	104.6

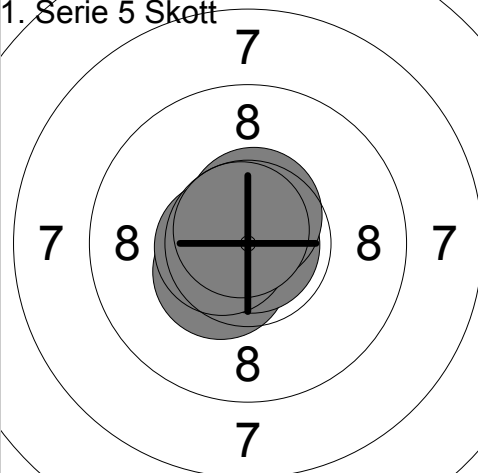
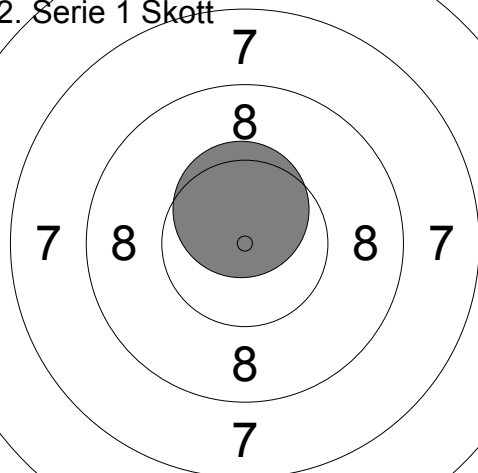
<p>Pröv</p>	<p>1: 10.1 ↗ 2: 10.8x ↗ 3: 10.5x ↘ 4: 9.9 ↗ 5: 10.7x ↘ 6: 10.0 ↘ 7: 10.4x ↘ 8: 10.7x ← 9: 10.5x → 10: 10.9x ↗</p> <table border="1" style="width:100%; border-collapse: collapse;"> <tr><td>Serie</td><td style="text-align: right;">104.5</td></tr> <tr><td>Total</td><td style="text-align: right;">0.0</td></tr> </table>	Serie	104.5	Total	0.0	<p>1. Serie 5 Skott</p>	<p>1: 10.2x → 2: 10.6x → 3: 10.8x ↑ 4: 9.9 ↗ 5: 10.7x ↖</p> <table border="1" style="width:100%; border-collapse: collapse;"> <tr><td>Serie</td><td style="text-align: right;">52.2</td></tr> <tr><td>Total</td><td style="text-align: right;">52.2</td></tr> </table>	Serie	52.2	Total	52.2
Serie	104.5										
Total	0.0										
Serie	52.2										
Total	52.2										

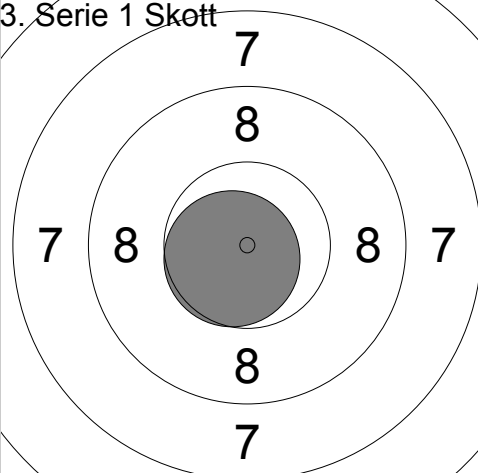
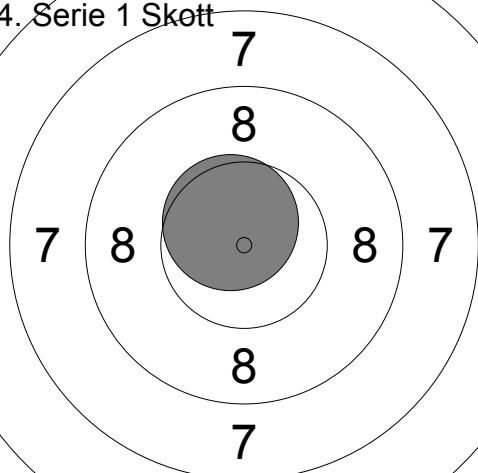
<p>2. Serie 1 Skott</p>	<p>1: 10.7x →</p> <table border="1" style="width:100%; border-collapse: collapse;"> <tr><td>Serie</td><td style="text-align: right;">10.7</td></tr> <tr><td>Total</td><td style="text-align: right;">62.9</td></tr> </table>	Serie	10.7	Total	62.9	<p>3. Serie 1 Skott</p>	<p>1: 10.1 →</p> <table border="1" style="width:100%; border-collapse: collapse;"> <tr><td>Serie</td><td style="text-align: right;">10.1</td></tr> <tr><td>Total</td><td style="text-align: right;">73.0</td></tr> </table>	Serie	10.1	Total	73.0
Serie	10.7										
Total	62.9										
Serie	10.1										
Total	73.0										

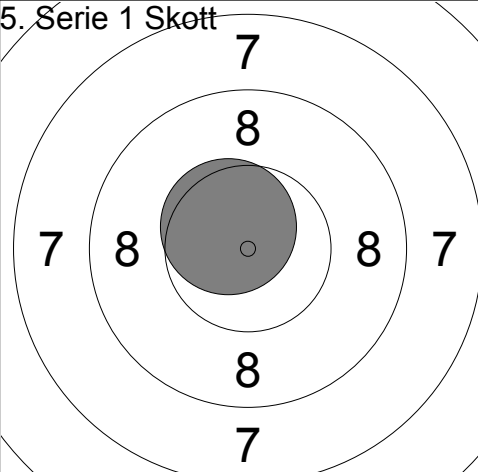
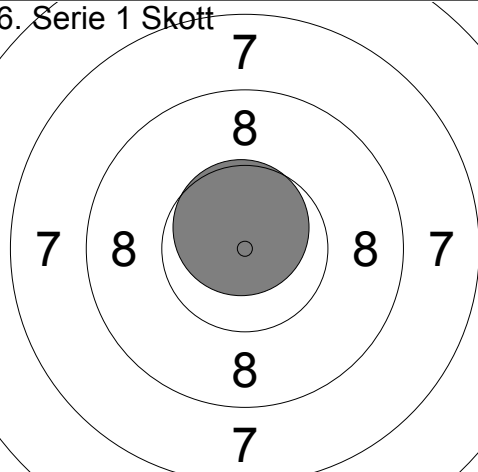
<p>4. Serie 1 Skott</p>	<p>1: 10.1 ↑</p> <table border="1" style="width:100%; border-collapse: collapse;"> <tr><td>Serie</td><td style="text-align: right;">10.1</td></tr> <tr><td>Total</td><td style="text-align: right;">83.1</td></tr> </table>	Serie	10.1	Total	83.1	<p>5. Serie 1 Skott</p>	<p>1: 9.5 ↙</p> <table border="1" style="width:100%; border-collapse: collapse;"> <tr><td>Serie</td><td style="text-align: right;">9.5</td></tr> <tr><td>Total</td><td style="text-align: right;">92.6</td></tr> </table>	Serie	9.5	Total	92.6
Serie	10.1										
Total	83.1										
Serie	9.5										
Total	92.6										

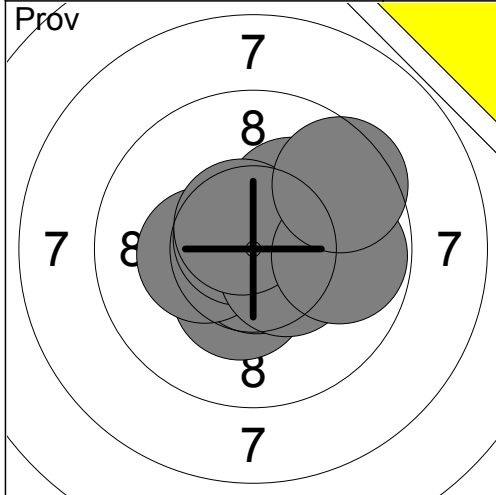
<p>6. Serie 1 Skott</p>	<p>1: 10.1 →</p> <table border="1" style="width:100%; border-collapse: collapse;"> <tr><td>Serie</td><td style="text-align: right;">10.1</td></tr> <tr><td>Total</td><td style="text-align: right;">102.7</td></tr> </table>	Serie	10.1	Total	102.7		
Serie	10.1						
Total	102.7						

Pröv 	1: 10.4x ↑ 2: 10.9x ← 3: 10.4x ↗ 4: 10.2x ↗ 5: 10.2x ↑ 6: 9.8 ↖ 7: 10.1 ↗ 8: 10.5x ↓ 9: 10.2x ↘ 10: 10.5x ←	Pröv 	11: 10.7x ↓
Serie 103.2 Total 0.0		Serie 10.7 Total 0.0	

1. Serie 5 Skott 	1: 10.4x ↘ 2: 10.9x → 3: 10.6x ← 4: 10.6x ↑ 5: 10.8x ↗	2. Serie 1 Skott 	1: 10.5x ↑
Serie 53.3 Total 53.3		Serie 10.5 Total 63.8	

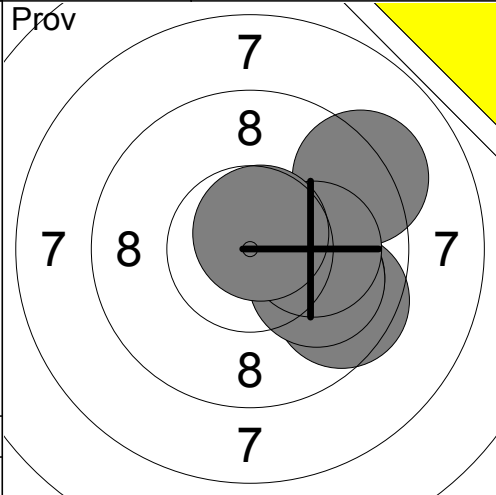
3. Serie 1 Skott 	1: 10.7x ↘	4. Serie 1 Skott 	1: 10.6x ↖
Serie 10.7 Total 74.5		Serie 10.6 Total 85.1	

5. Serie 1 Skott 	1: 10.6x ↖	6. Serie 1 Skott 	1: 10.7x ↑
Serie 10.6 Total 95.7		Serie 10.7 Total 106.4	



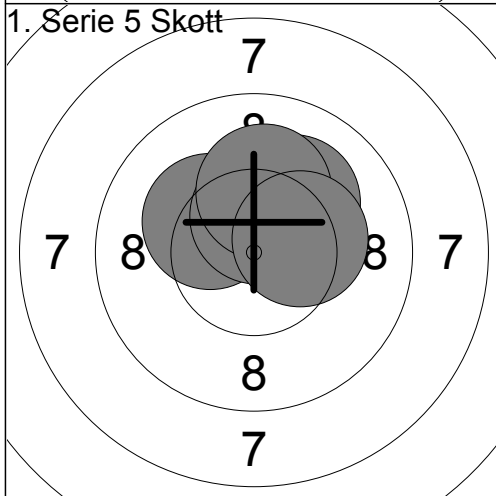
1:	10.7x	↙
2:	10.4x	↓
3:	10.7x	↓
4:	10.3x	←
5:	10.7x	↗
6:	10.2x	↗
7:	10.4x	→
8:	10.6x	↗
9:	9.8	→
10:	9.5	↗

Serie	103.3
Total	0.0



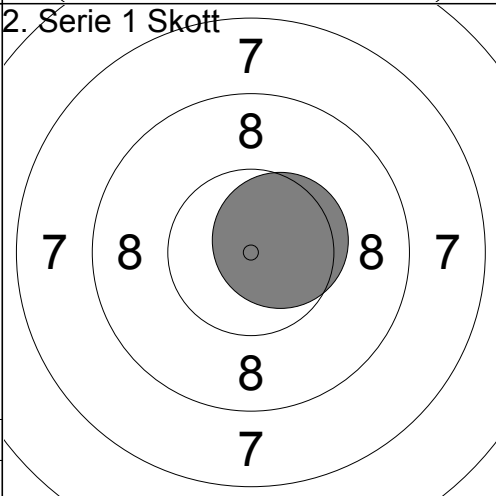
11:	9.6	↘
12:	10.0	→
13:	10.0	↘
14:	9.2	↗
15:	10.1	→
16:	10.7x	↗

Serie	59.6
Total	0.0



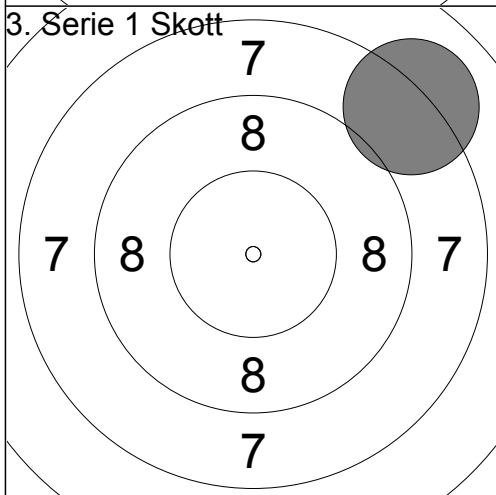
1:	10.2x	↖
2:	10.1	↗
3:	10.5x	↑
4:	10.1	↑
5:	10.3x	→

Serie	51.2
Total	51.2



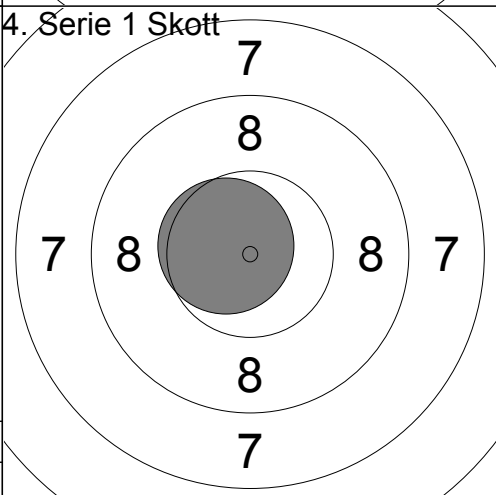
1:	10.5x	↗
----	-------	---

Serie	10.5
Total	61.7



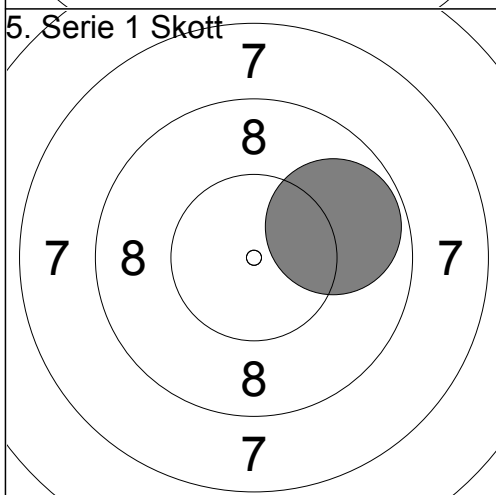
1:	8.1	↗
----	-----	---

Serie	8.1
Total	69.8



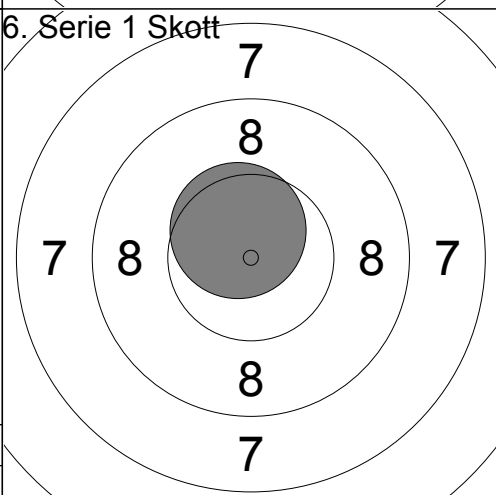
1:	10.6x	↖
----	-------	---

Serie	10.6
Total	80.4



1:	9.8	→
----	-----	---

Serie	9.8
Total	90.2



1:	10.6x	↖
----	-------	---

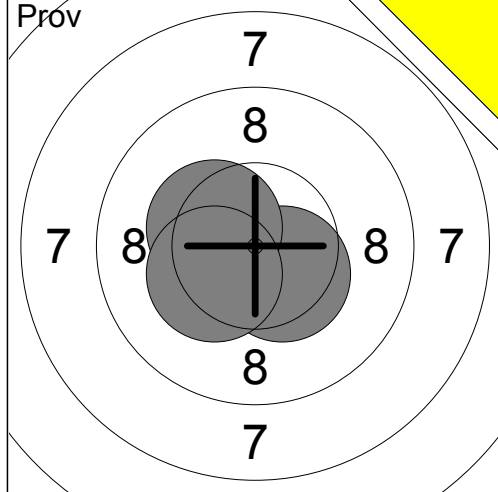
Serie	10.6
Total	100.8

<p>Pröv</p>	<p>1: 9.6 ↓ 2: 9.0 ← 3: 9.9 ↙ 4: 10.6x ↗ 5: 8.9 → 6: 10.1 → 7: 10.5x ↓</p>	<p>1. Serie 5 Skott</p>	<p>1: 10.6x ← 2: 10.5x ↙ 3: 10.2x ↓ 4: 10.3x ↗ 5: 9.8 →</p>								
	<table border="1" style="width:100%; border-collapse: collapse;"> <tr> <td style="width:50%;">Serie</td> <td style="width:50%; text-align: right;">68.6</td> </tr> <tr> <td>Total</td> <td style="text-align: right;">0.0</td> </tr> </table>	Serie	68.6	Total	0.0		<table border="1" style="width:100%; border-collapse: collapse;"> <tr> <td style="width:50%;">Serie</td> <td style="width:50%; text-align: right;">51.4</td> </tr> <tr> <td>Total</td> <td style="text-align: right;">51.4</td> </tr> </table>	Serie	51.4	Total	51.4
Serie	68.6										
Total	0.0										
Serie	51.4										
Total	51.4										

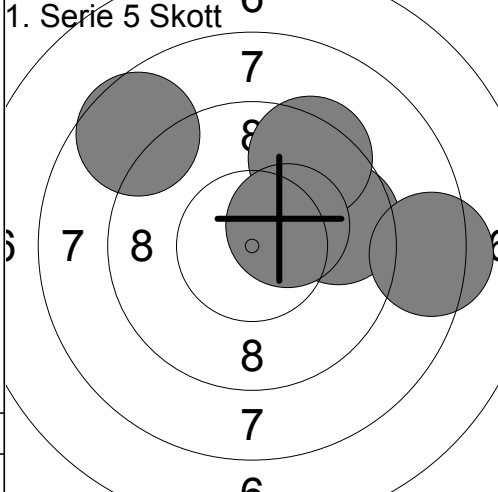
<p>2. Serie 1 Skott</p>	<p>1: 9.5 ↓</p>	<p>3. Serie 1 Skott</p>	<p>1: 10.1 →</p>								
	<table border="1" style="width:100%; border-collapse: collapse;"> <tr> <td style="width:50%;">Serie</td> <td style="width:50%; text-align: right;">9.5</td> </tr> <tr> <td>Total</td> <td style="text-align: right;">60.9</td> </tr> </table>	Serie	9.5	Total	60.9		<table border="1" style="width:100%; border-collapse: collapse;"> <tr> <td style="width:50%;">Serie</td> <td style="width:50%; text-align: right;">10.1</td> </tr> <tr> <td>Total</td> <td style="text-align: right;">71.0</td> </tr> </table>	Serie	10.1	Total	71.0
Serie	9.5										
Total	60.9										
Serie	10.1										
Total	71.0										

<p>4. Serie 1 Skott</p>	<p>1: 9.1 ↓</p>	<p>5. Serie 1 Skott</p>	<p>1: 10.6x ←</p>								
	<table border="1" style="width:100%; border-collapse: collapse;"> <tr> <td style="width:50%;">Serie</td> <td style="width:50%; text-align: right;">9.1</td> </tr> <tr> <td>Total</td> <td style="text-align: right;">80.1</td> </tr> </table>	Serie	9.1	Total	80.1		<table border="1" style="width:100%; border-collapse: collapse;"> <tr> <td style="width:50%;">Serie</td> <td style="width:50%; text-align: right;">10.6</td> </tr> <tr> <td>Total</td> <td style="text-align: right;">90.7</td> </tr> </table>	Serie	10.6	Total	90.7
Serie	9.1										
Total	80.1										
Serie	10.6										
Total	90.7										

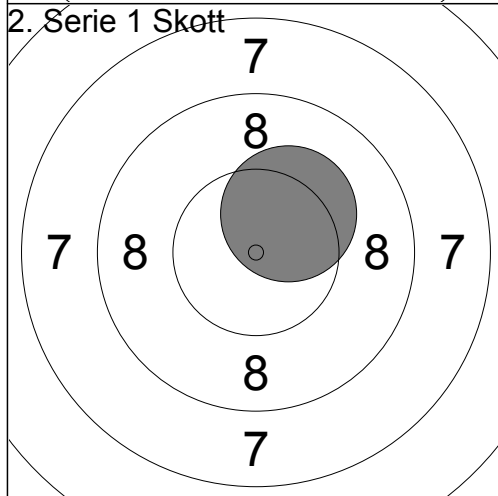
<p>6. Serie 1 Skott</p>	<p>1: 9.7 ↓</p>						
	<table border="1" style="width:100%; border-collapse: collapse;"> <tr> <td style="width:50%;">Serie</td> <td style="width:50%; text-align: right;">9.7</td> </tr> <tr> <td>Total</td> <td style="text-align: right;">100.4</td> </tr> </table>	Serie	9.7	Total	100.4		
Serie	9.7						
Total	100.4						



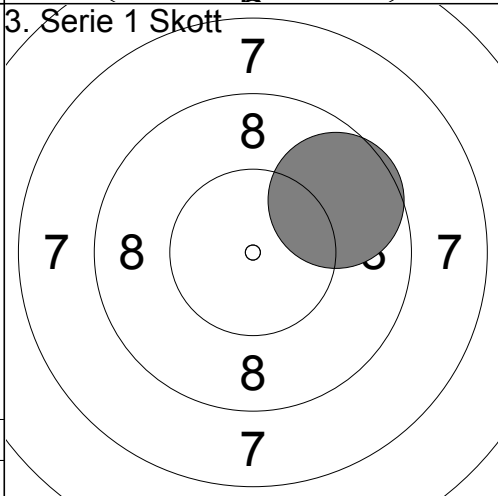
1:	10.4x	↘
2:	10.4x	↙
3:	10.3x	↙
Serie		31.1
Total		0.0



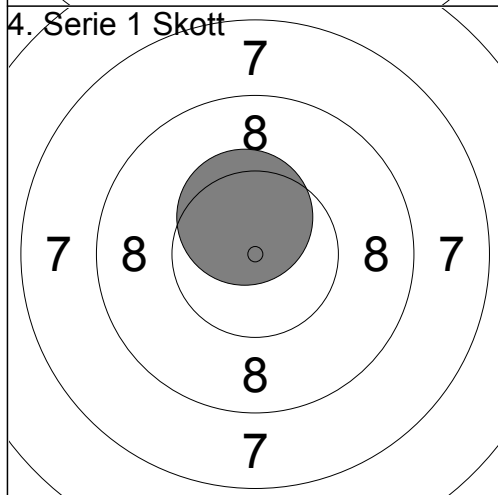
1:	9.7	→
2:	8.3	→
3:	8.6	↗
4:	9.4	↗
5:	10.4x	↗
Serie		46.4
Total		46.4



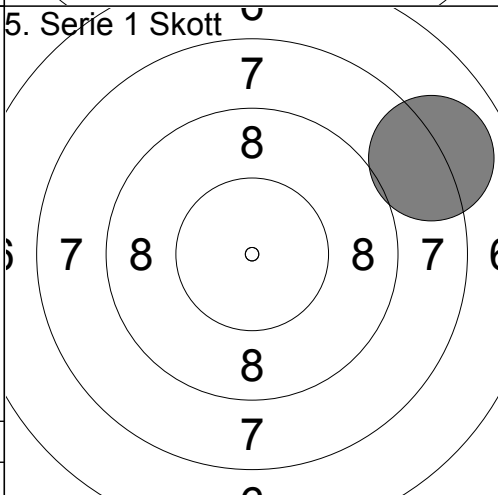
1:	10.3x	↗
Serie		10.3
Total		56.7



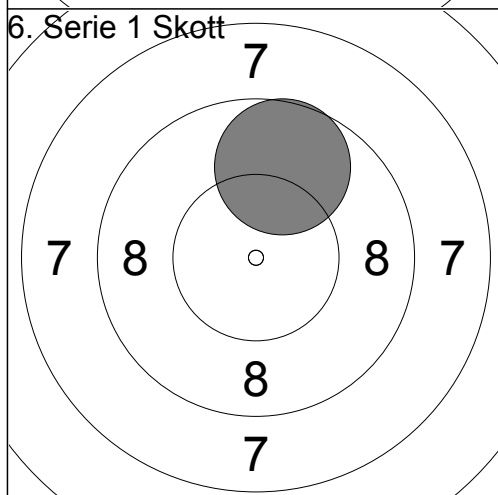
1:	9.6	↗
Serie		9.6
Total		66.3



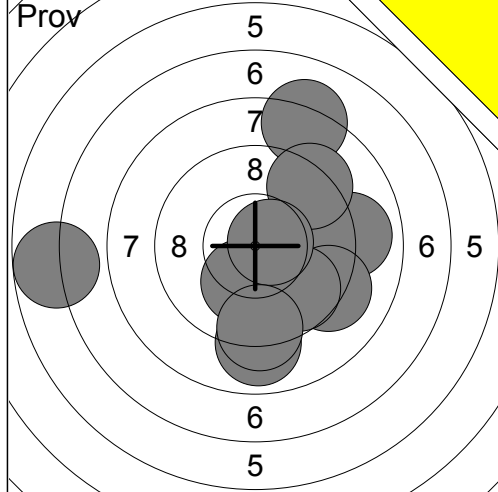
1:	10.4x	↗
Serie		10.4
Total		76.7



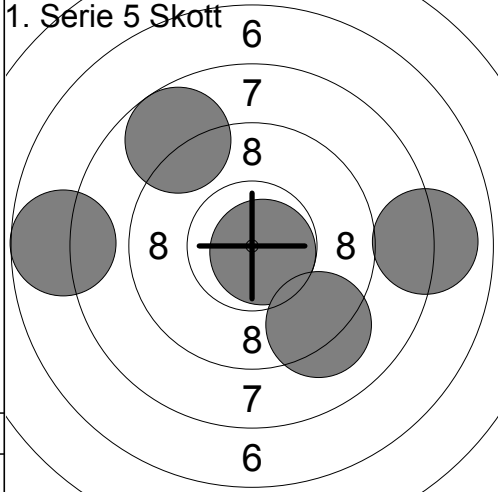
1:	8.0	↗
Serie		8.0
Total		84.7



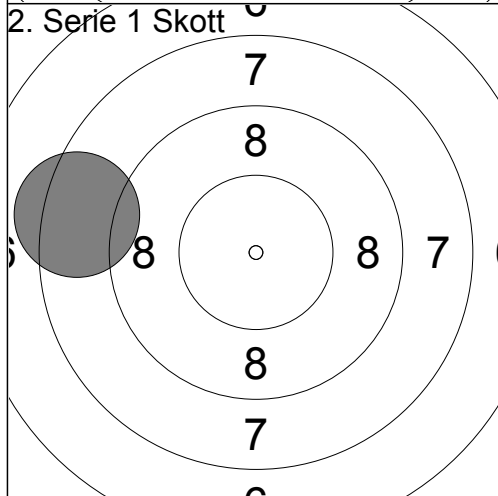
1:	9.7	↗
Serie		9.7
Total		94.4



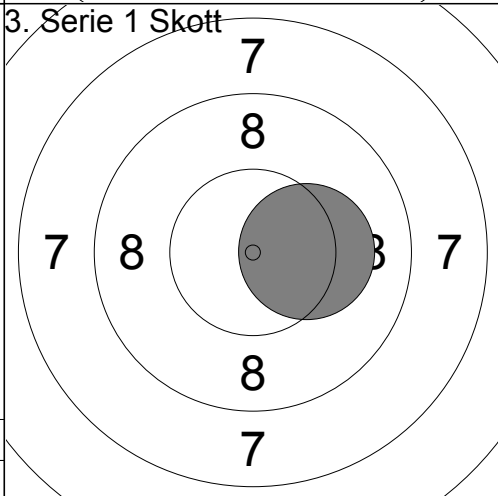
1:	8.9	↓
2:	6.8	←
3:	9.0	→
4:	10.2x	↓
5:	9.2	→
6:	8.2	↑
7:	9.3	↗
8:	9.7	↘
9:	10.6x	→
10:	9.2	↓
Serie		91.1
Total		0.0



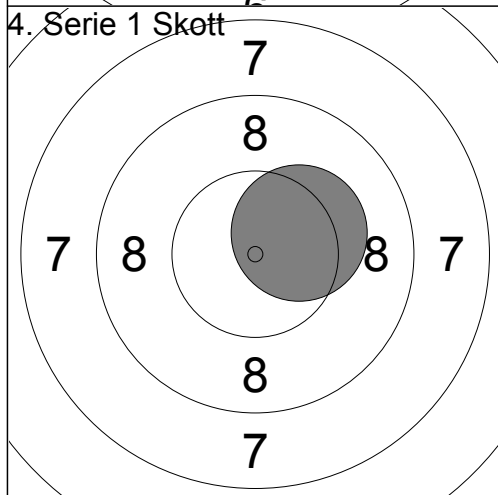
1:	10.7x	↘
2:	8.7	↗
3:	7.7	←
4:	8.0	→
5:	9.2	↘
Serie		44.3
Total		44.3



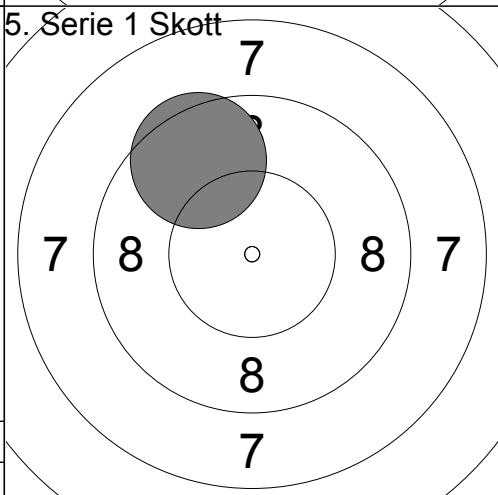
1:	8.3	←
Serie		8.3
Total		52.6



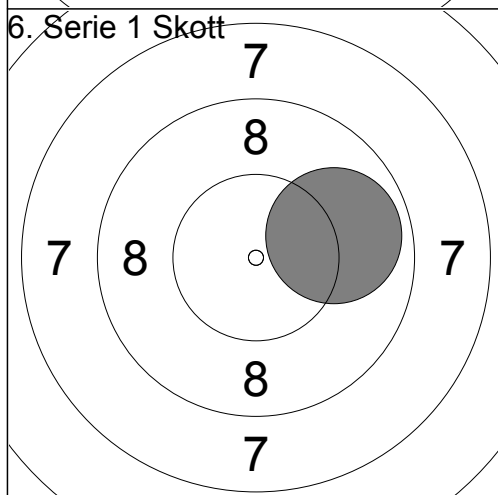
1:	10.2x	→
Serie		10.2
Total		62.8



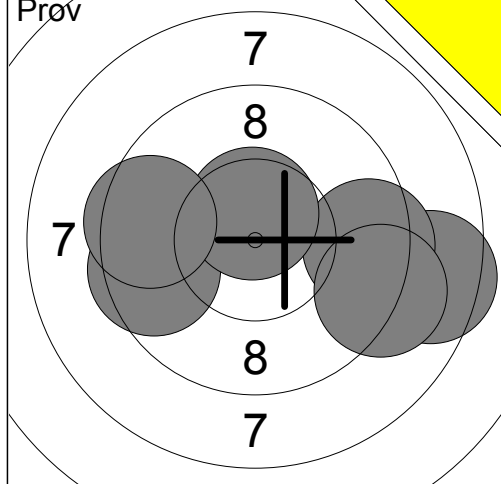
1:	10.3x	↗
Serie		10.3
Total		73.1



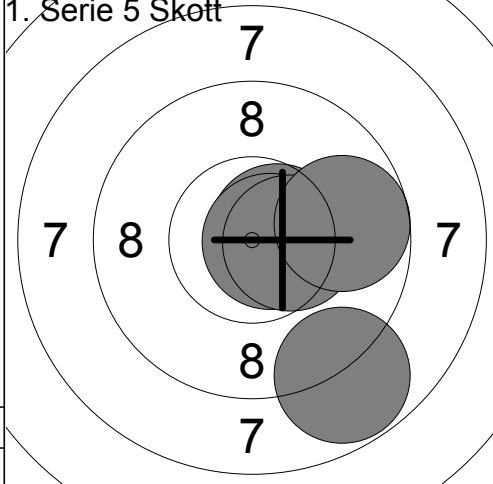
1:	9.5	↗
Serie		9.5
Total		82.6



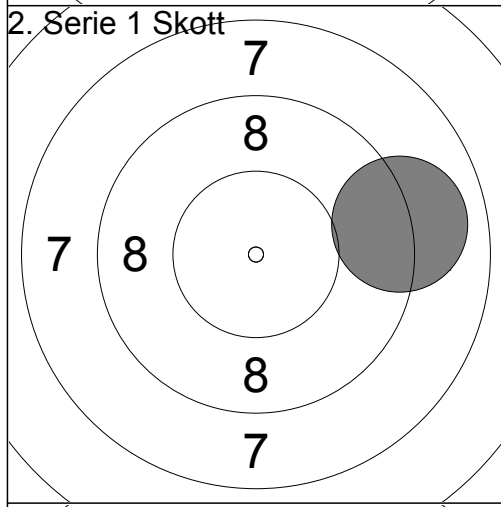
1:	9.9	→
Serie		9.9
Total		92.5



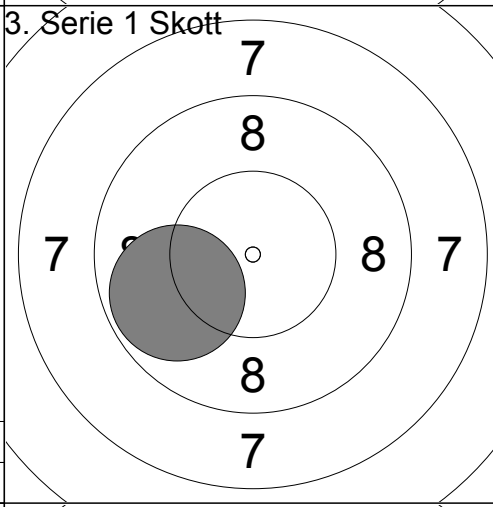
1:	9.5	←
2:	8.5	→
3:	9.4	→
4:	10.6x	↑
5:	9.1	↘
6:	9.5	←



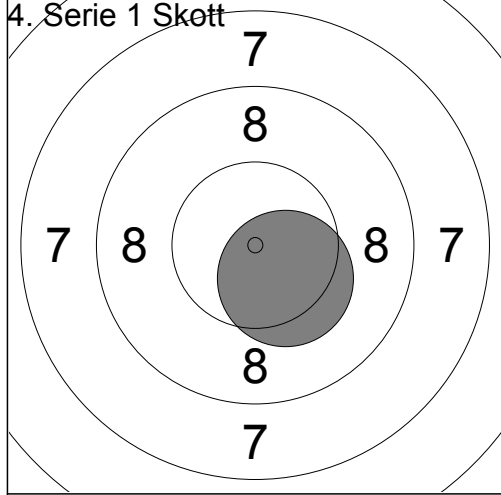
1:	10.6x	→
2:	10.7x	→
3:	10.4x	→
4:	8.8	↘
5:	9.7	→



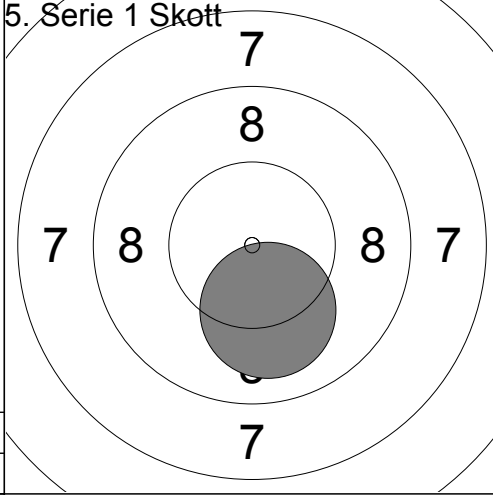
1:	9.0	→
Serie	9.0	
Total	59.2	



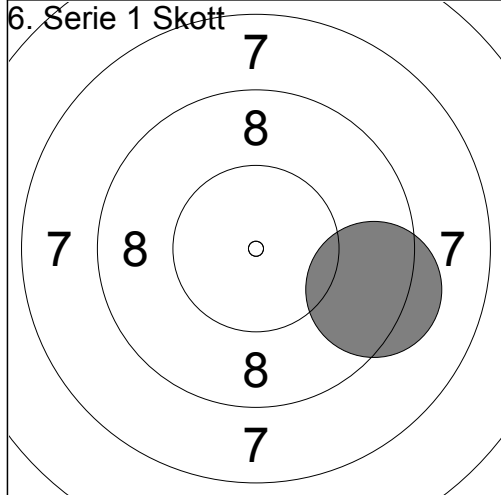
1:	9.8	←
Serie	9.8	
Total	69.0	



1:	10.4x	↘
Serie	10.4	
Total	79.4	



1:	10.1	↘
Serie	10.1	
Total	89.5	



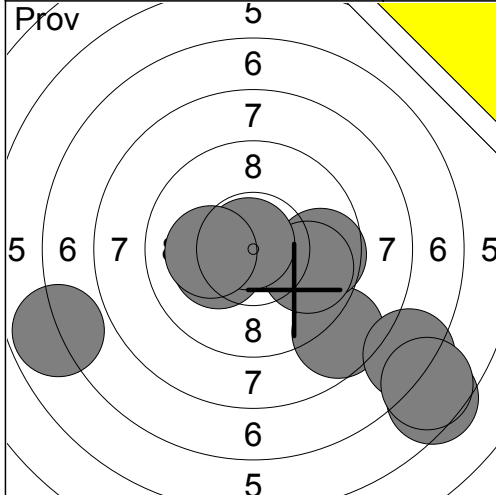
1:	9.3	→
Serie	9.3	
Total	98.8	

<p>Prov</p>	<p>1: 7.6 → 2: 7.1 → 3: 6.3 → 4: 8.9 ← 5: 9.4 ↓ 6: 8.2 → 7: 8.7 ↓ 8: 9.6 ← 9: 7.9 → 10: 10.5x ↗</p>	<p>Prov</p>	
Serie	84.2	Serie	10.1
Total	0.0	Total	0.0

<p>1. Serie 5 Skott</p>	<p>1: 9.1 ↗ 2: 8.0 ↗ 3: 10.1 ↗ 4: 6.9 → 5: 9.0 ↓</p>	<p>2. Serie 1 Skott</p>	
Serie	43.1	Serie	10.2
Total	43.1	Total	53.3

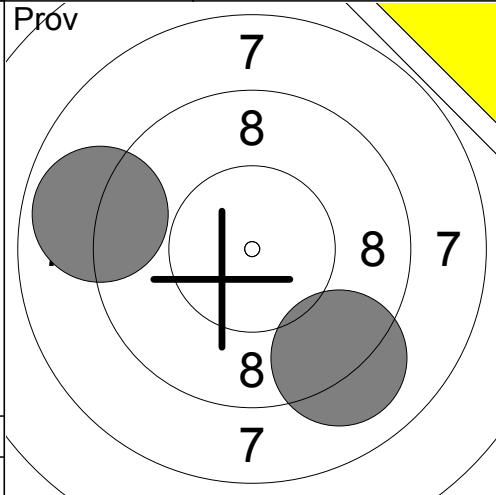
<p>3. Serie 1 Skott</p>	<p>1: 5.1 ↖</p>	<p>4. Serie 1 Skott</p>	
Serie	5.1	Serie	6.4
Total	58.4	Total	64.8

<p>5. Serie 1 Skott</p>	<p>1: 8.8 ↓</p>	<p>6. Serie 1 Skott</p>	
Serie	8.8	Serie	8.6
Total	73.6	Total	82.2



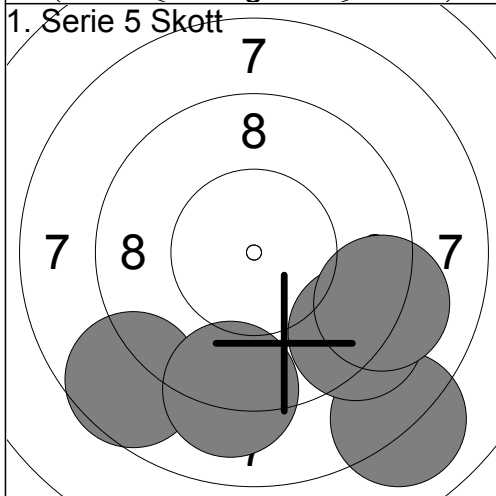
1:	8.6	↘
2:	6.4	↘
3:	7.3	↘
4:	6.8	←
5:	9.6	→
6:	6.7	↘
7:	9.8	↘
8:	10.2x	←
9:	10.8x	↗
10:	10.1	←

Serie	86.3
Total	0.0



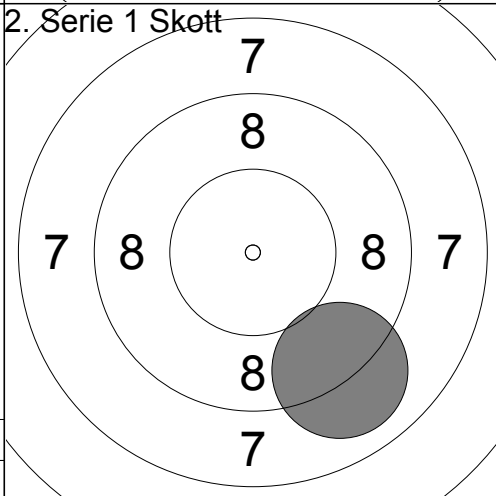
11:	9.1	↘
12:	8.9	←

Serie	18.0
Total	0.0



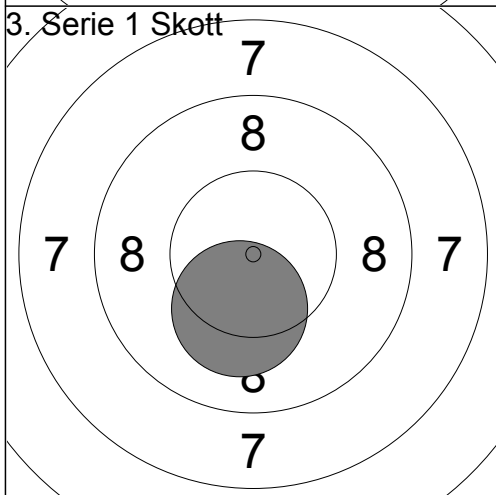
1:	8.6	↘
2:	8.0	↘
3:	9.1	↘
4:	9.2	↘
5:	9.1	↘

Serie	44.0
Total	44.0



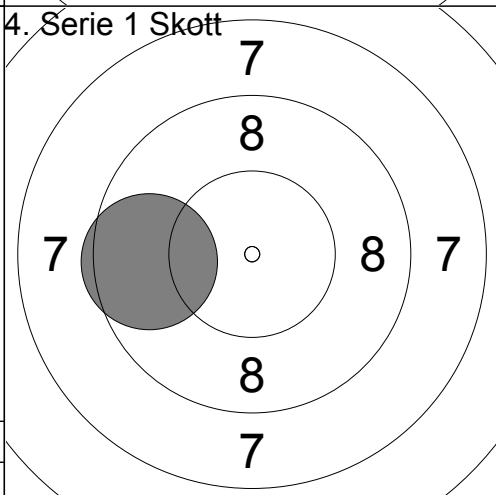
1:	9.0	↘
----	-----	---

Serie	9.0
Total	53.0



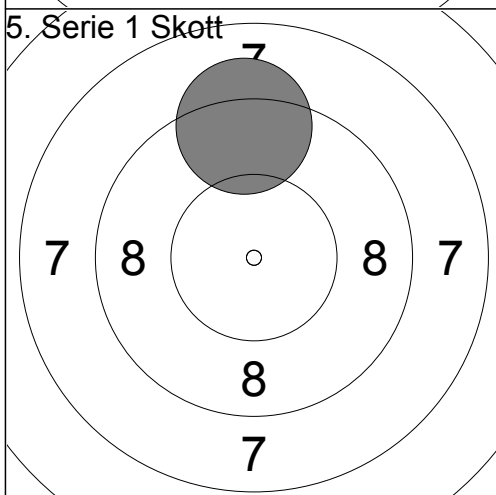
1:	10.2x	↘
----	-------	---

Serie	10.2
Total	63.2



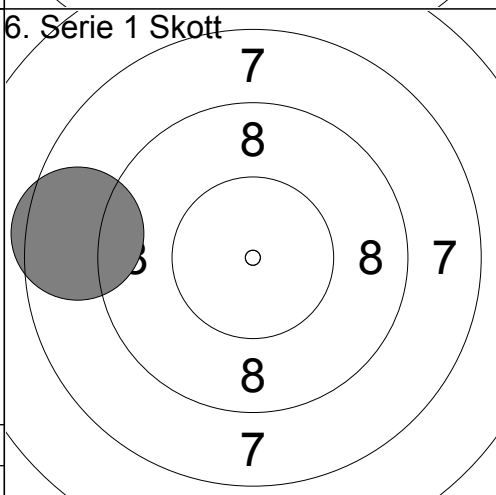
1:	9.6	←
----	-----	---

Serie	9.6
Total	72.8



1:	9.2	↑
----	-----	---

Serie	9.2
Total	82.0



1:	8.5	←
----	-----	---

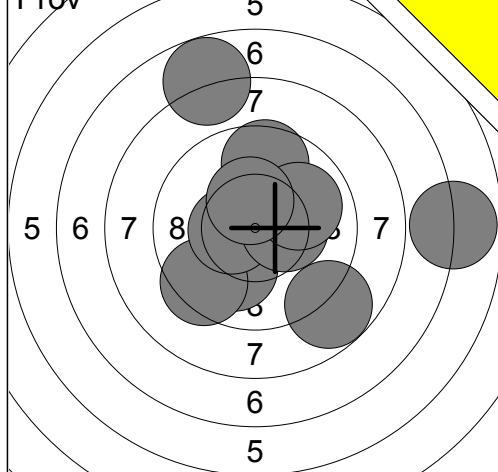
Serie	8.5
Total	90.5

<p>Pröv</p>	<p>1: 8.8 ← 2: 9.3 ← 3: 6.2 ← 4: 5.5 ← 5: 9.6 ↙ 6: 8.5 ↗ 7: 8.8 → 8: 9.8 ↗ 9: 9.9 ← 10: 9.3 →</p> <p>Serie 85.7 Total 0.0</p>	<p>Pröv</p>	<p>11: 8.3 → 12: 9.5 → 13: 9.2 ↗ 14: 6.4 ←</p> <p>Serie 33.4 Total 0.0</p>
-------------	---	-------------	--

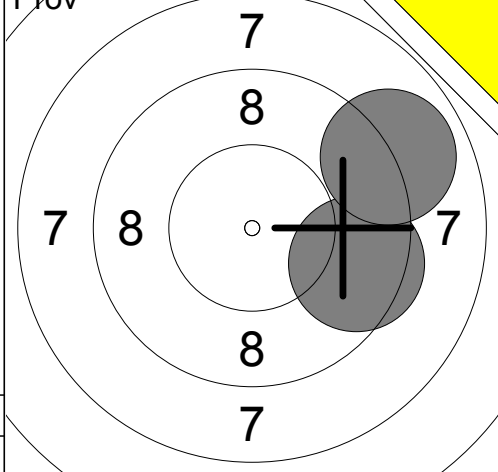
<p>1. Serie 5 Skott</p>	<p>2. Serie 1 Skott</p>
<p>1: 9.7 → 2: 9.0 ↗ 3: 8.6 ↓ 4: 8.2 ↘ 5: 7.4 ↖</p> <p>Serie 42.9 Total 42.9</p>	<p>1: 9.4 ↘</p> <p>Serie 9.4 Total 52.3</p>

<p>3. Serie 1 Skott</p>	<p>4. Serie 1 Skott</p>
<p>1: 10.1 ↖</p> <p>Serie 10.1 Total 62.4</p>	<p>1: 10.6x ↖</p> <p>Serie 10.6 Total 73.0</p>

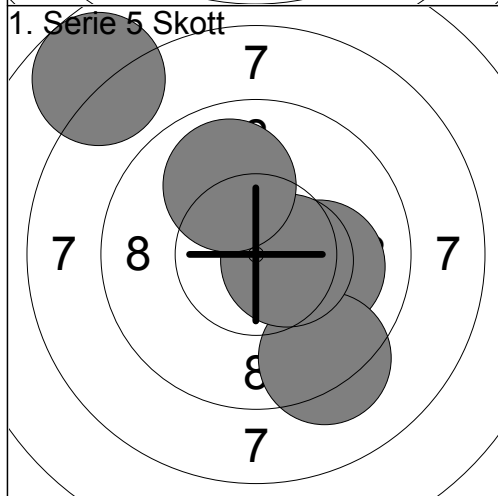
<p>5. Serie 1 Skott</p>	<p>6. Serie 1 Skott</p>
<p>1: 6.7 ←</p> <p>Serie 6.7 Total 79.7</p>	<p>1: 9.1 →</p> <p>Serie 9.1 Total 88.8</p>



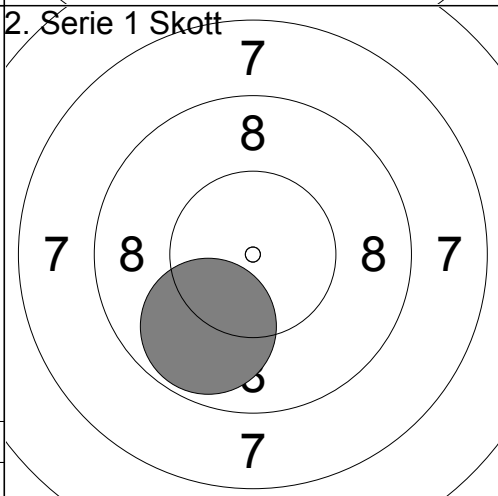
1:	10.0	↙
2:	8.8	↘
3:	9.4	↙
4:	10.5x	←
5:	9.6	↑
6:	10.3x	→
7:	7.8	↑
8:	6.9	→
9:	10.0	↗
10:	10.4x	↑
Serie		93.7
Total		0.0



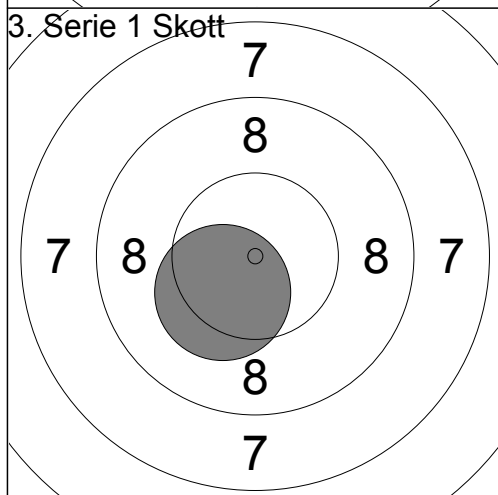
11:	9.5	→
12:	8.9	↗
Serie		18.4
Total		0.0



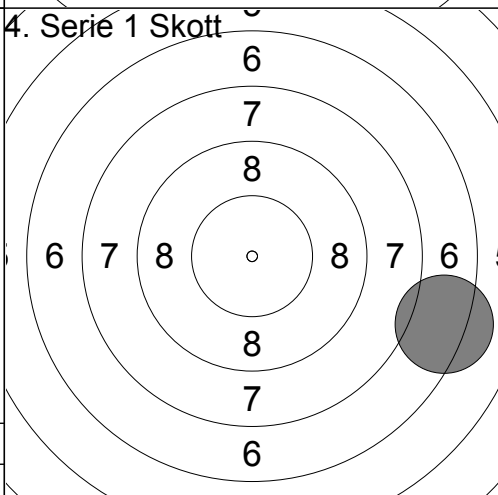
1:	10.1	→
2:	9.3	↘
3:	10.5x	→
4:	7.8	↗
5:	10.0	↗
Serie		47.7
Total		47.7



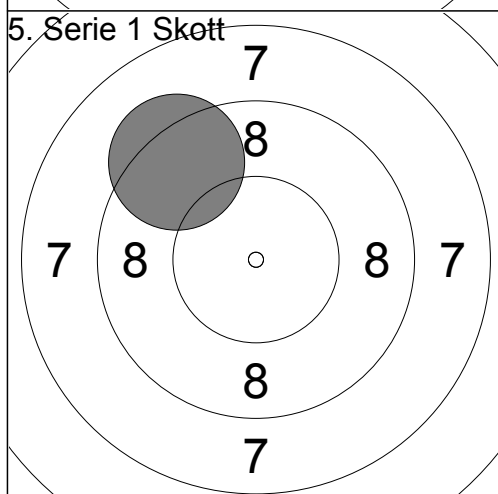
1:	9.8	↙
Serie		9.8
Total		57.5



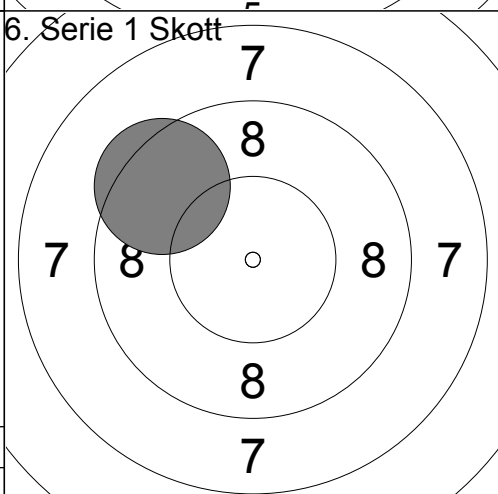
1:	10.3x	↙
Serie		10.3
Total		67.8



1:	7.2	→
Serie		7.2
Total		75.0



1:	9.3	↖
Serie		9.3
Total		84.3



1:	9.4	↖
Serie		9.4
Total		93.7