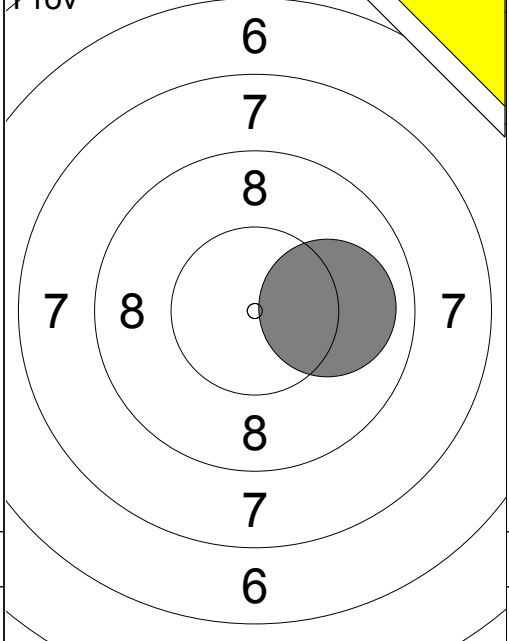
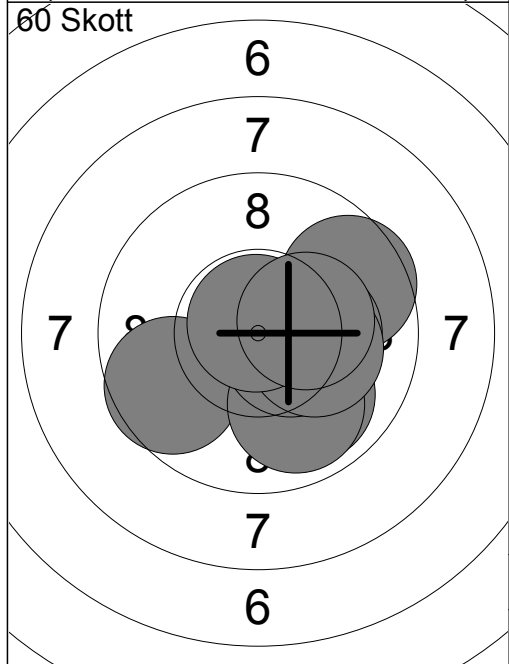


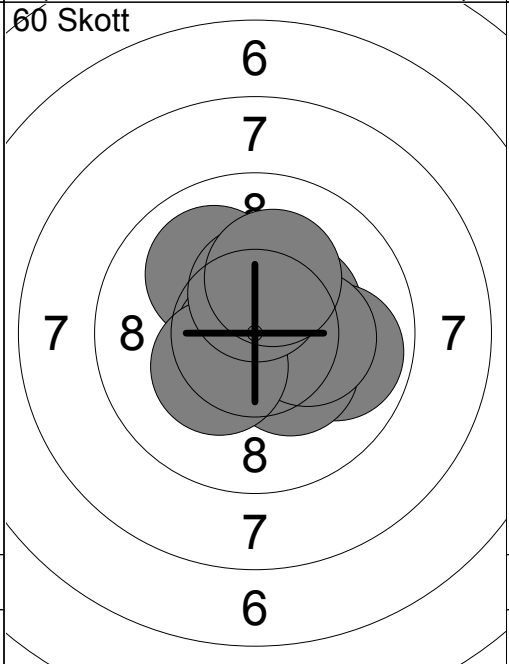
1:	10.6x ↖
2:	9.7 ↖
3:	10.8x →
4:	10.1 ↗
5:	9.4 ↓
6:	10.2x ↓
7:	9.8 →
8:	10.0 ←
9:	10.0 ←
10:	9.7 ↗
Serie	96 (3x)
Total	0 (0x)



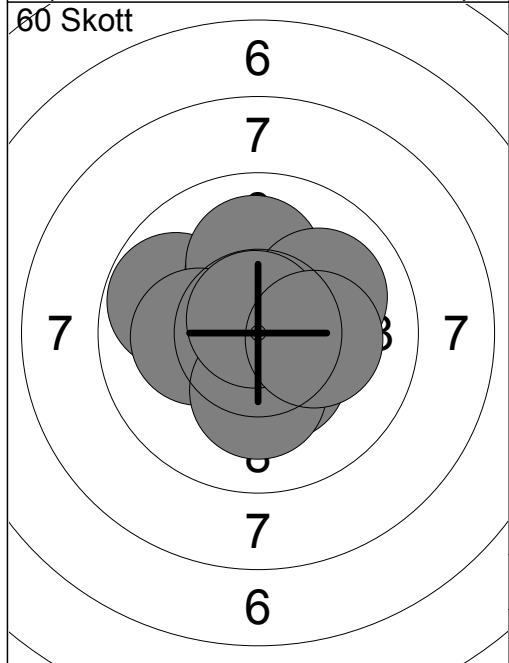
11:	10.0 →
Serie	10 (0x)
Total	0 (0x)



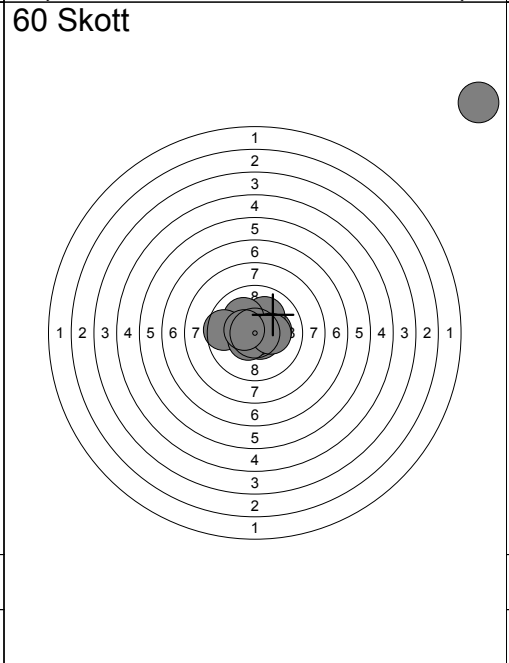
1:	9.6 ↙
2:	10.3x →
3:	9.6 ↗
4:	9.9 ↓
5:	9.9 ↓
6:	10.5x →
7:	10.2x →
8:	10.2x →
9:	10.8x ↑
10:	10.3x →
Serie	96 (6x)
Total	96 (6x)



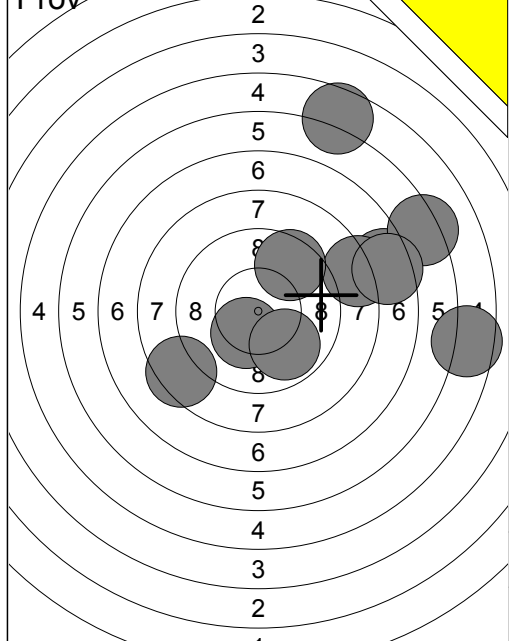
11:	10.6x ↗
12:	10.4x ↗
13:	9.9 →
14:	10.3x ↓
15:	10.0 ↖
16:	10.8x ↙
17:	10.3x →
18:	10.3x ↙
19:	10.4x ↑
20:	10.2x ↑
Serie	99 (8x)
Total	195 (14x)



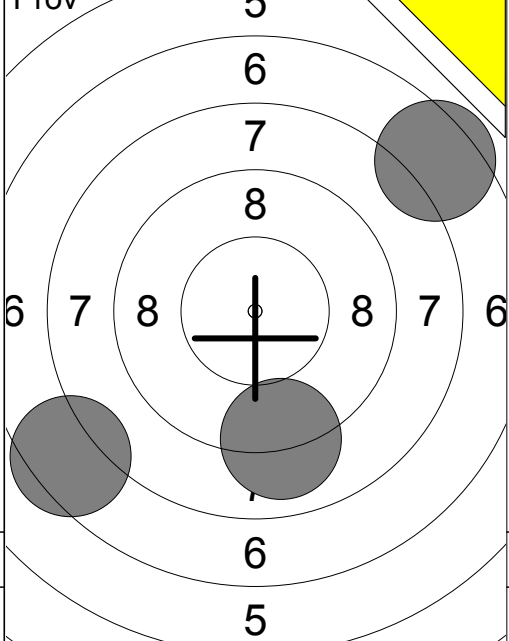
21:	10.3x ↗
22:	9.8 ↙
23:	10.2x ↑
24:	10.0 ↑
25:	10.2x ←
26:	10.4x ↓
27:	10.2x ↓
28:	10.0 ↗
29:	10.8x ↑
30:	10.2x →
Serie	99 (7x)
Total	294 (21x)



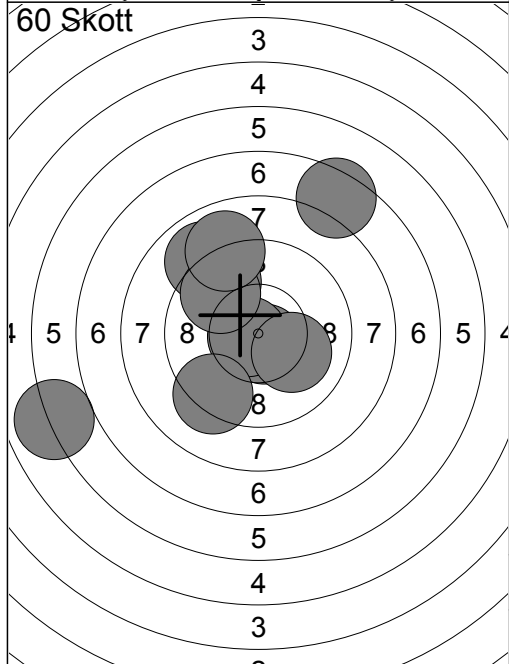
31:	10.2x →
32:	10.1 ↗
33:	10.1 ↖
34:	9.6 ←
35:	10.6x ↓
36:	10.8x ↓
37:	10.5x ↙
38:	0.0 ↗
39:	10.3x →
40:	10.5x ←
Serie	89 (6x)
Total	383 (27x)



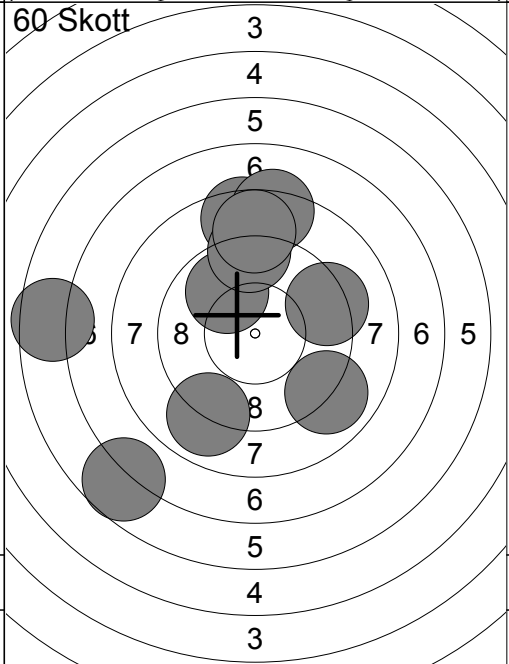
1:	7.5	→
2:	5.6	↑
3:	8.2	→
4:	6.3	→
5:	10.3x	↙
6:	5.5	→
7:	8.4	↙
8:	7.5	→
9:	9.9	↘
10:	9.5	↗
Serie		74 (1x)
Total		0 (0x)



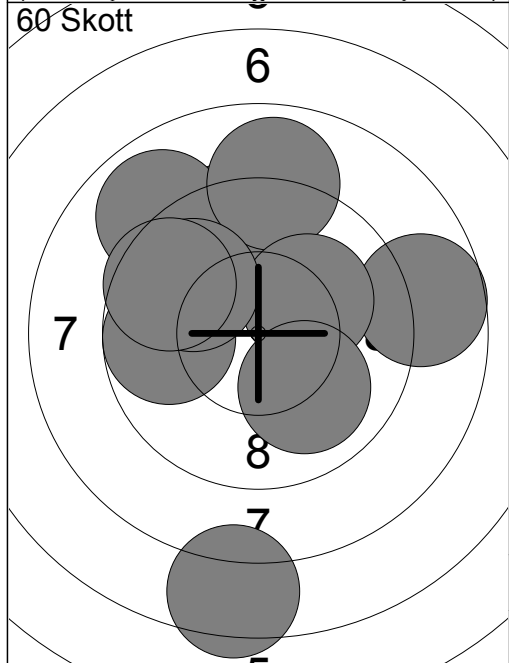
11:	7.5	↙
12:	7.5	↗
13:	9.0	↘
Serie		23 (0x)
Total		0 (0x)



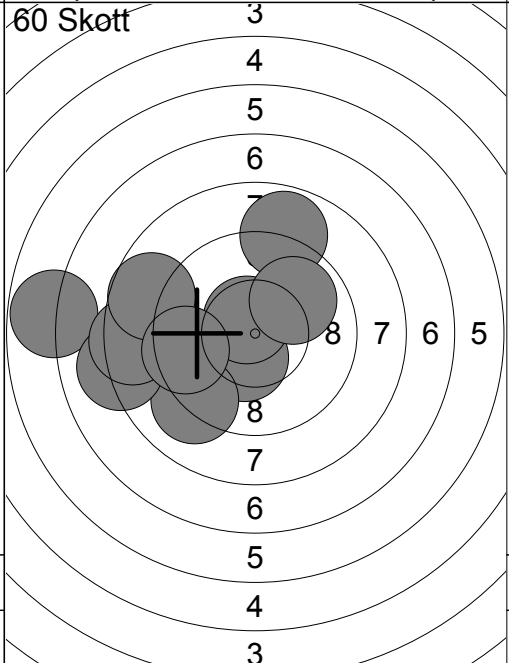
1:	6.0	↙
2:	10.7x	↘
3:	9.5	↗
4:	10.7x	↙
5:	8.9	↗
6:	9.7	↗
7:	9.3	↘
8:	7.4	↗
9:	9.0	↗
10:	10.1	↘
Serie		87 (2x)
Total		87 (2x)



11:	8.9	↘
12:	9.9	↖
13:	9.3	→
14:	8.4	↑
15:	6.6	←
16:	8.3	↑
17:	9.0	↘
18:	9.2	↑
19:	8.7	↑
20:	6.7	↘
Serie		80 (0x)
Total		167 (2x)



21:	9.5	↑
22:	8.7	→
23:	8.9	↖
24:	8.9	↑
25:	7.5	↘
26:	10.2x	↗
27:	9.7	←
28:	10.0	↘
29:	9.9	↗
30:	9.6	↖
Serie		87 (1x)
Total		254 (3x)

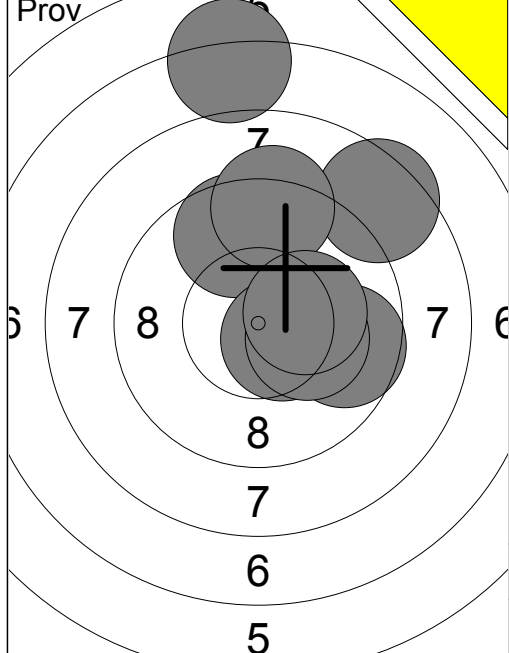


31:	10.4x	↘
32:	8.9	↑
33:	10.6x	↖
34:	9.1	↘
35:	6.8	←
36:	8.1	←
37:	8.4	←
38:	8.7	↖
39:	9.5	←
40:	9.9	↗
Serie		85 (2x)
Total		339 (5x)

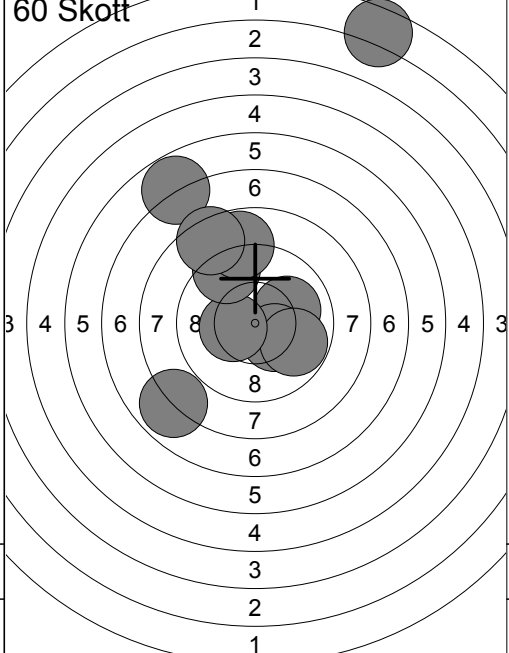
<p>Pröv</p>	<p>1: 9.9 →</p> <p>2: 8.0 →</p> <p>3: 8.5 ↖</p> <p>4: 9.6 ←</p> <p>5: 9.0 ↑</p> <p>6: 7.2 ←</p> <p>7: 9.2 ↗</p> <p>8: 9.9 ↑</p> <p>9: 10.8x ↓</p> <p>10: 8.5 →</p>	<p>60 Skott</p>	<p>1: 9.9 ↓</p> <p>2: 9.4 ↑</p> <p>3: 8.9 ↓</p> <p>4: 9.8 ↙</p> <p>5: 9.4 →</p> <p>6: 10.0 ←</p> <p>7: 9.2 ←</p> <p>8: 9.8 ↗</p> <p>9: 9.9 ↖</p> <p>10: 10.2x ↘</p>
	Serie 86 (1x)		Serie 91 (1x)
	Total 0 (0x)		Total 91 (1x)

<p>60 Skott</p>	<p>11: 10.1 →</p> <p>12: 9.3 ←</p> <p>13: 9.7 ↗</p> <p>14: 8.7 ↓</p> <p>15: 9.0 ↗</p> <p>16: 4.1 ↓</p> <p>17: 8.0 ↓</p> <p>18: 6.5 ←</p> <p>19: 9.3 ↓</p> <p>20: 7.4 ←</p>	<p>60 Skott</p>	<p>21: 9.1 ↗</p> <p>22: 9.9 ←</p> <p>23: 8.9 ↙</p> <p>24: 8.5 ←</p> <p>25: 9.8 ↗</p> <p>26: 9.2 ←</p> <p>27: 7.4 ←</p> <p>28: 7.4 ↘</p> <p>29: 7.4 ↙</p> <p>30: 9.7 →</p>
	Serie 79 (0x)		Serie 82 (0x)
	Total 170 (1x)		Total 252 (1x)

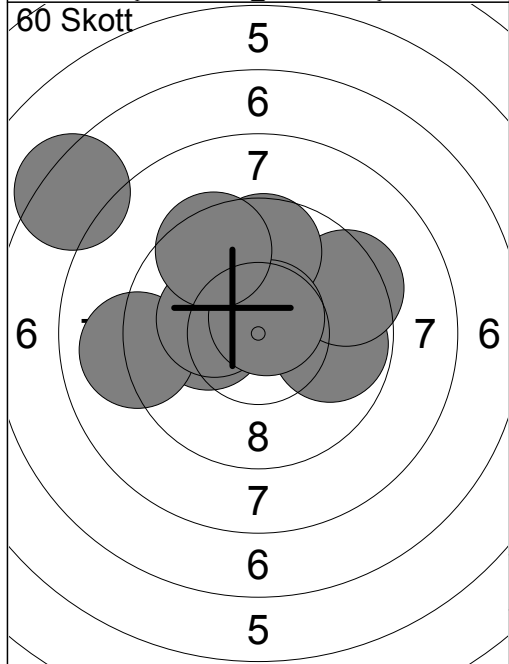
<p>60 Skott</p>	<p>31: 6.8 →</p> <p>32: 8.9 ↗</p> <p>33: 9.2 →</p> <p>34: 10.7x ↙</p> <p>35: 9.6 ↓</p> <p>36: 7.6 ←</p> <p>37: 10.6x ↗</p> <p>38: 9.9 ←</p> <p>39: 7.5 →</p> <p>40: 8.1 ←</p>		
	Serie 83 (2x)		
	Total 335 (3x)		



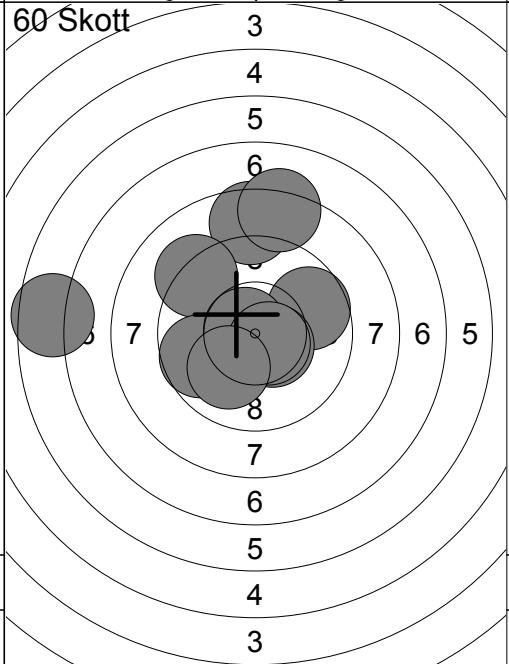
1:	9.6	↑
2:	9.7	→
3:	8.5	↗
4:	9.3	↑
5:	10.5x	↘
6:	7.1	↑
7:	10.2x	→
8:	10.3x	→
Serie		72 (3x)
Total		0 (0x)



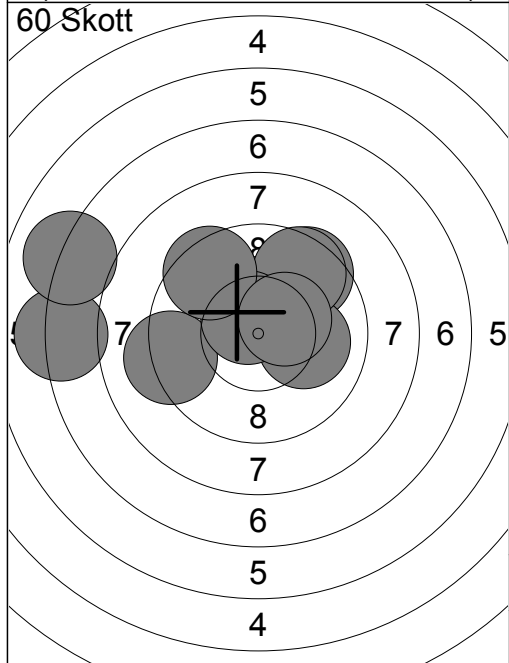
1:	6.8	↗
2:	10.0	→
3:	10.3x	↘
4:	9.8	↘
5:	10.3x	←
6:	9.3	↑
7:	7.9	↙
8:	8.8	↑
9:	8.4	↑
10:	2.5	↑
Serie		79 (2x)
Total		79 (2x)



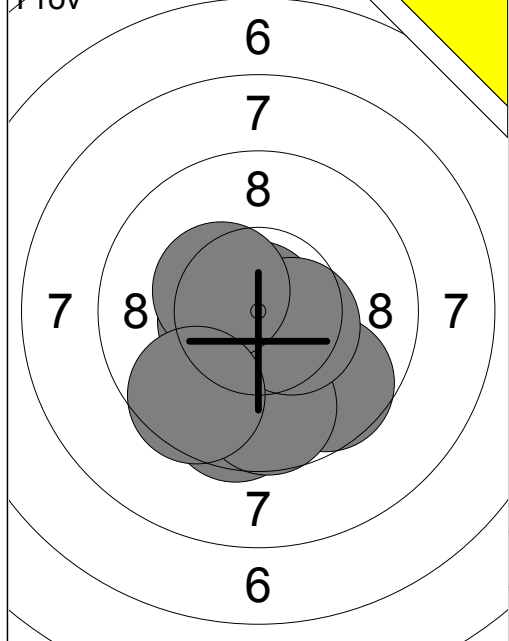
11:	10.0	↖
12:	7.3	↖
13:	9.8	→
14:	10.2x	←
15:	9.4	↗
16:	9.1	←
17:	9.7	↑
18:	10.2x	↖
19:	10.7x	↑
20:	9.5	↖
Serie		92 (3x)
Total		171 (5x)



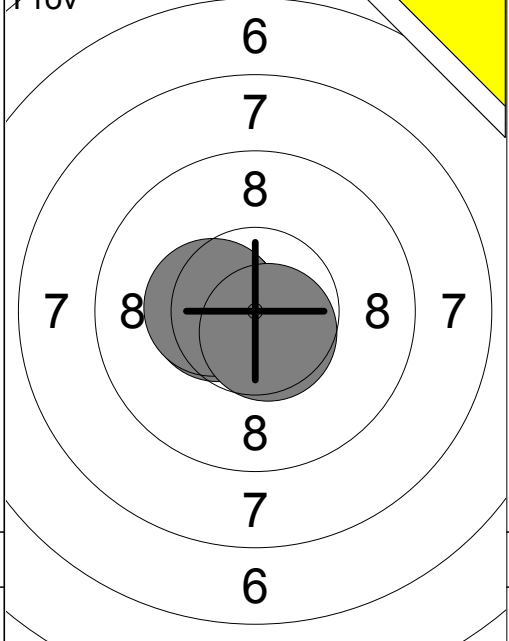
21:	6.6	←
22:	8.6	↑
23:	9.2	↖
24:	9.7	↗
25:	10.5x	↘
26:	9.7	←
27:	10.7x	↖
28:	10.6x	↘
29:	8.3	↑
30:	10.0	↙
Serie		89 (3x)
Total		260 (8x)



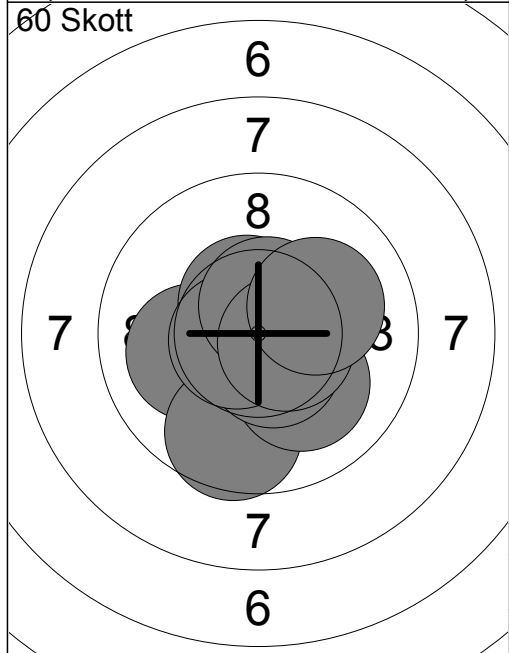
31:	9.5	↗
32:	9.2	←
33:	10.3x	↑
34:	10.1	→
35:	7.2	←
36:	9.6	↗
37:	10.6x	↖
38:	9.5	↖
39:	10.4x	↗
40:	7.1	←
Serie		90 (3x)
Total		350 (11x)



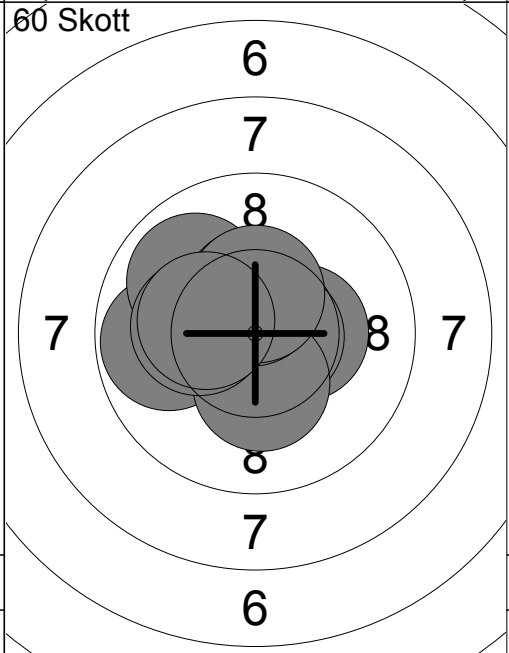
1:	10.9x ↙
2:	10.4x ↓
3:	10.5x ↙
4:	10.4x ↓
5:	9.6 ↓
6:	9.7 ↓
7:	9.7 ↓
8:	10.5x →
9:	10.4x ↙
10:	9.6 ↙
Serie	96 (6x)
Total	0 (0x)



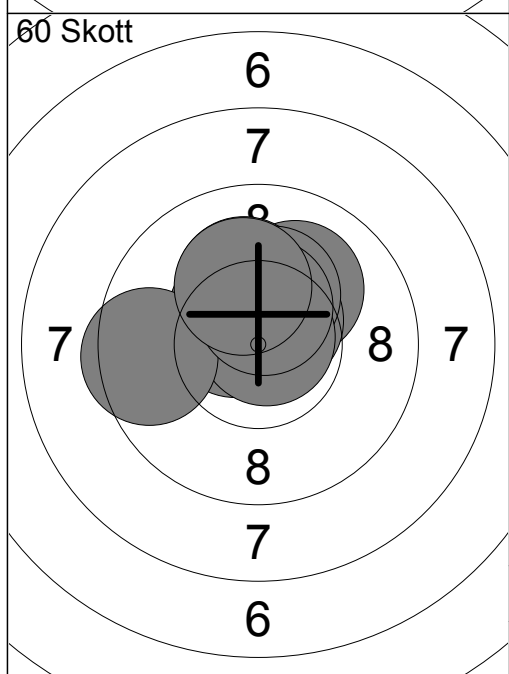
11:	10.5x ↙
12:	10.4x ↙
13:	10.6x ↓
Serie	30 (3x)
Total	0 (0x)



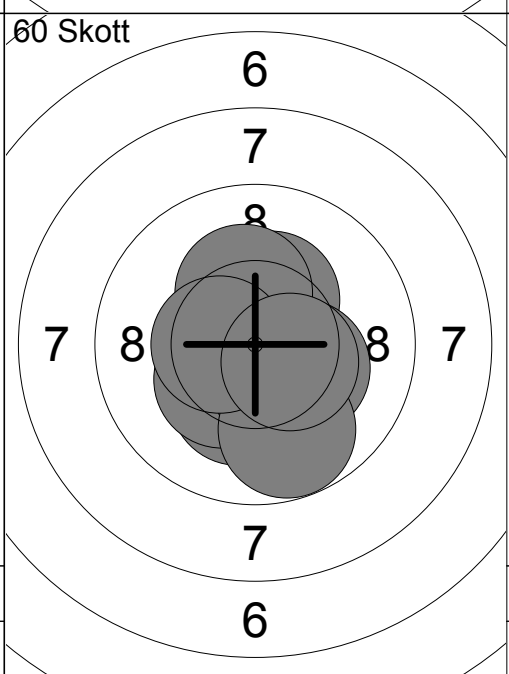
1:	10.1 ←
2:	10.7x ↓
3:	9.6 ↓
4:	10.1 ↓
5:	10.6x ↓
6:	10.5x ↑
7:	10.7x ↙
8:	10.6x ↑
9:	10.6x →
10:	10.1 →
Serie	99 (6x)
Total	99 (6x)



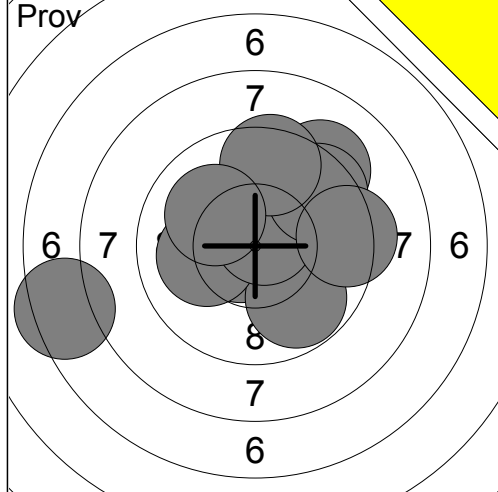
11:	10.7x ↓
12:	10.4x →
13:	9.8 ←
14:	9.9 ↙
15:	10.7x →
16:	10.3x ↓
17:	10.5x ↑
18:	10.4x ↑
19:	10.2x ↙
20:	10.3x ↙
Serie	98 (8x)
Total	197 (14x)



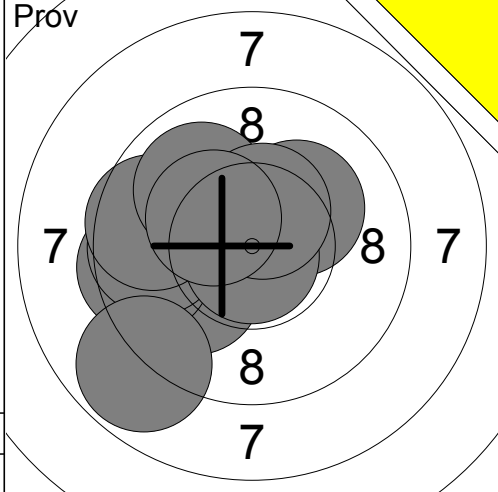
21:	10.1 ↗
22:	10.6x ↗
23:	10.2x ↑
24:	10.3x ↑
25:	10.6x ↙
26:	10.5x ↙
27:	10.8x ↗
28:	9.5 ←
29:	10.4x ↑
30:	10.2x ↑
Serie	99 (8x)
Total	296 (22x)



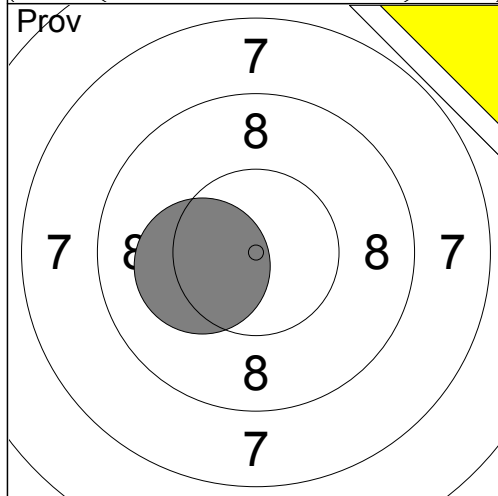
31:	10.3x ↑
32:	10.6x ↑
33:	10.3x ↑
34:	10.2x ↓
35:	10.3x ↙
36:	10.3x →
37:	10.4x ↓
38:	9.8 ↓
39:	10.5x ↙
40:	10.4x →
Serie	99 (9x)
Total	395 (31x)



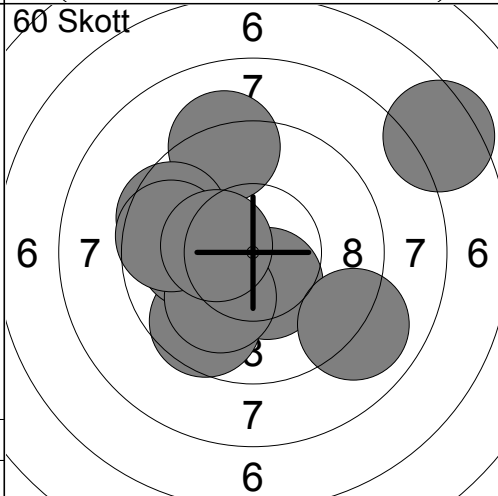
1:	10.7x	←
2:	9.8	↘
3:	10.1	←
4:	10.7x	↗
5:	7.4	←
6:	9.2	↗
7:	9.5	↗
8:	9.5	↑
9:	10.1	↖
10:	9.3	→
Serie		92 (2x)
Total		0 (0x)



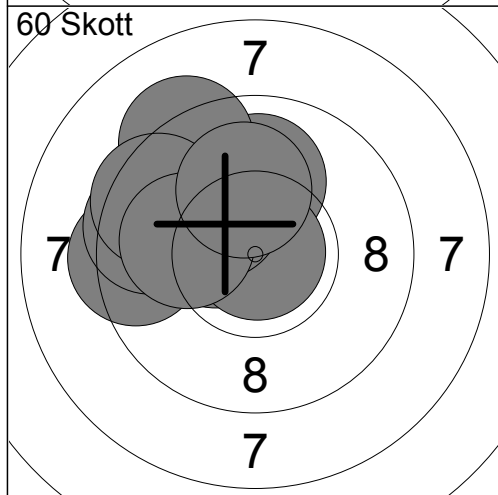
11:	10.0	↖
12:	10.2x	↗
13:	9.5	←
14:	9.7	←
15:	10.8x	↓
16:	8.8	↘
17:	9.6	←
18:	10.0	↗
19:	10.5x	↑
20:	10.3x	↖
Serie		95 (4x)
Total		0 (0x)



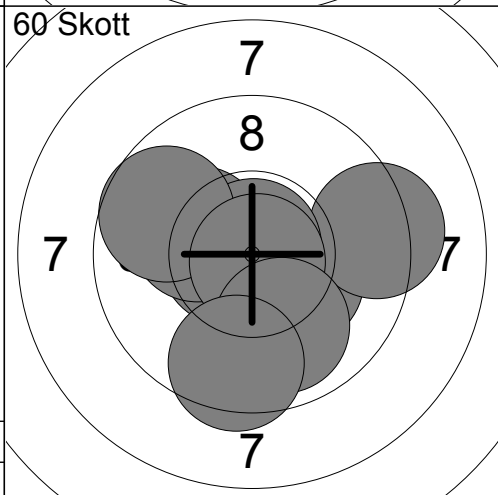
21:	10.2x	←
Serie		10 (1x)
Total		0 (0x)



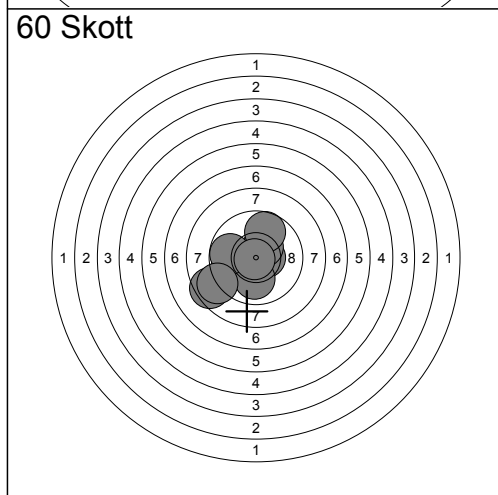
1:	9.6	↘
2:	10.0	←
3:	10.4x	↘
4:	10.1	↘
5:	7.4	↗
6:	9.2	↑
7:	9.5	←
8:	9.6	←
9:	10.4x	←
10:	9.0	↘
Serie		92 (2x)
Total		92 (2x)



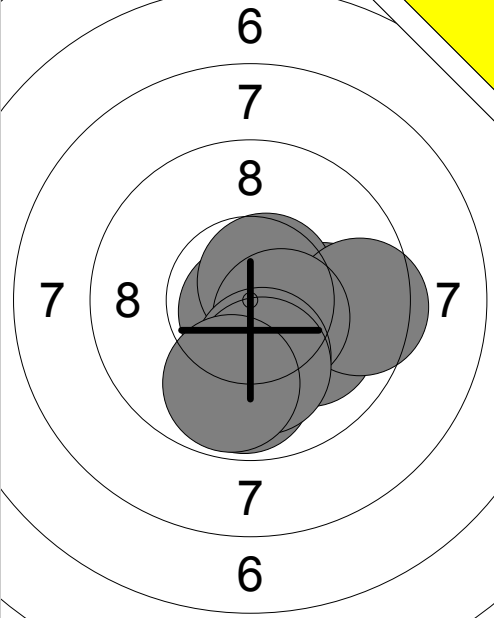
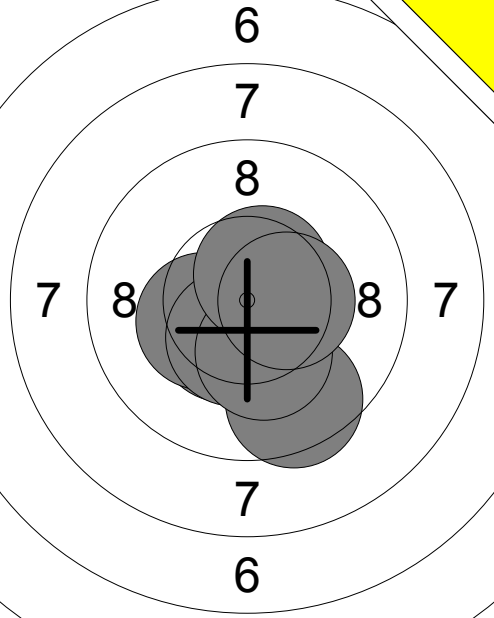
11:	10.0	↑
12:	9.2	↗
13:	10.4x	←
14:	10.9x	↗
15:	9.4	←
16:	9.5	←
17:	10.2x	↗
18:	9.5	↖
19:	10.0	←
20:	10.1	↑
Serie		96 (3x)
Total		188 (5x)

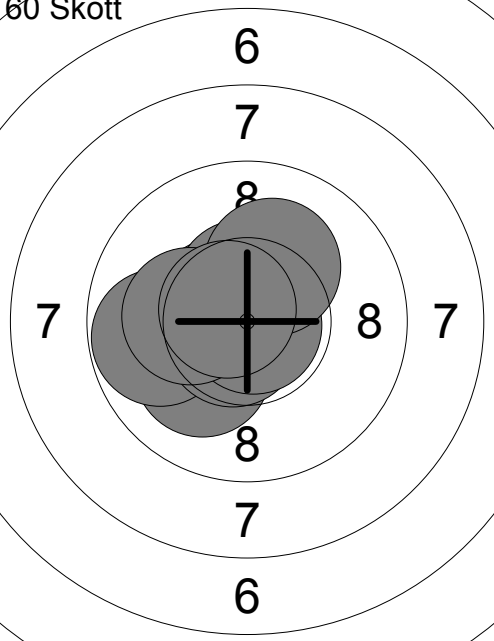


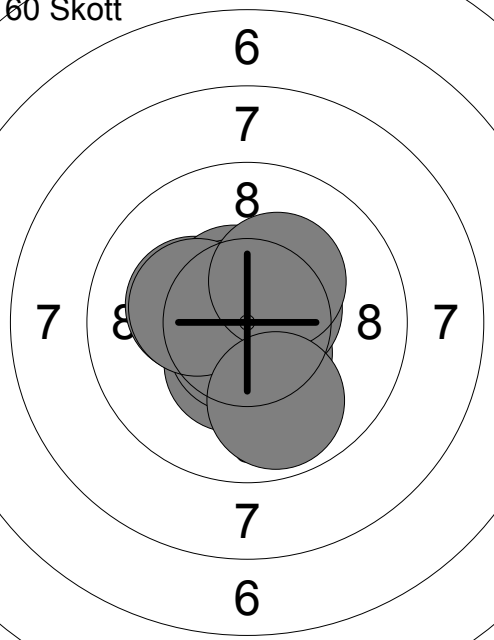
21:	10.7x	↘
22:	10.6x	←
23:	10.3x	↘
24:	10.2x	←
25:	9.3	→
26:	10.8x	↑
27:	9.7	←
28:	10.8x	↘
29:	9.9	↘
30:	9.5	↘
Serie		96 (6x)
Total		284 (11x)

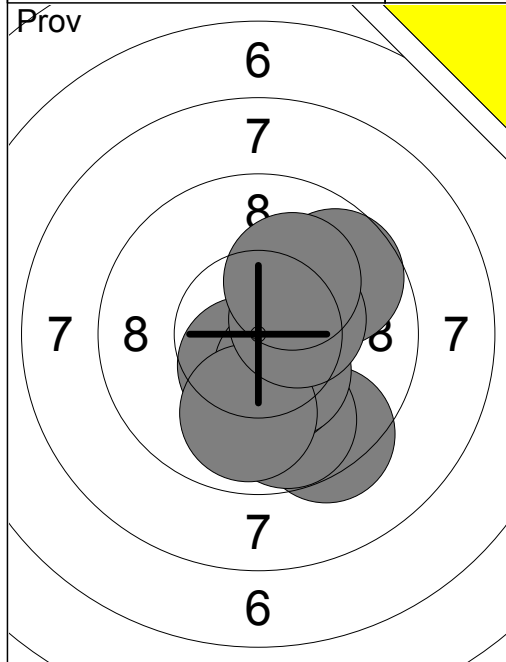


31:	10.6x	→
32:	9.7	←
33:	10.4x	↗
34:	8.5	↖
35:	0.0	↓
36:	10.0	↓
37:	9.8	↗
38:	9.8	←
39:	10.9x	↘
40:	8.9	↖
Serie		83 (3x)
Total		367 (14x)

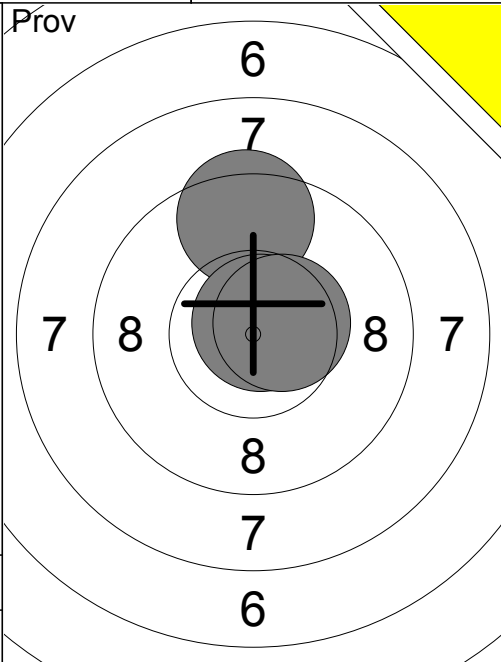
<p>Prov</p> 	<p>1: 9.8 ↓ 2: 10.0 → 3: 10.8x ↓ 4: 10.1 → 5: 10.6x ↗ 6: 9.5 → 7: 10.5x → 8: 10.2x ↓ 9: 10.1 ↓ 10: 9.8 ↓</p> <p>Serie 97 (4x) Total 0 (0x)</p>	<p>Prov</p> 	<p>11: 9.5 ↓ 12: 10.4x ↙ 13: 10.3x ↙ 14: 10.4x ↓ 15: 10.2x ↓ 16: 10.6x ↗ 17: 10.4x →</p> <p>Serie 69 (6x) Total 0 (0x)</p>
--	--	--	---

<p>60 Skott</p> 	<p>1: 10.6x ↗ 2: 10.7x ↙ 3: 10.3x ↗ 4: 10.6x ↓ 5: 10.5x ↓ 6: 10.6x ↑ 7: 10.3x ↓ 8: 10.6x ↙ 9: 10.1 ↓ 10: 9.8 →</p> <p>Serie 99 (8x) Total 99 (8x)</p>	<p>60 Skott</p> 	<p>11: 10.5x ↙ 12: 10.5x ↑ 13: 10.1 ↓ 14: 10.4x ← 15: 9.8 ← 16: 10.7x ↙ 17: 10.9x → 18: 10.2x ← 19: 10.2x ↑ 20: 10.6x ↙</p> <p>Serie 99 (8x) Total 198 (16x)</p>
---	---	---	--

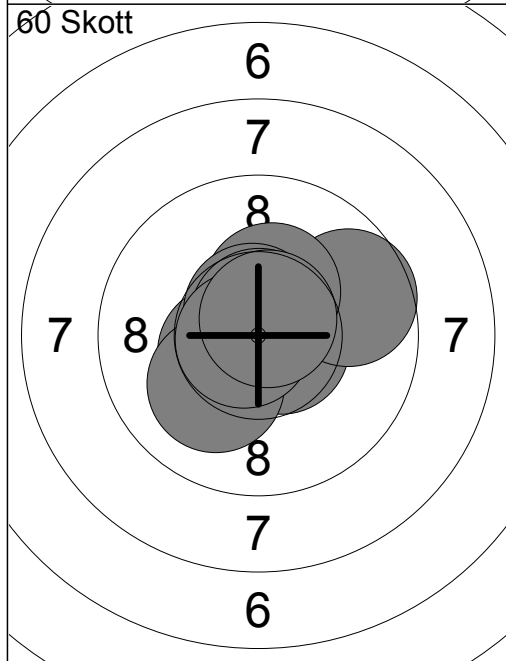
<p>60 Skott</p> 	<p>21: 10.2x ↗ 22: 10.0 → 23: 10.3x ↙ 24: 10.4x ↑ 25: 10.2x ↑ 26: 10.5x ↙ 27: 10.0 ↓ 28: 10.1 ← 29: 10.2x → 30: 10.3x ↙</p> <p>Serie 100 (7x) Total 298 (23x)</p>	<p>60 Skott</p> 	<p>31: 10.4x ↓ 32: 10.5x ↓ 33: 10.6x ↗ 34: 10.2x ↙ 35: 10.5x ↗ 36: 10.6x ↓ 37: 10.7x ↙ 38: 10.3x ↙ 39: 10.3x ↗ 40: 9.9 ↓</p> <p>Serie 99 (9x) Total 397 (32x)</p>
--	---	--	---



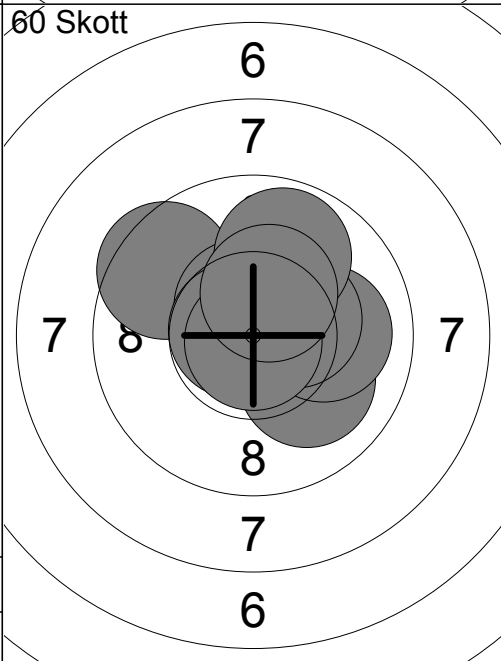
1:	9.4	↘
2:	9.8	↘
3:	10.4x	↘
4:	10.3x	↘
5:	10.5x	↘
6:	10.4x	↘
7:	9.9	↘
8:	9.7	↗
9:	10.4x	→
10:	10.1	↗
Serie		96 (5x)
Total		0 (0x)



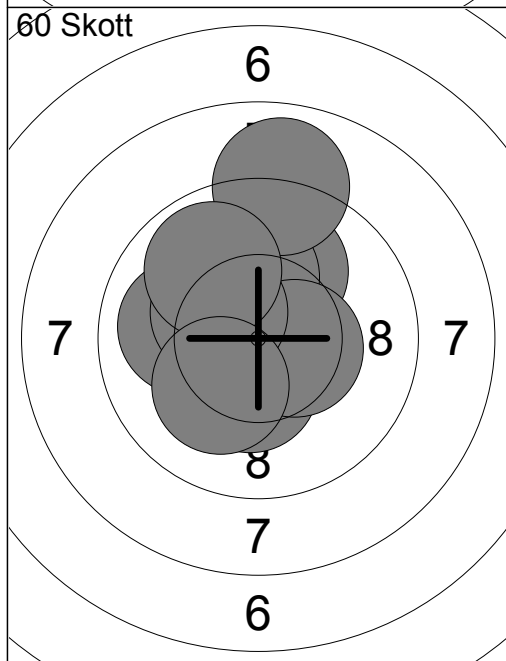
11:	9.4	↑
12:	10.8x	↗
13:	10.5x	→
Serie		29 (2x)
Total		0 (0x)



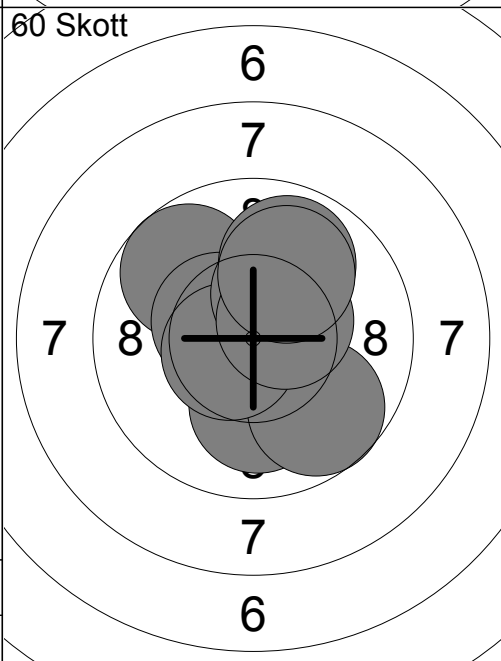
1:	10.7x	→
2:	10.6x	→
3:	9.7	↗
4:	10.5x	↙
5:	10.3x	↑
6:	10.6x	↑
7:	10.1	↙
8:	10.7x	↑
9:	10.8x	↙
10:	10.7x	↗
Serie		99 (8x)
Total		99 (8x)



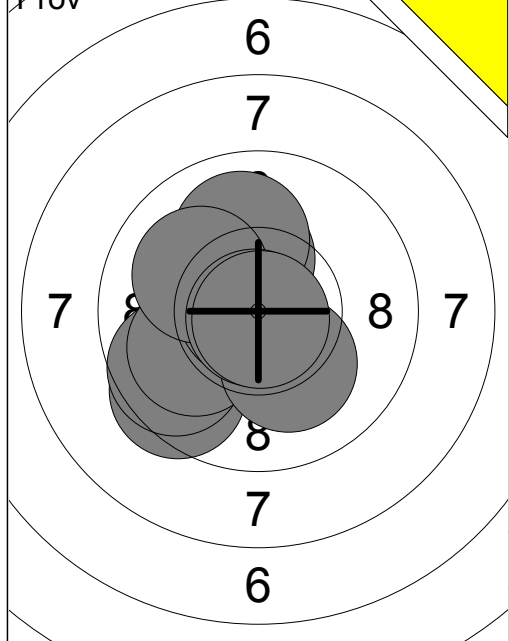
11:	10.1	↘
12:	9.5	↖
13:	10.5x	→
14:	10.0	→
15:	10.6x	↑
16:	10.4x	→
17:	9.9	↗
18:	10.7x	↙
19:	10.9x	↘
20:	10.4x	↗
Serie		98 (6x)
Total		197 (14x)



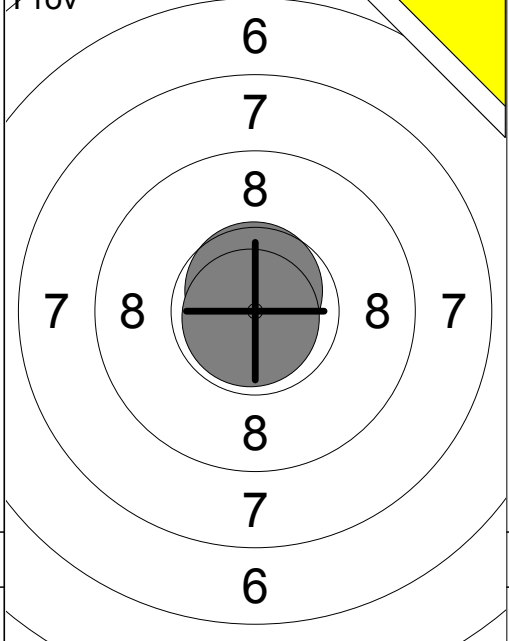
21:	10.4x	↘
22:	10.8x	↗
23:	10.0	↑
24:	10.1	↑
25:	8.9	↑
26:	10.0	↙
27:	10.5x	→
28:	10.3x	↙
29:	9.9	↖
30:	10.2x	↙
Serie		97 (5x)
Total		294 (19x)



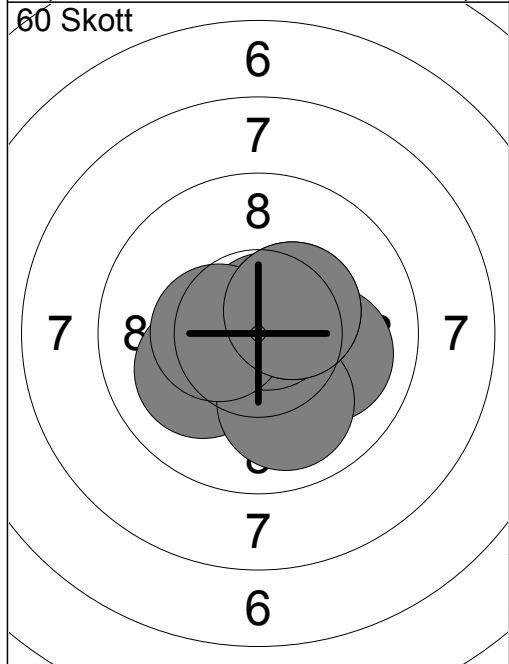
31:	10.6x	↘
32:	10.1	↘
33:	9.7	↖
34:	10.5x	↙
35:	9.7	↘
36:	10.6x	↙
37:	9.9	↗
38:	10.3x	↗
39:	10.5x	→
40:	10.0	↗
Serie		97 (5x)
Total		391 (24x)



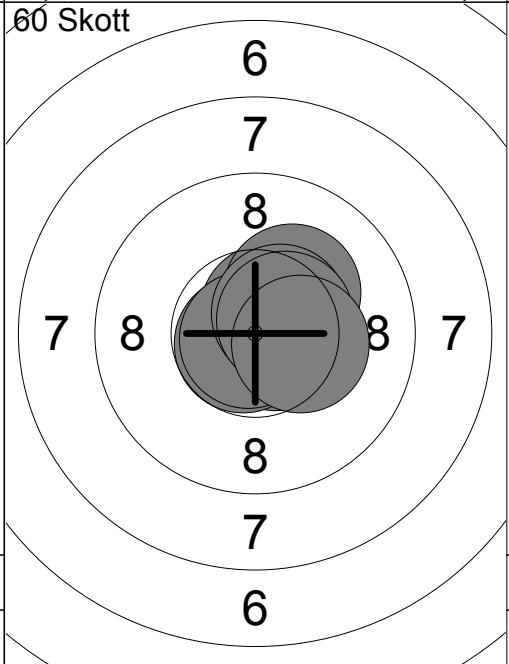
1:	9.5 ↙
2:	9.6 ↙
3:	10.0 ↙
4:	10.8x ←
5:	10.3x ↑
6:	10.0 ↑
7:	10.1 ↘
8:	10.2x ↓
9:	10.8x ↓
10:	10.8x ↓
Serie	98 (5x)
Total	0 (0x)



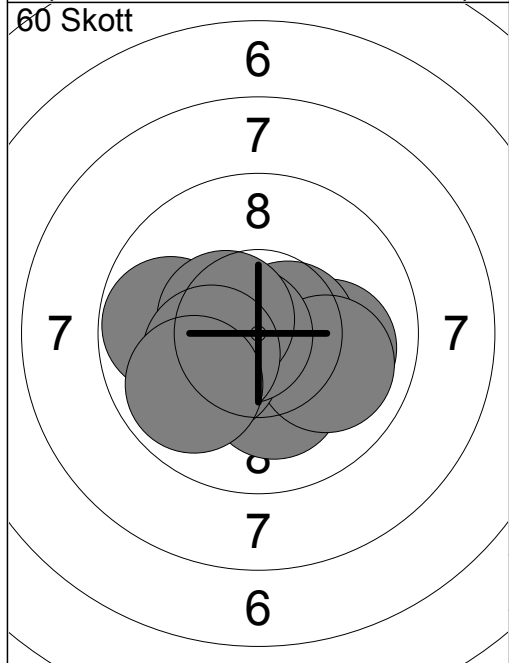
11:	10.7x ↑
12:	10.8x ↓
Serie	20 (2x)
Total	0 (0x)



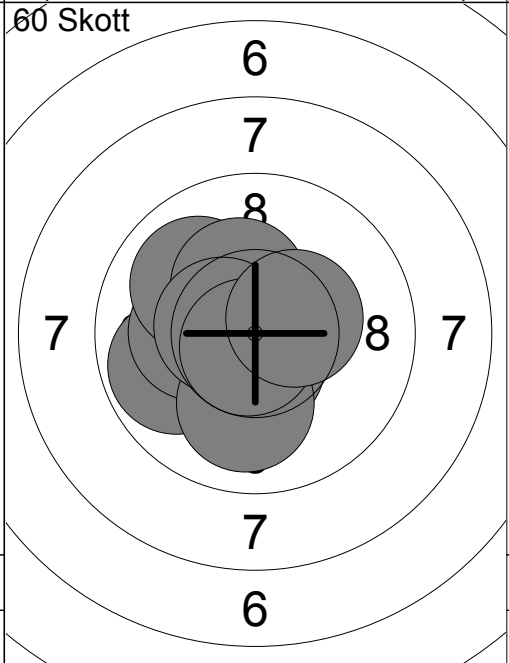
1:	10.6x ←
2:	10.4x ↙
3:	10.1 ↙
4:	10.8x ↓
5:	10.0 →
6:	10.0 ↓
7:	10.7x ↗
8:	10.4x ↗
9:	10.4x ←
10:	10.4x ↗
Serie	100 (7x)
Total	100 (7x)



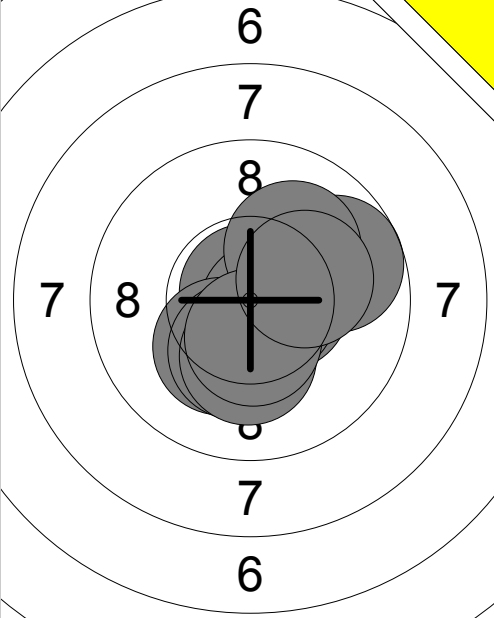
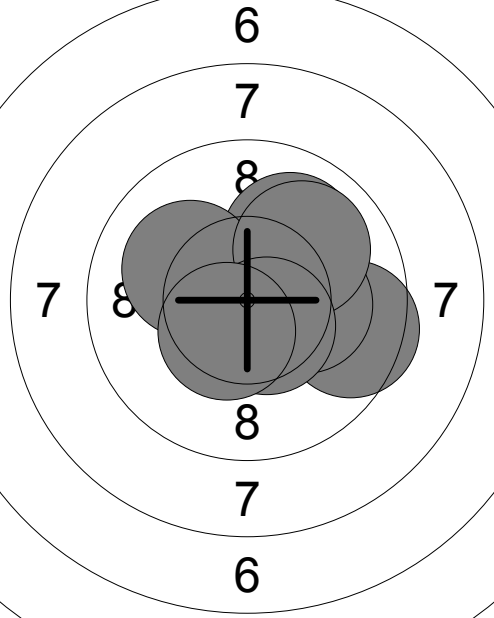
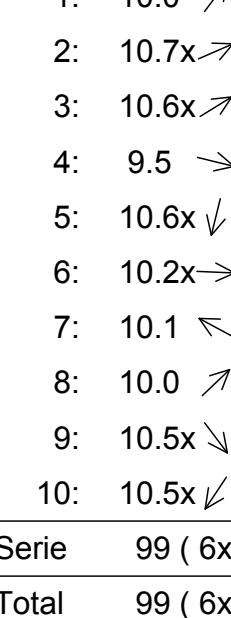
11:	10.7x →
12:	10.7x →
13:	10.8x ↗
14:	10.6x ↗
15:	10.7x ↙
16:	10.2x ↗
17:	10.8x ↙
18:	10.5x ↗
19:	10.5x →
20:	10.3x →
Serie	100 (10x)
Total	200 (17x)



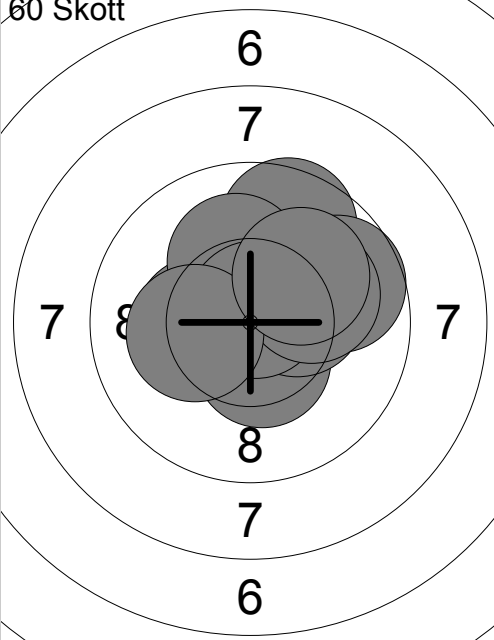


21:	10.0 →
22:	10.6x →
23:	10.2x ↓
24:	10.0 →
25:	10.2x ↙
26:	9.8 ←
27:	10.8x ←
28:	10.5x ↘
29:	10.3x ↙
30:	9.9 ↙
Serie	98 (6x)
Total	298 (23x)

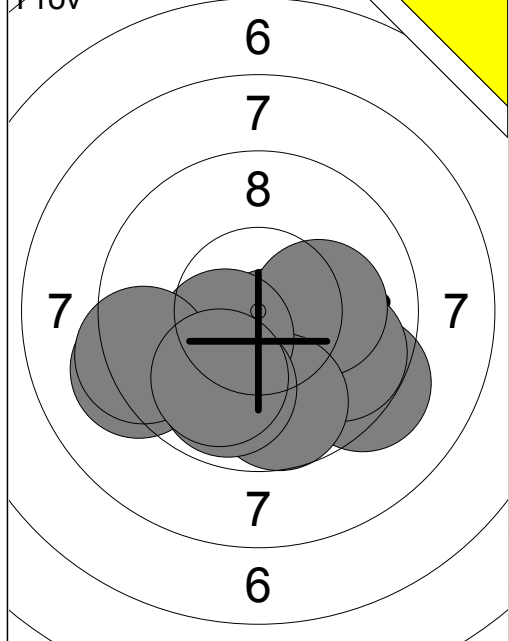


31:	9.8 ←
32:	10.6x ↓
33:	10.8x ↓
34:	10.2x ←
35:	10.0 ↓
36:	10.0 ↙
37:	10.3x ↑
38:	10.5x ←
39:	10.7x ↓
40:	10.4x →
Serie	99 (7x)
Total	397 (30x)

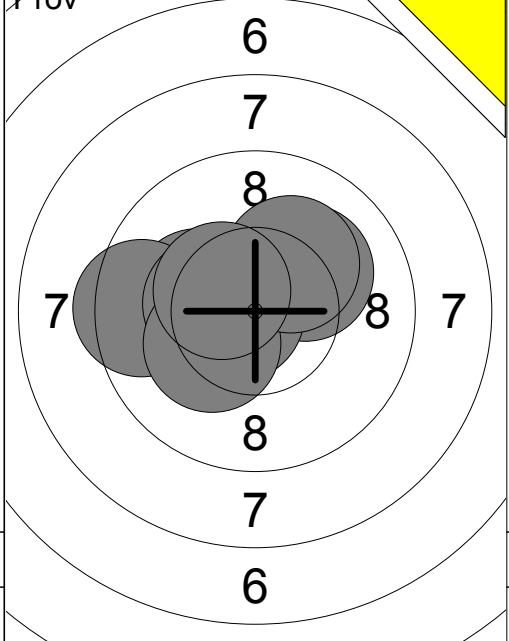
<p>Pröv</p> 	<p>60 Skott</p> 	<p>60 Skott</p> 
<p>1: 9.7 →</p> <p>2: 10.8x ↑</p> <p>3: 10.5x →</p> <p>4: 10.7x →</p> <p>5: 10.2x ↓</p> <p>6: 10.1 ↗</p> <p>7: 10.3x ↓</p> <p>8: 10.2x ↓</p> <p>9: 10.5x ↓</p> <p>10: 10.2x →</p>	<p>1: 10.0 ↗</p> <p>2: 10.7x →</p> <p>3: 10.6x →</p> <p>4: 9.5 →</p> <p>5: 10.6x ↓</p> <p>6: 10.2x →</p> <p>7: 10.1 ↖</p> <p>8: 10.0 ↗</p> <p>9: 10.5x ↓</p> <p>10: 10.5x ↓</p>	<p>1: 10.0 ↗</p> <p>2: 10.7x →</p> <p>3: 10.6x →</p> <p>4: 9.5 →</p> <p>5: 10.6x ↓</p> <p>6: 10.2x →</p> <p>7: 10.1 ↖</p> <p>8: 10.0 ↗</p> <p>9: 10.5x ↓</p> <p>10: 10.5x ↓</p>
Serie 99 (8x)	Serie 99 (6x)	Serie 99 (6x)
Total 0 (0x)	Total 99 (6x)	Total 99 (6x)

<p>60 Skott</p> 	<p>60 Skott</p> 	<p>60 Skott</p> 
<p>11: 10.2x ↑</p> <p>12: 10.0 ←</p> <p>13: 10.1 →</p> <p>14: 10.4x →</p> <p>15: 10.6x →</p> <p>16: 10.2x →</p> <p>17: 10.5x →</p> <p>18: 10.6x →</p> <p>19: 10.3x ↗</p> <p>20: 10.2x ↗</p>	<p>21: 10.7x ↓</p> <p>22: 9.9 ↑</p> <p>23: 10.1 ↑</p> <p>24: 10.2x →</p> <p>25: 10.6x →</p> <p>26: 10.8x ↗</p> <p>27: 10.4x →</p> <p>28: 9.9 →</p> <p>29: 10.7x ↗</p> <p>30: 10.7x ↓</p>	<p>21: 10.7x ↓</p> <p>22: 9.9 ↑</p> <p>23: 10.1 ↑</p> <p>24: 10.2x →</p> <p>25: 10.6x →</p> <p>26: 10.8x ↗</p> <p>27: 10.4x →</p> <p>28: 9.9 →</p> <p>29: 10.7x ↗</p> <p>30: 10.7x ↓</p>
Serie 100 (8x)	Serie 98 (7x)	Serie 98 (7x)
Total 199 (14x)	Total 297 (21x)	Total 297 (21x)

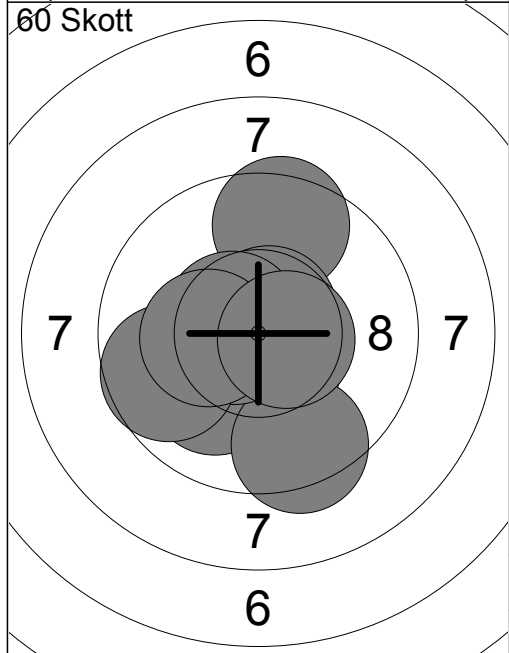
<p>60 Skott</p> 	<p>60 Skott</p> 	<p>60 Skott</p> 
<p>31: 10.4x ↓</p> <p>32: 10.3x →</p> <p>33: 9.6 ↑</p> <p>34: 10.3x ←</p> <p>35: 10.1 ↑</p> <p>36: 10.8x ↗</p> <p>37: 9.7 →</p> <p>38: 10.1 →</p> <p>39: 10.2x ←</p> <p>40: 10.1 ↗</p>	<p>31: 10.4x ↓</p> <p>32: 10.3x →</p> <p>33: 9.6 ↑</p> <p>34: 10.3x ←</p> <p>35: 10.1 ↑</p> <p>36: 10.8x ↗</p> <p>37: 9.7 →</p> <p>38: 10.1 →</p> <p>39: 10.2x ←</p> <p>40: 10.1 ↗</p>	<p>31: 10.4x ↓</p> <p>32: 10.3x →</p> <p>33: 9.6 ↑</p> <p>34: 10.3x ←</p> <p>35: 10.1 ↑</p> <p>36: 10.8x ↗</p> <p>37: 9.7 →</p> <p>38: 10.1 →</p> <p>39: 10.2x ←</p> <p>40: 10.1 ↗</p>
Serie 98 (5x)	Serie 98 (5x)	Serie 98 (5x)
Total 395 (26x)	Total 395 (26x)	Total 395 (26x)



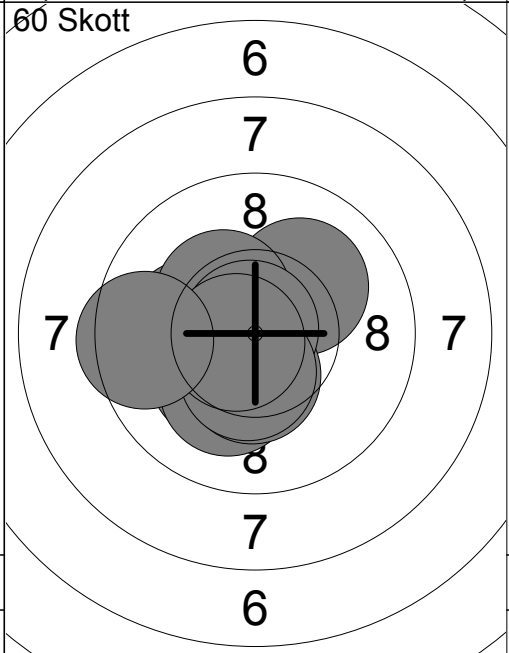
1:	9.3	↘
2:	9.8	↘
3:	10.6x	↘
4:	10.2x	→
5:	9.7	↘
6:	9.2	↙
7:	10.4x	↙
8:	9.3	↙
9:	9.9	↘
10:	9.9	↘
Serie		93 (3x)
Total		0 (0x)



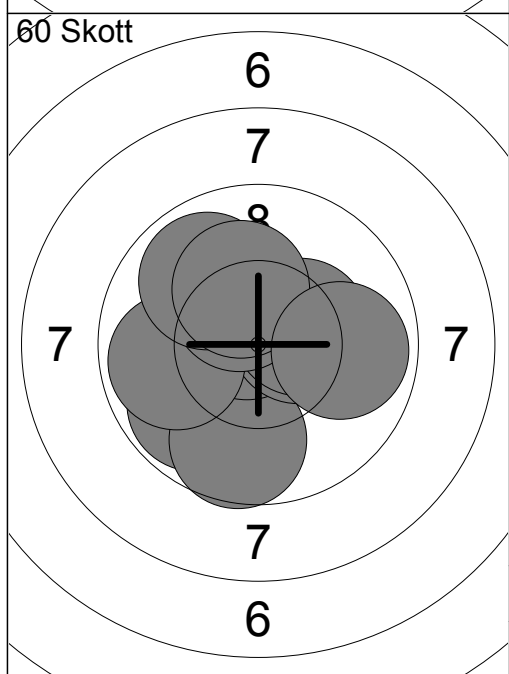
11:	10.2x	↙
12:	10.1	↗
13:	9.5	↙
14:	10.4x	↙
15:	10.7x	↙
16:	10.2x	↙
17:	10.2x	↗
18:	10.4x	↙
Serie		79 (6x)
Total		0 (0x)



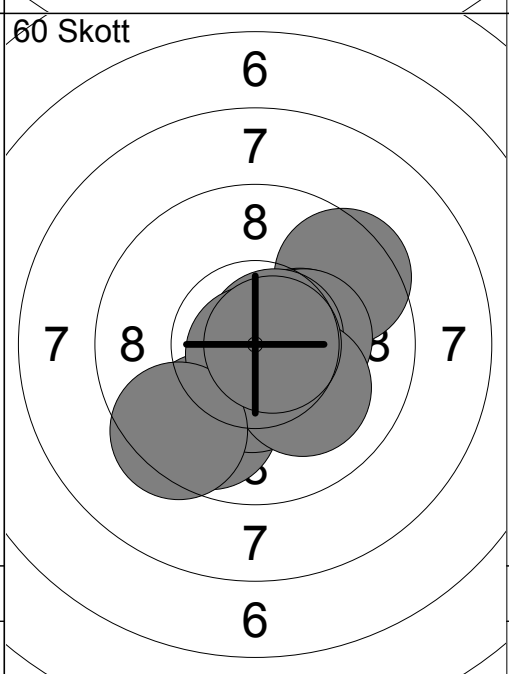
1:	9.5	↑
2:	10.6x	↘
3:	10.1	↙
4:	9.4	↘
5:	10.6x	↙
6:	10.7x	↗
7:	10.6x	↙
8:	9.7	↙
9:	10.3x	↙
10:	10.6x	→
Serie		97 (6x)
Total		97 (6x)



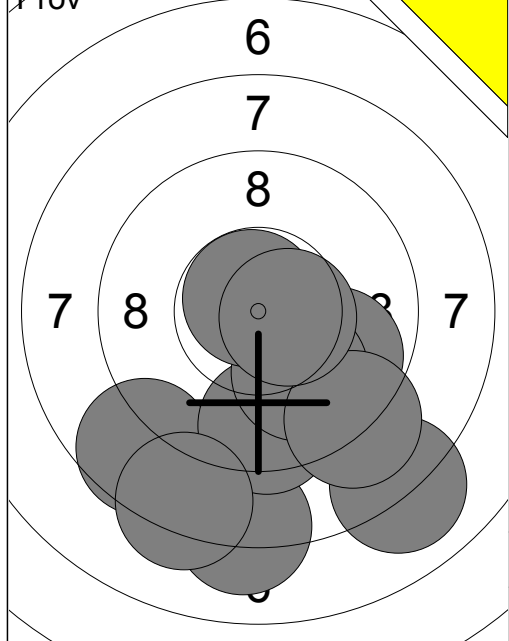
11:	10.2x	↙
12:	10.1	↗
13:	10.1	↙
14:	10.2x	↘
15:	10.4x	↘
16:	10.3x	↙
17:	10.9x	↙
18:	10.4x	↘
19:	10.7x	↙
20:	9.5	↙
Serie		99 (7x)
Total		196 (13x)



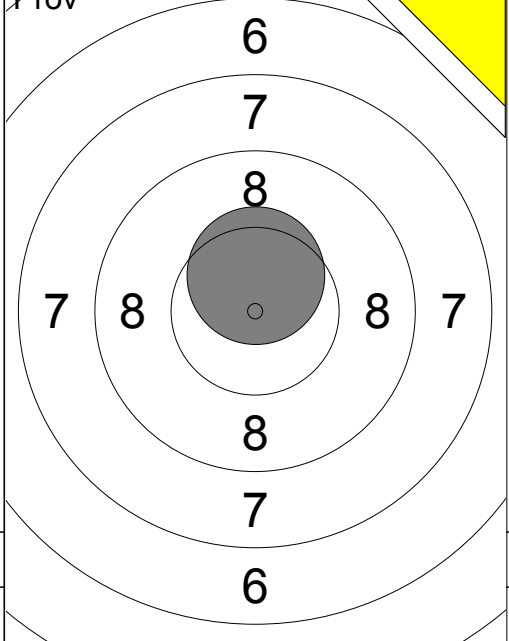
21:	9.8	↙
22:	9.7	↘
23:	10.7x	↙
24:	10.4x	→
25:	9.9	↙
26:	10.4x	→
27:	10.4x	↗
28:	9.9	↗
29:	10.2x	↗
30:	9.9	→
Serie		95 (5x)
Total		291 (18x)



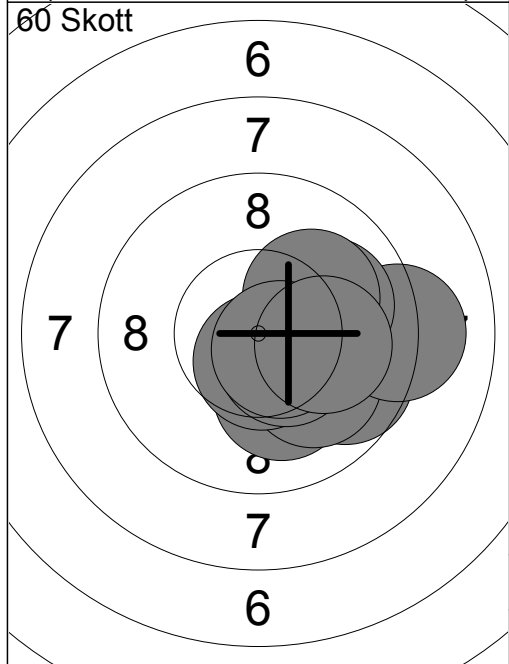
31:	9.5	↗
32:	10.4x	→
33:	9.8	↘
34:	10.3x	→
35:	10.7x	→
36:	10.4x	↘
37:	10.8x	↘
38:	10.1	↘
39:	9.4	↙
40:	10.7x	→
Serie		97 (6x)
Total		388 (24x)



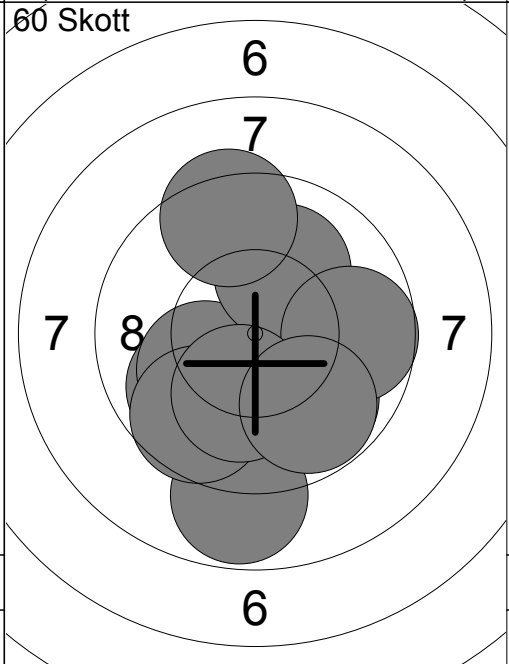
1:	8.6	↙
2:	8.0	↘
3:	8.1	↓
4:	9.8	↘
5:	9.5	↓
6:	10.0	↘
7:	10.8x	↗
8:	9.1	↘
9:	8.3	↓
10:	10.6x	→
Serie	89	(2x)
Total	0	(0x)



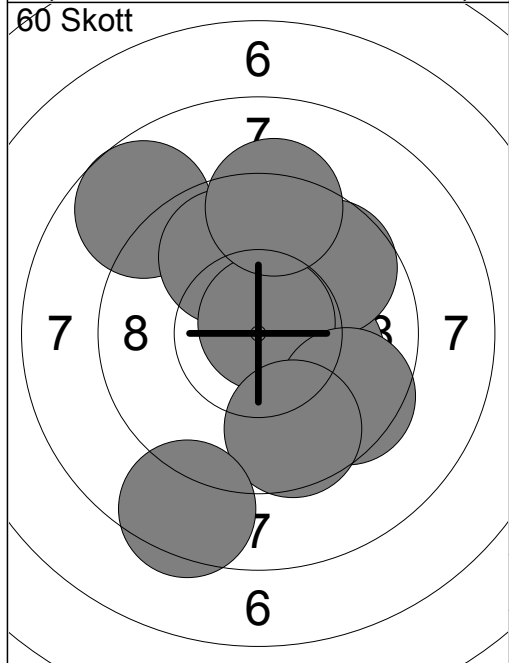
11:	10.5x	↑
Serie	10	(1x)
Total	0	(0x)



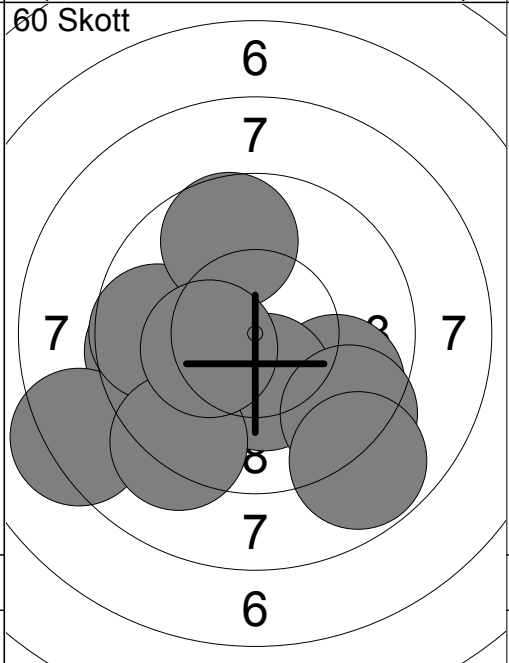
1:	9.7	↘
2:	10.1	↓
3:	10.0	↘
4:	9.1	→
5:	10.6x	↓
6:	10.0	→
7:	10.1	↗
8:	10.5x	↘
9:	10.6x	↘
10:	10.1	→
Serie	98	(3x)
Total	98	(3x)



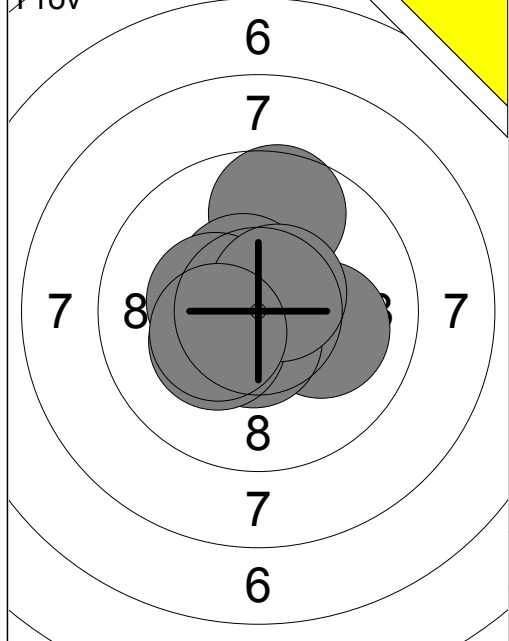
11:	9.9	↙
12:	8.8	↓
13:	9.8	↘
14:	10.1	↙
15:	10.1	↗
16:	9.7	↙
17:	9.7	→
18:	10.1	↓
19:	9.8	↘
20:	9.4	↑
Serie	92	(0x)
Total	190	(3x)



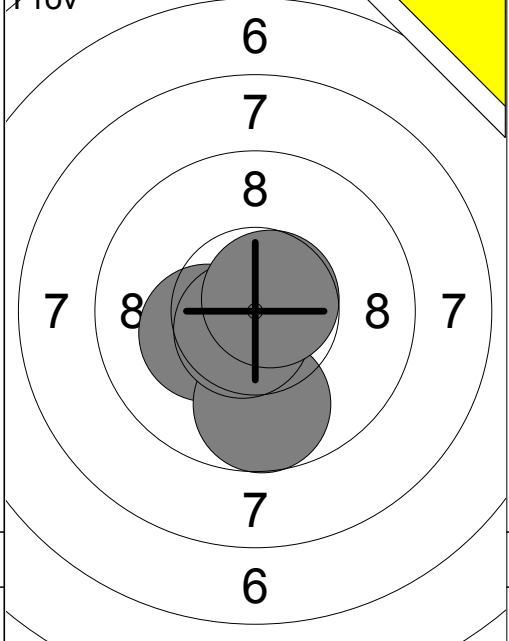
21:	8.7	↖
22:	10.0	↗
23:	10.2x	→
24:	9.9	↗
25:	9.7	↗
26:	10.8x	↗
27:	9.3	↑
28:	9.5	↘
29:	9.6	↓
30:	8.5	↘
Serie	91	(2x)
Total	281	(5x)



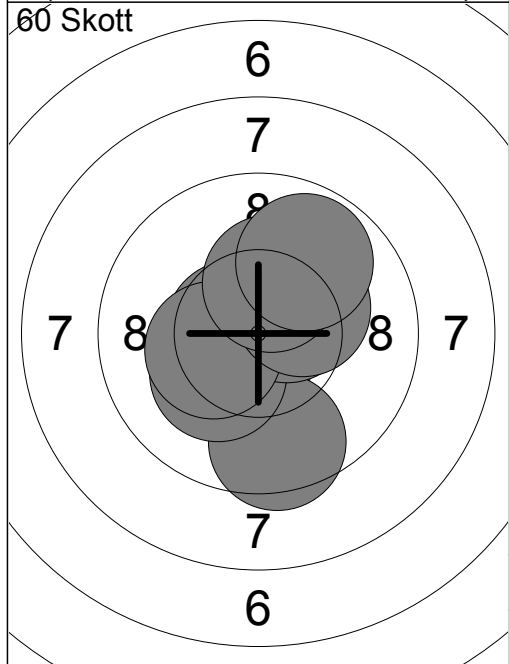
31:	9.6	←
32:	9.7	↘
33:	8.3	↙
34:	10.3x	↓
35:	9.7	←
36:	9.3	↘
37:	9.2	↙
38:	9.7	↑
39:	8.8	↘
40:	10.3x	←
Serie	90	(2x)
Total	371	(7x)



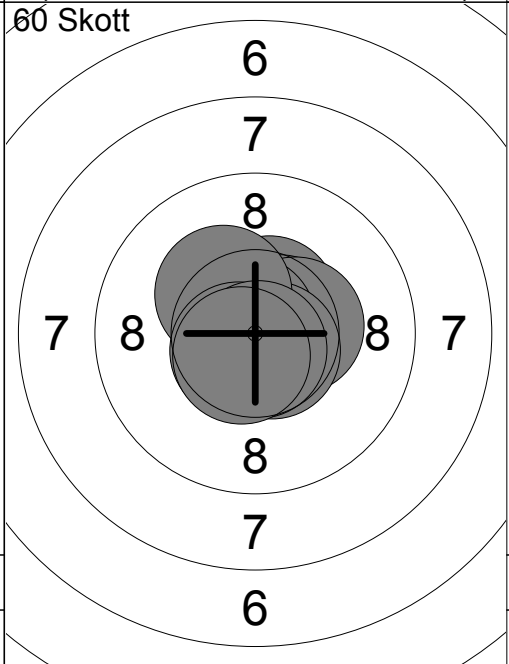
1:	10.6x ↗
2:	9.6 ↑
3:	10.1 →
4:	10.5x ↖
5:	10.7x ↙
6:	10.4x ↖
7:	10.6x ↓
8:	10.3x ↙
9:	10.6x ↗
10:	10.4x ↙
Serie	99 (8x)
Total	0 (0x)



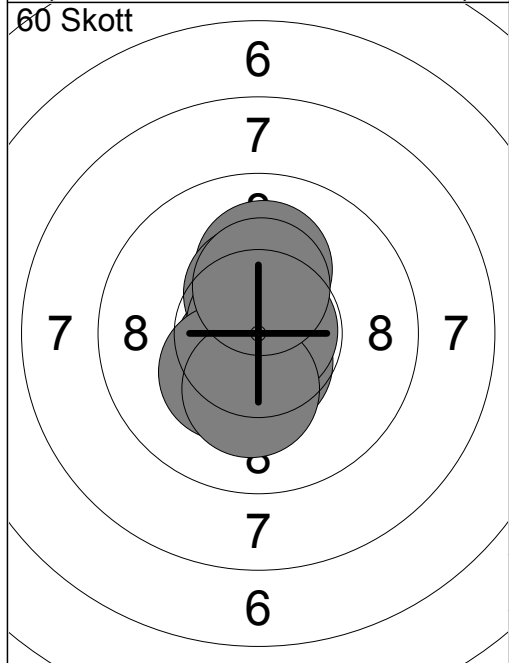
11:	10.3x ↖
12:	9.7 ↓
13:	10.7x ↙
14:	10.7x ↗
Serie	39 (3x)
Total	0 (0x)



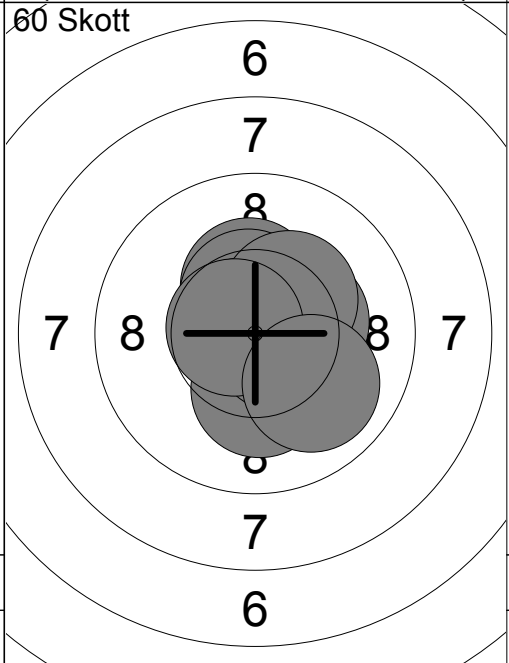
1:	10.5x ↙
2:	9.5 ↓
3:	10.6x ↖
4:	10.5x ↖
5:	10.2x ↙
6:	10.5x ↗
7:	10.3x ↖
8:	10.3x ↗
9:	10.3x ↑
10:	9.8 ↗
Serie	98 (8x)
Total	98 (8x)



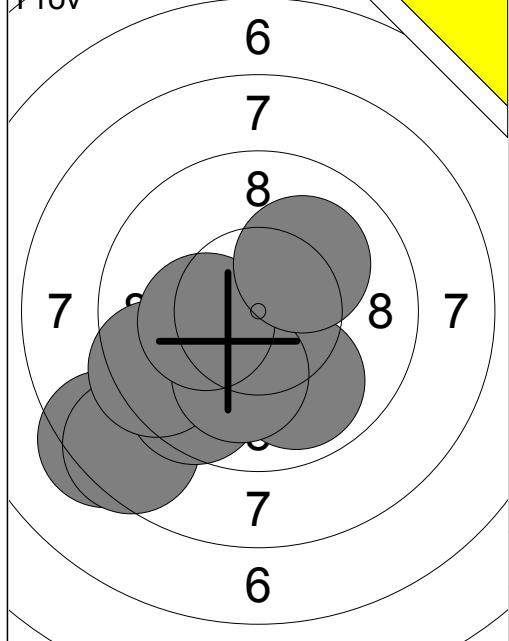
11:	10.6x →
12:	10.5x ↑
13:	10.6x →
14:	10.4x →
15:	10.8x ↖
16:	10.6x ↓
17:	10.3x ↖
18:	10.6x ↙
19:	10.7x ↓
20:	10.6x ↙
Serie	100 (10x)
Total	198 (18x)



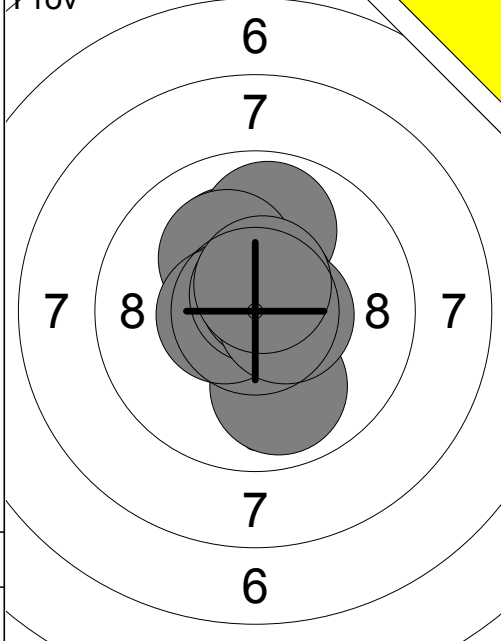
21:	10.1 ↑
22:	10.6x ↙
23:	10.6x ↓
24:	10.8x ↑
25:	10.4x ↑
26:	10.8x ↖
27:	10.8x →
28:	10.3x ↙
29:	10.2x ↓
30:	10.3x ↑
Serie	100 (9x)
Total	298 (27x)



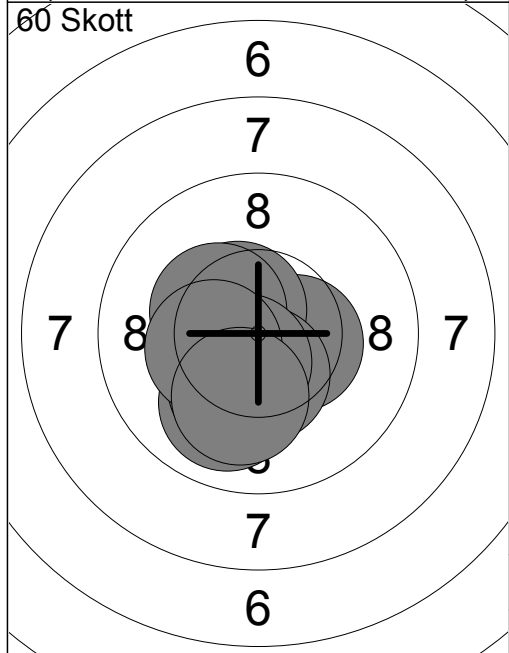
31:	10.3x ↑
32:	10.5x ↑
33:	10.3x →
34:	10.8x ↖
35:	10.3x ↓
36:	10.2x ↓
37:	10.6x →
38:	10.3x ↗
39:	10.7x ↖
40:	10.0 ↓
Serie	100 (9x)
Total	398 (36x)



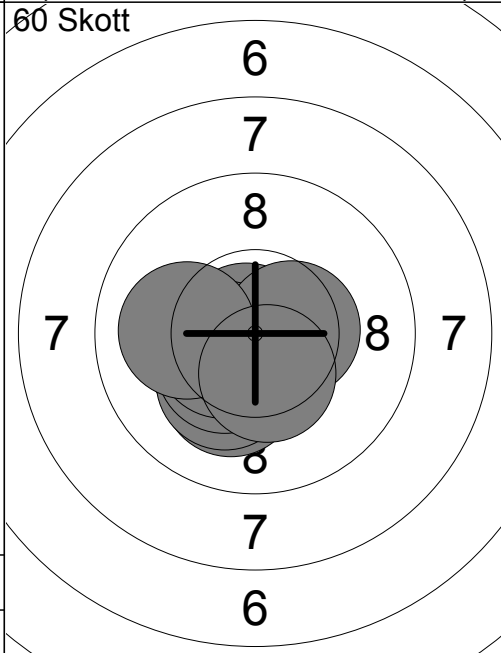
1:	9.8 ↙
2:	8.3 ↙
3:	8.5 ↙
4:	9.6 ↙
5:	10.7x ↙
6:	9.4 ↙
7:	9.9 ↘
8:	10.1 ↘
9:	10.3x ←
10:	10.1 ↗
Serie	92 (2x)
Total	0 (0x)



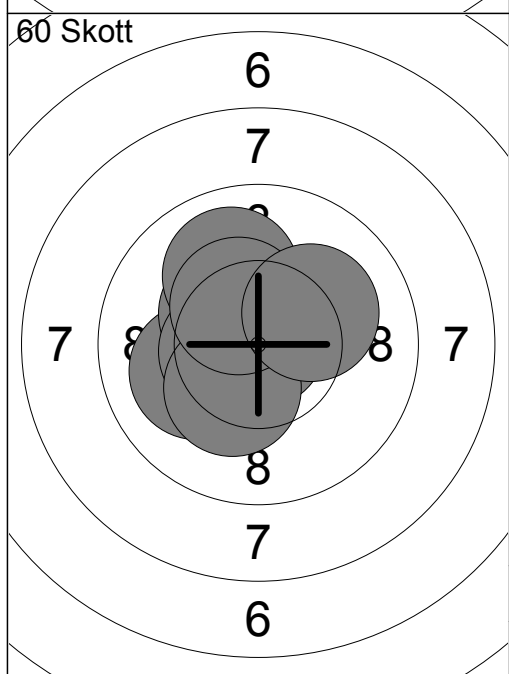
11:	10.2x ↗
12:	9.9 ↑
13:	10.2x ↗
14:	10.7x ←
15:	9.9 ↘
16:	10.6x ←
17:	10.7x ↑
18:	10.7x ↗
19:	10.6x →
20:	10.6x ↑
Serie	98 (8x)
Total	0 (0x)



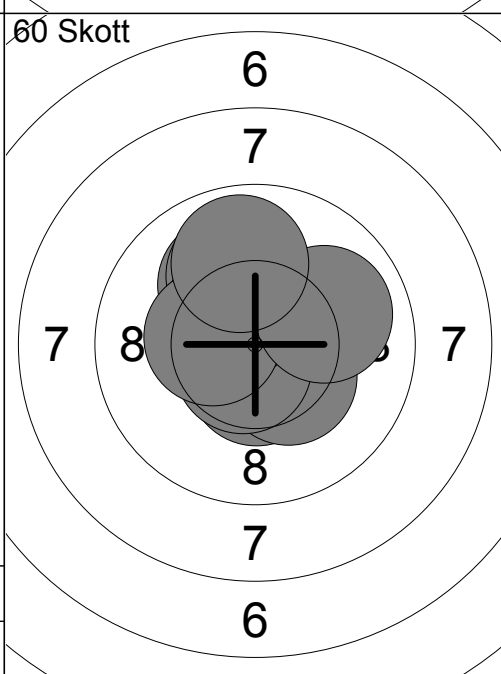
1:	10.5x →
2:	10.0 ↘
3:	10.6x ←
4:	10.2x ↘
5:	10.5x ↗
6:	10.4x ↖
7:	10.4x ↘
8:	10.5x ↘
9:	10.3x ←
10:	10.1 ↘
Serie	100 (8x)
Total	100 (8x)



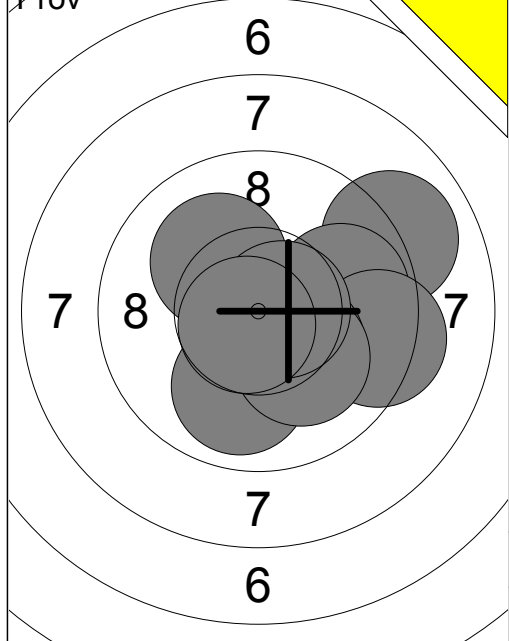
11:	10.4x ↖
12:	10.8x ←
13:	10.2x ↘
14:	10.3x ←
15:	10.2x ↘
16:	10.4x ↖
17:	10.5x ←
18:	10.5x →
19:	10.1 ←
20:	10.4x ↘
Serie	100 (9x)
Total	200 (17x)



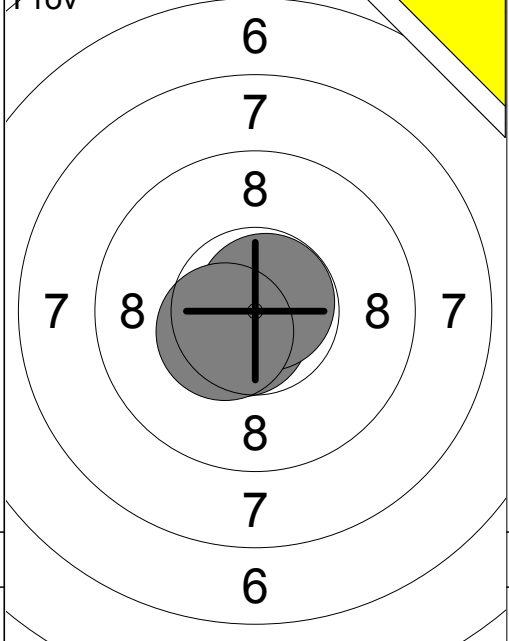
21:	10.8x ←
22:	10.1 ↙
23:	10.7x ↖
24:	10.4x ↗
25:	10.0 ↗
26:	10.9x ↑
27:	10.5x ←
28:	10.3x ↘
29:	10.4x ↗
30:	10.1 ↗
Serie	100 (7x)
Total	300 (24x)



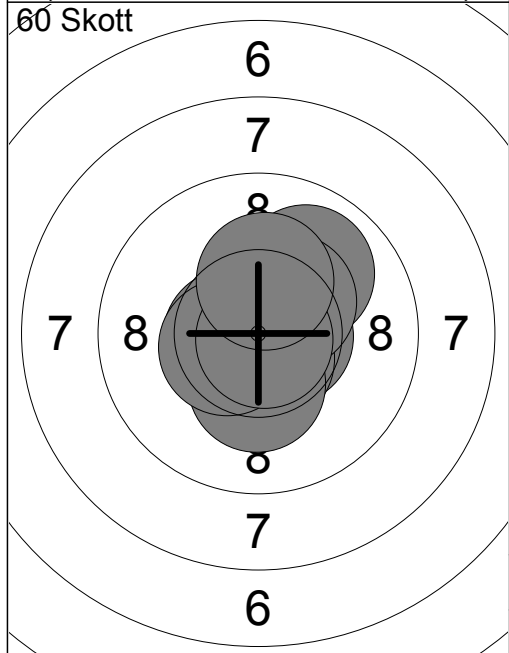
31:	10.1 ↗
32:	10.5x ↘
33:	10.3x ↘
34:	10.0 ↑
35:	10.7x ↑
36:	10.6x ↘
37:	10.4x ↗
38:	10.4x ←
39:	10.0 →
40:	9.9 ↑
Serie	99 (6x)
Total	399 (30x)



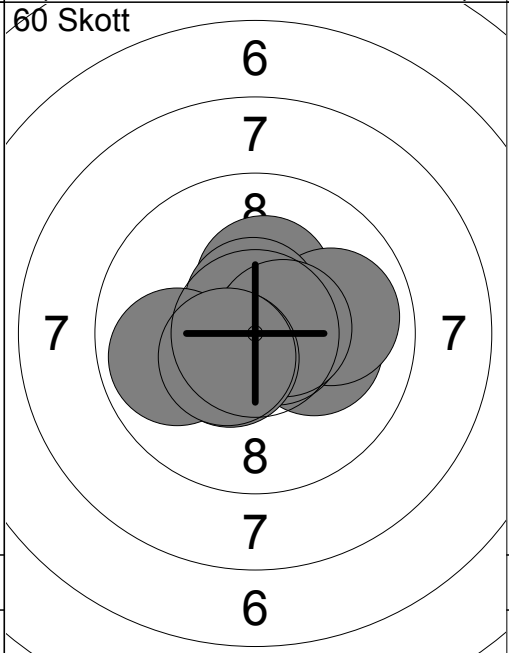
1:	9.0	↗
2:	9.8	→
3:	9.9	↓
4:	10.1	↗
5:	10.2x	↓
6:	9.4	→
7:	10.3x	↓
8:	10.1	↓
9:	10.6x	→
10:	10.7x	↙
Serie		96 (4x)
Total		0 (0x)



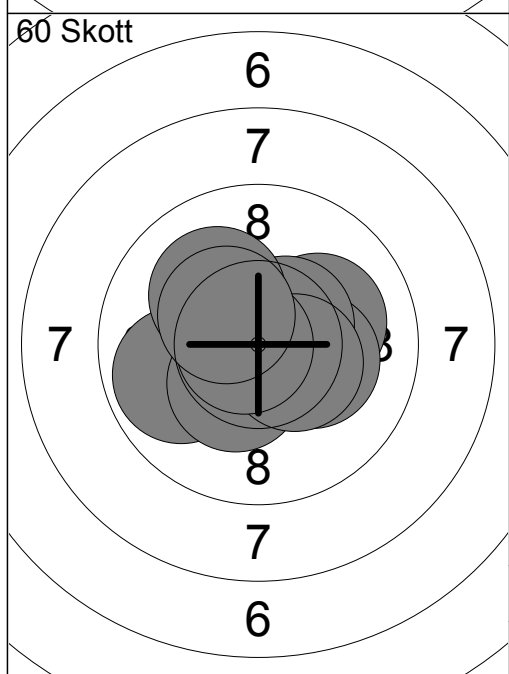
11:	10.7x	↙
12:	10.8x	↗
13:	10.5x	↙
Serie		30 (3x)
Total		0 (0x)



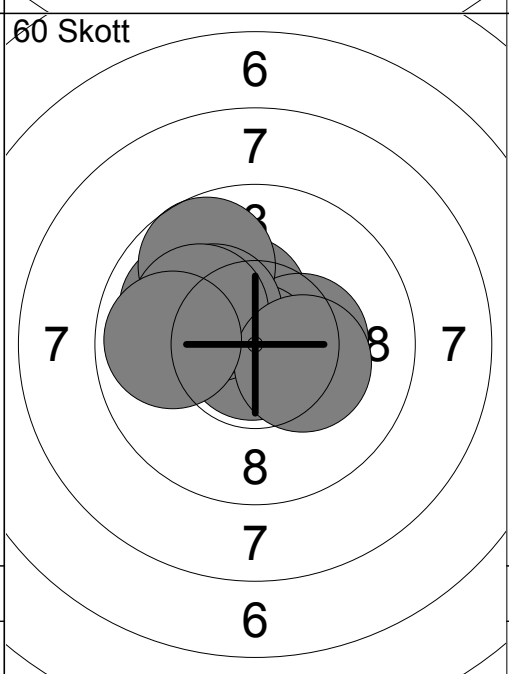
1:	10.6x	→
2:	10.6x	←
3:	10.9x	↗
4:	10.6x	↓
5:	10.3x	↓
6:	10.5x	←
7:	9.9	↗
8:	10.4x	↗
9:	10.8x	↓
10:	10.3x	↑
Serie		99 (9x)
Total		99 (9x)



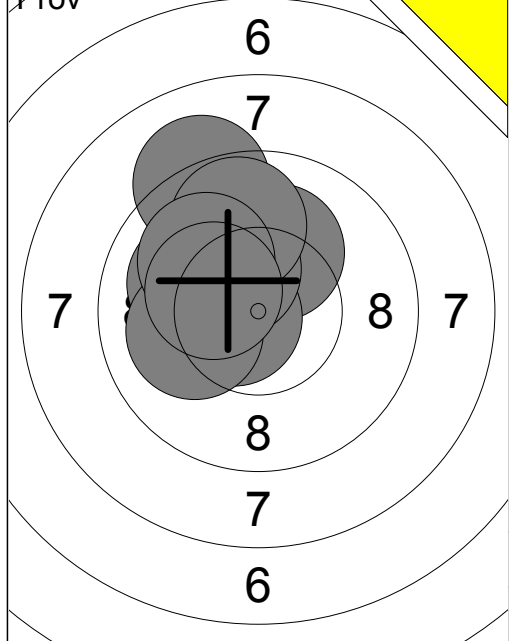
11:	10.2x	→
12:	10.3x	↑
13:	10.9x	↓
14:	9.9	→
15:	10.6x	↑
16:	10.7x	→
17:	10.6x	→
18:	10.5x	↙
19:	9.9	←
20:	10.5x	↙
Serie		98 (8x)
Total		197 (17x)



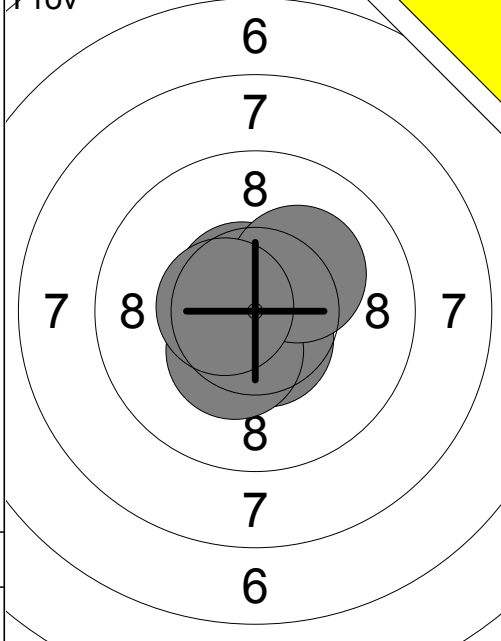
21:	10.9x	↓
22:	10.1	→
23:	10.2x	→
24:	9.9	←
25:	10.4x	↓
26:	10.5x	↗
27:	10.4x	→
28:	10.1	↗
29:	10.8x	←
30:	10.4x	↖
Serie		99 (7x)
Total		296 (24x)



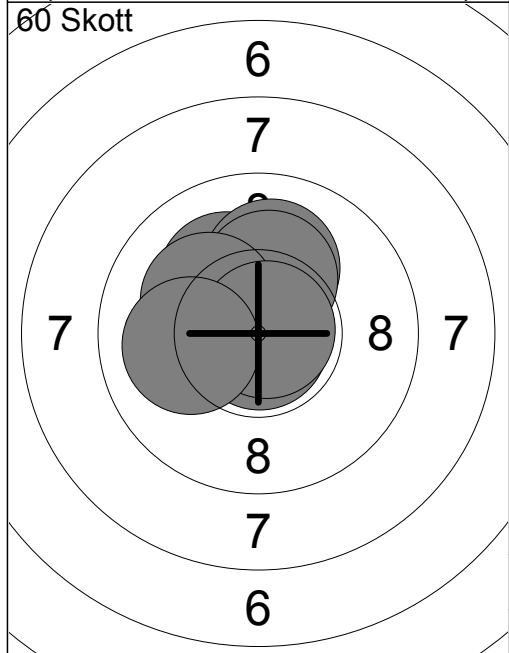
31:	9.9	↖
32:	10.2x	↖
33:	10.4x	↑
34:	10.4x	→
35:	10.8x	↓
36:	9.7	↗
37:	10.3x	↖
38:	10.1	↖
39:	10.3x	→
40:	9.9	←
Serie		97 (6x)
Total		393 (30x)



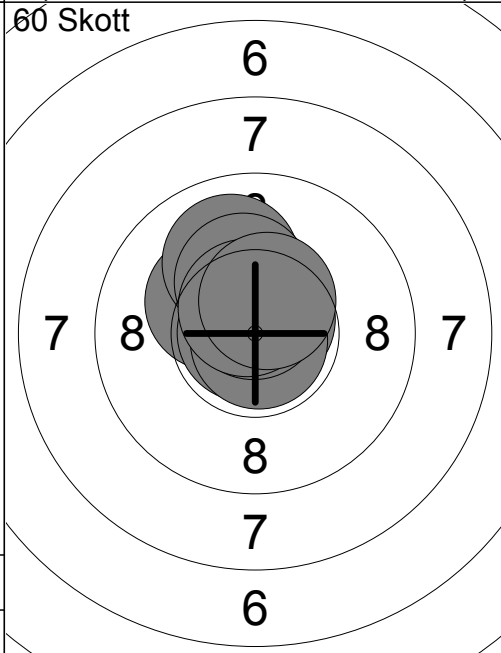
1:	9.1	↖
2:	10.3x	↑
3:	10.0	↙
4:	10.1	↑
5:	10.6x	↙
6:	10.3x	↖
7:	10.1	↙
8:	9.8	↑
9:	10.0	↖
10:	10.3x	↙
Serie		98 (4x)
Total		0 (0x)



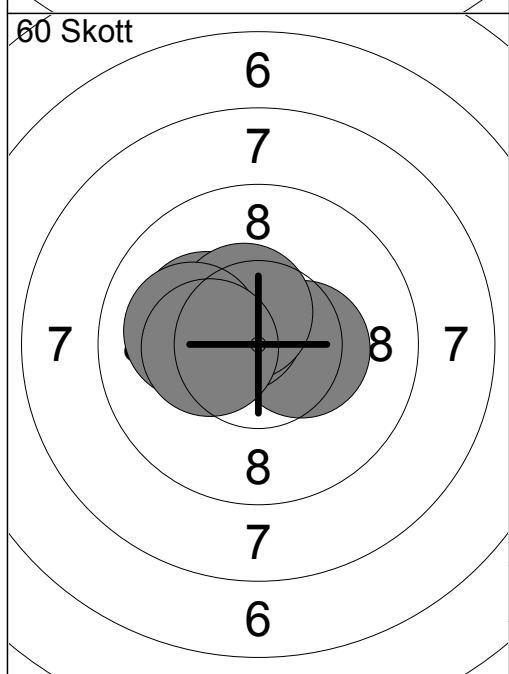
11:	10.6x	↘
12:	10.6x	↖
13:	10.4x	↘
14:	10.2x	↗
15:	10.5x	↙
Serie		50 (5x)
Total		0 (0x)



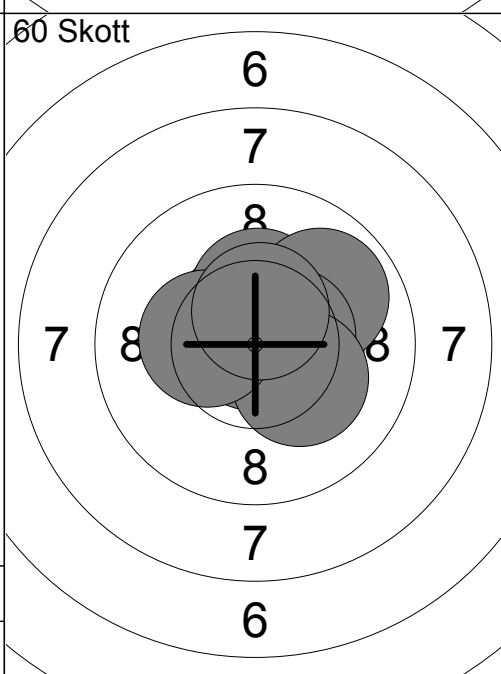
1:	10.1	↖
2:	10.4x	↙
3:	10.1	↑
4:	10.9x	↘
5:	10.5x	↑
6:	10.2x	↑
7:	10.8x	↘
8:	10.2x	↖
9:	10.8x	↗
10:	10.1	↙
Serie		100 (7x)
Total		100 (7x)



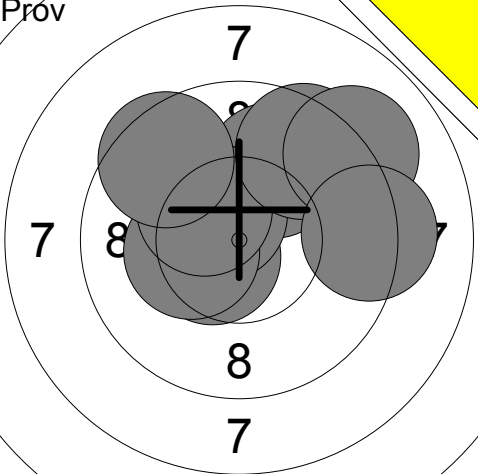
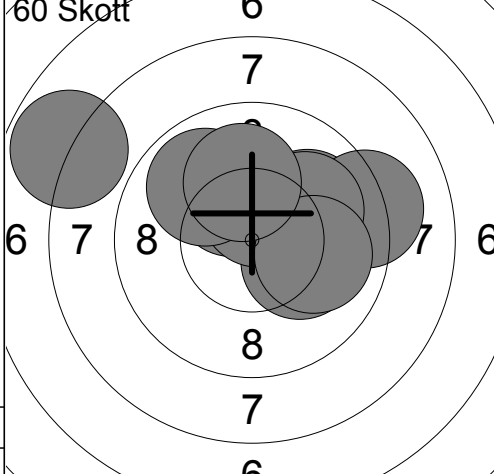
11:	10.7x	↗
12:	10.3x	↖
13:	10.4x	↑
14:	10.0	↑
15:	10.8x	↙
16:	10.8x	↘
17:	10.3x	↑
18:	10.6x	↑
19:	10.6x	↑
20:	10.5x	↑
Serie		100 (9x)
Total		200 (16x)

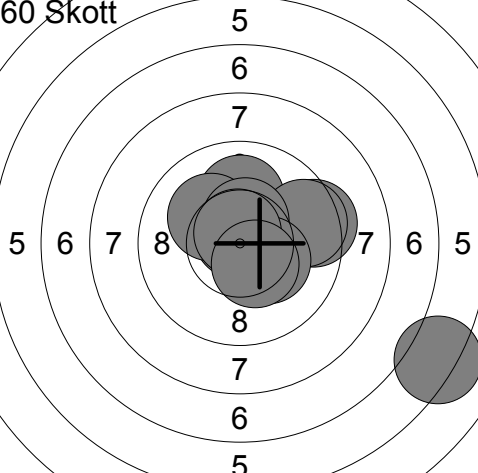
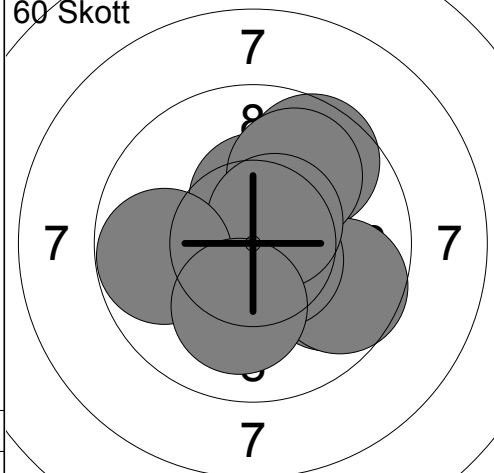


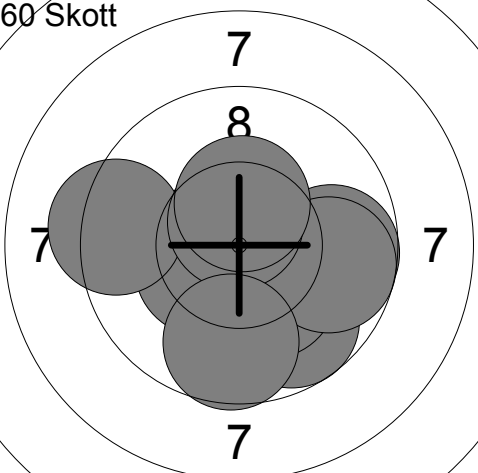
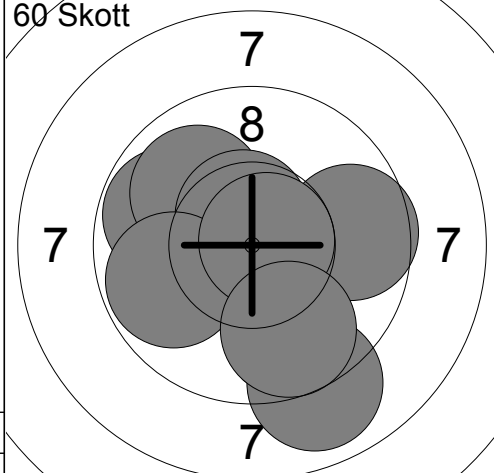
21:	10.6x	↖
22:	10.2x	↖
23:	10.6x	↖
24:	10.5x	↖
25:	10.2x	↖
26:	10.4x	↗
27:	10.5x	↖
28:	10.5x	↑
29:	10.1	↙
30:	10.3x	↙
Serie		100 (9x)
Total		300 (25x)

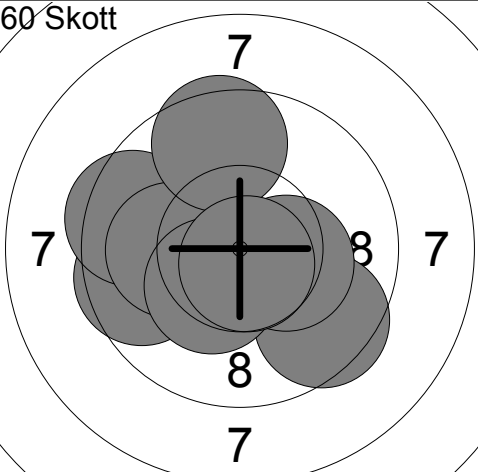


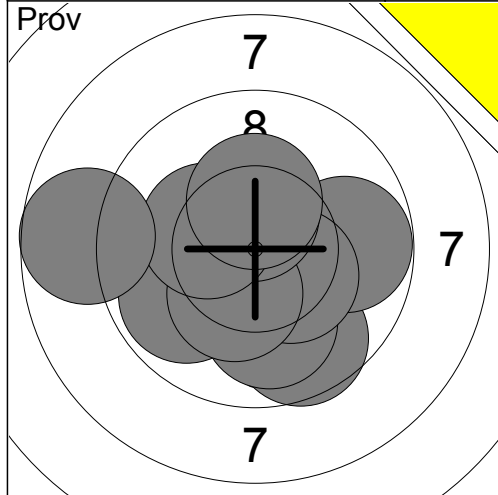
31:	10.4x	↗
32:	10.9x	↖
33:	10.6x	↗
34:	10.6x	↖
35:	10.3x	↑
36:	9.9	↗
37:	10.5x	↗
38:	10.2x	↘
39:	10.3x	↙
40:	10.5x	↑
Serie		99 (9x)
Total		399 (34x)

<p>Pröv</p> 	<p>1: 10.5x ↙</p> <p>2: 9.9 ↗</p> <p>3: 10.5x ↗</p> <p>4: 10.3x ↖</p> <p>5: 10.3x ↗</p> <p>6: 9.5 ↗</p> <p>7: 9.5 ↗</p> <p>8: 9.1 ↗</p> <p>9: 9.2 →</p>	<p>60 Skott</p> 	<p>1: 10.2x ↗</p> <p>2: 10.0 ↗</p> <p>3: 10.2x →</p> <p>4: 7.8 ↖</p> <p>5: 10.5x ↑</p> <p>6: 9.2 →</p> <p>7: 10.0 ↗</p> <p>8: 9.9 ↗</p> <p>9: 10.0 →</p> <p>10: 10.1 ↑</p>
<p>Serie 88.8</p> <p>Total 0.0</p>		<p>Serie 97.9</p> <p>Total 97.9</p>	

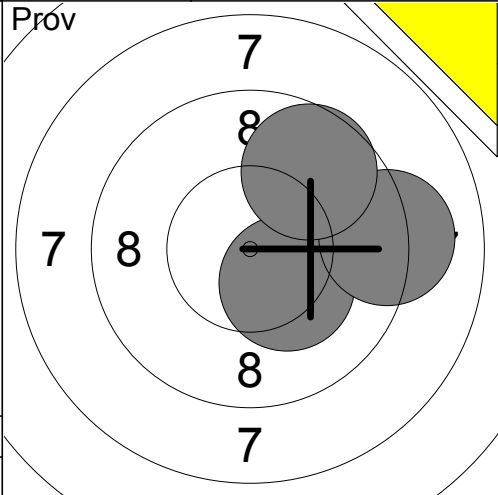
<p>60 Skott</p> 	<p>11: 10.8x ↑</p> <p>12: 9.4 →</p> <p>13: 10.0 ↑</p> <p>14: 10.1 ↗</p> <p>15: 9.6 →</p> <p>16: 10.5x ↑</p> <p>17: 10.3x ↘</p> <p>18: 6.2 ↘</p> <p>19: 10.7x ↑</p> <p>20: 10.4x ↘</p>	<p>60 Skott</p> 	<p>21: 10.4x ↖</p> <p>22: 9.8 →</p> <p>23: 9.6 ↗</p> <p>24: 9.7 →</p> <p>25: 10.6x ↘</p> <p>26: 10.4x ↑</p> <p>27: 9.9 ↗</p> <p>28: 10.5x ↗</p> <p>29: 9.8 ↖</p> <p>30: 10.1 ↘</p>
<p>Serie 98.0</p> <p>Total 195.9</p>		<p>Serie 100.8</p> <p>Total 296.7</p>	

<p>60 Skott</p> 	<p>31: 9.7 →</p> <p>32: 10.7x ↗</p> <p>33: 9.7 ↘</p> <p>34: 10.4x ↖</p> <p>35: 9.3 ↖</p> <p>36: 10.2x ↘</p> <p>37: 9.7 →</p> <p>38: 10.6x ↑</p> <p>39: 9.7 ↘</p> <p>40: 10.4x ↑</p>	<p>60 Skott</p> 	<p>41: 10.7x ↖</p> <p>42: 9.8 ↖</p> <p>43: 9.6 →</p> <p>44: 10.3x ↖</p> <p>45: 9.9 ↗</p> <p>46: 10.6x ↗</p> <p>47: 8.9 ↘</p> <p>48: 9.8 ↖</p> <p>49: 10.8x →</p> <p>50: 9.7 ↘</p>
<p>Serie 100.4</p> <p>Total 397.1</p>		<p>Serie 100.1</p> <p>Total 497.2</p>	

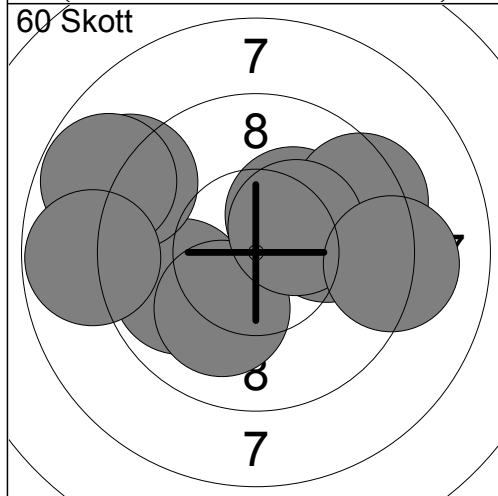
<p>60 Skott</p> 	<p>51: 10.3x →</p> <p>52: 9.5 ↘</p> <p>53: 10.6x ↖</p> <p>54: 9.6 ↖</p> <p>55: 9.5 ↖</p> <p>56: 10.1 ↖</p> <p>57: 10.3x ↘</p> <p>58: 10.3x →</p> <p>59: 9.5 ↑</p> <p>60: 10.7x ↘</p>		
<p>Serie 100.4</p> <p>Total 597.6</p>			



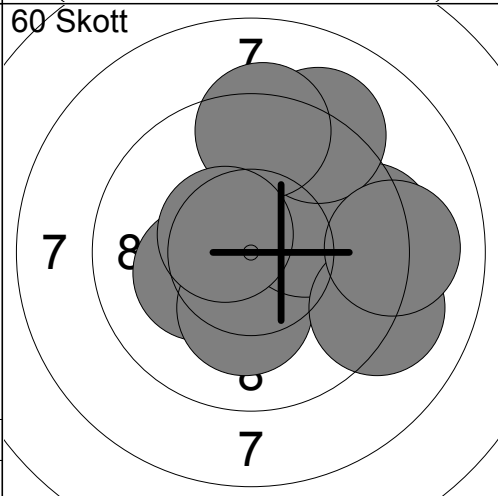
1:	9.6	↘
2:	9.9	←
3:	9.8	→
4:	10.0	↓
5:	10.4x	↘
6:	10.3x	↓
7:	10.5x	↑
8:	10.3x	←
9:	10.3x	↑
10:	8.7	←
Serie		99.8
Total		0.0



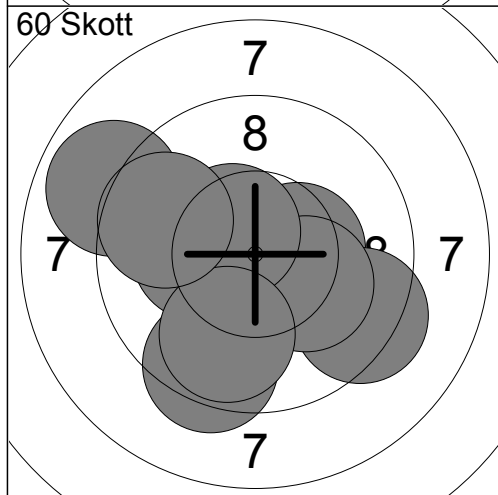
11:	10.3x	↘
12:	9.1	→
13:	9.7	↗
Serie		29.1
Total		0.0



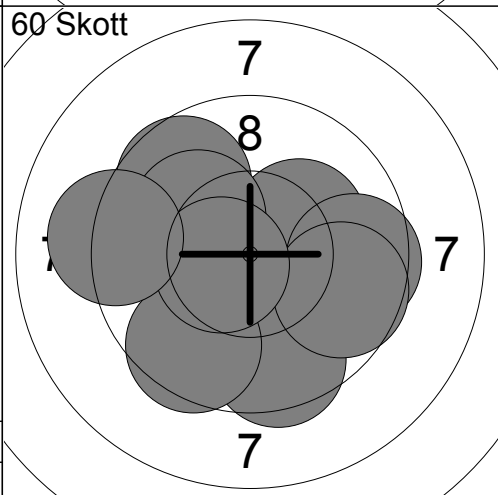
1:	10.3x	↗
2:	10.0	→
3:	9.4	↗
4:	9.9	←
5:	9.0	←
6:	10.1	↓
7:	10.3x	↗
8:	8.8	←
9:	8.8	←
10:	9.2	→
Serie		95.8
Total		95.8



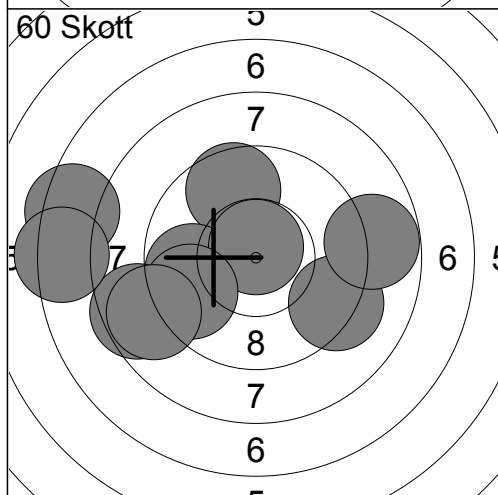
11:	9.2	→
12:	10.2x	←
13:	9.4	→
14:	10.2x	↓
15:	10.2x	→
16:	9.2	↗
17:	9.3	↑
18:	9.1	↘
19:	9.1	→
20:	10.5x	↗
Serie		96.4
Total		192.2



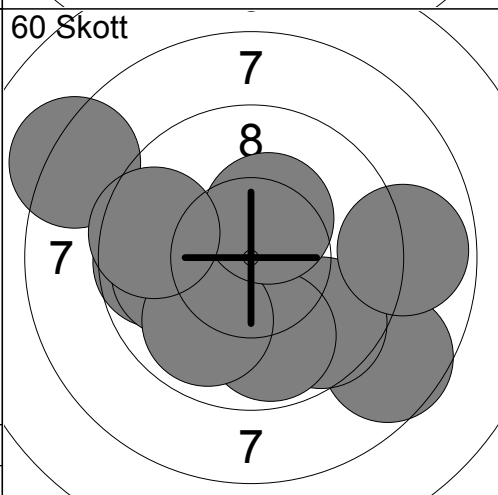
21:	10.3x	↓
22:	9.4	↓
23:	10.4x	→
24:	10.2x	←
25:	9.3	↘
26:	8.9	↗
27:	10.2x	↘
28:	10.5x	↗
29:	9.8	↓
30:	9.7	←
Serie		98.7
Total		290.9



31:	10.5x	↓
32:	10.2x	↗
33:	9.5	↓
34:	9.7	↗
35:	9.6	→
36:	10.1	↗
37:	9.5	↓
38:	9.7	↘
39:	10.5x	←
40:	9.2	←
Serie		98.5
Total		389.4



41:	7.4	←
42:	9.6	↑
43:	9.7	←
44:	8.5	←
45:	10.8x	↑
46:	9.6	←
47:	7.3	←
48:	8.8	←
49:	9.2	↘
50:	8.8	→
Serie		89.7
Total		479.1



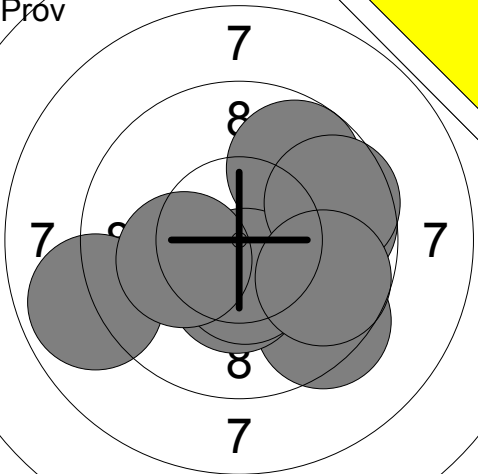
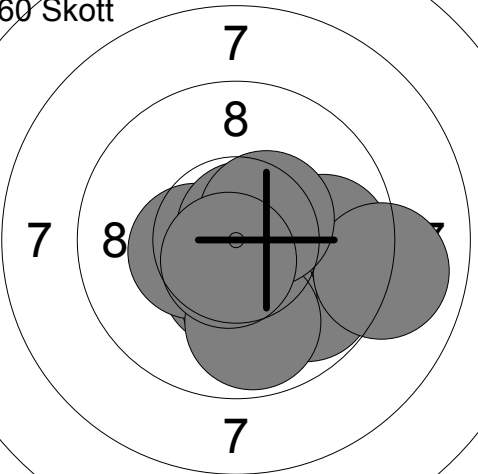
51:	9.7	←
52:	8.6	↘
53:	9.6	↓
54:	9.9	←
55:	9.8	↓
56:	8.9	→
57:	9.9	↓
58:	8.2	↗
59:	10.4x	↗
60:	9.6	←
Serie		94.6
Total		573.7

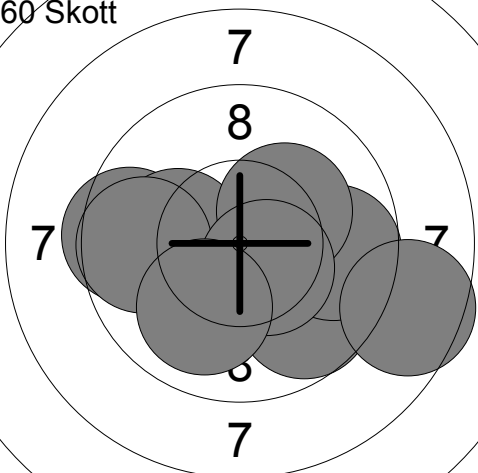
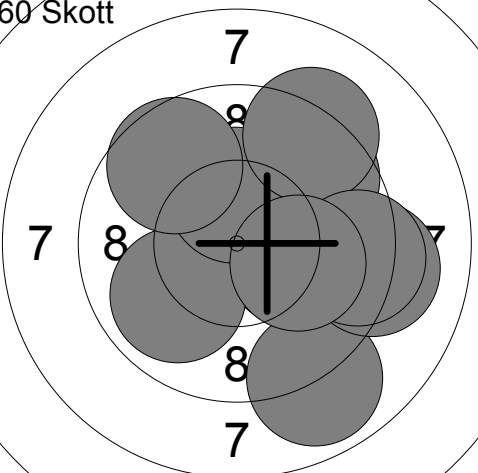
<p>Pröv</p>	<p>1: 9.8 ↗ 2: 9.4 ↓ 3: 10.7x ← 4: 8.8 ← 5: 10.3x ↗ 6: 9.6 ↗ 7: 10.4x ↗ 8: 10.0 ↖ 9: 10.4x ↑ 10: 10.3x ↓</p> <p>Serie 99.7 Total 0.0</p>	<p>Pröv</p>	<p>11: 10.2x ↘</p> <p>Serie 10.2 Total 0.0</p>
-------------	--	-------------	--

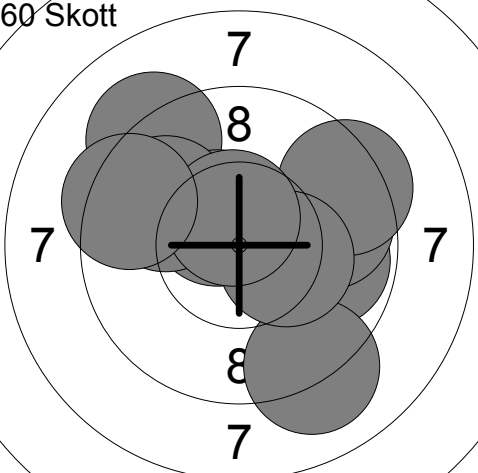
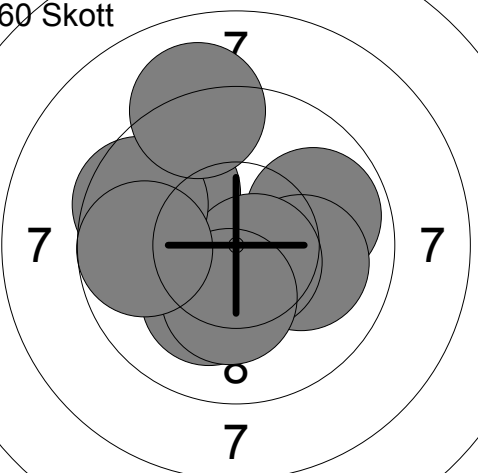
<p>60 Skott</p>	<p>1: 10.4x ← 2: 9.1 → 3: 9.1 ↗ 4: 9.6 ← 5: 10.5x ↖ 6: 9.8 ↗ 7: 8.8 ← 8: 9.8 → 9: 9.9 → 10: 10.1 ←</p> <p>Serie 97.1 Total 97.1</p>	<p>60 Skott</p>	<p>11: 9.0 ↖ 12: 9.5 ↓ 13: 10.2x ↖ 14: 10.9x ← 15: 10.7x ↑ 16: 10.2x ↓ 17: 10.7x ← 18: 9.7 ↑ 19: 9.3 ↗ 20: 8.5 ↘</p> <p>Serie 98.7 Total 195.8</p>
-----------------	---	-----------------	--

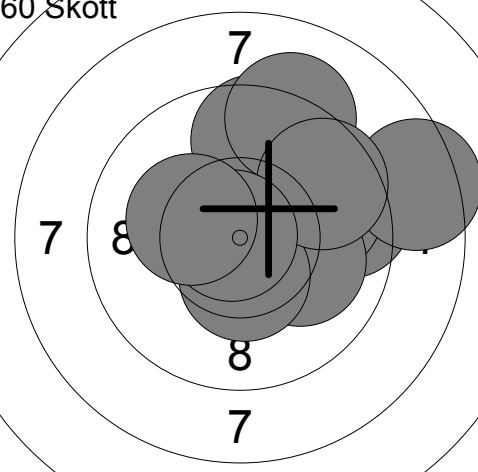
<p>60 Skott</p>	<p>21: 8.2 → 22: 9.8 ← 23: 9.6 ↓ 24: 10.1 ← 25: 10.2x ↓ 26: 9.9 ↖ 27: 10.4x ↗ 28: 8.9 → 29: 9.7 ← 30: 7.6 ←</p> <p>Serie 94.4 Total 290.2</p>	<p>60 Skott</p>	<p>31: 6.8 ↖ 32: 9.5 → 33: 10.3x ↗ 34: 7.9 ← 35: 10.2x ↓ 36: 10.1 ← 37: 10.6x ↑ 38: 10.2x ↘ 39: 8.5 ↘ 40: 10.0 ↗</p> <p>Serie 94.1 Total 384.3</p>
-----------------	---	-----------------	--

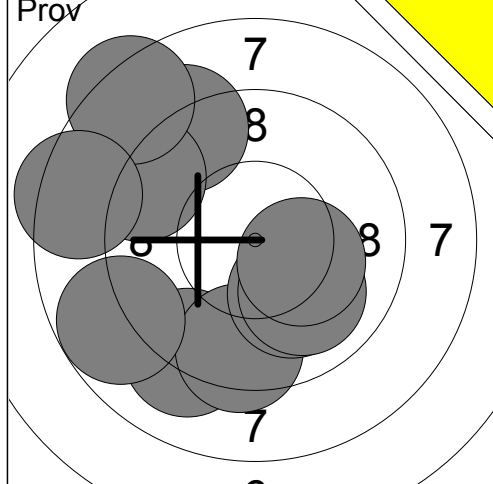
<p>60 Skott</p>	<p>41: 8.8 ↖ 42: 9.7 ↗ 43: 9.5 ↗ 44: 9.9 → 45: 10.2x → 46: 10.5x ↗ 47: 10.4x ↗ 48: 10.5x ↗ 49: 9.8 ↗ 50: 10.7x ↗</p> <p>Serie 100.0 Total 484.3</p>	<p>60 Skott</p>	<p>51: 9.6 ↑ 52: 9.8 → 53: 9.9 ↗ 54: 8.5 ↖ 55: 9.5 ↗ 56: 10.4x ↗ 57: 10.0 ← 58: 10.6x ← 59: 10.2x → 60: 9.6 ↖</p> <p>Serie 98.1 Total 582.4</p>
-----------------	---	-----------------	---

Pröv 	1: 9.4 ↘ 2: 9.7 → 3: 9.7 ↗ 4: 10.3x ↓ 5: 10.5x ↓ 6: 9.6 → 7: 8.9 ← 8: 10.2x ← 9: 9.7 → <hr/> Serie 88.0 Total 0.0	60 Skott 	1: 9.8 → 2: 10.4x ↓ 3: 9.8 ↘ 4: 10.1 ↓ 5: 10.4x ← 6: 9.9 ↓ 7: 9.0 → 8: 10.8x ↗ 9: 10.5x ↗ 10: 10.7x ↓ <hr/> Serie 101.4 Total 101.4
--	---	--	--

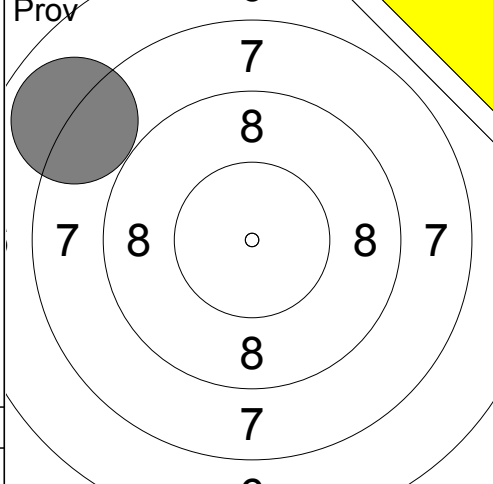
60 Skott 	11: 9.5 ← 12: 9.7 ↓ 13: 10.7x ↓ 14: 9.7 → 15: 10.1 ← 16: 9.7 ← 17: 10.2x ↗ 18: 10.5x ↓ 19: 8.6 → 20: 10.0 ↓ <hr/> Serie 98.7 Total 200.1	60 Skott 	21: 9.6 ↗ 22: 10.2x → 23: 8.9 ↓ 24: 9.1 → 25: 9.9 ← 26: 10.3x ↑ 27: 9.6 ↗ 28: 9.2 ↗ 29: 9.3 → 30: 10.1 → <hr/> Serie 96.2 Total 296.3
---	---	---	--

60 Skott 	31: 9.8 → 32: 9.1 ↓ 33: 9.2 ↗ 34: 10.5x ↗ 35: 9.8 ↗ 36: 9.8 → 37: 9.4 → 38: 10.3x → 39: 10.6x ↑ 40: 9.4 ← <hr/> Serie 97.9 Total 394.2	60 Skott 	41: 10.2x ↓ 42: 10.5x ↓ 43: 9.9 ↗ 44: 9.9 → 45: 10.1 → 46: 10.6x ↓ 47: 9.6 ← 48: 10.3x ↓ 49: 9.7 ← 50: 9.1 ↑ <hr/> Serie 99.9 Total 494.1
--	---	--	--

60 Skott 	51: 9.4 → 52: 9.8 → 53: 8.4 → 54: 9.6 ↑ 55: 9.2 ↗ 56: 10.1 → 57: 10.4x ↓ 58: 9.6 ↗ 59: 10.8x ← 60: 10.2x ← <hr/> Serie 97.5 Total 591.6		
--	--	--	--



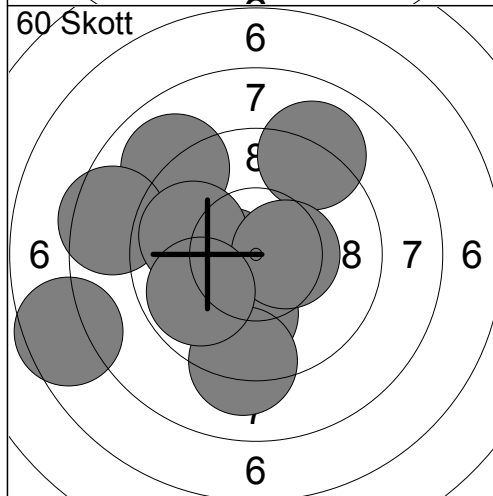
1:	9.1	↘
2:	9.4	↘
3:	9.1	↗
4:	10.0	↘
5:	10.0	↘
6:	9.1	↗
7:	10.2x	↘
8:	8.8	↖
9:	8.3	↗
10:	8.4	↖



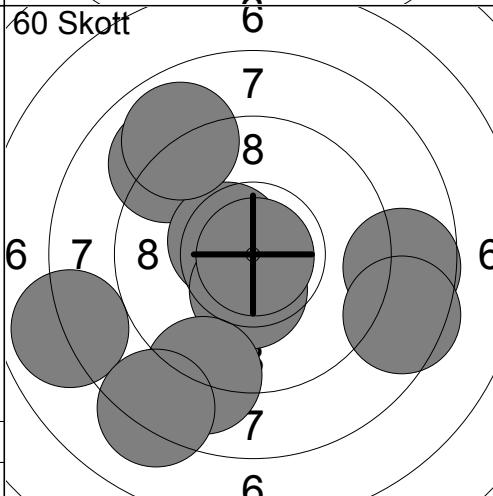
11:	7.9	↖
-----	-----	---

Serie	92.4
Total	0.0

Serie	7.9
Total	0.0



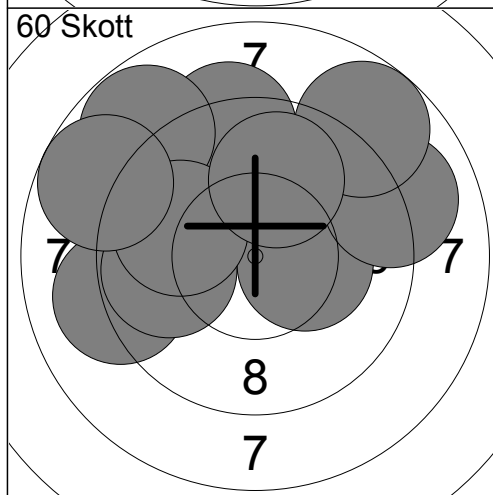
1:	10.5x	↖
2:	9.9	↘
3:	7.6	↖
4:	9.0	↗
5:	8.5	↖
6:	9.2	↘
7:	9.1	↗
8:	9.9	↖
9:	10.5x	→
10:	9.8	↖



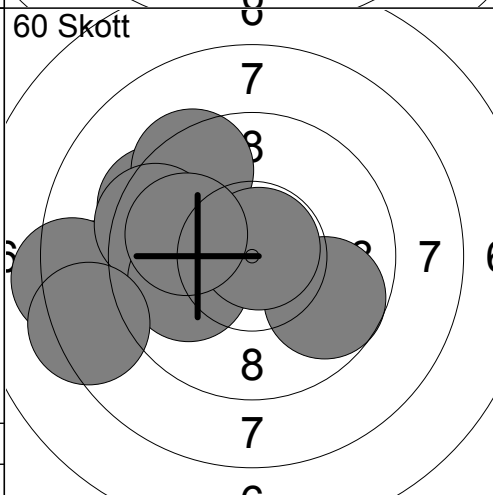
11:	9.1	↗
12:	7.9	↖
13:	10.5x	↖
14:	10.4x	↘
15:	10.9x	↘
16:	9.0	↘
17:	8.2	↘
18:	8.9	↗
19:	8.7	→
20:	8.5	↘

Serie	94.0
Total	94.0

Serie	92.1
Total	186.1



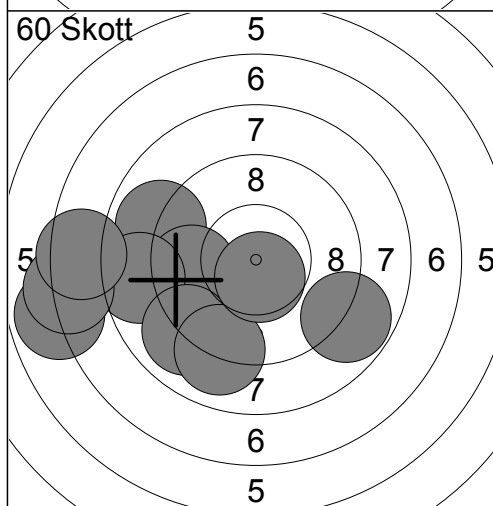
21:	9.2	↑
22:	10.3x	→
23:	9.0	→
24:	8.8	↗
25:	9.1	↖
26:	8.8	↗
27:	9.8	↖
28:	9.9	↖
29:	9.9	↑
30:	8.7	↖



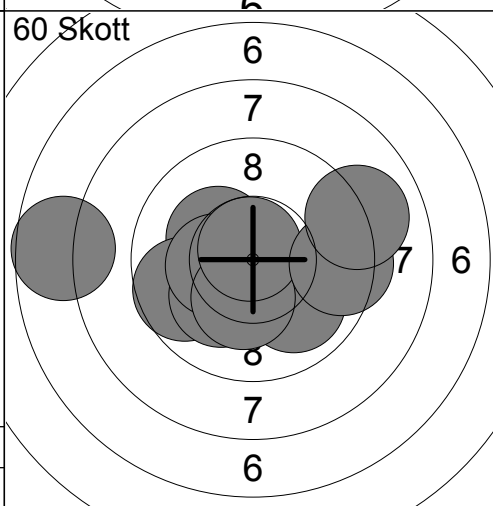
31:	8.7	↖
32:	8.3	↖
33:	9.4	↗
34:	9.7	↘
35:	9.4	↗
36:	9.5	↖
37:	10.0	↖
38:	10.8x	↗
39:	9.9	↖
40:	8.4	↖

Serie	93.5
Total	279.6

Serie	94.1
Total	373.7



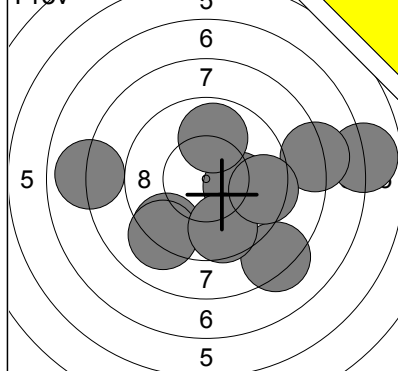
41:	8.9	↖
42:	9.7	↖
43:	8.6	↖
44:	6.9	↖
45:	8.8	↘
46:	9.0	↘
47:	7.2	↖
48:	7.5	↖
49:	9.0	↘
50:	10.6x	↘



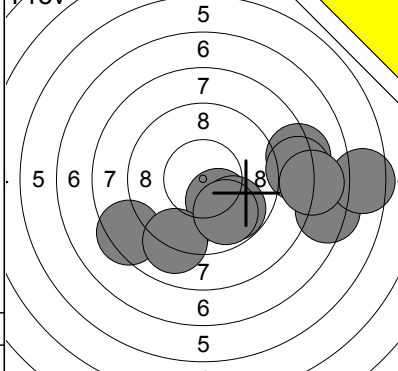
51:	10.2x	↖
52:	10.0	↘
53:	9.7	↖
54:	10.1	↘
55:	7.7	↖
56:	10.3x	↖
57:	10.3x	↘
58:	10.8x	↑
59:	9.4	→
60:	9.0	→

Serie	86.2
Total	459.9

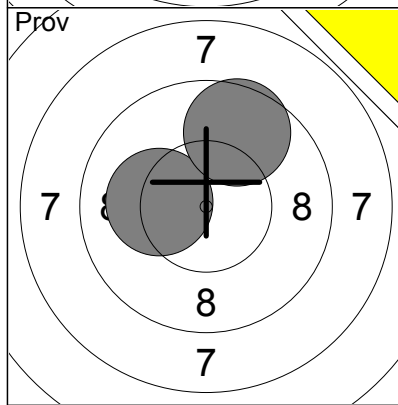
Serie	97.5
Total	557.4



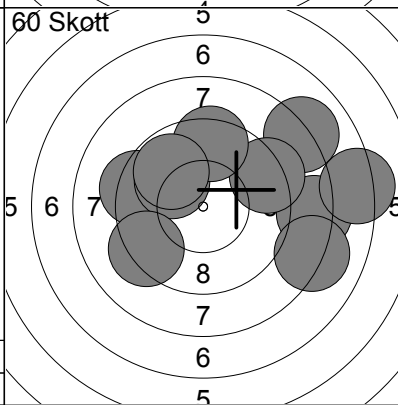
1:	10.1	→
2:	8.0	←
3:	9.3	↙
4:	6.9	→
5:	8.3	↘
6:	9.1	↘
7:	8.1	→
8:	9.9	↑
9:	9.6	↘
10:	9.4	→
Serie	88.7	
Total	0.0	



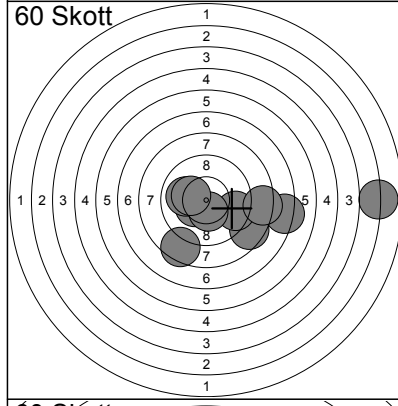
11:	8.4	↙
12:	10.2x	↘
13:	9.1	↘
14:	8.2	→
15:	7.4	→
16:	8.3	→
17:	6.5	→
18:	7.9	→
19:	9.8	↘
20:	9.8	↘
Serie	85.6	
Total	0.0	



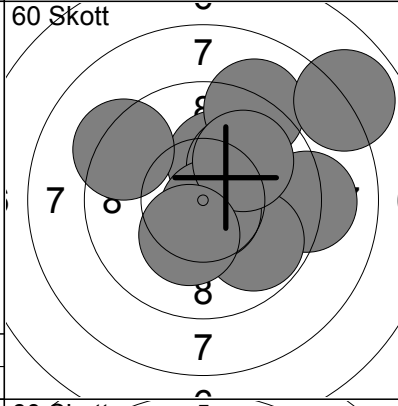
21:	10.2x	←
22:	9.6	↑
Serie	19.8	
Total	0.0	



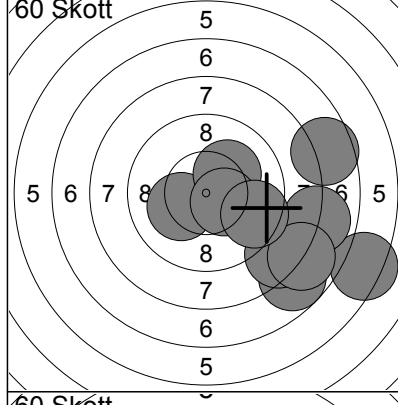
1:	8.3	→
2:	9.3	←
3:	8.0	↗
4:	10.0	↗
5:	8.1	↘
6:	9.3	↙
7:	9.2	→
8:	7.2	→
9:	9.4	↑
10:	9.8	↗
Serie	88.6	
Total	88.6	



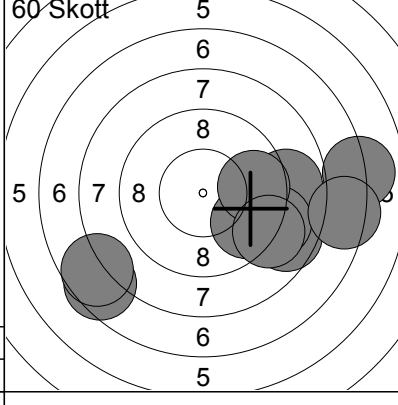
11:	3.0	→
12:	10.3x	↙
13:	7.3	→
14:	8.5	↘
15:	10.0	←
16:	9.5	↘
17:	8.3	→
18:	8.5	↘
19:	10.4x	↘
20:	10.2x	↖
Serie	86.0	
Total	174.6	



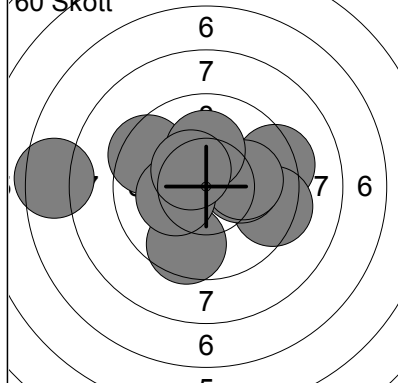
21:	10.2x	↑
22:	9.3	↖
23:	9.1	↗
24:	7.9	↗
25:	10.1	↗
26:	9.1	→
27:	9.8	↘
28:	10.7x	↘
29:	10.0	↗
30:	10.3x	↘
Serie	96.5	
Total	271.1	



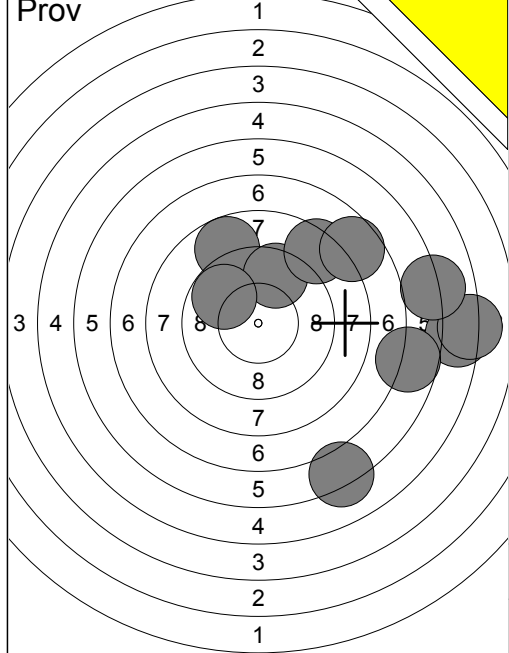
31:	10.2x	↙
32:	6.3	↘
33:	10.2x	↗
34:	7.8	↘
35:	8.4	↘
36:	7.9	↘
37:	10.4x	↘
38:	7.9	↘
39:	7.6	→
40:	9.5	↘
Serie	86.2	
Total	357.3	



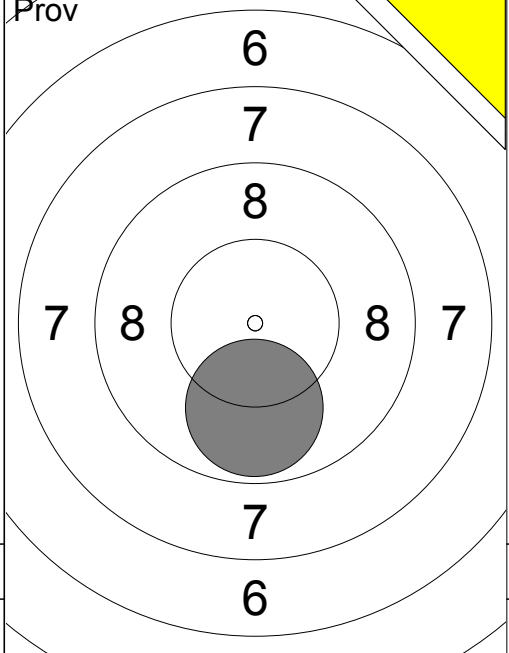
41:	8.6	→
42:	7.5	↙
43:	9.6	↘
44:	8.9	→
45:	9.0	↘
46:	7.7	↙
47:	9.7	→
48:	9.0	↘
49:	7.0	→
50:	7.4	→
Serie	84.4	
Total	441.7	



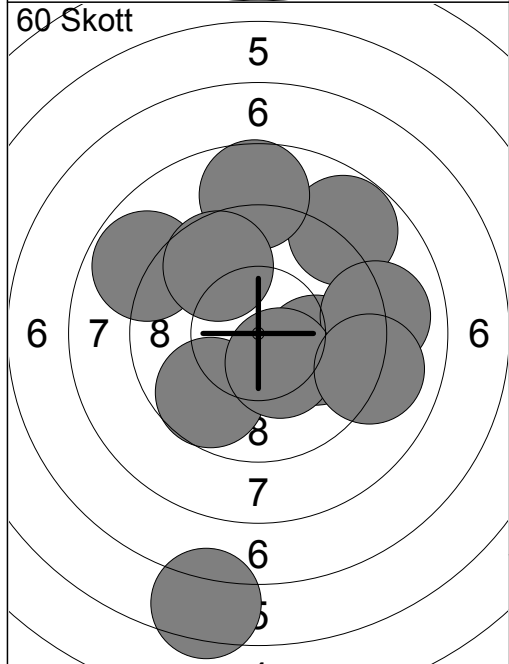
51:	9.6	↘
52:	9.3	→
53:	9.4	↗
54:	9.4	↘
55:	10.2x	→
56:	10.1	→
57:	7.5	←
58:	10.1	↑
59:	10.2x	←
60:	10.4x	↗
Serie	96.2	
Total	537.9	



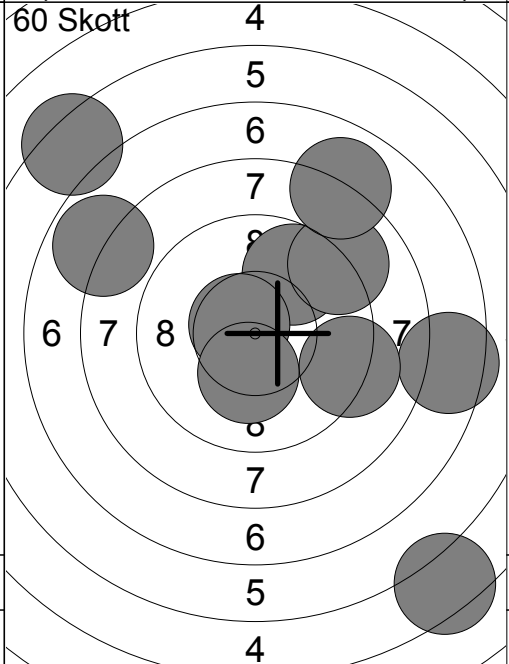
1:	8.7	↖
2:	5.4	→
3:	9.6	↖
4:	6.7	→
5:	8.4	↗
6:	9.8	↖
7:	6.2	↘
8:	5.1	→
9:	6.0	→
10:	7.7	↗
Serie		69 (0x)
Total		0 (0x)



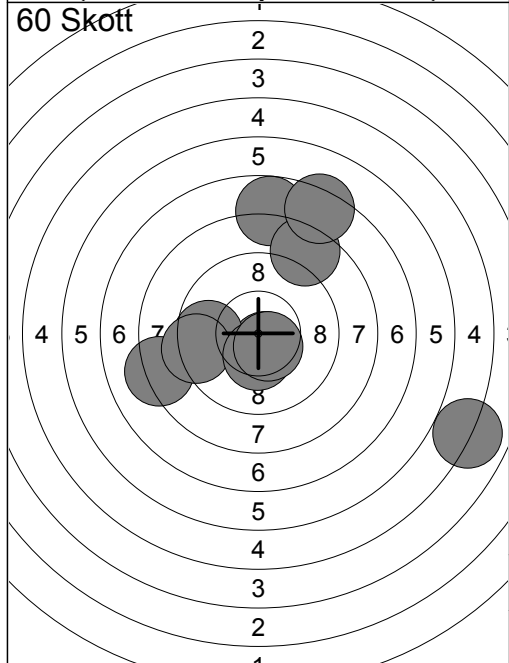
11:	9.8	↘
Serie		9 (0x)
Total		0 (0x)



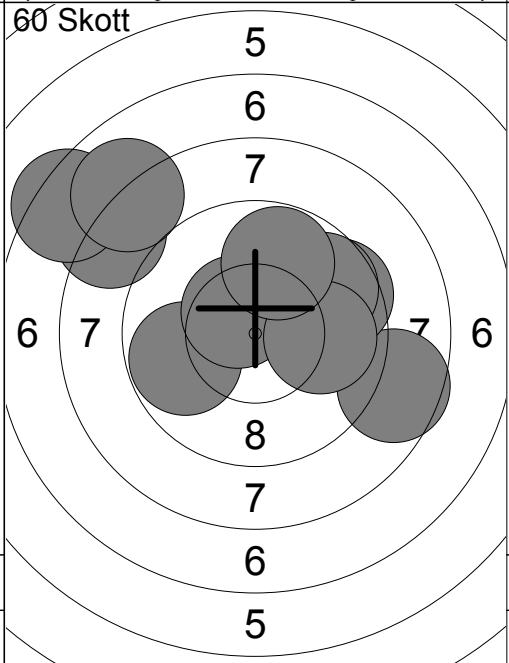
1:	10.0	→
2:	8.8	↗
3:	6.5	↘
4:	8.7	↖
5:	9.7	↘
6:	9.0	→
7:	8.8	↖
8:	10.3x	↘
9:	9.0	→
10:	9.7	↖
Serie		86 (1x)
Total		86 (1x)



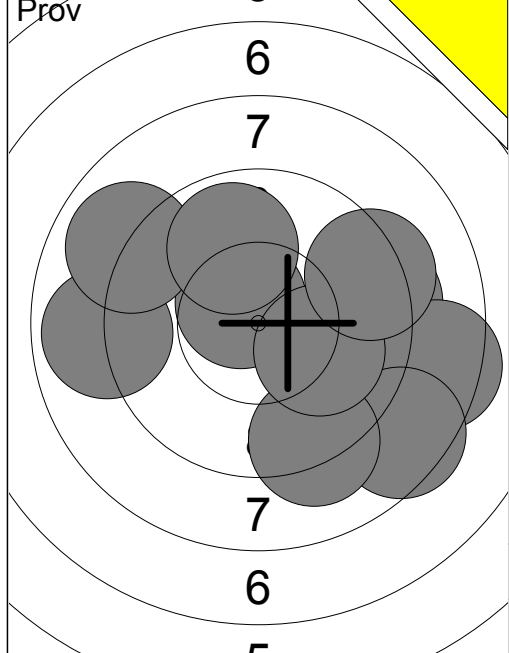
11:	7.5	→
12:	5.4	↘
13:	7.8	↖
14:	9.7	↖
15:	10.6x	↖
16:	9.0	↗
17:	6.3	↖
18:	9.2	→
19:	10.2x	↘
20:	8.0	↖
Serie		80 (2x)
Total		166 (3x)



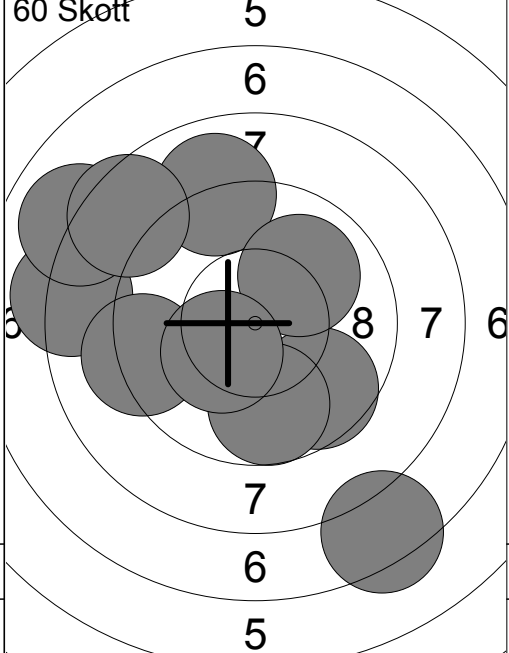
21:	7.8	↖
22:	10.6x	↘
23:	9.7	←
24:	8.2	←
25:	9.3	←
26:	10.4x	↘
27:	10.5x	↘
28:	4.9	→
29:	8.5	↖
30:	7.4	↖
Serie		82 (3x)
Total		248 (6x)



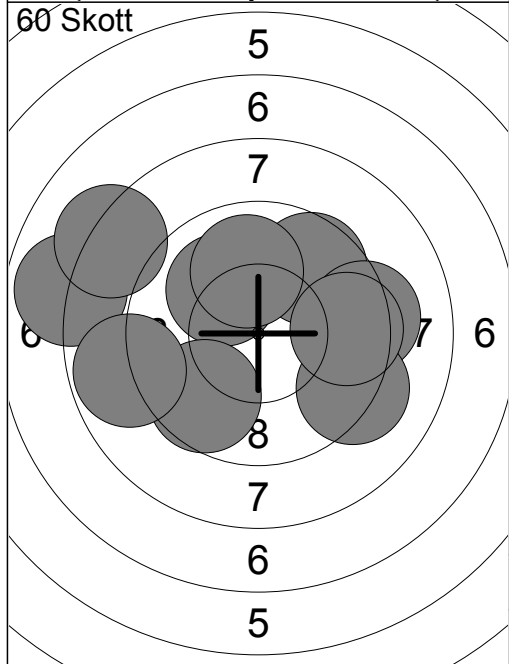
31:	8.1	↖
32:	9.8	←
33:	8.6	→
34:	9.5	→
35:	10.5x	↖
36:	9.7	↗
37:	9.9	→
38:	7.4	↖
39:	8.0	↖
40:	9.8	↖
Serie		86 (1x)
Total		334 (7x)



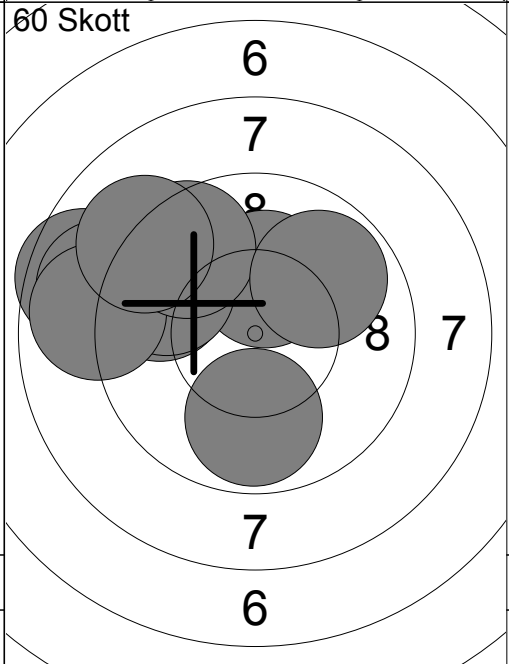
1:	9.3	→
2:	8.5	→
3:	8.5	↘
4:	9.2	↘
5:	8.9	←
6:	10.6x	↗
7:	8.9	↗
8:	10.0	→
9:	9.3	↗
10:	9.9	↗
Serie	88	(1x)
Total	0	(0x)



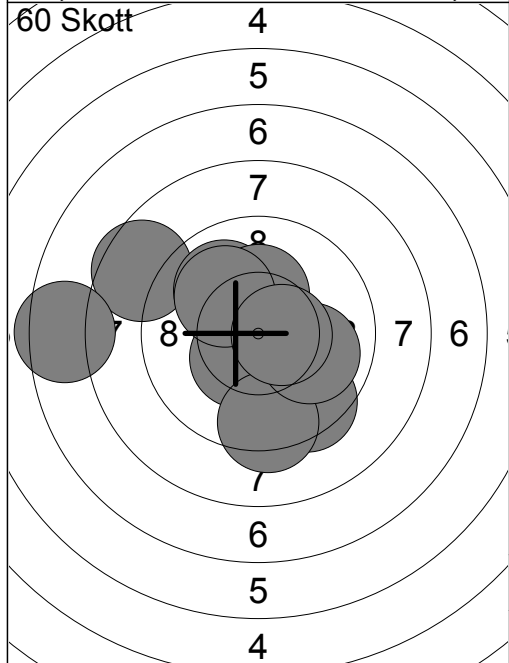
1:	7.3	↘
2:	8.2	←
3:	9.0	↗
4:	9.2	←
5:	9.6	↘
6:	8.0	↖
7:	9.7	↘
8:	10.0	↗
9:	8.5	↖
10:	10.3x	↘
Serie	87	(1x)
Total	87	(1x)



11:	10.1	↖
12:	7.9	←
13:	9.6	↗
14:	9.3	→
15:	9.2	↘
16:	9.9	↗
17:	8.2	↗
18:	9.6	↘
19:	9.5	→
20:	8.8	←
Serie	87	(0x)
Total	174	(1x)



21:	9.6	←
22:	10.2x	↗
23:	8.6	←
24:	8.9	←
25:	9.6	↖
26:	8.9	←
27:	9.5	↗
28:	9.9	↗
29:	9.1	↖
30:	9.8	↘
Serie	88	(1x)
Total	262	(2x)



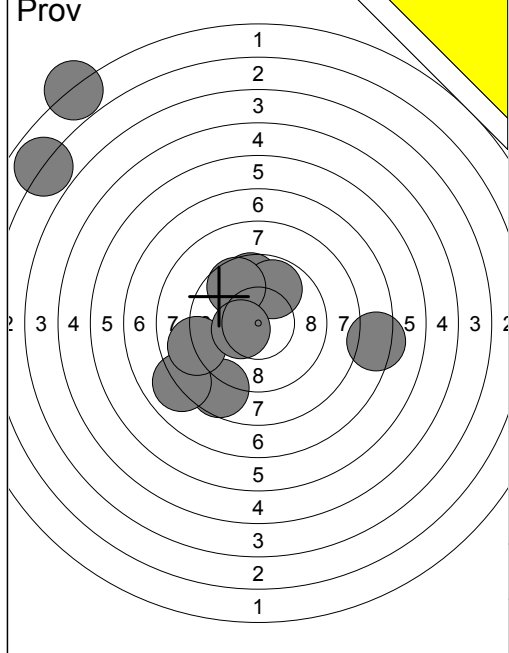
31:	9.5	↘
32:	8.6	↗
33:	10.4x	↘
34:	9.4	↘
35:	10.0	→
36:	10.0	↗
37:	10.3x	↗
38:	10.1	↖
39:	10.5x	→
40:	7.5	←
Serie	93	(3x)
Total	355	(5x)

<p>Pröv</p>	<p>1: 9.3 ↘ 2: 8.2 ↙ 3: 9.4 ↗ 4: 9.9 ↖ 5: 10.6x ↑ 6: 9.6 → 7: 10.4x → 8: 9.1 ↗ 9: 9.5 → 10: 10.3x ↙</p> <p>Serie 96.3 Total 0.0</p>	<p>Pröv</p> <p>11: 8.9 ↘ 12: 10.0 ↙ 13: 9.0 ↖ 14: 6.4 ↗ 15: 10.2x ↗ 16: 10.7x ↗</p> <p>Serie 55.2 Total 0.0</p>
-------------	---	---

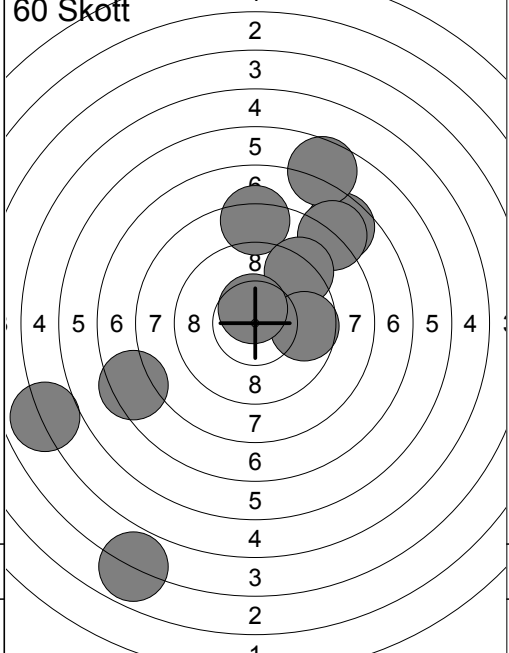
<p>60 Skott</p> <p>1: 10.4x ↘ 2: 10.0 → 3: 10.0 ↓ 4: 9.5 ↖ 5: 9.8 ↗ 6: 8.4 ↑ 7: 9.2 ↓ 8: 10.2x → 9: 9.0 ← 10: 9.2 ←</p> <p>Serie 95.7 Total 95.7</p>	<p>60 Skott</p> <p>11: 9.9 ↗ 12: 10.3x → 13: 9.8 ↖ 14: 9.8 ↗ 15: 8.6 ↗ 16: 9.0 ↖ 17: 9.6 → 18: 10.0 ↓ 19: 5.5 ← 20: 10.1 ←</p> <p>Serie 92.6 Total 188.3</p>
--	--

<p>60 Skott</p> <p>21: 8.9 → 22: 9.6 ↗ 23: 9.4 ↗ 24: 9.3 ← 25: 8.3 ↓ 26: 9.8 ↖ 27: 10.1 → 28: 9.8 ↗ 29: 9.3 → 30: 10.2x ↗</p> <p>Serie 94.7 Total 283.0</p>	<p>60 Skott</p> <p>31: 9.9 ← 32: 9.6 ↗ 33: 9.0 ↖ 34: 9.7 ← 35: 10.2x ↖ 36: 10.3x ↗ 37: 9.7 ↖ 38: 8.2 → 39: 10.7x ↖ 40: 9.7 →</p> <p>Serie 97.0 Total 380.0</p>
---	--

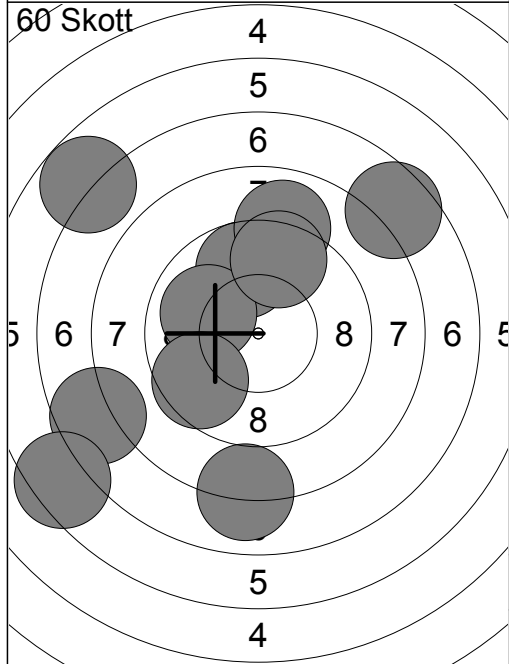
<p>60 Skott</p> <p>41: 9.6 ↖ 42: 9.8 ↓ 43: 8.7 → 44: 10.7x ↓ 45: 9.3 → 46: 9.8 ↓ 47: 8.7 ↓ 48: 10.4x ↗ 49: 9.1 ↓ 50: 9.2 ↓</p> <p>Serie 95.3 Total 475.3</p>	<p>60 Skott</p> <p>51: 9.5 ↑ 52: 9.4 → 53: 9.9 → 54: 10.0 ↗ 55: 9.9 ↖ 56: 9.5 ↗ 57: 9.8 ↑ 58: 9.9 ↗ 59: 9.8 ↓ 60: 10.3x ↖</p> <p>Serie 98.0 Total 573.3</p>
--	---



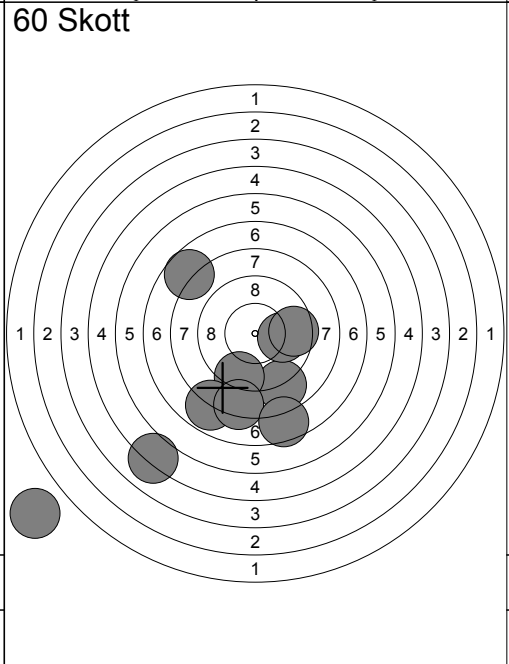
1:	7.3	→
2:	1.9	↗
3:	8.6	↘
4:	9.7	↑
5:	8.0	↙
6:	9.8	↗
7:	9.0	←
8:	2.9	↖
9:	9.7	↗
10:	10.4x	←
Serie		72 (1x)
Total		0 (0x)



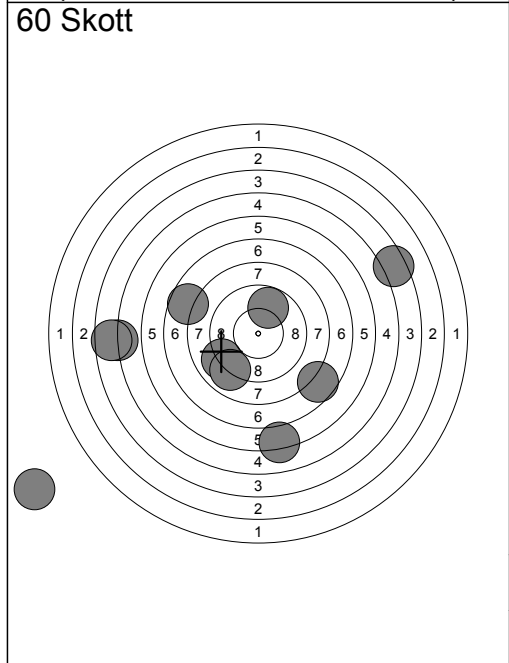
1:	7.6	↗
2:	6.6	↗
3:	3.9	↘
4:	8.3	↑
5:	7.9	↗
6:	9.2	↗
7:	5.0	←
8:	9.7	→
9:	10.6x	↑
10:	7.4	↙
Serie		71 (1x)
Total		71 (1x)



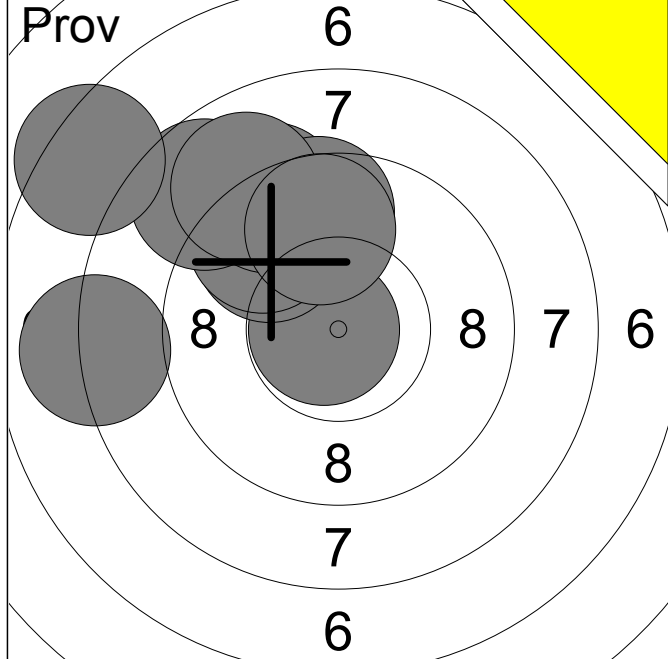
11:	9.7	↑
12:	9.0	↑
13:	7.6	↙
14:	7.6	↗
15:	6.8	↖
16:	10.0	←
17:	9.5	↑
18:	8.0	↓
19:	6.4	↙
20:	9.6	↙
Serie		80 (0x)
Total		151 (1x)



21:	8.8	↘
22:	9.3	↘
23:	7.9	↘
24:	7.7	↖
25:	5.1	↙
26:	0.0	←
27:	8.3	↓
28:	7.6	↓
29:	10.0	→
30:	9.5	→
Serie		70 (0x)
Total		221 (1x)



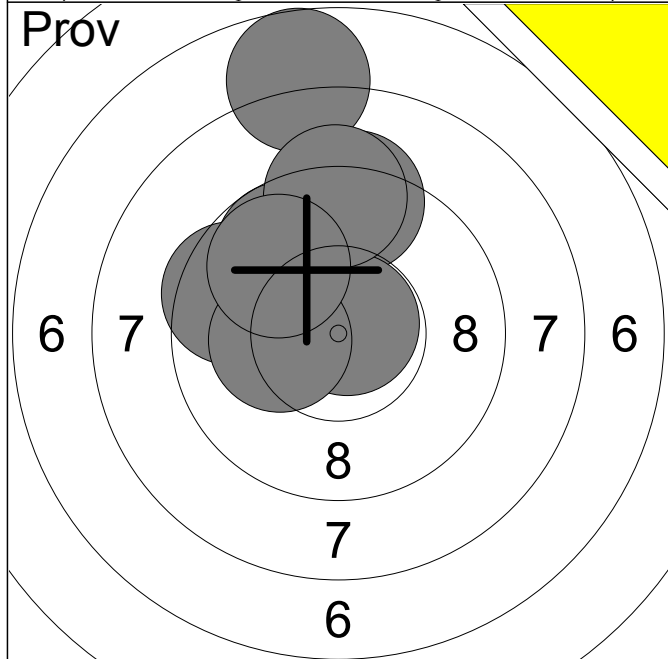
31:	0.0	↙
32:	4.8	←
33:	7.6	↘
34:	6.1	↓
35:	9.0	↙
36:	9.7	↗
37:	4.6	←
38:	4.4	↗
39:	9.0	↙
40:	7.6	↖
Serie		59 (0x)
Total		280 (1x)



1:	10.8x	←
2:	9.7	↗
3:	9.5	↗
4:	8.7	↗
5:	9.2	↗
6:	9.5	↑
7:	7.4	↗
8:	8.9	↗
9:	8.0	←
10:	9.7	↑

Serie	86 (1x)
-------	----------

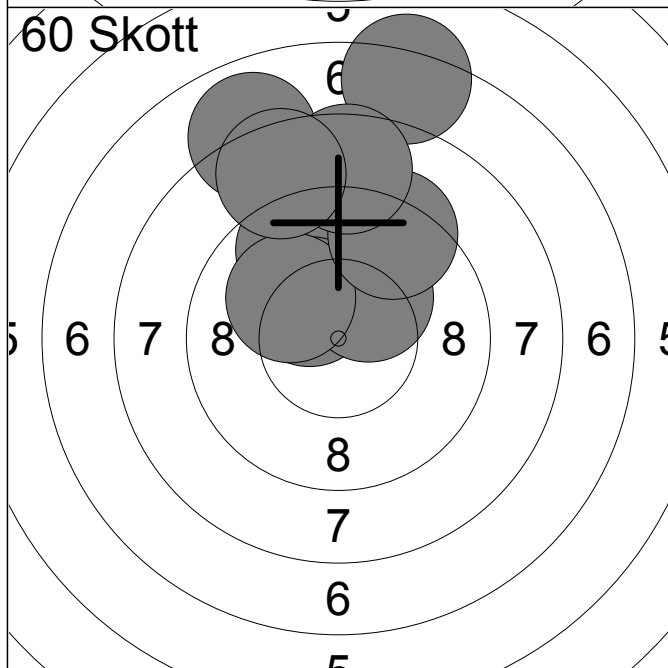
Total	0 (0x)
-------	---------



11:	7.7	↑
12:	10.1	↗
13:	9.7	↗
14:	9.5	↖
15:	9.8	↑
16:	9.3	↑
17:	10.8x	↗
18:	9.2	↑
19:	10.2x	←
20:	9.8	↖

Serie	91 (2x)
-------	----------

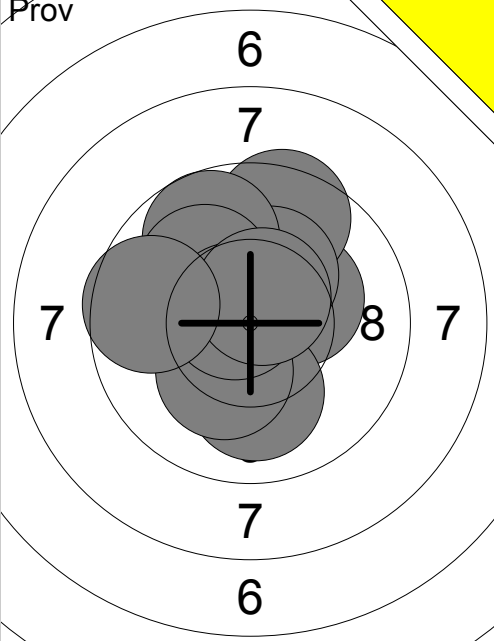
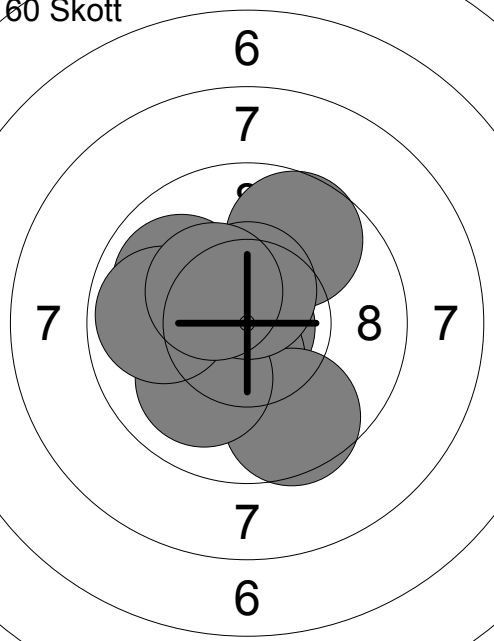
Total	0 (0x)
-------	---------

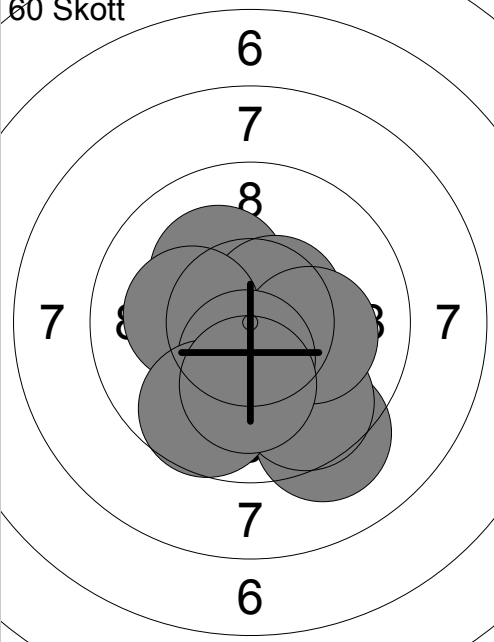
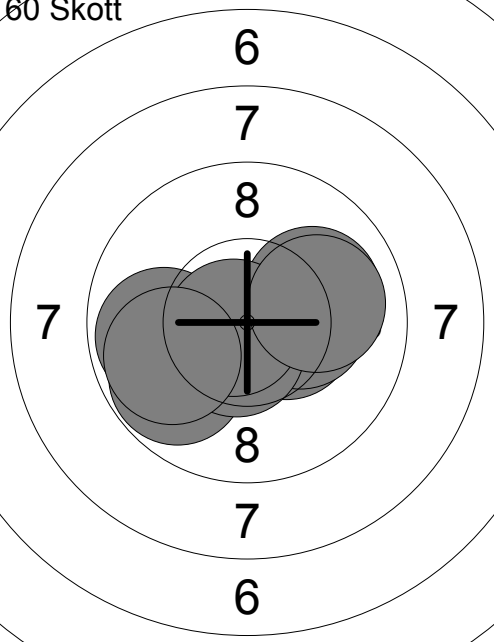


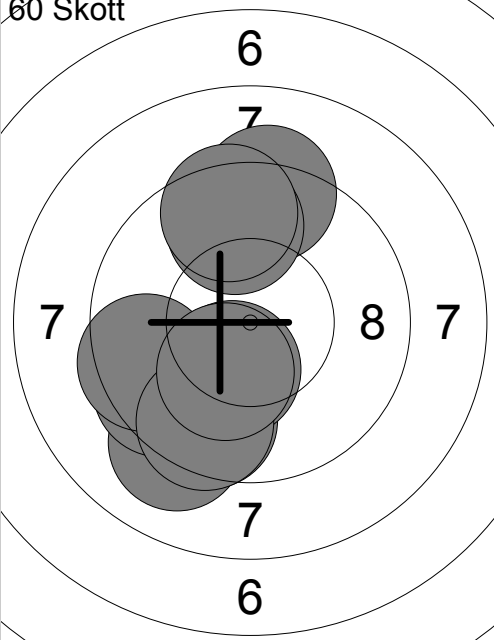
1:	9.6	↑
2:	10.3x	↗
3:	10.2x	↗
4:	7.2	↑
5:	10.1	↖
6:	7.9	↑
7:	9.3	↗
8:	8.6	↑
9:	8.5	↑

Serie	78 (2x)
-------	----------

Total	78 (2x)
-------	----------

<p>Pröv</p>  <p style="text-align: center;">6 7 7 8 7 7 6</p>	<p>1: 10.3x →</p> <p>2: 9.5 ↑</p> <p>3: 10.0 ↓</p> <p>4: 10.3x ↑</p> <p>5: 10.2x ↓</p> <p>6: 9.7 ↑</p> <p>7: 10.1 →</p> <p>8: 10.7x ↘</p> <p>9: 10.6x ↑</p> <p>10: 9.6 ←</p> <p>Serie 97 (5x)</p> <p>Total 0 (0x)</p>	<p>60 Skott</p>  <p style="text-align: center;">6 7 7 8 7 7 6</p> <p>1: 9.9 ↖</p> <p>2: 10.9x ↓</p> <p>3: 10.4x ↙</p> <p>4: 10.5x ↓</p> <p>5: 9.6 ↓</p> <p>6: 9.7 ↑</p> <p>7: 10.0 ↓</p> <p>8: 9.9 ←</p> <p>9: 10.5x ↑</p> <p>10: 10.4x ↘</p> <p>Serie 96 (5x)</p> <p>Total 96 (5x)</p>
---	---	---

<p>60 Skott</p>  <p style="text-align: center;">6 7 8 7 8 7 7 6</p>	<p>11: 10.2x ↖</p> <p>12: 10.5x →</p> <p>13: 9.2 ↓</p> <p>14: 9.7 ↓</p> <p>15: 10.1 ↓</p> <p>16: 10.2x ←</p> <p>17: 10.2x →</p> <p>18: 10.5x ↓</p> <p>19: 9.7 ↓</p> <p>20: 10.1 ↓</p> <p>Serie 97 (5x)</p> <p>Total 193 (10x)</p>	<p>60 Skott</p>  <p style="text-align: center;">6 7 8 7 8 7 7 6</p> <p>21: 9.8 ↙</p> <p>22: 10.0 →</p> <p>23: 10.0 ←</p> <p>24: 10.4x →</p> <p>25: 9.8 ←</p> <p>26: 10.3x →</p> <p>27: 10.6x ↓</p> <p>28: 10.8x ←</p> <p>29: 10.0 →</p> <p>30: 9.9 ←</p> <p>Serie 97 (4x)</p> <p>Total 290 (14x)</p>
--	---	---

<p>60 Skott</p>  <p style="text-align: center;">6 7 7 8 7 7 6</p>	<p>31: 9.1 ↓</p> <p>32: 9.6 ↓</p> <p>33: 9.5 ↙</p> <p>34: 9.5 ←</p> <p>35: 9.3 ↑</p> <p>36: 9.7 ↑</p> <p>37: 10.3x ↓</p> <p>38: 9.5 ↓</p> <p>39: 9.5 ↑</p> <p>40: 10.2x ↓</p> <p>Serie 92 (2x)</p> <p>Total 382 (16x)</p>	
---	---	--

Pröv 	Pröv 	11: 10.4x ↙ 12: 10.1 ↖ 13: 10.0 ↖ 14: 10.6x →
1: 10.3x ↙ 2: 9.6 ↙ 3: 10.4x ↖ 4: 8.8 ↗ 5: 10.1 ↖ 6: 10.0 ↗ 7: 10.3x ↖ 8: 10.2x → 9: 10.4x ↗ 10: 10.0 ↖	Serie 97 (5x) Total 0 (0x)	Serie 40 (2x) Total 0 (0x)

60 Skott 	60 Skott 	11: 9.9 ↙ 12: 10.1 ↙ 13: 10.2x ↖ 14: 10.2x ↗ 15: 10.2x ↗ 16: 10.1 ↗ 17: 9.9 ↖ 18: 10.3x → 19: 10.3x → 20: 10.8x ↓
1: 10.1 ↗ 2: 10.2x ↖ 3: 9.3 ↖ 4: 10.0 ↗ 5: 10.7x → 6: 10.7x ↙ 7: 10.0 ↙ 8: 9.4 ↙ 9: 10.6x → 10: 10.7x ↖	Serie 98 (5x) Total 98 (5x)	Serie 98 (6x) Total 196 (11x)

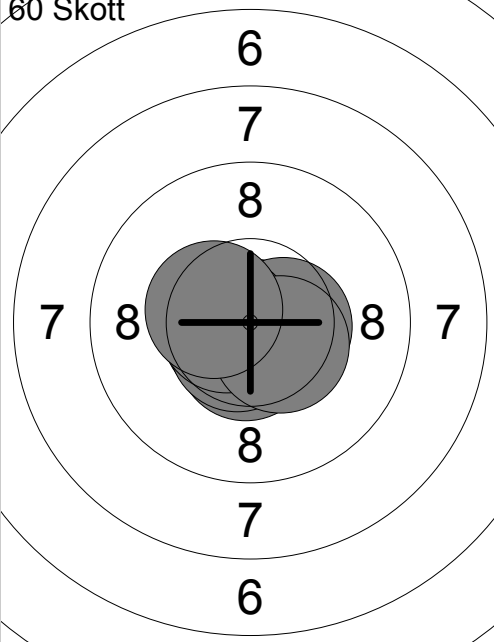
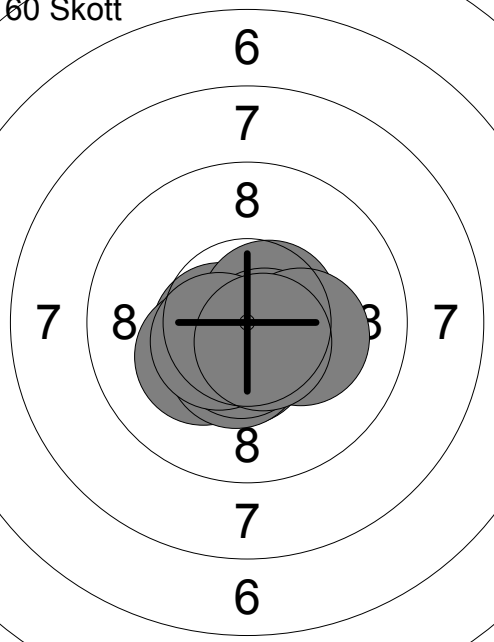
60 Skott 	60 Skott 	31: 9.9 ↙ 32: 10.7x ↗ 33: 10.0 → 34: 10.6x ↙ 35: 10.5x ↖ 36: 9.3 ↖ 37: 10.4x ↗ 38: 10.6x ↙ 39: 10.5x ↓ 40: 9.8 ↖
21: 10.5x ↖ 22: 10.3x ↗ 23: 10.2x → 24: 9.9 ↗ 25: 10.3x ↗ 26: 10.5x ↖ 27: 9.3 ↖ 28: 10.7x → 29: 10.2x ↗ 30: 9.7 ↙	Serie 97 (7x) Total 293 (18x)	Serie 97 (6x) Total 390 (24x)

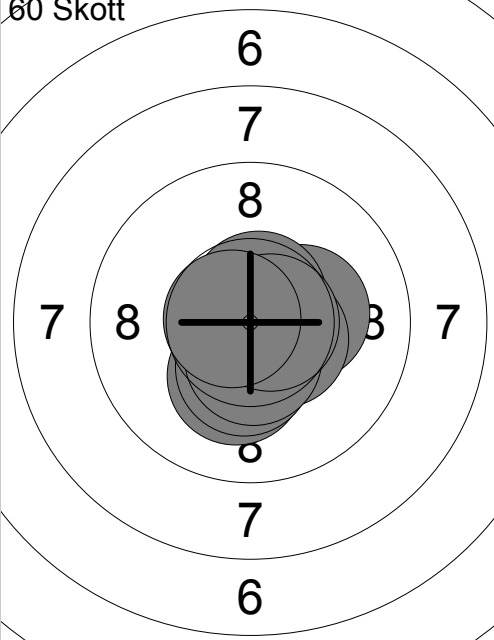
<p>Pröv</p>	<p>1: 10.5x ↖ 2: 8.9 ↑ 3: 10.3x ↗ 4: 9.5 ↑ 5: 9.7 ↗ 6: 9.5 ↖ 7: 8.9 ↖ 8: 10.3x ↑ 9: 9.9 ↖ 10: 10.3x ↑</p> <p>Serie 92 (4x) Total 0 (0x)</p>	<p>Pröv</p>	<p>11: 9.5 ↑ 12: 9.8 ↑ 13: 10.1 ↗ 14: 9.6 ↖ 15: 10.2x ↑ 16: 9.3 ↑ 17: 9.7 ↖ 18: 10.6x ↖</p> <p>Serie 75 (2x) Total 0 (0x)</p>
-------------	---	-------------	---

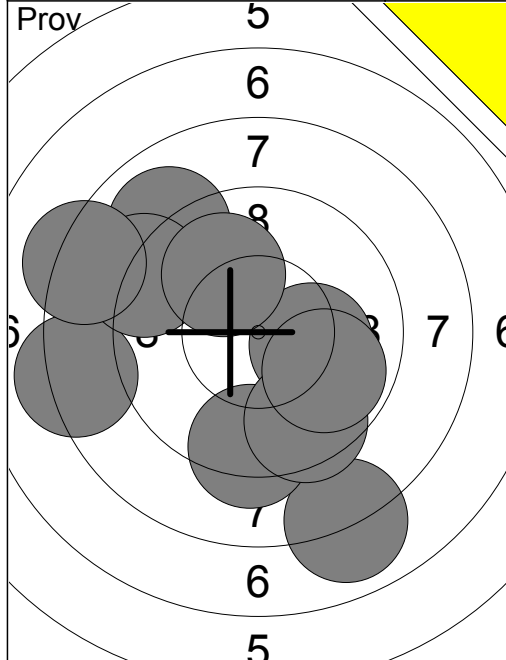
<p>60 Skott</p>	<p>1: 10.2x ↙ 2: 10.3x ↙ 3: 10.4x ↗ 4: 10.6x ↑ 5: 10.1 ↙ 6: 9.6 ↙ 7: 10.3x → 8: 10.2x ↘ 9: 10.3x ↘ 10: 10.2x ↘</p> <p>Serie 99 (8x) Total 99 (8x)</p>	<p>60 Skott</p>	<p>11: 10.3x ↘ 12: 10.7x → 13: 10.6x ↙ 14: 9.8 ↘ 15: 9.4 ↘ 16: 10.8x ↑ 17: 10.8x → 18: 10.2x ↙ 19: 10.4x → 20: 10.1 ↘</p> <p>Serie 98 (7x) Total 197 (15x)</p>
-----------------	---	-----------------	--

<p>60 Skott</p>	<p>21: 9.9 ↑ 22: 10.5x → 23: 10.7x ↙ 24: 8.8 ↘ 25: 10.3x ↖ 26: 10.6x ↙ 27: 10.5x ↗ 28: 9.4 ↘ 29: 9.6 ↙ 30: 10.7x →</p> <p>Serie 95 (6x) Total 292 (21x)</p>	<p>60 Skott</p>	<p>31: 10.5x ↘ 32: 9.6 ↗ 33: 9.8 ↑ 34: 9.7 ↖ 35: 10.2x ↘ 36: 9.7 ↑ 37: 10.6x ↘ 38: 9.8 ↘ 39: 7.7 ↘ 40: 10.3x ↘</p> <p>Serie 92 (4x) Total 384 (25x)</p>
-----------------	---	-----------------	---

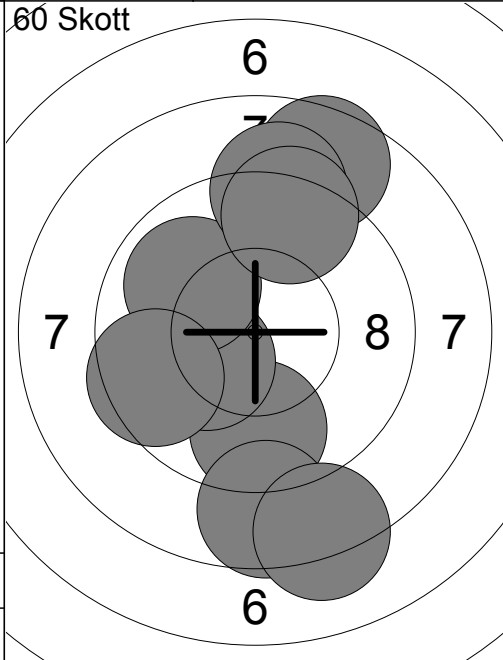
Prov 	1: 9.7 ↓ 2: 9.9 ↓ 3: 10.2x ↓ 4: 10.1 ↓ 5: 10.7x → 6: 10.3x ↓ 7: 10.4x ↓ 8: 10.6x → 9: 10.9x ↗ Serie 88 (6x) Total 0 (0x)	60 Skott  1: 10.8x → 2: 10.5x → 3: 10.3x ↘ 4: 10.8x → 5: 10.5x → 6: 10.6x → 7: 10.5x ↓ 8: 10.6x ↓ 9: 10.7x ↘ 10: 10.7x ↓ Serie 100 (10x) Total 100 (10x)
--	--	--

60 Skott 	11: 10.7x ↙ 12: 10.7x ↓ 13: 10.6x ↓ 14: 10.9x ↓ 15: 10.8x ↓ 16: 10.5x → 17: 10.6x ↓ 18: 10.6x ← 19: 10.5x ↘ 20: 10.4x ↙ Serie 100 (10x) Total 200 (20x)	60 Skott  21: 10.6x ↙ 22: 10.2x ↙ 23: 10.6x ↗ 24: 10.5x ↓ 25: 10.4x ↓ 26: 10.6x ↓ 27: 10.7x ↘ 28: 10.5x ↙ 29: 10.2x → 30: 10.6x ↓ Serie 100 (10x) Total 300 (30x)
---	--	--

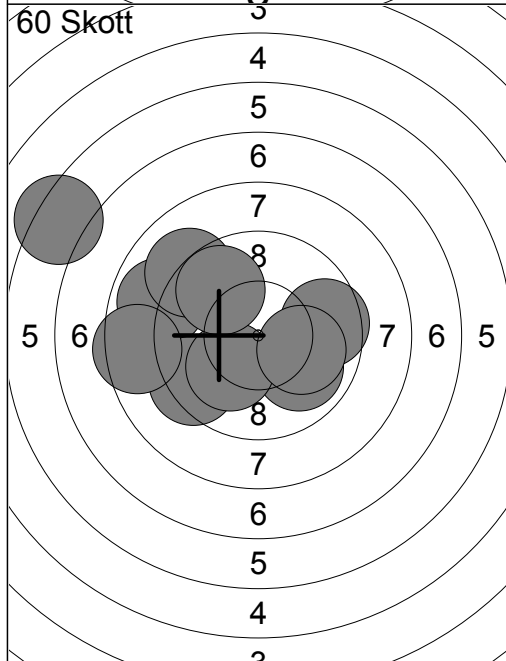
60 Skott 	31: 10.2x ↓ 32: 10.4x ↓ 33: 10.8x ↓ 34: 10.3x → 35: 10.6x ↗ 36: 10.7x → 37: 10.5x → 38: 10.5x ↓ 39: 10.7x → 40: 10.7x ← Serie 100 (10x) Total 400 (40x)	
--	--	--



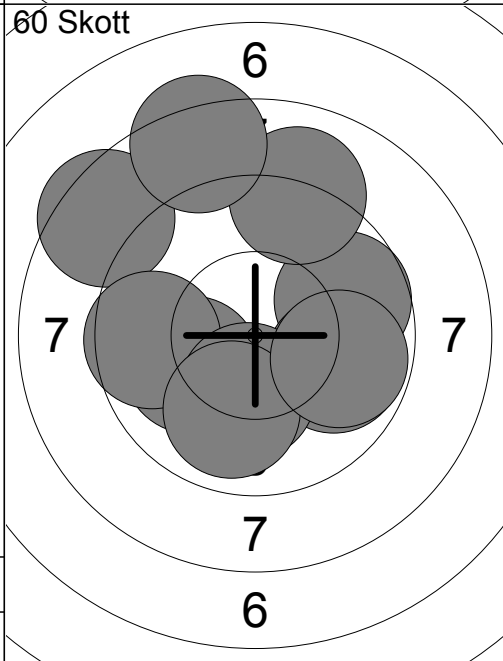
1:	8.3	←
2:	8.0	↓
3:	10.2x	→
4:	9.3	↓
5:	9.0	↗
6:	9.5	↓
7:	9.8	↘
8:	9.1	↗
9:	10.0	↗
10:	8.2	↖
Serie		89 (1x)
Total		0 (0x)



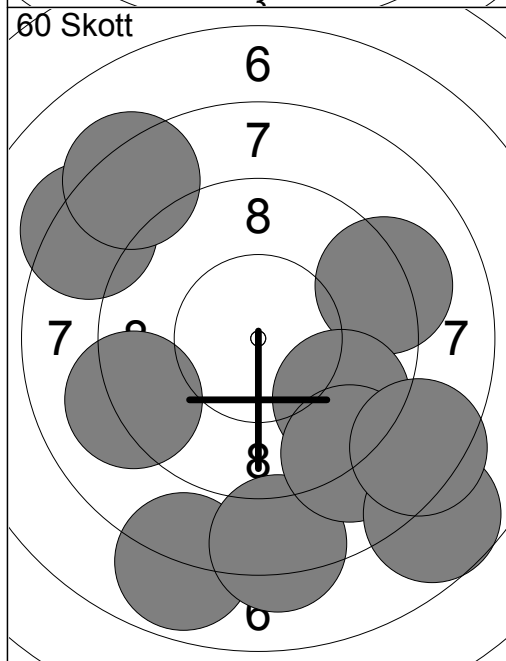
1:	9.7	↓
2:	10.1	←
3:	10.2x	↙
4:	9.9	↖
5:	8.6	↗
6:	9.1	↑
7:	8.6	↓
8:	8.2	↓
9:	9.5	←
10:	9.4	↑
Serie		89 (1x)
Total		89 (1x)



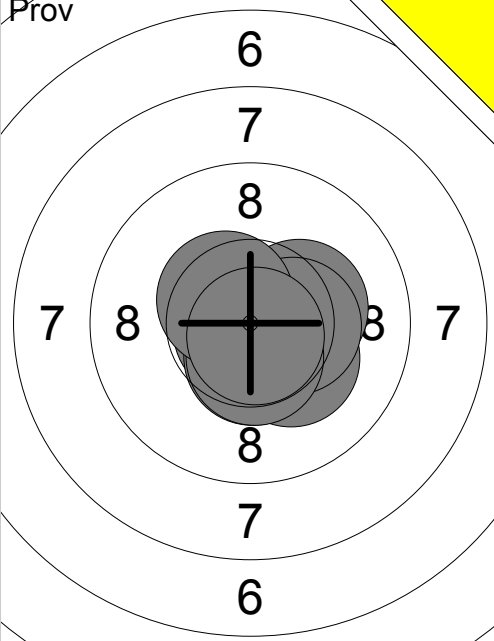
11:	8.9	←
12:	9.9	↓
13:	9.3	←
14:	10.1	↙
15:	9.1	↗
16:	9.6	→
17:	8.5	←
18:	9.8	↗
19:	10.0	→
20:	6.3	↖
Serie		87 (0x)
Total		176 (1x)

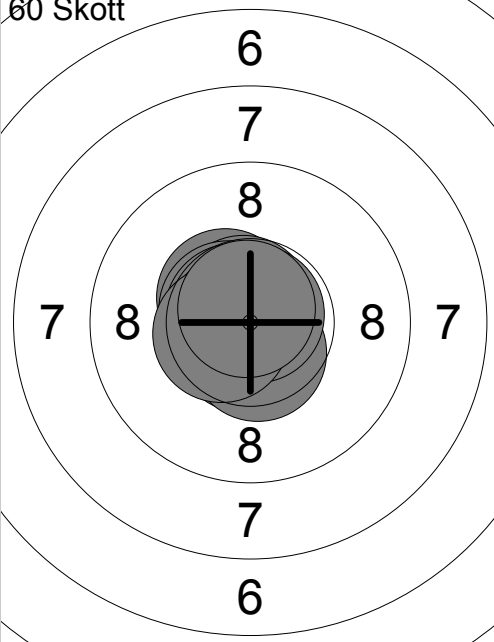


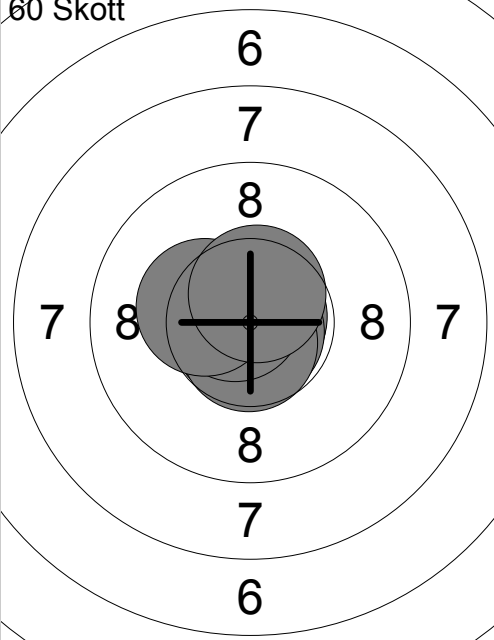
21:	10.0	←
22:	8.5	↖
23:	9.7	→
24:	9.6	←
25:	9.0	↑
26:	9.9	→
27:	10.2x	↓
28:	9.9	↓
29:	9.8	→
30:	8.3	↑
Serie		90 (1x)
Total		266 (2x)

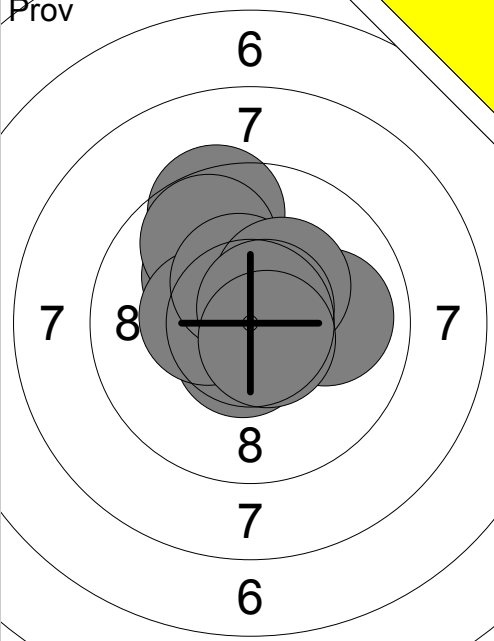
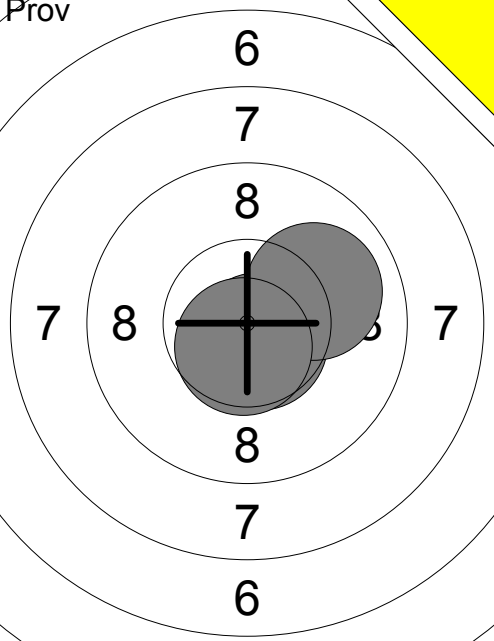


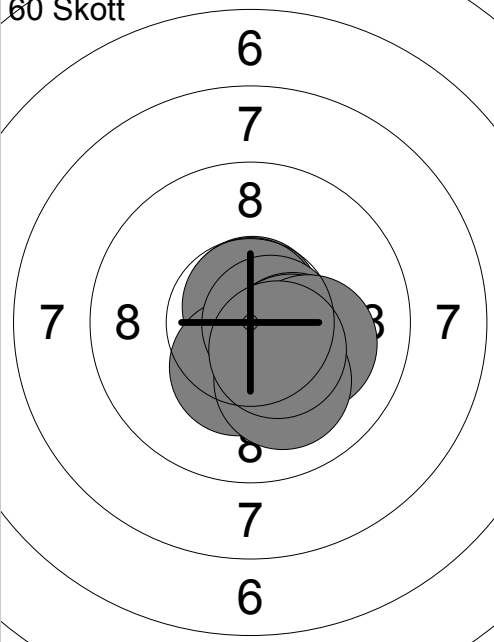
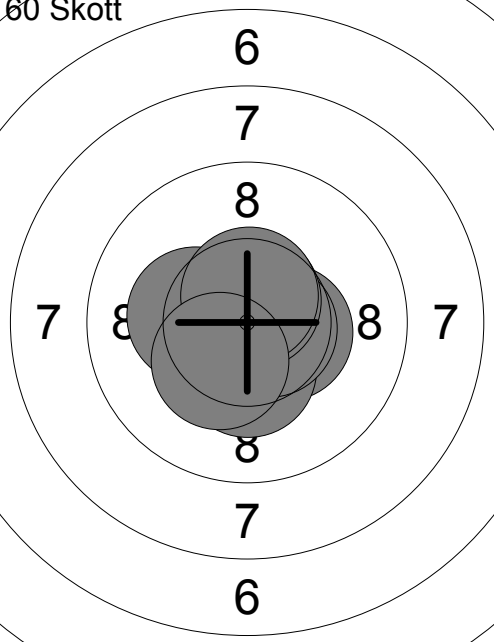
31:	9.2	→
32:	8.3	↗
33:	7.9	↓
34:	8.2	↓
35:	9.6	↓
36:	8.3	↗
37:	9.0	↓
38:	7.7	↓
39:	9.1	←
40:	8.4	↓
Serie		82 (0x)
Total		348 (2x)

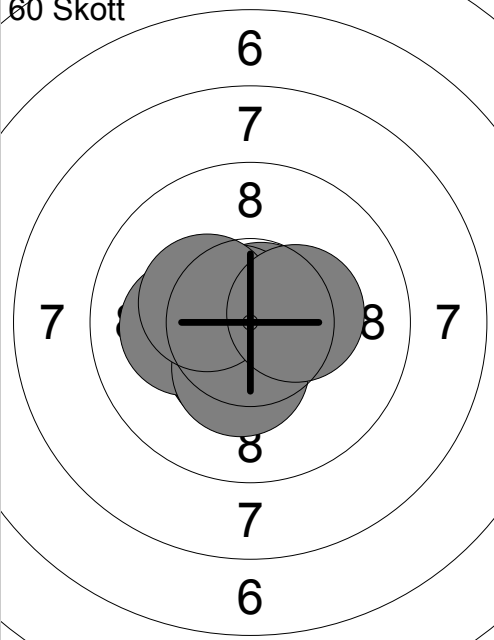
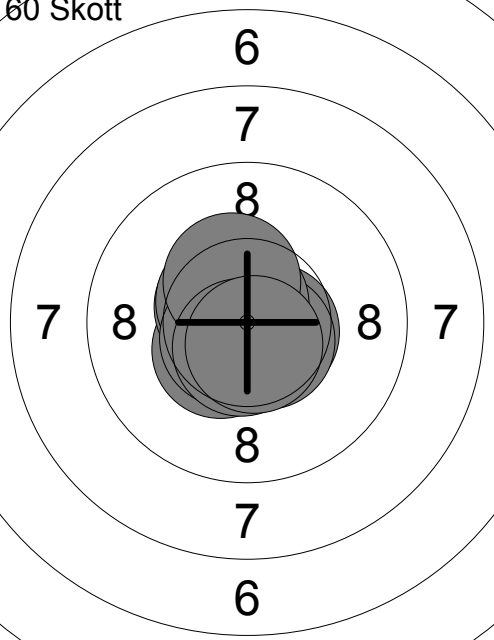
Prov 	1: 10.3x → 2: 10.4x → 3: 10.2x ↓ 4: 10.8x ↙ 5: 10.5x ↓ 6: 10.4x → 7: 10.5x ↓ 8: 10.5x ↖ 9: 10.8x ↓ Serie 90 (9x) Total 0 (0x)	60 Skott  1: 10.4x ↓ 2: 10.5x → 3: 10.5x ↓ 4: 10.9x → 5: 10.7x ↓ 6: 10.8x ↖ 7: 10.2x ↖ 8: 10.7x ↑ 9: 10.6x ↑ 10: 10.7x ↙ Serie 100 (10x) Total 100 (10x)
--	---	--

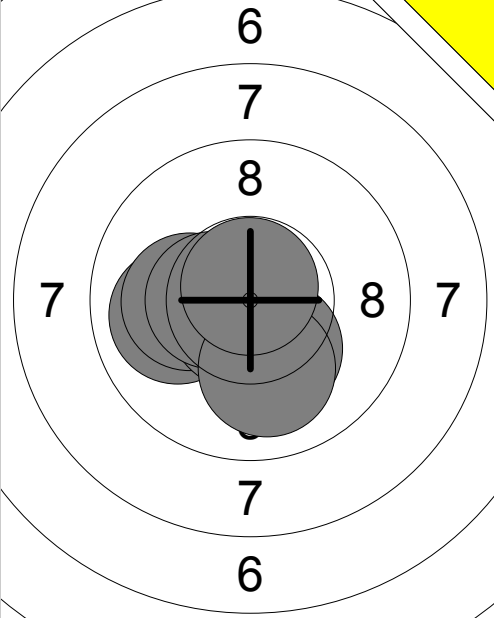
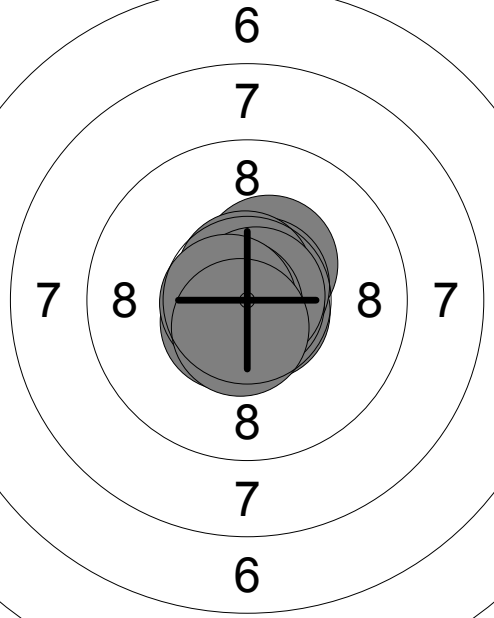
60 Skott 	11: 10.5x ↖ 12: 10.7x ↑ 13: 10.6x ↖ 14: 10.7x ↖ 15: 10.8x ← 16: 10.7x ↓ 17: 10.5x ↓ 18: 10.8x ↗ 19: 10.5x ← 20: 10.8x ↑ Serie 100 (10x) Total 200 (20x)	60 Skott  21: 10.2x ↗ 22: 10.7x ↗ 23: 10.7x ↓ 24: 10.5x ↖ 25: 10.5x → 26: 10.9x → 27: 10.8x ↓ 28: 10.5x ↖ 29: 10.3x ↖ 30: 10.6x ↖ Serie 100 (10x) Total 300 (30x)
---	--	--

60 Skott 	31: 10.9x → 32: 10.8x ↑ 33: 10.8x ↗ 34: 10.8x ↙ 35: 10.8x ↑ 36: 10.8x ↓ 37: 10.7x ↓ 38: 10.7x ↖ 39: 10.3x ↖ 40: 10.6x ↑ Serie 100 (10x) Total 400 (40x)	
--	--	--

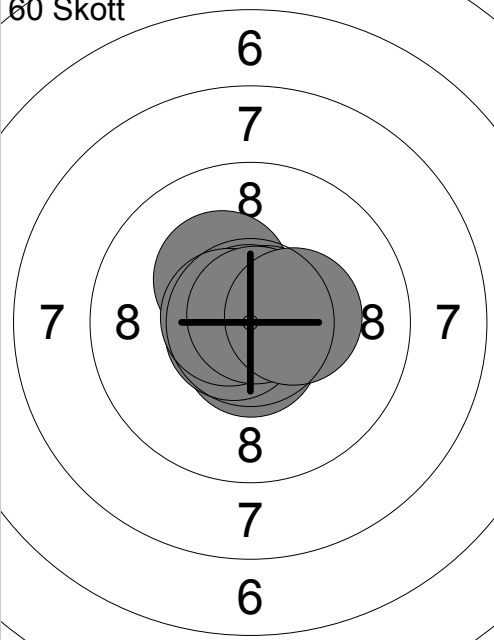
Prov 	1: 10.6x ↘ 2: 10.1 ↗ 3: 9.4 ↗ 4: 9.8 ↗ 5: 10.4x ← 6: 10.0 → 7: 10.4x ↗ 8: 10.3x ↗ 9: 10.7x ↗ 10: 10.6x ↘ Serie 98 (6x) Total 0 (0x)	Prov 	11: 10.7x ↘ 12: 10.0 → 13: 10.6x ↘ Serie 30 (2x) Total 0 (0x)
--	--	--	---

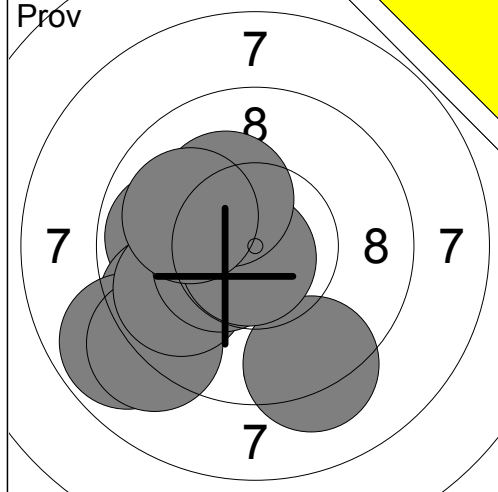
60 Skott 	1: 10.7x ↗ 2: 10.7x ↗ 3: 10.3x ↘ 4: 10.7x → 5: 10.4x ↘ 6: 10.3x → 7: 10.4x → 8: 10.1 → 9: 10.1 ↘ 10: 10.5x ↘ Serie 100 (8x) Total 100 (8x)	60 Skott 	11: 10.4x → 12: 10.6x ← 13: 10.3x ↘ 14: 10.9x → 15: 10.9x ↘ 16: 10.3x ← 17: 10.7x → 18: 10.7x ↗ 19: 10.6x ↗ 20: 10.3x ↘ Serie 100 (10x) Total 200 (18x)
---	---	---	--

60 Skott 	21: 10.5x ↘ 22: 10.5x ↘ 23: 10.4x ↘ 24: 10.7x ↗ 25: 10.7x ↖ 26: 10.5x ↘ 27: 10.1 ← 28: 10.3x ↘ 29: 10.3x ↖ 30: 10.3x → Serie 100 (9x) Total 300 (27x)	60 Skott 	31: 10.6x → 32: 10.6x ↘ 33: 10.4x ↘ 34: 10.6x ↖ 35: 10.5x ↖ 36: 10.7x ↗ 37: 10.6x ↘ 38: 10.4x ↗ 39: 10.6x ↘ 40: 10.6x ↘ Serie 100 (10x) Total 400 (37x)
--	--	--	--

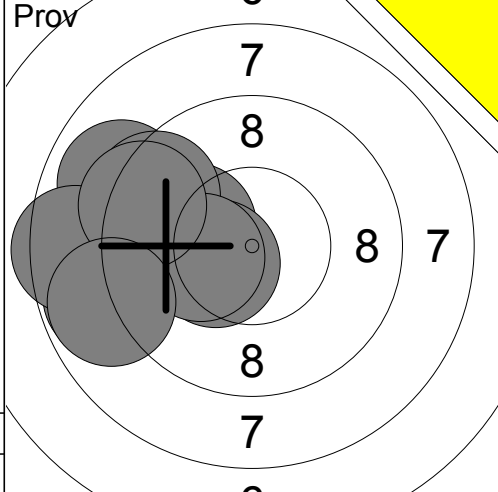
Prov 	60 Skott 	1: 10.8x ← 2: 10.0 ← 3: 10.2x ← 4: 10.7x ↘ 5: 10.5x ← 6: 10.2x ↘ 7: 10.0 ↓ 8: 10.8x ↑ Serie 80 (6x) Total 0 (0x)	1: 10.4x ↗ 2: 10.7x ↘ 3: 10.7x ↗ 4: 10.8x → 5: 10.7x ↑ 6: 10.6x ↘ 7: 10.8x → 8: 10.8x ← 9: 10.7x ← 10: 10.6x ↓ Serie 100 (10x) Total 100 (10x)
--	--	---	---

60 Skott 	60 Skott 	11: 10.5x ↘ 12: 10.0 ↓ 13: 10.8x ↙ 14: 10.6x ↓ 15: 10.7x → 16: 10.6x ↘ 17: 10.9x ↑ 18: 10.7x → 19: 10.2x ↗ 20: 10.5x ↖ Serie 100 (9x) Total 200 (19x)	21: 10.6x → 22: 10.9x ↗ 23: 10.7x ↖ 24: 10.2x ← 25: 10.5x ← 26: 10.3x ← 27: 10.7x ↑ 28: 10.0 ↖ 29: 10.7x ↖ 30: 10.7x → Serie 100 (9x) Total 300 (28x)
---	---	--	--

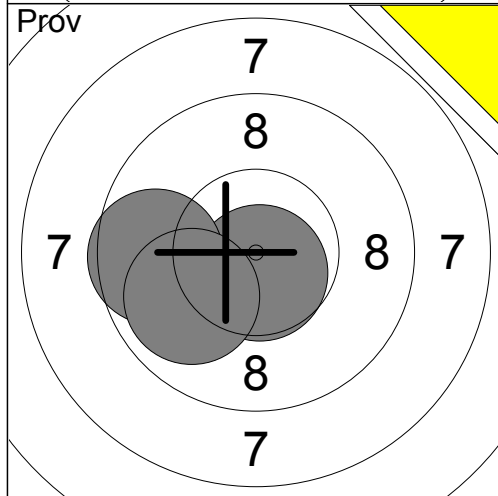
60 Skott 	31: 10.8x ↑ 32: 10.3x ↖ 33: 10.7x → 34: 10.7x ↓ 35: 10.8x ↑ 36: 10.6x ↓ 37: 10.7x ↙ 38: 10.7x ← 39: 10.8x ↗ 40: 10.4x → Serie 100 (10x) Total 400 (38x)		
--	--	--	--



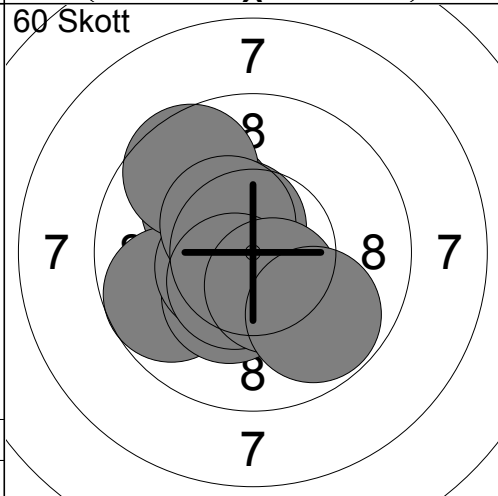
1:	9.9	←
2:	9.2	↓
3:	9.6	←
4:	8.8	←
5:	9.1	↓
6:	9.8	←
7:	10.4x	←
8:	10.8x	↓
9:	10.2x	↗
10:	10.0	←
Serie		93 (3x)
Total		0 (0x)



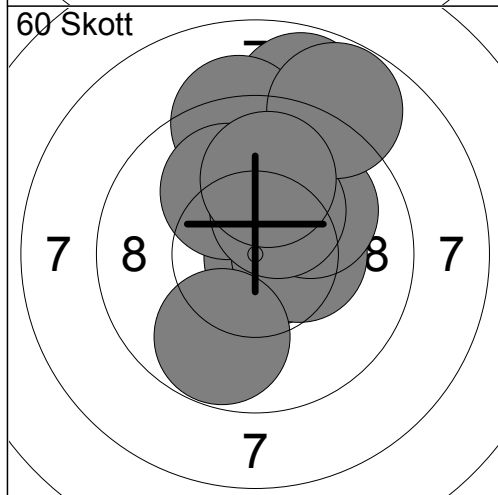
11:	10.1	↖
12:	10.4x	←
13:	8.9	↗
14:	9.5	←
15:	8.8	←
16:	9.4	↗
17:	10.2x	←
18:	8.5	←
19:	9.3	↗
20:	8.8	←
Serie		89 (2x)
Total		0 (0x)



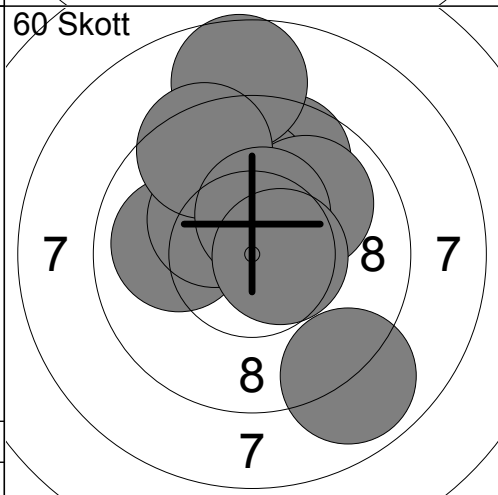
21:	10.7x	↓
22:	9.6	←
23:	9.9	↖
Serie		28 (1x)
Total		0 (0x)



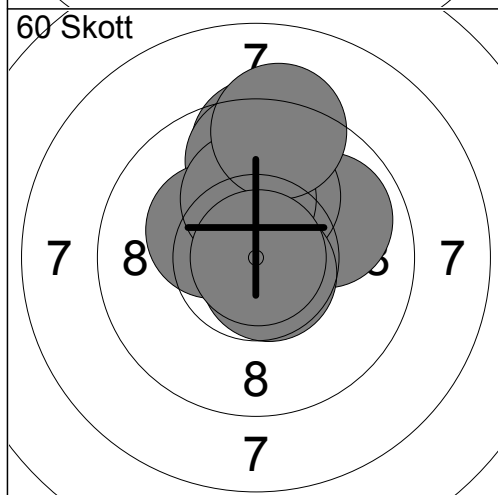
1:	10.1	↗
2:	9.7	←
3:	9.6	↗
4:	10.3x	↓
5:	10.6x	↗
6:	10.5x	←
7:	10.4x	↗
8:	10.5x	↓
9:	10.4x	↓
10:	9.8	↓
Serie		97 (6x)
Total		97 (6x)



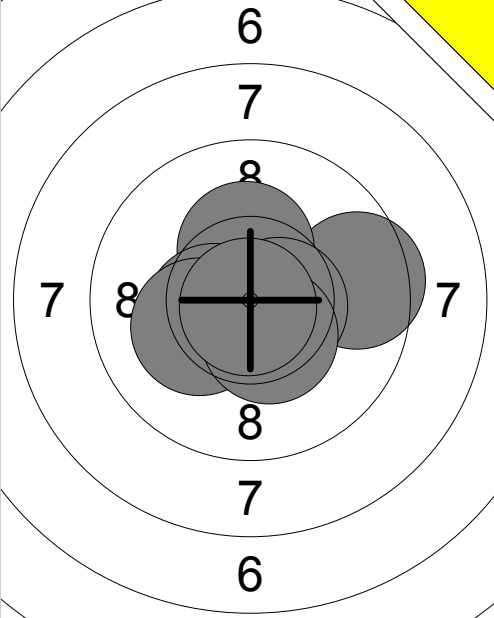
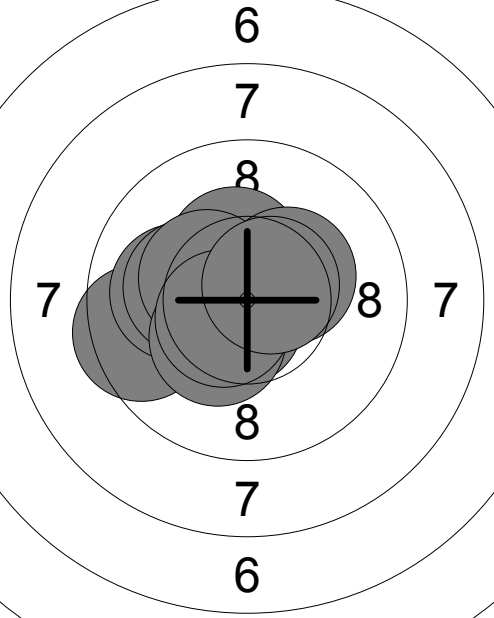
11:	10.7x	→
12:	10.4x	→
13:	9.8	↓
14:	8.8	↑
15:	9.2	↑
16:	10.0	↖
17:	10.0	↗
18:	10.3x	↗
19:	8.8	↗
20:	9.9	↑
Serie		93 (3x)
Total		190 (9x)

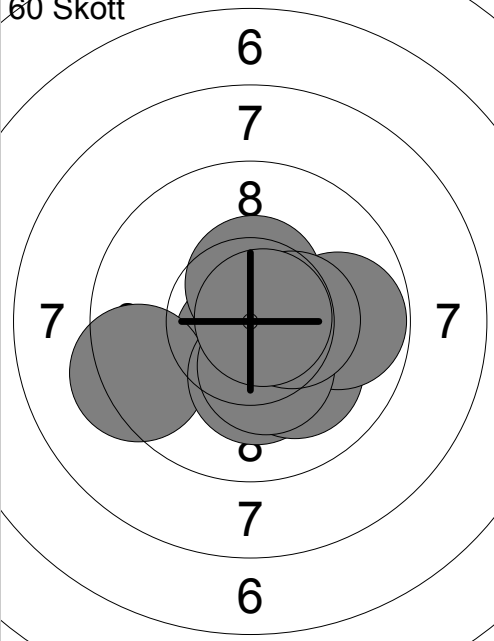
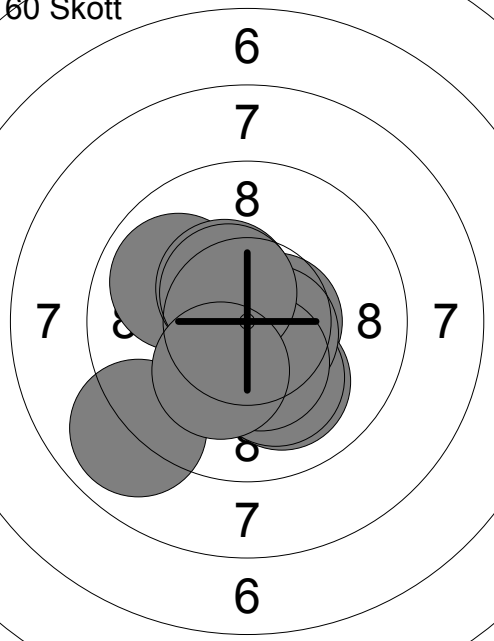


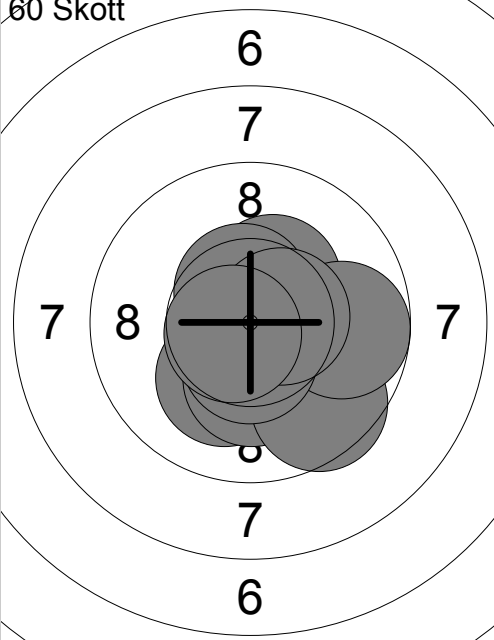
21:	9.6	↗
22:	10.0	↑
23:	8.7	↑
24:	10.0	←
25:	10.3x	↗
26:	10.0	↗
27:	8.9	↓
28:	9.4	↗
29:	10.4x	↑
30:	10.6x	→
Serie		94 (3x)
Total		284 (12x)

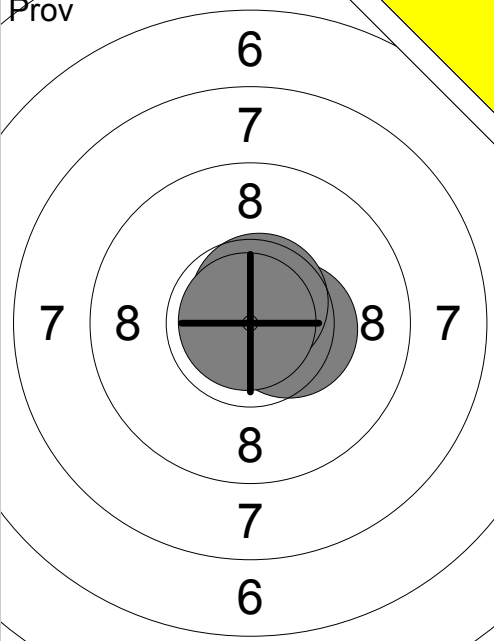
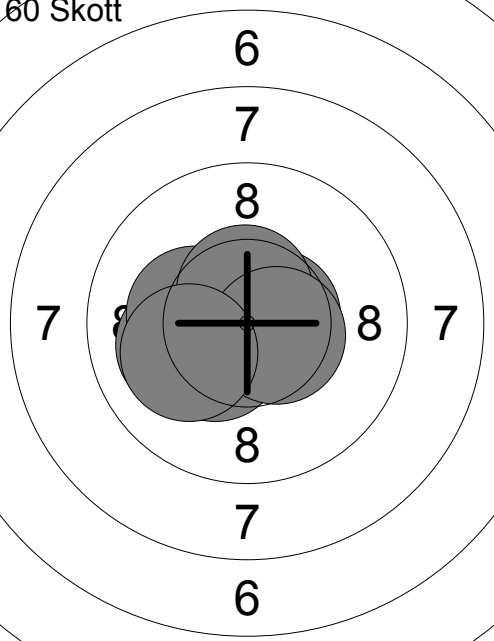


31:	10.5x	↗
32:	9.9	↗
33:	9.5	↑
34:	9.7	↑
35:	10.3x	↖
36:	10.1	↑
37:	10.2x	↑
38:	10.7x	↓
39:	9.3	↑
40:	10.9x	→
Serie		96 (5x)
Total		380 (17x)

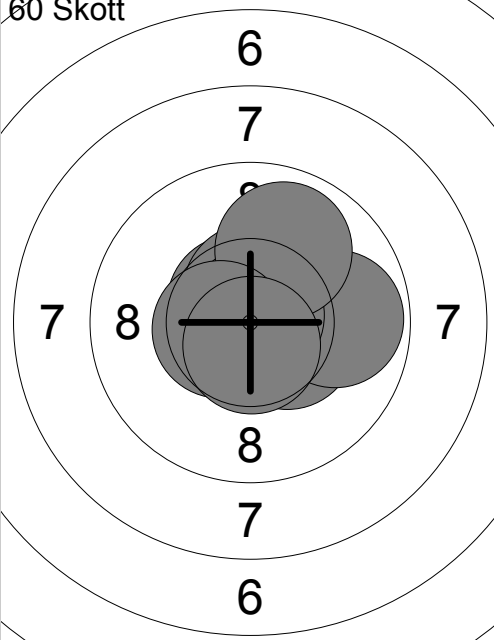
<p>Pröv</p>  <p style="text-align: center;">6 7 8 7 8 7 6</p>	<p>1: 10.8x ↓ 2: 9.5 → 3: 10.3x ↑ 4: 10.6x → 5: 10.4x ← 6: 10.2x ← 7: 10.4x ↓ 8: 10.9x ↓</p> <p>Serie 79 (7x) Total 0 (0x)</p>	<p>60 Skott</p>  <p style="text-align: center;">6 7 8 7 8 7 6</p> <p>1: 9.5 ← 2: 10.0 ← 3: 10.7x ↓ 4: 10.3x ↑ 5: 10.2x ← 6: 10.4x ↖ 7: 10.3x ↓ 8: 10.6x ↙ 9: 10.3x ↗ 10: 10.6x ↗</p> <p>Serie 99 (8x) Total 99 (8x)</p>
---	--	---

<p>60 Skott</p>  <p style="text-align: center;">6 7 8 7 8 7 6</p>	<p>11: 10.7x ↓ 12: 9.3 ← 13: 10.5x ↓ 14: 10.2x ↓ 15: 10.1 ↓ 16: 9.8 → 17: 10.3x ↓ 18: 10.5x ↑ 19: 10.4x → 20: 10.8x →</p> <p>Serie 98 (7x) Total 197 (15x)</p>	<p>60 Skott</p>  <p style="text-align: center;">6 7 8 7 8 7 6</p> <p>21: 9.0 ↙ 22: 9.9 ↖ 23: 10.6x → 24: 10.0 ↓ 25: 10.4x ↗ 26: 10.1 ↓ 27: 10.6x → 28: 10.4x ↓ 29: 10.5x ↗ 30: 10.2x ↓</p> <p>Serie 98 (6x) Total 295 (21x)</p>
--	--	--

<p>60 Skott</p>  <p style="text-align: center;">6 7 8 7 8 7 6</p>	<p>31: 10.7x ↗ 32: 10.2x ↓ 33: 10.2x ↓ 34: 9.6 ↘ 35: 10.4x ↗ 36: 9.7 → 37: 10.5x ↑ 38: 10.5x ↓ 39: 10.5x → 40: 10.7x ↙</p> <p>Serie 98 (8x) Total 393 (29x)</p>	
---	---	--

<p>Pröv</p> 	<p>1: 10.4x →</p> <p>2: 10.6x ↗</p> <p>3: 10.9x ↖</p>	<p>60 Skott</p> 	<p>1: 10.4x ↘</p> <p>2: 10.1 ←</p> <p>3: 10.9x ↘</p> <p>4: 10.5x ←</p> <p>5: 10.6x →</p> <p>6: 10.4x ←</p> <p>7: 10.3x ←</p> <p>8: 10.6x ↗</p> <p>9: 10.5x →</p> <p>10: 10.1 ←</p>
Serie 30 (3x)		Serie 100 (8x)	
Total 0 (0x)		Total 100 (8x)	

<p>60 Skott</p> 	<p>11: 10.2x ↘</p> <p>12: 10.4x ↘</p> <p>13: 10.5x ↖</p> <p>14: 10.6x ↗</p> <p>15: 10.5x ↖</p> <p>16: 9.8 →</p> <p>17: 10.7x →</p> <p>18: 10.8x ↘</p> <p>19: 10.7x ↗</p> <p>20: 10.7x ←</p>	<p>60 Skott</p> 	<p>21: 10.7x ←</p> <p>22: 10.9x ↘</p> <p>23: 10.8x ↘</p> <p>24: 10.6x →</p> <p>25: 10.4x ↘</p> <p>26: 10.8x ↖</p> <p>27: 10.9x ↗</p> <p>28: 10.1 →</p> <p>29: 10.7x ↘</p> <p>30: 10.3x ↗</p>
Serie 99 (9x)		Serie 100 (9x)	
Total 199 (17x)		Total 299 (26x)	

<p>60 Skott</p> 	<p>31: 10.6x ↗</p> <p>32: 10.3x ↗</p> <p>33: 10.6x ↖</p> <p>34: 10.6x ↗</p> <p>35: 10.4x →</p> <p>36: 9.8 →</p> <p>37: 10.8x ↗</p> <p>38: 9.9 ↗</p> <p>39: 10.6x ←</p> <p>40: 10.6x ↘</p>		
Serie 98 (8x)			
Total 397 (34x)			

<p>Pröv</p>	<p>1: 9.0 ← 2: 9.6 ↗ 3: 9.7 ← 4: 10.8x ↓ 5: 10.1 ← 6: 9.6 ↓ 7: 9.6 → 8: 10.4x ↓ 9: 10.2x → 10: 10.6x →</p> <p>Serie 95 (4x) Total 0 (0x)</p>	<p>Pröv</p>	<p>11: 10.8x →</p> <p>Serie 10 (1x) Total 0 (0x)</p>
-------------	--	-------------	--

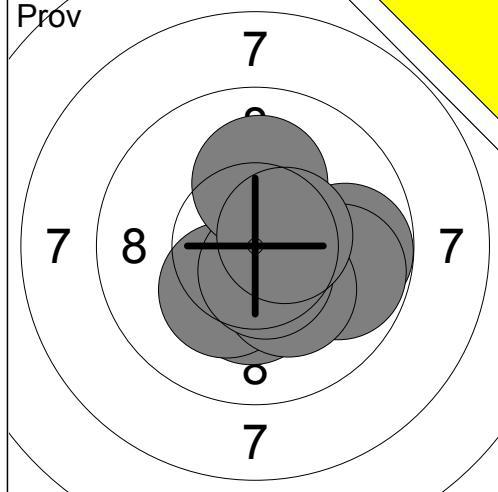
<p>60 Skott</p>	<p>1: 10.2x ↓ 2: 10.2x → 3: 10.0 ↓ 4: 10.6x ↗ 5: 10.4x ↗ 6: 10.0 ↓ 7: 10.5x ↗ 8: 10.5x ↙ 9: 10.4x → 10: 10.0 →</p> <p>Serie 100 (7x) Total 100 (7x)</p>	<p>60 Skott</p>	<p>11: 10.3x ↗ 12: 10.5x ↗ 13: 10.7x ↙ 14: 10.7x ↙ 15: 10.8x ↓ 16: 10.1 → 17: 10.3x ↗ 18: 10.4x ↗ 19: 10.5x → 20: 10.2x →</p> <p>Serie 100 (9x) Total 200 (16x)</p>
-----------------	---	-----------------	---

<p>60 Skott</p>	<p>21: 10.5x ↗ 22: 10.1 → 23: 10.4x ↗ 24: 10.1 → 25: 10.7x ↙ 26: 10.4x → 27: 10.7x ↓ 28: 10.3x → 29: 10.6x ↓ 30: 10.3x →</p> <p>Serie 100 (8x) Total 300 (24x)</p>	<p>60 Skott</p>	<p>31: 10.4x ↗ 32: 10.3x ↓ 33: 10.7x ← 34: 10.2x ↗ 35: 10.2x ↗ 36: 10.1 ↗ 37: 10.5x → 38: 10.1 ↓ 39: 10.8x ↗ 40: 10.3x →</p> <p>Serie 100 (8x) Total 400 (32x)</p>
-----------------	--	-----------------	--

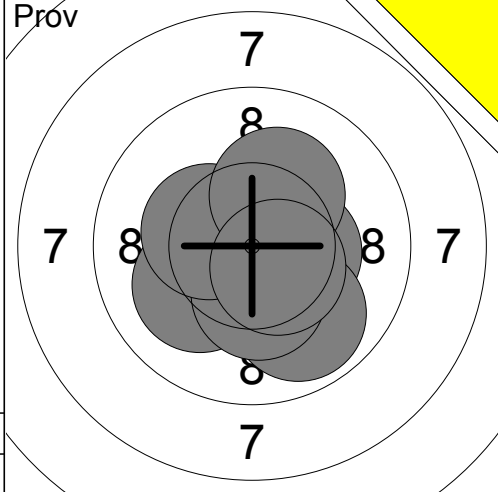
<p>Prov</p>	<p>1: 8.3 ↑</p> <p>2: 9.4 ←</p> <p>3: 9.9 ↓</p> <p>4: 9.7 →</p> <p>5: 10.4x ↑</p> <p>6: 10.3x ↗</p> <p>7: 9.3 ←</p> <p>8: 8.9 →</p> <p>9: 10.8x ↘</p> <p>10: 9.8 ↑</p> <p>Serie 91 (3x)</p> <p>Total 0 (0x)</p>	<p>Prov</p>	<p>11: 10.6x ↘</p> <p>12: 8.2 →</p> <p>13: 10.1 →</p> <p>Serie 28 (1x)</p> <p>Total 0 (0x)</p>
-------------	---	-------------	--

<p>60 Skott</p>	<p>1: 9.5 ↑</p> <p>2: 9.6 ↗</p> <p>3: 10.7x ↖</p> <p>4: 10.2x →</p> <p>5: 10.0 ↓</p> <p>6: 10.2x ←</p> <p>7: 10.6x ↖</p> <p>8: 10.5x ↓</p> <p>9: 9.0 ←</p> <p>10: 10.0 ↖</p> <p>Serie 97 (5x)</p> <p>Total 97 (5x)</p>	<p>60 Skott</p>	<p>11: 8.9 →</p> <p>12: 9.9 ←</p> <p>13: 9.0 ↙</p> <p>14: 10.0 ↙</p> <p>15: 9.6 ↖</p> <p>16: 10.4x ↘</p> <p>17: 10.2x ↙</p> <p>18: 8.9 ←</p> <p>19: 7.3 ←</p> <p>20: 6.8 ↑</p> <p>Serie 86 (2x)</p> <p>Total 183 (7x)</p>
-----------------	--	-----------------	---

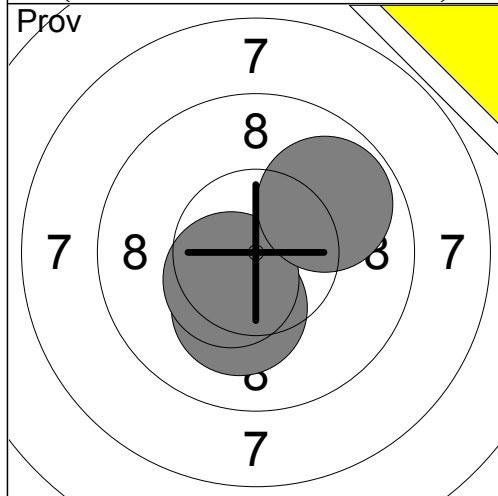
<p>60 Skott</p>	<p>21: 9.7 ←</p> <p>22: 8.5 ↑</p> <p>23: 10.4x →</p> <p>24: 9.0 ↓</p> <p>25: 10.2x ↑</p> <p>26: 10.2x ↑</p> <p>27: 10.0 ↓</p> <p>28: 10.1 ←</p> <p>29: 8.9 ↑</p> <p>30: 8.8 ←</p> <p>Serie 92 (3x)</p> <p>Total 275 (10x)</p>	<p>60 Skott</p>	<p>31: 7.8 →</p> <p>32: 8.5 ↑</p> <p>33: 8.9 ↑</p> <p>34: 9.2 ←</p> <p>35: 10.7x ↑</p> <p>36: 10.1 ↓</p> <p>37: 8.8 ←</p> <p>38: 10.2x ↗</p> <p>39: 10.1 ↗</p> <p>40: 10.4x ←</p> <p>Serie 90 (3x)</p> <p>Total 365 (13x)</p>
-----------------	---	-----------------	---



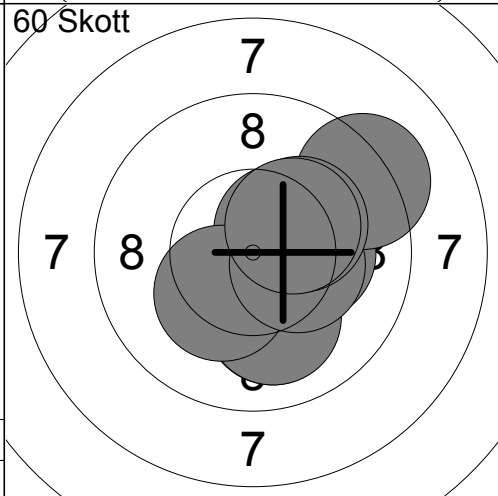
1:	10.4x	↓
2:	9.8	→
3:	9.8	→
4:	10.5x	↓
5:	10.3x	↓
6:	10.3x	↓
7:	10.2x	↓
8:	10.6x	↓
9:	10.1	↑
10:	10.5x	→
Serie		98 (7x)
Total		0 (0x)



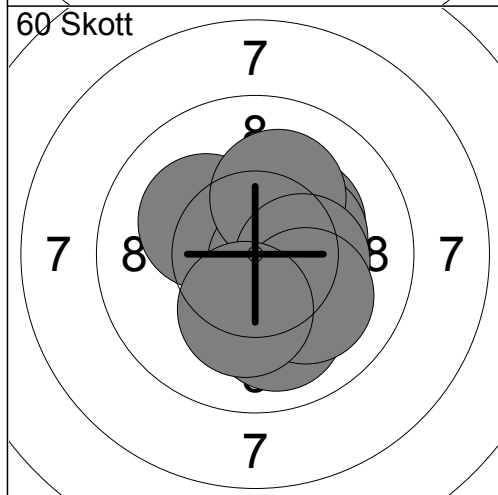
11:	10.3x	↓
12:	10.3x	↓
13:	10.4x	→
14:	10.4x	↓
15:	9.9	↓
16:	10.1	←
17:	10.3x	↓
18:	10.3x	←
19:	10.2x	↑
20:	10.5x	↓
Serie		99 (8x)
Total		0 (0x)



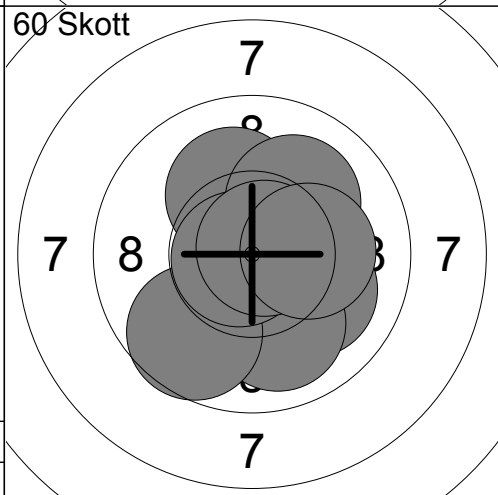
21:	10.2x	↓
22:	10.5x	↓
23:	9.8	↗
Serie		29 (2x)
Total		0 (0x)



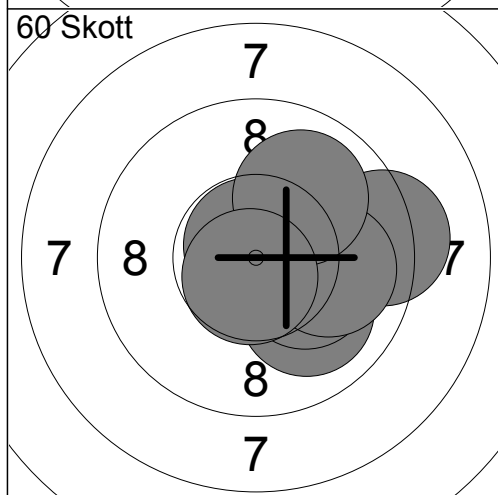
1:	10.5x	↗
2:	10.1	↓
3:	10.3x	→
4:	10.1	↓
5:	10.3x	↓
6:	10.2x	→
7:	10.3x	→
8:	9.2	↗
9:	10.2x	↗
10:	10.3x	↗
Serie		99 (7x)
Total		99 (7x)



11:	10.3x	↗
12:	10.5x	→
13:	10.2x	↗
14:	10.3x	→
15:	10.7x	↓
16:	10.1	↑
17:	10.0	↓
18:	10.3x	→
19:	10.1	↓
20:	10.2x	↓
Serie		100 (7x)
Total		199 (14x)



21:	10.7x	↓
22:	10.5x	↓
23:	10.1	↑
24:	10.1	↗
25:	10.1	↓
26:	10.0	↓
27:	9.7	↓
28:	10.8x	←
29:	10.8x	↗
30:	10.2x	→
Serie		99 (5x)
Total		298 (19x)



31:	10.7x	↗
32:	10.0	↓
33:	10.4x	→
34:	10.4x	→
35:	10.2x	↓
36:	9.3	→
37:	10.8x	↑
38:	10.0	→
39:	10.0	↗
40:	10.7x	↓
Serie		99 (6x)
Total		397 (25x)

Ramselefors	Ramselefors	Funk	Vb
03.11.2024	Vindelnskyttet 2024	Ramselefors SKF	

Prov 	1: 6.2 → 2: 10.2x ↙ 3: 6.0 → 4: 8.7 → 5: 8.0 → 6: 10.0 ↗ 7: 8.7 → 8: 8.7 ↘ 9: 6.5 → 10: 9.5 ↗ <hr/> Serie 79 (1x) Total 0 (0x)	Prov 	11: 10.5x ← 12: 9.0 → 13: 8.9 ↑ 14: 9.0 ↘ 15: 9.3 ↖ <hr/> Serie 45 (1x) Total 0 (0x)
60 Skott 	1: 9.4 ↘ 2: 10.6x ↖ 3: 9.1 ↘ 4: 10.0 ← 5: 9.9 ← 6: 9.5 ← 7: 10.5x → 8: 8.5 → 9: 8.7 → 10: 10.7x → <hr/> Serie 92 (3x) Total 92 (3x)		11: 9.9 ↑ 12: 8.6 → 13: 9.6 ↘ 14: 10.1 ↘ 15: 8.4 ↘ 16: 10.1 ↓ 17: 7.9 ↗ 18: 9.2 ↑ 19: 10.4x ↑ 20: 9.8 ↑ <hr/> Serie 89 (1x) Total 181 (4x)
60 Skott 	21: 8.9 ↖ 22: 9.7 → 23: 9.7 ↑ 24: 9.6 → 25: 9.6 ← 26: 10.5x ↘ 27: 8.6 ↗ 28: 10.1 → 29: 10.7x ↑ 30: 10.4x ↓ <hr/> Serie 92 (3x) Total 273 (7x)		31: 8.5 ↘ 32: 10.0 ↘ 33: 9.1 ← 34: 9.1 ↖ 35: 9.6 ↖ 36: 9.3 ↘ 37: 9.7 → 38: 10.3x ↘ 39: 10.1 ↘ 40: 8.0 ↓ <hr/> Serie 91 (1x) Total 364 (8x)