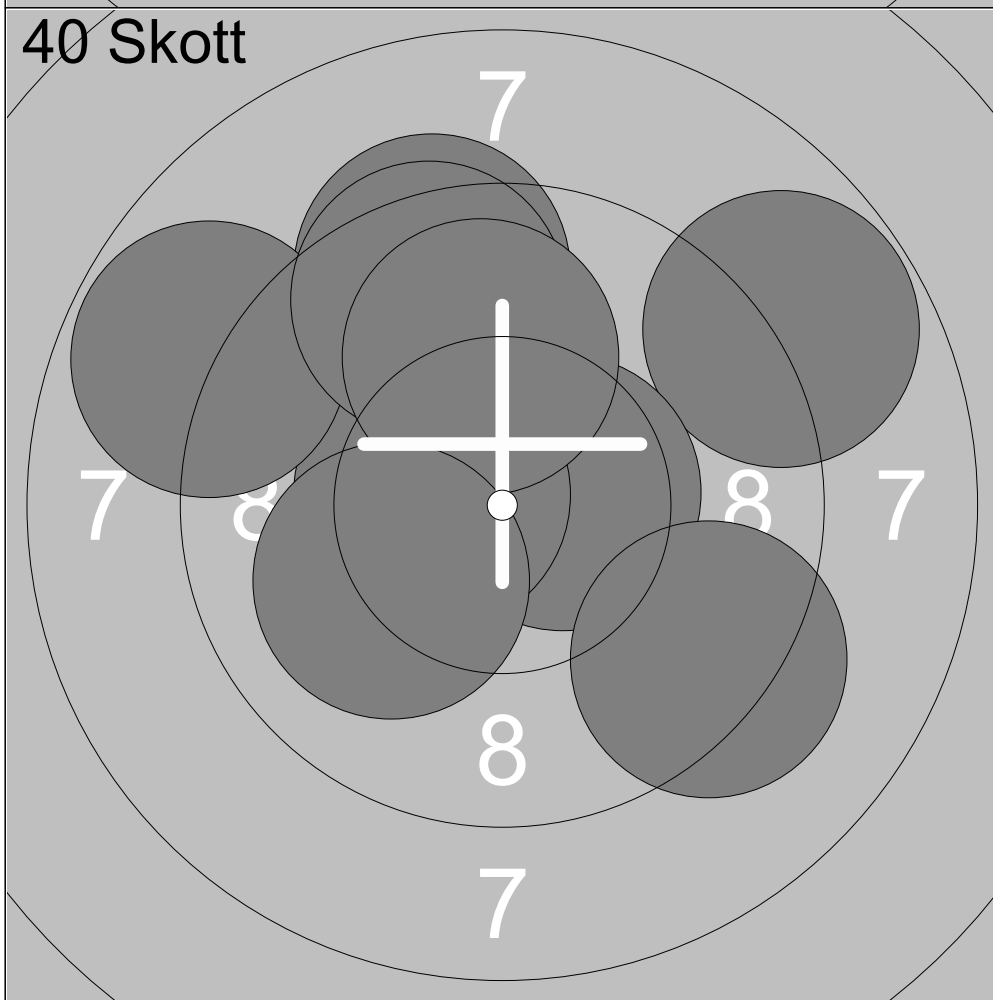


1:	9.4	↗
2:	8.9	↘
3:	9.5	←
4:	9.7	→
5:	10.6x	↗
6:	9.9	←
7:	9.4	↙
8:	9.6	↖

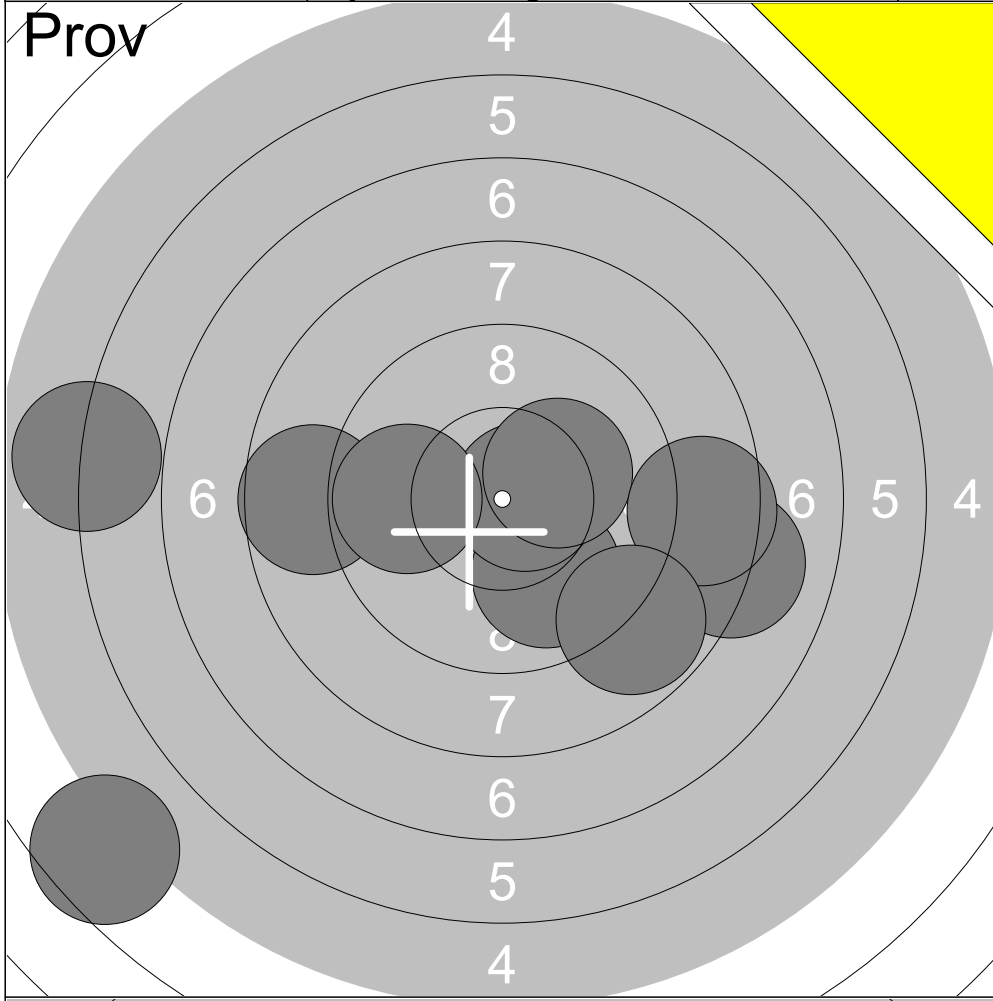
Serie	77.0
Total	370.1



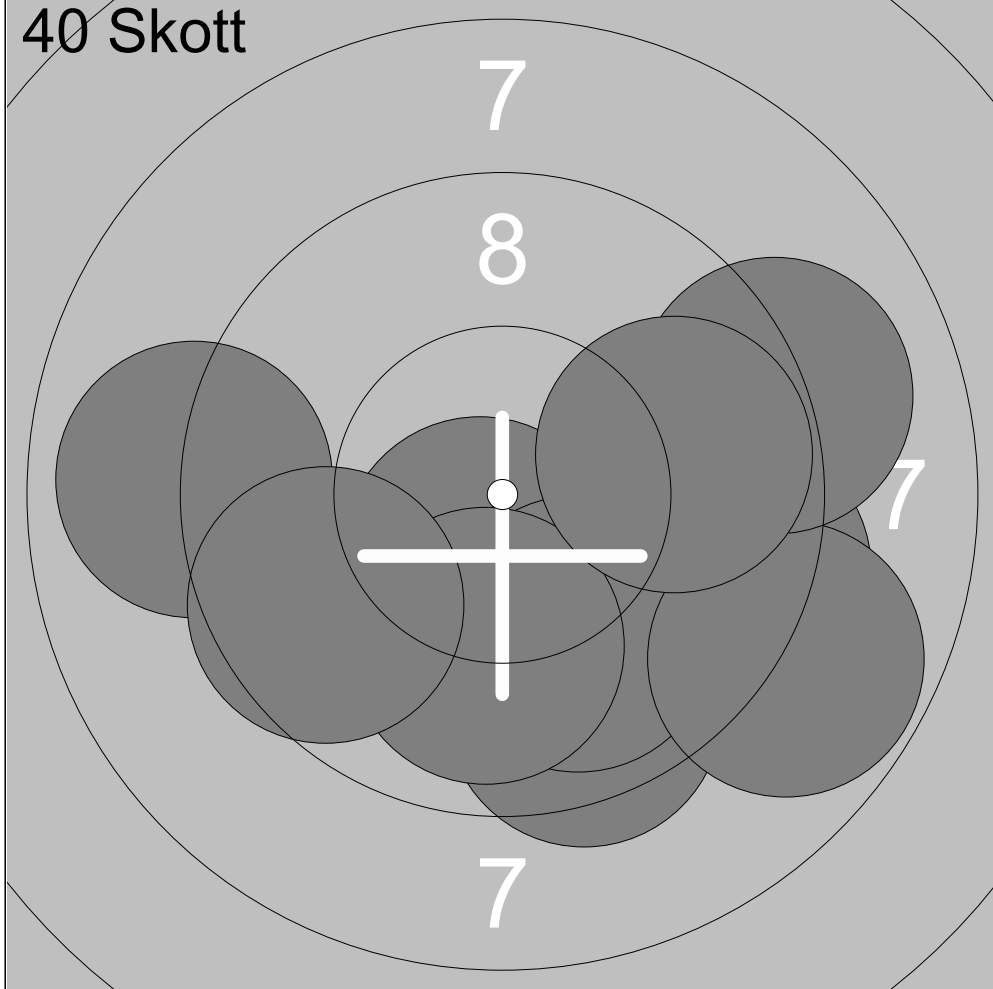
1:	8.8	↗
2:	9.9	↖
3:	9.4	↖
4:	10.5x	→
5:	10.5x	←
6:	8.8	↖
7:	9.5	↖
8:	10.0	↖
9:	10.1	↙
10:	9.3	↘

Serie	96.8
Total	466.9

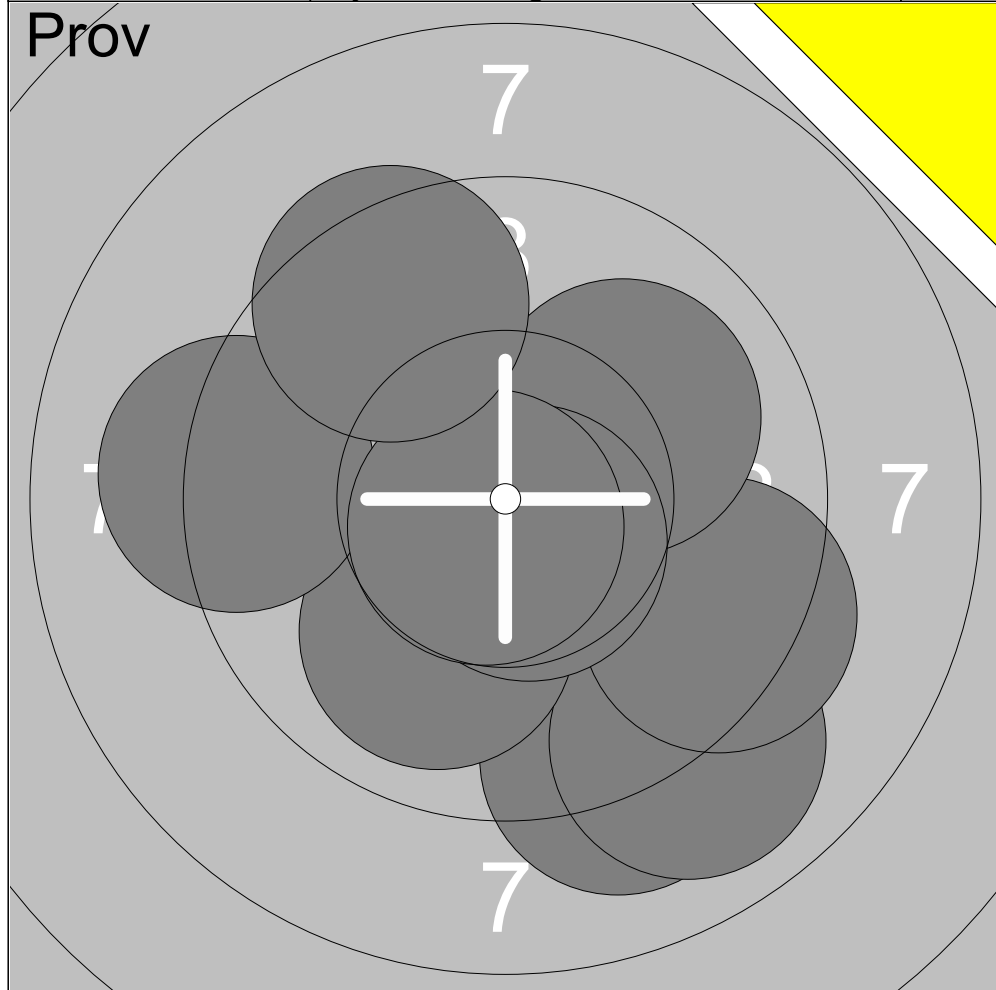
Skjutlag <b>3</b>	Tavla <b>2</b>	<b>Alva Martinsson</b>		
Ramselefors	Hammerdal Skf	13S	Jä	
03.02.2024	Skyttiadens Regionfinal 2024	Ramselefors SKF		



1:	8.1	→
2:	9.9	↘
3:	10.7x	→
4:	5.9	←
5:	10.2x	↗
6:	8.5	→
7:	8.7	←
8:	4.6	↙
9:	8.8	↘
10:	9.8	←
Serie		85.2
Total		370.0

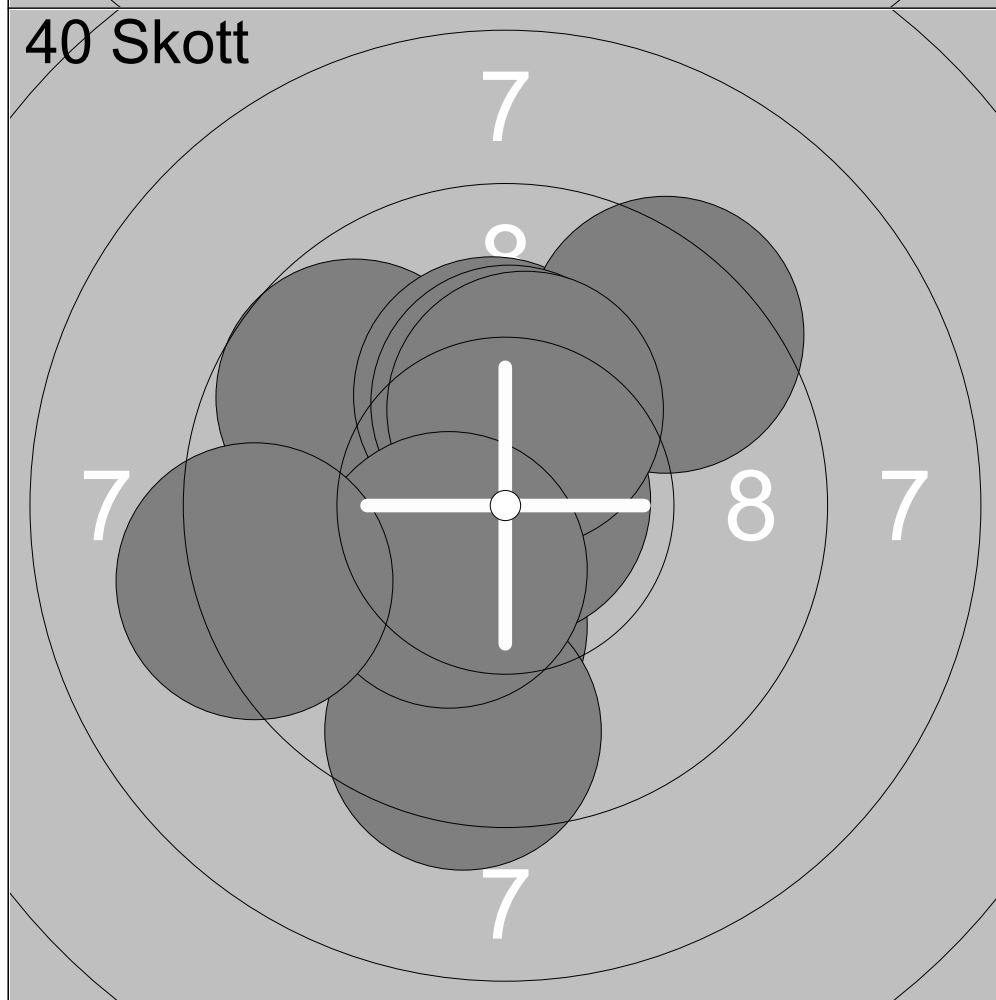


1:	9.4	→
2:	9.5	↘
3:	10.5x	↘
4:	9.9	↘
5:	10.0	↘
6:	8.8	↘
7:	8.9	←
8:	9.1	→
9:	9.8	→
10:	9.6	↙
Serie		95.5
Total		465.5



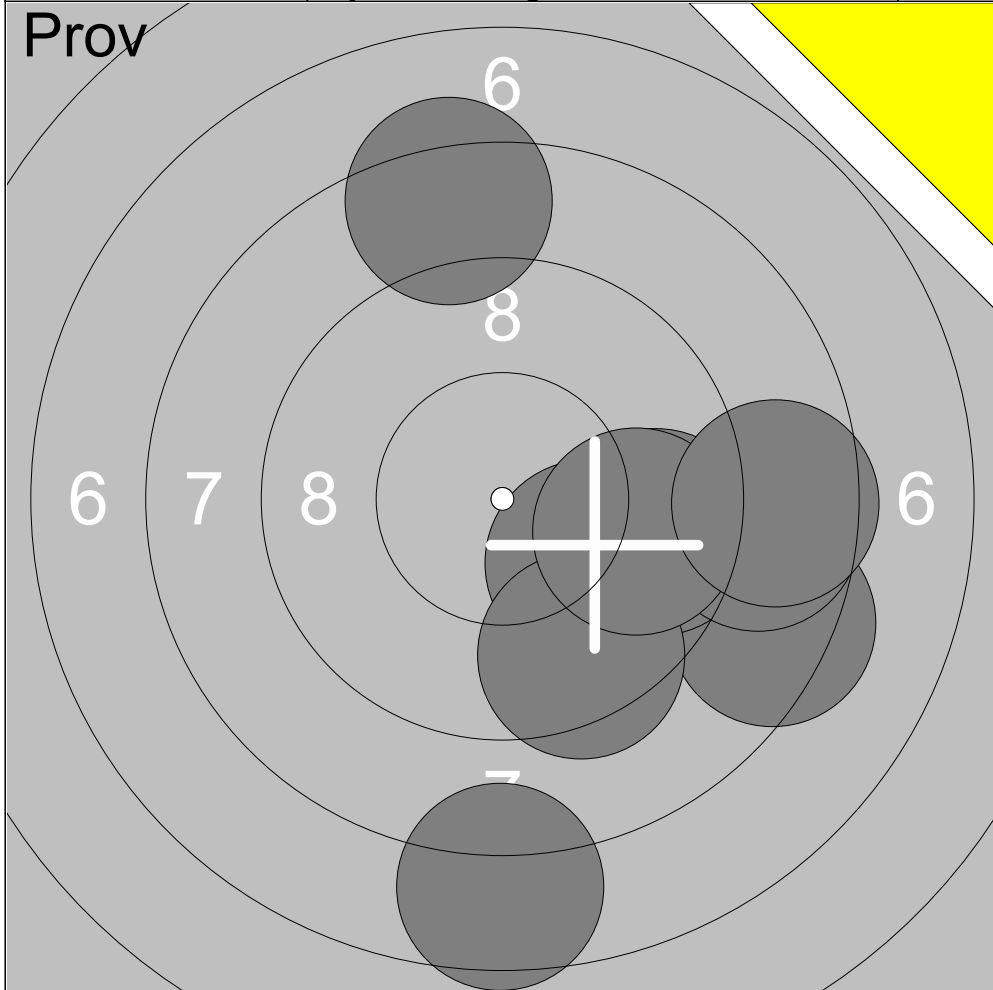
1:	9.1	↘
2:	10.6x	↘
3:	9.0	↘
4:	10.0	↘
5:	9.4	↘
6:	10.0	↗
7:	9.2	←
8:	10.6x	↘
9:	10.7x	↘
10:	9.5	↗

Serie	98.1
Total	401.9

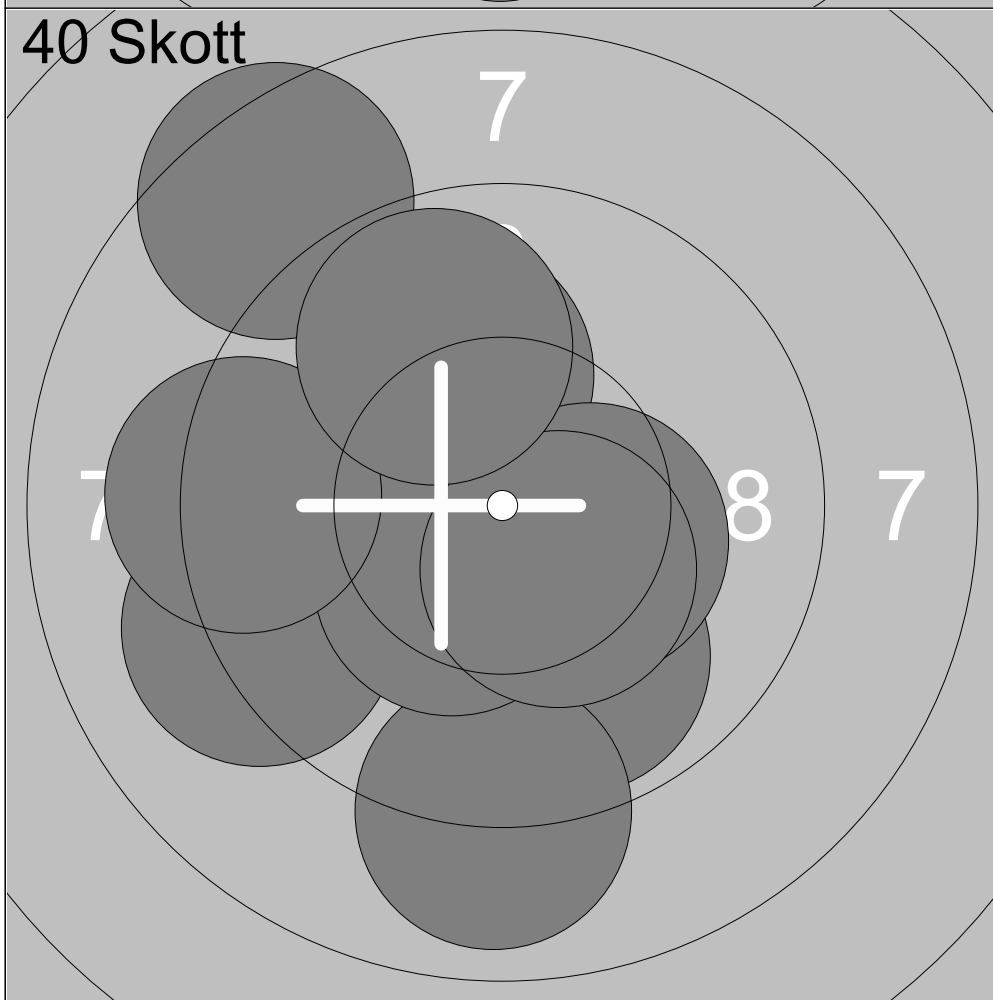


1:	10.1	↘
2:	9.4	↘
3:	10.9x	↗
4:	9.7	↖
5:	10.2x	↑
6:	9.4	↗
7:	10.3x	↑
8:	10.3x	↑
9:	10.4x	↘
10:	9.2	←

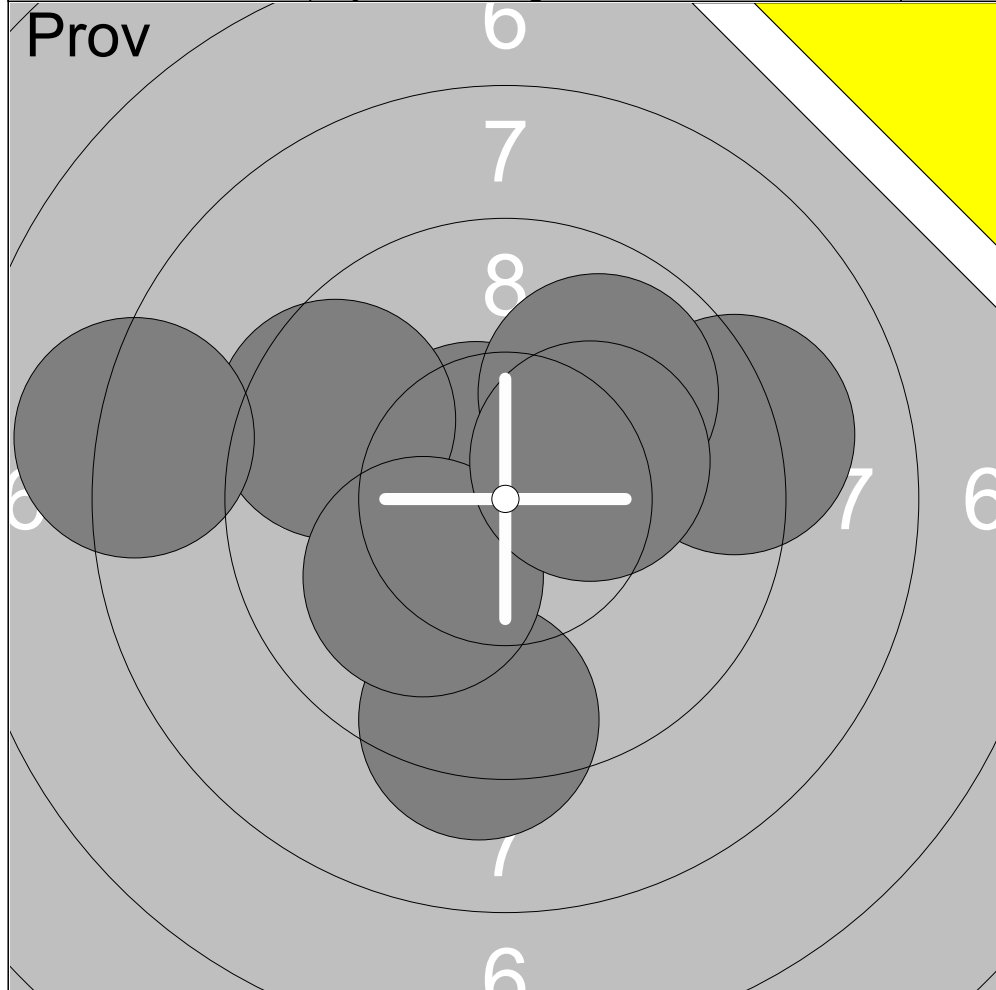
Serie	99.9
Total	501.8



1:	10.0	↘
2:	8.4	↘
3:	7.6	↓
4:	9.6	→
5:	8.7	→
6:	9.4	↘
7:	9.7	→
8:	8.6	→
9:	8.3	↗
<b>Serie</b>		<b>80.3</b>
<b>Total</b>		<b>388.3</b>

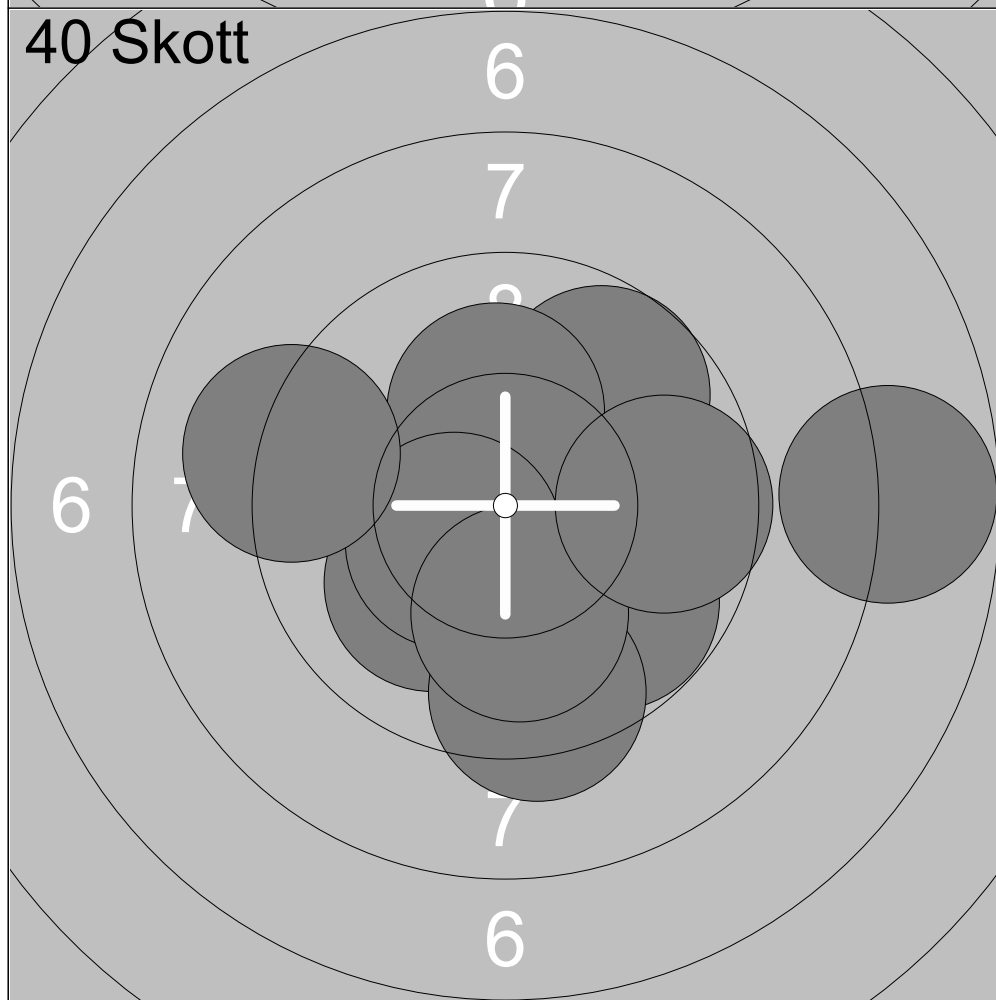


1:	8.5	↗
2:	9.9	↘
3:	9.0	↓
4:	9.2	↙
5:	10.0	↗
6:	10.3x	↘
7:	10.4x	↘
8:	10.4x	↘
9:	9.3	↙
10:	9.8	↗
<b>Serie</b>		<b>96.8</b>
<b>Total</b>		<b>485.1</b>



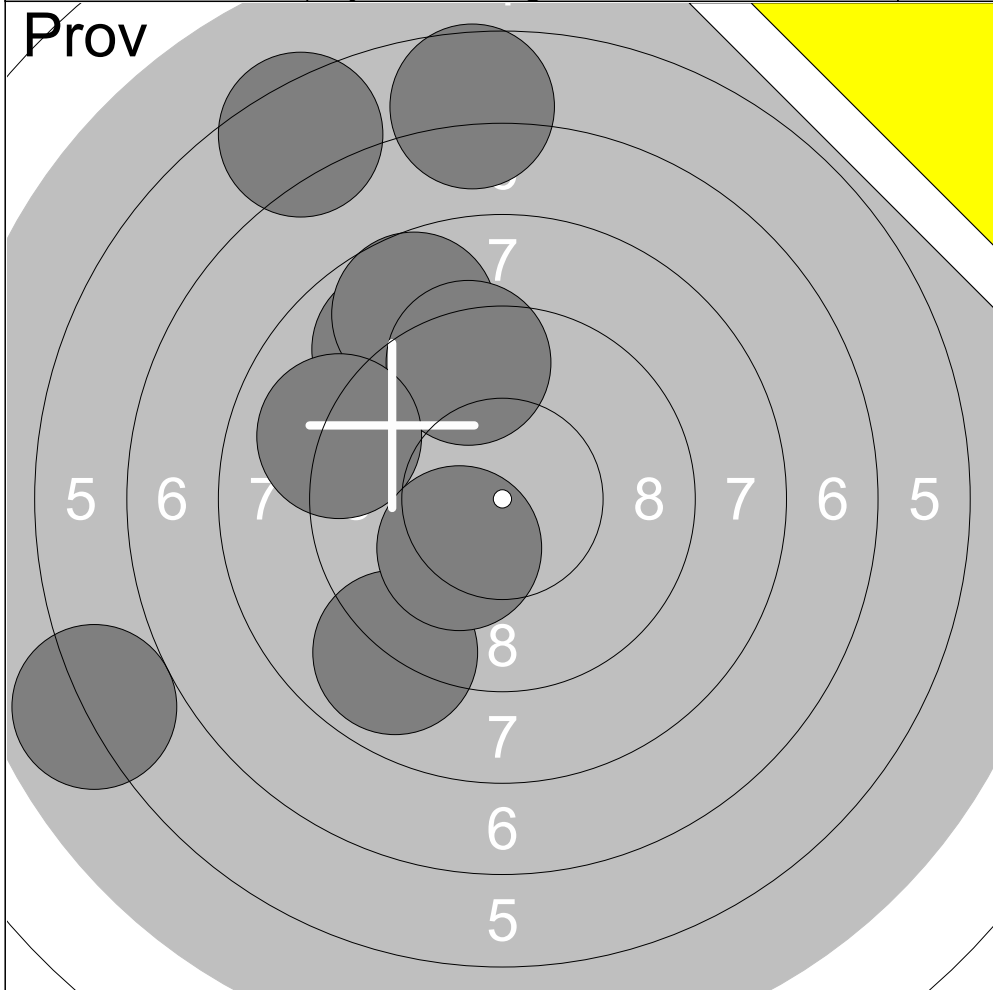
1:	10.6x	↖
2:	9.3	↓
3:	9.2	→
4:	9.9	↗
5:	9.5	↖
6:	10.1	↙
7:	10.3x	→
8:	8.1	←

Serie	77.0
Total	383.3



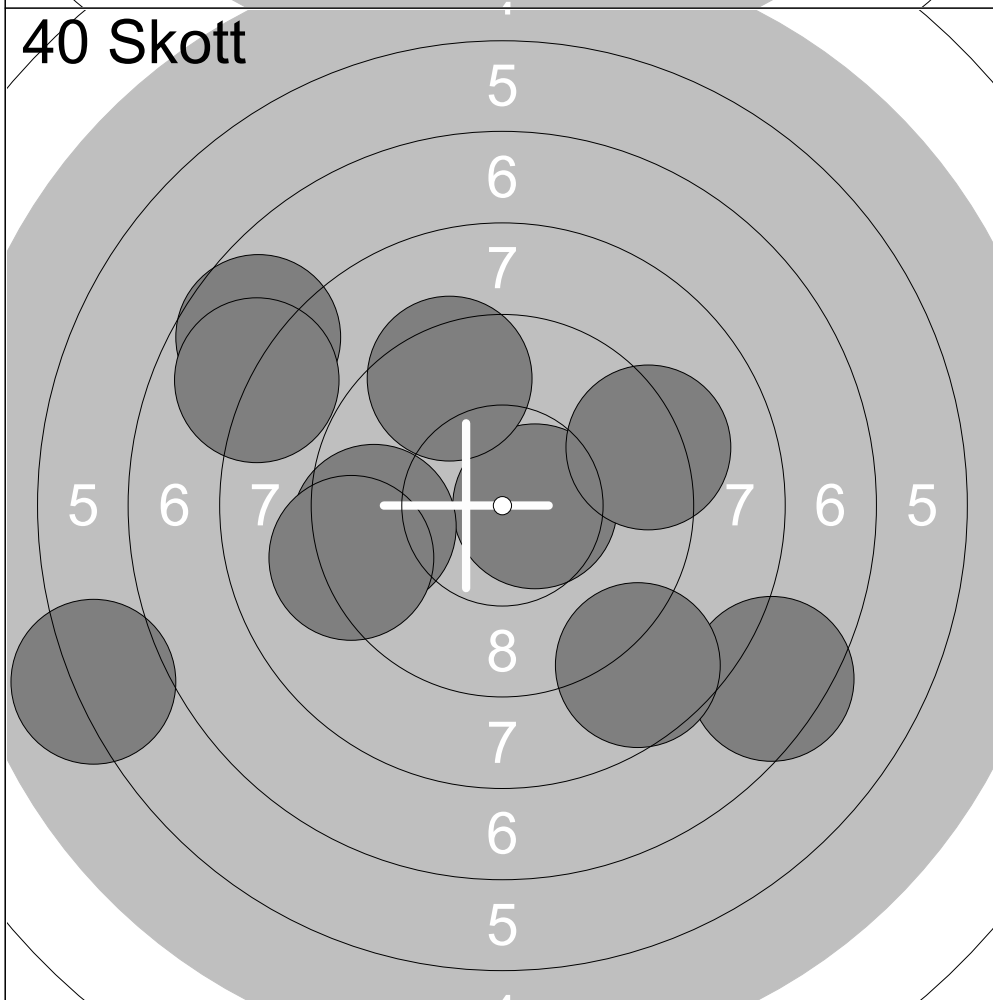
1:	9.8	↘
2:	9.7	↗
3:	7.8	→
4:	10.1	↙
5:	10.2x	↑
6:	9.4	↓
7:	10.4x	↙
8:	10.1	↓
9:	9.1	←
10:	9.6	→

Serie	96.2
Total	479.5



1:	8.9	↙
2:	6.7	↑
3:	8.9	↗
4:	6.0	↖
5:	8.7	↗
6:	9.4	↗
7:	9.0	↖
8:	10.2x	↙
9:	6.4	↗

Serie	74.2
Total	378.1



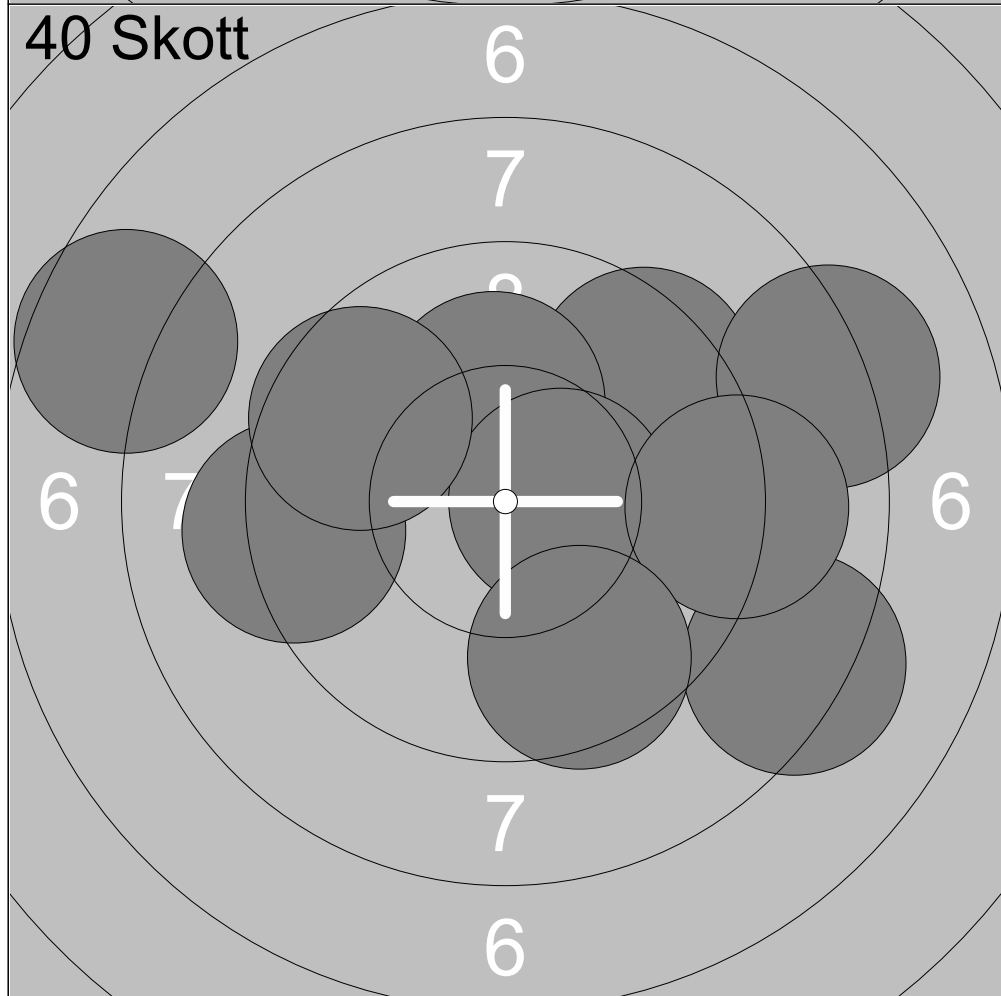
1:	6.1	↖
2:	7.4	↘
3:	7.7	↗
4:	10.6x	→
5:	9.2	↗
6:	7.9	↖
7:	9.4	↗
8:	9.5	↖
9:	9.2	↖
10:	8.7	↘

Serie	85.7
Total	463.8



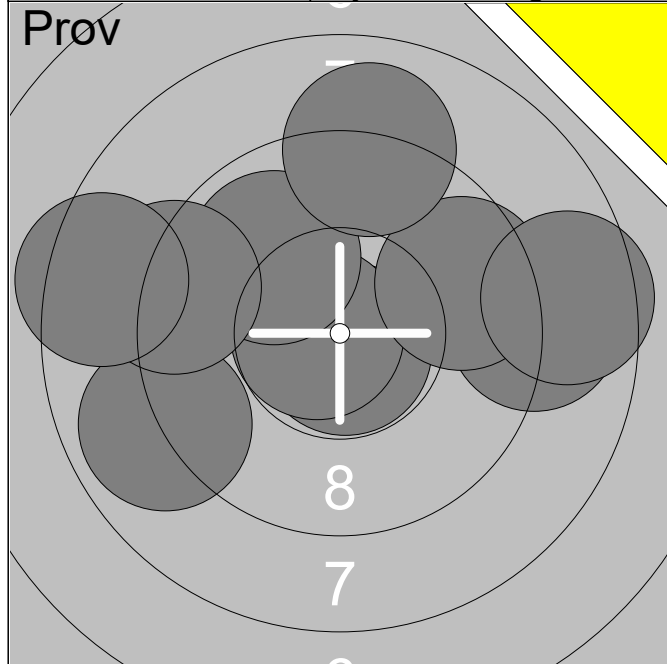
1:	9.5	↖
2:	7.9	↗
3:	7.5	↘
4:	9.3	↗
5:	9.4	→

Serie	43.6
Total	361.1

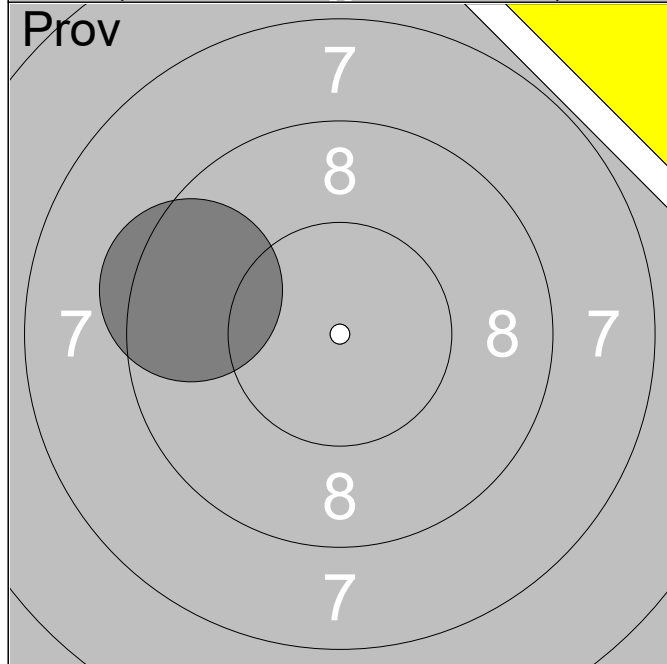


1:	8.3	↘
2:	9.2	←
3:	9.5	↗
4:	10.2x	↑
5:	10.5x	→
6:	9.6	↖
7:	7.6	↖
8:	8.2	↗
9:	9.1	→
10:	9.6	↘

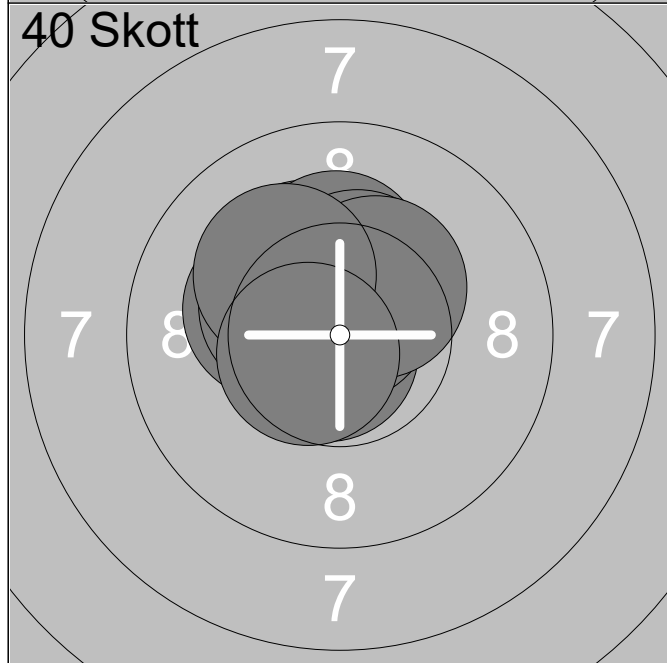
Serie	91.8
Total	452.9



1:	10.8x	↓
2:	8.9	↙
3:	10.7x	←
4:	9.9	↗
5:	9.2	←
6:	8.4	←
7:	8.9	→
8:	9.6	↗
9:	9.0	↑
10:	8.6	→
<b>Serie</b>		<b>94.0</b>
<b>Total</b>		<b>397.8</b>

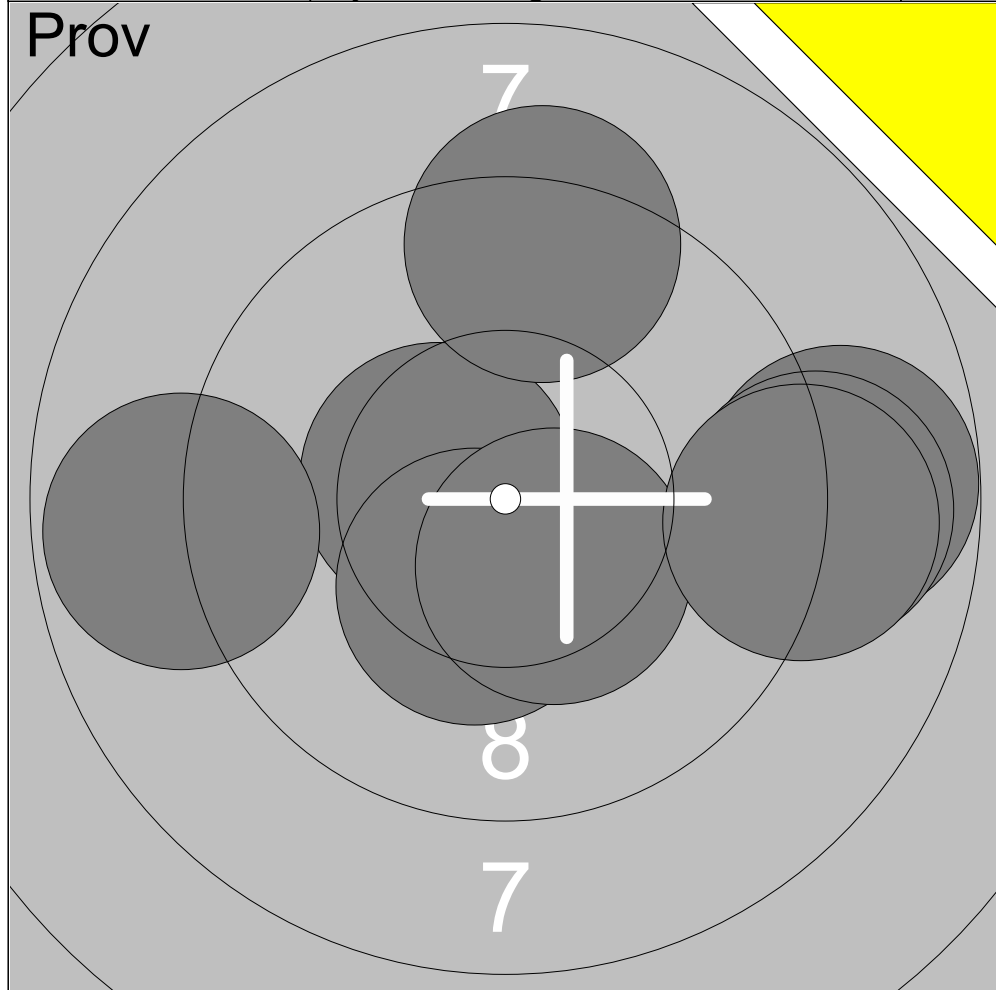


11:	9.4	←
<b>Serie</b>		<b>9.4</b>
<b>Total</b>		<b>397.8</b>



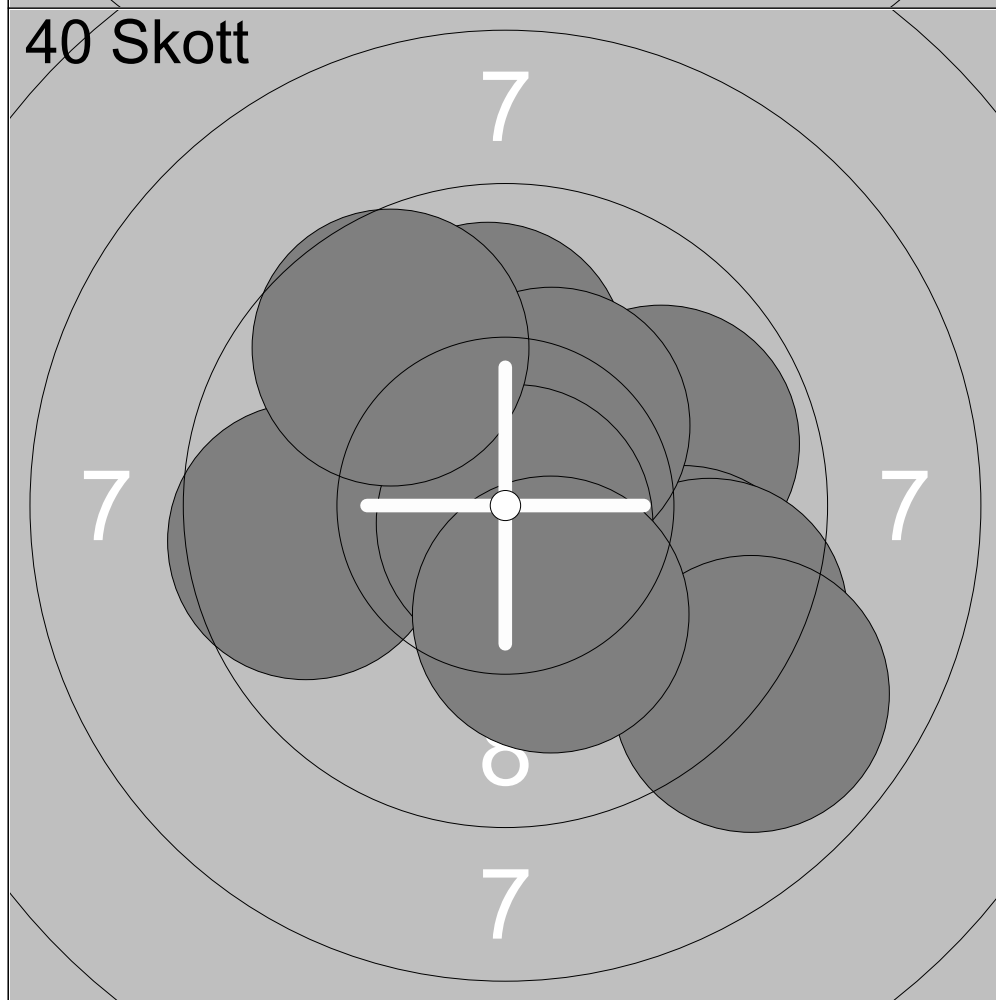
1:	10.8x	↙
2:	10.3x	↙
3:	10.2x	↗
4:	10.2x	↑
5:	10.7x	↑
6:	10.4x	↑
7:	10.4x	↙
8:	10.4x	↗
9:	10.2x	↙
10:	10.6x	↙
<b>Serie</b>		<b>104.2</b>
<b>Total</b>		<b>502.0</b>





1:	10.5x	←
2:	8.8	→
3:	10.3x	↘
4:	8.9	→
5:	10.4x	↘
6:	8.8	←
7:	9.0	→
8:	9.3	↑

Serie	76.0
Total	389.9



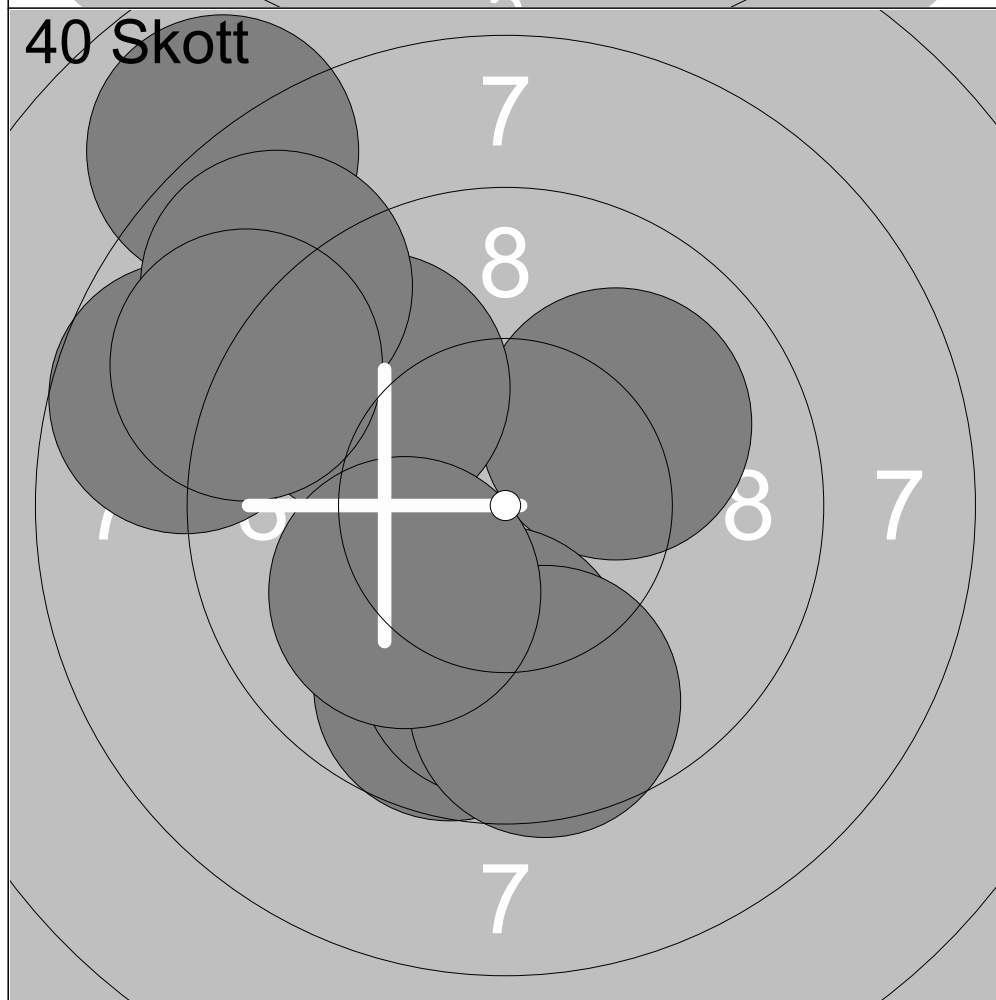
1:	9.6	←
2:	9.9	→
3:	9.6	↘
4:	9.4	↘
5:	10.0	↑
6:	10.3x	↗
7:	10.8x	↘
8:	8.9	↘
9:	10.2x	↘
10:	9.7	↗

Serie	98.4
Total	488.3



1:	10.3x	↓
2:	8.5	→
3:	9.3	↘
4:	9.5	↗
5:	10.2x	←
6:	8.4	↗
7:	7.2	←
8:	8.0	↙

Serie	71.4
Total	368.5



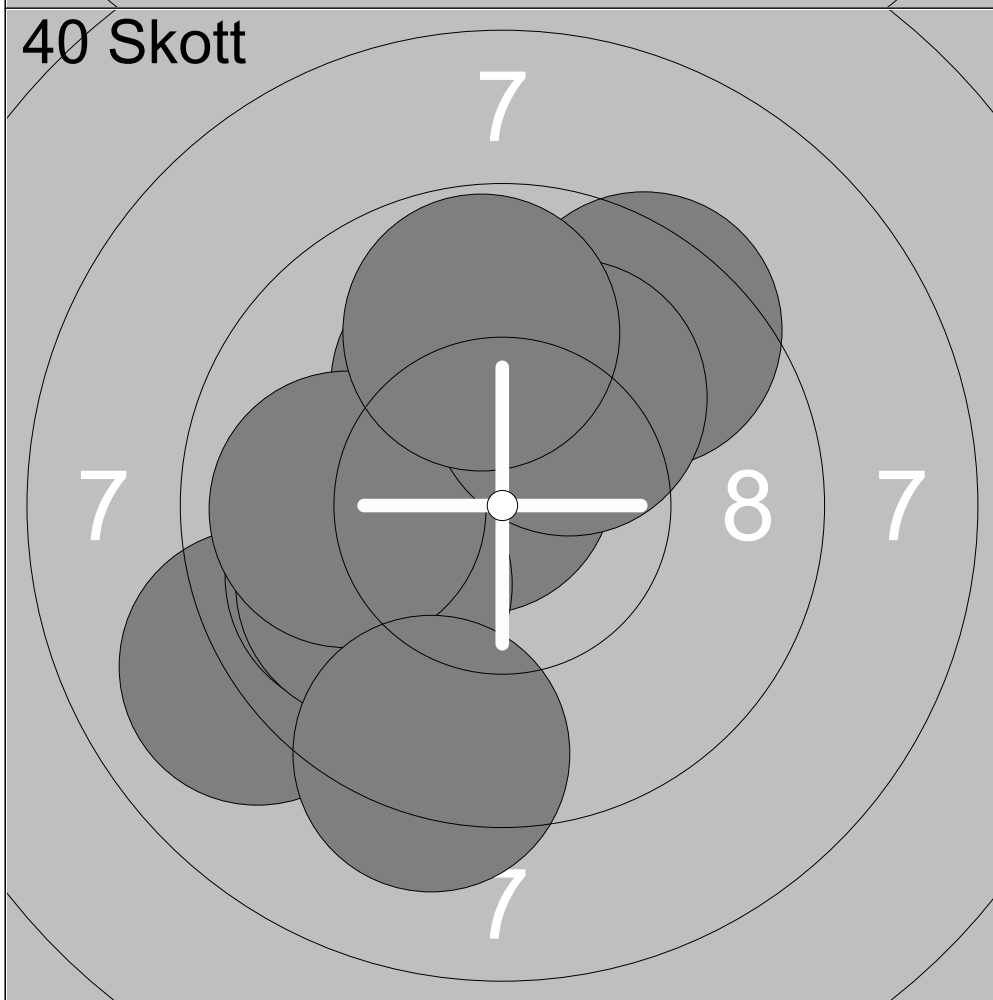
1:	10.0	↗
2:	8.0	↗
3:	9.8	↗
4:	9.7	↓
5:	9.9	↓
6:	9.6	↓
7:	10.1	↙
8:	8.7	←
9:	8.9	↗
10:	9.0	↗

Serie	93.7
Total	462.2



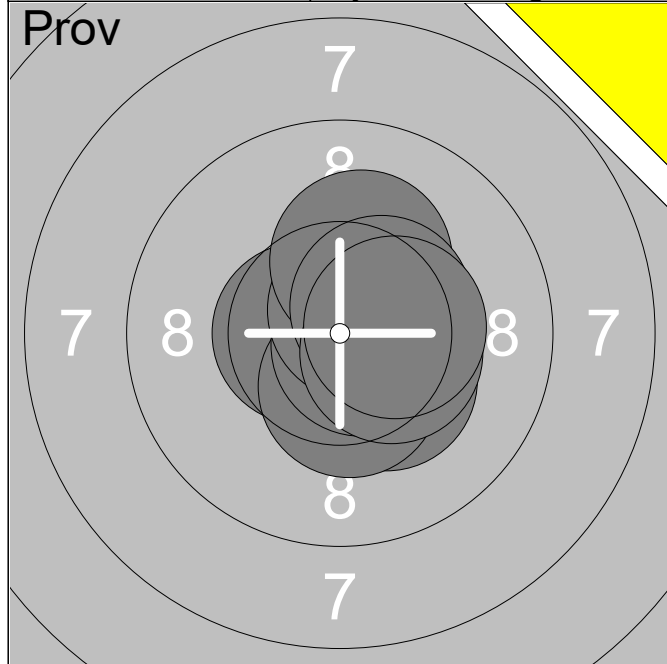
1:	9.4	↘
2:	8.8	↗
3:	9.9	↖
4:	9.9	↗
5:	10.5x	↗
6:	10.0	↗
7:	10.6x	↗
8:	10.7x	→

Serie	79.8
Total	399.9

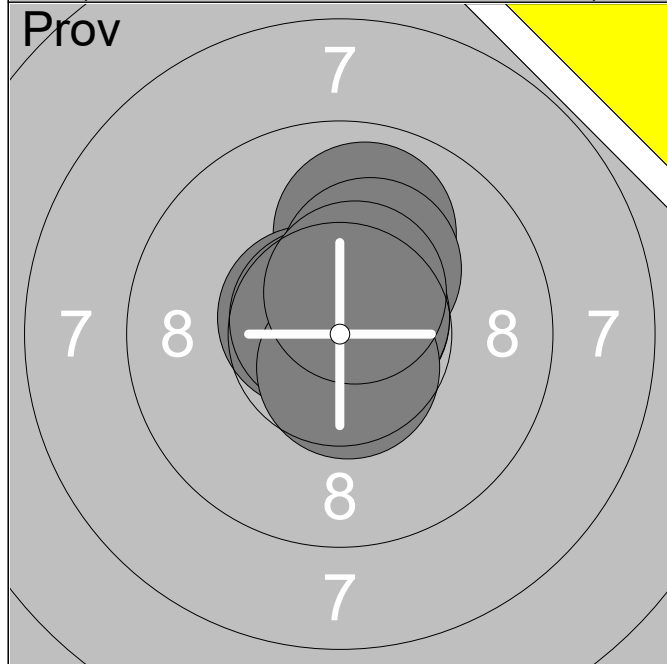


1:	10.1	↑
2:	9.0	↙
3:	9.5	↗
4:	10.7x	↖
5:	9.9	↙
6:	10.0	↙
7:	9.9	←
8:	10.1	↗
9:	9.8	↑
10:	9.3	↓

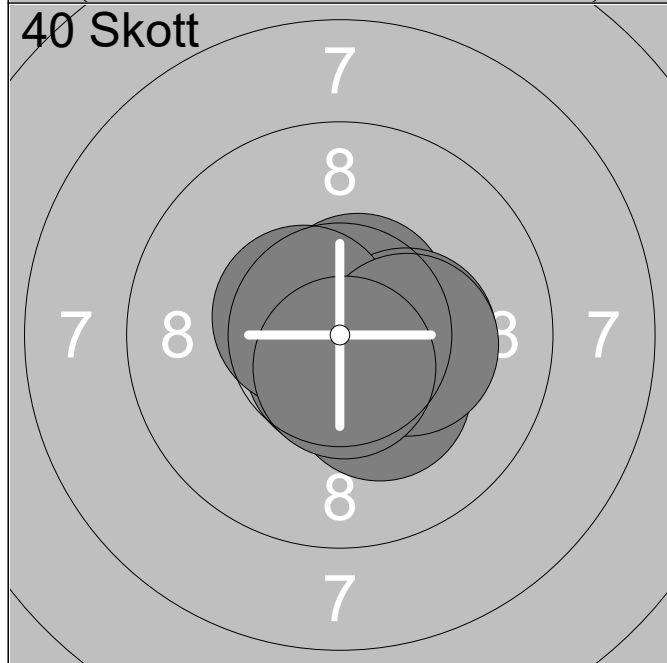
Serie	98.3
Total	498.2



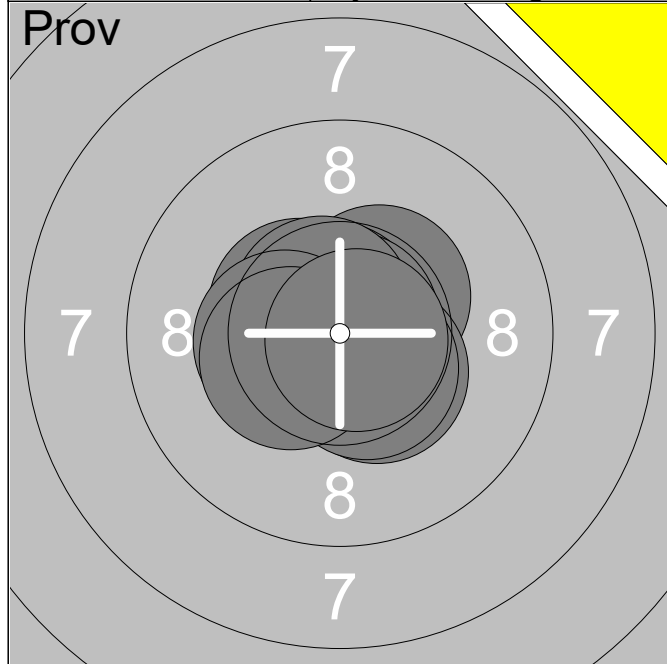
1:	10.6x	↓
2:	10.3x	↓
3:	10.6x	←
4:	10.4x	↓
5:	10.7x	→
6:	10.7x	↗
7:	10.2x	↑
8:	10.5x	↗
9:	10.4x	→
10:	10.4x	→
<b>Serie</b>		<b>104.8</b>
<b>Total</b>		<b>422.8</b>



11:	10.9x	→
12:	10.7x	↗
13:	9.9	↑
14:	10.6x	←
15:	10.2x	↑
16:	10.7x	↗
17:	10.7x	↗
18:	10.6x	↓
19:	10.5x	↑
<b>Serie</b>		<b>94.8</b>
<b>Total</b>		<b>422.8</b>



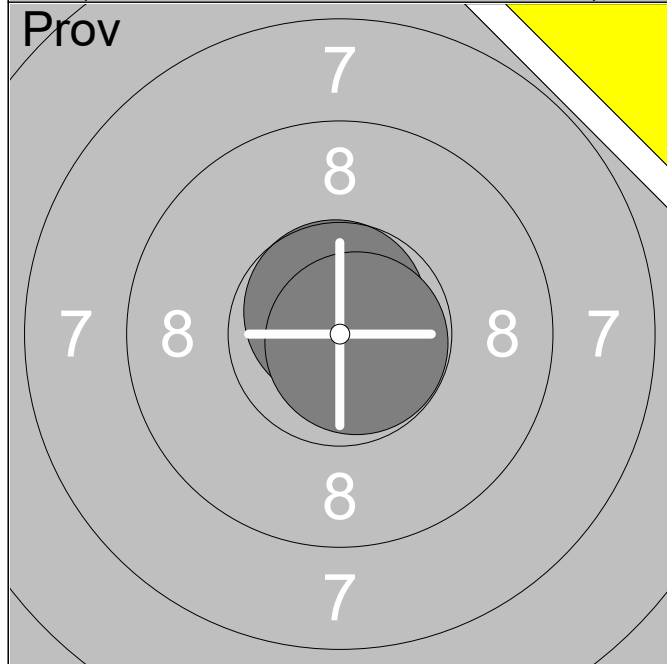
1:	10.9x	↗
2:	10.6x	→
3:	10.6x	↗
4:	10.7x	↓
5:	10.6x	↓
6:	10.3x	→
7:	10.3x	↓
8:	10.6x	↗
9:	10.3x	→
10:	10.6x	↓
<b>Serie</b>		<b>105.5</b>
<b>Total</b>		<b>528.3</b>



1:	10.4x	↗
2:	10.7x	↑
3:	10.4x	↘
4:	10.5x	↘
5:	10.5x	↗
6:	10.8x	↗
7:	10.6x	↗
8:	10.4x	←
9:	10.4x	↙
10:	10.8x	↘

Serie	105.5
-------	-------

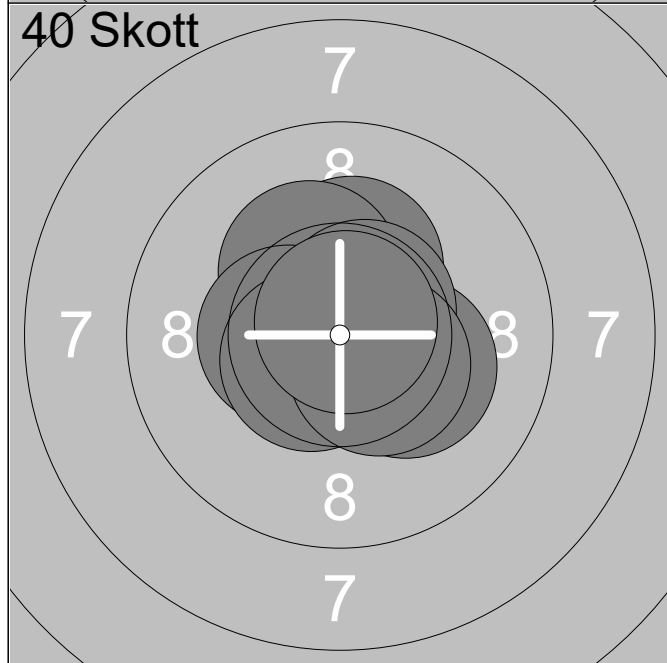
Total	422.5
-------	-------



11:	10.7x	↑
12:	10.8x	↘

Serie	21.5
-------	------

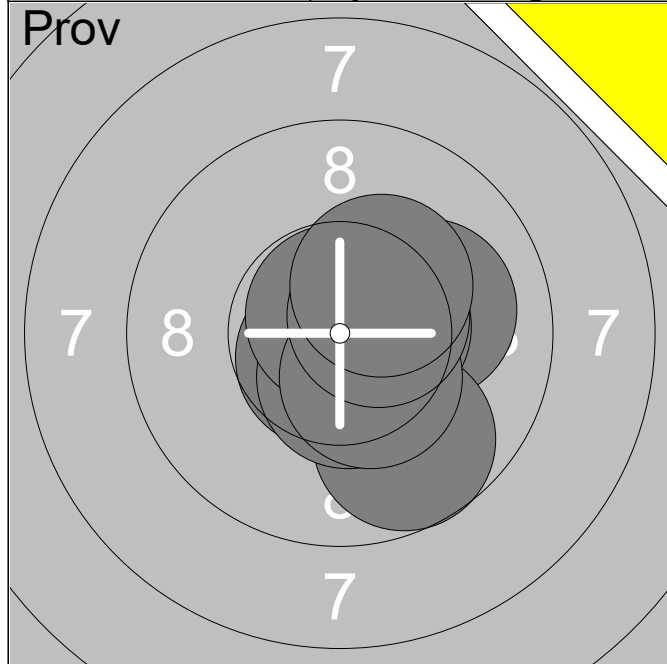
Total	422.5
-------	-------



1:	10.3x	↑
2:	10.7x	↗
3:	10.6x	↗
4:	10.3x	↗
5:	10.4x	←
6:	10.6x	↙
7:	10.2x	↘
8:	10.6x	↗
9:	10.5x	↘
10:	10.8x	↗

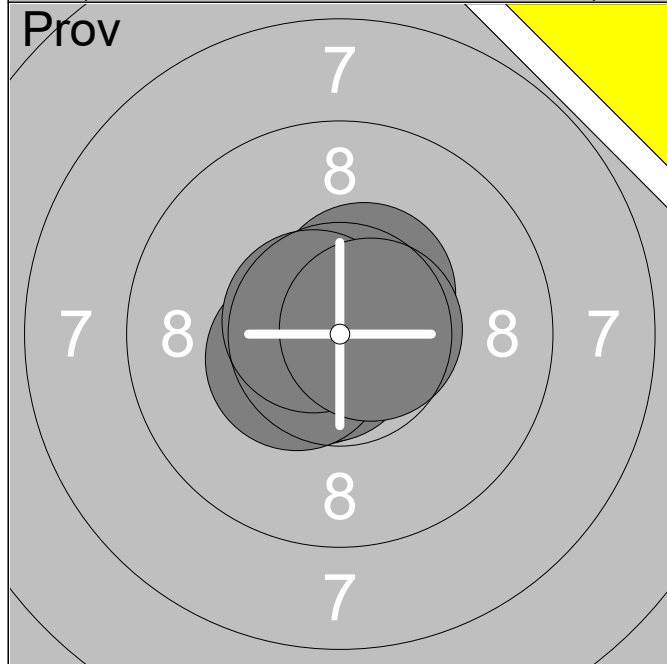
Serie	105.0
-------	-------

Total	527.5
-------	-------



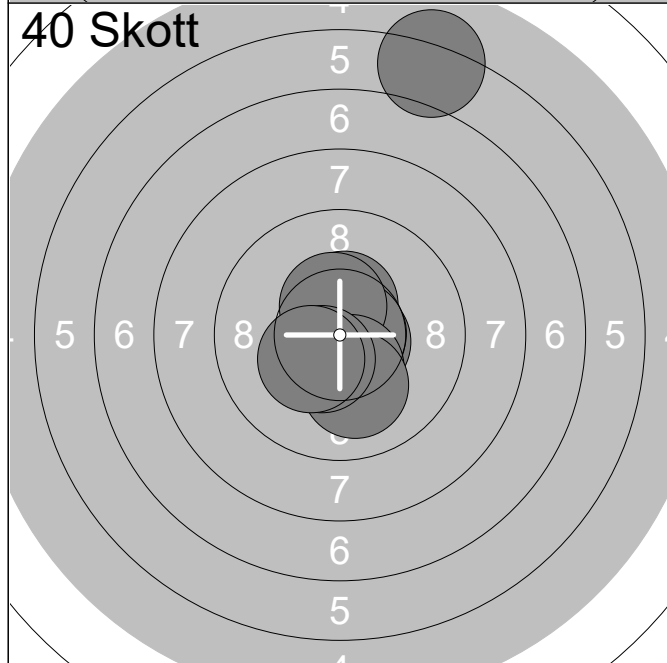
1:	10.1	→
2:	9.7	↓
3:	10.5x	→
4:	10.7x	↓
5:	10.8x	→
6:	10.5x	↓
7:	10.8x	↑
8:	10.4x	↓
9:	10.5x	→
10:	10.3x	↗

Serie		104.3
Total		421.4



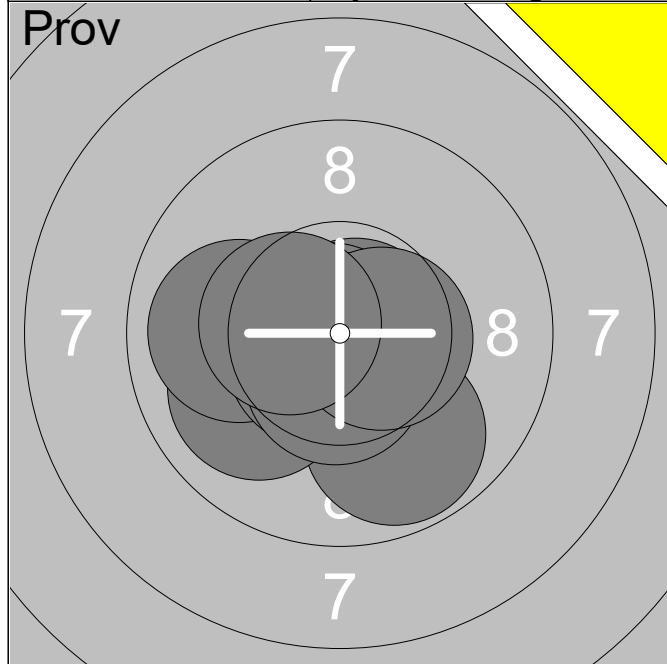
11:	10.5x	↗
12:	10.6x	↙
13:	10.7x	↙
14:	10.5x	↙
15:	10.7x	↖
16:	10.6x	→

Serie		63.6
Total		421.4



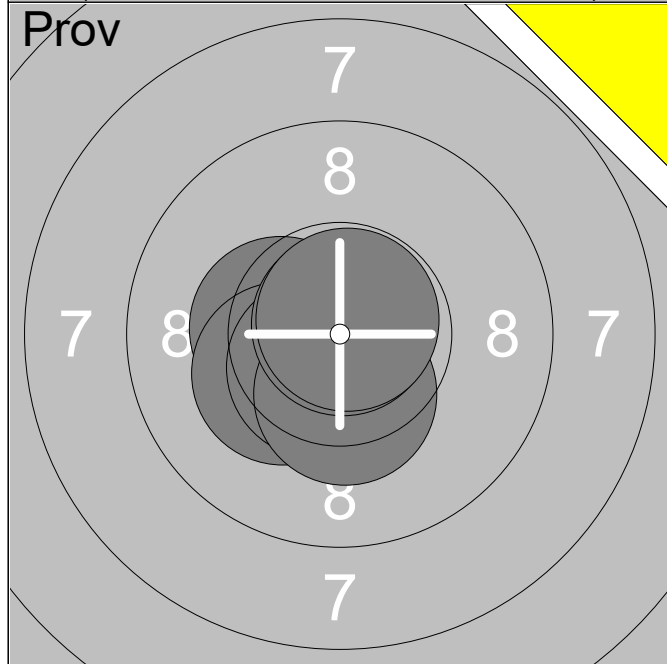
1:	10.7x	→
2:	10.6x	→
3:	10.4x	↑
4:	10.7x	→
5:	10.5x	↑
6:	10.4x	↓
7:	10.1	↓
8:	10.4x	↙
9:	10.3x	↙
10:	6.2	↑

Serie		100.3
Total		521.7



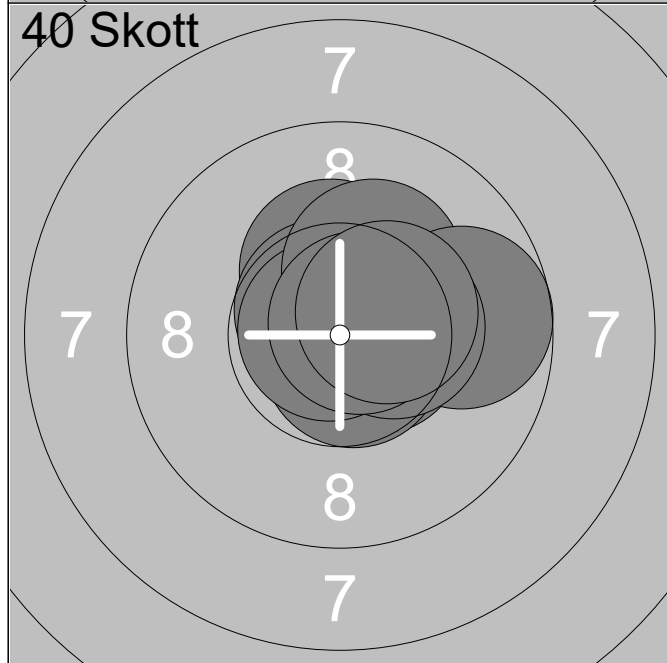
1:	9.8	↓
2:	10.8x	→
3:	10.8x	←
4:	10.8x	↓
5:	10.0	↙
6:	10.0	←
7:	10.6x	↙
8:	10.6x	↓
9:	10.5x	→
10:	10.5x	←

Serie		104.4
Total		420.6



11:	10.4x	←
12:	10.3x	↙
13:	10.6x	↙
14:	10.4x	↓
15:	10.9x	↑
16:	10.8x	↗

Serie		63.4
Total		420.6



1:	10.3x	↑
2:	10.6x	→
3:	10.7x	↗
4:	10.7x	↓
5:	10.8x	↖
6:	10.2x	↗
7:	9.7	→
8:	10.4x	→
9:	10.7x	↗
10:	10.4x	↗

Serie		104.5
Total		525.1



1:	10.4x	←
2:	10.3x	↘
3:	10.7x	↓
4:	10.9x	↘
5:	10.9x	↙
6:	10.7x	←

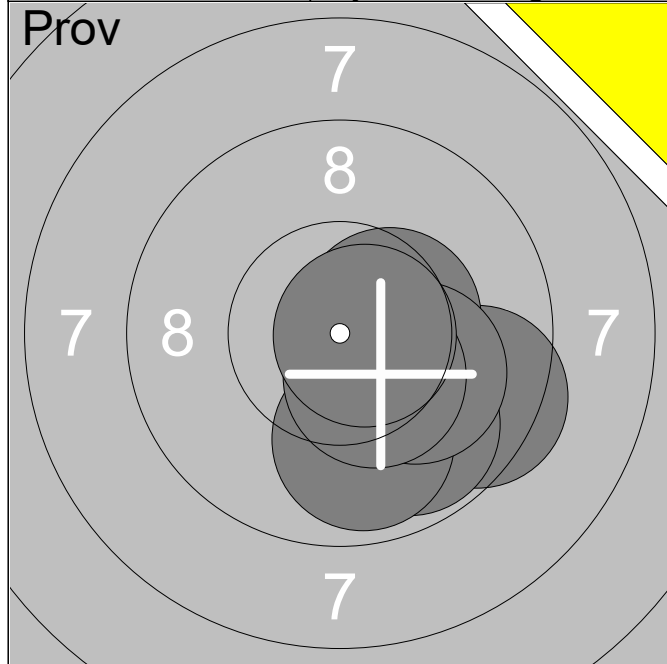
Serie	63.9
Total	419.9



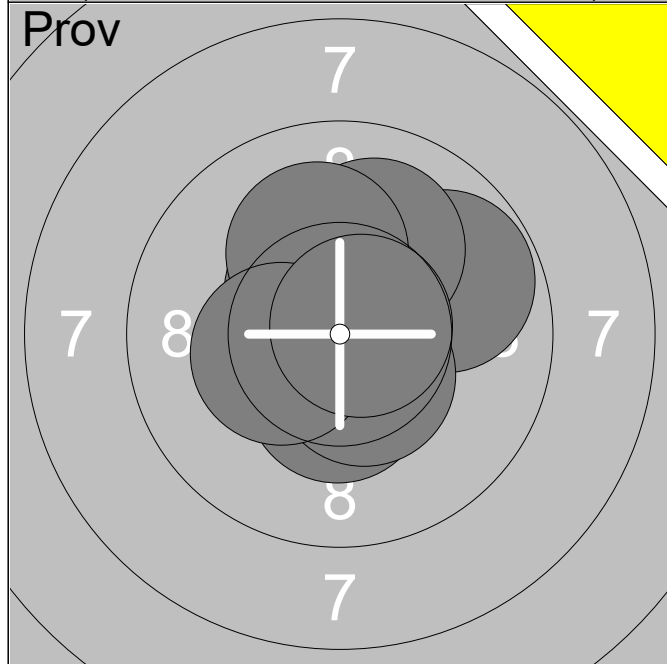
1:	10.7x	↑
2:	10.6x	↙
3:	10.5x	↗
4:	10.4x	↙
5:	10.1	↗
6:	10.1	↙
7:	10.6x	↙
8:	10.7x	↗
9:	10.8x	↘
10:	10.8x	↙

Serie	105.3
Total	525.2

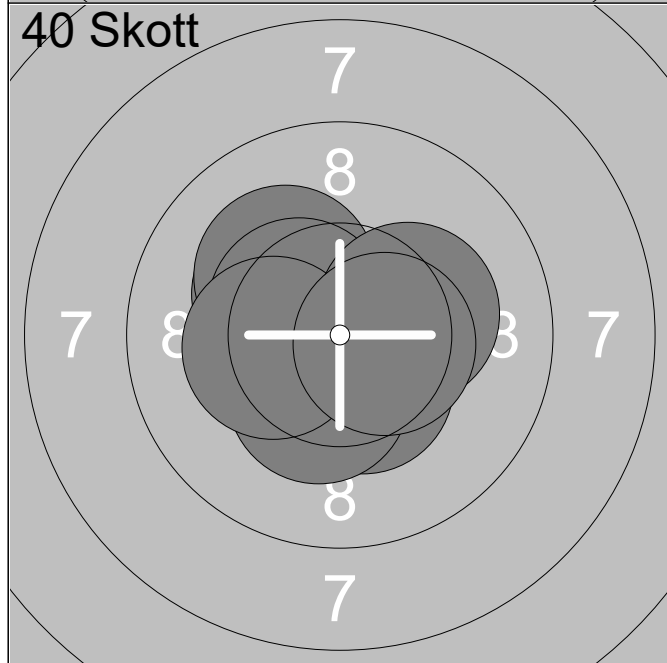




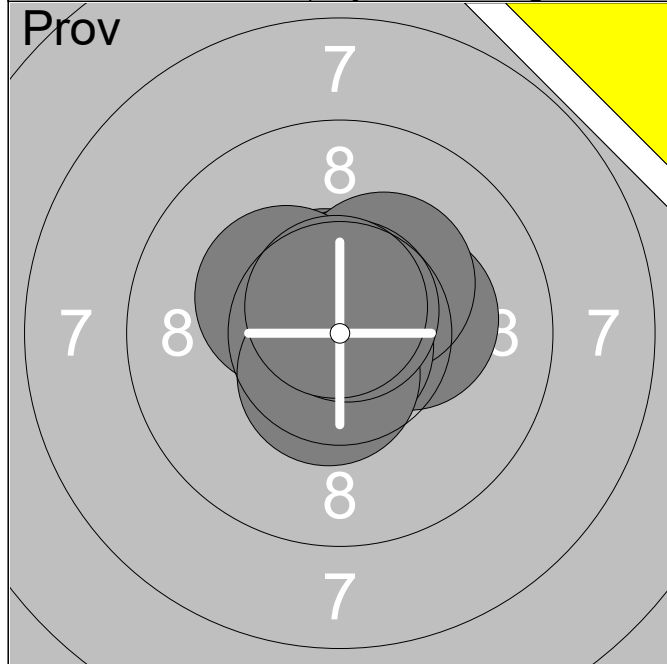
1:	9.9	↘
2:	9.5	↘
3:	9.9	↘
4:	9.8	↘
5:	10.5x	↘
6:	9.9	↘
7:	10.4x	→
8:	10.1	↘
9:	10.4x	↘
10:	10.7x	→
<b>Serie</b>		<b>101.1</b>
<b>Total</b>		<b>422.8</b>



11:	10.5x	↗
12:	10.4x	↘
13:	9.8	→
14:	10.1	↗
15:	10.5x	↘
16:	10.1	↗
17:	10.3x	←
18:	10.7x	→
<b>Serie</b>		<b>82.4</b>
<b>Total</b>		<b>422.8</b>



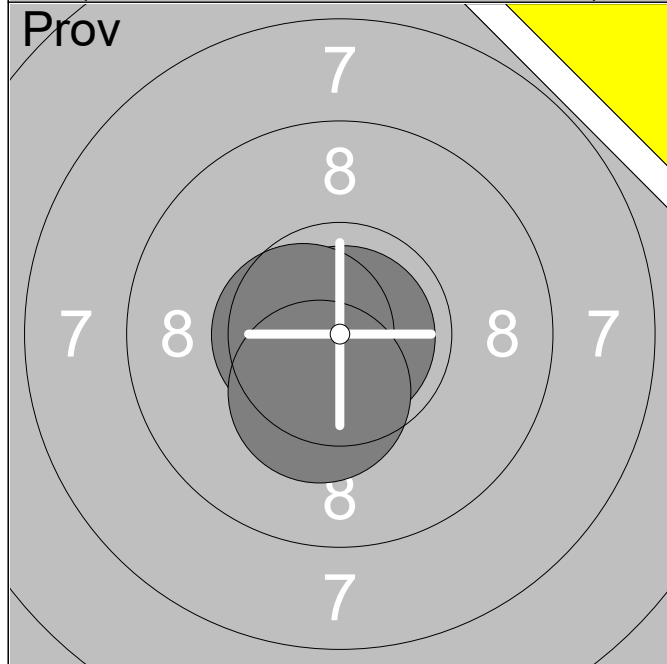
1:	10.8x	←
2:	10.3x	↗
3:	10.6x	→
4:	10.4x	↘
5:	10.2x	↗
6:	10.5x	↗
7:	10.4x	↘
8:	10.3x	←
9:	10.3x	→
10:	10.5x	→
<b>Serie</b>		<b>104.3</b>
<b>Total</b>		<b>527.1</b>



1:	10.5x	↗
2:	10.3x	→
3:	10.6x	↖
4:	10.6x	↖
5:	10.3x	↗
6:	10.8x	↓
7:	10.3x	↖
8:	10.5x	↓
9:	10.7x	↖
10:	10.7x	↖

Serie	105.3
-------	-------

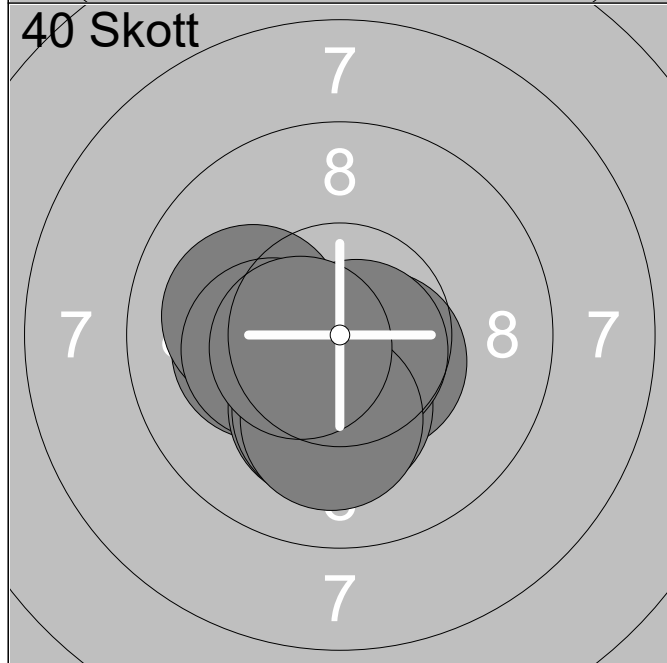
Total	415.7
-------	-------



11:	10.9x	↘
12:	10.6x	←
13:	10.4x	↘

Serie	31.9
-------	------

Total	415.7
-------	-------



1:	10.2x	←
2:	10.1	←
3:	10.3x	←
4:	10.5x	↘
5:	10.2x	↓
6:	10.2x	↓
7:	10.7x	↘
8:	10.2x	↓
9:	10.1	↓
10:	10.5x	←

Serie	103.0
-------	-------

Total	518.7
-------	-------



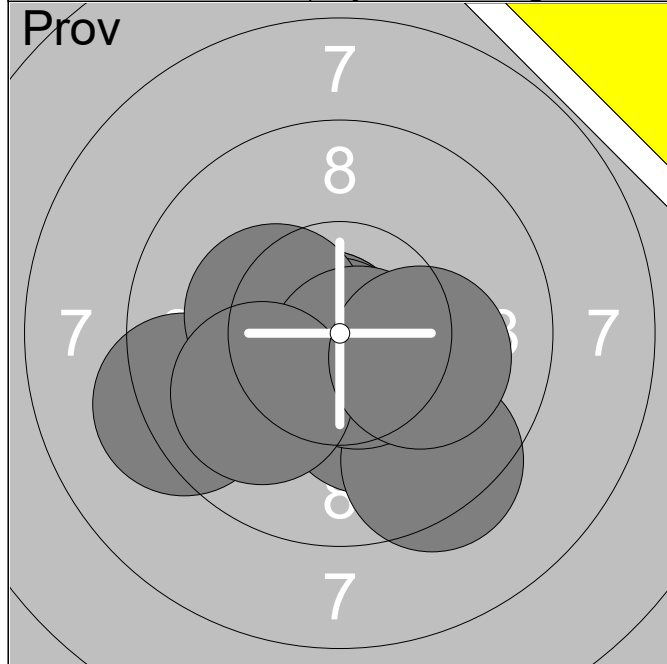
1:	10.5x	↘
2:	9.8	→
3:	10.5x	↘
4:	10.2x	↘
5:	10.3x	↘
6:	10.0	↘
7:	10.4x	↘
8:	10.6x	→
9:	10.7x	↙
10:	10.2x	↗

Serie	103.2
Total	415.3

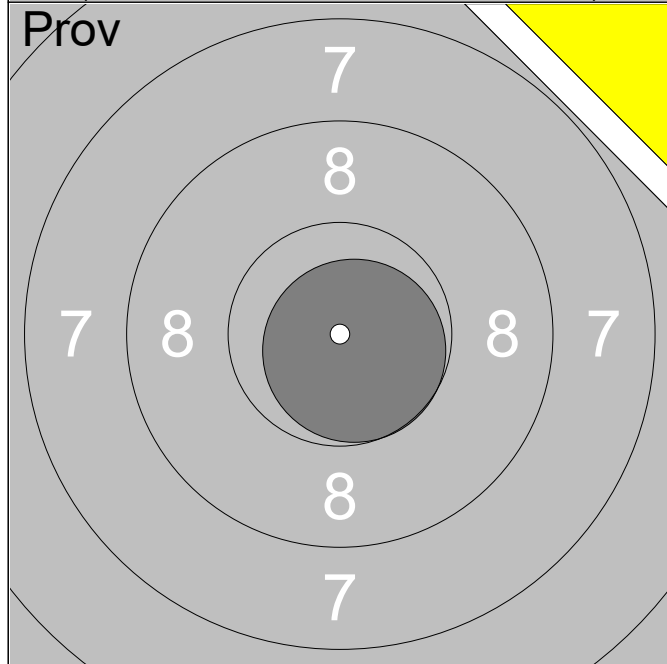


1:	10.1	↘
2:	10.4x	↘
3:	10.6x	↘
4:	10.5x	↘
5:	10.6x	↘
6:	9.8	↙
7:	10.4x	↘
8:	10.5x	↙
9:	10.7x	→
10:	10.4x	↘

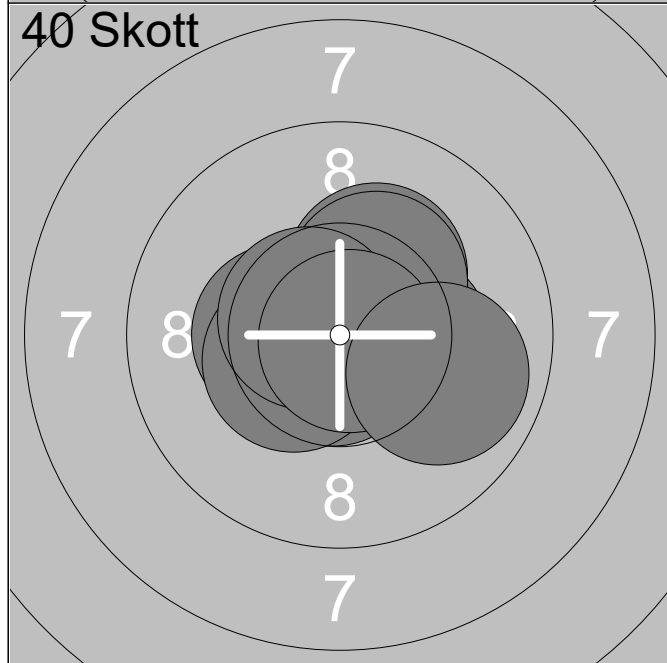
Serie	104.0
Total	519.3



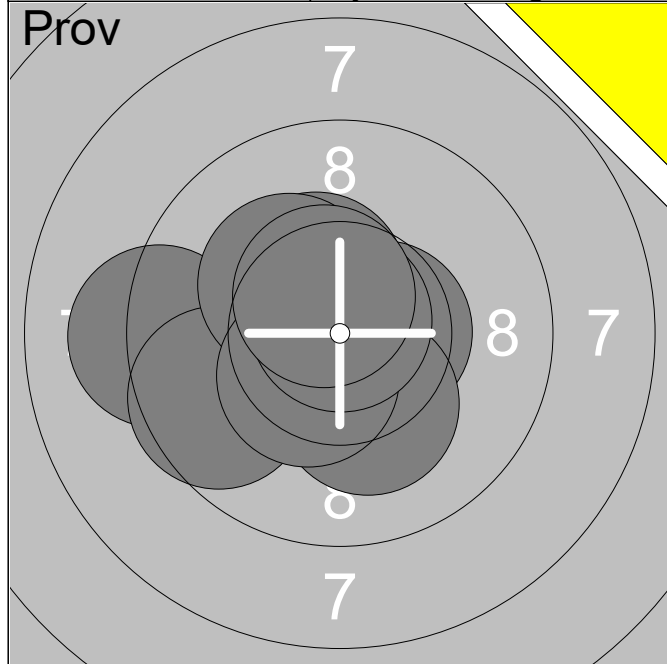
1:	10.2x	↓
2:	10.8x	↙
3:	10.8x	↙
4:	9.3	↙
5:	10.8x	↓
6:	10.3x	↙
7:	9.4	↓
8:	10.7x	↓
9:	10.0	↙
10:	10.1	→
<b>Serie</b>		<b>102.4</b>
<b>Total</b>		<b>414.9</b>



11:	10.7x	↓
<b>Serie</b>		<b>10.7</b>
<b>Total</b>		<b>414.9</b>

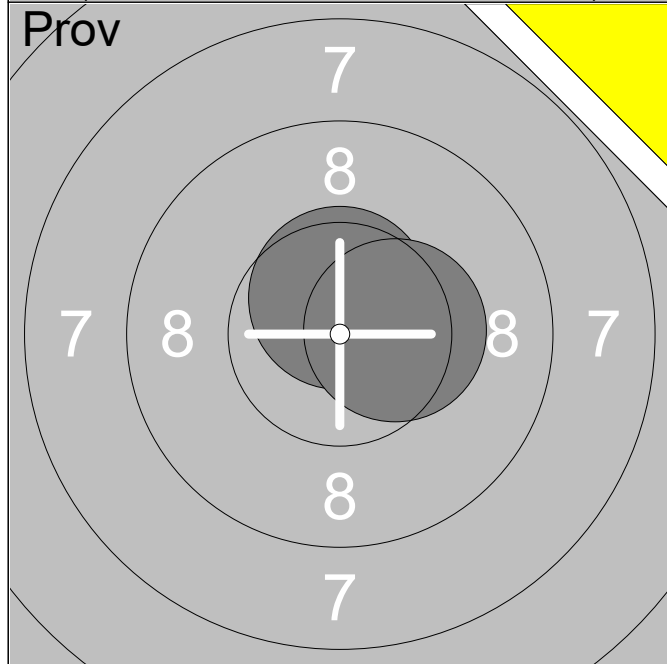


1:	10.7x	↓
2:	10.4x	→
3:	10.3x	↗
4:	10.4x	↙
5:	10.8x	↗
6:	10.4x	↙
7:	10.3x	↗
8:	10.6x	↗
9:	10.8x	↓
10:	9.9	↘
<b>Serie</b>		<b>104.6</b>
<b>Total</b>		<b>519.5</b>



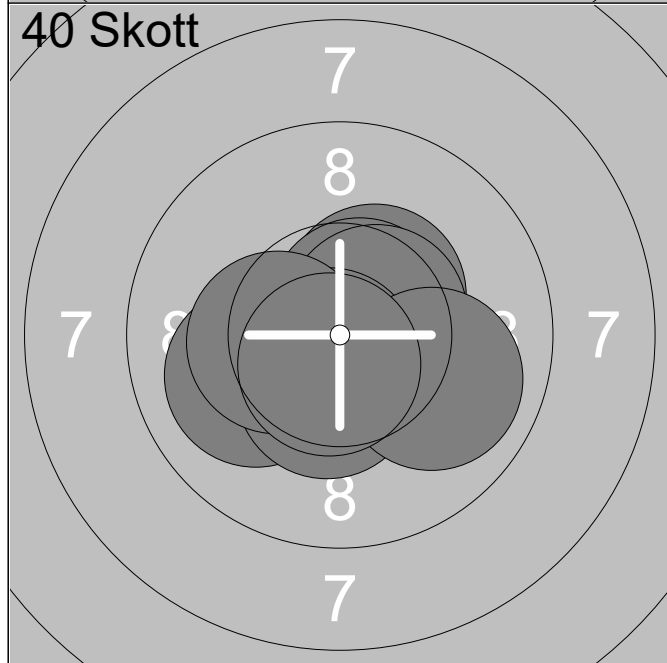
1:	9.2	←
2:	9.6	↙
3:	10.7x	↘
4:	10.4x	↑
5:	10.3x	↗
6:	10.5x	→
7:	10.2x	↓
8:	10.4x	↙
9:	10.8x	↑
10:	10.6x	↗

Serie	102.7
Total	419.9



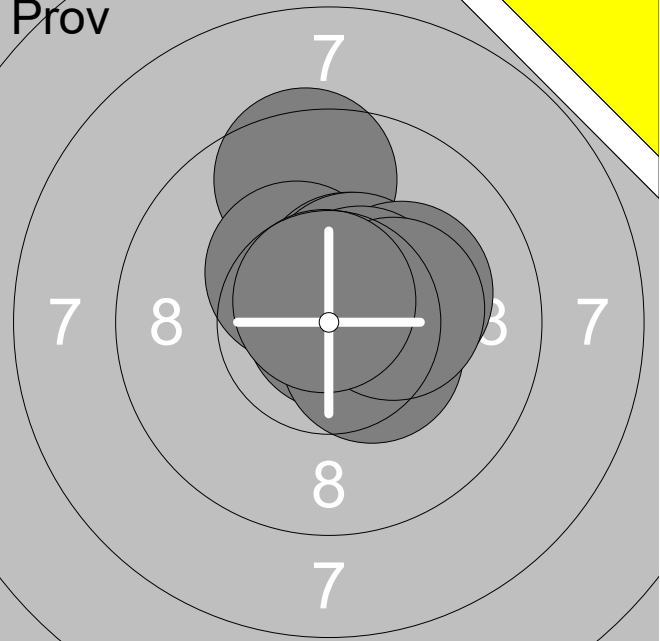
11:	10.6x	↑
12:	10.4x	→


Serie	21.0
Total	419.9

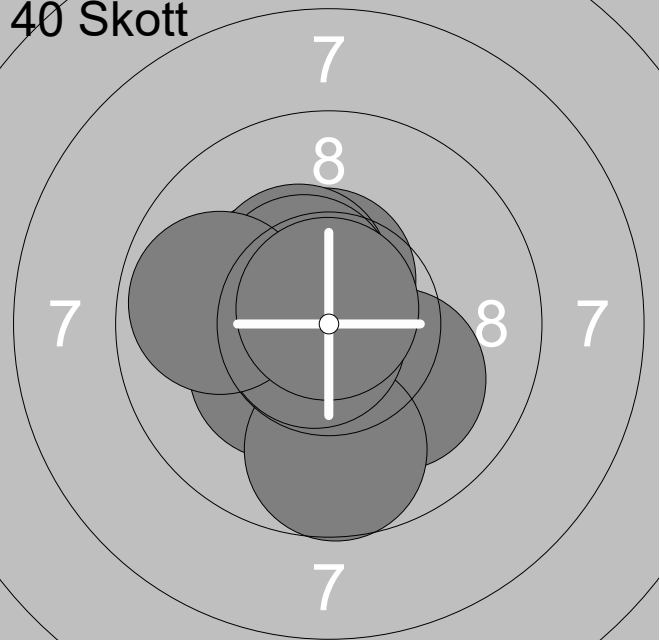


1:	10.4x	↗
2:	10.6x	↗
3:	10.5x	↘
4:	10.5x	→
5:	10.0	↙
6:	10.7x	↘
7:	10.4x	↓
8:	10.3x	←
9:	9.9	→
10:	10.6x	↘

Serie	103.9
Total	523.8

<b>Prov</b> 	1:	10.9x	→
	2:	9.5	↑
	3:	10.4x	↖
	4:	10.5x	↗
	5:	10.4x	↘
	6:	10.5x	↖
	7:	10.2x	→
	8:	10.6x	↗
	9:	10.3x	→
	10:	10.7x	↑
	<b>Serie</b>		
<b>Total</b>			<b>416.6</b>

<b>Prov</b> 	11:	10.0	→
	12:	10.8x	↓
	<b>Serie</b>		
<b>Total</b>			<b>416.6</b>

<b>40 Skott</b> 	1:	10.1	↘
	2:	10.3x	↖
	3:	10.3x	↙
	4:	9.7	↓
	5:	10.5x	↑
	6:	10.4x	↗
	7:	10.8x	↙
	8:	10.5x	↗
	9:	9.9	←
	10:	10.8x	↑
	<b>Serie</b>		
<b>Total</b>			<b>519.9</b>



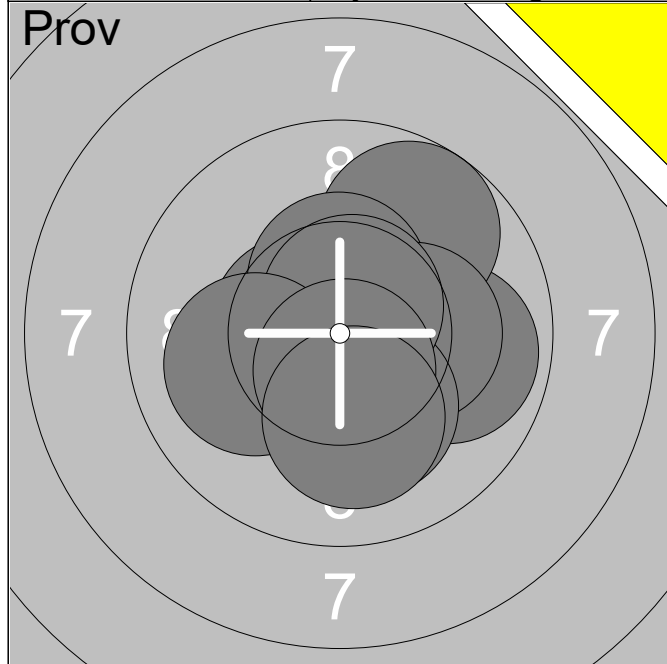
1:	10.8x	→
2:	10.7x	↙
3:	10.0	↙
4:	10.7x	↗
5:	10.6x	↗
6:	10.6x	↘
7:	10.3x	→
8:	10.8x	↓

Serie	84.5
Total	415.6

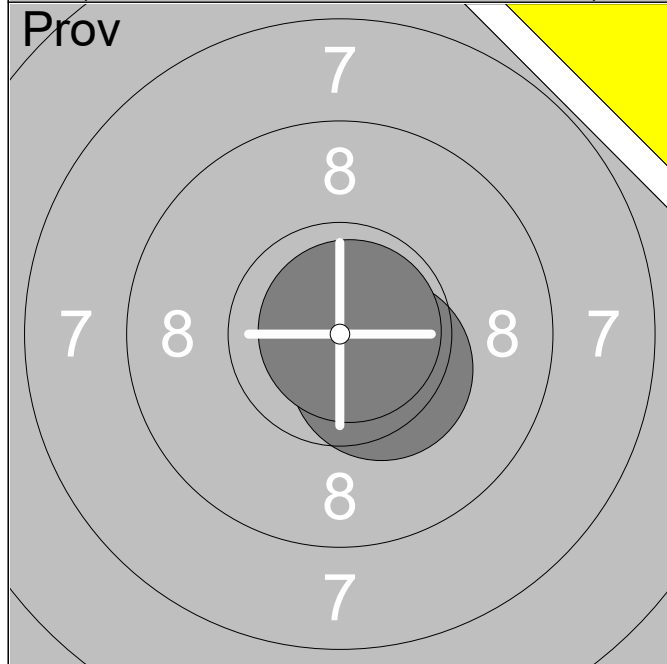


1:	10.4x	→
2:	10.5x	↘
3:	10.4x	↘
4:	10.6x	↘
5:	10.1	↘
6:	10.3x	↘
7:	10.3x	→
8:	10.5x	↘
9:	10.5x	↗
10:	10.4x	↗

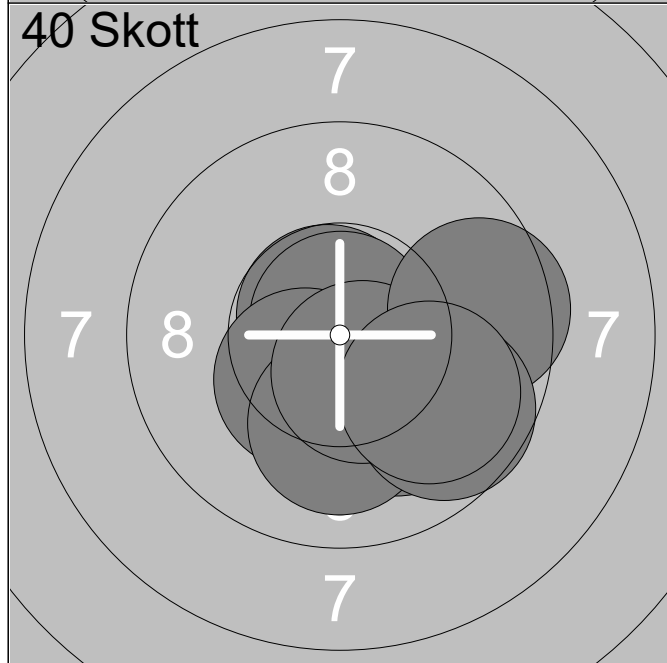
Serie	104.0
Total	519.6



1:	9.9	→
2:	10.6x	←
3:	9.7	↗
4:	10.5x	↑
5:	10.2x	→
6:	10.2x	↓
7:	10.7x	↗
8:	10.1	←
9:	10.6x	↓
10:	10.1	↓
<b>Serie</b>		<b>102.6</b>
<b>Total</b>		<b>415.5</b>

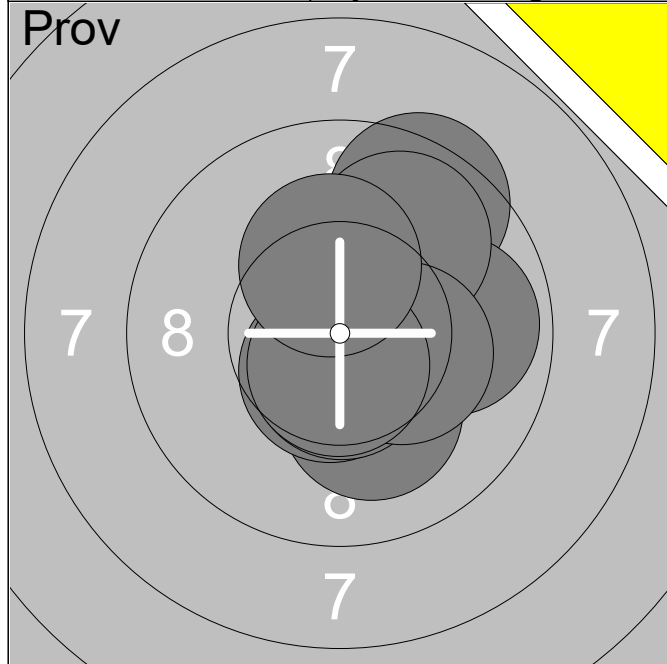


11:	10.4x	↘
12:	10.8x	→
<b>Serie</b>		<b>21.2</b>
<b>Total</b>		<b>415.5</b>



1:	10.7x	↖
2:	10.5x	↘
3:	10.8x	↑
4:	10.4x	↙
5:	10.1	↘
6:	10.1	↓
7:	10.5x	↘
8:	9.6	→
9:	9.7	↘
10:	9.9	↘
<b>Serie</b>		<b>102.3</b>
<b>Total</b>		<b>517.8</b>

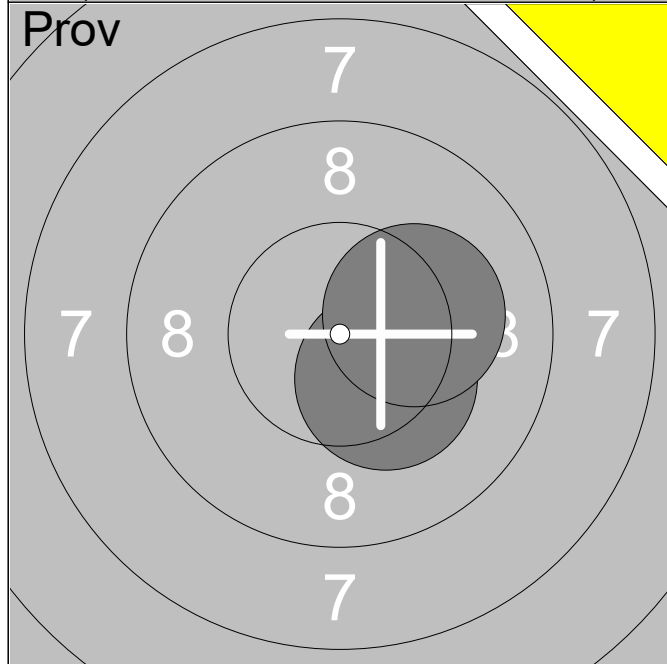




1:	9.5	↗
2:	10.1	↓
3:	9.9	→
4:	9.9	↗
5:	10.7x	↘
6:	10.6x	↓
7:	10.6x	↓
8:	10.3x	→
9:	10.6x	↓
10:	10.3x	↑

Serie	102.5
-------	-------

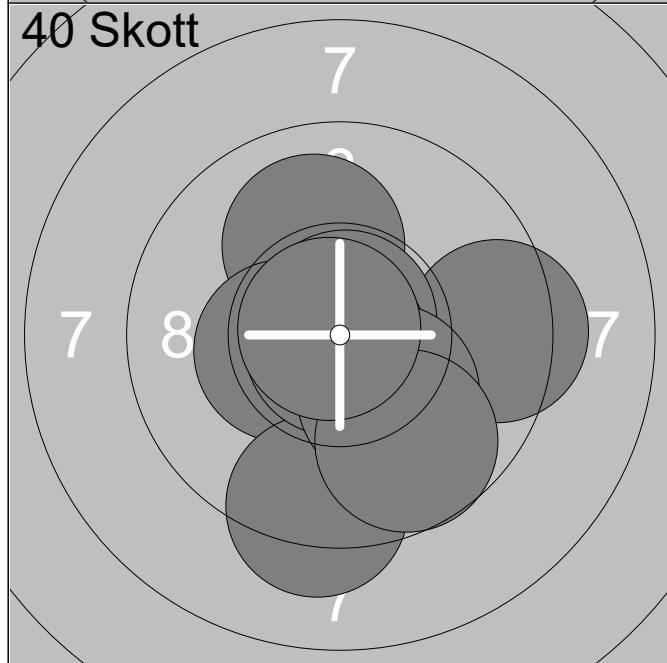
Total	414.7
-------	-------



11:	10.3x	↘
12:	10.2x	→

Serie	20.5
-------	------

Total	414.7
-------	-------



1:	9.4	→
2:	10.0	↑
3:	10.2x	↓
4:	10.4x	←
5:	9.3	↓
6:	10.8x	↗
7:	10.8x	↓
8:	10.2x	↓
9:	9.7	↓
10:	10.8x	↖

Serie	101.6
-------	-------

Total	516.3
-------	-------