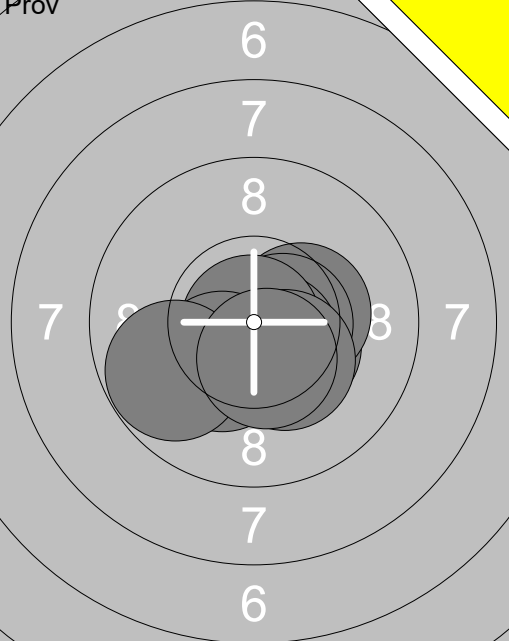
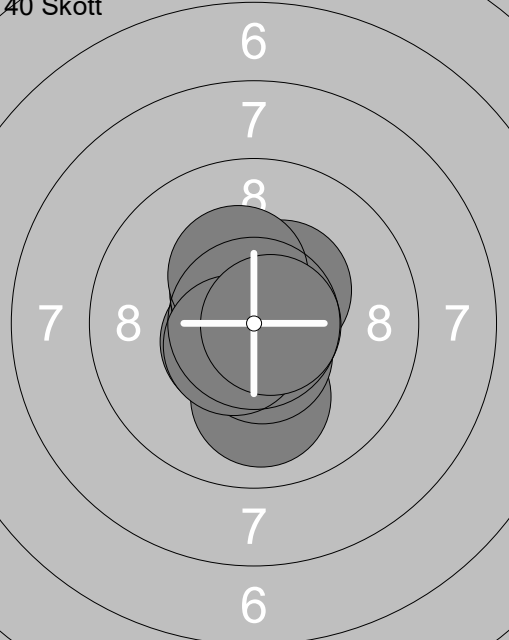


<p>Prov</p> 	<p>1: 10.4x➤</p> <p>2: 10.3x➤</p> <p>3: 10.6x➤</p> <p>4: 10.6x↘</p> <p>5: 10.9x↘</p> <p>6: 10.3x↘</p> <p>7: 10.3x↘</p> <p>8: 9.8 ↙</p> <p>9: 10.5x↘</p>	<p>40 Skott</p> 	<p>1: 10.5x↘</p> <p>2: 10.4x↘</p> <p>3: 10.6x↔</p> <p>4: 10.7x➤</p> <p>5: 10.2x↘</p> <p>6: 10.4x↘</p> <p>7: 10.9x↘</p> <p>8: 10.6x↗</p> <p>9: 10.5x↘</p> <p>10: 10.2x↗</p>
Serie 93.7		Serie 105.0	
Total 0.0		Total 105.0	

<p>40 Skott</p> 	<p>11: 10.4x↘</p> <p>12: 10.4x↔</p> <p>13: 10.5x↔</p> <p>14: 10.6x↘</p> <p>15: 10.5x↘</p> <p>16: 10.7x↔</p> <p>17: 10.7x↗</p> <p>18: 10.8x↗</p> <p>19: 10.3x↔</p> <p>20: 10.3x↔</p>	<p>40 Skott</p> 	<p>21: 10.0 ↖</p> <p>22: 10.6x↔</p> <p>23: 10.2x↘</p> <p>24: 10.6x↘</p> <p>25: 10.3x↔</p> <p>26: 10.1↔</p> <p>27: 10.8x↗</p> <p>28: 10.6x↔</p> <p>29: 10.4x↘</p> <p>30: 10.0↔</p>
Serie 105.2		Serie 103.6	
Total 210.2		Total 313.8	

<p>40 Skott</p> 	<p>31: 10.0 ↓</p> <p>32: 10.6x↘</p> <p>33: 10.7x↔</p> <p>34: 10.4x↗</p> <p>35: 10.5x↔</p> <p>36: 10.5x↔</p> <p>37: 10.5x↘</p> <p>38: 10.3x↗</p> <p>39: 10.6x↘</p> <p>40: 10.7x➤</p>		
Serie 104.8			
Total 418.6			

Prov 	1: 9.8 ↘ 2: 10.0 ↗ 3: 9.5 ↑ 4: 9.8 ↖ 5: 9.2 ↗ 6: 10.2x↘ 7: 10.0 → 8: 10.2x→ 9: 9.5 ← 10: 9.3 ↙	Prov 	11: 10.5x↖ 12: 10.0 ↙ 13: 10.6x↘ 14: 10.8x↘
Serie	97.5	Serie	41.9
Total	0.0	Total	0.0

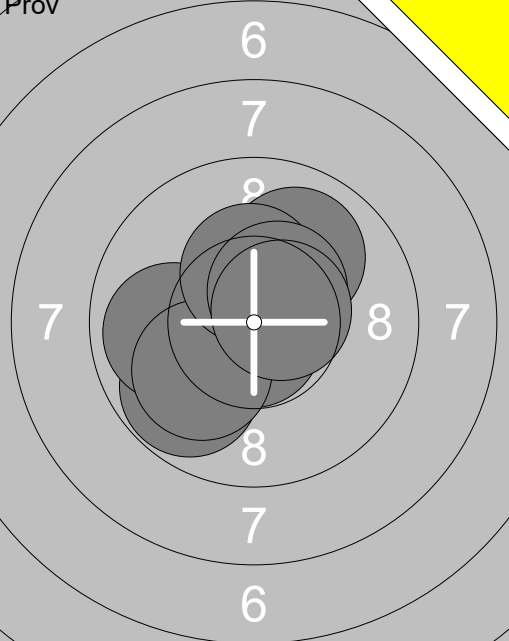
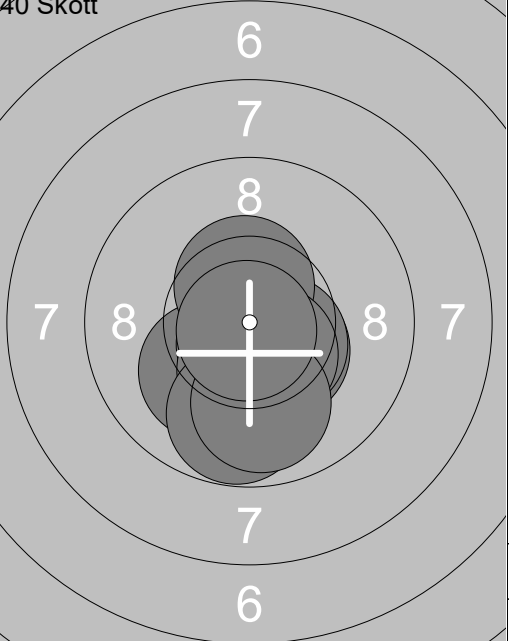
40 Skott 	1: 10.9x↘ 2: 10.5x↙ 3: 9.6 ↓ 4: 9.6 ← 5: 10.5x↘ 6: 10.7x↖ 7: 9.7 ↘ 8: 9.8 ↑ 9: 10.2x↙ 10: 9.0 ↖	40 Skott 	11: 9.7 ↙ 12: 10.6x↖ 13: 9.7 ↑ 14: 10.0 ↗ 15: 10.9x↘ 16: 10.7x↖ 17: 10.3x↘ 18: 9.8 ↖ 19: 10.5x↖ 20: 9.5 ↖
Serie	100.5	Serie	101.7
Total	100.5	Total	202.2

40 Skott 	21: 9.5 ↘ 22: 9.4 ↖ 23: 10.5x↖ 24: 10.1 ↓ 25: 10.6x↘ 26: 8.2 ↖ 27: 10.3x↘ 28: 8.3 ← 29: 10.6x↖ 30: 8.4 ↖	40 Skott 	31: 10.0 ↘ 32: 9.8 ↖ 33: 8.7 ↘ 34: 9.1 ↘ 35: 10.3x↘ 36: 9.5 ↖ 37: 8.9 ↗ 38: 10.3x↖ 39: 8.4 ↖ 40: 10.0 ↘
Serie	95.9	Serie	95.0
Total	298.1	Total	393.1

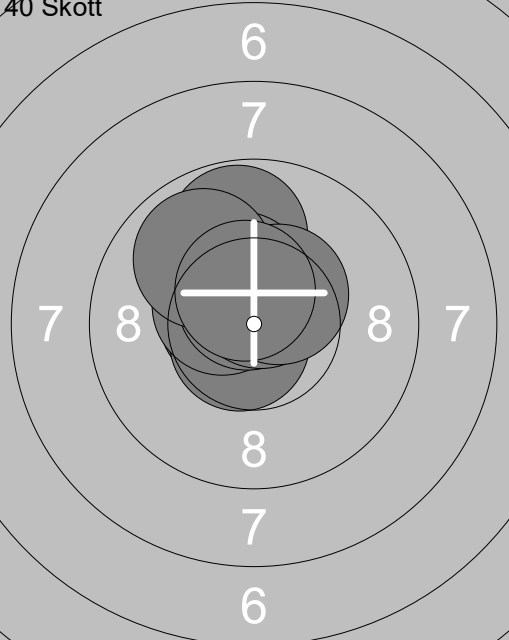
Prov 	1: 10.7x↘ 2: 10.2x→ 3: 10.5x→ 4: 10.0→ 5: 10.4x↘ 6: 10.0→ 7: 10.4x↑ 8: 10.3x↓ 9: 10.7x↘ 10: 10.5x→ <hr/> Serie 103.7 Total 0.0	Prov 	11: 10.4x↘ 12: 10.9x↓ 13: 10.4x↘ 14: 10.9x↓ <hr/> Serie 42.6 Total 0.0
----------	---	----------	---

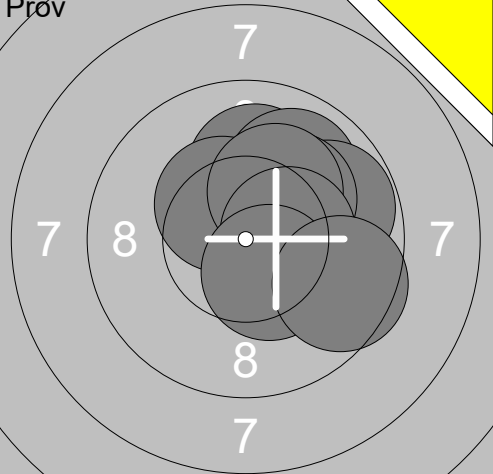
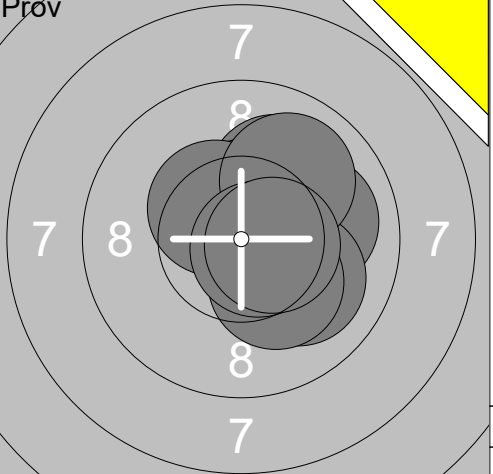
40 Skott 	1: 10.3x↘ 2: 10.4x↓ 3: 10.4x↓ 4: 10.7x↘ 5: 10.5x↓ 6: 10.2x↓ 7: 10.0↓ 8: 10.2x↓ 9: 10.6x↘ 10: 10.3x↗ <hr/> Serie 103.6 Total 103.6	40 Skott 	11: 10.3x↗ 12: 10.3x↓ 13: 9.9 ↓ 14: 10.2x→ 15: 10.8x↘ 16: 10.7x↘ 17: 10.5x↗ 18: 10.8x↓ 19: 10.1→ 20: 10.9x↑ <hr/> Serie 104.5 Total 208.1
--------------	--	--------------	--


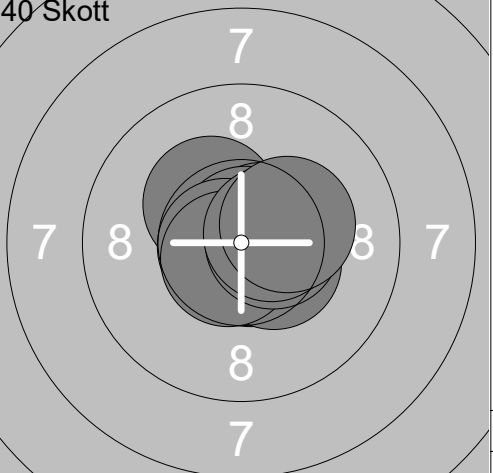
40 Skott 	21: 10.5x↗ 22: 10.0 ↓ 23: 10.6x→ 24: 10.4x↘ 25: 10.4x→ 26: 10.1↙ 27: 10.5x↓ 28: 10.5x↓ 29: 10.7x↗ 30: 10.4x→ <hr/> Serie 104.1 Total 312.2	40 Skott 	31: 10.7x↓ 32: 10.6x↘ 33: 10.2x↗ 34: 10.5x↓ 35: 10.3x↓ 36: 10.1↗ 37: 10.4x↓ 38: 10.8x↘ 39: 9.5 → 40: 10.4x↘ <hr/> Serie 103.5 Total 415.7
--------------	---	--------------	--

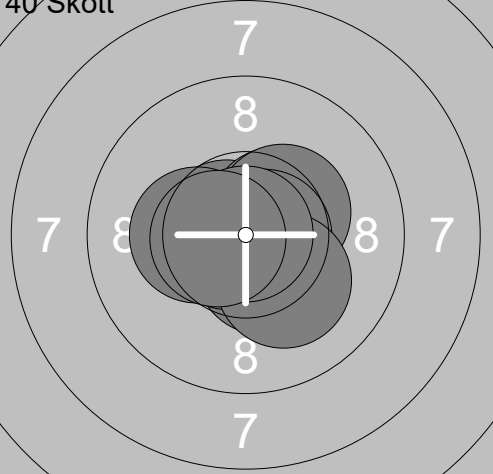
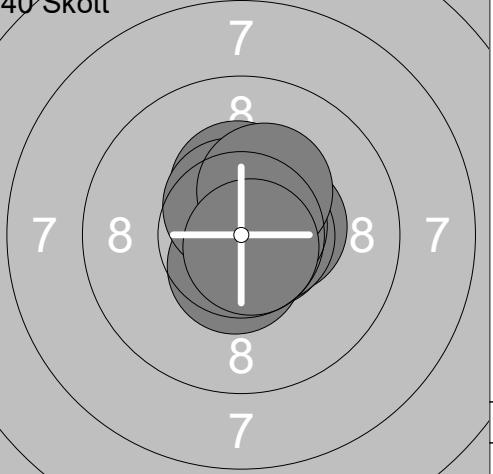
<p>Prov</p> 	<p>1: 9.8 ↙ 2: 9.9 ← 3: 10.8x↓ 4: 10.0 ↙ 5: 10.0 ↗ 6: 10.3x↑ 7: 10.5x↗ 8: 10.6x↗</p>	<p>40 Skott</p> 	<p>1: 10.1 ↙ 2: 10.7x↓ 3: 10.4x↘ 4: 10.5x↘ 5: 10.3x↓ 6: 9.8 ↓ 7: 10.5x↑ 8: 10.5x↓ 9: 9.9 ↓ 10: 10.8x↓</p>
Serie	81.9	Serie	103.5
Total	0.0	Total	103.5

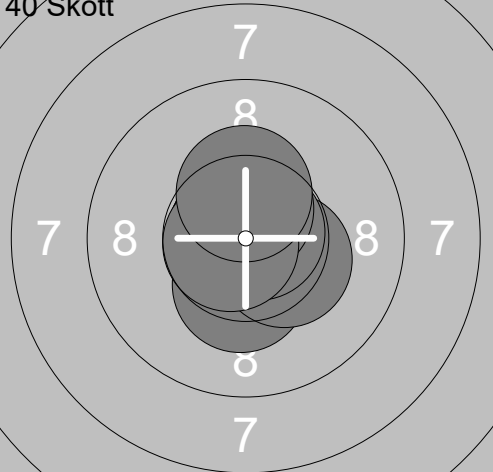
<p>40 Skott</p> 	<p>11: 10.5x↓ 12: 10.3x↘ 13: 10.7x↗ 14: 10.0 ↗ 15: 10.0 ↖ 16: 10.3x↑ 17: 10.5x↖ 18: 10.6x↘ 19: 10.6x↖ 20: 10.4x↑</p>	<p>40 Skott</p> 	<p>21: 9.9 ↖ 22: 10.5x↖ 23: 10.5x↖ 24: 10.7x↑ 25: 10.4x↖ 26: 10.3x↖ 27: 10.2x↓ 28: 10.4x↑ 29: 10.5x↗ 30: 10.4x↖</p>
Serie	103.9	Serie	103.8
Total	207.4	Total	311.2

<p>40 Skott</p> 	<p>31: 10.6x↖ 32: 10.7x↘ 33: 10.5x↖ 34: 9.8 ↑ 35: 10.4x↑ 36: 10.6x↑ 37: 10.6x↑ 38: 9.9 ↖ 39: 10.5x↗ 40: 10.5x↑</p>		
Serie	104.1		
Total	415.3		

<p>Pröv</p> 	<table style="width:100%; border-collapse: collapse;"> <tr><td>1:</td><td>10.1</td><td>↑</td></tr> <tr><td>2:</td><td>9.9</td><td>↗</td></tr> <tr><td>3:</td><td>9.8</td><td>→</td></tr> <tr><td>4:</td><td>10.2x</td><td>↗</td></tr> <tr><td>5:</td><td>10.4x</td><td>↗</td></tr> <tr><td>6:</td><td>10.4x</td><td>↗</td></tr> <tr><td>7:</td><td>10.2x</td><td>↗</td></tr> <tr><td>8:</td><td>10.4x</td><td>→</td></tr> <tr><td>9:</td><td>10.4x</td><td>↘</td></tr> <tr><td>10:</td><td>9.6</td><td>↘</td></tr> <tr><td colspan="2">Serie</td><td>101.4</td></tr> <tr><td colspan="2">Total</td><td>0.0</td></tr> </table>	1:	10.1	↑	2:	9.9	↗	3:	9.8	→	4:	10.2x	↗	5:	10.4x	↗	6:	10.4x	↗	7:	10.2x	↗	8:	10.4x	→	9:	10.4x	↘	10:	9.6	↘	Serie		101.4	Total		0.0	<p>Pröv</p> 	<table style="width:100%; border-collapse: collapse;"> <tr><td>11:</td><td>10.1</td><td>↗</td></tr> <tr><td>12:</td><td>10.5x</td><td>↗</td></tr> <tr><td>13:</td><td>10.0</td><td>→</td></tr> <tr><td>14:</td><td>10.6x</td><td>↗</td></tr> <tr><td>15:</td><td>10.4x</td><td>↗</td></tr> <tr><td>16:</td><td>10.0</td><td>↘</td></tr> <tr><td>17:</td><td>10.2x</td><td>↘</td></tr> <tr><td>18:</td><td>10.0</td><td>↗</td></tr> <tr><td>19:</td><td>10.7x</td><td>↘</td></tr> <tr><td>20:</td><td>10.5x</td><td>→</td></tr> <tr><td colspan="2">Serie</td><td>103.0</td></tr> <tr><td colspan="2">Total</td><td>0.0</td></tr> </table>	11:	10.1	↗	12:	10.5x	↗	13:	10.0	→	14:	10.6x	↗	15:	10.4x	↗	16:	10.0	↘	17:	10.2x	↘	18:	10.0	↗	19:	10.7x	↘	20:	10.5x	→	Serie		103.0	Total		0.0
1:	10.1	↑																																																																									
2:	9.9	↗																																																																									
3:	9.8	→																																																																									
4:	10.2x	↗																																																																									
5:	10.4x	↗																																																																									
6:	10.4x	↗																																																																									
7:	10.2x	↗																																																																									
8:	10.4x	→																																																																									
9:	10.4x	↘																																																																									
10:	9.6	↘																																																																									
Serie		101.4																																																																									
Total		0.0																																																																									
11:	10.1	↗																																																																									
12:	10.5x	↗																																																																									
13:	10.0	→																																																																									
14:	10.6x	↗																																																																									
15:	10.4x	↗																																																																									
16:	10.0	↘																																																																									
17:	10.2x	↘																																																																									
18:	10.0	↗																																																																									
19:	10.7x	↘																																																																									
20:	10.5x	→																																																																									
Serie		103.0																																																																									
Total		0.0																																																																									

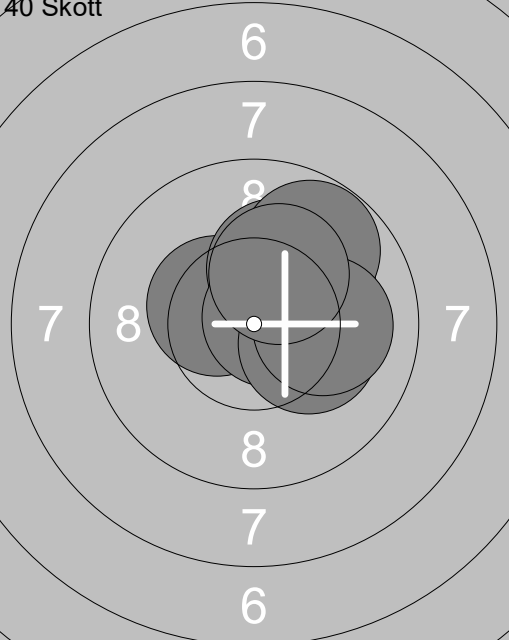
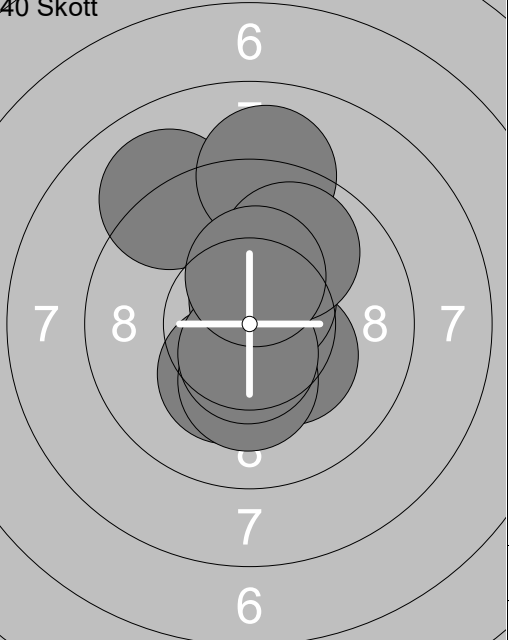
<p>Pröv</p> 	<table style="width:100%; border-collapse: collapse;"> <tr><td>21:</td><td>10.5x</td><td>↘</td></tr> <tr><td>22:</td><td>10.2x</td><td>↘</td></tr> <tr><td colspan="2">Serie</td><td>20.7</td></tr> <tr><td colspan="2">Total</td><td>0.0</td></tr> </table>	21:	10.5x	↘	22:	10.2x	↘	Serie		20.7	Total		0.0	<p>40 Skott</p> 	<table style="width:100%; border-collapse: collapse;"> <tr><td>1:</td><td>10.3x</td><td>↖</td></tr> <tr><td>2:</td><td>10.6x</td><td>→</td></tr> <tr><td>3:</td><td>10.8x</td><td>↗</td></tr> <tr><td>4:</td><td>10.7x</td><td>↘</td></tr> <tr><td>5:</td><td>10.7x</td><td>←</td></tr> <tr><td>6:</td><td>10.4x</td><td>↘</td></tr> <tr><td>7:</td><td>10.7x</td><td>↘</td></tr> <tr><td>8:</td><td>10.5x</td><td>→</td></tr> <tr><td>9:</td><td>10.5x</td><td>→</td></tr> <tr><td>10:</td><td>10.3x</td><td>→</td></tr> <tr><td colspan="2">Serie</td><td>105.5</td></tr> <tr><td colspan="2">Total</td><td>105.5</td></tr> </table>	1:	10.3x	↖	2:	10.6x	→	3:	10.8x	↗	4:	10.7x	↘	5:	10.7x	←	6:	10.4x	↘	7:	10.7x	↘	8:	10.5x	→	9:	10.5x	→	10:	10.3x	→	Serie		105.5	Total		105.5
21:	10.5x	↘																																																	
22:	10.2x	↘																																																	
Serie		20.7																																																	
Total		0.0																																																	
1:	10.3x	↖																																																	
2:	10.6x	→																																																	
3:	10.8x	↗																																																	
4:	10.7x	↘																																																	
5:	10.7x	←																																																	
6:	10.4x	↘																																																	
7:	10.7x	↘																																																	
8:	10.5x	→																																																	
9:	10.5x	→																																																	
10:	10.3x	→																																																	
Serie		105.5																																																	
Total		105.5																																																	

<p>40 Skott</p> 	<table style="width:100%; border-collapse: collapse;"> <tr><td>11:</td><td>10.7x</td><td>←</td></tr> <tr><td>12:</td><td>10.5x</td><td>↗</td></tr> <tr><td>13:</td><td>10.5x</td><td>↘</td></tr> <tr><td>14:</td><td>10.4x</td><td>↗</td></tr> <tr><td>15:</td><td>10.7x</td><td>→</td></tr> <tr><td>16:</td><td>10.3x</td><td>←</td></tr> <tr><td>17:</td><td>10.7x</td><td>←</td></tr> <tr><td>18:</td><td>10.2x</td><td>↘</td></tr> <tr><td>19:</td><td>10.9x</td><td>↗</td></tr> <tr><td>20:</td><td>10.6x</td><td>←</td></tr> <tr><td colspan="2">Serie</td><td>105.5</td></tr> <tr><td colspan="2">Total</td><td>211.0</td></tr> </table>	11:	10.7x	←	12:	10.5x	↗	13:	10.5x	↘	14:	10.4x	↗	15:	10.7x	→	16:	10.3x	←	17:	10.7x	←	18:	10.2x	↘	19:	10.9x	↗	20:	10.6x	←	Serie		105.5	Total		211.0	<p>40 Skott</p> 	<table style="width:100%; border-collapse: collapse;"> <tr><td>21:</td><td>10.4x</td><td>→</td></tr> <tr><td>22:</td><td>10.3x</td><td>↑</td></tr> <tr><td>23:</td><td>10.8x</td><td>↗</td></tr> <tr><td>24:</td><td>10.7x</td><td>→</td></tr> <tr><td>25:</td><td>10.6x</td><td>→</td></tr> <tr><td>26:</td><td>10.5x</td><td>↘</td></tr> <tr><td>27:</td><td>10.7x</td><td>↗</td></tr> <tr><td>28:</td><td>10.5x</td><td>↗</td></tr> <tr><td>29:</td><td>10.3x</td><td>↗</td></tr> <tr><td>30:</td><td>10.7x</td><td>↘</td></tr> <tr><td colspan="2">Serie</td><td>105.5</td></tr> <tr><td colspan="2">Total</td><td>316.5</td></tr> </table>	21:	10.4x	→	22:	10.3x	↑	23:	10.8x	↗	24:	10.7x	→	25:	10.6x	→	26:	10.5x	↘	27:	10.7x	↗	28:	10.5x	↗	29:	10.3x	↗	30:	10.7x	↘	Serie		105.5	Total		316.5
11:	10.7x	←																																																																									
12:	10.5x	↗																																																																									
13:	10.5x	↘																																																																									
14:	10.4x	↗																																																																									
15:	10.7x	→																																																																									
16:	10.3x	←																																																																									
17:	10.7x	←																																																																									
18:	10.2x	↘																																																																									
19:	10.9x	↗																																																																									
20:	10.6x	←																																																																									
Serie		105.5																																																																									
Total		211.0																																																																									
21:	10.4x	→																																																																									
22:	10.3x	↑																																																																									
23:	10.8x	↗																																																																									
24:	10.7x	→																																																																									
25:	10.6x	→																																																																									
26:	10.5x	↘																																																																									
27:	10.7x	↗																																																																									
28:	10.5x	↗																																																																									
29:	10.3x	↗																																																																									
30:	10.7x	↘																																																																									
Serie		105.5																																																																									
Total		316.5																																																																									

<p>40 Skott</p> 	<table style="width:100%; border-collapse: collapse;"> <tr><td>31:</td><td>10.8x</td><td>↗</td></tr> <tr><td>32:</td><td>10.8x</td><td>←</td></tr> <tr><td>33:</td><td>10.7x</td><td>↘</td></tr> <tr><td>34:</td><td>10.3x</td><td>↘</td></tr> <tr><td>35:</td><td>10.8x</td><td>→</td></tr> <tr><td>36:</td><td>10.4x</td><td>↘</td></tr> <tr><td>37:</td><td>10.8x</td><td>↗</td></tr> <tr><td>38:</td><td>10.6x</td><td>↑</td></tr> <tr><td>39:</td><td>10.7x</td><td>←</td></tr> <tr><td>40:</td><td>10.4x</td><td>↑</td></tr> <tr><td colspan="2">Serie</td><td>106.3</td></tr> <tr><td colspan="2">Total</td><td>422.8</td></tr> </table>	31:	10.8x	↗	32:	10.8x	←	33:	10.7x	↘	34:	10.3x	↘	35:	10.8x	→	36:	10.4x	↘	37:	10.8x	↗	38:	10.6x	↑	39:	10.7x	←	40:	10.4x	↑	Serie		106.3	Total		422.8	
31:	10.8x	↗																																				
32:	10.8x	←																																				
33:	10.7x	↘																																				
34:	10.3x	↘																																				
35:	10.8x	→																																				
36:	10.4x	↘																																				
37:	10.8x	↗																																				
38:	10.6x	↑																																				
39:	10.7x	←																																				
40:	10.4x	↑																																				
Serie		106.3																																				
Total		422.8																																				

<p>Prov</p> 	<p>1: 9.0 ➔</p> <p>2: 9.4 ➔</p> <p>3: 9.7 ➔</p> <p>4: 9.6 ➔</p> <p>5: 10.2x➔</p> <p>6: 10.6x↗</p> <p>7: 10.6x↘</p> <p>8: 10.0 ↗</p> <p>9: 10.5x↘</p> <p>10: 10.1 ↗</p>	<p>Prov</p> 	<p>11: 10.0 ↗</p> <p>12: 10.2x↗</p> <p>13: 9.7 ↗</p> <p>14: 10.1 ↓</p> <p>15: 10.6x↗</p> <p>16: 10.4x↘</p>
Serie	99.7	Serie	61.0
Total	0.0	Total	0.0

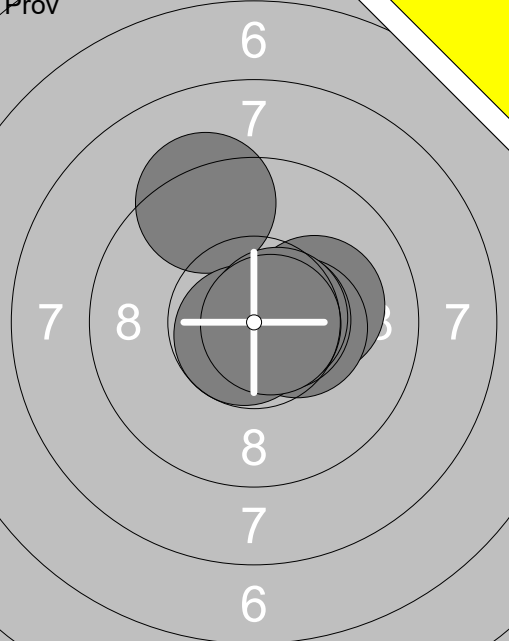
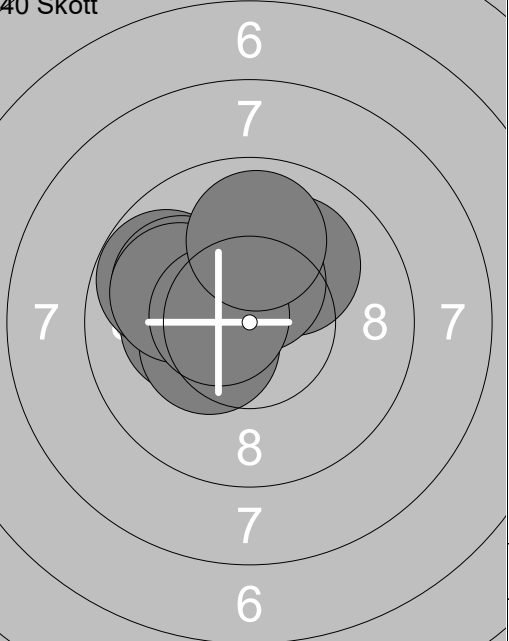
<p>40 Skott</p> 	<p>1: 9.7 ↗</p> <p>2: 10.8x↘</p> <p>3: 10.7x↗</p> <p>4: 10.7x↘</p> <p>5: 10.9x↓</p> <p>6: 10.3x↘</p> <p>7: 10.5x↗</p> <p>8: 10.5x↘</p> <p>9: 10.4x↗</p> <p>10: 10.0 ↗</p>	<p>40 Skott</p> 	<p>11: 9.8 ↘</p> <p>12: 10.2x↗</p> <p>13: 10.6x↗</p> <p>14: 10.3x↗</p> <p>15: 10.2x↘</p> <p>16: 10.1 ↘</p> <p>17: 10.9x↘</p> <p>18: 10.8x↘</p> <p>19: 10.2x↘</p> <p>20: 10.4x➔</p>
Serie	104.5	Serie	103.5
Total	104.5	Total	208.0

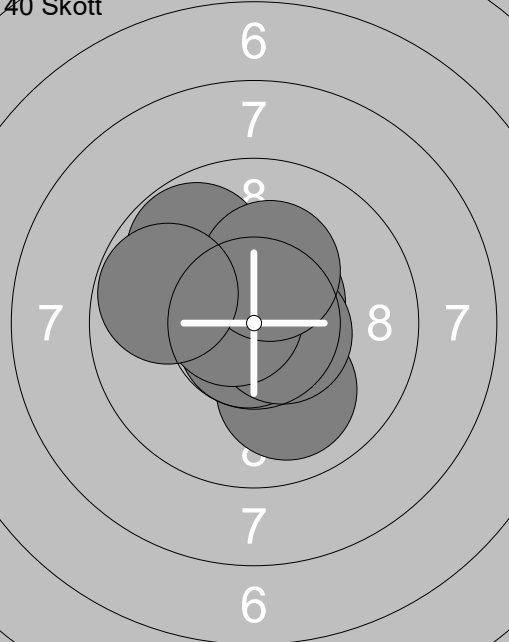
<p>40 Skott</p> 	<p>21: 10.4x↗</p> <p>22: 10.2x↗</p> <p>23: 10.4x↘</p> <p>24: 10.2x↗</p> <p>25: 10.3x↗</p> <p>26: 9.8 ↗</p> <p>27: 10.7x↗</p> <p>28: 10.2x➔</p> <p>29: 10.1 ➔</p> <p>30: 10.2x↗</p>	<p>40 Skott</p> 	<p>31: 10.3x↘</p> <p>32: 9.1 ↘</p> <p>33: 10.6x↗</p> <p>34: 10.2x↘</p> <p>35: 10.6x↗</p> <p>36: 9.0 ↗</p> <p>37: 9.9 ↗</p> <p>38: 10.2x↓</p> <p>39: 10.6x↓</p> <p>40: 10.3x↗</p>
Serie	102.5	Serie	100.8
Total	310.5	Total	411.3

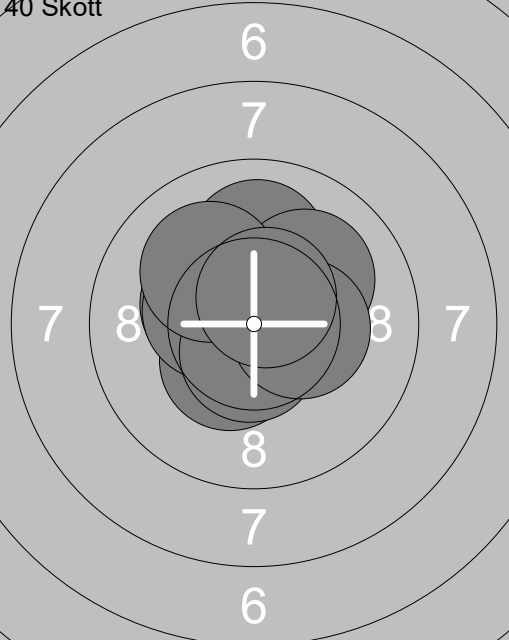
<p>Prov</p>	<p>1: 10.4x↗ 2: 10.5x↘ 3: 10.2x↑ 4: 10.1 ↑ 5: 10.5x↘ 6: 10.8x→ 7: 10.7x↘ 8: 10.0 ↓ 9: 10.4x↖ 10: 10.5x↑</p>	<p>Prov</p>	<p>11: 10.5x→</p>
Serie 104.1		Serie 10.5	
Total 0.0		Total 0.0	

<p>40 Skott</p>	<p>1: 10.9x↓ 2: 10.1 ↓ 3: 10.6x↘ 4: 10.7x↘ 5: 10.8x↘ 6: 10.7x↖ 7: 10.3x↘ 8: 10.3x↖ 9: 10.4x↑ 10: 10.2x↘</p>	<p>40 Skott</p>	<p>11: 10.0→ 12: 10.0↗ 13: 10.4x↖ 14: 9.8 ← 15: 9.9 ↗ 16: 10.2x↘ 17: 10.4x↗ 18: 10.4x↗ 19: 10.0→ 20: 10.5x↖</p>
Serie 105.0		Serie 101.6	
Total 105.0		Total 206.6	

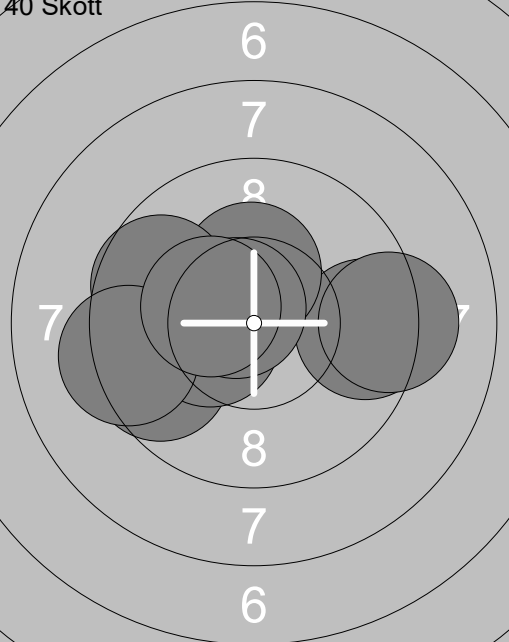
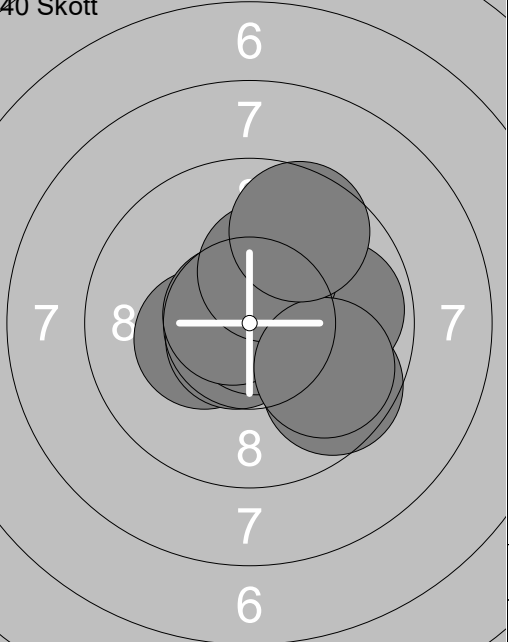
<p>40 Skott</p>	<p>21: 10.9x→ 22: 10.8x↘ 23: 10.6x↘ 24: 10.8x↖ 25: 10.4x↘ 26: 9.9 ↓ 27: 10.4x↑ 28: 10.8x↓ 29: 10.3x↑ 30: 10.2x↗</p>	<p>40 Skott</p>	<p>31: 10.1 ↓ 32: 10.4x→ 33: 10.1→ 34: 10.5x↘ 35: 10.6x↓ 36: 10.7x↓ 37: 10.4x↘ 38: 10.1 ↓ 39: 10.0 ↑ 40: 10.3x↖</p>
Serie 105.1		Serie 103.2	
Total 311.7		Total 414.9	

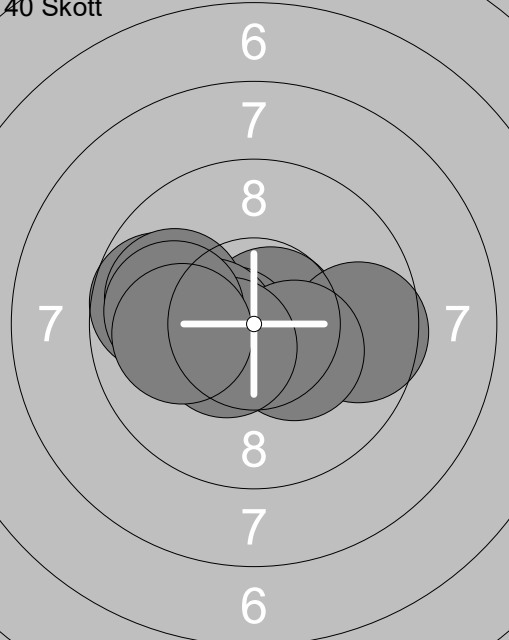
<p>Prov</p> 	<p>1: 9.3 ↗</p> <p>2: 10.1 →</p> <p>3: 10.4x →</p> <p>4: 10.7x ↘</p> <p>5: 10.6x →</p> <p>6: 10.6x →</p> <p>7: 10.7x →</p>	<p>40 Skott</p> 	<p>1: 10.3x ↗</p> <p>2: 10.2x ↗</p> <p>3: 10.4x ↘</p> <p>4: 10.1 ↗</p> <p>5: 9.8 ↖</p> <p>6: 10.4x ↗</p> <p>7: 10.0 ↖</p> <p>8: 10.0 ↖</p> <p>9: 10.6x ↗</p> <p>10: 9.9 ↗</p>
Serie	72.4	Serie	101.7
Total	0.0	Total	101.7

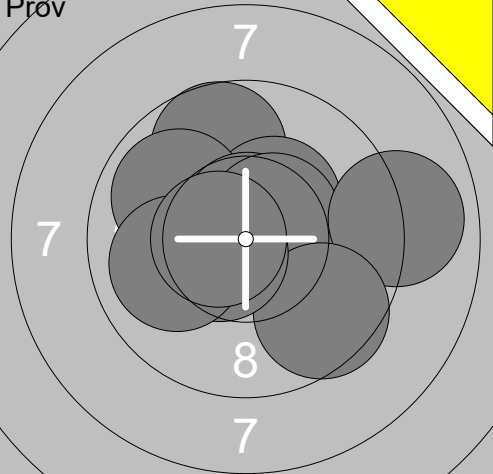
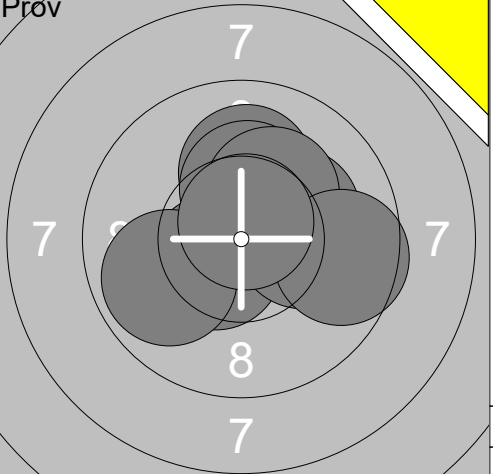
<p>40 Skott</p> 	<p>11: 10.8x →</p> <p>12: 10.0 ↘</p> <p>13: 9.8 ↖</p> <p>14: 10.7x ↘</p> <p>15: 10.6x ↘</p> <p>16: 10.6x ↗</p> <p>17: 10.6x →</p> <p>18: 10.7x ↖</p> <p>19: 10.2x ↗</p> <p>20: 9.8 ↖</p>	<p>40 Skott</p> 	<p>21: 10.7x ↖</p> <p>22: 9.8 ↗</p> <p>23: 10.0 ↗</p> <p>24: 9.7 ↖</p> <p>25: 10.5x ↗</p> <p>26: 10.2x ↗</p> <p>27: 9.9 ↗</p> <p>28: 10.4x ↗</p> <p>29: 10.2x →</p> <p>30: 9.6 ↖</p>
Serie	103.8	Serie	101.0
Total	205.5	Total	306.5


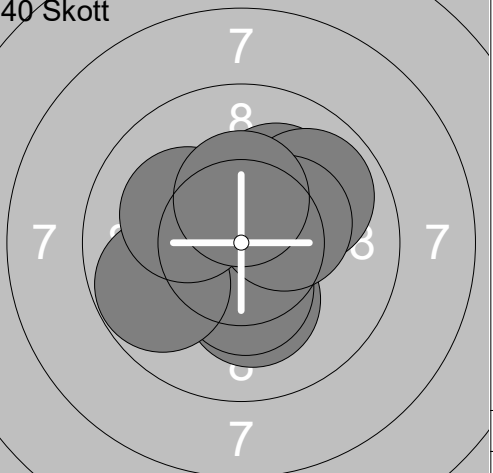
<p>40 Skott</p> 	<p>31: 10.1 ↗</p> <p>32: 10.4x ↘</p> <p>33: 10.3x ↖</p> <p>34: 10.0 ↗</p> <p>35: 10.4x ↖</p> <p>36: 10.6x ↘</p> <p>37: 10.1 ↗</p> <p>38: 10.1 ↖</p> <p>39: 10.4x →</p> <p>40: 10.6x ↗</p>	
Serie	103.0	
Total	409.5	

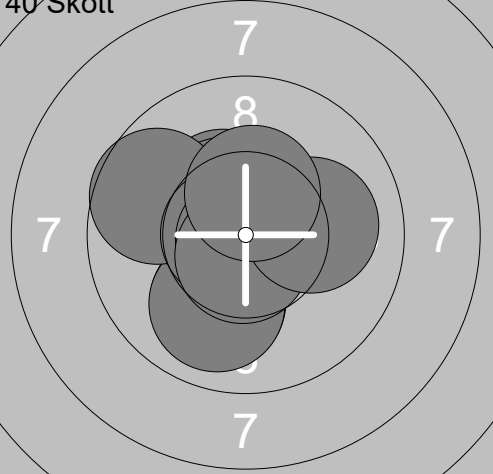
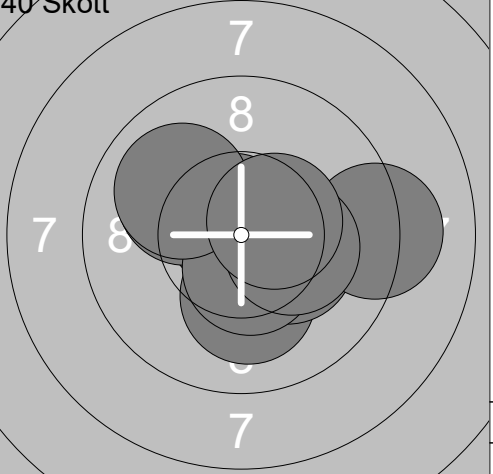
<p>Prov</p> 	<p>1: 9.6 ← 2: 9.7 ↘ 3: 10.0 ↙ 4: 10.5x✓ 5: 10.7x✓ 6: 10.7x✗ 7: 10.7x✓</p>	<p>40 Skott</p> 	<p>1: 10.0← 2: 9.9 ↘ 3: 10.2x✗ 4: 10.1 ↘ 5: 9.3 ← 6: 9.7 ← 7: 10.4x✗ 8: 10.3x↗ 9: 10.9x→ 10: 10.3x✗</p>
Serie	71.9	Serie	101.1
Total	0.0	Total	101.1

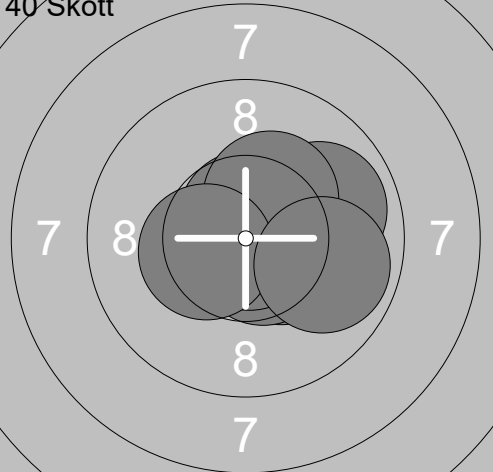
<p>40 Skott</p> 	<p>11: 9.6 ← 12: 10.4x✗ 13: 10.4x✗ 14: 9.5 → 15: 10.3x↗ 16: 9.7 ← 17: 9.3 ← 18: 9.2 → 19: 10.6x✗ 20: 10.4x✗</p>	<p>40 Skott</p> 	<p>21: 10.3x✗ 22: 10.7x✓ 23: 10.4x→ 24: 10.9x→ 25: 10.7x✗ 26: 9.6 ↘ 27: 9.9 → 28: 10.3x↗ 29: 9.8 ↘ 30: 9.6 ↗</p>
Serie	99.4	Serie	102.2
Total	200.5	Total	302.7

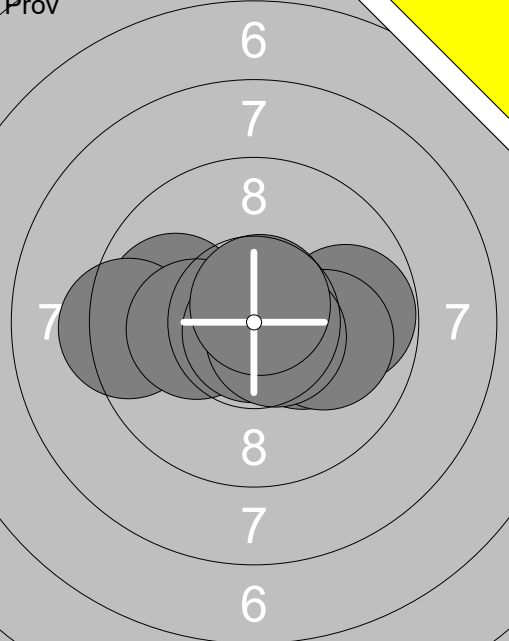
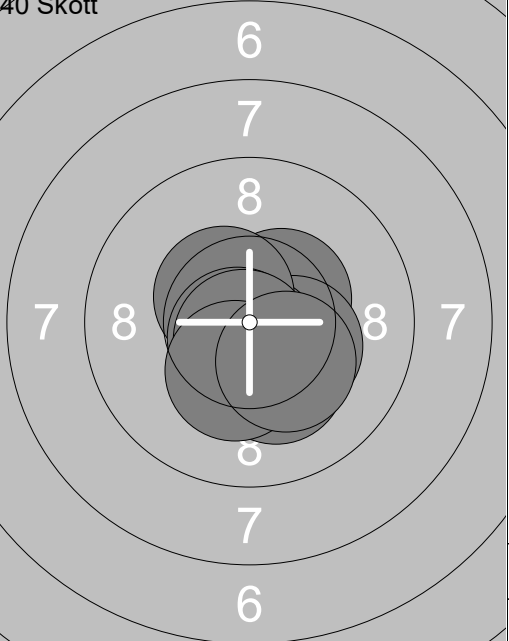
<p>40 Skott</p> 	<p>31: 9.7 ← 32: 10.7x↗ 33: 9.6 → 34: 9.9 ← 35: 10.6x✗ 36: 10.4x✗ 37: 10.3x↘ 38: 10.5x✓ 39: 9.9 ← 40: 10.0←</p>		
Serie	101.6		
Total	404.3		

<p>Pröv</p> 	<p>1: 9.7 ↑ 2: 10.4x ↗ 3: 9.9 ↖ 4: 10.7x ↑ 5: 10.5x ↗ 6: 8.9 → 7: 9.6 ↓ 8: 10.6x ↖ 9: 10.0 ← 10: 10.6x ←</p>	<p>Pröv</p> 	<p>11: 10.5x ↙ 12: 10.1 ↑ 13: 10.1 → 14: 10.4x ↗ 15: 10.2x ↗ 16: 10.3x ↑ 17: 10.2x ↗ 18: 9.6 → 19: 9.9 ↙ 20: 10.7x ↑</p>
Serie 100.9		Serie 102.0	
Total 0.0		Total 0.0	

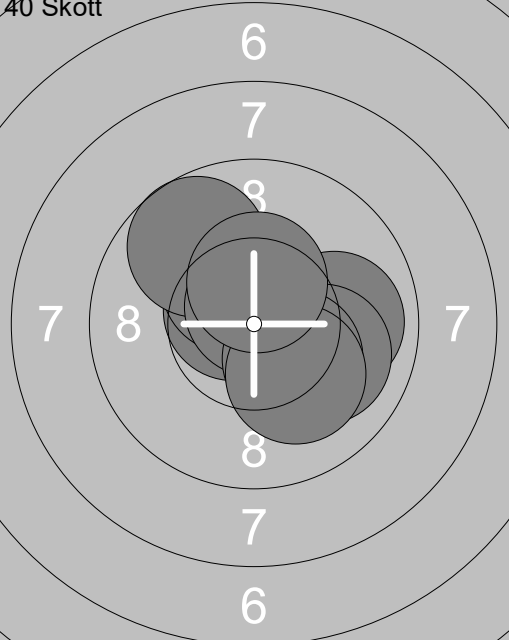
<p>Pröv</p> 	<p>21: 10.4x ↑ 22: 10.0 ↓ 23: 10.6x ↓ 24: 10.4x ↓</p>	<p>40 Skott</p> 	<p>1: 10.2x ↓ 2: 10.1 ↗ 3: 10.8x → 4: 10.8x ← 5: 9.9 ↗ 6: 10.4x ↓ 7: 9.8 ↖ 8: 10.1 ↖ 9: 10.3x ↗ 10: 10.4x ↑</p>
Serie 41.4		Serie 102.8	
Total 0.0		Total 102.8	

<p>40 Skott</p> 	<p>11: 10.0 ↓ 12: 10.0 ↓ 13: 10.4x ↗ 14: 10.5x ↗ 15: 9.7 ↗ 16: 10.7x ← 17: 10.9x ↓ 18: 10.7x ↓ 19: 10.1 → 20: 10.4x ↑</p>	<p>40 Skott</p> 	<p>21: 10.7x → 22: 10.7x ↗ 23: 10.1 ↓ 24: 10.3x ↘ 25: 10.1 ↗ 26: 9.2 → 27: 10.5x ↓ 28: 10.0 ↗ 29: 10.3x → 30: 10.5x ↗</p>
Serie 103.4		Serie 102.4	
Total 206.2		Total 308.6	

<p>40 Skott</p> 	<p>31: 10.6x ↘ 32: 10.4x ↘ 33: 10.1 → 34: 10.7x ↑ 35: 9.9 → 36: 10.6x ↓ 37: 10.9x ↓ 38: 10.3x ↗ 39: 10.4x ← 40: 9.9 ↘</p>		
Serie 103.8			
Total 412.4			

Prov 	1: 9.9 ← 2: 9.3 ← 3: 10.2✕← 4: 9.8 → 5: 10.3✕→ 6: 10.8✕↓ 7: 10.0 → 8: 10.6✕→ 9: 10.7✕↑ Serie 91.6 Total 0.0	40 Skott  1: 10.4✕↓ 2: 10.4✕↗ 3: 10.3✕→ 4: 10.6✕↓ 5: 10.5✕↖ 6: 10.7✕↓ 7: 10.2✕↓ 8: 10.7✕↓ 9: 10.3✕↓ 10: 10.3✕↓ Serie 104.4 Total 104.4
--	---	--

40 Skott 	11: 10.6✕↗ 12: 10.4✕↖ 13: 10.7✕↑ 14: 10.5✕→ 15: 10.7✕↓ 16: 10.7✕→ 17: 9.9 → 18: 10.3✕→ 19: 10.1 ↓ 20: 10.6✕↓ Serie 104.5 Total 208.9	40 Skott  21: 10.7✕↓ 22: 10.3✕↓ 23: 10.5✕→ 24: 10.6✕↓ 25: 10.6✕→ 26: 10.2✕→ 27: 10.8✕↖ 28: 10.3✕↖ 29: 10.4✕→ 30: 10.7✕↑ Serie 105.1 Total 314.0
---	---	--

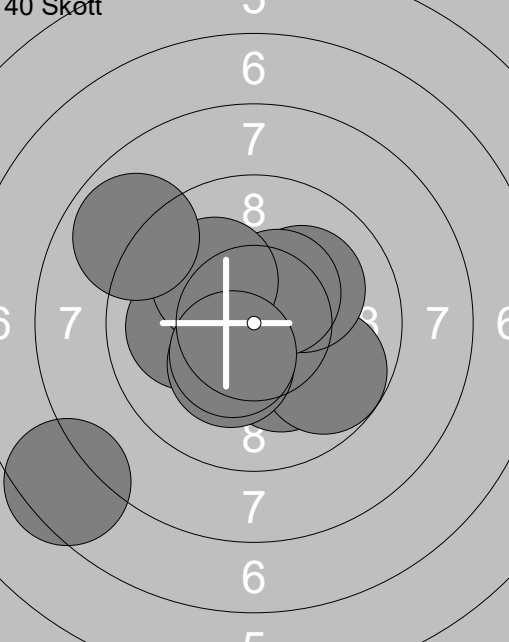
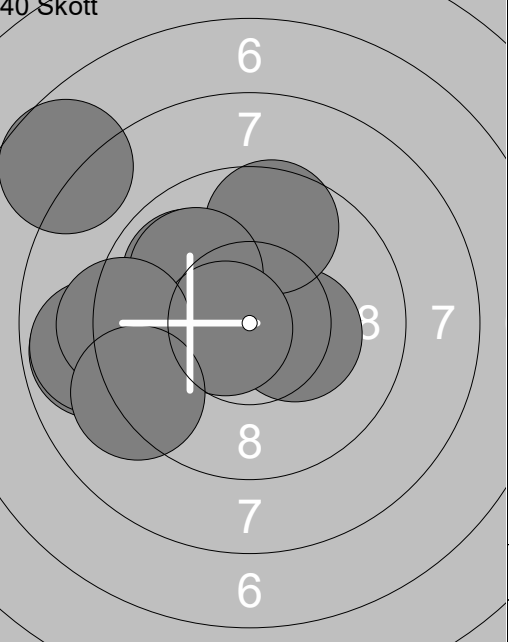
40 Skott 	31: 10.6✕↖ 32: 10.5✕↑ 33: 9.9 → 34: 10.4✕↖ 35: 9.7 ↖ 36: 10.7✕↑ 37: 10.0 → 38: 10.3✕→ 39: 10.1 ↓ 40: 10.4✕↑ Serie 102.6 Total 416.6	
--	--	--

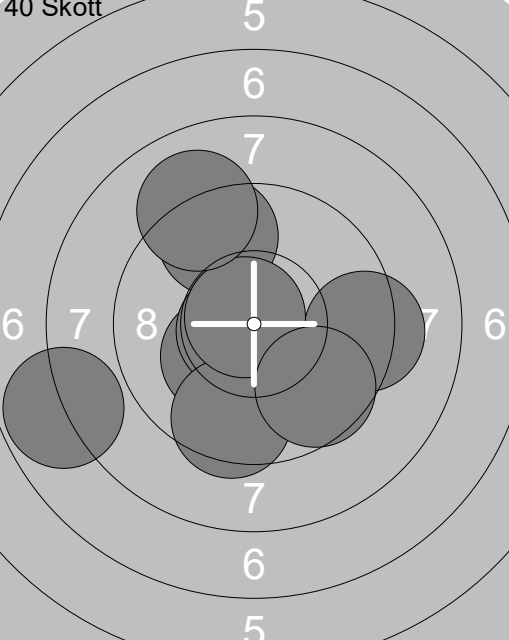
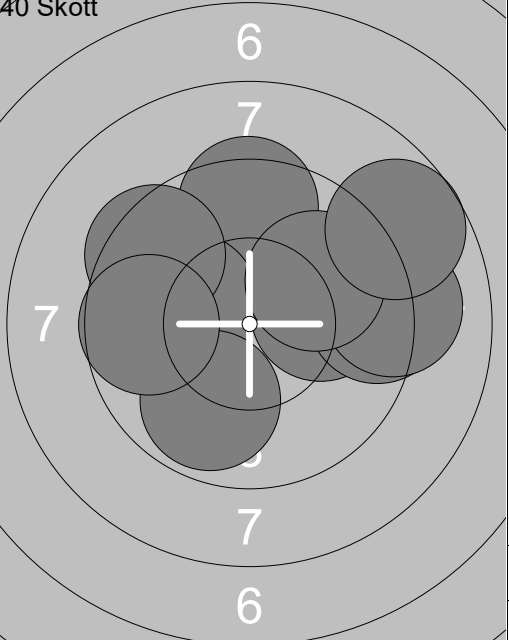
<p>Prov</p>	<p>1: 10.1 →</p> <p>2: 9.6 ↓</p> <p>3: 10.3x ↗</p> <p>4: 10.6x ↘</p> <p>5: 10.6x ↘</p> <p>6: 9.8 ↓</p> <p>7: 10.9x ↓</p> <p>8: 10.3x ↘</p> <p>9: 10.8x ↖</p> <p>10: 10.7x ↗</p>	<p>40 Skott</p>	<p>1: 10.6x ↘</p> <p>2: 10.4x ↘</p> <p>3: 10.0 ↙</p> <p>4: 10.5x ↗</p> <p>5: 10.8x ↘</p> <p>6: 10.5x ↘</p> <p>7: 10.7x ↗</p> <p>8: 10.6x ↘</p> <p>9: 10.3x ↘</p> <p>10: 10.2x ↘</p>
Serie 103.7		Serie 104.6	
Total 0.0		Total 104.6	

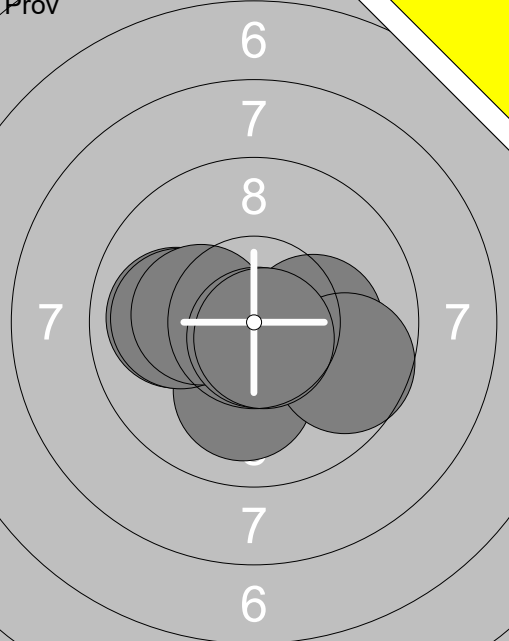
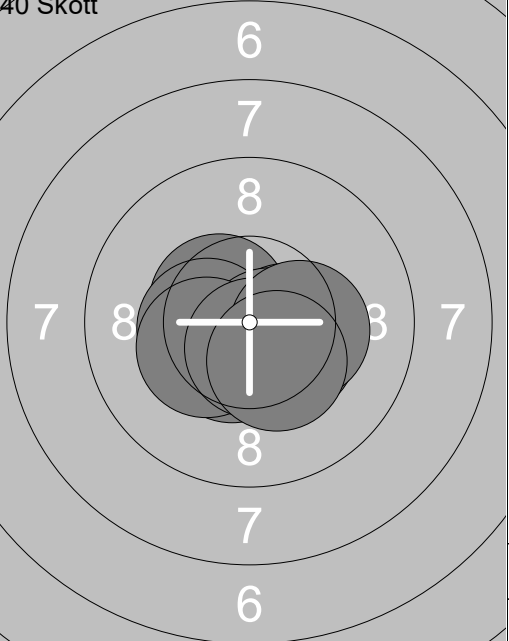
<p>40 Skott</p>	<p>11: 10.5x ↘</p> <p>12: 10.1 ↖</p> <p>13: 10.6x ↖</p> <p>14: 10.1 ↗</p> <p>15: 10.7x ↗</p> <p>16: 10.5x ↖</p> <p>17: 9.6 ↓</p> <p>18: 10.2x ↖</p> <p>19: 9.9 ↓</p> <p>20: 10.6x ↖</p>	<p>40 Skott</p>	<p>21: 10.2x ↗</p> <p>22: 10.6x ↖</p> <p>23: 10.2x ↗</p> <p>24: 10.6x ↗</p> <p>25: 10.5x ↗</p> <p>26: 10.3x ↗</p> <p>27: 10.4x ↖</p> <p>28: 10.2x ↗</p> <p>29: 10.3x ↗</p> <p>30: 10.5x ↘</p>
Serie 102.8		Serie 103.8	
Total 207.4		Total 311.2	

<p>40 Skott</p>	<p>31: 10.4x ↖</p> <p>32: 10.4x ↗</p> <p>33: 10.5x ↗</p> <p>34: 10.2x ↗</p> <p>35: 10.7x ↗</p> <p>36: 10.5x ↘</p> <p>37: 10.5x ↓</p> <p>38: 10.3x ↗</p> <p>39: 10.4x ↖</p> <p>40: 10.5x ↓</p>		
Serie 104.4			
Total 415.6			

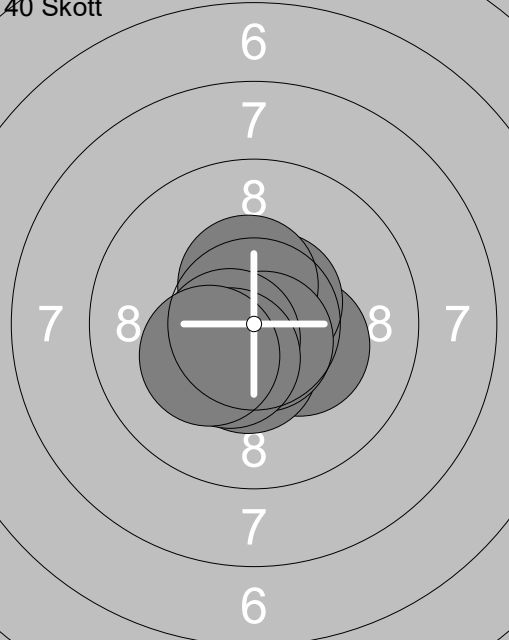
	<p>1: 9.6 ↑</p> <p>2: 6.2 ←</p> <p>3: 4.4 ↓</p> <p>4: 9.9 ↑</p> <p>5: 10.3x↗</p> <p>6: 9.8 →</p> <p>7: 8.7 ←</p> <p>8: 6.9 →</p> <p>9: 9.9 ↓</p> <p>10: 9.2 ↘</p>		<p>11: 10.8x↖</p> <p>12: 10.4x↙</p>
Serie	84.9	Serie	21.2
Total	0.0	Total	0.0

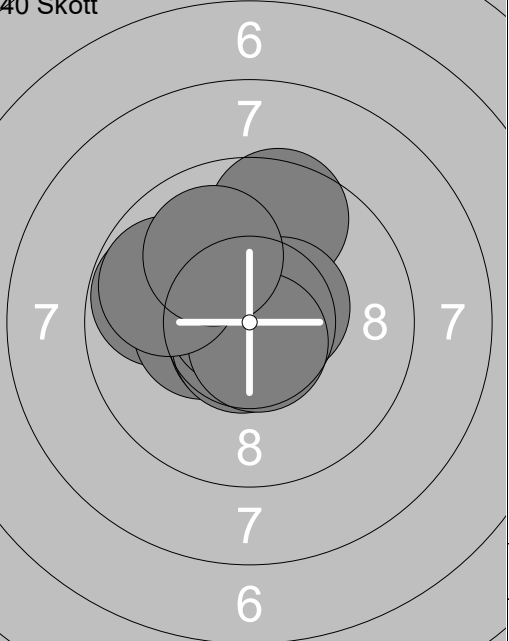
	<p>1: 10.0←</p> <p>2: 10.2x↘</p> <p>3: 9.8 →</p> <p>4: 10.1↗</p> <p>5: 10.3x↙</p> <p>6: 10.4x↖</p> <p>7: 10.1↖</p> <p>8: 10.4x↙</p> <p>9: 8.9 ↖</p> <p>10: 7.5 ↙</p>		<p>11: 10.3x↗</p> <p>12: 8.9 ←</p> <p>13: 7.7 ↖</p> <p>14: 8.9 ←</p> <p>15: 9.6 ↑</p> <p>16: 9.9 ↖</p> <p>17: 10.0 ↖</p> <p>18: 10.6x↖</p> <p>19: 9.3 ←</p> <p>20: 9.2 ↙</p>
Serie	97.7	Serie	94.4
Total	97.7	Total	192.1

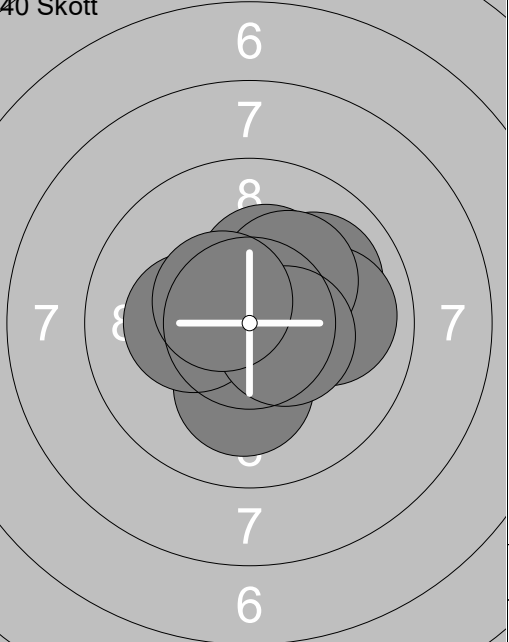
	<p>21: 9.5 ↑</p> <p>22: 7.8 ←</p> <p>23: 10.4x↙</p> <p>24: 10.3x↙</p> <p>25: 9.3 →</p> <p>26: 10.7x↖</p> <p>27: 9.5 ↓</p> <p>28: 10.8x↖</p> <p>29: 9.1 ↑</p> <p>30: 9.6 ↘</p>		<p>31: 10.0→</p> <p>32: 9.3 →</p> <p>33: 9.1 →</p> <p>34: 9.4 ↑</p> <p>35: 10.1↖</p> <p>36: 9.5 ↖</p> <p>37: 9.9 ↗</p> <p>38: 9.9 ↘</p> <p>39: 8.7 ↗</p> <p>40: 9.7 ←</p>
Serie	97.0	Serie	95.6
Total	289.1	Total	384.7

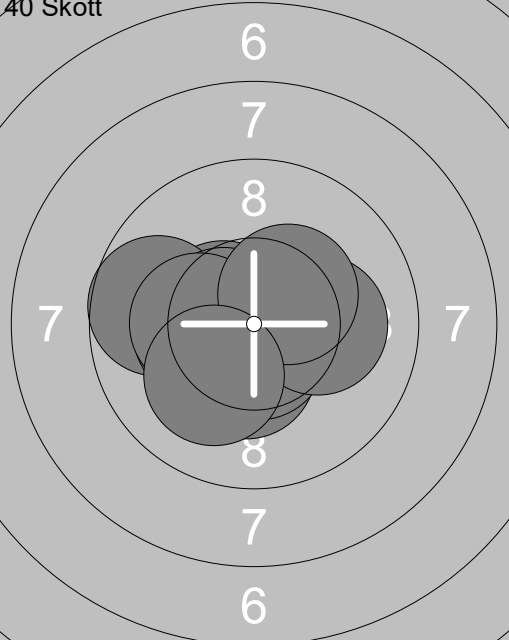
Prov 	1: 10.2x➤ 2: 10.1 ↓ 3: 9.7 ➤ 4: 10.0← 5: 10.0← 6: 10.3✖ 7: 10.8x↓ 8: 10.7x↓	40 Skott 	1: 10.5✖ 2: 10.5x↓ 3: 10.4✖ 4: 10.4x➤ 5: 10.5x➤ 6: 10.6x➤ 7: 10.3✖ 8: 10.6x↓ 9: 10.3x➤ 10: 10.3x↓
	Serie 81.8		Serie 104.4
	Total 0.0		Total 104.4

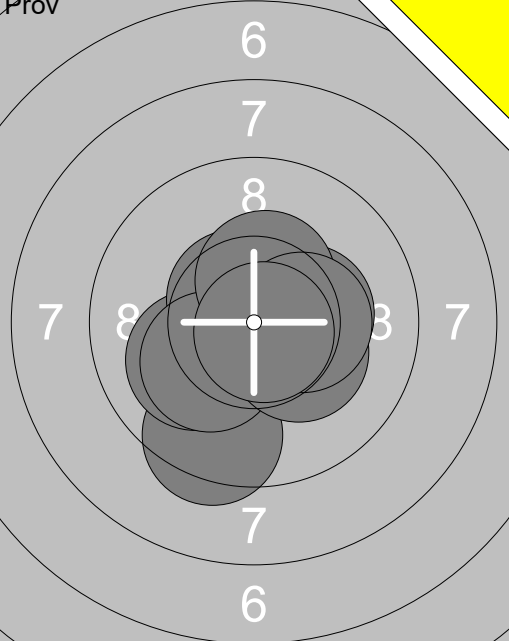
40 Skott 	11: 10.2x↗ 12: 10.6x↘ 13: 10.7✖ 14: 10.3x↓ 15: 10.9x➤ 16: 10.3x↓ 17: 10.1 ↓ 18: 10.0 ↓ 19: 10.7x↑ 20: 10.7x↓	40 Skott 	21: 10.4x↓ 22: 10.5✖ 23: 10.5✖ 24: 10.4x↓ 25: 10.8x↘ 26: 10.8x✖ 27: 10.6x↗ 28: 10.7x➤ 29: 10.7x➤ 30: 10.7x↓
	Serie 104.5		Serie 106.1
	Total 208.9		Total 315.0

40 Skott 	31: 10.3x➤ 32: 10.5x↑ 33: 10.6x↗ 34: 10.7x↓ 35: 10.4x↓ 36: 10.5x↑ 37: 10.7x↓ 38: 10.6x✖ 39: 10.4x↓ 40: 10.2x✖		
	Serie 104.9		
	Total 419.9		

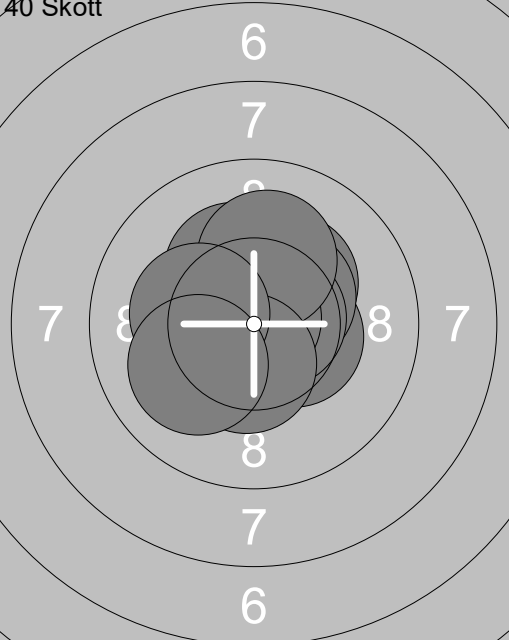
<p>Prov</p> 	<p>1: 10.0 ↘ 2: 10.6x↗ 3: 10.2x→ 4: 10.0 ↓ 5: 10.6x↘ 6: 10.8x↖ 7: 10.6x↖ 8: 10.3x↖ 9: 10.6x↘</p>	<p>40 Skott</p> 	<p>1: 9.8 ← 2: 10.4x↖ 3: 10.7x↘ 4: 10.7x↘ 5: 10.8x↖ 6: 9.6 ↑ 7: 10.5x↗ 8: 10.7x↘ 9: 9.8 ← 10: 10.0 ↖</p>
Serie 93.7		Serie 103.0	
Total 0.0		Total 103.0	

<p>40 Skott</p> 	<p>11: 10.0 → 12: 10.0 ↘ 13: 10.1 ↗ 14: 10.7x↖ 15: 10.6x↗ 16: 10.3x↗ 17: 9.8 ↗ 18: 10.7x→ 19: 10.3x↘ 20: 10.0 ↓</p>	<p>40 Skott</p> 	<p>21: 10.0 ↗ 22: 10.1 ↓ 23: 10.0 → 24: 10.2x↖ 25: 10.3x↗ 26: 10.5x↗ 27: 10.6x↗ 28: 10.2x↗ 29: 10.5x→ 30: 10.5x↖</p>
Serie 102.5		Serie 102.9	
Total 205.5		Total 308.4	

<p>40 Skott</p> 	<p>31: 10.5x↖ 32: 10.4x↘ 33: 10.6x↘ 34: 9.7 ← 35: 10.6x↖ 36: 10.3x↖ 37: 10.3x↖ 38: 10.1 → 39: 10.4x↗ 40: 10.1 ↘</p>		
Serie 103.0			
Total 411.4			

<p>Prov</p> 	<p>1: 9.4 ↓</p> <p>2: 10.1 ↙</p> <p>3: 10.6 ↘</p> <p>4: 10.2 ↘</p> <p>5: 10.3 ↘</p> <p>6: 10.3 ↘</p> <p>7: 10.6 ↘</p> <p>8: 10.4 ↗</p> <p>9: 10.3 ↘</p> <p>10: 10.8 ↘</p>	<p>40 Skott</p> 		<p>1: 10.1 ↙</p> <p>2: 10.6 ✕</p> <p>3: 10.5 ↘</p> <p>4: 10.5 ↘</p> <p>5: 9.9 ↑</p> <p>6: 10.5 ✕</p> <p>7: 10.7 ✕</p> <p>8: 10.6 ✕</p> <p>9: 10.7 ✕</p> <p>10: 10.8 ↘</p>
Serie 103.0		Serie 104.9		Serie 104.9
Total 0.0		Total 104.9		Total 104.9

<p>40 Skott</p> 	<p>11: 10.0 ↑</p> <p>12: 10.4 ✕</p> <p>13: 10.3 ↘</p> <p>14: 10.9 ↘</p> <p>15: 10.2 ↗</p> <p>16: 10.1 ↙</p> <p>17: 10.8 ✕</p> <p>18: 10.7 ↘</p> <p>19: 10.3 ↗</p> <p>20: 10.8 ↘</p>	<p>40 Skott</p> 		<p>21: 10.5 ✕</p> <p>22: 9.3 ↑</p> <p>23: 10.3 ✕</p> <p>24: 9.9 ←</p> <p>25: 10.6 ✕</p> <p>26: 10.0 ↓</p> <p>27: 10.4 ↗</p> <p>28: 10.3 ✕</p> <p>29: 10.6 ✕</p> <p>30: 10.5 ↗</p>
Serie 104.5		Serie 102.4		Serie 102.4
Total 209.4		Total 311.8		Total 311.8

<p>40 Skott</p> 	<p>31: 10.2 ✕</p> <p>32: 10.4 ↘</p> <p>33: 10.3 ↗</p> <p>34: 10.4 ↗</p> <p>35: 10.7 ↘</p> <p>36: 10.9 ✕</p> <p>37: 10.1 ↑</p> <p>38: 10.4 ↘</p> <p>39: 10.2 ✕</p> <p>40: 10.1 ↙</p>			
Serie 103.7				
Total 415.5				

<p>Prov</p>	<p>1: 10.3x↘</p> <p>2: 10.3x←</p> <p>3: 10.4x↓</p> <p>4: 10.3x↘</p> <p>5: 10.7x↘</p>	<p>40 Skott</p>		<p>1: 10.0 ↓</p> <p>2: 9.7 ↓</p> <p>3: 10.6x↘</p> <p>4: 10.7x↗</p> <p>5: 10.0 ↓</p> <p>6: 9.6 ↓</p> <p>7: 10.3x↘</p> <p>8: 10.4x↘</p> <p>9: 10.5x↘</p> <p>10: 10.4x↘</p>	
Serie	52.0			Serie	102.2
Total	0.0			Total	102.2

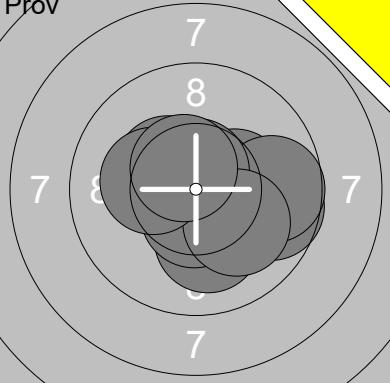
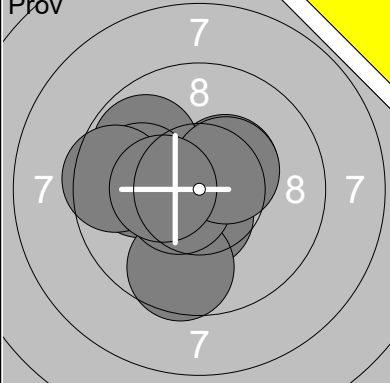
<p>40 Skott</p>	<p>11: 10.2x↗</p> <p>12: 10.0←</p> <p>13: 10.4x↗</p> <p>14: 10.0 ↓</p> <p>15: 10.4x↓</p> <p>16: 10.6x↘</p> <p>17: 10.3x↘</p> <p>18: 10.5x↘</p> <p>19: 10.5x↓</p> <p>20: 10.0 →</p>	<p>40 Skott</p>		<p>21: 10.7x↘</p> <p>22: 10.7x↓</p> <p>23: 10.7x→</p> <p>24: 10.5x↘</p> <p>25: 10.5x→</p> <p>26: 10.9x↓</p> <p>27: 10.2x↗</p> <p>28: 10.8x↓</p> <p>29: 10.6x↓</p> <p>30: 10.3x→</p>	
Serie	102.9			Serie	105.9
Total	205.1			Total	311.0

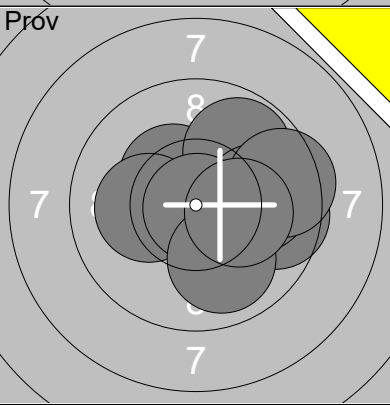
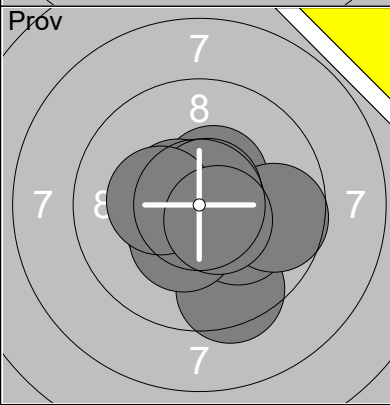
<p>40 Skott</p>	<p>31: 10.5x→</p> <p>32: 10.5x↓</p> <p>33: 10.2x↗</p> <p>34: 10.6x↓</p> <p>35: 10.1 →</p> <p>36: 10.8x→</p> <p>37: 10.6x↓</p> <p>38: 10.0 ↓</p> <p>39: 10.5x↗</p> <p>40: 9.9 ↗</p>			
Serie	103.7			
Total	414.7			

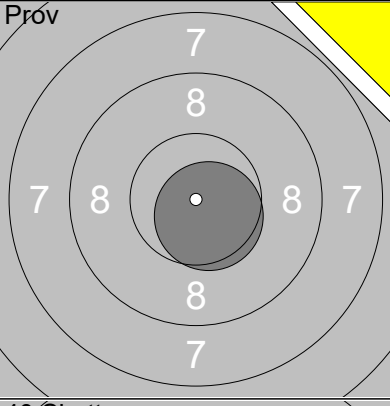
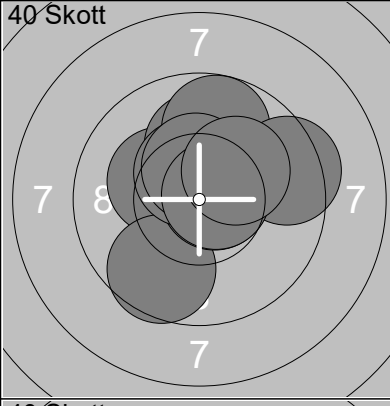
Prov 	1: 10.0 ↙ 2: 9.2 ↘ 3: 9.8 ← 4: 10.4x ↘ 5: 10.5x ↘ 6: 10.4x ← 7: 9.7 ← 8: 10.0 ↑ 9: 10.4x ↘ 10: 10.3x ↗	Prov 	11: 9.2 → 12: 10.3x ↗ 13: 9.9 ↗ 14: 10.5x ↗ 15: 10.0 ←
	Serie 100.7		Serie 49.9
	Total 0.0		Total 0.0

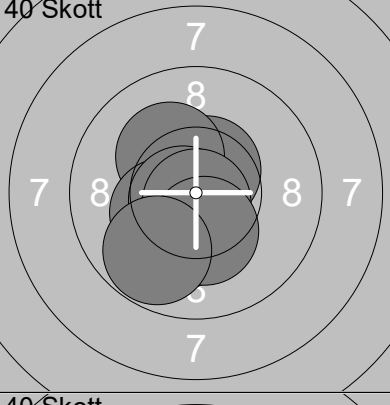
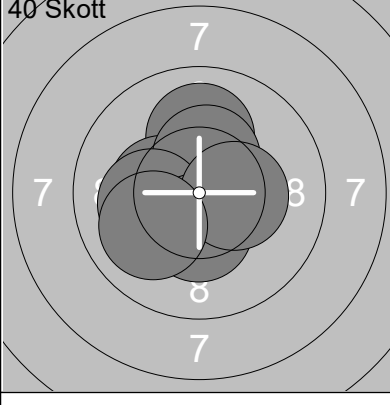
40 Skott 	1: 9.6 ↗ 2: 10.5x ↘ 3: 9.2 ↘ 4: 9.7 → 5: 10.3x ↗ 6: 9.5 ← 7: 10.7x ↗ 8: 10.1 ← 9: 10.2x ↗ 10: 10.0 ←	40 Skott 	11: 10.0 ↓ 12: 10.2x ↗ 13: 10.5x ↘ 14: 10.8x ← 15: 9.8 → 16: 10.4x ↘ 17: 10.1 ↗ 18: 10.1 ↘ 19: 10.8x ↗ 20: 10.2x ↘
	Serie 99.8		Serie 102.9
	Total 99.8		Total 202.7

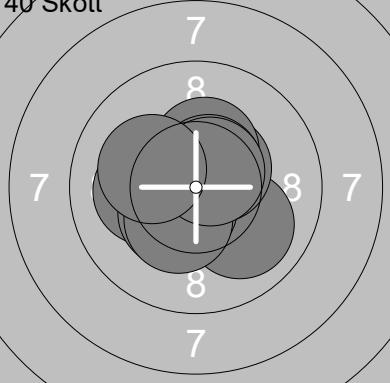
40 Skott 	21: 9.5 ↗ 22: 10.6x ← 23: 10.7x ↗ 24: 9.5 ↗ 25: 10.6x ↗ 26: 10.3x ↘ 27: 10.2x ↘ 28: 10.4x ↘ 29: 10.5x ↘ 30: 10.1 ↑	40 Skott 	31: 10.2x ↗ 32: 10.1 → 33: 10.3x ↘ 34: 10.1 ↓ 35: 9.3 ← 36: 10.2x ↘ 37: 10.5x ↘ 38: 9.6 ↘ 39: 10.6x ↘ 40: 9.3 ↘
	Serie 102.4		Serie 100.2
	Total 305.1		Total 405.3

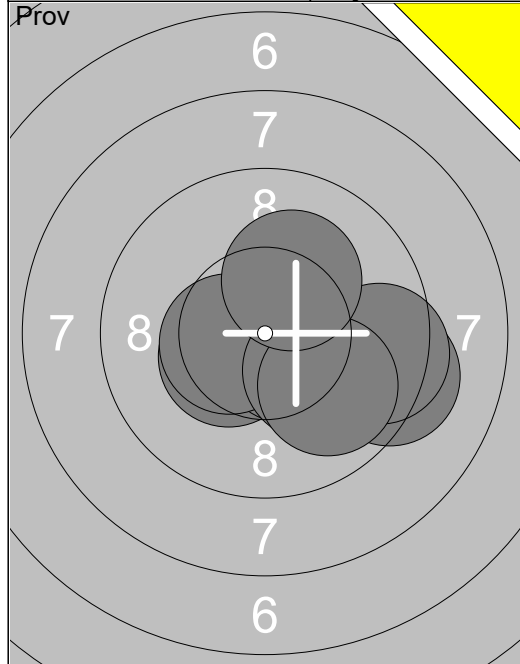
	1: 9.7 → 2: 10.3x → 3: 10.1 ↓ 4: 10.4x ↗ 5: 9.7 → 6: 10.7x ↑ 7: 10.5x ↓ 8: 10.1 ↓ 9: 10.2x ↗ 10: 10.5x ↗		11: 10.5x ↓ 12: 10.0 ← 13: 9.6 ↓ 14: 10.4x ↗ 15: 9.8 ↗ 16: 10.6x ← 17: 10.0 ← 18: 9.5 ← 19: 10.4x ↗ 20: 10.3x ←
Serie 102.2		Serie 101.1	
Total 0.0		Total 0.0	

	21: 10.4x ↗ 22: 10.2x ← 23: 9.8 ↗ 24: 9.9 → 25: 9.6 → 26: 9.9 → 27: 10.9x ↓ 28: 9.5 → 29: 10.0 ↓ 30: 10.2x →		31: 9.5 ↓ 32: 10.2x ↓ 33: 10.5x ↙ 34: 10.3x ↓ 35: 10.5x ↗ 36: 9.7 → 37: 10.6x ↗ 38: 10.7x ↗ 39: 10.3x ← 40: 10.5x ↓
Serie 100.4		Serie 102.8	
Total 0.0		Total 0.0	

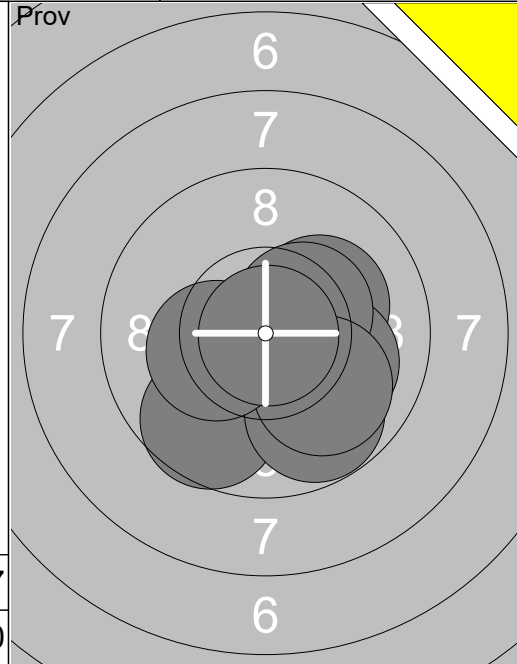
	41: 10.6x ↓		1: 10.3x ↗ 2: 10.1 ↑ 3: 9.6 ↓ 4: 10.7x → 5: 10.5x ↗ 6: 9.8 ↑ 7: 9.4 → 8: 10.4x ↑ 9: 10.7x → 10: 10.2x ↗
Serie 10.6		Serie 101.7	
Total 0.0		Total 101.7	

	11: 10.5x ↗ 12: 10.5x ← 13: 10.5x ↗ 14: 10.2x ↗ 15: 10.3x ← 16: 10.7x ← 17: 10.2x ↓ 18: 10.8x ↓ 19: 10.3x ↓ 20: 9.8 ↓		21: 10.0 ↑ 22: 10.6x ↑ 23: 10.3x ← 24: 10.7x ↗ 25: 10.7x ↗ 26: 10.4x ↑ 27: 10.1 ← 28: 10.4x ↓ 29: 10.4x → 30: 10.0 ↙
Serie 103.8		Serie 103.6	
Total 205.5		Total 309.1	

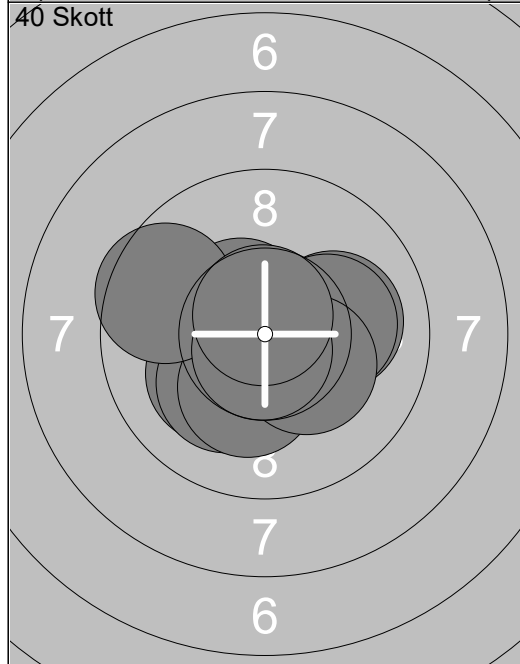
	31: 10.0 ↓ 32: 10.5x ↗ 33: 10.3x ↑ 34: 10.1 ← 35: 10.4x ↙ 36: 10.6x ↙ 37: 10.6x ↗ 38: 10.3x ↓ 39: 10.6x ↗ 40: 10.2x ←		
Serie 103.6			
Total 412.7			



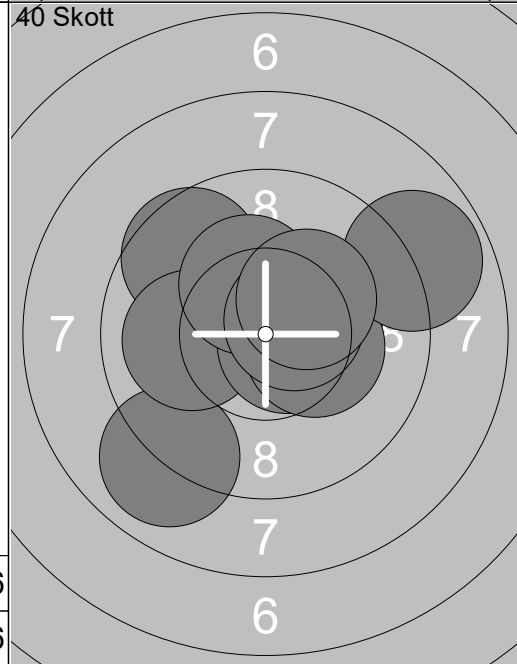
1:	10.5x↘
2:	10.6x↗
3:	9.3 →
4:	10.4x↙
5:	10.6x↘
6:	10.5x↙
7:	10.2x↘
8:	9.5 →
9:	9.9 ↘
10:	10.2x↗
Serie 101.7	
Total 0.0	



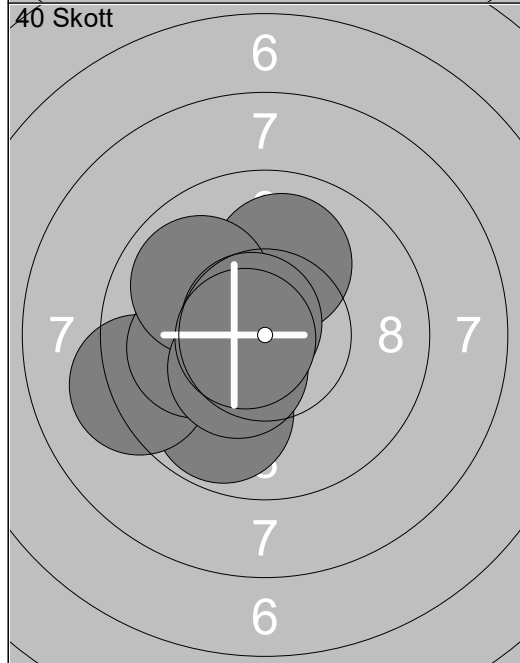
11:	10.2x↘
12:	10.5x↘
13:	9.7 ↙
14:	9.8 ↘
15:	10.2x↗
16:	10.1 →
17:	10.4x↗
18:	10.0 ↘
19:	10.3x↙
20:	10.9x↘
Serie 102.1	
Total 0.0	



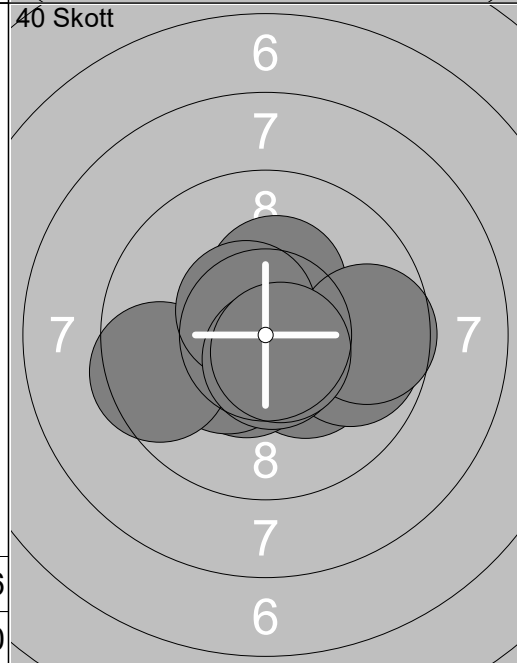
1:	10.1 ↙
2:	10.1 →
3:	10.2x↙
4:	10.2x↘
5:	10.2x→
6:	10.5x↘
7:	10.3x↘
8:	9.6 ↙
9:	10.7x↘
10:	10.7x↗
Serie 102.6	
Total 102.6	



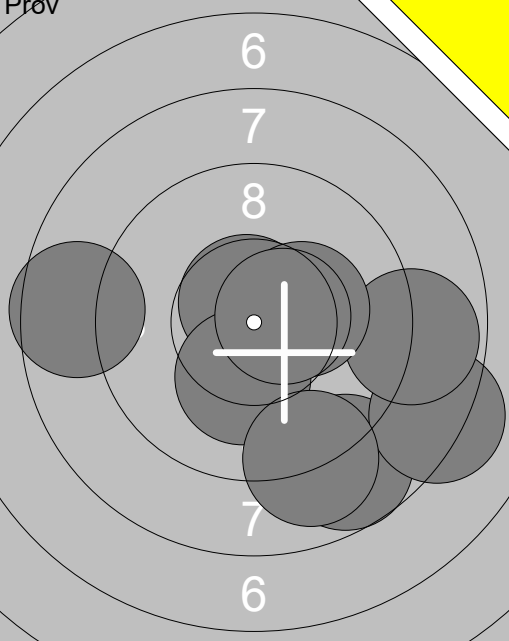
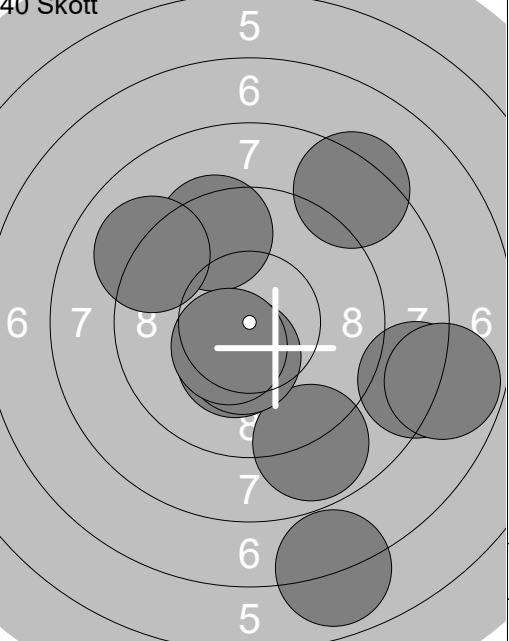
11:	9.6 ↖
12:	9.0 ↙
13:	10.3x↗
14:	10.0 ←
15:	10.6x→
16:	10.3x↘
17:	10.3x→
18:	10.5x↗
19:	8.9 →
20:	10.3x↗
Serie 99.8	
Total 202.4	

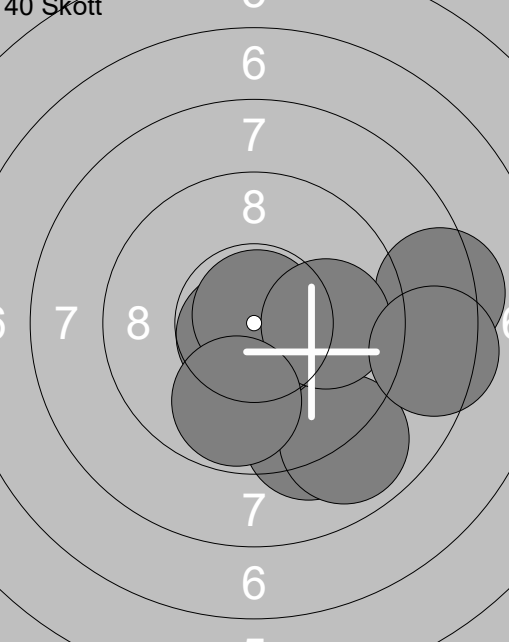
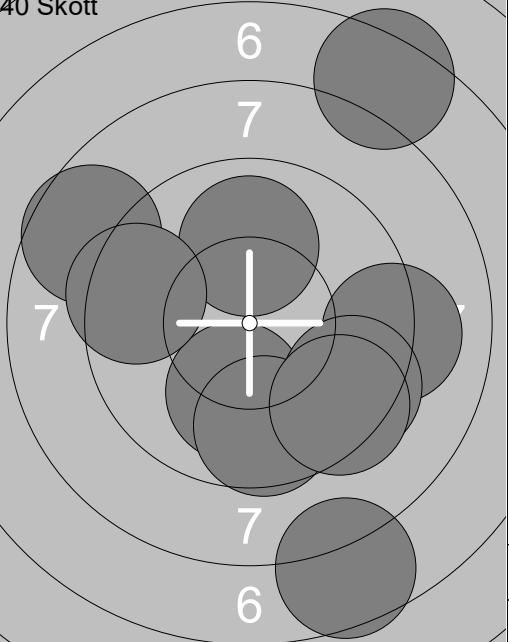


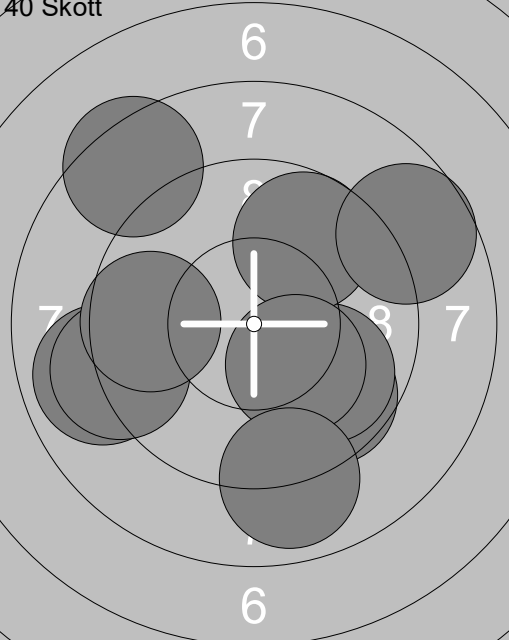
21:	10.2x↙
22:	9.8 ↙
23:	9.2 ←
24:	10.1 ←
25:	10.0 ↑
26:	10.6x↘
27:	9.9 ↖
28:	10.7x↘
29:	10.4x↙
30:	10.7x↙
Serie 101.6	
Total 304.0	



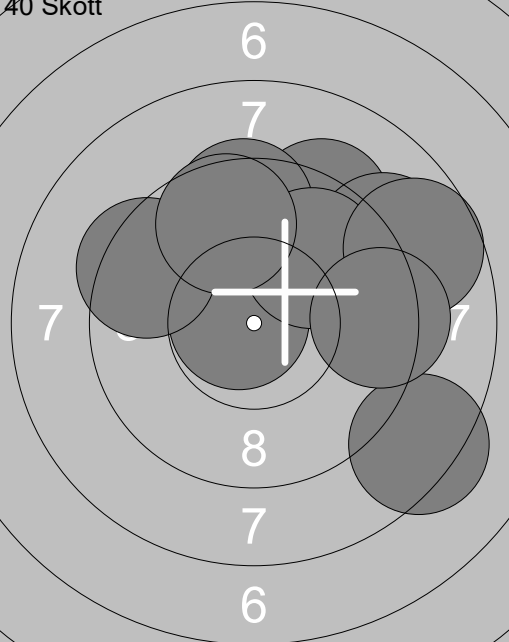
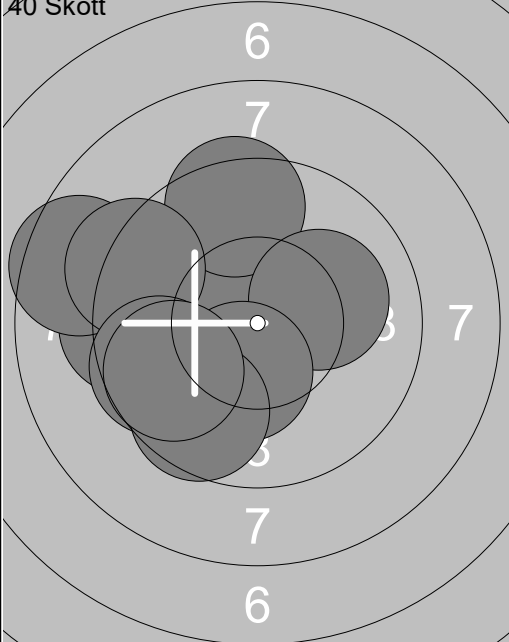
31:	10.3x↘
32:	10.5x↘
33:	10.3x↗
34:	9.8 →
35:	10.3x↙
36:	9.7 →
37:	9.5 ←
38:	10.6x↘
39:	10.6x↘
40:	10.7x↘
Serie 102.3	
Total 406.3	

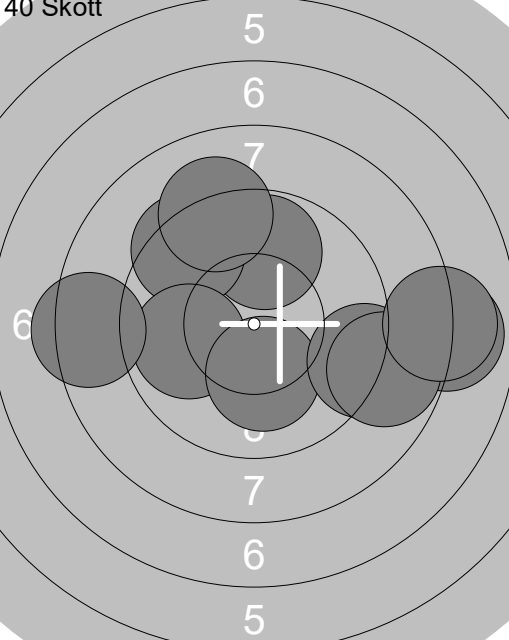
<p>Prov</p> 	<p>1: 8.7 ↘ 2: 10.7x↗ 3: 8.2 ↘ 4: 10.2x↘ 5: 8.6 ← 6: 8.9 → 7: 9.0 ↘ 8: 10.3x→ 9: 10.6x→</p> <p>Serie 85.2 Total 0.0</p>	<p>40 Skott</p> 	<p>1: 10.3x↘ 2: 8.4 ↗ 3: 6.9 ↘ 4: 8.2 → 5: 9.5 ↗ 6: 8.9 ↘ 7: 10.4x↘ 8: 9.1 ↗ 9: 7.8 → 10: 10.5x↘</p> <p>Serie 90.0 Total 90.0</p>
--	---	--	--

<p>40 Skott</p> 	<p>11: 10.0 ↘ 12: 9.2 ↘ 13: 10.2x↘ 14: 8.9 ↘ 15: 10.7x↘ 16: 10.8x↗ 17: 8.3 → 18: 10.0 → 19: 9.8 ↘ 20: 8.4 →</p> <p>Serie 96.3 Total 186.3</p>	<p>40 Skott</p> 	<p>21: 9.1 → 22: 10.1 ↘ 23: 10.0 ↑ 24: 9.6 ↘ 25: 9.4 ↘ 26: 8.6 ↖ 27: 7.4 ↗ 28: 9.4 ↘ 29: 7.6 ↘ 30: 9.5 ↖</p> <p>Serie 90.7 Total 277.0</p>
---	--	---	---

<p>40 Skott</p> 	<p>31: 8.9 ← 32: 9.6 ↘ 33: 9.1 ← 34: 9.9 ↘ 35: 9.7 ↗ 36: 8.4 ↗ 37: 8.7 ↗ 38: 10.2x↘ 39: 8.9 ↘ 40: 9.6 ←</p> <p>Serie 93.0 Total 370.0</p>		
--	--	--	--

<p>Prov</p> 	<p>1: 10.6x ↘</p> <p>2: 9.2 →</p> <p>3: 9.6 ↓</p> <p>4: 6.8 ↖</p> <p>5: 9.2 ↓</p> <p>6: 10.6x ↗</p> <p>7: 9.4 ↗</p> <p>8: 6.2 ↖</p> <p>9: 9.7 ↑</p> <p>10: 10.1 ↖</p>	<p>40 Skott</p> 		<p>1: 9.9 ↓</p> <p>2: 8.8 →</p> <p>3: 9.1 ←</p> <p>4: 9.0 ↖</p> <p>5: 9.3 ↗</p> <p>6: 8.8 ↖</p> <p>7: 8.1 →</p> <p>8: 9.9 ↗</p> <p>9: 7.2 ←</p> <p>10: 9.9 →</p>
Serie 91.4				Serie 90.0
Total 0.0				Total 90.0

<p>40 Skott</p> 	<p>11: 9.3 ↗</p> <p>12: 10.7x ↖</p> <p>13: 9.0 ↗</p> <p>14: 9.5 ↑</p> <p>15: 9.8 ↗</p> <p>16: 9.4 ↖</p> <p>17: 8.3 ↘</p> <p>18: 8.7 →</p> <p>19: 9.3 →</p> <p>20: 9.6 ↑</p>	<p>40 Skott</p> 		<p>21: 9.3 ←</p> <p>22: 10.0 ↖</p> <p>23: 9.4 ↑</p> <p>24: 8.6 ←</p> <p>25: 10.1 →</p> <p>26: 9.2 ↖</p> <p>27: 10.3x ↓</p> <p>28: 9.6 ↖</p> <p>29: 9.6 ↓</p> <p>30: 9.7 ↖</p>
Serie 93.6				Serie 95.8
Total 183.6				Total 279.4

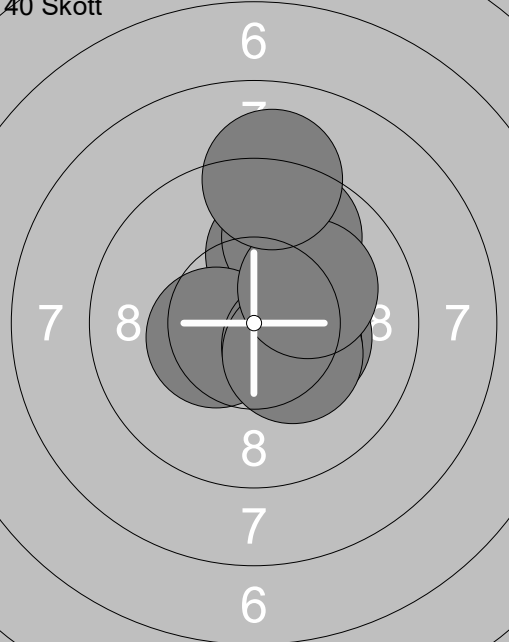
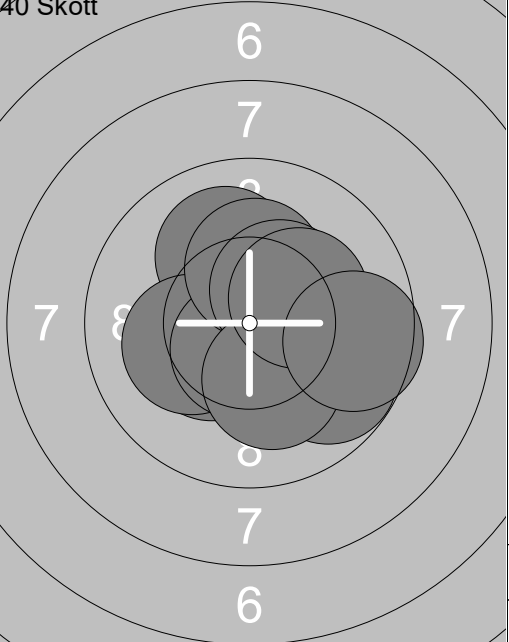
<p>40 Skott</p> 	<p>31: 7.9 →</p> <p>32: 9.8 ↑</p> <p>33: 9.4 ↖</p> <p>34: 9.9 ←</p> <p>35: 8.4 ←</p> <p>36: 10.2x ↓</p> <p>37: 9.1 ↑</p> <p>38: 9.1 →</p> <p>39: 8.8 →</p> <p>40: 8.1 →</p>			
Serie 90.7				
Total 370.1				

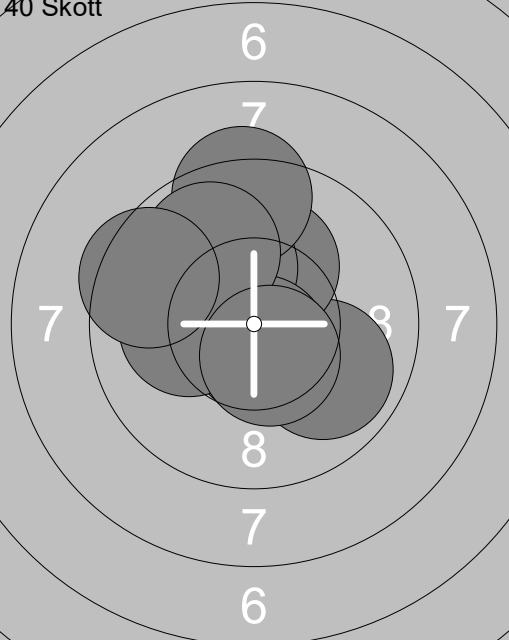
<p>Prov</p>	<p>1: 7.7 ↓ 2: 6.7 ← 3: 7.9 ← 4: 7.7 ↗ 5: 8.1 ↗ 6: 10.1 → 7: 9.0 ← 8: 8.8 ← 9: 10.4 ✕ 10: 9.1 ↑</p>	<p>Prov</p>	<p>11: 8.3 ↑ 12: 10.5 ✕ 13: 9.9 → 14: 9.2 ↗ 15: 7.4 ← 16: 9.4 →</p>
Serie 85.5		Serie 54.7	
Total 0.0		Total 0.0	

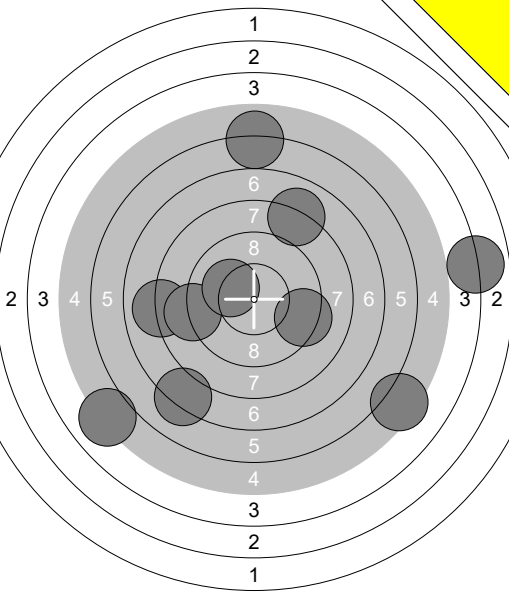

<p>40 Skott</p>	<p>1: 8.9 ← 2: 4.7 → 3: 7.8 ← 4: 10.8 ✕ 5: 10.1 ↗ 6: 9.7 → 7: 8.5 ↑ 8: 8.6 ↑ 9: 8.3 ↗ 10: 9.6 ↗</p>	<p>40 Skott</p>	<p>11: 9.5 ← 12: 9.2 → 13: 3.8 → 14: 8.3 ↗ 15: 10.2 ✕ 16: 10.5 ✕ 17: 8.4 ↑ 18: 9.4 ↘ 19: 10.2 ✕ 20: 10.0 ↓</p>
Serie 87.0		Serie 89.5	
Total 87.0		Total 176.5	

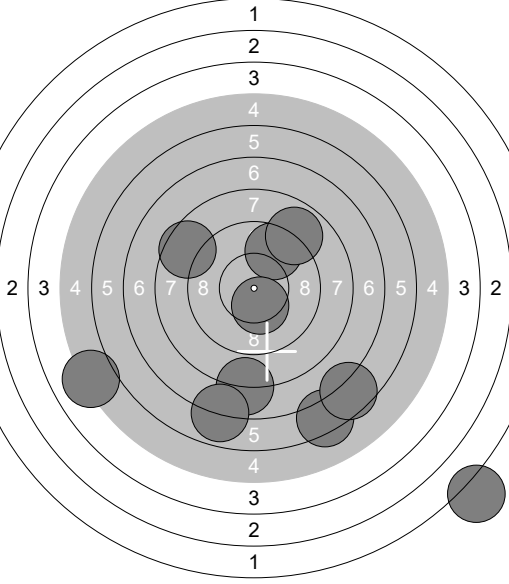
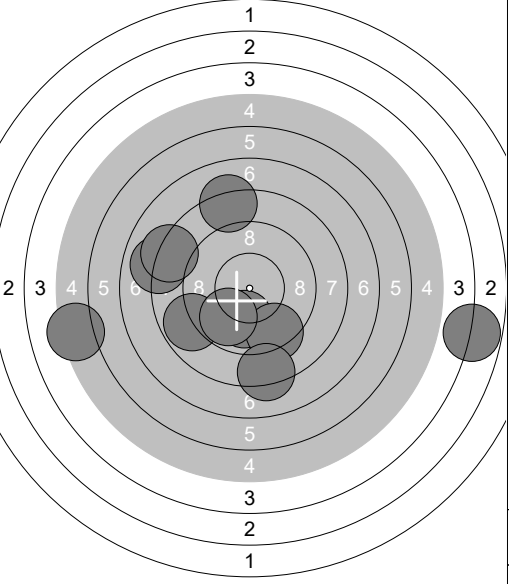
<p>40 Skott</p>	<p>21: 8.7 ← 22: 9.0 ← 23: 9.7 → 24: 8.3 → 25: 8.3 ↗ 26: 9.8 → 27: 8.1 ↗ 28: 7.8 ↓ 29: 8.1 ↗ 30: 8.6 →</p>	<p>40 Skott</p>	<p>31: 9.7 → 32: 9.7 ← 33: 9.6 ↗ 34: 8.9 ↗ 35: 10.0 ← 36: 8.4 ↗ 37: 9.6 ← 38: 8.6 ↓ 39: 9.4 → 40: 8.5 ↗</p>
Serie 86.4		Serie 92.4	
Total 262.9		Total 355.3	

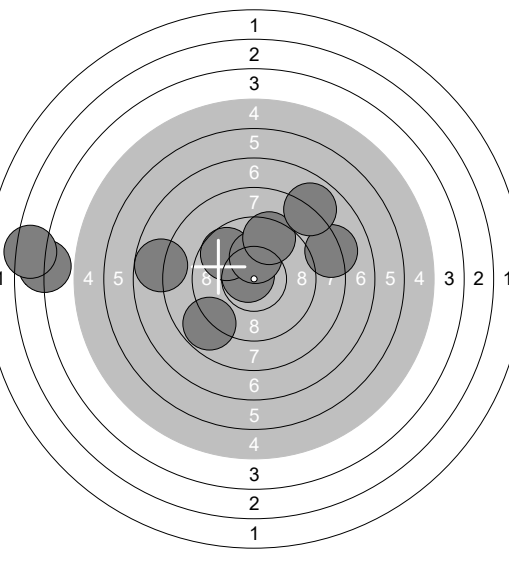
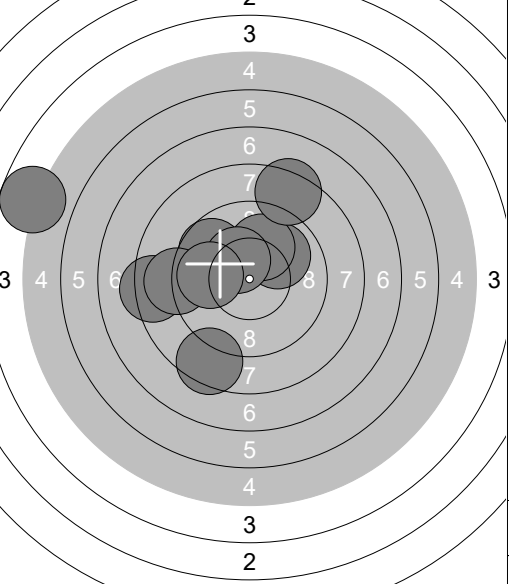
Prov 	1: 9.7 ↘ 2: 10.6x↗ 3: 10.5x✓ 4: 10.3x↘ 5: 9.9 ↘ 6: 9.7 ↑ 7: 10.1 ↗ 8: 10.8x↗ 9: 8.8 ↖ 10: 9.2 → <hr/> Serie 99.6 Total 0.0	40 Skott 		1: 10.6x✓ 2: 8.8 ↖ 3: 10.2x↗ 4: 10.0 ↓ 5: 9.8 ↑ 6: 9.7 ↑ 7: 9.7 ↑ 8: 9.1 ↗ 9: 10.8x↗ 10: 10.1 ↓ <hr/> Serie 98.8 Total 98.8
--	---	--	--	--

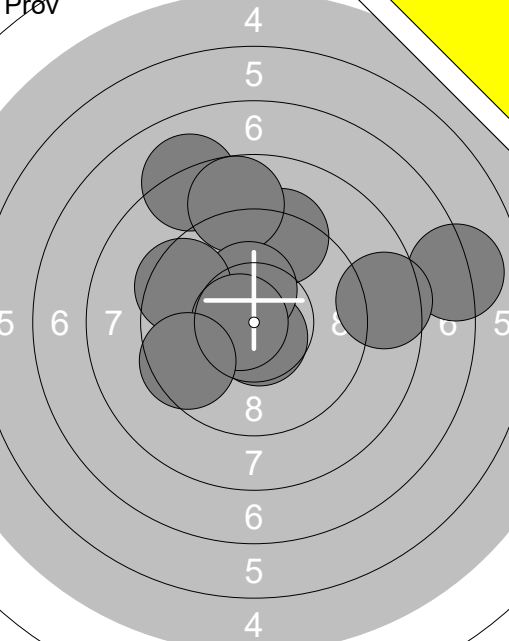
40 Skott 	11: 10.3x↗ 12: 10.4x↘ 13: 10.3x↘ 14: 10.0 ↑ 15: 9.8 ↑ 16: 10.4x↖ 17: 10.4x↘ 18: 10.3x↘ 19: 10.1 ↗ 20: 9.1 ↑ <hr/> Serie 101.1 Total 199.9	40 Skott 		21: 10.4x✓ 22: 10.0 ↖ 23: 9.8 ↘ 24: 10.2x↖ 25: 10.6x✓ 26: 10.2x↗ 27: 10.4x↗ 28: 10.2x↘ 29: 10.2x↗ 30: 9.6 → <hr/> Serie 101.6 Total 301.5
---	--	---	--	--

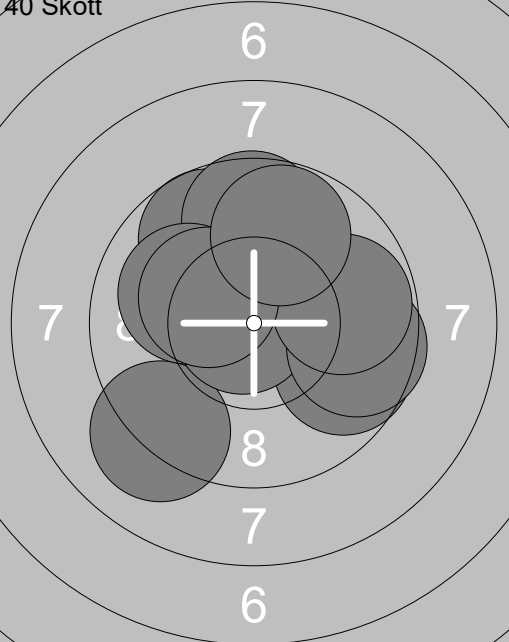
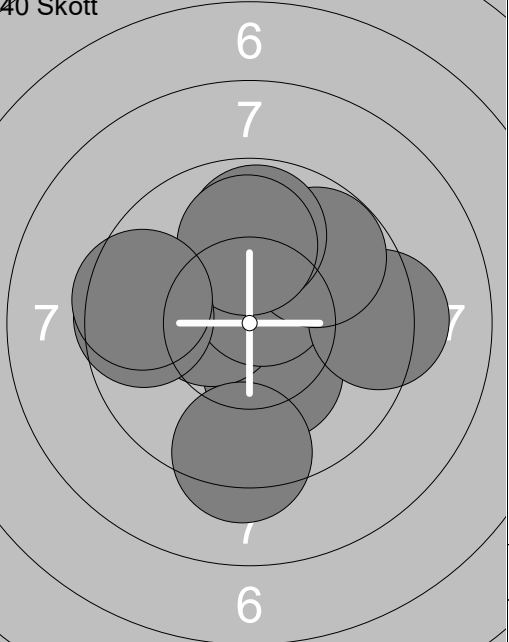
40 Skott 	31: 9.9 ↘ 32: 10.1 ↖ 33: 10.2x↗ 34: 10.2x↗ 35: 9.3 ↑ 36: 10.7x✓ 37: 10.1 ← 38: 9.9 ↗ 39: 9.5 ↖ 40: 10.5x✓ <hr/> Serie 100.4 Total 401.9			
--	--	--	--	--

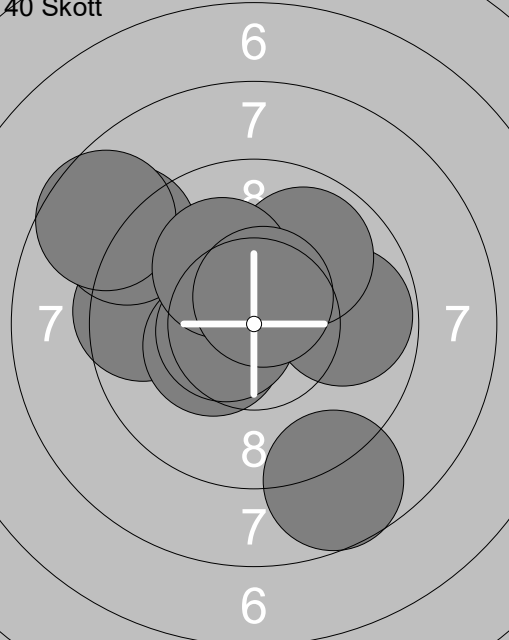
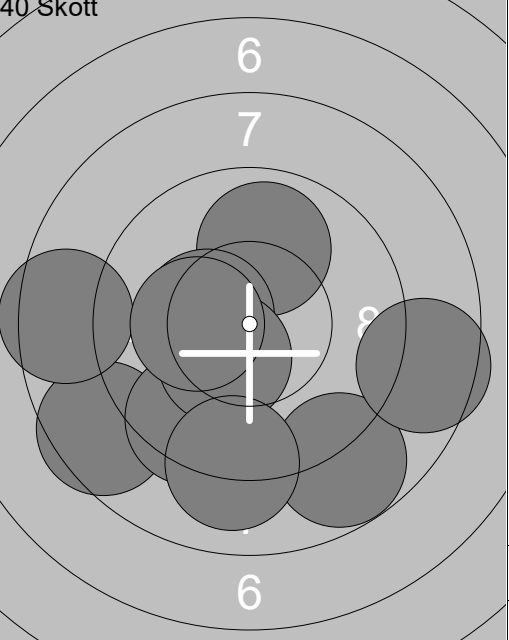
Prov 	1: 8.0 ← 2: 6.0 ↑ 3: 5.1 ↙ 4: 5.4 ↘ 5: 9.0 ← 6: 10.1 ↙ 7: 7.2 ↘ 8: 8.0 ↗ 9: 9.3 → 10: 3.9 → <hr/> Serie 72.0 Total 0.0	Prov 	11: 7.0 ↘ <hr/> Serie 7.0 Total 0.0
--	---	--	---

40 Skott 	1: 1.5 ↘ 2: 9.6 ↗ 3: 6.3 ↘ 4: 7.8 ↓ 5: 6.6 ↘ 6: 6.9 ↓ 7: 5.1 ← 8: 10.4x ↘ 9: 8.5 ← 10: 8.9 ↗ <hr/> Serie 71.6 Total 71.6	40 Skott 	11: 8.0 ← 12: 8.2 ↙ 13: 10.0 ↘ 14: 8.8 ← 15: 8.2 ↑ 16: 5.3 ← 17: 9.4 ↘ 18: 9.8 ↘ 19: 3.8 → 20: 8.3 ↘ <hr/> Serie 79.8 Total 151.4
---	---	---	--

40 Skott 	21: 10.7x ↘ 22: 9.7 ↙ 23: 10.2x ↗ 24: 8.8 ↙ 25: 8.2 → 26: 3.8 ← 27: 7.8 ← 28: 9.5 ↗ 29: 7.9 ↗ 30: 3.3 ← <hr/> Serie 79.9 Total 231.3	40 Skott 	31: 8.3 ← 32: 4.7 ↙ 33: 10.0 ↗ 34: 9.7 ↙ 35: 9.0 ← 36: 8.5 ↘ 37: 10.0 ↗ 38: 8.4 ↗ 39: 10.3x ↘ 40: 9.9 ← <hr/> Serie 88.8 Total 320.1
--	---	--	---

	<p>1: 7.1 →</p> <p>2: 8.5 →</p> <p>3: 9.3 ↑</p> <p>4: 8.1 ↑</p> <p>5: 10.6x↓</p> <p>6: 8.7 ↑</p> <p>7: 10.3x↑</p> <p>8: 9.5 ↖</p> <p>9: 10.7x↖</p> <p>10: 9.5 ↙</p>		<p>11: 9.5 ↖</p> <p>12: 9.9 ↑</p>
Serie 92.3		Serie 19.4	
Total 0.0		Total 0.0	

	<p>1: 9.1 ↙</p> <p>2: 9.7 ↖</p> <p>3: 9.7 →</p> <p>4: 10.8x↖</p> <p>5: 9.6 ↑</p> <p>6: 9.6 →</p> <p>7: 9.8 →</p> <p>8: 10.0 ↖</p> <p>9: 10.3x↖</p> <p>10: 9.8 ↑</p>		<p>11: 10.3x↓</p> <p>12: 10.5x↖</p> <p>13: 10.6x↑</p> <p>14: 9.3 →</p> <p>15: 9.3 ↓</p> <p>16: 9.8 ↗</p> <p>17: 9.8 ↑</p> <p>18: 10.0 ↑</p> <p>19: 9.6 ←</p> <p>20: 9.5 ←</p>
Serie 98.4		Serie 98.7	
Total 98.4		Total 197.1	

	<p>21: 9.8 →</p> <p>22: 9.9 ↗</p> <p>23: 9.5 ←</p> <p>24: 10.4x↖</p> <p>25: 10.6x↖</p> <p>26: 9.0 ↖</p> <p>27: 8.6 ↖</p> <p>28: 8.7 ↓</p> <p>29: 10.1 ↖</p> <p>30: 10.6x↑</p>		<p>31: 8.5 ↙</p> <p>32: 9.9 ↑</p> <p>33: 10.4x↖</p> <p>34: 8.5 ←</p> <p>35: 9.5 ↓</p> <p>36: 10.4x↓</p> <p>37: 10.3x↖</p> <p>38: 8.8 ↓</p> <p>39: 8.6 →</p> <p>40: 9.1 ↓</p>
Serie 97.2		Serie 94.0	
Total 294.3		Total 388.3	

<p>Prov</p>	<p>1: 8.0 →</p> <p>2: 4.4 →</p> <p>3: 8.7 ←</p> <p>4: 10.4x↑</p> <p>5: 9.8 →</p> <p>6: 9.7 ↑</p> <p>7: 8.5 ↓</p> <p>8: 9.0 ←</p> <p>9: 10.4x↖</p>	<p>40 Skott</p>		<p>1: 8.8 ←</p> <p>2: 10.2x↘</p> <p>3: 9.8 ↑</p> <p>4: 9.1 →</p> <p>5: 10.0←</p> <p>6: 9.3 ↓</p> <p>7: 8.7 ←</p> <p>8: 8.4 ↓</p> <p>9: 9.9 ↖</p> <p>10: 10.3x→</p>
Serie 78.9				Serie 94.5
Total 0.0				Total 94.5

<p>40 Skott</p>	<p>11: 10.1→</p> <p>12: 9.6 ←</p> <p>13: 8.6 →</p> <p>14: 9.8 →</p> <p>15: 9.8 ↓</p> <p>16: 9.9 ←</p> <p>17: 10.0↗</p> <p>18: 8.8 ↖</p> <p>19: 7.6 ←</p> <p>20: 10.1↖</p>	<p>40 Skott</p>		<p>21: 7.2 →</p> <p>22: 10.1↑</p> <p>23: 9.3 ↗</p> <p>24: 10.1→</p> <p>25: 9.7 →</p> <p>26: 9.2 →</p> <p>27: 8.1 →</p> <p>28: 9.7 ↓</p> <p>29: 10.6x↑</p> <p>30: 10.3x↓</p>
Serie 94.3				Serie 94.3
Total 188.8				Total 283.1

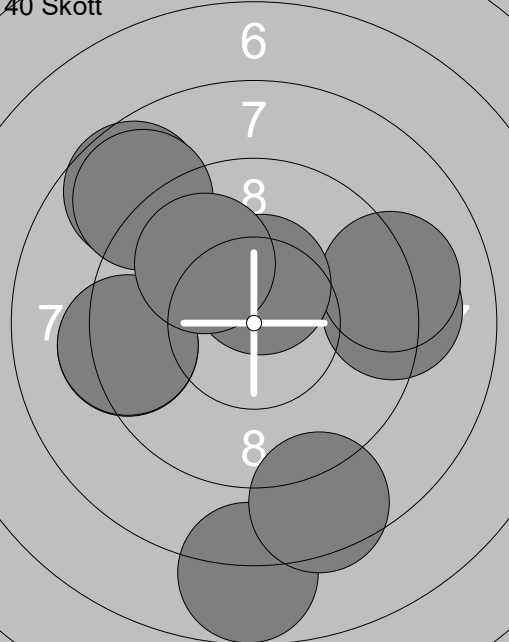
<p>40 Skott</p>	<p>31: 8.9 ↓</p> <p>32: 9.5 ↑</p> <p>33: 10.4x↓</p> <p>34: 9.8 ↓</p> <p>35: 10.4x↑</p> <p>36: 10.6x↗</p> <p>37: 7.5 ←</p> <p>38: 9.6 ↑</p> <p>39: 9.4 →</p> <p>40: 8.9 ←</p>			
Serie 95.0				
Total 378.1				

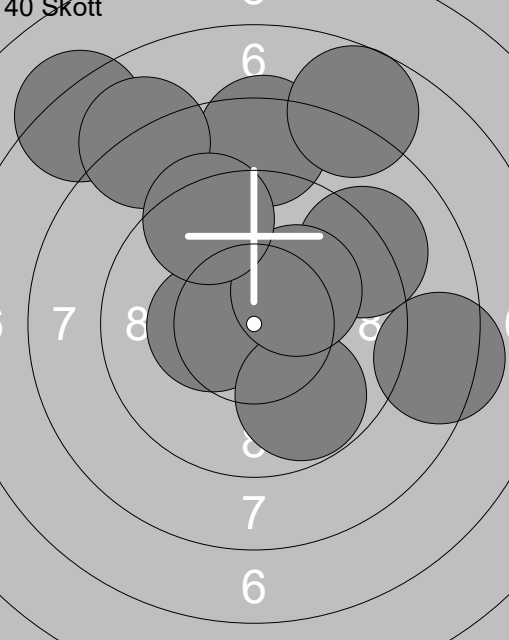
<p>Prov</p>	<p>1: 8.6 ←</p> <p>2: 10.0 ↙</p> <p>3: 10.6 ↘</p> <p>4: 9.9 →</p> <p>5: 10.4 ↘</p> <p>6: 9.4 ←</p> <p>7: 9.5 ←</p> <p>8: 9.2 ↘</p> <p>9: 9.5 →</p> <p>10: 9.8 ↓</p>	<p>Prov</p>	<p>11: 9.4 ↗</p> <p>12: 10.2 ↘</p>
Serie 96.9		Serie 19.6	
Total 0.0		Total 0.0	

<p>40 Skott</p>	<p>1: 8.9 →</p> <p>2: 9.7 ↗</p> <p>3: 9.9 ↗</p> <p>4: 10.5 ↘</p> <p>5: 9.1 ←</p> <p>6: 9.7 →</p> <p>7: 10.6 ↗</p> <p>8: 9.9 ←</p> <p>9: 10.1 ↘</p> <p>10: 9.6 ←</p>	<p>40 Skott</p>	<p>11: 9.6 →</p> <p>12: 9.6 ↖</p> <p>13: 10.4 ↘</p> <p>14: 8.9 ←</p> <p>15: 9.8 →</p> <p>16: 9.2 ↓</p> <p>17: 10.2 ↗</p> <p>18: 9.1 →</p> <p>19: 9.4 →</p> <p>20: 8.9 ↖</p>
Serie 98.0		Serie 95.1	
Total 98.0		Total 193.1	

<p>40 Skott</p>	<p>21: 10.2 ↗</p> <p>22: 8.0 →</p> <p>23: 10.3 ↗</p> <p>24: 9.9 ←</p> <p>25: 9.3 ↘</p> <p>26: 8.5 ←</p> <p>27: 10.3 ↖</p> <p>28: 9.6 ↗</p> <p>29: 9.1 →</p> <p>30: 10.2 ↘</p>	<p>40 Skott</p>	<p>31: 10.8 ↗</p> <p>32: 9.9 ↖</p> <p>33: 9.3 →</p> <p>34: 9.0 →</p> <p>35: 9.4 ↓</p> <p>36: 8.3 ↗</p> <p>37: 10.5 ↗</p> <p>38: 8.3 ←</p> <p>39: 9.9 →</p> <p>40: 9.4 ←</p>
Serie 95.4		Serie 94.8	
Total 288.5		Total 383.3	

<p>Prov</p> 	<p>1: 9.9 ↗ 2: 8.1 → 3: 9.2 ↘ 4: 8.5 ↗</p>	<p>40 Skott</p> 	<p>1: 9.6 ← 2: 9.9 ↘ 3: 5.5 ↗ 4: 8.5 ↗ 5: 8.2 ← 6: 6.8 ← 7: 10.4x ↘ 8: 10.2x ↗ 9: 9.6 ↑ 10: 9.2 ↘</p>
Serie 35.7		Serie 87.9	
Total 0.0		Total 87.9	

<p>40 Skott</p> 	<p>11: 7.8 ↓ 12: 8.7 ↗ 13: 9.2 → 14: 9.1 → 15: 9.3 ← 16: 10.4x ↗ 17: 9.3 ← 18: 8.8 ↗ 19: 10.0 ↗ 20: 8.5 ↓</p>	<p>40 Skott</p> 	<p>21: 10.1 ↘ 22: 9.9 ↗ 23: 10.3x ↗ 24: 9.4 ← 25: 10.1 ↑ 26: 7.7 ↑ 27: 9.5 ↘ 28: 9.0 ↗ 29: 8.7 → 30: 8.7 ↓</p>
Serie 91.1		Serie 93.4	
Total 179.0		Total 272.4	

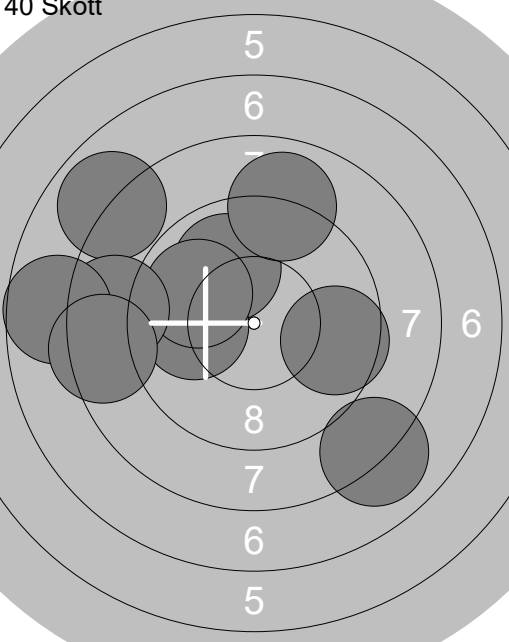
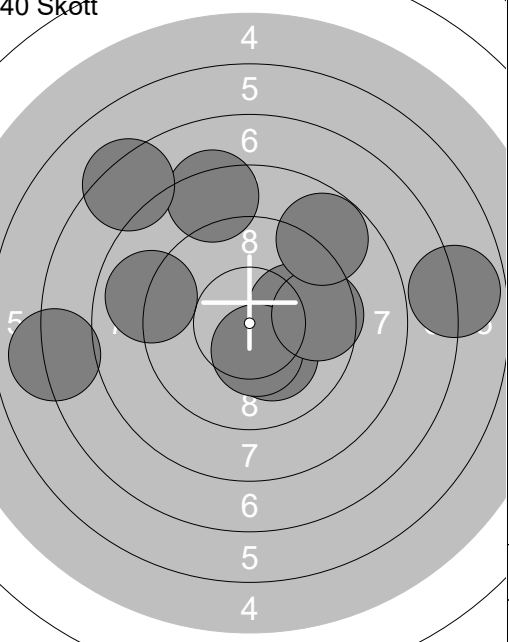
<p>40 Skott</p> 	<p>31: 7.2 ↗ 32: 9.2 ↗ 33: 10.4x ← 34: 9.8 ↘ 35: 10.2x ↗ 36: 8.4 ↑ 37: 8.0 ↗ 38: 8.4 → 39: 7.7 ↗ 40: 9.4 ↗</p>		
Serie 88.7			
Total 361.1			

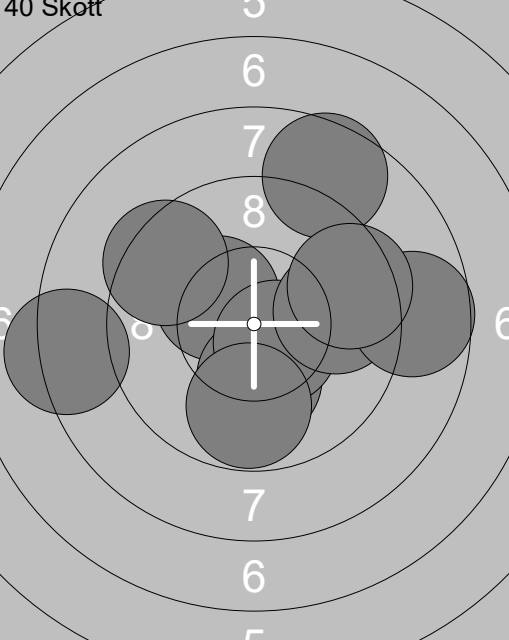
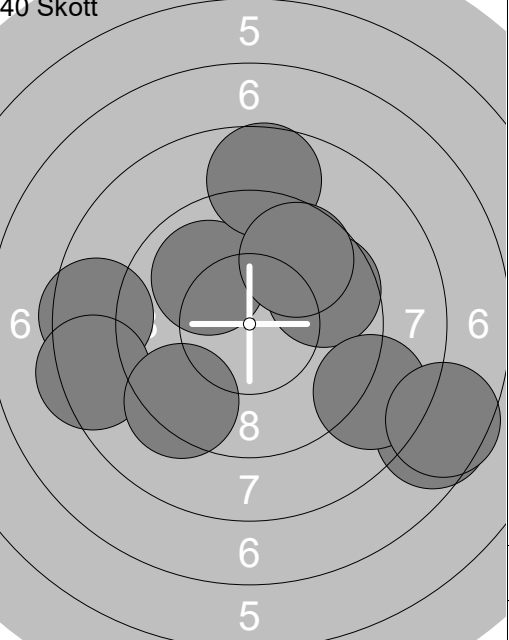
<p>Prov</p>	<p>1: 6.2 ↖</p> <p>2: 6.4 ←</p> <p>3: 9.2 →</p> <p>4: 8.5 ←</p> <p>5: 9.1 ←</p> <p>6: 5.9 ↙</p> <p>7: 8.4 ←</p> <p>8: 7.5 ↙</p> <p>9: 7.5 ←</p> <p>10: 6.6 ←</p>	<p>Prov</p>	<p>11: 8.5 ←</p> <p>12: 10.1 ↖</p> <p>13: 9.5 ←</p>
Serie	75.3	Serie	28.1
Total	0.0	Total	0.0

<p>40 Skott</p>	<p>1: 7.3 ↖</p> <p>2: 9.7 ←</p> <p>3: 9.4 ↗</p> <p>4: 7.2 ↗</p> <p>5: 9.2 ↗</p> <p>6: 9.9 ↗</p> <p>7: 8.4 →</p> <p>8: 8.7 →</p> <p>9: 9.6 →</p> <p>10: 9.6 →</p>	<p>40 Skott</p>	<p>11: 8.4 →</p> <p>12: 6.9 ←</p> <p>13: 10.0 ↑</p> <p>14: 9.6 ↘</p> <p>15: 7.9 →</p> <p>16: 7.6 ←</p> <p>17: 9.1 ↓</p> <p>18: 8.7 ↘</p> <p>19: 9.3 ↑</p> <p>20: 8.8 ↓</p>
Serie	89.0	Serie	86.3
Total	89.0	Total	175.3

<p>40 Skott</p>	<p>21: 6.9 ↑</p> <p>22: 9.9 ↘</p> <p>23: 10.6x ↘</p> <p>24: 10.7x ↘</p> <p>25: 9.6 ↓</p> <p>26: 8.5 →</p> <p>27: 8.0 ↓</p> <p>28: 10.1 ↑</p> <p>29: 6.8 ↓</p> <p>30: 7.2 →</p>	<p>40 Skott</p>	<p>31: 10.1 ↖</p> <p>32: 10.7x ↘</p> <p>33: 10.7x ↘</p> <p>34: 10.5x ↗</p> <p>35: 9.3 ↘</p> <p>36: 8.8 ↘</p> <p>37: 8.8 ↓</p> <p>38: 8.4 →</p> <p>39: 9.2 ↙</p> <p>40: 8.0 ↖</p>
Serie	88.3	Serie	94.5
Total	263.6	Total	358.1

 <p style="font-size: 0.8em; margin-top: 5px;">3 4 5 6 7 8 7 8 6 5 4</p>	<p>1: 7.7 →</p> <p>2: 8.6 ↓</p> <p>3: 8.1 ←</p> <p>4: 9.4 →</p> <p>5: 9.7 ↗</p> <p>6: 9.3 →</p> <p>7: 7.7 ←</p> <p>8: 6.7 ←</p> <p>9: 10.1 →</p> <p>10: 7.7 →</p>	 <p style="font-size: 0.8em; margin-top: 5px;">6 7 8 7 8 7 6</p>	<p>11: 9.3 ←</p> <p>12: 10.0 →</p>
Serie 85.0		Serie 19.3	
Total 0.0		Total 0.0	

 <p style="font-size: 0.8em; margin-top: 5px;">3 5 6 7 8 7 6 5</p>	<p>1: 7.9 ↗</p> <p>2: 9.9 ↑</p> <p>3: 10.0 ←</p> <p>4: 9.9 ←</p> <p>5: 8.0 ↓</p> <p>6: 9.6 →</p> <p>7: 8.6 ←</p> <p>8: 7.7 ←</p> <p>9: 9.0 ↑</p> <p>10: 8.4 ←</p>	 <p style="font-size: 0.8em; margin-top: 5px;">4 5 6 8 7 6 5 4</p>	<p>11: 10.2x ↓</p> <p>12: 10.0 →</p> <p>13: 10.4x ↓</p> <p>14: 9.6 →</p> <p>15: 8.3 ↑</p> <p>16: 7.1 ←</p> <p>17: 8.9 ←</p> <p>18: 7.3 ↗</p> <p>19: 8.8 ↗</p> <p>20: 6.9 →</p>
Serie 89.0		Serie 87.5	
Total 89.0		Total 176.5	

 <p style="font-size: 0.8em; margin-top: 5px;">5 6 7 8 7 6 5</p>	<p>21: 10.3x ↘</p> <p>22: 8.2 ←</p> <p>23: 10.2x ↓</p> <p>24: 10.5x ↘</p> <p>25: 9.8 →</p> <p>26: 8.6 ↗</p> <p>27: 8.7 →</p> <p>28: 9.5 →</p> <p>29: 9.4 ↗</p> <p>30: 9.8 ↓</p>	 <p style="font-size: 0.8em; margin-top: 5px;">5 6 7 8 7 6 5</p>	<p>31: 10.0 ↗</p> <p>32: 8.5 ←</p> <p>33: 8.7 ↑</p> <p>34: 9.7 →</p> <p>35: 9.7 ↗</p> <p>36: 7.6 ↓</p> <p>37: 8.4 ←</p> <p>38: 8.8 ↓</p> <p>39: 9.3 ↘</p> <p>40: 7.6 ↓</p>
Serie 95.0		Serie 88.3	
Total 271.5		Total 359.8	

Prov 	Prov 	1: 10.1 → 2: 7.5 → 3: 8.0 → 4: 9.6 ↗ 5: 10.5x → 6: 8.0 ↗ 7: 9.4 → 8: 10.5x → 9: 10.1 ↗ 10: 10.0 ↑ Serie 93.7 Total 0.0	11: 10.6x ↗ Serie 10.6 Total 0.0
----------	----------	---	--

40 Skott 	40 Skott 	1: 9.1 ↗ 2: 10.5x ↘ 3: 8.5 → 4: 9.5 → 5: 9.6 ↓ 6: 10.4x ↘ 7: 10.1 → 8: 10.5x ↘ 9: 10.5x ↗ 10: 10.3x ↗ Serie 99.0 Total 99.0	11: 10.4x ↗ 12: 10.0 ↗ 13: 10.0 ↘ 14: 10.4x ↘ 15: 9.8 ↓ 16: 10.0 → 17: 10.8x ↗ 18: 9.6 ↑ 19: 9.6 ↖ 20: 10.1 → Serie 100.7 Total 199.7
--------------	--------------	--	--

40 Skott 	40 Skott 	21: 8.3 ↗ 22: 10.6x ↗ 23: 7.9 → 24: 9.8 ↗ 25: 9.1 ↗ 26: 9.2 ↗ 27: 9.0 ↗ 28: 9.6 ↗ 29: 9.7 ↑ 30: 10.6x → Serie 93.8 Total 293.5	31: 10.4x → 32: 10.1 ↖ 33: 8.3 ↗ 34: 9.7 → 35: 8.7 ↗ 36: 10.3x ↘ 37: 9.5 → 38: 9.7 ↓ 39: 10.2x ↗ 40: 9.5 → Serie 96.4 Total 389.9
--------------	--------------	---	--

<div style="text-align: center;">Prov</div>	<p>1: 10.3x➤</p> <p>2: 8.9 ↓</p> <p>3: 9.5 ➔</p> <p>4: 7.8 ➤</p> <p>5: 9.4 ↓</p> <p>6: 9.0 ➔</p> <p>7: 9.8 ↓</p> <p>8: 9.1 ↓</p> <p>9: 10.4x↓</p> <p>10: 9.9 ➤</p>	<div style="text-align: center;">Prov</div>	<p>11: 10.0 ↓</p> <p>12: 10.8x➤</p> <p>13: 9.2 ←</p> <p>14: 10.1 ↑</p> <p>15: 8.5 ➔</p> <p>16: 10.4x↔</p> <p>17: 8.6 ↓</p> <p>18: 9.7 ↓</p> <p>19: 10.3x↗</p> <p>20: 10.0 ↓</p>
Serie	94.1	Serie	97.6
Total	0.0	Total	0.0

<div style="text-align: center;">40 Skott</div>	<p>1: 8.8 ➔</p> <p>2: 10.3x↔</p> <p>3: 10.2x↗</p> <p>4: 9.5 ➤</p> <p>5: 9.6 ➔</p> <p>6: 10.4x↔</p> <p>7: 9.7 ➤</p> <p>8: 10.3x↗</p> <p>9: 9.6 ←</p> <p>10: 9.6 ➔</p>	<div style="text-align: center;">40 Skott</div>	<p>11: 10.7x↔</p> <p>12: 8.9 ➔</p> <p>13: 10.5x↗</p> <p>14: 10.3x➤</p> <p>15: 10.1 ↗</p> <p>16: 10.2x↔</p> <p>17: 9.8 ↓</p> <p>18: 9.4 ←</p> <p>19: 10.1 ↓</p> <p>20: 8.9 ↓</p>
Serie	98.0	Serie	98.9
Total	98.0	Total	196.9

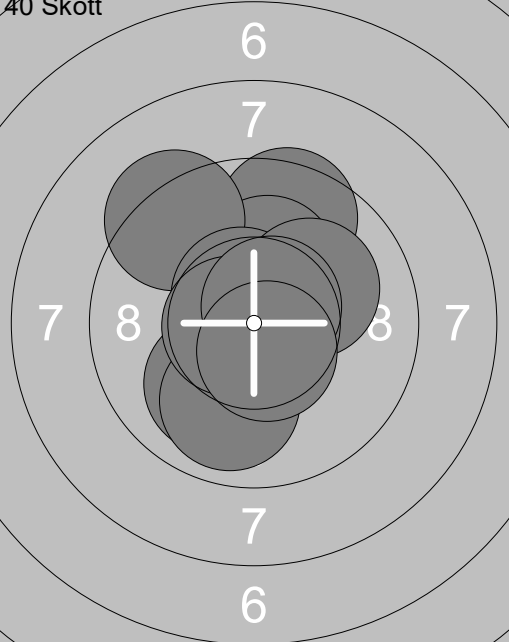
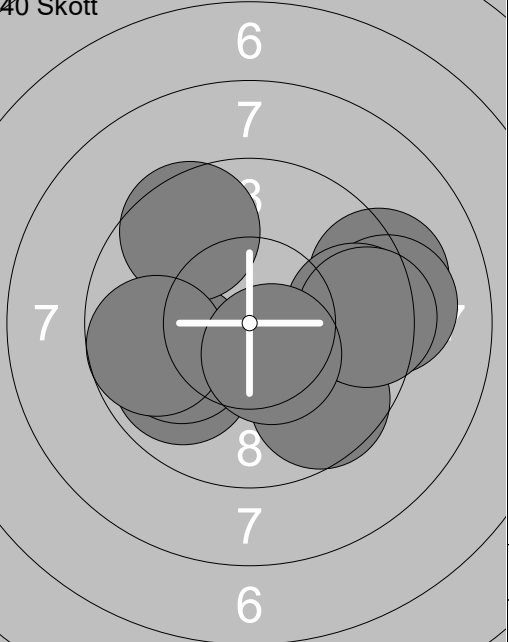
<div style="text-align: center;">40 Skott</div>	<p>21: 10.1 ↓</p> <p>22: 10.3x↓</p> <p>23: 10.3x↔</p> <p>24: 10.2x↓</p> <p>25: 9.8 ↓</p> <p>26: 9.8 ➔</p> <p>27: 9.9 ➔</p> <p>28: 10.1 ←</p> <p>29: 10.2x↔</p> <p>30: 10.7x↔</p>	<div style="text-align: center;">40 Skott</div>	<p>31: 10.6x↔</p> <p>32: 9.5 ➔</p> <p>33: 10.1 ↗</p> <p>34: 10.7x➤</p> <p>35: 9.6 ←</p> <p>36: 10.2x↔</p> <p>37: 8.9 ←</p> <p>38: 9.6 ←</p> <p>39: 9.7 ←</p> <p>40: 10.6x↗</p>
Serie	101.4	Serie	99.5
Total	298.3	Total	397.8

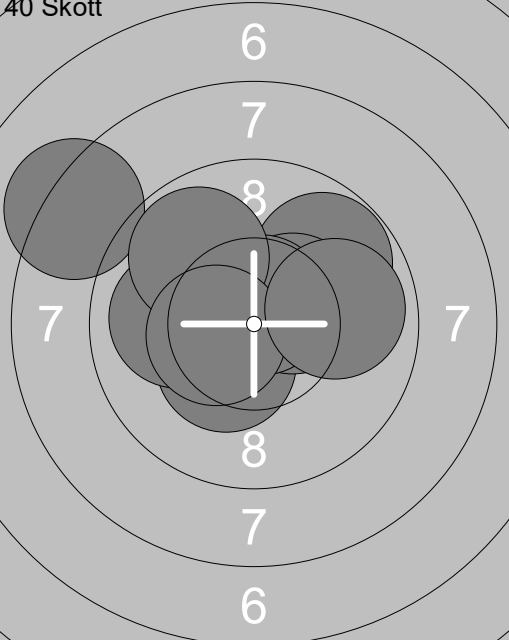
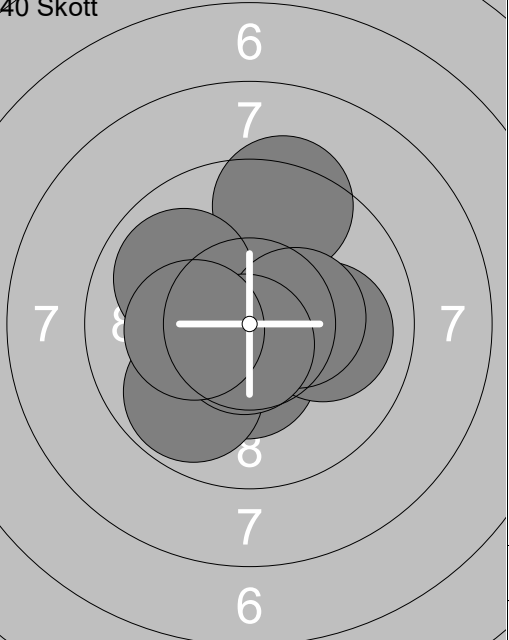
Prov 	1: 8.0 → 2: 9.7 ↖ 3: 9.6 ↗ 4: 8.1 ↓ 5: 8.7 → 6: 9.8 ↑ 7: 9.2 ↑ 8: 9.5 ↗ 9: 8.6 ← 10: 8.9 ←	Prov 		11: 10.0 → 12: 9.8 ↑	
Serie 90.1				Serie 19.8	
Total 0.0				Total 0.0	

40 Skott 	1: 8.5 ↖ 2: 9.5 → 3: 10.2x ↗ 4: 9.7 → 5: 8.8 ↗ 6: 9.2 ↗ 7: 10.8x ↓ 8: 8.8 ↗ 9: 8.7 ↓ 10: 7.7 ↖	40 Skott 		11: 9.1 ← 12: 7.2 ↓ 13: 8.2 ↗ 14: 9.5 ↓ 15: 10.6x ↘ 16: 9.9 ↓ 17: 8.5 ↗ 18: 7.3 ↖ 19: 9.1 ↓ 20: 8.3 ↑	
Serie 91.9				Serie 87.7	
Total 91.9				Total 179.6	

40 Skott 	21: 9.0 ← 22: 9.5 ← 23: 10.3x ↗ 24: 9.7 ↓ 25: 9.1 ↑ 26: 9.6 ↓ 27: 7.6 ↓ 28: 10.4x ← 29: 9.3 ↗ 30: 10.4x ↘	40 Skott 		31: 9.5 ↖ 32: 10.4x ↘ 33: 10.2x ↘ 34: 10.3x ↘ 35: 9.1 ← 36: 9.1 ← 37: 8.8 ↗ 38: 10.1 ↖ 39: 9.3 ↓ 40: 7.2 ↖	
Serie 94.9				Serie 94.0	
Total 274.5				Total 368.5	

Prov 	1: 9.5 ↘ 2: 8.5 ↘ 3: 9.8 ← 4: 9.8 ↗ 5: 10.0 → 6: 10.2x ↘ 7: 10.4x ← 8: 8.2 → 9: 9.3 ↗ 10: 9.4 ↘ <hr/> Serie 95.1 Total 0.0	Prov 	11: 9.0 ← 12: 10.3x ↗	Serie 19.3 Total 0.0
--	---	--	--------------------------	-------------------------

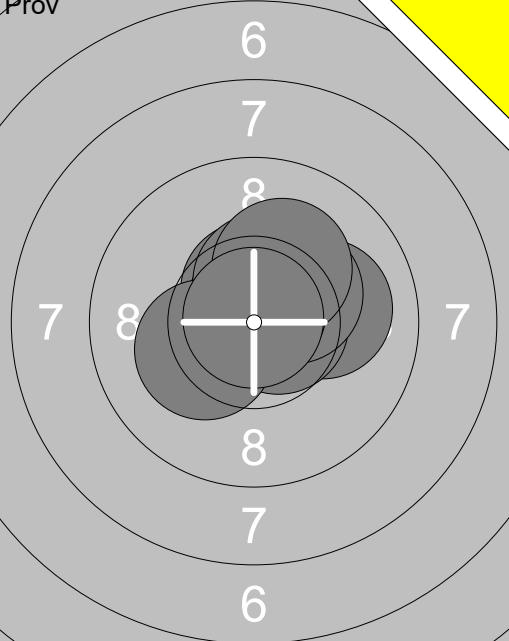
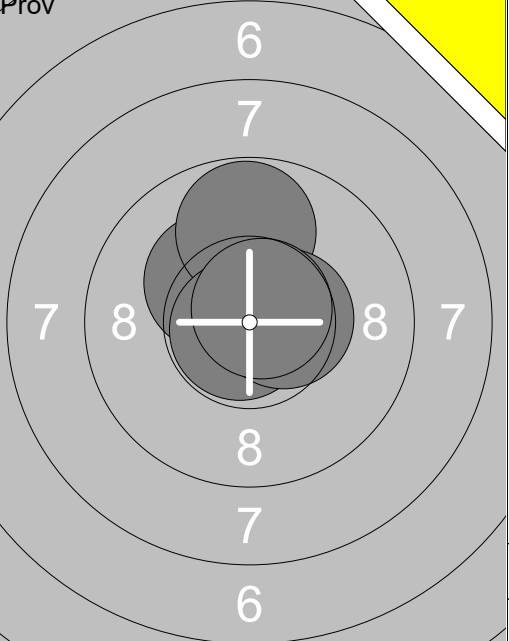
40 Skott 	1: 9.5 ↗ 2: 10.0 ↘ 3: 10.2x ↗ 4: 9.3 ↘ 5: 9.9 ↘ 6: 10.6x ↘ 7: 10.1 ↗ 8: 10.7x ← 9: 10.6x ↗ 10: 10.6x ↘ <hr/> Serie 101.5 Total 101.5	40 Skott 	11: 9.9 ↙ 12: 9.2 → 13: 9.2 → 14: 10.0 ← 15: 9.6 ↘ 16: 9.6 → 17: 9.6 ↗ 18: 9.5 → 19: 9.7 ← 20: 10.5x ↘	Serie 96.8 Total 198.3
---	---	---	---	---------------------------

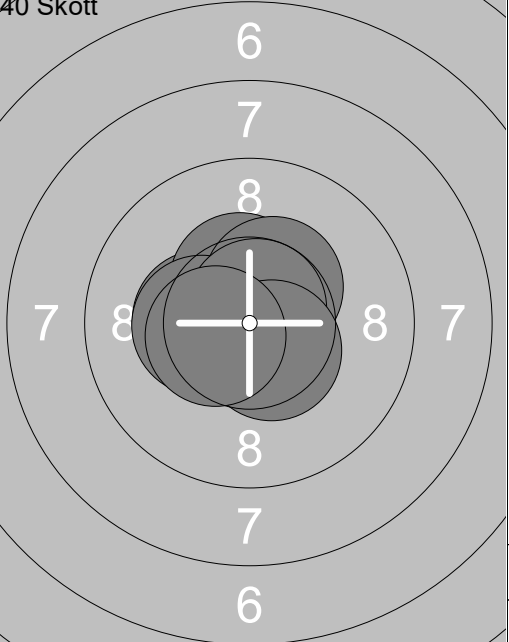
40 Skott 	21: 10.3x ↘ 22: 10.5x ↗ 23: 9.8 ↗ 24: 10.4x ↗ 25: 8.2 ← 26: 10.0 ← 27: 10.7x ↗ 28: 9.8 ↘ 29: 10.4x ← 30: 9.9 → <hr/> Serie 100.0 Total 298.3	40 Skott 	31: 10.4x ↘ 32: 10.3x ← 33: 10.5x ↗ 34: 9.4 ↗ 35: 10.0 → 36: 9.9 ↘ 37: 10.4x → 38: 9.8 ↘ 39: 10.7x ↘ 40: 10.2x ←	Serie 101.6 Total 399.9
--	---	--	---	----------------------------

Prov 	1: 7.7 ↙ 2: 7.3 ↖ 3: 6.7 ↑ 4: 7.8 ↗ 5: 9.4 → 6: 10.1 ↓ 7: 9.7 ↖ 8: 9.0 ↗ 9: 10.0 ↘ 10: 9.6 ↗	Prov 		11: 9.4 ↖ 12: 8.3 ↗ 13: 10.1 ↗ 14: 10.4x ↓ 15: 8.6 ↖ 16: 9.7 ↑ 17: 9.3 ↗ 18: 10.6x ↓	
Serie 87.3				Serie 76.4	
Total 0.0				Total 0.0	

40 Skott 	1: 9.6 → 2: 10.6x ↗ 3: 10.0 ↘ 4: 10.3x ↘ 5: 9.9 ↗ 6: 9.1 ↗ 7: 9.0 ↘ 8: 7.8 ↑ 9: 8.6 ↗ 10: 8.9 →	40 Skott 		11: 9.6 ↓ 12: 9.2 → 13: 8.6 ↘ 14: 7.8 ↑ 15: 9.5 → 16: 10.4x ↖ 17: 9.1 → 18: 9.8 ↖ 19: 8.2 ↑ 20: 10.0 ←	
Serie 93.8				Serie 92.2	
Total 93.8				Total 186.0	

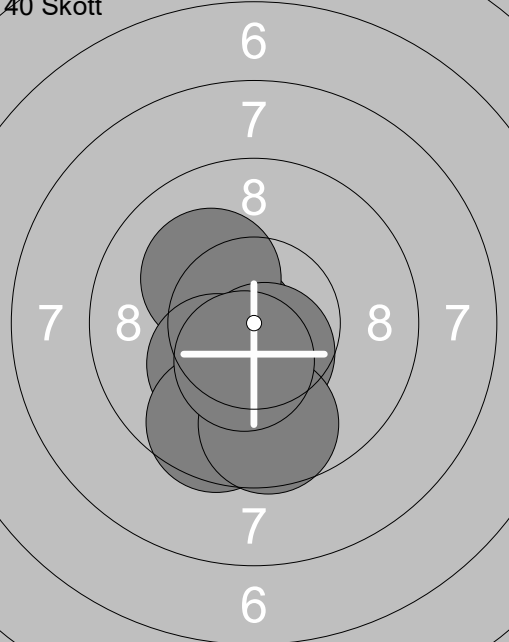
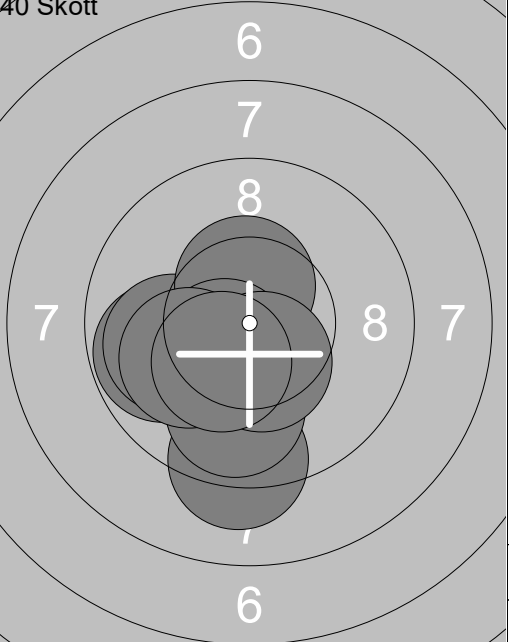
40 Skott 	21: 10.7x ↖ 22: 10.4x ↖ 23: 9.4 → 24: 10.1 ↓ 25: 8.5 → 26: 9.7 ↗ 27: 8.8 ↑ 28: 8.6 → 29: 9.2 ↑ 30: 8.7 ↑	40 Skott 		31: 9.2 ↑ 32: 9.1 → 33: 9.0 ↗ 34: 9.7 → 35: 10.5x ↗ 36: 9.5 ↖ 37: 9.2 ↓ 38: 9.0 ↘ 39: 9.6 ↖ 40: 10.2x ↖	
Serie 94.1				Serie 95.0	
Total 280.1				Total 375.1	

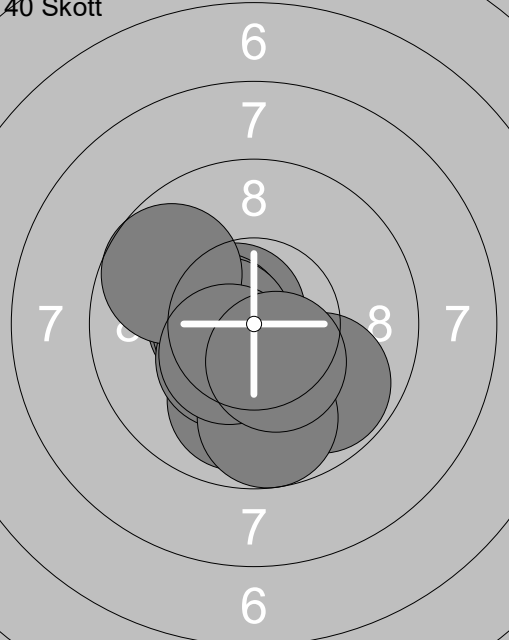
Prov 	1: 10.1 → 2: 10.6 ↗ 3: 10.6 × → 4: 10.3 × ↗ 5: 10.5 × ↑ 6: 10.8 × ↑ 7: 10.4 × ↑ 8: 10.2 × ↘ 9: 10.2 × ↗ 10: 10.9 × ↑	Prov 	11: 10.3 × ↘ 12: 9.8 ↑ 13: 10.8 × ↘ 14: 10.5 × → 15: 10.7 × ↗
	Serie 104.6		Serie 52.1
	Total 0.0		Total 0.0

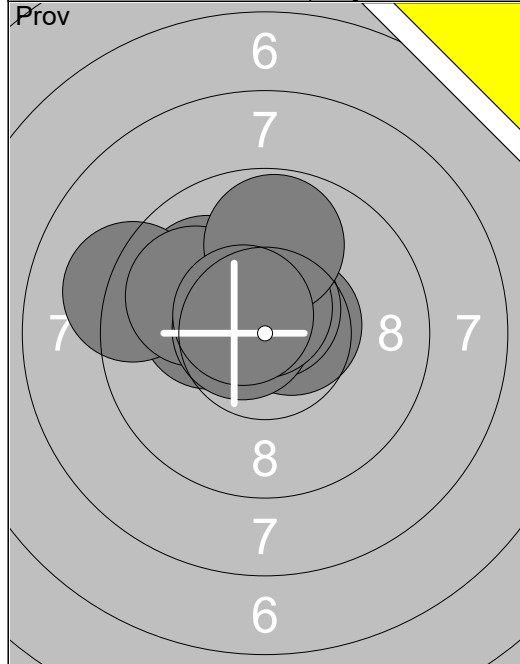
40 Skott 	1: 10.8 × ↘ 2: 10.3 × ↗ 3: 10.4 × ↗ 4: 10.4 × ↗ 5: 10.4 × ↘ 6: 10.5 × → 7: 10.2 × ↘ 8: 10.6 × ↘ 9: 10.3 × ↘ 10: 10.6 × ↘	40 Skott 	11: 10.8 × ↘ 12: 10.3 × ↘ 13: 10.4 × ↗ 14: 10.8 × → 15: 10.6 × ↘ 16: 10.4 × ↗ 17: 10.3 × ↘ 18: 10.8 × ↗ 19: 10.5 × ↘ 20: 10.5 × ↘
	Serie 104.5		Serie 105.4
	Total 104.5		Total 209.9

40 Skott 	21: 10.4 × ↘ 22: 10.6 × ↘ 23: 10.8 × ↘ 24: 10.1 ↘ 25: 10.6 × ↗ 26: 10.6 × ↘ 27: 10.1 ↘ 28: 10.5 × ↘ 29: 10.8 × ↘ 30: 10.8 × ↘	40 Skott 	31: 10.6 × ↘ 32: 10.8 × ↘ 33: 10.6 × ↗ 34: 10.6 × ↗ 35: 10.5 × ↗ 36: 10.5 × ↘ 37: 10.1 ↘ 38: 10.9 × ↘ 39: 10.7 × ↘ 40: 10.1 →
	Serie 105.3		Serie 105.4
	Total 315.2		Total 420.6

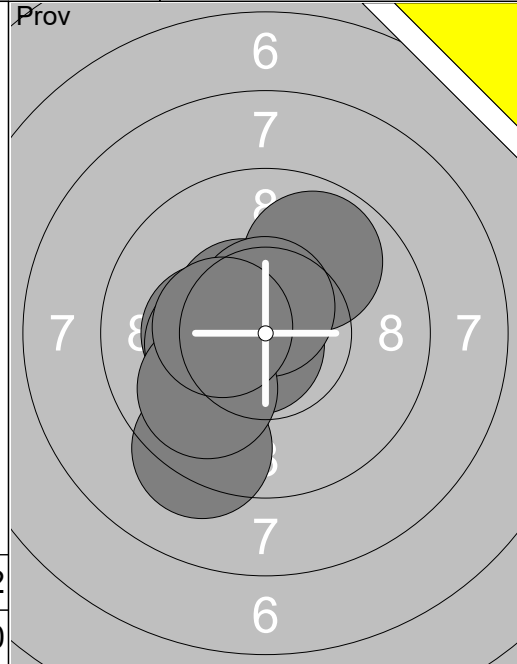
Prov 	1: 9.1 ↓ 2: 9.8 ↓ 3: 10.0 ↓ 4: 10.6✘ 5: 10.5✘→ 6: 10.1 ↓ 7: 10.3✘↓ 8: 9.6 ↓ 9: 10.3✘ 10: 10.6✘↓ <hr/> Serie 100.9 Total 0.0	40 Skott 		1: 10.2✘ 2: 10.2✘ 3: 10.0↙ 4: 10.7✘ 5: 10.3✘↓ 6: 10.5✘↓ 7: 10.0 ↓ 8: 10.4✘↓ 9: 10.4✘ 10: 10.1 ↓ <hr/> Serie 102.8 Total 102.8
--	--	--	--	--

40 Skott 	11: 10.6✘ 12: 10.3✘↓ 13: 10.6✘ 14: 10.2✘ 15: 10.5✘↓ 16: 10.5✘↓ 17: 10.2✘ 18: 9.6 ↓ 19: 9.6 ↓ 20: 10.5✘↓ <hr/> Serie 102.6 Total 205.4	40 Skott 		21: 9.2 ↓ 22: 9.8 ← 23: 10.6✘↓ 24: 9.9 ← 25: 10.5✘↑ 26: 10.5✘ 27: 9.9 ↓ 28: 10.4✘↓ 29: 10.1↙ 30: 10.3✘ <hr/> Serie 101.2 Total 306.6
---	--	---	--	---

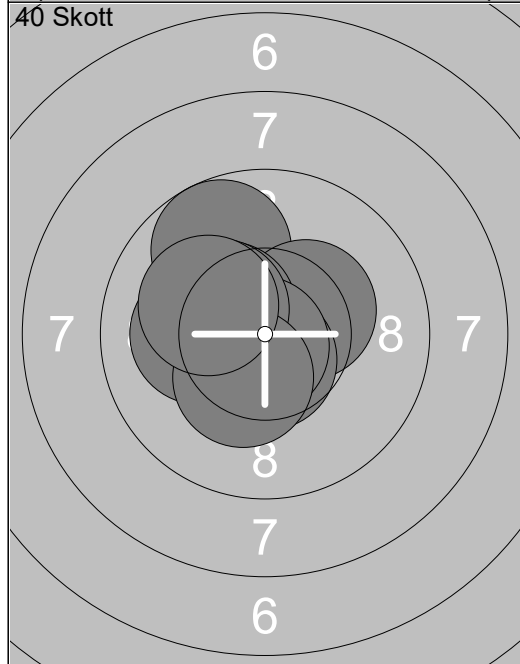
40 Skott 	31: 10.7✘ 32: 10.5✘ 33: 9.8 → 34: 10.0 ↓ 35: 10.5✘ 36: 10.4✘ 37: 9.7 ← 38: 9.7 ↓ 39: 10.5✘ 40: 10.4✘↓ <hr/> Serie 102.2 Total 408.8			
--	--	--	--	--



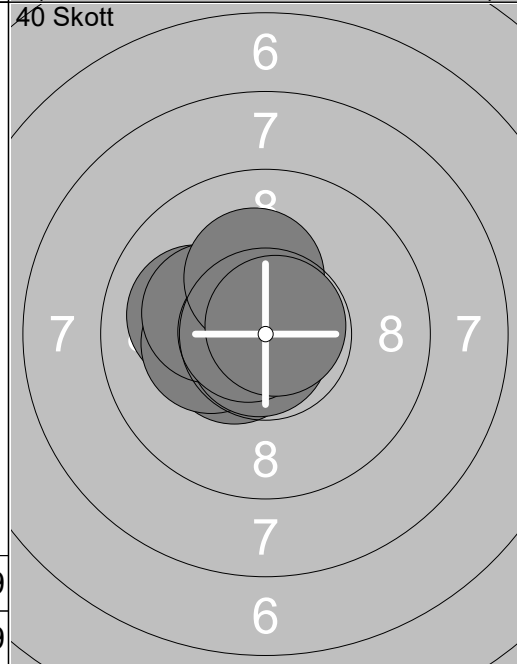
1:	10.0 ↖
2:	10.2 ✖
3:	9.2 ←
4:	10.6 ✖ →
5:	10.6 ✖ ↑
6:	9.9 ↖
7:	10.7 ✖
8:	10.6 ✖ ↑
9:	9.8 ↑
10:	10.6 ✖
Serie 102.2	
Total 0.0	



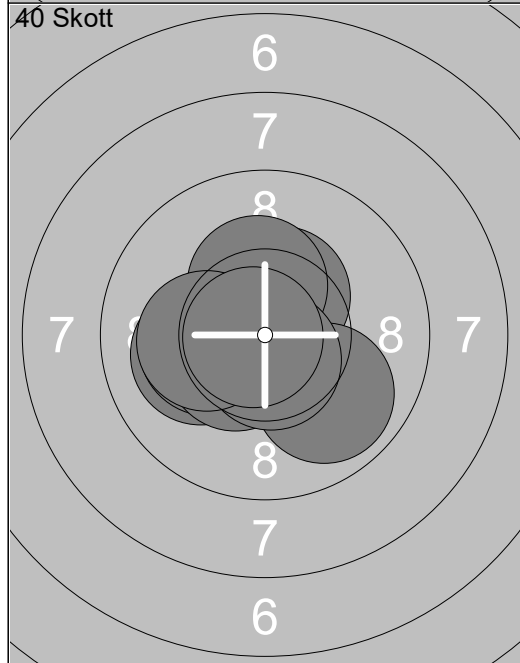
11:	9.9 ↗
12:	9.3 ↓
13:	10.5 ✖
14:	10.4 ✖
15:	10.3 ✖
16:	10.3 ✖
17:	10.7 ✖ ↓
18:	10.6 ✖ ↑
19:	9.9 ↓
20:	10.4 ✖
Serie 102.3	
Total 0.0	



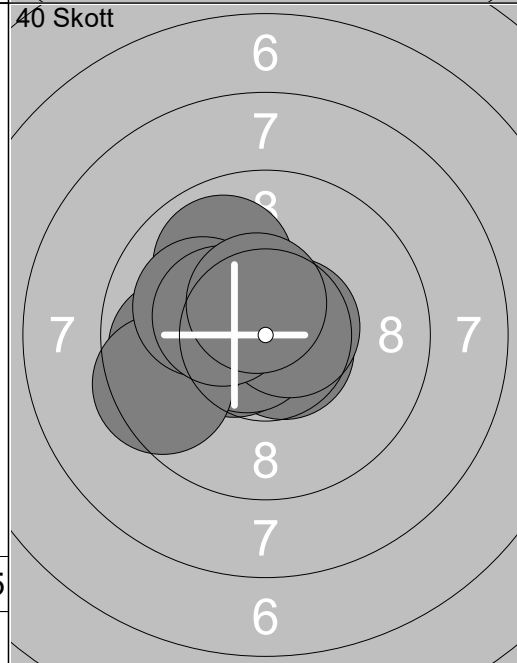
1:	9.7 ↖
2:	10.3 ✖ →
3:	10.4 ✖
4:	10.6 ✖ ↓
5:	10.3 ✖
6:	10.1 ←
7:	10.8 ✖ ↓
8:	10.3 ✖
9:	10.3 ✖ ↓
10:	10.1 ↖
Serie 102.9	
Total 102.9	



11:	10.5 ✖
12:	10.0 ↖
13:	10.2 ✖
14:	10.5 ✖
15:	10.8 ✖ ↑
16:	10.2 ✖
17:	10.8 ✖ ↓
18:	10.7 ✖
19:	10.2 ✖ ↑
20:	10.8 ✖ ↗
Serie 104.7	
Total 207.6	

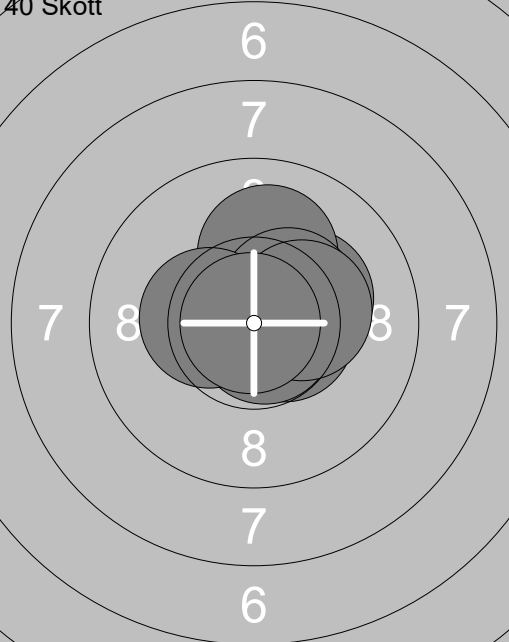
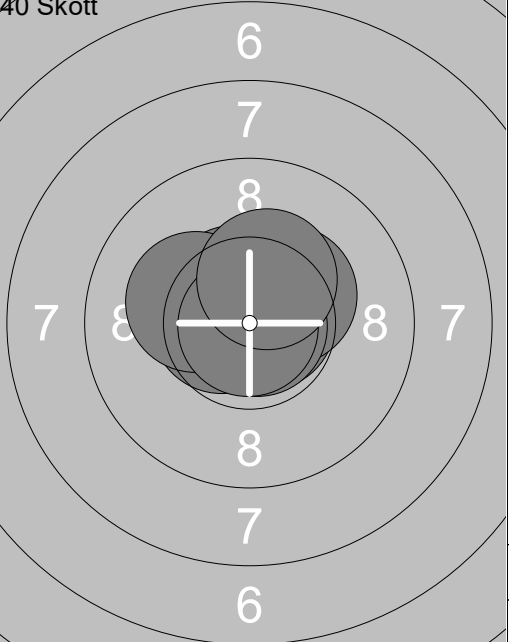


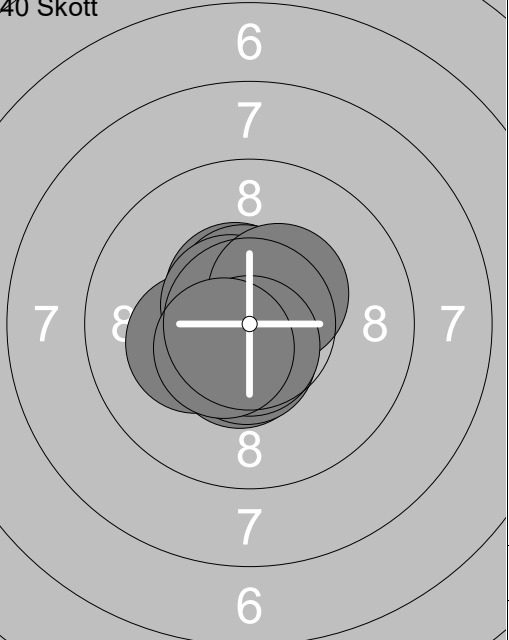
21:	10.4 ✖ ↑
22:	10.6 ✖
23:	10.1 ←
24:	10.3 ✖ ↑
25:	10.2 ✖
26:	10.4 ✖ ↓
27:	9.9 ↓
28:	10.6 ✖ ↓
29:	10.2 ✖
30:	10.8 ✖
Serie 103.5	
Total 311.1	



31:	10.7 ✖ ↓
32:	9.9 ↖
33:	10.5 ✖
34:	10.7 ✖
35:	10.6 ✖ →
36:	9.8 ←
37:	9.5 ←
38:	10.1 ↖
39:	10.3 ✖
40:	10.5 ✖ ↑
Serie 102.6	
Total 413.7	

Prov 	1: 9.0 ➔ 2: 9.4 ➔ 3: 9.8 ↓ 4: 10.0 ↓ 5: 10.4x➔ 6: 10.5x↙ 7: 10.7x↘ 8: 10.2x↑ 9: 10.3x↗ 10: 10.3x↑	Prov 	11: 10.7x↗ 12: 10.6x↘ 13: 10.8x↗ 14: 10.7x➔
	Serie 100.6		Serie 42.8
	Total 0.0		Total 0.0

40 Skott 	1: 10.2x↗ 2: 10.6x➔ 3: 10.7x↗ 4: 10.1 ↑ 5: 10.8x➔ 6: 10.4x↗ 7: 10.8x↘ 8: 10.4x↖ 9: 10.3x➔ 10: 10.9x↖	40 Skott 	11: 10.6x↘ 12: 10.8x↗ 13: 10.7x➔ 14: 10.7x↑ 15: 10.6x↖ 16: 10.2x↖ 17: 10.4x↗ 18: 10.8x➔ 19: 10.9x↘ 20: 10.3x↗
	Serie 105.2		Serie 106.0
	Total 105.2		Total 211.2

40 Skott 	21: 10.8x↗ 22: 10.6x➔ 23: 10.6x↗ 24: 10.3x↗ 25: 10.7x➔ 26: 10.5x↘ 27: 10.6x↖ 28: 10.7x↘ 29: 10.8x↘ 30: 10.5x➔	40 Skott 	31: 10.5x↘ 32: 10.6x↑ 33: 10.5x↘ 34: 10.2x↖ 35: 10.6x↑ 36: 10.6x↖ 37: 10.6x↘ 38: 10.4x↗ 39: 10.7x↘ 40: 10.5x↘
	Serie 106.1		Serie 105.2
	Total 317.3		Total 422.5

<p>Prov</p>	<p>Prov</p>	<table border="1" style="width:100%; border-collapse: collapse;"> <tr> <td style="text-align: right;">1:</td><td>10.4x</td><td style="font-size: 1.5em;">➤</td></tr> <tr> <td style="text-align: right;">2:</td><td>10.3x</td><td style="font-size: 1.5em;">↗</td></tr> <tr> <td style="text-align: right;">3:</td><td>10.4x</td><td style="font-size: 1.5em;">↗</td></tr> <tr> <td style="text-align: right;">4:</td><td>9.9</td><td style="font-size: 1.5em;">↘</td></tr> <tr> <td style="text-align: right;">5:</td><td>10.3x</td><td style="font-size: 1.5em;">↗</td></tr> <tr> <td style="text-align: right;">6:</td><td>10.0</td><td style="font-size: 1.5em;">➤</td></tr> <tr> <td style="text-align: right;">7:</td><td>10.4x</td><td style="font-size: 1.5em;">↘</td></tr> <tr> <td style="text-align: right;">8:</td><td>10.4x</td><td style="font-size: 1.5em;">➤</td></tr> <tr> <td style="text-align: right;">9:</td><td>10.9x</td><td style="font-size: 1.5em;">↗</td></tr> <tr> <td style="text-align: right;">10:</td><td>0.0</td><td style="font-size: 1.5em;">↓</td></tr> <tr> <td style="text-align: right;">Serie</td><td>93.0</td><td></td></tr> <tr> <td style="text-align: right;">Total</td><td>0.0</td><td></td></tr> </table>	1:	10.4x	➤	2:	10.3x	↗	3:	10.4x	↗	4:	9.9	↘	5:	10.3x	↗	6:	10.0	➤	7:	10.4x	↘	8:	10.4x	➤	9:	10.9x	↗	10:	0.0	↓	Serie	93.0		Total	0.0	
1:	10.4x	➤																																				
2:	10.3x	↗																																				
3:	10.4x	↗																																				
4:	9.9	↘																																				
5:	10.3x	↗																																				
6:	10.0	➤																																				
7:	10.4x	↘																																				
8:	10.4x	➤																																				
9:	10.9x	↗																																				
10:	0.0	↓																																				
Serie	93.0																																					
Total	0.0																																					

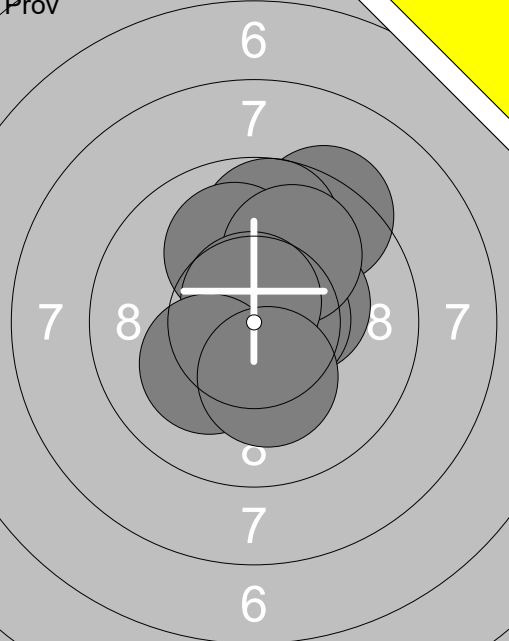
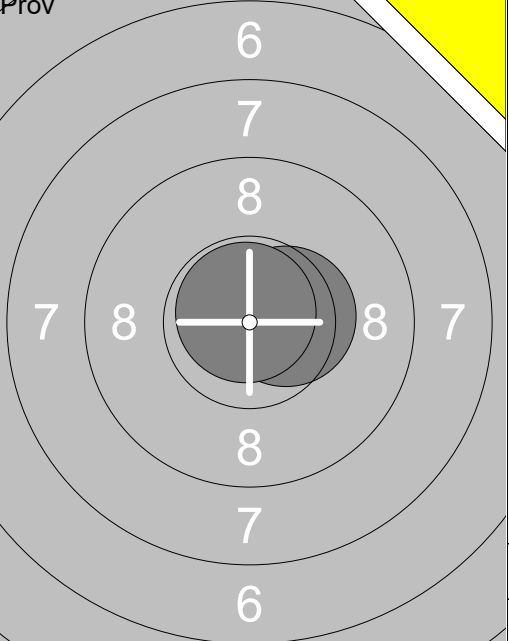
<p>40 Skott</p>	<p>40 Skott</p>	<table border="1" style="width:100%; border-collapse: collapse;"> <tr> <td style="text-align: right;">11:</td><td>10.7x</td><td style="font-size: 1.5em;">➤</td></tr> <tr> <td style="text-align: right;">12:</td><td>10.6x</td><td style="font-size: 1.5em;">↖</td></tr> <tr> <td style="text-align: right;">13:</td><td>10.7x</td><td style="font-size: 1.5em;">↘</td></tr> <tr> <td style="text-align: right;">14:</td><td>9.8</td><td style="font-size: 1.5em;">↖</td></tr> <tr> <td style="text-align: right;">15:</td><td>10.6x</td><td style="font-size: 1.5em;">↗</td></tr> <tr> <td style="text-align: right;">16:</td><td>10.0</td><td style="font-size: 1.5em;">➤</td></tr> <tr> <td style="text-align: right;">17:</td><td>10.8x</td><td style="font-size: 1.5em;">↘</td></tr> <tr> <td style="text-align: right;">18:</td><td>10.6x</td><td style="font-size: 1.5em;">➤</td></tr> <tr> <td style="text-align: right;">19:</td><td>10.2x</td><td style="font-size: 1.5em;">➤</td></tr> <tr> <td style="text-align: right;">20:</td><td>10.5x</td><td style="font-size: 1.5em;">↖</td></tr> <tr> <td style="text-align: right;">Serie</td><td>104.6</td><td></td></tr> <tr> <td style="text-align: right;">Total</td><td>104.6</td><td></td></tr> </table>	11:	10.7x	➤	12:	10.6x	↖	13:	10.7x	↘	14:	9.8	↖	15:	10.6x	↗	16:	10.0	➤	17:	10.8x	↘	18:	10.6x	➤	19:	10.2x	➤	20:	10.5x	↖	Serie	104.6		Total	104.6	
11:	10.7x	➤																																				
12:	10.6x	↖																																				
13:	10.7x	↘																																				
14:	9.8	↖																																				
15:	10.6x	↗																																				
16:	10.0	➤																																				
17:	10.8x	↘																																				
18:	10.6x	➤																																				
19:	10.2x	➤																																				
20:	10.5x	↖																																				
Serie	104.6																																					
Total	104.6																																					

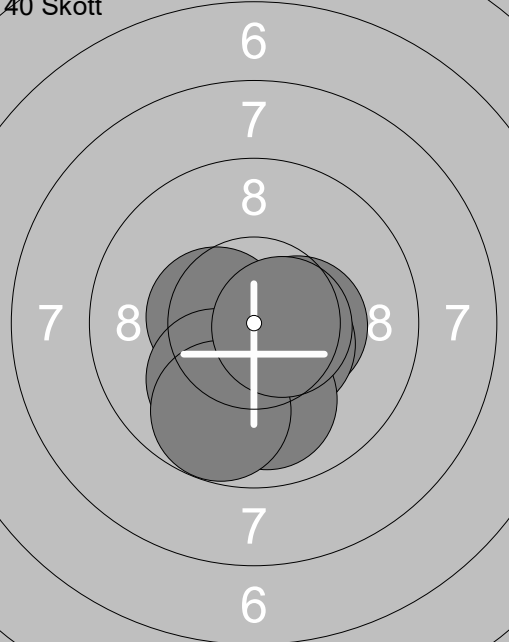
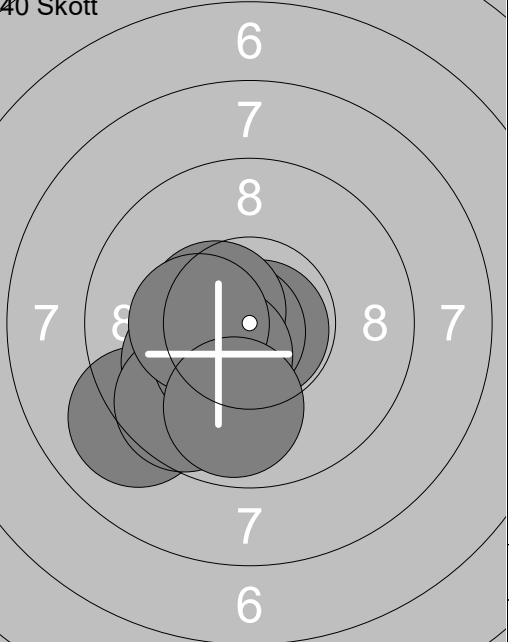
<p>40 Skott</p>	<p>40 Skott</p>	<table border="1" style="width:100%; border-collapse: collapse;"> <tr> <td style="text-align: right;">21:</td><td>10.8x</td><td style="font-size: 1.5em;">↘</td></tr> <tr> <td style="text-align: right;">22:</td><td>10.5x</td><td style="font-size: 1.5em;">↘</td></tr> <tr> <td style="text-align: right;">23:</td><td>10.8x</td><td style="font-size: 1.5em;">↖</td></tr> <tr> <td style="text-align: right;">24:</td><td>10.5x</td><td style="font-size: 1.5em;">↗</td></tr> <tr> <td style="text-align: right;">25:</td><td>10.2x</td><td style="font-size: 1.5em;">↘</td></tr> <tr> <td style="text-align: right;">26:</td><td>10.0</td><td style="font-size: 1.5em;">↖</td></tr> <tr> <td style="text-align: right;">27:</td><td>10.3x</td><td style="font-size: 1.5em;">↖</td></tr> <tr> <td style="text-align: right;">28:</td><td>10.9x</td><td style="font-size: 1.5em;">↗</td></tr> <tr> <td style="text-align: right;">29:</td><td>10.1</td><td style="font-size: 1.5em;">↖</td></tr> <tr> <td style="text-align: right;">30:</td><td>10.9x</td><td style="font-size: 1.5em;">↘</td></tr> <tr> <td style="text-align: right;">Serie</td><td>105.0</td><td></td></tr> <tr> <td style="text-align: right;">Total</td><td>314.1</td><td></td></tr> </table>	21:	10.8x	↘	22:	10.5x	↘	23:	10.8x	↖	24:	10.5x	↗	25:	10.2x	↘	26:	10.0	↖	27:	10.3x	↖	28:	10.9x	↗	29:	10.1	↖	30:	10.9x	↘	Serie	105.0		Total	314.1	
21:	10.8x	↘																																				
22:	10.5x	↘																																				
23:	10.8x	↖																																				
24:	10.5x	↗																																				
25:	10.2x	↘																																				
26:	10.0	↖																																				
27:	10.3x	↖																																				
28:	10.9x	↗																																				
29:	10.1	↖																																				
30:	10.9x	↘																																				
Serie	105.0																																					
Total	314.1																																					

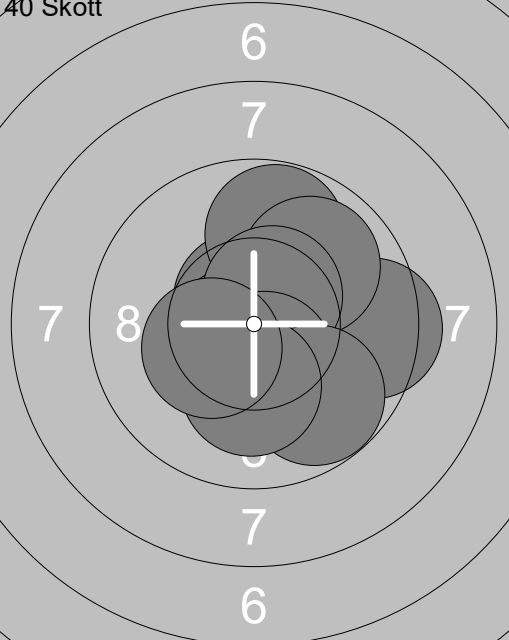
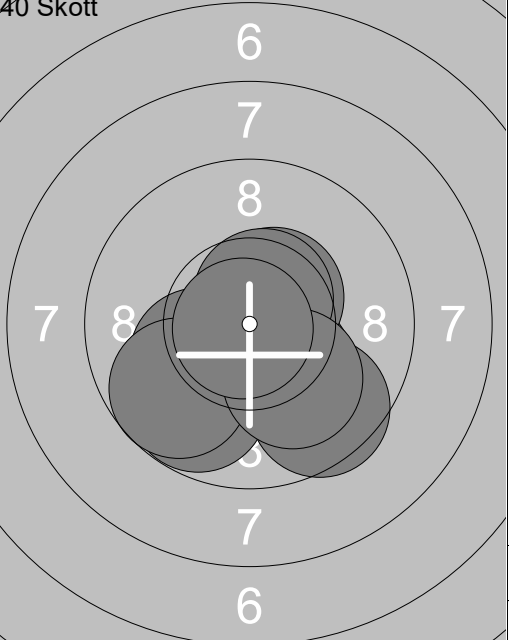
Prov 	Prov 	11: 10.8x↖ 12: 10.7x↘ 13: 10.3x↖ 14: 10.3x↖ 15: 10.6x↘ 16: 10.3x↖ 17: 10.2x→ 18: 10.7x→ 19: 10.3x↘ 20: 10.7x↗ <hr/> Serie 104.9 Total 0.0
1: 10.8x→ 2: 10.5x↘ 3: 10.7x↘ 4: 10.0 ↓ 5: 10.7x↖ 6: 10.8x↘ 7: 10.3x↗ 8: 10.5x↖ 9: 10.8x↖ 10: 10.7x↘ <hr/> Serie 105.8 Total 0.0	11: 10.8x↖ 12: 10.7x↘ 13: 10.3x↖ 14: 10.3x↖ 15: 10.6x↘ 16: 10.3x↖ 17: 10.2x→ 18: 10.7x→ 19: 10.3x↘ 20: 10.7x↗ <hr/> Serie 104.9 Total 0.0	

40 Skott 	40 Skott 	11: 10.8x→ 12: 10.8x↖ 13: 10.3x↘ 14: 10.0 ↓ 15: 10.4x↖ 16: 10.7x↗ 17: 10.5x↘ 18: 10.9x↗ 19: 10.5x↘ 20: 10.6x↘ <hr/> Serie 105.5 Total 210.5
1: 10.4x↘ 2: 10.7x↘ 3: 10.8x↗ 4: 10.6x↘ 5: 10.5x↗ 6: 10.7x↘ 7: 10.4x↗ 8: 10.5x↖ 9: 10.0 ↓ 10: 10.4x↘ <hr/> Serie 105.0 Total 105.0	11: 10.8x→ 12: 10.8x↖ 13: 10.3x↘ 14: 10.0 ↓ 15: 10.4x↖ 16: 10.7x↗ 17: 10.5x↘ 18: 10.9x↗ 19: 10.5x↘ 20: 10.6x↘ <hr/> Serie 105.5 Total 210.5	

40 Skott 	40 Skott 	31: 10.7x↗ 32: 10.7x↘ 33: 10.7x↘ 34: 10.4x↘ 35: 10.7x↖ 36: 10.8x→ 37: 10.7x→ 38: 10.3x→ 39: 10.6x↖ 40: 10.6x↘ <hr/> Serie 106.2 Total 422.8
21: 10.7x→ 22: 10.6x↗ 23: 10.8x→ 24: 10.7x↗ 25: 10.5x↗ 26: 10.3x→ 27: 10.7x↗ 28: 10.6x↘ 29: 10.5x↖ 30: 10.7x↘ <hr/> Serie 106.1 Total 316.6	31: 10.7x↗ 32: 10.7x↘ 33: 10.7x↘ 34: 10.4x↘ 35: 10.7x↖ 36: 10.8x→ 37: 10.7x→ 38: 10.3x→ 39: 10.6x↖ 40: 10.6x↘ <hr/> Serie 106.2 Total 422.8	

Prov 	1: 9.3 ↗ 2: 9.7 ↑ 3: 10.4x↑ 4: 10.0 ↑ 5: 10.3x➤ 6: 10.6x➤ 7: 10.0 ↑ 8: 10.7x↑ 9: 10.2x↘ 10: 10.2x↘ <hr/> Serie 101.4 Total 0.0	Prov 	11: 10.5x➤ 12: 10.8x↘ <hr/> Serie 21.3 Total 0.0
--	---	--	---

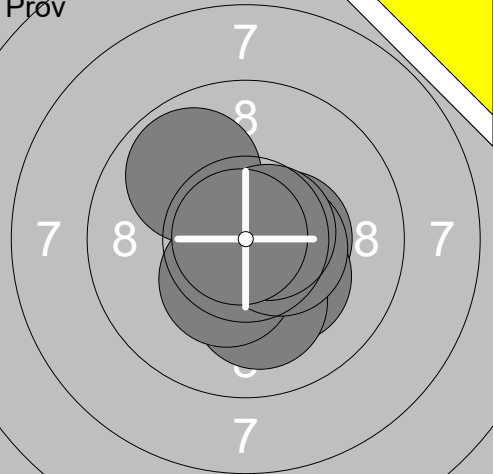
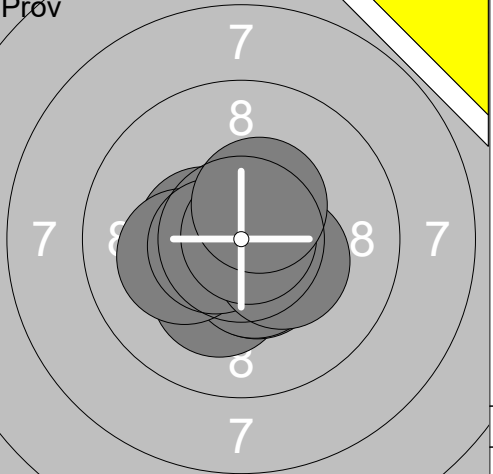
40 Skott 	1: 10.4x➤ 2: 10.0 ↓ 3: 10.5x↘ 4: 10.3x↘ 5: 10.5x↘ 6: 10.5x↘ 7: 10.0 ↓ 8: 10.1 ↓ 9: 9.8 ↓ 10: 10.6x➤ <hr/> Serie 102.7 Total 102.7	40 Skott 	11: 10.3x↘ 12: 9.1 ↘ 13: 10.1 ↘ 14: 10.8x↘ 15: 10.7x↘ 16: 10.5x↘ 17: 9.6 ↘ 18: 10.4x↘ 19: 10.3x↘ 20: 9.9 ↓ <hr/> Serie 101.7 Total 204.4
---	--	---	---

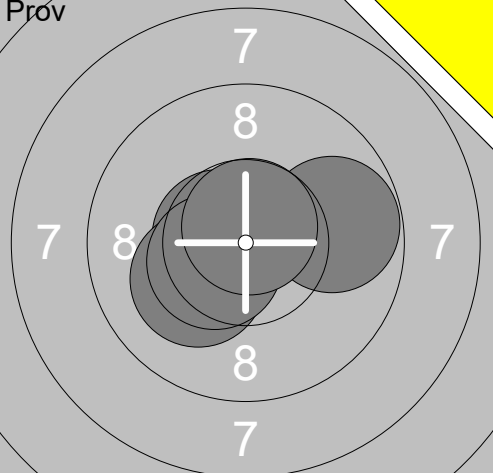
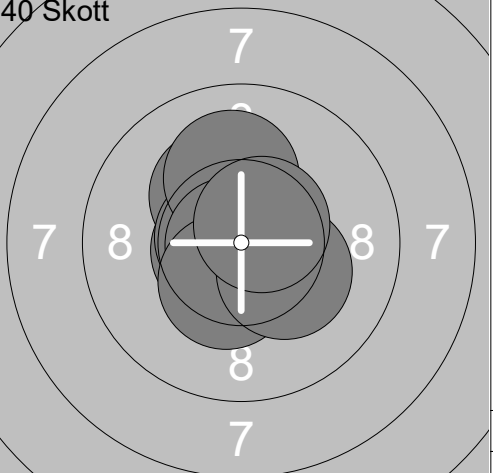
40 Skott 	21: 10.6x↘ 22: 10.7x↘ 23: 9.4 ➔ 24: 9.8 ↑ 25: 9.9 ↗ 26: 10.5x↗ 27: 10.4x↘ 28: 9.8 ↘ 29: 10.2x↘ 30: 10.3x↘ <hr/> Serie 101.6 Total 306.0	40 Skott 	31: 9.8 ↘ 32: 10.3x↘ 33: 10.5x↗ 34: 10.6x↘ 35: 9.6 ↘ 36: 10.6x↗ 37: 10.2x↘ 38: 9.7 ↘ 39: 10.1 ↘ 40: 10.8x↘ <hr/> Serie 102.2 Total 408.2
--	--	--	---

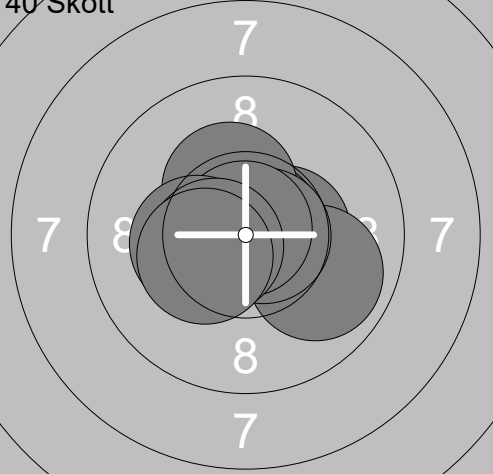
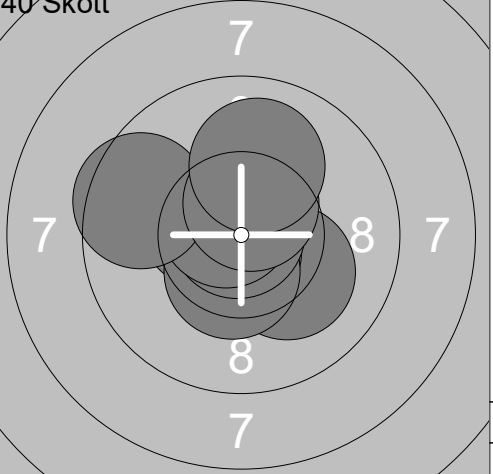
Prov 	1: 10.4x➤ 2: 10.7x↑ 3: 10.6x➤ 4: 10.7x➤ 5: 10.0 ➤ 6: 9.9 ↗ 7: 10.3x↑ 8: 10.5x➤ 9: 10.8x➤ 10: 10.7x←	Prov 	11: 10.7x← 12: 10.6x← 13: 10.7x↓
Serie 104.6		Serie 32.0	
Total 0.0		Total 0.0	

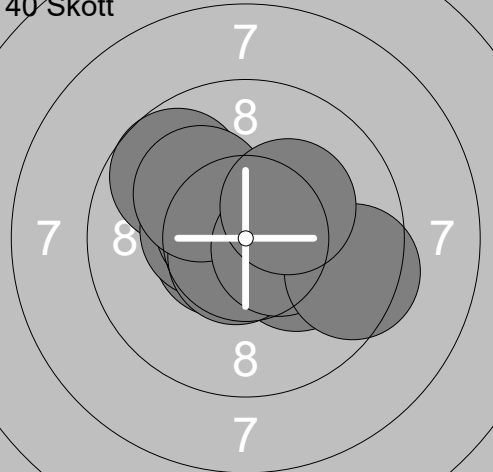
40 Skott 	1: 10.7x↓ 2: 10.8x➤ 3: 10.6x↗ 4: 10.3x← 5: 10.4x↗ 6: 10.6x➤ 7: 10.8x➤ 8: 10.7x↑ 9: 10.7x↓ 10: 10.6x↓	40 Skott 	11: 10.4x↓ 12: 10.4x← 13: 10.7x↘ 14: 10.6x↗ 15: 10.8x↘ 16: 10.6x↘ 17: 10.5x↗ 18: 10.9x➤ 19: 10.7x↓ 20: 10.7x↗
Serie 106.2		Serie 106.3	
Total 106.2		Total 212.5	

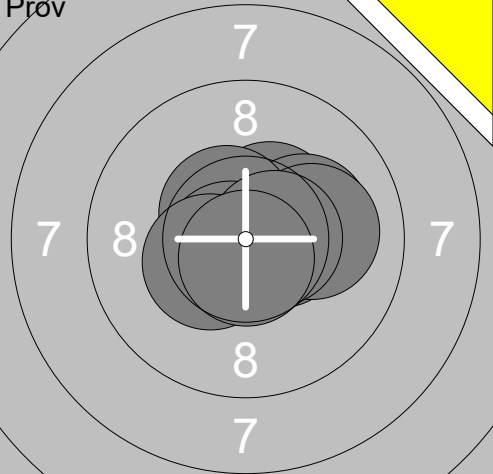
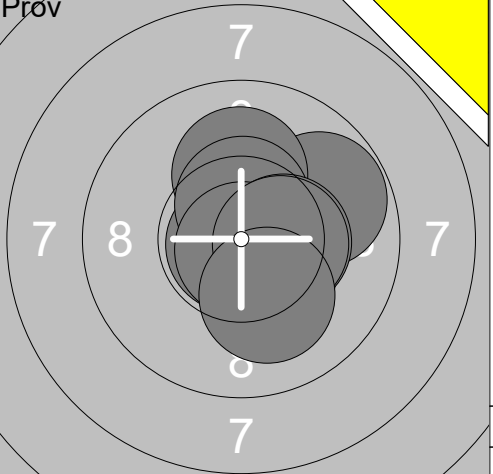
40 Skott 	21: 10.6x← 22: 10.7x← 23: 9.8 ↗ 24: 10.4x↘ 25: 10.5x↑ 26: 10.6x↘ 27: 10.3x↓ 28: 10.5x↑ 29: 10.7x↘ 30: 10.1 ↗	40 Skott 	31: 10.9x↑ 32: 10.6x↓ 33: 10.5x↗ 34: 10.7x↓ 35: 9.4 ↗ 36: 10.5x↑ 37: 10.4x➤ 38: 10.8x← 39: 10.3x↑ 40: 10.6x➤
Serie 104.2		Serie 104.7	
Total 316.7		Total 421.4	

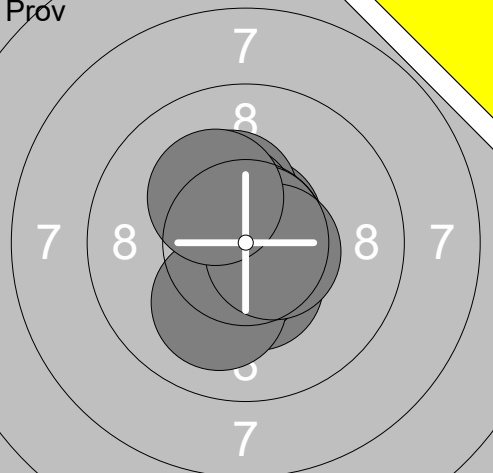

<p>Pröv</p> 	<p>1: 10.6x ↓ 2: 10.4x → 3: 10.3x ↓ 4: 10.2x ↓ 5: 10.1 ↓ 6: 10.4x ↓ 7: 9.9 ↗ 8: 10.5x → 9: 10.6x → 10: 10.9x ↖</p> <p>Serie 103.9 Total 0.0</p>	<p>Pröv</p> 	<p>11: 10.2x ↓ 12: 10.5x ↓ 13: 10.5x ← 14: 10.5x ↓ 15: 10.2x ← 16: 10.6x ↗ 17: 10.6x ← 18: 10.3x → 19: 10.8x → 20: 10.4x ↗</p> <p>Serie 104.6 Total 0.0</p>
--	--	--	--

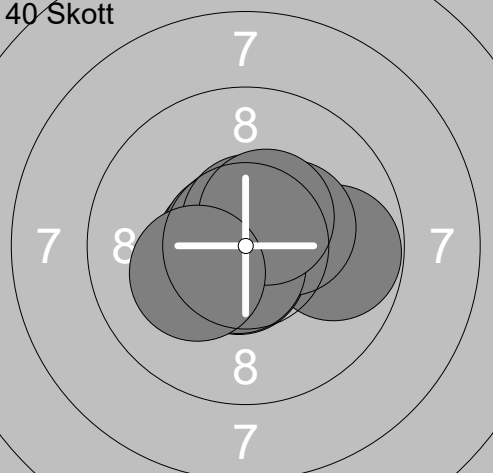
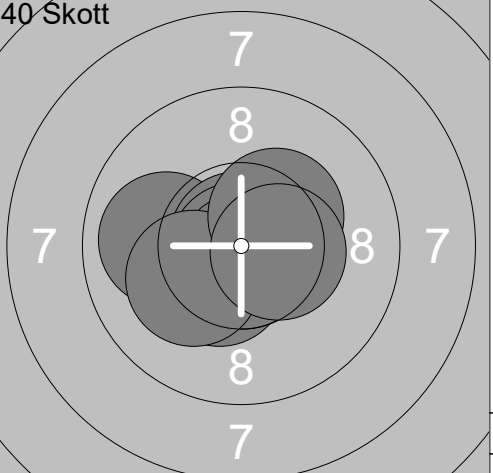
<p>Pröv</p> 	<p>21: 10.6x ← 22: 10.2x ↙ 23: 10.5x ↙ 24: 9.8 → 25: 10.7x ↑</p> <p>Serie 51.8 Total 0.0</p>	<p>40 Skott</p> 	<p>1: 10.2x ↖ 2: 10.6x ← 3: 10.7x → 4: 10.7x ← 5: 10.5x ↓ 6: 10.1 ↑ 7: 10.8x ← 8: 10.4x ↓ 9: 10.3x → 10: 10.6x ↗</p> <p>Serie 104.9 Total 104.9</p>
---	--	---	--

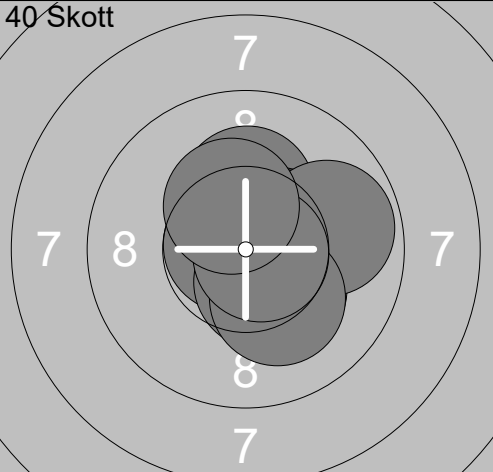
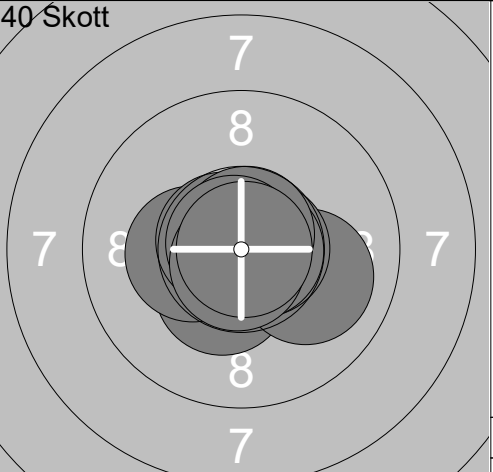
<p>40 Skott</p> 	<p>11: 10.5x → 12: 10.8x ↗ 13: 9.9 → 14: 10.7x ↗ 15: 10.3x ↗ 16: 10.7x → 17: 10.9x ↑ 18: 10.3x ← 19: 10.5x ← 20: 10.3x ←</p> <p>Serie 104.9 Total 209.8</p>	<p>40 Skott</p> 	<p>21: 10.5x ↖ 22: 10.8x ↓ 23: 10.2x → 24: 10.7x ↓ 25: 10.5x ↓ 26: 10.9x ↗ 27: 10.7x ↗ 28: 9.5 ← 29: 10.5x ↑ 30: 10.0 ↑</p> <p>Serie 104.3 Total 314.1</p>
--	--	--	---

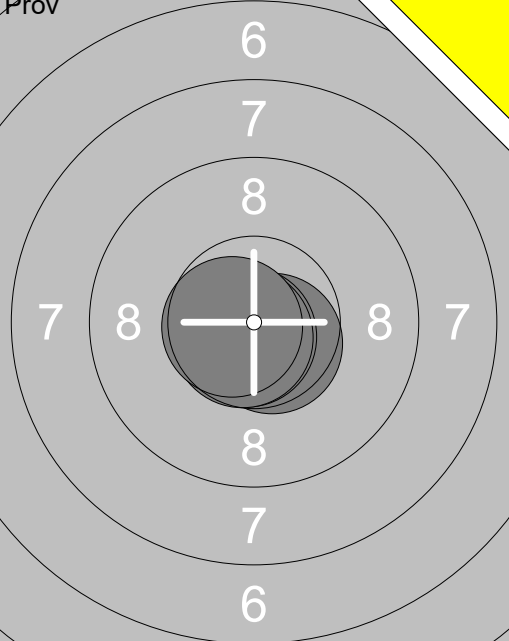
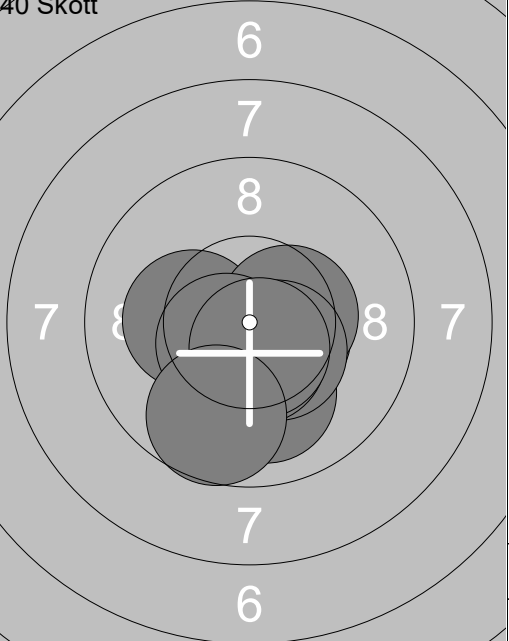
<p>40 Skott</p> 	<p>31: 10.6x ← 32: 10.2x → 33: 9.7 ↗ 34: 10.4x ← 35: 10.6x ↗ 36: 10.7x ↓ 37: 10.1 ↗ 38: 10.5x → 39: 9.5 → 40: 10.2x ↗</p> <p>Serie 102.5 Total 416.6</p>		
--	---	--	--

<p>Pröv</p> 	<p>1: 10.7x →</p> <p>2: 10.4x ↗</p> <p>3: 10.2x →</p> <p>4: 10.5x →</p> <p>5: 10.1 →</p> <p>6: 10.5x ↗</p> <p>7: 10.7x ↙</p> <p>8: 10.4x ↙</p> <p>9: 10.6x →</p> <p>10: 10.7x ↓</p>	<p>Pröv</p> 	<p>11: 10.8x ↙</p> <p>12: 10.7x ↗</p> <p>13: 10.4x ↘</p> <p>14: 9.8 →</p> <p>15: 10.1 ↑</p> <p>16: 10.5x ↑</p> <p>17: 10.4x →</p> <p>18: 10.8x ↓</p> <p>19: 10.4x →</p> <p>20: 10.1 ↓</p>
Serie 104.8		Serie 104.0	
Total 0.0		Total 0.0	

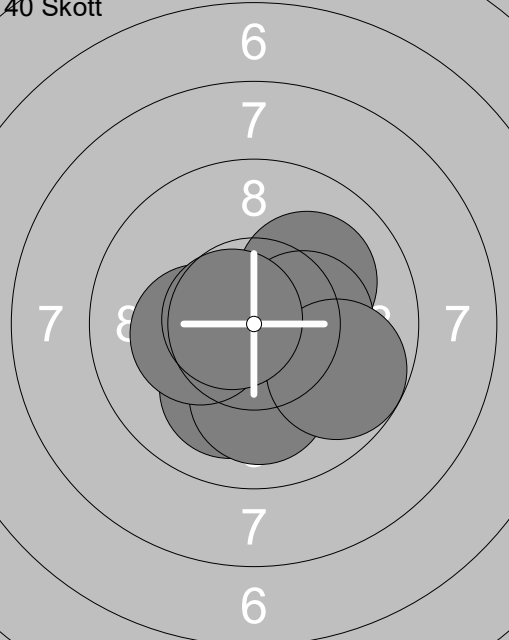
<p>Pröv</p> 	<p>21: 10.4x ↓</p> <p>22: 10.7x ↗</p> <p>23: 10.3x ↗</p> <p>24: 10.5x ↗</p> <p>25: 10.7x →</p> <p>26: 10.6x ↓</p> <p>27: 10.8x ↗</p> <p>28: 10.1 ↓</p> <p>29: 10.6x →</p> <p>30: 10.2x ↗</p>	<p>Pröv</p> 	<p>31: 10.5x ↑</p> <p>32: 10.6x →</p>
Serie 104.9		Serie 21.1	
Total 0.0		Total 0.0	

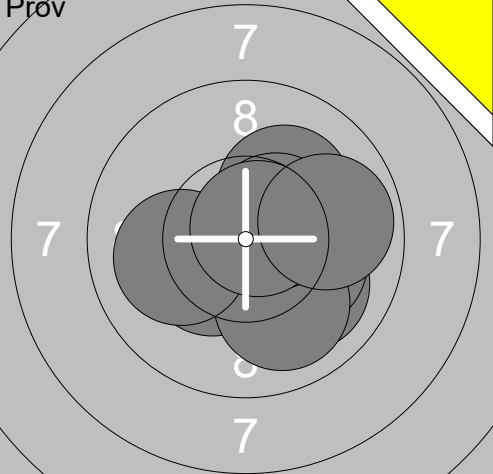
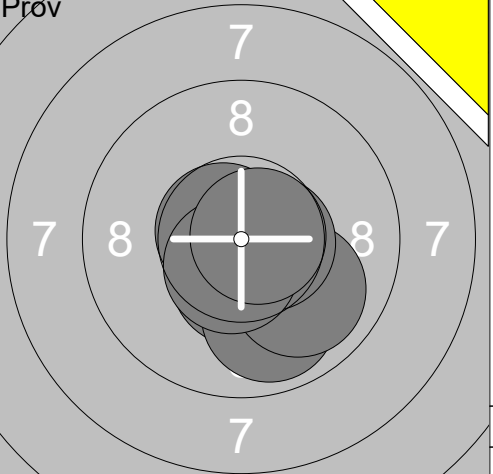
<p>40 Skott</p> 	<p>1: 10.7x ←</p> <p>2: 9.8 →</p> <p>3: 10.7x ↓</p> <p>4: 10.7x ←</p> <p>5: 10.3x →</p> <p>6: 10.7x ↓</p> <p>7: 10.6x ↑</p> <p>8: 10.7x ↓</p> <p>9: 10.5x ↗</p> <p>10: 10.2x ←</p>	<p>40 Skott</p> 	<p>11: 10.8x →</p> <p>12: 10.0 ←</p> <p>13: 10.5x ↗</p> <p>14: 10.9x ↗</p> <p>15: 10.9x ↘</p> <p>16: 10.4x ↘</p> <p>17: 10.7x ↓</p> <p>18: 10.2x ↙</p> <p>19: 10.3x ↗</p> <p>20: 10.5x →</p>
Serie 104.9		Serie 105.2	
Total 104.9		Total 210.1	

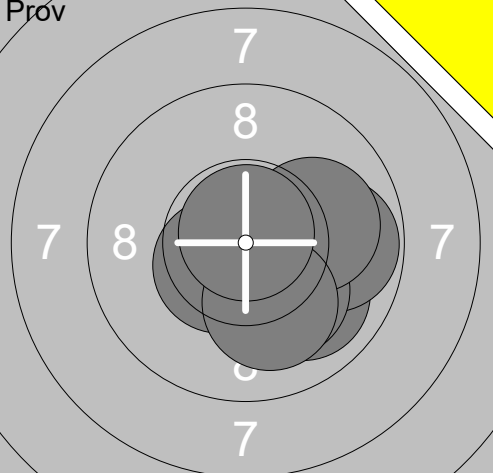
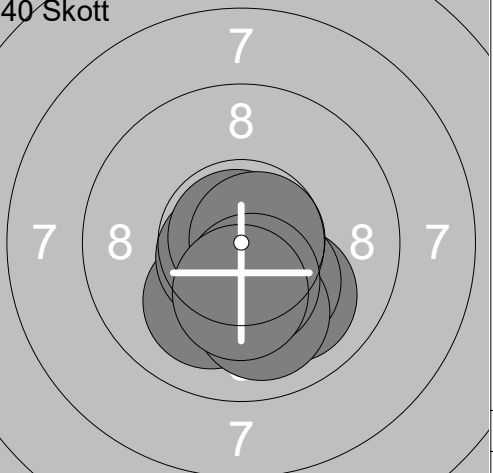
<p>40 Skott</p> 	<p>21: 10.2x ↑</p> <p>22: 10.5x ↗</p> <p>23: 10.3x ↘</p> <p>24: 10.4x →</p> <p>25: 10.8x ↖</p> <p>26: 10.5x ↘</p> <p>27: 9.8 →</p> <p>28: 10.2x ↓</p> <p>29: 10.7x →</p> <p>30: 10.3x ↑</p>	<p>40 Skott</p> 	<p>31: 10.4x ↓</p> <p>32: 10.3x ←</p> <p>33: 10.0 →</p> <p>34: 10.7x ↖</p> <p>35: 10.7x →</p> <p>36: 10.8x →</p> <p>37: 10.7x ↑</p> <p>38: 10.8x ↖</p> <p>39: 10.8x ↓</p> <p>40: 10.9x →</p>
Serie 103.7		Serie 106.1	
Total 313.8		Total 419.9	

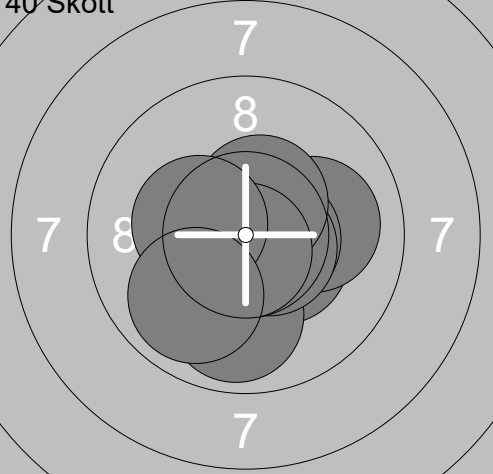
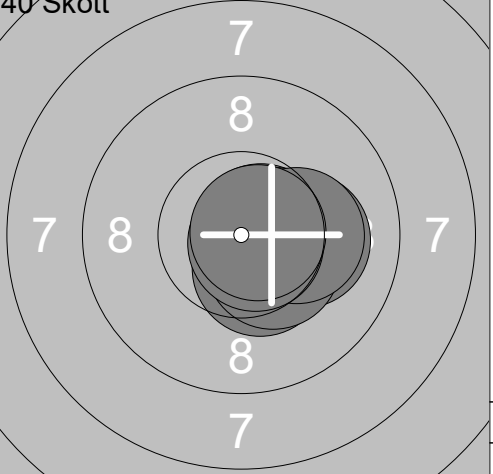
<p>Prov</p> 	<p>1: 10.6x↘ 2: 10.7x↓ 3: 10.7x↓ 4: 10.7x↖</p>	<p>40 Skott</p> 	<p>1: 10.2x↖ 2: 10.5x↘ 3: 10.5x↘ 4: 10.0 ↓ 5: 10.4x↘ 6: 10.4x↓ 7: 10.5x↓ 8: 10.5x↖ 9: 10.6x↓ 10: 9.7 ↓</p>
Serie 42.7		Serie 103.3	
Total 0.0		Total 103.3	

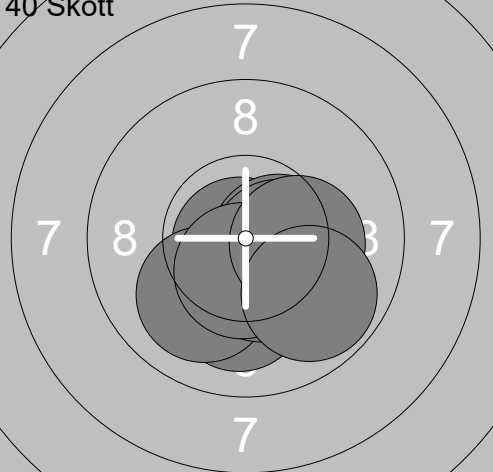
<p>40 Skott</p> 	<p>11: 10.5x↖ 12: 10.6x↘ 13: 10.5x↘ 14: 10.3x↑ 15: 10.3x↓ 16: 10.6x↖ 17: 9.7 ↓ 18: 10.2x↖ 19: 10.0 ↘ 20: 10.7x↓</p>	<p>40 Skott</p> 	<p>21: 10.6x↖ 22: 9.7 ↘ 23: 10.4x↓ 24: 10.1 ↓ 25: 10.1 → 26: 10.7x↖ 27: 10.5x↖ 28: 10.9x↖ 29: 10.7x↘ 30: 10.6x↖</p>
Serie 103.4		Serie 104.3	
Total 206.7		Total 311.0	

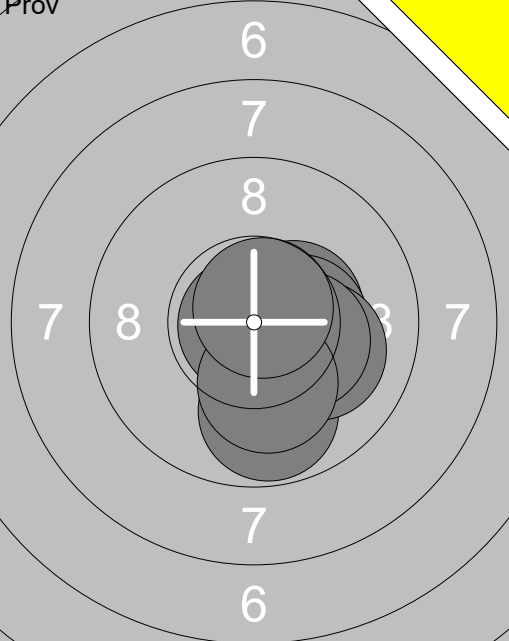
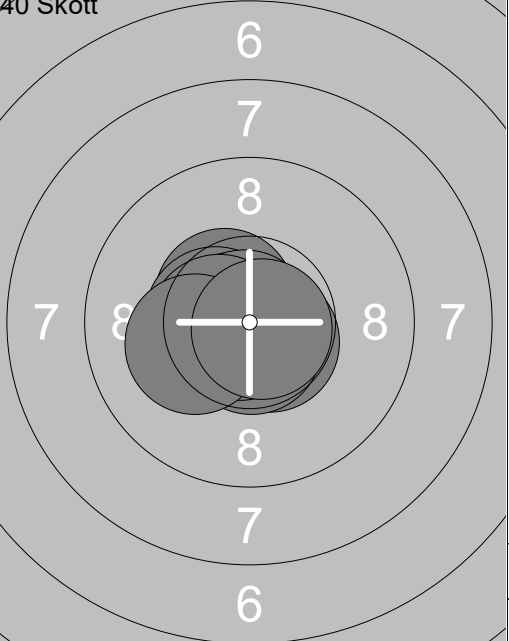
<p>40 Skott</p> 	<p>31: 10.3x↘ 32: 10.1 ↗ 33: 10.2x↘ 34: 10.7x↘ 35: 10.1 ↓ 36: 10.0 ↓ 37: 10.3x↘ 38: 9.8 ↘ 39: 10.2x↖ 40: 10.7x↖</p>	
Serie 102.4		
Total 413.4		

<p>Pröv</p> 	<p>1: 10.2x ↗ 2: 10.0 ↘ 3: 10.2x → 4: 10.4x ↙ 5: 10.5x → 6: 10.0 ↘ 7: 10.5x ↗ 8: 10.1 ← 9: 10.7x ↗ 10: 9.9 →</p> <p>Serie 102.5 Total 0.0</p>	<p>Pröv</p> 	<p>11: 10.4x ↓ 12: 10.4x ↘ 13: 10.1 ↘ 14: 10.6x ↘ 15: 10.7x ↗ 16: 9.9 ↘ 17: 10.0 ↘ 18: 10.6x → 19: 10.6x ↓ 20: 10.7x →</p> <p>Serie 104.0 Total 0.0</p>
--	--	--	--

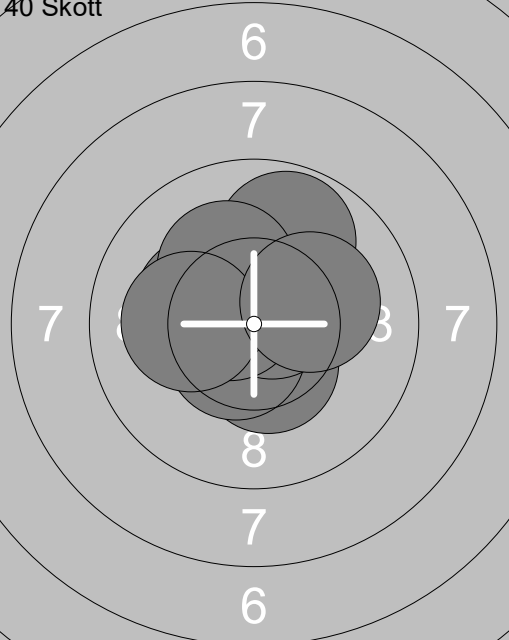
<p>Pröv</p> 	<p>21: 10.9x ↓ 22: 10.6x ↓ 23: 10.0 ↘ 24: 10.8x → 25: 9.8 → 26: 10.2x ↘ 27: 10.5x ↙ 28: 10.0 → 29: 10.1 ↓ 30: 10.8x ↑</p> <p>Serie 103.7 Total 0.0</p>	<p>40 Skott</p> 	<p>1: 10.0 ↘ 2: 10.3x ↘ 3: 10.3x ↓ 4: 10.1 ↓ 5: 10.6x ↙ 6: 10.9x ↗ 7: 10.0 ↓ 8: 10.7x → 9: 10.4x ↓ 10: 10.3x ↓</p> <p>Serie 103.6 Total 103.6</p>
---	---	---	--

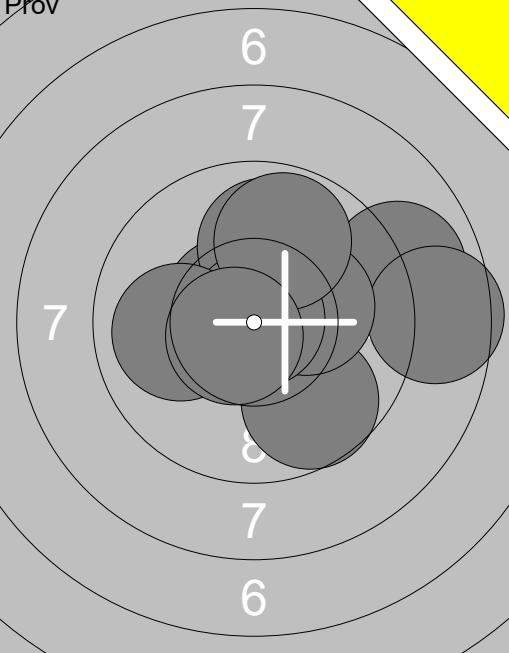
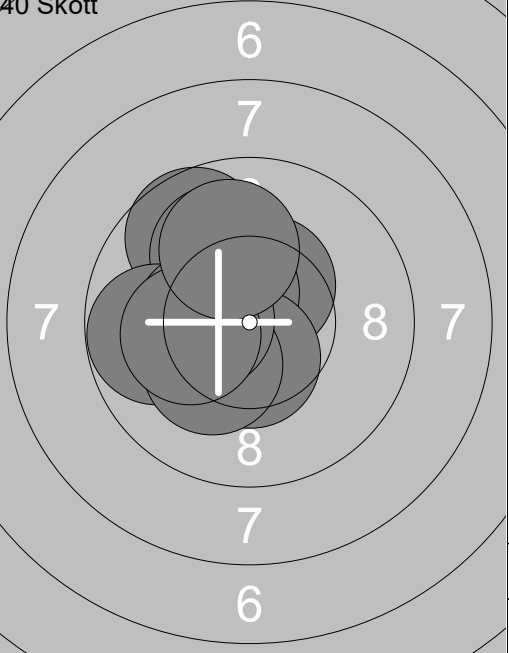
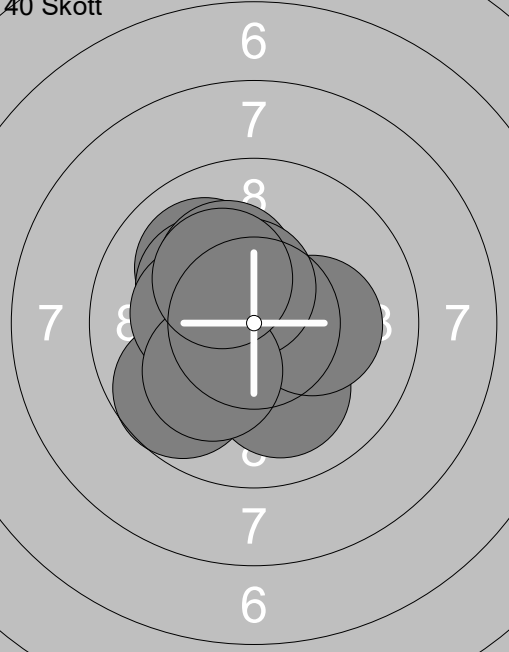
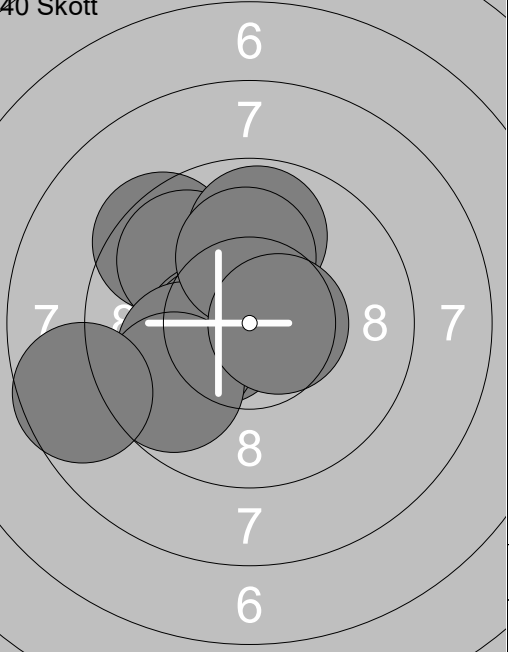
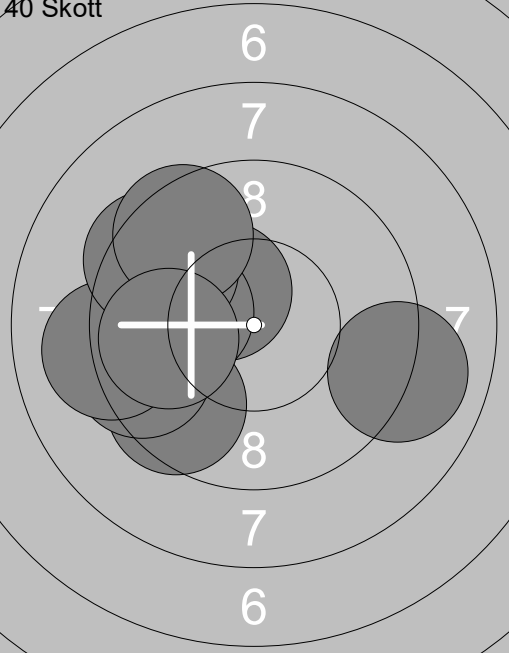
<p>40 Skott</p> 	<p>11: 10.5x → 12: 10.4x ↘ 13: 10.1 → 14: 9.9 ↓ 15: 10.6x → 16: 10.6x ↘ 17: 10.5x ↗ 18: 10.7x ↓ 19: 10.3x ← 20: 9.9 ↘</p> <p>Serie 103.5 Total 207.1</p>	<p>40 Skott</p> 	<p>21: 10.7x → 22: 10.5x ↘ 23: 10.4x ↘ 24: 10.5x → 25: 10.4x ↘ 26: 10.1 → 27: 10.4x ↘ 28: 10.2x → 29: 10.7x ↘ 30: 10.7x →</p> <p>Serie 104.6 Total 311.7</p>
--	---	--	---

<p>40 Skott</p> 	<p>31: 10.6x ↓ 32: 10.8x ↘ 33: 10.1 ↓ 34: 10.5x → 35: 10.5x → 36: 10.0 ↘ 37: 10.4x ↘ 38: 10.5x ↓ 39: 10.3x → 40: 9.8 ↘</p> <p>Serie 103.5 Total 415.2</p>		
--	--	--	--

Prov 	1: 10.4x➤ 2: 10.4x➤ 3: 9.8 ↓ 4: 10.1 ➤ 5: 10.4x↘ 6: 10.3x➤ 7: 10.9x↙ 8: 10.2x↓ 9: 10.7x↗	40 Skott 		1: 10.5x↘ 2: 10.6x↘ 3: 10.5x↙ 4: 10.8x↙ 5: 10.7x↓ 6: 10.8x↘ 7: 10.9x↙ 8: 10.6x↙ 9: 10.2x↙ 10: 10.8x↘
Serie	93.2	Serie	106.4	
Total	0.0	Total	106.4	

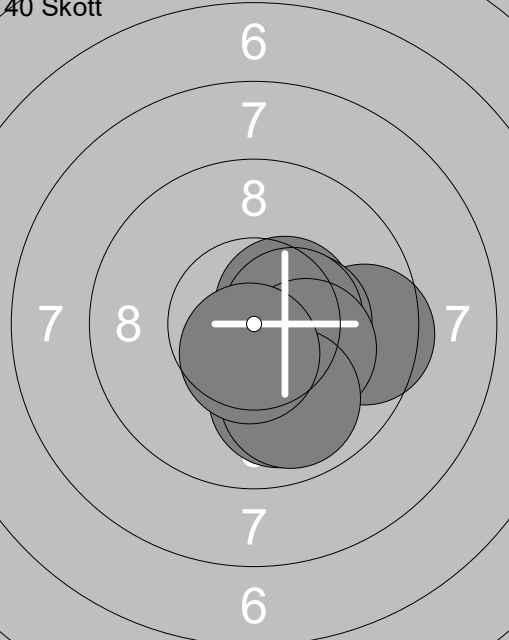
40 Skott 	11: 10.4x↗ 12: 10.4x↑ 13: 10.8x↘ 14: 10.5x↘ 15: 10.3x↑ 16: 10.7x↘ 17: 10.9x➤ 18: 10.1 ↖ 19: 10.6x↑ 20: 10.8x↑	40 Skott 		21: 10.1 ↑ 22: 10.5x↑ 23: 10.6x↘ 24: 10.1 ↗ 25: 10.8x↗ 26: 10.8x↘ 27: 10.0 ↓ 28: 10.7x↘ 29: 10.2x↓ 30: 10.5x↘
Serie	105.5	Serie	104.3	
Total	211.9	Total	316.2	

40 Skott 	31: 10.4x↓ 32: 10.6x↘ 33: 10.6x↗ 34: 10.6x↘ 35: 10.6x↘ 36: 9.8 ↑ 37: 10.3x↙ 38: 10.2x↘ 39: 10.2x↙ 40: 10.2x➤			
Serie	103.5			
Total	419.7			

<p>Pröv</p> 	<p>1: 9.0 →</p> <p>2: 8.6 →</p> <p>3: 10.6✕</p> <p>4: 9.9 ↑</p> <p>5: 9.7 ↓</p> <p>6: 10.2✕→</p> <p>7: 10.9✕↗</p> <p>8: 9.8 ↑</p> <p>9: 10.0 ←</p> <p>10: 10.6✕</p>	<p>40 Skott</p> 	<p>1: 9.7 ↖</p> <p>2: 10.0 ↖</p> <p>3: 9.8 ←</p> <p>4: 10.4✕↗</p> <p>5: 10.5✕↘</p> <p>6: 10.5✕↓</p> <p>7: 10.2✕↘</p> <p>8: 10.4✕↖</p> <p>9: 10.2✕↖</p> <p>10: 10.0 ↑</p>
	Serie 99.3		Serie 101.7
	Total 0.0		Total 101.7
<p>40 Skott</p> 	<p>11: 10.0 ↖</p> <p>12: 10.2✕↖</p> <p>13: 9.7 ↙</p> <p>14: 10.2✕↖</p> <p>15: 10.1 ↓</p> <p>16: 10.2✕→</p> <p>17: 10.5✕↗</p> <p>18: 10.3✕↖</p> <p>19: 10.1 ↙</p> <p>20: 10.3✕↖</p>	<p>40 Skott</p> 	<p>21: 9.4 ↖</p> <p>22: 9.8 ↖</p> <p>23: 10.5✕↖</p> <p>24: 10.5✕↖</p> <p>25: 10.1 ←</p> <p>26: 9.8 ↑</p> <p>27: 10.1 ↑</p> <p>28: 9.7 ↙</p> <p>29: 10.6✕→</p> <p>30: 8.6 ←</p>
	Serie 101.6		Serie 99.1
	Total 203.3		Total 302.4
<p>40 Skott</p> 	<p>31: 9.5 ↙</p> <p>32: 9.4 ←</p> <p>33: 10.4✕↖</p> <p>34: 10.0 ←</p> <p>35: 9.1 ←</p> <p>36: 9.0 →</p> <p>37: 9.6 ↖</p> <p>38: 9.4 ↖</p> <p>39: 9.5 ↖</p> <p>40: 9.8 ←</p>		
	Serie 95.7		
	Total 398.1		

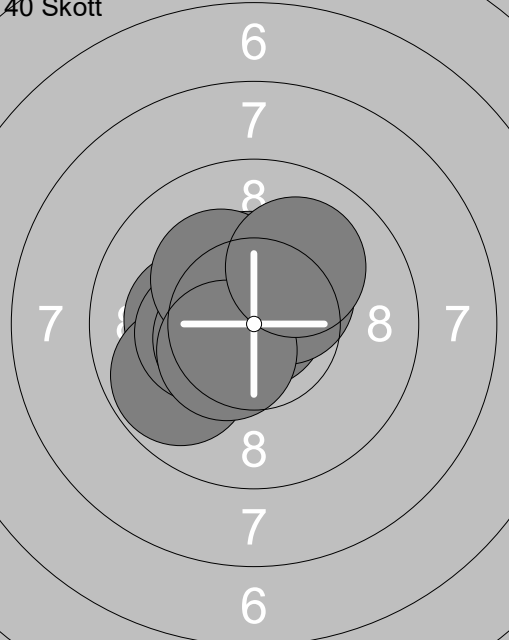
<p>Prov</p> 	<p>1: 9.0 ↙</p> <p>2: 9.7 ↙</p> <p>3: 10.6✕</p> <p>4: 10.7x↓</p> <p>5: 10.5x↓</p> <p>6: 10.0 ↗</p> <p>7: 10.6x↗</p> <p>8: 9.5 →</p> <p>9: 10.6x↓</p> <p>10: 9.5 →</p>	<p>40 Skott</p> 		<p>1: 10.6x↓</p> <p>2: 10.9✕</p> <p>3: 10.9x↓</p> <p>4: 10.8x↗</p> <p>5: 10.3x↘</p> <p>6: 10.4x↘</p> <p>7: 10.2x></p> <p>8: 9.6 →</p> <p>9: 10.9✕</p> <p>10: 10.6x></p>
Serie 100.7	Total 0.0			Serie 105.2
				Total 105.2

<p>40 Skott</p> 	<p>11: 10.6x↗</p> <p>12: 9.9 →</p> <p>13: 10.6✕</p> <p>14: 10.7✕</p> <p>15: 10.3x↓</p> <p>16: 10.7✕</p> <p>17: 10.4x↗</p> <p>18: 10.1 ↖</p> <p>19: 10.2x↗</p> <p>20: 10.7x↓</p>	<p>40 Skott</p> 		<p>21: 10.3x↓</p> <p>22: 10.5x↗</p> <p>23: 10.1 ↓</p> <p>24: 10.1 →</p> <p>25: 10.0 ↓</p> <p>26: 10.2x↗</p> <p>27: 10.1 →</p> <p>28: 9.5 →</p> <p>29: 10.2x↗</p> <p>30: 10.2x></p>
Serie 104.2	Total 209.4			Serie 101.2
				Total 310.6

<p>40 Skott</p> 	<p>31: 10.5x↗</p> <p>32: 10.1 ↓</p> <p>33: 10.4x↓</p> <p>34: 9.5 →</p> <p>35: 10.3x></p> <p>36: 10.5x></p> <p>37: 10.0 ↓</p> <p>38: 10.2x></p> <p>39: 9.9 ↓</p> <p>40: 10.6x↓</p>			
Serie 102.0	Total 412.6			

<p>Prov</p> 	<p>40 Skott</p> 	<p>1: 10.6x ↘</p> <p>2: 10.2x ↘</p> <p>3: 9.2 →</p> <p>4: 10.4x →</p> <p>5: 10.6x ↘</p> <p>6: 10.0 →</p> <p>7: 9.9 →</p> <p>8: 9.6 →</p> <p>9: 10.9x ↘</p> <p>10: 10.8x ↘</p> <hr/> <p>Serie 102.2</p> <p>Total 0.0</p>	<p>1: 10.3x ↘</p> <p>2: 10.0 ↙</p> <p>3: 10.8x ↘</p> <p>4: 10.1 ↗</p> <p>5: 10.3x ↘</p> <p>6: 10.1 →</p> <p>7: 10.1 ←</p> <p>8: 10.2x ↗</p> <p>9: 10.5x ↘</p> <p>10: 9.8 ↙</p> <hr/> <p>Serie 102.2</p> <p>Total 102.2</p>
--	--	---	--

<p>40 Skott</p> 	<p>40 Skott</p> 	<p>11: 9.6 ↗</p> <p>12: 10.1 ↘</p> <p>13: 10.2x →</p> <p>14: 10.5x ↓</p> <p>15: 10.2x ↘</p> <p>16: 10.3x ↘</p> <p>17: 10.3x ↓</p> <p>18: 10.6x ↘</p> <p>19: 10.6x ↘</p> <p>20: 9.9 ↓</p> <hr/> <p>Serie 102.3</p> <p>Total 204.5</p>	<p>21: 10.0 ↓</p> <p>22: 10.5x ↓</p> <p>23: 10.4x ↘</p> <p>24: 10.2x ↓</p> <p>25: 9.9 →</p> <p>26: 10.0 ↙</p> <p>27: 10.5x →</p> <p>28: 10.0 ↙</p> <p>29: 10.8x ↘</p> <p>30: 10.7x ↗</p> <hr/> <p>Serie 103.0</p> <p>Total 307.5</p>
---	---	--	--

<p>40 Skott</p> 	<p>31: 10.9x ↗</p> <p>32: 10.4x ↗</p> <p>33: 10.2x ↙</p> <p>34: 9.8 ↙</p> <p>35: 10.3x ↙</p> <p>36: 10.4x ↗</p> <p>37: 10.5x ↙</p> <p>38: 10.2x ↘</p> <p>39: 10.5x ↘</p> <p>40: 10.1 ↗</p> <hr/> <p>Serie 103.3</p> <p>Total 410.8</p>		
--	--	--	--