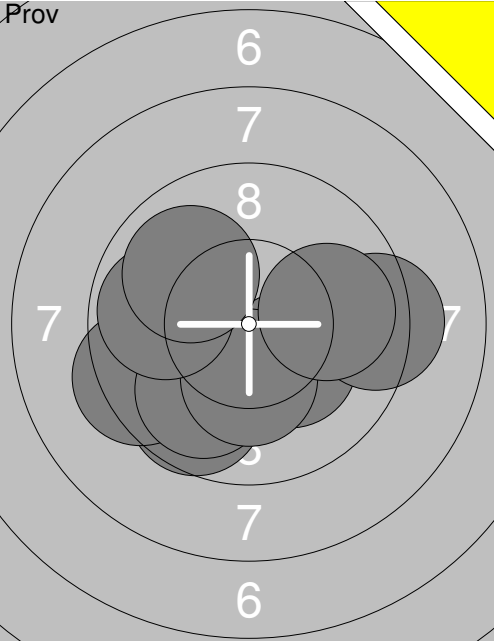
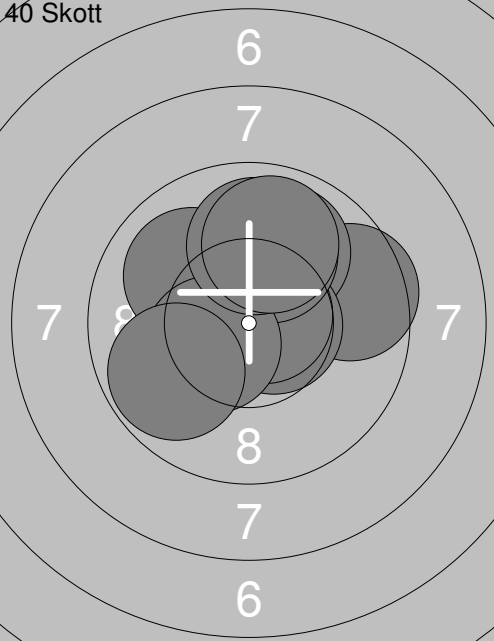
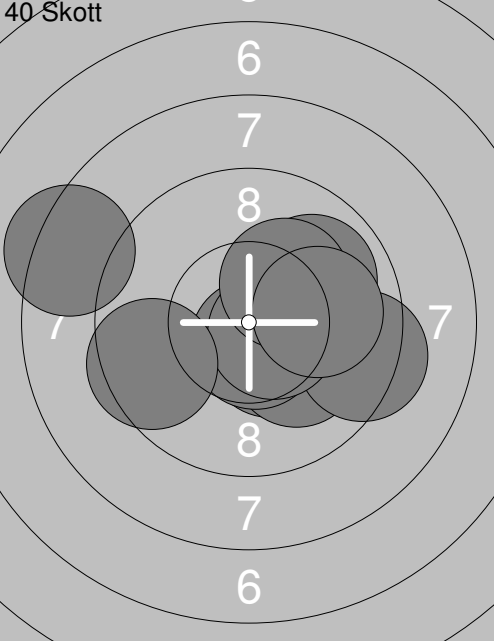
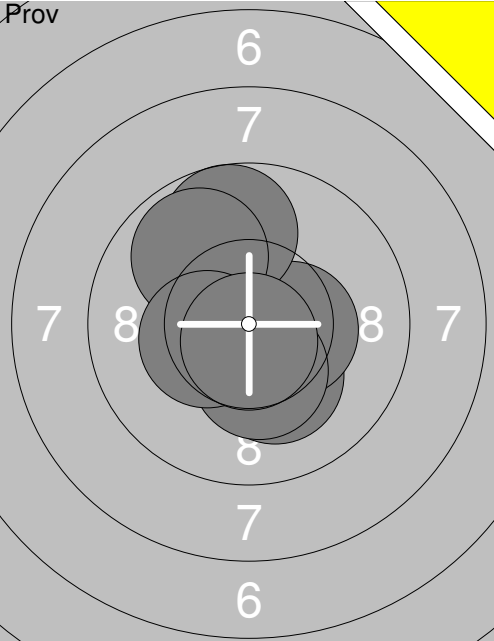
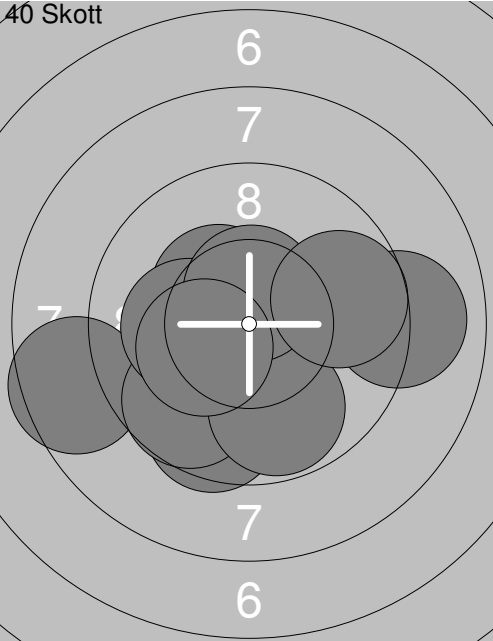
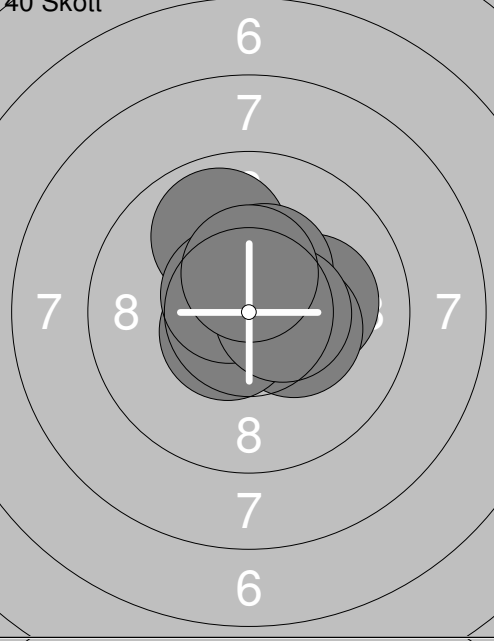
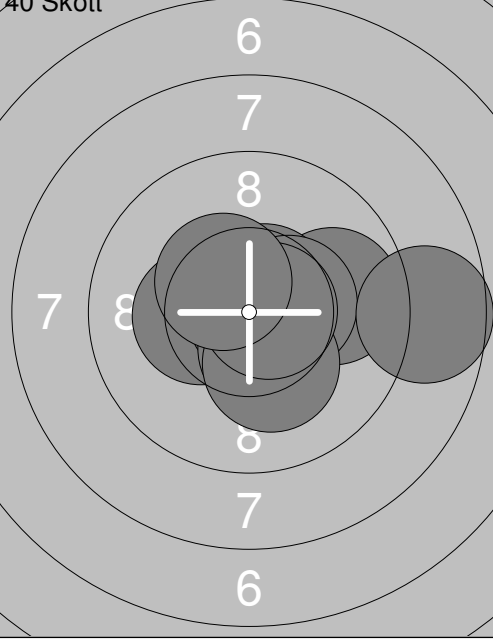
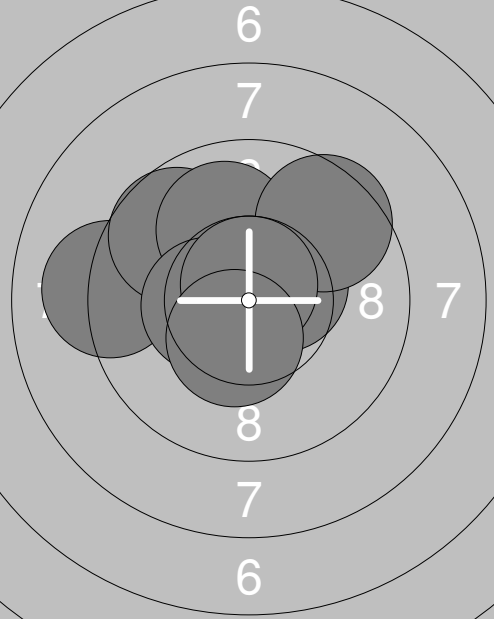


Skjutlag	Tavla	Hanna Lundin	
S		Umeå Skytteförening	Sen
31.10.2020	Nationella SM 2020	Umeå skytteallians	
Prov		1: 10.2x ↘ 2: 10.2x ↘ 3: 9.7 ↘ 4: 9.4 ↙ 5: 9.9 ↘ 6: 9.3 → 7: 10.3x ↘ 8: 9.9 → 9: 9.8 ← 10: 9.9 ↖	11: 9.5 ↗ 12: 10.1 ↗ 13: 10.3x ↘ 14: 10.0 ← 15: 9.5 ← 16: 10.3x ↘ 17: 10.0 ↗
		Serie 93.0	Serie 68.0
		Total 0.0	Total 0.0
40 Skott		1: 9.6 → 2: 9.9 ↗ 3: 10.6x → 4: 10.7x ↗ 5: 10.0 ↖ 6: 10.0 ↗ 7: 10.4x ↘ 8: 9.8 ↙ 9: 9.9 ↗ 10: 9.9 ↗	11: 10.6x ↘ 12: 10.0 ← 13: 10.3x ← 14: 9.8 → 15: 10.5x ↘ 16: 9.5 ← 17: 9.4 ↗ 18: 10.1 ← 19: 10.6x ↘ 20: 9.9 ↘
		Serie 95.0	Serie 96.0
		Total 95.0	Total 191.0
40 Skott		21: 10.4x ↘ 22: 10.1 ↘ 23: 9.3 → 24: 10.6x ↘ 25: 10.6x ↘ 26: 9.9 ↗ 27: 10.2x ↗ 28: 10.0 → 29: 9.5 ← 30: 8.3 ←	31: 9.7 ← 32: 10.3x ↘ 33: 10.7x ← 34: 10.6x ↘ 35: 8.6 ← 36: 10.2x ↘ 37: 9.8 → 38: 10.4x ← 39: 10.0 → 40: 10.4x →
		Serie 95.0	Serie 96.0
		Total 286.0	Total 382.0

Skjuttlag	Tavla	Nicolle Nygren	
1	13	Umeå Skytteförening	Sen
31.10.2020	Nationella SM 2020	Umeå skytteallians	
Prov 	1: 10.2x↓	40 Skott 	1: 8.6 ←
	2: 10.4x→		2: 10.4x↖
	3: 10.3x↓		3: 9.6 ↓
	4: 9.7 ↑		4: 9.7 ↓
	5: 9.9 ↖		5: 9.8 ↓
	6: 10.4x↖		6: 10.2x↖
	7: 10.7x↓		7: 10.6x↑
			8: 9.0 →
			9: 9.7 →
			10: 10.3x↖
	Serie 68.0		Serie 93.0
	Total 0.0		Total 93.0
40 Skott 	11: 10.1→	40 Skott 	21: 10.3x↖
	12: 10.3x→		22: 9.8 →
	13: 10.7x↖		23: 10.9x→
	14: 9.9 ↖		24: 10.4x↓
	15: 10.6x↖		25: 10.6x↖
	16: 10.6x↑		26: 10.4x→
	17: 10.4x↖		27: 10.2x↓
	18: 10.6x↖		28: 10.7x→
	19: 10.5x→		29: 8.7 →
	20: 10.4x↑		30: 10.4x↖
	Serie 99.0		Serie 97.0
	Total 192.0		Total 289.0
40 Skott 	31: 10.8x↖		
	32: 9.1 ←		
	33: 9.7 ↖		
	34: 10.4x↖		
	35: 10.0 ↖		
	36: 10.5x↖		
	37: 10.4x↖		
	38: 9.5 ↗		
	39: 10.7x↑		
	40: 10.4x↓		
	Serie 97.0		
	Total 386.0		

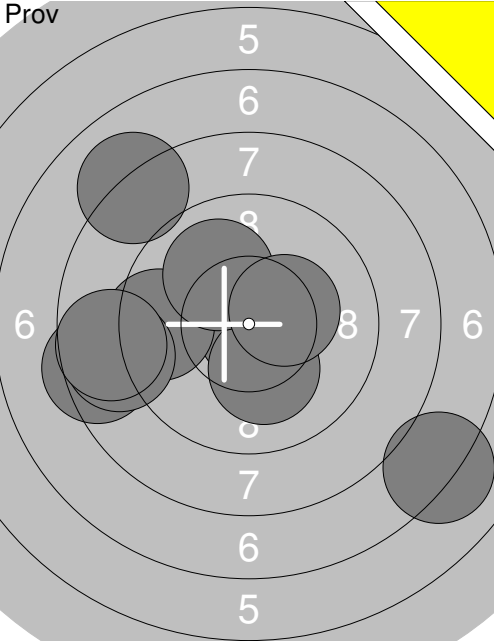
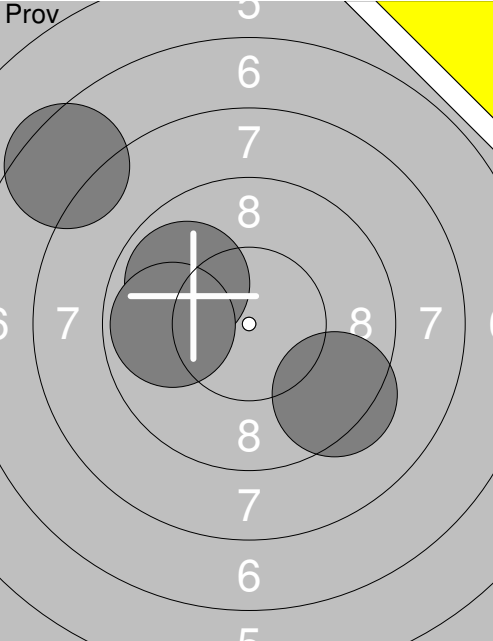
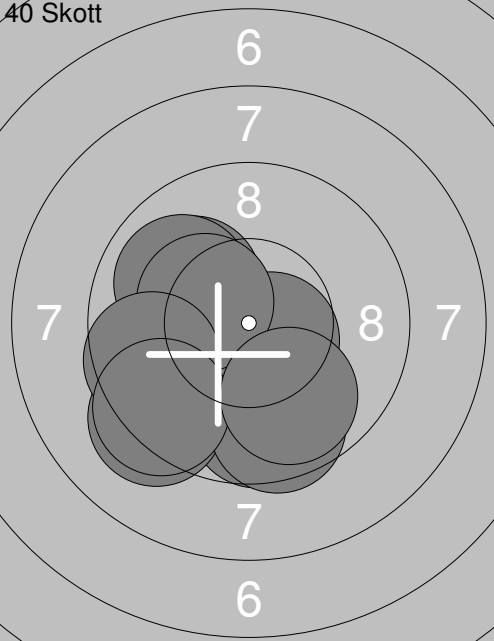
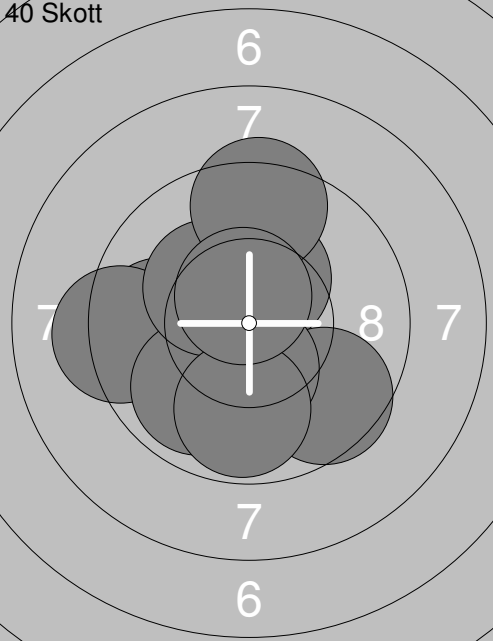
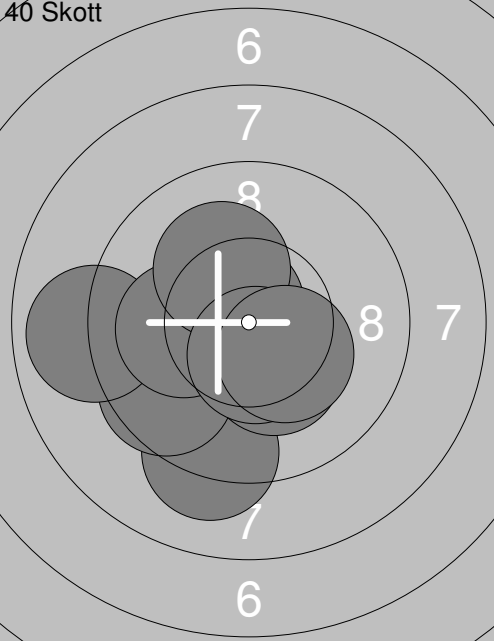
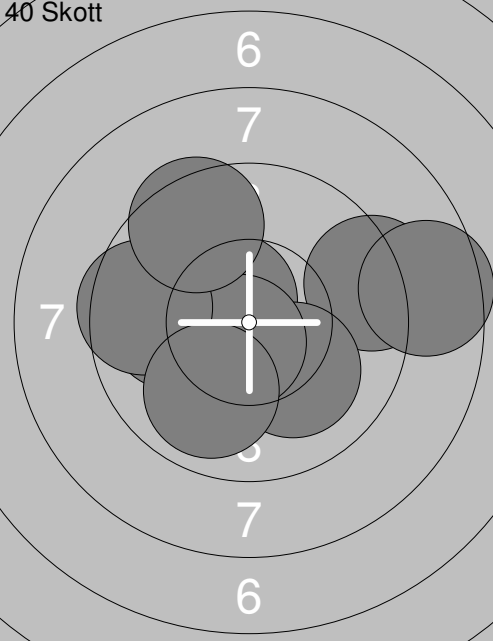
<p>Prov</p>	<p>40 Skott</p>	<table style="width:100%; border-collapse: collapse;"> <tr><td>1:</td><td>9.6 ↖</td><td>1:</td><td>10.4x ↗</td></tr> <tr><td>2:</td><td>10.3x ↘</td><td>2:</td><td>9.9 ↓</td></tr> <tr><td>3:</td><td>9.9 ↑</td><td>3:</td><td>9.5 ↖</td></tr> <tr><td>4:</td><td>10.7x ↘</td><td>4:</td><td>9.9 →</td></tr> <tr><td>5:</td><td>10.3x ↗</td><td>5:</td><td>10.2x ↘</td></tr> <tr><td>6:</td><td>9.6 ↖</td><td>6:</td><td>10.0 ←</td></tr> <tr><td>7:</td><td>9.4 ←</td><td>7:</td><td>10.1 →</td></tr> <tr><td>8:</td><td>10.4x ↘</td><td>8:</td><td>9.7 ↓</td></tr> <tr><td>9:</td><td>10.1 →</td><td>9:</td><td>9.3 ↗</td></tr> <tr><td>10:</td><td></td><td>10:</td><td>8.9 ↓</td></tr> <tr><td colspan="2"><b>Serie</b> 86.0</td><td colspan="2"><b>Serie</b> 93.0</td></tr> <tr><td colspan="2"><b>Total</b> 0.0</td><td colspan="2"><b>Total</b> 93.0</td></tr> </table>	1:	9.6 ↖	1:	10.4x ↗	2:	10.3x ↘	2:	9.9 ↓	3:	9.9 ↑	3:	9.5 ↖	4:	10.7x ↘	4:	9.9 →	5:	10.3x ↗	5:	10.2x ↘	6:	9.6 ↖	6:	10.0 ←	7:	9.4 ←	7:	10.1 →	8:	10.4x ↘	8:	9.7 ↓	9:	10.1 →	9:	9.3 ↗	10:		10:	8.9 ↓	<b>Serie</b> 86.0		<b>Serie</b> 93.0		<b>Total</b> 0.0		<b>Total</b> 93.0	
1:	9.6 ↖	1:	10.4x ↗																																															
2:	10.3x ↘	2:	9.9 ↓																																															
3:	9.9 ↑	3:	9.5 ↖																																															
4:	10.7x ↘	4:	9.9 →																																															
5:	10.3x ↗	5:	10.2x ↘																																															
6:	9.6 ↖	6:	10.0 ←																																															
7:	9.4 ←	7:	10.1 →																																															
8:	10.4x ↘	8:	9.7 ↓																																															
9:	10.1 →	9:	9.3 ↗																																															
10:		10:	8.9 ↓																																															
<b>Serie</b> 86.0		<b>Serie</b> 93.0																																																
<b>Total</b> 0.0		<b>Total</b> 93.0																																																

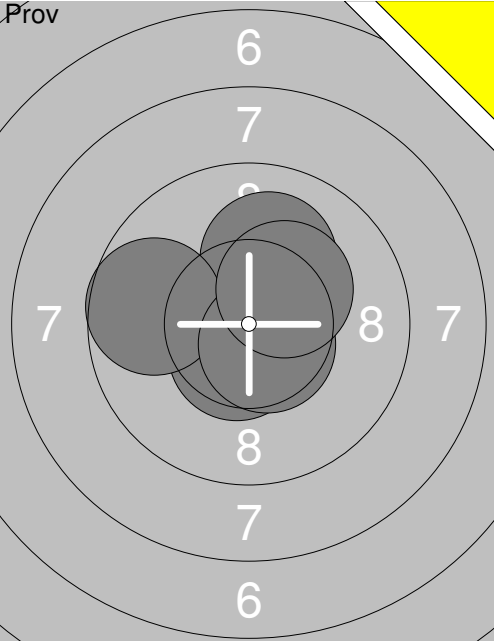
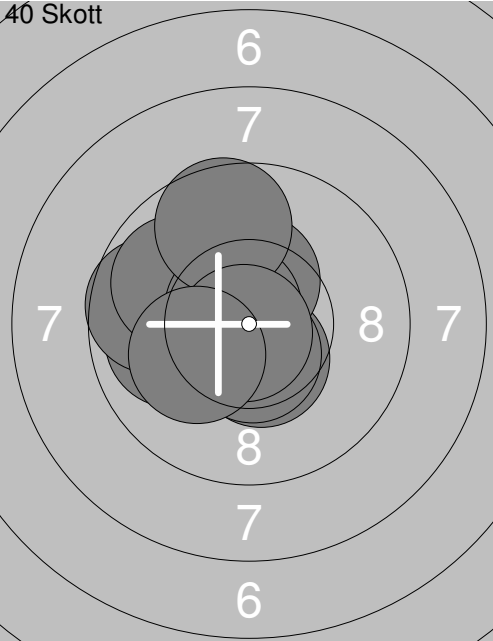
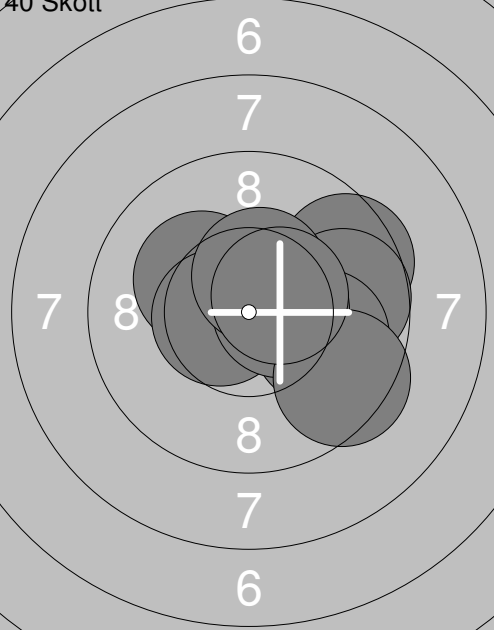
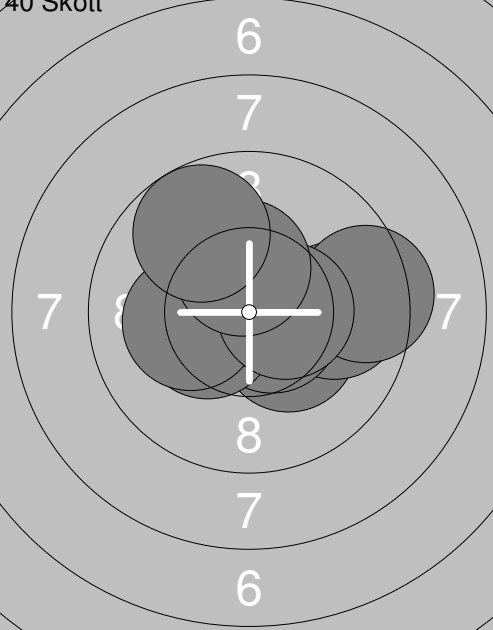
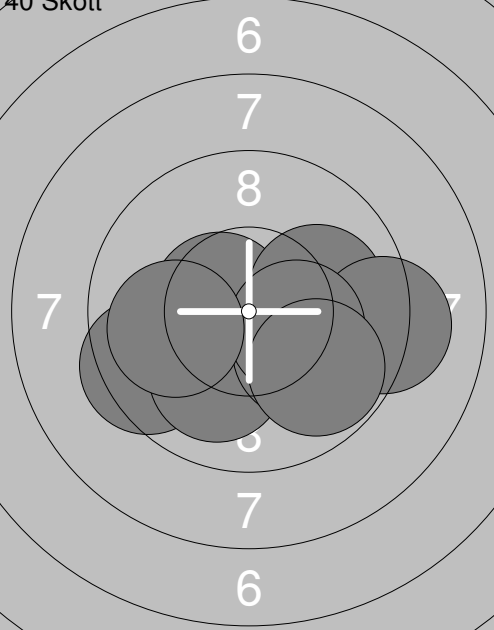
<p>40 Skott</p>	<p>40 Skott</p>	<table style="width:100%; border-collapse: collapse;"> <tr><td>11:</td><td>10.1 ↖</td><td>21:</td><td>9.9 ↓</td></tr> <tr><td>12:</td><td>9.5 →</td><td>22:</td><td>10.0 ←</td></tr> <tr><td>13:</td><td>10.0 ↖</td><td>23:</td><td>9.0 ↓</td></tr> <tr><td>14:</td><td>9.5 ↓</td><td>24:</td><td>10.7x →</td></tr> <tr><td>15:</td><td>8.4 →</td><td>25:</td><td>8.1 ↓</td></tr> <tr><td>16:</td><td>10.2x ↘</td><td>26:</td><td>9.9 ↓</td></tr> <tr><td>17:</td><td>9.4 ↓</td><td>27:</td><td>9.3 ↓</td></tr> <tr><td>18:</td><td>9.8 ←</td><td>28:</td><td>9.7 ↓</td></tr> <tr><td>19:</td><td>10.5x ←</td><td>29:</td><td>10.9x ↗</td></tr> <tr><td>20:</td><td>8.5 ←</td><td>30:</td><td>9.2 →</td></tr> <tr><td colspan="2"><b>Serie</b> 92.0</td><td colspan="2"><b>Serie</b> 92.0</td></tr> <tr><td colspan="2"><b>Total</b> 185.0</td><td colspan="2"><b>Total</b> 277.0</td></tr> </table>	11:	10.1 ↖	21:	9.9 ↓	12:	9.5 →	22:	10.0 ←	13:	10.0 ↖	23:	9.0 ↓	14:	9.5 ↓	24:	10.7x →	15:	8.4 →	25:	8.1 ↓	16:	10.2x ↘	26:	9.9 ↓	17:	9.4 ↓	27:	9.3 ↓	18:	9.8 ←	28:	9.7 ↓	19:	10.5x ←	29:	10.9x ↗	20:	8.5 ←	30:	9.2 →	<b>Serie</b> 92.0		<b>Serie</b> 92.0		<b>Total</b> 185.0		<b>Total</b> 277.0	
11:	10.1 ↖	21:	9.9 ↓																																															
12:	9.5 →	22:	10.0 ←																																															
13:	10.0 ↖	23:	9.0 ↓																																															
14:	9.5 ↓	24:	10.7x →																																															
15:	8.4 →	25:	8.1 ↓																																															
16:	10.2x ↘	26:	9.9 ↓																																															
17:	9.4 ↓	27:	9.3 ↓																																															
18:	9.8 ←	28:	9.7 ↓																																															
19:	10.5x ←	29:	10.9x ↗																																															
20:	8.5 ←	30:	9.2 →																																															
<b>Serie</b> 92.0		<b>Serie</b> 92.0																																																
<b>Total</b> 185.0		<b>Total</b> 277.0																																																

<p>40 Skott</p>	<table style="width:100%; border-collapse: collapse;"> <tr><td>31:</td><td>10.3x ↗</td></tr> <tr><td>32:</td><td>10.0 ↓</td></tr> <tr><td>33:</td><td>9.0 →</td></tr> <tr><td>34:</td><td>8.4 →</td></tr> <tr><td>35:</td><td>9.8 ↗</td></tr> <tr><td>36:</td><td>10.8x ↘</td></tr> <tr><td>37:</td><td>10.2x ↗</td></tr> <tr><td>38:</td><td>10.4x ↖</td></tr> <tr><td>39:</td><td>9.7 →</td></tr> <tr><td>40:</td><td>10.2x ↘</td></tr> <tr><td colspan="2"><b>Serie</b> 95.0</td></tr> <tr><td colspan="2"><b>Total</b> 372.0</td></tr> </table>	31:	10.3x ↗	32:	10.0 ↓	33:	9.0 →	34:	8.4 →	35:	9.8 ↗	36:	10.8x ↘	37:	10.2x ↗	38:	10.4x ↖	39:	9.7 →	40:	10.2x ↘	<b>Serie</b> 95.0		<b>Total</b> 372.0	
31:	10.3x ↗																								
32:	10.0 ↓																								
33:	9.0 →																								
34:	8.4 →																								
35:	9.8 ↗																								
36:	10.8x ↘																								
37:	10.2x ↗																								
38:	10.4x ↖																								
39:	9.7 →																								
40:	10.2x ↘																								
<b>Serie</b> 95.0																									
<b>Total</b> 372.0																									

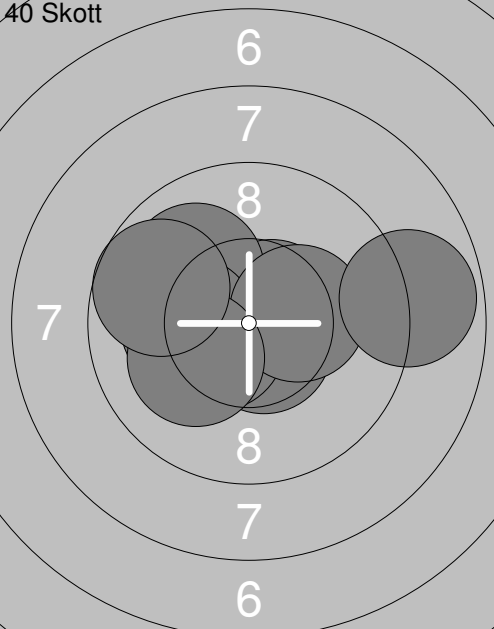
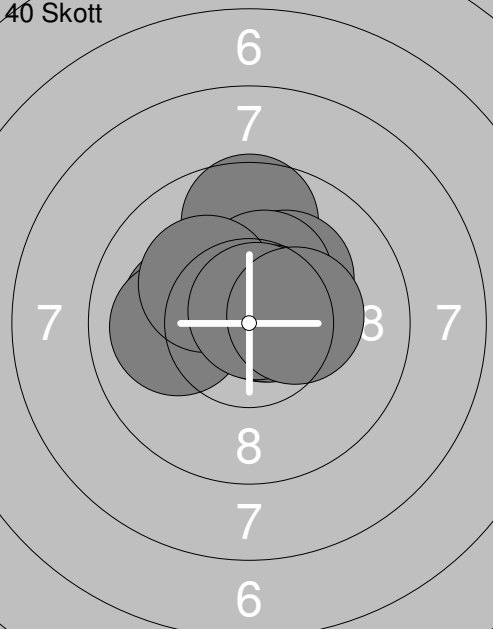
Skjutlag	Tavla	Beatrice Andersson	
2	5	Ramselefors Skytteförening	Jun
31.10.2020	Nationella SM 2020	Umeå skytteallians	
Prov		1: 9.9 ↘ 2: 9.2 ← 3: 8.6 ← 4: 10.0 ↓ 5: 9.1 ↘ 6: 10.5x↗ 7: 10.2x← 8: 8.9 ← 9: 10.7x↗ 10: 9.8 ↖	11: 10.1 ↗ 12: 9.6 → 13: 8.7 ←
	Serie 92.0	Serie 27.0	
	Total 0.0	Total 0.0	
40 Skott		1: 10.0 ↓ 2: 10.1 ↖ 3: 9.3 ↗ 4: 9.8 ↓ 5: 10.0 ↖ 6: 9.1 ↗ 7: 10.4x↖ 8: 10.5x→ 9: 10.6x↖ 10: 9.9 →	11: 9.2 ↖ 12: 9.8 ← 13: 9.4 ↖ 14: 8.2 ← 15: 10.5x↗ 16: 10.4x↓ 17: 10.1 ↗ 18: 10.8x↗ 19: 10.0 ← 20: 9.1 →
	Serie 96.0	Serie 94.0	
	Total 96.0	Total 190.0	
40 Skott		21: 10.0 ↗ 22: 10.6x↓ 23: 8.8 ↗ 24: 9.3 ↓ 25: 9.3 → 26: 9.6 ↗ 27: 10.2x↗ 28: 10.3x↗ 29: 10.0 ↗ 30: 9.9 →	31: 9.7 → 32: 9.9 → 33: 9.6 ↗ 34: 10.6x↓ 35: 9.7 ↗ 36: 9.8 ↗ 37: 10.4x↖ 38: 9.8 ↗ 39: 9.9 ↗ 40: 8.2 ↗
	Serie 94.0	Serie 91.0	
	Total 284.0	Total 375.0	

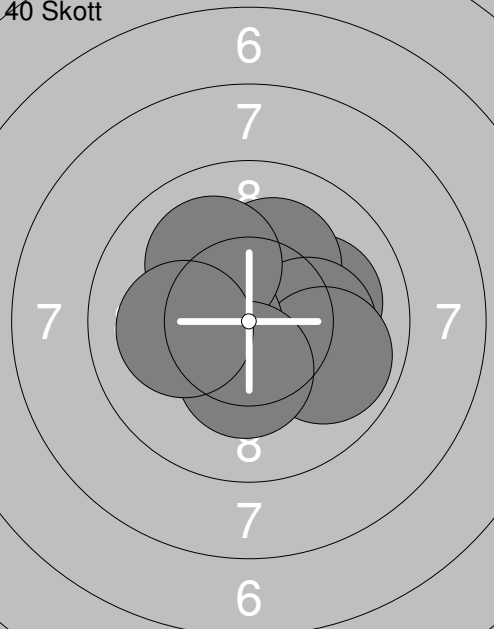
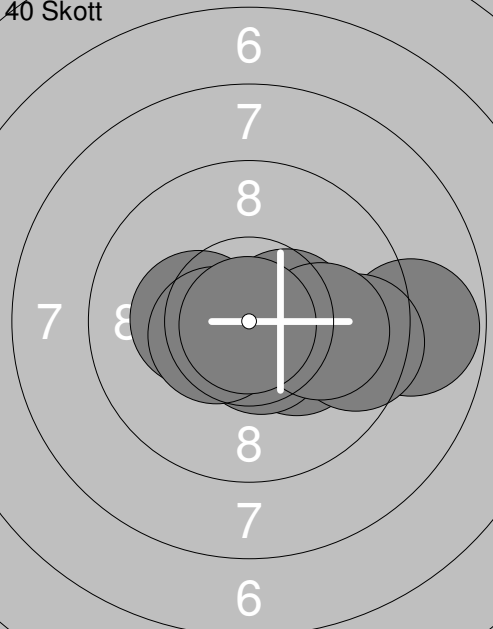
Skjutlag	Tavla	Emma Eriksson	
2	7	Ramselefors Skytteförening	Jun
31.10.2020	Nationella SM 2020	Umeå skytteallians	
Prov		1: 10.0 ↘ 2: 8.9 ← 3: 9.4 ↘ 4: 9.8 ← 5: 9.9 ↘ 6: 9.9 ↗ 7: 10.0 → 8: 10.0 ↑ 9: 9.7 ↗ 10: 9.3 ↑	11: 10.2x↓ 12: 10.3x↑ 13: 10.0 ↙ 14: 9.8 ↘ 15: 9.8 ↖ 16: 9.8 ← 17: 9.3 ↗ 18: 10.0 ← 19: 10.0 ↘ 20: 10.1 ↗
		Serie 92.0	Serie 96.0
		Total 0.0	Total 0.0
40 Skott		1: 10.2x↑ 2: 9.9 ← 3: 9.4 ↗ 4: 10.1 ← 5: 10.4x↓ 6: 10.2x↖ 7: 9.5 ↗ 8: 10.8x→ 9: 9.9 ↘ 10: 9.7 ↘	11: 10.2x→ 12: 9.4 ↙ 13: 10.7x↖ 14: 10.1 ← 15: 9.6 ↘ 16: 10.3x→ 17: 10.7x↖ 18: 10.1 ← 19: 9.4 → 20: 10.4x↓
		Serie 95.0	Serie 97.0
		Total 95.0	Total 192.0
40 Skott		21: 9.1 → 22: 10.6x↖ 23: 9.5 ← 24: 9.7 ↓ 25: 10.3x↓ 26: 10.1 ← 27: 9.8 ↘ 28: 10.4x↓ 29: 10.4x↓ 30: 10.0 →	31: 9.3 ← 32: 9.8 ← 33: 8.7 → 34: 10.1 → 35: 10.5x↖ 36: 9.7 → 37: 9.7 → 38: 10.0 ↗ 39: 8.8 → 40: 9.4 ←
		Serie 96.0	Serie 91.0
		Total 288.0	Total 379.0

Skjutlag	Tavla	Ebba Lundstedt	
2	9		
S	Ramselefors Skytteförening	Jun	
31.10.2020	Nationella SM 2020	Umeå skytteallians	
Prov		Prov	
	1: 10.9x ↘		11: 9.4 ↘
	2: 8.4 ←		12: 7.5 ↗
	3: 9.5 ←		13: 9.9 ↖
	4: 7.1 ↘		14: 9.9 ←
	5: 10.2x ↘		
	6: 8.1 ↗		
	7: 10.0 ↗		
	8: 8.8 ←		
	9: 8.7 ←		
	10: 10.3x ↗		
	Serie 88.0		Serie 34.0
	Total 0.0		Total 0.0
40 Skott		40 Skott	
	1: 9.7 ↓		11: 9.8 ←
	2: 10.6x ↘		12: 10.3x ↗
	3: 10.1 ↖		13: 9.3 ←
	4: 9.2 ↘		14: 9.6 ↘
	5: 9.9 ↖		15: 10.4x ↘
	6: 9.6 ↓		16: 9.9 ↘
	7: 10.3x ↖		17: 10.3x ↖
	8: 9.6 ←		18: 9.4 ↑
	9: 9.4 ↘		19: 9.8 ↓
	10: 9.9 ↘		20: 10.6x ↗
	Serie 93.0		Serie 94.0
	Total 93.0		Total 187.0
40 Skott		40 Skott	
	21: 10.4x ↖		31: 10.0 ←
	22: 9.2 ↓		32: 10.6x ↖
	23: 10.3x ↘		33: 9.9 ←
	24: 9.6 ↘		34: 9.3 →
	25: 8.9 ←		35: 10.1 ↘
	26: 10.7x ↖		36: 10.7x ↘
	27: 10.1 ←		37: 9.6 ←
	28: 10.2x ↖		38: 9.9 ↘
	29: 10.5x ↘		39: 8.6 →
	30: 10.3x ↖		40: 9.5 ↖
	Serie 96.0		Serie 93.0
	Total 283.0		Total 376.0

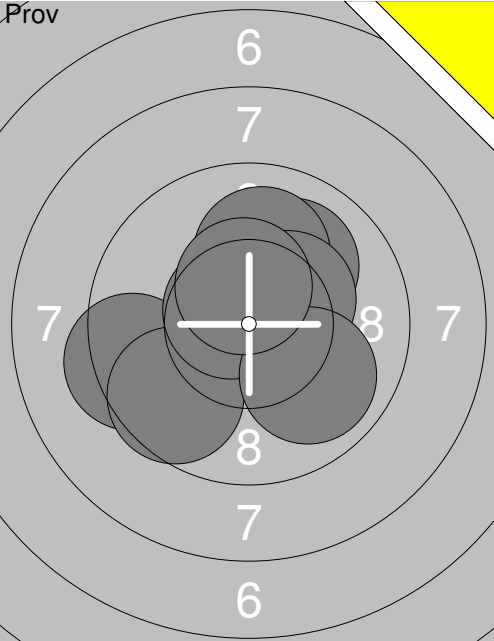
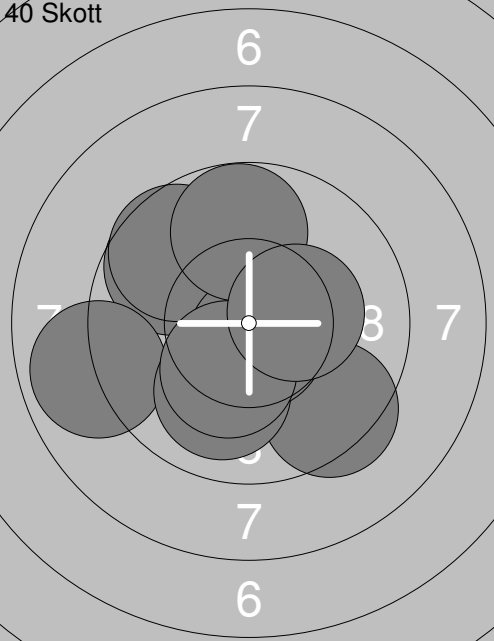
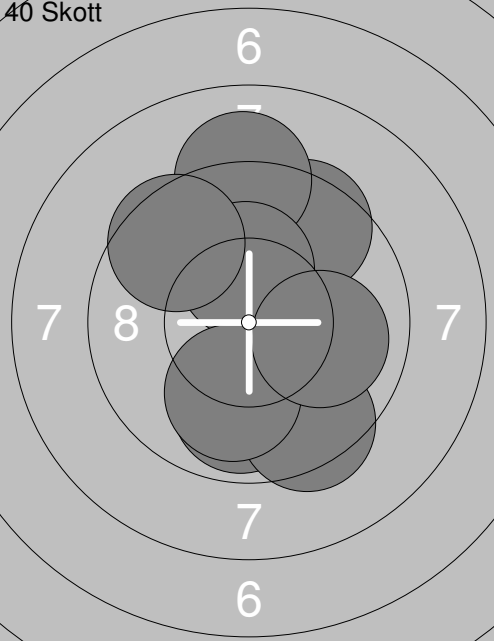
Skjutlag <b>2</b>	Tavla <b>11</b>	<b>Hanna Lundin</b>	
S		Umeå Skytteförening	Jun
31.10.2020	Nationella SM 2020	Umeå skytteallians	
Prov		1: 10.6x ↘ 2: 10.1 ↑ 3: 9.7 ← 4: 10.6x ↘ 5: 10.3x ↗	40 Skott
		Serie 49.0 Total 0.0	
			1: 10.5x ↘ 2: 9.9 ← 3: 9.7 ← 4: 9.9 ↖ 5: 10.6x ↘ 6: 10.4x ↑ 7: 10.7x ↘ 8: 9.6 ↑ 9: 10.8x ↘ 10: 10.2x ↘ Serie 96.0 Total 96.0
40 Skott		11: 9.5 ↗ 12: 10.6x ↑ 13: 10.2x ↘ 14: 9.7 → 15: 10.6x ↖ 16: 10.0 → 17: 10.5x → 18: 10.5x ↑ 19: 9.5 ↘ 20: 10.5x ↗	40 Skott
		Serie 97.0 Total 193.0	
			21: 10.3x ↘ 22: 9.8 → 23: 9.4 → 24: 10.4x ↖ 25: 10.6x ↘ 26: 10.4x ↖ 27: 10.2x ↖ 28: 10.5x → 29: 10.4x ↑ 30: 9.7 ↖ Serie 97.0 Total 290.0
40 Skott		31: 9.5 ↖ 32: 10.7x ↖ 33: 10.6x ↖ 34: 10.0 ↘ 35: 10.0 → 36: 9.2 → 37: 10.1 ↘ 38: 10.3x → 39: 9.8 ↘ 40: 10.0 ←	
		Serie 97.0 Total 387.0	

Prov 	1: 10.7x↙ 2: 9.7 ↗ 3: 9.7 ↖ 4: 10.4x↙ 5: 10.5x↙ 6: 9.5 ↖ 7: 10.0 ➔ 8: 9.8 ↘ 9: 9.8 ↖ 10: 10.4x➔ Serie 95.0 Total 0.0	Prov 	11: 10.0↖ 12: 10.0 ↘ 13: 10.1↖ 14: 10.1↖ Serie 40.0 Total 0.0
--	---	--	--

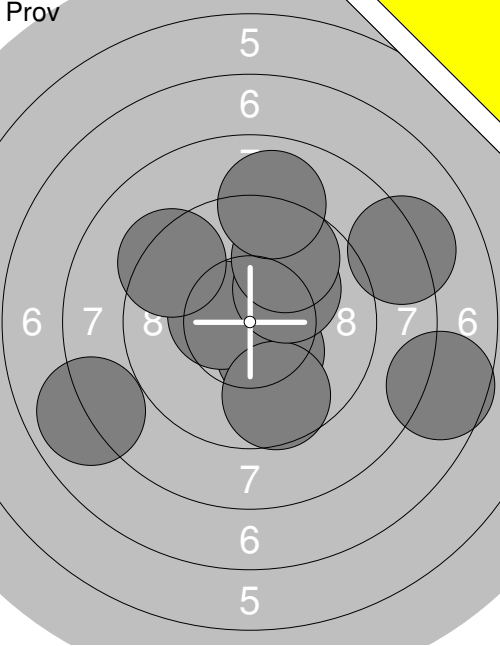
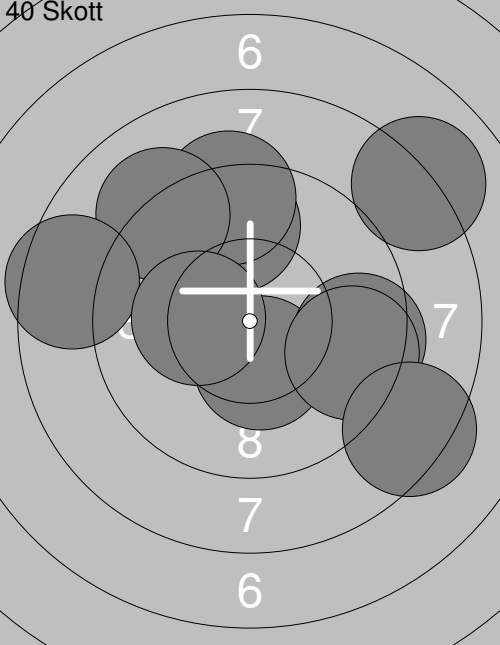
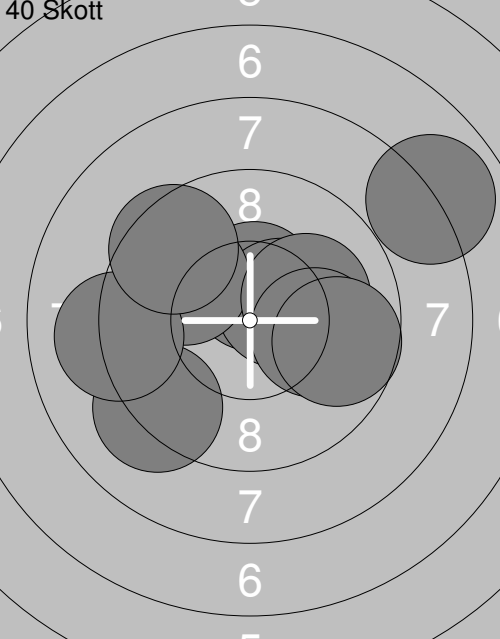
40 Skott 	1: 10.8x↗ 2: 10.6x↘ 3: 10.6x↗ 4: 10.5x↙ 5: 10.0 ↖ 6: 10.2x↖ 7: 10.3x➔ 8: 10.1 ↖ 9: 8.9 ➔ 10: 9.7 ↖ Serie 97.0 Total 97.0	40 Skott 	11: 10.2x↖ 12: 10.0↖ 13: 9.6 ↗ 14: 10.2x↗ 15: 10.3x↗ 16: 10.7x↗ 17: 10.2x↖ 18: 10.7x➔ 19: 10.8x↗ 20: 10.3x➔ Serie 99.0 Total 196.0
---	---	---	---

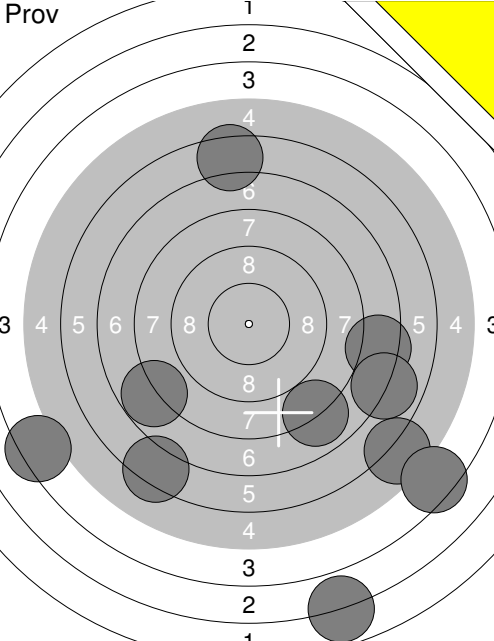
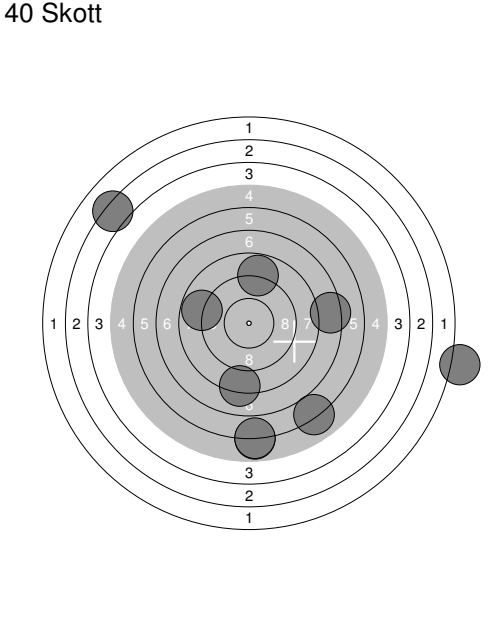
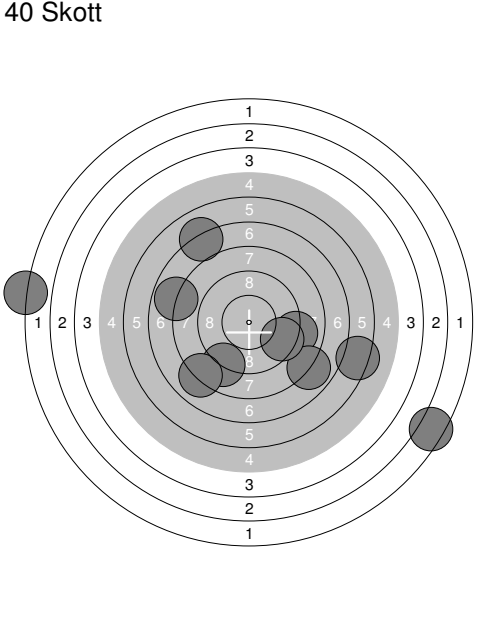
40 Skott 	21: 10.1 ➔ 22: 10.2x↖ 23: 10.6x➔ 24: 10.2x↗ 25: 10.2x➔ 26: 9.9 ➔ 27: 10.5x↖ 28: 10.1 ↖ 29: 10.3x↘ 30: 10.1↖ Serie 99.0 Total 295.0	40 Skott 	31: 10.2x↘ 32: 8.8 ➔ 33: 10.5x➔ 34: 10.5x↖ 35: 10.6x↘ 36: 10.3x↖ 37: 10.5x↖ 38: 9.5 ➔ 39: 10.0 ➔ 40: 10.9x↘ Serie 97.0 Total 392.0
--	---	--	---

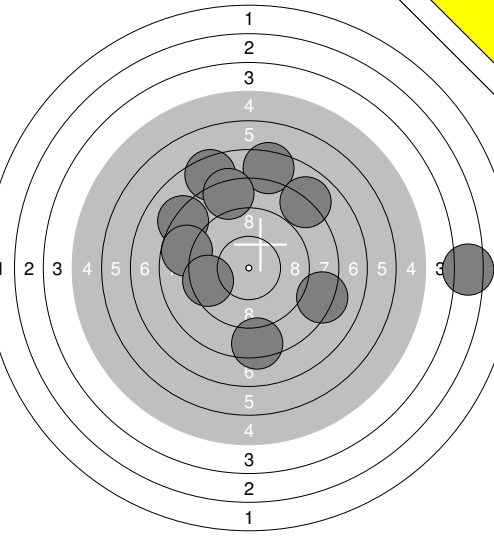
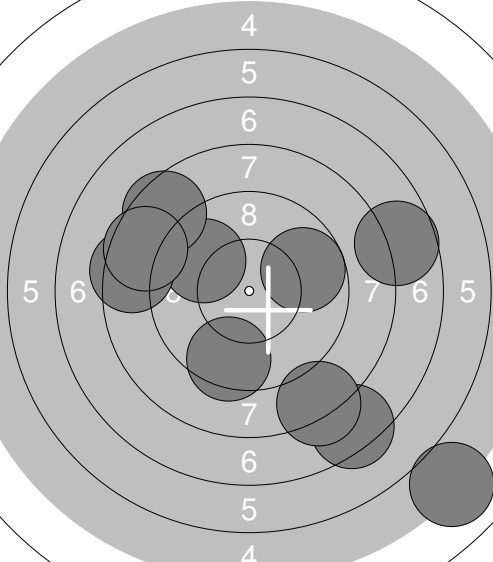


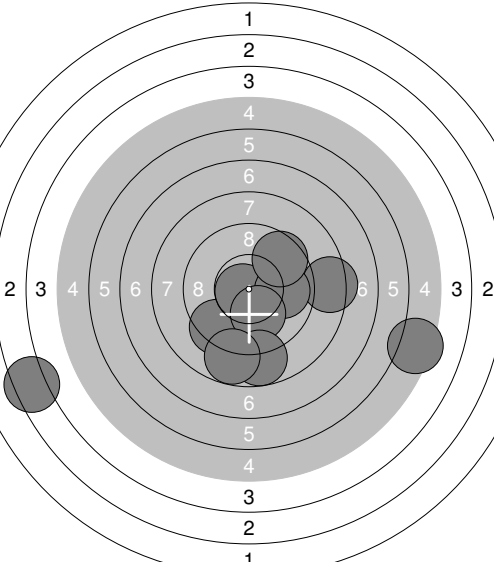
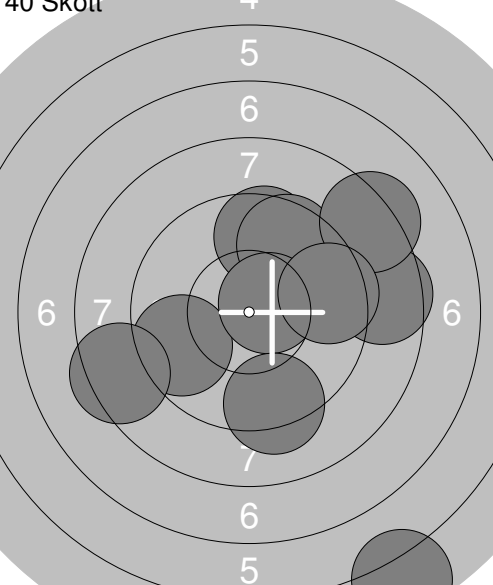
Skjutlag	Tavla	Anna Östman	
2	15	Ramselefors Skytteförening	Sen
31.10.2020	Nationella SM 2020	Umeå skytteallians	
Prov		1: 10.3x ↗ 2: 9.4 ← 3: 10.0 ↗ 4: 10.5x ↗ 5: 9.6 ↙ 6: 10.7x ↘ 7: 10.0 ↑ 8: 10.4x ↗ 9: 9.9 ↘ 10: 10.4x ↑	11: 9.9 ↗ 12: 10.3x ↓
		Serie 97.0	Serie 19.0
		Total 0.0	Total 0.0
40 Skott		1: 9.7 ↙ 2: 9.6 ↙ 3: 10.4x ↓ 4: 9.4 ↘ 5: 8.9 ← 6: 10.0 ↓ 7: 10.7x ↓ 8: 10.3x ↓ 9: 9.8 ↑ 10: 10.3x →	11: 10.5x ↘ 12: 10.4x → 13: 10.9x ↓ 14: 10.2x ↓ 15: 10.1 ↑ 16: 10.1 ↘ 17: 9.9 ↙ 18: 9.8 ← 19: 10.2x ↓ 20: 9.1 ↘
		Serie 94.0	Serie 97.0
		Total 94.0	Total 191.0
40 Skott		21: 9.5 ↗ 22: 10.2x ↘ 23: 10.3x ↓ 24: 9.9 ↓ 25: 9.4 ↘ 26: 9.1 ↑ 27: 10.3x ↑ 28: 10.0 ↓ 29: 9.5 ↙ 30: 10.0 →	31: 10.3x ↗ 32: 10.8x → 33: 10.2x → 34: 10.4x ↘ 35: 9.7 ↙ 36: 10.2x ↘ 37: 9.6 ← 38: 10.3x ↓ 39: 10.0 ← 40: 10.3x ↘
		Serie 95.0	Serie 98.0
		Total 286.0	Total 384.0

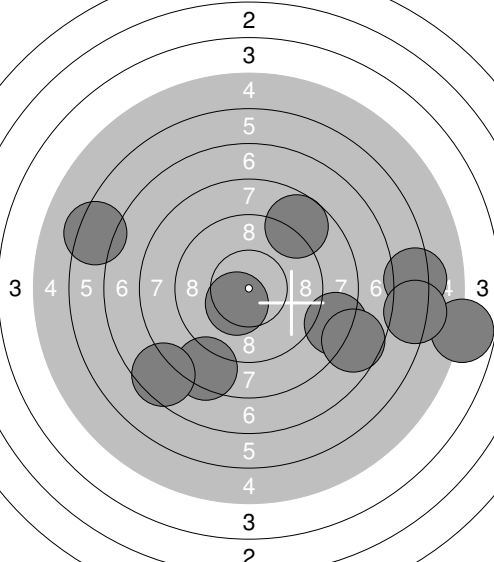
Skjutlag	Tavla	Lotten Johansson	
2	16	Ramselefors Skytteförening	Sen
31.10.2020	Nationella SM 2020	Umeå skytteallians	
Prov		1: 10.1 → 2: 10.2x → 3: 10.7x ↘ 4: 10.3x ↘ 5: 9.6 ↓ 6: 10.4x ↘ 7: 10.0 ↓ 8: 10.7x ↗ 9: 10.4x ↘ 10: 10.5x ↗	11: 10.6x ↘ 12: 10.4x ↘ 13: 10.6x ↘
		Serie 99.0	Serie 30.0
		Total 0.0	Total 0.0
40 Skott		1: 10.1 ← 2: 10.3x ↗ 3: 10.6x ↘ 4: 10.8x ↘ 5: 10.8x ↘ 6: 10.3x ↘ 7: 10.9x ↘ 8: 10.3x ↘ 9: 10.6x ↘ 10: 10.2x ↘	11: 10.2x ↗ 12: 10.4x ↘ 13: 10.2x → 14: 10.1 → 15: 10.6x ↘ 16: 10.7x ↘ 17: 10.3x ↘ 18: 9.4 ← 19: 9.9 ↑ 20: 10.8x ↘
		Serie 100.0	Serie 98.0
		Total 100.0	Total 198.0
40 Skott		21: 10.4x ↘ 22: 10.6x ↘ 23: 10.4x ↘ 24: 10.7x ↘ 25: 10.4x ↘ 26: 10.2x ↘ 27: 9.9 ↓ 28: 10.5x ↗ 29: 10.5x ↘ 30: 10.0 ↓	31: 10.6x ↗ 32: 10.3x ↗ 33: 10.7x ↘ 34: 9.9 → 35: 9.3 ↗ 36: 10.3x ↘ 37: 10.7x ↘ 38: 10.8x ↘ 39: 10.5x ↗ 40: 10.7x ↘
		Serie 99.0	Serie 98.0
		Total 297.0	Total 395.0

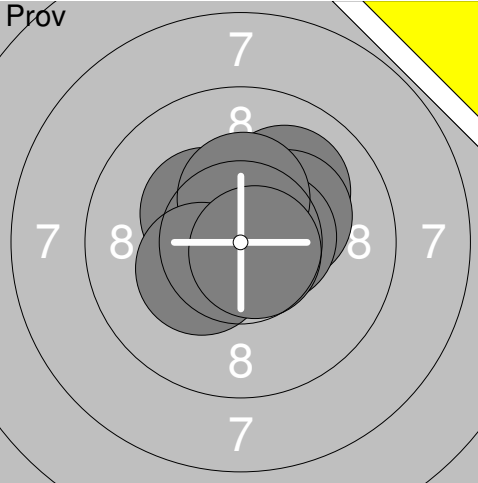
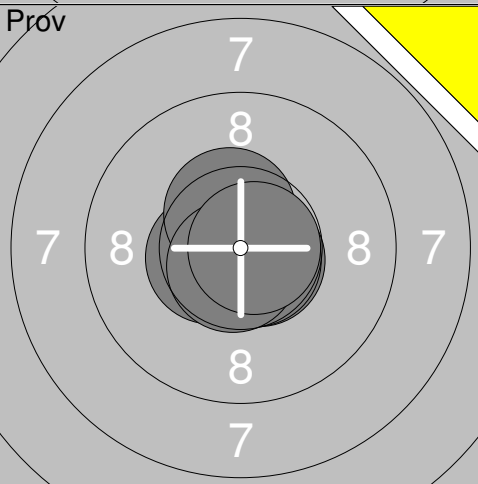
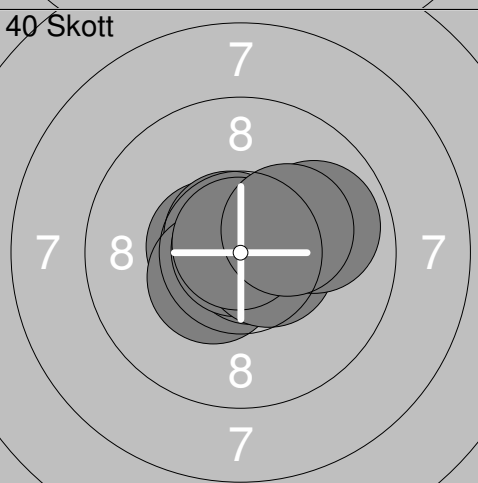
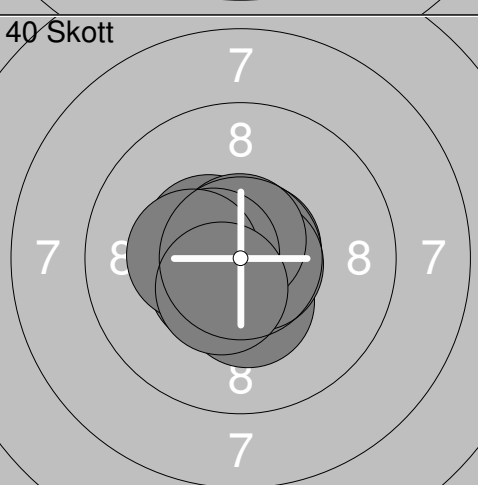
Skjutlag	Tavla	Mats Österlund	
2	20		
S	Ramselefors Skytteförening	Sen	
31.10.2020	Nationella SM 2020	Umeå skytteallians	
Prov		1: 7.9 ↙ 2: 10.4x ↘ 3: 10.5x ✖ 4: 7.6 ➔ 5: 8.2 ➔ 6: 9.7 ↓ 7: 9.3 ↖ 8: 10.1 ↗ 9: 9.8 ↗ 10: 9.0 ↑ Serie 88.0 Total 0.0	11: 9.4 ← 12: 9.4 ← 13: 9.2 ↓ 14: 9.2 ➔ 15: 9.3 ↗ Serie 45.0 Total 0.0
40 Skott		1: 10.4x ↘ 2: 9.5 ➔ 3: 9.5 ➔ 4: 9.7 ↑ 5: 9.3 ↑ 6: 9.1 ↖ 7: 8.1 ↗ 8: 8.5 ← 9: 10.3x ✖ 10: 8.4 ➔ Serie 89.0 Total 89.0	11: 9.2 ↖ 12: 9.4 ↑ 13: 8.7 ↗ 14: 9.5 ↗ 15: 9.2 ↓ 16: 6.4 ➔ 17: 10.0 ➔ 18: 8.1 ↓ 19: 10.4x ↗ 20: 9.5 ↑ Serie 87.0 Total 176.0
40 Skott		21: 10.5x ↗ 22: 10.5x ↗ 23: 9.9 ↖ 24: 10.1 ➔ 25: 9.2 ↖ 26: 10.0 ➔ 27: 9.7 ➔ 28: 7.9 ↗ 29: 9.1 ← 30: 9.5 ↖ Serie 92.0 Total 268.0	31: 8.8 ➔ 32: 10.4x ↗ 33: 10.4x ✖ 34: 10.6x ↘ 35: 10.7x ✖ 36: 10.3x ➔ 37: 10.4x ↗ 38: 9.5 ➔ 39: 10.4x ✖ 40: 9.0 ↓ Serie 96.0 Total 364.0

Skjutlag	Tavla	Jacob Hedman	
S		Umeå Skytteförening	Jun
31.10.2020	Nationella SM 2020	Umeå skytteallians	
Prov		1: 5.7 ↘ 2: 4.3 ↙ 3: 6.3 ↘ 4: 7.4 → 5: 6.4 ↑ 6: 7.8 ↙ 7: 7.9 ↘ 8: 2.8 ↘ 9: 4.4 ↘ 10: 6.9 → Serie 54.0 Total 0.0	11: 2.5 → 12: 7.0 ↓ 13: 9.1 ↙ 14: 5.0 ↗ 15: 6.8 ↘ 16: 8.9 ↗ 17: 6.3 → Serie 43.0 Total 0.0
40 Skott		1: 3.2 ↗ 2: 0.0 → 3: 1.5 → 4: 8.8 ↑ 5: 7.3 → 6: 5.9 ↓ 7: 8.8 ↙ 8: 5.9 ↓ 9: 8.2 ↓ 10: 6.0 ↓ Serie 51.0 Total 51.0	11: 8.3 ↓ 12: 6.0 ↘ 13: 2.2 ↙ 14: 6.3 → 15: 6.6 ↓ 16: 3.5 ↘ 17: 1.9 ↗ 18: 8.6 ↙ 19: 5.9 ↓ 20: 3.6 → Serie 48.0 Total 99.0
40 Skott		21: 7.9 ↙ 22: 8.9 ↘ 23: 2.4 → 24: 8.0 ↘ 25: 6.3 → 26: 9.0 → 27: 7.9 ↘ 28: 7.0 ↗ 29: 1.8 ↙ 30: 9.4 → Serie 64.0 Total 163.0	31: 6.9 → 32: 2.8 → 33: 8.8 ↘ 34: 7.8 ↘ 35: 4.5 → 36: 7.6 ↙ 37: 7.4 → 38: 5.7 → 39: 6.2 → 40: 3.0 ↗ Serie 55.0 Total 218.0

<p>Prov</p> 	<p>40 Skott</p> <table style="width:100%; border-collapse: collapse;"> <tr><td>1:</td><td>7.4</td><td>↗</td></tr> <tr><td>2:</td><td>7.5</td><td>↗</td></tr> <tr><td>3:</td><td>8.2</td><td>↖</td></tr> <tr><td>4:</td><td>8.0</td><td>↗</td></tr> <tr><td>5:</td><td>8.7</td><td>↖</td></tr> <tr><td>6:</td><td>9.5</td><td>↖</td></tr> <tr><td>7:</td><td>3.4</td><td>→</td></tr> <tr><td>8:</td><td>8.3</td><td>↓</td></tr> <tr><td>9:</td><td>8.2</td><td>↗</td></tr> <tr><td>10:</td><td>8.3</td><td>↗</td></tr> <tr><td><b>Serie</b></td><td><b>74.0</b></td><td></td></tr> <tr><td><b>Total</b></td><td><b>0.0</b></td><td></td></tr> </table>	1:	7.4	↗	2:	7.5	↗	3:	8.2	↖	4:	8.0	↗	5:	8.7	↖	6:	9.5	↖	7:	3.4	→	8:	8.3	↓	9:	8.2	↗	10:	8.3	↗	<b>Serie</b>	<b>74.0</b>		<b>Total</b>	<b>0.0</b>		 <table style="width:100%; border-collapse: collapse;"> <tr><td>1:</td><td>5.0</td><td>↘</td></tr> <tr><td>2:</td><td>9.8</td><td>↖</td></tr> <tr><td>3:</td><td>9.7</td><td>↗</td></tr> <tr><td>4:</td><td>8.4</td><td>↖</td></tr> <tr><td>5:</td><td>8.5</td><td>↖</td></tr> <tr><td>6:</td><td>7.7</td><td>↗</td></tr> <tr><td>7:</td><td>9.4</td><td>↓</td></tr> <tr><td>8:</td><td>7.4</td><td>↓</td></tr> <tr><td>9:</td><td>8.2</td><td>↓</td></tr> <tr><td>10:</td><td>8.6</td><td>↖</td></tr> <tr><td><b>Serie</b></td><td><b>78.0</b></td><td></td></tr> <tr><td><b>Total</b></td><td><b>78.0</b></td><td></td></tr> </table>	1:	5.0	↘	2:	9.8	↖	3:	9.7	↗	4:	8.4	↖	5:	8.5	↖	6:	7.7	↗	7:	9.4	↓	8:	7.4	↓	9:	8.2	↓	10:	8.6	↖	<b>Serie</b>	<b>78.0</b>		<b>Total</b>	<b>78.0</b>	
1:	7.4	↗																																																																								
2:	7.5	↗																																																																								
3:	8.2	↖																																																																								
4:	8.0	↗																																																																								
5:	8.7	↖																																																																								
6:	9.5	↖																																																																								
7:	3.4	→																																																																								
8:	8.3	↓																																																																								
9:	8.2	↗																																																																								
10:	8.3	↗																																																																								
<b>Serie</b>	<b>74.0</b>																																																																									
<b>Total</b>	<b>0.0</b>																																																																									
1:	5.0	↘																																																																								
2:	9.8	↖																																																																								
3:	9.7	↗																																																																								
4:	8.4	↖																																																																								
5:	8.5	↖																																																																								
6:	7.7	↗																																																																								
7:	9.4	↓																																																																								
8:	7.4	↓																																																																								
9:	8.2	↓																																																																								
10:	8.6	↖																																																																								
<b>Serie</b>	<b>78.0</b>																																																																									
<b>Total</b>	<b>78.0</b>																																																																									

<p>40 Skott</p> 	<p>40 Skott</p> <table style="width:100%; border-collapse: collapse;"> <tr><td>11:</td><td>9.4</td><td>↘</td></tr> <tr><td>12:</td><td>8.4</td><td>→</td></tr> <tr><td>13:</td><td>10.7</td><td>↖</td></tr> <tr><td>14:</td><td>3.4</td><td>↖</td></tr> <tr><td>15:</td><td>5.4</td><td>↗</td></tr> <tr><td>16:</td><td>9.9</td><td>→</td></tr> <tr><td>17:</td><td>9.6</td><td>↗</td></tr> <tr><td>18:</td><td>10.1</td><td>↓</td></tr> <tr><td>19:</td><td>8.7</td><td>↓</td></tr> <tr><td>20:</td><td>8.7</td><td>↓</td></tr> <tr><td><b>Serie</b></td><td><b>79.0</b></td><td></td></tr> <tr><td><b>Total</b></td><td><b>157.0</b></td><td></td></tr> </table>	11:	9.4	↘	12:	8.4	→	13:	10.7	↖	14:	3.4	↖	15:	5.4	↗	16:	9.9	→	17:	9.6	↗	18:	10.1	↓	19:	8.7	↓	20:	8.7	↓	<b>Serie</b>	<b>79.0</b>		<b>Total</b>	<b>157.0</b>		 <table style="width:100%; border-collapse: collapse;"> <tr><td>21:</td><td>9.6</td><td>↖</td></tr> <tr><td>22:</td><td>8.6</td><td>→</td></tr> <tr><td>23:</td><td>8.4</td><td>↖</td></tr> <tr><td>24:</td><td>9.6</td><td>↗</td></tr> <tr><td>25:</td><td>9.6</td><td>↗</td></tr> <tr><td>26:</td><td>5.5</td><td>↓</td></tr> <tr><td>27:</td><td>8.3</td><td>↗</td></tr> <tr><td>28:</td><td>10.6</td><td>↗</td></tr> <tr><td>29:</td><td>9.3</td><td>↓</td></tr> <tr><td>30:</td><td>9.5</td><td>→</td></tr> <tr><td><b>Serie</b></td><td><b>84.0</b></td><td></td></tr> <tr><td><b>Total</b></td><td><b>241.0</b></td><td></td></tr> </table>	21:	9.6	↖	22:	8.6	→	23:	8.4	↖	24:	9.6	↗	25:	9.6	↗	26:	5.5	↓	27:	8.3	↗	28:	10.6	↗	29:	9.3	↓	30:	9.5	→	<b>Serie</b>	<b>84.0</b>		<b>Total</b>	<b>241.0</b>	
11:	9.4	↘																																																																								
12:	8.4	→																																																																								
13:	10.7	↖																																																																								
14:	3.4	↖																																																																								
15:	5.4	↗																																																																								
16:	9.9	→																																																																								
17:	9.6	↗																																																																								
18:	10.1	↓																																																																								
19:	8.7	↓																																																																								
20:	8.7	↓																																																																								
<b>Serie</b>	<b>79.0</b>																																																																									
<b>Total</b>	<b>157.0</b>																																																																									
21:	9.6	↖																																																																								
22:	8.6	→																																																																								
23:	8.4	↖																																																																								
24:	9.6	↗																																																																								
25:	9.6	↗																																																																								
26:	5.5	↓																																																																								
27:	8.3	↗																																																																								
28:	10.6	↗																																																																								
29:	9.3	↓																																																																								
30:	9.5	→																																																																								
<b>Serie</b>	<b>84.0</b>																																																																									
<b>Total</b>	<b>241.0</b>																																																																									

<p>40 Skott</p> 	<table style="width:100%; border-collapse: collapse;"> <tr><td>31:</td><td>6.2</td><td>→</td></tr> <tr><td>32:</td><td>8.4</td><td>↘</td></tr> <tr><td>33:</td><td>8.3</td><td>↗</td></tr> <tr><td>34:</td><td>4.8</td><td>→</td></tr> <tr><td>35:</td><td>7.6</td><td>↗</td></tr> <tr><td>36:</td><td>6.3</td><td>↖</td></tr> <tr><td>37:</td><td>10.4</td><td>↖</td></tr> <tr><td>38:</td><td>6.2</td><td>→</td></tr> <tr><td>39:</td><td>7.5</td><td>↘</td></tr> <tr><td>40:</td><td>8.7</td><td>↗</td></tr> <tr><td><b>Serie</b></td><td><b>70.0</b></td><td></td></tr> <tr><td><b>Total</b></td><td><b>311.0</b></td><td></td></tr> </table>	31:	6.2	→	32:	8.4	↘	33:	8.3	↗	34:	4.8	→	35:	7.6	↗	36:	6.3	↖	37:	10.4	↖	38:	6.2	→	39:	7.5	↘	40:	8.7	↗	<b>Serie</b>	<b>70.0</b>		<b>Total</b>	<b>311.0</b>		
31:	6.2	→																																				
32:	8.4	↘																																				
33:	8.3	↗																																				
34:	4.8	→																																				
35:	7.6	↗																																				
36:	6.3	↖																																				
37:	10.4	↖																																				
38:	6.2	→																																				
39:	7.5	↘																																				
40:	8.7	↗																																				
<b>Serie</b>	<b>70.0</b>																																					
<b>Total</b>	<b>311.0</b>																																					

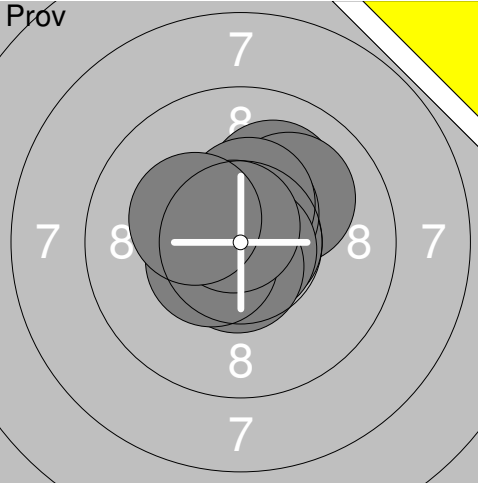

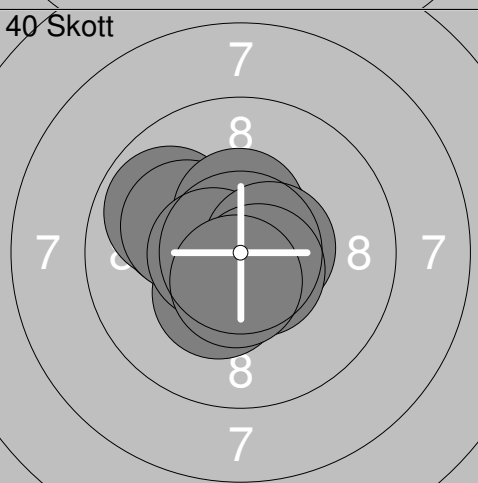
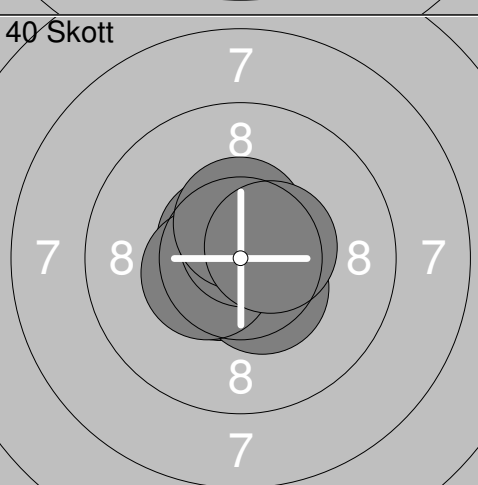
Skjutlag <b>2</b>	Tavla <b>27</b>	<b>Rasmus Alfredsson</b>	
S		Umeå Skytteförening	JunSitt
31.10.2020		Nationella SM 2020	Umeå skytteallians
Prov		1: 10.6x → 2: 10.0 ↗ 3: 10.2x → 4: 10.8x ↗ 5: 10.4x ↗ 6: 10.5x → 7: 10.4x ↑ 8: 10.3x ↙ 10: 10.7x ↘	11: 10.9x → 12: 10.7x ↘ 13: 10.8x ↗ 14: 10.1 ↘ 15: 10.8x ↘ 16: 10.6x ↑ 17: 10.5x → 18: 10.8x → 19: 10.7x ↘ 20: 10.5x ↘
		Serie 93.9	Serie 106.4
		Total 0.0	Total 0.0
Prov		21: 10.7x ↘ 22: 10.5x ↙ 23: 10.5x ↗ 24: 10.7x ↘ 25: 10.7x ↘ 26: 10.8x →	40 Skott
		Serie 63.9	Serie 106.5
		Total 0.0	Total 106.5
40 Skott		11: 10.6x ↙ 12: 10.8x ↗ 13: 10.7x ↗ 14: 10.5x ↙ 15: 10.8x ↘ 16: 10.9x ↗ 17: 10.6x ↘ 18: 9.9 → 19: 10.8x ↗ 20: 10.2x →	40 Skott
		Serie 105.8	Serie 107.0
		Total 212.3	Total 319.3
40 Skott		31: 10.5x ↙ 32: 10.7x → 33: 10.4x ↘ 34: 10.9x ↘ 35: 10.7x → 36: 10.5x ↗ 37: 10.7x ↑ 38: 10.6x ↙ 39: 10.3x ↙ 40: 10.5x ↘	
		Serie 105.8	
		Total 425.1	

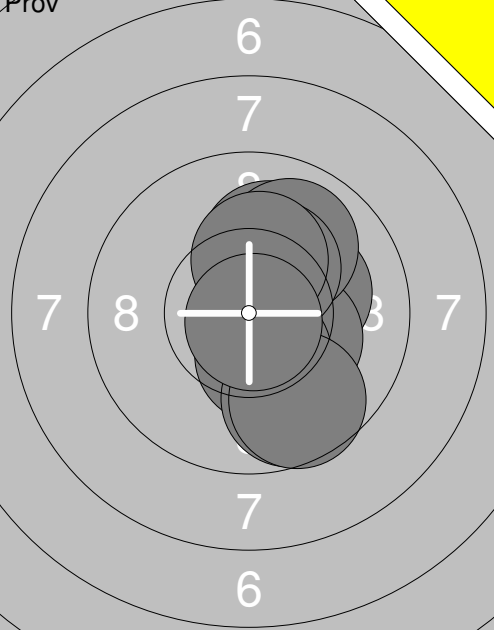
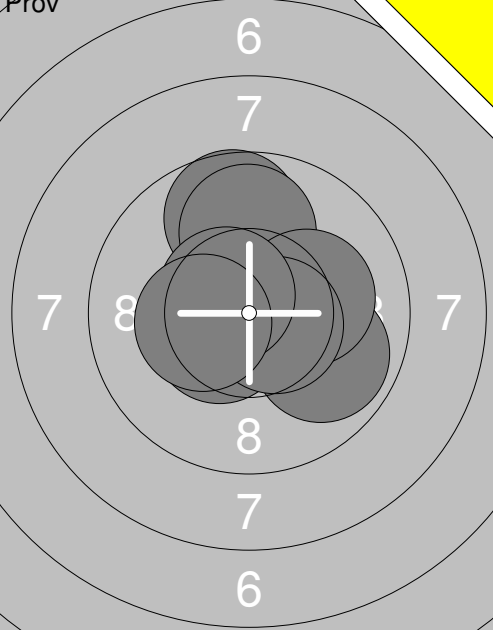
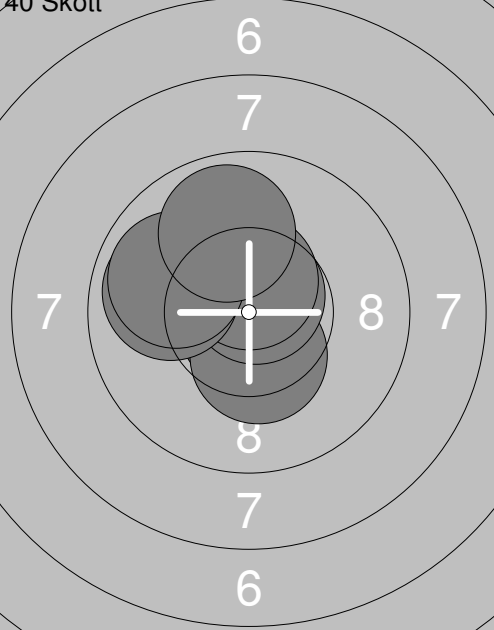
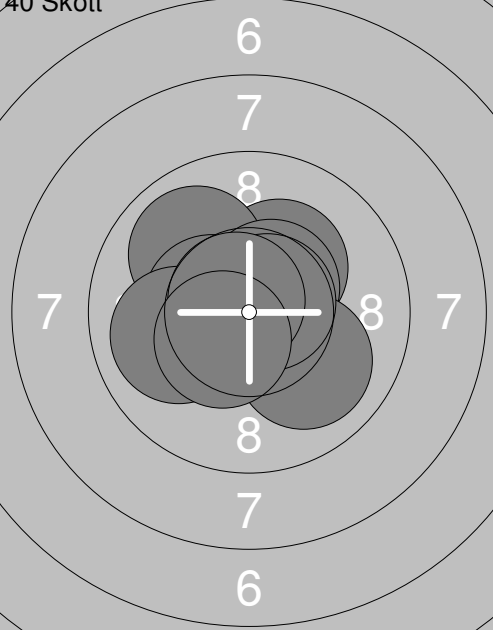
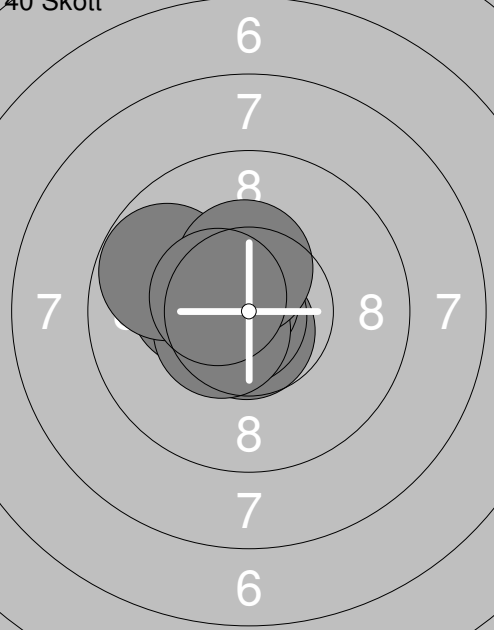
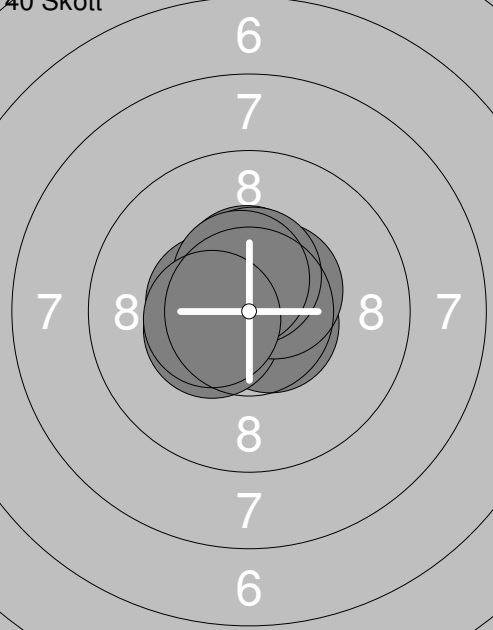
Skjutlag	Tavla	Rådgård Chen Brinkstam	
S		Umeå Skytteförening	JunSitt
31.10.2020	Nationella SM 2020	Umeå skytteallians	
Prov		1: 10.6x ↘ 2: 10.4x ↙ 3: 10.5x → 4: 10.2x ↙ 5: 9.8 ↓ 6: 10.4x ↓ 7: 10.4x → 8: 10.0 ↓ 9: 10.5x ↗ 10: 10.4x ↙ Serie 103.2 Total 0.0	11: 10.6x ↘ 12: 10.6x ↙ 13: 10.1 ↙ 14: 10.5x ↙ 15: 10.8x ↗ 16: 10.1 ↙ 17: 10.3x ↙ 18: 10.4x ↙ 19: 10.0 ↙ 20: 10.7x ↙ Serie 104.1 Total 0.0
Prov		21: 10.4x ↙ 22: 10.5x ↗ 23: 10.2x ↗ 24: 10.5x ↗ 25: 10.8x → 26: 10.4x ↙ 27: 10.5x ↙ 28: 10.4x → 29: 10.1 → 30: 10.7x ↗ Serie 104.5 Total 0.0	31: 10.9x ↙ 32: 10.4x ↑ 33: 10.5x ↗ 34: 10.7x ↗ Serie 42.5 Total 0.0
40 Skott		1: 10.4x ↗ 2: 10.5x ↙ 3: 10.7x ↗ 4: 10.2x → 5: 10.6x ↓ 6: 10.8x ↗ 7: 10.4x ↗ 8: 10.1 ↑ 9: 10.4x ↗ 10: 10.2x ↗ Serie 104.3 Total 104.3	11: 10.8x → 12: 10.7x ↑ 13: 10.4x ↗ 14: 10.5x ↑ 15: 10.3x ↑ 16: 10.5x → 17: 10.5x → 18: 10.6x ↙ 19: 10.5x ↑ 20: 10.6x ↓ Serie 105.4 Total 209.7
40 Skott		21: 10.0 ↓ 22: 10.3x ↙ 23: 10.4x ↓ 24: 10.4x ↙ 25: 10.4x ↓ 26: 10.4x ↘ 27: 10.5x ↓ 28: 10.5x ↓ 29: 10.7x ↙ 30: 10.7x ↙ Serie 104.3 Total 314.0	31: 10.8x ↑ 32: 10.5x ↙ 33: 10.3x ↙ 34: 10.5x ↗ 35: 10.7x ↙ 36: 10.6x ↓ 37: 10.6x ↓ 38: 10.3x ↙ 39: 10.0 ↙ 40: 10.3x ↙ Serie 104.6 Total 418.6

Skjuttag	Tavla	Axel Engrund	
2	31	Luleå Sportskytteklubb	JunSitt
31.10.2020	Nationella SM 2020	Umeå skytteallians	
	1: 10.6x↘		11: 10.3x↗
	2: 9.8 →		12: 10.8x→
	3: 9.7 ↗		13: 10.5x↘
	4: 10.3x↑		
	5: 10.0 ↘		
	6: 10.5x→		
	7: 10.1 →		
	8: 10.1 →		
	9: 10.3x↗		
	10: 10.7x↘		
	Serie 102.1		Serie 31.6
	Total 0.0		Total 0.0
	1: 10.8x↖		11: 10.7x↑
	2: 10.2x↘		12: 10.3x→
	3: 10.5x↓		13: 10.7x↓
	4: 10.6x↖		14: 10.6x↖
	5: 9.8 ↗		15: 10.4x→
	6: 10.2x↑		16: 10.4x↖
	7: 10.2x↑		17: 10.0 ↑
	8: 10.6x↗		18: 10.5x↖
	9: 10.4x↓		19: 10.5x↘
	10: 10.6x↓		20: 10.1 ←
	Serie 103.9		Serie 104.2
	Total 103.9		Total 208.1
	21: 10.2x↗		31: 10.4x↑
	22: 10.5x→		32: 10.7x→
	23: 10.6x↗		33: 10.6x↗
	24: 10.1 ↑		34: 10.8x→
	25: 10.2x↑		35: 10.5x→
	26: 10.3x→		36: 10.6x↘
	27: 10.3x→		37: 10.3x→
	28: 10.1 ↗		38: 10.5x→
	29: 10.5x↑		39: 10.0 ↘
	30: 10.3x↘		40: 10.8x↘
	Serie 103.1		Serie 105.2
	Total 311.2		Total 416.4



Skjuttag	Tavla	Claes-Göran Johansson	
2	33		
S	Umeå Skytteförening	SenSitt	
31.10.2020	Nationella SM 2020	Umeå skytteallians	
Prov		1: 10.4x↓ 2: 10.4x← 3: 10.3x↓ 4: 10.6x↓ 5: 9.7 ↓ 6: 10.4x↓ 7: 10.4x↓ 8: 10.2x↑ 9: 10.2x↓ 10: 10.7x↓ Serie 103.3 Total 0.0	11: 10.3x↓ 12: 10.3x↑ 13: 10.4x← 14: 10.5x↓ 15: 10.2x↓ 16: 10.3x↑ 17: 10.5x↑ Serie 72.5 Total 0.0
40 Skott		1: 9.9 ↓ 2: 10.4x← 3: 10.6x→ 4: 10.6x↑ 5: 10.7x↓ 6: 10.4x↓ 7: 10.7x→ 8: 10.7x↓ 9: 10.1 ↑ 10: 10.7x← Serie 104.8 Total 104.8	11: 10.2x↑ 12: 10.7x→ 13: 10.0 ↓ 14: 10.4x→ 15: 10.6x← 16: 10.6x↑ 17: 10.7x↑ 18: 10.2x↑ 19: 9.8 ↗ 20: 10.5x↑ Serie 103.7 Total 208.5
40 Skott		21: 10.5x↑ 22: 10.7x↓ 23: 10.7x→ 24: 10.8x↑ 25: 10.1 ↓ 26: 10.6x← 27: 10.6x→ 28: 10.7x↑ 29: 10.2x↓ 30: 10.6x↓ Serie 105.5 Total 314.0	31: 10.7x↓ 32: 10.7x↓ 33: 10.3x↑ 34: 10.5x→ 35: 10.5x↓ 36: 10.6x↓ 37: 10.3x↓ 38: 10.6x↓ 39: 10.8x↓ 40: 10.6x← Serie 105.6 Total 419.6

Skjutlag <b>2</b>	Tavla <b>35</b>	<b>Linda Holmlund</b>	
S		Umeå Skytteförening	SenSitt
31.10.2020		Nationella SM 2020	Umeå skytteallians
Prov		1: 10.1 ↗ 2: 10.1 ↗ 3: 10.7x → 4: 10.5x ↗ 5: 10.4x ↗ 6: 10.8x ↘ 7: 10.6x ↓ 8: 10.5x ↙ 9: 10.7x ↗ 10: 10.3x ↖	11: 10.4x ↗ 12: 9.9 ↗ 13: 10.4x → 14: 10.6x → 15: 10.6x ↖ 16: 10.4x ↗ 17: 10.8x ↙ 18: 10.3x ↙ 19: 10.4x ↙ 20: 10.5x →
		Serie 104.7	Serie 104.3
		Total 0.0	Total 0.0
Prov		21: 10.3x ↗ 22: 10.7x ↗	40 Skott
		Serie 21.0	Serie 103.3
		Total 0.0	Total 103.3
40 Skott		11: 10.3x ↘ 12: 10.1 ↗ 13: 9.9 ↗ 14: 10.1 ↗ 15: 10.6x ↗ 16: 10.4x ↗ 17: 10.6x ← 18: 10.6x → 19: 10.6x ↘ 20: 10.6x ↓	40 Skott
		Serie 103.8	Serie 103.3
		Total 207.1	Total 310.4
40 Skott		31: 10.5x → 32: 10.6x ↙ 33: 10.7x → 34: 10.8x ↗ 35: 10.5x ↘ 36: 10.6x ↗ 37: 10.5x ↙ 38: 10.7x ↗ 39: 10.5x ↗ 40: 10.5x →	
		Serie 105.9	
		Total 416.3	

<p>Prov</p> 	<p>1: 10.1 ↑                  2: 10.2x➤                  3: 10.3x↘                  4: 10.4x↓                  5: 9.9 ↑                  6: 9.7 ↓                  7: 9.7 ↓                  8: 10.3x↑                  9: 10.2x↑                  10: 10.8x↓</p> <p>Serie 101.6                  Total 0.0</p>	<p>Prov</p> 	<p>11: 9.7 ↑                  12: 10.8x➤                  13: 10.5x↙                  14: 9.9 ➤                  15: 10.8x↗                  16: 9.9 ↑                  17: 10.2x➤                  18: 10.6x↘                  19: 10.6x↘                  20: 10.3x↙</p> <p>Serie 103.3                  Total 0.0</p>
<p>40 Skott</p> 	<p>1: 10.6x↘                  2: 10.8x↓                  3: 10.4x↑                  4: 10.2x↘                  5: 10.4x↓                  6: 10.7x↑                  7: 10.5x↑                  8: 9.9 ←                  9: 9.9 ←                  10: 9.9 ↑</p> <p>Serie 103.3                  Total 103.3</p>	<p>40 Skott</p> 	<p>11: 10.2x↘                  12: 10.2x↗                  13: 9.9 ↙                  14: 10.5x↙                  15: 10.0 ←                  16: 10.5x↗                  17: 10.0 ➤                  18: 10.7x➤                  19: 10.7x↘                  20: 10.4x↙</p> <p>Serie 103.1                  Total 206.4</p>
<p>40 Skott</p> 	<p>21: 10.7x↓                  22: 10.2x↘                  23: 10.3x↘                  24: 10.8x↘                  25: 10.5x↘                  26: 10.7x↘                  27: 10.5x↘                  28: 9.8 ←                  29: 10.4x↑                  30: 10.5x↘</p> <p>Serie 104.4                  Total 310.8</p>	<p>40 Skott</p> 	<p>31: 10.5x↑                  32: 10.6x↘                  33: 10.5x↙                  34: 10.4x↙                  35: 10.6x↘                  36: 10.5x↗                  37: 10.5x↑                  38: 10.5x↘                  39: 10.5x↑                  40: 10.5x↙</p> <p>Serie 105.1                  Total 415.9</p>