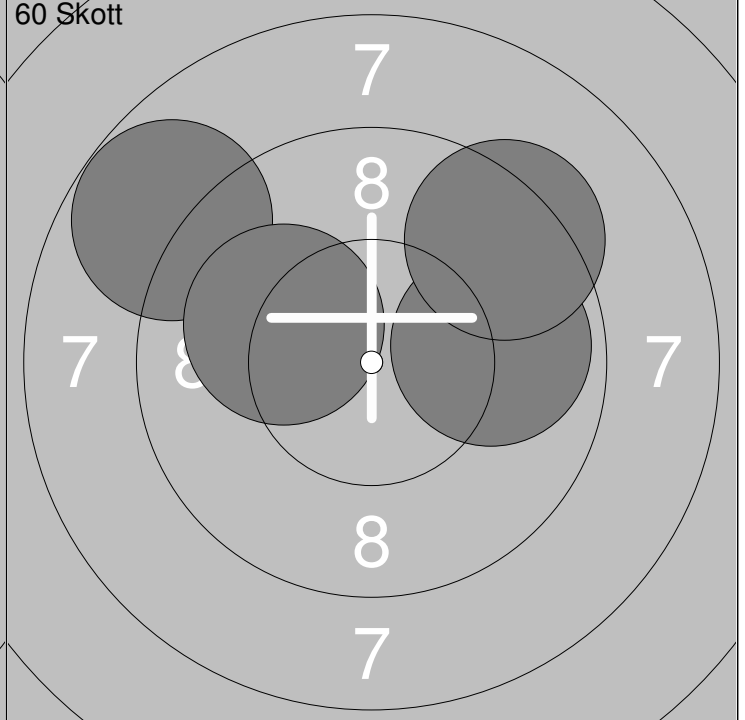
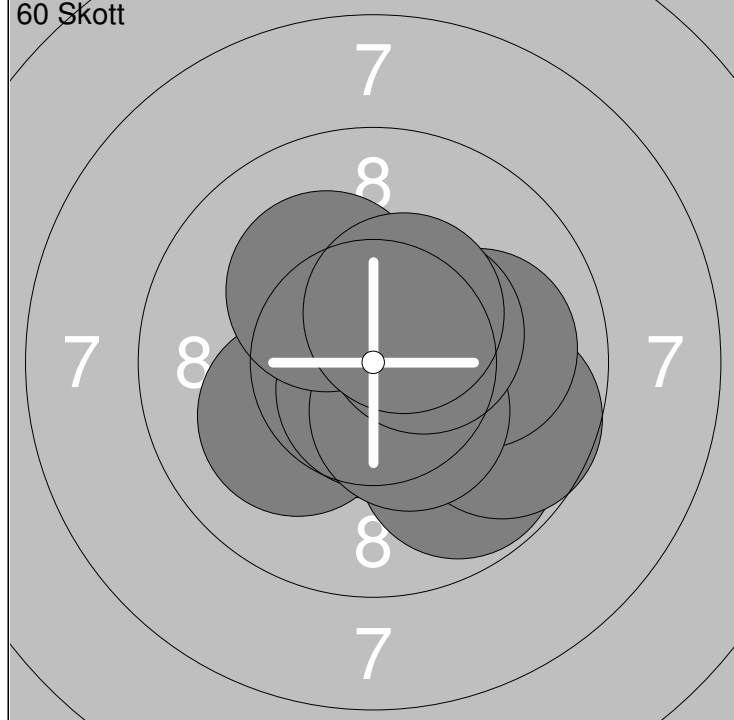


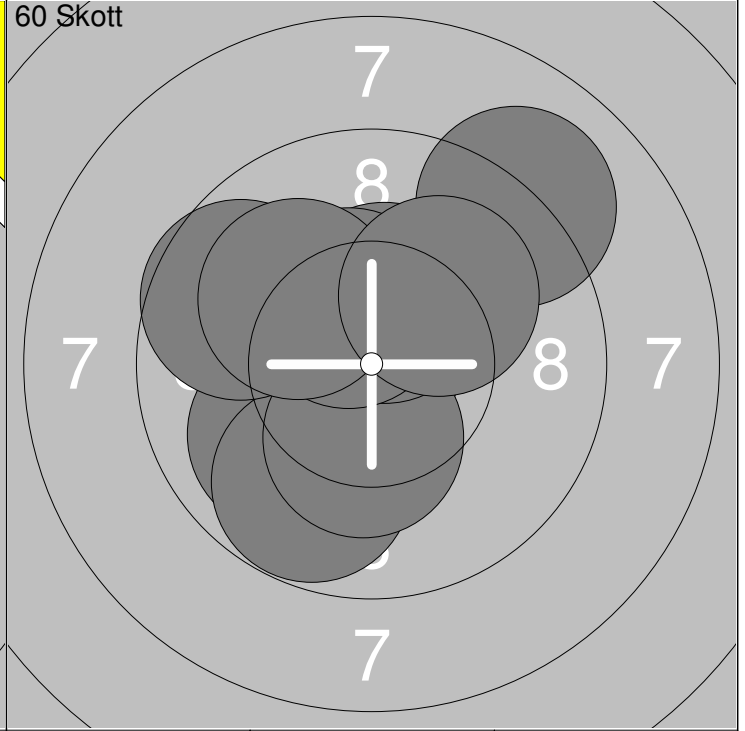
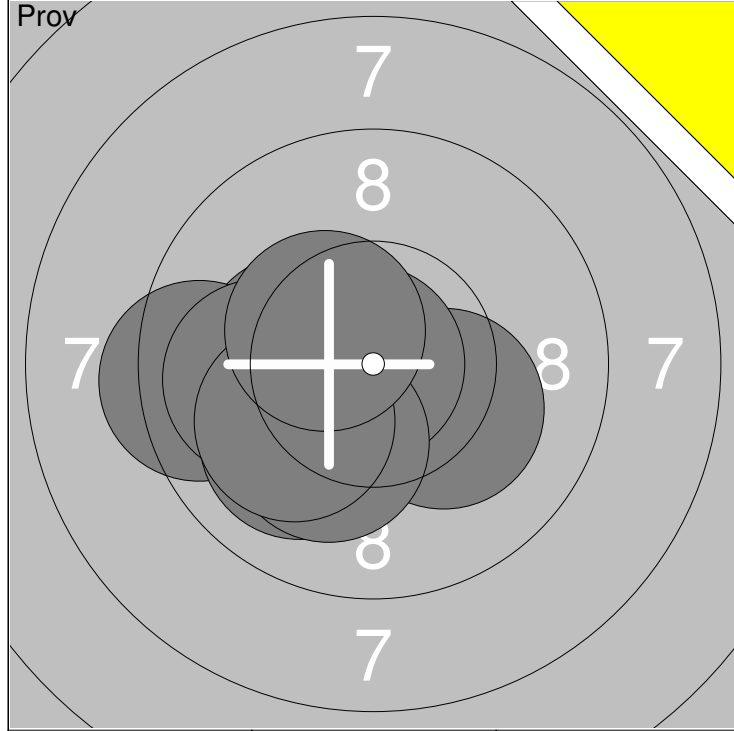
1: 9.1 →	6: 10.8x ↓	Serie	78.3
2: 8.9 →	7: 8.7 →		
3: 10.3x →	8: 10.3x ←	Total	0.0
4: 9.8 →			
5: 10.4x →			

1: 10.1 →	6: 9.4 ←	Serie	98.3
2: 10.2x ←	7: 9.1 ↗		
3: 9.3 →	8: 10.4x ↗	Total	98.3
4: 8.9 →	9: 10.6x →		
5: 10.1 ↑	10: 10.2x ↓		



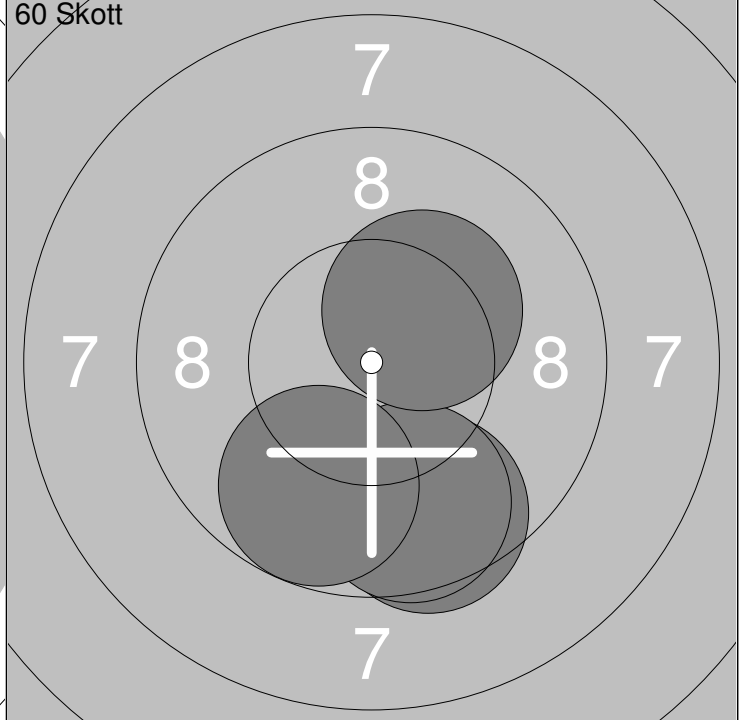
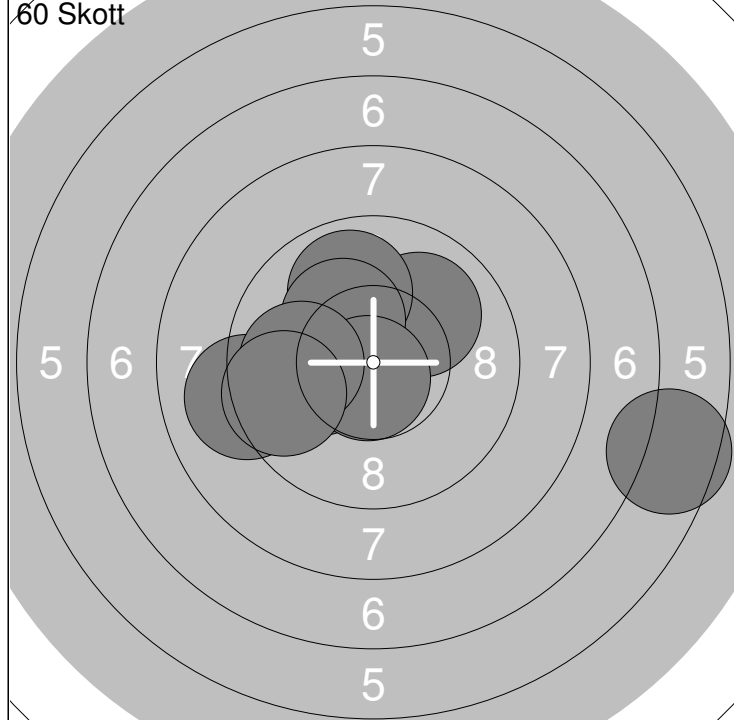
11: 9.8 ↓	16: 10.0 →	Serie	102.3
12: 9.7 →	17: 10.4x ↓		
13: 10.6x ↓	18: 10.2x ↗	Total	200.6
14: 10.1 ←	19: 10.4x ↗		
15: 10.7x ↓	20: 10.4x ↗		

21: 9.9 →	Serie	38.1
22: 8.8 ↗		
23: 9.3 ↗	Total	238.7
24: 10.1 ←		



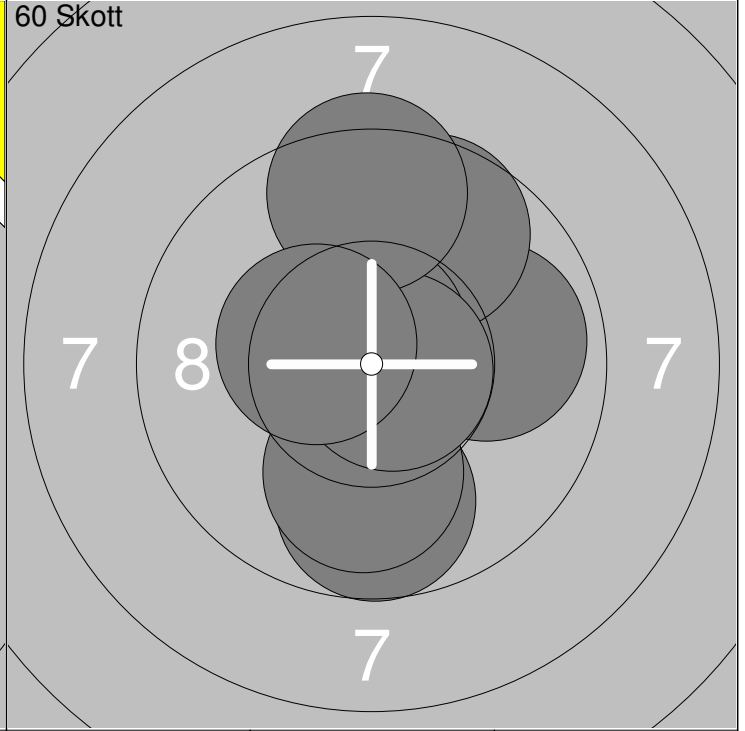
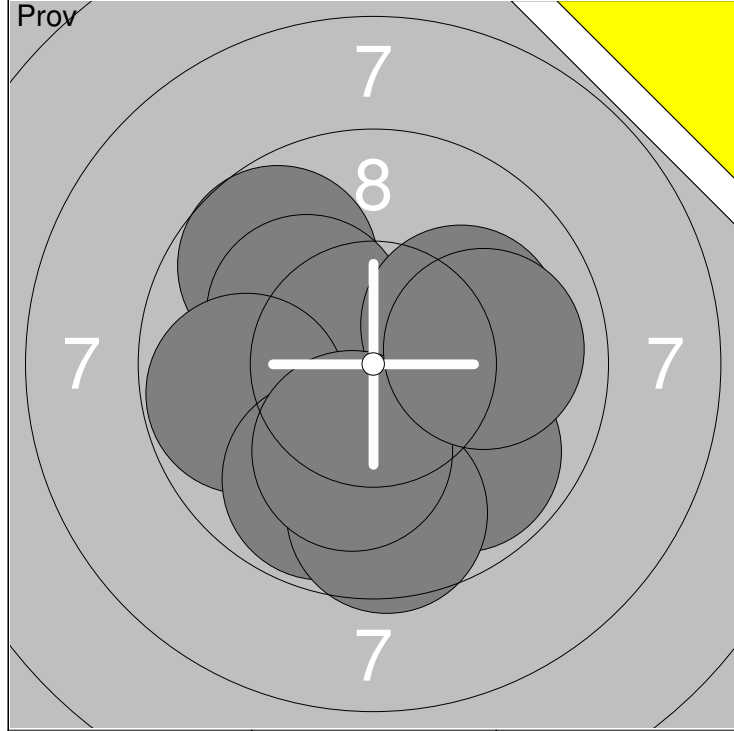
1: 10.3x ←	6: 10.1 ↘	Serie	91.4
2: 9.4 ←	7: 10.0 ←		
3: 10.2x →	8: 10.1 ↘	Total	0.0
4: 10.0 ↘	9: 10.4x ↖		
5: 10.9x ←			

1: 10.0 ↘	6: 10.4x ↑	Serie	100.6
2: 9.8 ↘	7: 10.4x ↗		
3: 9.7 ↖	8: 9.0 ↗	Total	100.6
4: 10.8x ↑	9: 10.1 ↖		
5: 10.3x ↘	10: 10.1 ↗		



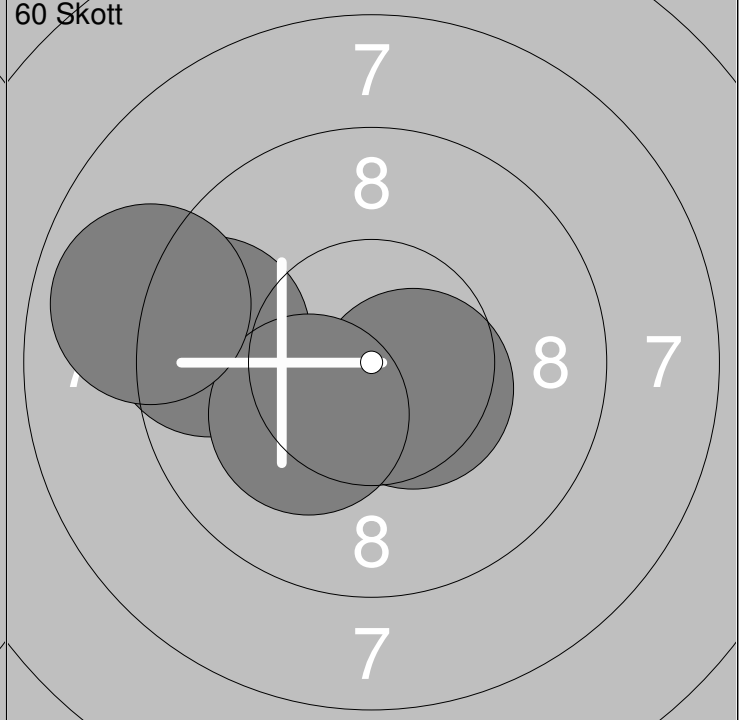
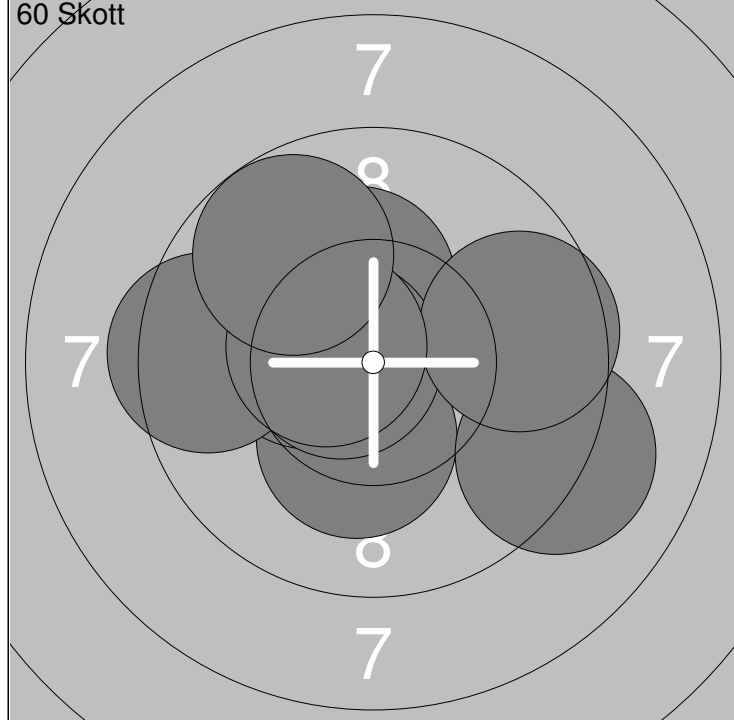
11: 10.0 ↗	16: 9.1 ←	Serie	86.1
12: 9.9 ↗	17: 10.2x ↖		
13: 6.5 →	18: 10.7x ↘	Total	186.7
14: 0.0	19: 9.9 ←		
15: 10.2x ←	20: 9.6 ←		

21: 9.5 ↘	Serie	39.3
22: 9.7 ↘		
23: 9.8 ↘	Total	226.0
24: 10.3x ↗		



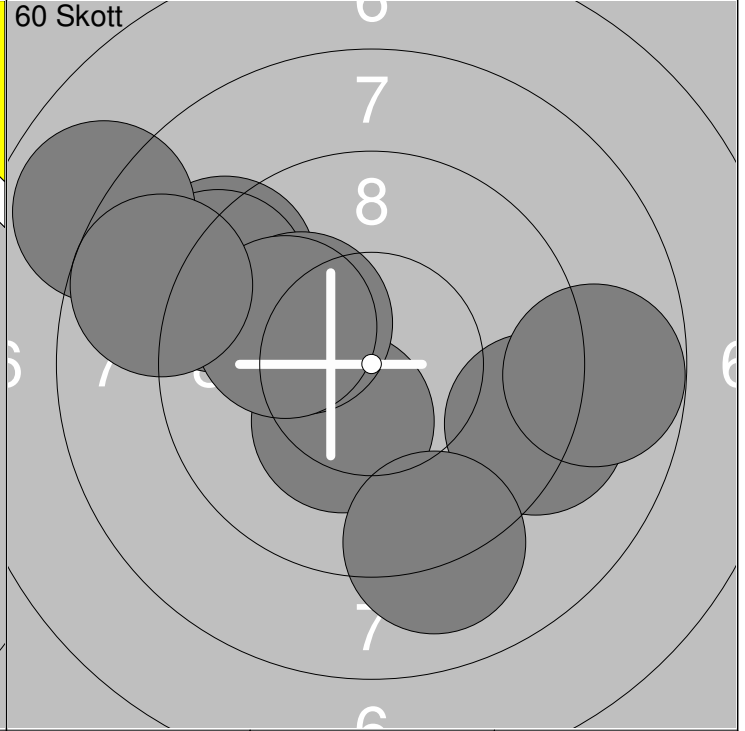
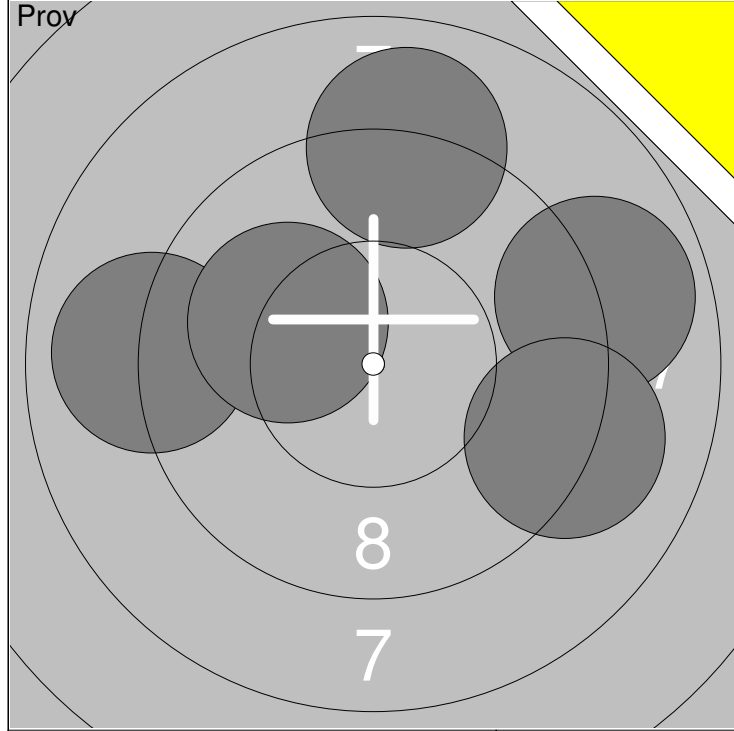
1: 10.5x ←	6: 9.8 ↓	Serie	99.7
2: 9.7 ↗	7: 10.1 →		
3: 9.8 ↓	8: 9.6 ↓	Total	0.0
4: 10.2x ↗	9: 10.2x ↓		
5: 9.8 ←	10: 10.0 →		

1: 10.2x →	6: 9.7 ↓	Serie	101.1
2: 10.3x ↗	7: 10.0 ↓		
3: 9.9 →	8: 10.8x →	Total	101.1
4: 9.7 ↗	9: 9.4 ↑		
5: 10.7x ↑	10: 10.4x ←		



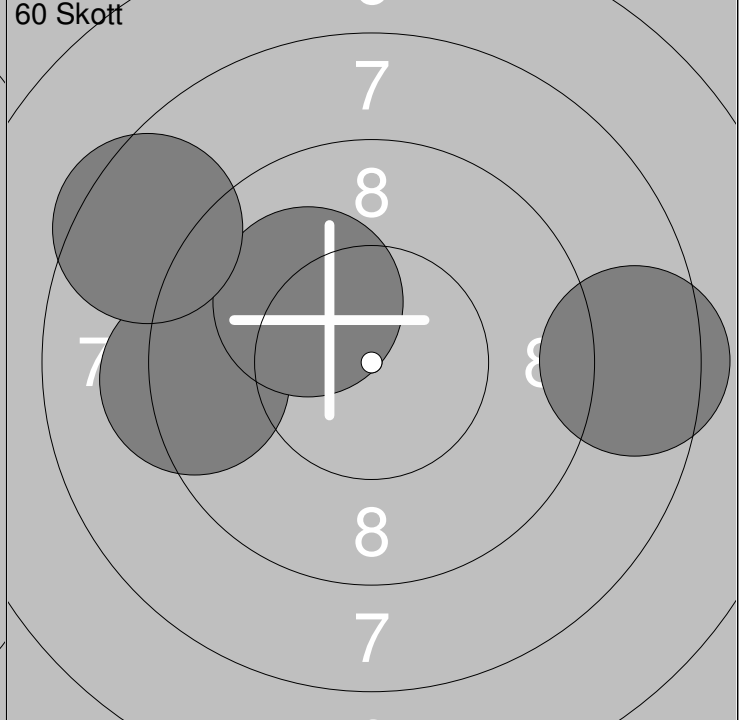
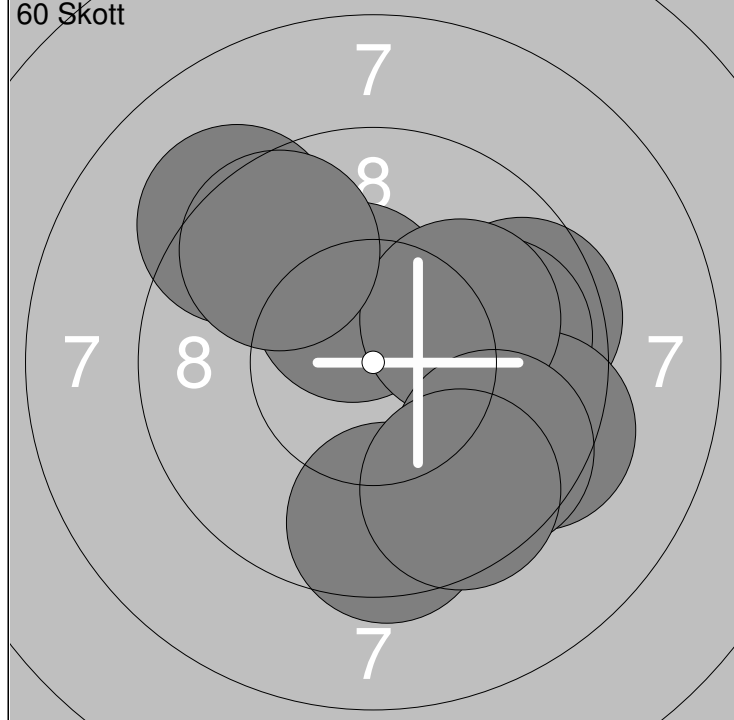
11: 10.3x ↓	16: 10.0 ←	Serie	100.2
12: 9.1 →	17: 9.6 →		
13: 10.3x ↑	18: 9.5 ←	Total	201.3
14: 10.4x ←	19: 10.5x ←		
15: 10.7x ←	20: 9.8 ↗		

21: 9.5 ←	Serie	39.1
22: 10.5x →		
23: 10.2x ↙	Total	240.4
24: 8.9 ←		



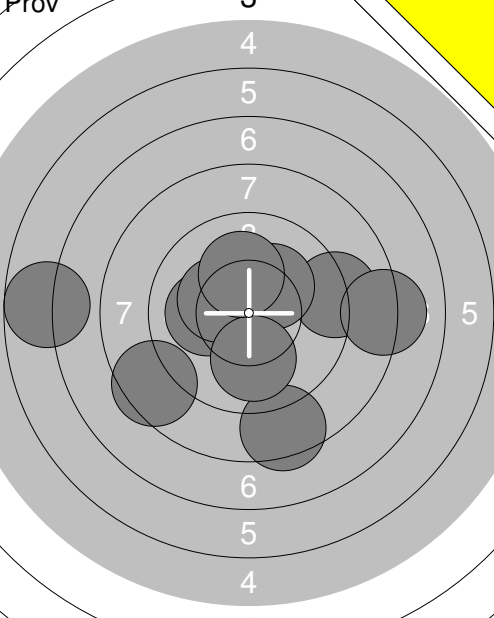
1: 8.9 →	Serie	46.1
2: 9.1 →		
3: 9.0 ←		
4: 9.0 ↑		
5: 10.1 ←		
Total		0.0

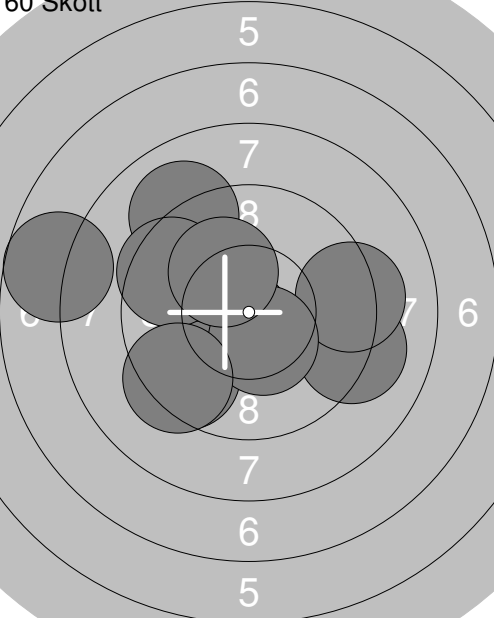
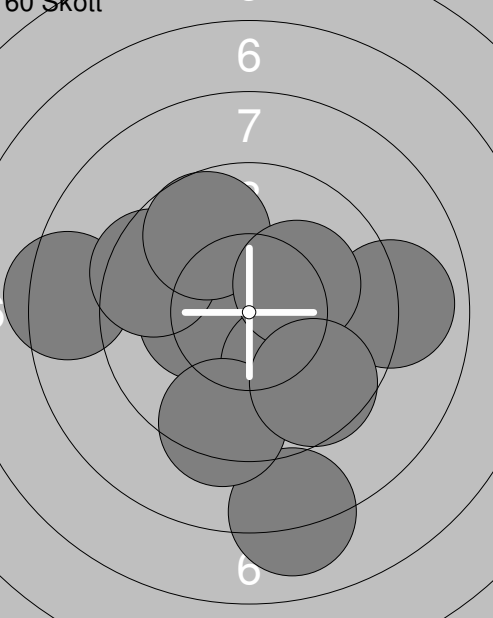
6: 10.1 ←	Serie	92.5
7: 10.0 ←		
8: 9.1 ↓		
9: 7.9 ↑		
10: 8.7 ←		
Total		92.5

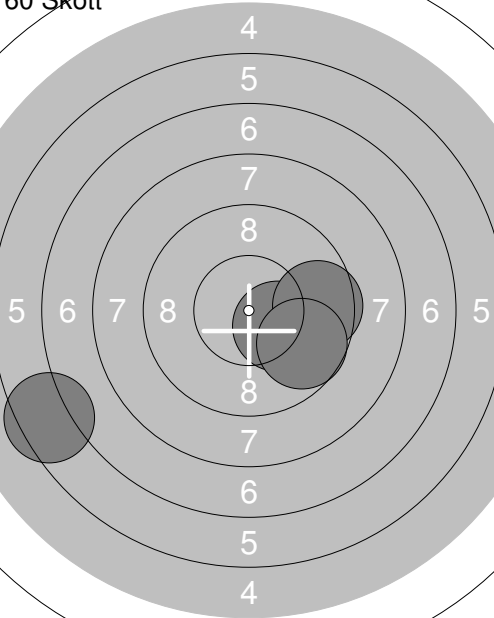


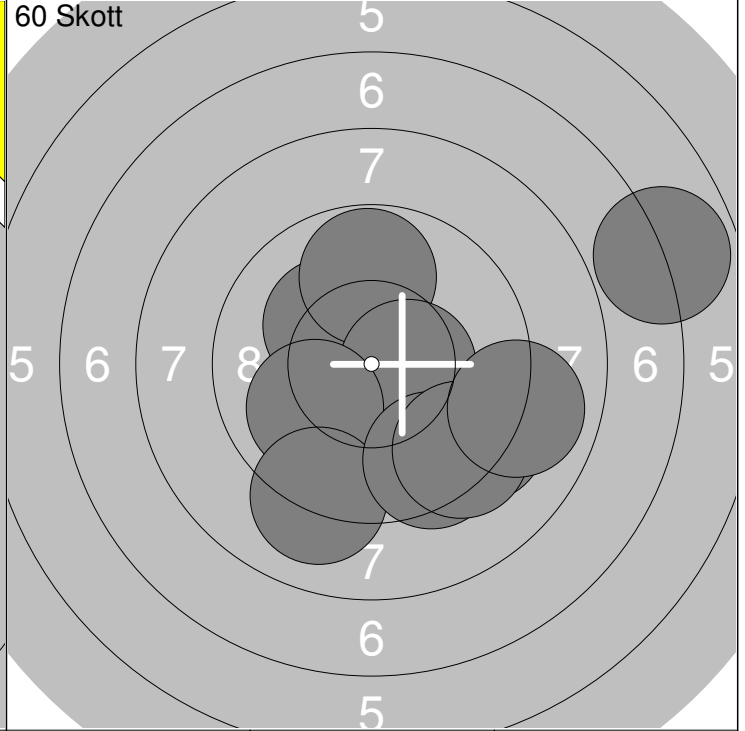
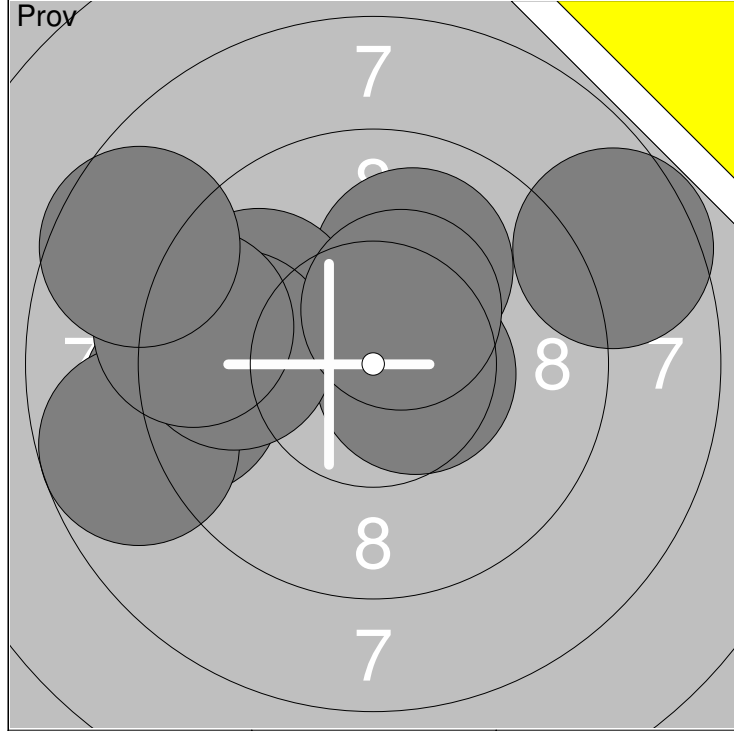
11: 9.5 ↓	Serie	96.9
12: 9.2 ↑		
13: 9.6 →		
14: 9.9 →		
15: 10.4x ↑		
16: 9.4 →	Total	189.4
17: 10.1 →		
18: 9.6 ↑		
19: 9.6 ↓		
20: 9.6 ↓		

21: 9.3 ←	Serie	36.4
22: 10.1 ↑		
23: 8.5 ↑		
24: 8.5 →		
Total		

<p>Pröv</p> 	<p>1: 9.1 →</p> <p>2: 8.1 →</p> <p>3: 10.1 ←</p> <p>4: 10.2x ↗</p> <p>5: 6.7 ←</p> <p>6: 8.5 ↙</p> <p>7: 8.5 ↓</p> <p>8: 10.3x ↘</p> <p>9: 10.0 ↓</p> <p>10: 10.1 ↑</p>	<p>Pröv</p> 		
Serie	91.6	Serie	18.9	
Total	0.0	Total	0.0	

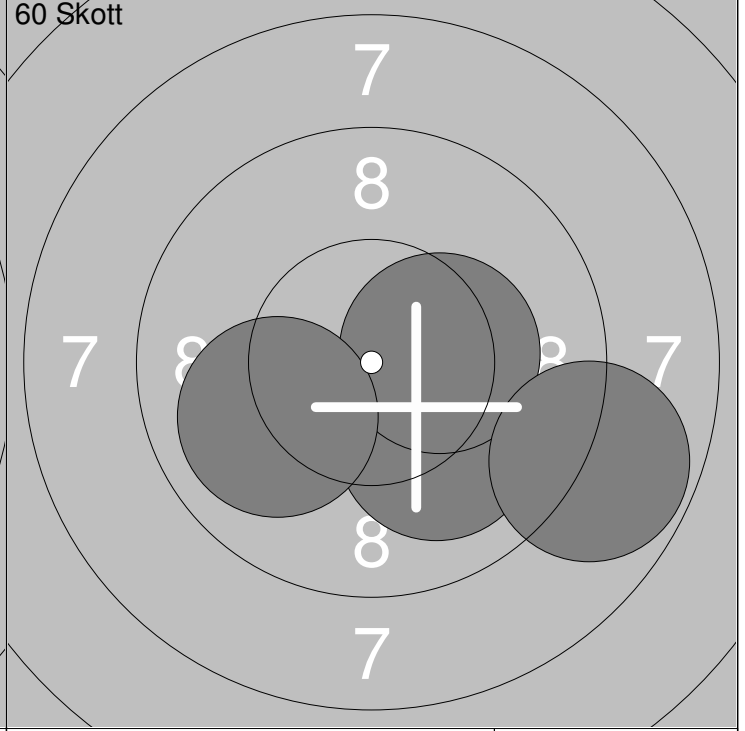
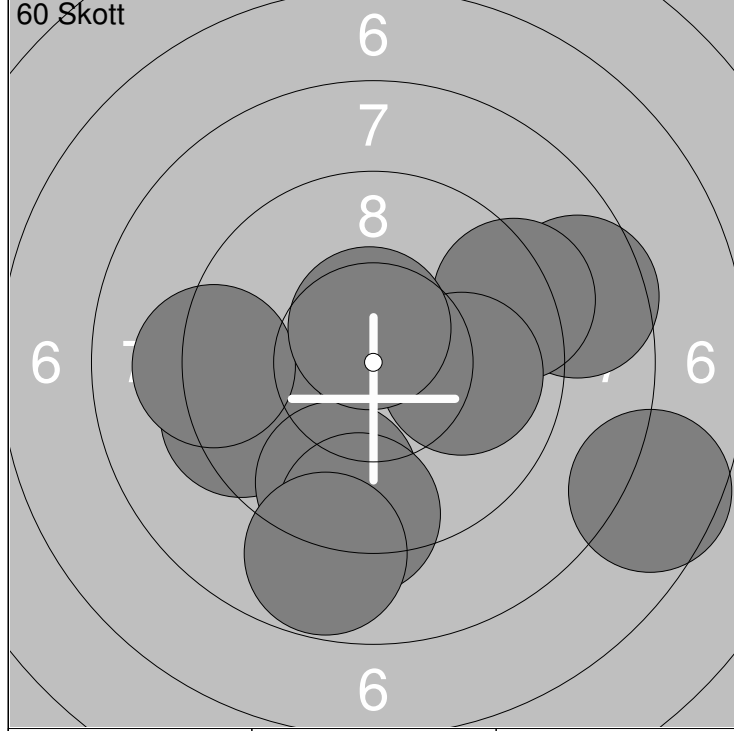
<p>60 Skott</p> 	<p>1: 9.2 →</p> <p>2: 7.7 ←</p> <p>3: 9.3 →</p> <p>4: 10.7x ↘</p> <p>5: 9.5 ↙</p> <p>6: 9.0 ↖</p> <p>7: 10.4x ↘</p> <p>8: 9.5 ↙</p> <p>9: 9.4 ↙</p> <p>10: 10.2x ↘</p>	<p>60 Skott</p> 		
Serie	94.9	Serie	94.2	
Total	94.9	Total	189.1	

<p>60 Skott</p> 	<p>21: 10.3x ↘</p> <p>22: 9.6 →</p> <p>23: 6.5 ←</p> <p>24: 9.7 ↘</p>	
Serie	36.1	
Total	225.2	



1: 10.6x →	6: 9.8 ←	Serie	94.9
2: 10.0 ↑	7: 9.7 ←		
3: 9.2 ←	8: 9.3 ←	Total	0.0
4: 8.6 →	9: 10.4x ↑		
5: 8.7 ←	10: 8.6 ←		

1: 9.3 ↘	6: 9.1 ↓	Serie	93.6
2: 10.2x ↖	7: 6.9 →		
3: 9.8 ↑	8: 9.5 ↓	Total	93.6
4: 10.5x →	9: 9.3 ↓		
5: 10.0 ↙	10: 9.0 →		



11: 9.4 ←	16: 9.3 ↓	Serie	92.4
12: 9.2 ←	17: 9.3 →		
13: 7.6 →	18: 10.0 →	Total	186.0
14: 8.6 →	19: 10.6x ↑		
15: 9.6 ↓	20: 8.8 ↓		

21: 10.0 ↓	Serie	39.1
22: 10.3x →		
23: 8.8 →	Total	225.1
24: 10.0 ←		

<p>Prov</p>	<p>1: 9.3 ↘ 2: 8.8 ← 3: 10.0 → 4: 9.7 ← 5: 9.4 ↘ 6: 9.7 ← 7: 9.9 → 8: 10.2x ↘ 9: 10.8x ↘ 10: 8.7 ↗</p> <p>Serie 96.5 Total 0.0</p>	<p>Prov</p>	<p>11: 9.3 ↘ 12: 8.8 ↘ 13: 7.8 ←</p> <p>Serie 25.9 Total 0.0</p>
-------------	---	-------------	--

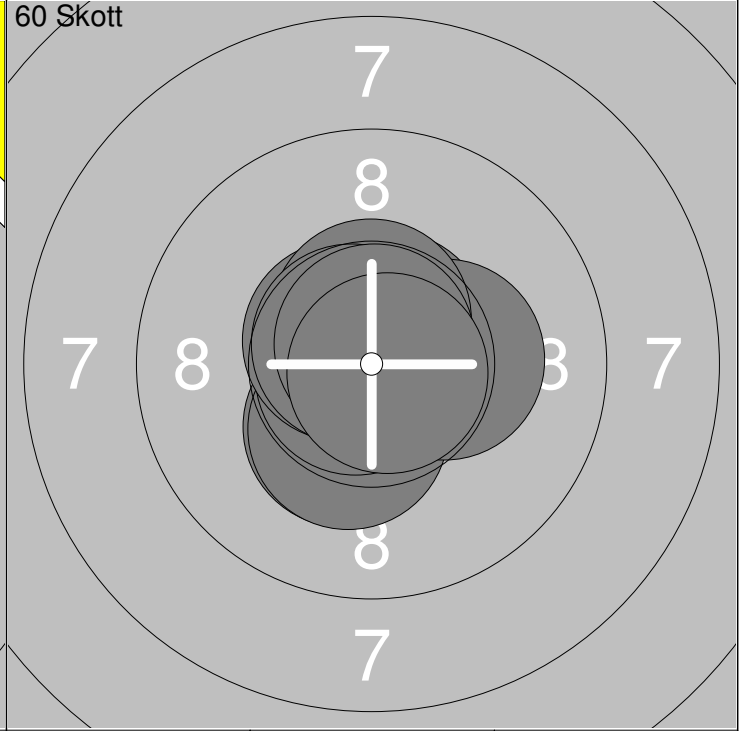
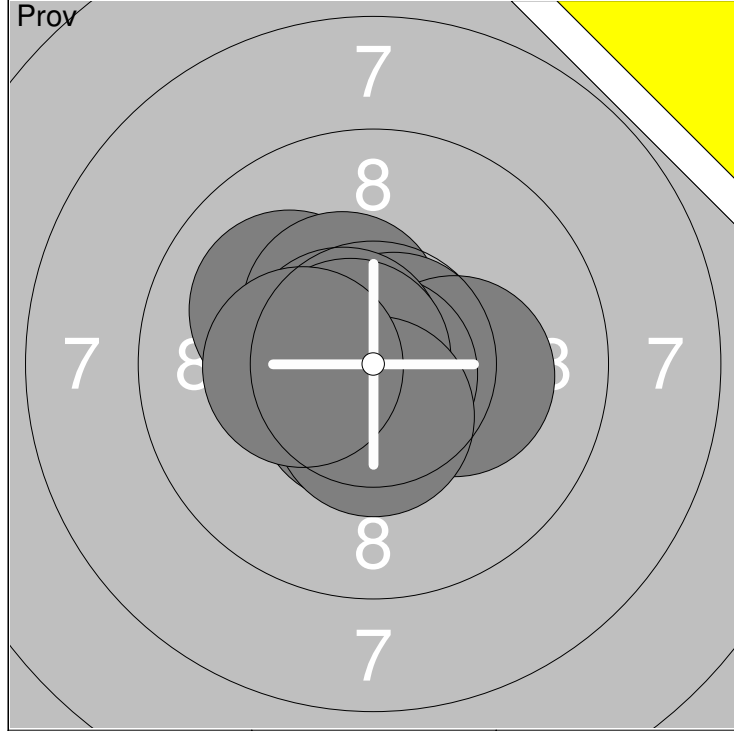
<p>60 Skott</p>	<p>1: 9.1 ↗ 2: 9.2 ↙ 3: 10.0 ↘ 4: 9.1 ↗ 5: 10.1 ↘ 6: 10.1 ↘ 7: 9.9 → 8: 10.5x ↘ 9: 8.2 ← 10: 9.5 ↘</p> <p>Serie 95.7 Total 95.7</p>	<p>60 Skott</p>	<p>11: 9.8 ↙ 12: 9.9 ↙ 13: 8.4 ↘ 14: 10.1 → 15: 8.8 ← 16: 8.1 ← 17: 10.0 ↗ 18: 10.5x ↗ 19: 9.2 ↘ 20: 9.0 ↙</p> <p>Serie 93.8 Total 189.5</p>
-----------------	--	-----------------	---

<p>60 Skott</p>	<p>21: 9.9 ← 22: 10.2x ↘ 23: 9.0 ↘ 24: 6.8 ↘</p> <p>Serie 35.9 Total 225.4</p>		
-----------------	---	--	--

<p>Prov</p>	<p>1: 10.7x ↗ 2: 10.5x ↘ 3: 10.5x ↘ 4: 10.5x ↘ 5: 10.4x ↘ 6: 10.2x ↘ 7: 10.8x ↗ 8: 10.7x ↗ 9: 10.3x ↗ 10: 10.9x ↘</p> <p>Serie 105.5 Total 0.0</p>	<p>Prov</p> <p>11: 10.5x ↗</p> <p>Serie 10.5 Total 0.0</p>
-------------	---	--

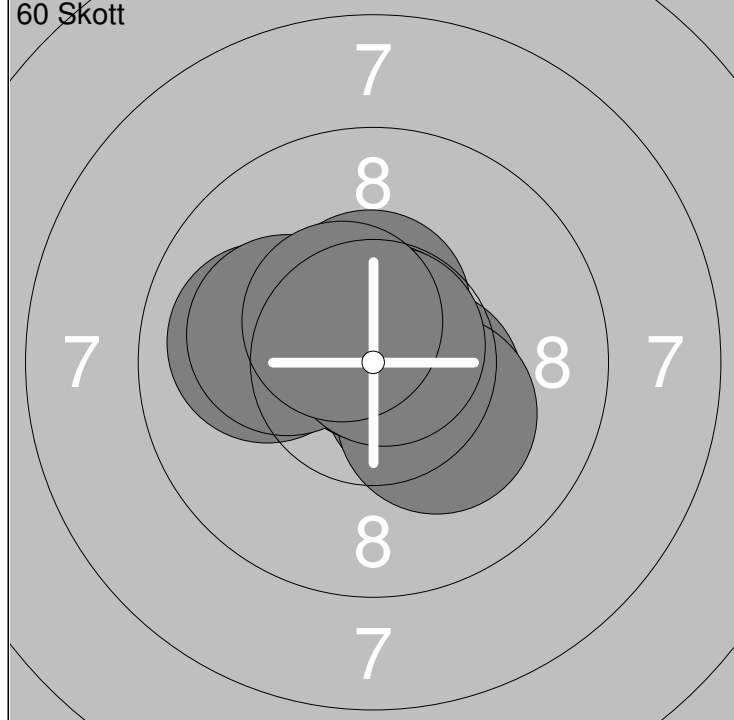
<p>60 Skott</p>	<p>1: 10.7x ↗ 2: 10.0 ↓ 3: 10.1 ↗ 4: 10.6x ↘ 5: 10.7x ↗ 6: 10.5x ↘ 7: 10.6x ↗ 8: 10.8x ↘ 9: 10.6x ↘ 10: 10.4x ↘</p> <p>Serie 105.0 Total 105.0</p>	<p>60 Skott</p> <p>11: 10.8x ↗ 12: 10.9x ↘ 13: 10.7x ↘ 14: 10.7x ↘ 15: 10.5x ↘ 16: 10.7x ↘ 17: 10.5x ↘ 18: 10.4x ↘ 19: 10.8x ↘ 20: 10.5x ↘</p> <p>Serie 106.5 Total 211.5</p>
-----------------	---	--

<p>60 Skott</p>	<p>21: 10.3x ↘ 22: 10.7x ↘ 23: 10.7x ↗ 24: 10.9x ↘</p> <p>Serie 42.6 Total 254.1</p>	
-----------------	---	--



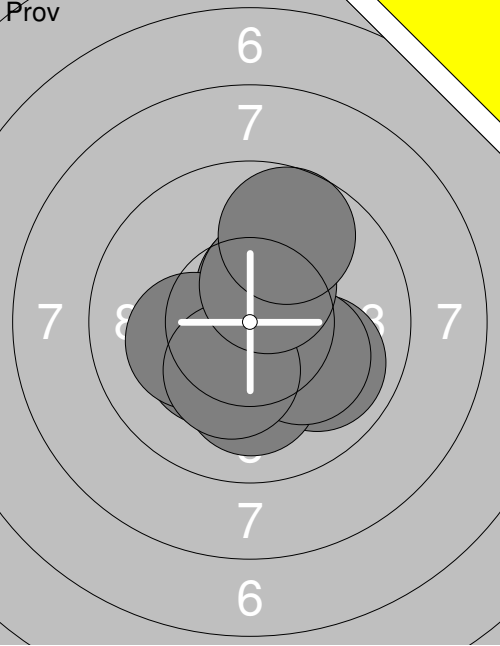
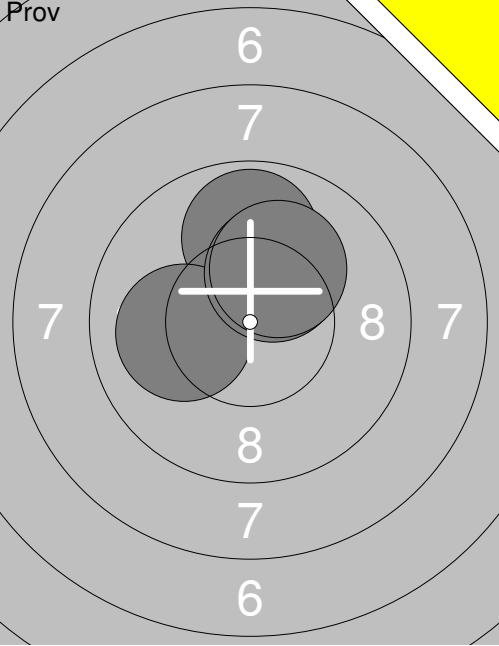
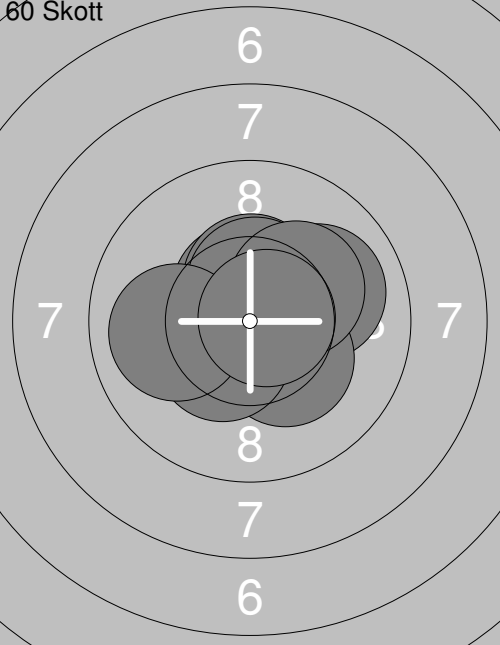
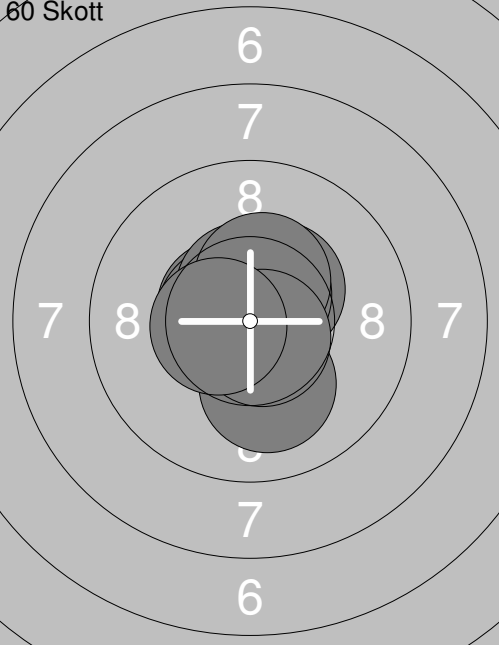
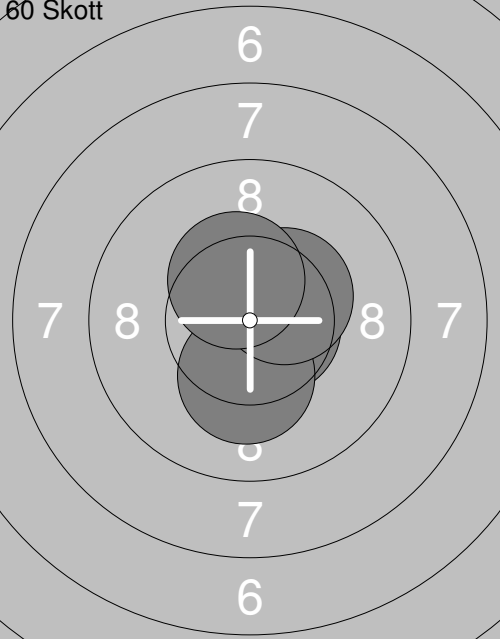
1: 10.1 ↖	6: 10.6x ↙	Serie	105.0
2: 10.4x ↗	7: 10.6x ↘		
3: 10.7x ↗	8: 10.7x ↙	Total	0.0
4: 10.2x →	9: 10.5x ↓		
5: 10.9x ↓	10: 10.3x ←		

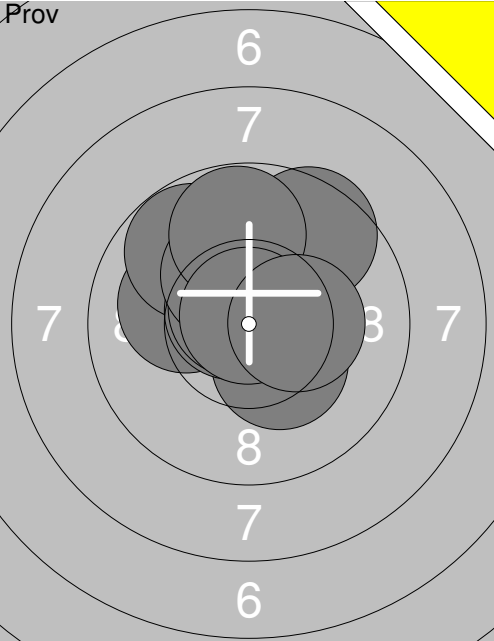
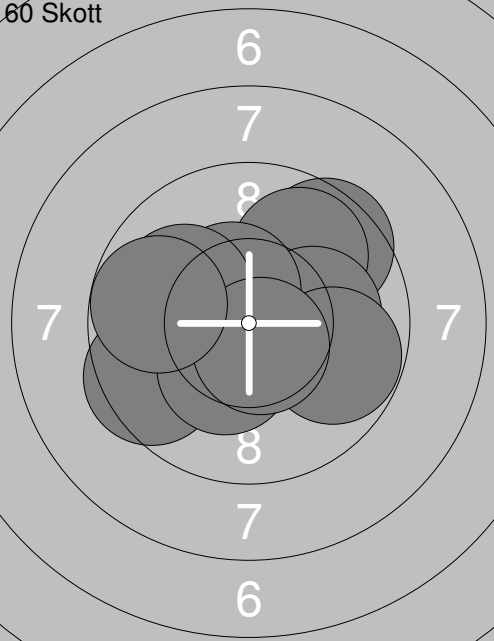
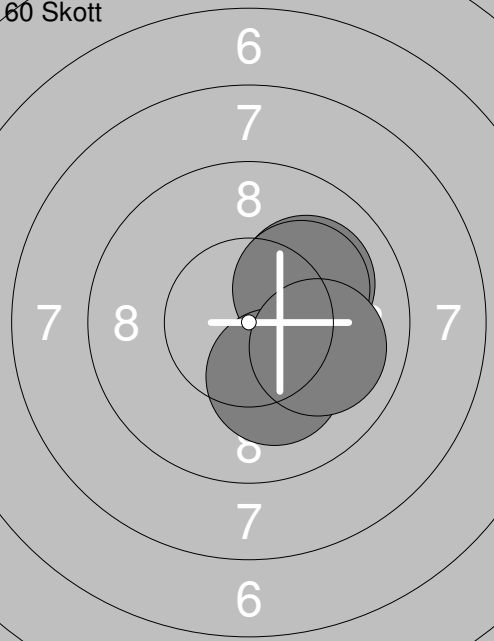
1: 10.3x ↓	6: 10.6x ↙	Serie	105.7
2: 10.3x ↓	7: 10.5x ↑		
3: 10.8x ↙	8: 10.7x ↙	Total	105.7
4: 10.6x ↗	9: 10.8x ↑		
5: 10.3x →	10: 10.8x ↘		

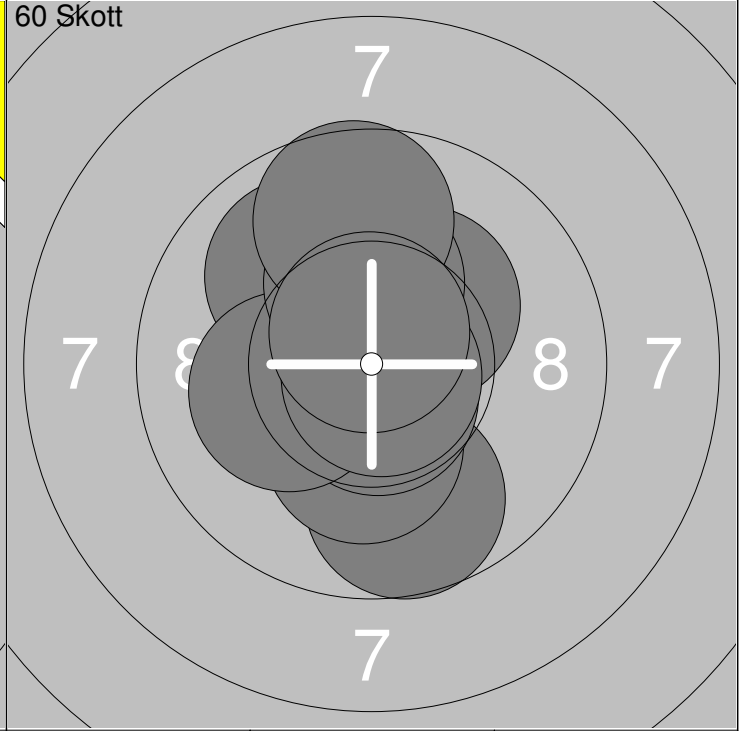
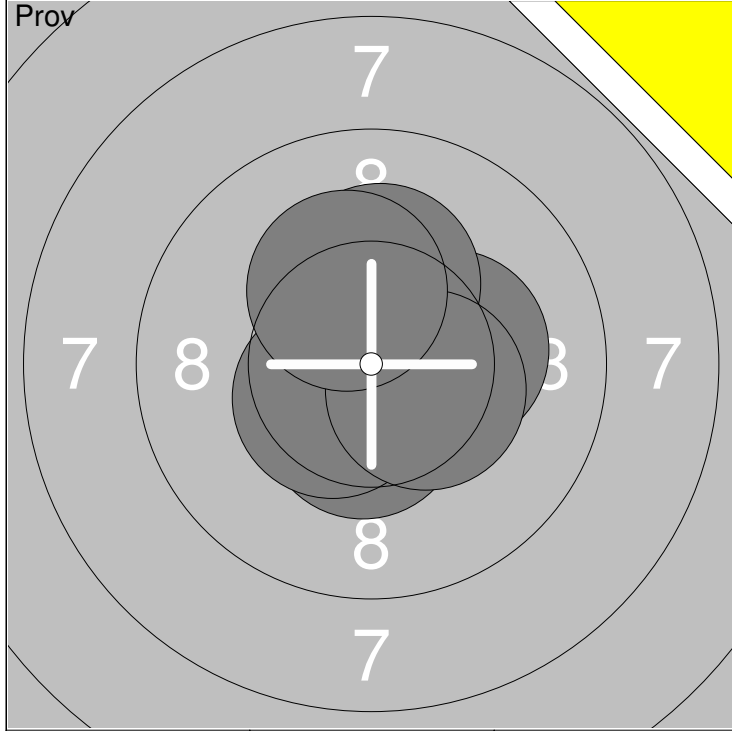


11: 10.5x →	16: 10.0 ←	Serie	104.8
12: 10.2x ↘	17: 10.8x ↑		
13: 10.8x ↑	18: 10.1 ←	Total	210.5
14: 10.6x ↑	19: 10.8x ↗		
15: 10.5x ↑	20: 10.5x ↙		

21: 10.9x ↓	Serie	42.1
22: 10.2x →		
23: 10.6x →	Total	252.6
24: 10.4x ↑		

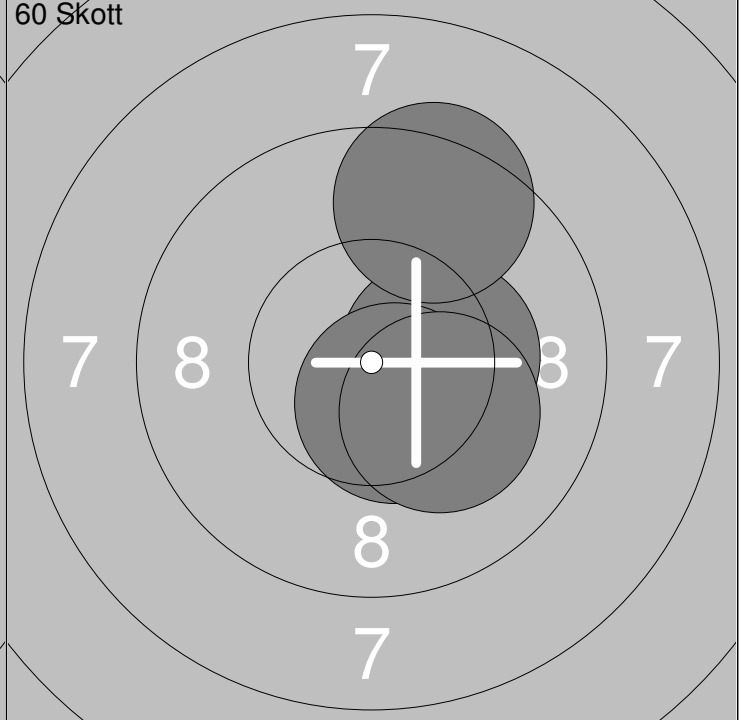
Skjuttag 2	Tavla 25	Jacob Hedman	
S		Umeå Skf	
03.10.2020		UME-Skottet 2020	Umeå skytteallians
Prov 	1: 10.3x ↘ 2: 9.9 → 3: 10.5x ↗ 4: 10.1 ↓ 5: 10.7x ↘ 6: 10.1 → 7: 10.2x ↘ 8: 10.3x ↘ 9: 10.4x ↗ 10: 9.7 ↑	Prov 	11: 9.9 ↑ 12: 10.1 ← 13: 10.3x ↗ 14: 10.2x ↗
	Serie 102.2		Serie 40.5
	Total 0.0		Total 0.0
60 Skott 	1: 10.5x ↗ 2: 10.0 → 3: 10.3x ↘ 4: 10.5x ↗ 5: 10.4x ↘ 6: 10.4x ↗ 7: 10.5x ↗ 8: 10.2x ↗ 9: 10.0 ← 10: 10.7x →	60 Skott 	11: 10.4x ↗ 12: 10.6x ↘ 13: 10.8x ↘ 14: 10.6x ↘ 15: 10.5x ↗ 16: 10.6x ↗ 17: 10.4x ↗ 18: 10.1 ↓ 19: 10.7x ↘ 20: 10.5x ↘
	Serie 103.5		Serie 105.2
	Total 103.5		Total 208.7
60 Skott 	21: 10.6x → 22: 10.2x ↓ 23: 10.4x ↗ 24: 10.4x ↗		
	Serie 41.6		
	Total 250.3		

Skjutlag 2	Tavla 27	Robin Alfredsson	
S	Umeå Skf		
03.10.2020	UME-Skottet 2020	Umeå skytteallians	
Prov		1: 10.1 ← 2: 10.3x ↓ 3: 9.8 ↗ 4: 9.6 ↗ 5: 10.7x ↘ 6: 10.7x ↘ 7: 10.3x ↗ 8: 9.8 ↑ 9: 10.8x ↑ 10: 10.3x → Serie 102.4 Total 0.0	11: 10.8x ↘ 12: 10.4x → 13: 10.2x ↓ 14: 10.4x ↓ Serie 41.8 Total 0.0
60 Skott		1: 9.5 ↗ 2: 9.9 ↗ 3: 10.1 → 4: 9.5 ← 5: 9.8 → 6: 10.3x ↓ 7: 10.5x ↗ 8: 10.0 ← 9: 10.6x ↓ 10: 9.8 ← Serie 100.0 Total 100.0	11: 9.7 ↓ 12: 10.5x ↓ 13: 9.4 ↓ 14: 10.1 ↗ 15: 10.8x ↗ 16: 10.3x ↓ 17: 10.0 ↓ 18: 10.1 ↓ 19: 9.8 → 20: 10.4x ↑ Serie 101.1 Total 201.1
60 Skott		21: 10.1 ↗ 22: 10.1 ↗ 23: 10.2x ↓ 24: 10.0 → Serie 40.4 Total 241.5	



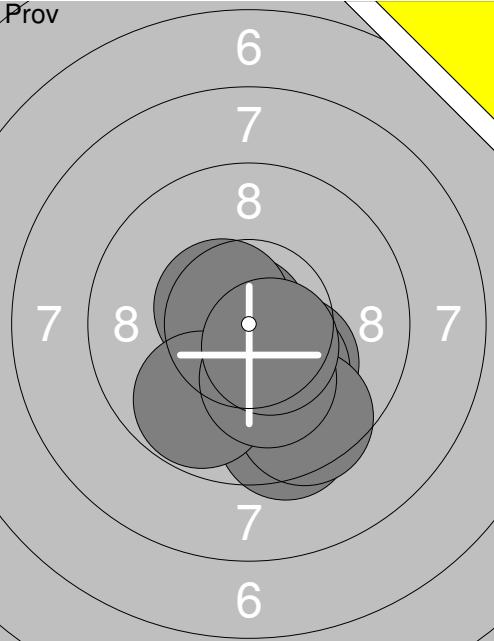
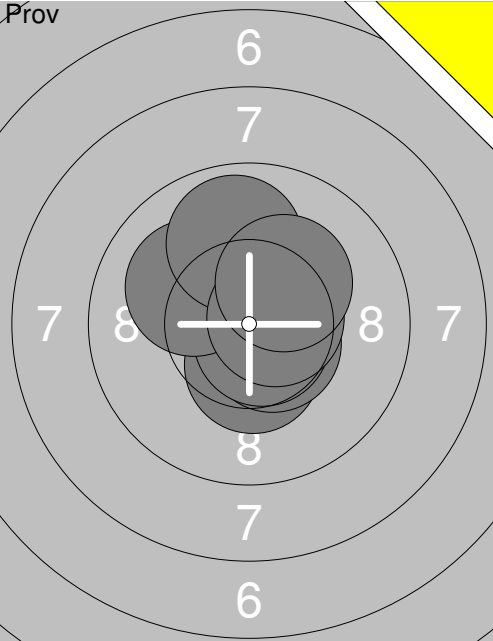
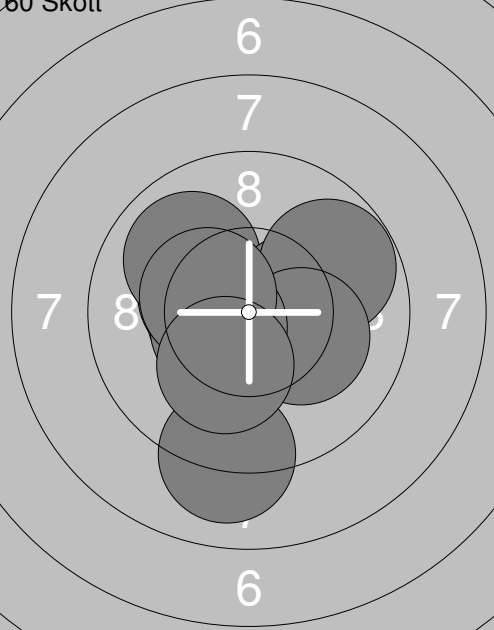
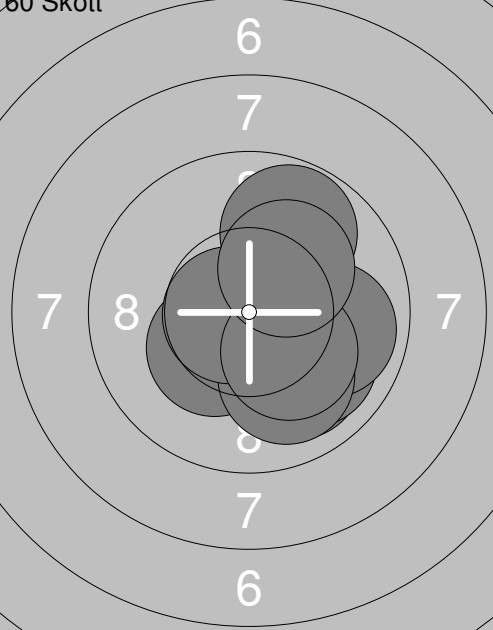
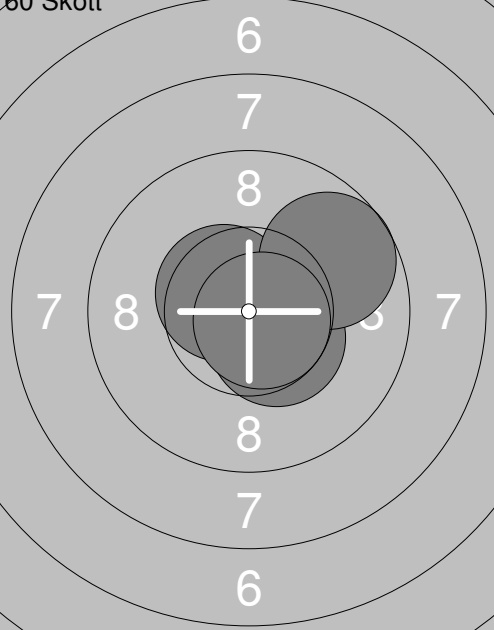
1: 10.5x ↑	6: 10.4x →	Serie	72.7
2: 10.3x →	7: 10.3x ↑		
3: 10.5x ↓		Total	0.0
4: 10.5x ↙			
5: 10.2x ↑			

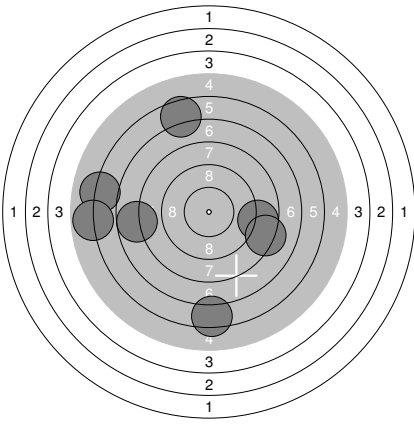
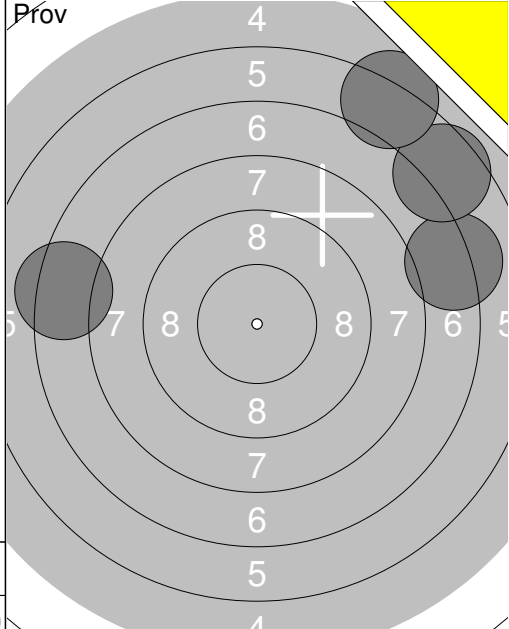
1: 10.0 ↖	6: 10.2x ←	Serie	102.5
2: 9.7 ↓	7: 10.2x ↑		
3: 10.3x ↗	8: 10.8x ↘	Total	102.5
4: 10.2x ↓	9: 9.7 ↑		
5: 10.7x ↓	10: 10.7x ↑		

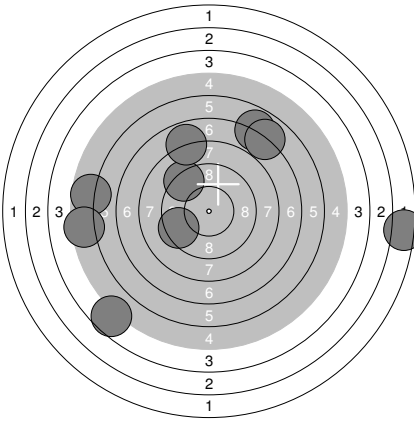
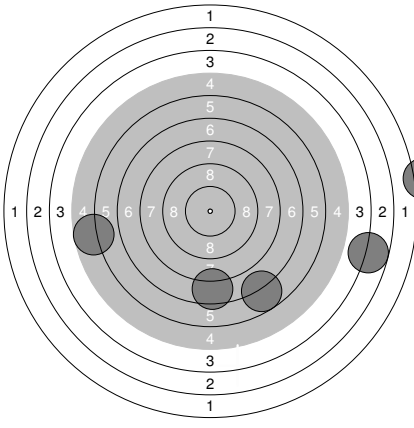


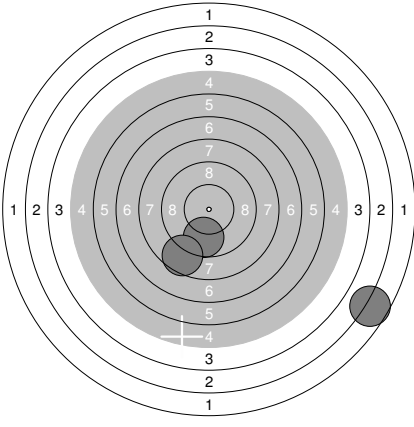
11: 10.5x →	16: 10.4x →	Serie	104.0
12: 10.7x ↙	17: 9.5 ↑		
13: 10.6x →	18: 10.5x ↑	Total	206.5
14: 10.5x ↗	19: 10.9x ↓		
15: 10.6x ↘	20: 9.8 ↗		

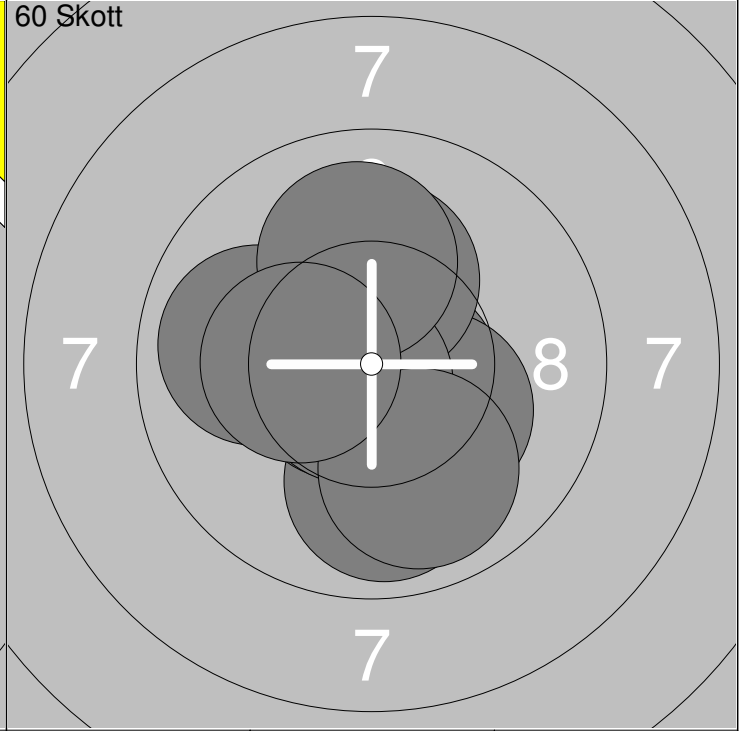
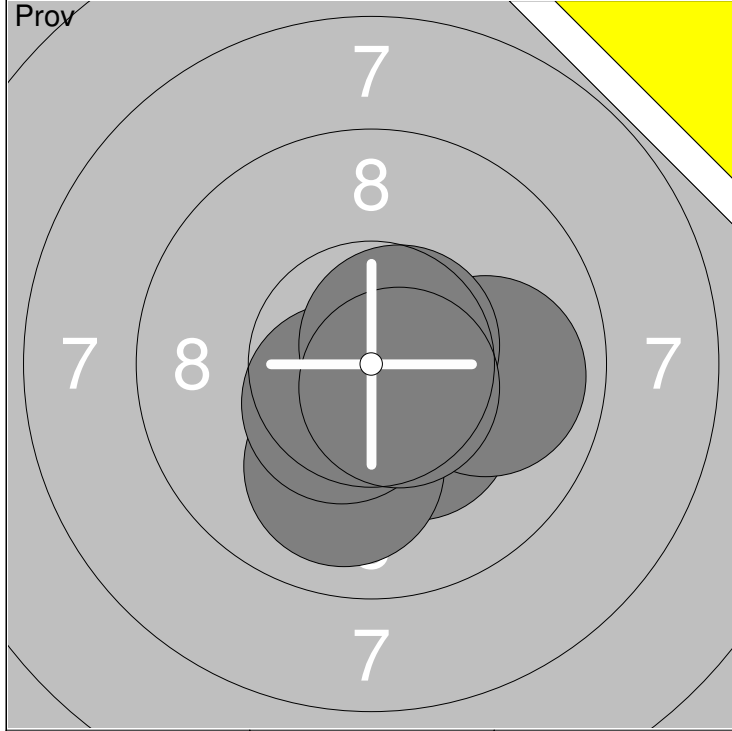
21: 10.3x →	Serie	40.4
22: 10.5x ↓		
23: 9.4 ↑	Total	246.9
24: 10.2x ↘		

Skjuttag 2	Tavla 31	Linus Holmlund			
S		Umeå Skf			
03.10.2020		UME-Skottet 2020	Umeå skytteallians		
Prov		1: 9.5 ↓ 2: 10.2x↘ 3: 10.4x↘ 4: 10.8x↔ 5: 10.5x↔ 6: 10.2x↘ 7: 9.5 ↓ 8: 9.8 ↓ 9: 10.2x↘ 10: 10.5x↘ Serie 101.6 Total 0.0	Prov		11: 10.4x↓ 12: 10.6x↘ 13: 10.7x↘ 14: 10.1 ↖ 15: 9.9 ↑ 16: 10.6x→ 17: 10.3x↗ Serie 72.6 Total 0.0
60 Skott		1: 10.4x↔ 2: 9.9 ↖ 3: 10.5x↔ 4: 10.3x→ 5: 9.8 ↗ 6: 10.2x→ 7: 10.5x↔ 8: 10.4x↔ 9: 9.1 ↓ 10: 10.2x↓ Serie 101.3 Total 101.3	60 Skott		11: 10.8x↔ 12: 10.0 ↓ 13: 10.3x↔ 14: 10.0 ↓ 15: 9.9 → 16: 10.0 ↓ 17: 10.7x↔ 18: 10.2x↘ 19: 9.8 ↗ 20: 10.2x↗ Serie 101.9 Total 203.2
60 Skott		21: 10.4x↘ 22: 10.5x↔ 23: 9.7 ↗ 24: 10.7x↘ Serie 41.3 Total 244.5			

Prov 	2: 0.0 ↓ 3: 6.4 ↓ 4: 6.1 ← 5: 0.0 → 6: 8.7 → 7: 5.8 ← 8: 7.8 ← 9: 6.6 ↑ 10: 8.3 →	Prov 	11: 7.2 → 12: 6.6 ↗ 13: 7.3 ← 14: 6.2 ↗
Serie	49.7	Serie	27.3
Total	0.0	Total	0.0

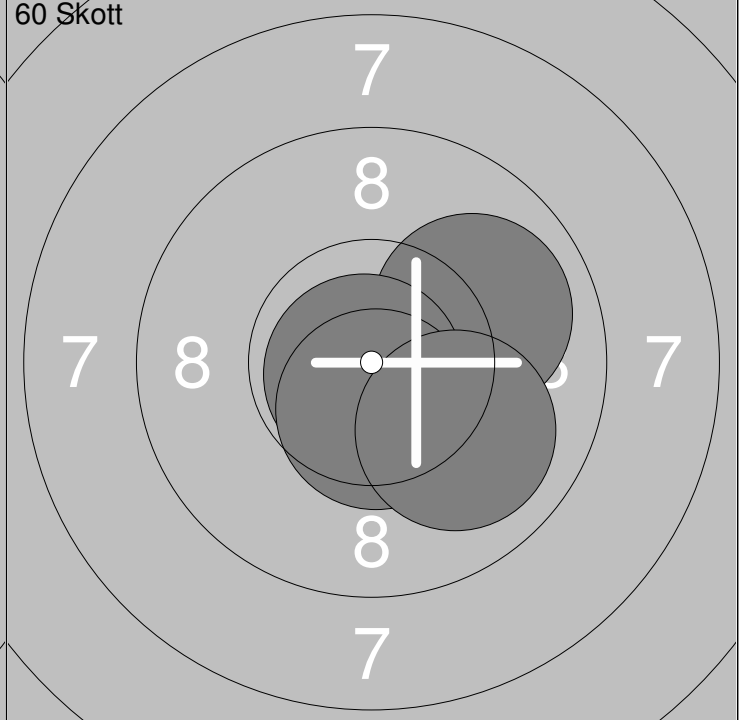
60 Skott 	1: 9.4 ← 2: 9.2 ↗ 3: 7.9 ↗ 4: 0.0 ↗ 5: 6.9 ↗ 6: 5.7 ← 7: 5.4 ← 8: 2.3 → 9: 6.9 ↗ 10: 4.6 ↘	60 Skott 	11: 0.0 ↓ 12: 0.0 → 13: 1.5 → 14: 5.7 ← 15: 3.7 → 16: 0.0 ← 17: 6.7 ↘ 18: 7.5 ↓ 19: 0.0 ↘ 20: 0.0 ↓
Serie	58.3	Serie	25.1
Total	58.3	Total	83.4

60 Skott 	21: 0.0 ↓ 22: 9.7 ↓ 23: 8.6 ↓ 24: 2.7 →		
Serie	21.0		
Total	104.4		



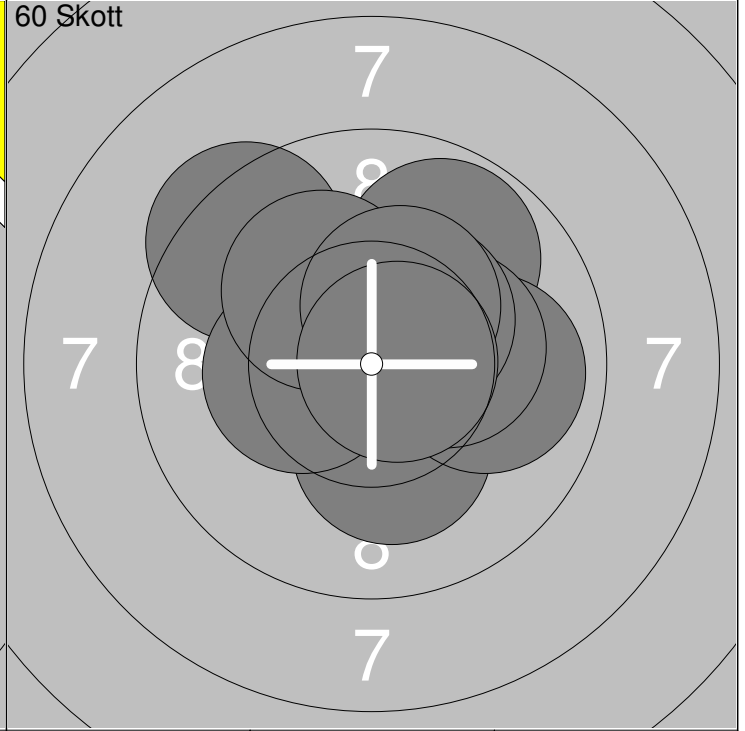
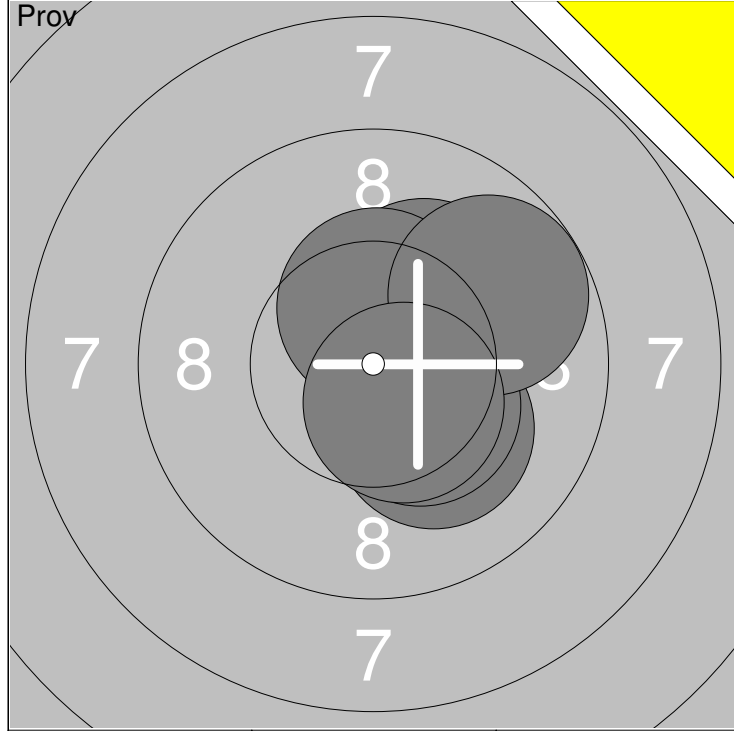
1: 10.3x ↘	6: 10.6x ↘		
2: 10.0 ↘		Serie	61.9
3: 10.5x ↙			
4: 9.9 →		Total	0.0
5: 10.6x ↗			

1: 10.7x →	6: 10.2x ↑		
2: 9.9 ↘	7: 10.7x ↙	Serie	102.6
3: 9.9 ←	8: 10.0 ↑		
4: 10.3x ↘	9: 9.9 ↘	Total	102.6
5: 10.7x ↙	10: 10.3x ←		



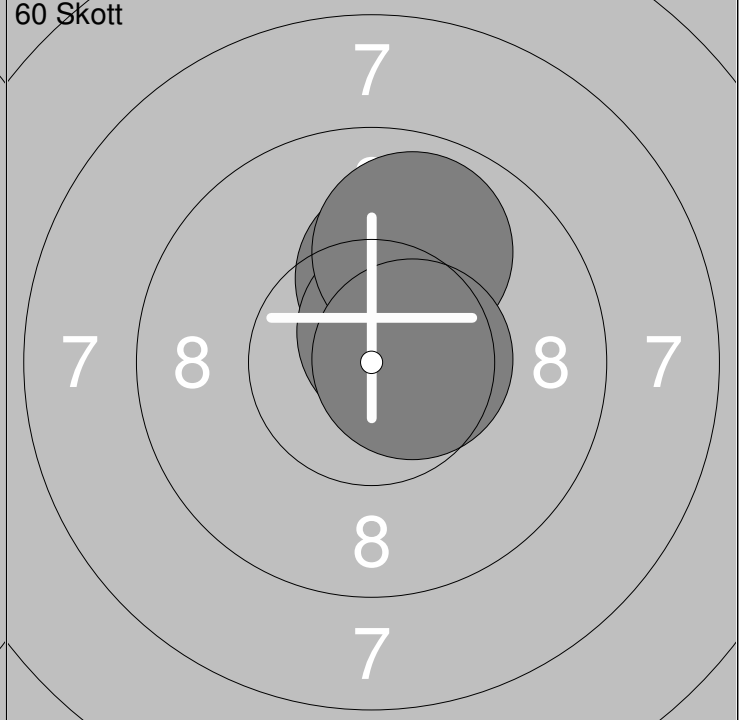
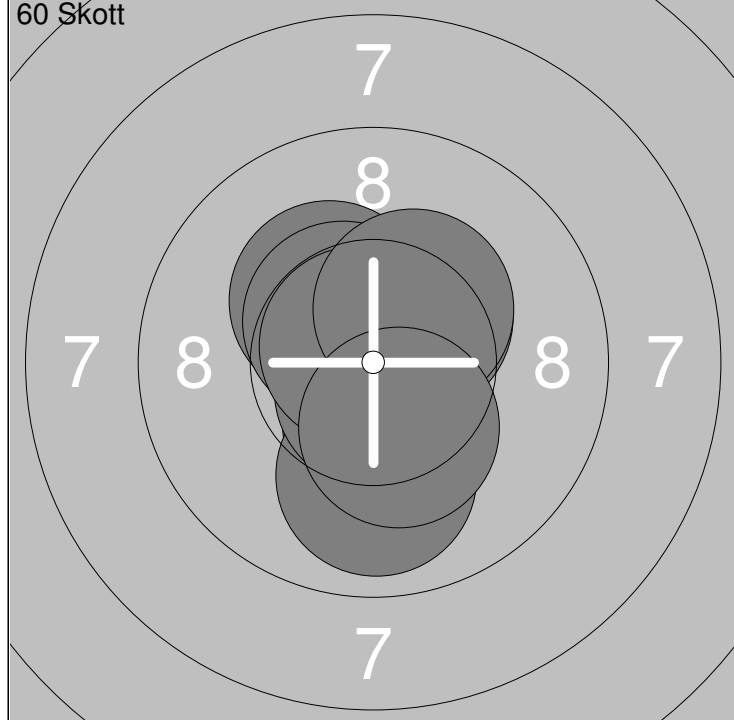
11: 10.6x →	16: 10.8x ↗		
12: 10.2x ↑	17: 10.6x ↙	Serie	104.6
13: 10.4x ↑	18: 10.7x ↘		
14: 10.4x ↑	19: 10.6x ↗	Total	207.2
15: 10.3x ↘	20: 10.0 ↑		

21: 10.0 →			
22: 10.8x ↙		Serie	41.3
23: 10.5x ↘			
24: 10.0 ↘		Total	248.5



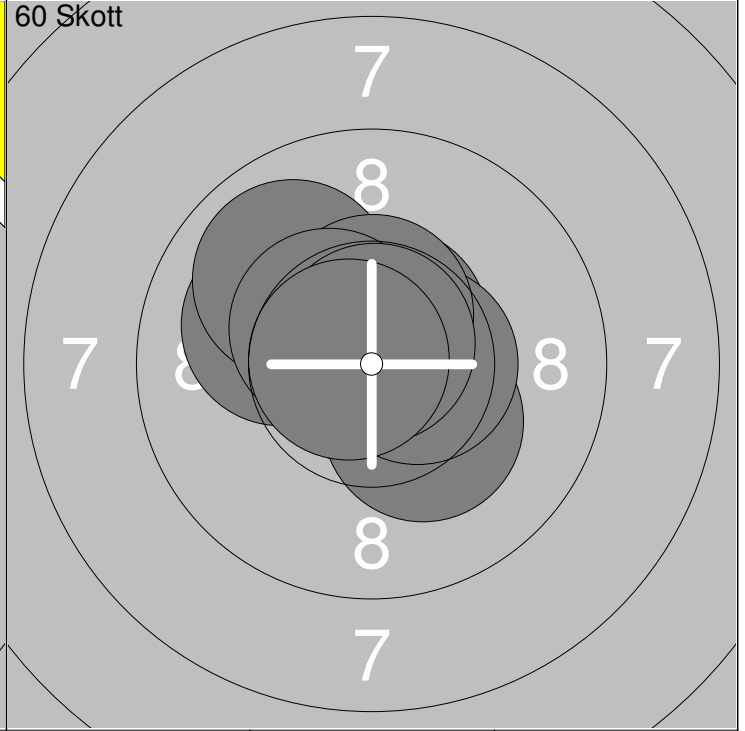
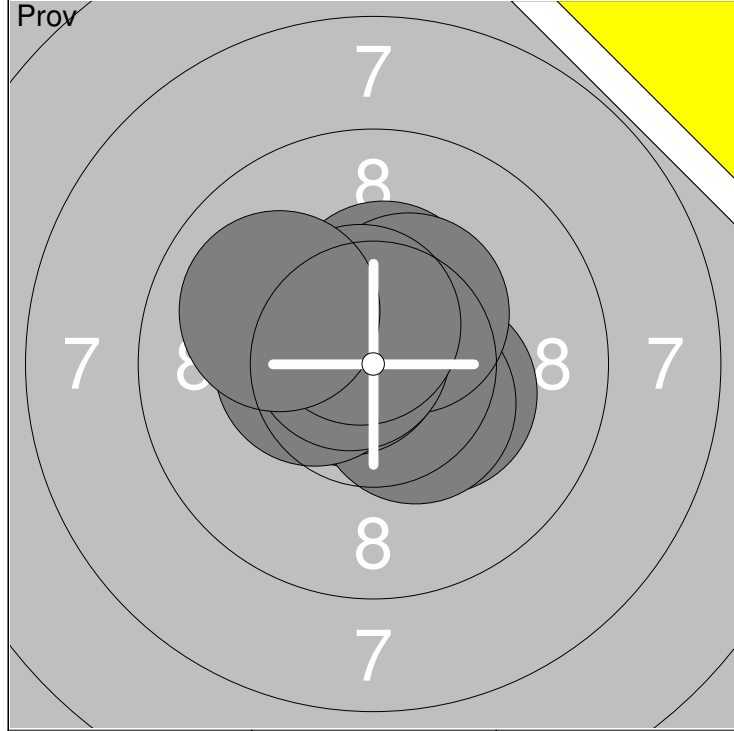
1: 10.2x ↗	6: 10.5x ↘		
2: 10.2x ↘		Serie	61.5
3: 10.4x ↘			
4: 10.4x ↑		Total	0.0
5: 9.8 ↗			

1: 9.8 ↗	6: 10.2x ↖		
2: 10.2x ↘		Serie	101.6
3: 9.4 ↖	7: 10.3x →		
4: 10.3x ←	8: 10.4x ↗	Total	101.6
5: 9.9 →	9: 10.4x ↗		
	10: 10.7x →		



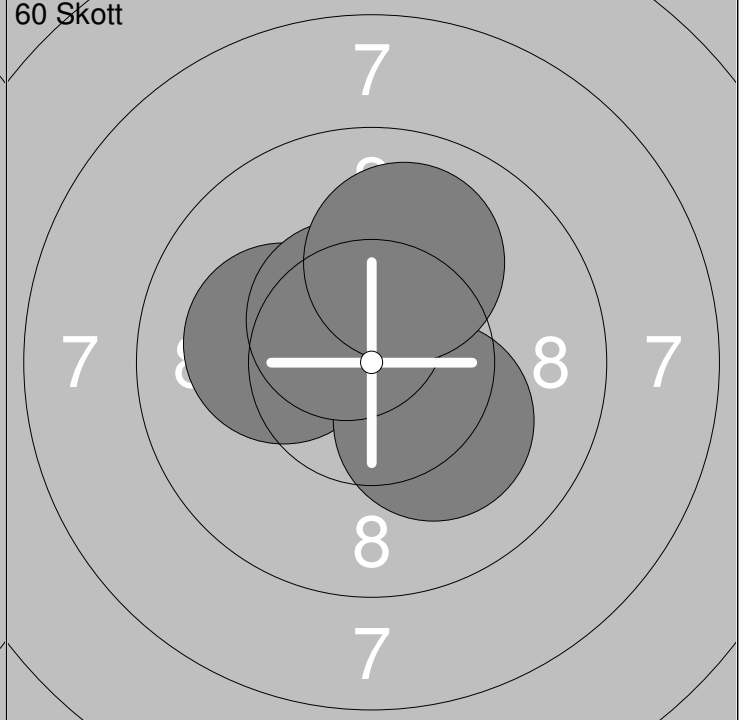
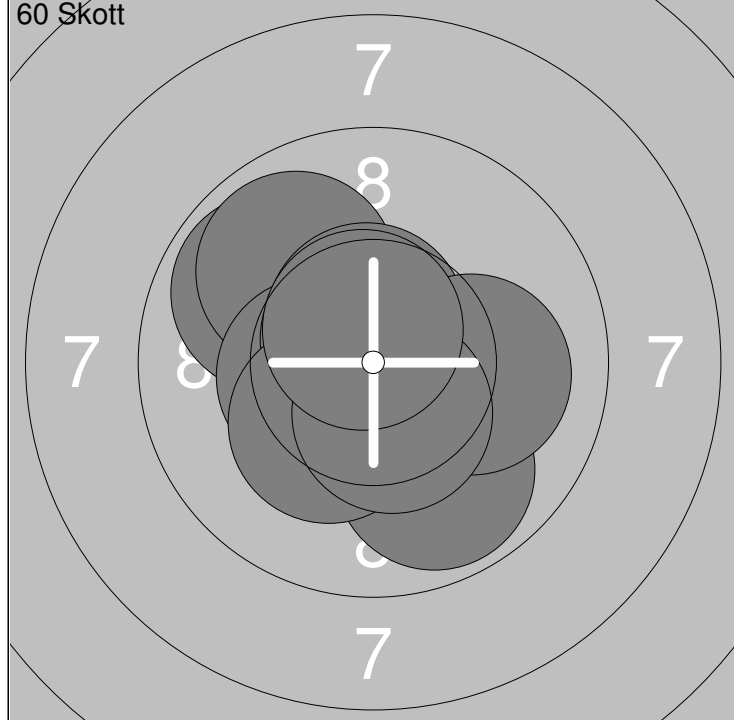
11: 10.4x ↓	16: 10.5x ↗		
12: 9.9 ↓	17: 10.8x ↑	Serie	104.5
13: 10.3x ↖	18: 10.8x ↖		
14: 10.7x ↓	19: 10.4x ↗	Total	206.1
15: 10.4x ↗	20: 10.3x ↓		

21: 10.2x ↑			
22: 10.6x ↗		Serie	41.3
23: 9.9 ↑			
24: 10.6x →		Total	247.4



1: 10.8x ←	6: 10.4x ↗	Serie	104.7
2: 10.4x ↑	7: 10.4x ←		
3: 10.3x →	8: 10.7x ↖	Total	0.0
4: 10.4x ↘	9: 10.6x ↑		
5: 10.7x ←	10: 10.0 ↖		

1: 10.1 ←	6: 9.9 ↖	Serie	104.8
2: 10.9x ↓	7: 10.5x ↑		
3: 10.6x ↑	8: 10.5x ↖	Total	104.8
4: 10.3x ↘	9: 10.8x ↑		
5: 10.5x →	10: 10.7x ←		



11: 9.8 ↗	16: 9.8 ↘	Serie	102.7
12: 9.9 ↗	17: 10.1 →		
13: 10.4x ←	18: 10.3x ↘	Total	207.5
14: 10.7x ↗	19: 10.5x ↘		
15: 10.6x ↑	20: 10.6x ↗		

21: 10.2x ←	Serie	40.9
22: 10.2x ↘		
23: 10.5x ↗	Total	248.4
24: 10.0 ↑		