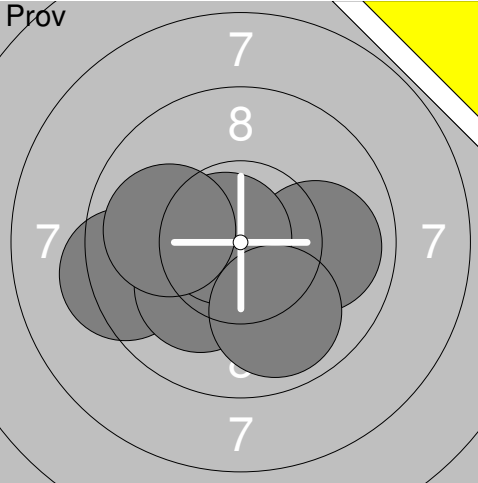
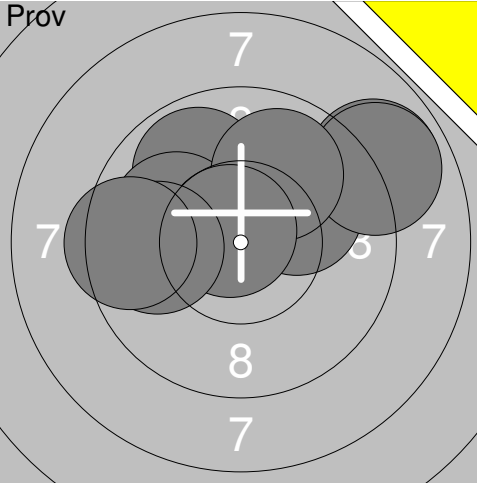
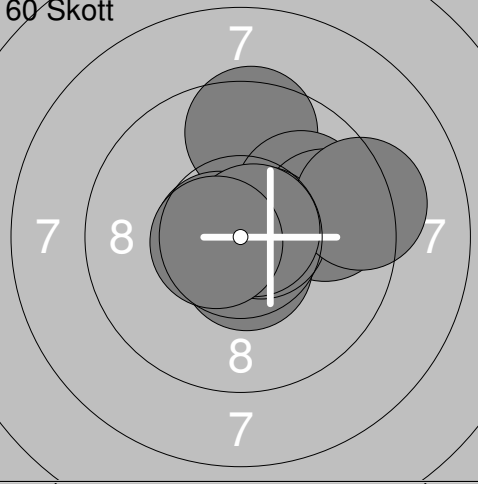
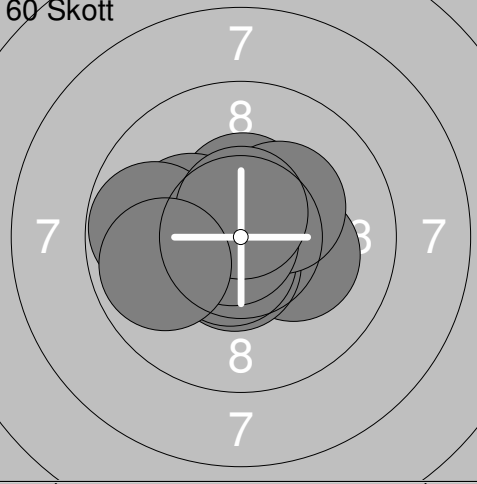
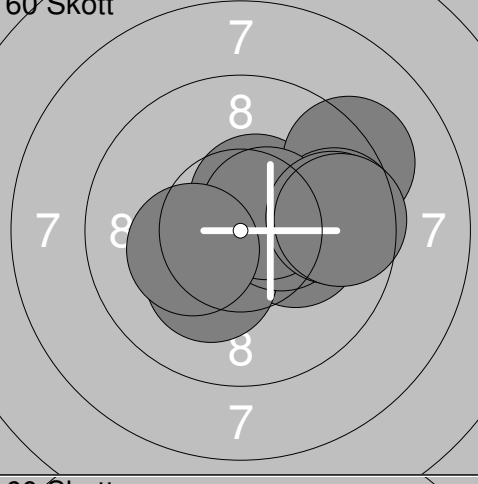
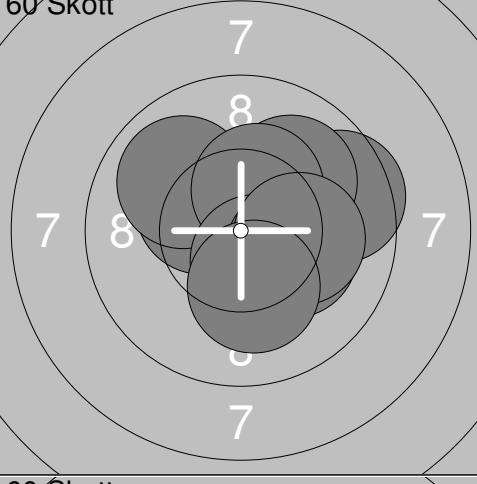
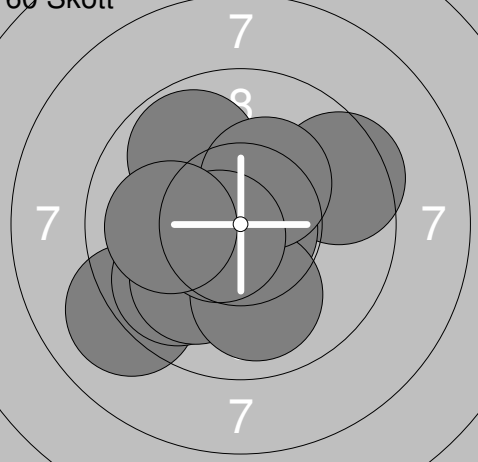
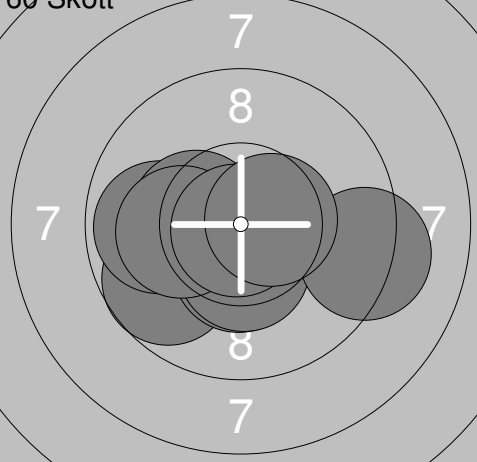

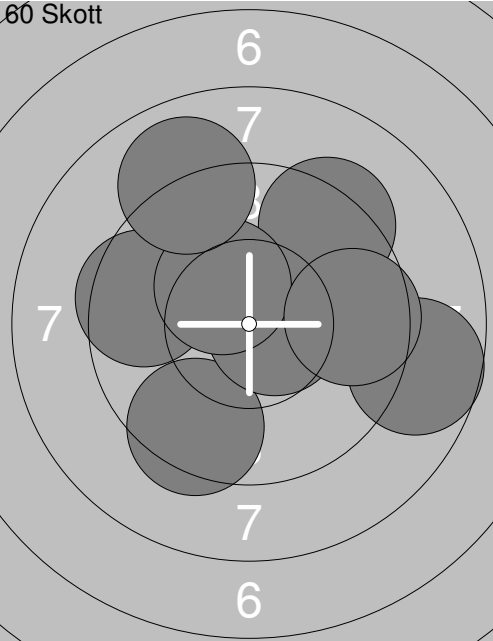
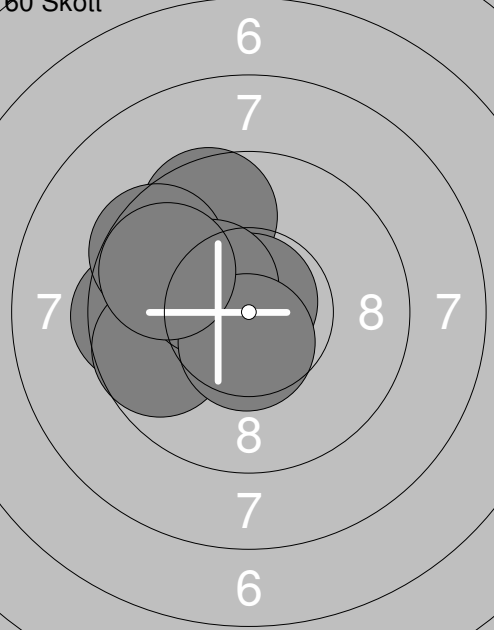
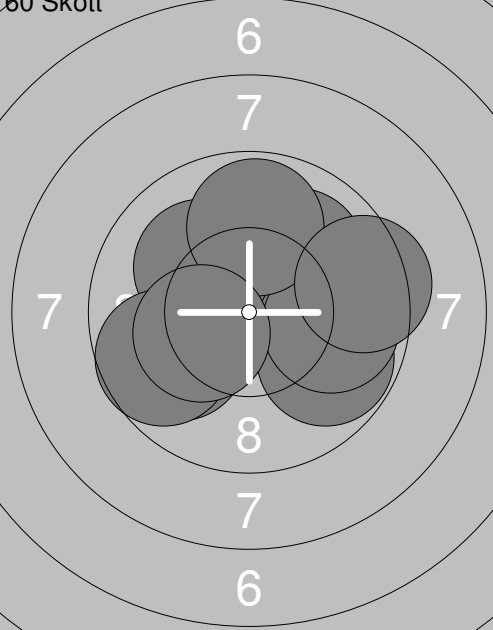
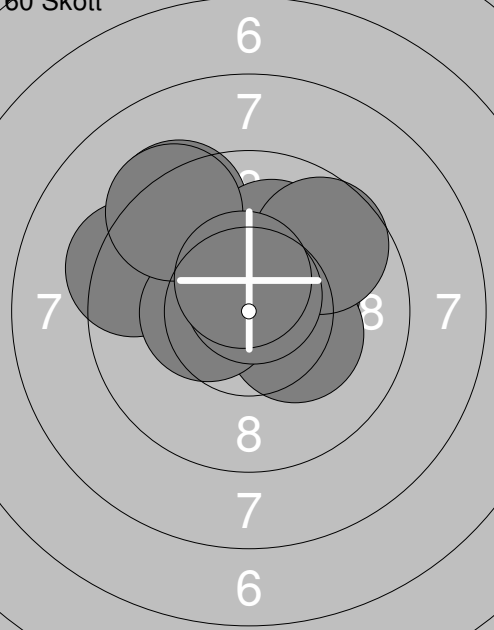


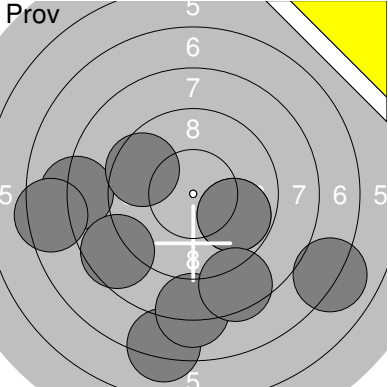
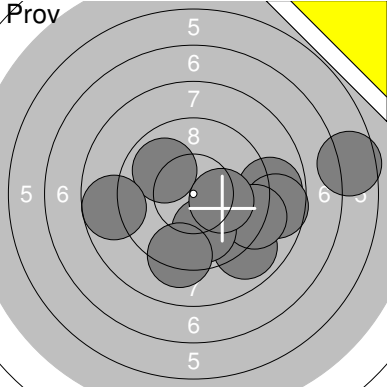
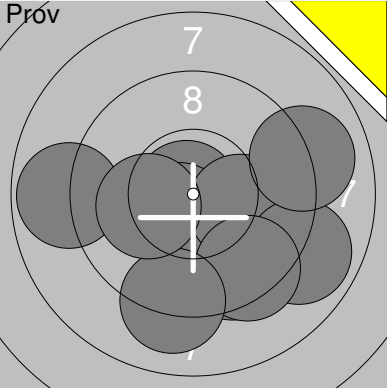
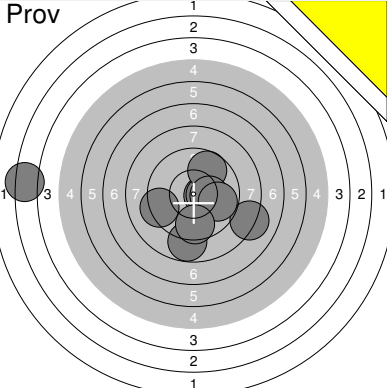
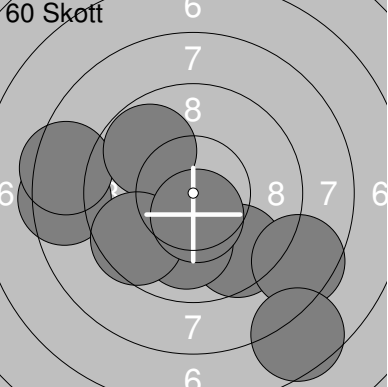
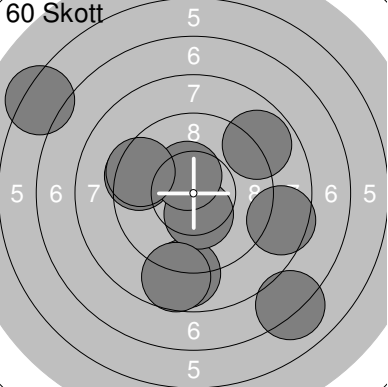
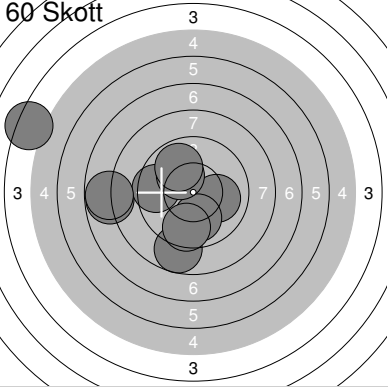
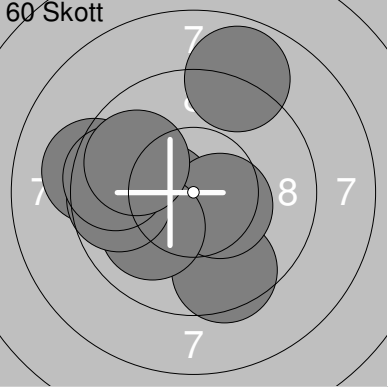
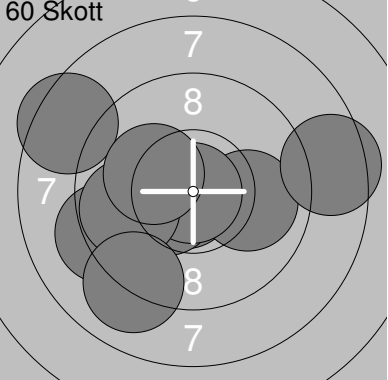
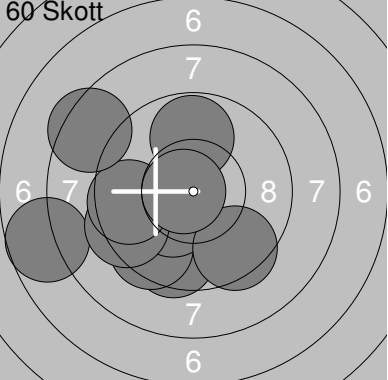
Skjutlag	Tavla	Hanna Lundin	
S	Umeå Skf		
03.10.2020	UME-Skottet 2020	Umeå skytteallians	
Pröv		1: 9.3 ← 2: 10.5x ← 3: 10.2x ↘ 4: 9.9 → 5: 10.4x ↘ 6: 10.7x ← 7: 10.1 ↘ 8: 10.7x ← 9: 9.9 ↘ 10: 10.0 ←	Pröv  11: 10.1 → 12: 9.9 ← 13: 8.9 → 14: 9.9 ↗ 15: 10.0 ← 16: 8.9 → 17: 9.9 ↗ 18: 10.7x ↗ 19: 9.8 ← 20: 9.5 ←
	Serie 101.7	Serie 97.6	
	Total 0.0	Total 0.0	
60 Skott		1: 10.1 → 2: 9.5 ↑ 3: 10.0 → 4: 9.8 → 5: 10.7x ← 6: 10.6x ↘ 7: 10.7x → 8: 9.3 → 9: 10.7x → 10: 10.6x ←	60 Skott  11: 10.2x → 12: 10.6x ↘ 13: 10.4x ↑ 14: 10.2x ← 15: 10.6x ↘ 16: 10.3x → 17: 10.8x ← 18: 9.8 ← 19: 10.6x ↑ 20: 9.9 ←
	Serie 102.0	Serie 103.4	
	Total 102.0	Total 205.4	
60 Skott		21: 10.2x → 22: 10.5x ↗ 23: 10.2x ↘ 24: 9.2 → 25: 10.4x → 26: 9.7 → 27: 10.5x → 28: 9.7 → 29: 10.3x ← 30: 9.6 →	60 Skott  31: 10.6x ↗ 32: 10.3x ↘ 33: 9.5 → 34: 10.0 → 35: 9.9 ↗ 36: 10.4x ↗ 37: 10.5x ↘ 38: 10.2x → 39: 10.2x → 40: 10.2x ↘
	Serie 100.3	Serie 101.8	
	Total 305.7	Total 407.5	
60 Skott		41: 9.1 ← 42: 9.5 → 43: 9.8 ← 44: 9.8 ↗ 45: 10.0 ↘ 46: 10.8x ↘ 47: 10.0 ↘ 48: 10.3x ↗ 49: 10.6x ← 50: 10.0 ←	60 Skott  51: 9.7 ← 52: 10.7x ↘ 53: 10.4x ↘ 54: 9.9 ← 55: 10.4x ↘ 56: 10.3x ← 57: 10.1 ← 58: 9.2 → 59: 10.9x ↘ 60: 10.5x →
	Serie 99.9	Serie 102.1	
	Total 507.4	Total 609.5	

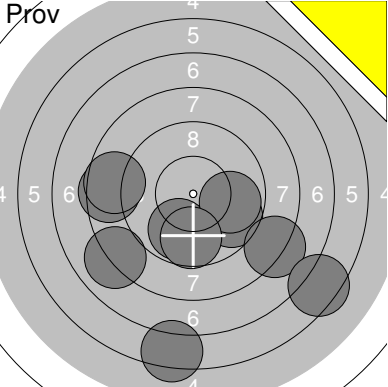
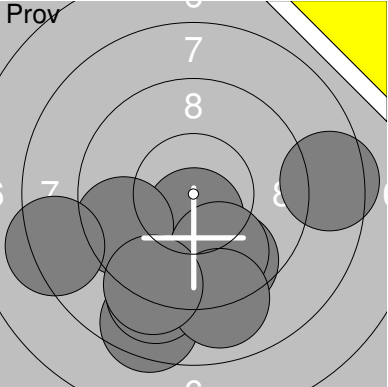
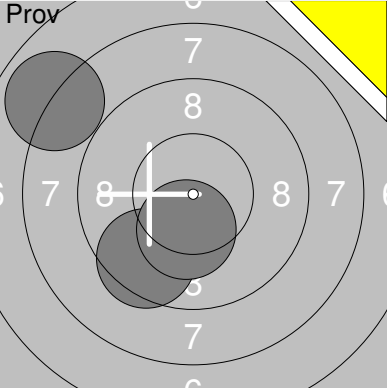
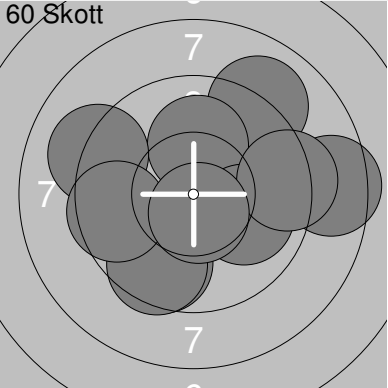
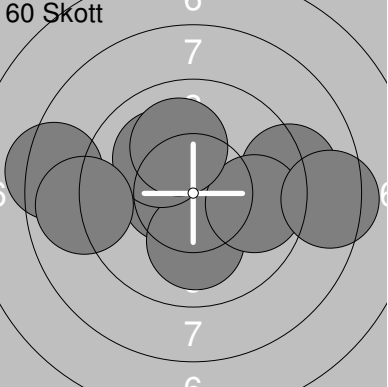
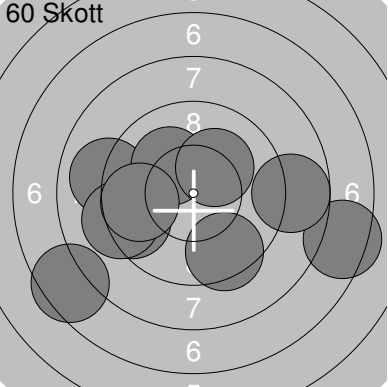
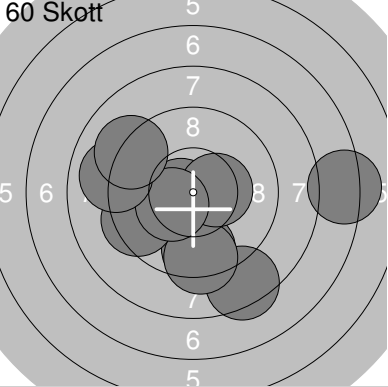
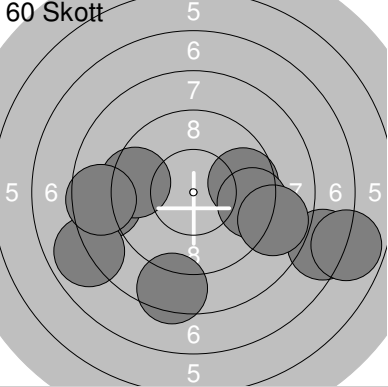
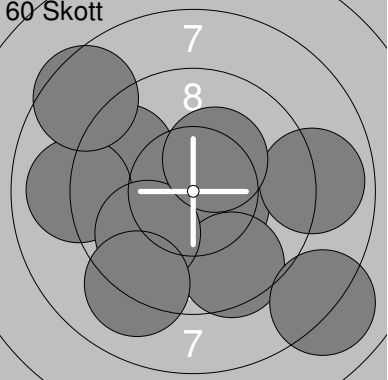
Skjuttag 1	Tavla 5	Helena Dreyer	
S		Umeå Skf	
03.10.2020		UME-Skottet 2020	Umeå skytteallians
Prov 	1: 10.2x ↘ 2: 9.6 ↓ 3: 10.3x ↘ 4: 10.4x ↘ 5: 10.5x ↘ Serie 51.0 Total 0.0	60 Skott 	1: 10.0 ↗ 2: 10.0 → 3: 9.5 ← 4: 9.4 ↓ 5: 10.6x → 6: 9.3 ↗ 7: 8.7 → 8: 10.3x ↘ 9: 9.6 → 10: 9.0 ↖ Serie 96.4 Total 96.4
60 Skott 	11: 9.5 ← 12: 10.4x ↘ 13: 9.6 ↖ 14: 9.5 ↖ 15: 10.1 ← 16: 10.8x ↗ 17: 9.7 ← 18: 10.4x ↘ 19: 10.6x ↘ 20: 9.8 ↖ Serie 100.4 Total 196.8	60 Skott 	21: 10.1 ↗ 22: 9.9 ← 23: 9.8 ↘ 24: 10.0 ↗ 25: 10.1 ↖ 26: 9.9 → 27: 9.8 ↑ 28: 9.4 → 29: 9.7 ← 30: 10.3x ↘ Serie 99.0 Total 295.8
60 Skott 	31: 9.3 ↖ 32: 10.3x → 33: 9.4 ← 34: 10.3x → 35: 10.1 ↗ 36: 9.7 ↗ 37: 10.4x ↘ 38: 10.7x ↗ 39: 9.3 ↖ 40: 10.5x ↗ Serie 100.0 Total 395.8		

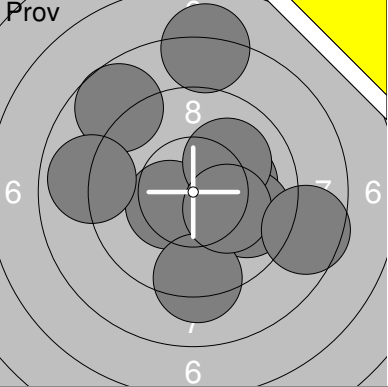
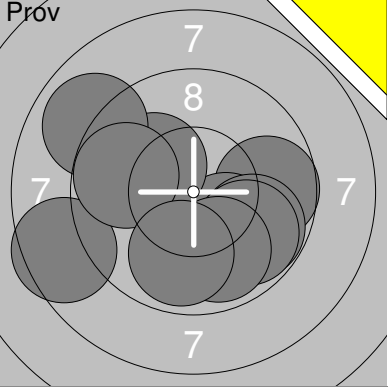
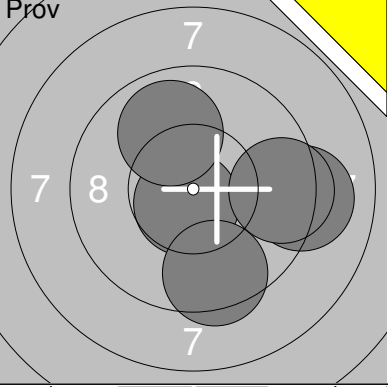
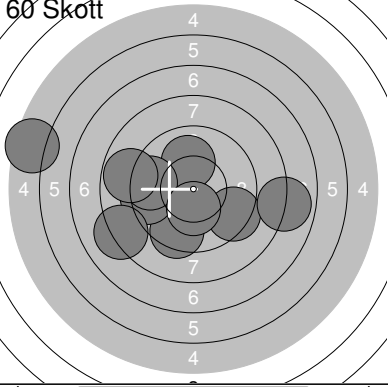
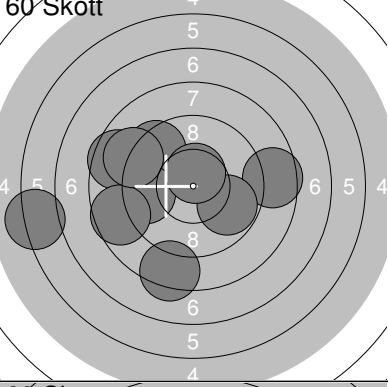
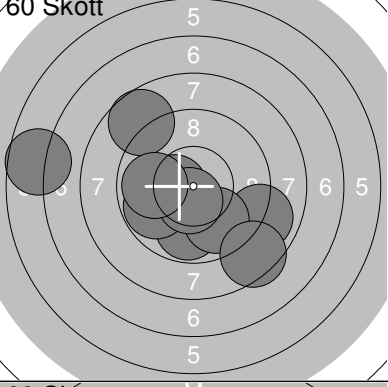
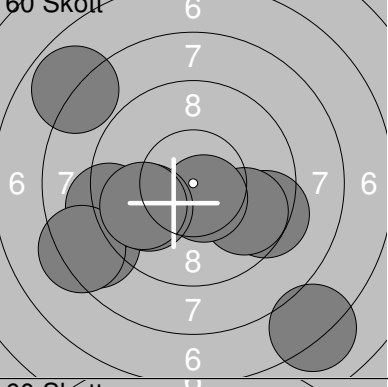
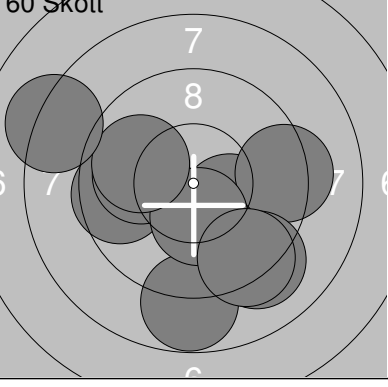
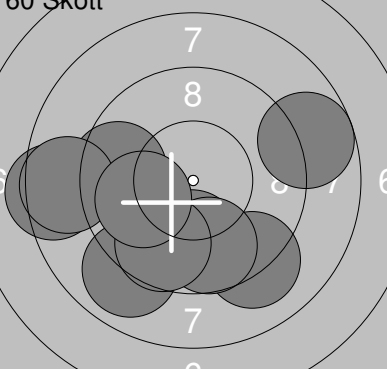
Skjutlag 1	Tavla 7	Emma Eriksson	
S		Ramselefors Skf	
03.10.2020		UME-Skottet 2020	Umeå skytteallians
Pröv		1: 9.5 ← 2: 10.0 ↑ 3: 10.0 → 4: 10.4x ↗ 5: 10.2x ↗	60 Skott 1: 10.7x ← 2: 9.1 ↘ 3: 9.8 ↘ 4: 9.7 ← 5: 9.8 ← 6: 10.0 ↑ 7: 9.2 ← 8: 8.7 ↗ 9: 9.6 ↑ 10: 10.8x ↗
		Serie 50.1	Serie 97.4
		Total 0.0	Total 97.4
60 Skott		11: 9.9 ↗ 12: 10.1 ↗ 13: 8.8 ↑ 14: 10.3x ↑ 15: 9.8 ↑ 16: 9.8 ↗ 17: 10.4x ↗ 18: 10.5x ↑ 19: 10.3x ↘ 20: 10.1 ↗	21: 9.7 → 22: 8.7 → 23: 9.7 → 24: 10.2x ↓ 25: 9.8 ↗ 26: 10.1 ← 27: 9.9 ↓ 28: 9.9 ↗ 29: 10.2x ↑ 30: 10.1 ↘
		Serie 100.0	Serie 98.3
		Total 197.4	Total 295.7
60 Skott		31: 10.2x ↑ 32: 10.0 ↓ 33: 10.5x → 34: 9.6 ↘ 35: 8.8 ← 36: 9.7 ↘ 37: 9.5 ↑ 38: 9.8 ← 39: 10.7x ↘ 40: 10.1 ↘	41: 10.5x ↗ 42: 9.7 → 43: 9.4 ↘ 44: 10.5x ↗ 45: 10.3x ↘ 46: 9.7 ↘ 47: 9.3 ↗ 48: 9.9 ↗ 49: 9.4 ↑ 50: 9.9 ↓
		Serie 98.9	Serie 98.6
		Total 394.6	Total 493.2
60 Skott		51: 9.7 ← 52: 10.3x ↗ 53: 10.6x ↗ 54: 10.4x ↑ 55: 10.4x ← 56: 10.6x ↗ 57: 9.2 ↗ 58: 9.7 ↘ 59: 9.9 ↘ 60: 10.2x ↘	
		Serie 101.0	
		Total 594.2	

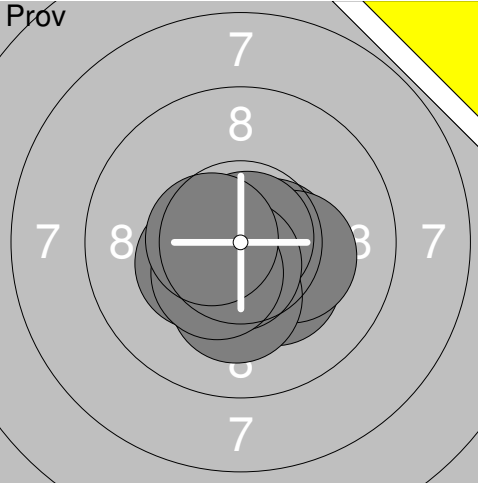
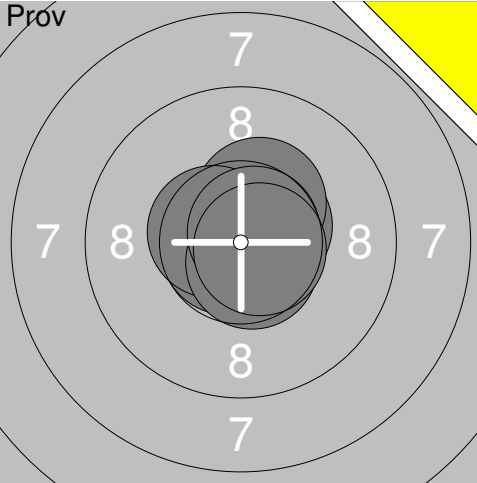
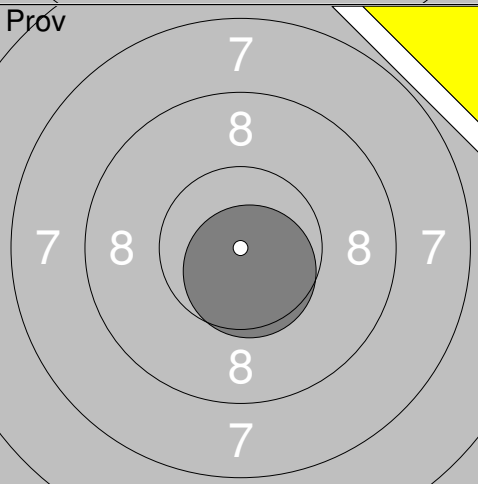
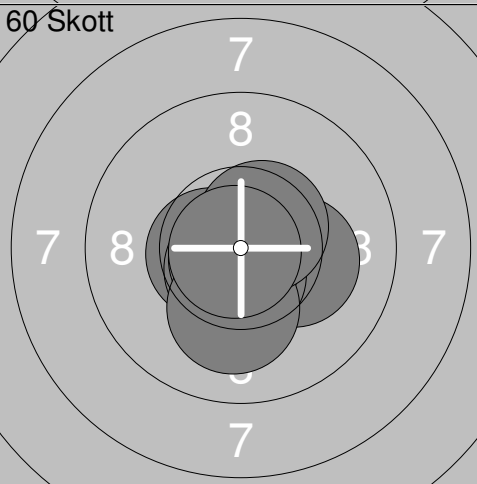
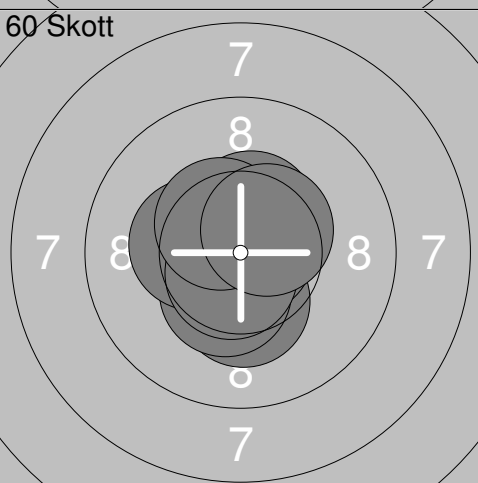
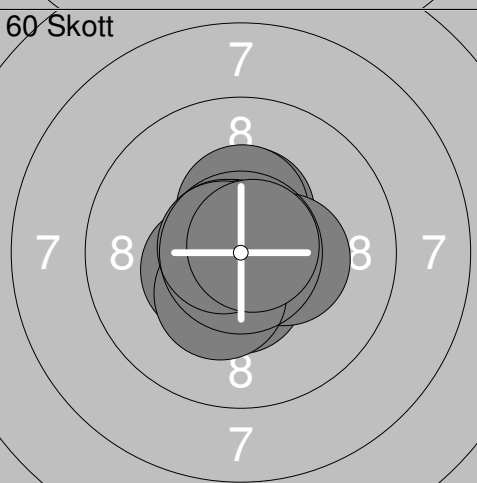
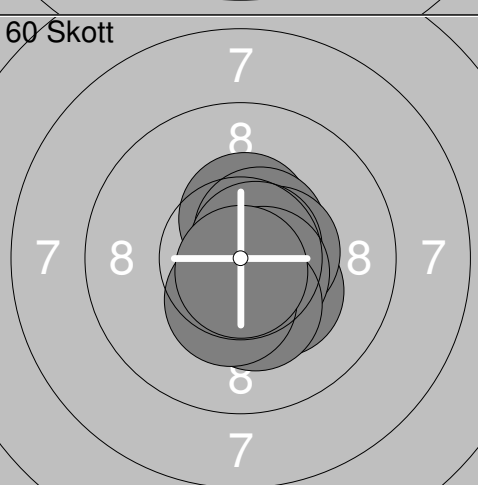
Skjutlag	Tavla	Beatrice Andersson	
S		Ramselefors Skf	
03.10.2020	UME-Skottet 2020	Umeå skytteallians	
Prov		1: 8.8 ↑ 2: 10.2x ↑ 3: 8.4 → 4: 10.2x → 5: 10.2x → 6: 10.5x → 7: 9.9 ← 8: 10.0 → 9: 9.5 → 10: 10.8x ↙ Serie 98.5 Total 0.0	11: 10.2x ↖ 12: 10.2x ↖ 13: 10.2x ↖ 14: 9.8 ↓ 15: 10.1 ↓ 16: 9.2 ↙ 17: 10.3x ↓ 18: 9.1 ← Serie 79.1 Total 0.0
60 Skott		1: 9.9 ↙ 2: 10.1 ← 3: 7.9 ↙ 4: 8.9 ← 5: 9.3 ↙ 6: 9.0 ↙ 7: 10.5x ← 8: 10.3x ← 9: 10.3x ← 10: 10.4x ↙ Serie 96.6 Total 96.6	11: 9.3 ↓ 12: 9.9 ↓ 13: 9.6 ↓ 14: 10.7x ↓ 15: 10.0 ← 16: 10.1 ← 17: 9.0 ↗ 18: 9.5 ↗ 19: 9.9 ↗ 20: 9.7 ↙ Serie 97.7 Total 194.3
60 Skott		21: 10.6x ↑ 22: 10.2x ↑ 23: 9.9 → 24: 9.8 ↑ 25: 10.3x ↘ 26: 10.4x ↖ 27: 9.7 ↗ 28: 10.0 ↑ 29: 9.7 → 30: 9.8 ↑ Serie 100.4 Total 294.7	31: 9.5 ↗ 32: 9.1 ← 33: 10.4x ↗ 34: 9.5 ↘ 35: 10.1 ↗ 36: 9.6 ↗ 37: 9.0 ← 38: 10.5x ← 39: 9.6 ↗ 40: 9.9 → Serie 97.2 Total 391.9
60 Skott		41: 10.0 ↖ 42: 9.6 ↘ 43: 10.0 ↗ 44: 10.4x ← 45: 10.6x ↗ 46: 10.1 ↗ 47: 10.6x ↗ 48: 10.9x ← 49: 10.4x ↗ 50: 9.6 ↑ Serie 102.2 Total 494.1	51: 10.4x ↑ 52: 10.1 ↗ 53: 9.3 ↗ 54: 9.6 ↗ 55: 9.6 ↗ 56: 9.4 ↗ 57: 9.8 ↗ 58: 9.1 ↑ 59: 10.7x → 60: 10.3x ↘ Serie 98.3 Total 592.4

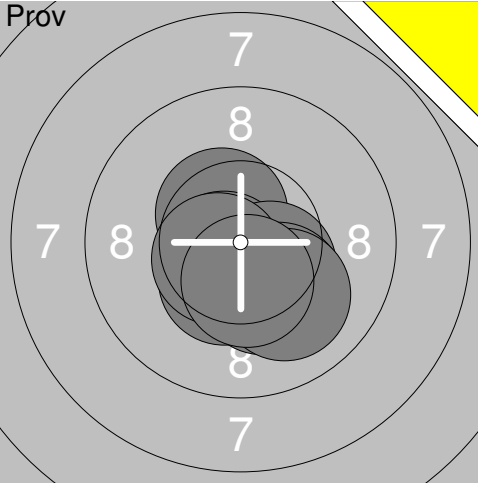

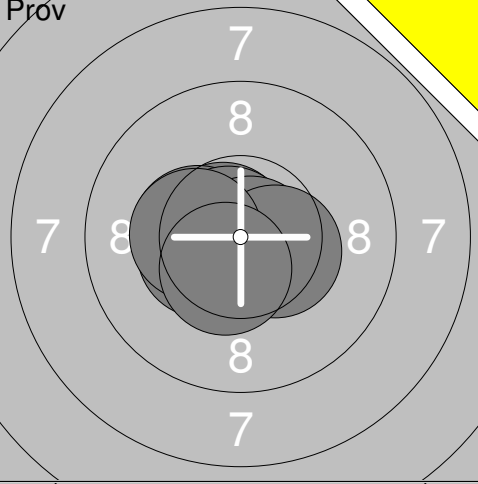

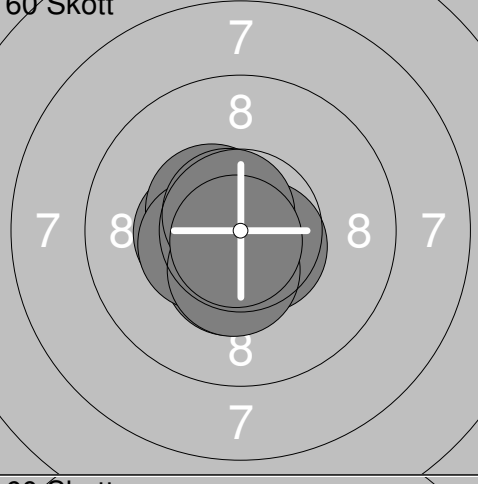
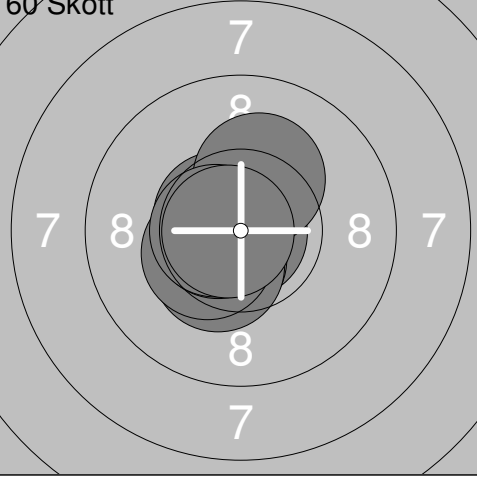

Skjutlag	Tavla	Mats Österlund	
S		Ramselefors Skf	
03.10.2020	UME-Skottet 2020	Umeå skytteallians	
Prov		1: 10.2x ↘ 2: 9.4 ↘ 3: 8.2 ↗ 4: 7.5 ↗ 5: 9.3 ↘ 6: 7.3 ← 7: 9.0 → 8: 10.3x ← 9: 7.9 → 10: 9.8 ↘ Serie 88.9 Total 0.0	11: 10.0 → 12: 10.6x ← 13: 10.3x → 14: 9.4 ↘ 15: 9.4 ↘ Serie 49.7 Total 0.0
60 Skott		1: 10.3x ↗ 2: 9.0 ↘ 3: 10.1 ↘ 4: 10.3x ↘ 5: 8.7 ↘ 6: 10.7x ↗ 7: 9.9 ↗ 8: 10.2x ↗ 9: 8.1 ↗ 10: 7.8 ↘ Serie 95.1 Total 95.1	11: 9.4 ↘ 12: 9.3 ↘ 13: 10.3x → 14: 10.4x ↑ 15: 9.7 ↘ 16: 9.5 ↗ 17: 8.2 ↗ 18: 9.3 ↗ 19: 9.1 ↑ 20: 9.1 ↘ Serie 94.3 Total 189.4
60 Skott		21: 9.3 ↘ 22: 9.6 ↗ 23: 8.9 ↗ 24: 10.8x → 25: 7.3 ↗ 26: 10.6x → 27: 10.5x ↘ 28: 9.6 ↘ 29: 10.3x → 30: 7.7 ↗ Serie 94.6 Total 284.0	31: 9.6 → 32: 8.3 → 33: 9.5 ↗ 34: 9.4 ↑ 35: 9.3 ↗ 36: 9.0 ← 37: 10.3x ← 38: 10.0 → 39: 9.9 ↗ 40: 9.0 → Serie 94.3 Total 378.3
60 Skott		41: 10.1 ↗ 42: 10.4x ↑ 43: 10.3x ↗ 44: 10.4x → 45: 8.6 → 46: 8.8 ↘ 47: 10.4x ↗ 48: 8.9 ↗ 49: 10.4x ↘ 50: 9.0 ↘ Serie 97.3 Total 475.6	51: 10.1 ↘ 52: 10.4x ↗ 53: 10.2x ↘ 54: 10.3x ↘ 55: 8.3 → 56: 9.7 ↘ 57: 9.5 ↘ 58: 8.8 → 59: 10.0 ← 60: 9.5 ↗ Serie 96.8 Total 572.4

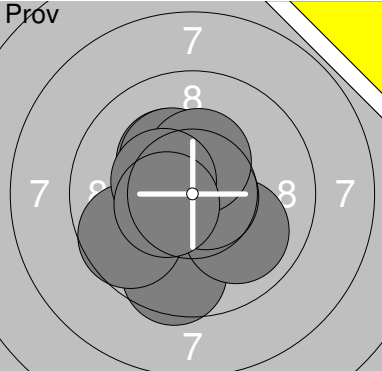
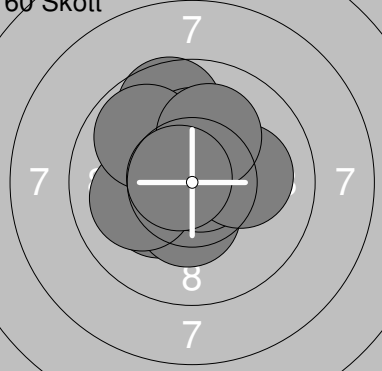
Skjutlag	Tavla	Andre Engström																																																																								
S	Piteå Skf																																																																									
03.10.2020	UME-Skottet 2020	Umeå skytteallians																																																																								
Prov	 <table border="1"> <tr><td>1:</td><td>7.2</td><td>↓</td></tr> <tr><td>2:</td><td>7.0</td><td>↓</td></tr> <tr><td>3:</td><td>8.1</td><td>←</td></tr> <tr><td>4:</td><td>9.8</td><td>↓</td></tr> <tr><td>5:</td><td>8.6</td><td>↓</td></tr> <tr><td>6:</td><td>9.8</td><td>↓</td></tr> <tr><td>7:</td><td>9.6</td><td>↗</td></tr> <tr><td>8:</td><td>7.4</td><td>←</td></tr> <tr><td>9:</td><td>8.1</td><td>↓</td></tr> <tr><td>10:</td><td>8.5</td><td>↓</td></tr> <tr><td>Serie</td><td>84.1</td><td></td></tr> <tr><td>Total</td><td>0.0</td><td></td></tr> </table>	1:	7.2	↓	2:	7.0	↓	3:	8.1	←	4:	9.8	↓	5:	8.6	↓	6:	9.8	↓	7:	9.6	↗	8:	7.4	←	9:	8.1	↓	10:	8.5	↓	Serie	84.1		Total	0.0		 <table border="1"> <tr><td>11:</td><td>9.9</td><td>↗</td></tr> <tr><td>12:</td><td>8.8</td><td>→</td></tr> <tr><td>13:</td><td>8.9</td><td>↓</td></tr> <tr><td>14:</td><td>8.7</td><td>←</td></tr> <tr><td>15:</td><td>8.6</td><td>→</td></tr> <tr><td>16:</td><td>9.1</td><td>↓</td></tr> <tr><td>17:</td><td>9.9</td><td>↓</td></tr> <tr><td>18:</td><td>6.6</td><td>→</td></tr> <tr><td>19:</td><td>10.2x</td><td>→</td></tr> <tr><td>20:</td><td>9.2</td><td>↓</td></tr> <tr><td>Serie</td><td>89.9</td><td></td></tr> <tr><td>Total</td><td>0.0</td><td></td></tr> </table>	11:	9.9	↗	12:	8.8	→	13:	8.9	↓	14:	8.7	←	15:	8.6	→	16:	9.1	↓	17:	9.9	↓	18:	6.6	→	19:	10.2x	→	20:	9.2	↓	Serie	89.9		Total	0.0	
1:	7.2	↓																																																																								
2:	7.0	↓																																																																								
3:	8.1	←																																																																								
4:	9.8	↓																																																																								
5:	8.6	↓																																																																								
6:	9.8	↓																																																																								
7:	9.6	↗																																																																								
8:	7.4	←																																																																								
9:	8.1	↓																																																																								
10:	8.5	↓																																																																								
Serie	84.1																																																																									
Total	0.0																																																																									
11:	9.9	↗																																																																								
12:	8.8	→																																																																								
13:	8.9	↓																																																																								
14:	8.7	←																																																																								
15:	8.6	→																																																																								
16:	9.1	↓																																																																								
17:	9.9	↓																																																																								
18:	6.6	→																																																																								
19:	10.2x	→																																																																								
20:	9.2	↓																																																																								
Serie	89.9																																																																									
Total	0.0																																																																									
Prov	 <table border="1"> <tr><td>21:</td><td>9.5</td><td>↓</td></tr> <tr><td>22:</td><td>8.8</td><td>←</td></tr> <tr><td>23:</td><td>10.8x</td><td>←</td></tr> <tr><td>24:</td><td>10.5x</td><td>↘</td></tr> <tr><td>25:</td><td>10.1</td><td>→</td></tr> <tr><td>26:</td><td>8.9</td><td>↓</td></tr> <tr><td>27:</td><td>9.4</td><td>↓</td></tr> <tr><td>28:</td><td>9.1</td><td>↓</td></tr> <tr><td>29:</td><td>9.0</td><td>→</td></tr> <tr><td>30:</td><td>10.2x</td><td>←</td></tr> <tr><td>Serie</td><td>96.3</td><td></td></tr> <tr><td>Total</td><td>0.0</td><td></td></tr> </table>	21:	9.5	↓	22:	8.8	←	23:	10.8x	←	24:	10.5x	↘	25:	10.1	→	26:	8.9	↓	27:	9.4	↓	28:	9.1	↓	29:	9.0	→	30:	10.2x	←	Serie	96.3		Total	0.0		 <table border="1"> <tr><td>31:</td><td>9.3</td><td>←</td></tr> <tr><td>32:</td><td>10.5x</td><td>→</td></tr> <tr><td>33:</td><td>10.4x</td><td>→</td></tr> <tr><td>34:</td><td>9.7</td><td>↗</td></tr> <tr><td>35:</td><td>3.3</td><td>←</td></tr> <tr><td>36:</td><td>8.1</td><td>→</td></tr> <tr><td>37:</td><td>8.8</td><td>↓</td></tr> <tr><td>38:</td><td>10.2x</td><td>→</td></tr> <tr><td>39:</td><td>9.8</td><td>→</td></tr> <tr><td>40:</td><td>9.6</td><td>↓</td></tr> <tr><td>Serie</td><td>89.7</td><td></td></tr> <tr><td>Total</td><td>0.0</td><td></td></tr> </table>	31:	9.3	←	32:	10.5x	→	33:	10.4x	→	34:	9.7	↗	35:	3.3	←	36:	8.1	→	37:	8.8	↓	38:	10.2x	→	39:	9.8	→	40:	9.6	↓	Serie	89.7		Total	0.0	
21:	9.5	↓																																																																								
22:	8.8	←																																																																								
23:	10.8x	←																																																																								
24:	10.5x	↘																																																																								
25:	10.1	→																																																																								
26:	8.9	↓																																																																								
27:	9.4	↓																																																																								
28:	9.1	↓																																																																								
29:	9.0	→																																																																								
30:	10.2x	←																																																																								
Serie	96.3																																																																									
Total	0.0																																																																									
31:	9.3	←																																																																								
32:	10.5x	→																																																																								
33:	10.4x	→																																																																								
34:	9.7	↗																																																																								
35:	3.3	←																																																																								
36:	8.1	→																																																																								
37:	8.8	↓																																																																								
38:	10.2x	→																																																																								
39:	9.8	→																																																																								
40:	9.6	↓																																																																								
Serie	89.7																																																																									
Total	0.0																																																																									
60 Skott	 <table border="1"> <tr><td>1:</td><td>8.5</td><td>←</td></tr> <tr><td>2:</td><td>9.5</td><td>↓</td></tr> <tr><td>3:</td><td>10.3x</td><td>↘</td></tr> <tr><td>4:</td><td>8.5</td><td>←</td></tr> <tr><td>5:</td><td>9.8</td><td>↗</td></tr> <tr><td>6:</td><td>8.5</td><td>↓</td></tr> <tr><td>7:</td><td>7.6</td><td>↓</td></tr> <tr><td>8:</td><td>10.0</td><td>↓</td></tr> <tr><td>9:</td><td>9.6</td><td>↘</td></tr> <tr><td>10:</td><td>10.5x</td><td>↓</td></tr> <tr><td>Serie</td><td>92.8</td><td></td></tr> <tr><td>Total</td><td>92.8</td><td></td></tr> </table>	1:	8.5	←	2:	9.5	↓	3:	10.3x	↘	4:	8.5	←	5:	9.8	↗	6:	8.5	↓	7:	7.6	↓	8:	10.0	↓	9:	9.6	↘	10:	10.5x	↓	Serie	92.8		Total	92.8		 <table border="1"> <tr><td>11:</td><td>8.8</td><td>↓</td></tr> <tr><td>12:</td><td>10.4x</td><td>↓</td></tr> <tr><td>13:</td><td>8.6</td><td>→</td></tr> <tr><td>14:</td><td>8.7</td><td>↓</td></tr> <tr><td>15:</td><td>7.1</td><td>↓</td></tr> <tr><td>16:</td><td>6.3</td><td>↗</td></tr> <tr><td>17:</td><td>9.5</td><td>←</td></tr> <tr><td>18:</td><td>10.5x</td><td>↗</td></tr> <tr><td>19:</td><td>9.5</td><td>←</td></tr> <tr><td>20:</td><td>8.9</td><td>↗</td></tr> <tr><td>Serie</td><td>88.3</td><td></td></tr> <tr><td>Total</td><td>181.1</td><td></td></tr> </table>	11:	8.8	↓	12:	10.4x	↓	13:	8.6	→	14:	8.7	↓	15:	7.1	↓	16:	6.3	↗	17:	9.5	←	18:	10.5x	↗	19:	9.5	←	20:	8.9	↗	Serie	88.3		Total	181.1	
1:	8.5	←																																																																								
2:	9.5	↓																																																																								
3:	10.3x	↘																																																																								
4:	8.5	←																																																																								
5:	9.8	↗																																																																								
6:	8.5	↓																																																																								
7:	7.6	↓																																																																								
8:	10.0	↓																																																																								
9:	9.6	↘																																																																								
10:	10.5x	↓																																																																								
Serie	92.8																																																																									
Total	92.8																																																																									
11:	8.8	↓																																																																								
12:	10.4x	↓																																																																								
13:	8.6	→																																																																								
14:	8.7	↓																																																																								
15:	7.1	↓																																																																								
16:	6.3	↗																																																																								
17:	9.5	←																																																																								
18:	10.5x	↗																																																																								
19:	9.5	←																																																																								
20:	8.9	↗																																																																								
Serie	88.3																																																																									
Total	181.1																																																																									
60 Skott	 <table border="1"> <tr><td>21:</td><td>8.7</td><td>↓</td></tr> <tr><td>22:</td><td>10.0</td><td>→</td></tr> <tr><td>23:</td><td>10.0</td><td>↓</td></tr> <tr><td>24:</td><td>4.3</td><td>←</td></tr> <tr><td>25:</td><td>7.8</td><td>←</td></tr> <tr><td>26:</td><td>9.6</td><td>↓</td></tr> <tr><td>27:</td><td>9.6</td><td>←</td></tr> <tr><td>28:</td><td>10.1</td><td>↗</td></tr> <tr><td>29:</td><td>9.9</td><td>↗</td></tr> <tr><td>30:</td><td>7.8</td><td>←</td></tr> <tr><td>Serie</td><td>87.8</td><td></td></tr> <tr><td>Total</td><td>268.9</td><td></td></tr> </table>	21:	8.7	↓	22:	10.0	→	23:	10.0	↓	24:	4.3	←	25:	7.8	←	26:	9.6	↓	27:	9.6	←	28:	10.1	↗	29:	9.9	↗	30:	7.8	←	Serie	87.8		Total	268.9		 <table border="1"> <tr><td>31:</td><td>9.5</td><td>↓</td></tr> <tr><td>32:</td><td>9.2</td><td>←</td></tr> <tr><td>33:</td><td>10.4x</td><td>←</td></tr> <tr><td>34:</td><td>10.4x</td><td>←</td></tr> <tr><td>35:</td><td>10.4x</td><td>→</td></tr> <tr><td>36:</td><td>10.0</td><td>←</td></tr> <tr><td>37:</td><td>9.7</td><td>←</td></tr> <tr><td>38:</td><td>9.6</td><td>←</td></tr> <tr><td>39:</td><td>8.9</td><td>↗</td></tr> <tr><td>40:</td><td>9.9</td><td>←</td></tr> <tr><td>Serie</td><td>98.0</td><td></td></tr> <tr><td>Total</td><td>366.9</td><td></td></tr> </table>	31:	9.5	↓	32:	9.2	←	33:	10.4x	←	34:	10.4x	←	35:	10.4x	→	36:	10.0	←	37:	9.7	←	38:	9.6	←	39:	8.9	↗	40:	9.9	←	Serie	98.0		Total	366.9	
21:	8.7	↓																																																																								
22:	10.0	→																																																																								
23:	10.0	↓																																																																								
24:	4.3	←																																																																								
25:	7.8	←																																																																								
26:	9.6	↓																																																																								
27:	9.6	←																																																																								
28:	10.1	↗																																																																								
29:	9.9	↗																																																																								
30:	7.8	←																																																																								
Serie	87.8																																																																									
Total	268.9																																																																									
31:	9.5	↓																																																																								
32:	9.2	←																																																																								
33:	10.4x	←																																																																								
34:	10.4x	←																																																																								
35:	10.4x	→																																																																								
36:	10.0	←																																																																								
37:	9.7	←																																																																								
38:	9.6	←																																																																								
39:	8.9	↗																																																																								
40:	9.9	←																																																																								
Serie	98.0																																																																									
Total	366.9																																																																									
60 Skott	 <table border="1"> <tr><td>41:</td><td>8.4</td><td>↗</td></tr> <tr><td>42:</td><td>10.8x</td><td>↘</td></tr> <tr><td>43:</td><td>10.0</td><td>→</td></tr> <tr><td>44:</td><td>9.2</td><td>←</td></tr> <tr><td>45:</td><td>8.5</td><td>→</td></tr> <tr><td>46:</td><td>10.4x</td><td>←</td></tr> <tr><td>47:</td><td>10.9x</td><td>←</td></tr> <tr><td>48:</td><td>9.8</td><td>←</td></tr> <tr><td>49:</td><td>9.0</td><td>↓</td></tr> <tr><td>50:</td><td>10.2x</td><td>↖</td></tr> <tr><td>Serie</td><td>97.2</td><td></td></tr> <tr><td>Total</td><td>464.1</td><td></td></tr> </table>	41:	8.4	↗	42:	10.8x	↘	43:	10.0	→	44:	9.2	←	45:	8.5	→	46:	10.4x	←	47:	10.9x	←	48:	9.8	←	49:	9.0	↓	50:	10.2x	↖	Serie	97.2		Total	464.1		 <table border="1"> <tr><td>51:</td><td>9.5</td><td>↓</td></tr> <tr><td>52:</td><td>9.5</td><td>↓</td></tr> <tr><td>53:</td><td>7.7</td><td>←</td></tr> <tr><td>54:</td><td>10.3x</td><td>↓</td></tr> <tr><td>55:</td><td>9.5</td><td>↓</td></tr> <tr><td>56:</td><td>9.8</td><td>↑</td></tr> <tr><td>57:</td><td>9.4</td><td>←</td></tr> <tr><td>58:</td><td>9.6</td><td>←</td></tr> <tr><td>59:</td><td>10.7x</td><td>←</td></tr> <tr><td>60:</td><td>8.4</td><td>↖</td></tr> <tr><td>Serie</td><td>94.4</td><td></td></tr> <tr><td>Total</td><td>558.5</td><td></td></tr> </table>	51:	9.5	↓	52:	9.5	↓	53:	7.7	←	54:	10.3x	↓	55:	9.5	↓	56:	9.8	↑	57:	9.4	←	58:	9.6	←	59:	10.7x	←	60:	8.4	↖	Serie	94.4		Total	558.5	
41:	8.4	↗																																																																								
42:	10.8x	↘																																																																								
43:	10.0	→																																																																								
44:	9.2	←																																																																								
45:	8.5	→																																																																								
46:	10.4x	←																																																																								
47:	10.9x	←																																																																								
48:	9.8	←																																																																								
49:	9.0	↓																																																																								
50:	10.2x	↖																																																																								
Serie	97.2																																																																									
Total	464.1																																																																									
51:	9.5	↓																																																																								
52:	9.5	↓																																																																								
53:	7.7	←																																																																								
54:	10.3x	↓																																																																								
55:	9.5	↓																																																																								
56:	9.8	↑																																																																								
57:	9.4	←																																																																								
58:	9.6	←																																																																								
59:	10.7x	←																																																																								
60:	8.4	↖																																																																								
Serie	94.4																																																																									
Total	558.5																																																																									

Skjutlag 1	Tavla 16	Martin Blombäck			
S		Piteå Skf			
03.10.2020		UME-Skottet 2020		Umeå skytteallians	
	1: 6.3 ↓ 2: 8.5 ← 3: 8.0 ↙ 4: 9.6 ↘ 5: 8.1 ↘ 6: 8.6 ← 7: 9.8 ↓ 8: 6.4 ↘ 9: 9.8 → 10: 9.7 ↓ Serie 84.8 Total 0.0		11: 10.5x ↓ 12: 9.6 ↓ 13: 8.5 ↓ 14: 9.6 ← 15: 8.3 ← 16: 9.8 ↓ 17: 8.5 → 18: 9.0 ↓ 19: 9.0 ↓ 20: 9.1 ↓ Serie 91.9 Total 0.0		
	21: 7.9 ↗ 22: 9.5 ↓ 23: 10.3x ↓ Serie 27.7 Total 0.0		1: 9.6 ↓ 2: 9.5 ↓ 3: 9.0 ↗ 4: 10.1 ↑ 5: 8.5 → 6: 9.1 ← 7: 9.6 ← 8: 10.0 → 9: 9.3 → 10: 10.6x ↓ Serie 95.3 Total 95.3		
	11: 9.1 → 12: 10.8x ↓ 13: 10.5x ← 14: 10.1 ↓ 15: 10.1 ↗ 16: 9.8 → 17: 8.4 → 18: 10.1 ↗ 19: 8.4 ← 20: 8.9 ← Serie 96.2 Total 191.5		21: 9.4 ← 22: 9.0 ← 23: 7.4 → 24: 8.7 → 25: 10.1 ↗ 26: 10.2x ↗ 27: 9.2 ← 28: 9.7 ← 29: 9.5 ↓ 30: 7.5 ↙ Serie 90.7 Total 282.2		
	31: 8.4 ↓ 32: 10.6x ← 33: 9.6 ↓ 34: 9.3 ↓ 35: 9.4 ← 36: 10.4x → 37: 10.4x ← 38: 9.0 ← 39: 7.2 → 40: 9.1 ↗ Serie 93.4 Total 375.6		41: 9.7 → 42: 9.4 → 43: 7.4 → 44: 8.7 ← 45: 8.8 → 46: 8.5 ↓ 47: 9.4 ← 48: 7.9 ← 49: 8.6 ← 50: 6.8 → Serie 85.2 Total 460.8		
	51: 9.6 ↗ 52: 10.5x ↓ 53: 9.0 ← 54: 9.5 ↓ 55: 8.9 → 56: 8.5 ↗ 57: 9.9 ↙ 58: 10.3x ↗ 59: 9.1 ↓ 60: 8.1 ↓ Serie 93.4 Total 554.2				

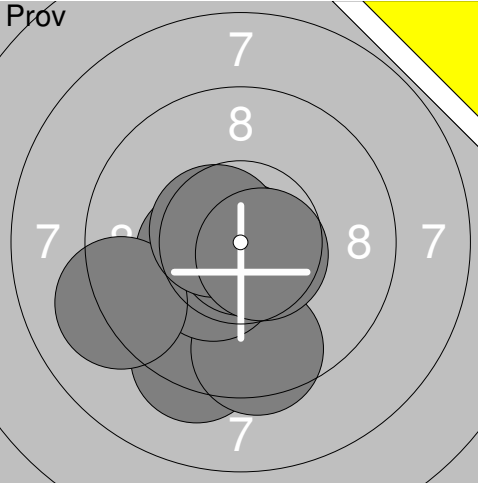
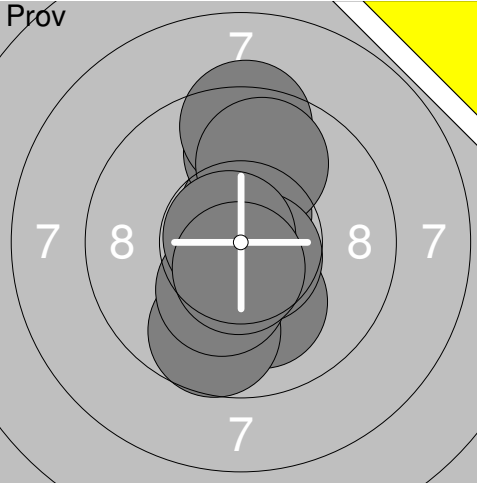
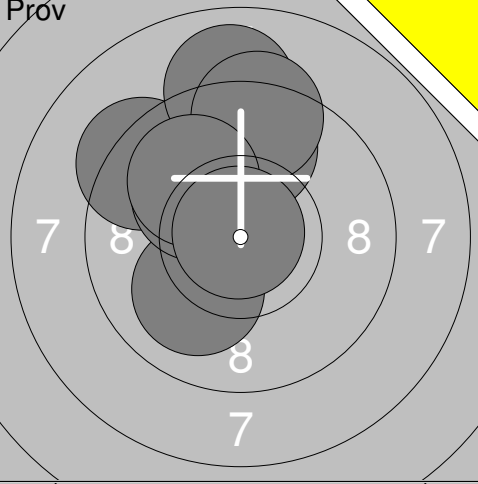
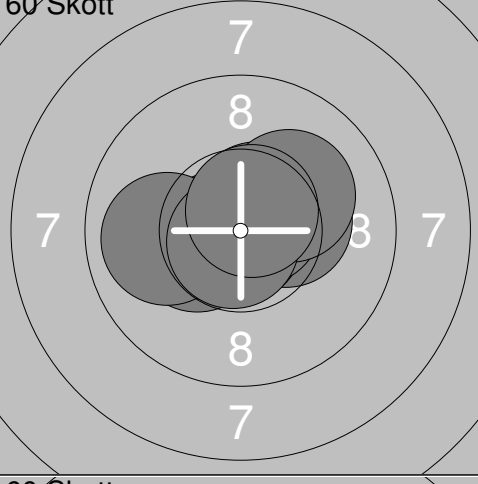
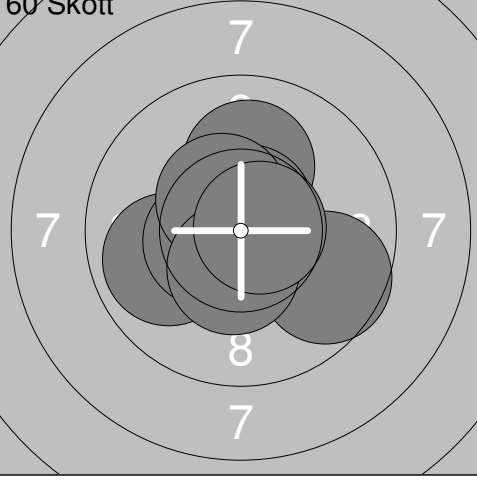
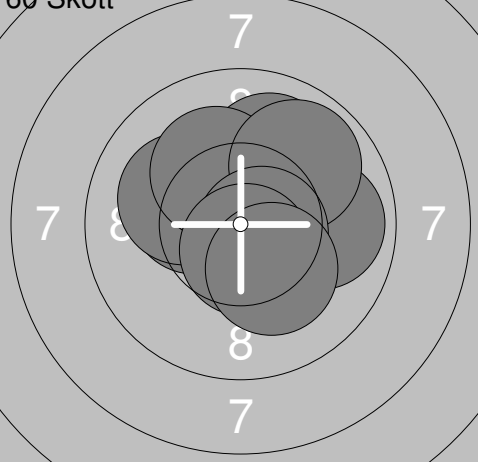
Skjutlag	Tavla	Elis Eliasson	
1	18		
S	Piteå Skf		
03.10.2020	UME-Skottet 2020	Umeå skytteallians	
	1: 10.4x ↙ 2: 10.1 → 3: 8.7 ↗ 4: 9.8 → 5: 9.2 ↓ 6: 8.9 ← 7: 10.1 ↗ 8: 8.1 ↑ 9: 10.2x ↘ 10: 8.6 → Serie 94.1 Total 0.0		11: 9.7 → 12: 10.2x ↓ 13: 8.5 ← 14: 9.8 ↓ 15: 10.1 ↗ 16: 9.8 ↓ 17: 8.9 ↗ 18: 9.8 ← 19: 9.9 ↓ 20: 9.9 ↓ Serie 96.6 Total 0.0
	21: 9.1 → 22: 10.7x ↓ 23: 9.5 ↓ 24: 9.9 ↗ 25: 9.4 → Serie 48.6 Total 0.0		1: 10.1 ↑ 2: 9.5 ↓ 3: 9.4 ← 4: 9.5 ← 5: 9.4 ↓ 6: 8.2 ← 7: 5.4 ← 8: 10.3x ↓ 9: 8.8 ← 10: 7.9 → Serie 88.5 Total 88.5
	11: 8.6 → 12: 9.4 ↗ 13: 9.5 ← 14: 8.4 ↓ 15: 8.6 ← 16: 9.8 ↓ 17: 8.6 ← 18: 9.0 ↗ 19: 6.2 ← 20: 10.6x ↑ Serie 88.7 Total 177.2		21: 10.4x ← 22: 9.8 ↓ 23: 8.7 ↗ 24: 8.9 → 25: 9.8 ↓ 26: 8.5 ↓ 27: 9.8 ← 28: 6.7 ← 29: 10.5x ↓ 30: 9.9 ← Serie 93.0 Total 270.2
	31: 8.6 ↙ 32: 9.3 → 33: 7.9 ↗ 34: 9.2 ← 35: 7.1 ↓ 36: 9.8 ↓ 37: 10.6x ↓ 38: 8.3 ← 39: 9.9 ← 40: 9.8 ← Serie 90.5 Total 360.7		41: 9.6 ← 42: 10.2x ↘ 43: 10.0 ← 44: 9.3 → 45: 8.8 ↓ 46: 10.3x ↓ 47: 9.9 ↗ 48: 9.1 ↓ 49: 8.2 ↗ 50: 9.3 ↓ Serie 94.7 Total 455.4
	51: 8.9 ↓ 52: 8.4 ← 53: 9.1 ↓ 54: 9.6 ← 55: 9.9 ↓ 56: 8.6 ← 57: 8.7 → 58: 9.7 ↓ 59: 9.7 ↓ 60: 10.0 ← Serie 92.6 Total 548.0		

Skjutlag 1	Tavla 21	Rasmus Alfredsson			
S		Umeå Skf			
03.10.2020		UME-Skottet 2020		Umeå skytteallians	
Prov		1: 10.6x → 2: 10.3x ↘ 3: 10.3x → 4: 10.5x ↘ 5: 10.8x ↗ 6: 10.2x ↘ 7: 10.3x ← 8: 10.6x ↘ 9: 10.4x ↘ 10: 10.6x ←	Prov		11: 10.9x ← 12: 10.5x ↗ 13: 10.4x ↗ 14: 10.7x ↘ 15: 10.7x ← 16: 10.9x ← 17: 10.6x ← 18: 10.6x ↘ 19: 10.7x ↗ 20: 10.7x →
		Serie 104.6		Serie 106.7	
		Total 0.0		Total 0.0	
Prov		21: 10.6x ↘	60 Skott		1: 10.2x → 2: 10.7x ↘ 3: 10.6x ← 4: 10.6x ↘ 5: 10.7x ↘ 6: 10.6x ↘ 7: 10.8x ↘ 8: 10.1 ↘ 9: 10.5x ↗ 10: 10.9x ←
		Serie 10.6		Serie 105.7	
		Total 0.0		Total 105.7	
60 Skott		11: 10.9x → 12: 10.3x ↘ 13: 10.4x ↗ 14: 10.4x ↘ 15: 10.9x ↗ 16: 10.3x ← 17: 10.8x → 18: 10.6x ↘ 19: 10.5x ↗ 20: 10.5x ↗	60 Skott		21: 10.4x ↗ 22: 10.4x ← 23: 10.4x ↗ 24: 10.5x ↘ 25: 10.8x ↗ 26: 10.7x ← 27: 10.4x → 28: 10.3x ↘ 29: 10.7x ← 30: 10.8x ↗
		Serie 105.6		Serie 105.4	
		Total 211.3		Total 316.7	
60 Skott		31: 10.4x ↗ 32: 10.5x ↗ 33: 10.3x ↘ 34: 10.7x ↘ 35: 10.5x → 36: 10.7x ↗ 37: 10.6x ↘ 38: 10.3x ↘ 39: 10.4x ↘ 40: 10.8x ↘			
		Serie 105.2			
		Total 421.9			

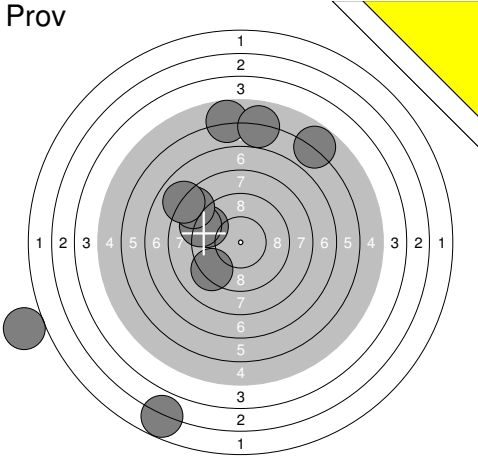
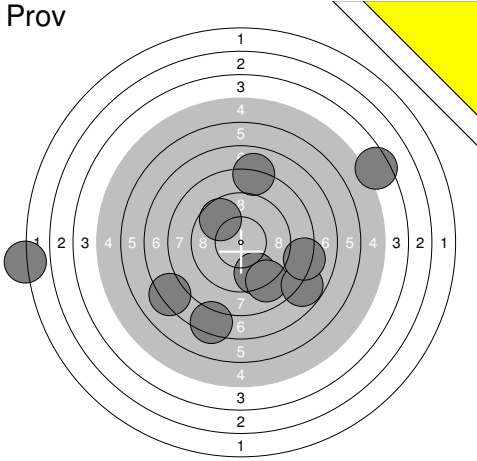
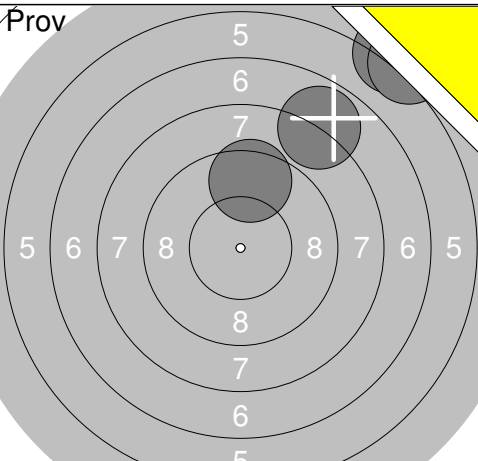
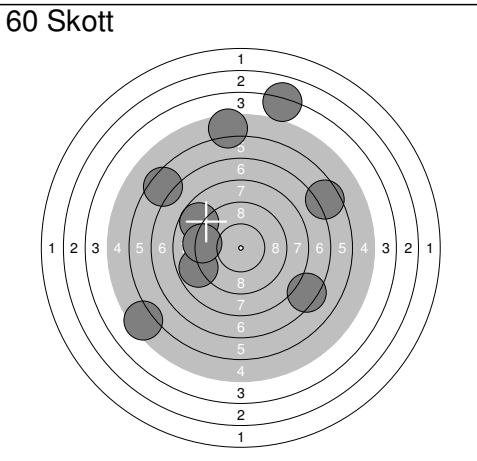
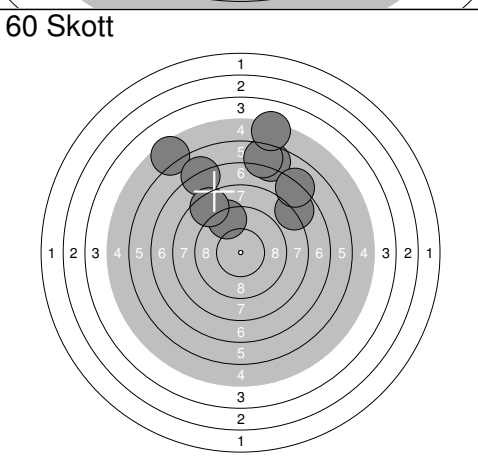
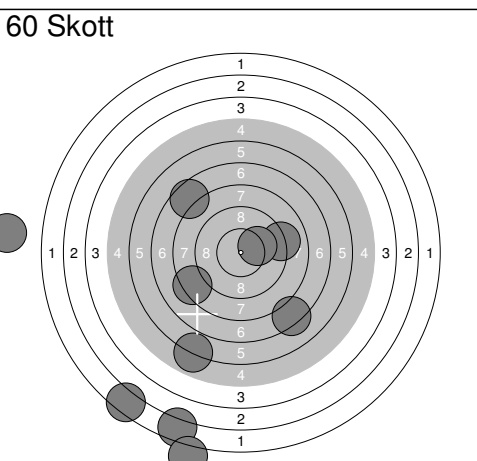
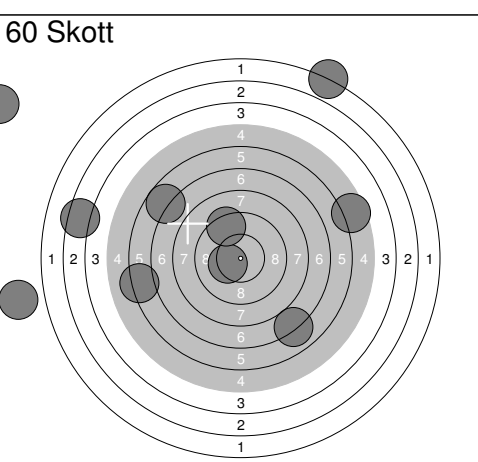
Skjutlag 1	Tavla 23	Rådgård Chen Brinkstam			
S		Umeå Skf			
03.10.2020		UME-Skottet 2020		Umeå skytteallians	
Prov		1: 10.6x ↘ 2: 10.5x ↗ 3: 10.4x ↘ 4: 10.6x ↘ 5: 10.3x ↘ 6: 10.4x ↘ 7: 10.1 ↘ 8: 10.0 ↘ 9: 10.6x ↙ 10: 10.4x ↘	Prov		11: 10.3x ↘ 12: 10.6x ↘ 13: 10.9x ↗ 14: 10.4x ↙ 15: 10.6x ↘ 16: 10.3x ↘ 17: 10.5x → 18: 10.8x → 19: 10.8x ↗ 20: 10.8x ↙
		Serie 103.9			Serie 106.0
		Total 0.0			Total 0.0
Prov		21: 10.7x ↗ 22: 10.4x ← 23: 10.4x ← 24: 10.8x ↗ 25: 10.8x ↘ 26: 10.4x ↘ 27: 10.3x ← 28: 10.5x ↘	60 Skott		1: 10.3x ← 2: 10.8x ↘ 3: 10.6x → 4: 10.7x ↘ 5: 10.5x ← 6: 10.6x ← 7: 10.7x ← 8: 10.6x ↙ 9: 10.6x ↘ 10: 10.8x →
		Serie 84.3			Serie 106.2
		Total 0.0			Total 106.2
60 Skott		11: 10.6x ↘ 12: 10.7x ↘ 13: 10.4x ↘ 14: 10.4x ← 15: 10.5x ↗ 16: 10.4x ← 17: 10.6x ↘ 18: 10.7x ↗ 19: 10.4x ↘ 20: 10.8x ↘	60 Skott		21: 10.9x ↘ 22: 10.6x ← 23: 10.5x ↘ 24: 10.4x ↘ 25: 10.6x ↗ 26: 10.4x ← 27: 10.6x ← 28: 10.2x ↗ 29: 10.6x ← 30: 10.8x ←
		Serie 105.5			Serie 105.6
		Total 211.7			Total 317.3
60 Skott		31: 10.4x ← 32: 10.8x ↘ 33: 10.6x ← 34: 10.7x ↙ 35: 10.6x ↗ 36: 10.6x ↗ 37: 10.0 ↗ 38: 10.0 ↗ 39: 10.5x ↗ 40: 10.0 ↗			
		Serie 104.2			
		Total 421.5			

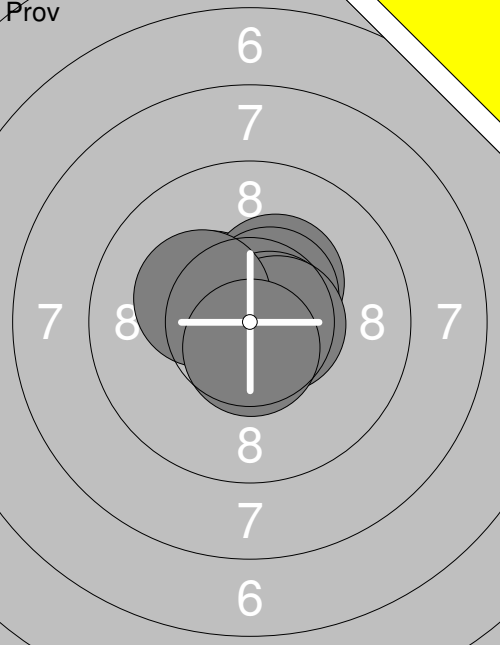
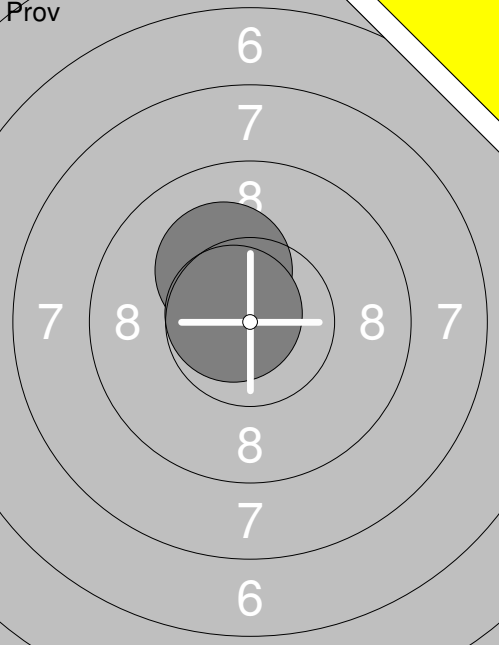
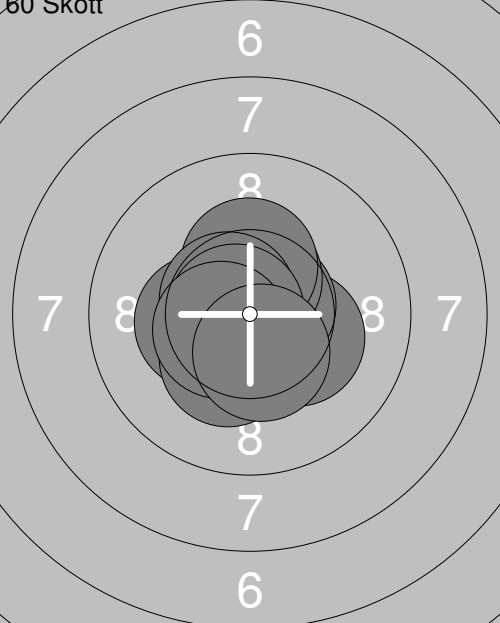
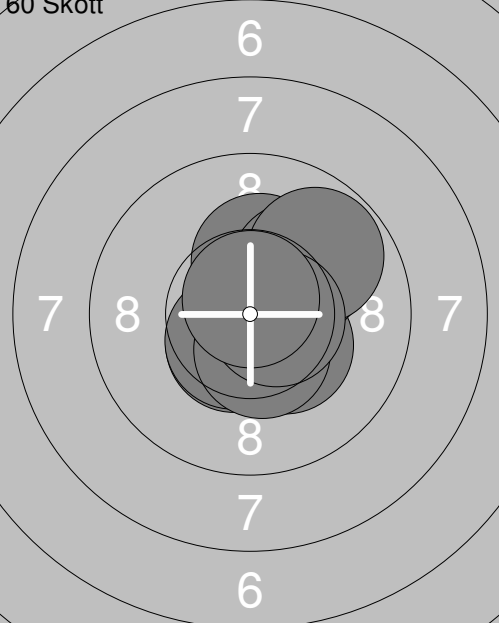
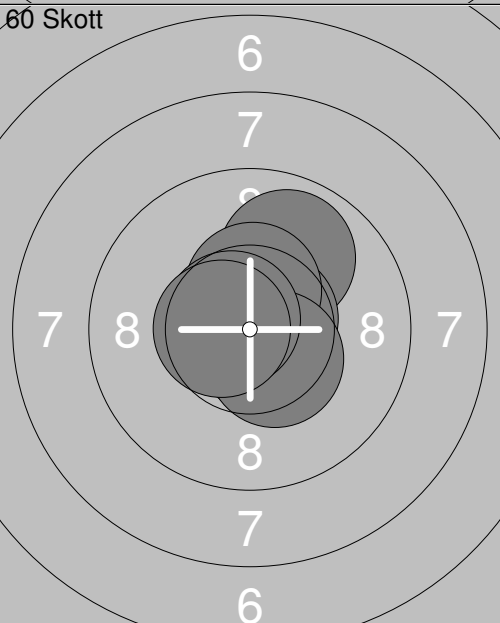

Skjutlag	Tavla	Jacob Hedman	
1	25		
S	Umeå Skf		
03.10.2020	UME-Skottet 2020	Umeå skytteallians	
Pröv		1: 10.3x → 2: 10.2x → 3: 10.8x ↓ 4: 10.6x ← 5: 10.3x ↗ 6: 10.6x → 7: 10.2x → 8: 10.5x ← 9: 10.2x ↑	Pröv 
	Serie 93.7 Total 0.0		11: 10.3x ↗ 12: 9.6 ↓ 13: 9.7 ← 14: 10.0 ↓ 15: 10.7x → 16: 10.3x ↗ 17: 10.5x ← 18: 10.4x ↑ 19: 10.4x ↗ 20: 10.5x ←
	Serie 102.4 Total 0.0		
Pröv		21: 10.5x ↓ 22: 10.8x ↓ 23: 10.3x ↗ 24: 10.3x ↓ 25: 10.3x ↗ 26: 10.5x ↗ 27: 10.3x ↓ 28: 10.7x ↓ 29: 10.1 ↓ 30: 10.5x ↓	Pröv 
	Serie 104.3 Total 0.0		31: 10.5x ↗ 32: 10.3x ↓ 33: 10.1 → 34: 10.2x ← 35: 10.7x ↗ 36: 10.1 ↗ 37: 10.2x ↓ 38: 10.8x ↗ 39: 10.3x ↓ 40: 10.5x ↓
	Serie 103.7 Total 0.0		
Pröv		41: 10.6x ↑	60 Skott 
	Serie 10.6 Total 0.0		1: 10.7x ← 2: 10.1 ↗ 3: 10.0 ↓ 4: 10.9x ← 5: 10.6x ← 6: 10.6x ← 7: 10.7x ↗ 8: 10.3x ← 9: 10.6x → 10: 10.6x ↓
	Serie 105.1 Total 105.1		
60 Skott		11: 10.8x ↓ 12: 10.4x ↓ 13: 10.7x ← 14: 10.2x ↓ 15: 10.2x ↓ 16: 10.0 ↗ 17: 10.6x ↓ 18: 10.8x ↓ 19: 10.9x ↗ 20: 9.9 ↑	60 Skott 
	Serie 104.5 Total 209.6		21: 10.7x ↓ 22: 10.7x → 23: 10.8x ↓ 24: 10.2x → 25: 10.7x ← 26: 9.9 ↓ 27: 10.5x ↗ 28: 10.4x → 29: 10.2x ↗ 30: 9.8 ←
	Serie 103.9 Total 313.5		
60 Skott		31: 10.3x ← 32: 10.4x ↓ 33: 10.1 ← 34: 9.7 ↑ 35: 10.8x → 36: 10.2x ↑ 37: 10.1 → 38: 9.9 ↗ 39: 10.1 ↗ 40: 10.7x ←	
	Serie 102.3 Total 415.8		

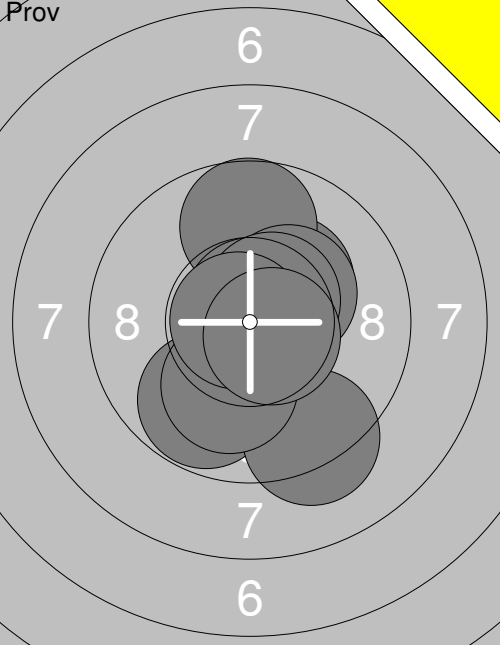
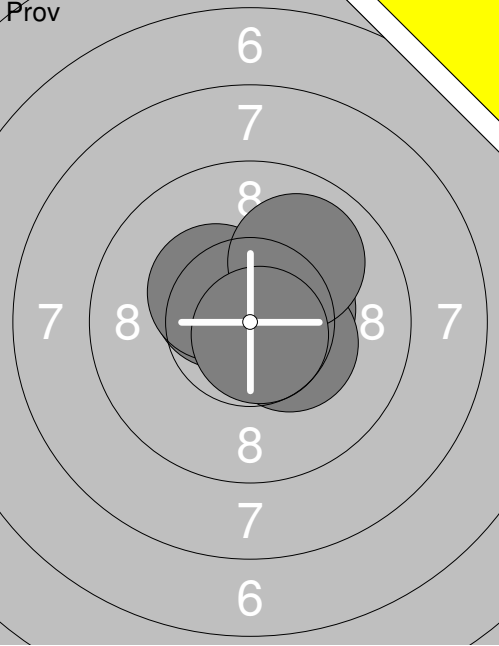
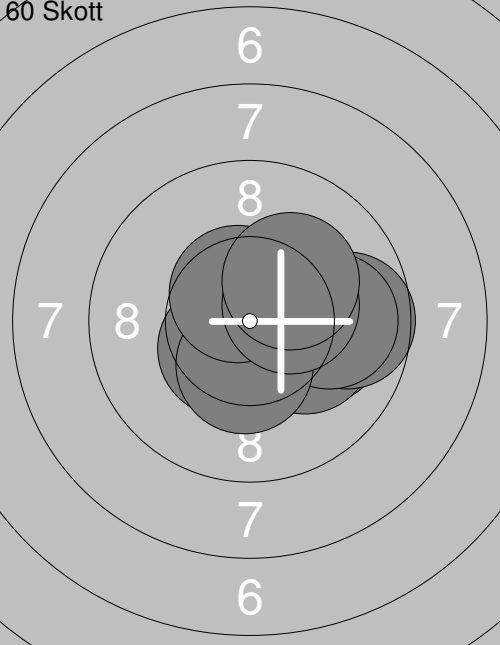
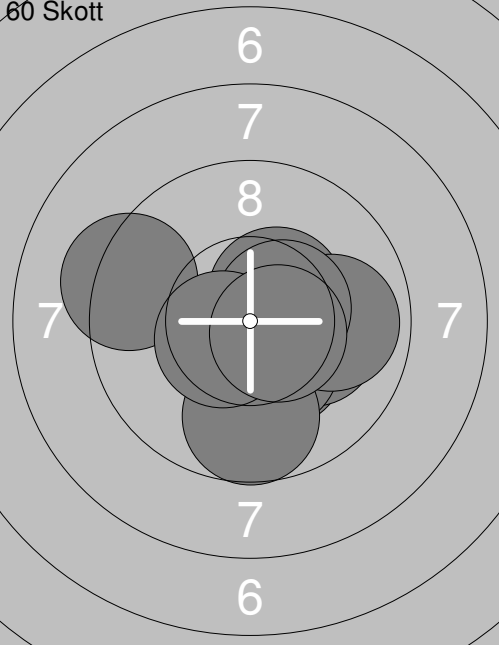
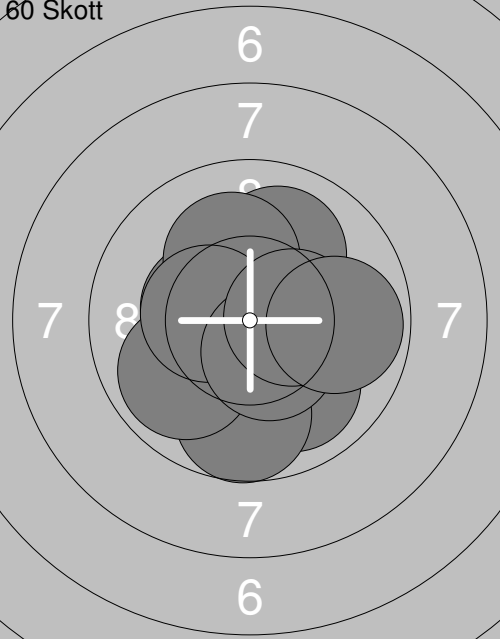
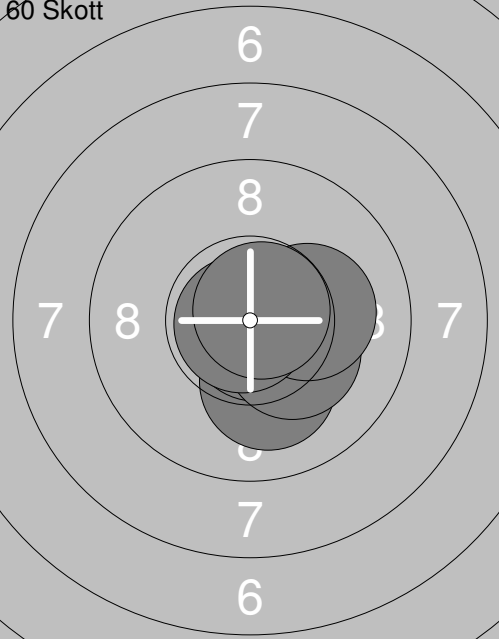
Skjutlag	Tavla	Robin Alfredsson	
1	27		
S	Umeå Skf		
03.10.2020	UME-Skottet 2020	Umeå skytteallians	
Prov		1: 10.2x ↓ 2: 10.5x → 3: 9.9 ↗ 4: 9.6 ↓ 5: 10.7x ↗ 6: 10.7x → 7: 10.8x ↗ 8: 10.6x ← 9: 10.7x ← 10: 9.5 → Serie 103.2 Total 0.0	11: 10.2x → 12: 10.8x ↗ 13: 10.3x → 14: 9.7 ← 15: 9.9 ↑ 16: 10.6x → 17: 10.8x → 18: 9.6 ← 19: 10.1 ← 20: 10.2x → Serie 102.2 Total 0.0
Prov		21: 9.3 → 22: 10.6x ↑ 23: 10.1 ← 24: 10.0 → 25: 10.0 ↓ 26: 10.3x → Serie 60.3 Total 0.0	60 Skott
			1: 10.5x ↗ 2: 10.7x ← 3: 10.6x ↑ 4: 10.4x ↓ 5: 10.3x → 6: 10.6x ↑ 7: 10.7x ↙ 8: 10.8x ↓ 9: 10.7x ↘ 10: 10.7x ↓ Serie 106.0 Total 106.0
60 Skott		11: 10.4x → 12: 10.6x ↑ 13: 10.7x ↑ 14: 10.8x → 15: 10.7x ↗ 16: 10.2x ← 17: 10.5x ↗ 18: 10.7x → 19: 10.2x ↗ 20: 10.3x ↑ Serie 105.1 Total 211.1	60 Skott
			21: 10.7x ↗ 22: 10.6x ← 23: 10.2x ↓ 24: 10.7x ↑ 25: 10.2x → 26: 10.4x ↑ 27: 9.8 ↗ 28: 10.7x ↑ 29: 10.1 ↗ 30: 10.8x ↗ Serie 104.2 Total 315.3
60 Skott		31: 10.6x ↙ 32: 10.1 ↓ 33: 10.5x ↗ 34: 10.3x ↙ 35: 9.4 ↓ 36: 10.3x ← 37: 10.9x ↓ 38: 9.9 ↑ 39: 10.2x → 40: 10.6x ↗ Serie 102.8 Total 418.1	

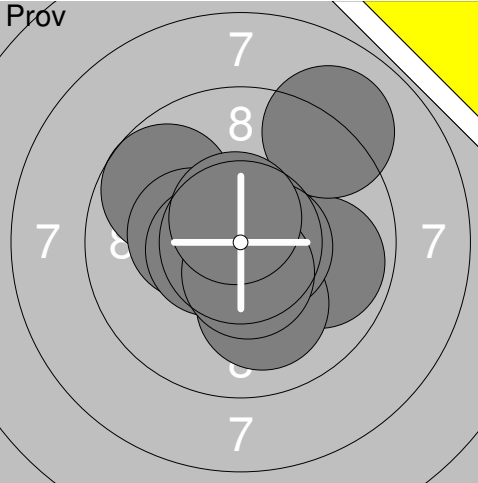
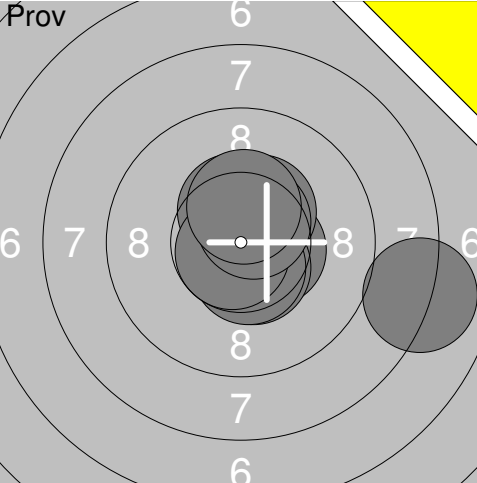
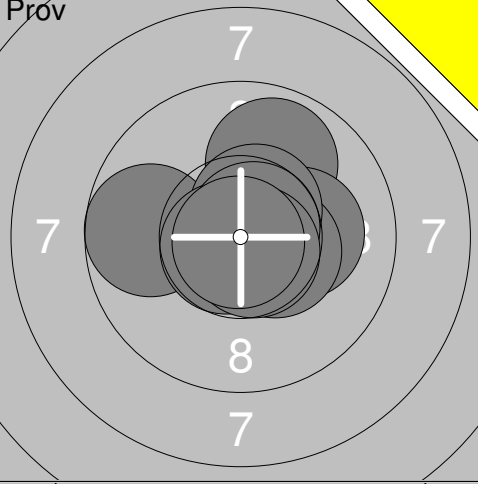
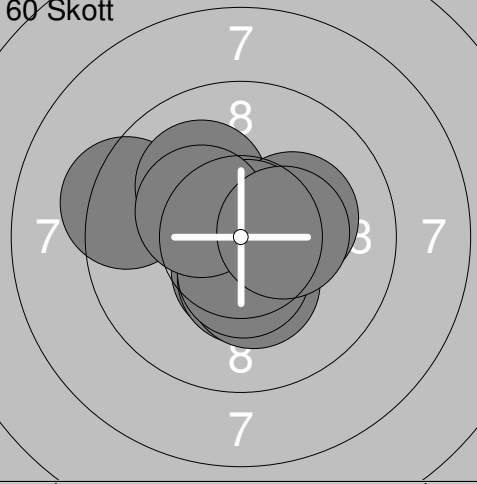
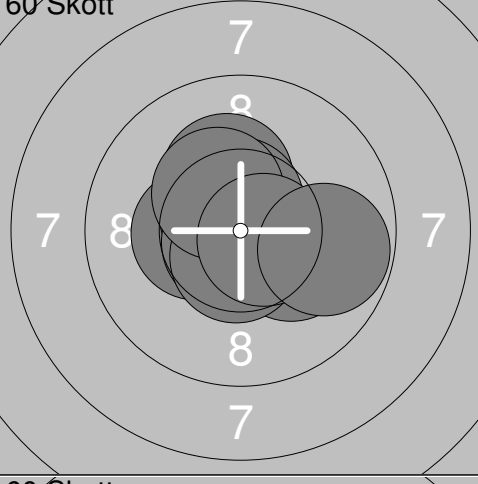
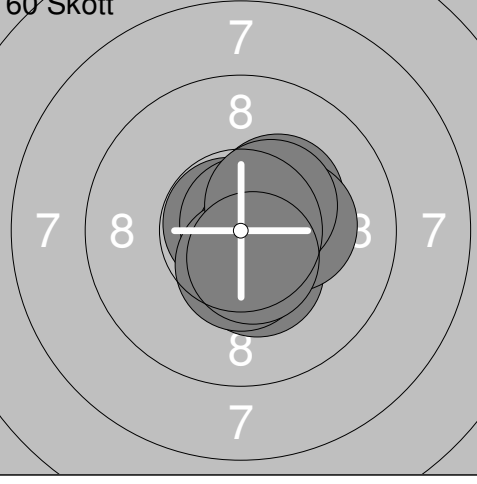
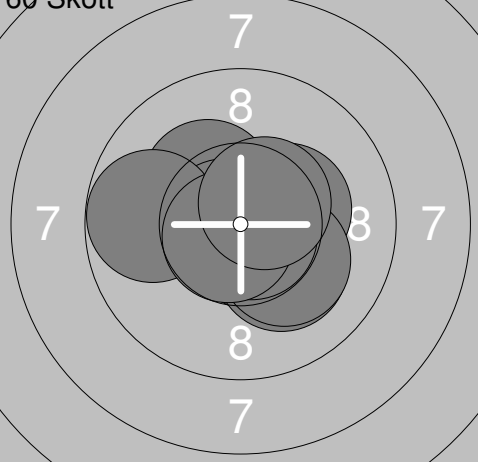
Skjutlag 1	Tavla 29	Emil Holmlund			
S		Umeå Skf			
03.10.2020		UME-Skottet 2020		Umeå skytteallians	
Prov		1: 10.4x ↘ 2: 9.3 ↘ 3: 9.5 ↘ 4: 10.4x ← 5: 10.5x ↘ 6: 10.4x ↘ 7: 10.9x ↘ 8: 9.1 ← 9: 10.6x ↖ 10: 10.6x ↘	Prov		11: 10.1 ↘ 12: 9.7 ↘ 13: 10.6x ↑ 14: 9.7 ↑ 15: 9.4 ↑ 16: 9.8 ↑ 17: 10.3x ↘ 18: 10.7x ↘ 19: 10.8x ↖ 20: 10.6x ↘
		Serie 101.7 Total 0.0			Serie 101.7 Total 0.0
Prov		21: 9.3 ↖ 22: 9.7 ↑ 23: 10.0 ↘ 24: 10.1 ↖ 25: 9.0 ↑ 26: 9.3 ↑ 27: 10.0 ↖ 28: 10.9x ↖	60 Skott		1: 10.5x ↑ 2: 9.1 ↑ 3: 10.0 ↗ 4: 10.6x ↑ 5: 10.6x → 6: 10.2x ↑ 7: 10.4x → 8: 10.2x → 9: 10.2x ↑ 10: 10.0 ↑
		Serie 78.3 Total 0.0			Serie 101.8 Total 101.8
60 Skott		11: 10.3x → 12: 10.9x ↘ 13: 10.3x ← 14: 10.7x ← 15: 10.6x ↗ 16: 10.0 ← 17: 10.7x ↗ 18: 10.1 ↗ 19: 10.8x ↘ 20: 10.6x ↗	60 Skott		21: 9.6 ↘ 22: 9.9 ← 23: 10.3x ↑ 24: 10.1 ↑ 25: 10.7x ↓ 26: 10.5x ← 27: 10.7x ↑ 28: 10.5x ↖ 29: 10.4x ↓ 30: 10.7x →
		Serie 105.0 Total 206.8			Serie 103.4 Total 310.2
60 Skott		31: 10.3x ↖ 32: 10.8x ↗ 33: 9.9 → 34: 10.0 ↗ 35: 10.1 ↖ 36: 10.2x ↗ 37: 9.9 ↗ 38: 10.6x ↘ 39: 10.6x ↘ 40: 10.2x ↘			
		Serie 102.6 Total 412.8			

Skjuttag	Tavla	Linus Holmlund	
1	31		
S	Umeå Skf		
03.10.2020	UME-Skottet 2020	Umeå skytteallians	
	1: 9.1 ↗		11: 10.3x↗
	2: 9.8 ↗		12: 10.3x↘
	3: 10.4x↗		13: 10.5x↘
	4: 10.0 ↗		14: 10.4x↘
	5: 10.5x↘		15: 10.2x↗
	6: 10.4x➡		16: 10.5x↗
	7: 10.2x➡		17: 10.0 ↗
	8: 10.6x↗		18: 10.1 ↗
	9: 10.3x➡		19: 10.3x➡
	10: 10.6x➡		
Serie 101.9		Serie 92.6	
Total 0.0		Total 0.0	
	1: 10.2x↘		11: 10.2x↗
	2: 10.5x↘		12: 10.6x↘
	3: 10.3x↘		13: 10.4x↗
	4: 10.3x↗		14: 10.5x↗
	5: 10.1 ↘		15: 9.9 ↖
	6: 10.2x↗		16: 9.9 ↗
	7: 10.9x↘		17: 9.6 ➡
	8: 10.7x↗		18: 10.3x↘
	9: 10.5x➡		19: 10.5x↗
	10: 10.5x↘		20: 10.5x➡
Serie 104.2		Serie 102.4	
Total 104.2		Total 206.6	
	21: 10.2x↘		31: 9.8 ↖
	22: 10.7x➡		32: 9.9 ↗
	23: 10.7x➡		33: 10.3x↗
	24: 10.4x➡		34: 10.6x↘
	25: 10.3x↗		35: 10.1 ↗
	26: 10.1 ↗		36: 10.9x↘
	27: 10.9x↘		37: 10.7x↗
	28: 10.3x↘		38: 10.2x↘
	29: 10.5x↘		39: 10.9x↘
	30: 10.7x↘		40: 10.7x↗
Serie 104.8		Serie 104.1	
Total 311.4		Total 415.5	

Skjutlag 1	Tavla 33	Frida Holmlund			
S		Umeå Skf			
03.10.2020		UME-Skottet 2020	Umeå skytteallians		
Prov		1: 9.4 ↖ 2: 2.8 ↘ 3: 9.1 ↖ 4: 5.7 ↗ 5: 5.8 ↗ 6: 8.5 ↖ 7: 5.9 ↗ 8: 8.0 ↖ 9: 9.3 ↘ 10: 1.0 ↘ Serie 65.5 Total 0.0	Prov		11: 8.0 ↗ 12: 4.4 ↗ 13: 9.5 ↘ 14: 1.8 ← 15: 9.0 ↘ 16: 7.8 ↘ 17: 9.7 ↗ 18: 7.2 ↘ 19: 8.2 → 20: 7.3 ↘ Serie 72.9 Total 0.0
Prov		21: 5.6 ↗ 22: 7.9 ↗ 23: 9.5 ↗ 24: 5.6 ↗ Serie 28.6 Total 0.0	60 Skott		1: 8.7 ↖ 2: 8.8 ← 3: 5.5 ↗ 4: 0.0 ← 5: 7.3 ↘ 6: 6.6 → 7: 6.4 ↗ 8: 5.4 ↘ 9: 9.2 ← 10: 4.0 ↗ Serie 61.9 Total 61.9
60 Skott		11: 5.5 ↖ 12: 6.6 ↗ 13: 6.5 ↗ 14: 5.2 ↗ 15: 7.8 ↗ 16: 7.0 ↗ 17: 0.0 ← 18: 9.3 ↗ 19: 7.1 ↗ 20: 8.5 ↗ Serie 63.5 Total 125.4	60 Skott		21: 9.1 → 22: 10.1 → 23: 8.3 ↘ 24: 7.3 ↘ 25: 7.6 ↗ 26: 2.4 ↘ 27: 2.5 ↘ 28: 1.4 ↘ 29: 5.9 ↘ 30: 0.0 ← Serie 54.6 Total 180.0
60 Skott		31: 10.3x ← 32: 6.7 ↖ 33: 9.4 ↖ 34: 1.9 ↗ 35: 0.0 ↗ 36: 5.5 → 37: 7.0 ↘ 38: 3.4 ← 39: 0.0 ← 40: 6.2 ← Serie 50.4 Total 230.4			

Skjutlag	Tavla	Claes-Göran Johansson	
1	35		
S	Umeå Skf		
03.10.2020	UME-Skottet 2020	Umeå skytteallians	
Prov		Prov	
	1: 10.9x➤ 2: 10.8x➤ 3: 10.4✂ 4: 10.8x➤ 5: 10.3x↗ 6: 10.5x↗ 7: 10.7x➤ 8: 10.6x➤ 9: 10.3✂ 10: 10.6x↓		11: 10.2x↘ 12: 10.7✂
	Serie 105.9		Serie 20.9
	Total 0.0		Total 0.0
60 Skott		60 Skott	
	1: 10.3x↘ 2: 10.7x➤ 3: 10.5x↗ 4: 10.3✂ 5: 10.3x↗ 6: 10.3x↘ 7: 10.6✂ 8: 10.8✂ 9: 10.5x↘ 10: 10.4x↓		11: 10.4x↗ 12: 10.5x↘ 13: 10.3✂ 14: 10.5x↘ 15: 10.3x↗ 16: 10.1 ↗ 17: 10.5x↓ 18: 9.8 ↗ 19: 10.6x➤ 20: 10.8x↗
	Serie 104.7		Serie 103.8
	Total 104.7		Total 208.5
60 Skott		60 Skott	
	21: 10.8x↗ 22: 9.9 ↗ 23: 10.8x➤ 24: 10.7x↘ 25: 10.6x↗ 26: 10.7x➤ 27: 10.4x↗ 28: 10.5x↘ 29: 10.7✂ 30: 10.6✂		31: 10.8✂ 32: 10.8x↘ 33: 10.5x↗ 34: 10.5✂ 35: 10.3✂ 36: 10.4x↘ 37: 10.4x↗ 38: 10.6x↗ 39: 10.2x➤ 40: 10.9x➤
	Serie 105.7		Serie 105.4
	Total 314.2		Total 419.6

Skjuttlag	Tavla	Nisse Fredriksson	
1	37		
S	Umeå Skf		
03.10.2020	UME-Skottet 2020	Umeå skytteallians	
Prov		Prov	
	1: 10.3x ↗ 2: 9.8 ↓ 3: 9.2 ↓ 4: 9.7 ↑ 5: 10.3x ↗ 6: 10.1 ↓ 7: 10.7x ↗ 8: 10.6x ↗ 9: 10.8x ↗ 10: 10.6x ↗		11: 10.4x ↗ 12: 10.5x ↗ 13: 10.4x ↗ 14: 10.4x ↗ 15: 10.0 ↗ 16: 10.7x ↗
	Serie 102.1		Serie 62.4
	Total 0.0		Total 0.0
60 Skott		60 Skott	
	1: 10.5x ↗ 2: 10.1 → 3: 10.2x ↗ 4: 9.7 → 5: 9.9 → 6: 10.5x ↗ 7: 10.4x ↗ 8: 10.6x ↗ 9: 10.4x ↗ 10: 10.2x ↗		11: 10.3x ↗ 12: 10.1 → 13: 10.4x ↗ 14: 10.5x ↗ 15: 9.9 → 16: 10.5x ↗ 17: 9.7 ↓ 18: 9.3 ← 19: 10.5x ↗ 20: 10.6x ↗
	Serie 102.5		Serie 101.8
	Total 102.5		Total 204.3
60 Skott		60 Skott	
	21: 10.4x ↗ 22: 10.0 ↗ 23: 10.0 ↓ 24: 9.7 ↓ 25: 9.9 ↗ 26: 10.1 ↗ 27: 10.4x ↗ 28: 10.5x ↗ 29: 10.4x ↗ 30: 9.8 →		31: 10.3x ↗ 32: 10.4x ↗ 33: 10.5x ↗ 34: 10.2x ↗ 35: 10.1 ↓ 36: 10.8x ↗ 37: 10.3x ↗ 38: 10.2x ↗ 39: 10.8x ↗ 40: 10.7x ↗
	Serie 101.2		Serie 104.3
	Total 305.5		Total 409.8

Skjutlag	Tavla	Linda Holmlund	
S	Umeå Skf		
03.10.2020	UME-Skottet 2020	Umeå skytteallians	
Prov		1: 9.9 → 2: 10.1 ↓ 3: 10.8x → 4: 9.0 ↗ 5: 10.6x → 6: 9.7 ↗ 7: 10.3x ← 8: 10.5x ← 9: 10.5x ↓ 10: 10.6x ↑ Serie 102.0 Total 0.0	Prov  11: 10.4x ↑ 12: 8.0 → 13: 10.5x → 14: 10.5x → 15: 10.5x ↓ 16: 10.5x ↓ 17: 10.7x ↙ 18: 10.4x ↗ 19: 10.6x ↗ 20: 10.4x ↑ Serie 102.5 Total 0.0
Prov		21: 9.9 ↗ 22: 9.7 ← 23: 10.2x → 24: 10.8x ↓ 25: 10.4x → 26: 10.5x ↗ 27: 10.7x ↙ 28: 10.7x → 29: 10.7x ↓ 30: 10.9x ↓ Serie 104.5 Total 0.0	60 Skott  1: 9.3 ← 2: 10.5x ↓ 3: 10.4x ↓ 4: 10.3x ↓ 5: 10.1 ↗ 6: 10.2x → 7: 10.8x ↗ 8: 10.5x ↓ 9: 10.3x ↙ 10: 10.4x → Serie 102.8 Total 102.8
60 Skott		11: 10.2x → 12: 10.4x ← 13: 10.2x ↗ 14: 10.6x ↗ 15: 10.7x ↙ 16: 10.6x ↑ 17: 10.6x ↓ 18: 10.4x ↗ 19: 10.6x → 20: 9.8 → Serie 104.1 Total 206.9	60 Skott  21: 10.4x ↓ 22: 10.3x → 23: 10.8x ↙ 24: 10.8x ↗ 25: 10.6x → 26: 10.5x ↓ 27: 10.3x ↗ 28: 10.3x → 29: 10.4x ↗ 30: 10.5x ↓ Serie 104.9 Total 311.8
60 Skott		31: 10.7x ↓ 32: 10.3x → 33: 10.2x ↓ 34: 10.3x ↗ 35: 10.2x ↓ 36: 10.8x ← 37: 10.8x ↓ 38: 9.8 ← 39: 10.7x ↙ 40: 10.5x ↗ Serie 104.3 Total 416.1	