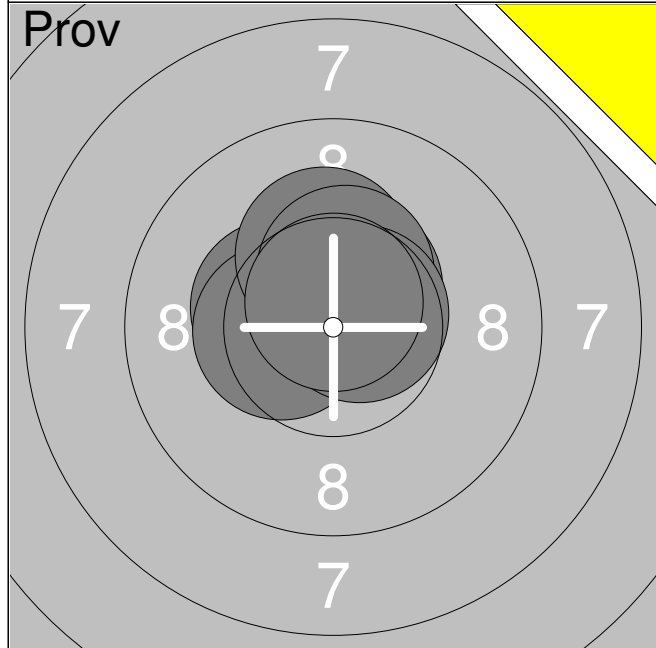


1:	10.5x	↘
2:	10.4x	↗
3:	10.7x	↓
4:	10.6x	←
5:	10.4x	←
6:	10.5x	↘
7:	10.7x	←
8:	10.7x	↑
9:	10.5x	↖
10:	10.5x	↖

Serie 105.5

Total 0.0



11:	10.4x	←
12:	10.4x	←
13:	10.2x	↑
14:	10.5x	↗
15:	10.4x	↑
16:	10.6x	↗
17:	10.7x	↑

Serie 73.2

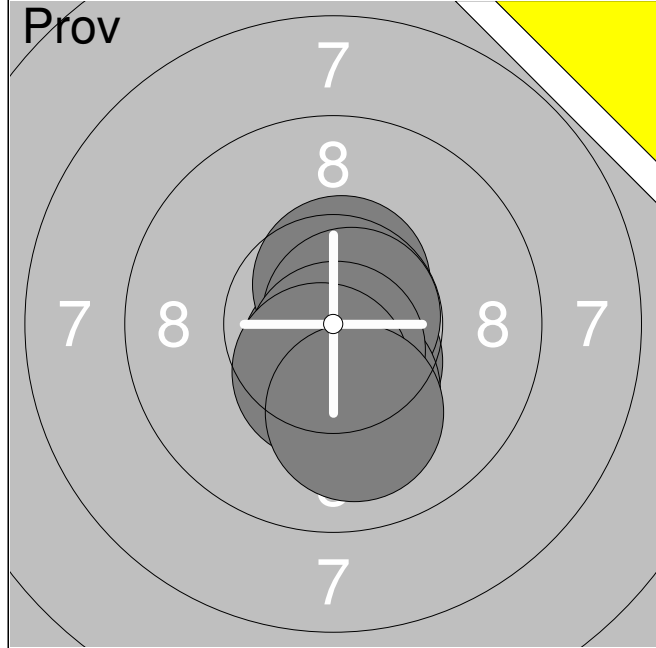
Total 0.0



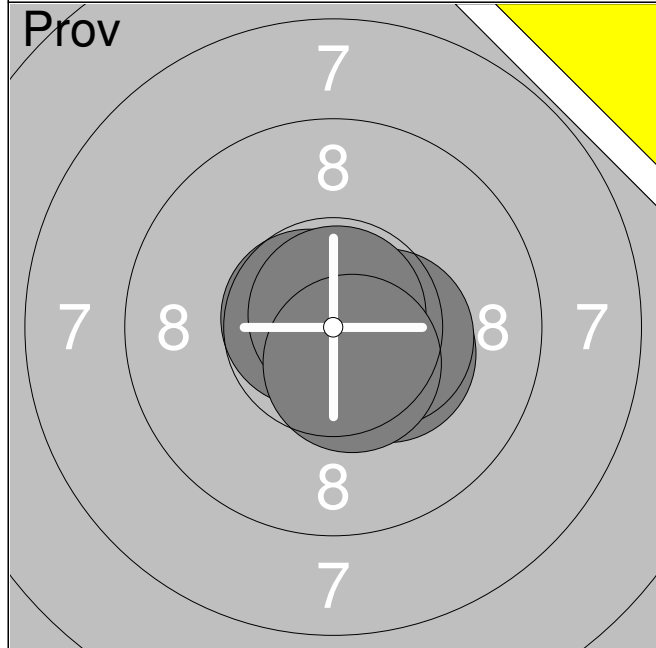
1:	10.8x	↖
2:	10.4x	↗
3:	10.3x	↓
4:	10.4x	↓
5:	10.6x	→
6:	10.7x	↗
7:	10.5x	↗
8:	10.6x	↓
9:	10.6x	↗
10:	10.3x	↖

Serie 105.2

Total 105.2



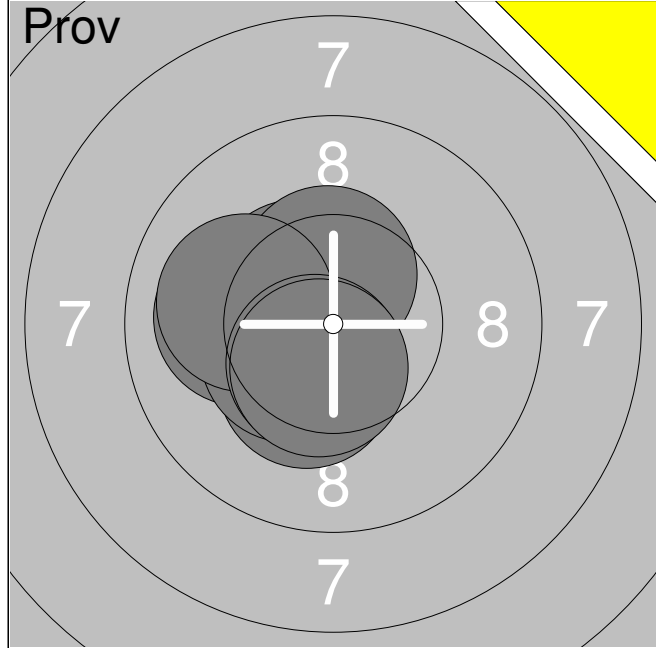
1:	10.6x	↓
2:	10.5x	↓
3:	10.5x	↑
4:	10.5x	↓
5:	10.5x	↓
6:	10.8x	→
7:	10.3x	↓
8:	10.7x	↓
9:	10.5x	↓
10:	10.0	↓
Serie		104.9
Total		0.0



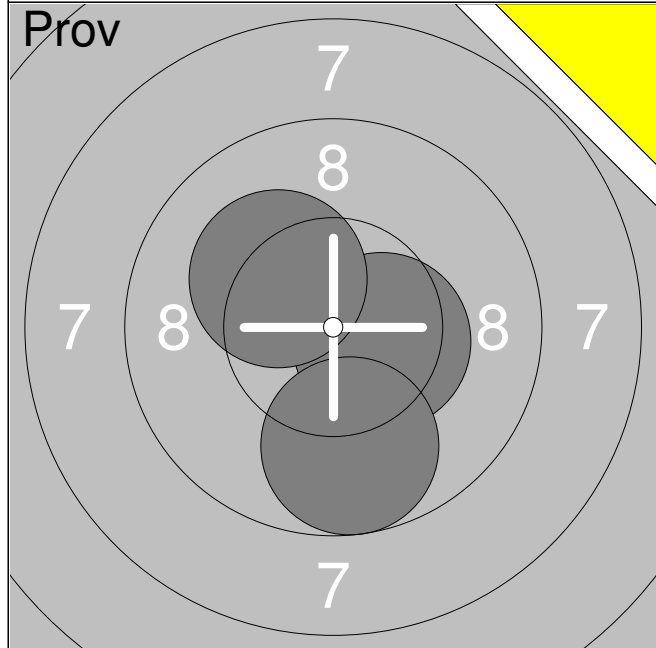
11:	10.7x	↖
12:	10.4x	↘
13:	10.4x	→
14:	10.8x	↑
15:	10.5x	↓
Serie		52.8
Total		0.0



1:	10.3x	↘
2:	10.3x	↘
3:	10.7x	↑
4:	10.7x	↗
5:	10.3x	↘
6:	10.1	↘
7:	10.4x	↓
8:	10.6x	↘
9:	10.7x	↗
10:	10.2x	↓
Serie		104.3
Total		104.3



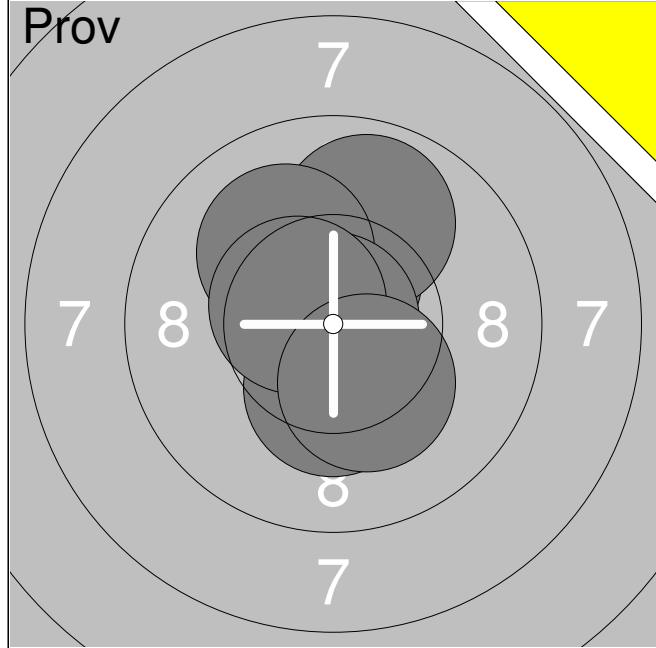
1:	10.6x	↙
2:	10.3x	↘
3:	10.4x	↗
4:	10.7x	↗
5:	10.0	←
6:	10.4x	↙
7:	10.5x	↑
8:	10.0	←
9:	10.5x	↘
10:	10.5x	↘
Serie		103.9
Total		0.0



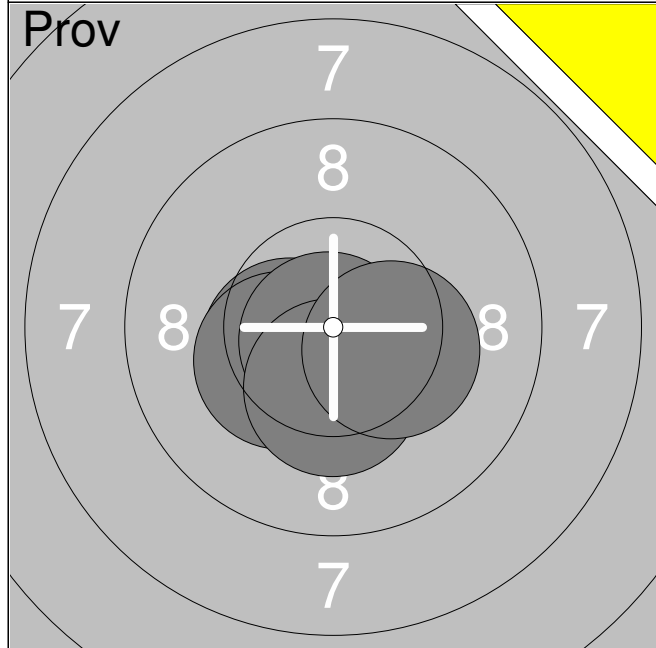
11:	10.4x	→
12:	10.2x	↗
13:	9.7	↘
Serie		30.3
Total		0.0



1:	10.8x	↙
2:	10.4x	↘
3:	10.5x	←
4:	10.2x	→
5:	10.6x	↙
6:	10.4x	↙
7:	10.8x	↘
8:	10.7x	→
9:	10.1	↘
10:	10.4x	↘
Serie		104.9
Total		104.9



1:	10.3x	↑
2:	10.5x	↑
3:	9.9	↑
4:	10.6x	↖
5:	10.1	↗
6:	10.9x	↘
7:	10.9x	↗
8:	10.3x	↓
9:	10.5x	↖
10:	10.3x	↓
Serie		104.3
Total		0.0

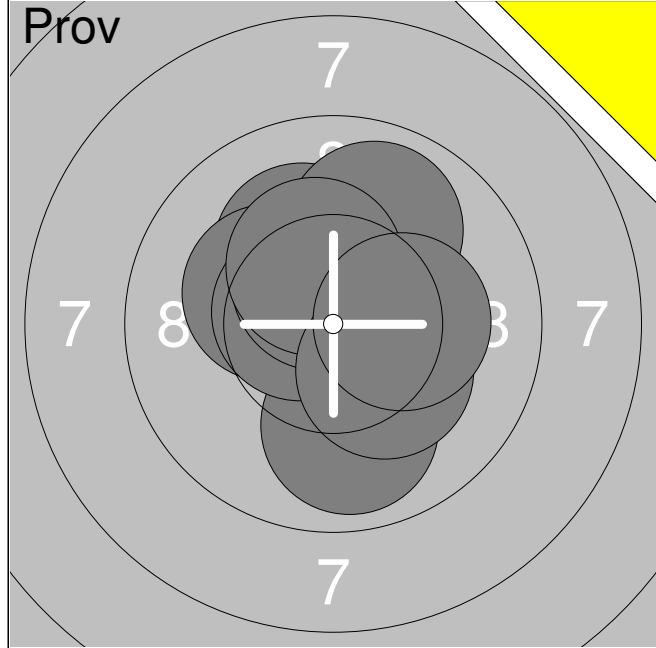


11:	10.5x	↖
12:	10.3x	↖
13:	10.6x	↘
14:	10.8x	↘
15:	10.3x	↓
16:	10.3x	↗
Serie		62.8
Total		0.0



1:	10.9x	↖
2:	10.7x	→
3:	10.4x	↓
4:	10.7x	↓
5:	10.5x	↘
6:	10.6x	↘
7:	10.2x	↗
8:	10.8x	↘
9:	10.6x	↓
10:	10.8x	↗
Serie		106.2
Total		106.2

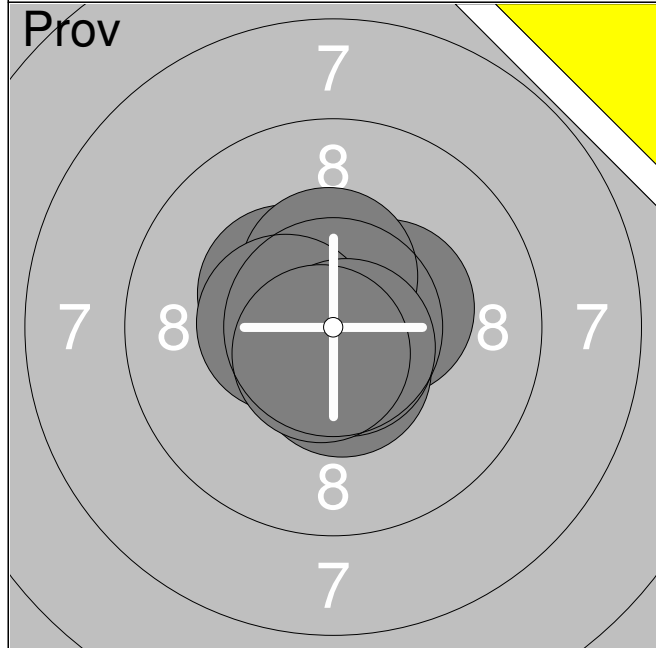
Skjutlag	Tavla	Casper Danielsson		
1	17	Fältjägarna	L11	Jä
07.03.2020	Skyttiaden Riksfinal - Final		Umeå skytteallians	
Prov 	1:	9.6	←	
	2:	9.9	↙	
	3:	9.9	↘	
	4:	10.6x	←	
	5:	10.5x	←	
	6:	9.9	↙	
	7:	10.1	↘	
	8:	10.8x	↗	
	9:	10.5x	↘	
	10:	10.1	→	
	Serie			101.9
Total			0.0	
Prov 	11:	9.8	→	
	12:	10.4x	←	
	13:	10.1	→	
	14:	10.2x	←	
	15:	10.1	←	
	16:	10.4x	→	
Serie			61.0	
Total			0.0	
40 Skott 	1:	10.3x	→	
	2:	10.8x	←	
	3:	10.6x	↘	
	4:	10.4x	↘	
	5:	10.3x	↗	
	6:	10.3x	↗	
	7:	10.6x	↗	
	8:	10.4x	↘	
	9:	10.2x	←	
	10:	10.0	↗	
Serie			103.9	
Total			103.9	



1:	9.9	↓
2:	10.2x	↑
3:	10.3x	↖
4:	9.9	↑
5:	10.7x	→
6:	10.6x	↖
7:	10.5x	↑
8:	10.3x	↑
9:	10.3x	↓
10:	10.3x	→

Serie 103.0

Total 0.0



11:	10.4x	↖
12:	10.7x	↑
13:	10.4x	→
14:	10.4x	↑
15:	10.5x	↓
16:	10.5x	←
17:	10.7x	↓
18:	10.7x	↓

Serie 84.3

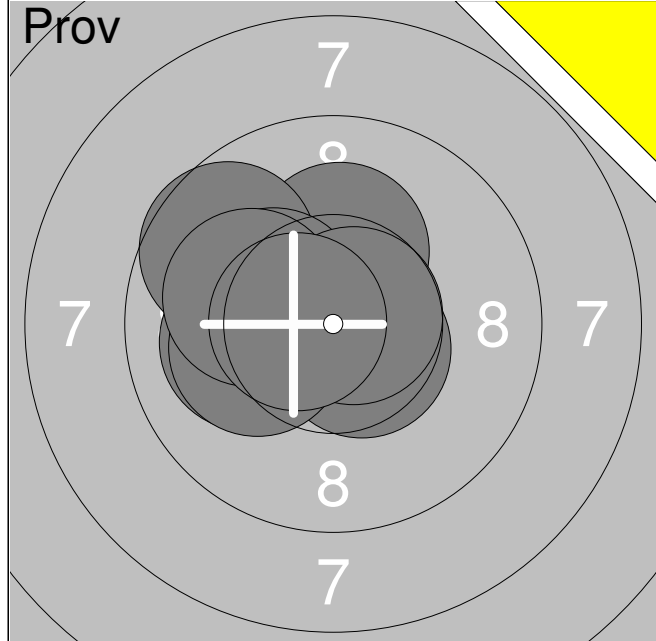
Total 0.0



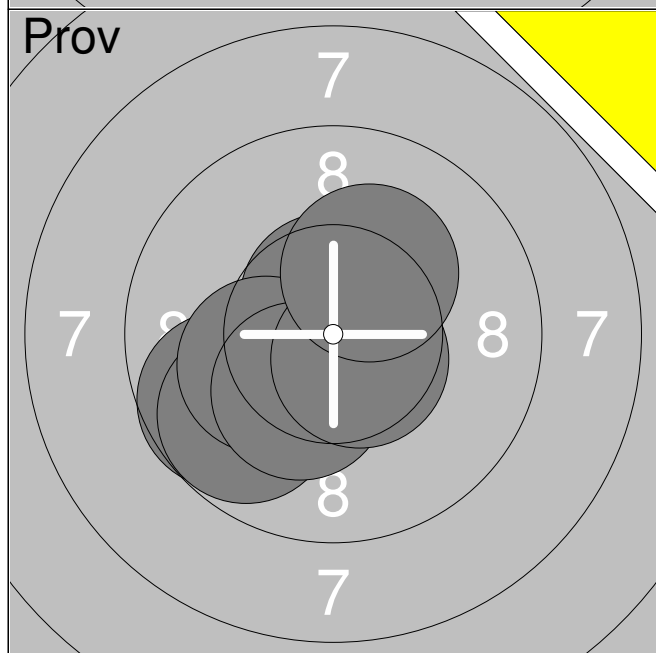
1:	10.8x	↓
2:	10.3x	↓
3:	9.9	↓
4:	10.3x	↗
5:	10.2x	→
6:	10.0	→
7:	10.3x	↖
8:	10.4x	↖
9:	10.7x	↓
10:	10.6x	↓

Serie 103.5

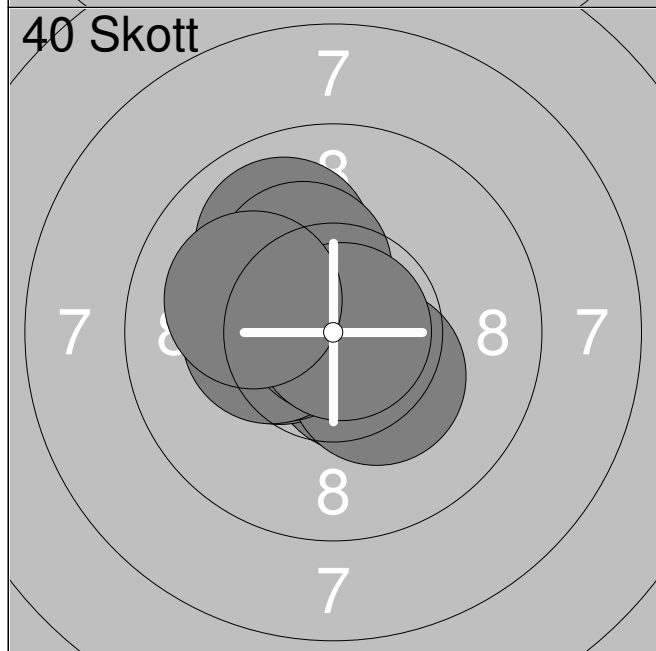
Total 103.5



1:	10.2x	↖
2:	10.2x	↑
3:	9.7	↖
4:	10.1	←
5:	10.6x	↘
6:	10.3x	↖
7:	10.2x	←
8:	10.7x	→
9:	10.1	←
10:	10.6x	←
Serie		102.7
Total		0.0



11:	9.7	←
12:	10.6x	↑
13:	9.8	↘
14:	10.2x	←
15:	10.3x	↘
16:	10.6x	↘
17:	10.2x	↗
Serie		71.4
Total		0.0



1:	10.5x	↘
2:	10.4x	←
3:	10.0	↗
4:	10.3x	↘
5:	10.4x	←
6:	10.3x	←
7:	10.9x	↑
8:	10.3x	↗
9:	10.9x	→
10:	10.1	←
Serie		104.1
Total		104.1



1:	10.0	↑
2:	10.2x	→
3:	10.4x	→
4:	10.3x	↑
5:	10.8x	→
6:	10.7x	↘
7:	10.7x	↙
8:	10.0	↗
9:	10.3x	→
10:	10.8x	↘

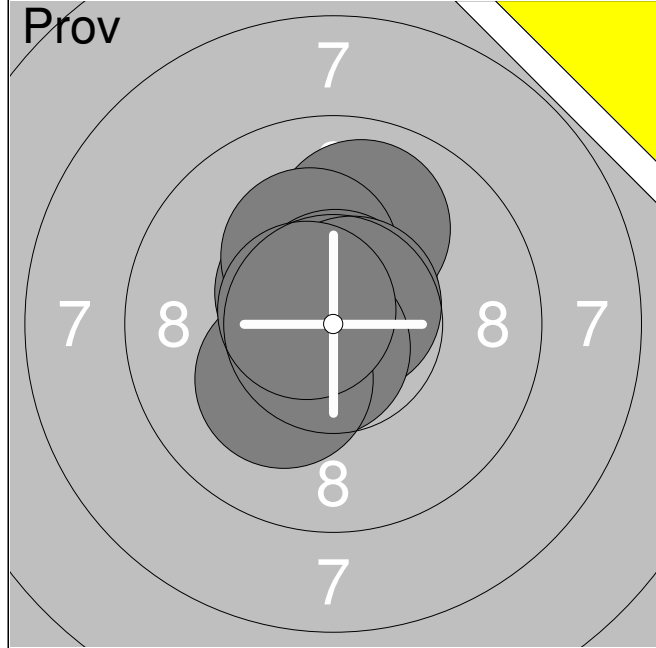
Serie	104.2
Total	0.0



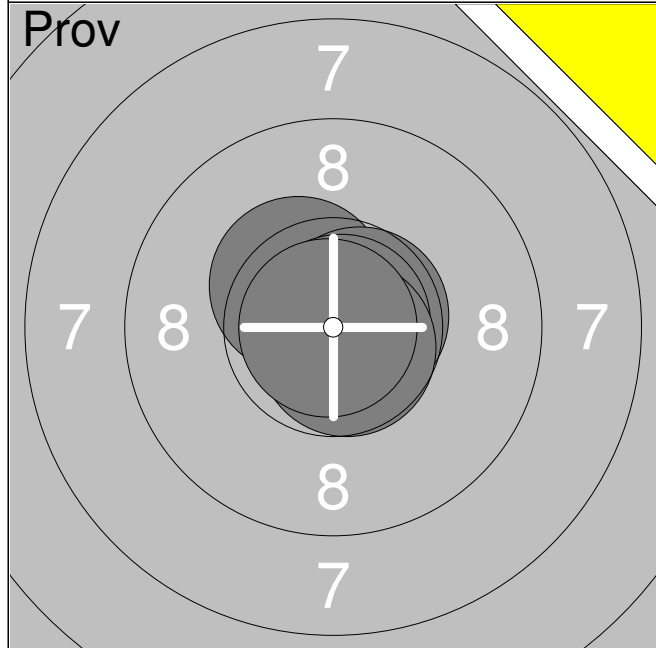
1:	10.4x	→
2:	10.5x	→
3:	10.2x	↗
4:	10.5x	↑
5:	10.3x	→
6:	10.6x	↗
7:	10.7x	↗
8:	10.4x	↓
9:	10.2x	↗
10:	10.4x	↙

Serie	104.2
Total	104.2

Skjutlag	Tavla	Rasmus Alfredsson		
1	21	Umeå	L11	Vb
07.03.2020	Skyttiaden Riksfinal - Final	Umeå skytteallians		
Prov 	1:	10.5x	↓	
	2:	10.4x	↓	
	3:	10.9x	←	
	4:	10.4x	←	
	5:	10.8x	↖	
	6:	10.7x	↓	
	7:	10.8x	←	
	8:	10.7x	↗	
	9:	10.7x	→	
	10:	10.6x	→	
	Serie			106.5
Total			0.0	
40 Skott 	1:	10.5x	↑	
	2:	10.3x	→	
	3:	10.4x	→	
	4:	10.7x	↓	
	5:	10.7x	←	
	6:	10.5x	←	
	7:	10.2x	←	
	8:	10.6x	↑	
	9:	10.5x	↙	
	10:	10.6x	↓	
	Serie			105.0
Total			105.0	
Extra 	1:	10.8x	↑	
	Serie			10.8
	Total			105.0



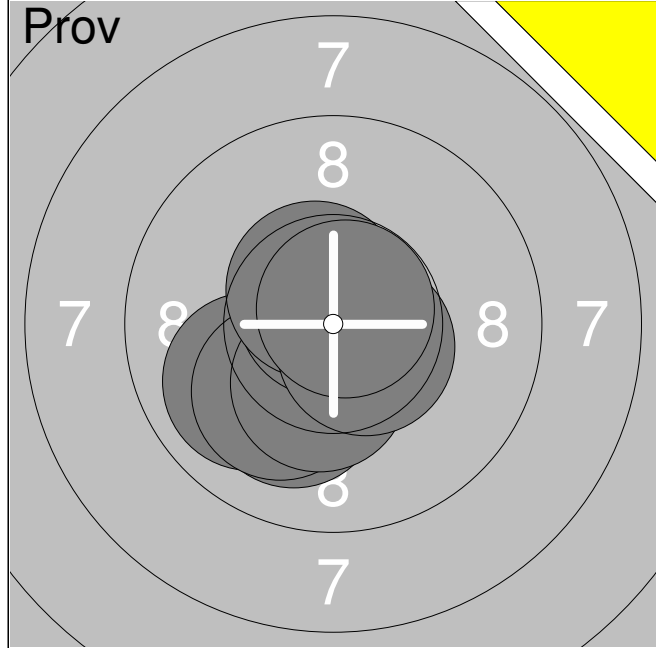
1:	10.7x	↖
2:	10.5x	↗
3:	10.6x	↗
4:	9.9	↗
5:	10.2x	↗
6:	10.7x	↗
7:	10.7x	↗
8:	10.7x	↘
9:	10.2x	↘
10:	10.7x	↖
Serie		104.9
Total		0.0



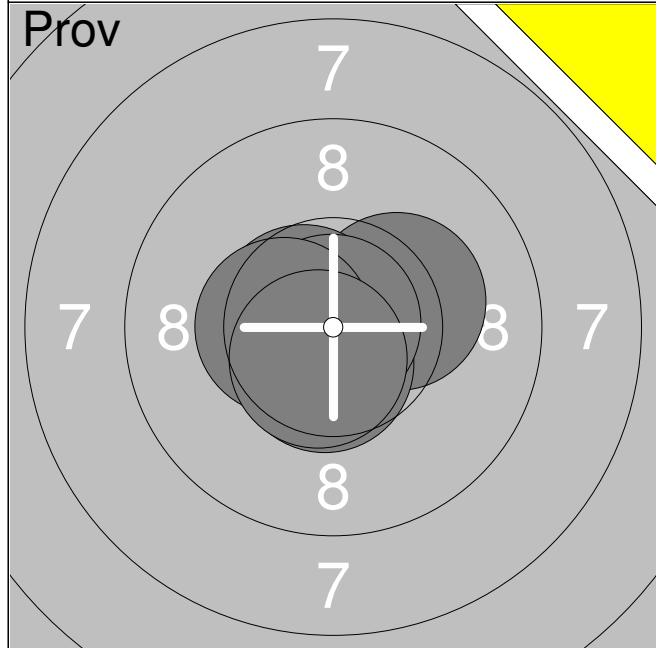
11:	10.4x	↖
12:	10.7x	→
13:	10.9x	→
14:	10.7x	↘
15:	10.9x	←
Serie		53.6
Total		0.0



1:	10.8x	↑
2:	10.6x	→
3:	10.6x	↘
4:	10.3x	←
5:	10.2x	↘
6:	10.7x	↗
7:	10.3x	↑
8:	10.8x	←
9:	10.6x	→
10:	10.7x	↘
Serie		105.6
Total		105.6



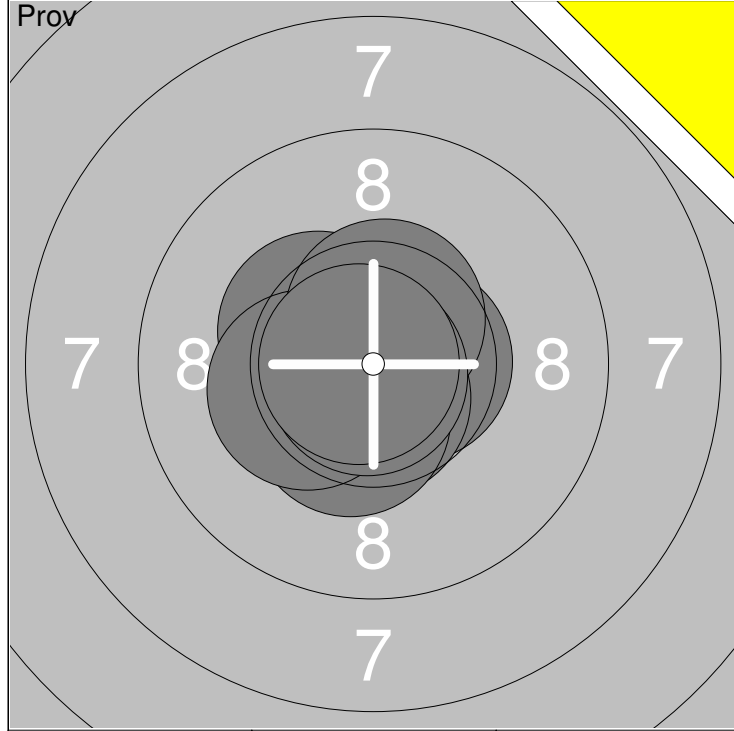
1:	10.2x	↘
2:	10.7x	←
3:	9.9	↙
4:	10.1	↘
5:	10.1	↘
6:	10.3x	↘
7:	10.8x	↗
8:	10.6x	↗
9:	10.6x	↘
10:	10.8x	↗
Serie		104.1
Total		0.0



11:	10.3x	↗
12:	10.6x	←
13:	10.6x	↘
14:	10.9x	↗
15:	10.5x	←
16:	10.6x	↘
Serie		63.5
Total		0.0

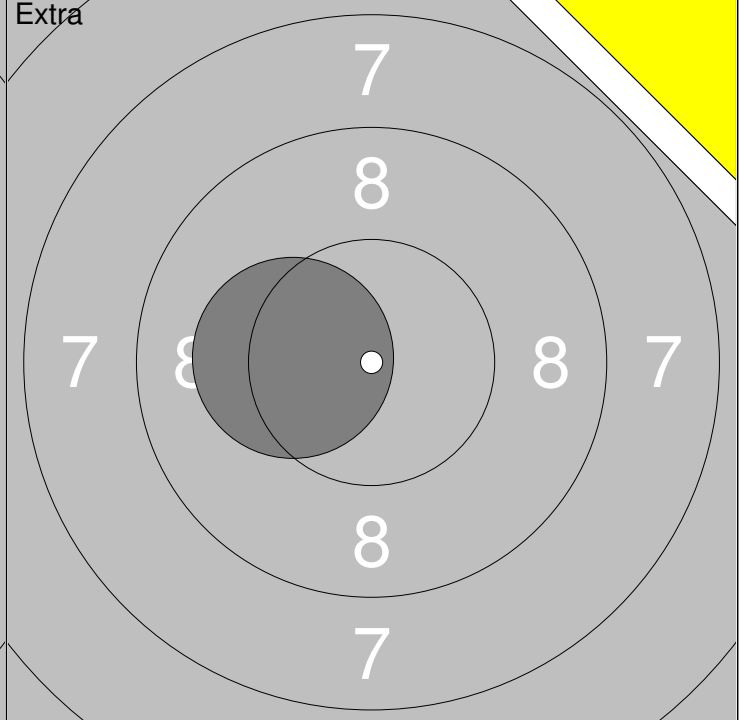
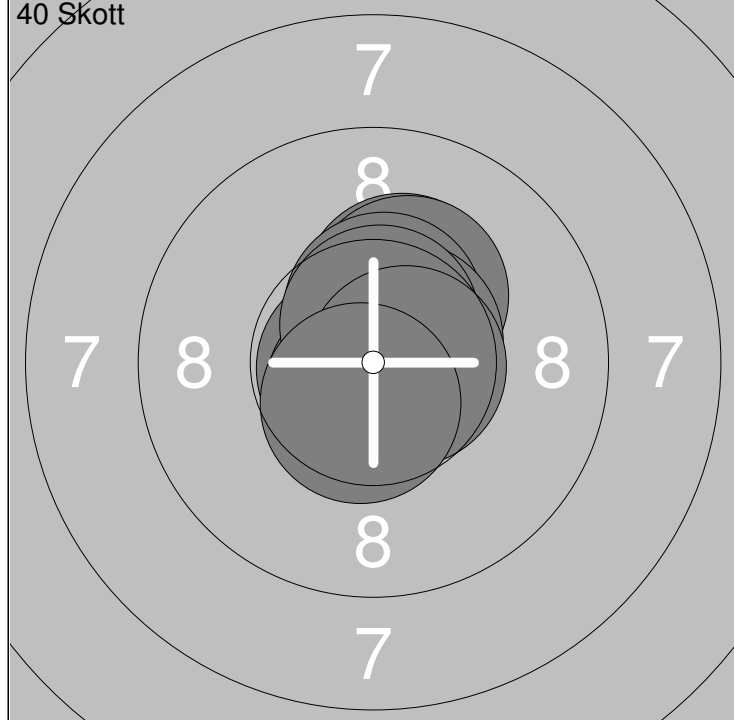


1:	10.2x	↘
2:	10.6x	↘
3:	10.9x	←
4:	10.5x	←
5:	10.8x	↘
6:	10.6x	↗
7:	10.4x	←
8:	10.5x	↗
9:	10.6x	↗
10:	10.7x	↘
Serie		105.8
Total		105.8



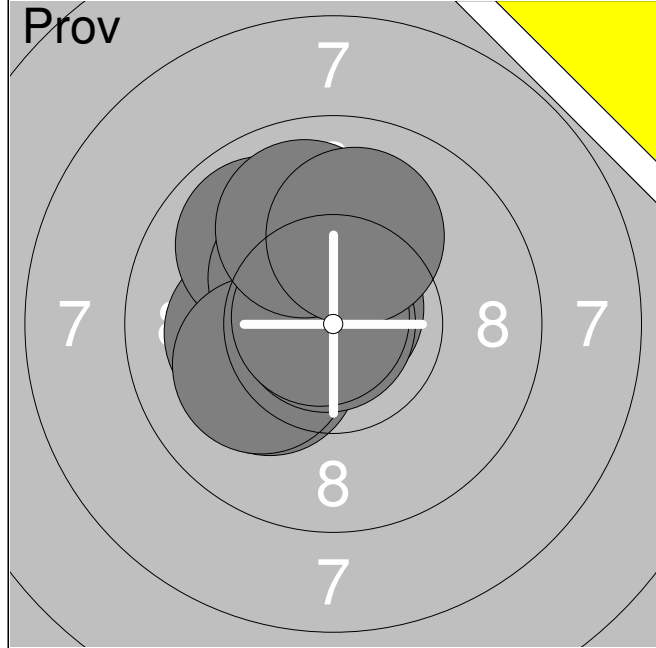
1: 10.6x →	6: 10.4x ↓	Serie	105.9
2: 10.6x ↓	7: 10.3x ←		
3: 10.8x ↗	8: 10.5x ↑	Total	0.0
4: 10.4x ↖	9: 10.8x ↓		
5: 10.7x ↓	10: 10.8x ←		

11: 10.7x ←	Serie	21.4
12: 10.7x ↓		
Total		0.0



1: 10.3x ↗	6: 10.5x ↑	Serie	105.9
2: 10.3x ↗	7: 10.6x ↗		
3: 10.8x ←	8: 10.6x ↑	Total	105.9
4: 10.7x ↓	9: 10.7x →		
5: 10.8x →	10: 10.6x ↓		

1: 10.2x ←	Serie	10.2
Total		105.9



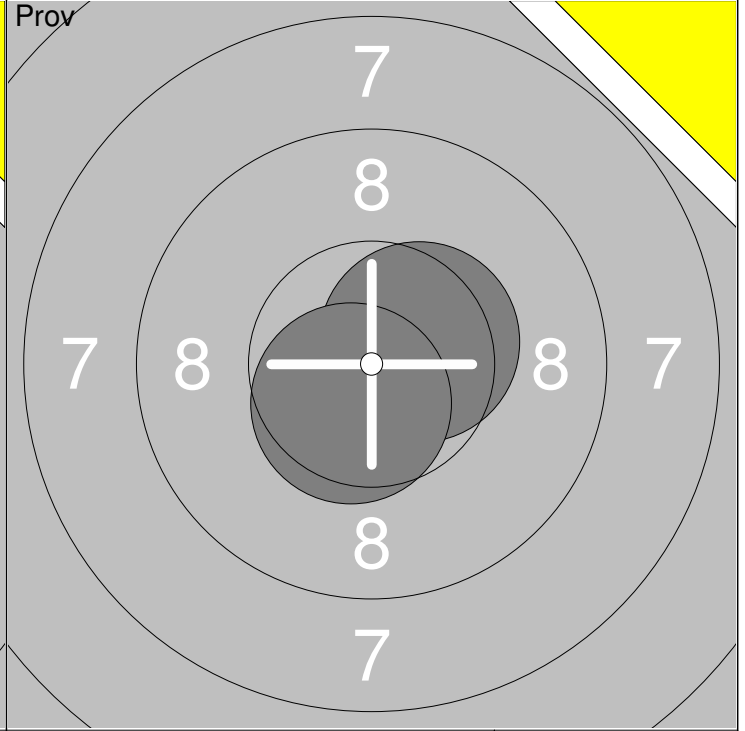
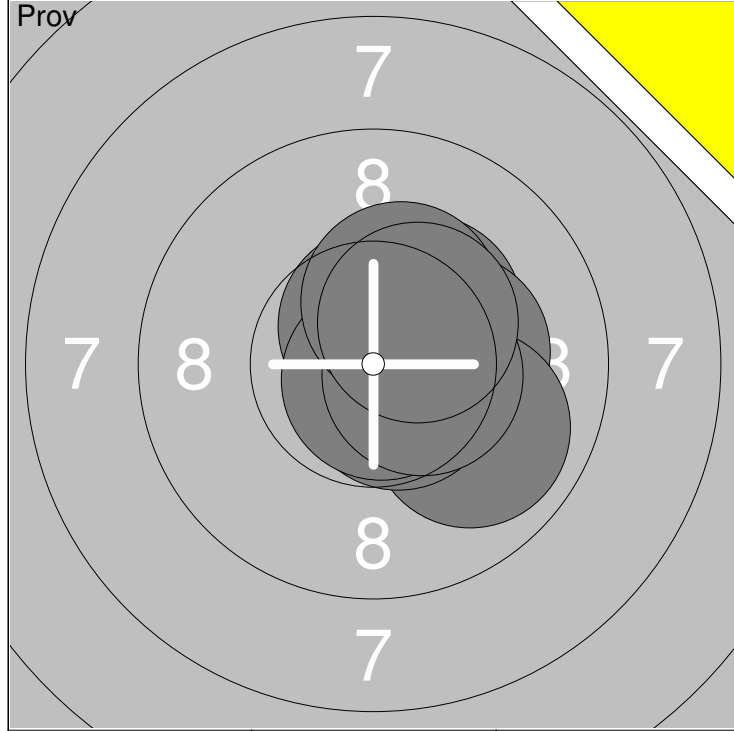
1:	10.2x	↙
2:	10.1	←
3:	9.9	↗
4:	10.8x	↑
5:	10.4x	↖
6:	10.1	←
7:	10.9x	←
8:	10.8x	↖
9:	9.9	↑
10:	10.0	↑
Serie		103.1
Total		0.0



11:	10.4x	↓
12:	10.6x	↓
Serie		21.0
Total		0.0

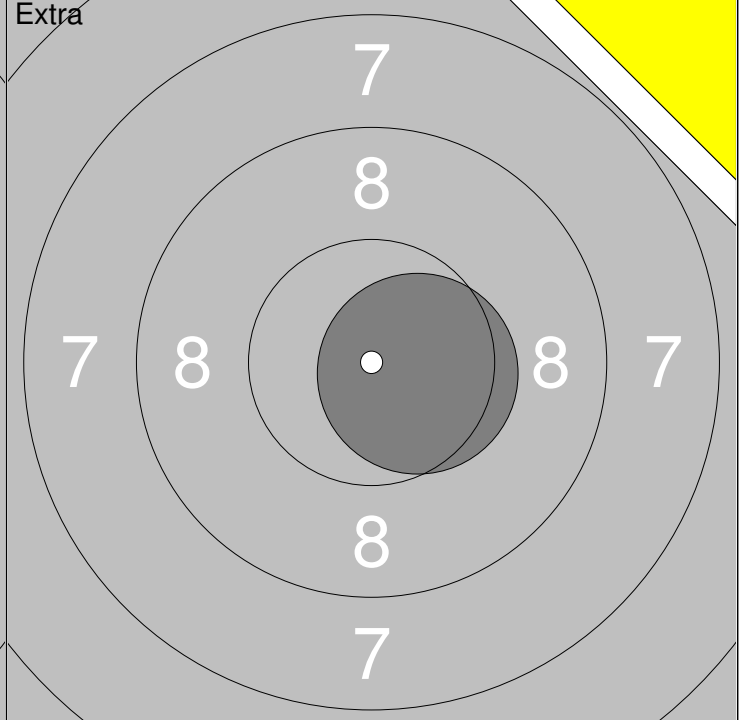


1:	10.5x	↗
2:	10.4x	↓
3:	10.7x	↑
4:	10.7x	↘
5:	10.1	↓
6:	10.7x	←
7:	10.6x	←
8:	10.6x	↓
9:	9.7	←
10:	10.9x	←
Serie		104.9
Total		104.9



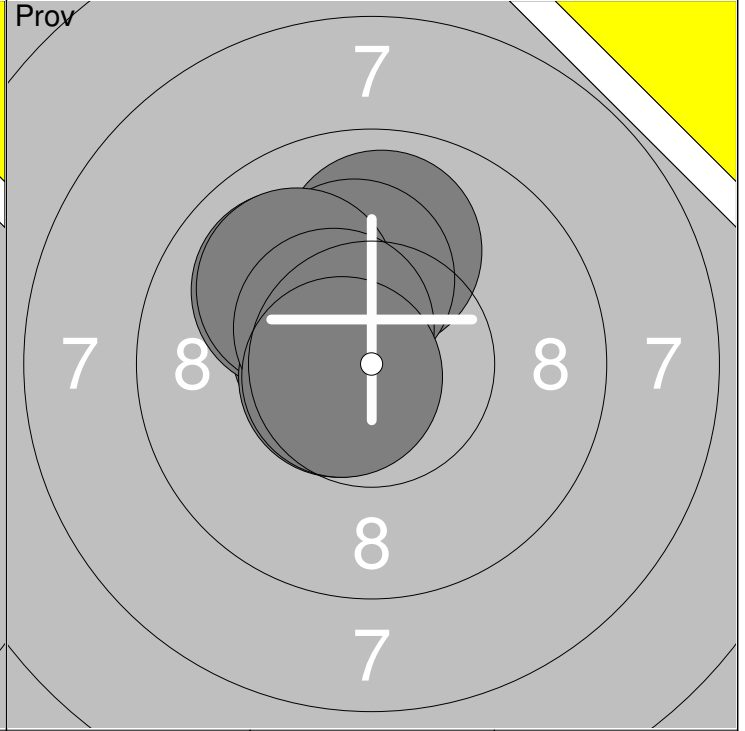
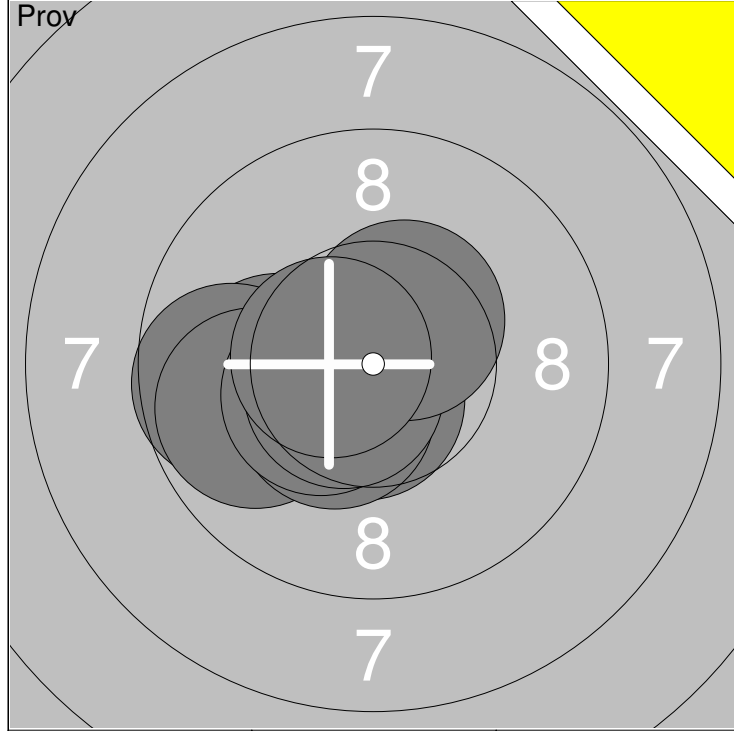
1: 10.6x ↑	6: 10.6x ↓	Serie	104.4
2: 10.3x ↗	7: 10.8x ↓		
3: 10.3x →	8: 10.5x →	Total	0.0
4: 9.9 ↘	9: 10.3x ↑		
5: 10.7x →	10: 10.4x ↗		

11: 10.5x →	Serie	21.1
12: 10.6x ↓		
Total		0.0



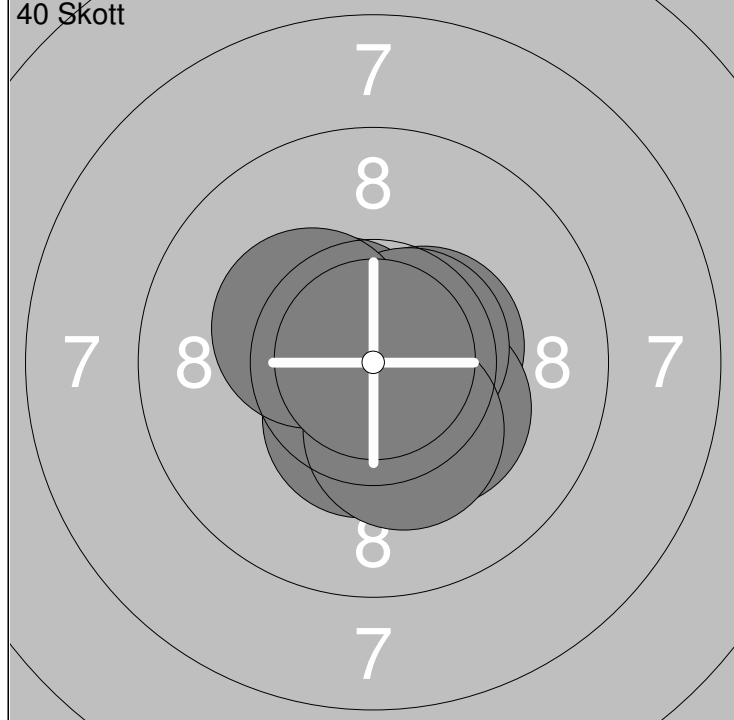
1: 10.5x →	6: 10.6x ↓	Serie	105.0
2: 10.2x ↓	7: 10.8x ↓		
3: 10.6x ↓	8: 10.4x →	Total	105.0
4: 10.4x ↓	9: 10.6x ←		
5: 10.7x ↗	10: 10.2x ↙		

1: 10.5x →	Serie	10.5
Total		



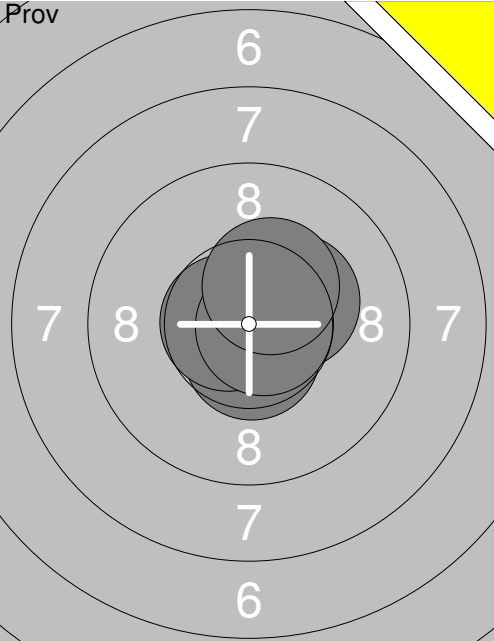

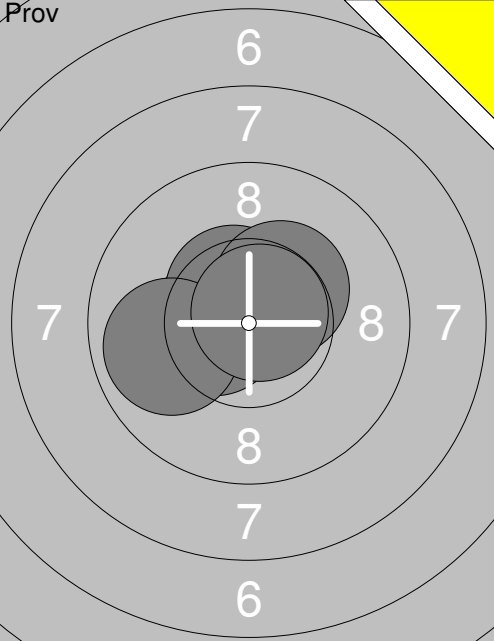


1: 10.6x ↓	6: 10.4x ↙	Serie	103.4
2: 10.7x ←	7: 10.4x ↙		
3: 10.1 ←	8: 10.6x ↙	Total	0.0
4: 9.7 ←	9: 10.5x ↗		
5: 9.8 ←	10: 10.6x ←		

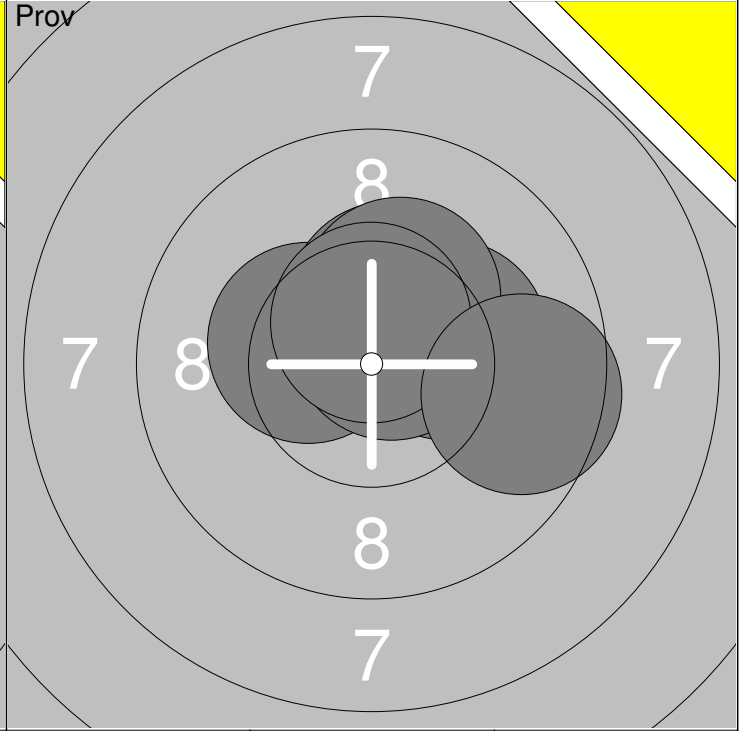
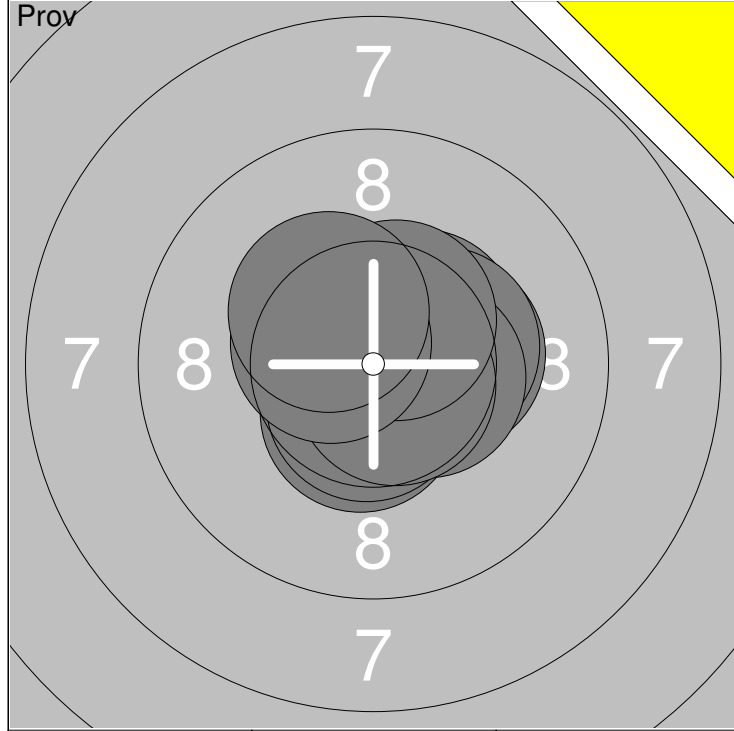
11: 9.9 ↑	16: 10.6x ←	Serie	82.5
12: 10.2x ↑	17: 10.5x ↖		
13: 10.6x ←	18: 10.7x ←	Total	0.0
14: 10.0 ↗			
15: 10.0 ↗			



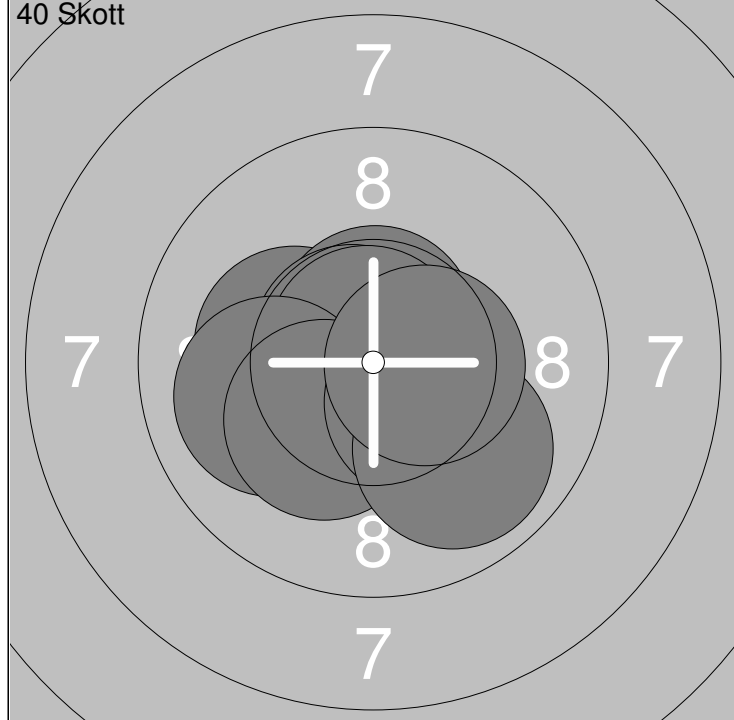
1: 10.3x ↘	6: 10.3x ↘	Serie	105.0
2: 10.5x →	7: 10.6x →		
3: 10.6x ↖	8: 10.3x ↘	Total	105.0
4: 10.8x ↓	9: 10.3x ↖		
5: 10.4x ↓	10: 10.9x ↗		

1: 10.7x ↗	Serie	10.7
	Total	105.0

Skjutlag	Tavla		
1	28		
S			
07.03.2020	Skyttiaden Riksfinal - Final	Umeå skytteallians	
Prov	 <p>2: 10.6x↓ 4: 10.7x← 6: 10.3x↗ 8: 10.8x→ 10: 10.4x↖</p> <p>Serie 52.8 Total 0.0</p>	Prov	 <p>12: 10.3x↓ 14: 10.7x← 16: 10.2x↓ 18: 10.8x↘ 20: 10.5x↓</p> <p>Serie 52.5 Total 0.0</p>
Prov	 <p>22: 10.5x← 24: 10.5x↘ 26: 9.9 ← 28: 10.3x↗ 30: 10.8x↗</p> <p>Serie 52.0 Total 0.0</p>	Prov	 <p>32: 10.6x↖</p> <p>Serie 10.6 Total 0.0</p>
40 Skott	 <p>1: 10.7x→ 2: 10.4x↗ 3: 10.5x↖ 4: 10.6x↓ 5: 10.9x↘ 6: 10.7x↗ 7: 10.6x↖ 8: 10.7x↖ 9: 10.8x← 10: 10.8x↓</p> <p>Serie 106.7 Total 106.7</p>		





1: 10.5x ↓	6: 10.5x →	Serie 104.6	11: 10.4x ←	16: 10.6x ↑	Serie 72.2
2: 10.6x ↓	7: 10.7x ↘		12: 10.2x →	17: 9.6 →	
3: 10.4x ↗	8: 10.5x ↗	Total 424.9	13: 10.4x ↑		Total 424.9
4: 10.3x →	9: 10.5x ←		14: 10.7x ↗		
5: 10.3x →	10: 10.3x ↖		15: 10.3x ↑		



1: 10.7x ↑	6: 10.0 ←	Serie 104.1	1: 10.7x ↓	Serie 10.7
2: 10.2x ←	7: 10.3x ↙			
3: 10.6x ↑	8: 10.4x ↘	Total 529.0		Total 529.0
4: 10.7x ↖	9: 9.9 ↓			
5: 10.8x ↗	10: 10.5x →			

Prov 	1:	10.9x	↘
	2:	10.7x	←
	3:	10.4x	↗
	4:	10.1	↗
	5:	10.8x	↘
	6:	10.4x	←
	7:	10.4x	←
	8:	10.4x	←
	9:	10.9x	↗
	10:	10.5x	↑
	Serie		105.5
Total		424.2	

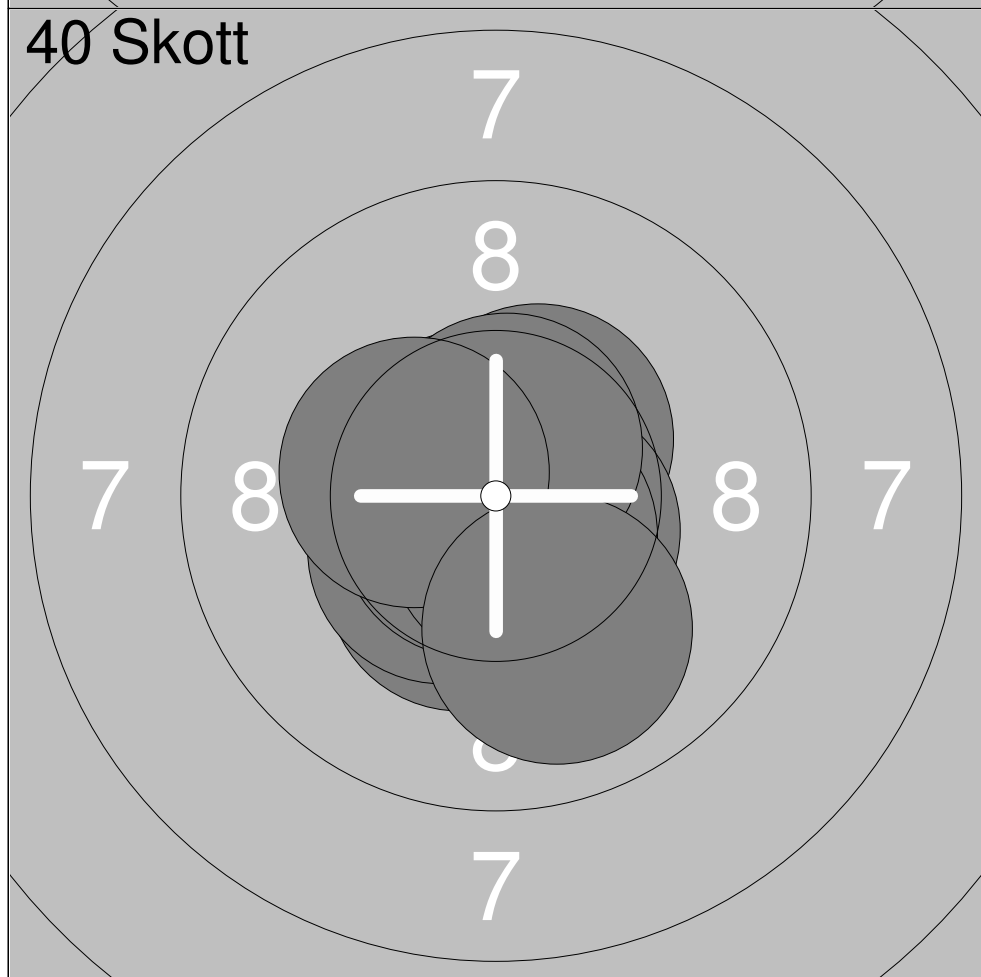
Prov 	11:	10.6x	↙
	12:	10.7x	↙
	13:	9.9	←
	14:	10.4x	←
	15:	10.6x	↘
	16:	10.8x	↘
	Serie		63.0
Total		424.2	

40 Skott 	1:	10.8x	↓
	2:	10.8x	↗
	3:	10.5x	→
	4:	10.6x	→
	5:	10.7x	→
	6:	10.3x	↘
	7:	10.6x	→
	8:	10.3x	↘
	9:	10.4x	↘
	10:	10.4x	↑
Serie		105.4	
Total		529.6	



1:	10.5x	←
2:	10.6x	↙
3:	10.4x	↘
4:	10.7x	↘
5:	10.5x	→
6:	10.4x	↘
7:	10.3x	↗
8:	10.7x	↗
9:	10.3x	↙
10:	10.5x	←

Serie	104.9
Total	423.8



1:	10.4x	↙
2:	10.7x	↗
3:	10.5x	↘
4:	10.5x	↗
5:	10.7x	↙
6:	10.6x	↘
7:	10.6x	↘
8:	10.6x	↗
9:	10.4x	←
10:	10.0	↙

Serie	105.0
Total	528.8



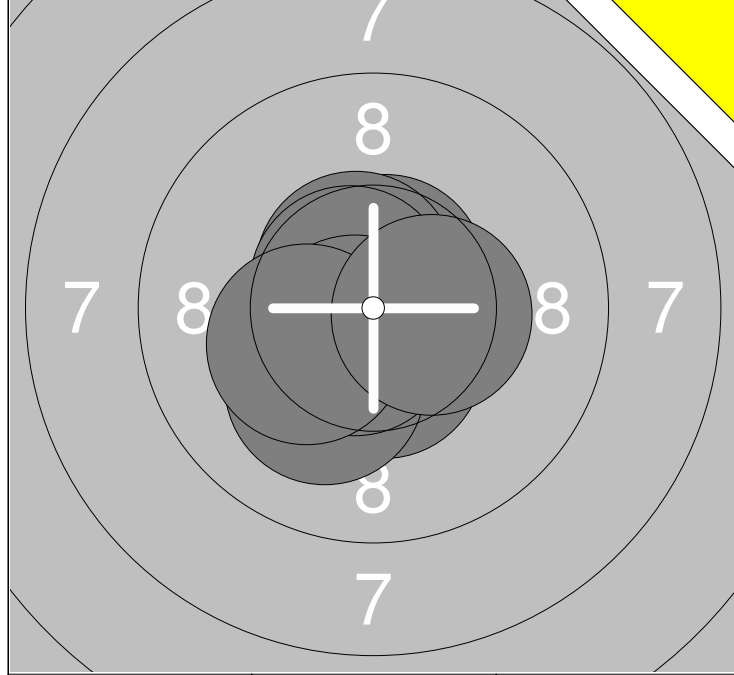
1:	10.7x	↗
2:	10.4x	↗
3:	10.8x	←
4:	10.7x	→
5:	10.5x	←
6:	10.8x	↙
7:	10.7x	↗
8:	10.6x	↘
9:	10.8x	←

Serie	96.0
Total	423.8



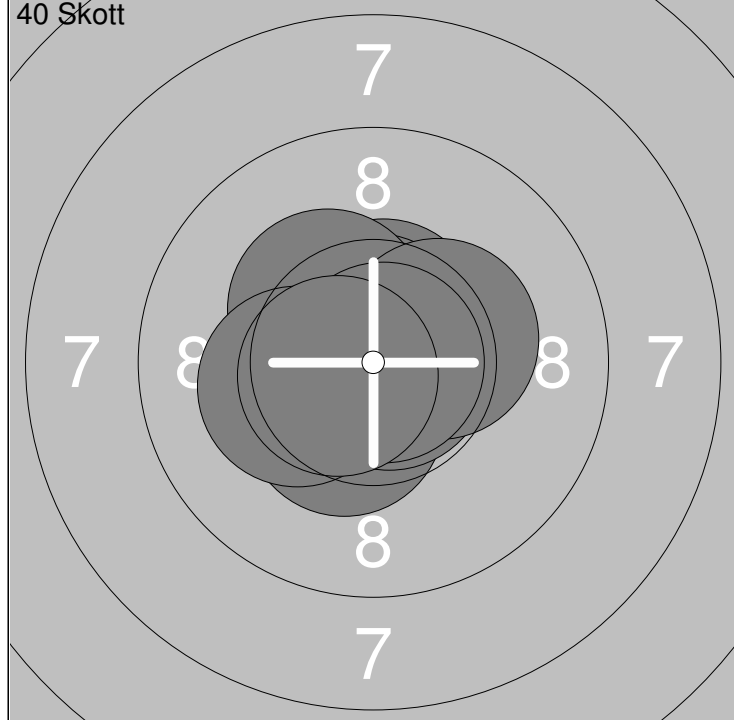
1:	10.9x	←
2:	10.4x	↑
3:	10.6x	↘
4:	10.5x	↘
5:	10.6x	↑
6:	10.8x	↘
7:	10.4x	↗
8:	10.4x	→
9:	10.6x	↗
10:	10.3x	↘

Serie	105.5
Total	529.3



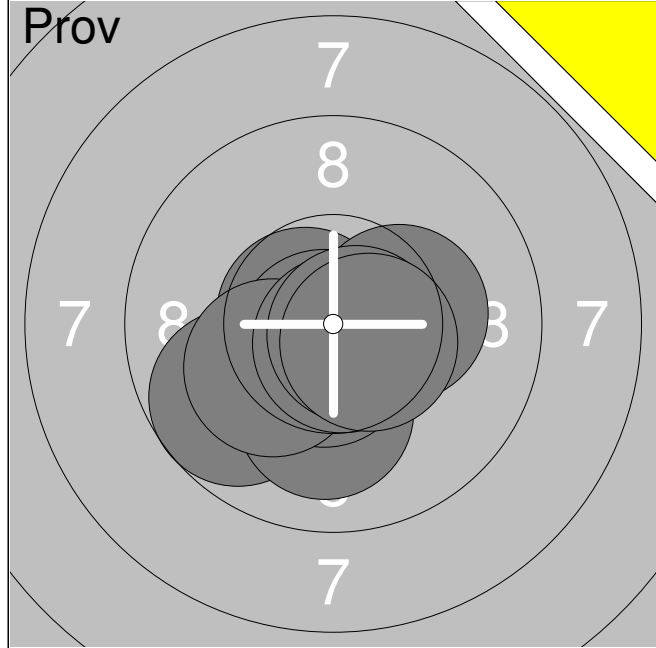
1: 10.6x ↗	6: 10.6x ↗	Serie	105.4
2: 10.6x ↓	7: 10.7x ↘		
3: 10.5x ↓	8: 10.7x ↓	Total	423.4
4: 10.1 ↓	9: 10.3x ←		
5: 10.9x ←	10: 10.4x →		

11: 10.5x ↓		Serie	10.5
		Total	423.4



1: 10.4x ↓	6: 10.3x ↘	Serie	105.6
2: 10.6x ↗	7: 10.2x ←		
3: 10.8x ←	8: 10.3x →	Total	529.0
4: 10.7x ↗	9: 10.9x →		
5: 10.8x ↘	10: 10.6x ←		

1: 10.8x ↘		Serie	10.8
		Total	529.0



1:	10.7x	↖
2:	9.7	↙
3:	10.8x	↘
4:	10.1	↓
5:	10.6x	↘
6:	10.2x	↖
7:	10.7x	↘
8:	10.3x	→
9:	10.7x	↘
10:	10.5x	↘

Serie	104.3
-------	-------

Total	422.6
-------	-------



11:	10.8x	↖
12:	10.7x	↗
13:	10.1	↖
14:	10.6x	↗
15:	10.6x	↖
16:	10.8x	↑
17:	10.3x	↓

Serie	73.9
-------	------

Total	422.6
-------	-------



1:	10.3x	↗
2:	10.9x	↖
3:	10.8x	↖
4:	10.7x	↗
5:	10.5x	→
6:	10.6x	↑
7:	10.7x	↗
8:	10.2x	↖
9:	10.3x	↘
10:	10.6x	↘

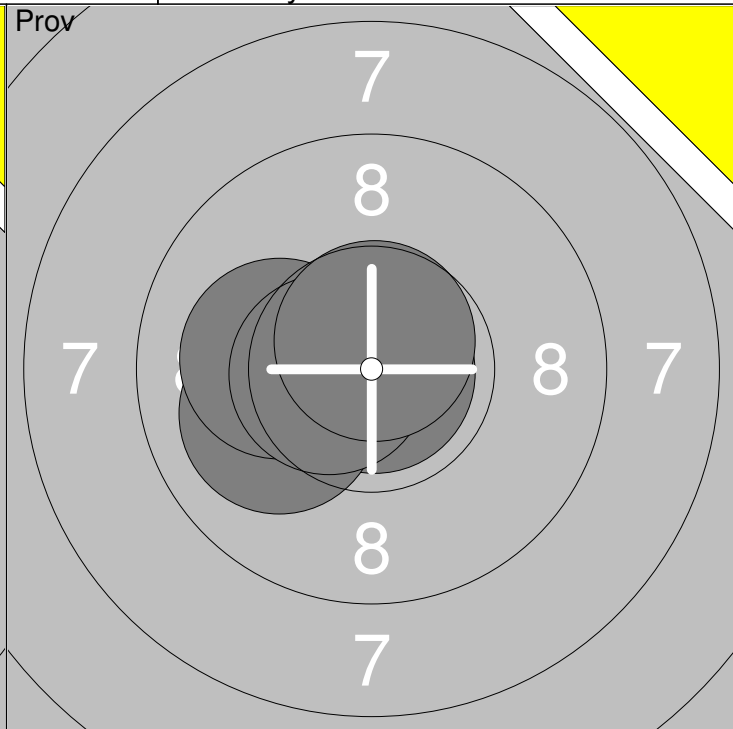
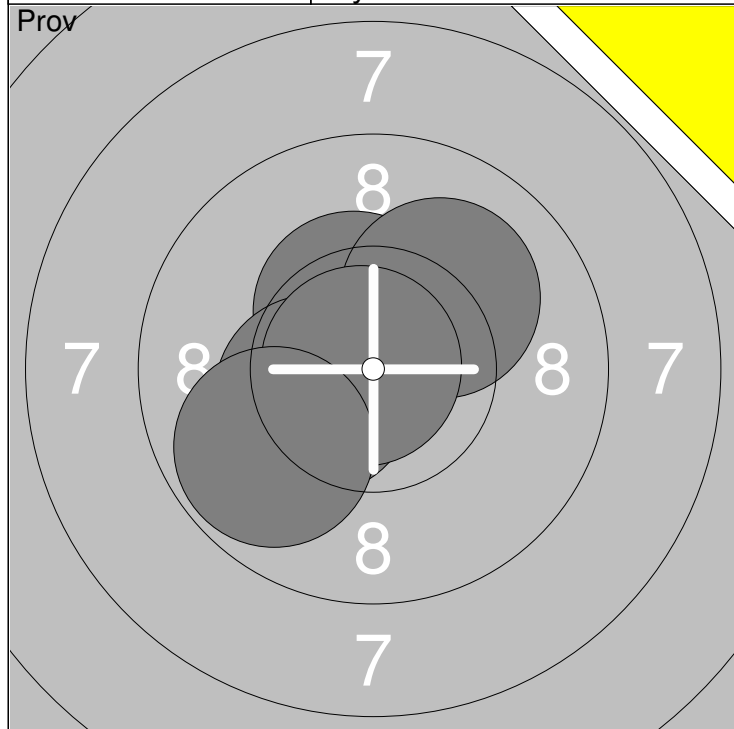
Serie	105.6
-------	-------

Total	528.2
-------	-------

Prov 	1:	10.6x	↘
	2:	10.8x	→
	3:	10.7x	↘
	4:	10.7x	↘
	5:	10.5x	↗
	6:	10.4x	↘
	8:	10.8x	↗
	9:	10.6x	↘
	10:	10.6x	↘
	Serie		95.7
	Total		422.5

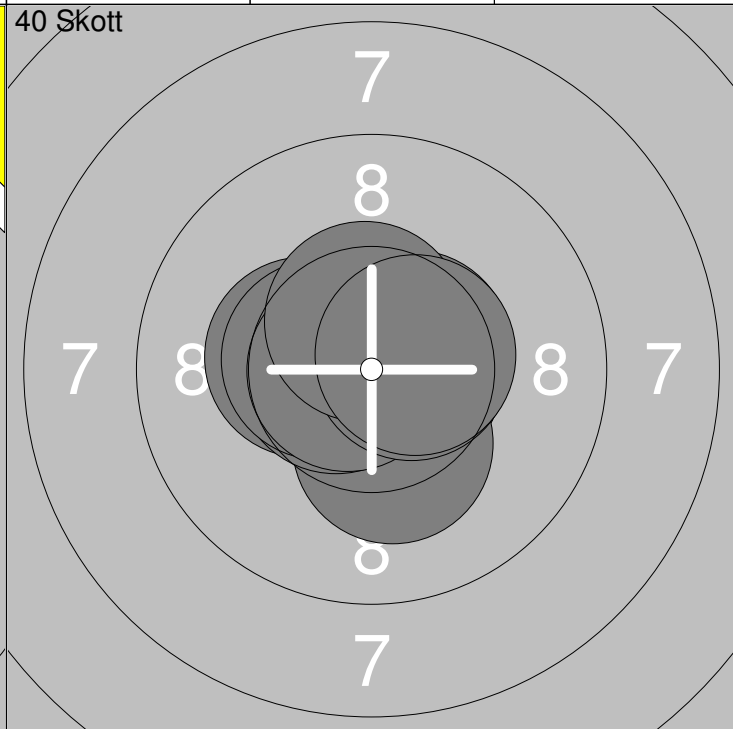
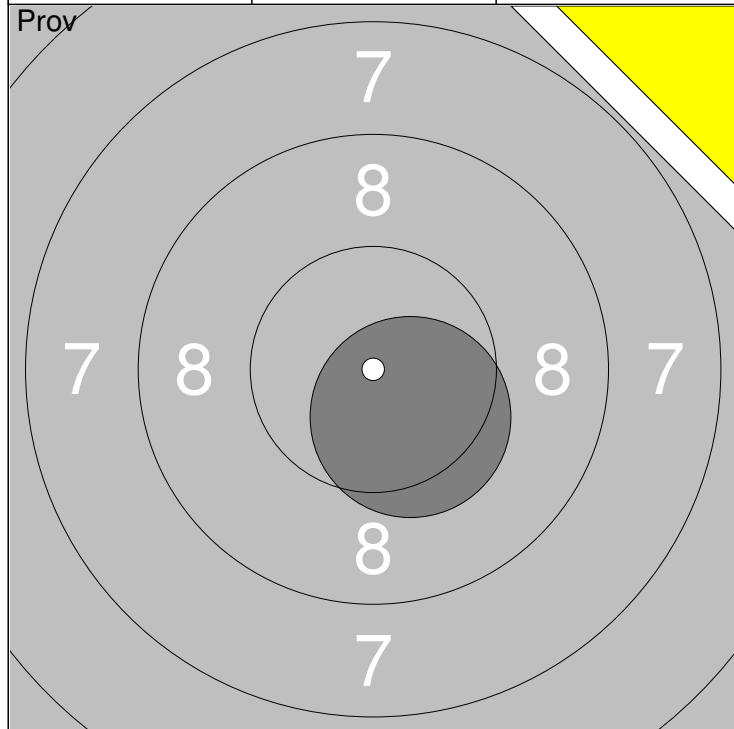
Prov 	11:	10.5x	↘
	12:	10.5x	←
	13:	10.6x	←
	14:	10.8x	↖
	15:	10.4x	↘
	16:	10.7x	↗
	17:	10.8x	↘
	Serie		74.3
Total		422.5	

40 Skott 	1:	10.5x	↘
	2:	10.7x	↘
	3:	10.4x	↘
	4:	10.3x	↘
	5:	10.5x	↗
	6:	10.0	↗
	7:	10.6x	↑
	8:	10.6x	↘
	9:	10.8x	↗
	10:	10.4x	↑
Serie		104.8	
Total		527.3	



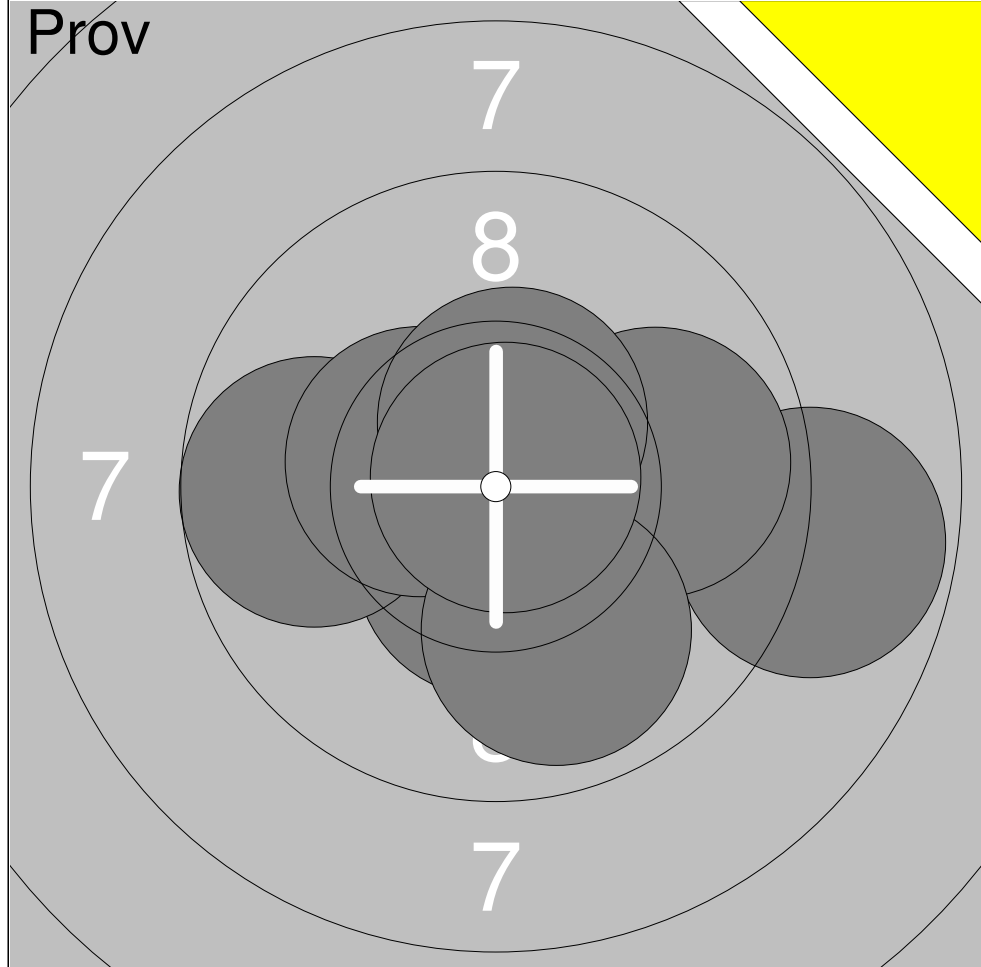
1: 10.4x ↖					
3: 10.1 ↗		Serie	51.5		
5: 10.4x ↙					
7: 10.8x ↙		Total	422.4		
9: 9.8 ↙					

11: 10.9x ↘					
13: 10.0 ↙		Serie	52.3		
15: 10.1 ↙					
17: 10.6x ↙		Total	422.4		
19: 10.7x ↗					



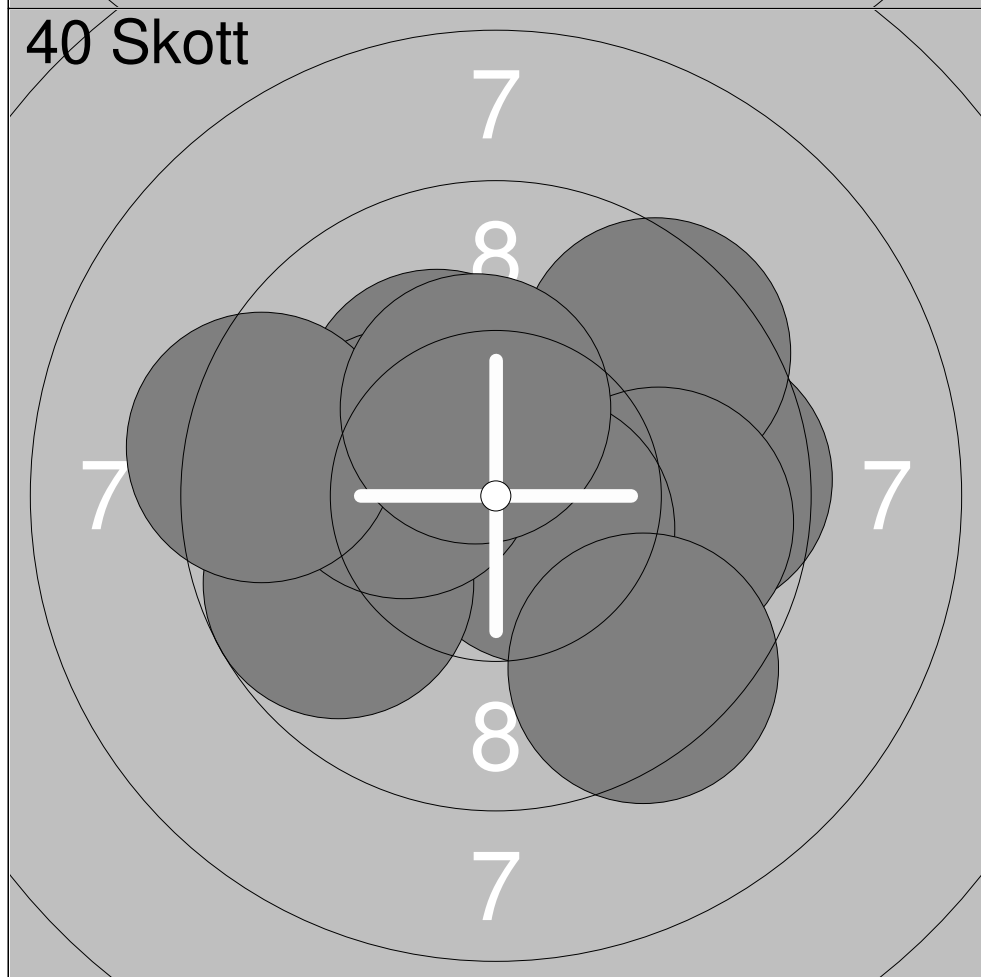
21: 10.4x ↘			
		Serie	10.4
	Total	422.4	

1: 10.7x →					
2: 10.3x ↘		Serie	105.3		
3: 10.3x ↙					
4: 10.6x ↗		Total	527.7		
5: 10.6x ↙					
6: 10.5x ↙					
7: 10.7x ↙					
8: 10.6x →					
9: 10.5x ↗					
10: 10.5x →					



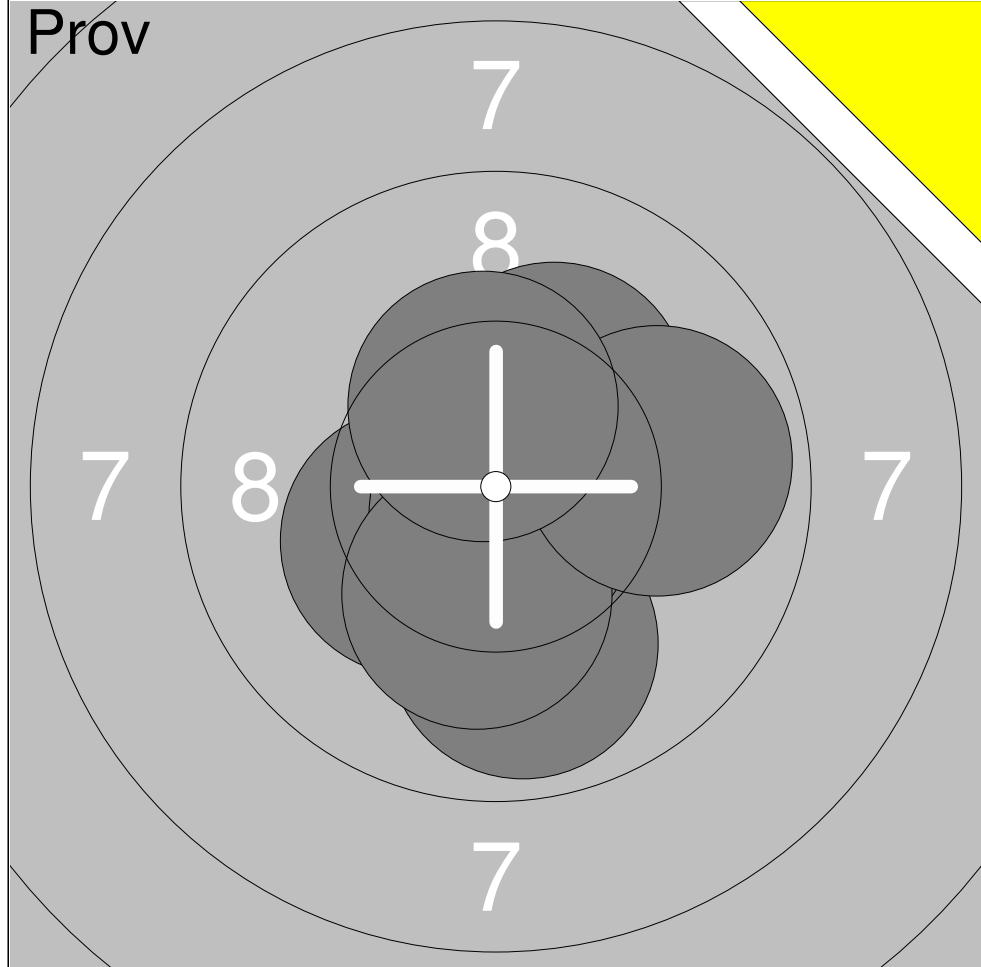
1:	10.4x	↓
2:	9.7	←
3:	8.8	→
4:	10.4x	↖
5:	9.9	→
6:	10.5x	↑
7:	9.9	↓
8:	10.9x	↗

Serie	80.5
Total	412.6



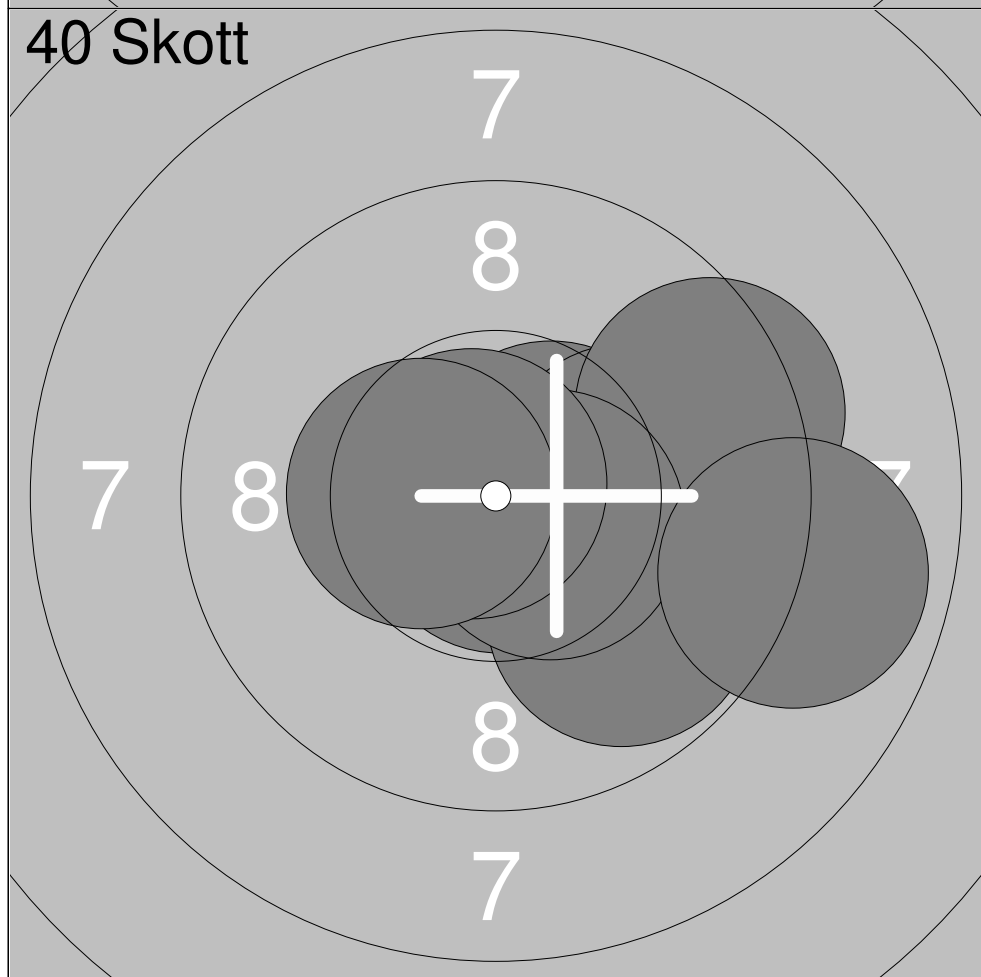
1:	9.6	→
2:	9.5	↗
3:	9.9	→
4:	10.6x	↘
5:	10.2x	↗
6:	9.4	↘
7:	9.8	←
8:	10.3x	↖
9:	9.4	←
10:	10.4x	↑

Serie	99.1
Total	511.7



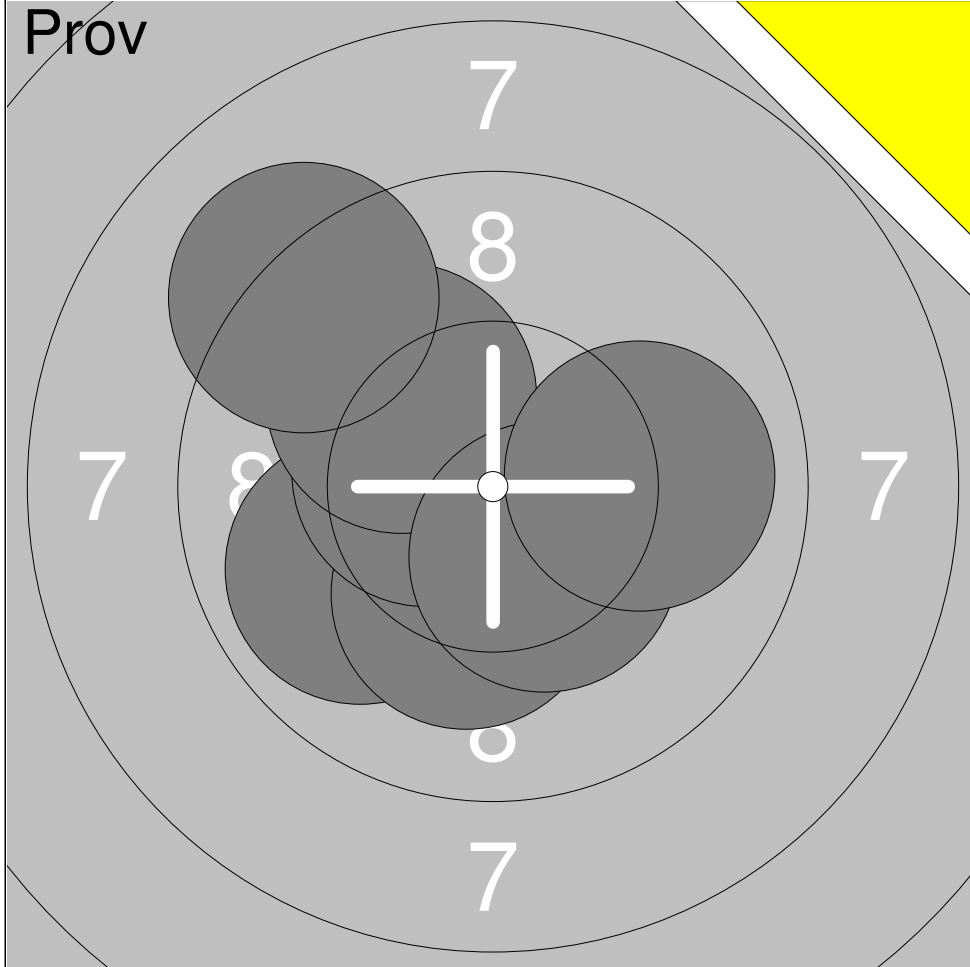
1:	9.9	↓
2:	10.2x	↗
3:	10.3x	↖
4:	10.8x	↓
5:	10.2x	↓
6:	9.9	→
7:	10.4x	↑

Serie	71.7
Total	411.8



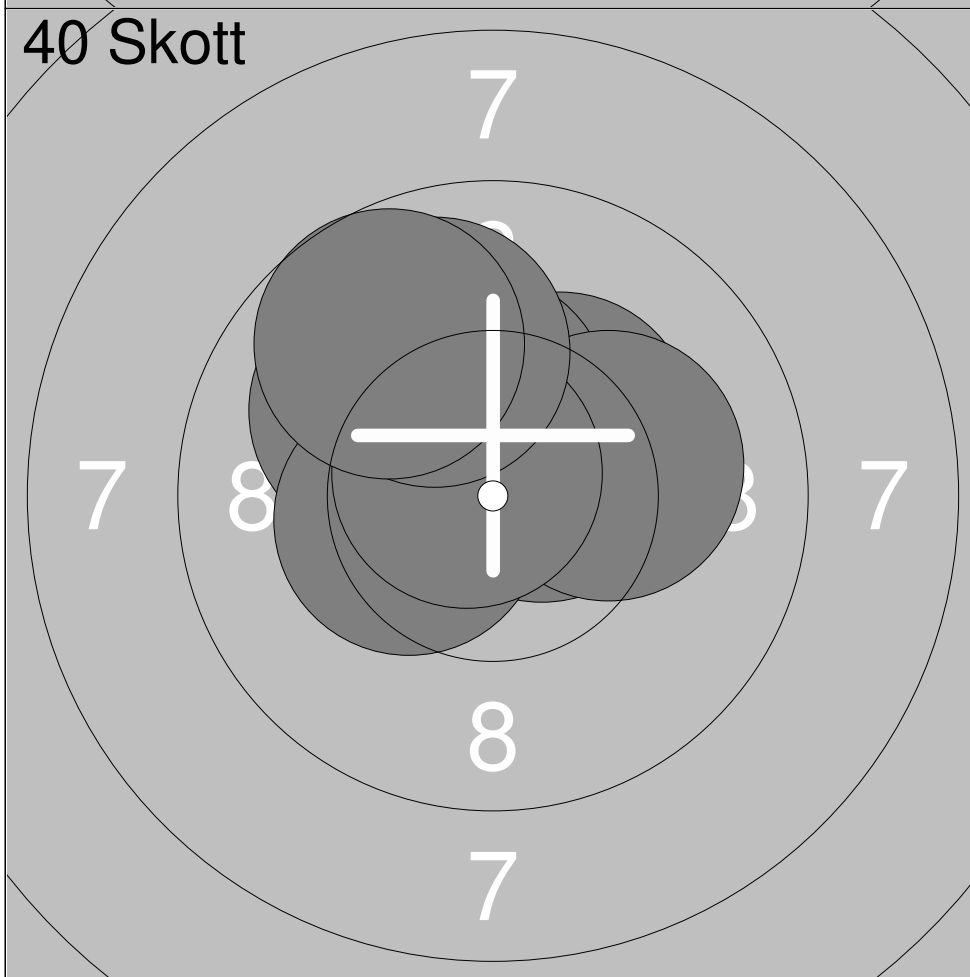
1:	10.6x	→
2:	10.8x	↓
3:	10.1	→
4:	10.1	→
5:	9.4	↗
6:	9.8	↘
7:	10.5x	↘
8:	8.9	↘
9:	10.8x	↗
10:	10.5x	←

Serie	101.5
Total	513.3



1:	9.9	↙
2:	10.2x	↓
3:	10.5x	↖
4:	10.1	↗
5:	10.4x	↘
6:	10.0	→
7:	9.2	↗

Serie	70.3
Total	411.2



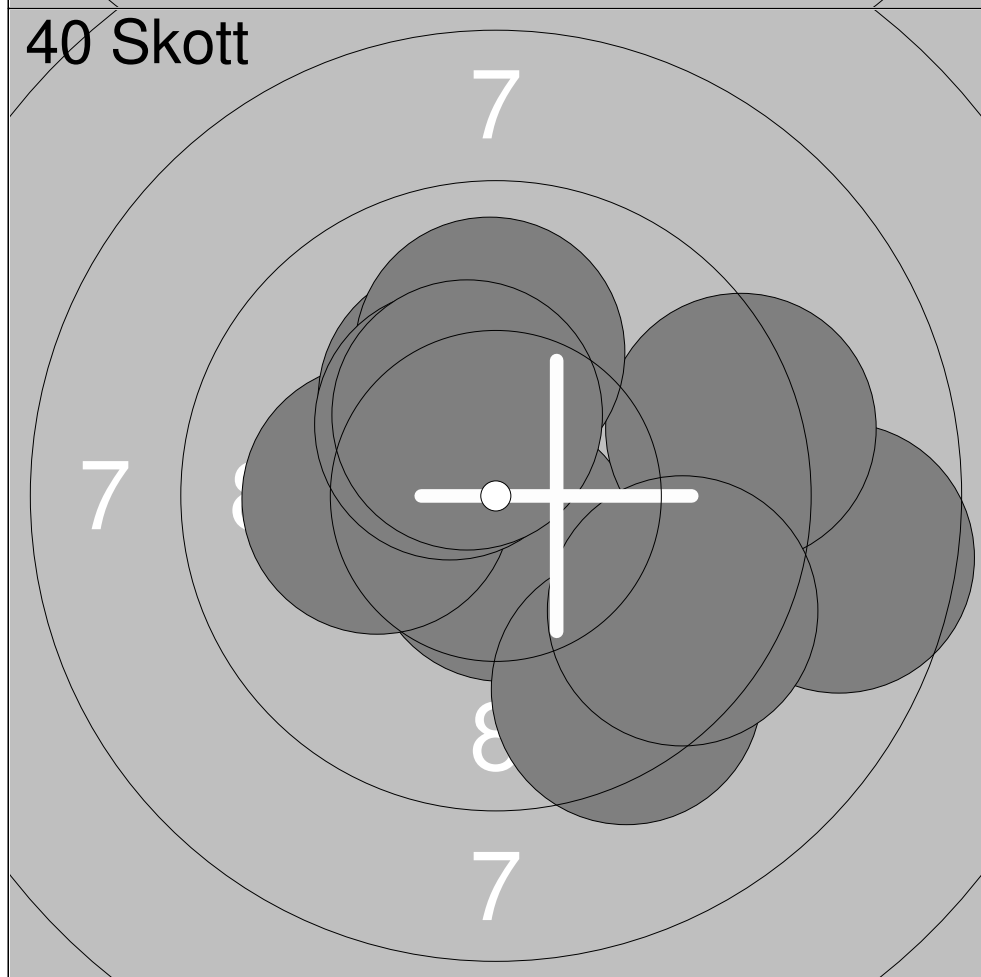
1:	10.1	↗
2:	10.0	↖
3:	10.3x	↗
4:	10.6x	↗
5:	10.3x	↗
6:	10.2x	→
7:	10.4x	↖
8:	10.7x	↗
9:	9.9	↗
10:	9.7	↗

Serie	102.2
Total	513.4



1:	10.3x	↗
2:	10.8x	↖
3:	9.9	↖
4:	10.7x	↘
5:	10.0	↘
6:	10.6x	↗
7:	10.0	↗
8:	10.5x	→

Serie	82.8
Total	409.7



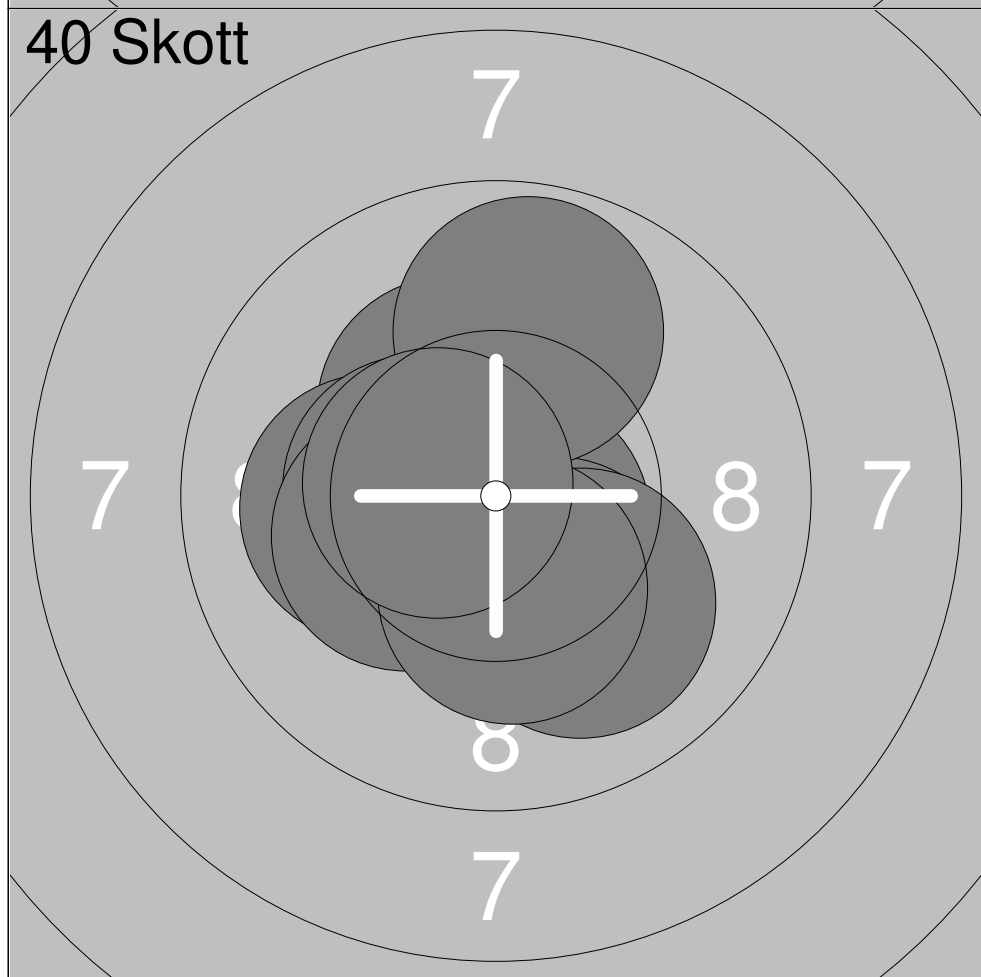
1:	10.6x	↓
2:	8.6	→
3:	10.2x	↖
4:	9.4	↘
5:	9.3	↗
6:	9.5	↘
7:	10.2x	↗
8:	10.0	↑
9:	10.4x	↗
10:	10.4x	↗

Serie	98.6
Total	508.3



1:	10.3x	↗
2:	10.5x	↗
3:	9.8	↖
4:	10.1	↘
5:	10.3x	↗

Serie	51.0
Total	409.5



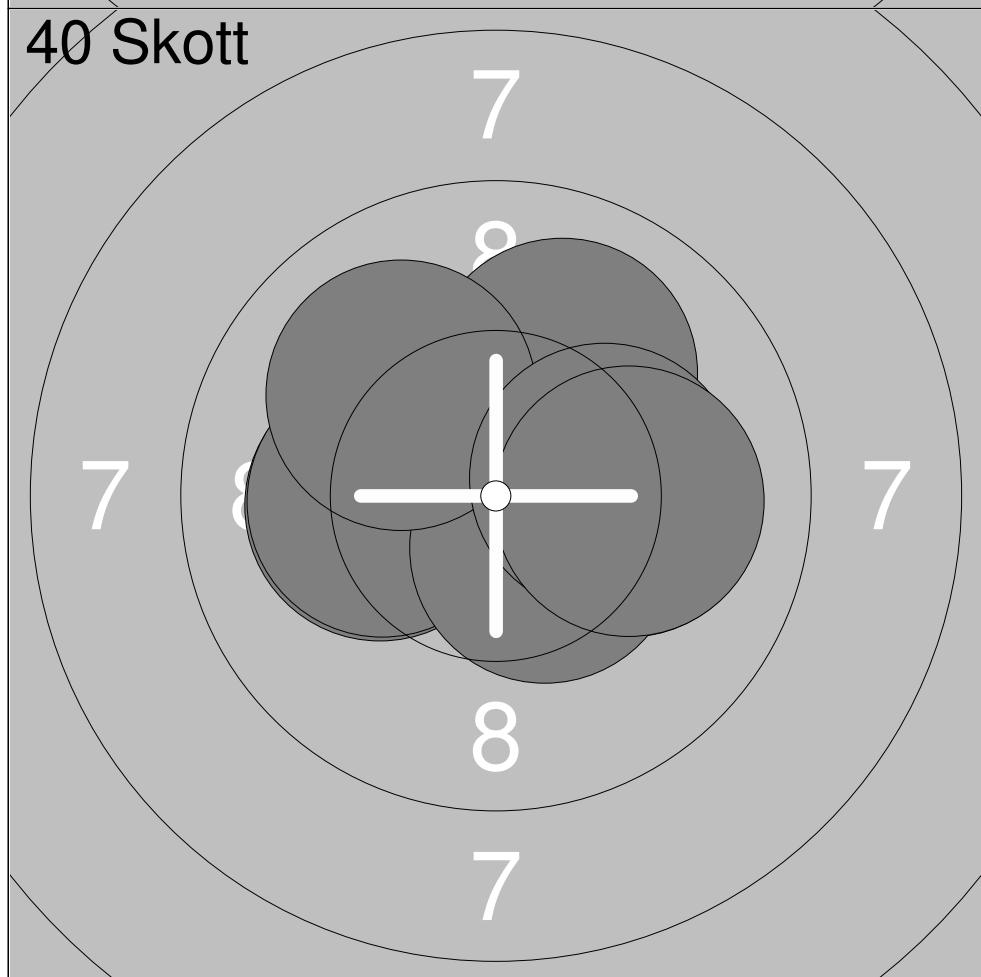
1:	10.3x	↗
2:	10.7x	↘
3:	10.1	↖
4:	10.2x	↘
5:	10.4x	↖
6:	10.3x	↖
7:	10.0	↘
8:	10.3x	↘
9:	9.8	↗
10:	10.6x	↖

Serie	102.7
Total	512.2



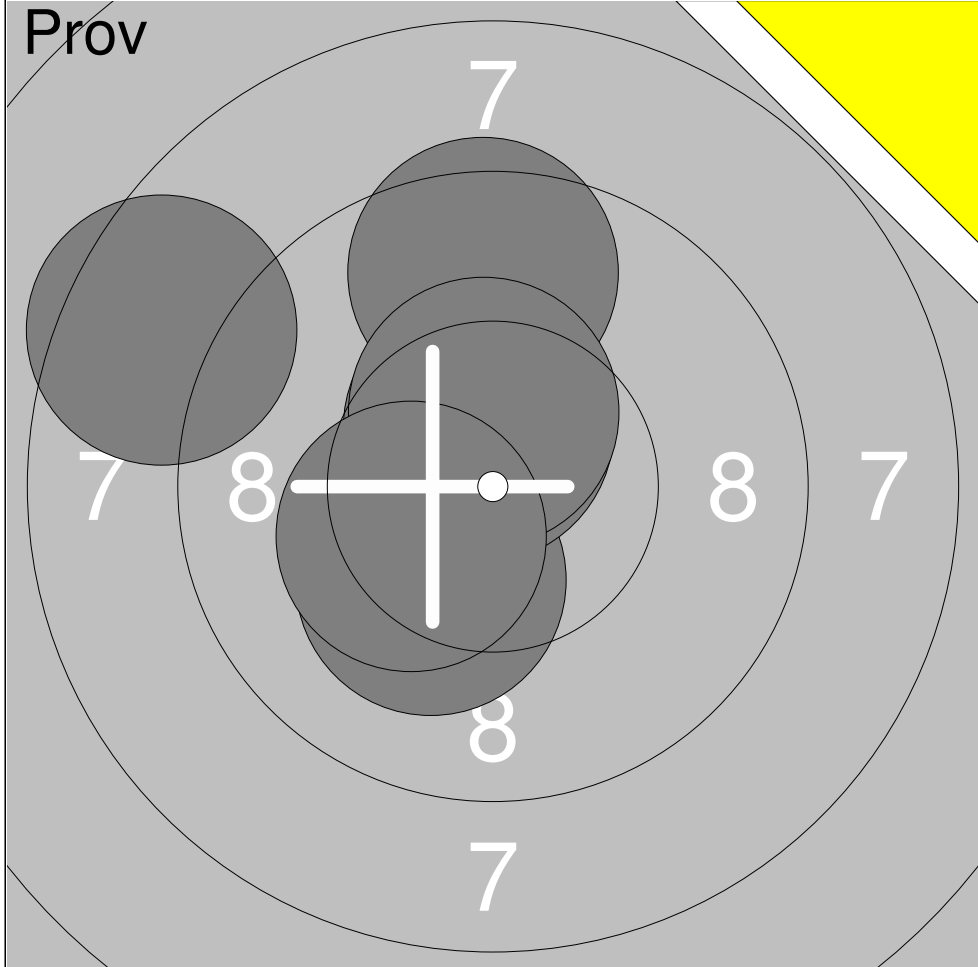
1:	9.7	↖
2:	9.6	←
3:	10.6x	↙
4:	10.1	←
5:	10.2x	↖
6:	10.7x	→

Serie	60.9
Total	409.3



1:	10.6x	↖
2:	10.2x	←
3:	10.1	→
4:	10.9x	↗
5:	10.2x	←
6:	10.0	↗
7:	10.5x	↙
8:	10.0	↗
9:	10.2x	→
10:	10.1	→

Serie	102.8
Total	512.1



1:	8.5	↖
2:	9.5	↑
3:	10.2x	↙
4:	10.6x	↑
5:	10.5x	↑
6:	10.3x	↙
Serie		59.6
Total		408.8

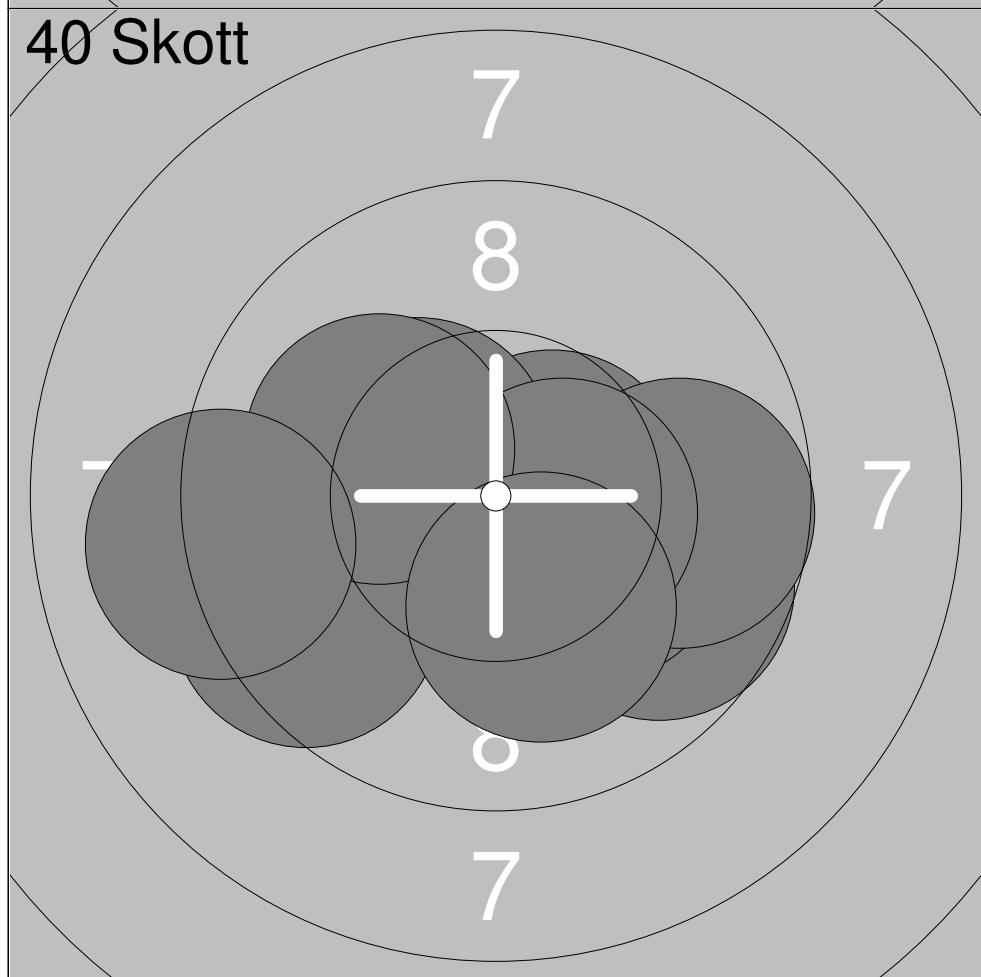


1:	10.7x	↗
2:	10.4x	→
3:	10.0	←
4:	10.4x	↙
5:	10.5x	←
6:	9.9	→
7:	10.4x	↗
8:	10.1	↙
9:	10.0	↗
10:	10.3x	↗
Serie		102.7
Total		511.5



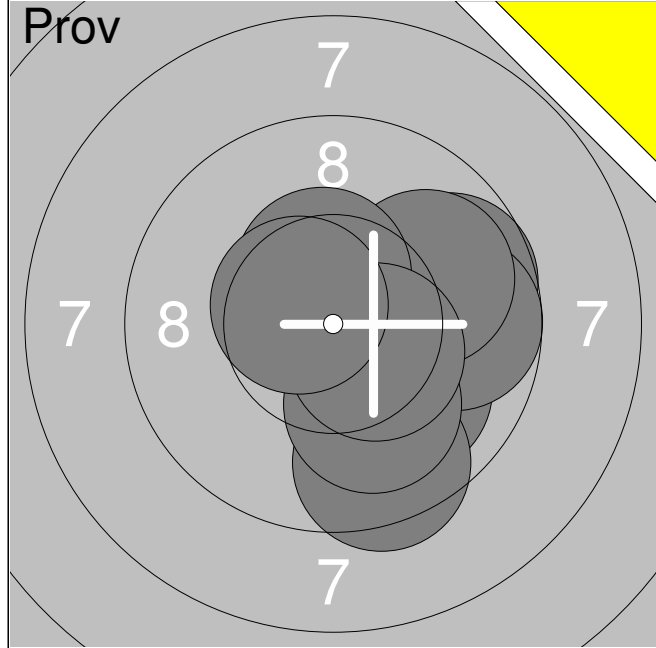
1:	9.9	↗
2:	9.7	↑
3:	10.0	↗
4:	9.9	↗
5:	10.1	↖
6:	10.3x	↖

Serie	59.9
Total	407.3



1:	10.6x	→
2:	9.7	↘
3:	10.2x	↘
4:	10.4x	↖
5:	9.7	→
6:	9.5	↖
7:	10.5x	→
8:	10.1	↖
9:	9.1	↖
10:	10.2x	↘

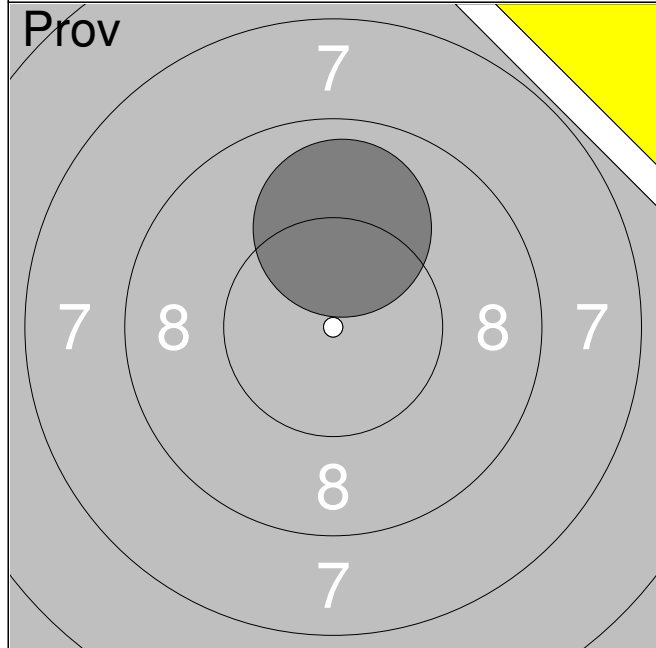
Serie	100.0
Total	507.3



1:	10.8x	↗
2:	10.0	↘
3:	9.7	→
4:	9.7	→
5:	9.5	↘
6:	9.9	↗
7:	10.5x	↑
8:	10.1	↘
9:	10.4x	↘
10:	10.6x	↖

Serie	101.2
-------	-------

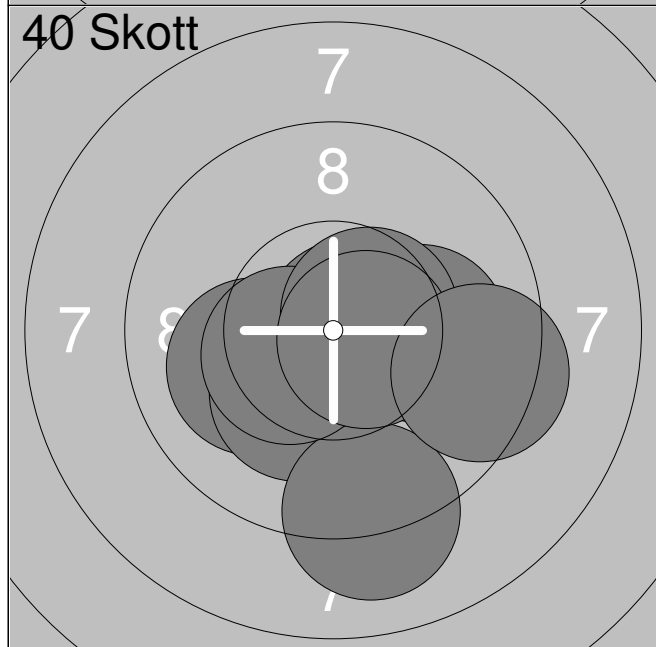
Total	411.8
-------	-------



11:	9.9	↑
-----	-----	---

Serie	9.9
-------	-----

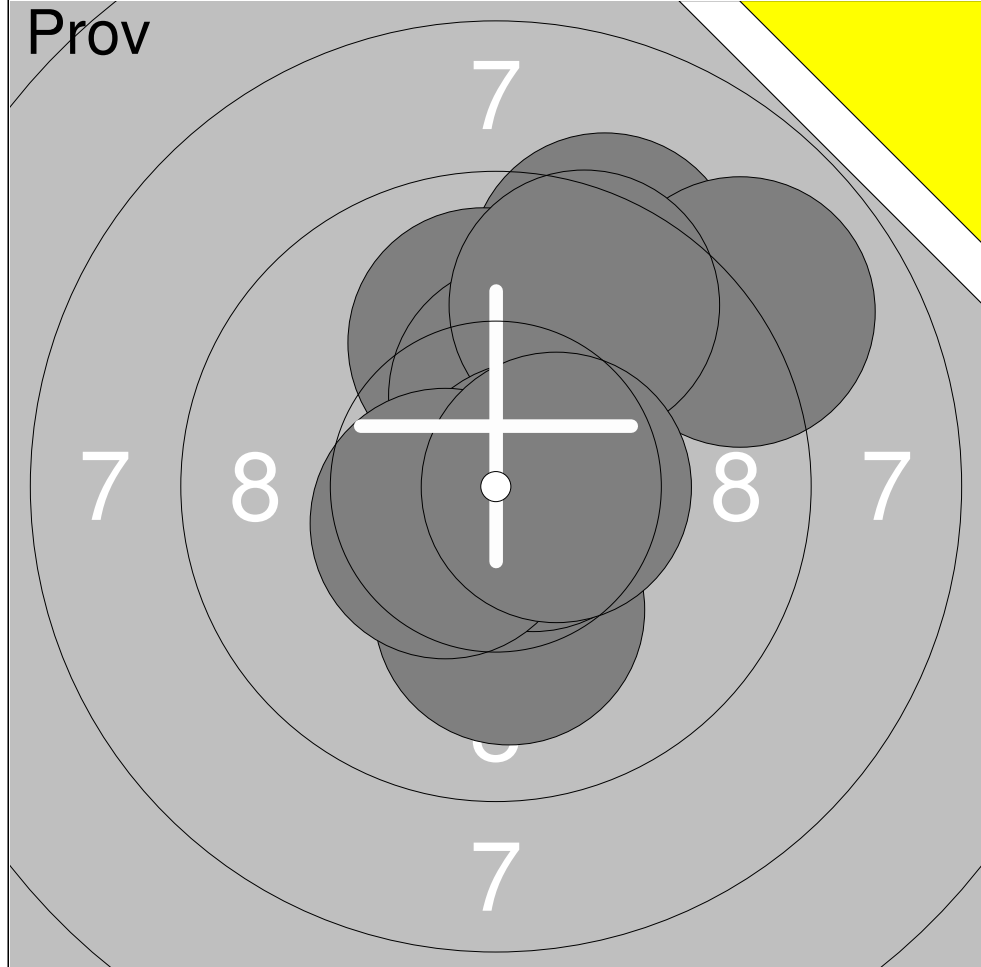
Total	411.8
-------	-------



1:	10.8x	→
2:	10.1	←
3:	10.7x	→
4:	10.2x	↘
5:	9.1	↘
6:	10.1	→
7:	10.4x	←
8:	10.6x	↗
9:	10.6x	→
10:	9.4	→

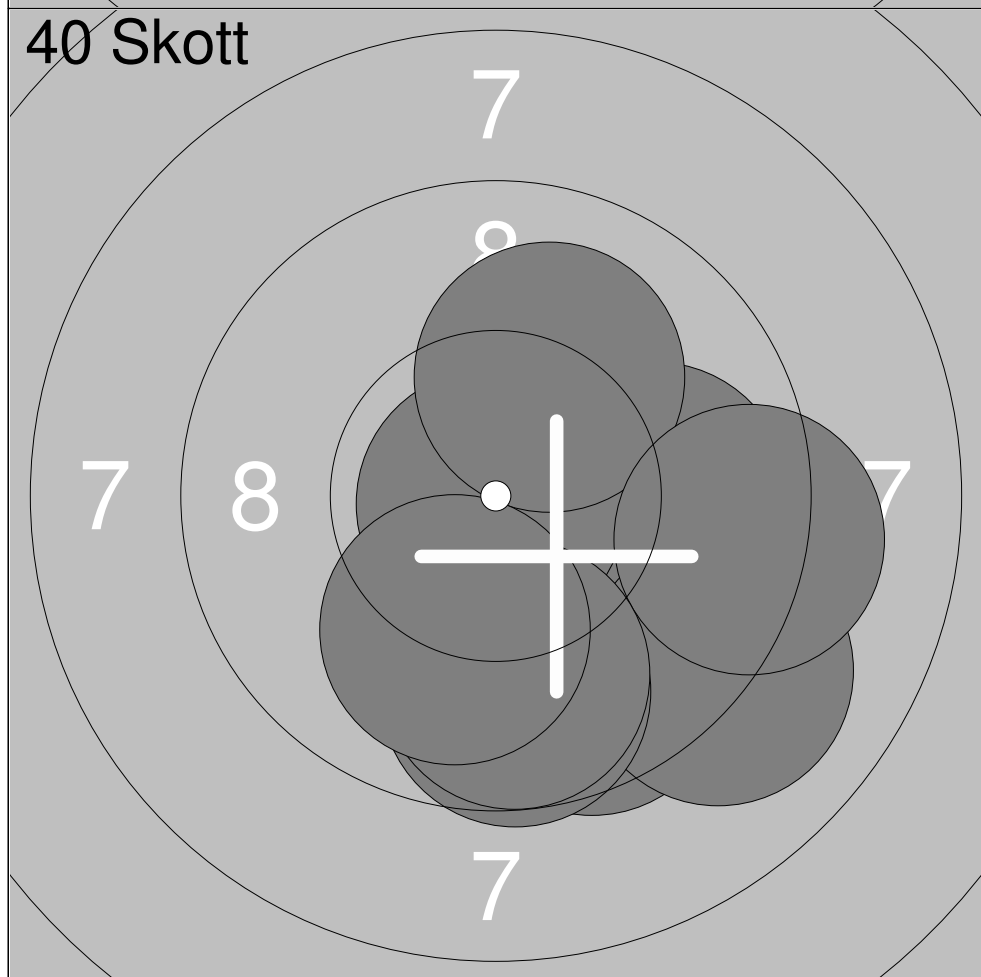
Serie	102.0
-------	-------

Total	513.8
-------	-------



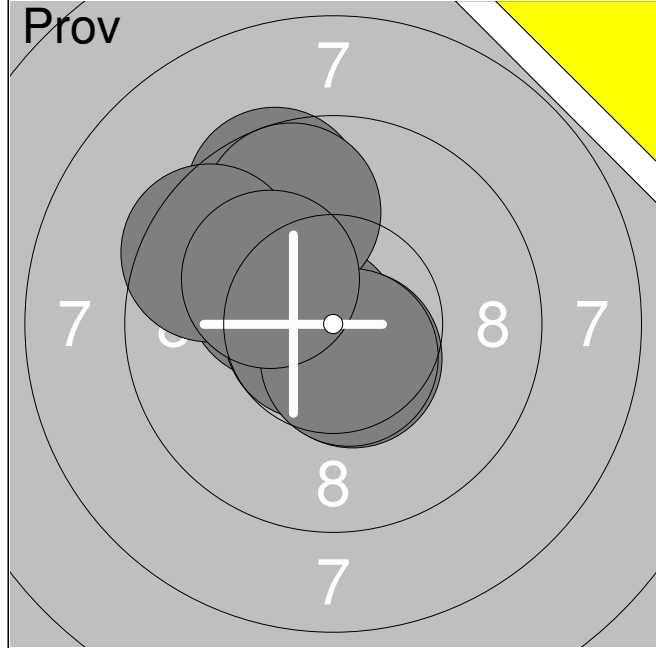
1:	10.1	↓
2:	9.3	↗
3:	10.0	↑
4:	10.3x	↗
5:	9.0	↗
6:	9.6	↗
7:	10.7x	→
8:	10.5x	↙
9:	10.6x	→

Serie	90.1
Total	411.0

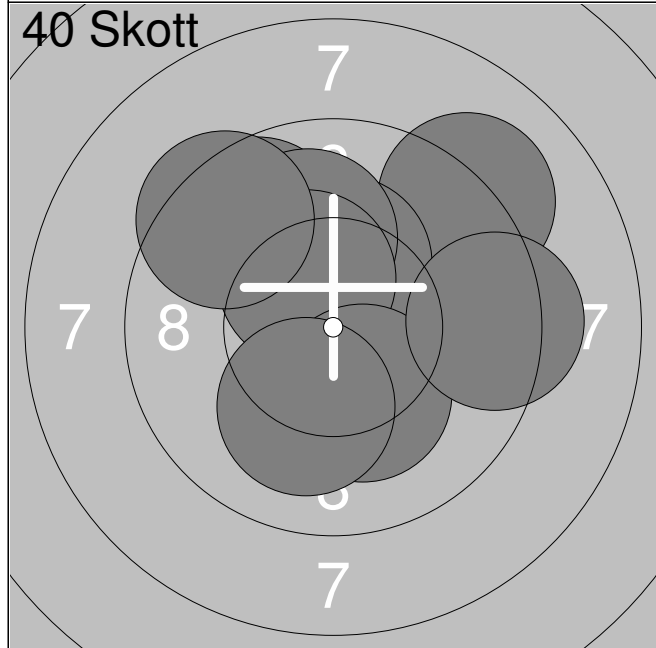


1:	9.6	↘
2:	9.9	→
3:	10.5x	↘
4:	9.1	↘
5:	9.6	↓
6:	10.9x	↙
7:	10.1	↗
8:	9.2	→
9:	9.8	↓
10:	10.0	↘

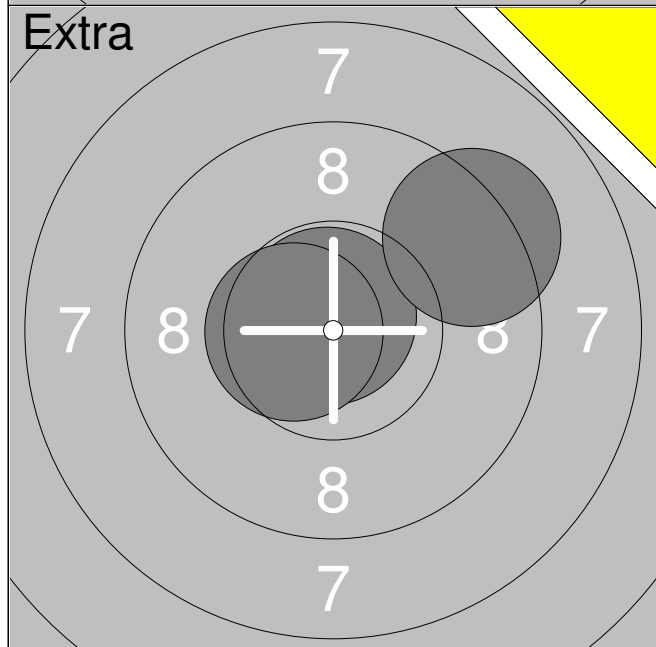
Serie	98.7
Total	509.7



1:	9.5	↗
2:	10.3x	↖
3:	10.6x	↘
4:	10.7x	↙
5:	9.8	↗
6:	9.5	↖
7:	10.6x	↘
8:	10.2x	↗
Serie		81.2
Total		409.4



1:	9.1	↗
2:	9.7	↖
3:	10.7x	↑
4:	10.3x	↑
5:	10.0	↑
6:	10.4x	↗
7:	10.2x	↘
8:	10.1	↘
9:	9.4	↗
10:	9.3	→
Serie		99.2
Total		508.6



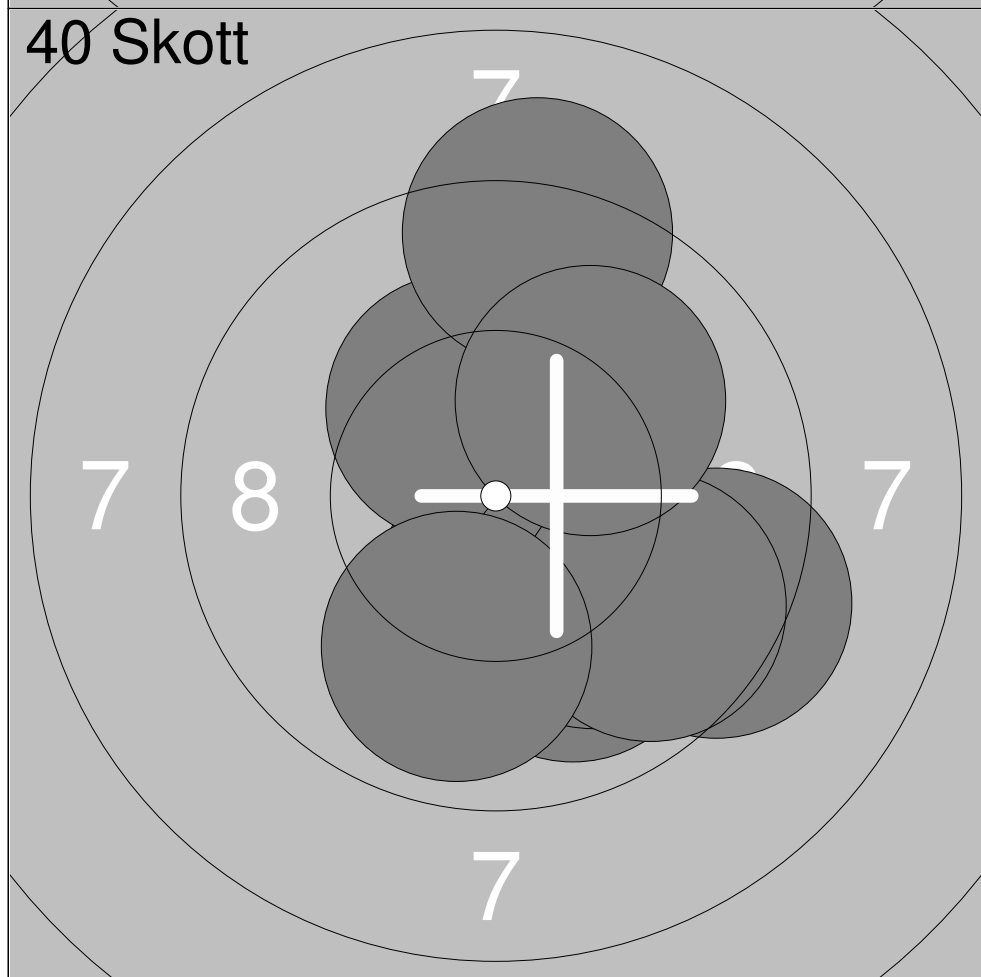
1:	10.8x	↗
2:	10.5x	↙
3:	9.3	↗
Serie		30.6
Total		508.6

Skjutlag	Tavla	Anna Mårtensson		
3	24	Kyrkås		L21s
S				Jä
07.03.2020	Skyttiaden Riksfinal - Final		Umeå skytteallians	
Prov			1: 10.7x	↖
			2: 9.6	↖
			3: 9.5	↖
			4: 10.5x	↗
			5: 10.8x	↖
			6: 10.4x	↗
			7: 10.9x	↑
			8: 10.6x	↓
			Serie	83.0
			Total	408.1
40 Skott			1: 10.0	↖
			2: 10.7x	↗
			3: 10.2x	↖
			4: 10.5x	↓
			5: 10.1	↑
			6: 10.0	↖
			7: 9.5	↑
			8: 10.5x	↗
			9: 9.9	↖
			10: 9.1	↗
			Serie	100.5
			Total	508.6
Extra			1: 10.0	↗
			2: 10.5x	↗
			3: 10.6x	↗
			Serie	31.1
			Total	508.6



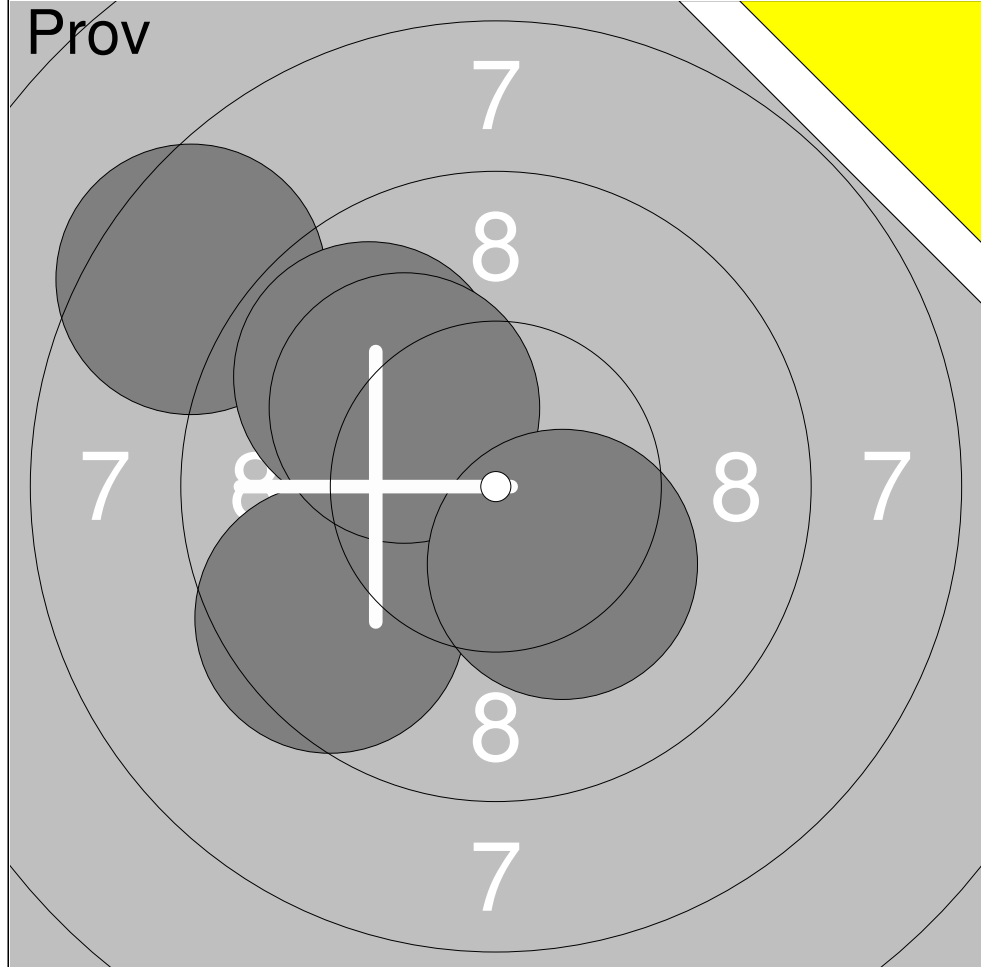
1:	10.0	↗
2:	10.2x	↖
3:	10.2x	↗
4:	10.2x	↘
5:	10.1	↗
6:	10.0	↘
7:	9.5	↘

Serie	70.2
Total	406.1



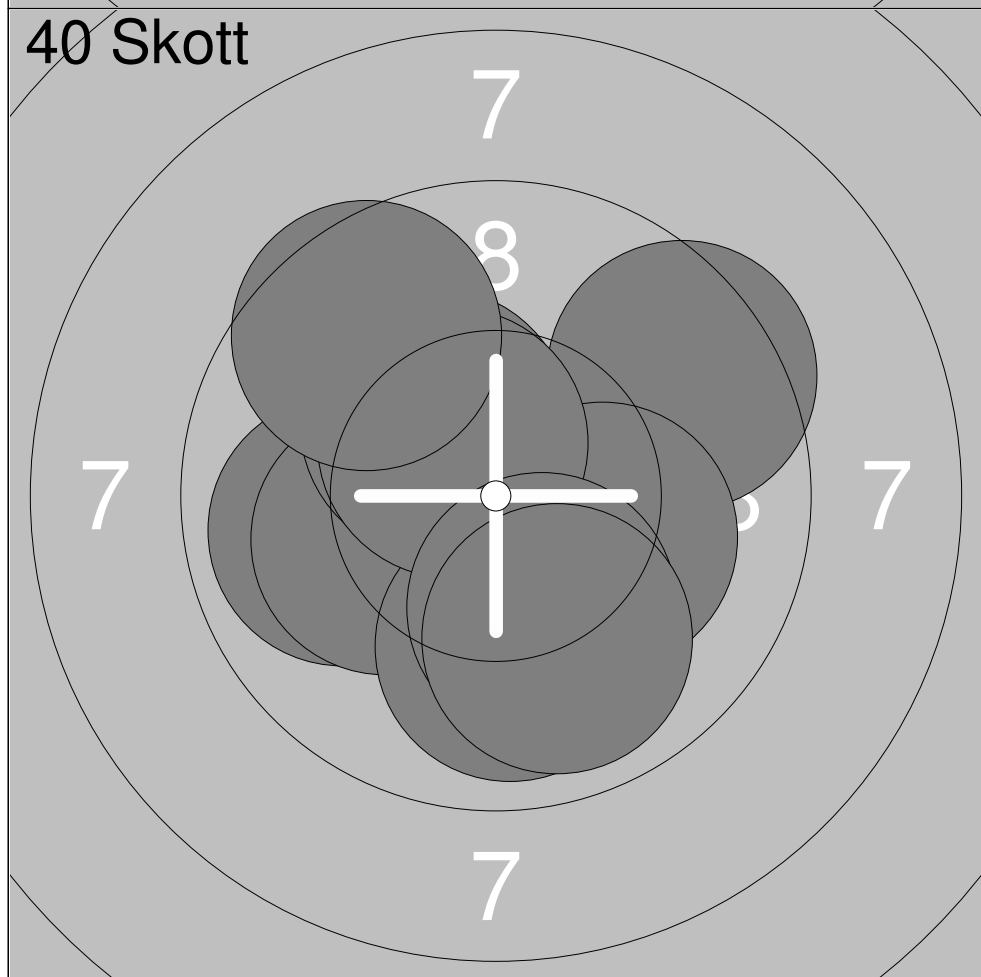
1:	10.4x	↗
2:	10.3x	↘
3:	9.3	↘
4:	9.9	↘
5:	10.3x	↗
6:	9.2	↗
7:	10.0	↘
8:	9.7	↘
9:	9.9	↘
10:	10.1	↗

Serie	99.1
Total	505.2



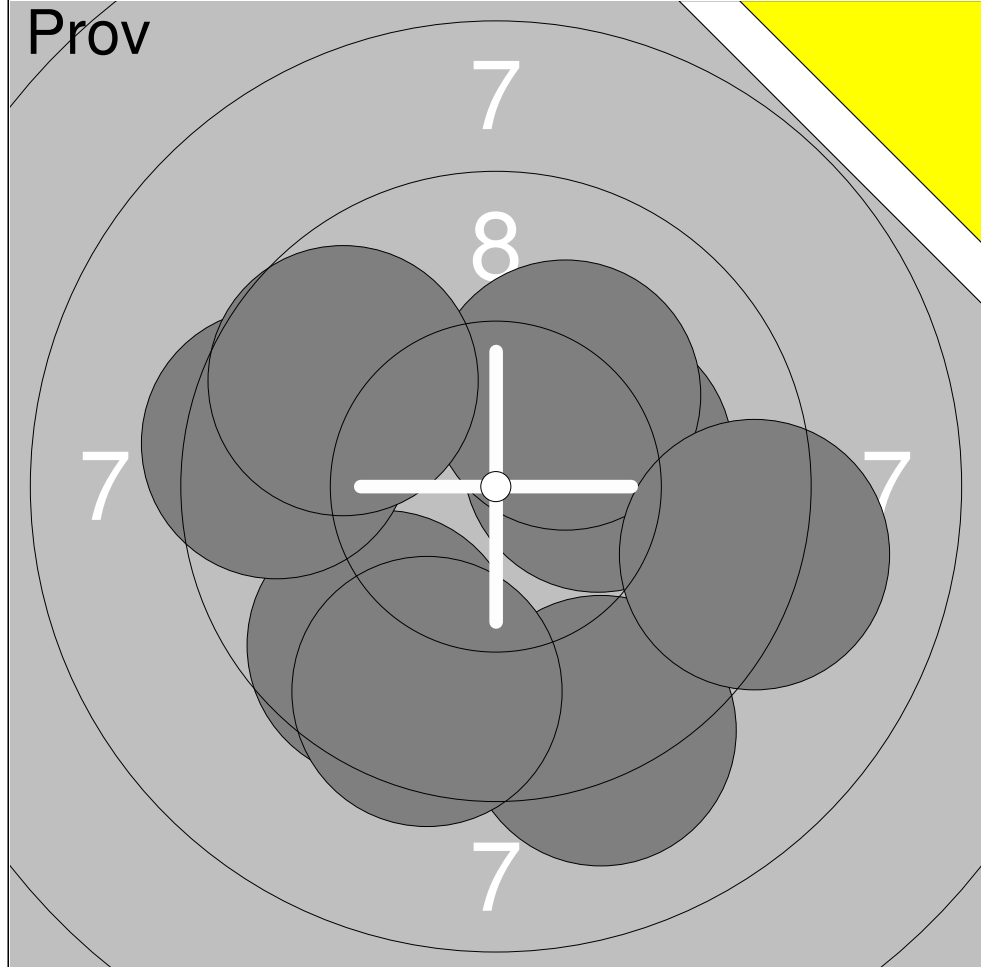
1:	8.5	↗
2:	9.8	↗
3:	9.5	↖
4:	10.1	↗
5:	10.3x	↘

Serie	48.2
Total	405.5



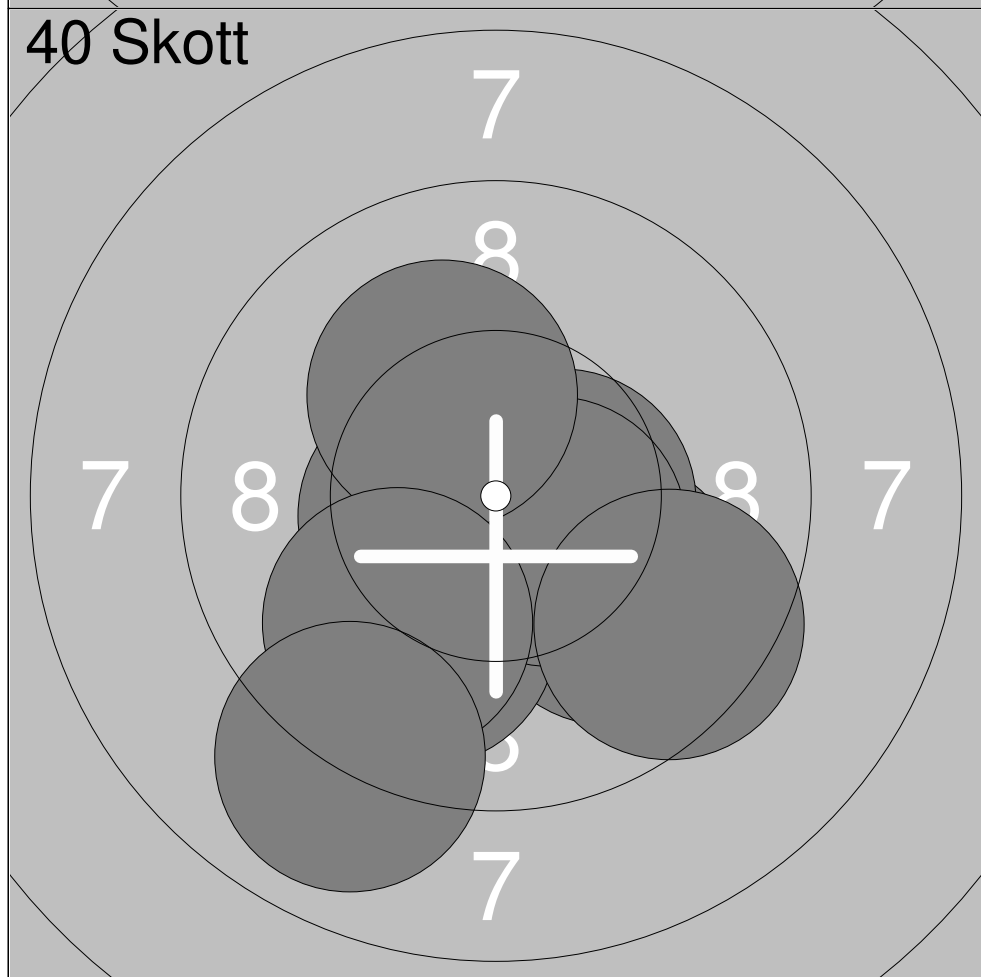
1:	9.9	↖
2:	10.2x	↖
3:	9.5	↗
4:	10.3x	↗
5:	9.9	↘
6:	10.2x	↘
7:	10.5x	↗
8:	10.1	↘
9:	9.6	↗
10:	9.9	↘

Serie	100.1
Total	505.6



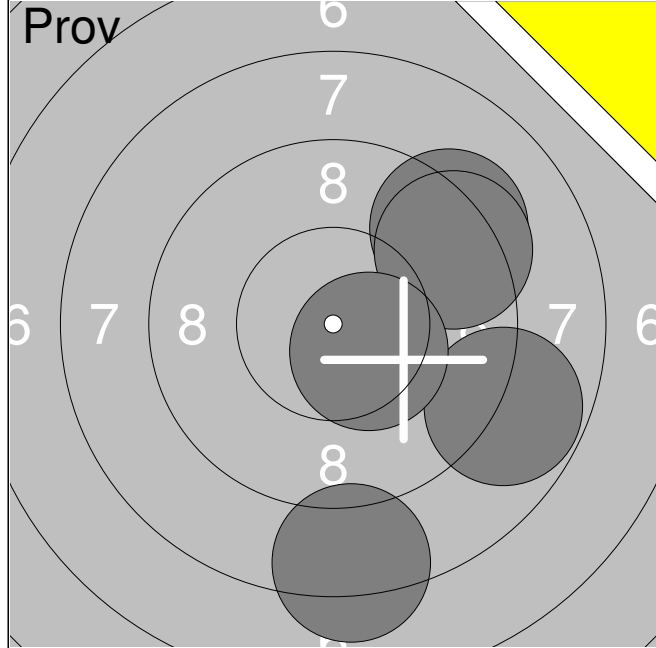
1:	9.2	↘
2:	9.7	↘
3:	9.5	↘
4:	10.2x	→
5:	10.2x	↗
6:	9.5	←
7:	9.7	↗
8:	9.2	→

Serie	77.2
Total	403.7

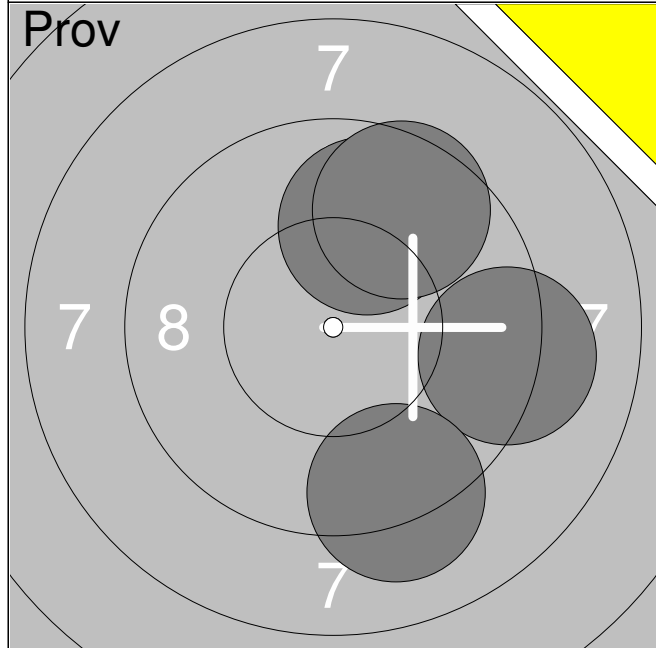


1:	10.0	↘
2:	10.6x	↘
3:	10.5x	→
4:	10.5x	←
5:	9.9	↘
6:	10.5x	↘
7:	10.2x	↗
8:	9.9	↘
9:	9.0	↘
10:	9.5	↘

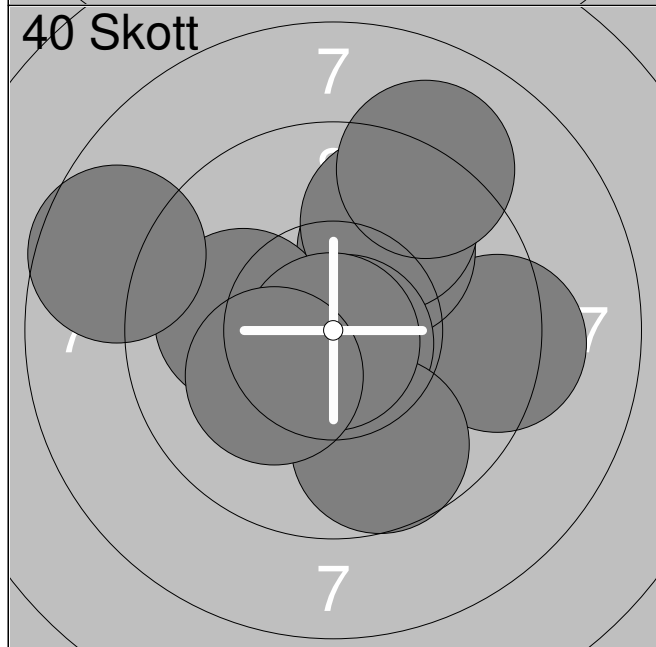
Serie	100.6
Total	504.3



1:	9.2	↗
3:	8.2	↓
5:	8.8	↘
7:	9.3	↗
9:	10.4x	↘
Serie		45.9
Total		403.5



11:	9.2	→
13:	9.2	↓
15:	9.9	↑
17:	9.6	↗
Serie		37.9
Total		403.5

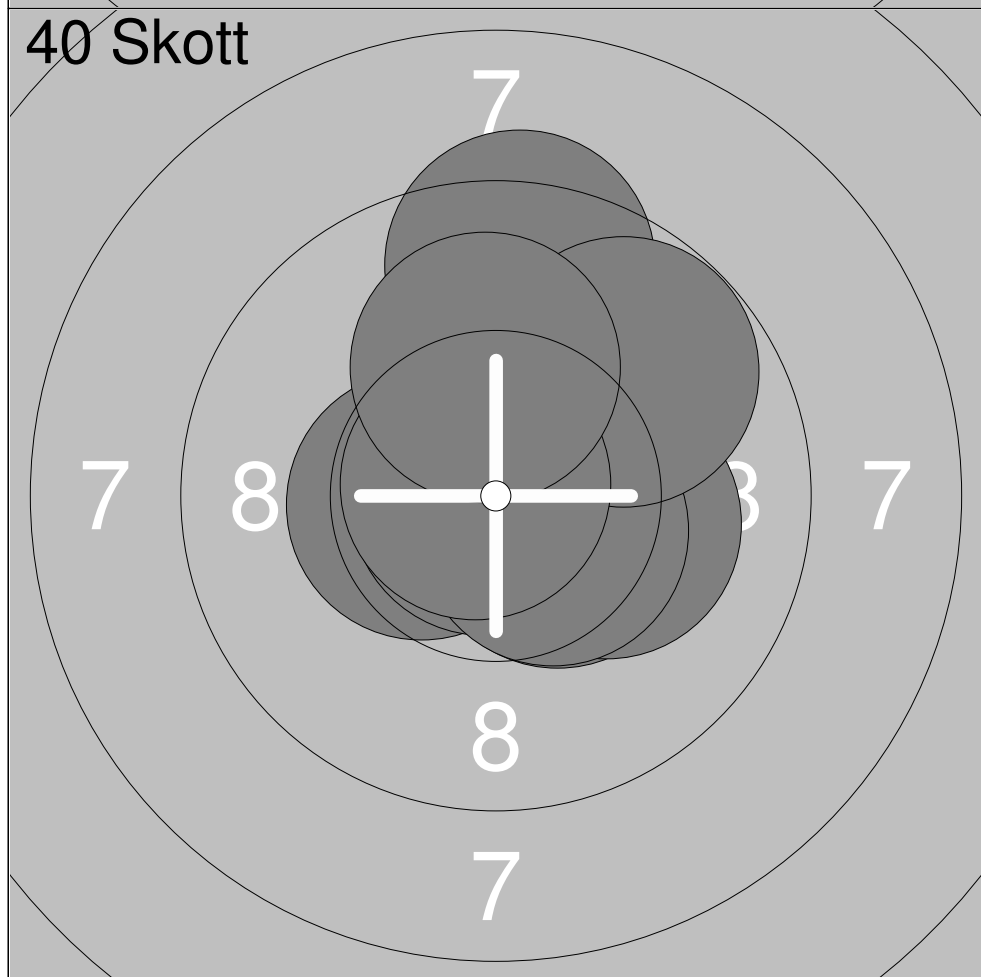


1:	9.3	→
2:	10.0	↗
3:	10.0	←
4:	9.7	↗
5:	10.8x	↘
6:	9.7	↓
7:	10.8x	↓
8:	10.2x	↙
9:	8.6	↙
10:	9.1	↗
Serie		98.2
Total		501.7



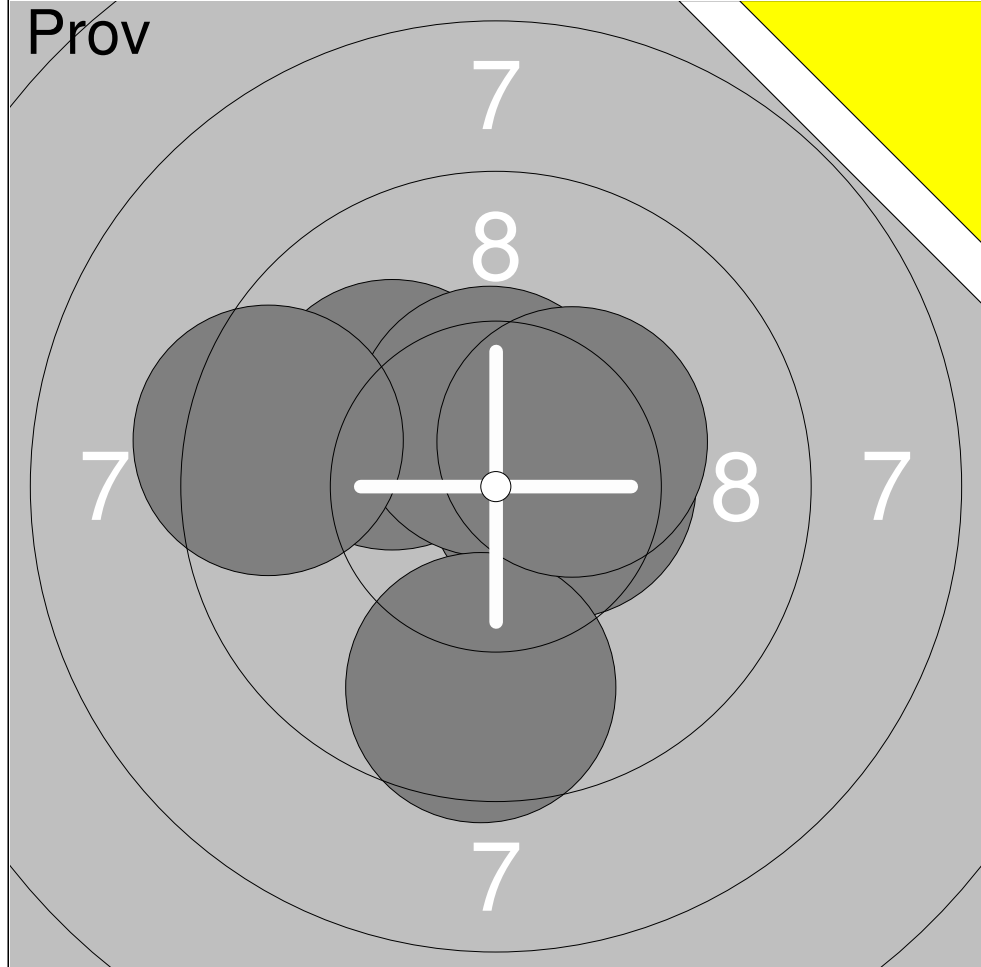
1:	9.9	↘
2:	10.2x	→
3:	10.8x	↗
4:	10.1	→
5:	10.0	↘
6:	10.5x	↗
7:	9.2	↑
8:	10.2x	↖
9:	10.8x	↖

Serie	91.7
Total	406.0



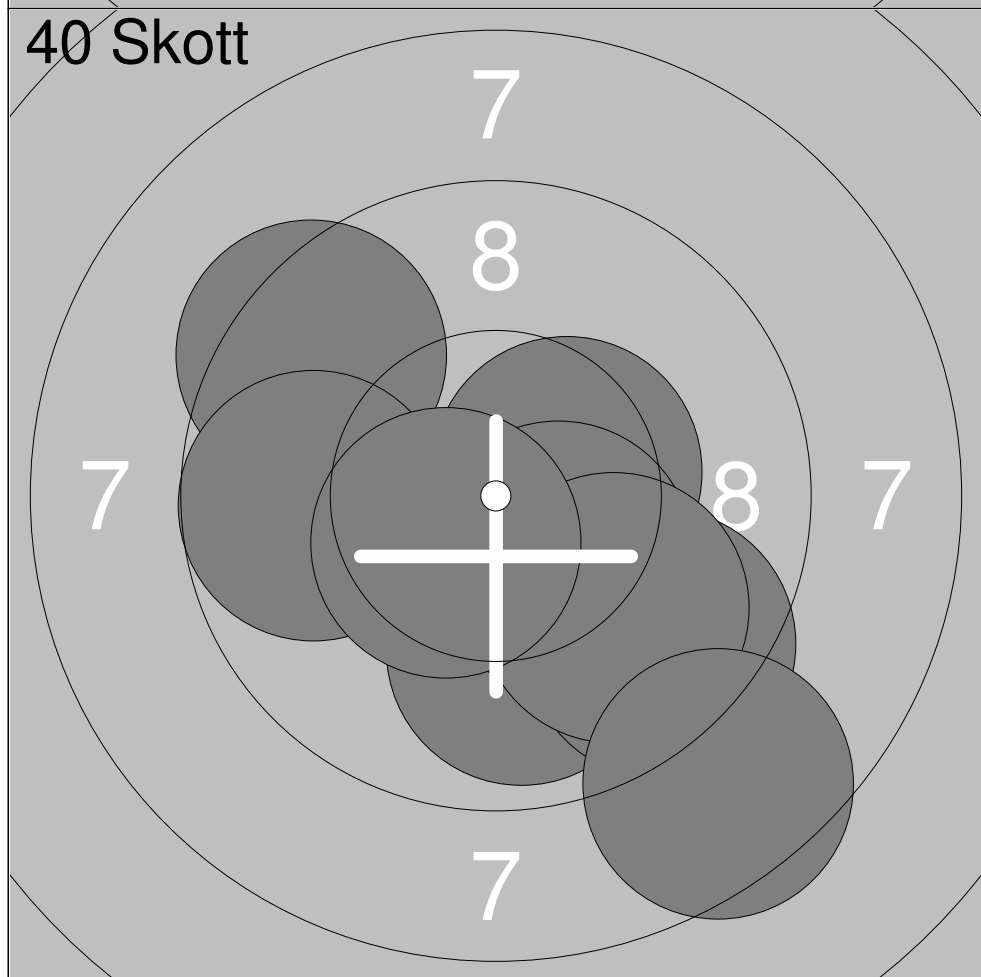
1:	10.5x	↘
2:	10.7x	↑
3:	10.2x	→
4:	9.4	↑
5:	10.5x	←
6:	10.9x	←
7:	10.5x	↘
8:	9.8	↗
9:	10.8x	↖
10:	10.1	↑

Serie	103.4
Total	509.4



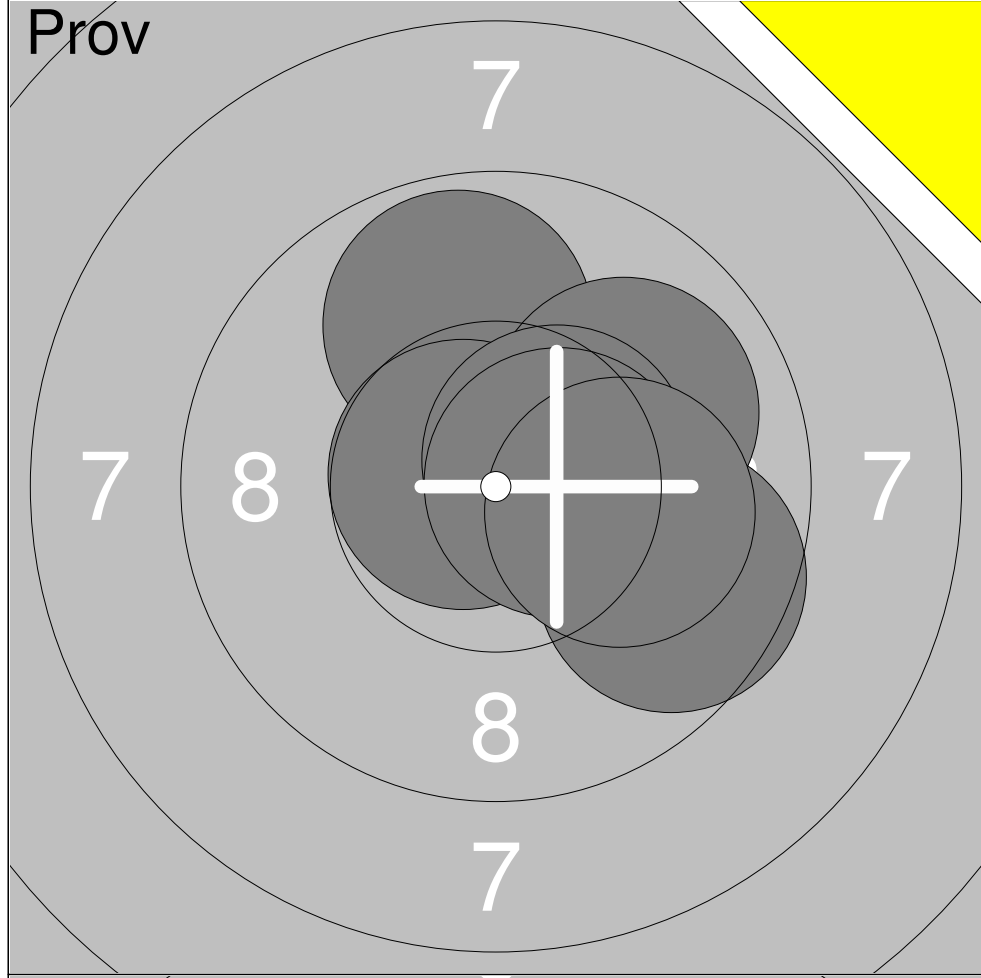
1:	10.5x	→
2:	10.1	↖
3:	10.5x	↑
4:	9.6	↓
5:	9.4	↖
6:	10.4x	↗

Serie	60.5
Total	405.1



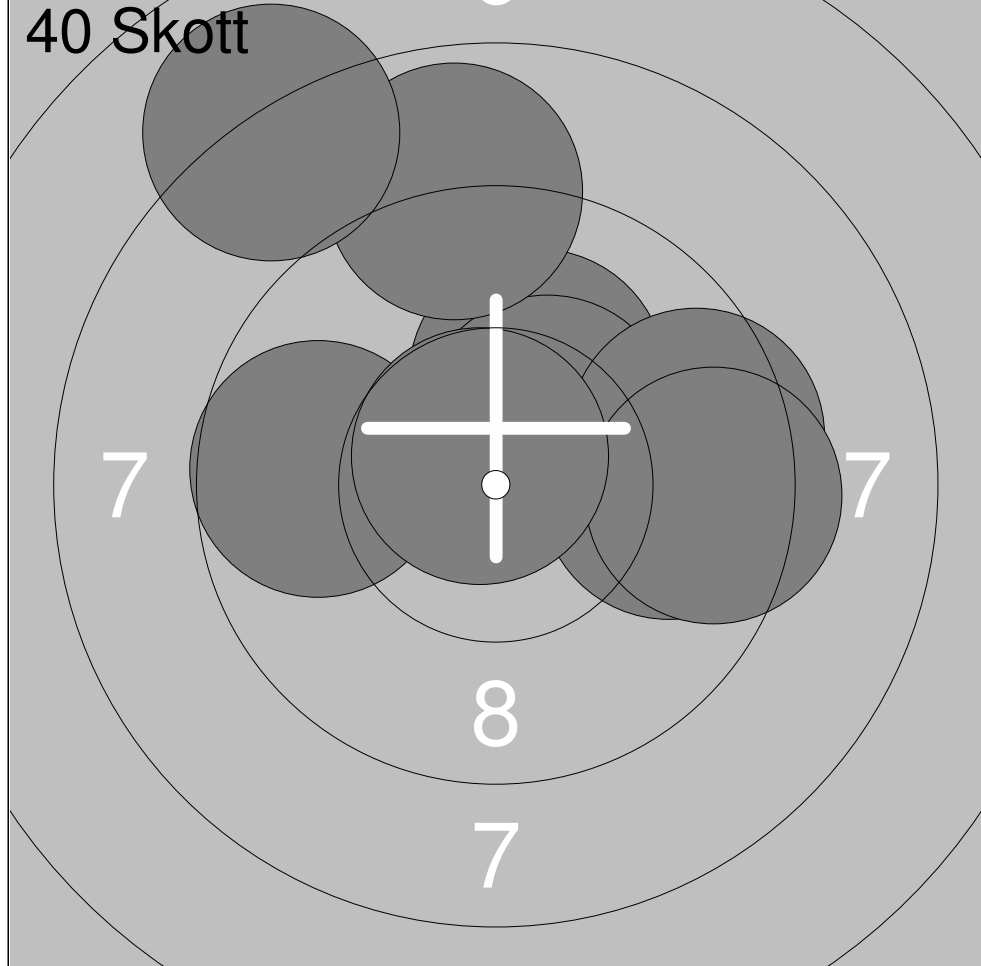
1:	10.4x	↓
2:	9.4	↖
3:	9.7	←
4:	9.9	↓
5:	9.5	↘
6:	10.4x	↗
7:	10.4x	↘
8:	9.9	↘
9:	8.5	↘
10:	10.5x	↖

Serie	98.6
Total	503.7



1:	9.8	↖
2:	10.0	↗
3:	10.7x	↖
4:	9.6	↘
5:	10.5x	↗
6:	10.5x	→
7:	10.1	↗

Serie	71.2
Total	403.8



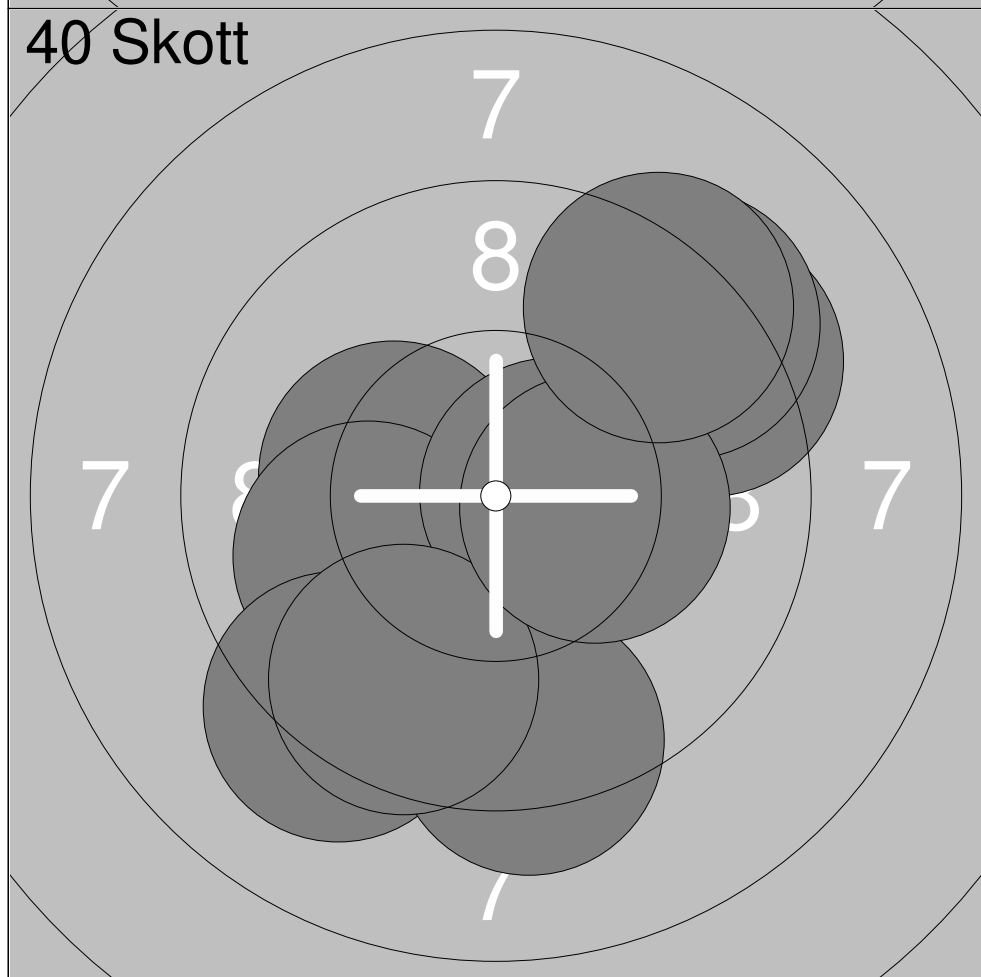
1:	9.7	←
2:	10.2x	↗
3:	10.1	↖
4:	10.4x	↗
5:	9.7	→
6:	9.5	↗
7:	9.4	→
8:	8.9	↖
9:	10.7x	↖
10:	8.0	↖

Serie	96.6
Total	500.4



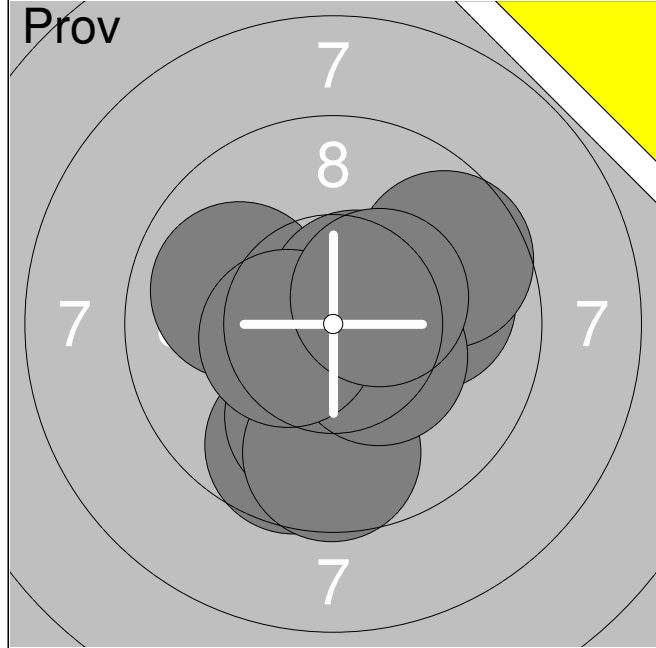
1:	9.1	↙
2:	10.0	↙
3:	9.4	↙
4:	10.6x	↘
5:	10.1	↘
6:	10.6x	↘
7:	9.7	↗
8:	10.1	↘
9:	10.1	↗
10:	9.9	↗

Serie	99.6
Total	401.7



1:	9.3	↗
2:	9.3	↗
3:	10.3x	↙
4:	10.0	↙
5:	9.2	↘
6:	9.3	↘
7:	10.6x	→
8:	9.6	↘
9:	10.3x	→
10:	9.3	↗

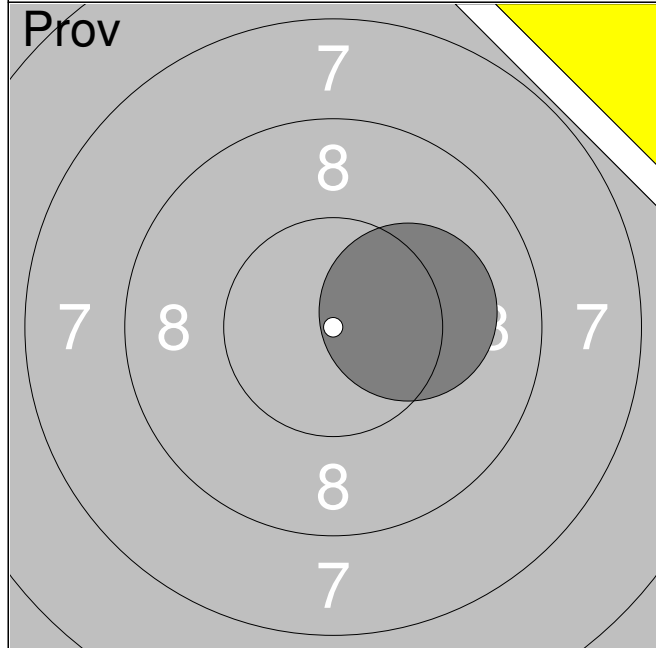
Serie	97.2
Total	498.9



1:	9.9	↖
2:	10.0	→
3:	9.7	↓
4:	10.0	↓
5:	9.7	↓
6:	10.6x	↗
7:	9.7	↗
8:	10.4x	↘
9:	10.5x	↖
10:	10.4x	↗

Serie 100.9

Total 400.2



11:	10.2x	→
-----	-------	---

Serie 10.2

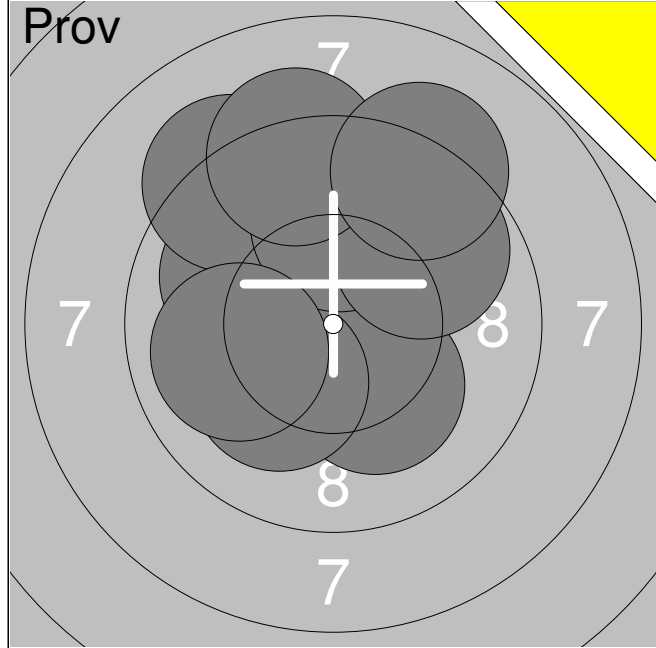
Total 400.2



1:	10.4x	→
2:	10.6x	↗
3:	10.2x	↗
4:	10.3x	↖
5:	10.7x	↖
6:	9.4	↑
7:	9.6	↗
8:	10.5x	↖
9:	10.4x	↘
10:	10.3x	↓

Serie 102.4

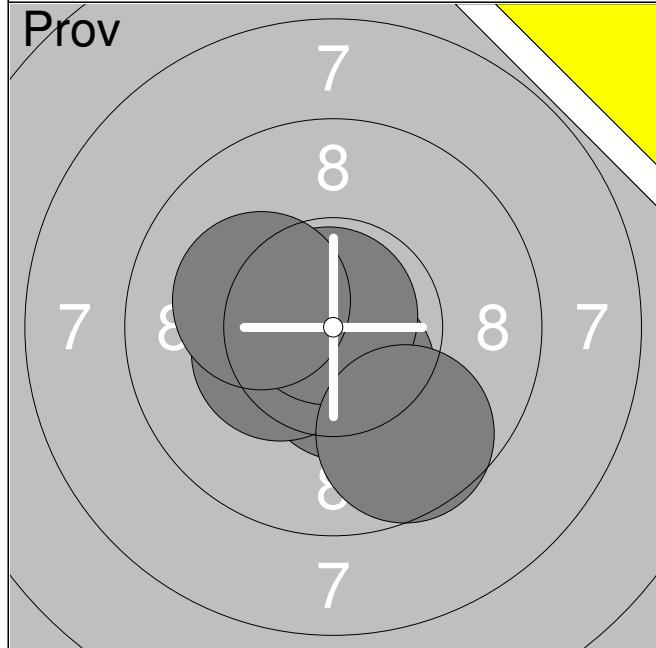
Total 502.6



1:	10.0	↖
2:	9.2	↗
3:	10.2x	↘
4:	9.9	↑
5:	10.2x	↙
6:	9.9	↑
7:	9.8	↗
8:	9.2	↑
9:	9.2	↗
10:	10.0	←

Serie **97.6**

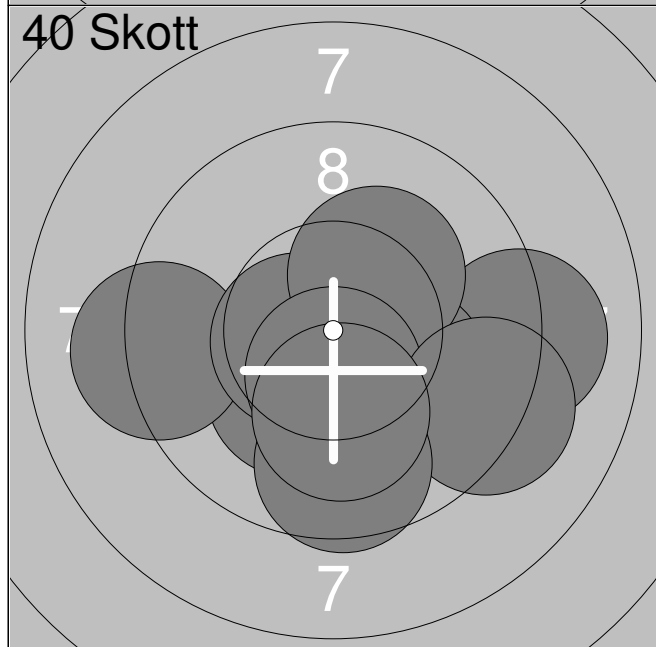
Total **399.3**



11:	10.5x	↓
12:	10.4x	←
13:	10.8x	↗
14:	9.7	↘
15:	10.2x	↖

Serie **51.6**

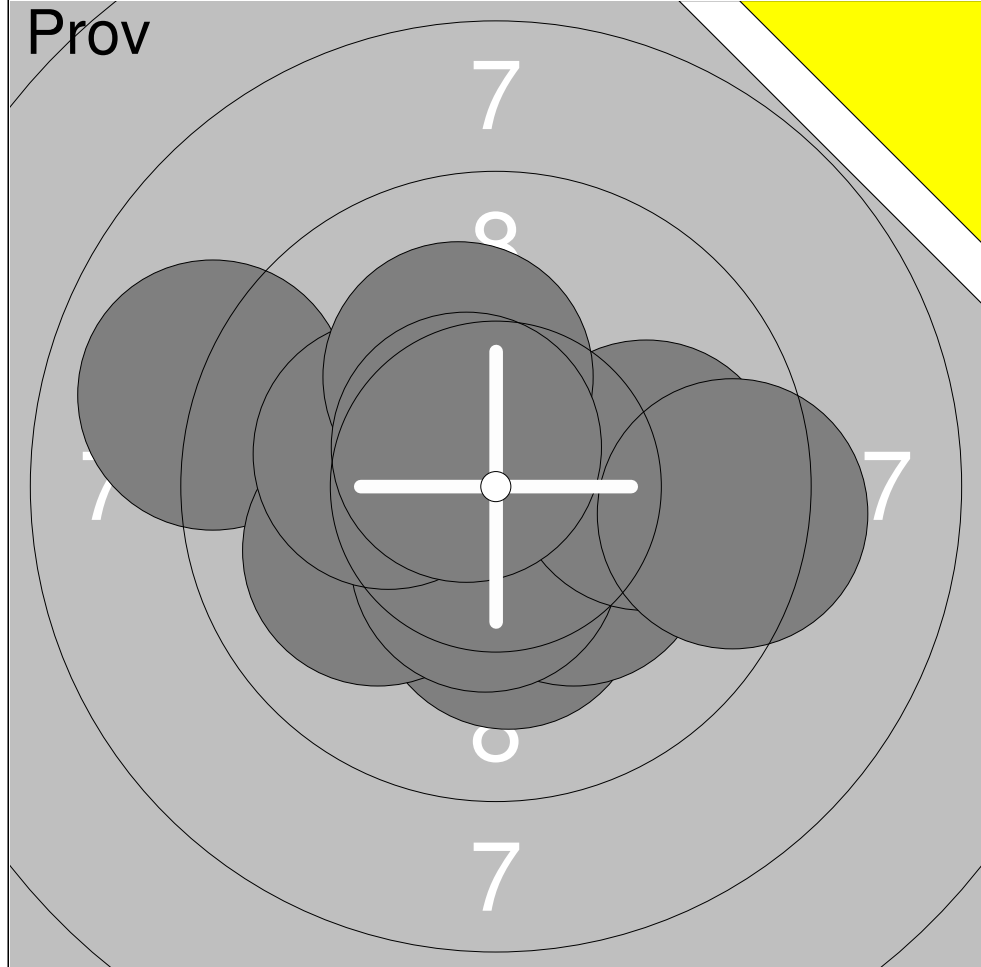
Total **399.3**



1:	10.2x	↘
2:	9.1	→
3:	9.2	←
4:	10.6x	←
5:	10.1	↘
6:	10.2x	↗
7:	10.5x	↓
8:	9.2	↘
9:	9.6	↓
10:	10.1	↓

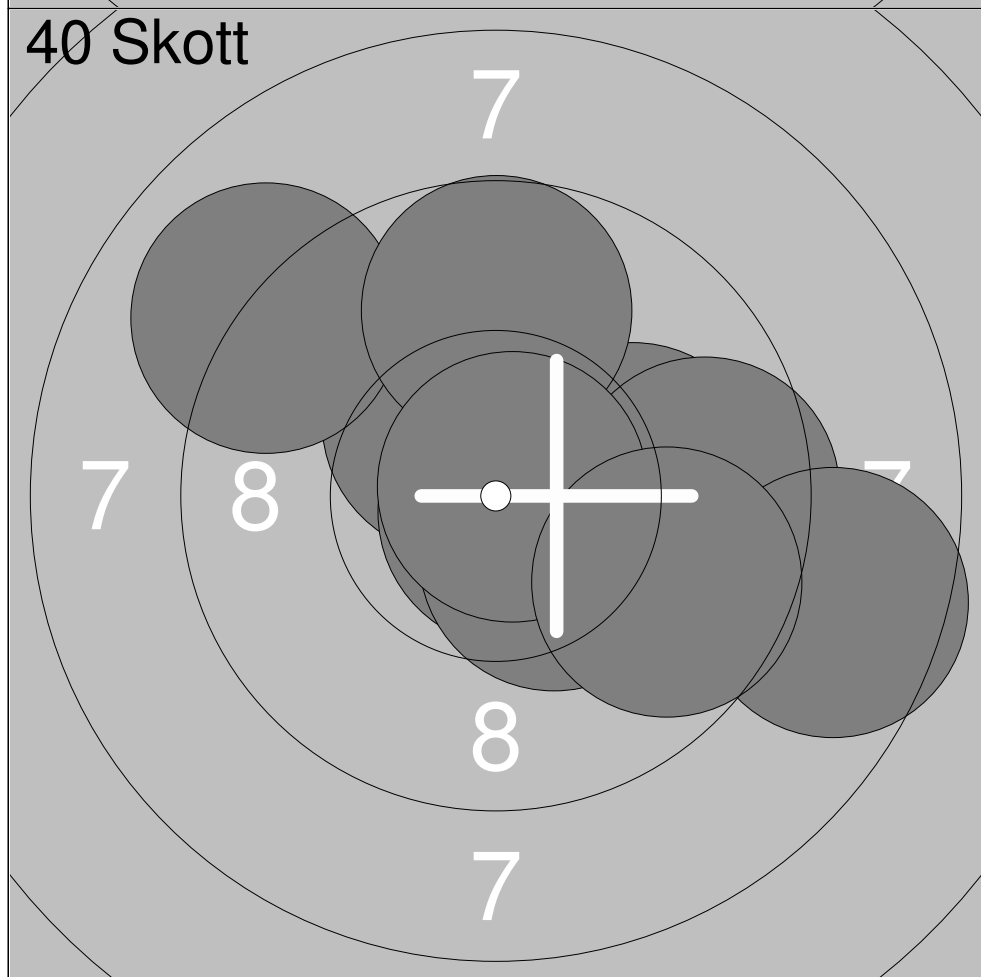
Serie **98.8**

Total **498.1**



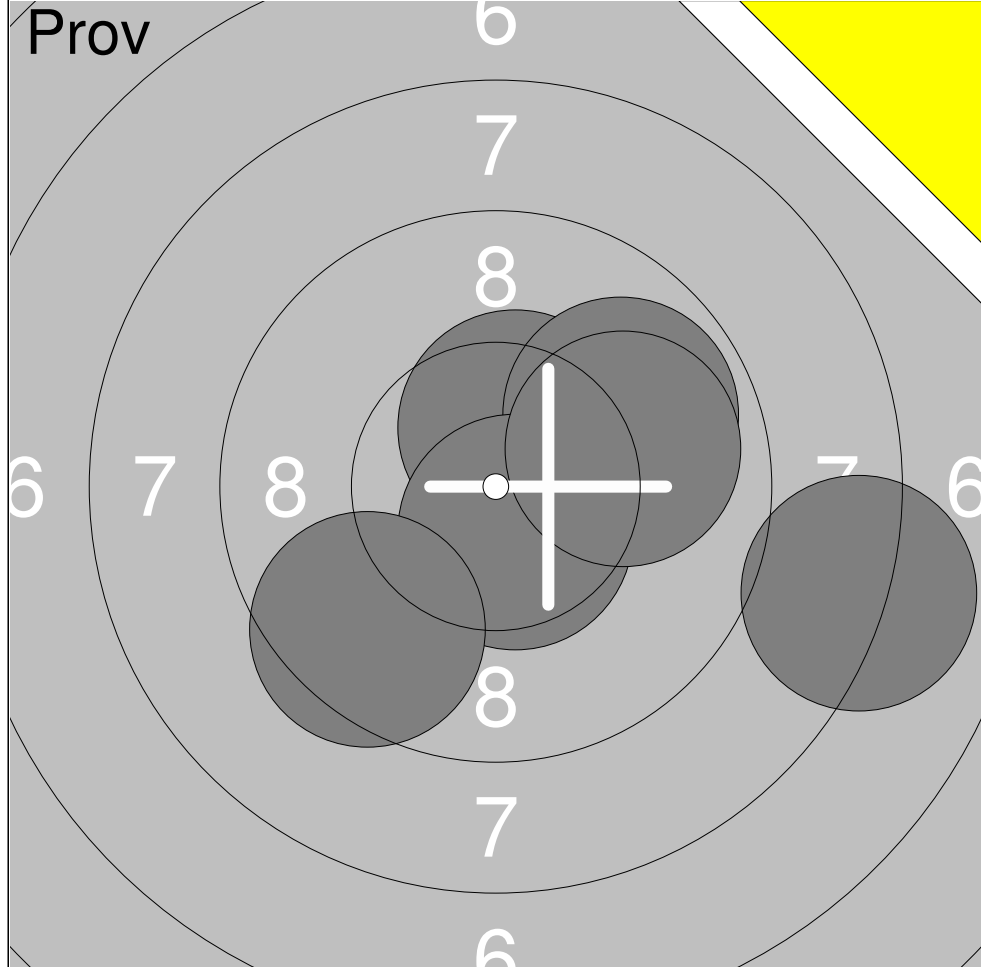
1:	10.2x	↓
2:	10.3x	↘
3:	9.0	↗
4:	10.1	↙
5:	10.5x	↓
6:	9.9	→
7:	10.2x	↖
8:	9.4	→
9:	10.2x	↗
10:	10.6x	↗

Serie	100.4
Total	397.9



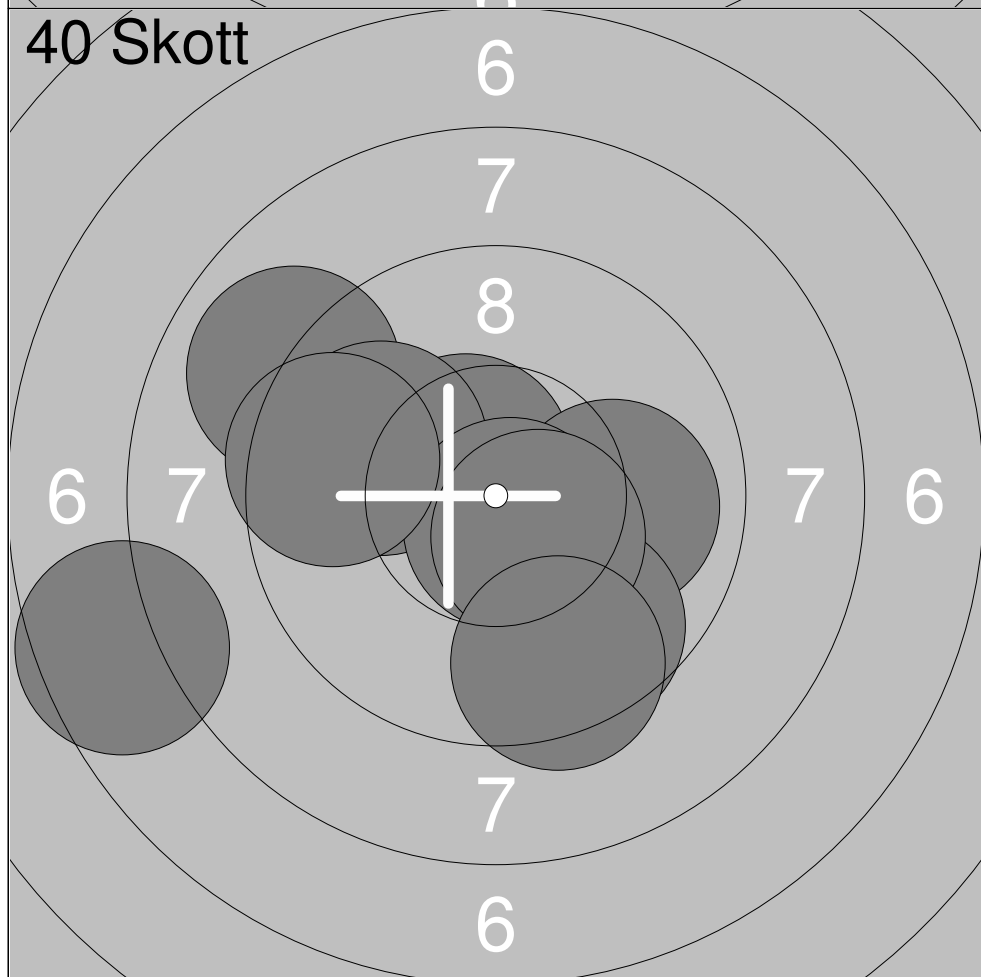
1:	10.4x	↗
2:	10.8x	↘
3:	10.0	→
4:	9.0	↖
5:	9.7	↑
6:	10.4x	↘
7:	9.6	→
8:	8.6	↘
9:	10.8x	↗
10:	9.7	↘

Serie	99.0
Total	496.9



1:	10.5x	↗
2:	8.1	→
3:	9.9	↗
4:	10.6x	↘
5:	9.9	↗
6:	9.5	↘

Serie	58.5
Total	395.7



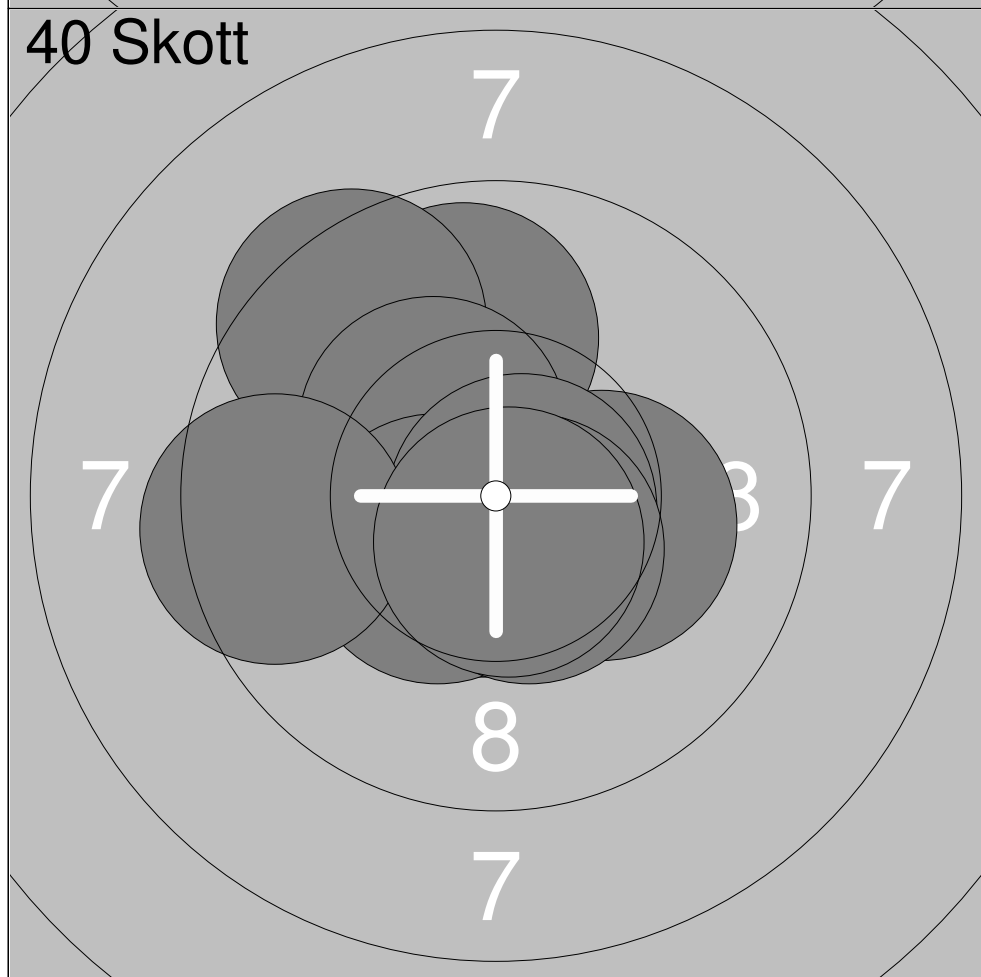
1:	9.0	↖
2:	10.6x	↗
3:	9.9	↖
4:	10.0	→
5:	10.7x	↘
6:	9.7	↘
7:	7.6	↖
8:	10.5x	↘
9:	9.5	↖
10:	9.5	↘

Serie	97.0
Total	492.7



1:	10.5x	↗
2:	10.0	↘
3:	9.7	→
4:	10.4x	→
5:	10.1	↘
6:	10.7x	→

Serie	61.4
Total	413.7



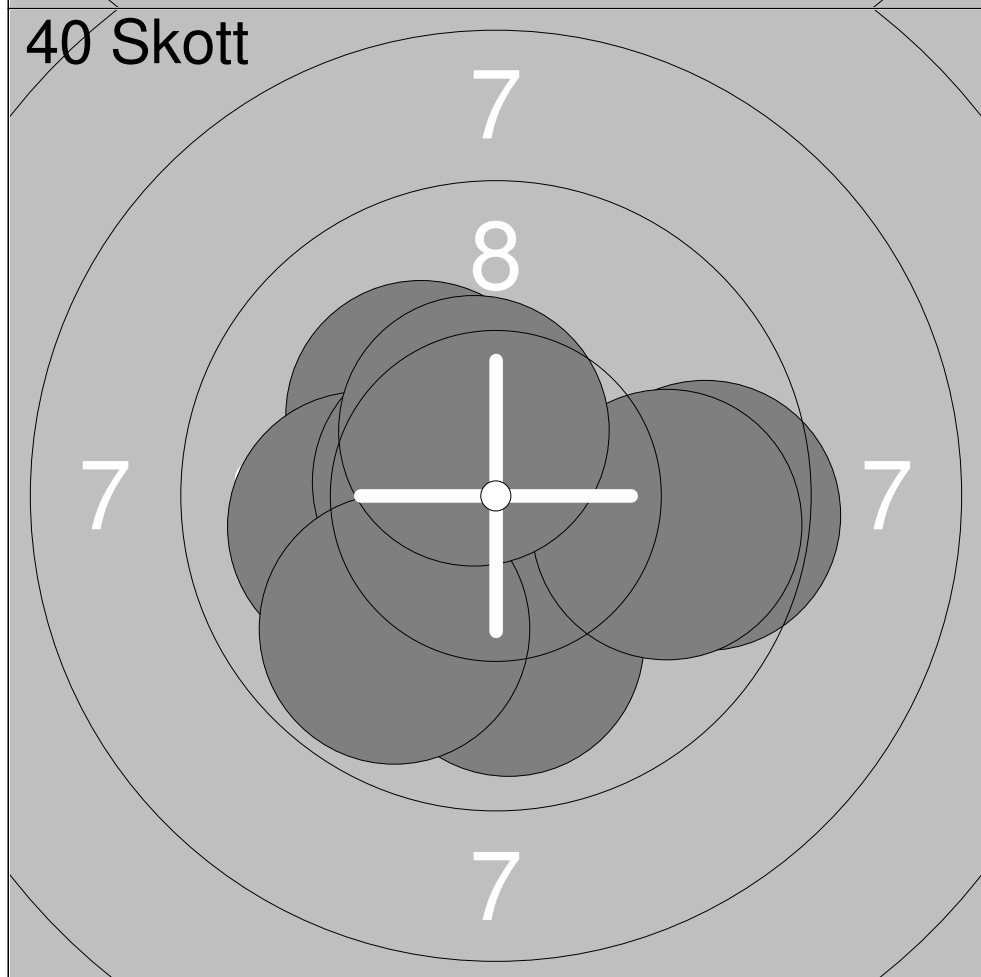
1:	10.6x	↓
2:	9.9	↑
3:	9.5	↗
4:	10.4x	↗
5:	10.4x	↙
6:	10.2x	→
7:	10.8x	↘
8:	9.5	←
9:	10.5x	↘
10:	10.6x	↓

Serie	102.4
Total	516.1



1:	10.4x	→
2:	10.4x	↓
3:	10.3x	←
4:	10.6x	←
5:	10.6x	→
6:	10.0	↙
7:	9.4	↙

Serie	71.7
Total	411.3



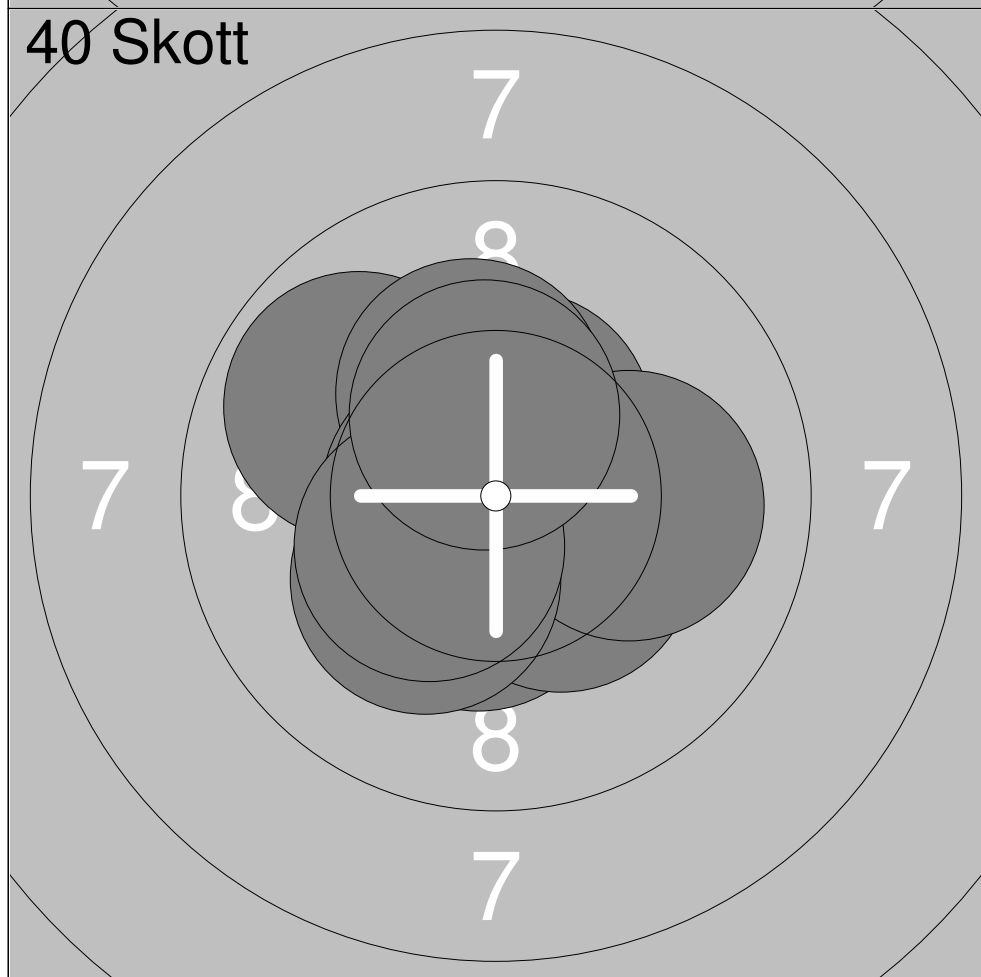
1:	9.6	→
2:	10.2x	↗
3:	10.9x	↗
4:	10.8x	↘
5:	10.0	←
6:	10.6x	←
7:	10.0	↓
8:	9.8	→
9:	9.8	↙
10:	10.5x	↖

Serie	102.2
Total	513.5



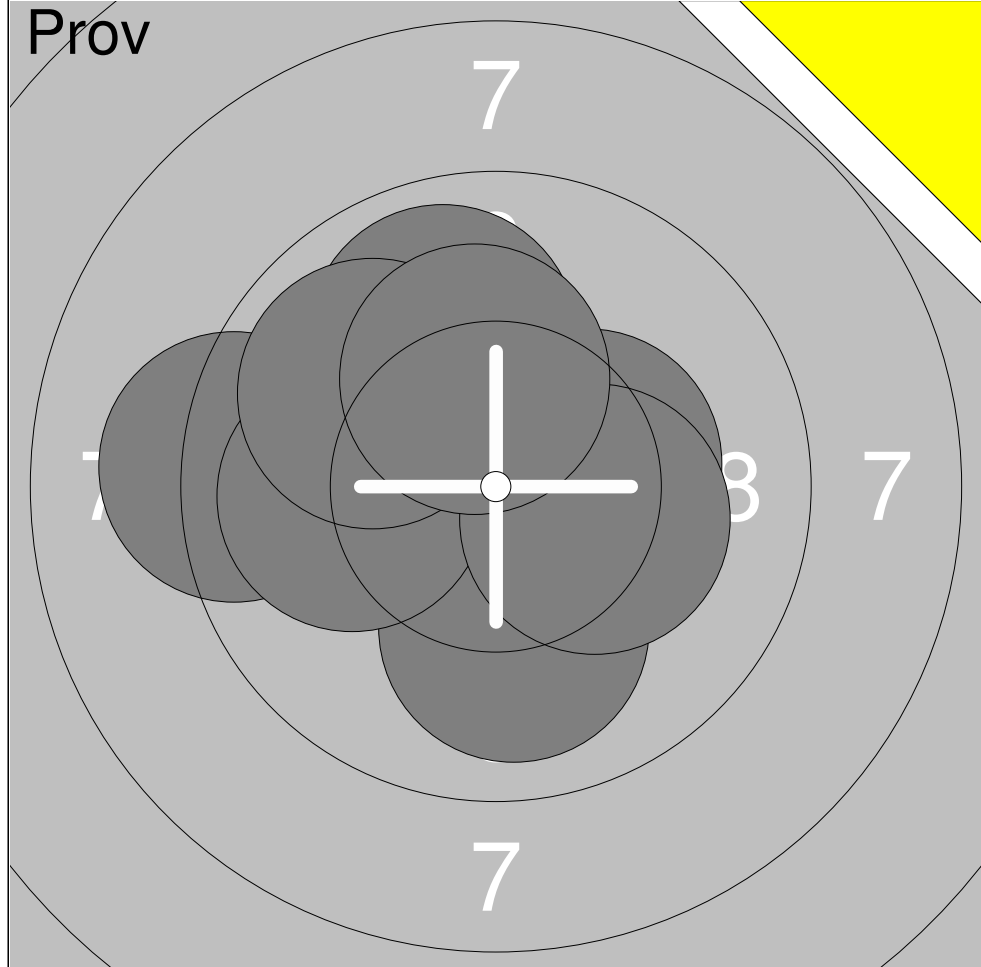
1:	10.3x	↙
2:	10.1	↖
3:	10.7x	↗
4:	10.5x	↖
5:	10.3x	↙
6:	10.3x	↗
7:	10.6x	↘
8:	10.8x	↗
9:	10.7x	↙

Serie	94.3
Total	409.7



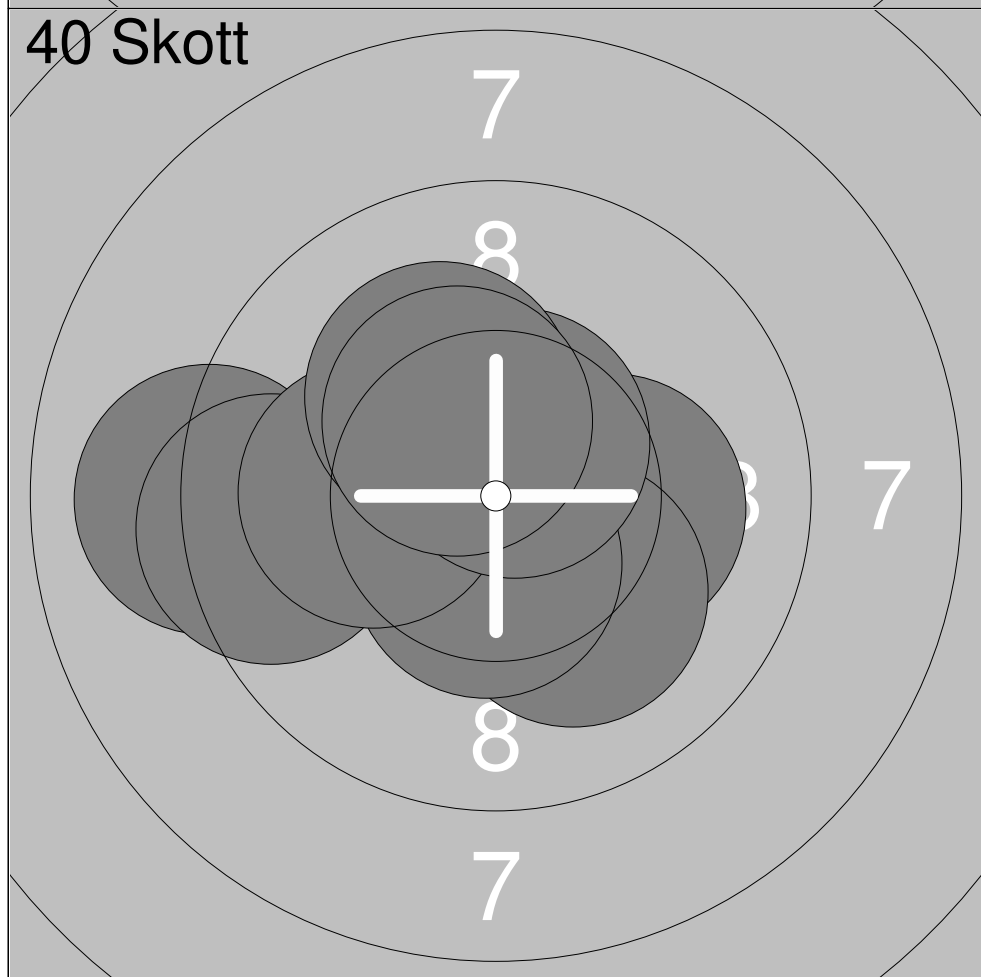
1:	10.5x	↖
2:	10.4x	↘
3:	9.9	↖
4:	10.2x	↖
5:	10.7x	←
6:	10.4x	↘
7:	10.1	→
8:	10.2x	↙
9:	10.4x	↙
10:	10.4x	↖

Serie	103.2
Total	512.9



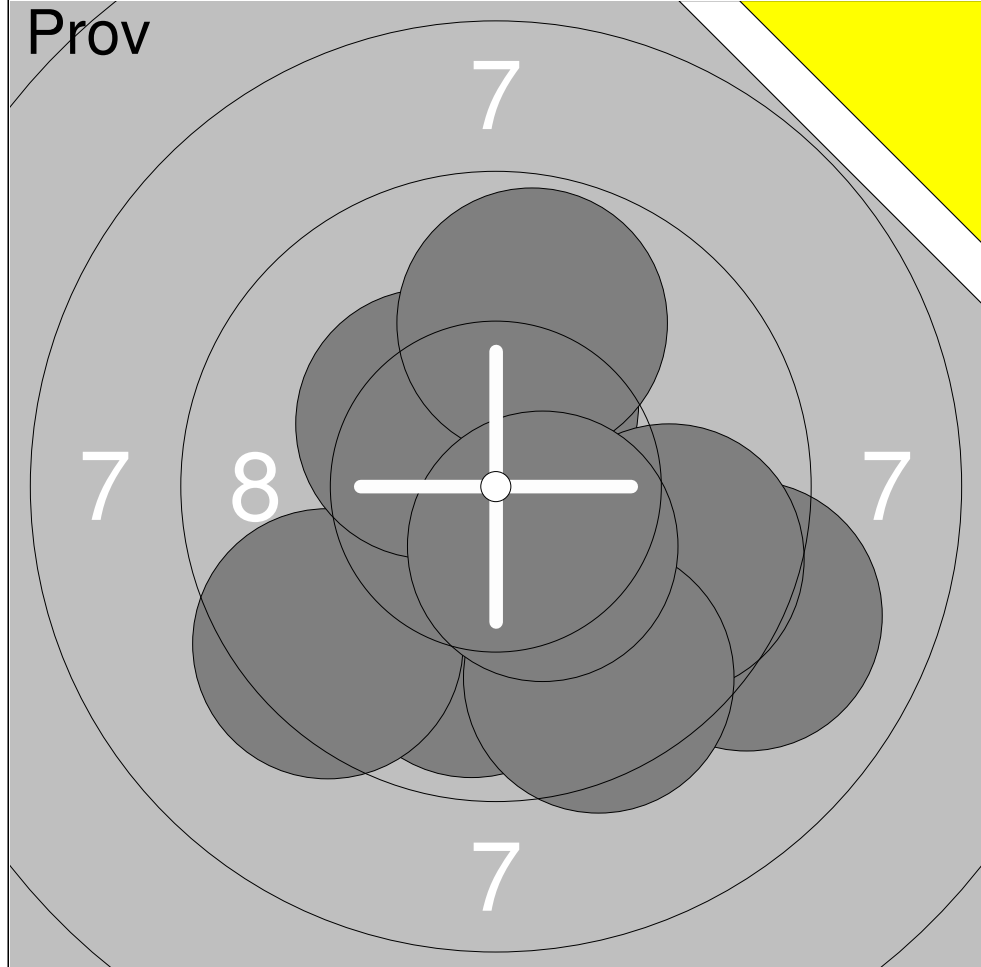
1:	9.9	↖
2:	10.0	↘
3:	10.3x	→
4:	9.2	←
5:	10.0	←
6:	10.3x	↗
7:	9.9	↗
8:	10.2x	↖

Serie	79.8
Total	408.1



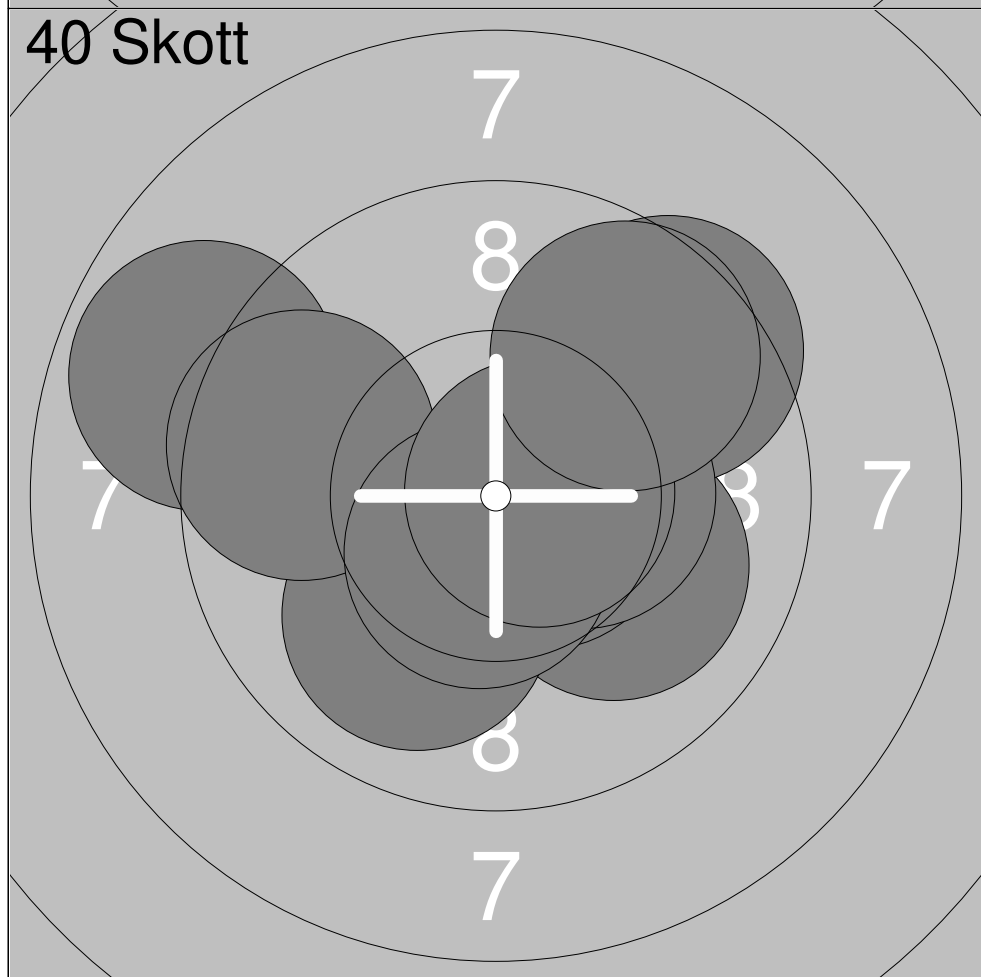
1:	9.0	←
2:	10.2x	→
3:	10.1	↘
4:	10.6x	↑
5:	10.5x	↘
6:	9.4	←
7:	10.1	←
8:	10.6x	↗
9:	10.2x	↗
10:	10.4x	↖

Serie	101.1
Total	509.2



1:	10.4x	↑
2:	9.9	↓
3:	9.1	↘
4:	9.7	↘
5:	9.4	↙
6:	9.5	↙
7:	10.3x	↗
8:	9.8	↑
9:	10.4x	↘

Serie	88.5
Total	405.8



1:	8.8	↖
2:	10.0	↘
3:	9.4	↗
4:	10.0	↙
5:	10.6x	↘
6:	10.4x	→
7:	9.6	↖
8:	10.6x	↓
9:	10.7x	→
10:	9.7	↗

Serie	99.8
Total	505.6

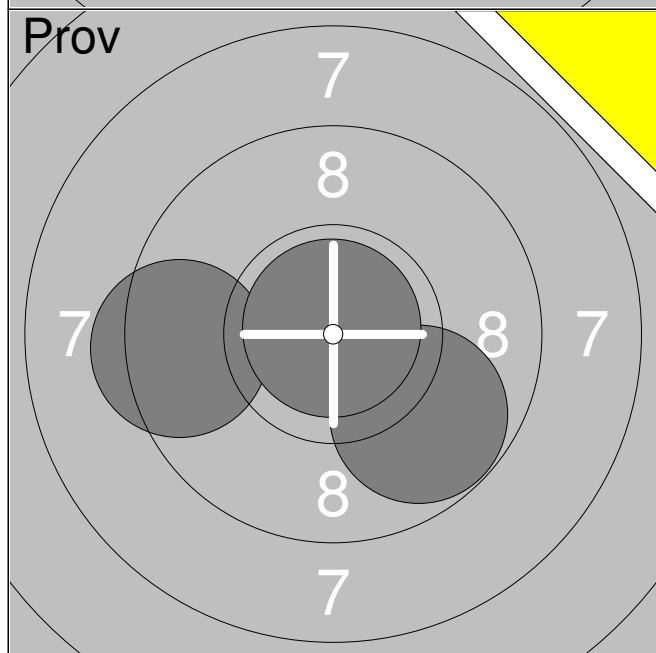
Skjutlag 4	Tavla 27	Evelina Sundström		
S		Skoga-Ekshärad	L15s	Vä
07.03.2020	Skyttiaden Riksfinal - Final		Umeå skytteallians	
Prov 	7	1:	10.6x	↙
	8	2:	9.8	↘
	8	3:	10.0	←
	7	4:	10.5x	←
	7	5:	9.8	↘
	8	6:	10.2x	←
	8	7:	10.1	↗
	7	8:	9.5	←
	7	9:	10.1	↗
	7	10:	10.6x	↗
	Serie		101.2	
Total		405.7		
Prov 	7	11:	10.3x	↓
	8	12:	10.2x	↘
	8	13:	10.5x	→
	7			
Serie		31.0		
Total		405.7		
40 Skott 	7	1:	10.3x	→
	8	2:	10.0	→
	8	3:	10.2x	↗
	7	4:	10.8x	→
	7	5:	10.9x	↘
	8	6:	10.1	↑
	8	7:	9.9	↗
	7	8:	10.6x	→
	7	9:	10.8x	↗
	7	10:	10.6x	←
	Serie		104.2	
Total		509.9		



1:	9.8	↓
3:	10.6x	↙
5:	10.8x	↑
7:	10.3x	↓
9:	9.9	↘

Serie	51.4
-------	------

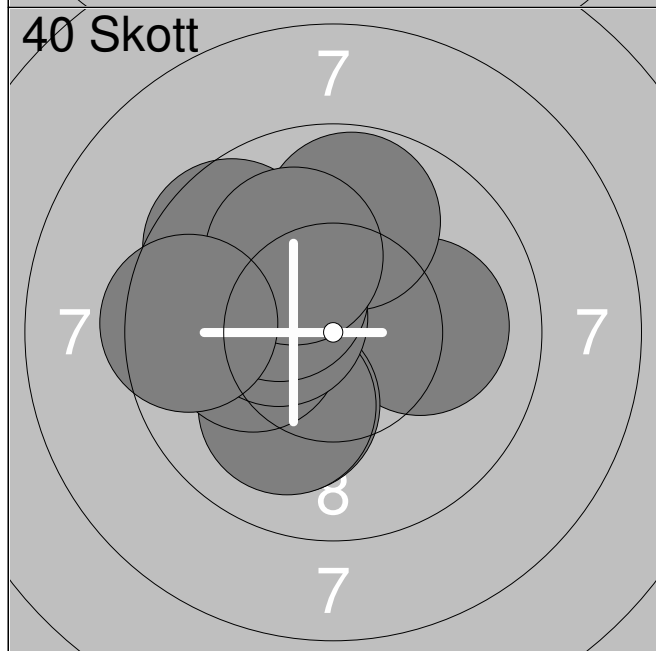
Total	405.1
-------	-------



11:	9.8	↘
13:	9.4	←
15:	10.9x	↑

Serie	30.1
-------	------

Total	405.1
-------	-------



1:	10.1	→
2:	10.1	↘
3:	10.1	↘
4:	10.1	←
5:	9.6	↗
6:	10.4x	←
7:	9.8	↑
8:	10.3x	↗
9:	10.1	↗
10:	9.5	←

Serie	100.1
-------	-------

Total	505.2
-------	-------