



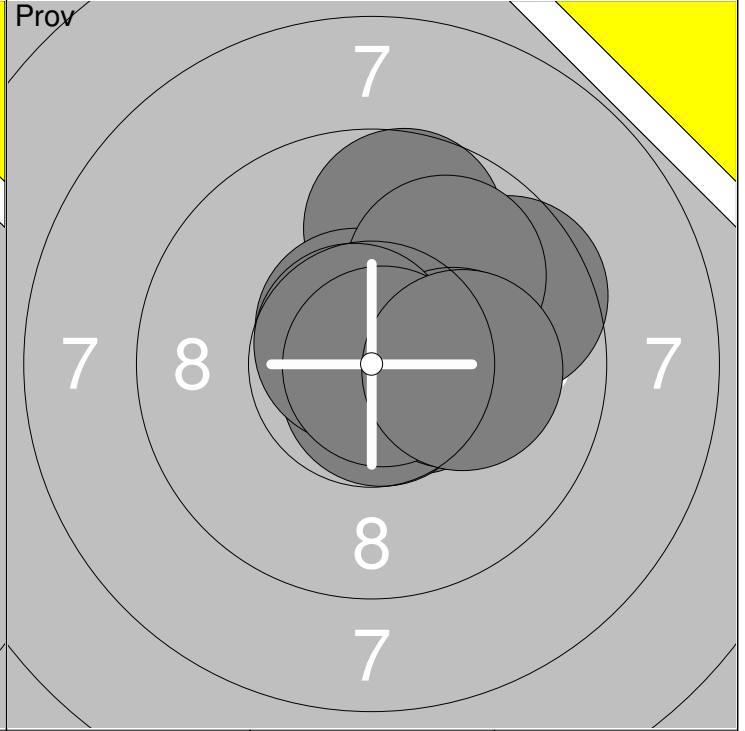
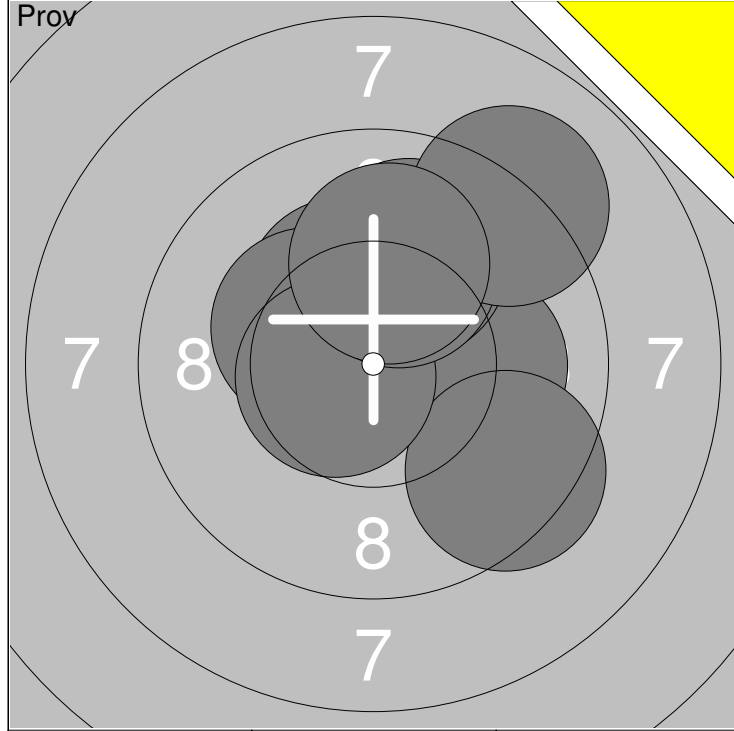
1:	10.2x	↖
2:	10.6x	↙
3:	10.7x	↘
4:	10.1	←
5:	10.4x	↗
6:	10.1	←
7:	10.5x	↗

Serie	72.6
Total	417.0



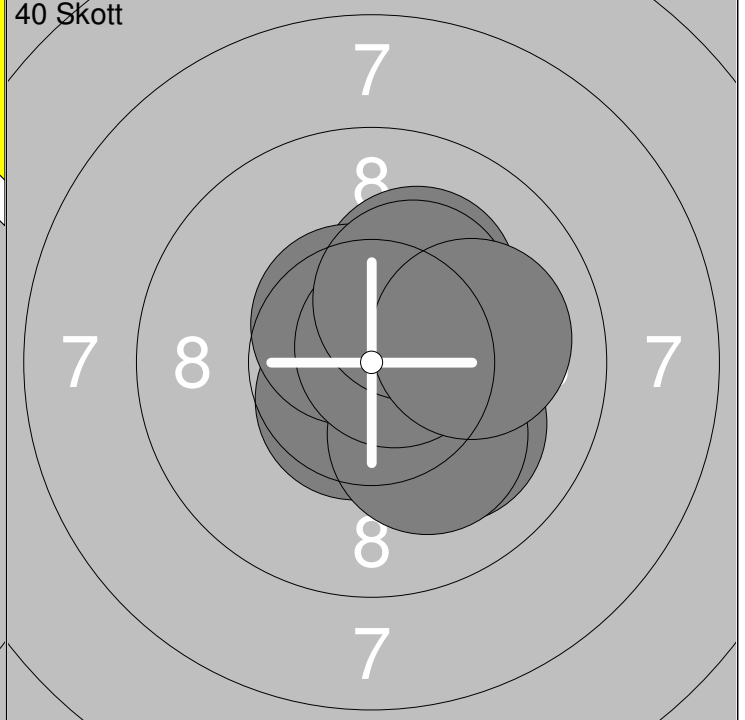
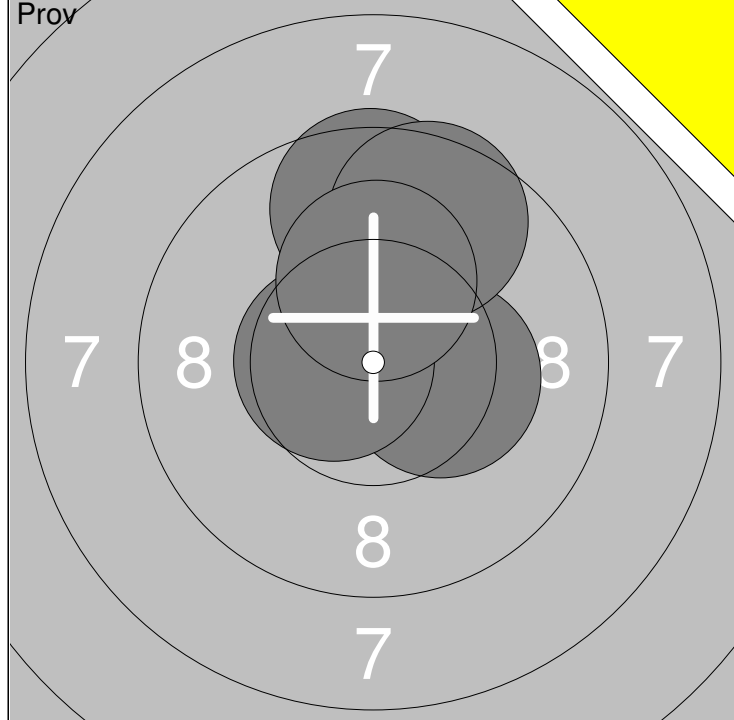
1:	10.5x	←
2:	10.9x	↗
3:	10.5x	↘
4:	10.7x	↓
5:	10.3x	↘
6:	10.3x	↗
7:	10.6x	←
8:	10.2x	↘
9:	10.5x	←
10:	10.9x	↗

Serie	105.4
Total	522.4



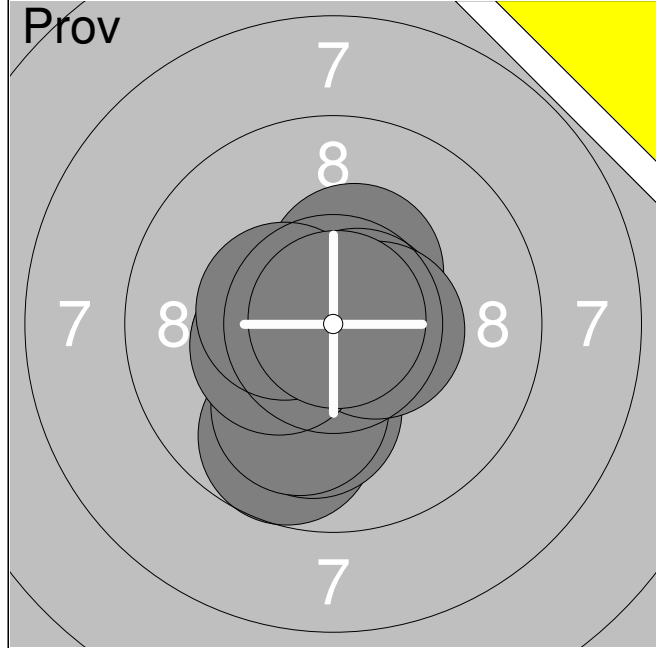
1: 10.3x ↖	6: 10.0 ↗	Serie	100.5
2: 10.6x ↗	7: 10.6x ←		
3: 10.3x ↖	8: 10.1 ↗	Total	416.6
4: 10.1 →	9: 9.1 ↗		
5: 9.4 ↘	10: 10.0 ↗		

11: 10.6x →	16: 10.7x ↘	Serie	102.9
12: 9.7 ↗	17: 10.2x →		
13: 9.6 ↗	18: 10.7x ↖	Total	416.6
14: 10.6x ↖	19: 10.8x →		
15: 9.9 ↗	20: 10.1 →		

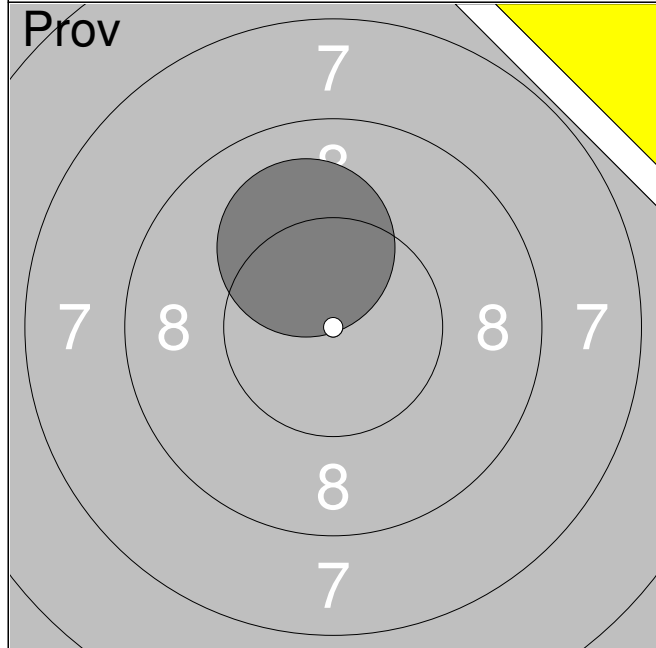


21: 10.3x →	Serie	50.3
22: 9.6 ↗		
23: 9.6 ↗	Total	416.6
24: 10.6x ←		
25: 10.2x ↗		

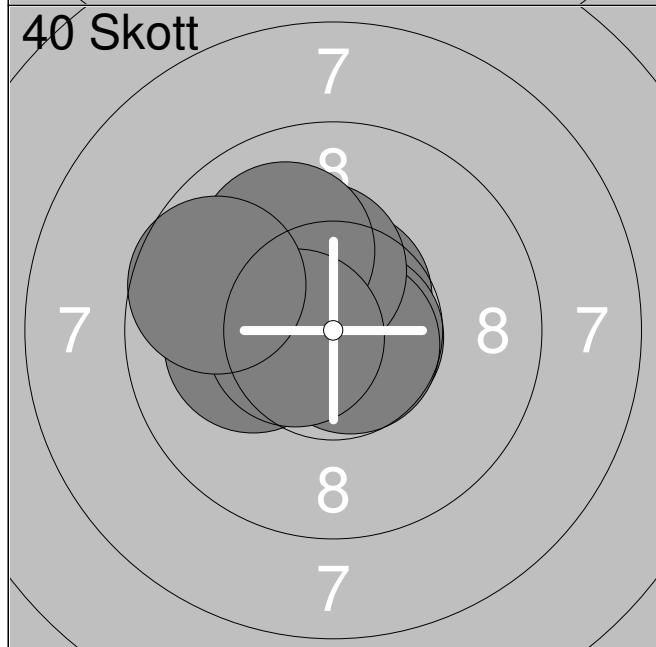
1: 10.1 ↘	6: 10.1 ↘	Serie	103.7
2: 10.6x ↗	7: 10.6x ↖		
3: 10.2x ↗	8: 10.7x ↗	Total	520.3
4: 10.6x ↘	9: 10.3x ↗		
5: 10.5x →	10: 10.0 →		



1:	9.7	↘
2:	10.4x	←
3:	10.4x	↗
4:	10.7x	→
5:	10.1	↘
6:	10.1	↘
7:	10.5x	→
8:	10.4x	←
9:	10.4x	←
10:	10.9x	↗
Serie	103.6	
Total	416.5	



11:	10.1	↗
Serie	10.1	
Total	416.5	

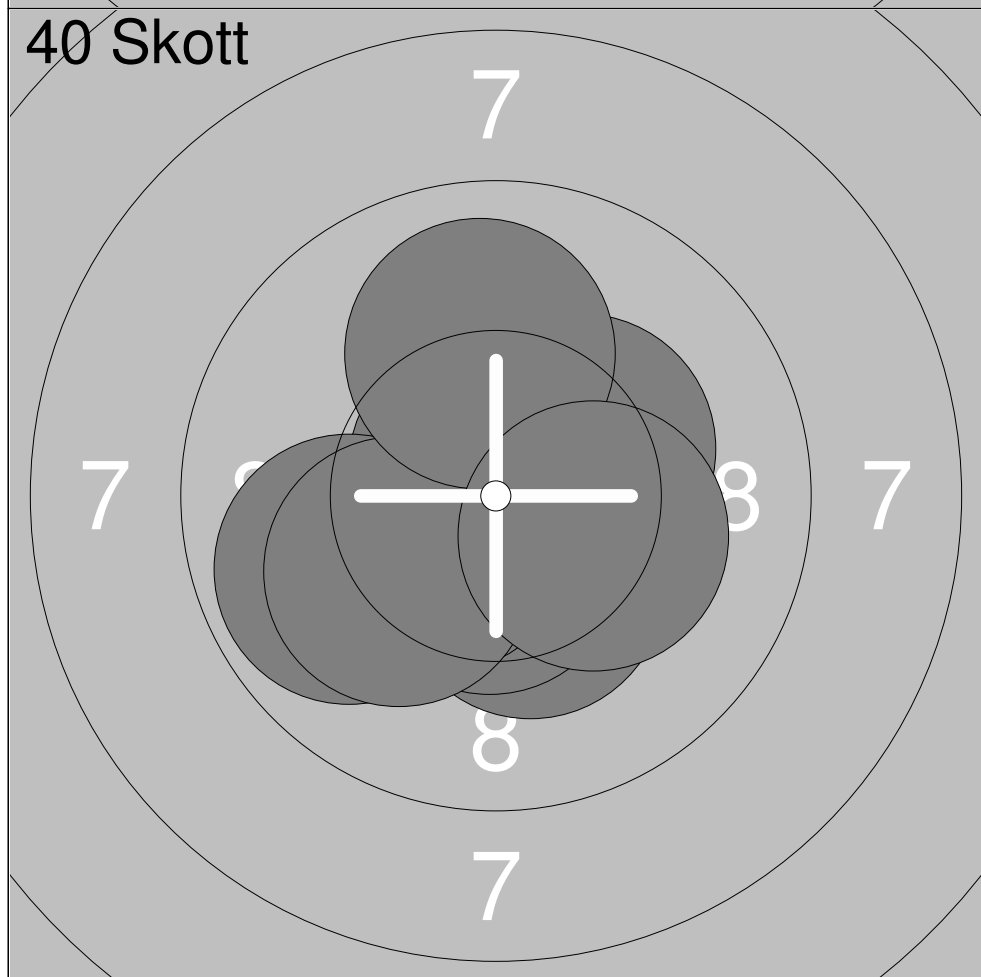


1:	10.6x	↗
2:	10.8x	↖
3:	10.7x	→
4:	10.7x	↘
5:	10.3x	↗
6:	10.0	↗
7:	10.1	←
8:	10.1	←
9:	10.6x	←
10:	9.7	←
Serie	103.6	
Total	520.1	



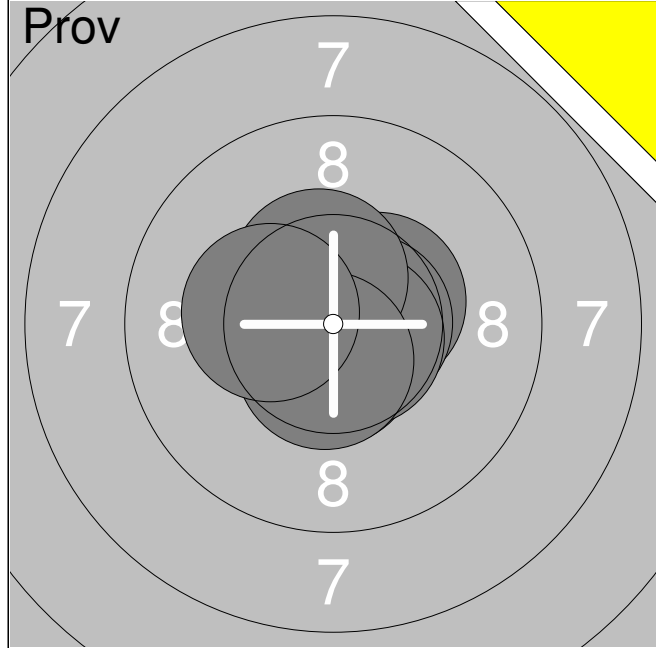
1:	10.5x	↖
2:	10.8x	↑
3:	10.5x	↗
4:	10.6x	↘
5:	10.1	↙
6:	10.5x	↖
7:	10.5x	↘
8:	10.4x	←
9:	10.3x	↘
10:	10.5x	↖

Serie	104.7
Total	416.3

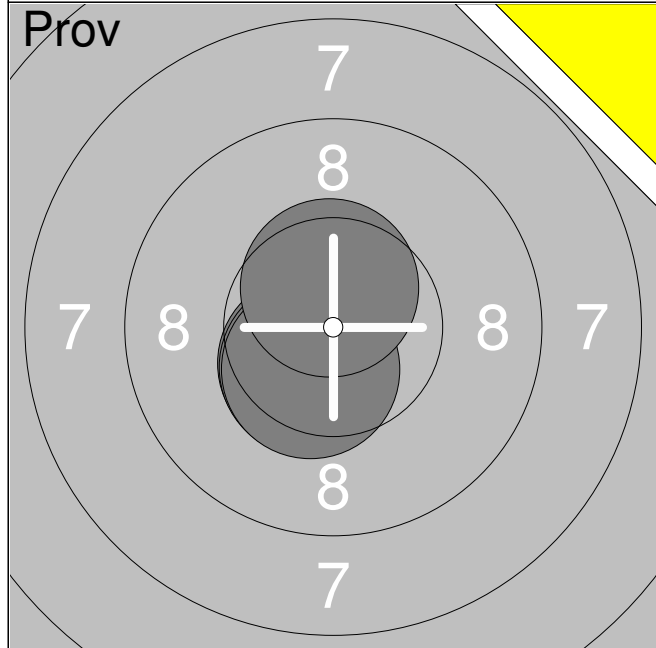


1:	10.3x	↘
2:	10.5x	↘
3:	10.5x	↑
4:	10.5x	↖
5:	10.3x	↗
6:	10.7x	↖
7:	9.9	↖
8:	10.1	↖
9:	10.0	↑
10:	10.2x	↘

Serie	103.0
Total	519.3



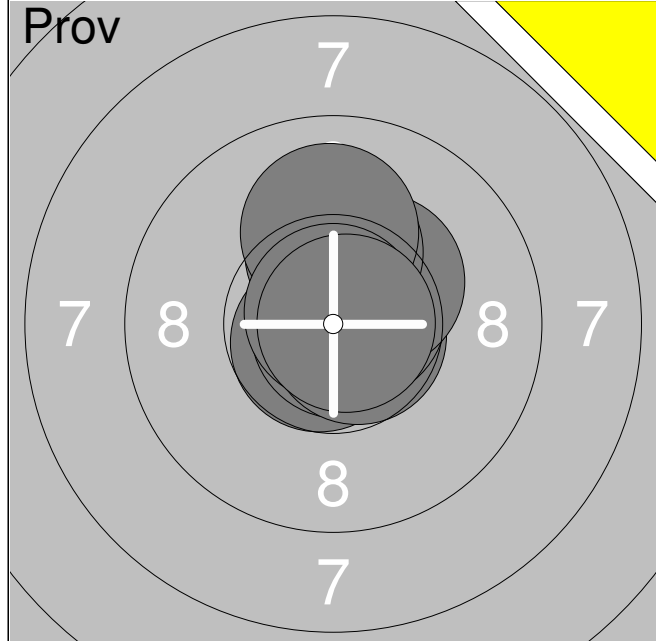
1:	10.8x	↓
2:	10.8x	↖
3:	10.5x	↗
4:	10.6x	→
5:	10.6x	↓
6:	10.6x	↑
7:	10.7x	↘
8:	10.5x	↑
9:	10.6x	↓
10:	10.3x	←
Serie		106.0
Total		415.9



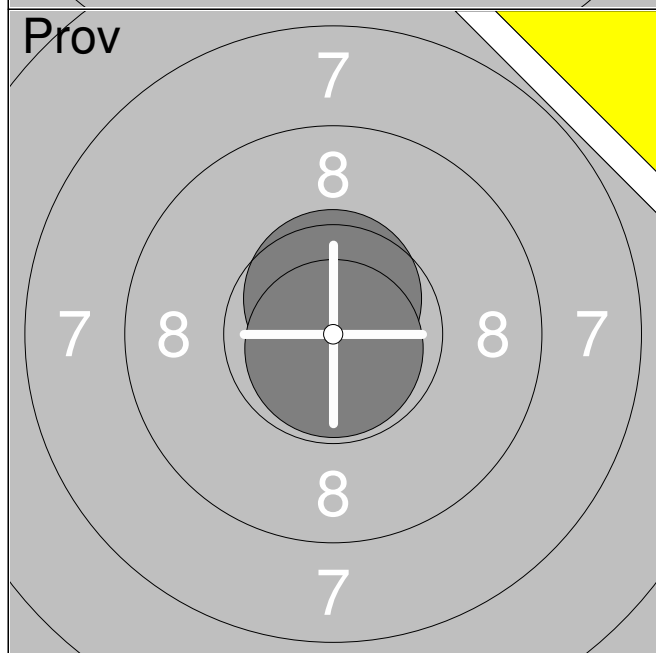
11:	10.5x	↙
12:	10.5x	↙
13:	10.5x	↙
14:	10.6x	↑
Serie		42.1
Total		415.9



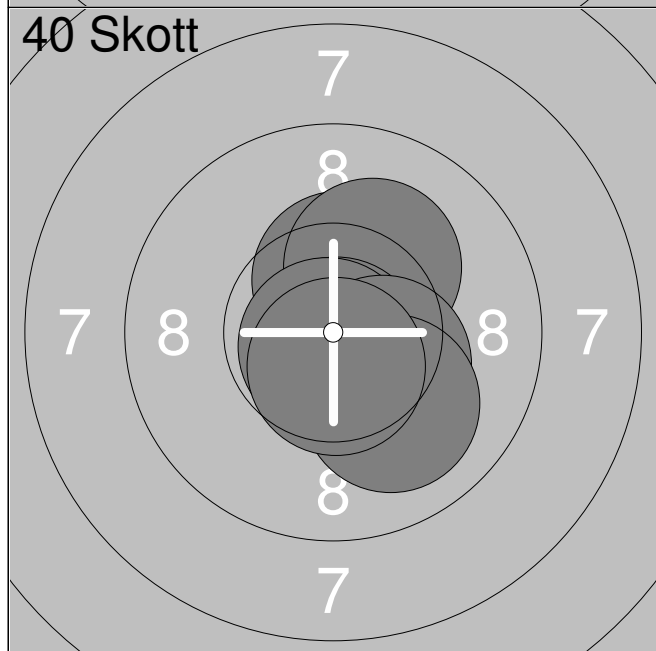
1:	10.8x	↗
2:	10.8x	↑
3:	10.8x	↘
4:	10.3x	↗
5:	10.3x	↙
6:	10.6x	←
7:	10.4x	↑
8:	10.8x	↑
9:	10.7x	↓
10:	10.5x	↙
Serie		106.0
Total		521.9



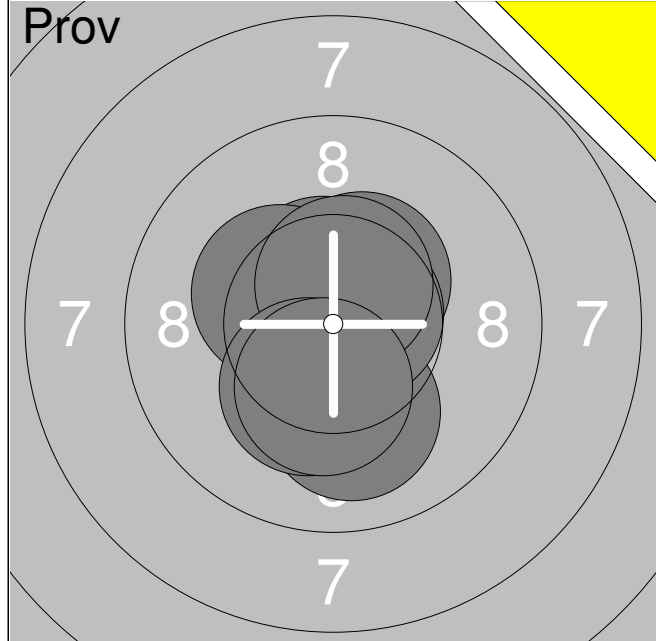
1:	10.7x	↙
2:	10.9x	↘
3:	10.7x	→
4:	10.5x	↑
5:	10.7x	↗
6:	10.3x	↗
7:	10.2x	↑
8:	10.0	↑
9:	10.8x	↑
10:	10.8x	→
Serie		105.6
Total		423.3



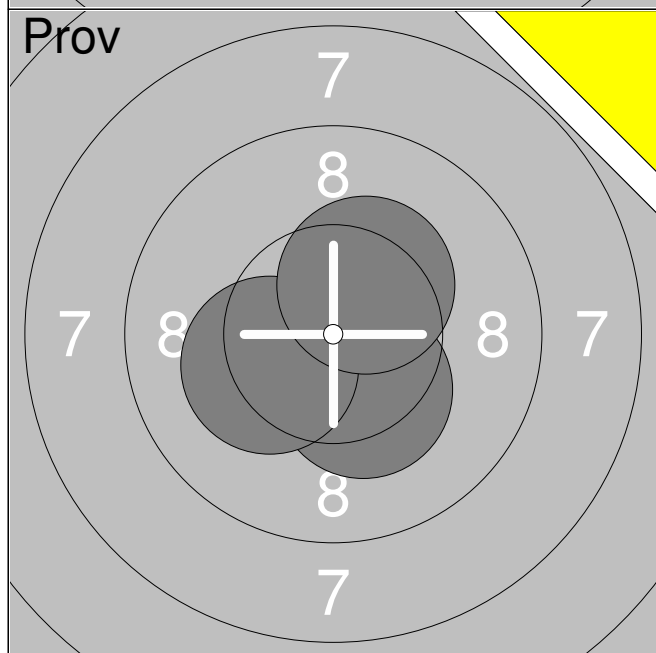
11:	10.6x	↑
12:	10.8x	↓
Serie		21.4
Total		423.3



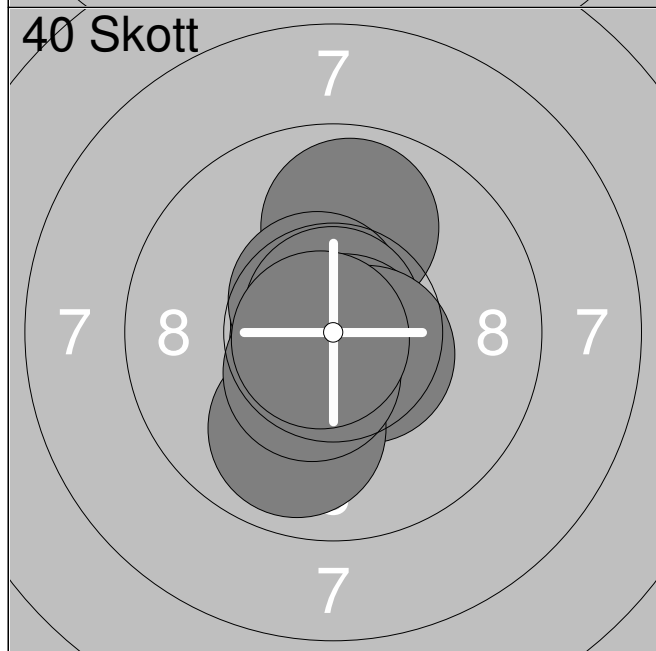
1:	10.4x	↙
2:	10.9x	↘
3:	10.8x	→
4:	10.4x	↑
5:	10.2x	↗
6:	10.8x	↓
7:	10.8x	↓
8:	10.4x	↘
9:	10.0	↘
10:	10.6x	↓
Serie		105.3
Total		528.6



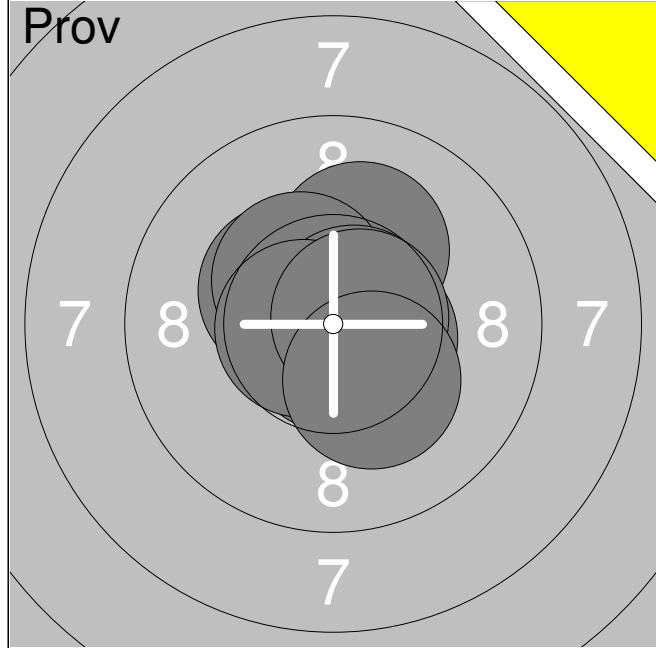
1:	10.5x	↑
2:	10.5x	↑
3:	10.1	↓
4:	10.8x	←
5:	10.3x	↖
6:	10.4x	↗
7:	10.7x	→
8:	10.5x	↑
9:	10.3x	↓
10:	10.3x	↓
Serie		104.4
Total		422.1



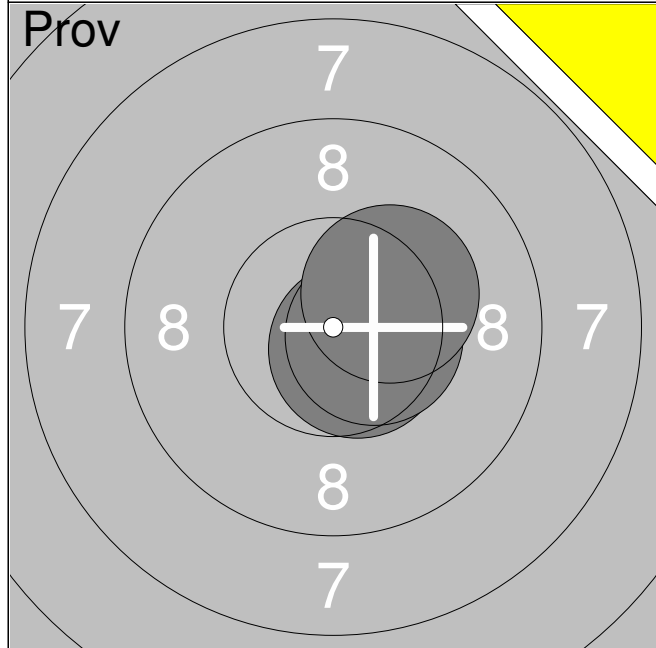
11:	10.3x	↓
12:	10.2x	←
13:	10.4x	↗
Serie		30.9
Total		422.1



1:	9.9	↑
2:	10.8x	←
3:	10.8x	↗
4:	10.6x	↗
5:	10.8x	↑
6:	10.8x	↓
7:	10.6x	↓
8:	9.9	↓
9:	10.5x	↓
10:	10.8x	←
Serie		105.5
Total		527.6



1:	10.6x	→
2:	10.2x	↑
3:	10.4x	↗
4:	10.4x	↗
5:	10.7x	↓
6:	10.7x	→
7:	10.8x	↓
8:	10.7x	←
9:	10.7x	→
10:	10.3x	↓
Serie		105.5
Total		421.6



11:	10.6x	↘
12:	10.5x	→
13:	10.3x	↗
Serie		31.4
Total		421.6



1:	10.7x	→
2:	10.2x	↑
3:	10.6x	←
4:	10.5x	↗
5:	10.3x	↗
6:	10.4x	↗
7:	10.7x	←
8:	10.8x	↗
9:	10.8x	↙
10:	10.6x	↑
Serie		105.6
Total		527.2



1:	10.9x	↙
2:	10.3x	↘
3:	10.6x	↗
4:	10.5x	↘
5:	10.6x	↘
6:	10.5x	↘
7:	10.7x	↘
8:	10.3x	↘
9:	10.3x	↙
10:	10.4x	↘
Serie		105.1
Total		420.7



1:	10.4x	↘
2:	10.5x	←
3:	10.4x	→
4:	10.3x	↘
5:	10.8x	↘
6:	10.6x	↗
7:	10.7x	↘
8:	10.8x	↗
9:	10.7x	↘
10:	10.2x	↗
Serie		105.4
Total		526.1



1:	10.6x	→
2:	10.5x	↘
3:	10.3x	↓
4:	9.6	↗
5:	10.4x	↑
6:	10.1	↗
7:	10.2x	↗
8:	10.3x	→
9:	10.7x	↗
10:	10.4x	↑

Serie	103.1
Total	420.6



1:	10.8x	↘
2:	10.8x	↘
3:	10.0	↘
4:	10.5x	↗
5:	10.6x	→
6:	10.7x	←
7:	10.4x	↙
8:	10.9x	↙
9:	10.7x	↗
10:	9.7	↓

Serie	105.1
Total	525.7

Skjutlag	Tavla	Hanna Augustsson	
3	26		
S	Vännäs Skf		Vb
01.02.2020	Skyttiaden Regionfinal 2020	Umeå skytteallians	
Prov 	1:	9.0	↘
	2:	10.4x	↘
	3:	10.4x	↙
	4:	10.7x	↘
	5:	10.6x	↘
	6:	10.2x	↘
	7:	10.4x	↘
	8:	10.9x	←
	9:	10.2x	↙
	10:	10.6x	→
	Serie		103.4
Total		424.4	
Prov 	11:	10.5x	↘
	12:	10.8x	↗
	13:	10.3x	↙
	14:	10.7x	↑
	15:	10.7x	→
Serie		53.0	
Total		424.4	
40 Skott 	1:	10.6x	→
	2:	10.6x	→
	3:	10.8x	↑
	4:	10.7x	↑
	5:	10.4x	←
	6:	10.6x	→
	7:	10.7x	←
	8:	10.3x	↘
	9:	10.7x	↘
	10:	10.2x	↙
Serie		105.6	
Total		530.0	



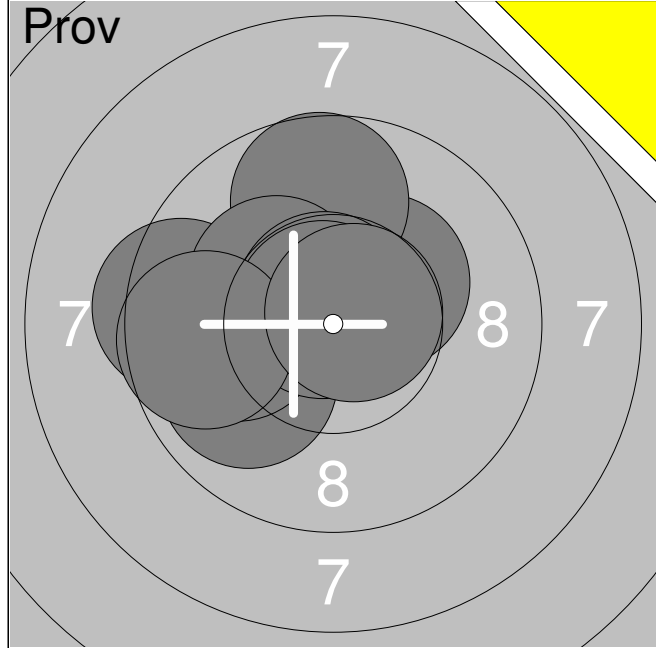
1:	10.1	↙
2:	10.3x	↑
3:	10.6x	↑
4:	10.5x	↖
5:	10.2x	↗
6:	10.5x	↙
7:	10.5x	↑
8:	10.8x	→
9:	10.7x	↙
10:	10.5x	↗

Serie	104.7
Total	421.5



1:	10.2x	→
2:	10.4x	→
3:	10.7x	↗
4:	10.8x	↘
5:	10.8x	↗
6:	10.2x	↗
7:	10.8x	↘
8:	10.5x	↙
9:	10.9x	↙
10:	10.6x	↙

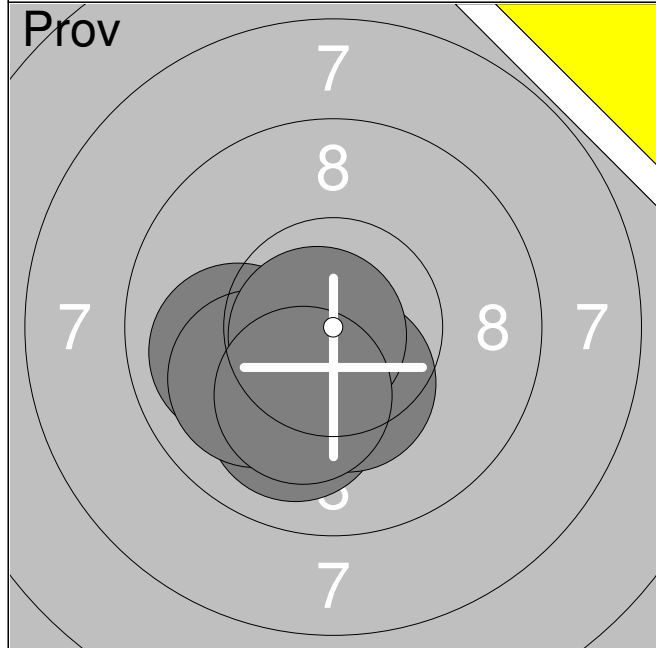
Serie	105.9
Total	527.4



1:	10.3x	↗
2:	9.9	↙
3:	10.0	←
4:	9.4	←
5:	9.7	↑
6:	10.3x	↗
7:	10.7x	↑
8:	10.8x	↗
9:	9.7	←
10:	10.7x	↗

Serie 101.5

Total 416.7



11:	10.5x	↓
12:	10.0	←
13:	10.0	↓
14:	10.4x	↓
15:	10.0	←
16:	10.8x	←
18:	10.2x	↓

Serie 71.9

Total 416.7



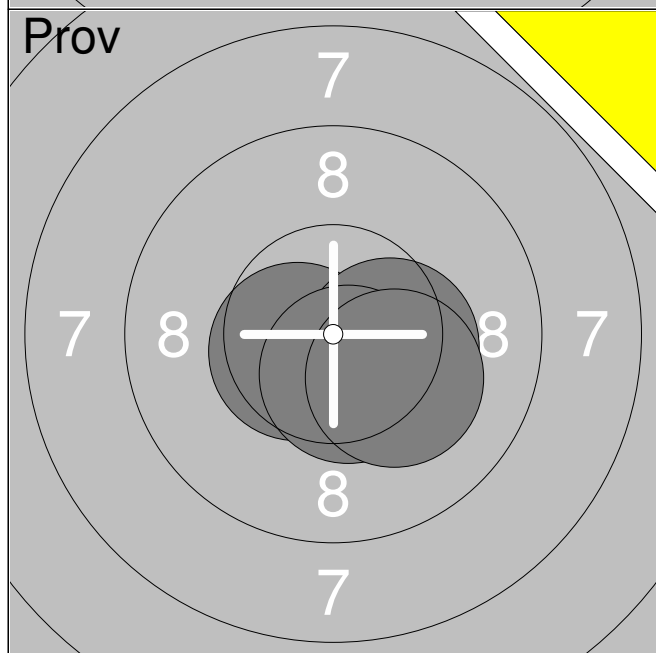
1:	10.4x	↓
2:	10.6x	↙
3:	10.6x	←
4:	10.3x	↙
5:	10.2x	↓
6:	10.1	↓
7:	10.1	↓
8:	10.2x	↘
9:	10.7x	↘
10:	9.9	↓

Serie 103.1

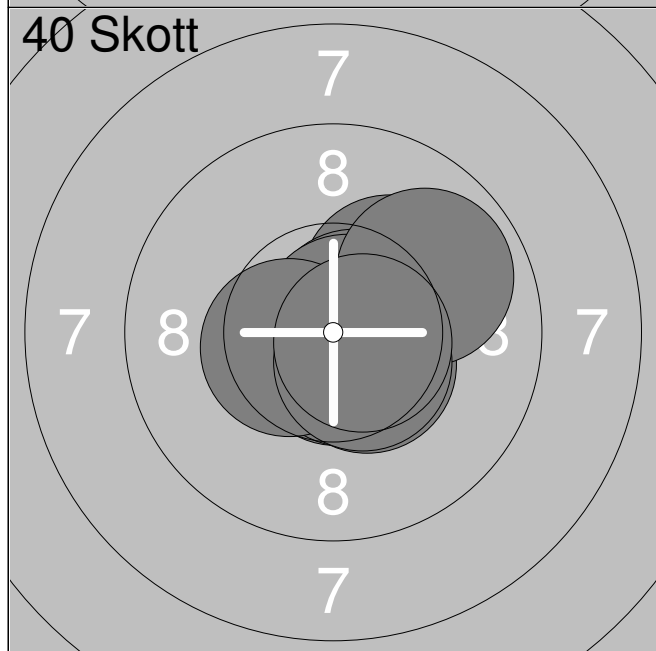
Total 519.8



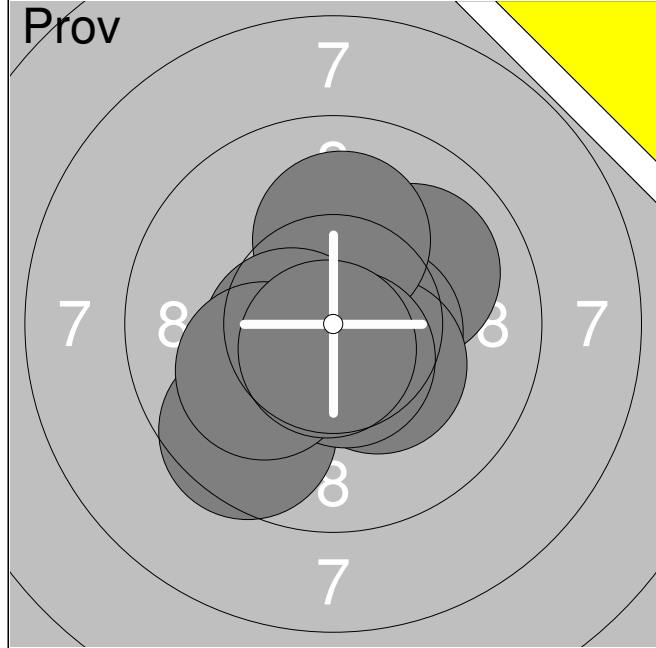
1:	9.6	↓
2:	10.3x	↓
3:	10.8x	↙
4:	10.5x	→
5:	10.2x	→
6:	9.8	→
7:	10.7x	↙
8:	10.0	→
9:	10.4x	↙
10:	10.7x	↓
Serie	103.0	
Total	416.1	



11:	10.5x	↙
12:	10.4x	→
13:	10.5x	↙
14:	10.2x	↙
Serie	41.6	
Total	416.1	



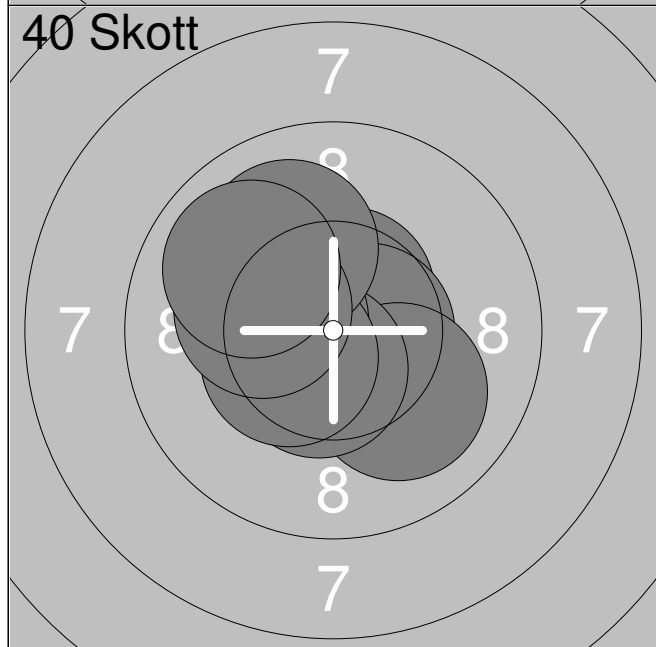
1:	10.2x	↗
2:	10.5x	↙
3:	10.7x	↗
4:	10.7x	↓
5:	10.7x	↙
6:	10.8x	↗
7:	9.9	↗
8:	10.5x	↙
9:	10.5x	↙
10:	10.6x	↘
Serie	105.1	
Total	521.2	



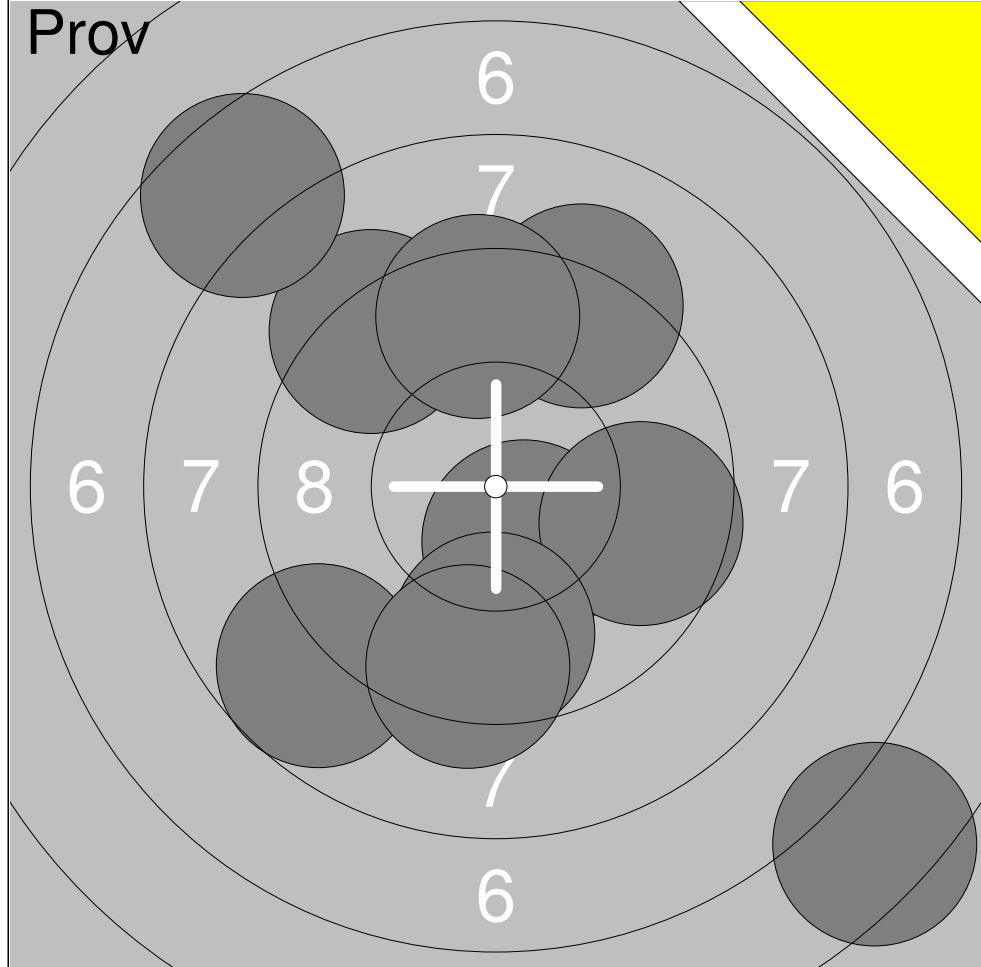
1:	10.0	↗
2:	9.6	↘
3:	10.5x	↙
4:	10.5x	→
5:	10.3x	↘
6:	10.1	↑
7:	10.5x	←
8:	10.6x	↘
9:	10.1	↙
10:	10.7x	↘
Serie		102.9
Total		410.6



11:	10.8x	↙
Serie		10.8
Total		410.6

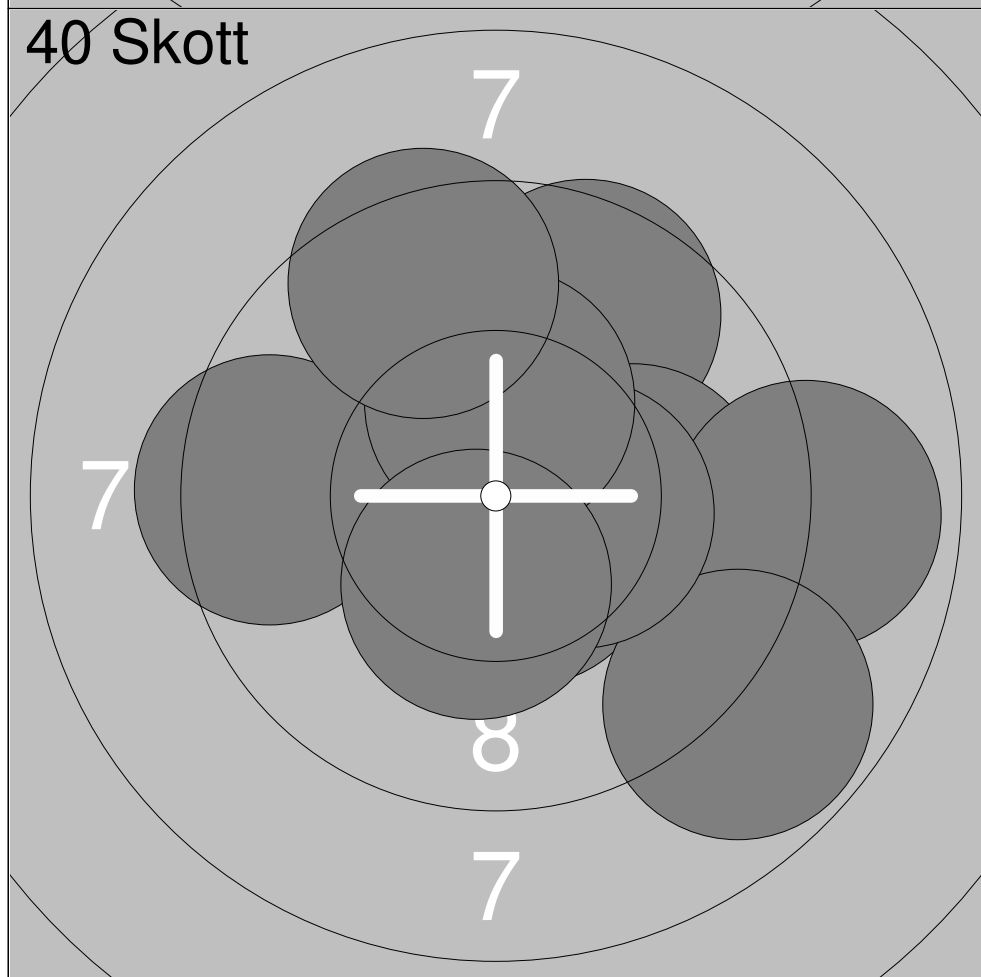


1:	10.6x	↗
2:	10.9x	↘
3:	10.6x	→
4:	10.1	↘
5:	10.5x	↘
6:	10.4x	←
7:	10.4x	↙
8:	10.0	↗
9:	10.2x	↙
10:	9.9	↖
Serie		103.6
Total		514.2



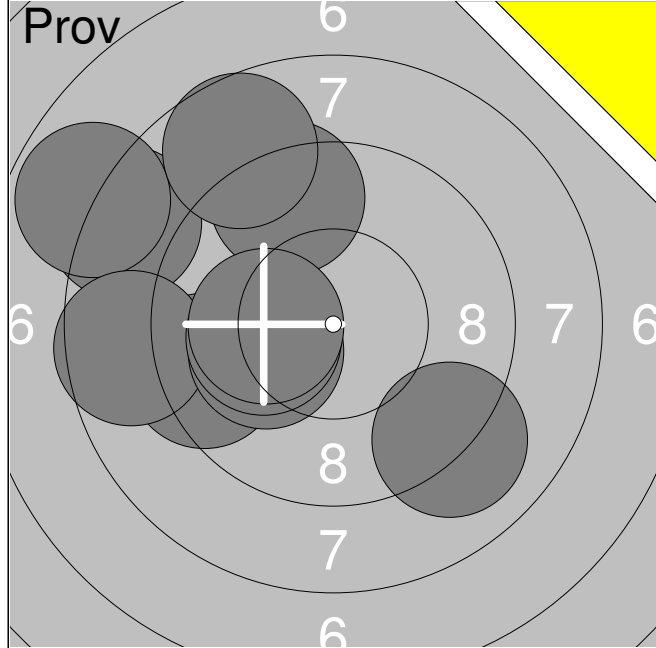
1:	9.2	↗
2:	8.7	↘
3:	6.4	↘
4:	9.2	↗
5:	10.4x	↘
6:	9.6	→
7:	7.6	↗
8:	9.6	↓
9:	9.4	↑
10:	9.4	↓

Serie	89.5
Total	363.6



1:	9.6	↗
2:	10.0	→
3:	10.5x	↘
4:	9.4	←
5:	8.9	→
6:	8.8	↘
7:	10.4x	→
8:	10.3x	↑
9:	9.5	↗
10:	10.3x	↘

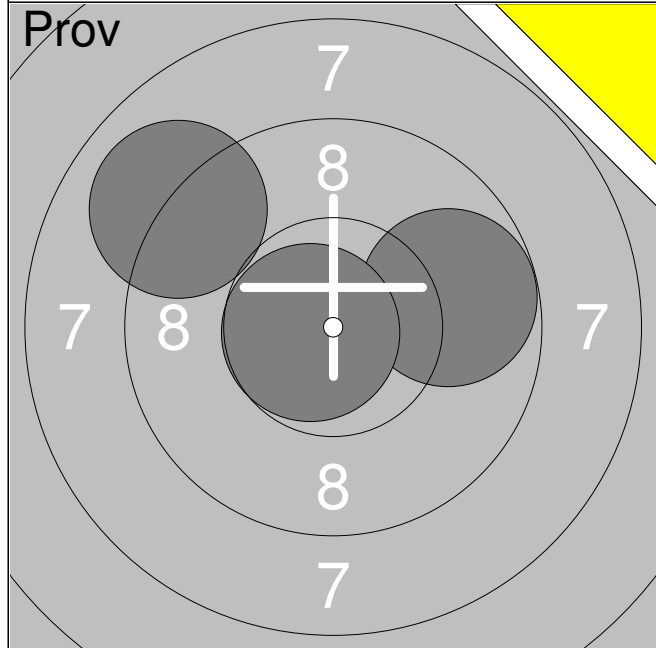
Serie	97.7
Total	461.3



1:	8.3	↖
2:	9.4	↑
3:	7.8	↖
4:	9.4	↖
5:	8.6	↖
6:	10.1	↖
7:	10.1	↖
8:	10.2x	↖
9:	8.7	↗
10:	9.1	↘

Serie 91.7

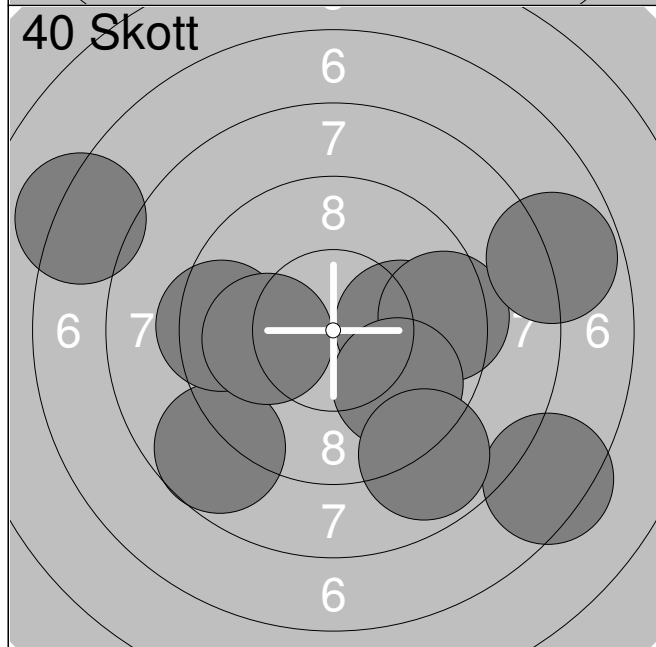
Total 349.9



11:	9.8	→
12:	9.0	↗
13:	10.7x	↖

Serie 29.5

Total 349.9

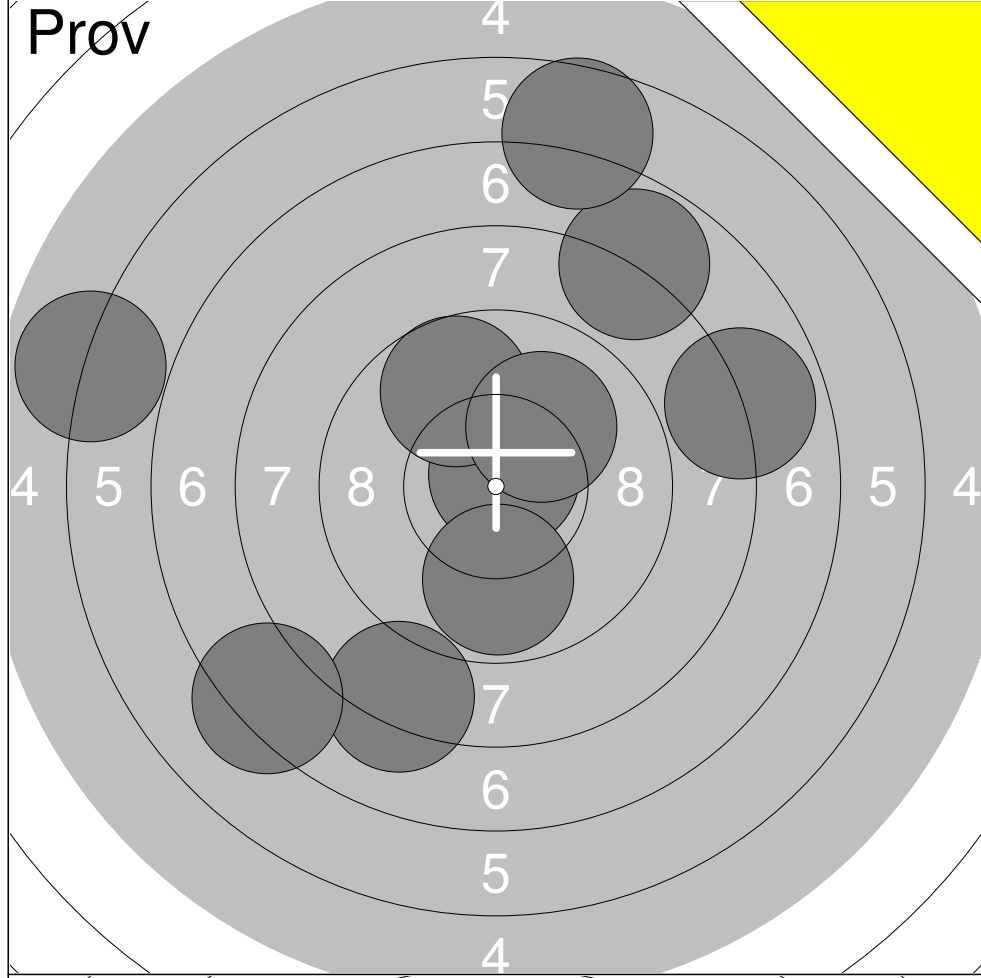


1:	8.7	↘
2:	9.4	↖
3:	10.0	→
4:	7.4	↘
5:	10.0	↖
6:	9.4	→
7:	9.8	↘
8:	7.8	→
9:	7.2	↖
10:	8.9	↘

Serie 88.6

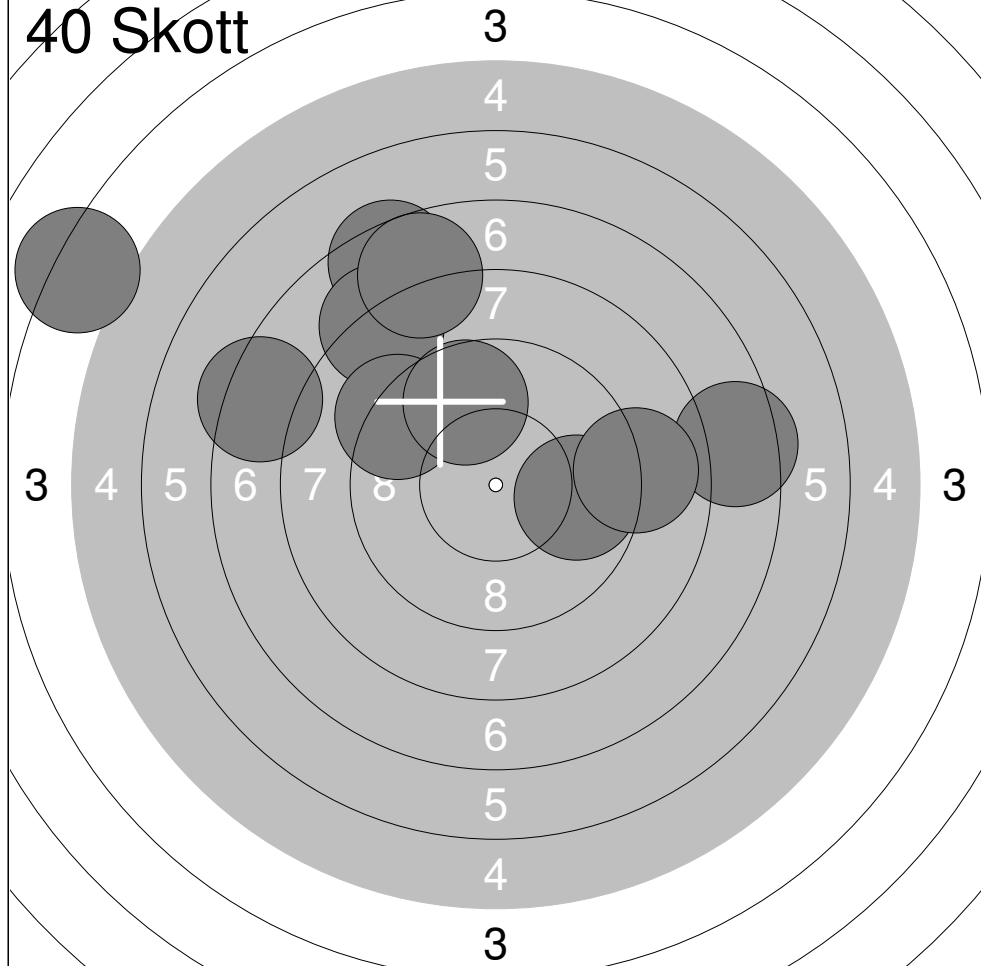
Total 438.5

Skjutlag	Tavla	Lukas Wallin		
4	14			
S	Aspås USkF		Jä	
01.02.2020	Skyttiaden Regionfinal 2020	Umeå skytteallians		
Prov 	3	1:	7.2	↘
	4	2:	9.8	↗
	5	3:	9.4	↗
	6	4:	10.2x	→
	7	5:	7.0	↑
	8	6:	8.9	→
	9	7:	10.1	↗
	10	8:	9.1	←
	11	9:	7.4	↙
	12	10:	4.6	←
		Serie		83.7
	Total		339.5	
Prov 	5	11:	6.4	←
	6			
	Serie		6.4	
	Total		339.5	
40 Skott 	6	1:	8.9	←
	7	2:	9.7	→
	8	3:	9.7	↘
	9	4:	9.3	↑
	10	5:	7.9	←
	11	6:	9.9	↗
	12	7:	10.3x	←
	13	8:	9.0	↗
	14	9:	9.3	↖
	15	10:	9.8	↘
		Serie		93.8
	Total		433.3	



1:	5.9	↙
2:	7.8	↗
3:	10.8x	↗
4:	7.9	→
5:	9.7	↖
6:	9.8	↓
7:	8.2	↘
8:	10.1	↗
9:	6.6	↖
10:	7.2	↙

Serie	84.0
Total	312.1



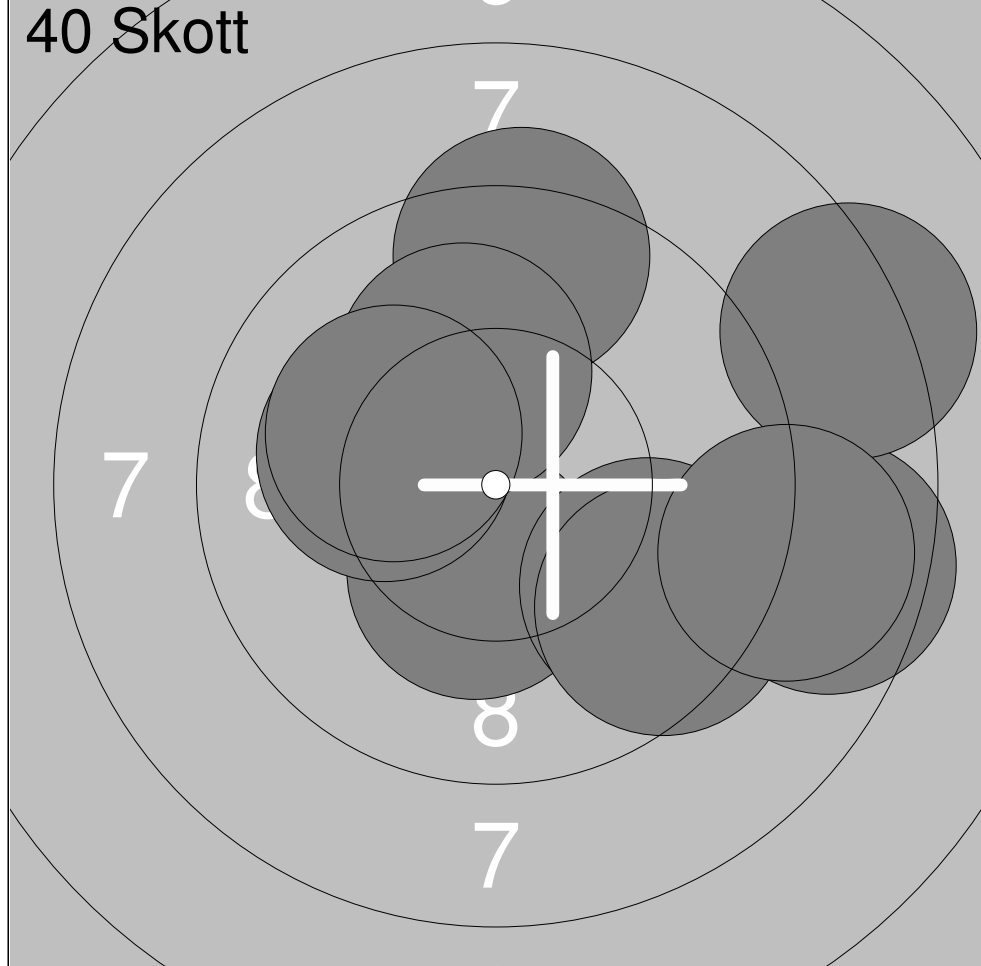
1:	9.8	→
2:	7.4	↗
3:	8.1	↗
4:	9.2	↗
5:	7.5	→
6:	9.7	↖
7:	7.3	↖
8:	7.7	↖
9:	4.2	↖
10:	8.9	→

Serie	79.8
Total	391.9



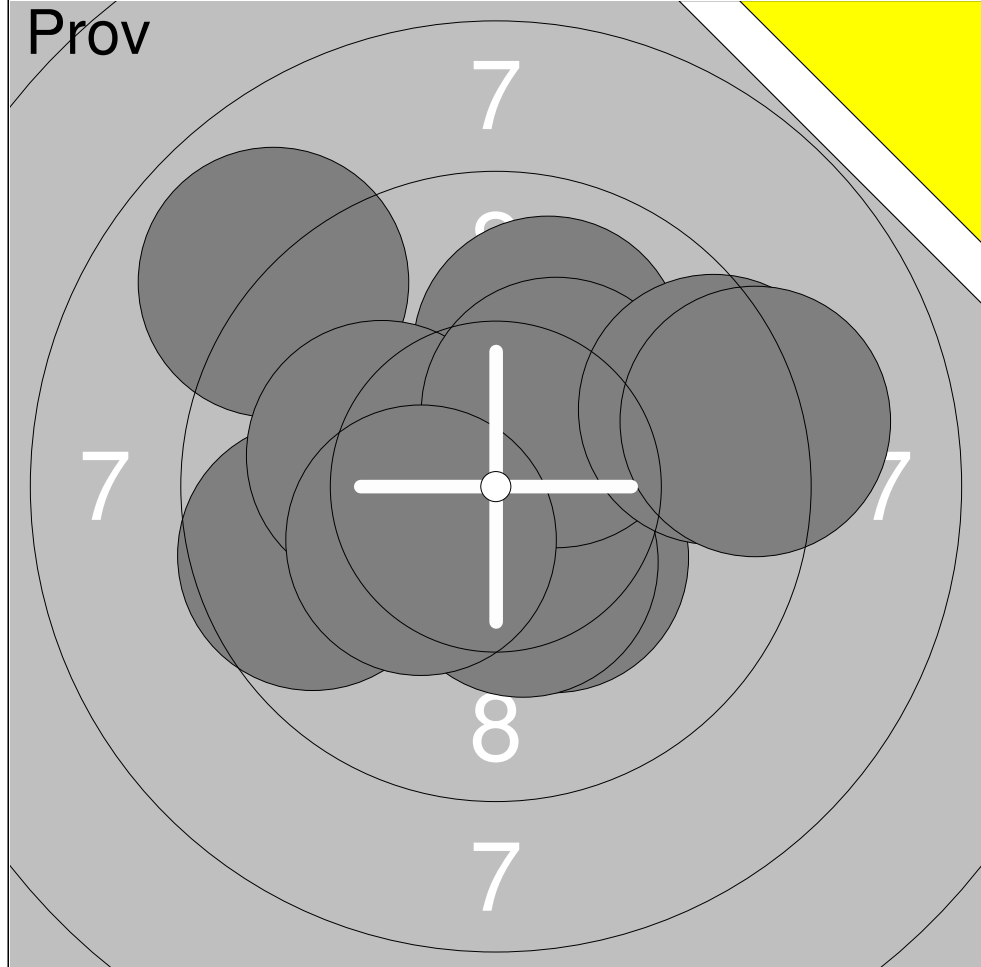
1:	9.9	↙
2:	10.2x	←
3:	10.1	↘
4:	10.5x	↘
5:	10.3x	→
6:	10.7x	↘
7:	10.2x	↘

Serie	71.9
Total	406.9



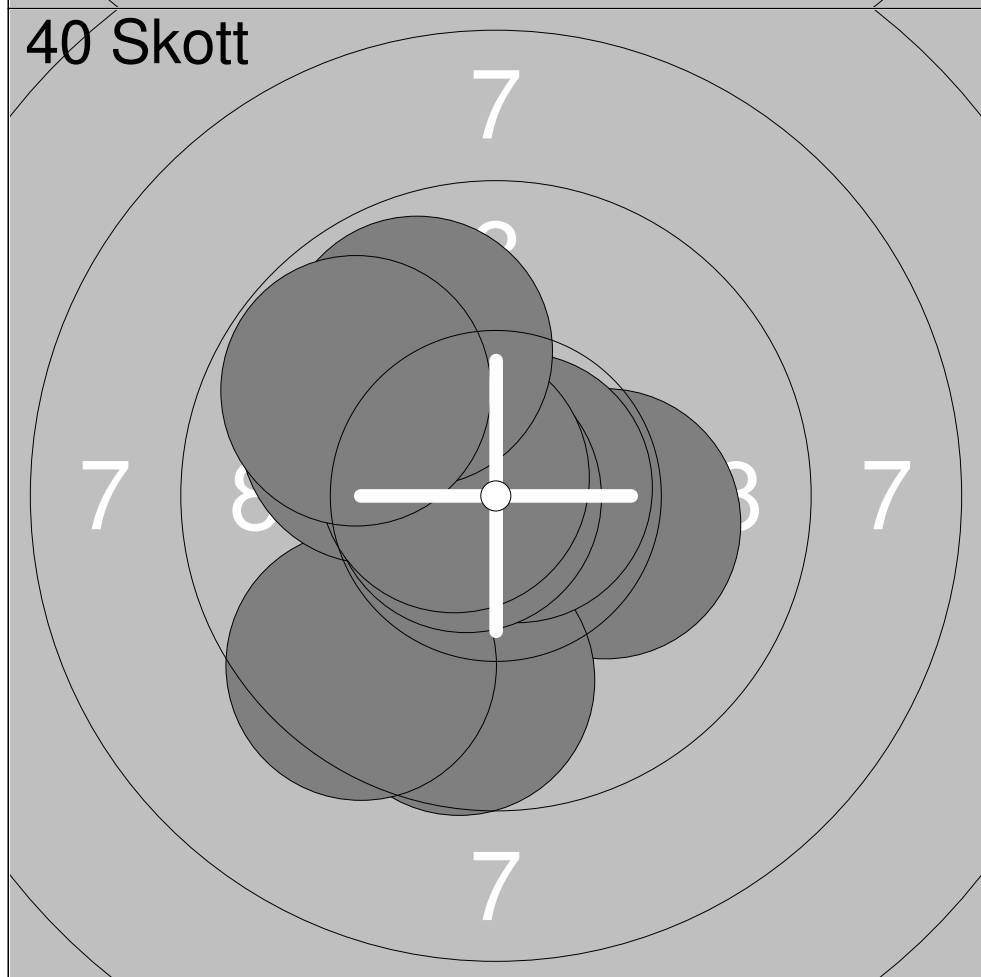
1:	10.3x	↓
2:	9.7	↘
3:	9.5	↘
4:	8.6	→
5:	8.3	↗
6:	8.9	→
7:	9.3	↑
8:	10.1	↑
9:	10.1	←
10:	10.1	↙

Serie	94.9
Total	501.8



1:	8.9	↖
2:	10.3x	↘
3:	9.6	↙
4:	10.0	↗
5:	10.4x	↘
6:	10.2x	↙
7:	10.3x	↗
8:	9.4	→
9:	9.2	→
10:	10.3x	↙

Serie	98.6
Total	406.9



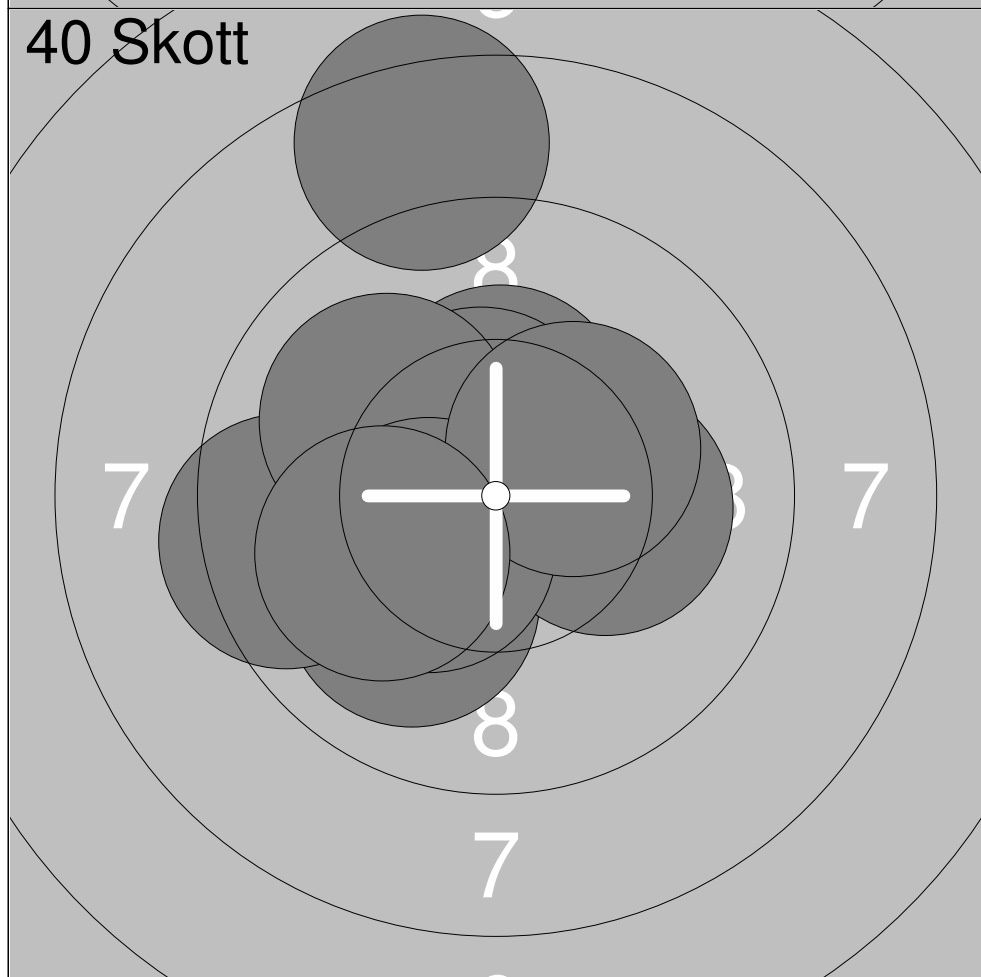
1:	10.6x	↓
2:	10.2x	→
3:	9.7	↓
4:	9.5	↙
5:	10.0	↗
6:	10.8x	→
7:	10.8x	↙
8:	10.6x	↗
9:	9.9	↗
10:	9.8	↗

Serie	101.9
Total	508.8



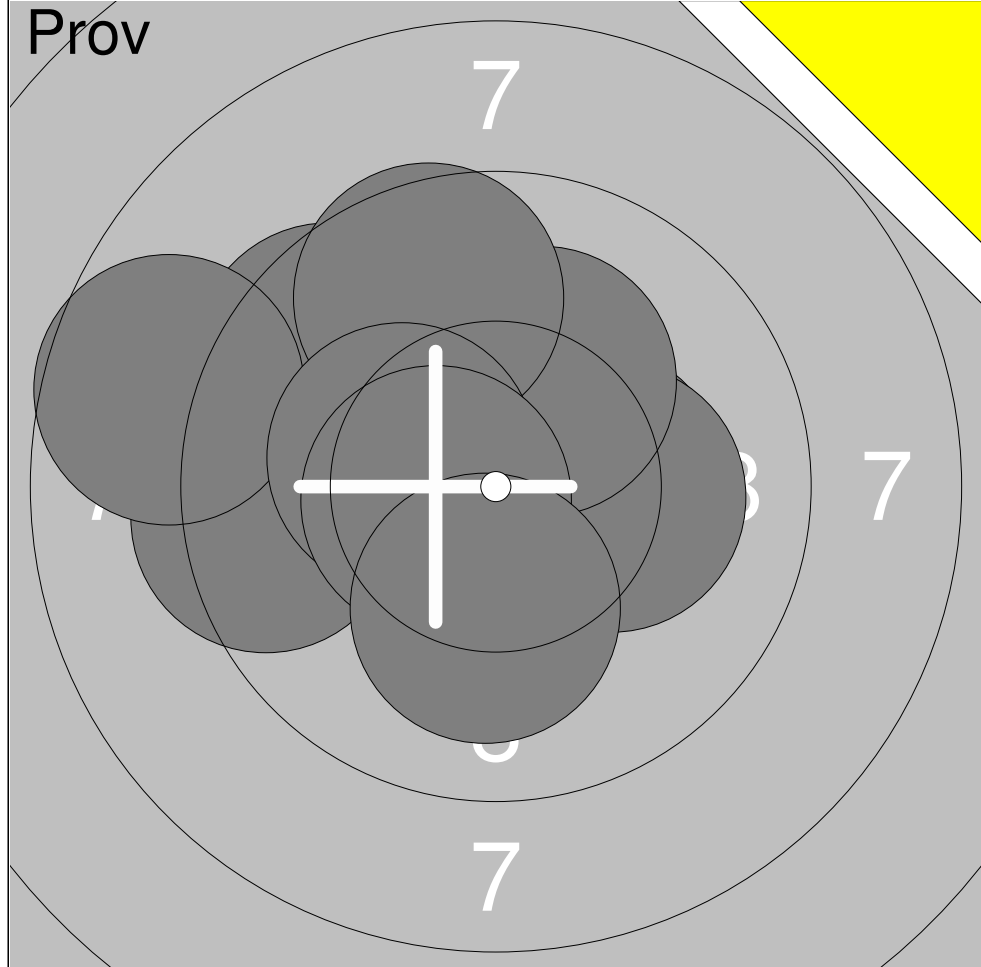
1:	10.7x	↗
2:	10.4x	↗
3:	10.2x	↘
4:	10.2x	←
5:	10.5x	↗
6:	8.9	←
7:	10.2x	←
8:	10.9x	↑

Serie	82.0
Total	405.7

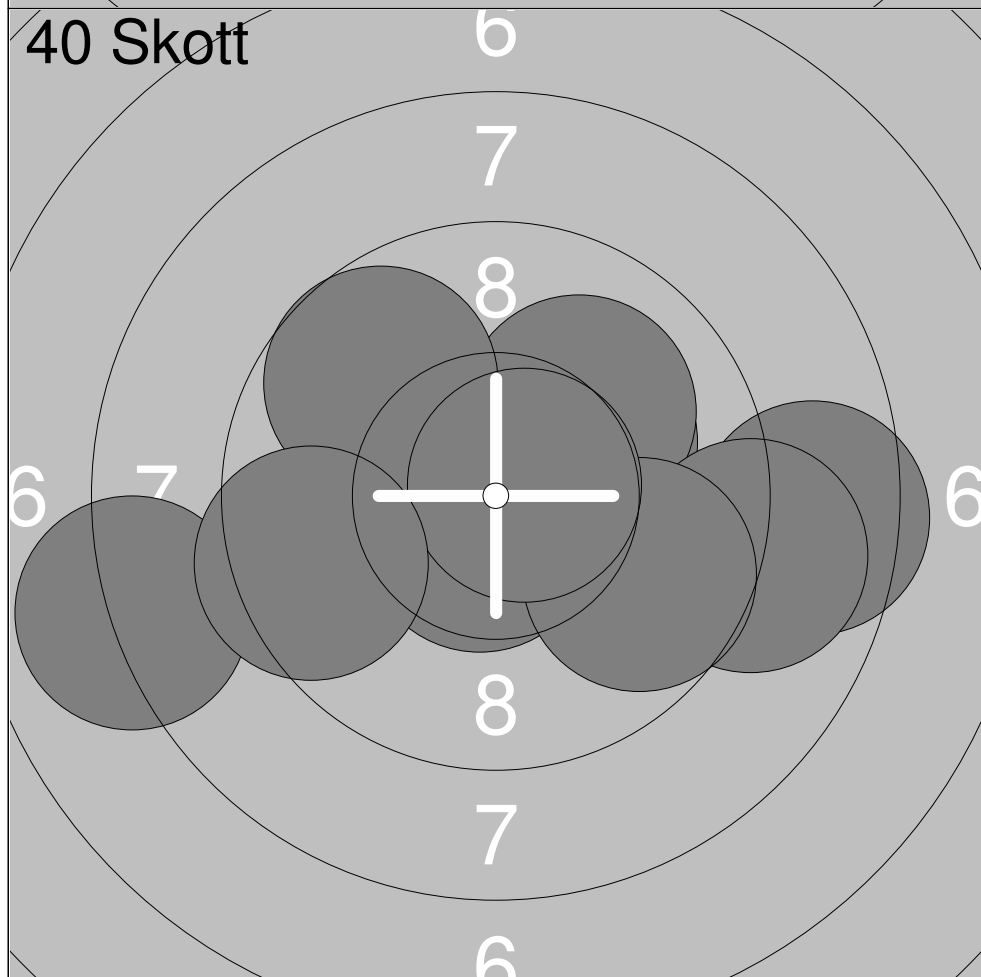


1:	10.0	↙
2:	8.4	↑
3:	9.4	←
4:	10.4x	↑
5:	10.2x	→
6:	10.5x	↑
7:	10.0	↙
8:	10.4x	↙
9:	10.3x	↗
10:	10.1	↙

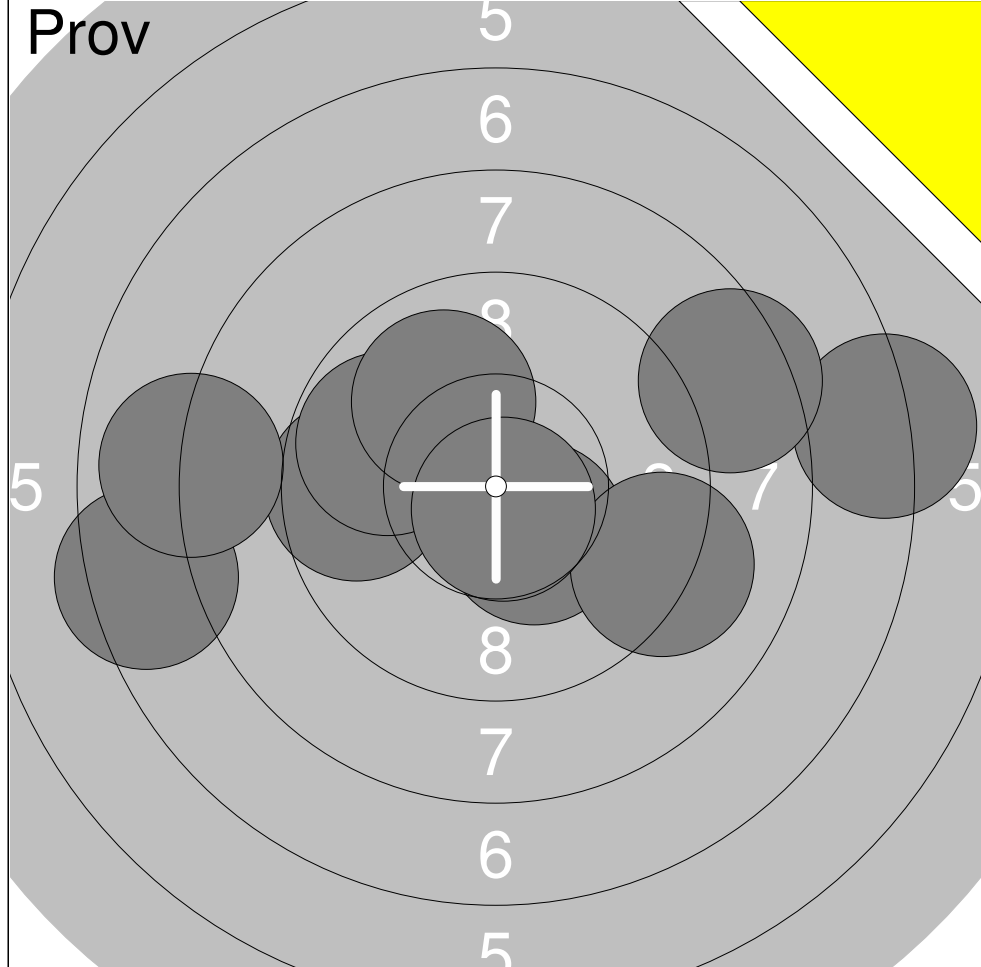
Serie	99.7
Total	505.4



1:	10.3x	→
2:	10.2x	→
3:	10.2x	↗
4:	9.5	↖
5:	9.4	←
6:	8.7	←
7:	9.6	↗
8:	10.3x	←
9:	10.5x	←
10:	10.1	↓
Serie		98.8
Total		388.9

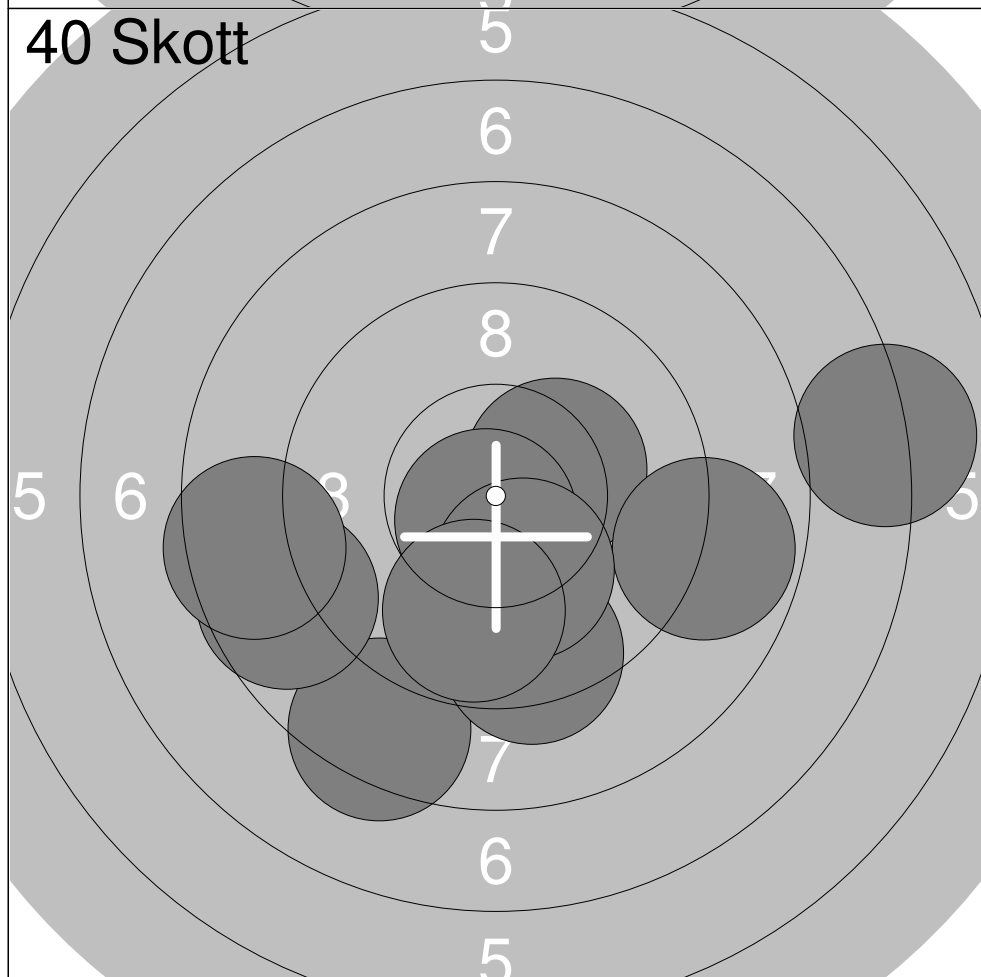


1:	8.0	←
2:	8.5	→
3:	10.2x	↗
4:	10.6x	↘
5:	10.0	↗
6:	8.9	→
7:	9.7	↘
8:	9.7	↗
9:	10.7x	↗
10:	9.4	←
Serie		95.7
Total		484.6



1:	7.1	→
2:	9.6	←
3:	7.4	←
4:	8.0	←
5:	9.8	↖
6:	10.4x	↘
7:	9.1	↘
8:	10.0	↗
9:	8.4	↗
10:	10.7x	↘

Serie	90.5
Total	383.9



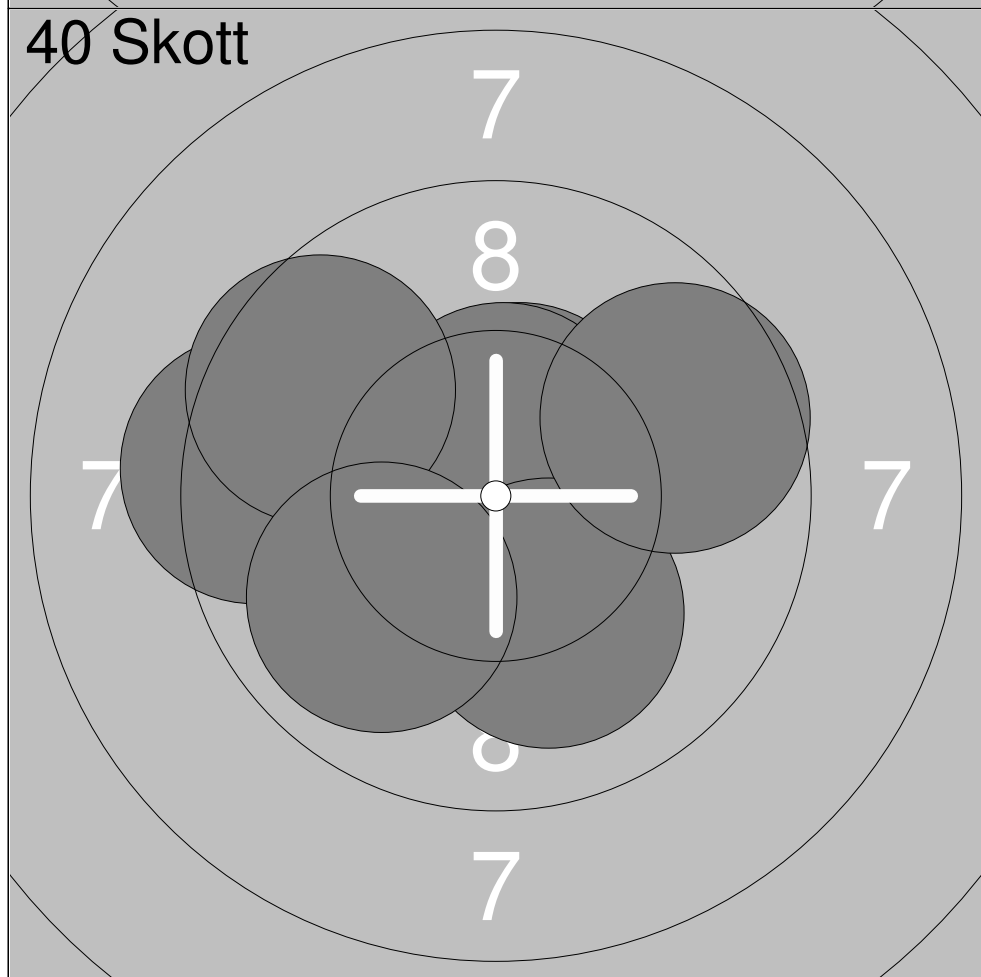
1:	8.4	↘
2:	8.7	←
3:	10.3x	↗
4:	9.4	↘
5:	8.8	→
6:	10.7x	↘
7:	10.2x	↘
8:	9.8	↘
9:	8.5	←
10:	7.1	→

Serie	91.9
Total	475.8



1:	10.6x	→
2:	10.3x	↙
3:	10.0	↘
4:	9.8	→
5:	10.5x	↓
6:	10.2x	↓
7:	9.8	→
8:	10.4x	←

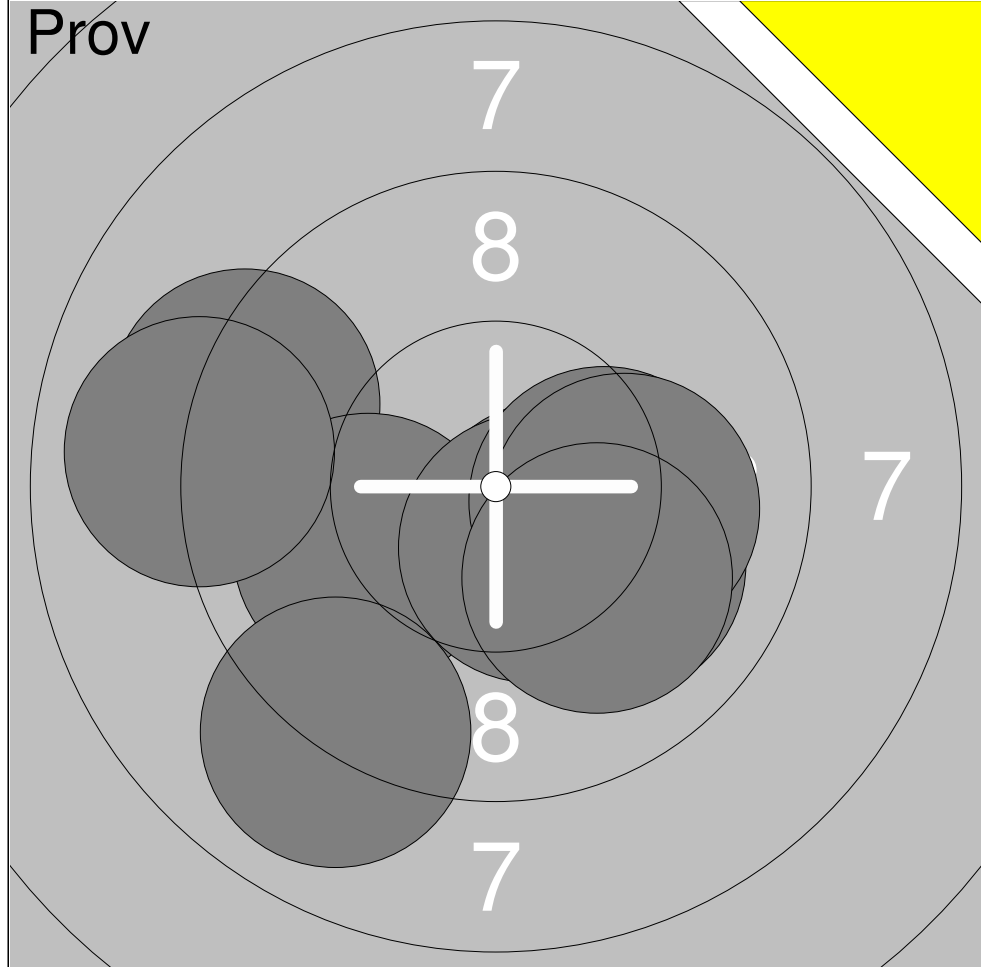
Serie	81.6
Total	401.8



1:	9.3	←
2:	10.5x	↗
3:	10.8x	←
4:	10.6x	↗
5:	10.8x	↑
6:	10.6x	↑
7:	10.1	↘
8:	9.6	↙
9:	9.9	↙
10:	9.7	↗

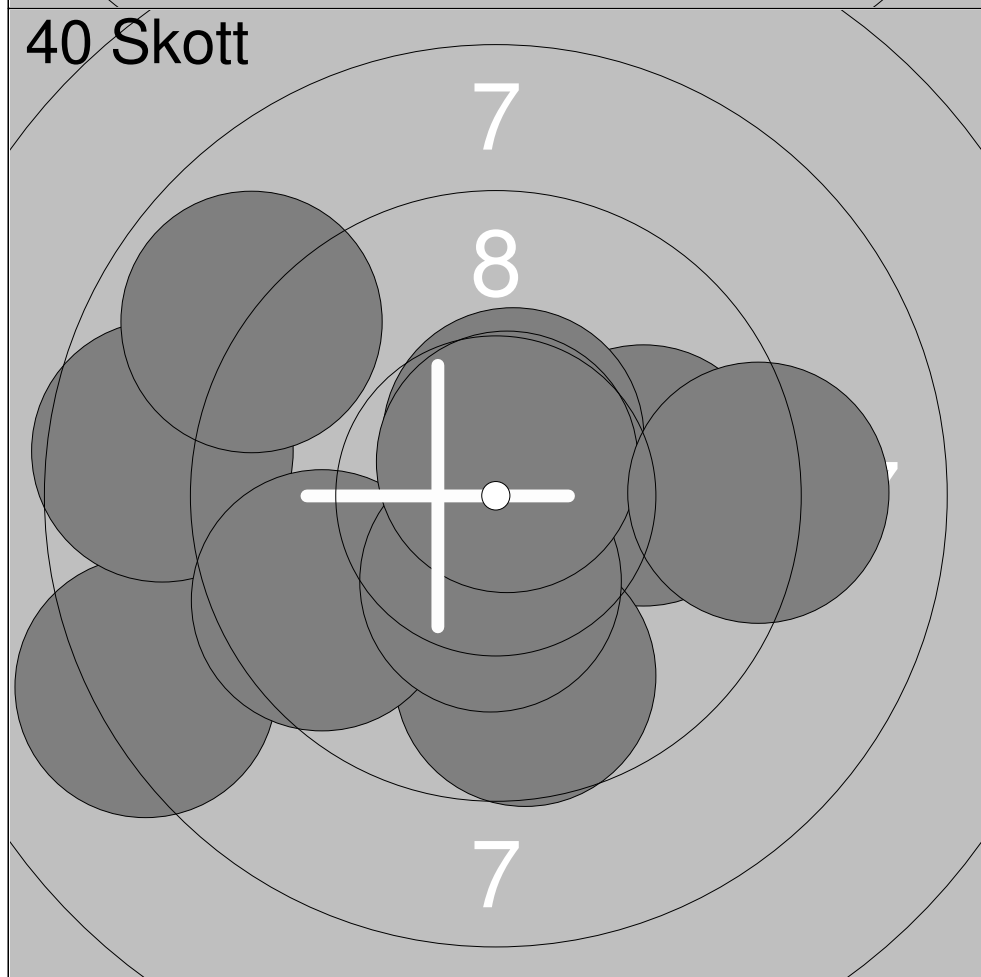
Serie	101.9
Total	503.7

Skjuttag 4	Tavla 22	Hanna Johansson	
S	Vännäs Skf		Vb
01.02.2020	Skyttiäden Regionfinal 2020	Umeå skytteallians	
Prov 	6	1:	8.5 ↘
	7	2:	10.2x ↑
	8	3:	8.5 ↘
	7	4:	10.3x ↓
	6	5:	7.8 ↘
	8	6:	9.9 ↘
	7	7:	10.6x ↗
	6	8:	10.6x ↘
	8	9:	9.0 ↗
	7	10:	10.8x ↑
	Serie		96.2
Total		399.7	
Prov 	6	11:	7.8 ↘
	7	12:	8.6 ↘
	8		
Serie		16.4	
Total		399.7	
40 Skott 	6	1:	10.1 ↓
	7	2:	9.7 →
	8	3:	10.1 →
	7	4:	9.2 ↗
	6	5:	10.1 ←
	8	6:	8.4 →
	7	7:	9.9 ↑
	6	8:	9.4 ↗
	8	9:	9.7 ↓
	7	10:	8.1 →
	Serie		94.7
Total		494.4	



1:	10.4x	↘
2:	9.2	↖
3:	10.0	↙
4:	9.0	↘
5:	10.5x	↘
6:	10.2x	→
7:	10.0	↘
8:	10.1	→
9:	9.0	↖
10:	10.0	↘

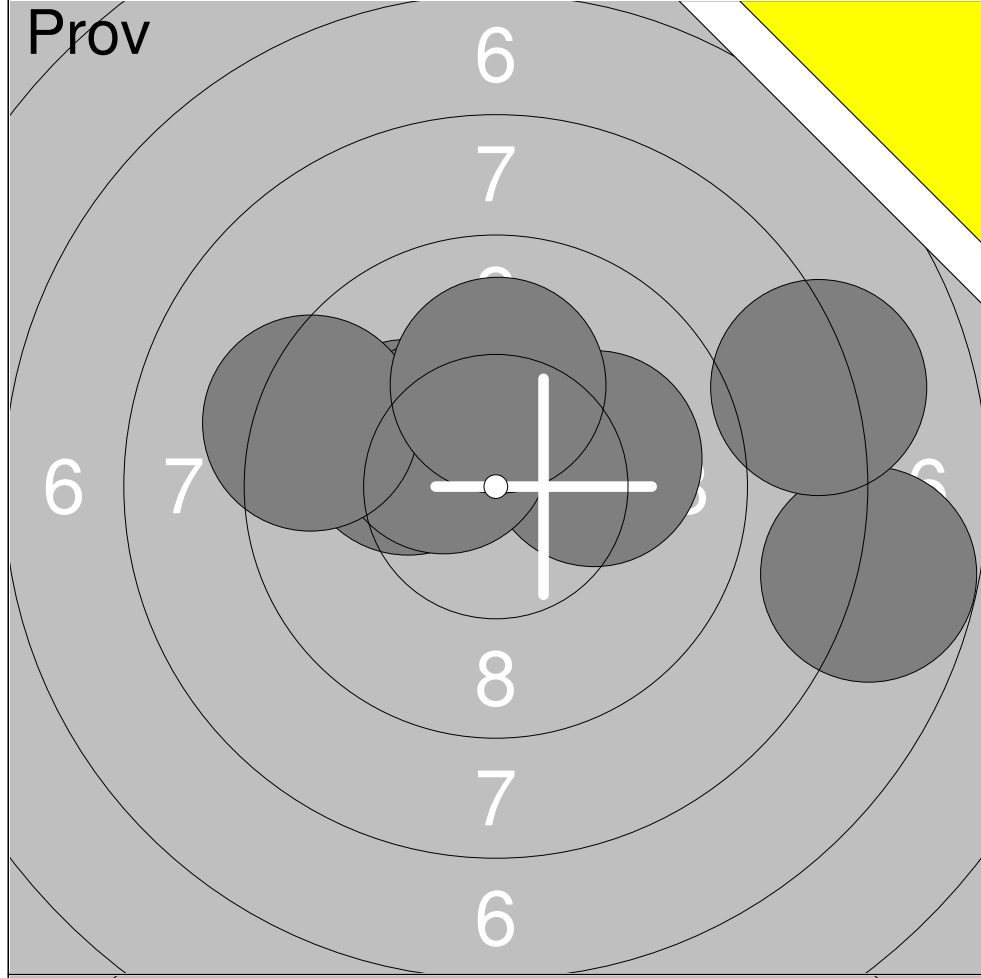
Serie	98.4
Total	397.4



1:	8.2	↖
2:	8.6	↖
3:	9.9	→
4:	9.7	↘
5:	9.6	↖
6:	10.4x	↘
7:	10.5x	↗
8:	10.7x	↗
9:	9.1	→
10:	8.9	↖

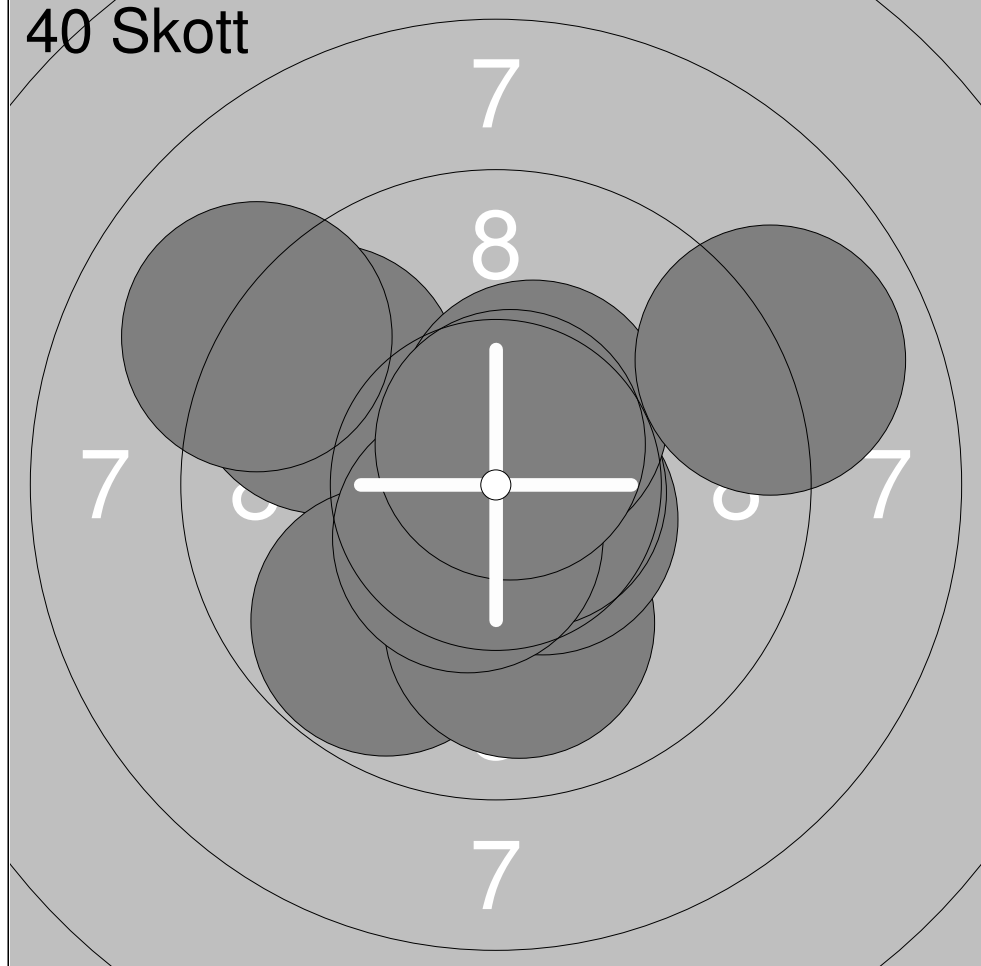
Serie	95.6
Total	493.0

Skjutlag 4	Tavla 24	Vincent Stridsson		
S		Gällivare Skf		No
01.02.2020	Skyttiaden Regionfinal 2020		Umeå skytteallians	
Prov 	6	1:	10.6x	↙
	7	2:	8.4	←
	8	3:	9.7	↗
	8	4:	8.5	←
	8	5:	10.4x	→
	7	6:	9.4	→
	6	7:	9.9	↙
		8:	10.5x	↙
		9:	9.3	↙
		10:	8.2	→
	Serie			
Total				395.2
Prov 	7	11:	10.2x	↗
	8	12:	8.7	↙
	8	13:	9.1	↗
	7	14:	8.7	←
Serie				36.7
Total				395.2
40 Skott 	7	1:	9.4	→
	8	2:	9.6	↙
	8	3:	10.1	↗
	8	4:	10.3x	↗
	8	5:	10.5x	↑
	7	6:	9.4	←
	6	7:	8.3	←
		8:	10.2x	↗
		9:	10.4x	↗
		10:	8.8	→
Serie				97.0
Total				492.2



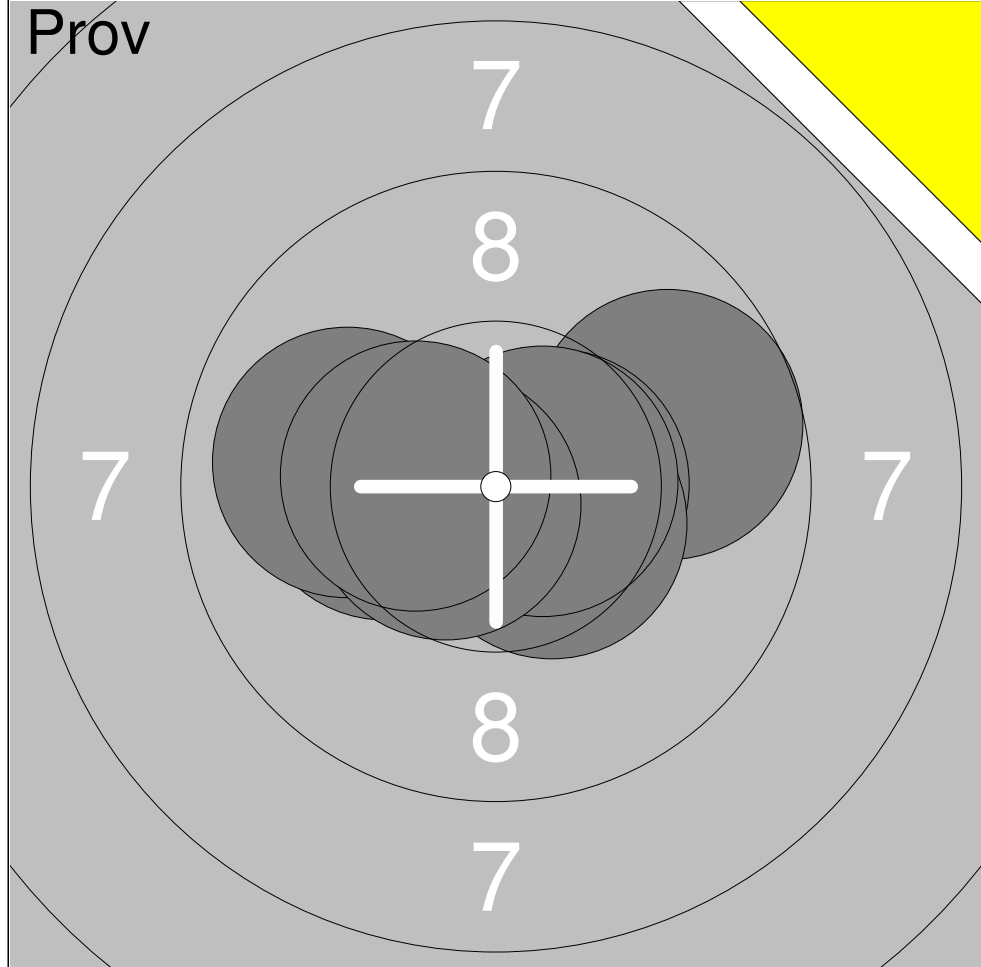
1:	7.8	→
2:	8.1	→
3:	10.1	↖
4:	10.1	→
5:	10.4x	↖
6:	9.3	↖
7:	10.1	↑

Serie	65.9
Total	389.1



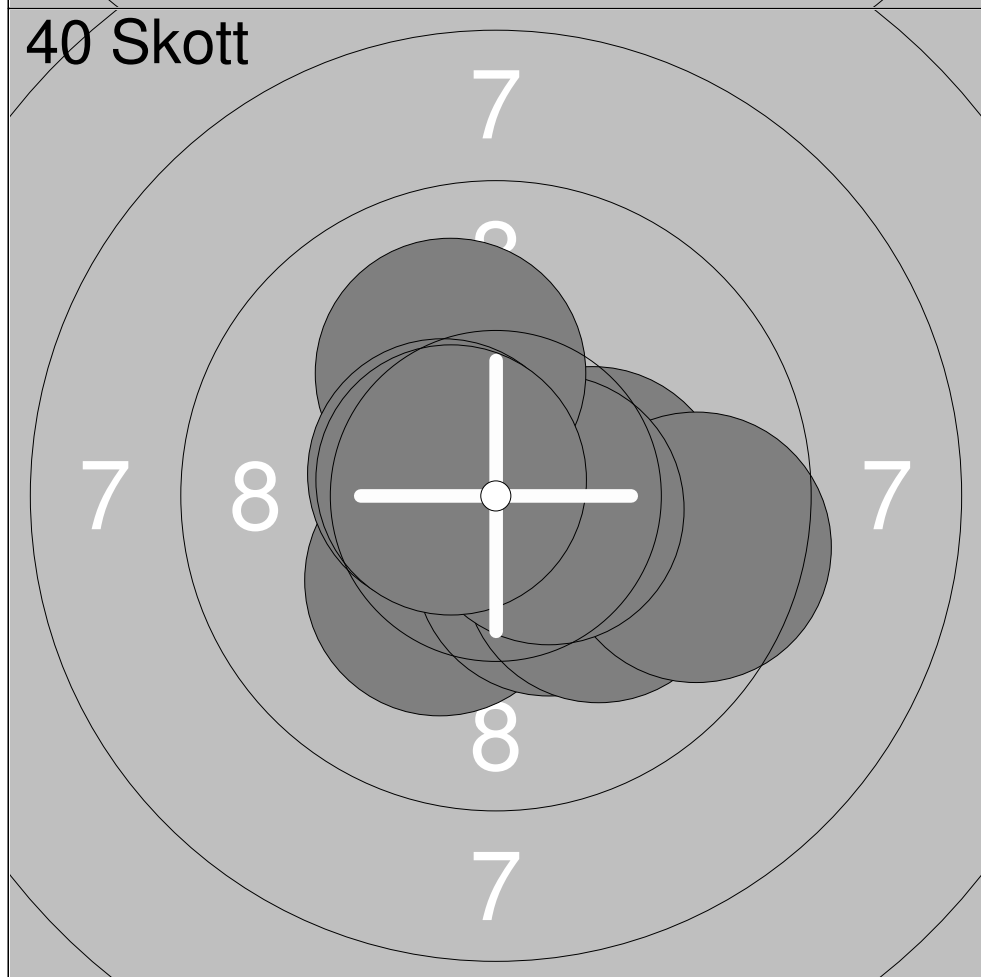
1:	9.6	↖
2:	9.8	↙
3:	10.0	↓
4:	10.6x	↘
5:	10.7x	→
6:	10.4x	↗
7:	9.1	↖
8:	8.9	→
9:	10.6x	↙
10:	10.7x	↗

Serie	100.4
Total	489.5



1:	10.2x	←
2:	9.9	←
3:	9.7	→
4:	10.6x	→
5:	10.5x	↘
6:	10.6x	→
7:	10.6x	←
8:	10.4x	←

Serie	82.5
Total	412.4



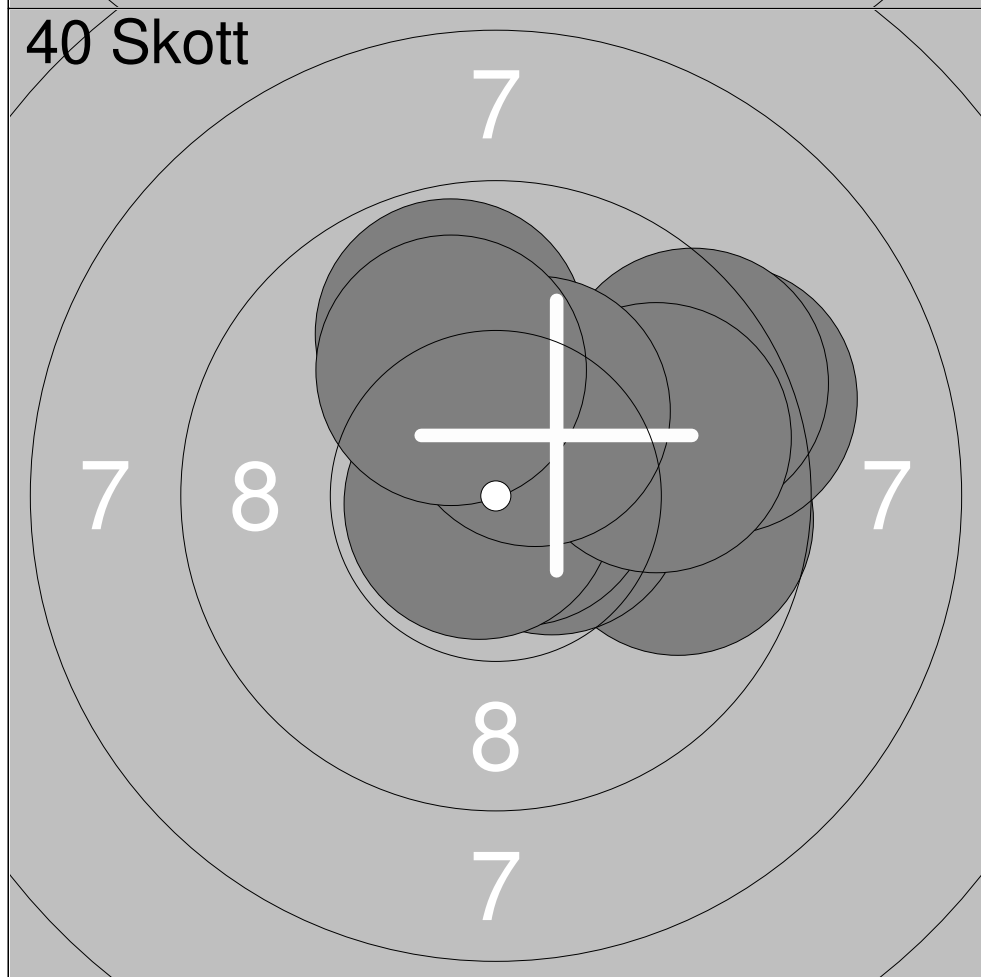
1:	10.2x	→
2:	10.3x	↘
3:	10.3x	→
4:	10.4x	↘
5:	10.1	↘
6:	9.6	→
7:	10.6x	→
8:	10.1	↗
9:	10.6x	↗
10:	10.6x	←

Serie	102.8
Total	515.2



1:	10.0	↖
2:	10.4x	↖
3:	10.6x	↓
4:	9.7	↗
5:	10.2x	↗
6:	10.7x	↑
7:	10.3x	↖

Serie	71.9
Total	408.5



1:	9.7	→
2:	10.6x	→
3:	9.3	↗
4:	9.4	↗
5:	10.8x	→
6:	10.8x	↖
7:	9.8	↑
8:	9.8	↗
9:	10.3x	↗
10:	10.1	↖

Serie	100.6
Total	509.1



1:	10.4x	↘
2:	9.9	↙
3:	10.4x	↘
4:	8.6	↓
5:	10.3x	↙
6:	10.1	↑

Serie	59.7
Total	397.2



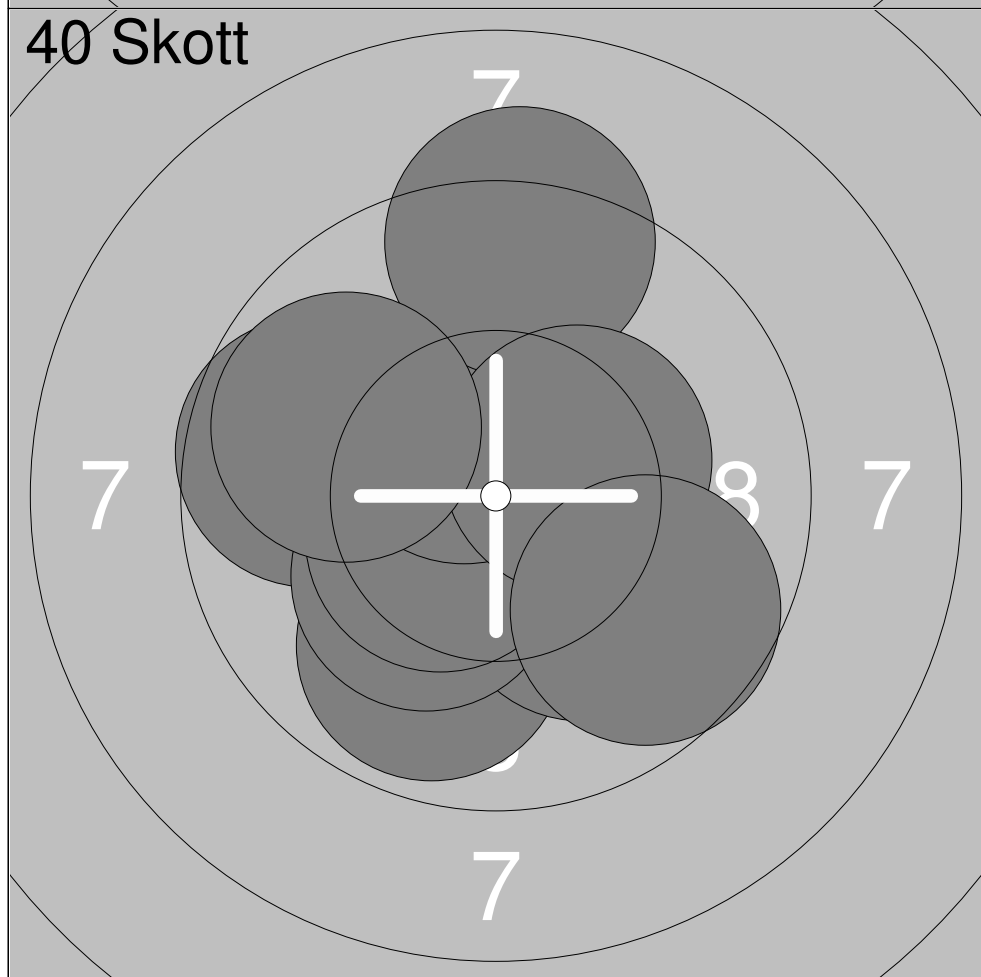
1:	10.7x	↓
2:	10.2x	↗
3:	9.5	↓
4:	10.3x	↘
5:	9.1	→
6:	10.4x	↗
7:	9.8	→
8:	10.5x	↗
9:	10.3x	↘
10:	10.5x	↖

Serie	101.3
Total	498.5



1:	9.6	↗
2:	9.3	→
3:	10.3x	↖
4:	9.9	↖
5:	10.3x	↗
6:	10.6x	↖

Serie	60.0
Total	382.6



1:	9.9	↘
2:	9.7	←
3:	10.1	↘
4:	10.2x	↘
5:	10.5x	↖
6:	10.5x	↖
7:	9.3	↗
8:	10.4x	→
9:	9.7	↘
10:	9.9	↖

Serie	100.2
Total	482.8