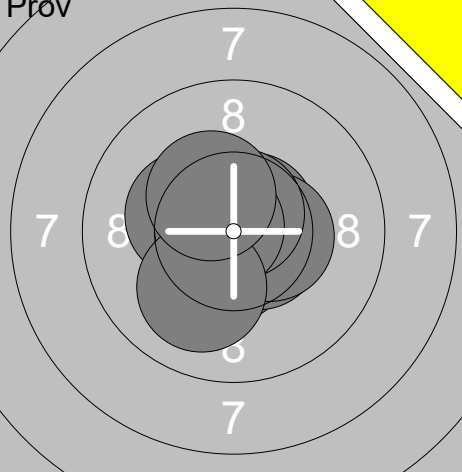

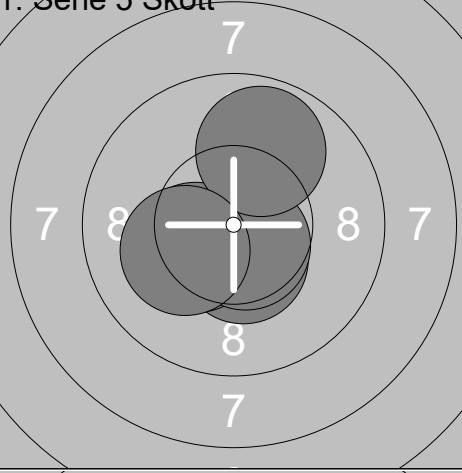
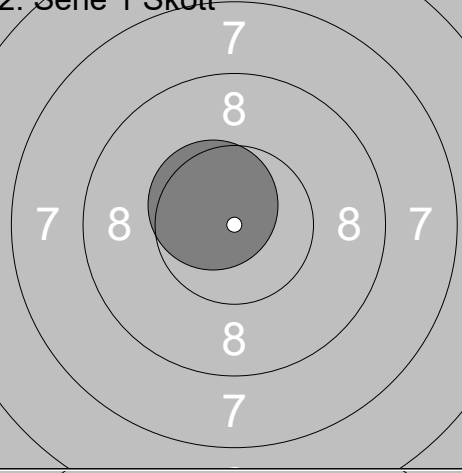
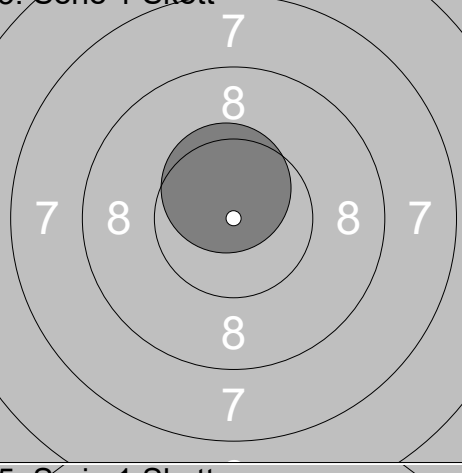
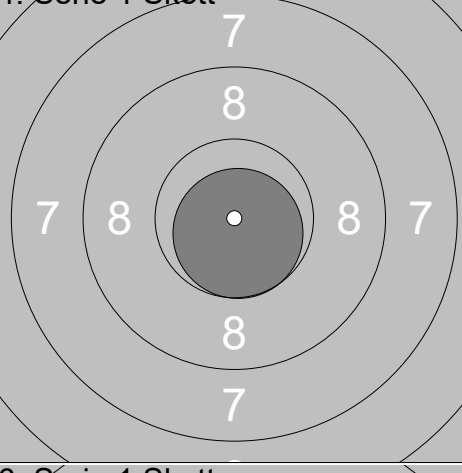
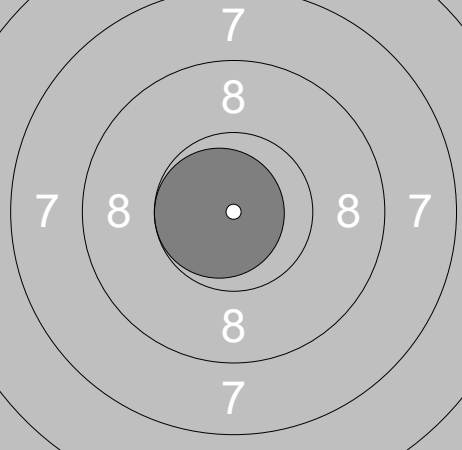
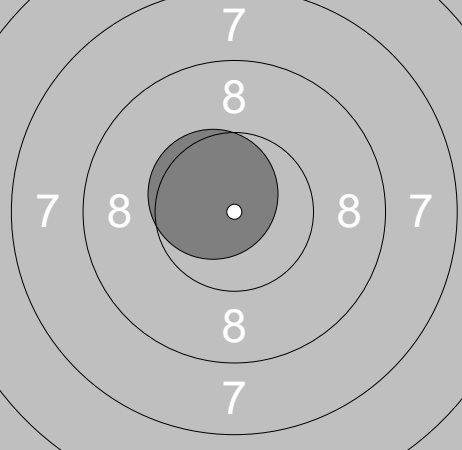


<b>Prov</b> 	1: 10.6x ↗ 2: 10.6x ↖ 3: 10.6x ↓ 4: 10.6x ↘ 5: 10.5x → 6: 10.7x ↗ 7: 10.3x ↖ 8: 10.7x ← 9: 10.1 ↓ 10: 10.4x ↗ Serie 105.1 Total 400.0	<b>Prov</b> 	11: 10.8x ↗ 12: 10.6x ↘ 13: 10.2x ↓ 14: 10.6x ↖ Serie 42.2 Total 400.0
<b>1. Serie 5 Skott</b> 	1: 10.5x ↓ 2: 10.3x ↖ 3: 10.6x ↘ 4: 9.9 ↗ 5: 10.2x ↖ Serie 51.5 Total 451.5	<b>2. Serie 1 Skott</b> 	1: 10.5x ↖ Serie 10.5 Total 462.0
<b>3. Serie 1 Skott</b> 	1: 10.5x ↗ Serie 10.5 Total 472.5	<b>4. Serie 1 Skott</b> 	1: 10.7x ↓ Serie 10.7 Total 483.2
<b>5. Serie 1 Skott</b> 	1: 10.7x ← Serie 10.7 Total 493.9	<b>6. Serie 1 Skott</b> 	1: 10.6x ↖ Serie 10.6 Total 504.5

<p><b>Prov</b></p>	<table border="1" style="width:100%; border-collapse: collapse;"> <tr><td>1:</td><td>10.3x</td><td>➔</td></tr> <tr><td>2:</td><td>9.3</td><td>➔</td></tr> <tr><td>3:</td><td>9.3</td><td>➔</td></tr> <tr><td>4:</td><td>9.1</td><td>➔</td></tr> <tr><td>5:</td><td>9.8</td><td>➔</td></tr> <tr><td>6:</td><td>9.7</td><td>➔</td></tr> <tr><td>7:</td><td>9.9</td><td>➔</td></tr> <tr><td>8:</td><td>9.6</td><td>➔</td></tr> <tr><td>9:</td><td>10.0</td><td>➔</td></tr> <tr><td>10:</td><td>10.8x</td><td>➔</td></tr> <tr><td colspan="2">Serie</td><td>97.8</td></tr> <tr><td colspan="2">Total</td><td>400.0</td></tr> </table>	1:	10.3x	➔	2:	9.3	➔	3:	9.3	➔	4:	9.1	➔	5:	9.8	➔	6:	9.7	➔	7:	9.9	➔	8:	9.6	➔	9:	10.0	➔	10:	10.8x	➔	Serie		97.8	Total		400.0	<p><b>Prov</b></p>	<table border="1" style="width:100%; border-collapse: collapse;"> <tr><td>11:</td><td>10.7x</td><td>↑</td></tr> <tr><td>12:</td><td>10.3x</td><td>➔</td></tr> <tr><td>13:</td><td>10.7x</td><td>↑</td></tr> <tr><td>14:</td><td>10.5x</td><td>➔</td></tr> <tr><td>15:</td><td>10.5x</td><td>↙</td></tr> <tr><td colspan="2">Serie</td><td>52.7</td></tr> <tr><td colspan="2">Total</td><td>400.0</td></tr> </table>	11:	10.7x	↑	12:	10.3x	➔	13:	10.7x	↑	14:	10.5x	➔	15:	10.5x	↙	Serie		52.7	Total		400.0
1:	10.3x	➔																																																										
2:	9.3	➔																																																										
3:	9.3	➔																																																										
4:	9.1	➔																																																										
5:	9.8	➔																																																										
6:	9.7	➔																																																										
7:	9.9	➔																																																										
8:	9.6	➔																																																										
9:	10.0	➔																																																										
10:	10.8x	➔																																																										
Serie		97.8																																																										
Total		400.0																																																										
11:	10.7x	↑																																																										
12:	10.3x	➔																																																										
13:	10.7x	↑																																																										
14:	10.5x	➔																																																										
15:	10.5x	↙																																																										
Serie		52.7																																																										
Total		400.0																																																										

<p><b>1. Serie 5 Skott</b></p>	<table border="1" style="width:100%; border-collapse: collapse;"> <tr><td>1:</td><td>10.4x</td><td>↙</td></tr> <tr><td>2:</td><td>10.8x</td><td>↑</td></tr> <tr><td>3:</td><td>10.8x</td><td>←</td></tr> <tr><td>4:</td><td>10.5x</td><td>←</td></tr> <tr><td>5:</td><td>10.8x</td><td>↙</td></tr> <tr><td colspan="2">Serie</td><td>53.3</td></tr> <tr><td colspan="2">Total</td><td>453.3</td></tr> </table>	1:	10.4x	↙	2:	10.8x	↑	3:	10.8x	←	4:	10.5x	←	5:	10.8x	↙	Serie		53.3	Total		453.3	<p><b>2. Serie 1 Skott</b></p>	<table border="1" style="width:100%; border-collapse: collapse;"> <tr><td>1:</td><td>10.2x</td><td>↙</td></tr> <tr><td colspan="2">Serie</td><td>10.2</td></tr> <tr><td colspan="2">Total</td><td>463.5</td></tr> </table>	1:	10.2x	↙	Serie		10.2	Total		463.5
1:	10.4x	↙																															
2:	10.8x	↑																															
3:	10.8x	←																															
4:	10.5x	←																															
5:	10.8x	↙																															
Serie		53.3																															
Total		453.3																															
1:	10.2x	↙																															
Serie		10.2																															
Total		463.5																															

<p><b>3. Serie 1 Skott</b></p>	<table border="1" style="width:100%; border-collapse: collapse;"> <tr><td>1:</td><td>10.6x</td><td>↙</td></tr> <tr><td colspan="2">Serie</td><td>10.6</td></tr> <tr><td colspan="2">Total</td><td>474.1</td></tr> </table>	1:	10.6x	↙	Serie		10.6	Total		474.1	<p><b>4. Serie 1 Skott</b></p>	<table border="1" style="width:100%; border-collapse: collapse;"> <tr><td>1:</td><td>10.6x</td><td>↙</td></tr> <tr><td colspan="2">Serie</td><td>10.6</td></tr> <tr><td colspan="2">Total</td><td>484.7</td></tr> </table>	1:	10.6x	↙	Serie		10.6	Total		484.7
1:	10.6x	↙																			
Serie		10.6																			
Total		474.1																			
1:	10.6x	↙																			
Serie		10.6																			
Total		484.7																			

<p><b>5. Serie 1 Skott</b></p>	<table border="1" style="width:100%; border-collapse: collapse;"> <tr><td>1:</td><td>10.4x</td><td>↙</td></tr> <tr><td colspan="2">Serie</td><td>10.4</td></tr> <tr><td colspan="2">Total</td><td>495.1</td></tr> </table>	1:	10.4x	↙	Serie		10.4	Total		495.1	<p><b>6. Serie 1 Skott</b></p>	<table border="1" style="width:100%; border-collapse: collapse;"> <tr><td>1:</td><td>10.1</td><td>←</td></tr> <tr><td colspan="2">Serie</td><td>10.1</td></tr> <tr><td colspan="2">Total</td><td>505.2</td></tr> </table>	1:	10.1	←	Serie		10.1	Total		505.2
1:	10.4x	↙																			
Serie		10.4																			
Total		495.1																			
1:	10.1	←																			
Serie		10.1																			
Total		505.2																			

Skjutlag <b>3</b>	Tavla <b>23</b>	<b>Jacob Hedman</b>			
Ramselefors		Umeå		Sitt	Vb
25.01.2020		FM luftgevär 2020		Ramselefors SKF	
Pröv 	1: 10.3x ↖ 2: 10.2x ← 3: 9.9 ← 4: 10.4x ← 5: 10.2x ← 6: 10.2x → 7: 10.1 ↓ 8: 10.6x ↗ 9: 10.9x → 10: 10.4x ↓ Serie 103.2 Total 400.0	Pröv 	11: 10.2x ↗ 12: 10.3x → 13: 10.5x ↑ 14: 10.9x → 15: 10.7x ↗ 16: 10.3x ↑ 17: 10.1 → 18: 10.5x ↘ 19: 10.7x ↖ 20: 10.6x ↓ Serie 104.8 Total 400.0		
Pröv 	21: 10.6x ↗ 22: 10.5x ↗ Serie 21.1 Total 400.0	1. Serie 5 Skott 	1: 10.5x ↗ 2: 10.7x → 3: 10.8x ↘ 4: 10.4x ↘ 5: 10.6x ↓ Serie 53.0 Total 453.0		
2. Serie 1 Skott 	1: 10.6x ↖ Serie 10.6 Total 463.6	3. Serie 1 Skott 	1: 10.6x ↓ Serie 10.6 Total 474.2		
4. Serie 1 Skott 	1: 10.5x ↓ Serie 10.5 Total 484.7	5. Serie 1 Skott 	1: 10.7x ↓ Serie 10.7 Total 495.4		
6. Serie 1 Skott 	1: 10.6x ↑ Serie 10.6 Total 506.0				

<p><b>Prov</b></p>	<table border="1" style="width:100%; border-collapse: collapse;"> <tr><td>1:</td><td>9.5</td><td>→</td></tr> <tr><td>2:</td><td>9.6</td><td>↘</td></tr> <tr><td>3:</td><td>10.1</td><td>→</td></tr> <tr><td>4:</td><td>10.4x</td><td>→</td></tr> <tr><td>5:</td><td>10.5x</td><td>↘</td></tr> <tr><td>6:</td><td>10.2x</td><td>↘</td></tr> <tr><td>7:</td><td>10.7x</td><td>→</td></tr> <tr><td>8:</td><td>10.2x</td><td>↘</td></tr> <tr><td>9:</td><td>10.8x</td><td>→</td></tr> <tr><td>10:</td><td>10.7x</td><td>↑</td></tr> <tr><td colspan="2">Serie</td><td>102.7</td></tr> <tr><td colspan="2">Total</td><td>400.0</td></tr> </table>	1:	9.5	→	2:	9.6	↘	3:	10.1	→	4:	10.4x	→	5:	10.5x	↘	6:	10.2x	↘	7:	10.7x	→	8:	10.2x	↘	9:	10.8x	→	10:	10.7x	↑	Serie		102.7	Total		400.0	<p><b>Prov</b></p>	<table border="1" style="width:100%; border-collapse: collapse;"> <tr><td>11:</td><td>10.4x</td><td>↘</td></tr> <tr><td>12:</td><td>10.4x</td><td>↗</td></tr> <tr><td>13:</td><td>10.5x</td><td>↘</td></tr> <tr><td>14:</td><td>10.6x</td><td>↘</td></tr> <tr><td>15:</td><td>10.5x</td><td>↘</td></tr> <tr><td>16:</td><td>10.6x</td><td>↙</td></tr> <tr><td>17:</td><td>10.4x</td><td>←</td></tr> <tr><td>18:</td><td>10.7x</td><td>↗</td></tr> <tr><td>19:</td><td>10.7x</td><td>↘</td></tr> <tr><td colspan="2">Serie</td><td>94.8</td></tr> <tr><td colspan="2">Total</td><td>400.0</td></tr> </table>	11:	10.4x	↘	12:	10.4x	↗	13:	10.5x	↘	14:	10.6x	↘	15:	10.5x	↘	16:	10.6x	↙	17:	10.4x	←	18:	10.7x	↗	19:	10.7x	↘	Serie		94.8	Total		400.0
1:	9.5	→																																																																						
2:	9.6	↘																																																																						
3:	10.1	→																																																																						
4:	10.4x	→																																																																						
5:	10.5x	↘																																																																						
6:	10.2x	↘																																																																						
7:	10.7x	→																																																																						
8:	10.2x	↘																																																																						
9:	10.8x	→																																																																						
10:	10.7x	↑																																																																						
Serie		102.7																																																																						
Total		400.0																																																																						
11:	10.4x	↘																																																																						
12:	10.4x	↗																																																																						
13:	10.5x	↘																																																																						
14:	10.6x	↘																																																																						
15:	10.5x	↘																																																																						
16:	10.6x	↙																																																																						
17:	10.4x	←																																																																						
18:	10.7x	↗																																																																						
19:	10.7x	↘																																																																						
Serie		94.8																																																																						
Total		400.0																																																																						

<p><b>1. Serie 5 Skott</b></p>	<table border="1" style="width:100%; border-collapse: collapse;"> <tr><td>1:</td><td>10.4x</td><td>↘</td></tr> <tr><td>2:</td><td>10.6x</td><td>↘</td></tr> <tr><td>3:</td><td>10.6x</td><td>↗</td></tr> <tr><td>4:</td><td>10.5x</td><td>↘</td></tr> <tr><td>5:</td><td>10.6x</td><td>↘</td></tr> <tr><td colspan="2">Serie</td><td>52.7</td></tr> <tr><td colspan="2">Total</td><td>452.7</td></tr> </table>	1:	10.4x	↘	2:	10.6x	↘	3:	10.6x	↗	4:	10.5x	↘	5:	10.6x	↘	Serie		52.7	Total		452.7	<p><b>2. Serie 1 Skott</b></p>	<table border="1" style="width:100%; border-collapse: collapse;"> <tr><td>1:</td><td>10.7x</td><td>↗</td></tr> <tr><td colspan="2">Serie</td><td>10.7</td></tr> <tr><td colspan="2">Total</td><td>463.4</td></tr> </table>	1:	10.7x	↗	Serie		10.7	Total		463.4
1:	10.4x	↘																															
2:	10.6x	↘																															
3:	10.6x	↗																															
4:	10.5x	↘																															
5:	10.6x	↘																															
Serie		52.7																															
Total		452.7																															
1:	10.7x	↗																															
Serie		10.7																															
Total		463.4																															

<p><b>3. Serie 1 Skott</b></p>	<table border="1" style="width:100%; border-collapse: collapse;"> <tr><td>1:</td><td>10.8x</td><td>↘</td></tr> <tr><td colspan="2">Serie</td><td>10.8</td></tr> <tr><td colspan="2">Total</td><td>474.2</td></tr> </table>	1:	10.8x	↘	Serie		10.8	Total		474.2	<p><b>4. Serie 1 Skott</b></p>	<table border="1" style="width:100%; border-collapse: collapse;"> <tr><td>1:</td><td>10.5x</td><td>↗</td></tr> <tr><td colspan="2">Serie</td><td>10.5</td></tr> <tr><td colspan="2">Total</td><td>484.7</td></tr> </table>	1:	10.5x	↗	Serie		10.5	Total		484.7
1:	10.8x	↘																			
Serie		10.8																			
Total		474.2																			
1:	10.5x	↗																			
Serie		10.5																			
Total		484.7																			

<p><b>5. Serie 1 Skott</b></p>	<table border="1" style="width:100%; border-collapse: collapse;"> <tr><td>1:</td><td>10.8x</td><td>↖</td></tr> <tr><td colspan="2">Serie</td><td>10.8</td></tr> <tr><td colspan="2">Total</td><td>495.5</td></tr> </table>	1:	10.8x	↖	Serie		10.8	Total		495.5	<p><b>6. Serie 1 Skott</b></p>	<table border="1" style="width:100%; border-collapse: collapse;"> <tr><td>1:</td><td>10.4x</td><td>←</td></tr> <tr><td colspan="2">Serie</td><td>10.4</td></tr> <tr><td colspan="2">Total</td><td>505.9</td></tr> </table>	1:	10.4x	←	Serie		10.4	Total		505.9
1:	10.8x	↖																			
Serie		10.8																			
Total		495.5																			
1:	10.4x	←																			
Serie		10.4																			
Total		505.9																			

<p><b>Prov</b></p>	<p>1: 10.2x ↓</p> <p>2: 10.7x ←</p> <p>3: 10.6x ↓</p> <p>4: 10.2x ↓</p> <p>5: 10.2x ↓</p> <p>6: 10.4x ↓</p> <p>7: 10.8x ↓</p> <p>8: 10.5x ←</p> <p>9: 10.5x ↓</p> <table border="1" style="width:100%; border-collapse: collapse;"> <tr><td>Serie</td><td style="text-align: right;">94.1</td></tr> <tr><td>Total</td><td style="text-align: right;">400.0</td></tr> </table>	Serie	94.1	Total	400.0	<p><b>1. Serie 5 Skott</b></p>	<p>1: 10.6x →</p> <p>2: 10.8x ↓</p> <p>3: 10.6x →</p> <p>4: 10.6x →</p> <p>5: 9.9 ↑</p> <table border="1" style="width:100%; border-collapse: collapse;"> <tr><td>Serie</td><td style="text-align: right;">52.5</td></tr> <tr><td>Total</td><td style="text-align: right;">452.5</td></tr> </table>	Serie	52.5	Total	452.5
Serie	94.1										
Total	400.0										
Serie	52.5										
Total	452.5										
<p><b>2. Serie 1 Skott</b></p>	<p>1: 10.2x ↑</p> <table border="1" style="width:100%; border-collapse: collapse;"> <tr><td>Serie</td><td style="text-align: right;">10.2</td></tr> <tr><td>Total</td><td style="text-align: right;">462.7</td></tr> </table>	Serie	10.2	Total	462.7	<p><b>3. Serie 1 Skott</b></p>	<p>1: 10.4x ↗</p> <table border="1" style="width:100%; border-collapse: collapse;"> <tr><td>Serie</td><td style="text-align: right;">10.4</td></tr> <tr><td>Total</td><td style="text-align: right;">473.1</td></tr> </table>	Serie	10.4	Total	473.1
Serie	10.2										
Total	462.7										
Serie	10.4										
Total	473.1										
<p><b>4. Serie 1 Skott</b></p>	<p>1: 10.2x ↑</p> <table border="1" style="width:100%; border-collapse: collapse;"> <tr><td>Serie</td><td style="text-align: right;">10.2</td></tr> <tr><td>Total</td><td style="text-align: right;">483.3</td></tr> </table>	Serie	10.2	Total	483.3	<p><b>5. Serie 1 Skott</b></p>	<p>1: 10.5x ↘</p> <table border="1" style="width:100%; border-collapse: collapse;"> <tr><td>Serie</td><td style="text-align: right;">10.5</td></tr> <tr><td>Total</td><td style="text-align: right;">493.8</td></tr> </table>	Serie	10.5	Total	493.8
Serie	10.2										
Total	483.3										
Serie	10.5										
Total	493.8										
<p><b>6. Serie 1 Skott</b></p>	<p>1: 10.6x ↓</p> <table border="1" style="width:100%; border-collapse: collapse;"> <tr><td>Serie</td><td style="text-align: right;">10.6</td></tr> <tr><td>Total</td><td style="text-align: right;">504.4</td></tr> </table>	Serie	10.6	Total	504.4						
Serie	10.6										
Total	504.4										

<p><b>Prov</b></p>	<table border="1" style="width:100%; border-collapse: collapse;"> <tr><td>1:</td><td>10.7x</td><td>↙</td></tr> <tr><td>2:</td><td>10.8x</td><td>←</td></tr> <tr><td>3:</td><td>10.3x</td><td>↘</td></tr> <tr><td>4:</td><td>10.6x</td><td>↗</td></tr> <tr><td>5:</td><td>10.4x</td><td>↓</td></tr> <tr><td>6:</td><td>10.3x</td><td>↘</td></tr> <tr><td>7:</td><td>10.4x</td><td>→</td></tr> <tr><td>8:</td><td>10.5x</td><td>↗</td></tr> <tr><td>9:</td><td>10.7x</td><td>↑</td></tr> <tr><td>10:</td><td>10.2x</td><td>→</td></tr> <tr><td colspan="2">Serie</td><td>104.9</td></tr> <tr><td colspan="2">Total</td><td>400.0</td></tr> </table>	1:	10.7x	↙	2:	10.8x	←	3:	10.3x	↘	4:	10.6x	↗	5:	10.4x	↓	6:	10.3x	↘	7:	10.4x	→	8:	10.5x	↗	9:	10.7x	↑	10:	10.2x	→	Serie		104.9	Total		400.0	<p><b>Prov</b></p>	<table border="1" style="width:100%; border-collapse: collapse;"> <tr><td>11:</td><td>10.7x</td><td>↙</td></tr> <tr><td>12:</td><td>10.8x</td><td>↑</td></tr> <tr><td colspan="2">Serie</td><td>21.5</td></tr> <tr><td colspan="2">Total</td><td>400.0</td></tr> </table>	11:	10.7x	↙	12:	10.8x	↑	Serie		21.5	Total		400.0
1:	10.7x	↙																																																	
2:	10.8x	←																																																	
3:	10.3x	↘																																																	
4:	10.6x	↗																																																	
5:	10.4x	↓																																																	
6:	10.3x	↘																																																	
7:	10.4x	→																																																	
8:	10.5x	↗																																																	
9:	10.7x	↑																																																	
10:	10.2x	→																																																	
Serie		104.9																																																	
Total		400.0																																																	
11:	10.7x	↙																																																	
12:	10.8x	↑																																																	
Serie		21.5																																																	
Total		400.0																																																	

<p><b>1. Serie 5 Skott</b></p>	<table border="1" style="width:100%; border-collapse: collapse;"> <tr><td>1:</td><td>10.6x</td><td>→</td></tr> <tr><td>2:</td><td>10.3x</td><td>↘</td></tr> <tr><td>3:</td><td>10.7x</td><td>↑</td></tr> <tr><td>4:</td><td>10.6x</td><td>↓</td></tr> <tr><td>5:</td><td>10.4x</td><td>→</td></tr> <tr><td colspan="2">Serie</td><td>52.6</td></tr> <tr><td colspan="2">Total</td><td>452.6</td></tr> </table>	1:	10.6x	→	2:	10.3x	↘	3:	10.7x	↑	4:	10.6x	↓	5:	10.4x	→	Serie		52.6	Total		452.6	<p><b>2. Serie 1 Skott</b></p>	<table border="1" style="width:100%; border-collapse: collapse;"> <tr><td>1:</td><td>10.6x</td><td>↙</td></tr> <tr><td colspan="2">Serie</td><td>10.6</td></tr> <tr><td colspan="2">Total</td><td>463.2</td></tr> </table>	1:	10.6x	↙	Serie		10.6	Total		463.2
1:	10.6x	→																															
2:	10.3x	↘																															
3:	10.7x	↑																															
4:	10.6x	↓																															
5:	10.4x	→																															
Serie		52.6																															
Total		452.6																															
1:	10.6x	↙																															
Serie		10.6																															
Total		463.2																															

<p><b>3. Serie 1 Skott</b></p>	<table border="1" style="width:100%; border-collapse: collapse;"> <tr><td>1:</td><td>10.9x</td><td>↑</td></tr> <tr><td colspan="2">Serie</td><td>10.9</td></tr> <tr><td colspan="2">Total</td><td>474.1</td></tr> </table>	1:	10.9x	↑	Serie		10.9	Total		474.1	<p><b>4. Serie 1 Skott</b></p>	<table border="1" style="width:100%; border-collapse: collapse;"> <tr><td>1:</td><td>10.2x</td><td>→</td></tr> <tr><td colspan="2">Serie</td><td>10.2</td></tr> <tr><td colspan="2">Total</td><td>484.3</td></tr> </table>	1:	10.2x	→	Serie		10.2	Total		484.3
1:	10.9x	↑																			
Serie		10.9																			
Total		474.1																			
1:	10.2x	→																			
Serie		10.2																			
Total		484.3																			

<p><b>5. Serie 1 Skott</b></p>	<table border="1" style="width:100%; border-collapse: collapse;"> <tr><td>1:</td><td>10.2x</td><td>↓</td></tr> <tr><td colspan="2">Serie</td><td>10.2</td></tr> <tr><td colspan="2">Total</td><td>494.5</td></tr> </table>	1:	10.2x	↓	Serie		10.2	Total		494.5	<p><b>6. Serie 1 Skott</b></p>	<table border="1" style="width:100%; border-collapse: collapse;"> <tr><td>1:</td><td>10.6x</td><td>↘</td></tr> <tr><td colspan="2">Serie</td><td>10.6</td></tr> <tr><td colspan="2">Total</td><td>505.1</td></tr> </table>	1:	10.6x	↘	Serie		10.6	Total		505.1
1:	10.2x	↓																			
Serie		10.2																			
Total		494.5																			
1:	10.6x	↘																			
Serie		10.6																			
Total		505.1																			

<p><b>Prov</b></p>	<p>1: 10.5x ↓ 2: 10.4x → 3: 10.8x ↓ 4: 10.6x ↗ 5: 10.2x ← 6: 10.8x ↙ 7: 10.4x ↗ 8: 10.6x ↘ 9: 10.2x ↘ 10: 10.4x →</p>	<p><b>Prov</b></p>	<p>11: 10.4x ↖ 12: 10.7x ↗ 13: 10.6x →</p>
Serie 104.9		Serie 31.7	
Total 399.0		Total 399.0	

<p><b>1. Serie 5 Skott</b></p>	<p>1: 10.3x → 2: 10.8x ↘ 3: 10.5x ↗ 4: 10.7x → 5: 10.9x →</p>	<p><b>2. Serie 1 Skott</b></p>	<p>1: 10.8x →</p>
Serie 53.2		Serie 10.8	
Total 452.2		Total 463.0	

<p><b>3. Serie 1 Skott</b></p>	<p>1: 10.3x ↘</p>	<p><b>4. Serie 1 Skott</b></p>	<p>1: 10.7x ↗</p>
Serie 10.3		Serie 10.7	
Total 473.3		Total 484.0	

<p><b>5. Serie 1 Skott</b></p>	<p>1: 10.2x ↙</p>	<p><b>6. Serie 1 Skott</b></p>	<p>1: 10.2x →</p>
Serie 10.2		Serie 10.2	
Total 494.2		Total 504.4	

<p><b>Prov</b></p>	<p>1: 10.0 →</p> <p>2: 10.1 ↘</p> <p>3: 10.3x →</p> <p>4: 10.1 ↗</p> <p>5: 10.8x →</p> <p>6: 9.9 ↘</p> <p>7: 9.9 ↘</p> <p>8: 10.5x →</p> <p>9: 10.3x ↘</p> <p>10: 10.4x ↘</p>	<p><b>1. Serie 5 Skott</b></p>	<p>1: 10.2x ↓</p> <p>2: 10.8x →</p> <p>3: 10.5x ↘</p> <p>4: 10.8x ↗</p> <p>5: 10.8x ↓</p>								
<table border="1" style="width:100%; border-collapse: collapse;"> <tr> <td style="width:50%;">Serie</td> <td style="width:50%; text-align: right;">102.3</td> </tr> <tr> <td>Total</td> <td style="text-align: right;">399.0</td> </tr> </table>		Serie	102.3	Total	399.0	<table border="1" style="width:100%; border-collapse: collapse;"> <tr> <td style="width:50%;">Serie</td> <td style="width:50%; text-align: right;">53.1</td> </tr> <tr> <td>Total</td> <td style="text-align: right;">452.1</td> </tr> </table>		Serie	53.1	Total	452.1
Serie	102.3										
Total	399.0										
Serie	53.1										
Total	452.1										

<p><b>2. Serie 1 Skott</b></p>	<p>1: 10.6x ↖</p>	<p><b>3. Serie 1 Skott</b></p>	<p>1: 10.5x →</p>								
<table border="1" style="width:100%; border-collapse: collapse;"> <tr> <td style="width:50%;">Serie</td> <td style="width:50%; text-align: right;">10.6</td> </tr> <tr> <td>Total</td> <td style="text-align: right;">462.7</td> </tr> </table>		Serie	10.6	Total	462.7	<table border="1" style="width:100%; border-collapse: collapse;"> <tr> <td style="width:50%;">Serie</td> <td style="width:50%; text-align: right;">10.5</td> </tr> <tr> <td>Total</td> <td style="text-align: right;">473.2</td> </tr> </table>		Serie	10.5	Total	473.2
Serie	10.6										
Total	462.7										
Serie	10.5										
Total	473.2										

<p><b>4. Serie 1 Skott</b></p>	<p>1: 10.2x ↓</p>	<p><b>5. Serie 1 Skott</b></p>	<p>1: 10.3x →</p>								
<table border="1" style="width:100%; border-collapse: collapse;"> <tr> <td style="width:50%;">Serie</td> <td style="width:50%; text-align: right;">10.2</td> </tr> <tr> <td>Total</td> <td style="text-align: right;">483.4</td> </tr> </table>		Serie	10.2	Total	483.4	<table border="1" style="width:100%; border-collapse: collapse;"> <tr> <td style="width:50%;">Serie</td> <td style="width:50%; text-align: right;">10.3</td> </tr> <tr> <td>Total</td> <td style="text-align: right;">493.7</td> </tr> </table>		Serie	10.3	Total	493.7
Serie	10.2										
Total	483.4										
Serie	10.3										
Total	493.7										

<p><b>6. Serie 1 Skott</b></p>	<p>1: 10.3x ↑</p>						
<table border="1" style="width:100%; border-collapse: collapse;"> <tr> <td style="width:50%;">Serie</td> <td style="width:50%; text-align: right;">10.3</td> </tr> <tr> <td>Total</td> <td style="text-align: right;">504.0</td> </tr> </table>		Serie	10.3	Total	504.0		
Serie	10.3						
Total	504.0						

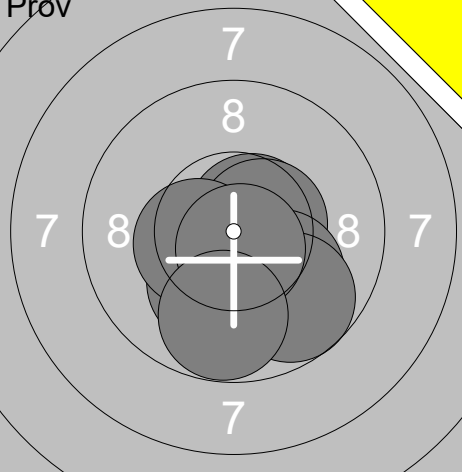

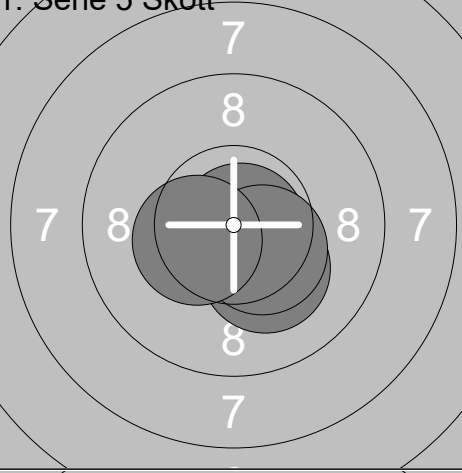
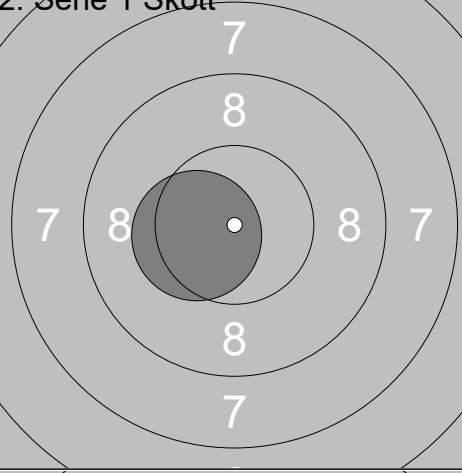
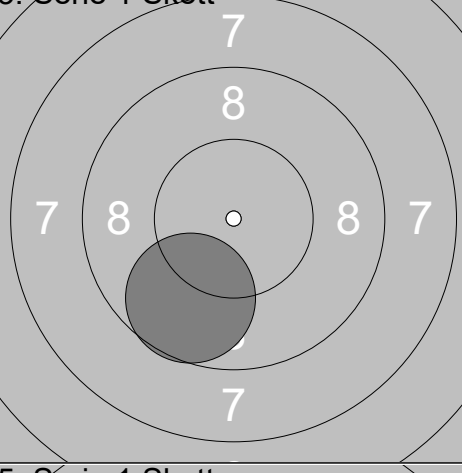
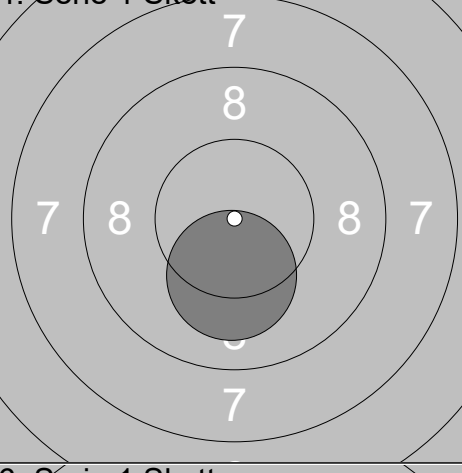
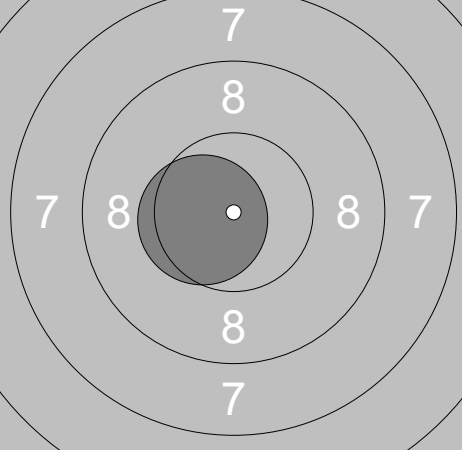
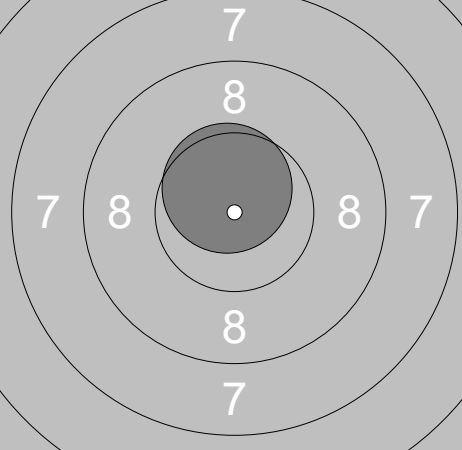


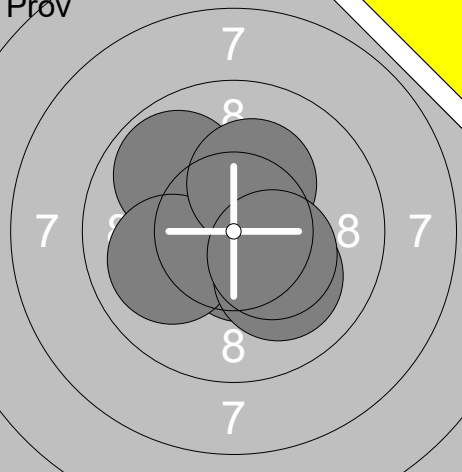
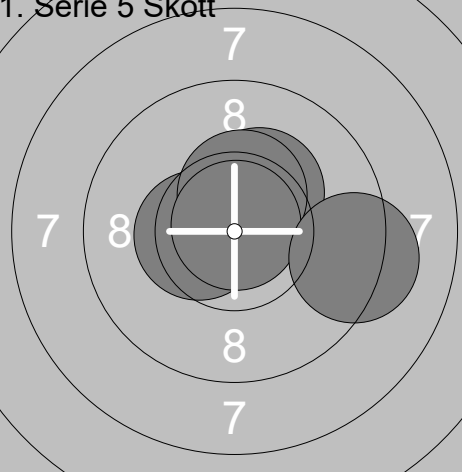
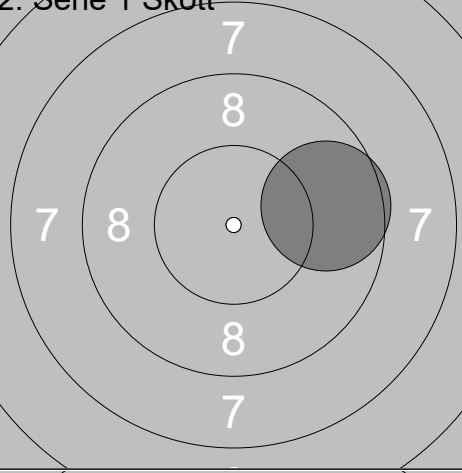
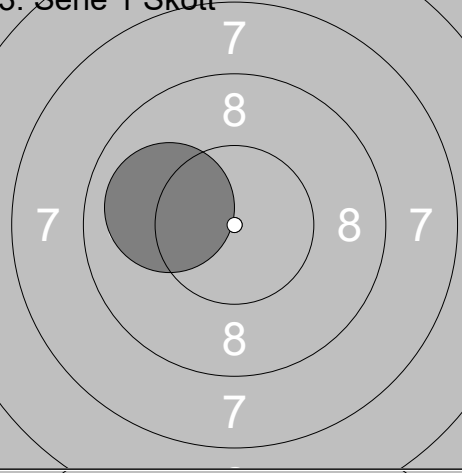
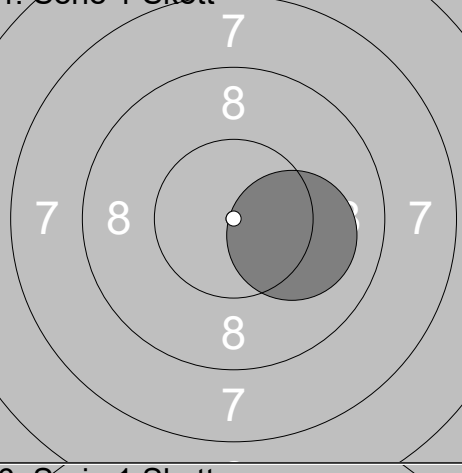
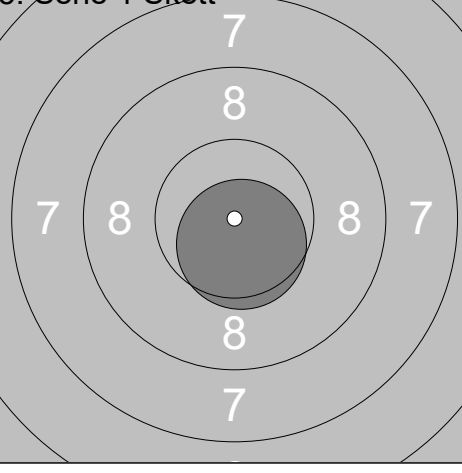
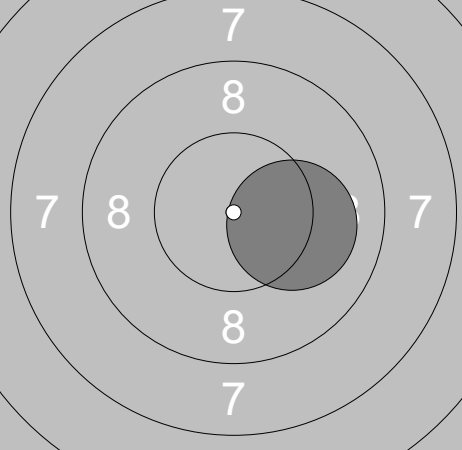
<p><b>Prov</b></p>	<table border="1" style="width:100%; border-collapse: collapse;"> <tr><td>1:</td><td>8.9</td><td>↙</td></tr> <tr><td>2:</td><td>9.6</td><td>↓</td></tr> <tr><td>3:</td><td>9.7</td><td>↘</td></tr> <tr><td>4:</td><td>10.2x</td><td>←</td></tr> <tr><td>5:</td><td>10.4x</td><td>↗</td></tr> <tr><td>6:</td><td>9.7</td><td>←</td></tr> <tr><td>7:</td><td>10.3x</td><td>↑</td></tr> <tr><td>8:</td><td>10.5x</td><td>↗</td></tr> <tr><td>9:</td><td>10.0</td><td>↖</td></tr> <tr><td>10:</td><td>10.4x</td><td>↑</td></tr> <tr><td colspan="2">Serie</td><td>99.7</td></tr> <tr><td colspan="2">Total</td><td>399.0</td></tr> </table>	1:	8.9	↙	2:	9.6	↓	3:	9.7	↘	4:	10.2x	←	5:	10.4x	↗	6:	9.7	←	7:	10.3x	↑	8:	10.5x	↗	9:	10.0	↖	10:	10.4x	↑	Serie		99.7	Total		399.0	<p><b>Prov</b></p> <table border="1" style="width:100%; border-collapse: collapse;"> <tr><td>11:</td><td>10.6x</td><td>↙</td></tr> <tr><td colspan="2">Serie</td><td>10.6</td></tr> <tr><td colspan="2">Total</td><td>399.0</td></tr> </table>	11:	10.6x	↙	Serie		10.6	Total		399.0
1:	8.9	↙																																													
2:	9.6	↓																																													
3:	9.7	↘																																													
4:	10.2x	←																																													
5:	10.4x	↗																																													
6:	9.7	←																																													
7:	10.3x	↑																																													
8:	10.5x	↗																																													
9:	10.0	↖																																													
10:	10.4x	↑																																													
Serie		99.7																																													
Total		399.0																																													
11:	10.6x	↙																																													
Serie		10.6																																													
Total		399.0																																													

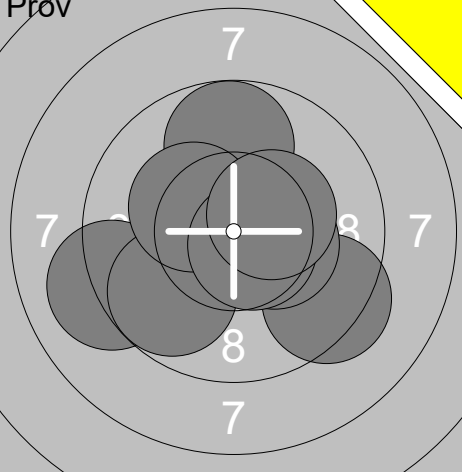
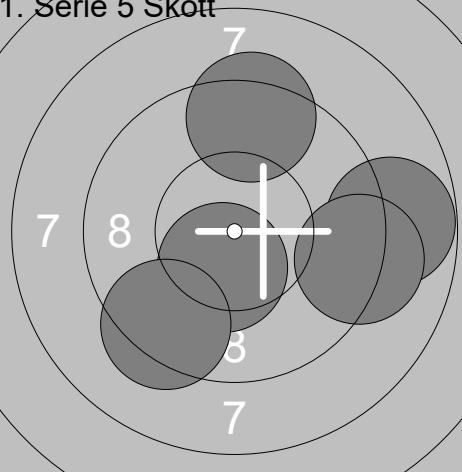
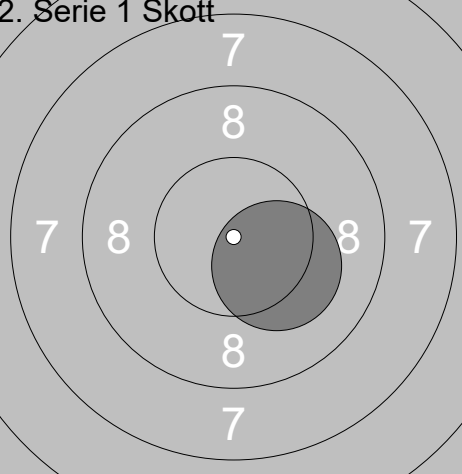
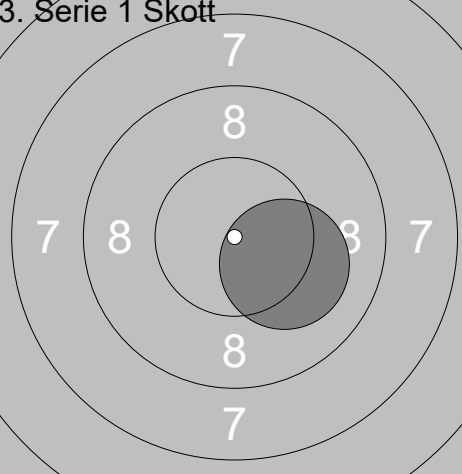
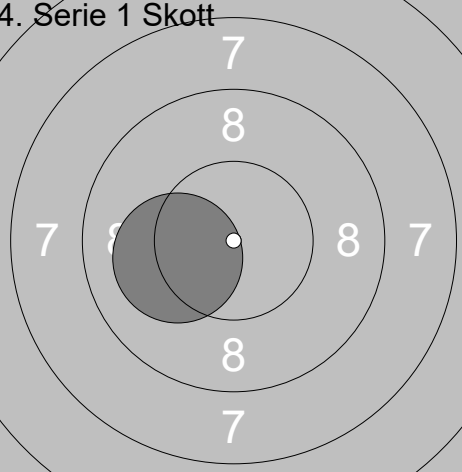
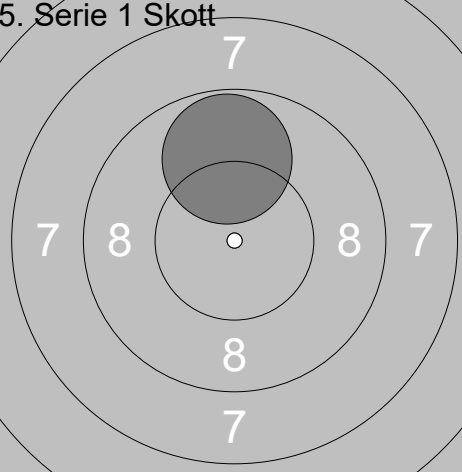
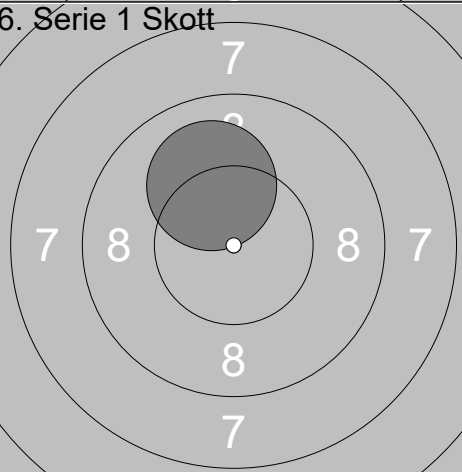
<p><b>1. Serie 5 Skott</b></p>	<table border="1" style="width:100%; border-collapse: collapse;"> <tr><td>1:</td><td>10.7x</td><td>←</td></tr> <tr><td>2:</td><td>10.7x</td><td>←</td></tr> <tr><td>3:</td><td>10.0</td><td>←</td></tr> <tr><td>4:</td><td>10.4x</td><td>↗</td></tr> <tr><td>5:</td><td>10.4x</td><td>←</td></tr> <tr><td colspan="2">Serie</td><td>52.2</td></tr> <tr><td colspan="2">Total</td><td>451.2</td></tr> </table>	1:	10.7x	←	2:	10.7x	←	3:	10.0	←	4:	10.4x	↗	5:	10.4x	←	Serie		52.2	Total		451.2	<p><b>2. Serie 1 Skott</b></p> <table border="1" style="width:100%; border-collapse: collapse;"> <tr><td>1:</td><td>10.3x</td><td>↙</td></tr> <tr><td colspan="2">Serie</td><td>10.3</td></tr> <tr><td colspan="2">Total</td><td>461.5</td></tr> </table>	1:	10.3x	↙	Serie		10.3	Total		461.5
1:	10.7x	←																														
2:	10.7x	←																														
3:	10.0	←																														
4:	10.4x	↗																														
5:	10.4x	←																														
Serie		52.2																														
Total		451.2																														
1:	10.3x	↙																														
Serie		10.3																														
Total		461.5																														

<p><b>3. Serie 1 Skott</b></p>	<table border="1" style="width:100%; border-collapse: collapse;"> <tr><td>1:</td><td>10.6x</td><td>↘</td></tr> <tr><td colspan="2">Serie</td><td>10.6</td></tr> <tr><td colspan="2">Total</td><td>472.1</td></tr> </table>	1:	10.6x	↘	Serie		10.6	Total		472.1	<p><b>4. Serie 1 Skott</b></p> <table border="1" style="width:100%; border-collapse: collapse;"> <tr><td>1:</td><td>10.5x</td><td>←</td></tr> <tr><td colspan="2">Serie</td><td>10.5</td></tr> <tr><td colspan="2">Total</td><td>482.6</td></tr> </table>	1:	10.5x	←	Serie		10.5	Total		482.6
1:	10.6x	↘																		
Serie		10.6																		
Total		472.1																		
1:	10.5x	←																		
Serie		10.5																		
Total		482.6																		

<p><b>5. Serie 1 Skott</b></p>	<table border="1" style="width:100%; border-collapse: collapse;"> <tr><td>1:</td><td>9.6</td><td>↖</td></tr> <tr><td colspan="2">Serie</td><td>9.6</td></tr> <tr><td colspan="2">Total</td><td>492.2</td></tr> </table>	1:	9.6	↖	Serie		9.6	Total		492.2	<p><b>6. Serie 1 Skott</b></p> <table border="1" style="width:100%; border-collapse: collapse;"> <tr><td>1:</td><td>10.6x</td><td>↑</td></tr> <tr><td colspan="2">Serie</td><td>10.6</td></tr> <tr><td colspan="2">Total</td><td>502.8</td></tr> </table>	1:	10.6x	↑	Serie		10.6	Total		502.8
1:	9.6	↖																		
Serie		9.6																		
Total		492.2																		
1:	10.6x	↑																		
Serie		10.6																		
Total		502.8																		

<b>Prov</b> 	1: 10.2x ↓ 2: 10.2x ↓ 3: 10.5x ↓ 4: 10.6x ↗ 5: 10.5x → 6: 10.4x ← 7: 10.1 ↓ 8: 9.7 ↓ 9: 10.7x ↓ 10: 9.8 ↓ <hr/> Serie 102.7 Total 397.0	<b>Prov</b> 	11: 10.6x ↓ 12: 10.2x ↙ <hr/> Serie 20.8 Total 397.0
<b>1. Serie 5 Skott</b> 	1: 10.4x ↓ 2: 10.8x ↗ 3: 10.2x ↓ 4: 10.4x ↓ 5: 10.4x ← <hr/> Serie 52.2 Total 449.2	<b>2. Serie 1 Skott</b> 	1: 10.4x ← <hr/> Serie 10.4 Total 459.6
<b>3. Serie 1 Skott</b> 	1: 9.7 ↓ <hr/> Serie 9.7 Total 469.3	<b>4. Serie 1 Skott</b> 	1: 10.2x ↓ <hr/> Serie 10.2 Total 479.5
<b>5. Serie 1 Skott</b> 	1: 10.5x ← <hr/> Serie 10.5 Total 490.0	<b>6. Serie 1 Skott</b> 	1: 10.6x ↗ <hr/> Serie 10.6 Total 500.6

<b>Prov</b> 	1: 10.7x ↓ 2: 9.9 ↗ 3: 10.6x ↓ 4: 10.0 ← 5: 10.2x ↑ 6: 10.1 ↓ 7: 10.3x ↘	<b>1. Serie 5 Skott</b> 	1: 10.3x ↗ 2: 10.5x ← 3: 10.4x ↑ 4: 10.9x ↑ 5: 9.2 →								
	<table border="1" style="width:100%; border-collapse: collapse;"> <tr><td style="width:50%;">Serie</td><td style="width:50%; text-align: right;">71.8</td></tr> <tr><td>Total</td><td style="text-align: right;">384.0</td></tr> </table>	Serie	71.8	Total	384.0		<table border="1" style="width:100%; border-collapse: collapse;"> <tr><td style="width:50%;">Serie</td><td style="width:50%; text-align: right;">51.3</td></tr> <tr><td>Total</td><td style="text-align: right;">435.3</td></tr> </table>	Serie	51.3	Total	435.3
Serie	71.8										
Total	384.0										
Serie	51.3										
Total	435.3										
<b>2. Serie 1 Skott</b> 	1: 9.6 →	<b>3. Serie 1 Skott</b> 	1: 10.0 ←								
	<table border="1" style="width:100%; border-collapse: collapse;"> <tr><td style="width:50%;">Serie</td><td style="width:50%; text-align: right;">9.6</td></tr> <tr><td>Total</td><td style="text-align: right;">444.9</td></tr> </table>	Serie	9.6	Total	444.9		<table border="1" style="width:100%; border-collapse: collapse;"> <tr><td style="width:50%;">Serie</td><td style="width:50%; text-align: right;">10.0</td></tr> <tr><td>Total</td><td style="text-align: right;">454.9</td></tr> </table>	Serie	10.0	Total	454.9
Serie	9.6										
Total	444.9										
Serie	10.0										
Total	454.9										
<b>4. Serie 1 Skott</b> 	1: 10.1 →	<b>5. Serie 1 Skott</b> 	1: 10.6x ↓								
	<table border="1" style="width:100%; border-collapse: collapse;"> <tr><td style="width:50%;">Serie</td><td style="width:50%; text-align: right;">10.1</td></tr> <tr><td>Total</td><td style="text-align: right;">465.0</td></tr> </table>	Serie	10.1	Total	465.0		<table border="1" style="width:100%; border-collapse: collapse;"> <tr><td style="width:50%;">Serie</td><td style="width:50%; text-align: right;">10.6</td></tr> <tr><td>Total</td><td style="text-align: right;">475.6</td></tr> </table>	Serie	10.6	Total	475.6
Serie	10.1										
Total	465.0										
Serie	10.6										
Total	475.6										
<b>6. Serie 1 Skott</b> 	1: 10.1 →										
	<table border="1" style="width:100%; border-collapse: collapse;"> <tr><td style="width:50%;">Serie</td><td style="width:50%; text-align: right;">10.1</td></tr> <tr><td>Total</td><td style="text-align: right;">485.7</td></tr> </table>	Serie	10.1	Total	485.7						
Serie	10.1										
Total	485.7										

<b>Prov</b> 	<table style="width:100%; border-collapse: collapse;"> <tr><td>1: 10.7x</td><td>↑</td></tr> <tr><td>2: 9.1</td><td>←</td></tr> <tr><td>3: 9.8</td><td>↑</td></tr> <tr><td>4: 9.8</td><td>↙</td></tr> <tr><td>5: 10.3x</td><td>↗</td></tr> <tr><td>6: 9.4</td><td>↘</td></tr> <tr><td>7: 10.4x</td><td>→</td></tr> <tr><td>8: 10.6x</td><td>↘</td></tr> <tr><td>9: 10.4x</td><td>→</td></tr> </table> <table style="width:100%; border-collapse: collapse; margin-top: 5px;"> <tr><td style="border-top: 1px solid black;">Serie</td><td style="border-top: 1px solid black; text-align: right;">90.5</td></tr> <tr><td style="border-top: 1px solid black;">Total</td><td style="border-top: 1px solid black; text-align: right;">379.0</td></tr> </table>	1: 10.7x	↑	2: 9.1	←	3: 9.8	↑	4: 9.8	↙	5: 10.3x	↗	6: 9.4	↘	7: 10.4x	→	8: 10.6x	↘	9: 10.4x	→	Serie	90.5	Total	379.0	<b>1. Serie 5 Skott</b>  <table style="width:100%; border-collapse: collapse; margin-top: 5px;"> <tr><td>1: 8.8</td><td>→</td></tr> <tr><td>2: 10.4x</td><td>↓</td></tr> <tr><td>3: 9.3</td><td>↙</td></tr> <tr><td>4: 9.2</td><td>→</td></tr> <tr><td>5: 9.3</td><td>↑</td></tr> </table> <table style="width:100%; border-collapse: collapse; margin-top: 5px;"> <tr><td style="border-top: 1px solid black;">Serie</td><td style="border-top: 1px solid black; text-align: right;">47.0</td></tr> <tr><td style="border-top: 1px solid black;">Total</td><td style="border-top: 1px solid black; text-align: right;">426.0</td></tr> </table>	1: 8.8	→	2: 10.4x	↓	3: 9.3	↙	4: 9.2	→	5: 9.3	↑	Serie	47.0	Total	426.0
1: 10.7x	↑																																					
2: 9.1	←																																					
3: 9.8	↑																																					
4: 9.8	↙																																					
5: 10.3x	↗																																					
6: 9.4	↘																																					
7: 10.4x	→																																					
8: 10.6x	↘																																					
9: 10.4x	→																																					
Serie	90.5																																					
Total	379.0																																					
1: 8.8	→																																					
2: 10.4x	↓																																					
3: 9.3	↙																																					
4: 9.2	→																																					
5: 9.3	↑																																					
Serie	47.0																																					
Total	426.0																																					
<b>2. Serie 1 Skott</b>  <table style="width:100%; border-collapse: collapse; margin-top: 5px;"> <tr><td>1: 10.2x</td><td>↘</td></tr> </table> <table style="width:100%; border-collapse: collapse; margin-top: 5px;"> <tr><td style="border-top: 1px solid black;">Serie</td><td style="border-top: 1px solid black; text-align: right;">10.2</td></tr> <tr><td style="border-top: 1px solid black;">Total</td><td style="border-top: 1px solid black; text-align: right;">436.2</td></tr> </table>	1: 10.2x	↘	Serie	10.2	Total	436.2	<b>3. Serie 1 Skott</b>  <table style="width:100%; border-collapse: collapse; margin-top: 5px;"> <tr><td>1: 10.2x</td><td>↘</td></tr> </table> <table style="width:100%; border-collapse: collapse; margin-top: 5px;"> <tr><td style="border-top: 1px solid black;">Serie</td><td style="border-top: 1px solid black; text-align: right;">10.2</td></tr> <tr><td style="border-top: 1px solid black;">Total</td><td style="border-top: 1px solid black; text-align: right;">446.4</td></tr> </table>	1: 10.2x	↘	Serie	10.2	Total	446.4																									
1: 10.2x	↘																																					
Serie	10.2																																					
Total	436.2																																					
1: 10.2x	↘																																					
Serie	10.2																																					
Total	446.4																																					
<b>4. Serie 1 Skott</b>  <table style="width:100%; border-collapse: collapse; margin-top: 5px;"> <tr><td>1: 10.1</td><td>←</td></tr> </table> <table style="width:100%; border-collapse: collapse; margin-top: 5px;"> <tr><td style="border-top: 1px solid black;">Serie</td><td style="border-top: 1px solid black; text-align: right;">10.1</td></tr> <tr><td style="border-top: 1px solid black;">Total</td><td style="border-top: 1px solid black; text-align: right;">456.5</td></tr> </table>	1: 10.1	←	Serie	10.1	Total	456.5	<b>5. Serie 1 Skott</b>  <table style="width:100%; border-collapse: collapse; margin-top: 5px;"> <tr><td>1: 9.8</td><td>↑</td></tr> </table> <table style="width:100%; border-collapse: collapse; margin-top: 5px;"> <tr><td style="border-top: 1px solid black;">Serie</td><td style="border-top: 1px solid black; text-align: right;">9.8</td></tr> <tr><td style="border-top: 1px solid black;">Total</td><td style="border-top: 1px solid black; text-align: right;">466.3</td></tr> </table>	1: 9.8	↑	Serie	9.8	Total	466.3																									
1: 10.1	←																																					
Serie	10.1																																					
Total	456.5																																					
1: 9.8	↑																																					
Serie	9.8																																					
Total	466.3																																					
<b>6. Serie 1 Skott</b>  <table style="width:100%; border-collapse: collapse; margin-top: 5px;"> <tr><td>1: 10.1</td><td>↑</td></tr> </table> <table style="width:100%; border-collapse: collapse; margin-top: 5px;"> <tr><td style="border-top: 1px solid black;">Serie</td><td style="border-top: 1px solid black; text-align: right;">10.1</td></tr> <tr><td style="border-top: 1px solid black;">Total</td><td style="border-top: 1px solid black; text-align: right;">476.4</td></tr> </table>	1: 10.1	↑	Serie	10.1	Total	476.4	<table style="width:100%; border-collapse: collapse; margin-top: 5px;"> <tr><td style="border-top: 1px solid black;">Serie</td><td style="border-top: 1px solid black; text-align: right;">10.1</td></tr> <tr><td style="border-top: 1px solid black;">Total</td><td style="border-top: 1px solid black; text-align: right;">476.4</td></tr> </table>	Serie	10.1	Total	476.4																											
1: 10.1	↑																																					
Serie	10.1																																					
Total	476.4																																					
Serie	10.1																																					
Total	476.4																																					

<p><b>Prov</b></p>	<table style="width:100%; border-collapse: collapse;"> <tr><td>1:</td><td>8.6</td><td>↙</td></tr> <tr><td>2:</td><td>10.2x</td><td>↗</td></tr> <tr><td>3:</td><td>9.7</td><td>↗</td></tr> <tr><td>4:</td><td>10.1</td><td>↙</td></tr> <tr><td>5:</td><td>9.3</td><td>←</td></tr> <tr><td>6:</td><td>9.7</td><td>←</td></tr> <tr><td>7:</td><td>8.9</td><td>↗</td></tr> <tr><td>8:</td><td>9.8</td><td>↘</td></tr> <tr><td>9:</td><td>9.9</td><td>↗</td></tr> <tr><td>10:</td><td>9.6</td><td>↗</td></tr> <tr><td colspan="2"><b>Serie</b></td><td style="text-align: right;">95.8</td></tr> <tr><td colspan="2"><b>Total</b></td><td style="text-align: right;">372.0</td></tr> </table>	1:	8.6	↙	2:	10.2x	↗	3:	9.7	↗	4:	10.1	↙	5:	9.3	←	6:	9.7	←	7:	8.9	↗	8:	9.8	↘	9:	9.9	↗	10:	9.6	↗	<b>Serie</b>		95.8	<b>Total</b>		372.0	<p><b>Prov</b></p> <table style="width:100%; border-collapse: collapse;"> <tr><td>11:</td><td>9.7</td><td>↑</td></tr> <tr><td colspan="2"><b>Serie</b></td><td style="text-align: right;">9.7</td></tr> <tr><td colspan="2"><b>Total</b></td><td style="text-align: right;">372.0</td></tr> </table>	11:	9.7	↑	<b>Serie</b>		9.7	<b>Total</b>		372.0
1:	8.6	↙																																													
2:	10.2x	↗																																													
3:	9.7	↗																																													
4:	10.1	↙																																													
5:	9.3	←																																													
6:	9.7	←																																													
7:	8.9	↗																																													
8:	9.8	↘																																													
9:	9.9	↗																																													
10:	9.6	↗																																													
<b>Serie</b>		95.8																																													
<b>Total</b>		372.0																																													
11:	9.7	↑																																													
<b>Serie</b>		9.7																																													
<b>Total</b>		372.0																																													
<p><b>1. Serie 5 Skott</b></p>	<table style="width:100%; border-collapse: collapse;"> <tr><td>1:</td><td>9.2</td><td>↗</td></tr> <tr><td>2:</td><td>10.6x</td><td>↓</td></tr> <tr><td>3:</td><td>10.5x</td><td>↘</td></tr> <tr><td>4:</td><td>10.6x</td><td>→</td></tr> <tr><td>5:</td><td>10.5x</td><td>↗</td></tr> <tr><td colspan="2"><b>Serie</b></td><td style="text-align: right;">51.4</td></tr> <tr><td colspan="2"><b>Total</b></td><td style="text-align: right;">423.4</td></tr> </table>	1:	9.2	↗	2:	10.6x	↓	3:	10.5x	↘	4:	10.6x	→	5:	10.5x	↗	<b>Serie</b>		51.4	<b>Total</b>		423.4	<p><b>2. Serie 1 Skott</b></p> <table style="width:100%; border-collapse: collapse;"> <tr><td>1:</td><td>9.1</td><td>↓</td></tr> <tr><td colspan="2"><b>Serie</b></td><td style="text-align: right;">9.1</td></tr> <tr><td colspan="2"><b>Total</b></td><td style="text-align: right;">432.5</td></tr> </table>	1:	9.1	↓	<b>Serie</b>		9.1	<b>Total</b>		432.5															
1:	9.2	↗																																													
2:	10.6x	↓																																													
3:	10.5x	↘																																													
4:	10.6x	→																																													
5:	10.5x	↗																																													
<b>Serie</b>		51.4																																													
<b>Total</b>		423.4																																													
1:	9.1	↓																																													
<b>Serie</b>		9.1																																													
<b>Total</b>		432.5																																													
<p><b>3. Serie 1 Skott</b></p>	<table style="width:100%; border-collapse: collapse;"> <tr><td>1:</td><td>9.4</td><td>→</td></tr> <tr><td colspan="2"><b>Serie</b></td><td style="text-align: right;">9.4</td></tr> <tr><td colspan="2"><b>Total</b></td><td style="text-align: right;">441.9</td></tr> </table>	1:	9.4	→	<b>Serie</b>		9.4	<b>Total</b>		441.9	<p><b>4. Serie 1 Skott</b></p> <table style="width:100%; border-collapse: collapse;"> <tr><td>1:</td><td>9.1</td><td>→</td></tr> <tr><td colspan="2"><b>Serie</b></td><td style="text-align: right;">9.1</td></tr> <tr><td colspan="2"><b>Total</b></td><td style="text-align: right;">451.0</td></tr> </table>	1:	9.1	→	<b>Serie</b>		9.1	<b>Total</b>		451.0																											
1:	9.4	→																																													
<b>Serie</b>		9.4																																													
<b>Total</b>		441.9																																													
1:	9.1	→																																													
<b>Serie</b>		9.1																																													
<b>Total</b>		451.0																																													
<p><b>5. Serie 1 Skott</b></p>	<table style="width:100%; border-collapse: collapse;"> <tr><td>1:</td><td>9.1</td><td>→</td></tr> <tr><td colspan="2"><b>Serie</b></td><td style="text-align: right;">9.1</td></tr> <tr><td colspan="2"><b>Total</b></td><td style="text-align: right;">460.1</td></tr> </table>	1:	9.1	→	<b>Serie</b>		9.1	<b>Total</b>		460.1	<p><b>6. Serie 1 Skott</b></p> <table style="width:100%; border-collapse: collapse;"> <tr><td>1:</td><td>10.7x</td><td>↑</td></tr> <tr><td colspan="2"><b>Serie</b></td><td style="text-align: right;">10.7</td></tr> <tr><td colspan="2"><b>Total</b></td><td style="text-align: right;">470.8</td></tr> </table>	1:	10.7x	↑	<b>Serie</b>		10.7	<b>Total</b>		470.8																											
1:	9.1	→																																													
<b>Serie</b>		9.1																																													
<b>Total</b>		460.1																																													
1:	10.7x	↑																																													
<b>Serie</b>		10.7																																													
<b>Total</b>		470.8																																													

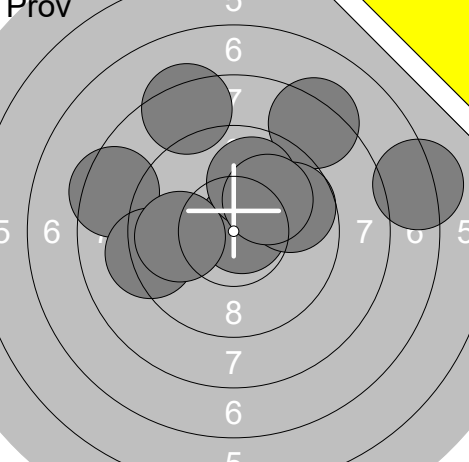

<p><b>Prov</b></p>	<p>1: 10.4x ↗ 2: 10.4x ↗ 3: 9.9 ← 4: 9.1 ↖ 5: 8.7 ↗ 6: 8.7 ↗ 7: 9.8 ↓</p> <table border="1" style="width:100%; border-collapse: collapse;"> <tr><td>Serie</td><td style="text-align: right;">67.0</td></tr> <tr><td>Total</td><td style="text-align: right;">366.0</td></tr> </table>	Serie	67.0	Total	366.0	<p><b>1. Serie 5 Skott</b></p>	<p>1: 8.6 ↓ 2: 9.8 ↓ 3: 9.1 ↓ 4: 9.3 ↙ 5: 8.8 ←</p> <table border="1" style="width:100%; border-collapse: collapse;"> <tr><td>Serie</td><td style="text-align: right;">45.6</td></tr> <tr><td>Total</td><td style="text-align: right;">411.6</td></tr> </table>	Serie	45.6	Total	411.6
Serie	67.0										
Total	366.0										
Serie	45.6										
Total	411.6										
<p><b>2. Serie 1 Skott</b></p>	<p>1: 9.3 ←</p> <table border="1" style="width:100%; border-collapse: collapse;"> <tr><td>Serie</td><td style="text-align: right;">9.3</td></tr> <tr><td>Total</td><td style="text-align: right;">420.9</td></tr> </table>	Serie	9.3	Total	420.9	<p><b>3. Serie 1 Skott</b></p>	<p>1: 8.4 ←</p> <table border="1" style="width:100%; border-collapse: collapse;"> <tr><td>Serie</td><td style="text-align: right;">8.4</td></tr> <tr><td>Total</td><td style="text-align: right;">429.3</td></tr> </table>	Serie	8.4	Total	429.3
Serie	9.3										
Total	420.9										
Serie	8.4										
Total	429.3										
<p><b>4. Serie 1 Skott</b></p>	<p>1: 10.2x ↖</p> <table border="1" style="width:100%; border-collapse: collapse;"> <tr><td>Serie</td><td style="text-align: right;">10.2</td></tr> <tr><td>Total</td><td style="text-align: right;">439.5</td></tr> </table>	Serie	10.2	Total	439.5	<p><b>5. Serie 1 Skott</b></p>	<p>1: 10.3x ↑</p> <table border="1" style="width:100%; border-collapse: collapse;"> <tr><td>Serie</td><td style="text-align: right;">10.3</td></tr> <tr><td>Total</td><td style="text-align: right;">449.8</td></tr> </table>	Serie	10.3	Total	449.8
Serie	10.2										
Total	439.5										
Serie	10.3										
Total	449.8										
<p><b>6. Serie 1 Skott</b></p>	<p>1: 9.7 ↙</p> <table border="1" style="width:100%; border-collapse: collapse;"> <tr><td>Serie</td><td style="text-align: right;">9.7</td></tr> <tr><td>Total</td><td style="text-align: right;">459.5</td></tr> </table>	Serie	9.7	Total	459.5						
Serie	9.7										
Total	459.5										

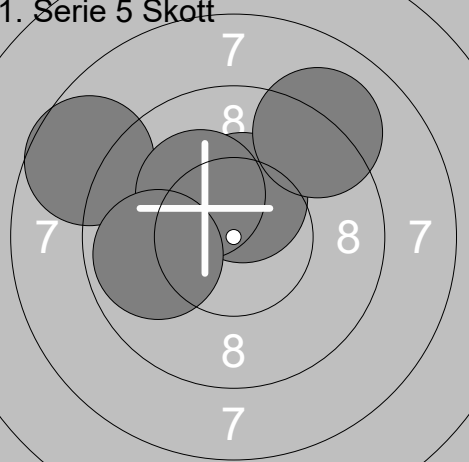
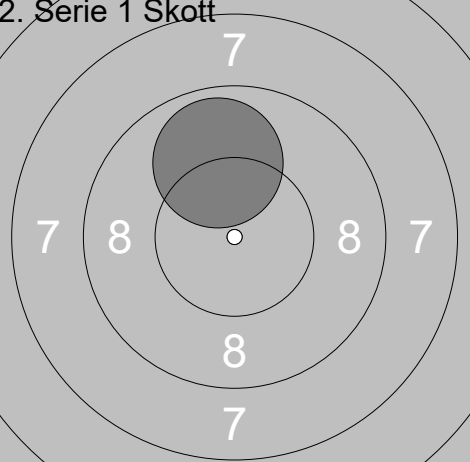
<p><b>Prov</b></p>	<table style="width:100%; border-collapse: collapse;"> <tr><td>1:</td><td>6.6</td><td>↘</td></tr> <tr><td>2:</td><td>9.8</td><td>↘</td></tr> <tr><td>3:</td><td>9.8</td><td>↘</td></tr> <tr><td>4:</td><td>10.2x</td><td>↗</td></tr> <tr><td>5:</td><td>8.9</td><td>→</td></tr> <tr><td>6:</td><td>9.5</td><td>↘</td></tr> <tr><td>7:</td><td>10.0</td><td>↘</td></tr> <tr><td>8:</td><td>9.3</td><td>↘</td></tr> <tr><td>9:</td><td>9.2</td><td>→</td></tr> <tr><td>10:</td><td>9.5</td><td>→</td></tr> </table> <table style="width:100%; border-collapse: collapse;"> <tr><td>Serie</td><td style="text-align: right;">92.8</td></tr> <tr><td>Total</td><td style="text-align: right;">365.0</td></tr> </table>	1:	6.6	↘	2:	9.8	↘	3:	9.8	↘	4:	10.2x	↗	5:	8.9	→	6:	9.5	↘	7:	10.0	↘	8:	9.3	↘	9:	9.2	→	10:	9.5	→	Serie	92.8	Total	365.0	<p><b>Prov</b></p> <table style="width:100%; border-collapse: collapse;"> <tr><td>11:</td><td>10.1</td><td>↑</td></tr> </table> <table style="width:100%; border-collapse: collapse;"> <tr><td>Serie</td><td style="text-align: right;">10.1</td></tr> <tr><td>Total</td><td style="text-align: right;">365.0</td></tr> </table>	11:	10.1	↑	Serie	10.1	Total	365.0
1:	6.6	↘																																									
2:	9.8	↘																																									
3:	9.8	↘																																									
4:	10.2x	↗																																									
5:	8.9	→																																									
6:	9.5	↘																																									
7:	10.0	↘																																									
8:	9.3	↘																																									
9:	9.2	→																																									
10:	9.5	→																																									
Serie	92.8																																										
Total	365.0																																										
11:	10.1	↑																																									
Serie	10.1																																										
Total	365.0																																										

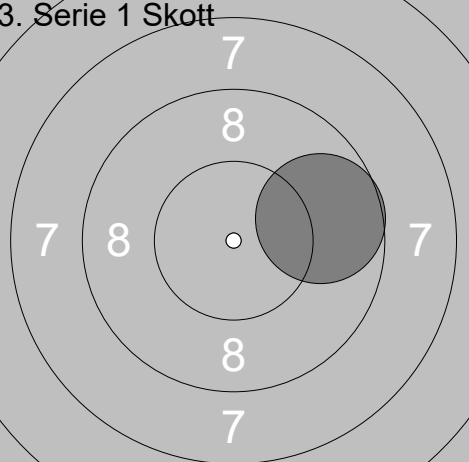
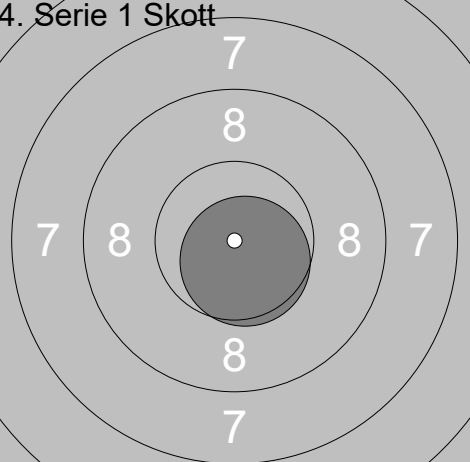
<p><b>1. Serie 5 Skott</b></p> <table style="width:100%; border-collapse: collapse;"> <tr><td>1:</td><td>9.0</td><td>↗</td></tr> <tr><td>2:</td><td>9.5</td><td>↑</td></tr> <tr><td>3:</td><td>10.5x</td><td>↘</td></tr> <tr><td>4:</td><td>9.9</td><td>↑</td></tr> <tr><td>5:</td><td>9.7</td><td>↗</td></tr> </table> <table style="width:100%; border-collapse: collapse;"> <tr><td>Serie</td><td style="text-align: right;">48.6</td></tr> <tr><td>Total</td><td style="text-align: right;">413.6</td></tr> </table>	1:	9.0	↗	2:	9.5	↑	3:	10.5x	↘	4:	9.9	↑	5:	9.7	↗	Serie	48.6	Total	413.6	<p><b>2. Serie 1 Skott</b></p> <table style="width:100%; border-collapse: collapse;"> <tr><td>1:</td><td>9.1</td><td>←</td></tr> </table> <table style="width:100%; border-collapse: collapse;"> <tr><td>Serie</td><td style="text-align: right;">9.1</td></tr> <tr><td>Total</td><td style="text-align: right;">422.7</td></tr> </table>	1:	9.1	←	Serie	9.1	Total	422.7
1:	9.0	↗																									
2:	9.5	↑																									
3:	10.5x	↘																									
4:	9.9	↑																									
5:	9.7	↗																									
Serie	48.6																										
Total	413.6																										
1:	9.1	←																									
Serie	9.1																										
Total	422.7																										

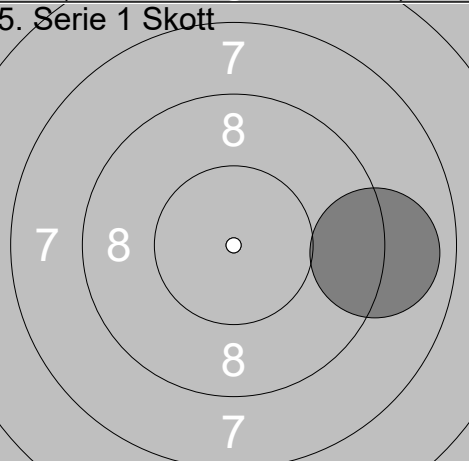
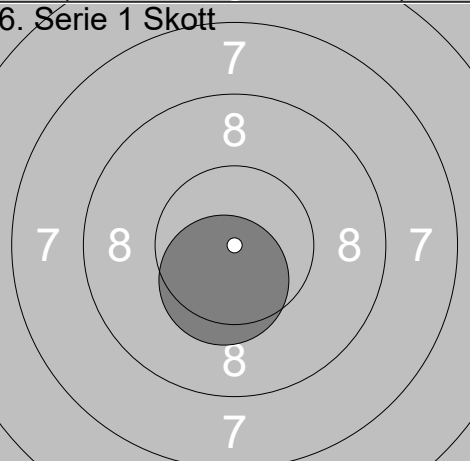
<p><b>3. Serie 1 Skott</b></p> <table style="width:100%; border-collapse: collapse;"> <tr><td>1:</td><td>9.5</td><td>↗</td></tr> </table> <table style="width:100%; border-collapse: collapse;"> <tr><td>Serie</td><td style="text-align: right;">9.5</td></tr> <tr><td>Total</td><td style="text-align: right;">432.2</td></tr> </table>	1:	9.5	↗	Serie	9.5	Total	432.2	<p><b>4. Serie 1 Skott</b></p> <table style="width:100%; border-collapse: collapse;"> <tr><td>1:</td><td>10.5x</td><td>←</td></tr> </table> <table style="width:100%; border-collapse: collapse;"> <tr><td>Serie</td><td style="text-align: right;">10.5</td></tr> <tr><td>Total</td><td style="text-align: right;">442.7</td></tr> </table>	1:	10.5x	←	Serie	10.5	Total	442.7
1:	9.5	↗													
Serie	9.5														
Total	432.2														
1:	10.5x	←													
Serie	10.5														
Total	442.7														

<p><b>5. Serie 1 Skott</b></p> <table style="width:100%; border-collapse: collapse;"> <tr><td>1:</td><td>8.4</td><td>↗</td></tr> </table> <table style="width:100%; border-collapse: collapse;"> <tr><td>Serie</td><td style="text-align: right;">8.4</td></tr> <tr><td>Total</td><td style="text-align: right;">451.1</td></tr> </table>	1:	8.4	↗	Serie	8.4	Total	451.1	<p><b>6. Serie 1 Skott</b></p> <table style="width:100%; border-collapse: collapse;"> <tr><td>1:</td><td>10.4x</td><td>↗</td></tr> </table> <table style="width:100%; border-collapse: collapse;"> <tr><td>Serie</td><td style="text-align: right;">10.4</td></tr> <tr><td>Total</td><td style="text-align: right;">461.5</td></tr> </table>	1:	10.4x	↗	Serie	10.4	Total	461.5
1:	8.4	↗													
Serie	8.4														
Total	451.1														
1:	10.4x	↗													
Serie	10.4														
Total	461.5														

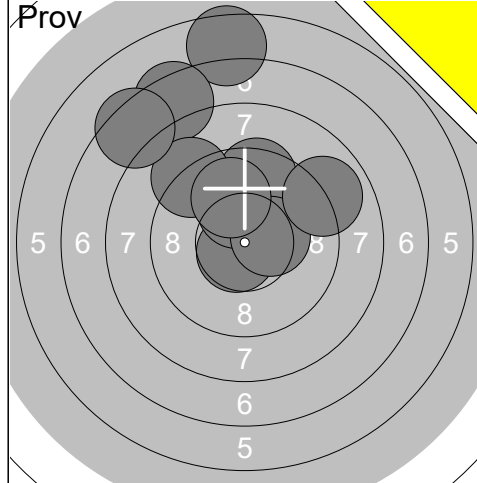
<p><b>Prov</b></p> 	<table style="width:100%; border-collapse: collapse;"> <tr><td>1:</td><td>8.5</td><td>←</td></tr> <tr><td>2:</td><td>8.3</td><td>↗</td></tr> <tr><td>3:</td><td>9.2</td><td>←</td></tr> <tr><td>4:</td><td>7.2</td><td>→</td></tr> <tr><td>5:</td><td>10.8x</td><td>→</td></tr> <tr><td>6:</td><td>8.4</td><td>↖</td></tr> <tr><td>7:</td><td>9.7</td><td>→</td></tr> <tr><td>8:</td><td>9.9</td><td>←</td></tr> <tr><td>9:</td><td>9.9</td><td>↗</td></tr> <tr><td>10:</td><td>10.0</td><td>↗</td></tr> <tr><td colspan="2"><b>Serie</b></td><td style="text-align: right;">91.9</td></tr> <tr><td colspan="2"><b>Total</b></td><td style="text-align: right;">357.0</td></tr> </table>	1:	8.5	←	2:	8.3	↗	3:	9.2	←	4:	7.2	→	5:	10.8x	→	6:	8.4	↖	7:	9.7	→	8:	9.9	←	9:	9.9	↗	10:	10.0	↗	<b>Serie</b>		91.9	<b>Total</b>		357.0	<p><b>Prov</b></p>  <table style="width:100%; border-collapse: collapse;"> <tr><td>11:</td><td>8.8</td><td>→</td></tr> <tr><td>12:</td><td>8.9</td><td>↗</td></tr> <tr><td>13:</td><td>10.2x</td><td>→</td></tr> <tr><td>14:</td><td>6.7</td><td>←</td></tr> <tr><td>15:</td><td>10.2x</td><td>↗</td></tr> <tr><td colspan="2"><b>Serie</b></td><td style="text-align: right;">44.8</td></tr> <tr><td colspan="2"><b>Total</b></td><td style="text-align: right;">357.0</td></tr> </table>	11:	8.8	→	12:	8.9	↗	13:	10.2x	→	14:	6.7	←	15:	10.2x	↗	<b>Serie</b>		44.8	<b>Total</b>		357.0
1:	8.5	←																																																									
2:	8.3	↗																																																									
3:	9.2	←																																																									
4:	7.2	→																																																									
5:	10.8x	→																																																									
6:	8.4	↖																																																									
7:	9.7	→																																																									
8:	9.9	←																																																									
9:	9.9	↗																																																									
10:	10.0	↗																																																									
<b>Serie</b>		91.9																																																									
<b>Total</b>		357.0																																																									
11:	8.8	→																																																									
12:	8.9	↗																																																									
13:	10.2x	→																																																									
14:	6.7	←																																																									
15:	10.2x	↗																																																									
<b>Serie</b>		44.8																																																									
<b>Total</b>		357.0																																																									

<p><b>1. Serie 5 Skott</b></p>  <table style="width:100%; border-collapse: collapse;"> <tr><td>1:</td><td>10.4x</td><td>↗</td></tr> <tr><td>2:</td><td>8.7</td><td>←</td></tr> <tr><td>3:</td><td>9.1</td><td>↗</td></tr> <tr><td>4:</td><td>10.2x</td><td>↖</td></tr> <tr><td>5:</td><td>9.9</td><td>←</td></tr> <tr><td colspan="2"><b>Serie</b></td><td style="text-align: right;">48.3</td></tr> <tr><td colspan="2"><b>Total</b></td><td style="text-align: right;">405.3</td></tr> </table>	1:	10.4x	↗	2:	8.7	←	3:	9.1	↗	4:	10.2x	↖	5:	9.9	←	<b>Serie</b>		48.3	<b>Total</b>		405.3	<p><b>2. Serie 1 Skott</b></p>  <table style="width:100%; border-collapse: collapse;"> <tr><td>1:</td><td>9.9</td><td>↖</td></tr> <tr><td colspan="2"><b>Serie</b></td><td style="text-align: right;">9.9</td></tr> <tr><td colspan="2"><b>Total</b></td><td style="text-align: right;">415.2</td></tr> </table>	1:	9.9	↖	<b>Serie</b>		9.9	<b>Total</b>		415.2
1:	10.4x	↗																													
2:	8.7	←																													
3:	9.1	↗																													
4:	10.2x	↖																													
5:	9.9	←																													
<b>Serie</b>		48.3																													
<b>Total</b>		405.3																													
1:	9.9	↖																													
<b>Serie</b>		9.9																													
<b>Total</b>		415.2																													

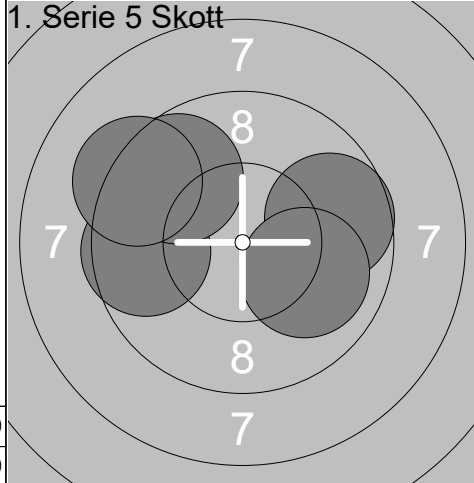
<p><b>3. Serie 1 Skott</b></p>  <table style="width:100%; border-collapse: collapse;"> <tr><td>1:</td><td>9.7</td><td>→</td></tr> <tr><td colspan="2"><b>Serie</b></td><td style="text-align: right;">9.7</td></tr> <tr><td colspan="2"><b>Total</b></td><td style="text-align: right;">424.9</td></tr> </table>	1:	9.7	→	<b>Serie</b>		9.7	<b>Total</b>		424.9	<p><b>4. Serie 1 Skott</b></p>  <table style="width:100%; border-collapse: collapse;"> <tr><td>1:</td><td>10.6x</td><td>↘</td></tr> <tr><td colspan="2"><b>Serie</b></td><td style="text-align: right;">10.6</td></tr> <tr><td colspan="2"><b>Total</b></td><td style="text-align: right;">435.5</td></tr> </table>	1:	10.6x	↘	<b>Serie</b>		10.6	<b>Total</b>		435.5
1:	9.7	→																	
<b>Serie</b>		9.7																	
<b>Total</b>		424.9																	
1:	10.6x	↘																	
<b>Serie</b>		10.6																	
<b>Total</b>		435.5																	

<p><b>5. Serie 1 Skott</b></p>  <table style="width:100%; border-collapse: collapse;"> <tr><td>1:</td><td>9.0</td><td>→</td></tr> <tr><td colspan="2"><b>Serie</b></td><td style="text-align: right;">9.0</td></tr> <tr><td colspan="2"><b>Total</b></td><td style="text-align: right;">444.5</td></tr> </table>	1:	9.0	→	<b>Serie</b>		9.0	<b>Total</b>		444.5	<p><b>6. Serie 1 Skott</b></p>  <table style="width:100%; border-collapse: collapse;"> <tr><td>1:</td><td>10.4x</td><td>↘</td></tr> <tr><td colspan="2"><b>Serie</b></td><td style="text-align: right;">10.4</td></tr> <tr><td colspan="2"><b>Total</b></td><td style="text-align: right;">454.9</td></tr> </table>	1:	10.4x	↘	<b>Serie</b>		10.4	<b>Total</b>		454.9
1:	9.0	→																	
<b>Serie</b>		9.0																	
<b>Total</b>		444.5																	
1:	10.4x	↘																	
<b>Serie</b>		10.4																	
<b>Total</b>		454.9																	

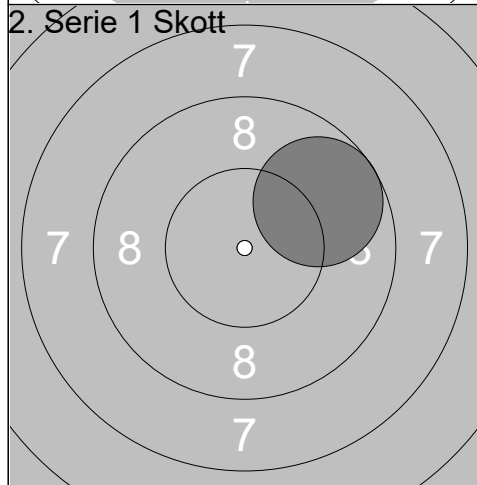




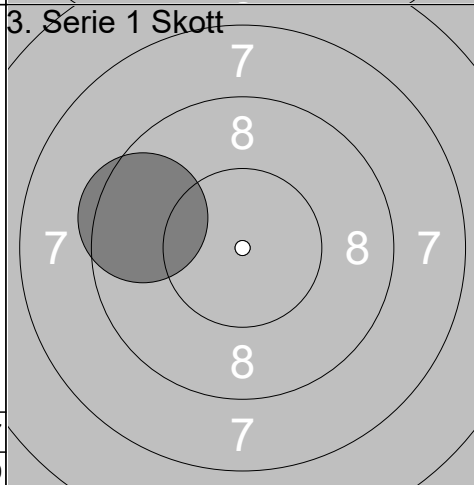
1:	6.5	↑
2:	10.7x	↙
3:	10.2x	↑
4:	9.5	↑
5:	7.4	↑
6:	10.4x	→
7:	9.1	↗
8:	9.9	↑
9:	8.9	↗
10:	7.4	↖
Serie		90.0
Total		345.0



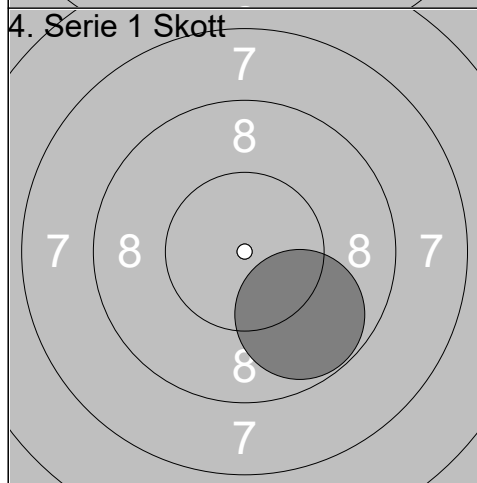
1:	9.7	→
2:	10.0	↘
3:	9.6	←
4:	9.7	↗
5:	9.3	↗
Serie		48.3
Total		393.3



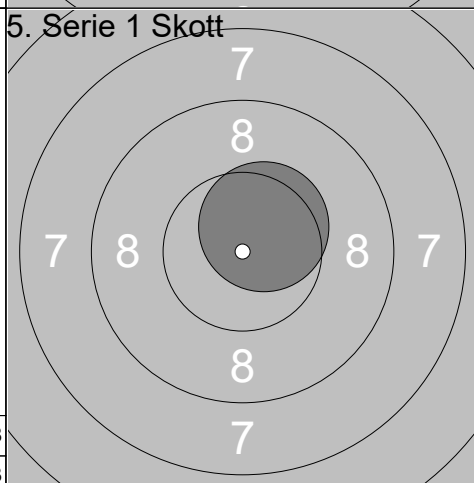
1:	9.7	↗
Serie		9.7
Total		403.0



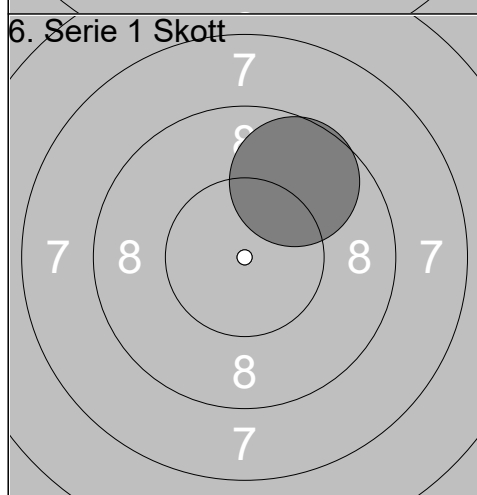
1:	9.5	←
Serie		9.5
Total		412.5



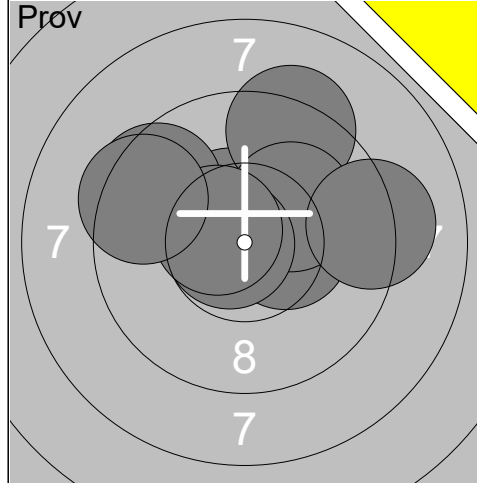
1:	9.8	↘
Serie		9.8
Total		422.3



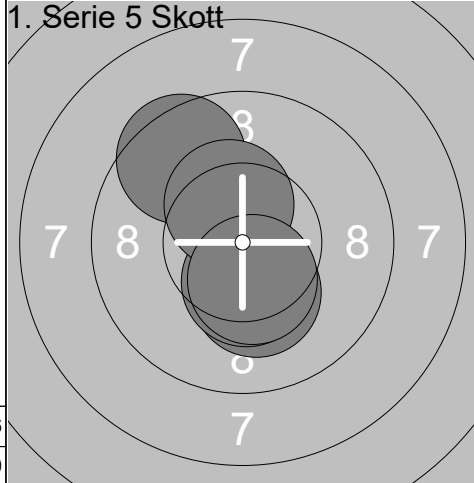
1:	10.5x	↗
Serie		10.5
Total		432.8



1:	9.7	↗
Serie		9.7
Total		442.5



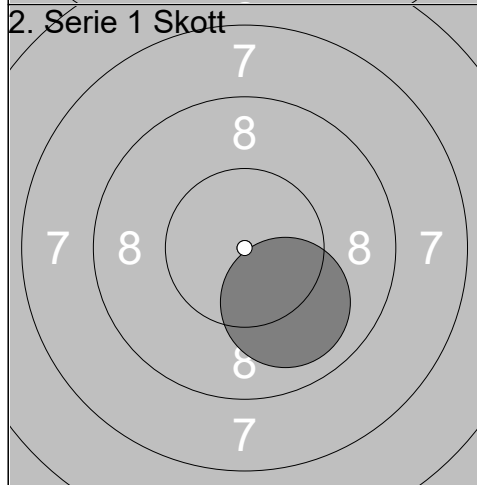
1:	10.5x	↗
2:	9.3	↗
3:	10.4x	→
4:	10.1	↗
5:	9.5	↗
6:	10.7x	←
7:	10.5x	↗
8:	9.2	→
9:	9.4	↖



1:	10.2x	↓
2:	9.5	↖
3:	10.4x	↓
4:	10.4x	↗
5:	10.4x	↓

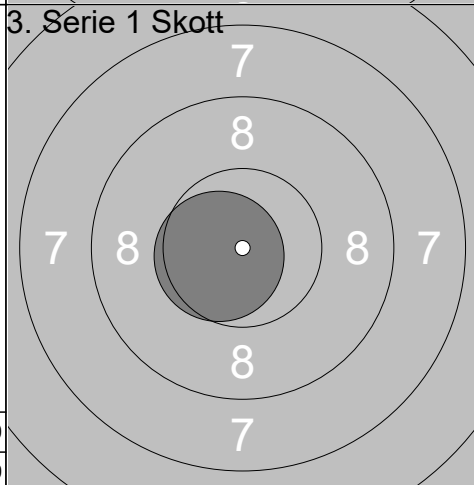
Serie	89.6
Total	374.0

Serie	50.9
Total	424.9



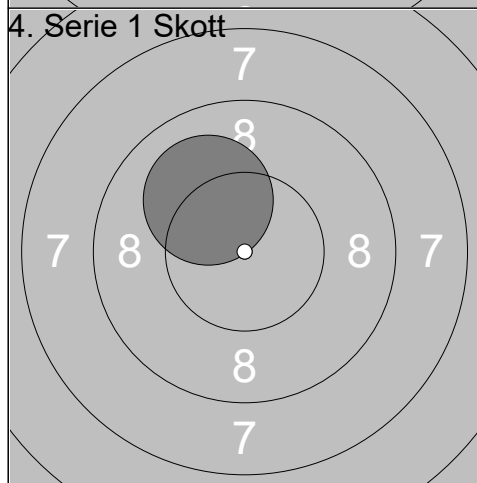
1:	10.0	↓
----	------	---

Serie	10.0
Total	434.9



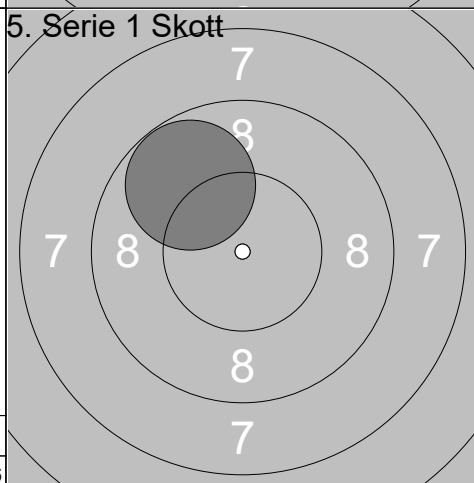
1:	10.6x	←
----	-------	---

Serie	10.6
Total	445.5



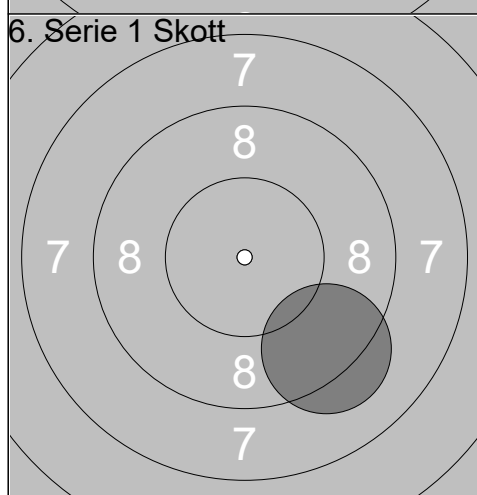
1:	10.1	↖
----	------	---

Serie	10.1
Total	455.6



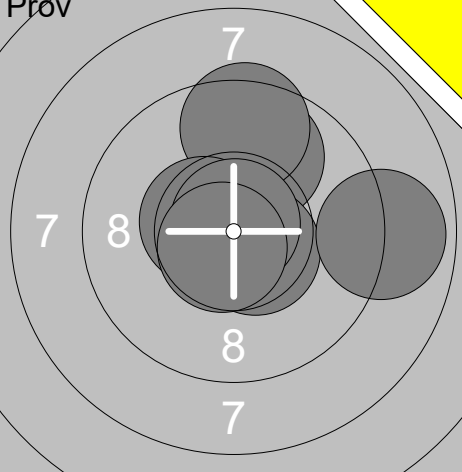
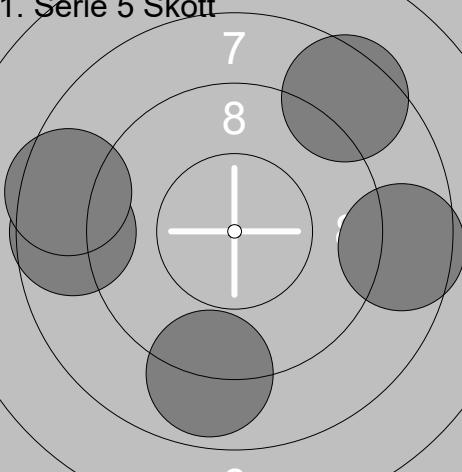
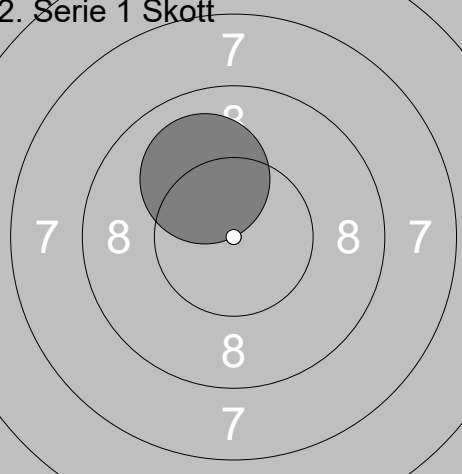
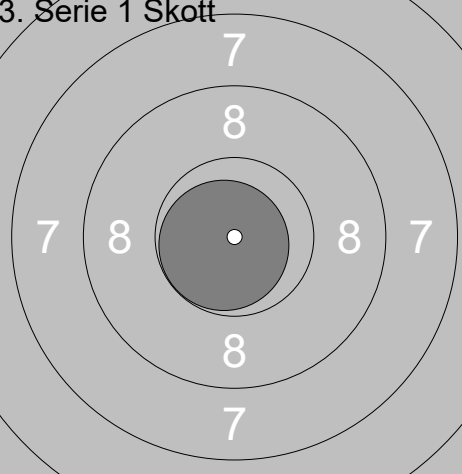
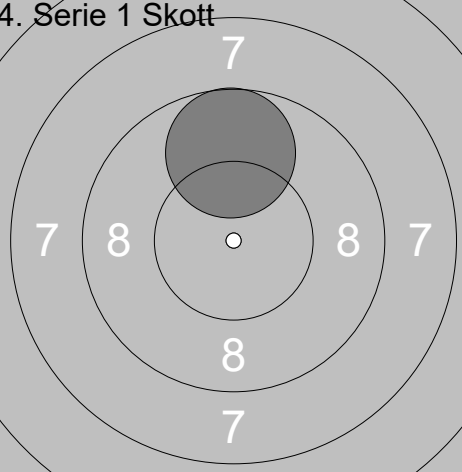
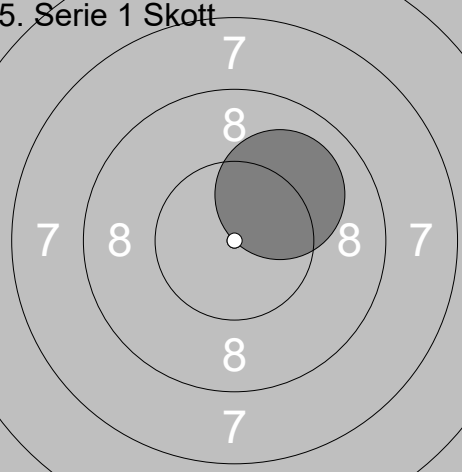
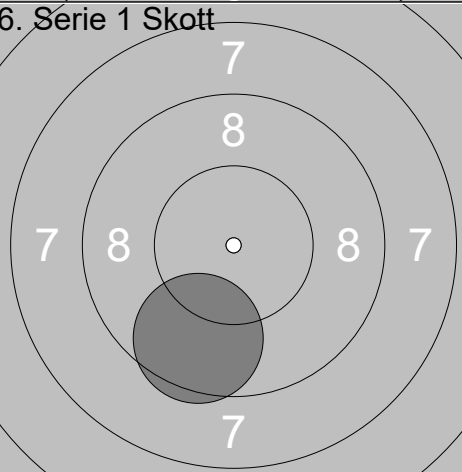
1:	9.8	↖
----	-----	---

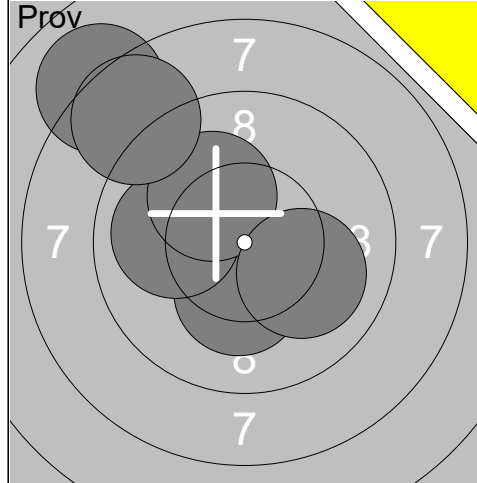
Serie	9.8
Total	465.4



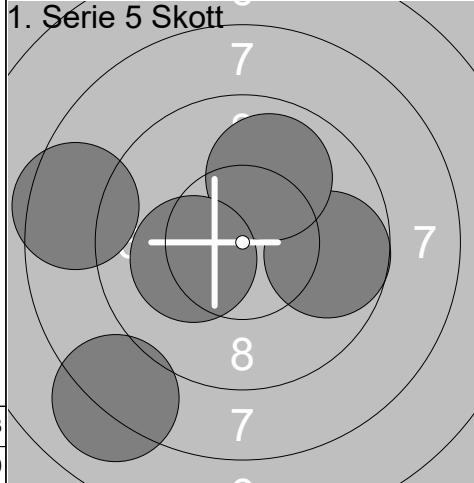
1:	9.2	↓
----	-----	---

Serie	9.2
Total	474.6

<p>Prov</p> 	<p>1: 9.9 ↑</p> <p>2: 9.5 ↑</p> <p>3: 10.5x ←</p> <p>4: 10.5x ↘</p> <p>5: 10.8x ↑</p> <p>6: 10.7x ↙</p> <p>7: 8.9 →</p>	<p>1. Serie 5 Skott</p> 	<p>1: 8.9 ↓</p> <p>2: 8.6 →</p> <p>3: 8.7 ←</p> <p>4: 8.5 ←</p> <p>5: 8.5 ↗</p>								
	<table border="1" style="width:100%; border-collapse: collapse;"> <tr> <td style="width:80%;">Serie</td> <td style="width:20%; text-align: right;">70.8</td> </tr> <tr> <td>Total</td> <td style="text-align: right;">373.0</td> </tr> </table>	Serie	70.8	Total	373.0		<table border="1" style="width:100%; border-collapse: collapse;"> <tr> <td style="width:80%;">Serie</td> <td style="width:20%; text-align: right;">43.2</td> </tr> <tr> <td>Total</td> <td style="text-align: right;">416.2</td> </tr> </table>	Serie	43.2	Total	416.2
Serie	70.8										
Total	373.0										
Serie	43.2										
Total	416.2										
<p>2. Serie 1 Skott</p> 	<p>1: 10.0 ↖</p>	<p>3. Serie 1 Skott</p> 	<p>1: 10.8x ↙</p>								
	<table border="1" style="width:100%; border-collapse: collapse;"> <tr> <td style="width:80%;">Serie</td> <td style="width:20%; text-align: right;">10.0</td> </tr> <tr> <td>Total</td> <td style="text-align: right;">426.2</td> </tr> </table>	Serie	10.0	Total	426.2		<table border="1" style="width:100%; border-collapse: collapse;"> <tr> <td style="width:80%;">Serie</td> <td style="width:20%; text-align: right;">10.8</td> </tr> <tr> <td>Total</td> <td style="text-align: right;">437.0</td> </tr> </table>	Serie	10.8	Total	437.0
Serie	10.0										
Total	426.2										
Serie	10.8										
Total	437.0										
<p>4. Serie 1 Skott</p> 	<p>1: 9.7 ↑</p>	<p>5. Serie 1 Skott</p> 	<p>1: 10.0 ↗</p>								
	<table border="1" style="width:100%; border-collapse: collapse;"> <tr> <td style="width:80%;">Serie</td> <td style="width:20%; text-align: right;">9.7</td> </tr> <tr> <td>Total</td> <td style="text-align: right;">446.7</td> </tr> </table>	Serie	9.7	Total	446.7		<table border="1" style="width:100%; border-collapse: collapse;"> <tr> <td style="width:80%;">Serie</td> <td style="width:20%; text-align: right;">10.0</td> </tr> <tr> <td>Total</td> <td style="text-align: right;">456.7</td> </tr> </table>	Serie	10.0	Total	456.7
Serie	9.7										
Total	446.7										
Serie	10.0										
Total	456.7										
<p>6. Serie 1 Skott</p> 	<p>1: 9.6 ↓</p>										
	<table border="1" style="width:100%; border-collapse: collapse;"> <tr> <td style="width:80%;">Serie</td> <td style="width:20%; text-align: right;">9.6</td> </tr> <tr> <td>Total</td> <td style="text-align: right;">466.3</td> </tr> </table>	Serie	9.6	Total	466.3						
Serie	9.6										
Total	466.3										



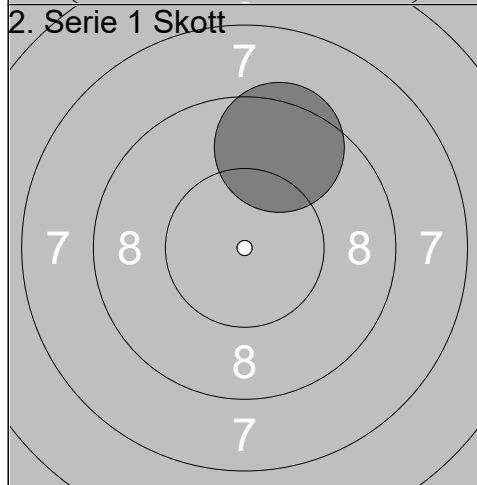
1:	10.3x	↓
2:	10.0	←
3:	10.2x	↗
4:	8.0	↗
5:	8.7	↗
6:	10.1	↓



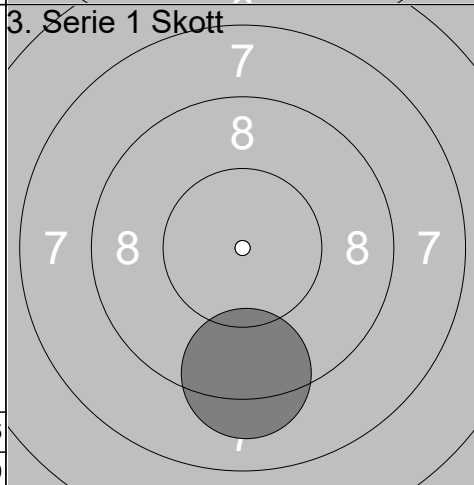
1:	8.5	←
2:	9.7	→
3:	9.9	↗
4:	8.1	↓
5:	10.2x	←

Serie	57.3
Total	373.0

Serie	46.4
Total	419.4



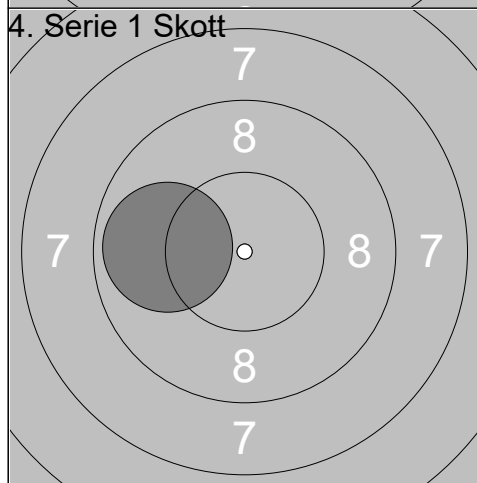
1:	9.5	↗
----	-----	---



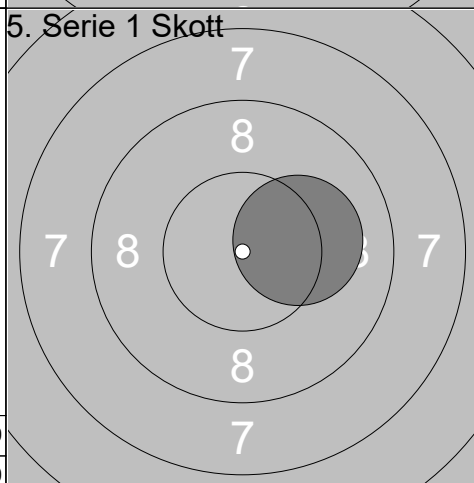
1:	9.2	↓
----	-----	---

Serie	9.5
Total	428.9

Serie	9.2
Total	438.1



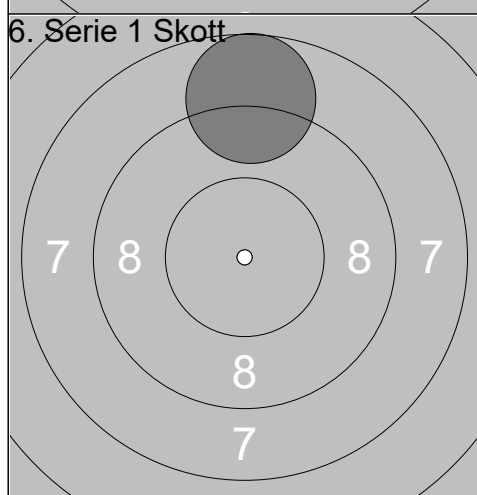
1:	9.9	←
----	-----	---



1:	10.2x	→
----	-------	---

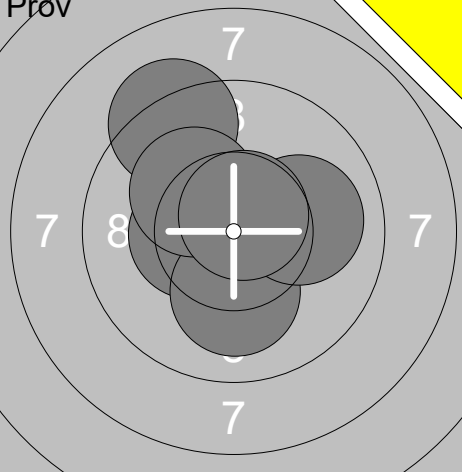
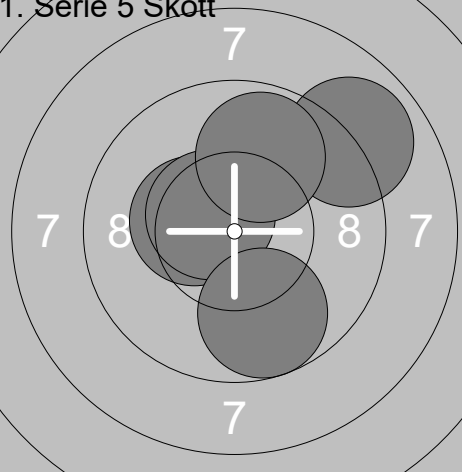
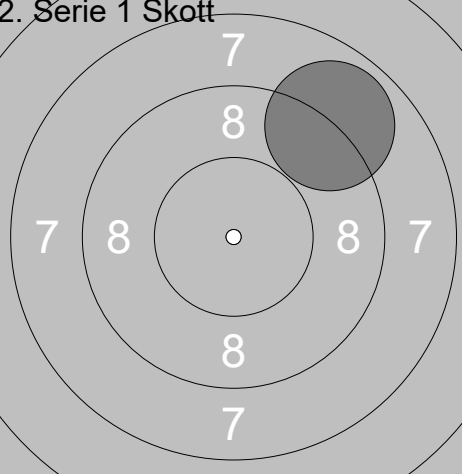
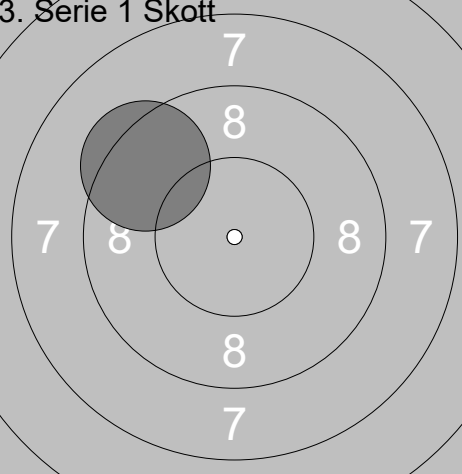
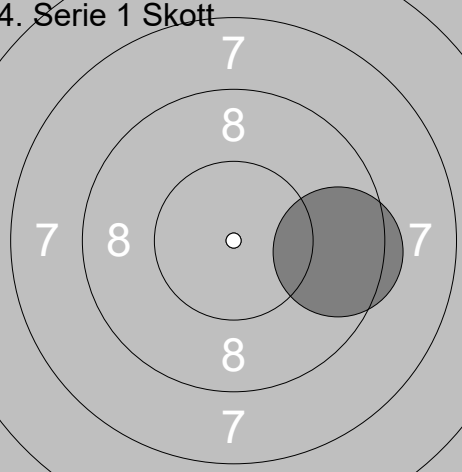
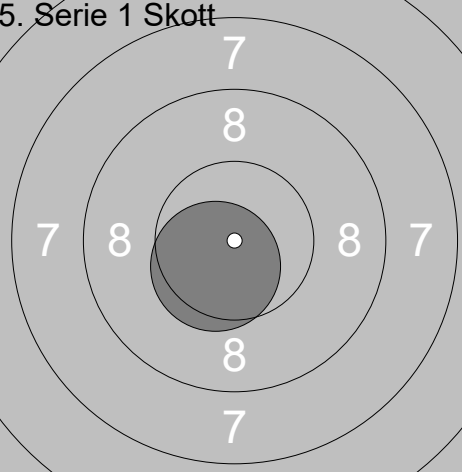
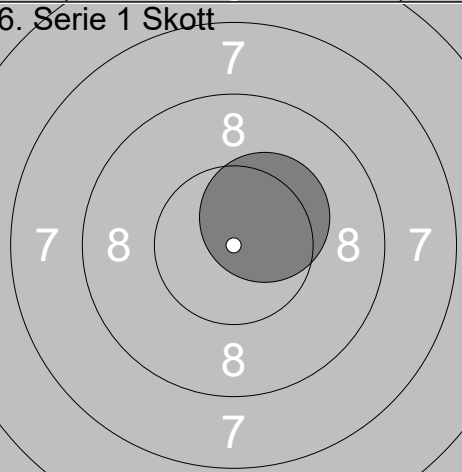
Serie	9.9
Total	448.0

Serie	10.2
Total	458.2



1:	8.7	↗
----	-----	---

Serie	8.7
Total	466.9

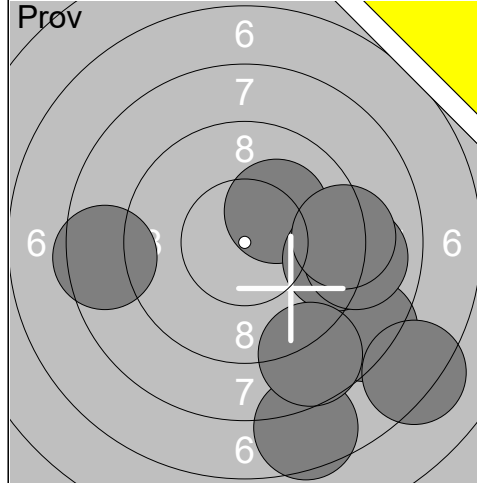
<b>Prov</b> 	1: 9.2 ↗ 2: 10.4x ← 3: 10.1 ↓ 4: 10.2x ↗ 5: 10.0 → 6: 10.7x ↗  Serie 60.6 Total 371.0	<b>1. Serie 5 Skott</b> 	1: 8.9 ↗ 2: 10.4x ← 3: 10.5x ↗ 4: 9.9 ↗ 5: 9.7 ↓  Serie 49.4 Total 420.4
<b>2. Serie 1 Skott</b> 	1: 8.9 ↗  Serie 8.9 Total 429.3	<b>3. Serie 1 Skott</b> 	1: 9.4 ↗  Serie 9.4 Total 438.7
<b>4. Serie 1 Skott</b> 	1: 9.5 →  Serie 9.5 Total 448.2	<b>5. Serie 1 Skott</b> 	1: 10.5x ↘  Serie 10.5 Total 458.7
<b>6. Serie 1 Skott</b> 	1: 10.4x ↗  Serie 10.4 Total 469.1		

<p><b>Prov</b></p>	<table style="width:100%; border-collapse: collapse;"> <tr><td>1:</td><td>10.0</td><td>↘</td></tr> <tr><td>2:</td><td>8.6</td><td>→</td></tr> <tr><td>3:</td><td>8.9</td><td>↘</td></tr> <tr><td>4:</td><td>9.7</td><td>↗</td></tr> <tr><td>5:</td><td>8.7</td><td>↘</td></tr> <tr><td>6:</td><td>9.8</td><td>↘</td></tr> <tr><td>7:</td><td>9.5</td><td>↗</td></tr> <tr><td>8:</td><td>8.0</td><td>↘</td></tr> <tr><td>9:</td><td>9.4</td><td>↘</td></tr> <tr><td>10:</td><td>8.4</td><td>↘</td></tr> <tr><td colspan="2"><b>Serie</b></td><td style="text-align: right;">91.0</td></tr> <tr><td colspan="2"><b>Total</b></td><td style="text-align: right;">369.0</td></tr> </table>	1:	10.0	↘	2:	8.6	→	3:	8.9	↘	4:	9.7	↗	5:	8.7	↘	6:	9.8	↘	7:	9.5	↗	8:	8.0	↘	9:	9.4	↘	10:	8.4	↘	<b>Serie</b>		91.0	<b>Total</b>		369.0	<p><b>Prov</b></p> <table style="width:100%; border-collapse: collapse;"> <tr><td>11:</td><td>8.8</td><td>↗</td></tr> <tr><td colspan="2"><b>Serie</b></td><td style="text-align: right;">8.8</td></tr> <tr><td colspan="2"><b>Total</b></td><td style="text-align: right;">369.0</td></tr> </table>	11:	8.8	↗	<b>Serie</b>		8.8	<b>Total</b>		369.0
1:	10.0	↘																																													
2:	8.6	→																																													
3:	8.9	↘																																													
4:	9.7	↗																																													
5:	8.7	↘																																													
6:	9.8	↘																																													
7:	9.5	↗																																													
8:	8.0	↘																																													
9:	9.4	↘																																													
10:	8.4	↘																																													
<b>Serie</b>		91.0																																													
<b>Total</b>		369.0																																													
11:	8.8	↗																																													
<b>Serie</b>		8.8																																													
<b>Total</b>		369.0																																													

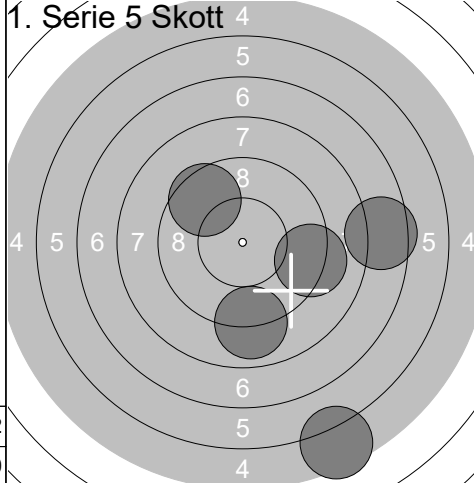
<p><b>1. Serie 5 Skott</b></p> <table style="width:100%; border-collapse: collapse;"> <tr><td>1:</td><td>9.6</td><td>↘</td></tr> <tr><td>2:</td><td>9.4</td><td>↗</td></tr> <tr><td>3:</td><td>9.0</td><td>↘</td></tr> <tr><td>4:</td><td>10.6x</td><td>↗</td></tr> <tr><td>5:</td><td>9.0</td><td>↗</td></tr> <tr><td colspan="2"><b>Serie</b></td><td style="text-align: right;">47.6</td></tr> <tr><td colspan="2"><b>Total</b></td><td style="text-align: right;">416.6</td></tr> </table>	1:	9.6	↘	2:	9.4	↗	3:	9.0	↘	4:	10.6x	↗	5:	9.0	↗	<b>Serie</b>		47.6	<b>Total</b>		416.6	<p><b>2. Serie 1 Skott</b></p> <table style="width:100%; border-collapse: collapse;"> <tr><td>1:</td><td>6.9</td><td>↗</td></tr> <tr><td colspan="2"><b>Serie</b></td><td style="text-align: right;">6.9</td></tr> <tr><td colspan="2"><b>Total</b></td><td style="text-align: right;">423.5</td></tr> </table>	1:	6.9	↗	<b>Serie</b>		6.9	<b>Total</b>		423.5
1:	9.6	↘																													
2:	9.4	↗																													
3:	9.0	↘																													
4:	10.6x	↗																													
5:	9.0	↗																													
<b>Serie</b>		47.6																													
<b>Total</b>		416.6																													
1:	6.9	↗																													
<b>Serie</b>		6.9																													
<b>Total</b>		423.5																													

<p><b>3. Serie 1 Skott</b></p> <table style="width:100%; border-collapse: collapse;"> <tr><td>1:</td><td>10.3x</td><td>↘</td></tr> <tr><td colspan="2"><b>Serie</b></td><td style="text-align: right;">10.3</td></tr> <tr><td colspan="2"><b>Total</b></td><td style="text-align: right;">433.8</td></tr> </table>	1:	10.3x	↘	<b>Serie</b>		10.3	<b>Total</b>		433.8	<p><b>4. Serie 1 Skott</b></p> <table style="width:100%; border-collapse: collapse;"> <tr><td>1:</td><td>9.0</td><td>→</td></tr> <tr><td colspan="2"><b>Serie</b></td><td style="text-align: right;">9.0</td></tr> <tr><td colspan="2"><b>Total</b></td><td style="text-align: right;">442.8</td></tr> </table>	1:	9.0	→	<b>Serie</b>		9.0	<b>Total</b>		442.8
1:	10.3x	↘																	
<b>Serie</b>		10.3																	
<b>Total</b>		433.8																	
1:	9.0	→																	
<b>Serie</b>		9.0																	
<b>Total</b>		442.8																	

<p><b>5. Serie 1 Skott 6</b></p> <table style="width:100%; border-collapse: collapse;"> <tr><td>1:</td><td>8.0</td><td>↘</td></tr> <tr><td colspan="2"><b>Serie</b></td><td style="text-align: right;">8.0</td></tr> <tr><td colspan="2"><b>Total</b></td><td style="text-align: right;">450.8</td></tr> </table>	1:	8.0	↘	<b>Serie</b>		8.0	<b>Total</b>		450.8	<p><b>6. Serie 1 Skott</b></p> <table style="width:100%; border-collapse: collapse;"> <tr><td>1:</td><td>10.0</td><td>→</td></tr> <tr><td colspan="2"><b>Serie</b></td><td style="text-align: right;">10.0</td></tr> <tr><td colspan="2"><b>Total</b></td><td style="text-align: right;">460.8</td></tr> </table>	1:	10.0	→	<b>Serie</b>		10.0	<b>Total</b>		460.8
1:	8.0	↘																	
<b>Serie</b>		8.0																	
<b>Total</b>		450.8																	
1:	10.0	→																	
<b>Serie</b>		10.0																	
<b>Total</b>		460.8																	



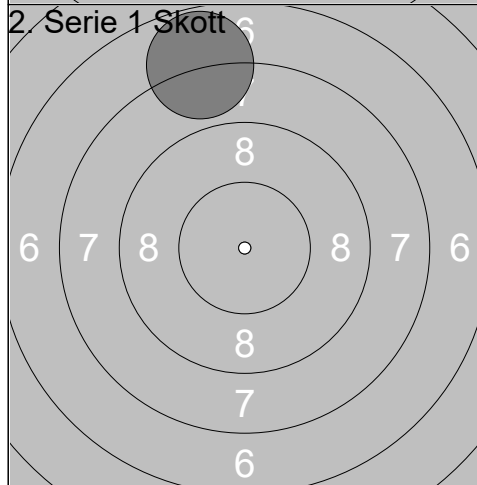
1:	8.4	↘
2:	7.6	↓
3:	10.2x	↗
4:	9.4	→
5:	7.2	↓
6:	8.7	↓
7:	8.5	←
8:	9.0	→
9:	9.2	→



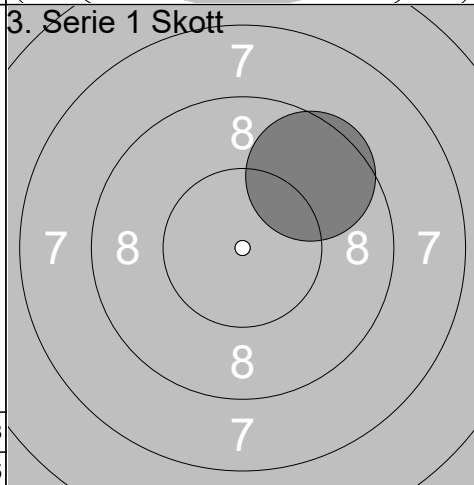
1:	7.5	→
2:	9.2	→
3:	9.0	↓
4:	9.5	↗
5:	5.5	↓

Serie	78.2
Total	344.0

Serie	40.7
Total	384.7



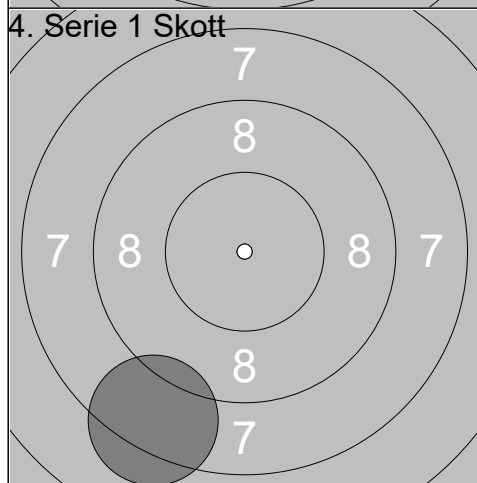
1:	7.8	↑
----	-----	---



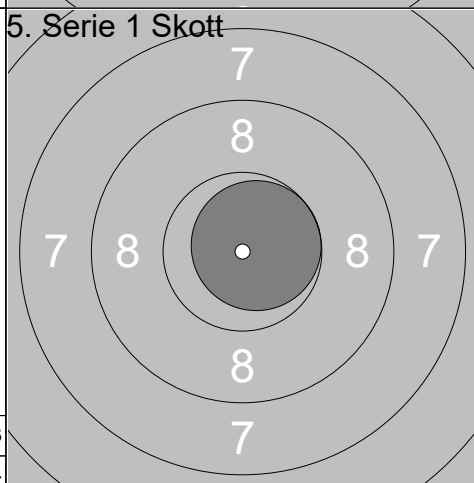
1:	9.6	↗
----	-----	---

Serie	7.8
Total	392.5

Serie	9.6
Total	402.1



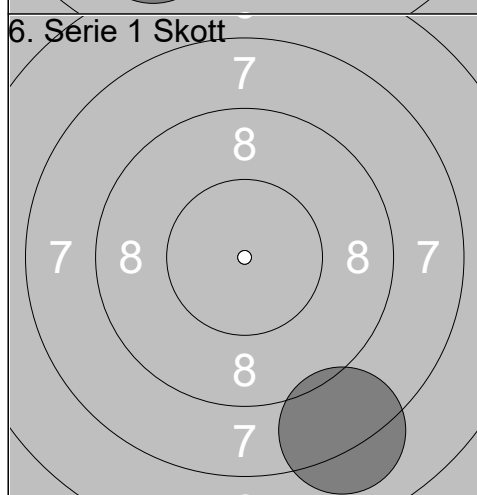
1:	8.3	↓
----	-----	---



1:	10.7x	↗
----	-------	---

Serie	8.3
Total	410.4

Serie	10.7
Total	421.1



1:	8.1	↓
----	-----	---

Serie	8.1
Total	429.2