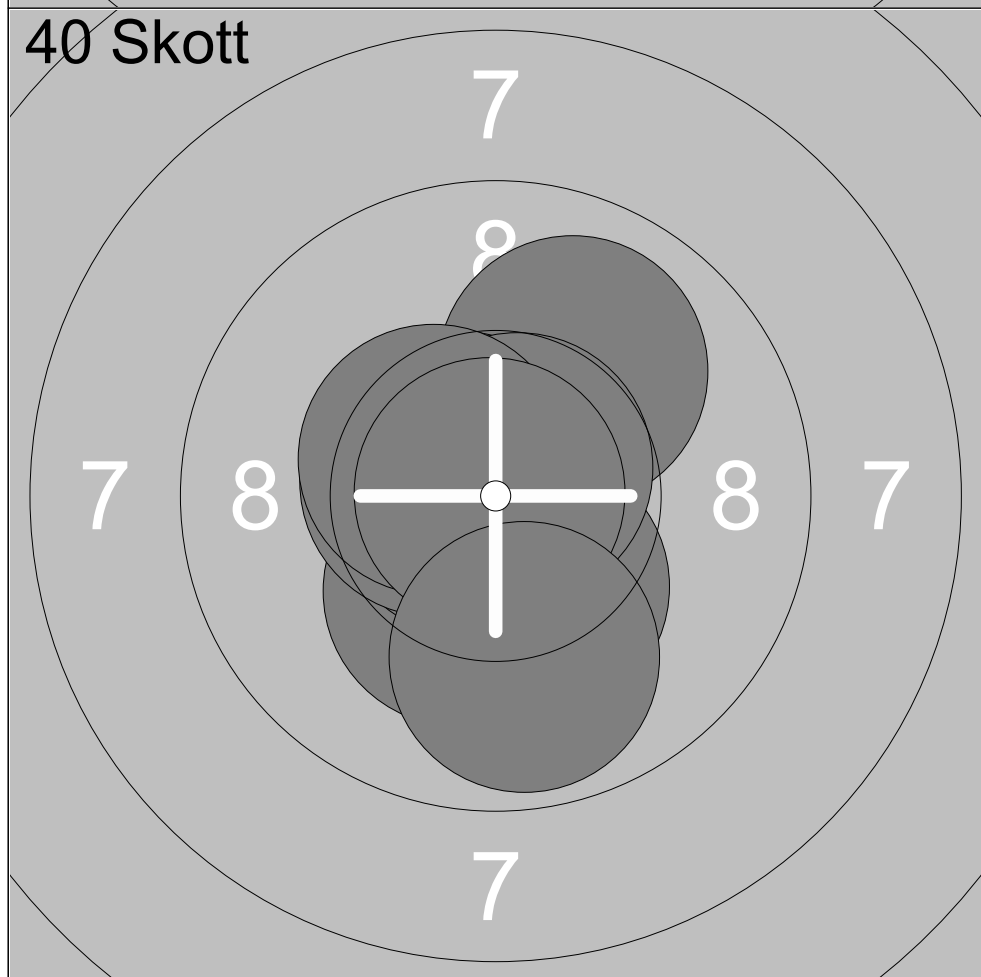




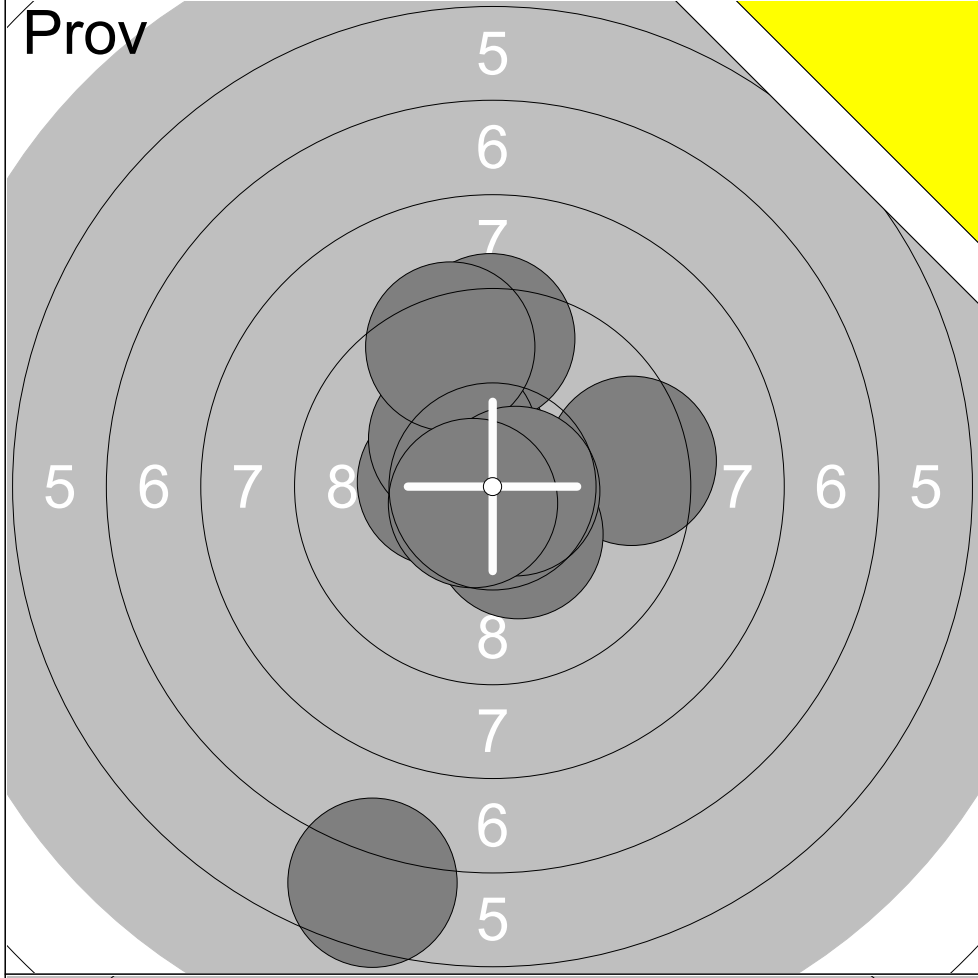
1:	10.3x	↙
2:	10.0	↑
3:	10.4x	↗
4:	10.2x	↘
5:	10.4x	→
6:	10.0	↑
7:	10.5x	↙
8:	10.2x	↘
9:	10.6x	←

Serie	92.6
Total	419.3



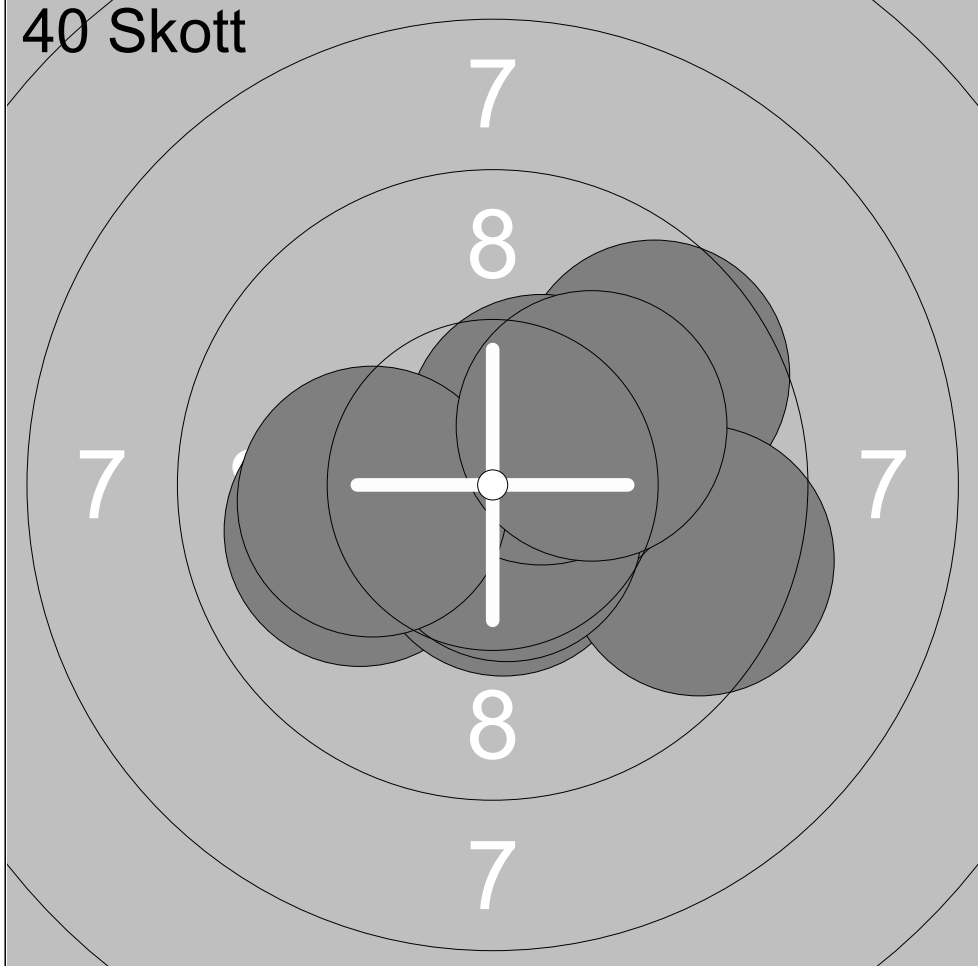
1:	10.3x	↘
2:	10.8x	←
3:	10.0	↗
4:	10.6x	↙
5:	10.3x	↘
6:	10.7x	↗
7:	10.5x	←
8:	10.5x	↙
9:	10.9x	↗
10:	9.9	↘

Serie	104.5
Total	523.8



1:	10.4x	↗
2:	10.4x	←
3:	9.4	→
4:	9.4	↑
5:	10.3x	↗
6:	10.4x	↘
7:	9.4	↑
8:	10.7x	→
9:	6.6	↘
10:	10.7x	↙

Serie	97.7
Total	406.6



1:	9.6	↗
2:	10.0	←
3:	10.7x	↘
4:	10.6x	↘
5:	9.5	→
6:	10.5x	↗
7:	10.7x	↘
8:	10.5x	↗
9:	10.1	←
10:	10.2x	↗

Serie	102.4
Total	509.0