



1:	9.8	↗
2:	10.5x	↘
3:	10.7x	↗
4:	10.3x	↗
5:	9.8	→
<b>Serie</b>		<b>51.1</b>
<b>Total</b>		<b>396.0</b>

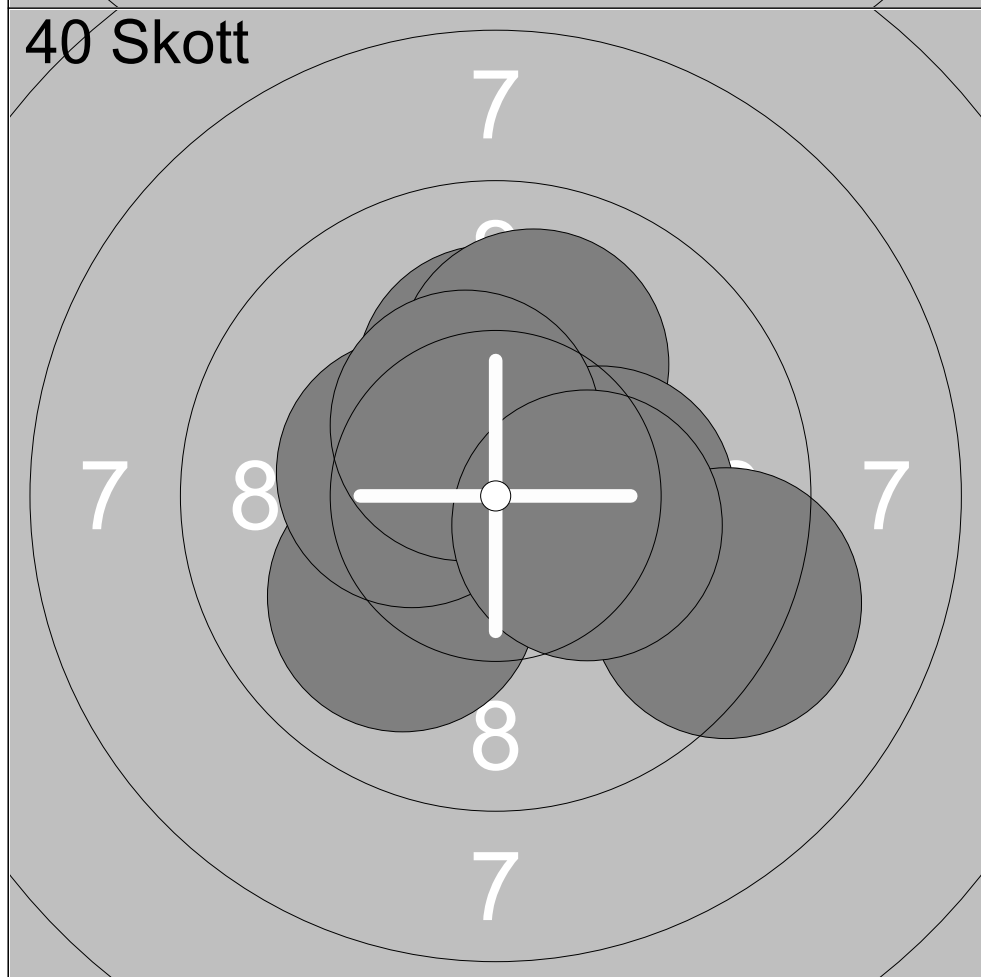


1:	10.1	→
2:	10.2x	↗
3:	10.1	↗
4:	10.4x	↘
5:	10.1	↗
6:	10.3x	↖
7:	10.1	↘
8:	10.4x	↘
9:	10.5x	↘
10:	10.6x	↗
<b>Serie</b>		<b>102.8</b>
<b>Total</b>		<b>498.8</b>



1:	10.2x	→
2:	9.8	↘
3:	10.8x	↙
4:	10.6x	←
5:	10.5x	↗
6:	10.1	↘
7:	9.6	↘

Serie	71.6
Total	392.0



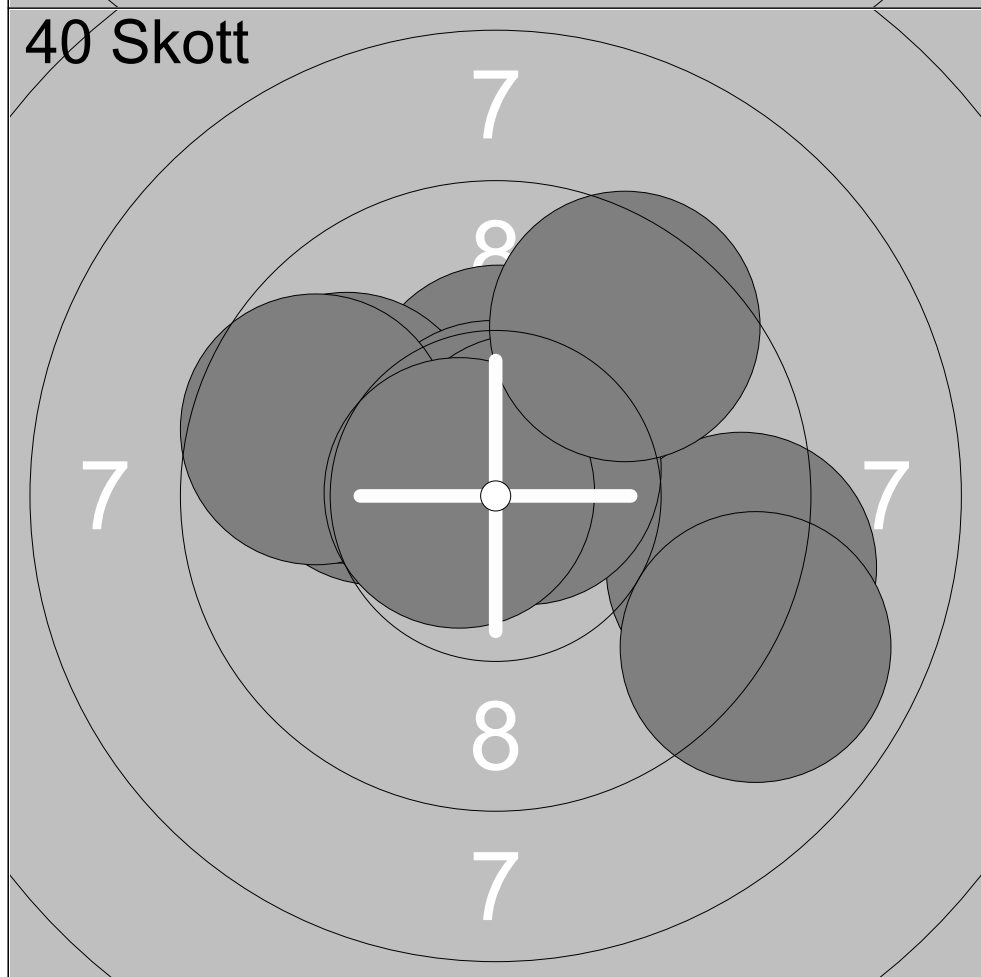
1:	10.7x	←
2:	10.2x	↑
3:	10.8x	↙
4:	10.0	↘
5:	10.4x	←
6:	10.0	↑
7:	10.3x	→
8:	9.3	↘
9:	10.4x	↗
10:	10.3x	→

Serie	102.4
Total	494.4



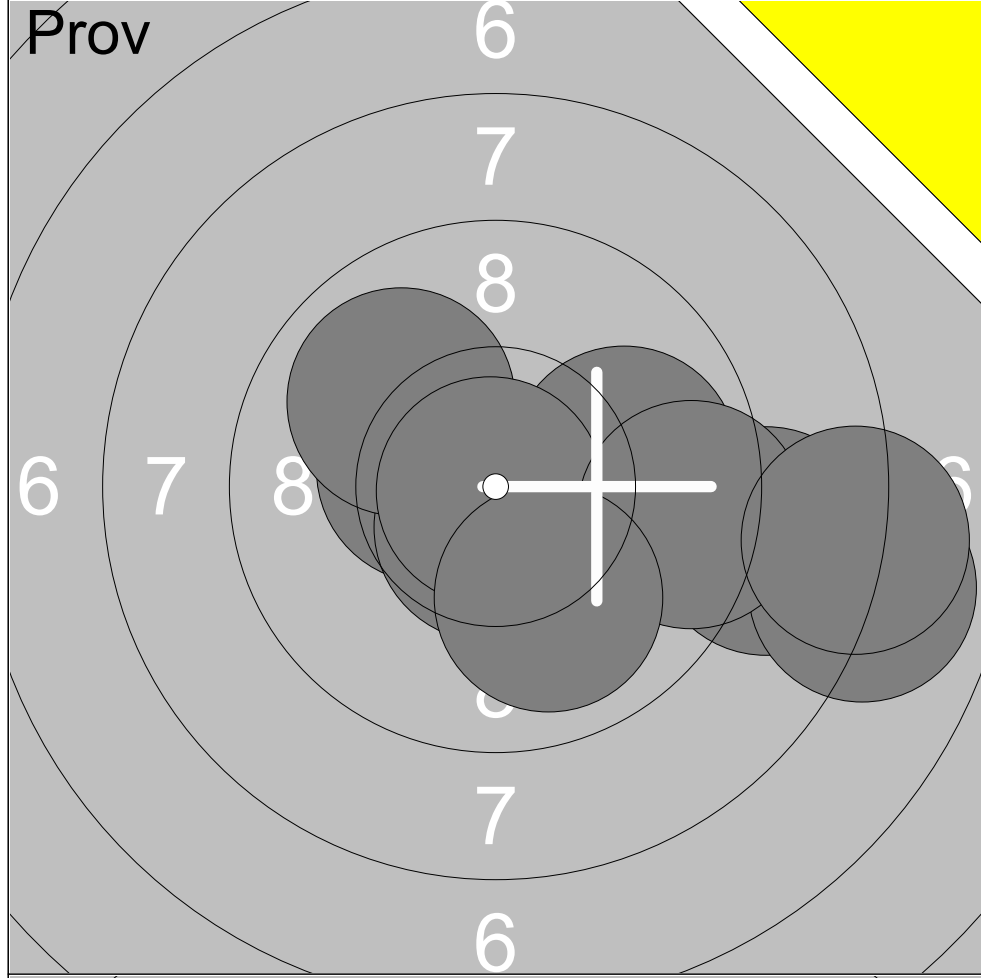
1:	9.7	←
2:	10.4x	↘
3:	10.1	↗
4:	10.2x	→
5:	10.2x	↘
6:	10.5x	↘
7:	10.2x	←
8:	9.7	↓

Serie	81.0
Total	391.0



1:	9.2	→
2:	10.3x	↑
3:	10.1	←
4:	9.9	↗
5:	8.9	↘
6:	10.7x	↑
7:	9.7	←
8:	10.7x	↗
9:	10.7x	←
10:	9.5	↗

Serie	99.7
Total	490.7



1:	8.8	→
2:	7.9	→
3:	9.9	→
4:	10.4x	←
5:	10.6x	↓
6:	9.9	↗
7:	10.9x	↖
8:	9.4	→
9:	10.0	↓
10:	8.1	→

Serie	95.9
Total	391.0



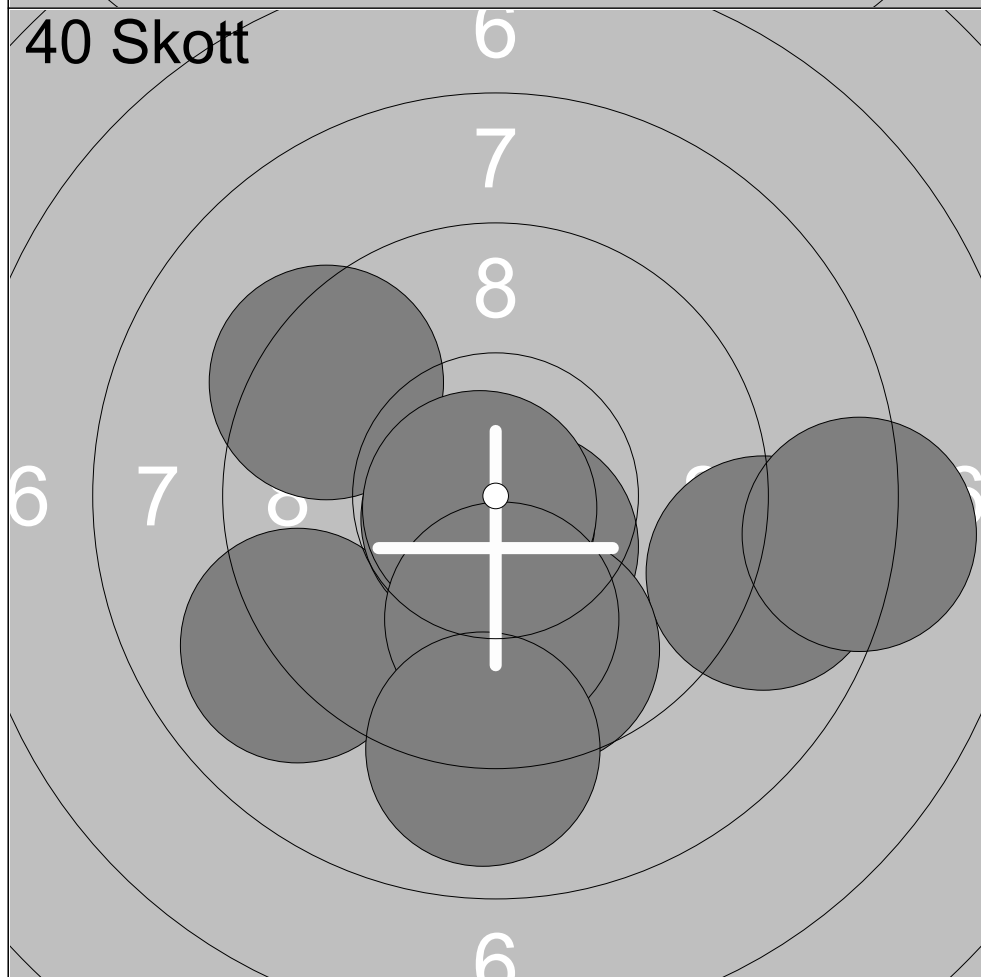
1:	9.9	←
2:	10.1	↓
3:	10.1	↗
4:	10.3x	↗
5:	10.6x	↖
6:	10.2x	↗
7:	10.2x	↗
8:	10.7x	↓
9:	10.2x	↗
10:	10.1	↖

Serie	102.4
Total	493.4



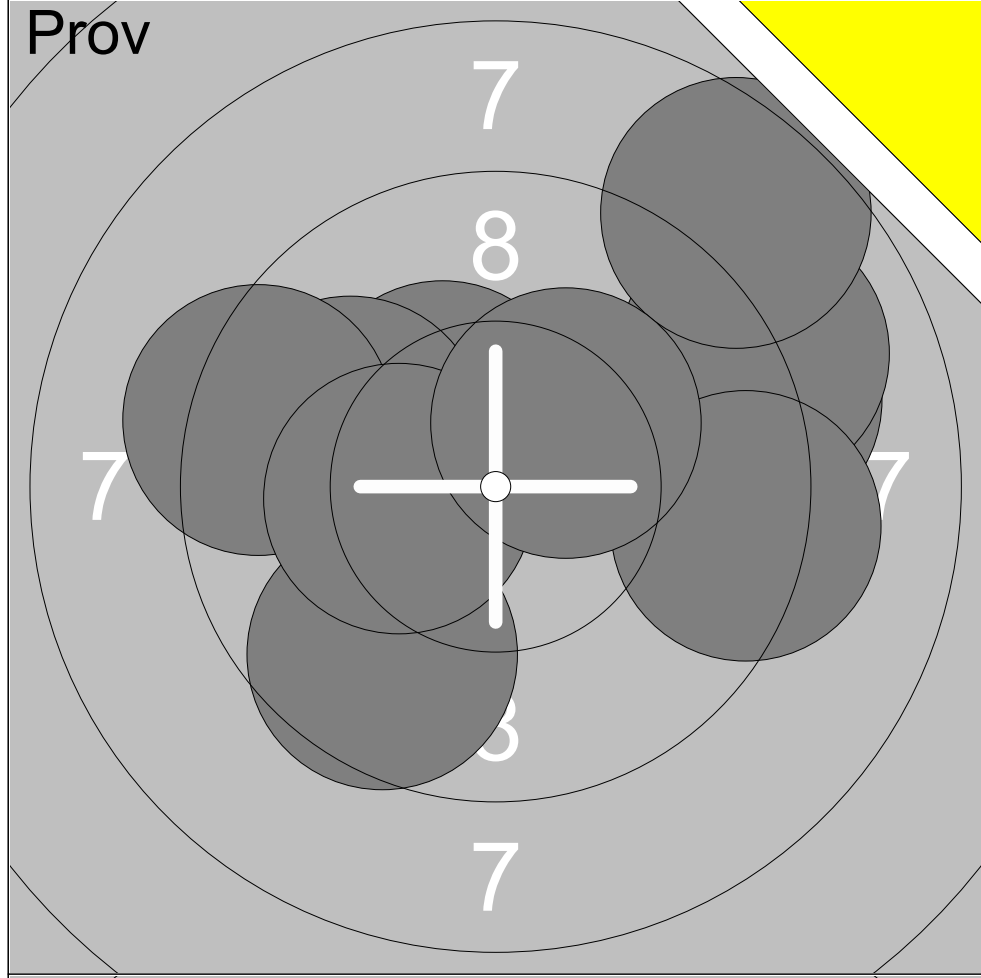
1:	10.3x	↓
2:	9.2	←
3:	9.8	←
4:	10.0	↗
5:	9.7	→
6:	10.2x	→
7:	10.0	↙
8:	10.4x	↗

Serie	79.6
Total	384.0

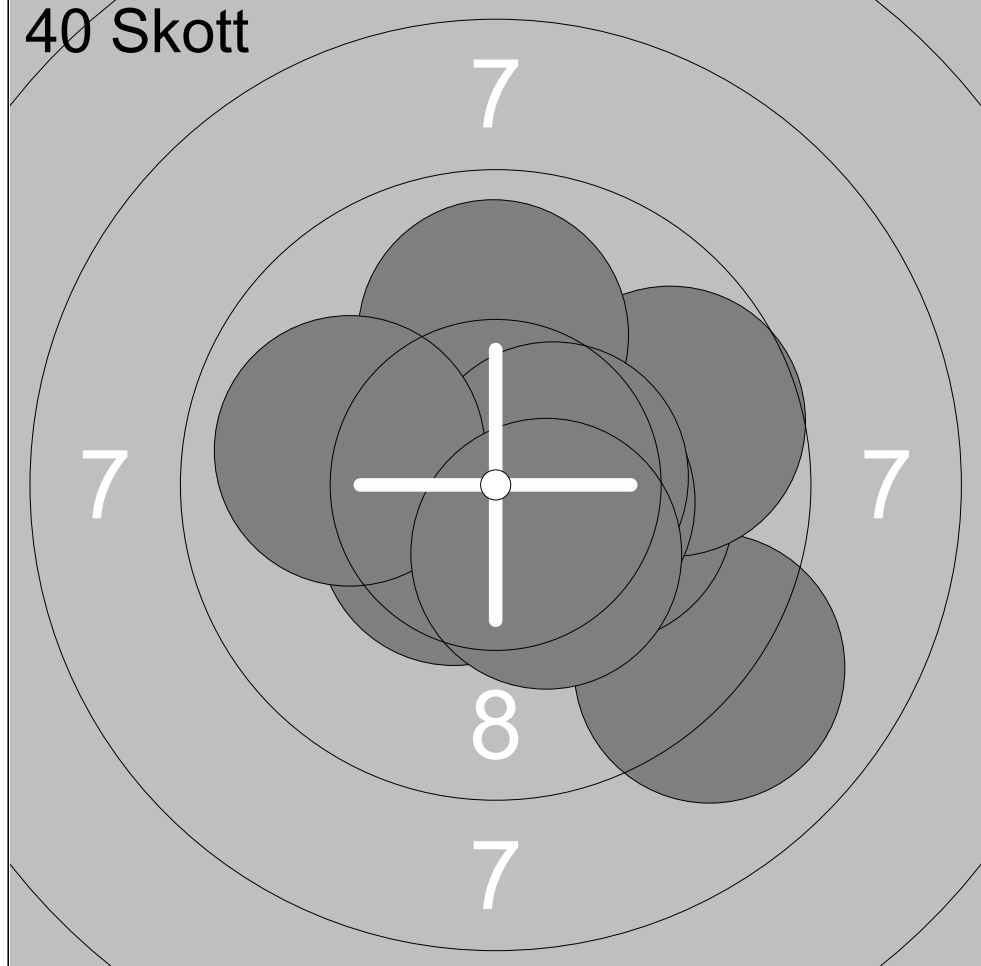


1:	8.8	→
2:	10.5x	↓
3:	9.4	↗
4:	8.1	→
5:	9.0	↙
6:	10.7x	↙
7:	9.7	↓
8:	10.8x	↙
9:	10.0	↓
10:	9.0	↓

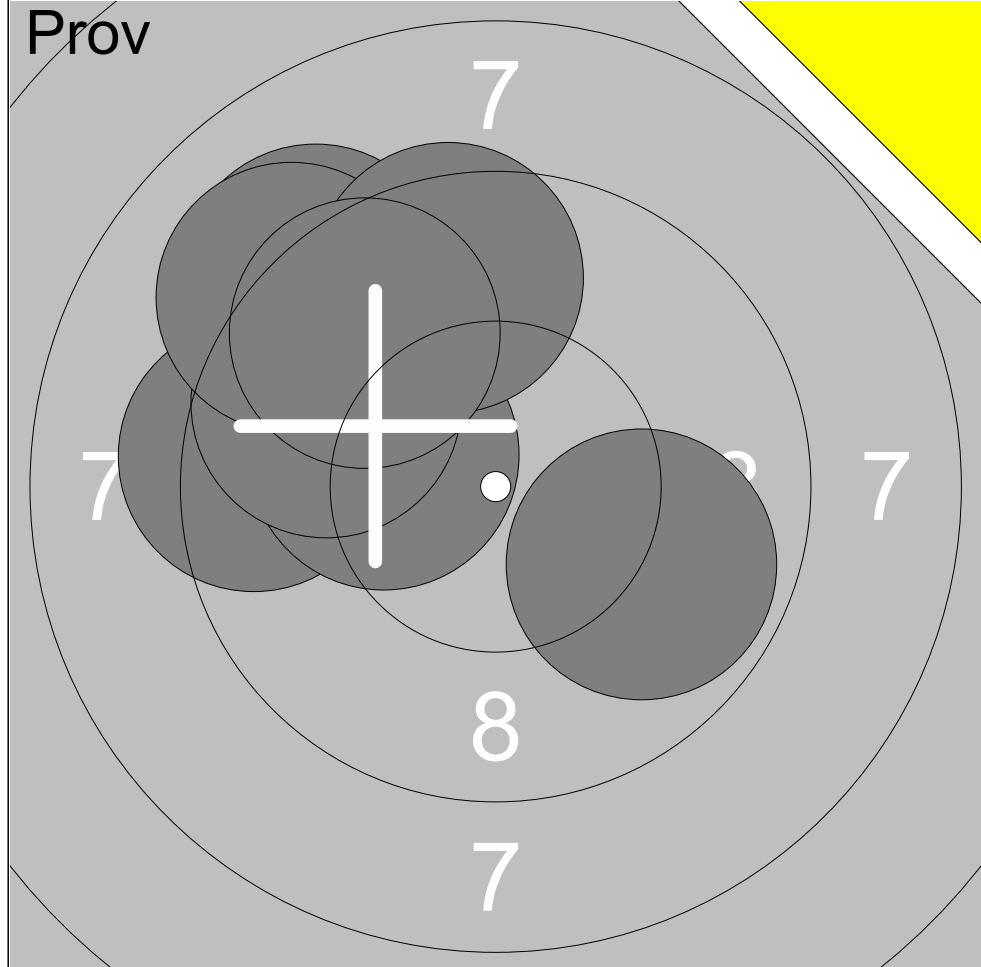
Serie	96.0
Total	480.0



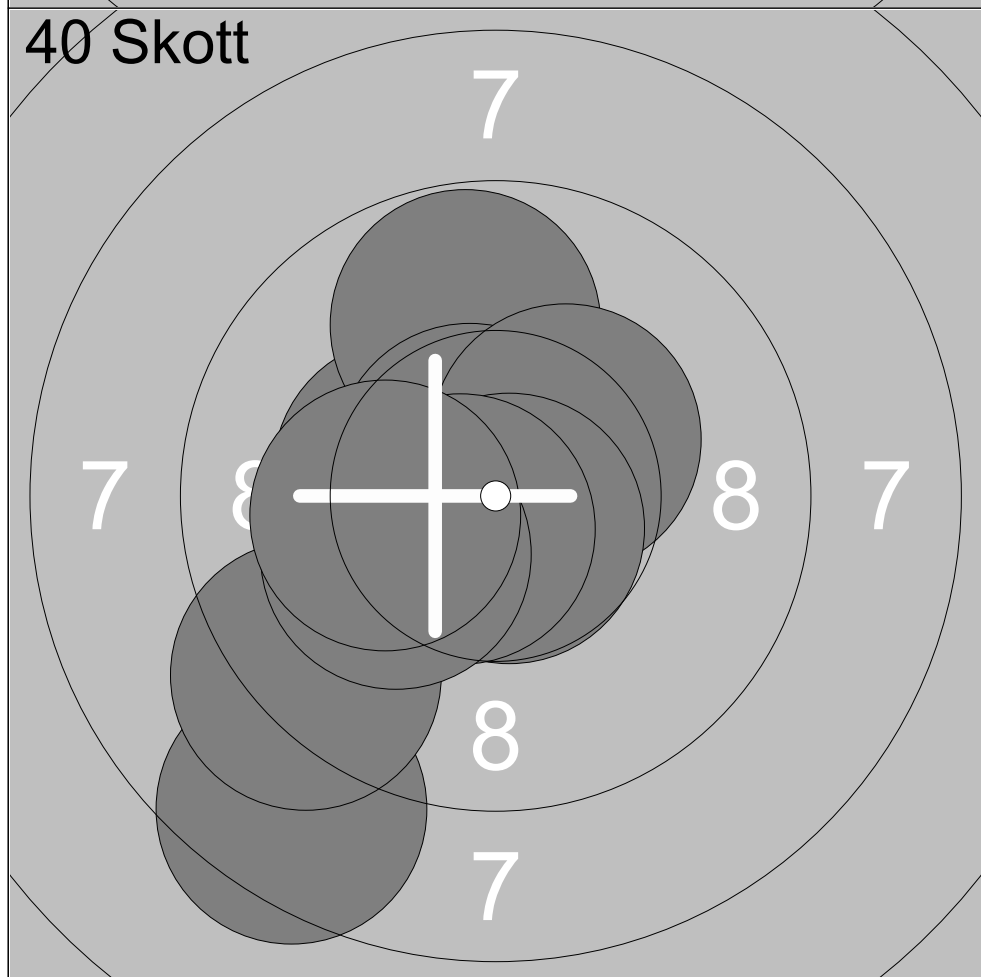
1:	9.6	↙
2:	9.2	→
3:	9.0	↗
4:	10.4x	↖
5:	8.5	↗
6:	9.9	↖
7:	9.3	↖
8:	10.3x	←
9:	9.3	→
10:	10.3x	↗
<b>Serie</b>		<b>95.8</b>
<b>Total</b>		<b>383.0</b>



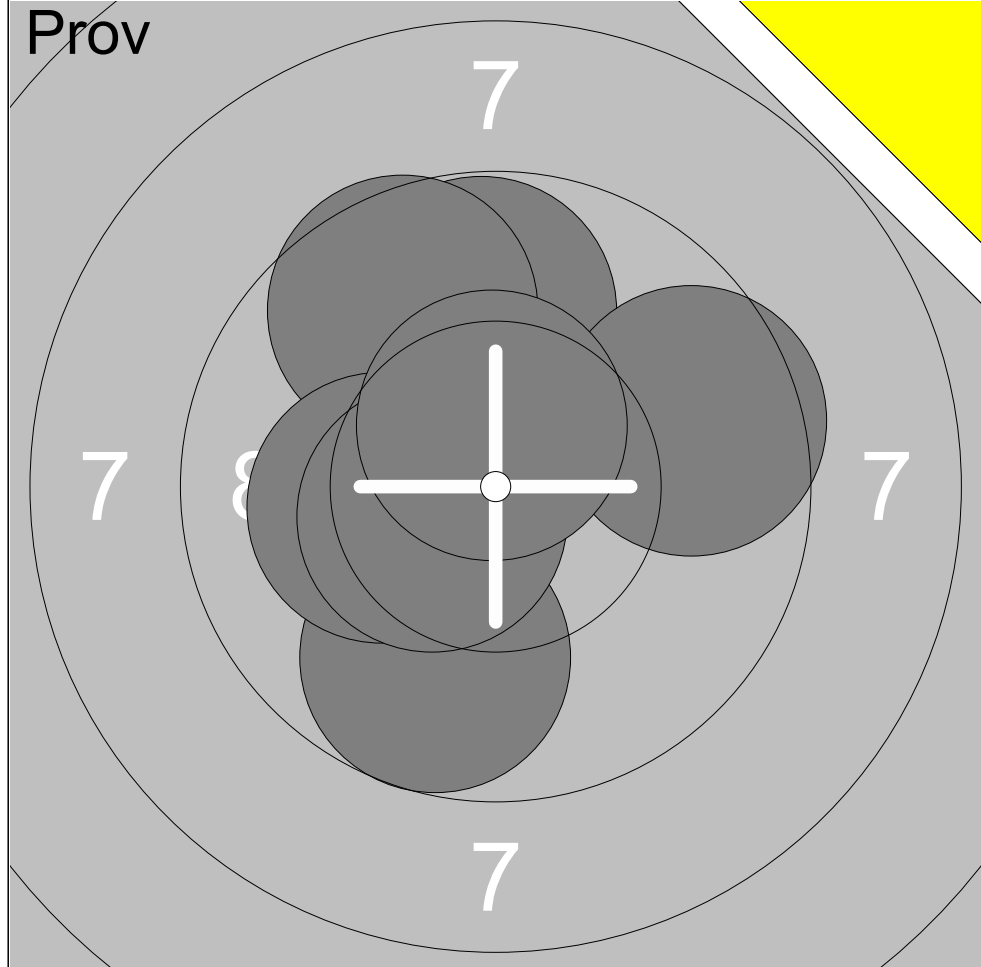
1:	9.1	↙
2:	10.2x	→
3:	10.6x	↗
4:	9.7	↗
5:	10.5x	→
6:	10.5x	↙
7:	10.0	↑
8:	10.6x	→
9:	10.0	↖
10:	10.4x	↙
<b>Serie</b>		<b>101.6</b>
<b>Total</b>		<b>484.6</b>



1:	9.3	←
2:	9.1	↗
3:	9.7	↗
4:	10.2x	←
5:	9.7	↗
6:	9.8	↘
7:	9.1	↗
8:	9.5	↑
9:	9.6	↗
<b>Serie</b>		<b>86.0</b>
<b>Total</b>		<b>380.0</b>

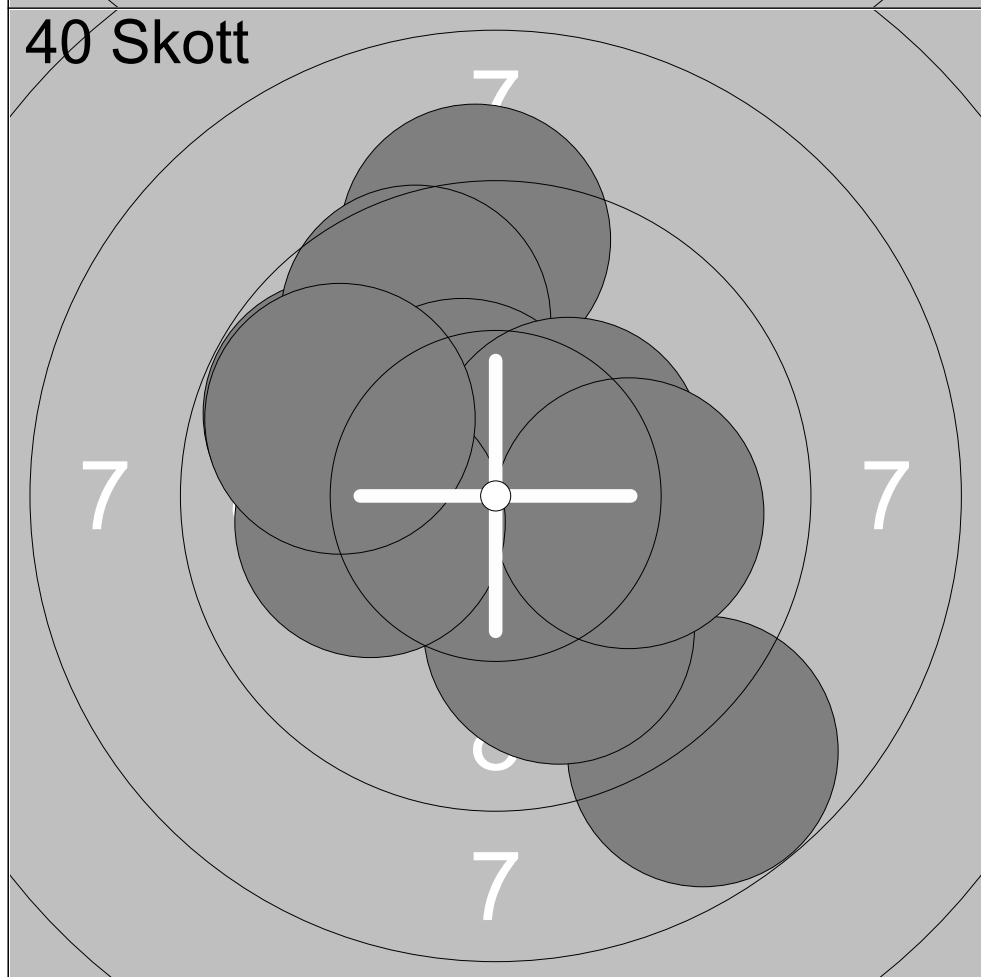


1:	10.3x	←
2:	9.8	↑
3:	10.7x	↗
4:	10.3x	↗
5:	10.7x	↘
6:	8.5	↘
7:	9.2	↘
8:	10.6x	↘
9:	10.2x	←
10:	10.2x	←
<b>Serie</b>		<b>100.5</b>
<b>Total</b>		<b>480.5</b>



1:	9.7	↙
2:	9.8	↑
3:	9.6	↖
4:	9.6	→
5:	10.2x	←
6:	10.5x	↙
7:	10.5x	↑

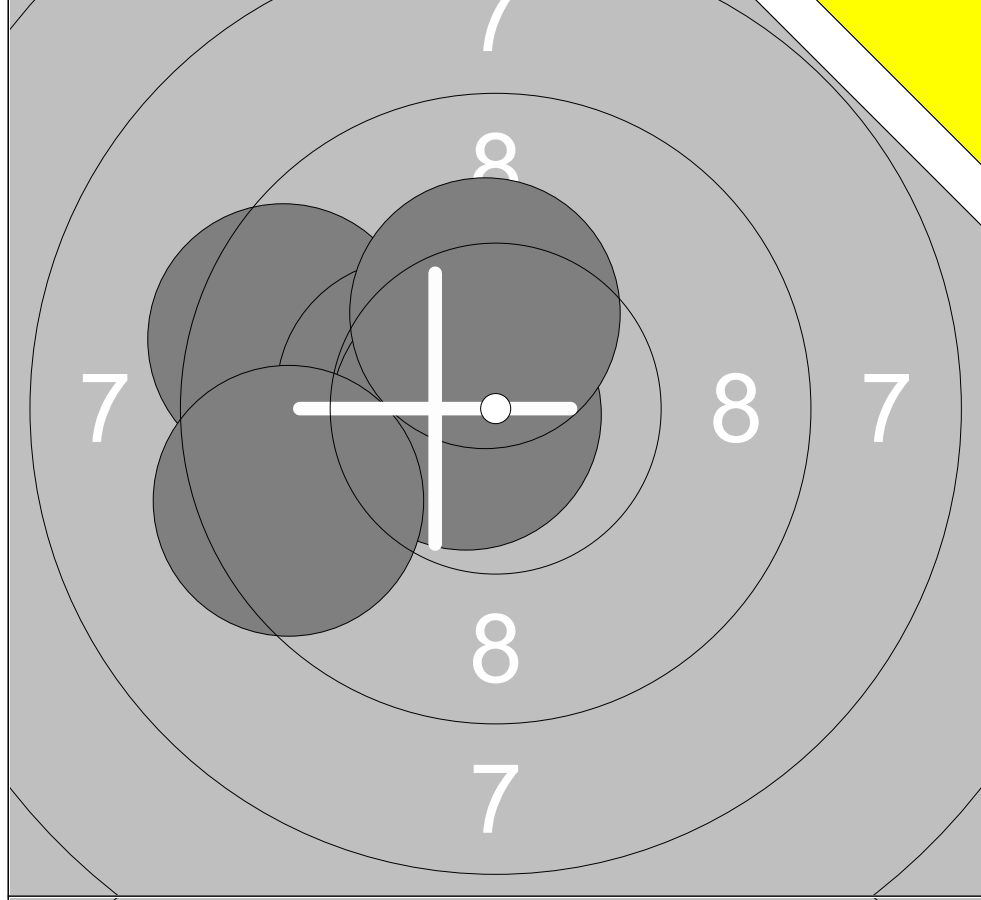
Serie	69.9
Total	379.0



1:	9.8	↖
2:	8.8	↘
3:	9.2	↑
4:	9.7	↖
5:	10.5x	↖
6:	10.4x	↗
7:	10.0	↘
8:	10.1	→
9:	10.1	←
10:	9.8	↖

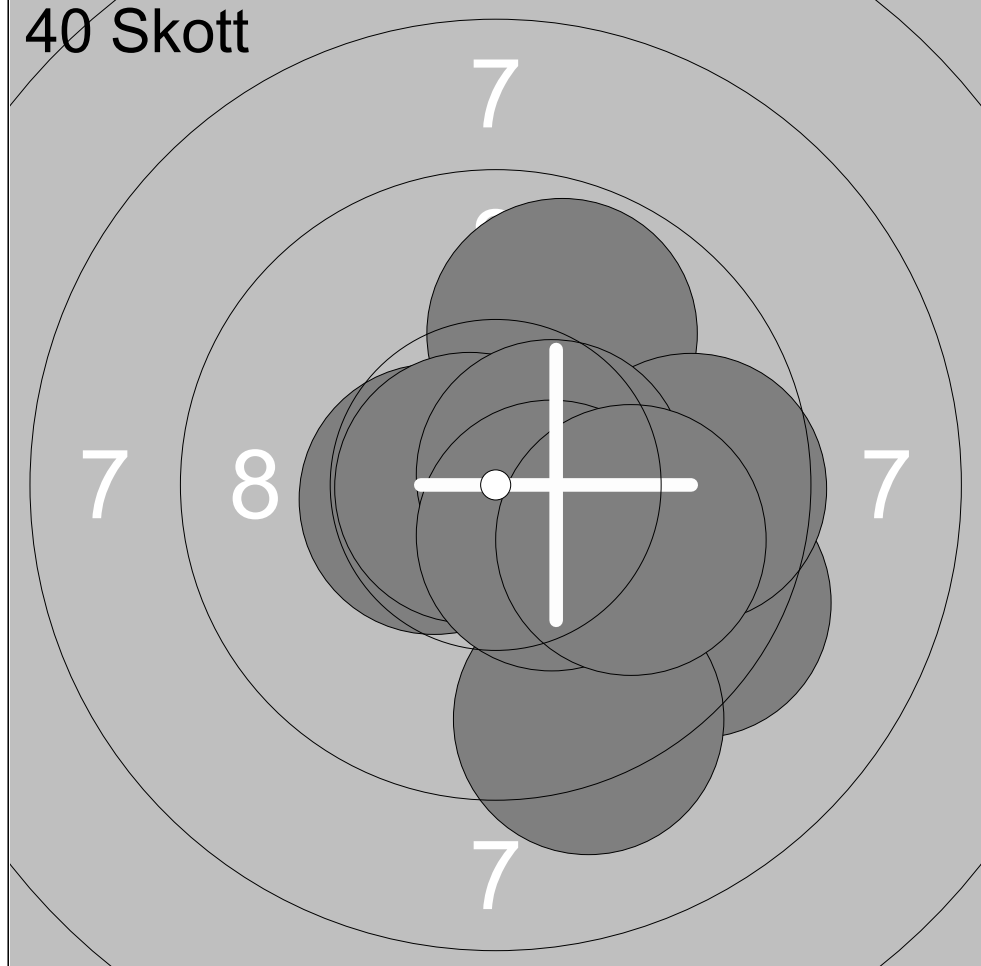
Serie	98.4
Total	477.4





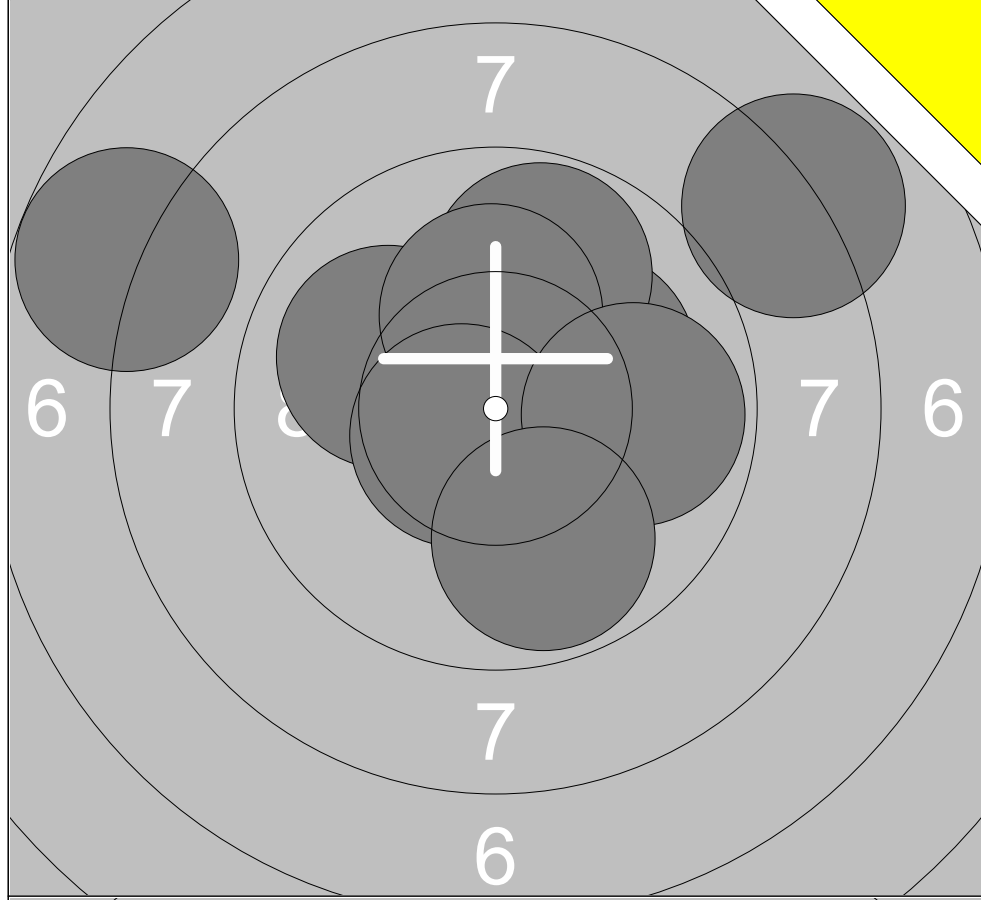
1:	10.6x	↗
2:	9.5	↖
3:	10.4x	↖
4:	10.7x	↖
5:	9.4	↖
6:	10.3x	↗

Serie	60.9
Total	379.0



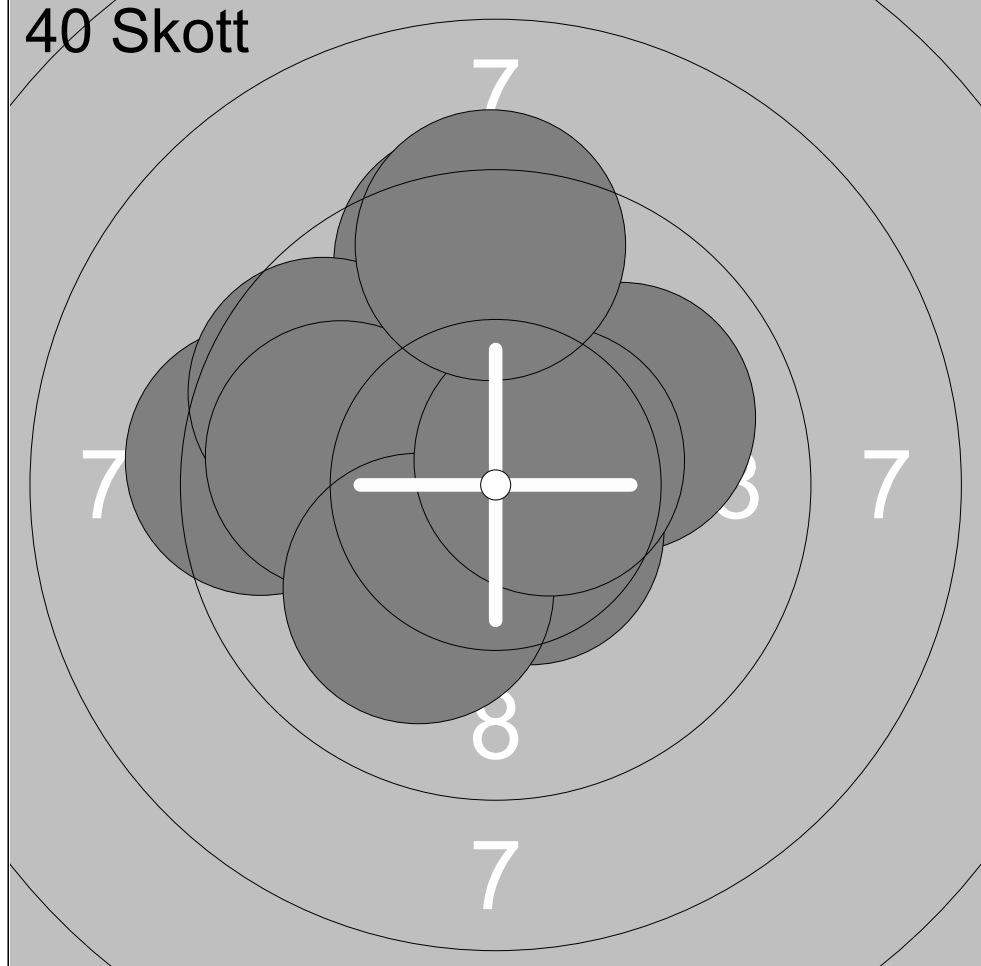
1:	9.4	↘
2:	10.5x	↖
3:	10.7x	↗
4:	9.8	↗
5:	9.3	↘
6:	10.8x	↖
7:	9.6	→
8:	10.6x	↗
9:	10.4x	↘
10:	10.0	↘

Serie	101.1
Total	480.1



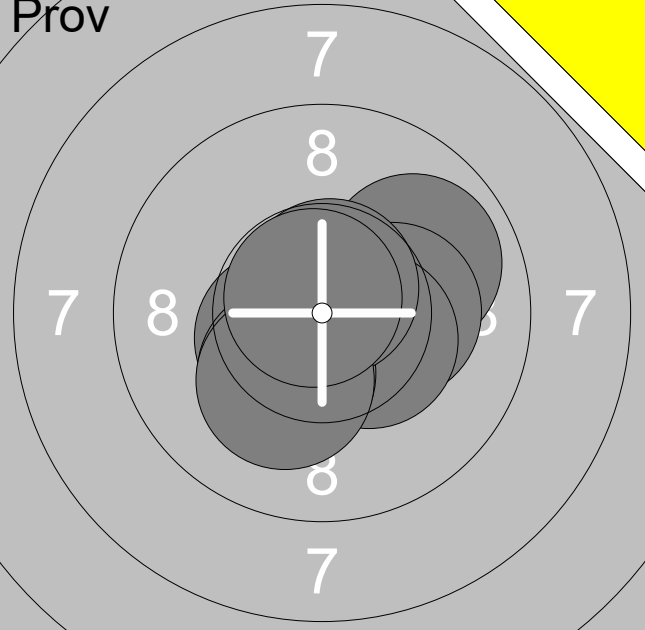
1:	10.1	↗
2:	10.0	↖
3:	9.8	↗
4:	10.2x	↑
5:	10.6x	↖
6:	9.8	→
7:	7.8	↖
8:	8.1	↗
9:	9.8	↓


Serie	86.2
Total	371.0




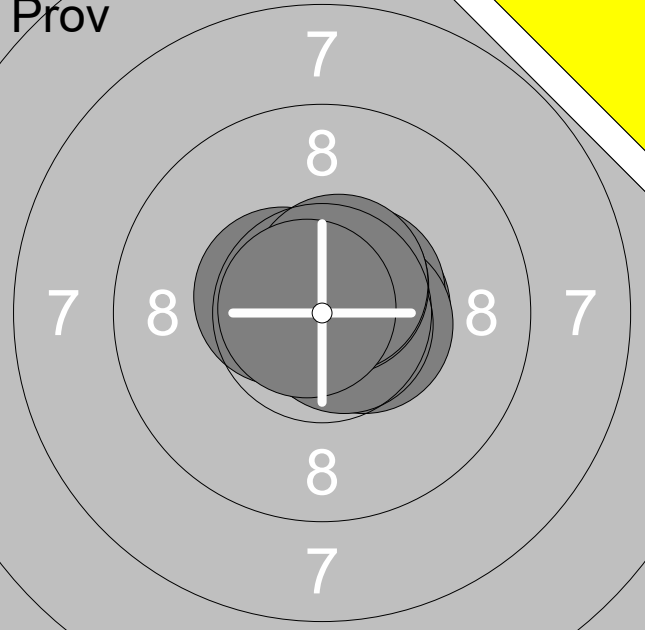


1:	9.5	↑
2:	9.4	↖
3:	10.3x	↖
4:	10.0	↗
5:	9.7	↖
6:	9.9	↖
7:	10.6x	↘
8:	10.1	↖
9:	10.6x	↗
10:	9.4	↑

Serie	99.5
Total	470.5

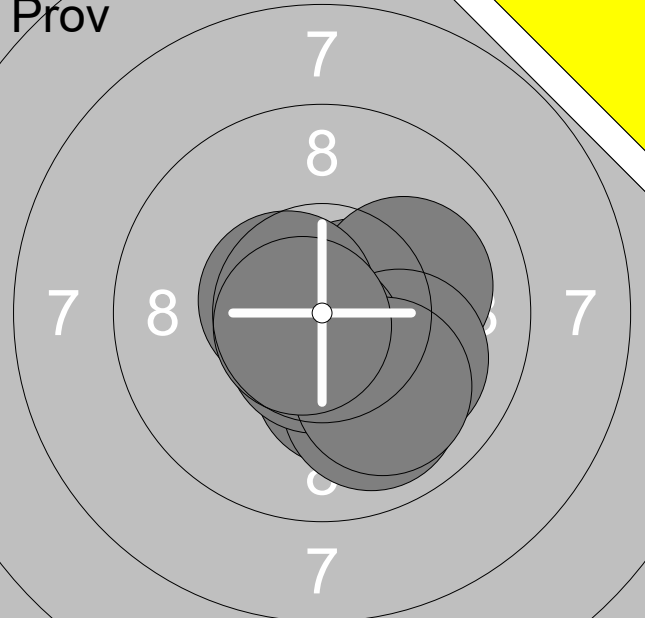
03.11.2019	Vindelnskyttet 2019	Ramselefors SKF	
<b>Prov</b> 	1:	9.9	↗
	2:	10.7x	↗
	3:	10.3x	→
	4:	10.2x	→
	5:	10.4x	↘
	6:	10.5x	↖
	7:	10.2x	↘
	8:	10.7x	↑
	9:	10.2x	↘
	10:	10.8x	↗
	<b>Serie</b>		<b>103.9</b>
<b>Total</b>		<b>400.0</b>	


<b>Prov</b> 	11:	10.2x	↖
	12:	10.6x	↗
	<b>Serie</b>		<b>20.8</b>
<b>Total</b>		<b>400.0</b>	

<b>40 Skott</b> 	1:	10.4x	→
	2:	10.5x	↖
	3:	10.8x	↑
	4:	10.5x	↖
	5:	10.5x	↖
	6:	10.4x	←
	7:	10.7x	←
	8:	10.6x	↗
	9:	10.4x	↗
	10:	10.5x	→
	<b>Serie</b>		<b>105.3</b>
<b>Total</b>		<b>505.3</b>	

03.11.2019	Vindelnskyttet 2019	Ramselefors SKF	
<b>Prov</b> 	1:	10.8x	➔
	2:	10.5x	➤
	3:	10.6x	➔
	4:	10.6x	➤
	5:	10.5x	➔
	6:	10.7x	↗
	7:	10.7x	➔
	8:	10.6x	↗
	9:	10.6x	↗
	10:	10.8x	➤
	<b>Serie</b>		
<b>Total</b>			<b>400.0</b>
<b>Prov</b> 	11:	10.6x	↗
	12:	10.8x	➤
	13:	10.9x	➤
	14:	10.4x	↑
	15:	10.7x	➤
<b>Serie</b>			<b>53.4</b>
<b>Total</b>			<b>400.0</b>
<b>40 Skott</b> 	1:	10.4x	➤
	2:	10.5x	↑
	3:	10.7x	↗
	4:	10.6x	➤
	5:	10.7x	➤
	6:	10.6x	➤
	7:	10.6x	➤
	8:	10.8x	↗
	9:	10.9x	➤
	10:	10.8x	➤
<b>Serie</b>			<b>106.6</b>
<b>Total</b>			<b>506.6</b>

03.11.2019	Vindelnskyttet 2019	Ramselefors SKF
------------	---------------------	-----------------

<p><b>Prov</b></p> 	<table style="width:100%; border-collapse: collapse;"> <tr><td style="width:5%;">1:</td><td style="width:85%;">10.3x</td><td style="width:10%; text-align: right;">↓</td></tr> <tr><td>2:</td><td>10.7x</td><td style="text-align: right;">↓</td></tr> <tr><td>3:</td><td>10.6x</td><td style="text-align: right;">→</td></tr> <tr><td>4:</td><td>10.1</td><td style="text-align: right;">→</td></tr> <tr><td>5:</td><td>10.1</td><td style="text-align: right;">↓</td></tr> <tr><td>6:</td><td>9.9</td><td style="text-align: right;">↓</td></tr> <tr><td>7:</td><td>10.6x</td><td style="text-align: right;">↓</td></tr> <tr><td>8:</td><td>10.0</td><td style="text-align: right;">↓</td></tr> <tr><td>9:</td><td>10.6x</td><td style="text-align: right;">←</td></tr> <tr><td>10:</td><td>10.7x</td><td style="text-align: right;">↙</td></tr> </table>	1:	10.3x	↓	2:	10.7x	↓	3:	10.6x	→	4:	10.1	→	5:	10.1	↓	6:	9.9	↓	7:	10.6x	↓	8:	10.0	↓	9:	10.6x	←	10:	10.7x	↙
1:	10.3x	↓																													
2:	10.7x	↓																													
3:	10.6x	→																													
4:	10.1	→																													
5:	10.1	↓																													
6:	9.9	↓																													
7:	10.6x	↓																													
8:	10.0	↓																													
9:	10.6x	←																													
10:	10.7x	↙																													
		Serie <span style="float: right;">103.6</span>																													
		Total <span style="float: right;">400.0</span>																													

<p><b>Prov</b></p> 	<table style="width:100%; border-collapse: collapse;"> <tr> <td style="width:5%;">11:</td> <td style="width:85%;">10.5x</td> <td style="width:10%; text-align: right;">↗</td> </tr> </table>	11:	10.5x	↗
11:	10.5x	↗		
		Serie <span style="float: right;">10.5</span>		
		Total <span style="float: right;">400.0</span>		

<p><b>40 Skott</b></p> 	<table style="width:100%; border-collapse: collapse;"> <tr><td style="width:5%;">1:</td><td style="width:85%;">10.8x</td><td style="width:10%; text-align: right;">↗</td></tr> <tr><td>2:</td><td>10.3x</td><td style="text-align: right;">↑</td></tr> <tr><td>3:</td><td>10.8x</td><td style="text-align: right;">↓</td></tr> <tr><td>4:</td><td>10.5x</td><td style="text-align: right;">←</td></tr> <tr><td>5:</td><td>10.4x</td><td style="text-align: right;">←</td></tr> <tr><td>6:</td><td>10.7x</td><td style="text-align: right;">↓</td></tr> <tr><td>7:</td><td>10.7x</td><td style="text-align: right;">↓</td></tr> <tr><td>8:</td><td>10.9x</td><td style="text-align: right;">←</td></tr> <tr><td>9:</td><td>10.3x</td><td style="text-align: right;">↓</td></tr> <tr><td>10:</td><td>10.8x</td><td style="text-align: right;">←</td></tr> </table>	1:	10.8x	↗	2:	10.3x	↑	3:	10.8x	↓	4:	10.5x	←	5:	10.4x	←	6:	10.7x	↓	7:	10.7x	↓	8:	10.9x	←	9:	10.3x	↓	10:	10.8x	←
1:	10.8x	↗																													
2:	10.3x	↑																													
3:	10.8x	↓																													
4:	10.5x	←																													
5:	10.4x	←																													
6:	10.7x	↓																													
7:	10.7x	↓																													
8:	10.9x	←																													
9:	10.3x	↓																													
10:	10.8x	←																													
		Serie <span style="float: right;">106.2</span>																													
		Total <span style="float: right;">506.2</span>																													

03.11.2019	Vindelnskyttet 2019	Ramselefors SKF
------------	---------------------	-----------------


**Prov**



1:	10.5x	↘
2:	9.8	↘
3:	10.1	↙
4:	10.4x	↘
5:	10.0	↙
6:	10.7x	↙
7:	10.8x	↑
8:	10.4x	↑
9:	10.6x	↓
10:	10.4x	↙

<b>Serie</b>	<b>103.7</b>
<b>Total</b>	<b>399.0</b>


**Prov**



11:	10.7x	↑
-----	-------	---

<b>Serie</b>	<b>10.7</b>
<b>Total</b>	<b>399.0</b>

**40 Skott**



1:	10.5x	↙
2:	10.9x	→
3:	10.5x	→
4:	10.8x	↘
5:	10.6x	→
6:	10.7x	↓
7:	10.6x	↗
8:	10.8x	→
9:	10.8x	↗
10:	10.8x	↓

<b>Serie</b>	<b>107.0</b>
<b>Total</b>	<b>506.0</b>

## Prov

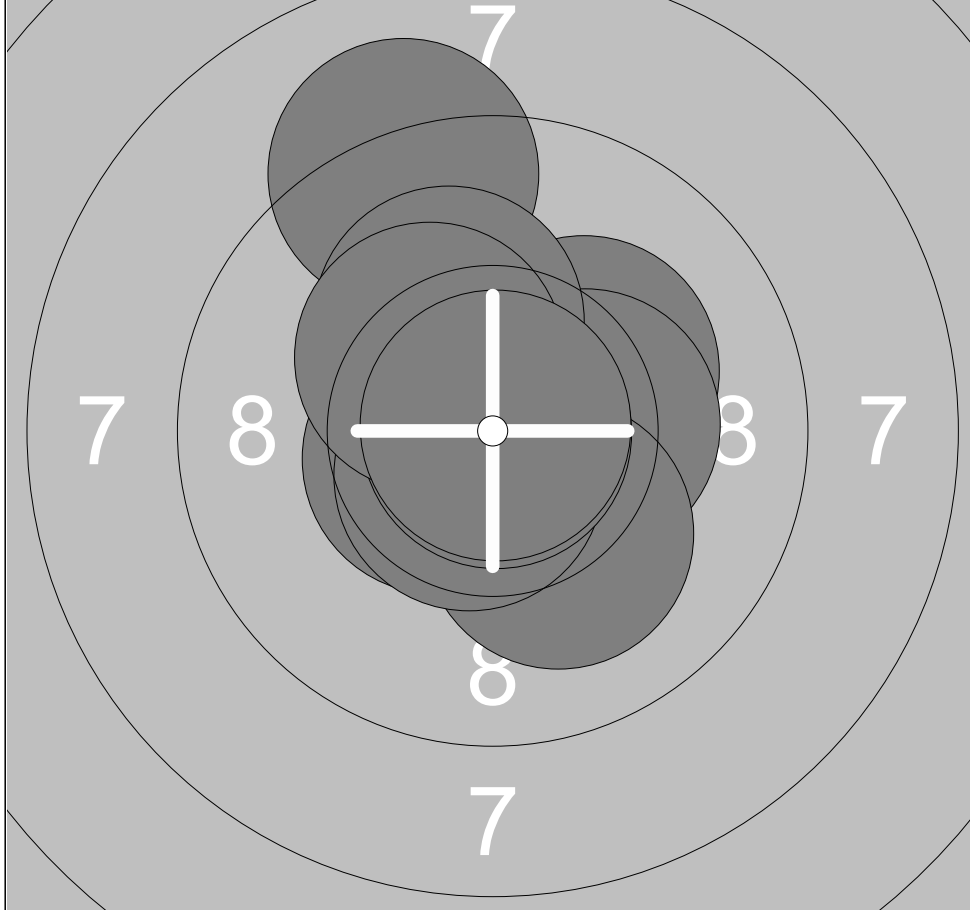


1:	9.9	↖
2:	10.6x	↖
3:	9.7	↖
4:	10.5x	↖
5:	9.8	↖
6:	10.4x	↖
7:	9.9	↖
8:	10.8x	↗
9:	10.4x	→

Serie 92.0

Total 399.0

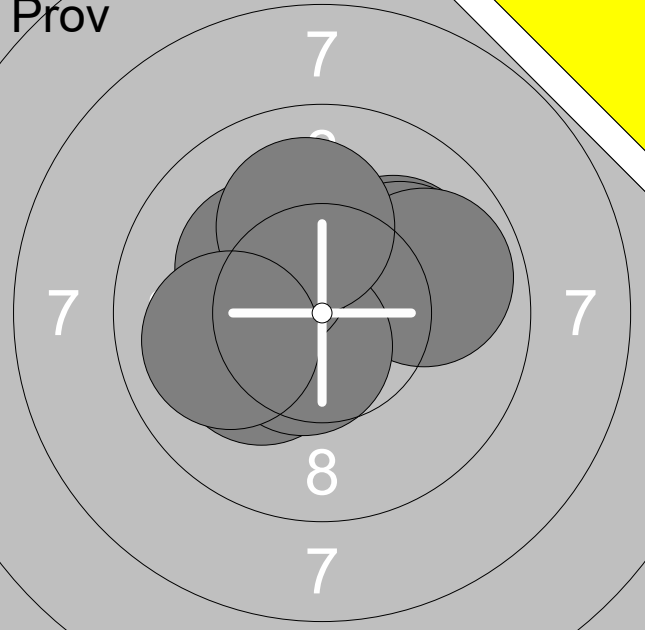


## 40 Skott



1:	10.2x	↗
2:	10.3x	→
3:	9.1	↖
4:	10.5x	↖
5:	10.2x	↖
6:	10.1	↘
7:	10.6x	↘
8:	10.9x	↘
9:	10.3x	↖
10:	10.9x	↗

Serie 103.1

Total 502.1

03.11.2019	Vindelnskyttet 2019	Ramselefors SKF	
<b>Prov</b> 	1:	10.8x	←
	2:	10.1	↗
	3:	10.3x	↗
	4:	10.1	↗
	5:	9.9	→
	6:	10.2x	←
	7:	10.6x	↓
	8:	10.2x	↖
	9:	10.1	↑
	10:	10.0	←
	<b>Serie</b>		
<b>Total</b>			<b>399.0</b>
<b>Prov</b> 	11:	10.2x	←
	12:	10.9x	↘
	13:	10.6x	↘
	14:	10.4x	↗
	15:	10.5x	←
	16:	10.3x	←
	17:	10.4x	↘
	18:	10.4x	↗
<b>Serie</b>			<b>83.7</b>
<b>Total</b>			<b>399.0</b>
<b>40 Skott</b> 	1:	10.4x	←
	2:	10.4x	↓
	3:	10.7x	↓
	4:	10.8x	←
	5:	10.5x	↗
	6:	10.4x	↓
	7:	10.3x	→
	8:	10.4x	←
	9:	10.8x	↓
	10:	10.8x	↖
<b>Serie</b>			<b>105.5</b>
<b>Total</b>			<b>504.5</b>





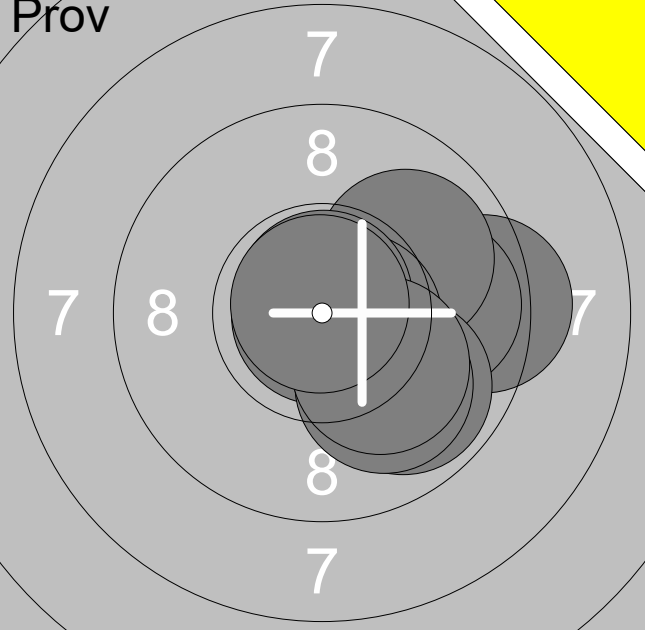


1:	10.5x	←
2:	10.9x	↙
3:	10.9x	←
4:	10.4x	↘
5:	10.8x	→
6:	10.5x	←
7:	10.7x	↗
8:	10.8x	←

Serie	85.5
Total	399.0



1:	10.3x	↖
2:	9.9	←
3:	10.5x	↙
4:	10.5x	↗
5:	10.5x	→
6:	10.8x	↘
7:	10.6x	↙
8:	10.1	↗
9:	10.9x	↗
10:	10.3x	↖

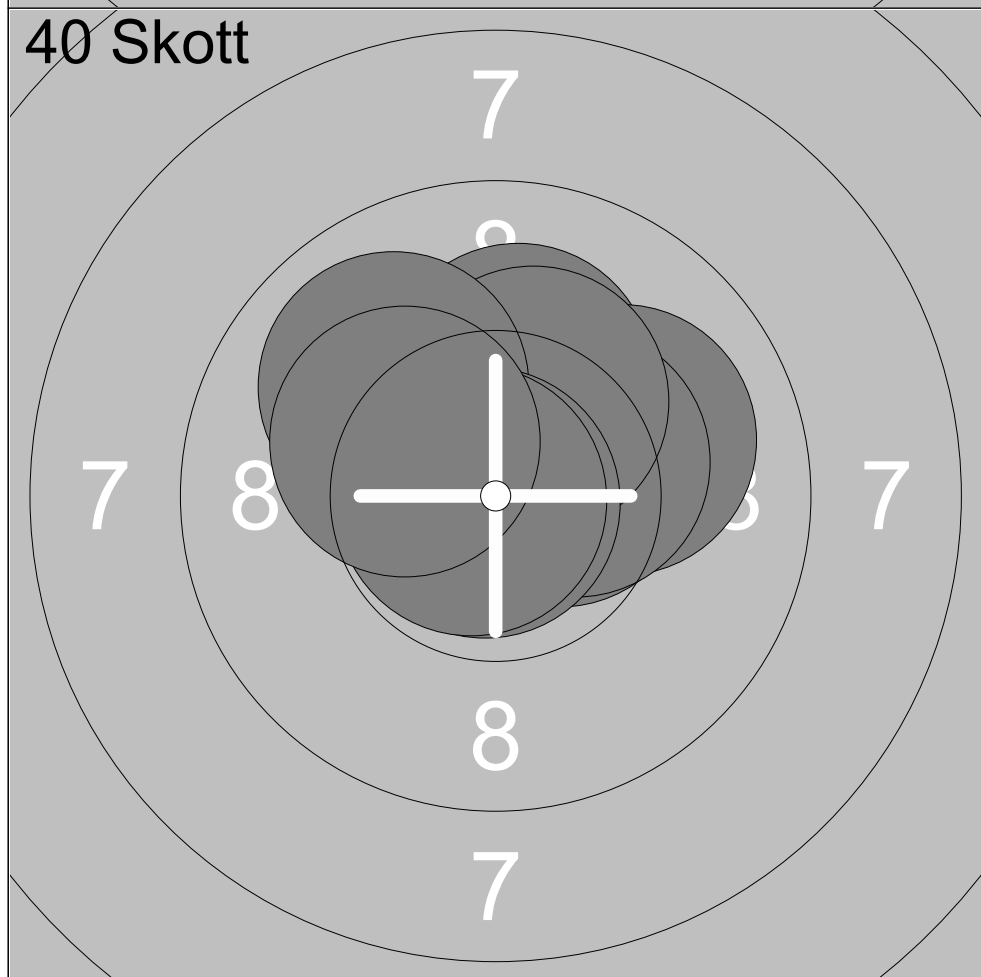
Serie	104.4
Total	503.4

03.11.2019	Vindelnskyttet 2019	Ramselefors SKF	
<b>Prov</b> 	1:	9.3	→
	2:	9.8	→
	3:	10.0	↗
	4:	10.6x	→
	5:	9.9	↘
	6:	10.9x	↘
	7:	10.0	↘
	8:	10.8x	↑
	9:	10.2x	↘
	10:	10.9x	↑
	<b>Serie</b>		<b>102.4</b>
<b>Total</b>		<b>399.0</b>	
<b>Prov</b> 	11:	9.8	↘
	12:	9.9	↗
	13:	10.6x	↖
	14:	10.6x	↗
	15:	10.3x	↘
	16:	10.3x	↗
	17:	10.5x	→
	18:	10.8x	←
	19:	10.4x	→
	20:	10.5x	↘
	<b>Serie</b>		<b>103.7</b>
<b>Total</b>		<b>399.0</b>	
<b>40 Skott</b> 	1:	10.1	↘
	2:	10.4x	↑
	3:	10.7x	→
	4:	10.8x	↑
	5:	10.7x	↘
	6:	10.8x	↑
	7:	10.5x	↖
	8:	10.6x	↗
	9:	10.4x	↘
	10:	10.2x	↘
	<b>Serie</b>		<b>105.2</b>
<b>Total</b>		<b>504.2</b>	



1:	10.9x	↘
2:	10.4x	↑
3:	10.8x	↘
4:	10.3x	↗

Serie	42.4
Total	398.0

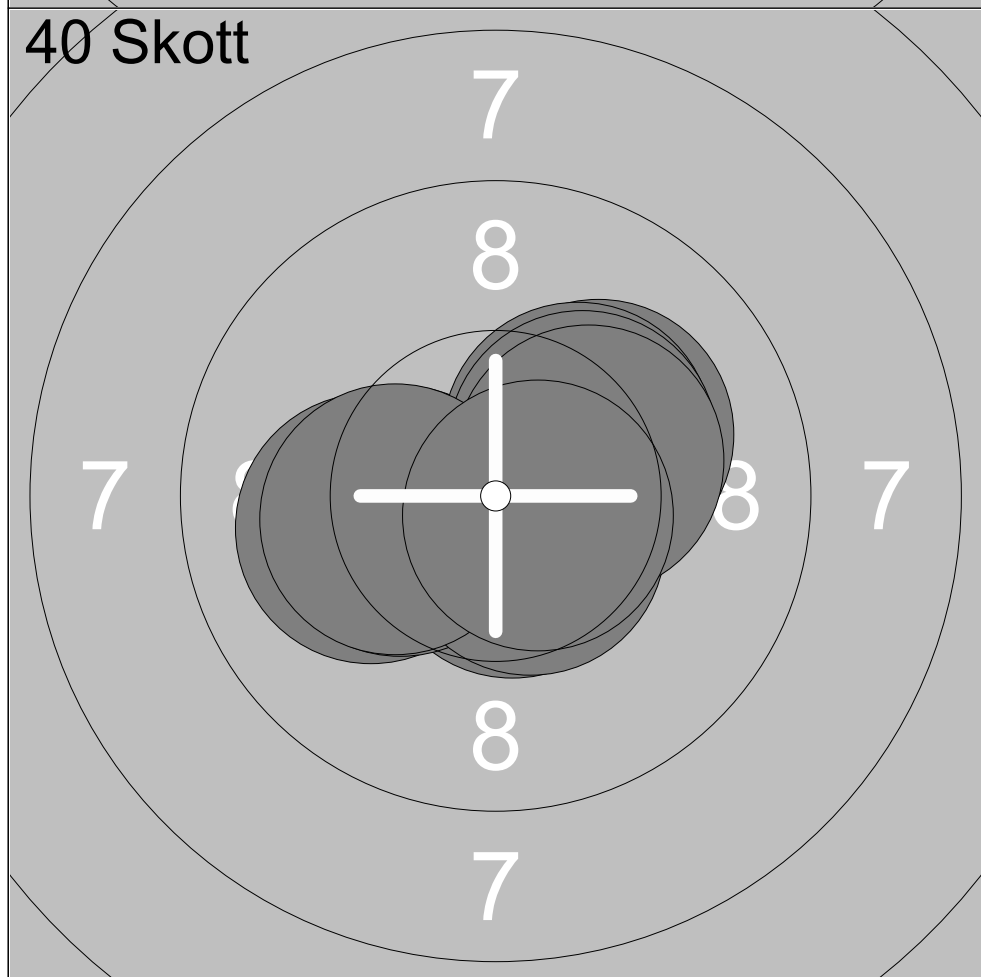


1:	10.4x	↑
2:	10.2x	↑
3:	10.5x	→
4:	10.0	→
5:	10.4x	→
6:	10.3x	↑
7:	10.0	↖
8:	10.9x	↙
9:	10.8x	←
10:	10.3x	↖

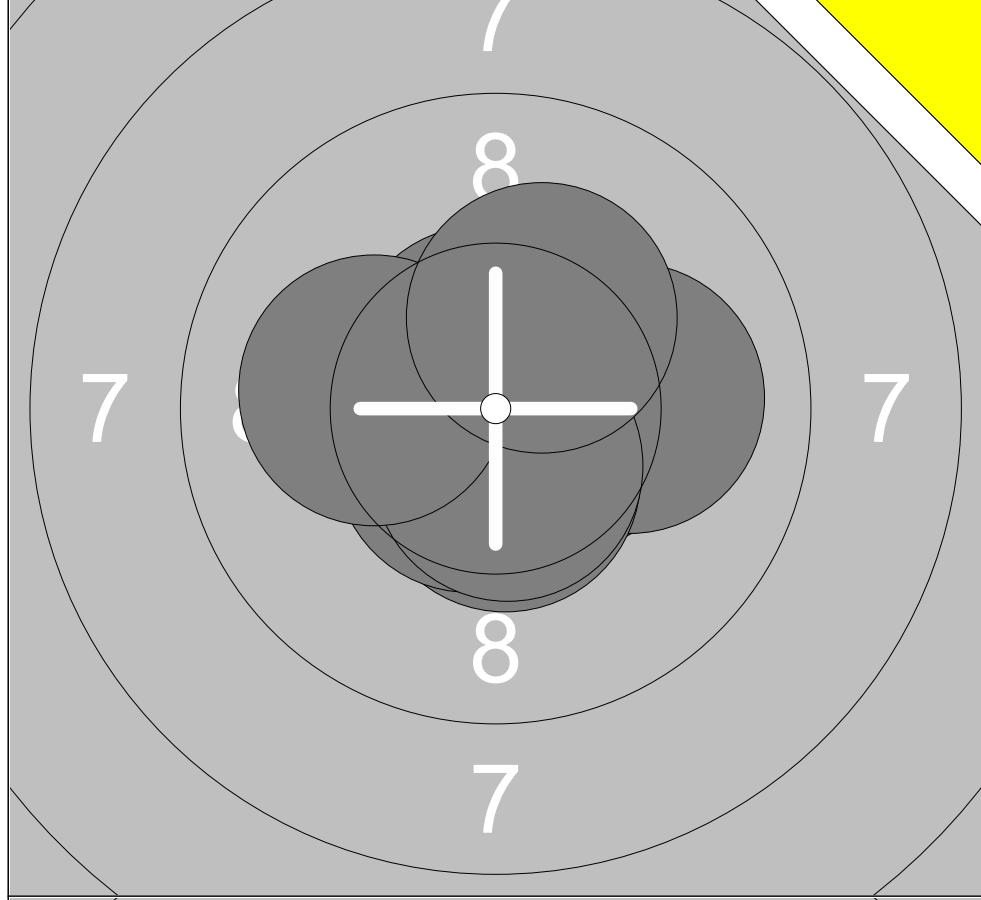
Serie	103.8
Total	501.8



1:	10.4x	↓
2:	10.4x	↓
3:	10.4x	←
4:	10.7x	↗
5:	10.7x	→
6:	10.7x	↖
7:	10.9x	↙
8:	10.3x	→
9:	10.2x	↗
10:	10.8x	↓
<b>Serie</b>		<b>105.5</b>
<b>Total</b>		<b>398.0</b>



1:	10.6x	↓
2:	10.1	←
3:	10.3x	←
4:	10.2x	↗
5:	10.3x	↗
6:	10.6x	↓
7:	10.3x	↗
8:	10.3x	→
9:	10.3x	←
10:	10.6x	↘
<b>Serie</b>		<b>103.6</b>
<b>Total</b>		<b>501.6</b>



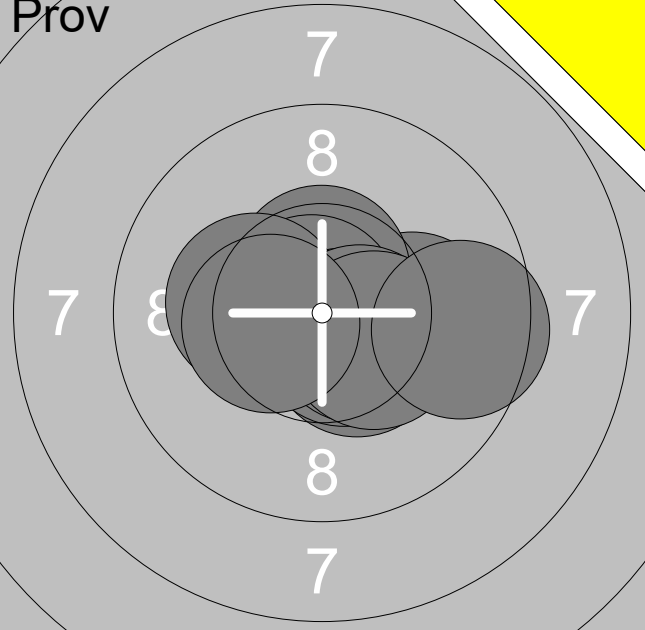

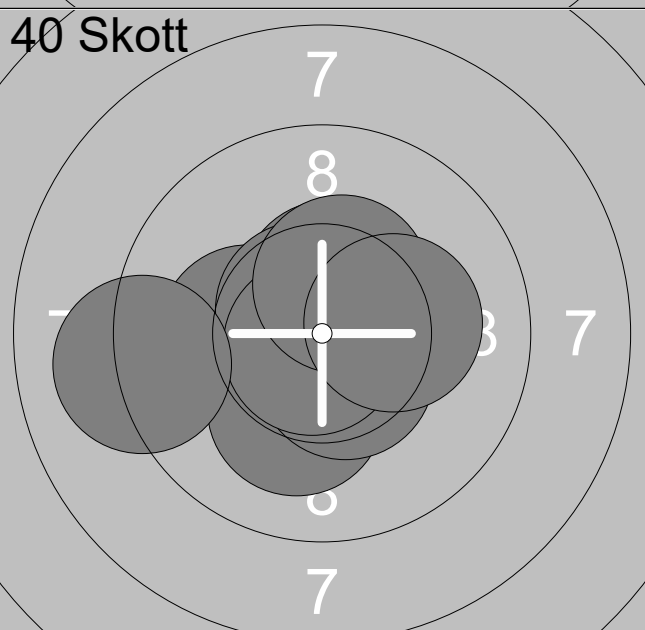
1:	10.5x	↙
2:	10.8x	↘
3:	10.5x	→
4:	10.1	→
5:	10.5x	↓
6:	10.6x	↑
7:	10.6x	↙
8:	10.6x	↓
9:	10.1	↙
10:	10.3x	↗

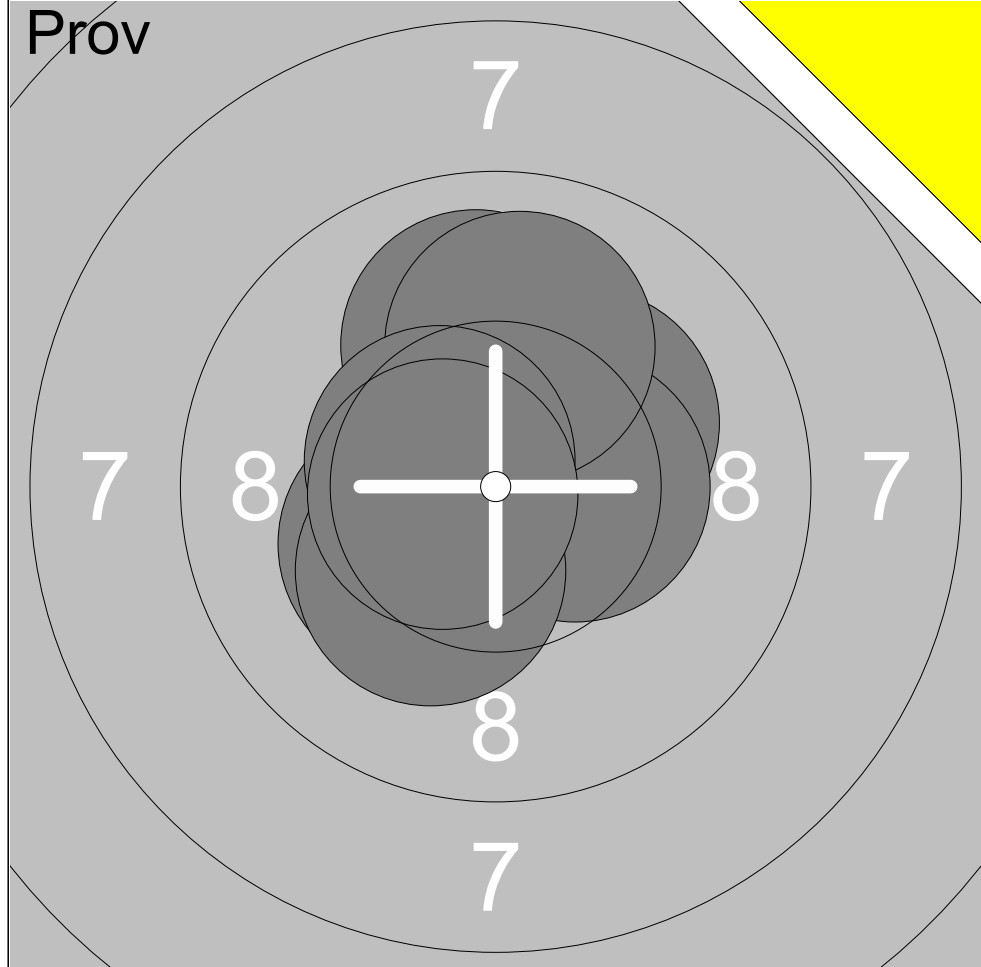
Serie	104.6
Total	398.0



1:	10.3x	↙
2:	10.8x	↙
3:	10.4x	↙
4:	10.8x	↙
5:	10.4x	↑
6:	10.7x	→
7:	9.9	↑
8:	10.7x	↑
9:	10.2x	↓
10:	10.8x	↓

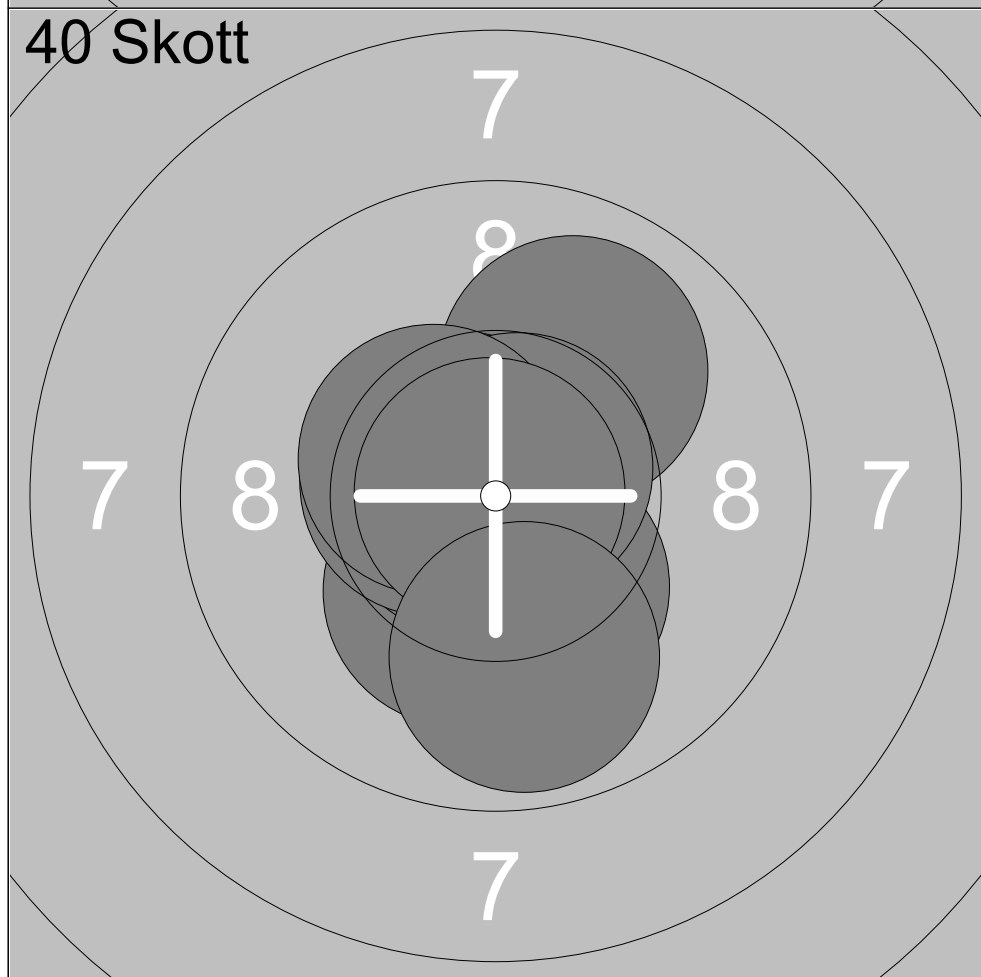
Serie	105.0
Total	503.0

03.11.2019	Vindelnskyttet 2019	Ramselefors SKF	
<b>Prov</b> 	1:	10.0	→
	2:	10.6x	↑
	3:	10.8x	↗
	4:	10.5x	↘
	5:	10.6x	↘
	6:	10.3x	←
	7:	10.5x	↘
	8:	10.4x	↘
	9:	10.4x	←
	10:	9.6	→
	<b>Serie</b>		<b>103.7</b>
<b>Total</b>		<b>398.0</b>	
<b>Prov</b> 	11:	10.7x	←
	<b>Serie</b>		<b>10.7</b>
<b>Total</b>		<b>398.0</b>	
<b>40 Skott</b> 	1:	10.2x	←
	2:	10.5x	↑
	3:	10.2x	↘
	4:	10.8x	↗
	5:	10.5x	↘
	6:	10.7x	↗
	7:	10.8x	↘
	8:	10.4x	↑
	9:	10.2x	→
	10:	9.1	←
	<b>Serie</b>		<b>103.4</b>
<b>Total</b>		<b>501.4</b>	



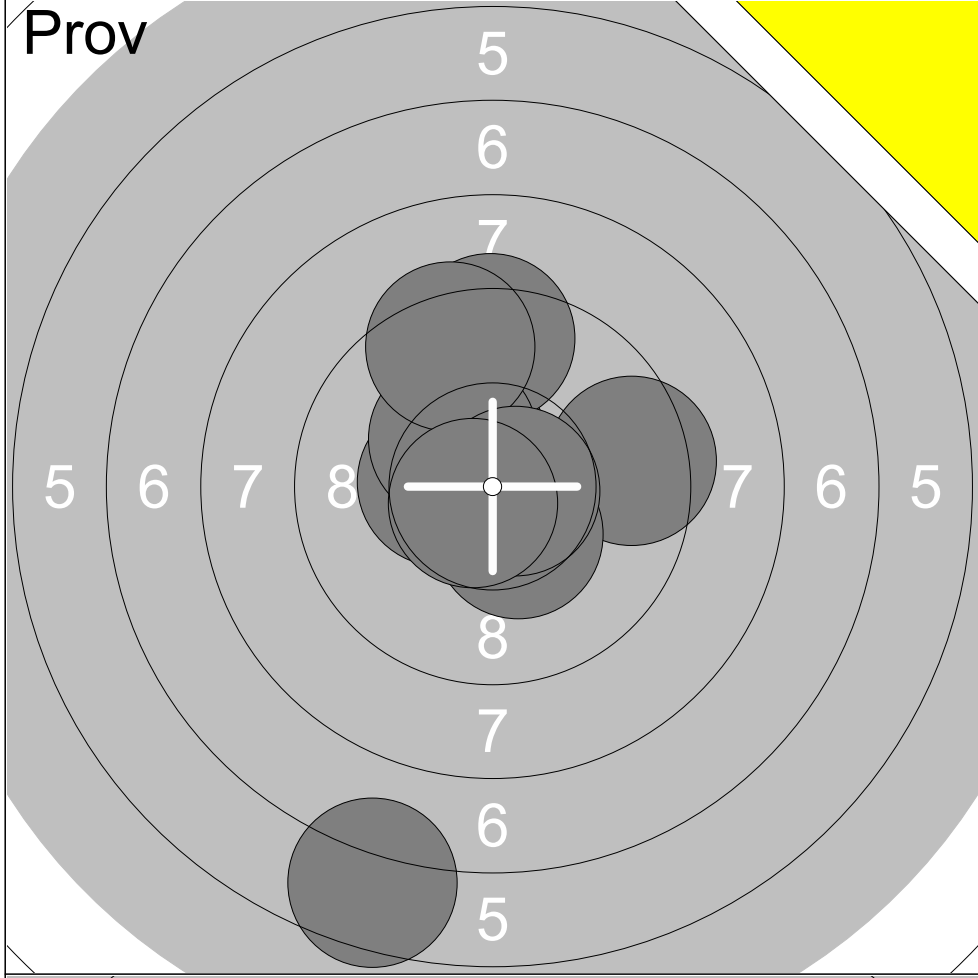
1:	10.3x	↙
2:	10.0	↑
3:	10.4x	↗
4:	10.2x	↘
5:	10.4x	→
6:	10.0	↑
7:	10.5x	↙
8:	10.2x	↘
9:	10.6x	←

Serie	92.6
Total	419.3

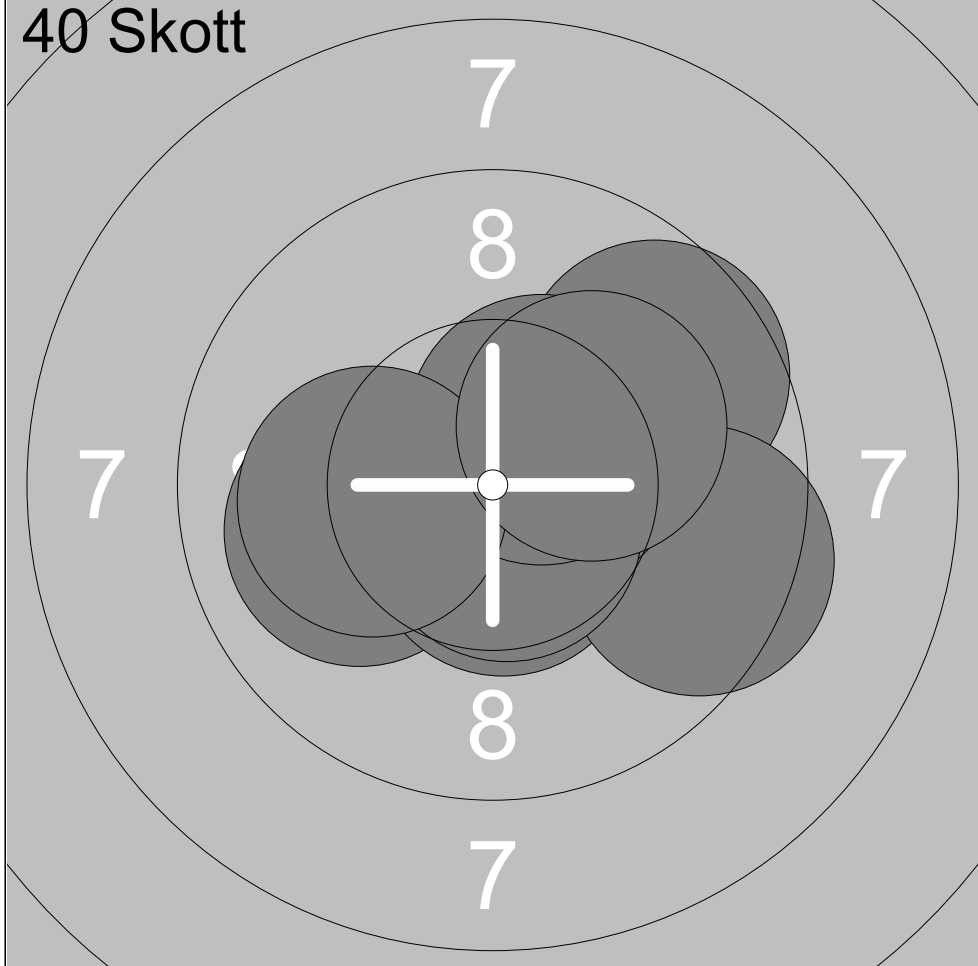


1:	10.3x	↘
2:	10.8x	←
3:	10.0	↗
4:	10.6x	↙
5:	10.3x	↘
6:	10.7x	↗
7:	10.5x	←
8:	10.5x	↙
9:	10.9x	↗
10:	9.9	↘

Serie	104.5
Total	523.8



1:	10.4x	↗
2:	10.4x	←
3:	9.4	→
4:	9.4	↑
5:	10.3x	↗
6:	10.4x	↘
7:	9.4	↑
8:	10.7x	→
9:	6.6	↘
10:	10.7x	↙
Serie		97.7
Total		406.6



1:	9.6	↗
2:	10.0	←
3:	10.7x	↘
4:	10.6x	↘
5:	9.5	→
6:	10.5x	↗
7:	10.7x	↘
8:	10.5x	↗
9:	10.1	←
10:	10.2x	↗
Serie		102.4
Total		509.0