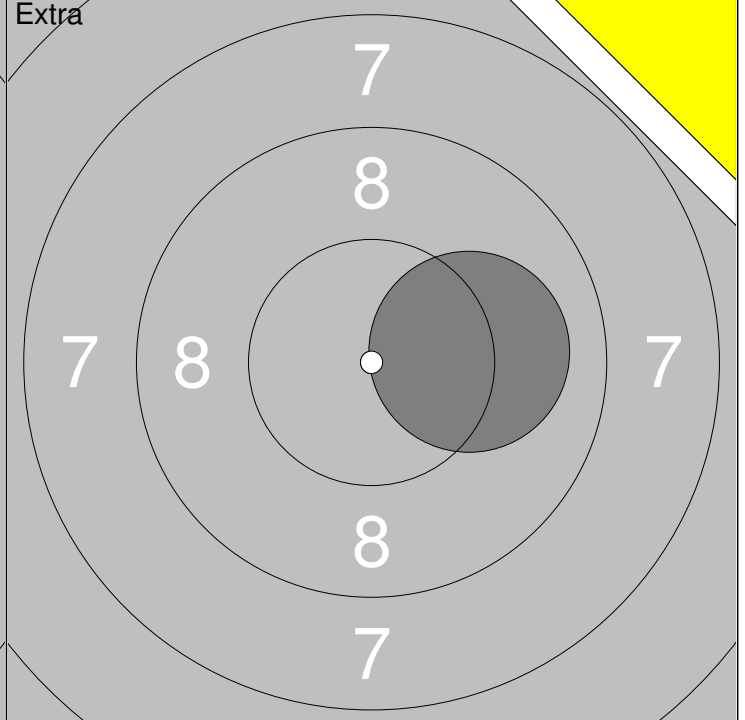
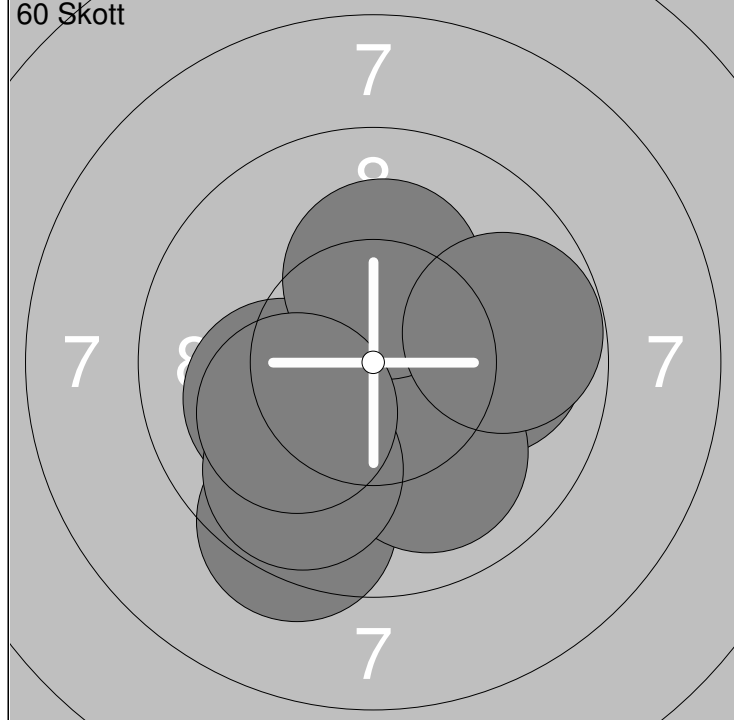


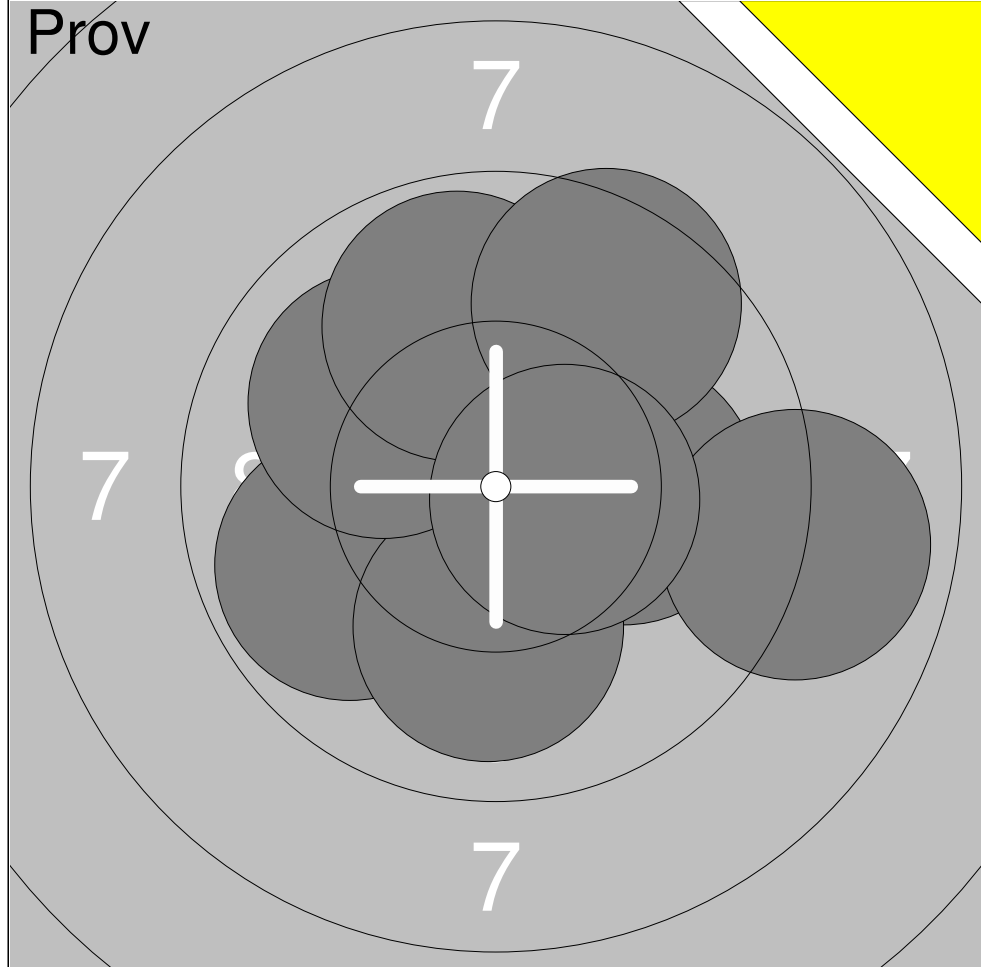
1: 10.0 →	6: 9.6 ↘	Serie	100.4
2: 9.6 ↙	7: 10.3x ↓		
3: 10.4x ↓	8: 10.1 ↗	Total	387.0
4: 10.0 →	9: 10.2x ↓		
5: 10.5x ←	10: 9.7 ↘		

11: 9.6 ↘	Serie	9.6
	Total	387.0



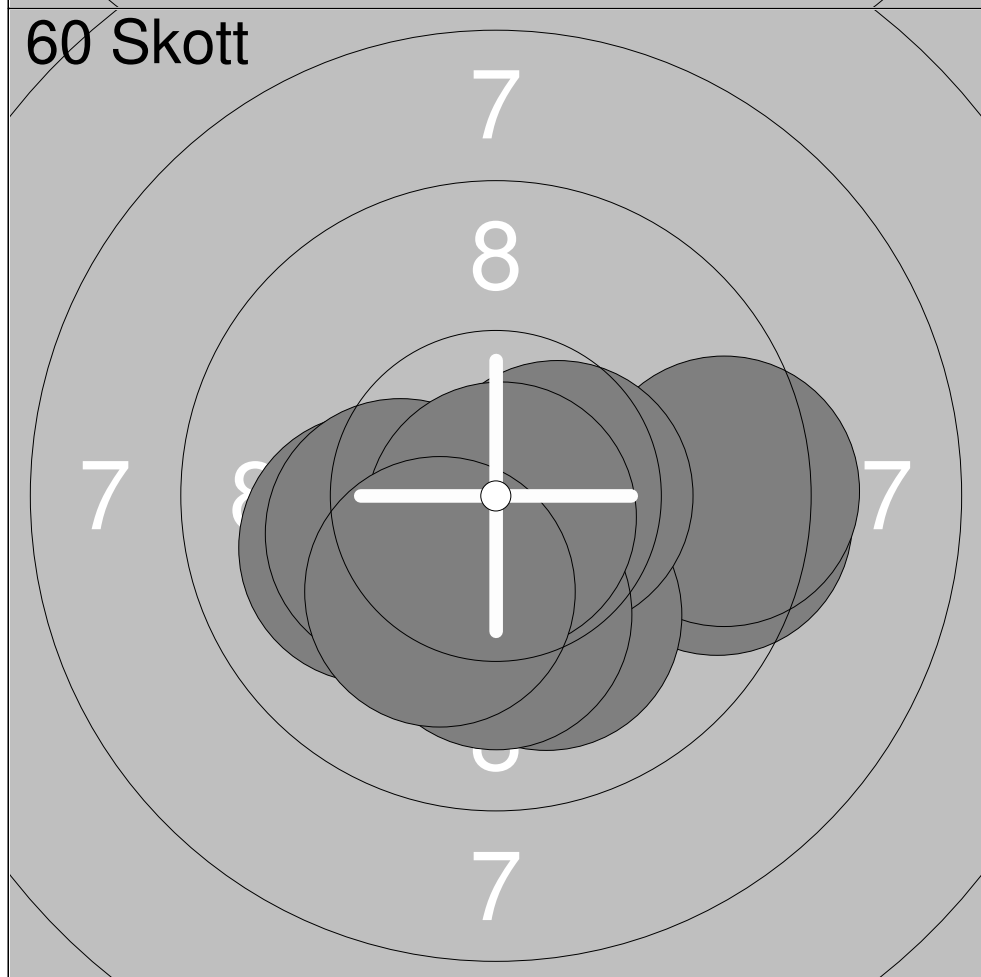
1: 10.1 ←	6: 10.0 ↘	Serie	100.2
2: 9.4 ↓	7: 9.8 ↘		
3: 10.4x ↓	8: 10.2x ↑	Total	487.2
4: 10.5x ↘	9: 10.1 ←		
5: 9.9 →	10: 9.8 →		

1: 10.1 →	Serie	10.1
	Total	487.2



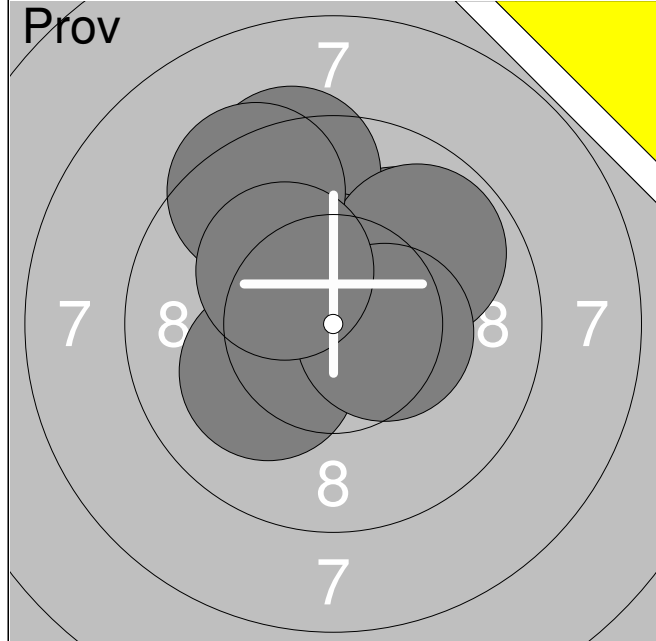
1:	10.1	→
2:	9.8	↙
3:	10.0	↓
4:	10.0	↗
5:	10.0	↗
6:	9.9	↗
7:	8.9	→
8:	9.5	↗
9:	10.5x	→

Serie	88.7
Total	387.0



1:	9.5	→
2:	10.1	↙
3:	10.4x	↘
4:	9.4	→
5:	10.1	↘
6:	10.3x	↙
7:	10.5x	→
8:	10.2x	↓
9:	10.8x	↓
10:	10.2x	↙

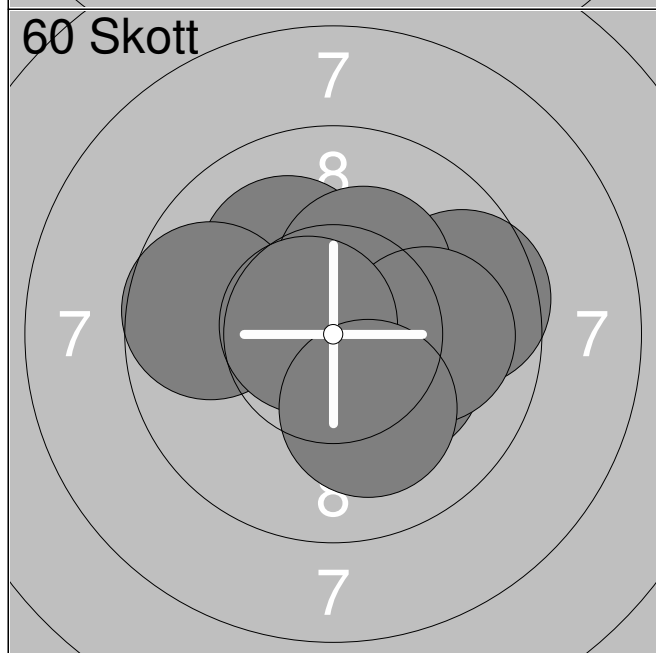
Serie	101.5
Total	488.5



1:	10.0	↗
2:	9.4	↑
3:	10.5x	↑
4:	9.8	↗
5:	9.4	↑
6:	10.1	↖
7:	10.4x	→
8:	10.2x	↗

Serie 79.8

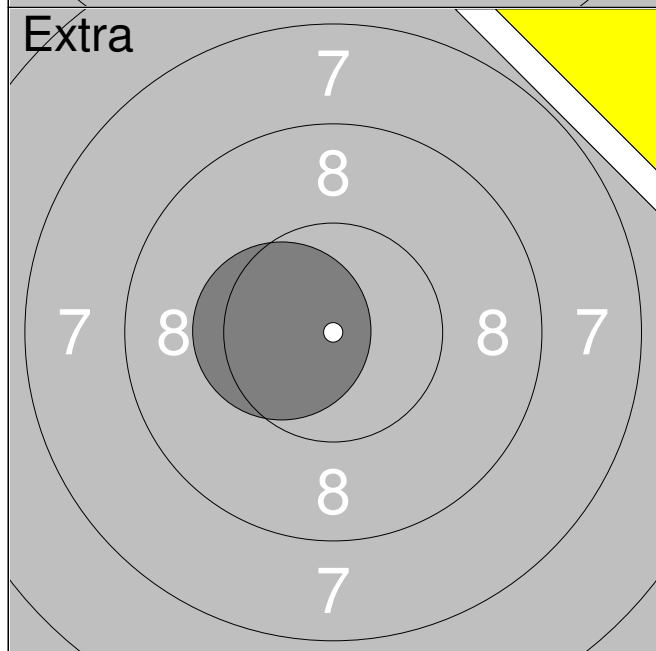
Total 385.0



1:	9.6	→
2:	10.1	↗
3:	10.9x	→
4:	10.6x	→
5:	10.3x	↗
6:	10.2x	↘
7:	9.7	↖
8:	10.0	→
9:	10.7x	↖
10:	10.1	↘

Serie 102.2

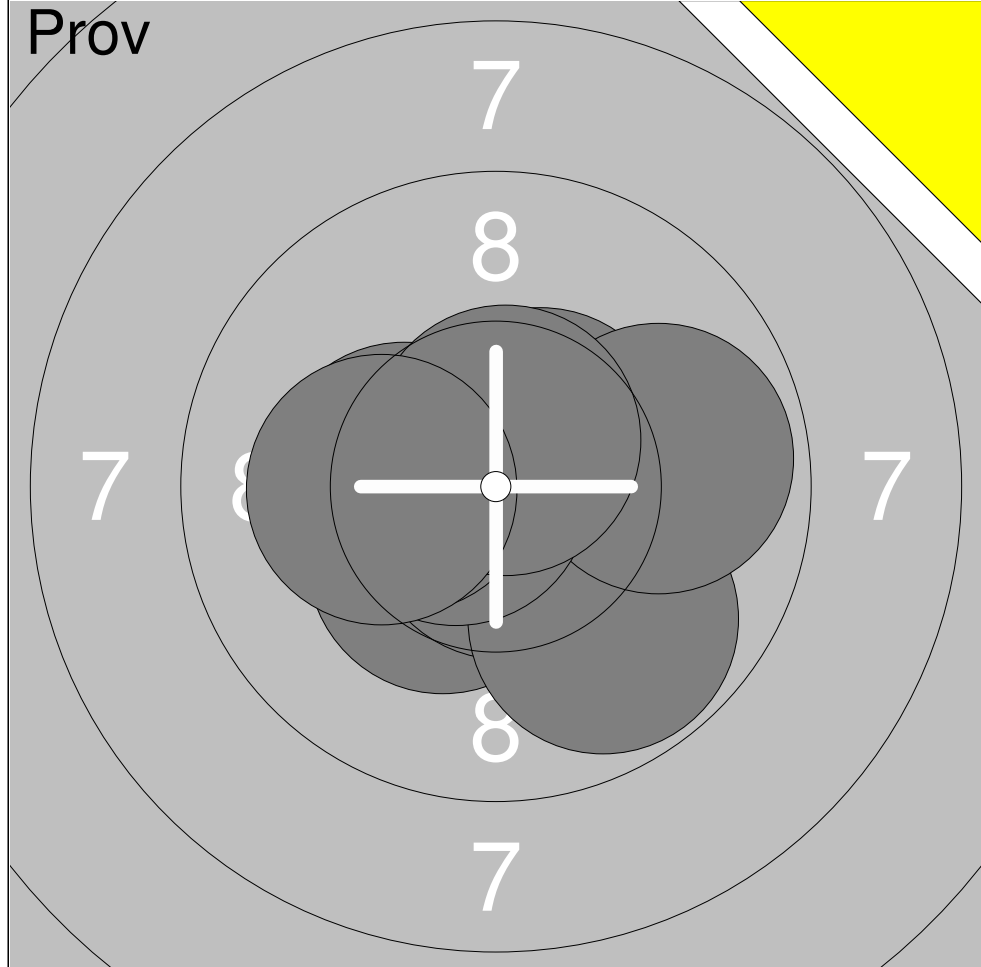
Total 487.2



1:	10.4x	←
----	-------	---

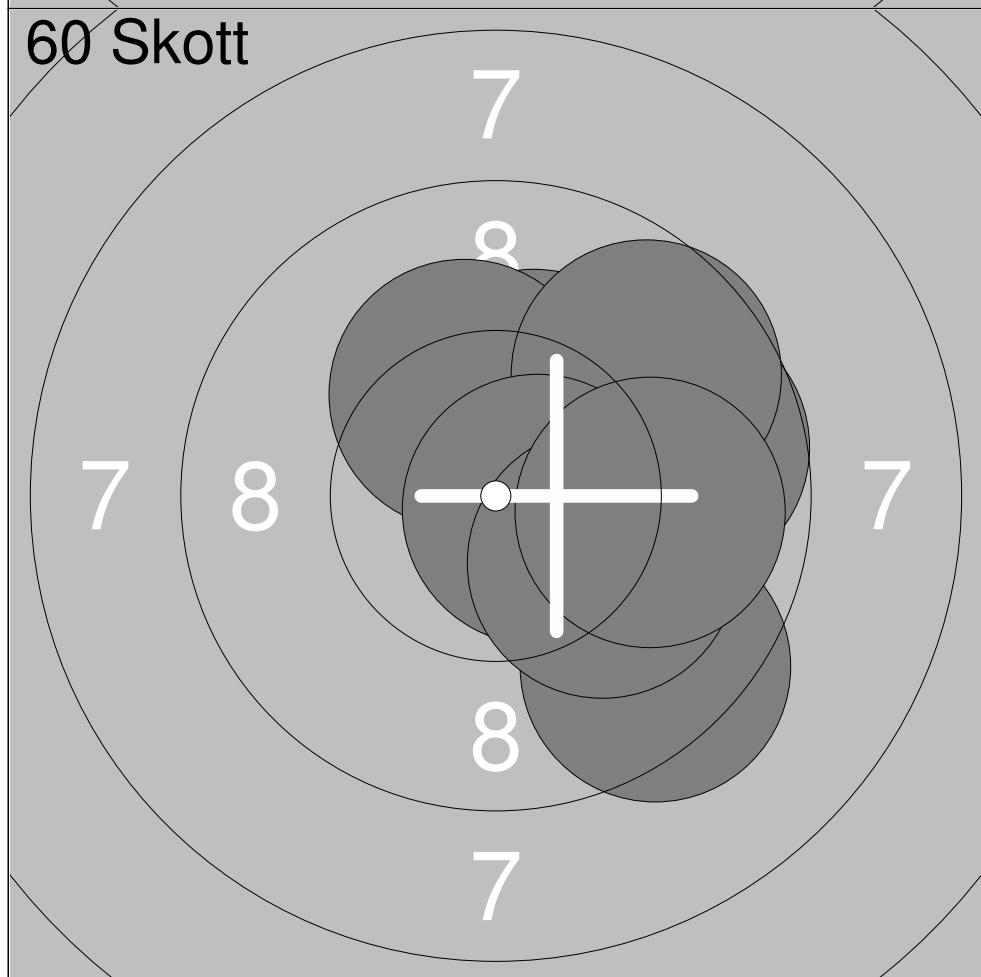
Serie 10.4

Total 487.2



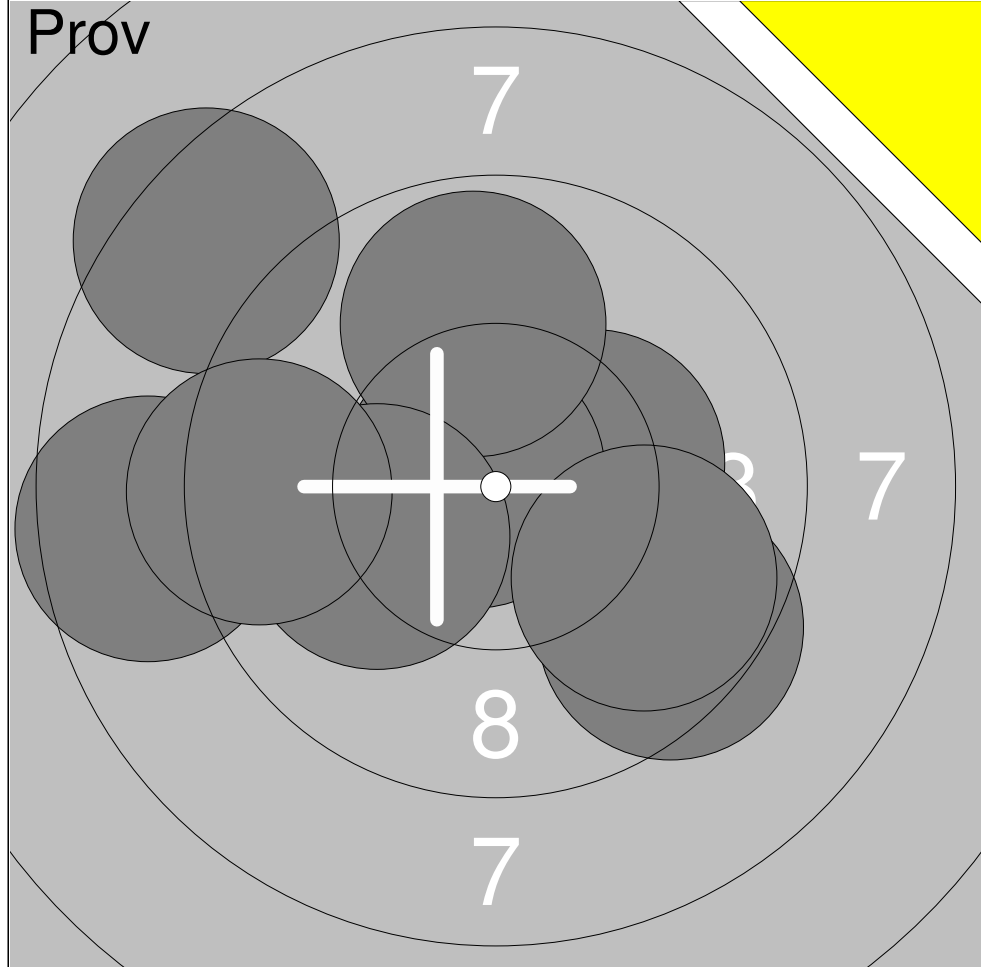
1:	10.5x	↗
2:	10.4x	↘
3:	10.7x	↓
4:	9.8	↘
5:	9.9	→
6:	10.7x	←
7:	10.3x	←
8:	10.6x	↑
9:	10.2x	←

Serie	93.1
Total	381.0



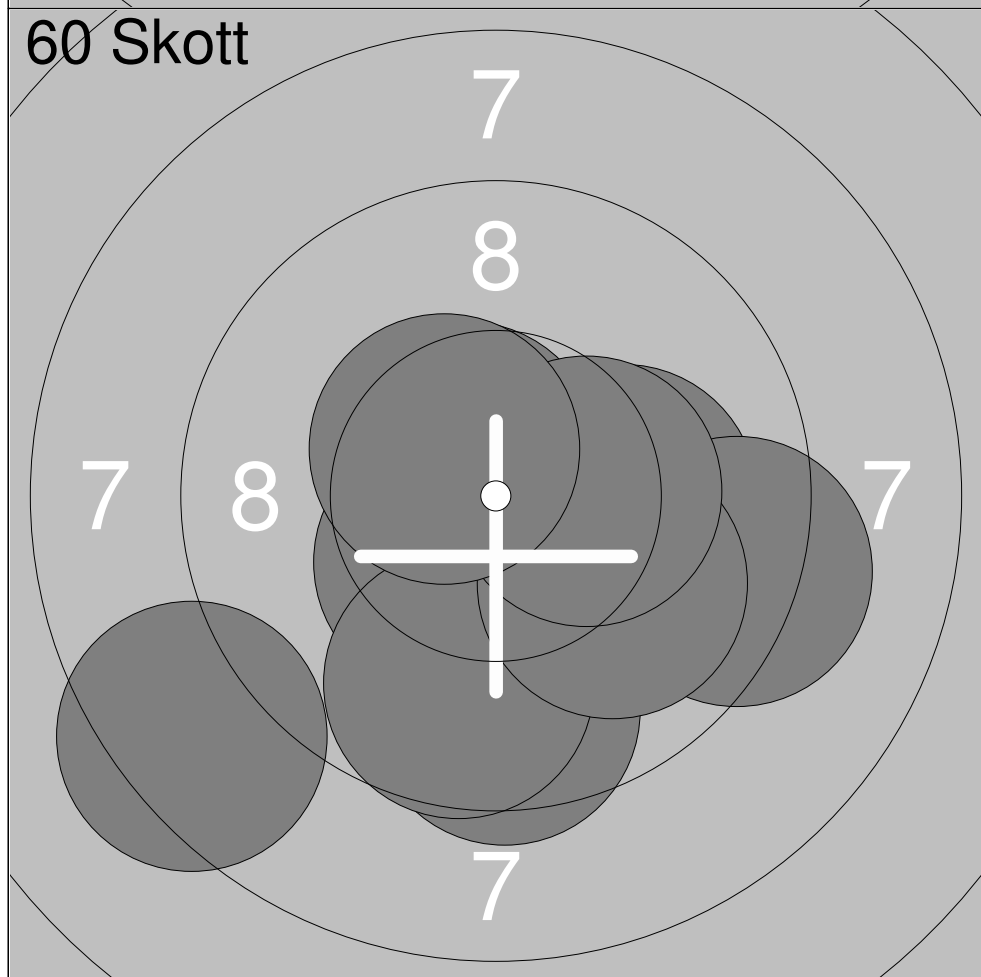
1:	9.7	→
2:	10.2x	↗
3:	10.5x	→
4:	10.3x	↑
5:	10.2x	↑
6:	9.4	↘
7:	9.7	↗
8:	10.7x	→
9:	10.1	↘
10:	9.9	→

Serie	100.7
Total	481.7



1:	8.4	↖
2:	10.3x	→
3:	10.8x	↖
4:	9.8	↑
5:	9.4	↘
6:	8.6	←
7:	9.8	↘
8:	10.1	←
9:	9.3	←

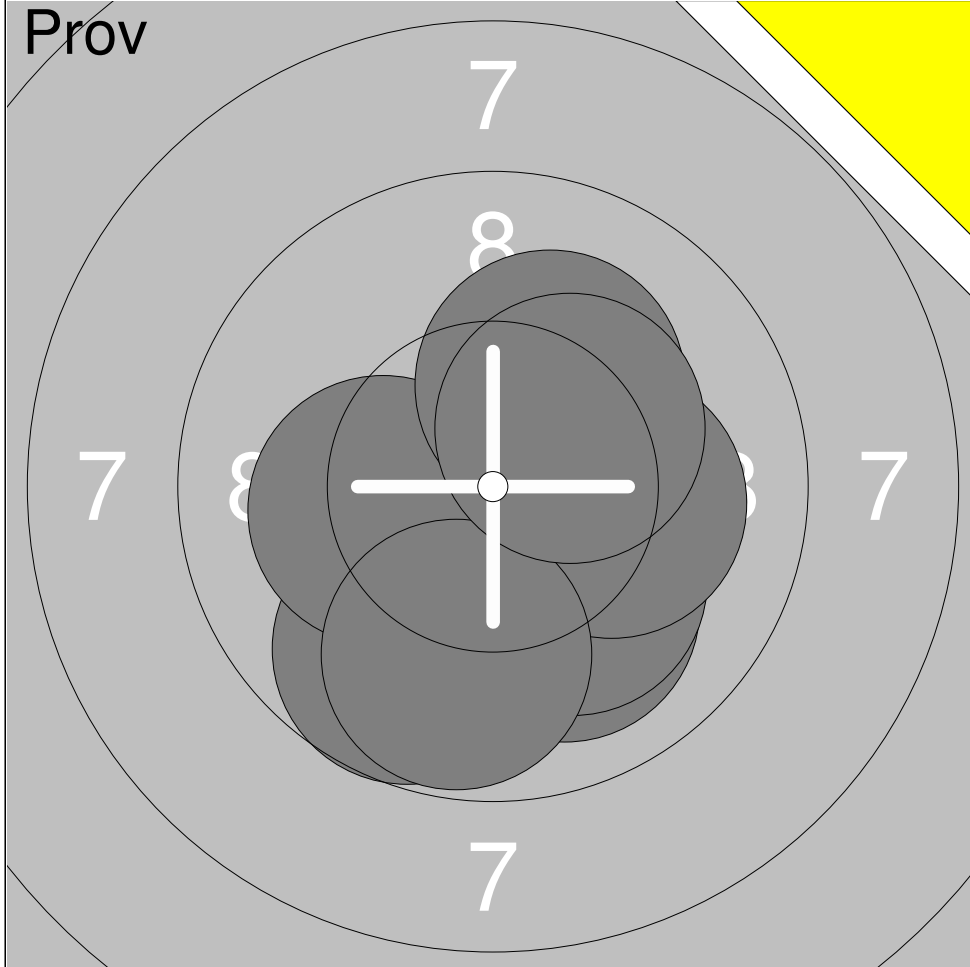
Serie	86.5
Total	381.0



1:	10.1	→
2:	10.4x	↘
3:	9.3	→
4:	8.4	←
5:	10.6x	↖
6:	9.5	↓
7:	9.7	↘
8:	10.0	↘
9:	10.3x	→
10:	10.5x	↖

Serie	98.8
Total	479.8

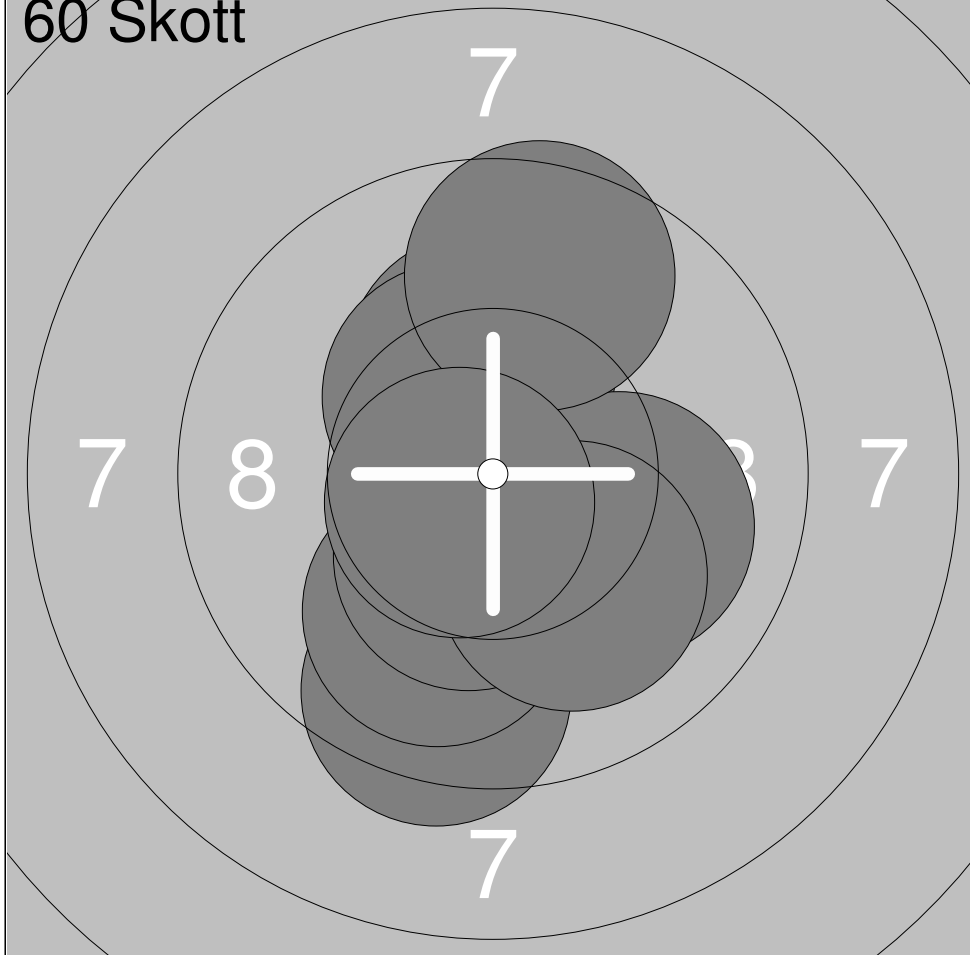
Prov



1:	9.7	↙
2:	10.0	↘
3:	10.1	↘
5:	10.2x	→
6:	10.2x	←
7:	10.2x	↗
8:	9.8	↘
9:	10.3x	↗

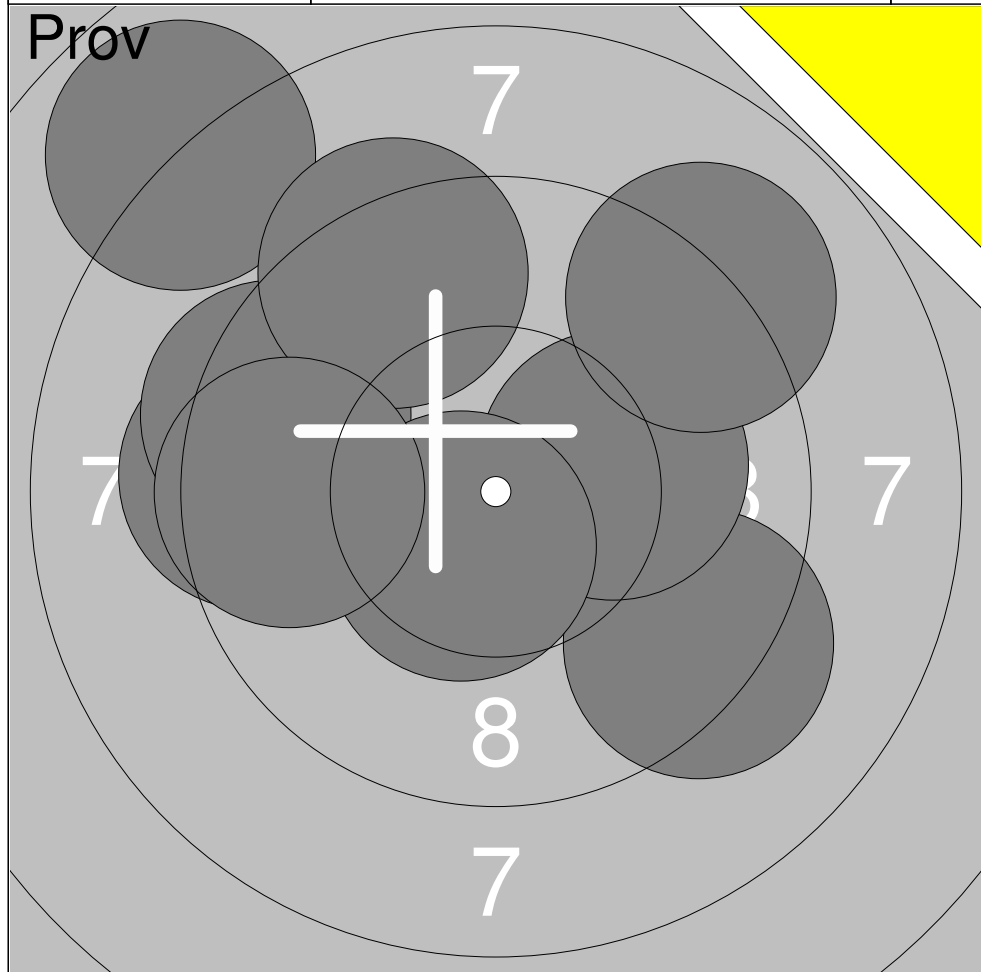
Serie	80.5
Total	380.0

60 Skott



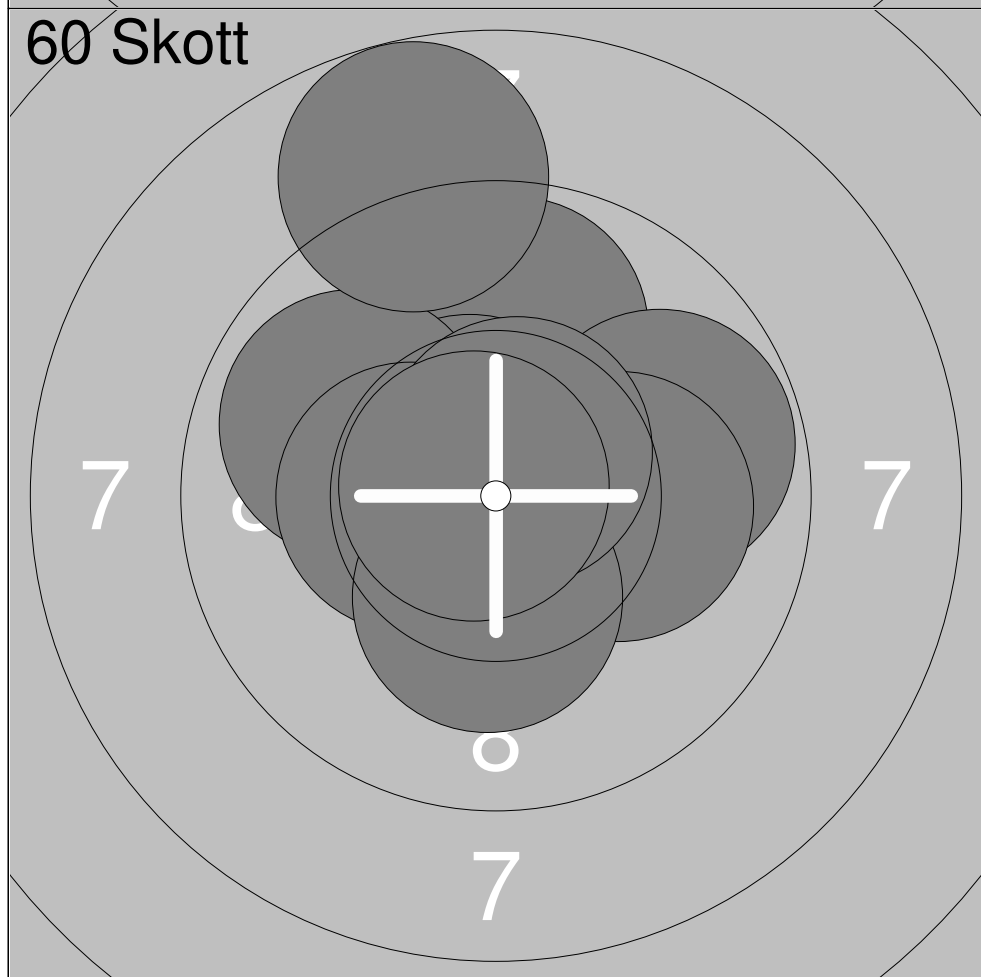
1:	10.9x	→
2:	9.5	↘
3:	10.0	↘
4:	10.2x	↑
5:	10.4x	↘
6:	10.4x	↖
7:	10.0	↘
8:	10.1	↘
9:	9.6	↑
10:	10.7x	↙

Serie	101.8
Total	481.8



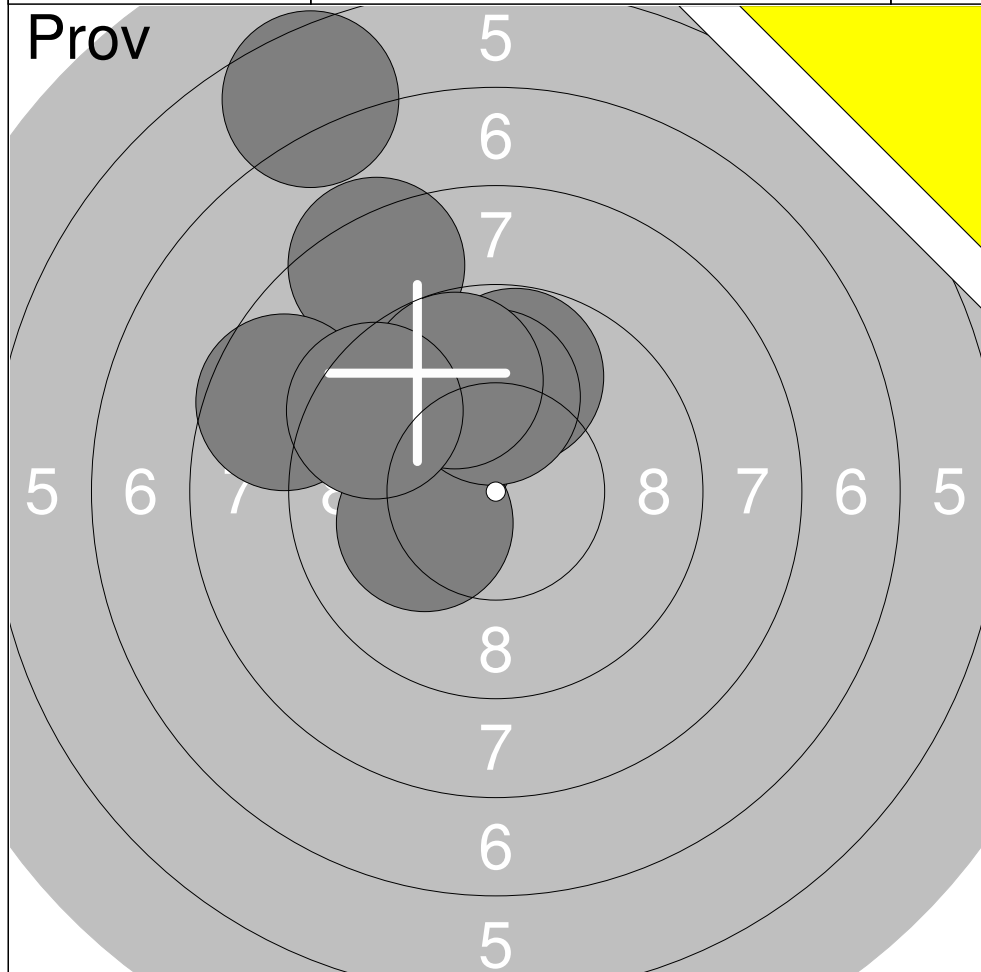
1:	7.9	↗
2:	9.3	←
3:	9.3	↘
4:	9.4	↖
5:	10.2x	→
6:	9.3	↗
7:	10.5x	↘
8:	9.1	↗
9:	9.6	←

Serie	84.6
Total	379.0



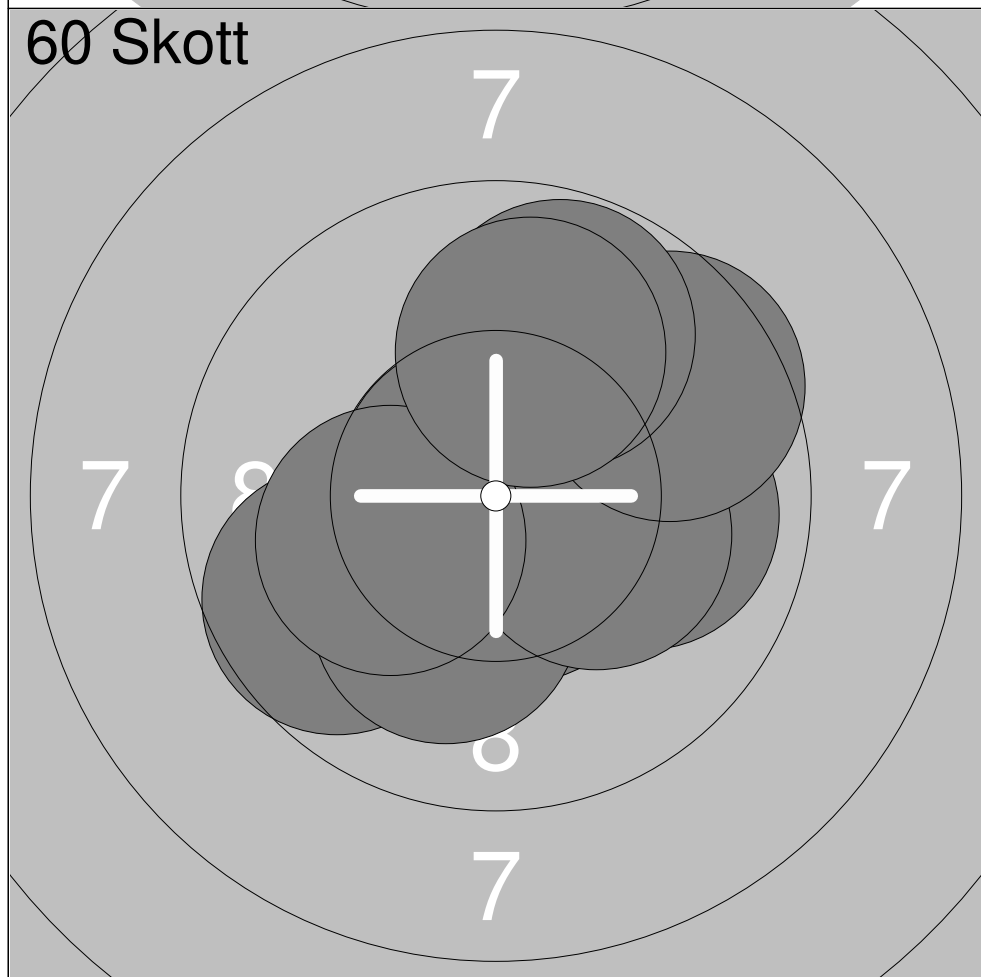
1:	9.9	↑
2:	10.6x	↖
3:	9.9	↖
4:	10.4x	←
5:	9.8	→
6:	10.1	→
7:	10.3x	↓
8:	10.6x	↗
9:	10.8x	↖
10:	8.8	↖

Serie	101.2
Total	480.2



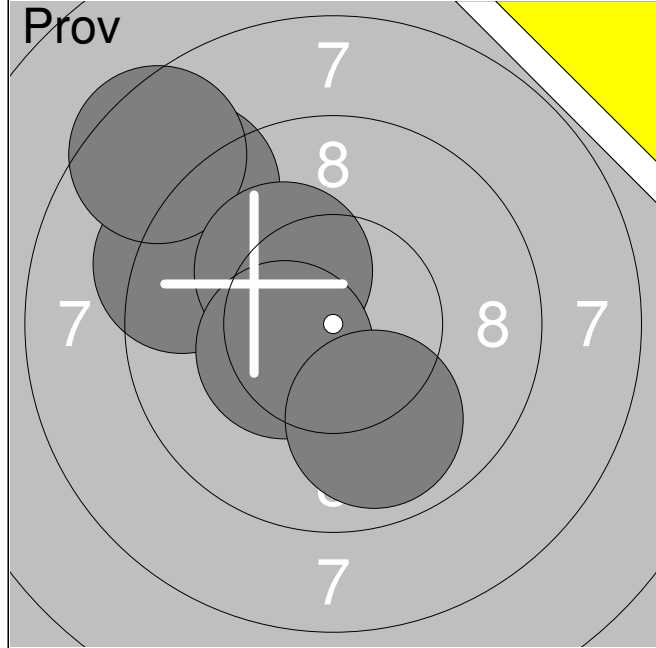
1:	9.8	↑
2:	8.4	↗
3:	10.1	↖
4:	10.2x	↙
5:	8.6	↖
6:	6.6	↗
7:	10.0	↑
8:	9.7	↗
9:	9.5	↖

Serie	82.9
Total	370.0



1:	10.8x	↖
2:	10.6x	↘
3:	9.7	↙
4:	10.1	↘
5:	10.0	→
6:	10.2x	→
7:	10.2x	↙
8:	9.6	↗
9:	9.8	↗
10:	10.0	↑

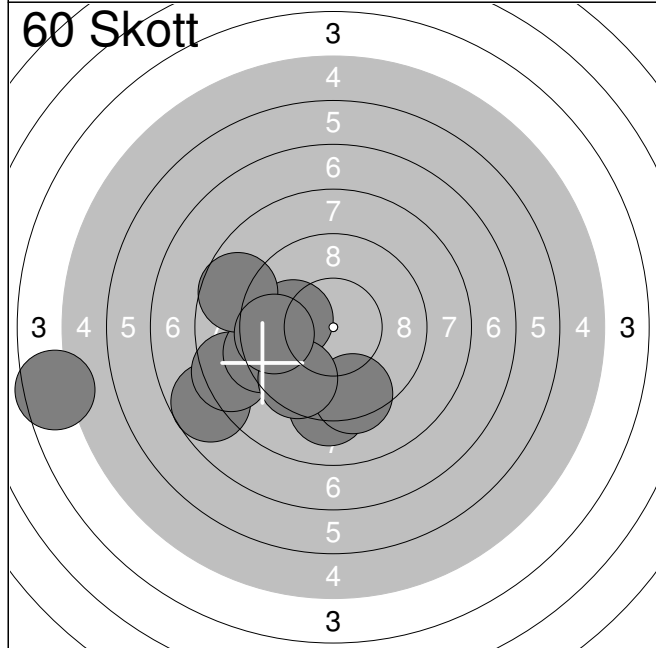
Serie	101.0
Total	471.0



1:	9.0	↗
2:	9.3	←
3:	8.5	↗
4:	10.2x	↗
5:	10.4x	←
6:	9.9	↓

Serie	57.3
-------	------

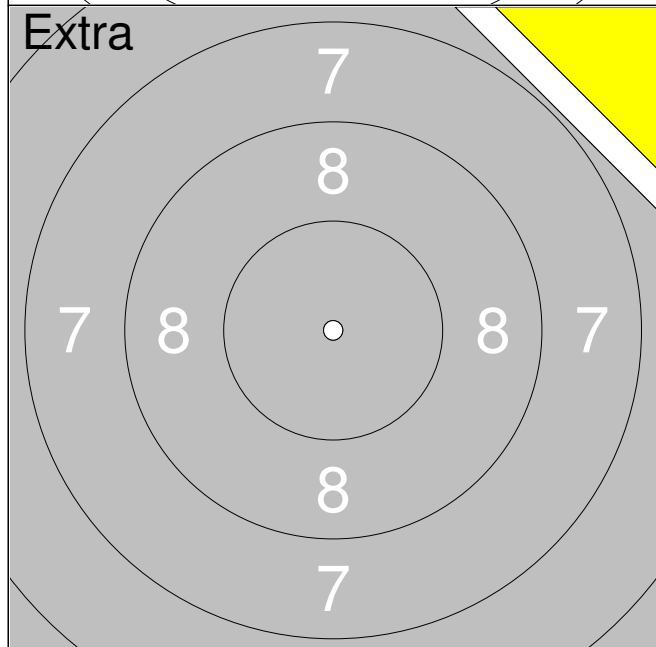
Total	345.0
-------	-------



1:	7.7	←
2:	9.2	↓
3:	8.5	←
4:	9.4	↓
5:	10.0	←
6:	9.3	←
7:	4.5	←
8:	9.5	↓
9:	8.7	←
10:	9.6	←

Serie	86.4
-------	------

Total	431.4
-------	-------



--	--

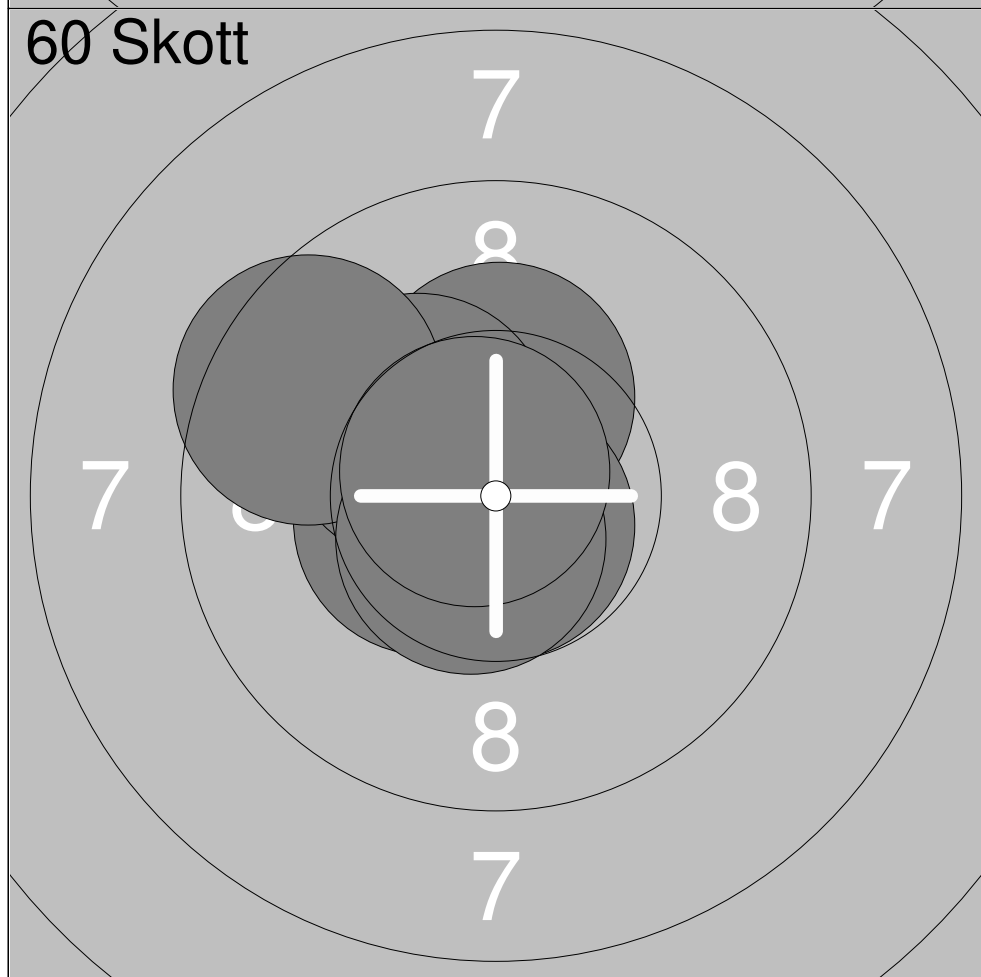
Serie	0.0
-------	-----

Total	431.4
-------	-------



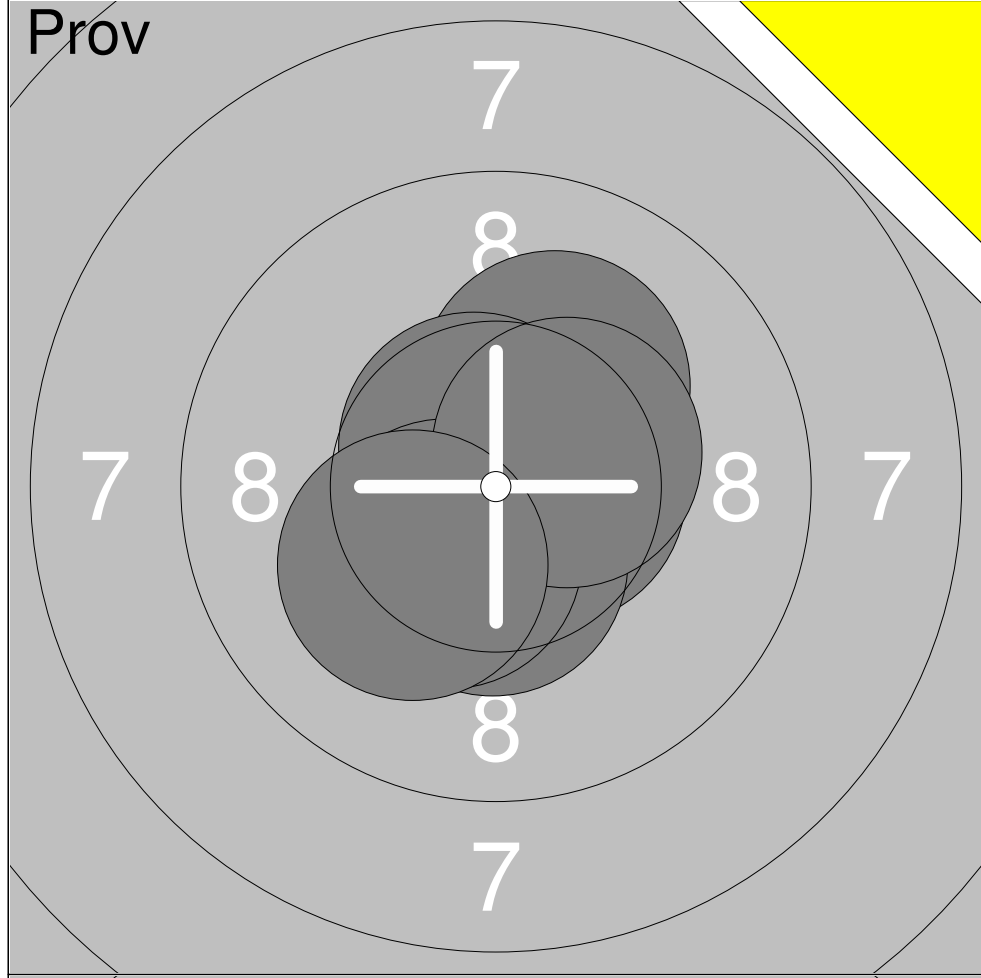
1:	9.9	↑
2:	9.8	↗
3:	10.3x	→
4:	10.2x	→
5:	10.5x	↗
6:	10.4x	↑
7:	10.6x	↖

Serie	71.7
Total	396.0



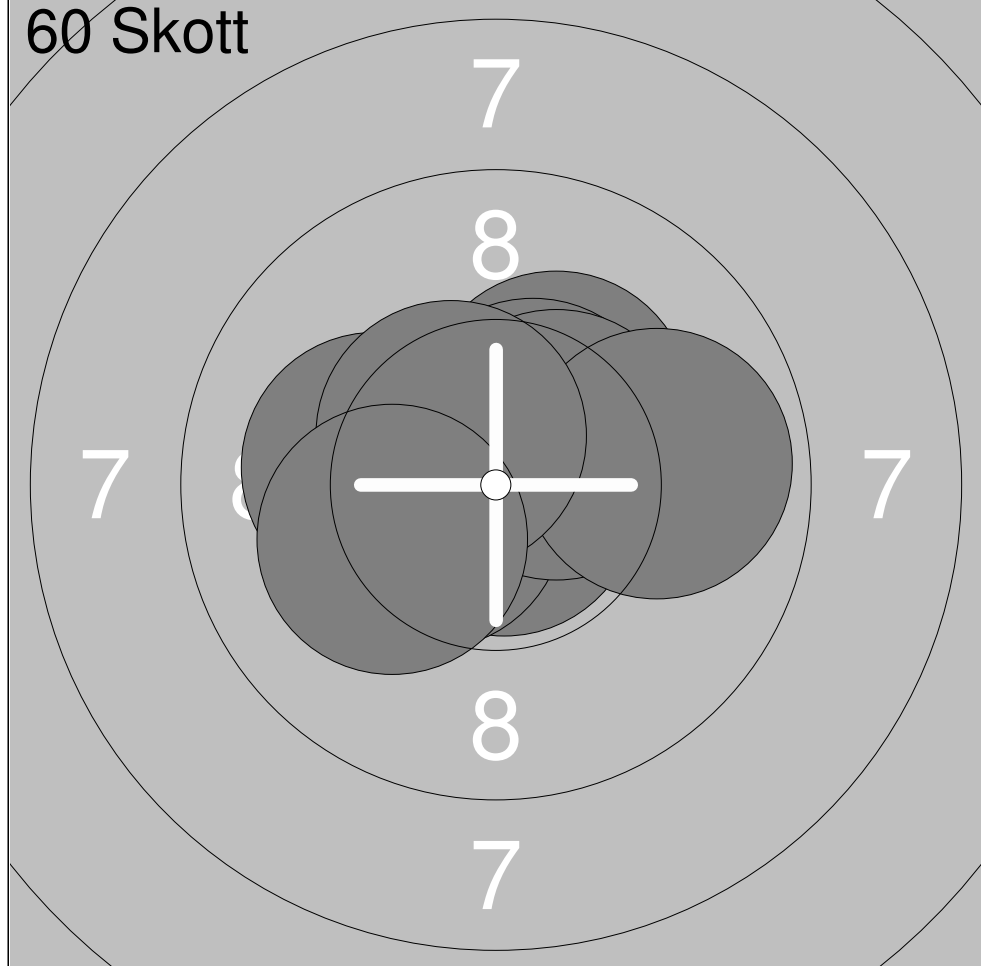
1:	10.3x	↑
2:	10.7x	↖
3:	10.7x	←
4:	10.3x	↖
5:	10.5x	←
6:	10.3x	↖
7:	9.5	↖
8:	10.8x	↓
9:	10.6x	↖
10:	10.7x	↖

Serie	104.4
Total	500.4



1:	10.2x	↗
2:	10.6x	→
3:	10.6x	→
4:	10.5x	↓
5:	10.6x	↖
6:	10.4x	↙
7:	10.4x	↗
8:	10.2x	↙

Serie	83.5
Total	395.0

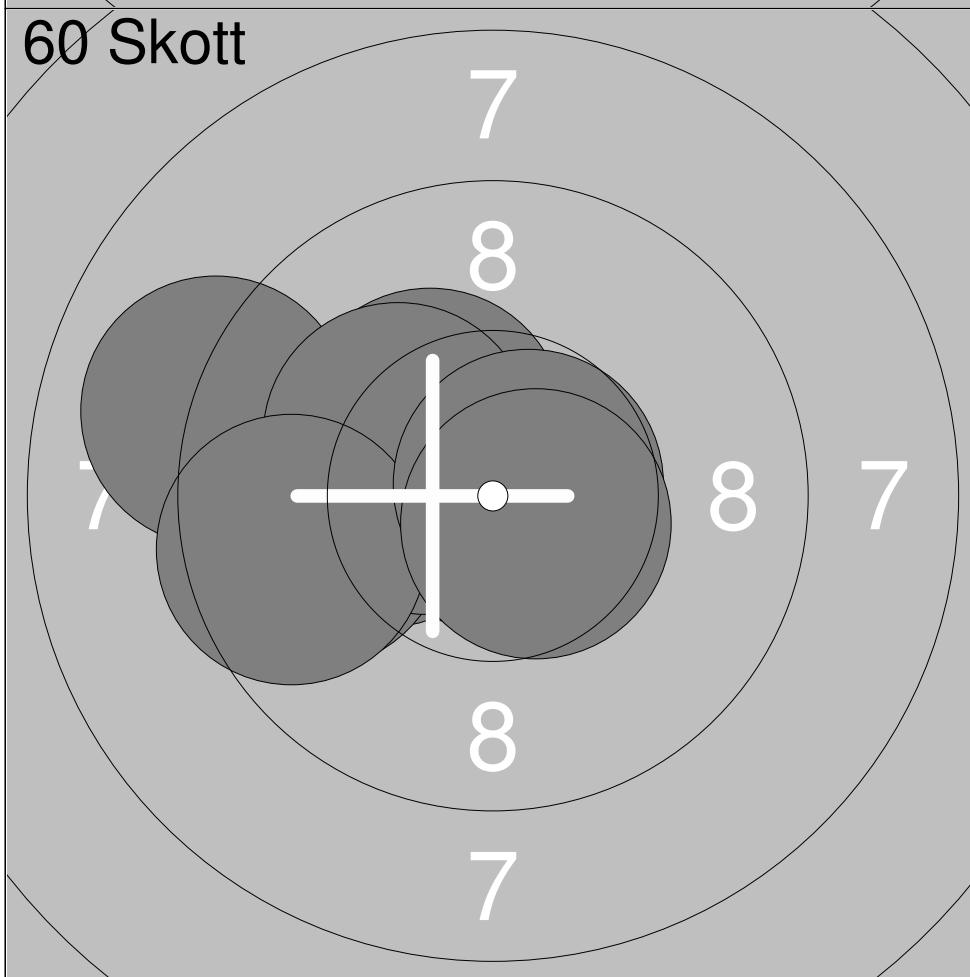


1:	10.8x	↘
2:	10.1	←
3:	10.3x	↗
4:	10.5x	←
5:	10.5x	←
6:	10.5x	↗
7:	10.5x	↗
8:	9.9	→
9:	10.5x	↖
10:	10.2x	↙

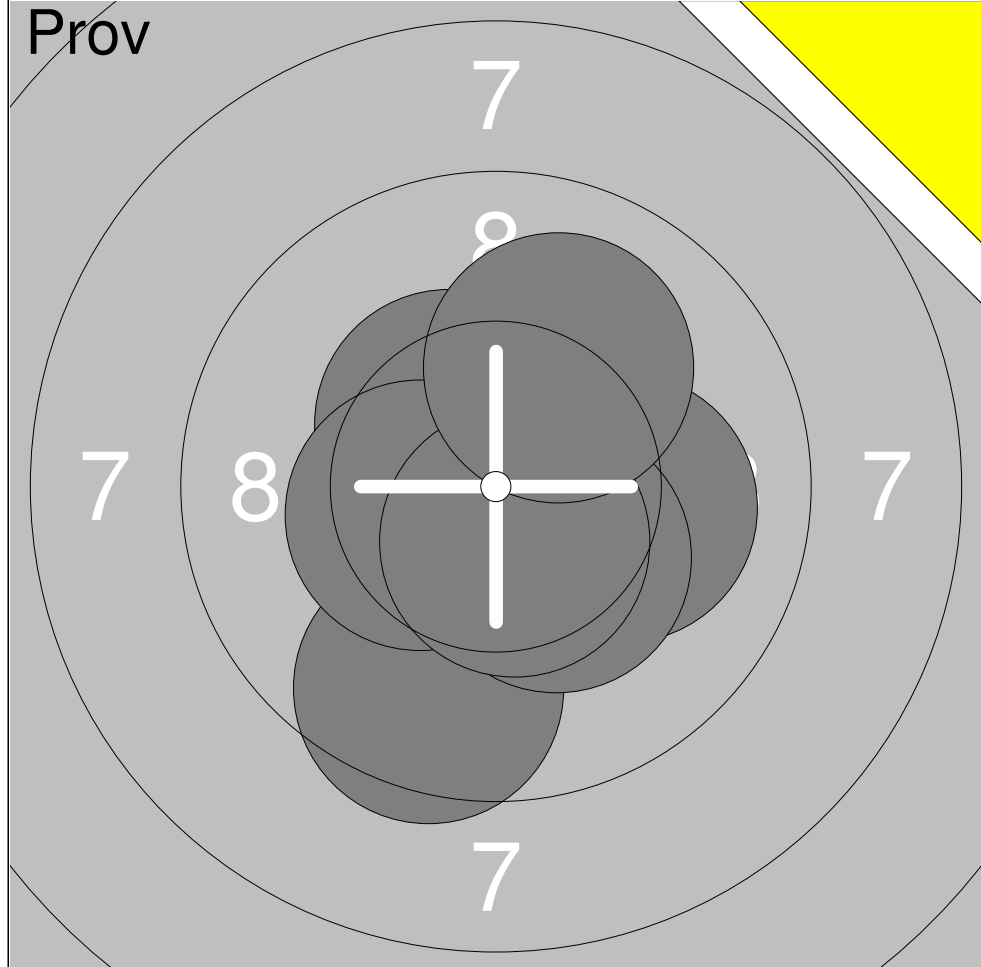
Serie	103.8
Total	498.8



1:	9.5	↖
2:	10.3x	↖
3:	9.7	→
4:	9.4	↖
5:	9.2	→
6:	10.0	↖
7:	10.2x	→
8:	10.4x	↗
9:	10.0	↖
10:	10.5x	↙
Serie		99.2
Total		393.0

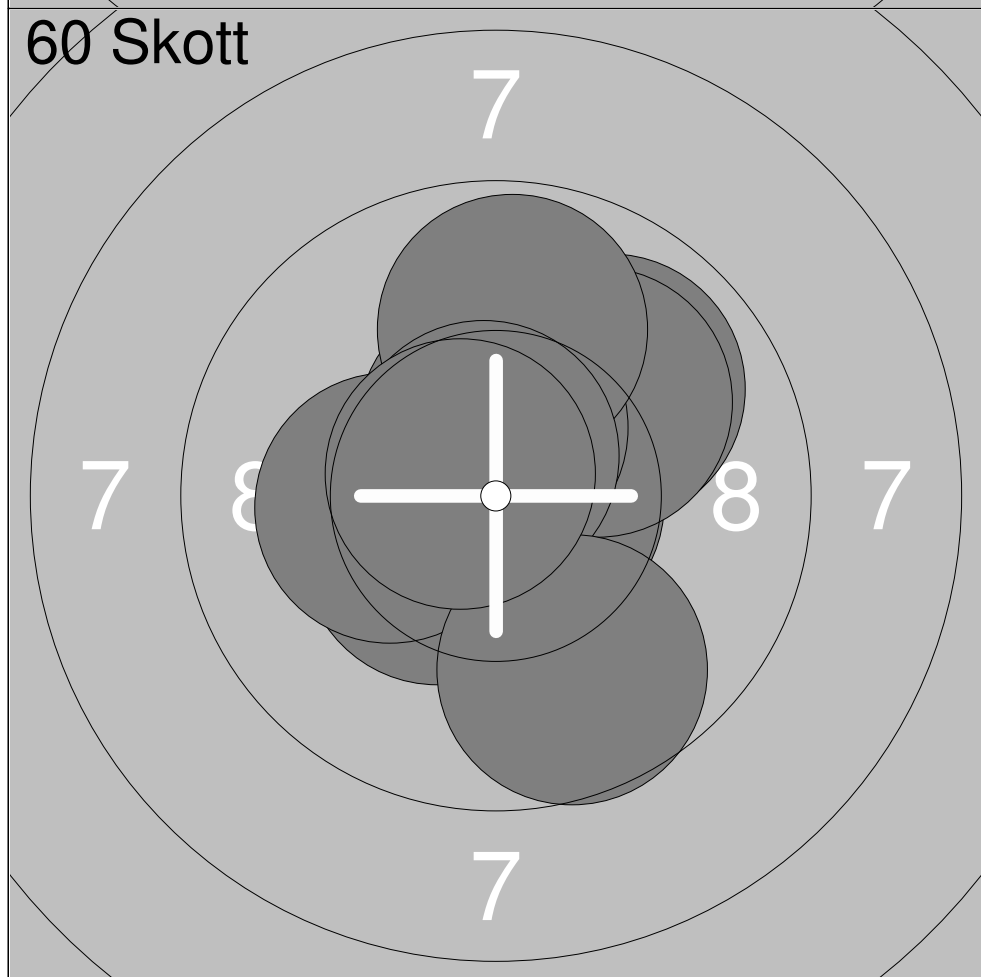


1:	10.9x	↖
2:	10.2x	←
3:	10.3x	↖
4:	9.7	←
5:	10.5x	←
6:	9.0	↖
7:	10.2x	↖
8:	9.6	←
9:	10.7x	→
10:	10.6x	↘
Serie		101.7
Total		494.7



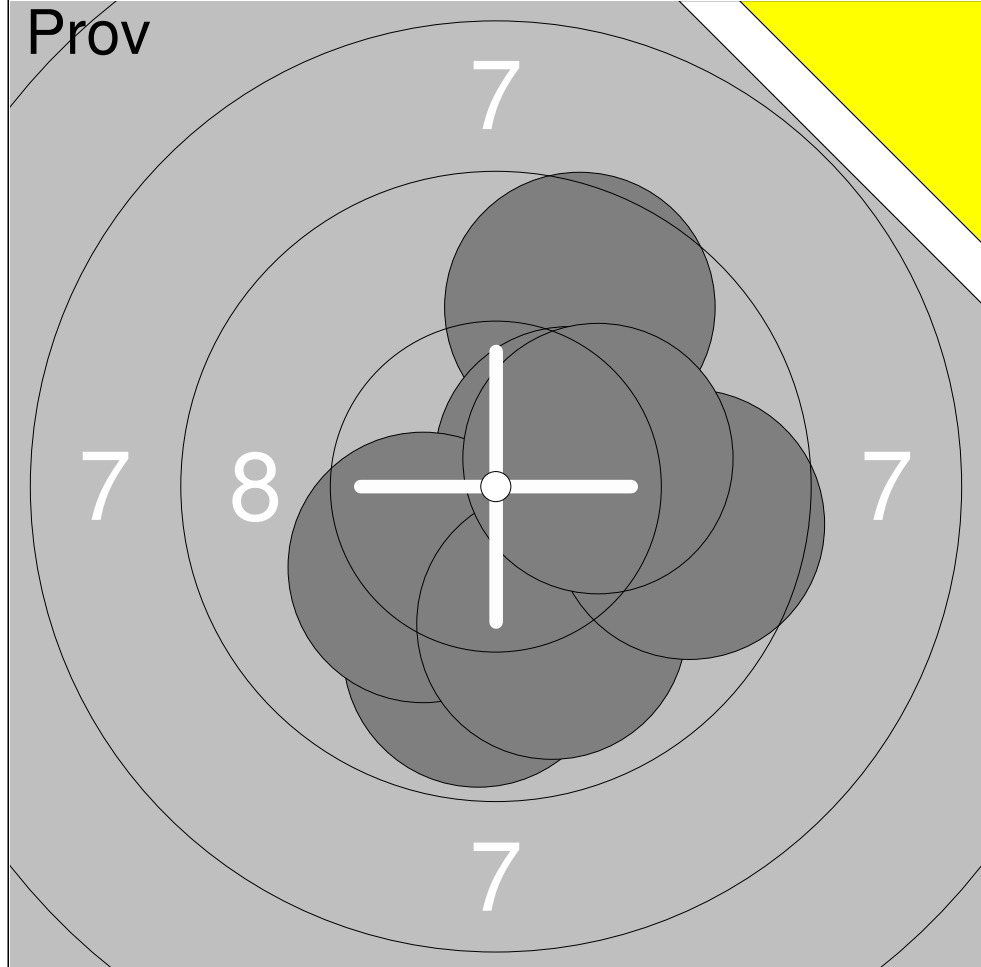
1:	10.1	→
2:	10.4x	↗
3:	9.5	↘
4:	10.4x	↖
5:	10.3x	↘
6:	10.6x	↘
7:	10.1	↗

Serie	71.4
Total	391.0



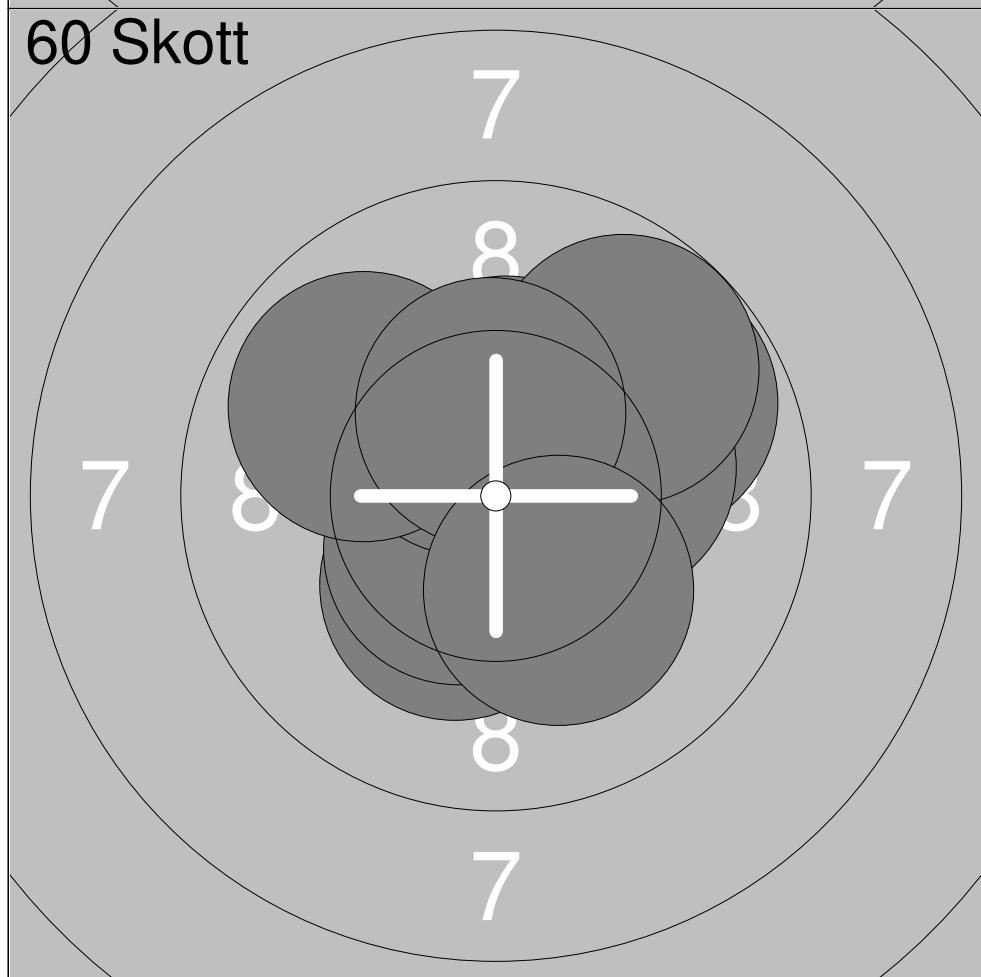
1:	9.9	↗
2:	10.4x	↖
3:	10.7x	→
4:	10.0	↗
5:	10.5x	↑
6:	9.8	↑
7:	10.2x	←
8:	10.7x	↑
9:	9.7	↘
10:	10.7x	↖

Serie	102.6
Total	493.6



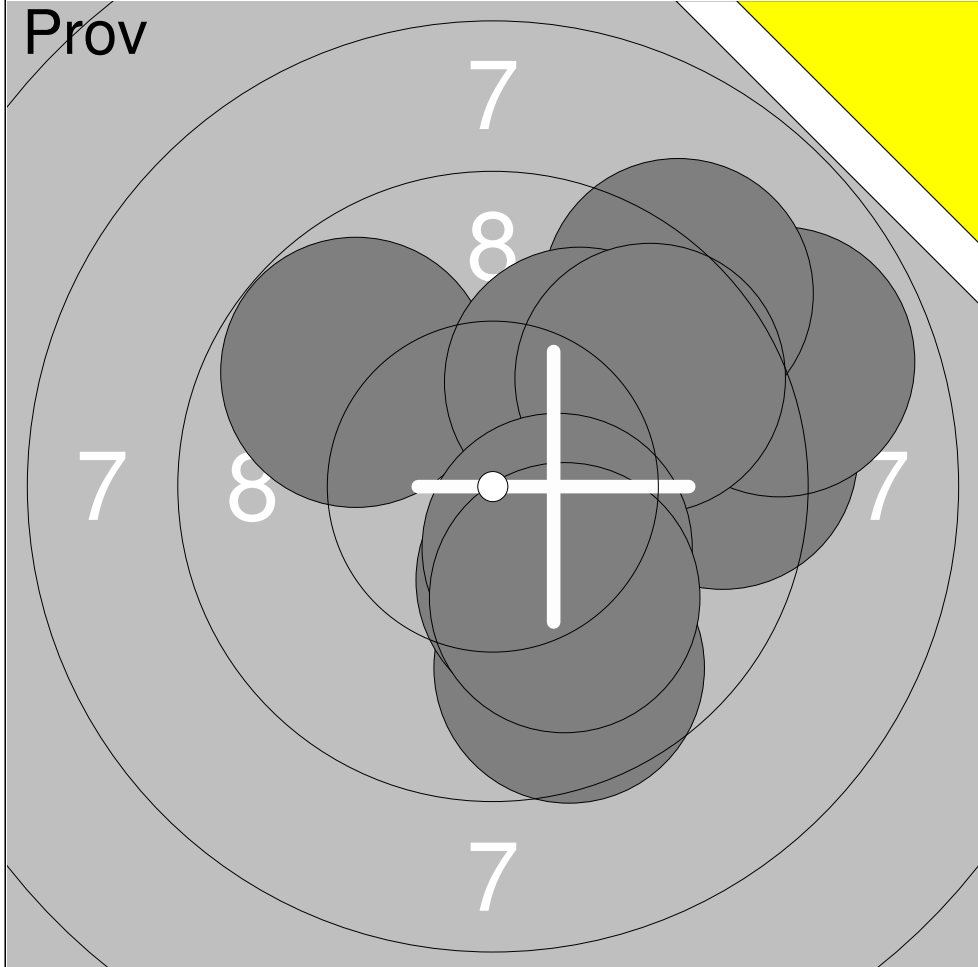
1:	9.6	↗
2:	10.2x	↓
3:	10.4x	→
4:	9.8	↓
5:	10.2x	↙
6:	10.0	↘
7:	9.6	→
8:	10.2x	→

Serie	80.0
Total	388.0

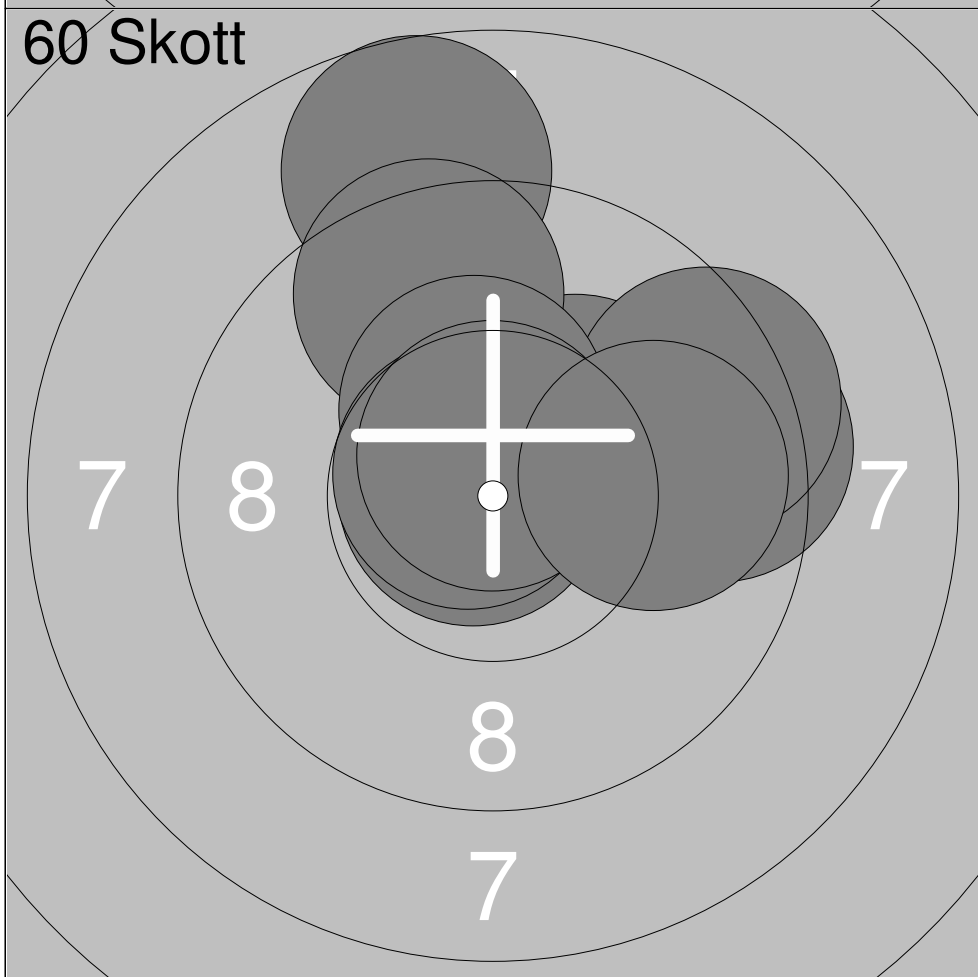


1:	10.3x	↙
2:	10.5x	↙
3:	9.8	↗
4:	10.2x	→
5:	10.4x	↑
6:	10.4x	↑
7:	9.8	↗
8:	9.9	↙
9:	10.4x	↑
10:	10.2x	↘

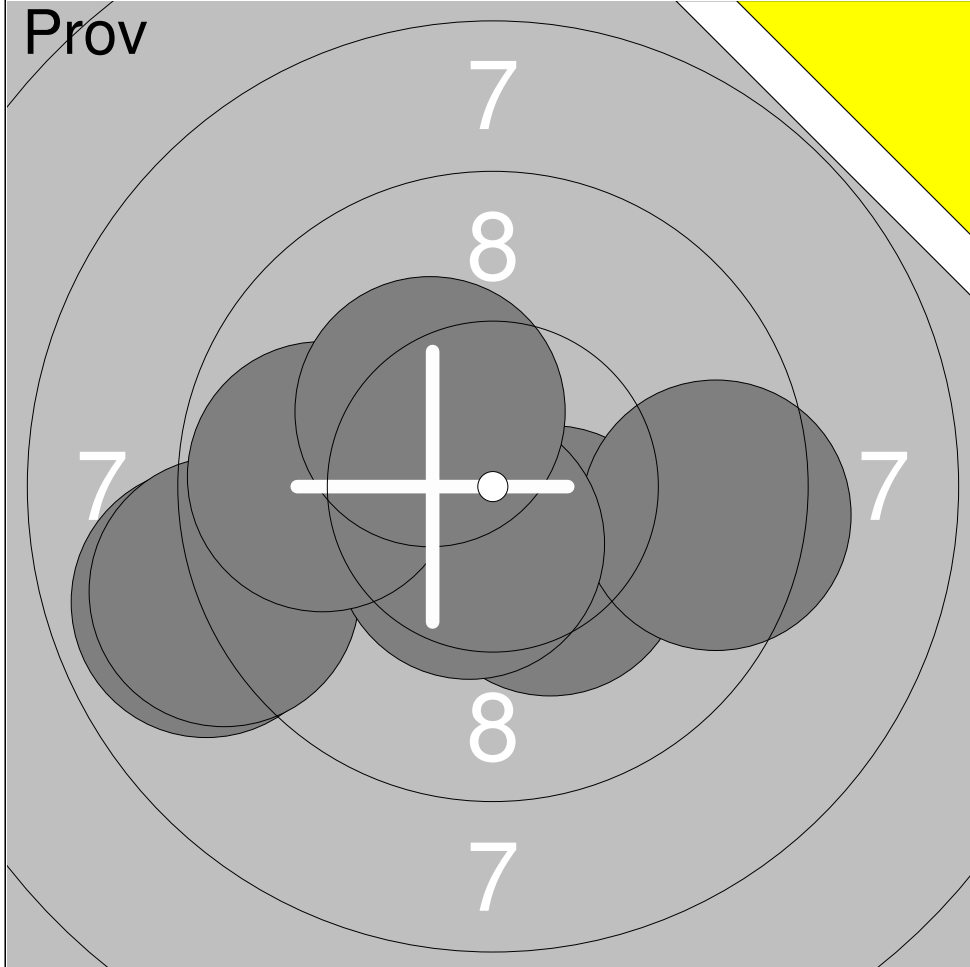
Serie	101.9
Total	489.9



1:	9.6	↘
2:	10.2x	↘
3:	9.8	↗
4:	9.4	→
5:	8.9	↗
6:	9.2	↗
7:	10.0	↗
8:	9.7	↗
9:	10.4x	↘
10:	10.1	↘
Serie		97.3
Total		388.0

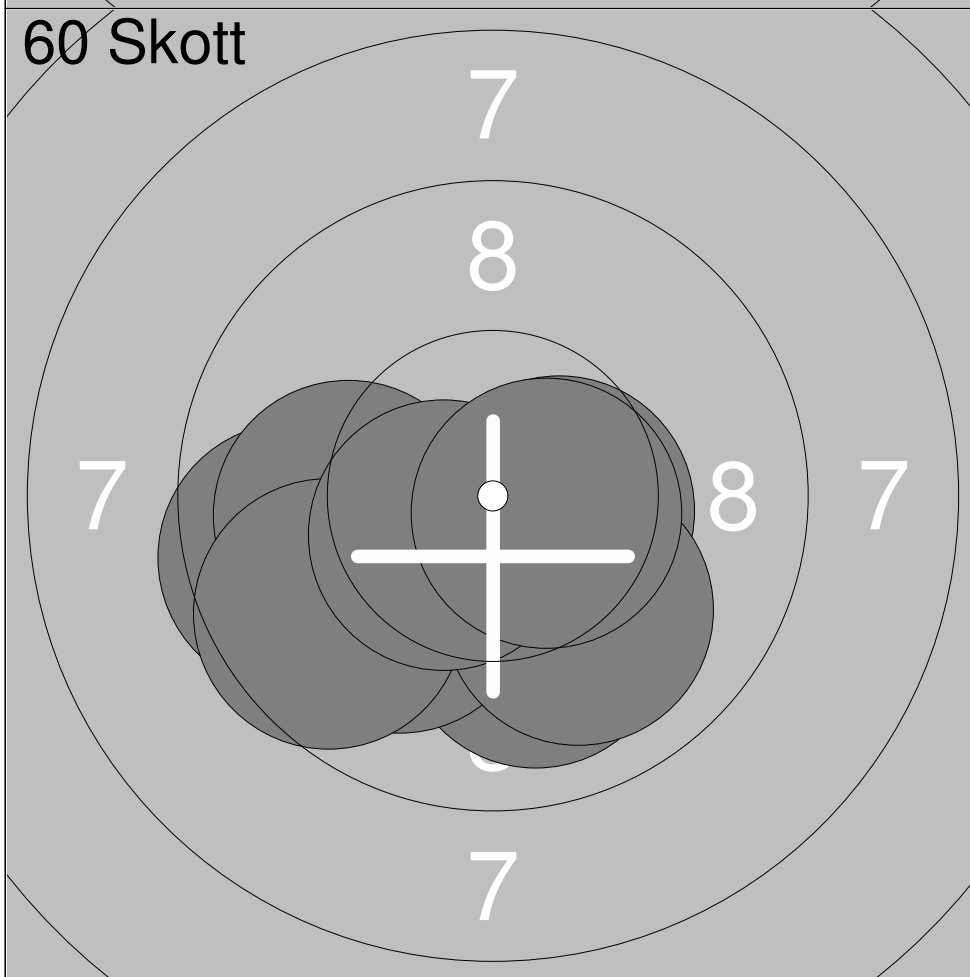


1:	8.7	↑
2:	9.4	→
3:	10.2x	↗
4:	10.8x	←
5:	9.4	↗
6:	9.5	↑
7:	10.4x	↑
8:	10.7x	↗
9:	10.7x	↑
10:	9.9	→
Serie		99.7
Total		487.7



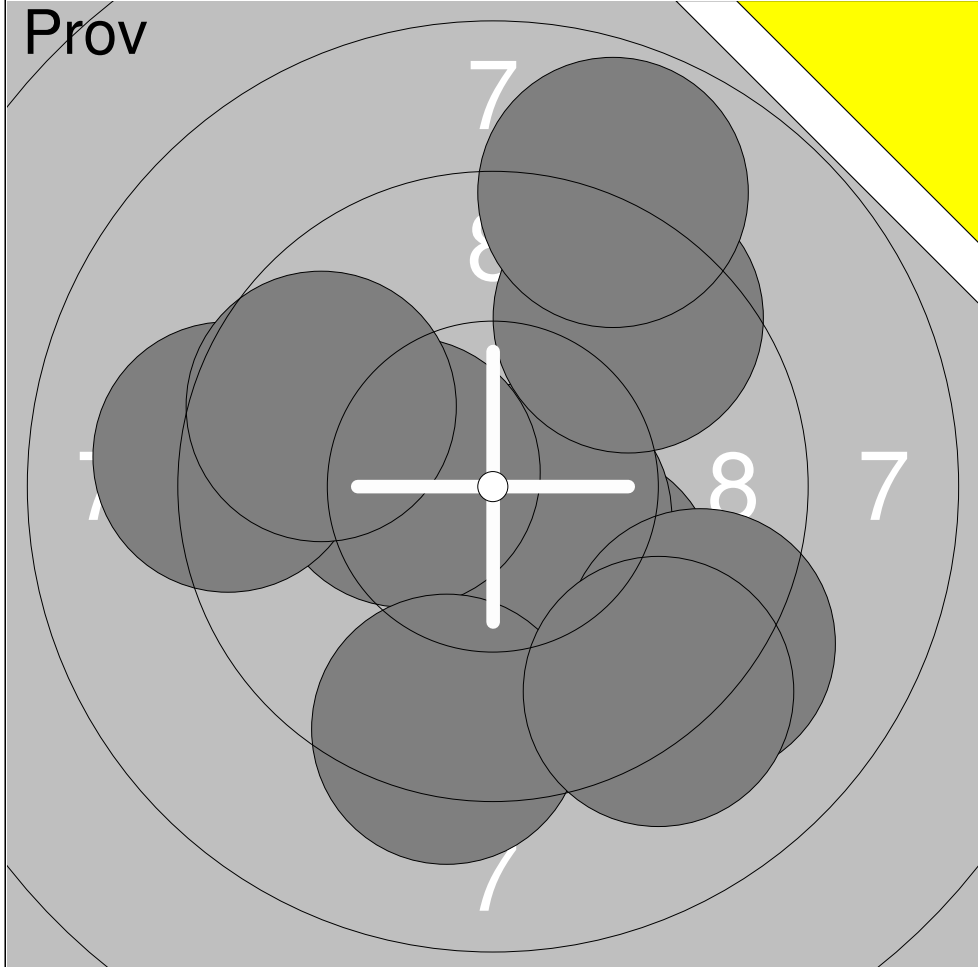
1:	8.9	←
2:	10.3x	↘
3:	9.0	←
4:	10.3x	↗
5:	9.5	→
6:	10.5x	↘
7:	9.8	←
8:	10.3x	↗

Serie	78.6
Total	385.0

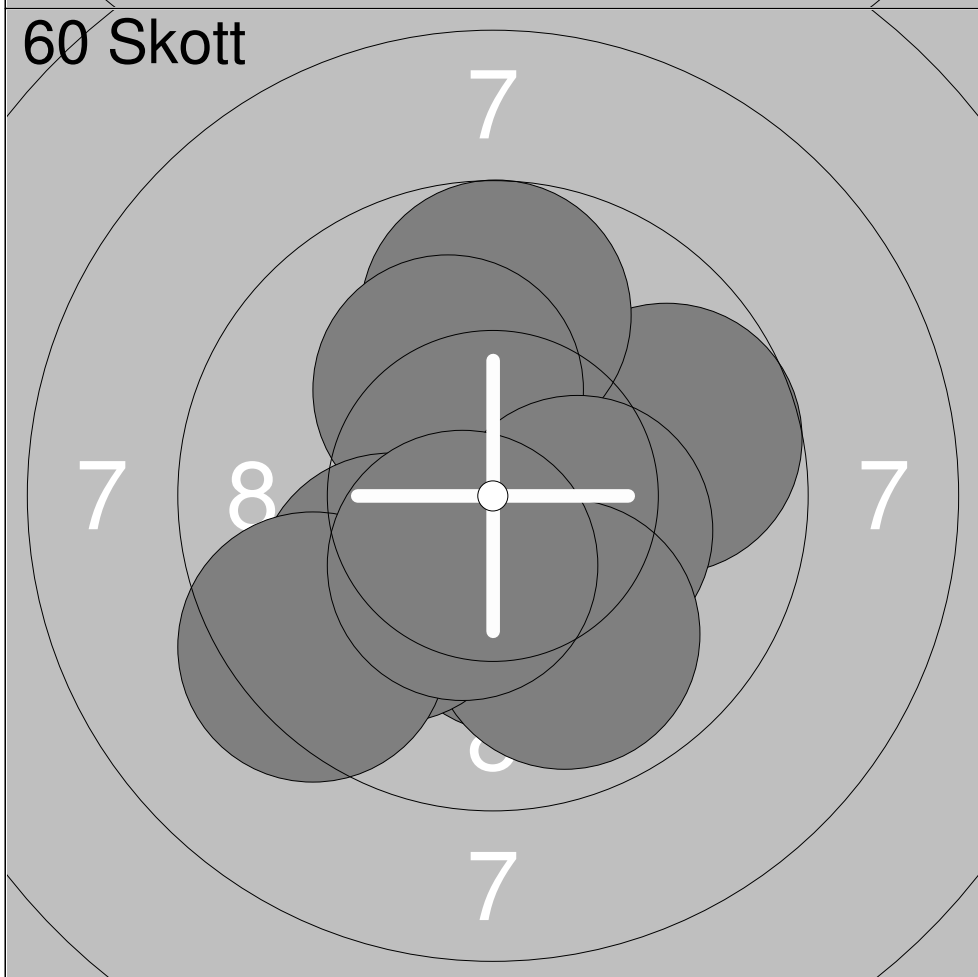


1:	10.5x	→
2:	10.4x	↘
3:	9.6	←
4:	10.0	↘
5:	10.0	←
6:	10.0	↘
7:	10.0	↘
8:	9.6	←
9:	10.5x	↘
10:	10.6x	→

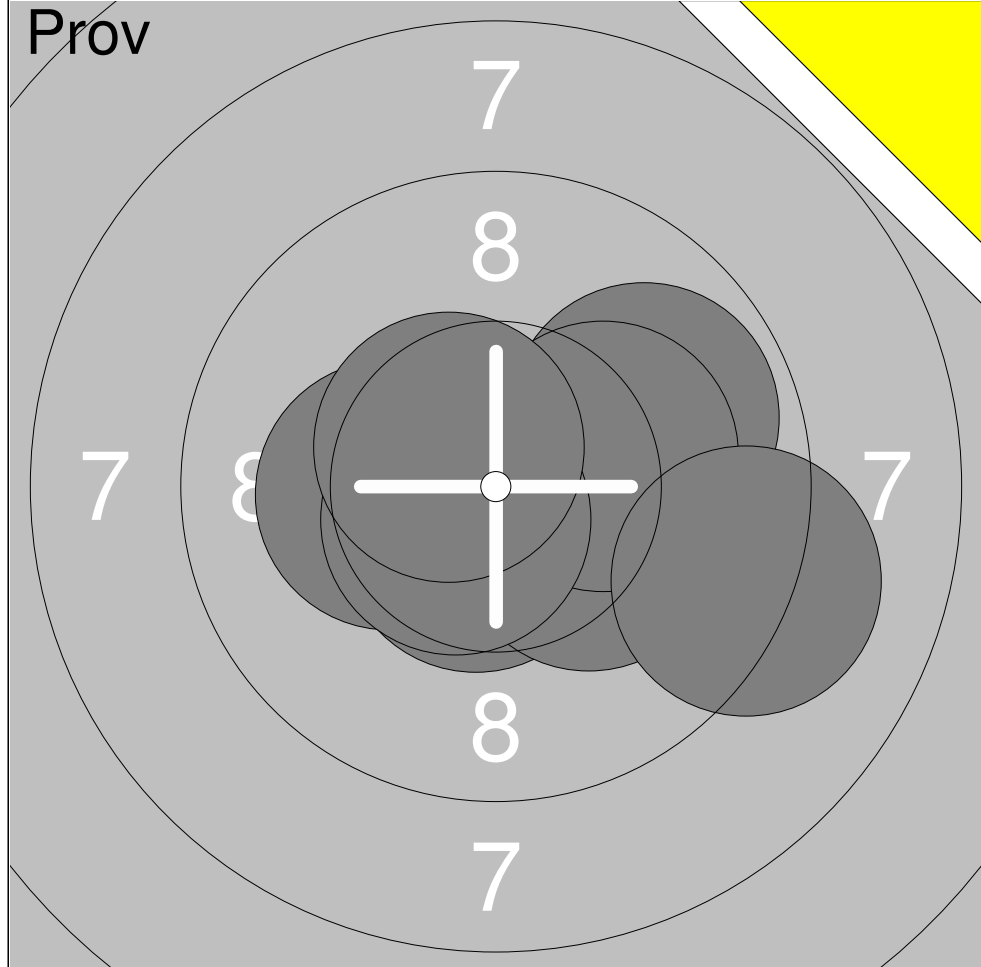
Serie	101.2
Total	486.2



1:	10.1	↘
2:	10.6x	↘
3:	10.4x	←
4:	9.2	←
5:	9.5	↗
6:	9.3	↘
7:	9.2	↘
8:	9.7	↖
9:	8.8	↗
10:	9.2	↘
Serie		96.0
Total		385.0

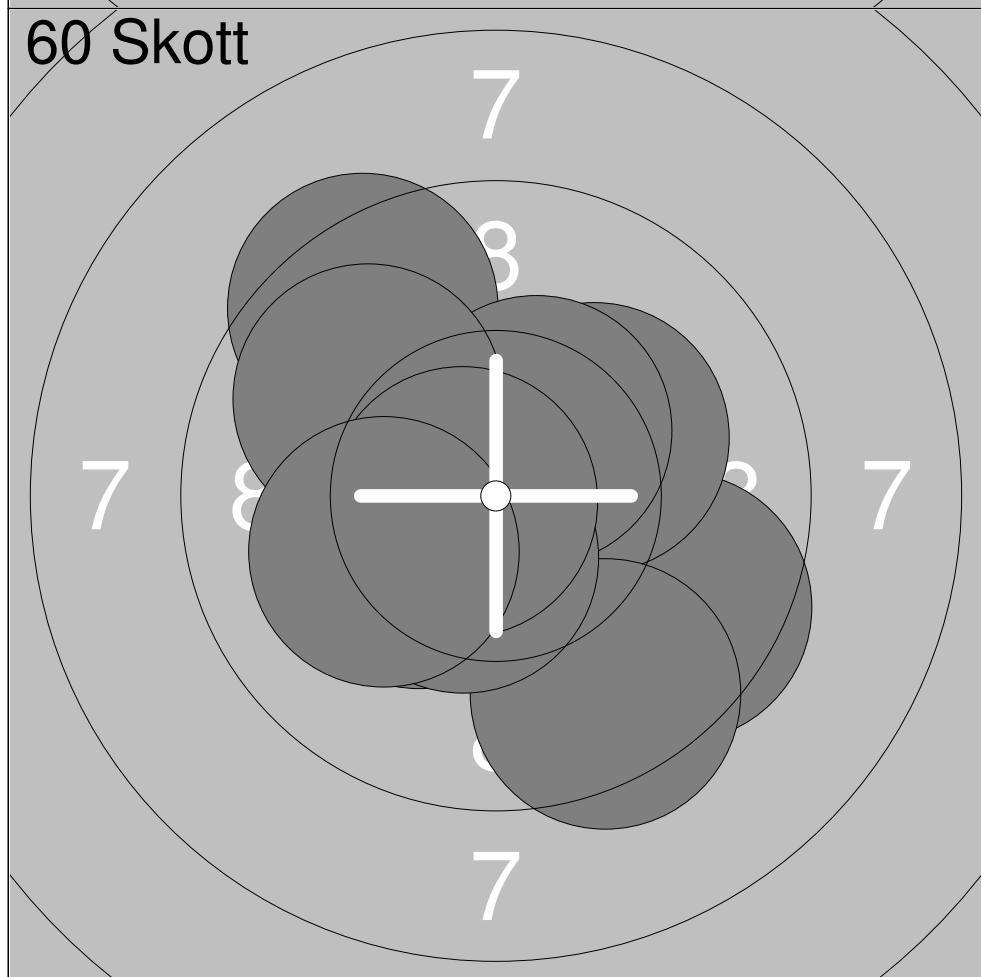


1:	10.3x	↘
2:	10.3x	↗
3:	9.7	→
4:	9.7	↑
5:	10.2x	↗
6:	10.3x	↘
7:	9.9	↘
8:	10.0	↖
9:	9.4	↖
10:	10.4x	↘
Serie		100.2
Total		485.2



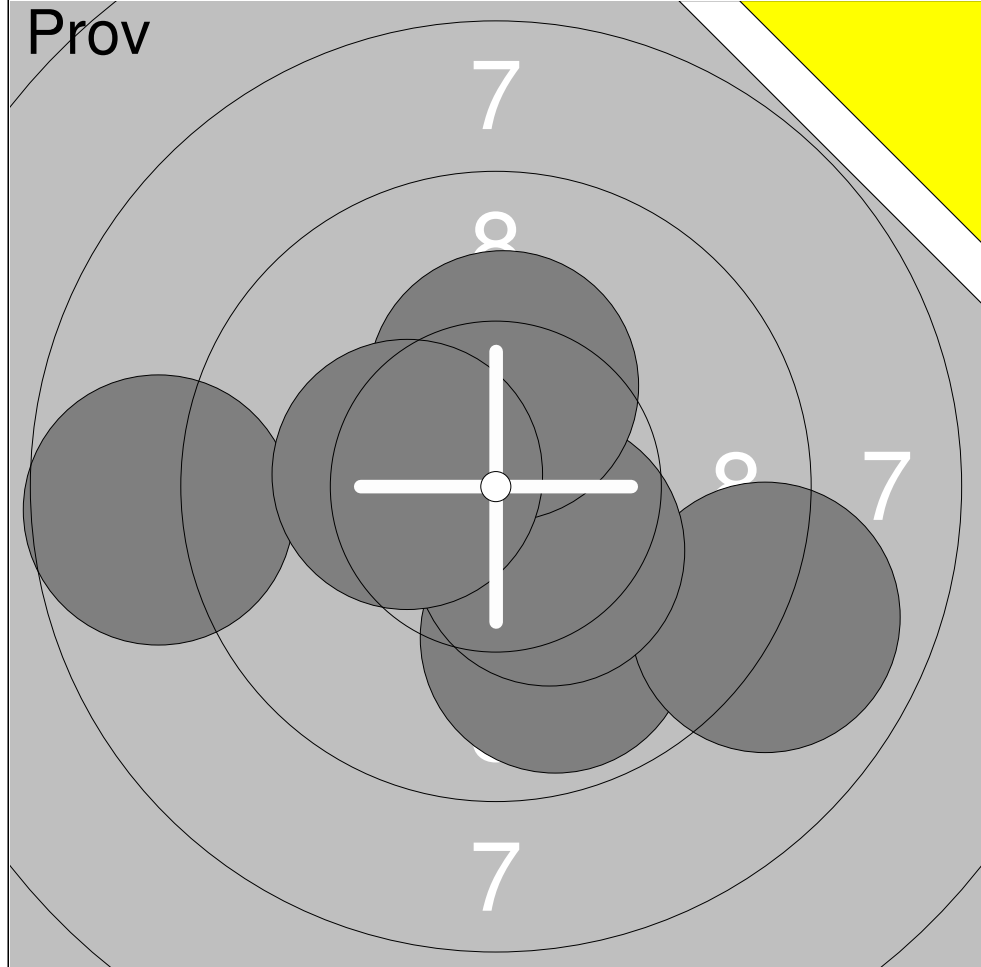
1:	10.6x	↙
2:	10.2x	↘
3:	10.2x	←
4:	9.9	↗
5:	10.2x	↗
6:	10.6x	↙
7:	9.2	↘
8:	10.5x	↗

Serie	81.4
Total	382.0



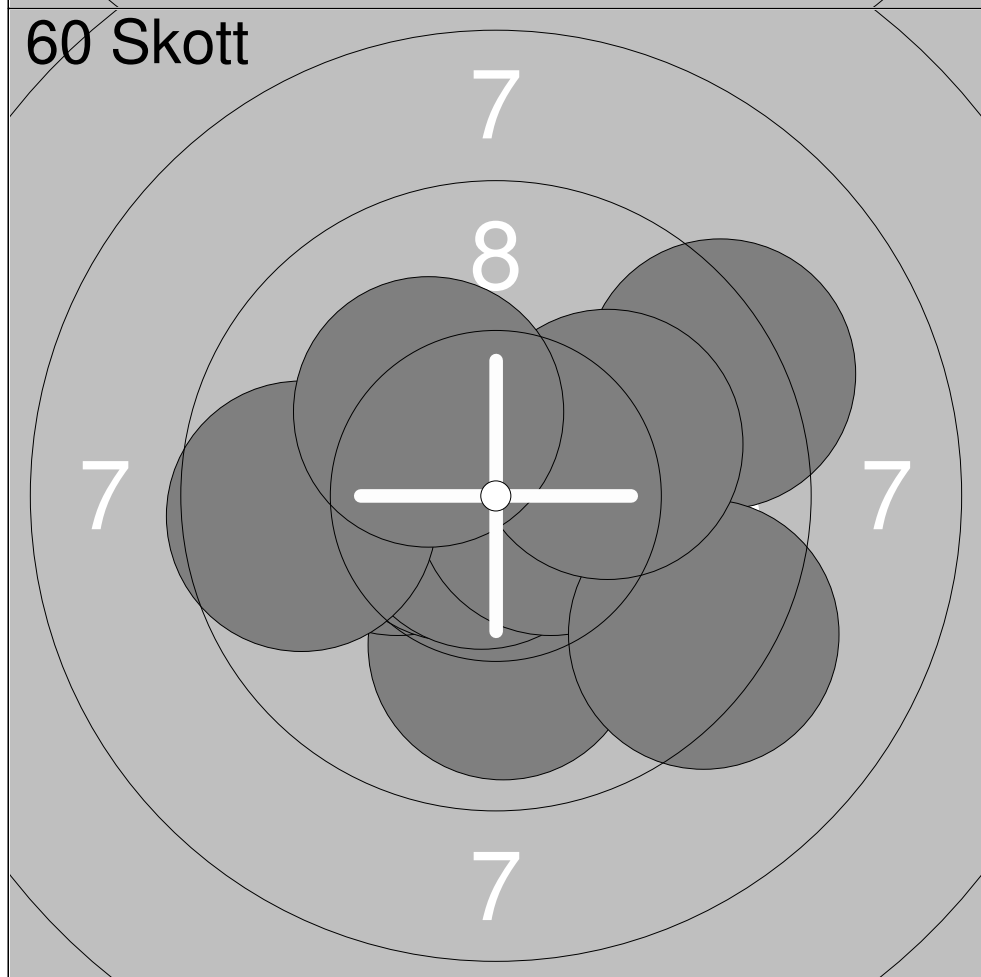
1:	9.4	↗
2:	9.5	↘
3:	10.2x	↗
4:	10.4x	↗
5:	9.9	↖
6:	9.4	↘
7:	10.3x	↙
8:	10.5x	↘
9:	10.7x	←
10:	10.1	↙

Serie	100.4
Total	482.4



1:	9.9	↘
2:	8.7	←
3:	9.0	↘
4:	10.4x	↘
5:	10.3x	↑
6:	10.4x	←

Serie	58.7
Total	380.0



1:	10.0	↓
2:	10.3x	←
3:	10.7x	←
4:	9.2	↗
5:	10.8x	↘
6:	10.6x	→
7:	9.3	↘
8:	10.1	↗
9:	9.6	←
10:	10.2x	↗

Serie	100.8
Total	480.8