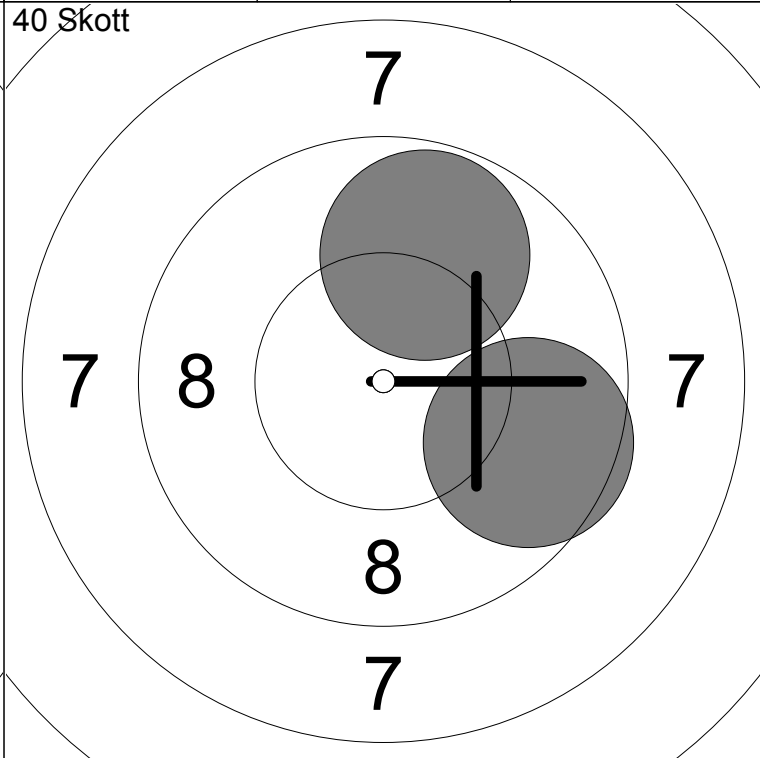
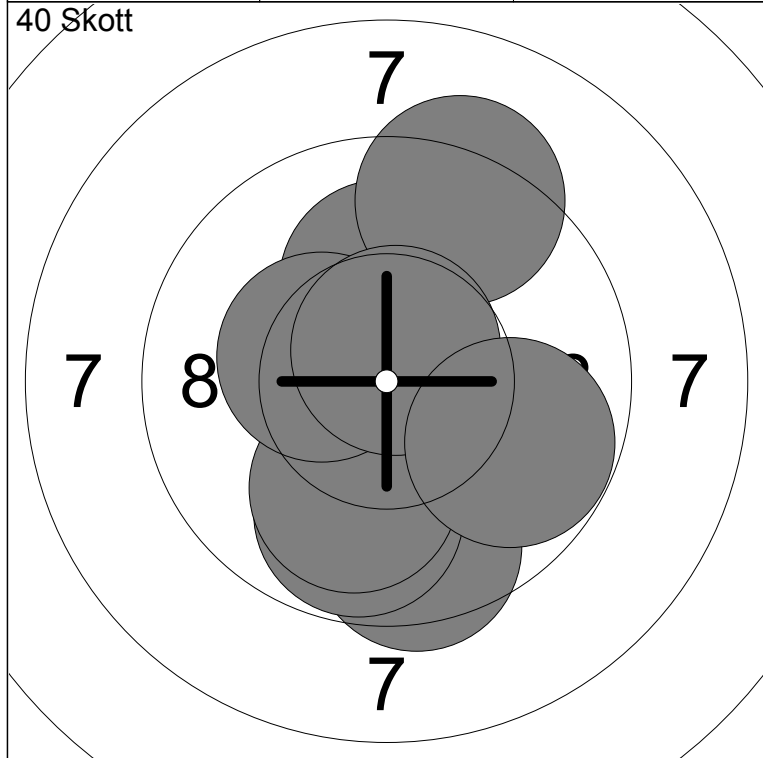


1: 9.2 ↗	6: 9.5 ↙	Serie	88.7
2: 10.6x ↘	7: 10.2x ↙		
3: 8.9 ↗	8: 10.1 ↗	Total	0.0
4: 10.4x ↗	9: 10.4x ↘		
5: 9.4 ↙			

1: 8.5 ↗	6: 10.6x ↗	Serie	99.7
2: 9.6 ↗	7: 9.6 ↗		
3: 10.4x ↗	8: 10.6x ↙	Total	99.7
4: 9.8 ↙	9: 10.6x ↗		
5: 10.0 ↙	10: 10.0 ↗		

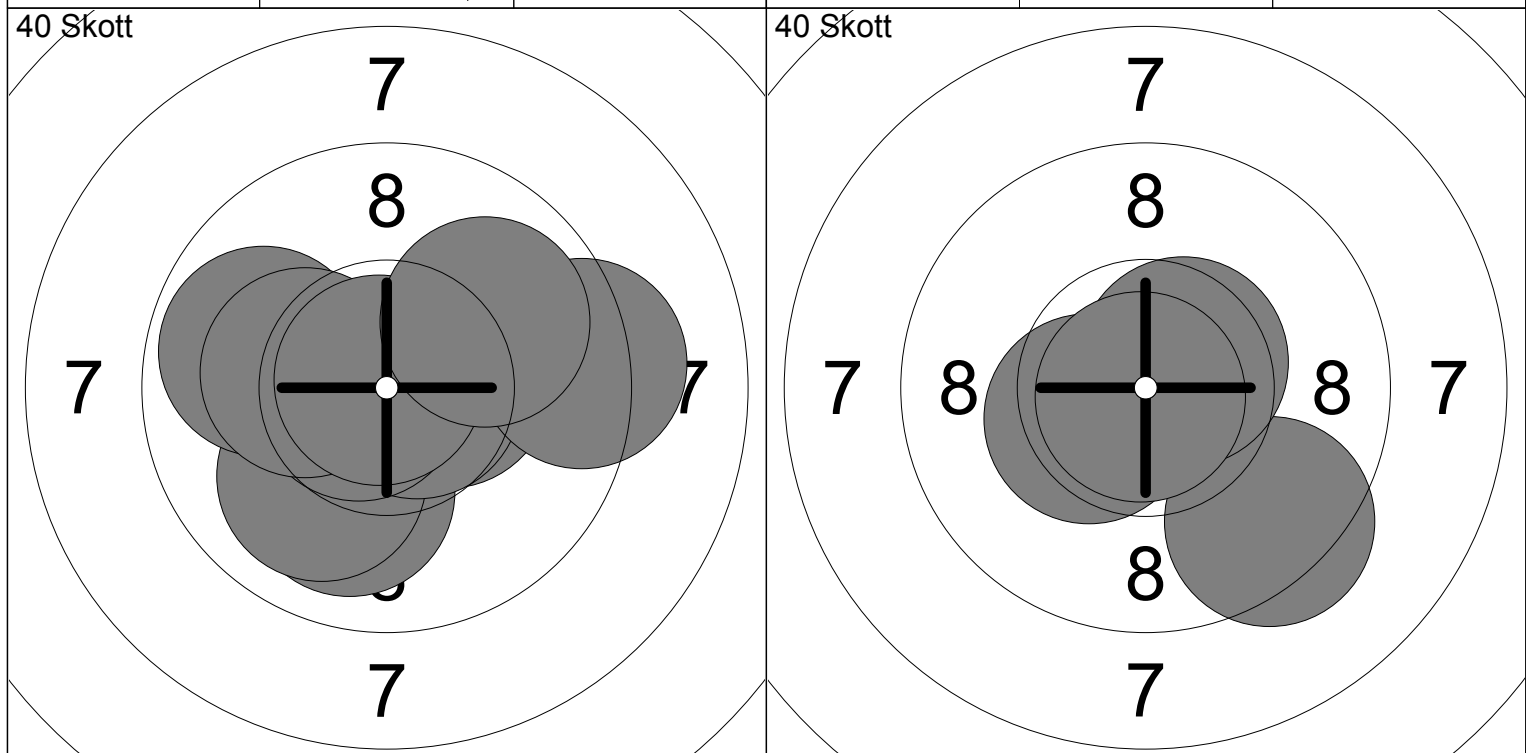


11: 9.5 ↓	16: 9.3 ↗	Serie	100.7
12: 10.5x ↗	17: 10.0 ↓		
13: 10.1 ↗	18: 10.4x ↙	Total	200.4
14: 10.6x ↓	19: 10.7x ↗		
15: 9.8 ↓	20: 9.8 ↘		

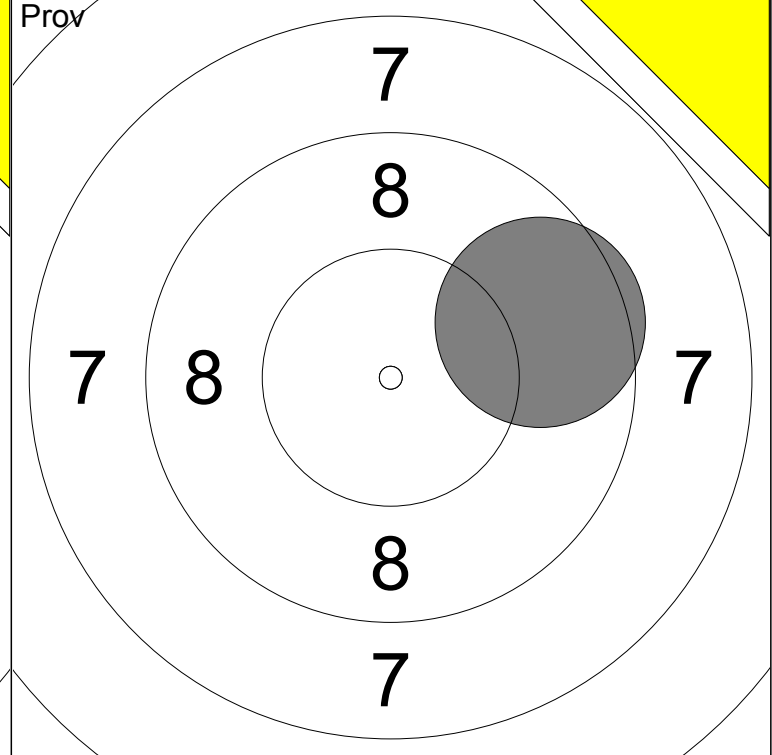
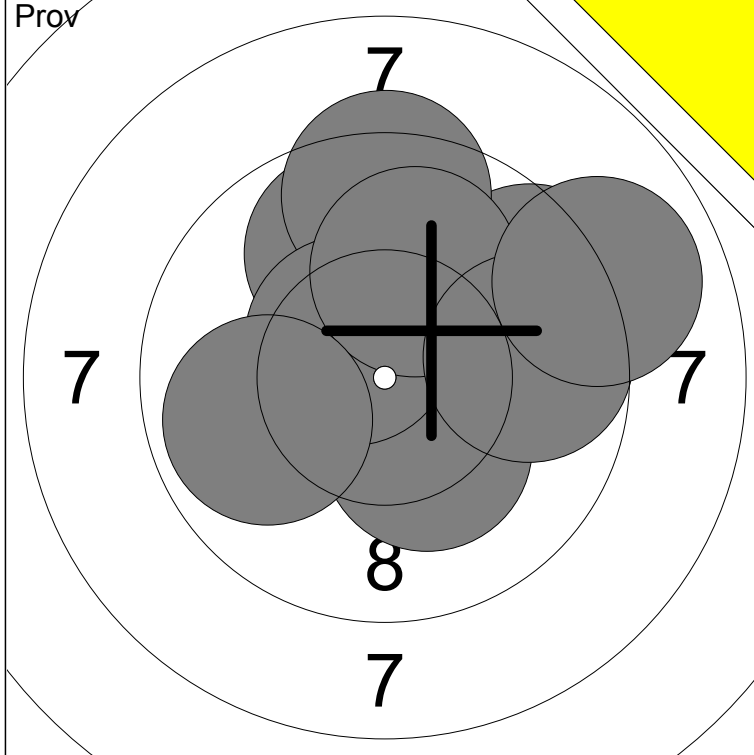
21: 9.6 →	Serie	19.4
22: 9.8 ↗		
	Total	219.8



1: 10.2x →	6: 9.9 →	Serie	99.9	1: 10.2x ←	6: 9.6 ↗	Serie	101.1
2: 10.0 ↘	7: 10.3x ↓			2: 10.0 ↓	7: 10.4x ↓		
3: 9.7 ↗	8: 9.0 →	Total	0.0	3: 10.0 ↓	8: 10.1 ←	Total	101.1
4: 10.1 →	9: 9.5 →			4: 10.1 ↘	9: 10.1 ↓		
5: 10.4x ↗	10: 10.8x ↓			5: 9.9 ←	10: 10.7x →		

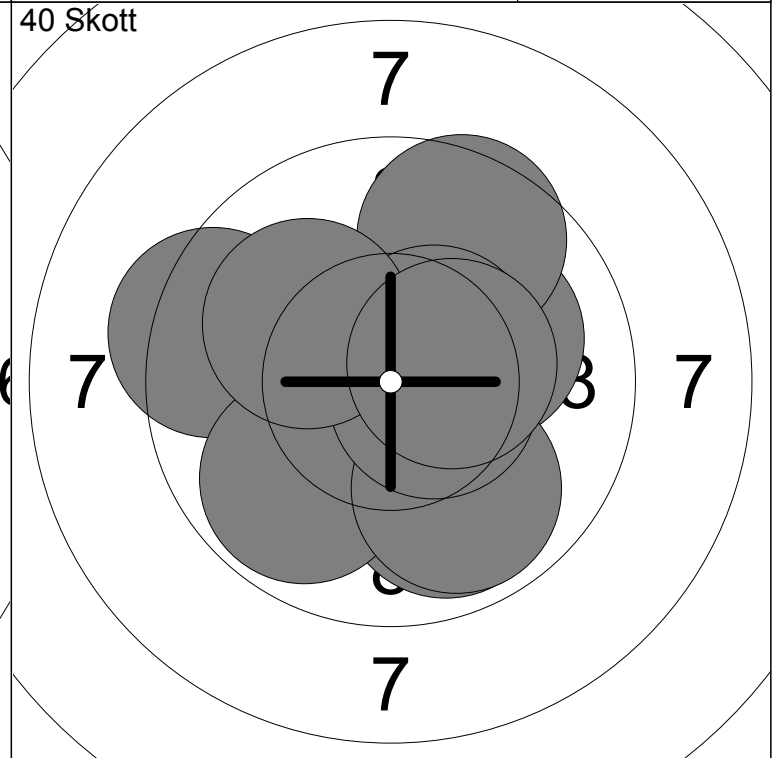
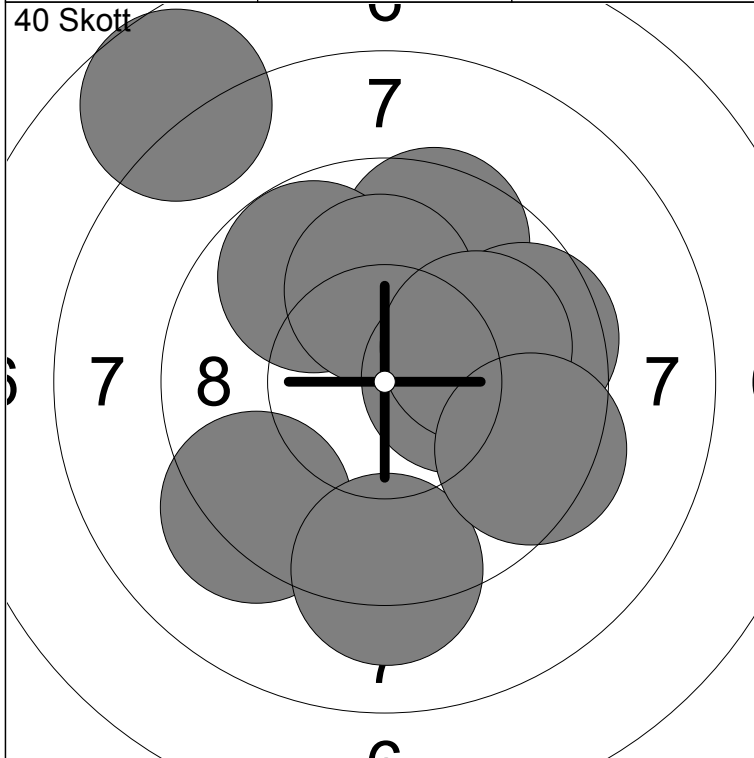


11: 10.4x →	16: 10.7x ←	Serie	101.9	21: 9.4 ↓	Serie	41.3
12: 10.0 ↓	17: 9.3 →			22: 10.4x ←		
13: 10.0 ↘	18: 10.2x ←	Total	203.0	23: 10.6x ↗	Total	244.3
14: 9.8 ←	19: 10.9x ↗			24: 10.9x ↘		
15: 10.7x →	20: 9.9 ↗					



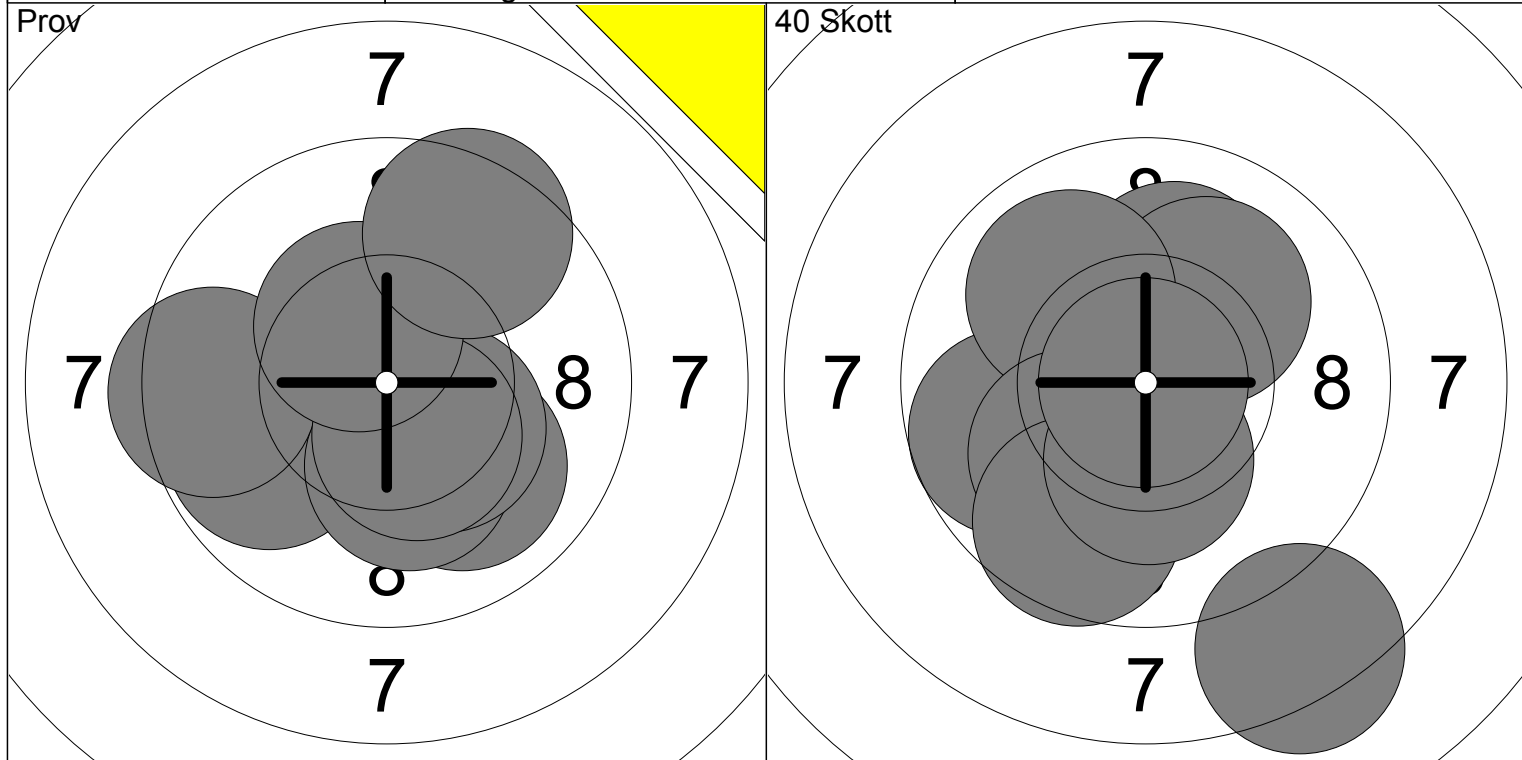
1: 9.4 →	6: 10.5x ↖	Serie	97.4
2: 9.5 ↗	7: 10.0 ↑		
3: 10.3x ↘	8: 9.9 ←	Total	0.0
4: 9.8 ↑	9: 9.7 →		
5: 9.4 ↑	10: 8.9 →		

11: 9.6 →	Serie	9.6
	Total	0.0

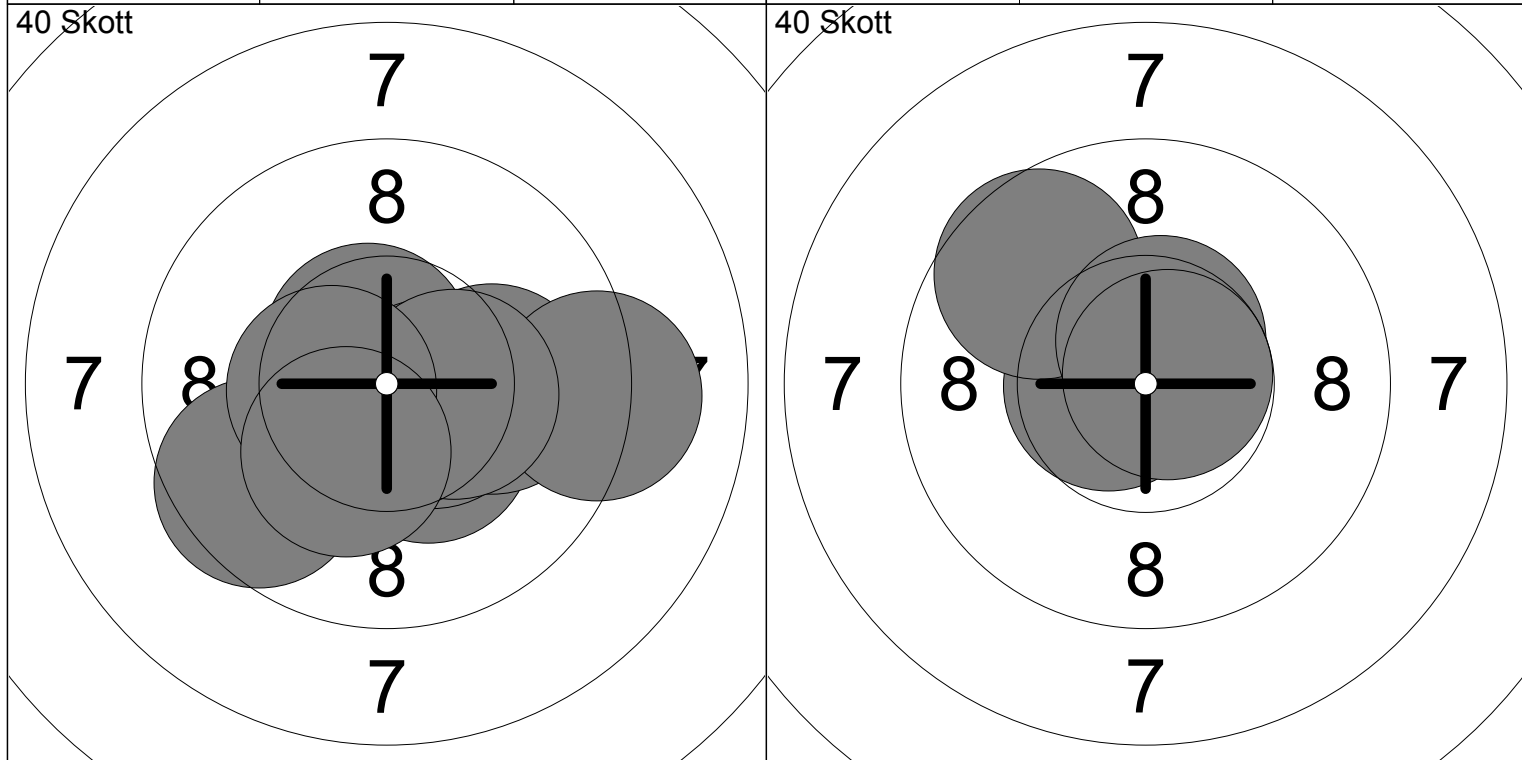


1: 9.6 ↑	6: 10.3x →	Serie	95.0
2: 9.3 ↙	7: 7.7 ↗		
3: 9.8 ↖	8: 9.6 →	Total	95.0
4: 9.2 ↓	9: 10.0 →		
5: 10.1 ↑	10: 9.4 ↘		

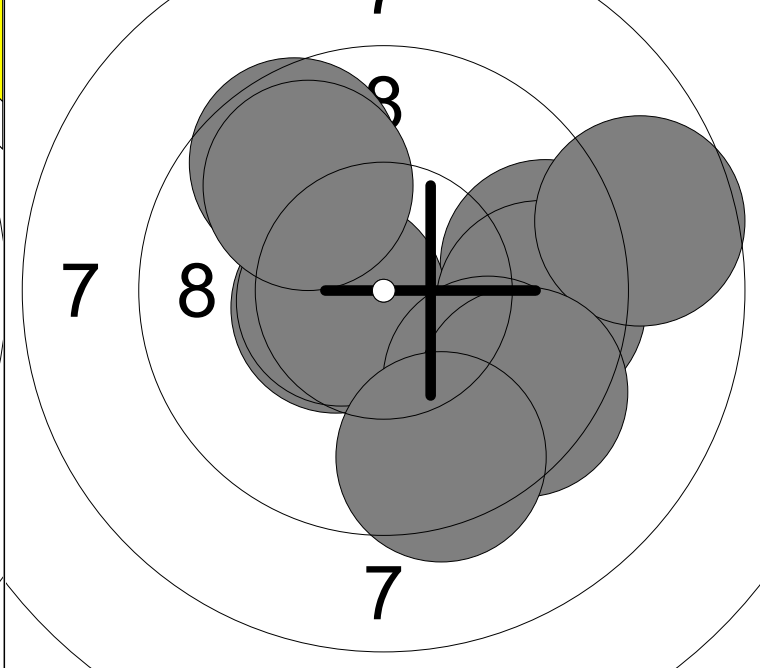
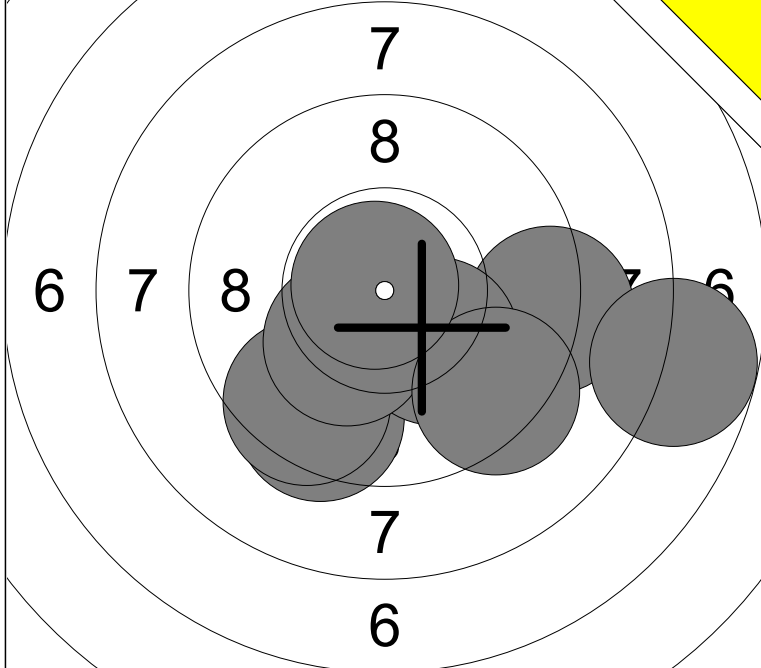
11: 10.1 →	16: 9.6 ↑	Serie	100.3
12: 9.9 ↘	17: 10.5x ↗		
13: 9.4 ←	18: 10.6x →	Total	195.3
14: 9.8 ↙	19: 10.1 ↖		
15: 9.9 ↘	20: 10.4x →		



1: 9.8 ↙	6: 10.4x ↘			1: 10.1 ↗	6: 10.1 ↘		
2: 10.0 ↘	7: 10.4x ↗	Serie	80.1	2: 10.1 ↗	7: 9.6 ↘	Serie	99.5
3: 10.2x ↘	8: 9.5 ↗			3: 10.4x ↘	8: 8.3 ↘		
4: 10.3x ↘		Total	0.0	4: 9.7 ↙	9: 10.3x ↘	Total	99.5
5: 9.5 ↙				5: 10.0 ↗	10: 10.9x ↙		

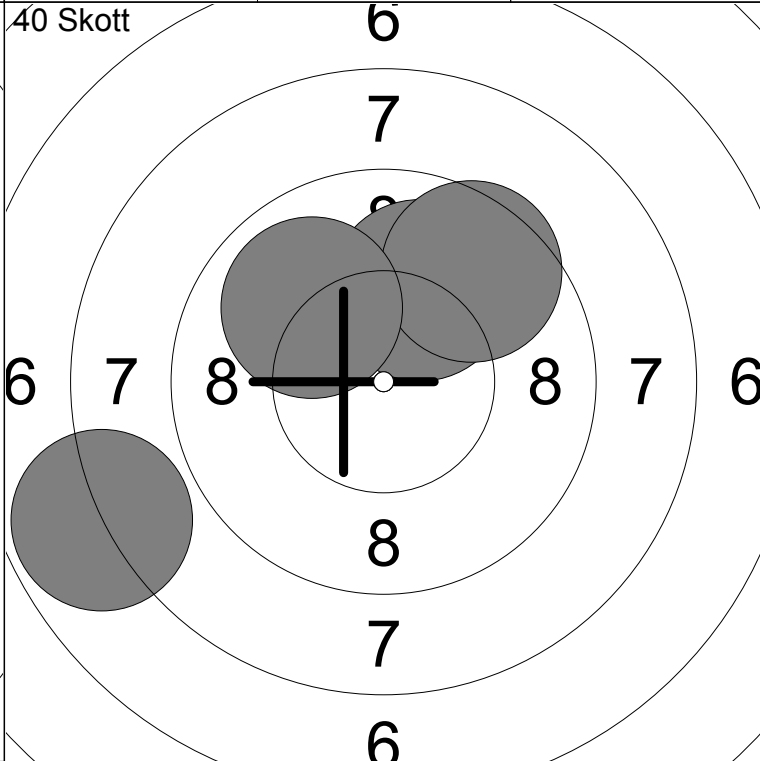
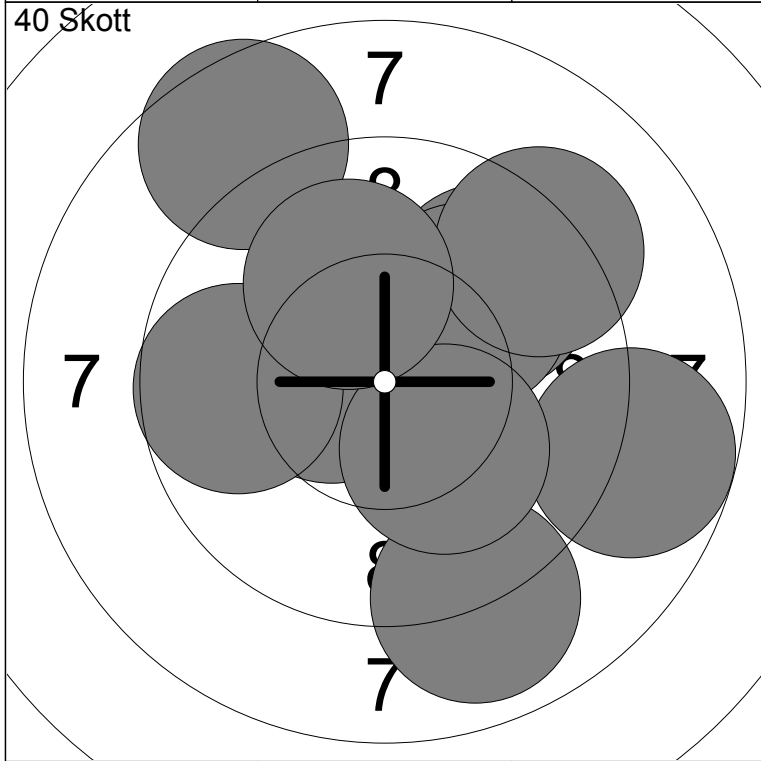


11: 10.4x ↘	16: 9.6 ↙			21: 10.6x ↙			
12: 10.9x ↘	17: 9.1 →	Serie	102.3	22: 9.6 ↗	Serie	41.5	
13: 10.0 →	18: 10.4x →			23: 10.6x ↗			
14: 10.6x ↗	19: 10.5x ↙	Total	201.8	24: 10.7x →	Total	243.3	
15: 10.5x ↘	20: 10.3x ↘						



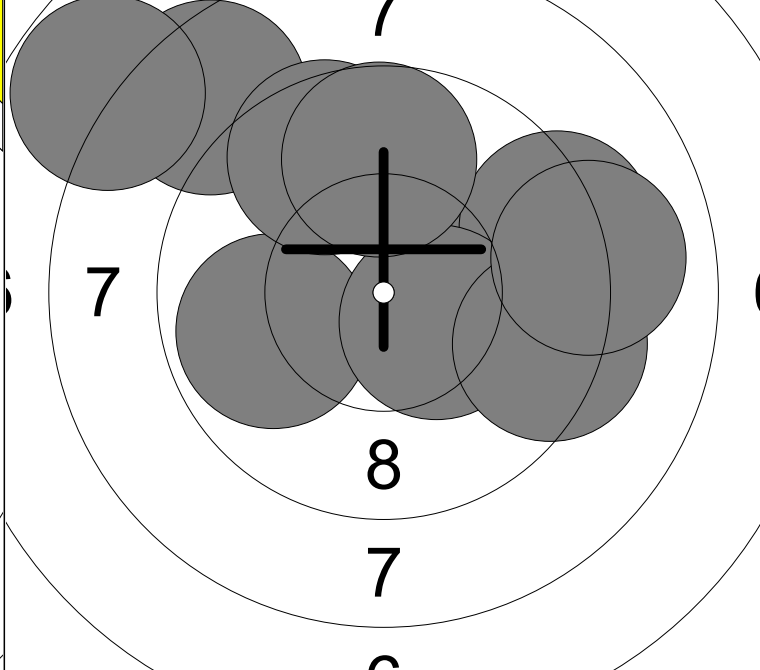
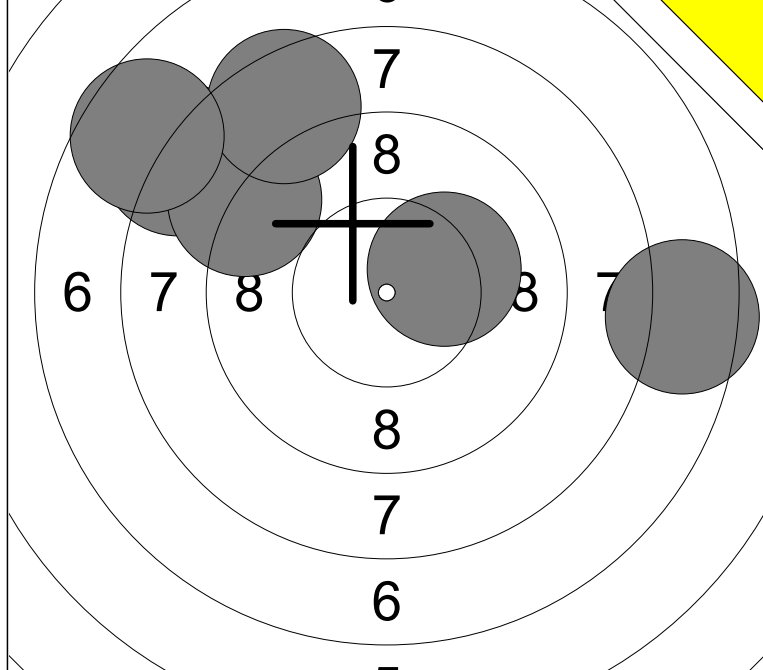
1: 9.4 ↘	6: 7.8 →	Serie	76.5
2: 9.5 ↘	7: 9.3 ↘		
3: 9.2 →	8: 10.8x ↗	Total	0.0
4: 10.2x ↘			
5: 10.3x ↘			

1: 10.5x ←	6: 9.8 ↘	Serie	97.0
2: 9.5 →	7: 8.7 →		
3: 9.6 ↗	8: 9.5 ↘	Total	97.0
4: 10.6x ←	9: 9.8 ↗		
5: 9.6 →	10: 9.4 ↘		



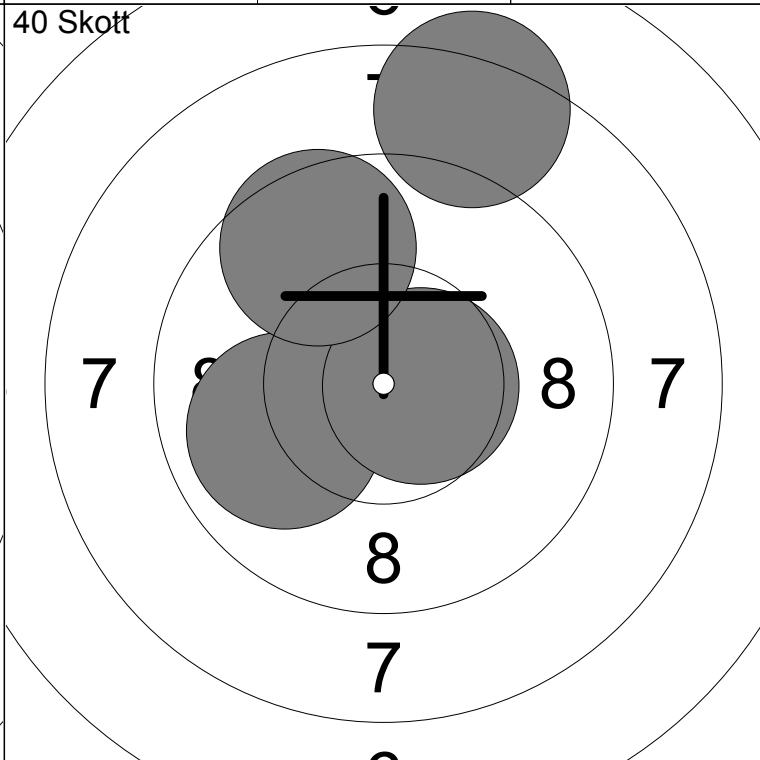
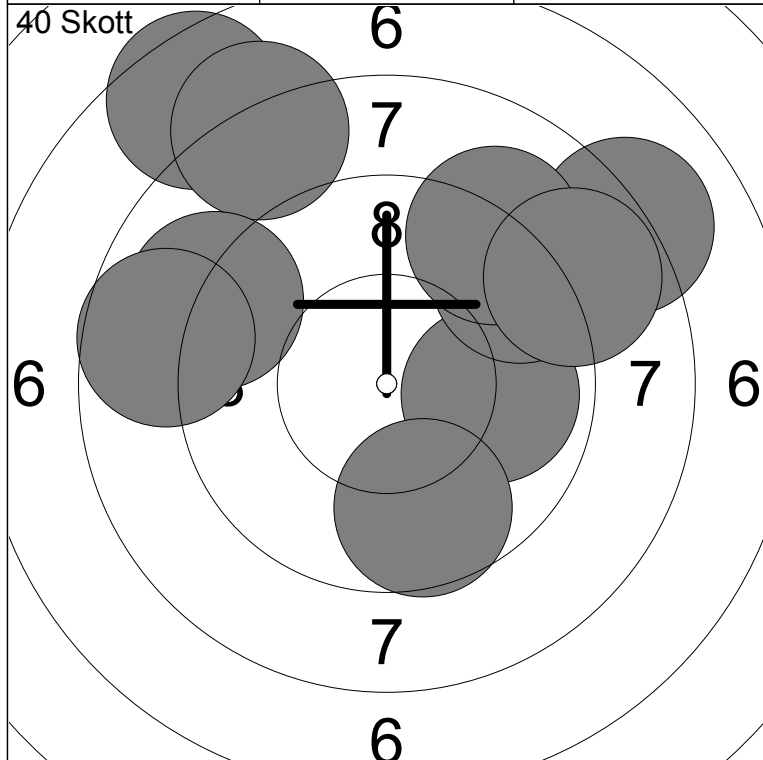
11: 8.9 ↘	16: 10.5x ←	Serie	95.7
12: 9.7 ↗	17: 9.7 ←		
13: 8.8 →	18: 9.2 ↗	Total	192.7
14: 8.6 ↗	19: 10.2x ↘		
15: 10.0 ↗	20: 10.1 ↗		

21: 10.0 ↗	Serie	37.3
22: 9.6 ↗		
23: 7.8 ←	Total	230.0
24: 9.9 ↗		



1: 10.2x →	6: 7.5 →				
2: 8.1 ↗		Serie	50.9		
3: 9.0 ↗					
4: 8.5 ↗		Total	0.0		
5: 7.6 ↗					

1: 9.5 →	6: 10.4x →				
2: 9.2 →	7: 9.3 →	Serie	92.9		
3: 9.9 ←	8: 9.7 ↑				
4: 8.5 ↗	9: 9.0 →	Total	92.9		
5: 9.6 ↗	10: 7.8 ↗				



11: 9.9 →	16: 8.1 ↗				
12: 7.5 ↗	17: 9.1 ↗	Serie	88.1		
13: 9.2 ↗	18: 9.7 ↓				
14: 8.1 ↗	19: 8.7 ←	Total	181.0		
15: 9.0 ↗	20: 8.8 ↗				

21: 9.9 ←					
22: 10.6x →		Serie	38.4		
23: 9.6 ↗					
24: 8.3 ↗		Total	219.4		