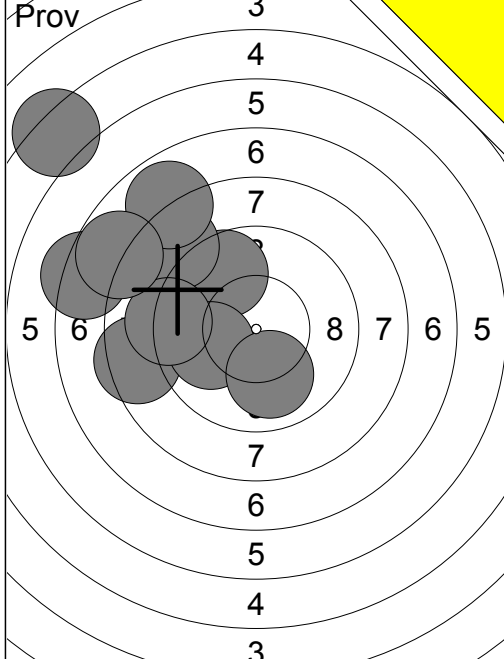


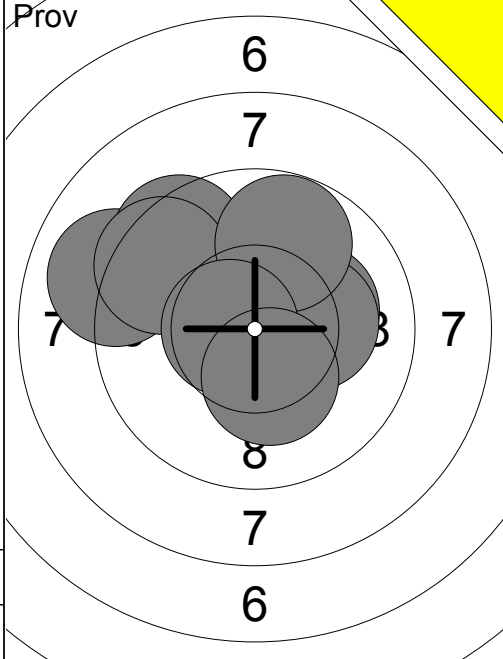
Skjutlag	Tavla	<h1 style="margin:0;">Saga Ebbhagen</h1>	
<b>1</b>	<b>2</b>		

Ramselefors	Ramselefors		Vb
-------------	-------------	--	----

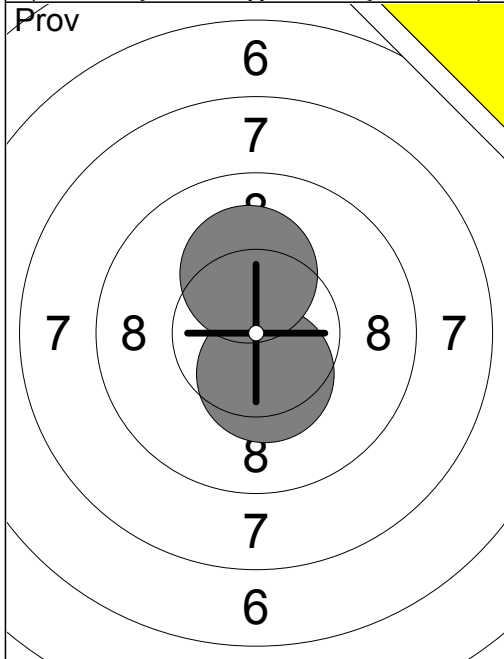
02.03.2019	DM Luftgevär 2019	Ramselefors SKF	
------------	-------------------	-----------------	--



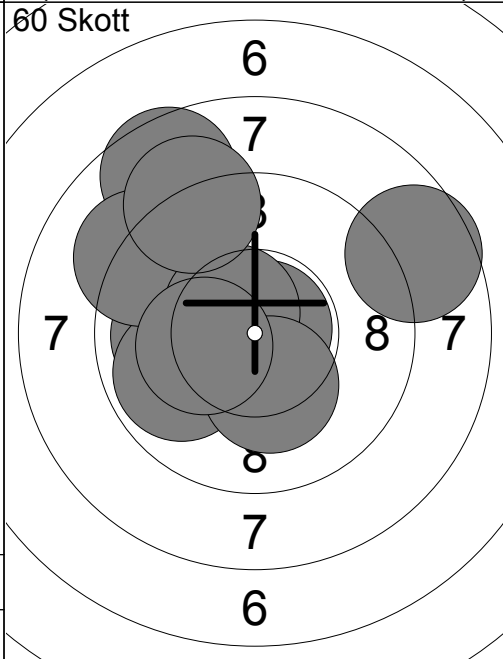
1:	8.4	←
2:	9.6	↗
3:	8.6	↗
4:	7.9	↗
5:	10.0	←
6:	7.3	←
7:	10.0	↓
8:	9.2	←
9:	7.8	↖
10:	5.2	↖
Serie		84.0
Total		0.0



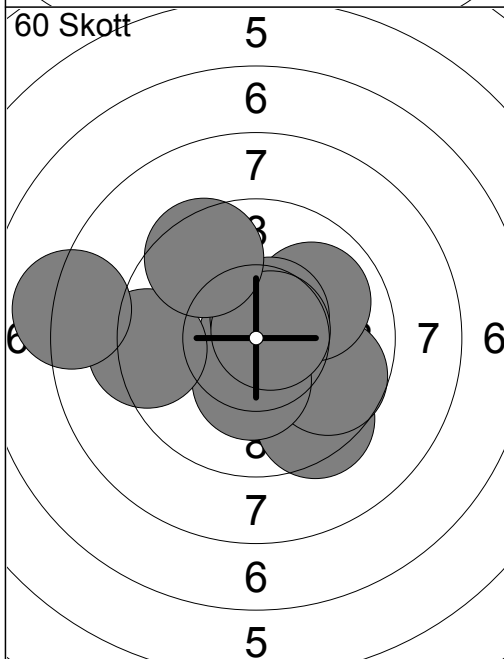
11:	9.0	←
12:	9.5	↖
13:	10.4x	↗
14:	10.2x	↗
15:	10.4x	↗
16:	9.5	↖
17:	10.2x	↗
18:	9.8	↗
19:	10.6x	←
20:	10.3x	↓
Serie		99.9
Total		0.0



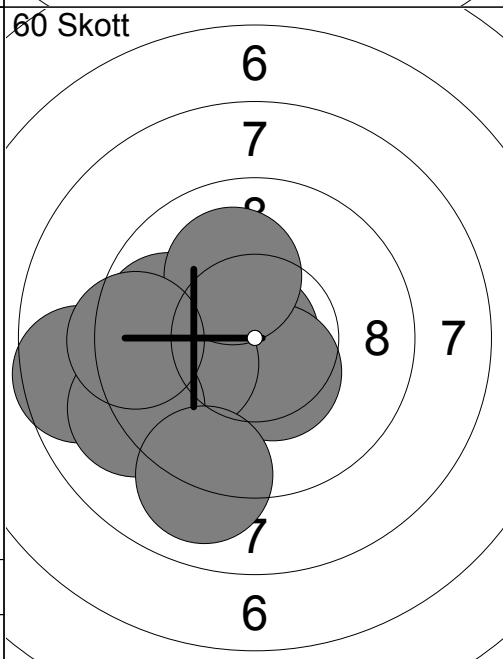
21:	10.4x	↓
22:	10.2x	↑
Serie		20.6
Total		0.0



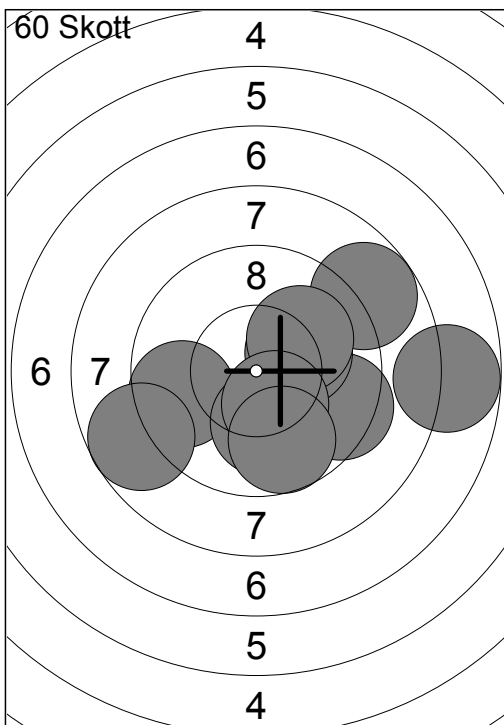
1:	8.6	↖
2:	10.8x	↗
3:	10.0	←
4:	9.9	←
5:	9.2	↖
6:	10.5x	↖
7:	10.2x	↓
8:	9.1	↖
9:	8.6	↗
10:	10.3x	←
Serie		97.2
Total		97.2



11:	9.4	↓
12:	10.9x	↓
13:	9.7	↗
14:	10.0	↗
15:	10.6x	↗
16:	10.3x	↓
17:	10.7x	↗
18:	9.3	←
19:	9.5	↖
20:	8.1	←
Serie		98.5
Total		195.7

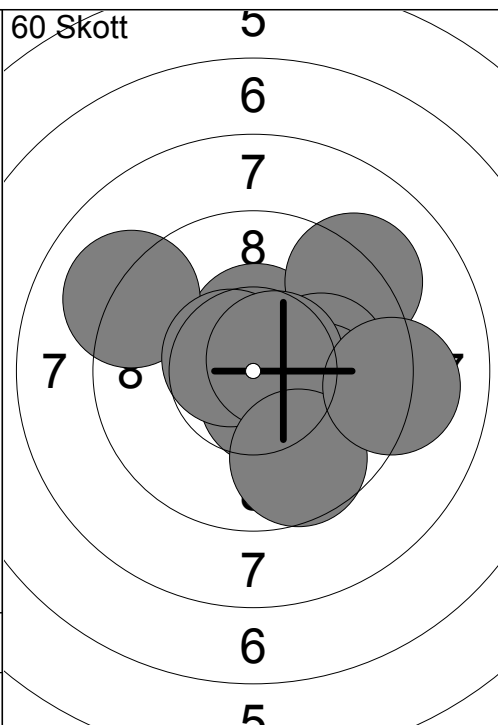


21:	10.9x	←
22:	10.4x	↓
23:	8.6	←
24:	9.8	←
25:	9.8	←
26:	10.0	←
27:	10.1	↖
28:	9.1	←
29:	9.0	↓
30:	9.4	←
Serie		97.1
Total		292.8



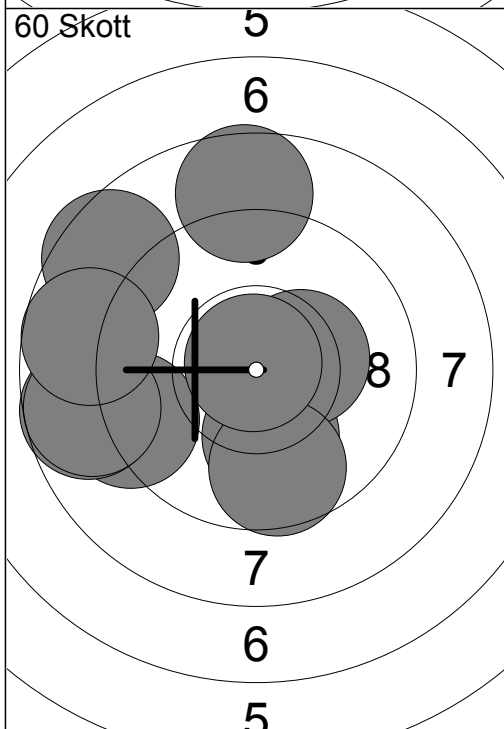
31:	9.6	←
32:	10.1	↓
33:	8.7	←
34:	9.4	→
35:	10.2x	→
36:	8.8	↗
37:	7.8	→
38:	10.0	↗
39:	10.3x	↘
40:	9.7	↓

Serie	94.6
Total	387.4



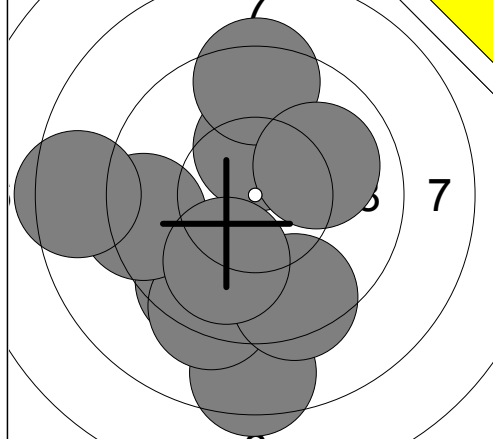
41:	10.4x	↑
42:	9.2	↗
43:	9.1	←
44:	10.5x	↘
45:	10.6x	↖
46:	10.1	→
47:	10.1	→
48:	10.6x	↗
49:	9.7	↓
50:	9.1	→

Serie	99.4
Total	486.8



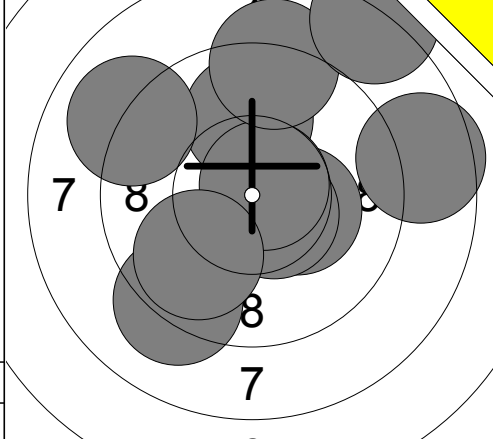
51:	8.6	↑
52:	10.1	↓
53:	9.2	←
54:	8.5	↖
55:	10.3x	→
56:	8.7	←
57:	8.7	←
58:	9.6	↓
59:	10.9x	↗
60:	8.7	←

Serie	93.3
Total	580.1



Prov

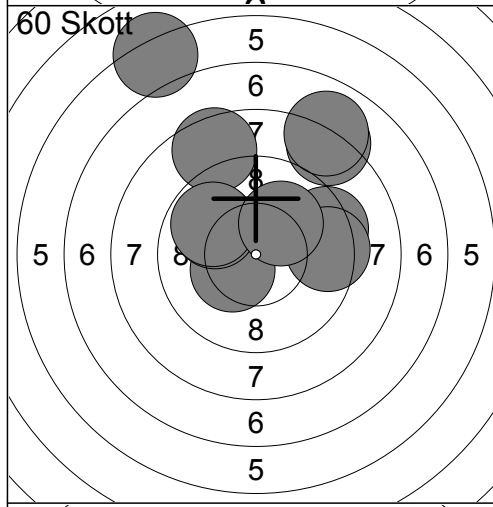
1:	10.3x	↑
2:	8.4	↓
3:	9.5	↘
4:	9.3	↓
5:	9.4	↓
6:	9.3	↑
7:	9.3	←
8:	10.0	↗
9:	8.4	←
10:	9.9	↓



11:	8.6	→
12:	10.3x	→
13:	9.2	↘
14:	10.6x	↘
15:	9.9	↑
16:	10.7x	↗
17:	9.8	↘
18:	9.1	↑
19:	8.0	↗
20:	9.0	↖

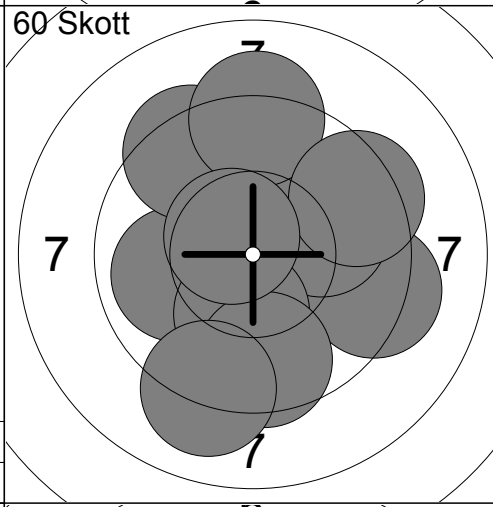
Serie	93.8
Total	0.0

Serie	95.2
Total	0.0



60 Skott

1:	8.1	↗
2:	10.4x	←
3:	8.5	↗
4:	9.4	→
5:	9.4	→
6:	8.0	↗
7:	9.9	↖
8:	9.8	↗
9:	10.1	↗
10:	6.2	↗

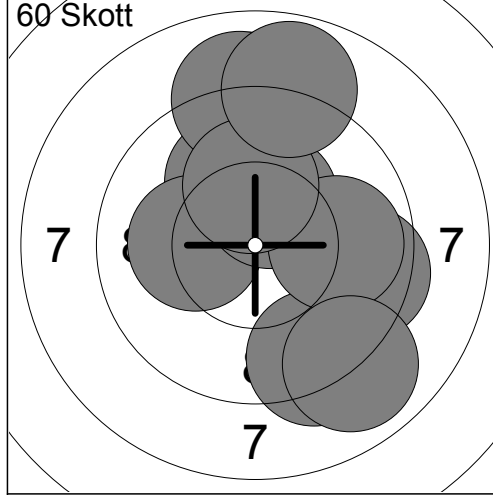


60 Skott

11:	9.9	←
12:	9.4	↗
13:	9.3	→
14:	10.0	→
15:	9.2	↑
16:	10.2x	↓
17:	9.6	↓
18:	9.4	↗
19:	10.6x	↖
20:	9.1	↓

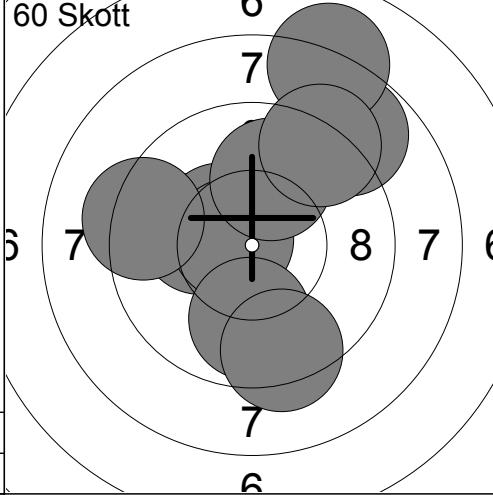
Serie	89.8
Total	89.8

Serie	96.7
Total	186.5



60 Skott

21:	9.5	→
22:	10.1	↗
23:	9.3	↓
24:	9.0	↑
25:	10.2x	←
26:	10.3x	↑
27:	9.9	→
28:	10.2x	↑
29:	8.8	↑
30:	8.9	↓

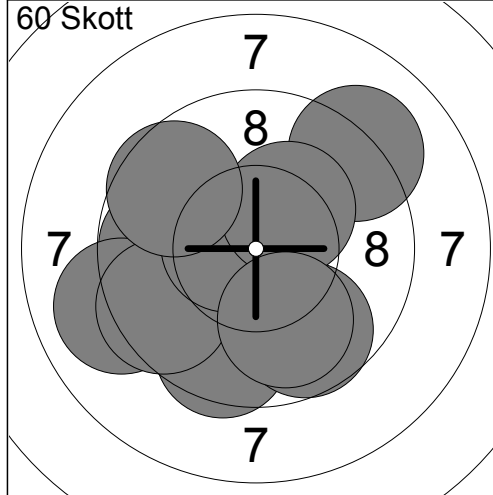


60 Skott

31:	10.2x	←
32:	10.4x	↖
33:	8.8	↗
34:	10.6x	←
35:	9.9	↑
36:	9.3	←
37:	9.9	↓
38:	8.1	↗
39:	9.2	↗
40:	9.3	↓

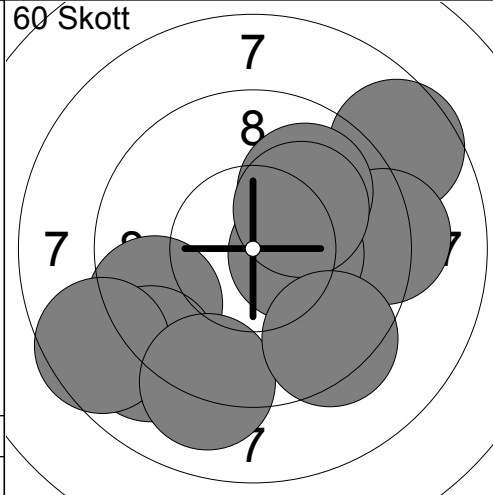
Serie	96.2
Total	282.7

Serie	95.7
Total	378.4



60 Skott

41:	9.8	←
42:	9.5	↓
43:	9.0	←
44:	9.5	↖
45:	9.7	↘
46:	9.1	↗
47:	10.6x	←
48:	10.3x	↗
49:	9.9	↓
50:	9.6	↗

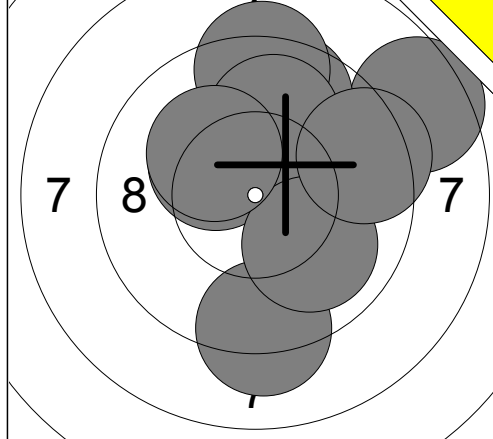


60 Skott

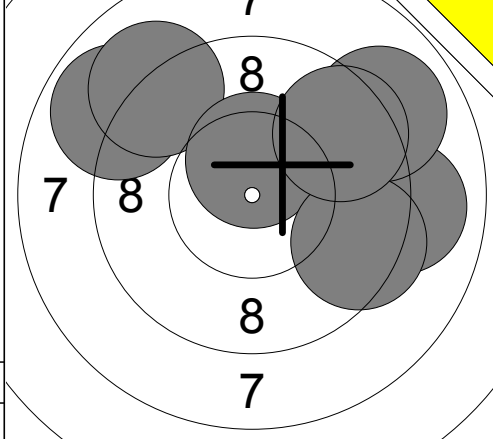
51:	8.6	↗
52:	9.5	←
53:	9.0	↘
54:	9.2	→
55:	10.4x	→
56:	8.6	←
57:	9.9	↗
58:	9.1	↓
59:	10.1	↗
60:	9.4	↘

Serie	97.0
Total	475.4

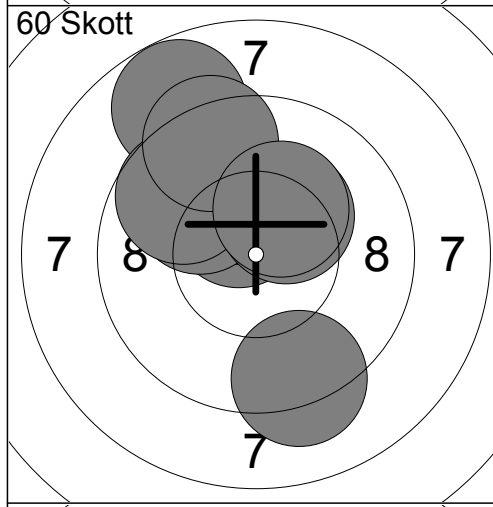
Serie	93.8
Total	569.2



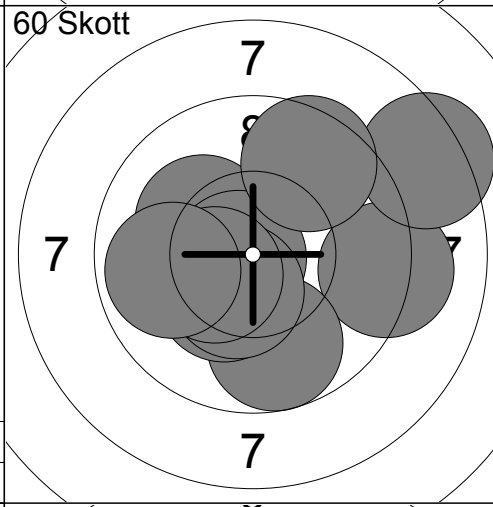
1:	8.5	↗
2:	10.3x	↗
3:	9.2	↓
4:	9.6	↑
5:	9.3	↑
6:	10.3x	↗
7:	10.0	↑
8:	10.0	↓
9:	10.2x	↗
10:	9.4	↗
Serie	96.8	
Total	0.0	



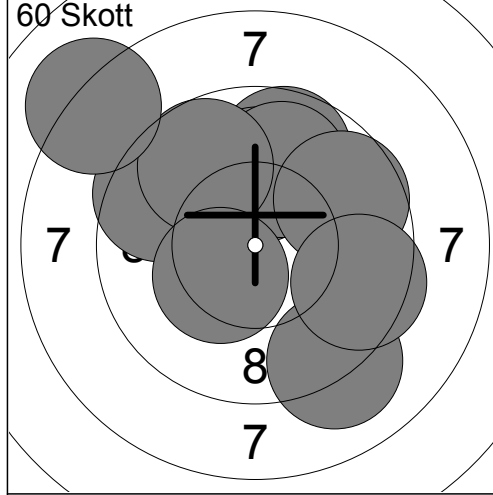
11:	9.3	↗
12:	8.9	↖
13:	9.1	↗
14:	10.5x	↑
15:	9.0	→
16:	9.0	↗
17:	9.4	↘
18:	9.5	↗
Serie	74.7	
Total	0.0	



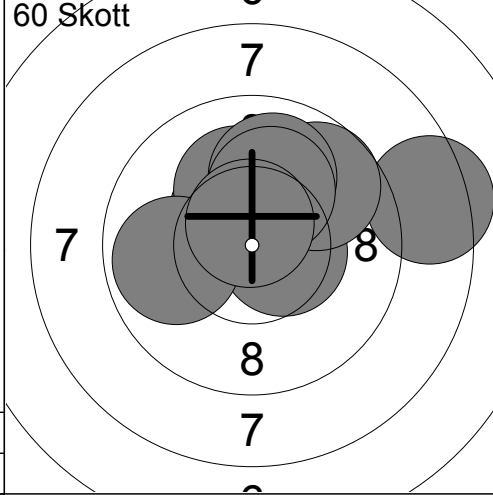
1:	10.3x	↑
2:	10.4x	↑
3:	10.1	↑
4:	10.0	↗
5:	10.3x	↗
6:	8.8	↑
7:	9.7	↗
8:	9.4	↑
9:	10.3x	↑
10:	9.2	↓
Serie	98.5	
Total	98.5	



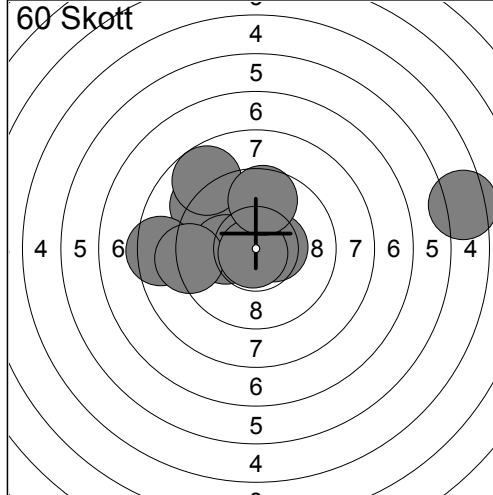
11:	10.2x	↖
12:	9.2	→
13:	9.7	↓
14:	10.3x	↘
15:	8.3	↗
16:	10.8x	←
17:	9.5	↑
18:	10.4x	↓
19:	10.4x	←
20:	9.9	←
Serie	98.7	
Total	197.2	



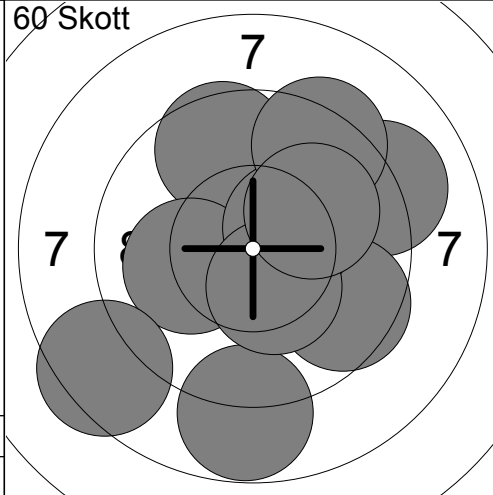
21:	9.7	↑
22:	10.0	↑
23:	9.9	↑
24:	9.1	↓
25:	9.7	↗
26:	9.5	↖
27:	9.7	↗
28:	8.1	↑
29:	10.3x	↖
30:	9.5	↘
Serie	95.5	
Total	292.7	



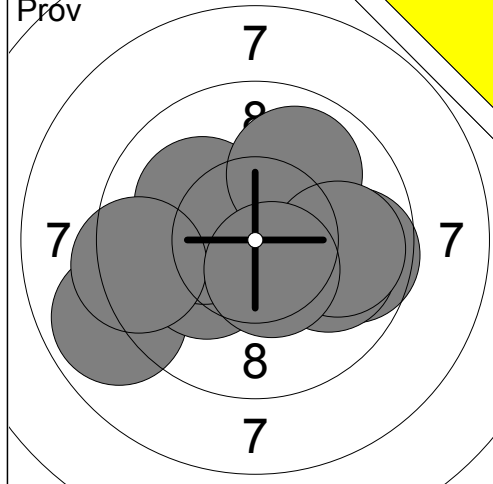
31:	10.4x	↖
32:	10.2x	↑
33:	10.5x	↗
34:	10.5x	→
35:	9.9	←
36:	8.4	→
37:	9.7	↗
38:	10.0	↑
39:	10.1	↑
40:	10.6x	↑
Serie	100.3	
Total	393.0	



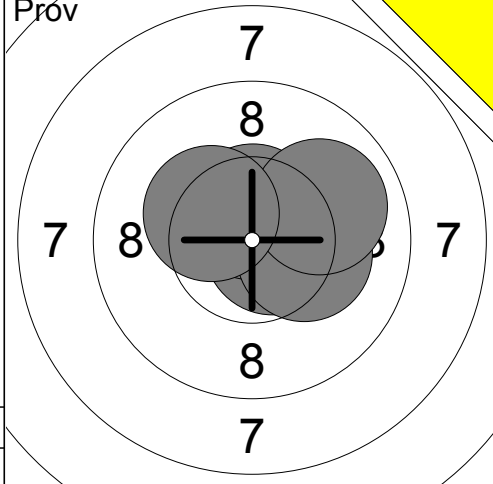
41:	5.4	→
42:	10.5x	↑
43:	9.2	↗
44:	8.5	←
45:	10.2x	←
46:	9.2	←
47:	10.5x	→
48:	8.8	↑
49:	10.8x	↘
50:	9.7	↑
Serie	92.8	
Total	485.8	



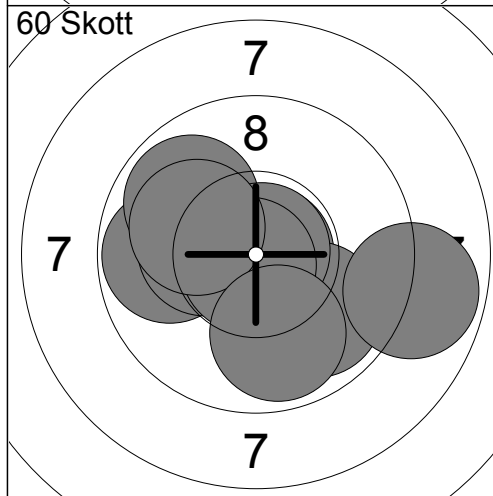
51:	9.6	↑
52:	9.1	↗
53:	9.6	↘
54:	10.1	←
55:	10.4x	↗
56:	9.3	↗
57:	8.4	←
58:	8.8	↓
59:	10.4x	↘
60:	10.0	↗
Serie	95.7	
Total	581.5	



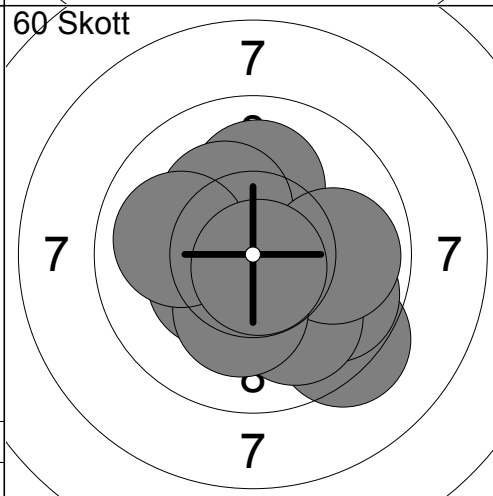
1:	8.9	←
2:	10.2x	←
3:	10.3x	←
4:	10.1	↗
5:	9.6	→
6:	9.9	↗
7:	9.9	→
8:	9.9	→
9:	9.4	←
10:	10.5x	↘
Serie		98.7
Total		0.0



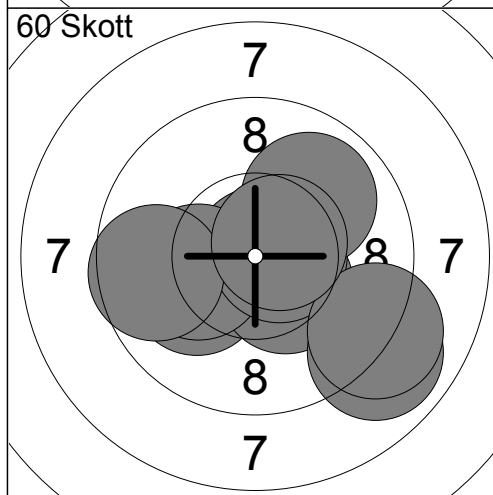
11:	10.7x	→
12:	10.6x	↑
13:	10.2x	→
14:	10.0	→
15:	10.3x	↗
Serie		51.8
Total		0.0



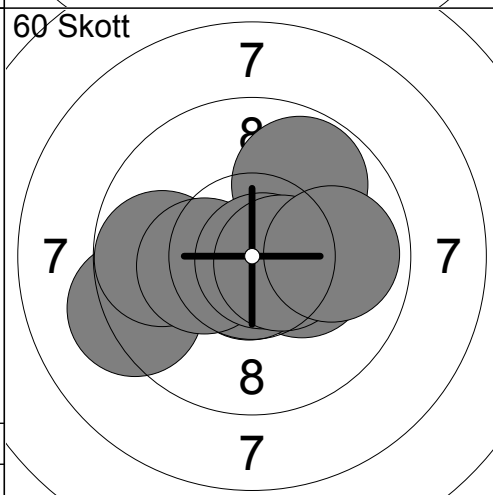
1:	9.8	←
2:	10.8x	→
3:	9.9	↗
4:	9.9	↘
5:	10.9x	↗
6:	10.3x	←
7:	10.8x	↘
8:	10.1	↗
9:	9.9	↘
10:	8.8	→
Serie		101.2
Total		101.2



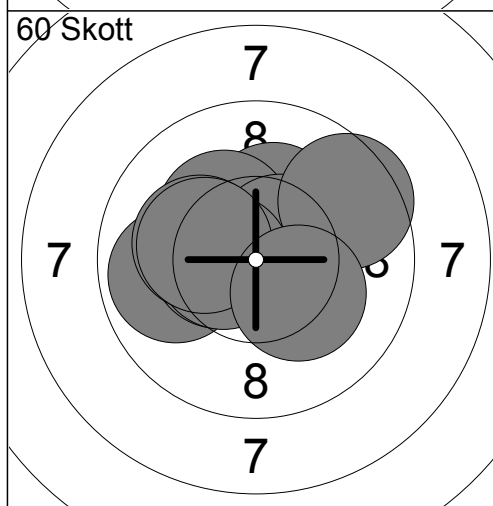
11:	9.3	↘
12:	10.1	↑
13:	9.8	↘
14:	10.3x	←
15:	9.9	↘
16:	10.2x	↗
17:	9.9	→
18:	10.2x	↘
19:	10.0	←
20:	10.8x	↘
Serie		100.5
Total		201.7



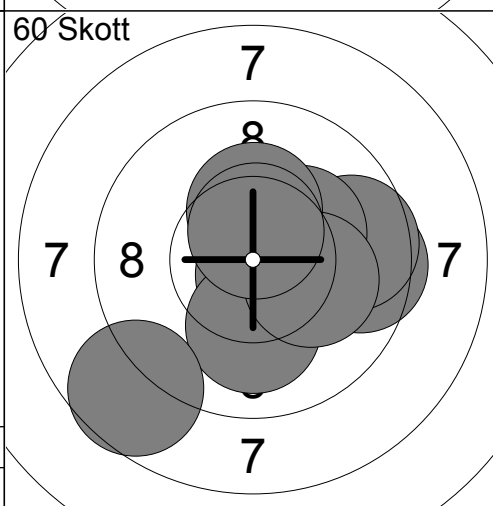
21:	10.9x	→
22:	10.1	←
23:	10.4x	↘
24:	10.2x	←
25:	10.6x	→
26:	8.9	↘
27:	9.9	↗
28:	9.1	↘
29:	9.6	←
30:	10.6x	↗
Serie		100.3
Total		302.0



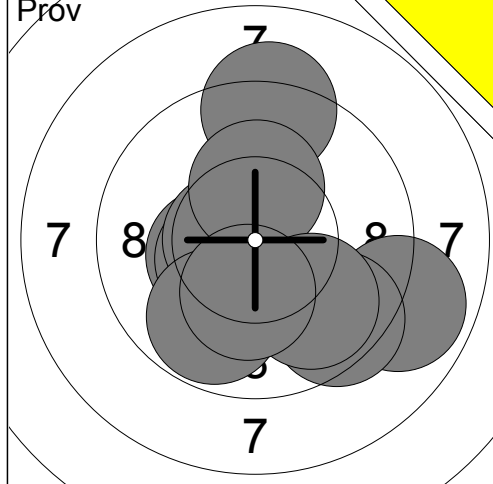
31:	10.3x	→
32:	9.2	←
33:	10.8x	→
34:	10.7x	↘
35:	9.8	←
36:	9.8	↗
37:	10.3x	←
38:	10.8x	↘
39:	10.6x	→
40:	9.9	→
Serie		102.2
Total		404.2



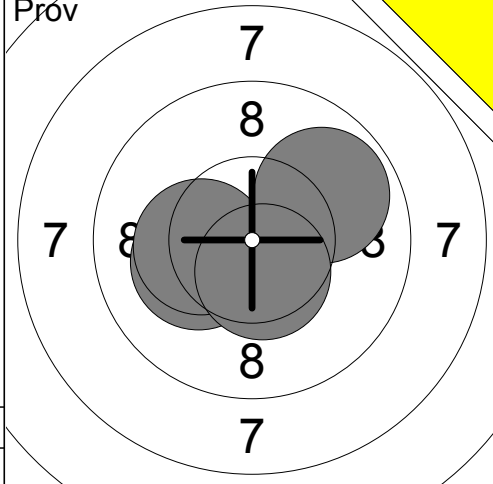
41:	10.3x	↑
42:	9.9	←
43:	10.3x	↗
44:	10.5x	↗
45:	10.5x	←
46:	9.5	↗
47:	10.5x	←
48:	10.2x	←
49:	10.2x	←
50:	10.2x	↘
Serie		102.1
Total		506.3



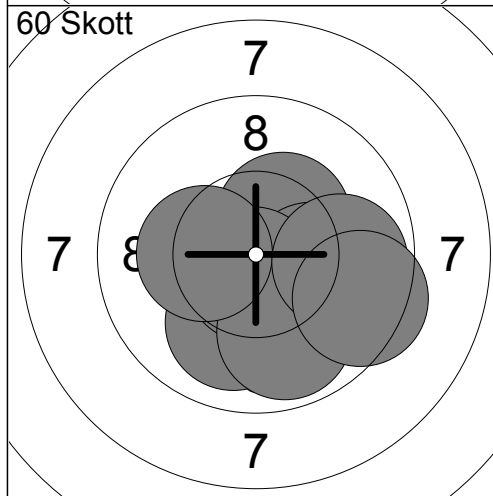
51:	10.3x	→
52:	10.7x	↘
53:	9.5	→
54:	9.6	→
55:	10.1	↘
56:	10.2x	↗
57:	10.1	→
58:	10.3x	↑
59:	8.7	↘
60:	10.6x	↑
Serie		100.1
Total		606.4



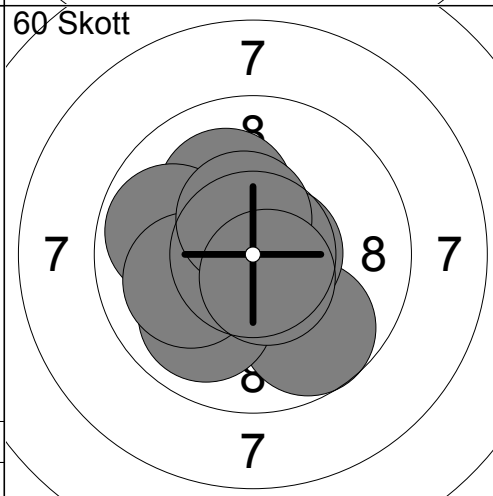
1:	10.4x	←
2:	8.9	→
3:	10.5x	←
4:	10.6x	←
5:	9.4	↘
6:	9.2	↑
7:	10.3x	↑
8:	9.8	↘
9:	9.8	↘
10:	10.2x	↘
Serie		99.1
Total		0.0



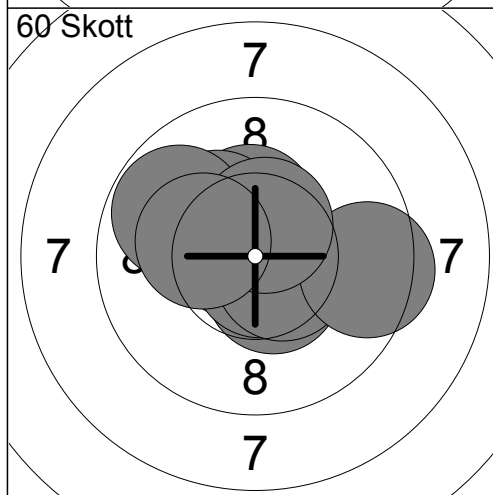
11:	10.2x	←
12:	10.3x	←
13:	9.9	↗
14:	10.5x	↘
Serie		40.9
Total		0.0



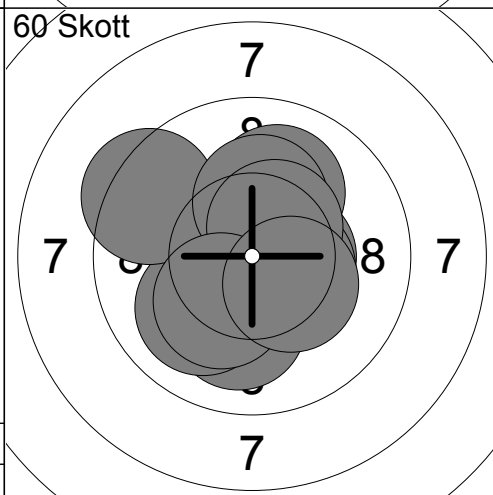
1:	10.4x	↗
2:	10.0	↘
3:	10.0	↘
4:	10.5x	↘
5:	10.2x	↘
6:	10.7x	↘
7:	9.9	↘
8:	10.3x	←
9:	9.8	→
10:	9.4	↘
Serie		101.2
Total		101.2



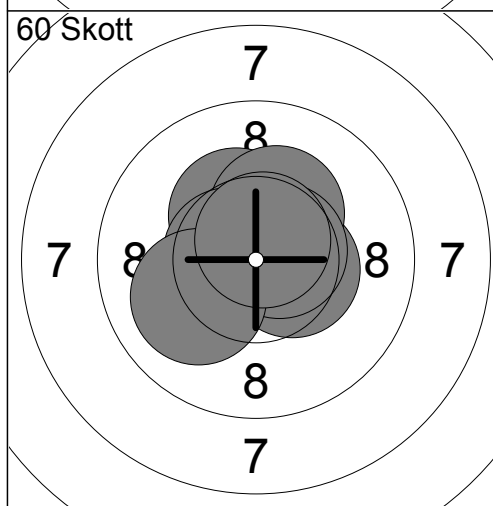
11:	10.4x	↘
12:	9.7	↘
13:	10.1	↗
14:	9.9	←
15:	9.9	↘
16:	10.8x	←
17:	10.1	←
18:	10.7x	→
19:	10.5x	↑
20:	10.6x	↘
Serie		102.7
Total		203.9



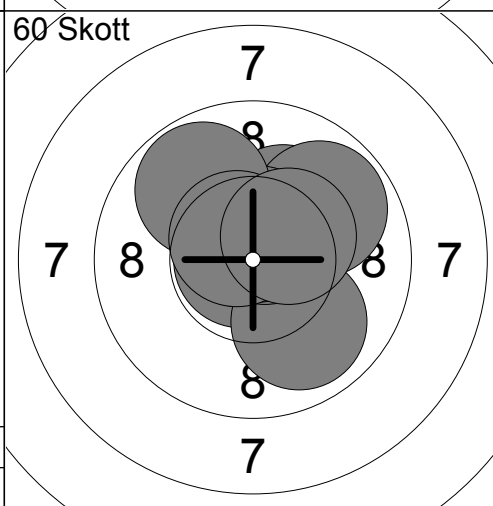
21:	10.5x	↘
22:	10.7x	←
23:	10.4x	↑
24:	10.8x	↘
25:	10.5x	↘
26:	10.2x	↗
27:	9.8	↗
28:	9.5	→
29:	10.5x	↑
30:	10.2x	←
Serie		103.1
Total		307.0



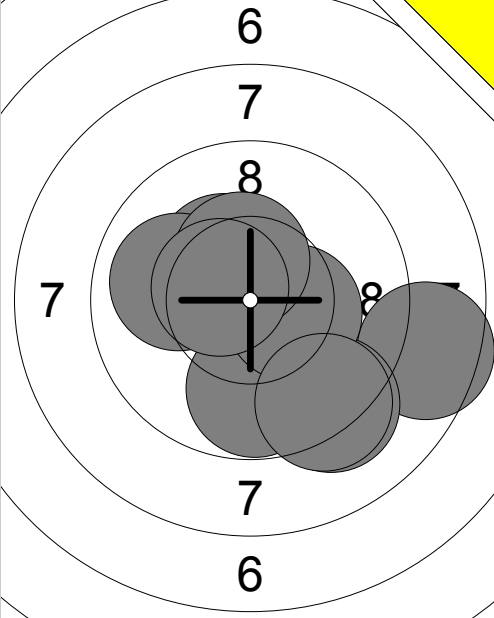
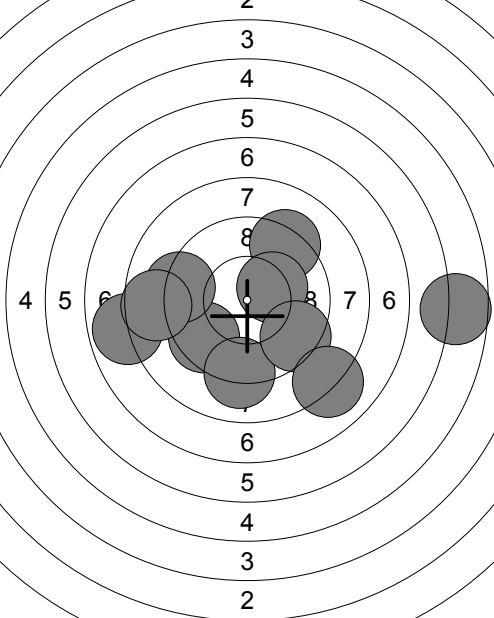
31:	10.1	↘
32:	10.0	←
33:	10.5x	→
34:	10.5x	→
35:	10.0	↑
36:	9.4	↖
37:	10.2x	↑
38:	10.5x	↗
39:	10.2x	↘
40:	10.3x	↘
Serie		101.7
Total		408.7

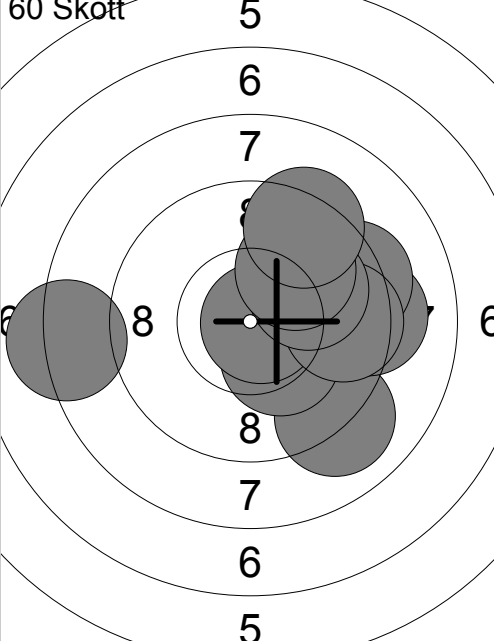
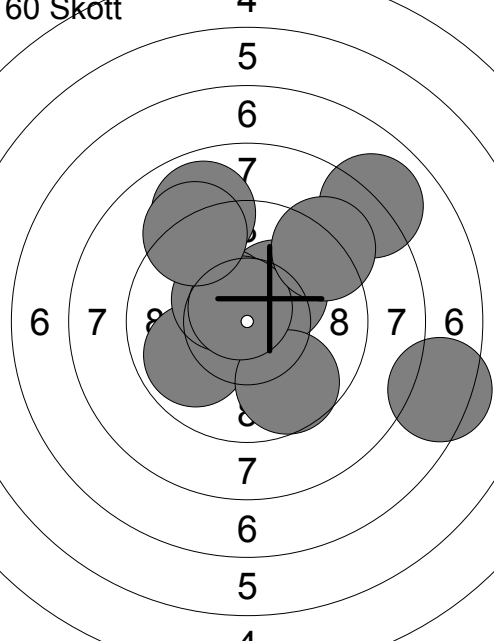


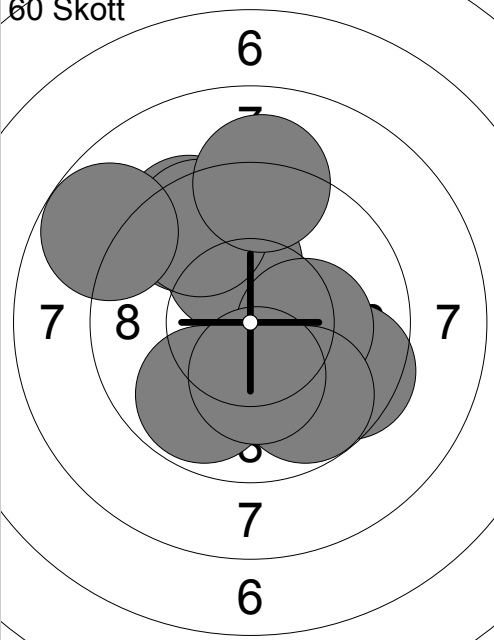
41:	10.5x	↑
42:	10.5x	→
43:	10.3x	↗
44:	10.7x	↗
45:	10.6x	↗
46:	10.3x	↑
47:	10.6x	←
48:	10.6x	→
49:	10.1	←
50:	10.7x	↑
Serie		104.9
Total		513.6

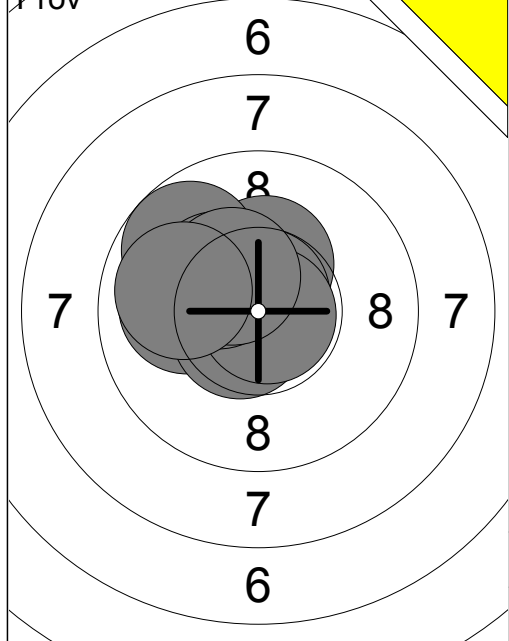


51:	10.8x	←
52:	10.2x	↗
53:	10.6x	↗
54:	9.9	↘
55:	9.8	↗
56:	10.6x	↑
57:	10.6x	↑
58:	9.8	↗
59:	10.6x	↗
60:	10.4x	↗
Serie		103.3
Total		616.9

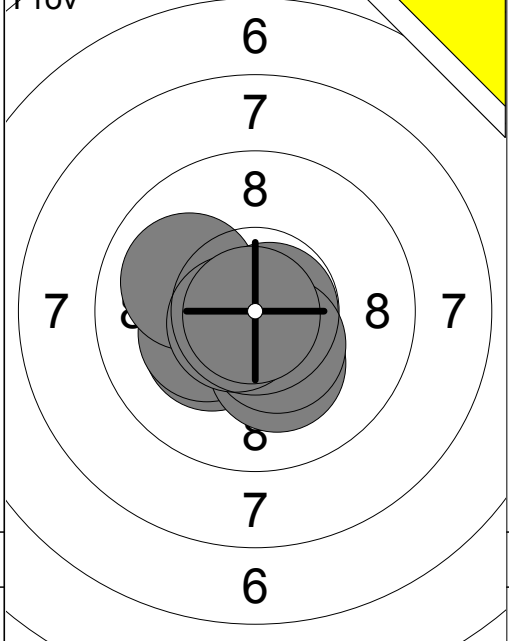
<p>Pröv</p> 	<p>60 Skott</p> 	<p>1: 9.8 ↓</p> <p>2: 8.5 →</p> <p>3: 9.2 ↓</p> <p>4: 10.2x ↖</p> <p>5: 10.3x ↗</p> <p>6: 10.4x →</p> <p>7: 9.3 ↓</p> <p>8: 10.0 ←</p> <p>9: 10.4x ↗</p> <p>10: 10.5x ↖</p> <p>Serie 98.6</p> <p>Total 0.0</p>	<p>1: 7.9 ←</p> <p>2: 9.3 ↗</p> <p>3: 9.5 ↖</p> <p>4: 10.2x →</p> <p>5: 9.1 ↓</p> <p>6: 9.4 ↖</p> <p>7: 8.1 ↖</p> <p>8: 9.2 ←</p> <p>9: 5.7 →</p> <p>10: 8.7 ←</p> <p>Serie 87.1</p> <p>Total 87.1</p>
--	--	--	--

<p>60 Skott</p> 	<p>60 Skott</p> 	<p>11: 9.1 ↓</p> <p>12: 10.3x ↓</p> <p>13: 10.8x →</p> <p>14: 9.2 →</p> <p>15: 9.3 →</p> <p>16: 9.6 →</p> <p>17: 8.2 ←</p> <p>18: 10.0 →</p> <p>19: 9.9 ↗</p> <p>20: 9.3 ↗</p> <p>Serie 95.7</p> <p>Total 182.8</p>	<p>21: 8.0 ↗</p> <p>22: 7.4 →</p> <p>23: 9.9 ↖</p> <p>24: 10.2x ↗</p> <p>25: 10.4x ↖</p> <p>26: 9.7 ↓</p> <p>27: 8.9 ↗</p> <p>28: 10.7x ↗</p> <p>29: 9.2 ↗</p> <p>30: 9.1 ↗</p> <p>Serie 93.5</p> <p>Total 276.3</p>
---	---	---	--

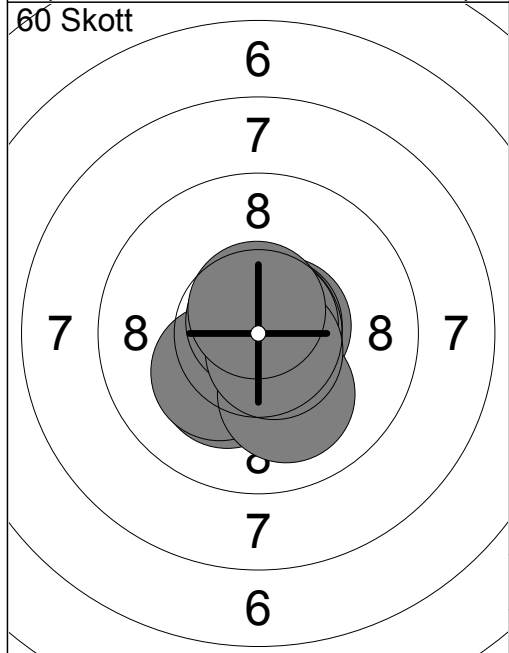
<p>60 Skott</p> 	<p>31: 9.4 ↗</p> <p>32: 10.2x ↗</p> <p>33: 9.8 ↖</p> <p>34: 9.6 ↗</p> <p>35: 9.5 →</p> <p>36: 10.2x →</p> <p>37: 9.8 ↖</p> <p>38: 9.1 ↗</p> <p>39: 8.8 ↖</p> <p>40: 10.2x ↓</p> <p>Serie 96.6</p> <p>Total 372.9</p>		
--	--	--	--



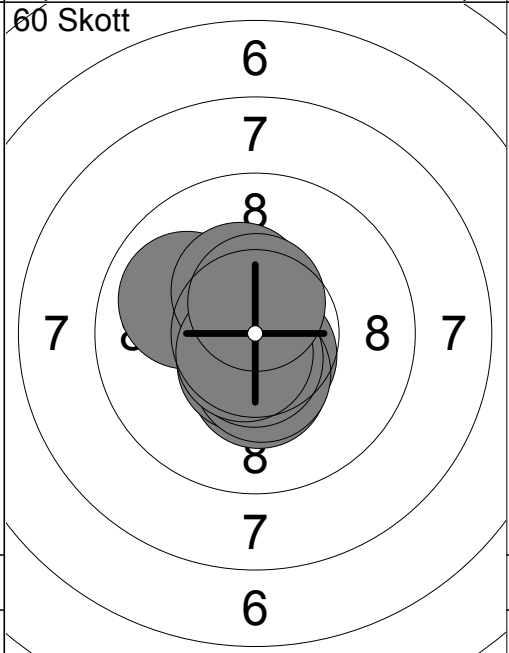
1:	10.0 ←
2:	10.6x ↙
3:	10.6x ↑
4:	10.3x ↑
5:	10.8x ↑
6:	10.8x →
7:	9.8 ↖
8:	10.3x ↖
9:	10.4x ↖
10:	9.9 ←
<b>Serie 103.5</b>	
<b>Total 0.0</b>	



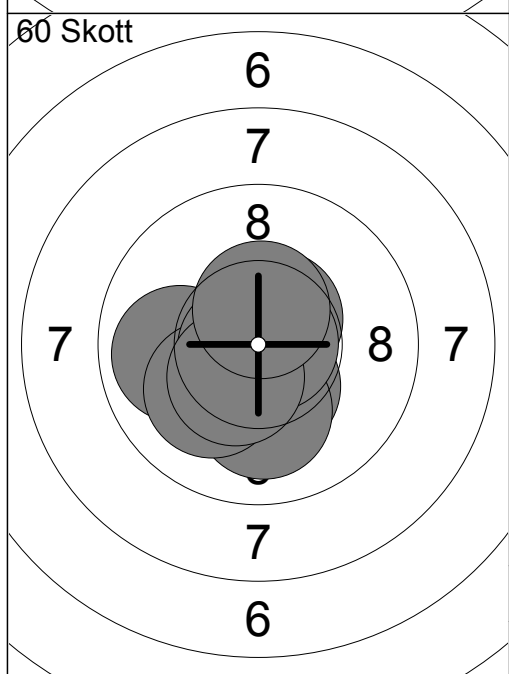
11:	10.3x ↙
12:	10.3x ↙
13:	10.0 ←
14:	10.2x ↓
15:	10.8x →
16:	10.4x ↓
17:	10.6x ↙
18:	10.9x ↙
<b>Serie 83.5</b>	
<b>Total 0.0</b>	



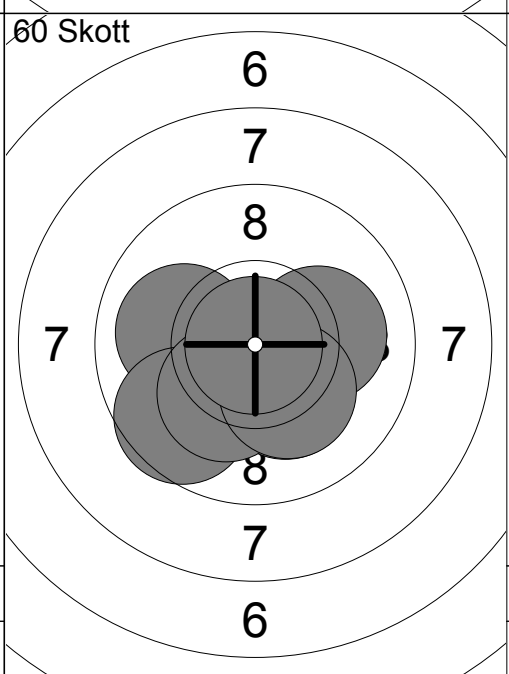
1:	10.6x →
2:	10.7x →
3:	10.2x ↙
4:	10.8x ↗
5:	10.7x ↓
6:	10.2x ↙
7:	10.1 ↓
8:	10.8x ↑
9:	10.6x ↓
10:	10.6x ↑
<b>Serie 105.3</b>	
<b>Total 105.3</b>	



11:	10.0 ←
12:	10.3x ↓
13:	10.8x ↙
14:	10.4x ↑
15:	10.6x ↓
16:	10.5x ↓
17:	10.4x ↓
18:	10.6x ↓
19:	10.7x ↙
20:	10.5x ↑
<b>Serie 104.8</b>	
<b>Total 210.1</b>	

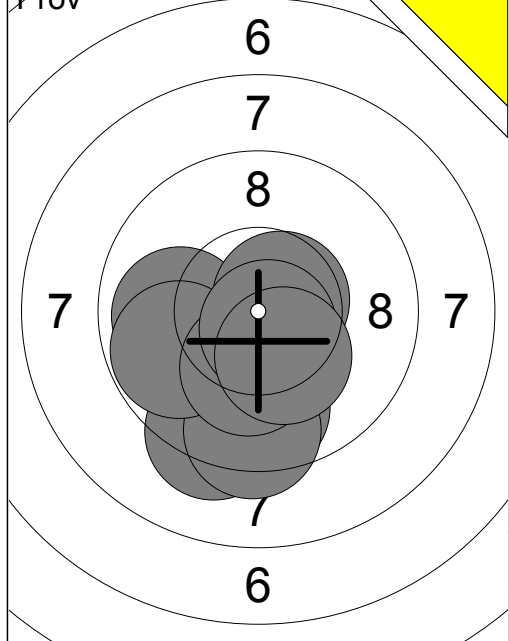


21:	9.9 ←
22:	10.6x ↗
23:	10.8x ↙
24:	10.4x ↓
25:	10.1 ↓
26:	10.1 ↙
27:	10.8x ↙
28:	10.8x →
29:	10.4x ↙
30:	10.5x ↑
<b>Serie 104.4</b>	
<b>Total 314.5</b>	

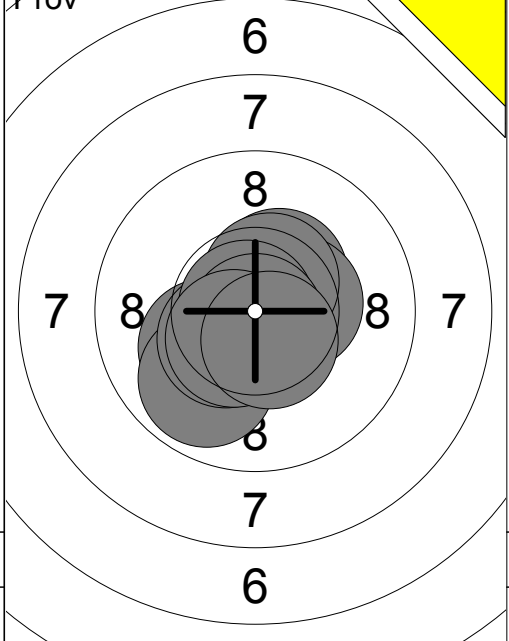


31:	10.5x ↙
32:	10.4x ↙
33:	10.2x ↓
34:	10.0 ←
35:	10.8x →
36:	9.6 ↙
37:	10.1 →
38:	10.2x ↙
39:	10.2x ↓
40:	10.9x ↙
<b>Serie 102.9</b>	
<b>Total 417.4</b>	

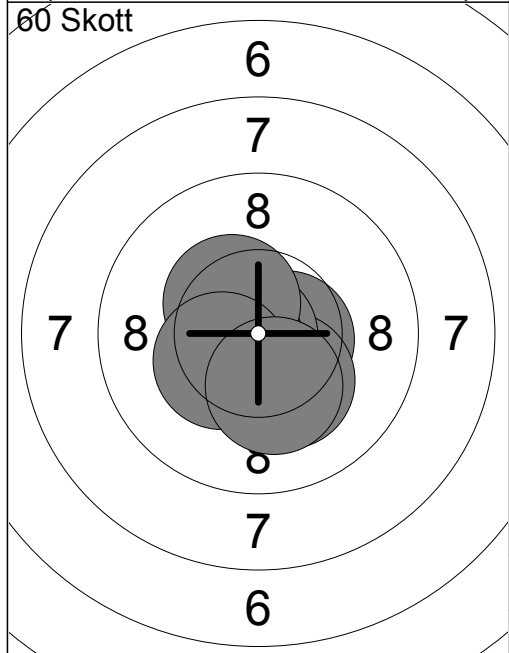




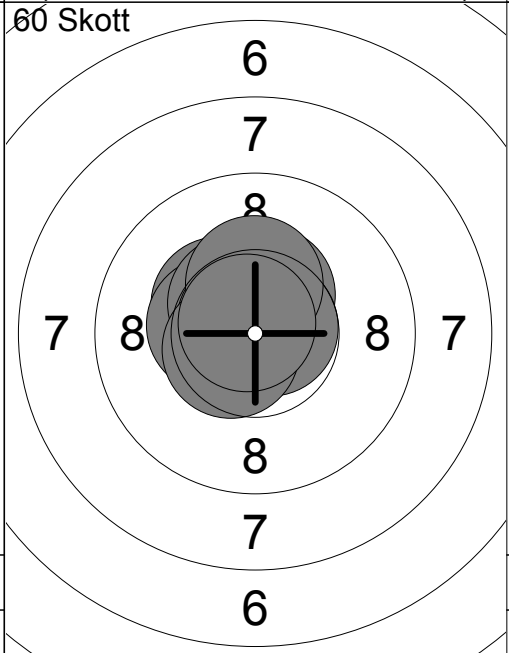
1:	9.3	↓
2:	9.7	↓
3:	9.4	↓
4:	10.4x	↓
5:	9.9	←
6:	9.8	←
7:	10.6x	→
8:	10.2x	↓
9:	10.7x	↓
10:	10.3x	↓
Serie		100.3
Total		0.0



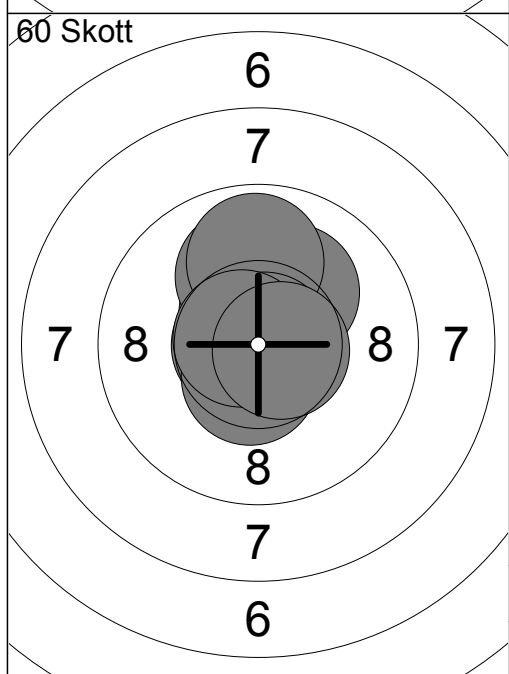
11:	10.2x	↙
12:	10.4x	↗
13:	10.4x	→
14:	10.5x	↗
15:	9.9	↓
16:	10.4x	↙
17:	10.8x	←
18:	10.8x	↓
19:	10.5x	↙
20:	10.5x	↓
Serie		104.4
Total		0.0



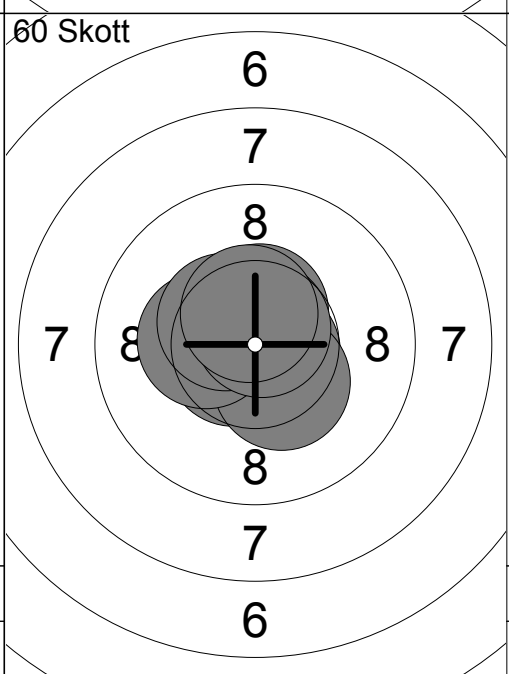
1:	10.6x	↘
2:	10.8x	↘
3:	10.6x	→
4:	10.5x	↙
5:	10.2x	↓
6:	10.8x	←
7:	10.6x	←
8:	10.4x	↖
9:	10.4x	↙
10:	10.2x	↓
Serie		105.1
Total		105.1



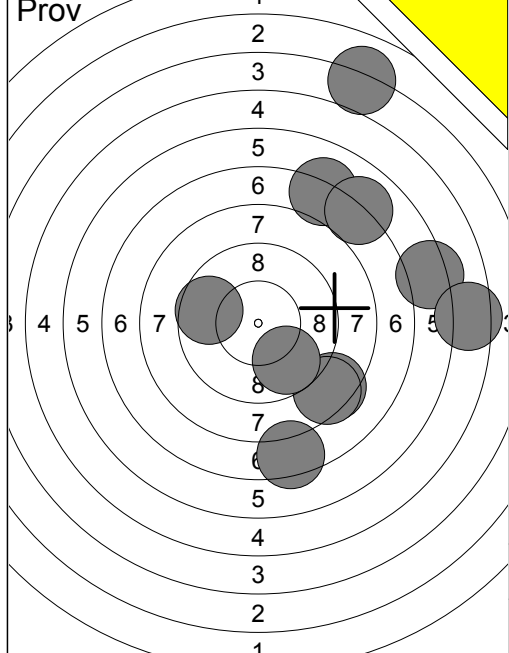
11:	10.4x	↖
12:	10.4x	↗
13:	10.5x	←
14:	10.7x	→
15:	10.4x	←
16:	10.5x	↖
17:	10.8x	↖
18:	10.6x	↙
19:	10.3x	↑
20:	10.8x	↖
Serie		105.4
Total		210.5



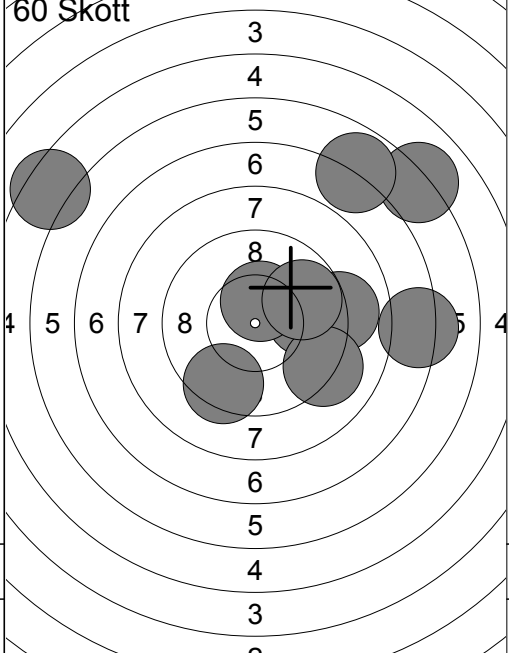
21:	10.5x	↗
22:	10.7x	←
23:	10.7x	↓
24:	10.0	↑
25:	10.1	↗
26:	10.5x	↓
27:	9.9	↑
28:	10.9x	→
29:	10.7x	←
30:	10.6x	→
Serie		104.6
Total		315.1



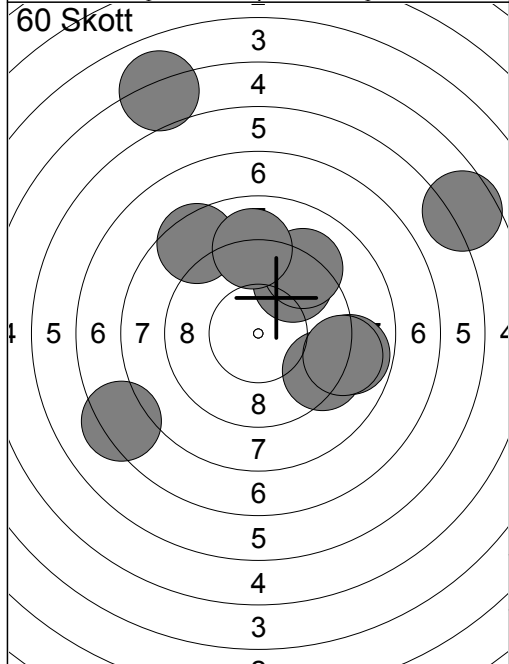
31:	10.8x	↓
32:	10.7x	→
33:	10.8x	↓
34:	10.6x	↙
35:	10.5x	↑
36:	10.4x	↓
37:	10.3x	←
38:	10.5x	↖
39:	10.7x	↗
40:	10.5x	↑
Serie		105.8
Total		420.9



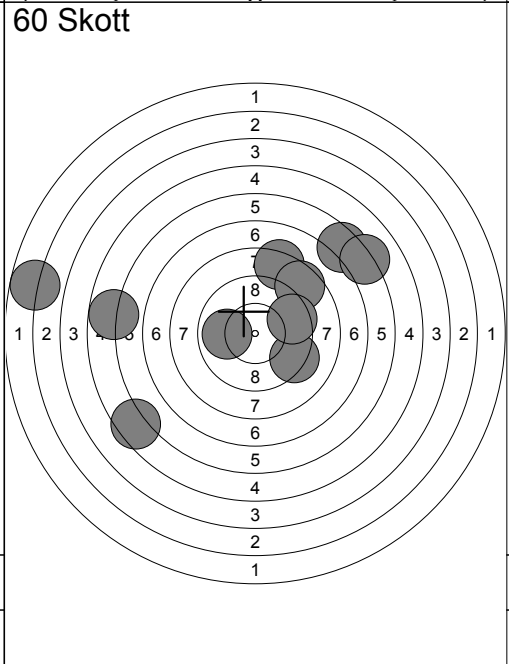
1:	4.0	↗
2:	6.3	→
3:	7.4	↘
4:	8.4	↘
5:	8.4	↘
6:	5.5	→
7:	7.1	↗
8:	9.7	↘
9:	9.6	↙
10:	7.0	↗
Serie		73.4
Total		0.0



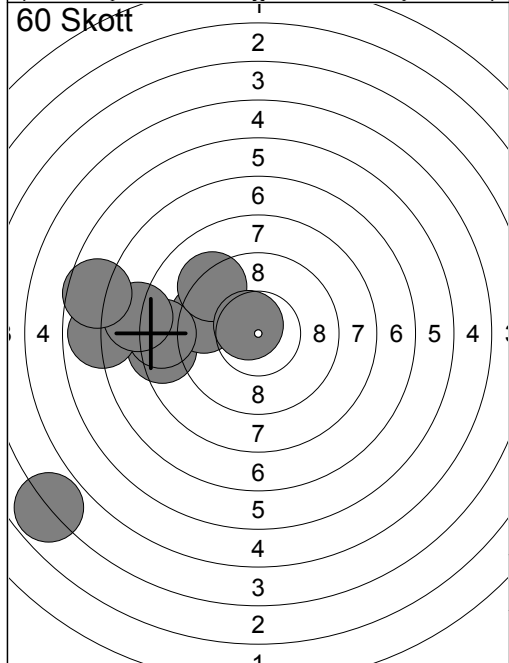
1:	7.2	→
2:	9.8	→
3:	9.0	→
4:	6.1	↗
5:	9.1	↘
6:	10.4x	↗
7:	6.8	↗
8:	9.8	↗
9:	9.4	↘
10:	5.4	↙
Serie		83.0
Total		83.0



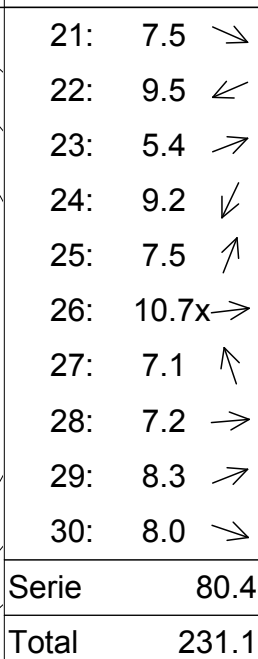
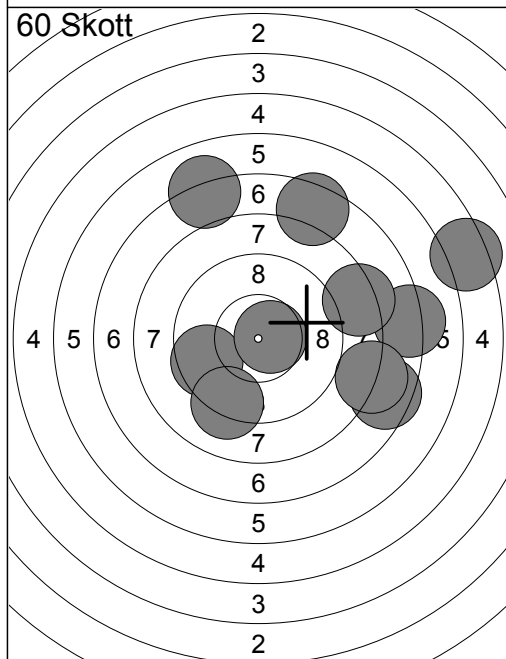
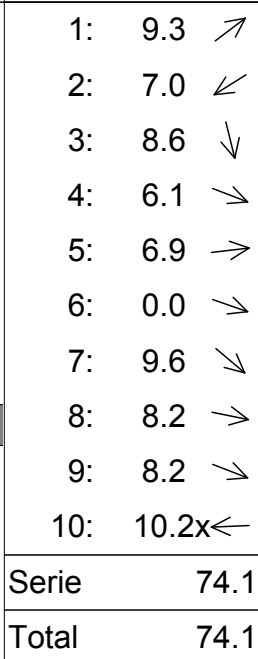
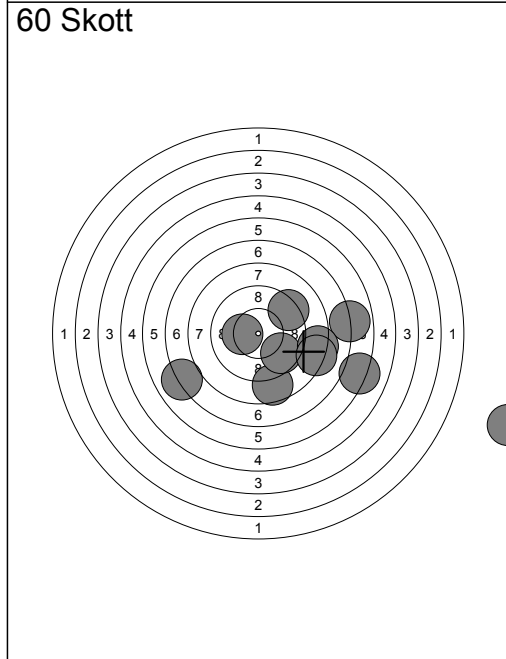
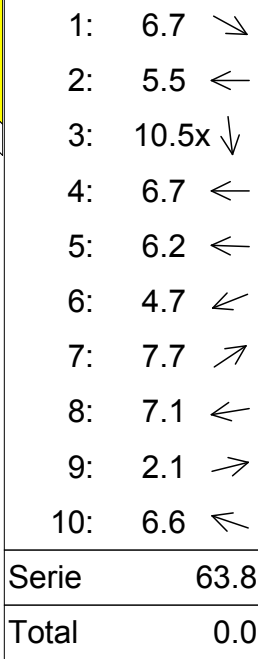
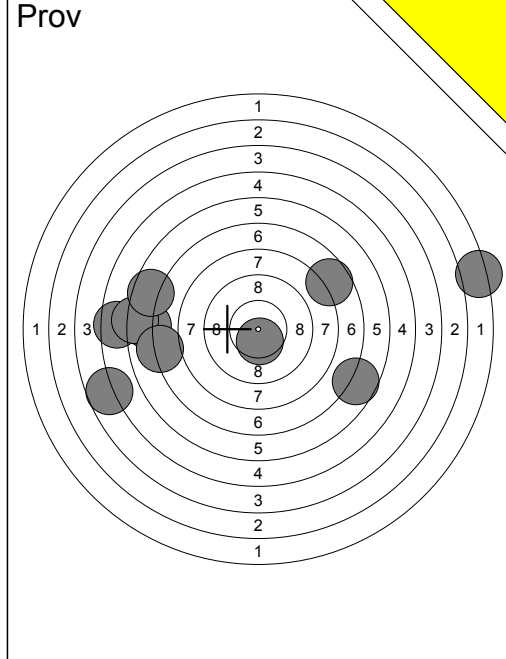
11:	9.3	↘
12:	5.1	↗
13:	9.6	↗
14:	9.2	↗
15:	8.5	↗
16:	8.8	→
17:	9.0	→
18:	5.6	↗
19:	7.3	↙
20:	9.0	↗
Serie		81.4
Total		164.4

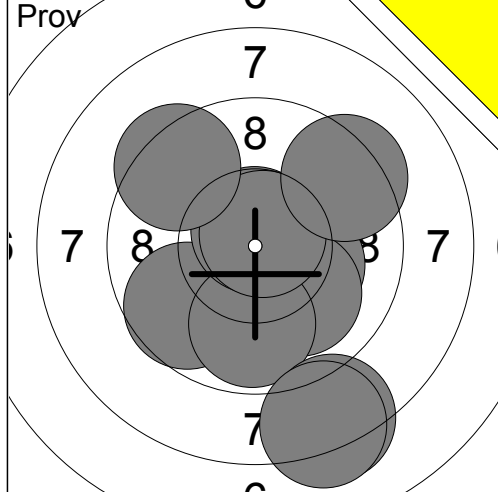


21:	2.8	↙
22:	9.9	↙
23:	8.3	↗
24:	6.5	↗
25:	5.8	↙
26:	5.5	↙
27:	8.6	↗
28:	9.3	↘
29:	9.5	↗
30:	6.1	↗
Serie		72.3
Total		236.7

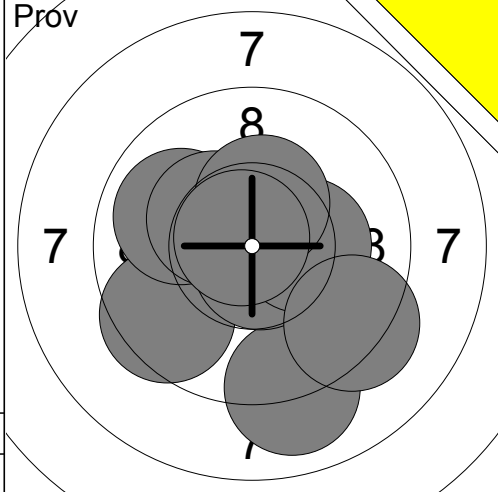


31:	3.8	↙
32:	8.4	↙
33:	7.1	↙
34:	9.5	↙
35:	8.4	↙
36:	9.2	↗
37:	6.9	↙
38:	7.8	↙
39:	6.6	↙
40:	10.6x	↙
Serie		78.3
Total		315.0

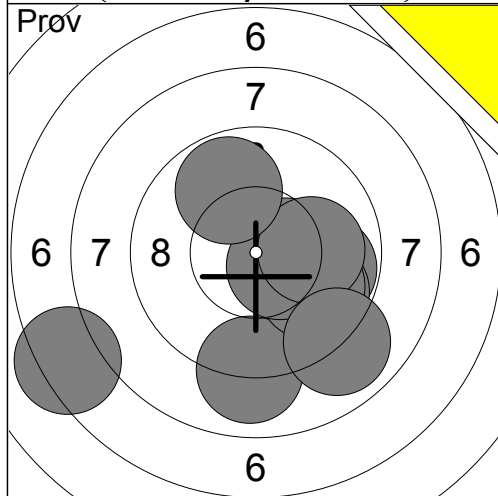




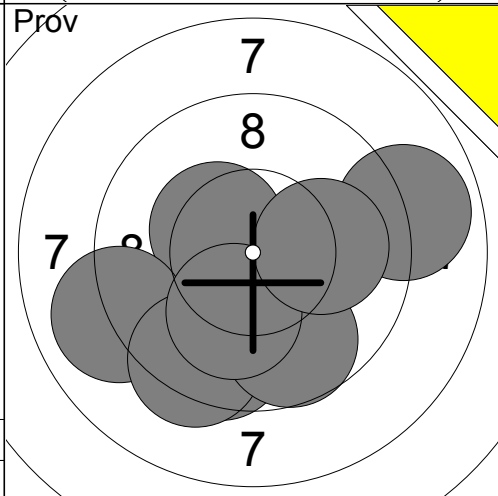
1:	10.2x	→
2:	9.7	↙
3:	10.0	↘
4:	9.8	↓
5:	8.3	↘
6:	10.7x	↑
7:	10.7x	↗
8:	9.4	↗
9:	8.2	↘
10:	9.4	↗
Serie	96.4	
Total	0.0	



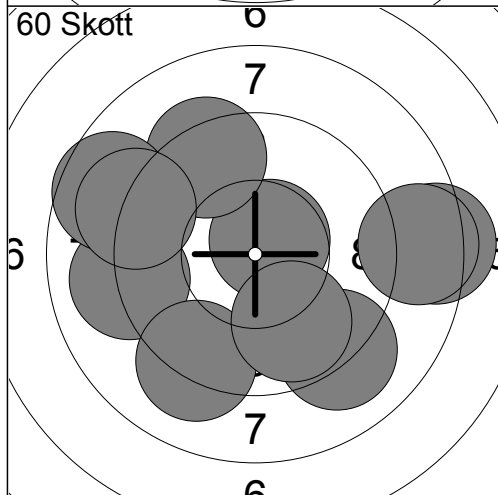
11:	10.5x	↗
12:	9.0	↓
13:	9.5	↙
14:	9.9	↗
15:	10.7x	↘
16:	10.3x	↗
17:	10.3x	→
18:	10.4x	↑
19:	10.8x	↗
20:	9.3	↘
Serie	100.7	
Total	0.0	



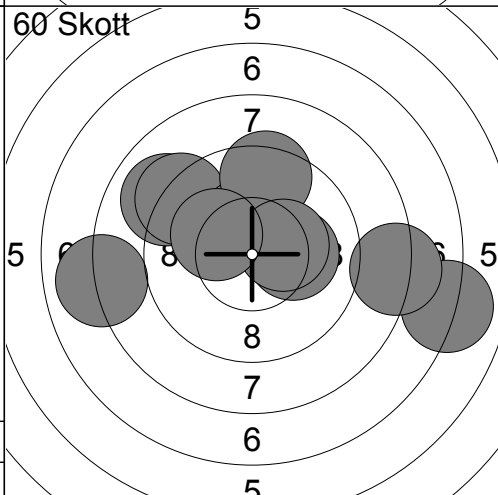
21:	9.8	→
22:	9.8	↘
23:	10.5x	→
24:	9.0	↓
25:	9.9	↘
26:	10.5x	↘
27:	7.3	←
28:	10.0	→
29:	8.9	↘
30:	9.8	↗
Serie	95.5	
Total	0.0	



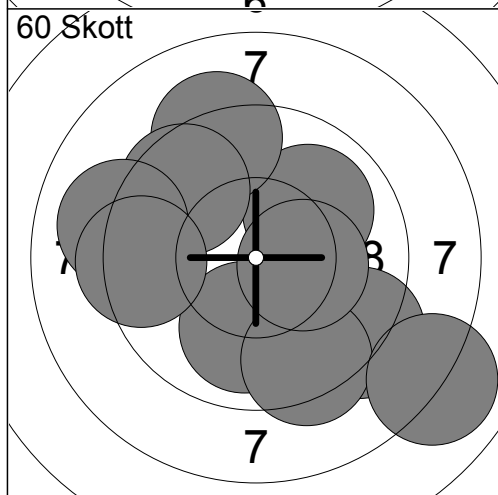
31:	10.4x	↗
32:	9.6	↓
33:	9.0	←
34:	9.3	↘
35:	8.9	→
36:	9.7	↘
37:	10.1	↓
38:	10.0	→
Serie	77.0	
Total	0.0	



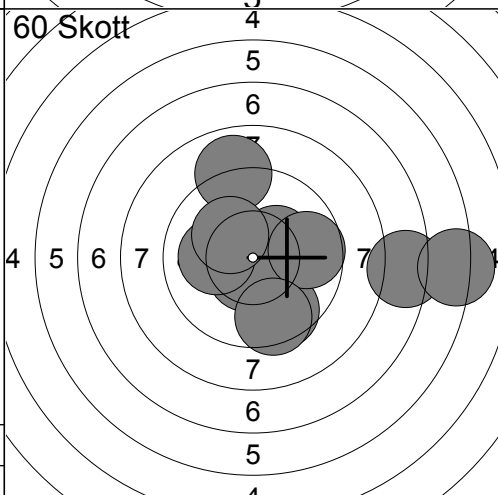
1:	9.1	↘
2:	10.6x	↗
3:	9.3	↗
4:	9.0	←
5:	9.1	↘
6:	8.3	→
7:	8.6	↗
8:	9.8	↘
9:	8.5	→
10:	9.0	←
Serie	91.3	
Total	91.3	



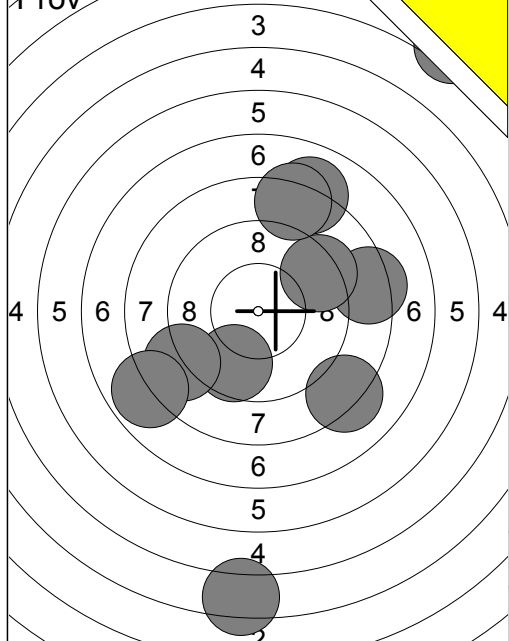
11:	9.0	↗
12:	7.0	→
13:	10.2x	→
14:	9.2	↗
15:	8.1	→
16:	10.3x	↑
17:	9.4	↑
18:	10.3x	→
19:	10.2x	↗
20:	8.0	←
Serie	91.7	
Total	183.0	



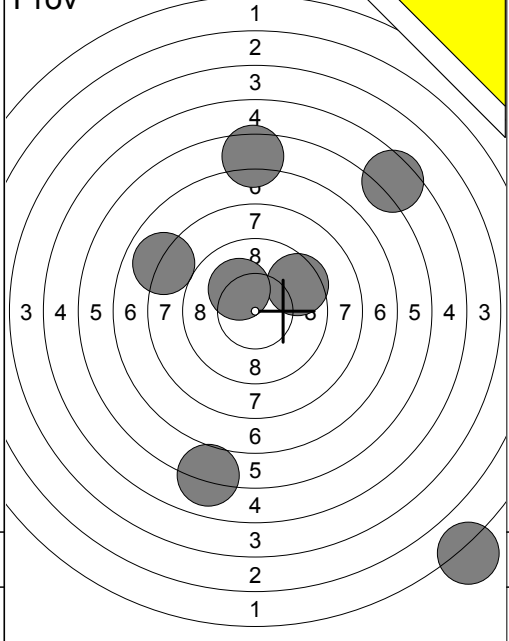
21:	10.0	↗
22:	9.2	↗
23:	9.6	↗
24:	9.2	↘
25:	9.1	↗
26:	10.0	↘
27:	9.4	↘
28:	10.3x	→
29:	9.4	←
30:	8.0	↘
Serie	94.2	
Total	277.2	



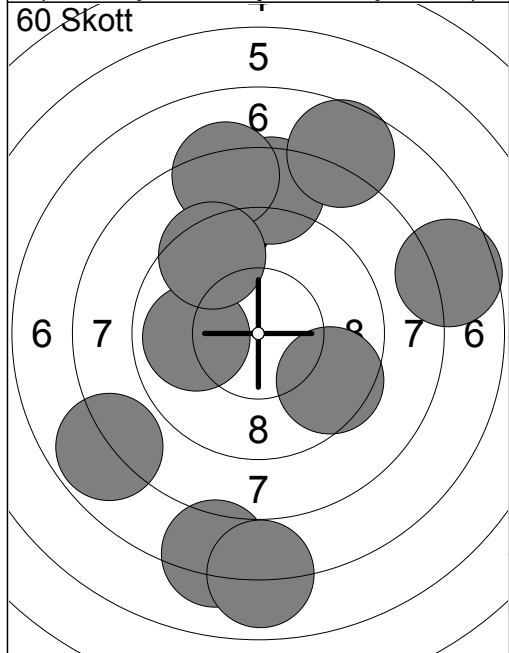
31:	9.6	↓
32:	10.3x	↗
33:	10.6x	↘
34:	10.1	←
35:	8.9	↑
36:	9.7	→
37:	7.4	→
38:	6.2	→
39:	10.2x	↗
40:	9.5	↘
Serie	92.5	
Total	369.7	



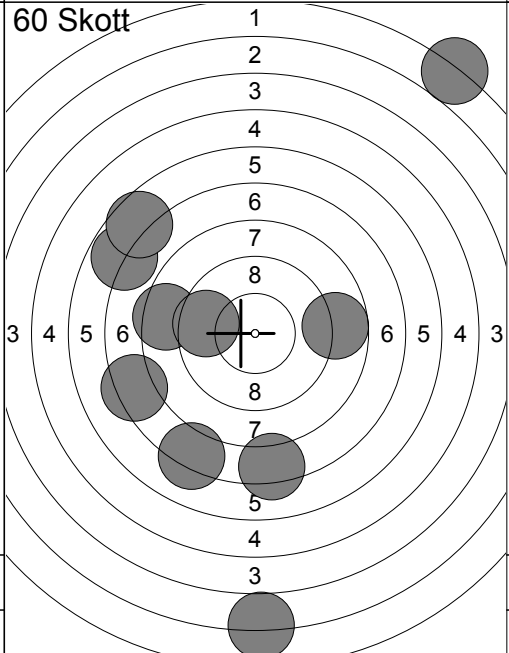
1:	8.3	→
2:	8.2	↘
3:	3.3	↗
4:	9.3	↗
5:	4.3	↓
6:	8.0	↗
7:	9.6	↘
8:	8.3	↗
9:	8.8	↙
10:	7.9	↙
<b>Serie</b>		<b>76.0</b>
<b>Total</b>		<b>0.0</b>



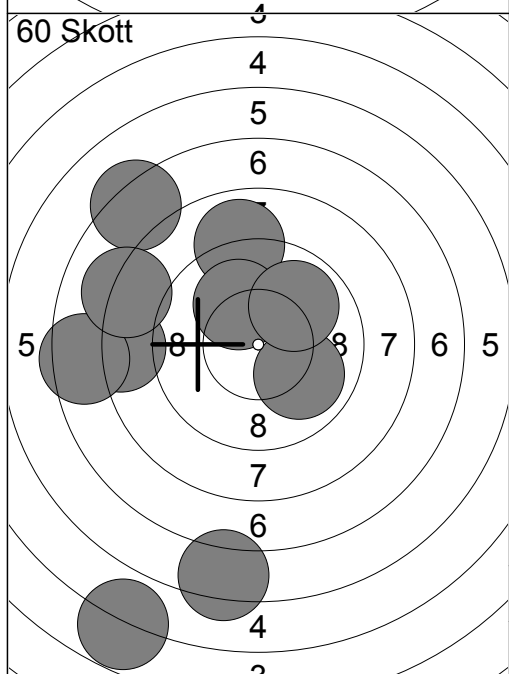
11:	1.6	↘
12:	5.5	↗
13:	9.5	↗
14:	6.0	↓
15:	6.5	↑
16:	8.0	↖
17:	10.2x	↗
<b>Serie</b>		<b>47.3</b>
<b>Total</b>		<b>0.0</b>



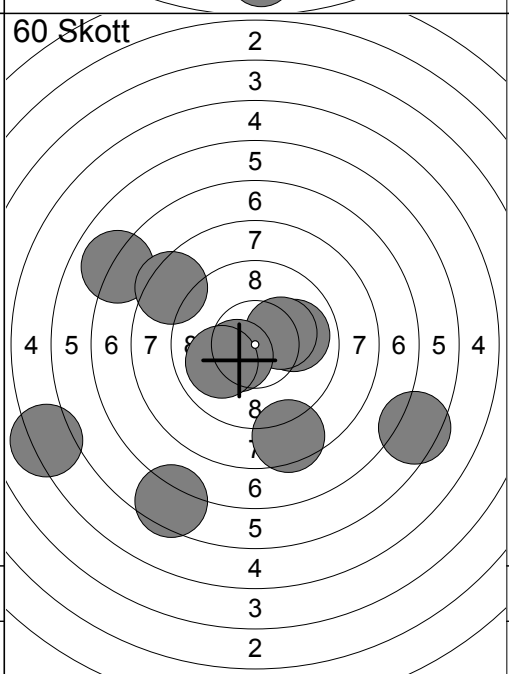
1:	8.6	↑
2:	7.7	↗
3:	9.5	↘
4:	9.9	←
5:	8.3	↑
6:	7.2	↓
7:	7.6	→
8:	6.9	↓
9:	9.4	↗
10:	7.8	↙
<b>Serie</b>		<b>82.9</b>
<b>Total</b>		<b>82.9</b>



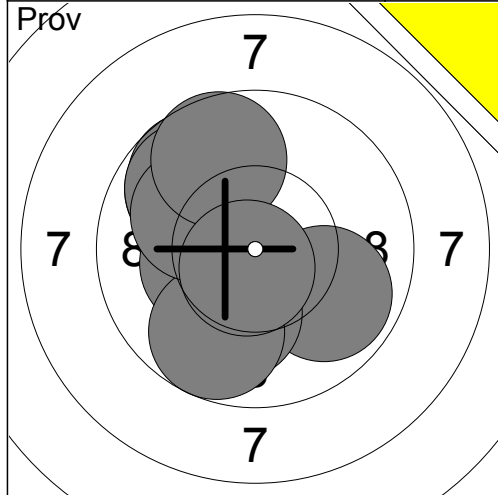
11:	8.8	→
12:	6.8	↖
13:	8.5	←
14:	3.0	↓
15:	7.3	↓
16:	2.0	↗
17:	7.3	↖
18:	7.2	↓
19:	9.6	←
20:	6.6	↖
<b>Serie</b>		<b>67.1</b>
<b>Total</b>		<b>150.0</b>



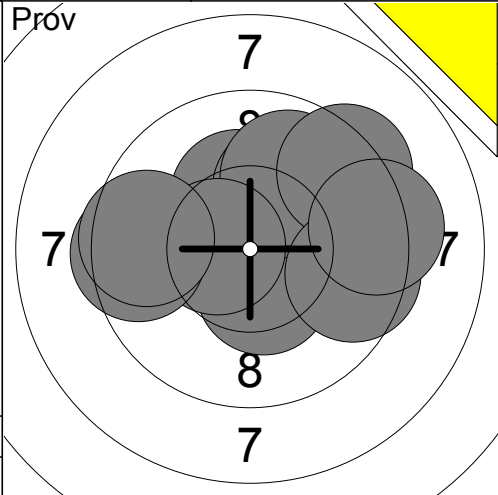
21:	8.2	←
22:	8.9	↑
23:	10.0	↘
24:	10.1	↗
25:	6.3	↓
26:	4.8	↘
27:	7.3	↗
28:	7.5	←
29:	9.9	↗
30:	8.1	←
<b>Serie</b>		<b>81.1</b>
<b>Total</b>		<b>231.1</b>



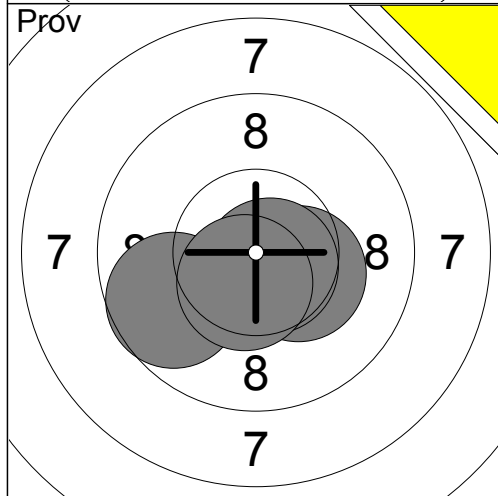
31:	8.5	↓
32:	7.0	↖
33:	5.2	←
34:	6.5	↘
35:	8.4	↖
36:	10.0	→
37:	10.2x	↗
38:	10.4x	↙
39:	10.0	↖
40:	6.4	↘
<b>Serie</b>		<b>82.6</b>
<b>Total</b>		<b>313.7</b>



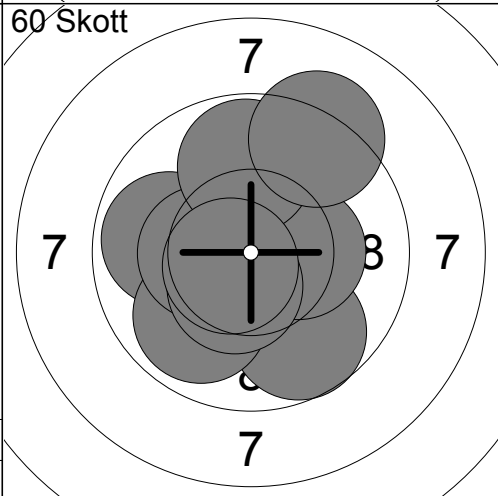
1:	10.3x	←
2:	9.9	↘
3:	10.1	↓
4:	9.7	↓
5:	9.8	↗
6:	9.7	↗
7:	9.8	↗
8:	10.1	↗
9:	9.7	↗
10:	10.7x	↓
Serie		99.8
Total		0.0



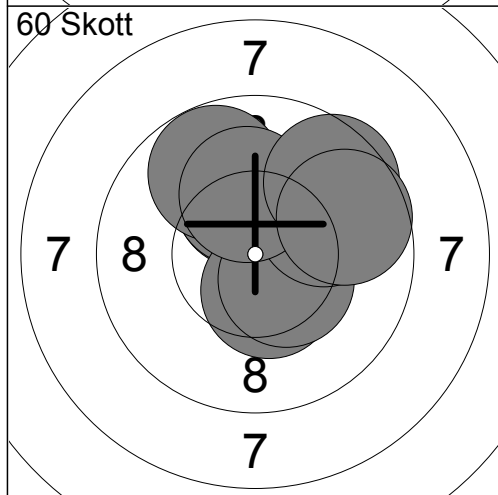
11:	10.2x	↑
12:	10.4x	↓
13:	10.1	↗
14:	9.9	↗
15:	10.5x	←
16:	9.5	←
17:	9.3	↗
18:	9.6	←
19:	9.5	→
20:	9.2	→
Serie		98.2
Total		0.0



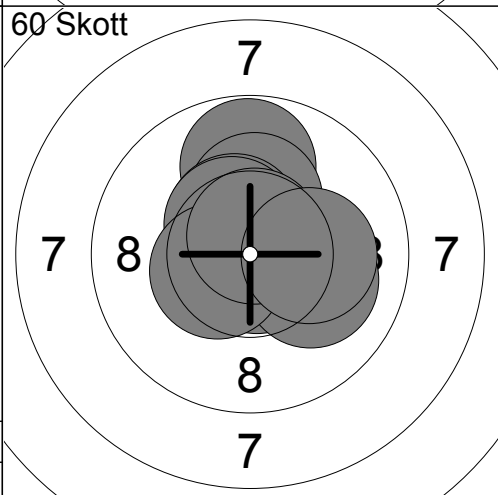
21:	10.3x	→
22:	10.7x	↓
23:	9.7	←
24:	10.5x	↓
Serie		41.2
Total		0.0



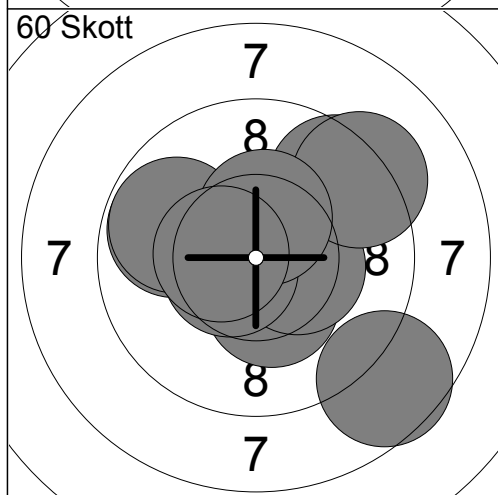
1:	10.5x	↑
2:	9.9	←
3:	9.7	↓
4:	9.9	↓
5:	10.3x	←
6:	10.3x	→
7:	9.8	↑
8:	10.5x	↓
9:	9.2	↗
10:	10.6x	←
Serie		100.7
Total		100.7



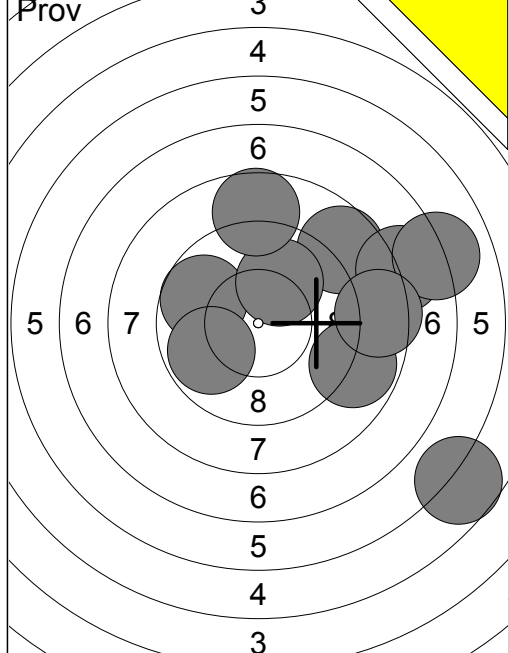
11:	9.9	↗
12:	10.2x	↑
13:	10.2x	↑
14:	10.4x	↓
15:	10.4x	↓
16:	9.9	↗
17:	9.8	↗
18:	10.1	↑
19:	9.6	↗
20:	9.7	→
Serie		100.2
Total		200.9



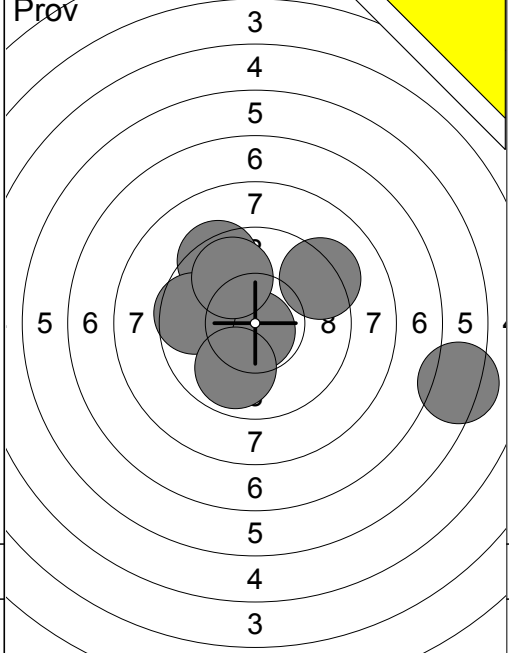
21:	10.5x	↗
22:	10.8x	↓
23:	10.1	→
24:	9.8	↑
25:	10.2x	↑
26:	10.5x	↗
27:	10.5x	↗
28:	10.5x	←
29:	10.7x	↑
30:	10.2x	→
Serie		103.8
Total		304.7



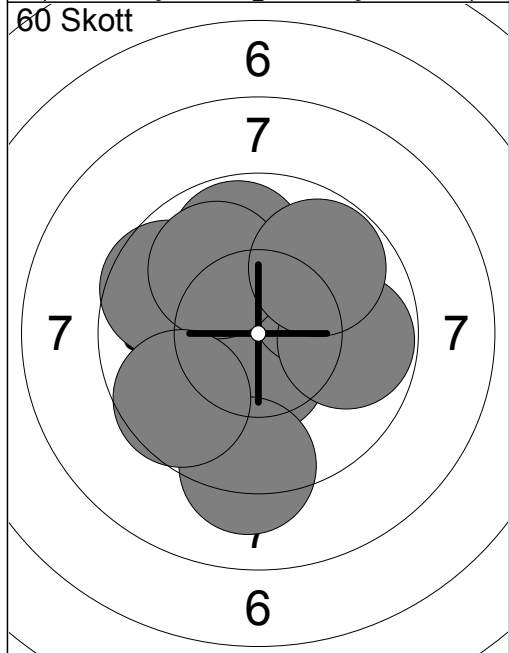
31:	9.8	←
32:	9.8	←
33:	9.5	↗
34:	10.4x	↓
35:	10.4x	→
36:	9.2	↗
37:	10.6x	←
38:	10.4x	↑
39:	10.5x	←
40:	8.6	↓
Serie		99.2
Total		403.9



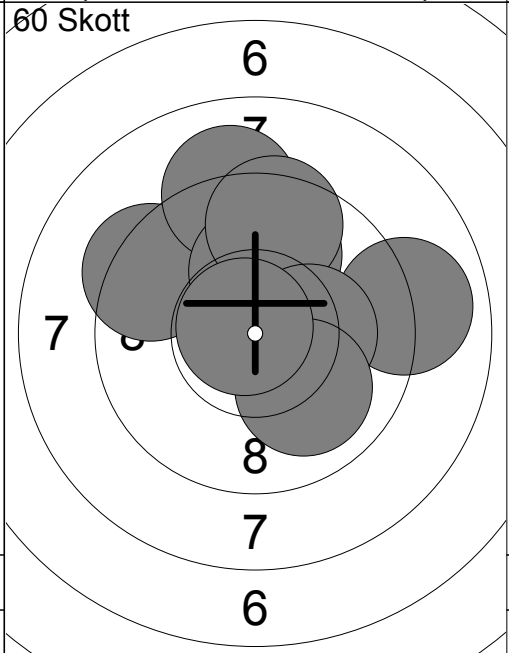
1:	5.7	↘
2:	8.7	↗
3:	7.8	→
4:	8.8	→
5:	9.7	↖
6:	9.8	↖
7:	10.0	↗
8:	7.0	→
9:	8.7	↑
10:	8.5	→
Serie	84.7	
Total	0.0	



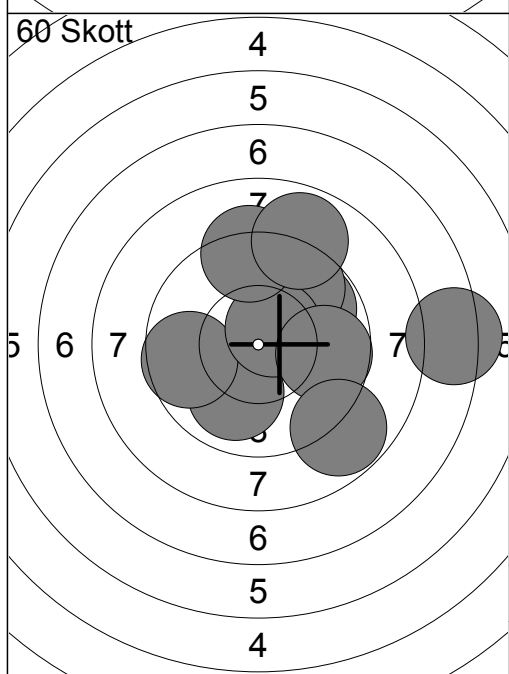
11:	10.8x	↓
12:	9.4	↗
13:	6.3	→
14:	9.6	←
15:	9.9	↗
16:	9.2	↗
17:	9.9	↓
Serie	65.1	
Total	0.0	



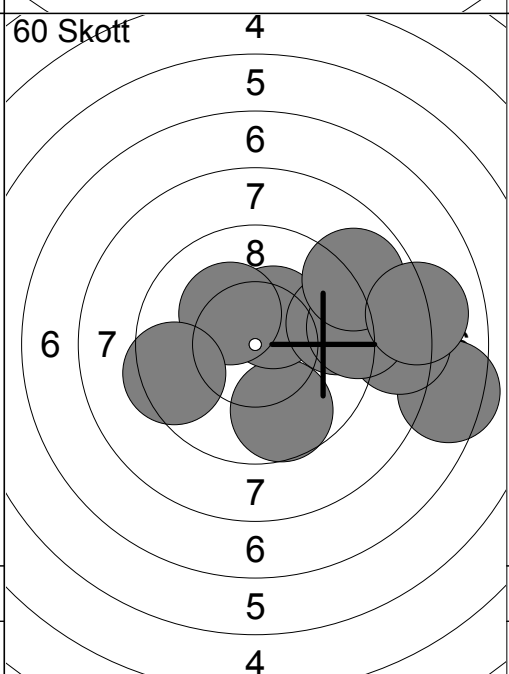
1:	9.7	↖
2:	10.5x	↓
3:	9.6	↖
4:	9.2	↓
5:	10.1	→
6:	9.8	↑
7:	10.0	↗
8:	9.6	↖
9:	9.8	→
10:	9.8	↗
Serie	98.1	
Total	98.1	



11:	9.0	→
12:	9.9	↑
13:	9.4	↖
14:	9.1	↑
15:	10.6x	↗
16:	10.1	↑
17:	9.5	↑
18:	10.2x	→
19:	10.0	↓
20:	10.8x	↖
Serie	98.6	
Total	196.7	



21:	7.3	→
22:	10.0	↓
23:	9.8	↗
24:	9.6	←
25:	9.7	↗
26:	10.5x	↗
27:	9.7	→
28:	9.3	↑
29:	8.9	↑
30:	8.8	↓
Serie	93.6	
Total	290.3	



31:	7.5	→
32:	8.4	→
33:	9.7	↓
34:	10.4x	↗
35:	9.5	→
36:	9.1	→
37:	10.2x	↖
38:	8.9	↗
39:	8.1	→
40:	9.4	←
Serie	91.2	
Total	381.5	