

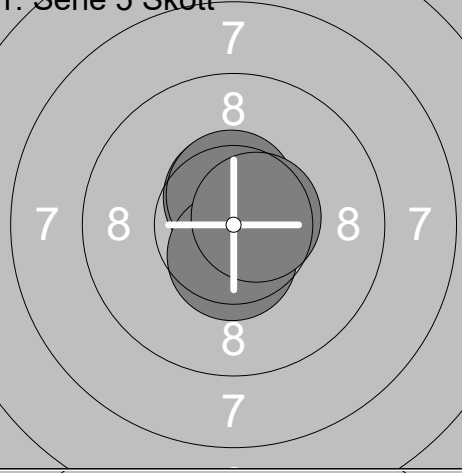
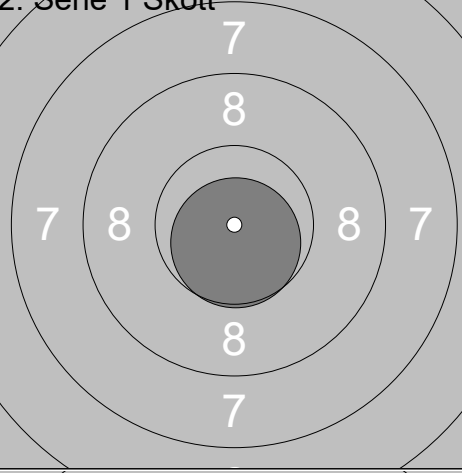
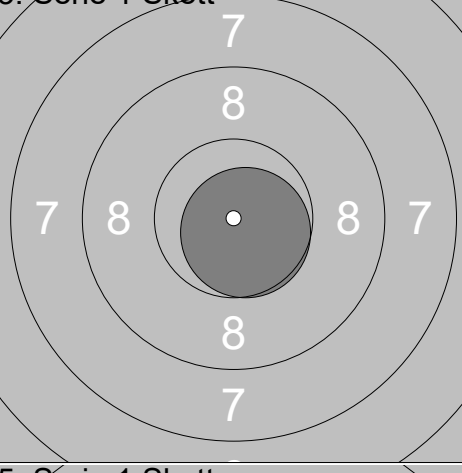
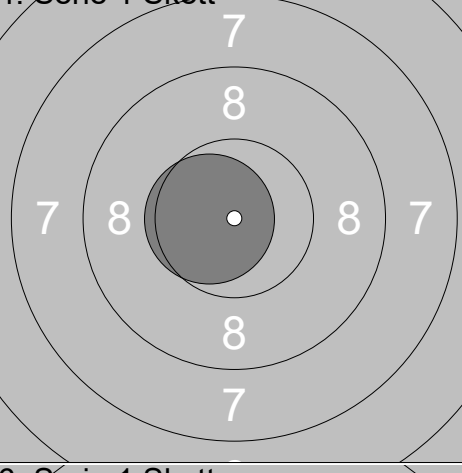
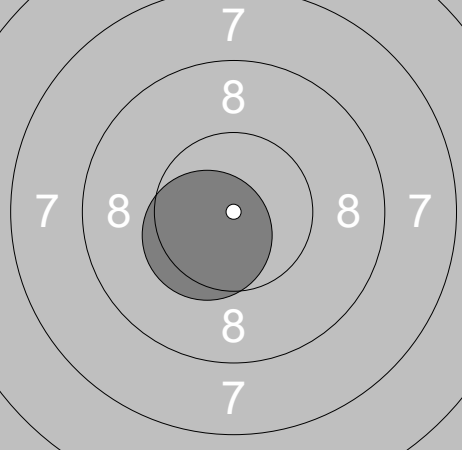
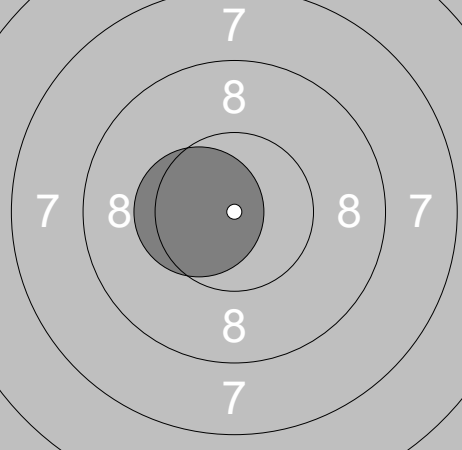
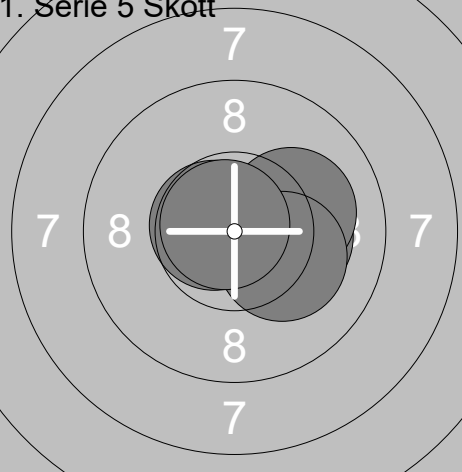
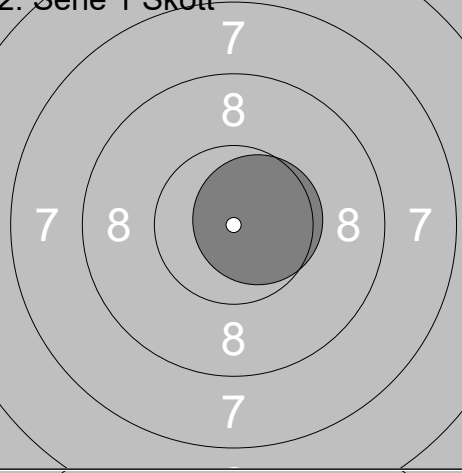
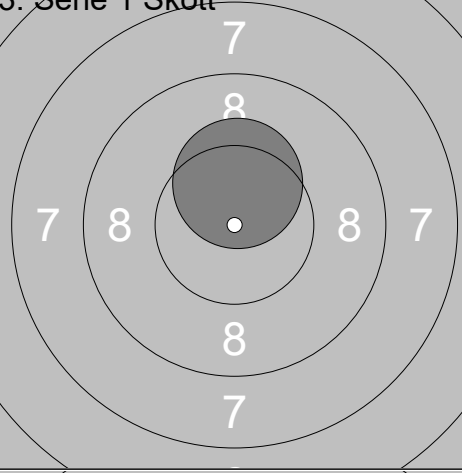
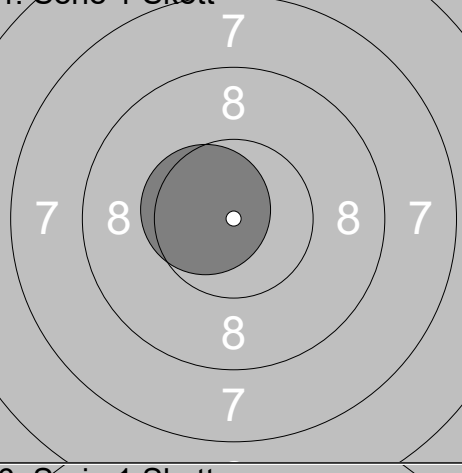
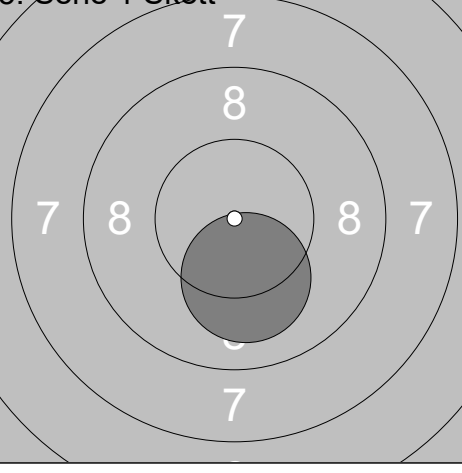
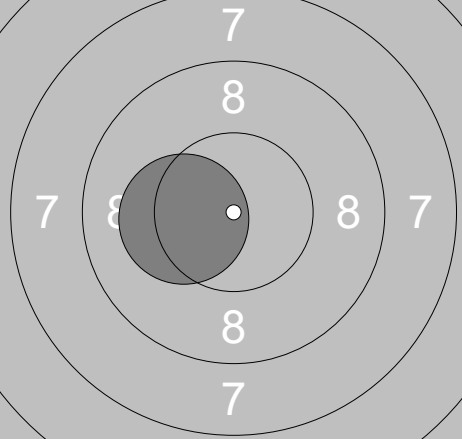


Prov 	1: 10.4x → 2: 10.4x → 3: 10.6x ← 4: 10.6x ↑ 5: 10.5x ↗ 6: 10.0 ← 7: 10.5x ↗ 8: 10.8x ↗ 9: 10.5x ↘ 10: 10.8x ↘ <hr/> Serie 105.1 Total 400.0	Prov 	11: 10.5x ↗ 12: 10.7x ↘ <hr/> Serie 21.2 Total 400.0
1. Serie 5 Skott 	1: 10.8x ↗ 2: 10.6x ↑ 3: 10.5x ↑ 4: 10.5x ↓ 5: 10.6x → <hr/> Serie 53.0 Total 453.0	2. Serie 1 Skott 	1: 10.7x ↓ <hr/> Serie 10.7 Total 463.7
3. Serie 1 Skott 	1: 10.7x ↘ <hr/> Serie 10.7 Total 474.4	4. Serie 1 Skott 	1: 10.6x ← <hr/> Serie 10.6 Total 485.0
5. Serie 1 Skott 	1: 10.5x ↘ <hr/> Serie 10.5 Total 495.5	6. Serie 1 Skott 	1: 10.5x ← <hr/> Serie 10.5 Total 506.0

<p>Prov</p> 	<p>1: 10.3x ↗ 2: 10.3x → 3: 10.5x ↗ 4: 10.6x ↓ 5: 10.3x ↗ 6: 10.6x ↗ 7: 9.9 → 8: 10.6x ↗ 9: 10.5x ↘ 10: 10.7x ↗</p> <table border="1" style="width:100%; border-collapse: collapse;"> <tr><td>Serie</td><td style="text-align: right;">104.3</td></tr> <tr><td>Total</td><td style="text-align: right;">400.0</td></tr> </table>	Serie	104.3	Total	400.0	<p>1. Serie 5 Skott</p>  <table border="1" style="width:100%; border-collapse: collapse;"> <tr><td>Serie</td><td style="text-align: right;">51.9</td></tr> <tr><td>Total</td><td style="text-align: right;">451.9</td></tr> </table>	Serie	51.9	Total	451.9	<p>1: 10.2x → 2: 10.1 → 3: 10.6x ↖ 4: 10.2x ↘ 5: 10.8x ↗</p>
Serie	104.3										
Total	400.0										
Serie	51.9										
Total	451.9										
<p>2. Serie 1 Skott</p>  <table border="1" style="width:100%; border-collapse: collapse;"> <tr><td>Serie</td><td style="text-align: right;">10.6</td></tr> <tr><td>Total</td><td style="text-align: right;">462.5</td></tr> </table>	Serie	10.6	Total	462.5	<p>1: 10.6x →</p>	<p>3. Serie 1 Skott</p>  <table border="1" style="width:100%; border-collapse: collapse;"> <tr><td>Serie</td><td style="text-align: right;">10.4</td></tr> <tr><td>Total</td><td style="text-align: right;">472.9</td></tr> </table>	Serie	10.4	Total	472.9	<p>1: 10.4x ↑</p>
Serie	10.6										
Total	462.5										
Serie	10.4										
Total	472.9										
<p>4. Serie 1 Skott</p>  <table border="1" style="width:100%; border-collapse: collapse;"> <tr><td>Serie</td><td style="text-align: right;">10.5</td></tr> <tr><td>Total</td><td style="text-align: right;">483.4</td></tr> </table>	Serie	10.5	Total	483.4	<p>1: 10.5x ↖</p>	<p>5. Serie 1 Skott</p>  <table border="1" style="width:100%; border-collapse: collapse;"> <tr><td>Serie</td><td style="text-align: right;">10.1</td></tr> <tr><td>Total</td><td style="text-align: right;">493.5</td></tr> </table>	Serie	10.1	Total	493.5	<p>1: 10.1 ↓</p>
Serie	10.5										
Total	483.4										
Serie	10.1										
Total	493.5										
<p>6. Serie 1 Skott</p>  <table border="1" style="width:100%; border-collapse: collapse;"> <tr><td>Serie</td><td style="text-align: right;">10.2</td></tr> <tr><td>Total</td><td style="text-align: right;">503.7</td></tr> </table>	Serie	10.2	Total	503.7	<p>1: 10.2x ↖</p>						
Serie	10.2										
Total	503.7										

<p>Prov</p>	<table style="width:100%; border-collapse: collapse;"> <tr><td>1:</td><td>10.4x</td><td>↗</td></tr> <tr><td>2:</td><td>10.5x</td><td>↗</td></tr> <tr><td>3:</td><td>10.1</td><td>↗</td></tr> <tr><td>4:</td><td>10.7x</td><td>↗</td></tr> <tr><td>5:</td><td>10.4x</td><td>↗</td></tr> <tr><td>6:</td><td>10.6x</td><td>➔</td></tr> <tr><td>7:</td><td>10.3x</td><td>↗</td></tr> <tr><td>8:</td><td>10.8x</td><td>↗</td></tr> <tr><td>9:</td><td>10.6x</td><td>↗</td></tr> <tr><td>10:</td><td>10.8x</td><td>↖</td></tr> </table> <table style="width:100%; border-collapse: collapse; margin-top: 5px;"> <tr><td style="border-top: 1px solid black;">Serie</td><td style="border-top: 1px solid black; text-align: right;">105.2</td></tr> <tr><td style="border-top: 1px solid black;">Total</td><td style="border-top: 1px solid black; text-align: right;">400.0</td></tr> </table>	1:	10.4x	↗	2:	10.5x	↗	3:	10.1	↗	4:	10.7x	↗	5:	10.4x	↗	6:	10.6x	➔	7:	10.3x	↗	8:	10.8x	↗	9:	10.6x	↗	10:	10.8x	↖	Serie	105.2	Total	400.0	<p>Prov</p>	<table style="width:100%; border-collapse: collapse;"> <tr><td>11:</td><td>10.1</td><td>↗</td></tr> <tr><td>12:</td><td>10.8x</td><td>➔</td></tr> <tr><td>13:</td><td>9.6</td><td>➔</td></tr> <tr><td>14:</td><td>10.6x</td><td>➔</td></tr> <tr><td>15:</td><td>10.5x</td><td>↖</td></tr> <tr><td>16:</td><td>10.7x</td><td>↗</td></tr> <tr><td>17:</td><td>10.2x</td><td>↗</td></tr> </table> <table style="width:100%; border-collapse: collapse; margin-top: 5px;"> <tr><td style="border-top: 1px solid black;">Serie</td><td style="border-top: 1px solid black; text-align: right;">72.5</td></tr> <tr><td style="border-top: 1px solid black;">Total</td><td style="border-top: 1px solid black; text-align: right;">400.0</td></tr> </table>	11:	10.1	↗	12:	10.8x	➔	13:	9.6	➔	14:	10.6x	➔	15:	10.5x	↖	16:	10.7x	↗	17:	10.2x	↗	Serie	72.5	Total	400.0
1:	10.4x	↗																																																												
2:	10.5x	↗																																																												
3:	10.1	↗																																																												
4:	10.7x	↗																																																												
5:	10.4x	↗																																																												
6:	10.6x	➔																																																												
7:	10.3x	↗																																																												
8:	10.8x	↗																																																												
9:	10.6x	↗																																																												
10:	10.8x	↖																																																												
Serie	105.2																																																													
Total	400.0																																																													
11:	10.1	↗																																																												
12:	10.8x	➔																																																												
13:	9.6	➔																																																												
14:	10.6x	➔																																																												
15:	10.5x	↖																																																												
16:	10.7x	↗																																																												
17:	10.2x	↗																																																												
Serie	72.5																																																													
Total	400.0																																																													

<p>1. Serie 5 Skott</p>	<table style="width:100%; border-collapse: collapse;"> <tr><td>1:</td><td>10.6x</td><td>↘</td></tr> <tr><td>2:</td><td>10.7x</td><td>↖</td></tr> <tr><td>3:</td><td>10.8x</td><td>➔</td></tr> <tr><td>4:</td><td>10.3x</td><td>↖</td></tr> <tr><td>5:</td><td>10.4x</td><td>➔</td></tr> </table> <table style="width:100%; border-collapse: collapse; margin-top: 5px;"> <tr><td style="border-top: 1px solid black;">Serie</td><td style="border-top: 1px solid black; text-align: right;">52.8</td></tr> <tr><td style="border-top: 1px solid black;">Total</td><td style="border-top: 1px solid black; text-align: right;">452.8</td></tr> </table>	1:	10.6x	↘	2:	10.7x	↖	3:	10.8x	➔	4:	10.3x	↖	5:	10.4x	➔	Serie	52.8	Total	452.8	<p>2. Serie 1 Skott</p>	<table style="width:100%; border-collapse: collapse;"> <tr><td>1:</td><td>10.5x</td><td>➔</td></tr> </table> <table style="width:100%; border-collapse: collapse; margin-top: 5px;"> <tr><td style="border-top: 1px solid black;">Serie</td><td style="border-top: 1px solid black; text-align: right;">10.5</td></tr> <tr><td style="border-top: 1px solid black;">Total</td><td style="border-top: 1px solid black; text-align: right;">463.3</td></tr> </table>	1:	10.5x	➔	Serie	10.5	Total	463.3
1:	10.6x	↘																											
2:	10.7x	↖																											
3:	10.8x	➔																											
4:	10.3x	↖																											
5:	10.4x	➔																											
Serie	52.8																												
Total	452.8																												
1:	10.5x	➔																											
Serie	10.5																												
Total	463.3																												

<p>3. Serie 1 Skott</p>	<table style="width:100%; border-collapse: collapse;"> <tr><td>1:</td><td>10.6x</td><td>↘</td></tr> </table> <table style="width:100%; border-collapse: collapse; margin-top: 5px;"> <tr><td style="border-top: 1px solid black;">Serie</td><td style="border-top: 1px solid black; text-align: right;">10.6</td></tr> <tr><td style="border-top: 1px solid black;">Total</td><td style="border-top: 1px solid black; text-align: right;">473.9</td></tr> </table>	1:	10.6x	↘	Serie	10.6	Total	473.9	<p>4. Serie 1 Skott</p>	<table style="width:100%; border-collapse: collapse;"> <tr><td>1:</td><td>10.7x</td><td>↖</td></tr> </table> <table style="width:100%; border-collapse: collapse; margin-top: 5px;"> <tr><td style="border-top: 1px solid black;">Serie</td><td style="border-top: 1px solid black; text-align: right;">10.7</td></tr> <tr><td style="border-top: 1px solid black;">Total</td><td style="border-top: 1px solid black; text-align: right;">484.6</td></tr> </table>	1:	10.7x	↖	Serie	10.7	Total	484.6
1:	10.6x	↘															
Serie	10.6																
Total	473.9																
1:	10.7x	↖															
Serie	10.7																
Total	484.6																



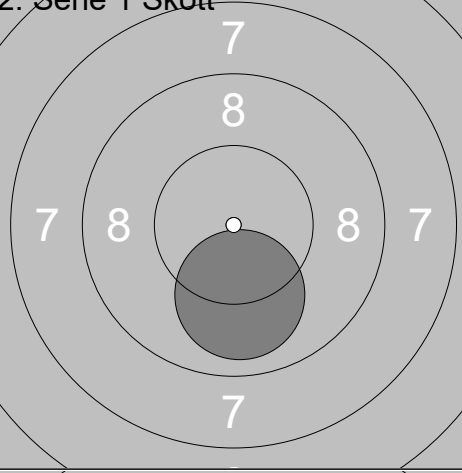
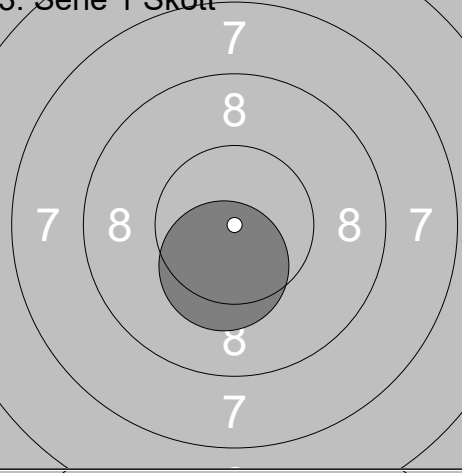
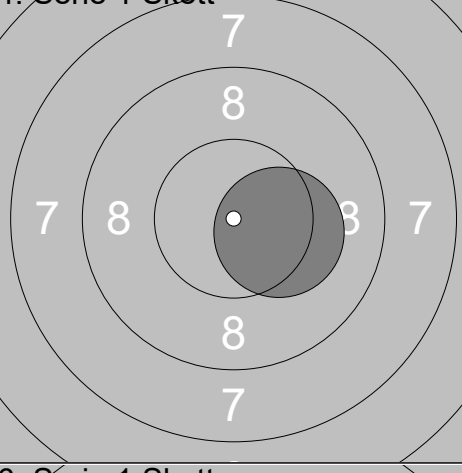
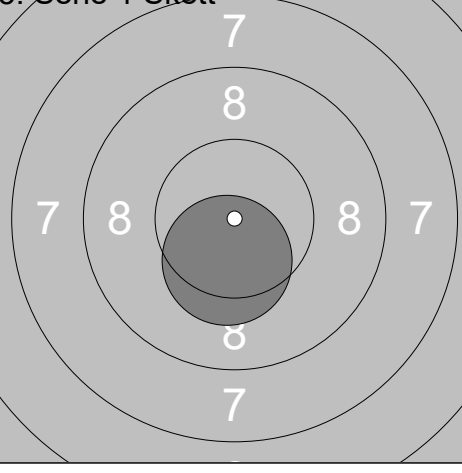
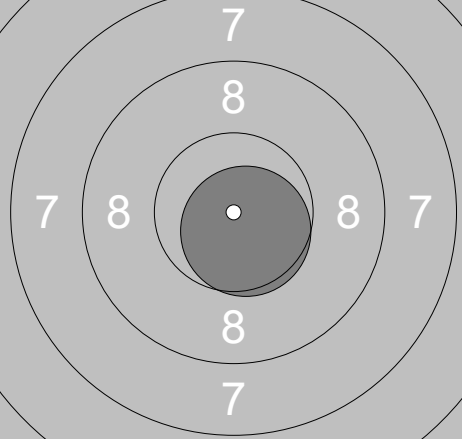
<p>5. Serie 1 Skott</p>	<table style="width:100%; border-collapse: collapse;"> <tr><td>1:</td><td>10.5x</td><td>↖</td></tr> </table> <table style="width:100%; border-collapse: collapse; margin-top: 5px;"> <tr><td style="border-top: 1px solid black;">Serie</td><td style="border-top: 1px solid black; text-align: right;">10.5</td></tr> <tr><td style="border-top: 1px solid black;">Total</td><td style="border-top: 1px solid black; text-align: right;">495.1</td></tr> </table>	1:	10.5x	↖	Serie	10.5	Total	495.1	<p>6. Serie 1 Skott</p>	<table style="width:100%; border-collapse: collapse;"> <tr><td>1:</td><td>10.2x</td><td>➔</td></tr> </table> <table style="width:100%; border-collapse: collapse; margin-top: 5px;"> <tr><td style="border-top: 1px solid black;">Serie</td><td style="border-top: 1px solid black; text-align: right;">10.2</td></tr> <tr><td style="border-top: 1px solid black;">Total</td><td style="border-top: 1px solid black; text-align: right;">505.3</td></tr> </table>	1:	10.2x	➔	Serie	10.2	Total	505.3
1:	10.5x	↖															
Serie	10.5																
Total	495.1																
1:	10.2x	➔															
Serie	10.2																
Total	505.3																

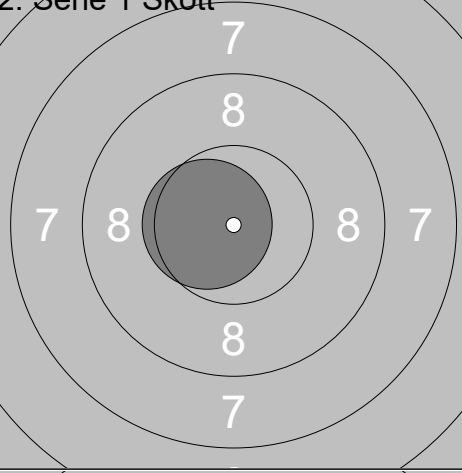
<p>Prov</p>	<table border="1" style="width:100%; border-collapse: collapse;"> <tr><td>1:</td><td>10.3x</td><td>→</td></tr> <tr><td>2:</td><td>10.1</td><td>↓</td></tr> <tr><td>3:</td><td>10.4x</td><td>↓</td></tr> <tr><td>4:</td><td>10.6x</td><td>→</td></tr> <tr><td>5:</td><td>10.7x</td><td>←</td></tr> <tr><td>6:</td><td>10.3x</td><td>↓</td></tr> <tr><td>7:</td><td>10.4x</td><td>↙</td></tr> <tr><td>8:</td><td>10.4x</td><td>↗</td></tr> <tr><td>9:</td><td>10.8x</td><td>←</td></tr> <tr><td>10:</td><td>10.5x</td><td>↘</td></tr> <tr><td colspan="2">Serie</td><td>104.5</td></tr> <tr><td colspan="2">Total</td><td>400.0</td></tr> </table>	1:	10.3x	→	2:	10.1	↓	3:	10.4x	↓	4:	10.6x	→	5:	10.7x	←	6:	10.3x	↓	7:	10.4x	↙	8:	10.4x	↗	9:	10.8x	←	10:	10.5x	↘	Serie		104.5	Total		400.0	<p>Prov</p>	<table border="1" style="width:100%; border-collapse: collapse;"> <tr><td>11:</td><td>10.7x</td><td>↓</td></tr> <tr><td>12:</td><td>10.6x</td><td>→</td></tr> <tr><td colspan="2">Serie</td><td>21.3</td></tr> <tr><td colspan="2">Total</td><td>400.0</td></tr> </table>	11:	10.7x	↓	12:	10.6x	→	Serie		21.3	Total		400.0
1:	10.3x	→																																																	
2:	10.1	↓																																																	
3:	10.4x	↓																																																	
4:	10.6x	→																																																	
5:	10.7x	←																																																	
6:	10.3x	↓																																																	
7:	10.4x	↙																																																	
8:	10.4x	↗																																																	
9:	10.8x	←																																																	
10:	10.5x	↘																																																	
Serie		104.5																																																	
Total		400.0																																																	
11:	10.7x	↓																																																	
12:	10.6x	→																																																	
Serie		21.3																																																	
Total		400.0																																																	

<p>1. Serie 5 Skott</p>	<table border="1" style="width:100%; border-collapse: collapse;"> <tr><td>1:</td><td>10.4x</td><td>↓</td></tr> <tr><td>2:</td><td>10.5x</td><td>↗</td></tr> <tr><td>3:</td><td>10.2x</td><td>↓</td></tr> <tr><td>4:</td><td>10.7x</td><td>←</td></tr> <tr><td>5:</td><td>9.9</td><td>↙</td></tr> <tr><td colspan="2">Serie</td><td>51.7</td></tr> <tr><td colspan="2">Total</td><td>451.7</td></tr> </table>	1:	10.4x	↓	2:	10.5x	↗	3:	10.2x	↓	4:	10.7x	←	5:	9.9	↙	Serie		51.7	Total		451.7	<p>2. Serie 1 Skott</p>	<table border="1" style="width:100%; border-collapse: collapse;"> <tr><td>1:</td><td>10.5x</td><td>↗</td></tr> <tr><td colspan="2">Serie</td><td>10.5</td></tr> <tr><td colspan="2">Total</td><td>462.2</td></tr> </table>	1:	10.5x	↗	Serie		10.5	Total		462.2
1:	10.4x	↓																															
2:	10.5x	↗																															
3:	10.2x	↓																															
4:	10.7x	←																															
5:	9.9	↙																															
Serie		51.7																															
Total		451.7																															
1:	10.5x	↗																															
Serie		10.5																															
Total		462.2																															

<p>3. Serie 1 Skott</p>	<table border="1" style="width:100%; border-collapse: collapse;"> <tr><td>1:</td><td>10.3x</td><td>↘</td></tr> <tr><td colspan="2">Serie</td><td>10.3</td></tr> <tr><td colspan="2">Total</td><td>472.5</td></tr> </table>	1:	10.3x	↘	Serie		10.3	Total		472.5	<p>4. Serie 1 Skott</p>	<table border="1" style="width:100%; border-collapse: collapse;"> <tr><td>1:</td><td>10.3x</td><td>→</td></tr> <tr><td colspan="2">Serie</td><td>10.3</td></tr> <tr><td colspan="2">Total</td><td>482.8</td></tr> </table>	1:	10.3x	→	Serie		10.3	Total		482.8
1:	10.3x	↘																			
Serie		10.3																			
Total		472.5																			
1:	10.3x	→																			
Serie		10.3																			
Total		482.8																			

<p>5. Serie 1 Skott</p>	<table border="1" style="width:100%; border-collapse: collapse;"> <tr><td>1:</td><td>10.1</td><td>↘</td></tr> <tr><td colspan="2">Serie</td><td>10.1</td></tr> <tr><td colspan="2">Total</td><td>492.9</td></tr> </table>	1:	10.1	↘	Serie		10.1	Total		492.9	<p>6. Serie 1 Skott</p>	<table border="1" style="width:100%; border-collapse: collapse;"> <tr><td>1:</td><td>10.5x</td><td>→</td></tr> <tr><td colspan="2">Serie</td><td>10.5</td></tr> <tr><td colspan="2">Total</td><td>503.4</td></tr> </table>	1:	10.5x	→	Serie		10.5	Total		503.4
1:	10.1	↘																			
Serie		10.1																			
Total		492.9																			
1:	10.5x	→																			
Serie		10.5																			
Total		503.4																			

<p>Prov</p> 	<p>1: 10.7x ←</p> <p>2: 10.5x ↖</p> <p>3: 10.8x ↗</p> <p>4: 10.8x ↗</p> <p>5: 10.8x ↓</p> <p>6: 10.6x ↓</p> <p>7: 10.8x ↗</p>	<p>1. Serie 5 Skott</p> 	<p>1: 10.4x ↗</p> <p>2: 10.0 →</p> <p>3: 10.7x ↘</p> <p>4: 10.4x ↘</p> <p>5: 9.9 ↘</p>
Serie 75.0		Serie 51.4	
Total 400.0		Total 451.4	
<p>2. Serie 1 Skott</p> 	<p>1: 10.0 ↓</p>	<p>3. Serie 1 Skott</p> 	<p>1: 10.4x ↓</p>
Serie 10.0		Serie 10.4	
Total 461.4		Total 471.8	
<p>4. Serie 1 Skott</p> 	<p>1: 10.3x →</p>	<p>5. Serie 1 Skott</p> 	<p>1: 10.4x ↓</p>
Serie 10.3		Serie 10.4	
Total 482.1		Total 492.5	
<p>6. Serie 1 Skott</p> 	<p>1: 10.6x ↘</p>		
Serie 10.6			
Total 503.1			

<p>Prov</p> 	<p>1: 10.9x ↙ 2: 10.6x ↓ 3: 9.9 ← 4: 10.3x ← 5: 10.8x ↓ 6: 10.3x ↓ 7: 10.0 ← 8: 10.2x ↗</p> <table border="1" style="width:100%; border-collapse: collapse;"> <tr><td>Serie</td><td style="text-align: right;">83.0</td></tr> <tr><td>Total</td><td style="text-align: right;">400.0</td></tr> </table>	Serie	83.0	Total	400.0	<p>1. Serie 5 Skott</p>  <table border="1" style="width:100%; border-collapse: collapse;"> <tr><td>Serie</td><td style="text-align: right;">52.3</td></tr> <tr><td>Total</td><td style="text-align: right;">452.3</td></tr> </table>	Serie	52.3	Total	452.3
Serie	83.0									
Total	400.0									
Serie	52.3									
Total	452.3									
<p>2. Serie 1 Skott</p>  <table border="1" style="width:100%; border-collapse: collapse;"> <tr><td>Serie</td><td style="text-align: right;">10.6</td></tr> <tr><td>Total</td><td style="text-align: right;">462.9</td></tr> </table>	Serie	10.6	Total	462.9	<p>3. Serie 1 Skott</p>  <table border="1" style="width:100%; border-collapse: collapse;"> <tr><td>Serie</td><td style="text-align: right;">10.1</td></tr> <tr><td>Total</td><td style="text-align: right;">473.0</td></tr> </table>	Serie	10.1	Total	473.0	<p>1: 10.6x ←</p> <p>1: 10.1 ←</p>
Serie	10.6									
Total	462.9									
Serie	10.1									
Total	473.0									
<p>4. Serie 1 Skott</p>  <table border="1" style="width:100%; border-collapse: collapse;"> <tr><td>Serie</td><td style="text-align: right;">10.4</td></tr> <tr><td>Total</td><td style="text-align: right;">483.4</td></tr> </table>	Serie	10.4	Total	483.4	<p>5. Serie 1 Skott</p>  <table border="1" style="width:100%; border-collapse: collapse;"> <tr><td>Serie</td><td style="text-align: right;">10.1</td></tr> <tr><td>Total</td><td style="text-align: right;">493.5</td></tr> </table>	Serie	10.1	Total	493.5	<p>1: 10.4x ↙</p> <p>1: 10.1 ↓</p>
Serie	10.4									
Total	483.4									
Serie	10.1									
Total	493.5									
<p>6. Serie 1 Skott</p>  <table border="1" style="width:100%; border-collapse: collapse;"> <tr><td>Serie</td><td style="text-align: right;">10.8</td></tr> <tr><td>Total</td><td style="text-align: right;">504.3</td></tr> </table>	Serie	10.8	Total	504.3	<p>Extra</p>  <table border="1" style="width:100%; border-collapse: collapse;"> <tr><td>Serie</td><td style="text-align: right;">9.5</td></tr> <tr><td>Total</td><td style="text-align: right;">504.3</td></tr> </table>	Serie	9.5	Total	504.3	<p>1: 10.8x ←</p> <p>1: 9.5 ↑</p>
Serie	10.8									
Total	504.3									
Serie	9.5									
Total	504.3									



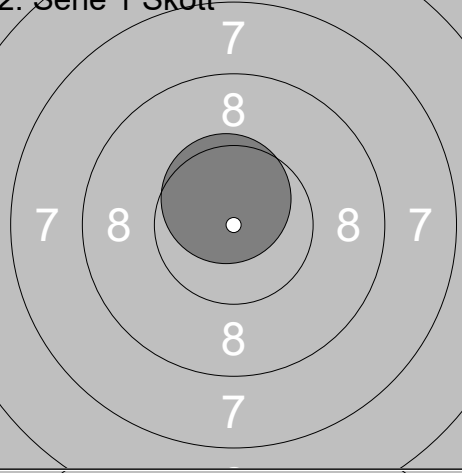
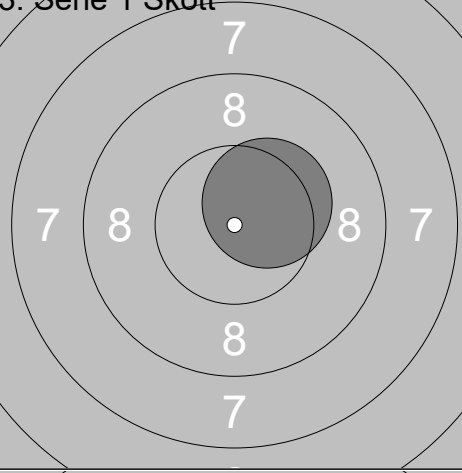
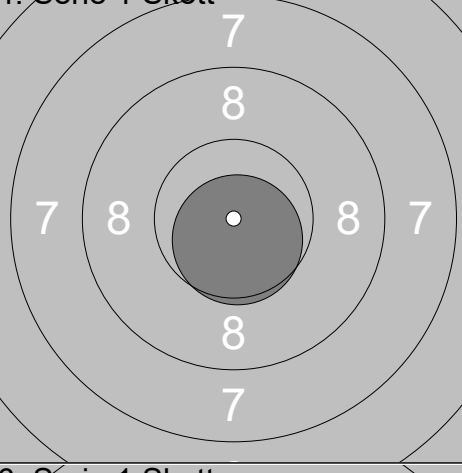
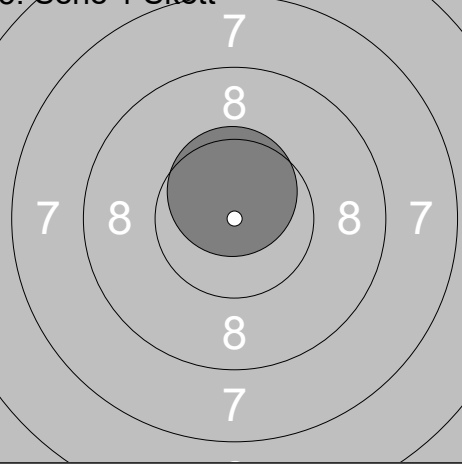
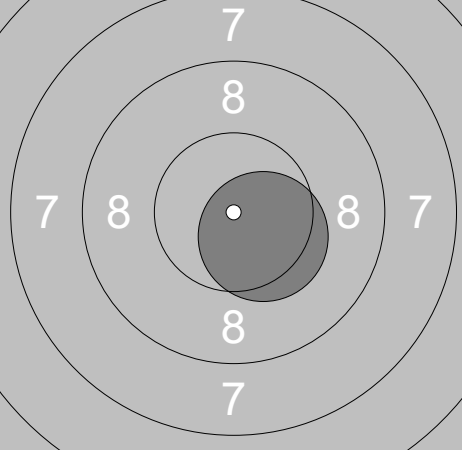
Skjuttag	Tavla	Jonathan Ebbhagen			
3	27	Ramselefors	Ramselefors	Sitt	Vb
26.01.2019	FM luftgevär 2019	Ramselefors SKF			
Pröv 	1: 10.5x ↓ 2: 10.6x → 3: 10.1 → 4: 10.6x ↗ 5: 10.1 ↘ 6: 10.4x ← 7: 10.3x ← 8: 10.1 ↗ 9: 10.2x ↓ 10: 10.7x ↓	Pröv 	11: 10.2x ↗ 12: 10.1 ↓ 13: 10.6x ↙ 14: 10.3x ↓ 15: 10.0 ↓ 16: 10.7x ↖	Serie 103.6 Total 400.0	Serie 61.9 Total 400.0
1. Serie 5 Skott 	1: 10.8x ← 2: 10.5x ↑ 3: 10.5x → 4: 9.7 → 5: 10.6x ↗	2. Serie 1 Skott 	1: 10.0 ↑	Serie 52.1 Total 452.1	Serie 10.0 Total 462.1
3. Serie 1 Skott 	1: 10.5x ↑	4. Serie 1 Skott 	1: 10.4x ↓	Serie 10.5 Total 472.6	Serie 10.4 Total 483.0
5. Serie 1 Skott 	1: 10.7x ↓	6. Serie 1 Skott 	1: 10.6x ↑	Serie 10.7 Total 493.7	Serie 10.6 Total 504.3
Extra 	1: 10.2x ↑				
	Serie 10.2 Total 504.3				

<p>Prov</p>	<table style="width:100%; border-collapse: collapse;"> <tr><td>1:</td><td>9.1</td><td>↓</td></tr> <tr><td>2:</td><td>8.9</td><td>↓</td></tr> <tr><td>3:</td><td>9.3</td><td>↓</td></tr> <tr><td>4:</td><td>9.6</td><td>↓</td></tr> <tr><td>5:</td><td>9.6</td><td>↓</td></tr> <tr><td>6:</td><td>10.3x</td><td>↓</td></tr> <tr><td>7:</td><td>10.3x</td><td>↓</td></tr> <tr><td>8:</td><td>10.4x</td><td>↘</td></tr> <tr><td>9:</td><td>9.9</td><td>↓</td></tr> <tr><td>10:</td><td>10.6x</td><td>↗</td></tr> <tr><td colspan="2">Serie</td><td style="text-align: right;">98.0</td></tr> <tr><td colspan="2">Total</td><td style="text-align: right;">399.0</td></tr> </table>	1:	9.1	↓	2:	8.9	↓	3:	9.3	↓	4:	9.6	↓	5:	9.6	↓	6:	10.3x	↓	7:	10.3x	↓	8:	10.4x	↘	9:	9.9	↓	10:	10.6x	↗	Serie		98.0	Total		399.0	<p>Prov</p> <table style="width:100%; border-collapse: collapse;"> <tr><td>11:</td><td>10.3x</td><td>→</td></tr> <tr><td>12:</td><td>10.7x</td><td>↗</td></tr> <tr><td>13:</td><td>10.3x</td><td>↓</td></tr> <tr><td>14:</td><td>10.5x</td><td>→</td></tr> <tr><td>15:</td><td>10.8x</td><td>↗</td></tr> <tr><td>16:</td><td>10.2x</td><td>↓</td></tr> <tr><td>17:</td><td>10.7x</td><td>↓</td></tr> <tr><td>18:</td><td>10.2x</td><td>↘</td></tr> <tr><td>19:</td><td>10.6x</td><td>↑</td></tr> <tr><td colspan="2">Serie</td><td style="text-align: right;">94.3</td></tr> <tr><td colspan="2">Total</td><td style="text-align: right;">399.0</td></tr> </table>	11:	10.3x	→	12:	10.7x	↗	13:	10.3x	↓	14:	10.5x	→	15:	10.8x	↗	16:	10.2x	↓	17:	10.7x	↓	18:	10.2x	↘	19:	10.6x	↑	Serie		94.3	Total		399.0
1:	9.1	↓																																																																					
2:	8.9	↓																																																																					
3:	9.3	↓																																																																					
4:	9.6	↓																																																																					
5:	9.6	↓																																																																					
6:	10.3x	↓																																																																					
7:	10.3x	↓																																																																					
8:	10.4x	↘																																																																					
9:	9.9	↓																																																																					
10:	10.6x	↗																																																																					
Serie		98.0																																																																					
Total		399.0																																																																					
11:	10.3x	→																																																																					
12:	10.7x	↗																																																																					
13:	10.3x	↓																																																																					
14:	10.5x	→																																																																					
15:	10.8x	↗																																																																					
16:	10.2x	↓																																																																					
17:	10.7x	↓																																																																					
18:	10.2x	↘																																																																					
19:	10.6x	↑																																																																					
Serie		94.3																																																																					
Total		399.0																																																																					

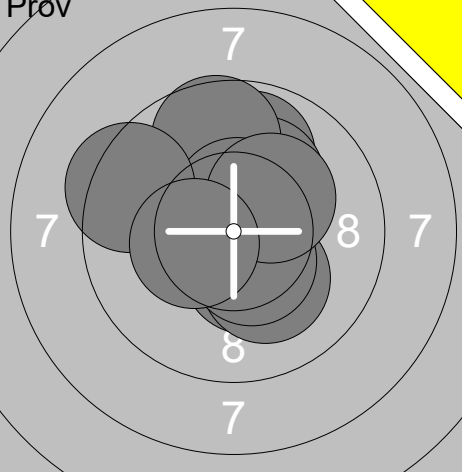
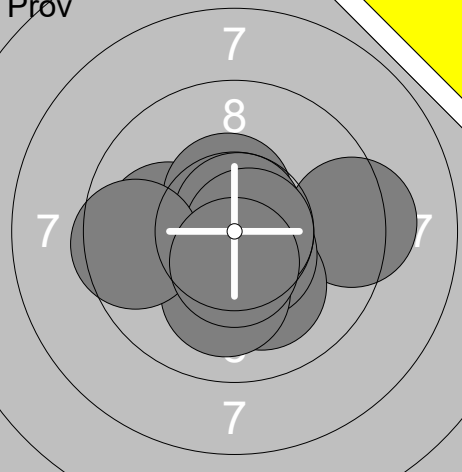
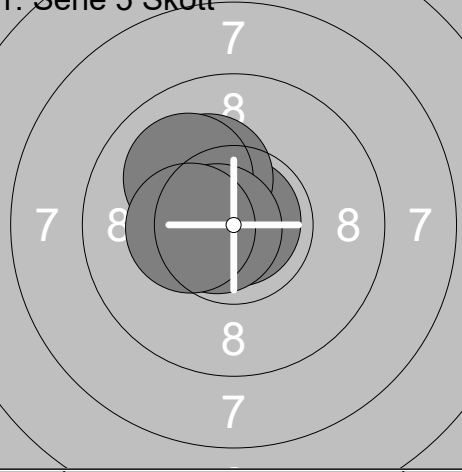
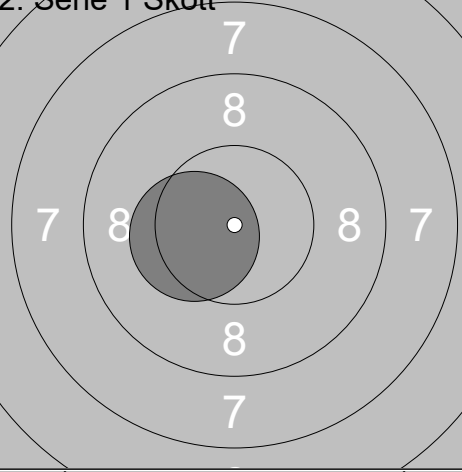
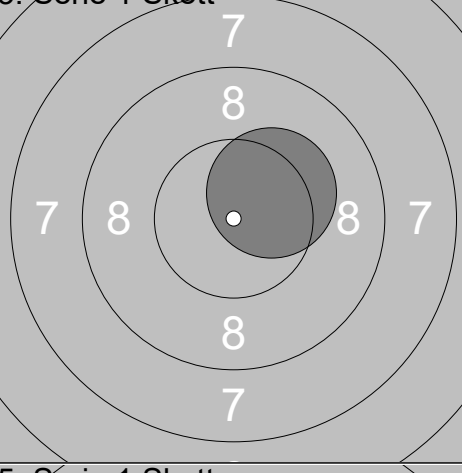
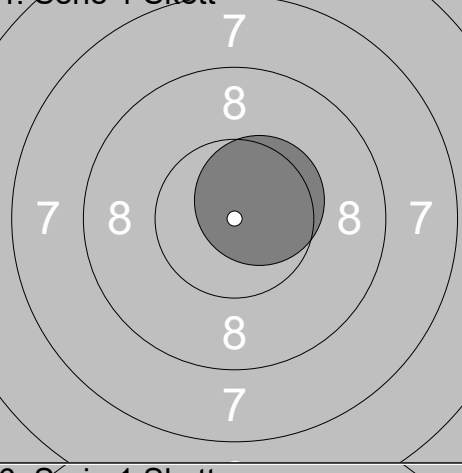
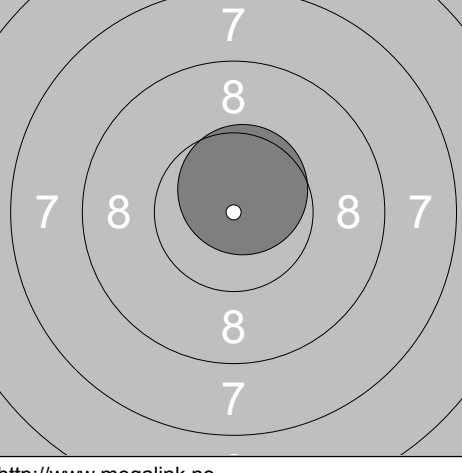
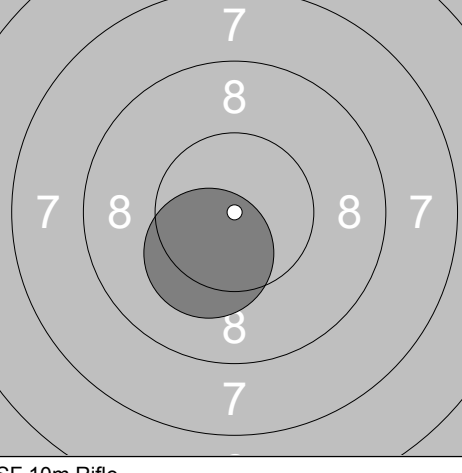
<p>1. Serie 5 Skott</p> <table style="width:100%; border-collapse: collapse;"> <tr><td>1:</td><td>10.0</td><td>→</td></tr> <tr><td>2:</td><td>10.4x</td><td>→</td></tr> <tr><td>3:</td><td>10.4x</td><td>↗</td></tr> <tr><td>4:</td><td>10.6x</td><td>←</td></tr> <tr><td>5:</td><td>10.6x</td><td>→</td></tr> <tr><td colspan="2">Serie</td><td style="text-align: right;">52.0</td></tr> <tr><td colspan="2">Total</td><td style="text-align: right;">451.0</td></tr> </table>	1:	10.0	→	2:	10.4x	→	3:	10.4x	↗	4:	10.6x	←	5:	10.6x	→	Serie		52.0	Total		451.0	<p>2. Serie 1 Skott</p> <table style="width:100%; border-collapse: collapse;"> <tr><td>1:</td><td>10.4x</td><td>←</td></tr> <tr><td colspan="2">Serie</td><td style="text-align: right;">10.4</td></tr> <tr><td colspan="2">Total</td><td style="text-align: right;">461.4</td></tr> </table>	1:	10.4x	←	Serie		10.4	Total		461.4
1:	10.0	→																													
2:	10.4x	→																													
3:	10.4x	↗																													
4:	10.6x	←																													
5:	10.6x	→																													
Serie		52.0																													
Total		451.0																													
1:	10.4x	←																													
Serie		10.4																													
Total		461.4																													

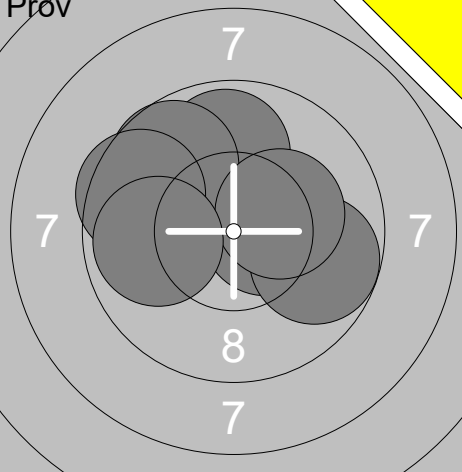
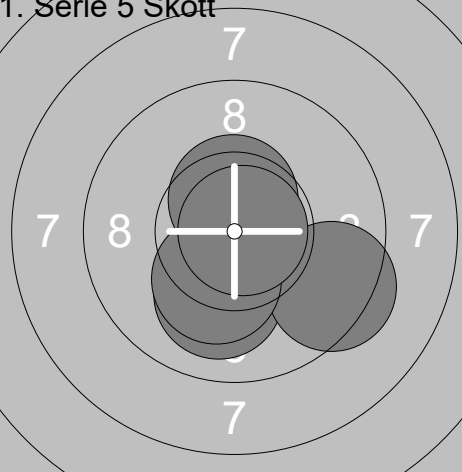
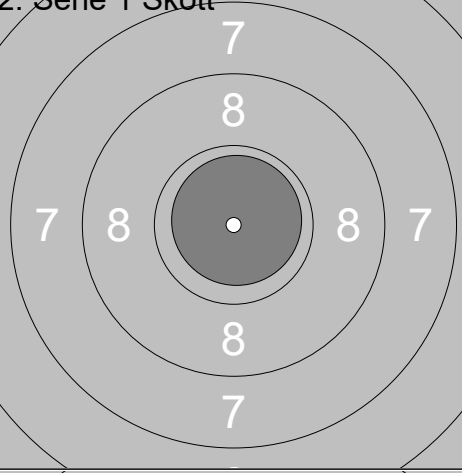
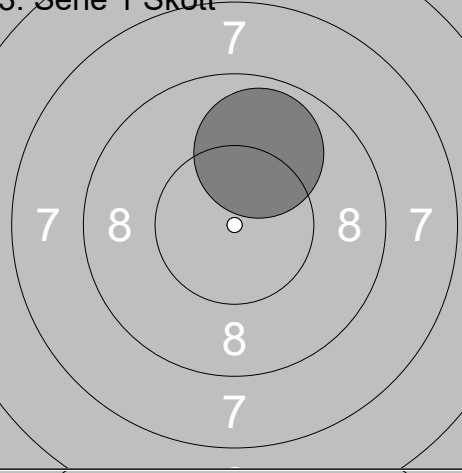
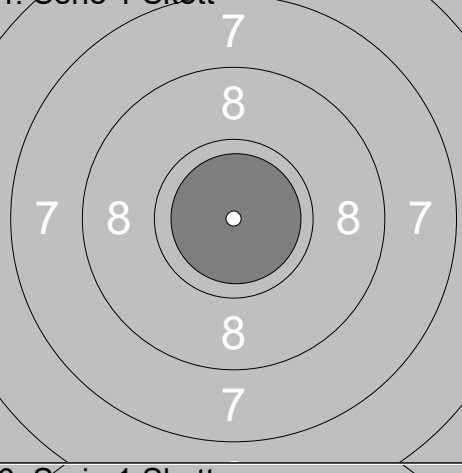
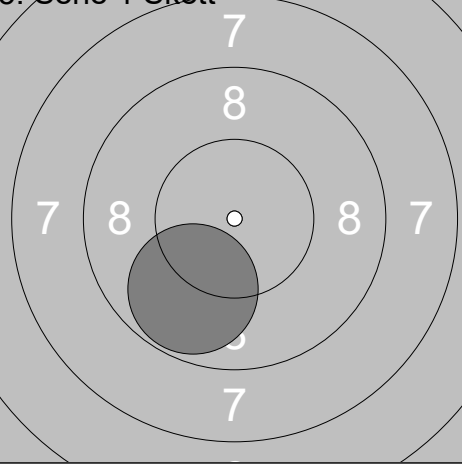
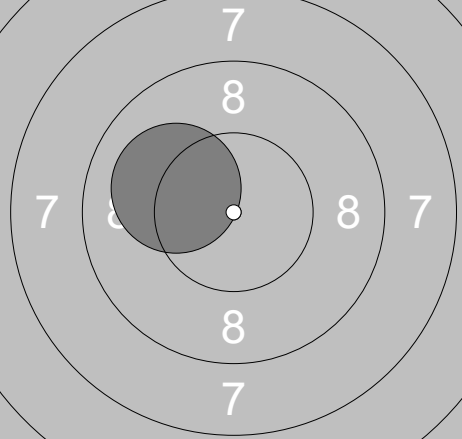
<p>3. Serie 1 Skott</p> <table style="width:100%; border-collapse: collapse;"> <tr><td>1:</td><td>10.5x</td><td>↑</td></tr> <tr><td colspan="2">Serie</td><td style="text-align: right;">10.5</td></tr> <tr><td colspan="2">Total</td><td style="text-align: right;">471.9</td></tr> </table>	1:	10.5x	↑	Serie		10.5	Total		471.9	<p>4. Serie 1 Skott</p> <table style="width:100%; border-collapse: collapse;"> <tr><td>1:</td><td>10.4x</td><td>↓</td></tr> <tr><td colspan="2">Serie</td><td style="text-align: right;">10.4</td></tr> <tr><td colspan="2">Total</td><td style="text-align: right;">482.3</td></tr> </table>	1:	10.4x	↓	Serie		10.4	Total		482.3
1:	10.5x	↑																	
Serie		10.5																	
Total		471.9																	
1:	10.4x	↓																	
Serie		10.4																	
Total		482.3																	

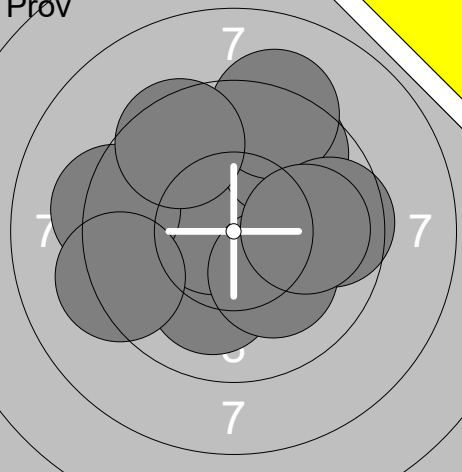

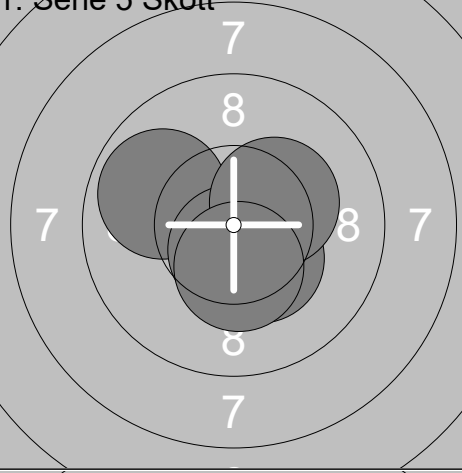
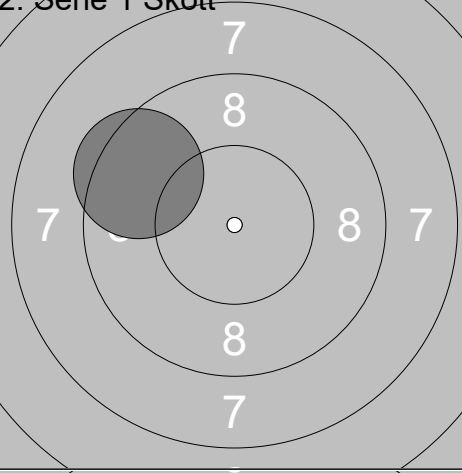
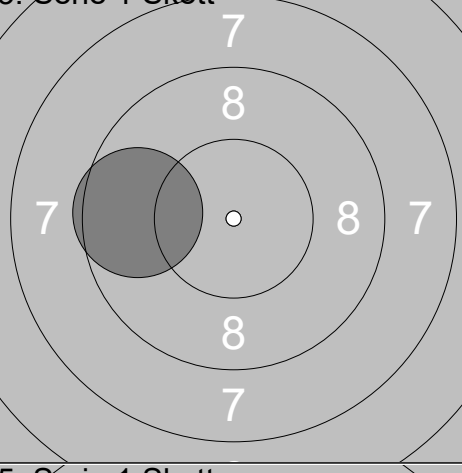
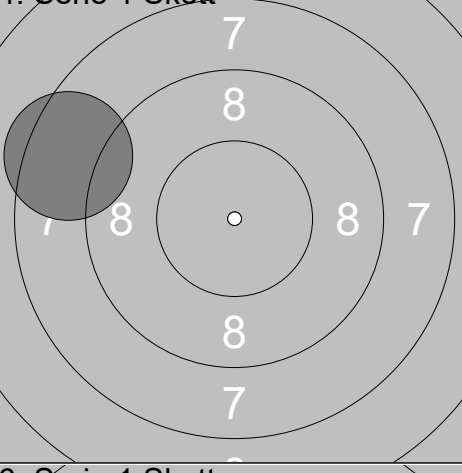
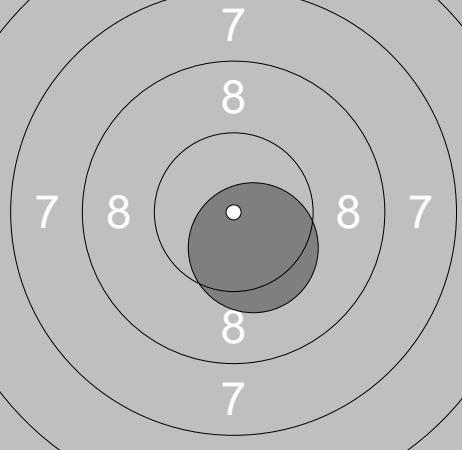
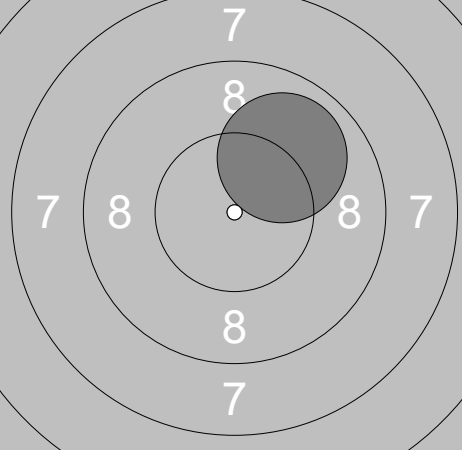
<p>5. Serie 1 Skott</p> <table style="width:100%; border-collapse: collapse;"> <tr><td>1:</td><td>10.8x</td><td>↓</td></tr> <tr><td colspan="2">Serie</td><td style="text-align: right;">10.8</td></tr> <tr><td colspan="2">Total</td><td style="text-align: right;">493.1</td></tr> </table>	1:	10.8x	↓	Serie		10.8	Total		493.1	<p>6. Serie 1 Skott</p> <table style="width:100%; border-collapse: collapse;"> <tr><td>1:</td><td>10.5x</td><td>↖</td></tr> <tr><td colspan="2">Serie</td><td style="text-align: right;">10.5</td></tr> <tr><td colspan="2">Total</td><td style="text-align: right;">503.6</td></tr> </table>	1:	10.5x	↖	Serie		10.5	Total		503.6
1:	10.8x	↓																	
Serie		10.8																	
Total		493.1																	
1:	10.5x	↖																	
Serie		10.5																	
Total		503.6																	

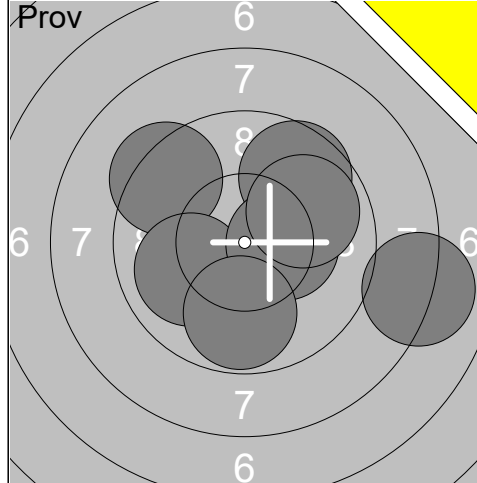
<p>Prov</p> 	<p>1: 10.5x ↓ 2: 10.3x → 3: 10.5x ↓ 4: 10.5x ↗ 5: 10.6x ↗ 6: 10.7x ↖ 7: 10.8x ↙</p> <table border="1" style="width:100%; border-collapse: collapse;"> <tr><td>Serie</td><td style="text-align: right;">73.9</td></tr> <tr><td>Total</td><td style="text-align: right;">399.0</td></tr> </table>	Serie	73.9	Total	399.0	<p>1. Serie 5 Skott</p>  <p>1: 10.4x ← 2: 10.4x ↗ 3: 10.6x ↖ 4: 10.3x ↓ 5: 10.5x ↗</p> <table border="1" style="width:100%; border-collapse: collapse;"> <tr><td>Serie</td><td style="text-align: right;">52.2</td></tr> <tr><td>Total</td><td style="text-align: right;">451.2</td></tr> </table>	Serie	52.2	Total	451.2
Serie	73.9									
Total	399.0									
Serie	52.2									
Total	451.2									
<p>2. Serie 1 Skott</p> 	<p>1: 10.6x ↖</p> <table border="1" style="width:100%; border-collapse: collapse;"> <tr><td>Serie</td><td style="text-align: right;">10.6</td></tr> <tr><td>Total</td><td style="text-align: right;">461.8</td></tr> </table>	Serie	10.6	Total	461.8	<p>3. Serie 1 Skott</p>  <p>1: 10.4x ↗</p> <table border="1" style="width:100%; border-collapse: collapse;"> <tr><td>Serie</td><td style="text-align: right;">10.4</td></tr> <tr><td>Total</td><td style="text-align: right;">472.2</td></tr> </table>	Serie	10.4	Total	472.2
Serie	10.6									
Total	461.8									
Serie	10.4									
Total	472.2									
<p>4. Serie 1 Skott</p> 	<p>1: 10.7x ↓</p> <table border="1" style="width:100%; border-collapse: collapse;"> <tr><td>Serie</td><td style="text-align: right;">10.7</td></tr> <tr><td>Total</td><td style="text-align: right;">482.9</td></tr> </table>	Serie	10.7	Total	482.9	<p>5. Serie 1 Skott</p>  <p>1: 10.6x ↖</p> <table border="1" style="width:100%; border-collapse: collapse;"> <tr><td>Serie</td><td style="text-align: right;">10.6</td></tr> <tr><td>Total</td><td style="text-align: right;">493.5</td></tr> </table>	Serie	10.6	Total	493.5
Serie	10.7									
Total	482.9									
Serie	10.6									
Total	493.5									
<p>6. Serie 1 Skott</p> 	<p>1: 10.4x ↘</p> <table border="1" style="width:100%; border-collapse: collapse;"> <tr><td>Serie</td><td style="text-align: right;">10.4</td></tr> <tr><td>Total</td><td style="text-align: right;">503.9</td></tr> </table>	Serie	10.4	Total	503.9					
Serie	10.4									
Total	503.9									

26.01.2019	FM luftgevär 2019	Ramselefors SKF
------------	-------------------	-----------------

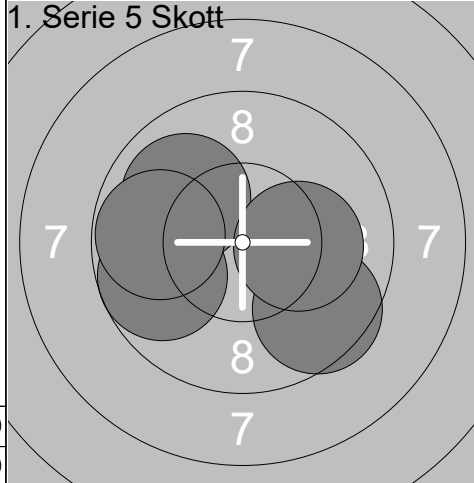
Prov 	<table style="width:100%; border-collapse: collapse;"> <tr><td>1:</td><td>10.4x</td><td>↘</td></tr> <tr><td>2:</td><td>10.2x</td><td>↘</td></tr> <tr><td>3:</td><td>9.9</td><td>↑</td></tr> <tr><td>4:</td><td>10.2x</td><td>↗</td></tr> <tr><td>5:</td><td>9.7</td><td>↑</td></tr> <tr><td>6:</td><td>10.5x</td><td>↑</td></tr> <tr><td>7:</td><td>9.4</td><td>↖</td></tr> <tr><td>8:</td><td>10.5x</td><td>↘</td></tr> <tr><td>9:</td><td>10.3x</td><td>↗</td></tr> <tr><td>10:</td><td>10.4x</td><td>↖</td></tr> <tr><td colspan="2">Serie</td><td>101.5</td></tr> <tr><td colspan="2">Total</td><td>399.0</td></tr> </table>	1:	10.4x	↘	2:	10.2x	↘	3:	9.9	↑	4:	10.2x	↗	5:	9.7	↑	6:	10.5x	↑	7:	9.4	↖	8:	10.5x	↘	9:	10.3x	↗	10:	10.4x	↖	Serie		101.5	Total		399.0	Prov 	<table style="width:100%; border-collapse: collapse;"> <tr><td>11:</td><td>10.0</td><td>↖</td></tr> <tr><td>12:</td><td>9.3</td><td>→</td></tr> <tr><td>13:</td><td>10.5x</td><td>↑</td></tr> <tr><td>14:</td><td>10.8x</td><td>↑</td></tr> <tr><td>15:</td><td>10.1</td><td>↘</td></tr> <tr><td>16:</td><td>10.5x</td><td>↘</td></tr> <tr><td>17:</td><td>10.8x</td><td>→</td></tr> <tr><td>18:</td><td>10.1</td><td>↓</td></tr> <tr><td>19:</td><td>9.6</td><td>↖</td></tr> <tr><td>20:</td><td>10.5x</td><td>↓</td></tr> <tr><td colspan="2">Serie</td><td>102.2</td></tr> <tr><td colspan="2">Total</td><td>399.0</td></tr> </table>	11:	10.0	↖	12:	9.3	→	13:	10.5x	↑	14:	10.8x	↑	15:	10.1	↘	16:	10.5x	↘	17:	10.8x	→	18:	10.1	↓	19:	9.6	↖	20:	10.5x	↓	Serie		102.2	Total		399.0
1:	10.4x	↘																																																																									
2:	10.2x	↘																																																																									
3:	9.9	↑																																																																									
4:	10.2x	↗																																																																									
5:	9.7	↑																																																																									
6:	10.5x	↑																																																																									
7:	9.4	↖																																																																									
8:	10.5x	↘																																																																									
9:	10.3x	↗																																																																									
10:	10.4x	↖																																																																									
Serie		101.5																																																																									
Total		399.0																																																																									
11:	10.0	↖																																																																									
12:	9.3	→																																																																									
13:	10.5x	↑																																																																									
14:	10.8x	↑																																																																									
15:	10.1	↘																																																																									
16:	10.5x	↘																																																																									
17:	10.8x	→																																																																									
18:	10.1	↓																																																																									
19:	9.6	↖																																																																									
20:	10.5x	↓																																																																									
Serie		102.2																																																																									
Total		399.0																																																																									
1. Serie 5 Skott 	<table style="width:100%; border-collapse: collapse;"> <tr><td>1:</td><td>10.9x</td><td>↗</td></tr> <tr><td>2:</td><td>10.2x</td><td>↗</td></tr> <tr><td>3:</td><td>10.0</td><td>↗</td></tr> <tr><td>4:</td><td>10.7x</td><td>↖</td></tr> <tr><td>5:</td><td>10.4x</td><td>↖</td></tr> <tr><td colspan="2">Serie</td><td>52.2</td></tr> <tr><td colspan="2">Total</td><td>451.2</td></tr> </table>	1:	10.9x	↗	2:	10.2x	↗	3:	10.0	↗	4:	10.7x	↖	5:	10.4x	↖	Serie		52.2	Total		451.2	2. Serie 1 Skott 	<table style="width:100%; border-collapse: collapse;"> <tr><td>1:</td><td>10.4x</td><td>↖</td></tr> <tr><td colspan="2">Serie</td><td>10.4</td></tr> <tr><td colspan="2">Total</td><td>461.6</td></tr> </table>	1:	10.4x	↖	Serie		10.4	Total		461.6																																										
1:	10.9x	↗																																																																									
2:	10.2x	↗																																																																									
3:	10.0	↗																																																																									
4:	10.7x	↖																																																																									
5:	10.4x	↖																																																																									
Serie		52.2																																																																									
Total		451.2																																																																									
1:	10.4x	↖																																																																									
Serie		10.4																																																																									
Total		461.6																																																																									
3. Serie 1 Skott 	<table style="width:100%; border-collapse: collapse;"> <tr><td>1:</td><td>10.3x</td><td>↗</td></tr> <tr><td colspan="2">Serie</td><td>10.3</td></tr> <tr><td colspan="2">Total</td><td>471.9</td></tr> </table>	1:	10.3x	↗	Serie		10.3	Total		471.9	4. Serie 1 Skott 	<table style="width:100%; border-collapse: collapse;"> <tr><td>1:</td><td>10.5x</td><td>↗</td></tr> <tr><td colspan="2">Serie</td><td>10.5</td></tr> <tr><td colspan="2">Total</td><td>482.4</td></tr> </table>	1:	10.5x	↗	Serie		10.5	Total		482.4																																																						
1:	10.3x	↗																																																																									
Serie		10.3																																																																									
Total		471.9																																																																									
1:	10.5x	↗																																																																									
Serie		10.5																																																																									
Total		482.4																																																																									
5. Serie 1 Skott 	<table style="width:100%; border-collapse: collapse;"> <tr><td>1:</td><td>10.6x</td><td>↑</td></tr> <tr><td colspan="2">Serie</td><td>10.6</td></tr> <tr><td colspan="2">Total</td><td>493.0</td></tr> </table>	1:	10.6x	↑	Serie		10.6	Total		493.0	6. Serie 1 Skott 	<table style="width:100%; border-collapse: collapse;"> <tr><td>1:</td><td>10.3x</td><td>↘</td></tr> <tr><td colspan="2">Serie</td><td>10.3</td></tr> <tr><td colspan="2">Total</td><td>503.3</td></tr> </table>	1:	10.3x	↘	Serie		10.3	Total		503.3																																																						
1:	10.6x	↑																																																																									
Serie		10.6																																																																									
Total		493.0																																																																									
1:	10.3x	↘																																																																									
Serie		10.3																																																																									
Total		503.3																																																																									

Prov 	1: 9.9 ↑ 2: 10.5x → 3: 9.7 ↗ 4: 9.8 → 5: 10.3x → 6: 9.6 ↗ 7: 9.9 ← <hr/> Serie 69.7 Total 378.0	1. Serie 5 Skott 	1: 10.0 ↓ 2: 9.4 → 3: 10.2x ↓ 4: 10.5x ↑ 5: 10.8x → <hr/> Serie 50.9 Total 428.9
2. Serie 1 Skott 	1: 10.9x ↗ <hr/> Serie 10.9 Total 439.8	3. Serie 1 Skott 	1: 9.9 ↑ <hr/> Serie 9.9 Total 449.7
4. Serie 1 Skott 	1: 10.9x → <hr/> Serie 10.9 Total 460.6	5. Serie 1 Skott 	1: 9.8 ↓ <hr/> Serie 9.8 Total 470.4
6. Serie 1 Skott 	1: 10.1 ← <hr/> Serie 10.1 Total 480.5		

Prov 	<table style="width:100%; border-collapse: collapse;"> <tr><td>1: 10.1</td><td>↘</td></tr> <tr><td>2: 10.7x</td><td>←</td></tr> <tr><td>3: 9.3</td><td>←</td></tr> <tr><td>4: 9.7</td><td>↗</td></tr> <tr><td>5: 9.2</td><td>↗</td></tr> <tr><td>6: 9.6</td><td>→</td></tr> <tr><td>7: 9.3</td><td>←</td></tr> <tr><td>8: 9.5</td><td>↗</td></tr> <tr><td>9: 10.2x</td><td>↘</td></tr> <tr><td>10: 10.0</td><td>→</td></tr> <tr><td colspan="2"><hr/></td></tr> <tr><td>Serie</td><td style="text-align: right;">97.6</td></tr> <tr><td>Total</td><td style="text-align: right;">376.0</td></tr> </table>	1: 10.1	↘	2: 10.7x	←	3: 9.3	←	4: 9.7	↗	5: 9.2	↗	6: 9.6	→	7: 9.3	←	8: 9.5	↗	9: 10.2x	↘	10: 10.0	→	<hr/>		Serie	97.6	Total	376.0	Prov  <table style="width:100%; border-collapse: collapse;"> <tr><td>11: 10.5x</td><td>↘</td></tr> <tr><td colspan="2"><hr/></td></tr> <tr><td>Serie</td><td style="text-align: right;">10.5</td></tr> <tr><td>Total</td><td style="text-align: right;">376.0</td></tr> </table>	11: 10.5x	↘	<hr/>		Serie	10.5	Total	376.0
1: 10.1	↘																																			
2: 10.7x	←																																			
3: 9.3	←																																			
4: 9.7	↗																																			
5: 9.2	↗																																			
6: 9.6	→																																			
7: 9.3	←																																			
8: 9.5	↗																																			
9: 10.2x	↘																																			
10: 10.0	→																																			
<hr/>																																				
Serie	97.6																																			
Total	376.0																																			
11: 10.5x	↘																																			
<hr/>																																				
Serie	10.5																																			
Total	376.0																																			
1. Serie 5 Skott 	<table style="width:100%; border-collapse: collapse;"> <tr><td>1: 9.9</td><td>←</td></tr> <tr><td>2: 10.4x</td><td>↘</td></tr> <tr><td>3: 10.6x</td><td>↘</td></tr> <tr><td>4: 10.3x</td><td>↗</td></tr> <tr><td>5: 10.4x</td><td>↘</td></tr> <tr><td colspan="2"><hr/></td></tr> <tr><td>Serie</td><td style="text-align: right;">51.6</td></tr> <tr><td>Total</td><td style="text-align: right;">427.6</td></tr> </table>	1: 9.9	←	2: 10.4x	↘	3: 10.6x	↘	4: 10.3x	↗	5: 10.4x	↘	<hr/>		Serie	51.6	Total	427.6	2. Serie 1 Skott  <table style="width:100%; border-collapse: collapse;"> <tr><td>1: 9.4</td><td>←</td></tr> <tr><td colspan="2"><hr/></td></tr> <tr><td>Serie</td><td style="text-align: right;">9.4</td></tr> <tr><td>Total</td><td style="text-align: right;">437.0</td></tr> </table>	1: 9.4	←	<hr/>		Serie	9.4	Total	437.0										
1: 9.9	←																																			
2: 10.4x	↘																																			
3: 10.6x	↘																																			
4: 10.3x	↗																																			
5: 10.4x	↘																																			
<hr/>																																				
Serie	51.6																																			
Total	427.6																																			
1: 9.4	←																																			
<hr/>																																				
Serie	9.4																																			
Total	437.0																																			
3. Serie 1 Skott 	<table style="width:100%; border-collapse: collapse;"> <tr><td>1: 9.6</td><td>←</td></tr> <tr><td colspan="2"><hr/></td></tr> <tr><td>Serie</td><td style="text-align: right;">9.6</td></tr> <tr><td>Total</td><td style="text-align: right;">446.6</td></tr> </table>	1: 9.6	←	<hr/>		Serie	9.6	Total	446.6	4. Serie 1 Skott  <table style="width:100%; border-collapse: collapse;"> <tr><td>1: 8.4</td><td>←</td></tr> <tr><td colspan="2"><hr/></td></tr> <tr><td>Serie</td><td style="text-align: right;">8.4</td></tr> <tr><td>Total</td><td style="text-align: right;">455.0</td></tr> </table>	1: 8.4	←	<hr/>		Serie	8.4	Total	455.0																		
1: 9.6	←																																			
<hr/>																																				
Serie	9.6																																			
Total	446.6																																			
1: 8.4	←																																			
<hr/>																																				
Serie	8.4																																			
Total	455.0																																			
5. Serie 1 Skott 	<table style="width:100%; border-collapse: collapse;"> <tr><td>1: 10.4x</td><td>↘</td></tr> <tr><td colspan="2"><hr/></td></tr> <tr><td>Serie</td><td style="text-align: right;">10.4</td></tr> <tr><td>Total</td><td style="text-align: right;">465.4</td></tr> </table>	1: 10.4x	↘	<hr/>		Serie	10.4	Total	465.4	6. Serie 1 Skott  <table style="width:100%; border-collapse: collapse;"> <tr><td>1: 9.9</td><td>↗</td></tr> <tr><td colspan="2"><hr/></td></tr> <tr><td>Serie</td><td style="text-align: right;">9.9</td></tr> <tr><td>Total</td><td style="text-align: right;">475.3</td></tr> </table>	1: 9.9	↗	<hr/>		Serie	9.9	Total	475.3																		
1: 10.4x	↘																																			
<hr/>																																				
Serie	10.4																																			
Total	465.4																																			
1: 9.9	↗																																			
<hr/>																																				
Serie	9.9																																			
Total	475.3																																			



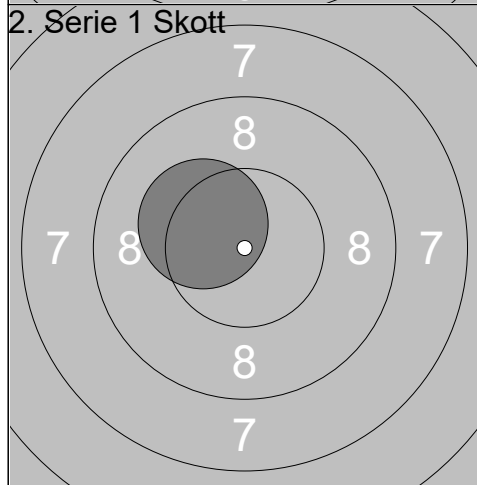
1:	9.3	↖
2:	10.0	↙
3:	9.6	↗
4:	10.3x	→
5:	9.8	↓
6:	9.9	↘
7:	8.1	↘



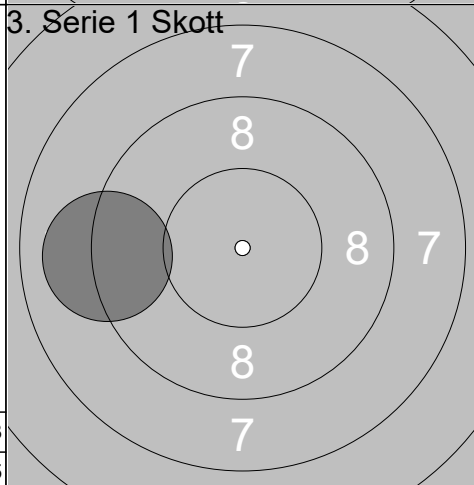
1:	9.9	↖
2:	9.7	↙
3:	9.8	←
4:	9.6	↘
5:	10.2x	→

Serie	67.0
Total	376.0

Serie	49.2
Total	425.2



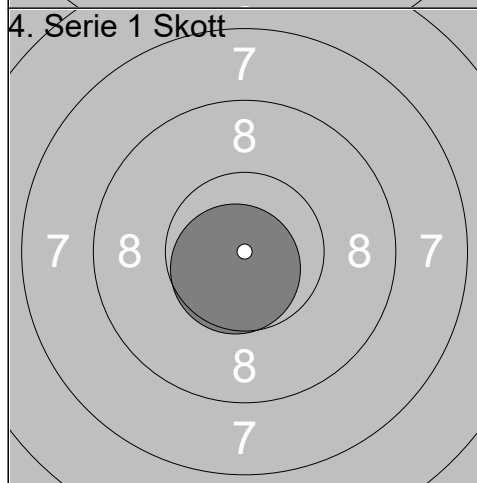
1:	10.3x	↖
----	-------	---



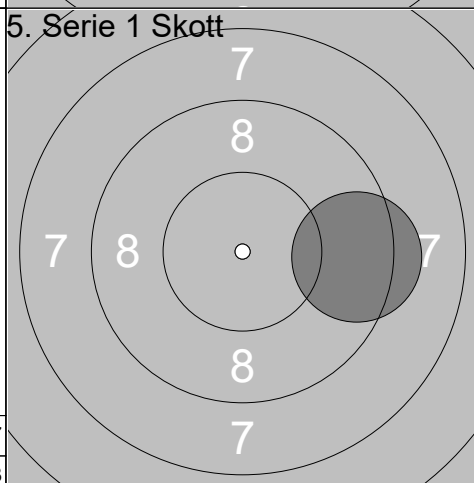
1:	9.1	←
----	-----	---

Serie	10.3
Total	435.5

Serie	9.1
Total	444.6



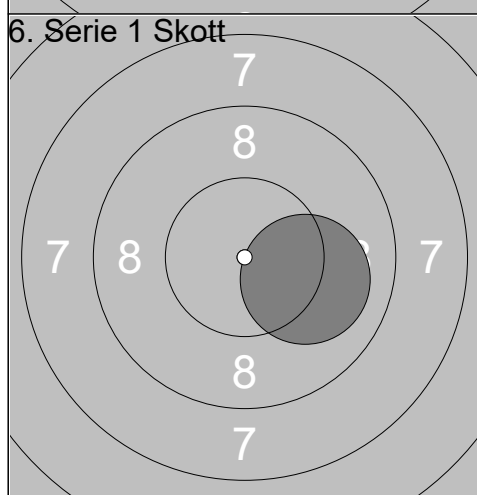
1:	10.7x	↘
----	-------	---



1:	9.4	→
----	-----	---

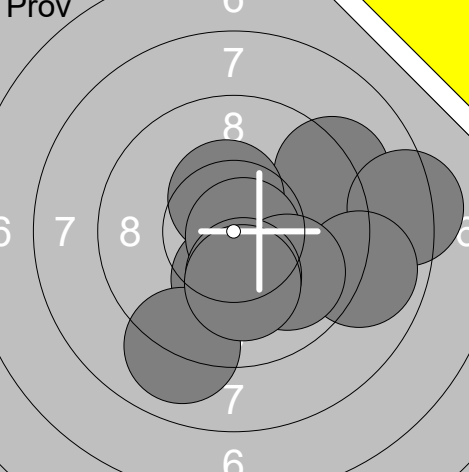
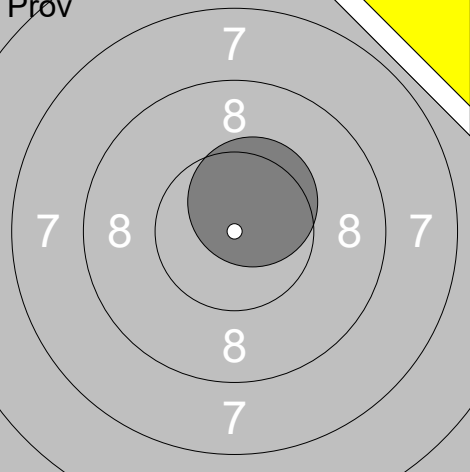
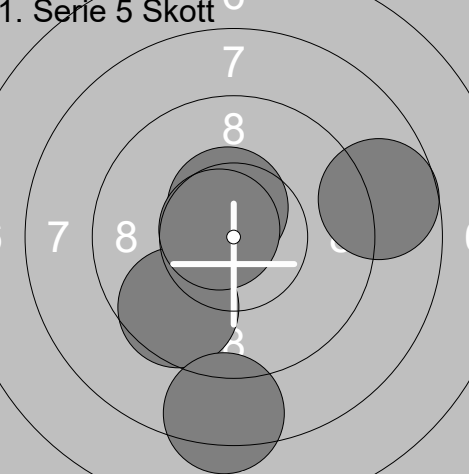
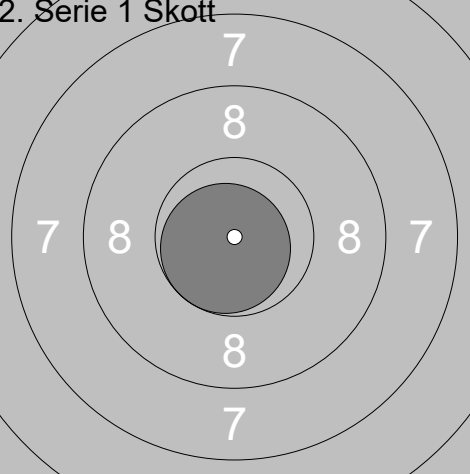
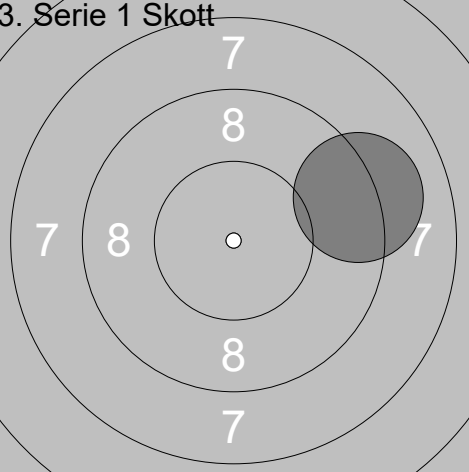
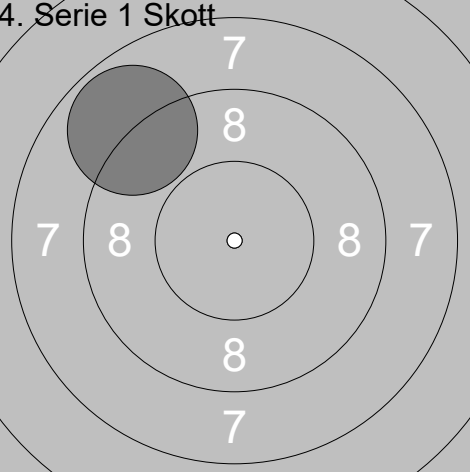
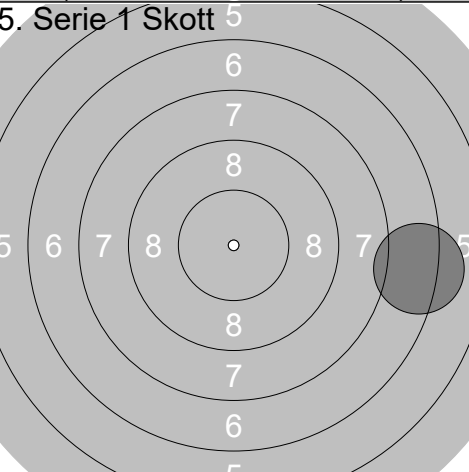
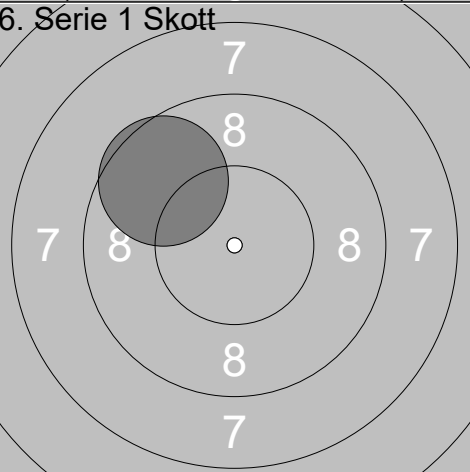
Serie	10.7
Total	455.3

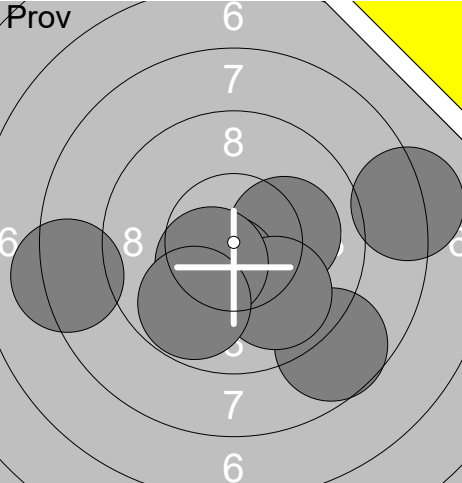
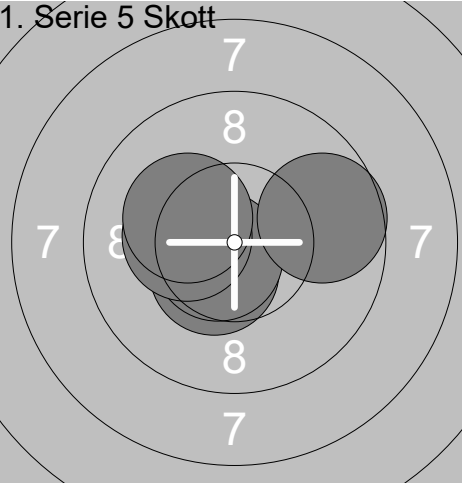
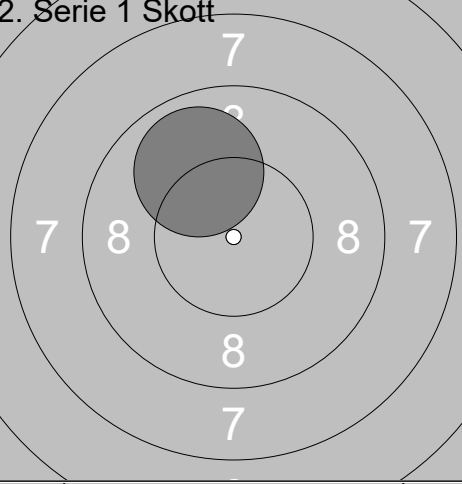
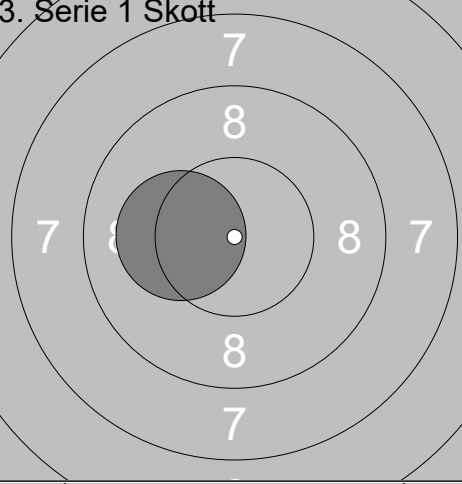
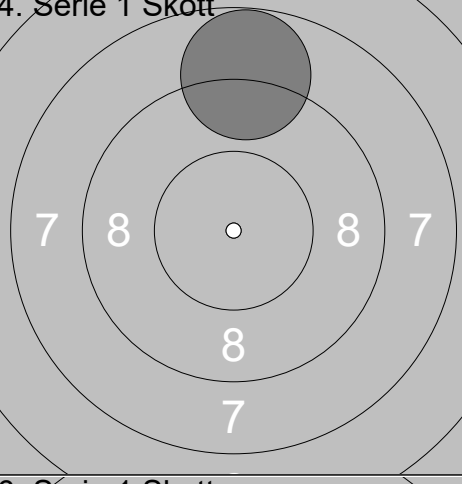
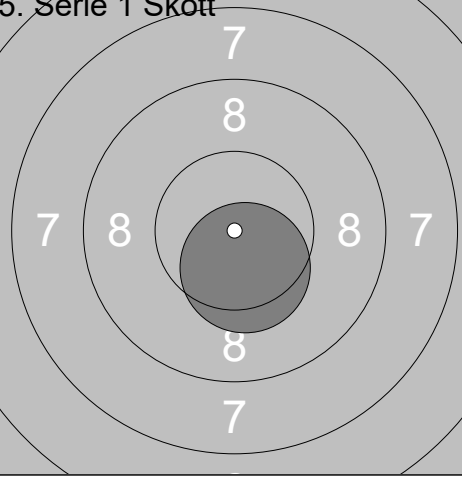
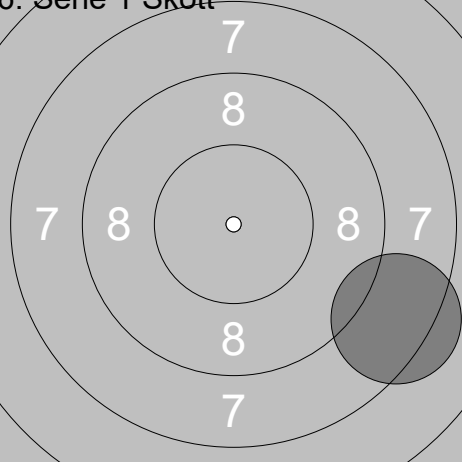
Serie	9.4
Total	464.7

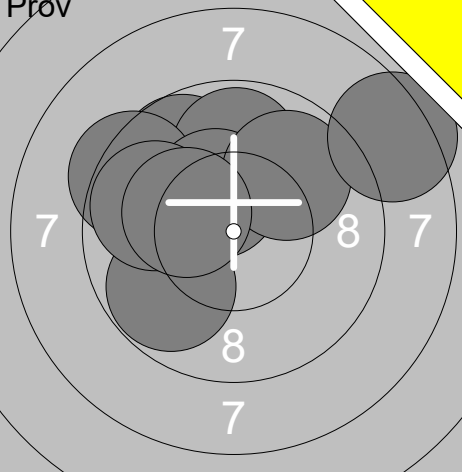
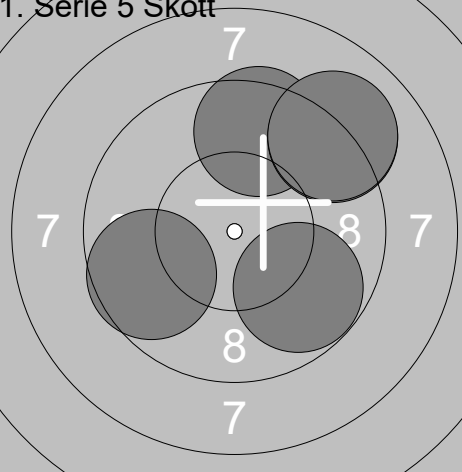
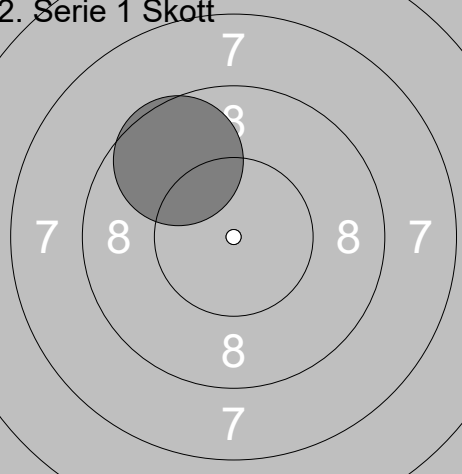
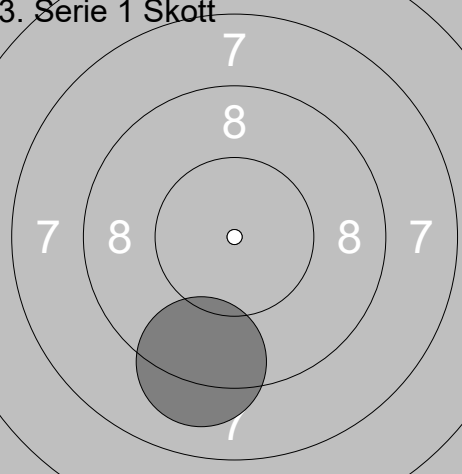
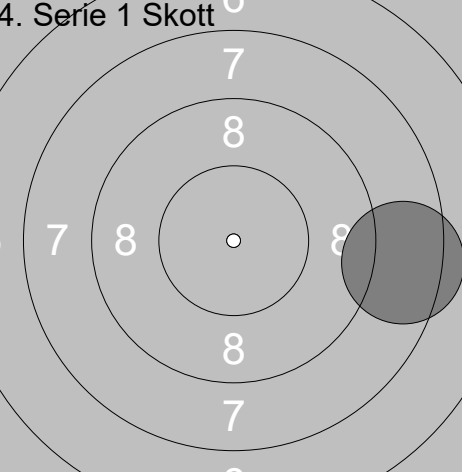
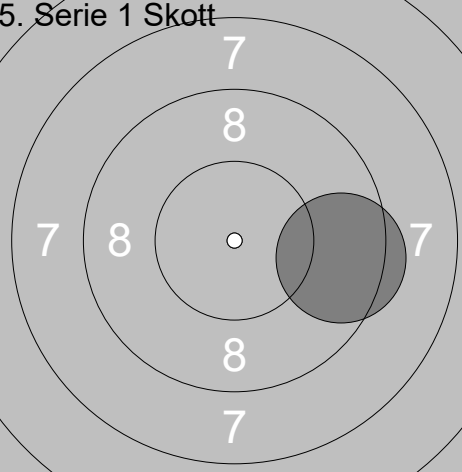
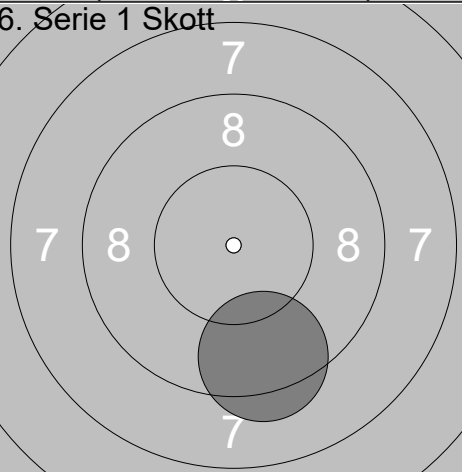


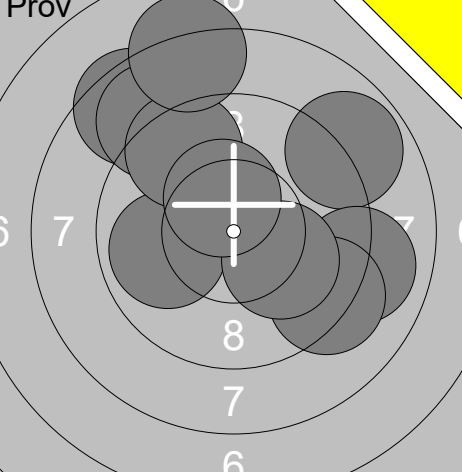
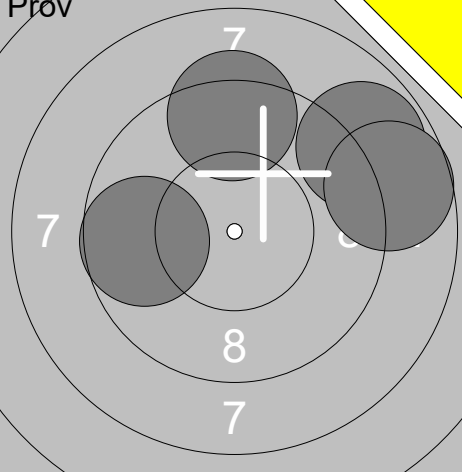
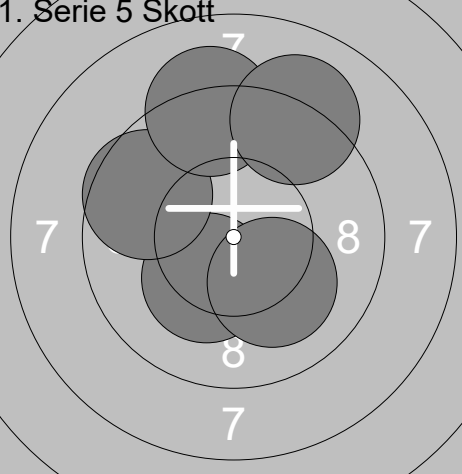
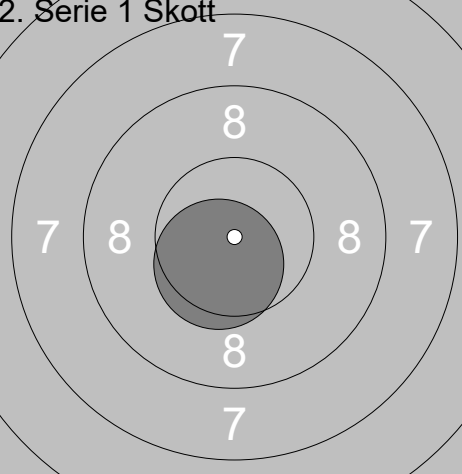
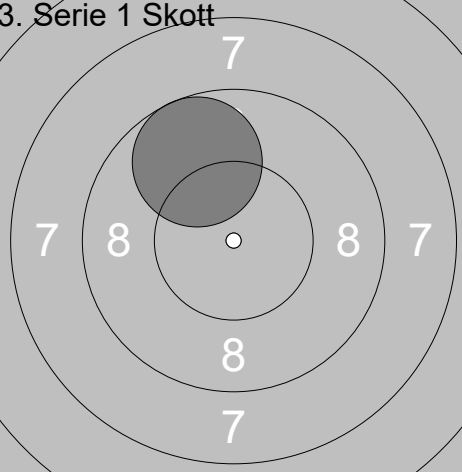
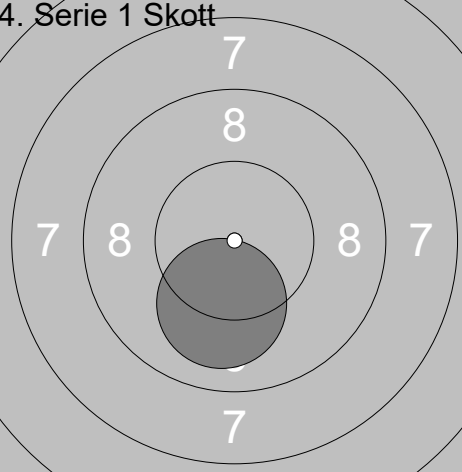
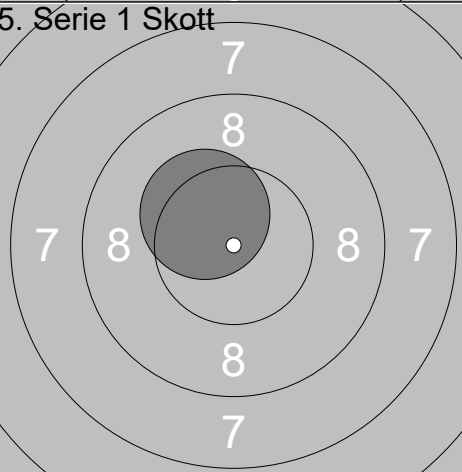
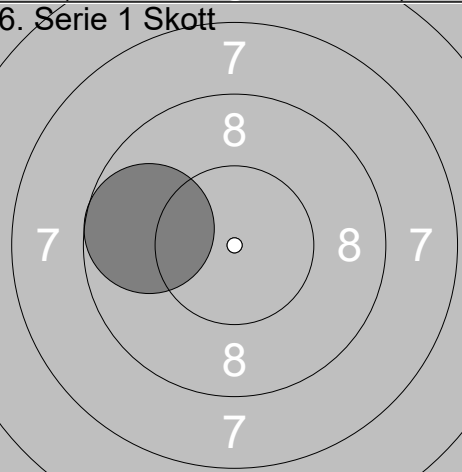
1:	10.1	→
----	------	---

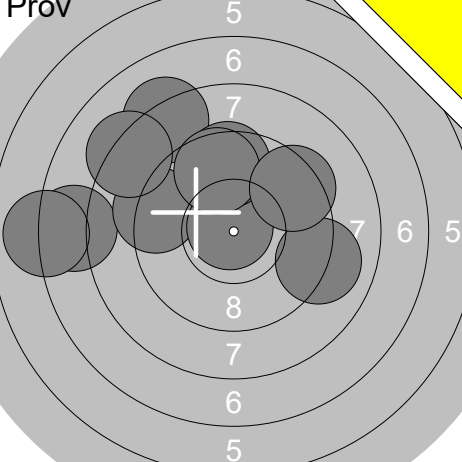
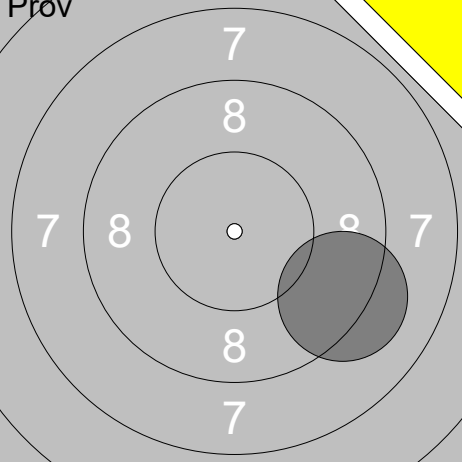
Serie	10.1
Total	474.8

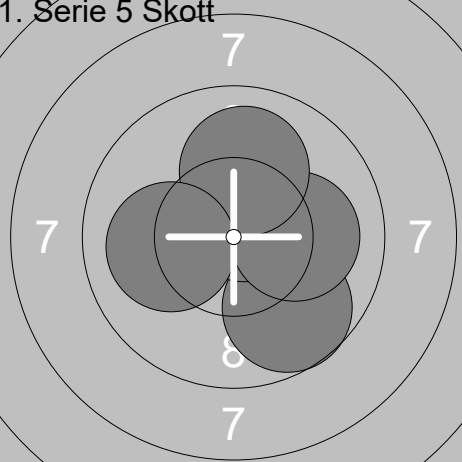
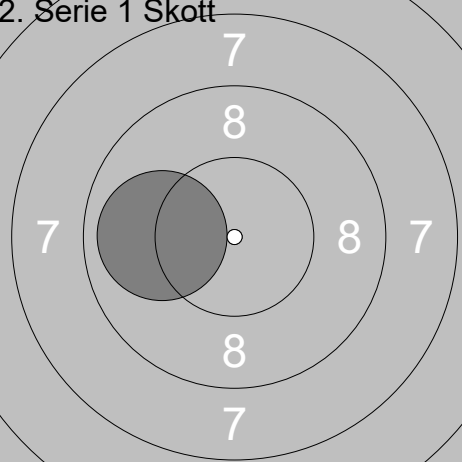
<p>Prov</p> 	<table border="1" style="width:100%; border-collapse: collapse;"> <tr><td>1:</td><td>9.2</td><td>↗</td></tr> <tr><td>2:</td><td>8.3</td><td>→</td></tr> <tr><td>3:</td><td>10.4x</td><td>↑</td></tr> <tr><td>4:</td><td>8.9</td><td>→</td></tr> <tr><td>5:</td><td>10.2x</td><td>↓</td></tr> <tr><td>6:</td><td>10.8x</td><td>↘</td></tr> <tr><td>7:</td><td>9.9</td><td>↘</td></tr> <tr><td>8:</td><td>10.2x</td><td>↓</td></tr> <tr><td>9:</td><td>9.0</td><td>↓</td></tr> <tr><td>10:</td><td>10.1</td><td>↓</td></tr> <tr><td colspan="2">Serie</td><td>97.0</td></tr> <tr><td colspan="2">Total</td><td>376.0</td></tr> </table>	1:	9.2	↗	2:	8.3	→	3:	10.4x	↑	4:	8.9	→	5:	10.2x	↓	6:	10.8x	↘	7:	9.9	↘	8:	10.2x	↓	9:	9.0	↓	10:	10.1	↓	Serie		97.0	Total		376.0	<p>Prov</p>  <table border="1" style="width:100%; border-collapse: collapse;"> <tr><td>11:</td><td>10.5x</td><td>↗</td></tr> <tr><td colspan="2">Serie</td><td>10.5</td></tr> <tr><td colspan="2">Total</td><td>376.0</td></tr> </table>	11:	10.5x	↗	Serie		10.5	Total		376.0
1:	9.2	↗																																													
2:	8.3	→																																													
3:	10.4x	↑																																													
4:	8.9	→																																													
5:	10.2x	↓																																													
6:	10.8x	↘																																													
7:	9.9	↘																																													
8:	10.2x	↓																																													
9:	9.0	↓																																													
10:	10.1	↓																																													
Serie		97.0																																													
Total		376.0																																													
11:	10.5x	↗																																													
Serie		10.5																																													
Total		376.0																																													
<p>1. Serie 5 Skott</p> 	<table border="1" style="width:100%; border-collapse: collapse;"> <tr><td>1:</td><td>9.6</td><td>↙</td></tr> <tr><td>2:</td><td>10.5x</td><td>↑</td></tr> <tr><td>3:</td><td>8.3</td><td>↓</td></tr> <tr><td>4:</td><td>10.7x</td><td>↗</td></tr> <tr><td>5:</td><td>8.7</td><td>→</td></tr> <tr><td colspan="2">Serie</td><td>47.8</td></tr> <tr><td colspan="2">Total</td><td>423.8</td></tr> </table>	1:	9.6	↙	2:	10.5x	↑	3:	8.3	↓	4:	10.7x	↗	5:	8.7	→	Serie		47.8	Total		423.8	<p>2. Serie 1 Skott</p>  <table border="1" style="width:100%; border-collapse: collapse;"> <tr><td>1:</td><td>10.7x</td><td>↙</td></tr> <tr><td colspan="2">Serie</td><td>10.7</td></tr> <tr><td colspan="2">Total</td><td>434.5</td></tr> </table>	1:	10.7x	↙	Serie		10.7	Total		434.5															
1:	9.6	↙																																													
2:	10.5x	↑																																													
3:	8.3	↓																																													
4:	10.7x	↗																																													
5:	8.7	→																																													
Serie		47.8																																													
Total		423.8																																													
1:	10.7x	↙																																													
Serie		10.7																																													
Total		434.5																																													
<p>3. Serie 1 Skott</p> 	<table border="1" style="width:100%; border-collapse: collapse;"> <tr><td>1:</td><td>9.1</td><td>↗</td></tr> <tr><td colspan="2">Serie</td><td>9.1</td></tr> <tr><td colspan="2">Total</td><td>443.6</td></tr> </table>	1:	9.1	↗	Serie		9.1	Total		443.6	<p>4. Serie 1 Skott</p>  <table border="1" style="width:100%; border-collapse: collapse;"> <tr><td>1:</td><td>8.9</td><td>↖</td></tr> <tr><td colspan="2">Serie</td><td>8.9</td></tr> <tr><td colspan="2">Total</td><td>452.5</td></tr> </table>	1:	8.9	↖	Serie		8.9	Total		452.5																											
1:	9.1	↗																																													
Serie		9.1																																													
Total		443.6																																													
1:	8.9	↖																																													
Serie		8.9																																													
Total		452.5																																													
<p>5. Serie 1 Skott</p> 	<table border="1" style="width:100%; border-collapse: collapse;"> <tr><td>1:</td><td>7.2</td><td>→</td></tr> <tr><td colspan="2">Serie</td><td>7.2</td></tr> <tr><td colspan="2">Total</td><td>459.7</td></tr> </table>	1:	7.2	→	Serie		7.2	Total		459.7	<p>6. Serie 1 Skott</p>  <table border="1" style="width:100%; border-collapse: collapse;"> <tr><td>1:</td><td>9.6</td><td>↖</td></tr> <tr><td colspan="2">Serie</td><td>9.6</td></tr> <tr><td colspan="2">Total</td><td>469.3</td></tr> </table>	1:	9.6	↖	Serie		9.6	Total		469.3																											
1:	7.2	→																																													
Serie		7.2																																													
Total		459.7																																													
1:	9.6	↖																																													
Serie		9.6																																													
Total		469.3																																													

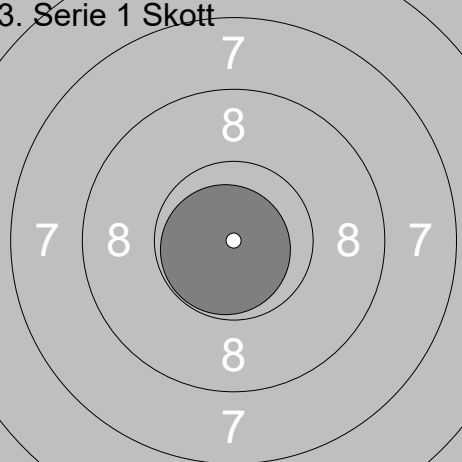
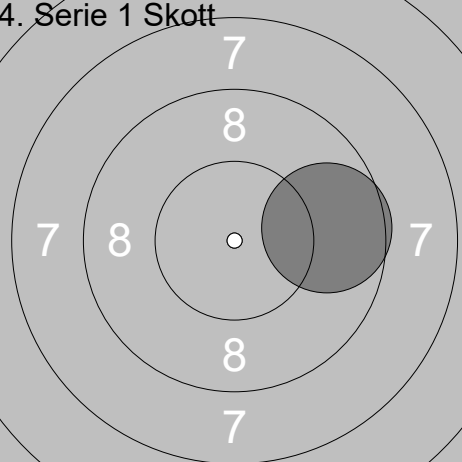
Skjutlag 4	Tavla 25	Beatrice Andersson		
Ramselefors	Ramselefors	Jun	Vb	
26.01.2019	FM luftgevär 2019	Ramselefors SKF		
Prov 	1: 8.1 → 2: 10.1 → 3: 10.5x ↓ 4: 8.2 ← 5: 8.7 ↓ 6: 9.9 ↓ 7: 10.5x ← 8: 9.8 ↓	1. Serie 5 Skott 	1: 10.5x ↓ 2: 10.6x ↙ 3: 10.3x ← 4: 9.7 → 5: 10.2x ↖	
	Serie 75.8		Serie 51.3	
	Total 373.0		Total 424.3	
2. Serie 1 Skott 	1: 9.9 ↖	3. Serie 1 Skott 	1: 10.2x ←	
	Serie 9.9		Serie 10.2	
	Total 434.2		Total 444.4	
4. Serie 1 Skott 	1: 8.8 ↑	5. Serie 1 Skott 	1: 10.4x ↓	
	Serie 8.8		Serie 10.4	
	Total 453.2		Total 463.6	
6. Serie 1 Skott 	1: 8.3 →			
	Serie 8.3			
	Total 471.9			

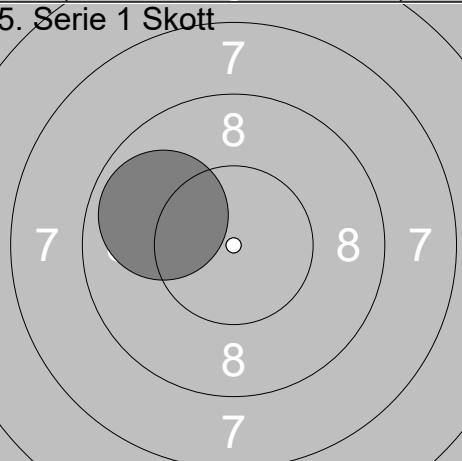
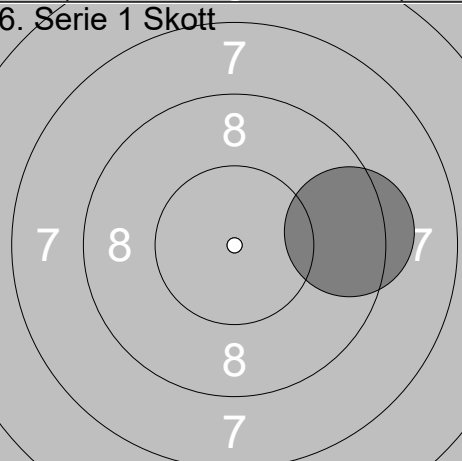
Prov 	<table style="width:100%; border-collapse: collapse;"> <tr><td>1:</td><td>9.7</td><td>↖</td></tr> <tr><td>2:</td><td>9.9</td><td>↑</td></tr> <tr><td>3:</td><td>9.4</td><td>↖</td></tr> <tr><td>4:</td><td>10.4x</td><td>↖</td></tr> <tr><td>5:</td><td>9.9</td><td>↗</td></tr> <tr><td>6:</td><td>9.8</td><td>↙</td></tr> <tr><td>7:</td><td>9.8</td><td>↖</td></tr> <tr><td>8:</td><td>10.2x</td><td>↖</td></tr> <tr><td>9:</td><td>8.4</td><td>↗</td></tr> </table> <table style="width:100%; border-collapse: collapse; margin-top: 5px;"> <tr><td style="border-top: 1px solid black;">Serie</td><td style="border-top: 1px solid black; text-align: right;">87.5</td></tr> <tr><td style="border-top: 1px solid black;">Total</td><td style="border-top: 1px solid black; text-align: right;">369.0</td></tr> </table>	1:	9.7	↖	2:	9.9	↑	3:	9.4	↖	4:	10.4x	↖	5:	9.9	↗	6:	9.8	↙	7:	9.8	↖	8:	10.2x	↖	9:	8.4	↗	Serie	87.5	Total	369.0	1. Serie 5 Skott  <table style="width:100%; border-collapse: collapse; margin-top: 5px;"> <tr><td>1:</td><td>9.7</td><td>↖</td></tr> <tr><td>2:</td><td>9.8</td><td>↘</td></tr> <tr><td>3:</td><td>9.5</td><td>↑</td></tr> <tr><td>4:</td><td>9.1</td><td>↗</td></tr> <tr><td>5:</td><td>9.0</td><td>↗</td></tr> </table> <table style="width:100%; border-collapse: collapse; margin-top: 5px;"> <tr><td style="border-top: 1px solid black;">Serie</td><td style="border-top: 1px solid black; text-align: right;">47.1</td></tr> <tr><td style="border-top: 1px solid black;">Total</td><td style="border-top: 1px solid black; text-align: right;">416.1</td></tr> </table>	1:	9.7	↖	2:	9.8	↘	3:	9.5	↑	4:	9.1	↗	5:	9.0	↗	Serie	47.1	Total	416.1
1:	9.7	↖																																																		
2:	9.9	↑																																																		
3:	9.4	↖																																																		
4:	10.4x	↖																																																		
5:	9.9	↗																																																		
6:	9.8	↙																																																		
7:	9.8	↖																																																		
8:	10.2x	↖																																																		
9:	8.4	↗																																																		
Serie	87.5																																																			
Total	369.0																																																			
1:	9.7	↖																																																		
2:	9.8	↘																																																		
3:	9.5	↑																																																		
4:	9.1	↗																																																		
5:	9.0	↗																																																		
Serie	47.1																																																			
Total	416.1																																																			
2. Serie 1 Skott  <table style="width:100%; border-collapse: collapse; margin-top: 5px;"> <tr><td>1:</td><td>9.6</td><td>↖</td></tr> </table> <table style="width:100%; border-collapse: collapse; margin-top: 5px;"> <tr><td style="border-top: 1px solid black;">Serie</td><td style="border-top: 1px solid black; text-align: right;">9.6</td></tr> <tr><td style="border-top: 1px solid black;">Total</td><td style="border-top: 1px solid black; text-align: right;">425.7</td></tr> </table>	1:	9.6	↖	Serie	9.6	Total	425.7	3. Serie 1 Skott  <table style="width:100%; border-collapse: collapse; margin-top: 5px;"> <tr><td>1:</td><td>9.2</td><td>↘</td></tr> </table> <table style="width:100%; border-collapse: collapse; margin-top: 5px;"> <tr><td style="border-top: 1px solid black;">Serie</td><td style="border-top: 1px solid black; text-align: right;">9.2</td></tr> <tr><td style="border-top: 1px solid black;">Total</td><td style="border-top: 1px solid black; text-align: right;">434.9</td></tr> </table>	1:	9.2	↘	Serie	9.2	Total	434.9																																					
1:	9.6	↖																																																		
Serie	9.6																																																			
Total	425.7																																																			
1:	9.2	↘																																																		
Serie	9.2																																																			
Total	434.9																																																			
4. Serie 1 Skott  <table style="width:100%; border-collapse: collapse; margin-top: 5px;"> <tr><td>1:</td><td>8.4</td><td>→</td></tr> </table> <table style="width:100%; border-collapse: collapse; margin-top: 5px;"> <tr><td style="border-top: 1px solid black;">Serie</td><td style="border-top: 1px solid black; text-align: right;">8.4</td></tr> <tr><td style="border-top: 1px solid black;">Total</td><td style="border-top: 1px solid black; text-align: right;">443.3</td></tr> </table>	1:	8.4	→	Serie	8.4	Total	443.3	5. Serie 1 Skott  <table style="width:100%; border-collapse: collapse; margin-top: 5px;"> <tr><td>1:</td><td>9.5</td><td>→</td></tr> </table> <table style="width:100%; border-collapse: collapse; margin-top: 5px;"> <tr><td style="border-top: 1px solid black;">Serie</td><td style="border-top: 1px solid black; text-align: right;">9.5</td></tr> <tr><td style="border-top: 1px solid black;">Total</td><td style="border-top: 1px solid black; text-align: right;">452.8</td></tr> </table>	1:	9.5	→	Serie	9.5	Total	452.8																																					
1:	8.4	→																																																		
Serie	8.4																																																			
Total	443.3																																																			
1:	9.5	→																																																		
Serie	9.5																																																			
Total	452.8																																																			
6. Serie 1 Skott  <table style="width:100%; border-collapse: collapse; margin-top: 5px;"> <tr><td>1:</td><td>9.4</td><td>↘</td></tr> </table> <table style="width:100%; border-collapse: collapse; margin-top: 5px;"> <tr><td style="border-top: 1px solid black;">Serie</td><td style="border-top: 1px solid black; text-align: right;">9.4</td></tr> <tr><td style="border-top: 1px solid black;">Total</td><td style="border-top: 1px solid black; text-align: right;">462.2</td></tr> </table>	1:	9.4	↘	Serie	9.4	Total	462.2																																													
1:	9.4	↘																																																		
Serie	9.4																																																			
Total	462.2																																																			

Prov 	<table style="width:100%; border-collapse: collapse;"> <tr><td>1: 9.9</td><td>←</td></tr> <tr><td>2: 8.5</td><td>↗</td></tr> <tr><td>3: 8.9</td><td>↗</td></tr> <tr><td>4: 9.5</td><td>↗</td></tr> <tr><td>5: 8.9</td><td>↗</td></tr> <tr><td>6: 8.1</td><td>↗</td></tr> <tr><td>7: 9.0</td><td>↘</td></tr> <tr><td>8: 9.2</td><td>↘</td></tr> <tr><td>9: 10.1</td><td>↘</td></tr> <tr><td>10: 10.4x</td><td>↗</td></tr> <tr><td colspan="2"><hr/></td></tr> <tr><td>Serie</td><td style="text-align: right;">92.5</td></tr> <tr><td>Total</td><td style="text-align: right;">362.0</td></tr> </table>	1: 9.9	←	2: 8.5	↗	3: 8.9	↗	4: 9.5	↗	5: 8.9	↗	6: 8.1	↗	7: 9.0	↘	8: 9.2	↘	9: 10.1	↘	10: 10.4x	↗	<hr/>		Serie	92.5	Total	362.0	Prov  <table style="width:100%; border-collapse: collapse;"> <tr><td>11: 8.8</td><td>↗</td></tr> <tr><td>12: 8.7</td><td>→</td></tr> <tr><td>13: 9.7</td><td>←</td></tr> <tr><td>14: 9.3</td><td>↑</td></tr> <tr><td colspan="2"><hr/></td></tr> <tr><td>Serie</td><td style="text-align: right;">36.5</td></tr> <tr><td>Total</td><td style="text-align: right;">362.0</td></tr> </table>	11: 8.8	↗	12: 8.7	→	13: 9.7	←	14: 9.3	↑	<hr/>		Serie	36.5	Total	362.0
1: 9.9	←																																									
2: 8.5	↗																																									
3: 8.9	↗																																									
4: 9.5	↗																																									
5: 8.9	↗																																									
6: 8.1	↗																																									
7: 9.0	↘																																									
8: 9.2	↘																																									
9: 10.1	↘																																									
10: 10.4x	↗																																									
<hr/>																																										
Serie	92.5																																									
Total	362.0																																									
11: 8.8	↗																																									
12: 8.7	→																																									
13: 9.7	←																																									
14: 9.3	↑																																									
<hr/>																																										
Serie	36.5																																									
Total	362.0																																									
1. Serie 5 Skott  <table style="width:100%; border-collapse: collapse;"> <tr><td>1: 10.3x</td><td>↘</td></tr> <tr><td>2: 10.1</td><td>↘</td></tr> <tr><td>3: 9.6</td><td>↗</td></tr> <tr><td>4: 9.2</td><td>↑</td></tr> <tr><td>5: 9.1</td><td>↗</td></tr> <tr><td colspan="2"><hr/></td></tr> <tr><td>Serie</td><td style="text-align: right;">48.3</td></tr> <tr><td>Total</td><td style="text-align: right;">410.3</td></tr> </table>	1: 10.3x	↘	2: 10.1	↘	3: 9.6	↗	4: 9.2	↑	5: 9.1	↗	<hr/>		Serie	48.3	Total	410.3	2. Serie 1 Skott  <table style="width:100%; border-collapse: collapse;"> <tr><td>1: 10.5x</td><td>↘</td></tr> <tr><td colspan="2"><hr/></td></tr> <tr><td>Serie</td><td style="text-align: right;">10.5</td></tr> <tr><td>Total</td><td style="text-align: right;">420.8</td></tr> </table>	1: 10.5x	↘	<hr/>		Serie	10.5	Total	420.8																	
1: 10.3x	↘																																									
2: 10.1	↘																																									
3: 9.6	↗																																									
4: 9.2	↑																																									
5: 9.1	↗																																									
<hr/>																																										
Serie	48.3																																									
Total	410.3																																									
1: 10.5x	↘																																									
<hr/>																																										
Serie	10.5																																									
Total	420.8																																									
3. Serie 1 Skott  <table style="width:100%; border-collapse: collapse;"> <tr><td>1: 9.7</td><td>↗</td></tr> <tr><td colspan="2"><hr/></td></tr> <tr><td>Serie</td><td style="text-align: right;">9.7</td></tr> <tr><td>Total</td><td style="text-align: right;">430.5</td></tr> </table>	1: 9.7	↗	<hr/>		Serie	9.7	Total	430.5	4. Serie 1 Skott  <table style="width:100%; border-collapse: collapse;"> <tr><td>1: 10.1</td><td>↘</td></tr> <tr><td colspan="2"><hr/></td></tr> <tr><td>Serie</td><td style="text-align: right;">10.1</td></tr> <tr><td>Total</td><td style="text-align: right;">440.6</td></tr> </table>	1: 10.1	↘	<hr/>		Serie	10.1	Total	440.6																									
1: 9.7	↗																																									
<hr/>																																										
Serie	9.7																																									
Total	430.5																																									
1: 10.1	↘																																									
<hr/>																																										
Serie	10.1																																									
Total	440.6																																									
5. Serie 1 Skott  <table style="width:100%; border-collapse: collapse;"> <tr><td>1: 10.4x</td><td>↗</td></tr> <tr><td colspan="2"><hr/></td></tr> <tr><td>Serie</td><td style="text-align: right;">10.4</td></tr> <tr><td>Total</td><td style="text-align: right;">451.0</td></tr> </table>	1: 10.4x	↗	<hr/>		Serie	10.4	Total	451.0	6. Serie 1 Skott  <table style="width:100%; border-collapse: collapse;"> <tr><td>1: 9.7</td><td>←</td></tr> <tr><td colspan="2"><hr/></td></tr> <tr><td>Serie</td><td style="text-align: right;">9.7</td></tr> <tr><td>Total</td><td style="text-align: right;">460.7</td></tr> </table>	1: 9.7	←	<hr/>		Serie	9.7	Total	460.7																									
1: 10.4x	↗																																									
<hr/>																																										
Serie	10.4																																									
Total	451.0																																									
1: 9.7	←																																									
<hr/>																																										
Serie	9.7																																									
Total	460.7																																									

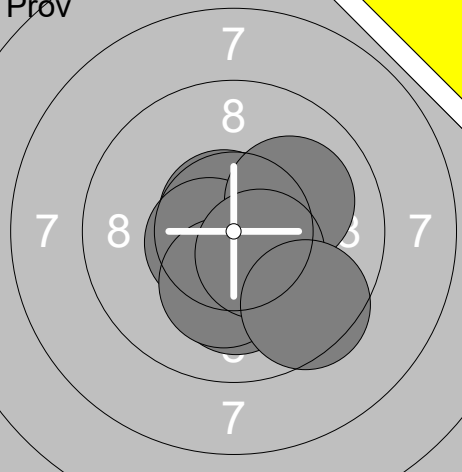

Prov 	<table style="width:100%; border-collapse: collapse;"> <tr><td>1:</td><td>7.6</td><td>←</td></tr> <tr><td>2:</td><td>8.2</td><td>↗</td></tr> <tr><td>3:</td><td>9.3</td><td>↖</td></tr> <tr><td>4:</td><td>10.8x</td><td>↗</td></tr> <tr><td>5:</td><td>9.5</td><td>↑</td></tr> <tr><td>6:</td><td>9.1</td><td>↘</td></tr> <tr><td>7:</td><td>9.6</td><td>↖</td></tr> <tr><td>8:</td><td>8.2</td><td>↗</td></tr> <tr><td>9:</td><td>9.4</td><td>↘</td></tr> <tr><td>10:</td><td>7.0</td><td>←</td></tr> <tr><td colspan="2">Serie</td><td>88.7</td></tr> <tr><td colspan="2">Total</td><td>362.0</td></tr> </table>	1:	7.6	←	2:	8.2	↗	3:	9.3	↖	4:	10.8x	↗	5:	9.5	↑	6:	9.1	↘	7:	9.6	↖	8:	8.2	↗	9:	9.4	↘	10:	7.0	←	Serie		88.7	Total		362.0	Prov  <table style="width:100%; border-collapse: collapse;"> <tr><td>11:</td><td>9.2</td><td>↘</td></tr> <tr><td colspan="2">Serie</td><td>9.2</td></tr> <tr><td colspan="2">Total</td><td>362.0</td></tr> </table>	11:	9.2	↘	Serie		9.2	Total		362.0
1:	7.6	←																																													
2:	8.2	↗																																													
3:	9.3	↖																																													
4:	10.8x	↗																																													
5:	9.5	↑																																													
6:	9.1	↘																																													
7:	9.6	↖																																													
8:	8.2	↗																																													
9:	9.4	↘																																													
10:	7.0	←																																													
Serie		88.7																																													
Total		362.0																																													
11:	9.2	↘																																													
Serie		9.2																																													
Total		362.0																																													

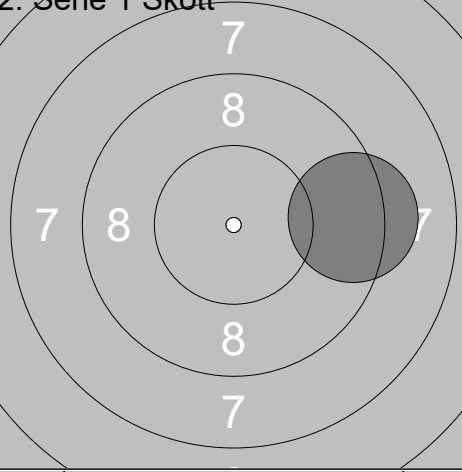
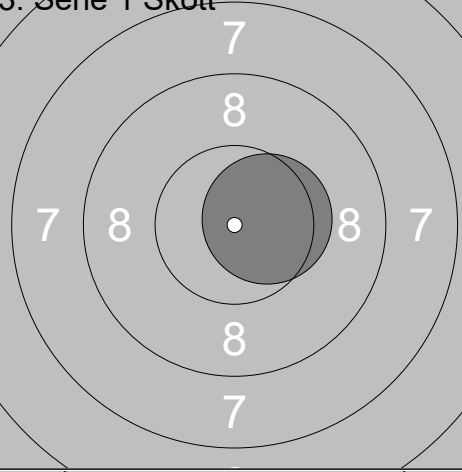
1. Serie 5 Skott  <table style="width:100%; border-collapse: collapse;"> <tr><td>1:</td><td>9.7</td><td>↘</td></tr> <tr><td>2:</td><td>10.6x</td><td>↗</td></tr> <tr><td>3:</td><td>10.1</td><td>→</td></tr> <tr><td>4:</td><td>10.0</td><td>↑</td></tr> <tr><td>5:</td><td>10.1</td><td>←</td></tr> <tr><td colspan="2">Serie</td><td>50.5</td></tr> <tr><td colspan="2">Total</td><td>412.5</td></tr> </table>	1:	9.7	↘	2:	10.6x	↗	3:	10.1	→	4:	10.0	↑	5:	10.1	←	Serie		50.5	Total		412.5	2. Serie 1 Skott  <table style="width:100%; border-collapse: collapse;"> <tr><td>1:</td><td>9.9</td><td>←</td></tr> <tr><td colspan="2">Serie</td><td>9.9</td></tr> <tr><td colspan="2">Total</td><td>422.4</td></tr> </table>	1:	9.9	←	Serie		9.9	Total		422.4
1:	9.7	↘																													
2:	10.6x	↗																													
3:	10.1	→																													
4:	10.0	↑																													
5:	10.1	←																													
Serie		50.5																													
Total		412.5																													
1:	9.9	←																													
Serie		9.9																													
Total		422.4																													

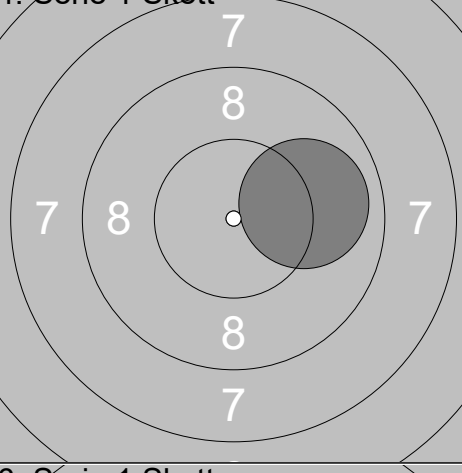
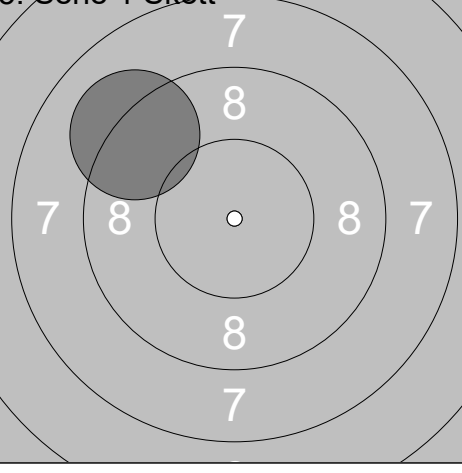
3. Serie 1 Skott  <table style="width:100%; border-collapse: collapse;"> <tr><td>1:</td><td>10.8x</td><td>↘</td></tr> <tr><td colspan="2">Serie</td><td>10.8</td></tr> <tr><td colspan="2">Total</td><td>433.2</td></tr> </table>	1:	10.8x	↘	Serie		10.8	Total		433.2	4. Serie 1 Skott  <table style="width:100%; border-collapse: collapse;"> <tr><td>1:</td><td>9.7</td><td>→</td></tr> <tr><td colspan="2">Serie</td><td>9.7</td></tr> <tr><td colspan="2">Total</td><td>442.9</td></tr> </table>	1:	9.7	→	Serie		9.7	Total		442.9
1:	10.8x	↘																	
Serie		10.8																	
Total		433.2																	
1:	9.7	→																	
Serie		9.7																	
Total		442.9																	

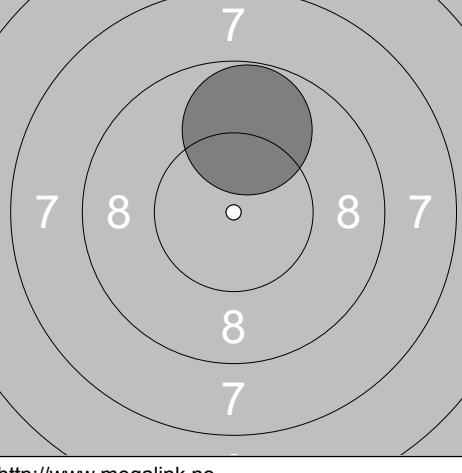
5. Serie 1 Skott  <table style="width:100%; border-collapse: collapse;"> <tr><td>1:</td><td>9.9</td><td>←</td></tr> <tr><td colspan="2">Serie</td><td>9.9</td></tr> <tr><td colspan="2">Total</td><td>452.8</td></tr> </table>	1:	9.9	←	Serie		9.9	Total		452.8	6. Serie 1 Skott  <table style="width:100%; border-collapse: collapse;"> <tr><td>1:</td><td>9.3</td><td>→</td></tr> <tr><td colspan="2">Serie</td><td>9.3</td></tr> <tr><td colspan="2">Total</td><td>462.1</td></tr> </table>	1:	9.3	→	Serie		9.3	Total		462.1
1:	9.9	←																	
Serie		9.9																	
Total		452.8																	
1:	9.3	→																	
Serie		9.3																	
Total		462.1																	

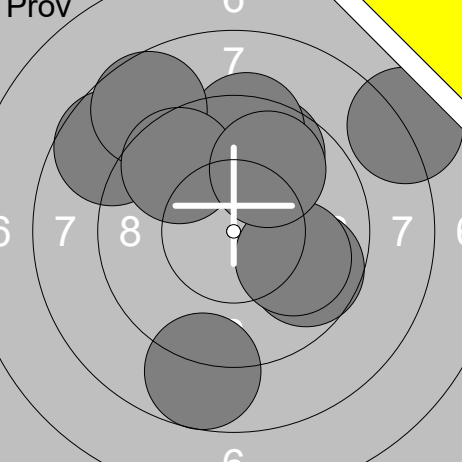
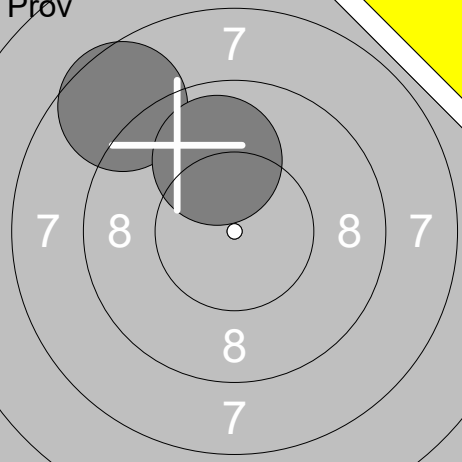
26.01.2019	FM luftgevär 2019	Ramselefors SKF
------------	-------------------	-----------------

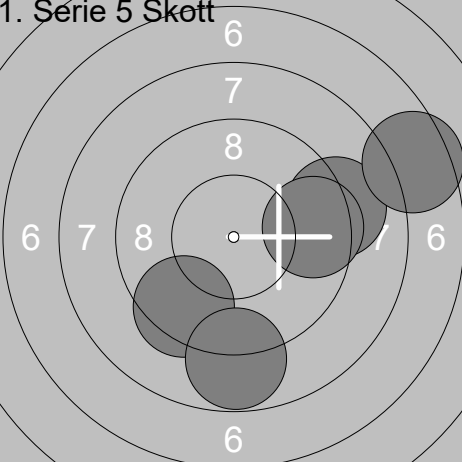
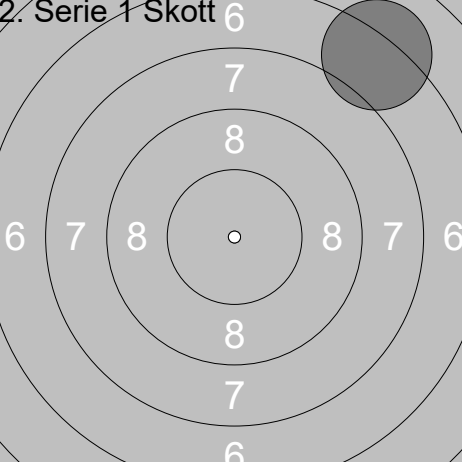
<p>Prov</p> 	<p>1: 10.5x →</p> <p>2: 10.7x ↗</p> <p>3: 10.1 ↓</p> <p>4: 10.6x ↖</p> <p>5: 10.1 →</p> <p>6: 10.2x ↓</p> <p>7: 10.5x ↘</p> <p>8: 9.5 ↘</p>	<p>1. Serie 5 Skott</p> 
Serie 82.2		Serie 52.9
Total 391.0		Total 443.9

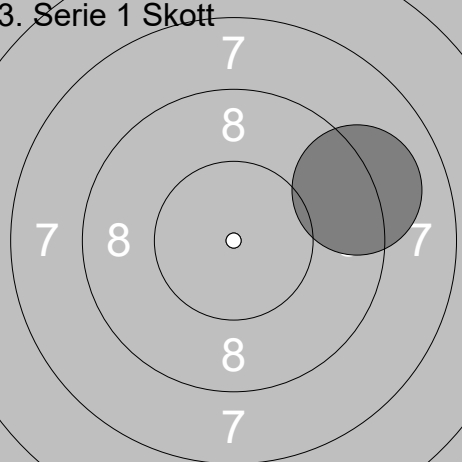
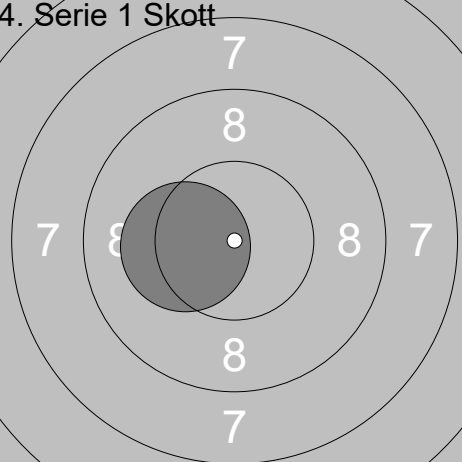
<p>2. Serie 1 Skott</p> 	<p>1: 9.3 →</p>	<p>3. Serie 1 Skott</p> 
Serie 9.3		Serie 10.5
Total 453.2		Total 463.7

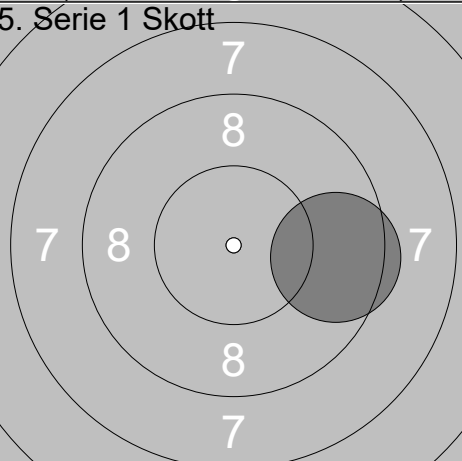
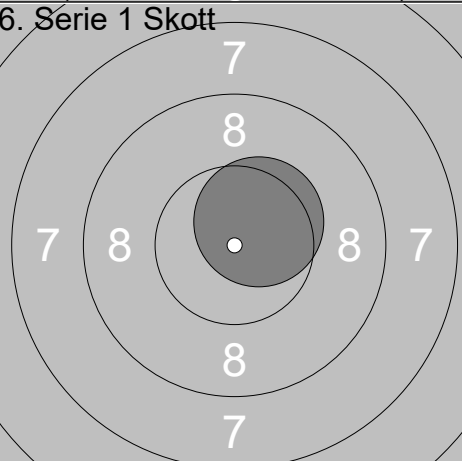
<p>4. Serie 1 Skott</p> 	<p>1: 10.0 →</p>	<p>5. Serie 1 Skott</p> 
Serie 10.0		Serie 9.1
Total 473.7		Total 482.8

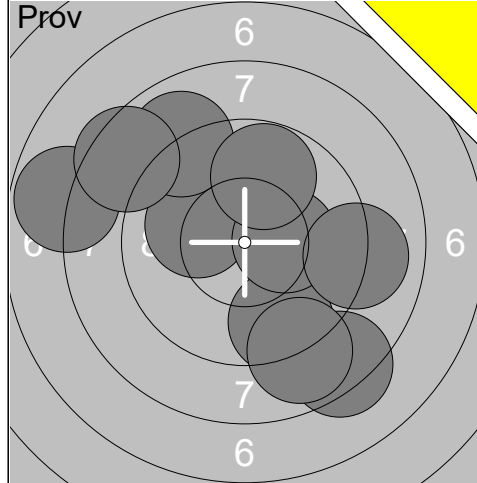
<p>6. Serie 1 Skott</p> 	<p>1: 9.8 ↑</p>	
Serie 9.8		
Total 492.6		

<p>Prov</p> 	<table border="1" style="width:100%; border-collapse: collapse;"> <tr><td>1:</td><td>9.7</td><td>↘</td></tr> <tr><td>2:</td><td>9.7</td><td>↗</td></tr> <tr><td>3:</td><td>8.7</td><td>↗</td></tr> <tr><td>4:</td><td>9.4</td><td>↗</td></tr> <tr><td>5:</td><td>7.8</td><td>↗</td></tr> <tr><td>6:</td><td>8.7</td><td>↗</td></tr> <tr><td>7:</td><td>9.9</td><td>↘</td></tr> <tr><td>8:</td><td>9.6</td><td>↗</td></tr> <tr><td>9:</td><td>8.7</td><td>↓</td></tr> <tr><td>10:</td><td>9.9</td><td>↗</td></tr> <tr><td colspan="2">Serie</td><td>92.1</td></tr> <tr><td colspan="2">Total</td><td>350.0</td></tr> </table>	1:	9.7	↘	2:	9.7	↗	3:	8.7	↗	4:	9.4	↗	5:	7.8	↗	6:	8.7	↗	7:	9.9	↘	8:	9.6	↗	9:	8.7	↓	10:	9.9	↗	Serie		92.1	Total		350.0	<p>Prov</p>  <table border="1" style="width:100%; border-collapse: collapse;"> <tr><td>11:</td><td>8.6</td><td>↖</td></tr> <tr><td>12:</td><td>9.9</td><td>↗</td></tr> <tr><td colspan="2">Serie</td><td>18.5</td></tr> <tr><td colspan="2">Total</td><td>350.0</td></tr> </table>	11:	8.6	↖	12:	9.9	↗	Serie		18.5	Total		350.0
1:	9.7	↘																																																
2:	9.7	↗																																																
3:	8.7	↗																																																
4:	9.4	↗																																																
5:	7.8	↗																																																
6:	8.7	↗																																																
7:	9.9	↘																																																
8:	9.6	↗																																																
9:	8.7	↓																																																
10:	9.9	↗																																																
Serie		92.1																																																
Total		350.0																																																
11:	8.6	↖																																																
12:	9.9	↗																																																
Serie		18.5																																																
Total		350.0																																																

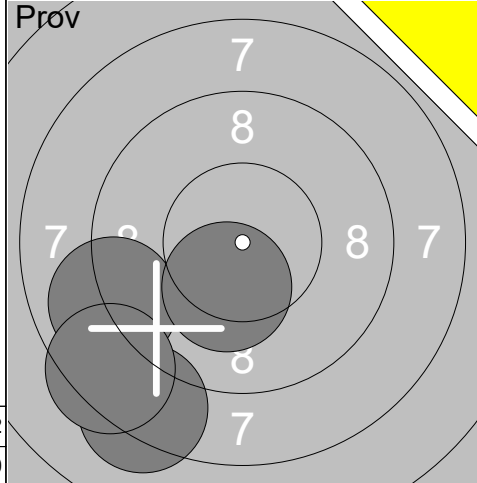
<p>1. Serie 5 Skott</p>  <table border="1" style="width:100%; border-collapse: collapse;"> <tr><td>1:</td><td>9.1</td><td>→</td></tr> <tr><td>2:</td><td>9.4</td><td>↘</td></tr> <tr><td>3:</td><td>7.5</td><td>→</td></tr> <tr><td>4:</td><td>8.8</td><td>↓</td></tr> <tr><td>5:</td><td>9.5</td><td>→</td></tr> <tr><td colspan="2">Serie</td><td>44.3</td></tr> <tr><td colspan="2">Total</td><td>394.3</td></tr> </table>	1:	9.1	→	2:	9.4	↘	3:	7.5	→	4:	8.8	↓	5:	9.5	→	Serie		44.3	Total		394.3	<p>2. Serie 1 Skott</p>  <table border="1" style="width:100%; border-collapse: collapse;"> <tr><td>1:</td><td>7.2</td><td>↗</td></tr> <tr><td colspan="2">Serie</td><td>7.2</td></tr> <tr><td colspan="2">Total</td><td>401.5</td></tr> </table>	1:	7.2	↗	Serie		7.2	Total		401.5
1:	9.1	→																													
2:	9.4	↘																													
3:	7.5	→																													
4:	8.8	↓																													
5:	9.5	→																													
Serie		44.3																													
Total		394.3																													
1:	7.2	↗																													
Serie		7.2																													
Total		401.5																													

<p>3. Serie 1 Skott</p>  <table border="1" style="width:100%; border-collapse: collapse;"> <tr><td>1:</td><td>9.1</td><td>→</td></tr> <tr><td colspan="2">Serie</td><td>9.1</td></tr> <tr><td colspan="2">Total</td><td>410.6</td></tr> </table>	1:	9.1	→	Serie		9.1	Total		410.6	<p>4. Serie 1 Skott</p>  <table border="1" style="width:100%; border-collapse: collapse;"> <tr><td>1:</td><td>10.3x</td><td>←</td></tr> <tr><td colspan="2">Serie</td><td>10.3</td></tr> <tr><td colspan="2">Total</td><td>420.9</td></tr> </table>	1:	10.3x	←	Serie		10.3	Total		420.9
1:	9.1	→																	
Serie		9.1																	
Total		410.6																	
1:	10.3x	←																	
Serie		10.3																	
Total		420.9																	

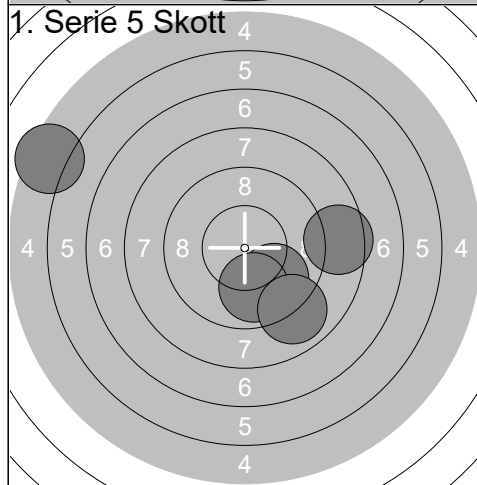
<p>5. Serie 1 Skott</p>  <table border="1" style="width:100%; border-collapse: collapse;"> <tr><td>1:</td><td>9.5</td><td>→</td></tr> <tr><td colspan="2">Serie</td><td>9.5</td></tr> <tr><td colspan="2">Total</td><td>430.4</td></tr> </table>	1:	9.5	→	Serie		9.5	Total		430.4	<p>6. Serie 1 Skott</p>  <table border="1" style="width:100%; border-collapse: collapse;"> <tr><td>1:</td><td>10.5x</td><td>↗</td></tr> <tr><td colspan="2">Serie</td><td>10.5</td></tr> <tr><td colspan="2">Total</td><td>440.9</td></tr> </table>	1:	10.5x	↗	Serie		10.5	Total		440.9
1:	9.5	→																	
Serie		9.5																	
Total		430.4																	
1:	10.5x	↗																	
Serie		10.5																	
Total		440.9																	



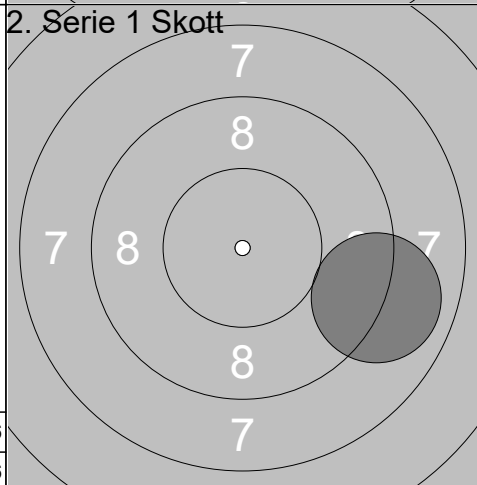
1:	8.3	↘
2:	10.1	↗
3:	7.8	↗
4:	9.0	↗
5:	9.5	↘
6:	8.5	↗
7:	10.3x	→
8:	9.0	→
9:	8.9	↘
10:	9.8	↗
Serie		91.2
Total		321.0



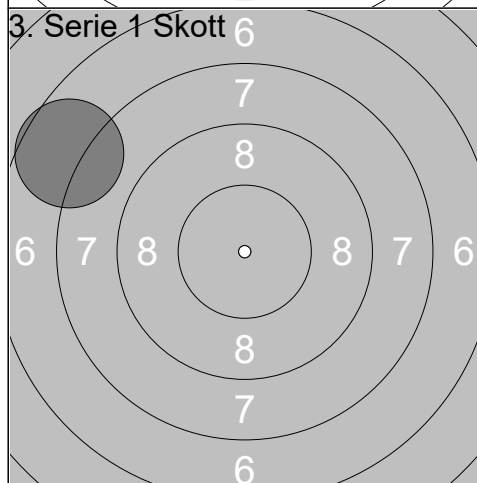
11:	8.3	↘
12:	9.0	↖
13:	8.4	↘
14:	10.3x	↘
Serie		36.0
Total		321.0



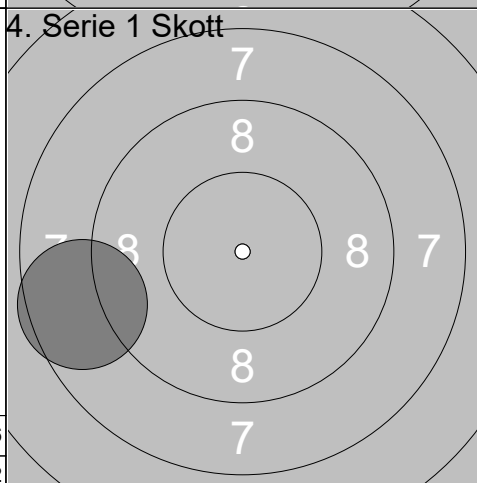
1:	9.9	↘
2:	8.5	→
3:	9.9	↘
4:	8.9	↘
5:	5.4	↗
Serie		42.6
Total		363.6



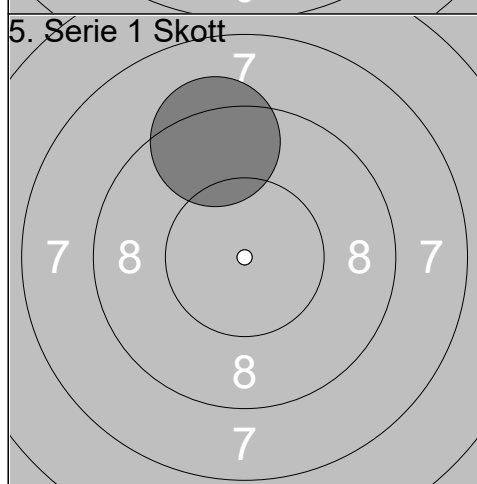
1:	9.0	→
Serie		9.0
Total		372.6



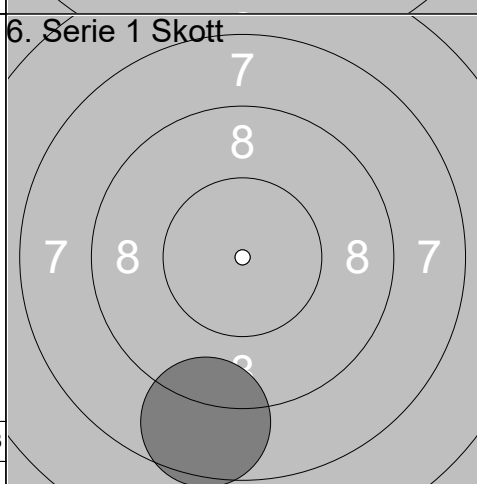
1:	7.6	↖
Serie		7.6
Total		380.2



1:	8.6	↖
Serie		8.6
Total		388.8

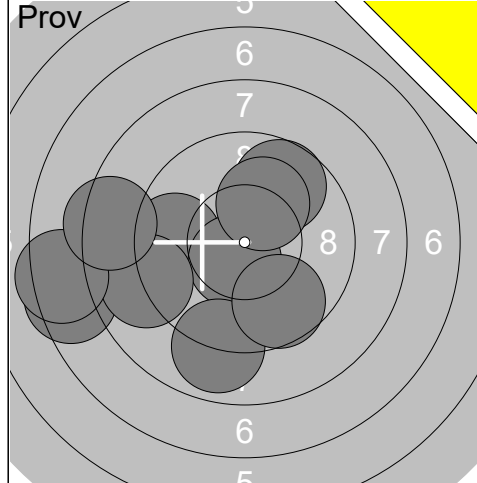


1:	9.3	↗
Serie		9.3
Total		398.1

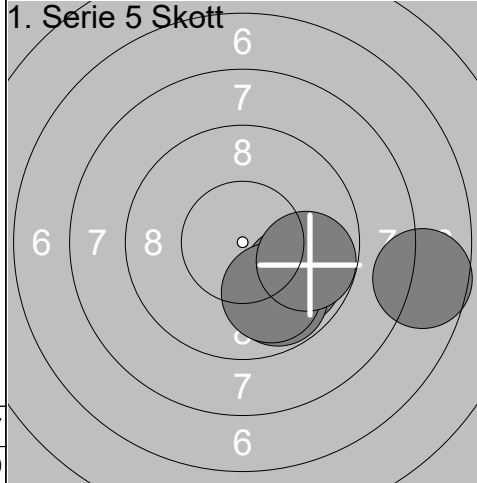


1:	8.6	↘
Serie		8.6
Total		406.7

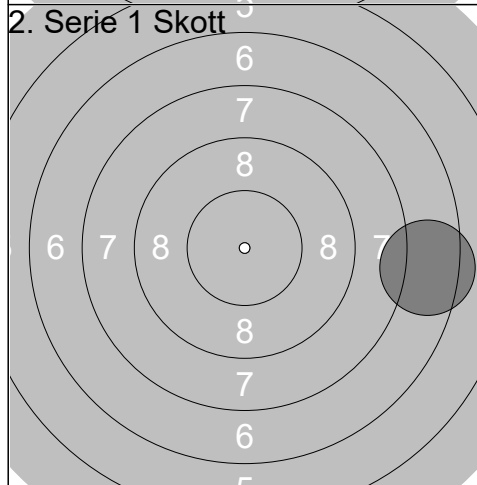
<p>Prov</p>	<p>1: 8.6 ↘ 2: 8.8 → 3: 9.2 ↗ 4: 8.8 ↘ 5: 9.8 ← 6: 10.3x ↗</p> <table border="1" style="width:100%; border-collapse: collapse;"> <tr><td>Serie</td><td style="text-align: right;">55.5</td></tr> <tr><td>Total</td><td style="text-align: right;">357.0</td></tr> </table>	Serie	55.5	Total	357.0	<p>1. Serie 5 Skott</p>	<p>1: 10.0 ← 2: 9.5 ↗ 3: 9.6 ↘ 4: 9.5 ↘ 5: 9.2 ↘</p> <table border="1" style="width:100%; border-collapse: collapse;"> <tr><td>Serie</td><td style="text-align: right;">47.8</td></tr> <tr><td>Total</td><td style="text-align: right;">404.8</td></tr> </table>	Serie	47.8	Total	404.8
Serie	55.5										
Total	357.0										
Serie	47.8										
Total	404.8										
<p>2. Serie 1 Skott</p>	<p>1: 9.6 ↗</p> <table border="1" style="width:100%; border-collapse: collapse;"> <tr><td>Serie</td><td style="text-align: right;">9.6</td></tr> <tr><td>Total</td><td style="text-align: right;">414.4</td></tr> </table>	Serie	9.6	Total	414.4	<p>3. Serie 1 Skott</p>	<p>1: 9.3 ↗</p> <table border="1" style="width:100%; border-collapse: collapse;"> <tr><td>Serie</td><td style="text-align: right;">9.3</td></tr> <tr><td>Total</td><td style="text-align: right;">423.7</td></tr> </table>	Serie	9.3	Total	423.7
Serie	9.6										
Total	414.4										
Serie	9.3										
Total	423.7										
<p>4. Serie 1 Skott</p>	<p>1: 9.7 ↗</p> <table border="1" style="width:100%; border-collapse: collapse;"> <tr><td>Serie</td><td style="text-align: right;">9.7</td></tr> <tr><td>Total</td><td style="text-align: right;">433.4</td></tr> </table>	Serie	9.7	Total	433.4	<p>5. Serie 1 Skott</p>	<p>1: 6.8 ←</p> <table border="1" style="width:100%; border-collapse: collapse;"> <tr><td>Serie</td><td style="text-align: right;">6.8</td></tr> <tr><td>Total</td><td style="text-align: right;">440.2</td></tr> </table>	Serie	6.8	Total	440.2
Serie	9.7										
Total	433.4										
Serie	6.8										
Total	440.2										
<p>6. Serie 1 Skott</p>	<p>1: 10.1 ↗</p> <table border="1" style="width:100%; border-collapse: collapse;"> <tr><td>Serie</td><td style="text-align: right;">10.1</td></tr> <tr><td>Total</td><td style="text-align: right;">450.3</td></tr> </table>	Serie	10.1	Total	450.3						
Serie	10.1										
Total	450.3										



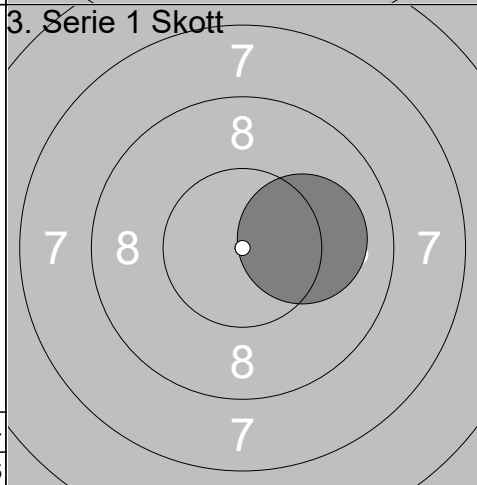
1:	9.6	←
2:	10.5x	↙
3:	7.5	←
4:	9.7	↗
5:	10.1	↗
6:	8.9	←
7:	7.4	←
8:	8.9	↘
9:	9.7	↘
10:	8.4	←
Serie		90.7
Total		353.0



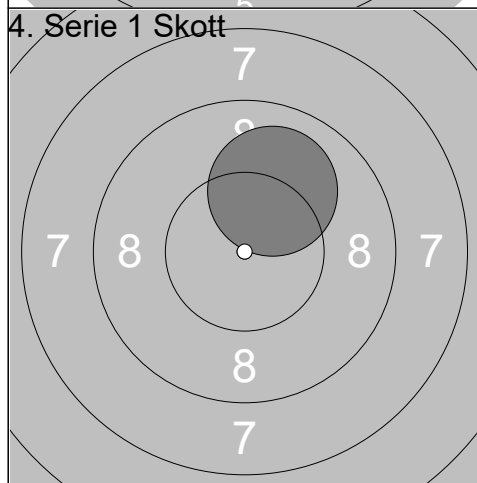
1:	7.7	→
2:	9.9	↘
3:	9.8	↘
4:	9.9	↘
5:	9.8	↘
Serie		47.1
Total		400.1



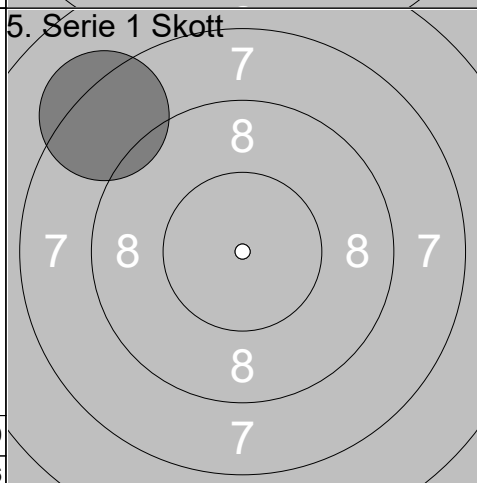
1:	7.4	→
Serie		7.4
Total		407.5



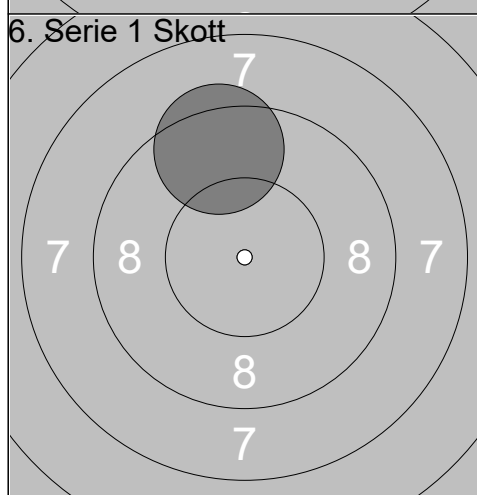
1:	10.1	→
Serie		10.1
Total		417.6



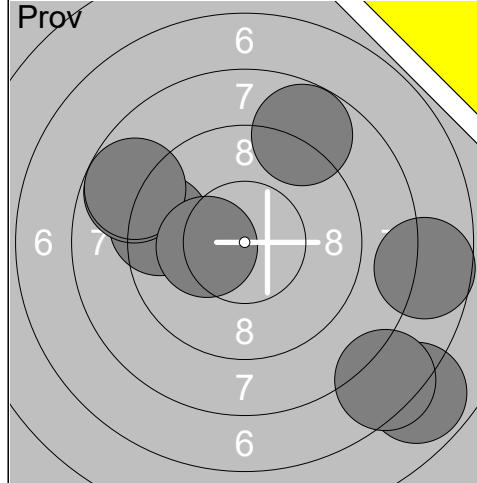
1:	10.0	↗
Serie		10.0
Total		427.6



1:	8.2	↖
Serie		8.2
Total		435.8

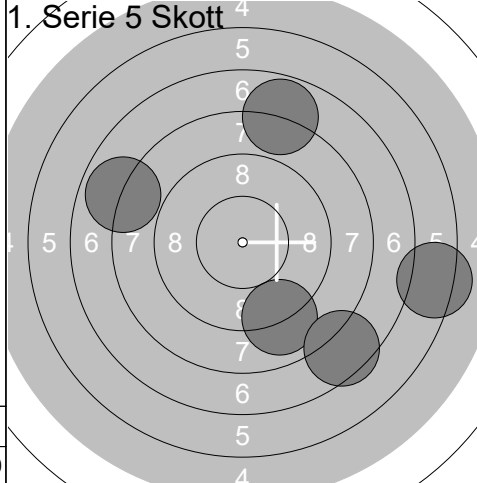


1:	9.4	↗
Serie		9.4
Total		445.2



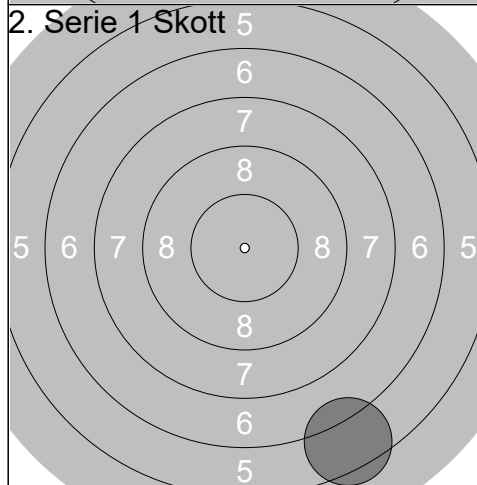
1:	8.8	↗
2:	9.4	↖
3:	8.8	↗
4:	7.7	→
5:	8.8	↗
6:	10.3x	↖
7:	6.9	↘
8:	7.4	↘

Serie	68.1
Total	342.0



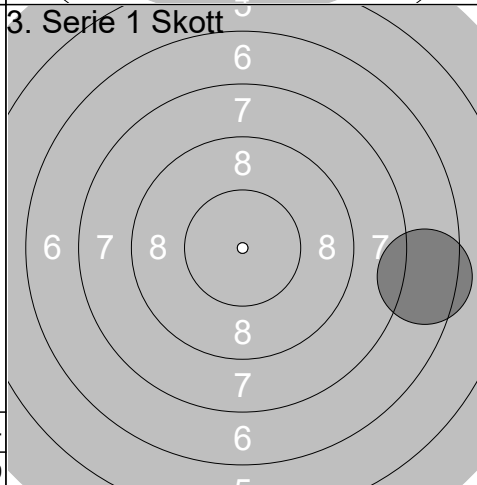
1:	7.8	↗
2:	9.0	↘
3:	6.3	→
4:	7.9	↗
5:	7.5	↘

Serie	38.5
Total	380.5



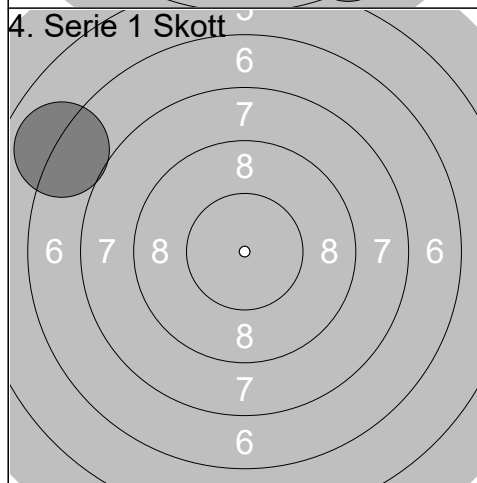
1:	6.4	↘
----	-----	---

Serie	6.4
Total	386.9



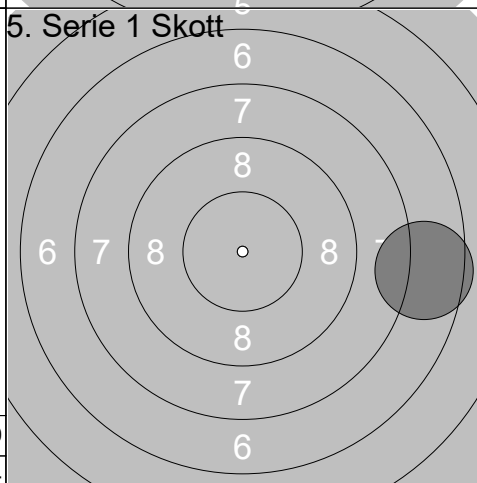
1:	7.5	→
----	-----	---

Serie	7.5
Total	394.4



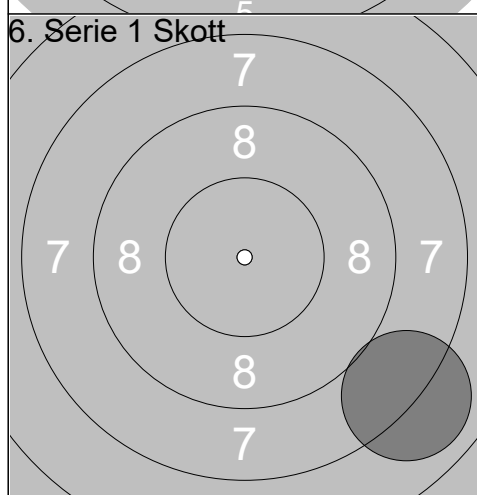
1:	7.0	↖
----	-----	---

Serie	7.0
Total	401.4



1:	7.6	→
----	-----	---

Serie	7.6
Total	409.0



1:	8.0	↘
----	-----	---

Serie	8.0
Total	417.0