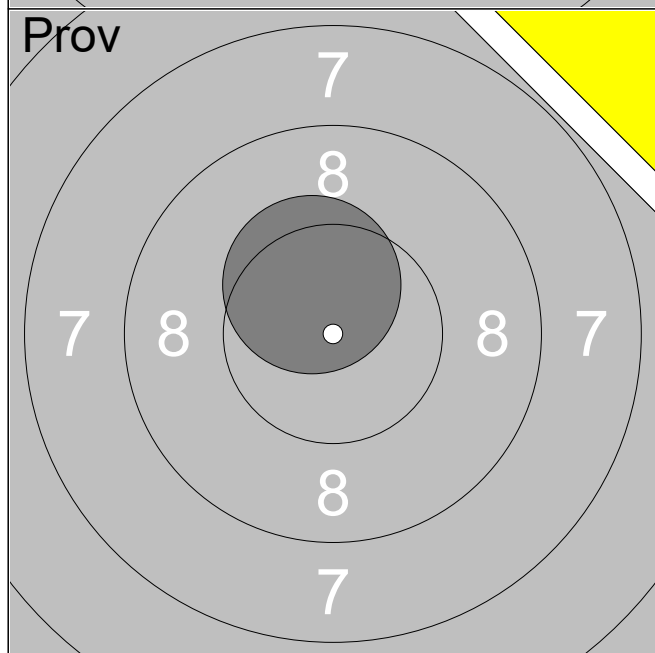
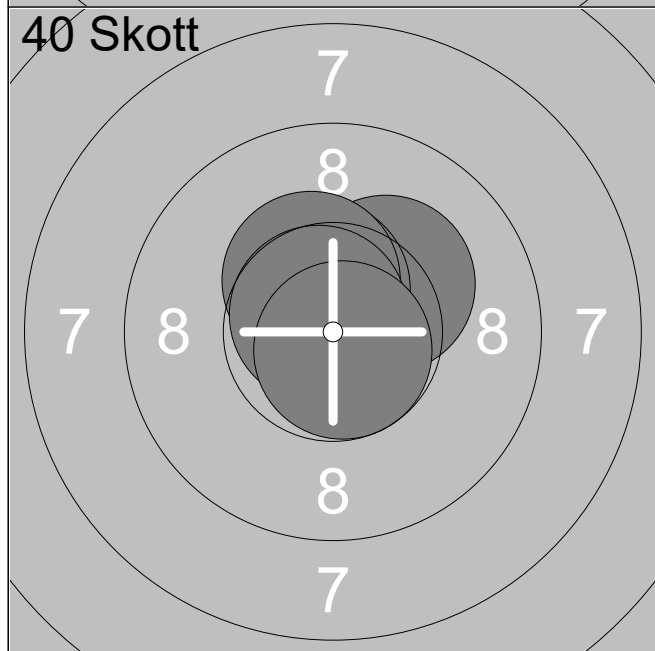


1:	10.4x	↙
2:	10.7x	←
3:	10.5x	↓
4:	10.5x	↖
5:	10.6x	↓
6:	10.0	↖
7:	10.3x	↙
8:	10.6x	←
9:	10.6x	↑
10:	10.6x	↗
Serie		104.8
Total		399.0



11:	10.4x	↑
Serie		10.4
Total		399.0



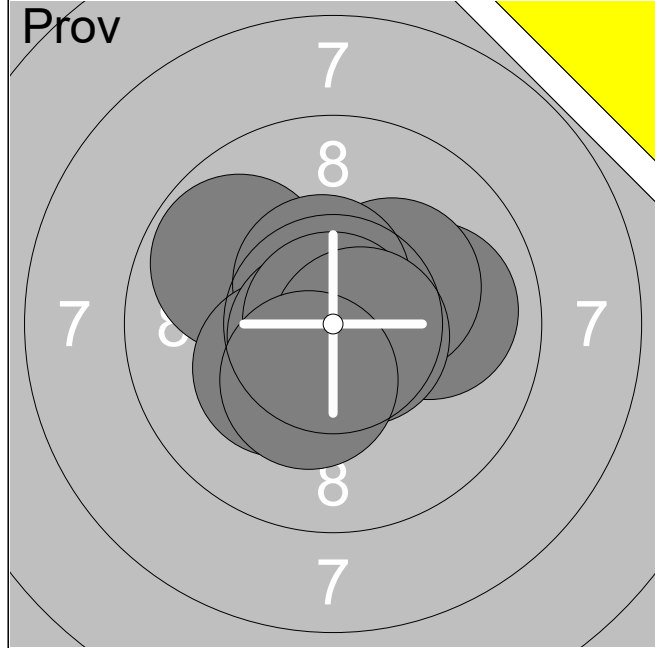
1:	10.2x	↗
2:	10.5x	↑
3:	10.4x	↗
4:	10.7x	↗
5:	10.7x	↓
Serie		52.5
Total		451.5

04.11.2018	Vindelnskyttet 2018	Ramselefors SKF
------------	---------------------	-----------------

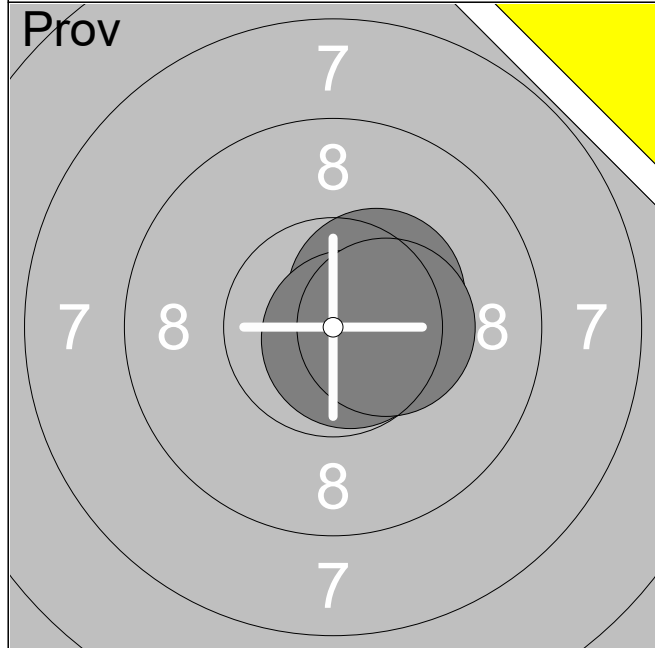
	1:	10.3x	↓
	2:	10.6x	→
	3:	10.4x	↓
	4:	10.4x	→
	5:	9.8	↓
	6:	10.7x	↓
	7:	10.8x	↗
	8:	10.2x	↓
	9:	10.0	↗
	10:	10.5x	↑
	Serie		103.7
Total		399.0	

	11:	10.4x	→
	12:	10.0	→
	13:	10.6x	↑
	Serie		31.0
Total		399.0	

	1:	10.0	↗
	2:	10.1	↗
	3:	10.0	↓
	4:	10.7x	↓
	5:	10.7x	→
	Serie		51.5
Total		450.5	



1:	10.0	→
2:	10.8x	↗
3:	10.2x	↗
4:	9.8	↖
5:	10.5x	↑
6:	10.3x	↙
7:	10.7x	↙
8:	10.9x	↗
9:	10.7x	→
10:	10.3x	↓
Serie		104.2
Total		399.0



11:	10.4x	↗
12:	10.7x	↘
13:	10.4x	→
Serie		31.5
Total		399.0



1:	10.6x	↗
2:	10.0	↘
3:	10.8x	↗
4:	10.6x	↘
5:	10.6x	↗
Serie		52.6
Total		451.6



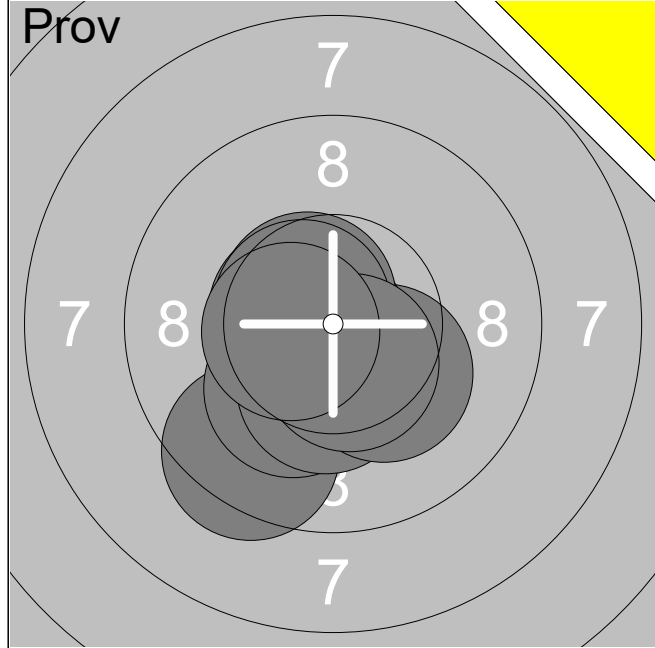
1:	9.5	↘
2:	9.5	↘
3:	10.4x	↘
4:	10.8x	←
5:	10.6x	↗
6:	10.8x	↘
7:	10.5x	↗

Serie	72.1
Total	399.0

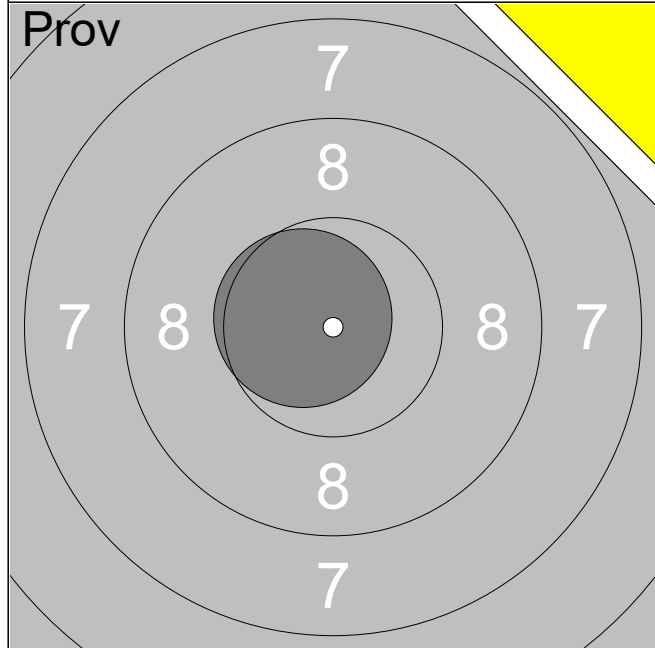


1:	10.3x	↗
2:	10.6x	→
3:	10.6x	↗
4:	10.8x	←
5:	10.3x	↑

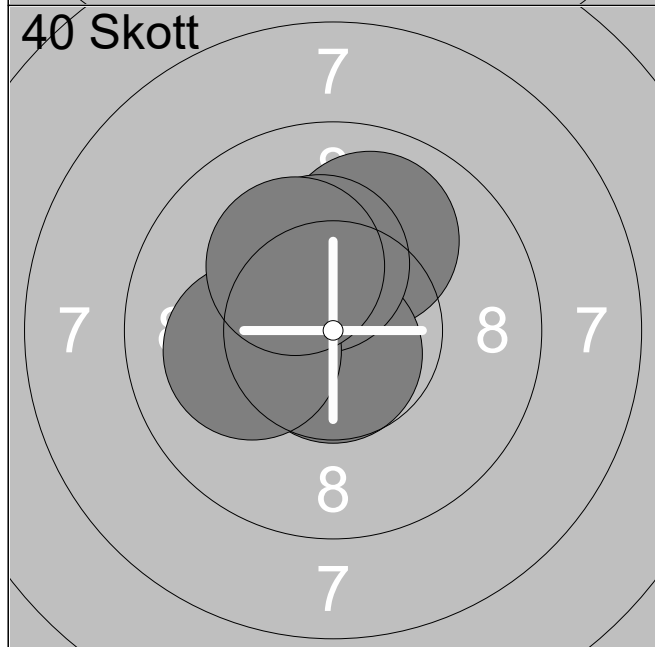
Serie	52.6
Total	451.6



1:	9.4	↘
2:	10.2x	↘
3:	10.3x	↓
4:	10.2x	↘
5:	10.6x	←
6:	10.8x	←
7:	10.6x	↗
8:	10.6x	↖
9:	10.5x	↓
10:	10.5x	←
Serie		103.7
Total		399.0



11:	10.6x	←
Serie		10.6
Total		399.0



1:	10.0	↗
2:	10.7x	↓
3:	10.3x	↑
4:	10.1	←
5:	10.2x	↖
Serie		51.3
Total		450.3



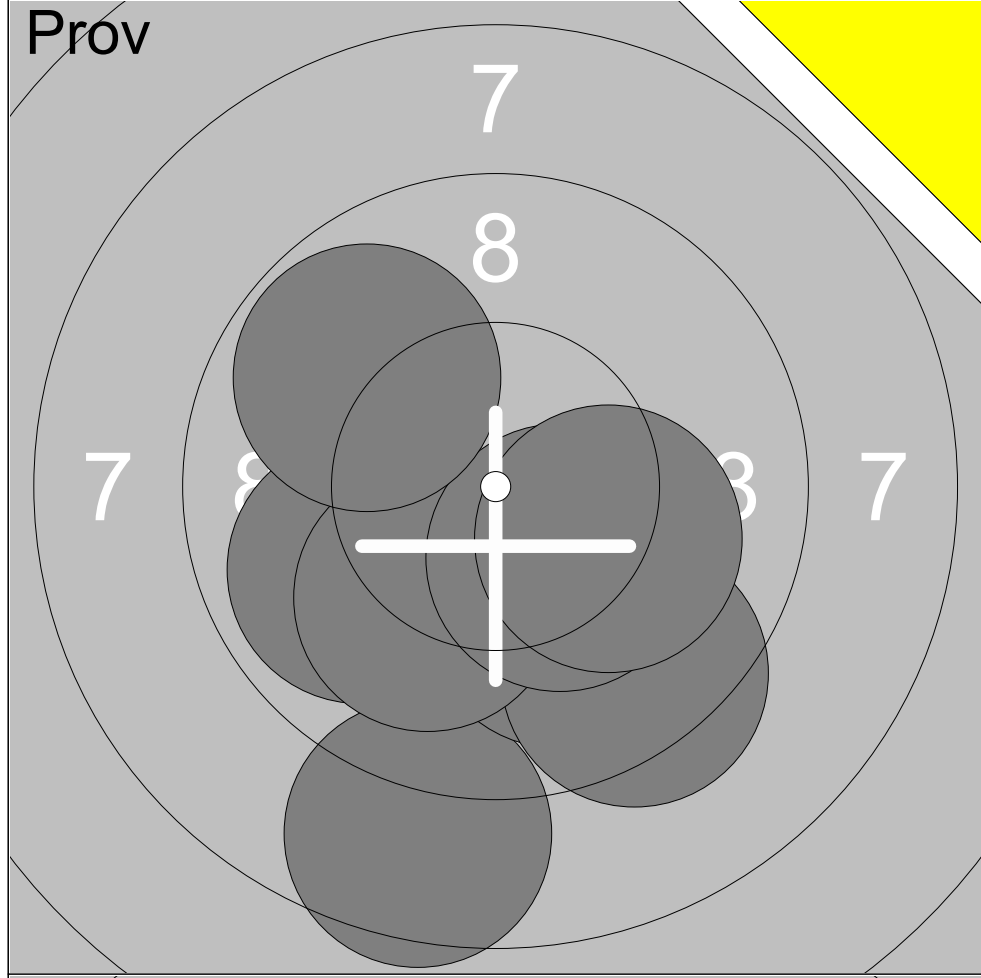
1:	10.1	↗
2:	9.9	↗
3:	9.8	↗
4:	9.6	→
5:	10.5x	↗
6:	10.7x	→
7:	10.1	↘

Serie	70.7
Total	396.0



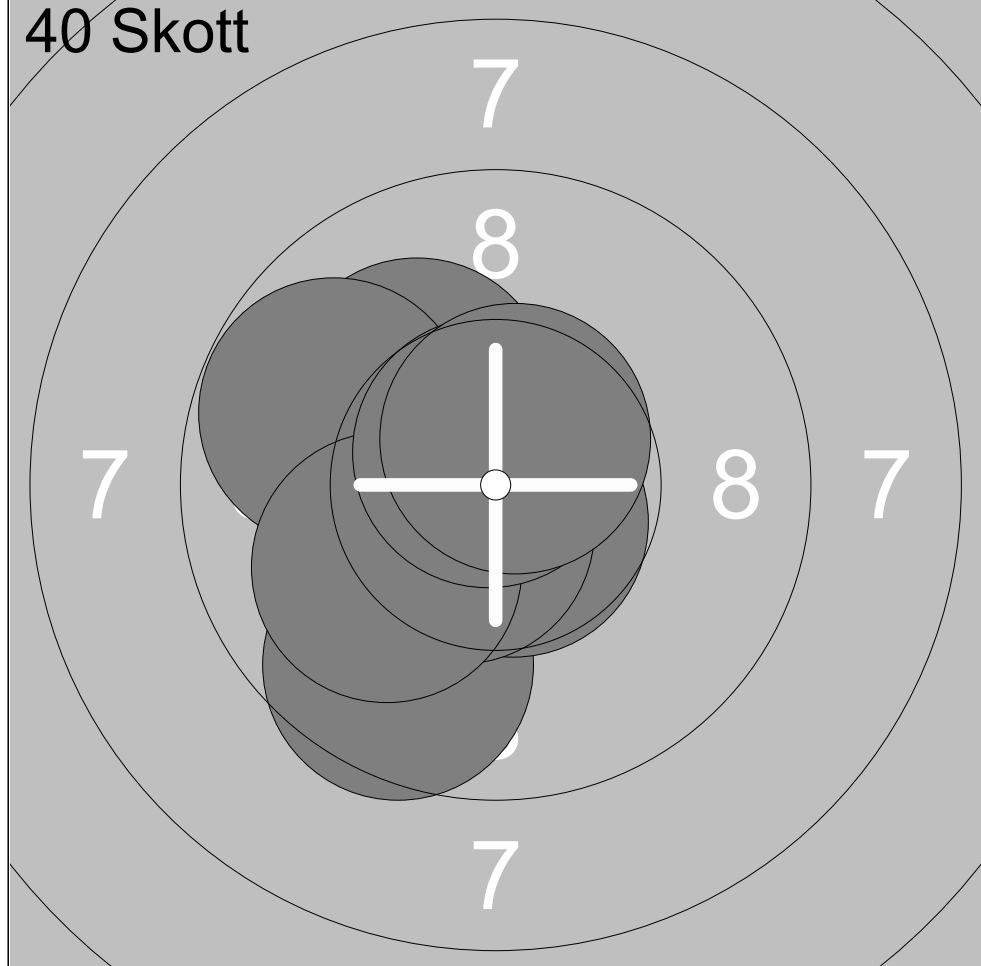
1:	10.1	↖
2:	10.1	↗
3:	10.6x	→
4:	10.2x	↗
5:	10.6x	↘
6:	10.3x	↗
7:	10.2x	↘
8:	10.3x	←
9:	10.5x	↗
10:	10.7x	↘

Serie	103.6
Total	499.6



1:	8.6	↘
2:	10.0	↘
3:	9.4	↘
4:	9.9	↙
5:	10.1	↘
6:	10.3x	↘
7:	9.8	↗
8:	10.1	↘

Serie	78.2
Total	394.0



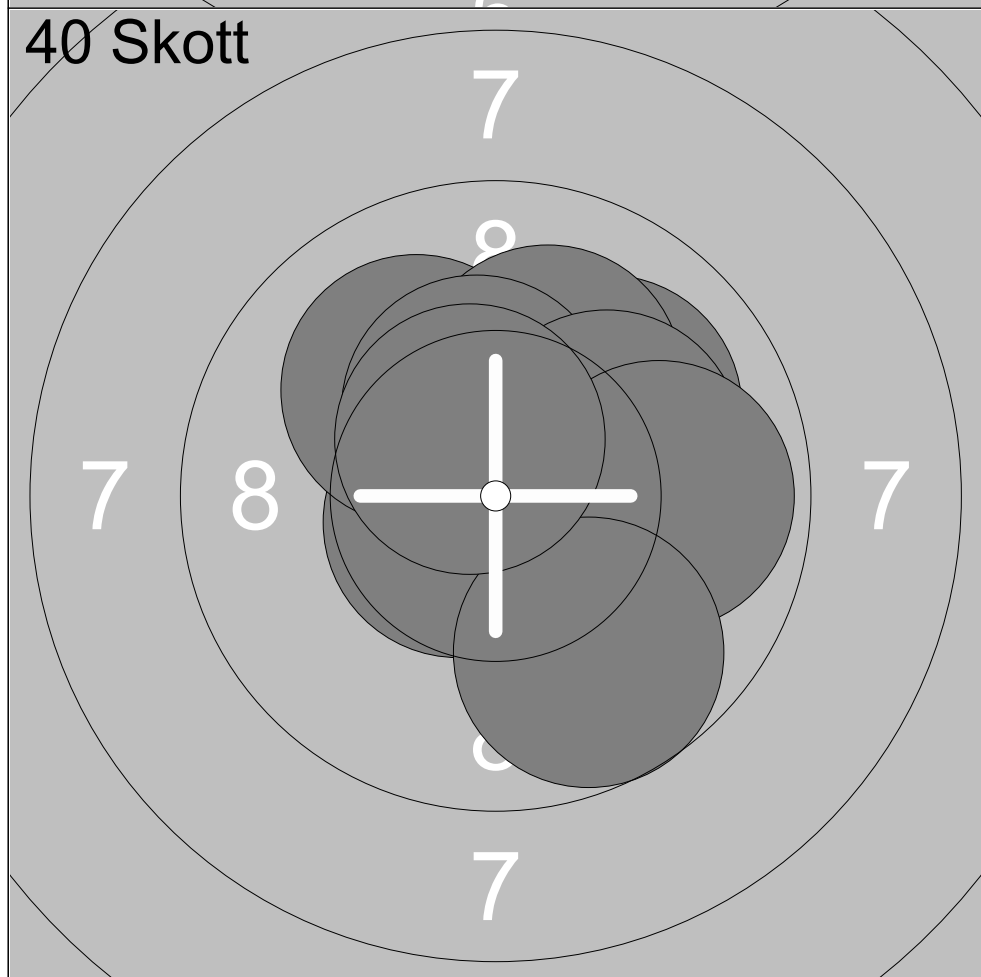
1:	9.6	↘
2:	10.1	↗
3:	10.2x	↙
4:	10.7x	↙
5:	10.7x	↘
6:	9.8	↗
7:	10.6x	↘
8:	10.0	↙
9:	10.7x	↗
10:	10.6x	↗

Serie	103.0
Total	497.0



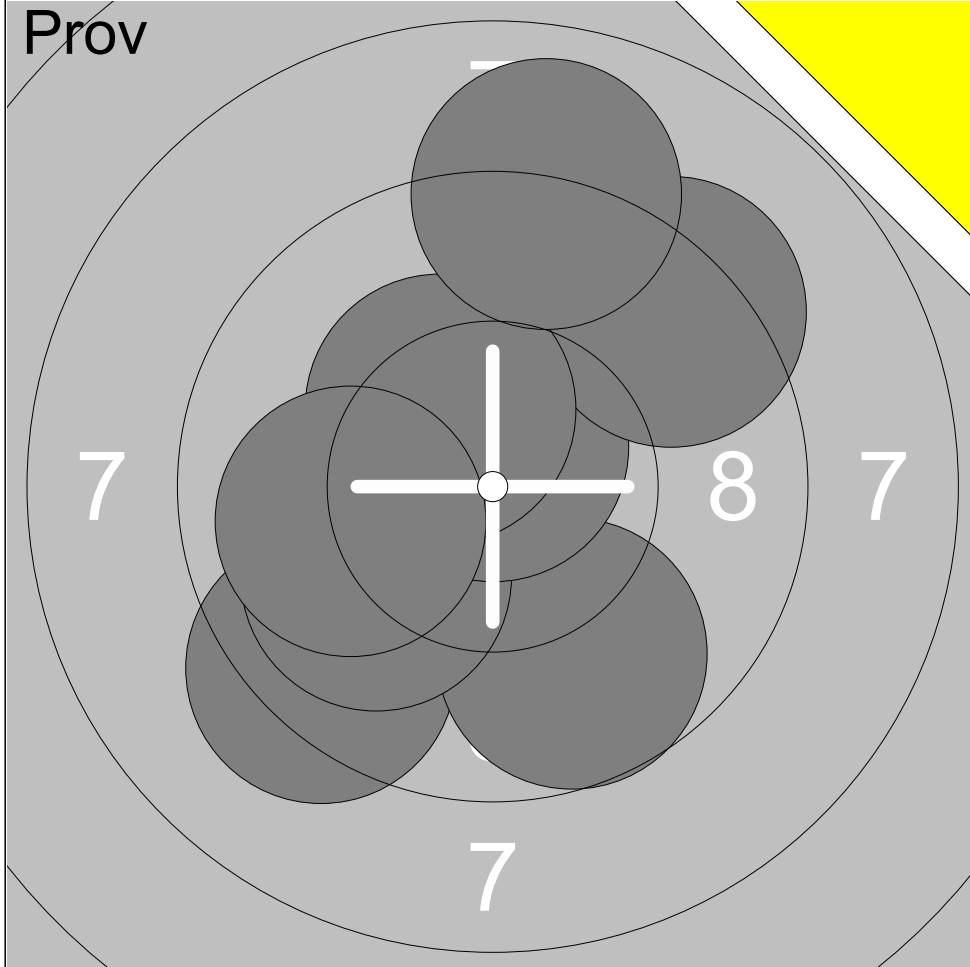
1:	8.2	←
2:	10.5x	↙
3:	10.1	←
4:	10.0	↙
5:	10.0	→
6:	10.4x	↗
7:	9.7	↘
8:	10.2x	↑
9:	10.3x	↗

Serie	89.4
Total	391.0



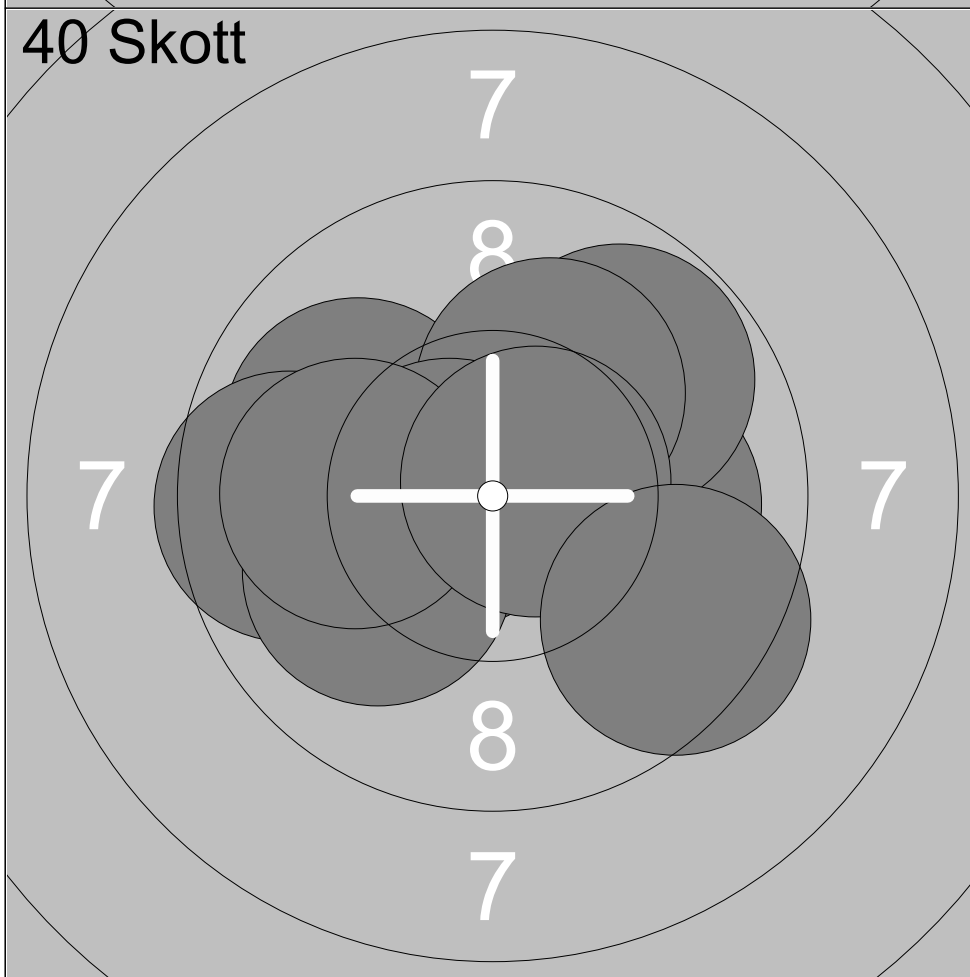
1:	10.5x	↑
2:	10.6x	↙
3:	10.1	↖
4:	10.0	↗
5:	10.1	↗
6:	10.4x	↑
7:	10.1	↗
8:	9.9	→
9:	9.7	↘
10:	10.5x	↖

Serie	101.9
Total	492.9



1:	9.3	↙
2:	9.7	↘
3:	10.0	↙
4:	10.7x	↑
5:	9.3	↗
6:	10.3x	↖
7:	9.0	↑
8:	10.0	←

Serie	78.3
Total	389.0

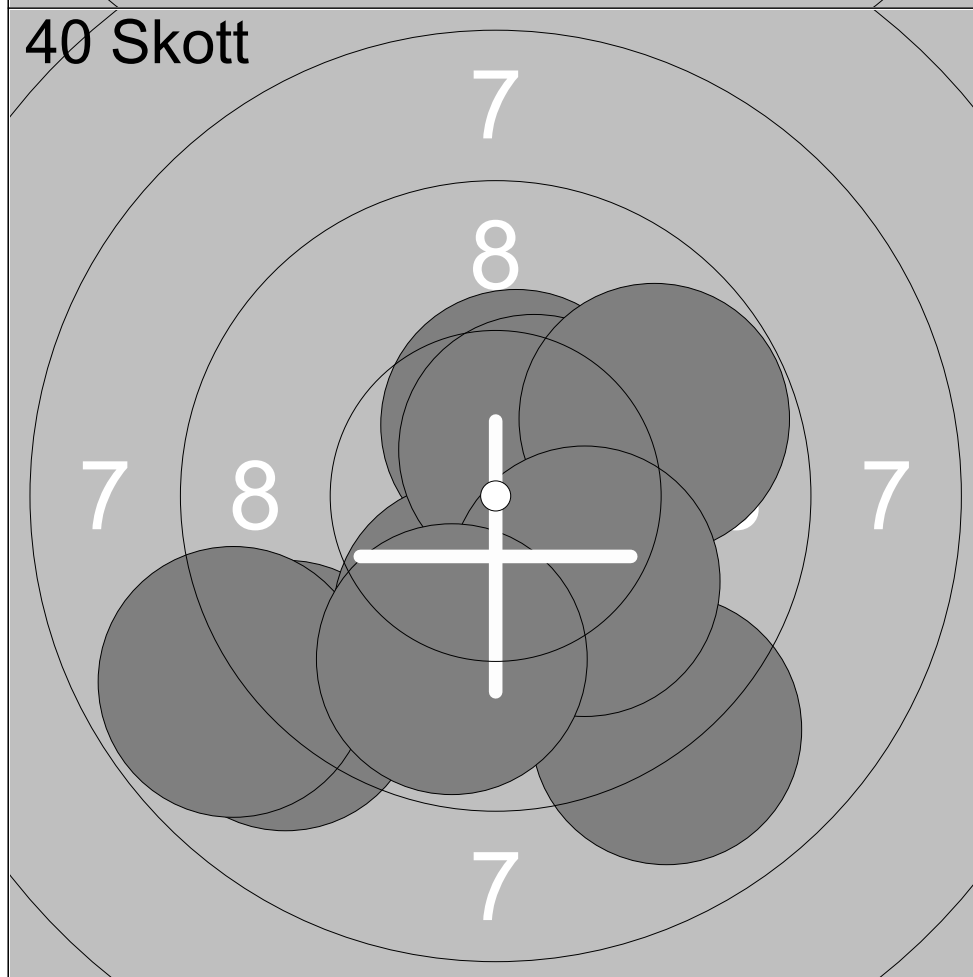


1:	10.1	→
2:	9.8	↗
3:	10.0	↙
4:	10.2x	↗
5:	9.6	←
6:	10.7x	←
7:	10.0	↙
8:	10.0	←
9:	10.6x	↗
10:	9.5	↘

Serie	100.5
Total	489.5



1:	8.6	↙
2:	8.9	↘
3:	10.1	↓
4:	9.4	↙
5:	9.4	↘
6:	9.0	↘
Serie		55.4
Total		386.0

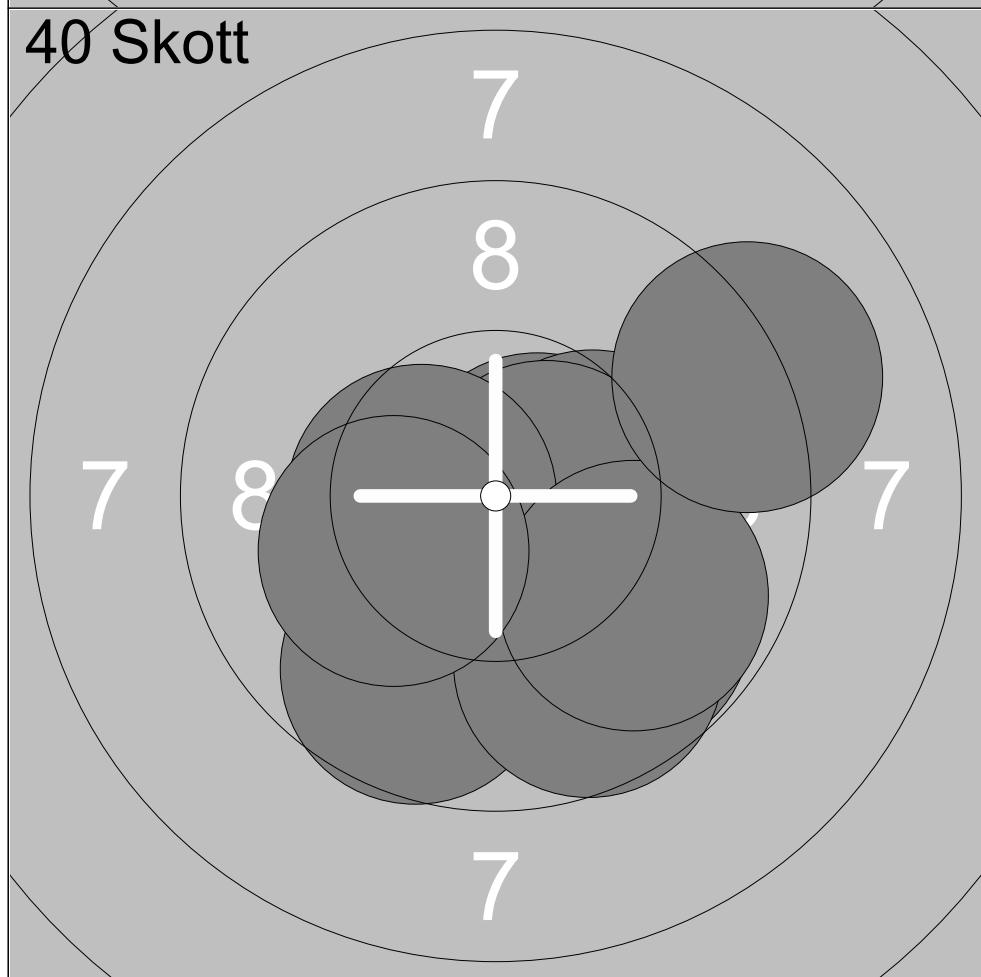


1:	9.0	↘
2:	10.5x	↗
3:	10.3x	↗
4:	9.0	↙
5:	10.1	↓
6:	10.5x	↗
7:	9.8	↗
8:	10.1	↘
9:	8.8	↙
10:	9.8	↓
Serie		97.9
Total		483.9



1:	10.8x	↗
2:	10.3x	↖
3:	10.0	↘
4:	10.0	↘
5:	9.7	↘
6:	10.7x	→
7:	10.2x	↘

Serie	71.7
Total	385.0



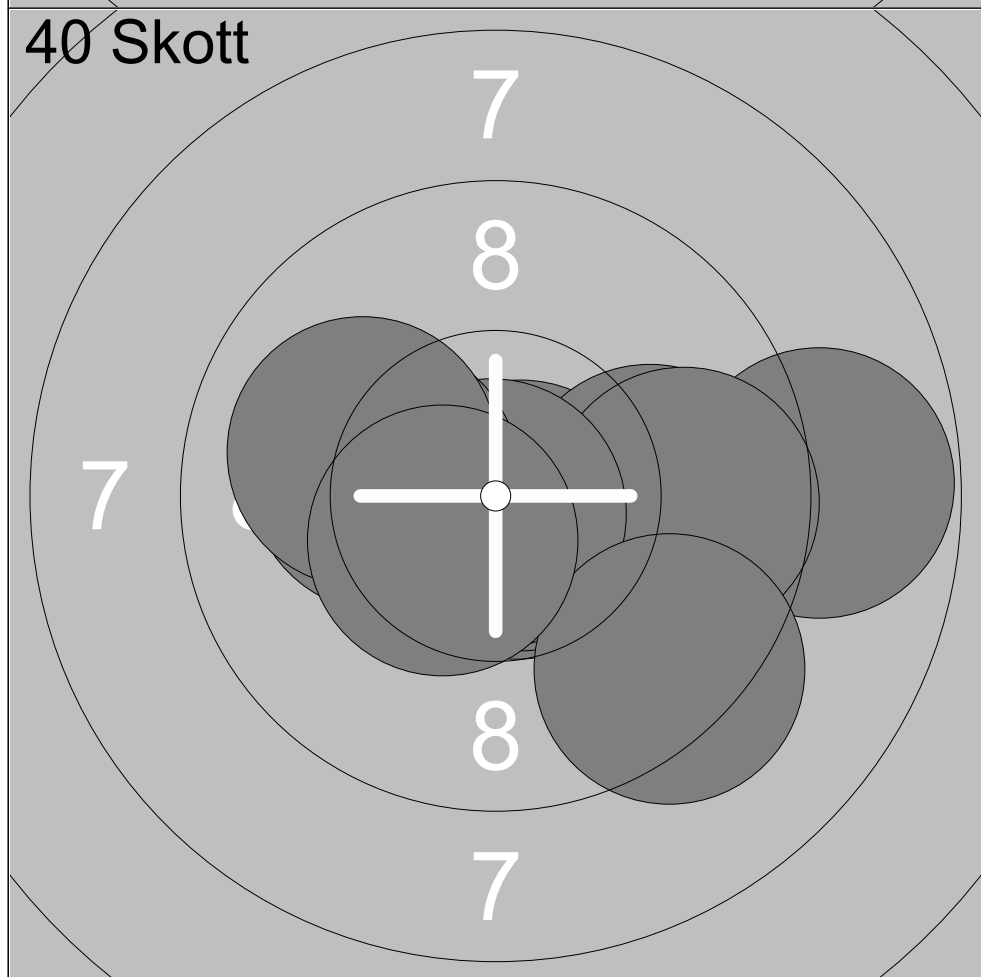
1:	10.7x	→
2:	10.3x	→
3:	9.8	↘
4:	9.7	↘
5:	10.6x	→
6:	10.5x	←
7:	9.7	↘
8:	9.8	↘
9:	9.1	↗
10:	10.2x	↖

Serie	100.4
Total	485.4



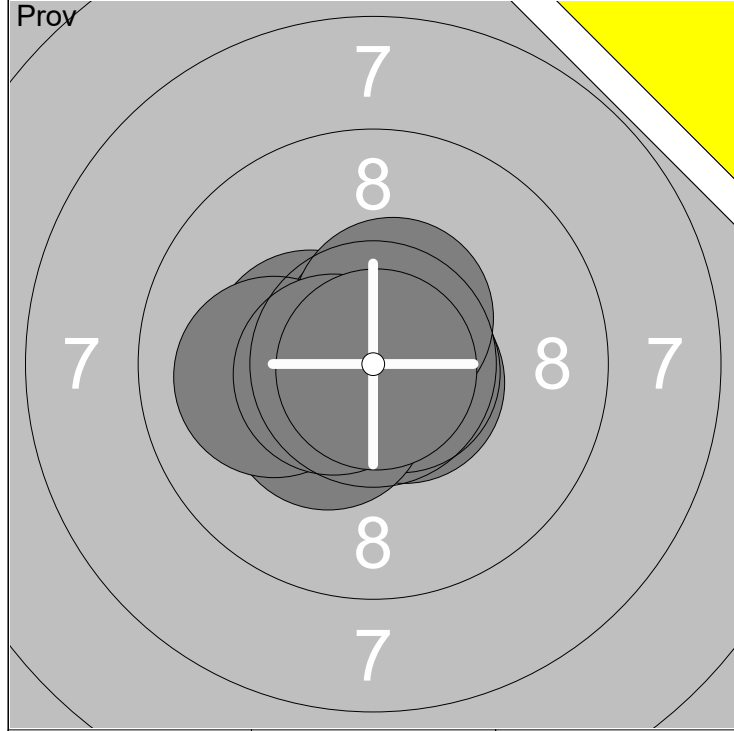
1:	9.4	↗
2:	9.8	↖
3:	9.8	↖
4:	10.7x	↑
5:	9.8	↗
6:	9.9	↑

Serie	59.4
Total	382.0



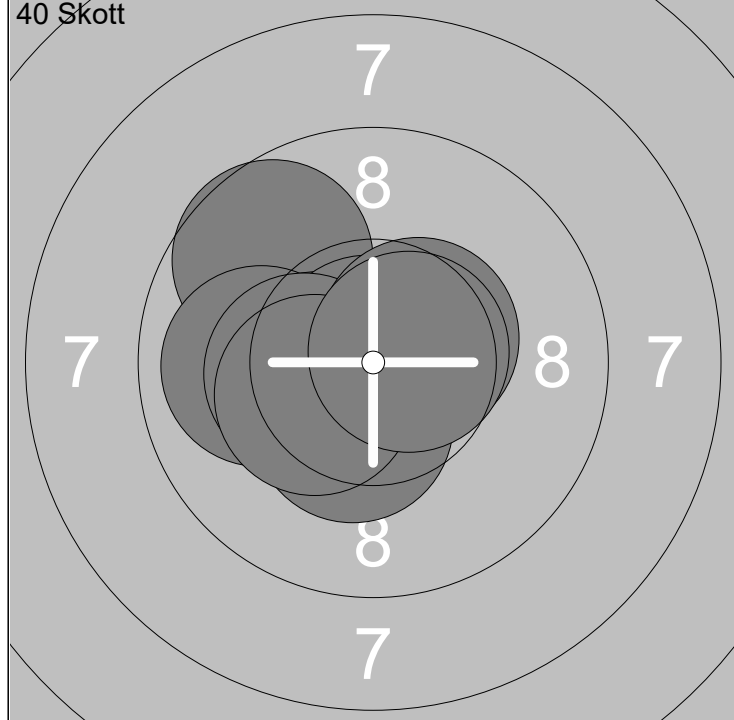
1:	8.8	→
2:	10.7x	↘
3:	10.7x	↘
4:	9.9	→
5:	9.7	→
6:	10.8x	↘
7:	9.3	↘
8:	10.2x	←
9:	10.0	←
10:	10.5x	↙

Serie	100.6
Total	482.6



1: 10.6x ↘	6: 10.5x ↗	Serie	105.2
2: 10.7x →	7: 10.4x ↙		
3: 10.3x ←	8: 10.1 ←	Total	400.0
4: 10.4x ←	9: 10.6x ←		
5: 10.7x ↗	10: 10.9x ↘		

11: 10.6x →	Serie	21.4
12: 10.8x ↓		
Total		400.0



1: 10.6x ←	6: 10.9x ↗	Serie	103.7
2: 9.7 ↗	7: 10.3x ←		
3: 10.4x ↓	8: 10.4x ←	Total	503.7
4: 9.9 ←	9: 10.5x ↗		
5: 10.4x ←	10: 10.6x →		

11: 10.8x ↗	Serie	10.8
Total		

04.11.2018	Vindelnskyttet 2018	Ramselefors SKF
------------	---------------------	-----------------

Prov

1:	10.6x	↘
2:	10.7x	↖
3:	10.5x	↗
4:	10.2x	↗
5:	10.7x	↘
6:	10.6x	↗
7:	10.2x	↑
8:	10.3x	↙
9:	10.8x	↖
10:	10.2x	↑

Serie	104.8
Total	399.0

Prov

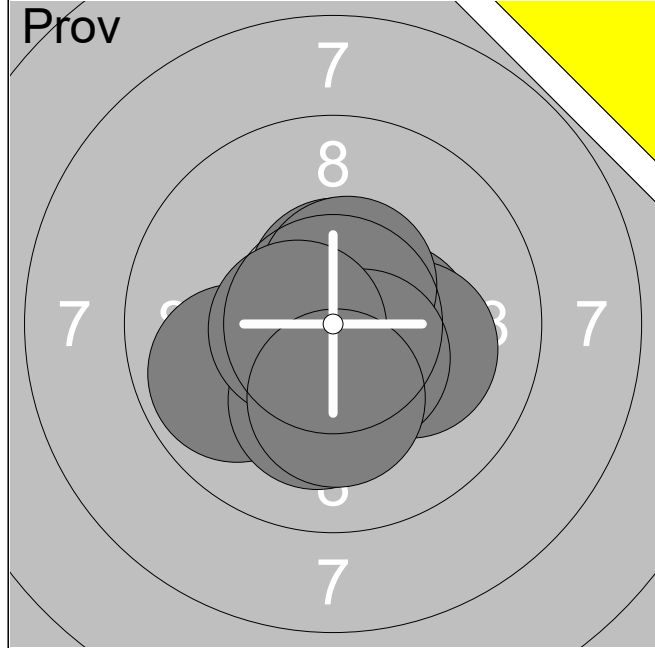
11:	10.2x	→
12:	10.3x	↘
13:	10.7x	↑

Serie	31.2
Total	399.0

40 Skott

1:	10.5x	↖
2:	10.1	↑
3:	10.6x	↖
4:	10.8x	↘
5:	10.6x	↘
6:	10.6x	↗
7:	10.6x	↖
8:	10.5x	↗
9:	10.3x	↖
10:	10.5x	↗

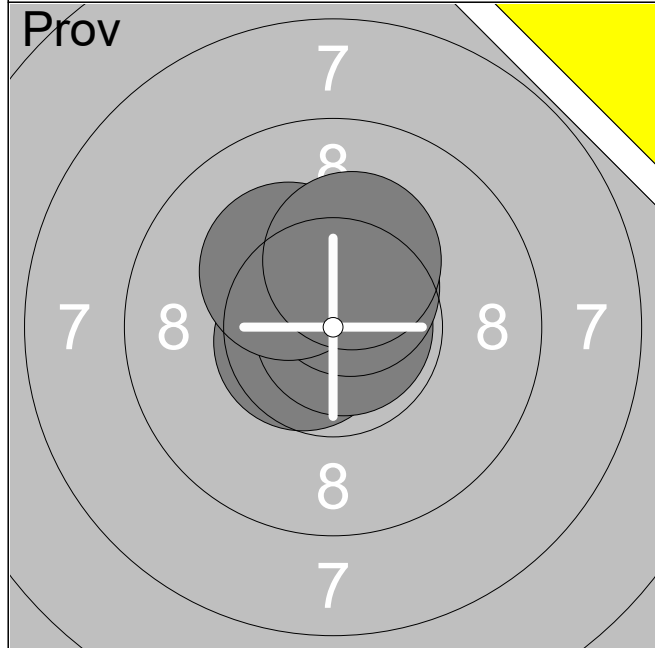
Serie	105.1
Total	504.1



1:	10.4x	→
2:	9.9	←
3:	10.8x	←
4:	10.2x	↓
5:	10.6x	↑
6:	10.1	→
7:	10.5x	↑
8:	10.5x	↘
9:	10.6x	←
10:	10.2x	↓

Serie **103.8**

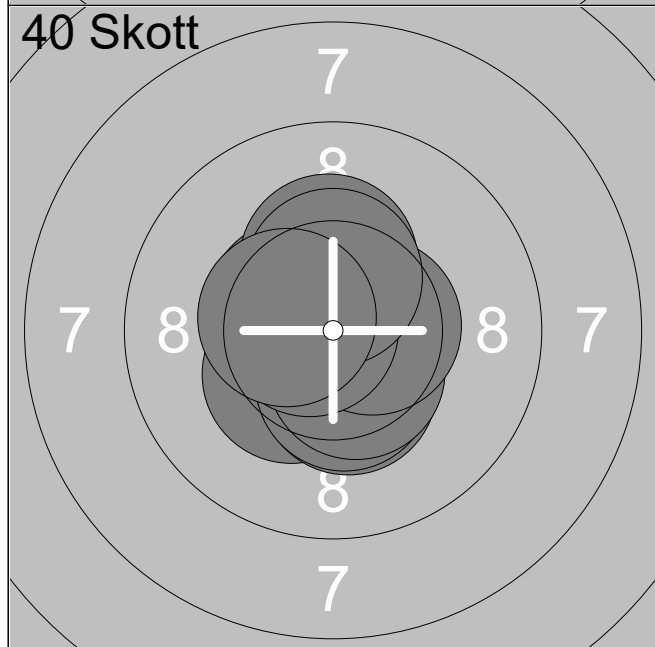
Total **399.0**



11:	10.6x	←
12:	10.8x	→
13:	10.5x	↑
14:	10.2x	↗
15:	10.3x	↑

Serie **52.4**

Total **399.0**



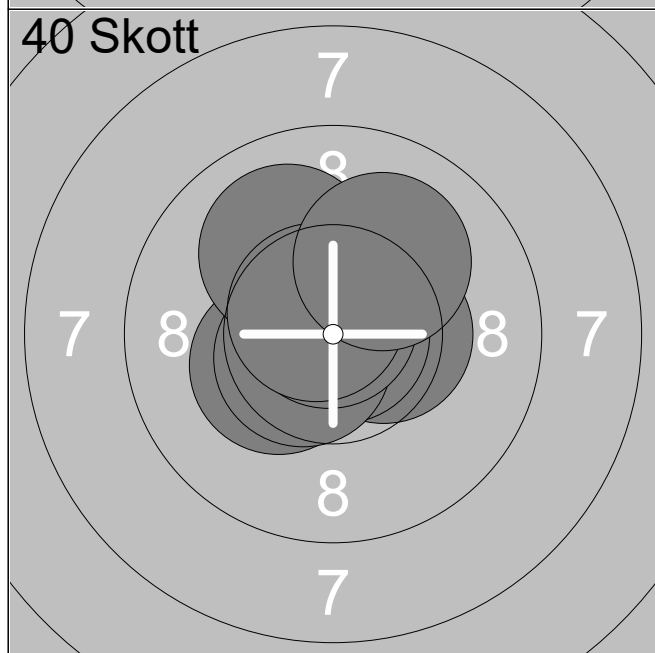
1:	10.3x	↙
2:	10.5x	↖
3:	10.3x	↑
4:	10.4x	↓
5:	10.4x	↓
6:	10.5x	↘
7:	10.6x	→
8:	10.7x	←
9:	10.4x	↑
10:	10.5x	←

Serie **104.6**

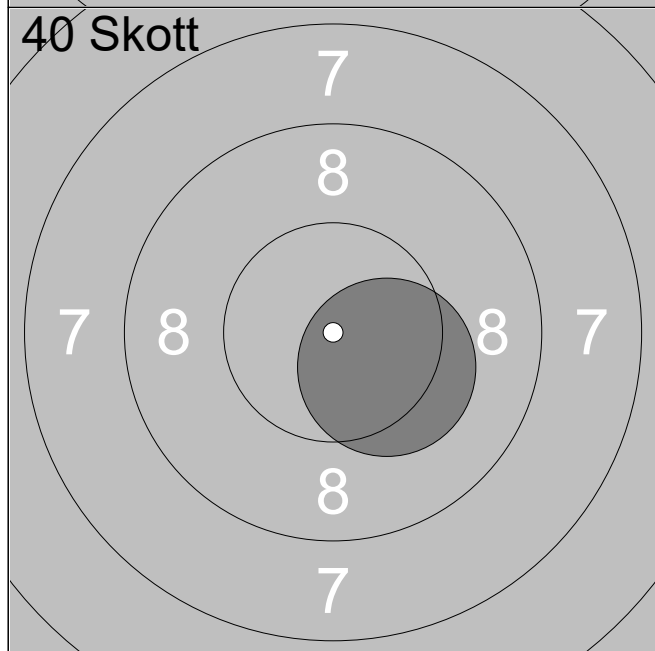
Total **503.6**



1:	10.7x	↘
2:	10.4x	↗
3:	10.3x	↘
4:	10.8x	↖
Serie		42.2
Total		399.0



1:	10.4x	→
2:	10.4x	↗
3:	10.5x	↗
4:	10.9x	→
5:	10.3x	↖
6:	10.6x	↖
7:	10.0	↗
8:	10.8x	↗
9:	10.7x	↗
10:	10.1	↗
Serie		104.7
Total		503.7



11:	10.3x	↘
Serie		10.3
Total		514.0

04.11.2018	Vindelnskyttet 2018	Ramselefors SKF	
Prov 	1:	10.4x	↗
	2:	10.4x	↗
	3:	9.8	→
	4:	10.1	→
	5:	10.6x	↓
	6:	10.6x	↗
	7:	10.0	↘
	8:	10.5x	↓
	9:	10.2x	↗
	10:	10.8x	↙
	Serie		103.4
Total		399.0	

Prov 	11:	10.7x	↗
	12:	10.4x	↓
	13:	10.6x	↓
	Serie		31.7
Total		399.0	

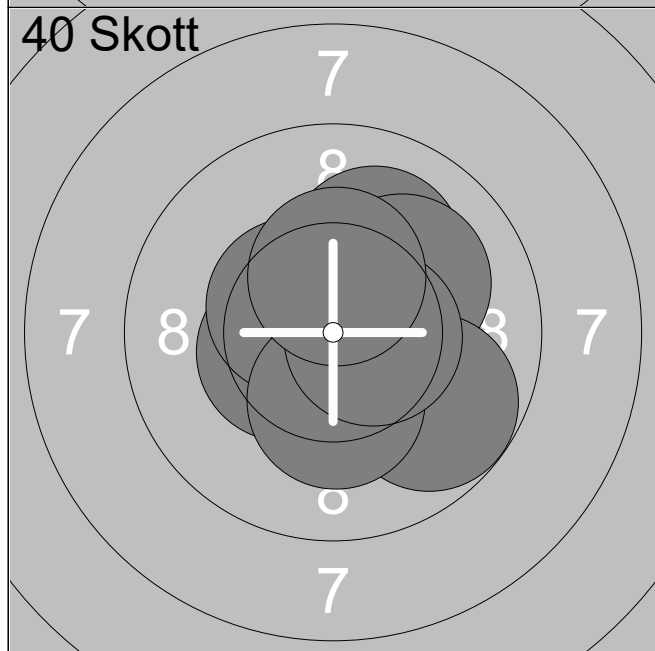
40 Skott 	1:	10.1	←
	2:	10.6x	↘
	3:	10.0	→
	4:	10.5x	→
	5:	10.6x	↗
	6:	10.8x	↗
	7:	10.0	→
	8:	10.3x	↓
	9:	10.3x	↗
	10:	10.4x	↘
	Serie		103.6
Total		502.6	



1:	10.3x	→
2:	10.9x	↓
3:	10.6x	↘
4:	10.4x	↘
5:	10.4x	↓
6:	10.5x	↗
7:	10.1	↓
8:	10.5x	↑
9:	10.8x	↓
10:	10.6x	↙
Serie		105.1
Total		399.0




11:	10.2x	↓
12:	10.5x	↓
Serie		20.7
Total		399.0



1:	10.6x	↗
2:	10.1	↗
3:	10.8x	↓
4:	10.4x	↖
5:	10.1	↗
6:	9.8	↘
7:	10.5x	↗
8:	10.3x	↓
9:	10.5x	→
10:	10.4x	↑
Serie		103.5
Total		502.5

04.11.2018	Vindelnskyttet 2018	Ramselefors SKF	
Prov 	1:	10.4x	→
	2:	10.8x	↗
	3:	10.2x	↘
	4:	10.3x	↓
	5:	10.3x	↓
	6:	10.9x	↓
	7:	10.7x	↘
	8:	10.5x	↓
	9:	10.6x	↗
	10:	10.6x	↖
	Serie		105.3
Total		399.0	

Prov 	11:	10.4x	↓
	Serie		10.4
	Total		399.0

40 Skott 	1:	10.8x	↗
	2:	10.9x	↖
	3:	10.3x	←
	4:	10.2x	→
	5:	10.7x	←
	6:	10.4x	↘
	7:	10.5x	↓
	8:	10.5x	↘
	9:	10.3x	↗
	10:	10.3x	↘
	Serie		104.9
Total		503.9	

04.11.2018	Vindelnskyttet 2018	Ramselefors SKF	
Prov 	1:	10.7x	↓
	2:	10.8x	→
	3:	10.4x	←
	4:	10.5x	↖
	5:	10.7x	↗
	6:	10.3x	→
	7:	9.6	↗
	8:	10.5x	↗
	9:	10.2x	↑
	10:	10.2x	↓
	Serie		103.9
Total		398.0	
Prov 	11:	10.1	→
	12:	10.1	↓
	13:	10.6x	↖
	14:	9.9	↗
	15:	10.3x	↗
	16:	10.0	↗
	17:	10.0	↗
	18:	10.6x	↓
Serie		81.6	
Total		398.0	
40 Skott 	1:	10.4x	→
	2:	10.7x	↖
	3:	10.3x	↗
	4:	10.5x	↗
	5:	10.4x	↗
	6:	10.7x	←
	7:	10.5x	→
	8:	10.8x	→
	9:	10.2x	↖
	10:	10.5x	↑
Serie		105.0	
Total		503.0	



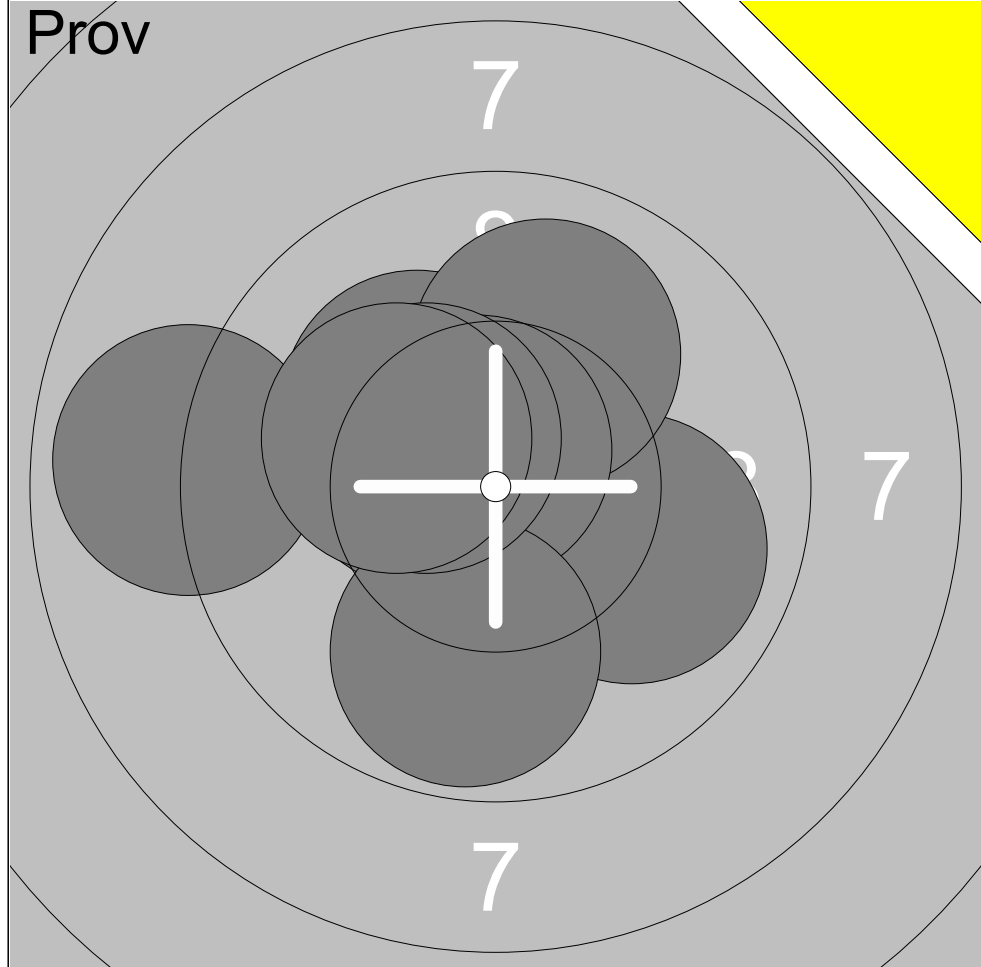
1:	10.8x	↖
2:	10.5x	↓
3:	10.6x	↓
4:	10.6x	↓
5:	10.8x	↓
6:	10.6x	↗
7:	10.6x	↗

Serie	74.5
Total	398.0

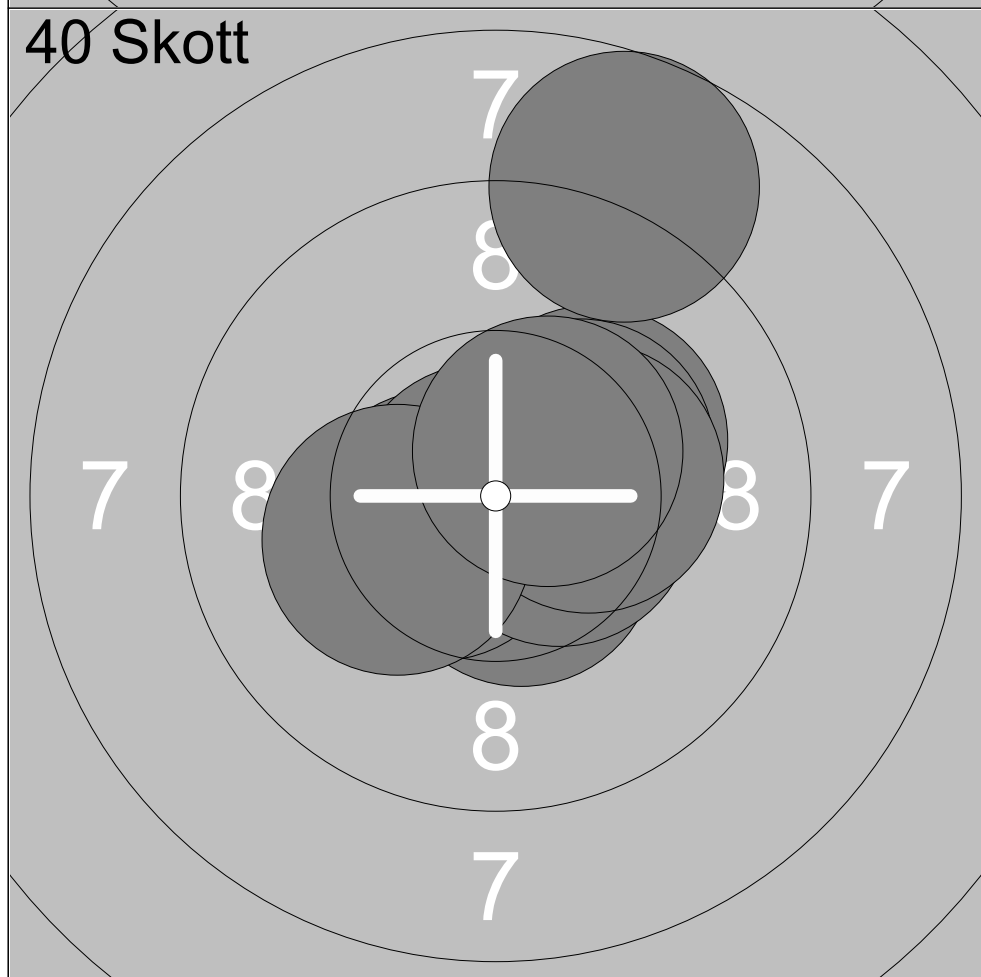


1:	10.6x	↗
2:	9.9	↖
3:	10.2x	↖
4:	10.2x	↓
5:	10.4x	↓
6:	10.5x	↓
7:	10.2x	↗
8:	10.8x	→
9:	10.6x	↓
10:	9.9	↗

Serie	103.3
Total	501.3



1:	10.4x	↖
2:	10.2x	↖
3:	10.8x	↖
4:	10.0	↗
5:	10.0	↗
6:	8.9	↖
7:	10.7x	↗
8:	9.8	↘
9:	10.4x	↗
10:	10.2x	↖
Serie		101.4
Total		398.0



1:	10.5x	↘
2:	10.2x	↗
3:	10.5x	↖
4:	10.3x	↗
5:	10.9x	↖
6:	10.5x	↗
7:	10.3x	↗
8:	10.2x	↖
9:	10.5x	↗
10:	8.7	↗
Serie		102.6
Total		500.6