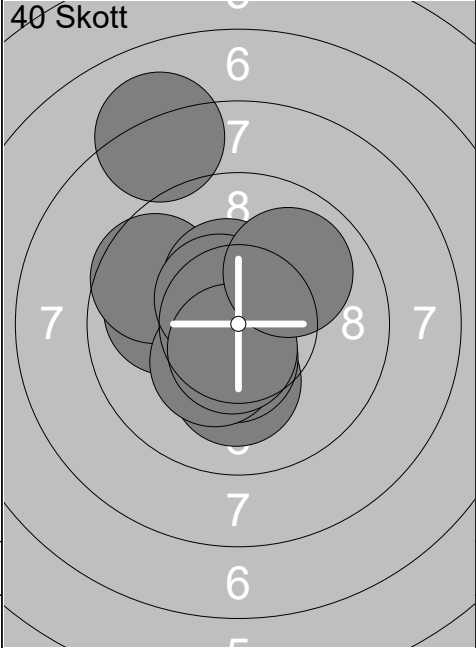
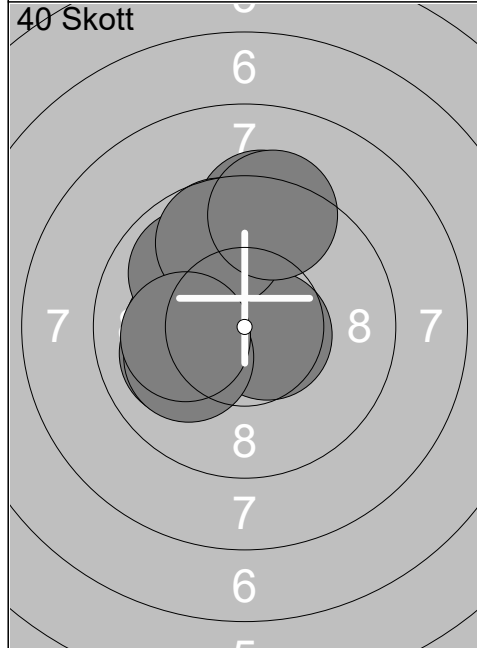


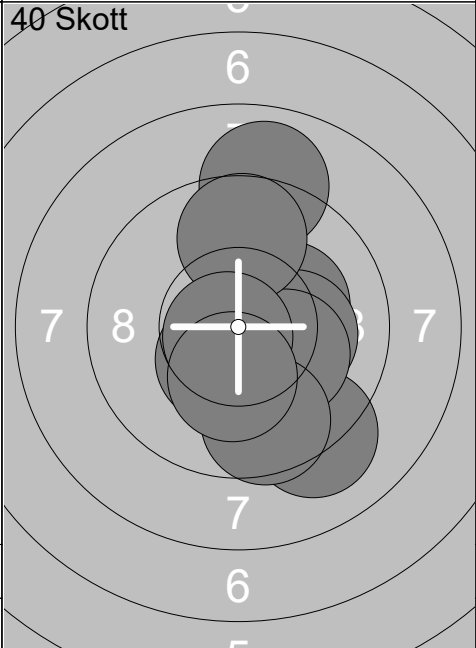
1:	9.6	↖
2:	10.6x	↙
3:	9.5	↑
4:	10.6x	→
5:	10.8x	→
Serie		51.1
Total		0.0



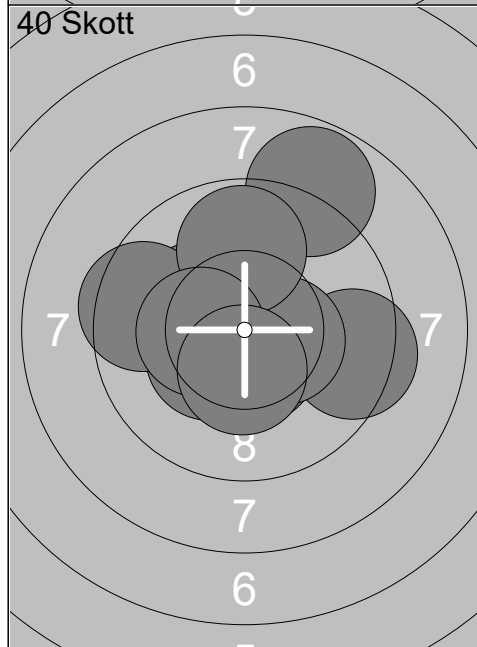
6:	10.1	↓
7:	10.0	←
8:	9.6	↖
9:	10.4x	↑
10:	10.5x	↓
11:	10.3x	↙
12:	8.1	↑
13:	10.5x	↖
14:	10.6x	↓
15:	10.0	↗
Serie		100.1
Total		100.1



16:	10.2x	←
17:	10.1	↗
18:	9.9	↖
19:	10.0	←
20:	9.4	↑
21:	10.6x	→
22:	9.7	↑
23:	10.1	←
24:	10.1	←
25:	9.3	↑
Serie		99.4
Total		199.5



26:	9.1	↘
27:	10.4x	↙
28:	10.2x	→
29:	10.2x	→
30:	10.2x	→
31:	9.0	↑
32:	9.6	↓
33:	9.7	↑
34:	10.8x	↙
35:	10.2x	↓
Serie		99.4
Total		298.9



36:	10.5x	↓
37:	10.4x	↙
38:	9.4	→
39:	8.8	↗
40:	10.4x	→
41:	10.3x	↖
42:	9.5	←
43:	9.8	↑
44:	10.3x	←
45:	10.4x	↓
Serie		99.8
Total		398.7

Skjutlag	Tavla	Mattias Lind	
2	24	Ramselefors	Skoga-Ekshärad
04.11.2018	Vindelnskyttet 2018	Ramselefors SKF	Sitt Vä
Prov 	1: 9.6 ↘ 2: 10.2x ↘ 3: 9.6 ↘ 4: 10.0 ↓ 5: 10.7x ↘ 6: 10.0 ↗ 7: 10.0 ↗ 8: 10.9x ↗ 9: 10.2x → 10: 10.6x ↗ Serie 101.8 Total 0.0	Prov 	11: 10.2x ↑ 12: 10.0 ↑ 13: 10.6x ↖ 14: 10.2x ↗ 15: 10.8x ↘ Serie 51.8 Total 0.0
40 Skott 	1: 10.1 → 2: 10.1 ↗ 3: 10.5x ↖ 4: 10.2x ↖ 5: 10.2x ← 6: 10.2x ↖ 7: 10.7x ↓ 8: 10.9x ↓ 9: 10.6x ↘ 10: 10.0 ↑ Serie 103.5 Total 103.5	40 Skott 	11: 10.3x → 12: 10.8x ↘ 13: 10.2x ↘ 14: 10.4x ↖ 15: 10.9x ↘ 16: 9.8 ↘ 17: 10.1 ↗ 18: 10.9x → 19: 10.4x ← 20: 10.8x ↓ Serie 104.6 Total 208.1
40 Skott 	21: 10.5x ↘ 22: 10.2x ↘ 23: 9.8 → 24: 10.6x ↖ 25: 10.8x → 26: 10.7x ↖ 27: 10.6x ↗ 28: 10.4x ← 29: 9.8 ↑ 30: 10.3x ← Serie 103.7 Total 311.8	40 Skott 	31: 10.6x ↗ 32: 10.3x → 33: 10.0 ↗ 34: 10.1 ← 35: 10.3x ← 36: 10.8x ← 37: 10.2x ↘ 38: 9.2 ↗ 39: 10.4x → 40: 9.8 ↓ Serie 101.7 Total 413.5

Skjutlag	Tavla	Claes-Göran Johansson			
2	25	Umeå		Sitt	Vb
04.11.2018		Vindelnskyttet 2018		Ramselefors SKF	
Prov 	1: 9.7 ↘	Prov 	11: 10.8x ←		
	2: 10.3x ↙		12: 10.6x ↘		
	3: 10.3x ↘		13: 10.7x ↑		
	4: 10.3x ↘		14: 10.2x ↑		
	5: 10.3x ←		15: 10.1 ↗		
	6: 10.5x ↘		16: 10.6x ↘		
	7: 10.5x ←		17: 10.7x ↑		
	8: 10.3x ←				
	9: 10.4x ↘				
	10: 10.9x ↗				
	Serie 103.5		Serie 73.7		
	Total 0.0		Total 0.0		
40 Skott 	1: 10.6x →	40 Skott 	11: 10.1 ↖		
	2: 10.5x ↘		12: 10.6x →		
	3: 10.6x →		13: 10.9x ←		
	4: 10.4x ↖		14: 10.4x ↘		
	5: 10.3x ↙		15: 10.5x →		
	6: 10.7x ↗		16: 10.7x ↘		
	7: 10.5x ↗		17: 10.6x ↗		
	8: 10.6x ←		18: 10.4x ←		
	9: 10.9x ←		19: 10.4x ↖		
	10: 10.7x ↑		20: 10.3x →		
	Serie 105.8		Serie 104.9		
	Total 105.8		Total 210.7		
40 Skott 	21: 10.6x ↗	40 Skott 	31: 10.5x ↘		
	22: 10.8x ↗		32: 10.5x ↘		
	23: 10.9x ↘		33: 10.6x →		
	24: 10.2x ↘		34: 10.2x ↑		
	25: 10.6x ←		35: 9.4 →		
	26: 10.3x ↙		36: 10.2x ↑		
	27: 10.1 ←		37: 10.5x ←		
	28: 10.7x →		38: 10.5x ↗		
	29: 10.4x ↗		39: 10.3x ←		
	30: 10.1 ↗		40: 9.4 ←		
	Serie 104.7		Serie 102.1		
	Total 315.4		Total 417.5		