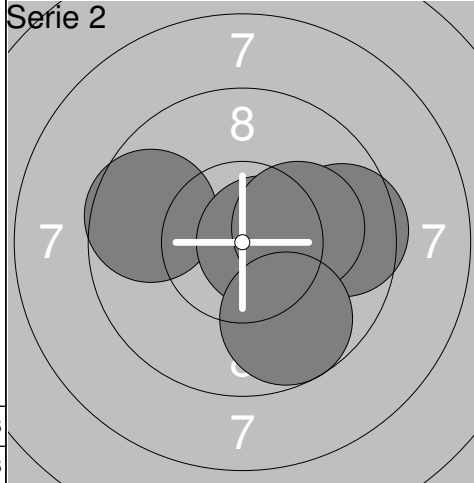


Serie 2

1:	9.6	→
2:	9.7	←
3:	10.7x	→
4:	10.1	→
5:	9.7	↘

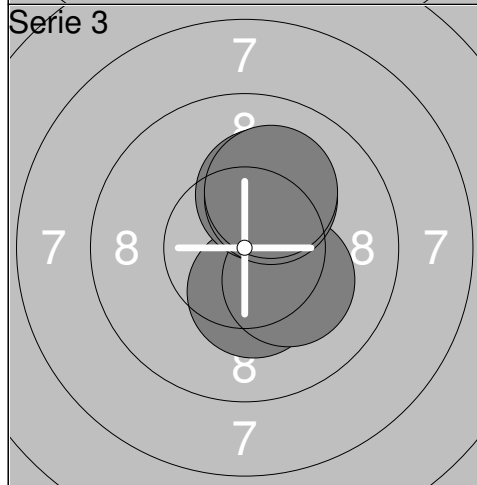
Serie	47
Total	95



Serie 4

1:	8.8	↖
2:	10.3x	↗
3:	10.2x	↖
4:	9.6	→
5:	9.9	→

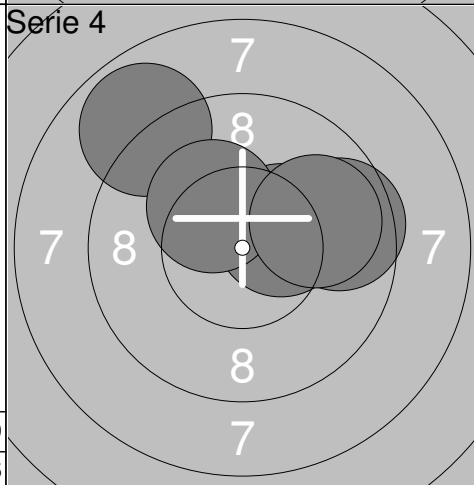
Serie	46
Total	191



Serie 6

1:	10.1	↘
2:	10.2x	↑
3:	10.1	→
4:	10.5x	↗
5:	9.0	↘

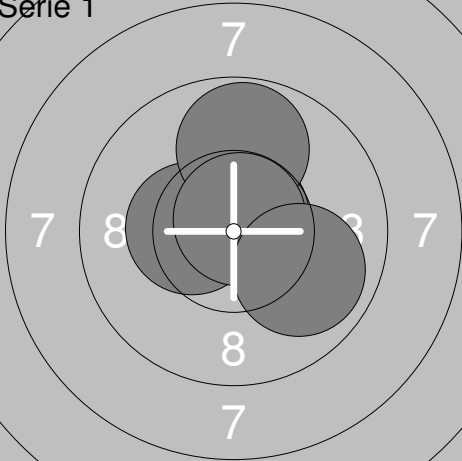
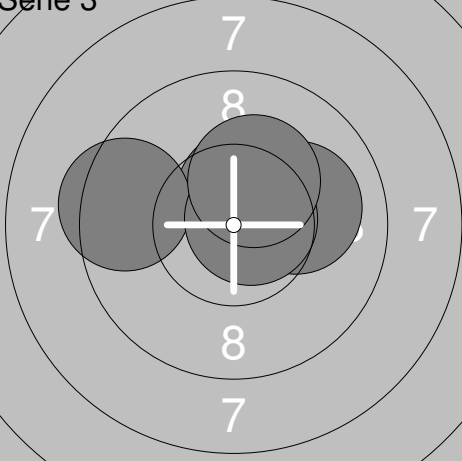
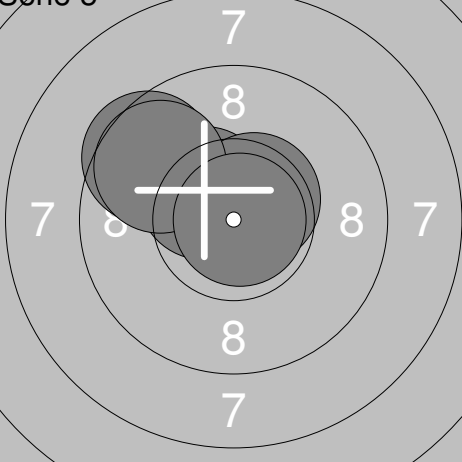
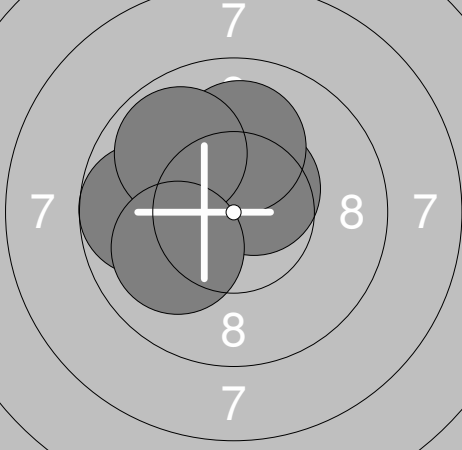
Serie	49
Total	290

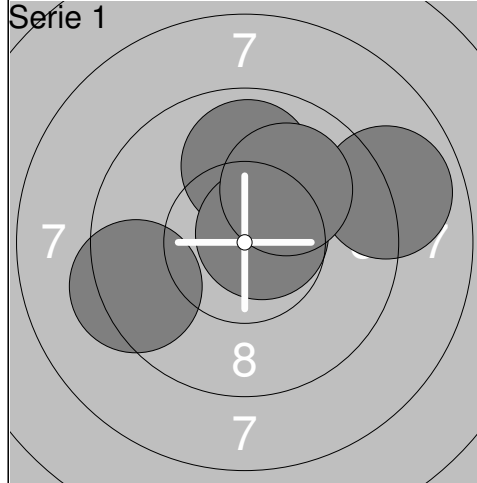


Serie 8

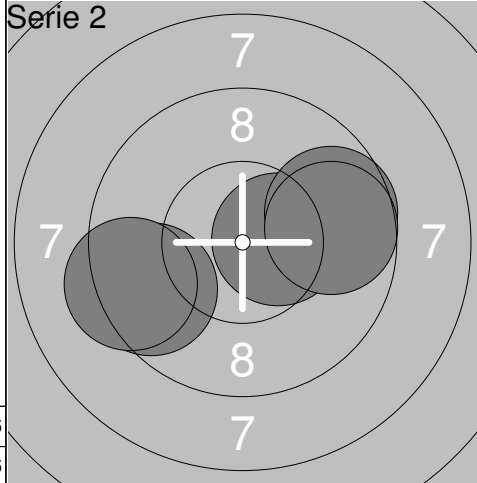
1:	8.8	↖
2:	10.3x	↘
3:	10.2x	←
4:	10.7x	↗
5:	9.8	↘

Serie	47
Total	385

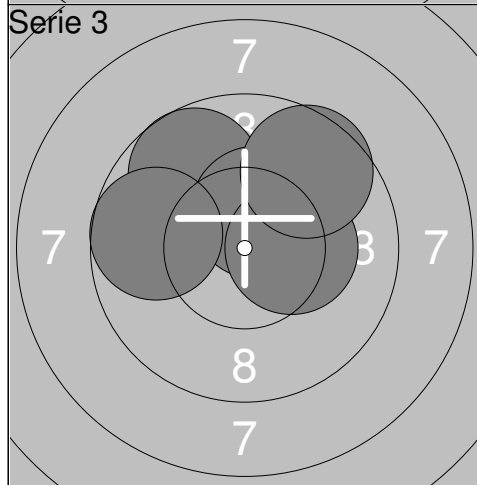
Skjutlag 1	Tavla 3	Viktor Klemmedsson	
Kval stående		Christianstads Skyttesällskap	JSM
03.11.2018		SM luftgevär 2018	Öckerö Skytteförening
Serie 1		1: 10.7x ↗ 2: 10.4x ← 3: 9.8 ↑ 4: 10.7x ↗ 5: 9.9 ↘	Serie 2
		Serie 48 Total 48	1: 10.4x → 2: 9.5 ↖ 3: 10.2x ← 4: 10.1 ↖ 5: 10.3x ↗
			Serie 49 Total 97
Serie 3		1: 10.1 → 2: 10.5x ↑ 3: 9.4 ← 4: 10.7x → 5: 10.3x ↑	Serie 4
		Serie 49 Total 146	1: 10.7x ↗ 2: 10.6x ↑ 3: 10.0 ↑ 4: 10.2x ← 5: 10.4x ↗
			Serie 50 Total 196
Serie 5		1: 10.4x ↖ 2: 10.5x ↗ 3: 9.5 ↖ 4: 9.7 ↗ 5: 10.9x →	Serie 6
		Serie 48 Total 244	1: 10.8x → 2: 10.1 → 3: 10.2x ← 4: 10.4x ↗ 5: 10.6x →
			Serie 50 Total 294
Serie 7		1: 9.7 ← 2: 10.5x ↗ 3: 10.1 ↑ 4: 9.8 ↖ 5: 10.0 ↖	Serie 8
		Serie 48 Total 342	1: 10.0 ↘ 2: 10.3x ← 3: 10.2x ← 4: 9.4 → 5: 9.5 ↗
			Serie 48 Total 390



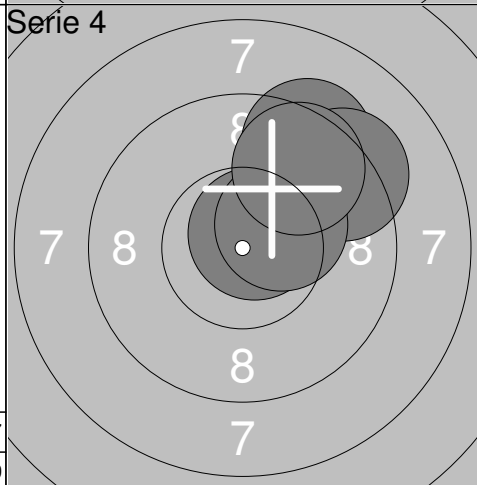
1:	9.9	↑
2:	10.7x	→
3:	9.3	←
4:	8.9	→
5:	10.0	↗
Serie		46
Total		46



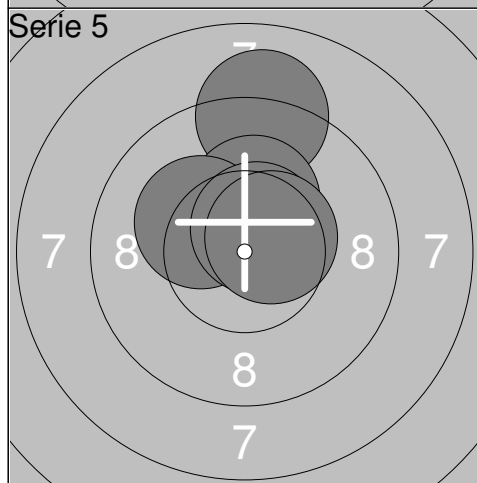
1:	10.4x	→
2:	9.7	→
3:	9.5	←
4:	9.7	→
5:	9.3	←
Serie		46
Total		92



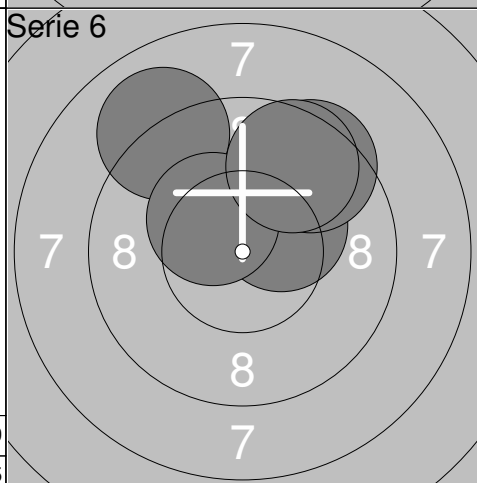
1:	9.7	↖
2:	10.4x	↑
3:	10.3x	→
4:	9.6	↗
5:	9.7	←
Serie		47
Total		139



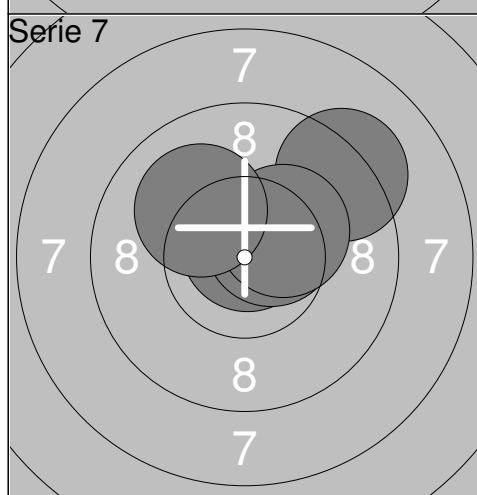
1:	10.7x	↗
2:	9.3	↗
3:	9.2	↗
4:	10.3x	→
5:	9.6	↗
Serie		47
Total		186



1:	9.1	↑
2:	10.2x	↑
3:	10.2x	↖
4:	10.5x	↗
5:	10.5x	↗
Serie		49
Total		235



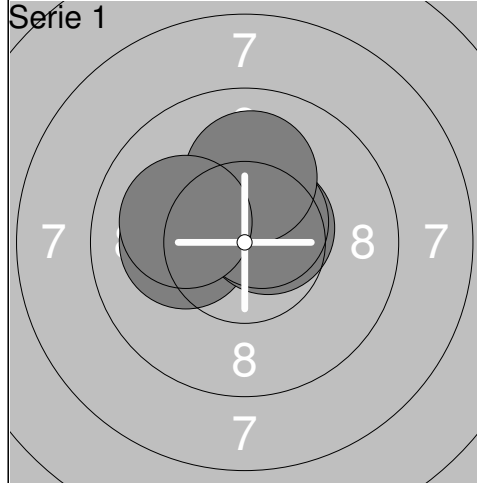
1:	10.3x	↗
2:	9.0	↖
3:	10.3x	↖
4:	9.4	↗
5:	9.6	↗
Serie		47
Total		282



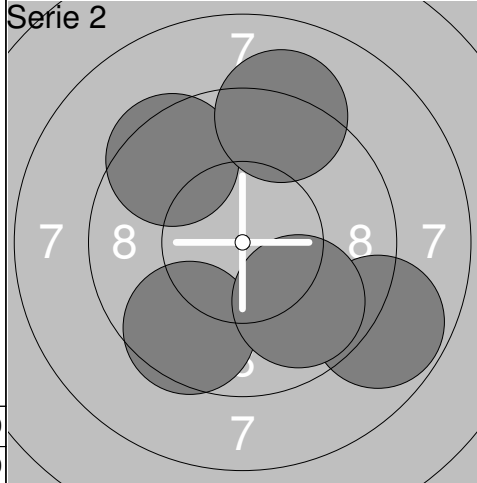
1:	10.8x	↑
2:	9.2	↗
3:	10.5x	↗
4:	10.3x	↗
5:	10.1	↖
Serie		49
Total		331



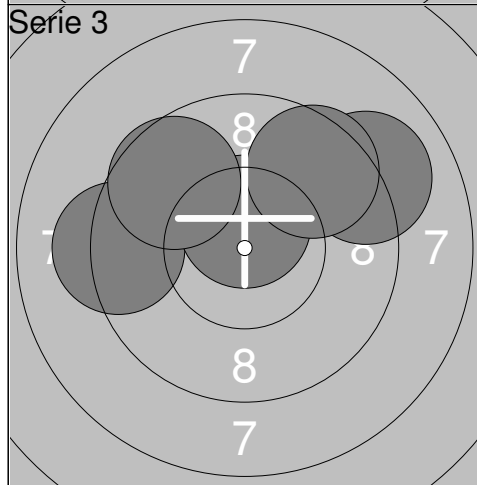
1:	10.1	↗
2:	9.6	↗
3:	10.6x	↗
4:	10.2x	↑
5:	10.7x	↗
Serie		49
Total		380



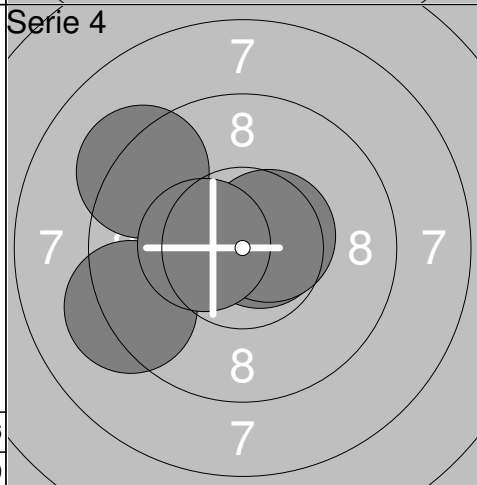
1:	10.1	←
2:	10.5x	↗
3:	10.6x	↗
4:	10.1	↑
5:	10.1	←
Serie		50
Total		50



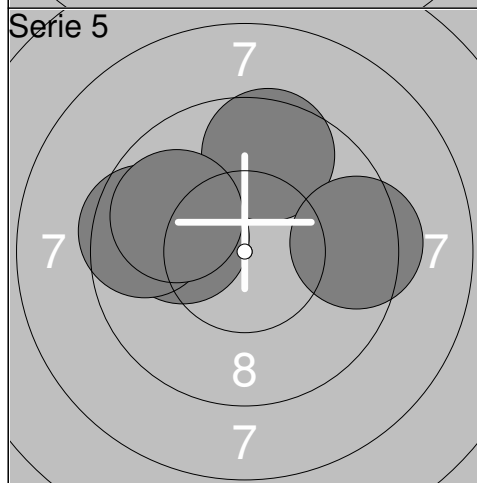
1:	8.8	↘
2:	9.5	↗
3:	9.1	↑
4:	9.6	↓
5:	9.8	↓
Serie		44
Total		94



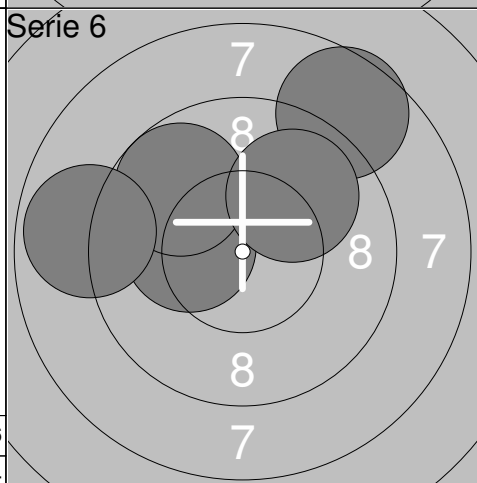
1:	9.0	↗
2:	9.2	←
3:	10.6x	↑
4:	9.6	↗
5:	9.6	↖
Serie		46
Total		140



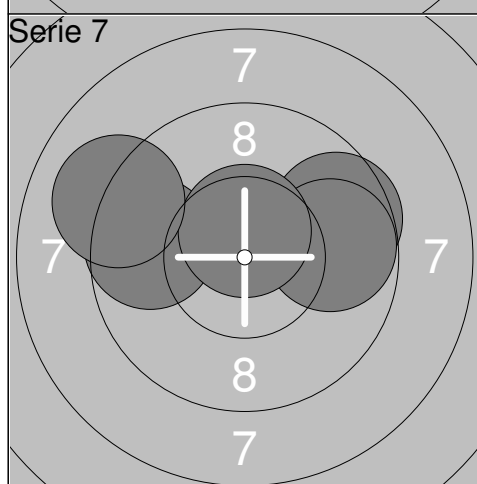
1:	10.7x	↗
2:	9.2	↖
3:	10.5x	↗
4:	9.2	←
5:	10.4x	←
Serie		48
Total		188



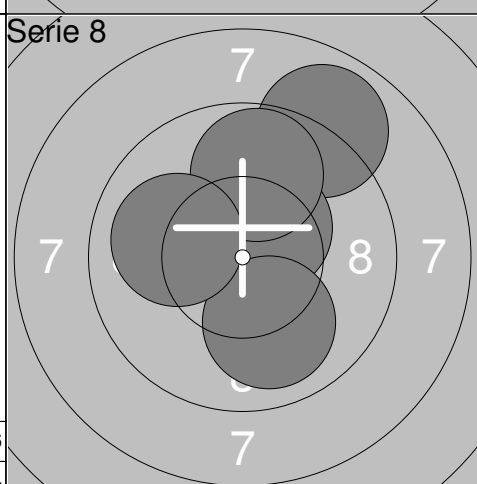
1:	10.1	←
2:	9.6	↑
3:	9.5	←
4:	9.9	↖
5:	9.4	→
Serie		46
Total		234



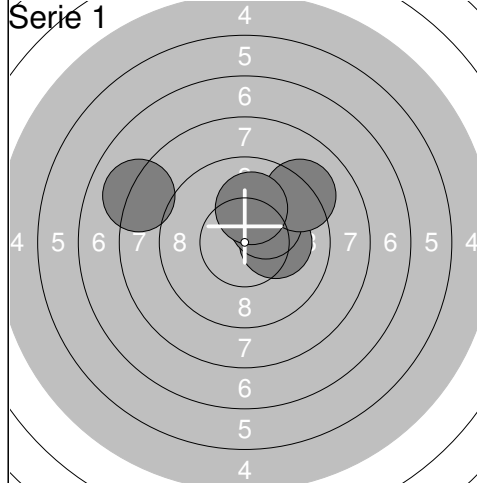
1:	8.6	↗
2:	10.2x	←
3:	9.7	↗
4:	8.8	←
5:	9.9	↗
Serie		44
Total		278



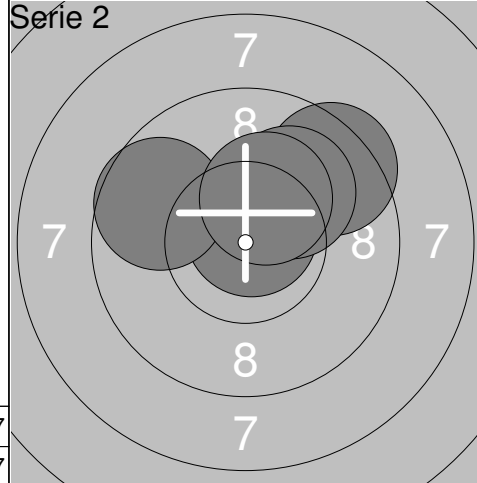
1:	9.6	↗
2:	9.7	→
3:	9.6	←
4:	10.6x	↑
5:	9.0	↖
Serie		46
Total		324



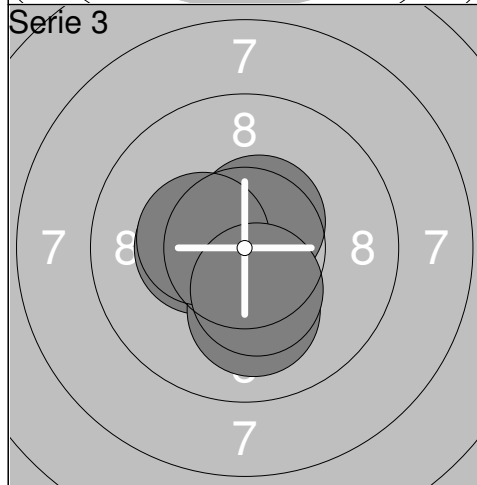
1:	8.9	↗
2:	10.4x	↗
3:	9.8	↑
4:	10.0	↓
5:	10.0	←
Serie		47
Total		371



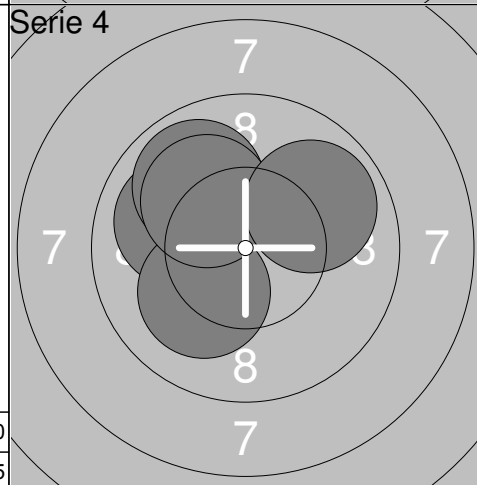
1:	10.2x	→
2:	8.1	↙
3:	10.2x	↗
4:	9.1	↗
5:	10.1	↑
Serie		47
Total		47



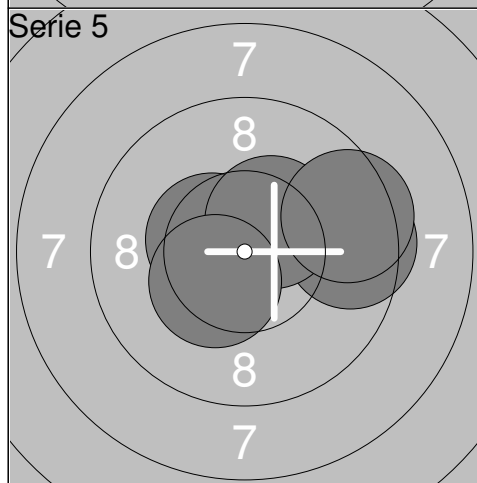
1:	10.7x	↗
2:	9.7	↙
3:	9.4	↗
4:	10.0	↗
5:	10.3x	↑
Serie		48
Total		95



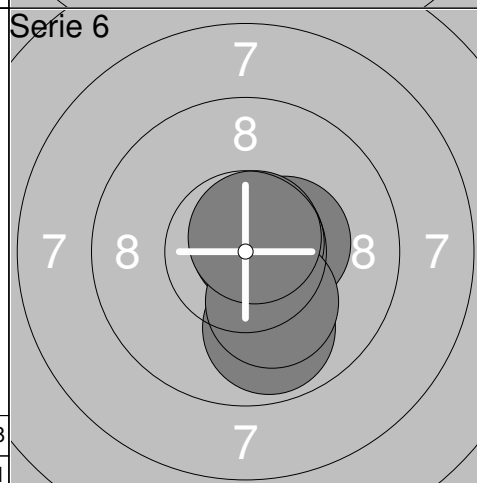
1:	10.3x	↙
2:	10.5x	↗
3:	10.1	↓
4:	10.3x	↙
5:	10.3x	↓
Serie		50
Total		145



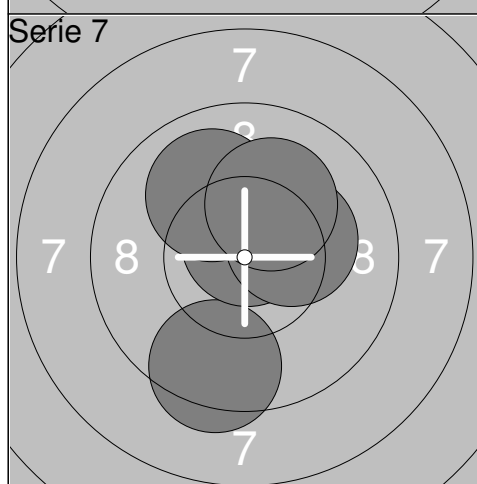
1:	10.0	↙
2:	10.1	↙
3:	9.9	↗
4:	10.1	↗
5:	9.9	↗
Serie		48
Total		193



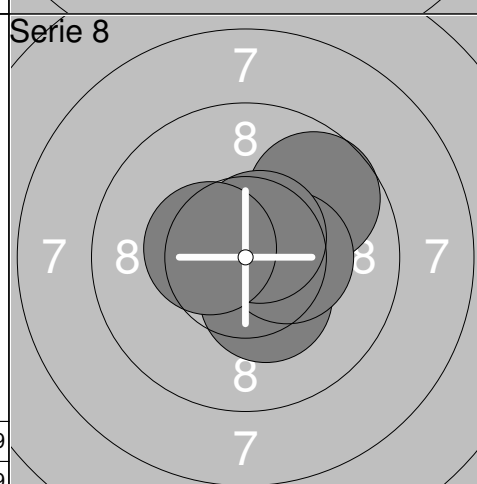
1:	10.4x	↙
2:	9.5	→
3:	10.4x	↗
4:	9.4	→
5:	10.4x	↙
Serie		48
Total		241



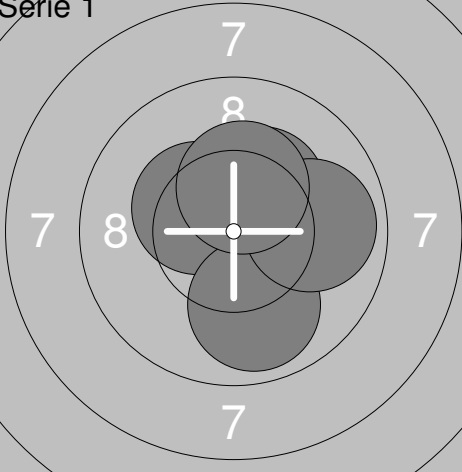
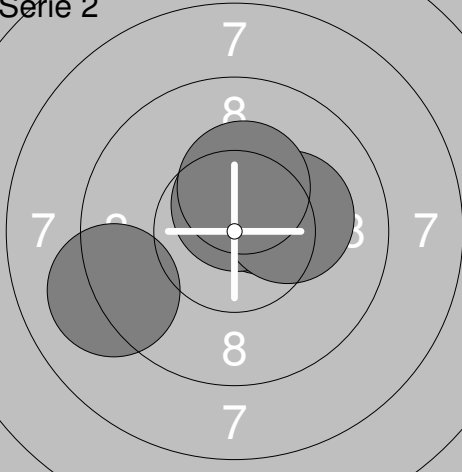
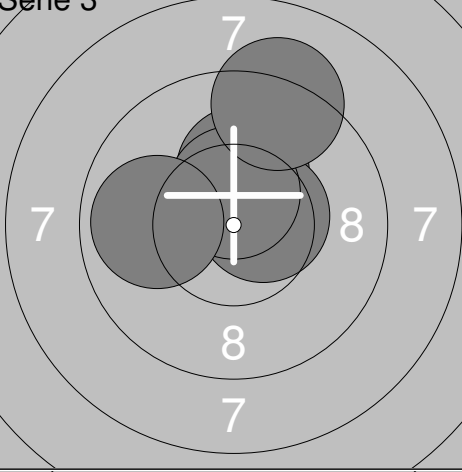
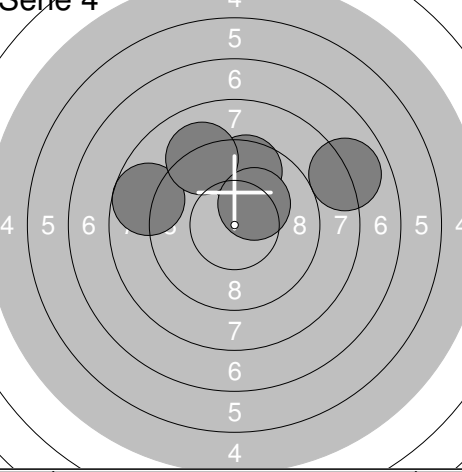
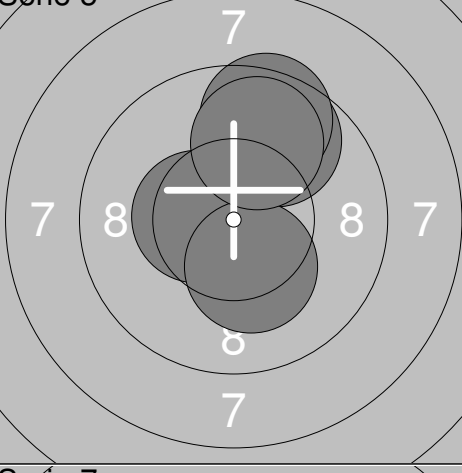
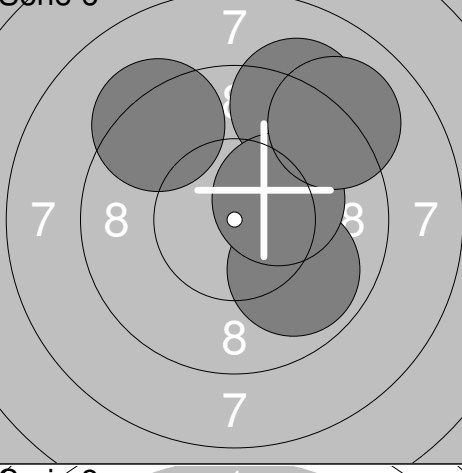
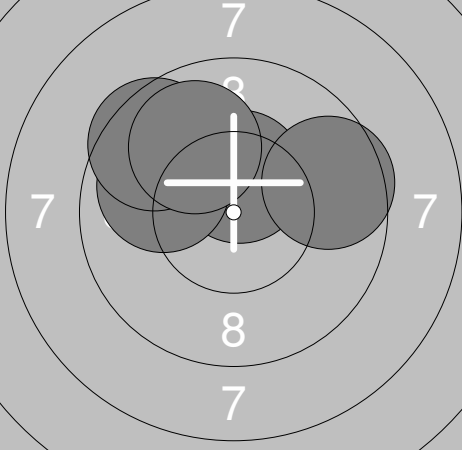
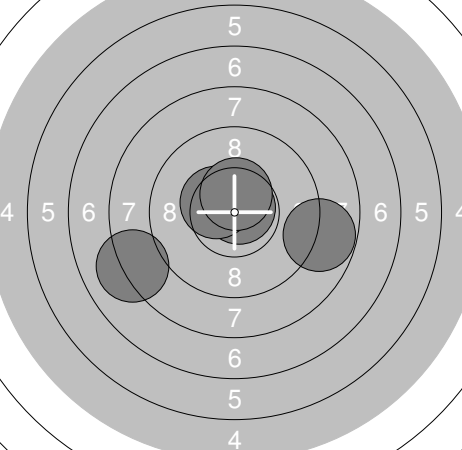
1:	10.4x	→
2:	10.7x	↗
3:	9.8	↓
4:	10.2x	↓
5:	10.7x	↗
Serie		49
Total		290

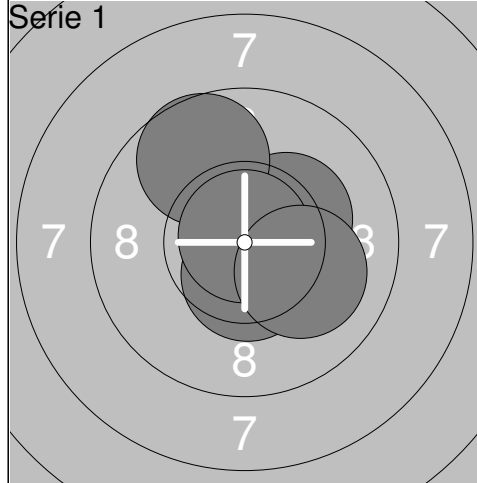


1:	9.4	↓
2:	10.7x	↑
3:	10.0	↗
4:	10.2x	→
5:	10.1	↗
Serie		49
Total		339

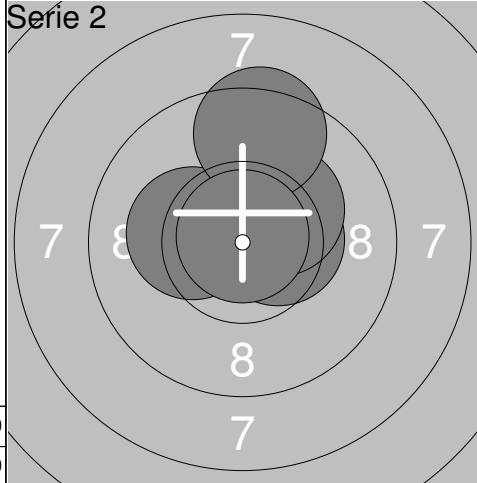


1:	9.7	↗
2:	10.4x	↓
3:	10.4x	→
4:	10.6x	↗
5:	10.4x	↙
Serie		49
Total		388

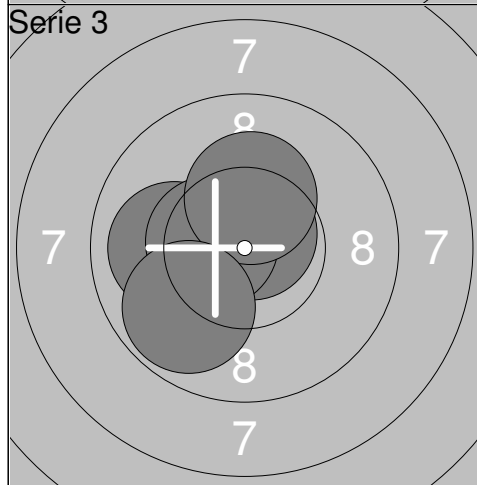
Skjutlag 1	Tavla 7	Oskar Kling			
Kval stående		Tvååkers Skyttegille	JSM		
03.11.2018		SM luftgevär 2018	Öckerö Skytteförening		
Serie 1		1: 10.4x ↖ 2: 10.3x ↗ 3: 9.9 ↓ 4: 9.9 → 5: 10.3x ↑	Serie 2		1: 10.4x ↗ 2: 9.1 ↖ 3: 10.6x ↑ 4: 10.2x → 5: 10.3x ↑
Serie 48		Serie 48			
Total 48		Total 97			
Serie 3		1: 10.2x ↑ 2: 10.5x → 3: 10.5x ↑ 4: 9.9 ← 5: 9.2 ↑	Serie 4		1: 8.7 ↖ 2: 7.9 → 3: 9.6 ↑ 4: 9.1 ↗ 5: 10.2x ↗
Serie 48		Serie 43			
Total 145		Total 188			
Serie 5		1: 9.7 ↗ 2: 9.5 ↑ 3: 10.4x ← 4: 10.2x ↓ 5: 9.8 ↑	Serie 6		1: 9.1 ↑ 2: 9.9 ↖ 3: 10.3x → 4: 9.3 ↗ 5: 9.0 ↗
Serie 47		Serie 46			
Total 235		Total 281			
Serie 7		1: 10.5x ↑ 2: 9.9 ↖ 3: 9.6 → 4: 9.5 ↗ 5: 9.9 ↗	Serie 8		1: 8.8 → 2: 10.8x ↗ 3: 10.4x ↖ 4: 10.5x ↑ 5: 8.1 ↖
Serie 46		Serie 46			
Total 327		Total 373			



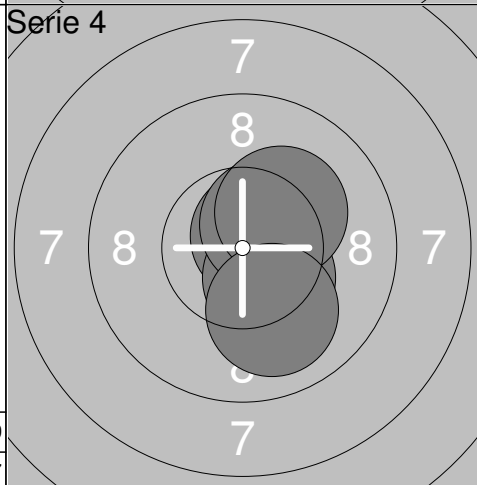
1:	10.3x	↗
2:	9.7	↖
3:	10.5x	↓
4:	10.8x	↑
5:	10.1	↘
Serie		49
Total		49



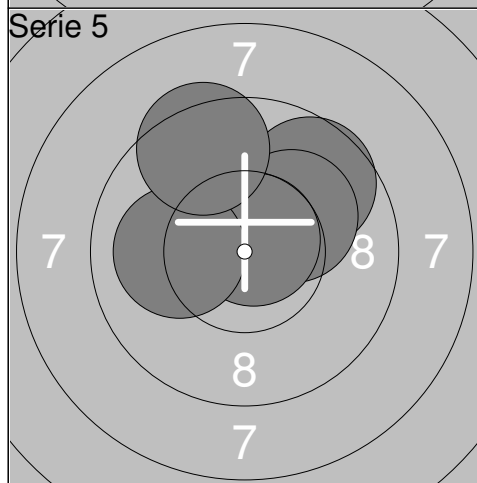
1:	10.4x	→
2:	10.2x	←
3:	10.3x	↗
4:	9.5	↑
5:	10.9x	↑
Serie		49
Total		98



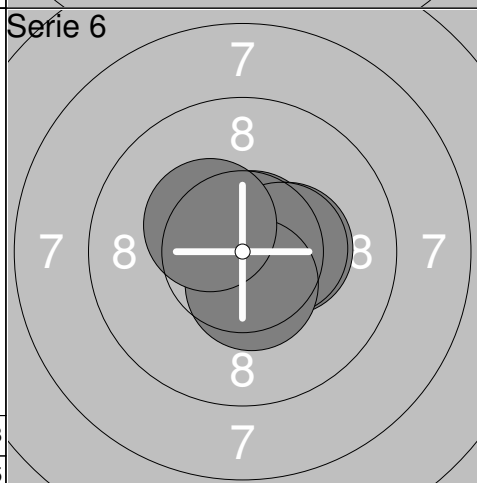
1:	10.7x	↑
2:	10.0	←
3:	10.5x	←
4:	10.3x	↑
5:	9.8	↙
Serie		49
Total		147



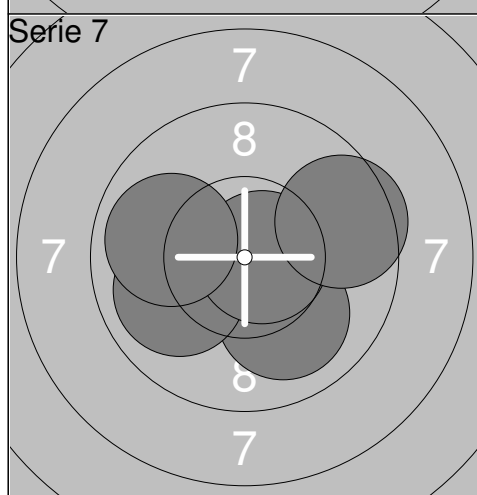
1:	10.7x	↗
2:	10.4x	↘
3:	10.5x	↗
4:	10.2x	↗
5:	10.0	↘
Serie		50
Total		197



1:	9.7	↗
2:	10.1	↗
3:	10.7x	↗
4:	10.1	←
5:	9.4	↖
Serie		48
Total		245



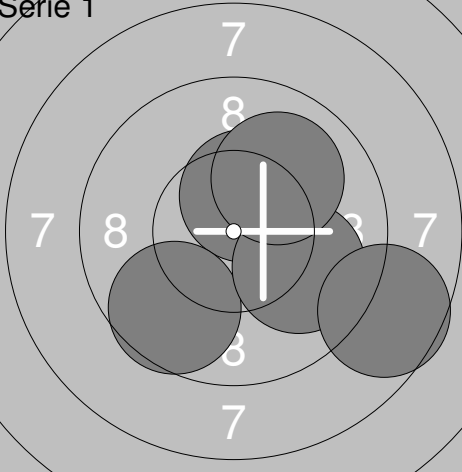
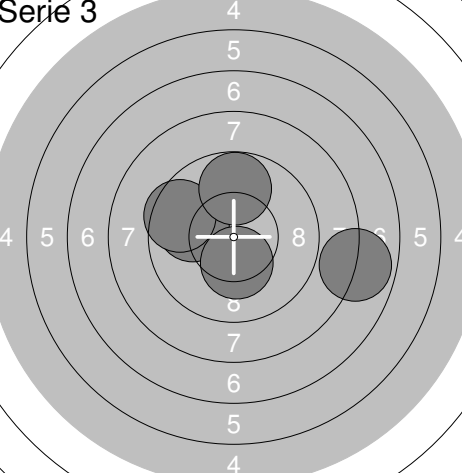
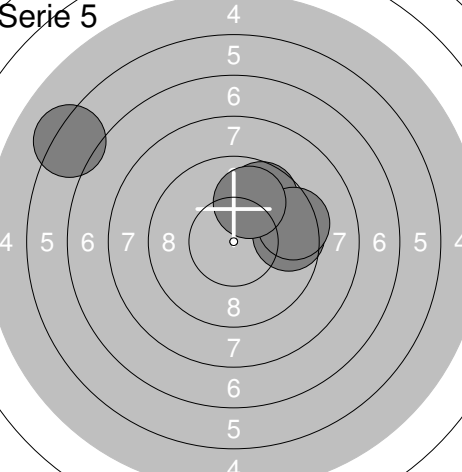
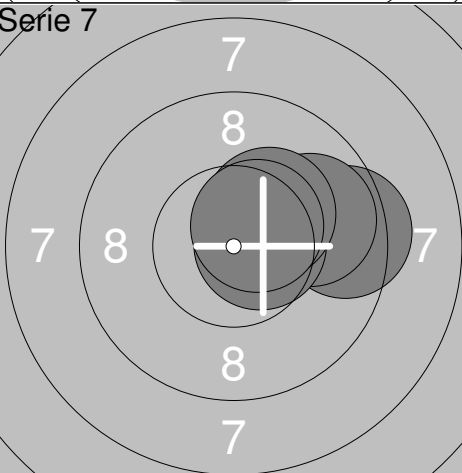
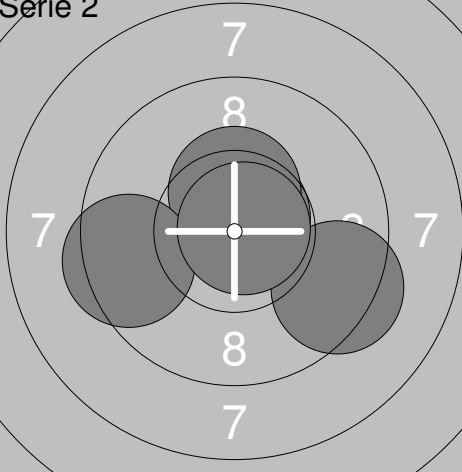
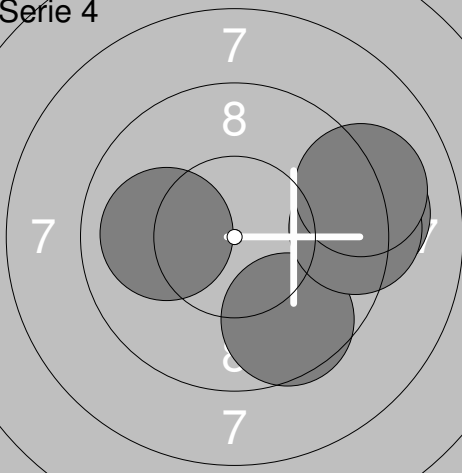
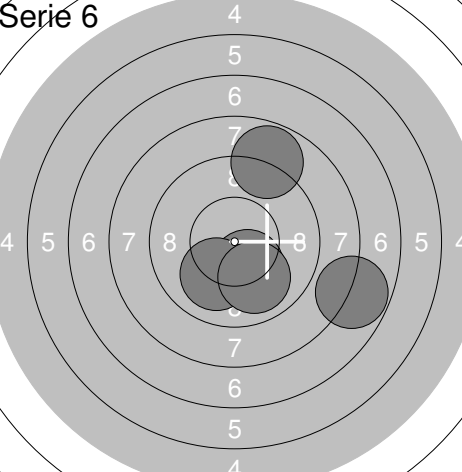
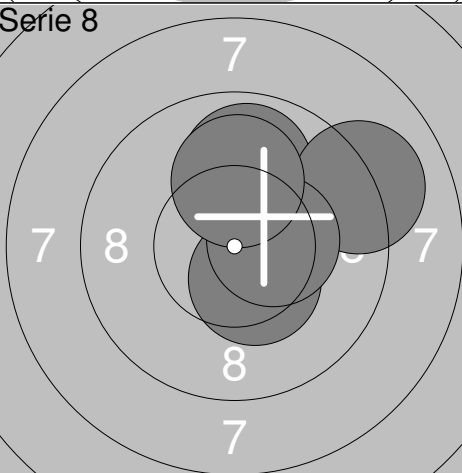
1:	10.7x	↗
2:	10.3x	→
3:	10.4x	→
4:	10.5x	↓
5:	10.3x	↖
Serie		50
Total		295

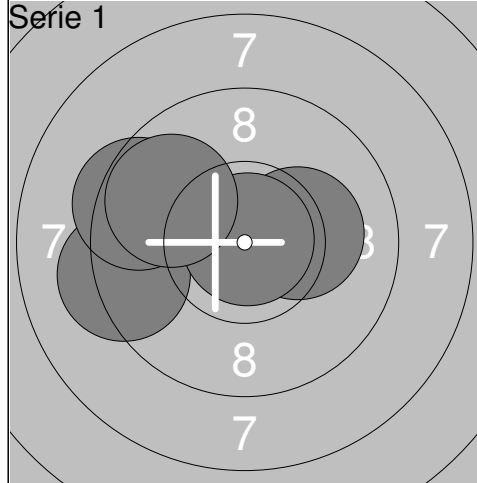


1:	10.0	↘
2:	10.0	←
3:	10.7x	→
4:	9.9	←
5:	9.5	→
Serie		48
Total		343

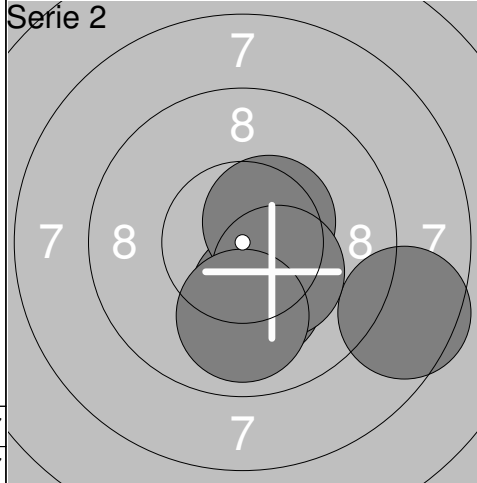


1:	9.7	↑
2:	10.6x	↗
3:	10.1	↑
4:	9.2	↘
5:	10.3x	↘
Serie		48
Total		391

Skjutlag	Tavla	Nora Olsson	
1	9	Gullabo Skytteförening	JSM
03.11.2018	SM luftgevär 2018	Öckerö Skytteförening	
Serie 1		1: 10.4x ↗	1: 10.7x ↗
		2: 9.6 ↘	2: 9.3 ↘
		3: 9.9 ↘	3: 10.4x ↑
		4: 10.0 ↗	4: 9.4 ↙
		5: 8.6 ↘	5: 10.8x →
	Serie 46		Serie 48
	Total 46		Total 94
Serie 3		1: 7.8 →	1: 9.1 →
		2: 9.9 ↙	2: 9.6 ↘
		3: 9.5 ↙	3: 10.0 ↙
		4: 10.3x ↓	4: 9.3 →
		5: 9.7 ↑	5: 9.1 →
	Serie 44		Serie 46
	Total 138		Total 184
Serie 5		1: 9.7 ↗	1: 8.8 ↗
		2: 9.6 →	2: 10.3x ↘
		3: 9.4 →	3: 10.0 ↘
		4: 6.2 ↙	4: 7.8 →
		5: 9.9 ↗	5: 9.9 ↘
	Serie 42		Serie 44
	Total 226		Total 270
Serie 7		1: 9.4 →	1: 9.9 ↑
		2: 9.8 →	2: 9.1 ↗
		3: 10.6x →	3: 10.4x ↘
		4: 10.3x ↗	4: 10.4x →
		5: 10.5x ↗	5: 10.1 ↑
	Serie 48		Serie 48
	Total 318		Total 366
Serie 6		1: 7.8 →	1: 9.1 →
		2: 9.9 ↙	2: 9.6 ↘
		3: 9.5 ↙	3: 10.0 ↙
		4: 10.3x ↓	4: 9.3 →
		5: 9.7 ↑	5: 9.1 →
	Serie 44		Serie 46
	Total 138		Total 184
Serie 8		1: 9.7 ↗	1: 8.8 ↗
		2: 9.6 →	2: 10.3x ↘
		3: 9.4 →	3: 10.0 ↘
		4: 6.2 ↙	4: 7.8 →
		5: 9.9 ↗	5: 9.9 ↘
	Serie 42		Serie 44
	Total 226		Total 270
Serie 5		1: 9.7 ↗	1: 8.8 ↗
		2: 9.6 →	2: 10.3x ↘
		3: 9.4 →	3: 10.0 ↘
		4: 6.2 ↙	4: 7.8 →
		5: 9.9 ↗	5: 9.9 ↘
	Serie 42		Serie 44
	Total 226		Total 270
Serie 6		1: 9.7 ↗	1: 8.8 ↗
		2: 9.6 →	2: 10.3x ↘
		3: 9.4 →	3: 10.0 ↘
		4: 6.2 ↙	4: 7.8 →
		5: 9.9 ↗	5: 9.9 ↘
	Serie 42		Serie 44
	Total 226		Total 270



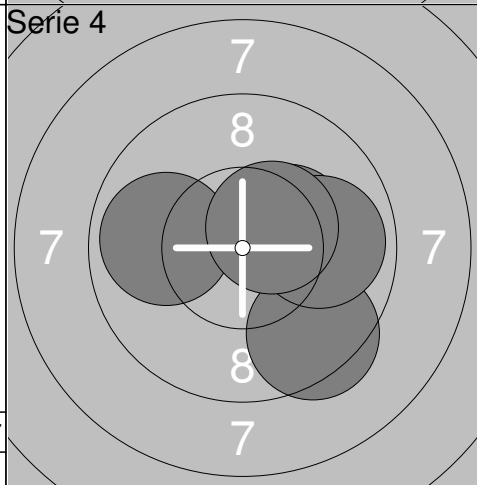
1:	9.2	←
2:	10.2x	→
3:	9.4	↗
4:	10.9x	↗
5:	9.8	↗
Serie		47
Total		47



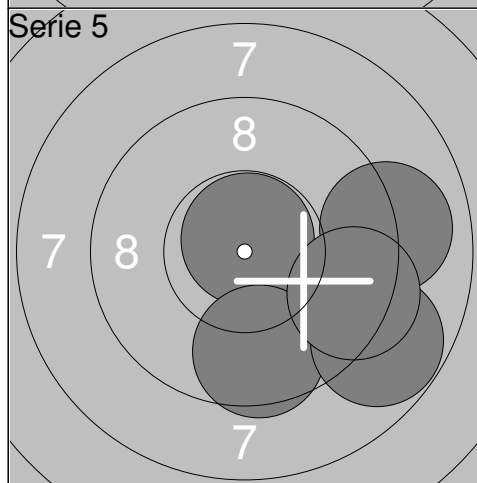
1:	10.2x	↓
2:	10.5x	↗
3:	8.5	→
4:	10.3x	↓
5:	9.9	↓
Serie		47
Total		94



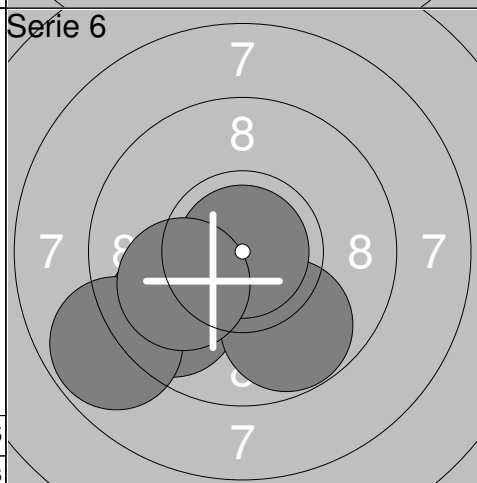
1:	10.2x	↓
2:	10.0	↓
3:	9.6	→
4:	9.9	↓
5:	9.8	→
Serie		47
Total		141



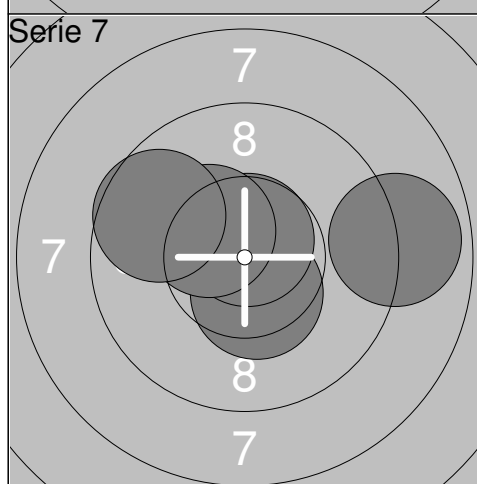
1:	10.3x	→
2:	9.4	↓
3:	9.9	→
4:	9.9	←
5:	10.4x	↗
Serie		47
Total		188



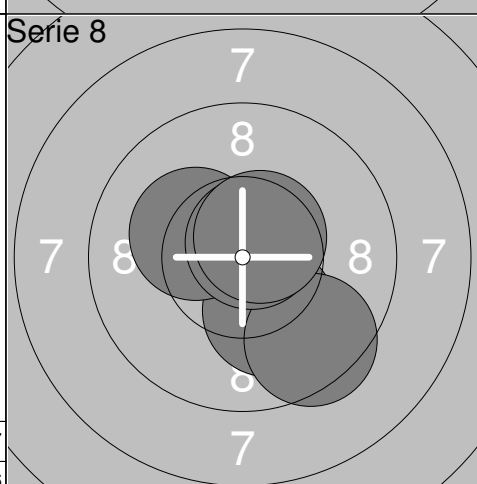
1:	10.7x	↑
2:	9.0	→
3:	9.6	↓
4:	8.8	↓
5:	9.4	↘
Serie		45
Total		233



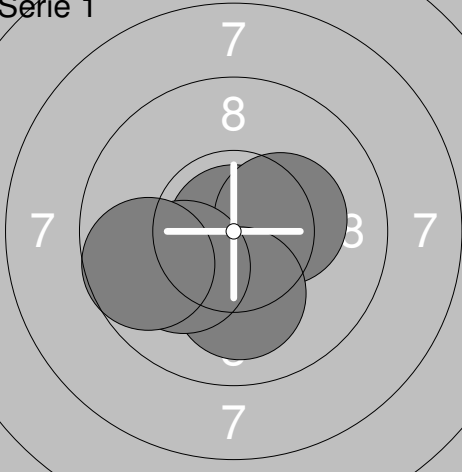
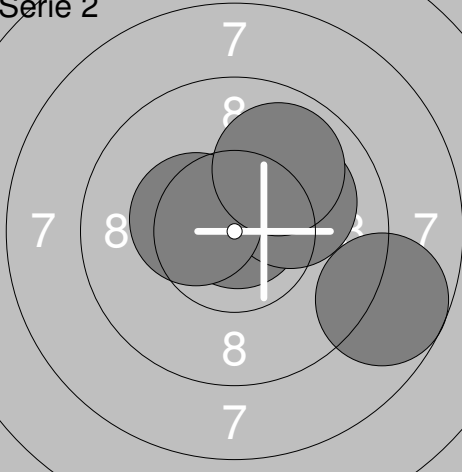
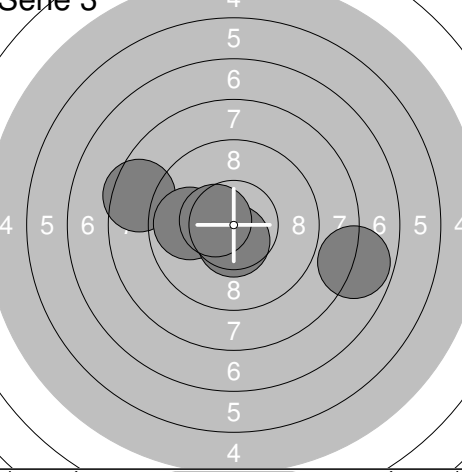
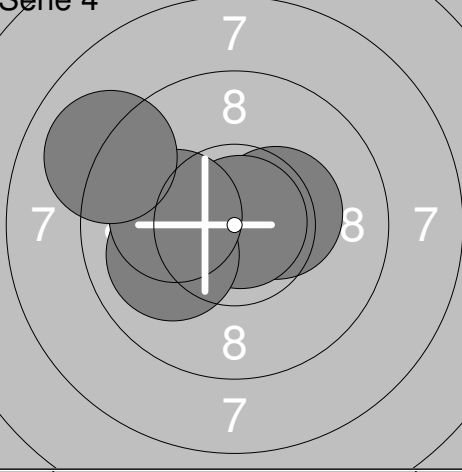
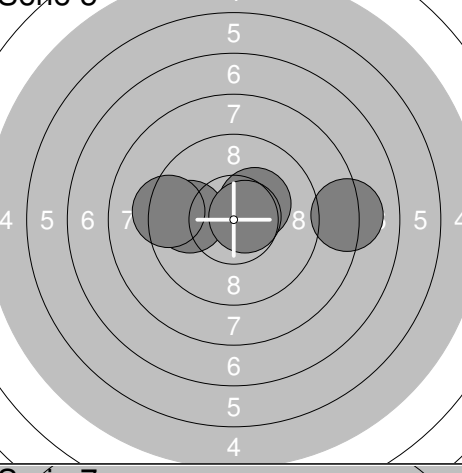
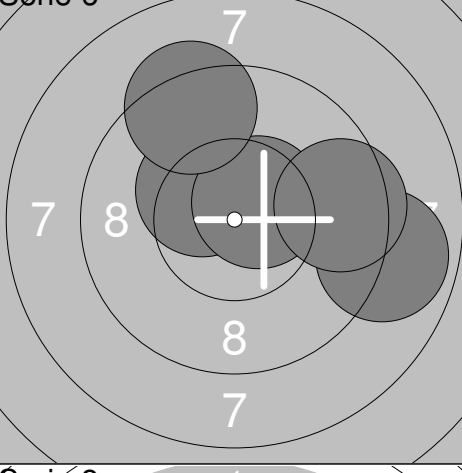
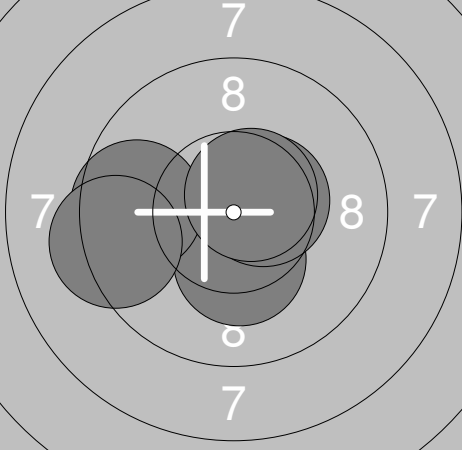
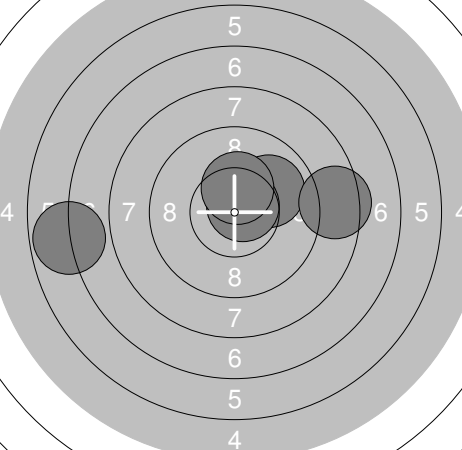
1:	9.7	↙
2:	8.8	↙
3:	9.8	↓
4:	10.9x	
5:	10.0	↙
Serie		46
Total		279

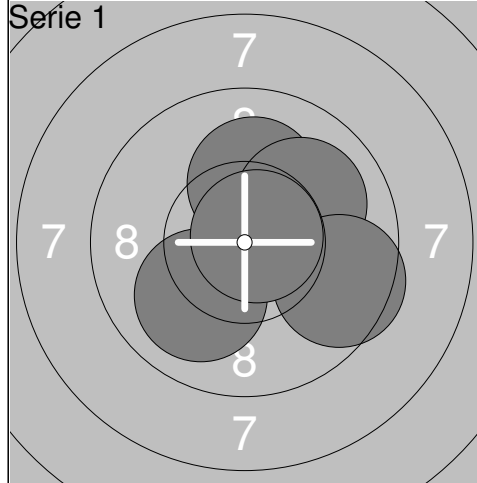


1:	10.4x	↓
2:	10.7x	↑
3:	10.3x	↗
4:	8.9	→
5:	9.6	↗
Serie		47
Total		326

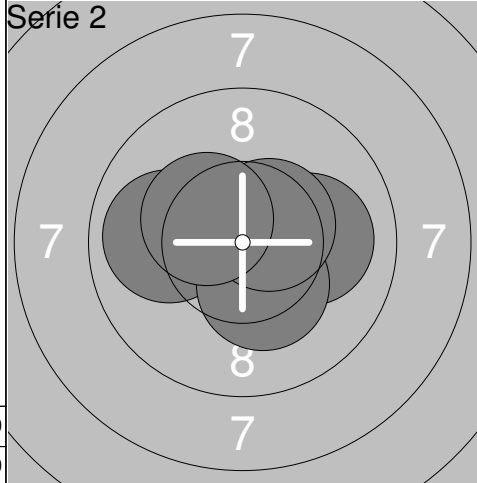


1:	10.1	↓
2:	10.2x	↖
3:	9.5	↓
4:	10.7x	↗
5:	10.6x	↗
Serie		49
Total		375

Skjutlag	Tavla	Moa Nilsson	
1	12	Arvika Skyttegille	JSM
03.11.2018	SM luftgevär 2018	Öckerö Skytteförening	
Serie 1		1: 10.9x	1: 10.8x ↗
		2: 10.3x →	2: 10.1 →
		3: 10.1 ↓	3: 8.7 →
		4: 10.1 ↙	4: 10.4x ↖
		5: 9.7 ↙	5: 9.9 ↗
	Serie 49	Serie 47	
	Total 49	Total 96	
Serie 2		1: 7.8 →	1: 10.3x →
		2: 8.5 ↖	2: 10.8x →
		3: 9.8 ↖	3: 10.0 ↖
		4: 10.5x ↓	4: 10.1 ↖
		5: 10.5x ↖	5: 9.0 ↖
	Serie 44	Serie 49	
	Total 140	Total 189	
Serie 3		1: 8.1 →	1: 8.9 →
		2: 10.3x ↗	2: 10.3x ↖
		3: 9.9 ↖	3: 10.5x ↗
		4: 10.6x →	4: 9.3 ↗
		5: 9.3 ↖	5: 9.5 →
	Serie 46	Serie 46	
	Total 235	Total 281	
Serie 4		1: 10.3x ↓	1: 6.8 ↖
		2: 10.5x →	2: 10.0 →
		3: 9.6 ↖	3: 8.4 →
		4: 9.3 ↖	4: 10.7x ↗
		5: 10.6x ↗	5: 10.3x ↗
	Serie 48	Serie 44	
	Total 329	Total 373	
Serie 5		Serie 8	
		1: 6.8 ↖	
		2: 10.0 →	
		3: 8.4 →	
		4: 10.7x ↗	
		5: 10.3x ↗	
	Serie 44	Serie 44	
	Total 140	Total 189	
Serie 6			
	Serie 46	Serie 46	
	Total 235	Total 281	
Serie 7			
	Serie 48	Serie 44	
	Total 329	Total 373	
Serie 8			
	Serie 48	Serie 44	
	Total 329	Total 373	



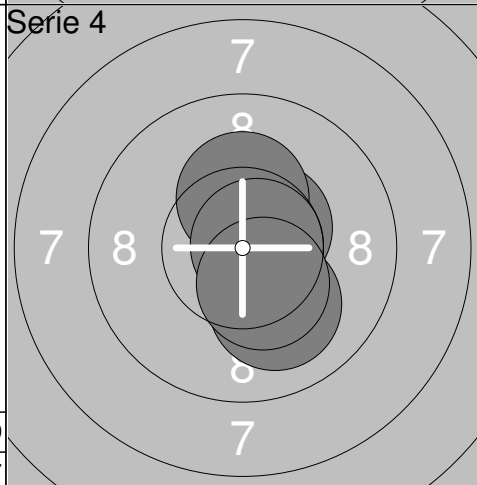
1:	10.0	↙
2:	10.1	↑
3:	10.0	↗
4:	9.5	➔
5:	10.8x	➔
Serie		49
Total		49



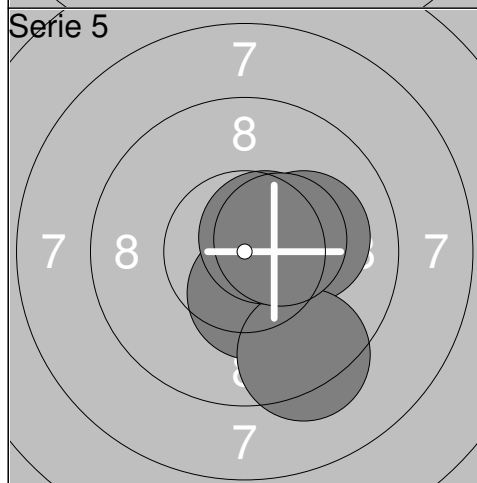
1:	10.1	➔
2:	9.9	←
3:	10.3x	↘
4:	10.5x	↗
5:	10.4x	↖
Serie		49
Total		98



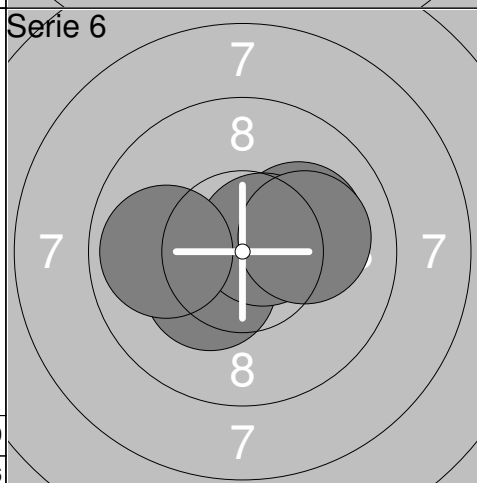
1:	9.7	↖
2:	10.1	↘
3:	10.1	↖
4:	10.6x	↗
5:	10.7x	↑
Serie		49
Total		147



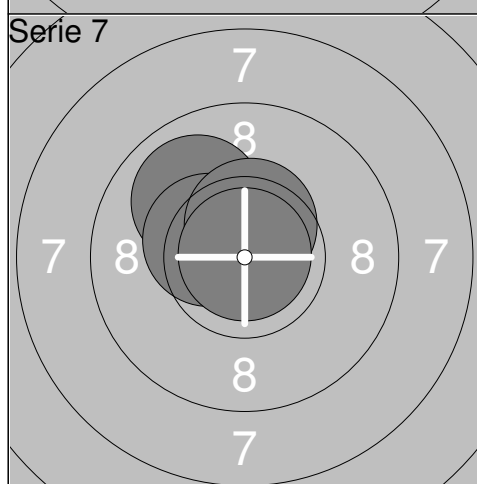
1:	10.5x	↗
2:	10.2x	↑
3:	10.7x	➔
4:	10.0	↘
5:	10.4x	↘
Serie		50
Total		197



1:	10.3x	↘
2:	10.1	➔
3:	9.3	↘
4:	10.6x	↗
5:	10.4x	➔
Serie		49
Total		246



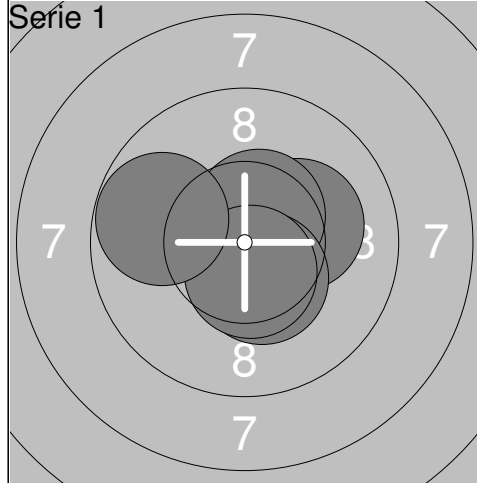
1:	10.1	➔
2:	10.3x	↘
3:	10.6x	↗
4:	10.1	➔
5:	9.9	←
Serie		49
Total		295



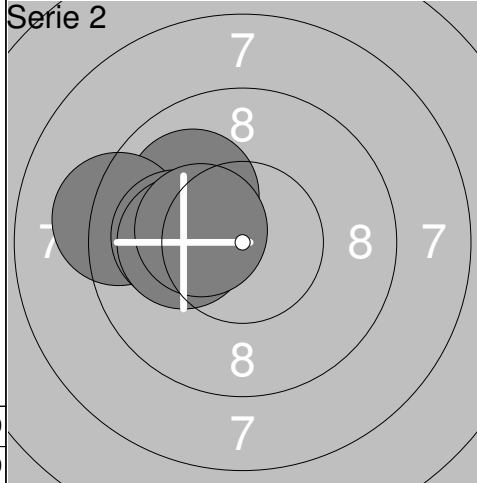
1:	10.7x	↑
2:	9.9	↖
3:	10.4x	↖
4:	10.5x	↑
5:	10.9x	↑
Serie		49
Total		344



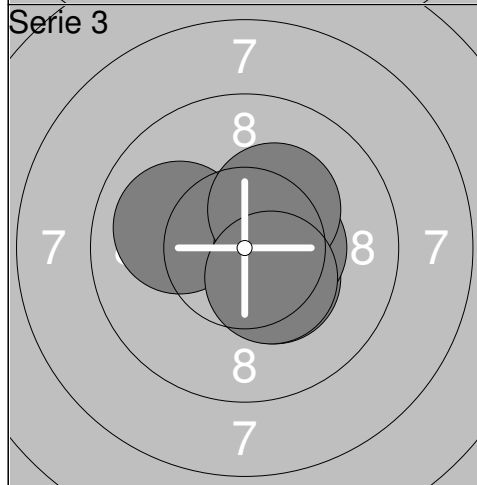
1:	10.6x	↗
2:	10.6x	➔
3:	10.8x	↗
4:	10.3x	➔
5:	9.8	➔
Serie		49
Total		393



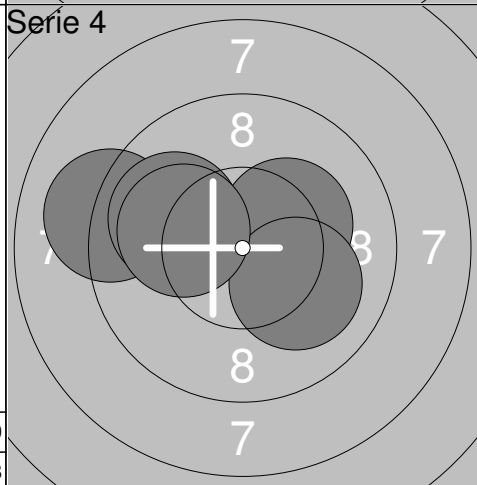
1:	10.2x	→
2:	10.5x	↗
3:	10.4x	↘
4:	10.5x	↘
5:	9.8	↖
Serie		49
Total		49



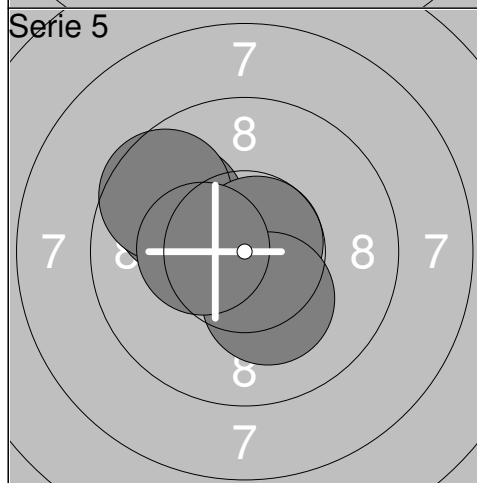
1:	10.0	↗
2:	9.2	↖
3:	10.1	↖
4:	10.1	↖
5:	10.3x	↖
Serie		49
Total		98



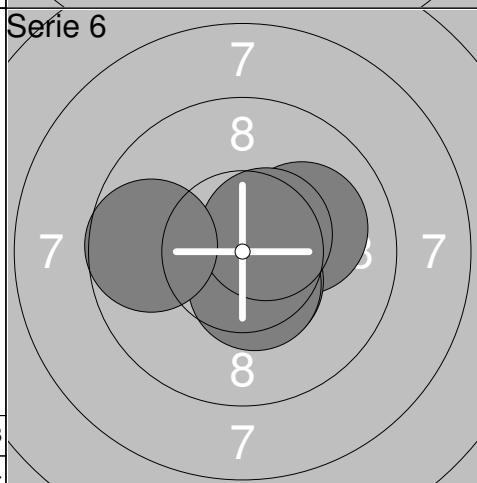
1:	10.0	↖
2:	10.4x	↘
3:	10.5x	→
4:	10.3x	↗
5:	10.4x	↘
Serie		50
Total		148



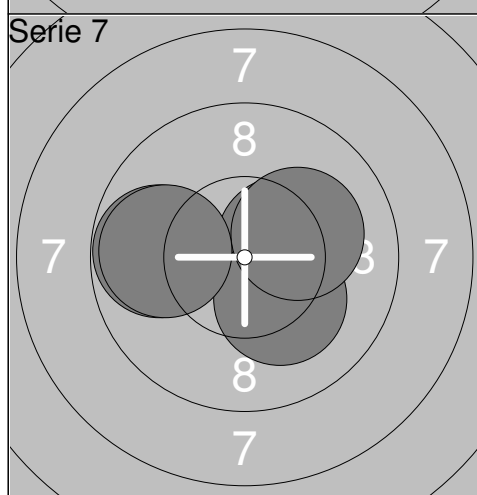
1:	10.3x	↗
2:	10.1	↘
3:	9.1	↖
4:	9.9	↗
5:	10.1	↖
Serie		48
Total		196



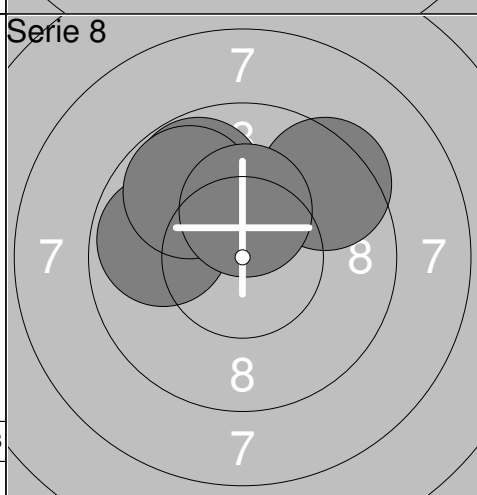
1:	9.9	↖
2:	9.6	↗
3:	10.7x	↗
4:	10.2x	↘
5:	10.4x	↖
Serie		48
Total		244



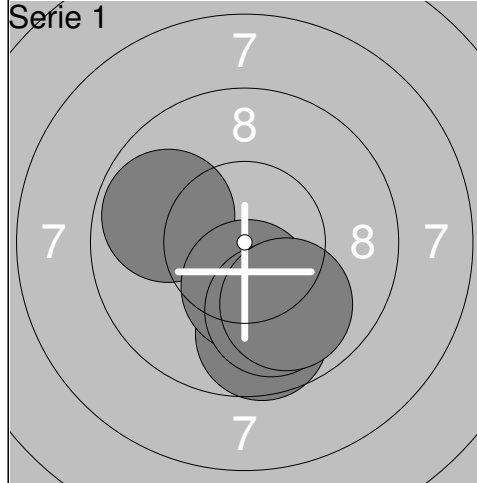
1:	10.1	↗
2:	10.5x	↘
3:	10.5x	↘
4:	10.5x	↗
5:	9.7	↖
Serie		49
Total		293



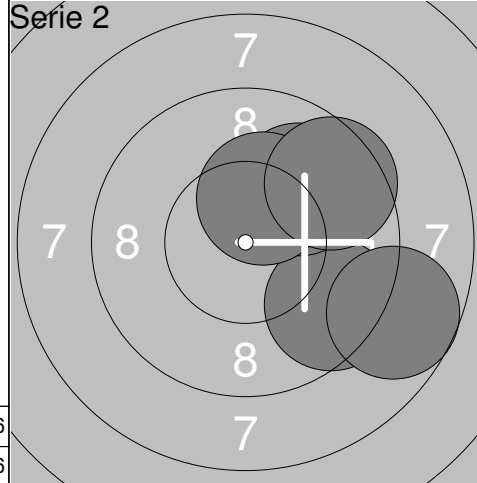
1:	10.4x	↗
2:	10.2x	↘
3:	9.7	↖
4:	10.1	↗
5:	9.9	↖
Serie		48
Total		341



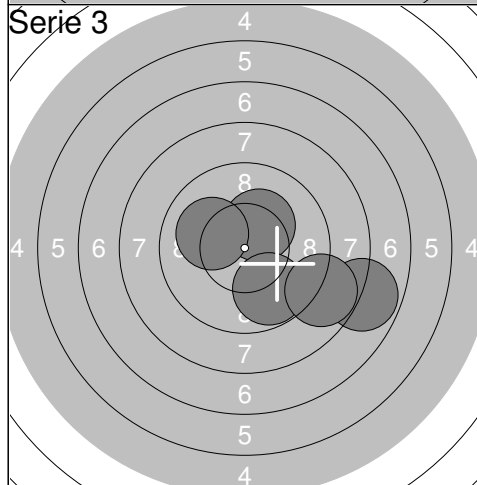
1:	9.8	↗
2:	9.4	↗
3:	9.8	↖
4:	9.8	↗
5:	10.3x	↑
Serie		46
Total		387



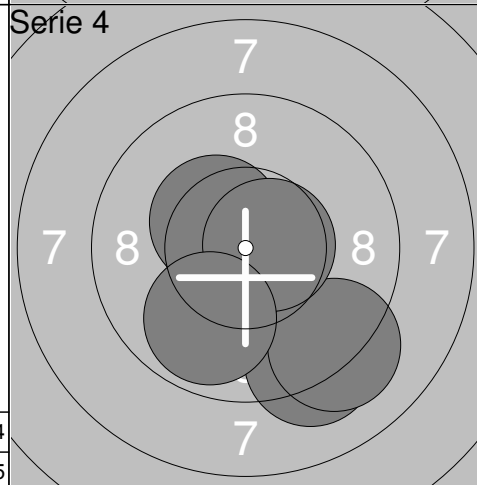
1:	9.6	↓
2:	9.8	↖
3:	10.3x	↓
4:	9.9	↓
5:	9.9	↓
Serie		46
Total		46



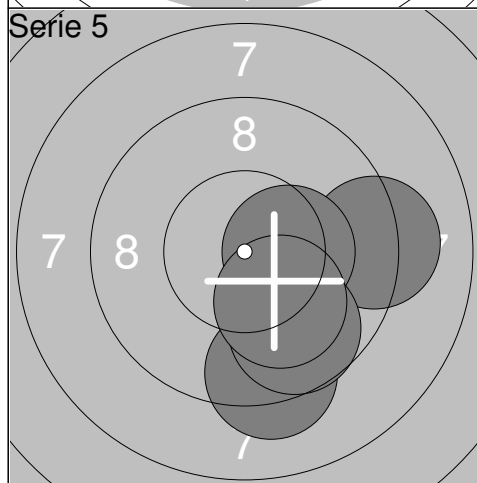
1:	9.5	↘
2:	9.9	↗
3:	10.3x	↗
4:	8.7	↘
5:	9.5	↗
Serie		45
Total		91



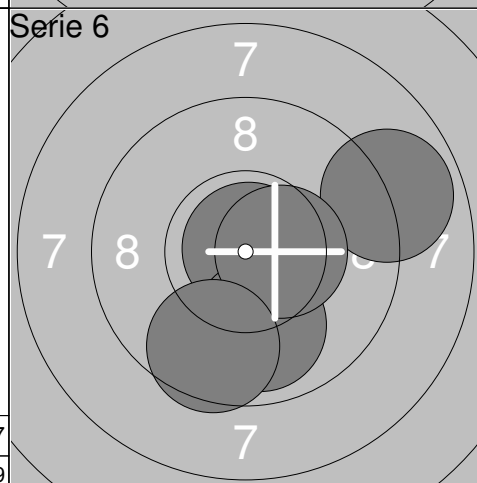
1:	10.3x	↗
2:	10.1	↗
3:	7.8	↘
4:	9.8	↓
5:	8.8	↓
Serie		44
Total		135



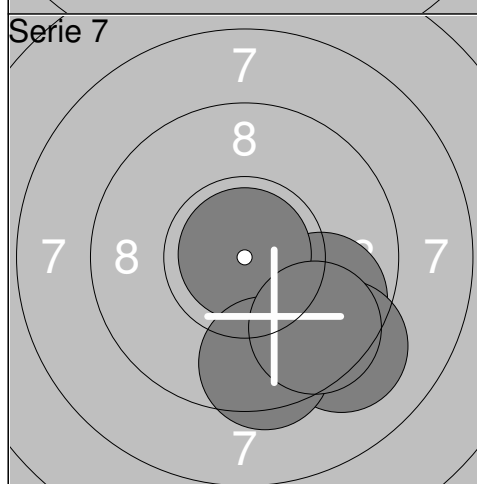
1:	10.4x	↗
2:	9.2	↓
3:	9.1	↓
4:	10.6x	→
5:	9.9	↓
Serie		47
Total		182



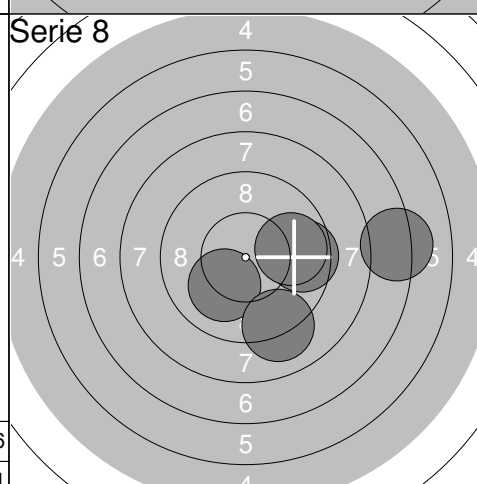
1:	9.2	→
2:	9.2	↓
3:	10.3x	→
4:	9.7	↓
5:	10.1	↓
Serie		47
Total		229



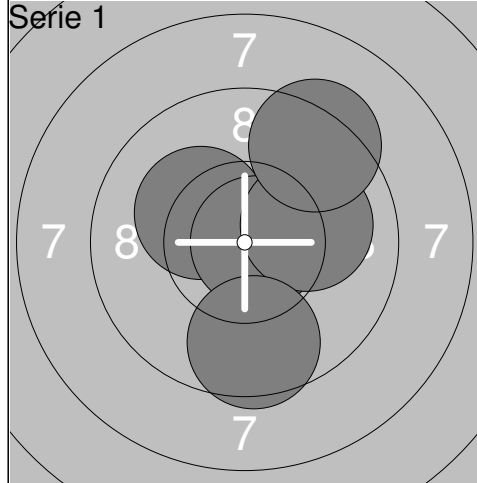
1:	10.8x	↗
2:	8.9	→
3:	9.9	↓
4:	10.5x	→
5:	9.6	↓
Serie		46
Total		275



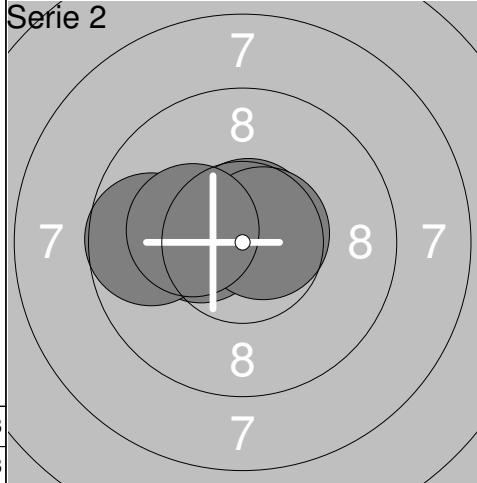
1:	9.8	↘
2:	10.9x	↑
3:	9.1	↓
4:	9.5	↓
5:	9.6	↓
Serie		46
Total		321



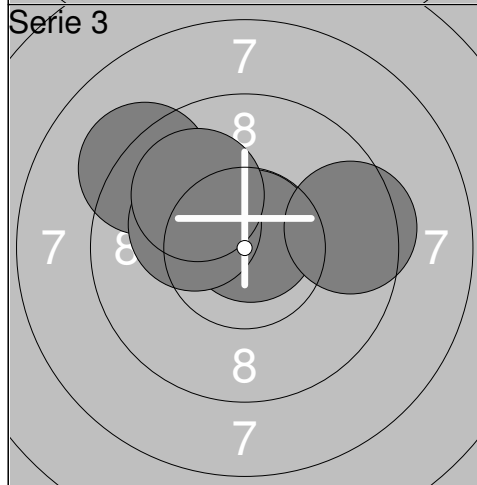
1:	9.5	→
2:	7.2	→
3:	10.1	↙
4:	9.1	↓
5:	9.8	→
Serie		44
Total		365



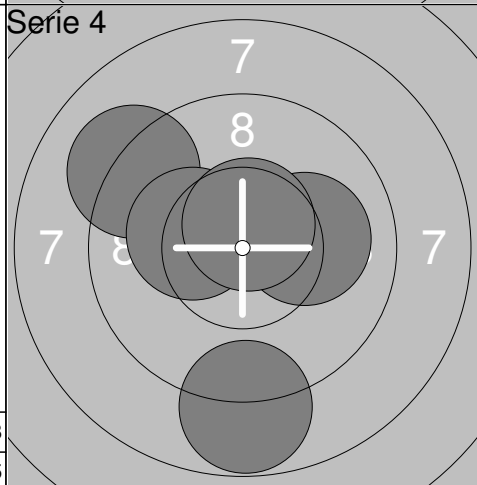
1:	10.2x	↖
2:	10.8x	→
3:	10.1	→
4:	9.3	↗
5:	9.6	↓
Serie		48
Total		48



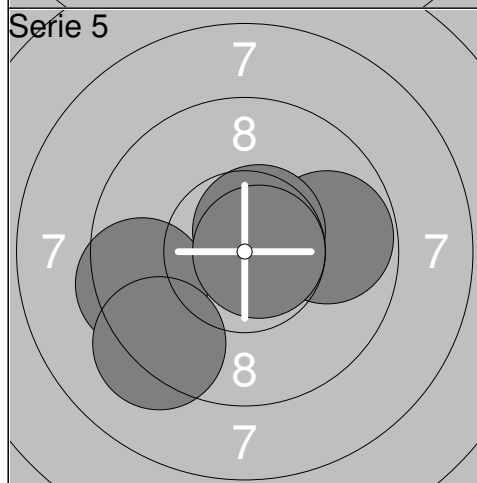
1:	10.3x	←
2:	9.7	←
3:	10.7x	↗
4:	10.6x	→
5:	10.2x	←
Serie		49
Total		97



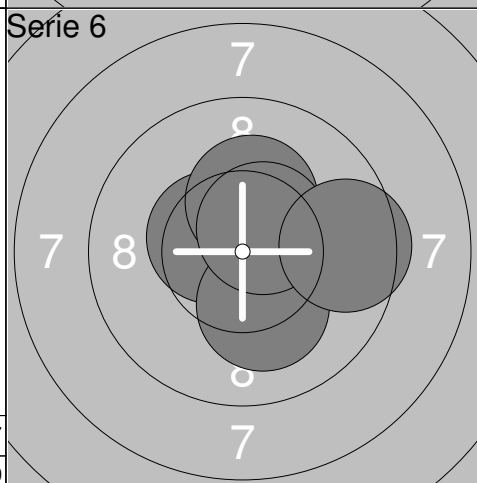
1:	9.2	↖
2:	10.7x	↗
3:	10.2x	↖
4:	10.0	↗
5:	9.4	→
Serie		48
Total		145



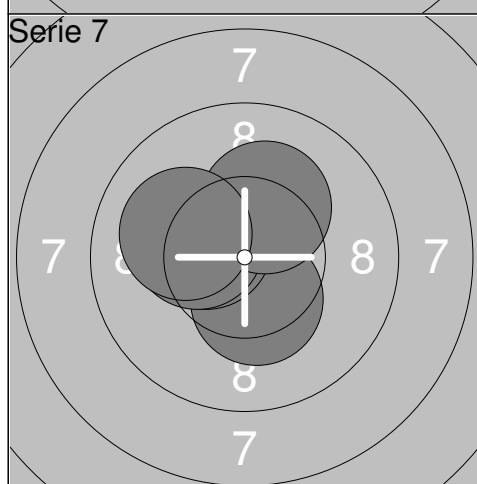
1:	10.1	→
2:	8.8	↓
3:	9.1	↖
4:	10.2x	←
5:	10.6x	↗
Serie		47
Total		192



1:	9.5	←
2:	9.2	↙
3:	9.8	→
4:	10.6x	↗
5:	10.7x	→
Serie		47
Total		239



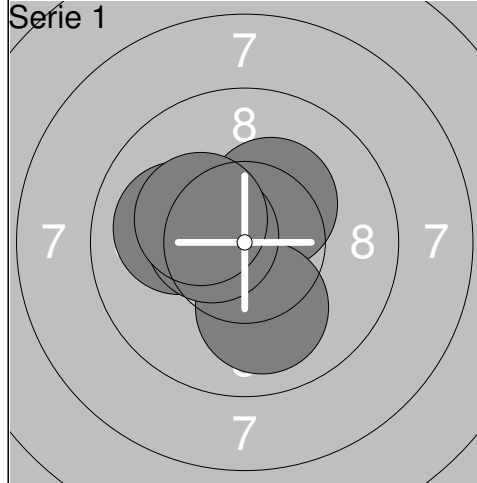
1:	10.5x	↖
2:	10.3x	↗
3:	10.2x	↓
4:	10.5x	↗
5:	9.5	→
Serie		49
Total		288



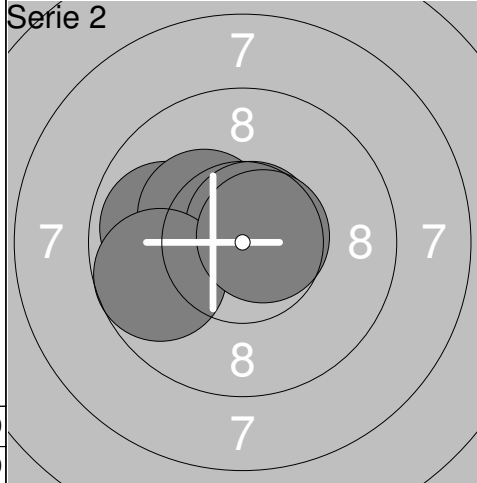
1:	10.3x	↓
2:	10.4x	↖
3:	10.2x	↖
4:	10.2x	↗
5:	10.1	↖
Serie		50
Total		338



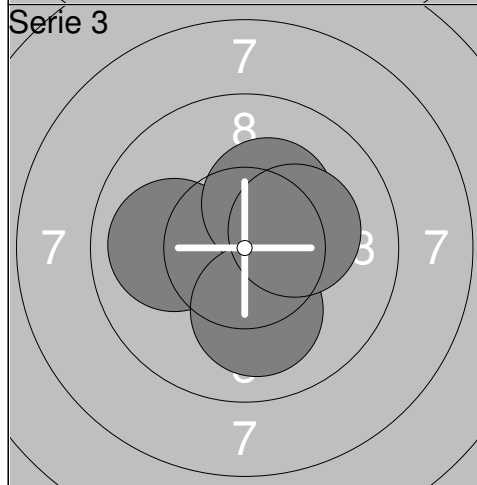
1:	10.3x	→
2:	10.2x	↗
3:	10.2x	↓
4:	10.0	↗
5:	9.8	↗
Serie		49
Total		387



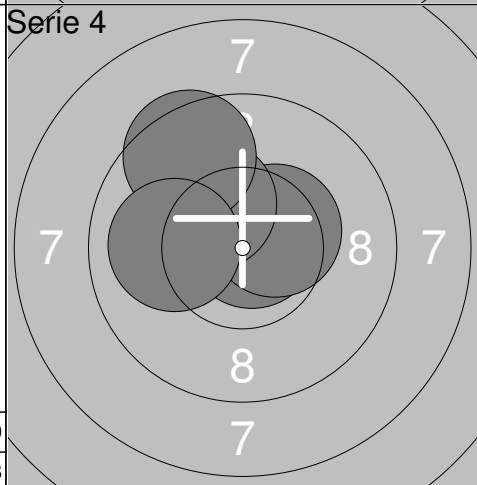
1:	10.3x	↗
2:	10.0	↓
3:	10.0	←
4:	10.5x	←
5:	10.2x	↗
Serie		50
Total		50



1:	9.9	←
2:	10.3x	↖
3:	10.7x	↗
4:	9.7	←
5:	10.6x	→
Serie		48
Total		98



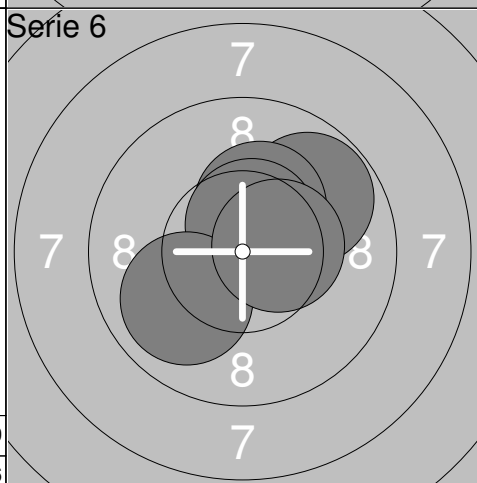
1:	10.8x	↗
2:	10.0	←
3:	10.2x	↗
4:	10.1	↓
5:	10.2x	→
Serie		50
Total		148



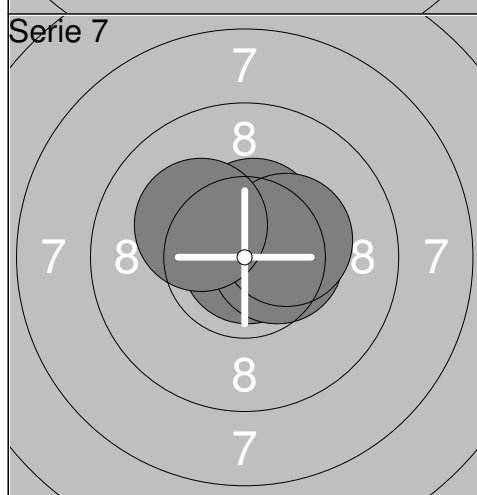
1:	10.8x	↗
2:	10.4x	↗
3:	10.2x	↗
4:	9.5	↗
5:	10.0	←
Serie		49
Total		197



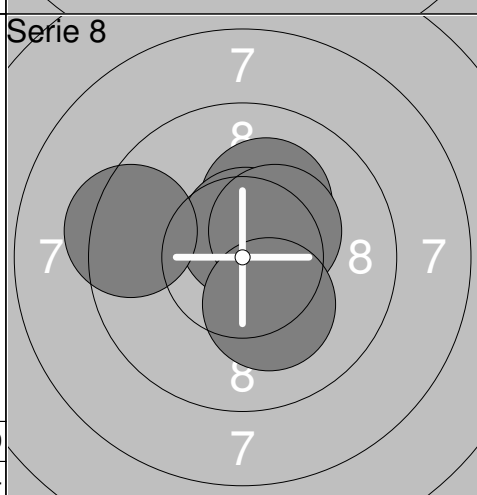
1:	10.8x	→
2:	10.5x	↗
3:	10.1	↗
4:	9.9	↗
5:	10.6x	→
Serie		49
Total		246



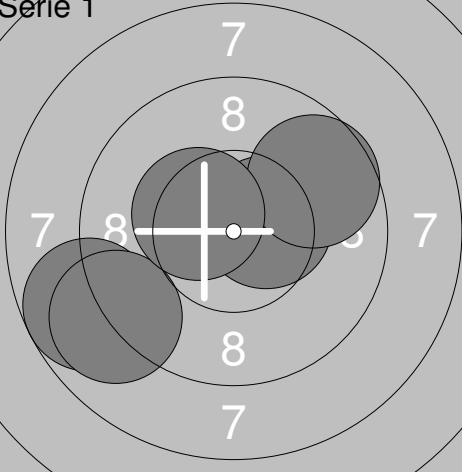
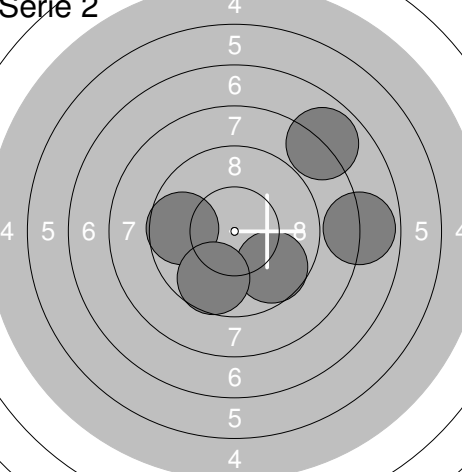
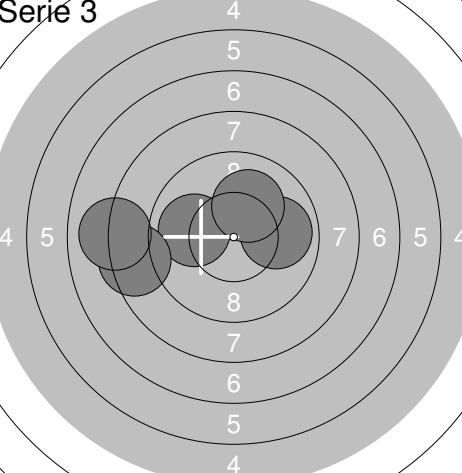
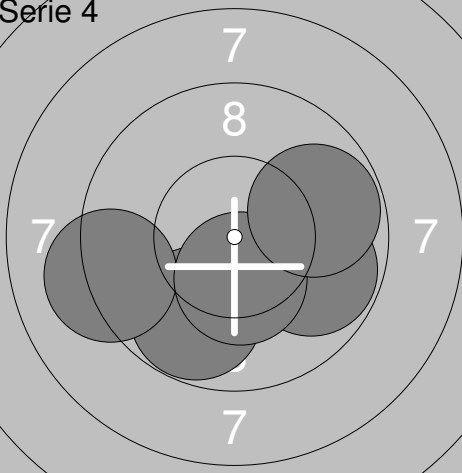
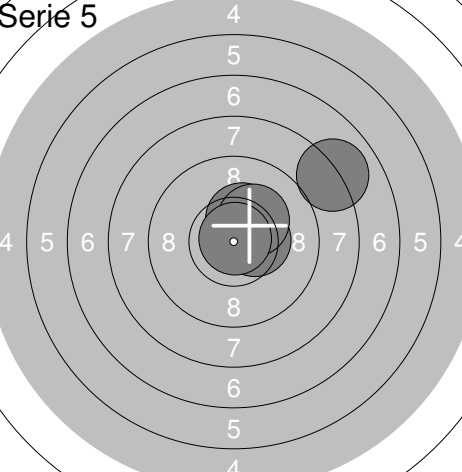
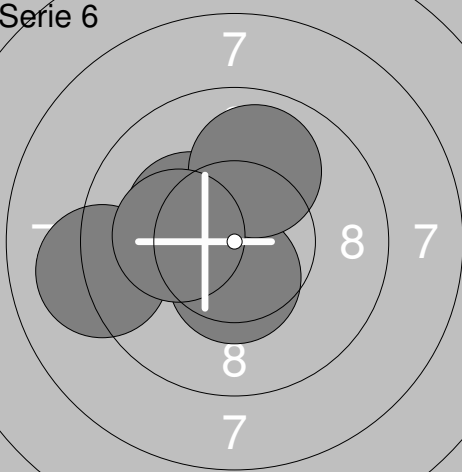
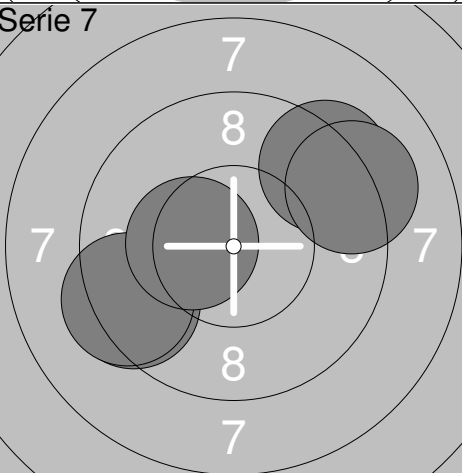
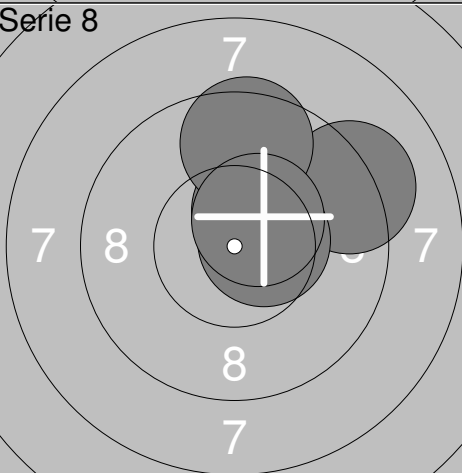
1:	9.8	↗
2:	10.3x	↗
3:	10.6x	↗
4:	9.9	↖
5:	10.5x	→
Serie		48
Total		294

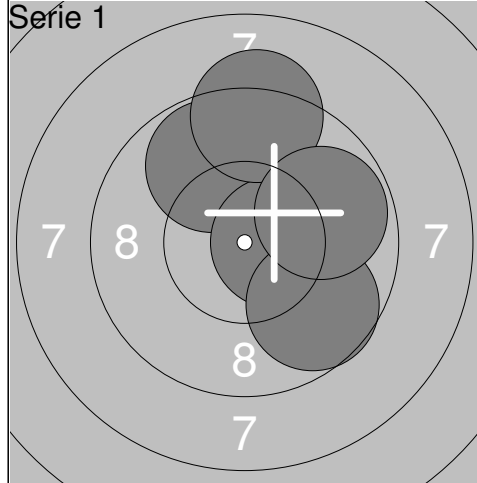


1:	10.9x	→
2:	10.5x	↗
3:	10.5x	→
4:	10.3x	↗
5:	10.2x	↖
Serie		50
Total		344

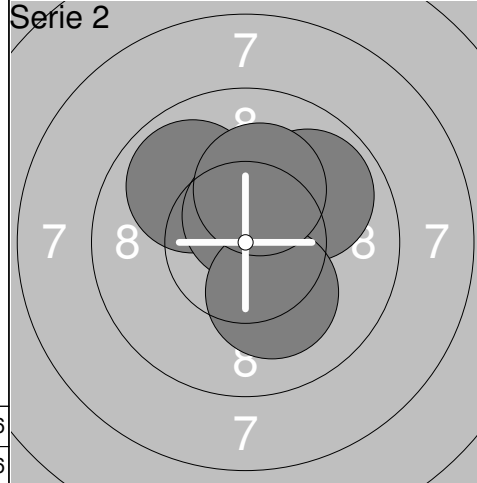


1:	10.1	↗
2:	10.6x	↗
3:	10.3x	↗
4:	10.2x	↓
5:	9.4	←
Serie		49
Total		393

Skjutlag 1	Tavla 19	Kajsa Fredriksson	
Kval stående		Fagersta Ungdomsskytteförening	JSM
03.11.2018		SM luftgevär 2018	Öckerö Skytteförening
Serie 1		1: 10.5x → 2: 9.7 ↗ 3: 8.7 ← 4: 8.9 ↙ 5: 10.4x ↖	Serie 2
		Serie 45 Total 45	
			1: 9.6 ↘ 2: 9.6 ← 3: 9.7 ↓ 4: 7.8 ↗ 5: 7.8 →
			Serie 41 Total 86
Serie 3		1: 9.9 → 2: 10.0 ← 3: 8.4 ← 4: 10.1 ↗ 5: 8.0 ←	Serie 4
		Serie 45 Total 131	
			1: 9.8 ↓ 2: 9.1 ← 3: 9.8 → 4: 10.3x ↓ 5: 9.8 →
			Serie 46 Total 177
Serie 5		1: 8.0 ↗ 2: 10.4x → 3: 10.3x ↗ 4: 10.2x ↗ 5: 10.8x ↗	Serie 6
		Serie 48 Total 225	
			1: 10.2x ↖ 2: 10.5x ↓ 3: 9.1 ← 4: 9.9 ↗ 5: 10.1 ←
			Serie 48 Total 273
Serie 7		1: 9.4 ← 2: 9.3 ← 3: 9.3 ↗ 4: 9.1 ↗ 5: 10.4x ←	Serie 8
		Serie 46 Total 319	
			1: 10.3x ↗ 2: 9.2 ↗ 3: 10.5x → 4: 9.5 ↗ 5: 10.4x ↗
			Serie 48 Total 367



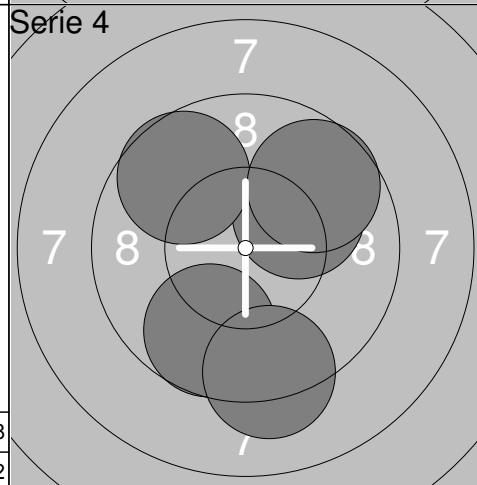
1:	9.8	↖
2:	10.5x	→
3:	9.7	↘
4:	9.2	↑
5:	9.8	→
Serie		46
Total		46



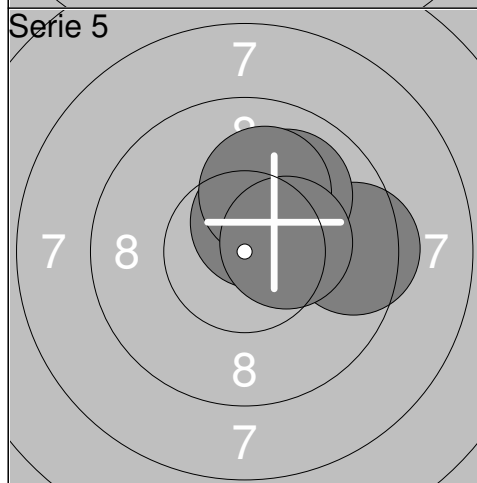
1:	9.9	↖
2:	10.6x	↑
3:	9.8	↗
4:	10.2x	↘
5:	10.2x	↑
Serie		48
Total		94



1:	9.0	↑
2:	9.7	↑
3:	10.1	↘
4:	10.1	↗
5:	10.7x	↑
Serie		48
Total		142



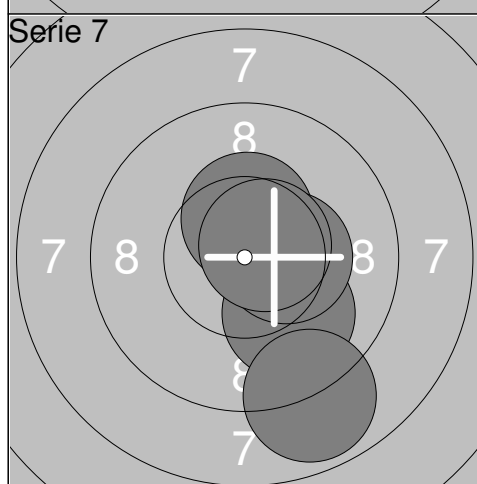
1:	9.7	↘
2:	10.0	↗
3:	9.7	↖
4:	9.2	↘
5:	9.7	↗
Serie		46
Total		188



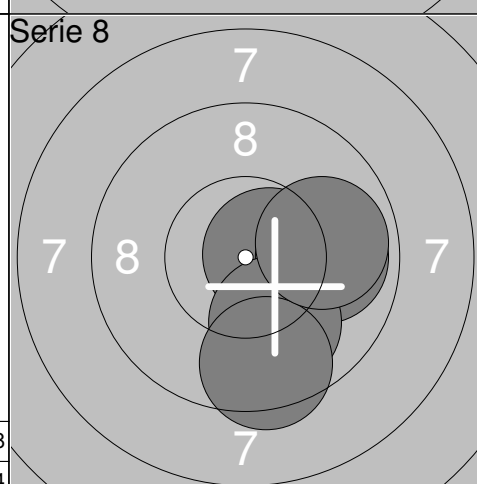
1:	10.5x	↑
2:	9.4	→
3:	10.0	↗
4:	10.1	↑
5:	10.3x	→
Serie		49
Total		237



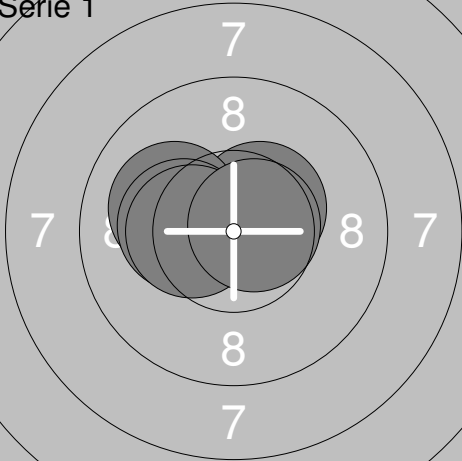
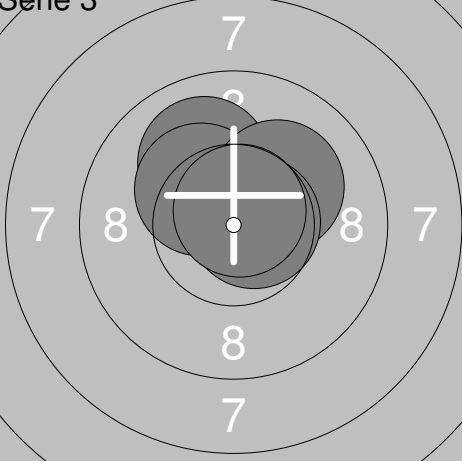
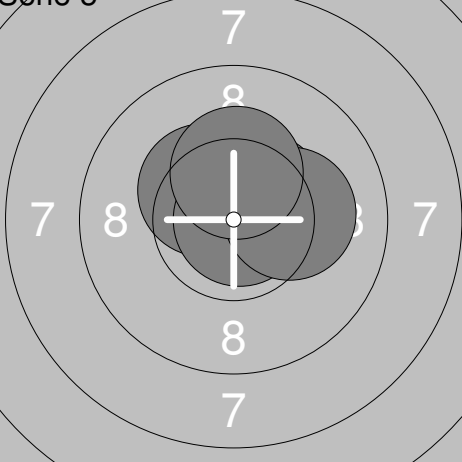
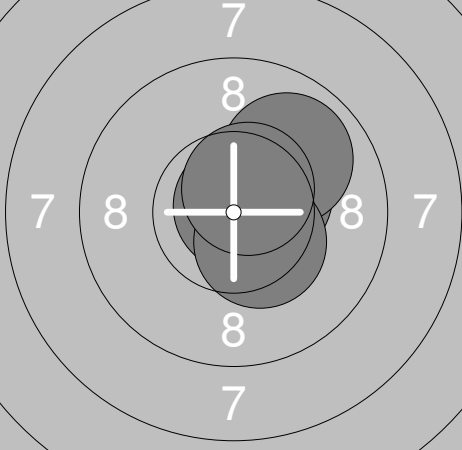
1:	10.5x	→
2:	10.8x	↗
3:	10.5x	↗
4:	10.4x	↘
5:	9.1	↗
Serie		49
Total		286

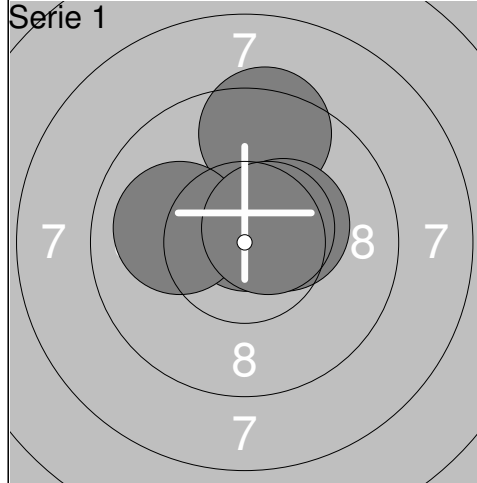


1:	10.4x	↑
2:	10.0	↘
3:	10.4x	→
4:	10.6x	↗
5:	8.9	↘
Serie		48
Total		334

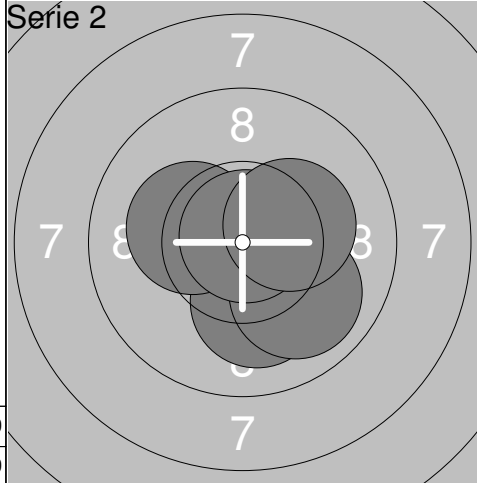


1:	10.6x	→
2:	9.9	→
3:	10.0	↘
4:	9.4	↘
5:	9.9	→
Serie		47
Total		381

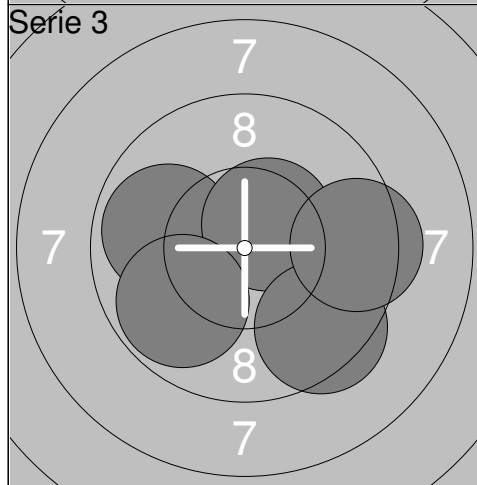
Skjutlag 1	Tavla 21	Josefine, Lindfors	
Kval stående		Virso Ungdomsskytteförening	JSM
03.11.2018		SM luftgevär 2018	Öckerö Skytteförening
Serie 1		1: 10.4x ↗ 2: 10.1 ↖ 3: 10.2x ← 4: 10.4x ← 5: 10.7x →	Serie 2
		Serie 50 Total 50	1: 10.4x ↗ 2: 10.3x ↑ 3: 10.0 ↗ 4: 10.5x ↗ 5: 9.9 →
			Serie 49 Total 99
Serie 3		1: 10.0 ↗ 2: 10.3x ↗ 3: 10.1 ↗ 4: 10.7x → 5: 10.7x ↑	Serie 4
		Serie 50 Total 149	1: 10.0 ↖ 2: 10.0 → 3: 10.1 ↑ 4: 10.6x ↗ 5: 10.4x ↑
			Serie 50 Total 199
Serie 5		1: 10.4x ↖ 2: 10.5x ↗ 3: 10.8x → 4: 10.2x → 5: 10.3x ↑	Serie 6
		Serie 50 Total 249	1: 10.8x ↑ 2: 9.7 ↑ 3: 10.2x ← 4: 10.4x ↗ 5: 10.1 ↖
			Serie 49 Total 298
Serie 7		1: 10.8x ↗ 2: 10.4x ↗ 3: 9.9 ↗ 4: 10.4x ↘ 5: 10.5x ↑	Serie 8
		Serie 49 Total 347	1: 10.3x ↑ 2: 9.9 ↖ 3: 10.1 → 4: 10.6x → 5: 9.5 ↖
			Serie 48 Total 395



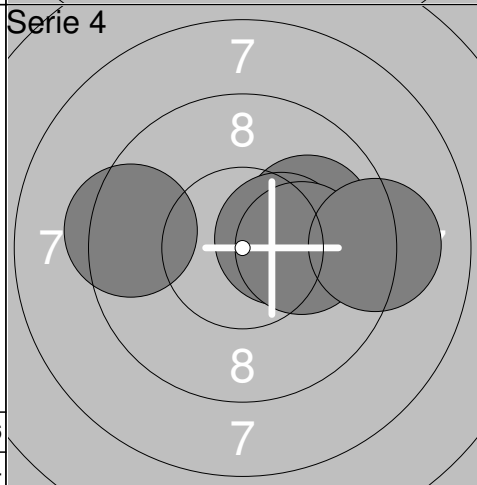
1:	10.7x	↑
2:	9.4	↑
3:	10.4x	→
4:	10.0	←
5:	10.6x	→
Serie		49
Total		49



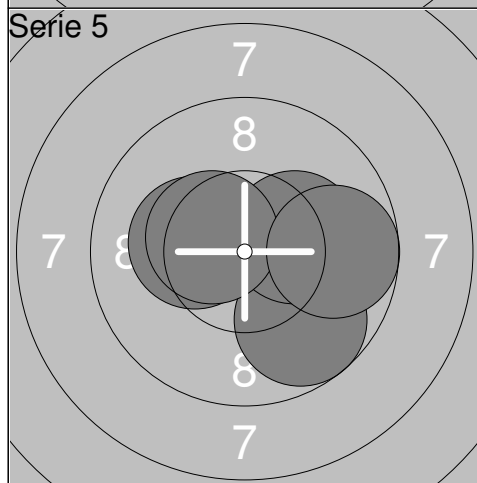
1:	10.1	↓
2:	10.2x	←
3:	9.9	↓
4:	10.8x	↑
5:	10.2x	→
Serie		49
Total		98



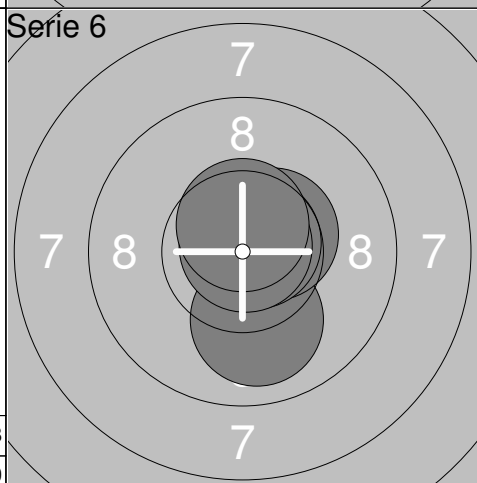
1:	9.9	←
2:	10.5x	↗
3:	9.4	↘
4:	9.4	→
5:	9.8	↙
Serie		46
Total		144



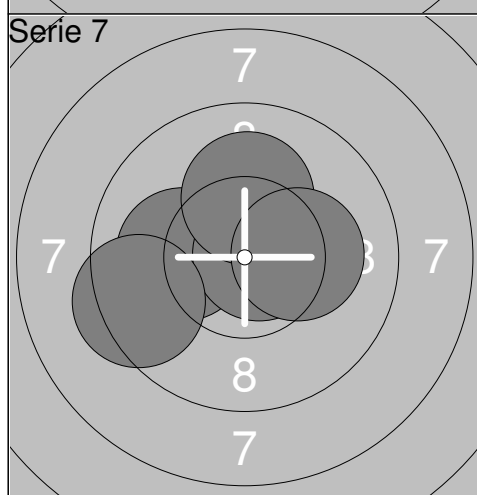
1:	9.4	←
2:	10.0	→
3:	10.4x	→
4:	10.1	→
5:	9.1	→
Serie		48
Total		192



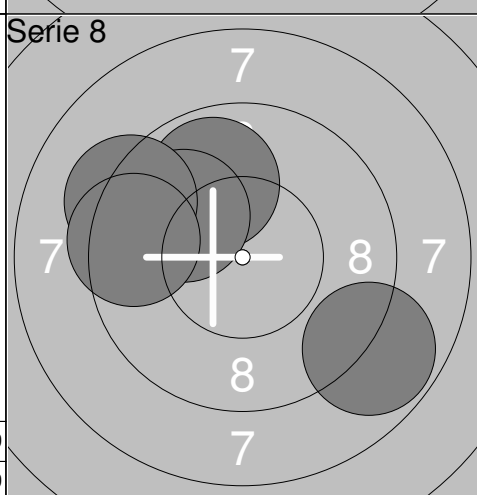
1:	9.7	↘
2:	10.2x	→
3:	10.3x	←
4:	10.4x	←
5:	9.7	→
Serie		48
Total		240



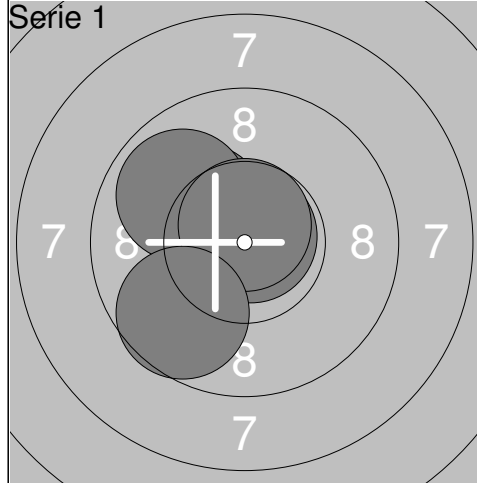
1:	10.0	↓
2:	10.5x	↗
3:	10.7x	↗
4:	10.8x	↑
5:	10.6x	↑
Serie		50
Total		290



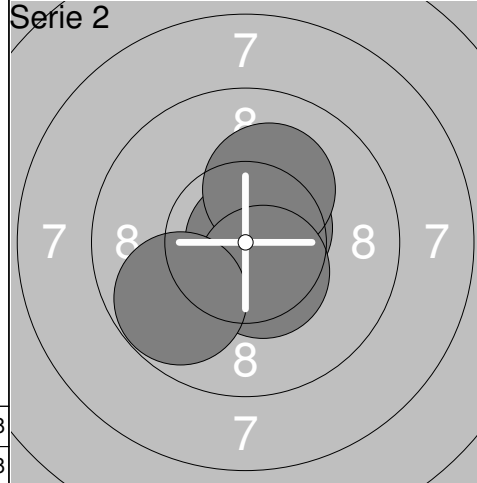
1:	10.1	←
2:	10.7x	→
3:	10.1	↑
4:	9.4	←
5:	10.2x	→
Serie		49
Total		339



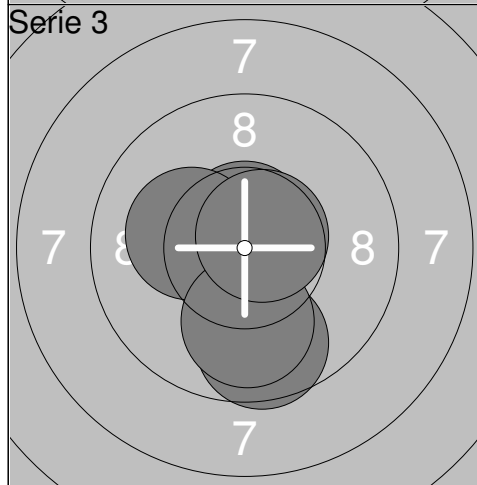
1:	9.9	↑
2:	9.9	↖
3:	9.2	↖
4:	8.8	↘
5:	9.4	←
Serie		44
Total		383



1:	10.2x	↖
2:	9.9	↖
3:	10.8x	↗
4:	10.7x	↑
5:	9.7	↙
Serie		48
Total		48



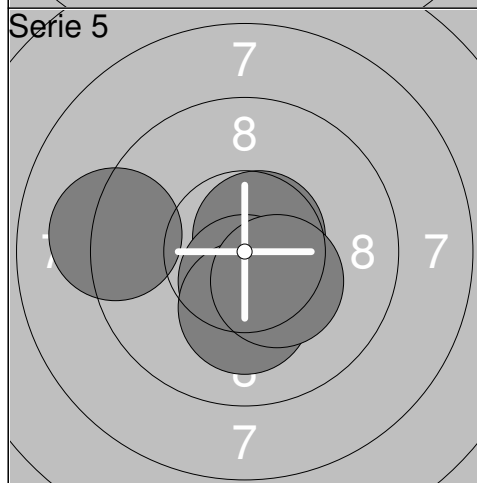
1:	10.6x	↗
2:	10.8x	→
3:	10.1	↑
4:	10.4x	↘
5:	9.8	↙
Serie		49
Total		97



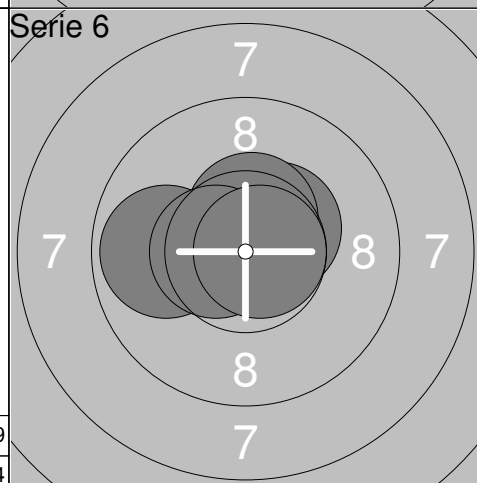
1:	10.7x	↑
2:	9.6	↓
3:	10.2x	↖
4:	9.9	↓
5:	10.6x	↗
Serie		48
Total		145



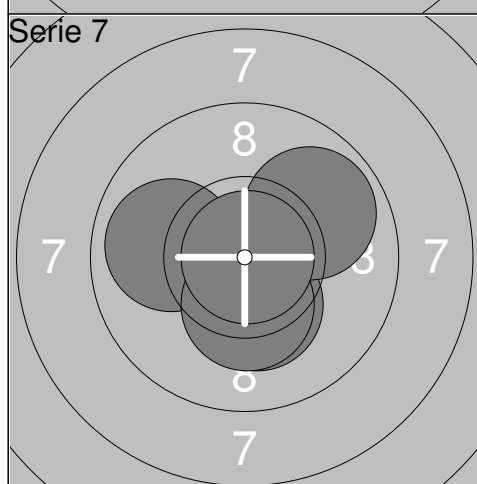
1:	10.4x	↑
2:	10.6x	↑
3:	10.7x	↑
4:	10.7x	↗
5:	10.3x	→
Serie		50
Total		195



1:	9.2	↖
2:	10.6x	↗
3:	10.5x	↓
4:	10.2x	↓
5:	10.3x	↘
Serie		49
Total		244



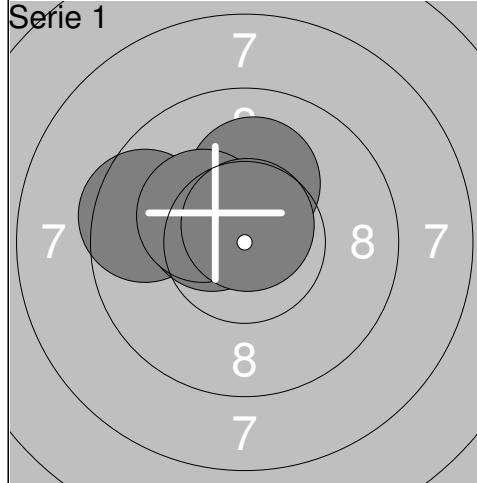
1:	9.9	↖
2:	10.4x	↗
3:	10.5x	↑
4:	10.5x	↖
5:	10.7x	→
Serie		49
Total		293



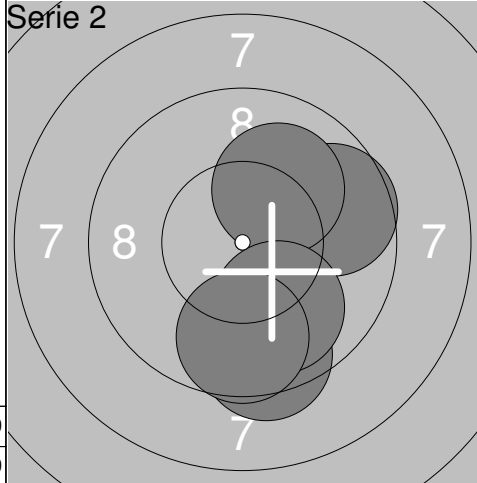
1:	10.3x	↓
2:	9.9	↖
3:	10.3x	↓
4:	9.8	↗
5:	10.9x	→
Serie		48
Total		341



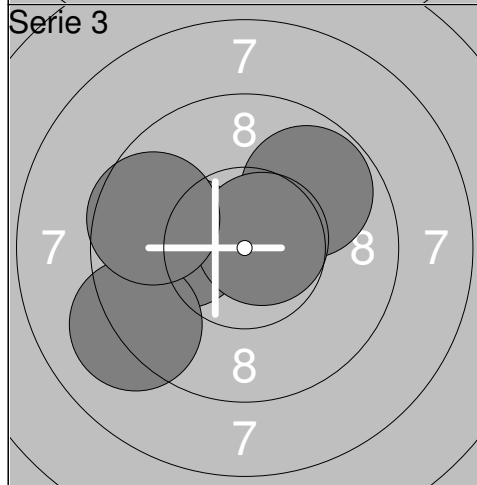
1:	10.8x	↑
2:	10.2x	↗
3:	10.5x	↗
4:	10.6x	↗
5:	10.3x	↖
Serie		50
Total		391



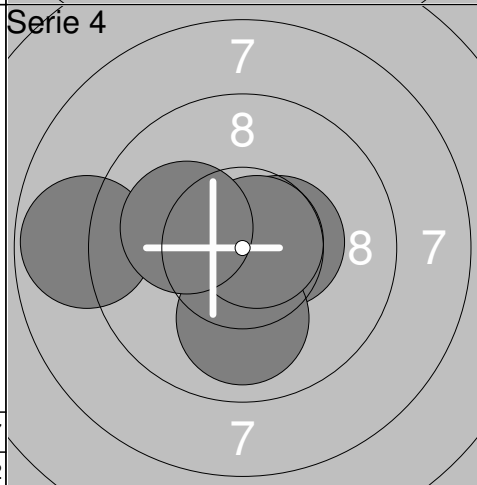
1:	10.1	↑
2:	9.5	←
3:	10.4x	↖
4:	10.2x	↖
5:	10.7x	↑
Serie		49
Total		49



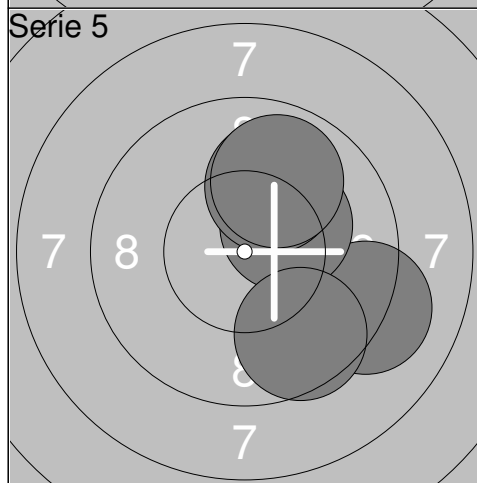
1:	9.6	→
2:	9.4	↓
3:	10.1	↗
4:	9.9	↓
5:	9.6	↓
Serie		46
Total		95



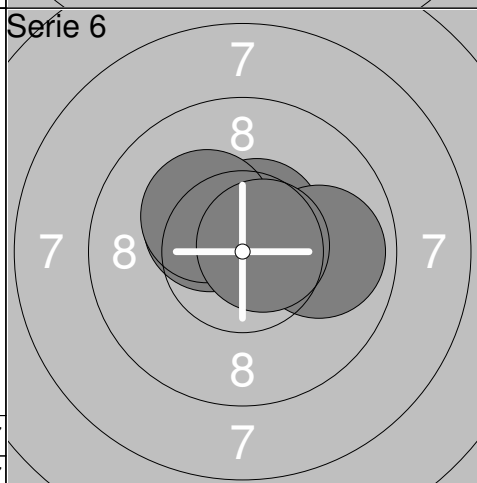
1:	9.8	↗
2:	10.1	←
3:	9.1	↙
4:	10.7x	↗
5:	9.6	←
Serie		47
Total		142



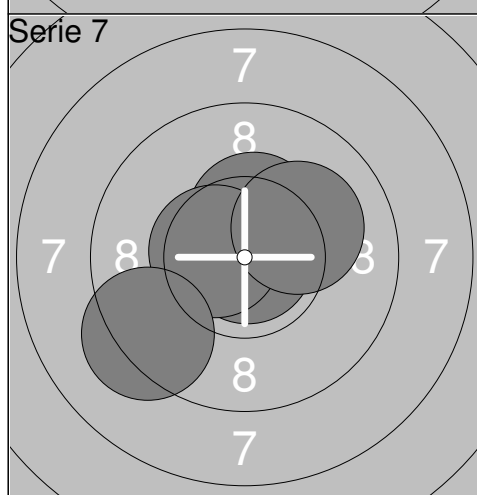
1:	10.4x	→
2:	10.0	↓
3:	8.8	←
4:	10.7x	↗
5:	10.1	←
Serie		48
Total		190



1:	9.1	⇒
2:	10.3x	↗
3:	10.0	↑
4:	9.6	↓
5:	9.9	↑
Serie		47
Total		237



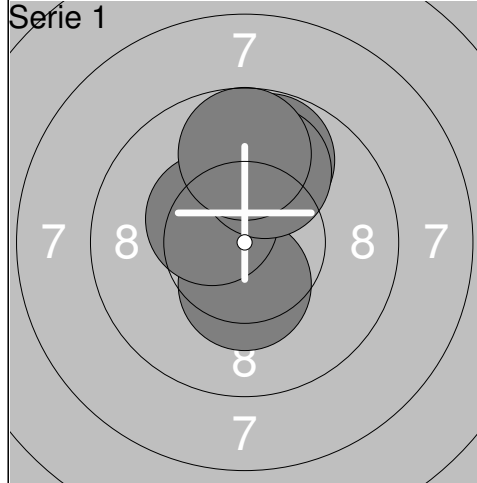
1:	10.4x	↖
2:	10.5x	↗
3:	10.2x	↖
4:	9.9	→
5:	10.6x	→
Serie		49
Total		286



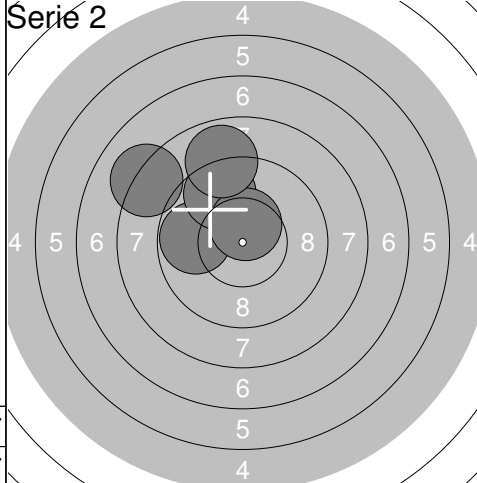
1:	10.4x	↑
2:	10.9x	→
3:	10.5x	←
4:	10.1	↗
5:	9.2	↙
Serie		49
Total		335



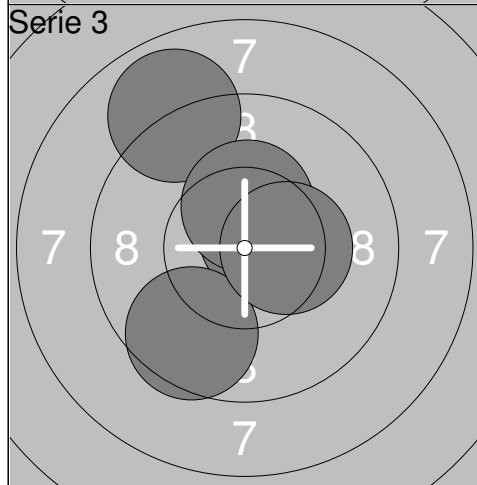
1:	10.4x	↗
2:	10.6x	↗
3:	9.8	→
4:	10.3x	↖
5:	10.6x	↗
Serie		49
Total		384



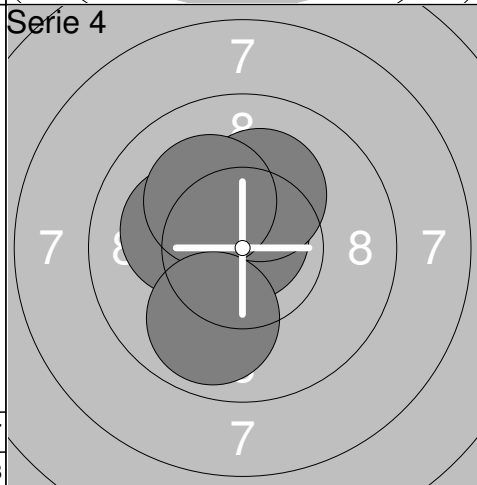
Serie	47
Total	47



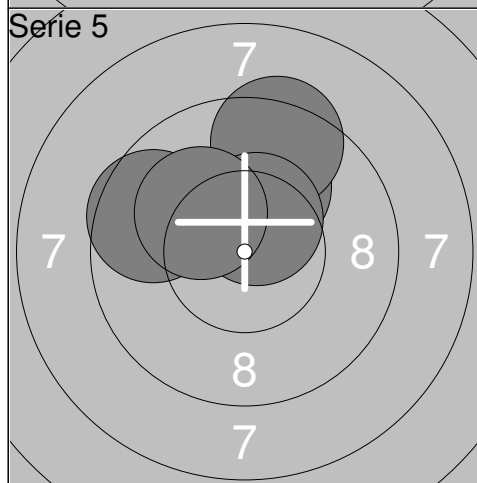
Serie	44
Total	91



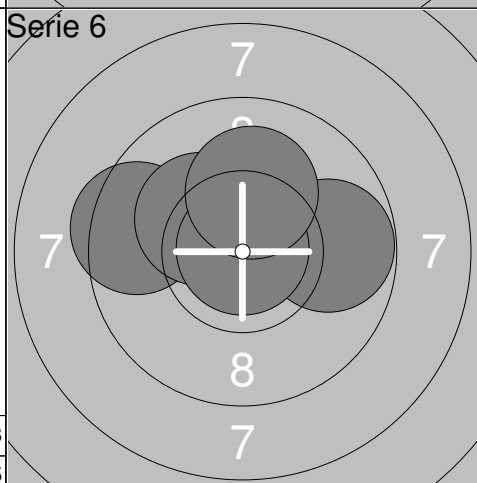
Serie	47
Total	138



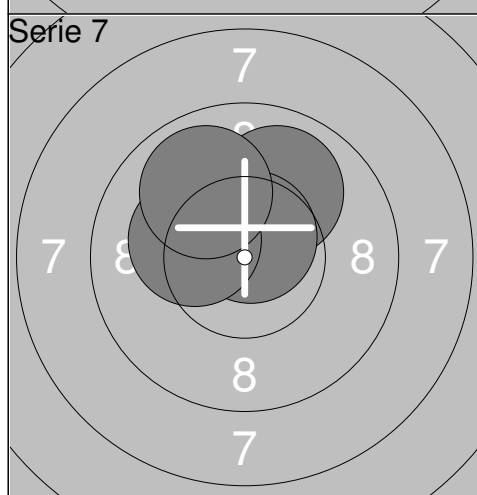
Serie	49
Total	187



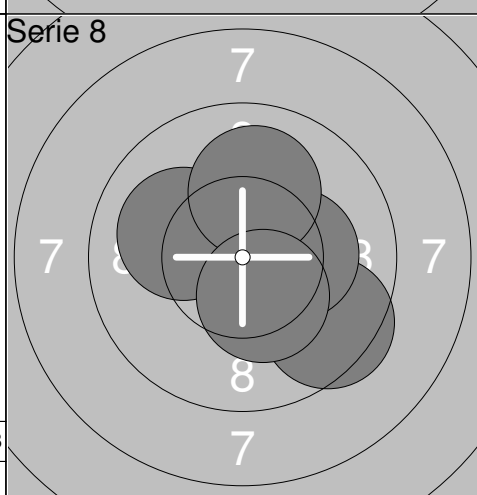
Serie	48
Total	235



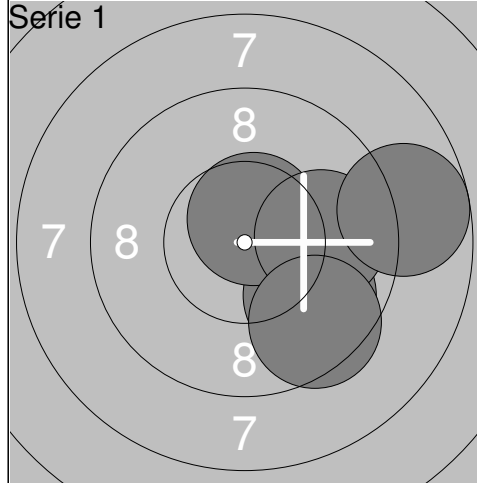
Serie	48
Total	283



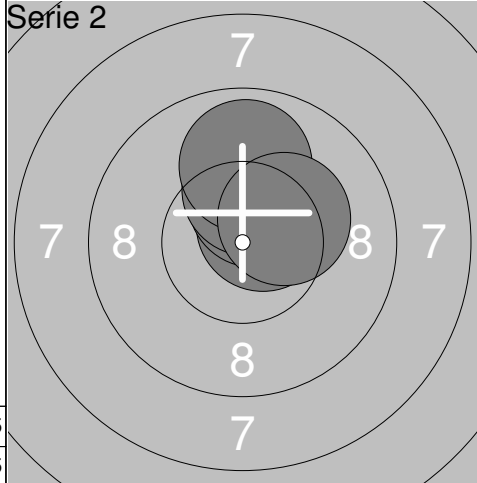
Serie	48
Total	331



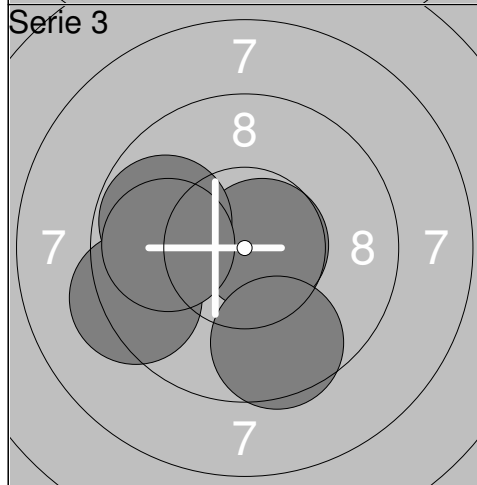
Serie	49
Total	380



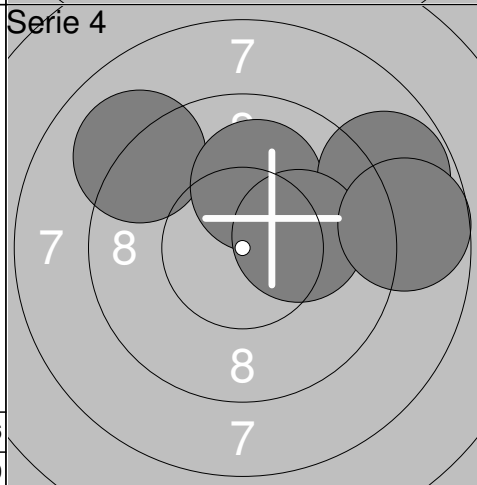
1:	9.8	↘
2:	10.6x	↑
3:	9.9	→
4:	9.5	↘
5:	8.7	→
Serie		45
Total		45



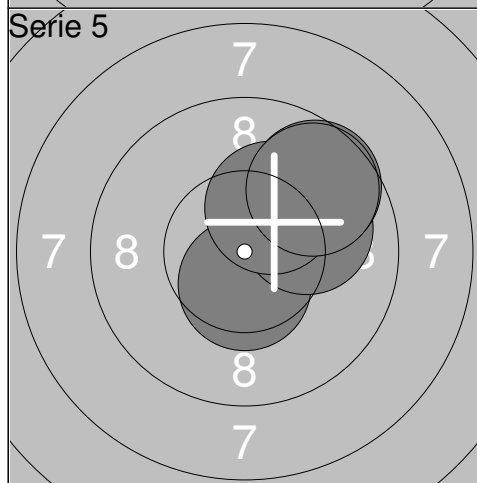
1:	10.5x	↗
2:	10.3x	↑
3:	10.2x	↑
4:	9.9	↑
5:	10.3x	↗
Serie		49
Total		94



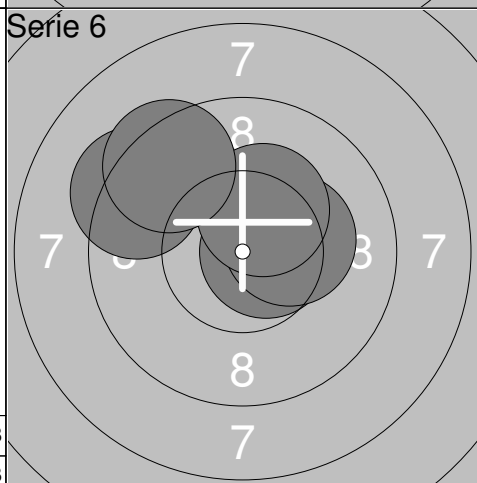
1:	10.7x	→
2:	9.8	↖
3:	9.3	↖
4:	9.6	↘
5:	9.9	↖
Serie		46
Total		140



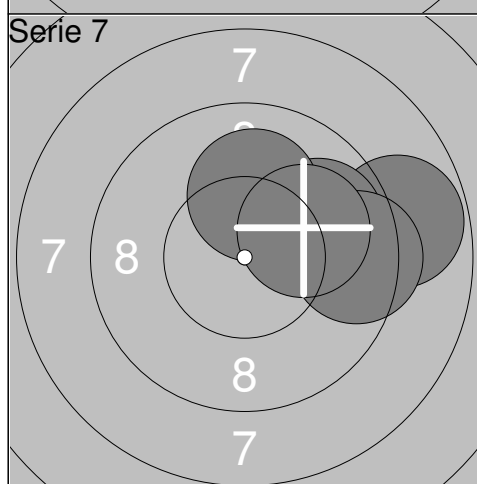
1:	9.1	↖
2:	10.0	↑
3:	8.8	↗
4:	10.1	→
5:	8.7	→
Serie		45
Total		185



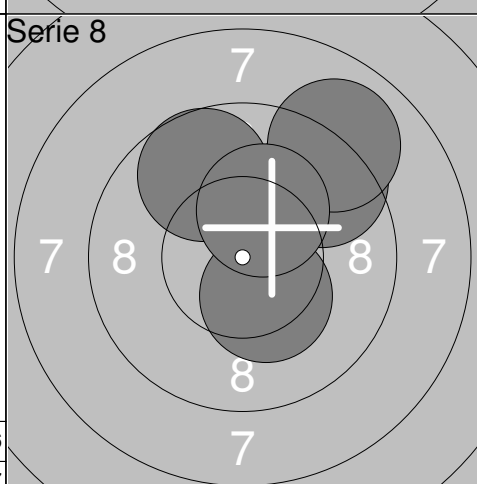
1:	10.5x	↓
2:	10.0	→
3:	9.6	↗
4:	10.2x	↑
5:	9.7	↗
Serie		48
Total		233



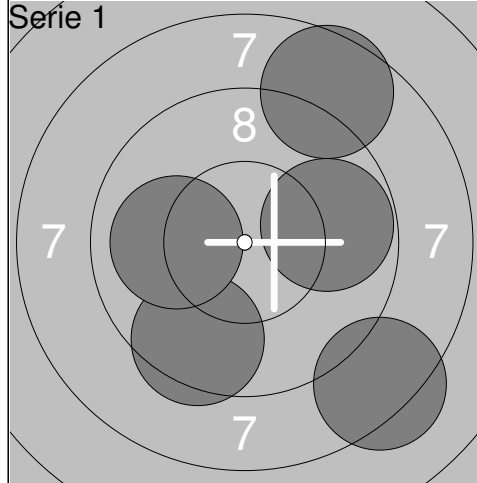
1:	10.6x	→
2:	9.3	↖
3:	10.3x	→
4:	10.3x	↑
5:	9.4	↖
Serie		48
Total		281



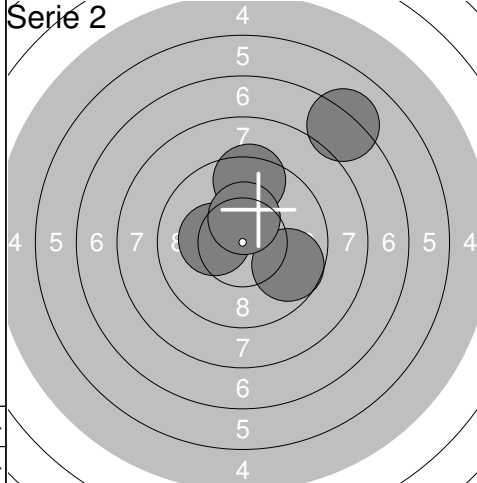
1:	8.8	→
2:	9.8	↗
3:	9.4	→
4:	10.1	↑
5:	10.0	↗
Serie		46
Total		327



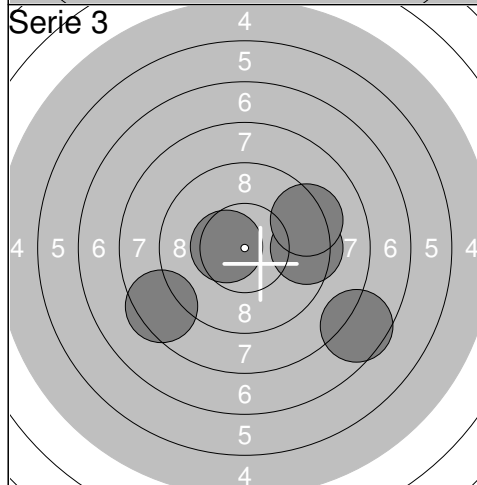
1:	9.7	↖
2:	9.4	↗
3:	10.3x	↘
4:	9.0	↗
5:	10.2x	↑
Serie		47
Total		374



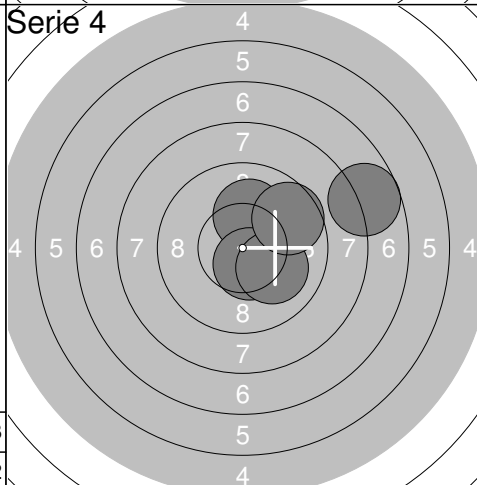
1:	9.5	↘
2:	9.8	→
3:	10.0	←
4:	8.6	↗
5:	8.3	↘
Serie		44
Total		44



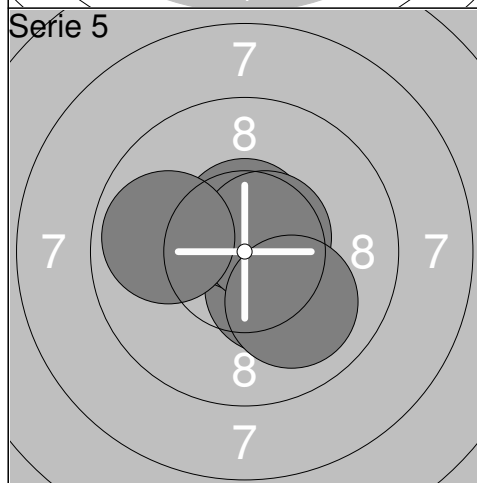
1:	9.7	→
2:	10.2x	←
3:	7.1	↗
4:	9.4	↑
5:	10.3x	↑
Serie		45
Total		89



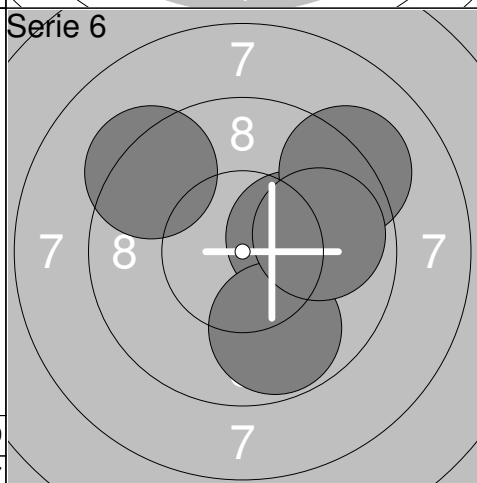
1:	10.5x	←
2:	9.4	→
3:	8.4	←
4:	7.6	↘
5:	9.2	→
Serie		43
Total		132



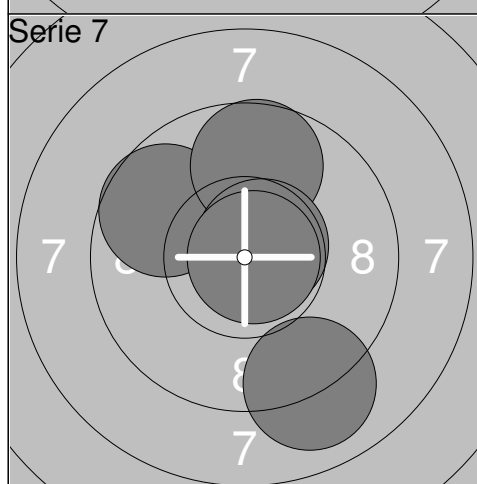
1:	10.1	↑
2:	10.5x	↘
3:	10.1	↘
4:	7.7	→
5:	9.6	↗
Serie		46
Total		178



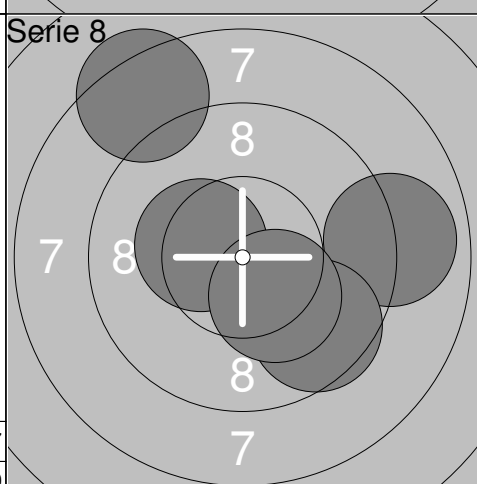
1:	10.3x	↘
2:	10.6x	↑
3:	10.6x	↗
4:	9.9	←
5:	10.0	↘
Serie		49
Total		227



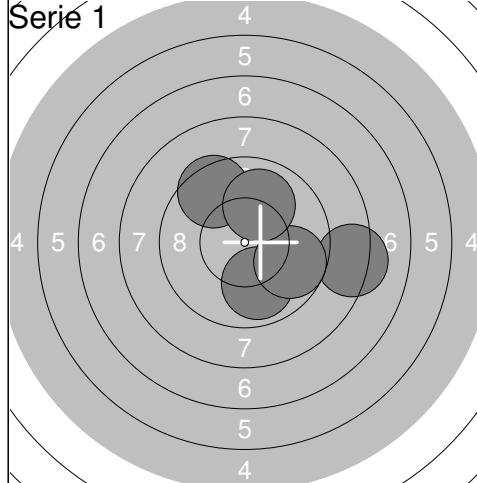
1:	10.2x	→
2:	9.2	↗
3:	9.8	↘
4:	9.9	→
5:	9.3	↗
Serie		46
Total		273



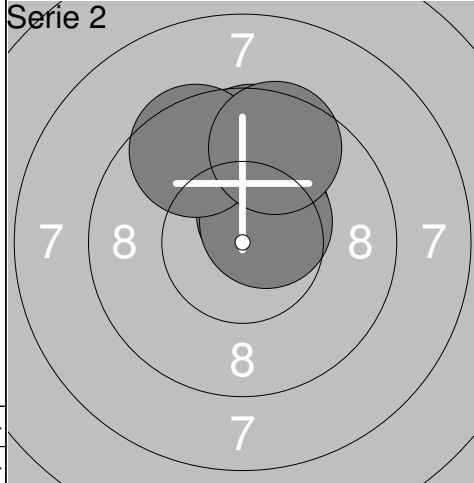
1:	9.0	↘
2:	9.7	↖
3:	9.7	↑
4:	10.6x	↗
5:	10.8x	→
Serie		47
Total		320



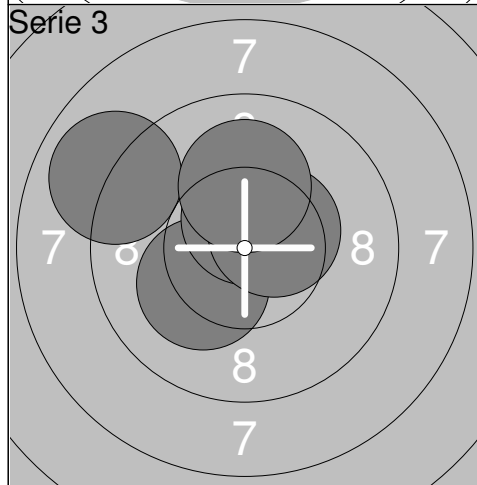
1:	8.3	↗
2:	8.9	→
3:	10.3x	←
4:	9.6	↘
5:	10.2x	↘
Serie		45
Total		365



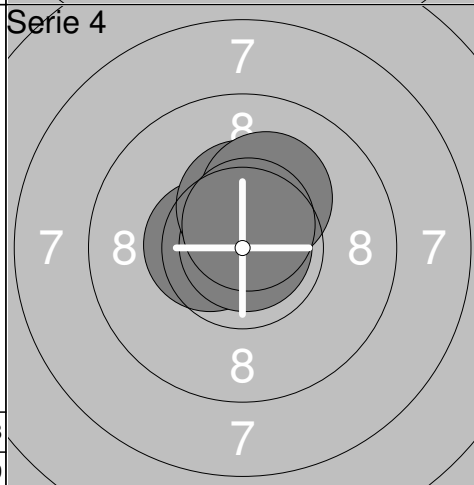
1:	9.9	↘
2:	9.5	↗
3:	8.2	→
4:	9.7	↘
5:	9.9	↗
Serie		44
Total		44



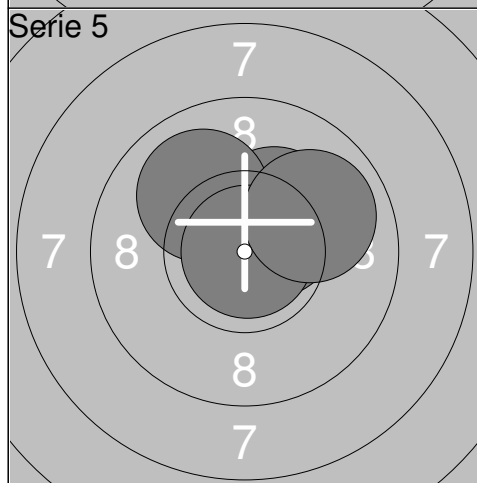
1:	9.7	↑
2:	10.5x	↗
3:	10.5x	↗
4:	9.5	↖
5:	9.6	↑
Serie		47
Total		91



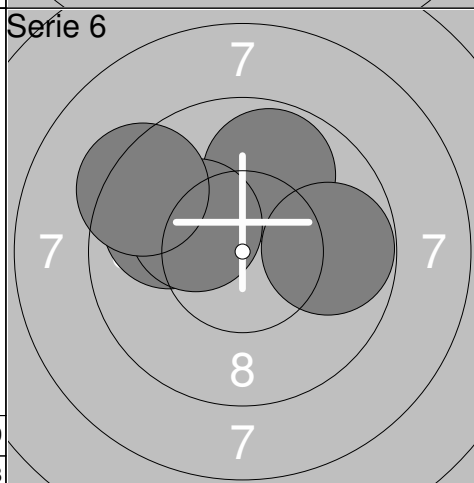
1:	8.9	↖
2:	10.2x	↙
3:	10.5x	↑
4:	10.5x	↗
5:	10.1	↑
Serie		48
Total		139



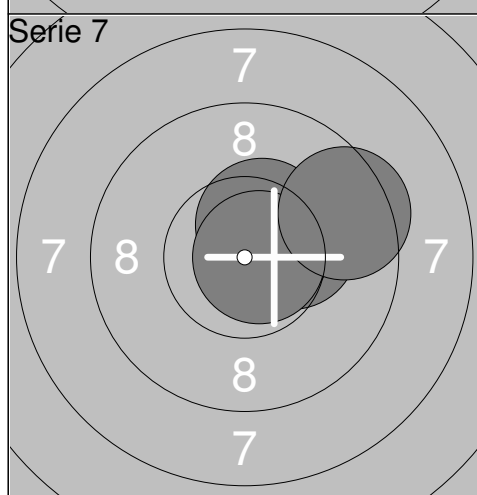
1:	10.5x	←
2:	10.9x	↗
3:	10.4x	↑
4:	10.2x	↗
5:	10.6x	↑
Serie		50
Total		189



1:	10.5x	↗
2:	10.3x	↗
3:	10.0	↖
4:	10.9x	→
5:	9.9	↗
Serie		49
Total		238



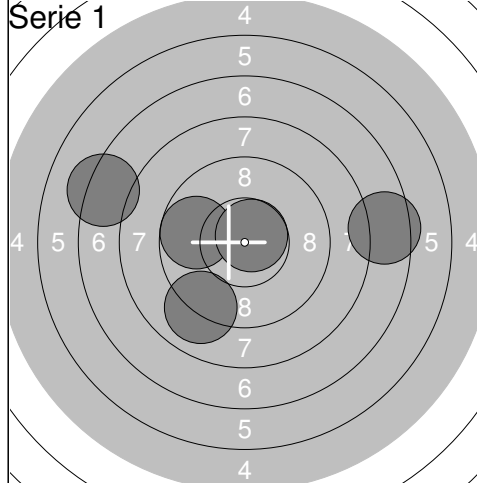
1:	9.8	↑
2:	9.9	↖
3:	10.2x	↖
4:	9.3	↖
5:	9.8	→
Serie		46
Total		284



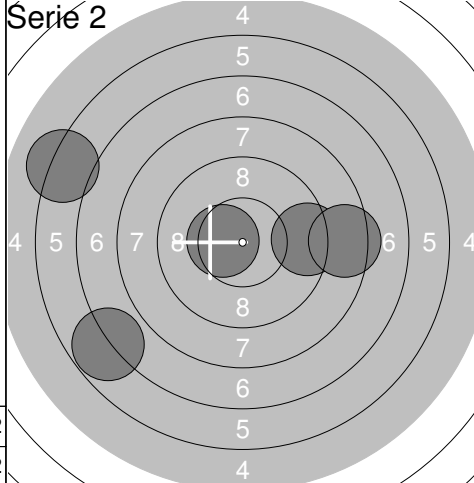
1:	10.3x	→
2:	10.6x	↗
3:	10.4x	↗
4:	10.7x	→
5:	9.4	↗
Serie		49
Total		333



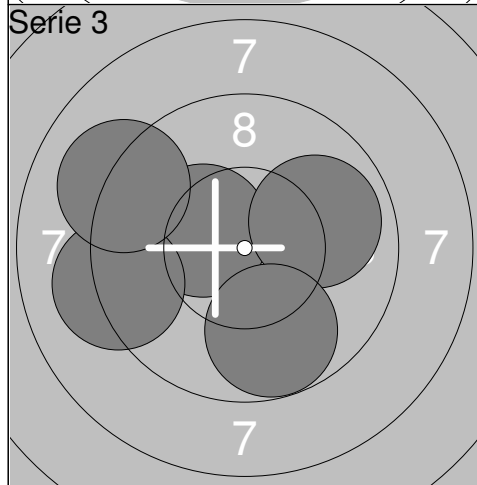
1:	10.3x	←
2:	9.7	↗
3:	10.6x	→
4:	10.5x	↖
5:	10.3x	↗
Serie		49
Total		382



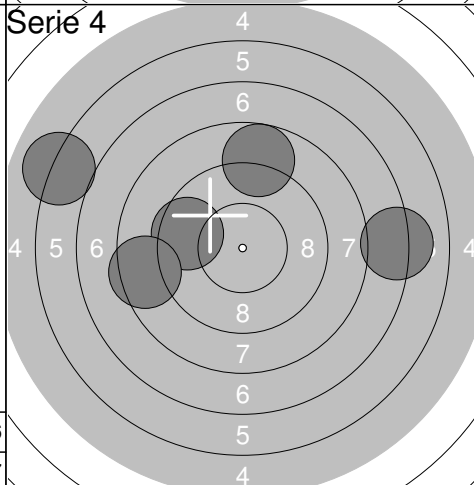
1:	7.5	→
2:	9.7	←
3:	10.7x	↗
4:	7.2	←
5:	9.0	↘
Serie		42
Total		42



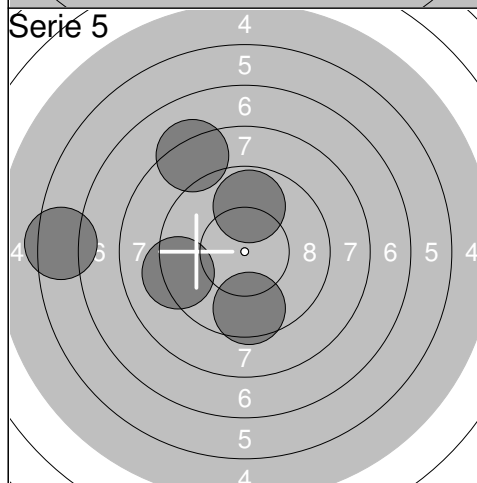
1:	6.8	↙
2:	9.3	→
3:	10.4x	←
4:	8.4	→
5:	6.1	↙
Serie		39
Total		81



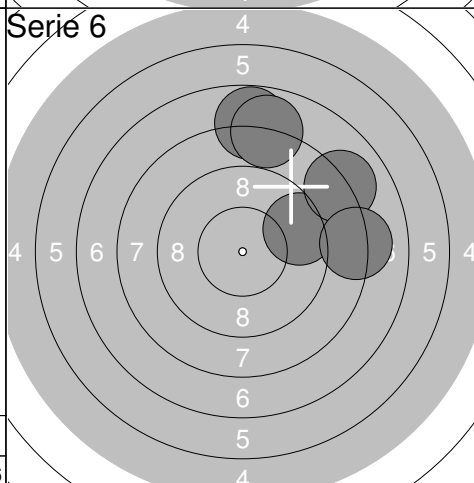
1:	10.3x	↙
2:	9.1	←
3:	9.9	→
4:	9.1	↗
5:	9.7	↘
Serie		46
Total		127



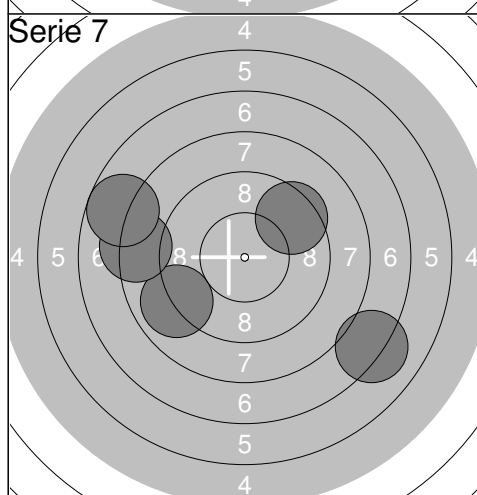
1:	9.5	←
2:	7.1	→
3:	8.4	←
4:	6.0	↙
5:	8.7	↑
Serie		38
Total		165



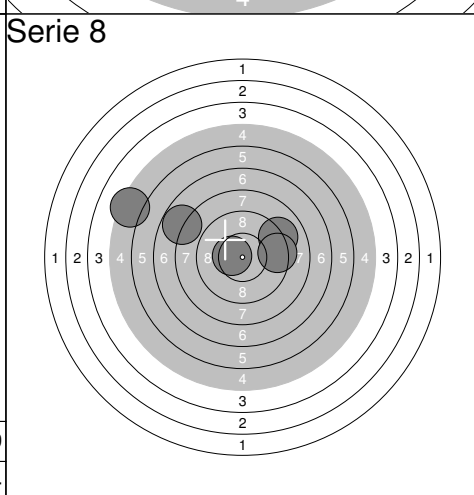
1:	6.4	←
2:	8.2	↗
3:	9.5	↘
4:	9.8	↑
5:	9.2	←
Serie		41
Total		206



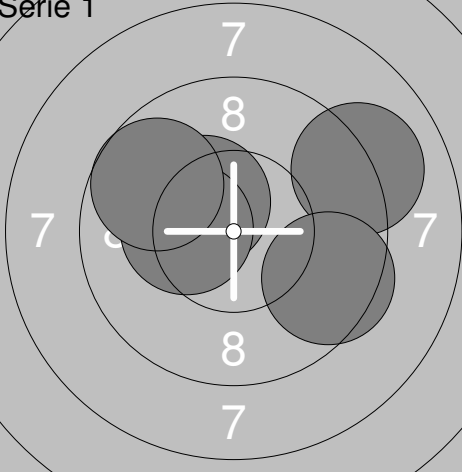
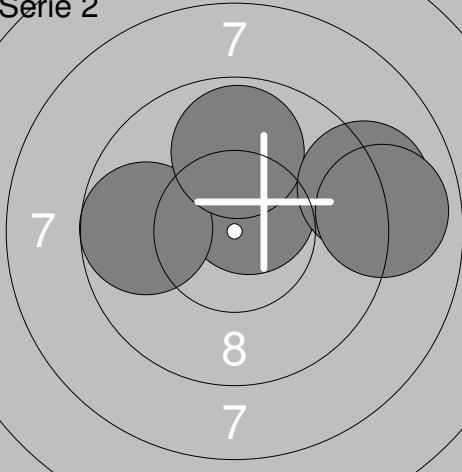
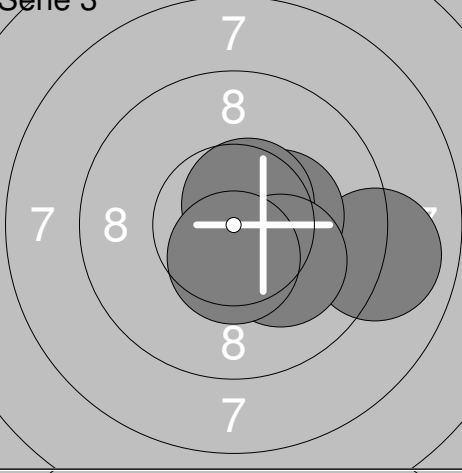
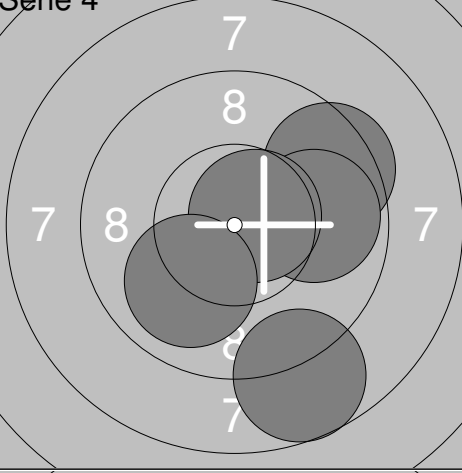
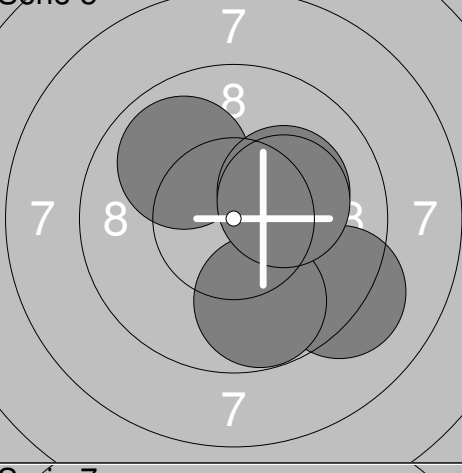
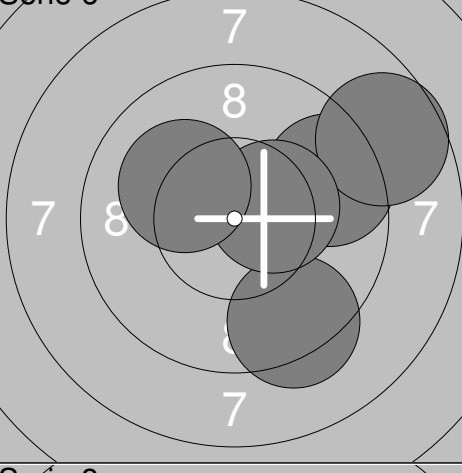
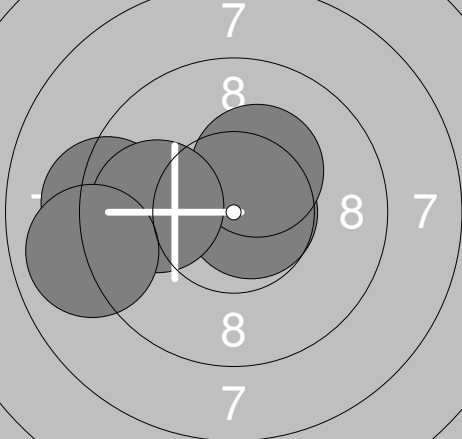

1:	7.7	↑
2:	9.4	↗
3:	8.0	↗
4:	7.9	↑
5:	8.1	→
Serie		39
Total		245

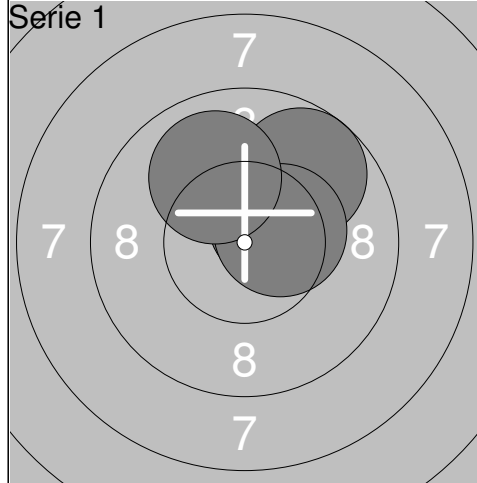


1:	8.9	↙
2:	9.4	↗
3:	8.2	←
4:	7.7	←
5:	7.1	↘
Serie		39
Total		284

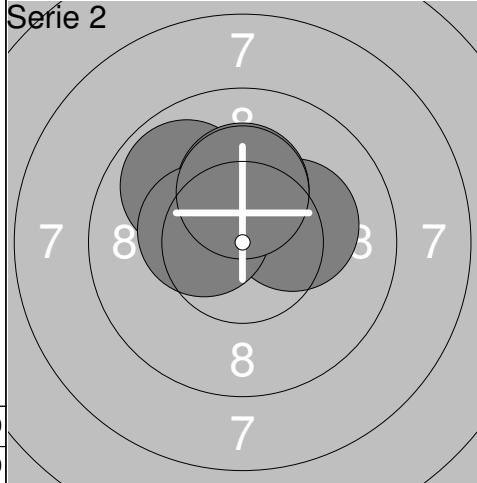


1:	10.4x	←
2:	7.8	↙
3:	9.0	↗
4:	5.3	↙
5:	9.3	→
Serie		40
Total		324

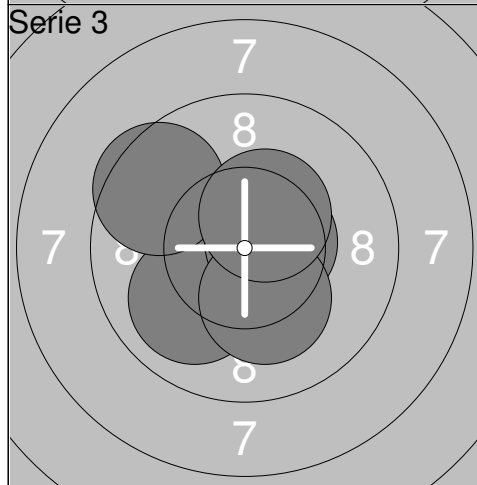
Serie 1 	<table style="width:100%; border-collapse: collapse;"> <tr><td>1:</td><td>9.1</td><td>↗</td></tr> <tr><td>2:</td><td>10.4x</td><td>↖</td></tr> <tr><td>3:</td><td>9.5</td><td>↘</td></tr> <tr><td>4:</td><td>10.3x</td><td>↙</td></tr> <tr><td>5:</td><td>9.7</td><td>↗</td></tr> </table>	1:	9.1	↗	2:	10.4x	↖	3:	9.5	↘	4:	10.3x	↙	5:	9.7	↗	Serie 2 	<table style="width:100%; border-collapse: collapse;"> <tr><td>1:</td><td>10.5x</td><td>↗</td></tr> <tr><td>2:</td><td>9.7</td><td>↙</td></tr> <tr><td>3:</td><td>9.8</td><td>↑</td></tr> <tr><td>4:</td><td>9.1</td><td>↗</td></tr> <tr><td>5:</td><td>8.9</td><td>→</td></tr> </table>	1:	10.5x	↗	2:	9.7	↙	3:	9.8	↑	4:	9.1	↗	5:	8.9	→
1:	9.1	↗																															
2:	10.4x	↖																															
3:	9.5	↘																															
4:	10.3x	↙																															
5:	9.7	↗																															
1:	10.5x	↗																															
2:	9.7	↙																															
3:	9.8	↑																															
4:	9.1	↗																															
5:	8.9	→																															
	<table style="width:100%; border-collapse: collapse;"> <tr><td>Serie</td><td style="text-align: right;">47</td></tr> <tr><td>Total</td><td style="text-align: right;">47</td></tr> </table>	Serie	47	Total	47		<table style="width:100%; border-collapse: collapse;"> <tr><td>Serie</td><td style="text-align: right;">45</td></tr> <tr><td>Total</td><td style="text-align: right;">92</td></tr> </table>	Serie	45	Total	92																						
Serie	47																																
Total	47																																
Serie	45																																
Total	92																																
Serie 3 	<table style="width:100%; border-collapse: collapse;"> <tr><td>1:</td><td>9.0</td><td>→</td></tr> <tr><td>2:</td><td>10.3x</td><td>→</td></tr> <tr><td>3:</td><td>10.6x</td><td>↗</td></tr> <tr><td>4:</td><td>10.1</td><td>↘</td></tr> <tr><td>5:</td><td>10.5x</td><td>↓</td></tr> </table>	1:	9.0	→	2:	10.3x	→	3:	10.6x	↗	4:	10.1	↘	5:	10.5x	↓	Serie 4 	<table style="width:100%; border-collapse: collapse;"> <tr><td>1:</td><td>9.4</td><td>↗</td></tr> <tr><td>2:</td><td>9.9</td><td>→</td></tr> <tr><td>3:</td><td>8.7</td><td>↘</td></tr> <tr><td>4:</td><td>10.6x</td><td>↗</td></tr> <tr><td>5:</td><td>10.0</td><td>↙</td></tr> </table>	1:	9.4	↗	2:	9.9	→	3:	8.7	↘	4:	10.6x	↗	5:	10.0	↙
1:	9.0	→																															
2:	10.3x	→																															
3:	10.6x	↗																															
4:	10.1	↘																															
5:	10.5x	↓																															
1:	9.4	↗																															
2:	9.9	→																															
3:	8.7	↘																															
4:	10.6x	↗																															
5:	10.0	↙																															
	<table style="width:100%; border-collapse: collapse;"> <tr><td>Serie</td><td style="text-align: right;">49</td></tr> <tr><td>Total</td><td style="text-align: right;">141</td></tr> </table>	Serie	49	Total	141		<table style="width:100%; border-collapse: collapse;"> <tr><td>Serie</td><td style="text-align: right;">46</td></tr> <tr><td>Total</td><td style="text-align: right;">187</td></tr> </table>	Serie	46	Total	187																						
Serie	49																																
Total	141																																
Serie	46																																
Total	187																																
Serie 5 	<table style="width:100%; border-collapse: collapse;"> <tr><td>1:</td><td>9.9</td><td>↖</td></tr> <tr><td>2:</td><td>9.2</td><td>↘</td></tr> <tr><td>3:</td><td>10.2x</td><td>↗</td></tr> <tr><td>4:</td><td>9.8</td><td>↓</td></tr> <tr><td>5:</td><td>10.2x</td><td>↗</td></tr> </table>	1:	9.9	↖	2:	9.2	↘	3:	10.2x	↗	4:	9.8	↓	5:	10.2x	↗	Serie 6 	<table style="width:100%; border-collapse: collapse;"> <tr><td>1:</td><td>9.3</td><td>↘</td></tr> <tr><td>2:</td><td>9.5</td><td>↗</td></tr> <tr><td>3:</td><td>8.6</td><td>↗</td></tr> <tr><td>4:</td><td>10.4x</td><td>↗</td></tr> <tr><td>5:</td><td>10.1</td><td>↖</td></tr> </table>	1:	9.3	↘	2:	9.5	↗	3:	8.6	↗	4:	10.4x	↗	5:	10.1	↖
1:	9.9	↖																															
2:	9.2	↘																															
3:	10.2x	↗																															
4:	9.8	↓																															
5:	10.2x	↗																															
1:	9.3	↘																															
2:	9.5	↗																															
3:	8.6	↗																															
4:	10.4x	↗																															
5:	10.1	↖																															
	<table style="width:100%; border-collapse: collapse;"> <tr><td>Serie</td><td style="text-align: right;">47</td></tr> <tr><td>Total</td><td style="text-align: right;">234</td></tr> </table>	Serie	47	Total	234		<table style="width:100%; border-collapse: collapse;"> <tr><td>Serie</td><td style="text-align: right;">46</td></tr> <tr><td>Total</td><td style="text-align: right;">280</td></tr> </table>	Serie	46	Total	280																						
Serie	47																																
Total	234																																
Serie	46																																
Total	280																																
Serie 7 	<table style="width:100%; border-collapse: collapse;"> <tr><td>1:</td><td>10.7x</td><td>→</td></tr> <tr><td>2:</td><td>9.2</td><td>↙</td></tr> <tr><td>3:</td><td>10.3x</td><td>↗</td></tr> <tr><td>4:</td><td>9.9</td><td>↙</td></tr> <tr><td>5:</td><td>9.0</td><td>↙</td></tr> </table>	1:	10.7x	→	2:	9.2	↙	3:	10.3x	↗	4:	9.9	↙	5:	9.0	↙	Serie 8 	<table style="width:100%; border-collapse: collapse;"> <tr><td>1:</td><td>10.3x</td><td>↑</td></tr> <tr><td>2:</td><td>10.4x</td><td>→</td></tr> <tr><td>3:</td><td>10.3x</td><td>↗</td></tr> <tr><td>4:</td><td>10.4x</td><td>↗</td></tr> <tr><td>5:</td><td>10.5x</td><td>↘</td></tr> </table>	1:	10.3x	↑	2:	10.4x	→	3:	10.3x	↗	4:	10.4x	↗	5:	10.5x	↘
1:	10.7x	→																															
2:	9.2	↙																															
3:	10.3x	↗																															
4:	9.9	↙																															
5:	9.0	↙																															
1:	10.3x	↑																															
2:	10.4x	→																															
3:	10.3x	↗																															
4:	10.4x	↗																															
5:	10.5x	↘																															
	<table style="width:100%; border-collapse: collapse;"> <tr><td>Serie</td><td style="text-align: right;">47</td></tr> <tr><td>Total</td><td style="text-align: right;">327</td></tr> </table>	Serie	47	Total	327		<table style="width:100%; border-collapse: collapse;"> <tr><td>Serie</td><td style="text-align: right;">50</td></tr> <tr><td>Total</td><td style="text-align: right;">377</td></tr> </table>	Serie	50	Total	377																						
Serie	47																																
Total	327																																
Serie	50																																
Total	377																																



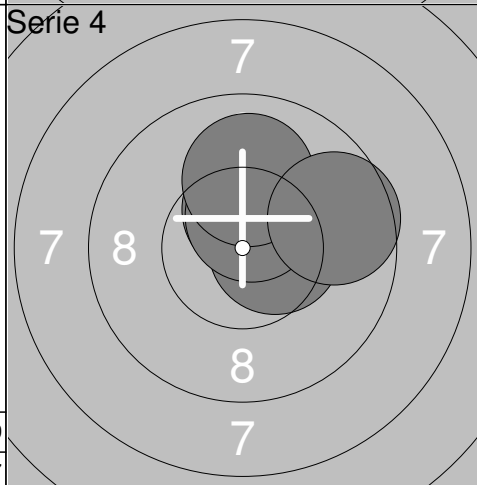
1:	10.4x	↗
2:	10.3x	↗
3:	9.7	↗
4:	10.4x	→
5:	10.0	↖
Serie		49
Total		49



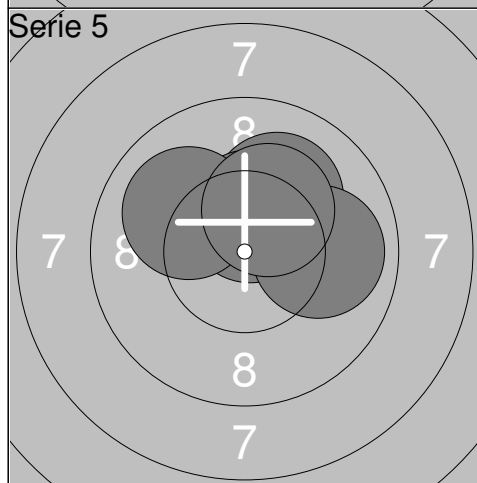
1:	10.2x	→
2:	9.9	↖
3:	10.2x	↑
4:	10.4x	←
5:	10.3x	↑
Serie		49
Total		98



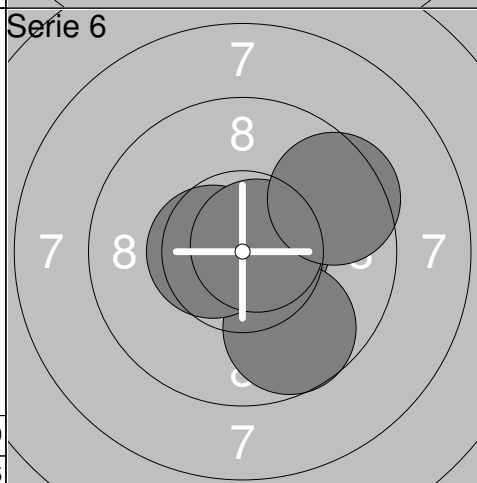
1:	10.0	↖
2:	10.6x	→
3:	9.5	↖
4:	10.2x	↘
5:	10.4x	↗
Serie		49
Total		147



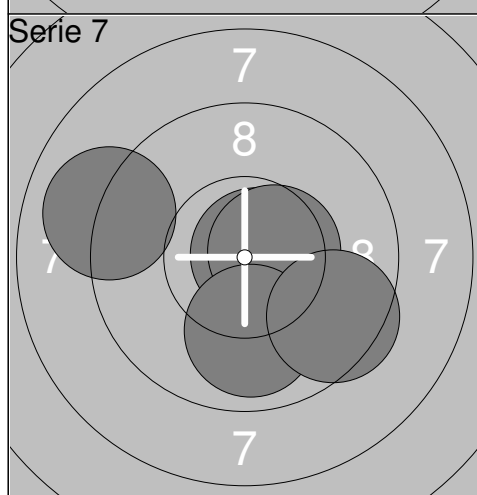
1:	10.4x	↑
2:	10.5x	→
3:	10.5x	↑
4:	10.0	↑
5:	9.6	→
Serie		49
Total		196



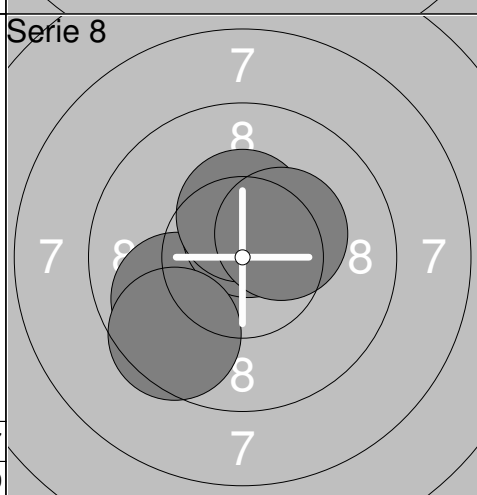
1:	10.1	↗
2:	10.4x	↑
3:	9.9	→
4:	10.0	↖
5:	10.3x	↗
Serie		49
Total		245



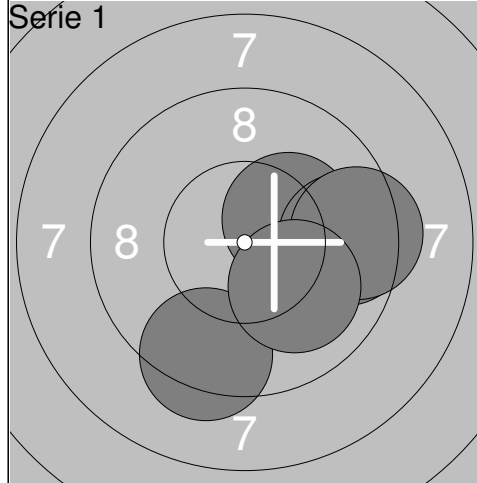
1:	10.7x	→
2:	9.7	↘
3:	10.5x	←
4:	10.7x	→
5:	9.5	↗
Serie		48
Total		293



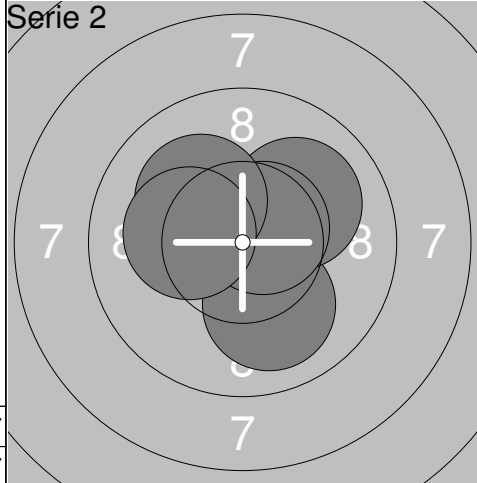
1:	10.8x	→
2:	10.5x	→
3:	9.0	←
4:	9.9	↘
5:	9.5	↘
Serie		47
Total		340



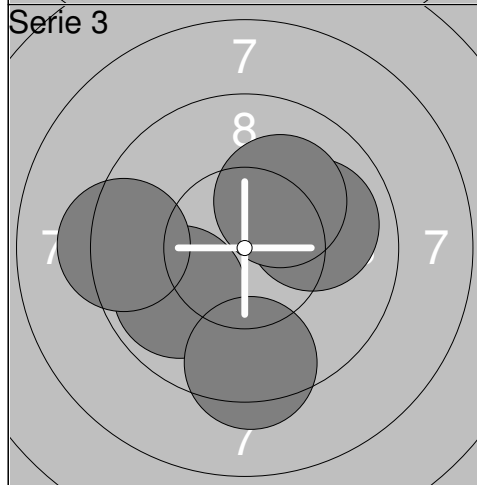
1:	9.9	↖
2:	10.6x	↑
3:	9.5	↖
4:	10.4x	↑
5:	10.3x	↗
Serie		48
Total		388



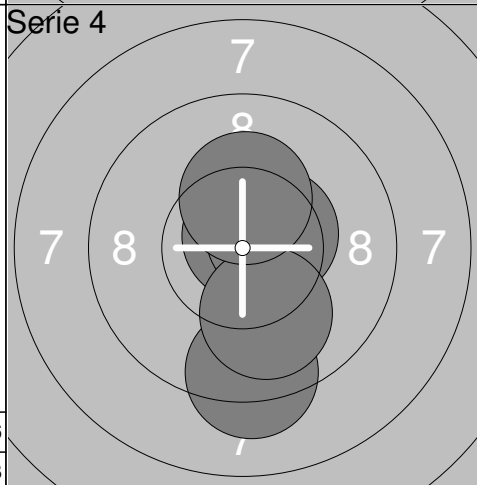
1:	9.3	↓
2:	10.2x	→
3:	9.6	→
4:	9.4	→
5:	10.0	↓
Serie		47
Total		47



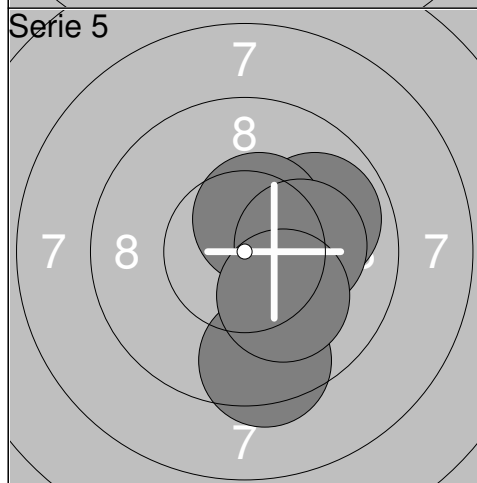
1:	10.0	↓
2:	10.0	→
3:	10.6x	→
4:	10.1	↖
5:	10.2x	←
Serie		50
Total		97



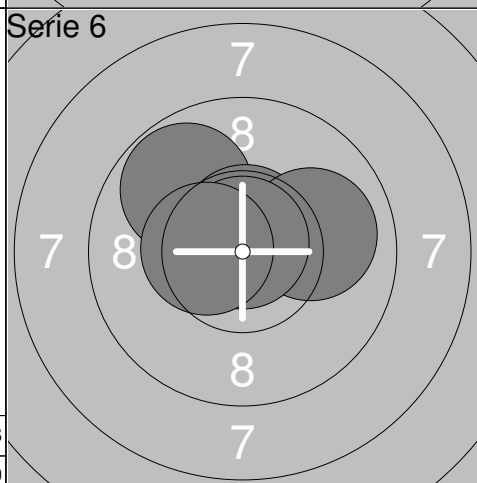
1:	9.9	↖
2:	9.9	→
3:	10.1	↗
4:	9.4	↓
5:	9.3	←
Serie		46
Total		143



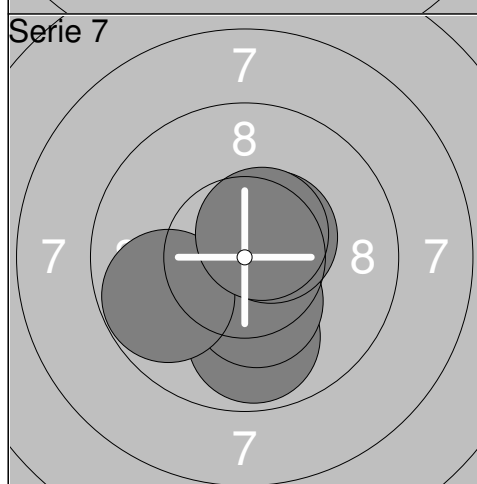
1:	10.8x	↗
2:	10.5x	→
3:	9.3	↓
4:	10.0	↓
5:	10.3x	↑
Serie		49
Total		192



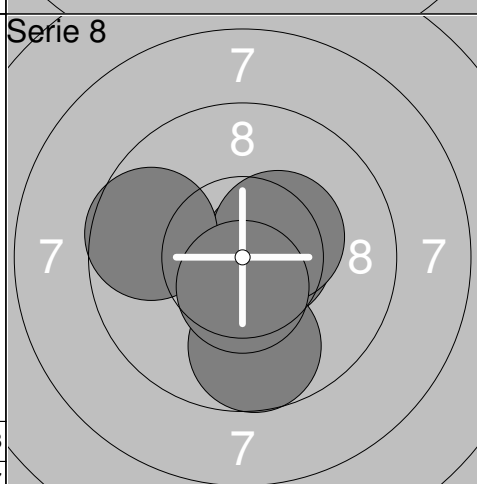
1:	9.4	↓
2:	9.9	→
3:	10.5x	↗
4:	10.2x	→
5:	10.1	↓
Serie		48
Total		240



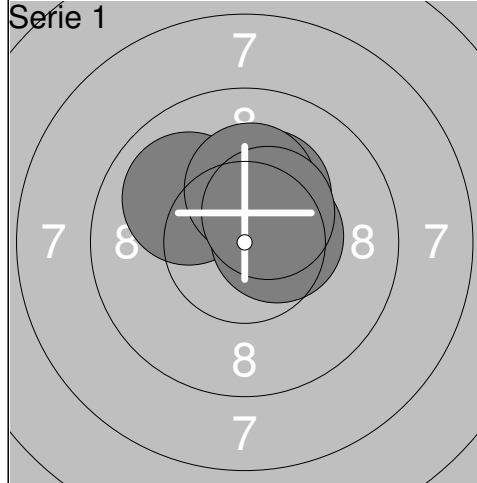
1:	9.8	↖
2:	10.6x	↑
3:	10.0	→
4:	10.8x	↑
5:	10.5x	←
Serie		49
Total		289



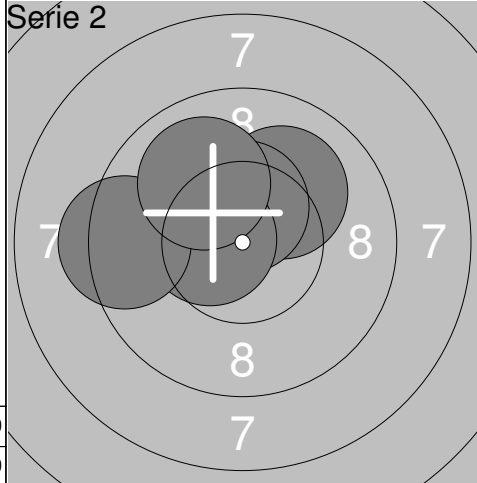
1:	9.9	↓
2:	10.3x	↓
3:	9.7	↖
4:	10.5x	↗
5:	10.5x	↗
Serie		48
Total		337



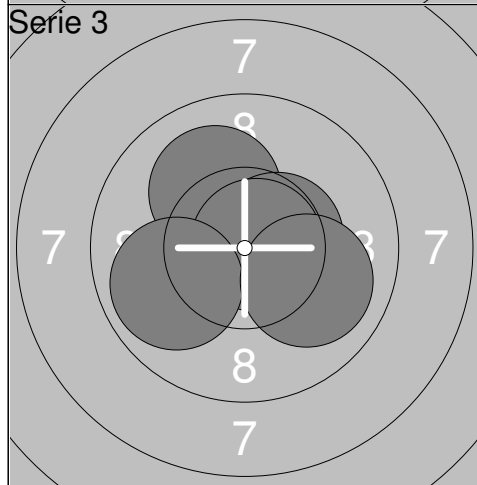
1:	10.6x	→
2:	10.4x	↗
3:	9.7	↓
4:	9.6	↖
5:	10.5x	↓
Serie		48
Total		385



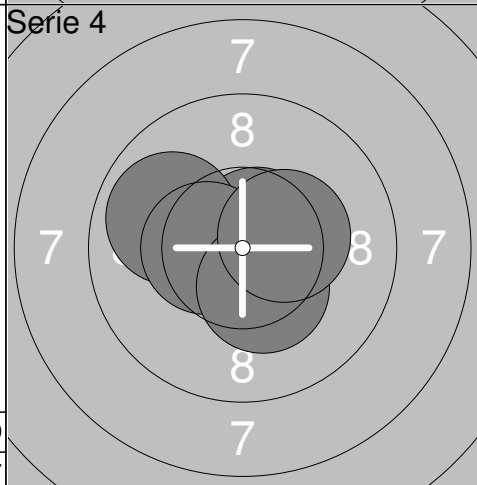
Serie	49
Total	49



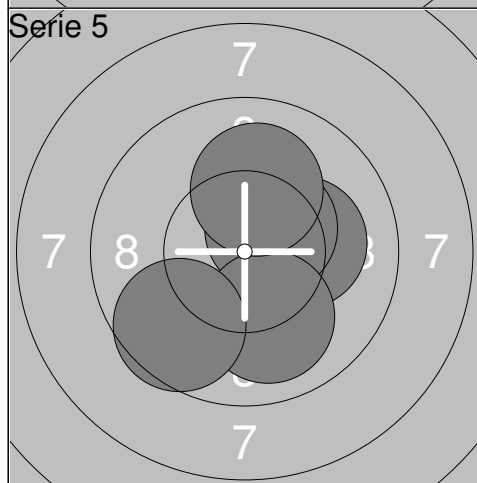
Serie	49
Total	98



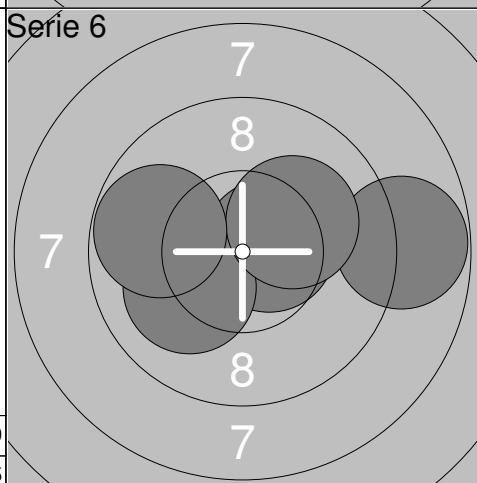
Serie	49
Total	147



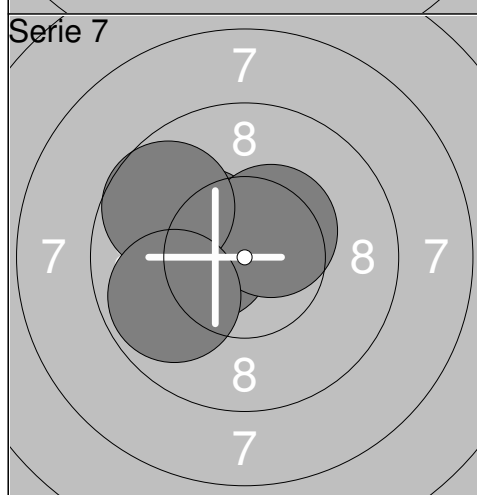
Serie	49
Total	196



Serie	49
Total	245



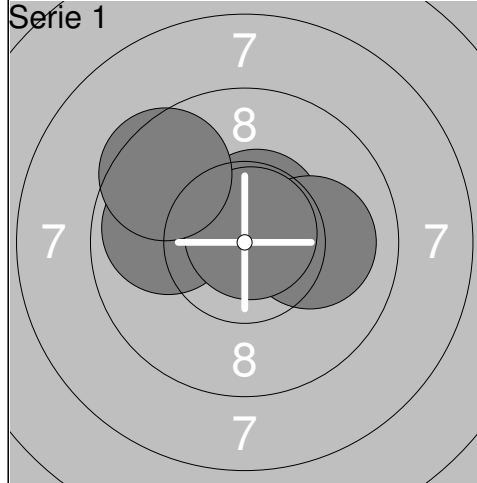
Serie	47
Total	292



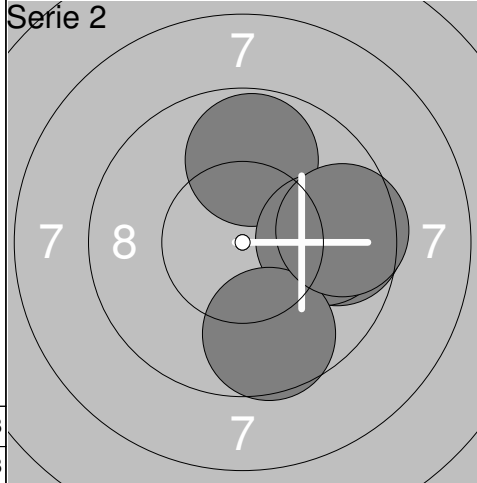
Serie	48
Total	340



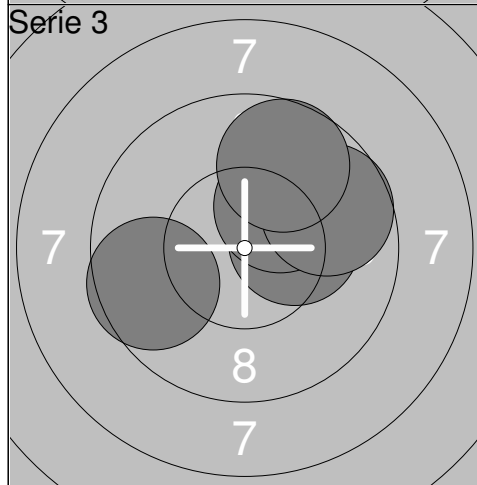
Serie	48
Total	388



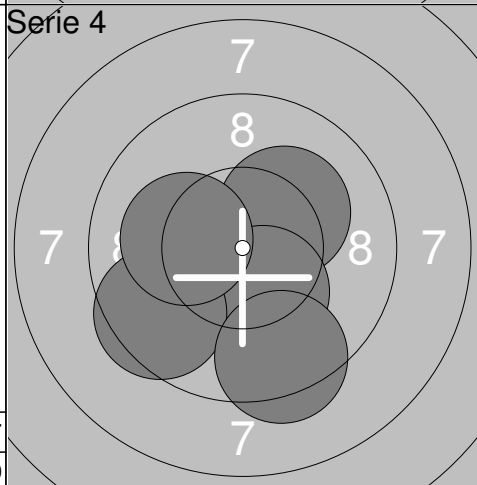
1:	10.5x	↗
2:	10.0	→
3:	9.9	←
4:	10.8x	↗
5:	9.5	↖
Serie		48
Total		48



1:	9.6	→
2:	9.8	↑
3:	9.8	→
4:	9.7	↓
5:	9.6	→
Serie		45
Total		93



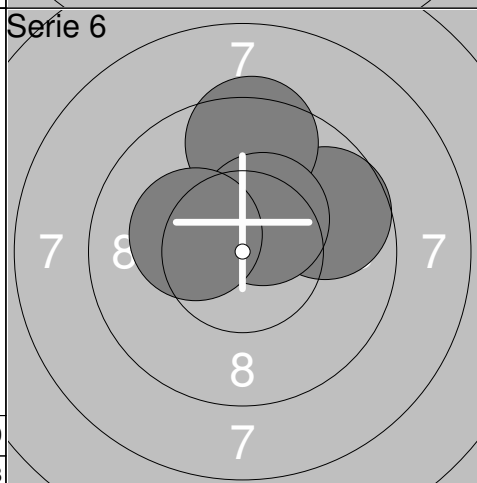
1:	10.2x	→
2:	10.2x	↗
3:	9.6	←
4:	9.7	→
5:	9.7	↑
Serie		47
Total		140



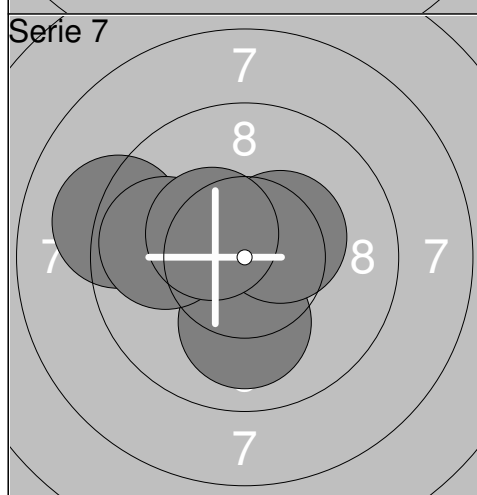
1:	10.2x	↗
2:	10.3x	↓
3:	9.5	↖
4:	9.4	↓
5:	10.1	←
Serie		48
Total		188



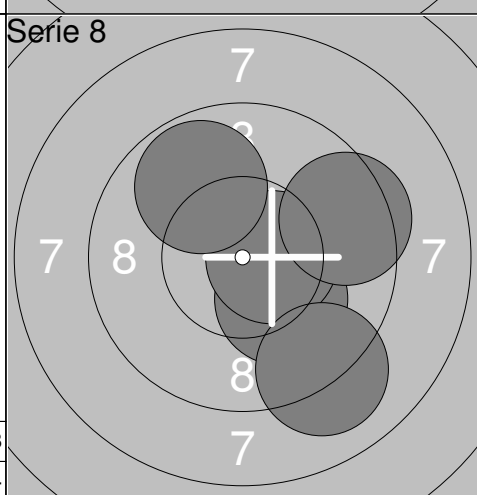
1:	10.5x	↑
2:	10.2x	←
3:	10.3x	↗
4:	10.6x	↑
5:	10.9x	↑
Serie		50
Total		238



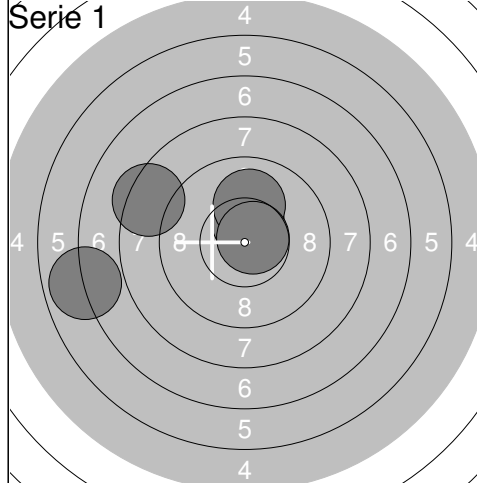
1:	9.7	↗
2:	10.3x	↑
3:	9.5	↑
4:	10.4x	↗
5:	10.2x	←
Serie		48
Total		286



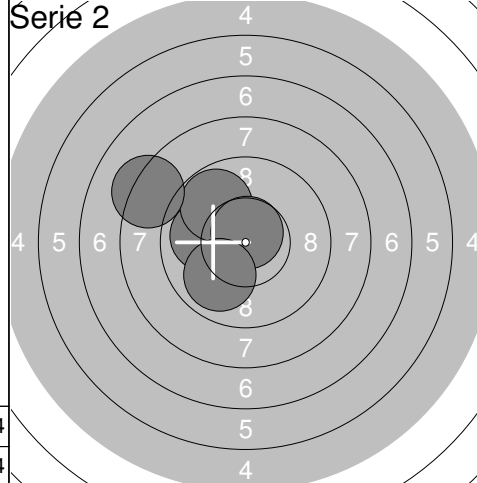
1:	9.1	←
2:	10.0	↓
3:	10.4x	↗
4:	9.8	←
5:	10.4x	↗
Serie		48
Total		334



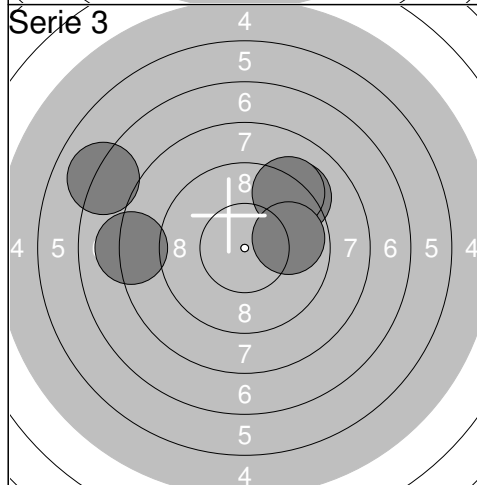
1:	10.2x	↓
2:	10.6x	→
3:	9.8	↗
4:	9.4	→
5:	9.1	↓
Serie		47
Total		381



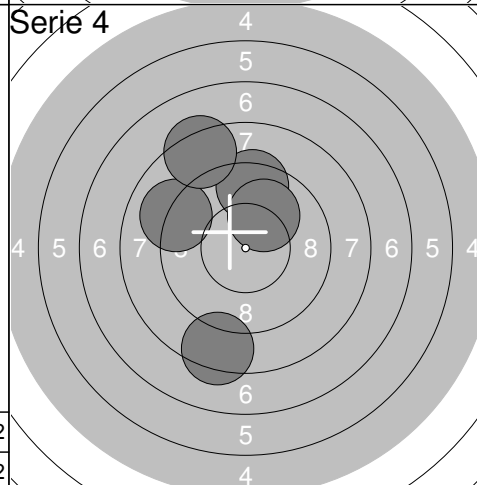
1:	8.4	↖
2:	10.4x	↑
3:	10.0	↑
4:	10.7x	↗
5:	6.9	↖
Serie		44
Total		44



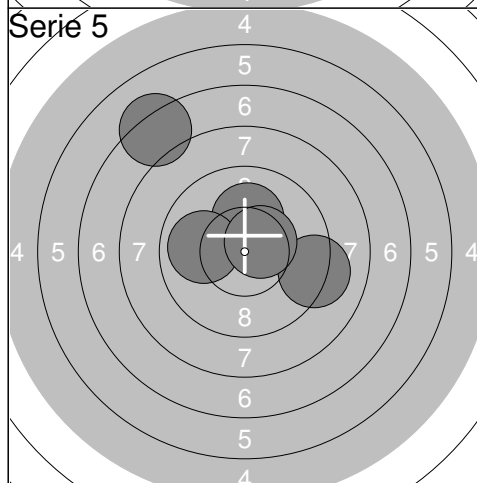
1:	10.0	↖
2:	9.8	↗
3:	10.7x	↑
4:	9.9	↘
5:	8.2	↖
Serie		46
Total		90



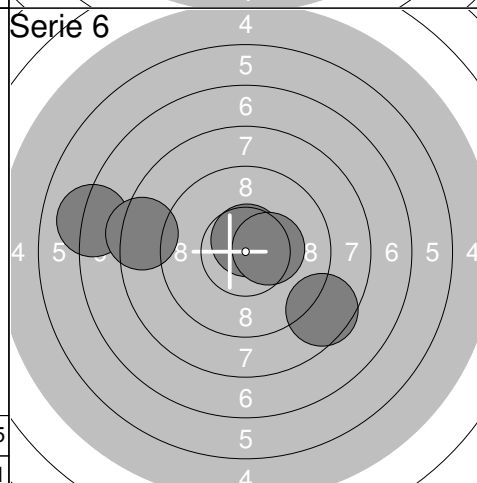
1:	9.2	↗
2:	8.1	↖
3:	7.0	↖
4:	9.2	↗
5:	9.8	↗
Serie		42
Total		132



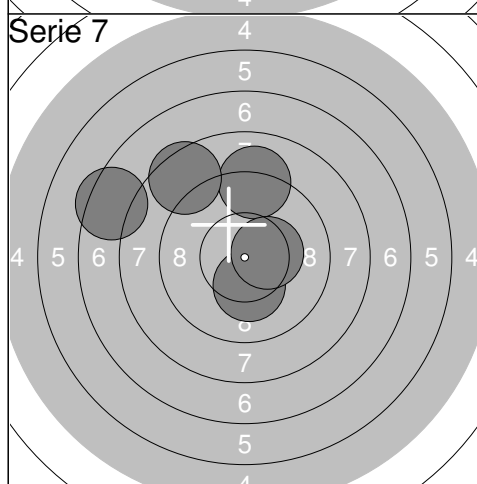
1:	9.0	↖
2:	9.4	↑
3:	10.0	↗
4:	8.3	↗
5:	8.4	↓
Serie		44
Total		176



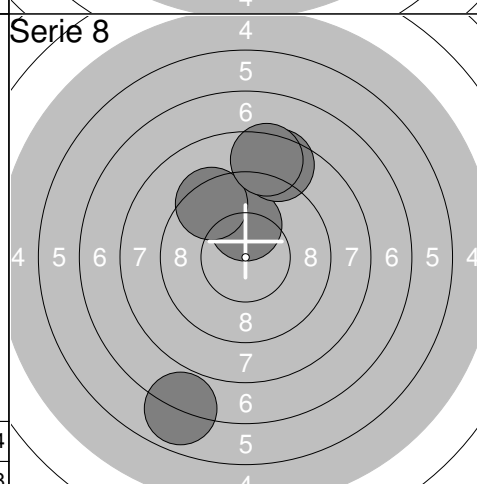
1:	7.2	↖
2:	10.1	↑
3:	9.2	↗
4:	9.9	↖
5:	10.5x	↗
Serie		45
Total		221



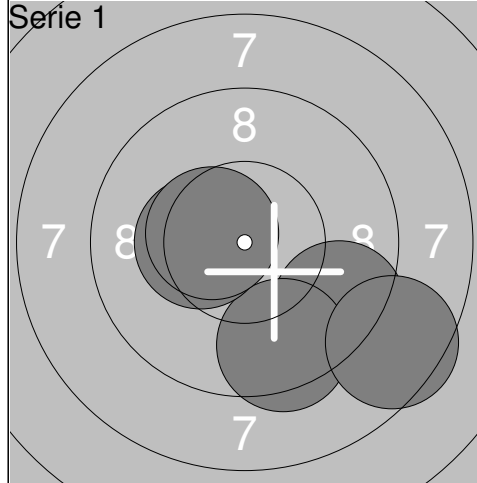
1:	10.6x	↑
2:	7.1	↖
3:	10.4x	↗
4:	8.6	↘
5:	8.3	↖
Serie		43
Total		264



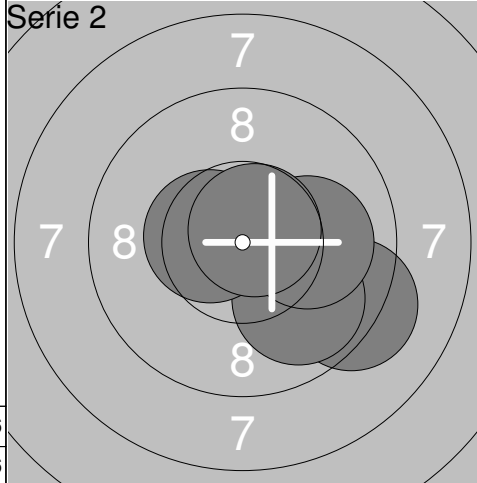
1:	7.4	↖
2:	9.1	↑
3:	10.2x	↓
4:	10.4x	↗
5:	8.5	↗
Serie		44
Total		308



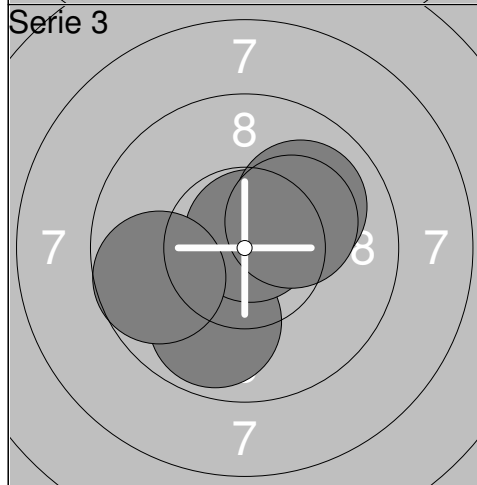
1:	6.9	↘
2:	10.1	↑
3:	9.4	↖
4:	8.5	↑
5:	8.5	↑
Serie		41
Total		349



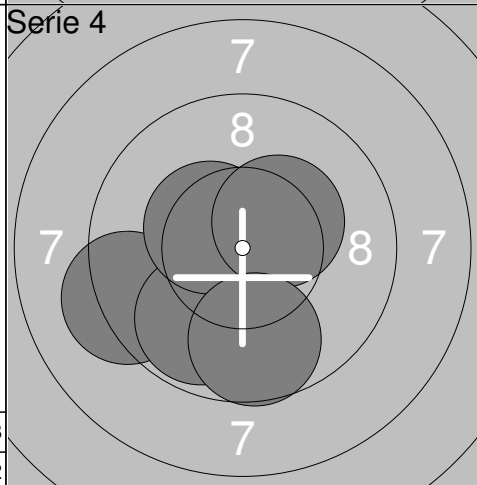
1:	9.4	↘
2:	9.5	↘
3:	8.5	↘
4:	10.3x	←
5:	10.5x	←
Serie		46
Total		46



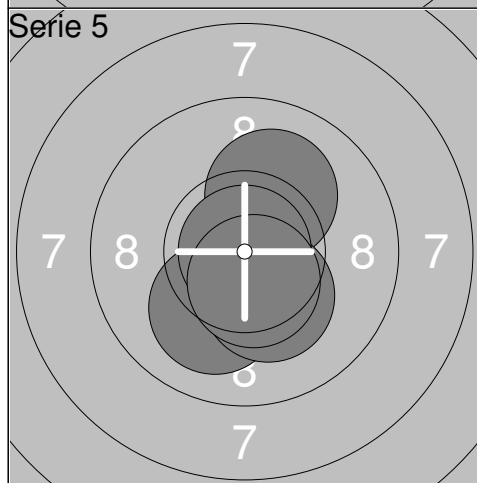
1:	9.2	↘
2:	9.8	↘
3:	10.0	→
4:	10.5x	←
5:	10.7x	↗
Serie		48
Total		94



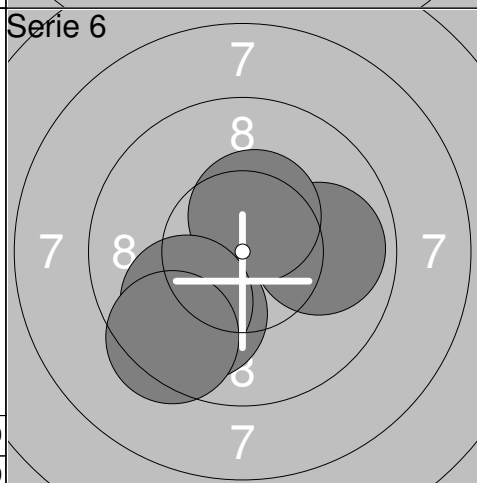
1:	9.8	↓
2:	10.8x	↗
3:	10.0	↗
4:	9.7	←
5:	10.2x	↗
Serie		48
Total		142



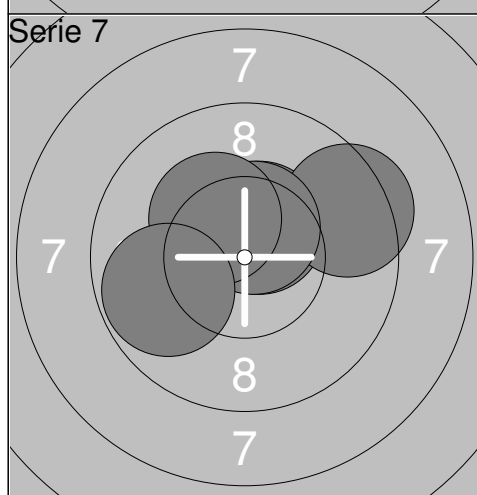
1:	9.2	←
2:	9.8	↓
3:	10.4x	↖
4:	10.3x	↗
5:	9.7	↓
Serie		47
Total		189



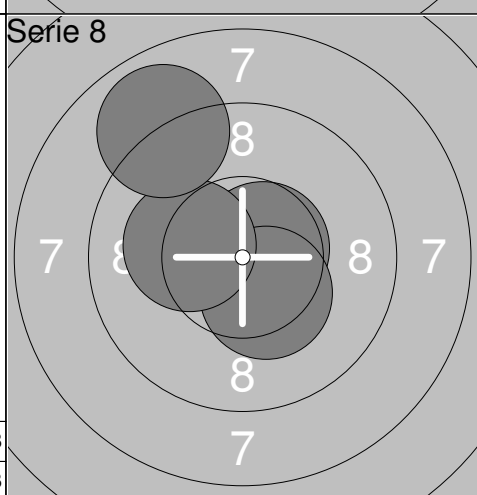
1:	10.1	↓
2:	10.1	↗
3:	10.2x	↓
4:	10.9x	
5:	10.5x	↓
Serie		50
Total		239



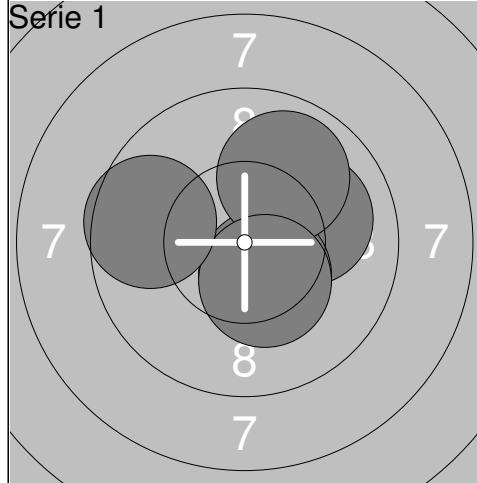
1:	9.9	↓
2:	9.9	→
3:	10.4x	↗
4:	9.9	↖
5:	9.4	↖
Serie		46
Total		285



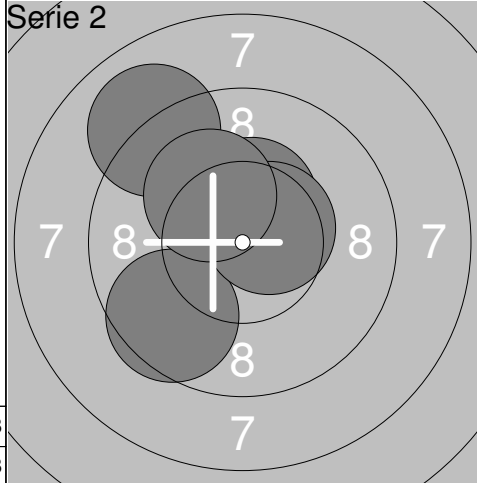
1:	10.5x	↗
2:	9.4	↗
3:	10.5x	↗
4:	10.3x	↖
5:	9.8	←
Serie		48
Total		333



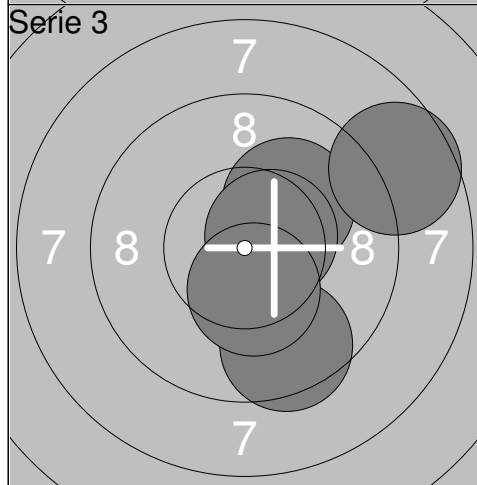
1:	10.7x	↗
2:	10.6x	↗
3:	10.3x	↓
4:	10.2x	←
5:	8.9	↗
Serie		48
Total		381



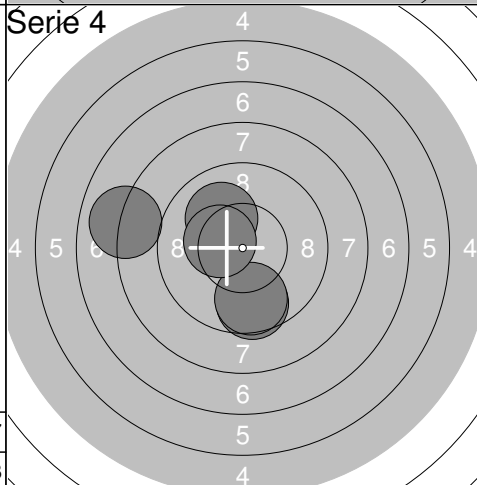
1:	10.0	→
2:	10.4x	↘
3:	9.9	↗
4:	10.3x	↘
5:	9.6	←
Serie		48
Total		48



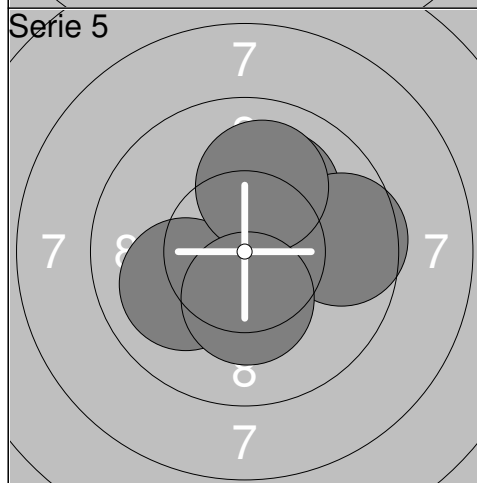
1:	9.6	↙
2:	9.0	↖
3:	10.4x	↗
4:	10.5x	↗
5:	10.2x	↖
Serie		48
Total		96



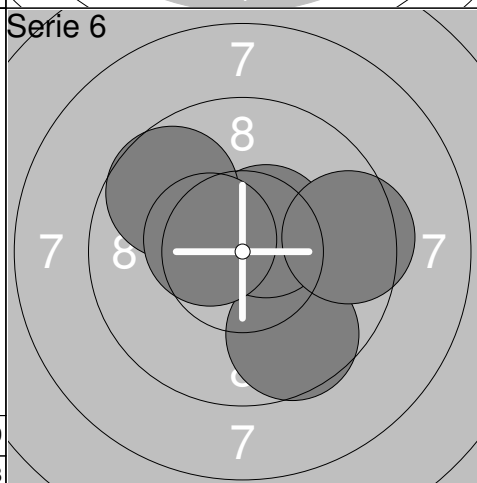
1:	9.5	↘
2:	10.1	↗
3:	10.5x	→
4:	8.6	→
5:	10.3x	↘
Serie		47
Total		143



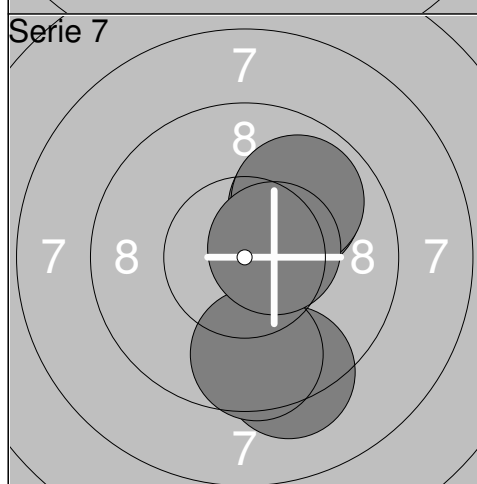
1:	9.6	↘
2:	10.0	↗
3:	8.0	←
4:	9.7	↘
5:	10.3x	←
Serie		46
Total		189



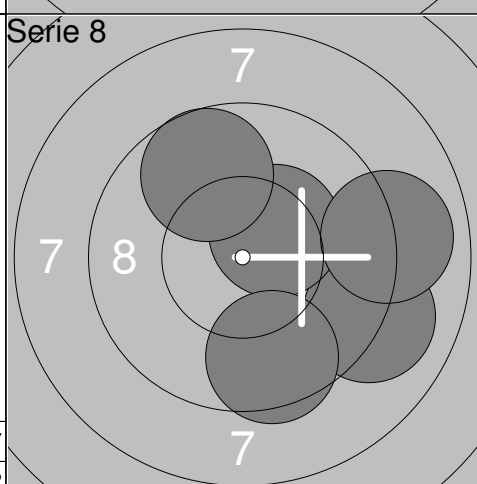
1:	10.1	↗
2:	10.0	↙
3:	9.6	→
4:	10.0	↗
5:	10.3x	↘
Serie		49
Total		238



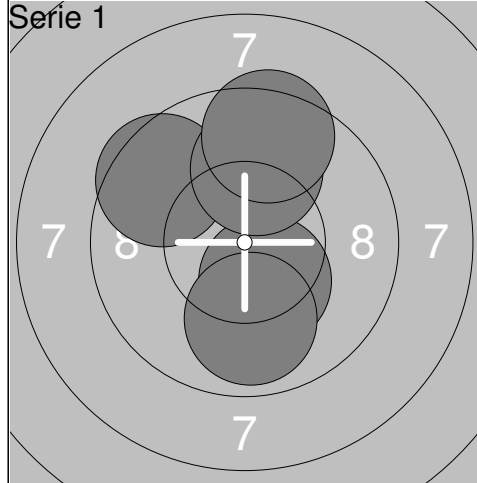
1:	9.6	↘
2:	10.5x	↗
3:	9.7	↗
4:	9.5	→
5:	10.5x	↖
Serie		47
Total		285



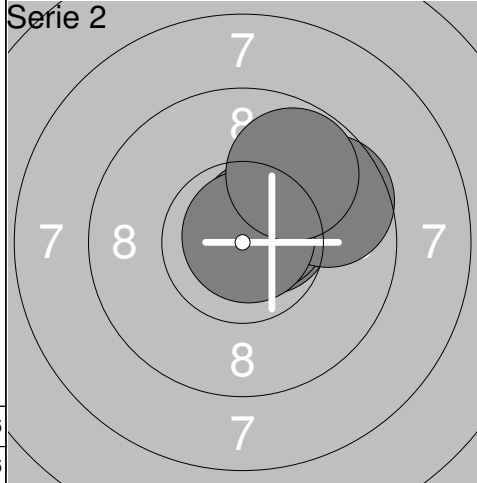
1:	10.0	↗
2:	9.3	↘
3:	9.9	↗
4:	9.6	↘
5:	10.5x	→
Serie		47
Total		332



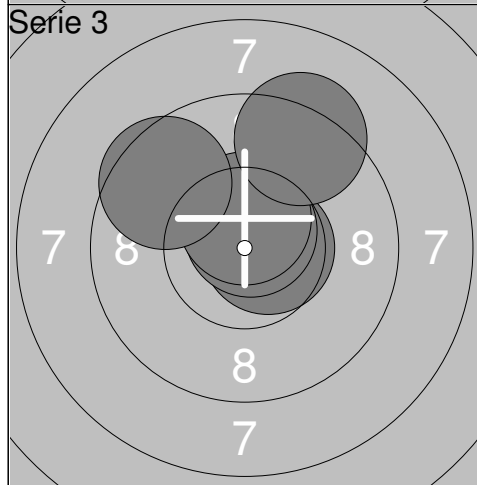
1:	9.0	→
2:	10.3x	↗
3:	9.0	→
4:	9.7	↗
5:	9.5	↘
Serie		46
Total		378



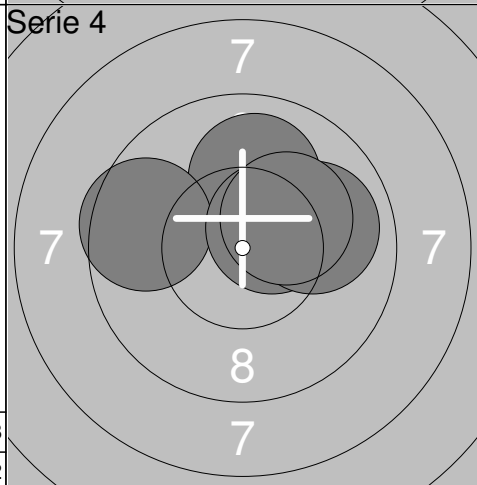
1:	10.3x	↘
2:	9.5	↖
3:	9.9	↑
4:	9.4	↑
5:	9.9	↓
Serie		46
Total		46



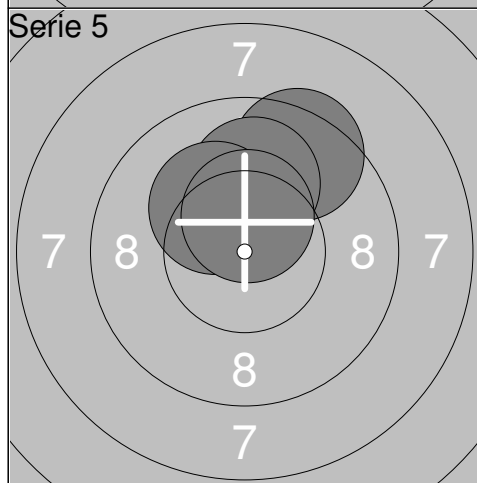
1:	10.5x	↗
2:	10.6x	↗
3:	9.6	↗
4:	10.8x	↗
5:	9.8	↗
Serie		48
Total		94



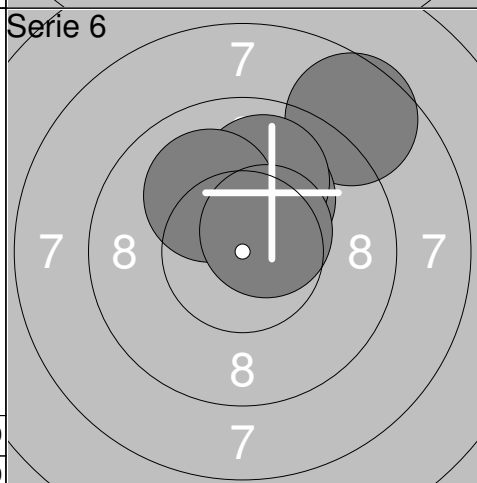
1:	10.6x	→
2:	10.7x	↑
3:	10.5x	↑
4:	9.5	↖
5:	9.3	↑
Serie		48
Total		142



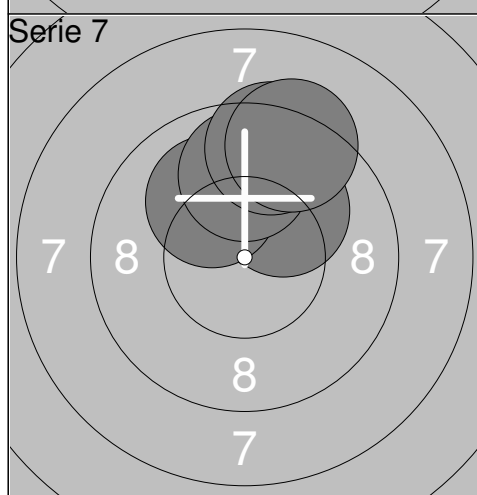
1:	10.0	↑
2:	9.6	↖
3:	10.4x	↗
4:	9.9	→
5:	10.2x	↗
Serie		48
Total		190



1:	9.4	↗
2:	10.3x	↑
3:	10.0	↑
4:	10.2x	↖
5:	10.4x	↑
Serie		49
Total		239



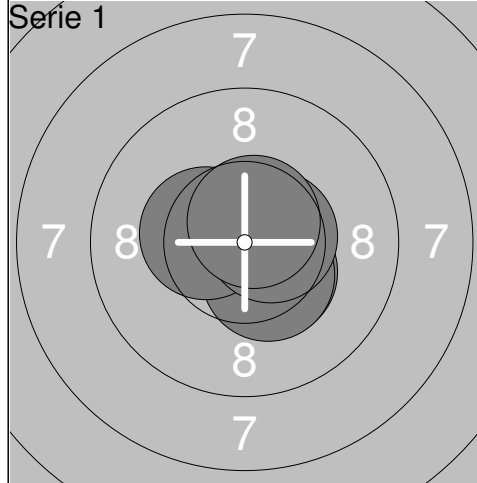
1:	8.6	↗
2:	10.1	↑
3:	9.9	↑
4:	10.1	↖
5:	10.5x	↗
Serie		47
Total		286



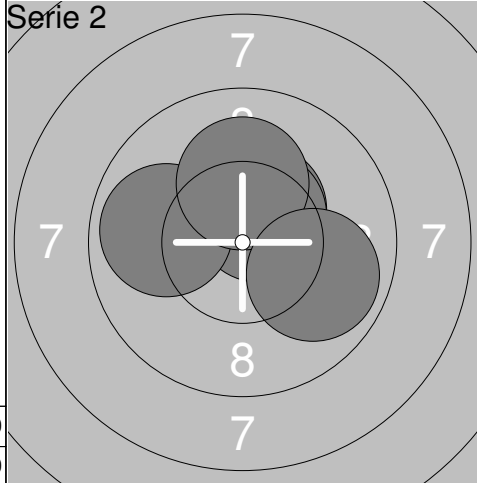
1:	10.1	↗
2:	10.0	↖
3:	9.8	↑
4:	9.4	↑
5:	9.3	↑
Serie		47
Total		333



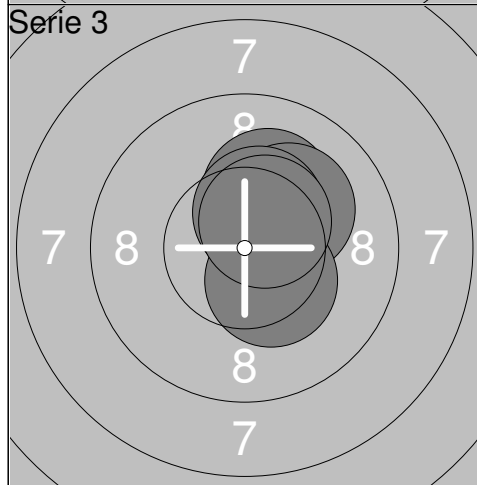
1:	9.9	↑
2:	9.4	↑
3:	9.9	↗
4:	10.3x	↑
5:	10.7x	→
Serie		47
Total		380



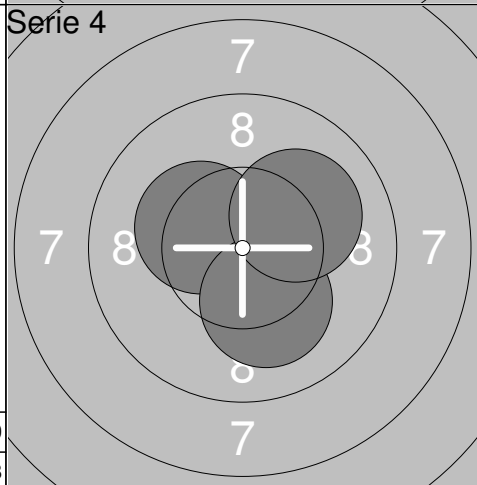
1:	10.4x	↘
2:	10.4x	↘
3:	10.4x	↖
4:	10.5x	→
5:	10.6x	↗
Serie		50
Total		50



1:	10.4x	↗
2:	10.5x	↗
3:	9.9	←
4:	10.1	↑
5:	9.9	→
Serie		48
Total		98



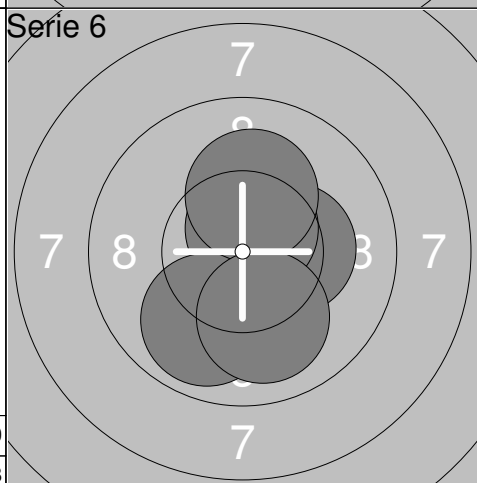
1:	10.1	↗
2:	10.1	↗
3:	10.4x	↘
4:	10.4x	↑
5:	10.4x	↗
Serie		50
Total		148



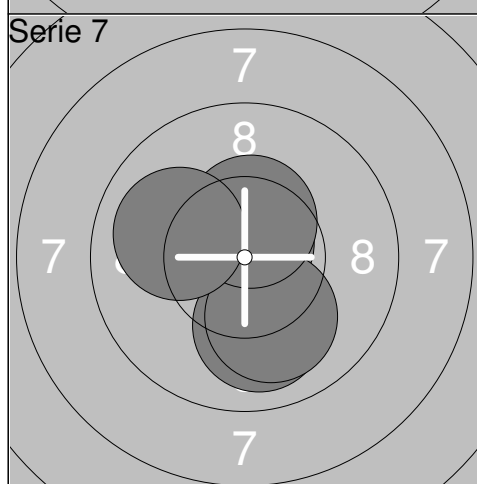
1:	10.7x	→
2:	10.8x	↗
3:	10.3x	↖
4:	10.2x	↘
5:	10.1	↗
Serie		50
Total		198



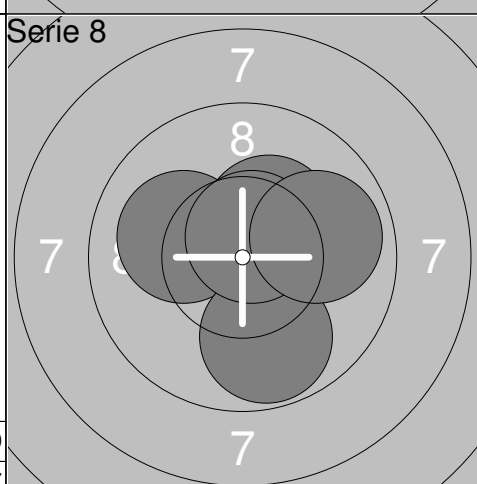
1:	10.5x	↗
2:	10.6x	↗
3:	10.4x	↘
4:	10.8x	→
5:	10.4x	↖
Serie		50
Total		248



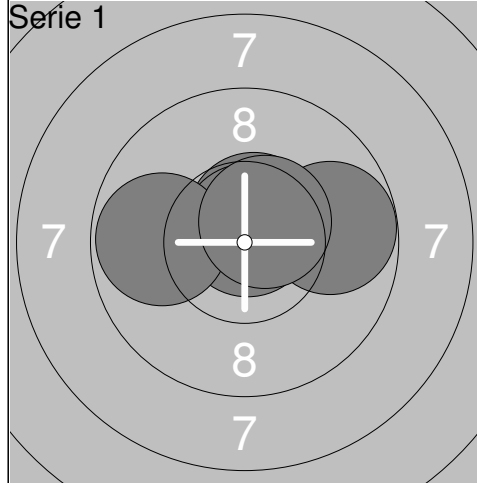
1:	10.3x	→
2:	10.6x	↗
3:	9.9	↘
4:	10.2x	↑
5:	10.0	↘
Serie		49
Total		297



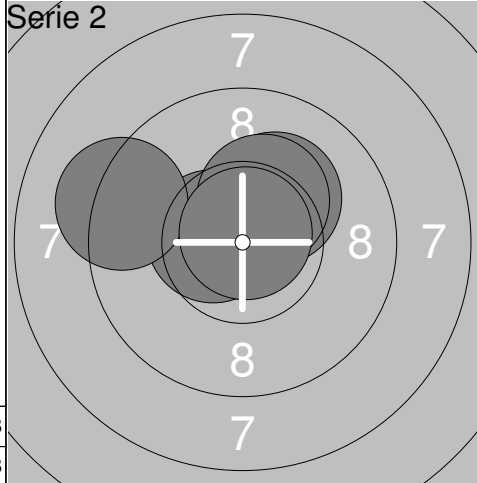
1:	10.7x	↑
2:	10.0	↘
3:	10.1	↘
4:	10.4x	↑
5:	10.0	↖
Serie		50
Total		347



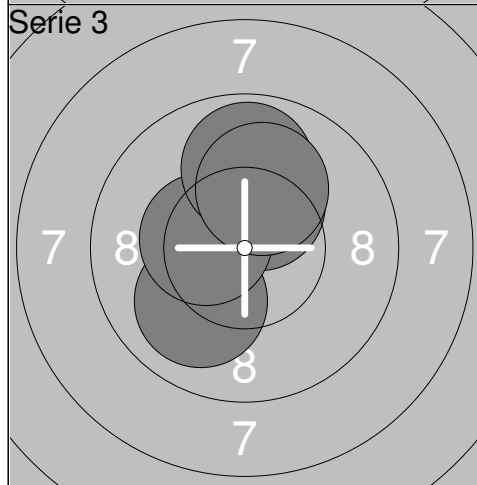
1:	10.3x	↗
2:	10.1	↖
3:	9.8	↘
4:	10.6x	↗
5:	9.9	→
Serie		48
Total		395



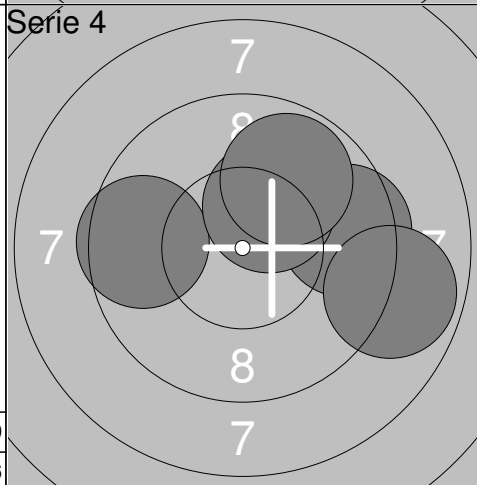
1:	9.8	→
2:	10.6x	↑
3:	10.8x	↑
4:	9.8	←
5:	10.5x	↗
Serie		48
Total		48



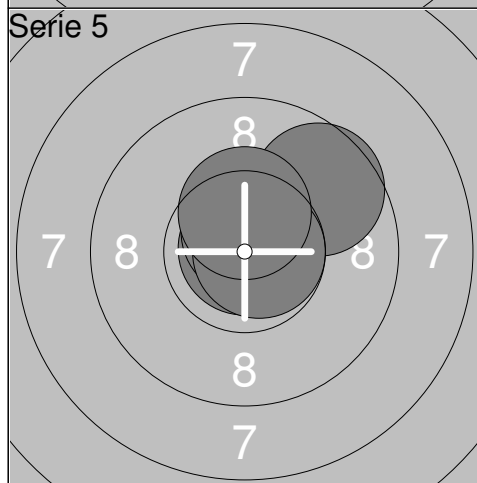
1:	10.2x	↗
2:	10.5x	←
3:	10.3x	↑
4:	9.2	←
5:	10.8x	↑
Serie		49
Total		97



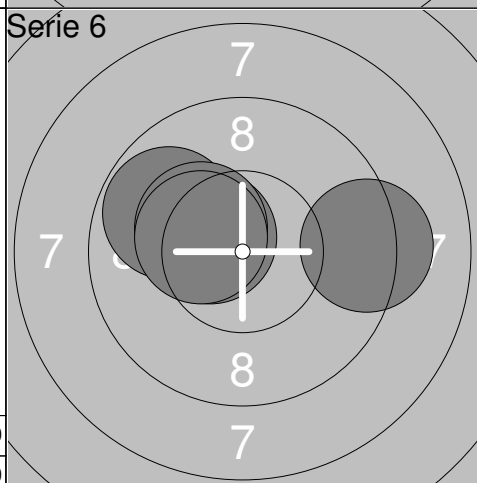
1:	10.3x	↑
2:	10.0	↙
3:	10.4x	←
4:	9.8	↑
5:	10.1	↑
Serie		49
Total		146



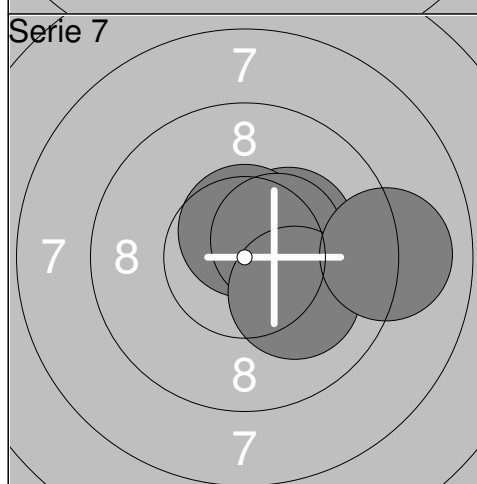
1:	9.5	→
2:	9.6	←
3:	10.3x	↑
4:	9.8	↑
5:	8.9	→
Serie		45
Total		191



1:	10.9x	↑
2:	9.6	↗
3:	10.7x	↑
4:	10.7x	→
5:	10.4x	↑
Serie		49
Total		240



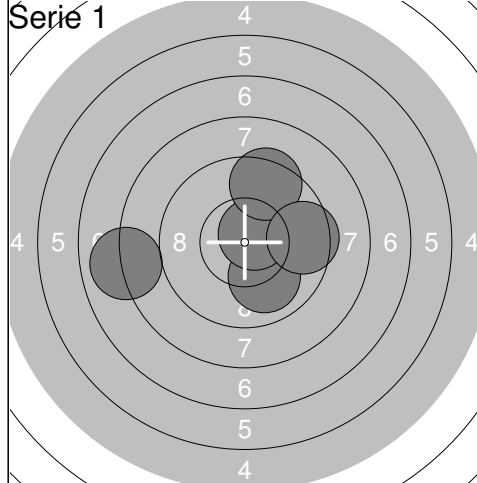
1:	9.3	→
2:	9.8	↖
3:	10.5x	↖
4:	10.3x	↖
5:	10.3x	↖
Serie		48
Total		288



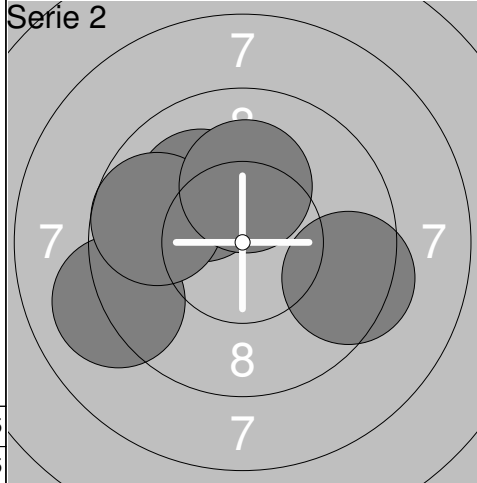
1:	10.3x	↗
2:	10.6x	↑
3:	10.4x	↗
4:	10.1	↘
5:	9.0	→
Serie		49
Total		337



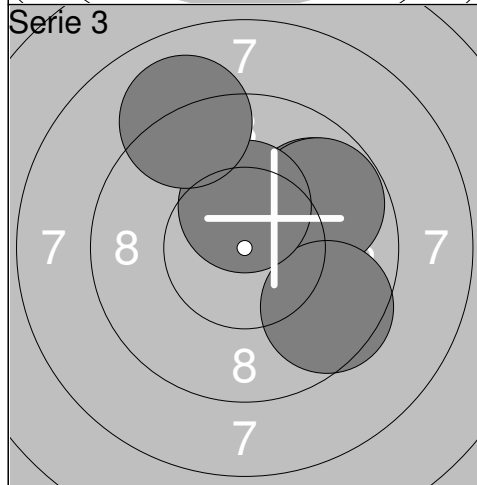
1:	10.8x	↗
2:	10.0	↑
3:	10.5x	↑
4:	10.7x	↗
5:	10.0	↖
Serie		50
Total		387



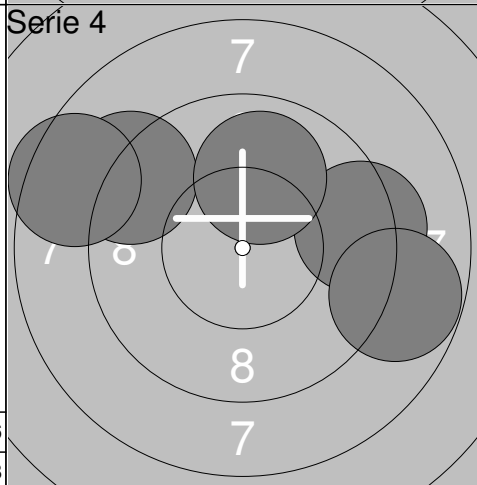
1:	8.0	←
2:	9.9	↘
3:	10.6x	↗
4:	9.4	↑
5:	9.5	→
Serie		45
Total		45



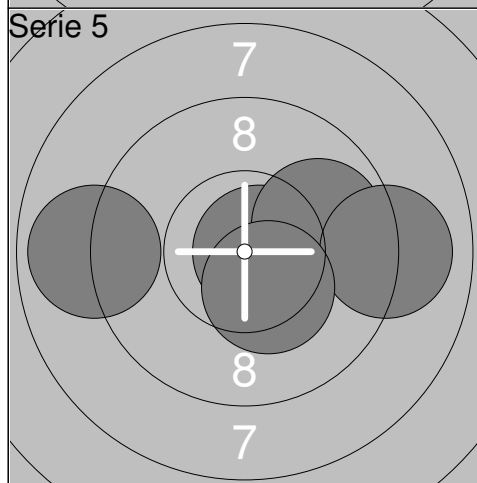
1:	10.1	↗
2:	9.1	↙
3:	9.7	←
4:	9.4	→
5:	10.2x	↑
Serie		47
Total		92



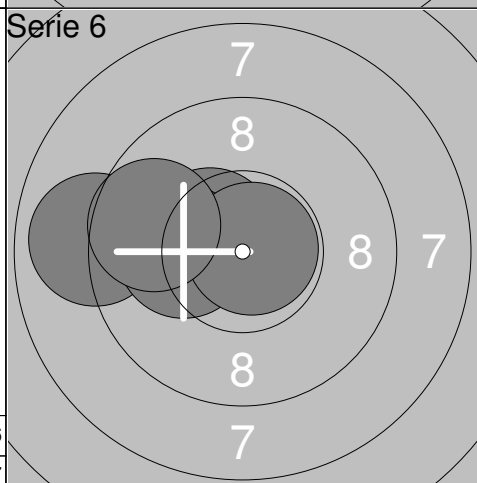
1:	9.8	↗
2:	9.8	↗
3:	9.6	↘
4:	10.4x	↑
5:	9.0	↖
Serie		46
Total		138



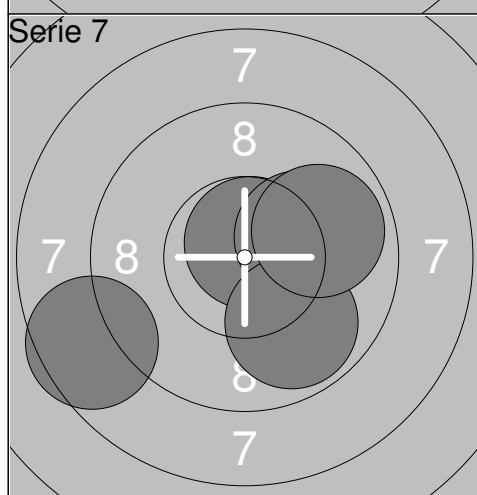
1:	9.3	→
2:	8.7	→
3:	9.2	↗
4:	9.9	↑
5:	8.5	↖
Serie		43
Total		181



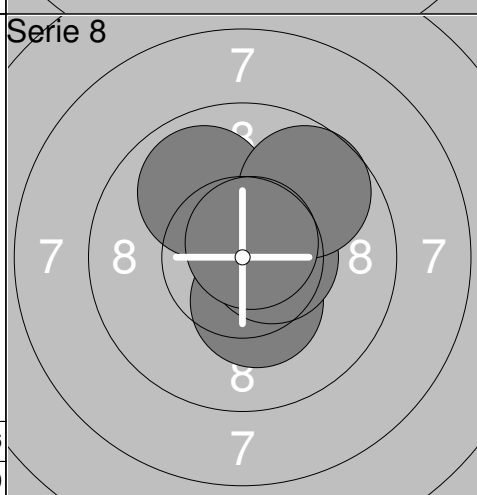
1:	10.7x	→
2:	9.8	→
3:	8.9	←
4:	9.0	→
5:	10.4x	↘
Serie		46
Total		227



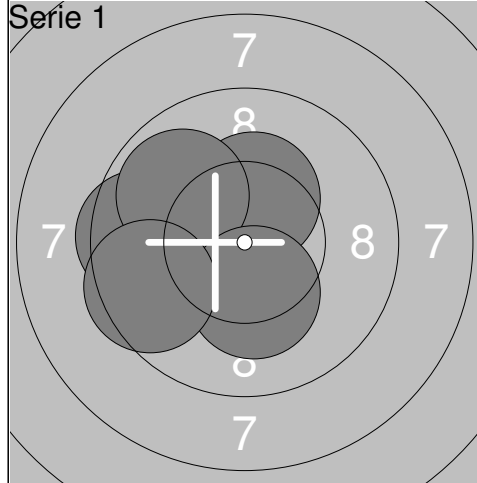
1:	10.4x	↖
2:	8.9	←
3:	10.1	←
4:	10.8x	→
5:	9.7	↖
Serie		47
Total		274



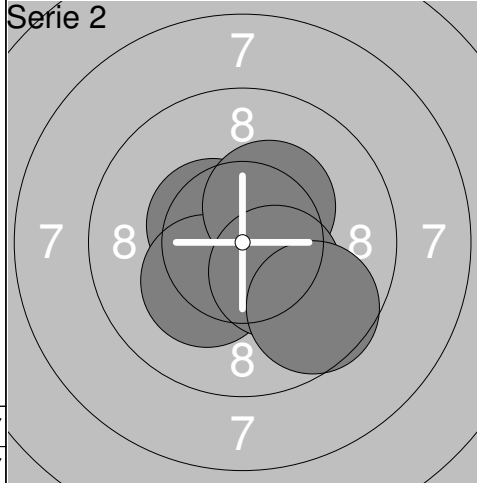
1:	10.7x	↑
2:	10.1	→
3:	8.6	↙
4:	9.8	↘
5:	9.9	→
Serie		46
Total		320



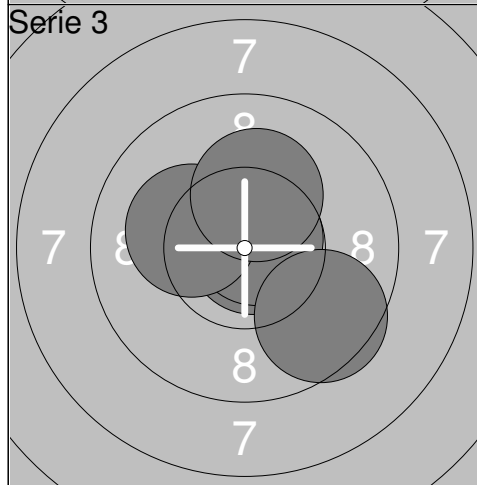
1:	10.3x	↘
2:	10.5x	→
3:	9.9	↗
4:	9.7	↗
5:	10.7x	↑
Serie		48
Total		368



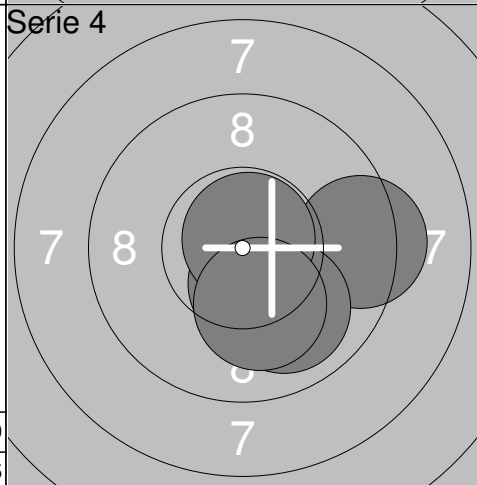
1:	9.5	←
2:	10.3x	↑
3:	9.9	↗
4:	10.3x	↓
5:	9.5	←
Serie		47
Total		47



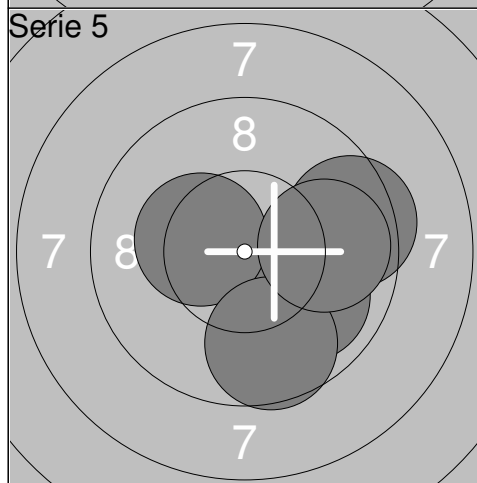
1:	10.4x	↖
2:	10.2x	↙
3:	10.3x	↗
4:	10.3x	↓
5:	9.6	↓
Serie		49
Total		96



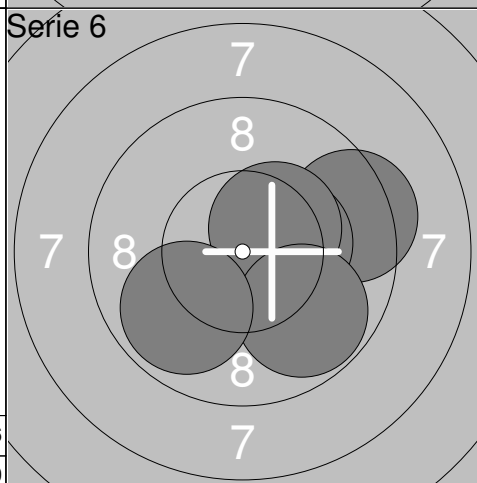
1:	10.8x	→
2:	10.7x	↗
3:	10.2x	←
4:	10.2x	↑
5:	9.6	↘
Serie		49
Total		145



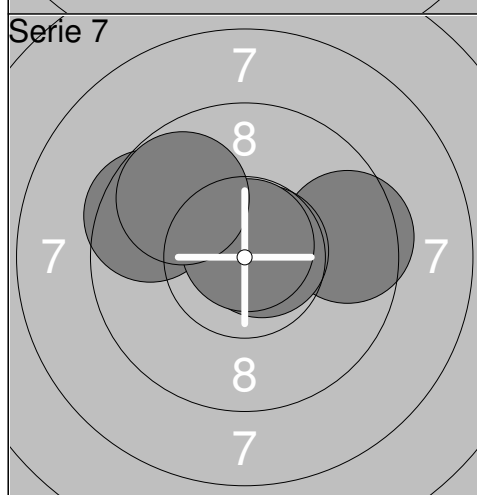
1:	9.3	→
2:	10.4x	↓
3:	10.0	↘
4:	10.8x	↗
5:	10.1	↓
Serie		49
Total		194



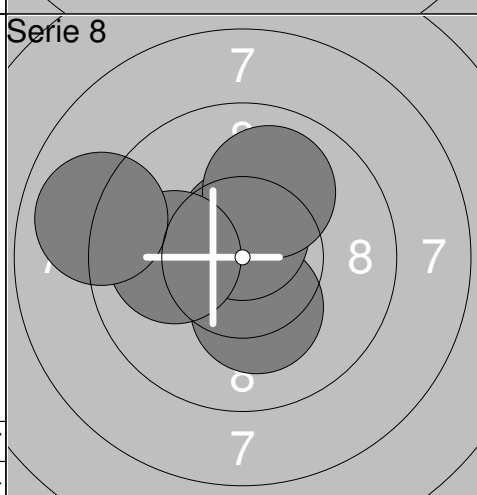
1:	9.5	→
2:	9.9	↓
3:	10.3x	←
4:	9.6	↓
5:	9.9	→
Serie		46
Total		240



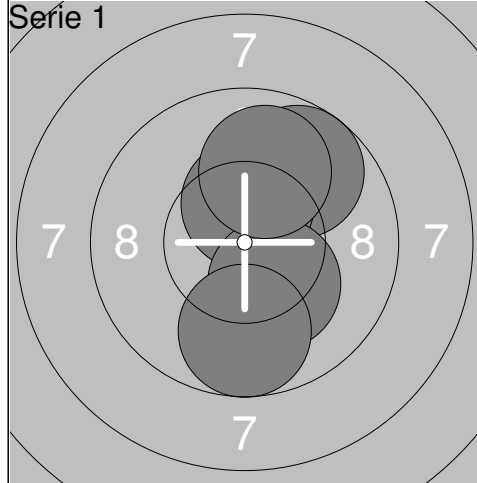
1:	9.4	→
2:	10.3x	→
3:	10.4x	↗
4:	9.8	↓
5:	9.8	↙
Serie		47
Total		287



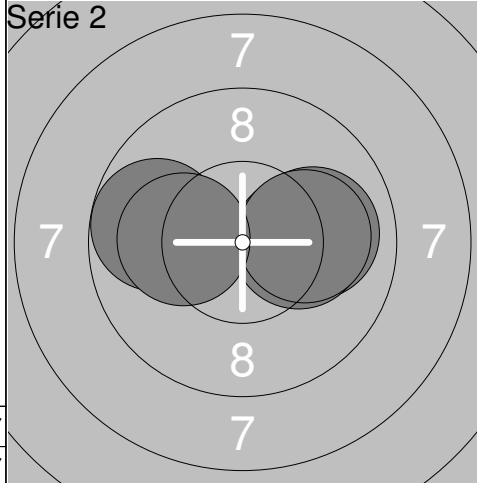
1:	9.5	→
2:	10.7x	→
3:	9.5	←
4:	10.8x	↑
5:	9.8	↗
Serie		47
Total		334



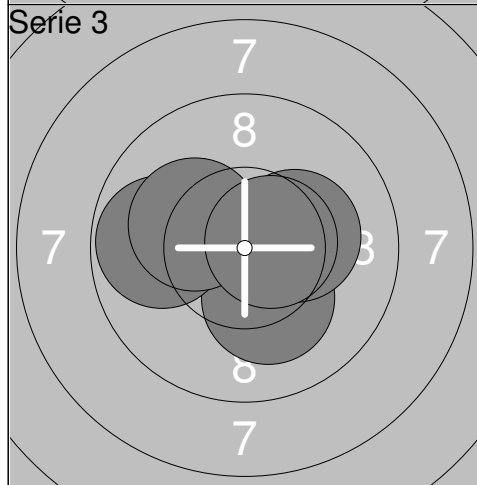
1:	10.2x	↓
2:	10.6x	↑
3:	10.0	↗
4:	10.0	←
5:	8.9	←
Serie		48
Total		382



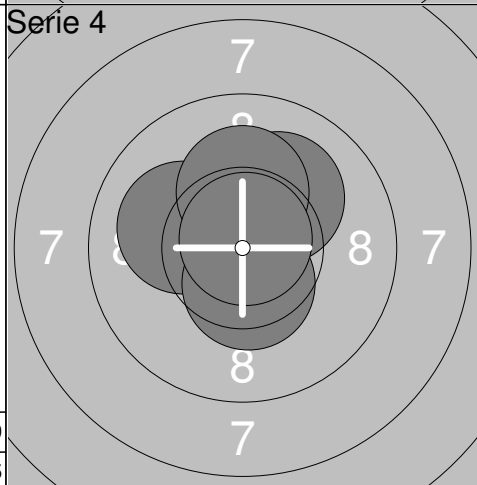
1:	9.7	↗
2:	10.4x	↑
3:	10.3x	↘
4:	9.7	↓
5:	9.9	↑
Serie		47
Total		47



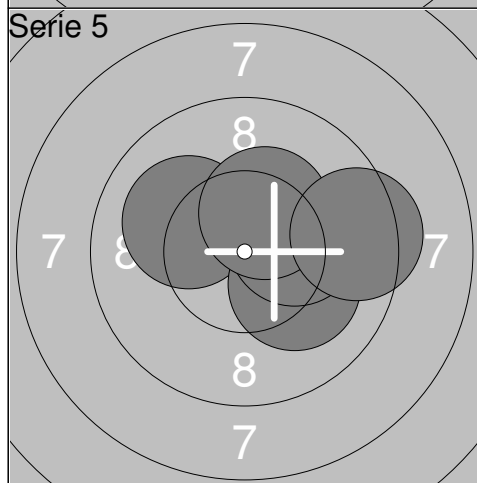
1:	10.0	→
2:	10.2x	→
3:	9.7	←
4:	10.1	→
5:	10.1	←
Serie		49
Total		96



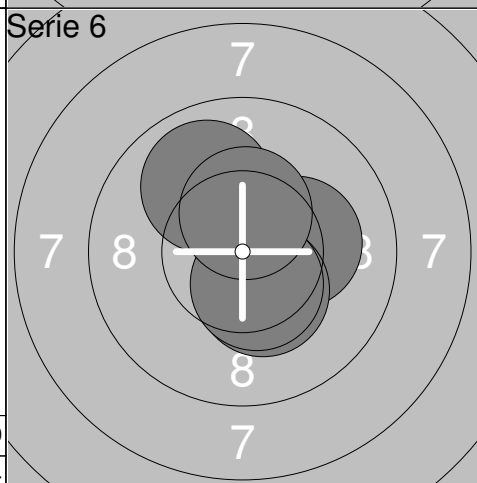
1:	10.2x	↘
2:	9.8	←
3:	10.2x	↖
4:	10.2x	→
5:	10.5x	→
Serie		49
Total		145



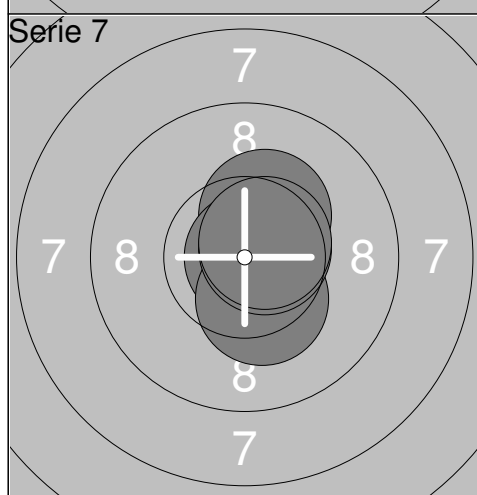
1:	10.1	↗
2:	10.1	↖
3:	10.2x	↑
4:	10.4x	↓
5:	10.8x	↑
Serie		50
Total		195



1:	10.1	↖
2:	10.1	↘
3:	10.2x	→
4:	10.3x	↑
5:	9.4	→
Serie		49
Total		244



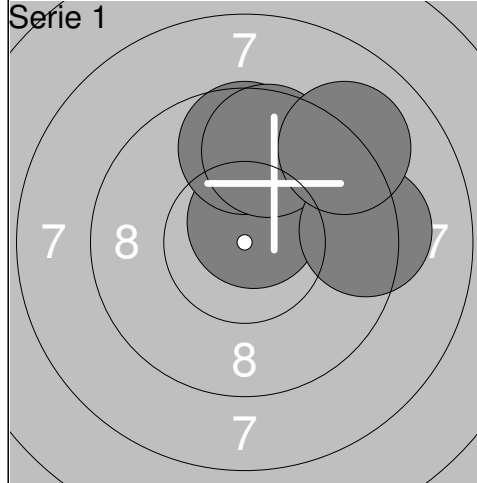
1:	9.9	↖
2:	10.2x	→
3:	10.3x	↘
4:	10.5x	↘
5:	10.4x	↑
Serie		49
Total		293



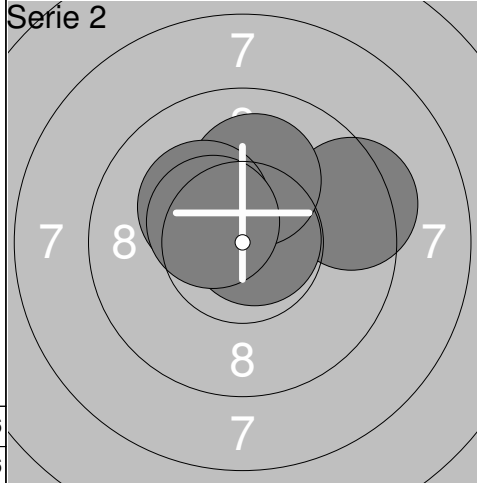
1:	10.3x	↗
2:	10.9x	→
3:	10.3x	↘
4:	10.6x	↗
5:	10.6x	↗
Serie		50
Total		343



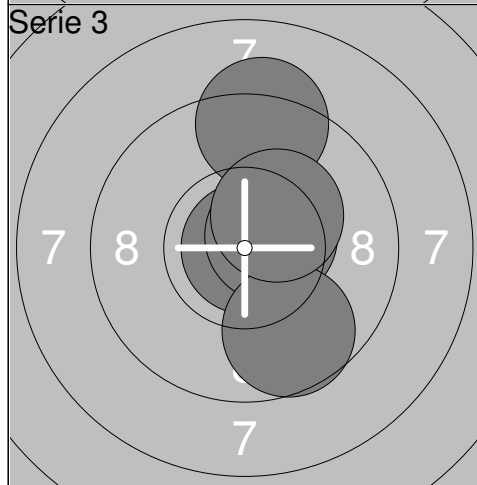
1:	10.2x	↗
2:	10.0	→
3:	10.7x	↗
4:	10.2x	↗
5:	10.5x	↑
Serie		50
Total		393



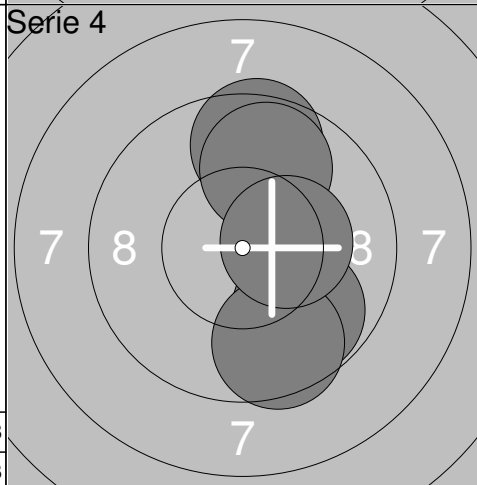
1:	10.6x	↗
2:	9.6	↑
3:	9.7	↑
4:	9.3	→
5:	9.1	↘
Serie		46
Total		46



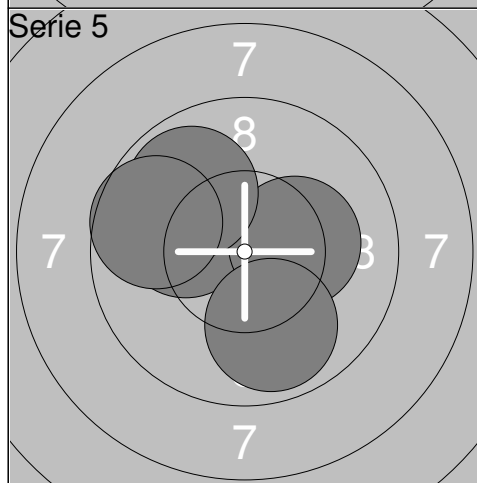
1:	9.3	→
2:	10.8x	→
3:	10.1	↑
4:	10.2x	↖
5:	10.4x	↖
Serie		49
Total		95



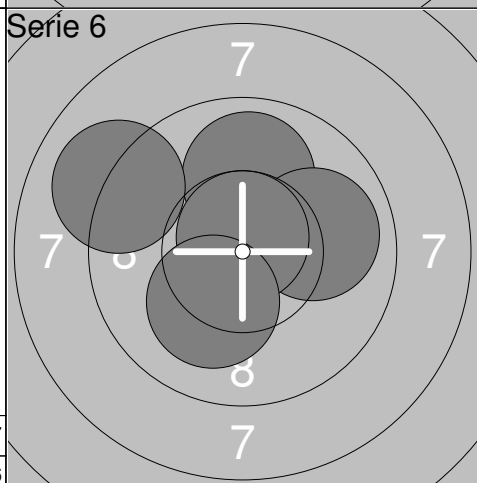
1:	10.9x	→
2:	9.2	↑
3:	10.5x	→
4:	9.7	↘
5:	10.3x	↗
Serie		48
Total		143



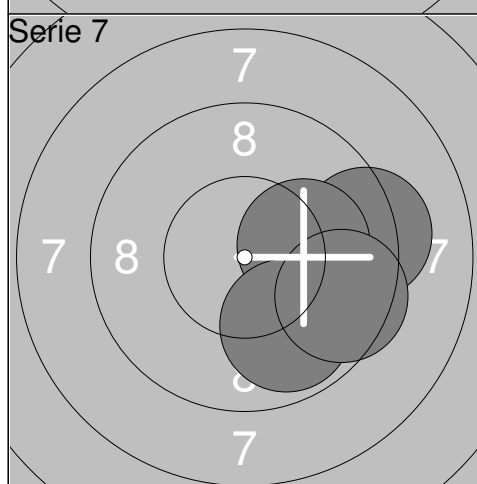
1:	9.8	↘
2:	9.5	↘
3:	9.5	↑
4:	9.8	↑
5:	10.3x	→
Serie		46
Total		189



1:	10.1	↖
2:	10.2x	→
3:	9.9	↗
4:	9.7	↖
5:	9.9	↘
Serie		47
Total		236



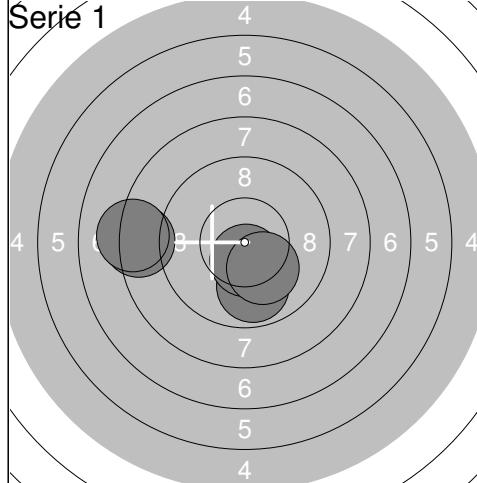
1:	9.9	↑
2:	9.9	→
3:	10.7x	↑
4:	9.0	↖
5:	10.2x	↘
Serie		47
Total		283



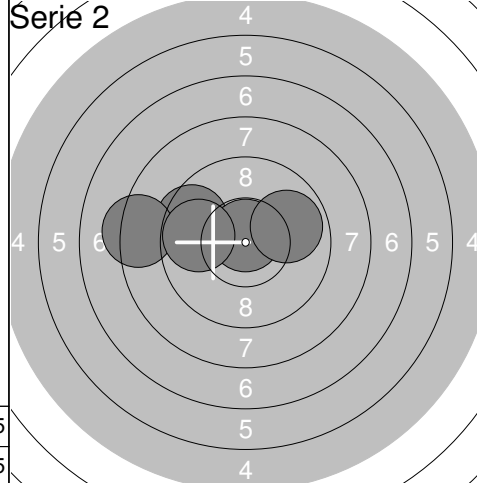
1:	9.3	→
2:	9.8	↘
3:	10.1	→
4:	9.8	↘
5:	9.5	↘
Serie		46
Total		329



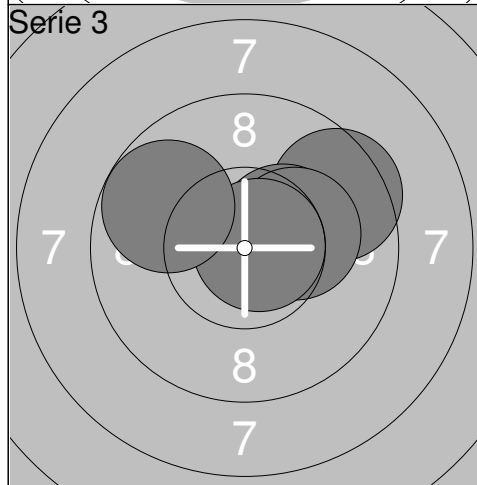
1:	10.2x	↖
2:	10.2x	↖
3:	10.4x	↖
4:	10.7x	↗
5:	10.4x	↑
Serie		50
Total		379



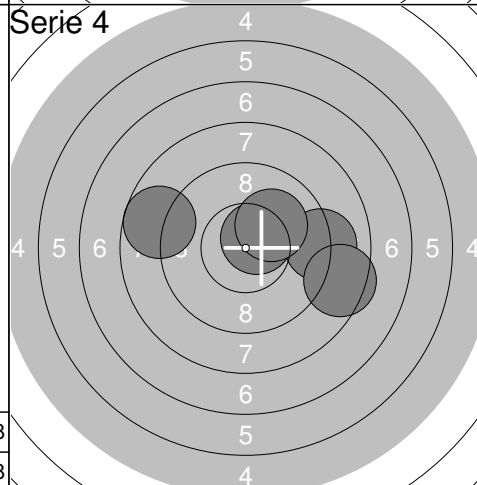
1:	9.8	↓
2:	10.5x	↓
3:	8.3	←
4:	10.1	↓
5:	8.2	←
Serie		45
Total		45



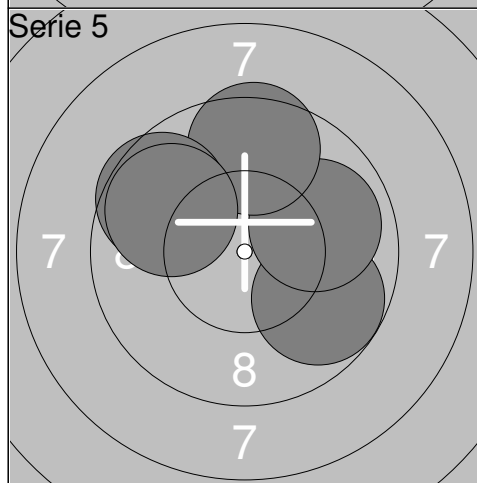
1:	9.5	←
2:	8.3	←
3:	10.8x	↑
4:	9.7	←
5:	9.8	→
Serie		45
Total		90



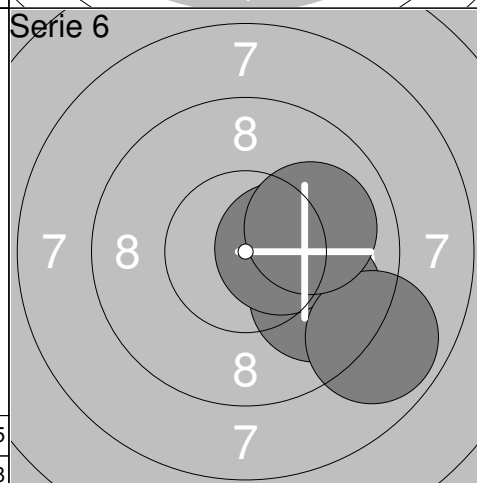
1:	9.5	→
2:	10.4x	→
3:	10.2x	→
4:	10.7x	→
5:	9.8	↖
Serie		48
Total		138



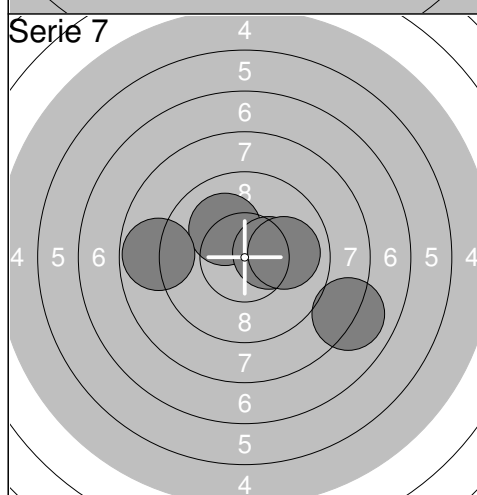
1:	10.6x	↗
2:	8.7	←
3:	9.1	→
4:	8.5	↘
5:	10.1	↗
Serie		45
Total		183



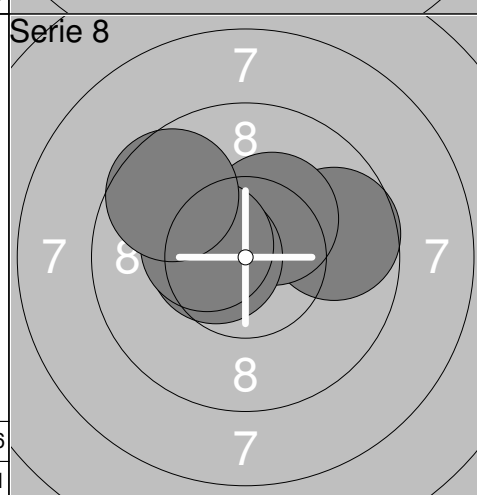
1:	9.7	↘
2:	9.9	→
3:	9.5	↑
4:	9.6	↗
5:	9.8	↖
Serie		45
Total		228



1:	10.1	→
2:	9.8	↘
3:	10.4x	→
4:	8.9	↘
5:	10.0	→
Serie		47
Total		275

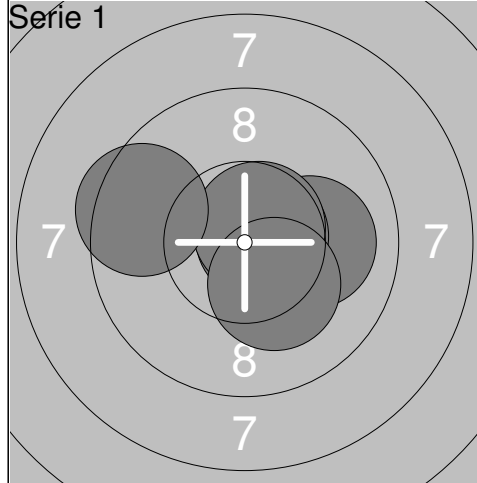


1:	8.0	↘
2:	10.1	↗
3:	10.3x	→
4:	8.8	←
5:	10.0	→
Serie		46
Total		321

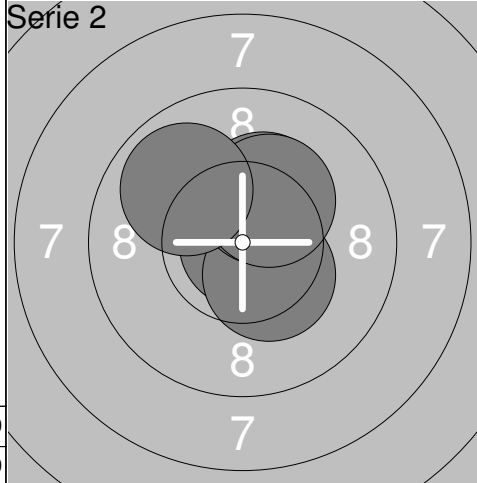


1:	9.7	→
2:	10.3x	↗
3:	10.5x	←
4:	10.4x	←
5:	9.6	↗
Serie		48
Total		369

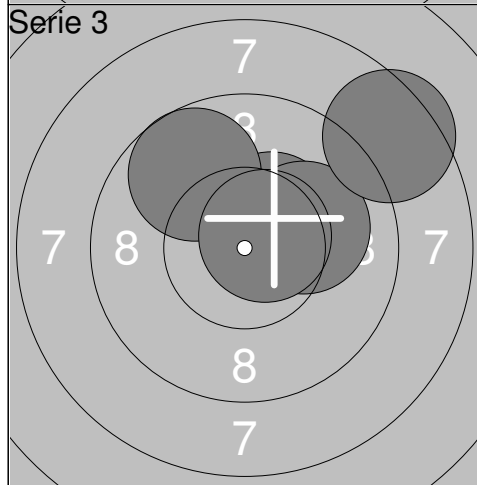
Skjuttag	Tavla	Bård Stafne	
3	4		
Kval stående		Tvååkers Skyttegille	VetSM
03.11.2018	SM luftgevär 2018	Öckerö Skytteförening	
Serie 1 	1: 10.0 ←	Serie 2 	1: 9.1 ↖
	2: 5.9 ↗		2: 8.2 ↗
	3: 8.8 ↗		3: 9.5 ↗
	4: 7.0 ↗		4: 7.9 →
	5: 9.4 ↘		5: 6.9 ↗
Serie	39	Serie	39
Total	39	Total	78
Serie 3 	1: 9.9 ↗	Serie 4 	1: 10.4x ↖
	2: 9.3 ↖		2: 8.1 ↖
	3: 7.2 ↘		3: 9.3 ↗
	4: 8.7 →		4: 9.3 ↗
	5: 8.9 →		5: 7.9 ↘
Serie	41	Serie	43
Total	119	Total	162
Serie 5 	1: 9.9 ↘	Serie 6 	1: 9.9 ↗
	2: 8.1 ↘		2: 6.4 ↖
	3: 8.1 ↗		3: 10.7x ↗
	4: 9.6 ↘		4: 8.9 →
	5: 7.1 ↘		5: 8.9 ↘
Serie	41	Serie	41
Total	203	Total	244
Serie 7 	1: 10.2x ↖	Serie 8 	1: 8.3 ↖
	2: 8.1 →		2: 10.0 →
	3: 9.5 ↘		3: 7.8 ↘
	4: 8.7 ↘		4: 7.7 ↗
	5: 10.4x ↗		5: 9.1 ↘
Serie	45	Serie	41
Total	289	Total	330



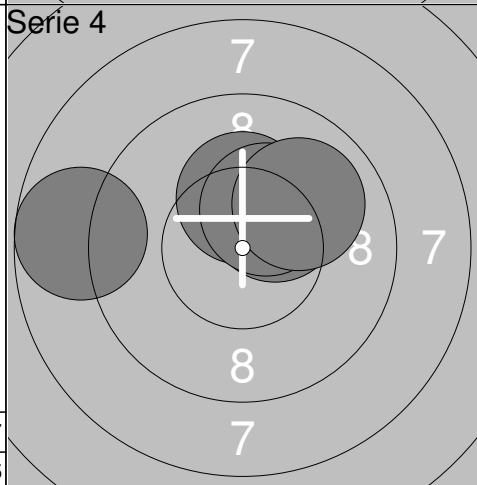
1:	10.0	→
2:	10.7x	→
3:	10.6x	↗
4:	9.4	←
5:	10.2x	↘
Serie		49
Total		49



1:	10.9x	→
2:	10.4x	↘
3:	10.3x	↗
4:	10.3x	↗
5:	9.9	↖
Serie		49
Total		98



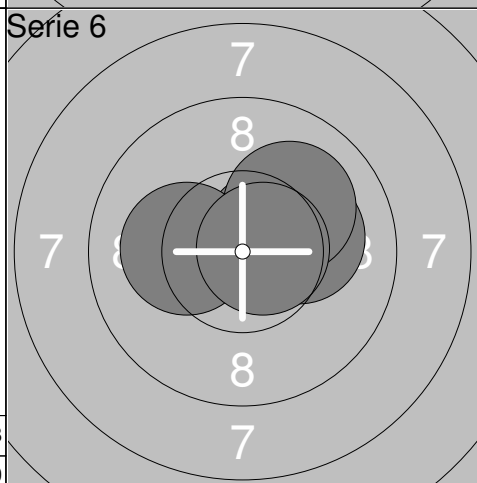
1:	10.4x	↗
2:	9.7	↖
3:	10.1	→
4:	10.6x	↗
5:	8.5	↗
Serie		47
Total		145



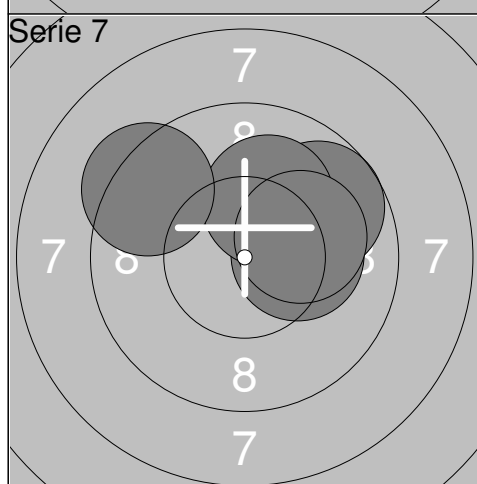
1:	10.3x	↑
2:	10.3x	↗
3:	8.7	←
4:	10.3x	↗
5:	9.9	↗
Serie		47
Total		192



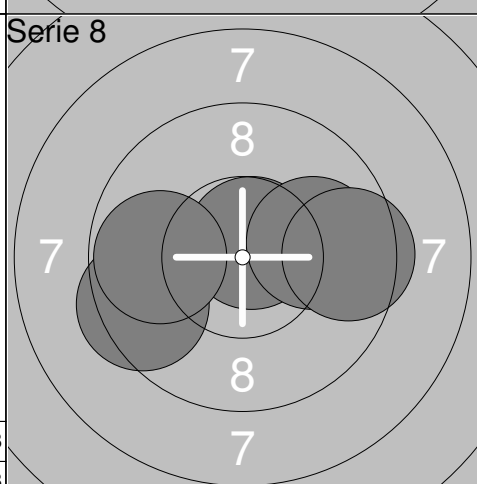
1:	10.4x	→
2:	9.6	→
3:	9.7	→
4:	10.3x	↗
5:	10.6x	↗
Serie		48
Total		240



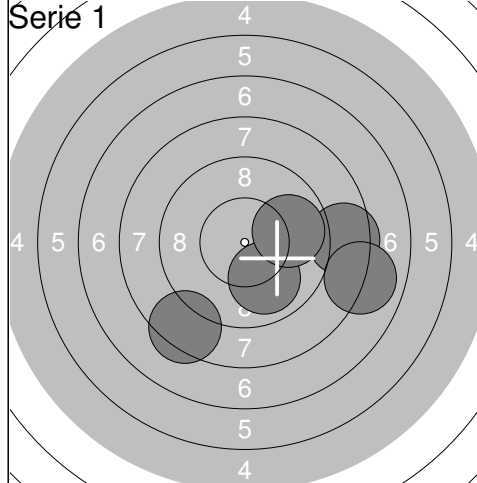
1:	10.5x	↗
2:	10.2x	←
3:	10.1	→
4:	10.1	↗
5:	10.7x	→
Serie		50
Total		290



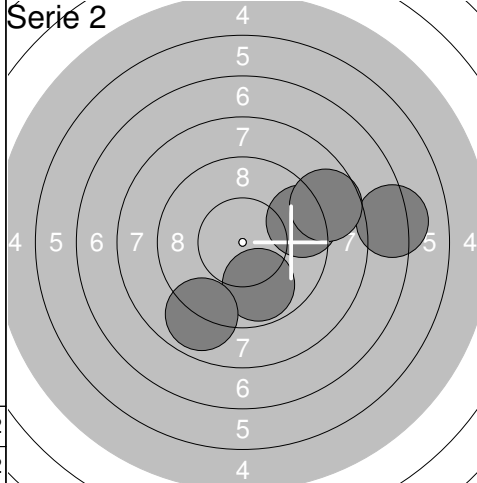
1:	9.7	↗
2:	10.2x	→
3:	10.1	↗
4:	9.3	↖
5:	10.1	→
Serie		48
Total		338



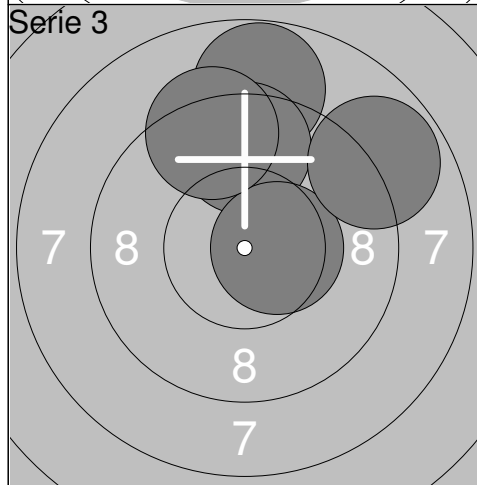
1:	9.4	←
2:	10.7x	↗
3:	9.8	←
4:	10.0	→
5:	9.5	→
Serie		47
Total		385



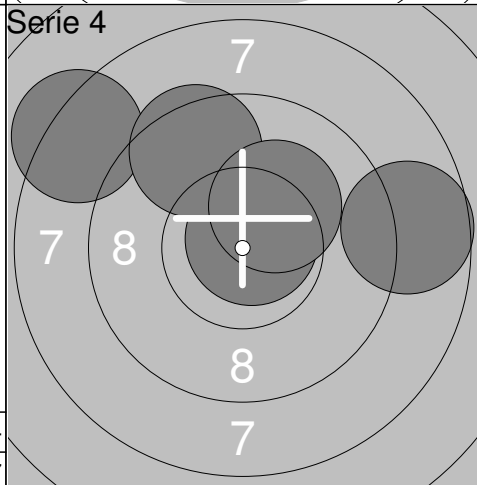
1:	9.9	↘
2:	8.5	→
3:	8.4	↙
4:	8.0	→
5:	9.8	→
Serie		42
Total		42



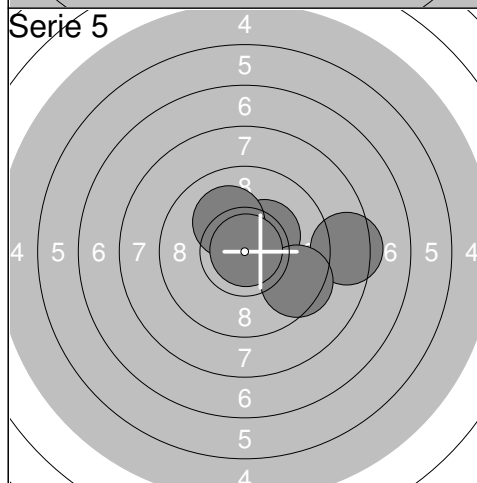
1:	9.4	→
2:	9.8	↘
3:	8.9	↙
4:	7.2	→
5:	8.7	→
Serie		41
Total		83



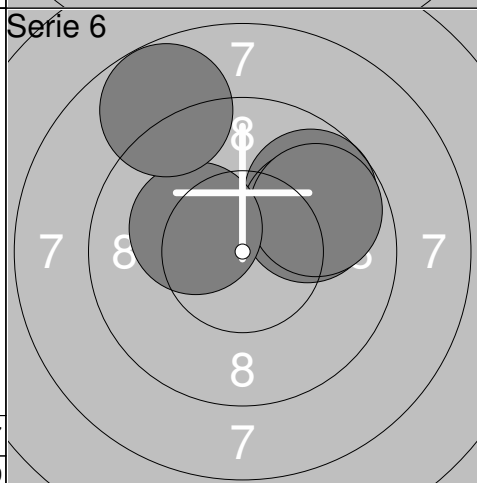
1:	8.8	↑
2:	9.6	↑
3:	10.5x	→
4:	8.8	↗
5:	9.3	↑
Serie		44
Total		127



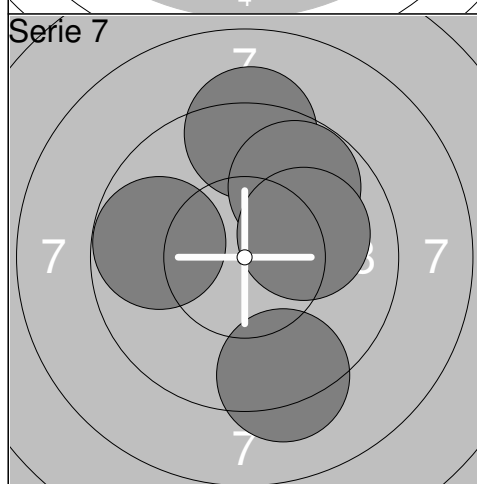
1:	8.2	↖
2:	8.7	→
3:	10.8x	↗
4:	9.5	↑
5:	10.2x	↗
Serie		45
Total		172



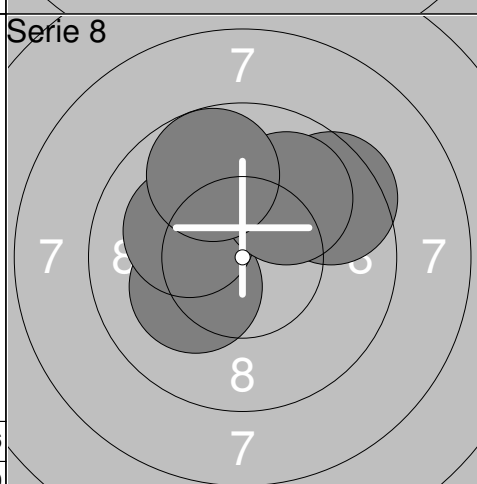
1:	10.3x	↗
2:	10.1	↑
3:	8.4	→
4:	9.4	↘
5:	10.9x	↗
Serie		47
Total		219



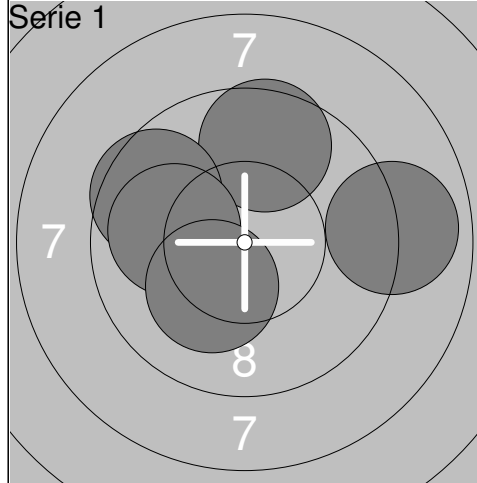
1:	9.7	↗
2:	9.9	↗
3:	9.8	↗
4:	10.2x	↖
5:	8.7	↑
Serie		45
Total		264



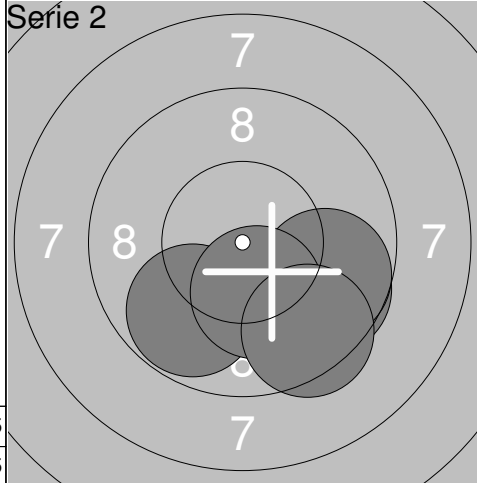
1:	9.3	↑
2:	9.8	↗
3:	10.1	→
4:	9.8	↖
5:	9.2	↘
Serie		46
Total		310



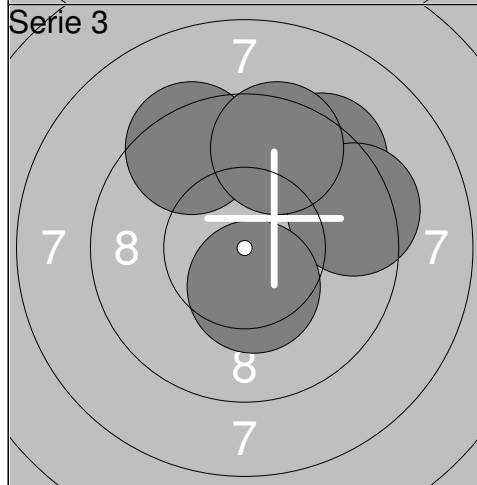
1:	10.2x	↖
2:	9.5	↗
3:	10.1	↖
4:	9.9	↗
5:	9.7	↑
Serie		47
Total		357



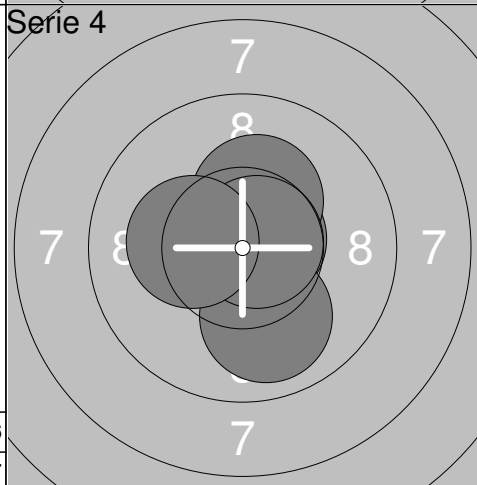
1:	9.6	↑
2:	9.6	↖
3:	9.9	←
4:	8.9	→
5:	10.2x	↙
Serie		45
Total		45



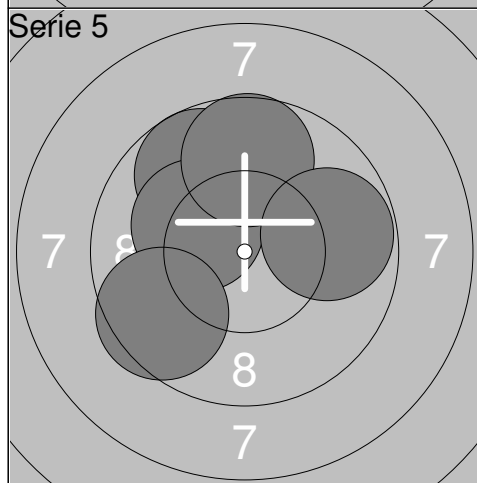
1:	9.6	↘
2:	9.7	→
3:	9.8	↙
4:	10.2x	↘
5:	9.4	↘
Serie		46
Total		91



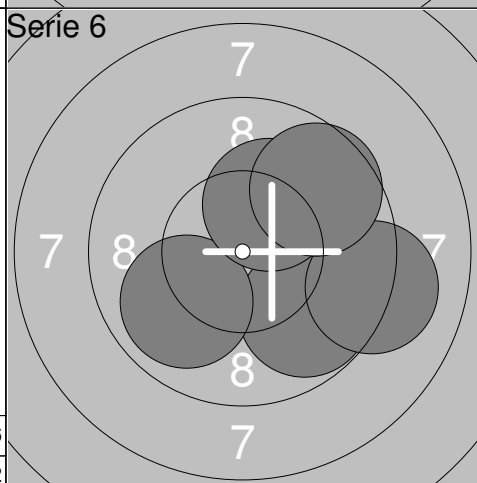
1:	9.4	↗
2:	9.4	↖
3:	9.4	→
4:	9.5	↑
5:	10.4x	↘
Serie		46
Total		137



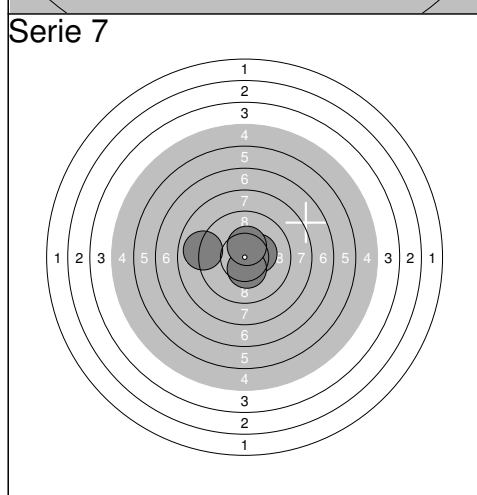
1:	10.7x	↗
2:	9.9	↘
3:	10.2x	↑
4:	10.7x	↗
5:	10.3x	←
Serie		49
Total		186



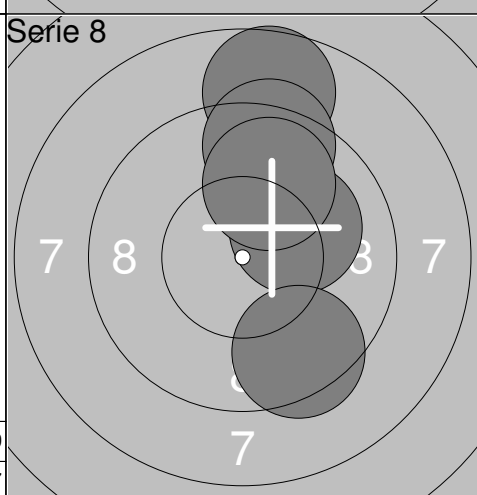
1:	9.7	↖
2:	10.2x	↖
3:	9.5	↙
4:	9.7	↑
5:	9.8	→
Serie		46
Total		232



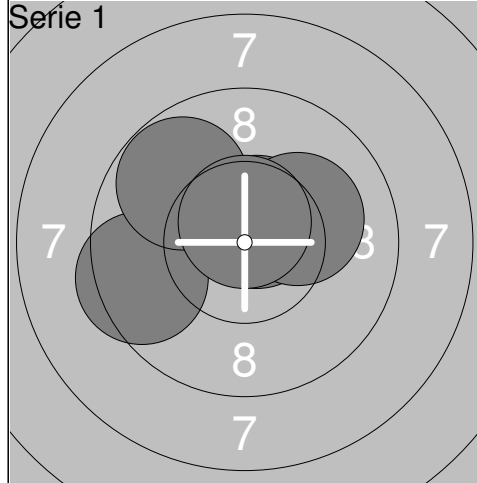
1:	9.8	↘
2:	9.1	→
3:	9.9	↙
4:	10.2x	↑
5:	9.6	↗
Serie		46
Total		278



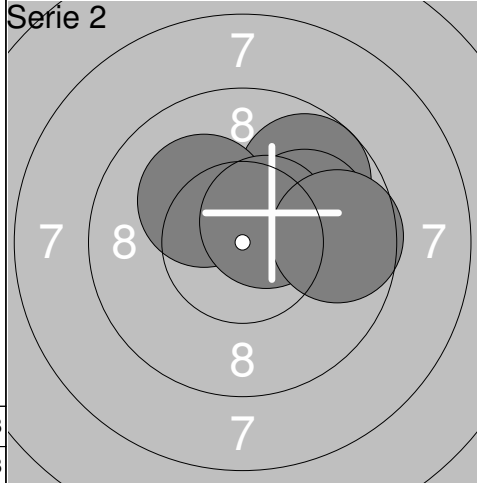
1:	9.0	←
2:	0.0	↗
3:	10.3x	→
4:	10.4x	↘
5:	10.4x	↑
Serie		39
Total		317



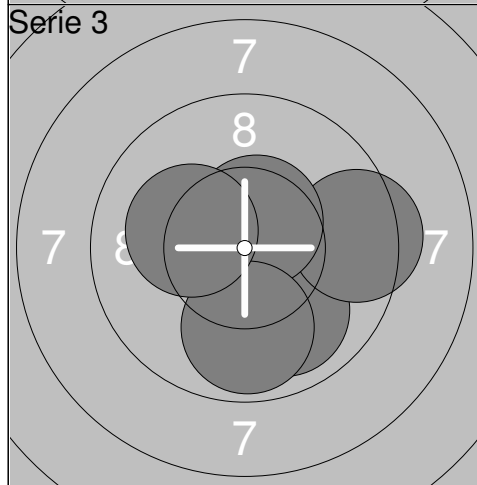
1:	10.1	↗
2:	8.7	↑
3:	9.4	↑
4:	9.9	↑
5:	9.4	↘
Serie		45
Total		362



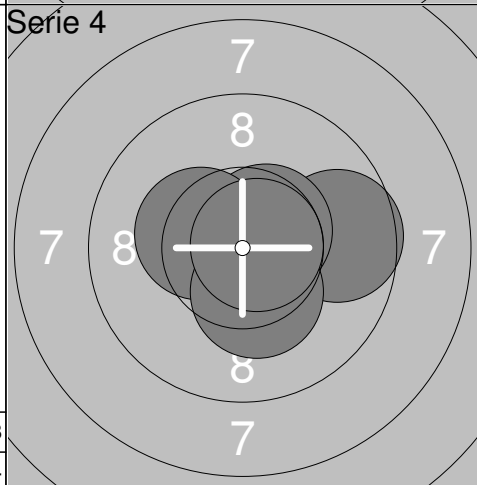
1:	9.4	←
2:	10.6x	↗
3:	9.8	↖
4:	10.1	→
5:	10.7x	↑
Serie		48
Total		48



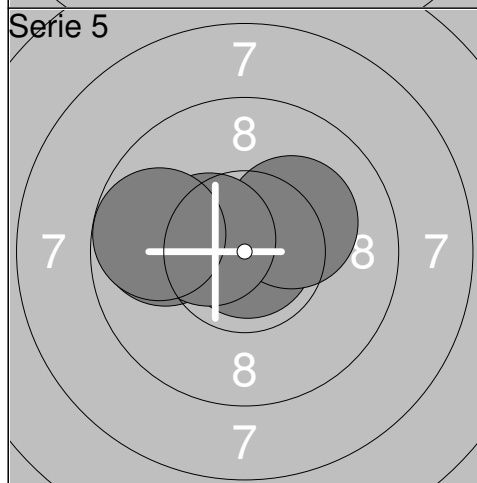
1:	9.7	↗
2:	10.0	→
3:	10.2x	↖
4:	10.5x	↗
5:	9.6	→
Serie		48
Total		96



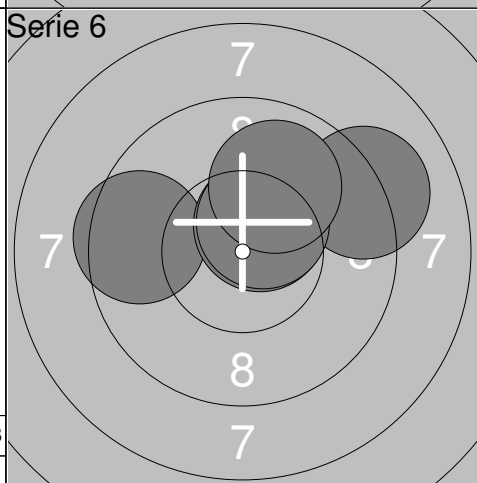
1:	10.0	↘
2:	9.4	→
3:	10.5x	↗
4:	9.9	↓
5:	10.2x	←
Serie		48
Total		144



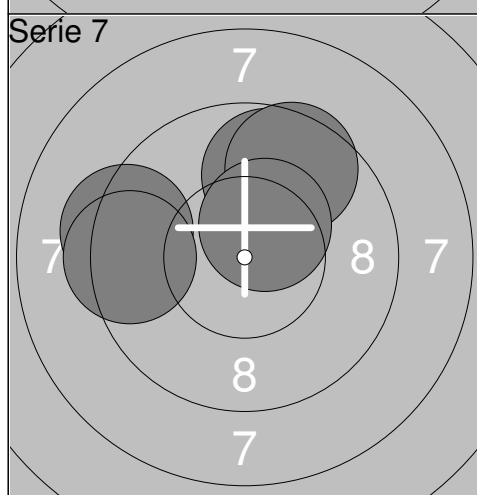
1:	9.7	→
2:	10.5x	↗
3:	10.3x	←
4:	10.3x	↓
5:	10.7x	→
Serie		49
Total		193



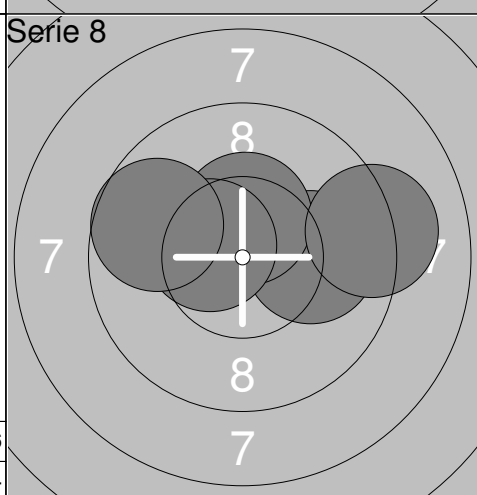
1:	10.9x	→
2:	10.2x	↗
3:	9.8	←
4:	10.4x	←
5:	9.8	←
Serie		48
Total		241



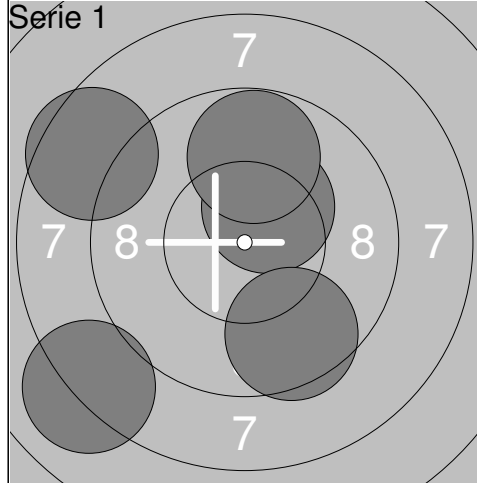
1:	9.5	←
2:	10.5x	↗
3:	9.1	↗
4:	10.4x	↗
5:	9.9	↗
Serie		47
Total		288



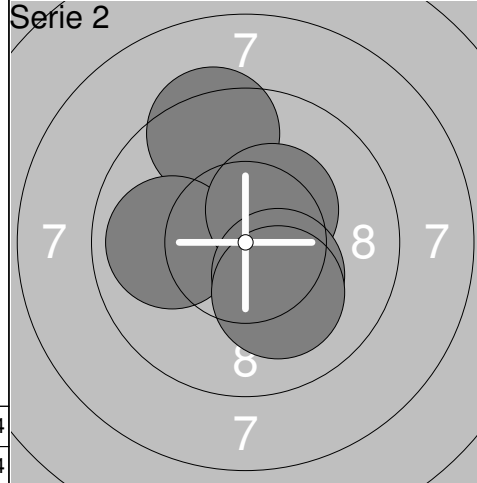
1:	9.8	↗
2:	9.6	↗
3:	10.4x	↗
4:	9.3	←
5:	9.4	←
Serie		46
Total		334



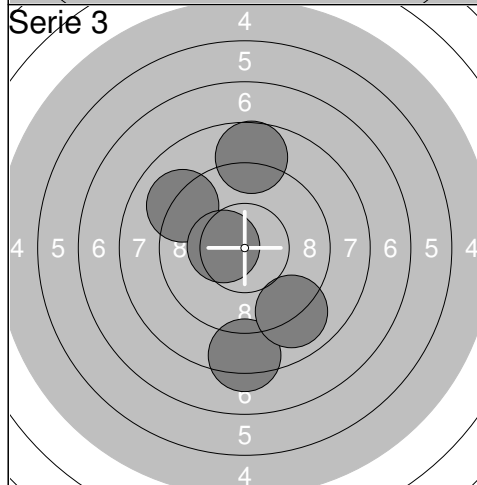
1:	10.0	→
2:	10.4x	↑
3:	9.1	→
4:	10.4x	←
5:	9.7	←
Serie		48
Total		382



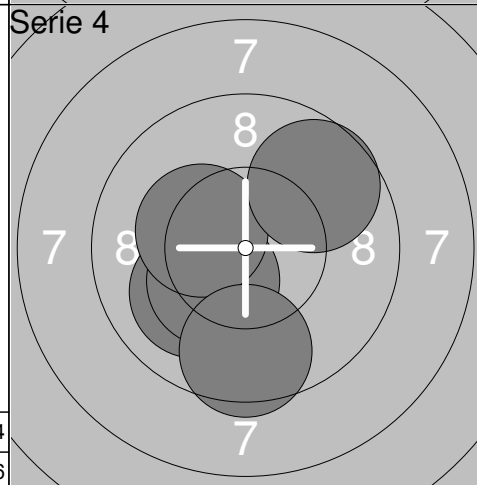
1:	10.3x	↗
2:	8.5	↖
3:	9.7	↑
4:	9.5	↓
5:	8.0	↙
Serie		44
Total		44



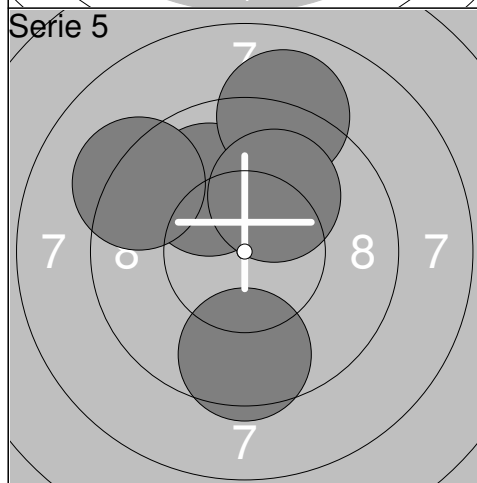
1:	9.4	↑
2:	9.9	←
3:	10.4x	↗
4:	10.3x	↘
5:	10.1	↘
Serie		48
Total		92



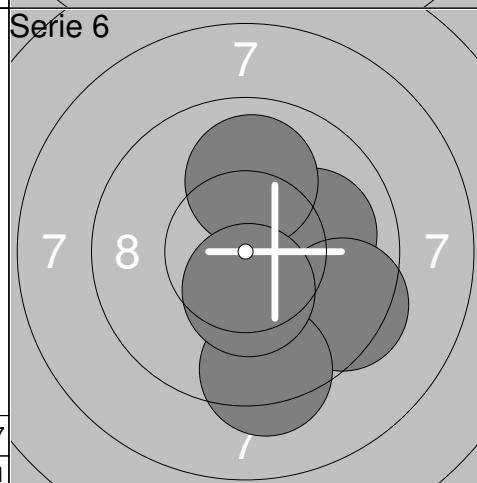
1:	9.1	↖
2:	8.3	↓
3:	8.7	↑
4:	9.0	↘
5:	10.4x	←
Serie		44
Total		136



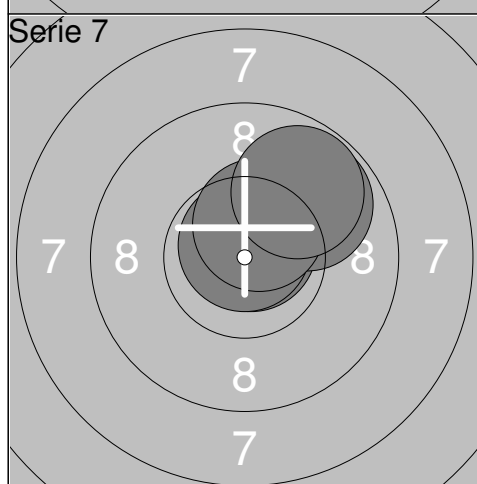
1:	10.0	↙
2:	10.3x	↙
3:	10.3x	←
4:	9.7	↗
5:	9.5	↓
Serie		48
Total		184



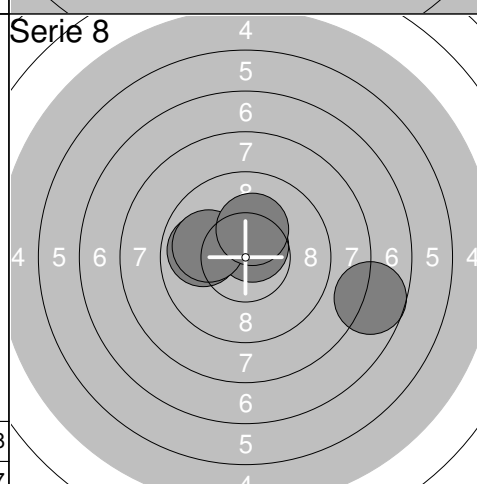
1:	10.0	↖
2:	9.0	↑
3:	10.1	↗
4:	9.2	↖
5:	9.5	↓
Serie		47
Total		231



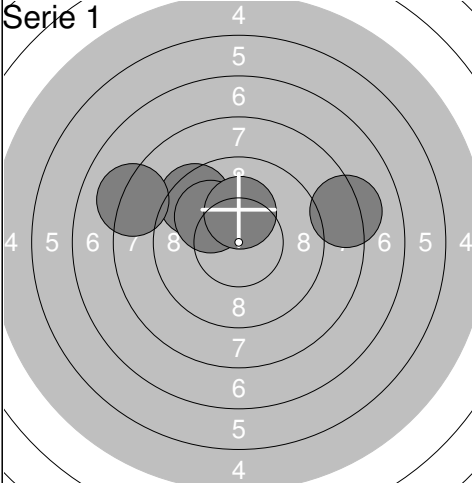
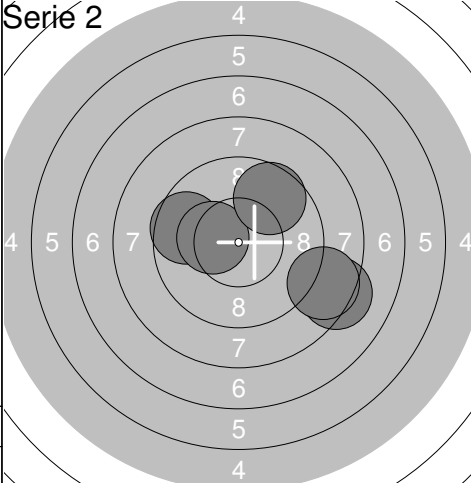
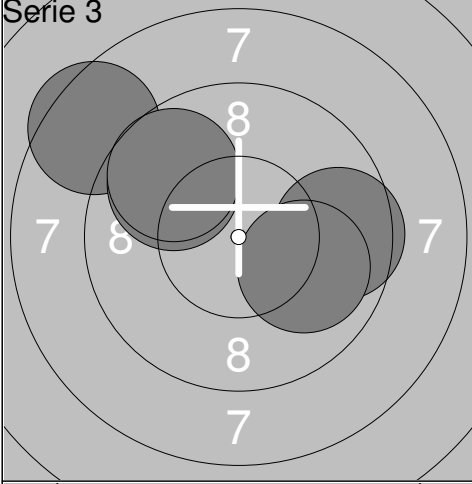
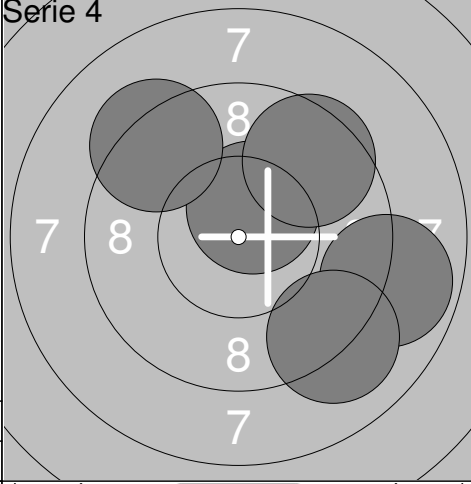
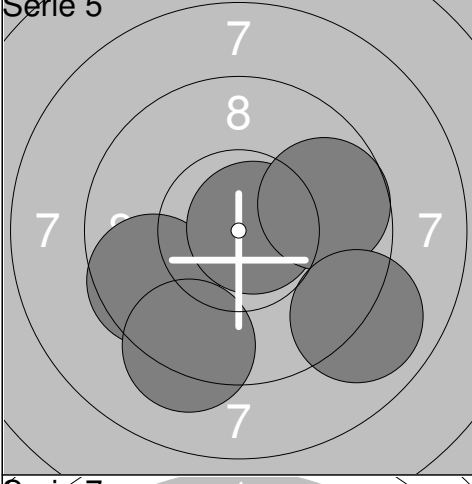
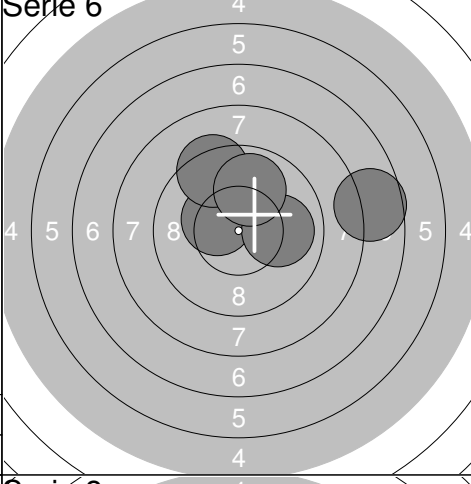
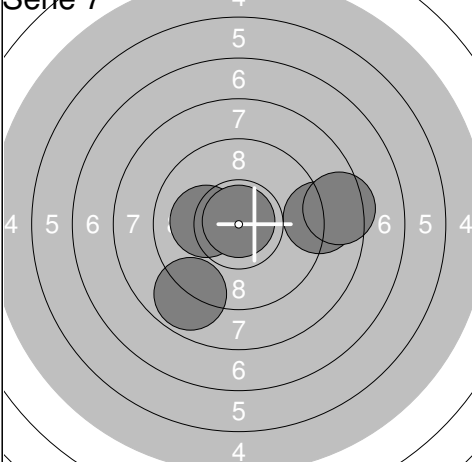
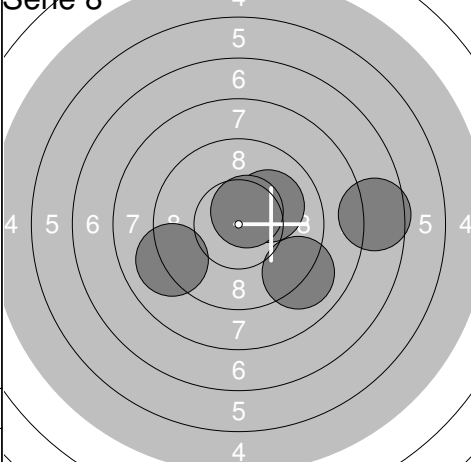
1:	10.0	→
2:	10.0	↑
3:	9.4	↘
4:	9.3	↓
5:	10.4x	↓
Serie		48
Total		279

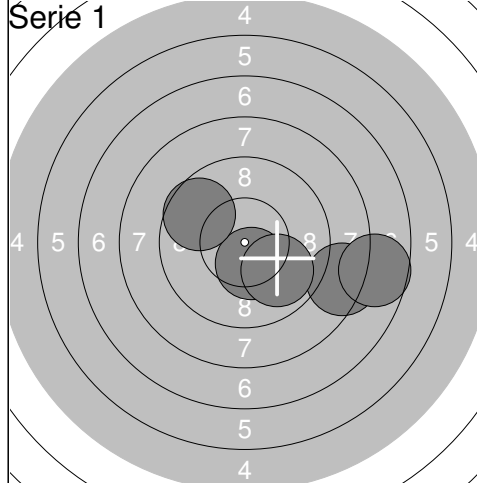


1:	10.7x	↗
2:	9.8	↗
3:	10.8x	↑
4:	10.4x	↗
5:	9.8	↗
Serie		48
Total		327

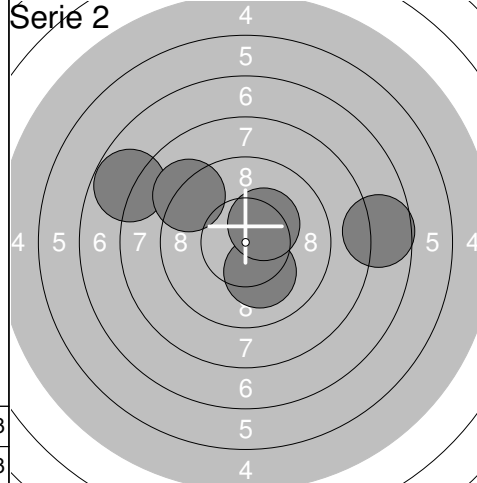


1:	9.9	←
2:	10.6x	↗
3:	10.0	←
4:	7.7	→
5:	10.2x	↑
Serie		46
Total		373

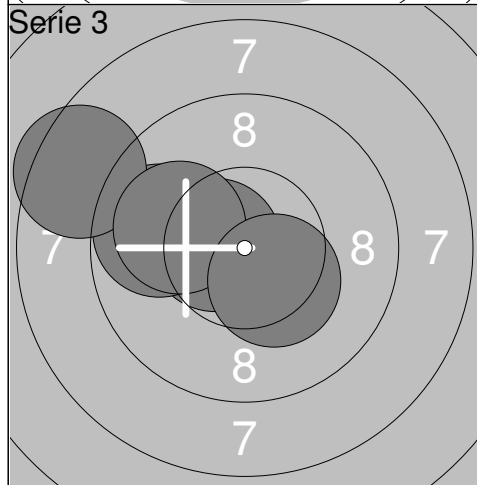
Skjutlag 3	Tavla 10	Henrik Olsson			
Kval stående		Öved-Östraby Skytteförening	SM		
03.11.2018		SM luftgevär 2018	Öckerö Skytteförening		
Serie 1		1: 9.4 ↗ 2: 10.0 ↗ 3: 8.2 → 4: 10.2x ↑ 5: 8.1 ↖	Serie 2		1: 8.2 ↘ 2: 9.6 ↖ 3: 10.3x ← 4: 9.6 ↗ 5: 8.6 ↘
		Serie 45 Total 45			Serie 44 Total 89
Serie 3		1: 9.6 → 2: 8.5 ↗ 3: 9.8 ↗ 4: 9.7 ↗ 5: 10.0 ↘	Serie 4		1: 10.5x ↗ 2: 8.8 ↘ 3: 9.0 ↘ 4: 9.3 ↗ 5: 9.5 ↗
		Serie 45 Total 134			Serie 45 Total 179
Serie 5		1: 9.6 ↖ 2: 10.7x → 3: 9.7 → 4: 9.2 ↘ 5: 8.9 ↘	Serie 6		1: 10.4x ↖ 2: 7.6 → 3: 10.0 → 4: 9.3 ↗ 5: 9.9 ↗
		Serie 45 Total 224			Serie 45 Total 269
Serie 7		1: 8.9 → 2: 8.8 ↘ 3: 10.1 ← 4: 10.8x ↑ 5: 8.4 →	Serie 8		1: 10.1 ↗ 2: 9.0 ↘ 3: 9.0 ← 4: 7.6 → 5: 10.6x ↗
		Serie 44 Total 313			Serie 45 Total 358



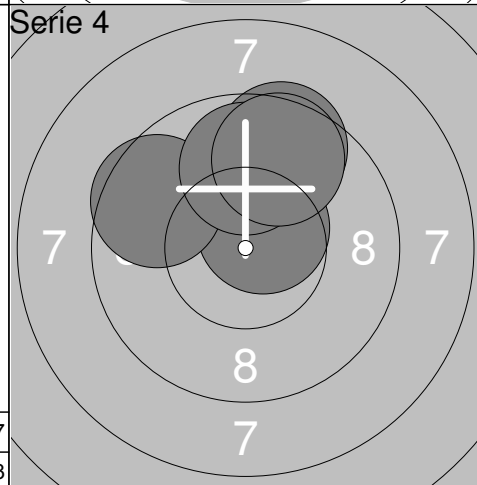
1:	10.4x	↘
2:	8.4	↗
3:	9.9	↘
4:	7.7	↗
5:	9.6	↗
Serie		43
Total		43



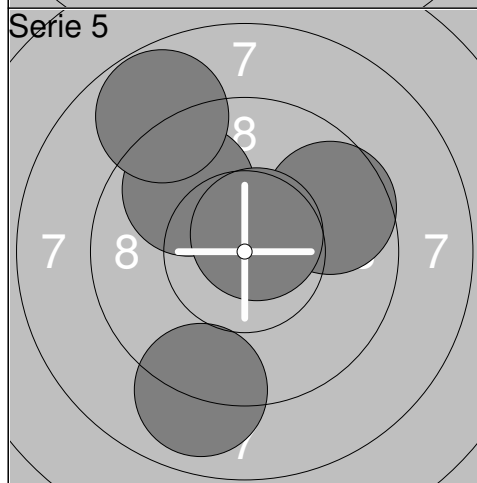
1:	7.6	→
2:	7.7	↖
3:	10.1	↘
4:	9.1	↗
5:	10.3x	↗
Serie		43
Total		86



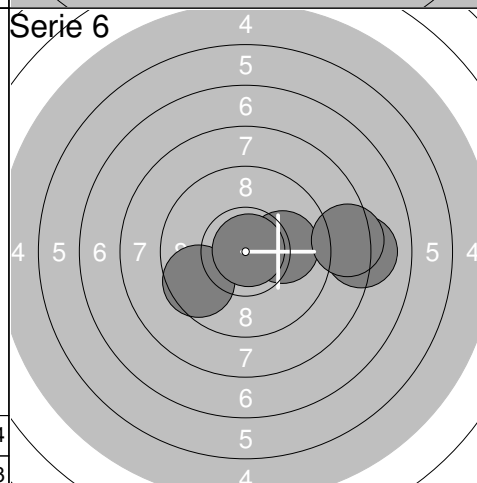
1:	10.5x	↖
2:	9.8	↖
3:	8.5	↗
4:	10.0	↗
5:	10.3x	↘
Serie		47
Total		133



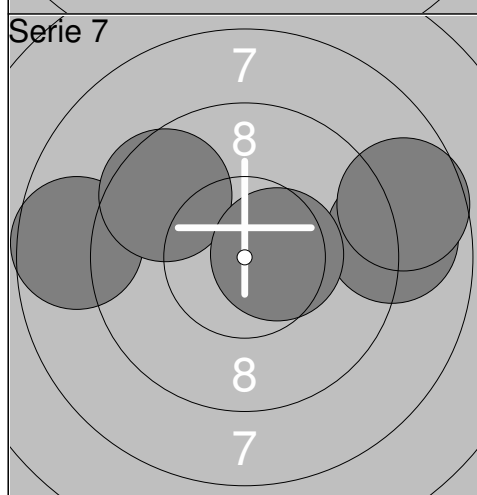
1:	10.6x	↗
2:	9.5	↗
3:	9.6	↖
4:	9.8	↗
5:	9.7	↗
Serie		46
Total		179



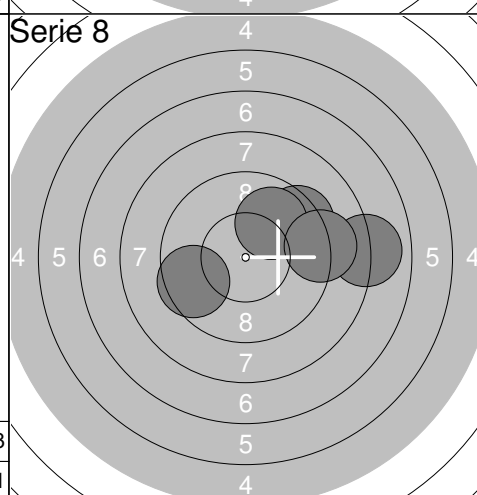
1:	9.6	↗
2:	9.8	↗
3:	8.9	↘
4:	10.7x	↗
5:	8.8	↗
Serie		44
Total		223



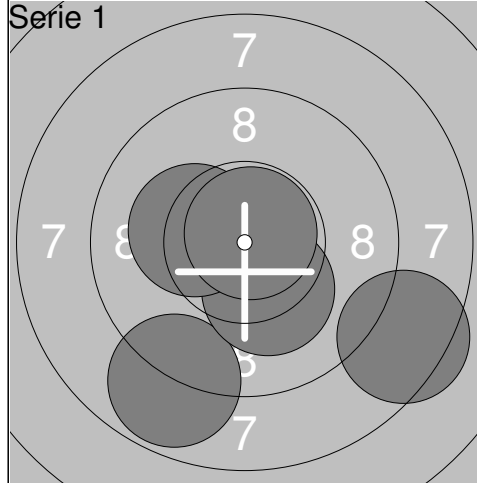
1:	9.5	↖
2:	10.0	→
3:	8.1	→
4:	8.4	→
5:	10.8x	↗
Serie		45
Total		268



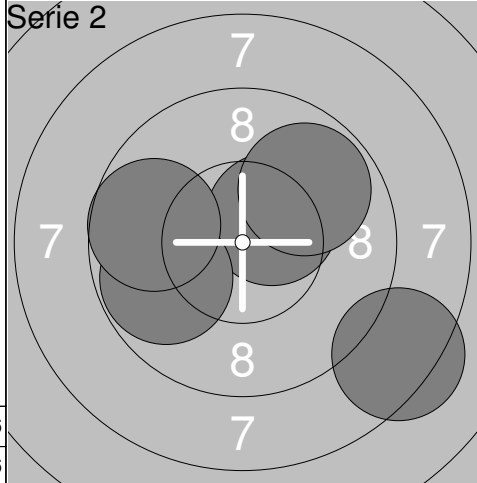
1:	8.9	→
2:	8.7	↖
3:	9.6	↗
4:	8.7	→
5:	10.5x	→
Serie		43
Total		311



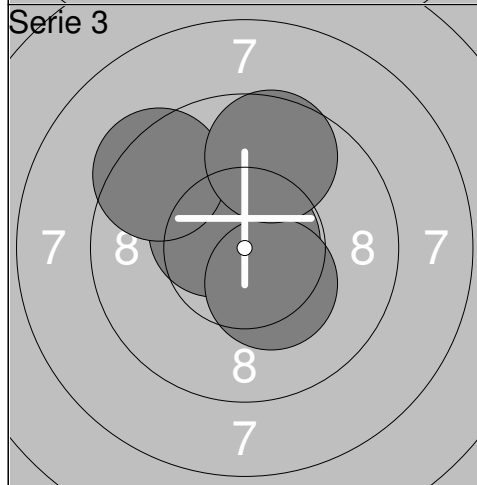
1:	8.0	→
2:	9.5	↖
3:	9.4	↗
4:	9.9	↗
5:	9.1	→
Serie		44
Total		355



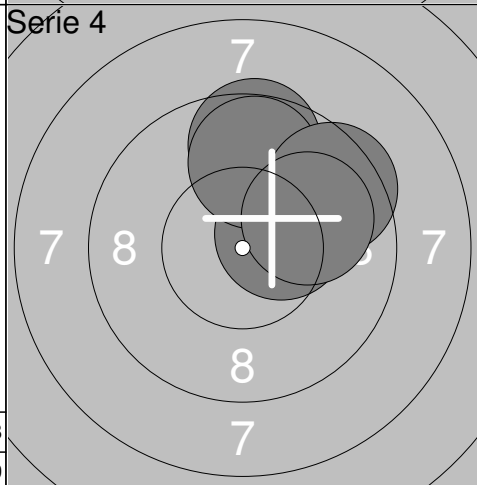
1:	8.8	↘
2:	8.4	↘
3:	10.2x	↘
4:	10.2x	↙
5:	10.8x	↗
Serie		46
Total		46



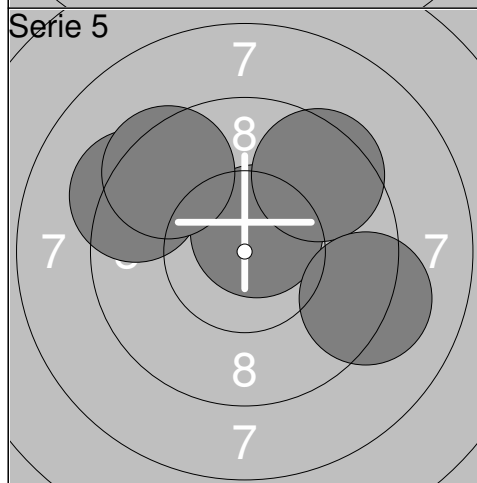
1:	10.4x	↗
2:	8.3	↘
3:	9.8	↙
4:	9.7	↙
5:	9.8	↗
Serie		45
Total		91



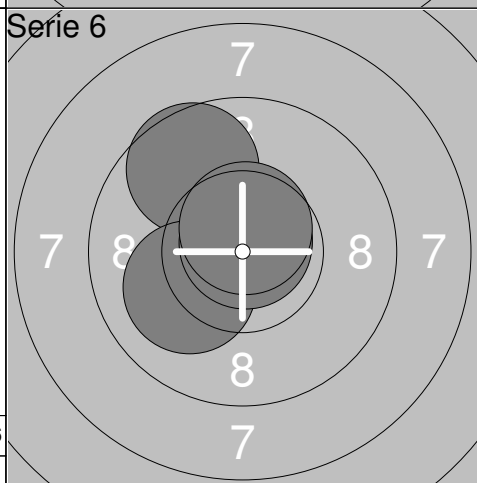
1:	10.8x	↗
2:	10.4x	↗
3:	10.3x	↘
4:	9.4	↗
5:	9.6	↗
Serie		48
Total		139



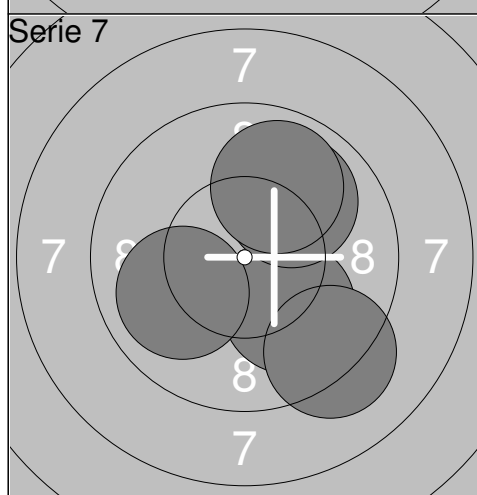
1:	10.4x	↗
2:	9.5	↑
3:	9.7	↑
4:	9.5	↗
5:	9.9	↗
Serie		46
Total		185



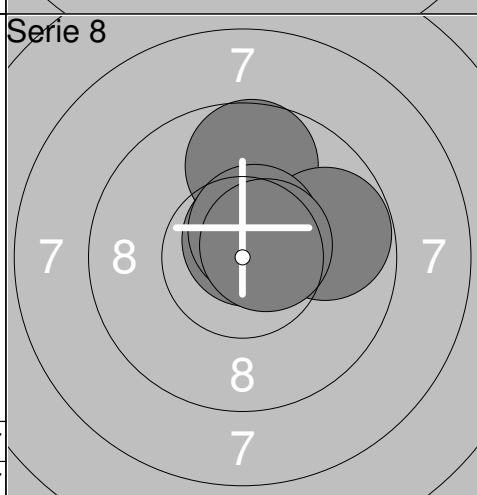
1:	10.6x	↗
2:	9.3	↙
3:	9.4	↗
4:	9.5	↗
5:	9.2	↘
Serie		46
Total		231



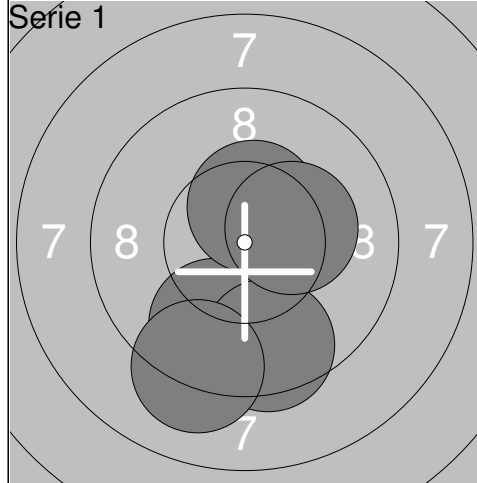
1:	10.8x	↑
2:	9.6	↖
3:	10.0	↙
4:	10.8x	↑
5:	10.6x	↑
Serie		49
Total		280



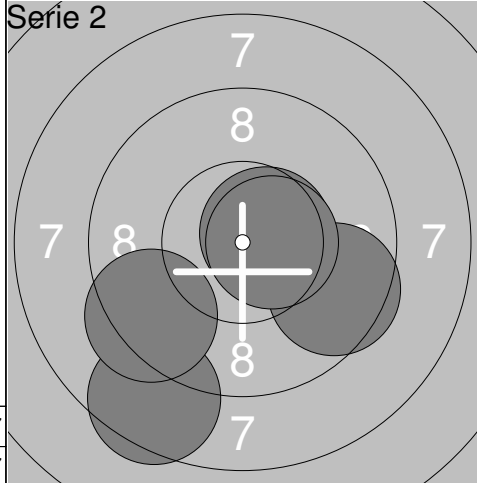
1:	10.0	↘
2:	10.0	↙
3:	9.9	↗
4:	9.9	↗
5:	9.2	↘
Serie		47
Total		327



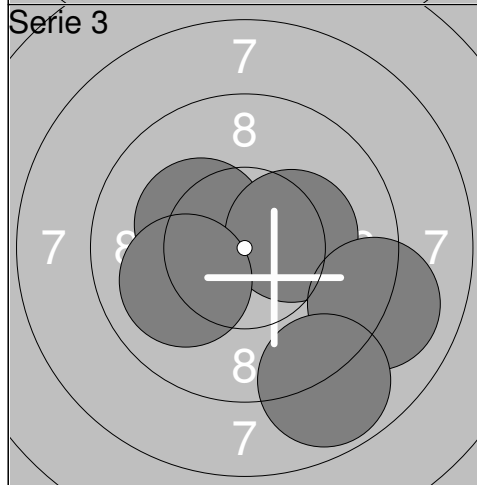
1:	9.7	↑
2:	9.8	→
3:	10.7x	↑
4:	10.5x	↑
5:	10.6x	↗
Serie		48
Total		375



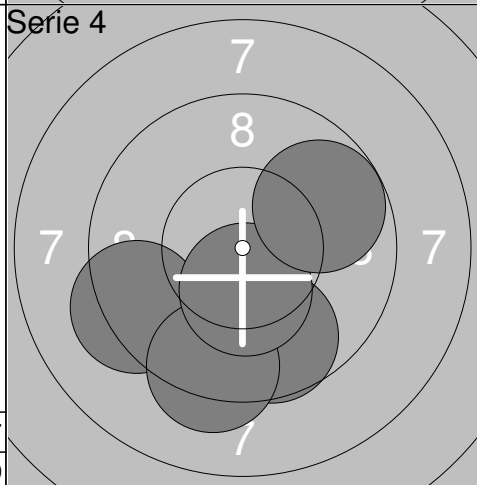
1:	9.7	↘
2:	9.5	↘
3:	10.4x	↑
4:	9.1	↘
5:	10.3x	→
Serie		47
Total		47



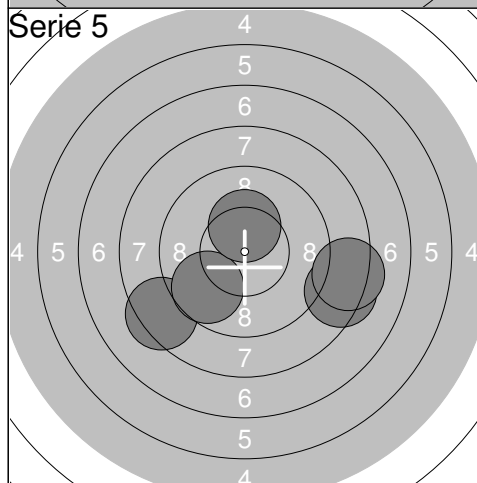
1:	9.5	→
2:	10.6x	→
3:	8.5	↘
4:	9.3	↘
5:	10.5x	→
Serie		46
Total		93



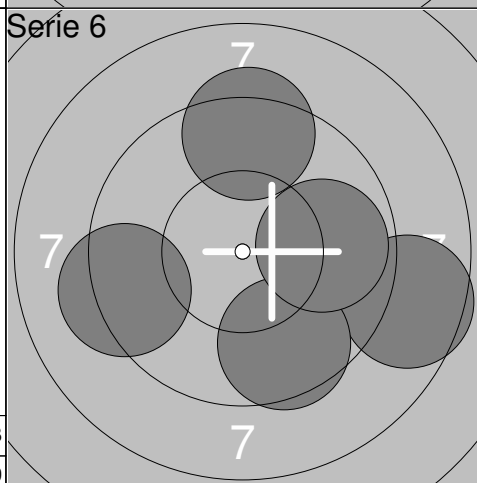
1:	10.2x	↖
2:	10.3x	→
3:	9.0	→
4:	10.0	↖
5:	8.8	↘
Serie		47
Total		140



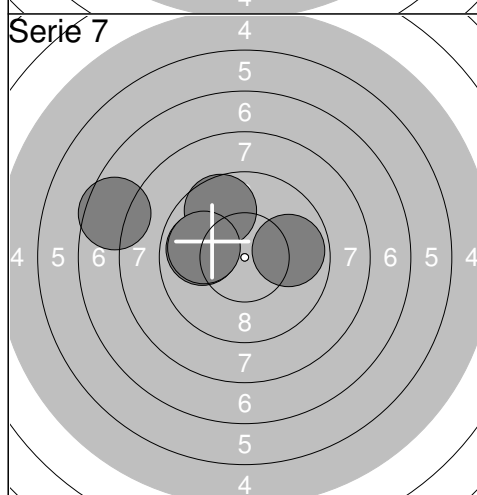
1:	9.3	↖
2:	9.7	↘
3:	9.3	↘
4:	10.4x	↘
5:	9.7	→
Serie		46
Total		186



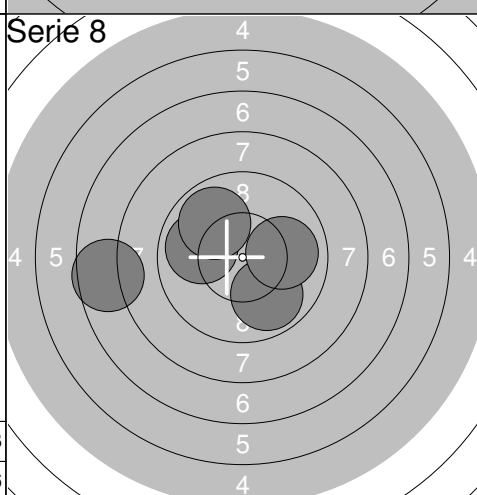
1:	8.4	↖
2:	9.7	↖
3:	10.3x	↑
4:	8.4	→
5:	8.3	→
Serie		43
Total		229



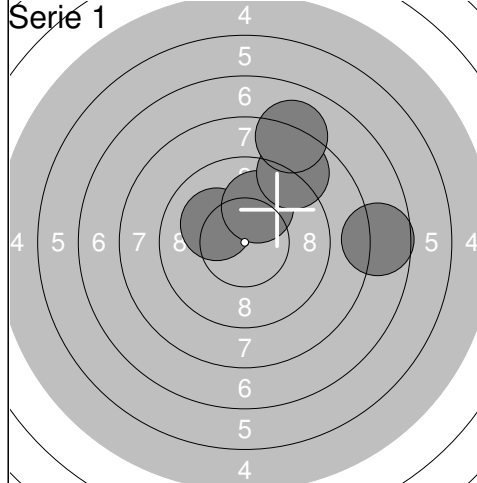
1:	9.2	↖
2:	8.6	→
3:	9.3	↑
4:	9.6	↘
5:	9.8	→
Serie		44
Total		273



1:	7.6	↖
2:	9.6	↗
3:	9.9	↖
4:	9.8	→
5:	9.9	↖
Serie		43
Total		316

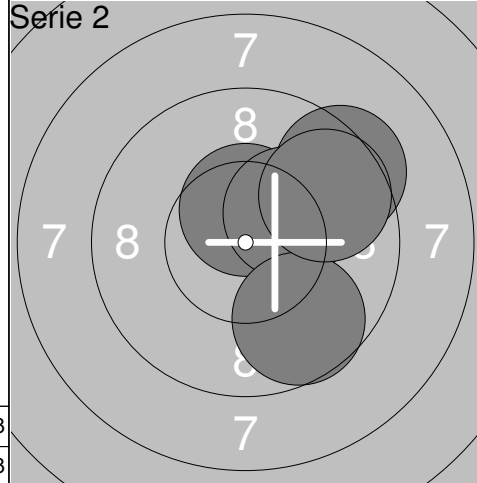


1:	9.8	↘
2:	9.9	↖
3:	9.8	↗
4:	10.0	→
5:	7.6	↖
Serie		44
Total		360



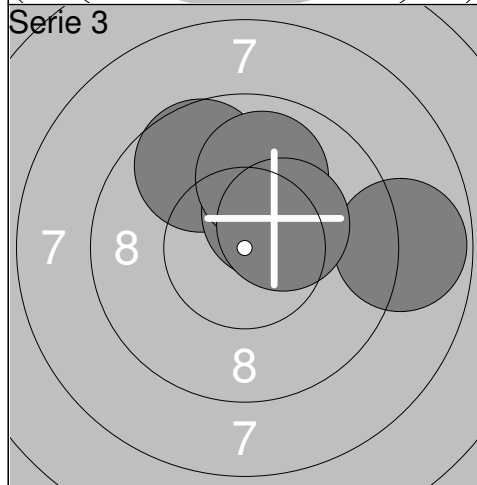
1:	10.1	↖
2:	10.0	↑
3:	8.8	↗
4:	7.6	→
5:	8.1	↑

Serie	43
Total	43



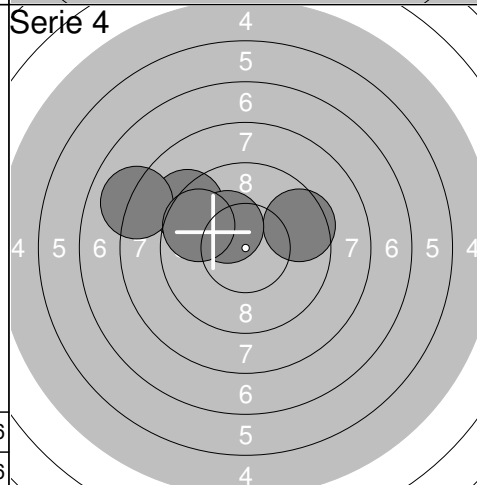
1:	10.5x	↑
2:	9.3	↗
3:	10.2x	↗
4:	9.7	↘
5:	9.7	↗

Serie	47
Total	90



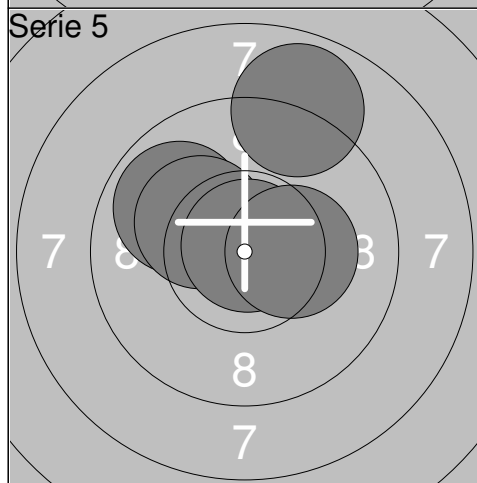
1:	9.7	↖
2:	8.8	→
3:	10.3x	↗
4:	9.9	↑
5:	10.3x	↗

Serie	46
Total	136



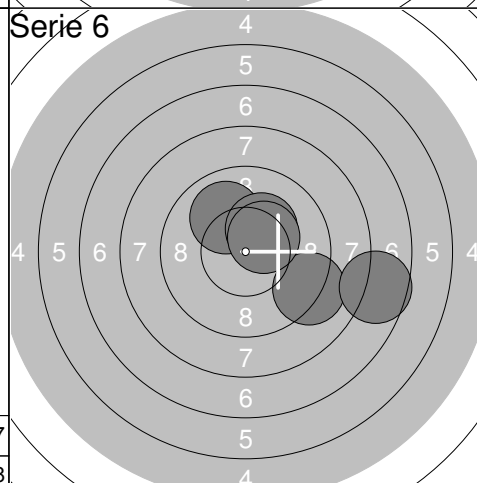
1:	9.5	↗
2:	9.1	↖
3:	8.0	↖
4:	10.3x	↗
5:	9.6	↖

Serie	45
Total	181



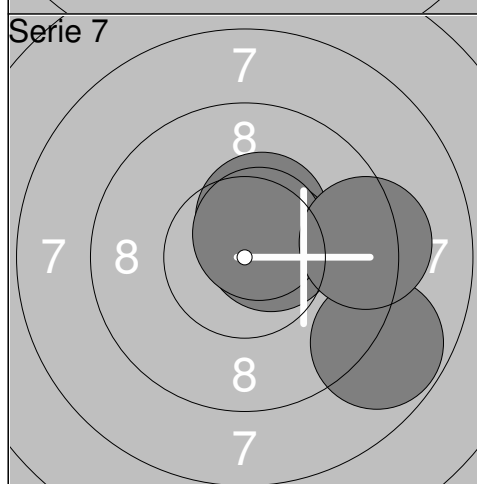
1:	8.9	↑
2:	9.9	↖
3:	10.2x	↖
4:	10.9x	↑
5:	10.3x	→

Serie	47
Total	228



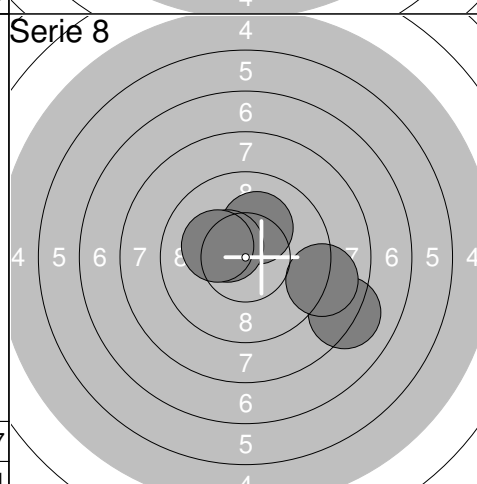
1:	10.0	↖
2:	10.2x	↗
3:	9.1	↘
4:	7.6	→
5:	10.3x	↗

Serie	46
Total	274



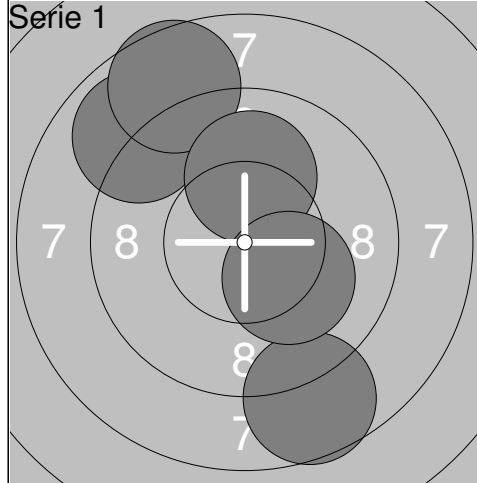
1:	8.8	↘
2:	10.3x	↑
3:	10.5x	→
4:	10.5x	↗
5:	9.3	→

Serie	47
Total	321

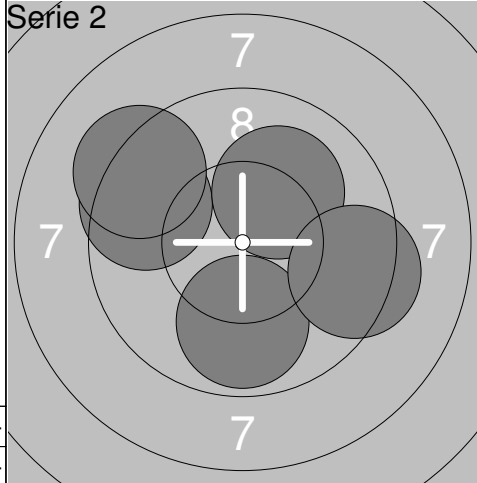


1:	10.1	↑
2:	8.1	↘
3:	9.0	→
4:	10.4x	↖
5:	10.2x	↖

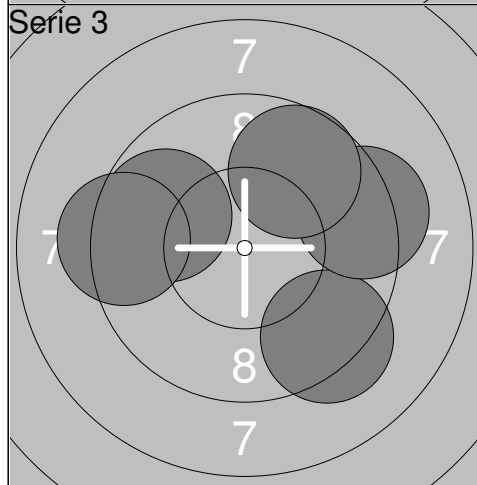
Serie	47
Total	368



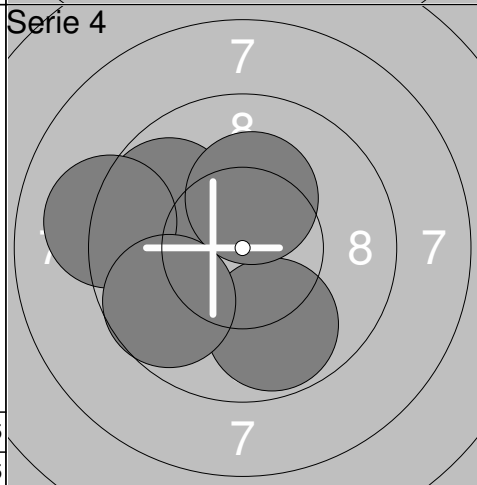
1:	8.9	↗
2:	8.6	↗
3:	8.6	↘
4:	10.0	↑
5:	10.2x	↘
Serie		44
Total		44



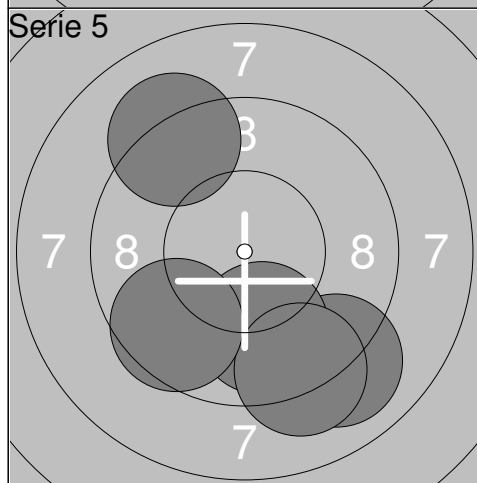
1:	9.9	↓
2:	9.5	↖
3:	9.2	↗
4:	10.1	↗
5:	9.4	→
Serie		46
Total		90



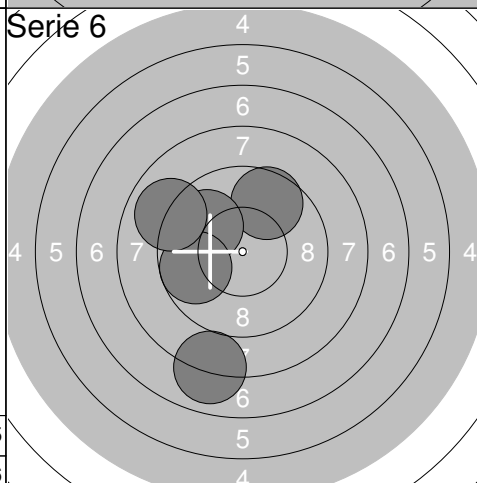
1:	9.3	↘
2:	9.8	↗
3:	9.2	→
4:	9.7	↗
5:	9.3	←
Serie		45
Total		135



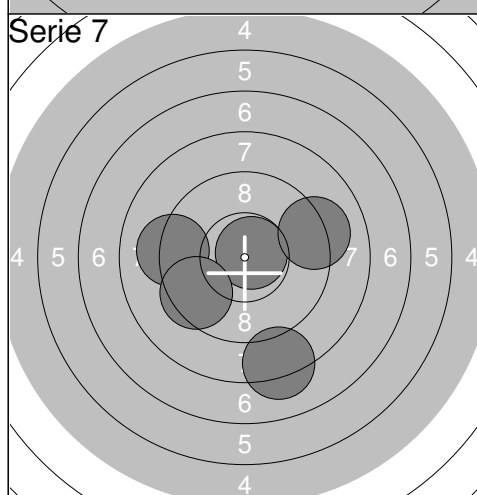
1:	9.8	↖
2:	9.8	↓
3:	10.3x	↑
4:	9.1	←
5:	9.7	↙
Serie		46
Total		181



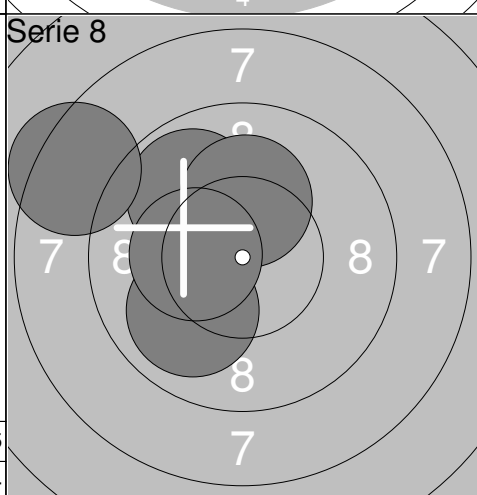
1:	9.0	↘
2:	9.9	↘
3:	9.2	↘
4:	9.6	↘
5:	9.1	↗
Serie		45
Total		226



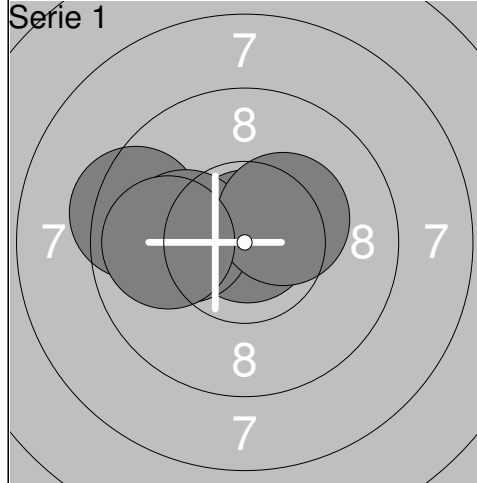
1:	9.6	↗
2:	9.8	↖
3:	9.7	←
4:	8.0	↓
5:	8.9	↖
Serie		43
Total		269



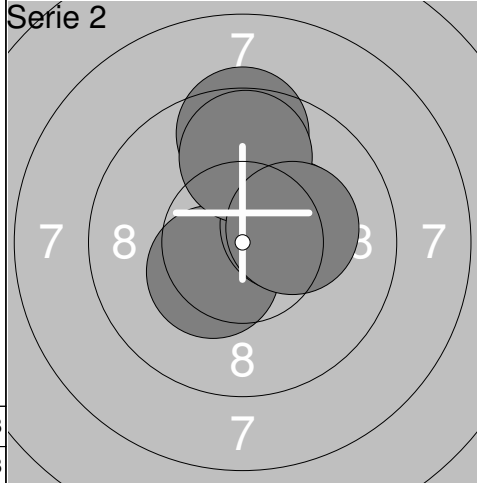
1:	10.7x	↗
2:	8.2	↓
3:	9.2	←
4:	9.1	→
5:	9.4	↙
Serie		45
Total		314



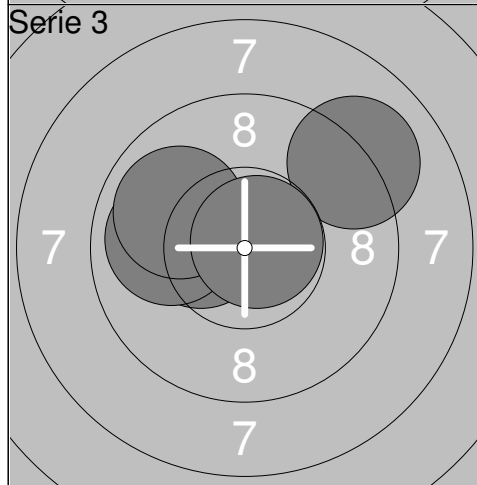
1:	9.8	↖
2:	10.2x	↑
3:	9.9	↙
4:	8.4	↖
5:	10.3x	←
Serie		46
Total		360



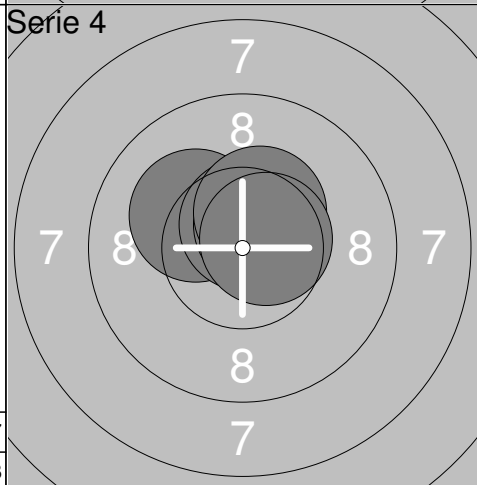
Serie	48
Total	48



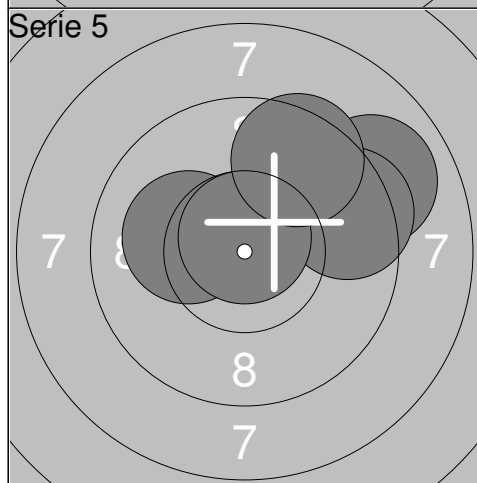
Serie	48
Total	96



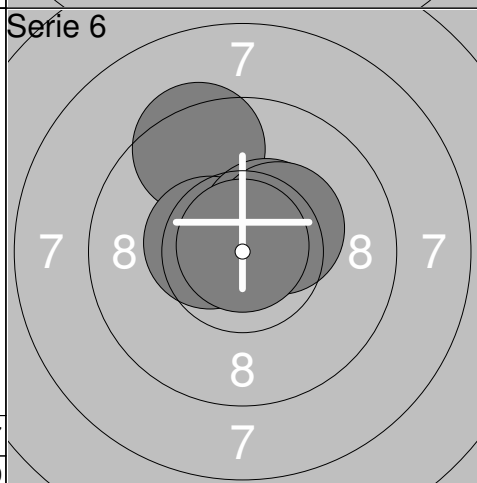
Serie	47
Total	143



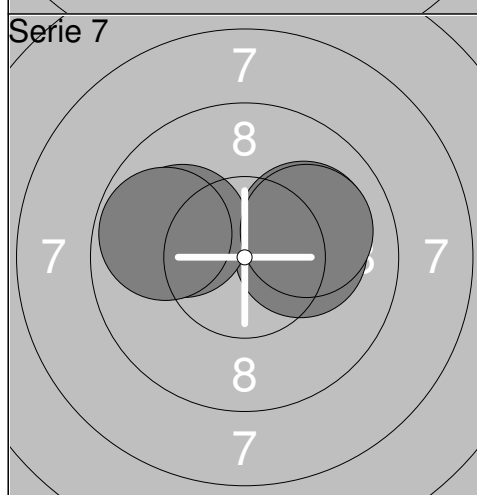
Serie	50
Total	193



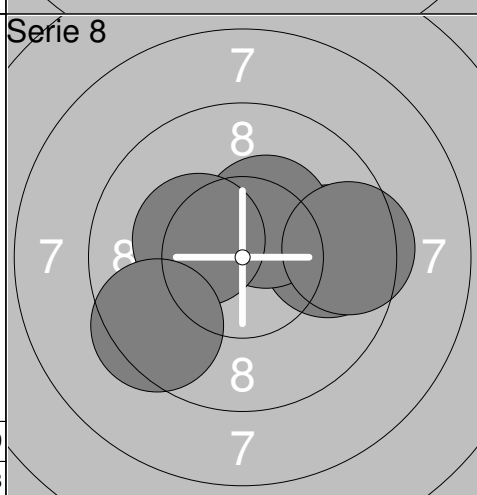
Serie	47
Total	240



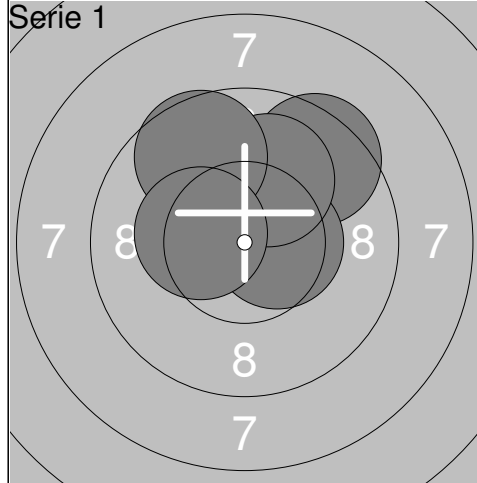
Serie	49
Total	289



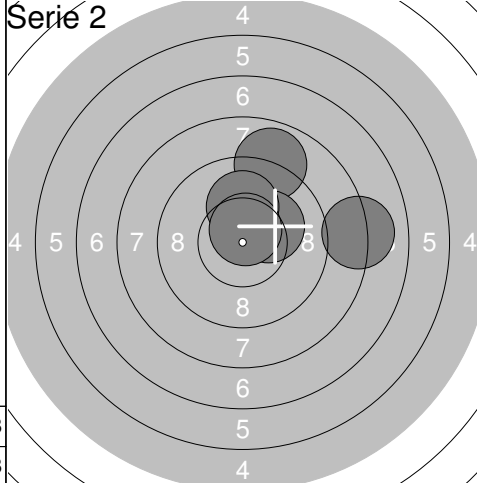
Serie	49
Total	338



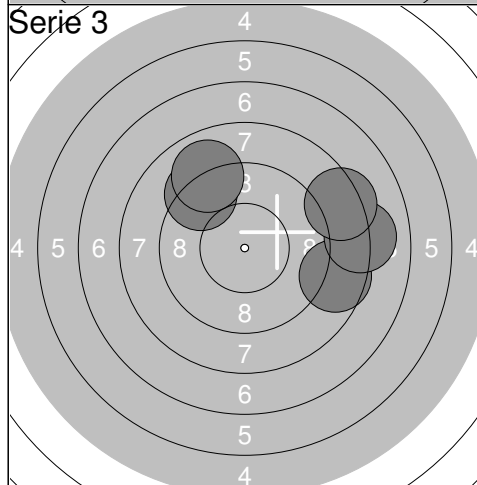
Serie	47
Total	385



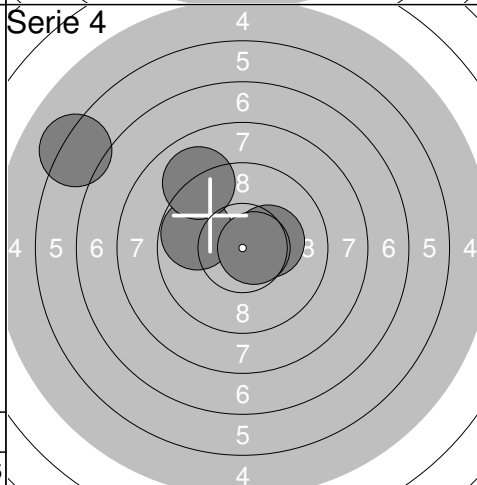
1:	9.5	↗
2:	10.5x	→
3:	10.0	↑
4:	9.6	↗
5:	10.3x	←
Serie		48
Total		48



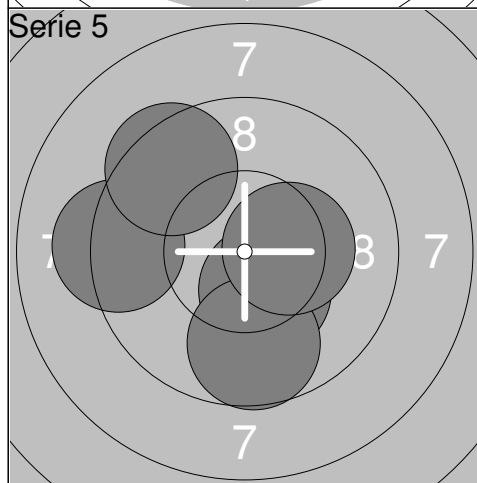
1:	8.9	↗
2:	10.2x	↗
3:	10.0	↑
4:	10.6x	↑
5:	8.1	→
Serie		46
Total		94



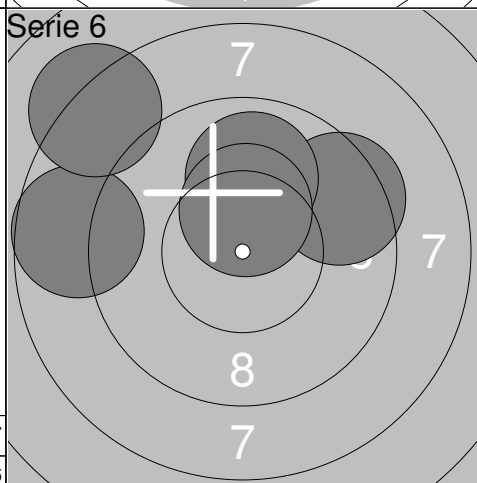
1:	8.6	→
2:	9.2	↗
3:	8.9	↗
4:	8.1	→
5:	8.3	→
Serie		41
Total		135



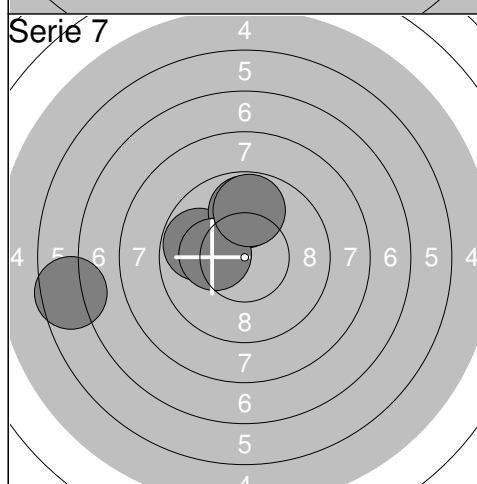
1:	10.3x	→
2:	6.2	↖
3:	9.7	←
4:	9.0	↗
5:	10.6x	→
Serie		44
Total		179



1:	10.4x	↘
2:	9.2	←
3:	9.4	↗
4:	9.7	↘
5:	10.3x	→
Serie		47
Total		226



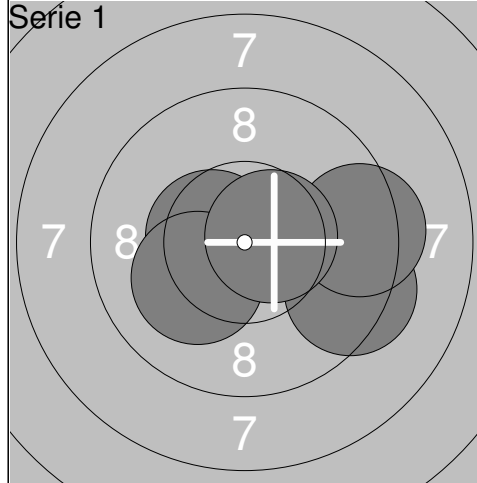
1:	9.4	↗
2:	9.9	↑
3:	10.4x	↑
4:	8.7	←
5:	8.2	↖
Serie		44
Total		270



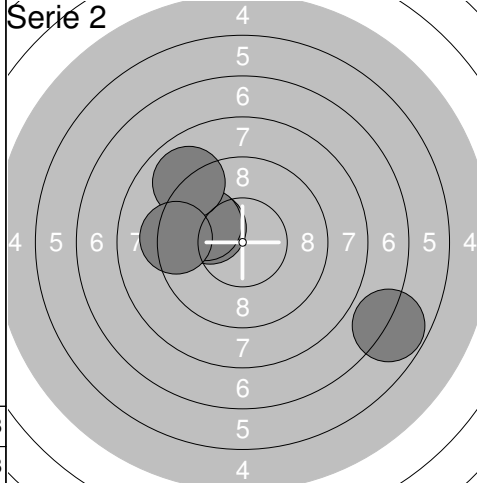
1:	9.8	←
2:	6.6	←
3:	9.8	↑
4:	10.2x	←
5:	9.8	↑
Serie		43
Total		313



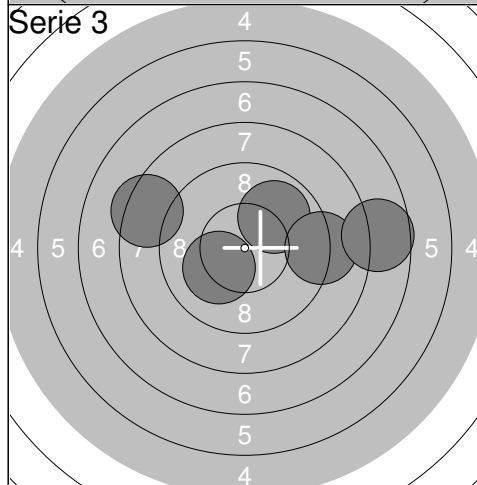
1:	8.0	←
2:	8.3	→
3:	10.6x	↑
4:	8.8	←
5:	9.2	↗
Serie		43
Total		356



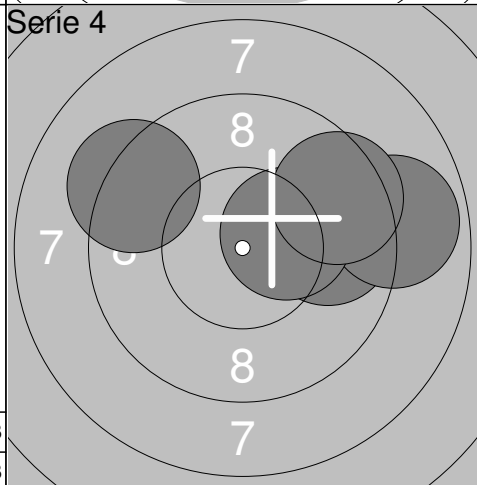
Serie	48
Total	48



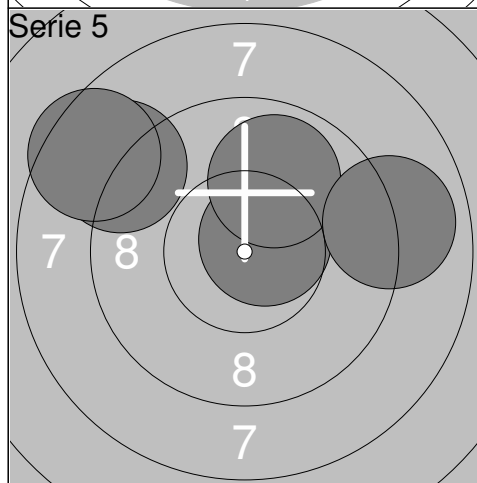
Serie	42
Total	90



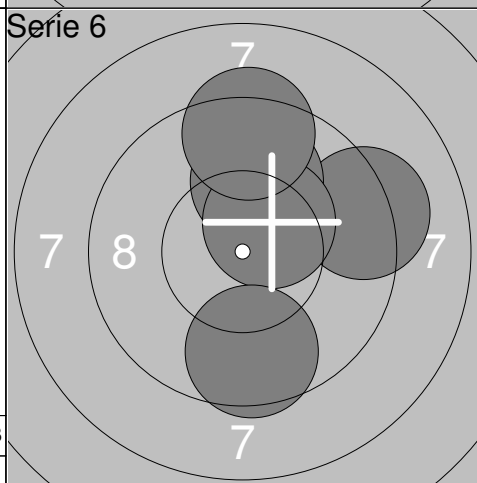
Serie	43
Total	133



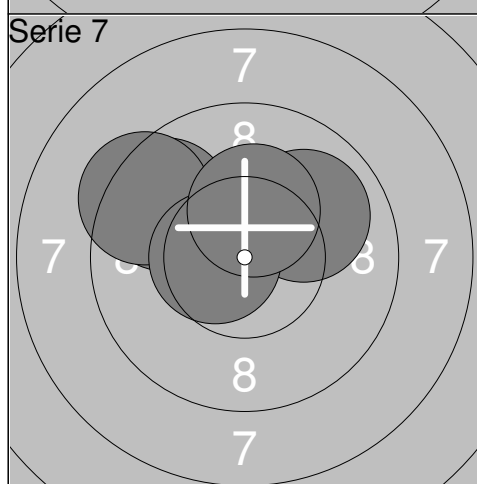
Serie	45
Total	178



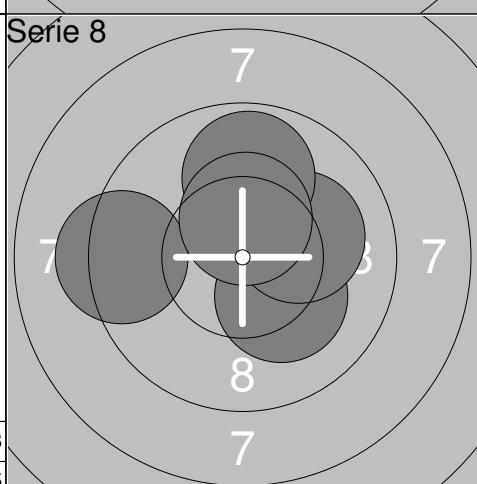
Serie	43
Total	221



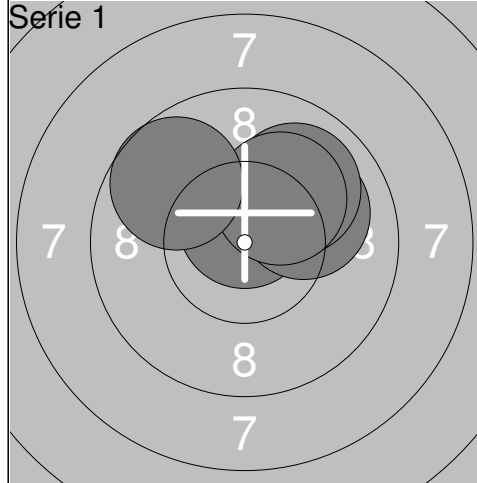
Serie	46
Total	267



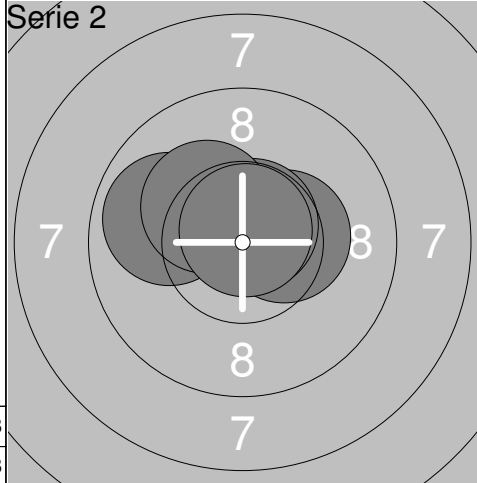
Serie	48
Total	315



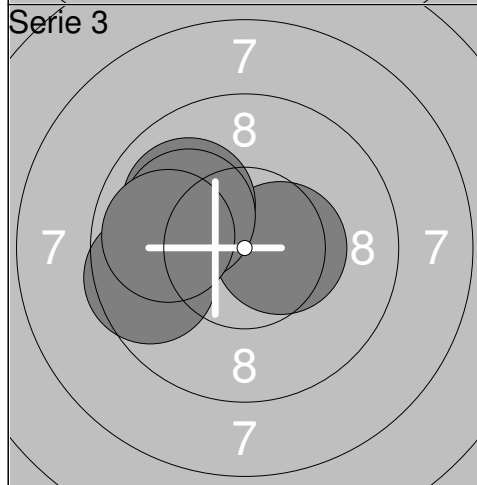
Serie	48
Total	363



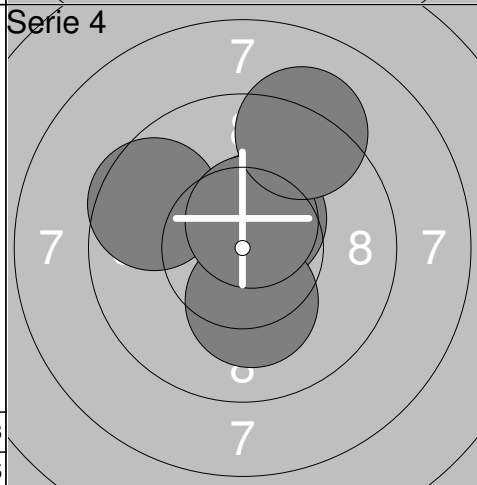
1:	10.7x	↑
2:	10.0	→
3:	9.9	↗
4:	10.1	↗
5:	9.7	↖
Serie		48
Total		48



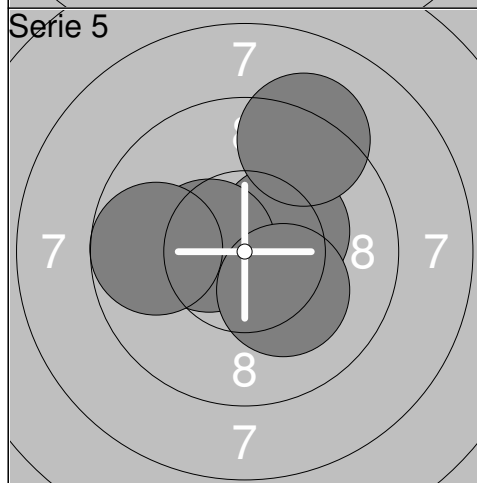
1:	9.9	↖
2:	10.3x	→
3:	10.6x	↗
4:	10.3x	↖
5:	10.8x	↑
Serie		49
Total		97



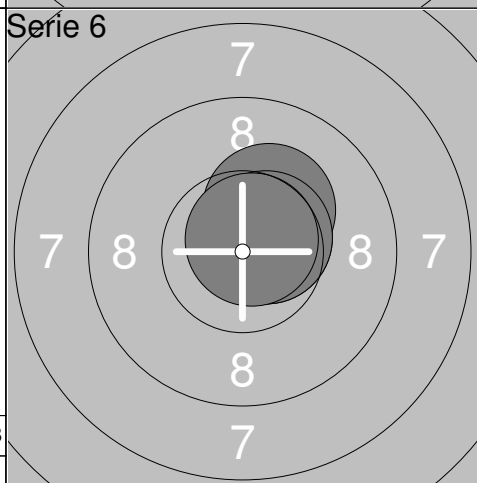
1:	10.5x	→
2:	10.0	↗
3:	9.6	↖
4:	10.1	↗
5:	9.9	↖
Serie		48
Total		145



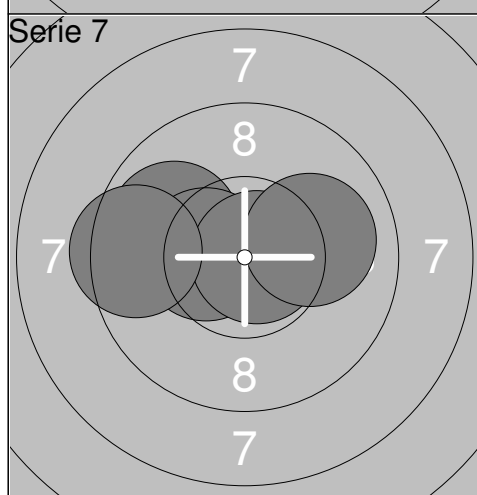
1:	10.5x	↗
2:	9.6	↖
3:	10.2x	↓
4:	10.5x	↗
5:	9.2	↗
Serie		48
Total		193



1:	10.3x	↗
2:	10.4x	↖
3:	9.2	↗
4:	10.2x	↘
5:	9.7	↖
Serie		48
Total		241



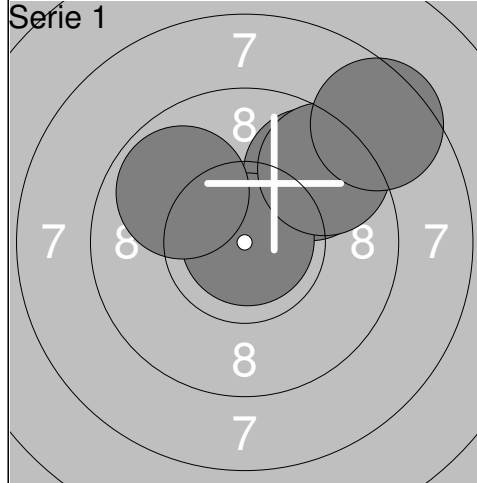
1:	10.6x	↗
2:	10.5x	↗
3:	10.3x	↗
4:	10.6x	↗
5:	10.7x	↗
Serie		50
Total		291



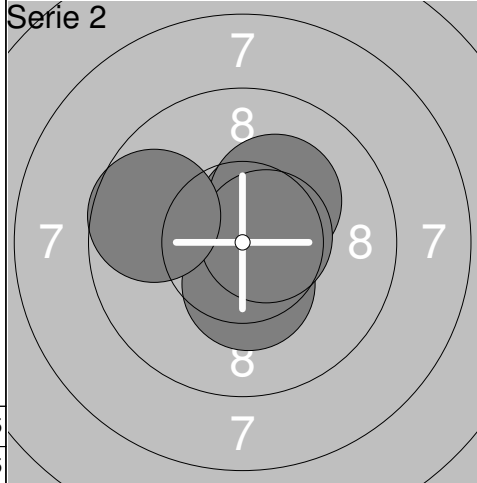
1:	9.9	↖
2:	10.4x	↖
3:	10.8x	→
4:	10.0	→
5:	9.4	↖
Serie		48
Total		339



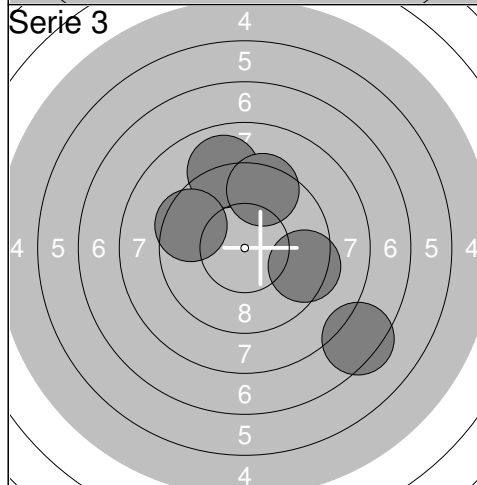
1:	10.0	↑
2:	10.6x	↑
3:	9.4	↖
4:	10.6x	→
5:	10.1	↗
Serie		49
Total		388



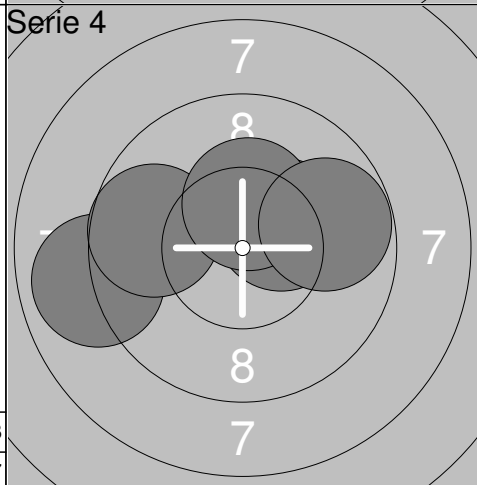
1:	9.6	↗
2:	10.8x	↗
3:	9.5	↗
4:	8.5	↗
5:	9.9	↖
Serie		45
Total		45



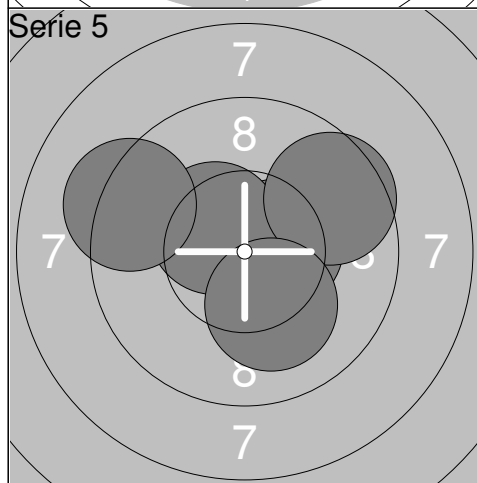
1:	10.5x	↗
2:	10.2x	↗
3:	10.4x	↓
4:	10.6x	→
5:	9.7	←
Serie		49
Total		94



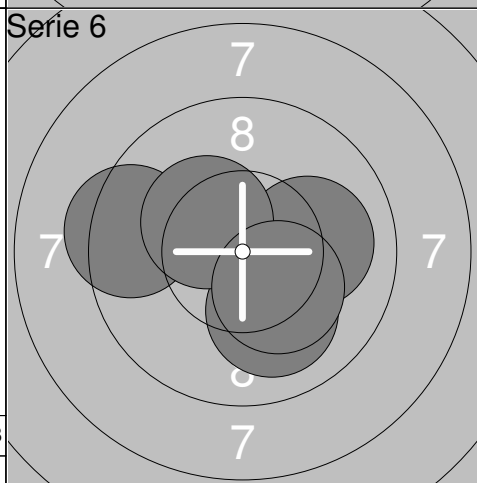
1:	9.0	↑
2:	9.4	↑
3:	9.4	→
4:	7.3	↓
5:	9.5	↖
Serie		43
Total		137



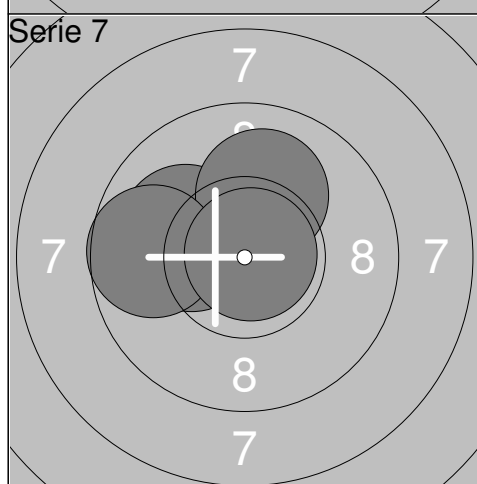
1:	8.9	←
2:	9.7	←
3:	10.3x	↗
4:	10.3x	↑
5:	9.8	→
Serie		46
Total		183



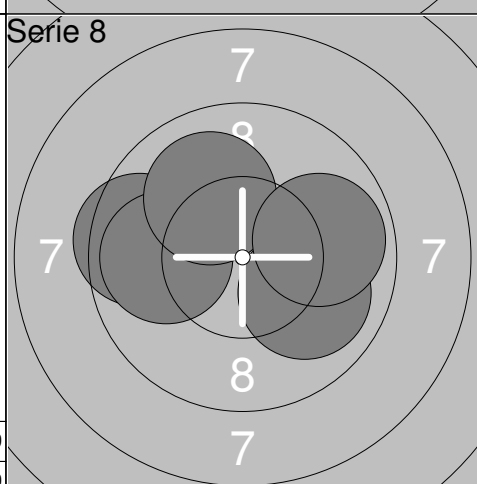
1:	10.5x	→
2:	10.4x	↗
3:	9.2	↖
4:	9.6	→
5:	10.1	↓
Serie		48
Total		231



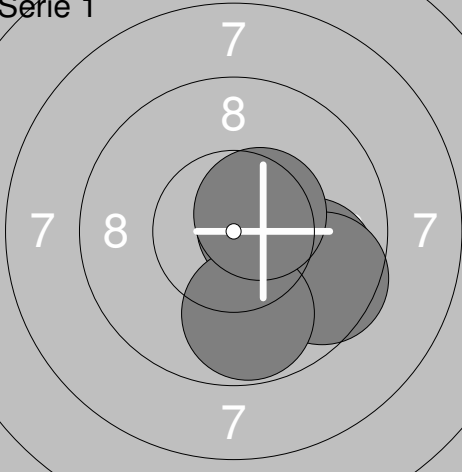
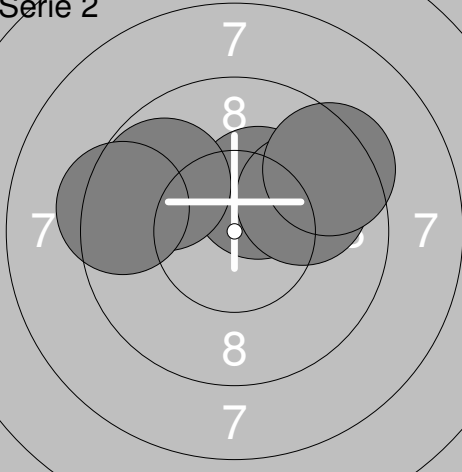
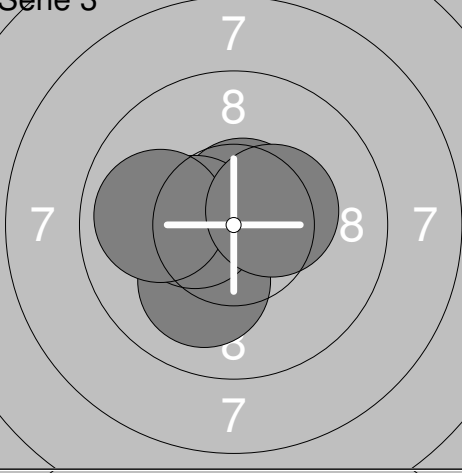
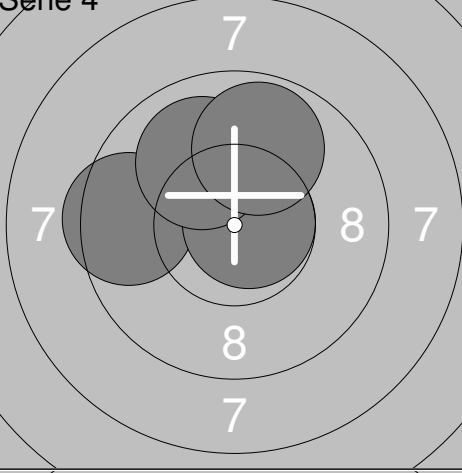
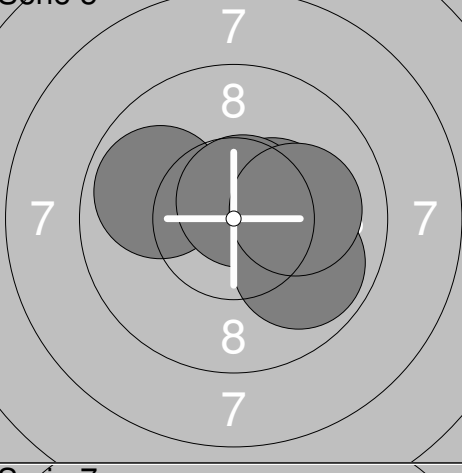
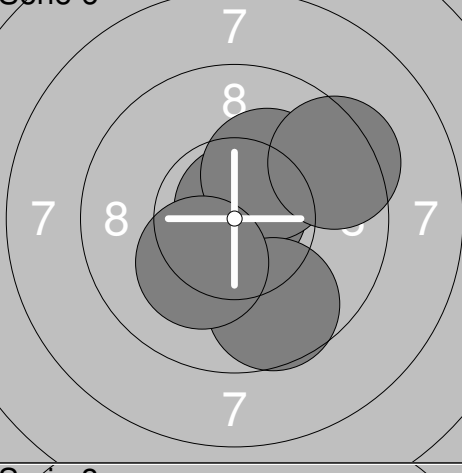
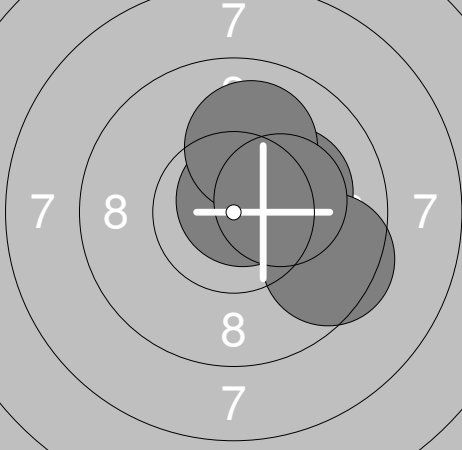
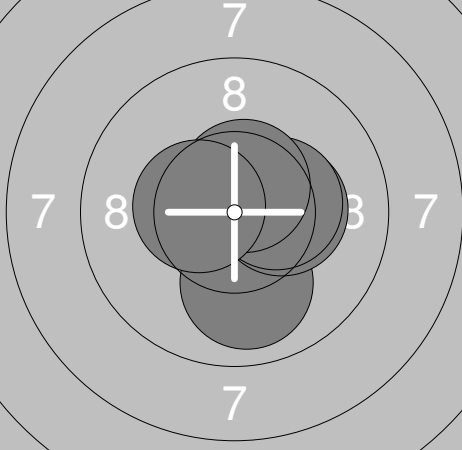
1:	10.0	→
2:	10.0	↓
3:	9.4	←
4:	10.3x	↗
5:	10.3x	↓
Serie		49
Total		280

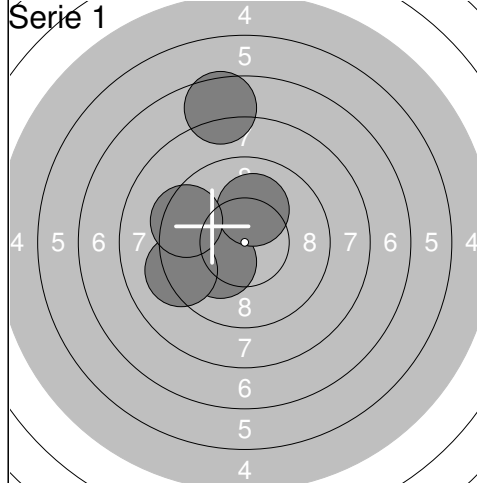


1:	10.2x	←
2:	10.0	←
3:	10.0	↑
4:	9.7	←
5:	10.8x	↗
Serie		49
Total		329

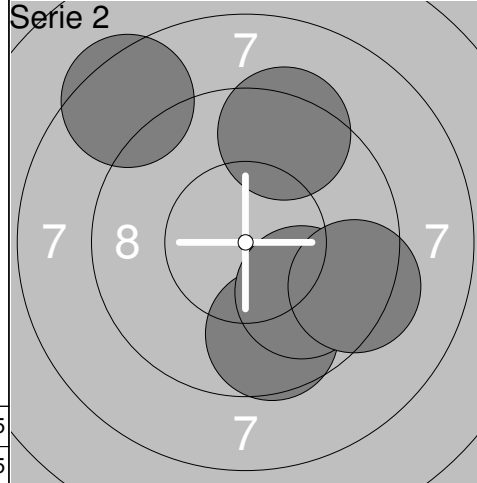


1:	9.5	←
2:	9.9	←
3:	10.0	↓
4:	10.0	↗
5:	9.9	→
Serie		47
Total		376

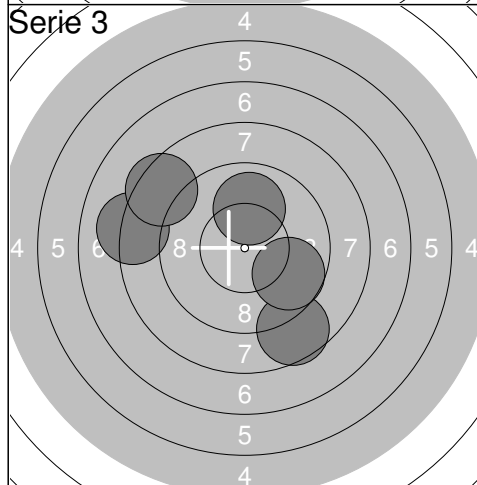
<p>Serie 1</p>  <table border="1" style="width:100%; border-collapse: collapse;"> <tr><td>1:</td><td>10.5x</td><td>→</td></tr> <tr><td>2:</td><td>9.8</td><td>→</td></tr> <tr><td>3:</td><td>9.6</td><td>→</td></tr> <tr><td>4:</td><td>9.8</td><td>↓</td></tr> <tr><td>5:</td><td>10.5x</td><td>→</td></tr> <tr><td colspan="2">Serie</td><td>47</td></tr> <tr><td colspan="2">Total</td><td>47</td></tr> </table>	1:	10.5x	→	2:	9.8	→	3:	9.6	→	4:	9.8	↓	5:	10.5x	→	Serie		47	Total		47	<p>Serie 2</p>  <table border="1" style="width:100%; border-collapse: collapse;"> <tr><td>1:</td><td>10.3x</td><td>↗</td></tr> <tr><td>2:</td><td>9.9</td><td>→</td></tr> <tr><td>3:</td><td>9.4</td><td>→</td></tr> <tr><td>4:</td><td>9.8</td><td>↖</td></tr> <tr><td>5:</td><td>9.4</td><td>←</td></tr> <tr><td colspan="2">Serie</td><td>46</td></tr> <tr><td colspan="2">Total</td><td>93</td></tr> </table>	1:	10.3x	↗	2:	9.9	→	3:	9.4	→	4:	9.8	↖	5:	9.4	←	Serie		46	Total		93
1:	10.5x	→																																									
2:	9.8	→																																									
3:	9.6	→																																									
4:	9.8	↓																																									
5:	10.5x	→																																									
Serie		47																																									
Total		47																																									
1:	10.3x	↗																																									
2:	9.9	→																																									
3:	9.4	→																																									
4:	9.8	↖																																									
5:	9.4	←																																									
Serie		46																																									
Total		93																																									
<p>Serie 3</p>  <table border="1" style="width:100%; border-collapse: collapse;"> <tr><td>1:</td><td>10.6x</td><td>↗</td></tr> <tr><td>2:</td><td>10.1</td><td>↓</td></tr> <tr><td>3:</td><td>10.4x</td><td>←</td></tr> <tr><td>4:</td><td>9.9</td><td>←</td></tr> <tr><td>5:</td><td>10.4x</td><td>→</td></tr> <tr><td colspan="2">Serie</td><td>49</td></tr> <tr><td colspan="2">Total</td><td>142</td></tr> </table>	1:	10.6x	↗	2:	10.1	↓	3:	10.4x	←	4:	9.9	←	5:	10.4x	→	Serie		49	Total		142	<p>Serie 4</p>  <table border="1" style="width:100%; border-collapse: collapse;"> <tr><td>1:</td><td>10.7x</td><td>↗</td></tr> <tr><td>2:</td><td>9.5</td><td>←</td></tr> <tr><td>3:</td><td>10.7x</td><td>→</td></tr> <tr><td>4:</td><td>10.0</td><td>↗</td></tr> <tr><td>5:</td><td>9.9</td><td>↗</td></tr> <tr><td colspan="2">Serie</td><td>48</td></tr> <tr><td colspan="2">Total</td><td>190</td></tr> </table>	1:	10.7x	↗	2:	9.5	←	3:	10.7x	→	4:	10.0	↗	5:	9.9	↗	Serie		48	Total		190
1:	10.6x	↗																																									
2:	10.1	↓																																									
3:	10.4x	←																																									
4:	9.9	←																																									
5:	10.4x	→																																									
Serie		49																																									
Total		142																																									
1:	10.7x	↗																																									
2:	9.5	←																																									
3:	10.7x	→																																									
4:	10.0	↗																																									
5:	9.9	↗																																									
Serie		48																																									
Total		190																																									
<p>Serie 5</p>  <table border="1" style="width:100%; border-collapse: collapse;"> <tr><td>1:</td><td>9.9</td><td>←</td></tr> <tr><td>2:</td><td>10.4x</td><td>→</td></tr> <tr><td>3:</td><td>10.7x</td><td>↗</td></tr> <tr><td>4:</td><td>9.9</td><td>↘</td></tr> <tr><td>5:</td><td>10.1</td><td>→</td></tr> <tr><td colspan="2">Serie</td><td>48</td></tr> <tr><td colspan="2">Total</td><td>238</td></tr> </table>	1:	9.9	←	2:	10.4x	→	3:	10.7x	↗	4:	9.9	↘	5:	10.1	→	Serie		48	Total		238	<p>Serie 6</p>  <table border="1" style="width:100%; border-collapse: collapse;"> <tr><td>1:</td><td>10.8x</td><td>↗</td></tr> <tr><td>2:</td><td>10.2x</td><td>↗</td></tr> <tr><td>3:</td><td>9.7</td><td>↓</td></tr> <tr><td>4:</td><td>10.2x</td><td>↘</td></tr> <tr><td>5:</td><td>9.4</td><td>↗</td></tr> <tr><td colspan="2">Serie</td><td>48</td></tr> <tr><td colspan="2">Total</td><td>286</td></tr> </table>	1:	10.8x	↗	2:	10.2x	↗	3:	9.7	↓	4:	10.2x	↘	5:	9.4	↗	Serie		48	Total		286
1:	9.9	←																																									
2:	10.4x	→																																									
3:	10.7x	↗																																									
4:	9.9	↘																																									
5:	10.1	→																																									
Serie		48																																									
Total		238																																									
1:	10.8x	↗																																									
2:	10.2x	↗																																									
3:	9.7	↓																																									
4:	10.2x	↘																																									
5:	9.4	↗																																									
Serie		48																																									
Total		286																																									
<p>Serie 7</p>  <table border="1" style="width:100%; border-collapse: collapse;"> <tr><td>1:</td><td>10.7x</td><td>↗</td></tr> <tr><td>2:</td><td>10.1</td><td>→</td></tr> <tr><td>3:</td><td>10.0</td><td>↗</td></tr> <tr><td>4:</td><td>9.5</td><td>↘</td></tr> <tr><td>5:</td><td>10.3x</td><td>→</td></tr> <tr><td colspan="2">Serie</td><td>49</td></tr> <tr><td colspan="2">Total</td><td>335</td></tr> </table>	1:	10.7x	↗	2:	10.1	→	3:	10.0	↗	4:	9.5	↘	5:	10.3x	→	Serie		49	Total		335	<p>Serie 8</p>  <table border="1" style="width:100%; border-collapse: collapse;"> <tr><td>1:</td><td>10.0</td><td>↓</td></tr> <tr><td>2:</td><td>10.3x</td><td>→</td></tr> <tr><td>3:</td><td>10.4x</td><td>→</td></tr> <tr><td>4:</td><td>10.5x</td><td>↗</td></tr> <tr><td>5:</td><td>10.4x</td><td>←</td></tr> <tr><td colspan="2">Serie</td><td>50</td></tr> <tr><td colspan="2">Total</td><td>385</td></tr> </table>	1:	10.0	↓	2:	10.3x	→	3:	10.4x	→	4:	10.5x	↗	5:	10.4x	←	Serie		50	Total		385
1:	10.7x	↗																																									
2:	10.1	→																																									
3:	10.0	↗																																									
4:	9.5	↘																																									
5:	10.3x	→																																									
Serie		49																																									
Total		335																																									
1:	10.0	↓																																									
2:	10.3x	→																																									
3:	10.4x	→																																									
4:	10.5x	↗																																									
5:	10.4x	←																																									
Serie		50																																									
Total		385																																									



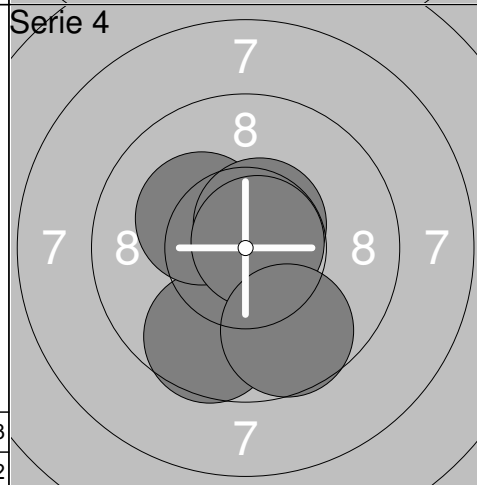
1:	10.2x	↙
2:	7.6	↑
3:	9.2	↙
4:	10.1	↑
5:	9.4	↙
Serie		45
Total		45



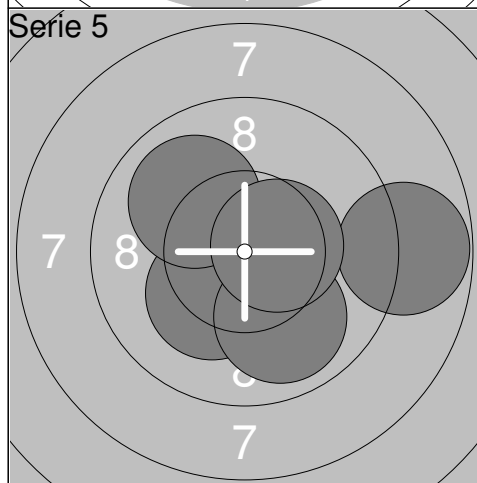
1:	9.6	↓
2:	8.4	↗
3:	9.4	↗
4:	9.9	↓
5:	9.3	↘
Serie		44
Total		89



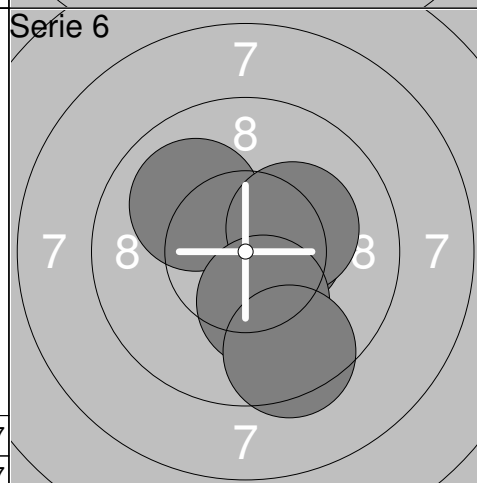
1:	8.1	↙
2:	8.6	↓
3:	8.4	↗
4:	10.0	↑
5:	9.7	↘
Serie		43
Total		132



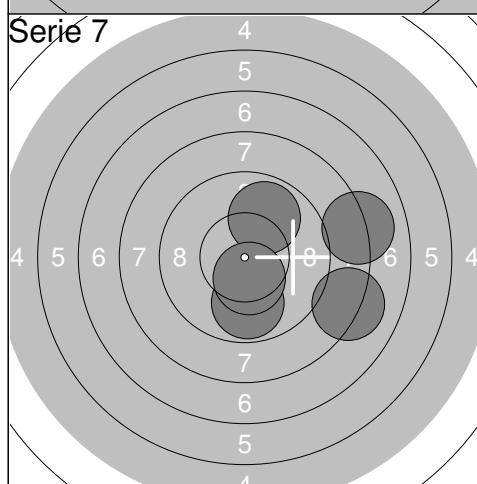
1:	9.6	↓
2:	10.2x	↙
3:	10.5x	↗
4:	10.7x	↗
5:	9.6	↓
Serie		48
Total		180



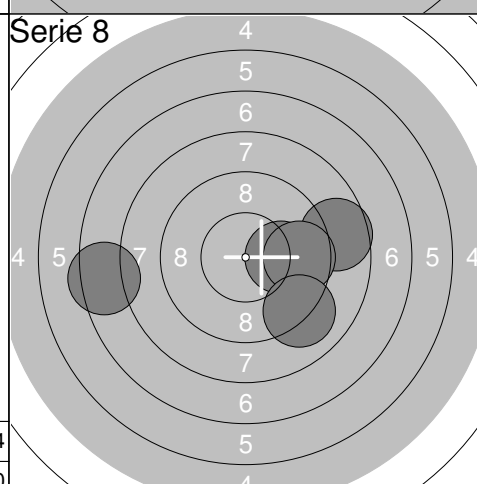
1:	10.2x	↙
2:	9.9	↓
3:	10.0	↗
4:	8.8	→
5:	10.5x	→
Serie		47
Total		227



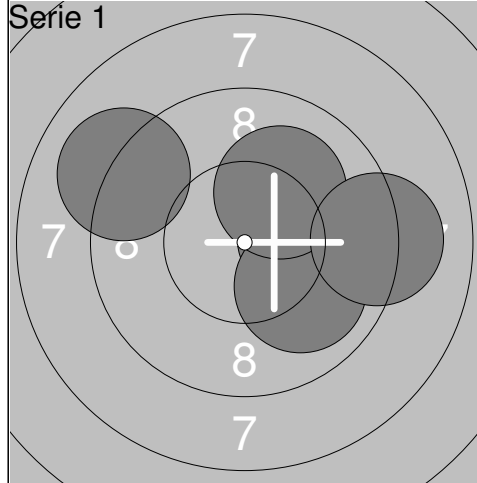
1:	10.5x	→
2:	10.0	↗
3:	10.2x	↗
4:	10.2x	↓
5:	9.4	↓
Serie		49
Total		276



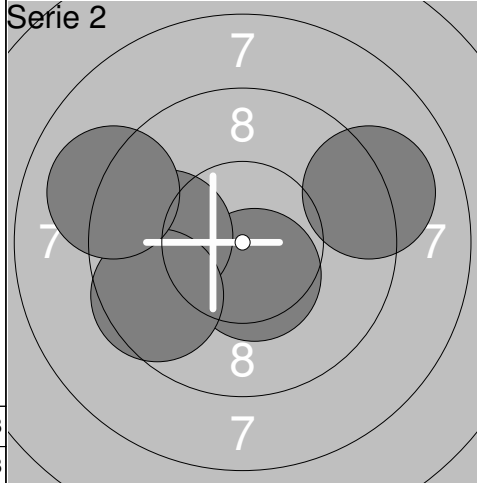
1:	8.1	→
2:	9.9	↗
3:	8.0	→
4:	9.8	↓
5:	10.4x	↓
Serie		44
Total		320



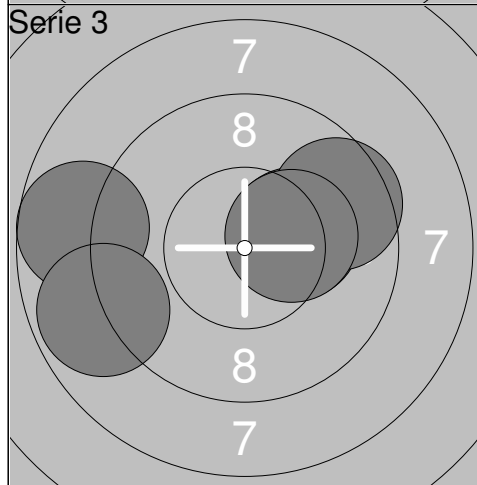
1:	8.6	→
2:	10.0	→
3:	7.4	↙
4:	9.6	→
5:	9.0	↓
Serie		43
Total		363



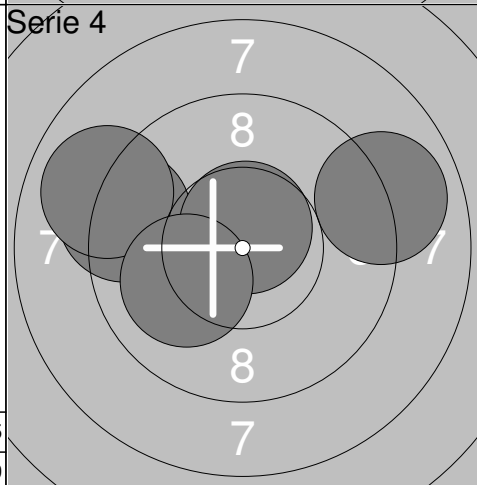
1:	9.1	↖
2:	10.1	→
3:	10.0	↘
4:	10.1	↗
5:	9.1	→
Serie		48
Total		48



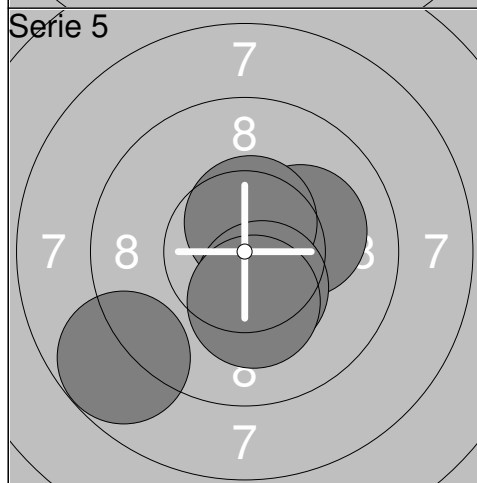
1:	10.5x	↘
2:	9.9	←
3:	9.6	↙
4:	9.1	→
5:	9.0	←
Serie		46
Total		94



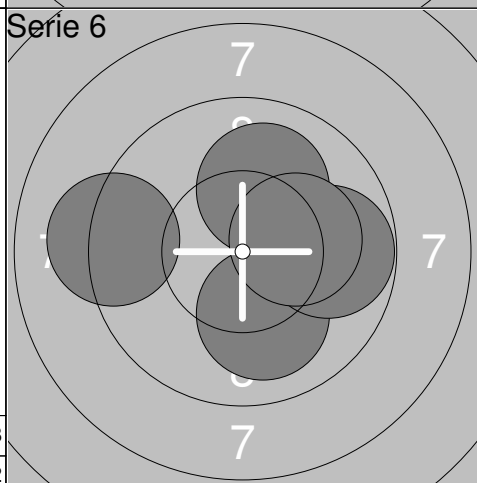
1:	10.2x	→
2:	9.6	↗
3:	8.7	←
4:	10.3x	→
5:	8.8	↙
Serie		45
Total		139



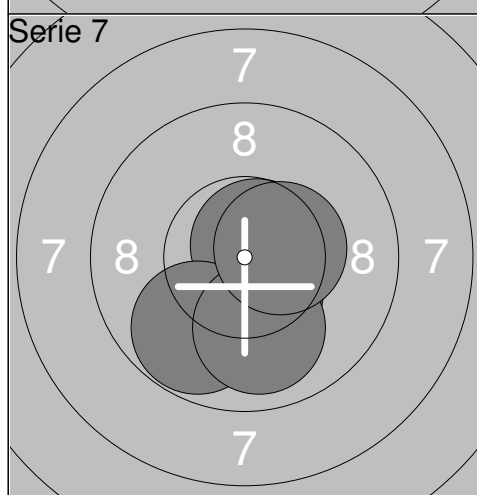
1:	9.2	←
2:	8.9	→
3:	10.7x	↑
4:	8.9	↙
5:	10.1	↘
Serie		45
Total		184



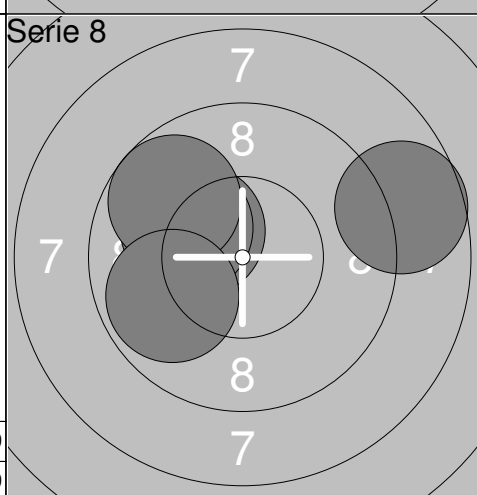
1:	8.7	↙
2:	10.1	→
3:	10.5x	↑
4:	10.4x	↘
5:	10.2x	↘
Serie		48
Total		232



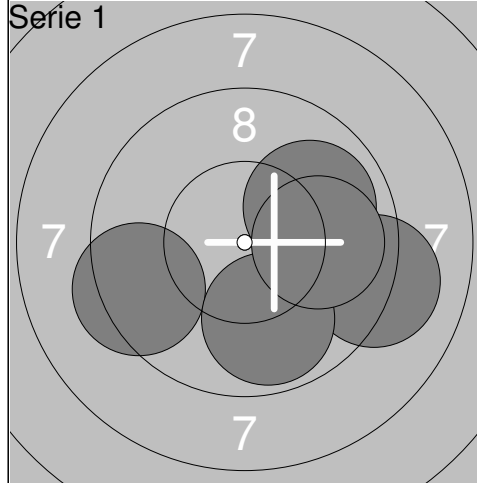
1:	10.0	↘
2:	10.0	↑
3:	9.2	←
4:	9.8	→
5:	10.2x	→
Serie		48
Total		280



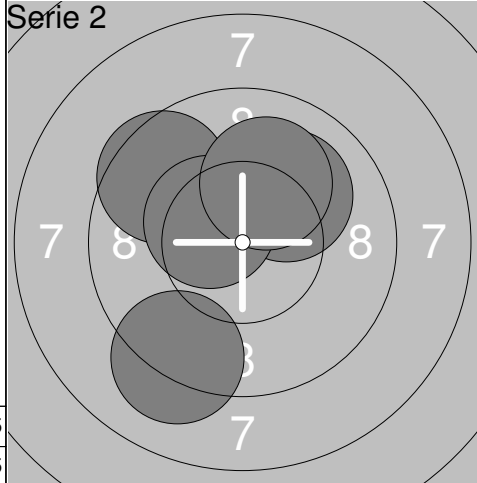
1:	10.4x	↘
2:	10.7x	↗
3:	9.8	↙
4:	10.0	↘
5:	10.4x	→
Serie		49
Total		329



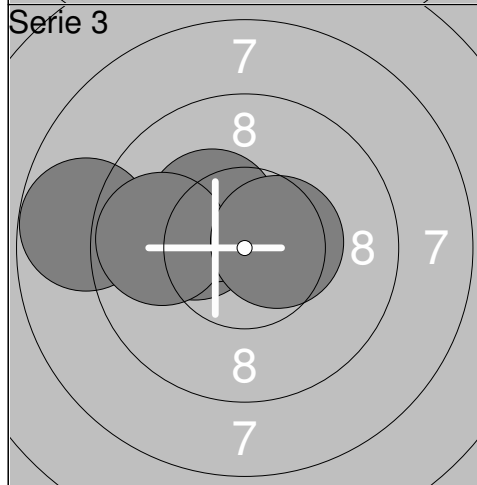
1:	10.2x	↖
2:	10.1	↙
3:	8.7	→
4:	9.8	↗
5:	9.8	←
Serie		46
Total		375



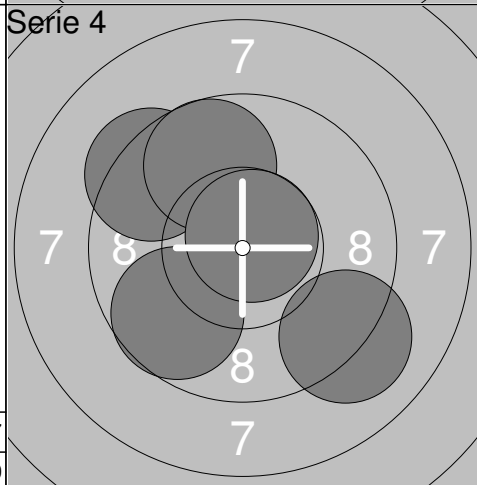
1:	9.4	↙
2:	9.9	↗
3:	9.1	→
4:	9.8	↘
5:	9.9	→
Serie		45
Total		45



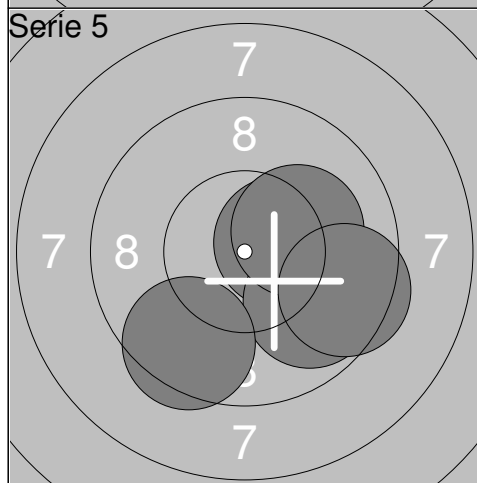
1:	10.0	↗
2:	9.1	↘
3:	9.5	↗
4:	10.4x	↗
5:	10.1	↗
Serie		48
Total		93



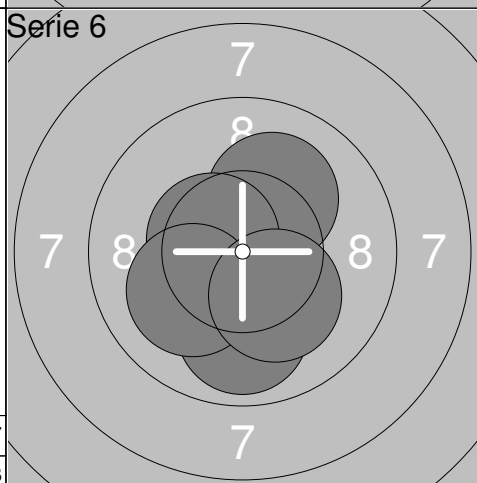
1:	8.7	↙
2:	10.2x	↖
3:	10.3x	↗
4:	9.8	↖
5:	10.5x	→
Serie		47
Total		140



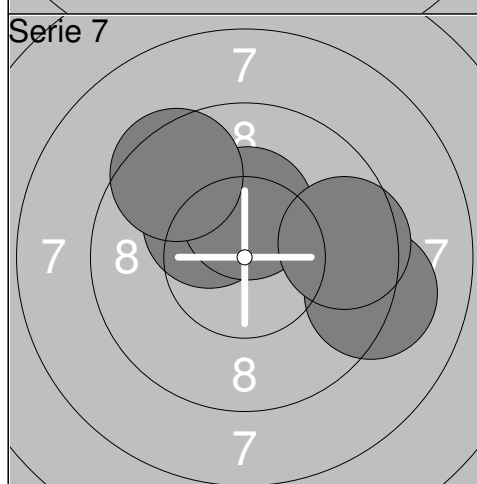
1:	9.7	↘
2:	9.1	↘
3:	9.3	↗
4:	9.7	↗
5:	10.7x	↗
Serie		46
Total		186



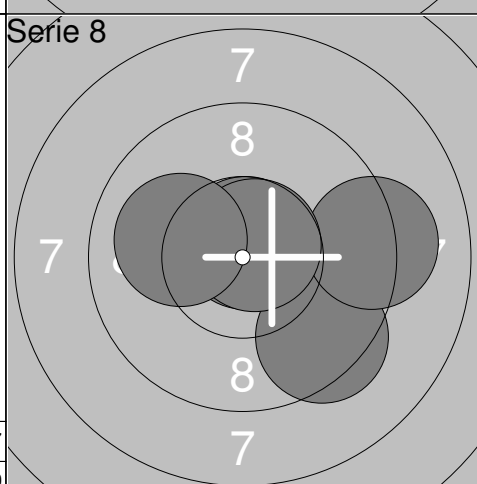
1:	10.5x	→
2:	9.8	↘
3:	10.2x	→
4:	9.5	↘
5:	9.5	↘
Serie		47
Total		233



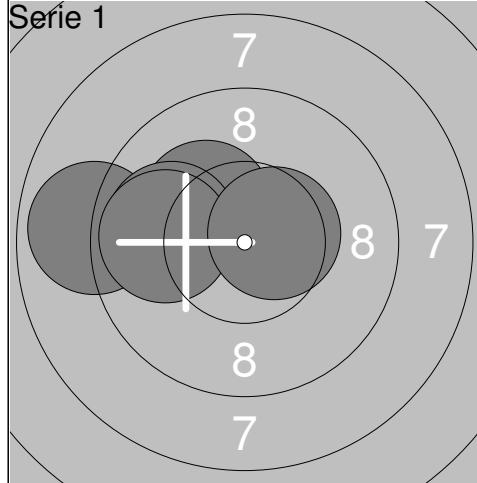
1:	10.1	↗
2:	9.9	↘
3:	10.5x	↖
4:	10.1	↖
5:	10.2x	↘
Serie		49
Total		282



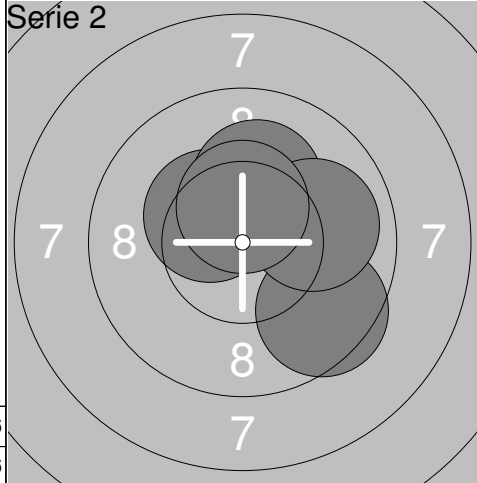
1:	10.3x	↗
2:	10.3x	↗
3:	9.1	→
4:	9.5	↗
5:	9.6	→
Serie		47
Total		329



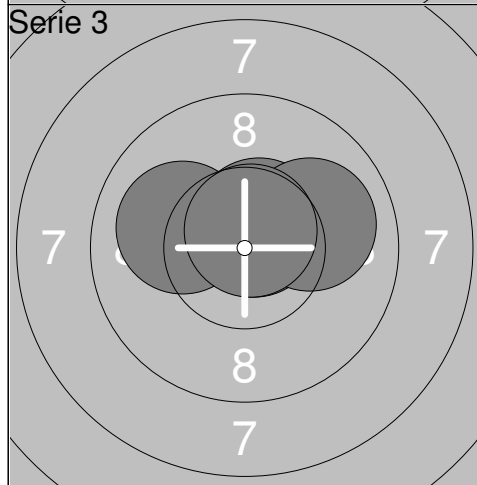
1:	10.7x	↗
2:	9.4	↘
3:	9.2	→
4:	10.7x	↗
5:	10.0	↖
Serie		48
Total		377



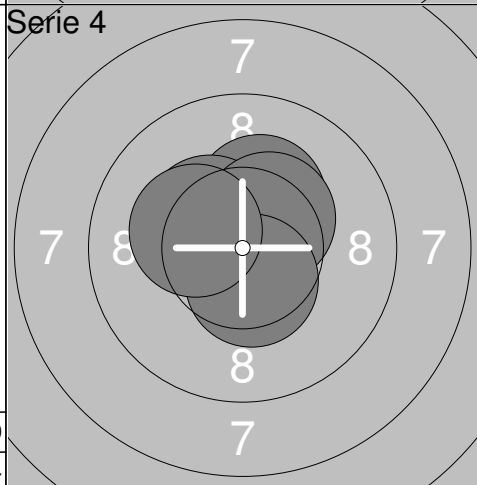
1:	10.2x	↖
2:	8.9	←
3:	9.9	←
4:	9.8	←
5:	10.5x	→
Serie		46
Total		46



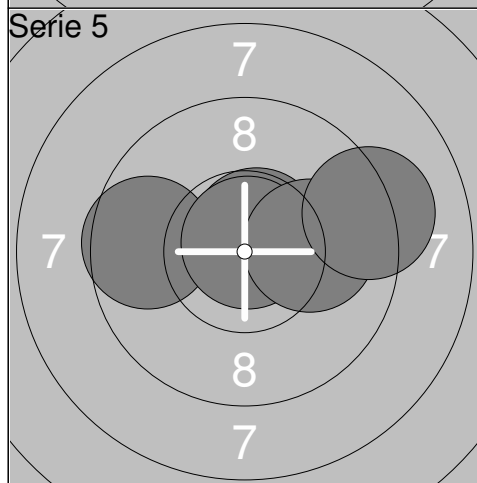
1:	10.4x	↖
2:	10.1	↑
3:	9.5	↘
4:	9.9	→
5:	10.5x	↑
Serie		48
Total		94



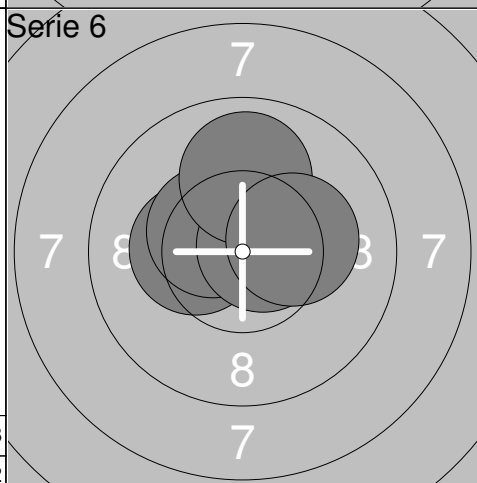
1:	10.0	←
2:	10.6x	↗
3:	10.6x	↗
4:	10.0	→
5:	10.7x	↗
Serie		50
Total		144



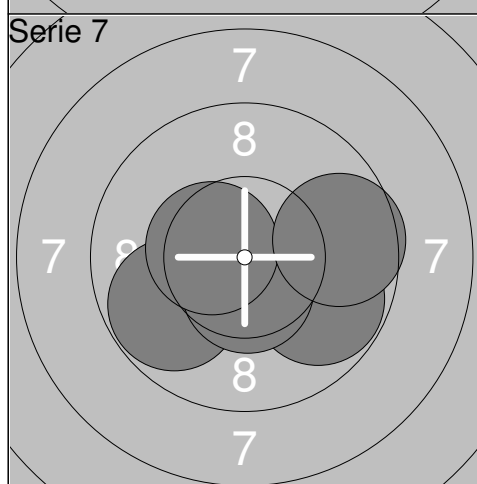
1:	10.2x	↗
2:	10.4x	↖
3:	10.4x	↗
4:	10.5x	↘
5:	10.2x	←
Serie		50
Total		194



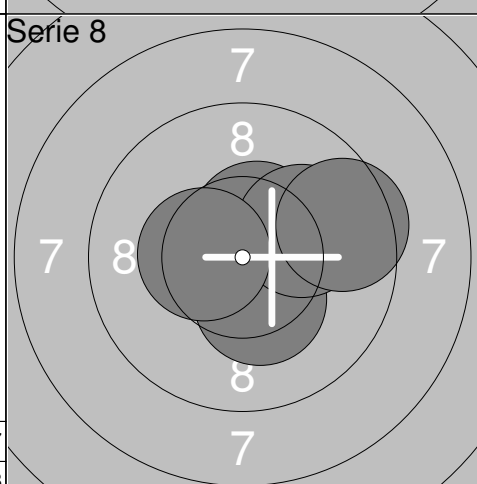
1:	9.6	←
2:	10.7x	↗
3:	10.8x	↗
4:	10.0	→
5:	9.2	→
Serie		48
Total		242



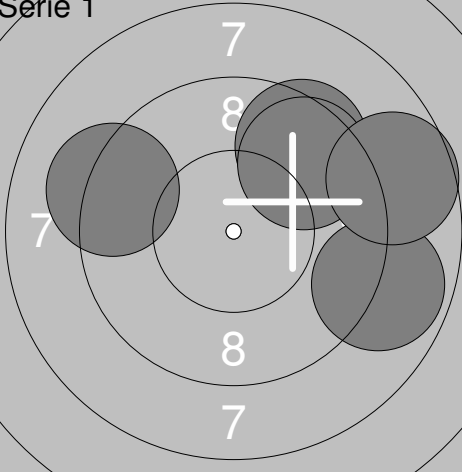
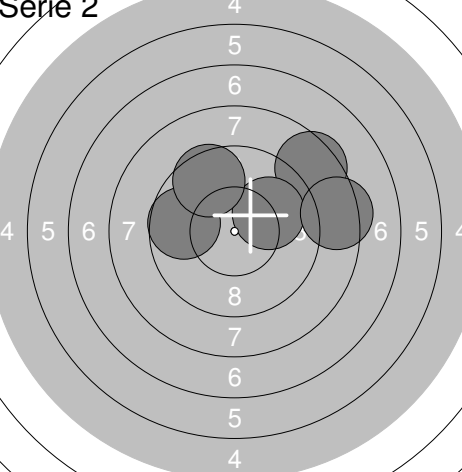
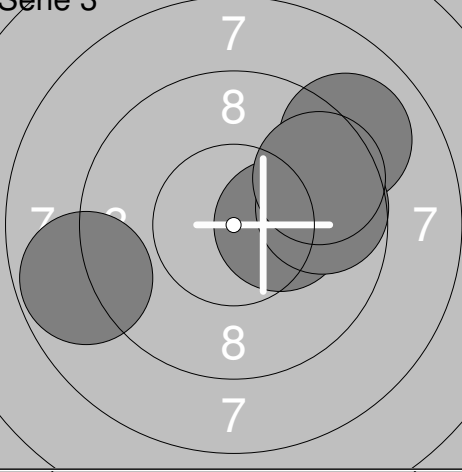
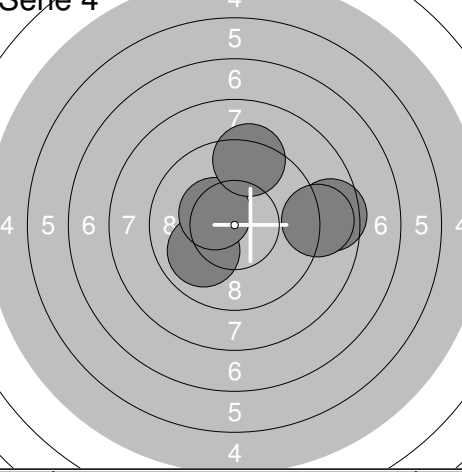
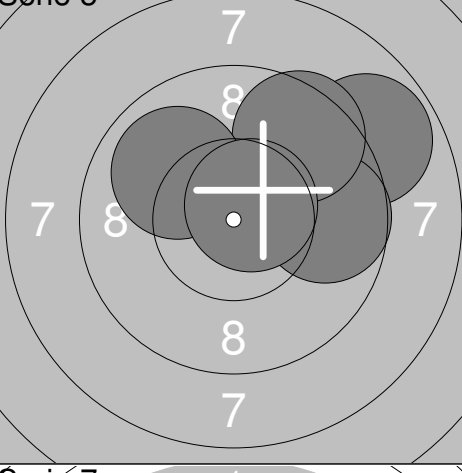
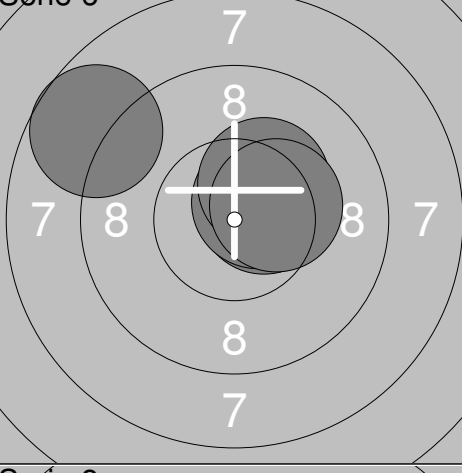
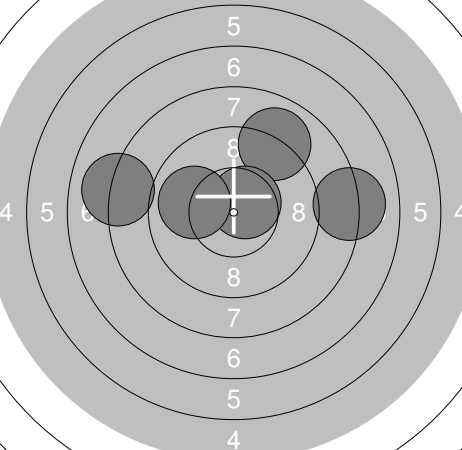
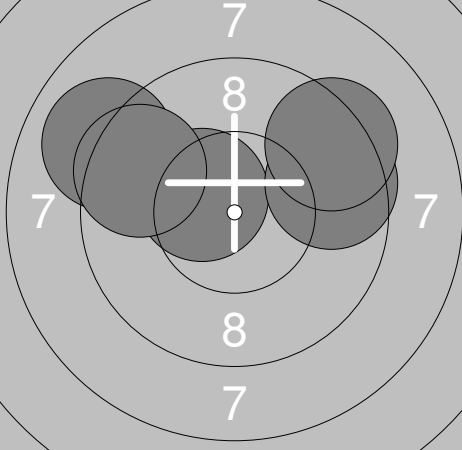
1:	10.3x	←
2:	10.4x	↖
3:	10.6x	→
4:	9.9	↑
5:	10.2x	→
Serie		49
Total		291

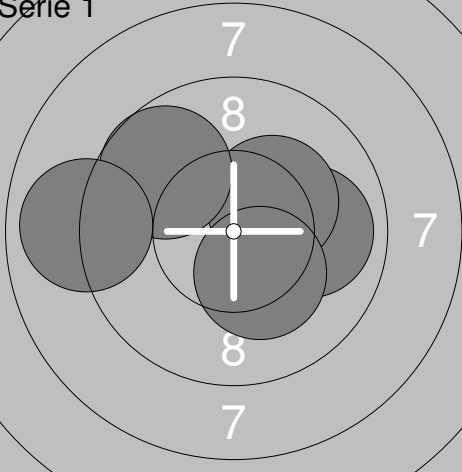
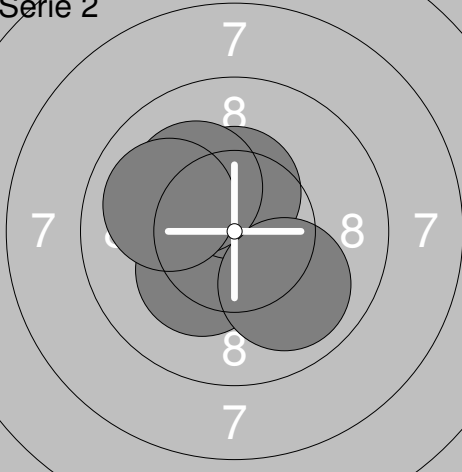
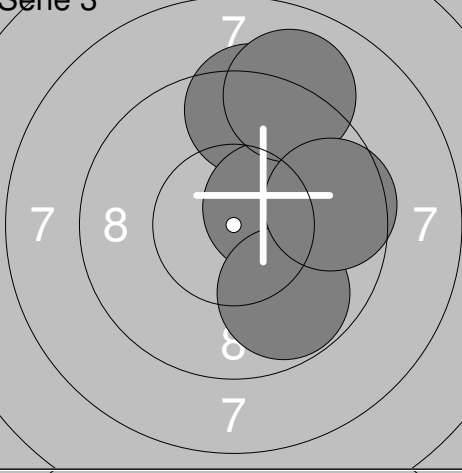
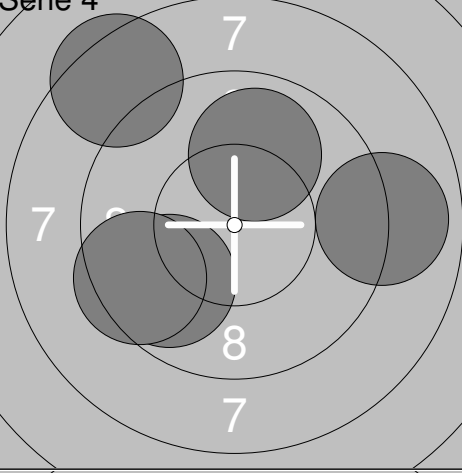
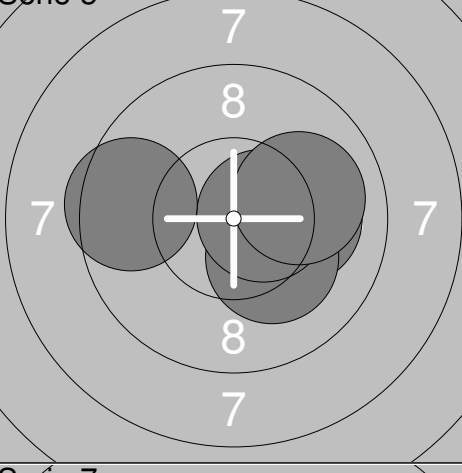
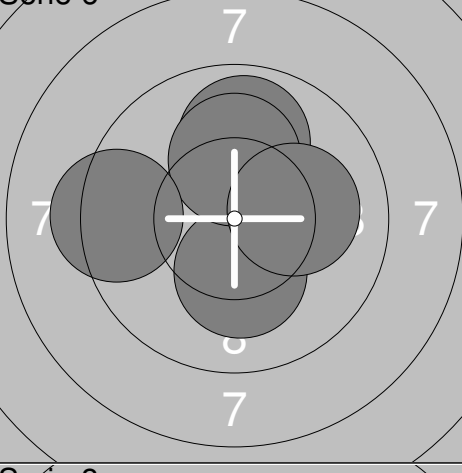
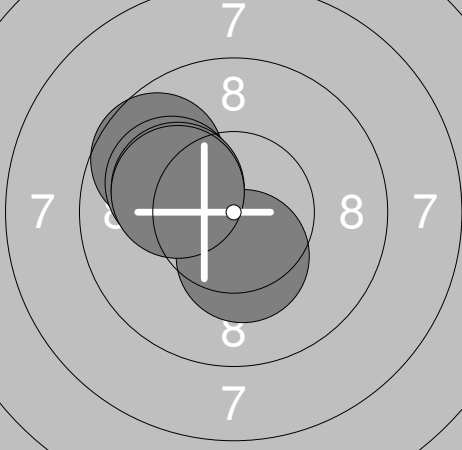
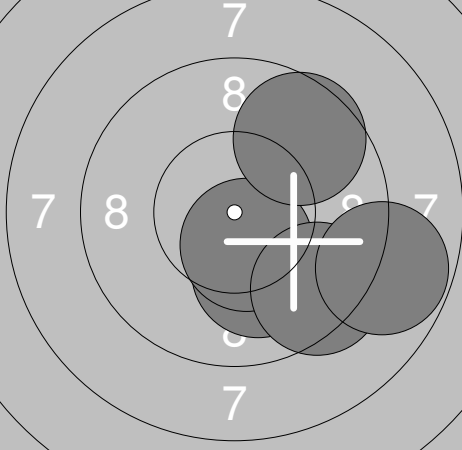


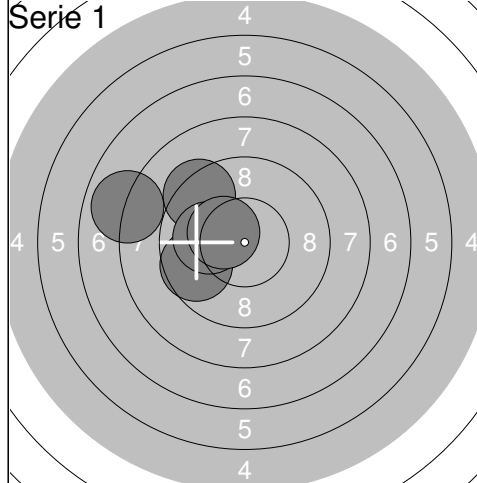
1:	9.8	↖
2:	9.8	↘
3:	10.5x	↘
4:	10.5x	←
5:	9.6	→
Serie		47
Total		338



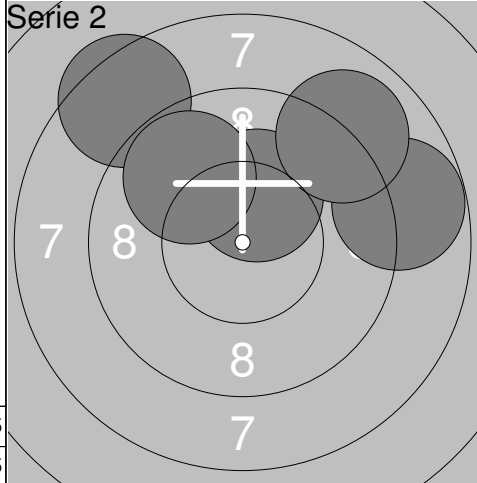
1:	10.5x	↗
2:	10.3x	↘
3:	10.0	→
4:	9.5	→
5:	10.4x	←
Serie		49
Total		387

Skjutlag 4	Tavla 4	Andreas Christensen		
Kval stående		Halmstad/Snöstorp Skyttefören	SM	
03.11.2018	SM luftgevär 2018	Öckerö Skytteförening		
Serie 1		1: 8.9 → 2: 9.2 ← 3: 9.4 ↗ 4: 9.6 ↗ 5: 8.7 →	Serie 2 	1: 8.5 ↗ 2: 9.7 ← 3: 10.0 → 4: 9.5 ↗ 5: 8.4 →
	Serie 43 Total 43		Serie 44 Total 87	
Serie 3		1: 9.0 ↗ 2: 10.3x → 3: 9.7 → 4: 9.6 → 5: 8.8 ←	Serie 4 	1: 9.9 ↖ 2: 8.5 → 3: 8.9 → 4: 10.4x ↖ 5: 9.3 ↗
	Serie 45 Total 132		Serie 44 Total 176	
Serie 5		1: 8.8 ↗ 2: 9.7 → 3: 9.5 ↗ 4: 9.9 ↖ 5: 10.6x ↗	Serie 6 	1: 10.5x → 2: 10.5x ↗ 3: 10.3x ↗ 4: 8.7 ↖ 5: 10.3x →
	Serie 45 Total 221		Serie 48 Total 269	
Serie 7		1: 9.0 ↗ 2: 8.0 ← 3: 10.6x ↗ 4: 9.9 ← 5: 8.1 →	Serie 8 	1: 9.0 ↖ 2: 10.4x ↖ 3: 9.5 ↖ 4: 9.5 → 5: 9.3 ↗
	Serie 44 Total 313		Serie 46 Total 359	

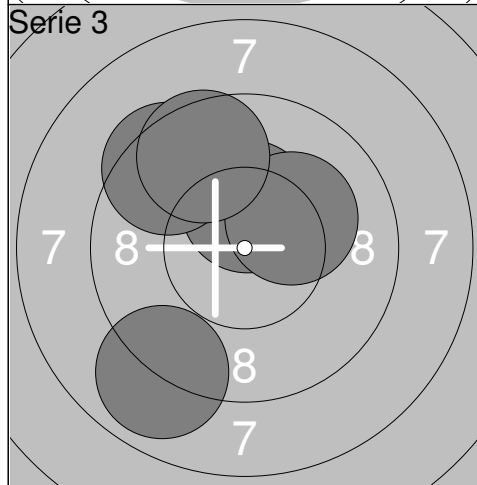
<p>Serie 1</p>  <table border="1" style="width:100%; border-collapse: collapse; margin-top: 10px;"> <tr><td>1:</td><td>9.9</td><td>→</td></tr> <tr><td>2:</td><td>10.3x</td><td>↗</td></tr> <tr><td>3:</td><td>9.7</td><td>↗</td></tr> <tr><td>4:</td><td>10.3x</td><td>↘</td></tr> <tr><td>5:</td><td>8.9</td><td>←</td></tr> <tr><td colspan="2">Serie</td><td>46</td></tr> <tr><td colspan="2">Total</td><td>46</td></tr> </table>	1:	9.9	→	2:	10.3x	↗	3:	9.7	↗	4:	10.3x	↘	5:	8.9	←	Serie		46	Total		46	<p>Serie 2</p>  <table border="1" style="width:100%; border-collapse: collapse; margin-top: 10px;"> <tr><td>1:</td><td>10.3x</td><td>↙</td></tr> <tr><td>2:</td><td>10.4x</td><td>↑</td></tr> <tr><td>3:</td><td>9.9</td><td>↘</td></tr> <tr><td>4:</td><td>10.1</td><td>↗</td></tr> <tr><td>5:</td><td>10.0</td><td>↖</td></tr> <tr><td colspan="2">Serie</td><td>49</td></tr> <tr><td colspan="2">Total</td><td>95</td></tr> </table>	1:	10.3x	↙	2:	10.4x	↑	3:	9.9	↘	4:	10.1	↗	5:	10.0	↖	Serie		49	Total		95
1:	9.9	→																																									
2:	10.3x	↗																																									
3:	9.7	↗																																									
4:	10.3x	↘																																									
5:	8.9	←																																									
Serie		46																																									
Total		46																																									
1:	10.3x	↙																																									
2:	10.4x	↑																																									
3:	9.9	↘																																									
4:	10.1	↗																																									
5:	10.0	↖																																									
Serie		49																																									
Total		95																																									
<p>Serie 3</p>  <table border="1" style="width:100%; border-collapse: collapse; margin-top: 10px;"> <tr><td>1:</td><td>9.4</td><td>↑</td></tr> <tr><td>2:</td><td>10.4x</td><td>↗</td></tr> <tr><td>3:</td><td>9.0</td><td>↑</td></tr> <tr><td>4:</td><td>9.8</td><td>↘</td></tr> <tr><td>5:</td><td>9.6</td><td>→</td></tr> <tr><td colspan="2">Serie</td><td>46</td></tr> <tr><td colspan="2">Total</td><td>141</td></tr> </table>	1:	9.4	↑	2:	10.4x	↗	3:	9.0	↑	4:	9.8	↘	5:	9.6	→	Serie		46	Total		141	<p>Serie 4</p>  <table border="1" style="width:100%; border-collapse: collapse; margin-top: 10px;"> <tr><td>1:</td><td>9.8</td><td>↙</td></tr> <tr><td>2:</td><td>9.9</td><td>↑</td></tr> <tr><td>3:</td><td>9.5</td><td>↙</td></tr> <tr><td>4:</td><td>8.4</td><td>↗</td></tr> <tr><td>5:</td><td>8.9</td><td>→</td></tr> <tr><td colspan="2">Serie</td><td>43</td></tr> <tr><td colspan="2">Total</td><td>184</td></tr> </table>	1:	9.8	↙	2:	9.9	↑	3:	9.5	↙	4:	8.4	↗	5:	8.9	→	Serie		43	Total		184
1:	9.4	↑																																									
2:	10.4x	↗																																									
3:	9.0	↑																																									
4:	9.8	↘																																									
5:	9.6	→																																									
Serie		46																																									
Total		141																																									
1:	9.8	↙																																									
2:	9.9	↑																																									
3:	9.5	↙																																									
4:	8.4	↗																																									
5:	8.9	→																																									
Serie		43																																									
Total		184																																									
<p>Serie 5</p>  <table border="1" style="width:100%; border-collapse: collapse; margin-top: 10px;"> <tr><td>1:</td><td>10.1</td><td>→</td></tr> <tr><td>2:</td><td>10.2x</td><td>↘</td></tr> <tr><td>3:</td><td>10.5x</td><td>→</td></tr> <tr><td>4:</td><td>10.0</td><td>→</td></tr> <tr><td>5:</td><td>9.5</td><td>←</td></tr> <tr><td colspan="2">Serie</td><td>49</td></tr> <tr><td colspan="2">Total</td><td>233</td></tr> </table>	1:	10.1	→	2:	10.2x	↘	3:	10.5x	→	4:	10.0	→	5:	9.5	←	Serie		49	Total		233	<p>Serie 6</p>  <table border="1" style="width:100%; border-collapse: collapse; margin-top: 10px;"> <tr><td>1:</td><td>10.2x</td><td>↘</td></tr> <tr><td>2:</td><td>9.9</td><td>↑</td></tr> <tr><td>3:</td><td>10.1</td><td>↑</td></tr> <tr><td>4:</td><td>10.1</td><td>→</td></tr> <tr><td>5:</td><td>9.3</td><td>←</td></tr> <tr><td colspan="2">Serie</td><td>48</td></tr> <tr><td colspan="2">Total</td><td>281</td></tr> </table>	1:	10.2x	↘	2:	9.9	↑	3:	10.1	↑	4:	10.1	→	5:	9.3	←	Serie		48	Total		281
1:	10.1	→																																									
2:	10.2x	↘																																									
3:	10.5x	→																																									
4:	10.0	→																																									
5:	9.5	←																																									
Serie		49																																									
Total		233																																									
1:	10.2x	↘																																									
2:	9.9	↑																																									
3:	10.1	↑																																									
4:	10.1	→																																									
5:	9.3	←																																									
Serie		48																																									
Total		281																																									
<p>Serie 7</p>  <table border="1" style="width:100%; border-collapse: collapse; margin-top: 10px;"> <tr><td>1:</td><td>9.7</td><td>↗</td></tr> <tr><td>2:</td><td>10.0</td><td>↗</td></tr> <tr><td>3:</td><td>10.3x</td><td>↘</td></tr> <tr><td>4:</td><td>10.1</td><td>↗</td></tr> <tr><td>5:</td><td>10.1</td><td>↗</td></tr> <tr><td colspan="2">Serie</td><td>49</td></tr> <tr><td colspan="2">Total</td><td>330</td></tr> </table>	1:	9.7	↗	2:	10.0	↗	3:	10.3x	↘	4:	10.1	↗	5:	10.1	↗	Serie		49	Total		330	<p>Serie 8</p>  <table border="1" style="width:100%; border-collapse: collapse; margin-top: 10px;"> <tr><td>1:</td><td>10.1</td><td>↘</td></tr> <tr><td>2:</td><td>10.4x</td><td>↘</td></tr> <tr><td>3:</td><td>9.6</td><td>↗</td></tr> <tr><td>4:</td><td>9.4</td><td>↘</td></tr> <tr><td>5:</td><td>8.8</td><td>→</td></tr> <tr><td colspan="2">Serie</td><td>46</td></tr> <tr><td colspan="2">Total</td><td>376</td></tr> </table>	1:	10.1	↘	2:	10.4x	↘	3:	9.6	↗	4:	9.4	↘	5:	8.8	→	Serie		46	Total		376
1:	9.7	↗																																									
2:	10.0	↗																																									
3:	10.3x	↘																																									
4:	10.1	↗																																									
5:	10.1	↗																																									
Serie		49																																									
Total		330																																									
1:	10.1	↘																																									
2:	10.4x	↘																																									
3:	9.6	↗																																									
4:	9.4	↘																																									
5:	8.8	→																																									
Serie		46																																									
Total		376																																									



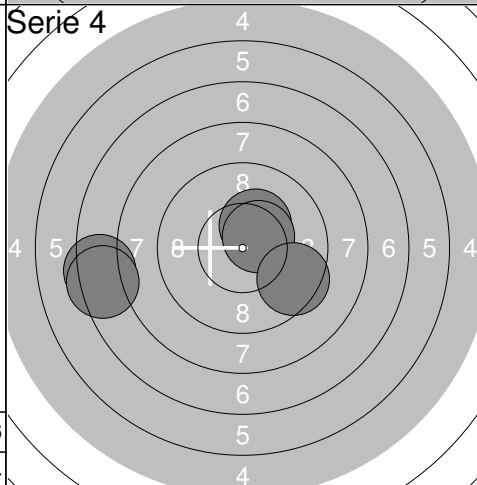
1:	9.3	↖
2:	9.6	↙
3:	7.9	↖
4:	10.0	↙
5:	10.4x	↖
Serie		45
Total		45



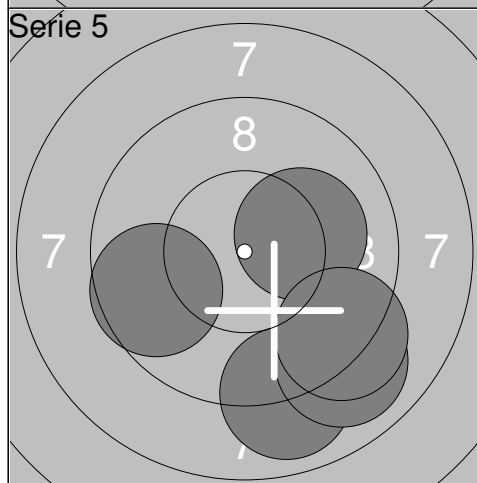
1:	8.4	↖
2:	10.3x	↗
3:	8.8	→
4:	9.8	↖
5:	8.9	↗
Serie		43
Total		88



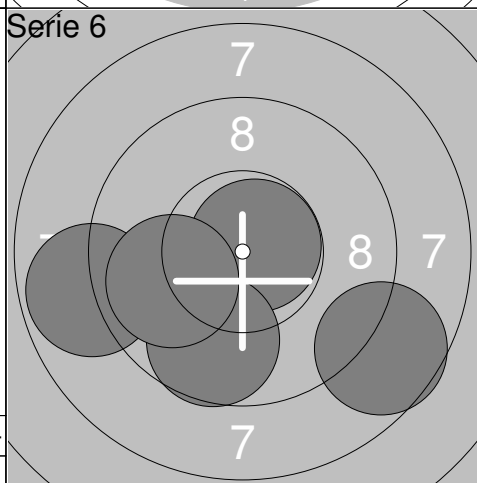
1:	10.4x	↗
2:	10.2x	↗
3:	8.9	↘
4:	9.4	↖
5:	9.6	↗
Serie		46
Total		134



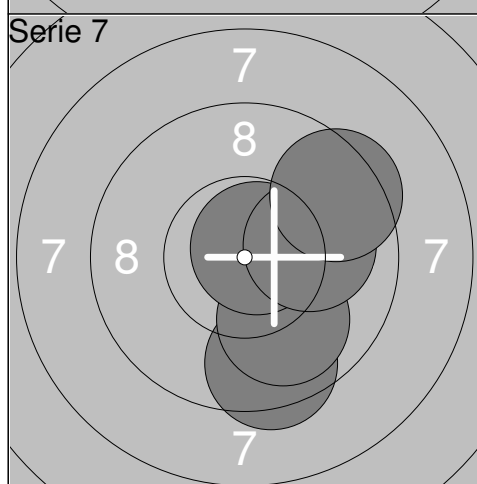
1:	10.3x	↗
2:	10.4x	↗
3:	9.5	↘
4:	7.4	←
5:	7.4	←
Serie		43
Total		177



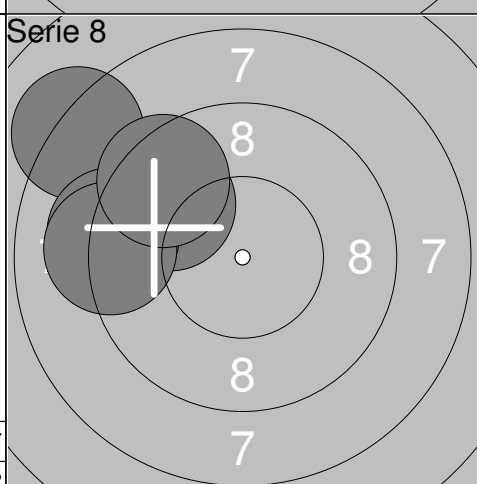
1:	9.6	↙
2:	8.9	↘
3:	8.9	↘
4:	10.1	→
5:	9.2	↘
Serie		44
Total		221



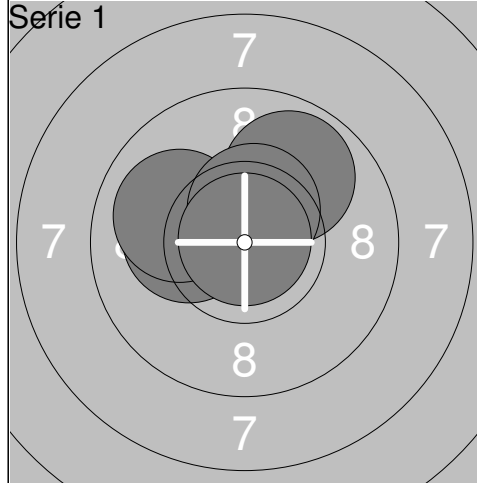
1:	10.7x	↗
2:	9.7	↘
3:	8.8	←
4:	8.6	↘
5:	9.9	←
Serie		44
Total		265



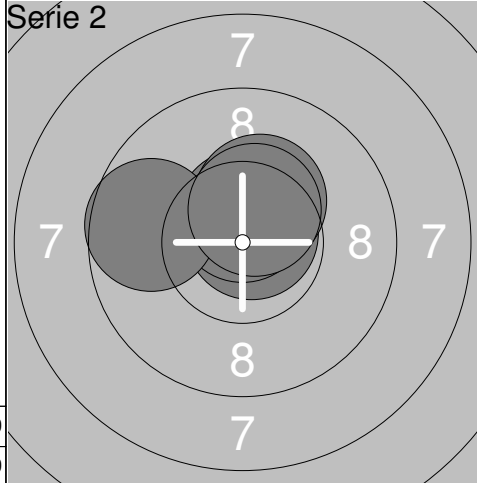
1:	9.5	↘
2:	9.9	↘
3:	10.7x	↗
4:	10.0	→
5:	9.4	↗
Serie		47
Total		312



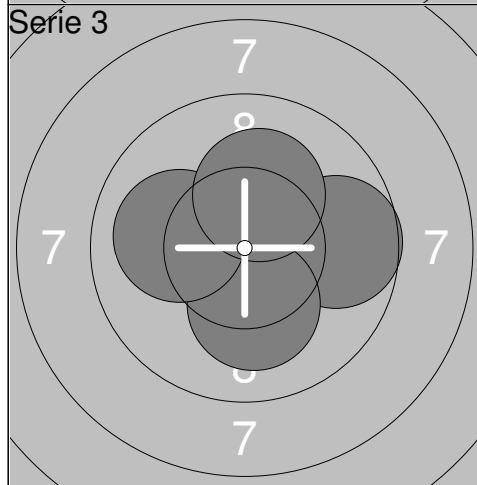
1:	9.7	↖
2:	8.1	↖
3:	9.1	←
4:	9.1	←
5:	9.4	↖
Serie		44
Total		356



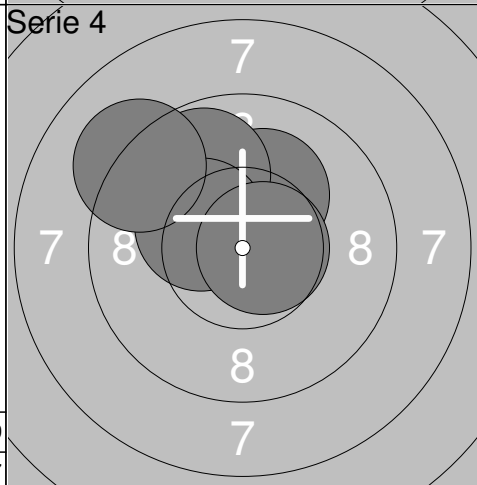
1:	10.2x	←
2:	10.0	↖
3:	9.9	↗
4:	10.5x	↑
5:	10.9x	↑
Serie		49
Total		49



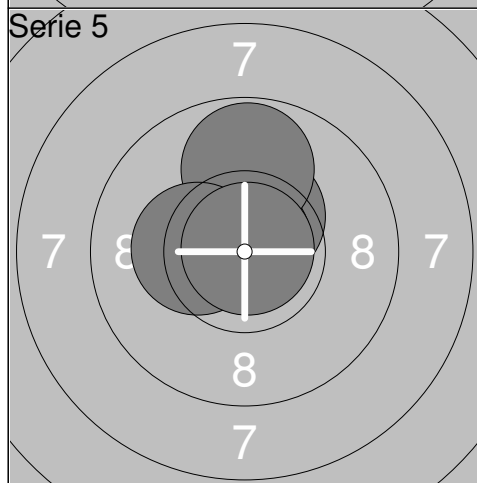
1:	10.8x	↗
2:	10.6x	↑
3:	9.7	←
4:	10.3x	↗
5:	10.5x	↑
Serie		49
Total		98



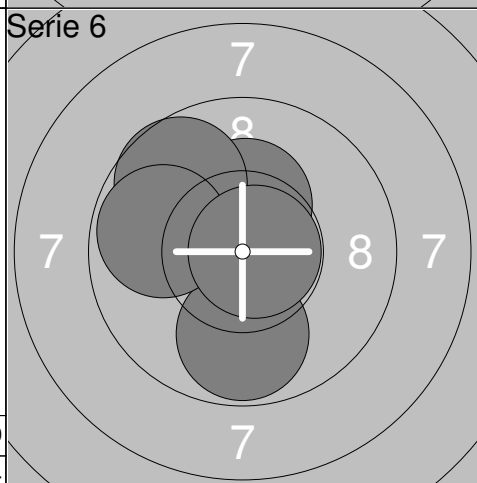
1:	10.7x	↗
2:	9.7	→
3:	10.1	↓
4:	10.0	←
5:	10.2x	↑
Serie		49
Total		147



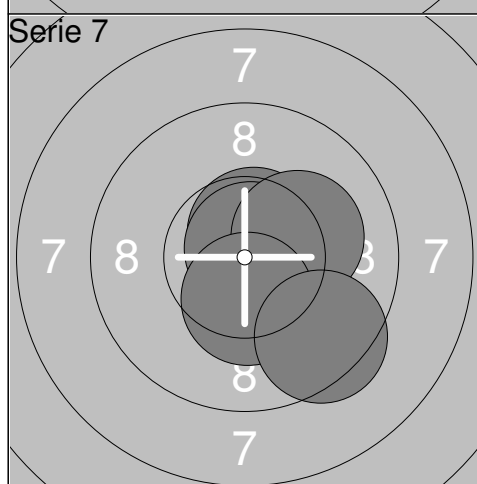
1:	10.2x	↑
2:	9.8	↗
3:	10.3x	↖
4:	10.7x	→
5:	9.1	↖
Serie		48
Total		195



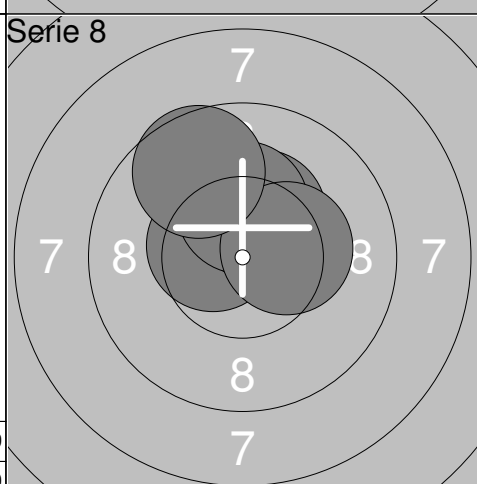
1:	10.4x	↗
2:	10.8x	↑
3:	9.8	↑
4:	10.3x	←
5:	10.9x	↗
Serie		49
Total		244



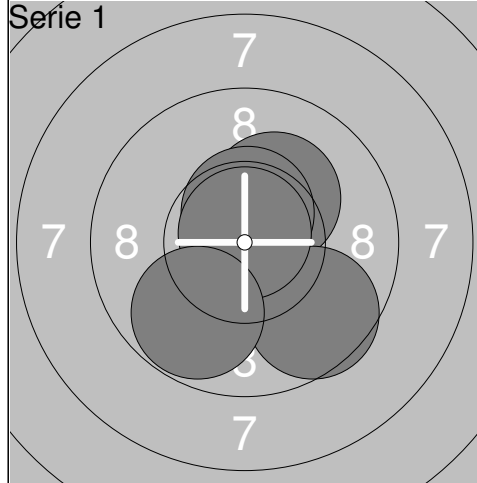
1:	10.3x	↑
2:	9.7	↖
3:	9.8	↓
4:	9.8	←
5:	10.8x	→
Serie		47
Total		291



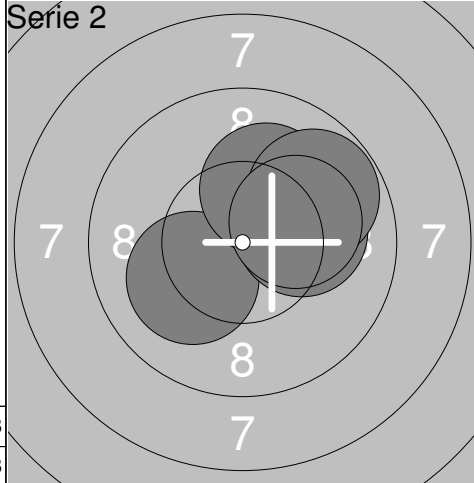
1:	10.6x	↗
2:	10.8x	↗
3:	10.1	→
4:	10.4x	↓
5:	9.4	↘
Serie		49
Total		340



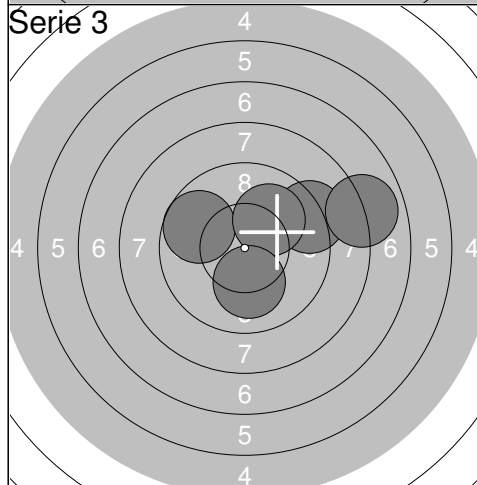
1:	10.5x	←
2:	10.3x	↗
3:	10.3x	↑
4:	10.3x	→
5:	9.6	↖
Serie		49
Total		389



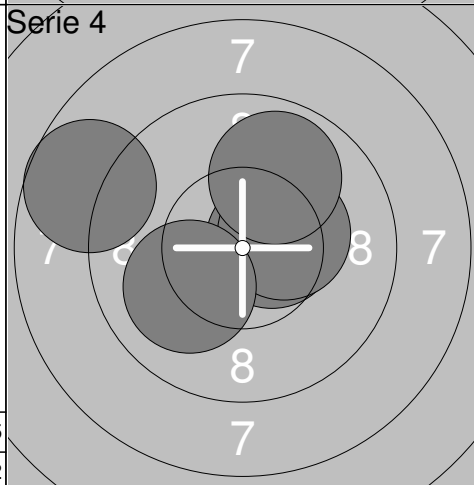
1:	10.2x	↗
2:	9.6	↘
3:	10.5x	↑
4:	10.8x	↑
5:	9.8	↙
Serie		48
Total		48



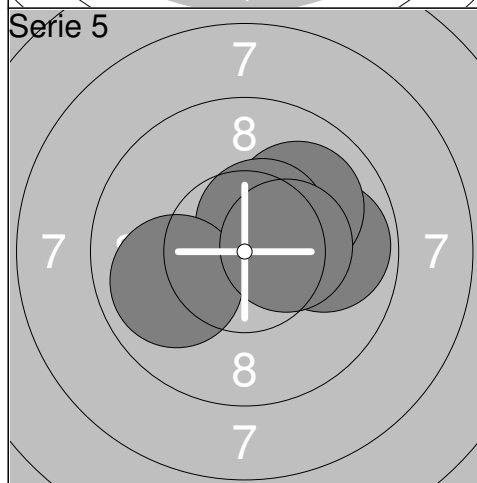
1:	10.1	↙
2:	10.1	→
3:	10.2x	↑
4:	9.8	↗
5:	10.2x	→
Serie		49
Total		97



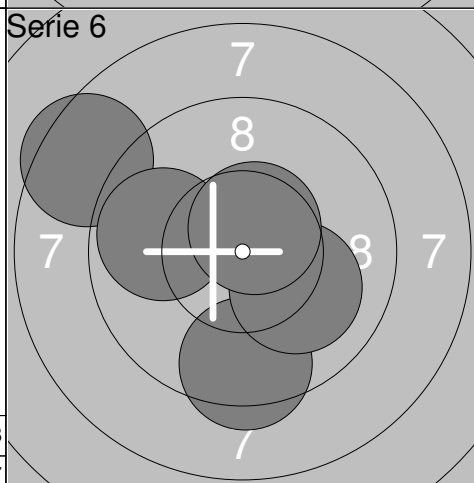
1:	9.7	↖
2:	9.1	↗
3:	10.0	↗
4:	7.9	→
5:	10.1	↓
Serie		45
Total		142



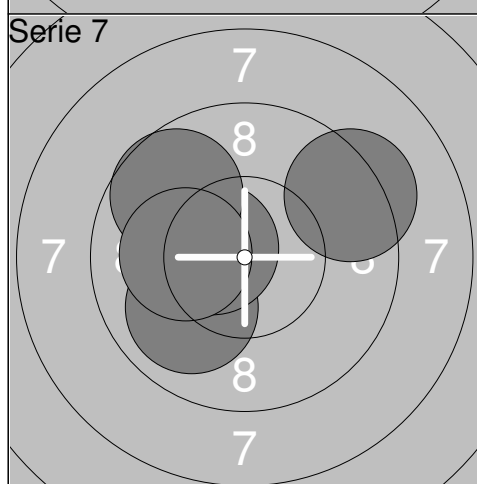
1:	10.5x	→
2:	10.3x	→
3:	9.9	↑
4:	10.0	↙
5:	8.7	↖
Serie		47
Total		189



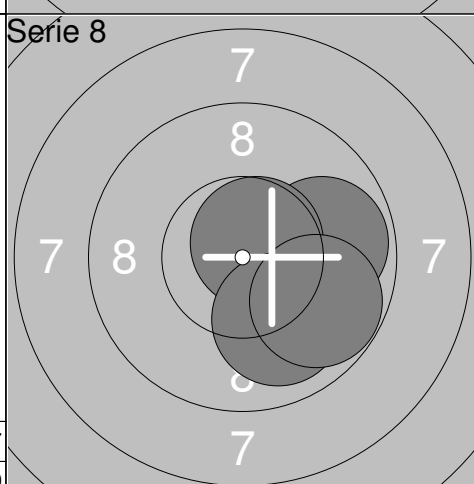
1:	9.9	→
2:	10.0	↗
3:	10.5x	↑
4:	9.9	↖
5:	10.4x	→
Serie		48
Total		237



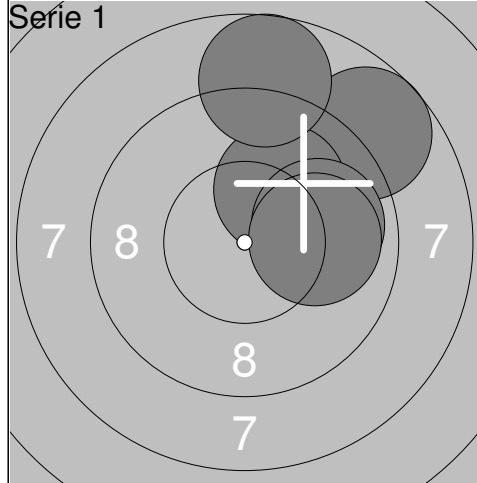
1:	9.4	↓
2:	8.5	↖
3:	10.1	↘
4:	9.8	↖
5:	10.6x	↑
Serie		46
Total		283



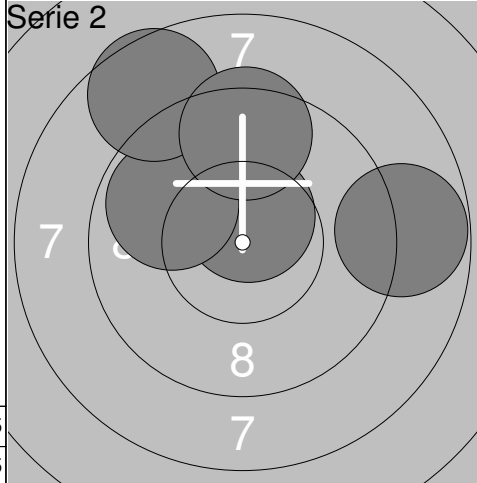
1:	9.9	↖
2:	10.5x	↖
3:	9.3	↗
4:	9.7	↗
5:	10.1	↖
Serie		47
Total		330



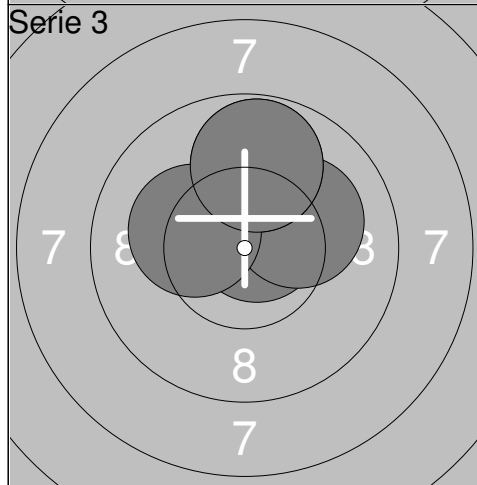
1:	10.2x	→
2:	9.8	→
3:	10.6x	↗
4:	10.0	↘
5:	9.8	↘
Serie		48
Total		378



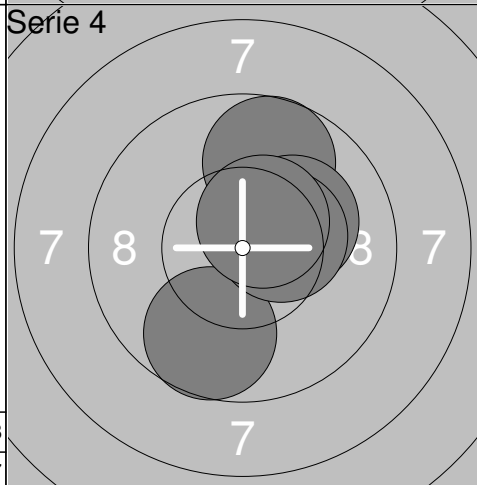
1:	8.7	↗
2:	10.1	↗
3:	8.7	↑
4:	9.9	→
5:	10.0	→
Serie		45
Total		45



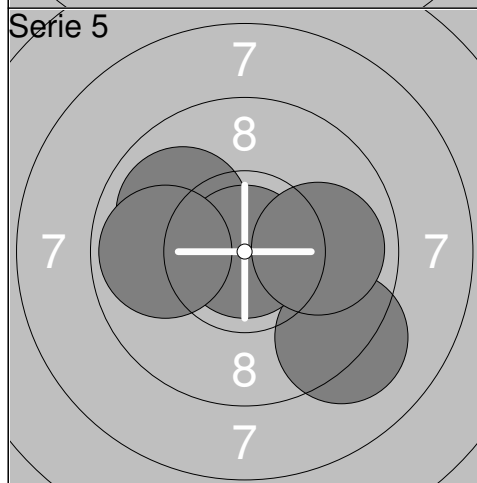
1:	10.6x	↑
2:	8.8	→
3:	9.8	↖
4:	8.6	↖
5:	9.4	↑
Serie		44
Total		89



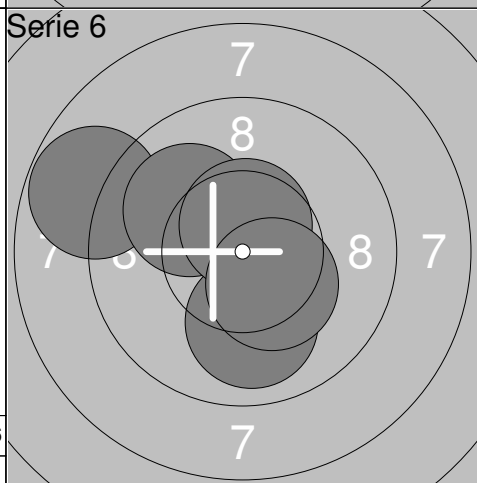
1:	10.7x	↗
2:	10.1	↗
3:	9.8	↑
4:	10.2x	↖
5:	9.8	↑
Serie		48
Total		137



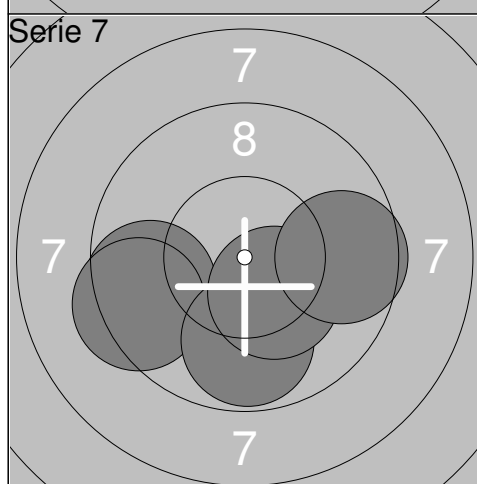
1:	9.7	↓
2:	9.7	↑
3:	10.2x	↗
4:	10.4x	→
5:	10.5x	↗
Serie		48
Total		185



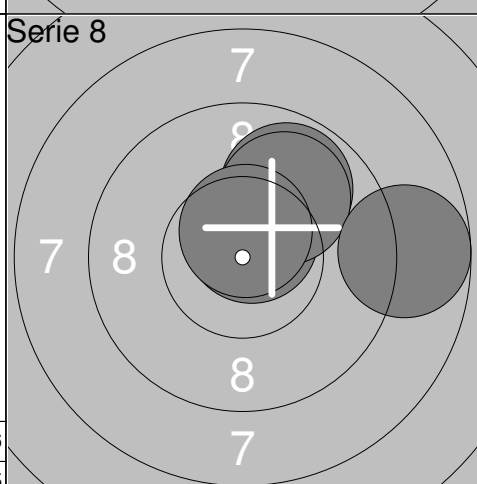
1:	9.9	↖
2:	9.2	↘
3:	10.9x	
4:	9.8	←
5:	9.9	→
Serie		46
Total		231



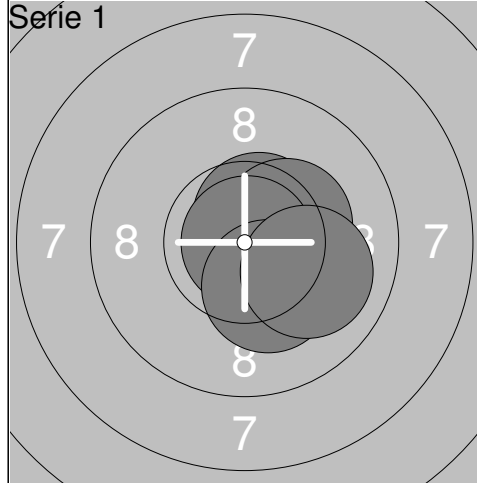
1:	10.0	↓
2:	8.7	↖
3:	10.0	↖
4:	10.6x	↑
5:	10.3x	↘
Serie		48
Total		279



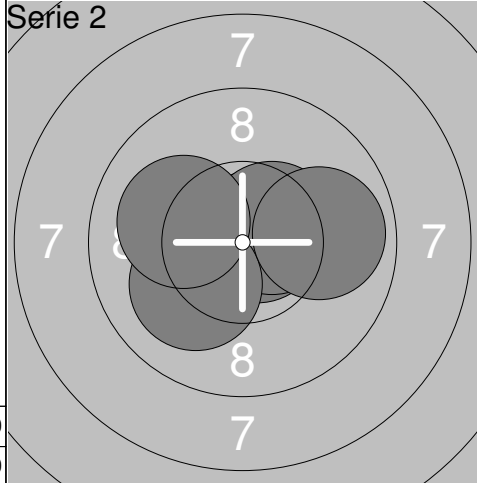
1:	9.6	←
2:	9.4	←
3:	9.8	↓
4:	10.3x	↘
5:	9.6	→
Serie		46
Total		325



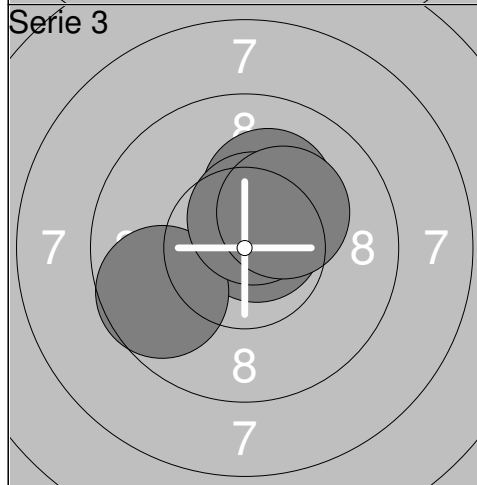
1:	10.6x	↑
2:	9.8	↗
3:	10.0	↗
4:	8.7	→
5:	10.6x	↑
Serie		47
Total		372



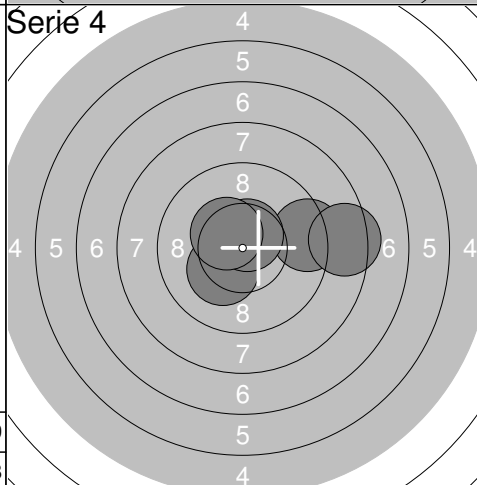
1:	10.5x	↗
2:	10.3x	→
3:	10.9x	→
4:	10.2x	↘
5:	10.0	↘
Serie		50
Total		50



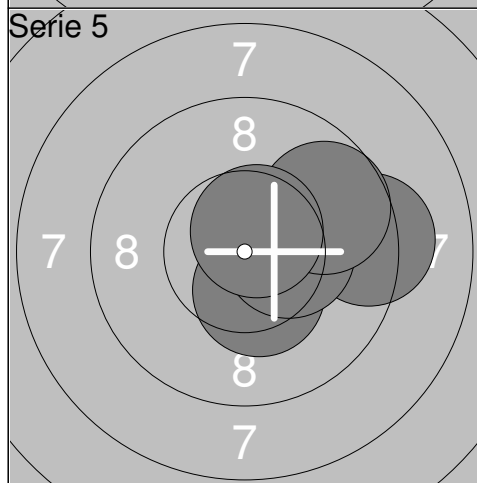
1:	10.7x	→
2:	10.5x	→
3:	10.1	↙
4:	9.9	→
5:	10.1	↙
Serie		49
Total		99



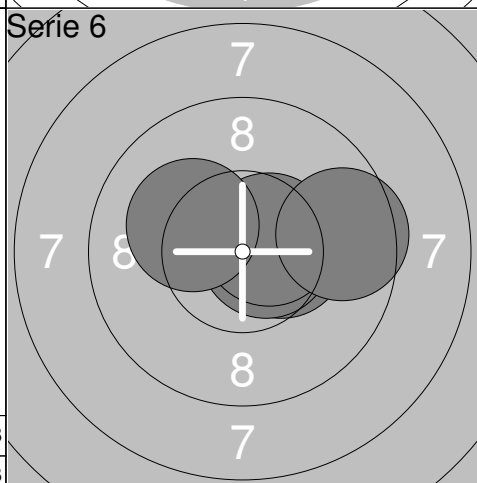
1:	10.1	↗
2:	10.7x	↗
3:	9.7	↙
4:	10.5x	↗
5:	10.2x	↗
Serie		49
Total		148



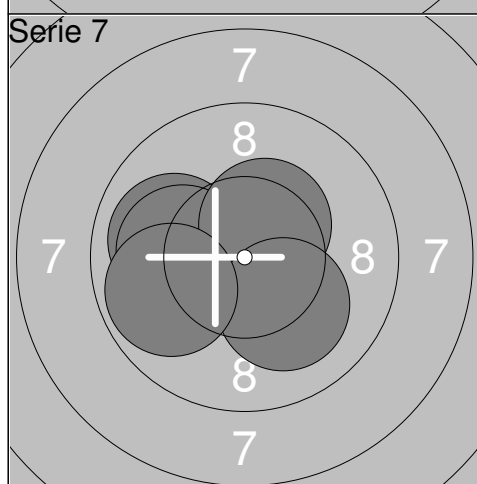
1:	10.2x	↙
2:	9.3	→
3:	10.6x	↗
4:	8.4	→
5:	10.4x	↙
Serie		47
Total		195



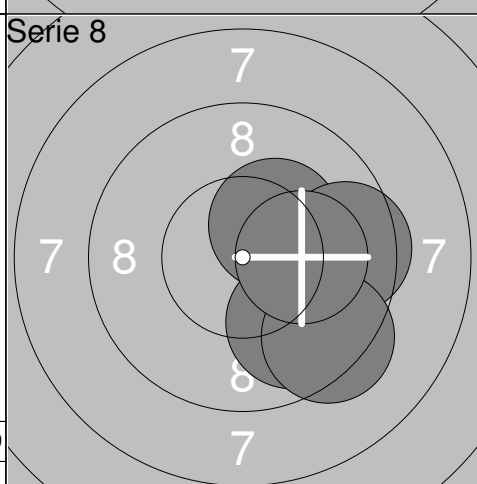
1:	10.3x	↘
2:	9.2	→
3:	10.3x	→
4:	9.7	↗
5:	10.6x	↗
Serie		48
Total		243



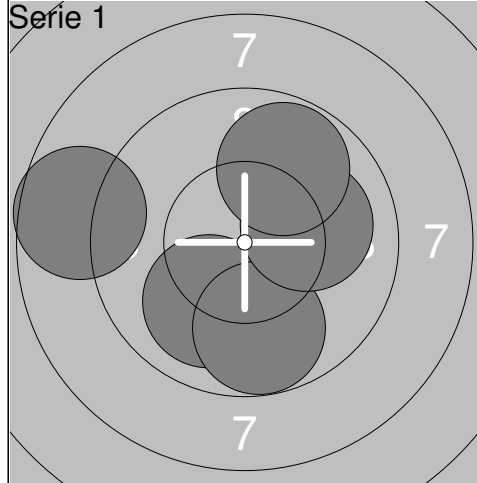
1:	10.4x	→
2:	10.6x	→
3:	10.5x	↗
4:	10.2x	↙
5:	9.5	→
Serie		49
Total		292



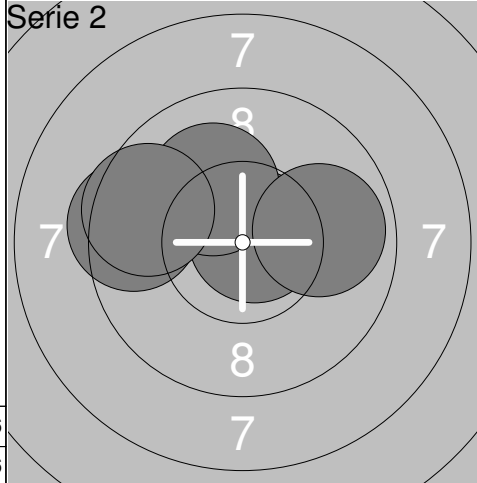
1:	10.0	↙
2:	10.1	↙
3:	10.4x	↗
4:	10.1	↘
5:	9.8	↙
Serie		49
Total		341



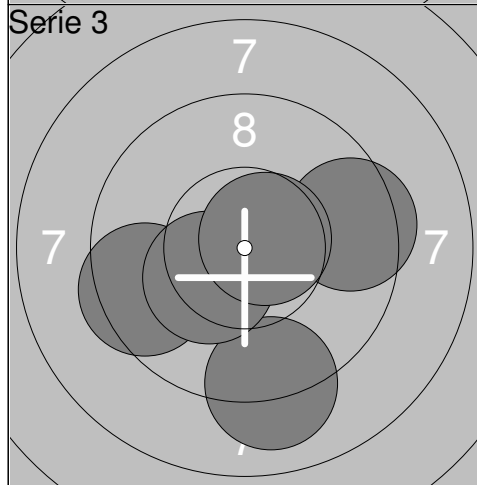
1:	9.8	↘
2:	10.3x	↗
3:	9.5	→
4:	9.3	↘
5:	10.1	→
Serie		47
Total		388



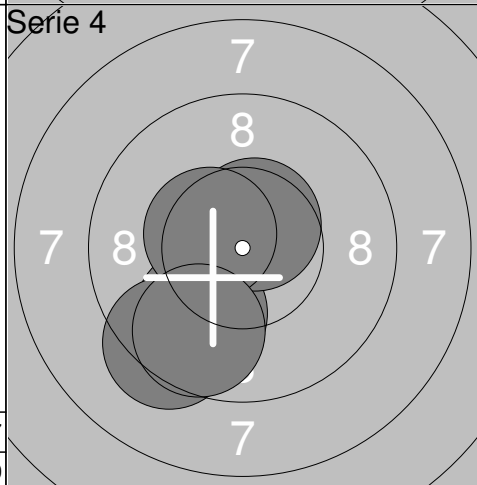
1:	8.7	←
2:	10.0	↓
3:	9.8	↓
4:	10.1	→
5:	9.8	↑
Serie		46
Total		46



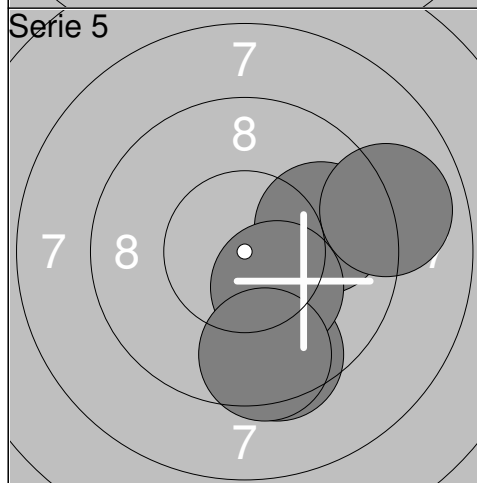
1:	10.7x	→
2:	10.1	↗
3:	9.9	→
4:	9.4	←
5:	9.6	↖
Serie		47
Total		93



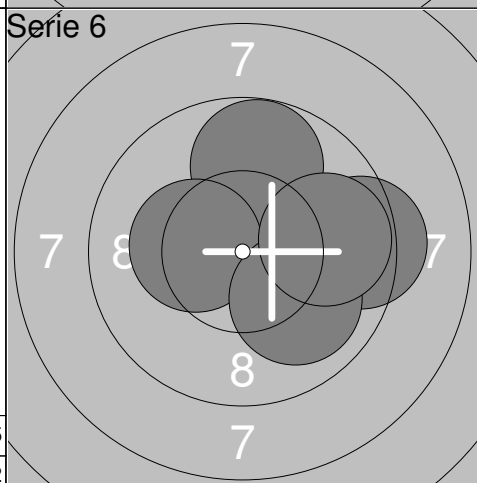
1:	9.1	↓
2:	9.5	←
3:	9.5	→
4:	10.3x	↖
5:	10.6x	→
Serie		47
Total		140



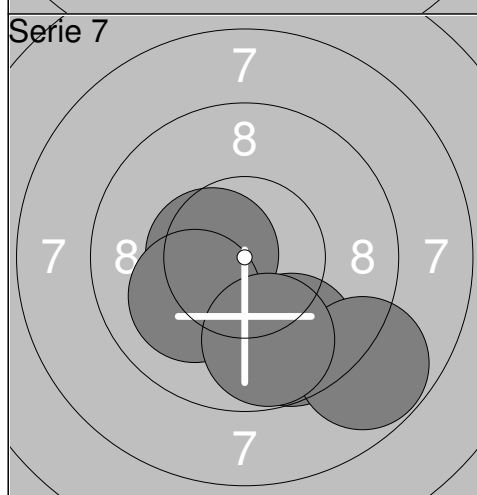
1:	9.9	↙
2:	10.6x	↗
3:	10.5x	↖
4:	9.3	↙
5:	9.6	↙
Serie		47
Total		187



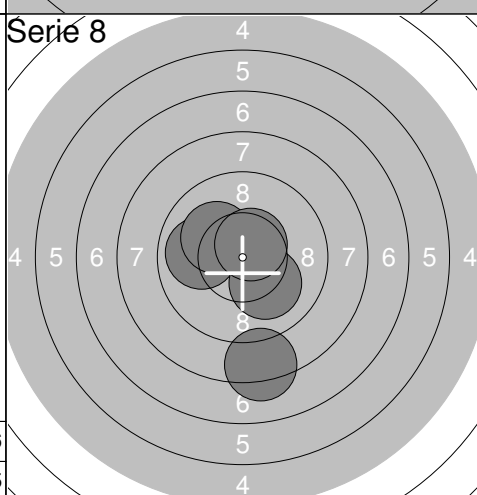
1:	9.9	→
2:	9.5	↓
3:	10.3x	↙
4:	8.9	→
5:	9.5	↓
Serie		45
Total		232



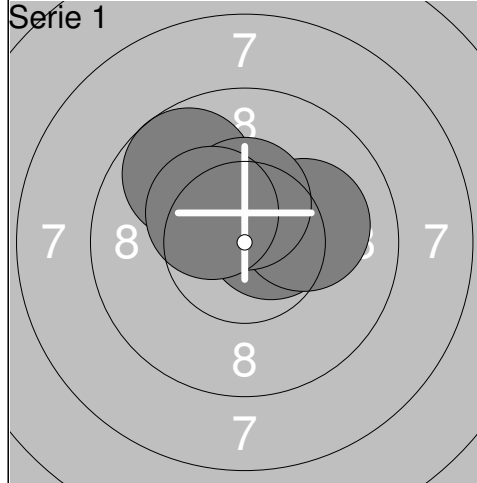
1:	9.3	→
2:	9.7	↑
3:	10.3x	←
4:	10.0	↙
5:	9.8	→
Serie		47
Total		279



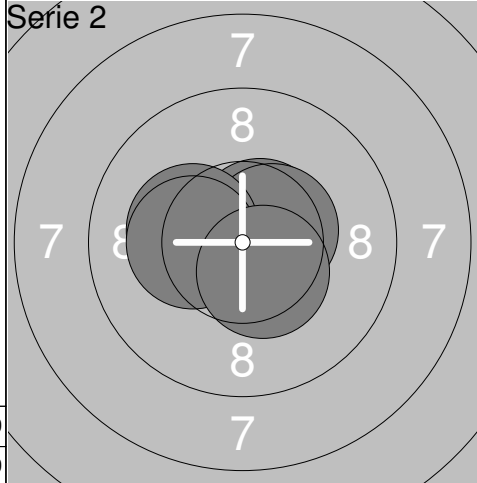
1:	9.6	↙
2:	10.5x	←
3:	8.8	↙
4:	10.1	↖
5:	9.8	↓
Serie		46
Total		325



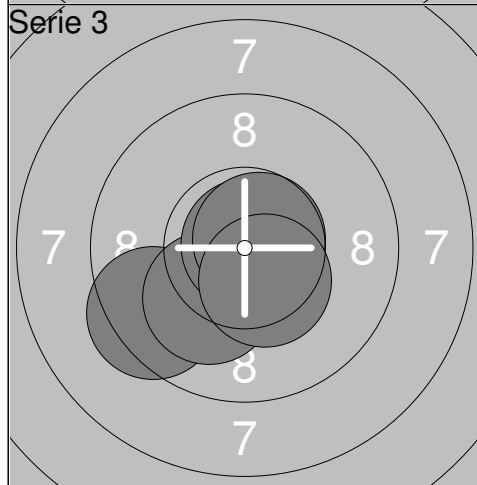
1:	8.3	↓
2:	9.9	←
3:	10.1	↙
4:	10.1	↗
5:	10.5x	↗
Serie		47
Total		372



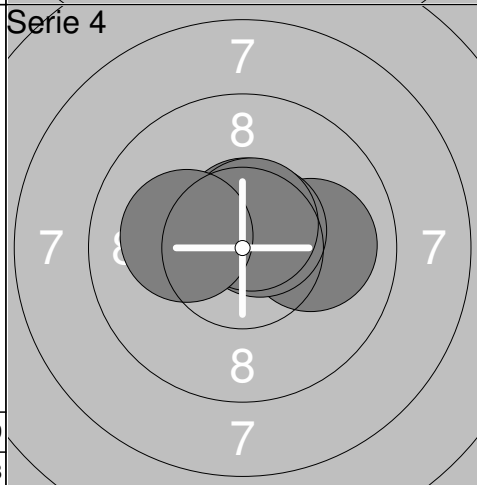
1:	10.5x	→
2:	10.1	→
3:	9.7	↗
4:	10.4x	↑
5:	10.3x	↖
Serie		49
Total		49



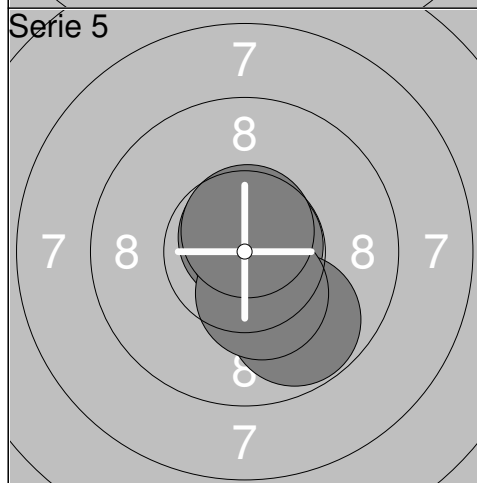
1:	10.6x	↗
2:	10.5x	→
3:	10.2x	←
4:	10.2x	←
5:	10.4x	↘
Serie		50
Total		99



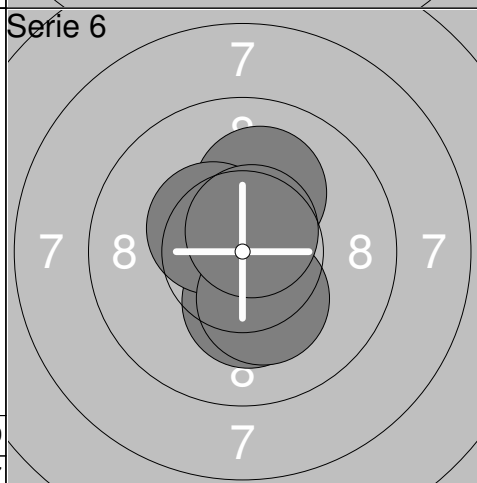
1:	9.4	↙
2:	10.1	↙
3:	10.9x	↗
4:	10.7x	→
5:	10.4x	↘
Serie		49
Total		148



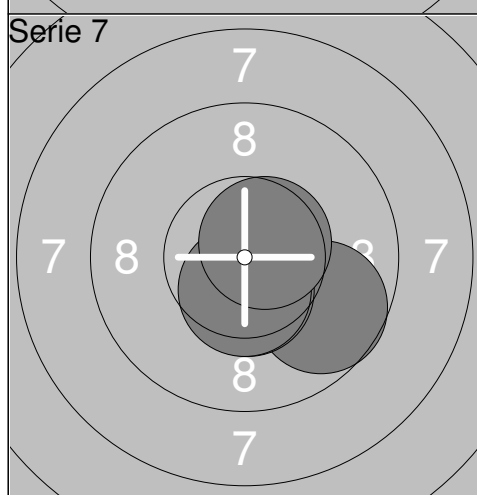
1:	10.0	→
2:	10.6x	↑
3:	10.6x	↗
4:	10.6x	↑
5:	10.2x	←
Serie		50
Total		198



1:	10.7x	↑
2:	10.8x	→
3:	9.8	↘
4:	10.3x	↘
5:	10.6x	↑
Serie		49
Total		247



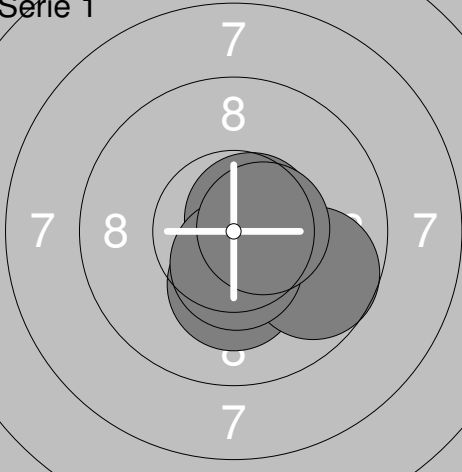

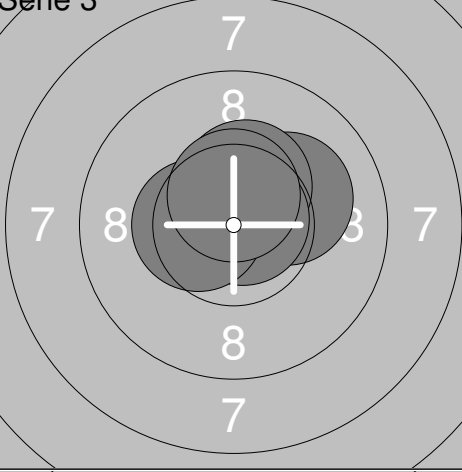
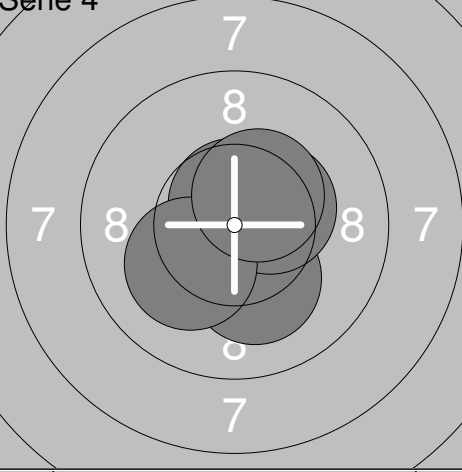
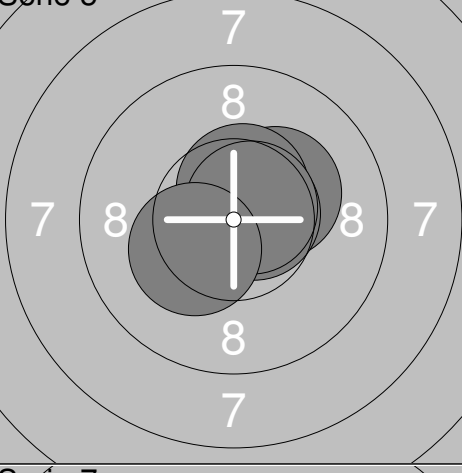
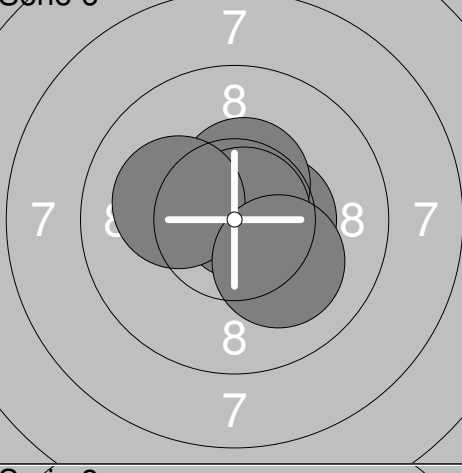
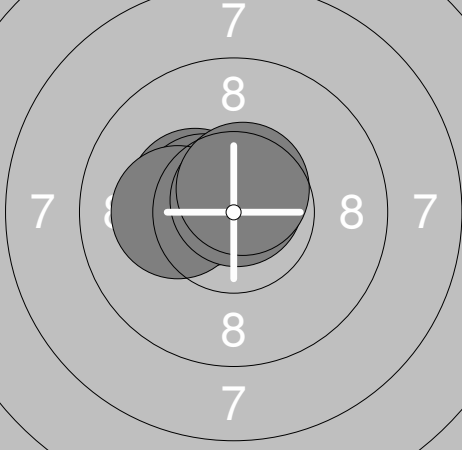
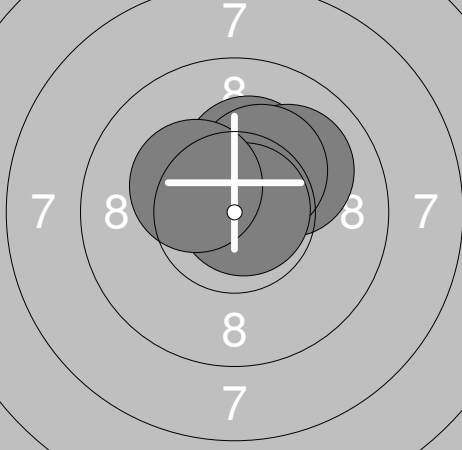
1:	10.1	↑
2:	10.3x	↘
3:	10.4x	↖
4:	10.2x	↘
5:	10.6x	↑
Serie		50
Total		297

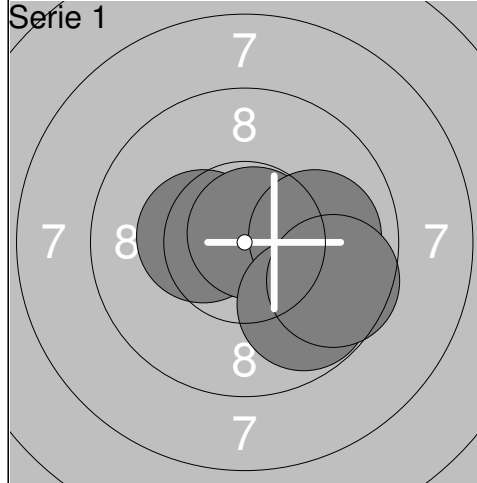


1:	10.6x	→
2:	9.7	↘
3:	10.5x	↘
4:	10.5x	↘
5:	10.6x	↗
Serie		49
Total		346

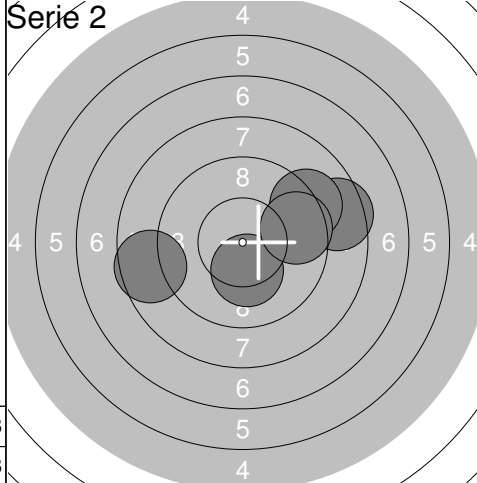


1:	10.3x	↑
2:	10.4x	↗
3:	10.1	→
4:	10.5x	↘
5:	10.8x	↗
Serie		50
Total		396

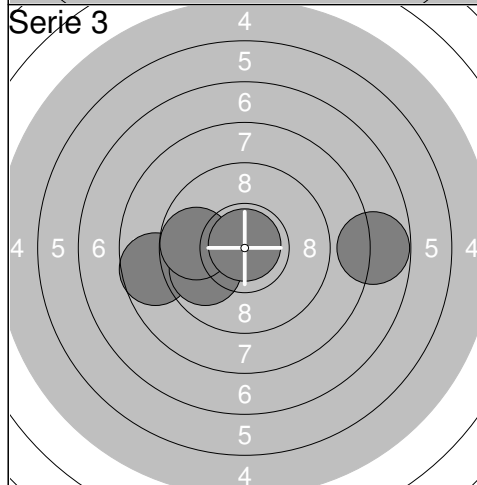
Skjutlag 4	Tavla 13	Josefine,,, Lindfors			
Kval stående		Virso Ungdomsskytteförening	SM		
03.11.2018		SM luftgevär 2018	Öckerö Skytteförening		
Serie 1		1: 10.2x ↓ 2: 9.7 ⇒ 3: 10.6x ↗ 4: 10.5x ↓ 5: 10.5x →	Serie 2		1: 10.6x ↗ 2: 10.7x ↗ 3: 10.7x ↑ 4: 10.5x ↗ 5: 10.6x →
Serie 3		Serie 4			
	1: 10.1 ↗ 2: 10.4x ↑ 3: 10.8x ↗ 4: 10.5x ← 5: 10.5x ↑		1: 10.2x ↓ 2: 10.6x ↑ 3: 10.4x ↗ 4: 10.1 ↙ 5: 10.4x ↗		
Serie 5		Serie 6			
	1: 10.3x ↗ 2: 10.6x → 3: 10.5x ↑ 4: 10.6x ↗ 5: 10.3x ↙		1: 10.4x → 2: 10.5x ↑ 3: 10.8x ↗ 4: 10.1 ← 5: 10.1 ↘		
Serie 7		Serie 8			
	1: 10.4x ↙ 2: 10.5x ↙ 3: 10.2x ← 4: 10.7x ↑ 5: 10.6x ↑		1: 10.2x ↑ 2: 10.0 ↗ 3: 10.3x ↗ 4: 10.8x → 5: 10.3x ↙		
Serie		Serie			
Total		Total			
49		50			
49		99			
50		50			
149		199			
50		50			
249		299			
50		50			
349		399			



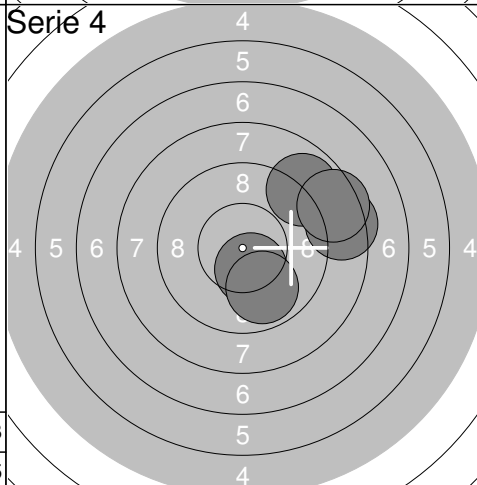
1:	10.4x	←
2:	10.8x	↗
3:	10.0	→
4:	9.8	↘
5:	9.6	↘
Serie		48
Total		48



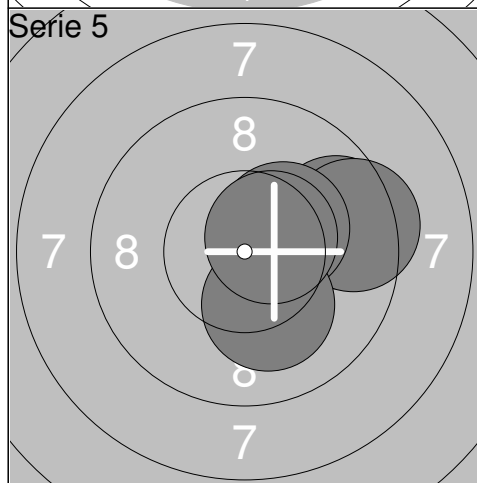
1:	8.5	→
2:	10.2x	↓
3:	9.1	↗
4:	9.6	→
5:	8.6	←
Serie		44
Total		92



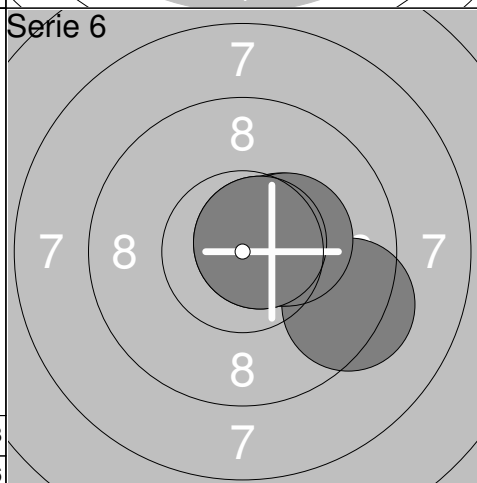
1:	8.7	←
2:	7.8	→
3:	9.8	←
4:	9.7	←
5:	10.8x	↑
Serie		43
Total		135



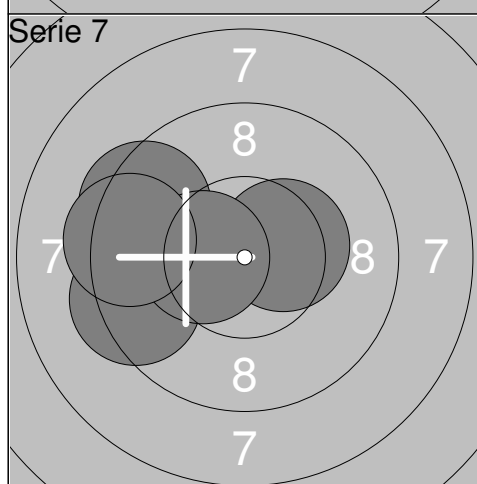
1:	10.4x	↓
2:	9.9	↓
3:	8.4	→
4:	8.9	↗
5:	8.5	→
Serie		43
Total		178



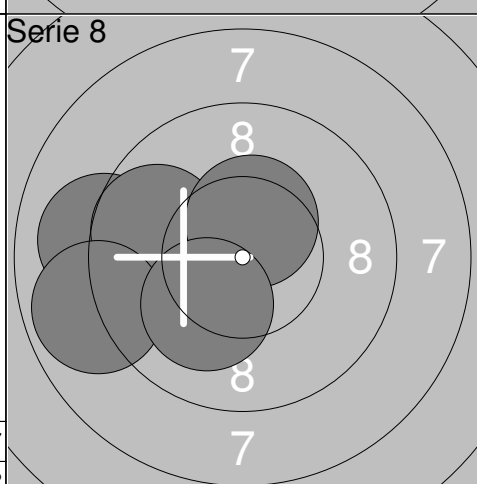
1:	9.6	→
2:	9.4	→
3:	10.3x	↗
4:	10.1	↘
5:	10.5x	↗
Serie		48
Total		226



1:	9.3	↘
2:	10.7x	↗
3:	10.4x	→
4:	10.3x	→
5:	10.7x	↗
Serie		49
Total		275



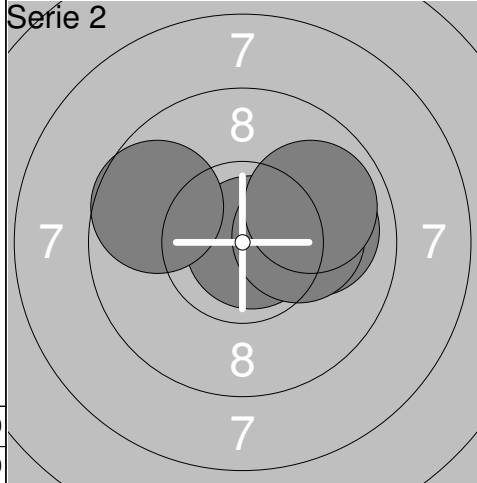
1:	10.4x	→
2:	9.4	←
3:	9.4	↖
4:	10.4x	←
5:	9.4	←
Serie		47
Total		322



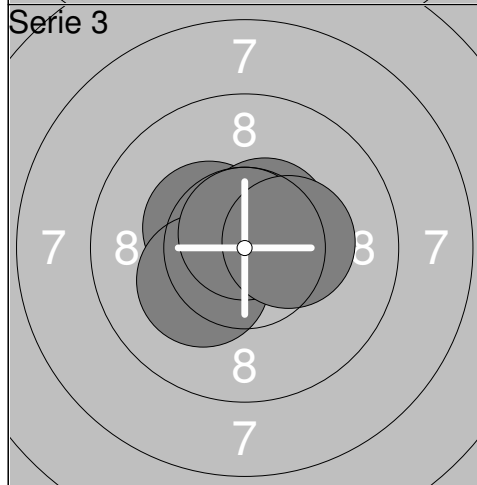
1:	9.0	←
2:	9.7	←
3:	10.4x	↑
4:	8.9	←
5:	10.1	↘
Serie		46
Total		368



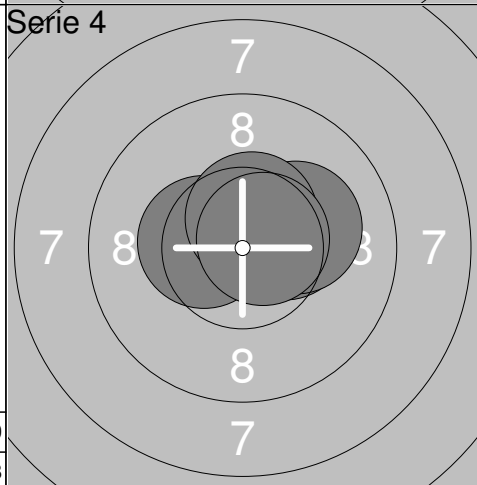
1:	10.2x	→
2:	10.7x	↗
3:	10.3x	↗
4:	10.0	↗
5:	10.0	↗
Serie		50
Total		50



1:	10.0	→
2:	10.8x	→
3:	9.7	↖
4:	10.2x	→
5:	9.9	↗
Serie		48
Total		98



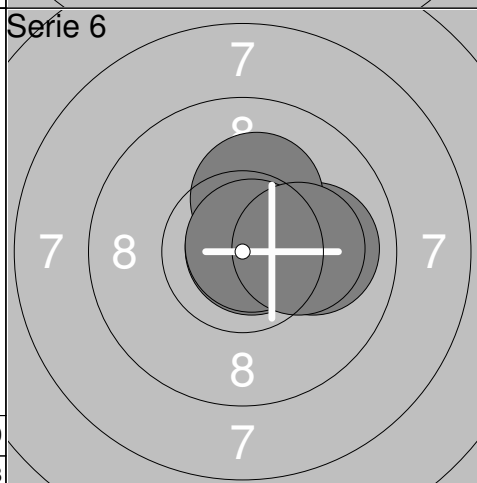
1:	10.4x	↖
2:	10.2x	↖
3:	10.5x	↗
4:	10.7x	↗
5:	10.3x	→
Serie		50
Total		148



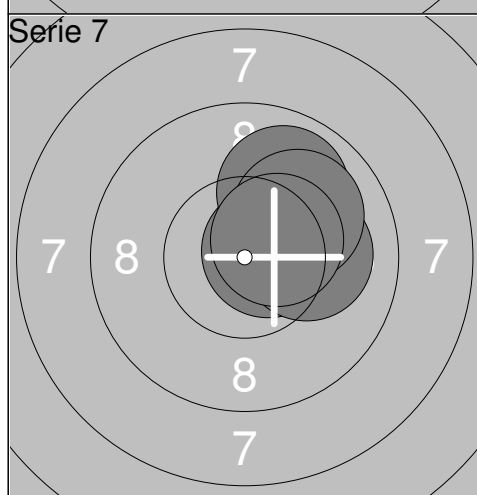
1:	10.3x	→
2:	10.4x	←
3:	10.2x	→
4:	10.5x	↗
5:	10.6x	↗
Serie		50
Total		198



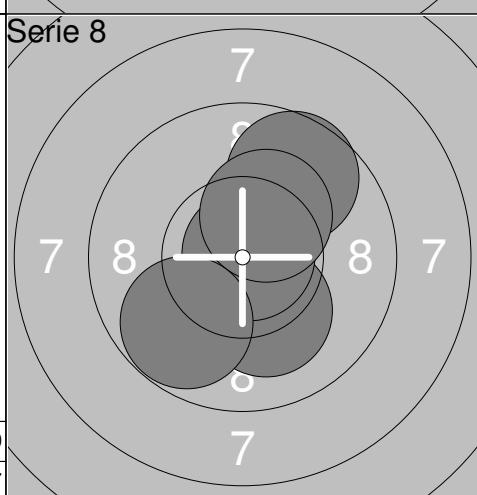
1:	10.7x	↗
2:	10.9x	→
3:	10.7x	→
4:	10.7x	↗
5:	10.2x	↗
Serie		50
Total		248



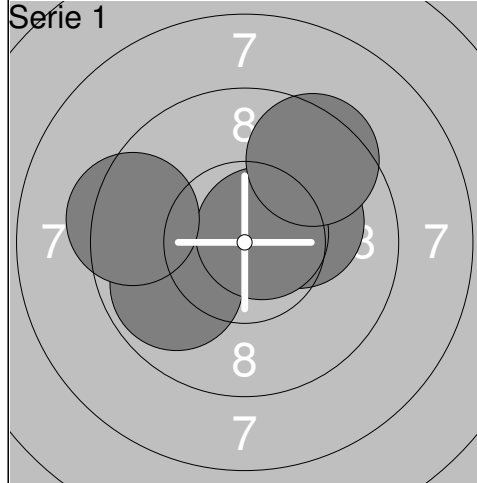
1:	10.8x	↗
2:	10.0	→
3:	10.2x	↗
4:	10.8x	↗
5:	10.2x	→
Serie		50
Total		298



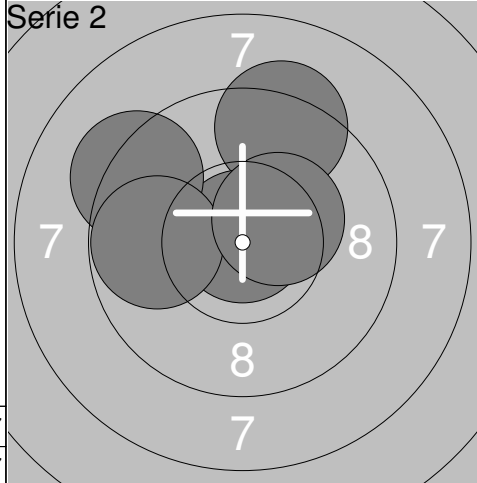
1:	10.6x	→
2:	9.9	↗
3:	10.1	→
4:	10.0	↗
5:	10.4x	↗
Serie		49
Total		347



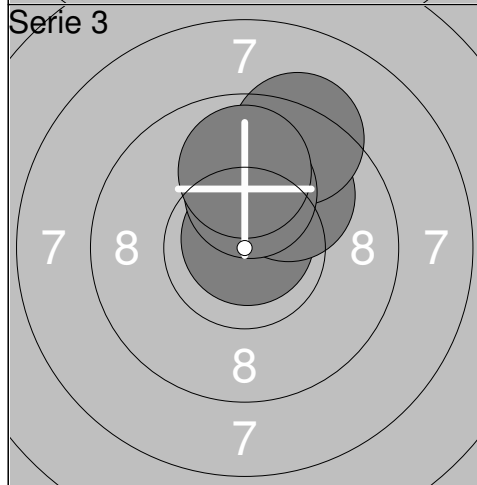
1:	10.1	↘
2:	10.8x	↗
3:	9.6	↗
4:	10.3x	↗
5:	9.8	↘
Serie		48
Total		395



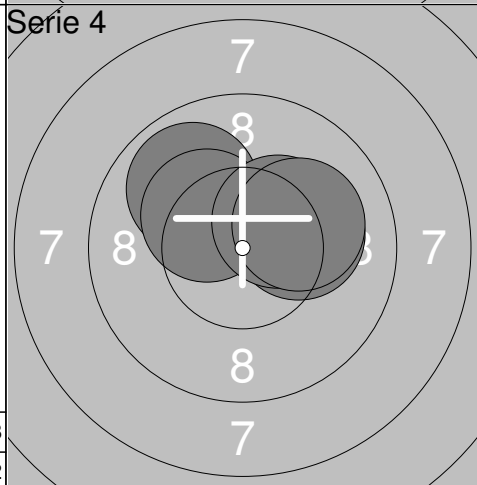
1:	10.2x	→
2:	9.8	↙
3:	10.7x	→
4:	9.5	↗
5:	9.4	←
Serie		47
Total		47



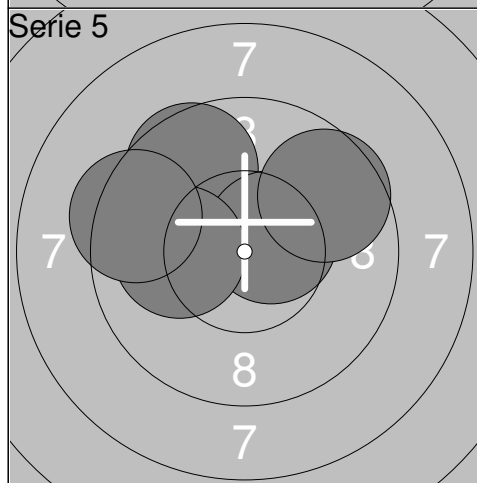
1:	9.3	↗
2:	10.8x	↑
3:	9.2	↙
4:	9.8	←
5:	10.4x	↗
Serie		47
Total		94



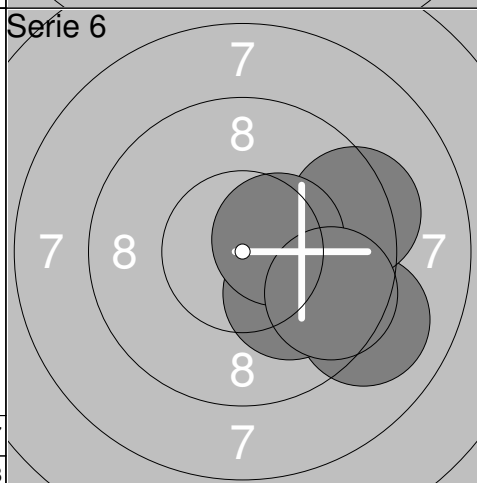
1:	10.8x	↑
2:	10.0	↗
3:	9.3	↗
4:	10.2x	↑
5:	9.9	↑
Serie		48
Total		142



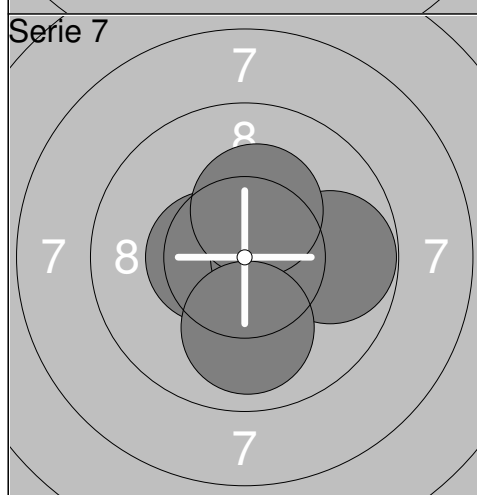
1:	10.1	→
2:	9.9	↖
3:	10.3x	↖
4:	10.3x	↗
5:	10.1	→
Serie		49
Total		191



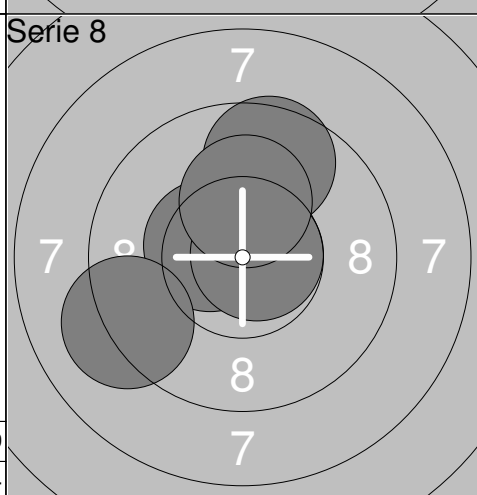
1:	9.6	↖
2:	10.5x	↗
3:	9.6	↗
4:	10.1	←
5:	9.4	←
Serie		47
Total		238



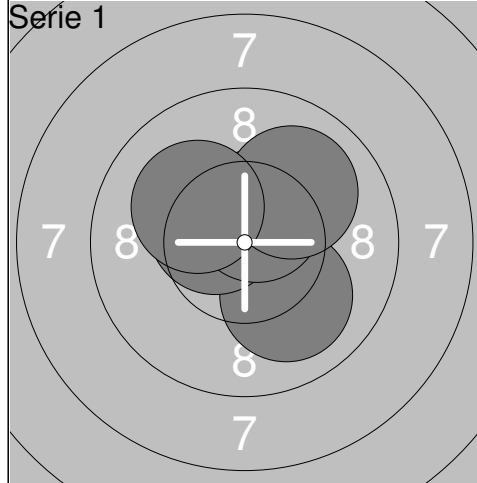
1:	9.0	↘
2:	10.1	↘
3:	9.3	→
4:	10.4x	→
5:	9.6	↘
Serie		47
Total		285



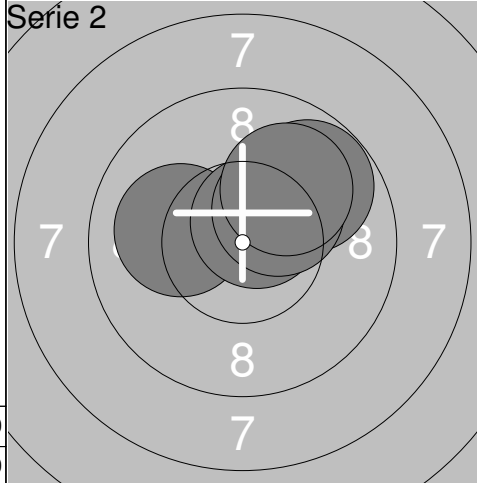
1:	10.5x	←
2:	10.5x	→
3:	9.8	→
4:	10.3x	↑
5:	10.0	↓
Serie		49
Total		334



1:	9.6	↑
2:	10.5x	←
3:	10.7x	→
4:	9.1	↙
5:	10.2x	↑
Serie		48
Total		382



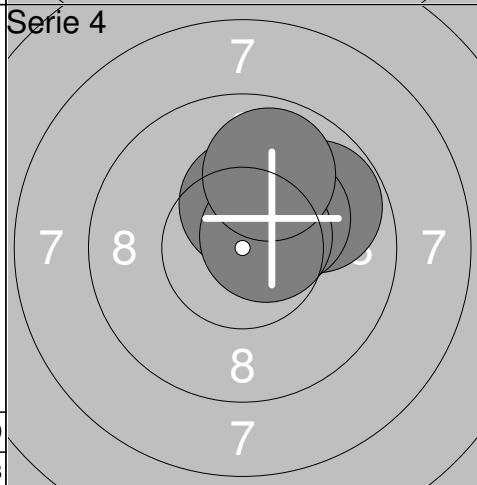
1:	10.0	↘
2:	10.5x	↖
3:	10.5x	↗
4:	10.0	↗
5:	10.1	↖
Serie		50
Total		50



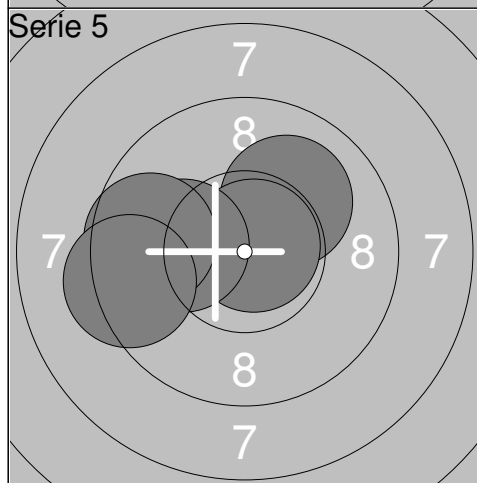
1:	9.7	↗
2:	10.1	↖
3:	10.6x	↗
4:	10.3x	↗
5:	10.0	↗
Serie		49
Total		99



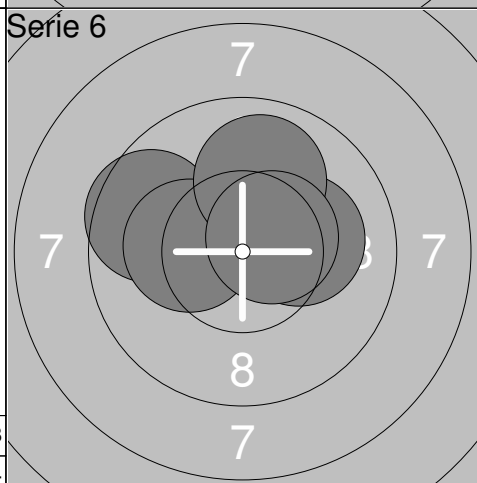
1:	10.2x	↗
2:	9.9	↗
3:	10.1	↗
4:	10.4x	↗
5:	10.3x	↗
Serie		49
Total		148



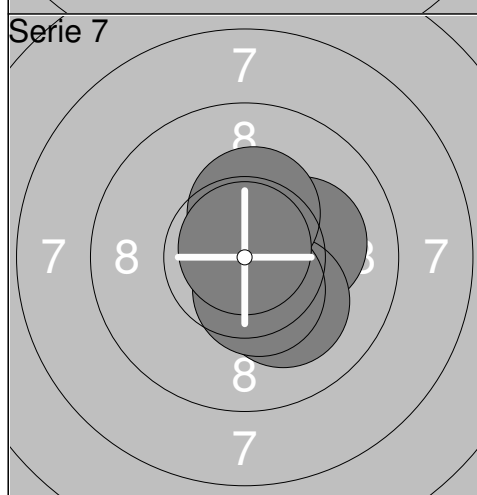
1:	9.8	↗
2:	10.2x	↗
3:	10.3x	↗
4:	10.6x	↗
5:	9.9	↗
Serie		48
Total		196



1:	10.0	↗
2:	10.8x	↗
3:	10.1	↖
4:	9.6	↖
5:	9.3	↖
Serie		48
Total		244



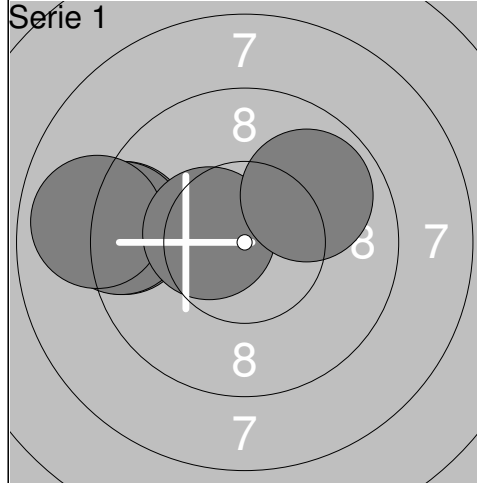
1:	9.6	↖
2:	10.2x	↖
3:	10.1	↗
4:	9.9	↗
5:	10.5x	↗
Serie		48
Total		292



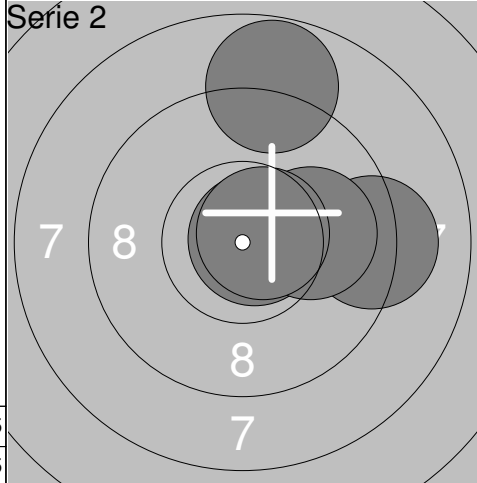
1:	10.1	↗
2:	10.1	↘
3:	10.4x	↘
4:	10.3x	↗
5:	10.8x	↗
Serie		50
Total		342



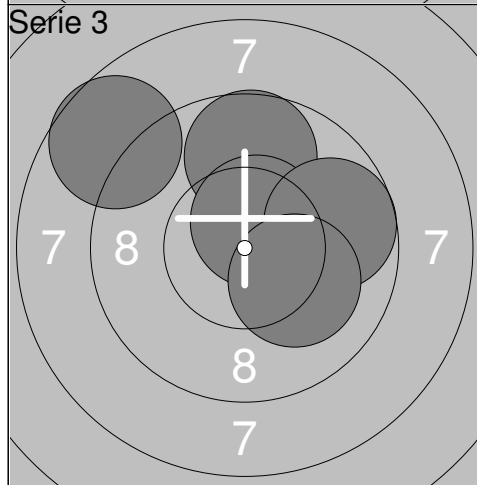
1:	10.4x	↖
2:	10.7x	↗
3:	10.4x	↗
4:	9.9	↖
5:	10.4x	↘
Serie		49
Total		391



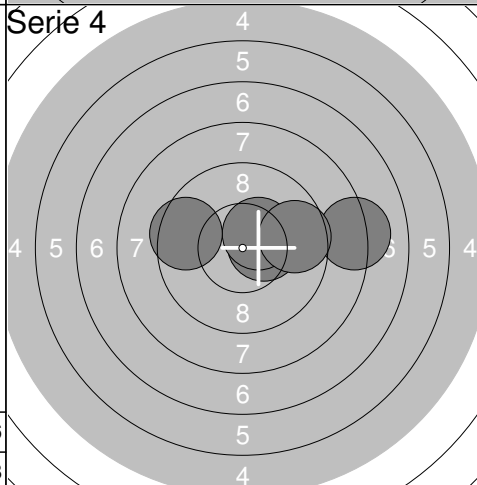
Serie	45
Total	45



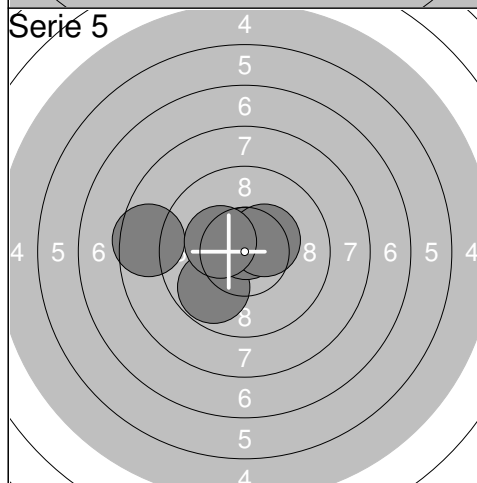
Serie	47
Total	92



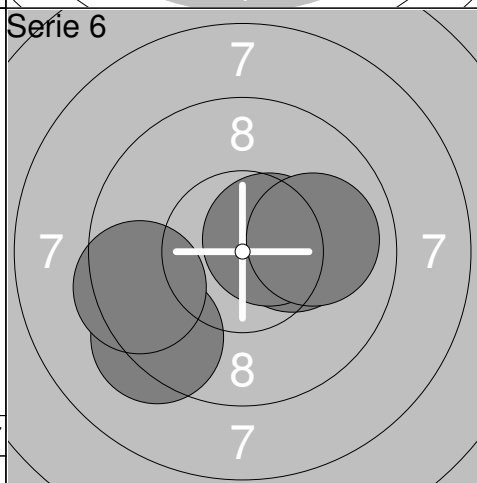
Serie	46
Total	138



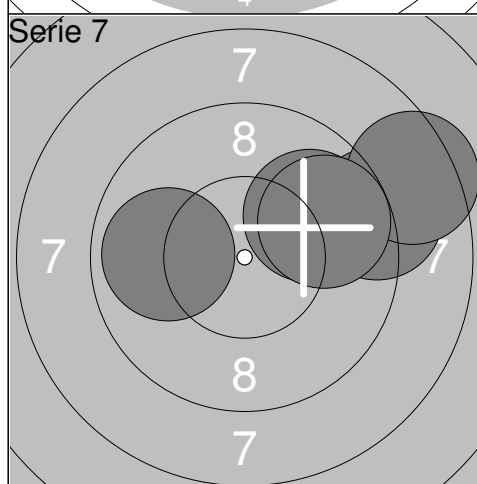
Serie	46
Total	184



Serie	47
Total	231



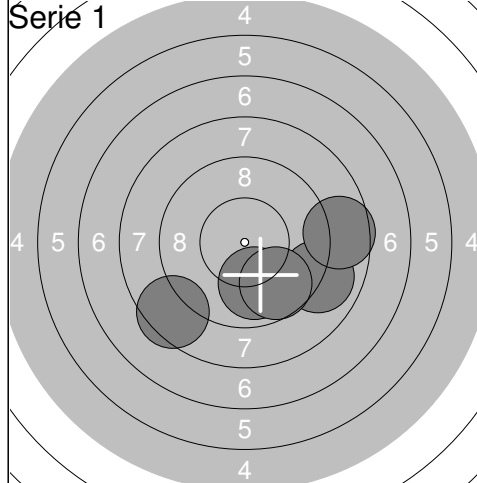
Serie	48
Total	279



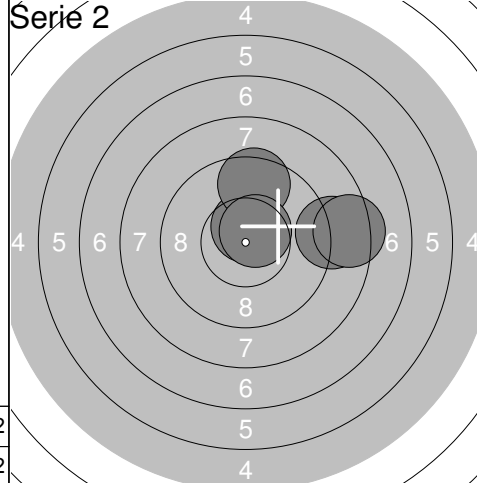
Serie	44
Total	323



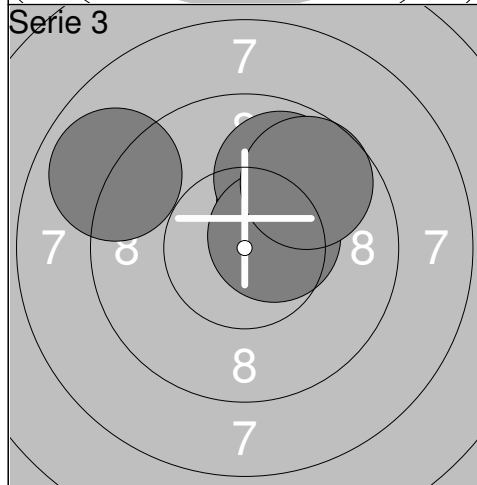
Serie	46
Total	369



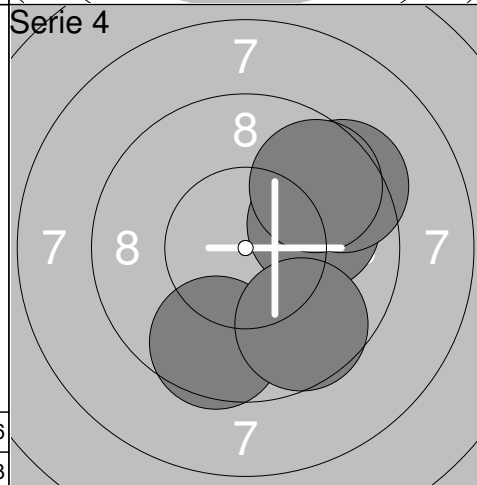
1:	8.9	→
2:	9.9	↓
3:	9.7	↓
4:	8.6	→
5:	8.5	↙
Serie		42
Total		42



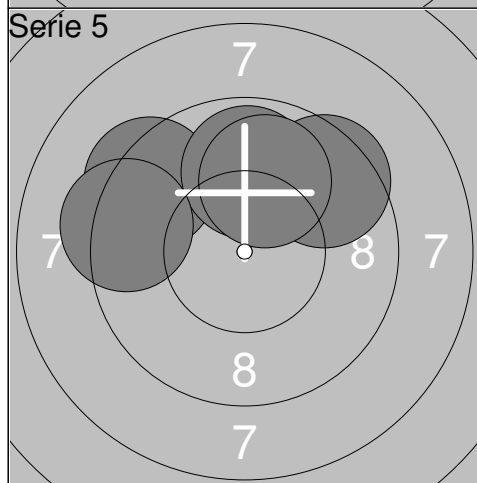
1:	10.5x	↑
2:	9.5	↑
3:	10.6x	↗
4:	8.8	→
5:	8.3	→
Serie		45
Total		87



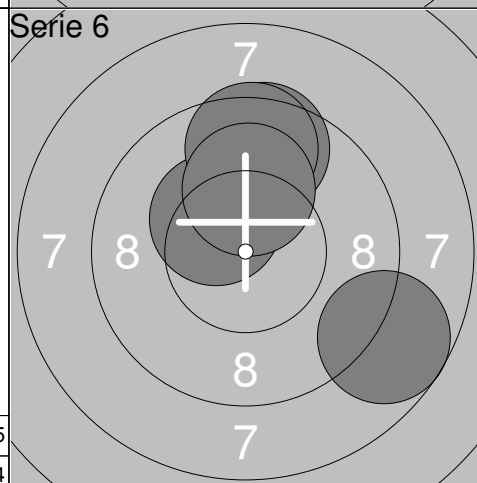
1:	10.1	↗
2:	9.9	↑
3:	10.5x	→
4:	8.9	↖
5:	9.7	↗
Serie		46
Total		133



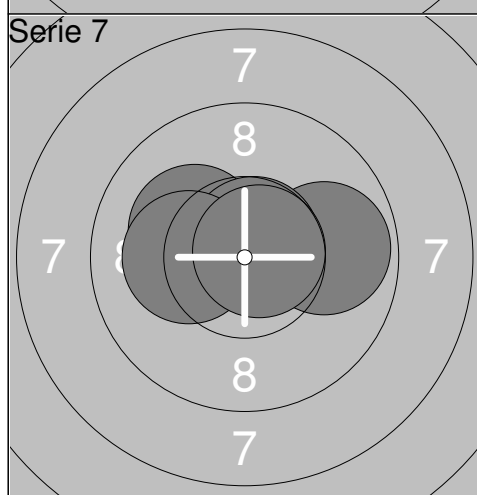
1:	10.0	→
2:	9.3	↗
3:	9.6	↓
4:	9.6	↓
5:	9.7	↗
Serie		46
Total		179



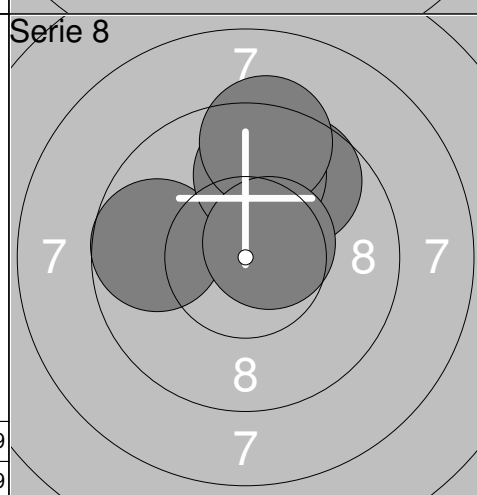
1:	9.3	↖
2:	9.5	↗
3:	9.9	↑
4:	9.3	↖
5:	9.9	↑
Serie		45
Total		224



1:	9.5	↑
2:	8.7	↘
3:	10.4x	↖
4:	9.5	↑
5:	10.1	↑
Serie		46
Total		270



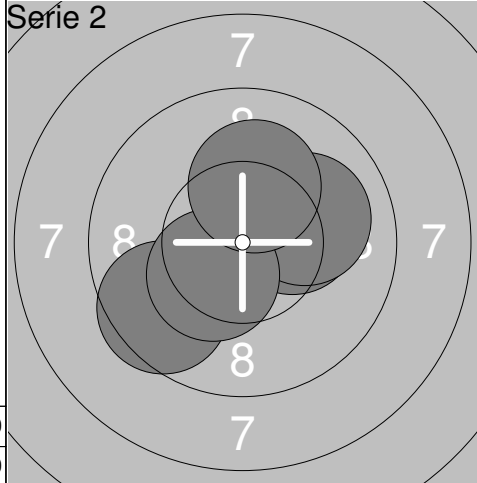
1:	9.8	→
2:	10.2x	↖
3:	10.7x	↗
4:	10.2x	←
5:	10.7x	→
Serie		49
Total		319



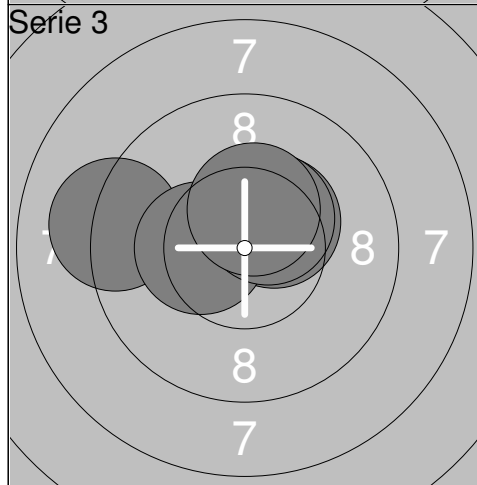
1:	9.7	↗
2:	9.7	←
3:	9.8	↑
4:	9.3	↑
5:	10.6x	↗
Serie		46
Total		365



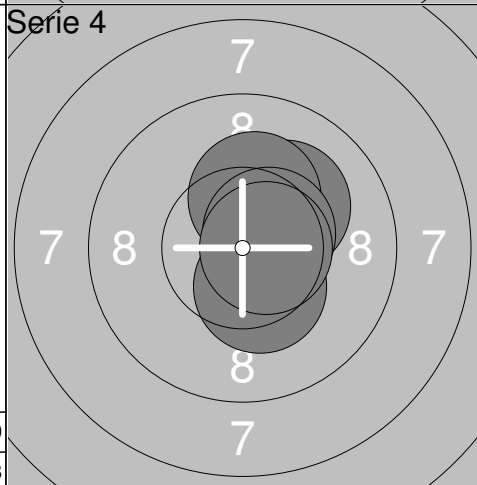
1:	10.2x	→
2:	10.6x	→
3:	10.2x	→
4:	10.5x	↗
5:	10.2x	↗
Serie		50
Total		50



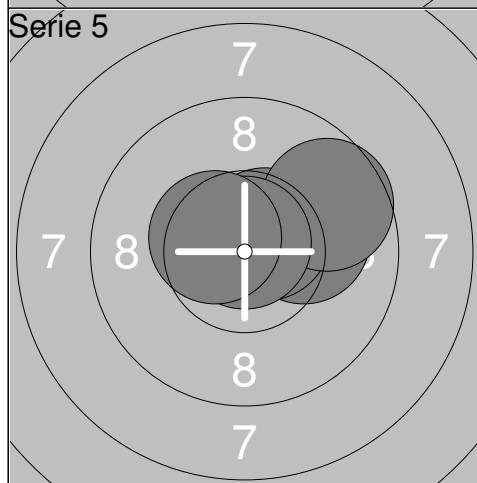
1:	10.2x	→
2:	10.0	→
3:	9.5	↙
4:	10.3x	↙
5:	10.2x	↑
Serie		49
Total		99



1:	10.4x	↗
2:	9.2	←
3:	10.3x	←
4:	10.4x	↗
5:	10.4x	↑
Serie		49
Total		148



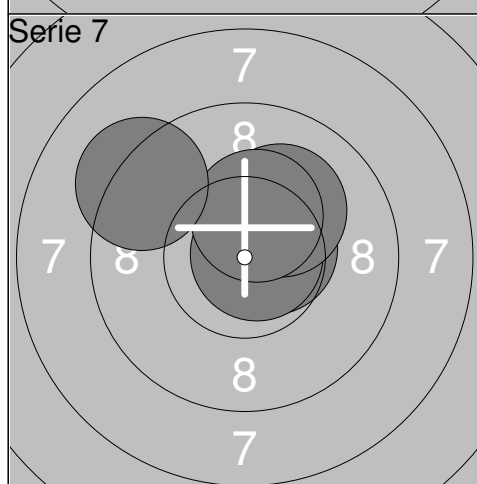
1:	10.1	↗
2:	10.2x	↑
3:	10.5x	↗
4:	10.4x	↓
5:	10.6x	→
Serie		50
Total		198



1:	10.1	→
2:	10.6x	↗
3:	9.6	↗
4:	10.8x	↑
5:	10.5x	↙
Serie		49
Total		247



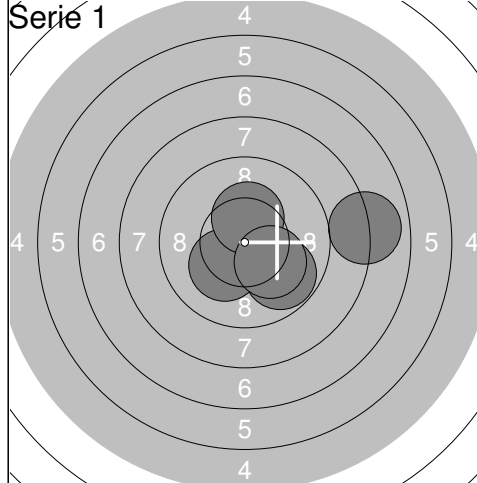
1:	10.3x	↙
2:	10.7x	↗
3:	10.4x	↗
4:	10.9x	↑
5:	10.3x	↑
Serie		50
Total		297



1:	10.6x	→
2:	10.8x	→
3:	10.1	↗
4:	10.4x	↑
5:	9.2	↙
Serie		49
Total		346

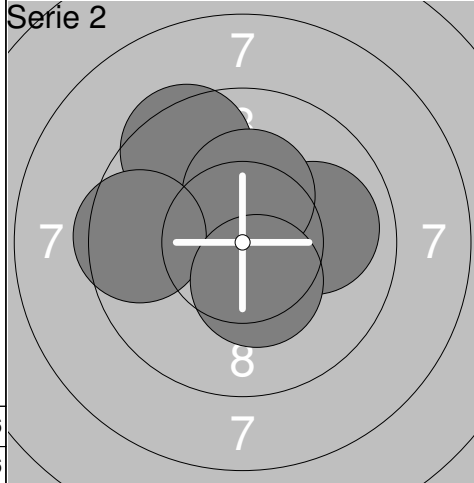


1:	10.6x	↗
2:	10.5x	↑
3:	10.5x	↑
4:	9.6	↗
5:	10.4x	↑
Serie		49
Total		395



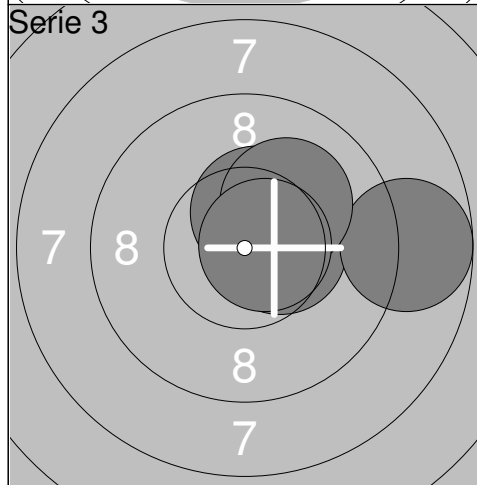
1:	7.9	→
2:	9.8	↘
3:	10.2x	↙
4:	10.3x	↑
5:	10.1	↘

Serie	46
Total	46



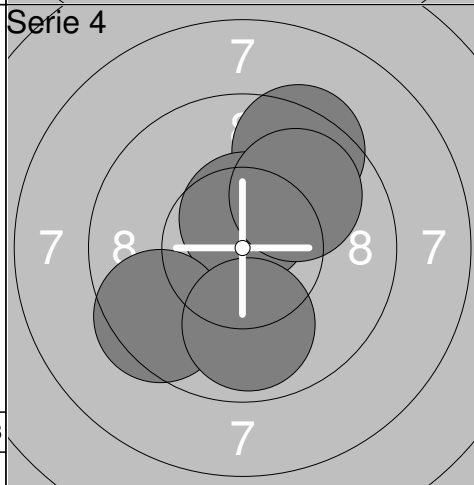
1:	9.9	→
2:	9.5	↖
3:	10.3x	↑
4:	9.5	←
5:	10.4x	↘

Serie	47
Total	93



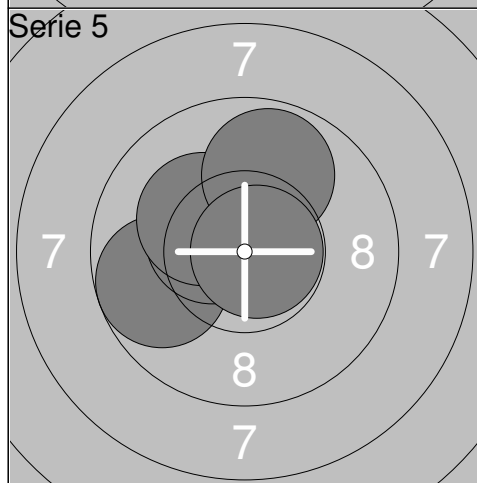
1:	10.4x	↑
2:	10.4x	→
3:	8.7	→
4:	10.1	↗
5:	10.6x	→

Serie	48
Total	141



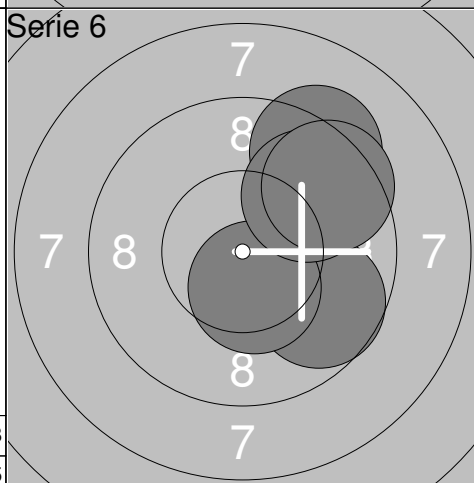
1:	9.4	↗
2:	10.5x	↑
3:	9.9	↗
4:	9.5	↙
5:	9.9	↓

Serie	46
Total	187



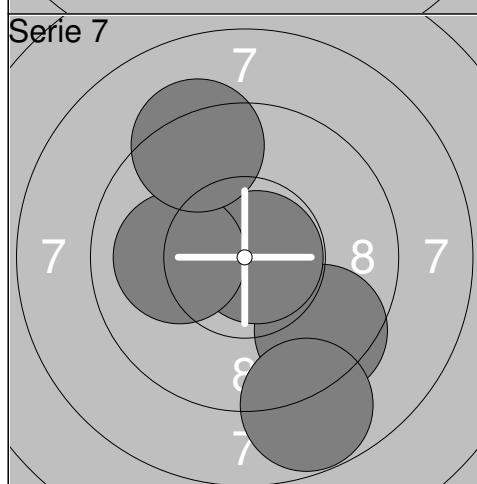
1:	9.7	←
2:	10.4x	↖
3:	10.2x	↗
4:	9.8	↑
5:	10.8x	→

Serie	48
Total	235



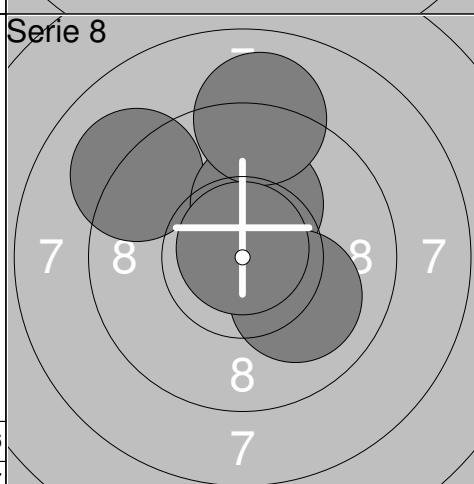
1:	9.7	↘
2:	9.3	↗
3:	10.4x	↓
4:	9.8	↗
5:	9.5	↗

Serie	46
Total	281



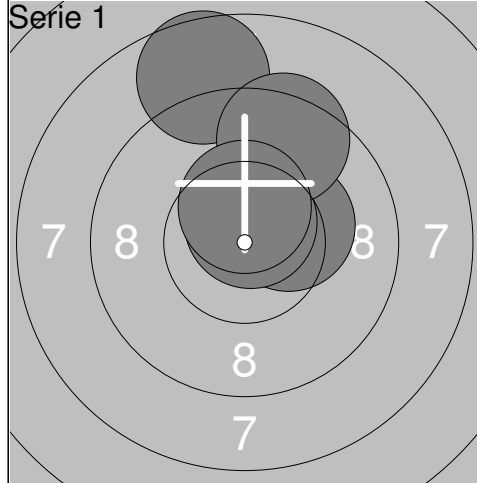
1:	9.5	↘
2:	10.8x	→
3:	10.0	←
4:	8.8	↘
5:	9.3	↗

Serie	46
Total	327

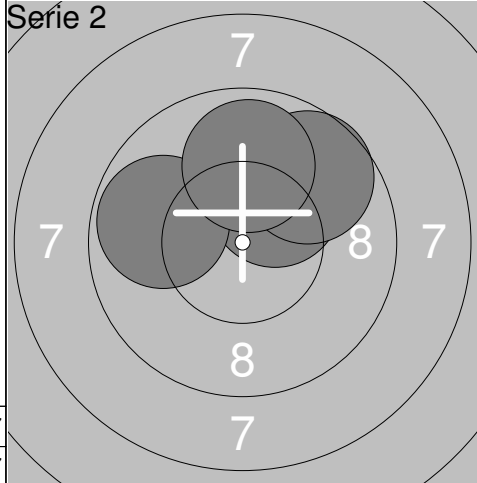


1:	9.1	↖
2:	10.2x	↑
3:	9.0	↑
4:	10.0	↘
5:	10.8x	↑

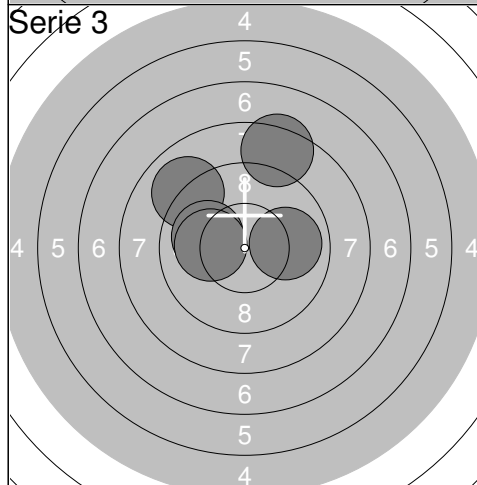
Serie	48
Total	375



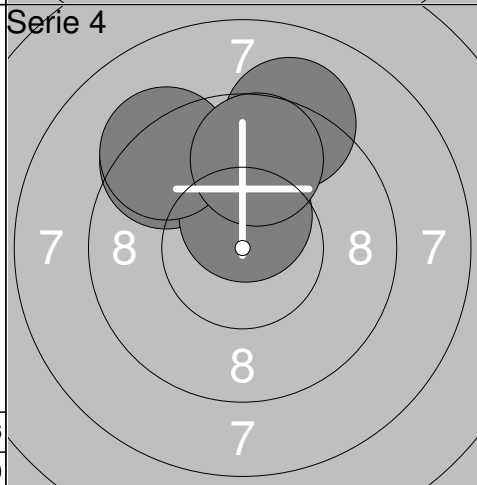
1:	8.6	↑
2:	10.3x	→
3:	10.6x	↑
4:	9.4	↑
5:	10.5x	↑
Serie		47
Total		47



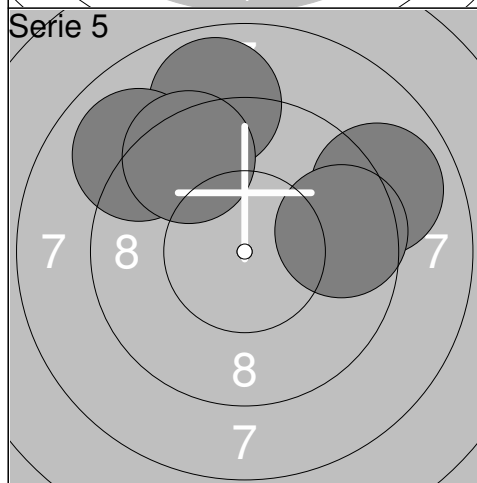
1:	10.1	↗
2:	10.2x	↗
3:	9.7	↗
4:	9.8	←
5:	9.9	↑
Serie		47
Total		94



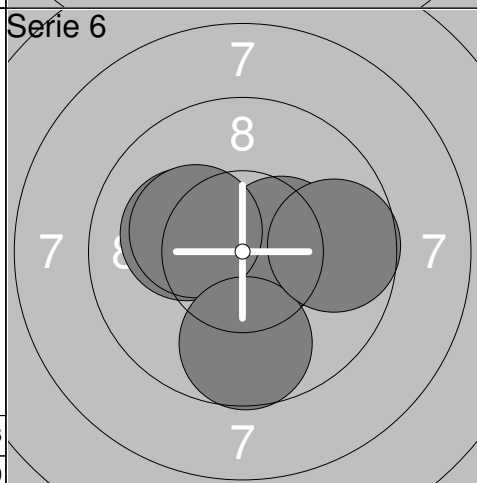
1:	9.0	↖
2:	9.9	→
3:	10.0	←
4:	10.1	←
5:	8.4	↑
Serie		46
Total		140



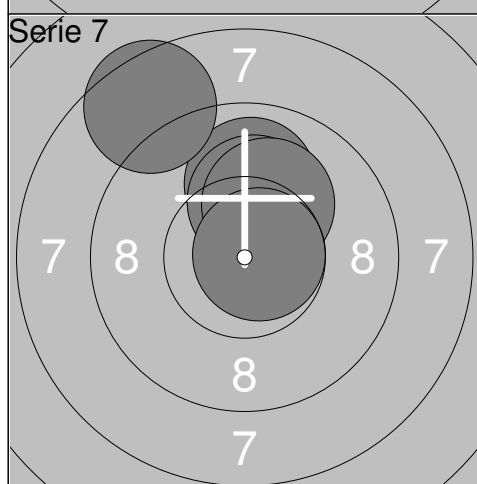
1:	9.1	↑
2:	9.4	↖
3:	10.5x	↑
4:	9.3	↖
5:	9.7	↑
Serie		46
Total		186



1:	8.9	↑
2:	8.9	→
3:	9.0	↖
4:	9.4	↖
5:	9.6	→
Serie		43
Total		229



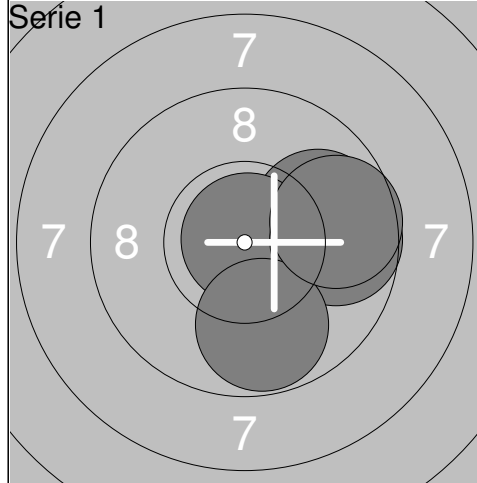
1:	10.4x	→
2:	10.1	←
3:	10.3x	←
4:	9.7	↓
5:	9.7	→
Serie		48
Total		277



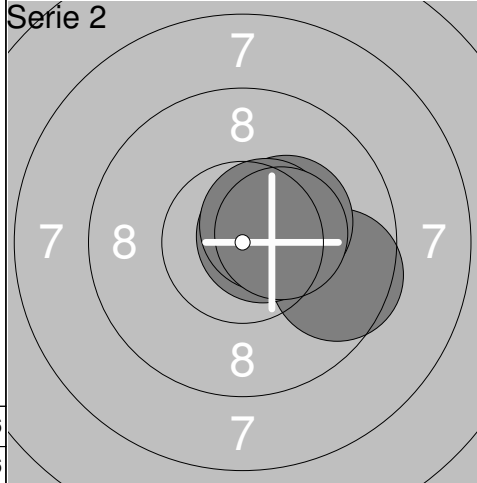
1:	9.9	↑
2:	10.2x	↑
3:	8.5	↖
4:	10.1	↑
5:	10.7x	→
Serie		47
Total		324



1:	10.5x	↖
2:	10.3x	→
3:	10.1	↑
4:	10.0	↗
5:	10.5x	→
Serie		50
Total		374



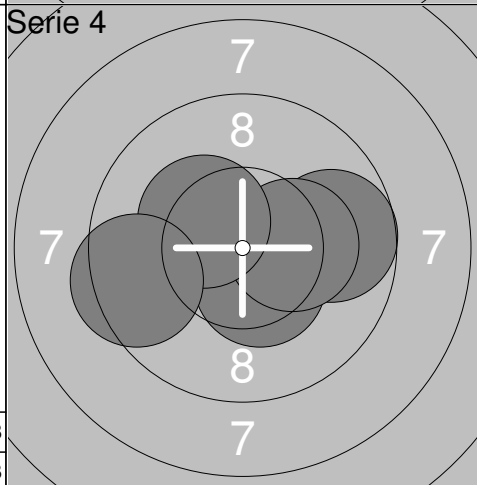
1:	9.9	→
2:	10.8x	↗
3:	9.7	→
4:	9.8	↓
5:	9.7	→
Serie		46
Total		46



1:	9.6	→
2:	10.3x	→
3:	10.6x	→
4:	10.5x	↗
5:	10.4x	→
Serie		49
Total		95



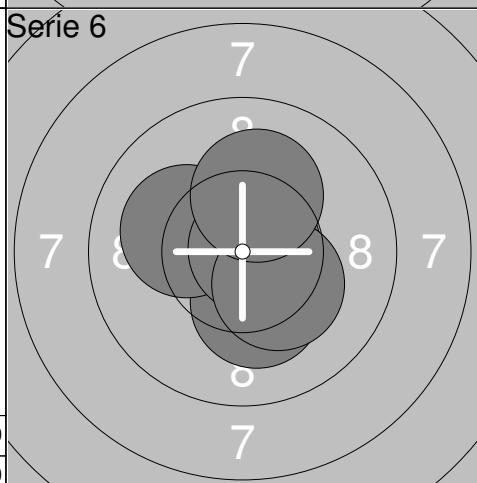
1:	9.7	↖
2:	10.6x	↗
3:	10.0	→
4:	9.8	↗
5:	10.2x	↑
Serie		48
Total		143



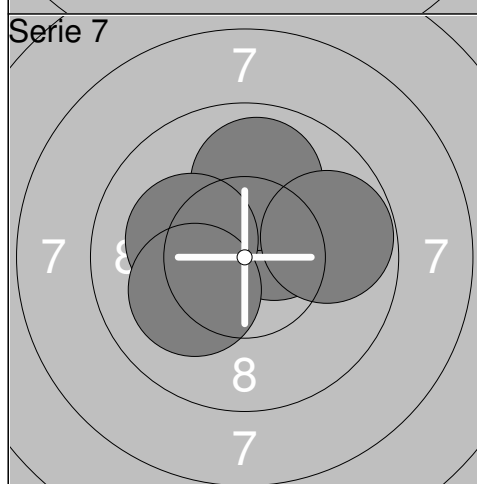
1:	10.4x	↓
2:	9.7	→
3:	10.2x	→
4:	10.3x	↖
5:	9.4	←
Serie		48
Total		191



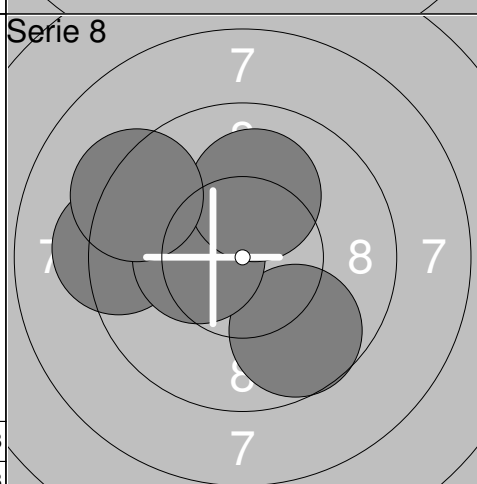
1:	10.6x	↗
2:	10.7x	→
3:	10.8x	→
4:	10.3x	↖
5:	9.8	↗
Serie		49
Total		240



1:	10.2x	↓
2:	10.1	←
3:	10.8x	→
4:	10.3x	↓
5:	10.2x	↑
Serie		50
Total		290

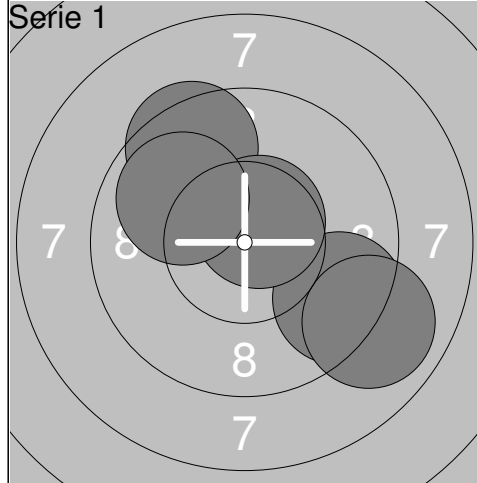


1:	10.4x	↗
2:	9.9	↑
3:	10.2x	←
4:	10.1	↙
5:	9.8	→
Serie		48
Total		338

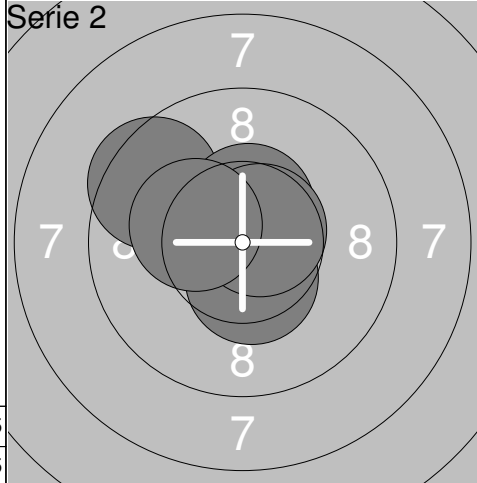


1:	9.7	↓
2:	9.3	←
3:	10.3x	←
4:	10.1	↑
5:	9.3	↖
Serie		47
Total		385

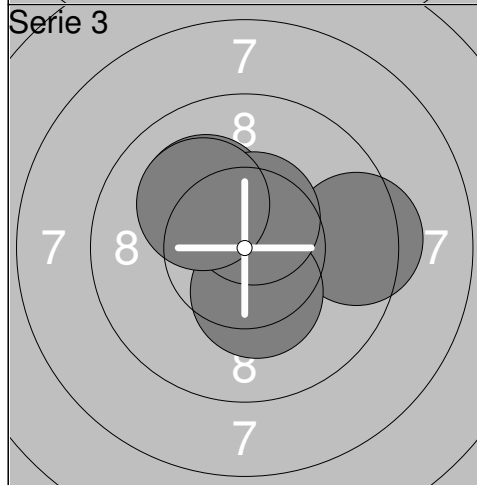
Skjutlag 4	Tavla 24	Zandra Rosander	
Kval stående		Anderstorps Skytteförening	SM
03.11.2018		SM luftgevär 2018	Öckerö Skytteförening
Serie 1		1: 9.2 → 2: 9.7 ↑ 3: 9.9 ← 4: 9.1 ↑ 5: 10.4x ↗	Serie 2
		Serie 46 Total 46	1: 9.7 ↘ 2: 9.7 → 3: 9.8 ↑ 4: 10.3x ↑ 5: 10.2x →
			Serie 47 Total 93
Serie 3		1: 8.6 ← 2: 9.6 ↑ 3: 9.5 ↖ 4: 9.6 → 5: 10.0 ↗	Serie 4
		Serie 45 Total 138	1: 9.4 ↘ 2: 10.1 ↖ 3: 9.3 → 4: 8.0 → 5: 10.0 ↑
			Serie 46 Total 184
Serie 5		1: 9.2 ↖ 2: 8.7 → 3: 9.6 ← 4: 10.2x → 5: 9.2 ↗	Serie 6
		Serie 45 Total 229	1: 10.3x ↑ 2: 9.0 ← 3: 10.4x ↖ 4: 10.0 ↑ 5: 9.4 ↗
			Serie 48 Total 277
Serie 7		1: 10.4x ↘ 2: 8.7 ↗ 3: 9.1 ↗ 4: 8.4 ↗ 5: 9.2 ↑	Serie 8
		Serie 44 Total 321	1: 9.2 ↗ 2: 8.1 ↖ 3: 9.9 ↑ 4: 8.7 ↑ 5: 10.1 ↖
			Serie 44 Total 365



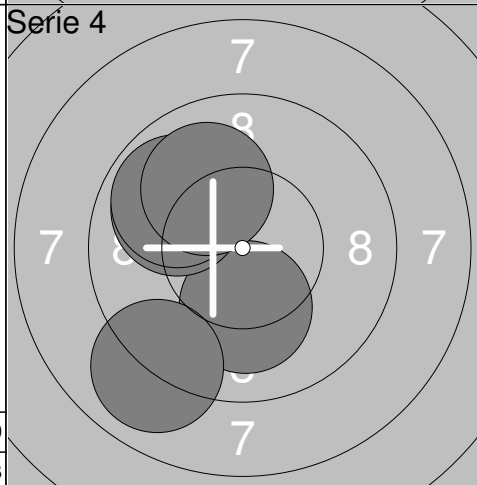
1:	9.5	↗
2:	9.4	↘
3:	10.6x	↗
4:	8.9	↘
5:	9.9	↗
Serie		45
Total		45



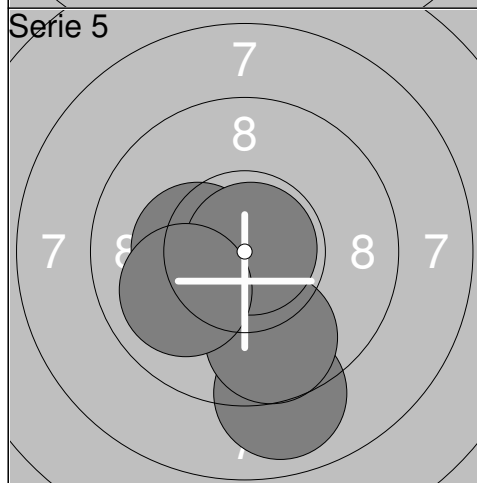
1:	10.4x	↓
2:	9.5	↖
3:	10.5x	↑
4:	10.6x	↗
5:	10.3x	↖
Serie		49
Total		94



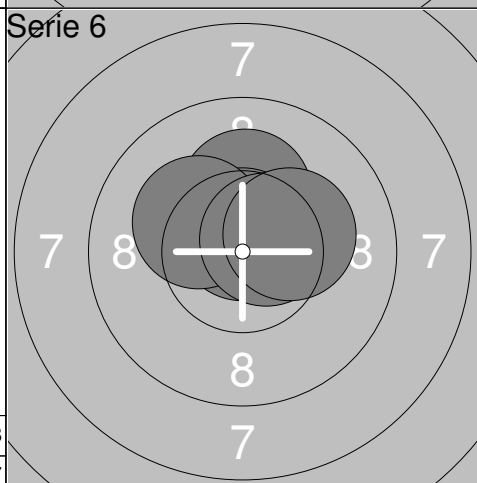
1:	10.1	↗
2:	9.4	→
3:	10.3x	↓
4:	10.5x	↑
5:	10.1	↗
Serie		49
Total		143



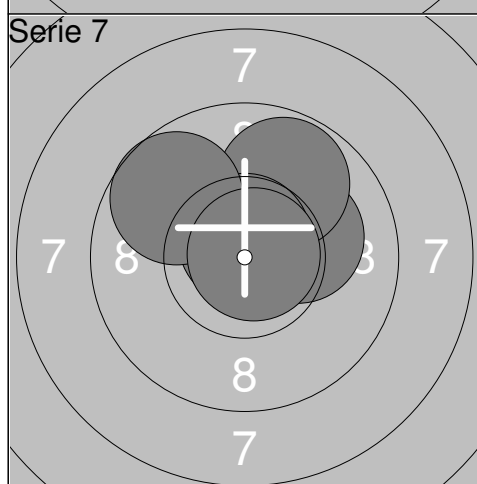
1:	10.1	↓
2:	9.9	↖
3:	9.8	↗
4:	10.0	↗
5:	8.9	↓
Serie		46
Total		189



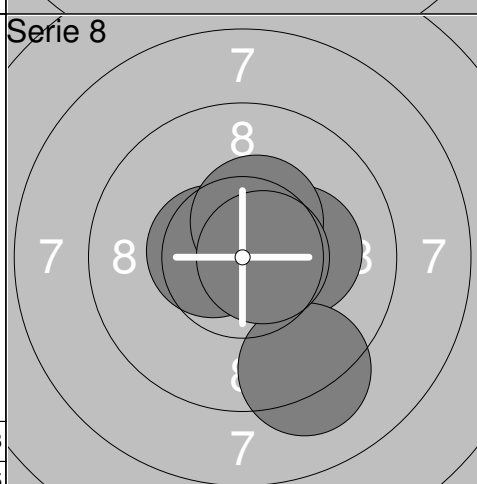
1:	9.0	↓
2:	10.3x	←
3:	9.7	↓
4:	10.8x	↗
5:	10.0	↖
Serie		48
Total		237



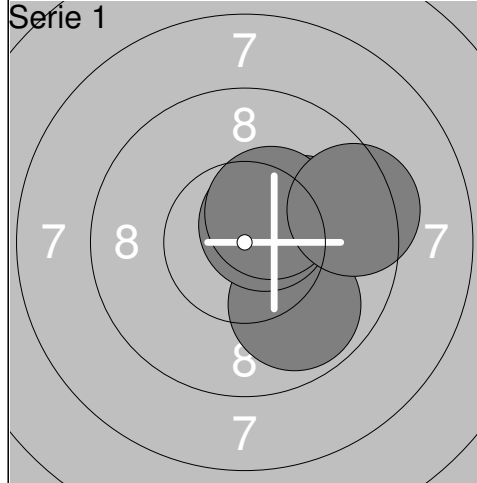
1:	10.2x	↑
2:	10.7x	↑
3:	10.2x	↖
4:	10.6x	↗
5:	10.2x	↗
Serie		50
Total		287



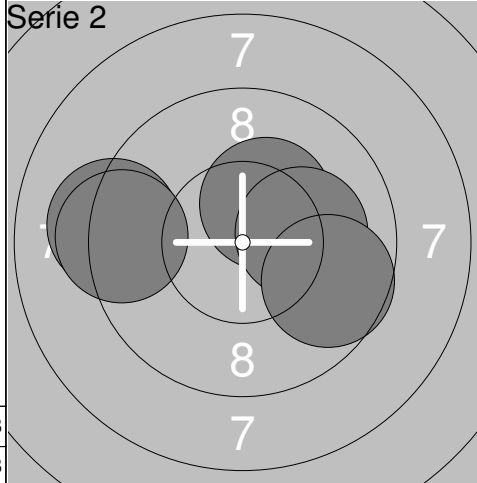
1:	10.2x	↗
2:	9.8	↗
3:	10.7x	↑
4:	9.7	↖
5:	10.8x	↗
Serie		48
Total		335



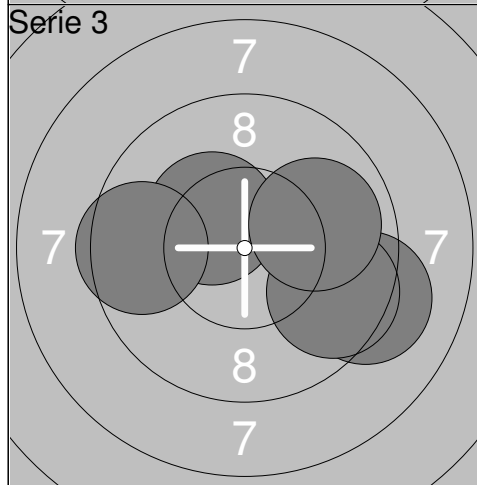
1:	10.5x	←
2:	10.2x	→
3:	10.4x	↗
4:	9.2	↓
5:	10.6x	→
Serie		49
Total		384



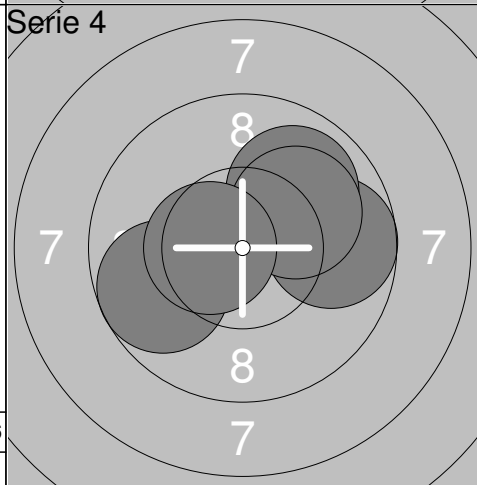
1:	10.1	→
2:	9.8	↘
3:	10.6x	↗
4:	10.4x	↗
5:	9.4	→
Serie		48
Total		48



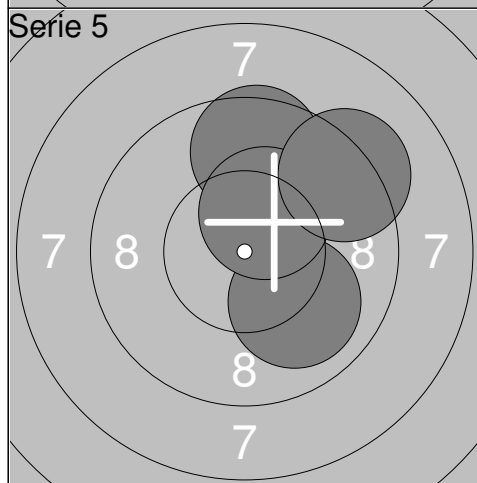
1:	10.3x	↗
2:	9.1	←
3:	9.3	←
4:	10.1	→
5:	9.7	↘
Serie		47
Total		95



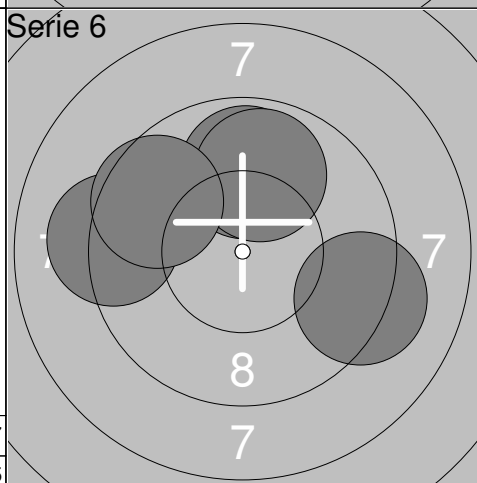
1:	9.2	↘
2:	10.3x	↗
3:	9.5	←
4:	9.6	↘
5:	9.9	→
Serie		46
Total		141



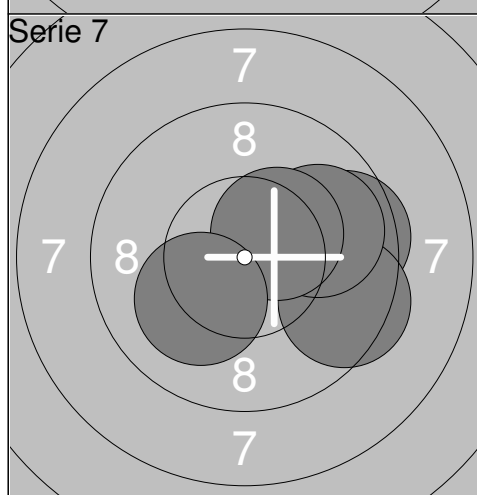
1:	9.7	→
2:	9.9	↗
3:	10.0	↗
4:	9.7	←
5:	10.5x	←
Serie		47
Total		188



1:	9.9	↘
2:	10.1	↗
3:	9.6	↑
4:	10.3x	↗
5:	9.2	↗
Serie		47
Total		235



1:	9.2	←
2:	9.9	↑
3:	9.2	↘
4:	9.9	↑
5:	9.6	↖
Serie		45
Total		280

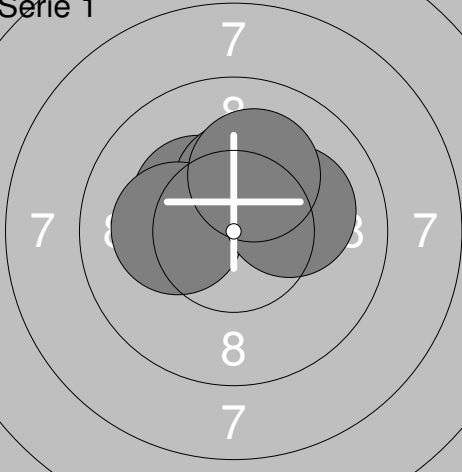
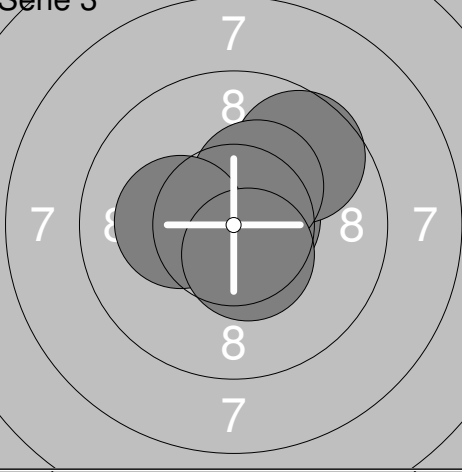
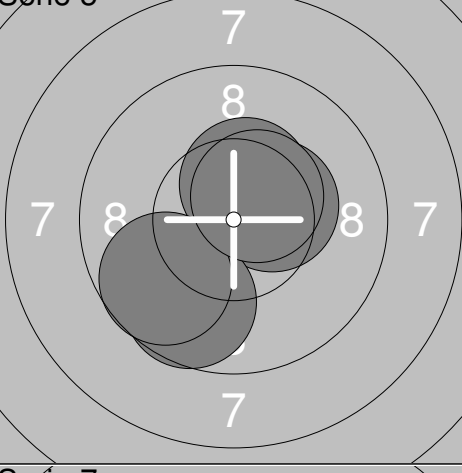
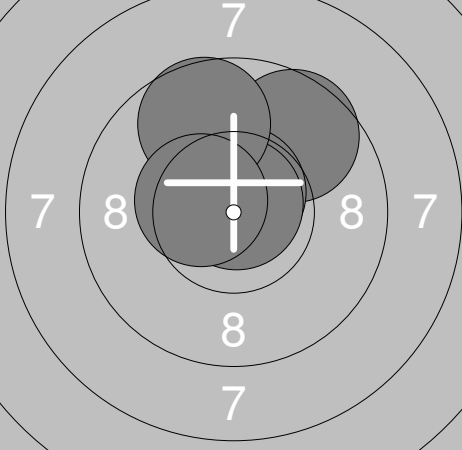


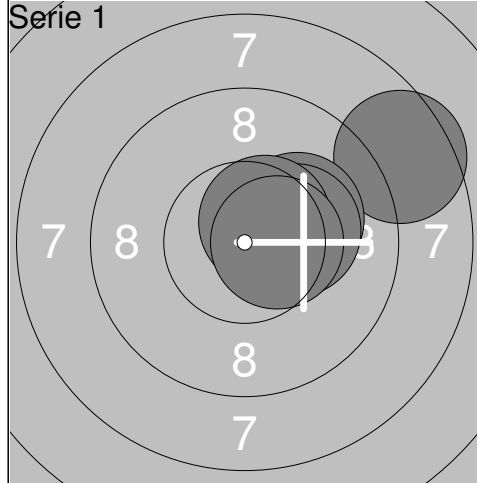
1:	9.5	→
2:	9.4	↘
3:	9.9	→
4:	10.4x	↗
5:	10.1	↖
Serie		47
Total		327



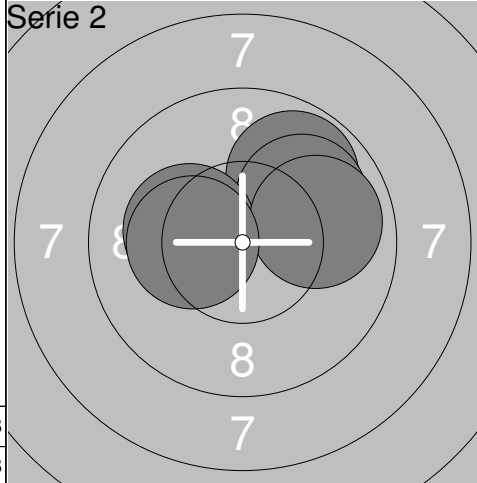
1:	10.7x	↗
2:	10.6x	→
3:	10.6x	↗
4:	9.3	↖
5:	9.8	↗
Serie		48
Total		375

Skjutlag 5	Tavla 4	Anders,, Henricsson	
Kval stående		Linköpings Skytteförening	SM
03.11.2018		SM luftgevär 2018	Öckerö Skytteförening
Serie 1		1: 9.9 ← 2: 10.7x → 3: 10.4x ↘ 4: 10.5x → 5: 10.5x →	Serie 2
	Serie 49 Total 49		1: 10.5x → 2: 10.4x ↑ 3: 10.6x ↗ 4: 10.7x ↗ 5: 9.6 ←
			Serie 49 Total 98
Serie 3		1: 10.3x → 2: 10.2x → 3: 10.7x → 4: 10.8x ↗ 5: 10.5x ↗	Serie 4
	Serie 50 Total 148		1: 10.0 ↖ 2: 10.3x ↗ 3: 10.4x ↘ 4: 10.5x ← 5: 9.6 ↖
			Serie 49 Total 197
Serie 5		1: 10.4x → 2: 10.4x ↗ 3: 9.9 ↓ 4: 10.4x ↓ 5: 10.0 ↗	Serie 6
	Serie 49 Total 246		1: 10.1 ↓ 2: 10.4x ↓ 3: 10.7x ↗ 4: 10.3x ↓ 5: 9.8 ↑
			Serie 49 Total 295
Serie 7		1: 9.9 ↖ 2: 10.2x ↗ 3: 10.3x → 4: 10.3x ↖ 5: 10.0 ↗	Serie 8
	Serie 49 Total 344		1: 10.1 ↗ 2: 10.4x ↗ 3: 10.0 → 4: 9.9 ↓ 5: 10.6x →
			Serie 49 Total 393

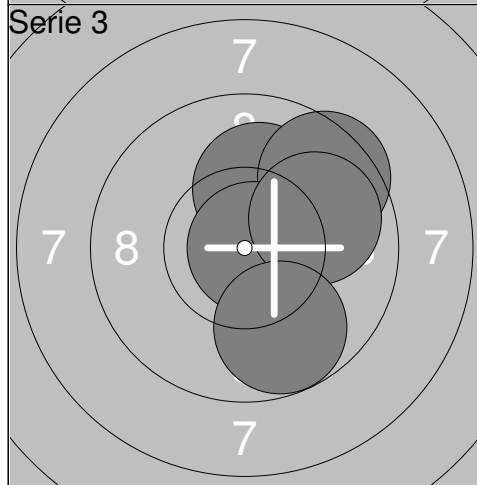
Skjutlag 5	Tavla 5	André Friman	
Kval stående		Trelleborgs Sportskytteklubb	SM
03.11.2018		SM luftgevär 2018	Öckerö Skytteförening
Serie 1		1: 10.3x ↖ 2: 10.3x ↑ 3: 10.2x ← 4: 10.1 → 5: 10.1 ↑	Serie 2
	Serie 50 Total 50		1: 9.8 → 2: 10.4x ↗ 3: 9.6 → 4: 9.8 ← 5: 10.7x →
			Serie 47 Total 97
Serie 3		1: 10.6x → 2: 9.6 ↗ 3: 10.3x ↗ 4: 10.2x ← 5: 10.5x ↘	Serie 4
	Serie 49 Total 146		1: 10.0 ↖ 2: 10.4x ↘ 3: 10.2x ↘ 4: 10.3x ↘ 5: 10.5x ↑
			Serie 50 Total 196
Serie 5		1: 10.4x → 2: 9.7 ↘ 3: 10.4x ↑ 4: 9.7 ↙ 5: 10.5x ↗	Serie 6
	Serie 48 Total 244		1: 10.6x ↑ 2: 10.3x ↗ 3: 10.7x ↗ 4: 10.5x → 5: 9.8 ↑
			Serie 49 Total 293
Serie 7		1: 9.6 ↗ 2: 10.6x ↑ 3: 10.8x ↑ 4: 9.6 ↑ 5: 10.4x ←	Serie 8
	Serie 48 Total 341		1: 10.4x → 2: 9.8 ↘ 3: 9.7 ↙ 4: 9.8 ↘ 5: 10.1 ↘
			Serie 47 Total 388



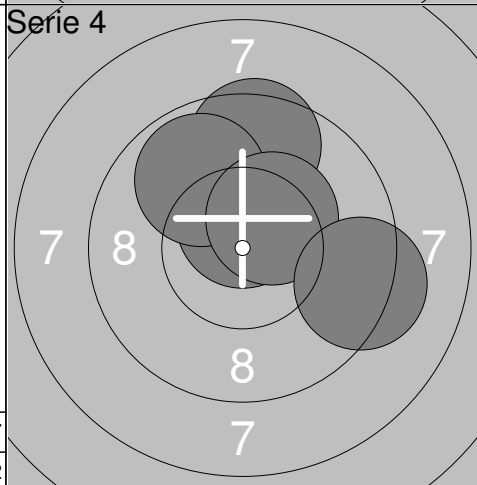
1:	8.5	➔
2:	10.1	➔
3:	10.2x	➔
4:	10.5x	↗
5:	10.5x	➔
Serie		48
Total		48



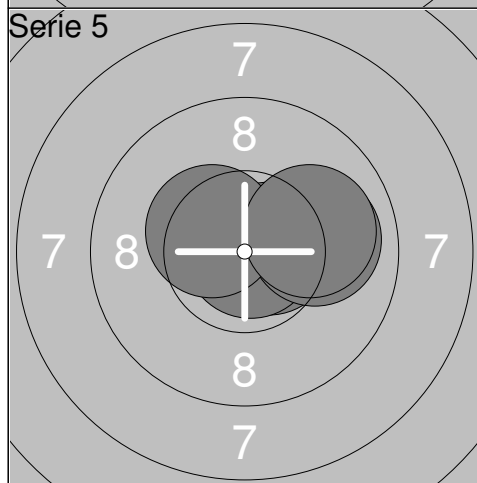
1:	9.8	↗
2:	9.9	↗
3:	10.2x	↖
4:	9.9	➔
5:	10.2x	↖
Serie		47
Total		95



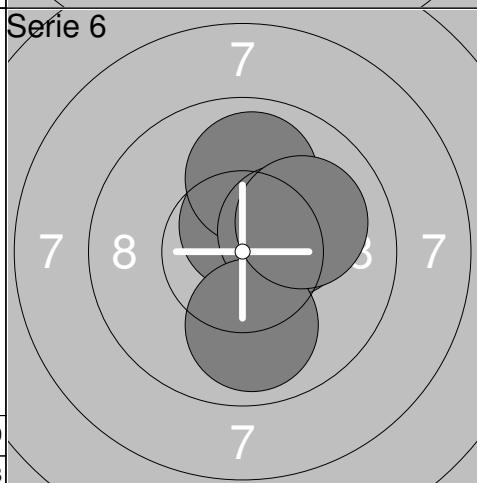
1:	10.1	↑
2:	9.5	↗
3:	10.8x	➔
4:	9.9	➔
5:	9.8	↘
Serie		47
Total		142



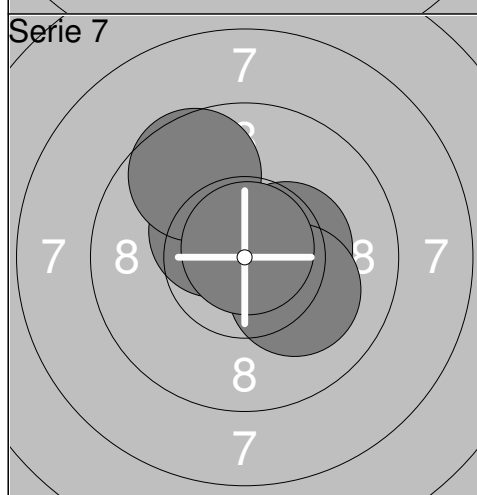
1:	10.6x	↑
2:	9.5	↑
3:	9.9	↖
4:	10.4x	↗
5:	9.3	➔
Serie		47
Total		189



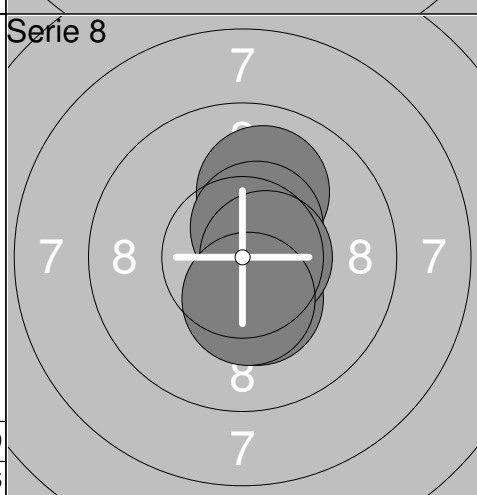
1:	10.6x	➔
2:	10.9x	➔
3:	9.9	➔
4:	10.4x	↗
5:	10.0	➔
Serie		49
Total		238



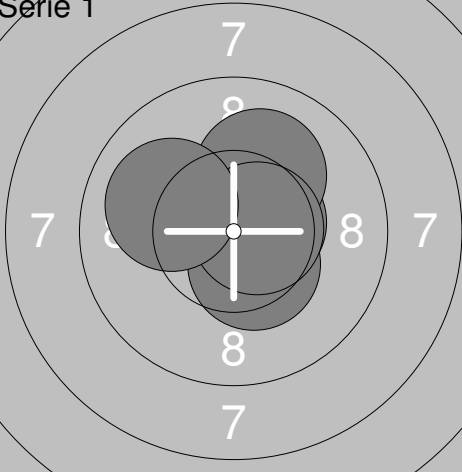
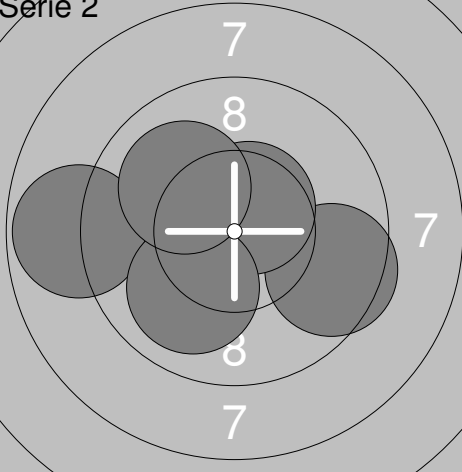
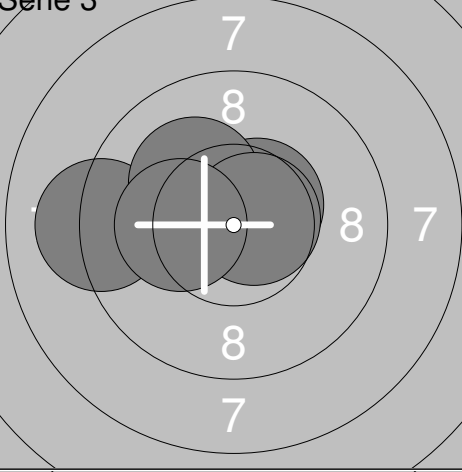
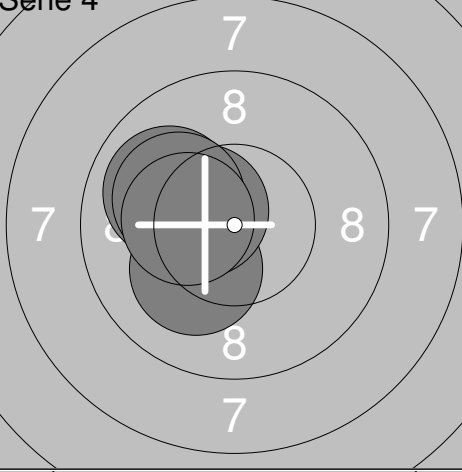
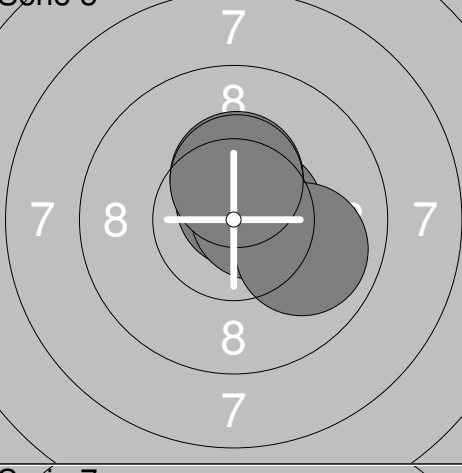
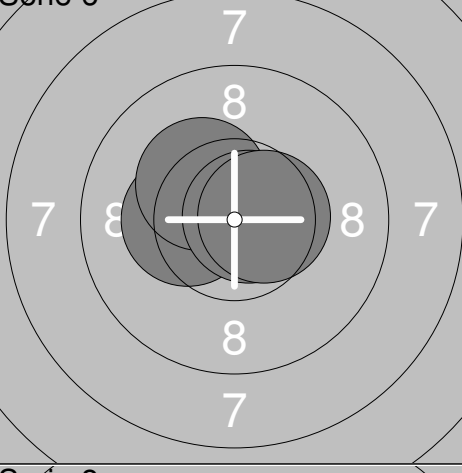
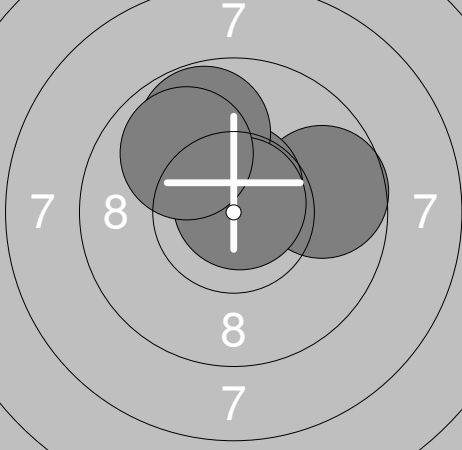
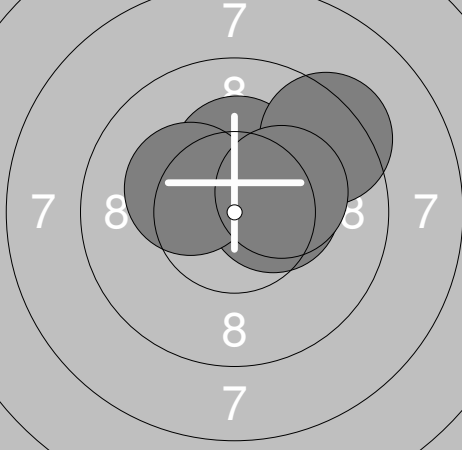
1:	10.6x	↑
2:	9.9	↑
3:	10.3x	↗
4:	9.9	↘
5:	10.0	↗
Serie		48
Total		286

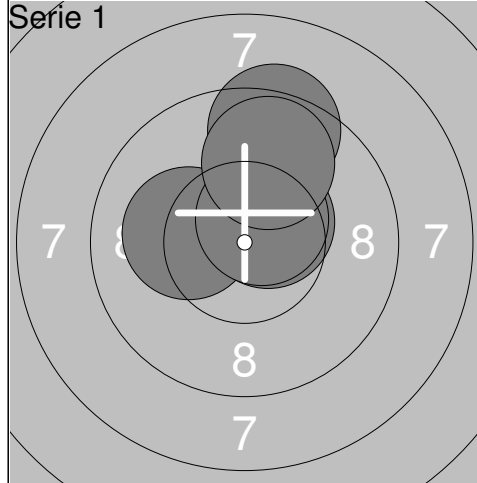


1:	10.4x	↗
2:	10.4x	➔
3:	10.1	↘
4:	9.6	↗
5:	10.8x	↑
Serie		49
Total		335

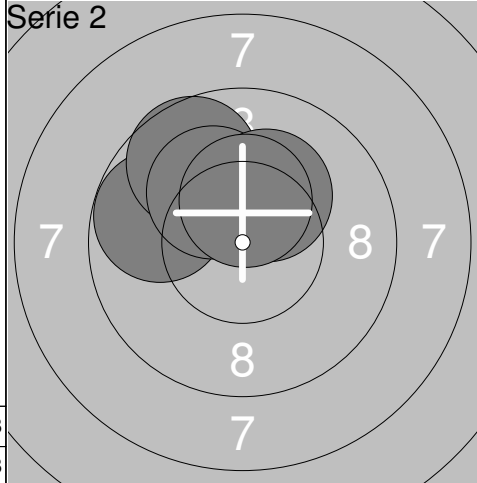


1:	10.0	↑
2:	10.5x	↗
3:	10.3x	↘
4:	10.6x	➔
5:	10.4x	↘
Serie		50
Total		385

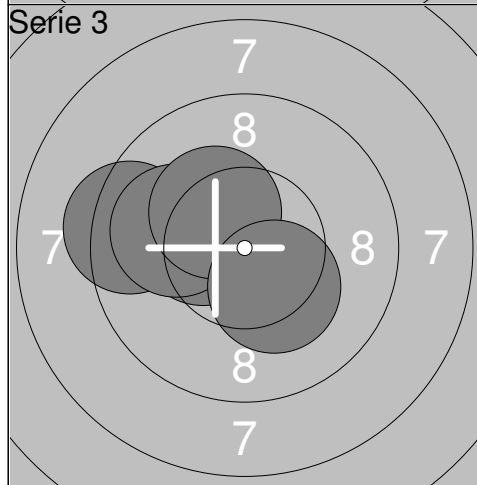
Skjutlag	Tavla	Emelie Hallén			
5	7	Trosa-Hölebo Skytteförening	SM		
03.11.2018	SM luftgevär 2018	Öckerö Skytteförening			
Serie 1		1: 10.6x →	Serie 2		1: 9.5 →
		2: 10.4x ↘			2: 10.6x ↗
		3: 10.1 ↗			3: 8.8 ←
		4: 10.6x →		4: 10.0 ↘	
		5: 10.0 ↖		5: 10.0 ↗	
	Serie 50			Serie 47	
	Total 50			Total 97	
Serie 3		1: 10.5x ↗	Serie 4		1: 9.9 ←
		2: 9.1 ←			2: 10.1 ↘
		3: 10.1 ↗			3: 10.4x ←
		4: 10.6x →		4: 10.1 ↗	
		5: 10.2x ←		5: 10.3x ←	
	Serie 49			Serie 49	
	Total 146			Total 195	
Serie 5		1: 10.7x ↗	Serie 6		1: 10.4x ←
		2: 10.6x →			2: 10.3x ←
		3: 10.4x ↑			3: 10.3x ↗
		4: 9.9 →		4: 10.7x →	
		5: 10.4x ↑		5: 10.5x →	
	Serie 49			Serie 50	
	Total 244			Total 294	
Serie 7		1: 9.7 →	Serie 8		1: 10.3x ↑
		2: 10.6x ↑			2: 10.4x →
		3: 9.8 ↗			3: 9.3 ↗
		4: 10.8x ↗		4: 10.2x ←	
		5: 9.9 ↗		5: 10.2x →	
	Serie 47			Serie 49	
	Total 341			Total 390	



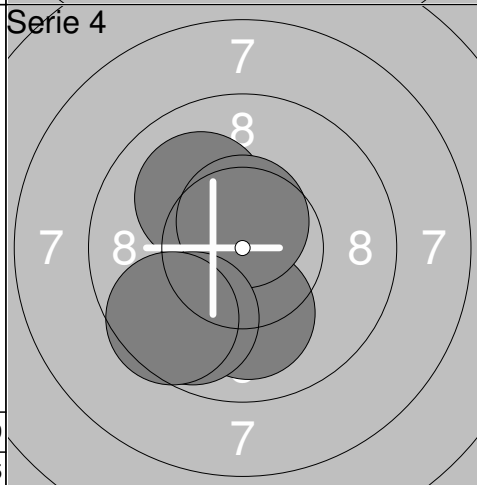
1:	9.3	↑
2:	10.2x	←
3:	10.5x	↗
4:	10.5x	↗
5:	9.8	↑
Serie		48
Total		48



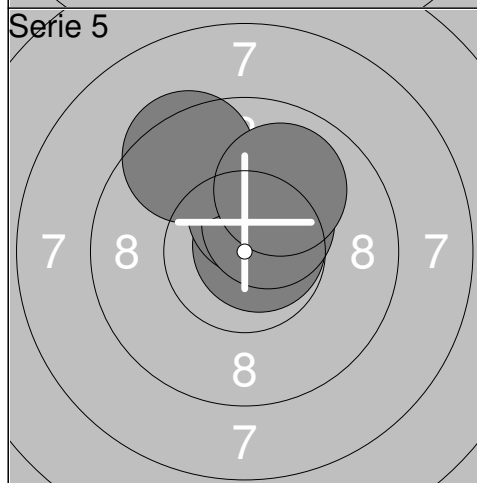
1:	9.7	←
2:	9.6	↗
3:	10.2x	↗
4:	10.2x	↗
5:	10.4x	↑
Serie		48
Total		96



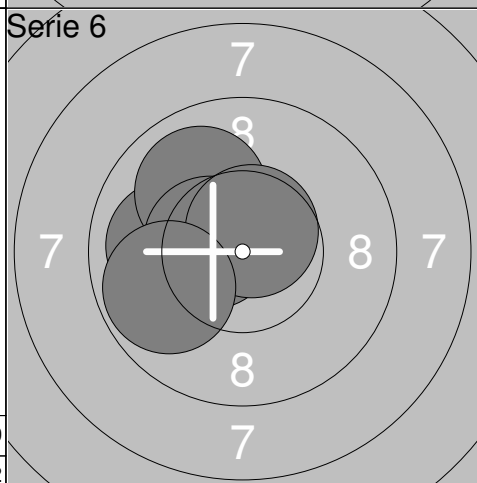
1:	10.4x	←
2:	9.3	←
3:	10.0	←
4:	10.3x	↗
5:	10.3x	↘
Serie		49
Total		145



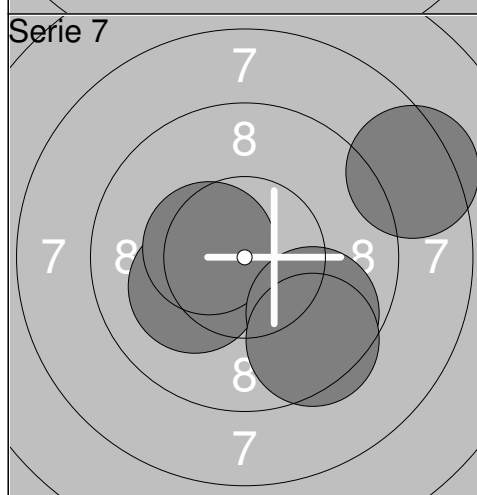
1:	10.0	↓
2:	10.0	↗
3:	10.6x	↑
4:	9.7	↘
5:	9.6	↘
Serie		48
Total		193



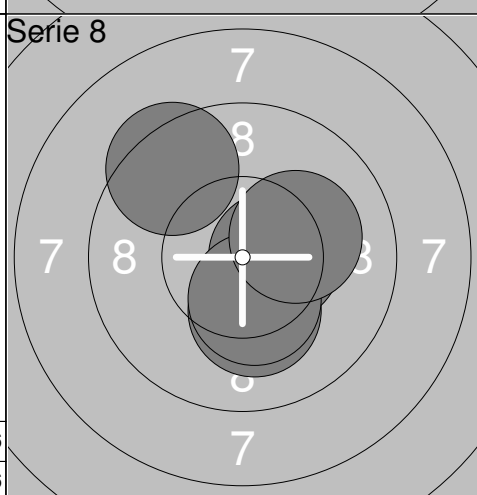
1:	10.7x	↗
2:	10.4x	↑
3:	10.4x	↗
4:	9.5	↗
5:	10.0	↑
Serie		49
Total		242



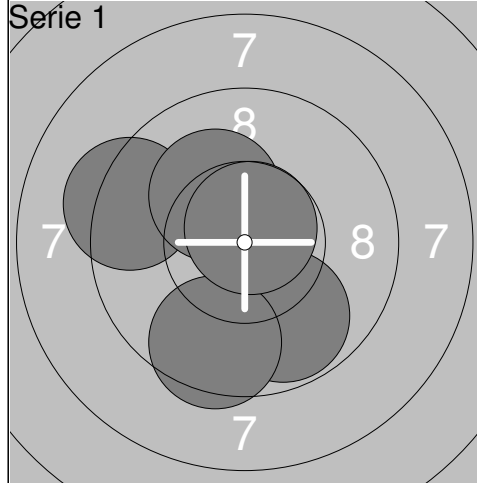
1:	10.0	←
2:	9.9	↗
3:	10.5x	←
4:	10.6x	↗
5:	9.8	←
Serie		48
Total		290



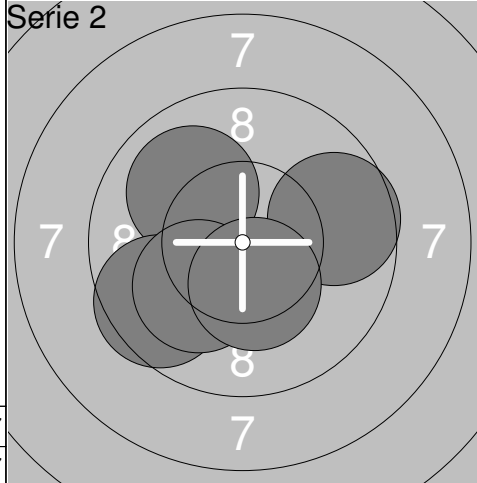
1:	8.4	↗
2:	10.1	←
3:	10.4x	←
4:	9.7	↘
5:	9.5	↘
Serie		46
Total		336



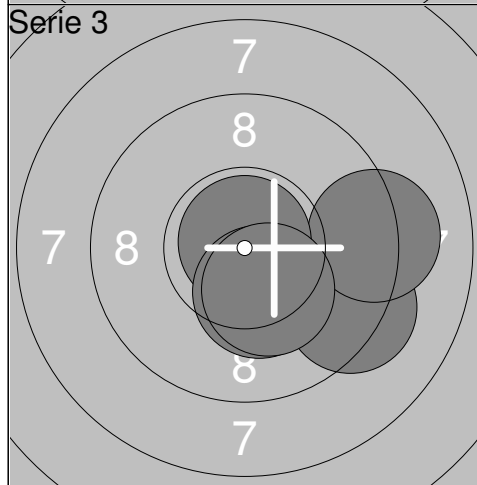
1:	10.2x	↓
2:	10.5x	→
3:	10.3x	↓
4:	10.2x	↗
5:	9.4	↗
Serie		49
Total		385



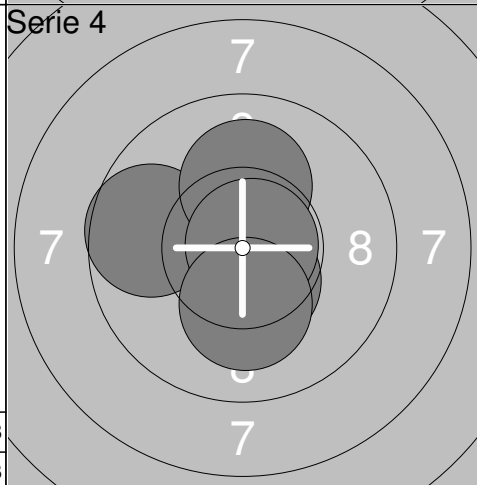
1:	9.8	↘
2:	9.5	↘
3:	9.3	↗
4:	10.2x	↗
5:	10.7x	↗
Serie		47
Total		47



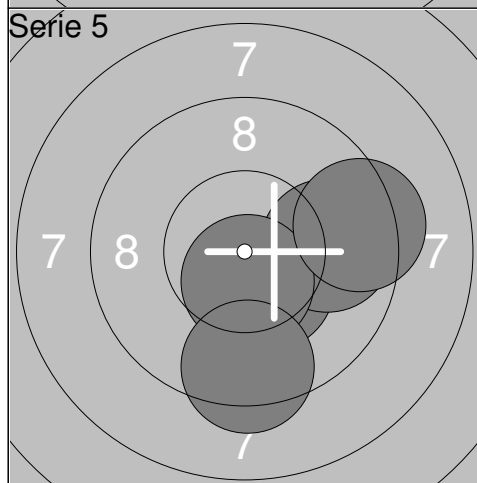
1:	10.0	↖
2:	9.6	→
3:	9.6	↖
4:	10.1	↖
5:	10.3x	↓
Serie		48
Total		95



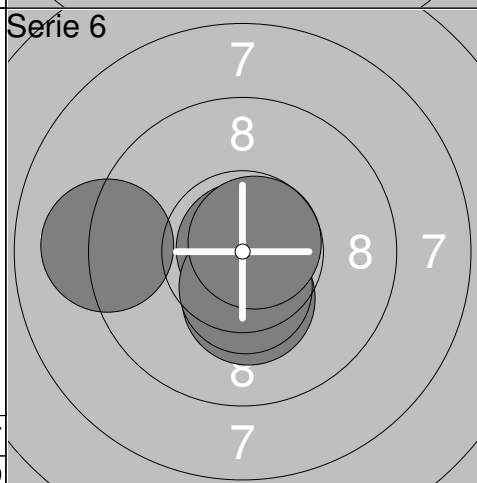
1:	9.3	↘
2:	9.2	→
3:	10.8x	↑
4:	10.3x	↓
5:	10.3x	↓
Serie		48
Total		143



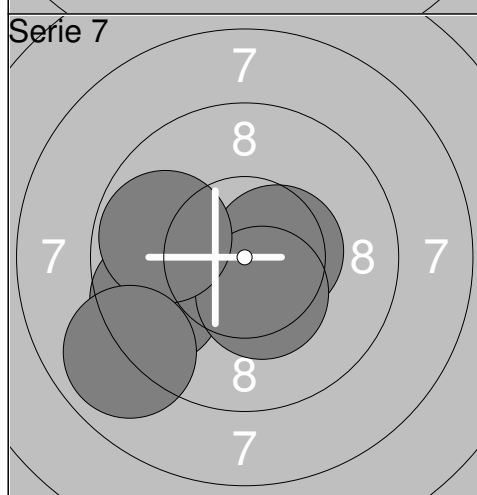
1:	9.7	←
2:	10.1	↑
3:	10.5x	↓
4:	10.8x	→
5:	10.2x	↓
Serie		49
Total		192



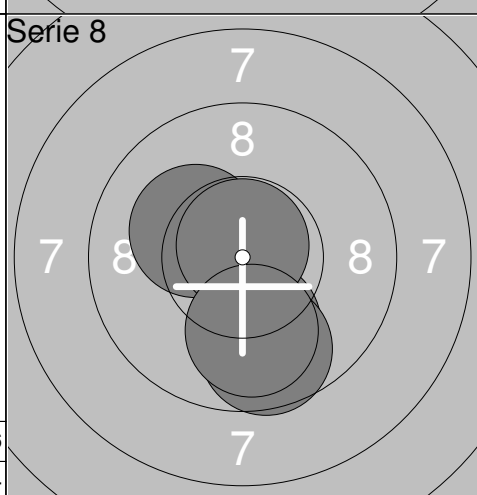
1:	10.4x	↘
2:	9.8	→
3:	10.5x	↓
4:	9.4	↓
5:	9.3	→
Serie		47
Total		239



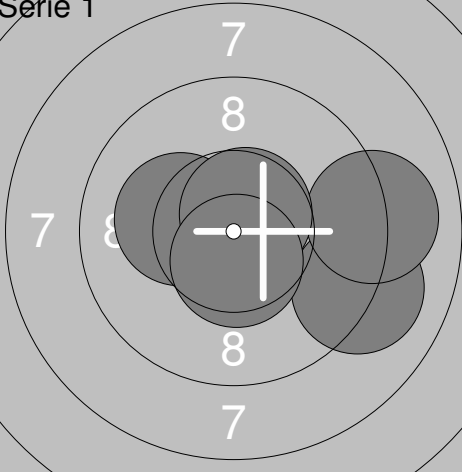
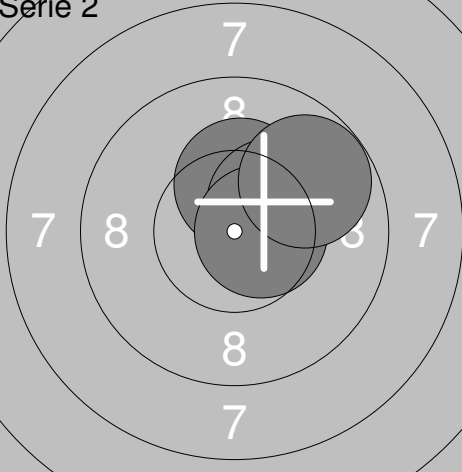
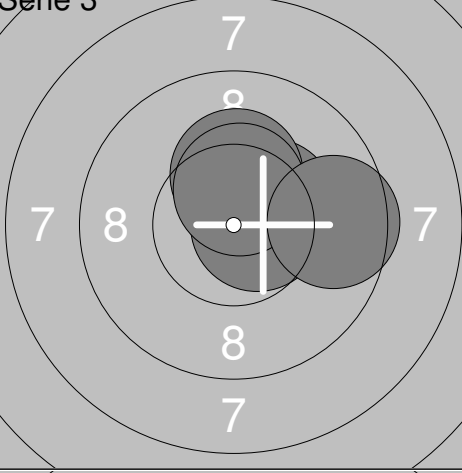
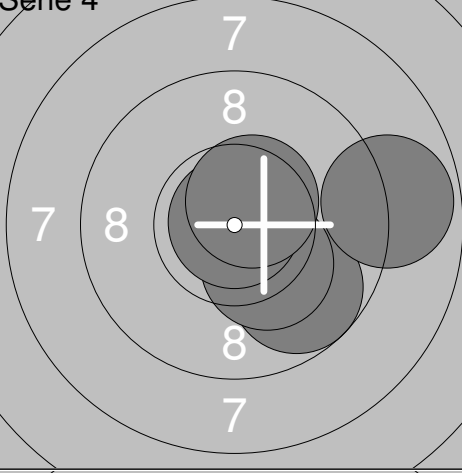
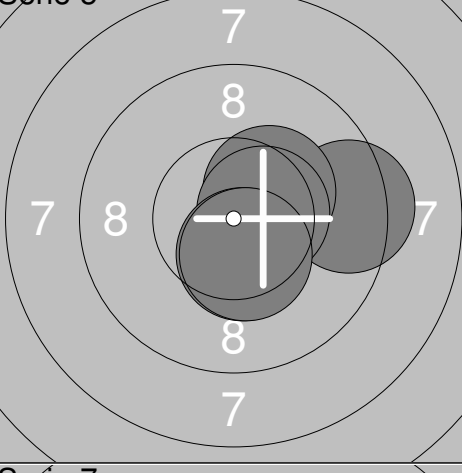
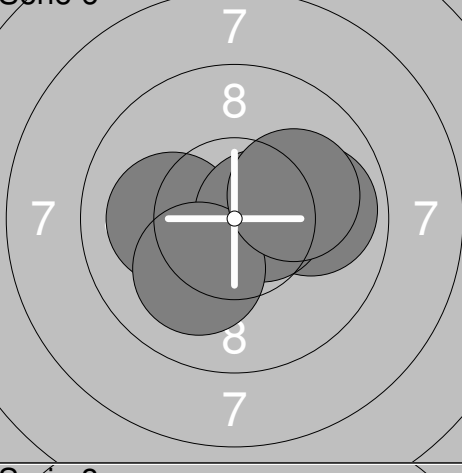
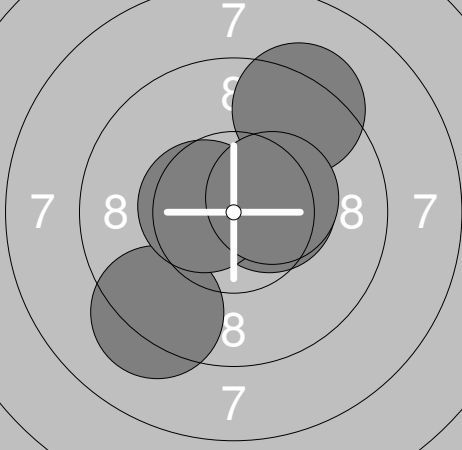
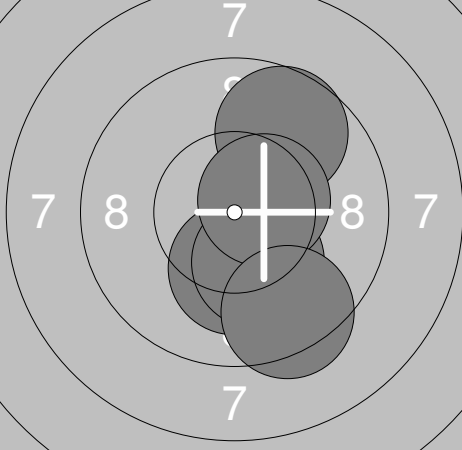
1:	10.3x	↓
2:	10.9x	↑
3:	10.4x	↓
4:	10.7x	↗
5:	9.1	←
Serie		49
Total		288

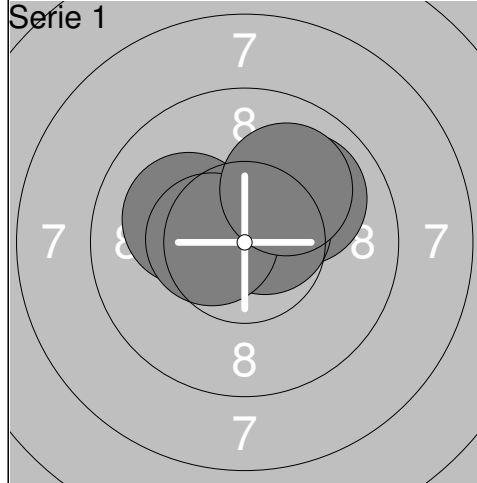


1:	10.5x	→
2:	9.6	←
3:	10.4x	↘
4:	9.8	←
5:	8.9	←
Serie		46
Total		334

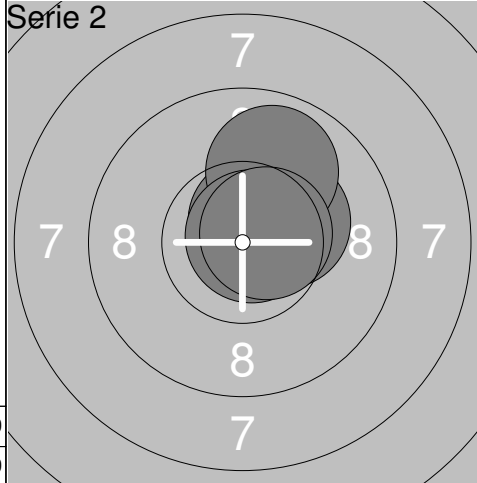


1:	10.0	↓
2:	10.2x	↖
3:	9.7	↓
4:	10.8x	↑
5:	9.9	↓
Serie		48
Total		382

<p>Serie 1</p>  <table border="1" style="width:100%; border-collapse: collapse;"> <tr><td>1:</td><td>9.1</td><td>→</td></tr> <tr><td>2:</td><td>10.2x</td><td>←</td></tr> <tr><td>3:</td><td>9.0</td><td>→</td></tr> <tr><td>4:</td><td>10.6x</td><td>↗</td></tr> <tr><td>5:</td><td>10.5x</td><td>↓</td></tr> <tr><td colspan="2">Serie</td><td>48</td></tr> <tr><td colspan="2">Total</td><td>48</td></tr> </table>	1:	9.1	→	2:	10.2x	←	3:	9.0	→	4:	10.6x	↗	5:	10.5x	↓	Serie		48	Total		48	<p>Serie 2</p>  <table border="1" style="width:100%; border-collapse: collapse;"> <tr><td>1:</td><td>10.3x</td><td>↗</td></tr> <tr><td>2:</td><td>10.3x</td><td>↑</td></tr> <tr><td>3:</td><td>10.3x</td><td>↗</td></tr> <tr><td>4:</td><td>10.6x</td><td>→</td></tr> <tr><td>5:</td><td>9.7</td><td>↗</td></tr> <tr><td colspan="2">Serie</td><td>49</td></tr> <tr><td colspan="2">Total</td><td>97</td></tr> </table>	1:	10.3x	↗	2:	10.3x	↑	3:	10.3x	↗	4:	10.6x	→	5:	9.7	↗	Serie		49	Total		97
1:	9.1	→																																									
2:	10.2x	←																																									
3:	9.0	→																																									
4:	10.6x	↗																																									
5:	10.5x	↓																																									
Serie		48																																									
Total		48																																									
1:	10.3x	↗																																									
2:	10.3x	↑																																									
3:	10.3x	↗																																									
4:	10.6x	→																																									
5:	9.7	↗																																									
Serie		49																																									
Total		97																																									
<p>Serie 3</p>  <table border="1" style="width:100%; border-collapse: collapse;"> <tr><td>1:</td><td>10.4x</td><td>↗</td></tr> <tr><td>2:</td><td>10.6x</td><td>→</td></tr> <tr><td>3:</td><td>10.3x</td><td>↑</td></tr> <tr><td>4:</td><td>10.5x</td><td>↑</td></tr> <tr><td>5:</td><td>9.6</td><td>→</td></tr> <tr><td colspan="2">Serie</td><td>49</td></tr> <tr><td colspan="2">Total</td><td>146</td></tr> </table>	1:	10.4x	↗	2:	10.6x	→	3:	10.3x	↑	4:	10.5x	↑	5:	9.6	→	Serie		49	Total		146	<p>Serie 4</p>  <table border="1" style="width:100%; border-collapse: collapse;"> <tr><td>1:</td><td>9.8</td><td>↘</td></tr> <tr><td>2:</td><td>10.3x</td><td>↘</td></tr> <tr><td>3:</td><td>10.9x</td><td>↑</td></tr> <tr><td>4:</td><td>8.8</td><td>→</td></tr> <tr><td>5:</td><td>10.5x</td><td>↗</td></tr> <tr><td colspan="2">Serie</td><td>47</td></tr> <tr><td colspan="2">Total</td><td>193</td></tr> </table>	1:	9.8	↘	2:	10.3x	↘	3:	10.9x	↑	4:	8.8	→	5:	10.5x	↗	Serie		47	Total		193
1:	10.4x	↗																																									
2:	10.6x	→																																									
3:	10.3x	↑																																									
4:	10.5x	↑																																									
5:	9.6	→																																									
Serie		49																																									
Total		146																																									
1:	9.8	↘																																									
2:	10.3x	↘																																									
3:	10.9x	↑																																									
4:	8.8	→																																									
5:	10.5x	↗																																									
Serie		47																																									
Total		193																																									
<p>Serie 5</p>  <table border="1" style="width:100%; border-collapse: collapse;"> <tr><td>1:</td><td>9.3</td><td>→</td></tr> <tr><td>2:</td><td>10.3x</td><td>↗</td></tr> <tr><td>3:</td><td>10.5x</td><td>→</td></tr> <tr><td>4:</td><td>10.4x</td><td>↓</td></tr> <tr><td>5:</td><td>10.4x</td><td>↓</td></tr> <tr><td colspan="2">Serie</td><td>49</td></tr> <tr><td colspan="2">Total</td><td>242</td></tr> </table>	1:	9.3	→	2:	10.3x	↗	3:	10.5x	→	4:	10.4x	↓	5:	10.4x	↓	Serie		49	Total		242	<p>Serie 6</p>  <table border="1" style="width:100%; border-collapse: collapse;"> <tr><td>1:</td><td>9.9</td><td>→</td></tr> <tr><td>2:</td><td>10.1</td><td>←</td></tr> <tr><td>3:</td><td>10.6x</td><td>→</td></tr> <tr><td>4:</td><td>10.1</td><td>↘</td></tr> <tr><td>5:</td><td>10.0</td><td>→</td></tr> <tr><td colspan="2">Serie</td><td>49</td></tr> <tr><td colspan="2">Total</td><td>291</td></tr> </table>	1:	9.9	→	2:	10.1	←	3:	10.6x	→	4:	10.1	↘	5:	10.0	→	Serie		49	Total		291
1:	9.3	→																																									
2:	10.3x	↗																																									
3:	10.5x	→																																									
4:	10.4x	↓																																									
5:	10.4x	↓																																									
Serie		49																																									
Total		242																																									
1:	9.9	→																																									
2:	10.1	←																																									
3:	10.6x	→																																									
4:	10.1	↘																																									
5:	10.0	→																																									
Serie		49																																									
Total		291																																									
<p>Serie 7</p>  <table border="1" style="width:100%; border-collapse: collapse;"> <tr><td>1:</td><td>9.2</td><td>↙</td></tr> <tr><td>2:</td><td>9.3</td><td>↗</td></tr> <tr><td>3:</td><td>10.5x</td><td>→</td></tr> <tr><td>4:</td><td>10.5x</td><td>←</td></tr> <tr><td>5:</td><td>10.4x</td><td>→</td></tr> <tr><td colspan="2">Serie</td><td>48</td></tr> <tr><td colspan="2">Total</td><td>339</td></tr> </table>	1:	9.2	↙	2:	9.3	↗	3:	10.5x	→	4:	10.5x	←	5:	10.4x	→	Serie		48	Total		339	<p>Serie 8</p>  <table border="1" style="width:100%; border-collapse: collapse;"> <tr><td>1:</td><td>10.2x</td><td>↓</td></tr> <tr><td>2:</td><td>10.2x</td><td>↓</td></tr> <tr><td>3:</td><td>9.7</td><td>↗</td></tr> <tr><td>4:</td><td>10.5x</td><td>↗</td></tr> <tr><td>5:</td><td>9.4</td><td>↓</td></tr> <tr><td colspan="2">Serie</td><td>48</td></tr> <tr><td colspan="2">Total</td><td>387</td></tr> </table>	1:	10.2x	↓	2:	10.2x	↓	3:	9.7	↗	4:	10.5x	↗	5:	9.4	↓	Serie		48	Total		387
1:	9.2	↙																																									
2:	9.3	↗																																									
3:	10.5x	→																																									
4:	10.5x	←																																									
5:	10.4x	→																																									
Serie		48																																									
Total		339																																									
1:	10.2x	↓																																									
2:	10.2x	↓																																									
3:	9.7	↗																																									
4:	10.5x	↗																																									
5:	9.4	↓																																									
Serie		48																																									
Total		387																																									



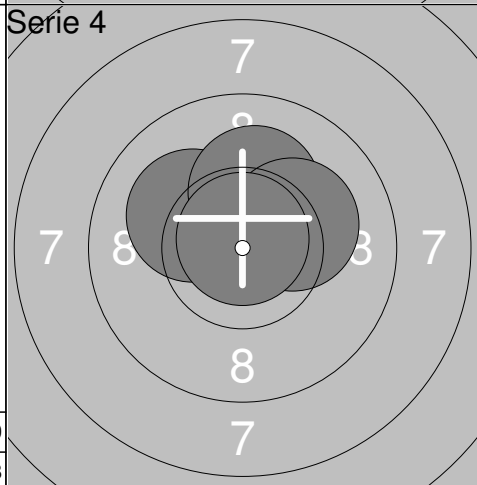
1:	9.9	↗
2:	10.1	↖
3:	10.6x	↗
4:	10.5x	↖
5:	10.0	↗
Serie		49
Total		49



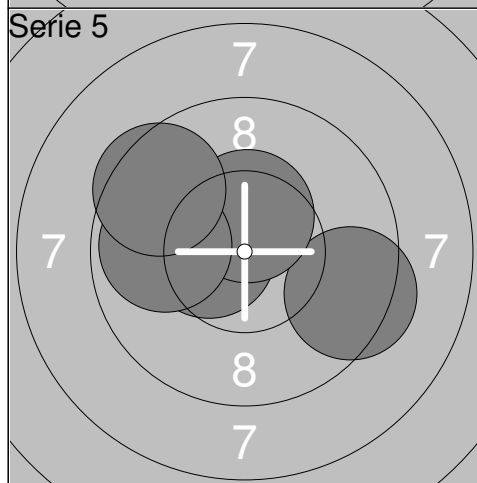
1:	10.3x	↗
2:	10.6x	↗
3:	9.9	↗
4:	10.8x	↗
5:	10.6x	↗
Serie		49
Total		98



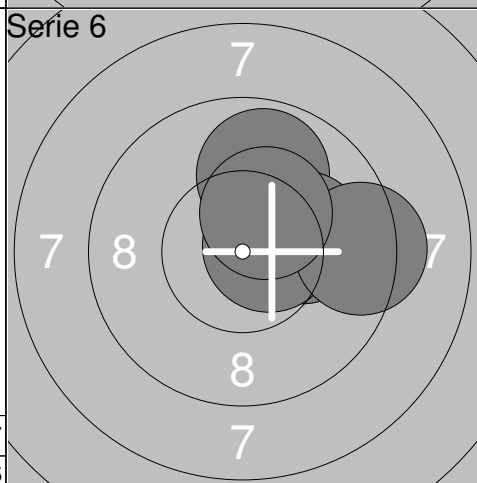
1:	10.5x	↗
2:	10.7x	→
3:	10.6x	↗
4:	10.0	↗
5:	10.6x	↗
Serie		50
Total		148



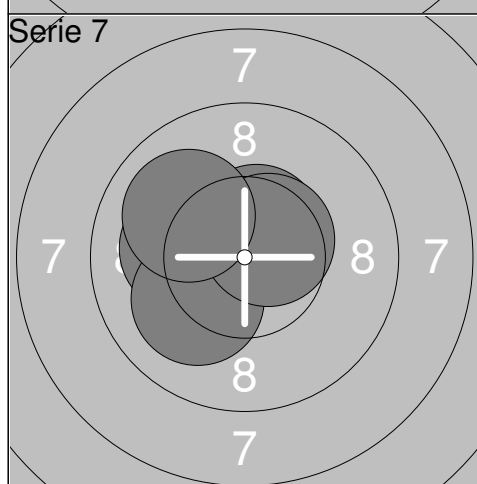
1:	10.4x	↗
2:	10.1	↖
3:	10.2x	↗
4:	10.2x	↗
5:	10.8x	↗
Serie		50
Total		198



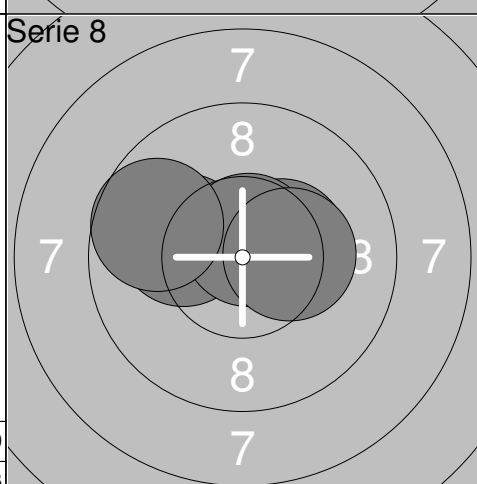
1:	10.5x	↖
2:	9.4	→
3:	10.5x	↗
4:	9.8	↖
5:	9.5	↖
Serie		47
Total		245



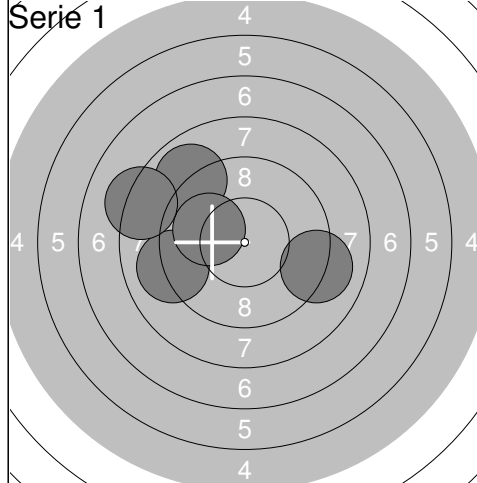
1:	9.9	↗
2:	10.1	→
3:	10.6x	→
4:	9.3	→
5:	10.3x	↗
Serie		48
Total		293



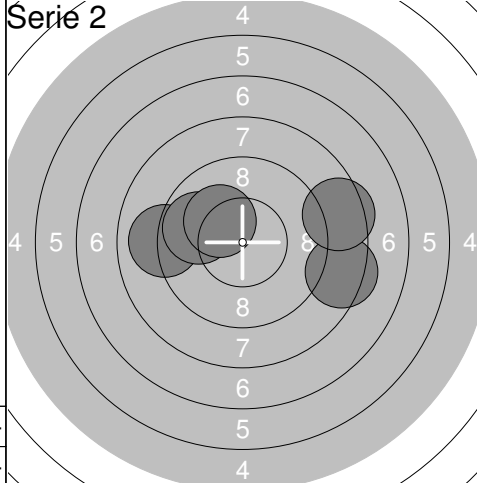
1:	10.1	↖
2:	10.6x	↗
3:	10.1	↖
4:	10.5x	↗
5:	10.0	↖
Serie		50
Total		343



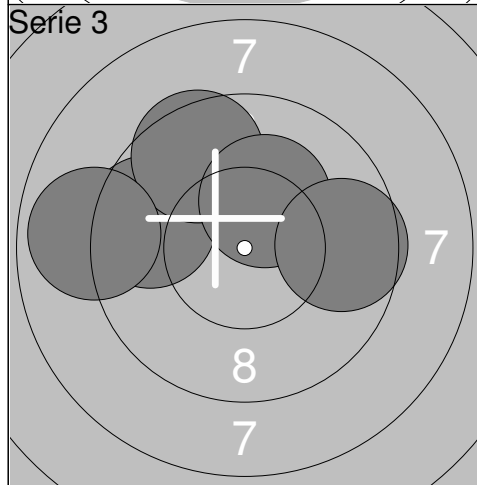
1:	10.1	↖
2:	10.4x	→
3:	10.7x	↗
4:	9.7	↖
5:	10.3x	→
Serie		49
Total		392



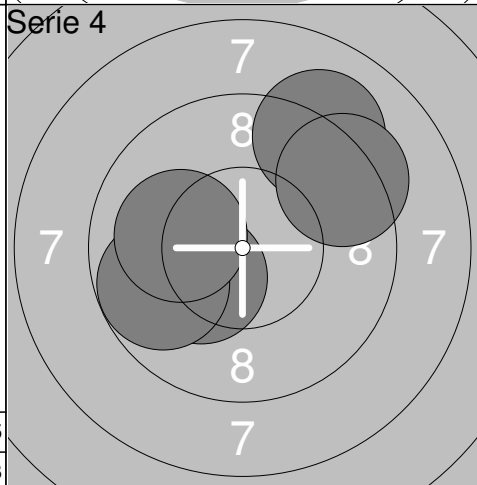
1:	9.1	←
2:	9.0	→
3:	8.9	↗
4:	10.0	↗
5:	8.2	↗
Serie		44
Total		44



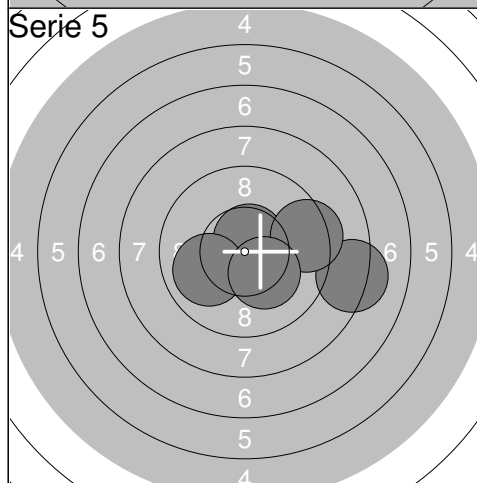
1:	9.0	←
2:	8.4	→
3:	8.5	→
4:	9.8	←
5:	10.2x	↗
Serie		44
Total		88



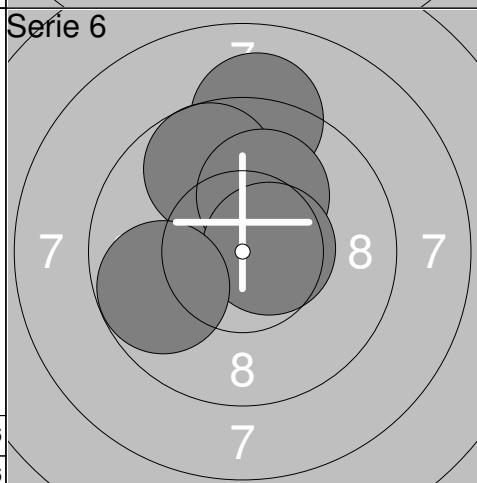
1:	9.6	←
2:	9.5	↗
3:	10.2x	↗
4:	9.6	→
5:	8.9	←
Serie		45
Total		133



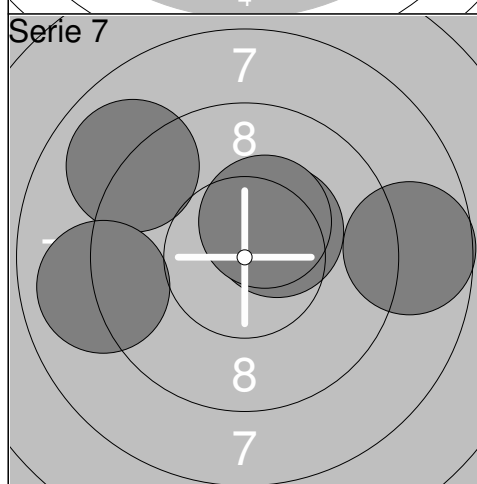
1:	9.1	↗
2:	9.3	↗
3:	10.2x	←
4:	9.8	←
5:	10.1	←
Serie		47
Total		180



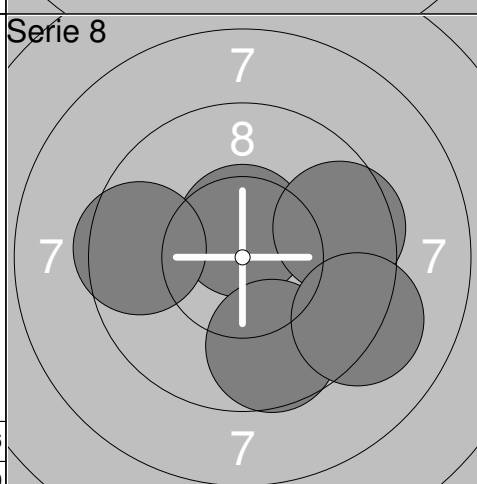
1:	8.2	→
2:	10.6x	↗
3:	9.3	→
4:	9.9	←
5:	10.2x	↘
Serie		46
Total		226



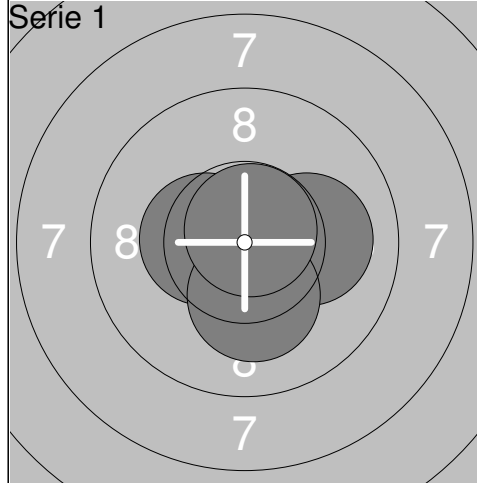
1:	9.1	↗
2:	9.7	↗
3:	10.1	↗
4:	10.6x	→
5:	9.8	←
Serie		47
Total		273



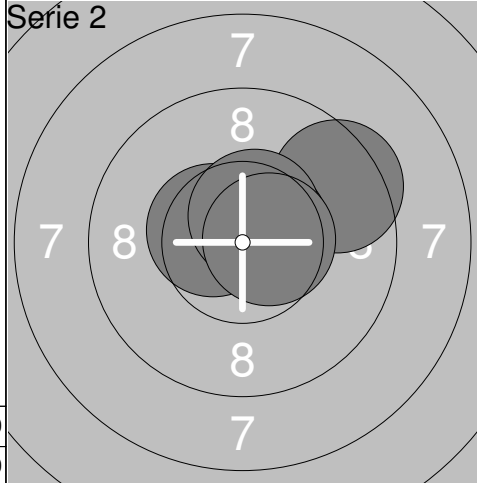
1:	9.0	↗
2:	8.7	→
3:	10.4x	↗
4:	10.4x	↗
5:	9.0	←
Serie		46
Total		319



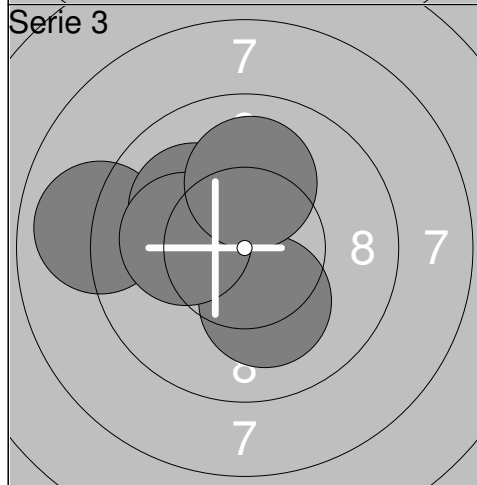
1:	10.6x	↗
2:	9.6	→
3:	9.7	↘
4:	9.1	↘
5:	9.5	←
Serie		46
Total		365



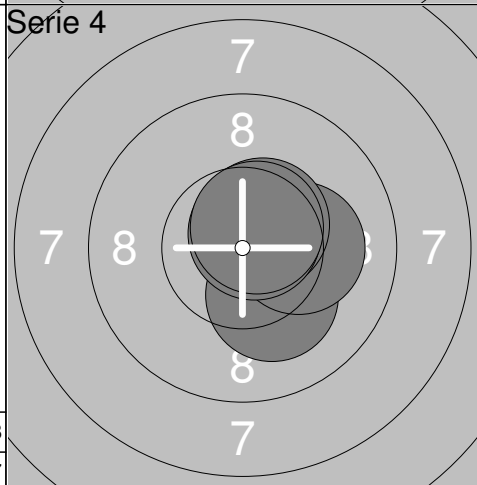
1:	10.7x	→
2:	10.4x	←
3:	10.1	→
4:	10.2x	↓
5:	10.7x	↗
Serie		50
Total		50



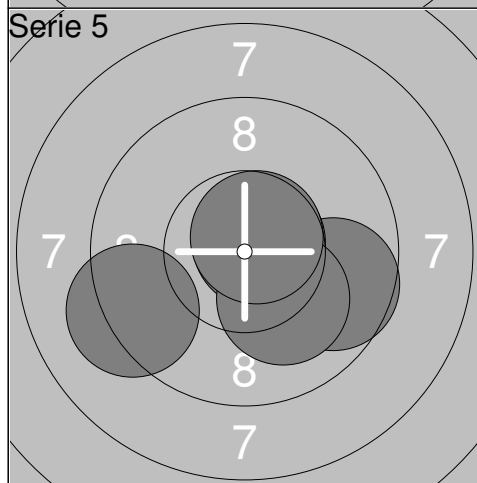
1:	9.4	↗
2:	10.6x	↗
3:	10.5x	←
4:	10.5x	↗
5:	10.6x	→
Serie		49
Total		99



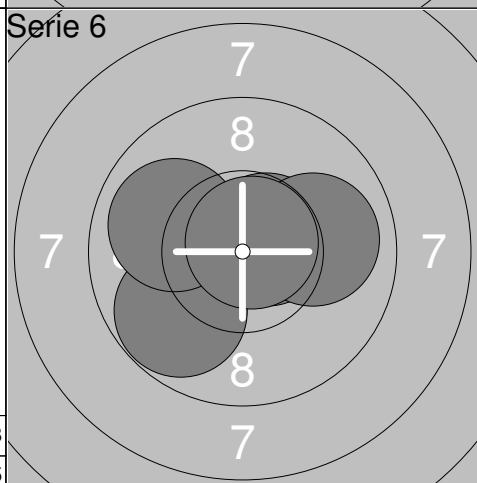
1:	10.1	↓
2:	8.9	←
3:	10.1	↗
4:	10.1	←
5:	10.0	↑
Serie		48
Total		147



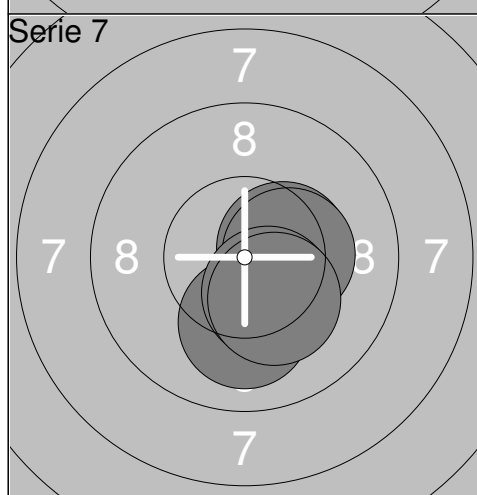
1:	10.2x	↓
2:	10.2x	→
3:	10.5x	↗
4:	10.7x	↗
5:	10.6x	↗
Serie		50
Total		197



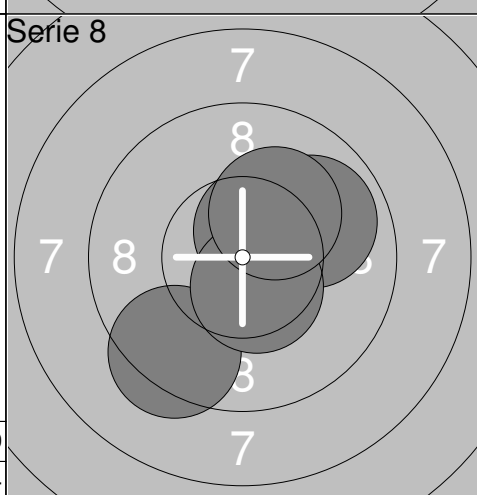
1:	9.6	→
2:	10.7x	↗
3:	10.1	↓
4:	9.2	←
5:	10.7x	↗
Serie		48
Total		245



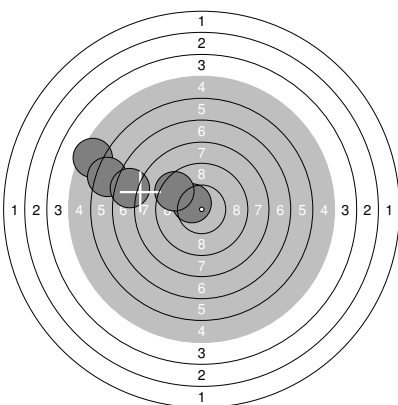
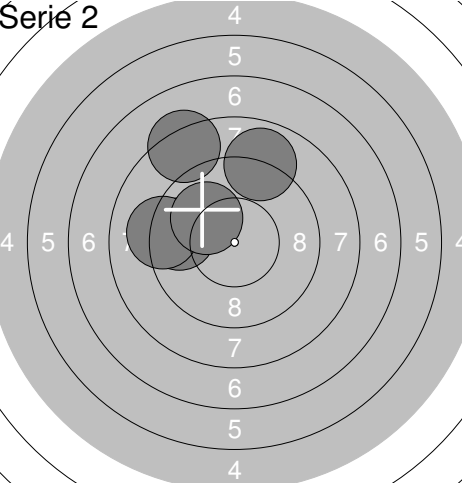
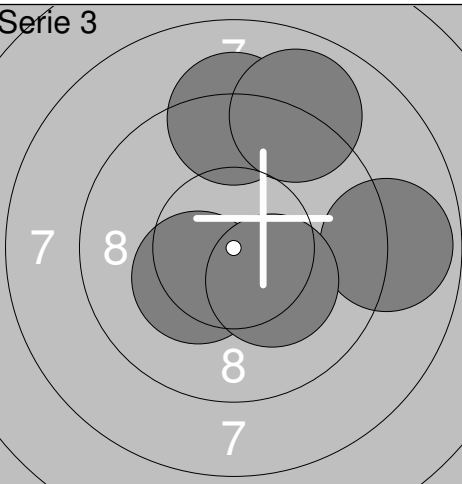
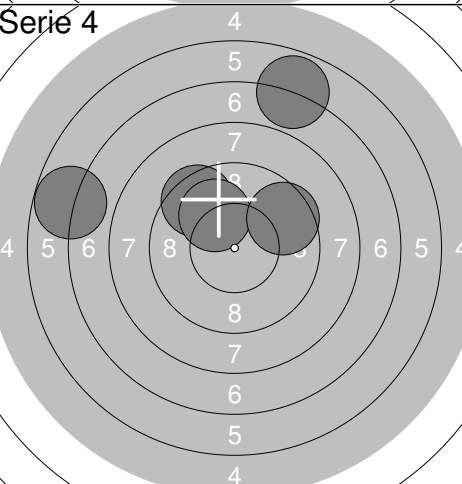
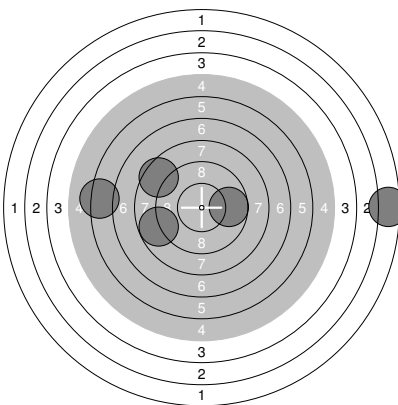
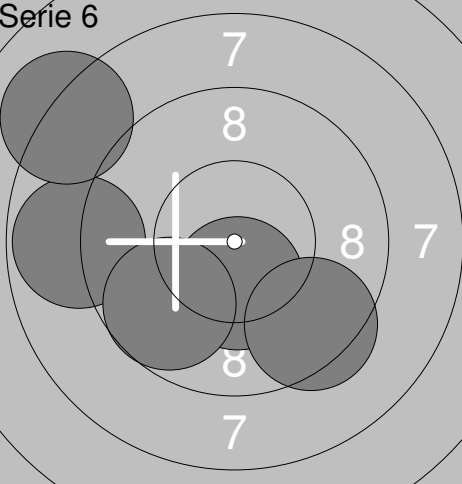
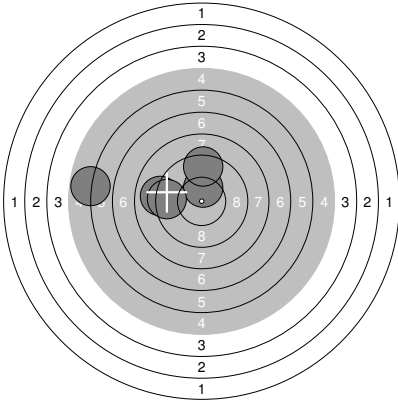
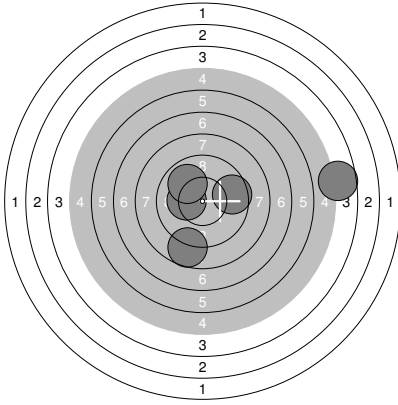
1:	9.8	↙
2:	10.6x	↗
3:	10.0	←
4:	10.0	→
5:	10.8x	↗
Serie		49
Total		294

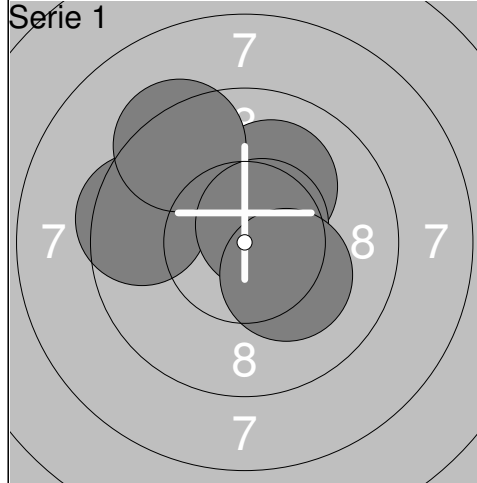


1:	10.4x	→
2:	10.1	↓
3:	10.3x	→
4:	10.4x	↓
5:	10.3x	↓
Serie		50
Total		344

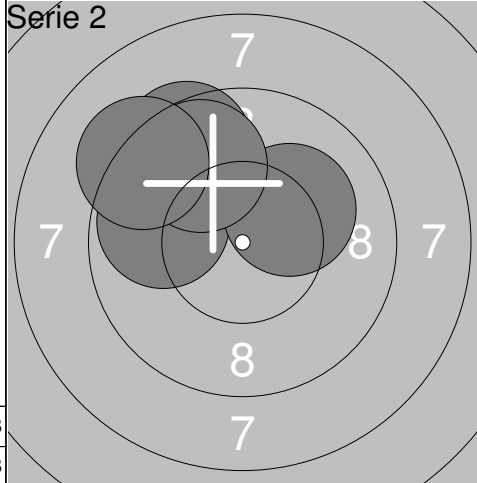


1:	9.3	↙
2:	10.5x	↗
3:	9.9	→
4:	10.5x	↓
5:	10.2x	↗
Serie		48
Total		392

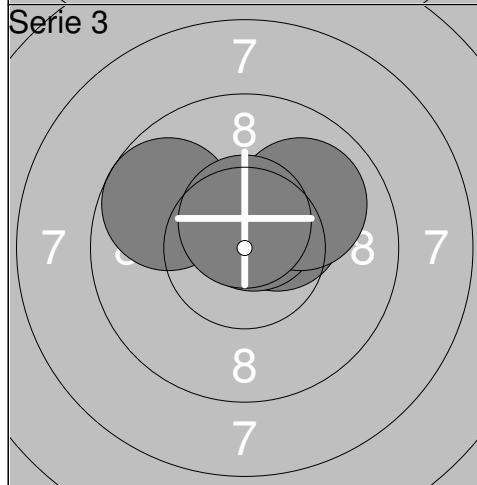
Skjutlag 5	Tavla 14	Gustav Eneberg	
Kval stående		Skabersjö Skytteförening	SM
03.11.2018		SM luftgevär 2018	Öckerö Skytteförening
Serie 1		1: 5.4 ↖ 2: 6.3 ↖ 3: 10.4x ↗ 4: 9.4 ↗ 5: 7.5 ↖	Serie 2
		Serie 37 Total 37	
			1: 9.6 ← 2: 8.3 ↗ 3: 9.1 ← 4: 8.9 ↗ 5: 10.0 ↗
			Serie 44 Total 81
Serie 3		1: 8.9 → 2: 9.2 ↑ 3: 8.9 ↗ 4: 10.3x ↖ 5: 10.2x ↘	Serie 4
		Serie 45 Total 126	
			1: 6.7 ← 2: 6.8 ↗ 3: 9.5 ↗ 4: 10.0 ↗ 5: 9.5 ↗
			Serie 40 Total 166
Serie 5		1: 8.8 ← 2: 8.5 ↗ 3: 2.4 → 4: 9.7 → 5: 6.2 ←	Serie 6
		Serie 33 Total 199	
			1: 10.4x ↓ 2: 9.4 ↘ 3: 8.8 ← 4: 9.7 ↘ 5: 8.1 ↗
			Serie 44 Total 243
Serie 7		1: 10.3x ↑ 2: 9.3 ↑ 3: 9.0 ← 4: 9.3 ← 5: 5.8 ←	Serie 8
		Serie 42 Total 285	
			1: 10.2x ← 2: 8.7 ↓ 3: 9.5 → 4: 9.9 ↗ 5: 4.7 →
			Serie 40 Total 325



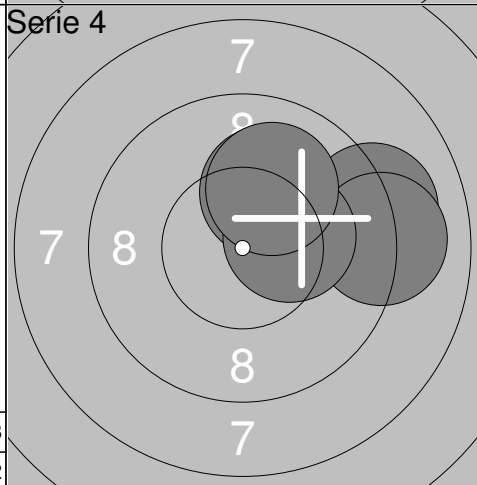
1:	9.5	←
2:	10.1	↗
3:	9.3	↗
4:	10.6x	↗
5:	10.2x	↘
Serie		48
Total		48



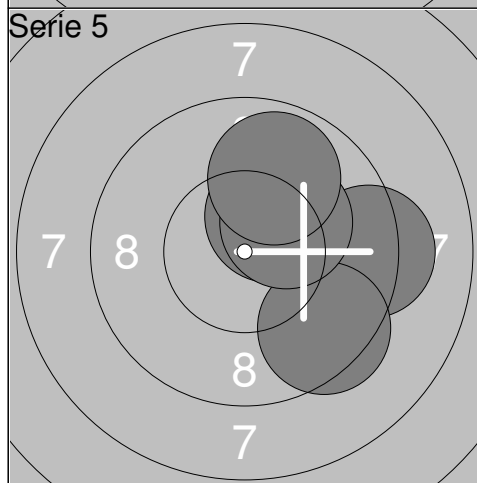
1:	9.8	←
2:	9.4	↗
3:	10.2x	↗
4:	9.7	↗
5:	9.2	↗
Serie		46
Total		94



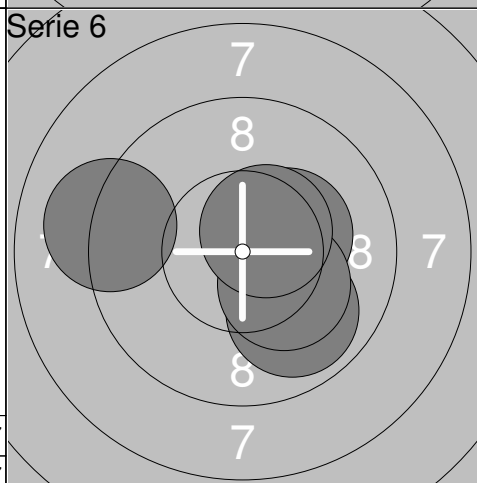
1:	10.4x	↗
2:	9.7	←
3:	10.6x	↗
4:	9.9	↗
5:	10.6x	↑
Serie		48
Total		142



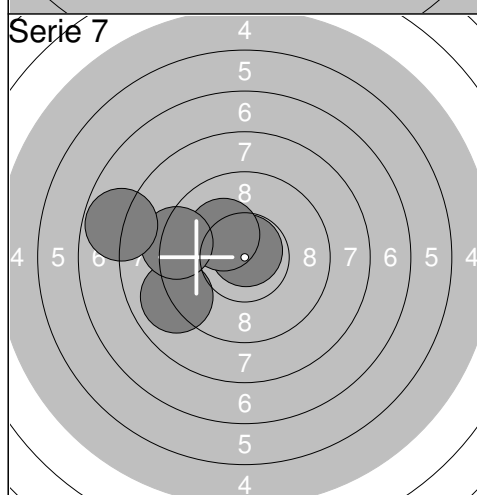
1:	9.1	→
2:	10.1	↗
3:	9.0	→
4:	10.3x	→
5:	10.0	↗
Serie		48
Total		190



1:	9.3	→
2:	9.4	↘
3:	10.3x	↗
4:	10.2x	↗
5:	9.8	↑
Serie		47
Total		237



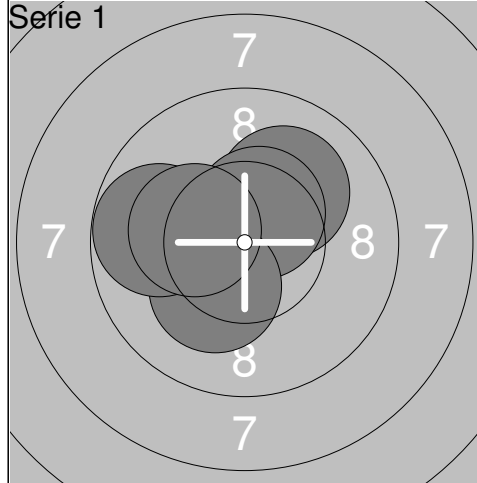
1:	9.1	←
2:	9.9	↘
3:	10.3x	↗
4:	10.2x	↘
5:	10.5x	↗
Serie		48
Total		285



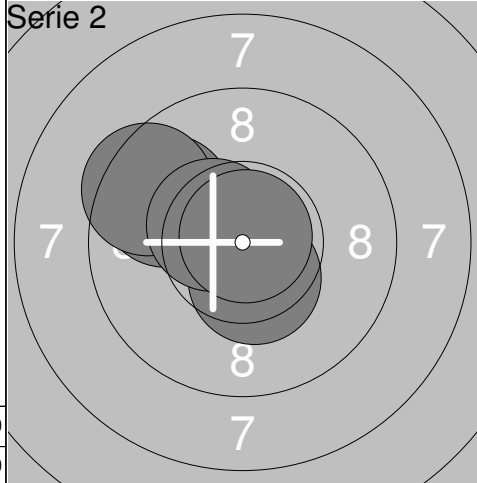
1:	10.8x	↑
2:	10.2x	↖
3:	9.0	←
4:	9.2	←
5:	7.8	←
Serie		45
Total		330



1:	9.8	↘
2:	10.0	↓
3:	10.6x	→
4:	10.2x	→
5:	10.3x	→
Serie		49
Total		379



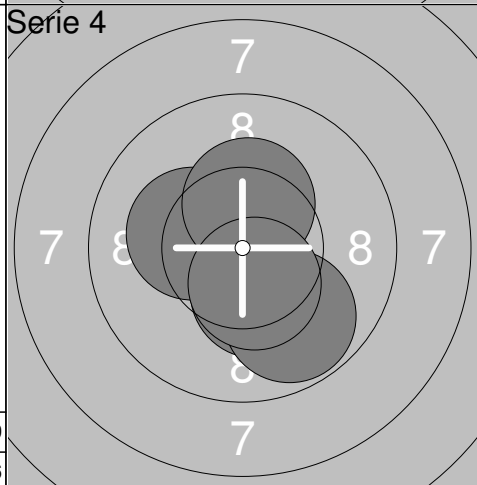
1:	10.1	↗
2:	10.5x	↗
3:	10.2x	↙
4:	9.8	←
5:	10.2x	←
Serie		49
Total		49



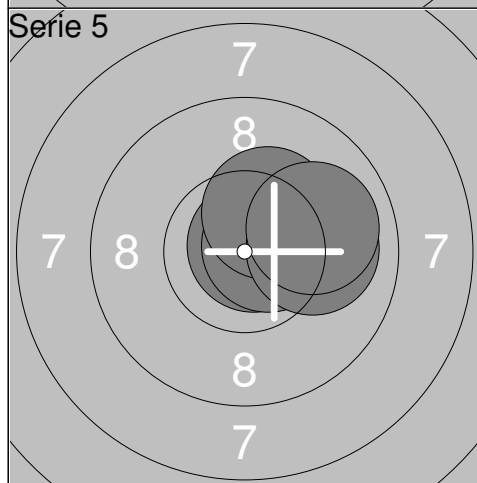
1:	9.8	↖
2:	10.4x	↘
3:	9.5	↗
4:	10.5x	↗
5:	10.8x	↗
Serie		48
Total		97



1:	10.8x	→
2:	10.5x	↗
3:	10.2x	↖
4:	9.9	←
5:	10.7x	↗
Serie		49
Total		146



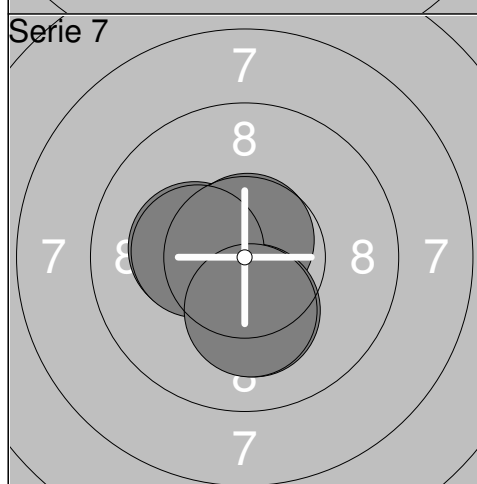
1:	10.3x	↘
2:	10.2x	↖
3:	9.8	↘
4:	10.3x	↑
5:	10.4x	↘
Serie		49
Total		195



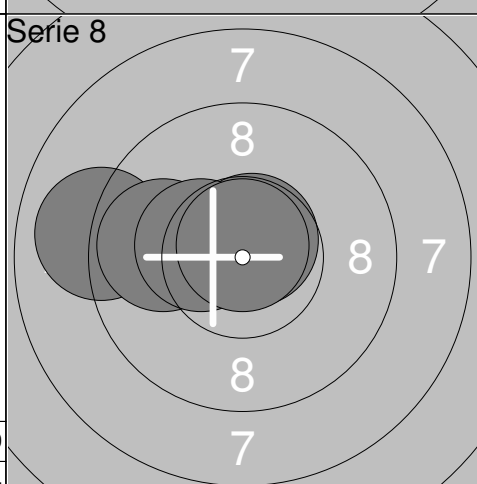
1:	10.8x	↗
2:	10.6x	→
3:	10.3x	↗
4:	10.0	→
5:	9.9	→
Serie		49
Total		244



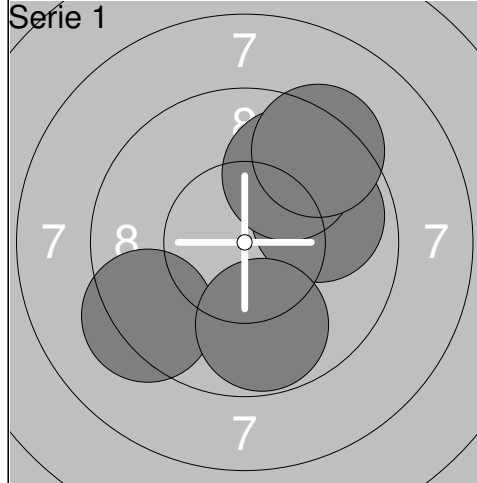
1:	10.1	→
2:	10.6x	→
3:	10.8x	→
4:	10.6x	↑
5:	10.2x	↘
Serie		50
Total		294



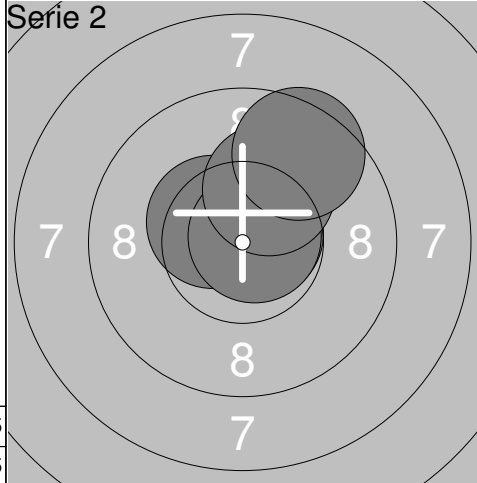
1:	10.2x	←
2:	10.7x	↑
3:	10.2x	↘
4:	10.3x	←
5:	10.2x	↘
Serie		50
Total		344



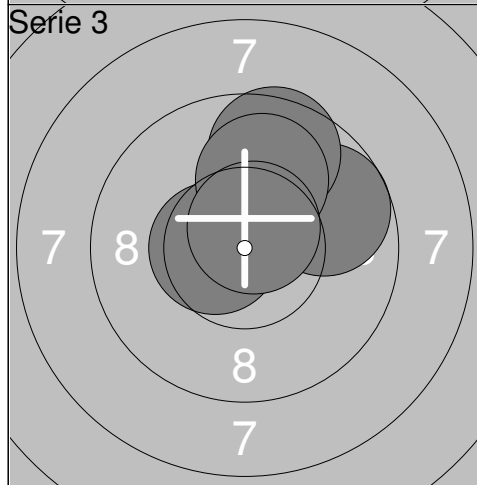
1:	9.0	←
2:	10.6x	↗
3:	9.8	←
4:	10.4x	←
5:	10.8x	↑
Serie		48
Total		392



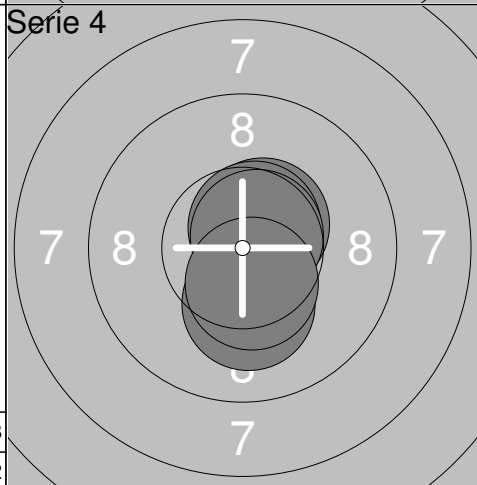
1:	9.3	↙
2:	9.9	→
3:	9.8	↗
4:	9.3	↗
5:	9.8	↓
Serie		45
Total		45



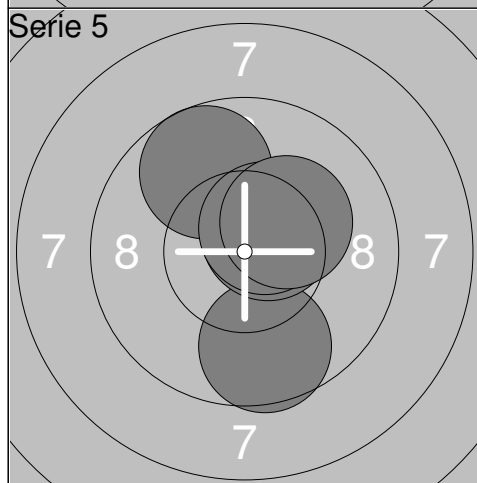
1:	10.4x	↖
2:	10.7x	↗
3:	10.7x	↗
4:	10.1	↗
5:	9.5	↗
Serie		49
Total		94



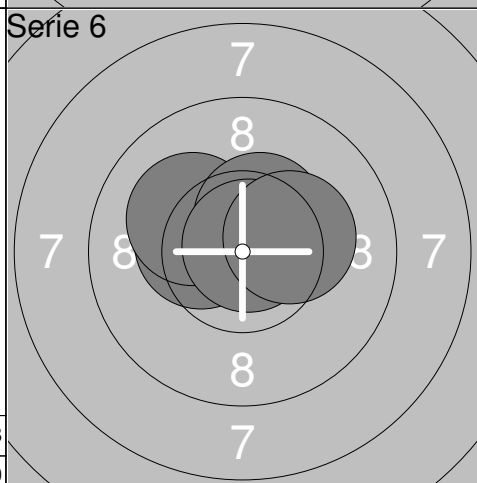
1:	9.7	↗
2:	9.6	↑
3:	10.5x	←
4:	10.0	↑
5:	10.6x	↑
Serie		48
Total		142



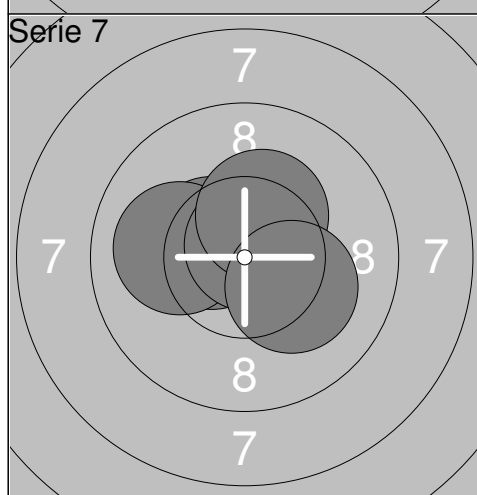
1:	10.5x	↗
2:	10.2x	↓
3:	10.6x	↗
4:	10.7x	↗
5:	10.4x	↓
Serie		50
Total		192



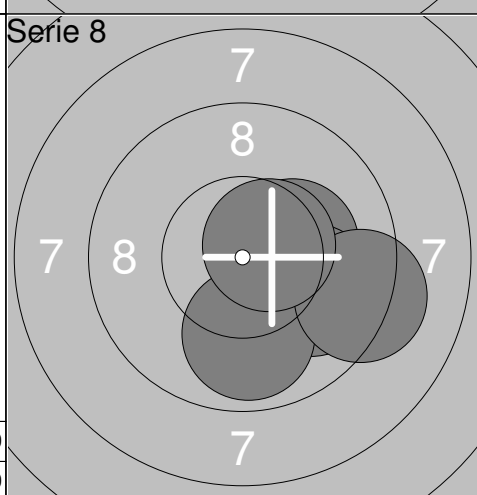
1:	9.6	↓
2:	10.5x	↗
3:	9.7	↗
4:	10.5x	↗
5:	10.2x	↗
Serie		48
Total		240



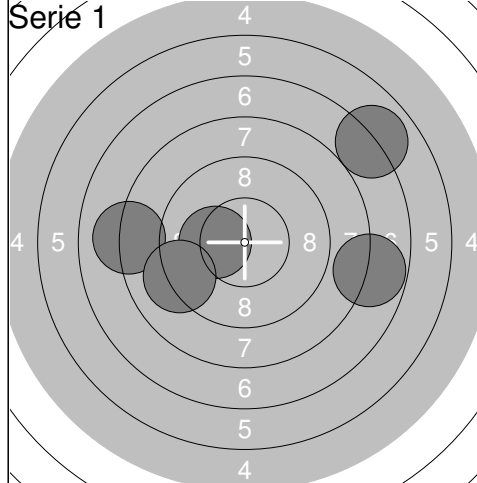
1:	10.4x	←
2:	10.1	↖
3:	10.4x	↗
4:	10.8x	↗
5:	10.3x	→
Serie		50
Total		290



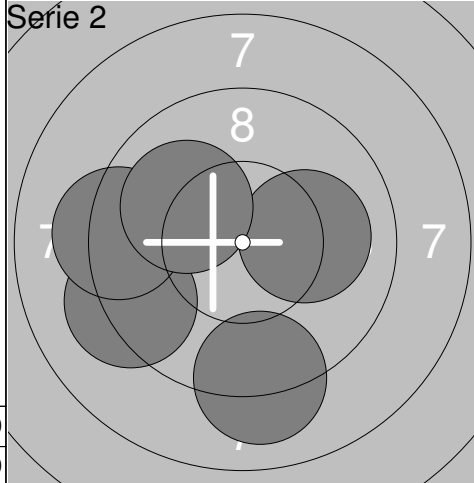
1:	10.4x	↖
2:	10.1	←
3:	10.7x	↗
4:	10.3x	↗
5:	10.2x	↘
Serie		50
Total		340



1:	10.2x	→
2:	9.9	↘
3:	9.9	↓
4:	9.2	↘
5:	10.5x	↗
Serie		47
Total		387



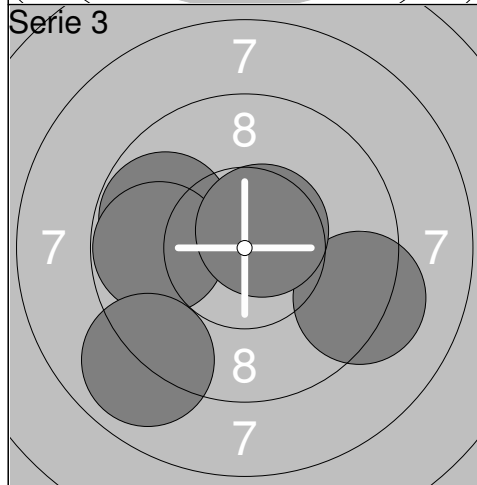
1:	6.9	↗
2:	7.8	→
3:	10.2x	←
4:	8.1	←
5:	9.1	↙



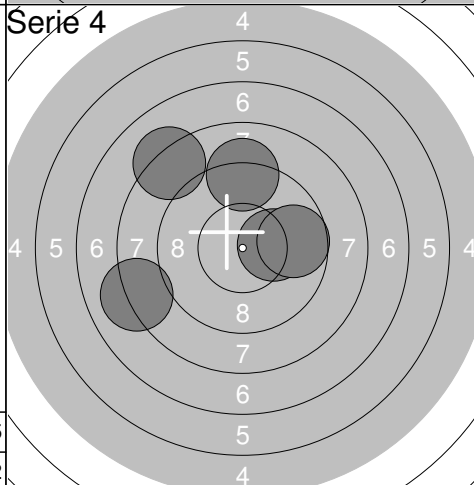
1:	9.2	↙
2:	9.2	←
3:	10.1	→
4:	10.0	↖
5:	9.1	↓

Serie	40
Total	40

Serie	47
Total	87



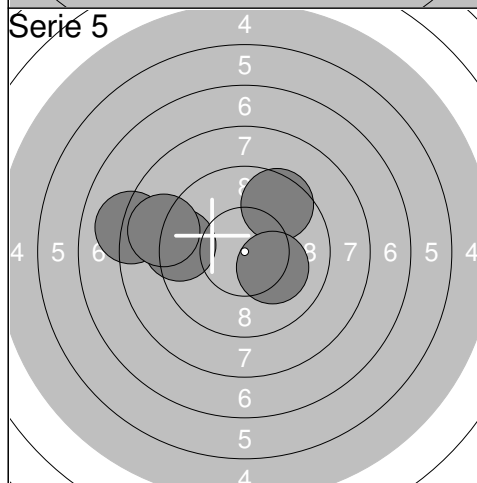
1:	9.8	←
2:	9.8	←
3:	9.2	→
4:	10.6x	↗
5:	8.9	↙



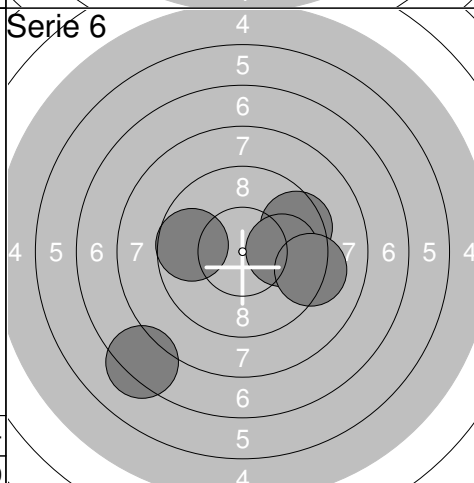
1:	8.1	←
2:	9.1	↑
3:	8.2	↖
4:	10.2x	→
5:	9.7	→

Serie	45
Total	132

Serie	44
Total	176



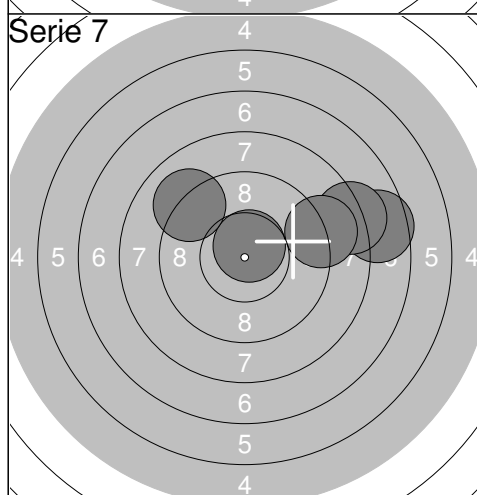
1:	9.3	←
2:	8.1	←
3:	8.8	←
4:	9.5	↗
5:	10.1	↘



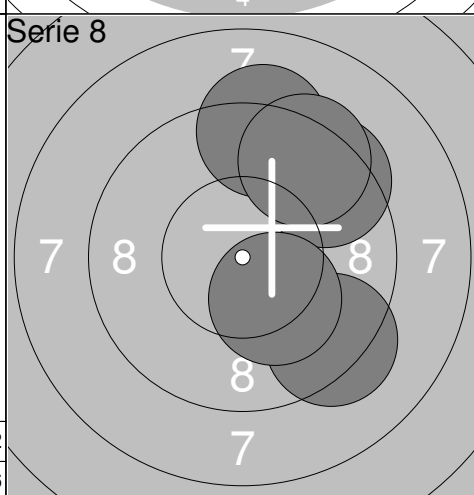
1:	9.7	←
2:	9.5	→
3:	10.0	→
4:	7.2	↙
5:	9.2	→

Serie	44
Total	220

Serie	44
Total	264



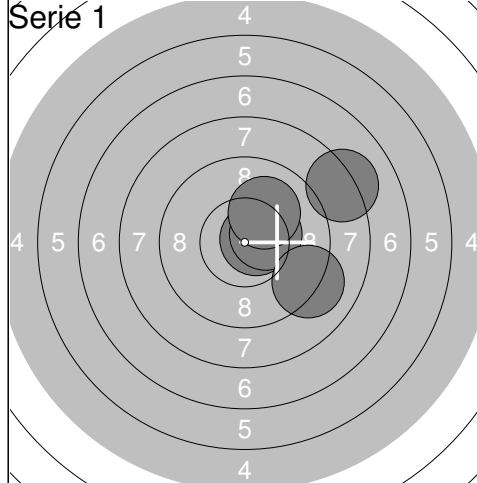
1:	7.5	→
2:	8.2	→
3:	10.6x	↗
4:	8.9	→
5:	9.1	↖



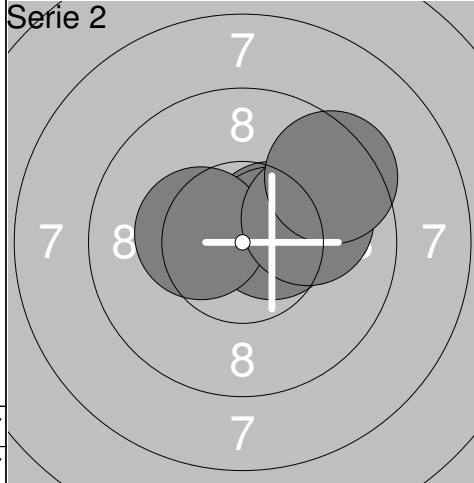
1:	9.3	↘
2:	9.4	↗
3:	9.2	↑
4:	10.2x	↘
5:	9.4	↗

Serie	42
Total	306

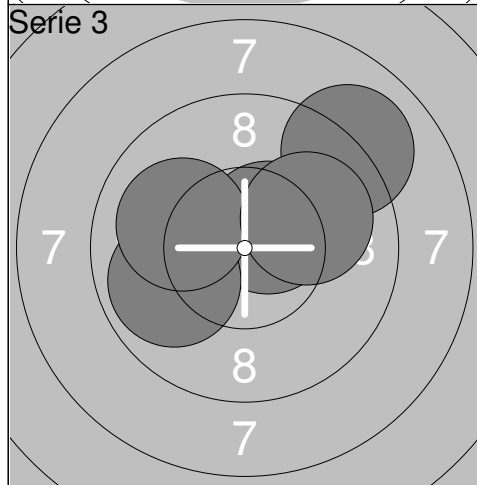
Serie	46
Total	352



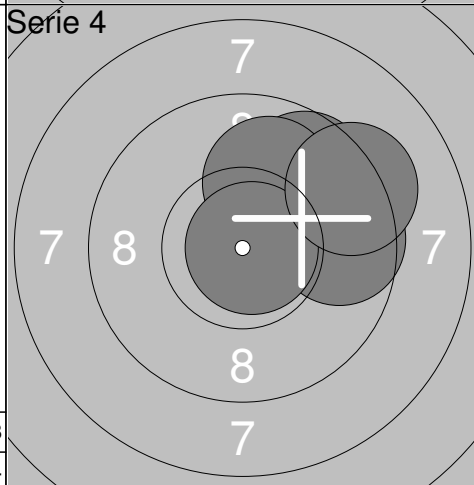
1:	10.6x	→
2:	10.4x	→
3:	8.2	→
4:	10.1	↗
5:	9.1	↘
Serie		47
Total		47



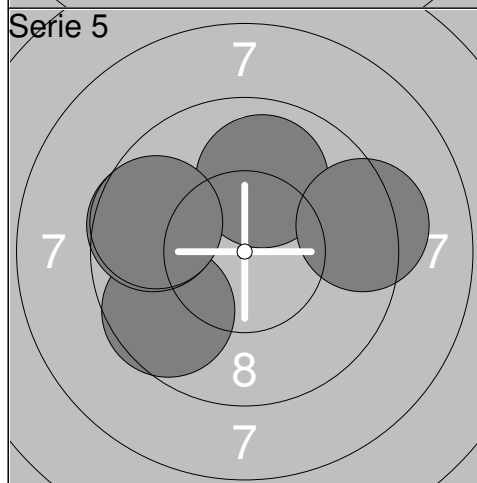
1:	10.5x	↗
2:	10.5x	→
3:	10.4x	←
4:	10.0	→
5:	9.4	↗
Serie		49
Total		96



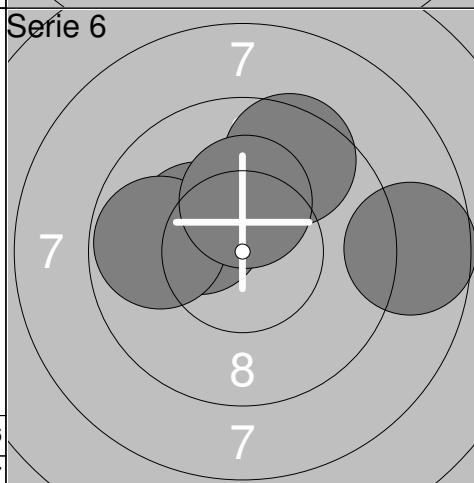
1:	10.5x	↗
2:	9.9	←
3:	10.0	←
4:	9.0	↗
5:	10.0	→
Serie		48
Total		144



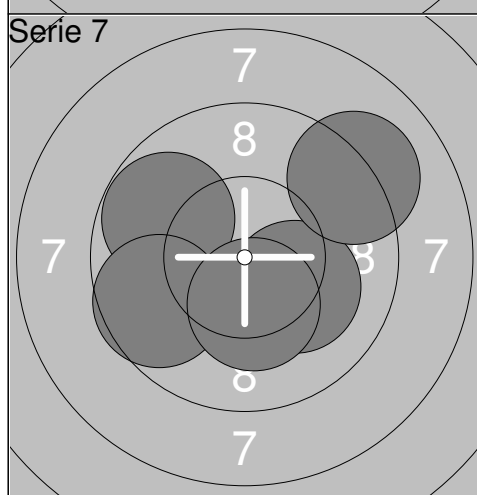
1:	9.7	↗
2:	9.6	→
3:	10.0	↗
4:	10.8x	→
5:	9.3	↗
Serie		47
Total		191



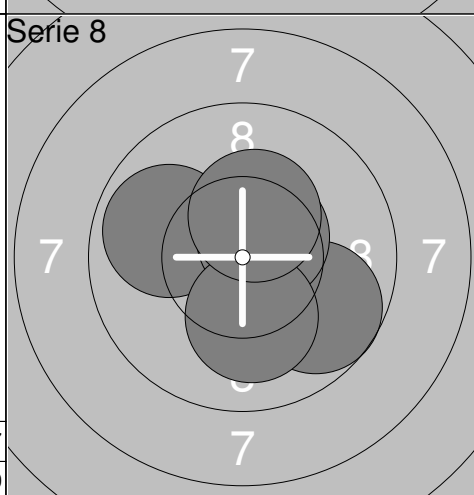
1:	9.6	↙
2:	10.0	↗
3:	9.3	→
4:	9.6	←
5:	9.7	↙
Serie		46
Total		237



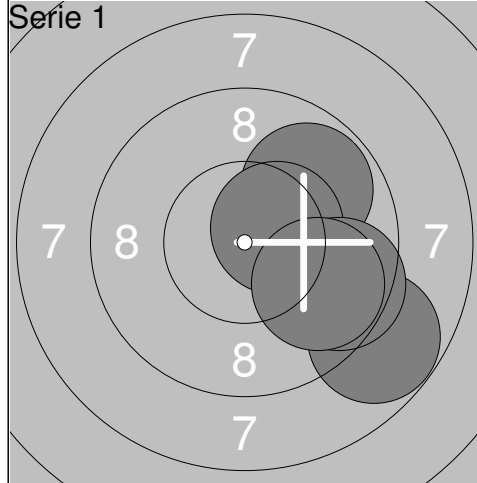
1:	10.2x	↙
2:	8.7	→
3:	9.5	↗
4:	9.8	←
5:	10.3x	↗
Serie		46
Total		283



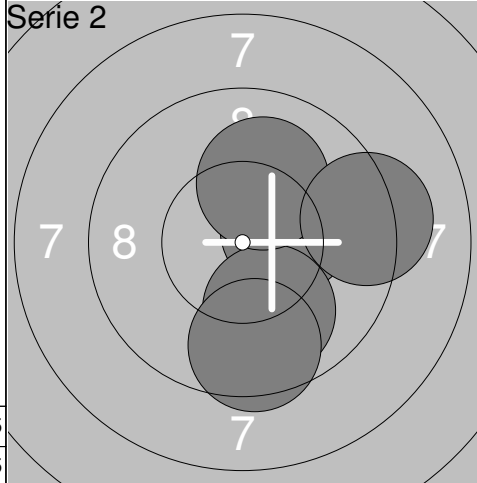
1:	9.7	↙
2:	10.2x	↘
3:	9.6	←
4:	9.1	↗
5:	10.3x	↘
Serie		47
Total		330



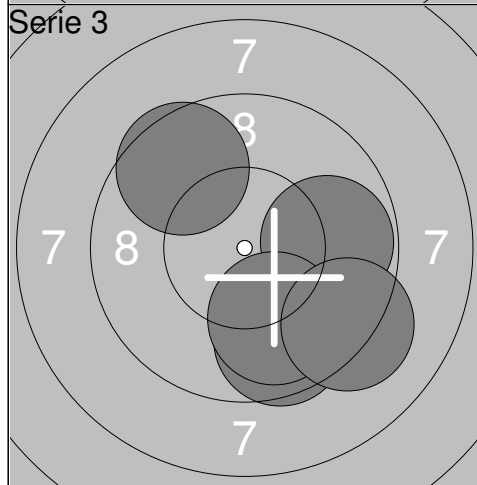
1:	9.9	←
2:	9.7	↘
3:	10.5x	↗
4:	10.1	↓
5:	10.4x	↗
Serie		48
Total		378



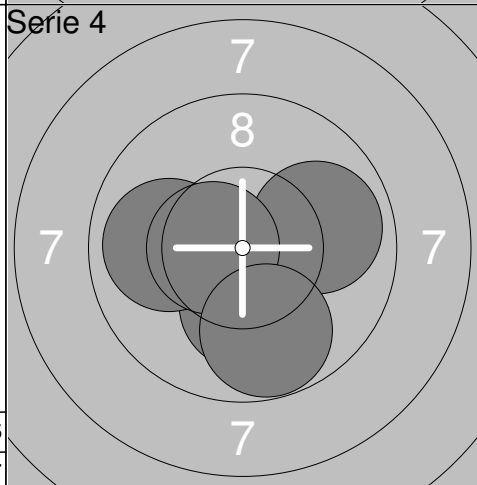
1:	8.8	↘
2:	9.8	↗
3:	10.4x	→
4:	9.5	↘
5:	9.8	↘
Serie		45
Total		45



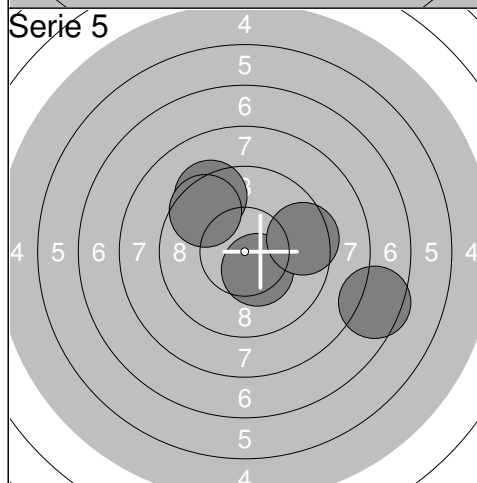
1:	10.3x	→
2:	9.9	↓
3:	10.1	↗
4:	9.2	→
5:	9.5	↓
Serie		47
Total		92



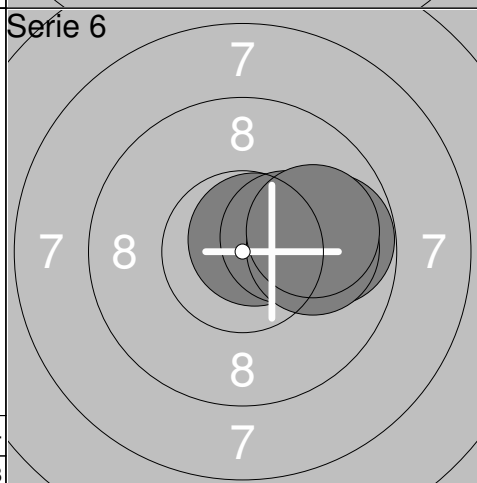
1:	9.6	↓
2:	9.8	→
3:	9.9	↘
4:	9.2	↘
5:	9.6	↗
Serie		45
Total		137



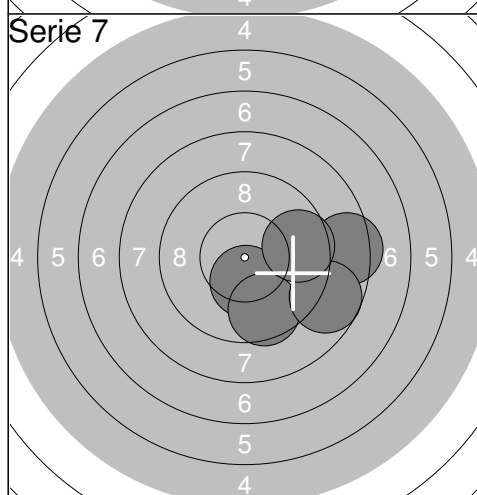
1:	10.2x	↓
2:	9.9	←
3:	9.9	→
4:	10.5x	←
5:	9.8	↓
Serie		47
Total		184



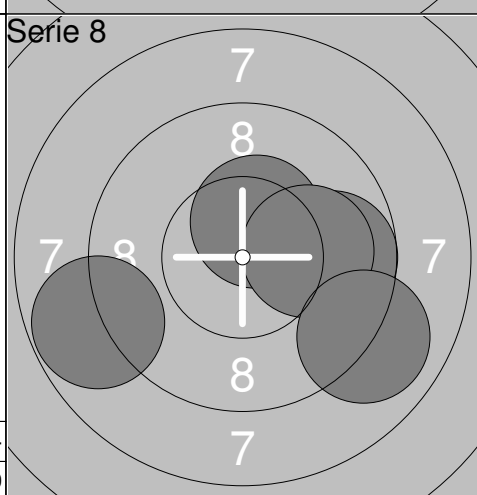
1:	10.4x	↘
2:	9.3	↗
3:	9.5	↗
4:	9.5	→
5:	7.5	↘
Serie		44
Total		228



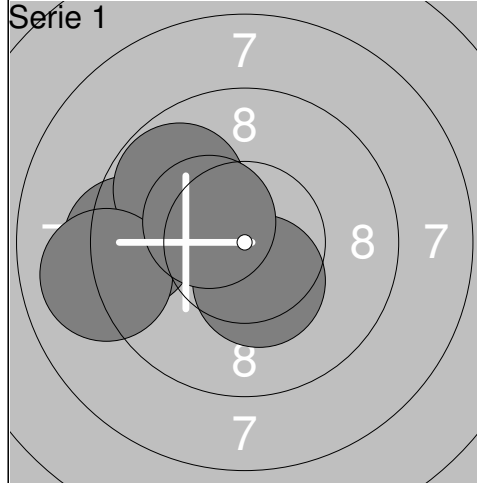
1:	10.7x	↗
2:	9.8	→
3:	10.3x	→
4:	10.0	→
5:	9.9	→
Serie		48
Total		276



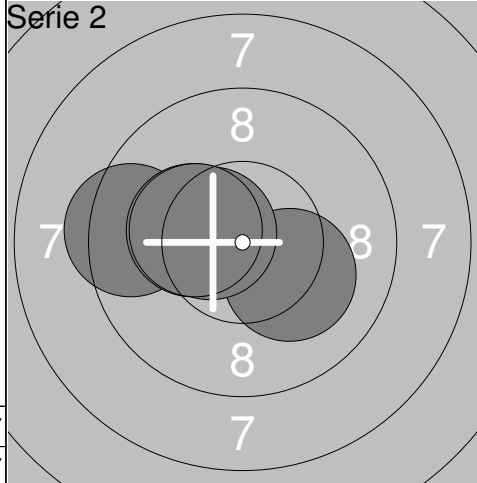
1:	8.4	→
2:	10.3x	↓
3:	9.6	↓
4:	8.7	↘
5:	9.6	→
Serie		44
Total		320



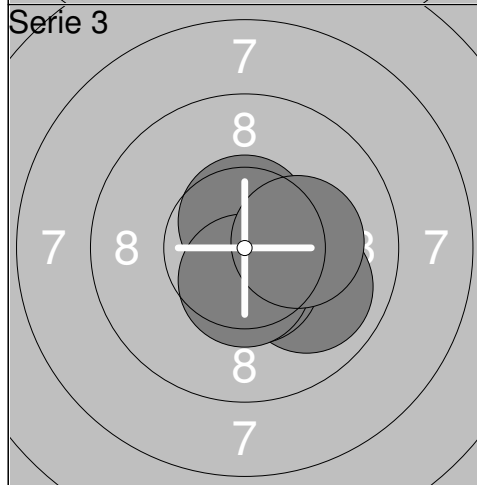
1:	8.8	←
2:	9.7	→
3:	10.4x	↗
4:	10.1	→
5:	9.0	↘
Serie		46
Total		366



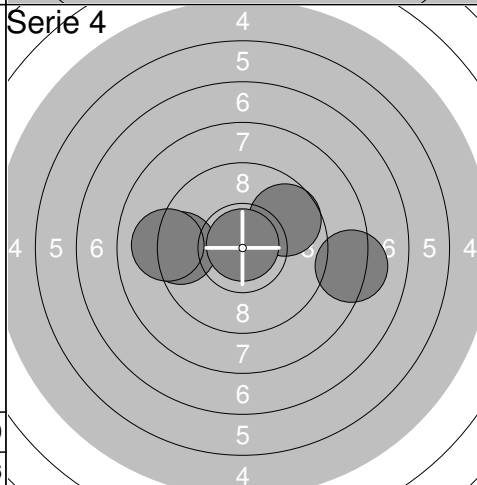
1:	9.4	←
2:	9.8	↗
3:	9.0	←
4:	10.4x	↘
5:	10.4x	↗
Serie		47
Total		47



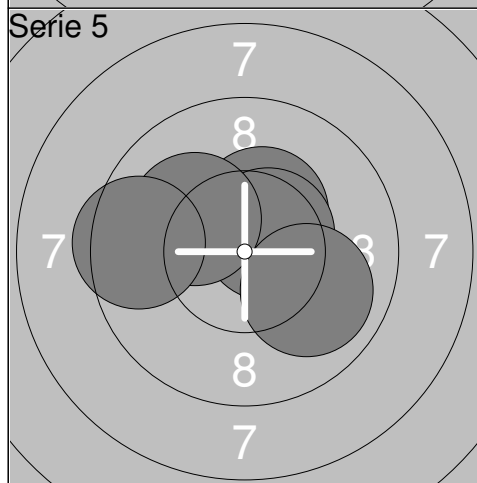
1:	9.4	←
2:	10.1	↘
3:	10.2x	←
4:	10.5x	←
5:	10.3x	←
Serie		49
Total		96



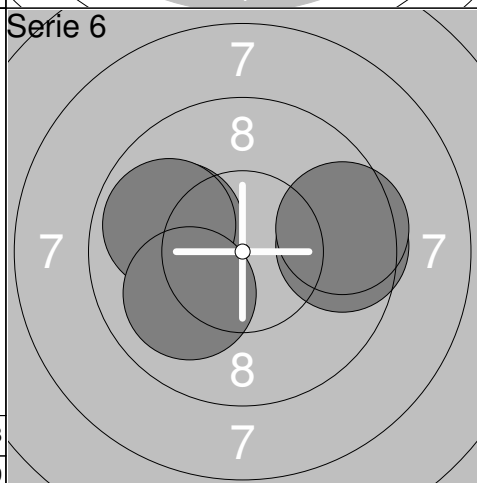
1:	10.0	↘
2:	10.5x	↘
3:	10.6x	↑
4:	10.5x	↘
5:	10.2x	→
Serie		50
Total		146



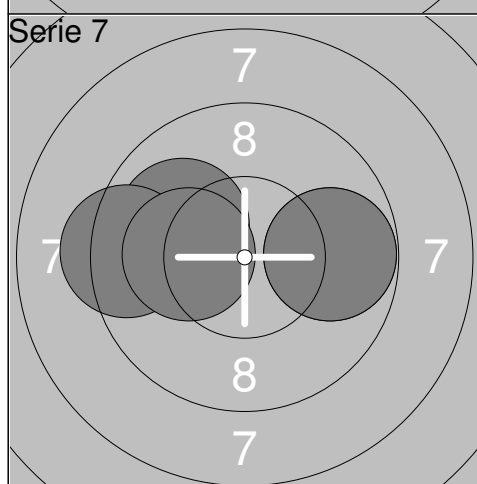
1:	9.4	←
2:	9.1	←
3:	9.7	↗
4:	10.9x	↑
5:	8.2	→
Serie		45
Total		191



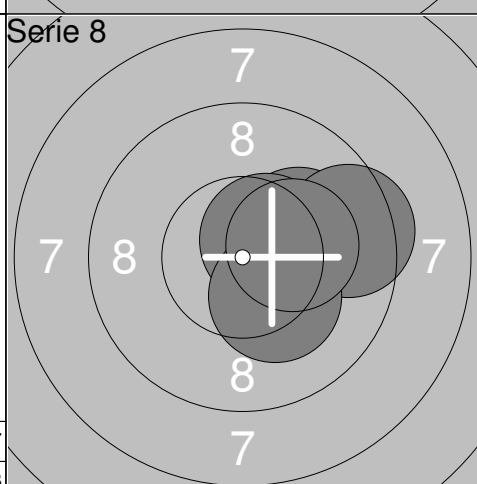
1:	10.4x	↗
2:	10.5x	↗
3:	10.1	↗
4:	9.5	←
5:	9.9	↘
Serie		48
Total		239



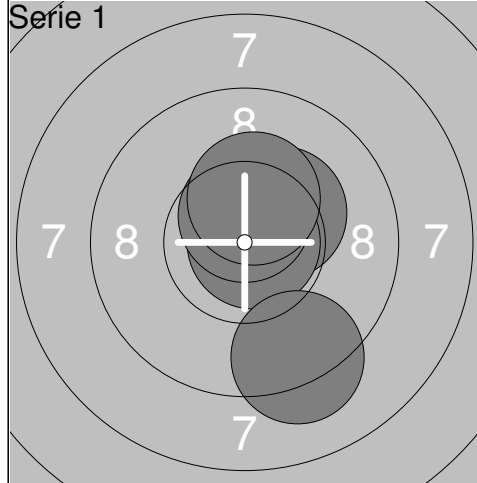
1:	10.0	←
2:	9.6	→
3:	9.5	→
4:	9.9	←
5:	10.0	↙
Serie		47
Total		286



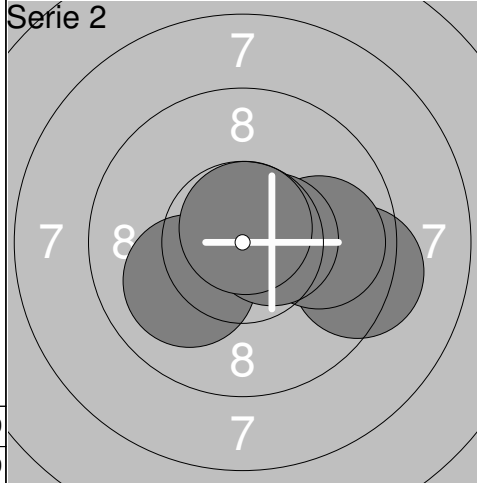
1:	10.0	↖
2:	9.8	→
3:	9.3	←
4:	9.8	→
5:	10.2x	←
Serie		47
Total		333



1:	10.1	↗
2:	10.5x	↗
3:	9.4	→
4:	10.3x	↘
5:	10.2x	→
Serie		49
Total		382



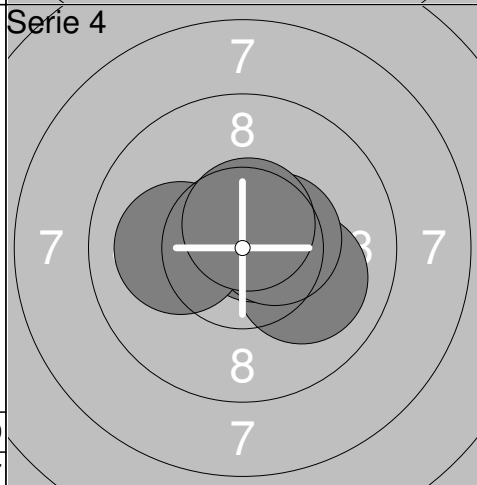
1:	10.3x	↗
2:	10.8x	→
3:	9.2	↘
4:	10.6x	↑
5:	10.3x	↑
Serie		49
Total		49



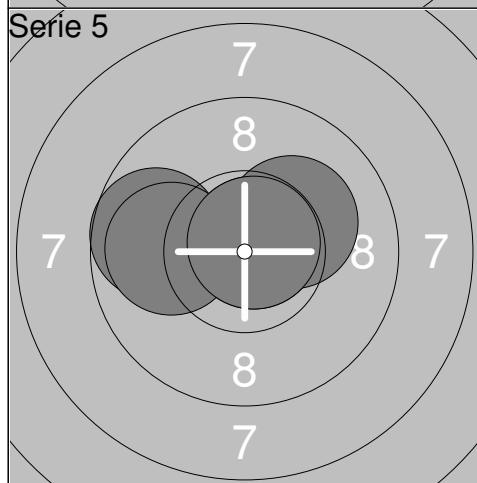
1:	9.3	→
2:	9.9	→
3:	10.0	↙
4:	10.5x	→
5:	10.7x	↑
Serie		48
Total		97



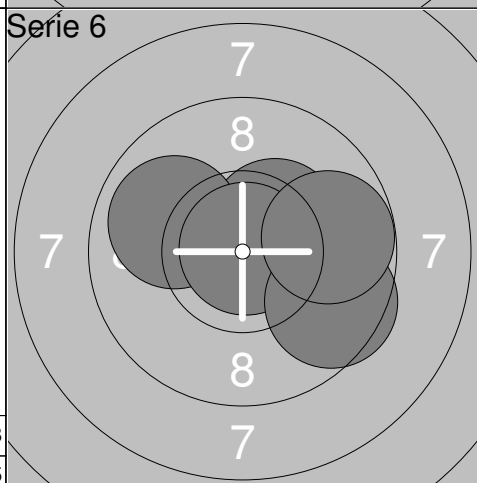
1:	10.4x	↗
2:	10.7x	→
3:	10.4x	↗
4:	10.1	↖
5:	10.2x	↘
Serie		50
Total		147



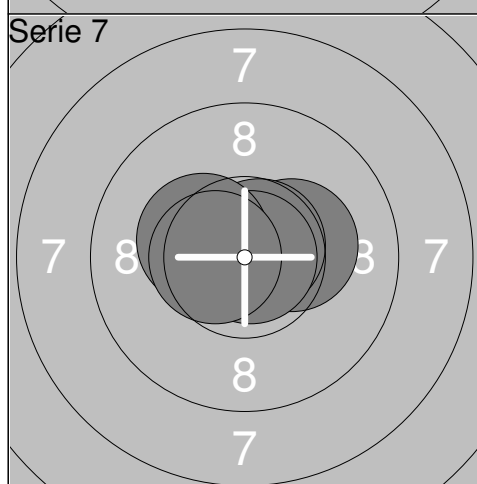
1:	10.0	→
2:	10.7x	↗
3:	10.5x	→
4:	10.1	↖
5:	10.6x	↑
Serie		50
Total		197



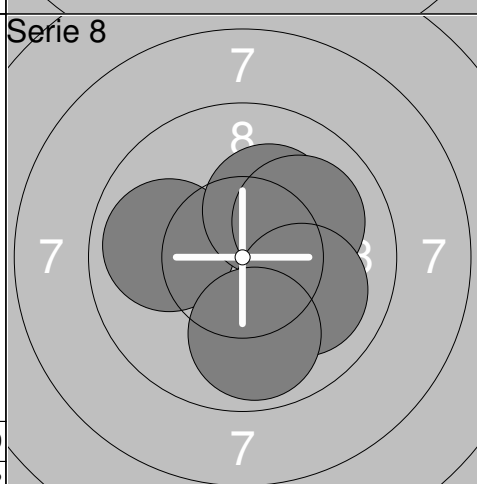
1:	9.7	↖
2:	10.7x	↗
3:	9.9	↖
4:	10.2x	↗
5:	10.8x	↗
Serie		48
Total		245



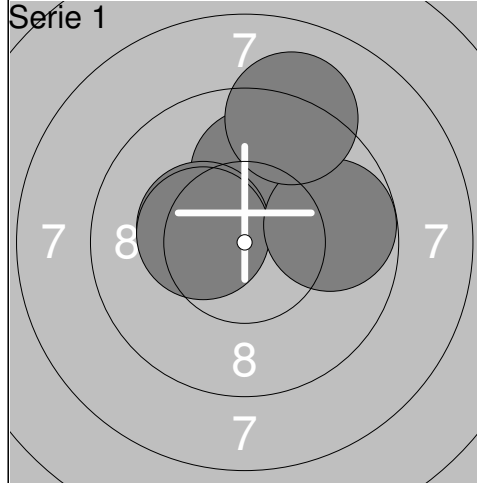
1:	10.4x	↗
2:	9.9	↖
3:	10.9x	↗
4:	9.5	↘
5:	9.7	→
Serie		47
Total		292



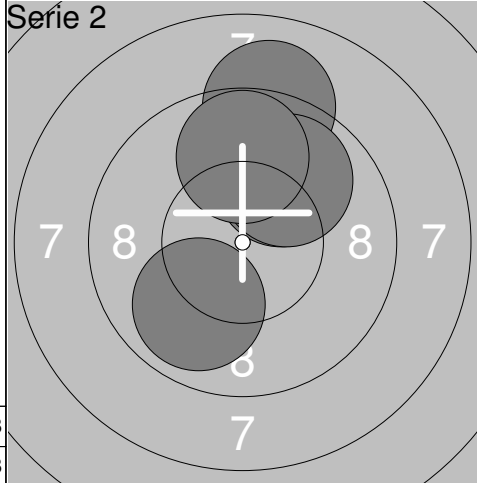
1:	10.3x	→
2:	10.7x	↗
3:	10.9x	→
4:	10.3x	↖
5:	10.5x	↖
Serie		50
Total		342



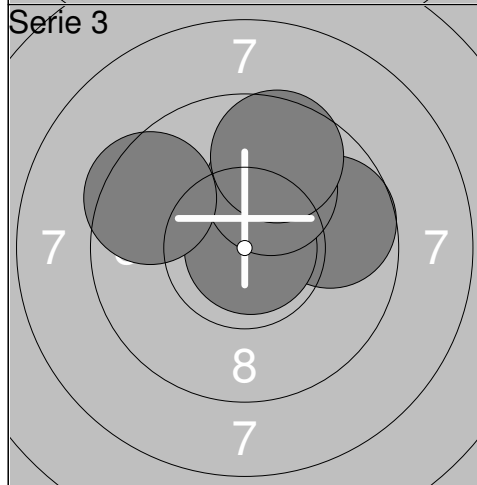
1:	9.9	↖
2:	10.2x	↗
3:	10.0	↗
4:	10.0	↘
5:	9.9	↓
Serie		48
Total		390



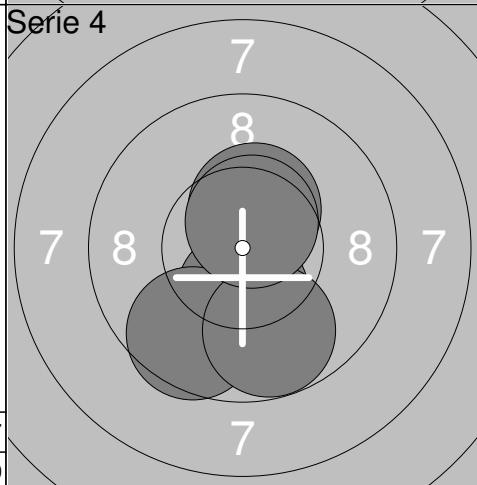
1:	10.0	↑
2:	10.3x	←
3:	10.4x	←
4:	9.7	→
5:	9.1	↑
Serie		48
Total		48



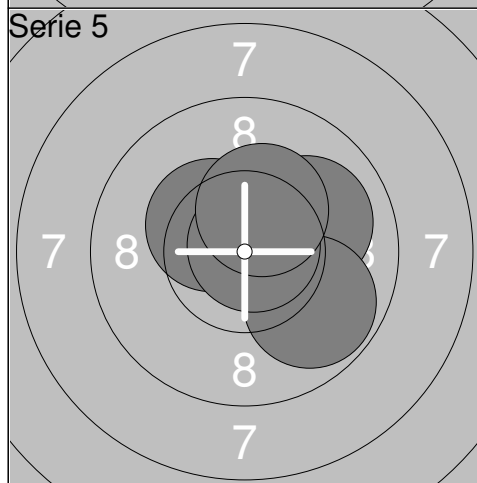
1:	9.1	↑
2:	9.9	↗
3:	9.9	↗
4:	9.9	↘
5:	9.8	↑
Serie		45
Total		93



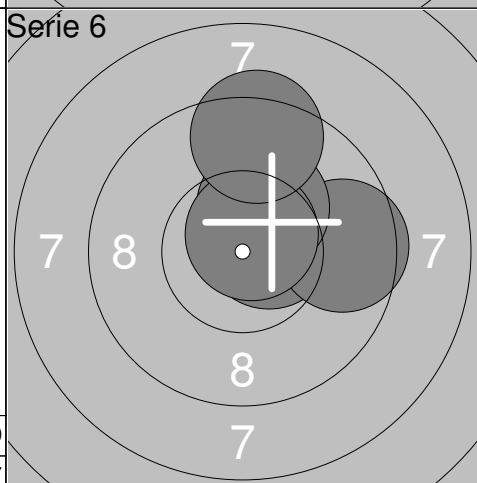
1:	9.7	→
2:	10.9x	→
3:	10.1	↑
4:	9.5	↖
5:	9.6	↑
Serie		47
Total		140



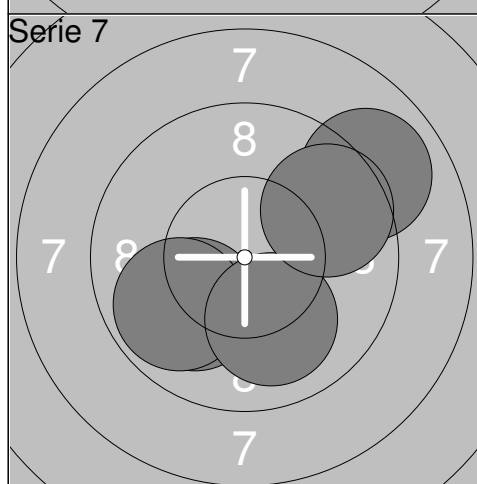
1:	10.4x	↑
2:	10.3x	↓
3:	9.6	↘
4:	9.7	↘
5:	10.6x	↑
Serie		48
Total		188



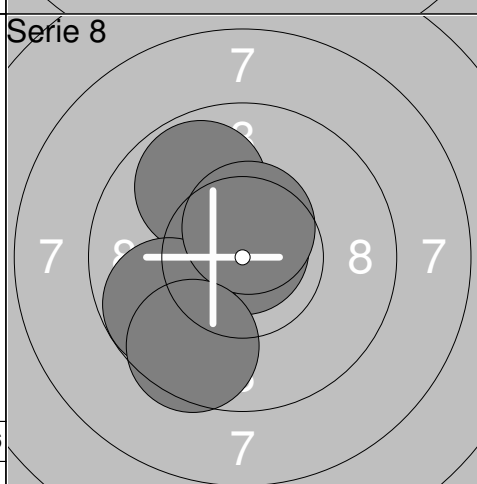
1:	10.0	→
2:	10.3x	↖
3:	9.8	↘
4:	10.8x	→
5:	10.3x	↑
Serie		49
Total		237



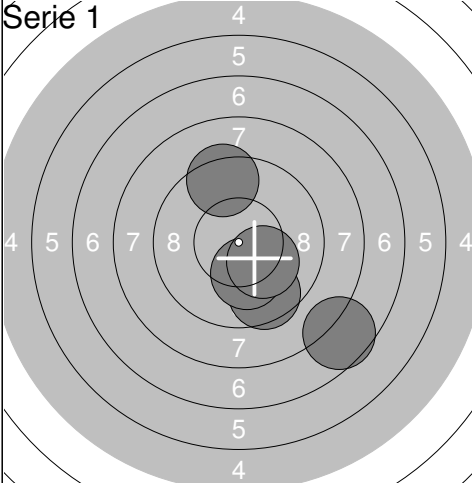
1:	10.5x	→
2:	9.6	→
3:	10.2x	↑
4:	10.6x	↑
5:	9.4	↑
Serie		48
Total		285

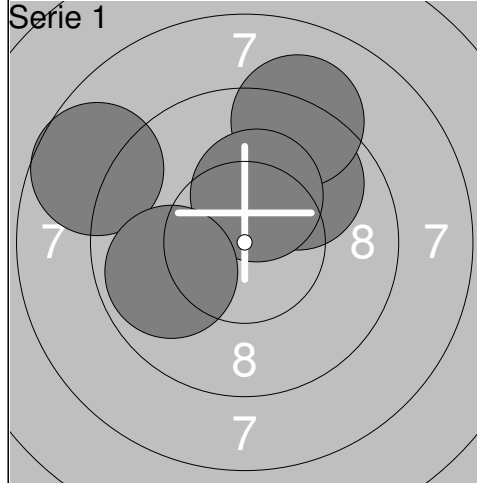


1:	10.0	↖
2:	8.9	↗
3:	9.8	↖
4:	10.0	↘
5:	9.6	↗
Serie		46
Total		331

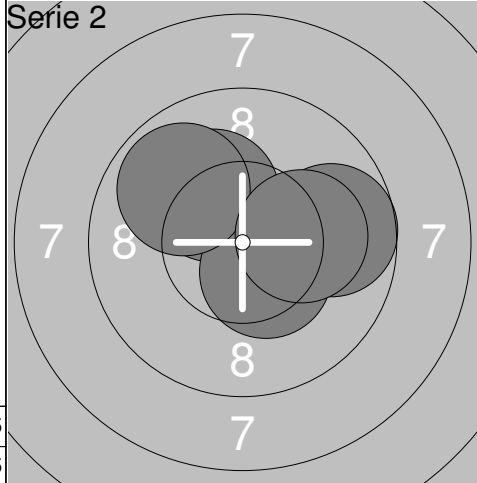


1:	10.8x	↑
2:	9.8	↖
3:	9.7	↖
4:	10.5x	↑
5:	9.5	↘
Serie		47
Total		378

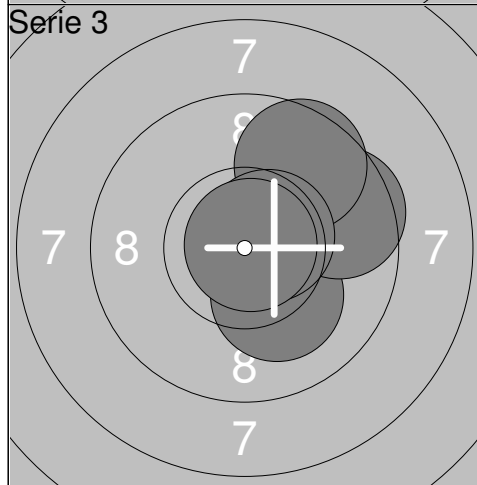
Skjutlag	Tavla	Pontus Rinaldo	
5	24	Kval stående	Kvibergs Skytteförening
03.11.2018		SM luftgevär 2018	SM
Serie 1		SM luftgevär 2018	Öckerö Skytteförening
	1: 9.5 ↘ 2: 10.2x ↘ 3: 9.4 ↗ 4: 10.2x ↘ 5: 7.6 ↘	Serie 2	1: 10.3x ↗ 2: 9.0 ↗ 3: 8.2 ↘ 4: 9.2 ↘ 5: 8.3 →
	Serie 45 Total 45		Serie 44 Total 89
Serie 3	1: 9.5 → 2: 7.9 ↗ 3: 10.0 → 4: 10.2x → 5: 10.0 ↗	Serie 4	1: 9.4 ↘ 2: 8.7 → 3: 8.7 ↗ 4: 7.5 ↗ 5: 10.0 ↗
	Serie 46 Total 135		Serie 42 Total 177
Serie 5	1: 9.2 ↗ 2: 10.4x ↗ 3: 10.4x ↗ 4: 9.8 → 5: 8.8 ↗	Serie 6	1: 9.8 ↗ 2: 7.7 ↗ 3: 10.5x ↘ 4: 9.5 ↗ 5: 9.9 ↗
	Serie 46 Total 223		Serie 44 Total 267
Serie 7	1: 7.6 ← 2: 9.9 ↘ 3: 8.8 → 4: 8.5 ↘ 5: 8.3 ↘	Serie 8	1: 10.1 → 2: 10.3x ↗ 3: 10.3x ↘ 4: 10.5x ↗ 5: 9.6 ←
	Serie 40 Total 307		Serie 49 Total 356



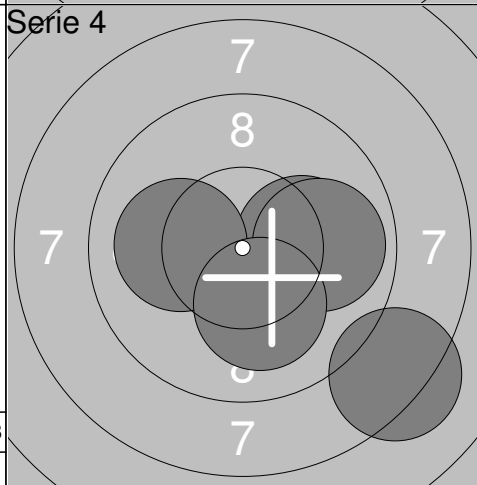
1:	9.9	↗
2:	9.1	↑
3:	10.3x	↑
4:	8.7	↖
5:	9.8	↙
Serie		45
Total		45



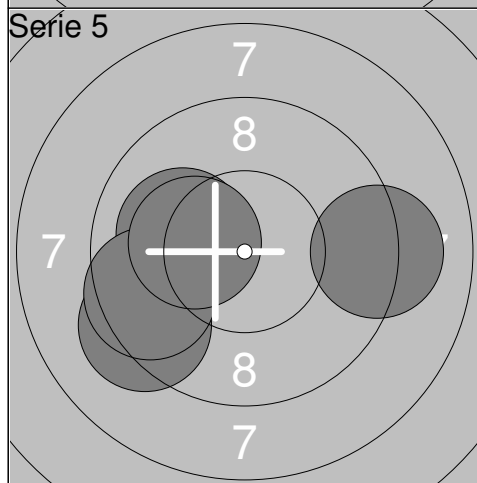
1:	10.2x	↗
2:	9.7	→
3:	10.4x	↘
4:	9.8	↗
5:	10.1	→
Serie		48
Total		93



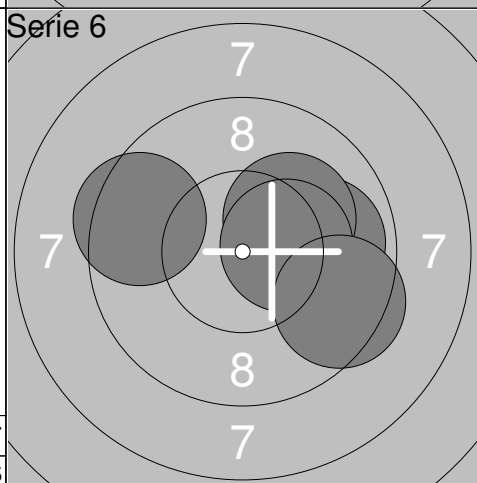
1:	10.2x	↘
2:	9.6	→
3:	9.6	↑
4:	10.6x	→
5:	10.8x	→
Serie		48
Total		141



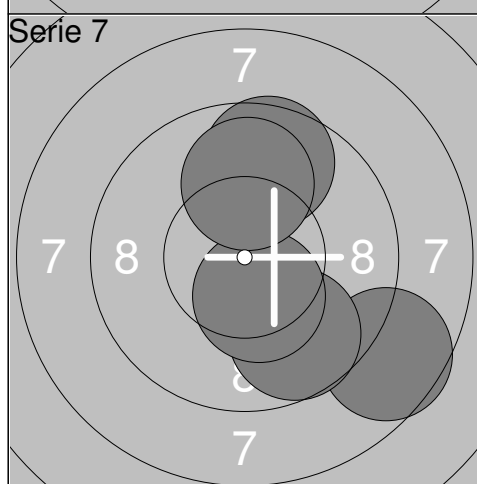
1:	10.1	→
2:	8.2	↘
3:	9.9	→
4:	10.1	←
5:	10.1	↘
Serie		47
Total		188



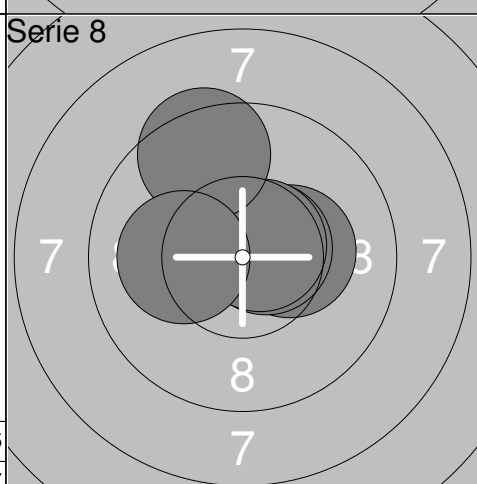
1:	9.3	↙
2:	10.1	↖
3:	9.5	↖
4:	9.1	→
5:	10.2x	↖
Serie		47
Total		235



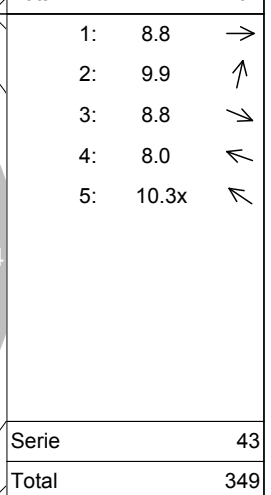
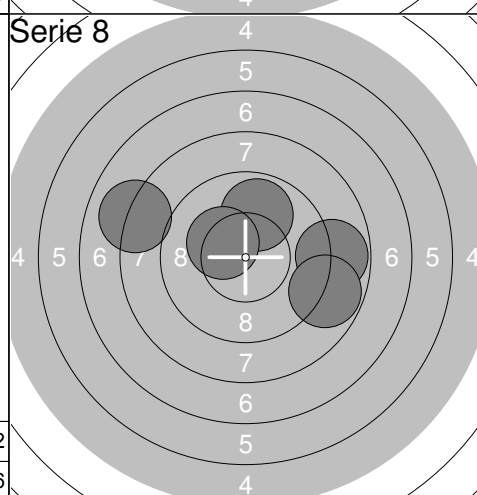
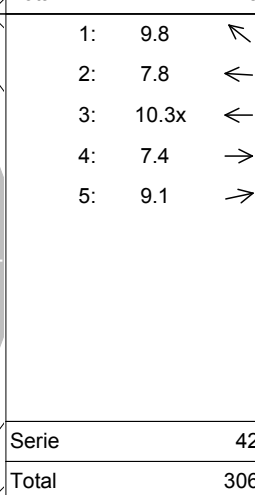
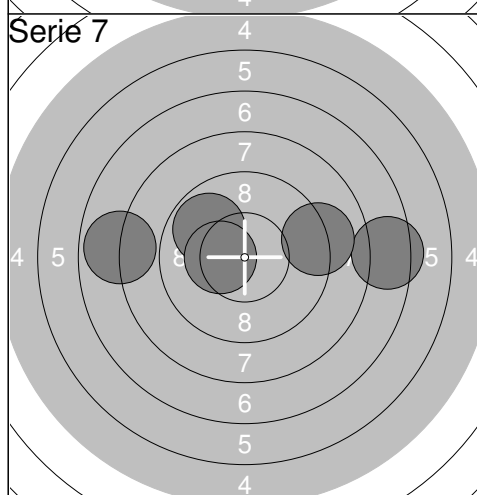
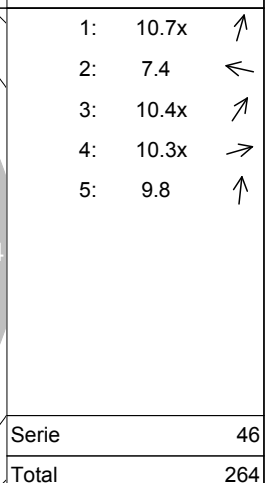
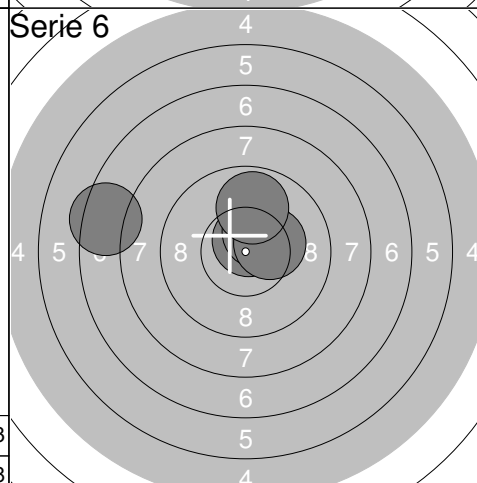
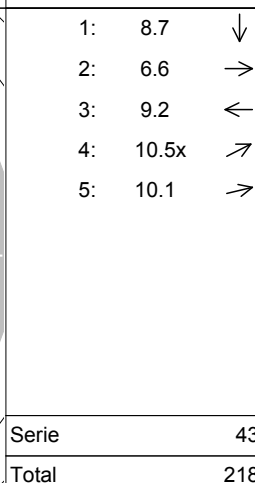
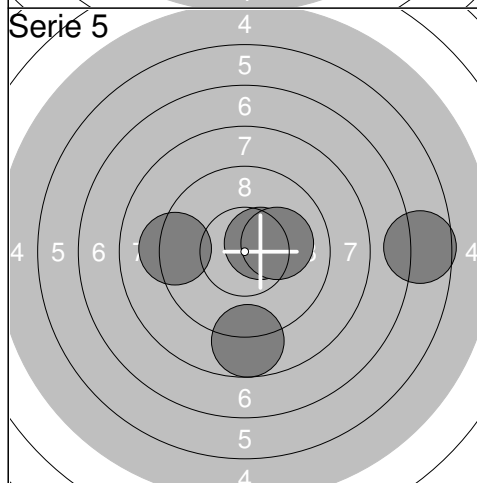
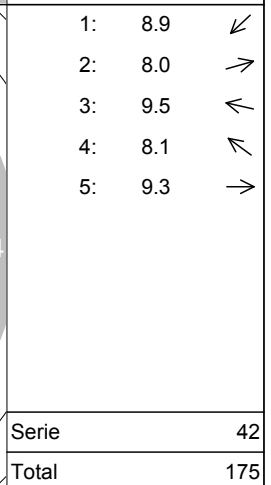
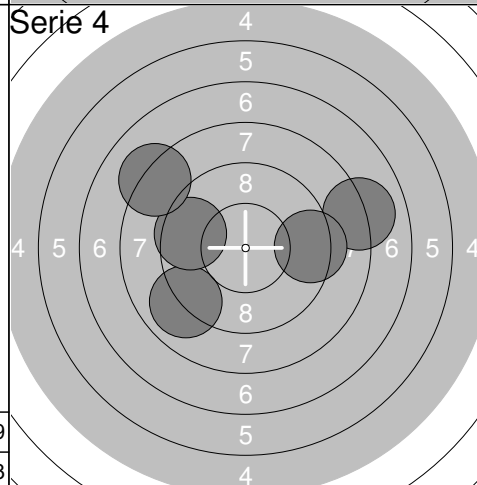
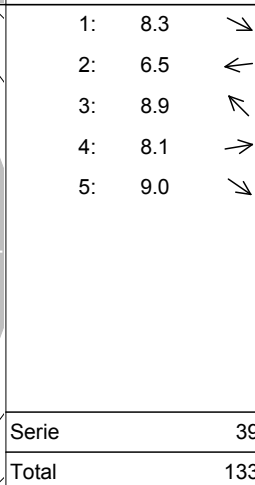
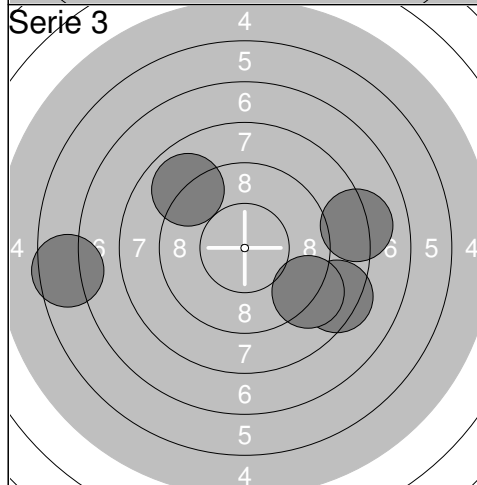
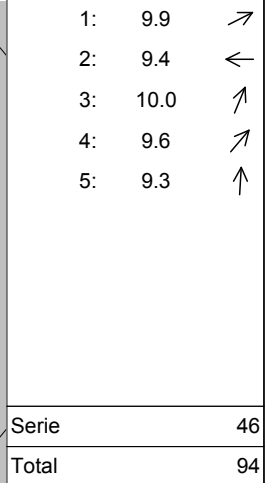
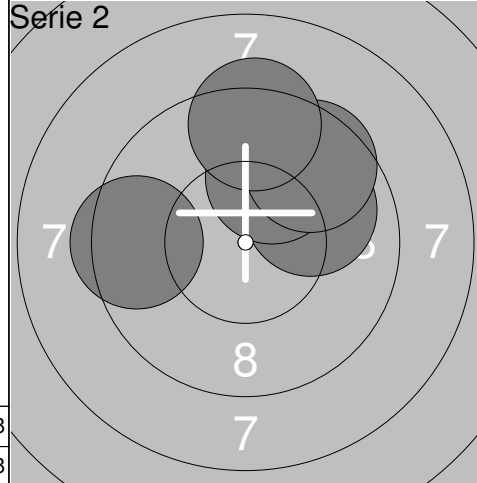
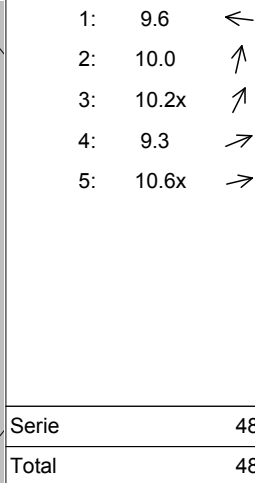
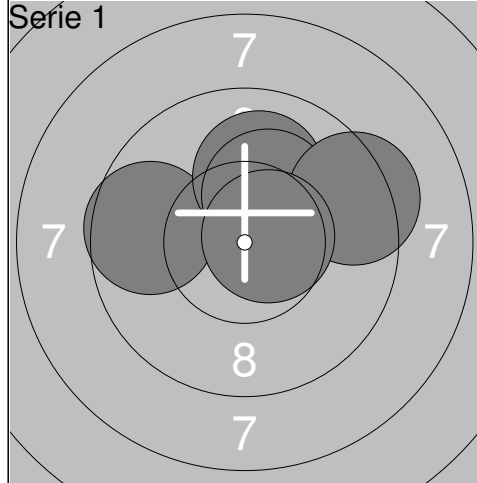
1:	9.9	→
2:	10.1	↗
3:	10.3x	→
4:	9.4	↘
5:	9.5	↖
Serie		47
Total		282

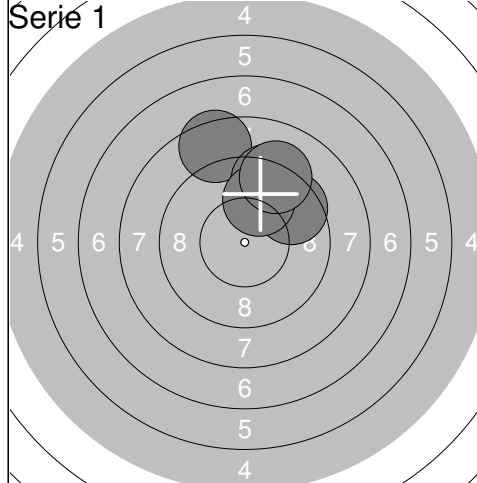


1:	8.6	↘
2:	9.7	↘
3:	10.4x	↘
4:	9.6	↑
5:	9.9	↑
Serie		45
Total		327

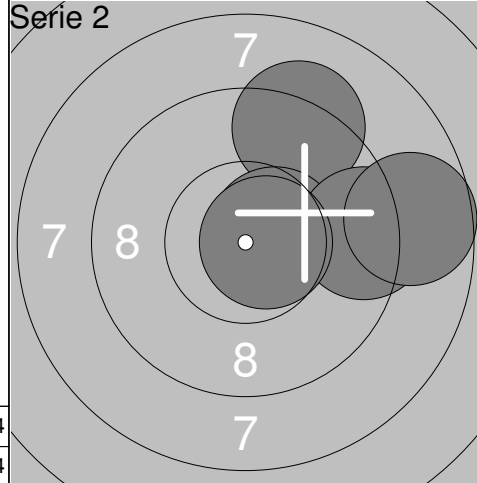


1:	10.3x	→
2:	10.6x	→
3:	10.7x	↗
4:	9.4	↗
5:	10.1	←
Serie		49
Total		376

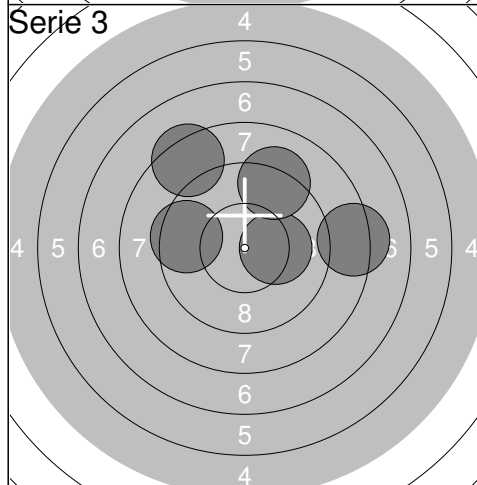




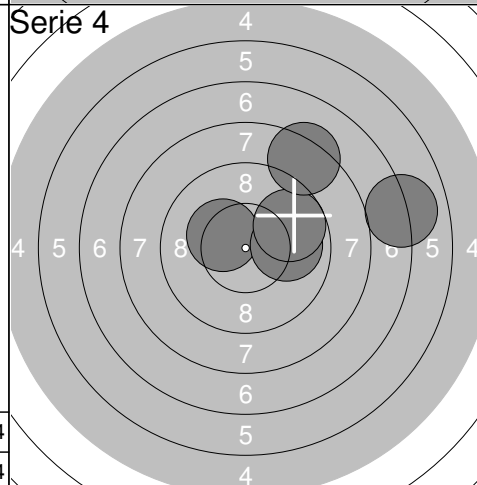
1:	9.5	↗
2:	8.5	↖
3:	9.3	↖
4:	9.8	↖
5:	9.1	↖
Serie		44
Total		44



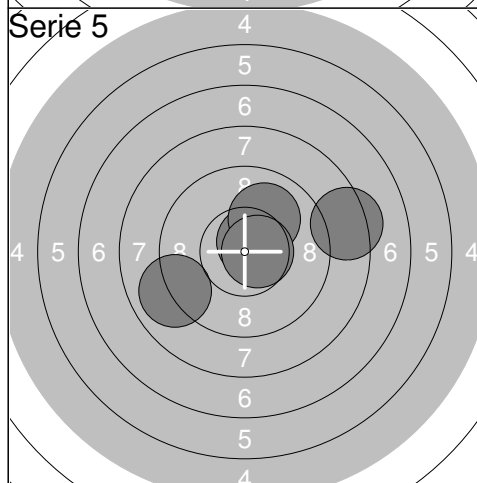
1:	9.2	↖
2:	10.5x	→
3:	9.3	→
4:	8.7	→
5:	10.6x	→
Serie		46
Total		90



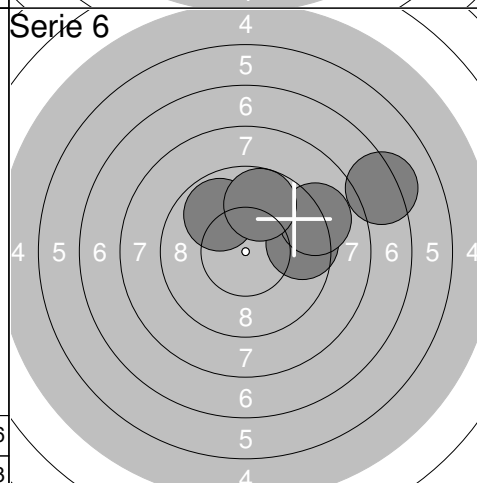
1:	8.3	→
2:	10.2x	→
3:	9.2	↖
4:	9.5	↖
5:	8.3	↖
Serie		44
Total		134



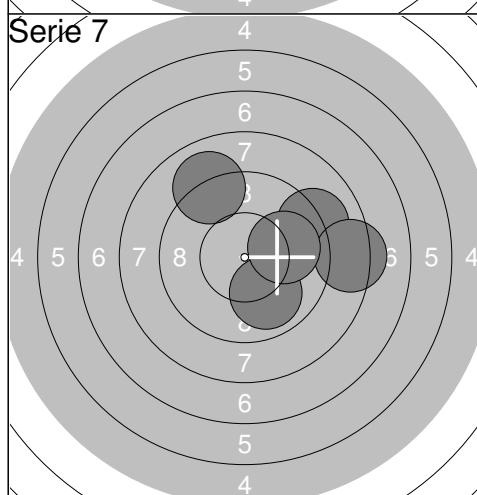
1:	10.3x	↖
2:	9.9	→
3:	9.7	↗
4:	8.3	↖
5:	7.0	→
Serie		43
Total		177



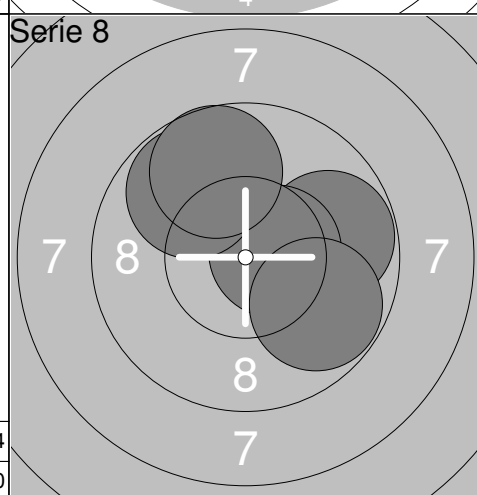
1:	10.6x	↖
2:	8.3	→
3:	8.9	↖
4:	10.0	↖
5:	10.6x	→
Serie		46
Total		223



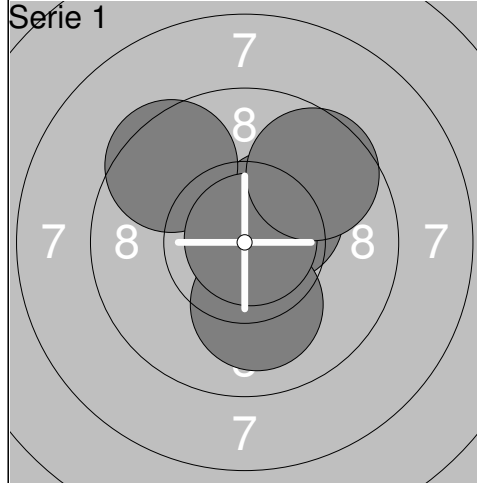
1:	9.8	↖
2:	7.2	→
3:	9.5	→
4:	9.0	→
5:	9.7	↖
Serie		43
Total		266



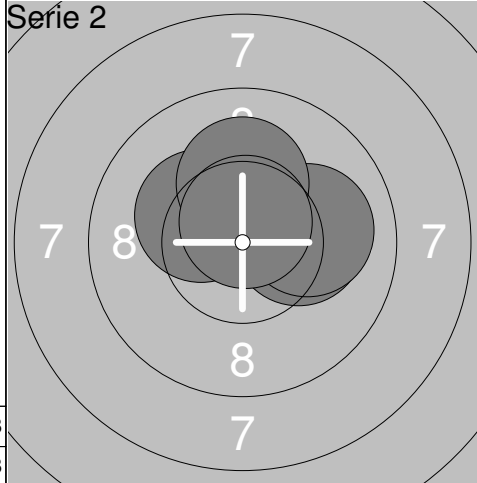
1:	9.0	↖
2:	9.1	↗
3:	8.3	→
4:	9.9	↘
5:	9.9	→
Serie		44
Total		310



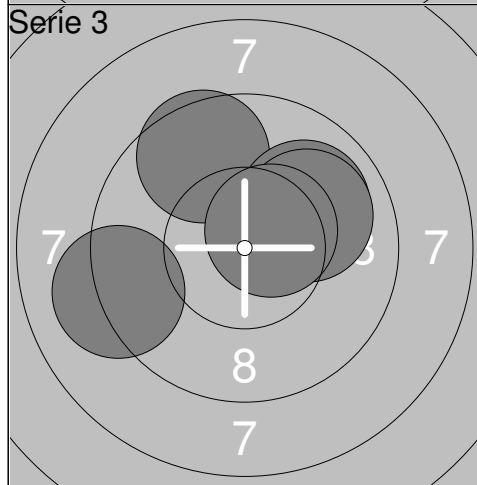
1:	9.8	→
2:	10.5x	→
3:	9.8	↘
4:	9.8	↖
5:	9.7	↖
Serie		46
Total		356



1:	10.4x	↗
2:	9.5	↖
3:	10.1	↓
4:	10.8x	↗
5:	9.6	↗
Serie		48
Total		48



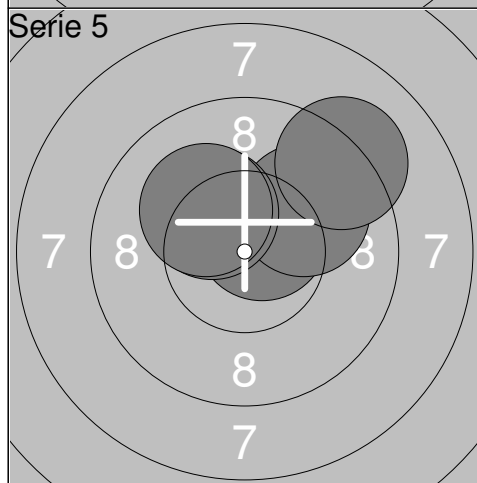
1:	10.3x	↖
2:	10.2x	→
3:	10.0	→
4:	10.1	↑
5:	10.6x	↑
Serie		50
Total		98



1:	9.6	↖
2:	9.9	↗
3:	10.0	↗
4:	9.1	↖
5:	10.5x	↗
Serie		47
Total		145



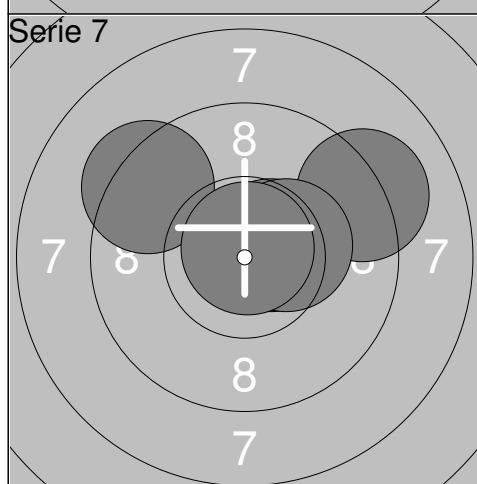
1:	10.3x	→
2:	9.8	↗
3:	10.2x	↗
4:	10.6x	↑
5:	10.2x	↑
Serie		49
Total		194



1:	10.6x	↗
2:	10.0	↗
3:	9.1	↗
4:	10.3x	↗
5:	10.2x	↗
Serie		49
Total		243



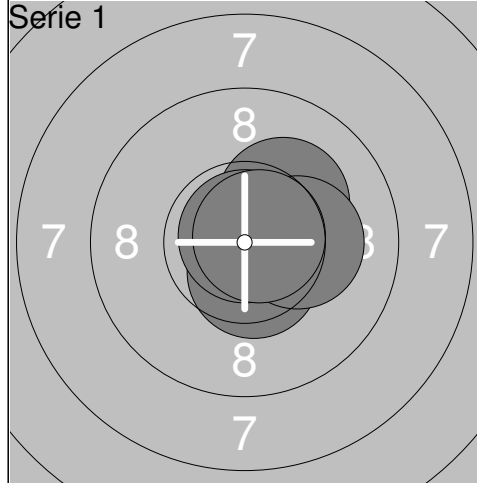
1:	10.3x	↗
2:	10.4x	↗
3:	10.6x	↗
4:	10.4x	↖
5:	10.4x	→
Serie		50
Total		293



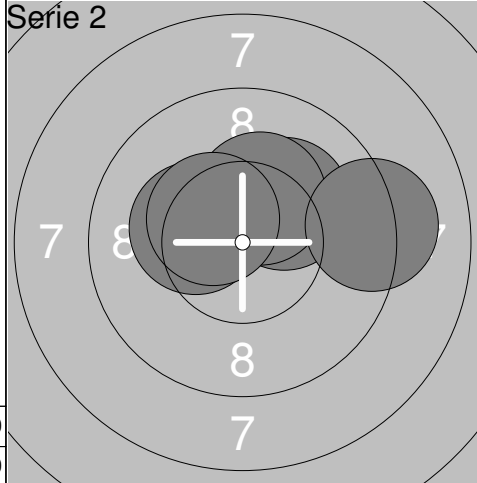
1:	10.5x	↗
2:	9.1	↗
3:	9.3	↖
4:	10.3x	↗
5:	10.8x	↑
Serie		48
Total		341



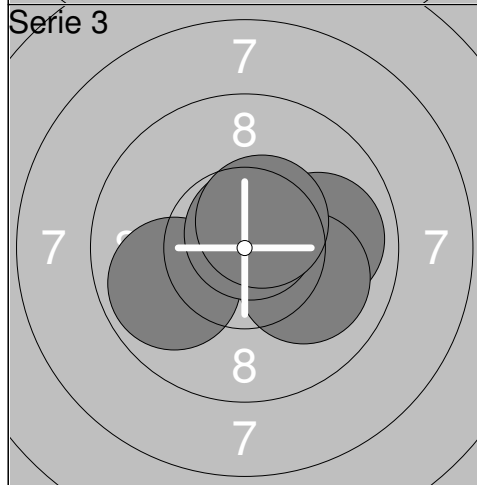
1:	10.3x	↗
2:	10.4x	↑
3:	10.5x	→
4:	9.9	↖
5:	10.4x	↑
Serie		49
Total		390



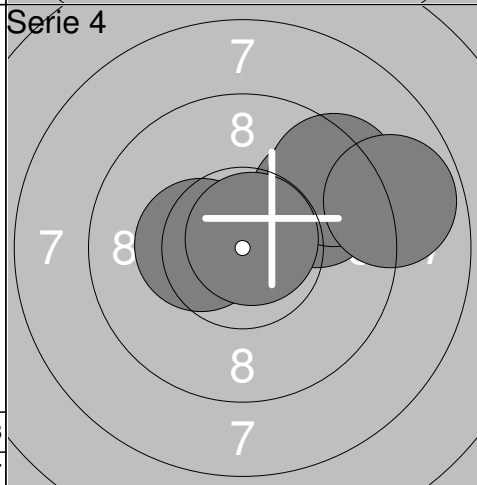
1:	10.5x	↘
2:	10.2x	↗
3:	10.2x	→
4:	10.8x	↑
5:	10.7x	→
Serie		50
Total		50



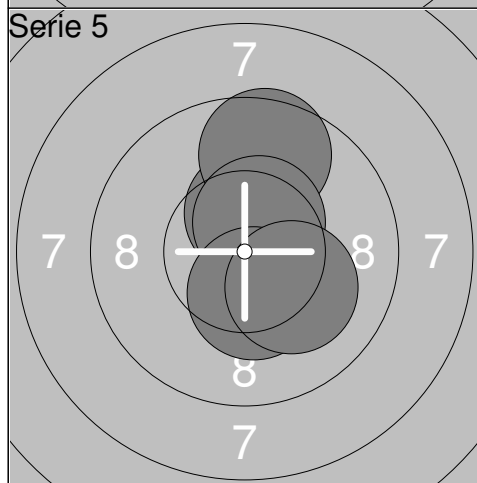
1:	10.3x	↖
2:	10.1	↗
3:	10.3x	↗
4:	10.4x	↖
5:	9.1	→
Serie		49
Total		99



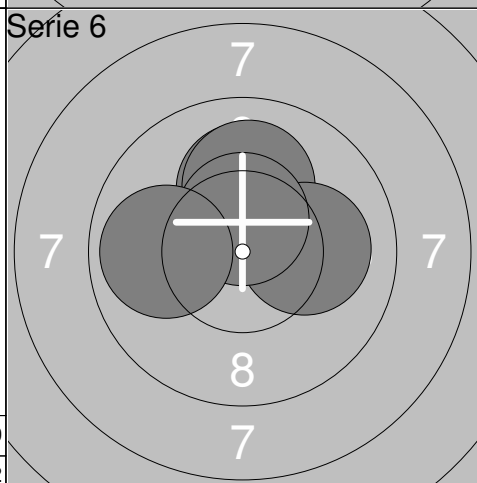
1:	9.9	→
2:	9.8	↖
3:	10.0	↗
4:	10.7x	↗
5:	10.5x	↗
Serie		48
Total		147



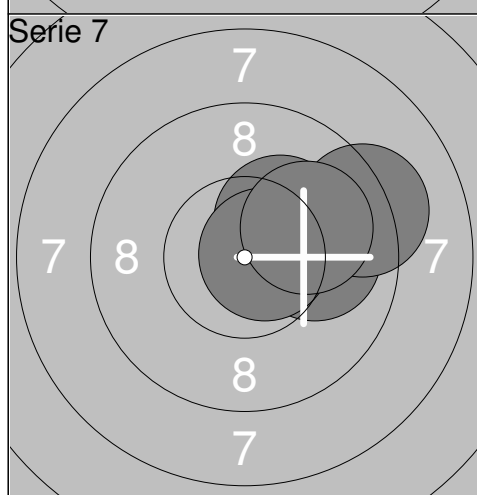
1:	9.7	↗
2:	9.4	↗
3:	10.4x	↖
4:	10.8x	↗
5:	8.8	→
Serie		46
Total		193



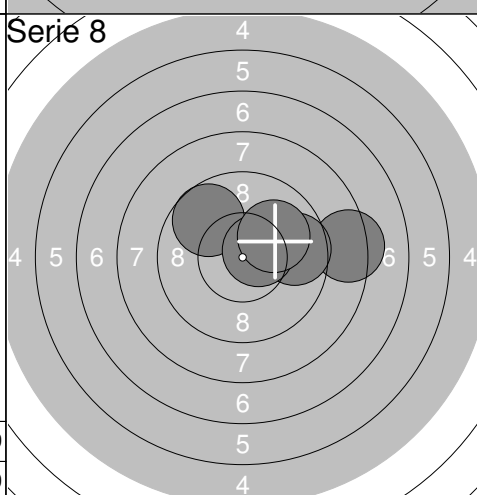
1:	10.4x	↑
2:	9.6	↑
3:	10.5x	↗
4:	10.3x	↘
5:	10.1	↘
Serie		49
Total		242



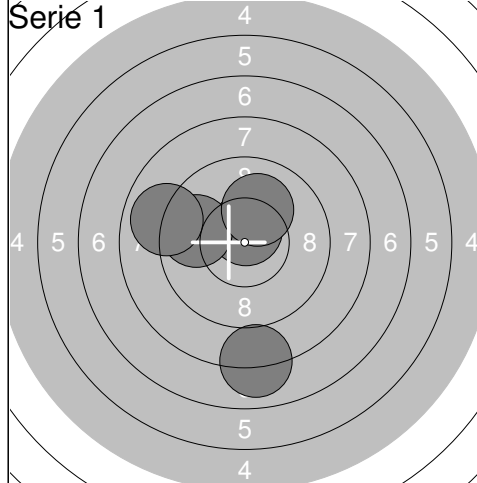
1:	10.1	↑
2:	10.0	↑
3:	10.1	→
4:	10.5x	↑
5:	9.9	↖
Serie		49
Total		291



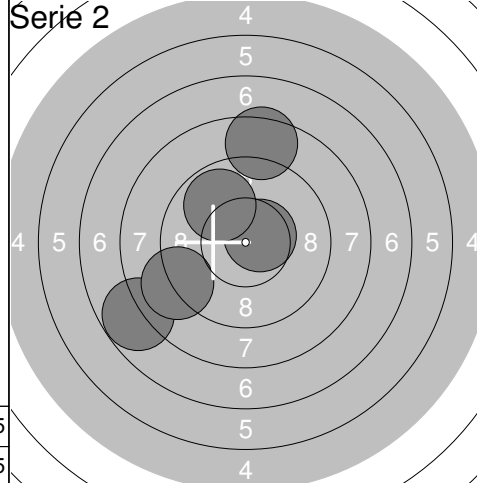
1:	10.0	→
2:	10.3x	↗
3:	10.6x	→
4:	9.2	↗
5:	10.0	↗
Serie		49
Total		340



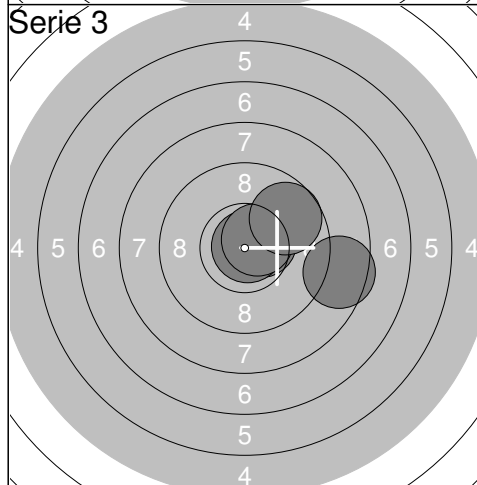
1:	8.3	→
2:	9.7	→
3:	9.7	↖
4:	10.5x	↗
5:	10.0	↗
Serie		46
Total		386



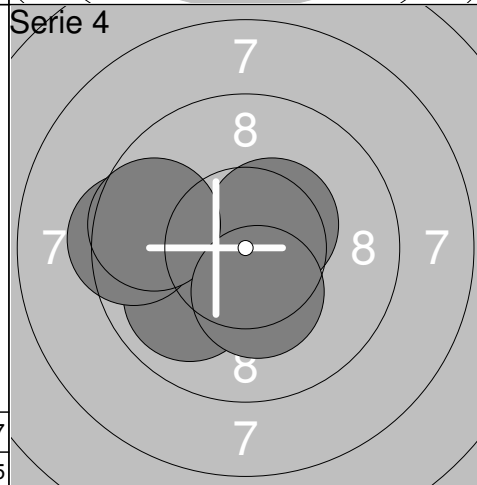
1:	10.6x	↑
2:	9.7	←
3:	10.1	↑
4:	8.0	↓
5:	8.9	←
Serie	45	
Total	45	



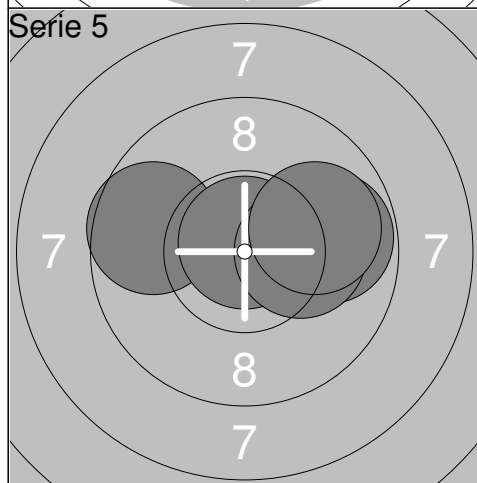
1:	10.5x	→
2:	9.8	↖
3:	7.8	↙
4:	9.0	↙
5:	8.4	↑
Serie	43	
Total	88	



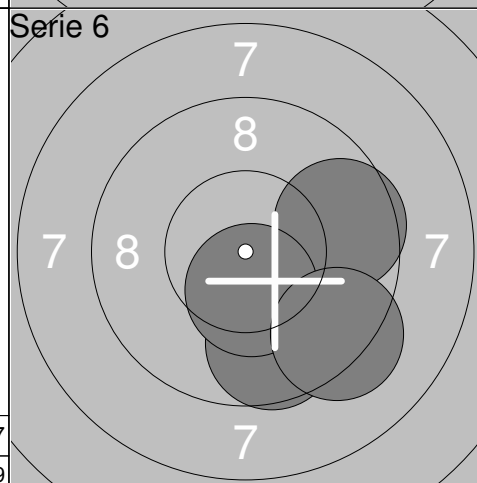
1:	10.5x	→
2:	10.8x	→
3:	10.5x	→
4:	9.7	↗
5:	8.5	→
Serie	47	
Total	135	



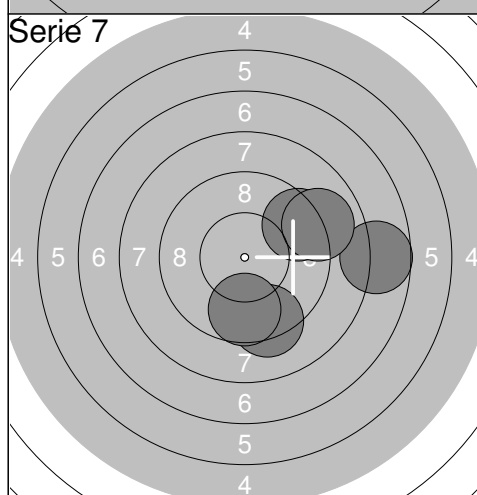
1:	9.9	↙
2:	9.4	←
3:	10.4x	↗
4:	9.6	←
5:	10.3x	↓
Serie	47	
Total	182	



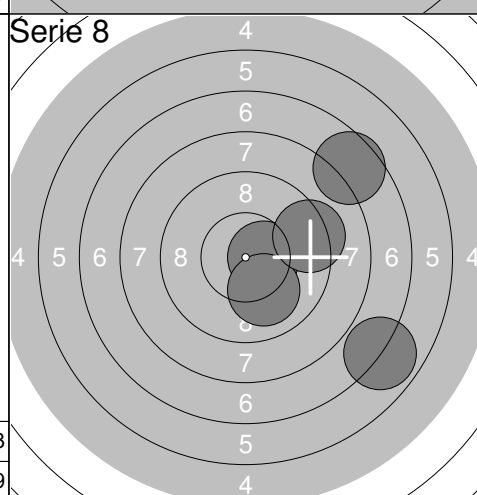
1:	9.7	←
2:	10.8x	↑
3:	9.8	→
4:	10.2x	→
5:	9.9	→
Serie	47	
Total	229	



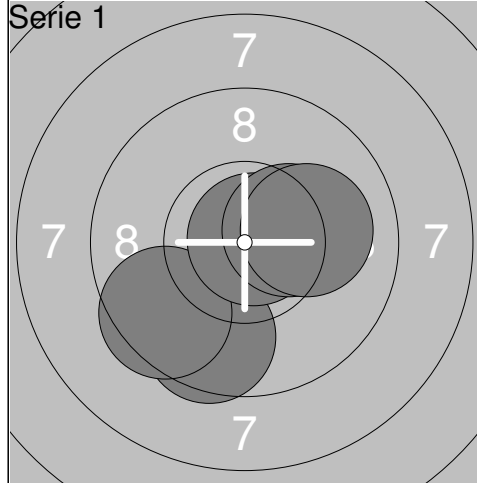
1:	10.2x	↘
2:	9.6	→
3:	9.7	↓
4:	10.4x	↓
5:	9.3	↘
Serie	47	
Total	276	



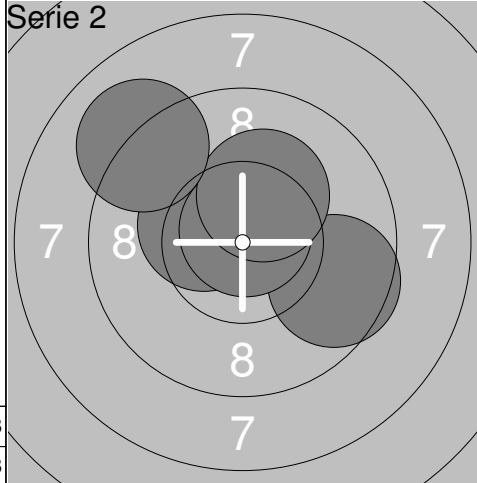
1:	7.7	→
2:	9.4	↗
3:	9.3	↓
4:	9.0	↗
5:	9.7	↓
Serie	43	
Total	319	



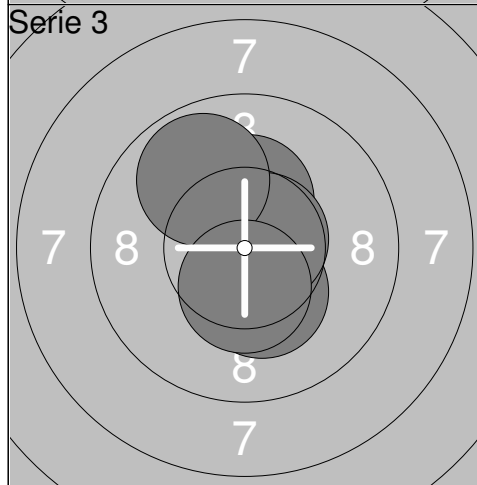
1:	10.5x	→
2:	10.0	↓
3:	7.6	↗
4:	9.3	→
5:	6.9	↘
Serie	42	
Total	361	



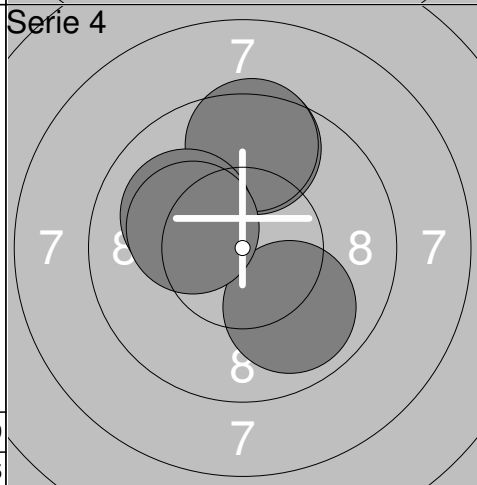
1:	9.5	↘
2:	9.5	↙
3:	10.8x	→
4:	10.3x	→
5:	10.1	→
Serie		48
Total		48



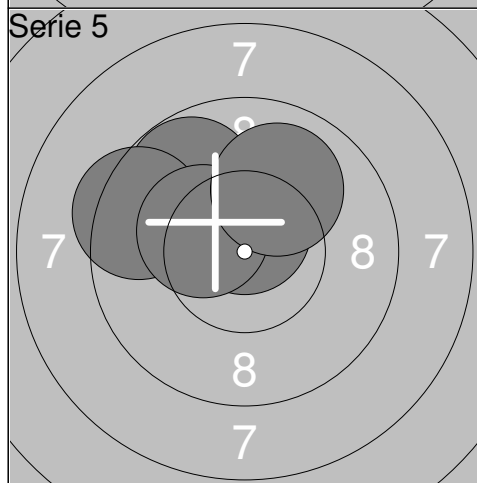
1:	10.4x	↖
2:	9.6	→
3:	10.8x	↑
4:	10.2x	↑
5:	9.0	↖
Serie		48
Total		96



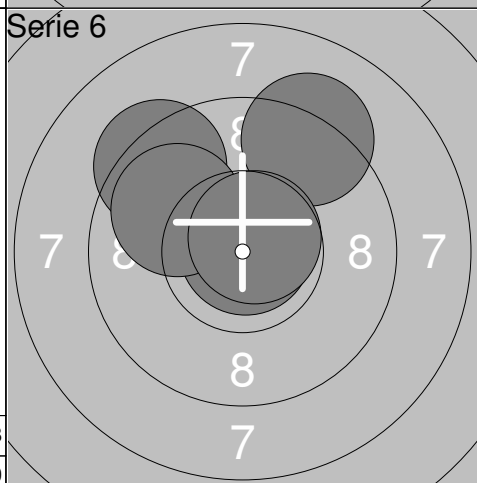
1:	10.3x	↑
2:	10.3x	↘
3:	10.6x	→
4:	9.8	↖
5:	10.4x	↘
Serie		49
Total		145



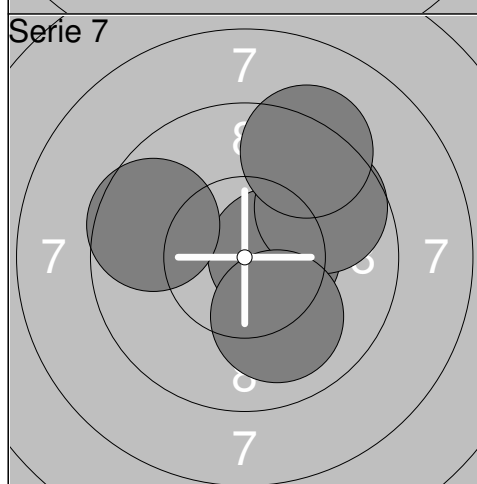
1:	9.6	↑
2:	9.5	↑
3:	9.9	↘
4:	10.0	↖
5:	10.2x	↖
Serie		47
Total		192



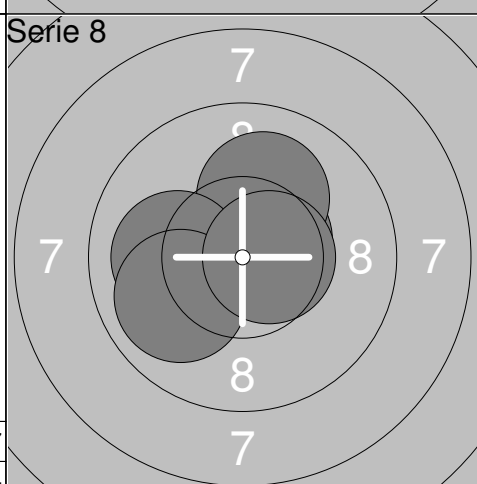
1:	10.6x	↑
2:	9.8	↖
3:	9.4	↖
4:	10.3x	↖
5:	10.0	↑
Serie		48
Total		240



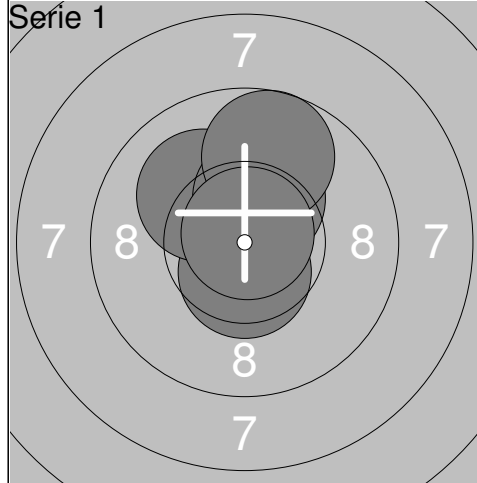
1:	9.2	↖
2:	10.9x	↖
3:	9.3	↖
4:	9.9	↖
5:	10.7x	↖
Serie		47
Total		287



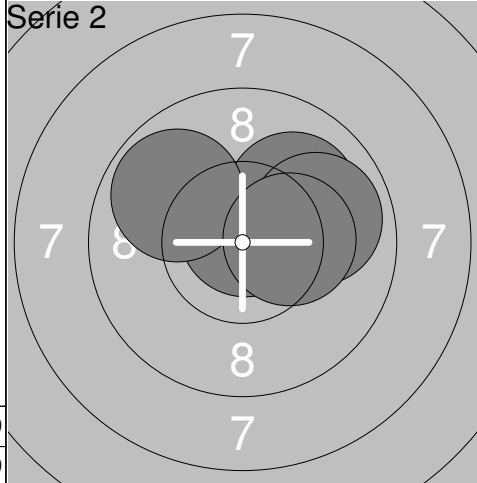
1:	10.5x	→
2:	9.7	↗
3:	9.2	↗
4:	9.6	↖
5:	10.0	↘
Serie		47
Total		334



1:	10.5x	↗
2:	10.1	↑
3:	10.1	↖
4:	9.9	↖
5:	10.6x	→
Serie		49
Total		383



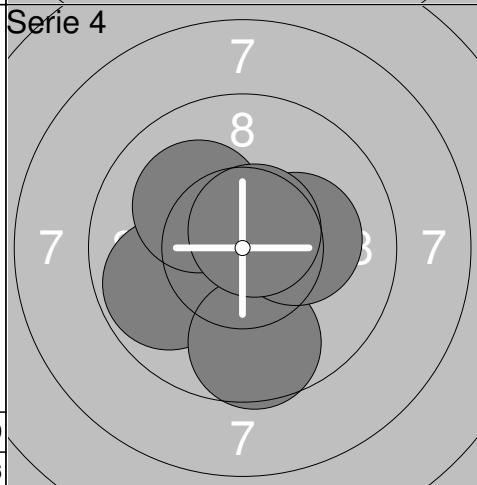
1:	10.5x	↓
2:	10.1	↖
3:	10.3x	↑
4:	9.7	↑
5:	10.8x	↑
Serie		49
Total		49



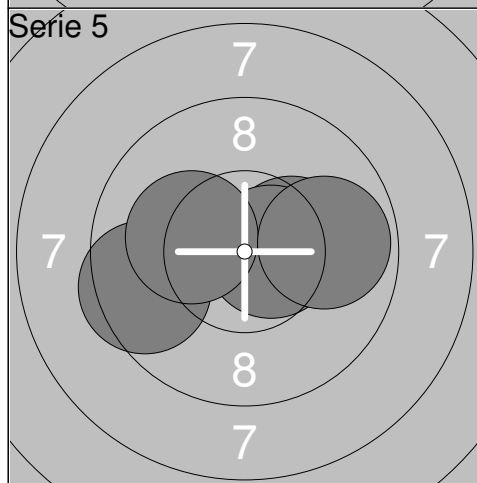
1:	10.8x	↑
2:	10.0	↗
3:	9.9	↖
4:	9.9	→
5:	10.3x	→
Serie		48
Total		97



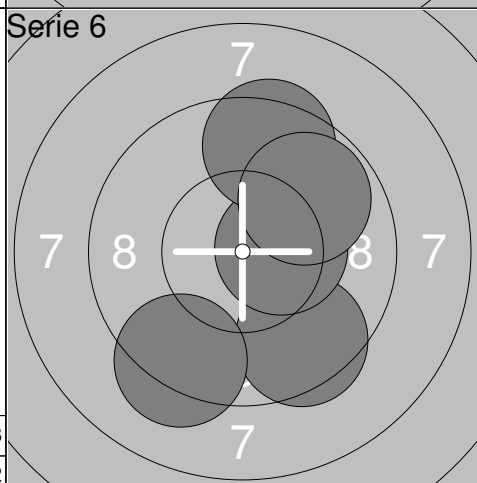
1:	9.6	↑
2:	10.3x	↑
3:	10.9x	↗
4:	10.7x	↗
5:	10.4x	↑
Serie		49
Total		146



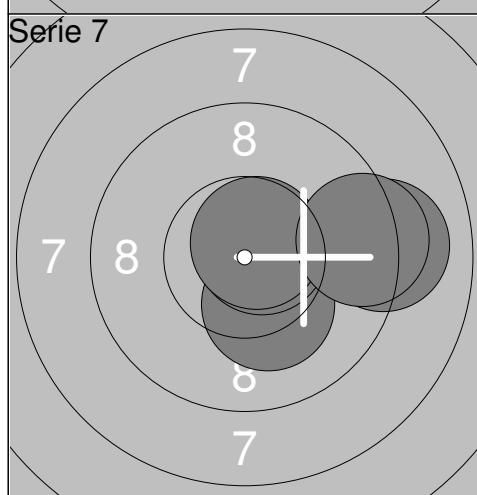
1:	9.8	↖
2:	9.6	↓
3:	10.2x	→
4:	10.1	↖
5:	10.6x	↑
Serie		48
Total		194



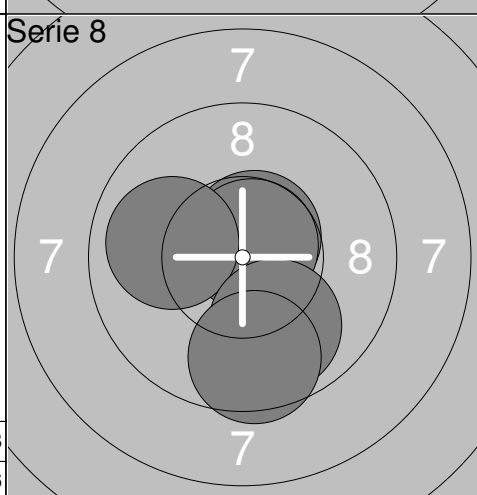
1:	10.3x	→
2:	10.6x	→
3:	9.5	↖
4:	10.2x	↖
5:	9.8	→
Serie		48
Total		242



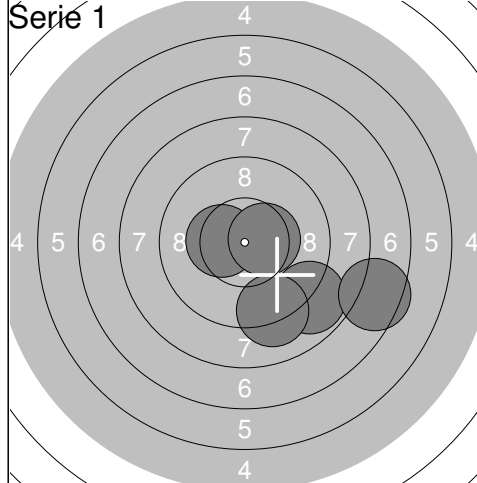
1:	9.5	↘
2:	9.2	↘
3:	10.4x	→
4:	9.5	↑
5:	9.8	↗
Serie		46
Total		288



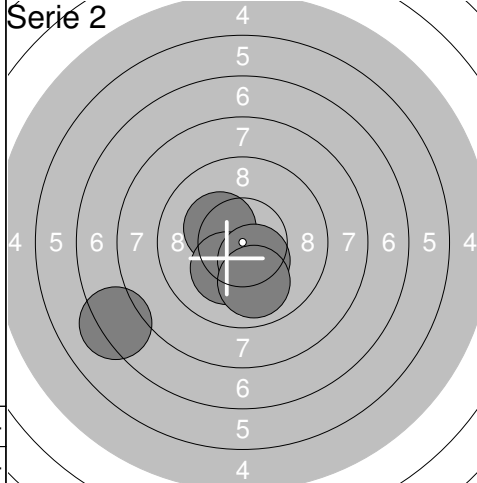
1:	10.2x	↘
2:	10.7x	↗
3:	10.7x	↗
4:	9.0	→
5:	9.3	→
Serie		48
Total		336



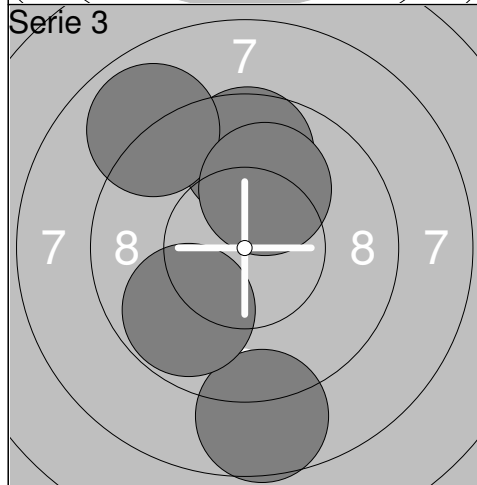
1:	10.6x	↑
2:	10.7x	↗
3:	10.0	↖
4:	9.9	↘
5:	9.6	↘
Serie		48
Total		384



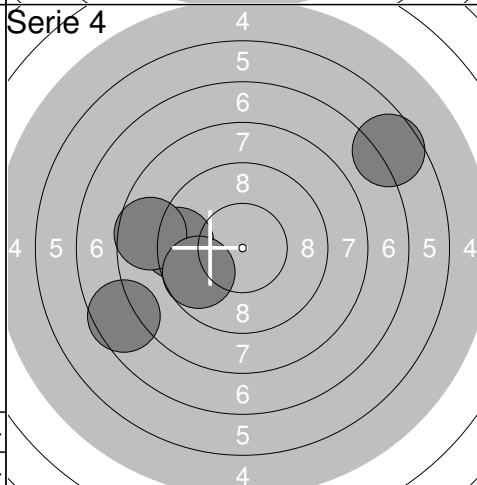
1:	8.8	↘
2:	9.1	↘
3:	10.4x	←
4:	10.4x	→
5:	7.5	↘
Serie		44
Total		44



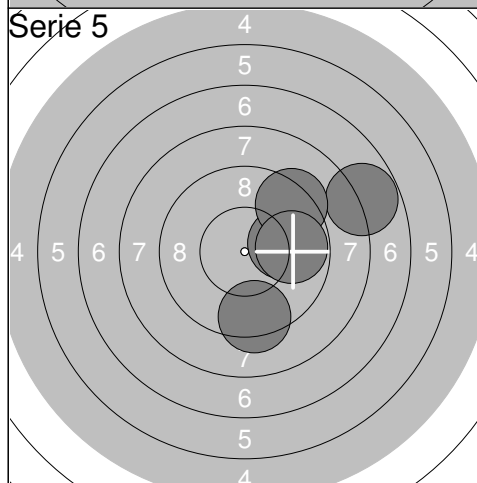
1:	10.3x	↖
2:	10.2x	↘
3:	7.2	↖
4:	10.4x	↘
5:	9.9	↘
Serie		46
Total		90



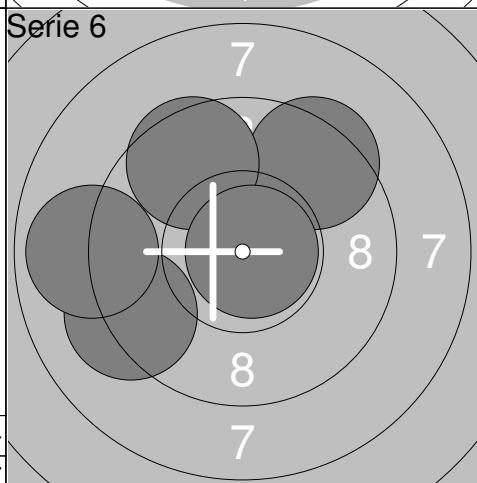
1:	9.7	↑
2:	8.6	↘
3:	8.9	↗
4:	9.8	↘
5:	10.1	↑
Serie		44
Total		134



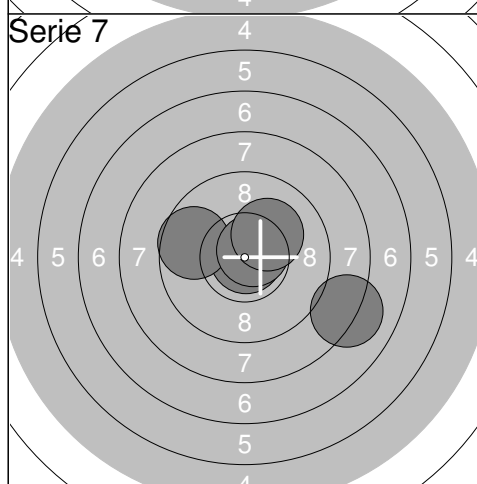
1:	9.3	←
2:	6.6	↗
3:	8.6	←
4:	7.5	↖
5:	9.7	↖
Serie		39
Total		173



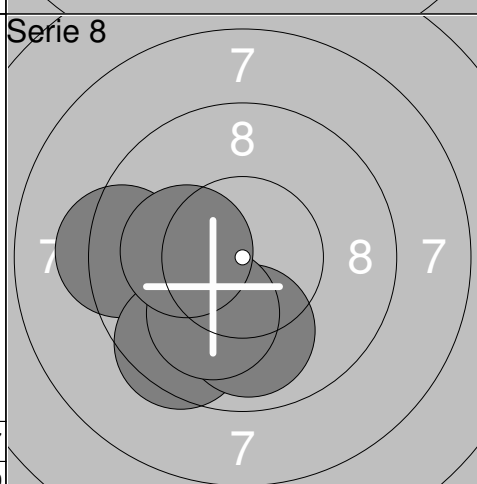
1:	9.3	↘
2:	7.8	→
3:	10.0	→
4:	9.3	↗
5:	9.8	→
Serie		44
Total		217



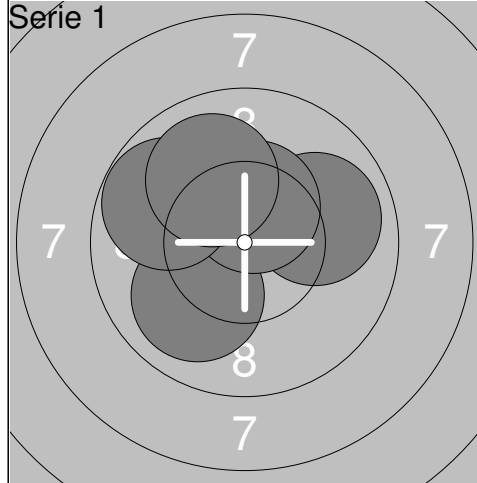
1:	9.2	↖
2:	9.4	↗
3:	9.5	↗
4:	8.9	←
5:	10.8x	→
Serie		45
Total		262



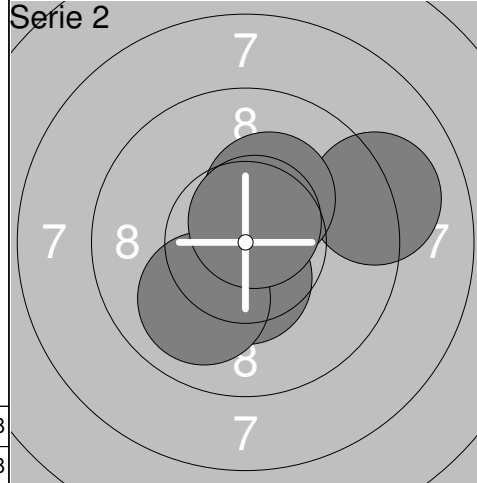
1:	10.9x	→
2:	8.1	↘
3:	9.6	↖
4:	10.7x	↗
5:	10.1	↗
Serie		47
Total		309



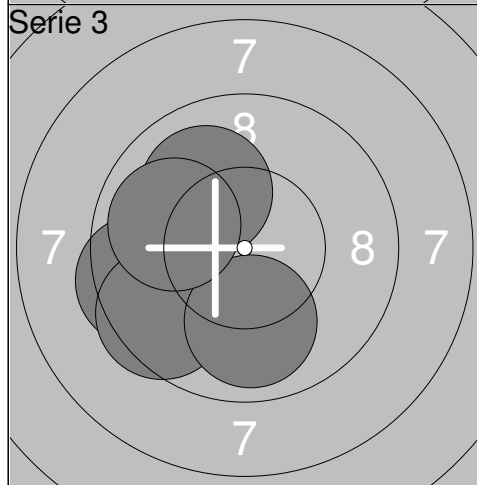
1:	9.3	←
2:	9.5	↘
3:	9.9	↘
4:	10.1	↘
5:	10.2x	←
Serie		47
Total		356



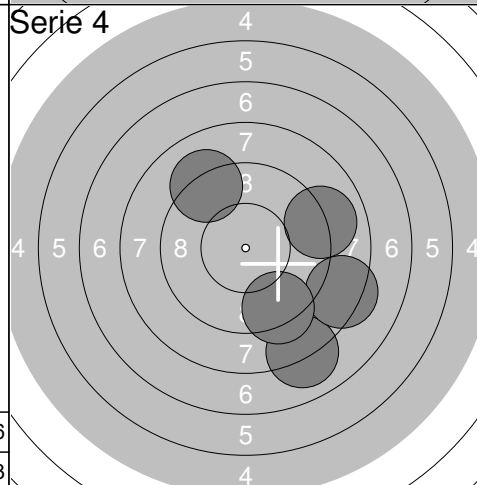
1:	10.0	↙
2:	9.9	→
3:	10.5x	↑
4:	9.8	↖
5:	10.0	↗
Serie		48
Total		48



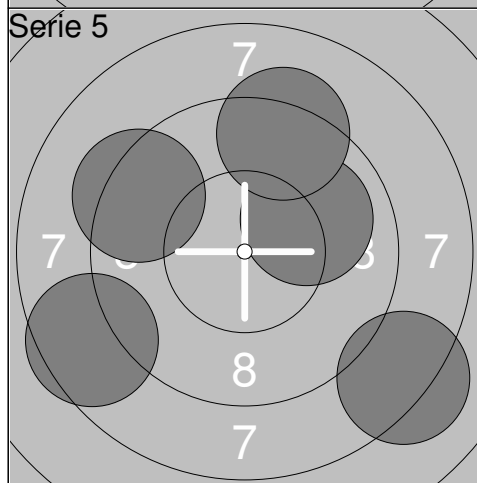
1:	9.1	→
2:	10.2x	↑
3:	10.5x	↓
4:	10.0	↙
5:	10.6x	↑
Serie		49
Total		97



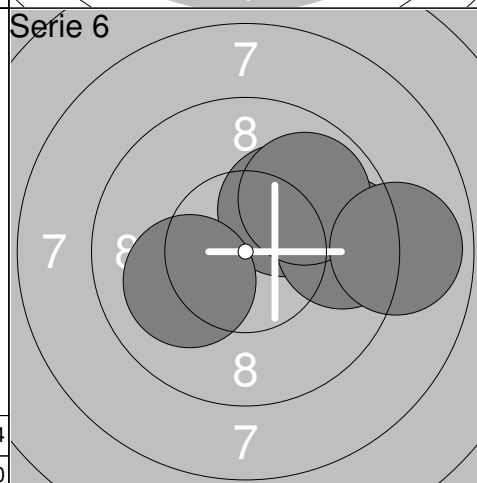
1:	9.5	↖
2:	9.5	↙
3:	9.9	↓
4:	10.0	↗
5:	9.9	↖
Serie		46
Total		143



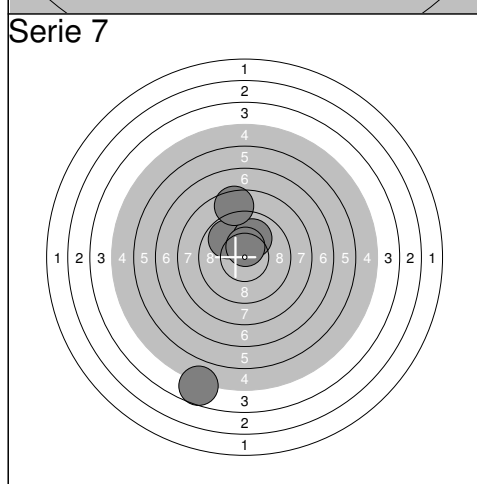
1:	8.0	↓
2:	9.1	↗
3:	8.3	→
4:	9.0	→
5:	9.3	↓
Serie		43
Total		186



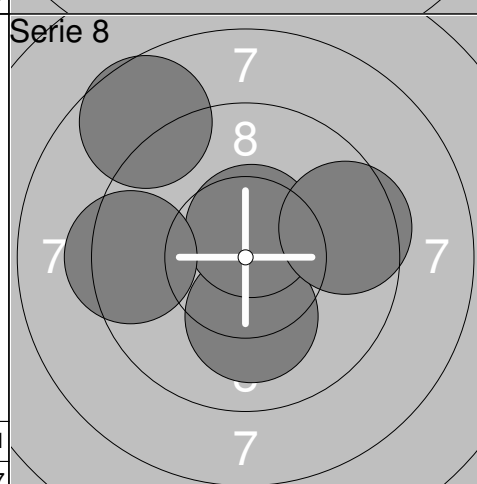
1:	10.0	↗
2:	8.1	↘
3:	9.3	↖
4:	9.3	↑
5:	8.5	↙
Serie		44
Total		230



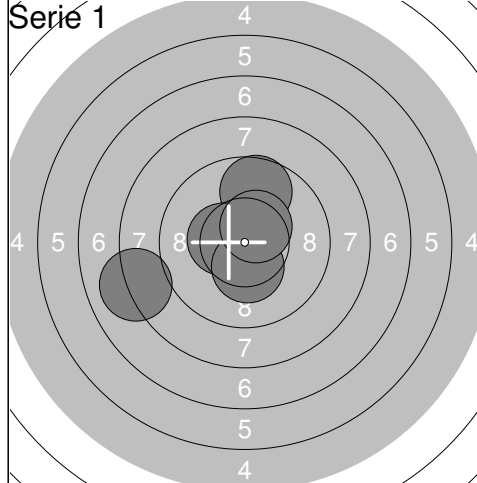
1:	10.2x	↗
2:	9.6	→
3:	9.9	↗
4:	10.1	↖
5:	8.9	→
Serie		46
Total		276



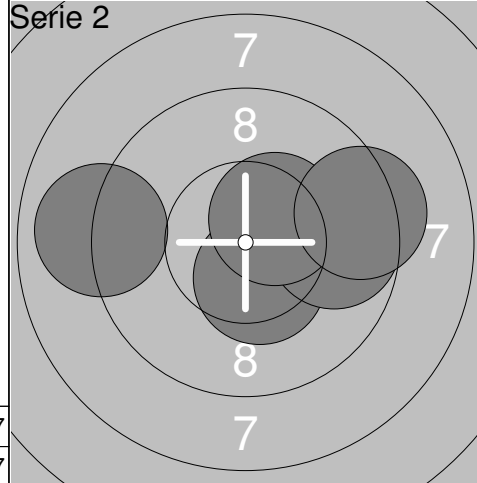
1:	4.7	↓
2:	9.8	↖
3:	10.0	↗
4:	8.5	↑
5:	10.4x	↑
Serie		41
Total		317



1:	10.1	↓
2:	8.6	↖
3:	10.6x	↑
4:	9.4	↖
5:	9.5	→
Serie		46
Total		363



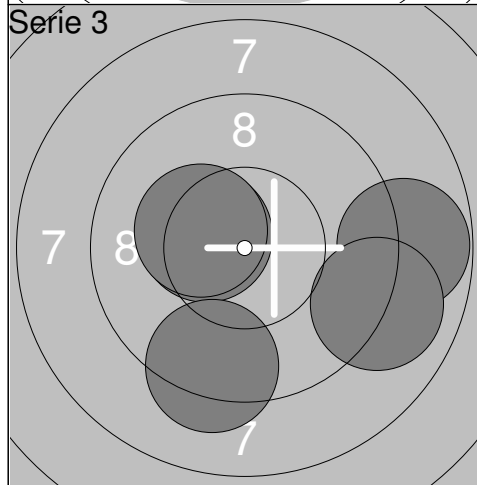
1:	9.7	↑
2:	10.4x	←
3:	10.3x	↓
4:	10.4x	↗
5:	8.0	←



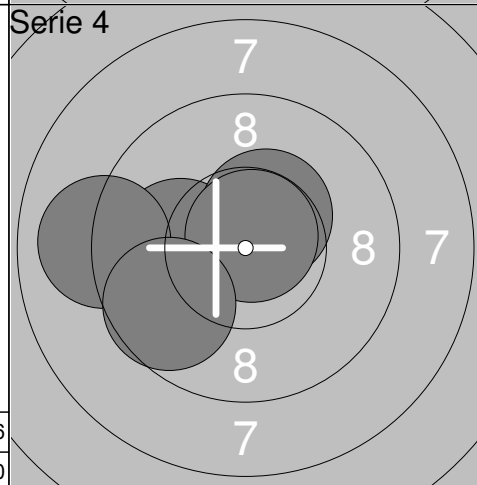
1:	10.4x	↓
2:	9.7	→
3:	10.4x	↗
4:	9.0	←
5:	9.3	→

Serie	47
Total	47

Serie	47
Total	94



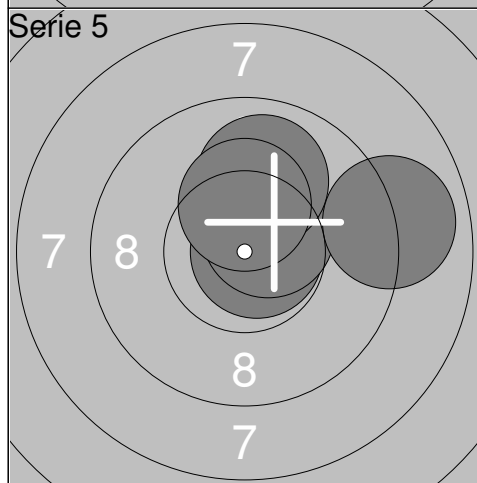
1:	10.4x	←
2:	10.3x	↖
3:	8.8	→
4:	9.0	↘
5:	9.3	↓



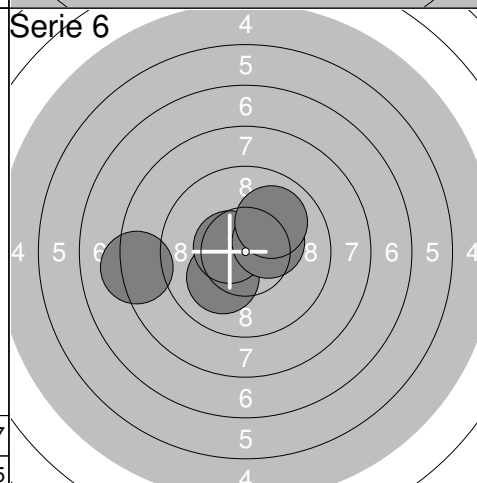
1:	10.1	←
2:	10.4x	↗
3:	9.0	←
4:	10.7x	↗
5:	9.7	↙

Serie	46
Total	140

Serie	48
Total	188



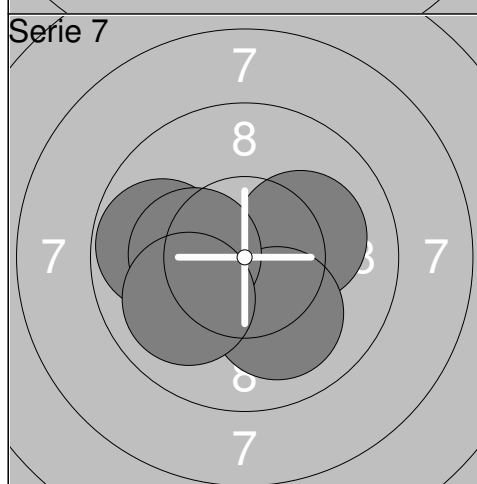
1:	10.8x	→
2:	10.5x	↗
3:	9.9	↑
4:	8.9	→
5:	10.3x	↑



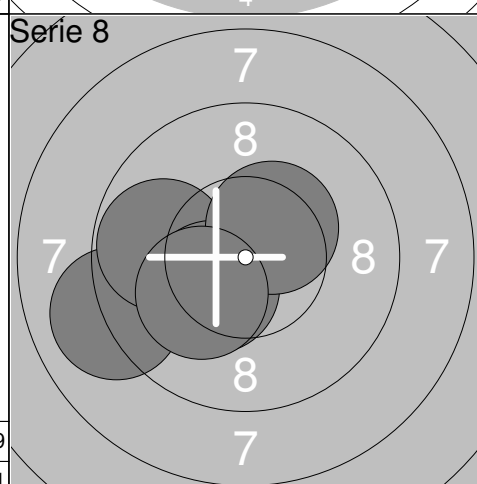
1:	10.1	↙
2:	10.5x	←
3:	10.3x	↗
4:	9.9	↗
5:	8.2	←

Serie	47
Total	235

Serie	47
Total	282



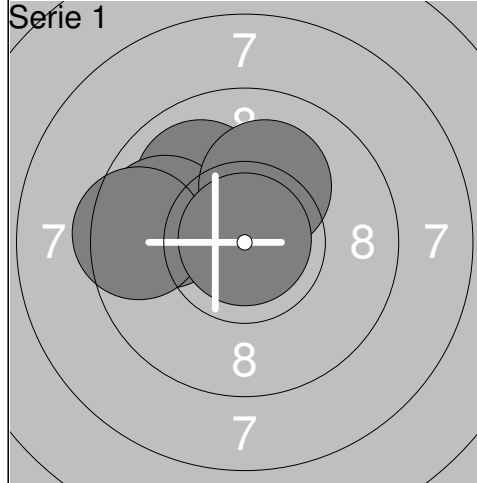
1:	10.1	→
2:	10.1	↓
3:	9.8	←
4:	10.3x	←
5:	10.0	↙



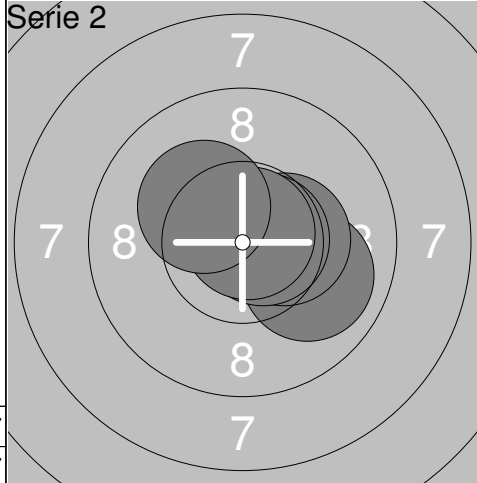
1:	9.0	←
2:	9.8	←
3:	10.3x	↙
4:	10.4x	↗
5:	10.2x	↙

Serie	49
Total	331

Serie	48
Total	379



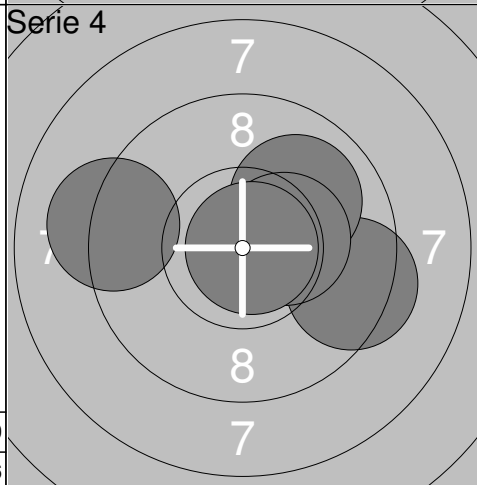
1:	9.9	↖
2:	9.8	←
3:	10.1	↑
4:	9.5	←
5:	10.9x	↑
Serie		47
Total		47



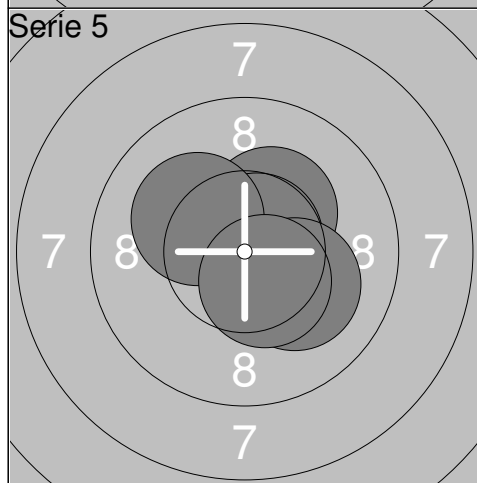
1:	9.9	⇒
2:	10.4x	→
3:	10.7x	→
4:	10.8x	↗
5:	10.2x	↖
Serie		49
Total		96



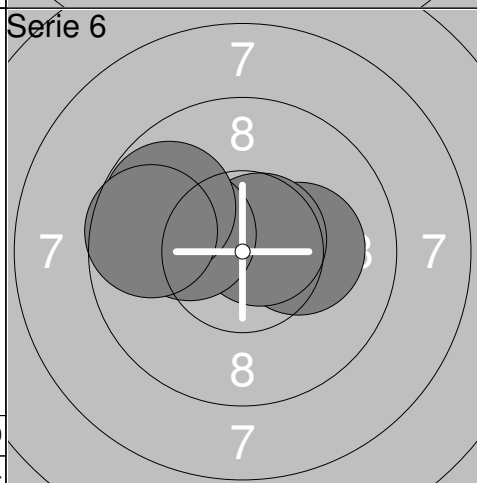
1:	10.1	↖
2:	10.3x	↑
3:	10.5x	→
4:	10.5x	↗
5:	10.6x	↑
Serie		50
Total		146



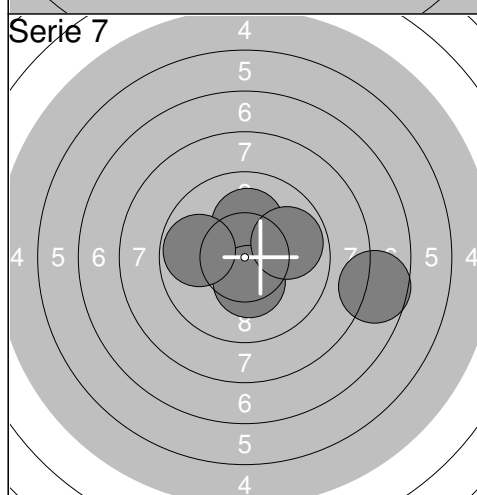
1:	9.4	⇒
2:	9.2	←
3:	10.0	↗
4:	10.4x	→
5:	10.8x	→
Serie		48
Total		194



1:	10.3x	↗
2:	10.7x	↗
3:	10.2x	↖
4:	10.1	↘
5:	10.5x	↘
Serie		50
Total		244



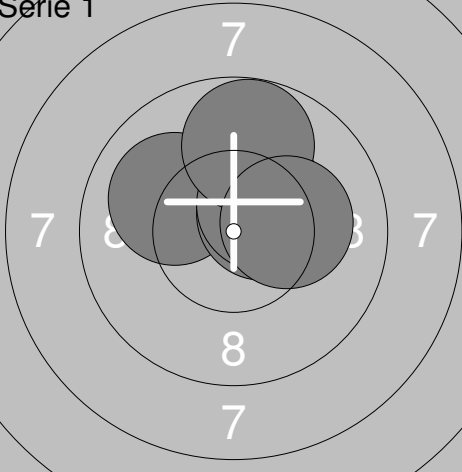
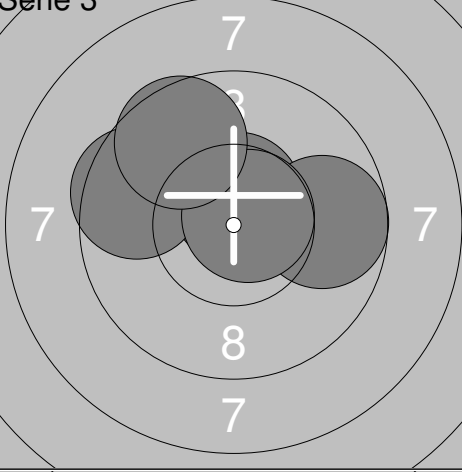
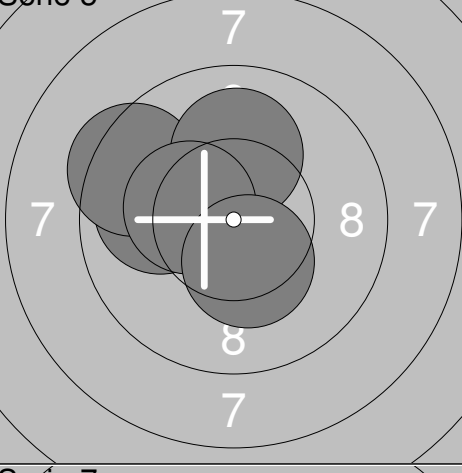
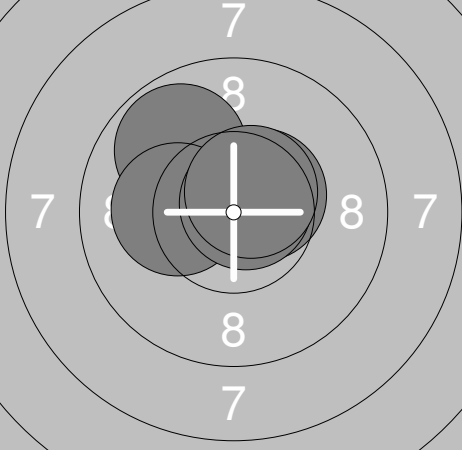
1:	10.2x	→
2:	10.6x	↗
3:	10.2x	←
4:	9.8	↖
5:	9.7	←
Serie		48
Total		292



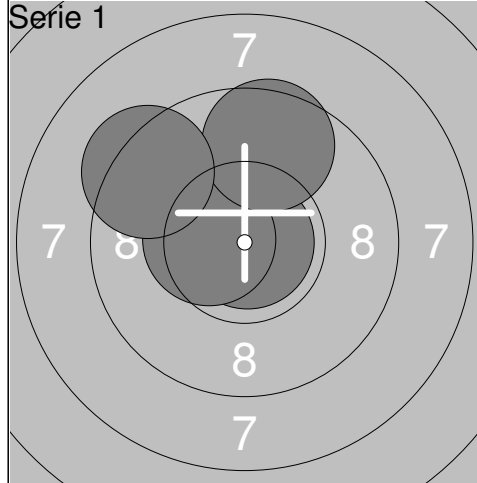
1:	10.1	↑
2:	10.3x	↓
3:	9.8	←
4:	9.8	→
5:	7.7	→
Serie		45
Total		337



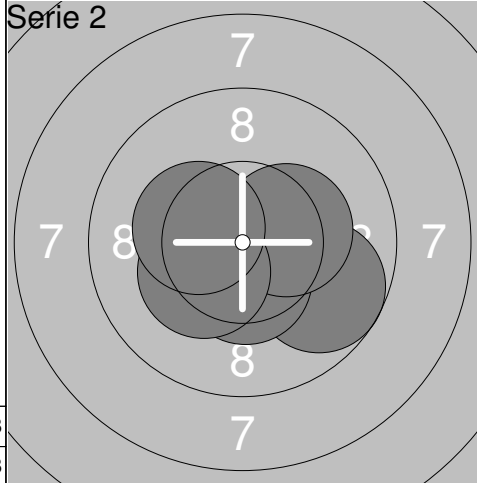
1:	10.0	↖
2:	10.3x	↗
3:	10.8x	↑
4:	10.0	↘
5:	10.3x	←
Serie		50
Total		387

Skjutlag 6	Tavla 14	Robert Carlsson	
Kval stående		Trollhättans Skarpskyttefören	VetSM
03.11.2018		SM luftgevär 2018	Öckerö Skytteförening
Serie 1		1: 10.0 ↖ 2: 10.5x ↗ 3: 10.4x ↗ 4: 9.8 ↑ 5: 10.2x →	Serie 2
		Serie 49 Total 49	1: 10.2x ↖ 2: 9.7 → 3: 10.4x ↑ 4: 10.4x ↖ 5: 9.7 ↖
			Serie 48 Total 97
Serie 3		1: 10.6x ↑ 2: 9.7 → 3: 9.6 ↖ 4: 10.7x ↗ 5: 9.6 ↖	Serie 4
		Serie 47 Total 144	1: 10.3x ↑ 2: 10.1 ↑ 3: 10.7x → 4: 9.9 ↓ 5: 10.2x ↓
			Serie 49 Total 193
Serie 5		1: 9.9 ↖ 2: 9.4 ↖ 3: 10.0 ↑ 4: 10.3x ↖ 5: 10.3x ↓	Serie 6
		Serie 48 Total 241	1: 10.1 ↑ 2: 10.8x ↗ 3: 9.7 ↑ 4: 9.9 → 5: 10.4x ↓
			Serie 48 Total 289
Serie 7		1: 9.8 ↖ 2: 10.5x ↗ 3: 10.2x ↖ 4: 10.7x ↗ 5: 10.6x ↗	Serie 8
		Serie 49 Total 338	1: 9.8 → 2: 10.3x ↖ 3: 10.1 ↖ 4: 9.9 ↖ 5: 8.4 ↖
			Serie 46 Total 384

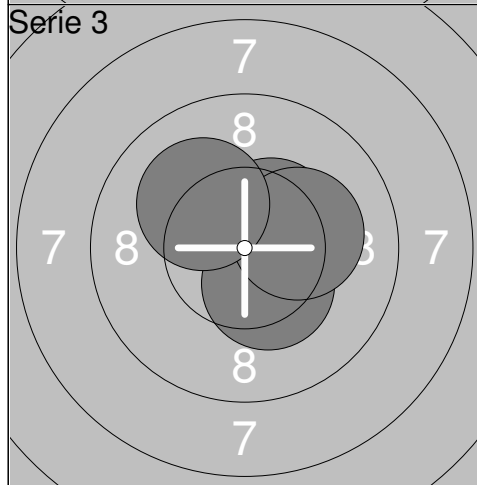
Skjutlag	Tavla	Camilla Oskarsson			
6	16	Älmhults Skytteförening	SM		
03.11.2018	SM luftgevär 2018	Öckerö Skytteförening			
Serie 1		1: 9.2 ↗	Serie 2		1: 8.3 ←
		2: 8.1 ↗			2: 9.8 ←
		3: 9.5 ↗			3: 8.8 →
		4: 9.5 ↘		4: 10.7x →	
		5: 10.1 ↗		5: 10.3x ↓	
	Serie 45		Serie 45		
	Total 45		Total 90		
Serie 3		1: 9.6 ←	Serie 4		1: 9.9 ↑
		2: 9.4 ↗			2: 9.8 ↖
		3: 9.8 ↗			3: 8.8 ↑
		4: 10.2x →		4: 10.0 ↖	
		5: 9.7 ↘		5: 9.8 ↘	
	Serie 46		Serie 46		
	Total 136		Total 181		
Serie 5		1: 10.6x ↗	Serie 6		1: 9.9 ↘
		2: 10.5x →			2: 9.9 →
		3: 9.2 ↖			3: 8.0 ↗
		4: 9.2 ↑		4: 9.2 ↑	
		5: 9.5 ↗		5: 9.5 ↑	
	Serie 47		Serie 47		
	Total 228		Total 272		
Serie 7		1: 8.2 ↖	Serie 8		1: 10.0 ↓
		2: 10.1 ←			2: 10.5x ↓
		3: 10.1 →			3: 10.7x ↗
		4: 9.7 →		4: 7.7 ↑	
		5: 10.0 ↘		5: 8.1 →	
	Serie 47		Serie 47		
	Total 319		Total 364		



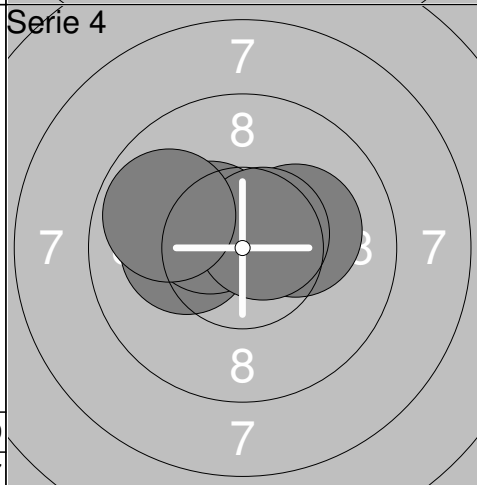
1:	10.4x	↗
2:	10.9x	→
3:	10.4x	←
4:	9.6	↑
5:	9.3	↗
Serie		48
Total		48



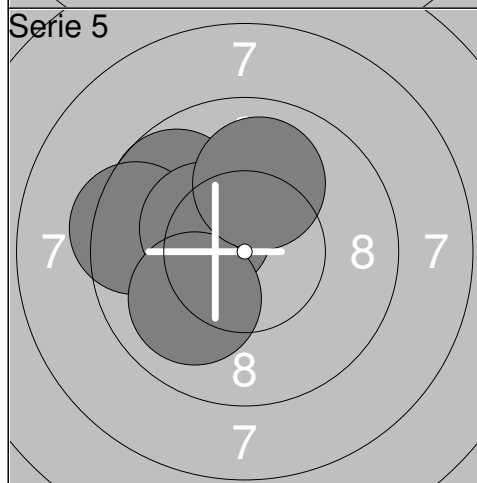
1:	9.7	↘
2:	10.4x	↓
3:	10.3x	→
4:	10.3x	↙
5:	10.3x	←
Serie		49
Total		97



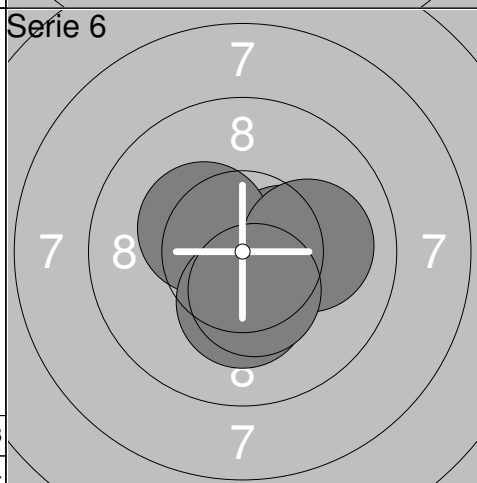
1:	10.6x	→
2:	10.4x	↗
3:	10.3x	↘
4:	10.2x	→
5:	10.1	↗
Serie		50
Total		147



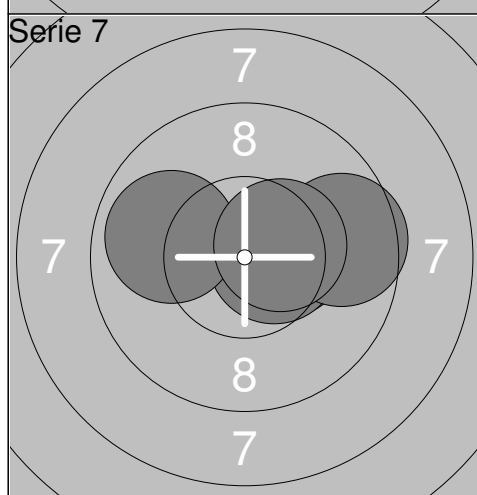
1:	10.2x	←
2:	10.2x	→
3:	10.4x	↖
4:	10.6x	↗
5:	9.9	↖
Serie		49
Total		196



1:	9.7	↖
2:	9.4	←
3:	10.3x	↖
4:	10.0	↙
5:	10.0	↑
Serie		48
Total		244



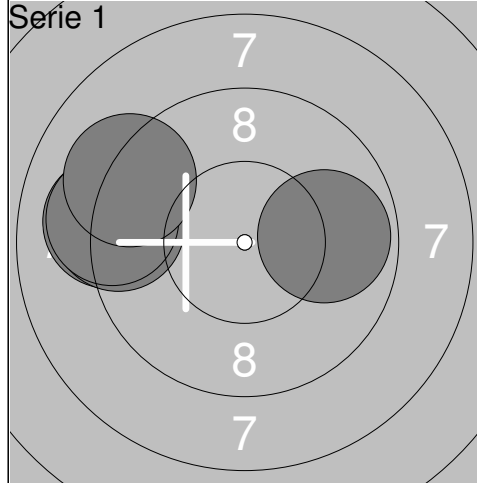
1:	10.4x	→
2:	10.3x	↖
3:	10.0	→
4:	10.3x	↓
5:	10.4x	↓
Serie		50
Total		294



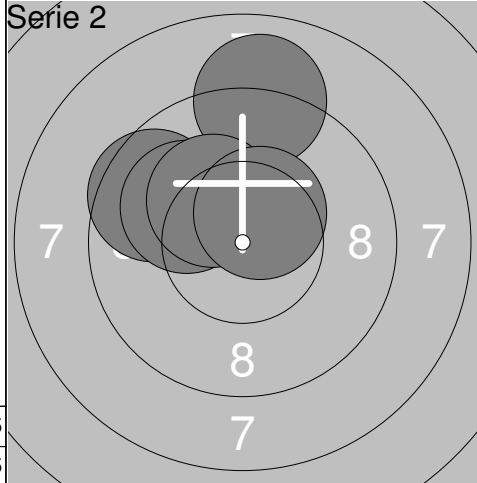
1:	10.4x	→
2:	10.5x	→
3:	9.6	→
4:	9.9	↖
5:	10.4x	→
Serie		48
Total		342



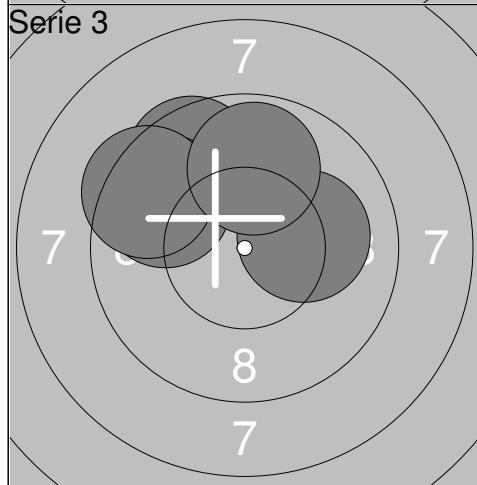
1:	10.7x	→
2:	9.6	→
3:	10.8x	→
4:	10.5x	↗
5:	10.4x	↓
Serie		49
Total		391



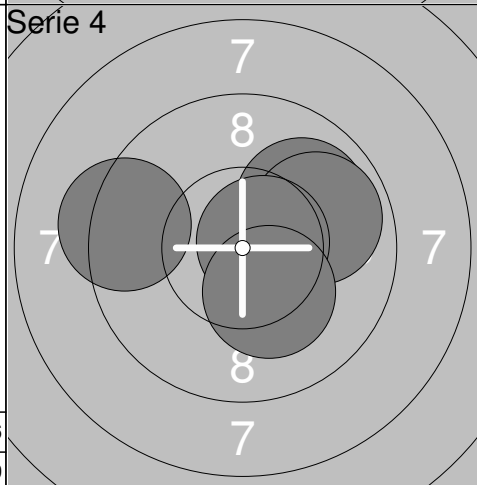
1:	9.1	←
2:	9.2	←
3:	9.1	←
4:	9.8	→
5:	9.1	↗
Serie		45
Total		45



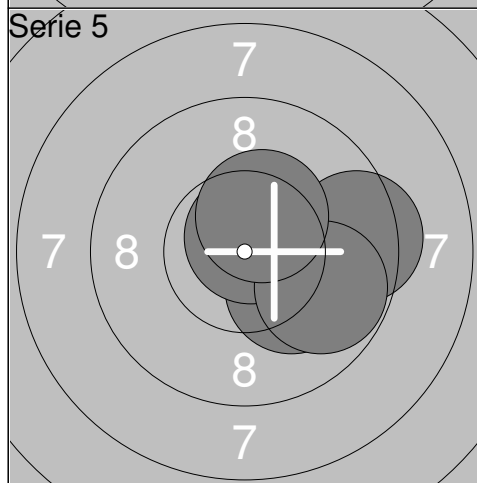
1:	9.0	↑
2:	9.6	↖
3:	10.0	↗
4:	10.2x	↗
5:	10.5x	↗
Serie		48
Total		93



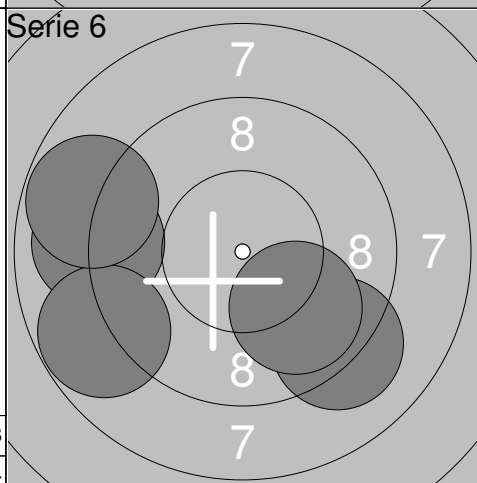
1:	9.6	↗
2:	9.7	↗
3:	9.4	↗
4:	10.1	→
5:	9.8	↑
Serie		46
Total		139



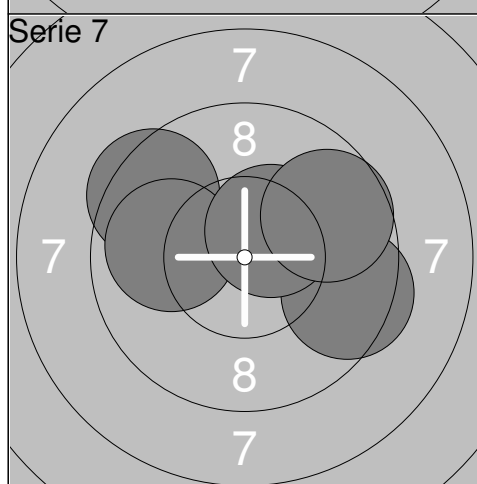
1:	9.9	↗
2:	9.8	→
3:	10.6x	→
4:	10.2x	↘
5:	9.3	←
Serie		47
Total		186



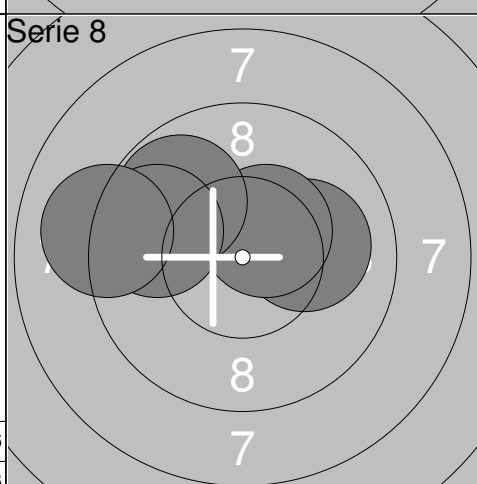
1:	10.1	↘
2:	9.4	→
3:	10.7x	↑
4:	9.8	→
5:	10.4x	↑
Serie		48
Total		234



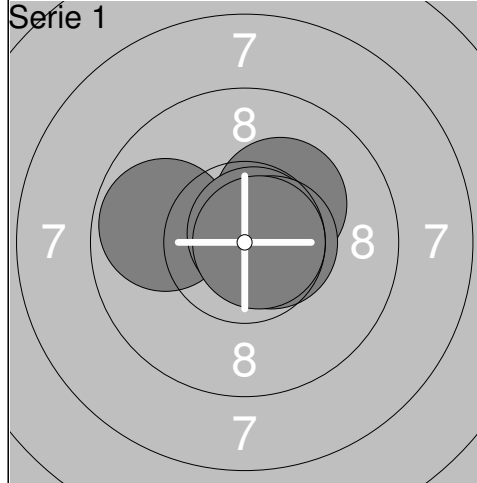
1:	9.0	←
2:	8.8	←
3:	8.8	←
4:	9.1	↘
5:	9.9	↘
Serie		43
Total		277



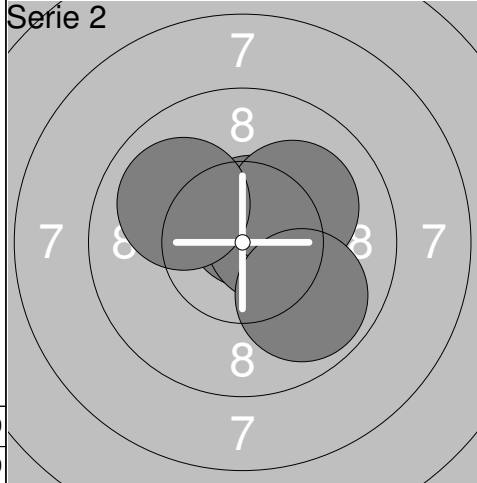
1:	9.4	↗
2:	9.4	↘
3:	9.9	←
4:	10.4x	↗
5:	9.7	→
Serie		46
Total		323



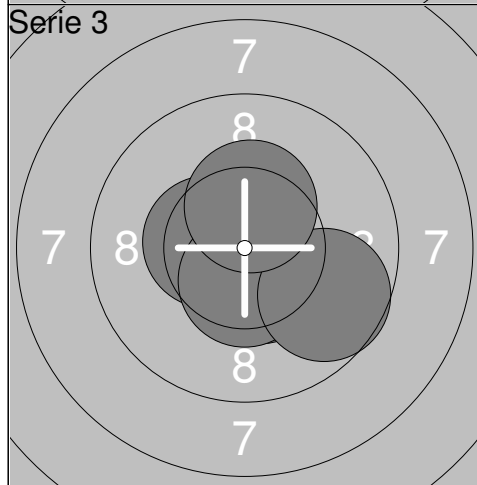
1:	10.1	→
2:	10.5x	↗
3:	9.8	↗
4:	9.7	←
5:	9.0	←
Serie		47
Total		370



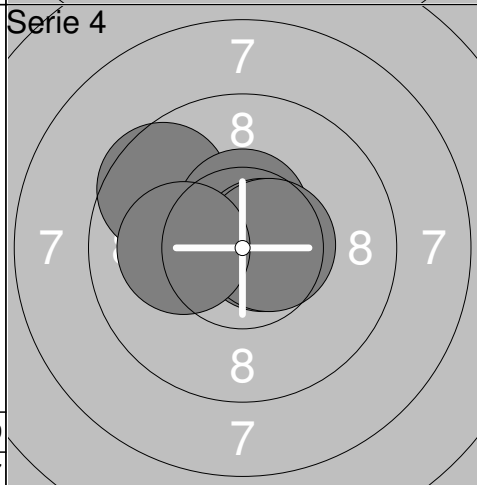
1:	9.8	←
2:	10.2x	↗
3:	10.8x	↗
4:	10.6x	→
5:	10.7x	→
Serie		49
Total		49



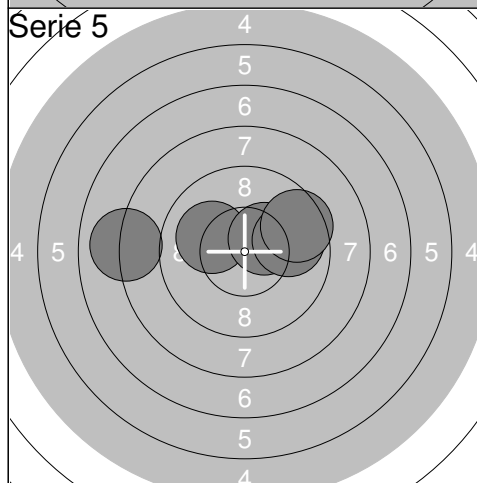
1:	10.6x	↗
2:	10.5x	→
3:	10.1	↗
4:	10.0	↖
5:	9.8	↘
Serie		49
Total		98



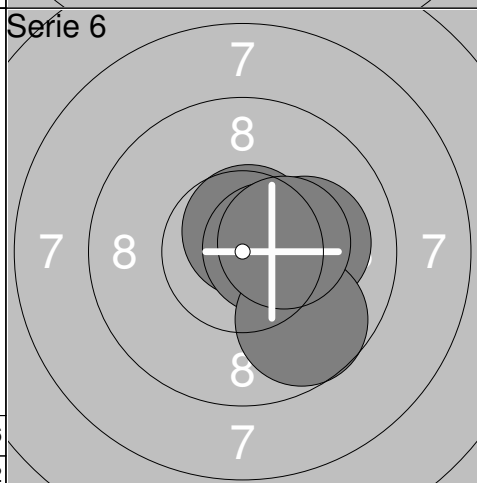
1:	10.5x	↘
2:	10.4x	←
3:	10.5x	↘
4:	9.7	↘
5:	10.4x	↑
Serie		49
Total		147



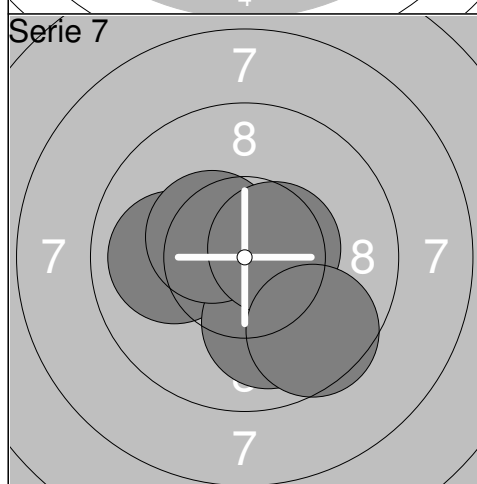
1:	9.6	↖
2:	10.5x	↑
3:	10.7x	→
4:	10.6x	→
5:	10.1	←
Serie		49
Total		196



1:	8.0	←
2:	10.1	↖
3:	10.3x	↗
4:	9.8	→
5:	9.5	↗
Serie		46
Total		242



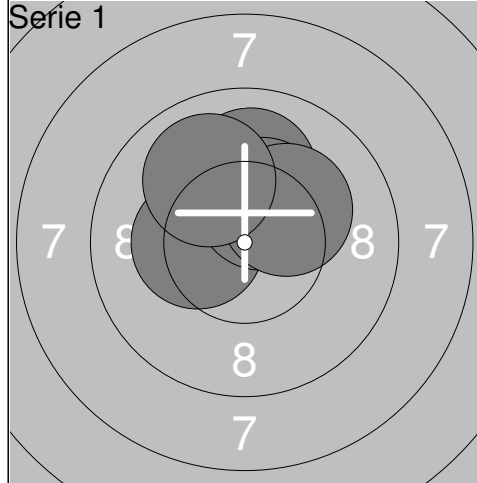
1:	10.6x	↑
2:	10.1	→
3:	10.6x	→
4:	9.7	↘
5:	10.4x	→
Serie		49
Total		291



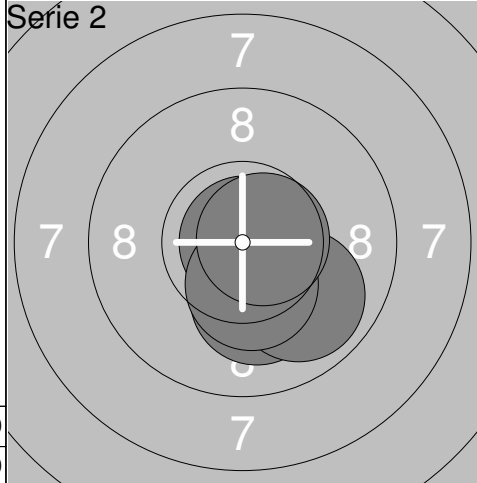
1:	10.0	←
2:	10.0	↘
3:	10.4x	↗
4:	10.5x	→
5:	9.6	↘
Serie		49
Total		340



1:	10.4x	↗
2:	10.2x	→
3:	10.7x	↗
4:	10.3x	↗
5:	10.2x	↑
Serie		50
Total		390



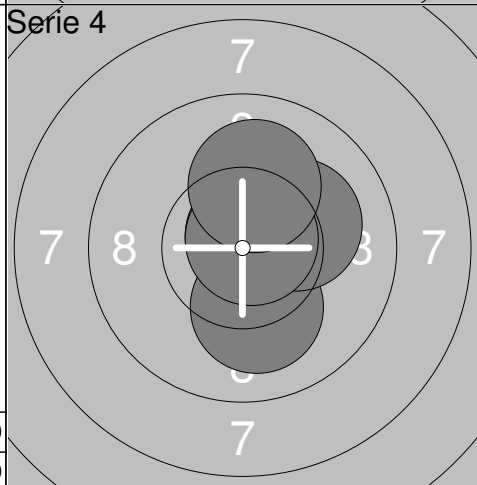
1:	10.0	↑
2:	10.3x	←
3:	10.4x	↑
4:	10.2x	↗
5:	10.0	↖
Serie		50
Total		50



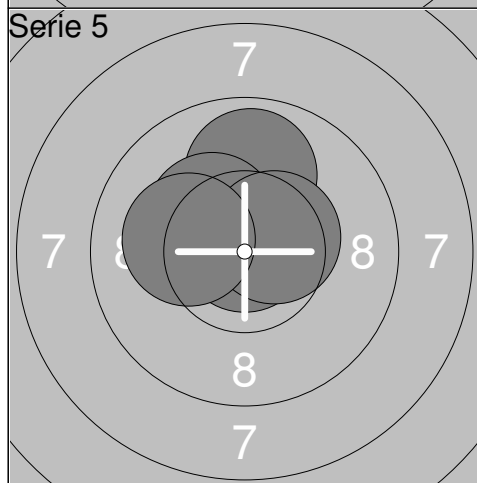
1:	10.1	↓
2:	9.9	↘
3:	10.9x	→
4:	10.4x	↓
5:	10.6x	→
Serie		49
Total		99



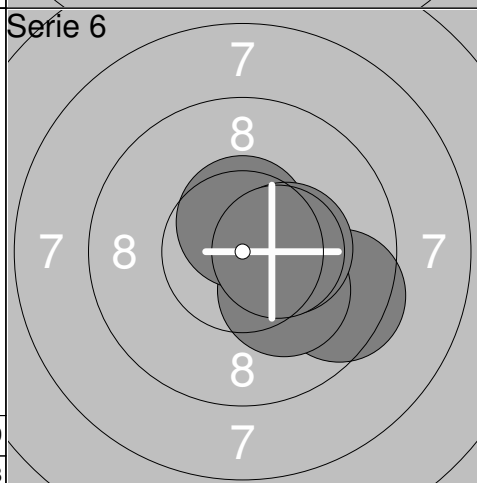
1:	10.3x	→
2:	10.2x	↑
3:	10.5x	↘
4:	10.1	→
5:	10.6x	→
Serie		50
Total		149



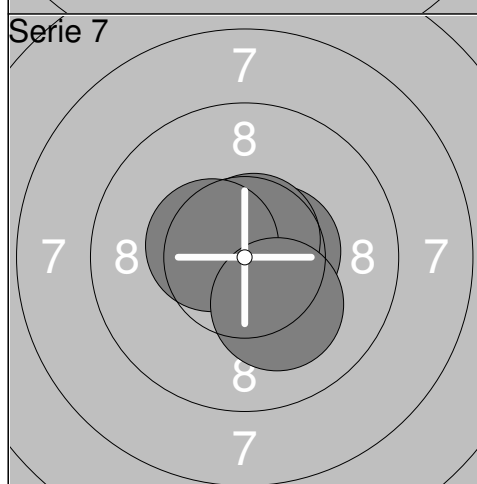
1:	10.7x	↗
2:	10.1	↓
3:	10.2x	→
4:	10.8x	↗
5:	10.1	↑
Serie		50
Total		199



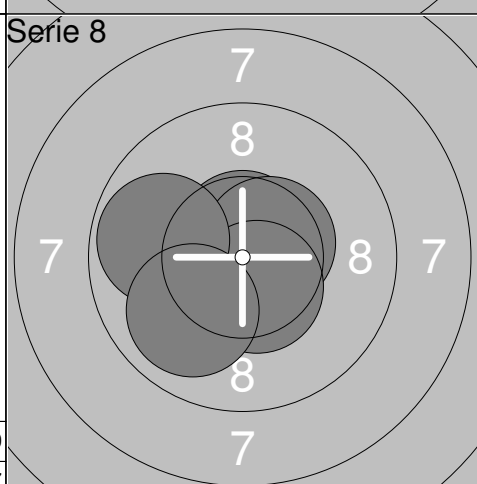
1:	9.9	↑
2:	10.8x	↑
3:	10.3x	↖
4:	10.5x	↗
5:	10.1	←
Serie		49
Total		248



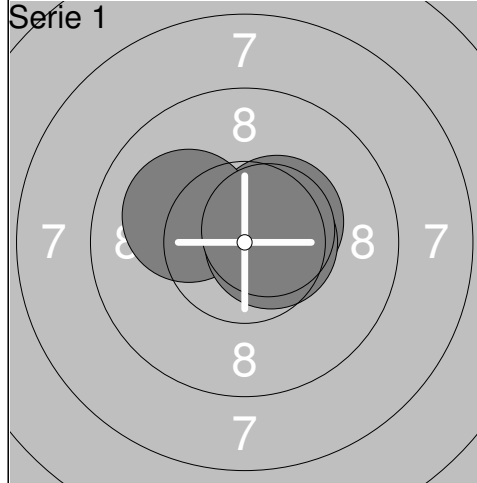
1:	9.5	→
2:	10.2x	↘
3:	10.5x	↑
4:	10.3x	→
5:	10.4x	→
Serie		49
Total		297



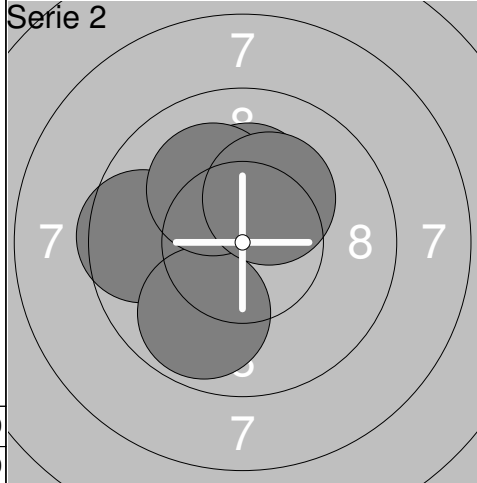
1:	10.8x	→
2:	10.5x	→
3:	10.7x	↑
4:	10.5x	←
5:	10.2x	↘
Serie		50
Total		347



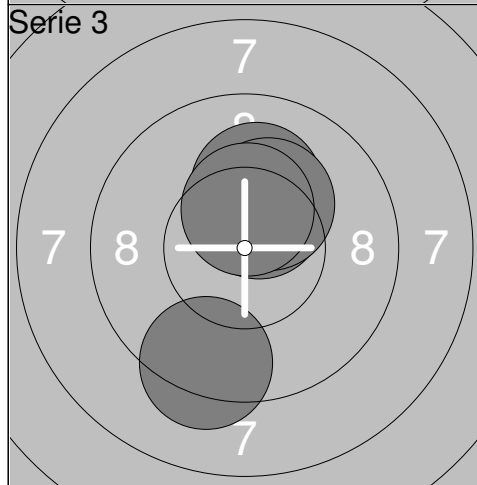
1:	10.7x	↑
2:	10.5x	↗
3:	10.5x	↘
4:	9.8	←
5:	9.9	↖
Serie		48
Total		395



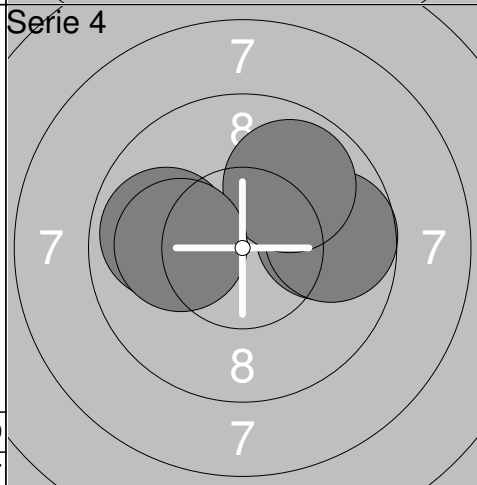
1:	10.4x	↗
2:	10.6x	→
3:	10.1	↖
4:	10.6x	→
5:	10.6x	↗
Serie		50
Total		50



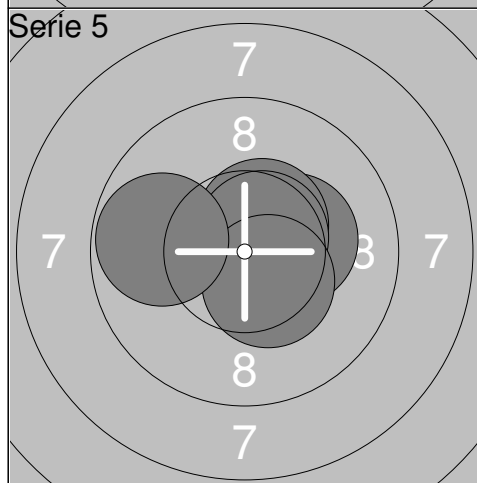
1:	10.2x	↑
2:	9.6	←
3:	9.8	↙
4:	10.1	↖
5:	10.2x	↗
Serie		48
Total		98



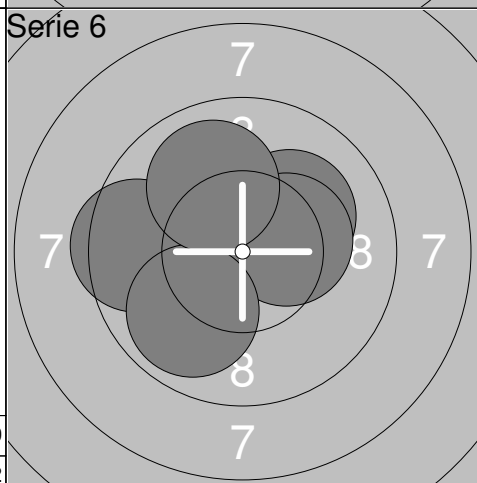
1:	10.4x	↑
2:	10.1	↑
3:	9.3	↙
4:	10.2x	↗
5:	10.4x	↑
Serie		49
Total		147



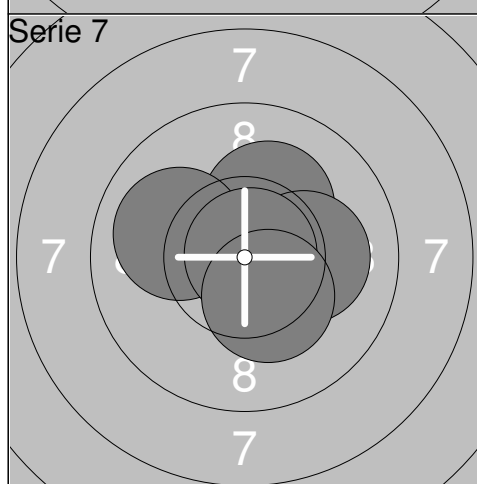
1:	9.8	→
2:	9.7	→
3:	9.9	↗
4:	9.9	←
5:	10.1	←
Serie		46
Total		193



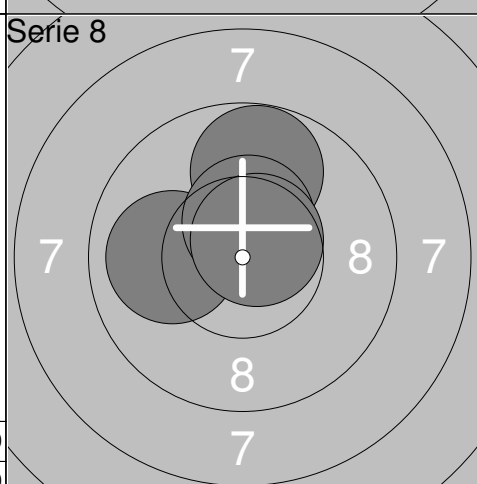
1:	10.3x	→
2:	10.5x	↗
3:	10.6x	↗
4:	10.4x	↘
5:	9.8	←
Serie		49
Total		242



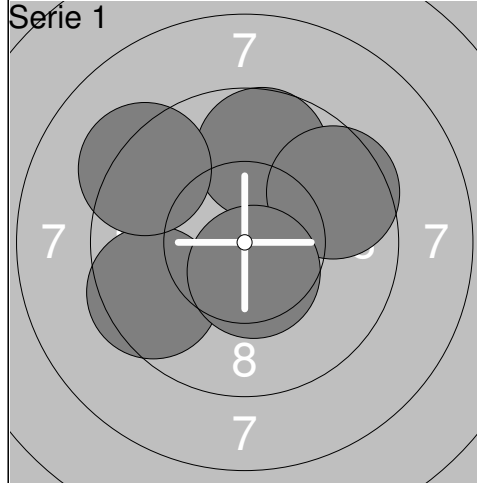
1:	10.1	↗
2:	9.5	←
3:	10.3x	→
4:	9.9	↙
5:	10.0	↖
Serie		48
Total		290



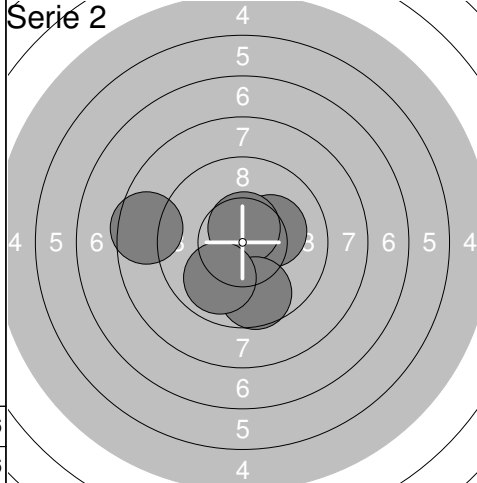
1:	10.2x	↗
2:	10.0	←
3:	10.1	→
4:	10.8x	↗
5:	10.3x	↘
Serie		50
Total		340



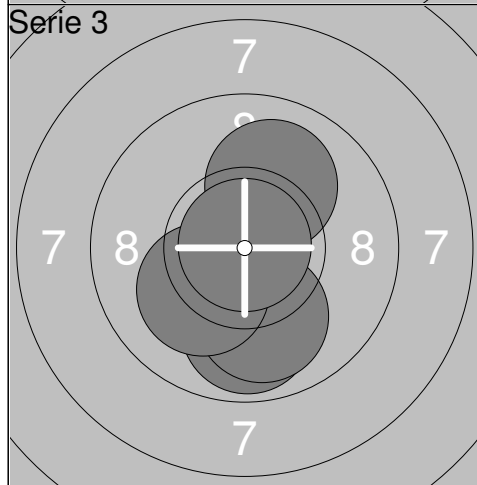
1:	10.6x	↗
2:	9.8	↑
3:	10.0	←
4:	10.4x	↑
5:	10.6x	↗
Serie		49
Total		389



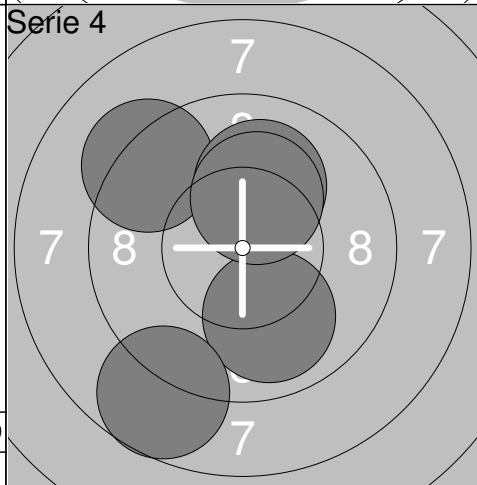
1:	9.7	↑
2:	9.5	↗
3:	9.5	↖
4:	9.2	↖
5:	10.5x	↓
Serie		46
Total		46



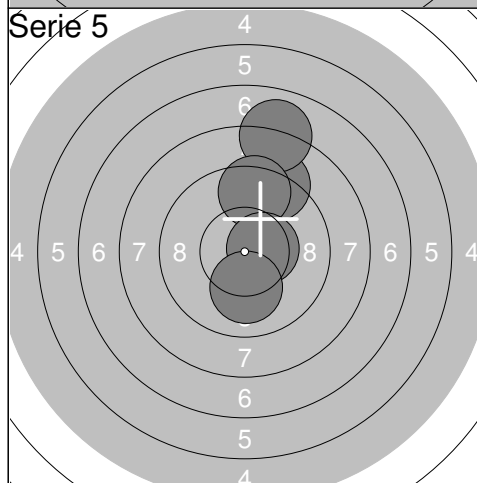
1:	10.2x	↗
2:	10.6x	↑
3:	9.7	↓
4:	9.9	↘
5:	8.6	←
Serie		46
Total		92



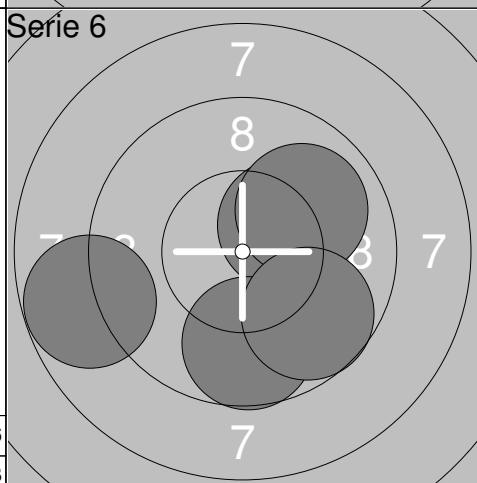
1:	10.0	↑
2:	9.9	↓
3:	10.0	↓
4:	10.1	↘
5:	10.9x	↑
Serie		49
Total		141



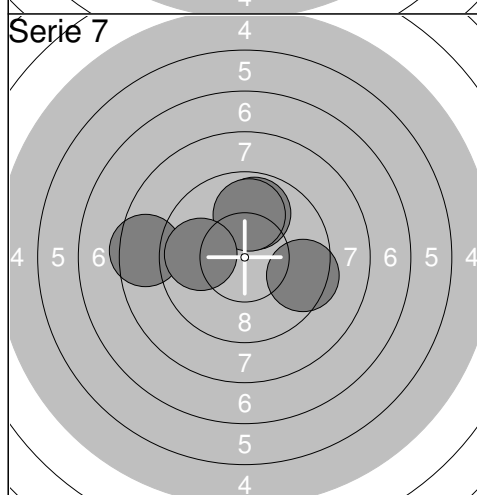
1:	9.9	↓
2:	8.7	↘
3:	9.2	↖
4:	10.1	↑
5:	10.2x	↑
Serie		46
Total		187



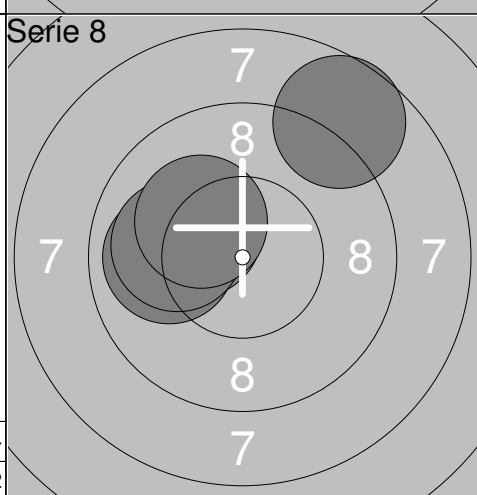
1:	9.1	↑
2:	8.0	↑
3:	9.4	↑
4:	10.5x	→
5:	10.1	↓
Serie		46
Total		233



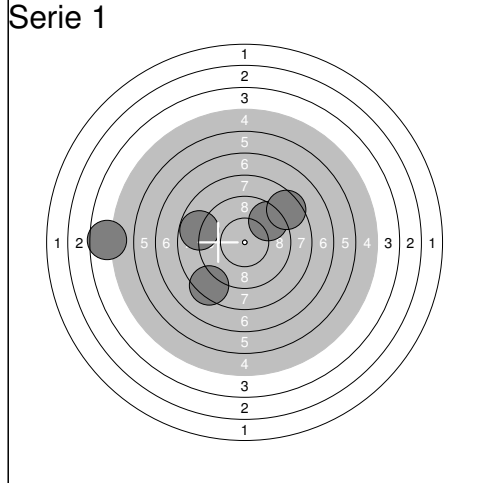
1:	10.3x	↗
2:	9.9	↗
3:	9.7	↓
4:	9.7	↓
5:	8.7	←
Serie		45
Total		278



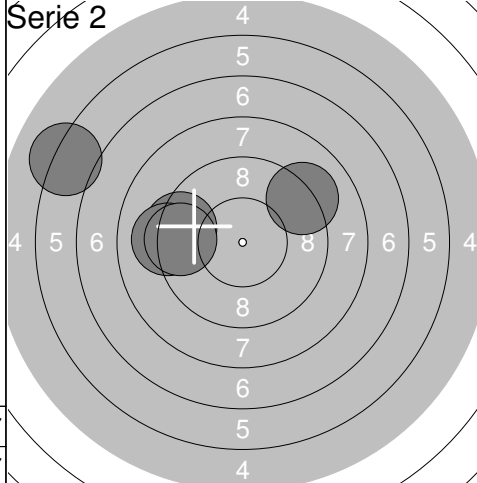
1:	9.4	→
2:	9.8	↑
3:	8.5	←
4:	9.9	↑
5:	9.9	←
Serie		44
Total		322



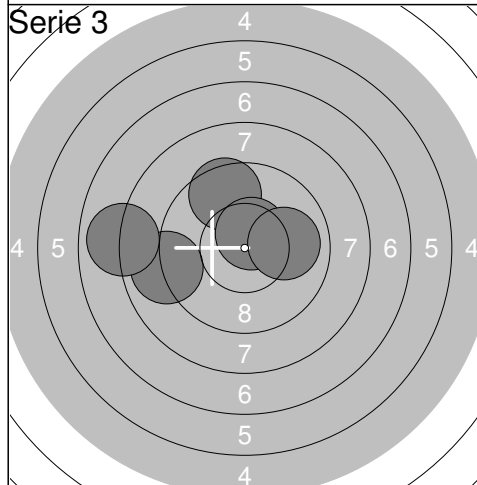
1:	9.9	←
2:	10.2x	↖
3:	10.0	←
4:	10.2x	↗
5:	8.7	↗
Serie		47
Total		369



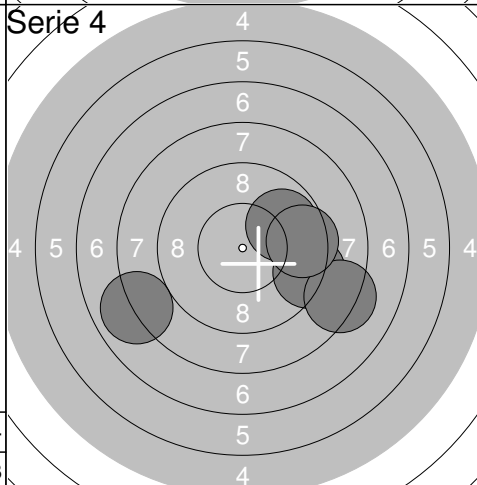
Serie	37
Total	37



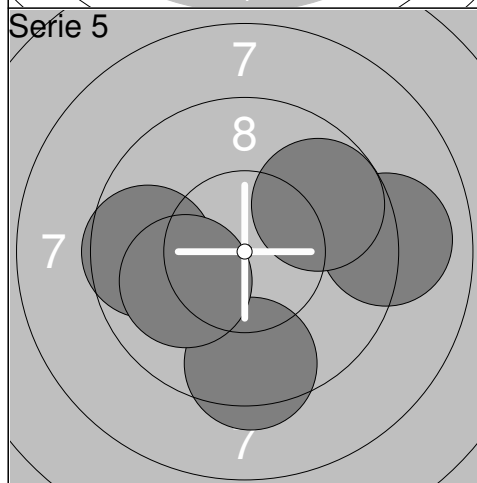
Serie	42
Total	79



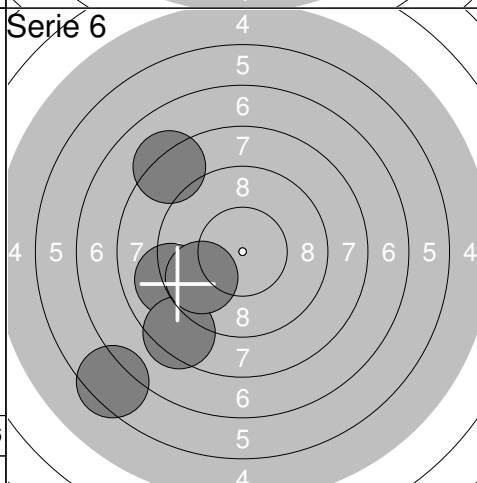
Serie	44
Total	123



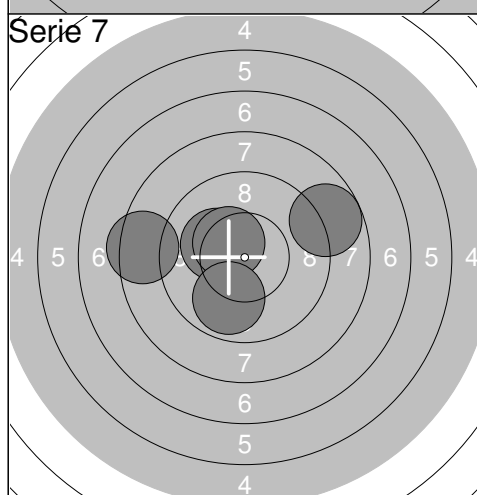
Serie	42
Total	165



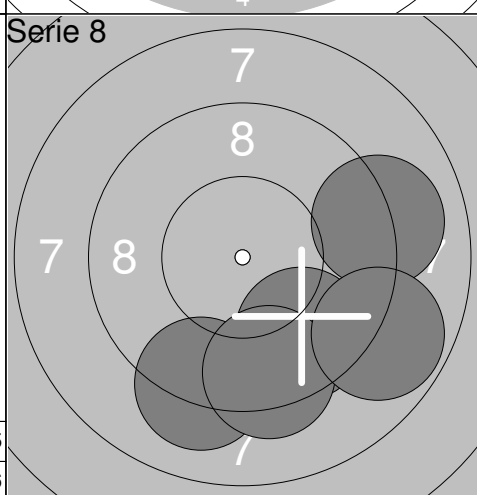
Serie	46
Total	211



Serie	40
Total	251



Serie	45
Total	296



Serie	44
Total	340