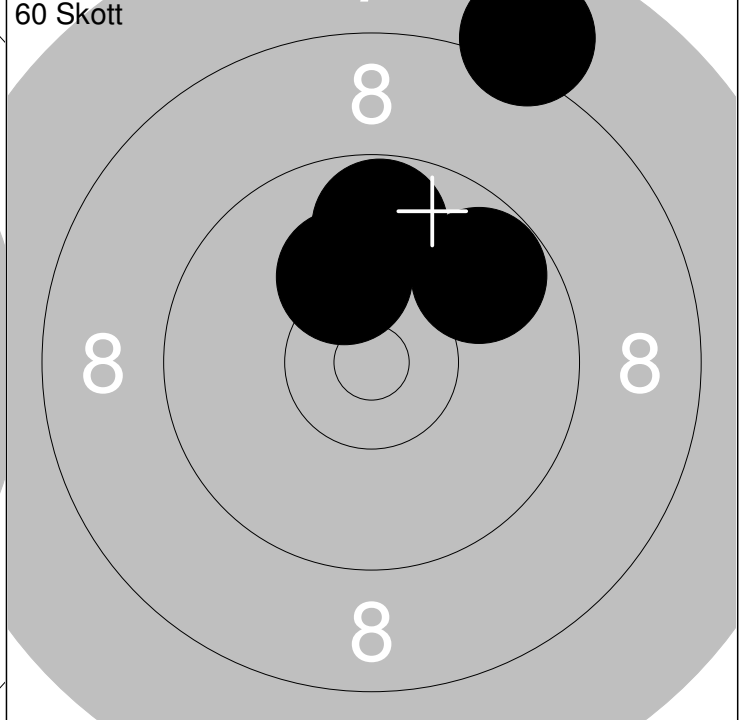
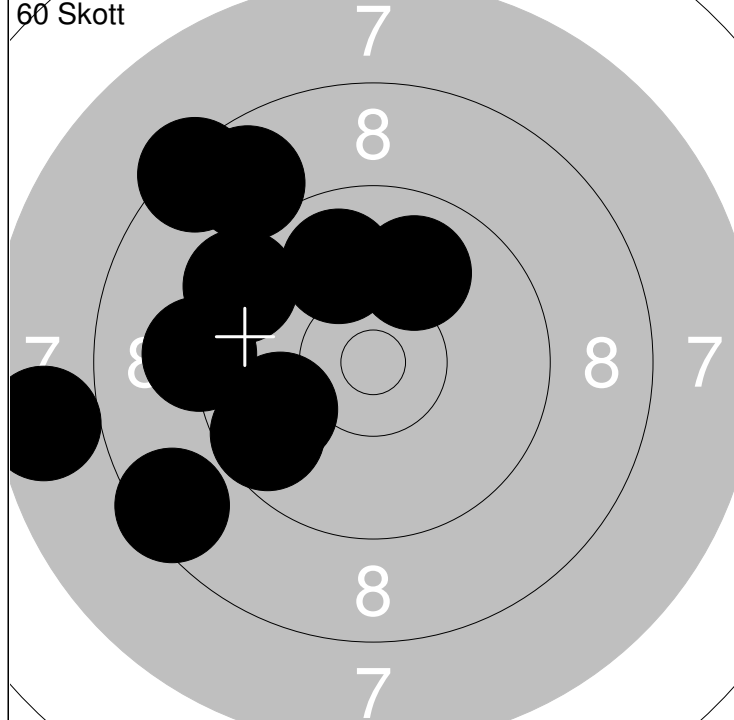


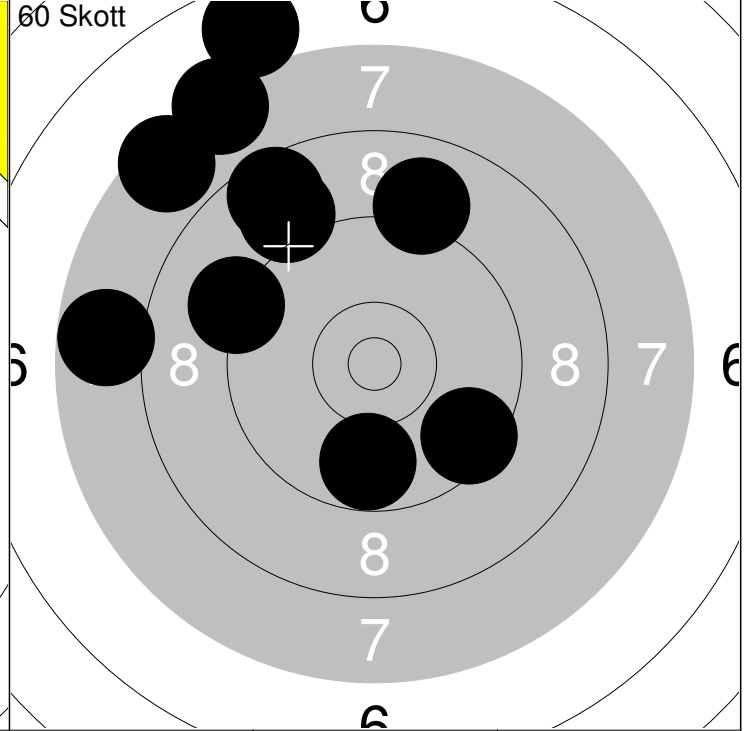
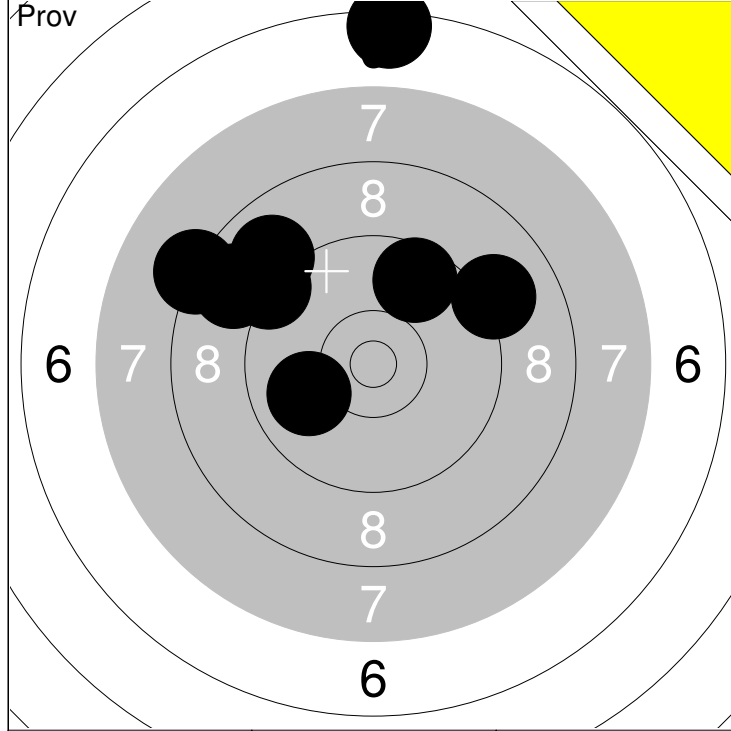
1: 9.9 ↗	6: 9.5 ↓	Serie	88.5
2: 9.7 ↙	7: 10.2 ↓		
3: 9.8 ↘	8: 9.6 ↗	Total	0.0
4: 9.3 ↗	9: 9.9 ↘		
5: 10.6x ←			

1: 10.7x ↗	6: 9.1 ↗	Serie	99.5
2: 10.0 ↙	7: 10.2 ←		
3: 9.4 ↓	8: 10.2 ↗	Total	99.5
4: 10.0 →	9: 9.3 ↗		
5: 10.0 ↓	10: 10.6x ←		



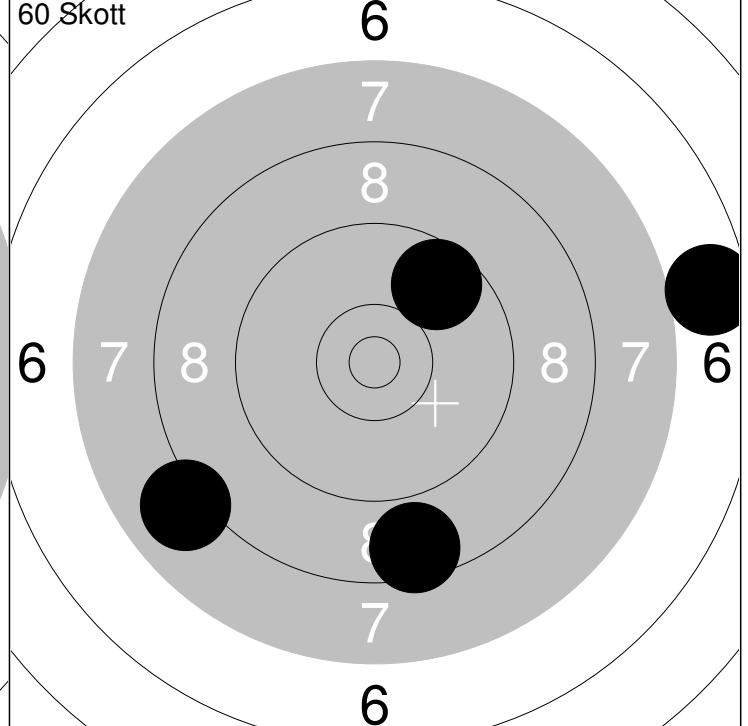
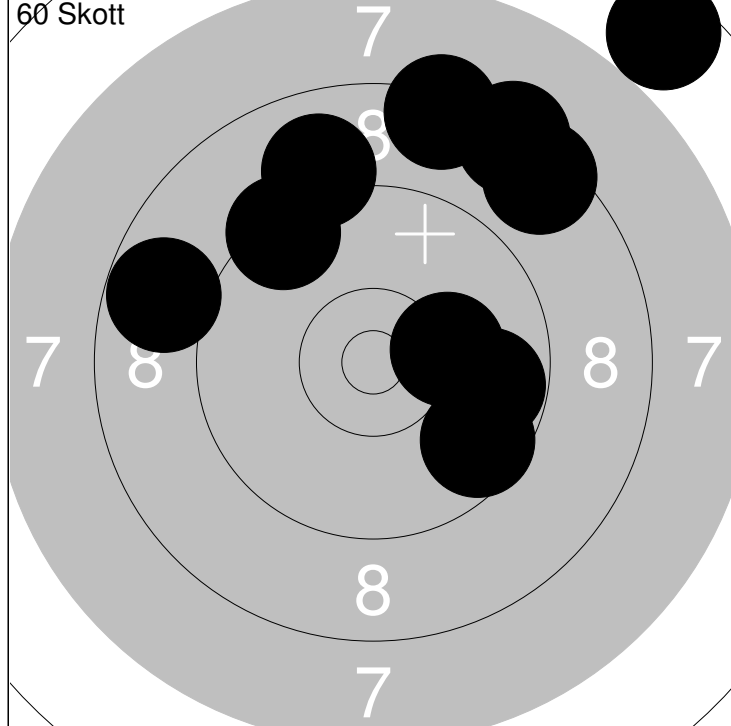
11: 10.0 ↗	16: 9.9 ←	Serie	91.9
12: 8.8 ↗	17: 10.0 ↗		
13: 8.6 ↙	18: 9.7 ←	Total	191.4
14: 7.7 ←	19: 9.3 ←		
15: 8.4 ↗	20: 9.5 ↙		

21: 8.0 ↗	Serie	37.8
22: 9.8 ↘		
23: 9.8 ↗	Total	229.2
24: 10.2 ↗		



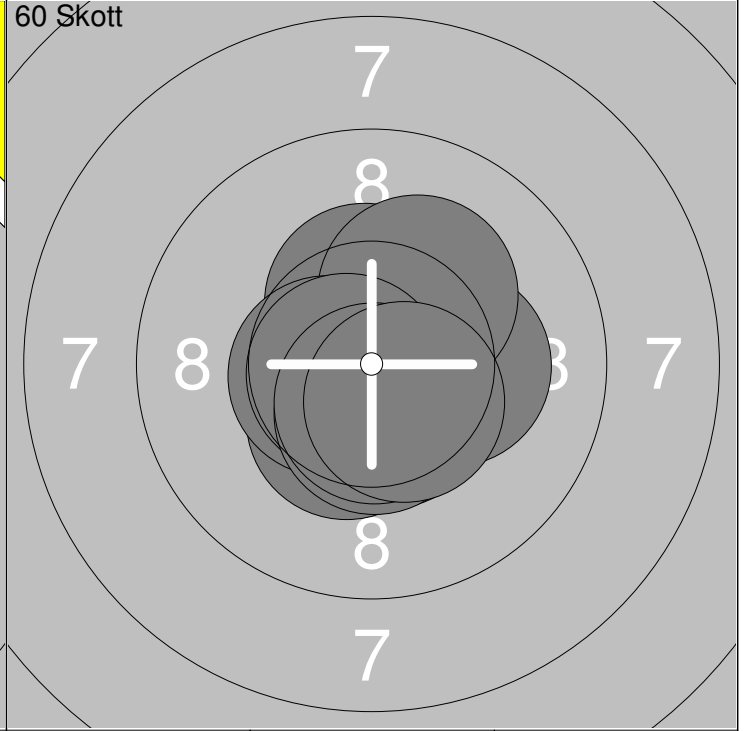
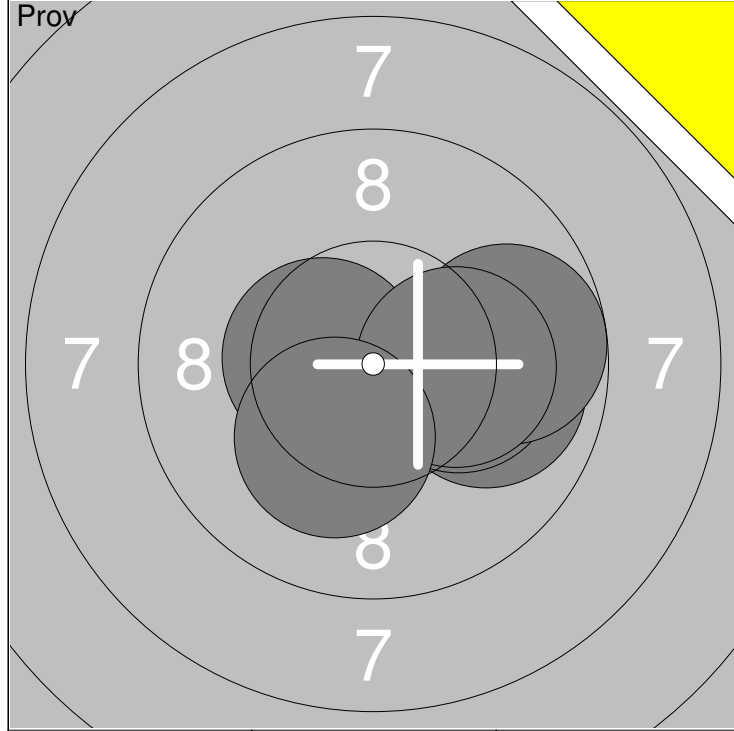
1: 10.0 ↙	6: 8.3 ↙	Serie	70.5
2: 9.1 ↗	7: 8.8 ↙		
3: 6.4 ↑	8: 9.0 ↗	Total	0.0
4: 9.2 ↙			
5: 9.7 ↗			

1: 6.8 ↗	6: 9.6 ↘	Serie	84.9
2: 8.9 ↗	7: 9.8 ↓		
3: 9.2 ↙	8: 7.8 ←	Total	84.9
4: 7.6 ↗	9: 7.5 ↗		
5: 8.7 ↗	10: 9.0 ↑		



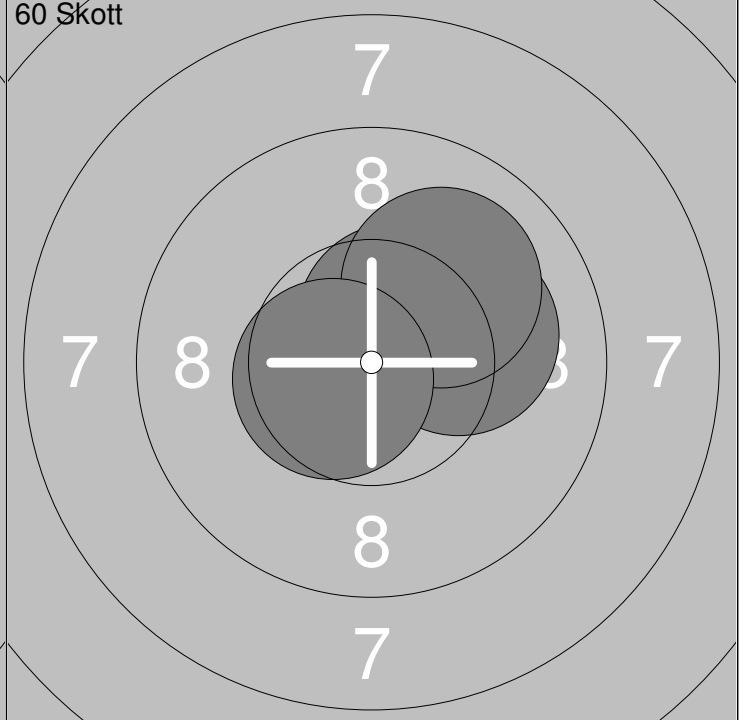
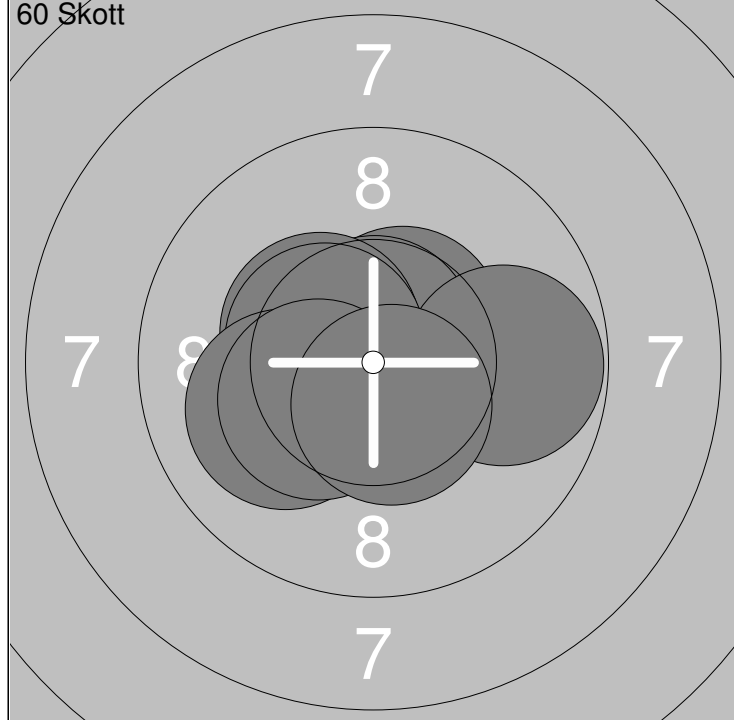
11: 9.4 ↗	16: 8.4 ↑	Serie	88.9
12: 9.7 ↘	17: 6.7 ↗		
13: 9.0 ↑	18: 9.8 →	Total	173.8
14: 8.4 ↗	19: 10.2 →		
15: 8.8 ←	20: 8.5 ↗		

21: 8.6 ↓	6: 9.6 ↘	Serie	33.0
22: 6.7 →	7: 9.8 ↓		
23: 9.7 ↗	8: 7.8 ←	Total	206.8
24: 8.0 ↙	9: 7.5 ↗		
	10: 9.0 ↑		



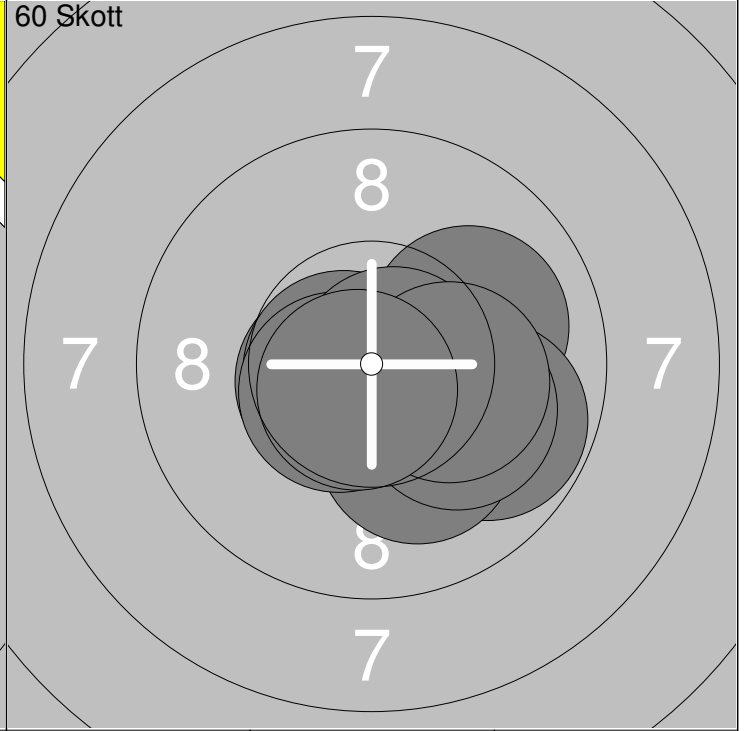
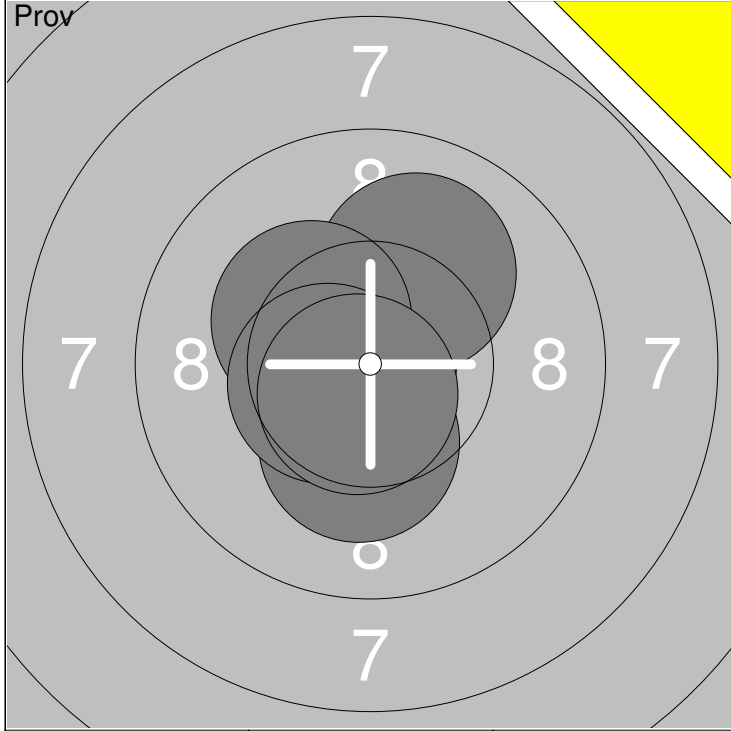
1: 9.9 →	6: 10.2x ↘	Serie	60.7
2: 10.2x →			
3: 10.5x ←		Total	0.0
4: 9.7 →			
5: 10.2x →			

1: 10.4x ↘	6: 10.6x ←	Serie	104.6
2: 10.2x →	7: 10.7x ←		
3: 10.4x ↑	8: 10.5x ↓	Total	104.6
4: 10.5x ↘	9: 10.6x ↓		
5: 10.2x ↗	10: 10.5x ↘		



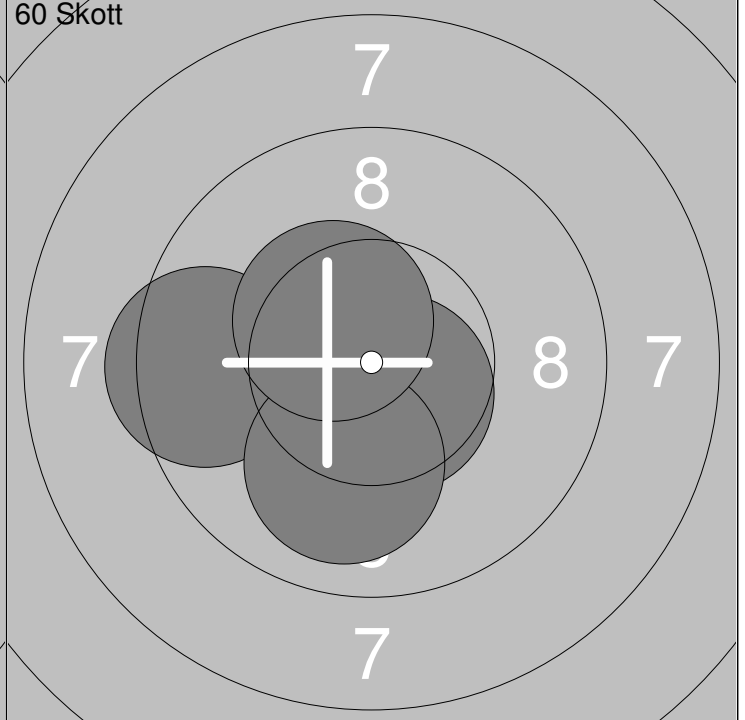
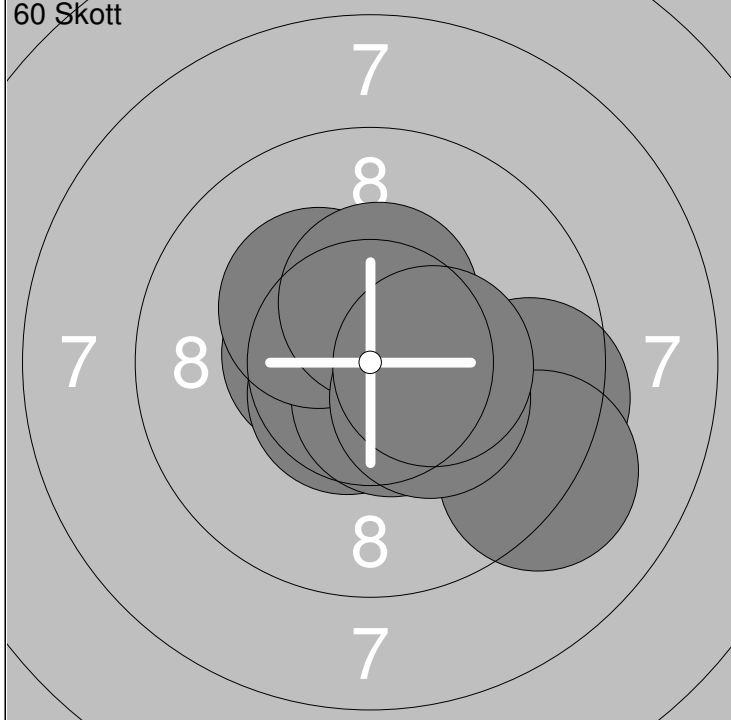
11: 10.5x ↗	16: 10.5x ←	Serie	104.6
12: 10.9x ↗	17: 10.1 ←		
13: 10.8x ↘	18: 9.8 →	Total	209.2
14: 10.7x ↑	19: 10.4x ←		
15: 10.4x ↖	20: 10.5x ↓		

21: 10.5x ↗	Serie	41.2
22: 10.1 →		
23: 10.0 ↗	Total	250.4
24: 10.6x ←		



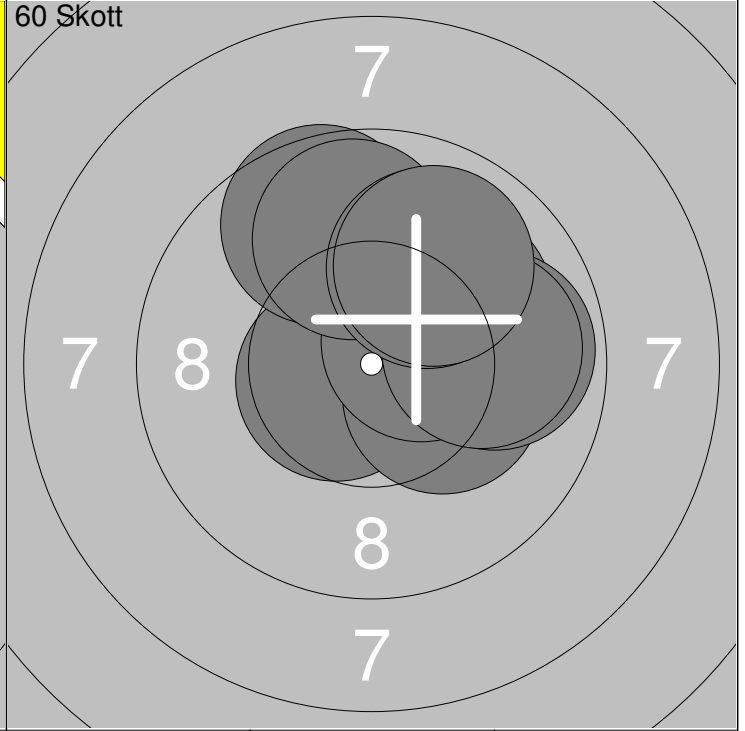
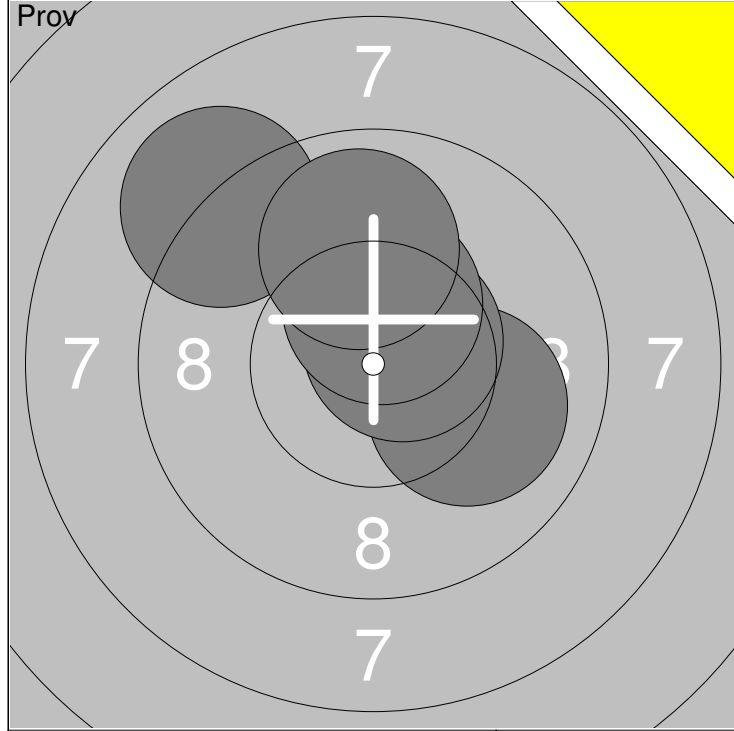
1: 10.8x ←	6: 10.7x ↓	Serie	62.5
2: 10.0 ↗			
3: 10.3x ↖		Total	0.0
4: 10.2x ↓			
5: 10.5x ←			

1: 10.0 →	6: 10.6x ↙	Serie	103.6
2: 10.6x ←	7: 10.1 ↘		
3: 9.8 →	8: 10.8x →	Total	103.6
4: 10.7x ←	9: 10.2x →		
5: 10.1 ↓	10: 10.7x ↓		



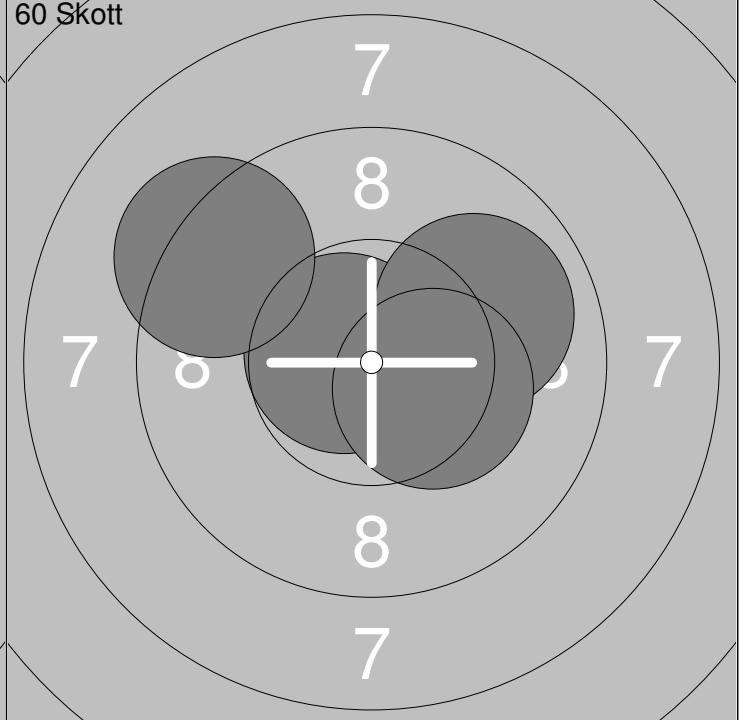
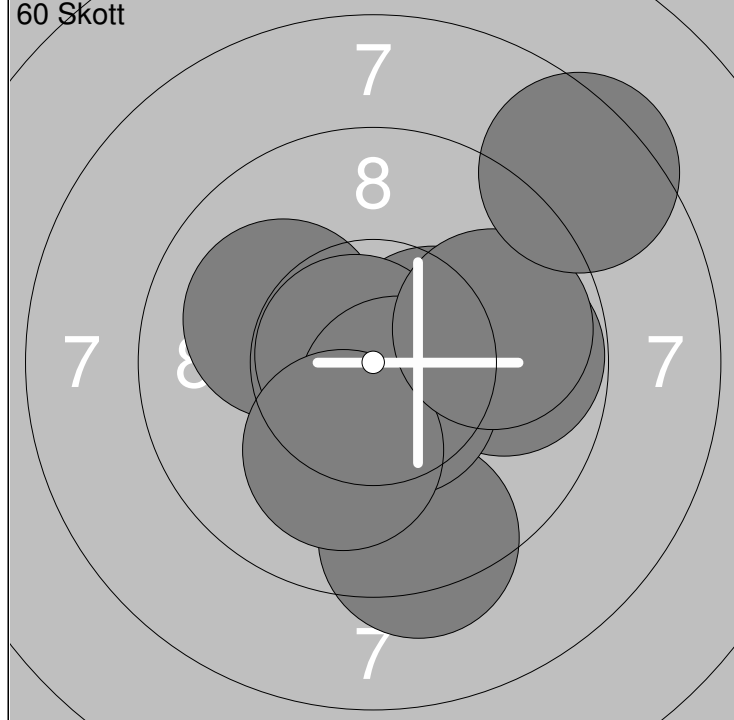
11: 10.5x ←	16: 9.5 →	Serie	102.3
12: 10.6x ↙	17: 9.2 ↘		
13: 10.5x ↗	18: 10.4x ↗	Total	205.9
14: 10.6x ↓	19: 10.3x ↘		
15: 10.3x ↗	20: 10.4x →		

21: 9.5 ←	Serie	40.5
22: 10.6x ↙		
23: 10.0 ↓	Total	246.4
24: 10.4x ↗		



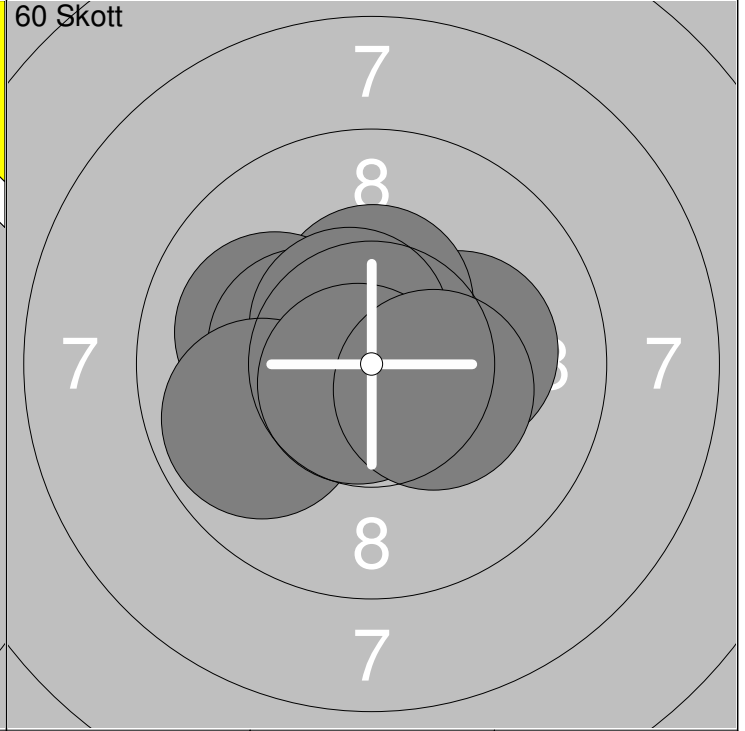
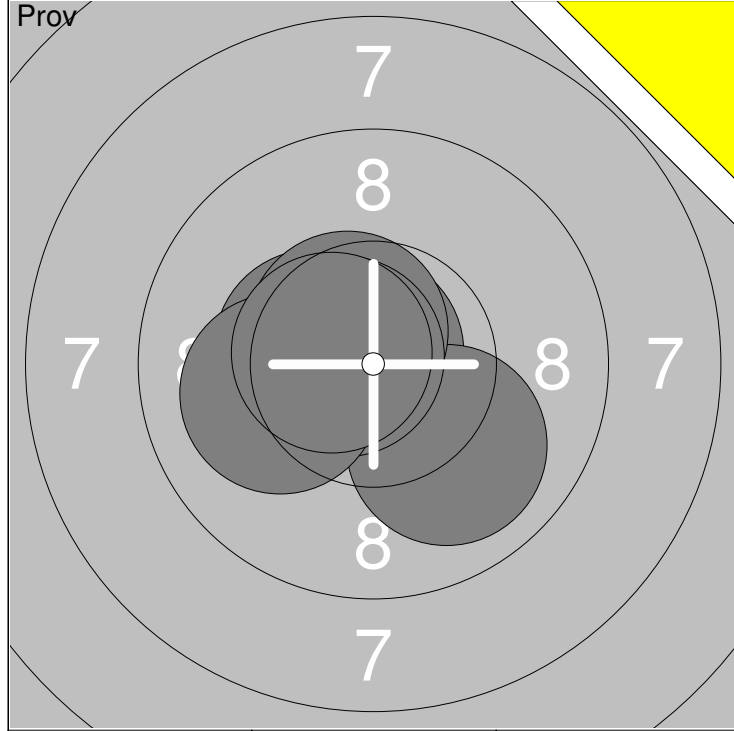
1: 10.0 →		Serie	
2: 10.6x ↗			
3: 10.4x ↑			
4: 9.0 ↖			
5: 9.9 ↑			
Total		49.9	0.0

1: 10.6x ←		Serie	
2: 10.3x →			
3: 10.1 ↗			
4: 10.5x ↗			
5: 9.8 →			
6: 9.6 ↑	Serie	100.6	
7: 10.0 →			
8: 9.8 ↑			
9: 10.0 ↗			
10: 9.9 ↗			
Total		100.6	100.6



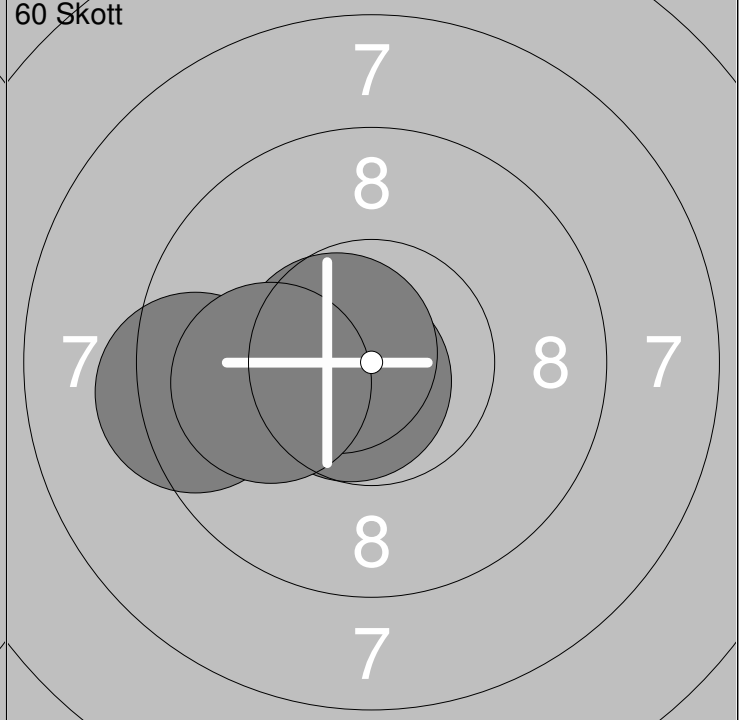
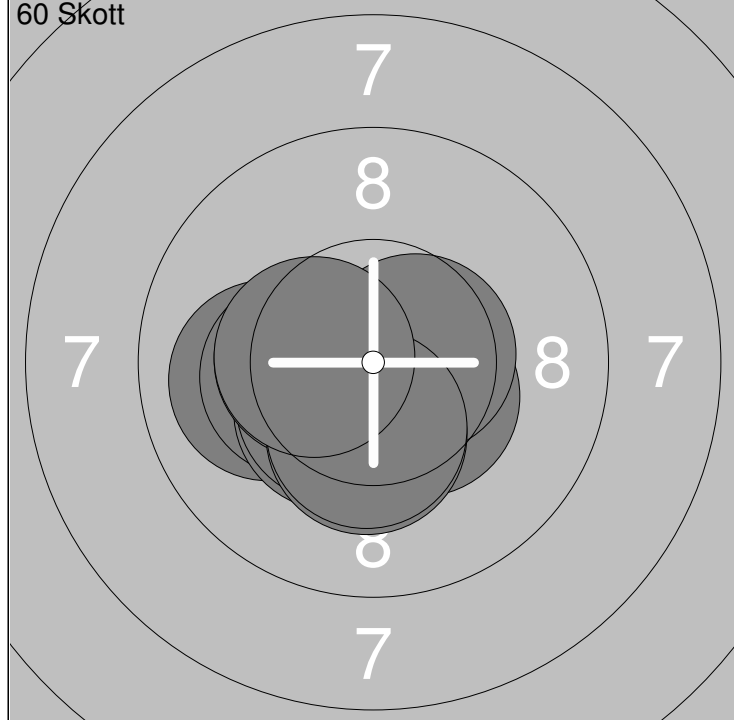
11: 9.8 →		Serie	
12: 10.6x ↓			
13: 9.3 ↓			
14: 10.1 ↖			
15: 10.4x →			
16: 10.8x ←	Serie	100.0	
17: 10.6x ↓			
18: 10.1 ↓			
19: 9.8 →			
20: 8.5 ↗			
Total		200.6	200.6

21: 10.7x ←		Serie	
22: 9.9 →			
23: 10.4x →			
24: 9.3 ↖			
Total			



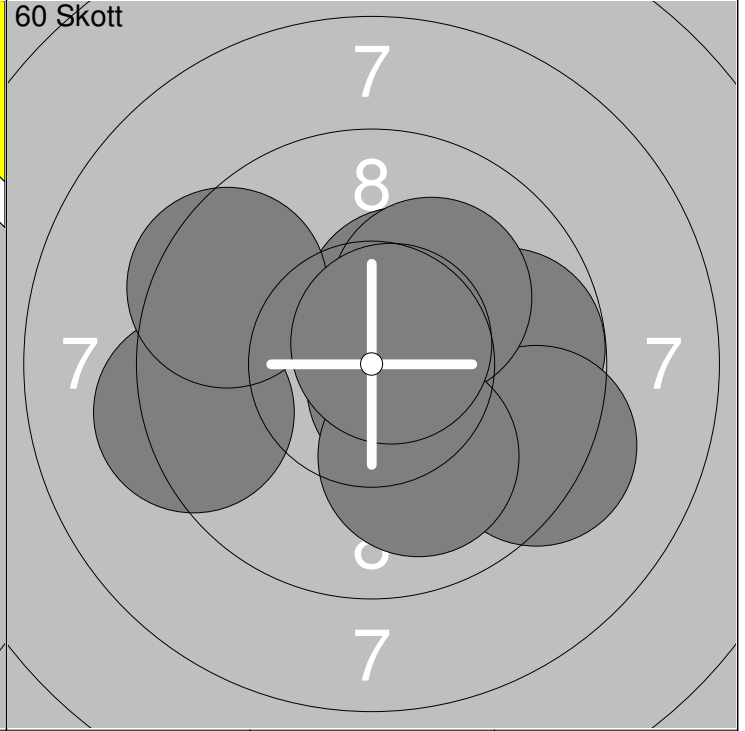
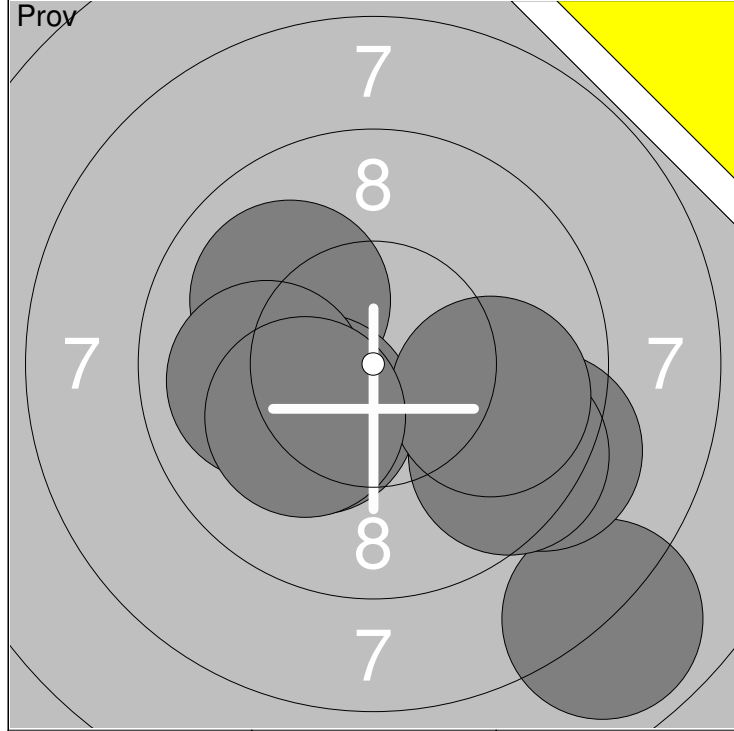
1: 10.4x ↙	6: 10.1 ↙	Serie	73.2
2: 10.8x ↗	7: 10.6x ↙		
3: 10.0 ↘		Total	0.0
4: 10.6x ↗			
5: 10.7x ↙			

1: 10.2x →	6: 10.4x ↙	Serie	104.1
2: 10.7x ↙	7: 10.6x ↗		
3: 10.8x ↙	8: 9.9 ↙	Total	104.1
4: 10.4x ↑	9: 10.7x ↘		
5: 10.0 ↙	10: 10.4x →		



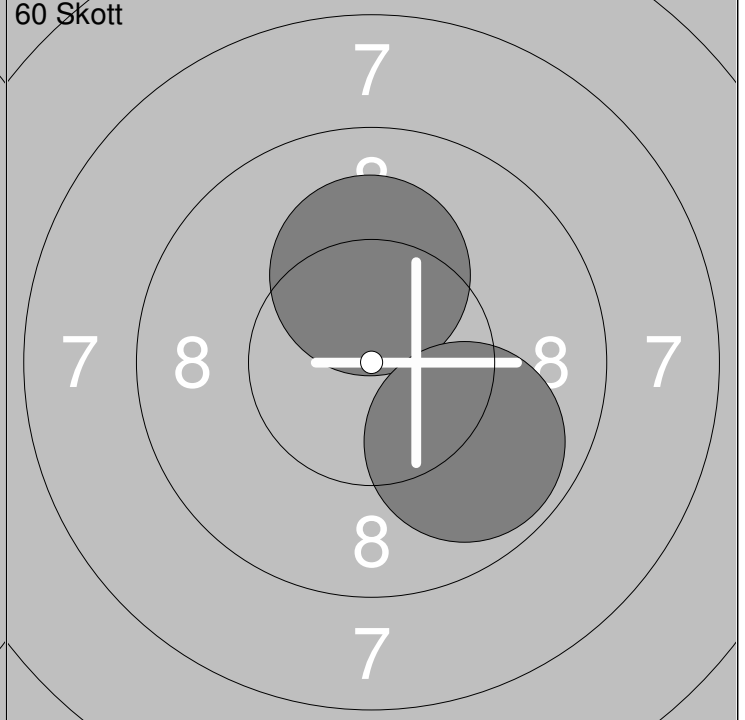
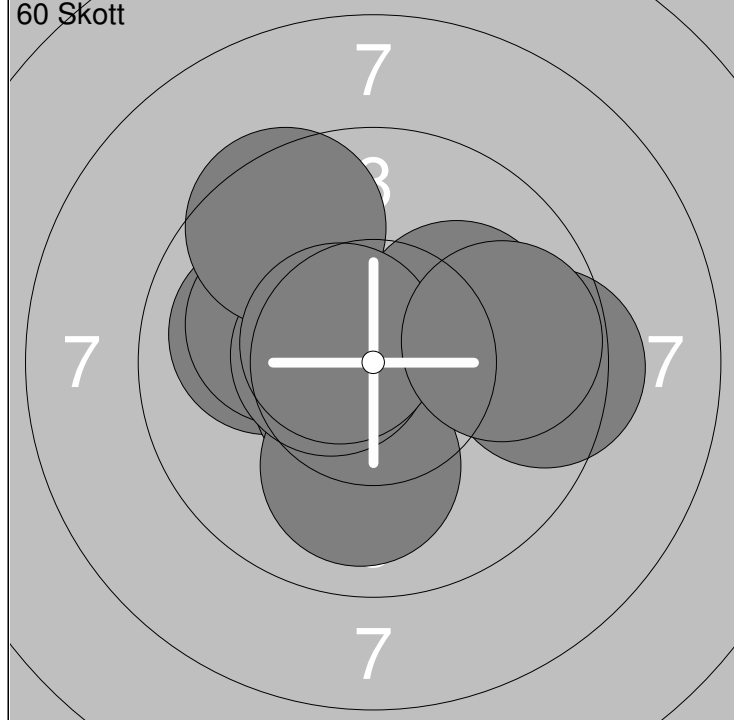
11: 10.4x ↘	16: 10.6x →	Serie	103.7
12: 10.0 ↙	17: 10.4x ↙		
13: 10.3x ↙	18: 10.3x ↘	Total	207.8
14: 10.4x ↘	19: 10.4x ↘		
15: 10.5x ↘	20: 10.4x ↙		

21: 10.7x ↘	Serie	40.7
22: 10.6x ↙		
23: 9.4 ↙	Total	248.5
24: 10.0 ↙		



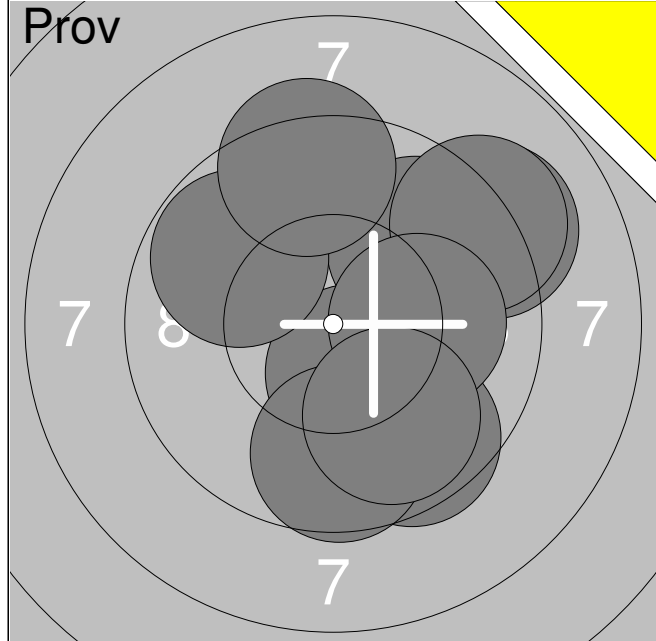
1: 10.0 ↗	6: 9.5 ↘	Serie	77.1
2: 10.3x ↙	7: 9.9 →		
3: 7.9 ↘	8: 10.2x ↙	Total	0.0
4: 10.0 ←			
5: 9.3 ↘			

1: 10.5x →	6: 9.3 ↘	Serie	100.2
2: 9.8 →	7: 10.1 ↗		
3: 10.4x ↗	8: 10.0 ↘	Total	100.2
4: 9.3 ←	9: 9.5 ↙		
5: 10.6x ↘	10: 10.7x ↗		

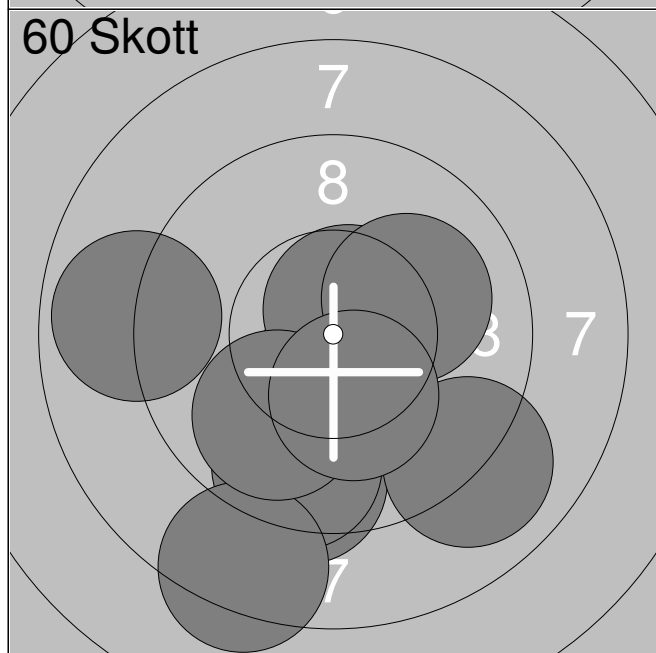


11: 10.0 ←	16: 10.0 ↓	Serie	100.7
12: 9.4 →	17: 10.6x ←		
13: 10.1 ↙	18: 9.5 ↗	Total	200.9
14: 10.6x ↙	19: 10.6x ↙		
15: 10.1 ↗	20: 9.8 →		

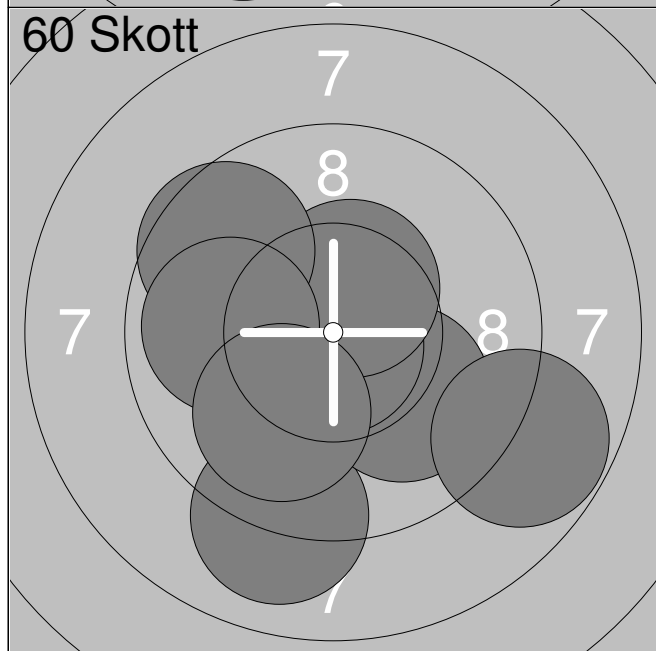
21: 10.2x ↑	Serie	20.1
22: 9.9 ↘		
	Total	221.0



1:	10.4x	↓
2:	9.8	↗
3:	9.1	↗
4:	9.2	↗
5:	9.6	↓
6:	9.6	↓
7:	10.1	→
8:	9.8	↗
9:	9.4	↑
10:	9.9	↓
Serie		96.9
Total		0.0

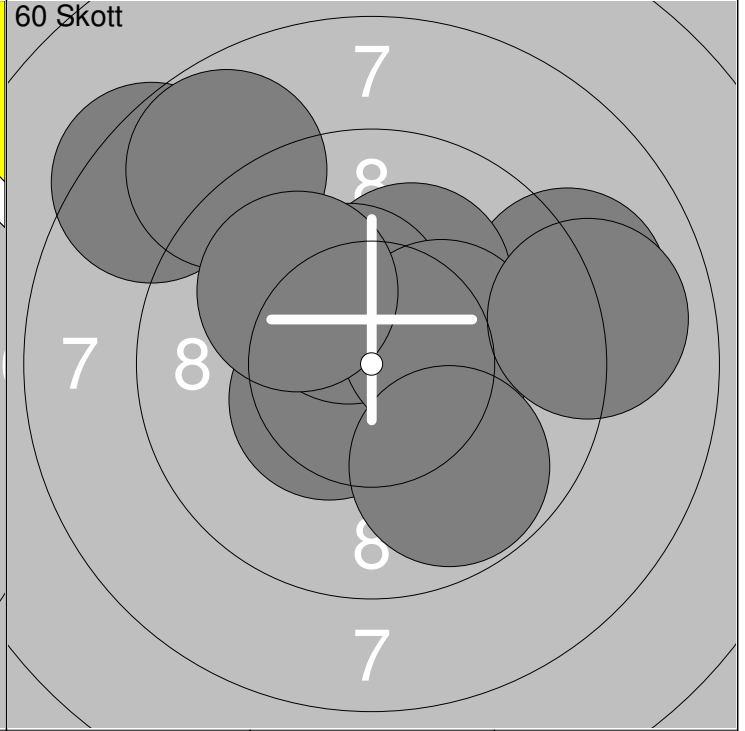
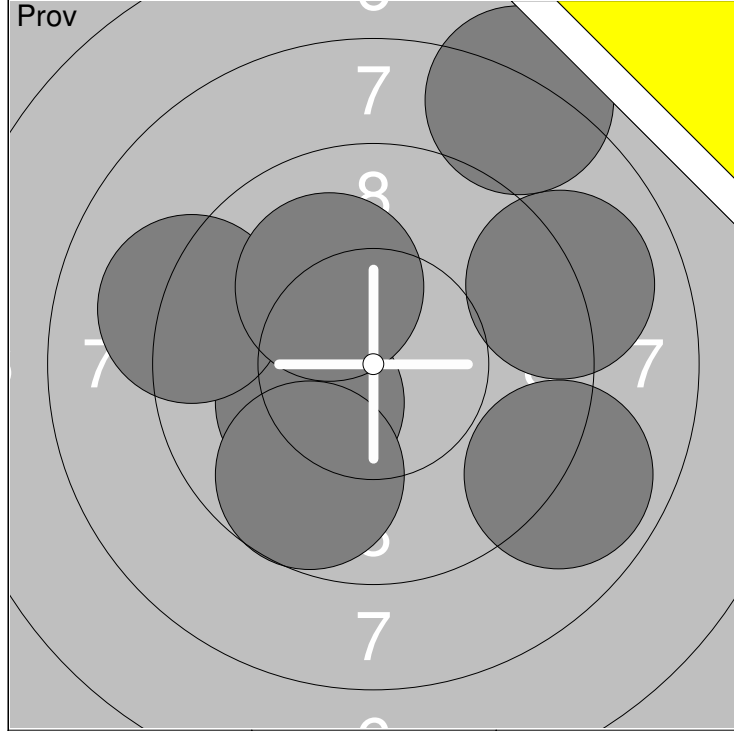


1:	8.9	←
2:	9.4	↓
3:	9.5	↓
4:	8.3	↓
5:	10.4x	↓
6:	10.6x	↗
7:	9.9	↓
8:	9.0	↓
9:	10.1	↗
10:	10.3x	↓
Serie		96.4
Total		96.4



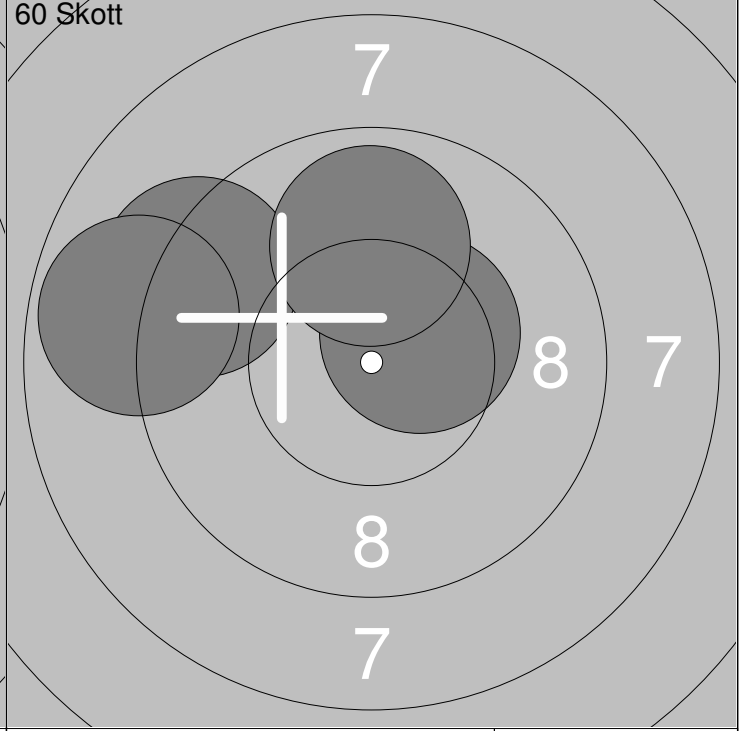
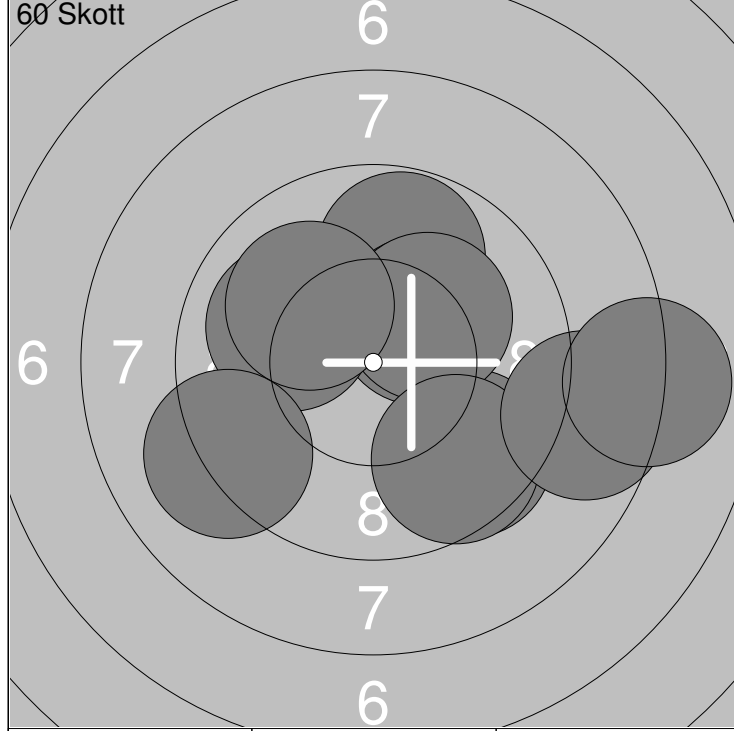
11:	10.4x	↓
12:	9.0	↓
13:	10.0	↓
14:	10.5x	←
15:	10.8x	↓
16:	10.5x	↗
17:	9.6	↗
18:	9.9	←
19:	8.8	↘
20:	10.0	↓
Serie		99.5
Total		195.9

Skjuttag	Tavla	Lia Edholm		
3	18			
S	Umeå Skf			
06.10.2018	NorrlandsMästerskap 2018	Umeå skytteallians		
Prov 	2	1:	9.8	↑
	3	2:	7.9	↗
	4	3:	7.1	↑
	5	4:	3.7	↗
	6	5:	3.9	→
	7	6:	10.4x	↑
	8	7:	9.7	↗
	8	8:	9.1	↓
	7	9:	9.7	↑
	6	Serie	71.3	
5	Total	0.0		
60 Skott 	5	1:	7.3	←
	6	2:	8.2	↑
	7	3:	9.7	↗
	8	4:	8.0	↗
	8	5:	7.7	↗
	7	6:	9.9	→
	6	7:	8.6	↗
	5	8:	8.1	←
	4	9:	6.9	←
	3	10:	8.7	↑
Serie	83.1			
Total	83.1			
60 Skott 	5	11:	7.6	←
	6	12:	9.8	↗
	7	13:	6.7	←
	8	14:	7.0	↑
	8	15:	10.1	←
	7	16:	8.6	←
	6	17:	6.3	↗
	5	18:	6.2	←
Serie	62.3			
Total	145.4			



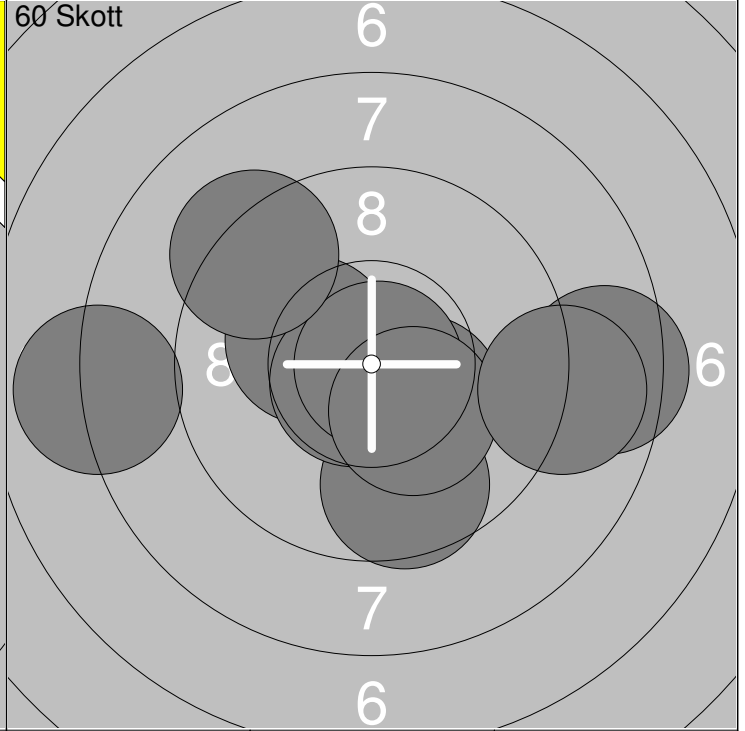
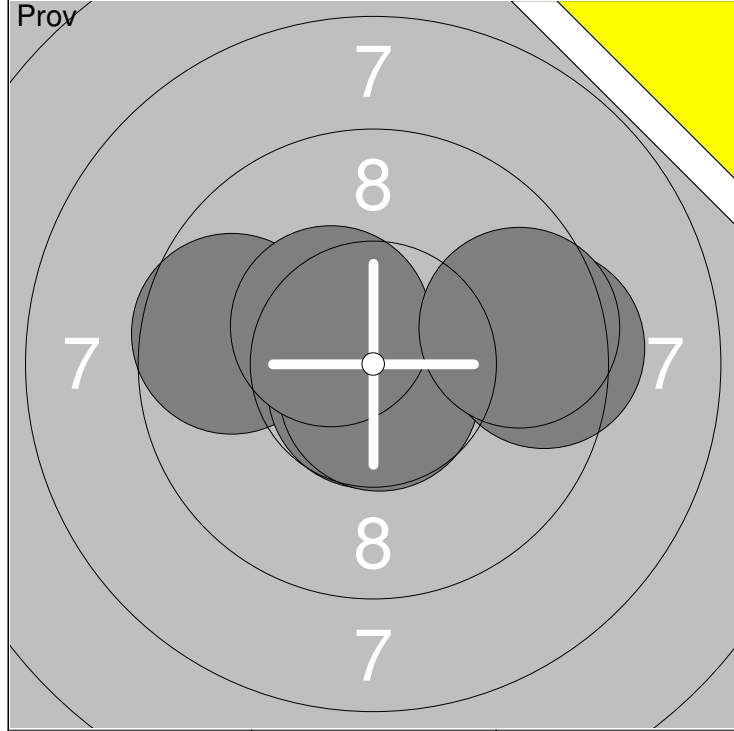
1: 10.2x ↙	6: 9.0 →	Serie	65.1
2: 8.9 ↘	7: 8.1 ↗		
3: 9.7 ↘		Total	0.0
4: 9.1 ←			
5: 10.1 ↗			

1: 9.1 →	6: 8.8 ↗	Serie	96.4
2: 10.1 ↗	7: 10.3x →		
3: 8.4 ↖	8: 10.0 ↗	Total	96.4
4: 10.5x ↙	9: 9.0 →		
5: 10.4x ↗	10: 9.8 ↘		



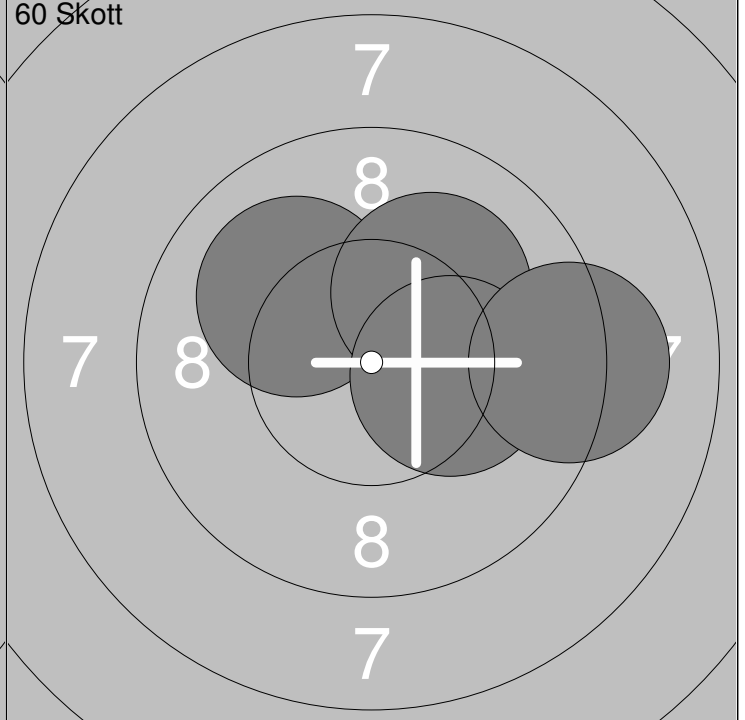
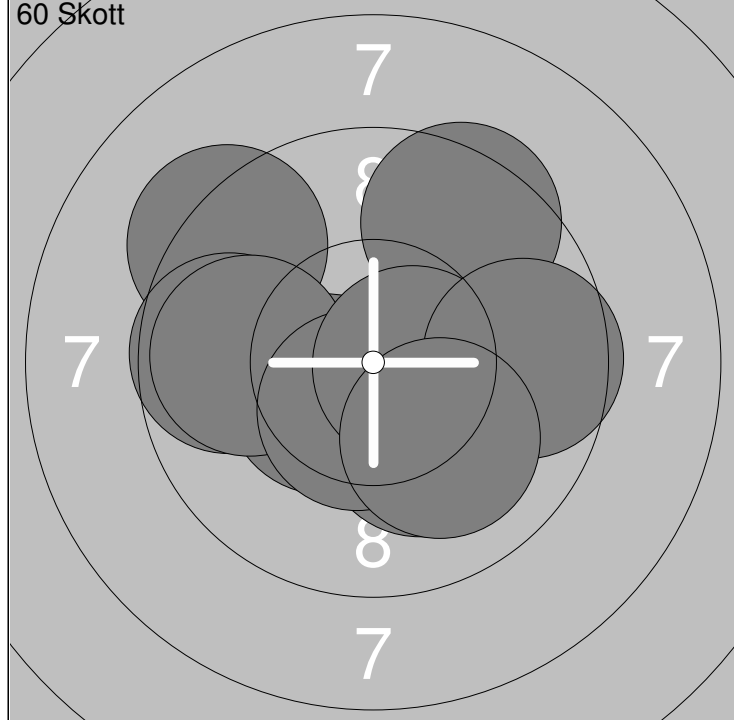
11: 9.6 ↘	16: 8.6 →	Serie	95.2
12: 9.8 ↗	17: 8.0 →		
13: 10.3x ↗	18: 10.0 ←	Total	191.6
14: 10.2x ↗	19: 10.0 ↖		
15: 9.6 ↘	20: 9.1 ↙		

21: 9.2 ↖	Serie	38.3
22: 10.4x ↗		
23: 9.9 ↗	Total	229.9
24: 8.8 ←		



1: 9.7 ←	6: 9.6 →	Serie	60.5
2: 10.7x ↓			
3: 10.7x ↓		Total	0.0
4: 9.4 →			
5: 10.4x ↖			

1: 8.5 →	6: 10.9x →	Serie	96.6
2: 10.2x ↖	7: 9.2 ↗		
3: 10.3x ↘	8: 10.3x ↓	Total	96.6
4: 9.6 ↓	9: 8.0 ←		
5: 10.7x ↙	10: 8.9 →		



11: 10.4x ↙	16: 9.8 ←	Serie	99.7
12: 9.3 ↖	17: 10.5x ↓		
13: 9.7 ←	18: 10.6x →	Total	196.3
14: 9.5 ↗	19: 9.6 →		
15: 10.2x ↓	20: 10.1 ↓		

21: 10.1 ↖	Serie	39.6
22: 10.1 ↗		
23: 10.2x →	Total	235.9
24: 9.2 →		