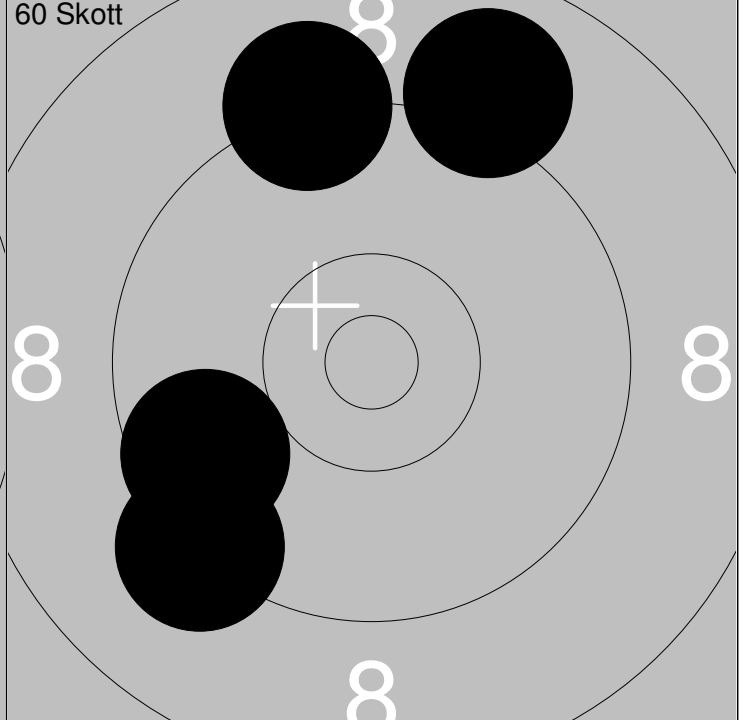
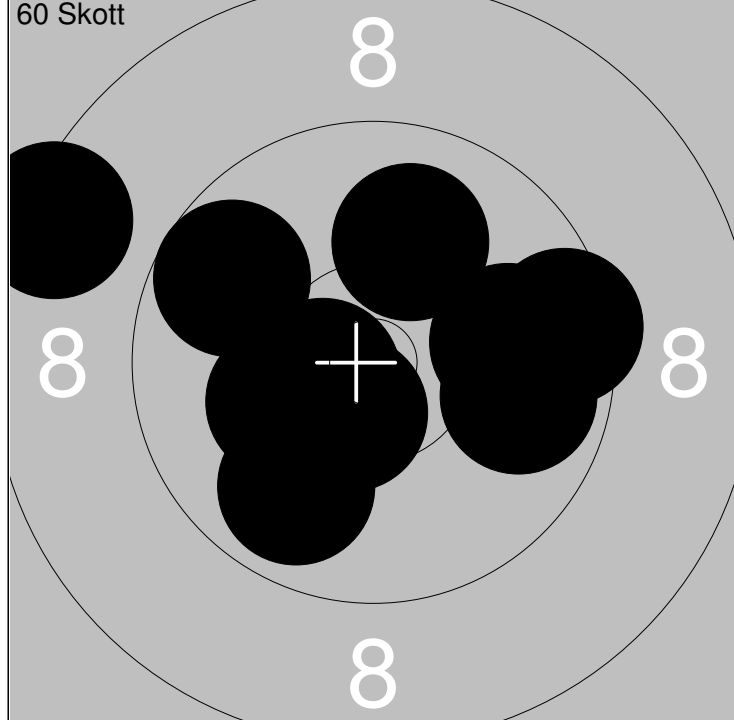


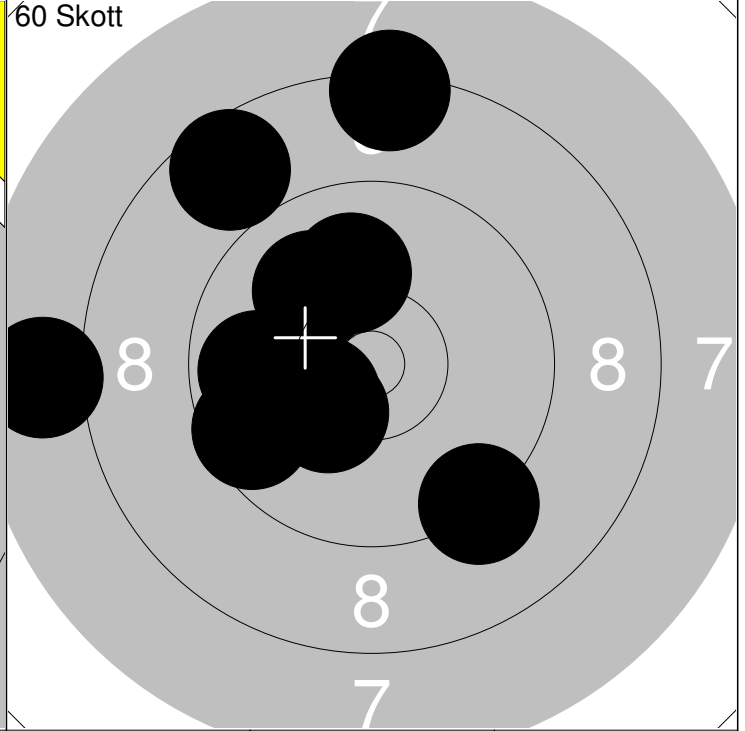
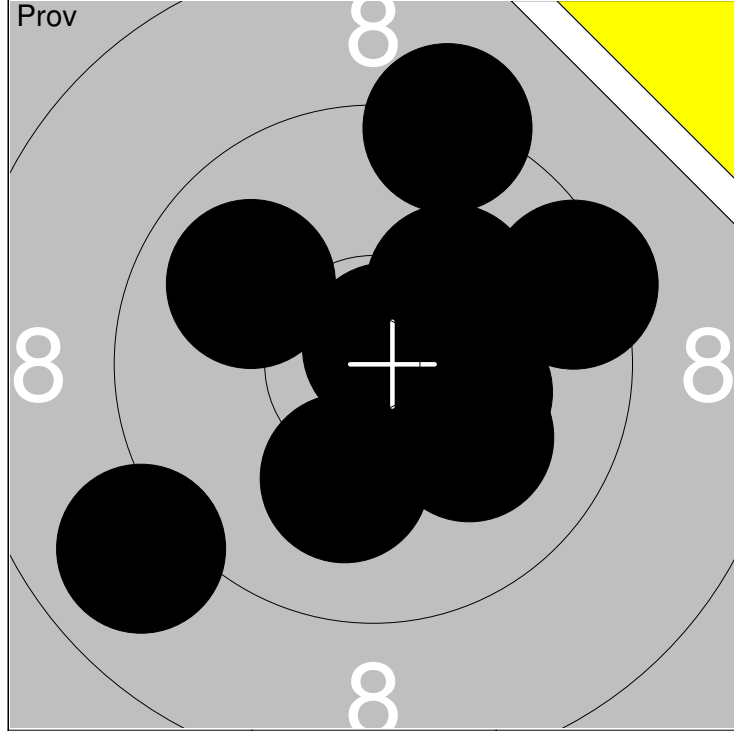
1: 10.0 ↙	6: 10.3 ↑	Serie	86.8
2: 10.5x ←	7: 8.7 ←		
3: 9.6 ←	8: 8.8 ↑	Total	0.0
4: 9.4 ↓	9: 9.7 ↑		
5: 9.8 ←			

1: 10.6x ↘	6: 8.9 ↖	Serie	96.5
2: 10.5x ↑	7: 10.6x ↓		
3: 8.3 ←	8: 9.8 ↑	Total	96.5
4: 9.6 ↗	9: 8.4 →		
5: 10.2 ↑	10: 9.6 ↘		



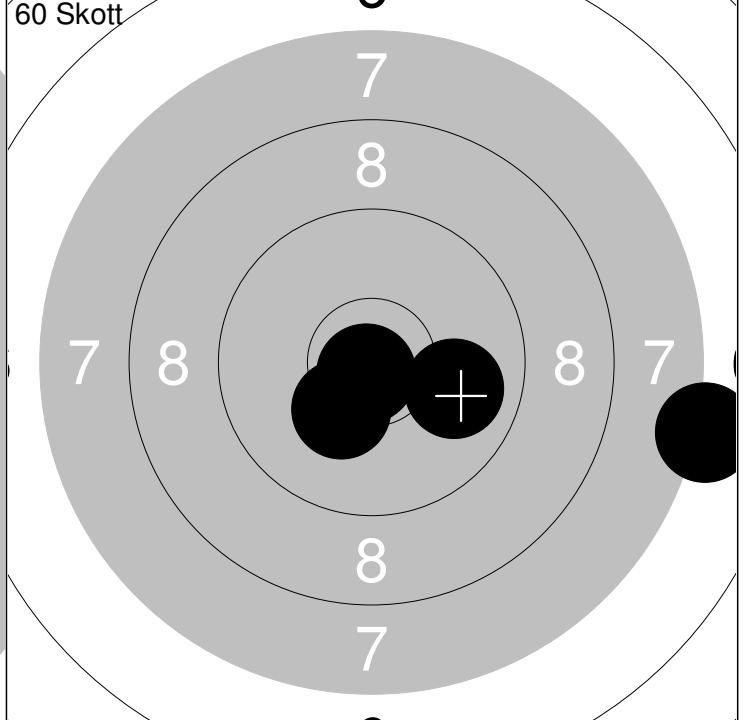
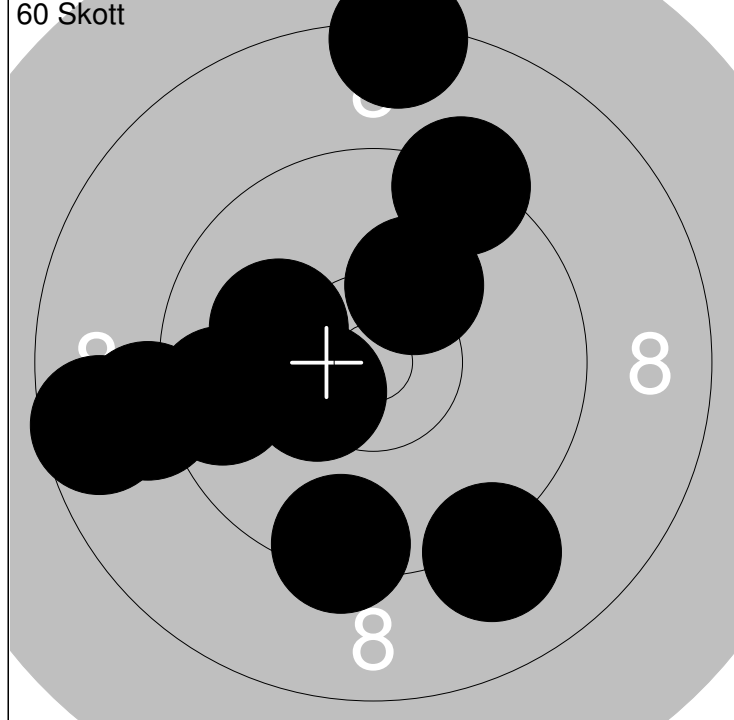
11: 8.5 ↖	16: 10.0 →	Serie	99.2
12: 9.9 ↘	17: 10.5x ↓		
13: 10.6x ←	18: 9.8 ↖	Total	195.7
14: 10.1 ↑	19: 9.9 →		
15: 10.3 ←	20: 9.6 →		

21: 9.2 ↑	Serie	37.2
22: 9.0 ↑		
23: 9.3 ↘	Total	232.9
24: 9.7 ←		



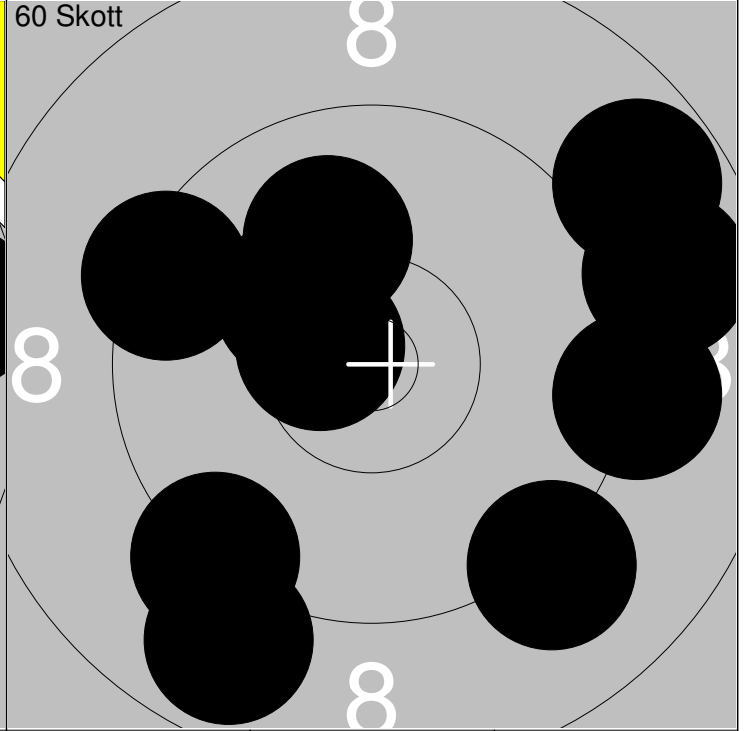
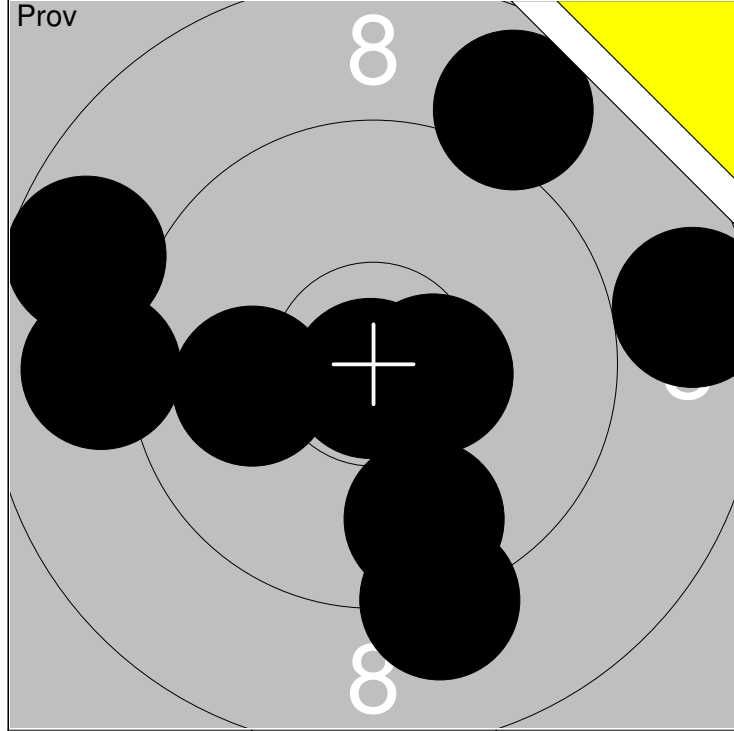
1: 9.5 →	6: 9.0 ←	Serie	89.4
2: 10.8x ↗	7: 10.3 →		
3: 10.0 ↖	8: 10.2 ↗	Total	0.0
4: 9.3 ↑	9: 10.1 ↘		
5: 10.2 ↓			

1: 10.1 ↖	6: 10.1 ↑	Serie	94.8
2: 9.9 ←	7: 8.7 ↖		
3: 9.3 ↓	8: 10.4x ↙	Total	94.8
4: 10.3 ↙	9: 9.7 ←		
5: 7.9 ←	10: 8.4 ↑		



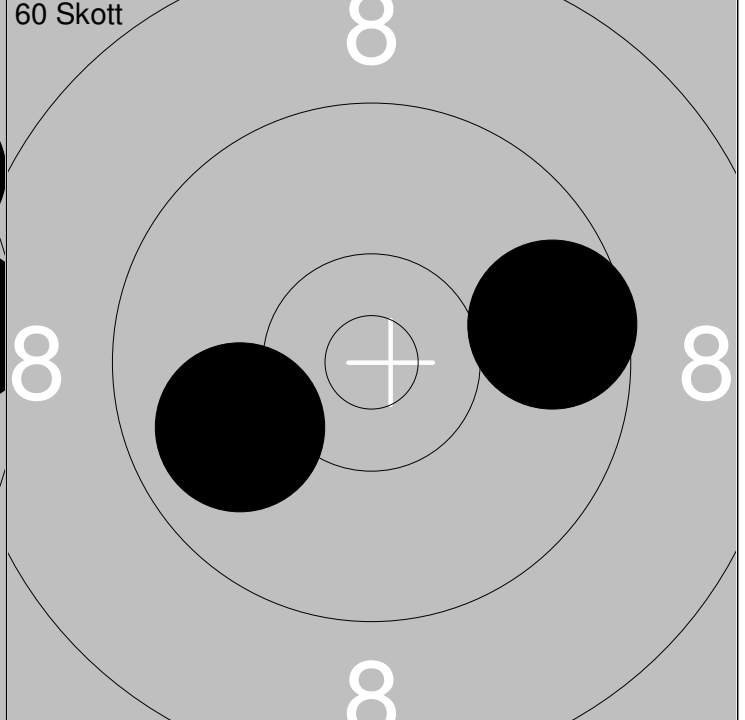
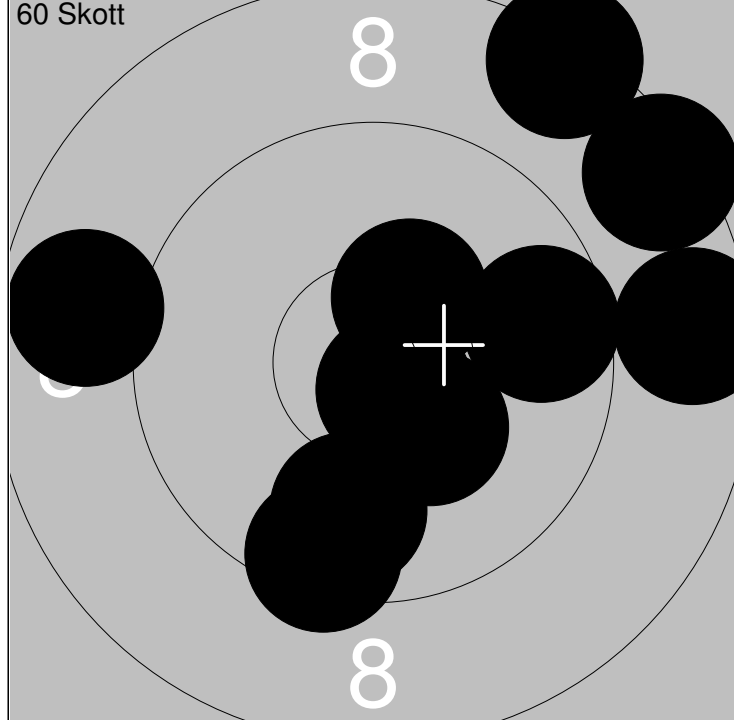
11: 8.7 ←	16: 9.5 ↓	Serie	94.6
12: 8.3 ↑	17: 10.2 ↗		
13: 9.7 ←	18: 9.1 ←	Total	189.4
14: 10.4x ↙	19: 9.2 ↓		
15: 9.4 ↗	20: 10.1 ←		

21: 10.3 ↙	Serie	38.2
22: 10.0 →		
23: 10.8x ↙	Total	227.6
24: 7.1 →		



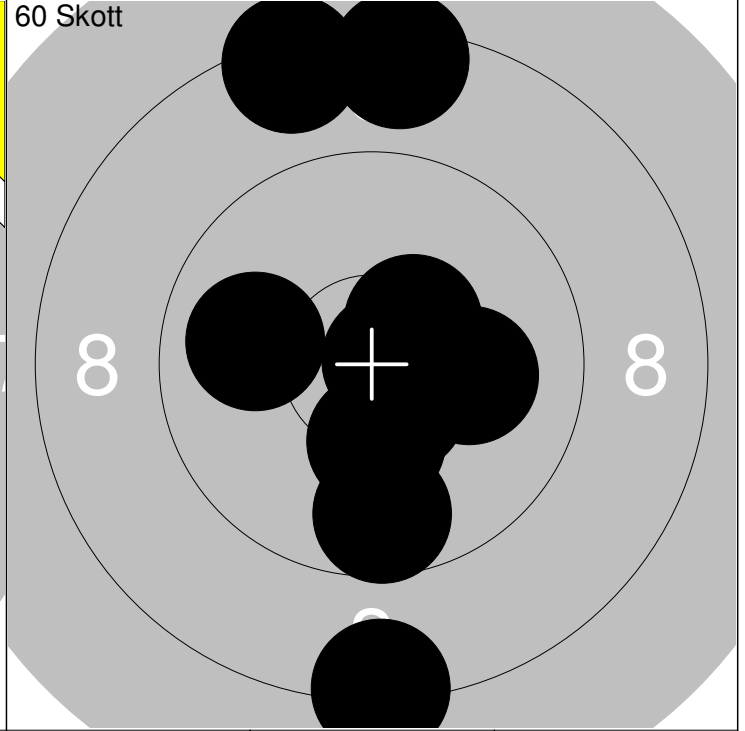
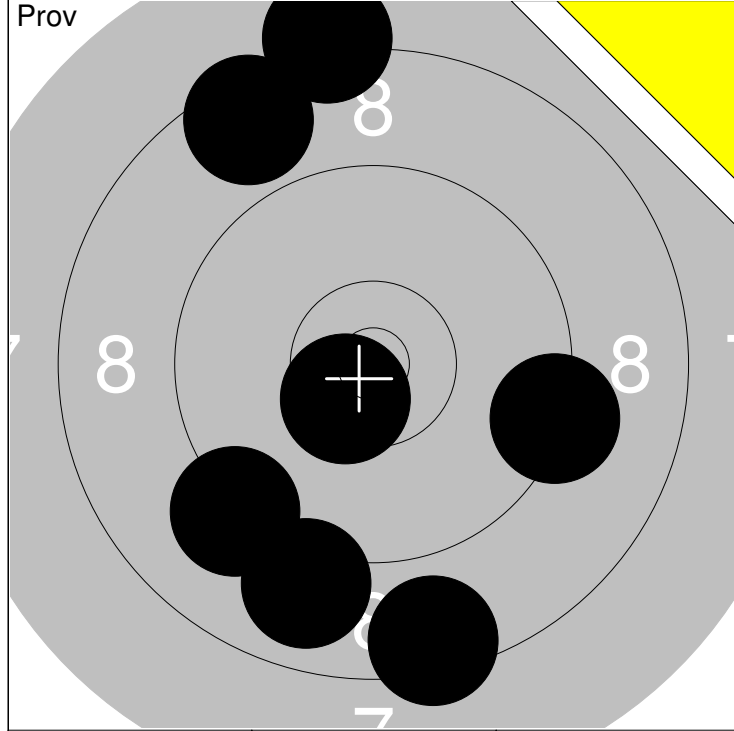
1: 10.5x →	6: 10.8x ↓	Serie	85.8
2: 9.8 ↓	7: 9.0 ←		
3: 8.7 →	8: 9.2 ↓	Total	0.0
4: 8.9 ↗	9: 8.8 ←		
5: 10.1 ←			

1: 9.2 ↓	6: 9.5 ←	Serie	94.8
2: 9.2 →	7: 8.8 ↗		
3: 9.3 ↙	8: 8.9 ↓	Total	94.8
4: 8.9 →	9: 10.1 ↗		
5: 10.3 ↖	10: 10.6x ←		



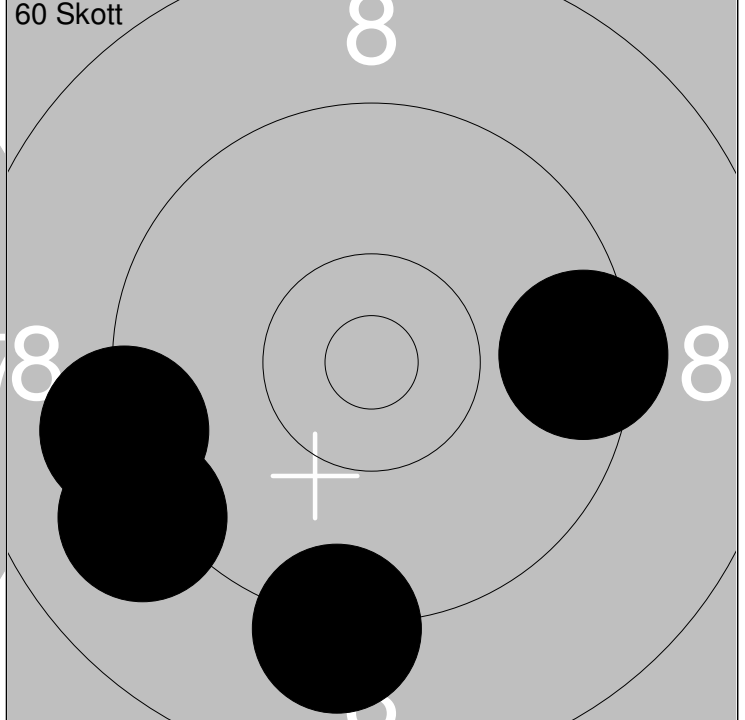
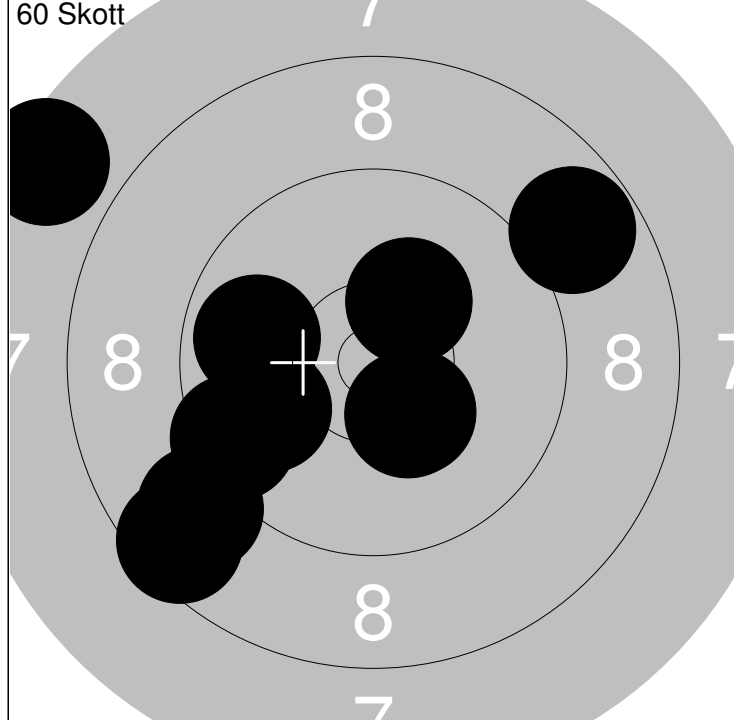
11: 9.7 →	16: 10.3 ↓	Serie	95.0
12: 9.5 ↓	17: 8.4 ↗		
13: 9.9 ↓	18: 8.7 →	Total	189.8
14: 10.7x ↓	19: 8.9 ←		
15: 10.4x ↗	20: 8.5 ↗		

21: 10.0 ←	Serie	19.7
22: 9.7 →		
	Total	209.5



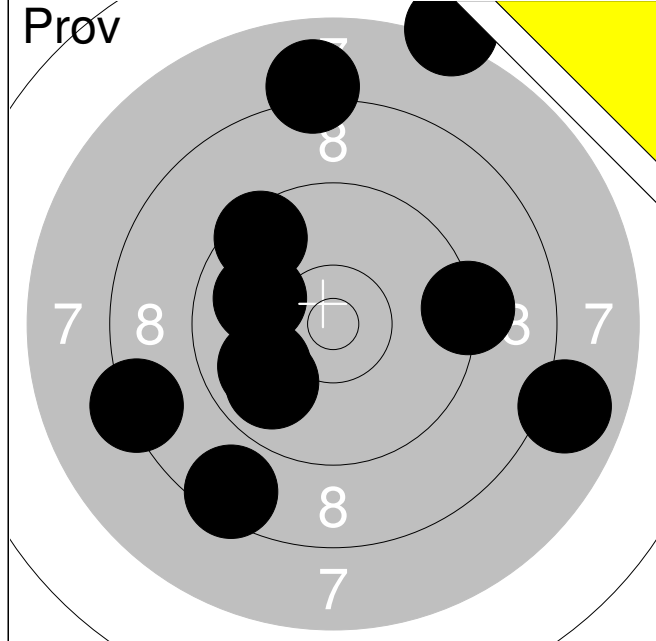
1: 9.0 ↓	6: 9.3 →	Serie	63.3
2: 8.6 ↖	7: 9.2 ↙		
3: 8.1 ↑		Total	0.0
4: 10.6x ↙			
5: 8.5 ↓			

1: 10.8x →	6: 10.2 →	Serie	97.3
2: 10.6x ↙	7: 8.4 ↑		
3: 10.5x ↗	8: 8.3 ↓	Total	97.3
4: 10.0 ←	9: 8.5 ↑		
5: 9.7 ↓	10: 10.3 ↓		

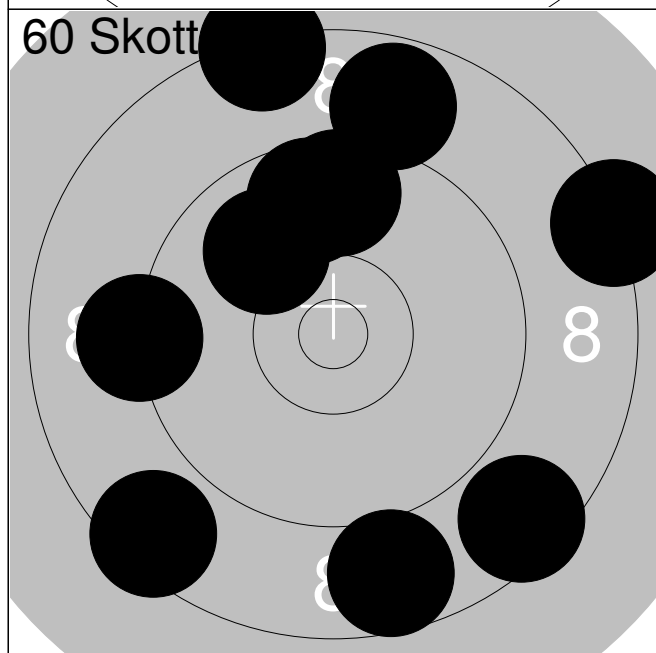


11: 9.9 ←	16: 7.5 ↖	Serie	94.2
12: 9.5 ←	17: 9.9 ←		
13: 8.9 ↙	18: 10.4x ↙	Total	191.5
14: 10.4x ↙	19: 8.6 ↙		
15: 8.8 ↗	20: 10.3 ↗		

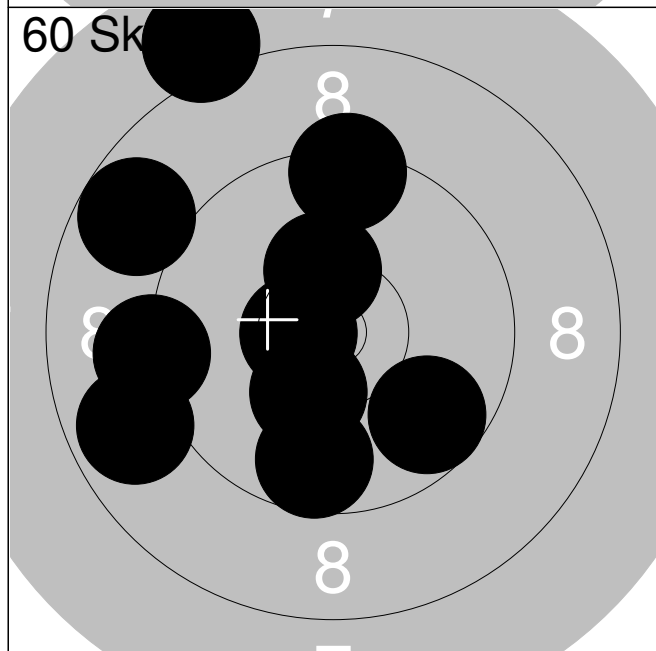
21: 9.1 ↙	Serie	37.1
22: 9.5 →		
23: 9.3 ←	Total	228.6
24: 9.2 ↓		



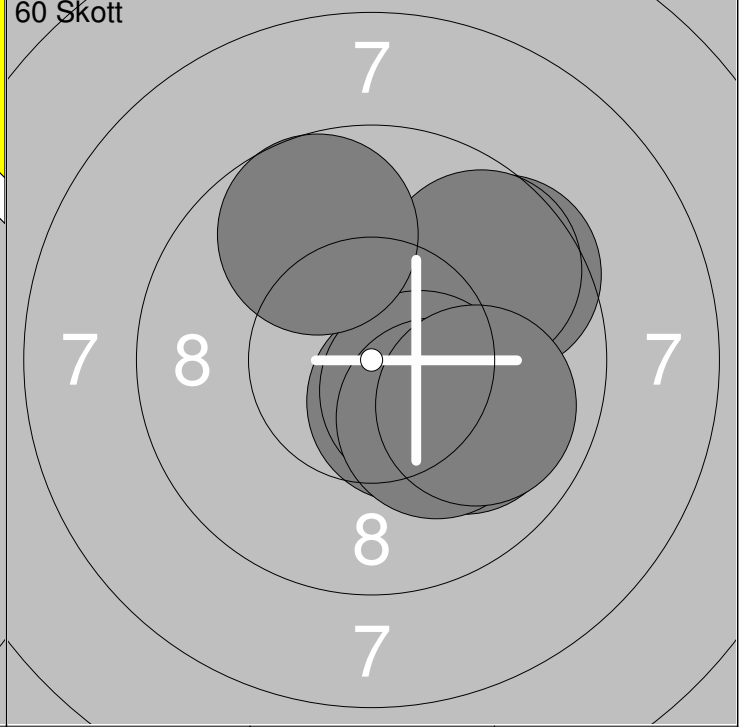
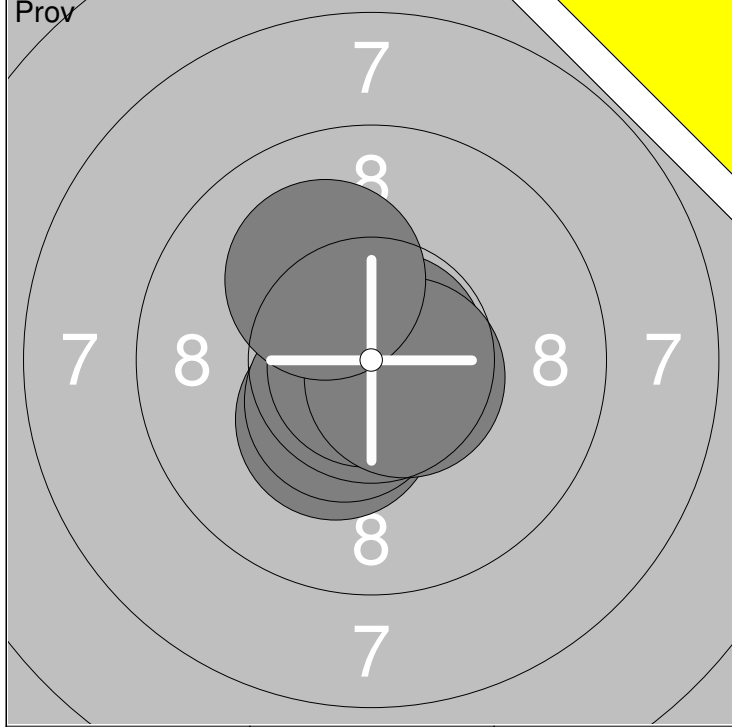
1:	8.6	↘
2:	10.0	↖
3:	8.4	←
4:	7.1	↑
5:	9.9	↙
6:	9.6	↗
7:	8.0	→
8:	10.0	↖
9:	8.1	↑
10:	9.3	→
<b>Serie</b>	<b>89.0</b>	
<b>Total</b>	<b>0.0</b>	



1:	8.6	↘
2:	8.8	↑
3:	9.2	←
4:	10.0	↗
5:	9.7	↑
6:	8.3	→
7:	8.5	↙
8:	9.7	↑
9:	8.8	↘
10:	8.3	↑
<b>Serie</b>	<b>89.9</b>	
<b>Total</b>	<b>89.9</b>	

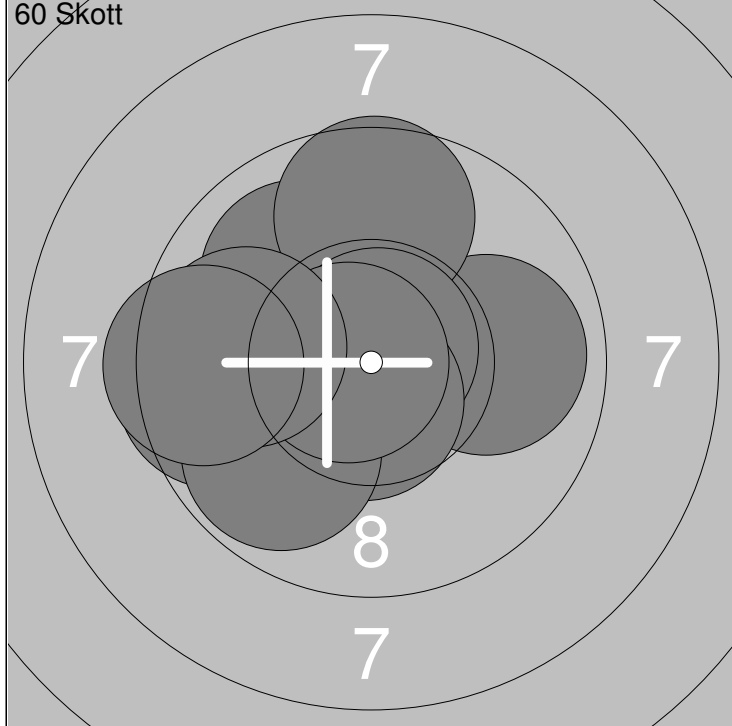


11:	9.7	↓
12:	10.3	↘
13:	8.9	←
14:	9.2	←
15:	10.6x	←
16:	8.8	↖
17:	9.4	↑
18:	7.9	↗
19:	9.8	↘
20:	10.4	↑
<b>Serie</b>	<b>95.0</b>	
<b>Total</b>	<b>184.9</b>	



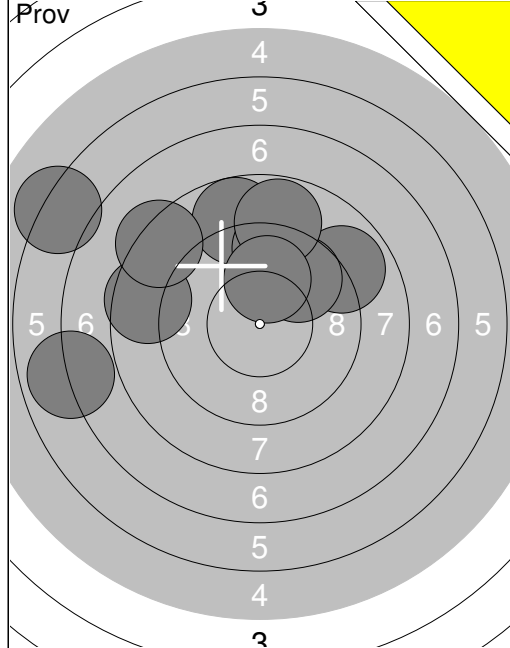
1: 10.3x ↙	6: 10.1 ↗		
2: 10.5x ↙		Serie	63.2
3: 10.8x ↗			
4: 10.9x ↙		Total	0.0
5: 10.6x ↘			

1: 9.6 ↗	6: 10.4x ↙		
2: 10.4x ↘		Serie	100.7
3: 10.3x →	7: 10.0 ↙		
4: 10.5x ↙	8: 10.2x ↙	Total	100.7
5: 9.7 ↗	9: 9.7 ↗		
	10: 9.9 ↘		

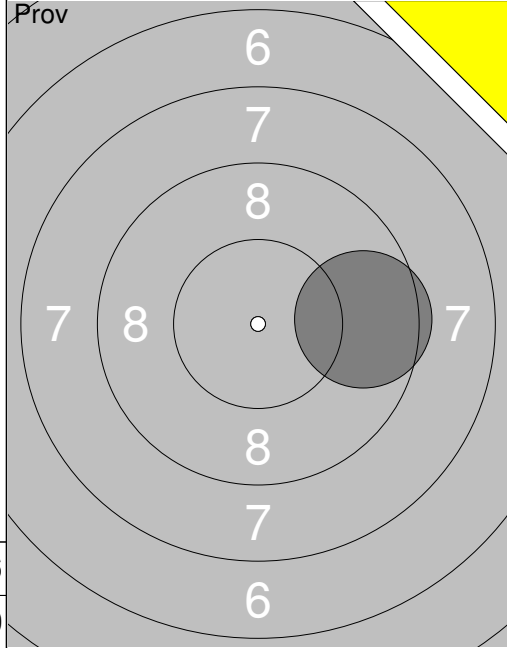


11: 10.0 ↗	16: 10.6x ↓		
12: 9.9 →	17: 9.8 ↙	Serie	100.3
13: 9.6 ↑	18: 10.7x ←		
14: 10.8x ↗	19: 9.8 ←	Total	201.0
15: 9.6 ←	20: 9.5 ←		

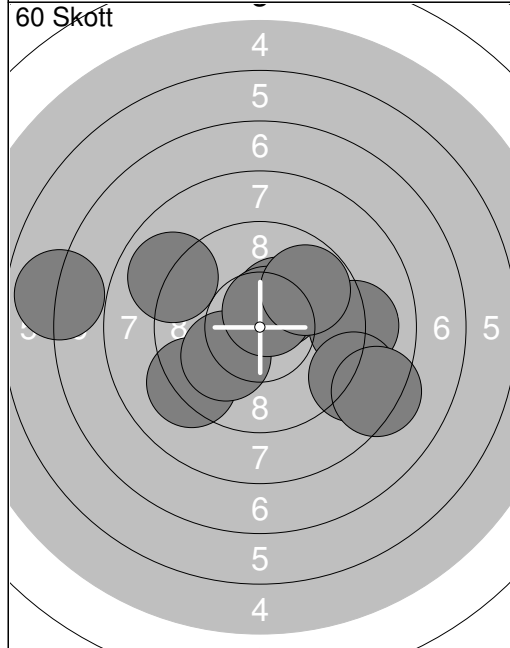
21: 10.4x ↓			
22: 9.7 ↓		Serie	40.5
23: 10.7x ↓			
24: 9.7 ↓		Total	241.5



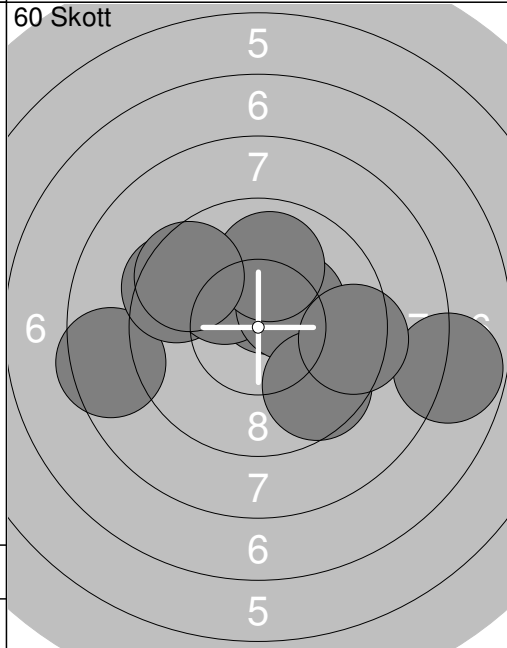
1:	8.8	↑
2:	8.9	↗
3:	9.4	↑
4:	8.6	←
5:	9.7	↗
6:	8.8	↑
7:	8.3	↖
8:	6.9	←
9:	10.0	↑
10:	6.2	↖
Serie		85.6
Total		0.0



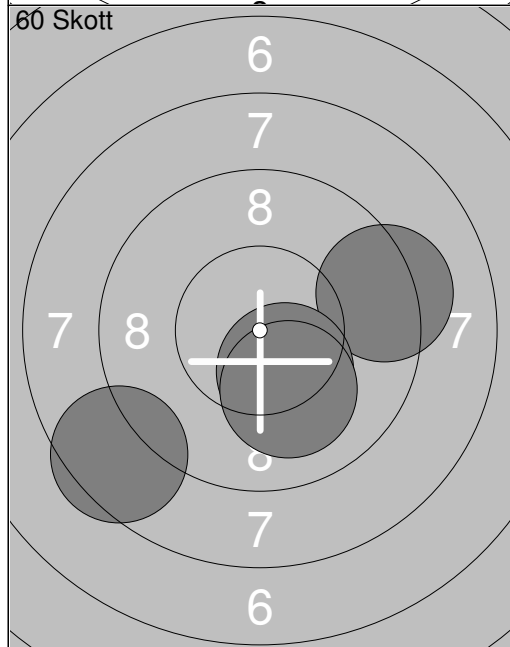
11:	9.6	→
Serie		9.6
Total		0.0



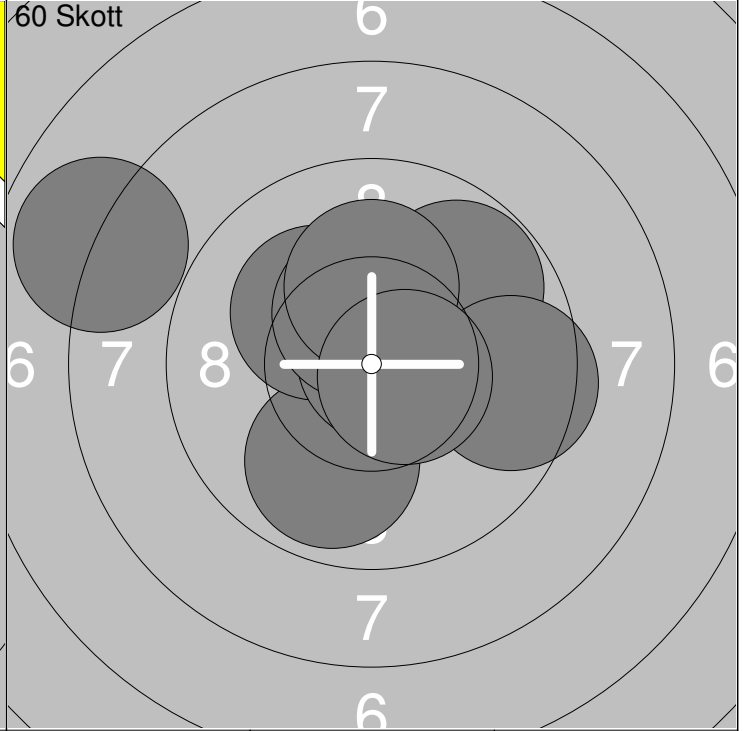
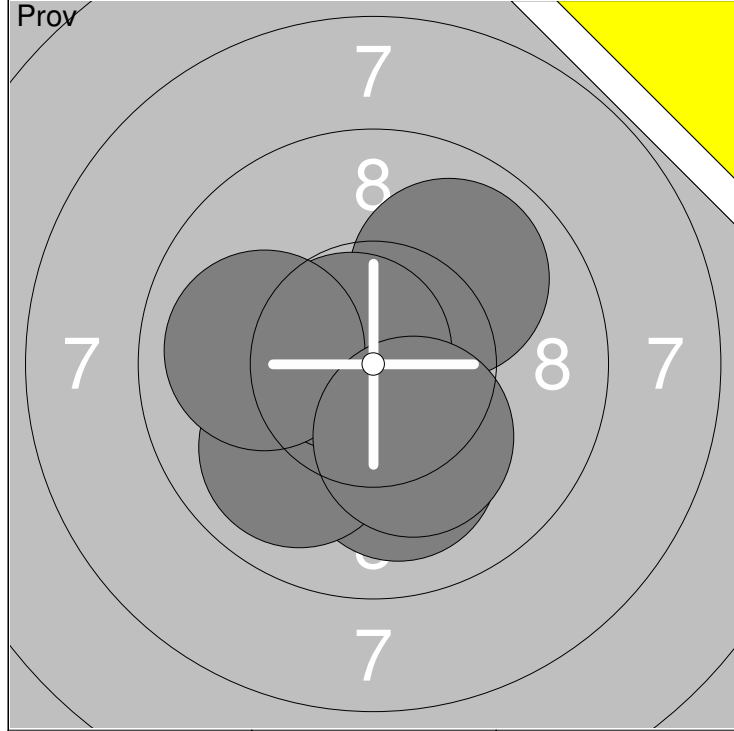
1:	9.2	↖
2:	10.3x	↗
3:	9.1	→
4:	10.1	↖
5:	10.6x	↗
6:	8.8	↘
7:	8.3	↘
8:	9.8	↗
9:	6.9	←
10:	9.0	↖
Serie		92.1
Total		92.1



11:	10.5x	↗
12:	8.5	←
13:	9.5	↖
14:	10.1	↖
15:	10.3x	↗
16:	7.8	→
17:	10.0	↑
18:	9.6	↖
19:	9.6	↘
20:	9.4	→
Serie		95.3
Total		187.4

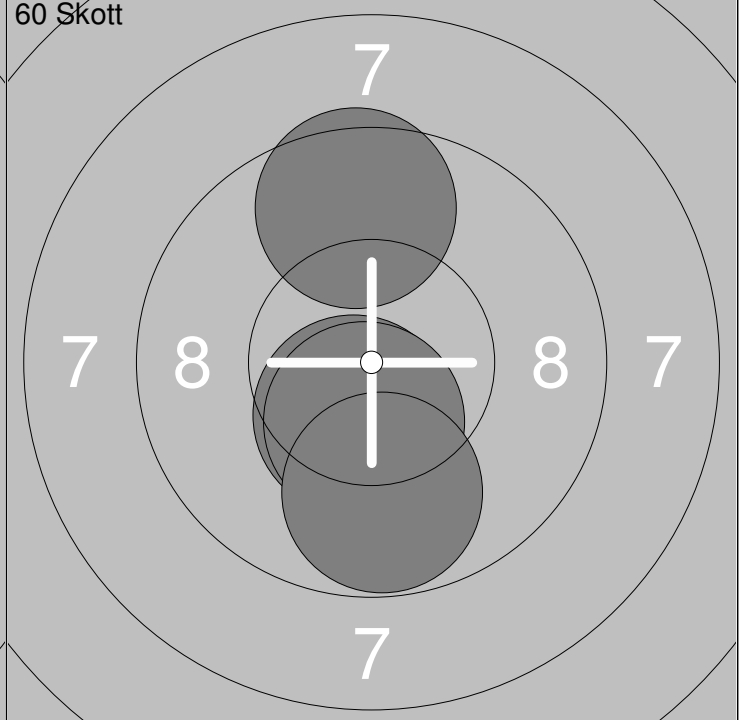
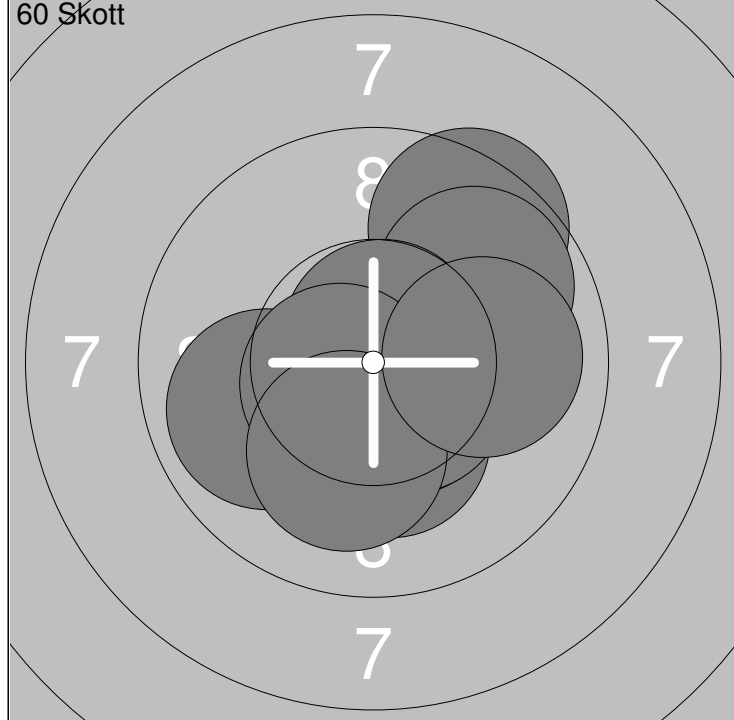


21:	9.2	→
22:	10.3x	↘
23:	10.1	↘
24:	8.5	↖
Serie		38.1
Total		225.5



1: 10.5x ↙	6: 10.0 ←	Serie	71.4
2: 10.1 ↓	7: 10.2x ↓		
3: 10.0 ↘		Total	0.0
4: 9.9 ↗			
5: 10.7x ↖			

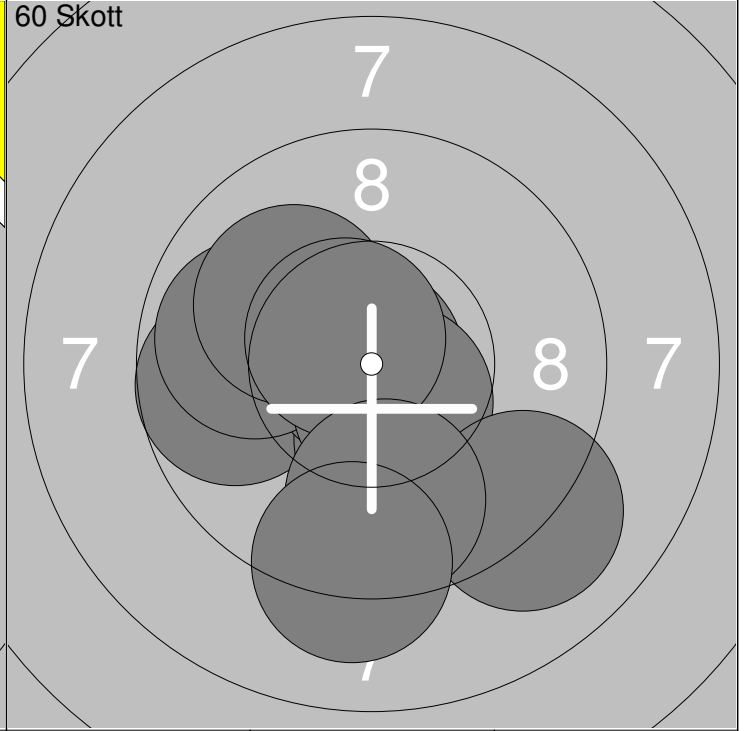
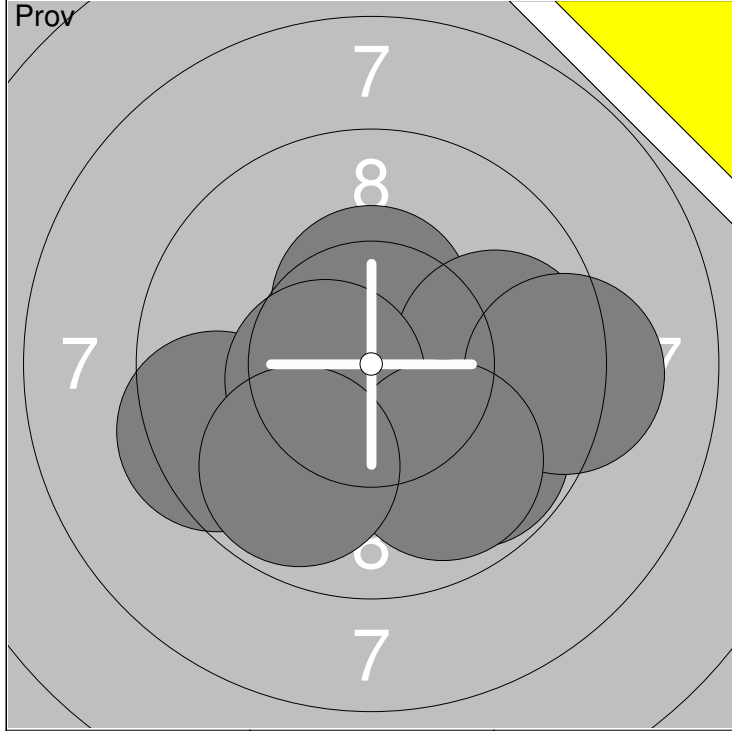
1: 9.9 ↓	6: 9.5 →	Serie	99.5
2: 7.9 ↖	7: 10.8x ↗		
3: 10.2x ↗	8: 10.4x ↑	Total	99.5
4: 9.8 ↗	9: 10.2x ↑		
5: 10.2x ↖	10: 10.6x ↘		



11: 9.5 ↗	16: 10.5x ↘	Serie	102.0
12: 9.8 ↗	17: 10.7x ↗		
13: 10.3x ↓	18: 10.6x ↖	Total	201.5
14: 9.9 ↖	19: 10.1 ↓		
15: 10.6x ↘	20: 10.0 →		

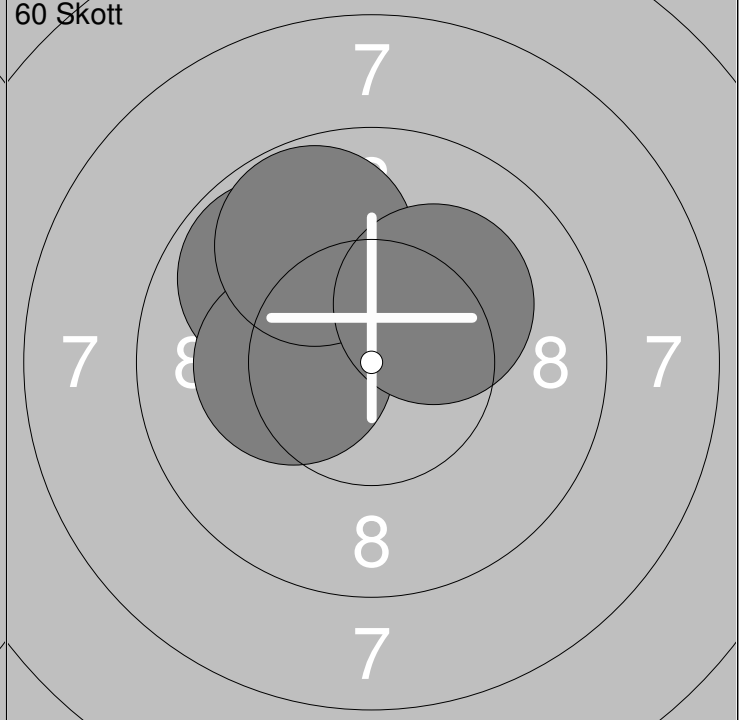
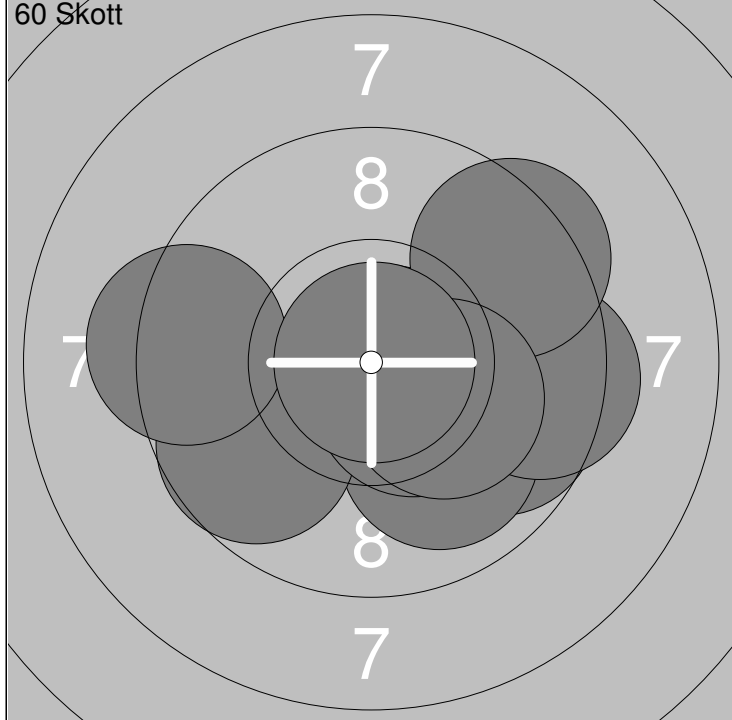
21: 10.5x ↓	Serie	40.3
22: 10.4x ↓		
23: 9.8 ↓	Total	241.8
24: 9.6 ↑		





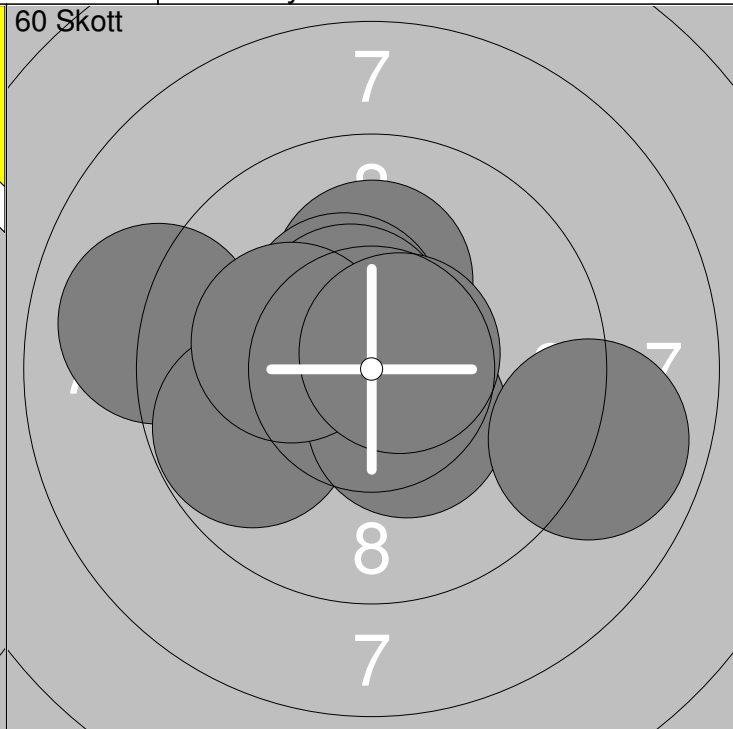
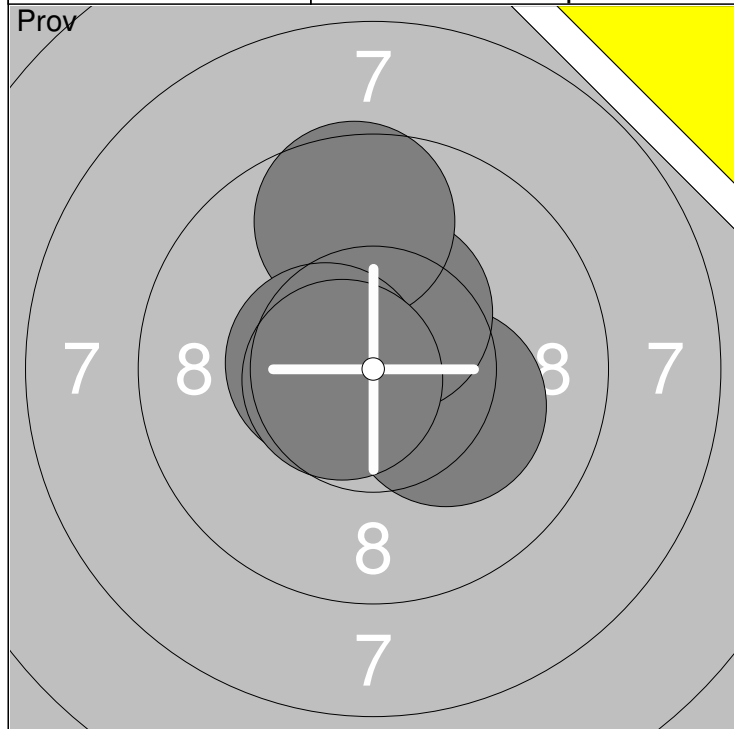
1: 10.4x ↑	6: 10.5x ←	Serie	89.1
2: 9.8 ↘	7: 9.2 →		
3: 10.2x ↘	8: 9.9 ↘	Total	0.0
4: 9.5 ←	9: 9.8 ↙		
5: 9.8 →			

1: 9.7 ←	6: 10.6x ↘	Serie	100.1
2: 10.3x ↘	7: 9.1 ↘		
3: 10.9x ←	8: 10.6x ↗	Total	100.1
4: 9.9 ←	9: 9.7 ↘		
5: 10.1 ↖	10: 9.2 ↘		



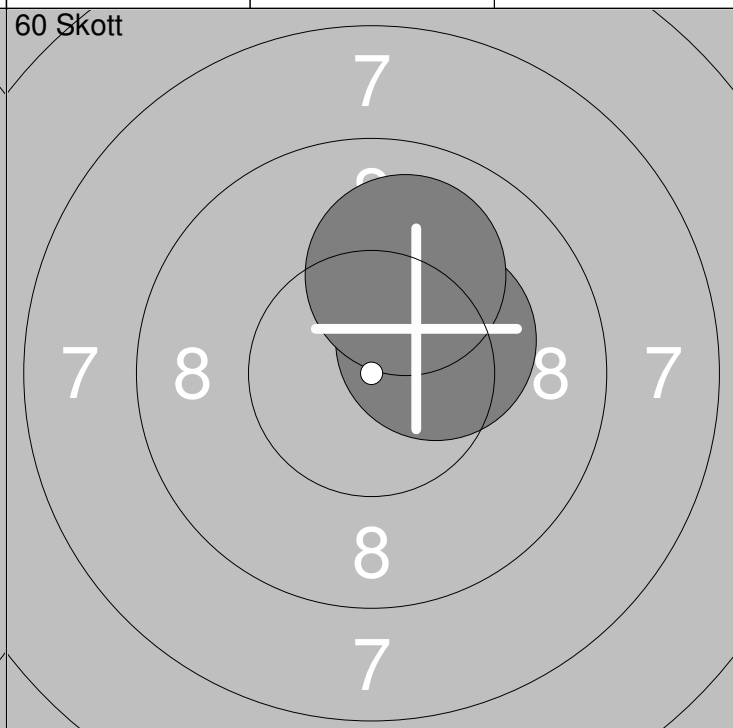
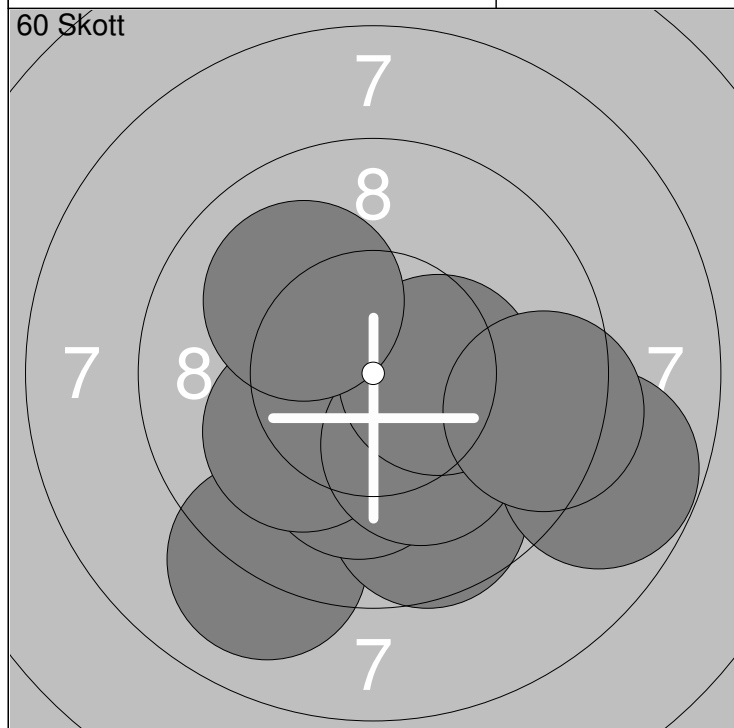
11: 9.7 →	16: 9.7 ←	Serie	99.9
12: 10.0 ↘	17: 10.5x ↘		
13: 10.8x →	18: 9.3 ←	Total	200.0
14: 9.4 →	19: 10.2x ↘		
15: 9.4 ↗	20: 10.9x →		

21: 9.8 ↖	Serie	40.1
22: 10.3x ←		
23: 9.8 ↗	Total	240.1
24: 10.2x ↗		



1: 10.2x ↘	Serie	51.4
2: 10.4x ↗		
3: 9.6 ↗		
4: 10.5x ←		
5: 10.7x ←		
Total		0.0

1: 10.2x ↑	Serie	100.3
2: 9.0 ←		
3: 10.2x ↑		
4: 10.4x ↖		
5: 10.5x ↖		
6: 9.8 ←	Total	100.3
7: 10.4x ↘		
8: 10.2x ←		
9: 8.9 →		
10: 10.7x ↗		



11: 9.0 ↘	Serie	98.7
12: 9.7 ↘		
13: 10.2x ↘		
14: 10.8x ↘		
15: 10.1 ↙		
16: 8.8 →	Total	199.0
17: 10.2x ↘		
18: 10.4x →		
19: 10.1 ↗		
20: 9.4 →		

21: 10.3x ↗	Serie	20.3
22: 10.0 ↗		
Total		219.3