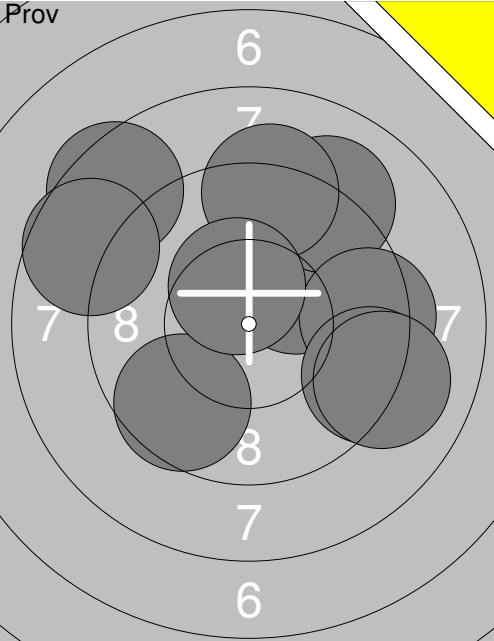
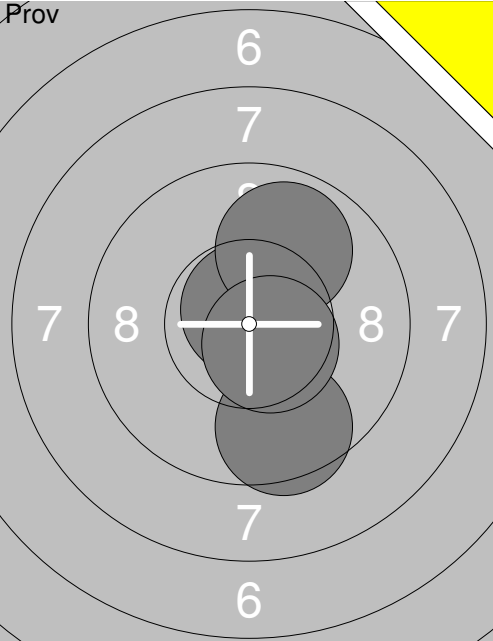
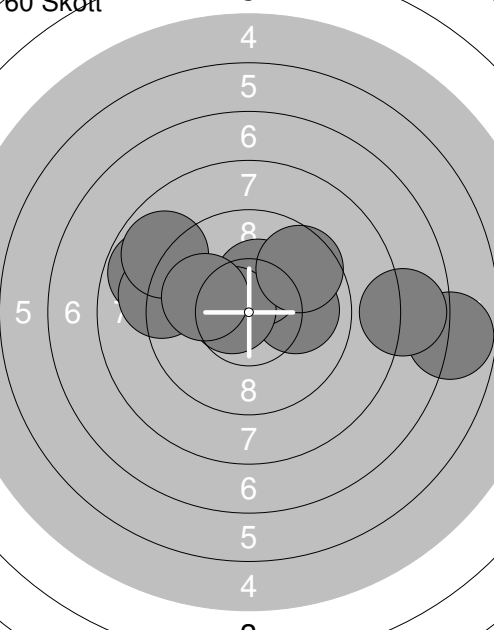
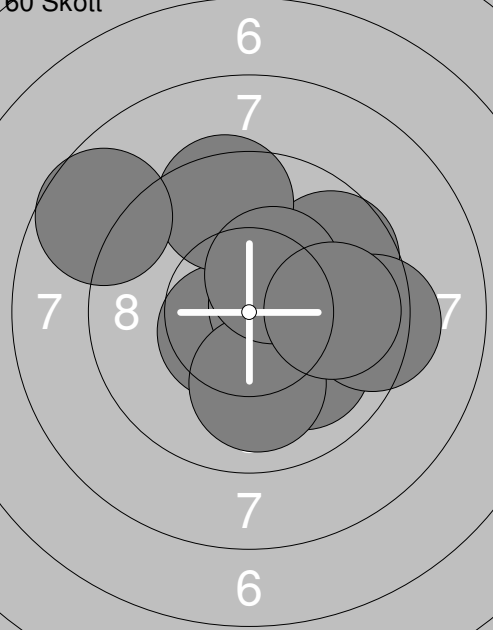
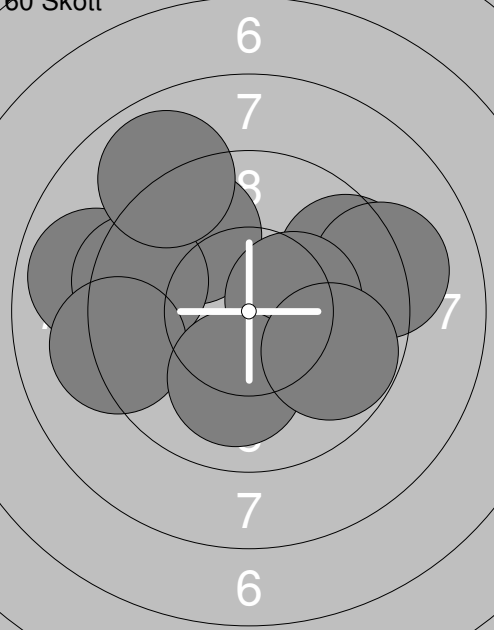
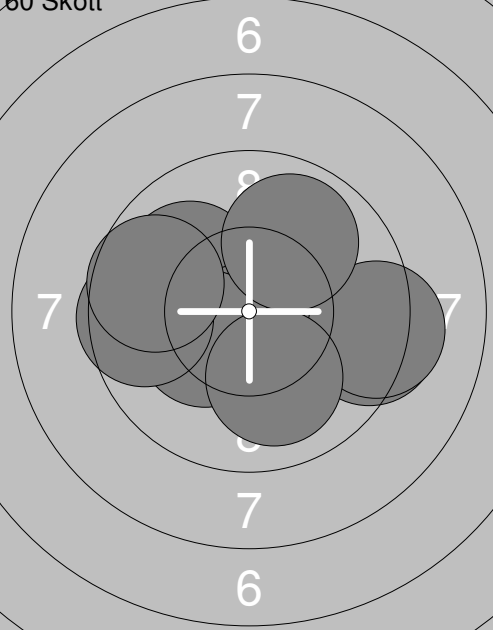


<p style="font-size:0.8em;">Prov</p>	<p>1: 9.4 ↗</p> <p>2: 8.6 ↖</p> <p>3: 9.8 ↗</p> <p>4: 9.7 ↖</p> <p>5: 9.2 ↖</p> <p>6: 9.4 ↗</p> <p>7: 10.4x↗</p> <p>8: 6.9 →</p> <p>9: 7.3 →</p> <p>10: 7.8 →</p> <p>Serie 88.5</p> <p>Total 0.0</p>	<p style="font-size:0.8em;">Prov</p>	<p>11: 10.6x↖</p> <p>12: 8.5 ↓</p> <p>13: 9.8 ↗</p> <p>14: 9.1 ↓</p> <p>15: 9.6 ↗</p> <p>16: 9.3 →</p> <p>17: 9.9 ↖</p> <p>18: 9.3 ←</p> <p>Serie 76.1</p> <p>Total 0.0</p>
--------------------------------------	--	--------------------------------------	---

<p style="font-size:0.8em;">60 Skott</p>	<p>1: 6.1 →</p> <p>2: 9.9 ↗</p> <p>3: 7.7 ↖</p> <p>4: 7.5 ↗</p> <p>5: 9.0 →</p> <p>6: 9.9 ←</p> <p>7: 9.4 →</p> <p>8: 9.9 ↓</p> <p>9: 8.5 ↖</p> <p>10: 8.9 ↗</p> <p>Serie 86.8</p> <p>Total 86.8</p>	<p style="font-size:0.8em;">60 Skott</p>	<p>11: 6.8 ↖</p> <p>12: 7.4 ↖</p> <p>13: 10.0 ↖</p> <p>14: 9.8 →</p> <p>15: 7.9 ↗</p> <p>16: 8.2 ↗</p> <p>17: 10.6x↖</p> <p>18: 7.6 →</p> <p>19: 5.6 ↓</p> <p>20: 9.5 ↗</p> <p>Serie 83.4</p> <p>Total 170.2</p>
--	--	--	--

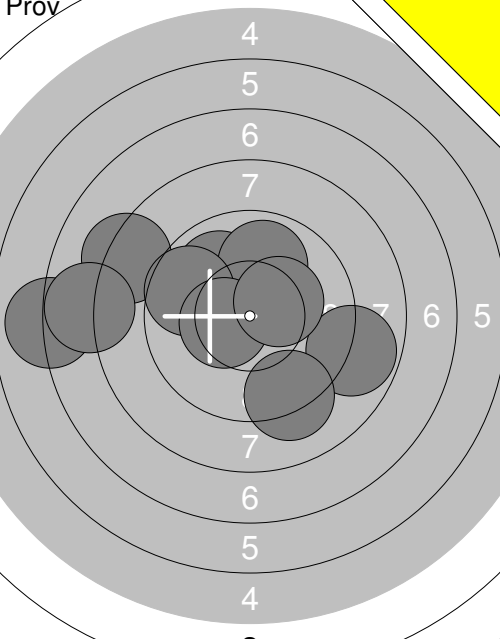
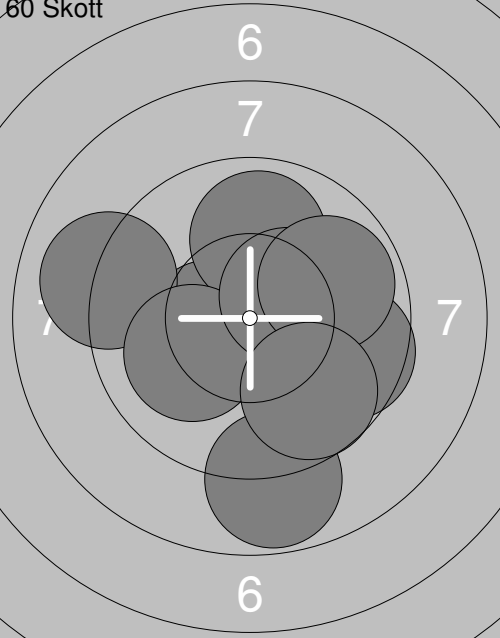
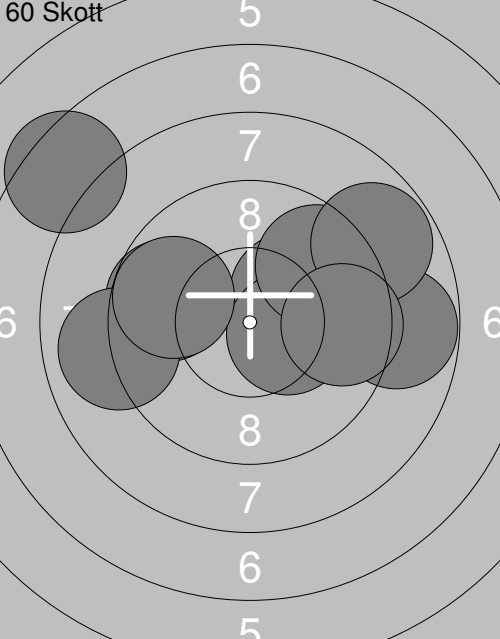
<p style="font-size:0.8em;">60 Skott</p>	<p>21: 8.7 ↖</p> <p>22: 9.5 ↗</p> <p>23: 8.7 ↖</p> <p>24: 8.0 ↗</p> <p>25: 9.0 ↖</p> <p>26: 7.1 ←</p> <p>27: 6.8 ↗</p> <p>28: 8.9 ↗</p> <p>29: 9.8 ↗</p> <p>30: 7.1 ↓</p> <p>Serie 83.6</p> <p>Total 253.8</p>	<p style="font-size:0.8em;">60 Skott</p>	<p>31: 10.0 →</p> <p>32: 9.8 ↗</p> <p>33: 8.9 ↗</p> <p>34: 7.5 ↖</p> <p>35: 9.9 ←</p> <p>36: 10.2x↖</p> <p>37: 9.1 ↗</p> <p>38: 9.4 ↗</p> <p>39: 10.4x↖</p> <p>40: 8.4 ↖</p> <p>Serie 93.6</p> <p>Total 347.4</p>
--	--	--	---

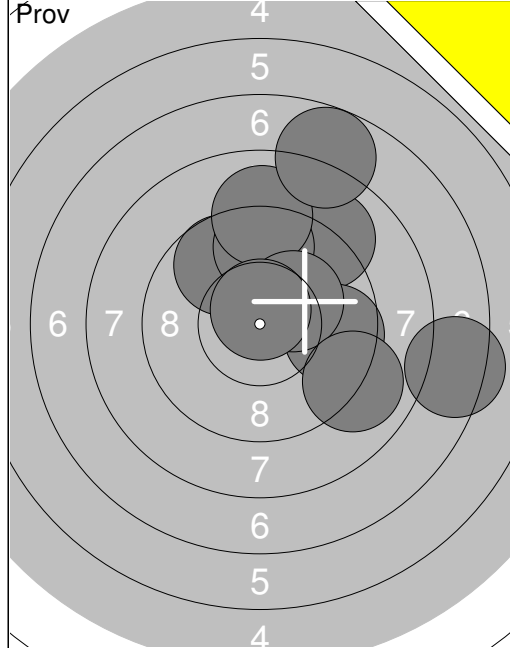
Skjutlag 1	Tavla 14	Karin Johansson	
S		Vännäs SF	
25.02.2018		Vännästräffen 2018	Umeå skytteallians
Prov 	1: 8.5 ↗ 2: 8.7 ↖ 3: 10.1 ↗ 4: 9.1 ↗ 5: 9.2 ↑ 6: 9.4 → 7: 9.2 → 8: 9.6 ↘ 9: 10.4x↗ 10: 9.1 →	Prov 	11: 9.5 ↓ 12: 10.8x↗ 13: 9.9 ↗ 14: 10.6x↘
	Serie 93.3 Total 0.0		Serie 40.8 Total 0.0
60 Skott 	1: 10.0 → 2: 10.3x↗ 3: 6.8 → 4: 10.6x↖ 5: 8.8 ↖ 6: 9.6 ↗ 7: 9.1 ↖ 8: 8.9 ↖ 9: 10.0 ↖ 10: 7.8 →	60 Skott 	11: 10.0 ↘ 12: 10.6x↖ 13: 9.7 ↗ 14: 9.5 ↑ 15: 10.6x→ 16: 10.0 ↓ 17: 9.3 → 18: 10.4x↗ 19: 9.9 → 20: 8.7 ↖
	Serie 91.9 Total 91.9		Serie 98.7 Total 190.6
60 Skott 	21: 9.5 ↗ 22: 9.2 → 23: 8.9 ↖ 24: 9.7 ↗ 25: 10.4x→ 26: 9.5 ↖ 27: 8.9 ↗ 28: 9.2 ↖ 29: 10.1 ↓ 30: 9.8 →	60 Skott 	31: 10.0 ↖ 32: 10.7x↓ 33: 10.4x→ 34: 9.3 → 35: 10.3x↖ 36: 9.6 ↖ 37: 9.3 → 38: 10.0 ↓ 39: 9.9 ↗ 40: 9.7 ↖
	Serie 95.2 Total 285.8		Serie 99.2 Total 385.0

<p>Prov</p>	<p>1: 10.3x ↘ 2: 9.3 → 3: 10.1 → 4: 9.1 ↙ 5: 8.8 ↘ 6: 9.1 ↗ 7: 9.5 ↙ 8: 9.2 → 9: 9.2 → 10: 9.8 →</p> <p>Serie 94.4 Total 0.0</p>	<p>Prov</p>	<p>11: 9.1 → 12: 9.9 → 13: 10.2x ↘ 14: 10.0 ← 15: 9.4 ↑</p> <p>Serie 48.6 Total 0.0</p>
-------------	---	-------------	---

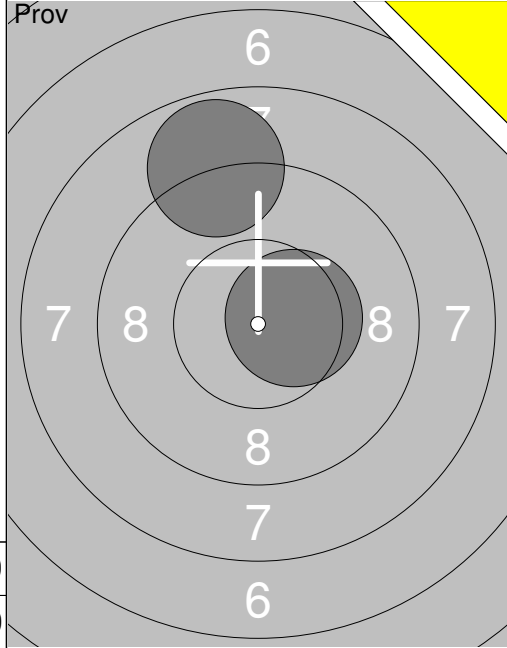
<p>60 Skott</p>	<p>1: 10.7x ↘ 2: 8.4 ↑ 3: 9.5 ↙ 4: 10.8x → 5: 9.3 ← 6: 10.5x → 7: 9.1 ← 8: 10.5x ↑ 9: 8.9 → 10: 10.2x ←</p> <p>Serie 97.9 Total 97.9</p>	<p>60 Skott</p>	<p>11: 10.3x ↘ 12: 9.0 ↙ 13: 9.5 ↙ 14: 10.8x → 15: 10.4x ↘ 16: 9.5 ↘ 17: 9.8 → 18: 10.8x ↗ 19: 10.5x ↗ 20: 8.7 →</p> <p>Serie 99.3 Total 197.2</p>
-----------------	---	-----------------	---

<p>60 Skott</p>	<p>21: 9.8 ↙ 22: 10.1 ↘ 23: 9.4 → 24: 9.8 ↘ 25: 10.4x ↘ 26: 10.4x ↘ 27: 10.5x ↘ 28: 9.4 ↘ 29: 10.2x ↗ 30: 8.2 ←</p> <p>Serie 98.2 Total 295.4</p>	<p>60 Skott</p>	<p>31: 10.3x ↘ 32: 9.5 ↙ 33: 9.7 ↗ 34: 9.9 → 35: 10.2x ↗ 36: 10.5x ↘ 37: 8.4 ↘ 38: 10.3x ↘ 39: 10.3x → 40: 9.7 ↘</p> <p>Serie 98.8 Total 394.2</p>
-----------------	--	-----------------	---

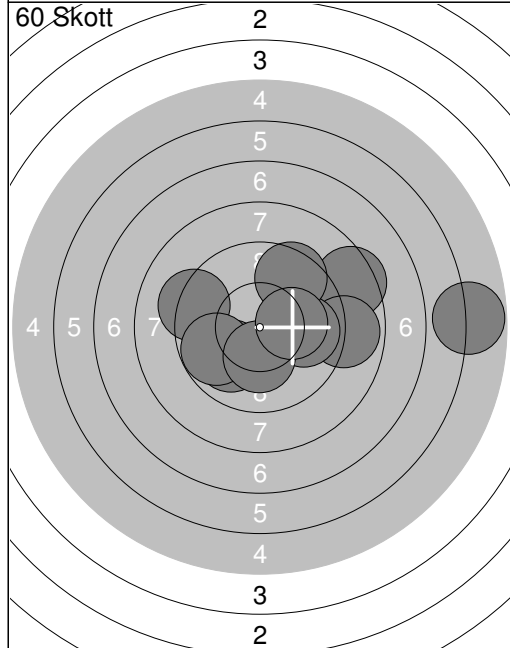
Skjutlag	Tavla	Hanna Augustsson	
1	16		
S	Vännäs SF		
25.02.2018	Vännästräffen 2018	Umeå skytteallians	
Prov		1: 8.8 → 2: 10.0 ↖ 3: 7.0 ← 4: 8.2 ↖ 5: 9.9 ↑ 6: 9.2 ↓ 7: 9.7 ↖ 8: 10.4x ↖ 9: 7.8 ← 10: 10.3x ↗	11: 10.6x ↓ 12: 8.4 ← 13: 6.3 ↖ 14: 10.2x ↓ 15: 10.1 ↖ 16: 10.0 ↓ 17: 9.2 ↖ 18: 8.6 → 19: 10.1 ↘
		Serie 91.3	Serie 83.5
		Total 0.0	Total 0.0
60 Skott		1: 10.4x ↖ 2: 10.1 ↗ 3: 9.9 ↑ 4: 9.6 → 5: 9.0 ← 6: 10.1 ↖ 7: 10.4x ↗ 8: 8.8 ↓ 9: 9.9 → 10: 9.7 ↘	11: 8.0 → 12: 8.6 → 13: 10.0 ↗ 14: 10.3x ↓ 15: 9.0 ↓ 16: 7.5 ↖ 17: 9.5 ↖ 18: 9.2 ↘ 19: 6.5 ↖ 20: 8.0 ↘
		Serie 97.9	Serie 86.6
		Total 97.9	Total 184.5
60 Skott		21: 10.2x ↗ 22: 8.8 → 23: 10.4x → 24: 9.7 ↗ 25: 8.8 ↗ 26: 9.6 → 27: 9.7 ↖ 28: 7.4 ↖ 29: 9.0 ← 30: 9.8 ↖	31: 9.9 ↖ 32: 9.6 → 33: 8.3 ↓ 34: 7.7 ← 35: 7.5 ↖ 36: 10.7x ↓ 37: 9.1 ↑ 38: 8.6 ← 39: 9.1 ← 40: 10.3x →
		Serie 93.4	Serie 90.8
		Total 277.9	Total 368.7



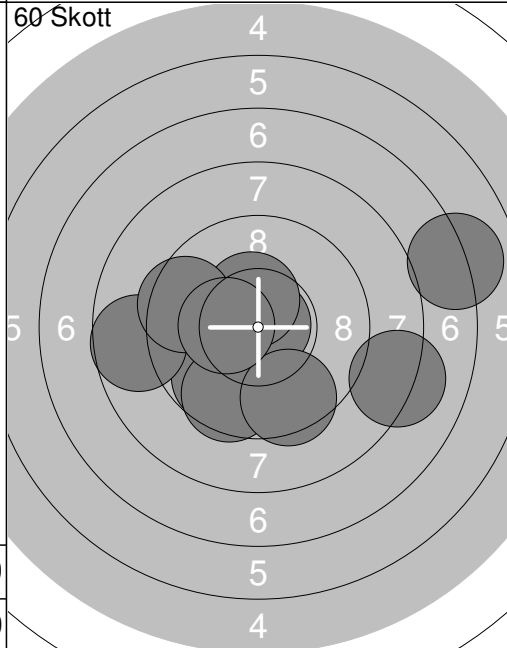
1:	9.7 ↖
2:	9.0 ↗
3:	9.6 ↑
4:	7.4 →
5:	9.0 ↑
6:	9.6 →
7:	10.2x ↗
8:	9.0 ↘
9:	7.8 ↗
10:	10.7x↑
Serie	92.0
Total	0.0



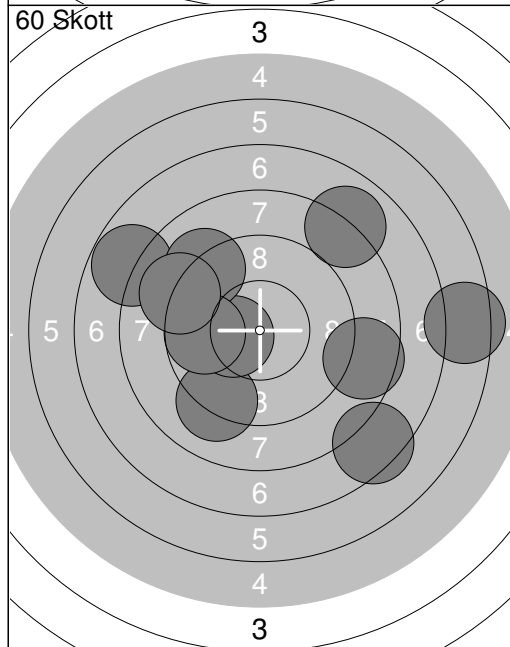
11:	10.5x↗
12:	8.8 ↑
Serie	19.3
Total	0.0



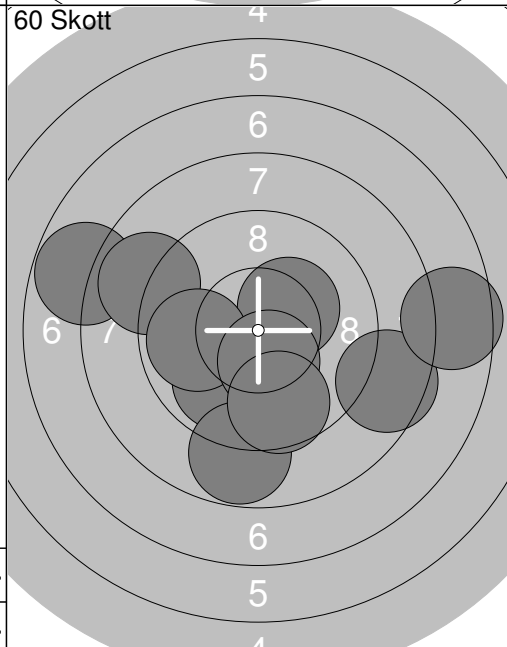
1:	8.5 ↗
2:	9.9 ↙
3:	8.9 →
4:	9.9 →
5:	9.5 ↗
6:	9.2 ←
7:	5.8 →
8:	9.8 ←
9:	10.2x↓
10:	10.2x→
Serie	91.9
Total	91.9



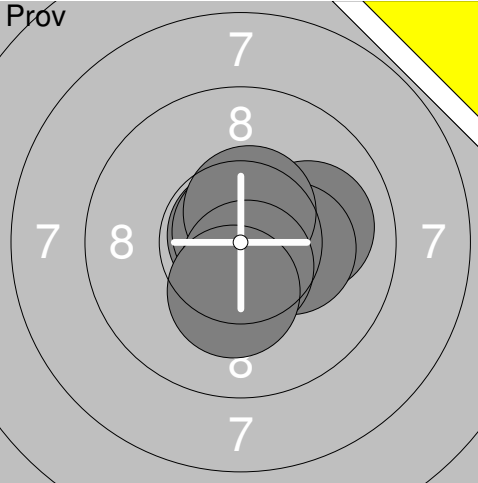
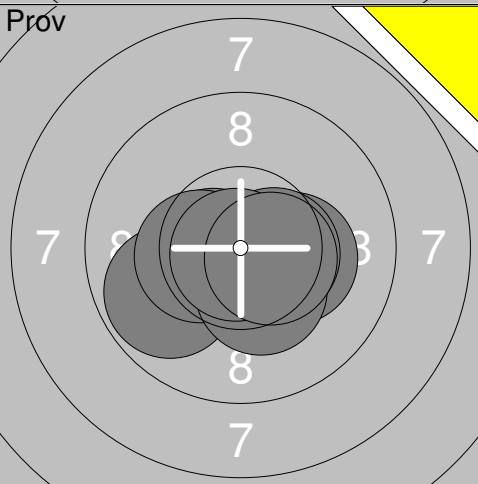
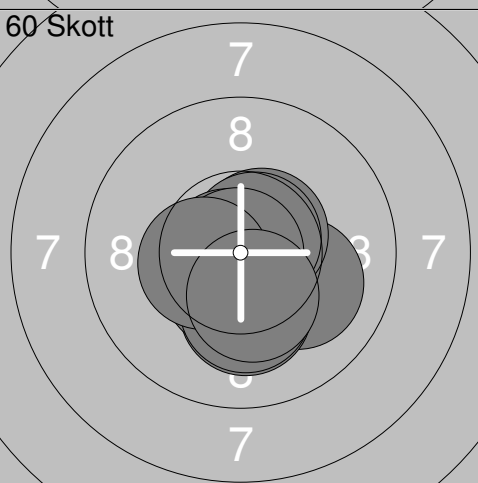
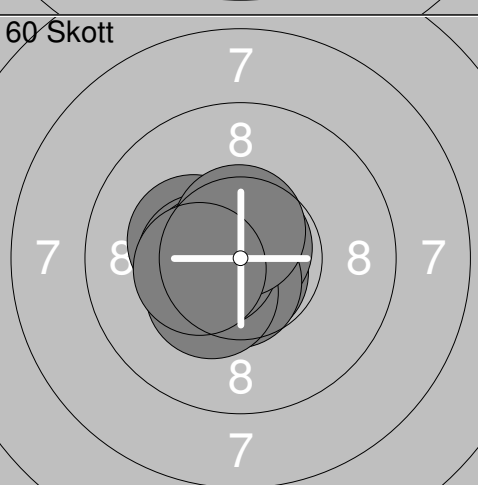
11:	9.8 ↙
12:	10.9x↗
13:	8.7 ←
14:	8.2 →
15:	9.6 ↙
16:	10.4x↑
17:	9.5 ←
18:	7.1 →
19:	9.5 ↙
20:	10.4x←
Serie	94.1
Total	186.0



21:	9.1 ↙
22:	6.4 →
23:	7.8 ↙
24:	8.0 ↗
25:	10.3x←
26:	9.1 ↗
27:	9.7 ←
28:	7.4 ↙
29:	9.0 ←
30:	8.6 →
Serie	85.4
Total	271.4



31:	9.9 ↙
32:	7.8 ←
33:	8.9 ←
34:	10.3x↗
35:	9.9 ←
36:	8.8 ↙
37:	10.4x↓
38:	8.5 →
39:	7.6 →
40:	9.6 ↙
Serie	91.7
Total	363.1

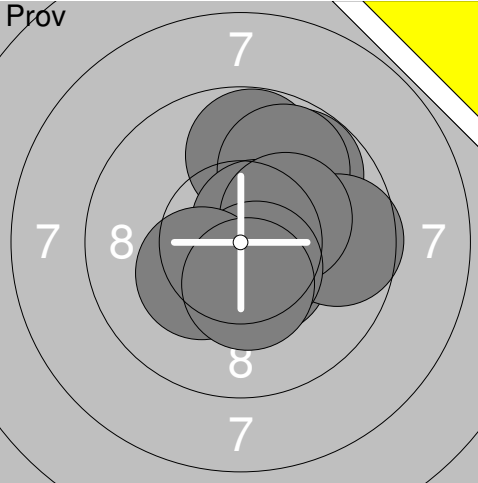
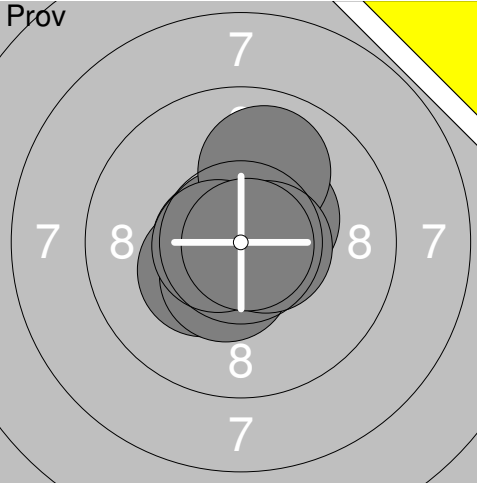
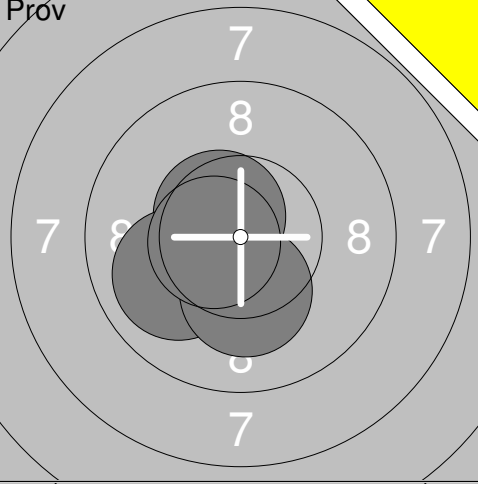
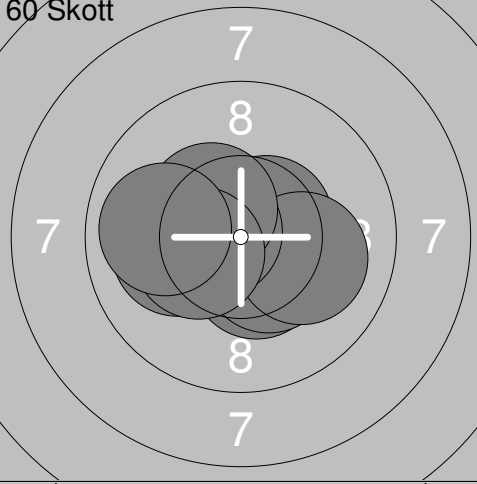
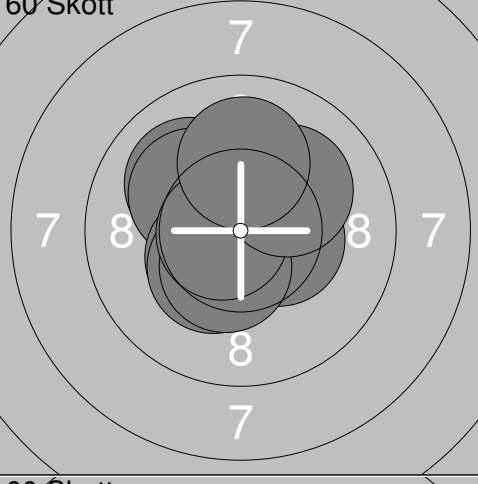
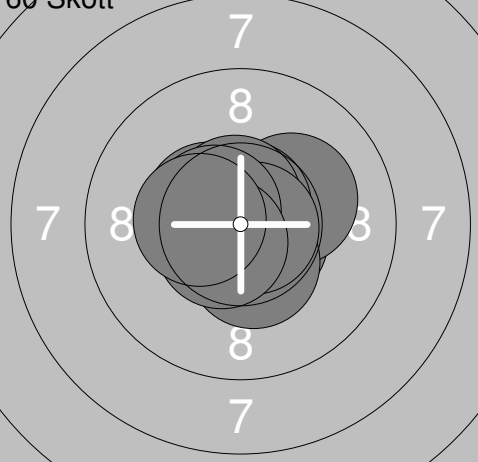
Skjutlag	Tavla	Fluk Jonsson	
1	21		
S	Ramselefors Skf		
25.02.2018	Vännästräffen 2018	Umeå skytteallians	
Prov		1: 10.4x → 2: 10.7x ↘ 3: 10.5x → 4: 10.0 → 5: 10.8x ↗ 6: 10.8x ↗ 7: 10.3x → 8: 10.5x ↗ 9: 10.6x ↘ 10: 10.3x ↘ Serie 104.9 Total 0.0	11: 10.6x ↘ 12: 10.4x ↑ 13: 10.3x ← 14: 10.2x → 15: 10.2x ← 16: 10.6x ↗ 17: 10.2x ↗ 18: 10.5x ↗ 19: 10.5x ← 20: 10.3x ← Serie 103.8 Total 0.0
Prov		21: 10.6x ← 22: 9.8 ← 23: 10.2x → 24: 10.5x → 25: 10.4x ← 26: 10.3x ↘ 27: 10.8x ↘ 28: 10.5x → Serie 83.1 Total 0.0	60 Skott
			1: 10.1 → 2: 10.3x → 3: 10.0 ← 4: 10.8x ↘ 5: 10.3x ↗ 6: 10.0 ↘ 7: 10.4x → 8: 10.6x ↗ 9: 10.5x ← 10: 10.3x ↘ Serie 103.3 Total 103.3
60 Skott		11: 10.1 → 12: 10.2x ↘ 13: 10.6x ↗ 14: 10.7x ↗ 15: 10.5x ↘ 16: 10.8x ← 17: 10.2x ↘ 18: 10.9x ← 19: 10.4x ← 20: 10.3x ↘ Serie 104.7 Total 208.0	60 Skott
			21: 10.2x ↗ 22: 10.3x ← 23: 10.7x ↗ 24: 10.4x → 25: 10.7x ↗ 26: 10.5x ↗ 27: 10.8x ↘ 28: 9.9 ↑ 29: 10.8x ↑ 30: 10.3x ← Serie 104.6 Total 312.6
60 Skott		31: 10.3x ← 32: 10.8x ↘ 33: 10.4x ← 34: 10.8x ↗ 35: 10.6x ← 36: 10.6x ↘ 37: 10.4x ↘ 38: 10.6x ← 39: 10.6x ↑ 40: 10.4x ← Serie 105.5 Total 418.1	

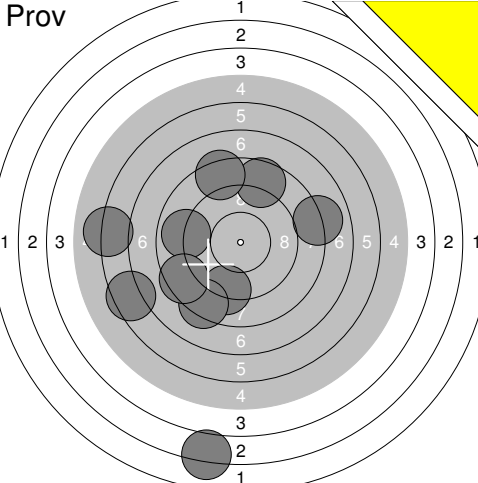
<p>Prov</p>	<p>Prov</p>	
1: 0.0 ↑ 2: 3.6 ↑ 3: 6.2 ↗ 4: 7.4 ↑ 5: 8.7 ↗ 6: 8.9 → 7: 9.7 ↘ 8: 10.2x ↘ 9: 9.8 ↖ 10: 9.8 ↑ Serie 74.3 Total 0.0	11: 10.4x ➤ 12: 10.4x ➤ 13: 10.2x ➤ 14: 10.4x ↘ 15: 9.9 ↘ 16: 9.8 ↘ 17: 10.8x ↖ 18: 9.4 ↘ Serie 81.3 Total 0.0	

<p>60 Skott</p>	<p>60 Skott</p>	
1: 9.7 ↑ 2: 7.0 ↘ 3: 10.0 ↖ 4: 9.5 ↘ 5: 9.4 ↘ 6: 10.6x ➤ 7: 10.3x ↘ 8: 10.5x ↘ 9: 9.8 ↗ 10: 9.7 ↖ Serie 96.5 Total 96.5	11: 10.5x ↘ 12: 10.4x ↘ 13: 10.1 → 14: 10.6x ↗ 15: 10.2x ↘ 16: 10.1 ↖ 17: 9.8 ↗ 18: 10.0 ↑ 19: 10.5x ↑ 20: 10.3x ↗ Serie 102.5 Total 199.0	

<p>60 Skott</p>	<p>60 Skott</p>	
21: 10.6x ↗ 22: 10.3x ↗ 23: 10.6x ↑ 24: 9.8 ↗ 25: 9.5 ↘ 26: 10.0 ↘ 27: 10.3x ➤ 28: 10.8x ➤ 29: 9.6 ↘ 30: 9.8 ↘ Serie 101.3 Total 300.3	31: 9.8 ↗ 32: 10.4x ↑ 33: 10.1 → 34: 8.8 ↘ 35: 9.9 ↖ 36: 10.3x ↑ 37: 10.3x ↘ 38: 10.6x ↑ 39: 10.8x ↘ 40: 10.5x ↘ Serie 101.5 Total 401.8	

Skjutlag	Tavla	Niklas Johansson	
1	23		
S	Vännäs SF		
25.02.2018	Vännästräffen 2018	Umeå skytteallians	
Prov 	1: 10.4x↗ 2: 10.7x↗ 3: 9.9 ↗ 4: 10.3x↘ 5: 10.6x↘ 6: 9.6 ↘ 7: 10.6x↗ 8: 9.8 ↖ 9: 10.3x← 10: 10.4x↘	Prov 	11: 10.7x↗ 12: 10.6x↘ 13: 10.1 ↘
	Serie 102.6		Serie 31.4
	Total 0.0		Total 0.0
60 Skott 	1: 10.5x➤ 2: 10.7x➤ 3: 10.0➔ 4: 9.9 ↘ 5: 10.7x↘ 6: 10.2x↘ 7: 10.5x➤ 8: 10.2x↘ 9: 10.7x↗ 10: 10.5x↗	60 Skott 	11: 10.3x➤ 12: 10.3x↘ 13: 10.3x↘ 14: 10.5x← 15: 10.5x➤ 16: 10.2x➤ 17: 10.4x↘ 18: 10.6x↘ 19: 10.2x↘ 20: 10.7x↘
	Serie 103.9		Serie 104.0
	Total 103.9		Total 207.9
60 Skott 	21: 10.4x➤ 22: 10.2x← 23: 10.8x➤ 24: 10.4x↘ 25: 10.3x➤ 26: 10.3x← 27: 10.0➔ 28: 10.2x➤ 29: 10.8x➤ 30: 10.8x↗	60 Skott 	31: 10.5x➤ 32: 10.6x↘ 33: 9.9 ➔ 34: 10.4x↘ 35: 9.8 ↗ 36: 10.3x↗ 37: 9.6 ↗ 38: 10.6x↘ 39: 10.2x↗ 40: 10.6x←
	Serie 104.2		Serie 102.5
	Total 312.1		Total 414.6

Skjutlag 1	Tavla 24	Rasmus Alfredsson			
S		Umeå Skf			
25.02.2018		Vännästräffen 2018		Umeå skytteallians	
Prov		1: 9.8 ↗ 2: 9.8 ↑ 3: 9.8 ↗ 4: 10.6x ↗ 5: 10.5x ↓ 6: 9.6 → 7: 10.3x ↗ 8: 10.5x ↓ 9: 10.3x ← 10: 10.4x ↓	Prov		11: 10.6x ← 12: 10.4x ↗ 13: 10.8x ↗ 14: 10.8x ↓ 15: 10.3x ← 16: 9.9 ↑ 17: 10.5x ↓ 18: 10.6x → 19: 10.6x ← 20: 10.8x →
		Serie 101.6		Serie 105.3	
		Total 0.0		Total 0.0	
Prov		21: 10.6x ↗ 22: 10.0 ← 23: 10.2x ↓ 24: 10.6x ←	60 Skott		1: 10.7x ↓ 2: 10.4x ↓ 3: 10.1 ← 4: 10.4x ↓ 5: 10.5x ↗ 6: 10.1 → 7: 10.6x ← 8: 10.4x ↗ 9: 10.3x ← 10: 9.9 ←
		Serie 41.4		Serie 103.4	
		Total 0.0		Total 103.4	
60 Skott		11: 10.8x ← 12: 10.0 ↗ 13: 10.2x ↗ 14: 10.4x ← 15: 10.3x ↓ 16: 10.4x → 17: 10.4x ↓ 18: 10.7x ← 19: 10.1 ↗ 20: 10.0 ↑	60 Skott		21: 10.0 ↗ 22: 10.6x ↗ 23: 10.3x ← 24: 10.3x ← 25: 10.2x ← 26: 10.5x ↓ 27: 10.5x ↓ 28: 10.6x ↗ 29: 10.6x ↓ 30: 9.9 →
		Serie 103.3		Serie 103.5	
		Total 206.7		Total 310.2	
60 Skott		31: 10.6x ↓ 32: 10.2x ↗ 33: 10.4x ↓ 34: 10.5x ↗ 35: 10.7x ↑ 36: 10.6x ↗ 37: 10.8x → 38: 10.6x ↗ 39: 10.6x ← 40: 10.4x ←			
		Serie 105.4			
		Total 415.6			

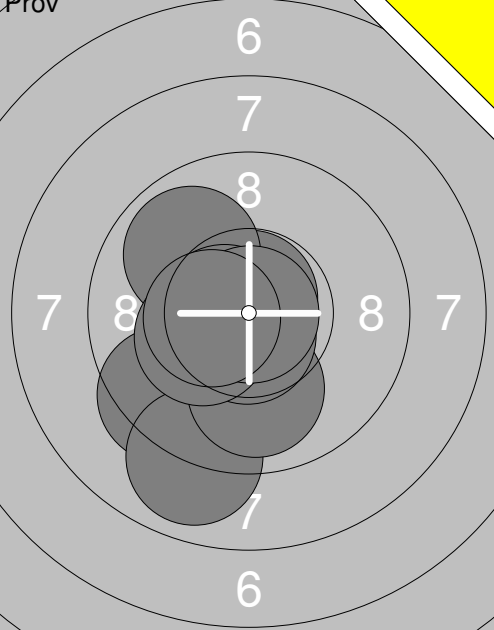
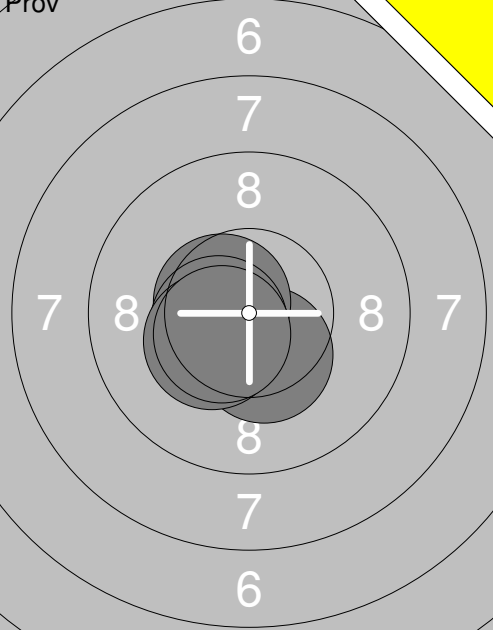
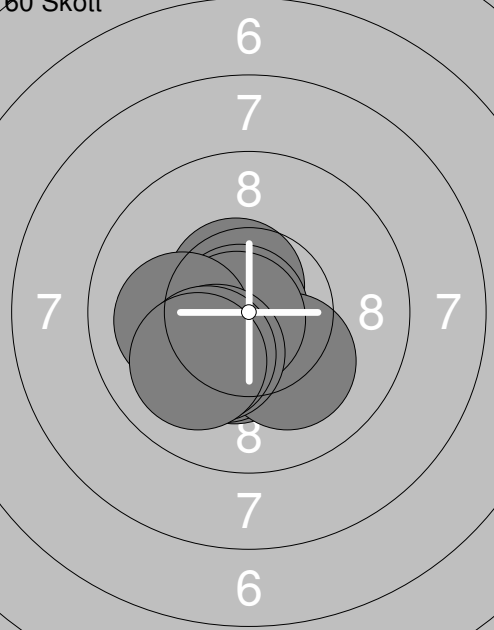

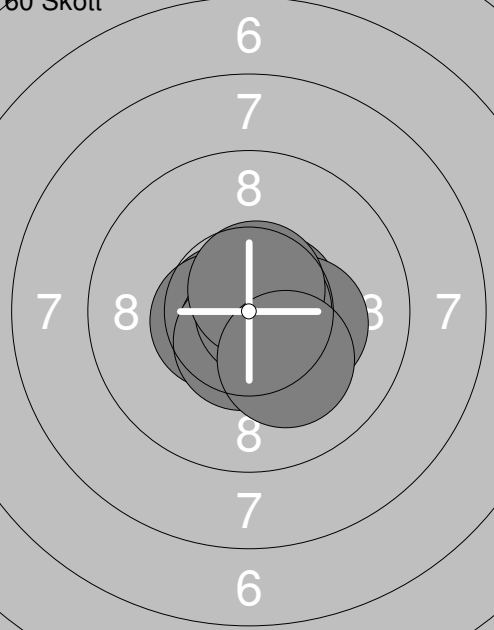
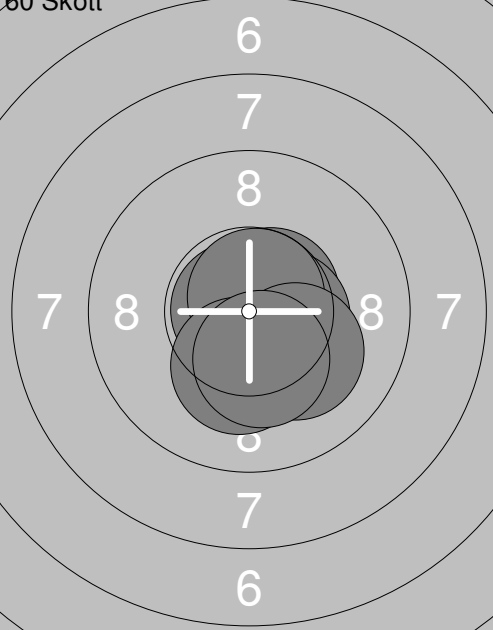
Skjutlag 1	Tavla 25	Robin Alfredsson	
S		Umeå Skf	
25.02.2018		Vännästräffen 2018	
Prov		Umeå skytteallians	
	1: 8.9 ← 2: 3.1 ↓ 3: 9.1 ↓ 4: 8.3 ↓ 5: 8.7 ↑ 6: 8.4 ↑ 7: 8.0 → 8: 8.5 ← 9: 6.5 ← 10: 6.1 ←	Prov	11: 9.0 ↗ 12: 9.2 ↘ 13: 6.8 ↑ 14: 5.9 ↑ 15: 8.6 ↘ 16: 7.1 ↓ 17: 9.5 → 18: 6.2 ← 19: 9.6 ↗ 20: 9.9 ↑
	Serie 75.6 Total 0.0		Serie 81.8 Total 0.0
Prov	21: 7.0 → 22: 7.0 ↓	60 Skott	1: 9.7 ↖ 2: 4.6 ← 3: 8.6 ← 4: 7.0 → 5: 8.0 ← 6: 9.6 ← 7: 9.8 ↗ 8: 6.4 ↓ 9: 7.3 → 10: 10.2x ←
	Serie 14.0 Total 0.0		Serie 81.2 Total 81.2
60 Skott	11: 8.9 ↓ 12: 8.5 ↑ 13: 4.3 → 14: 8.9 ↓ 15: 8.8 ← 16: 7.3 → 17: 8.6 ↓ 18: 8.1 ↓ 19: 5.2 ↑ 20: 5.7 ↑	60 Skott	21: 9.1 ↗ 22: 2.7 → 23: 8.8 ↗ 24: 8.7 → 25: 8.1 ↑ 26: 7.2 ↑ 27: 3.6 → 28: 3.1 ← 29: 5.5 ↘ 30: 10.3x ↓
	Serie 74.3 Total 155.5		Serie 67.1 Total 222.6
60 Skott	31: 5.8 ↗ 32: 5.9 → 33: 9.9 ↗ 34: 4.5 → 35: 9.5 ↑ 36: 7.8 → 37: 6.7 ← 38: 7.3 ↓ 39: 7.9 ↑ 40: 5.9 →		
	Serie 71.2 Total 293.8		

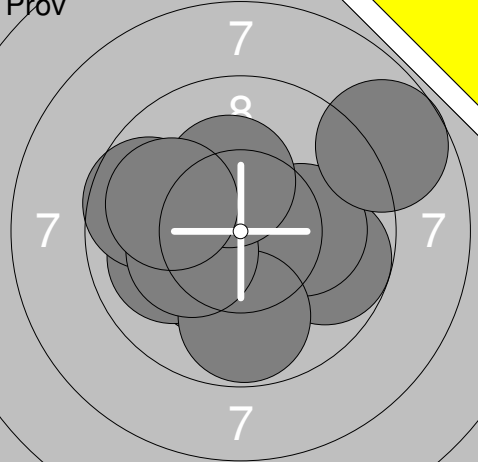
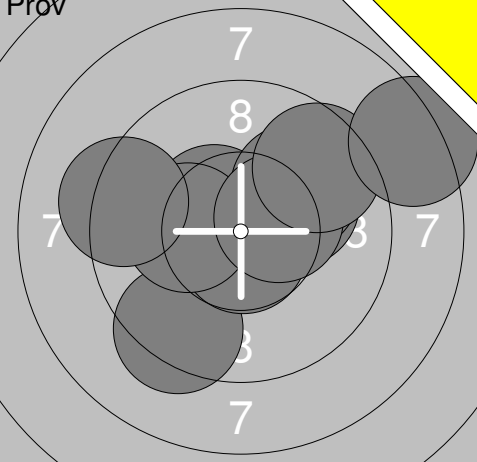
Skjutlag 1	Tavla 26	Lia Edholm	
S		Umeå Skf	
25.02.2018		Vännästräffen 2018	Umeå skytteallians
Pröv 	1: 9.8 ↑ 2: 9.7 ↗ 3: 9.4 ↑ 4: 9.9 ↑ 5: 10.3x ↑ 6: 10.5x ↘ 7: 10.2x ↑ 8: 9.6 ↖ 9: 10.2x → 10: 10.4x → Serie 100.0 Total 0.0	Pröv 	11: 9.8 ↑ 12: 10.5x ↓ 13: 10.9x ↖ 14: 10.1 ↑ 15: 9.9 ↑ 16: 9.9 ↓ 17: 10.7x ↑ 18: 10.2x ← 19: 10.4x → 20: 10.2x ↑ Serie 102.6 Total 0.0
Pröv 	21: 10.1 ↖ 22: 9.9 ↑ 23: 10.3x ← 24: 10.6x → 25: 9.6 ← 26: 10.9x ↗ 27: 10.6x ↗ 28: 10.2x ↑ 29: 10.7x ↑ 30: 10.5x → Serie 103.4 Total 0.0	Pröv 	31: 10.2x ↘ 32: 9.6 ↗ 33: 10.3x → 34: 10.3x ← 35: 10.6x ↖ 36: 9.7 ↗ 37: 10.5x ↑ 38: 10.0 ↖ 39: 9.6 ↑ 40: 10.6x ↑ Serie 101.4 Total 0.0
Pröv 	41: 10.6x ↑	60 Skott 	1: 10.0 ← 2: 9.7 → 3: 10.4x ↓ 4: 9.7 ↑ 5: 10.5x ↑ 6: 10.2x ↖ 7: 8.9 ↑ 8: 9.9 ↓ 9: 10.6x ↖ 10: 9.9 ↑ Serie 99.8 Total 99.8
60 Skott 	11: 10.7x ↖ 12: 9.6 ↗ 13: 9.8 ↑ 14: 10.1 ↖ 15: 10.6x ← 16: 10.4x → 17: 10.1 ↖ 18: 9.9 ↑ 19: 10.0 ↖ 20: 9.3 ↑ Serie 100.5 Total 200.3	60 Skott 	21: 10.7x ↑ 22: 10.1 ↖ 23: 9.4 ↑ 24: 10.1 ↑ 25: 10.6x → 26: 10.8x ↗ 27: 10.5x ↑ 28: 10.5x → 29: 10.4x ↖ 30: 9.7 ↑ Serie 102.8 Total 303.1
60 Skott 	31: 10.7x ← 32: 10.7x ↓ 33: 10.1 ↑ 34: 9.7 ↖ 35: 10.0 ↑ 36: 10.5x ← 37: 10.3x ↑ 38: 10.1 ↖ 39: 10.0 ← 40: 10.6x → Serie 102.7 Total 405.8		

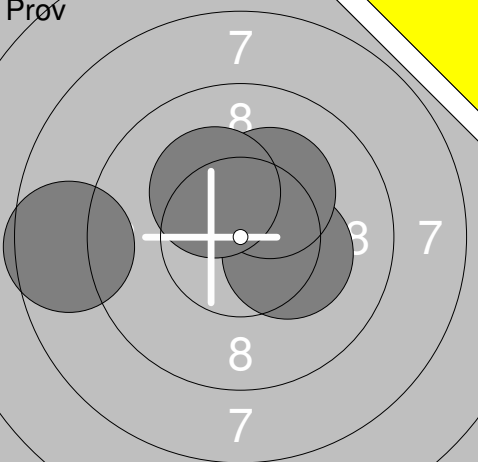
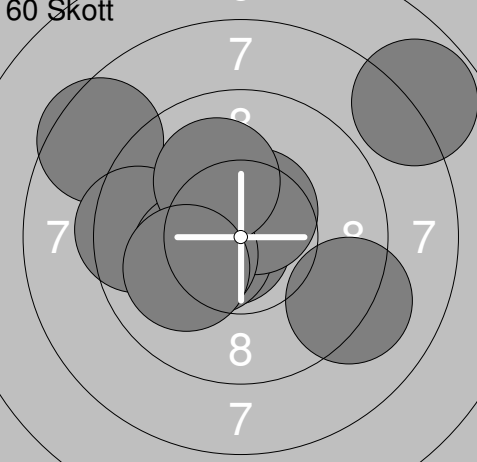
<p>Prov</p>	<p>1: 10.9x ↘ 2: 9.5 → 3: 10.3x ↘ 4: 10.7x ↘ 5: 10.6x ↓ 6: 10.7x ↘ 7: 10.4x ↘ 8: 10.3x ↘ 9: 10.5x ↘ 10: 9.8 ↑</p> <p>Serie 103.7 Total 0.0</p>	<p>Prov</p>	<p>11: 10.7x ↗ 12: 10.3x ↘ 13: 10.9x ↘ 14: 10.8x ↘ 15: 10.7x ↘</p> <p>Serie 53.4 Total 0.0</p>
-------------	--	-------------	--

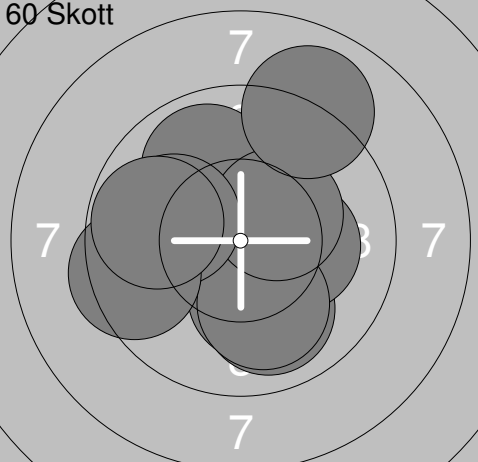
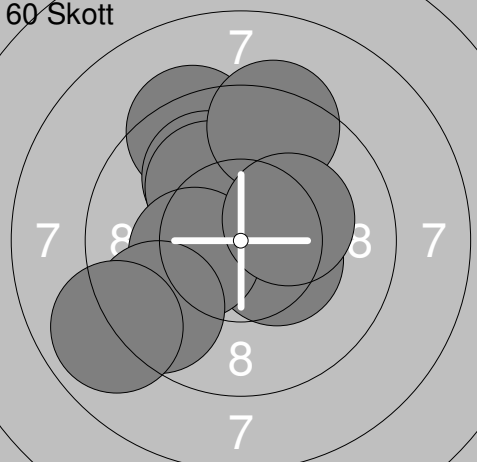
<p>60 Skott</p>	<p>1: 10.6x ↘ 2: 9.9 ← 3: 10.7x ↘ 4: 10.6x ↘ 5: 10.1 ↘ 6: 10.2x ↘ 7: 10.2x ↘ 8: 10.8x ↗ 9: 10.0 ← 10: 10.8x ↗</p> <p>Serie 103.9 Total 103.9</p>	<p>60 Skott</p>	<p>11: 10.5x ↑ 12: 10.0 ↖ 13: 10.7x ↘ 14: 10.7x ↘ 15: 10.5x ↓ 16: 10.5x ↘ 17: 10.6x ↓ 18: 10.7x ↘ 19: 10.5x ↓ 20: 10.2x ↘</p> <p>Serie 104.9 Total 208.8</p>
-----------------	--	-----------------	--

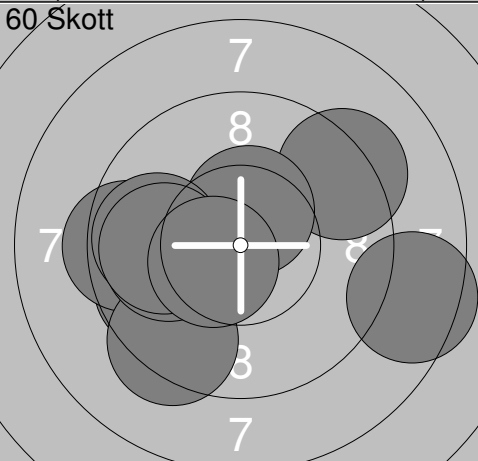
<p>60 Skott</p>	<p>21: 10.2x ↘ 22: 10.5x ↑ 23: 10.4x ↘ 24: 10.5x ↑ 25: 10.8x ↑ 26: 10.4x ↘ 27: 10.5x ↘ 28: 10.6x ↑ 29: 10.6x ↘ 30: 10.9x ↘</p> <p>Serie 105.4 Total 314.2</p>	<p>60 Skott</p>	<p>31: 10.5x ↓ 32: 10.4x ↓ 33: 10.6x ↗ 34: 10.0 ↓ 35: 10.4x ↓ 36: 10.4x ↑ 37: 10.5x ↗ 38: 10.1 ↑ 39: 10.5x ↘ 40: 10.6x ↘</p> <p>Serie 104.0 Total 418.2</p>
-----------------	---	-----------------	---

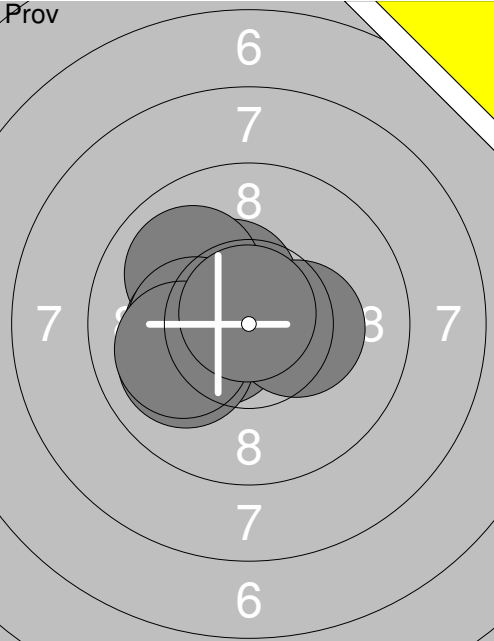
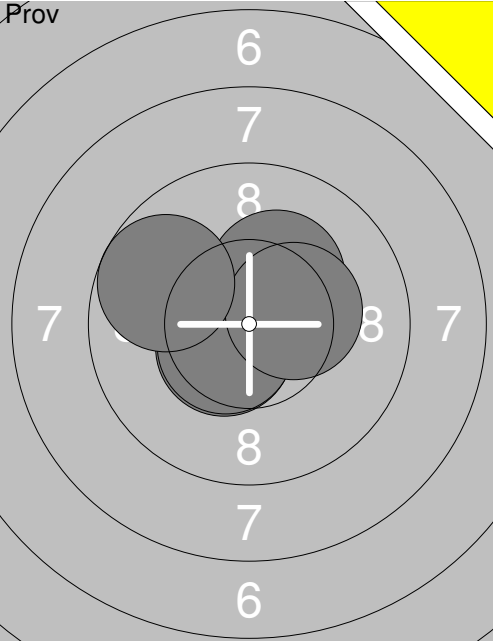
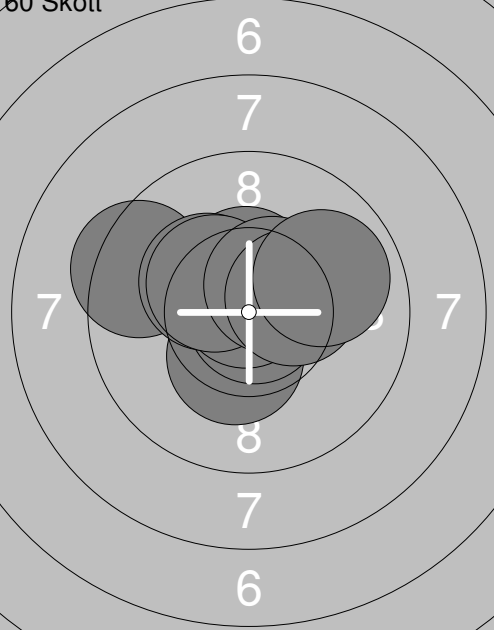
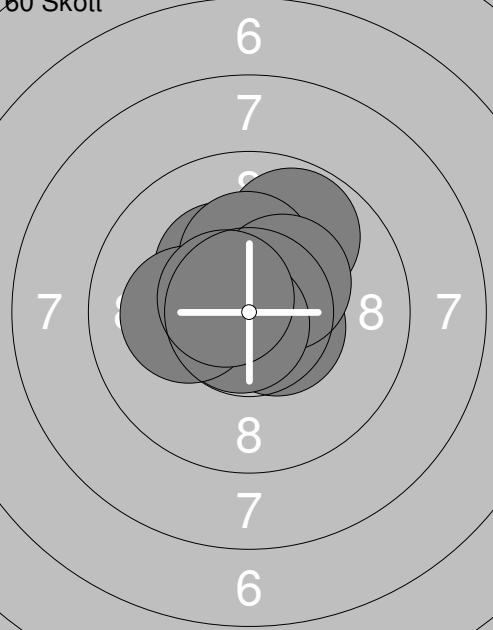
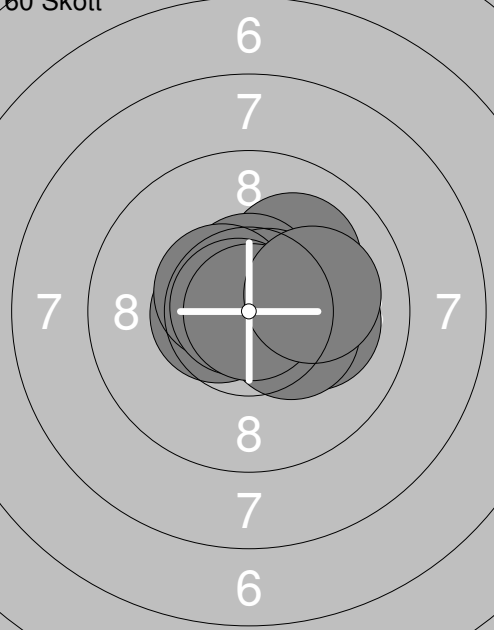
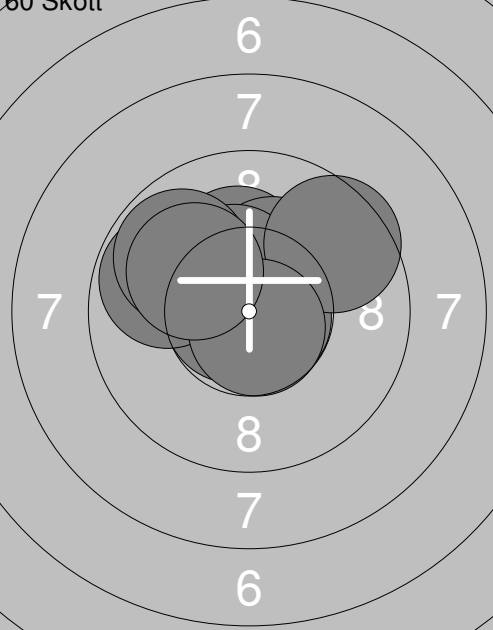
<p>Prov</p> 	<p>1: 9.4 ↙ 2: 8.9 ↓ 3: 10.0 ↓ 4: 10.6x↓ 5: 10.8x↑ 6: 9.9 ↖ 7: 10.6x← 8: 10.3x↙ 9: 10.9x↓ 10: 10.5x←</p> <p>Serie 101.9 Total 0.0</p>	<p>Prov</p> 	<p>11: 10.4x↓ 12: 10.6x↘ 13: 10.5x↘ 14: 10.3x↙ 15: 10.5x↘</p> <p>Serie 52.3 Total 0.0</p>
<p>60 Skott</p> 	<p>1: 10.6x↘ 2: 10.4x↓ 3: 10.8x← 4: 10.3x↓ 5: 10.1 ↓ 6: 10.8x↙ 7: 10.1← 8: 10.3x↙ 9: 10.2x↙ 10: 10.0 ↓</p> <p>Serie 103.6 Total 103.6</p>	<p>60 Skott</p> 	<p>11: 10.6x↙ 12: 10.1 ↓ 13: 10.5x↓ 14: 10.5x↓ 15: 10.3x⇒ 16: 10.6x↓ 17: 10.7x↑ 18: 10.4x↙ 19: 10.7x⇒ 20: 10.6x⇒</p> <p>Serie 105.0 Total 208.6</p>
<p>60 Skott</p> 	<p>21: 10.7x← 22: 10.5x← 23: 10.6x⇒ 24: 10.7x↓ 25: 10.8x↘ 26: 10.5x↓ 27: 10.3x⇒ 28: 10.8x⇒ 29: 10.6x↑ 30: 10.2x↓</p> <p>Serie 105.7 Total 314.3</p>	<p>60 Skott</p> 	<p>31: 10.6x↗ 32: 10.9x↗ 33: 10.4x↓ 34: 10.4x↓ 35: 10.8x← 36: 10.5x⇒ 37: 10.7x↑ 38: 10.2x↘ 39: 10.2x↓ 40: 10.3x↓</p> <p>Serie 105.0 Total 419.3</p>

<p>Pröv</p> 	<p>1: 9.7 → 2: 10.3x ↘ 3: 10.1 → 4: 10.0 ← 5: 9.7 ← 6: 9.8 ↓ 7: 10.3x ← 8: 8.7 → 9: 10.3x ↑ 10: 10.0 ←</p> <p>Serie 98.9 Total 0.0</p>	<p>Pröv</p> 	<p>11: 9.3 ↘ 12: 10.1 → 13: 10.7x ↓ 14: 10.5x ↖ 15: 10.2x ← 16: 10.0 ↗ 17: 10.4x → 18: 9.6 ↗ 19: 9.3 ← 20: 8.2 →</p> <p>Serie 98.3 Total 0.0</p>
--	--	--	--

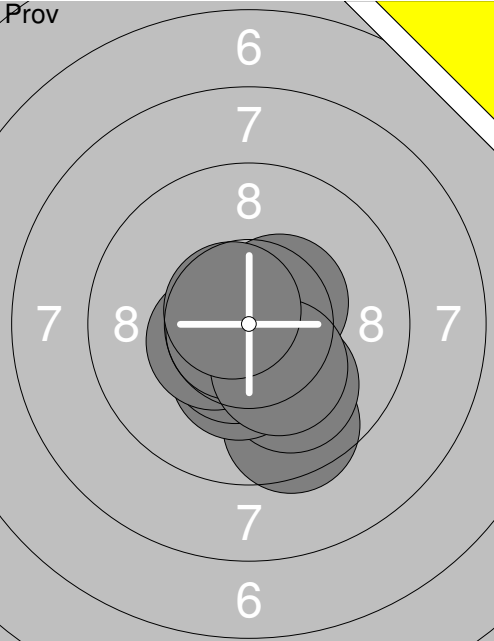
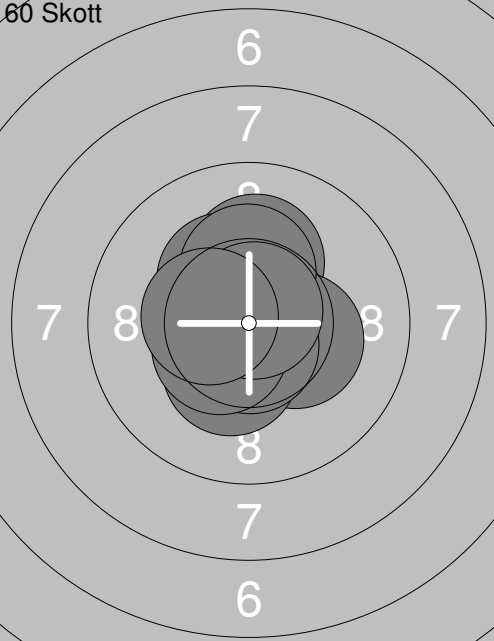
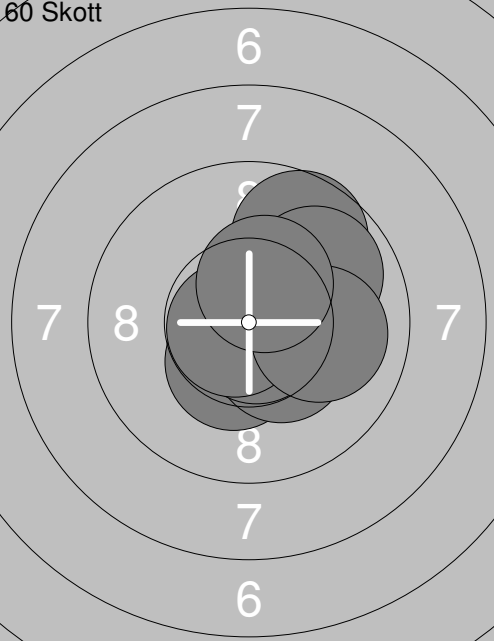
<p>Pröv</p> 	<p>21: 10.3x → 22: 10.2x ↗ 23: 8.6 ← 24: 10.2x ↗</p> <p>Serie 39.3 Total 0.0</p>	<p>60 Skott</p> 	<p>1: 8.5 ↖ 2: 10.8x ← 3: 10.5x ← 4: 9.2 → 5: 10.5x ↑ 6: 9.5 ← 7: 10.3x ← 8: 10.1 ↑ 9: 7.8 ↗ 10: 10.1 ←</p> <p>Serie 97.3 Total 97.3</p>
---	--	---	--

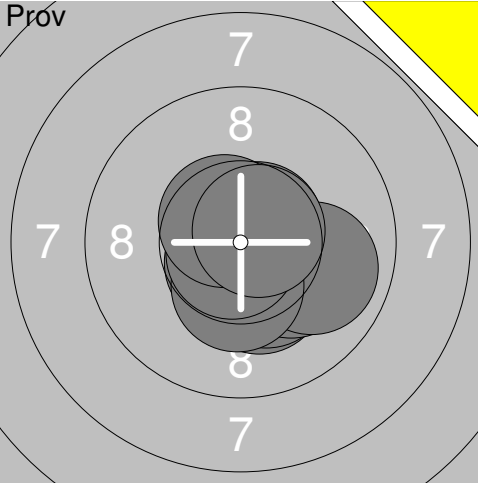
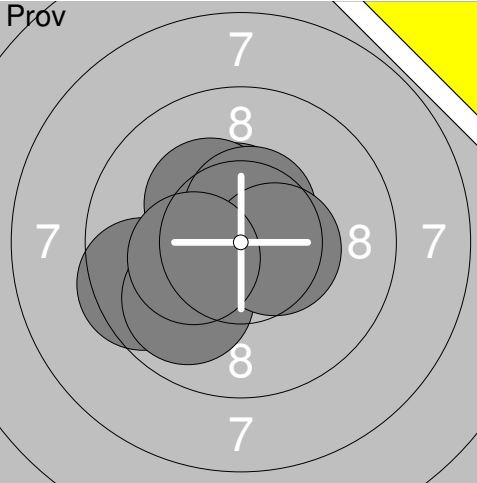

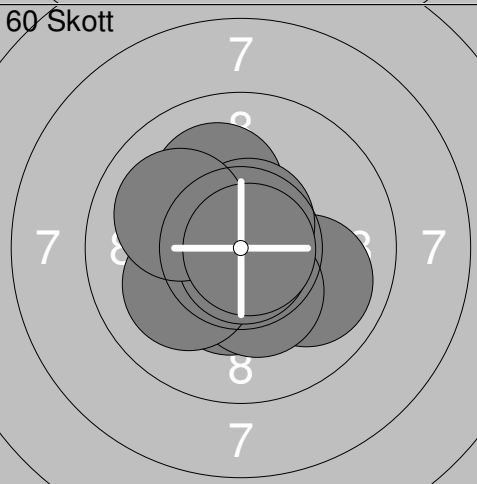
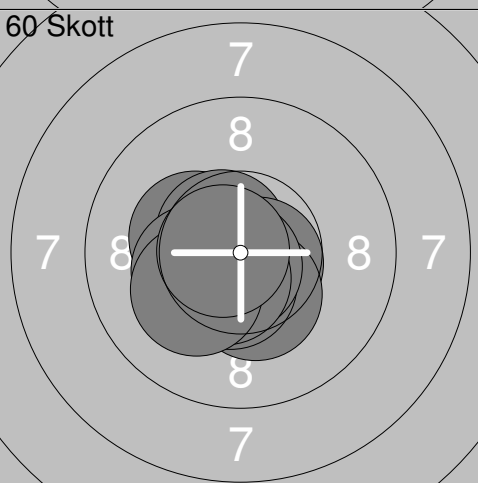
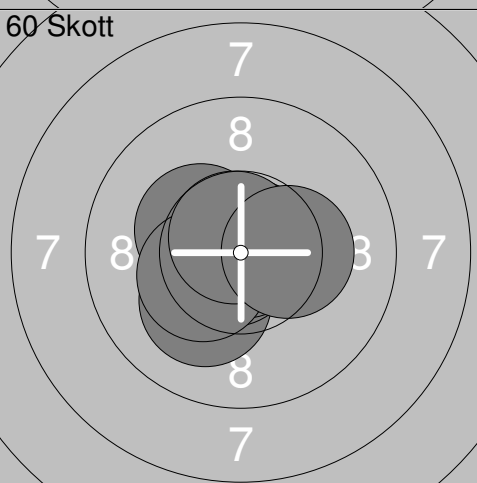
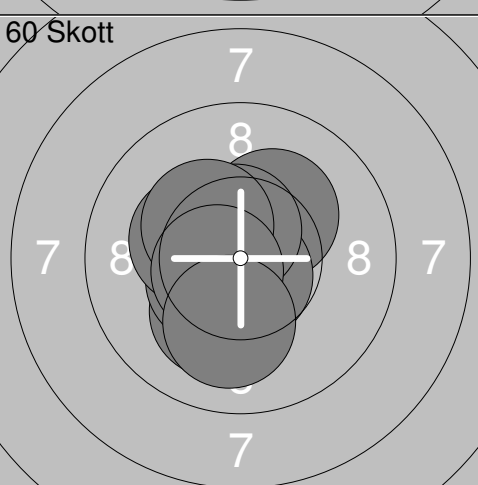
<p>60 Skott</p> 	<p>11: 10.2x ↓ 12: 10.0 ↓ 13: 10.2x → 14: 9.9 ↗ 15: 10.1 ↓ 16: 10.3x ↗ 17: 10.0 ← 18: 9.5 ← 19: 9.0 ↑ 20: 9.8 ←</p> <p>Serie 99.0 Total 196.3</p>	<p>60 Skott</p> 	<p>21: 10.8x ↑ 22: 9.3 ↑ 23: 10.4x → 24: 10.0 ↑ 25: 10.1 ↗ 26: 9.4 ↑ 27: 10.3x ← 28: 10.2x → 29: 9.5 ↘ 30: 8.9 ↘</p> <p>Serie 98.9 Total 295.2</p>
--	---	--	--

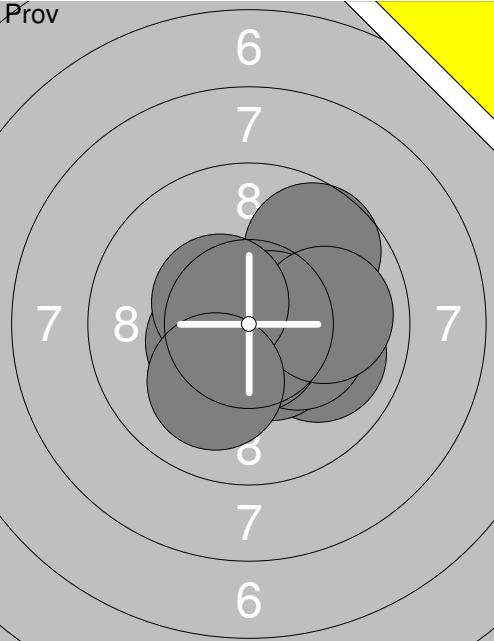
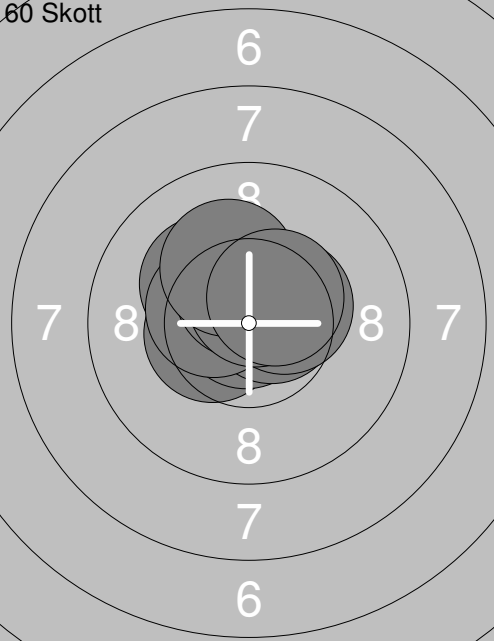
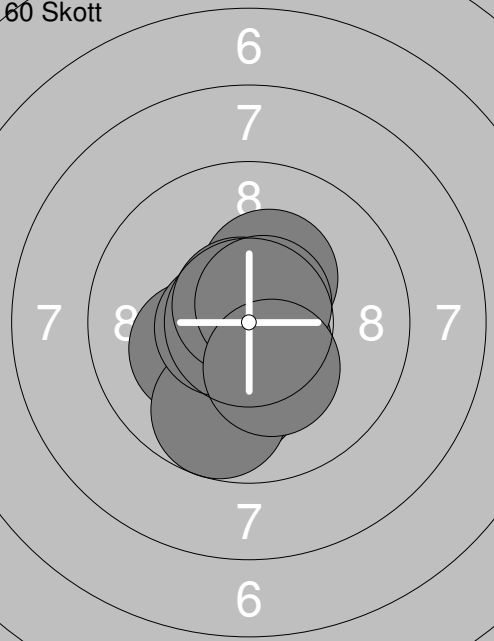
<p>60 Skott</p> 	<p>31: 8.5 → 32: 9.3 → 33: 9.7 ← 34: 10.5x ↑ 35: 9.4 ← 36: 9.8 ← 37: 9.4 ↘ 38: 10.0 ← 39: 9.9 ← 40: 10.5x ↘</p> <p>Serie 97.0 Total 392.2</p>		
--	---	--	--

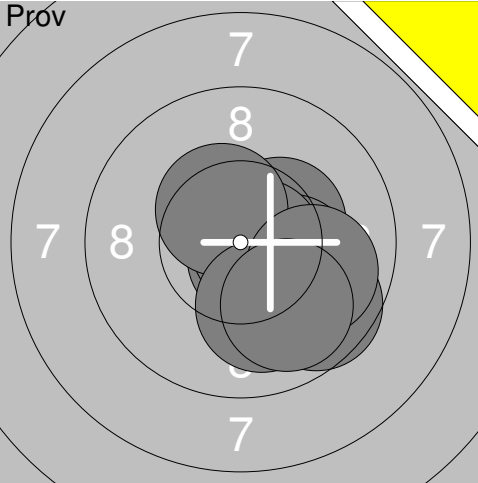
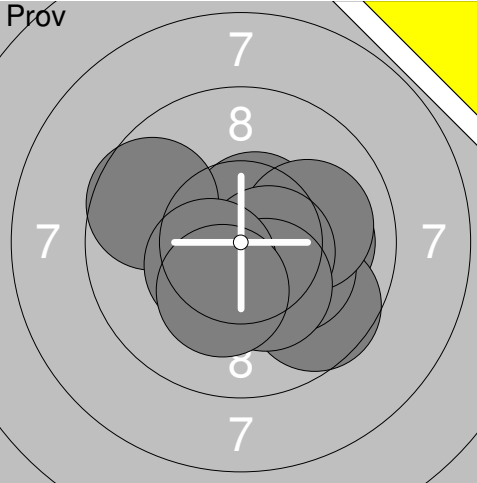
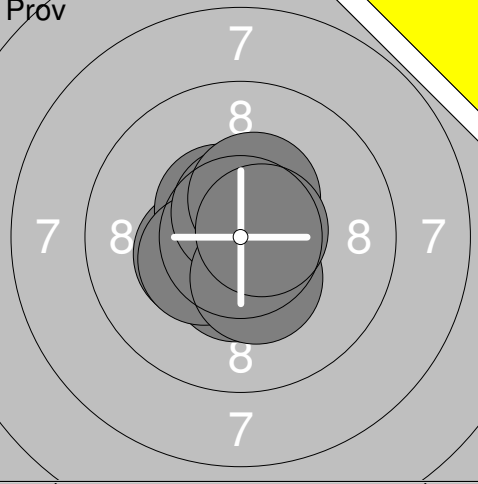
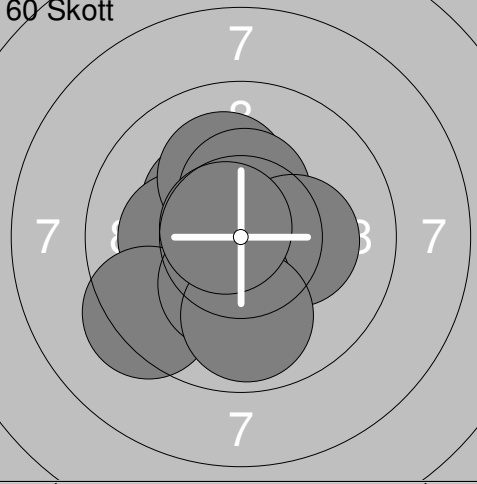
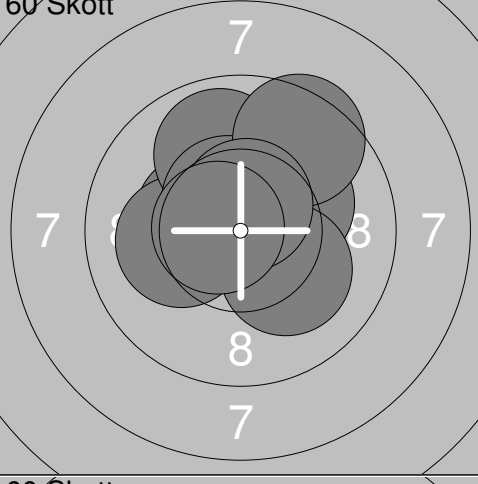
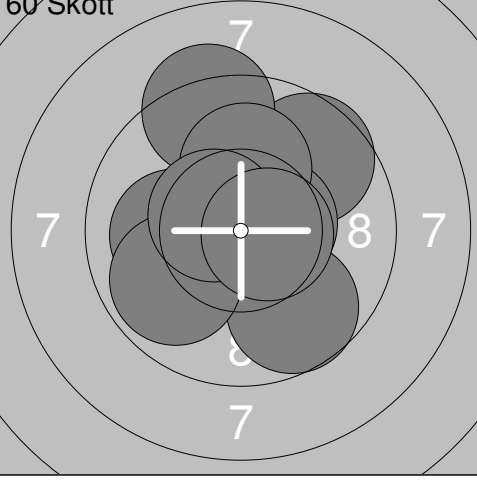
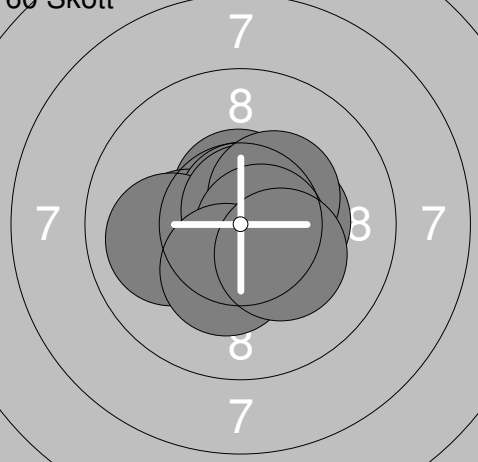
Skjuttag	Tavla	Elvira Söderlund	
1	30		
S	Ramselefors Skf		
25.02.2018	Vännästräffen 2018	Umeå skytteallians	
Prov		Prov	
	1: 10.5x↘ 2: 10.4x↘ 3: 10.3x→ 4: 10.6x↘ 5: 10.0↖ 6: 10.2x↘ 7: 10.3x↘ 8: 10.0↙ 9: 10.0↙ 10: 10.8x↑		11: 10.5x↘ 12: 10.7x↑ 13: 10.5x↘ 14: 10.3x↗ 15: 10.3x→ 16: 9.7↖
	Serie 103.1		Serie 62.0
	Total 0.0		Total 0.0
60 Skott		60 Skott	
	1: 10.5x↑ 2: 10.3x↘ 3: 10.9x→ 4: 9.4↖ 5: 10.8x↑ 6: 10.3x↘ 7: 10.4x↘ 8: 10.5x↗ 9: 10.3x→ 10: 9.9↗		11: 10.6x↗ 12: 9.8↗ 13: 10.4x↘ 14: 10.5x→ 15: 10.3x↘ 16: 10.3x↑ 17: 10.4x↗ 18: 10.8x↘ 19: 10.2x↖ 20: 10.6x↘
	Serie 103.3		Serie 103.9
	Total 103.3		Total 207.2
60 Skott		60 Skott	
	21: 10.1↗ 22: 10.6x↑ 23: 10.6x↖ 24: 10.6x↗ 25: 10.1→ 26: 10.5x↘ 27: 10.3x→ 28: 10.8x↘ 29: 10.9x→ 30: 10.1→		31: 10.8x→ 32: 10.2x↑ 33: 10.7x↖ 34: 10.3x↗ 35: 10.4x↘ 36: 9.6↗ 37: 9.8↖ 38: 9.8↖ 39: 10.7x↘ 40: 10.1↖
	Serie 104.6		Serie 102.4
	Total 311.8		Total 414.2

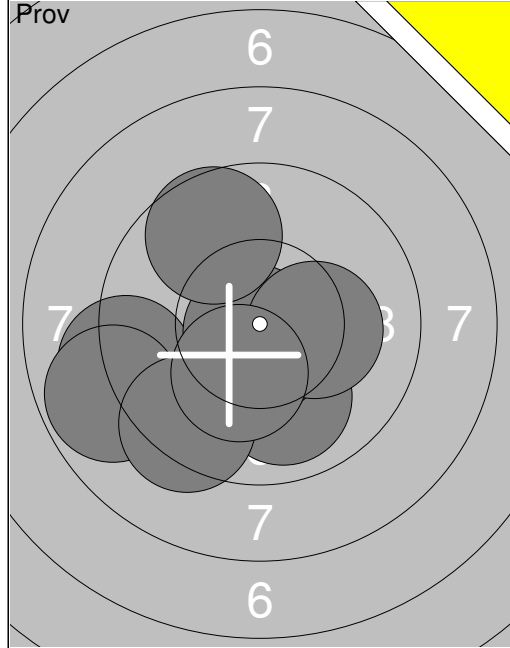
Skjutlag 1	Tavla 31	Vilhelm Lundstedt	
S		Ramselefors Skf	
25.02.2018		Vännästräffen 2018	Umeå skytteallians
Prov		1: 9.7 ↗ 2: 10.5x ↓ 3: 10.6x ↓ 4: 10.5x ↗ 5: 10.8x ↗ 6: 10.6x ↗ 7: 10.2x → 8: 10.3x ↓ 9: 9.9 ↓ 10: 9.7 ↙	Prov
		Serie 102.8	
		Total 0.0	
			11: 10.0 ↙ 12: 10.5x ↗ 13: 10.4x ↗ 14: 10.8x ↗ 15: 10.1 ↓ 16: 10.5x ↗ 17: 10.5x → 18: 10.5x ↓ 19: 10.1 → 20: 10.3x →
			Serie 103.7
			Total 0.0
Prov		21: 10.7x ← 22: 10.3x → 23: 9.8 ← 24: 10.4x ↓ 25: 9.9 ← 26: 10.2x ↓ 27: 10.6x → 28: 10.7x ↗ 29: 10.7x ↗ 30: 10.1 →	Prov
		Serie 103.4	
		Total 0.0	
			31: 10.3x ↓ 32: 9.8 → 33: 10.6x ↗ 34: 10.1 ↗
			Serie 40.8
			Total 0.0
60 Skott		1: 10.4x ↗ 2: 10.6x ↙ 3: 9.9 ↗ 4: 10.3x ↙ 5: 10.5x ↗ 6: 10.5x ← 7: 9.6 ↗ 8: 10.6x → 9: 10.0 ↗ 10: 10.2x ↗	60 Skott
		Serie 102.6	
		Total 102.6	
			11: 10.5x ↓ 12: 10.3x ↗ 13: 10.7x ← 14: 10.2x ↓ 15: 9.9 ↗ 16: 9.9 → 17: 10.3x ↓ 18: 10.1 → 19: 10.8x ↗ 20: 10.2x ↗
			Serie 102.9
			Total 205.5
60 Skott		21: 10.6x ↓ 22: 10.4x ↗ 23: 10.7x → 24: 10.4x ← 25: 10.6x ↗ 26: 10.5x ↓ 27: 10.7x ← 28: 10.3x ← 29: 9.9 ↗ 30: 10.5x ←	60 Skott
		Serie 104.6	
		Total 310.1	
			31: 10.5x → 32: 10.1 ↓ 33: 10.3x → 34: 10.8x ↓ 35: 10.8x ↗ 36: 10.4x ↓ 37: 9.3 ↓ 38: 10.6x ← 39: 10.5x → 40: 10.3x ←
			Serie 103.6
			Total 413.7

Skjutlag	Tavla	Irma Karlsson	
S	Vännäs SF		
25.02.2018	Vännästräffen 2018	Umeå skytteallians	
Prov		1: 9.5 ↓ 2: 10.9x↓ 3: 10.0 ↓ 4: 10.3x↓ 5: 10.5x↓ 6: 10.4x↔ 7: 10.5x↗ 8: 10.7x↔ 9: 10.3x↓ 10: 10.7x↔	11: 10.7x↗ 12: 10.5x↗ 13: 10.4x↗ 14: 10.5x↔ 15: 10.5x↔
		Serie 103.8	Serie 52.6
		Total 0.0	Total 0.0
60 Skott		1: 10.2x↑ 2: 10.3x↗ 3: 10.3x↓ 4: 10.8x↔ 5: 10.3x↗ 6: 10.3x↑ 7: 10.7x↓ 8: 10.5x↔ 9: 10.8x↑ 10: 10.4x↔	11: 9.8 ↓ 12: 10.2x↓ 13: 10.8x↗ 14: 10.4x↑ 15: 10.3x↗ 16: 10.4x↔ 17: 10.3x↗ 18: 10.6x↔ 19: 9.9 → 20: 10.4x↔
		Serie 104.6	Serie 103.1
		Total 104.6	Total 207.7
60 Skott		21: 9.7 ↗ 22: 10.8x↔ 23: 9.9 ↗ 24: 10.4x↗ 25: 10.4x↓ 26: 10.4x↔ 27: 10.8x↓ 28: 10.8x↔ 29: 10.0 → 30: 10.4x↑	31: 10.4x↓ 32: 10.4x↓ 33: 10.4x↔ 34: 10.4x↗ 35: 10.2x↓ 36: 10.7x↔ 37: 10.8x↔ 38: 10.6x↔ 39: 10.6x↓ 40: 10.6x↗
		Serie 103.6	Serie 105.1
		Total 311.3	Total 416.4

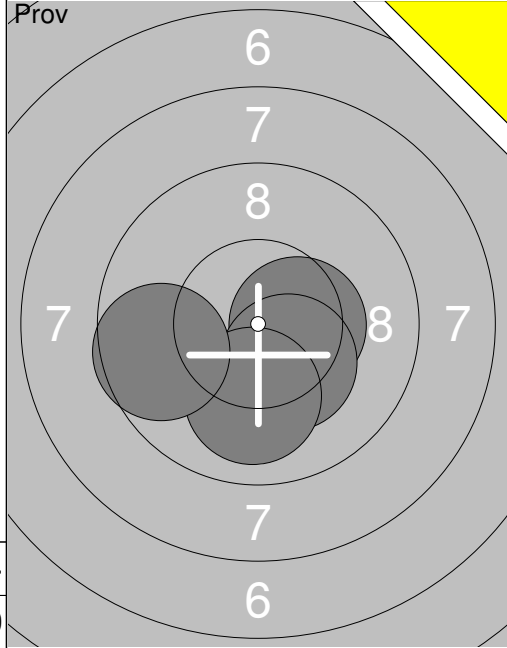
Skjutlag 1	Tavla 33	Ebba Lundstedt			
S		Ramselefors Skf			
25.02.2018		Vännästräffen 2018	Umeå skytteallians		
Prov		1: 10.6x ↙ 2: 10.3x ↘ 3: 10.7x ↗ 4: 10.3x ↘ 5: 10.2x ↘ 6: 9.9 ↘ 7: 10.4x ↘ 8: 10.8x ↙ 9: 10.6x ↗ 10: 10.7x ↗	Prov		11: 9.5 ↙ 12: 10.5x ← 13: 10.5x ↑ 14: 10.7x ← 15: 10.6x ↗ 16: 9.9 ↙ 17: 10.3x ↗ 18: 10.5x ↑ 19: 10.5x → 20: 10.3x ←
		Serie 104.5		Serie 103.3	
		Total 0.0		Total 0.0	
Prov		21: 10.4x ↘ 22: 10.3x ↘	60 Skott		1: 10.4x ↘ 2: 10.7x ← 3: 10.0 → 4: 10.3x ↘ 5: 10.1 ↗ 6: 10.6x ↑ 7: 10.1 ↙ 8: 10.8x ↘ 9: 10.0 ↗ 10: 10.8x →
		Serie 20.7		Serie 103.8	
		Total 0.0		Total 103.8	
60 Skott		11: 10.3x ← 12: 10.6x ↗ 13: 10.7x ↘ 14: 10.4x ↘ 15: 10.5x ↘ 16: 10.3x ← 17: 10.8x ↘ 18: 10.5x ↘ 19: 10.2x ↙ 20: 10.7x ←	60 Skott		21: 10.6x ↗ 22: 10.2x ↘ 23: 10.8x ↙ 24: 10.9x → 25: 10.3x ↗ 26: 10.8x ↑ 27: 10.8x ↗ 28: 10.4x ↙ 29: 10.7x ↗ 30: 10.3x →
		Serie 105.0		Serie 105.8	
		Total 208.8		Total 314.6	
60 Skott		31: 10.2x ↘ 32: 10.2x ↗ 33: 10.5x ↙ 34: 10.6x ↘ 35: 10.3x ↗ 36: 10.7x ↘ 37: 10.6x ↗ 38: 10.3x ↗ 39: 10.6x ↙ 40: 10.1 ↘			
		Serie 104.1			
		Total 418.7			

Skjutlag	Tavla	Beatrice Andersson	
S		Ramselefors Skf	
25.02.2018	Vännästräffen 2018	Umeå skytteallians	
Prov		1: 10.0 → 2: 10.4 ✕ 3: 10.5 ✕ 4: 10.3 ✕ 5: 9.7 ↗ 6: 10.7 ✕ 7: 10.7 ✕ 8: 10.0 → 9: 10.5 ✕ 10: 10.1 ↓ Serie 102.9 Total 0.0	11: 10.8 ✕ 12: 10.0 ↖ 13: 10.2 ✕ 14: 10.6 ✕ 15: 10.4 ✕ 16: 10.1 ↗ 17: 10.7 ✕ 18: 10.4 ✕ Serie 83.2 Total 0.0
60 Skott		1: 10.5 ✕ 2: 10.2 ✕ 3: 10.9 ✕ 4: 10.6 ✕ 5: 10.5 ✕ 6: 10.5 ✕ 7: 10.4 ✕ 8: 10.6 ✕ 9: 10.2 ✕ 10: 10.5 ✕ Serie 104.9 Total 104.9	11: 10.1 ↓ 12: 10.5 ✕ 13: 10.8 ✕ 14: 10.3 ✕ 15: 10.2 ✕ 16: 10.2 ✕ 17: 10.3 ✕ 18: 10.4 ✕ 19: 10.3 ✕ 20: 10.1 ↗ Serie 103.2 Total 208.1
60 Skott		21: 10.7 ✕ 22: 10.6 ✕ 23: 10.3 ✕ 24: 10.1 ↓ 25: 10.2 ✕ 26: 9.7 ↓ 27: 10.6 ✕ 28: 10.7 ✕ 29: 10.6 ✕ 30: 10.3 ✕ Serie 103.8 Total 311.9	31: 10.5 ✕ 32: 10.2 ✕ 33: 10.5 ✕ 34: 10.8 ✕ 35: 10.2 ✕ 36: 10.4 ✕ 37: 10.5 ✕ 38: 10.6 ✕ 39: 10.5 ✕ 40: 9.7 ↓ Serie 103.9 Total 415.8

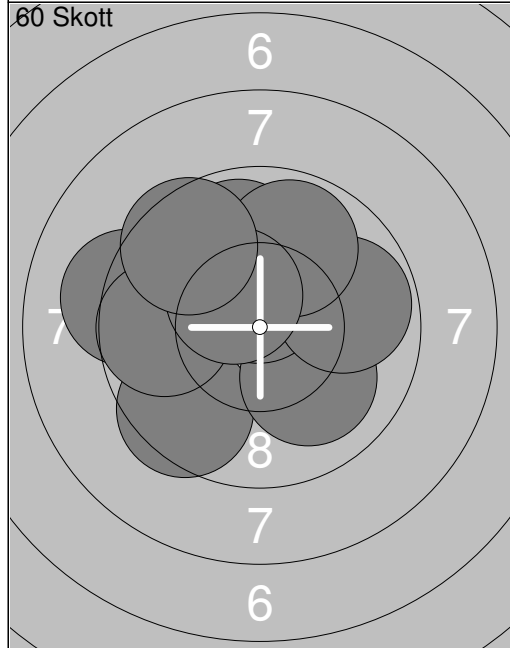
Skjutlag 1	Tavla 37	Oskar Jonsson	
S		Vännäs SF	
25.02.2018		Vännästräffen 2018	Umeå skytteallians
Pröv 	1: 10.5x ↘ 2: 10.7x ↘ 3: 10.4x → 4: 10.2x → 5: 9.6 ↘ 6: 10.7x → 7: 10.4x ↗ 8: 10.0 ↘ 9: 9.9 ↘ 10: 9.9 ↘ Serie 102.3 Total 0.0	Pröv 	11: 10.0 → 12: 9.6 ↘ 13: 10.2x ↘ 14: 10.6x ↗ 15: 10.0 → 16: 10.5x → 17: 10.3x ↘ 18: 9.6 ↖ 19: 10.4x ↙ 20: 10.3x ↘ Serie 101.5 Total 0.0
Pröv 	21: 10.4x ← 22: 10.4x ↘ 23: 10.5x ↗ 24: 10.4x ← 25: 10.6x ↗ 26: 10.4x ↘ 27: 10.4x ↗ 28: 10.7x → Serie 83.8 Total 0.0	60 Skott 	1: 10.3x ↗ 2: 10.2x ← 3: 10.1 ↗ 4: 10.4x ↑ 5: 10.7x ↘ 6: 10.2x → 7: 9.3 ↙ 8: 10.3x ↘ 9: 9.9 ↘ 10: 10.7x ↗ Serie 102.1 Total 102.1
60 Skott 	11: 10.5x ← 12: 10.4x ← 13: 10.1 ← 14: 10.2x → 15: 10.1 ↘ 16: 9.9 ↗ 17: 10.5x ↗ 18: 9.5 ↗ 19: 10.6x ↗ 20: 10.6x ← Serie 102.4 Total 204.5	60 Skott 	21: 9.6 ↗ 22: 10.1 ← 23: 10.7x ↘ 24: 10.5x → 25: 9.7 ↘ 26: 9.9 ↙ 27: 9.3 ↗ 28: 10.1 ↑ 29: 10.5x ↖ 30: 10.6x → Serie 101.0 Total 305.5
60 Skott 	31: 10.6x ↑ 32: 10.2x ← 33: 10.7x ↑ 34: 10.4x → 35: 10.0 ← 36: 10.7x ↗ 37: 10.4x ↗ 38: 10.7x → 39: 10.3x ↘ 40: 10.3x ↘ Serie 104.3 Total 409.8		



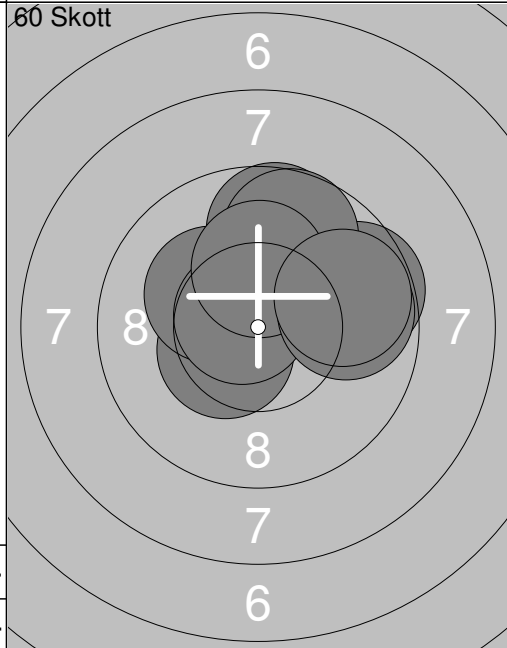
1:	9.1	←
2:	8.8	←
3:	10.6	x↓
4:	10.0	↓
5:	10.6	x↓
6:	9.3	↓
7:	10.8	x↓
8:	10.2	x→
9:	10.3	x↓
10:	9.7	↖
Serie		99.4
Total		0.0



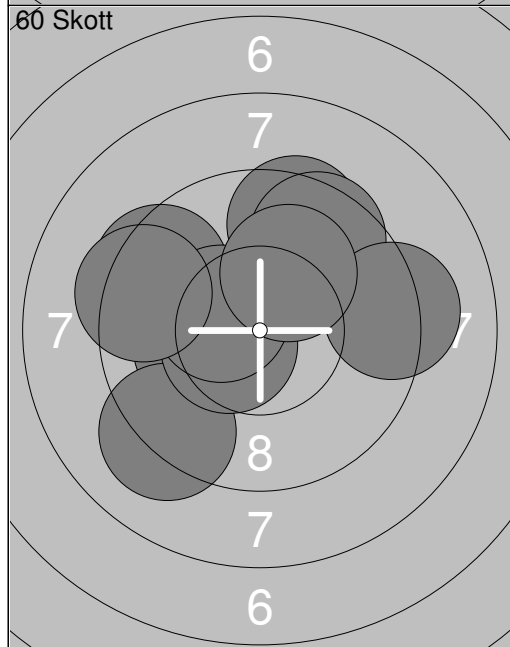
11:	10.4	x→
12:	10.3	x↘
13:	10.0	↓
14:	9.6	←
Serie		40.3
Total		0.0



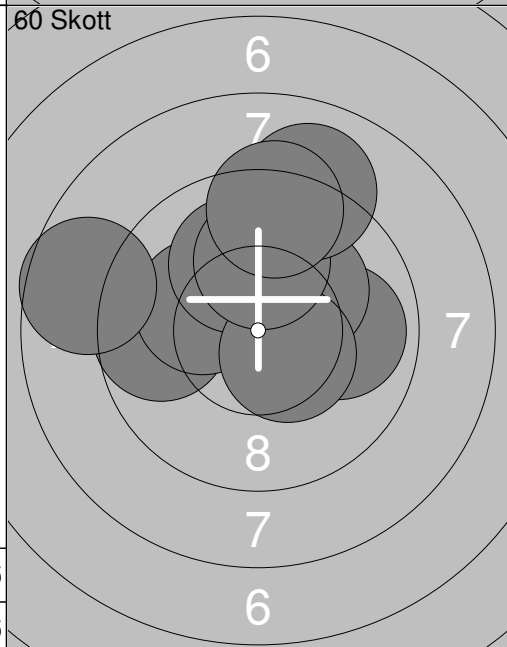
1:	9.5	↘
2:	9.9	↑
3:	10.0	↘
4:	10.5	x↑
5:	9.2	←
6:	9.8	→
7:	9.9	↑
8:	9.7	←
9:	10.4	x↘
10:	9.5	↖
Serie		98.4
Total		98.4



11:	9.6	→
12:	9.7	↑
13:	10.4	x↘
14:	10.2	x↘
15:	9.7	↑
16:	10.5	x↑
17:	10.7	x↘
18:	10.2	x↑
19:	9.8	→
20:	9.8	→
Serie		100.6
Total		199.0

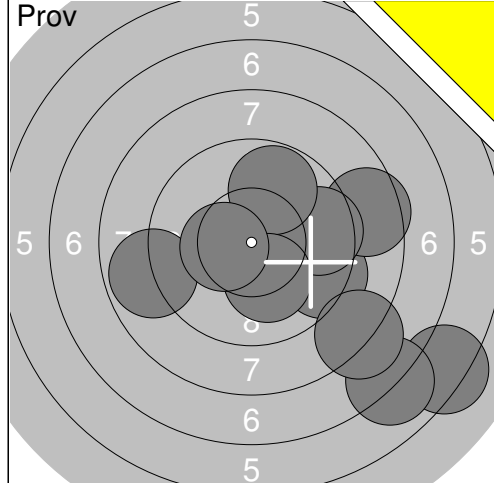


21:	9.5	↑
22:	10.2	x↘
23:	9.2	↘
24:	9.5	↖
25:	10.5	x↘
26:	9.6	↑
27:	10.4	x↘
28:	9.2	→
29:	10.1	↑
30:	9.4	←
Serie		97.6
Total		296.6

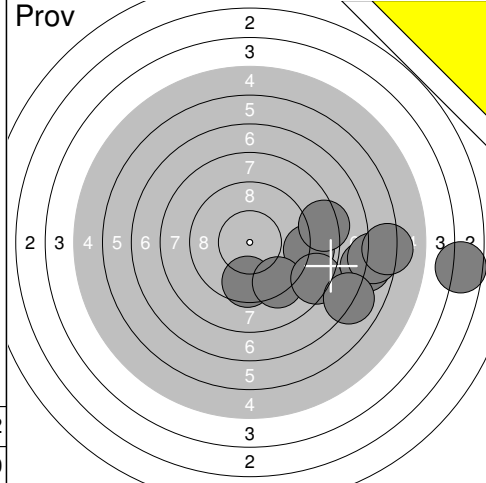


31:	9.7	←
32:	10.2	x↘
33:	9.9	→
34:	10.2	x↗
35:	10.0	↑
36:	10.5	x↘
37:	8.7	←
38:	10.0	↑
39:	9.0	↑
40:	9.4	↑
Serie		97.6
Total		394.2

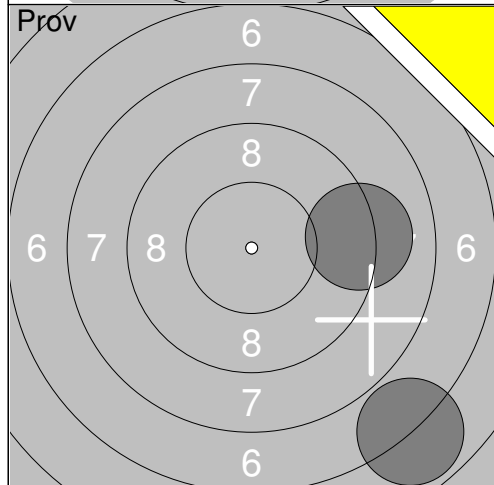
Skjuttag 2	Tavla 3	Ida Lundmark	
S		Drängsmarks Skf	
25.02.2018		Vännästräffen 2018	Umeå skytteallians
Prov		1: 10.4x ↘ 2: 9.2 ↘ 3: 7.6 ↘ 4: 10.4x ↘ 5: 9.6 ↘ 6: 10.3x ↘ 7: 8.5 ↘ 8: 6.7 ↗ 9: 8.7 ← 10: 7.9 →	11: 9.3 ↘ 12: 9.4 ↗ 13: 9.3 ↘ 14: 10.1 ↗ 15: 10.0 ↗ 16: 9.8 ↘ 17: 9.0 ← 18: 6.9 ↘ 19: 10.5x ↘ 20: 8.4 ↘
		Serie 89.3	Serie 92.7
		Total 0.0	Total 0.0
Prov		21: 10.5x ↘ 22: 9.4 → 23: 9.8 ← 24: 9.2 ↘ 25: 5.9 ↗ 26: 8.0 ←	60 Skott
		Serie 52.8	1: 9.0 ↗ 2: 9.7 → 3: 10.0 ↘ 4: 9.9 ↘ 5: 9.7 ↘ 6: 8.1 ← 7: 9.1 ↘ 8: 9.1 → 9: 10.8x → 10: 10.1 ←
		Total 0.0	Serie 95.5
			Total 95.5
60 Skott		11: 6.4 ← 12: 9.1 → 13: 7.0 ↘ 14: 9.7 ↘ 15: 10.3x ↗ 16: 8.6 ↘ 17: 9.0 ↘ 18: 9.0 → 19: 9.9 ↘ 20: 8.0 ↘	60 Skott
		Serie 87.0	21: 10.2x ← 22: 10.4x ↘ 23: 10.5x ↗ 24: 9.3 ↑ 25: 9.5 ↘ 26: 9.2 → 27: 10.4x ↘ 28: 9.2 → 29: 9.7 → 30: 9.0 →
		Total 182.5	Serie 97.4
			Total 279.9
60 Skott		31: 10.2x ↗ 32: 9.6 ↘ 33: 8.9 ↘ 34: 9.2 ↘ 35: 10.6x ← 36: 9.3 ↘ 37: 10.4x → 38: 6.8 ↘ 39: 8.7 ↘ 40: 9.4 ↘	
		Serie 93.1	
		Total 373.0	



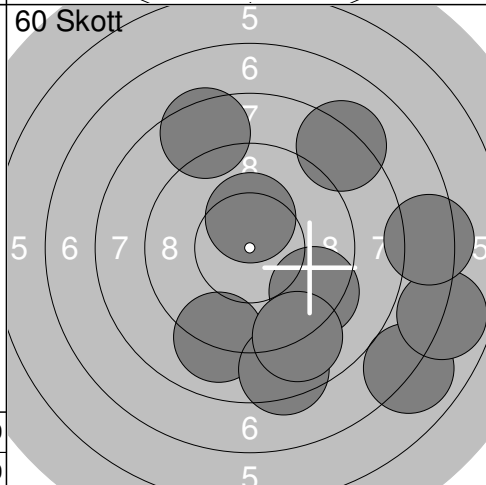
1:	9.4	↘
2:	8.5	→
3:	6.3	↘
4:	8.9	↙
5:	9.6	→
6:	9.8	↗
7:	7.0	↘
8:	8.1	↘
9:	10.2x	↘
10:	10.4x	↙
Serie		88.2
Total		0.0



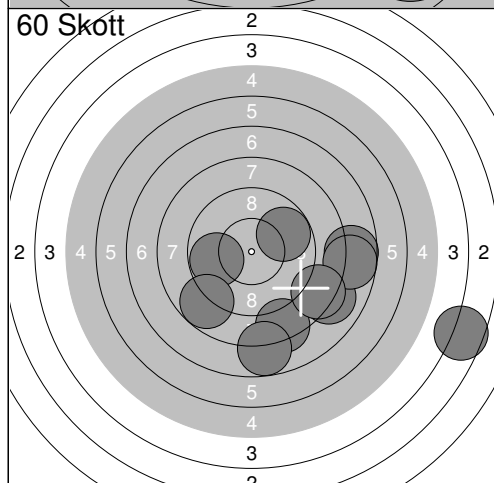
11:	9.6	↓
12:	8.9	→
13:	3.6	→
14:	6.9	→
15:	6.6	→
16:	9.3	↘
17:	6.2	→
18:	8.3	→
19:	8.3	↘
20:	7.0	↘
Serie		74.7
Total		0.0



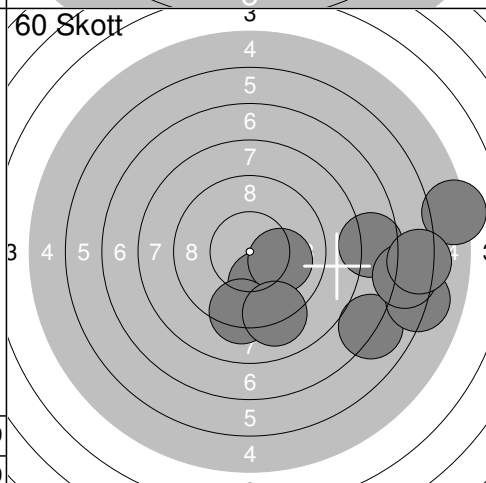
21:	9.1	→
22:	6.9	↘
Serie		16.0
Total		0.0



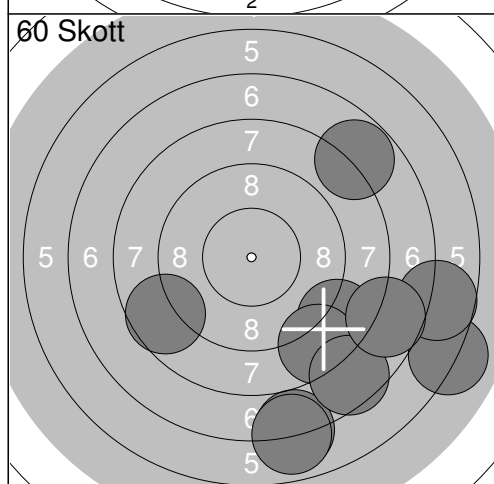
1:	9.4	↘
2:	10.3x	↑
3:	8.2	↗
4:	8.5	↗
5:	9.1	↘
6:	7.0	↘
7:	6.9	→
8:	7.4	→
9:	8.4	↘
10:	8.9	↘
Serie		84.1
Total		84.1



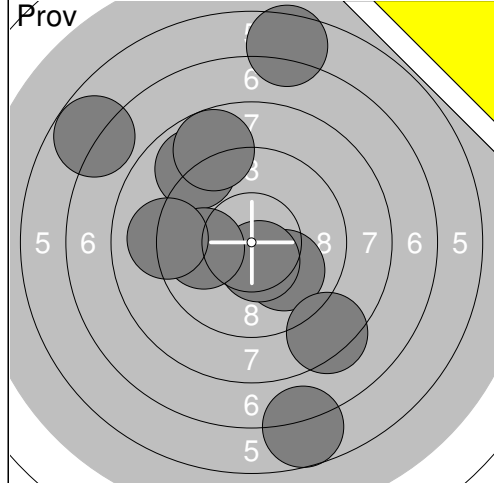
11:	3.6	→
12:	9.8	↙
13:	8.3	↘
14:	8.0	↘
15:	7.7	→
16:	9.8	↗
17:	7.7	→
18:	8.8	↘
19:	8.4	↘
20:	7.8	↘
Serie		79.9
Total		164.0



21:	7.0	↘
22:	10.0	↘
23:	10.1	→
24:	7.6	→
25:	9.3	↘
26:	6.1	→
27:	5.2	→
28:	9.1	↘
29:	6.6	→
30:	6.3	→
Serie		77.3
Total		241.3

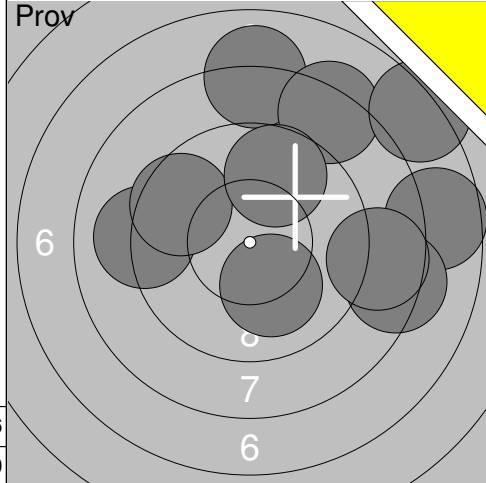


31:	8.6	↘
32:	7.0	↘
33:	8.5	↘
34:	6.0	↘
35:	8.6	↙
36:	6.9	↘
37:	7.5	↘
38:	7.8	↗
39:	6.7	→
40:	7.7	↘
Serie		75.3
Total		316.6



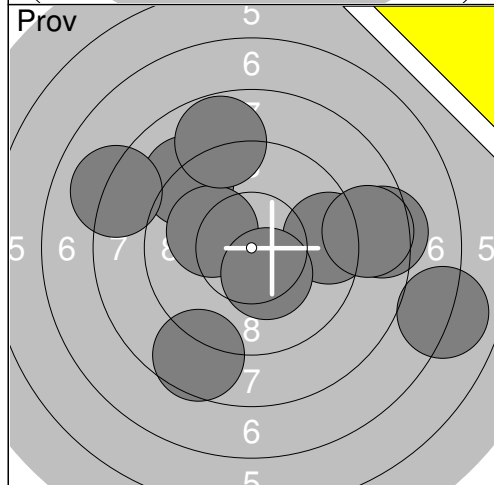
Prov

1:	8.9	↗
2:	10.0	↘
3:	10.5x	↘
4:	9.9	←
5:	8.8	↗
6:	6.8	↗
7:	9.1	←
8:	8.3	↘
9:	6.7	↘
10:	6.6	↑
Serie		85.6
Total		0.0



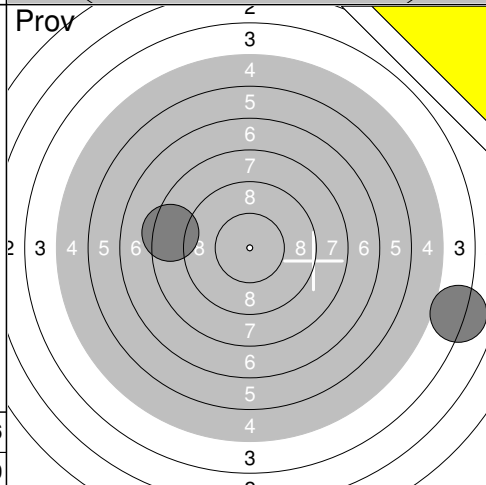
Prov

11:	8.0	↑
12:	10.1	↘
13:	9.1	←
14:	9.6	↗
15:	8.3	↗
16:	9.7	↑
17:	7.7	→
18:	8.3	→
19:	8.7	→
20:	7.2	↗
Serie		86.7
Total		0.0



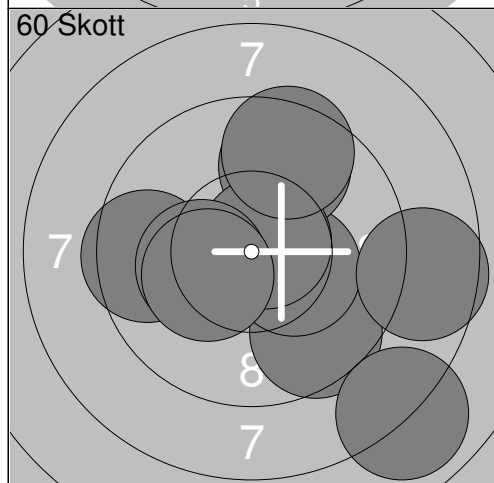
Prov

21:	9.4	→
22:	8.6	↘
23:	9.2	↗
24:	10.1	↗
25:	8.1	↗
26:	10.4x	↘
27:	7.0	↘
28:	8.4	→
29:	8.8	↗
30:	8.6	→
Serie		88.6
Total		0.0



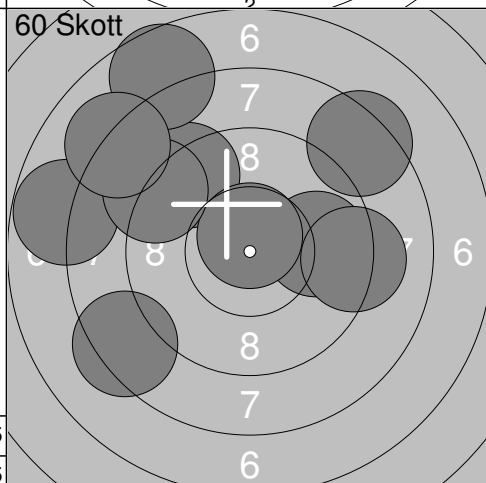
Prov

31:	4.1	→
32:	8.4	←
Serie		12.5
Total		0.0



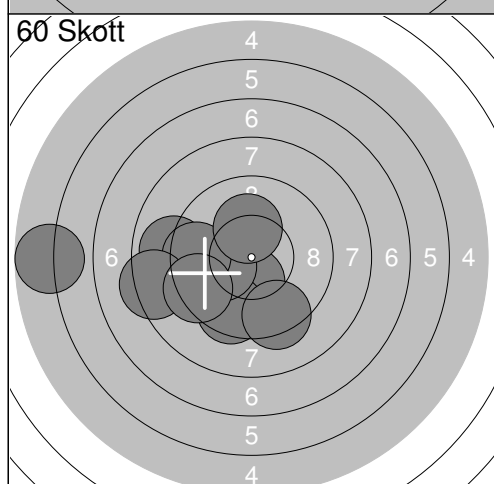
60 Skott

1:	9.6	↘
2:	10.3x	→
3:	9.7	↑
4:	10.7x	↗
5:	9.5	↑
6:	9.5	←
7:	8.6	→
8:	10.3x	←
9:	8.0	↘
10:	10.3x	←
Serie		96.5
Total		96.5



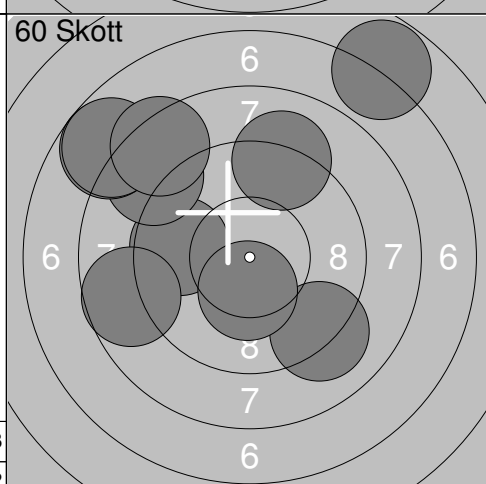
60 Skott

11:	8.4	↗
12:	9.8	→
13:	9.3	↗
14:	9.2	→
15:	10.7x	↑
16:	7.8	←
17:	9.1	↗
18:	8.3	↘
19:	7.7	↗
20:	8.1	↗
Serie		88.4
Total		184.9



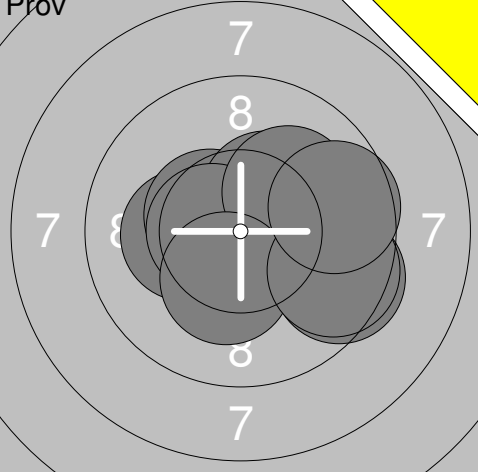
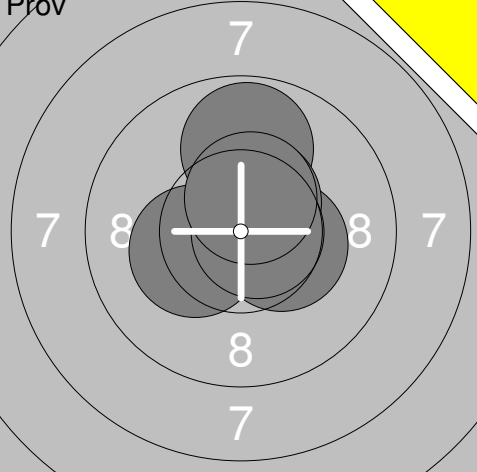
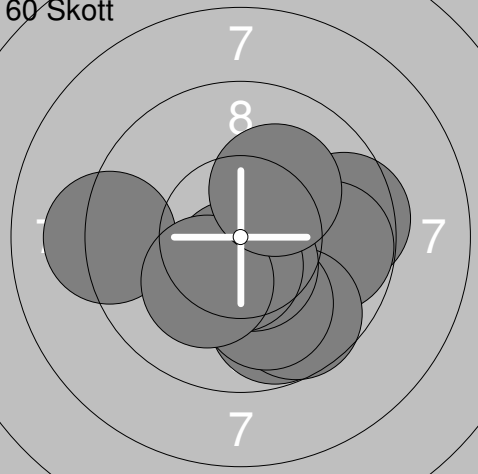
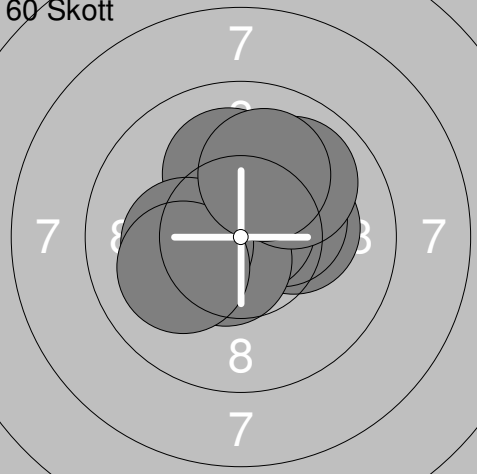
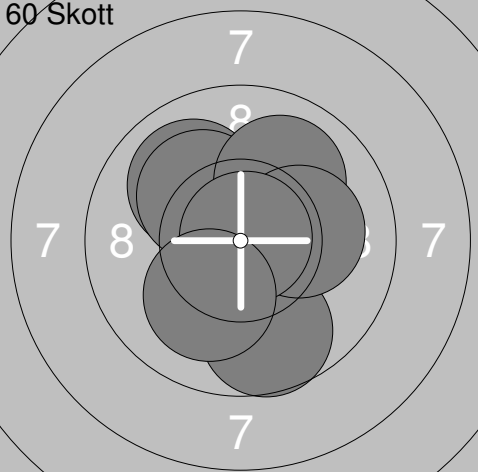
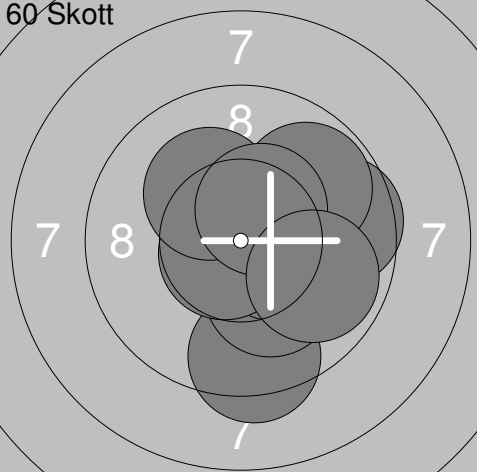
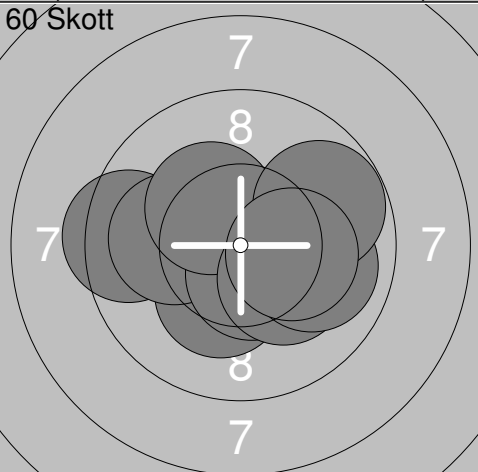
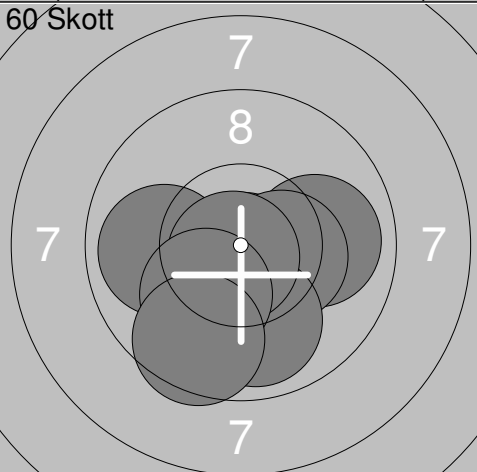
60 Skott

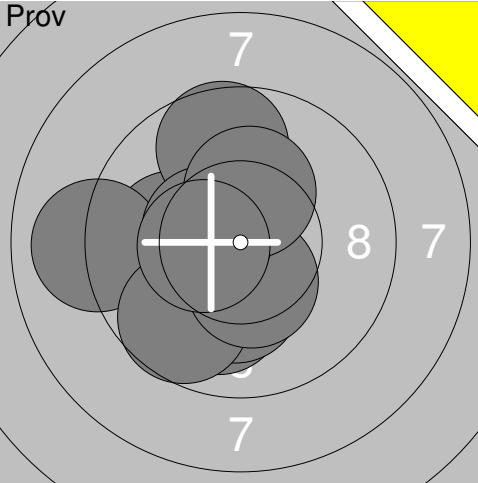
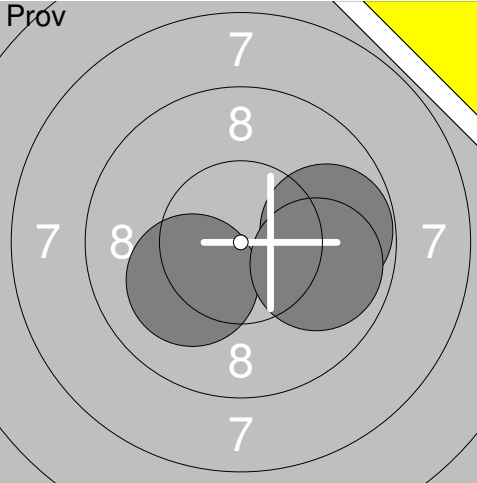
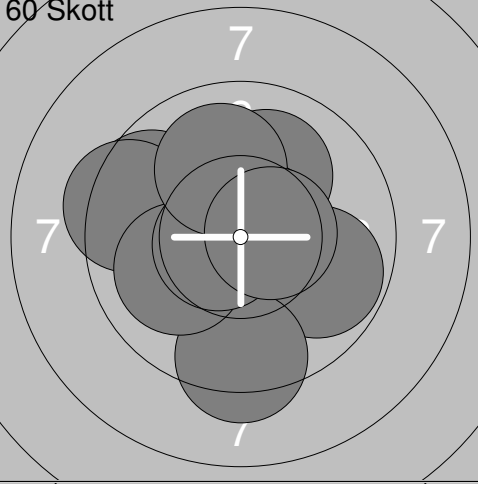
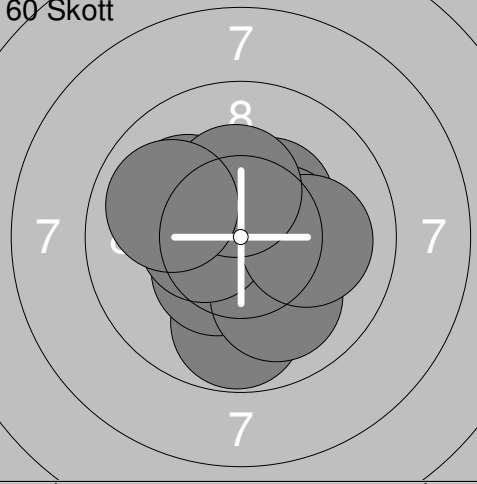
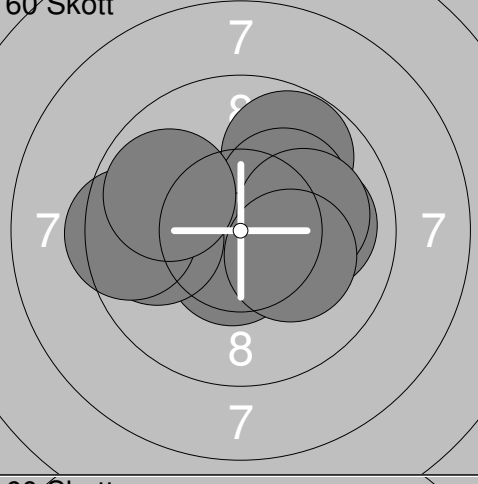
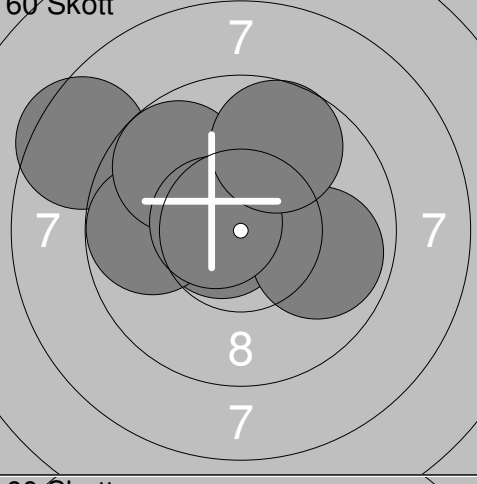
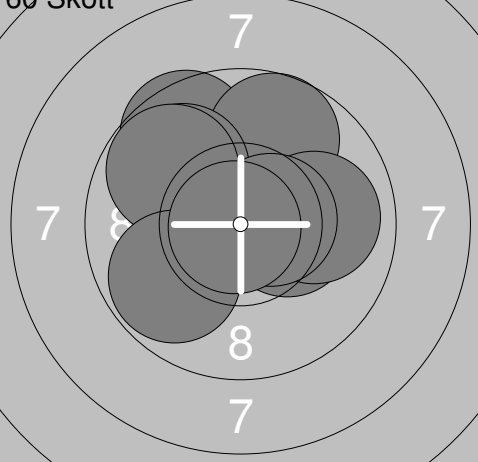
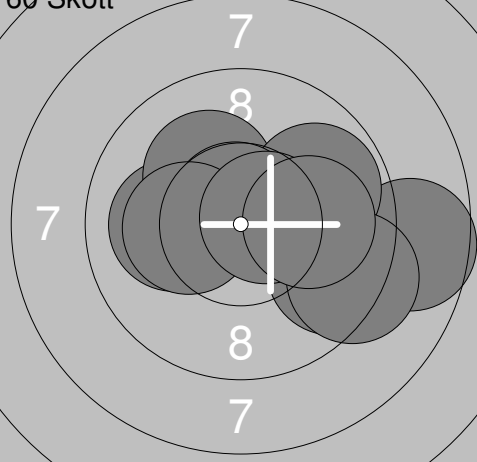
21:	8.9	←
22:	10.3x	↘
23:	9.5	↘
24:	5.7	←
25:	10.2x	←
26:	9.5	←
27:	9.3	↘
28:	8.3	←
29:	9.4	←
30:	10.2x	↑
Serie		91.3
Total		276.2

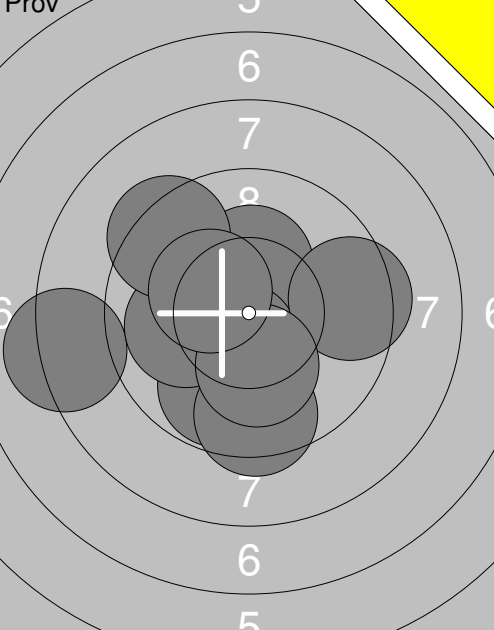
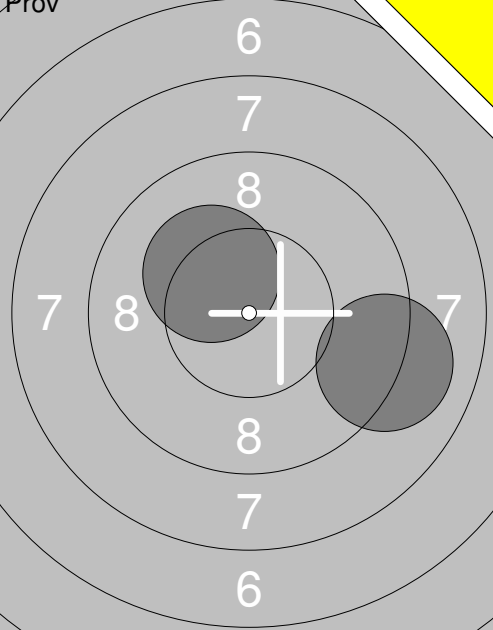
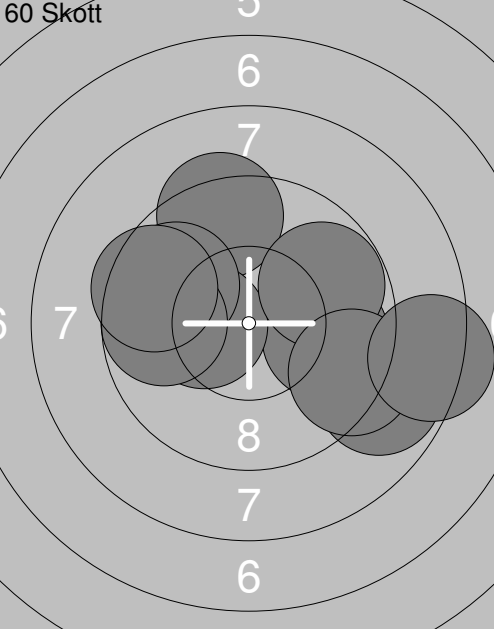
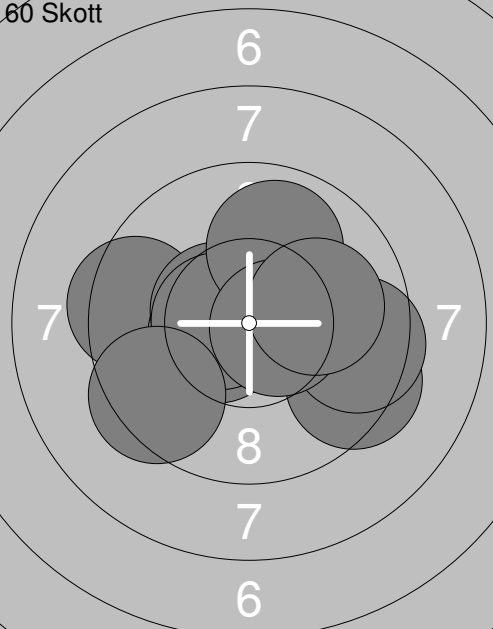
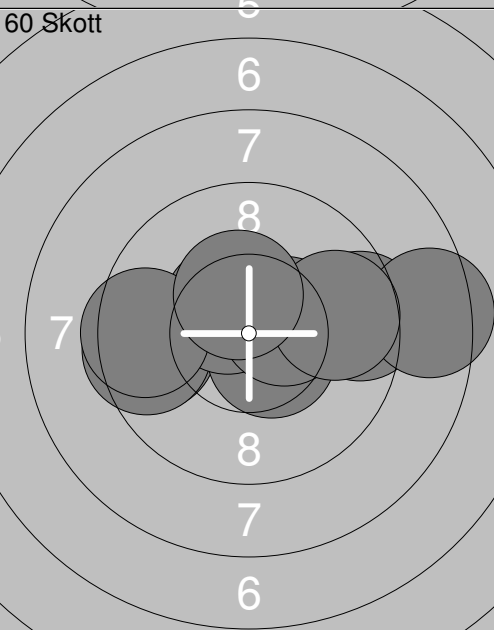
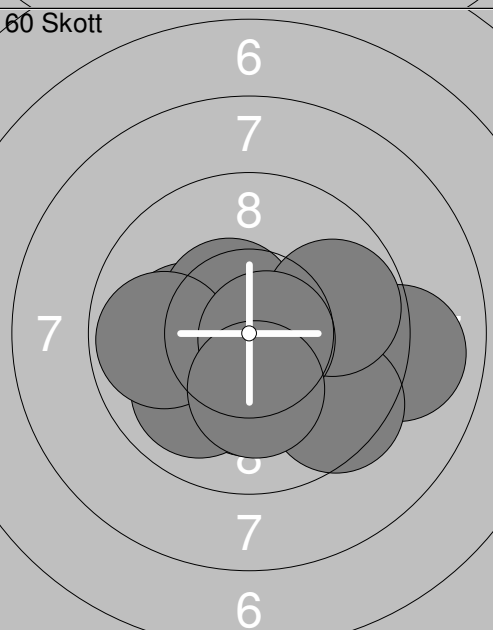


60 Skott

31:	9.7	←
32:	8.7	↗
33:	7.7	↗
34:	7.8	↗
35:	9.1	↘
36:	6.8	↗
37:	10.3x	↘
38:	8.4	↗
39:	8.7	←
40:	9.1	↑
Serie		86.3
Total		362.5

Pröv 	1: 10.2x ← 2: 9.5 → 3: 10.2x → 4: 10.5x ↗ 5: 10.4x ↗ 6: 10.6x ← 7: 10.1 ↗ 8: 10.3x ↓ 9: 9.6 → 10: 9.6 → <hr/> Serie 101.0 Total 0.0	Pröv 	11: 10.4x → 12: 9.8 ↑ 13: 10.5x ↗ 14: 10.3x ← 15: 10.7x → 16: 10.5x ↑ <hr/> Serie 62.2 Total 0.0
60 Skott 	1: 9.8 ↓ 2: 9.5 → 3: 9.8 → 4: 9.2 ← 5: 9.7 ↓ 6: 10.0 ↓ 7: 10.5x ↓ 8: 10.6x ↓ 9: 10.2x ↓ 10: 10.2x ↗ <hr/> Serie 99.5 Total 99.5	60 Skott 	11: 10.2x → 12: 10.6x ↗ 13: 10.1 ↑ 14: 10.4x → 15: 10.8x ↗ 16: 10.6x ↓ 17: 9.9 ↗ 18: 10.2x ← 19: 10.1 ← 20: 10.1 ↑ <hr/> Serie 103.0 Total 202.5
60 Skott 	21: 10.6x ↑ 22: 10.0 ↗ 23: 10.2x ↗ 24: 10.5x → 25: 10.0 ↗ 26: 10.7x ↓ 27: 9.7 ↓ 28: 10.2x → 29: 10.9x ↗ 30: 10.1 ↓ <hr/> Serie 102.9 Total 305.4	60 Skott 	31: 9.4 ↓ 32: 10.2x ↓ 33: 10.5x ↗ 34: 9.6 → 35: 10.5x → 36: 9.8 ↗ 37: 10.7x ← 38: 10.2x ↗ 39: 10.5x ↗ 40: 9.9 → <hr/> Serie 101.3 Total 406.7
60 Skott 	41: 10.4x ← 42: 9.4 ← 43: 10.3x ↓ 44: 10.1 ← 45: 10.5x ↓ 46: 10.3x ↗ 47: 10.2x ↓ 48: 9.9 → 49: 9.8 → 50: 10.2x → <hr/> Serie 101.1 Total 507.8	60 Skott 	51: 9.9 → 52: 10.8x ↓ 53: 10.2x ↓ 54: 9.9 ← 55: 10.6x ↓ 56: 10.4x → 57: 9.9 ↓ 58: 10.8x ↓ 59: 10.1 ↓ 60: 9.6 ↓ <hr/> Serie 102.2 Total 610.0

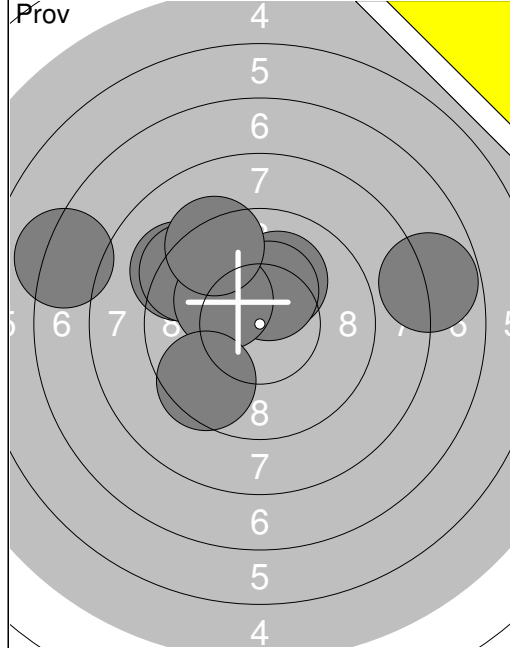
Skjutlag 2	Tavla 7	Hanna Lundin			
S		Umeå Skf			
25.02.2018		Vännästräffen 2018	Umeå skytteallians		
Pröv		1: 10.1 ← 2: 9.0 ← 3: 10.0 ↓ 4: 10.2x ↓ 5: 9.7 ↓ 6: 9.6 ↑ 7: 10.4x ↓ 8: 10.5x ← 9: 10.3x ↑ 10: 10.5x ← Serie 100.3 Total 0.0	Pröv		11: 10.1 ↙ 12: 9.8 → 13: 9.9 → Serie 29.8 Total 0.0
60 Skott		1: 10.1 ↑ 2: 9.8 → 3: 9.6 ← 4: 9.4 ← 5: 9.3 ↓ 6: 10.7x → 7: 10.0 ← 8: 10.6x ← 9: 10.0 ↑ 10: 10.5x → Serie 100.0 Total 100.0	60 Skott		11: 9.8 ↓ 12: 10.4x ↙ 13: 10.4x ↗ 14: 10.4x → 15: 10.1 ↗ 16: 10.0 ↓ 17: 10.5x ← 18: 10.1 → 19: 10.3x ↑ 20: 9.9 ↖ Serie 101.9 Total 201.9
60 Skott		21: 10.0 → 22: 10.3x ↗ 23: 9.8 ↗ 24: 10.2x ↗ 25: 10.5x ↓ 26: 9.8 ← 27: 9.5 ← 28: 10.1 → 29: 9.9 ↗ 30: 10.2x → Serie 100.3 Total 302.2	60 Skott		31: 10.7x ← 32: 10.4x ↗ 33: 9.8 ↖ 34: 8.5 ↗ 35: 9.8 ← 36: 10.4x ↗ 37: 9.8 ↗ 38: 9.9 → 39: 10.6x ← 40: 9.7 ↗ Serie 99.6 Total 401.8
60 Skott		41: 9.6 ↗ 42: 10.1 ↗ 43: 10.3x → 44: 9.7 ↗ 45: 10.0 → 46: 9.9 ↗ 47: 9.8 ↗ 48: 9.8 ↖ 49: 10.5x → 50: 10.9x ← Serie 100.6 Total 502.4	60 Skott		51: 10.1 ← 52: 10.2x ↗ 53: 8.6 → 54: 9.9 → 55: 9.6 → 56: 9.3 ↓ 57: 10.7x ↗ 58: 10.2x ← 59: 10.6x → 60: 10.0 → Serie 99.2 Total 601.6

<p>Prov</p> 	<p>1: 10.3x↑</p> <p>2: 8.2 ←</p> <p>3: 10.5x↓</p> <p>4: 9.8 ↓</p> <p>5: 9.5 ↓</p> <p>6: 9.5 →</p> <p>7: 10.0←</p> <p>8: 10.2x↓</p> <p>9: 9.3 ↖</p> <p>10: 10.3x↘</p> <p>Serie 97.6</p> <p>Total 0.0</p>	<p>Prov</p> 	<p>11: 10.2x↖</p> <p>12: 9.1 →</p> <p>Serie 19.3</p> <p>Total 0.0</p>
<p>60 Skott</p> 	<p>1: 9.4 ↑</p> <p>2: 9.8 →</p> <p>3: 8.9 ↘</p> <p>4: 10.3x↖</p> <p>5: 9.8 ↖</p> <p>6: 9.8 →</p> <p>7: 9.7 ←</p> <p>8: 9.3 ↘</p> <p>9: 8.3 →</p> <p>10: 9.5 ↖</p> <p>Serie 94.8</p> <p>Total 94.8</p>	<p>60 Skott</p> 	<p>11: 9.5 ←</p> <p>12: 10.5x↖</p> <p>13: 10.5x↖</p> <p>14: 10.6x↖</p> <p>15: 9.9 ↑</p> <p>16: 9.4 ↘</p> <p>17: 9.5 →</p> <p>18: 10.6x→</p> <p>19: 10.1→</p> <p>20: 9.4 ↙</p> <p>Serie 100.0</p> <p>Total 194.8</p>
<p>60 Skott</p> 	<p>21: 9.6 ←</p> <p>22: 10.5x↖</p> <p>23: 9.4 →</p> <p>24: 9.5 ←</p> <p>25: 10.5x↖</p> <p>26: 8.4 →</p> <p>27: 9.5 ←</p> <p>28: 10.4x→</p> <p>29: 9.7 →</p> <p>30: 10.4x↑</p> <p>Serie 97.9</p> <p>Total 292.7</p>	<p>60 Skott</p> 	<p>31: 10.2x↖</p> <p>32: 10.5x↖</p> <p>33: 9.0 →</p> <p>34: 9.5 ↘</p> <p>35: 10.2x↓</p> <p>36: 9.8 →</p> <p>37: 10.0 ↙</p> <p>38: 9.8 ←</p> <p>39: 10.7x→</p> <p>40: 10.2x↓</p> <p>Serie 99.9</p> <p>Total 392.6</p>

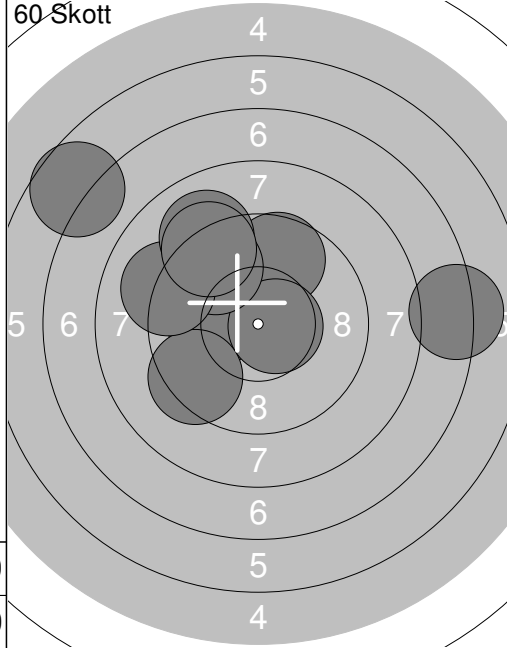
<p>Prov</p>	<p>1: 8.2 ↘</p> <p>2: 9.5 ➡</p> <p>3: 9.1 ↗</p> <p>4: 8.6 ➡</p> <p>5: 8.3 ➡</p> <p>6: 10.4x↗</p> <p>7: 8.7 ↘</p> <p>8: 9.9 ➡</p> <p>9: 5.3 ➡</p> <p>10: 8.3 ➡</p> <p>Serie 86.3</p> <p>Total 0.0</p>	<p>Prov</p>	<p>11: 9.0 ➡</p> <p>12: 9.1 ↘</p> <p>13: 9.4 ↑</p> <p>14: 9.7 ➡</p> <p>Serie 37.2</p> <p>Total 0.0</p>
-------------	--	-------------	--

<p>60 Skott</p>	<p>1: 8.1 ➡</p> <p>2: 10.6x↗</p> <p>3: 9.5 ↘</p> <p>4: 10.0↙</p> <p>5: 10.2x↘</p> <p>6: 7.7 ➡</p> <p>7: 8.9 ↗</p> <p>8: 8.6 ➡</p> <p>9: 9.3 ↗</p> <p>10: 7.3 ↑</p> <p>Serie 90.2</p> <p>Total 90.2</p>	<p>60 Skott</p>	<p>11: 7.0 ↗</p> <p>12: 8.7 ➡</p> <p>13: 8.6 ➡</p> <p>14: 10.0 ➡</p> <p>15: 7.9 ↘</p> <p>16: 10.4x↘</p> <p>17: 7.7 ➡</p> <p>18: 9.5 ↗</p> <p>19: 4.8 ➡</p> <p>20: 8.5 ↙</p> <p>Serie 83.1</p> <p>Total 173.3</p>
-----------------	--	-----------------	--

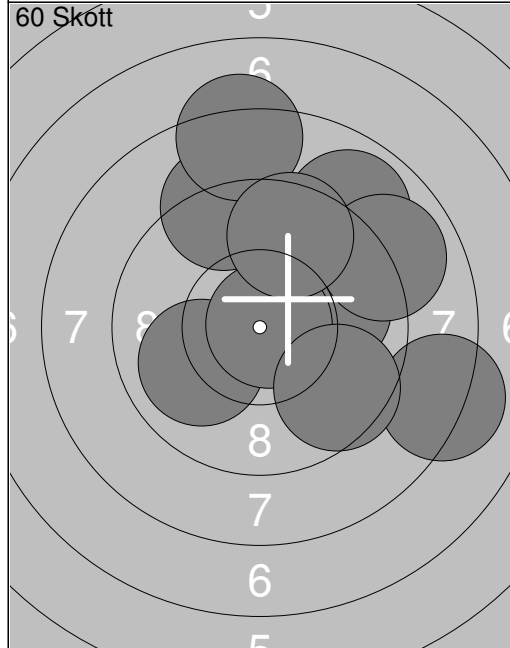
<p>60 Skott</p>	<p>21: 6.2 ➡</p> <p>22: 8.3 ↑</p> <p>23: 8.0 ➡</p> <p>24: 6.9 ↗</p> <p>25: 6.4 ➡</p> <p>26: 9.6 ➡</p> <p>27: 9.1 ➡</p> <p>28: 7.1 ↗</p> <p>29: 8.1 ↗</p> <p>30: 9.5 ↗</p> <p>Serie 79.2</p> <p>Total 252.5</p>	<p>60 Skott</p>	<p>31: 8.7 ➡</p> <p>32: 9.6 ➡</p> <p>33: 8.2 ➡</p> <p>34: 9.2 ➡</p> <p>35: 9.0 ↗</p> <p>36: 7.5 ↘</p> <p>37: 10.2x↘</p> <p>38: 7.4 ➡</p> <p>39: 9.2 ↘</p> <p>40: 4.7 ➡</p> <p>Serie 83.7</p> <p>Total 336.2</p>
-----------------	--	-----------------	---



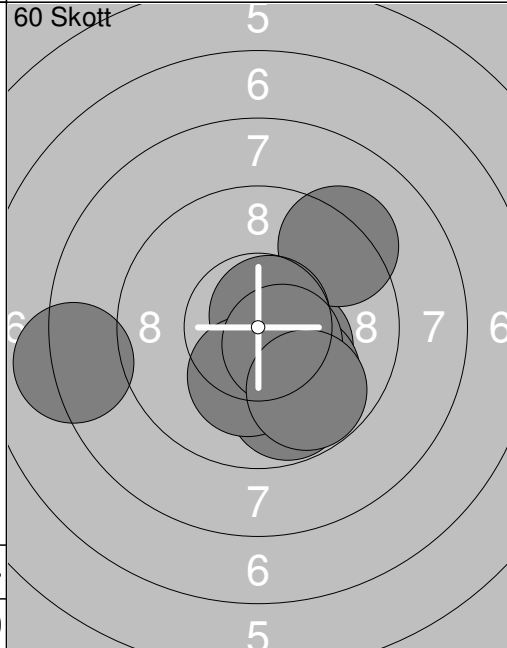
1:	10.1	↗
2:	9.2	↖
3:	7.2	↖
4:	10.3x	↗
5:	9.4	↖
6:	7.8	→
7:	10.2x	↖
8:	9.3	↗
9:	9.5	↘
Serie		83.0
Total		0.0



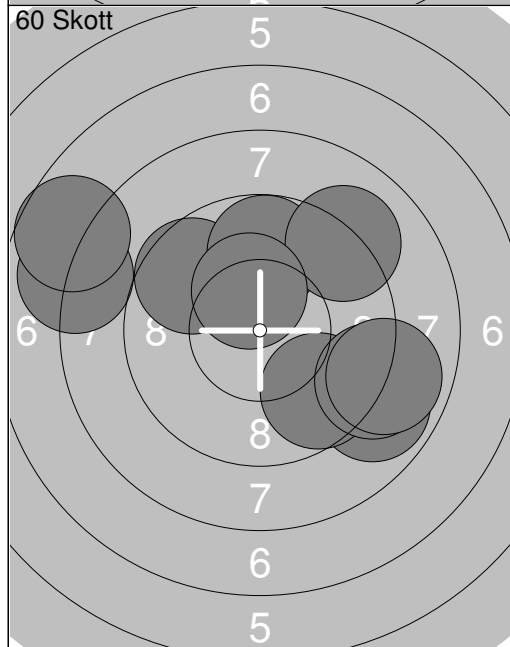
1:	9.7	↗
2:	10.1	↖
3:	10.6x	↗
4:	9.4	↖
5:	9.6	↖
6:	6.7	↖
7:	9.1	↖
8:	9.0	↗
9:	9.2	↗
10:	7.2	→
Serie		90.6
Total		90.6



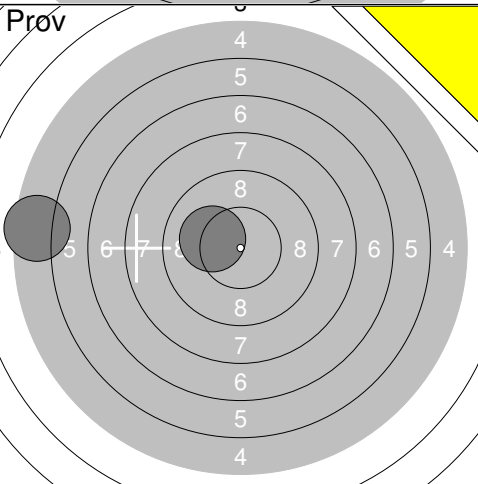
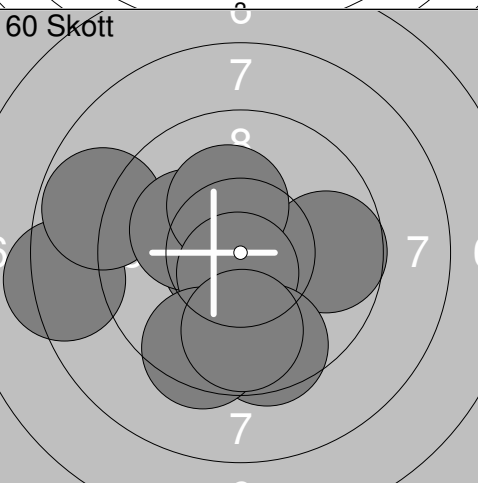
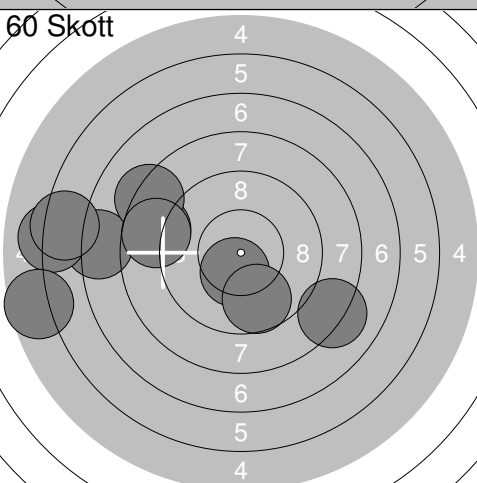
11:	9.2	↗
12:	8.2	↑
13:	10.0	↖
14:	8.2	→
15:	10.0	→
16:	8.9	↗
17:	8.9	↗
18:	10.8x	→
19:	9.6	↘
20:	9.6	↗
Serie		93.4
Total		184.0

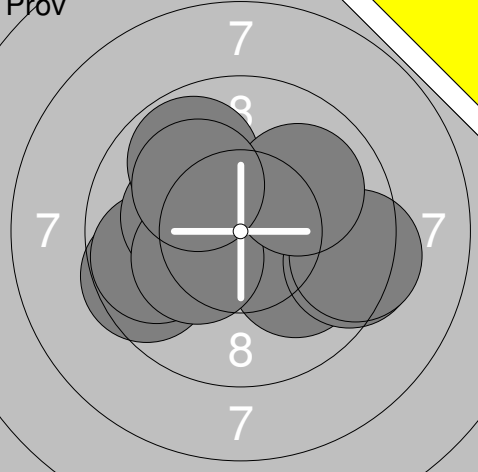
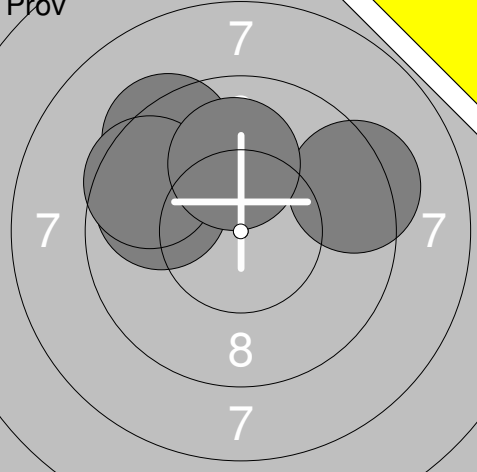
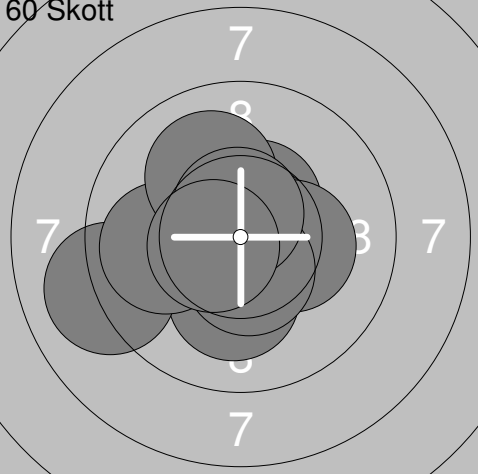
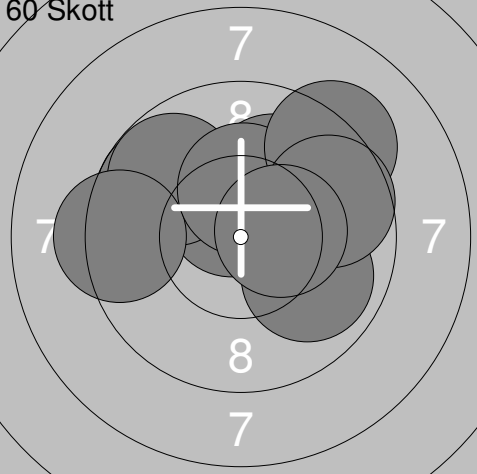
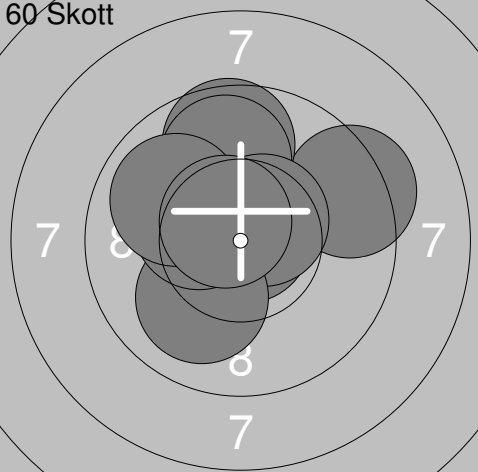
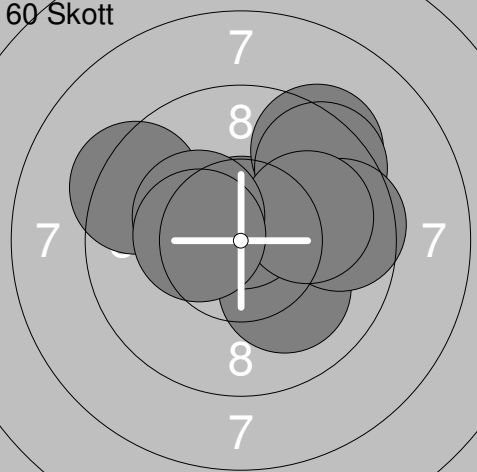
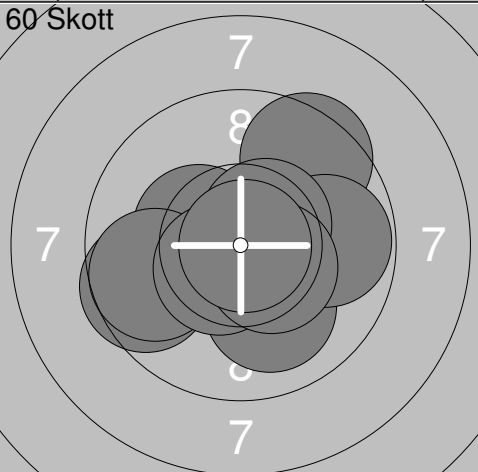
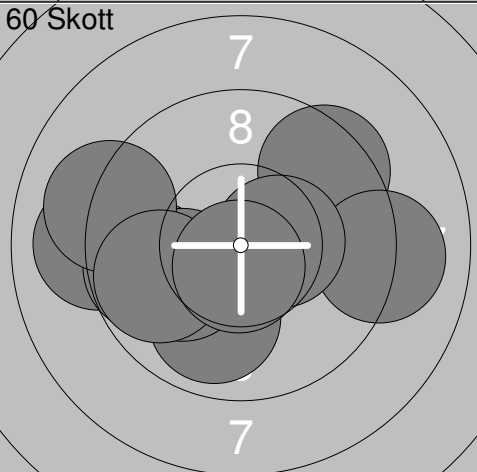


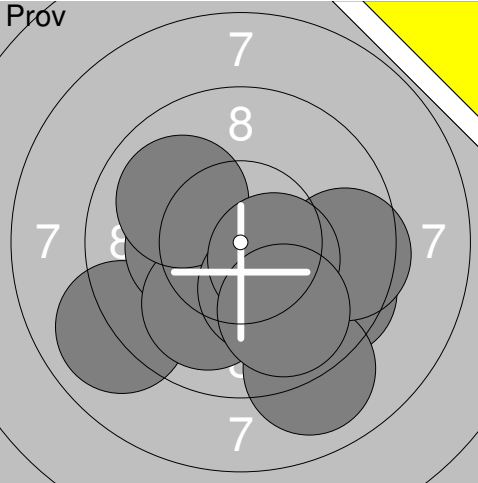
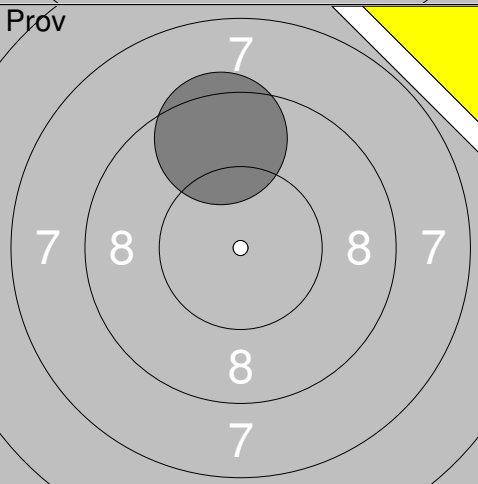
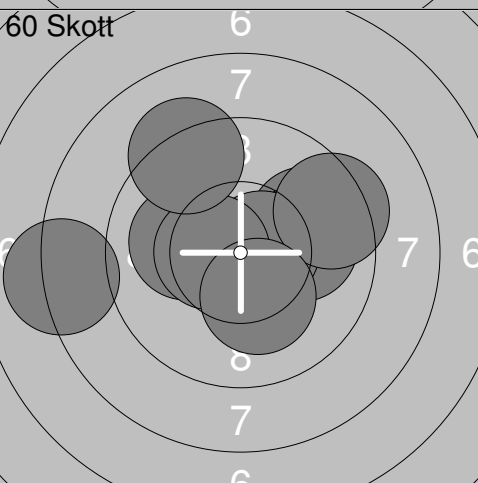
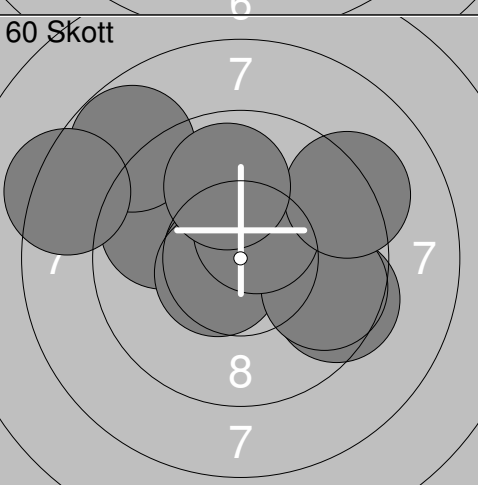
21:	10.4x	↖
22:	10.4x	↖
23:	9.3	↗
24:	10.0	↘
25:	9.8	↘
26:	10.7x	↗
27:	10.2x	↘
28:	10.5x	↖
29:	8.2	←
30:	9.8	↘
Serie		99.3
Total		283.3

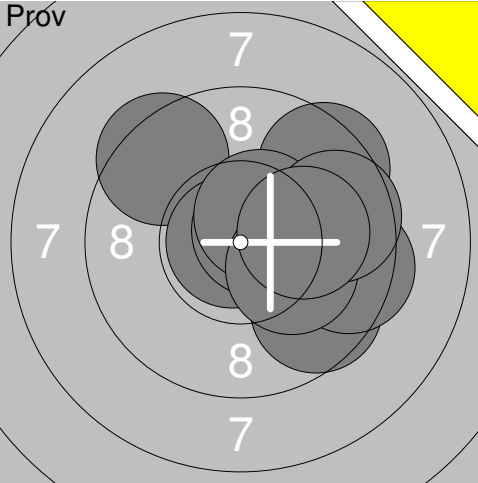
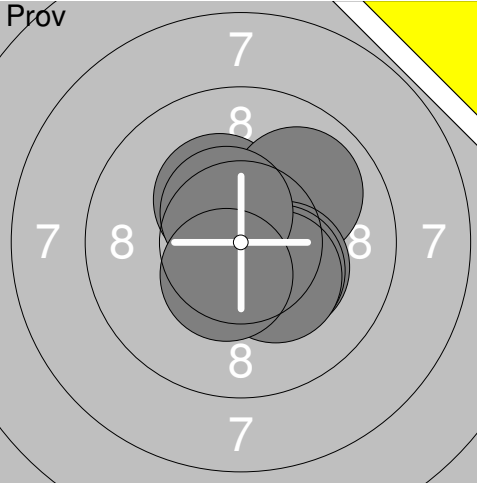
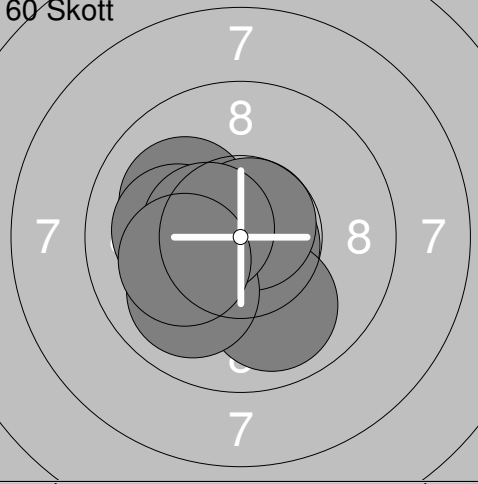
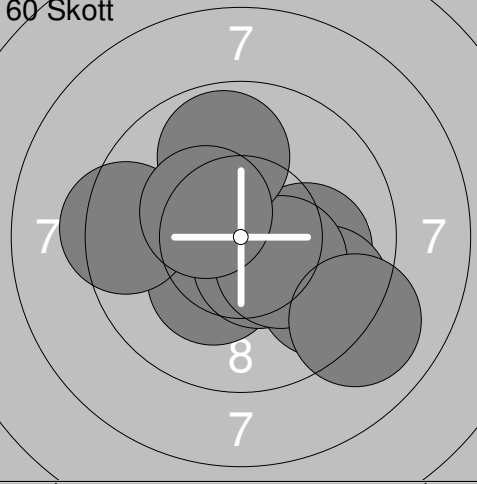
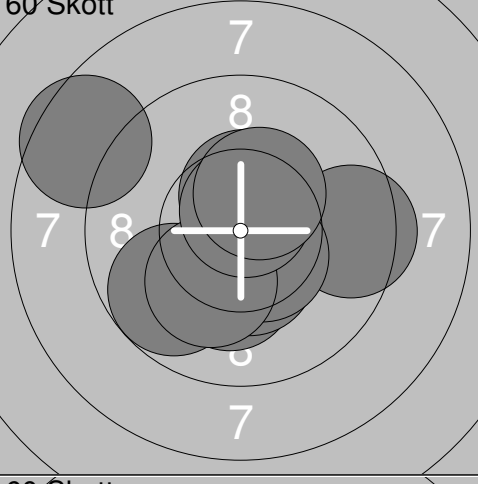
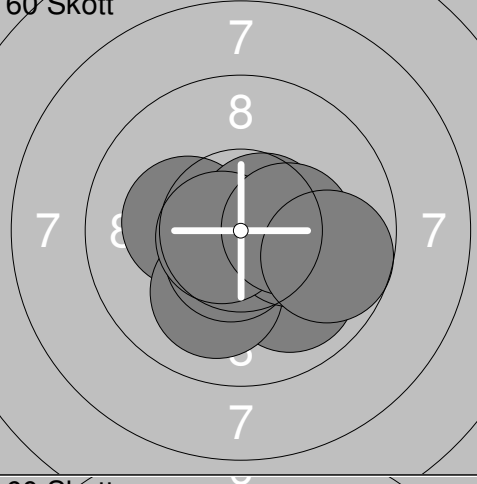
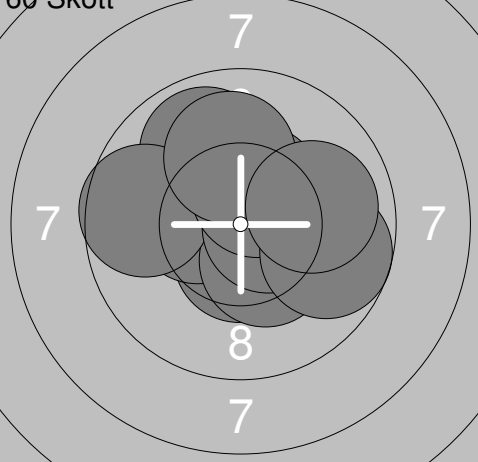
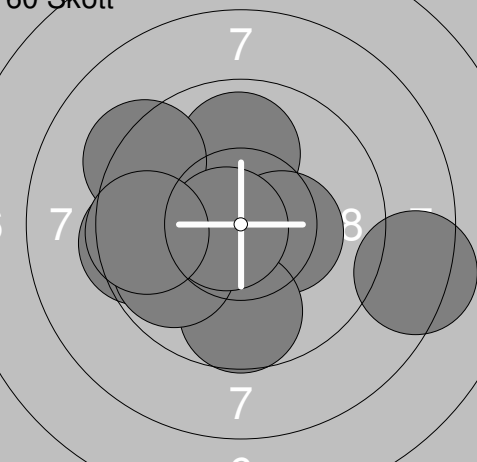


31:	8.0	←
32:	9.6	↖
33:	9.8	↑
34:	8.9	↘
35:	9.7	↘
36:	9.1	↗
37:	9.0	→
38:	10.3x	↗
39:	7.7	↖
40:	8.9	→
Serie		91.0
Total		374.3

Skjutlag	Tavla	Joel Bergqvist	
2	11		
S	Umeå Skf		
25.02.2018	Vännästräffen 2018	Umeå skytteallians	
Prov		1: 8.9 ↓ 2: 7.8 ↖ 3: 10.1 ↘ 4: 9.5 ↖ 5: 10.5x ↓ 6: 8.5 ↖ 7: 10.2x ↓ 8: 9.8 ↖ 9: 7.0 ↖ 10: 7.7 ↖ Serie 90.0 Total 0.0	11: 7.1 ↖ 12: 10.6x ↗ 13: 6.9 ↖ 14: 8.9 ↖ 15: 8.2 ↖ 16: 7.2 ↘ 17: 7.5 ↖ 18: 10.0 ↓ 19: 8.4 → 20: 9.4 ↖ Serie 84.2 Total 0.0
Prov		21: 5.5 ↖ 22: 10.2x ↖ Serie 15.7 Total 0.0	60 Skott 
60 Skott		11: 8.3 ↖ 12: 9.7 → 13: 8.8 ↖ 14: 10.7x ↖ 15: 10.1 ↗ 16: 10.2x ↗ 17: 10.6x ↓ 18: 9.5 ↓ 19: 9.4 ↓ 20: 9.8 ↓ Serie 97.1 Total 189.1	60 Skott 
60 Skott		31: 10.1 ↖ 32: 5.8 ↗ 33: 8.0 ↖ 34: 10.8x ↖ 35: 6.6 ↗ 36: 9.2 ↖ 37: 6.5 ↖ 38: 4.7 ↓ 39: 6.3 ↘ 40: 7.8 ↗ Serie 75.8 Total 344.1	21: 10.4x ↓ 22: 8.7 ↖ 23: 7.3 ↖ 24: 8.2 ↗ 25: 6.1 ↖ 26: 8.7 ↖ 27: 9.7 ↓ 28: 6.4 ↖ 29: 8.1 ↘ 30: 5.6 ↖ Serie 79.2 Total 268.3

Pröv 	1: 9.5 ← 2: 10.0 ↘ 3: 9.8 ← 4: 9.4 → 5: 10.2x ← 6: 9.4 → 7: 10.3x ← 8: 9.8 ↗ 9: 10.0 ↗ 10: 10.1 ↗ <hr/> Serie 98.5 Total 0.0	Pröv 	11: 9.4 ↗ 12: 9.8 ← 13: 9.3 → 14: 9.6 ↗ 15: 10.0 ↑ <hr/> Serie 48.1 Total 0.0
60 Skott 	1: 10.5x ↗ 2: 10.7x → 3: 10.2x ↓ 4: 10.3x → 5: 9.1 ← 6: 9.9 ← 7: 10.1 ↗ 8: 10.5x ↓ 9: 10.6x ↑ 10: 10.6x ← <hr/> Serie 102.5 Total 102.5	60 Skott 	11: 9.9 ↘ 12: 10.1 ↗ 13: 9.7 ← 14: 10.6x ↑ 15: 9.8 ↗ 16: 9.3 ← 17: 10.3x ↑ 18: 9.2 ↗ 19: 9.7 → 20: 10.4x → <hr/> Serie 99.0 Total 201.5
60 Skott 	21: 9.3 → 22: 10.9x ↗ 23: 10.5x ↑ 24: 9.6 ↑ 25: 9.9 ↑ 26: 10.5x ↗ 27: 10.0 ↓ 28: 10.3x ↗ 29: 9.9 ↗ 30: 10.6x ↗ <hr/> Serie 101.5 Total 303.0	60 Skott 	31: 10.7x → 32: 10.1 ↘ 33: 10.7x ↑ 34: 9.4 ↗ 35: 9.5 ↗ 36: 9.6 → 37: 10.0 → 38: 9.4 ← 39: 10.3x ↗ 40: 10.4x ← <hr/> Serie 100.1 Total 403.1
60 Skott 	41: 10.4x ← 42: 9.6 ← 43: 9.5 ↗ 44: 9.7 ← 45: 10.0 ↓ 46: 10.5x ↘ 47: 9.8 → 48: 10.5x ↗ 49: 10.4x ↘ 50: 10.9x → <hr/> Serie 101.3 Total 504.4	60 Skott 	51: 9.4 ↗ 52: 9.0 ← 53: 9.9 ↓ 54: 9.1 → 55: 9.7 ← 56: 10.4x → 57: 10.1 ← 58: 9.1 ← 59: 9.8 ← 60: 10.7x ↓ <hr/> Serie 97.2 Total 601.6

Skjutlag	Tavla	Emma Eriksson	
2	13		
S	Ramselefors Skf		
25.02.2018	Vännästräffen 2018	Umeå skytteallians	
Prov		1: 9.0 ↙ 2: 10.3x ← 3: 10.0 ↘ 4: 9.6 ↘ 5: 10.0 ↗ 6: 9.0 ↘ 7: 10.2x ↘ 8: 9.5 → 9: 10.4x ↘ 10: 9.9 ↘ Serie 97.9 Total 0.0	11: 9.4 ↘ 12: 9.7 ← 13: 10.0 ← 14: 10.5x ↘ 15: 9.6 ↘ 16: 9.9 ↗ 17: 10.1 ↘ 18: 9.3 ↘ 19: 10.7x → 20: 10.6x ↗ Serie 99.8 Total 0.0
Prov		21: 9.4 ↑ Serie 9.4 Total 0.0	60 Skott
			1: 10.6x ↑ 2: 9.9 ↑ 3: 9.3 ↑ 4: 9.8 ↓ 5: 10.0 → 6: 9.1 → 7: 10.7x ↘ 8: 9.7 ↗ 9: 10.0 → 10: 9.8 → Serie 98.9 Total 98.9
60 Skott		11: 8.1 ← 12: 9.8 → 13: 10.0 → 14: 10.1 ← 15: 10.7x ↘ 16: 10.6x → 17: 9.4 → 18: 10.5x ← 19: 9.2 ↗ 20: 10.2x ↘ Serie 98.6 Total 197.5	60 Skott
			21: 10.3x ↑ 22: 10.5x ↑ 23: 9.9 → 24: 10.2x ↗ 25: 10.1 ↙ 26: 9.8 ↘ 27: 10.0 ← 28: 10.1 ↗ 29: 10.7x ↑ 30: 8.6 ← Serie 100.2 Total 297.7
60 Skott		31: 9.8 ↗ 32: 9.5 ↘ 33: 10.7x ← 34: 10.6x ↙ 35: 9.7 → 36: 8.8 ↗ 37: 10.5x ↗ 38: 9.2 → 39: 8.3 ← 40: 9.9 ↑ Serie 97.0 Total 394.7	

Skjutlag	Tavla	Nicolle Nygren	
S	Umeå Skf		
25.02.2018	Vännästräffen 2018	Umeå skytteallians	
Pröv		1: 9.4 ↗ 2: 10.8x ← 3: 9.5 ↗ 4: 10.7x ↗ 5: 9.6 ↘ 6: 10.5x ↗ 7: 9.4 → 8: 10.2x ↘ 9: 9.6 → 10: 10.1 → Serie 99.8 Total 0.0	Pröv  11: 10.3x ↗ 12: 9.9 ↗ 13: 10.3x ↘ 14: 10.3x ↘ 15: 10.3x ↘ 16: 10.5x ↗ 17: 10.5x ↘ Serie 72.1 Total 0.0
60 Skott		1: 10.7x ← 2: 10.1 ↗ 3: 10.7x ↘ 4: 10.5x ↘ 5: 9.9 ↘ 6: 10.7x ↗ 7: 10.1 ← 8: 10.0 ↘ 9: 10.5x ← 10: 10.1 ← Serie 103.3 Total 103.3	60 Skott  11: 10.3x ← 12: 10.3x ↘ 13: 10.1 → 14: 9.4 ← 15: 9.6 ↘ 16: 10.5x ↘ 17: 10.3x ↘ 18: 9.8 ↗ 19: 10.4x ↗ 20: 9.0 ↘ Serie 99.7 Total 203.0
60 Skott		21: 10.2x ↘ 22: 9.5 → 23: 10.4x ↘ 24: 10.5x ↘ 25: 9.7 ↘ 26: 10.5x ↗ 27: 8.5 ↗ 28: 10.2x ↘ 29: 10.7x ↗ 30: 10.4x ↗ Serie 100.6 Total 303.6	60 Skott  31: 10.0 ↘ 32: 10.7x ↘ 33: 10.2x ← 34: 10.6x ↗ 35: 10.1 ↘ 36: 10.6x ↘ 37: 10.2x → 38: 10.7x ← 39: 10.3x → 40: 9.7 → Serie 103.1 Total 406.7
60 Skott		41: 9.9 ↗ 42: 10.5x ↘ 43: 10.4x ← 44: 10.4x ↘ 45: 9.6 ← 46: 10.6x → 47: 10.4x ↗ 48: 10.0 ↗ 49: 9.7 → 50: 10.0 → Serie 101.5 Total 508.2	60 Skott  51: 9.9 ↗ 52: 9.9 ← 53: 10.3x → 54: 9.3 ↗ 55: 9.5 ← 56: 9.7 ↘ 57: 8.3 → 58: 9.8 ← 59: 10.7x ← 60: 9.6 ← Serie 97.0 Total 605.2

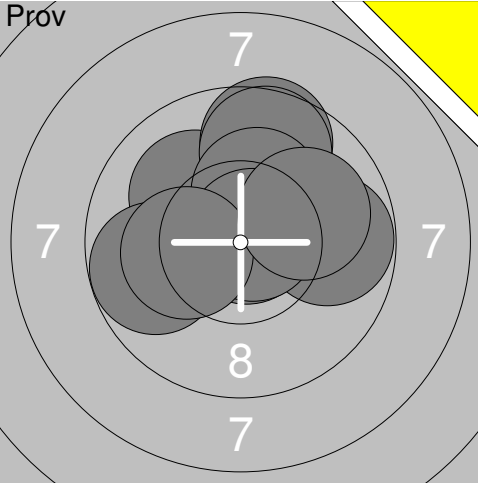
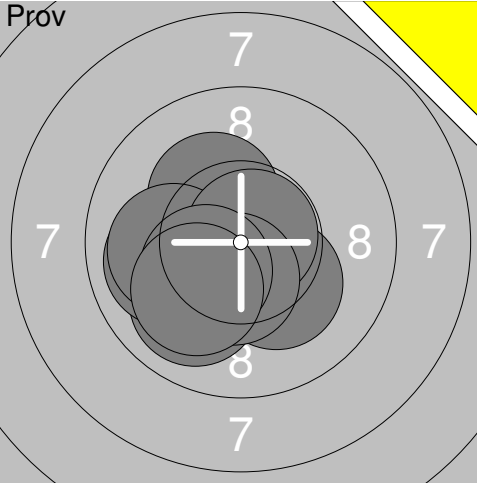
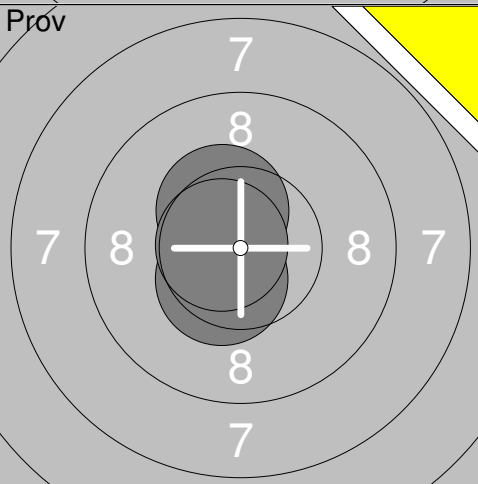
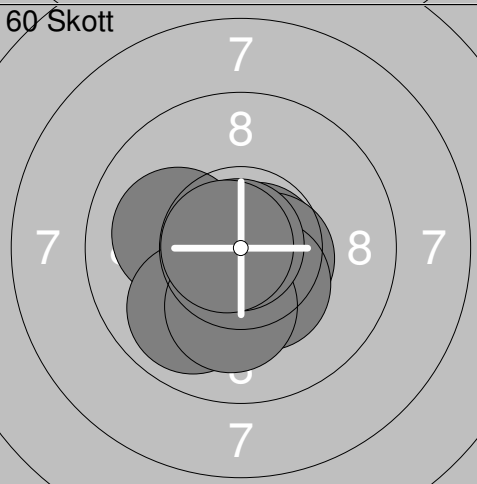
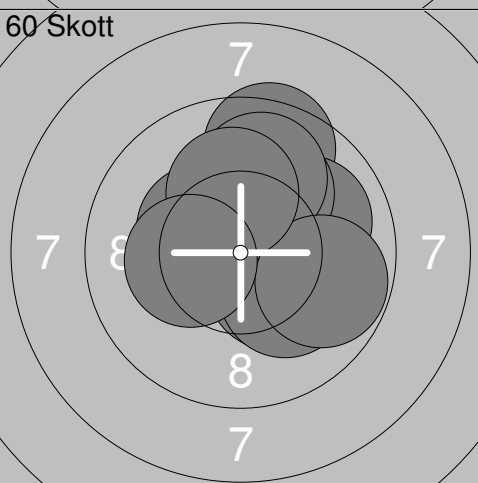
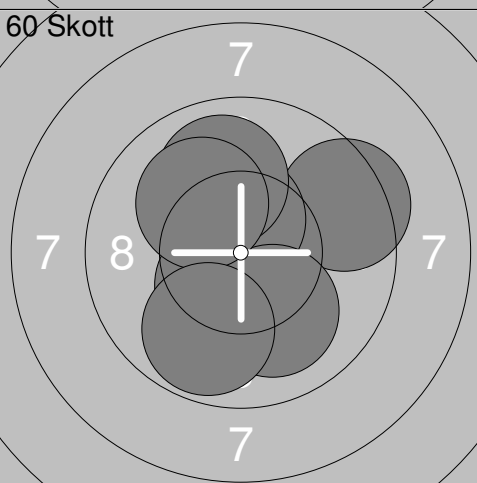
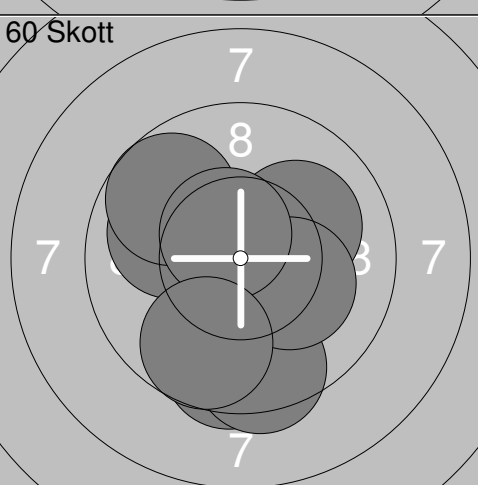
<p>Pröv</p>	<table border="1" style="width:100%; border-collapse: collapse;"> <tr><td>1:</td><td>9.5</td><td>↓</td></tr> <tr><td>2:</td><td>9.4</td><td>↓</td></tr> <tr><td>3:</td><td>9.1</td><td>↓</td></tr> <tr><td>4:</td><td>10.4x</td><td>↓</td></tr> <tr><td>5:</td><td>8.4</td><td>→</td></tr> <tr><td>6:</td><td>10.3x</td><td>↗</td></tr> <tr><td>7:</td><td>10.5x</td><td>↗</td></tr> <tr><td>8:</td><td>10.7x</td><td>→</td></tr> <tr><td>9:</td><td>8.2</td><td>↗</td></tr> <tr><td>10:</td><td>10.7x</td><td>↓</td></tr> <tr><td colspan="2">Serie</td><td>97.2</td></tr> <tr><td colspan="2">Total</td><td>0.0</td></tr> </table>	1:	9.5	↓	2:	9.4	↓	3:	9.1	↓	4:	10.4x	↓	5:	8.4	→	6:	10.3x	↗	7:	10.5x	↗	8:	10.7x	→	9:	8.2	↗	10:	10.7x	↓	Serie		97.2	Total		0.0	<p>Pröv</p>	<table border="1" style="width:100%; border-collapse: collapse;"> <tr><td>11:</td><td>10.5x</td><td>↘</td></tr> <tr><td>12:</td><td>10.8x</td><td>←</td></tr> <tr><td colspan="2">Serie</td><td>21.3</td></tr> <tr><td colspan="2">Total</td><td>0.0</td></tr> </table>	11:	10.5x	↘	12:	10.8x	←	Serie		21.3	Total		0.0																								
1:	9.5	↓																																																																									
2:	9.4	↓																																																																									
3:	9.1	↓																																																																									
4:	10.4x	↓																																																																									
5:	8.4	→																																																																									
6:	10.3x	↗																																																																									
7:	10.5x	↗																																																																									
8:	10.7x	→																																																																									
9:	8.2	↗																																																																									
10:	10.7x	↓																																																																									
Serie		97.2																																																																									
Total		0.0																																																																									
11:	10.5x	↘																																																																									
12:	10.8x	←																																																																									
Serie		21.3																																																																									
Total		0.0																																																																									
<p>60 Skott</p>	<table border="1" style="width:100%; border-collapse: collapse;"> <tr><td>1:</td><td>10.5x</td><td>←</td></tr> <tr><td>2:</td><td>10.4x</td><td>↓</td></tr> <tr><td>3:</td><td>9.9</td><td>↗</td></tr> <tr><td>4:</td><td>10.5x</td><td>←</td></tr> <tr><td>5:</td><td>9.8</td><td>→</td></tr> <tr><td>6:</td><td>9.6</td><td>→</td></tr> <tr><td>7:</td><td>10.5x</td><td>↑</td></tr> <tr><td>8:</td><td>8.8</td><td>→</td></tr> <tr><td>9:</td><td>10.0</td><td>↓</td></tr> <tr><td>10:</td><td>9.7</td><td>↑</td></tr> <tr><td colspan="2">Serie</td><td>99.7</td></tr> <tr><td colspan="2">Total</td><td>99.7</td></tr> </table>	1:	10.5x	←	2:	10.4x	↓	3:	9.9	↗	4:	10.5x	←	5:	9.8	→	6:	9.6	→	7:	10.5x	↑	8:	8.8	→	9:	10.0	↓	10:	9.7	↑	Serie		99.7	Total		99.7	<p>60 Skott</p>	<table border="1" style="width:100%; border-collapse: collapse;"> <tr><td>11:</td><td>9.9</td><td>↗</td></tr> <tr><td>12:</td><td>9.4</td><td>↓</td></tr> <tr><td>13:</td><td>9.5</td><td>↗</td></tr> <tr><td>14:</td><td>10.4x</td><td>↑</td></tr> <tr><td>15:</td><td>10.6x</td><td>↓</td></tr> <tr><td>16:</td><td>9.6</td><td>↓</td></tr> <tr><td>17:</td><td>10.4x</td><td>←</td></tr> <tr><td>18:</td><td>9.5</td><td>←</td></tr> <tr><td>19:</td><td>9.4</td><td>↑</td></tr> <tr><td>20:</td><td>10.0</td><td>↗</td></tr> <tr><td colspan="2">Serie</td><td>98.7</td></tr> <tr><td colspan="2">Total</td><td>198.4</td></tr> </table>	11:	9.9	↗	12:	9.4	↓	13:	9.5	↗	14:	10.4x	↑	15:	10.6x	↓	16:	9.6	↓	17:	10.4x	←	18:	9.5	←	19:	9.4	↑	20:	10.0	↗	Serie		98.7	Total		198.4
1:	10.5x	←																																																																									
2:	10.4x	↓																																																																									
3:	9.9	↗																																																																									
4:	10.5x	←																																																																									
5:	9.8	→																																																																									
6:	9.6	→																																																																									
7:	10.5x	↑																																																																									
8:	8.8	→																																																																									
9:	10.0	↓																																																																									
10:	9.7	↑																																																																									
Serie		99.7																																																																									
Total		99.7																																																																									
11:	9.9	↗																																																																									
12:	9.4	↓																																																																									
13:	9.5	↗																																																																									
14:	10.4x	↑																																																																									
15:	10.6x	↓																																																																									
16:	9.6	↓																																																																									
17:	10.4x	←																																																																									
18:	9.5	←																																																																									
19:	9.4	↑																																																																									
20:	10.0	↗																																																																									
Serie		98.7																																																																									
Total		198.4																																																																									
<p>60 Skott</p>	<table border="1" style="width:100%; border-collapse: collapse;"> <tr><td>21:</td><td>9.9</td><td>←</td></tr> <tr><td>22:</td><td>9.1</td><td>↓</td></tr> <tr><td>23:</td><td>10.3x</td><td>↗</td></tr> <tr><td>24:</td><td>10.7x</td><td>↑</td></tr> <tr><td>25:</td><td>10.2x</td><td>↗</td></tr> <tr><td>26:</td><td>10.2x</td><td>↓</td></tr> <tr><td>27:</td><td>10.0</td><td>↓</td></tr> <tr><td>28:</td><td>9.9</td><td>↗</td></tr> <tr><td>29:</td><td>10.5x</td><td>↓</td></tr> <tr><td>30:</td><td>10.2x</td><td>↗</td></tr> <tr><td colspan="2">Serie</td><td>101.0</td></tr> <tr><td colspan="2">Total</td><td>299.4</td></tr> </table>	21:	9.9	←	22:	9.1	↓	23:	10.3x	↗	24:	10.7x	↑	25:	10.2x	↗	26:	10.2x	↓	27:	10.0	↓	28:	9.9	↗	29:	10.5x	↓	30:	10.2x	↗	Serie		101.0	Total		299.4	<p>60 Skott</p>	<table border="1" style="width:100%; border-collapse: collapse;"> <tr><td>31:</td><td>9.8</td><td>↘</td></tr> <tr><td>32:</td><td>10.5x</td><td>↗</td></tr> <tr><td>33:</td><td>9.7</td><td>↗</td></tr> <tr><td>34:</td><td>10.5x</td><td>↑</td></tr> <tr><td>35:</td><td>10.5x</td><td>↘</td></tr> <tr><td>36:</td><td>10.1</td><td>↗</td></tr> <tr><td>37:</td><td>9.9</td><td>↓</td></tr> <tr><td>38:</td><td>10.6x</td><td>↓</td></tr> <tr><td>39:</td><td>9.9</td><td>←</td></tr> <tr><td>40:</td><td>10.5x</td><td>←</td></tr> <tr><td colspan="2">Serie</td><td>102.0</td></tr> <tr><td colspan="2">Total</td><td>401.4</td></tr> </table>	31:	9.8	↘	32:	10.5x	↗	33:	9.7	↗	34:	10.5x	↑	35:	10.5x	↘	36:	10.1	↗	37:	9.9	↓	38:	10.6x	↓	39:	9.9	←	40:	10.5x	←	Serie		102.0	Total		401.4
21:	9.9	←																																																																									
22:	9.1	↓																																																																									
23:	10.3x	↗																																																																									
24:	10.7x	↑																																																																									
25:	10.2x	↗																																																																									
26:	10.2x	↓																																																																									
27:	10.0	↓																																																																									
28:	9.9	↗																																																																									
29:	10.5x	↓																																																																									
30:	10.2x	↗																																																																									
Serie		101.0																																																																									
Total		299.4																																																																									
31:	9.8	↘																																																																									
32:	10.5x	↗																																																																									
33:	9.7	↗																																																																									
34:	10.5x	↑																																																																									
35:	10.5x	↘																																																																									
36:	10.1	↗																																																																									
37:	9.9	↓																																																																									
38:	10.6x	↓																																																																									
39:	9.9	←																																																																									
40:	10.5x	←																																																																									
Serie		102.0																																																																									
Total		401.4																																																																									
<p>60 Skott</p>	<table border="1" style="width:100%; border-collapse: collapse;"> <tr><td>41:</td><td>10.6x</td><td>→</td></tr> <tr><td>42:</td><td>10.3x</td><td>→</td></tr> <tr><td>43:</td><td>9.3</td><td>→</td></tr> <tr><td>44:</td><td>8.8</td><td>←</td></tr> <tr><td>45:</td><td>10.7x</td><td>←</td></tr> <tr><td>46:</td><td>10.9x</td><td>↗</td></tr> <tr><td>47:</td><td>9.5</td><td>←</td></tr> <tr><td>48:</td><td>9.9</td><td>↓</td></tr> <tr><td>49:</td><td>10.6x</td><td>→</td></tr> <tr><td>50:</td><td>9.2</td><td>↓</td></tr> <tr><td colspan="2">Serie</td><td>99.8</td></tr> <tr><td colspan="2">Total</td><td>501.2</td></tr> </table>	41:	10.6x	→	42:	10.3x	→	43:	9.3	→	44:	8.8	←	45:	10.7x	←	46:	10.9x	↗	47:	9.5	←	48:	9.9	↓	49:	10.6x	→	50:	9.2	↓	Serie		99.8	Total		501.2	<p>60 Skott</p>	<table border="1" style="width:100%; border-collapse: collapse;"> <tr><td>51:</td><td>8.8</td><td>↓</td></tr> <tr><td>52:</td><td>9.5</td><td>↗</td></tr> <tr><td>53:</td><td>9.4</td><td>←</td></tr> <tr><td>54:</td><td>10.3x</td><td>↓</td></tr> <tr><td>55:</td><td>9.0</td><td>←</td></tr> <tr><td>56:</td><td>10.8x</td><td>←</td></tr> <tr><td>57:</td><td>10.5x</td><td>↑</td></tr> <tr><td>58:</td><td>10.0</td><td>↗</td></tr> <tr><td>59:</td><td>9.5</td><td>↘</td></tr> <tr><td>60:</td><td>10.1</td><td>→</td></tr> <tr><td colspan="2">Serie</td><td>97.9</td></tr> <tr><td colspan="2">Total</td><td>599.1</td></tr> </table>	51:	8.8	↓	52:	9.5	↗	53:	9.4	←	54:	10.3x	↓	55:	9.0	←	56:	10.8x	←	57:	10.5x	↑	58:	10.0	↗	59:	9.5	↘	60:	10.1	→	Serie		97.9	Total		599.1
41:	10.6x	→																																																																									
42:	10.3x	→																																																																									
43:	9.3	→																																																																									
44:	8.8	←																																																																									
45:	10.7x	←																																																																									
46:	10.9x	↗																																																																									
47:	9.5	←																																																																									
48:	9.9	↓																																																																									
49:	10.6x	→																																																																									
50:	9.2	↓																																																																									
Serie		99.8																																																																									
Total		501.2																																																																									
51:	8.8	↓																																																																									
52:	9.5	↗																																																																									
53:	9.4	←																																																																									
54:	10.3x	↓																																																																									
55:	9.0	←																																																																									
56:	10.8x	←																																																																									
57:	10.5x	↑																																																																									
58:	10.0	↗																																																																									
59:	9.5	↘																																																																									
60:	10.1	→																																																																									
Serie		97.9																																																																									
Total		599.1																																																																									

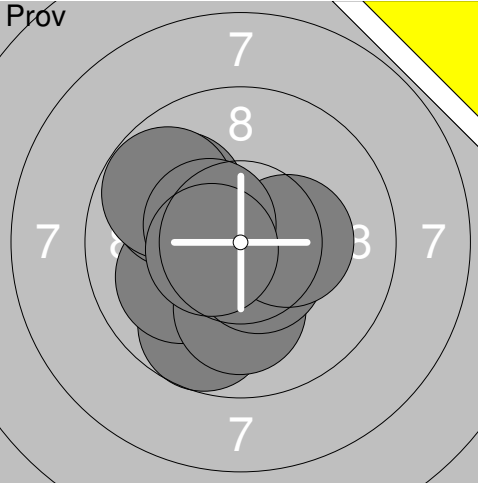
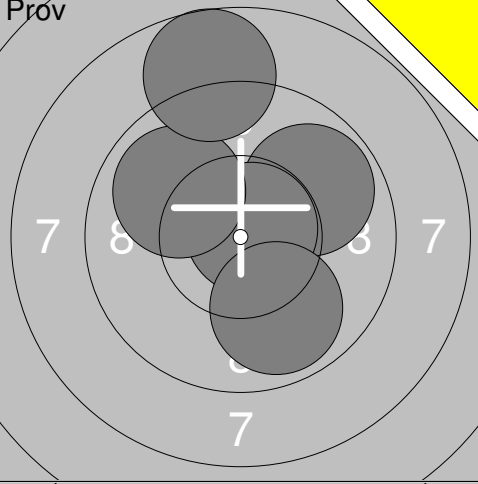
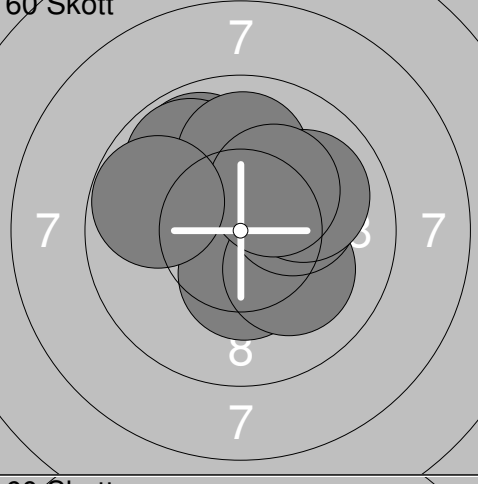
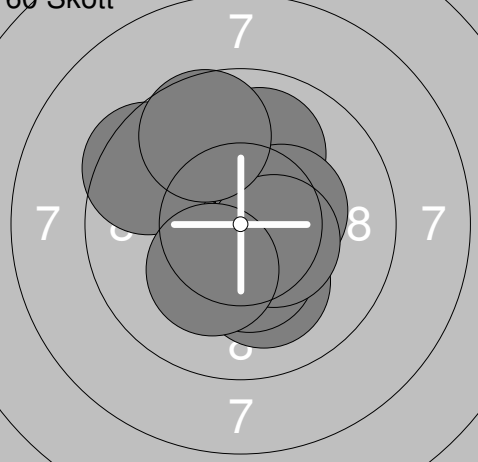
Pröv 	1: 9.5 ↙ 2: 7.3 ↙ 3: 9.0 ↗ 4: 8.6 → 5: 8.3 ↗ 6: 7.6 ↗ 7: 9.8 ↓ 8: 8.3 → 9: 9.7 ↓ 10: 10.1 ↗	Pröv 	
	Serie 88.2 Total 0.0		Serie 78.0 Total 0.0

60 Skott 	1: 5.5 ← 2: 5.9 ↗ 3: 8.7 ↗ 4: 7.1 → 5: 7.8 → 6: 8.3 ↑ 7: 8.8 ↑ 8: 9.4 ← 9: 8.8 ↑ 10: 8.9 ↑	60 Skott 	
	Serie 79.2 Total 79.2		Serie 86.0 Total 165.2

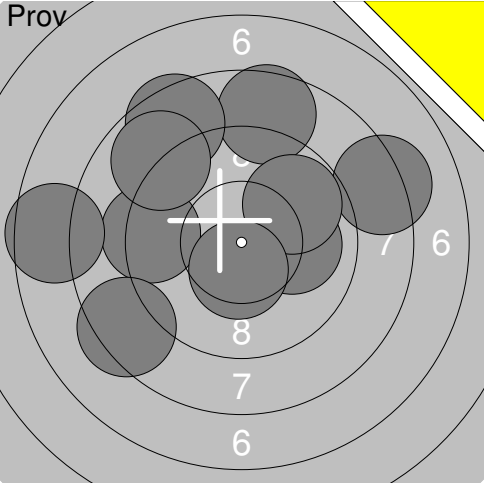
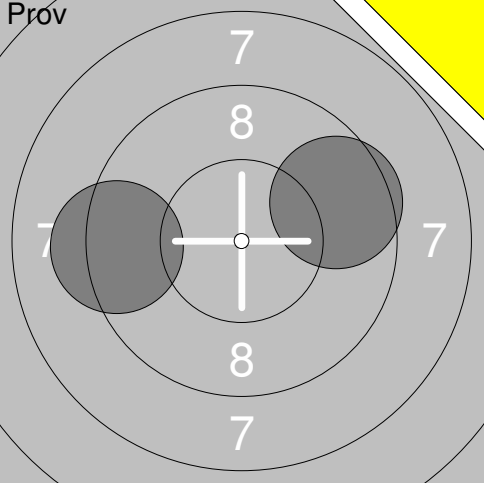
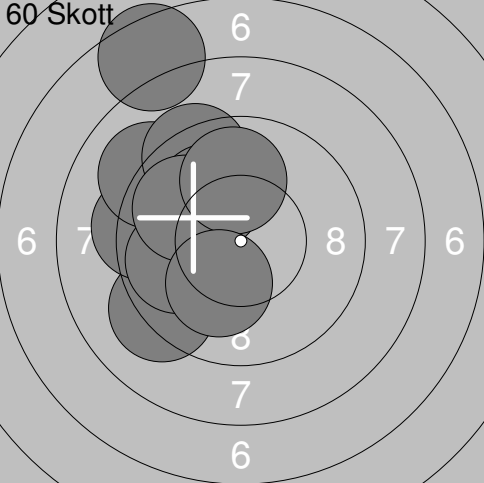
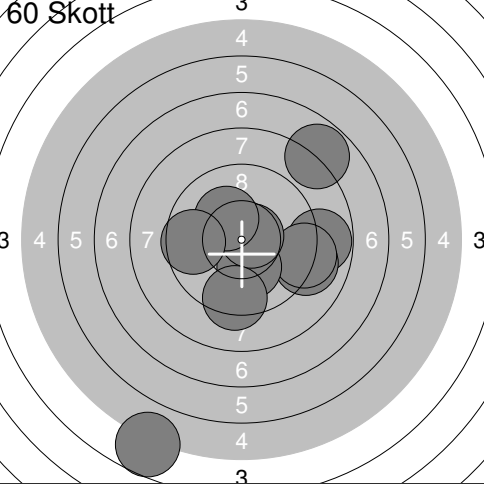
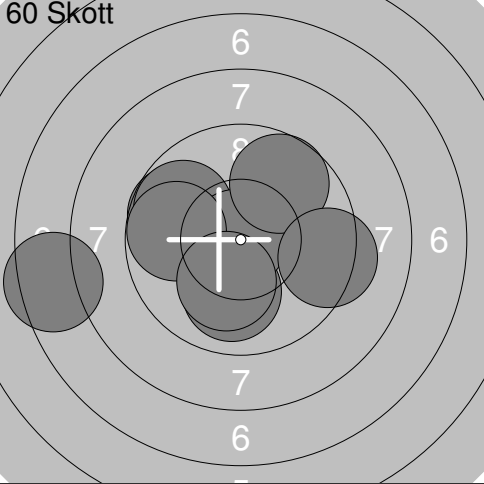
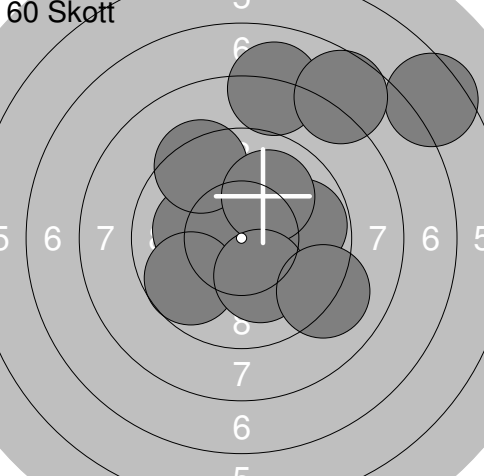
60 Skott 	21: 9.3 ↓ 22: 10.3x ← 23: 9.9 ↗ 24: 7.9 ↑ 25: 8.2 ← 26: 8.0 ← 27: 10.2x → 28: 9.5 ↗ 29: 10.4x → 30: 6.5 ↗	60 Skott 	
	Serie 90.2 Total 255.4		Serie 82.2 Total 337.6

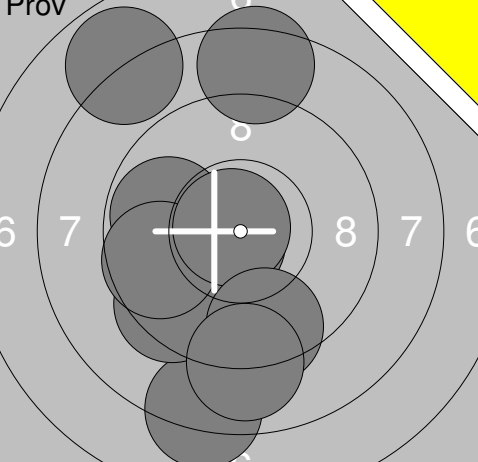
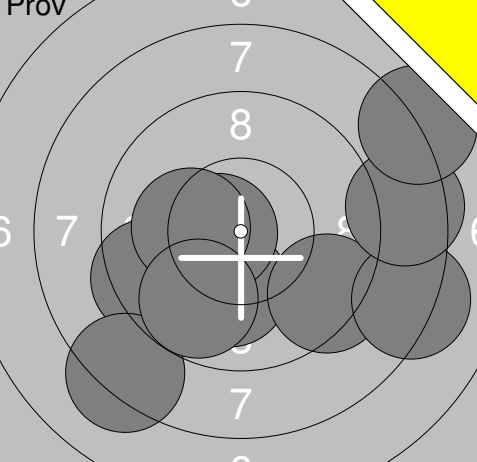
60 Skott 	41: 6.2 ← 42: 8.5 ↓ 43: 6.5 → 44: 9.6 ↓ 45: 7.9 → 46: 10.0 ↑ 47: 8.5 ↗ 48: 7.8 → 49: 9.6 ↗ 50: 8.6 ↑	60 Skott 	
	Serie 83.2 Total 420.8		Serie 88.3 Total 509.1

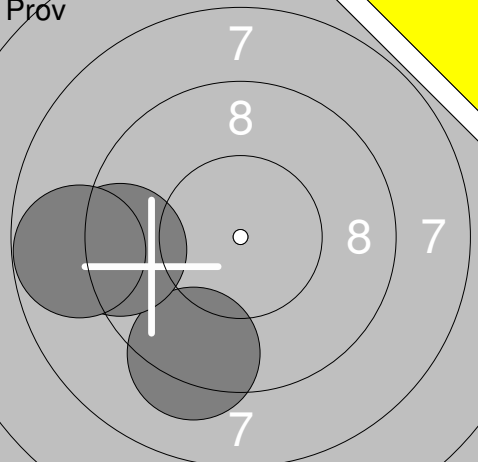
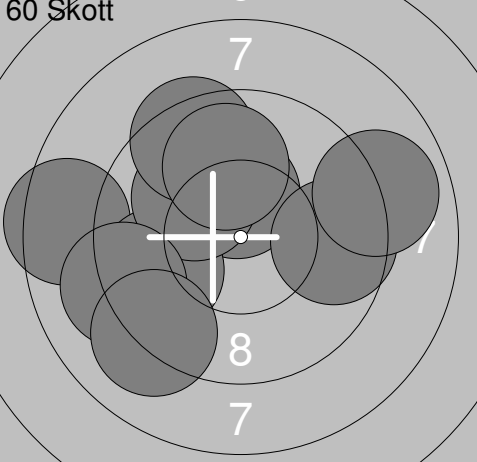
Skjutlag 2	Tavla 21	Linda Strandgren	
S		Umeå Skf	
25.02.2018		Vännästräffen 2018	Umeå skytteallians
Prov 	1: 10.1 ↖ 2: 10.9x ↗ 3: 9.8 ← 4: 9.6 ↑ 5: 9.7 ↑ 6: 9.8 → 7: 10.3x ↑ 8: 10.8x ↗ 9: 10.2x ← 10: 10.0 ↗	Prov 	11: 10.7x ← 12: 10.0 ↓ 13: 10.0 ← 14: 10.2x ↓ 15: 10.3x ↗ 16: 10.0 ← 17: 10.8x ↗ 18: 10.4x ↓ 19: 10.3x ← 20: 10.1 ↓
Serie 101.2		Serie 102.8	
Total 0.0		Total 0.0	
Prov 	21: 10.4x ↗ 22: 10.5x ↓ 23: 10.7x ←	60 Skott 	1: 10.6x ↓ 2: 10.7x → 3: 10.5x ↓ 4: 10.1 ← 5: 10.6x → 6: 9.9 ↓ 7: 10.4x ↓ 8: 10.2x ↓ 9: 10.9x ↗ 10: 10.8x ←
Serie 31.6		Serie 104.7	
Total 0.0		Total 104.7	
60 Skott 	11: 10.3x ↓ 12: 10.2x ↓ 13: 9.5 ↑ 14: 10.0 → 15: 10.4x ↗ 16: 10.1 ↑ 17: 9.9 ↑ 18: 9.8 → 19: 10.1 ↑ 20: 10.3x ←	60 Skott 	21: 10.7x ↗ 22: 10.7x ↗ 23: 9.4 → 24: 10.6x ↗ 25: 10.4x ↓ 26: 10.5x ↑ 27: 10.1 ↓ 28: 10.0 ↑ 29: 10.1 ↗ 30: 9.8 ↓
Serie 100.6		Serie 102.3	
Total 205.3		Total 307.6	
60 Skott 	31: 9.5 ↓ 32: 9.5 ↓ 33: 10.1 → 34: 10.1 ↗ 35: 10.7x ↓ 36: 10.0 ↗ 37: 10.2x ↓ 38: 9.7 ↗ 39: 10.6x ↗ 40: 9.7 ↓		
Serie 100.1			
Total 407.7			

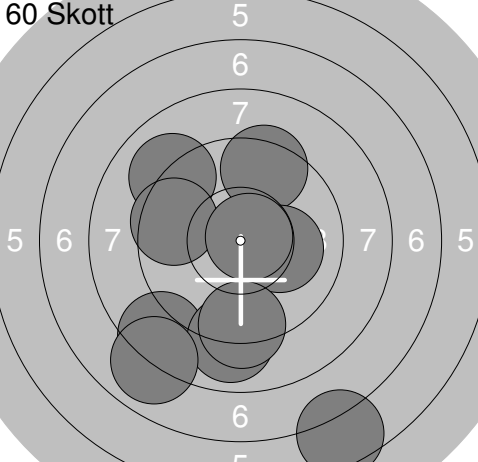
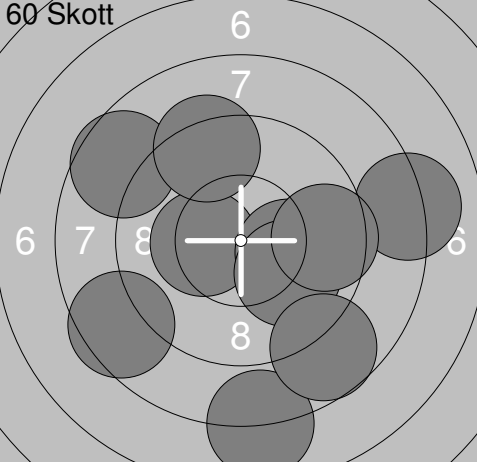
Skjutlag	Tavla	Ylva Lundstedt	
S		Ramselefors Skf	
25.02.2018	Vännästräffen 2018	Umeå skytteallians	
Prov		1: 9.7 ↘ 2: 10.0 ↙ 3: 10.1 ↘ 4: 10.5x ↘ 5: 9.9 ↗ 6: 9.9 ↗ 7: 10.3x → 8: 9.8 ↗ 9: 10.5x ↗ 10: 10.5x ←	11: 10.2x ↙ 12: 10.1 → 13: 10.6x ↗ 14: 10.5x ↖ 15: 9.7 ↑ 16: 10.6x → 17: 10.7x ↗ 18: 10.7x ↗ 19: 10.1 ↘ 20: 10.1 →
		Serie 101.2	Serie 103.3
		Total 0.0	Total 0.0
Prov		21: 9.8 ↗ 22: 10.8x ↗ 23: 9.9 ↗ 24: 8.7 ↗ 25: 9.9 ↘	1: 10.3x ↑ 2: 10.8x ↘ 3: 10.7x ↙ 4: 10.1 ↘ 5: 10.6x ← 6: 10.6x ↘ 7: 10.2x → 8: 10.1 ↘ 9: 10.2x ↘ 10: 9.9 ↘
		Serie 49.1	Serie 103.5
		Total 0.0	Total 103.5
60 Skott		11: 9.8 ↗ 12: 10.5x ↗ 13: 10.4x ↘ 14: 10.1 ↘ 15: 9.8 ↗ 16: 10.2x → 17: 10.0 ↑ 18: 10.0 → 19: 10.2x ↗ 20: 9.8 ←	21: 10.0 ↑ 22: 9.8 ← 23: 10.5x → 24: 10.0 ↙ 25: 10.5x ↘ 26: 10.3x ↘ 27: 10.1 → 28: 10.3x ← 29: 10.7x ↘ 30: 10.8x ↑
		Serie 100.8	Serie 103.0
		Total 204.3	Total 307.3
60 Skott		31: 10.8x ↘ 32: 10.6x ↗ 33: 9.5 ↗ 34: 10.0 ↑ 35: 10.1 ↘ 36: 10.4x → 37: 10.4x ↘ 38: 10.4x ↘ 39: 9.7 ↗ 40: 10.2x ↘	
		Serie 102.1	
		Total 409.4	

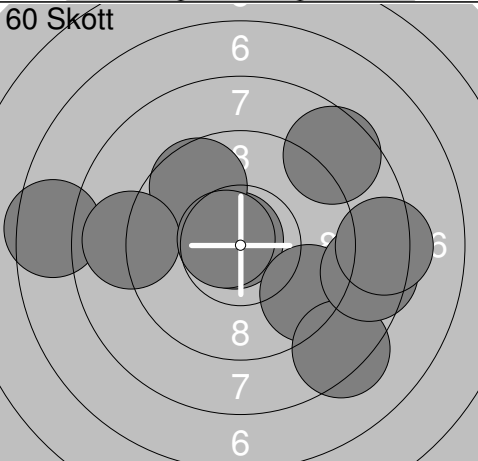
<div style="text-align: center;"> </div>	<p>1: 10.5x↘</p> <p>2: 10.1 ↗</p> <p>3: 10.4x↘</p> <p>4: 10.3x→</p> <p>5: 9.9 ↓</p> <p>6: 10.5x↘</p> <p>7: 10.3x↓</p> <p>8: 10.1 ↓</p> <p>9: 10.1 ↗</p> <p>10: 10.1 ↙</p>	<div style="text-align: center;"> </div>	<p>11: 10.1 →</p> <p>12: 10.3x↘</p> <p>13: 10.3x↗</p> <p>14: 10.0 ↗</p> <p>15: 10.6x↓</p>
Serie 102.3	Total 0.0	Serie 51.3	Total 0.0
<div style="text-align: center;"> </div>	<p>1: 10.5x↗</p> <p>2: 10.5x↓</p> <p>3: 9.2 →</p> <p>4: 10.1 ↙</p> <p>5: 10.2x↓</p> <p>6: 9.9 ↙</p> <p>7: 10.6x→</p> <p>8: 9.8 →</p> <p>9: 9.9 ↓</p> <p>10: 10.8x→</p>	<div style="text-align: center;"> </div>	<p>11: 10.6x→</p> <p>12: 10.1 ↗</p> <p>13: 10.5x↗</p> <p>14: 10.5x↗</p> <p>15: 9.9 ←</p> <p>16: 10.1 ↗</p> <p>17: 10.5x↗</p> <p>18: 10.6x↓</p> <p>19: 10.2x↘</p> <p>20: 10.2x↗</p>
Serie 101.5	Total 101.5	Serie 103.2	Total 204.7
<div style="text-align: center;"> </div>	<p>21: 10.8x↗</p> <p>22: 10.8x↗</p> <p>23: 10.5x↗</p> <p>24: 10.8x↗</p> <p>25: 10.4x↗</p> <p>26: 10.3x↘</p> <p>27: 10.3x↘</p> <p>28: 9.6 ↗</p> <p>29: 10.5x↓</p> <p>30: 10.1 ←</p>	<div style="text-align: center;"> </div>	<p>31: 10.1 ←</p> <p>32: 10.7x↘</p> <p>33: 10.2x↗</p> <p>34: 10.7x↘</p> <p>35: 10.2x↗</p> <p>36: 10.4x↗</p> <p>37: 10.5x↓</p> <p>38: 10.0 ←</p> <p>39: 10.4x↗</p> <p>40: 10.3x↘</p>
Serie 104.1	Total 308.8	Serie 103.5	Total 412.3

Skjutlag	Tavla	Meja Söderlund		
2	26			
S	Ramselefors Skf			
25.02.2018	Vännästräffen 2018	Umeå skytteallians		
Prov		1: 8.6 ↑ 2: 9.3 ← 3: 8.2 → 4: 7.6 ← 5: 8.5 ↑ 6: 10.0 → 7: 8.4 ↙ 8: 9.8 ↗ 9: 10.5x ↓ 10: 8.9 ↖ Serie 89.8 Total 0.0	11: 6.4 ↓ 12: 7.1 ↙ 13: 4.7 ↑ 14: 9.3 ↘ 15: 7.7 ↑ 16: 8.2 ↖ 17: 7.8 → 18: 6.7 ↑ 19: 7.1 ↓ 20: 10.5x ↙ Serie 75.5 Total 0.0	
Prov		21: 9.6 → 22: 9.3 ← Serie 18.9 Total 0.0	60 Skott	 1: 9.2 ↙ 2: 9.3 ← 3: 9.1 ↗ 4: 9.9 ← 5: 7.5 ↗ 6: 9.3 ↗ 7: 10.0 ↗ 8: 9.9 ↗ 9: 9.9 ↑ 10: 10.2x ↓ Serie 94.3 Total 94.3
60 Skott		11: 8.8 → 12: 9.1 → 13: 4.7 ↘ 14: 9.2 → 15: 10.2x ↓ 16: 10.7x → 17: 7.8 ↗ 18: 9.3 ↘ 19: 10.2x ↗ 20: 9.6 ← Serie 89.6 Total 183.9	60 Skott	 21: 7.5 ← 22: 9.7 ↖ 23: 9.9 ↖ 24: 10.0 ↓ 25: 9.8 ↖ 26: 10.9x ← 27: 9.7 ↗ 28: 9.8 ← 29: 9.3 → 30: 10.1 ↓ Serie 96.7 Total 280.6
60 Skott		31: 10.1 ← 32: 9.4 ↗ 33: 8.0 ↑ 34: 9.7 ↘ 35: 9.8 → 36: 6.5 ↗ 37: 10.0 ↗ 38: 10.2x ↓ 39: 7.7 ↗ 40: 9.1 ↘ Serie 90.5 Total 371.1		


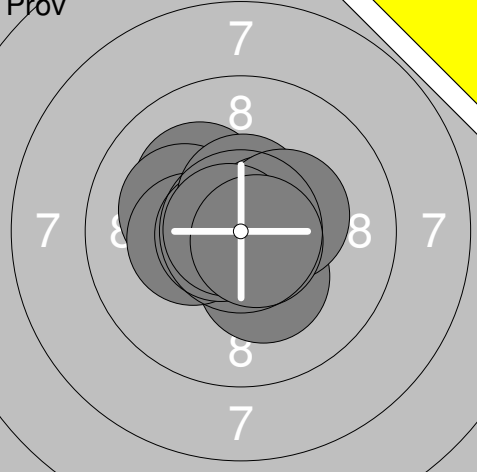

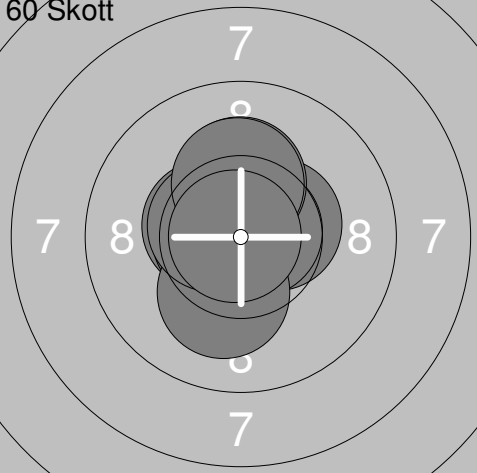
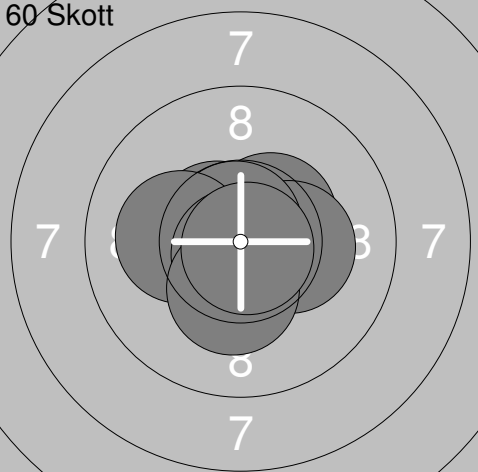
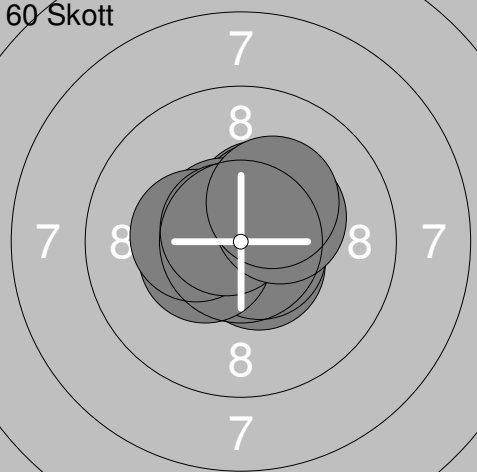
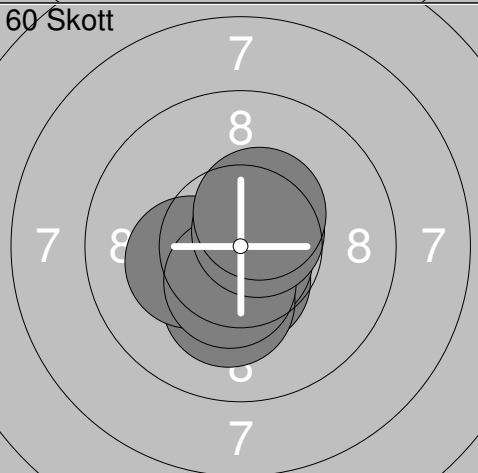
	<table border="1" style="width:100%; border-collapse: collapse;"> <tr><td>1:</td><td>8.2</td><td>↓</td></tr> <tr><td>2:</td><td>9.8</td><td>←</td></tr> <tr><td>3:</td><td>10.7x</td><td>↙</td></tr> <tr><td>4:</td><td>9.4</td><td>↘</td></tr> <tr><td>5:</td><td>9.7</td><td>←</td></tr> <tr><td>6:</td><td>10.8x</td><td>↗</td></tr> <tr><td>7:</td><td>9.5</td><td>↓</td></tr> <tr><td>8:</td><td>9.0</td><td>↓</td></tr> <tr><td>9:</td><td>8.4</td><td>↑</td></tr> <tr><td>10:</td><td>7.9</td><td>↗</td></tr> <tr><td colspan="2">Serie</td><td>93.4</td></tr> <tr><td colspan="2">Total</td><td>0.0</td></tr> </table>	1:	8.2	↓	2:	9.8	←	3:	10.7x	↙	4:	9.4	↘	5:	9.7	←	6:	10.8x	↗	7:	9.5	↓	8:	9.0	↓	9:	8.4	↑	10:	7.9	↗	Serie		93.4	Total		0.0		<table border="1" style="width:100%; border-collapse: collapse;"> <tr><td>11:</td><td>10.1</td><td>↓</td></tr> <tr><td>12:</td><td>9.4</td><td>↘</td></tr> <tr><td>13:</td><td>9.4</td><td>←</td></tr> <tr><td>14:</td><td>10.6x</td><td>←</td></tr> <tr><td>15:</td><td>8.2</td><td>→</td></tr> <tr><td>16:</td><td>8.5</td><td>→</td></tr> <tr><td>17:</td><td>8.2</td><td>↙</td></tr> <tr><td>18:</td><td>10.2x</td><td>←</td></tr> <tr><td>19:</td><td>9.8</td><td>↙</td></tr> <tr><td>20:</td><td>7.9</td><td>↗</td></tr> <tr><td colspan="2">Serie</td><td>92.3</td></tr> <tr><td colspan="2">Total</td><td>0.0</td></tr> </table>	11:	10.1	↓	12:	9.4	↘	13:	9.4	←	14:	10.6x	←	15:	8.2	→	16:	8.5	→	17:	8.2	↙	18:	10.2x	←	19:	9.8	↙	20:	7.9	↗	Serie		92.3	Total		0.0
1:	8.2	↓																																																																									
2:	9.8	←																																																																									
3:	10.7x	↙																																																																									
4:	9.4	↘																																																																									
5:	9.7	←																																																																									
6:	10.8x	↗																																																																									
7:	9.5	↓																																																																									
8:	9.0	↓																																																																									
9:	8.4	↑																																																																									
10:	7.9	↗																																																																									
Serie		93.4																																																																									
Total		0.0																																																																									
11:	10.1	↓																																																																									
12:	9.4	↘																																																																									
13:	9.4	←																																																																									
14:	10.6x	←																																																																									
15:	8.2	→																																																																									
16:	8.5	→																																																																									
17:	8.2	↙																																																																									
18:	10.2x	←																																																																									
19:	9.8	↙																																																																									
20:	7.9	↗																																																																									
Serie		92.3																																																																									
Total		0.0																																																																									

	<table border="1" style="width:100%; border-collapse: collapse;"> <tr><td>21:</td><td>9.3</td><td>↓</td></tr> <tr><td>22:</td><td>9.3</td><td>←</td></tr> <tr><td>23:</td><td>8.8</td><td>←</td></tr> <tr><td colspan="2">Serie</td><td>27.4</td></tr> <tr><td colspan="2">Total</td><td>0.0</td></tr> </table>	21:	9.3	↓	22:	9.3	←	23:	8.8	←	Serie		27.4	Total		0.0		<table border="1" style="width:100%; border-collapse: collapse;"> <tr><td>1:</td><td>8.5</td><td>←</td></tr> <tr><td>2:</td><td>10.4x</td><td>↑</td></tr> <tr><td>3:</td><td>9.7</td><td>←</td></tr> <tr><td>4:</td><td>10.1</td><td>↗</td></tr> <tr><td>5:</td><td>9.6</td><td>→</td></tr> <tr><td>6:</td><td>9.4</td><td>↗</td></tr> <tr><td>7:</td><td>9.9</td><td>↑</td></tr> <tr><td>8:</td><td>9.1</td><td>←</td></tr> <tr><td>9:</td><td>8.9</td><td>→</td></tr> <tr><td>10:</td><td>9.1</td><td>↙</td></tr> <tr><td colspan="2">Serie</td><td>94.7</td></tr> <tr><td colspan="2">Total</td><td>94.7</td></tr> </table>	1:	8.5	←	2:	10.4x	↑	3:	9.7	←	4:	10.1	↗	5:	9.6	→	6:	9.4	↗	7:	9.9	↑	8:	9.1	←	9:	8.9	→	10:	9.1	↙	Serie		94.7	Total		94.7
21:	9.3	↓																																																				
22:	9.3	←																																																				
23:	8.8	←																																																				
Serie		27.4																																																				
Total		0.0																																																				
1:	8.5	←																																																				
2:	10.4x	↑																																																				
3:	9.7	←																																																				
4:	10.1	↗																																																				
5:	9.6	→																																																				
6:	9.4	↗																																																				
7:	9.9	↑																																																				
8:	9.1	←																																																				
9:	8.9	→																																																				
10:	9.1	↙																																																				
Serie		94.7																																																				
Total		94.7																																																				

	<table border="1" style="width:100%; border-collapse: collapse;"> <tr><td>11:</td><td>9.0</td><td>↗</td></tr> <tr><td>12:</td><td>9.4</td><td>↑</td></tr> <tr><td>13:</td><td>6.5</td><td>↓</td></tr> <tr><td>14:</td><td>9.5</td><td>←</td></tr> <tr><td>15:</td><td>8.4</td><td>↙</td></tr> <tr><td>16:</td><td>10.1</td><td>→</td></tr> <tr><td>17:</td><td>8.9</td><td>↓</td></tr> <tr><td>18:</td><td>8.0</td><td>↙</td></tr> <tr><td>19:</td><td>10.8x</td><td>→</td></tr> <tr><td>20:</td><td>9.2</td><td>↓</td></tr> <tr><td colspan="2">Serie</td><td>89.8</td></tr> <tr><td colspan="2">Total</td><td>184.5</td></tr> </table>	11:	9.0	↗	12:	9.4	↑	13:	6.5	↓	14:	9.5	←	15:	8.4	↙	16:	10.1	→	17:	8.9	↓	18:	8.0	↙	19:	10.8x	→	20:	9.2	↓	Serie		89.8	Total		184.5		<table border="1" style="width:100%; border-collapse: collapse;"> <tr><td>21:</td><td>10.3x</td><td>←</td></tr> <tr><td>22:</td><td>8.5</td><td>←</td></tr> <tr><td>23:</td><td>7.9</td><td>↓</td></tr> <tr><td>24:</td><td>10.1</td><td>→</td></tr> <tr><td>25:</td><td>8.1</td><td>→</td></tr> <tr><td>26:</td><td>10.0</td><td>↙</td></tr> <tr><td>27:</td><td>8.6</td><td>↗</td></tr> <tr><td>28:</td><td>9.5</td><td>→</td></tr> <tr><td>29:</td><td>9.3</td><td>↗</td></tr> <tr><td>30:</td><td>8.7</td><td>↙</td></tr> <tr><td colspan="2">Serie</td><td>91.0</td></tr> <tr><td colspan="2">Total</td><td>275.5</td></tr> </table>	21:	10.3x	←	22:	8.5	←	23:	7.9	↓	24:	10.1	→	25:	8.1	→	26:	10.0	↙	27:	8.6	↗	28:	9.5	→	29:	9.3	↗	30:	8.7	↙	Serie		91.0	Total		275.5
11:	9.0	↗																																																																									
12:	9.4	↑																																																																									
13:	6.5	↓																																																																									
14:	9.5	←																																																																									
15:	8.4	↙																																																																									
16:	10.1	→																																																																									
17:	8.9	↓																																																																									
18:	8.0	↙																																																																									
19:	10.8x	→																																																																									
20:	9.2	↓																																																																									
Serie		89.8																																																																									
Total		184.5																																																																									
21:	10.3x	←																																																																									
22:	8.5	←																																																																									
23:	7.9	↓																																																																									
24:	10.1	→																																																																									
25:	8.1	→																																																																									
26:	10.0	↙																																																																									
27:	8.6	↗																																																																									
28:	9.5	→																																																																									
29:	9.3	↗																																																																									
30:	8.7	↙																																																																									
Serie		91.0																																																																									
Total		275.5																																																																									

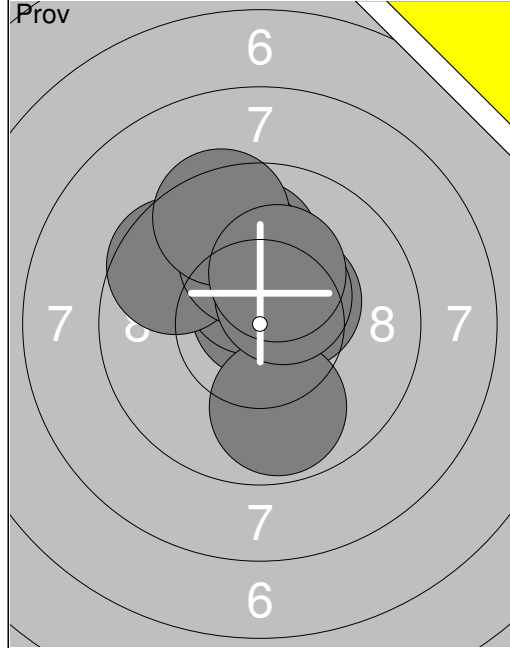
	<table border="1" style="width:100%; border-collapse: collapse;"> <tr><td>31:</td><td>10.8x</td><td>↗</td></tr> <tr><td>32:</td><td>7.5</td><td>←</td></tr> <tr><td>33:</td><td>9.6</td><td>↗</td></tr> <tr><td>34:</td><td>8.9</td><td>←</td></tr> <tr><td>35:</td><td>9.4</td><td>↘</td></tr> <tr><td>36:</td><td>8.6</td><td>↗</td></tr> <tr><td>37:</td><td>10.7x</td><td>↗</td></tr> <tr><td>38:</td><td>8.3</td><td>↘</td></tr> <tr><td>39:</td><td>8.6</td><td>→</td></tr> <tr><td>40:</td><td>8.3</td><td>→</td></tr> <tr><td colspan="2">Serie</td><td>90.7</td></tr> <tr><td colspan="2">Total</td><td>366.2</td></tr> </table>	31:	10.8x	↗	32:	7.5	←	33:	9.6	↗	34:	8.9	←	35:	9.4	↘	36:	8.6	↗	37:	10.7x	↗	38:	8.3	↘	39:	8.6	→	40:	8.3	→	Serie		90.7	Total		366.2		
31:	10.8x	↗																																					
32:	7.5	←																																					
33:	9.6	↗																																					
34:	8.9	←																																					
35:	9.4	↘																																					
36:	8.6	↗																																					
37:	10.7x	↗																																					
38:	8.3	↘																																					
39:	8.6	→																																					
40:	8.3	→																																					
Serie		90.7																																					
Total		366.2																																					

<p>Prov</p>	<p>1: 9.9 →</p> <p>2: 10.3x →</p> <p>3: 10.2x →</p> <p>4: 10.1 ↗</p> <p>5: 9.9 ↗</p> <p>6: 10.8x ↘</p> <p>7: 10.4x ↘</p> <p>8: 10.6x ↗</p> <p>9: 10.6x ↓</p> <p>10: 10.3x ↗</p> <p>Serie 103.1</p> <p>Total 0.0</p>	<p>Prov</p>	<p>11: 10.3x ↘</p> <p>12: 10.3x ↘</p> <p>13: 9.6 ↑</p> <p>14: 10.3x ↘</p> <p>15: 10.3x ↘</p> <p>16: 10.2x ↘</p> <p>17: 10.1 →</p> <p>Serie 71.1</p> <p>Total 0.0</p>
<p>60 Skott</p>	<p>1: 10.3x ↗</p> <p>2: 10.7x ↘</p> <p>3: 10.4x ↘</p> <p>4: 10.4x ↗</p> <p>5: 10.5x ↘</p> <p>6: 10.3x ↘</p> <p>7: 10.3x ↗</p> <p>8: 10.3x ↘</p> <p>9: 10.2x ↗</p> <p>10: 9.9 ↓</p> <p>Serie 103.3</p> <p>Total 103.3</p>	<p>60 Skott</p>	<p>11: 10.3x ↘</p> <p>12: 10.9x →</p> <p>13: 10.0 ↓</p> <p>14: 10.5x ↘</p> <p>15: 10.3x →</p> <p>16: 10.5x →</p> <p>17: 10.6x ↘</p> <p>18: 10.8x →</p> <p>19: 10.5x ↘</p> <p>20: 10.5x ↘</p> <p>Serie 104.9</p> <p>Total 208.2</p>
<p>60 Skott</p>	<p>21: 10.5x ↘</p> <p>22: 10.8x ↘</p> <p>23: 10.1 ←</p> <p>24: 10.8x ↘</p> <p>25: 10.6x ↘</p> <p>26: 10.8x ↘</p> <p>27: 10.5x ↗</p> <p>28: 10.7x ↘</p> <p>29: 10.7x ↘</p> <p>30: 10.8x ↘</p> <p>Serie 106.3</p> <p>Total 314.5</p>	<p>60 Skott</p>	<p>31: 10.1 ↘</p> <p>32: 10.1 ↑</p> <p>33: 9.6 ↗</p> <p>34: 10.3x ↗</p> <p>35: 10.0 ←</p> <p>36: 10.3x ↘</p> <p>37: 10.6x ↘</p> <p>38: 10.8x ↗</p> <p>39: 10.7x ↗</p> <p>40: 10.7x ↗</p> <p>Serie 103.2</p> <p>Total 417.7</p>

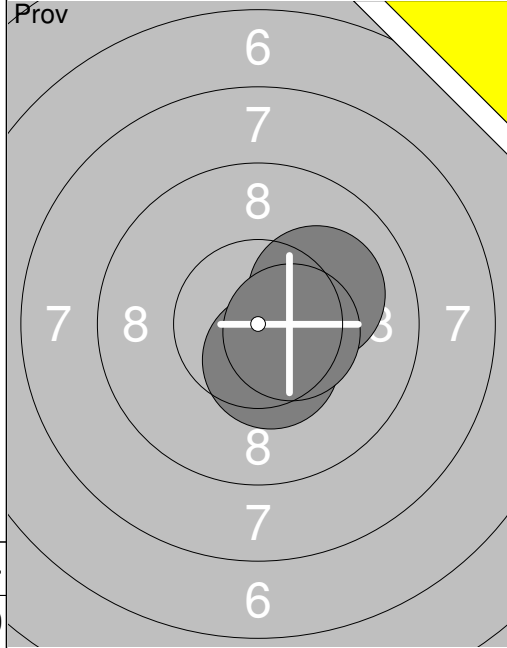
Skjutlag 2	Tavla 32	Hanna Augustsson	
S		Vännäs SF	
25.02.2018		Vännästräffen 2018	Umeå skytteallians
Prov 	1: 10.5x ↙ 2: 10.0 ↓ 3: 10.9x ↓ 4: 10.1 → 5: 10.5x ↓ 6: 10.5x → 7: 10.5x ↙ 8: 10.8x ↓ 9: 10.3x ← 10: 10.6x ↓ Serie 104.7 Total 0.0	Prov 	11: 10.2x ↗ 12: 10.3x ↓ 13: 10.1 ↗ 14: 10.3x ← 15: 10.7x ← 16: 10.5x ↑ 17: 10.6x → 18: 10.3x → 19: 10.8x ← 20: 10.7x ↘ Serie 104.5 Total 0.0
Prov 	21: 10.8x ↑ 22: 10.5x ↗ Serie 21.3 Total 0.0	60 Skott 	1: 10.5x → 2: 10.8x ← 3: 10.5x ← 4: 10.6x ← 5: 10.7x → 6: 10.2x ↓ 7: 10.2x ↑ 8: 10.5x ↙ 9: 10.2x ↑ 10: 10.9x ← Serie 105.1 Total 105.1
60 Skott 	11: 10.4x ↗ 12: 10.7x ← 13: 10.6x ↗ 14: 10.5x ← 15: 10.3x → 16: 10.7x ↗ 17: 10.2x ← 18: 10.8x ↓ 19: 10.3x ↓ 20: 10.8x ↘ Serie 105.3 Total 210.4	60 Skott 	21: 10.6x ↘ 22: 10.6x ↘ 23: 10.4x ↑ 24: 10.4x ↗ 25: 10.6x ↗ 26: 10.4x ← 27: 10.3x ← 28: 10.7x ↗ 29: 10.3x → 30: 10.3x ↗ Serie 104.6 Total 315.0
60 Skott 	31: 10.7x ↓ 32: 10.5x ↓ 33: 10.5x ↓ 34: 10.8x ↓ 35: 10.2x ↓ 36: 10.6x ↙ 37: 10.3x ← 38: 10.5x ↓ 39: 10.6x ↗ 40: 10.4x ↗ Serie 105.1 Total 420.1		

<p>Prov</p>	<p>1: 9.9 →</p> <p>2: 9.6 ↗</p> <p>3: 10.2↗</p> <p>4: 10.5↗</p> <p>5: 10.3x→</p> <p>6: 10.4x↘</p> <p>7: 10.5x↘</p> <p>8: 10.8x↓</p> <p>9: 10.4x↑</p> <p>10: 10.0←</p> <p>Serie 102.6</p> <p>Total 0.0</p>	<p>Prov</p>	<p>11: 9.7 ↑</p> <p>12: 10.2x↑</p> <p>13: 10.2x↘</p> <p>14: 10.2x↘</p> <p>15: 10.7x↘</p> <p>16: 10.7x↓</p> <p>17: 10.7x↗</p> <p>18: 10.2x↘</p> <p>19: 10.2x↓</p> <p>Serie 92.8</p> <p>Total 0.0</p>
<p>60 Skott</p>	<p>1: 10.3x→</p> <p>2: 10.2x↘</p> <p>3: 10.6x←</p> <p>4: 10.5x↘</p> <p>5: 10.7x↘</p> <p>6: 10.7x↓</p> <p>7: 10.9x↘</p> <p>8: 10.5x↘</p> <p>9: 10.3x↗</p> <p>10: 10.6x↓</p> <p>Serie 105.3</p> <p>Total 105.3</p>	<p>60 Skott</p>	<p>11: 10.3x↘</p> <p>12: 10.8x↘</p> <p>13: 10.3x→</p> <p>14: 10.6x↓</p> <p>15: 10.1 ↗</p> <p>16: 10.7x↓</p> <p>17: 10.5x↘</p> <p>18: 10.5x↘</p> <p>19: 10.4x↘</p> <p>20: 10.6x↘</p> <p>Serie 104.8</p> <p>Total 210.1</p>
<p>60 Skott</p>	<p>21: 10.2x↓</p> <p>22: 10.2x↗</p> <p>23: 10.9x↘</p> <p>24: 10.5x↘</p> <p>25: 10.6x↑</p> <p>26: 10.7x→</p> <p>27: 10.7x↘</p> <p>28: 10.5x↘</p> <p>29: 10.7x→</p> <p>30: 10.6x↘</p> <p>Serie 105.6</p> <p>Total 315.7</p>	<p>60 Skott</p>	<p>31: 10.8x↓</p> <p>32: 10.5x↘</p> <p>33: 10.6x↓</p> <p>34: 10.7x↓</p> <p>35: 10.6x↓</p> <p>36: 10.7x↘</p> <p>37: 10.7x→</p> <p>38: 10.5x↘</p> <p>39: 10.7x↓</p> <p>40: 10.8x→</p> <p>Serie 106.6</p> <p>Total 422.3</p>

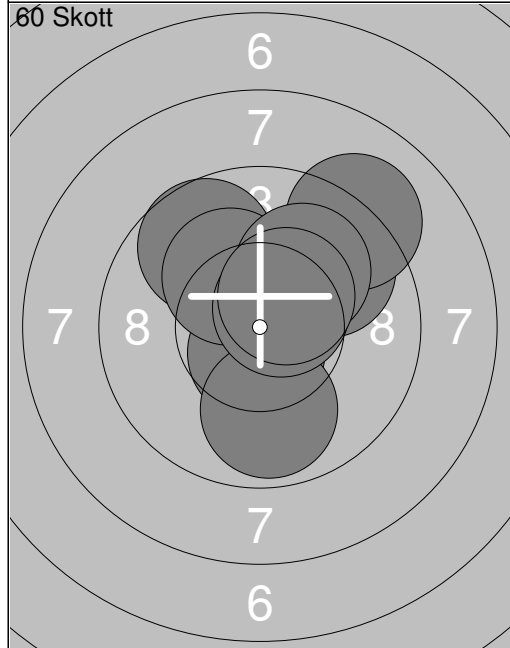
<p>Prov</p>	<p>1: 9.9 →</p> <p>2: 10.2 ↘</p> <p>3: 10.4x →</p> <p>4: 10.0 ↙</p> <p>5: 10.5x ↑</p> <p>6: 10.4x ↘</p> <p>7: 10.3x ↘</p> <p>8: 10.7x ↑</p> <p>9: 10.4x ↘</p> <p>10: 10.3x ↘</p> <p>Serie 103.1</p> <p>Total 0.0</p>	<p>Prov</p>	<p>11: 10.2x ↘</p> <p>12: 10.7x →</p> <p>13: 10.3x ↗</p> <p>14: 10.6x ↗</p> <p>15: 10.7x ↘</p> <p>16: 10.6x ↗</p> <p>17: 10.5x →</p> <p>18: 10.7x ↘</p> <p>Serie 84.3</p> <p>Total 0.0</p>
<p>60 Skott</p>	<p>1: 10.1 ↑</p> <p>2: 10.6x →</p> <p>3: 10.2x ↗</p> <p>4: 10.1 ↑</p> <p>5: 10.6x ↘</p> <p>6: 10.3x →</p> <p>7: 10.5x ↘</p> <p>8: 10.5x ↘</p> <p>9: 10.6x ↘</p> <p>10: 10.7x ↘</p> <p>Serie 104.2</p> <p>Total 104.2</p>	<p>60 Skott</p>	<p>11: 10.8x →</p> <p>12: 10.5x ↘</p> <p>13: 10.4x ↘</p> <p>14: 10.5x ↘</p> <p>15: 10.3x →</p> <p>16: 10.5x ↘</p> <p>17: 10.5x ↘</p> <p>18: 10.6x ↗</p> <p>19: 10.5x ↗</p> <p>20: 10.2x ↘</p> <p>Serie 104.8</p> <p>Total 209.0</p>
<p>60 Skott</p>	<p>21: 10.2x ↘</p> <p>22: 10.0 ↘</p> <p>23: 10.6x ↗</p> <p>24: 10.3x ↘</p> <p>25: 10.0 ↓</p> <p>26: 10.3x →</p> <p>27: 10.5x ↘</p> <p>28: 10.7x ↗</p> <p>29: 10.6x ↗</p> <p>30: 10.2x ↘</p> <p>Serie 103.4</p> <p>Total 312.4</p>	<p>60 Skott</p>	<p>31: 10.5x ↗</p> <p>32: 10.5x ↘</p> <p>33: 10.0 ↘</p> <p>34: 10.5x ↘</p> <p>35: 10.5x →</p> <p>36: 10.2x ↘</p> <p>37: 9.9 ↙</p> <p>38: 9.8 ↓</p> <p>39: 10.3x ↗</p> <p>40: 10.3x ↗</p> <p>Serie 102.5</p> <p>Total 414.9</p>



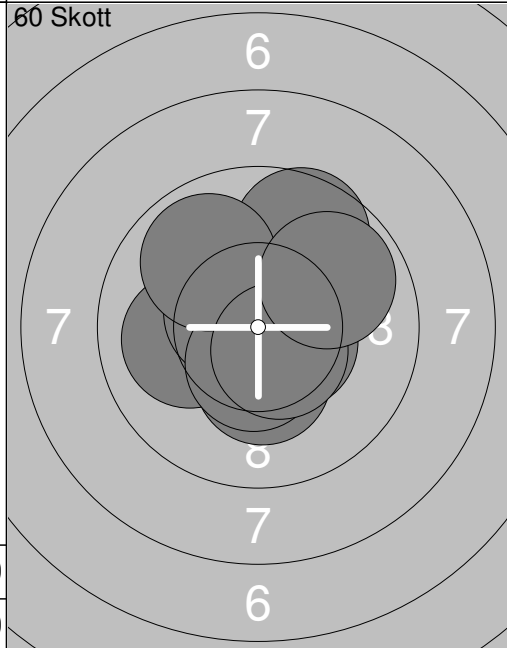
1:	10.8x ↗
2:	10.4x ↗
3:	10.0 ↑
4:	10.4x ↗
5:	9.6 ↖
6:	10.1 ↑
7:	9.5 ↑
8:	9.8 ↓
9:	10.5x ↗
10:	10.3x ↗
Serie	101.4
Total	0.0



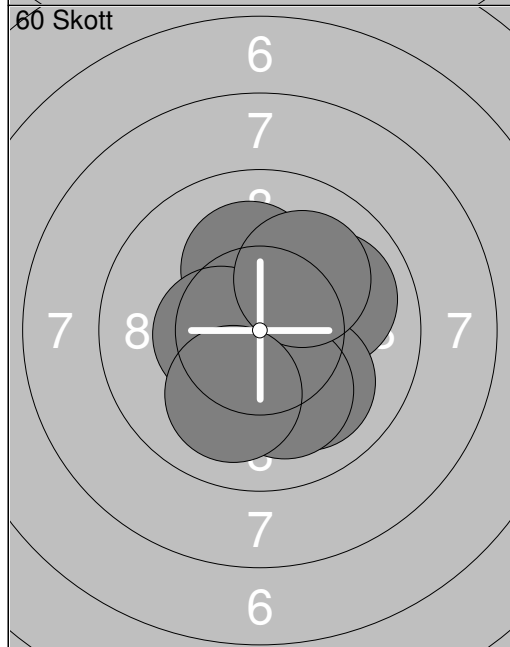
11:	10.1 ↗
12:	10.4x ↓
13:	10.5x ➡
Serie	31.0
Total	0.0



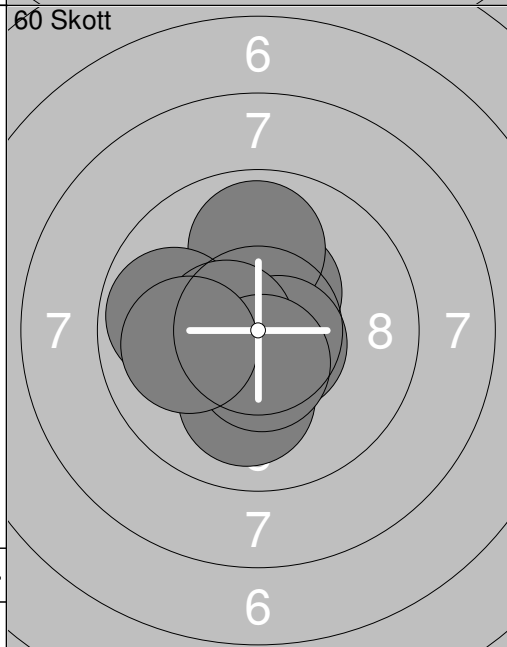
1:	9.7 ↗
2:	10.6x ↓
3:	9.8 ↗
4:	9.1 ↗
5:	9.7 ↖
6:	9.9 ↓
7:	10.2x ↘
8:	10.0 ↗
9:	10.6x ↗
10:	10.4x ↗
Serie	100.0
Total	100.0



11:	10.8x ←
12:	10.1 ←
13:	10.6x ↘
14:	10.3x ↓
15:	9.6 ↗
16:	10.5x ➡
17:	10.5x ↓
18:	9.9 ↖
19:	10.5x ↘
20:	9.9 ↗
Serie	102.7
Total	202.7

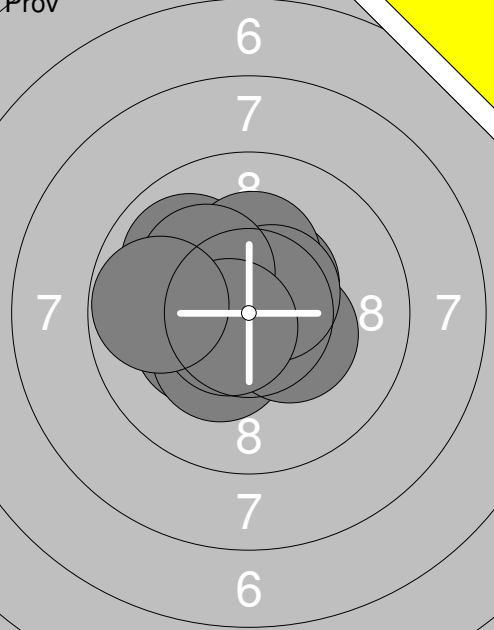


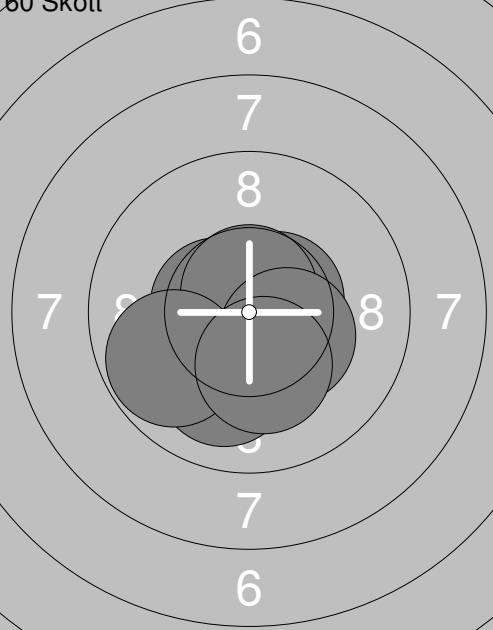
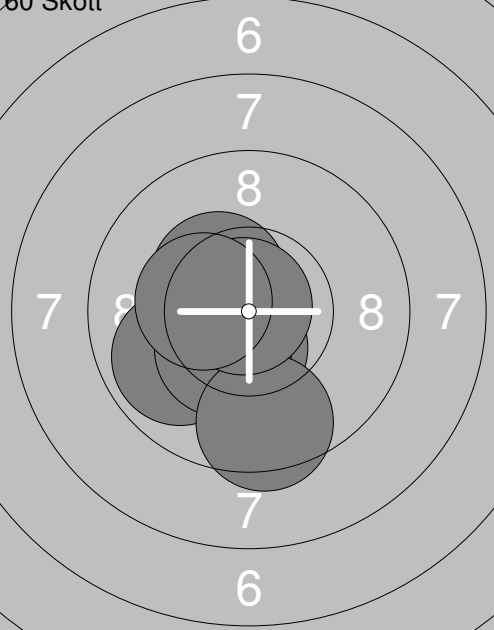
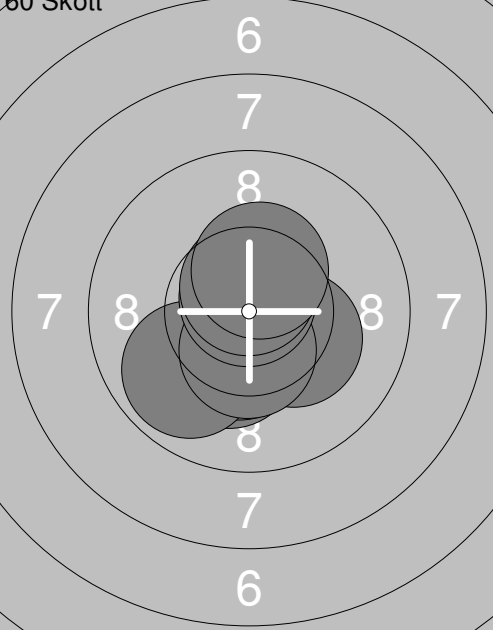


21:	10.6x ←
22:	10.5x ↗
23:	10.5x ↘
24:	10.2x ↗
25:	10.4x ←
26:	10.0 ↗
27:	10.0 ↓
28:	10.1 ↓
29:	10.1 ↗
30:	10.0 ↓
Serie	102.4
Total	305.1

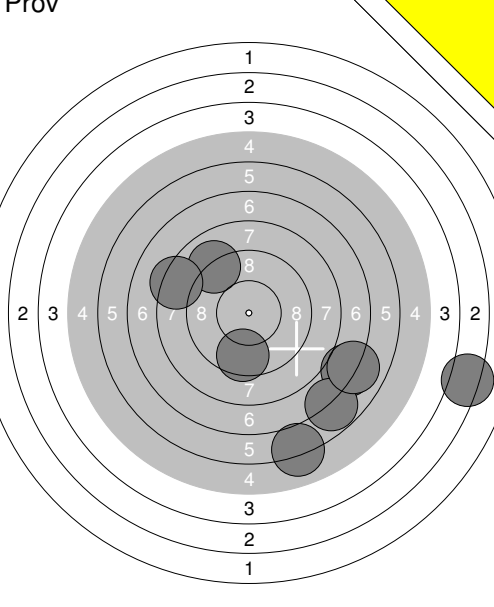
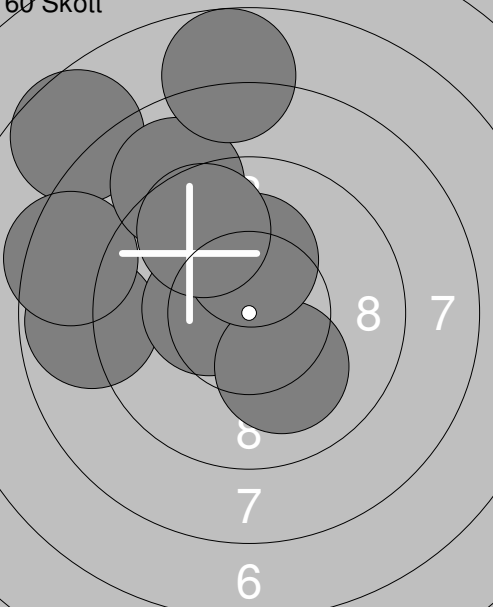


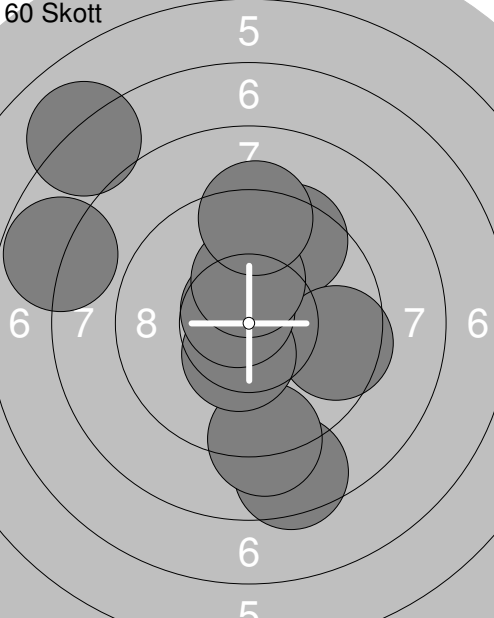
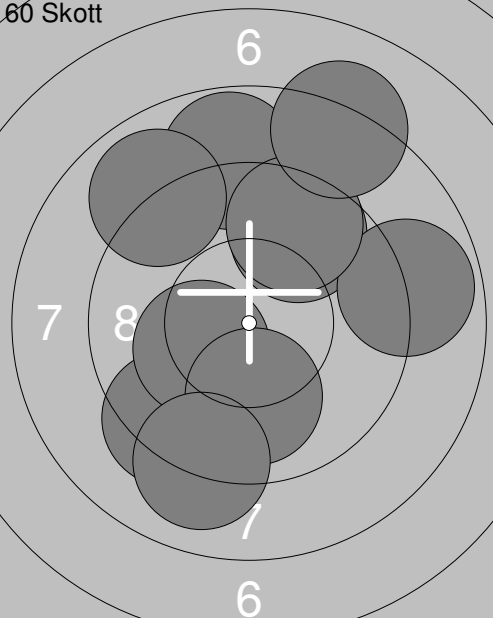
31:	10.3x ↗
32:	10.4x ↗
33:	10.1 ↓
34:	10.5x ←
35:	9.9 ↑
36:	10.6x ↘
37:	9.8 ←
38:	10.5x ←
39:	10.5x ↓
40:	10.0 ←
Serie	102.6
Total	407.7

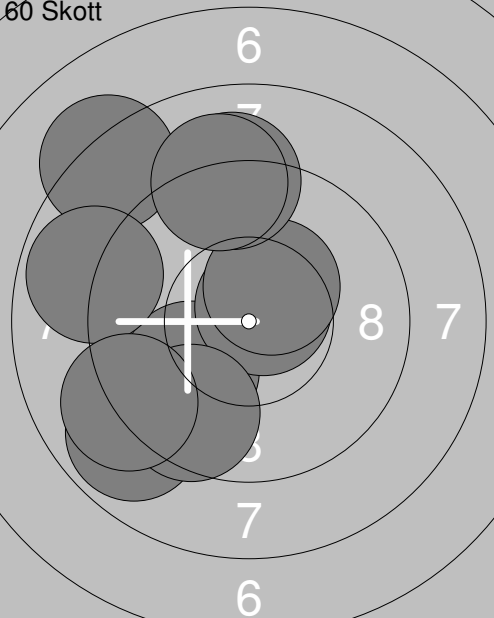
Skjutlag 2	Tavla 36	Tilda Rosendahl	
S		Ramselefors Skf	
25.02.2018		Vännästräffen 2018	Umeå skytteallians
Pröv 	1: 9.8 ↘ 2: 10.0 ↘ 3: 9.8 ↘ 4: 9.6 ↘ 5: 10.0 ↘ 6: 10.2x ↘ 7: 10.5x → 8: 10.2x ↘ 9: 9.9 ↘ 10: 10.2x ↘ Serie 100.2 Total 0.0	Pröv 	11: 10.3x ↘ 12: 9.9 → 13: 9.8 ↘ 14: 10.2x ↘ 15: 10.9x → 16: 10.6x ↑ 17: 9.5 ↘ 18: 10.4x ↘ 19: 10.5x ← 20: 10.6x ↘ Serie 102.7 Total 0.0
Pröv 	21: 9.7 ↘ 22: 10.8x ↗ Serie 20.5 Total 0.0	60 Skott 	1: 10.6x ↗ 2: 10.3x ↘ 3: 10.1 ↘ 4: 10.4x ↘ 5: 10.4x ↘ 6: 10.8x ↘ 7: 10.5x ↗ 8: 9.6 ↗ 9: 10.6x → 10: 10.7x ↑ Serie 104.0 Total 104.0
60 Skott 	11: 10.4x ↘ 12: 10.4x ↗ 13: 10.6x ↘ 14: 10.4x ← 15: 10.2x ↘ 16: 10.5x ↑ 17: 10.5x ↗ 18: 10.5x ↗ 19: 10.4x ↘ 20: 10.8x ↑ Serie 104.7 Total 208.7	60 Skott 	21: 10.8x ↗ 22: 10.4x ↘ 23: 10.6x ← 24: 10.7x ↘ 25: 10.4x → 26: 10.4x ← 27: 10.3x ↘ 28: 10.4x ↘ 29: 10.3x ← 30: 10.1 ← Serie 104.4 Total 313.1
60 Skott 	31: 10.6x ↘ 32: 10.6x ↑ 33: 10.2x ↘ 34: 10.1 ↘ 35: 10.5x ↘ 36: 10.0 ↘ 37: 10.5x ↘ 38: 10.1 → 39: 9.9 ← 40: 10.8x → Serie 103.3 Total 416.4		

<p>Prov</p> 	<p>1: 10.3x ↘ 2: 9.9 ↙ 3: 10.5x ↗ 4: 10.3x ↘ 5: 10.4x ↘ 6: 10.3x ↗ 7: 10.6x ↗ 8: 10.2x ↘ 9: 10.6x ↘ 10: 9.8 ←</p> <p>Serie 102.9 Total 0.0</p>	<p>Prov</p> 	<p>11: 10.3x ↘ 12: 10.8x ↓ 13: 10.5x ↘ 14: 10.7x ↘</p> <p>Serie 42.3 Total 0.0</p>
<p>60 Skott</p> 	<p>1: 10.8x ↘ 2: 10.3x ↘ 3: 10.6x ← 4: 10.9x ↘ 5: 10.8x ↘ 6: 10.8x ↗ 7: 10.1 ↙ 8: 10.8x ↗ 9: 10.6x ↘ 10: 10.8x ↓</p> <p>Serie 106.5 Total 106.5</p>	<p>60 Skott</p> 	<p>11: 10.6x ↗ 12: 10.3x ↓ 13: 10.5x ↘ 14: 10.4x ↓ 15: 10.6x ↘ 16: 10.7x ↗ 17: 10.0 ↓ 18: 10.4x ↘ 19: 9.8 ← 20: 10.2x ↓</p> <p>Serie 103.5 Total 210.0</p>
<p>60 Skott</p> 	<p>21: 10.4x ↘ 22: 9.9 ↙ 23: 10.8x ↘ 24: 10.5x ↓ 25: 10.4x ↘ 26: 10.6x ↘ 27: 9.5 ↓ 28: 10.4x ↘ 29: 10.9x ↘ 30: 10.3x ↘</p> <p>Serie 103.7 Total 313.7</p>	<p>60 Skott</p> 	<p>31: 10.5x ↘ 32: 10.8x ↗ 33: 10.3x ↓ 34: 10.3x ↘ 35: 10.4x ↓ 36: 9.9 ↙ 37: 10.4x ↓ 38: 10.8x ↗ 39: 10.6x ↗ 40: 10.4x ↗</p> <p>Serie 104.4 Total 418.1</p>

<p>Prov</p>	<p>60 Skott</p> <p>1: 9.4 ↘ 2: 10.2x↓ 3: 10.5x↓ 4: 10.1 ↓ 5: 10.7x↘ 6: 10.5x→ 7: 10.5x↙ 8: 10.5x↙ 9: 9.6 ↙ 10: 10.7x↘</p> <p>Serie 102.7 Total 0.0</p>	<p>60 Skott</p> <p>1: 10.7x↙ 2: 10.0 ↘ 3: 10.7x↗ 4: 10.4x↙ 5: 10.6x↙ 6: 10.6x↗ 7: 9.9 ↑ 8: 10.9x↙ 9: 10.6x↗ 10: 10.2x→</p> <p>Serie 104.6 Total 104.6</p>
<p>60 Skott</p>	<p>60 Skott</p> <p>11: 10.4x↗ 12: 10.3x↗ 13: 10.6x↗ 14: 10.2x↑ 15: 10.5x→ 16: 10.8x→ 17: 10.6x↓ 18: 10.1 ↙ 19: 10.5x↑ 20: 10.7x↓</p> <p>Serie 104.7 Total 209.3</p>	<p>60 Skott</p> <p>21: 10.8x↓ 22: 9.7 ↖ 23: 10.3x↓ 24: 10.3x↘ 25: 10.6x→ 26: 10.3x↙ 27: 10.6x→ 28: 10.2x↙ 29: 9.9 ↙ 30: 10.5x↑</p> <p>Serie 103.2 Total 312.5</p>
<p>60 Skott</p>	<p>60 Skott</p> <p>31: 10.4x↗ 32: 9.7 ↑ 33: 10.1 ↗ 34: 10.7x↙ 35: 10.3x↙ 36: 10.6x↙ 37: 9.7 ↑ 38: 10.5x→ 39: 10.5x↘ 40: 9.8 ↘</p> <p>Serie 102.3 Total 414.8</p>	

<p>Prov</p> 	<p>1: 7.1 ↘ 2: 6.8 ↘ 3: 3.3 → 4: 7.0 → 5: 6.1 ↘ 6: 9.0 ↗ 7: 8.3 ← 8: 9.5 ↓</p>	<p>60 Skott</p> 		<p>1: 8.8 ← 2: 10.2x↗ 3: 7.6 ↗ 4: 8.4 ← 5: 9.0 ↗ 6: 7.8 ↑ 7: 10.4x← 8: 10.1 ↘ 9: 10.2x↗ 10: 9.7 ↗</p>
	Serie 57.1			Serie 92.2
	Total 0.0			Total 92.2

<p>60 Skott</p> 	<p>11: 7.8 ← 12: 8.5 ↓ 13: 9.5 ↗ 14: 9.6 → 15: 7.1 ↗ 16: 9.1 ↓ 17: 10.4x↘ 18: 10.7x↘ 19: 10.3x↗ 20: 9.3 ↑</p>	<p>60 Skott</p> 		<p>21: 9.6 ↗ 22: 8.8 ↑ 23: 8.9 ↗ 24: 9.3 ↘ 25: 10.2x← 26: 8.9 → 27: 10.0 ↓ 28: 9.1 ↓ 29: 9.5 ↗ 30: 8.2 ↗</p>
	Serie 92.3			Serie 92.5
	Total 184.5			Total 277.0

<p>60 Skott</p> 	<p>31: 10.0 ↘ 32: 10.7x↗ 33: 8.9 ↘ 34: 9.5 ↘ 35: 10.4x↗ 36: 8.2 ↗ 37: 9.1 ↑ 38: 8.8 ← 39: 9.1 ↑ 40: 9.1 ↘</p>			
	Serie 93.8			
	Total 370.8			