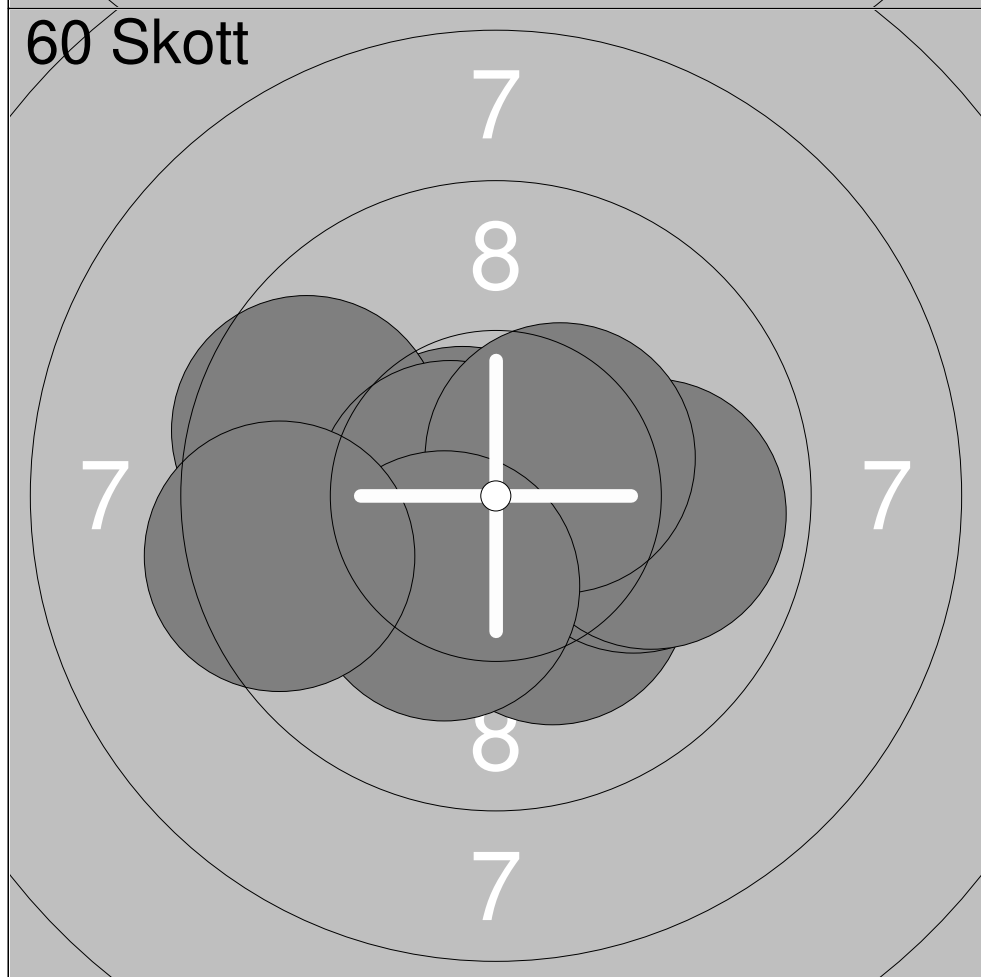


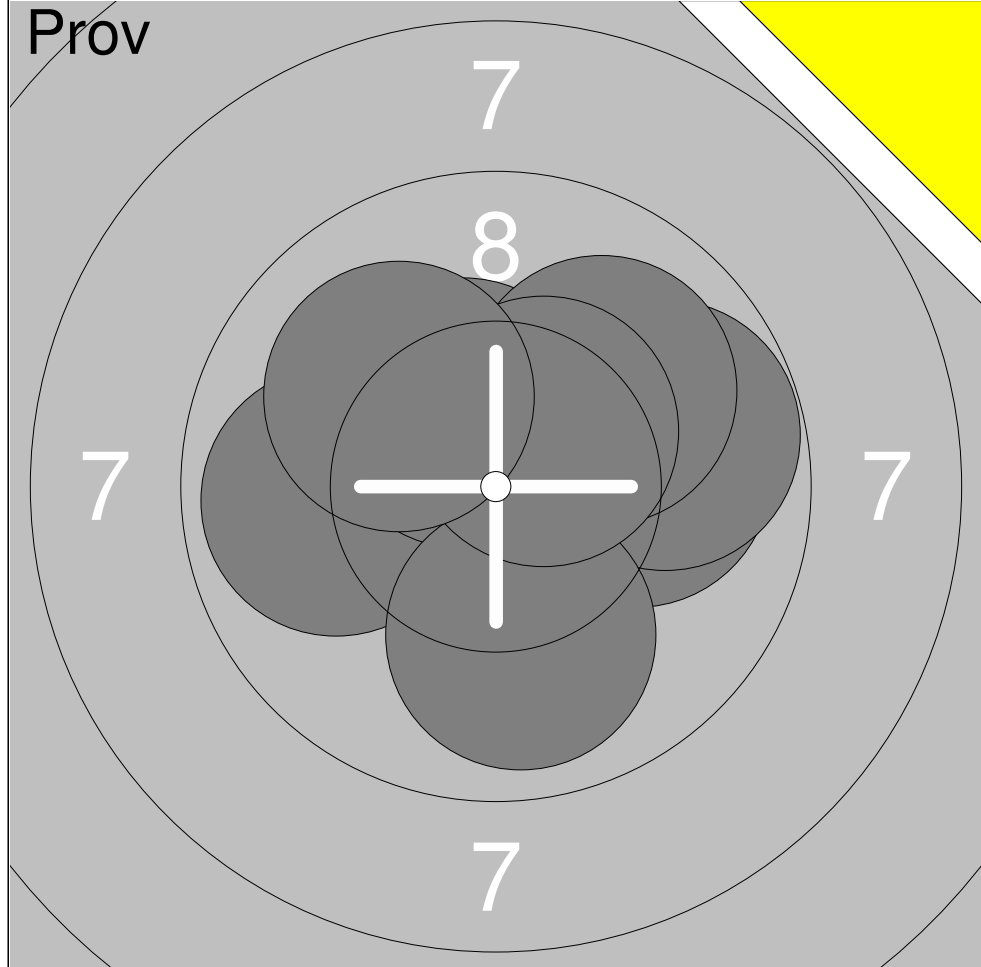
1:	9.8	↘
2:	8.9	↘
3:	10.3x	↘
4:	9.8	←
5:	10.0	→
6:	10.5x	↗
7:	10.6x	↑
8:	10.1	↗

Serie	80.0
Total	384.0



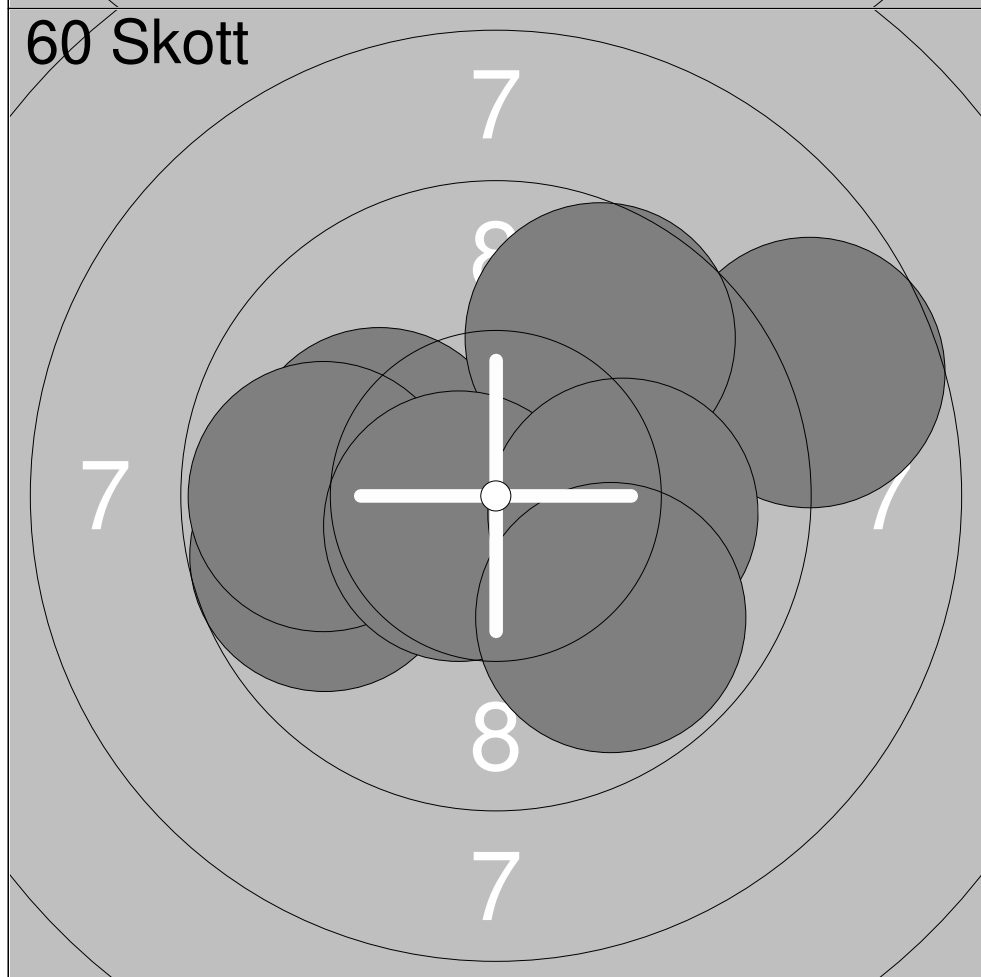
1:	10.7x	↖
2:	9.7	↖
3:	9.6	↖
4:	10.2x	↘
5:	10.0	→
6:	9.9	→
7:	10.7x	←
8:	10.5x	↗
9:	10.3x	↘
10:	9.5	↖

Serie	101.1
Total	485.1



1:	9.9	←
2:	10.0	→
3:	10.4x	↖
4:	9.8	→
5:	10.0	↗
6:	10.0	↓
7:	10.5x	↗
8:	10.1	↖

Serie	80.7
Total	381.0

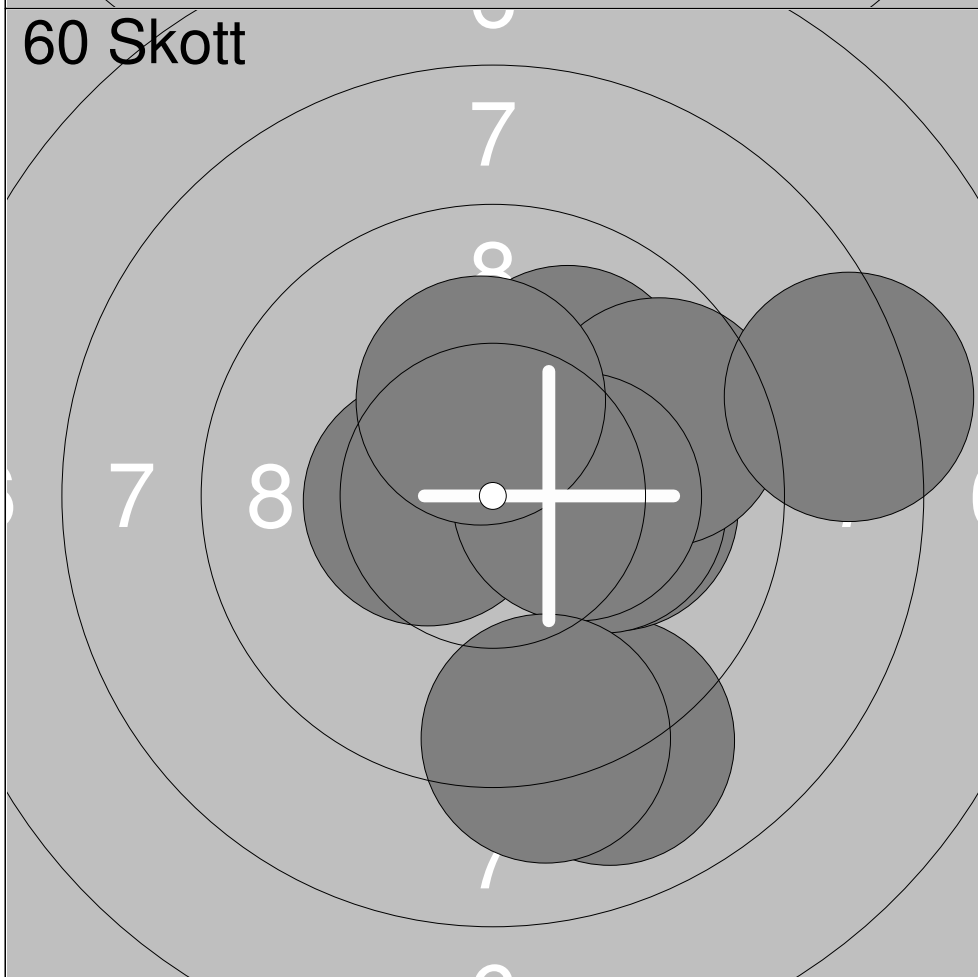


1:	10.2x	↘
2:	10.3x	→
3:	10.1	←
4:	8.7	→
5:	9.7	←
6:	9.7	↗
7:	9.8	←
8:	10.6x	↙
9:	10.1	→
10:	9.8	↘

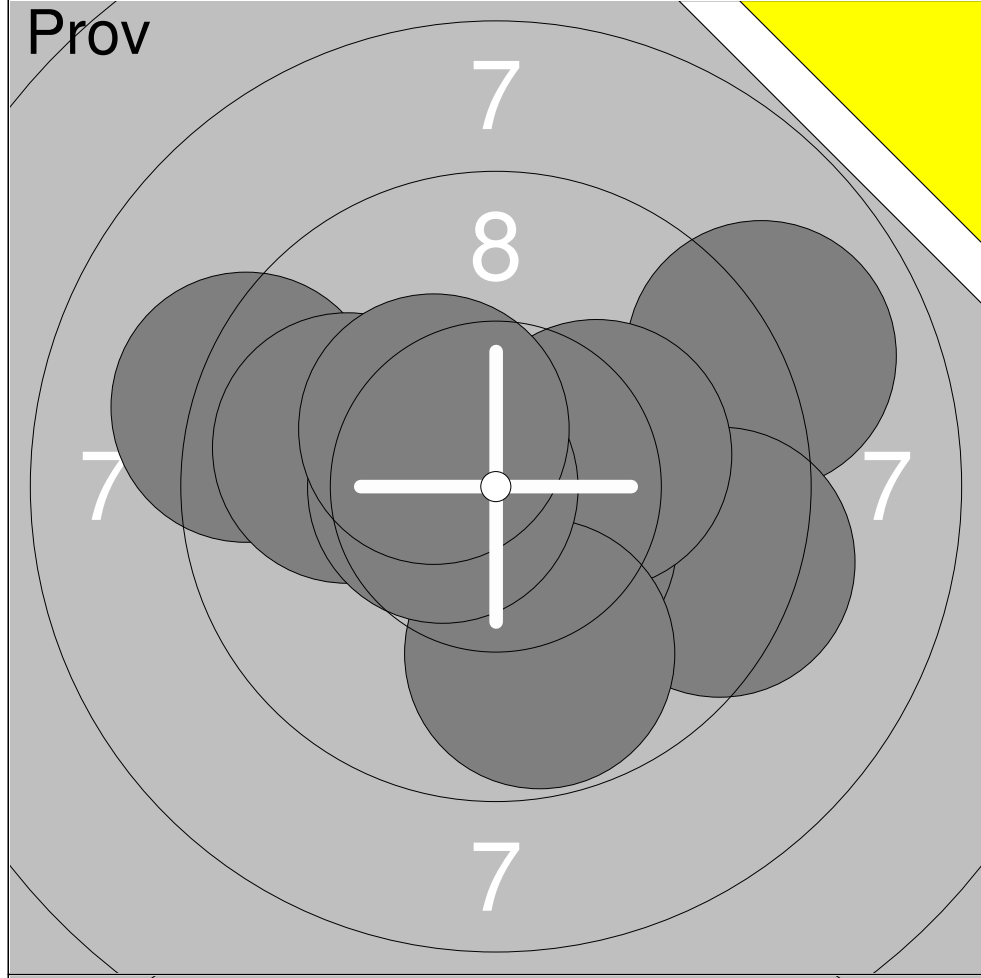
Serie	99.0
Total	480.0



1:	8.4	↘
2:	9.3	←
3:	9.4	↘
4:	9.6	↘
5:	9.3	↑
6:	10.6x	↘
7:	9.0	↘
8:	9.4	↗
9:	10.0	↘
10:	9.0	↘
<b>Serie</b>		<b>94.0</b>
<b>Total</b>		<b>376.0</b>

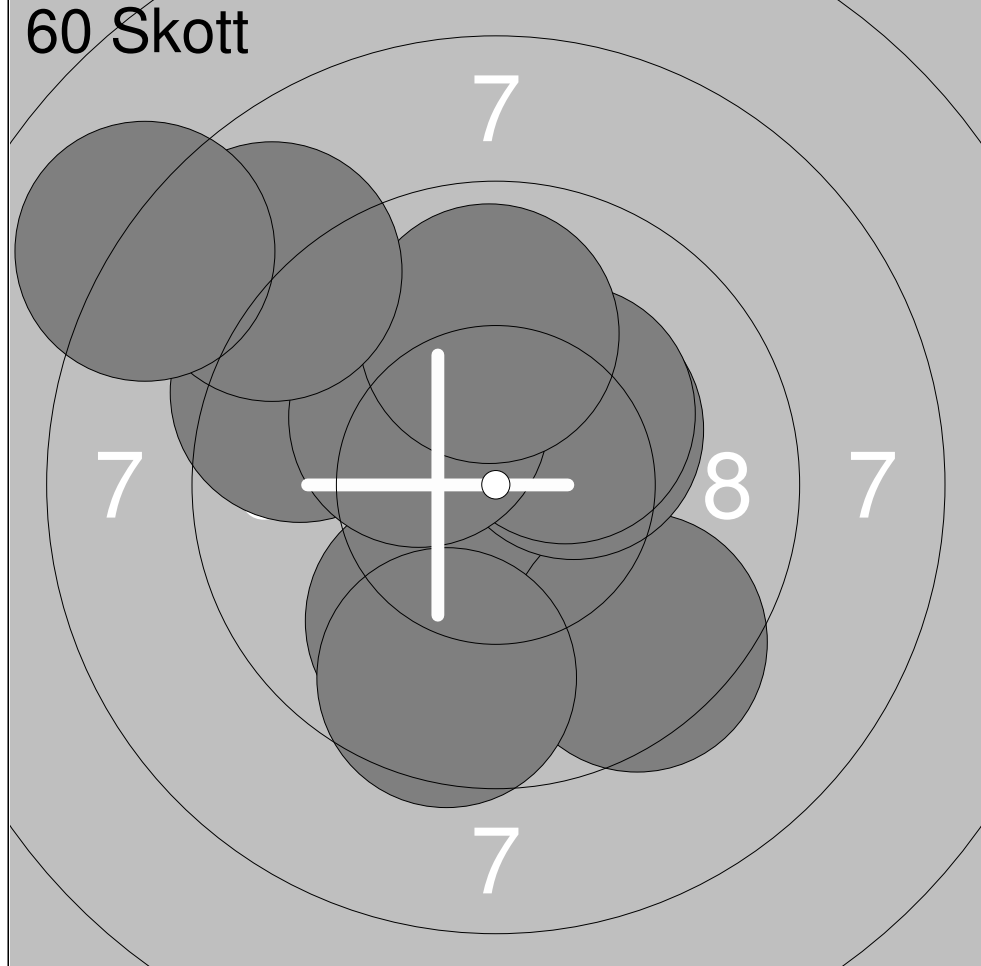


1:	9.0	↘
2:	10.0	↗
3:	10.1	→
4:	10.2x	→
5:	10.5x	←
6:	9.6	↗
7:	8.3	↗
8:	10.3x	→
9:	9.2	↘
10:	10.3x	↑
<b>Serie</b>		<b>97.5</b>
<b>Total</b>		<b>473.5</b>



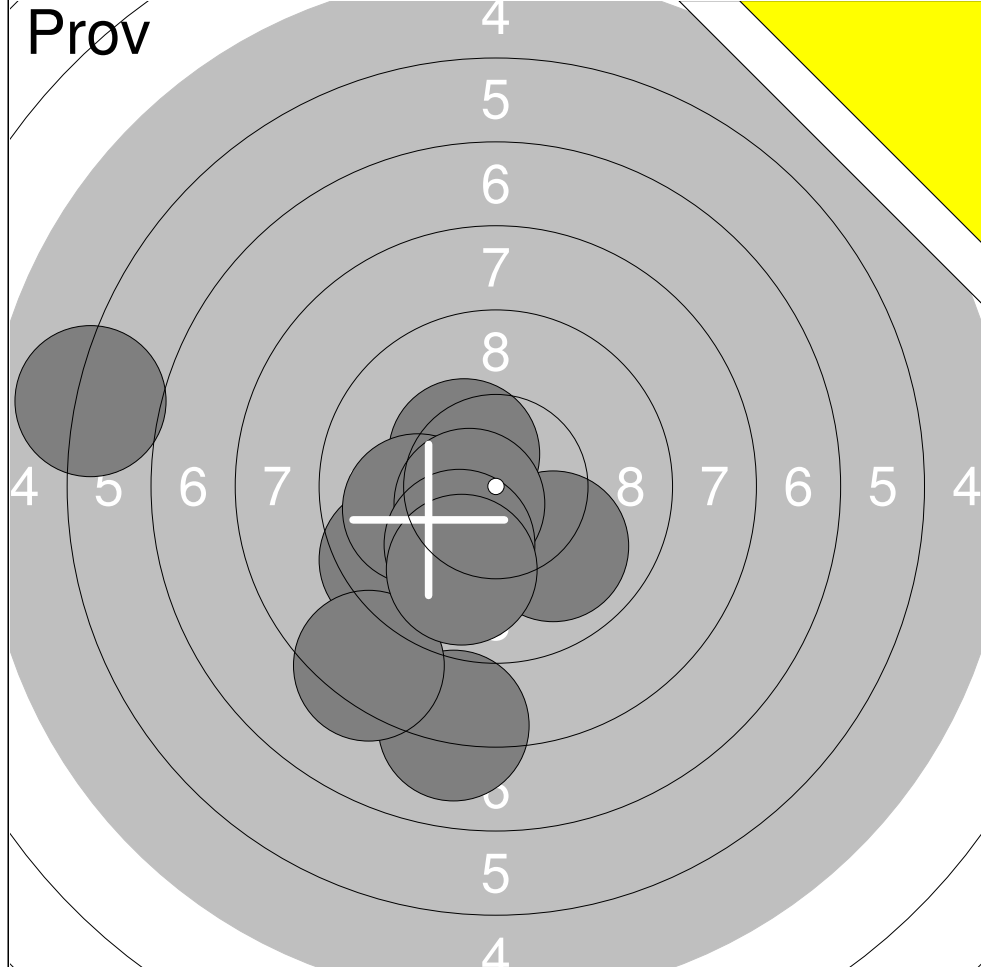
1:	9.0	↗
2:	9.2	↖
3:	10.5x	↗
4:	9.4	↘
5:	10.5x	↘
6:	10.2x	↗
7:	9.8	↘
8:	9.9	↖
9:	10.6x	↖
10:	10.4x	↗

Serie	99.5
Total	370.0



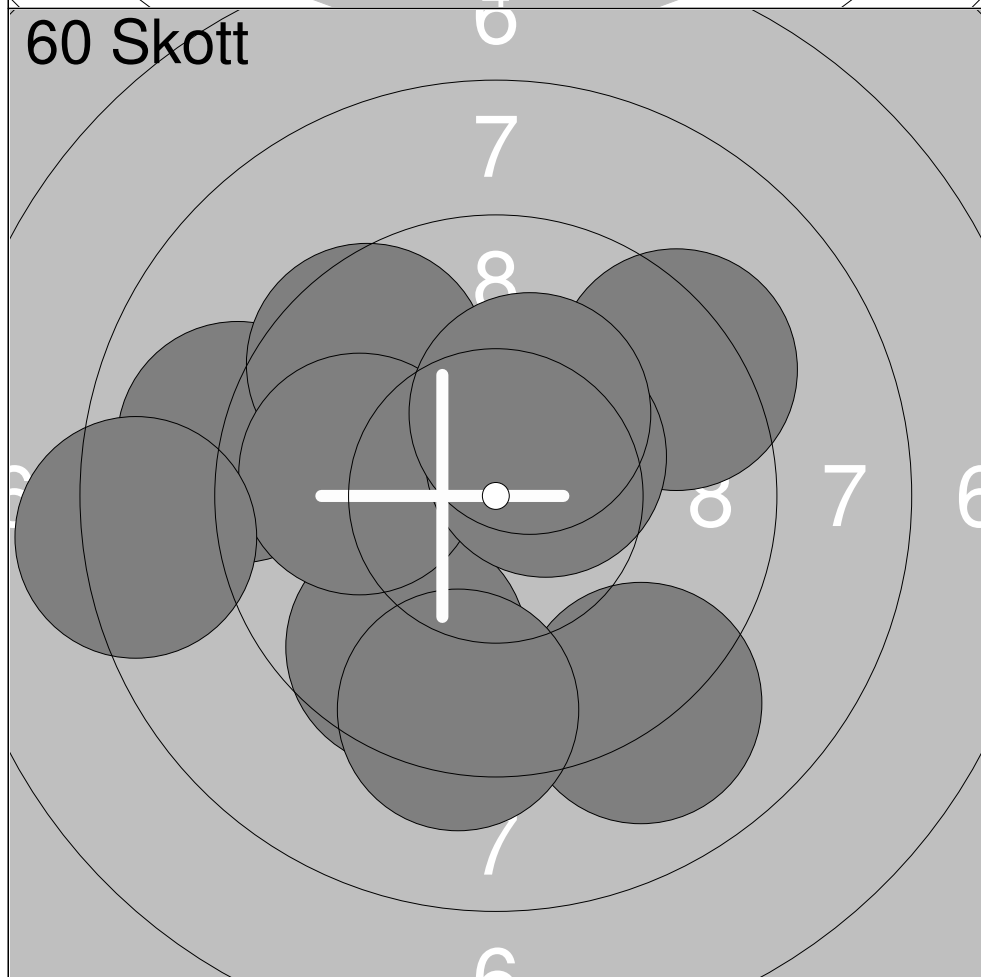
1:	9.9	↘
2:	9.5	↘
3:	9.6	↘
4:	9.5	↖
5:	10.3x	↗
6:	10.3x	↗
7:	10.2x	↗
8:	9.9	↗
9:	8.8	↗
10:	8.0	↗

Serie	96.0
Total	466.0



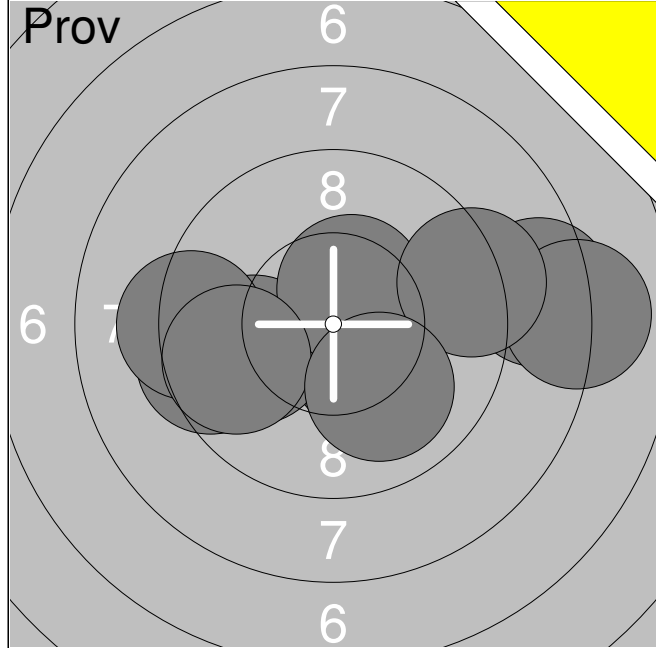
1:	9.5	↙
2:	10.4x	↗
3:	6.0	↖
4:	10.0	↘
5:	8.1	↓
6:	8.3	↙
7:	10.0	↖
8:	10.6x	↙
9:	10.1	↘
10:	9.9	↘

Serie	92.9
Total	349.0



1:	9.0	↖
2:	9.6	↘
3:	9.6	↗
4:	9.1	↘
5:	9.3	↓
6:	9.3	↗
7:	9.9	↖
8:	10.5x	↗
9:	10.3x	↗
10:	8.2	↖

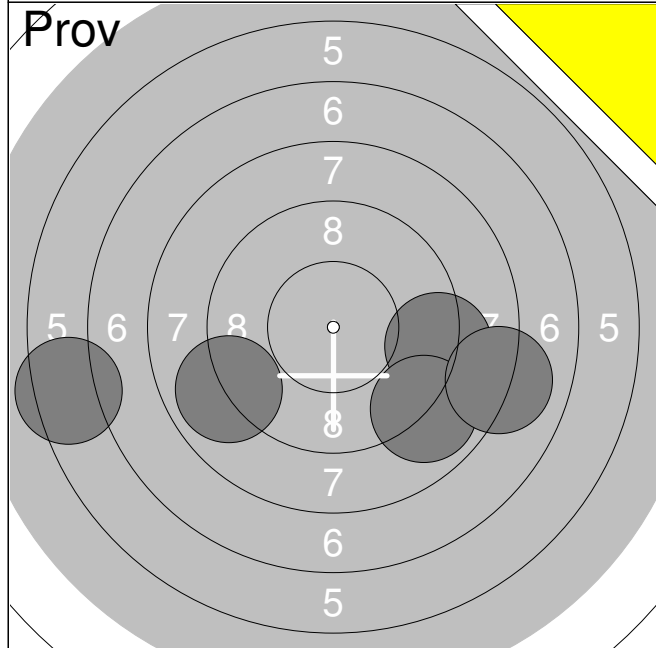
Serie	94.8
Total	443.8



1:	10.4x	↘
2:	8.5	→
3:	8.0	→
4:	9.4	←
5:	9.9	←
6:	9.2	←
7:	10.5x	↗
8:	9.7	←
9:	9.2	→
10:	10.0	↘

Serie	94.8
-------	------

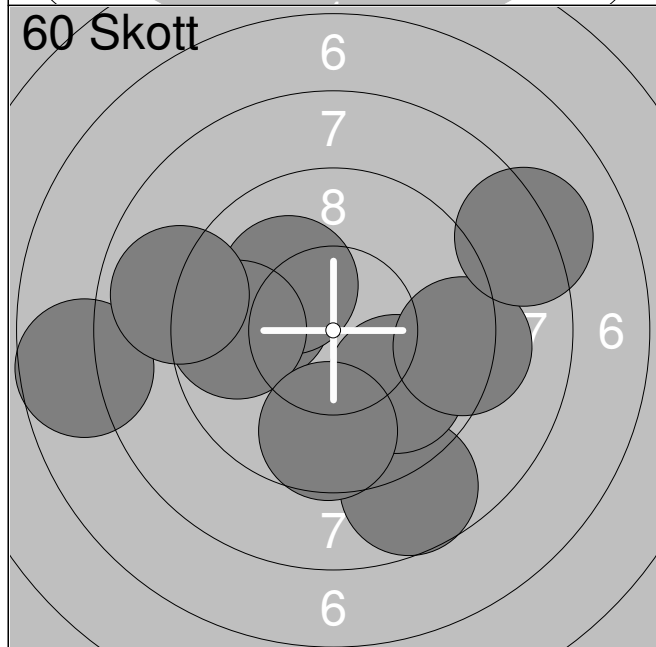
Total	347.0
-------	-------



11:	8.9	←
12:	9.2	→
13:	8.9	↘
14:	6.4	←
15:	8.1	→

Serie	41.5
-------	------

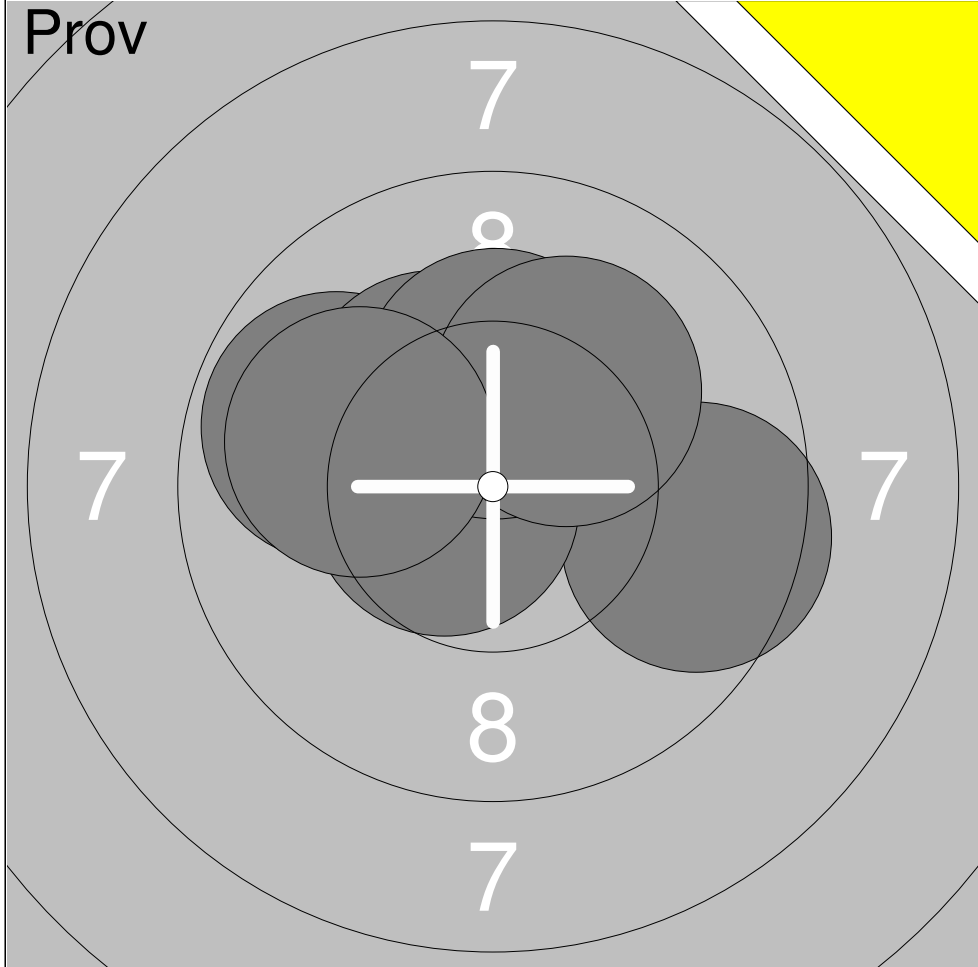
Total	347.0
-------	-------



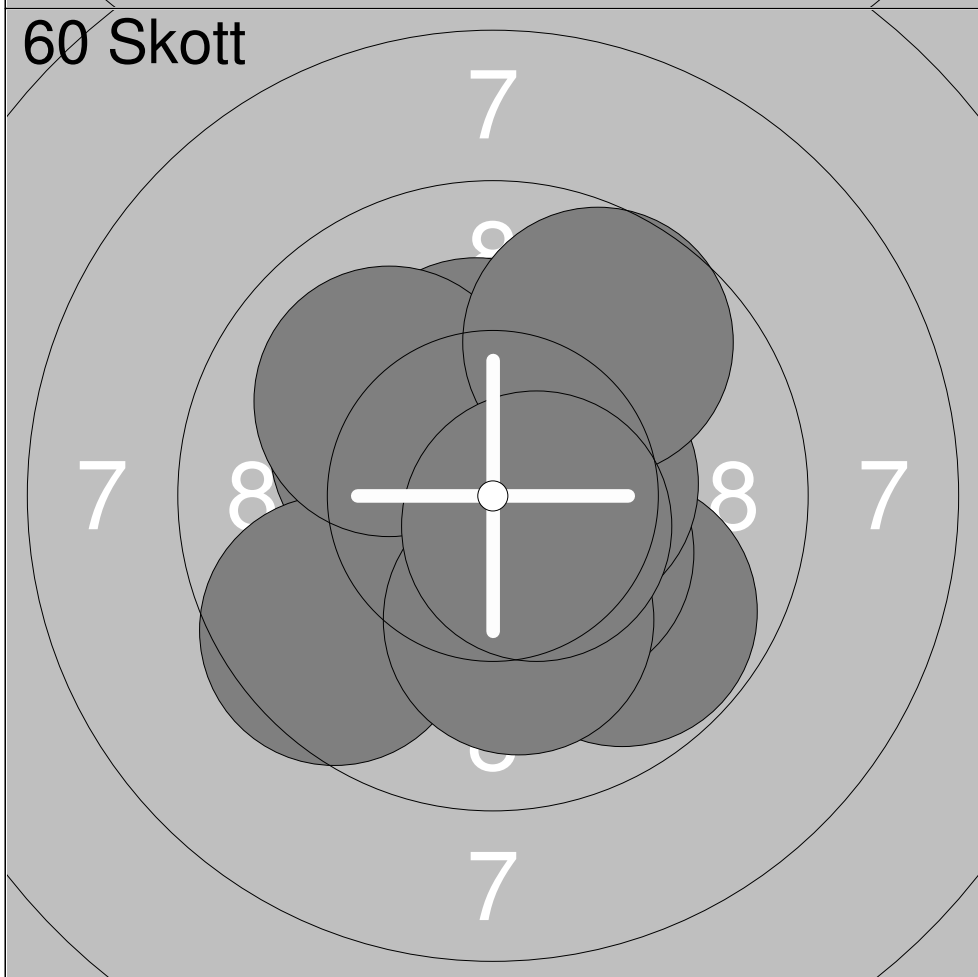
1:	8.7	↘
2:	10.0	←
3:	9.9	↘
4:	10.1	↗
5:	9.3	→
6:	9.7	←
7:	9.6	↘
8:	7.7	←
9:	8.2	↗
10:	8.9	←

Serie	92.1
-------	------

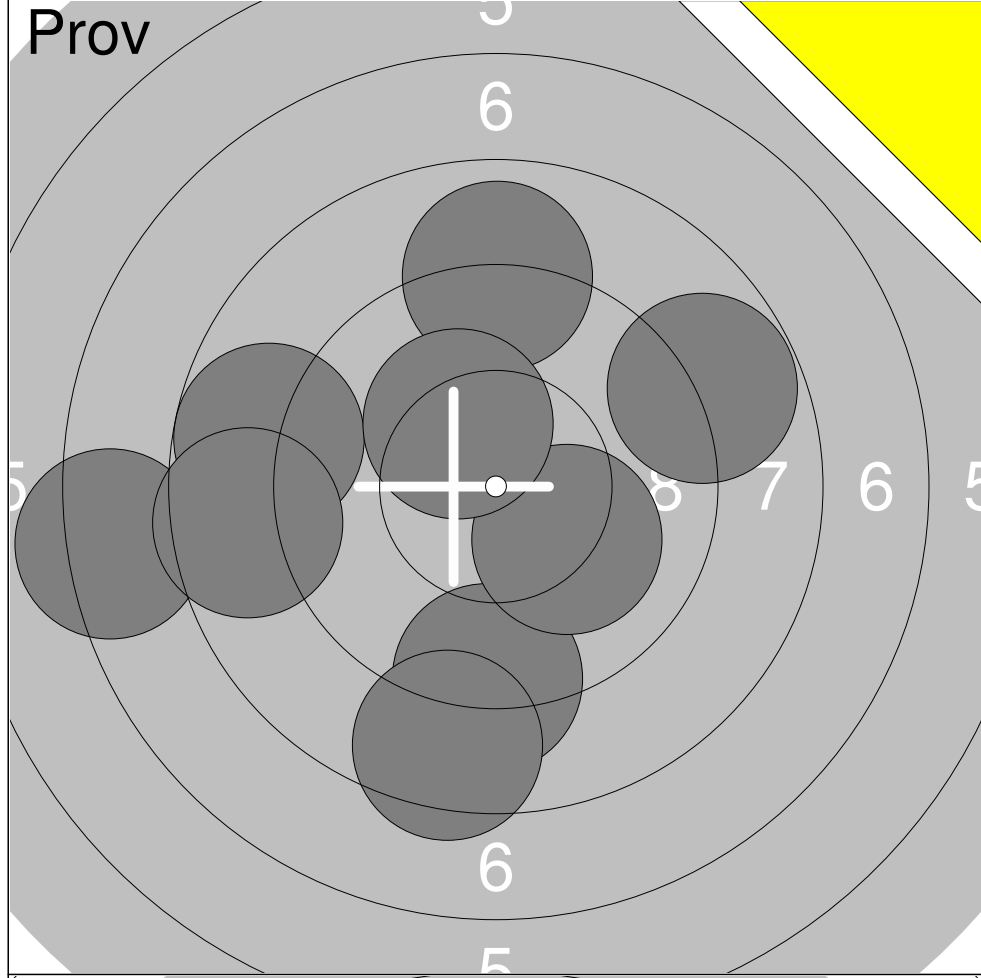
Total	439.1
-------	-------



1:	9.8	↖
2:	10.4x	↖
3:	10.3x	↖
4:	9.6	→
5:	10.6x	↙
6:	10.3x	↑
7:	10.2x	↗
8:	10.0	↙
<b>Serie</b>		<b>81.2</b>
<b>Total</b>		<b>388.0</b>

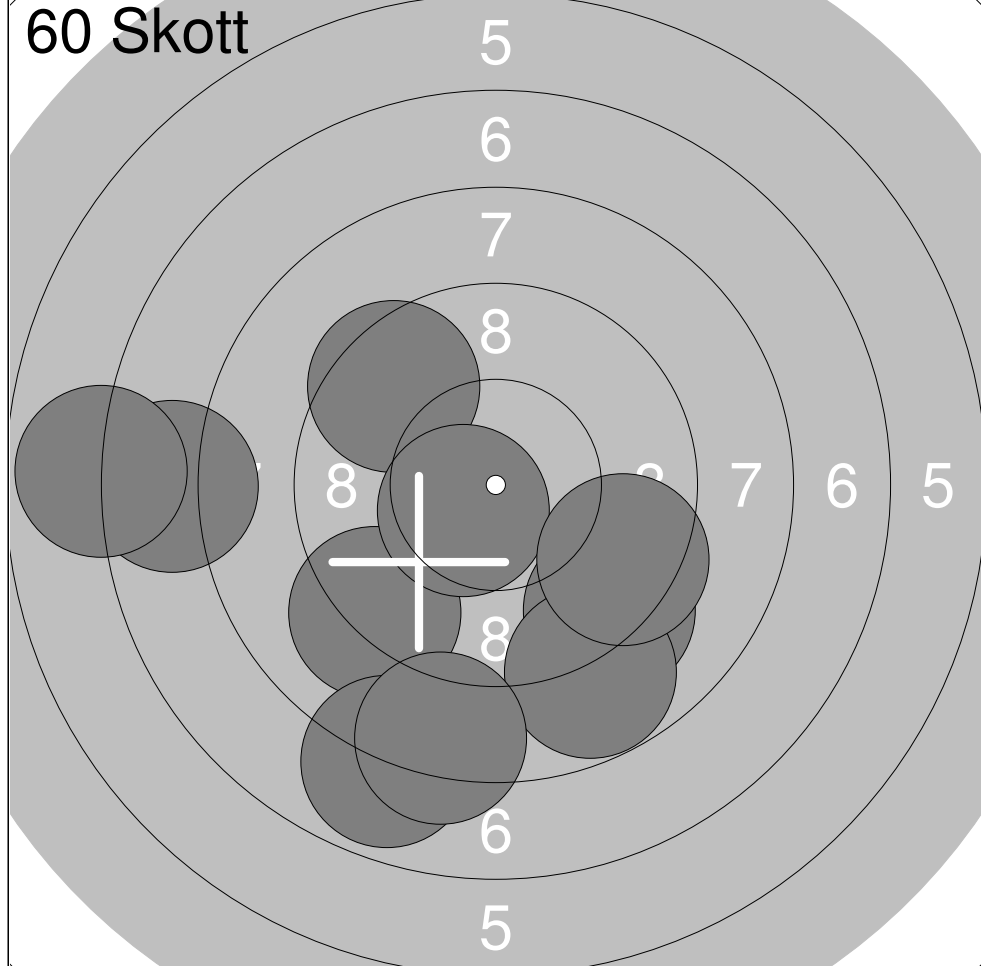


1:	9.8	↘
2:	10.3x	↖
3:	10.3x	↑
4:	9.6	↙
5:	10.4x	↘
6:	10.5x	→
7:	10.0	↗
8:	9.7	↗
9:	10.1	↘
10:	10.6x	↘
<b>Serie</b>		<b>101.3</b>
<b>Total</b>		<b>489.3</b>



1:	9.0	↑
2:	8.8	←
3:	9.1	↓
4:	8.8	↗
5:	10.1	↘
6:	10.3x	↗
7:	7.3	←
8:	8.5	↓
9:	8.6	←

Serie	80.5
Total	352.0



1:	9.5	↗
2:	7.6	←
3:	9.2	↘
4:	8.8	↘
5:	9.1	↘
6:	7.9	↘
7:	8.3	↓
8:	10.5x	↗
9:	6.8	←
10:	9.4	↘

Serie	87.1
Total	439.1

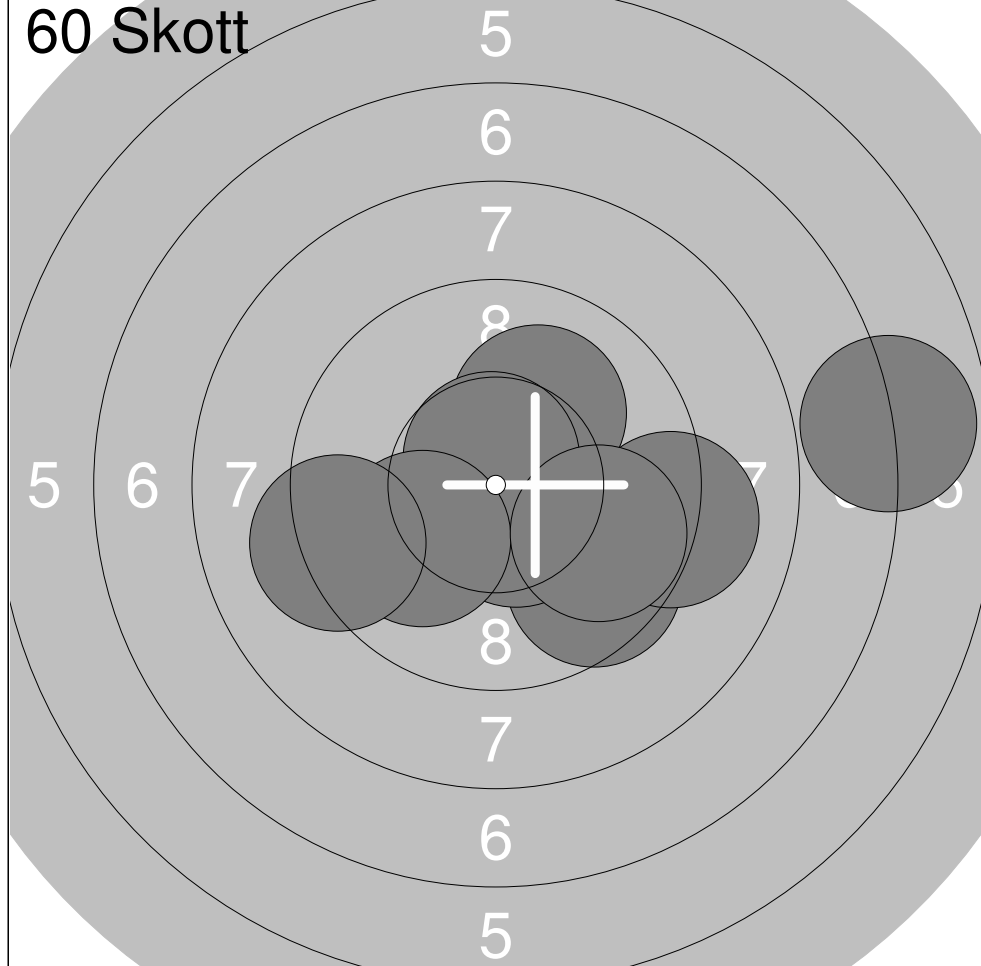


Skjutlag	Tavla	Jonathan Sundström	
3	16		
S	Rönnskärs Skf		
27.01.2018	Förbundsmästerskap 2018	Umeå skytteallians	
<b>Prov</b> 	1:	8.6	↓
	2:	10.2x	←
	3:	9.8	↗
	4:	9.6	↗
	5:	7.1	←
	6:	7.2	↑
	7:	9.0	←
	8:	9.1	↘
	9:	9.8	↗
	10:	8.3	↑
	<b>Serie</b>		<b>88.7</b>
<b>Total</b>		<b>320.0</b>	
<b>Prov</b> 	11:	9.5	↘
	12:	8.5	↓
	13:	7.8	↓
	14:	9.8	↑
<b>Serie</b>		<b>35.6</b>	
<b>Total</b>		<b>320.0</b>	
<b>60 Skott</b> 	1:	9.6	↓
	2:	9.0	↘
	3:	9.2	↘
	4:	7.6	↑
	5:	10.2x	←
	6:	6.2	←
	7:	10.9x	→
	8:	10.2x	↗
	9:	8.7	↗
	10:	7.8	→
<b>Serie</b>		<b>89.4</b>	
<b>Total</b>		<b>409.4</b>	



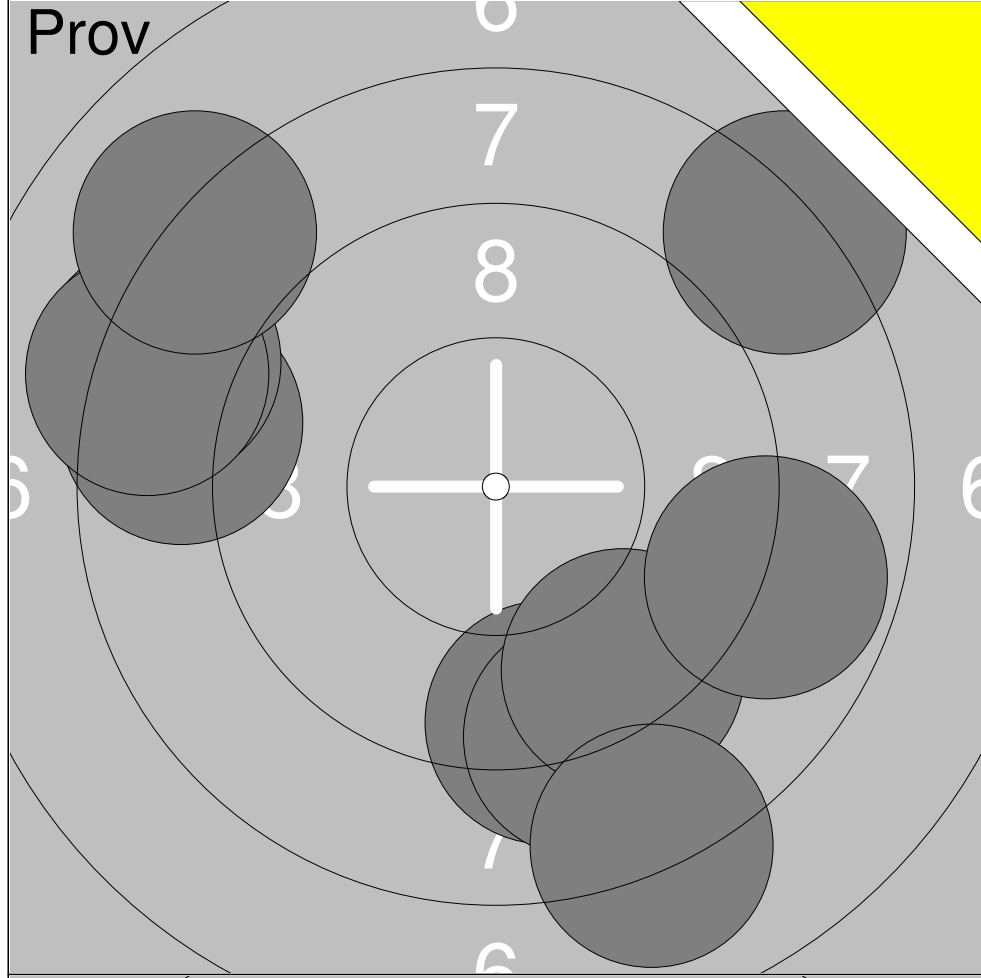
1:	10.2x	↖
2:	10.6x	↖
3:	10.4x	↘
4:	9.7	↖
5:	10.0	↘
6:	10.3x	↖
7:	10.2x	↗

Serie	71.4
Total	366.0



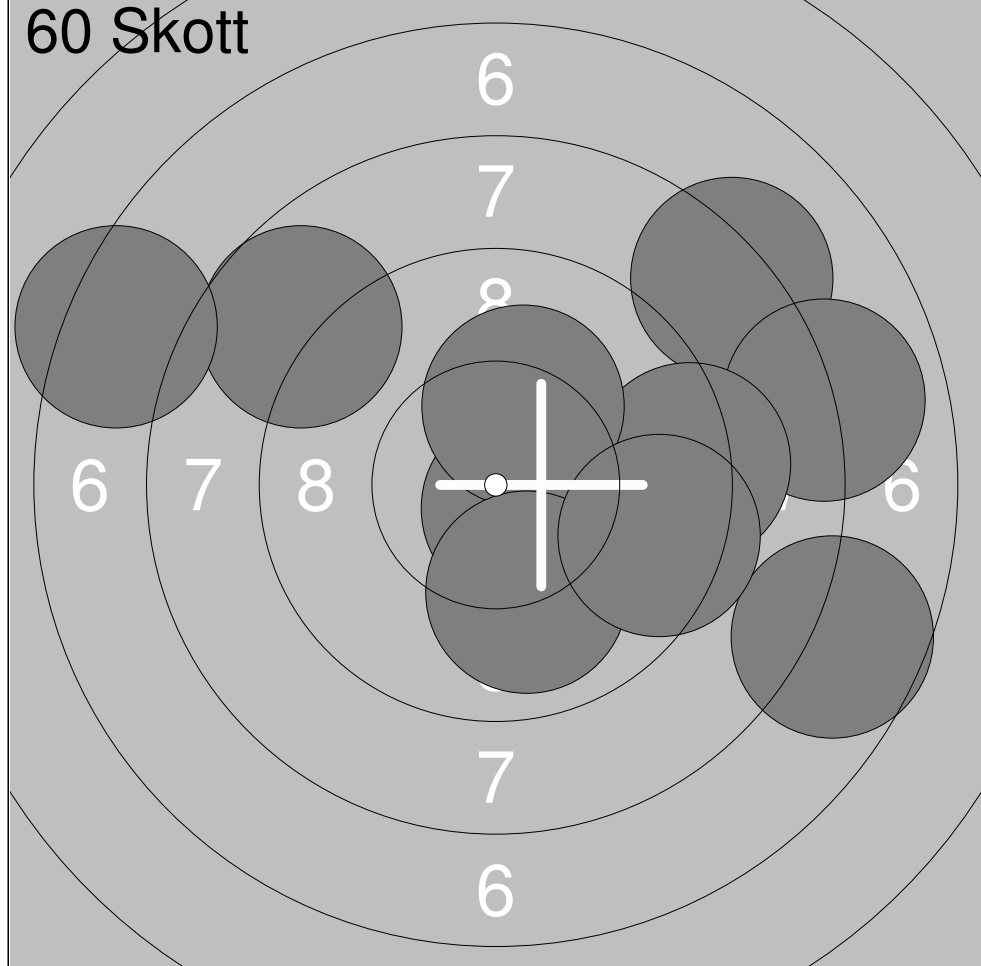
1:	10.3x	↘
2:	10.1	↗
3:	9.6	↘
4:	10.5x	↘
5:	9.1	→
6:	6.9	→
7:	10.7x	↑
8:	10.0	↖
9:	9.2	↖
10:	9.8	↘

Serie	96.2
Total	462.2



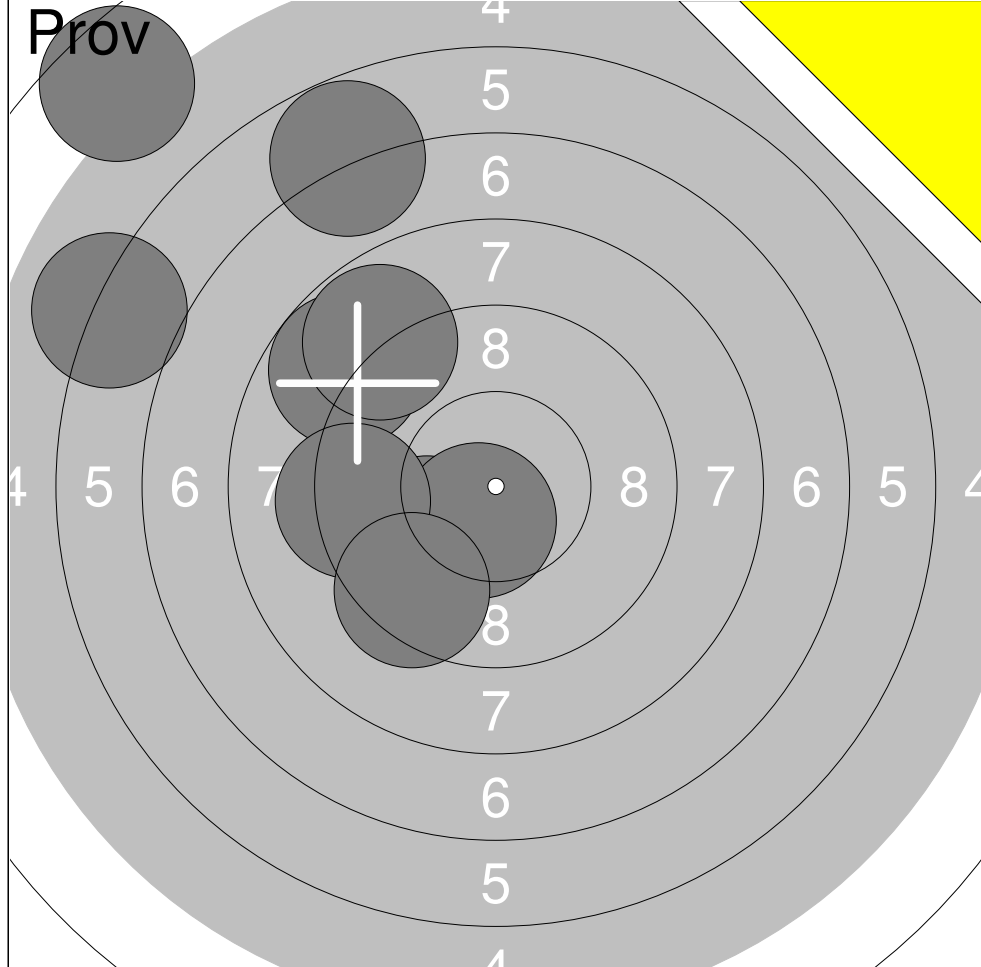
1:	9.2	↘
2:	9.0	↘
3:	8.6	↗
4:	9.3	↘
5:	8.3	↗
6:	8.8	↘
7:	8.1	↗
8:	8.1	↘
9:	8.2	↗
10:	8.0	↗

Serie	85.6
Total	326.0



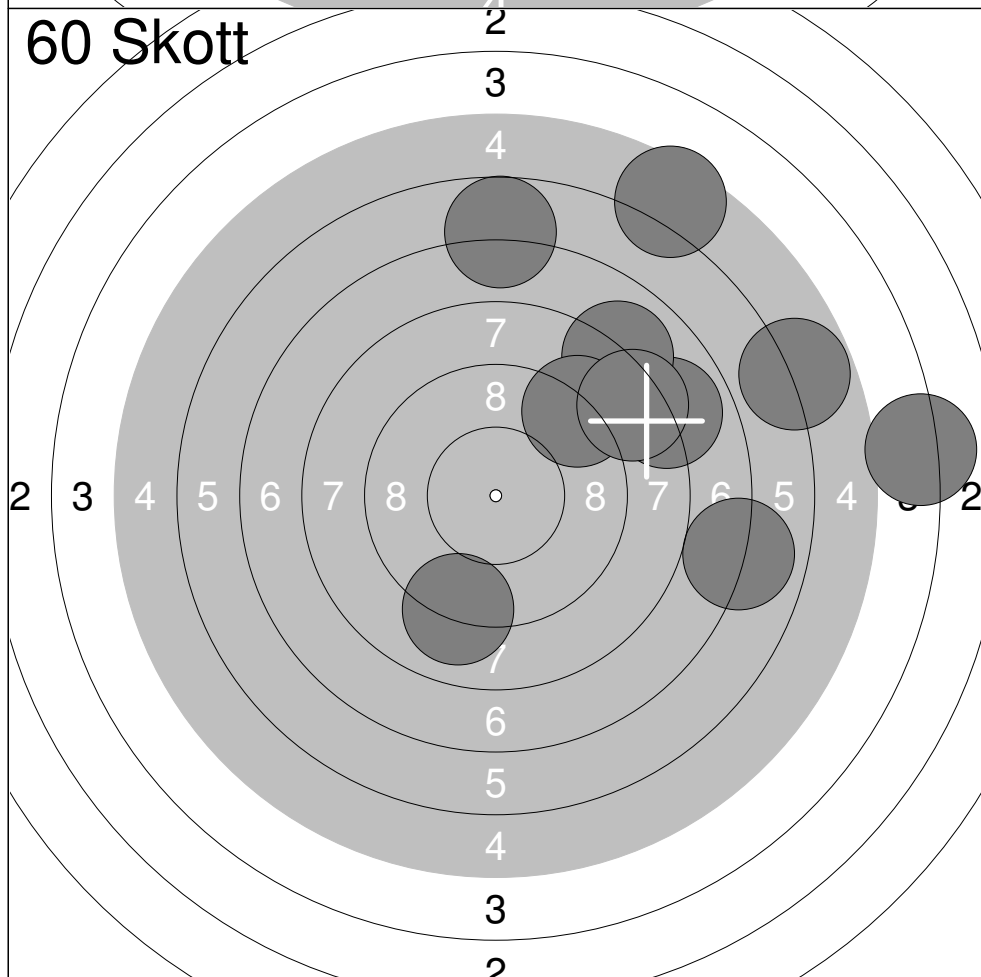
1:	10.6x	↘
2:	8.7	↗
3:	8.2	↗
4:	7.9	→
5:	9.2	→
6:	7.7	↘
7:	7.3	↗
8:	10.2x	↗
9:	10.0	↘
10:	9.4	↘

Serie	89.2
Total	415.2



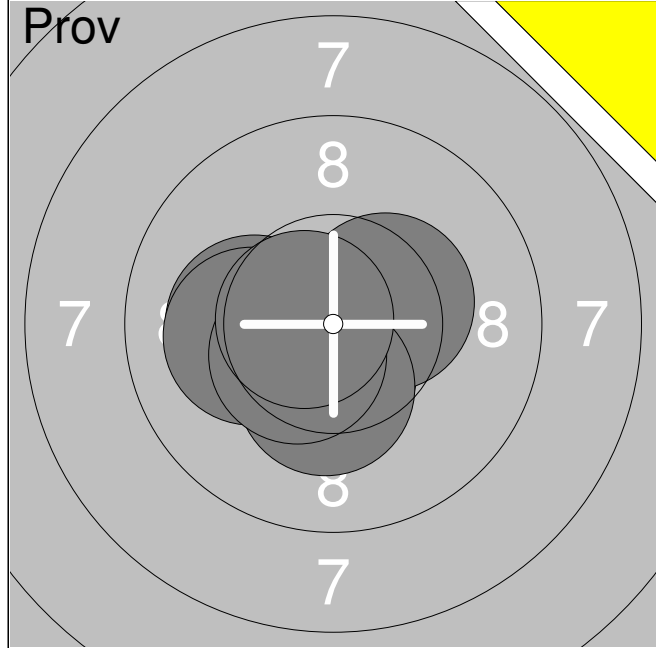
1:	10.0	↙
2:	8.7	↖
3:	10.5x	↘
4:	6.0	↖
5:	4.5	↗
6:	9.3	←
7:	6.8	↗
8:	9.4	↘
9:	8.8	↗

Serie	74.0
Total	326.0



1:	7.9	↗
2:	9.0	↘
3:	6.7	↑
4:	8.0	↗
5:	4.1	→
6:	5.8	↗
7:	9.1	↗
8:	5.5	↗
9:	7.0	→
10:	8.3	↗

Serie	71.4
Total	397.4



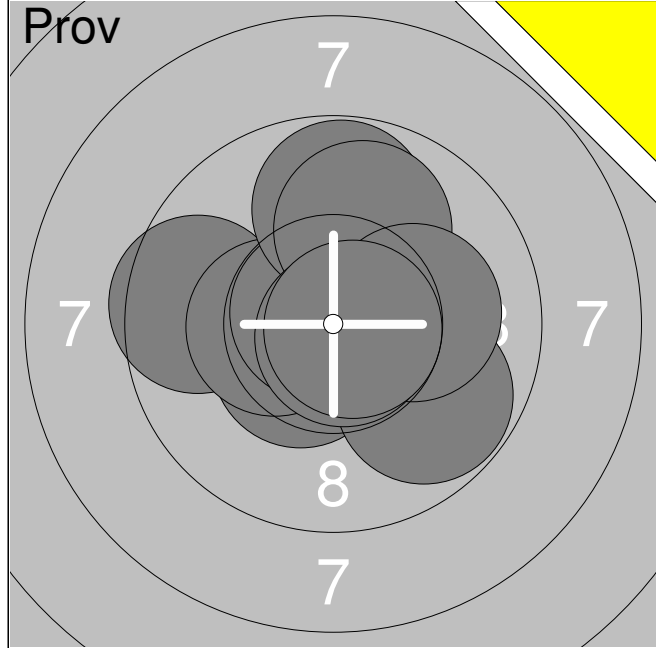
1:	10.5x	↓
2:	10.4x	→
3:	10.6x	←
4:	10.2x	←
5:	10.5x	↙
6:	10.3x	←
7:	10.1	←
8:	10.3x	↓
9:	10.5x	↙
10:	10.7x	←
<b>Serie</b>		<b>104.1</b>
<b>Total</b>		<b>400.0</b>



11:	10.4x	↓
12:	10.6x	↓
<b>Serie</b>		<b>21.0</b>
<b>Total</b>		<b>400.0</b>



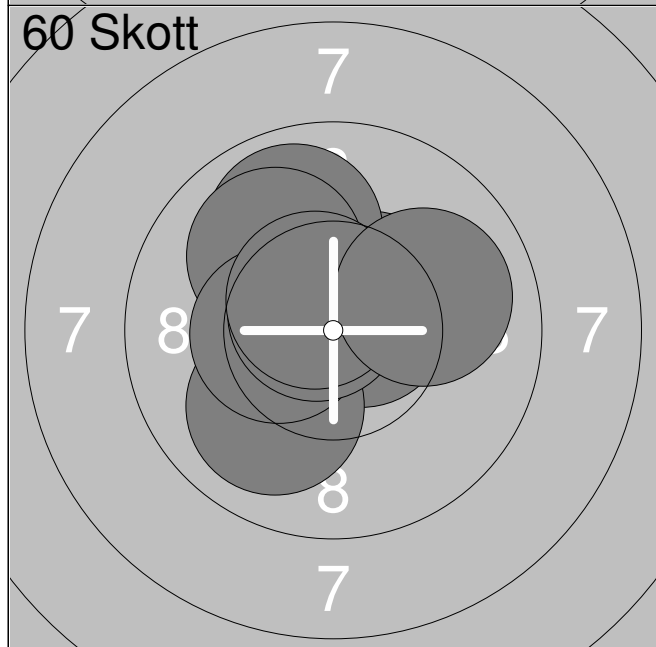
1:	10.5x	↓
2:	10.2x	↓
3:	10.8x	←
4:	10.6x	→
5:	10.4x	↓
6:	10.8x	↙
7:	10.7x	←
8:	10.3x	↓
9:	10.4x	↙
10:	10.4x	↙
<b>Serie</b>		<b>105.1</b>
<b>Total</b>		<b>505.1</b>



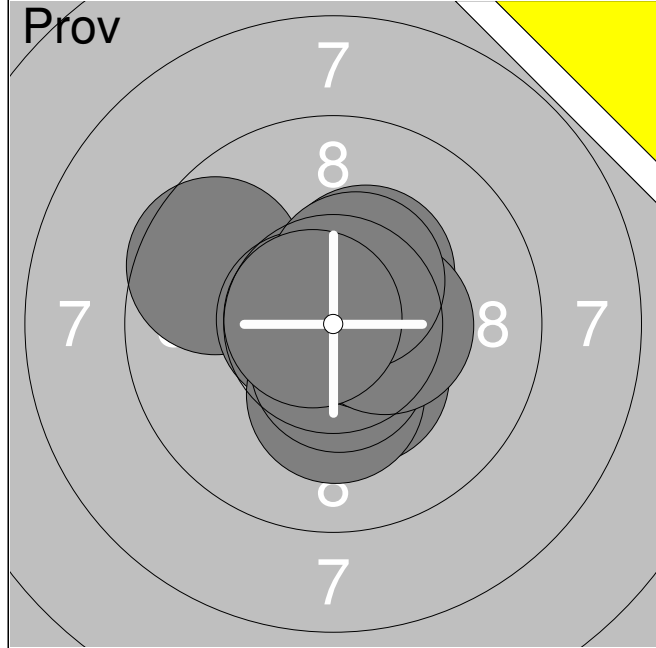
1:	9.6	←
2:	10.5x	↙
3:	10.4x	←
4:	10.8x	↗
5:	9.8	↑
6:	10.0	↗
7:	9.8	↘
8:	10.1	→
9:	10.8x	↘
10:	10.7x	→
<b>Serie</b>		<b>102.5</b>
<b>Total</b>		<b>400.0</b>



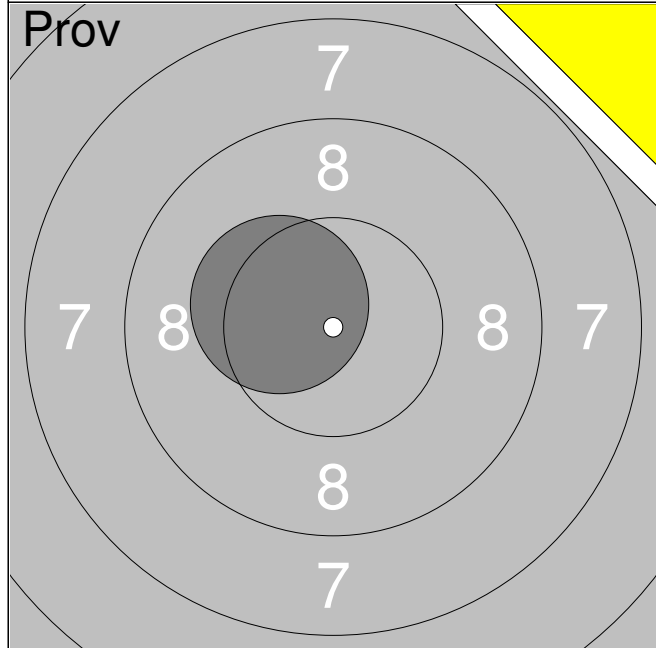
11:	10.5x	↑
12:	10.4x	←
13:	10.0	↗
<b>Serie</b>		<b>30.9</b>
<b>Total</b>		<b>400.0</b>



1:	10.5x	↗
2:	10.6x	→
3:	10.6x	←
4:	9.9	↑
5:	10.0	↗
6:	10.0	↘
7:	10.4x	←
8:	10.7x	↗
9:	10.6x	↗
10:	10.0	→
<b>Serie</b>		<b>103.3</b>
<b>Total</b>		<b>503.3</b>



1:	9.6	↖
2:	10.7x	↖
3:	10.4x	↘
4:	10.2x	↘
5:	10.5x	↘
6:	10.4x	↗
7:	10.6x	→
8:	10.4x	→
9:	10.5x	↗
10:	10.7x	↖
<b>Serie</b>	<b>104.0</b>	
<b>Total</b>	<b>400.0</b>	



11:	10.4x	↖
<b>Serie</b>	<b>10.4</b>	
<b>Total</b>	<b>400.0</b>	



1:	10.4x	↖
2:	10.5x	↖
3:	10.6x	↗
4:	10.3x	↖
5:	10.6x	↘
6:	10.0	↗
7:	10.5x	↗
8:	10.8x	↖
9:	10.4x	↖
10:	10.9x	↓
<b>Serie</b>	<b>105.0</b>	
<b>Total</b>	<b>505.0</b>	



1:	10.3x	↖
2:	10.1	↖
3:	10.4x	↗
4:	10.5x	↗
5:	10.4x	↘
6:	10.5x	↖
7:	10.5x	↙
8:	10.7x	↖

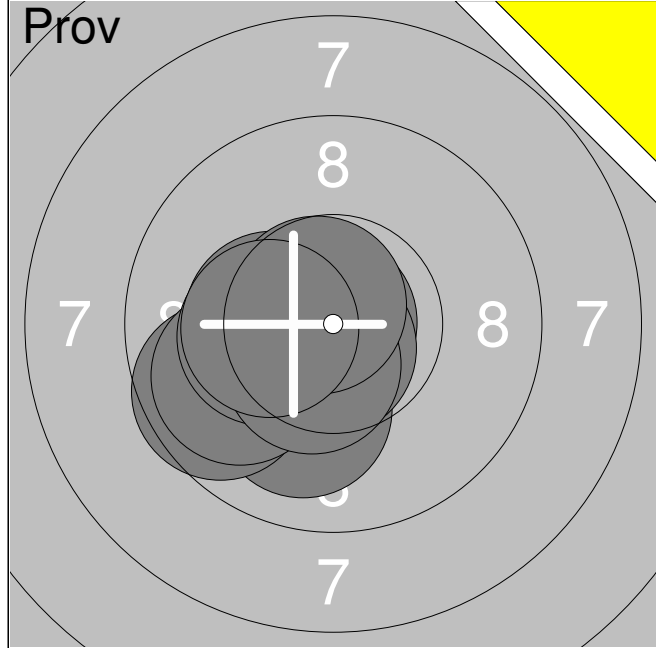
Serie	83.4
Total	399.0



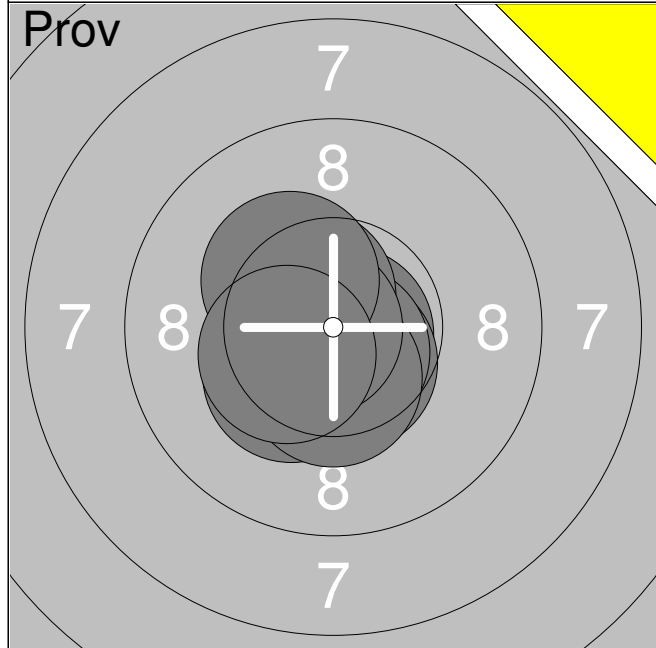
1:	10.6x	↙
2:	10.8x	↗
3:	10.3x	↗
4:	10.4x	↘
5:	10.3x	↗
6:	10.6x	↘
7:	10.3x	↗
8:	10.1	↖
9:	10.8x	↗
10:	10.7x	↘

Serie	104.9
Total	503.9





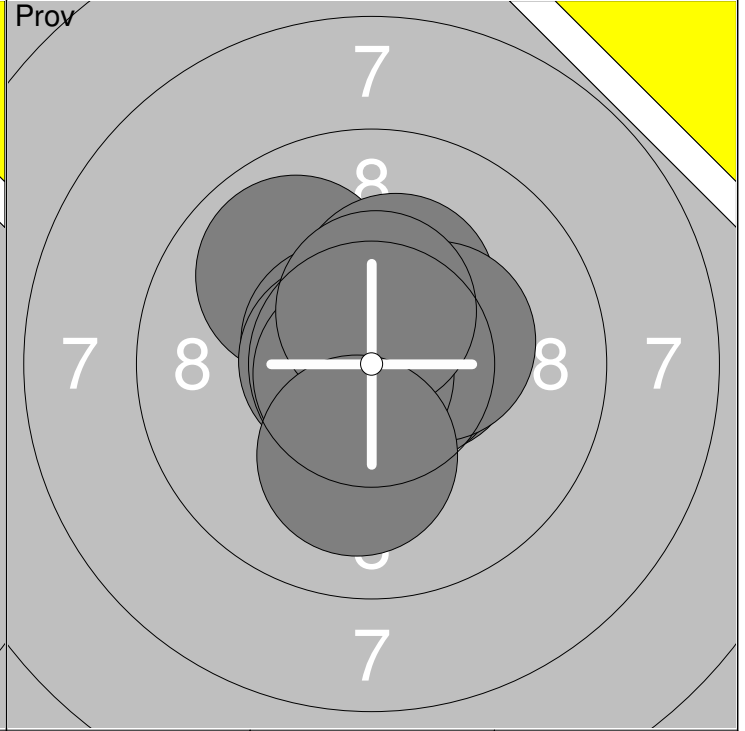
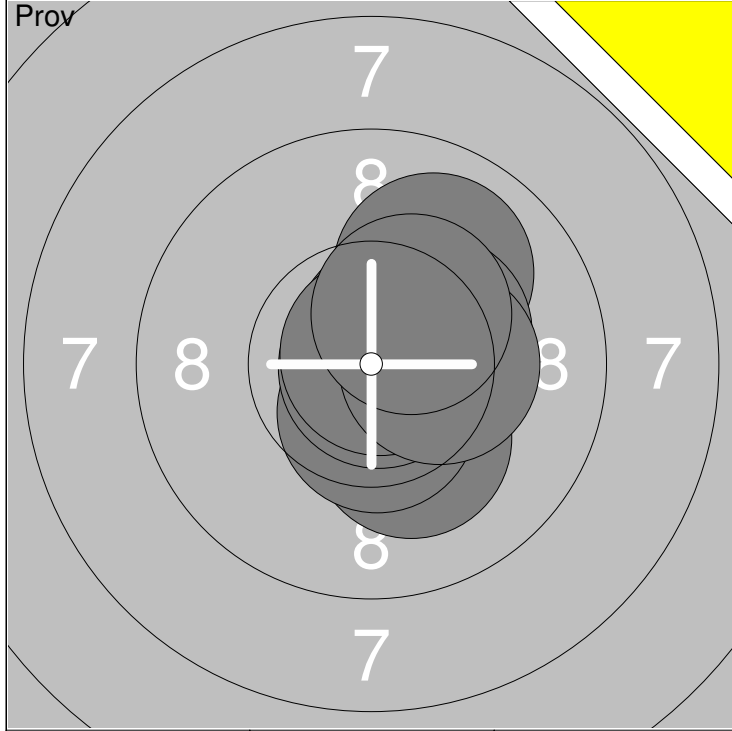
1:	10.0	↓
2:	9.6	↙
3:	9.9	↙
4:	10.9x	↙
5:	10.3x	←
6:	10.4x	←
7:	10.7x	↓
8:	10.5x	↓
9:	10.7x	↗
10:	10.3x	←
<b>Serie</b>		<b>103.3</b>
<b>Total</b>		<b>399.0</b>



11:	10.8x	↘
12:	10.6x	↓
13:	10.7x	↓
14:	10.3x	↙
15:	10.4x	↓
16:	10.5x	↗
17:	10.8x	←
18:	10.3x	↗
19:	10.4x	↙
<b>Serie</b>		<b>94.8</b>
<b>Total</b>		<b>399.0</b>

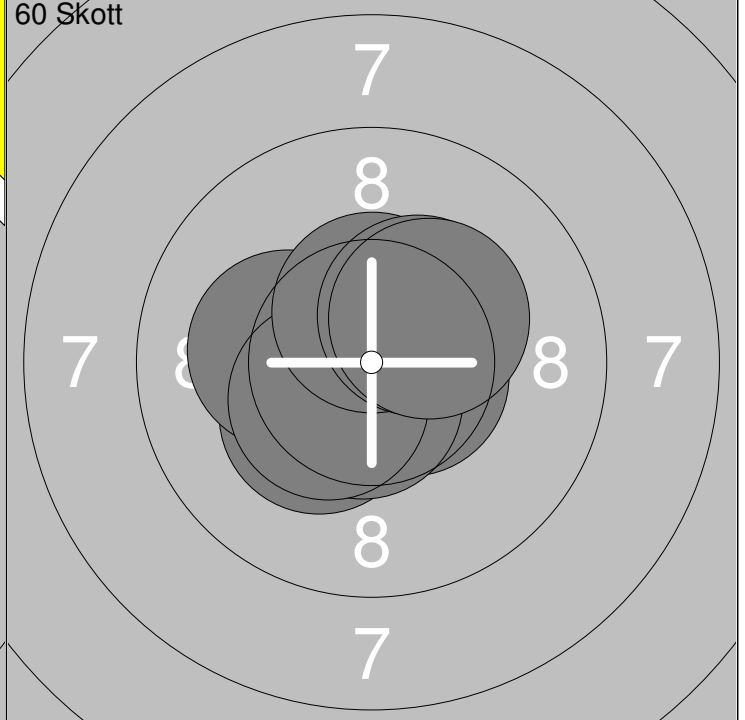


1:	10.8x	←
2:	10.6x	↙
3:	10.3x	↑
4:	10.6x	↑
5:	10.0	↗
6:	10.1	↙
7:	10.5x	↗
8:	10.6x	→
9:	10.5x	↑
10:	10.7x	↙
<b>Serie</b>		<b>104.7</b>
<b>Total</b>		<b>503.7</b>



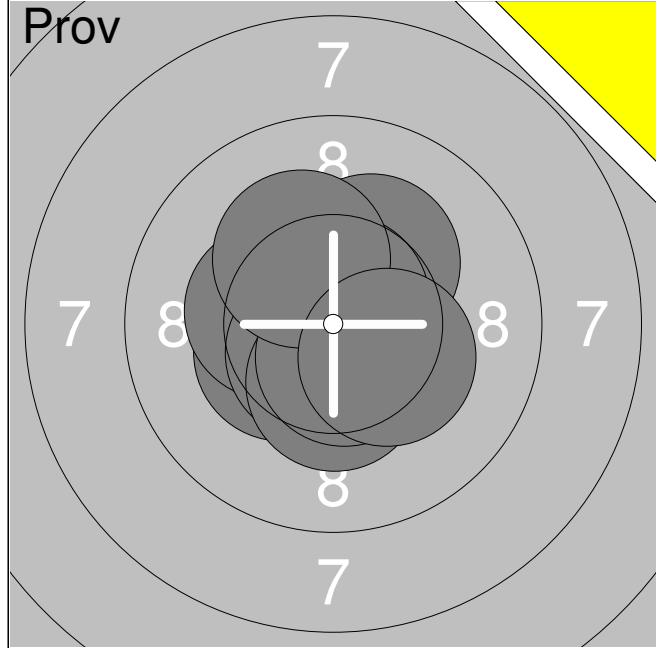
1: 10.4x ↓	6: 10.9x →	Serie	104.4
2: 10.2x ↓	7: 10.8x ↗		
3: 10.6x ↗	8: 10.3x →	Total	399.0
4: 10.0 ↗	9: 10.3x →		
5: 10.5x ↓	10: 10.4x ↗		

11: 10.5x →	16: 10.3x ↗	Serie	104.4
12: 9.9 ↖	17: 10.3x →		
13: 10.6x ↖	18: 10.8x ↙	Total	399.0
14: 10.7x ←	19: 10.5x ↗		
15: 10.7x →	20: 10.1 ↓		

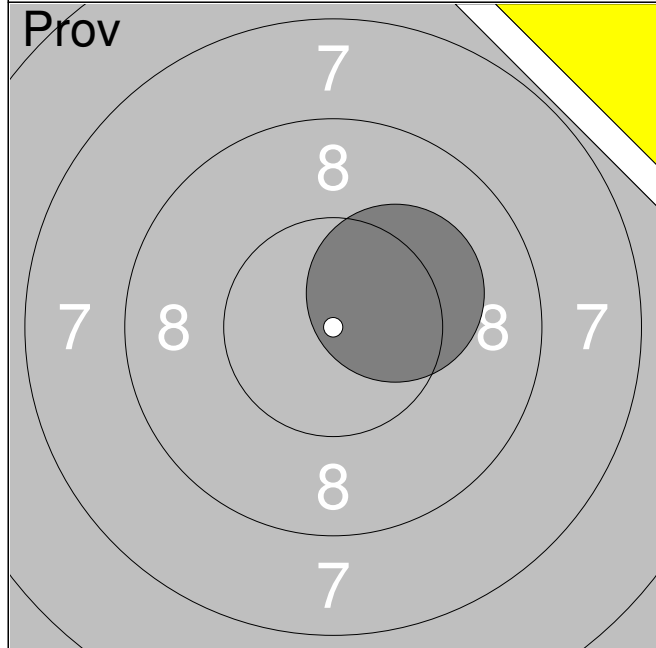


21: 9.9 ↗	Serie	30.5
22: 10.3x ←		
23: 10.3x ↗	Total	399.0

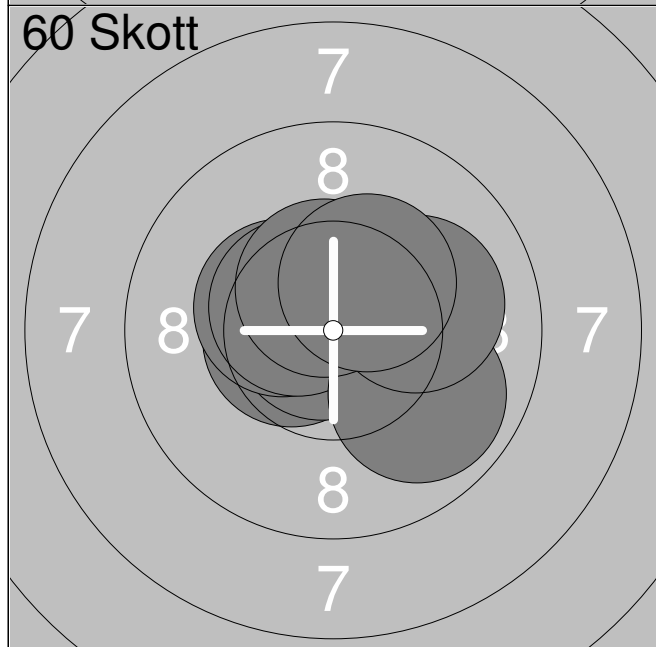
1: 10.6x ←	6: 10.2x ←	Serie	104.7
2: 10.8x ↓	7: 10.4x ↙		
3: 10.6x →	8: 10.5x ↗	Total	503.7
4: 10.3x ↙	9: 10.4x ↗		
5: 10.6x ↓	10: 10.3x ↗		



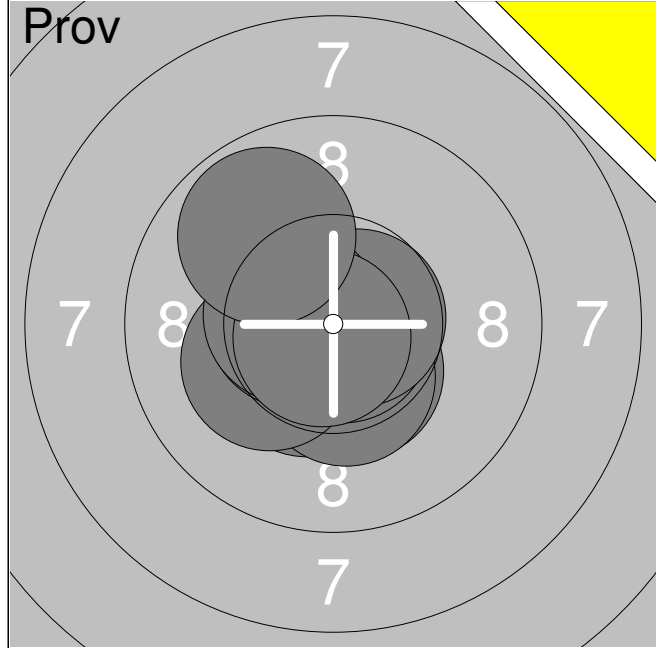
1:	10.4x	↖
2:	10.3x	←
3:	10.5x	↘
4:	10.2x	↗
5:	10.6x	↙
6:	10.4x	↓
7:	10.7x	↗
8:	10.6x	↘
9:	10.2x	↗
10:	10.3x	↘
<b>Serie</b>		<b>104.2</b>
<b>Total</b>		<b>399.0</b>



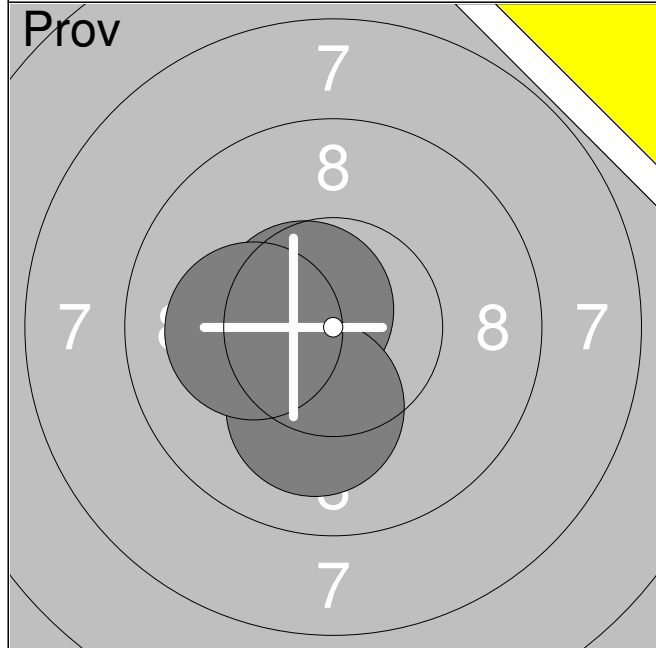
11:	10.2x	↗
<b>Serie</b>		<b>10.2</b>
<b>Total</b>		<b>399.0</b>



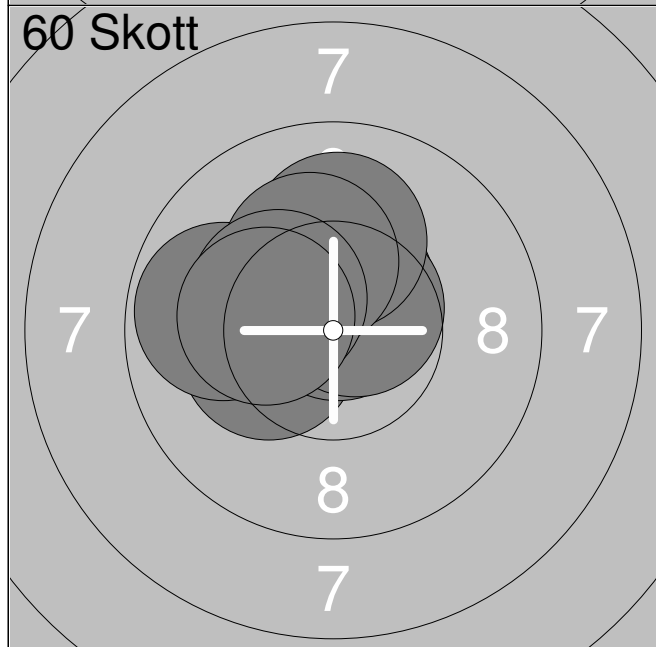
1:	10.6x	↗
2:	10.5x	←
3:	10.6x	↗
4:	10.8x	←
5:	10.4x	↖
6:	10.5x	↗
7:	9.9	↘
8:	10.5x	↑
9:	10.1	↗
10:	10.4x	↗
<b>Serie</b>		<b>104.3</b>
<b>Total</b>		<b>503.3</b>



1:	10.4x	↘
2:	10.4x	↘
3:	10.4x	↘
4:	10.2x	↙
5:	10.8x	↘
6:	10.7x	→
7:	10.6x	↙
8:	10.5x	↙
9:	10.8x	↘
10:	9.8	↗
<b>Serie</b>		<b>104.6</b>
<b>Total</b>		<b>398.0</b>



11:	10.6x	↖
12:	10.1	↘
13:	10.2x	↙
<b>Serie</b>		<b>30.9</b>
<b>Total</b>		<b>398.0</b>

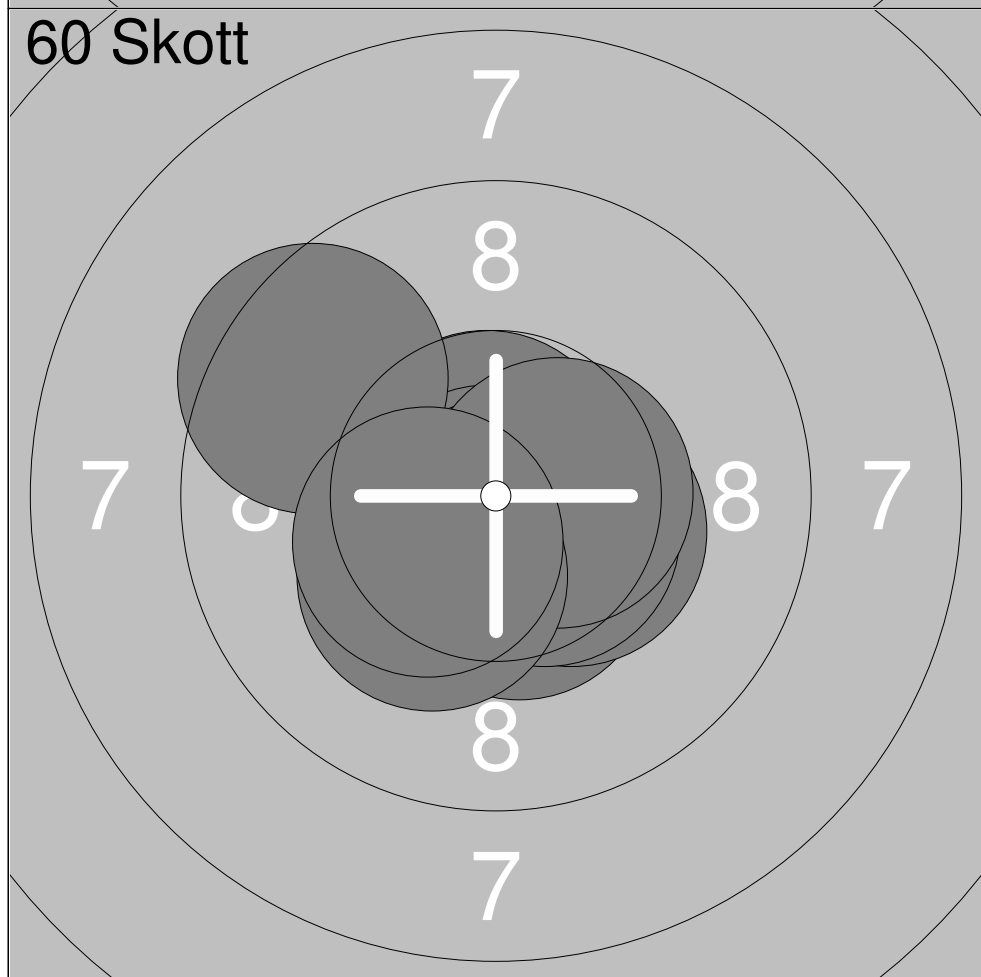


1:	10.3x	↙
2:	10.5x	↗
3:	10.8x	↗
4:	9.8	↙
5:	10.5x	↖
6:	10.6x	↗
7:	10.0	↗
8:	10.2x	↗
9:	10.3x	↖
10:	10.3x	↙
<b>Serie</b>		<b>103.3</b>
<b>Total</b>		<b>501.3</b>



1:	10.4x	↙
2:	10.5x	↗
3:	10.6x	↘
4:	10.6x	↗
5:	10.1	←
6:	10.4x	↘
7:	10.3x	↗
8:	10.3x	↓

Serie	83.2
Total	397.0



1:	10.7x	↗
2:	10.8x	↘
3:	9.5	↗
4:	10.7x	↘
5:	10.5x	↘
6:	10.4x	↘
7:	10.5x	↘
8:	10.5x	→
9:	10.3x	↘
10:	10.4x	↙

Serie	104.3
Total	501.3