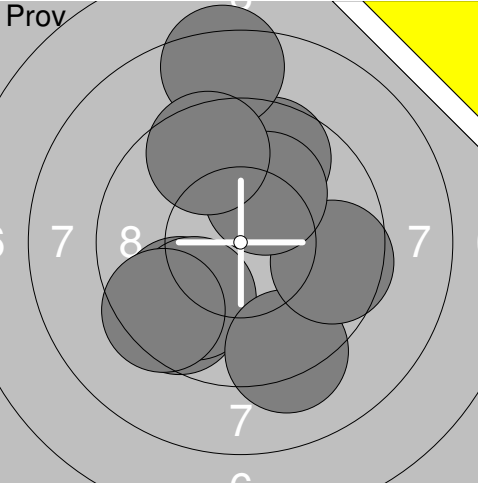
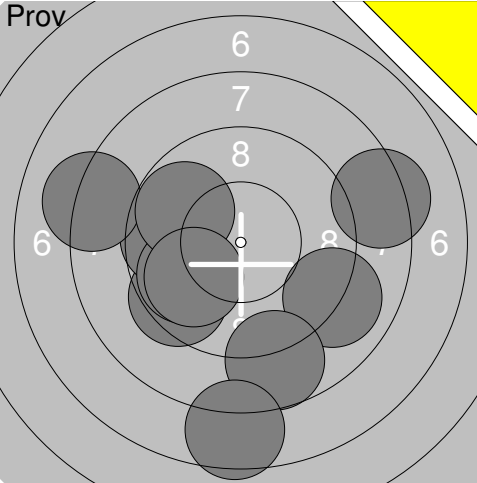
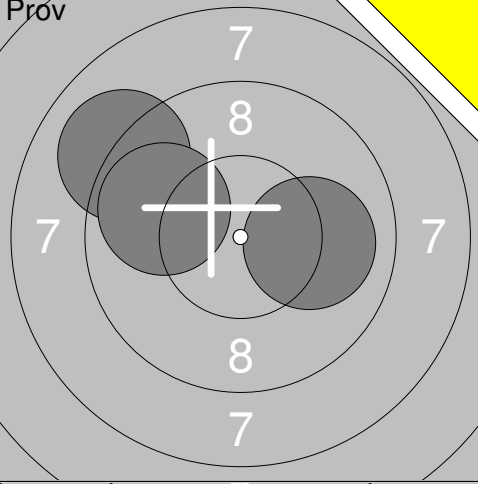
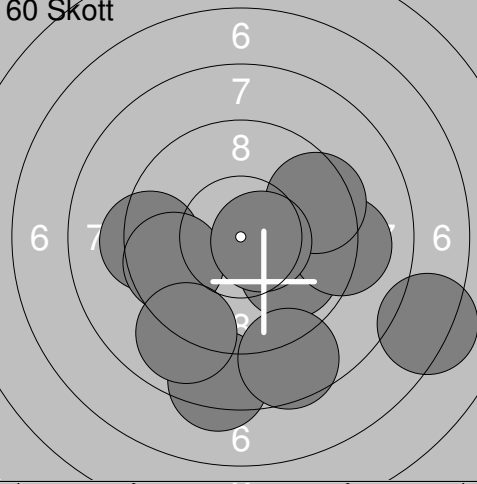
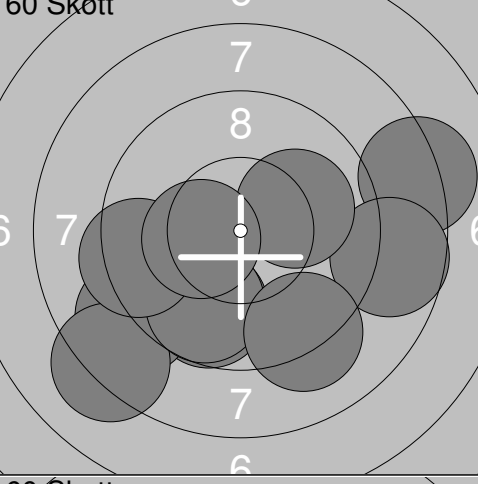
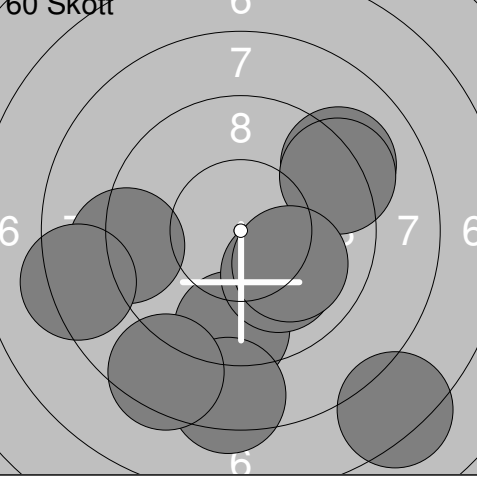
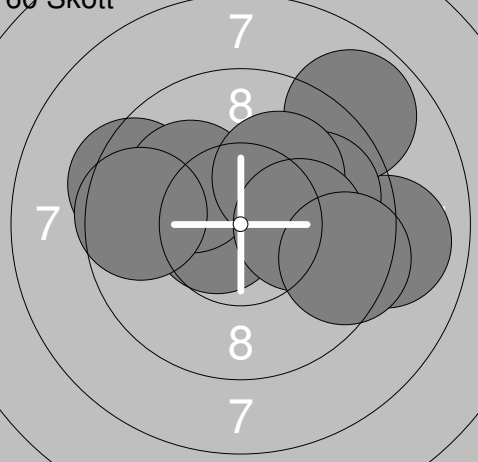
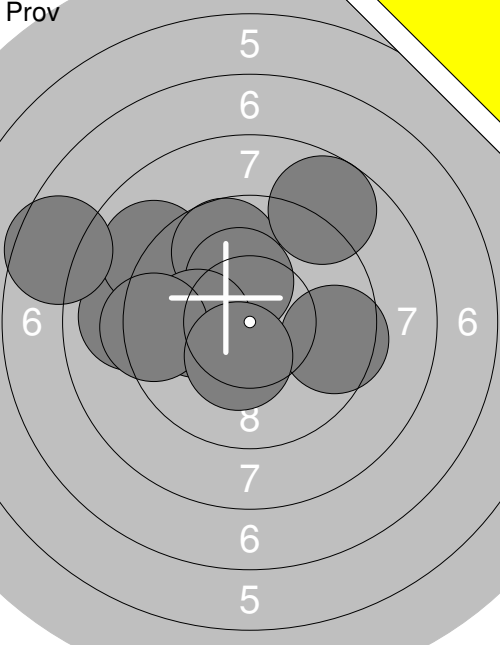
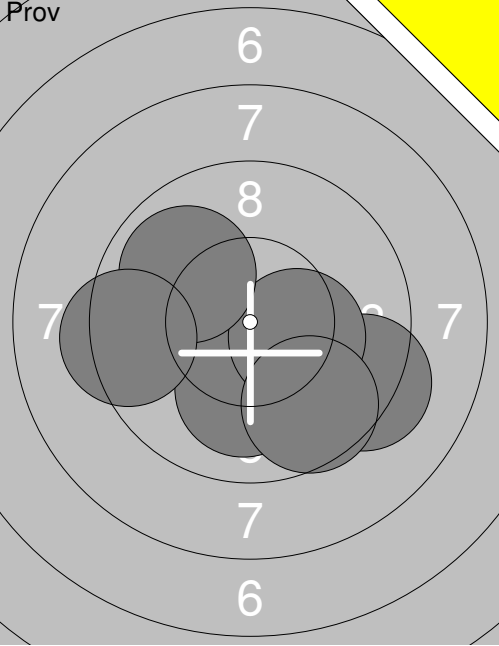
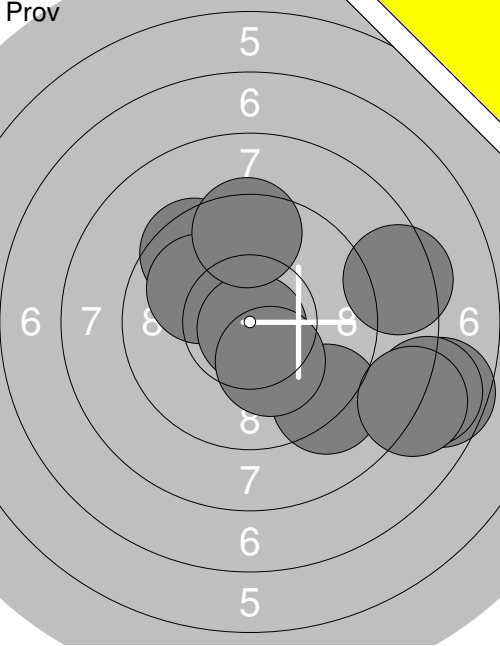
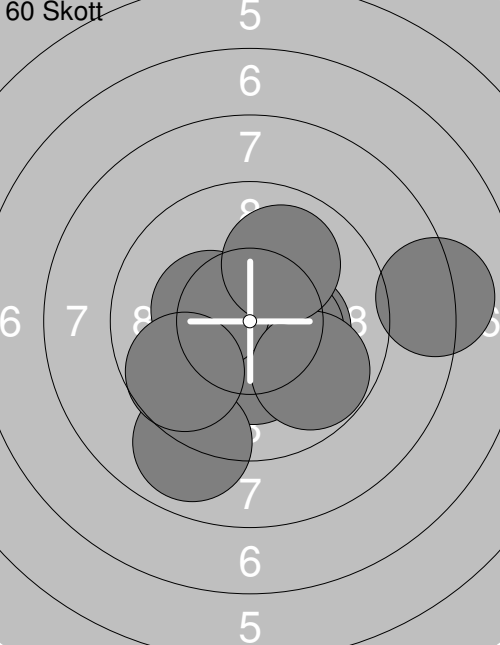
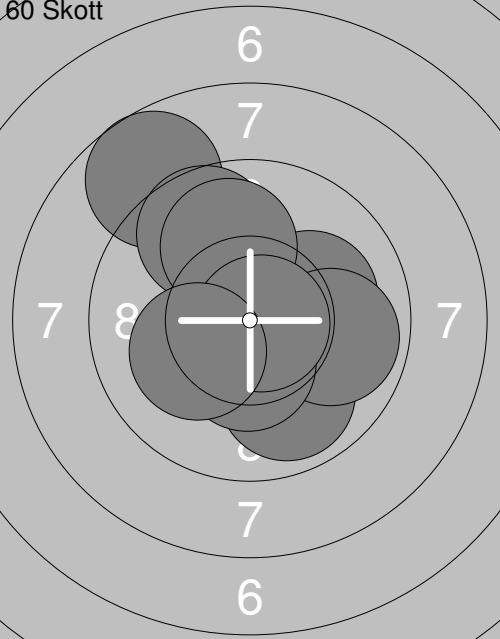


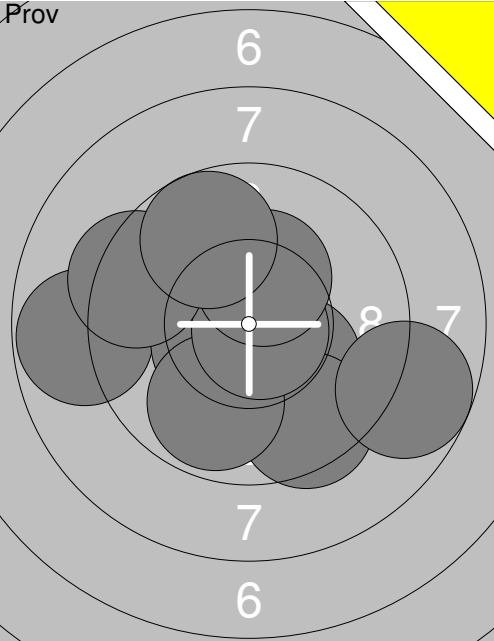
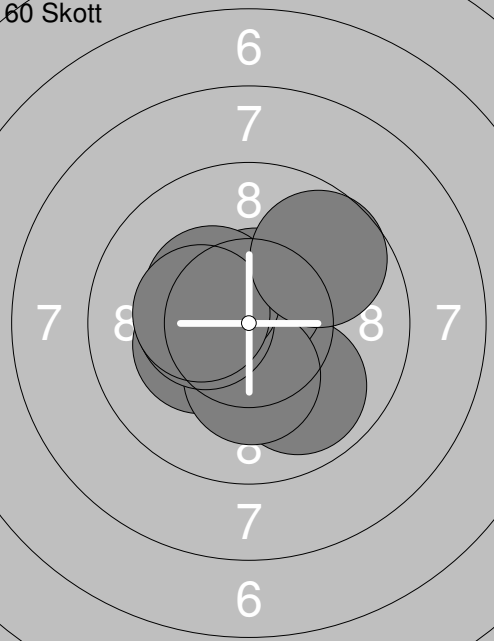
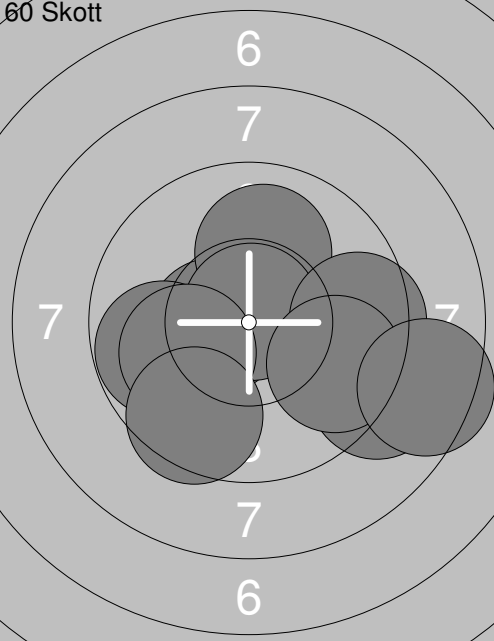
| | | | |
|----------------------|-------------------|--|---|
| Skjutlag 1 | Tavla 1 | Tomas Strömberg | |
| S | | Vännäs | |
| 18.11.2017 | | Drängsmarksskyttet 2017 | Umeå skytteallians |
| Prov | | 1: 8.2 ← 2: 10.3x → 3: 9.6 ↗ 4: 7.8 ← 5: 10.8x ↗ 6: 7.7 ↗ 7: 8.4 ← 8: 8.8 ← 9: 7.5 ← 10: 10.0 ↗ Serie 89.1 Total 0.0 | Prov |
| | | | 11: 8.4 ↗ 12: 8.5 → 13: 8.8 → 14: 8.6 ↗ 15: 7.1 ↗ 16: 7.7 ↘ 17: 9.5 ↗ 18: 8.9 ↘ 19: 6.3 ↗ 20: 9.9 ↗ Serie 83.7 Total 0.0 |
| Prov | | 21: 7.9 ← 22: 7.6 → 23: 8.6 ↗ Serie 24.1 Total 0.0 | 60 Skott |
| | | | 1: 9.3 ← 2: 10.2x ↘ 3: 9.0 ↗ 4: 8.1 ↗ 5: 7.6 ← 6: 9.5 ↗ 7: 10.5x → 8: 9.0 ↗ 9: 8.1 ↗ 10: 7.6 ↘ Serie 88.9 Total 88.9 |
| 60 Skott | | 11: 10.3x ↗ 12: 9.5 ↗ 13: 9.8 → 14: 9.5 ↗ 15: 7.8 ← 16: 10.0 ↘ 17: 10.6x ↗ 18: 9.8 ↗ 19: 9.8 → 20: 7.8 ↘ Serie 94.9 Total 183.8 | 60 Skott |
| | | | 21: 8.8 ↘ 22: 9.3 ← 23: 7.2 ↘ 24: 5.8 ← 25: 10.0 → 26: 8.3 ← 27: 8.9 ↗ 28: 8.6 → 29: 7.9 → 30: 10.1 ↗ Serie 84.9 Total 268.7 |
| 60 Skott | | 31: 10.2x ← 32: 9.5 ↘ 33: 5.7 ← 34: 8.2 ↗ 35: 10.0 ↘ 36: 10.1 ↘ 37: 7.3 ↗ 38: 8.6 ↗ 39: 9.4 ↘ 40: 8.2 ← Serie 87.2 Total 355.9 | |

| | | | |
|--|--|--|--|
| Skjutlag 1 | Tavla 2 | Ida Lundmark | |
| S | | Drängsmark | |
| 18.11.2017 | | Drängsmarksskyttet 2017 | Umeå skytteallians |
| Prov  | 1: 9.7 ↗ 2: 9.8 ↘ 3: 9.6 ↘ 4: 8.4 ↗ 5: 9.9 ↘ 6: 9.2 ↘ 7: 9.6 → 8: 9.5 ↘ 9: 10.2x ↗ 10: 9.6 ↗ | Prov  | 11: 9.4 ↘ 12: 8.3 → 13: 9.0 → 14: 9.7 ← 15: 8.2 ← 16: 9.8 ↘ 17: 8.7 ↘ 18: 9.8 ↗ 19: 7.6 ↓ 20: 9.9 ↘ |
| Serie 95.5 | | Serie 90.4 | |
| Total 0.0 | | Total 0.0 | |
| Prov  | 21: 9.0 ↘ 22: 10.0 → 23: 9.9 ← | 60 Skott  | 1: 7.3 → 2: 9.9 ↘ 3: 9.3 ← 4: 9.1 → 5: 9.5 → 6: 9.7 ← 7: 8.4 ↓ 8: 8.6 ↓ 9: 9.0 ↓ 10: 10.6x → |
| Serie 28.9 | | Serie 91.4 | |
| Total 0.0 | | Total 91.4 | |
| 60 Skott  | 11: 8.2 → 12: 8.7 → 13: 9.7 ↘ 14: 8.9 ← 15: 10.1 → 16: 8.2 ↘ 17: 9.7 ↘ 18: 9.2 ↘ 19: 9.4 ← 20: 10.3x ← | 60 Skott  | 21: 9.4 ↓ 22: 8.4 ↓ 23: 7.3 ↘ 24: 9.2 ← 25: 10.1 ↘ 26: 9.1 ↗ 27: 9.2 ↗ 28: 10.0 ↘ 29: 8.5 ↓ 30: 8.3 ← |
| Serie 92.4 | | Serie 89.5 | |
| Total 183.8 | | Total 273.3 | |
| 60 Skott  | 31: 10.6x ← 32: 9.4 ↗ 33: 10.1 ↗ 34: 9.0 → 35: 8.9 ↗ 36: 9.9 → 37: 10.1 ↗ 38: 9.6 ← 39: 10.2x → 40: 9.5 → | | |
| Serie 97.3 | | | |
| Total 370.6 | | | |

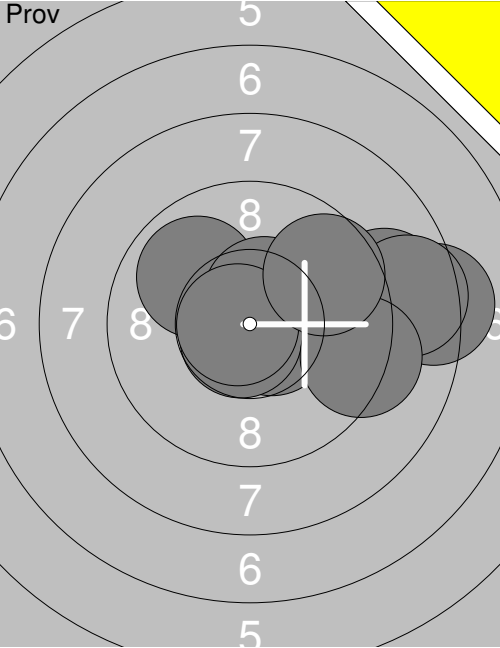
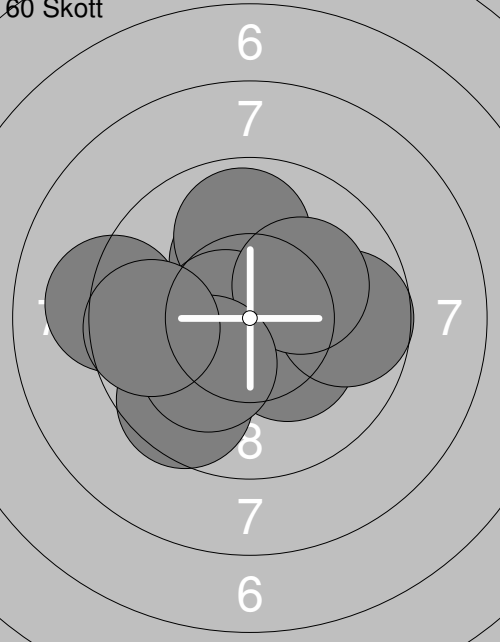
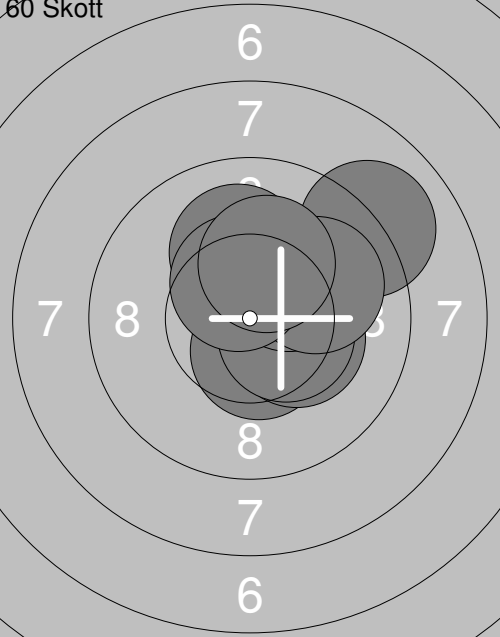
| | | | | | |
|----------------------|-------------------|---|--------------------|--|--|
| Skjutlag 1 | Tavla 3 | Saul Johansson | | | |
| S | | Ramselefors | | | |
| 18.11.2017 | | Drängsmarksskyttet 2017 | Umeå skytteallians | | |
| Pröv | | 1: 10.0 ↓ 2: 10.1 ↙ 3: 9.6 ← 4: 9.5 → 5: 10.4x ↓ 6: 10.0 ↖ 7: 10.0 ↙ 8: 10.2x ↓ 9: 10.3x → 10: 9.6 → Serie 99.7 Total 0.0 | Pröv | | 11: 10.0 ↑ 12: 9.5 ↗ 13: 10.3x ↘ 14: 10.4x ↓ 15: 10.0 ↘ 16: 10.4x ↓ 17: 9.8 ↘ 18: 10.4x ↗ 19: 10.2x ↗ Serie 91.0 Total 0.0 |
| 60 Skott | | 1: 9.3 → 2: 10.4x ↙ 3: 10.3x ↗ 4: 10.4x ↖ 5: 10.3x ↗ 6: 10.5x ↘ 7: 10.6x ↗ 8: 10.6x ↖ 9: 10.4x → 10: 10.1 ↙ Serie 102.9 Total 102.9 | 60 Skott | | 11: 10.4x ↗ 12: 10.0 ↑ 13: 10.3x ↗ 14: 10.5x ↓ 15: 10.2x → 16: 10.6x ← 17: 10.8x ↘ 18: 10.2x ↑ 19: 10.3x ↘ 20: 10.3x ← Serie 103.6 Total 206.5 |
| 60 Skott | | 21: 9.6 ↗ 22: 10.3x ↙ 23: 10.4x ↖ 24: 10.1 ↗ 25: 10.8x ↘ 26: 10.7x ↓ 27: 10.5x → 28: 10.1 ↓ 29: 10.1 ↗ 30: 10.4x ↖ Serie 103.0 Total 309.5 | 60 Skott | | 31: 10.4x → 32: 10.4x ← 33: 10.5x ↙ 34: 10.8x ↓ 35: 10.7x ↗ 36: 10.3x ↑ 37: 10.3x ↙ 38: 10.5x ↖ 39: 10.5x → 40: 10.2x ↑ Serie 104.6 Total 414.1 |
| 60 Skott | | 41: 9.5 ↓ 42: 9.6 → 43: 10.6x ↙ 44: 9.6 ↗ 45: 10.6x ↗ 46: 10.4x ↑ 47: 10.2x ↘ 48: 10.8x ← 49: 10.4x ↖ 50: 10.6x ↑ Serie 102.3 Total 516.4 | 60 Skott | | 51: 10.5x ↑ 52: 10.0 ↑ 53: 10.6x ↓ 54: 10.8x ↘ 55: 10.6x ↑ 56: 10.1 ↖ 57: 10.6x ↑ 58: 10.2x ↙ 59: 10.3x ↗ 60: 9.6 → Serie 103.3 Total 619.7 |

| Skjutlag | Tavla | Niklas Westermark | |
|--|---|--|---|
| S | Drängsmark | | |
| 18.11.2017 | Drängsmarksskyttet 2017 | Umeå skytteallians | |
| Prov | | Prov | |
|  | 1: 9.0 ← 2: 9.0 ↙ 3: 9.7 ↗ 4: 10.3x↗ 5: 10.1← 6: 9.4← 7: 7.6← 8: 8.7 ↗ 9: 9.5 → 10: 10.4x↓ Serie 93.7 Total 0.0 |  | 11: 9.3 ↘ 12: 10.1 ↓ 13: 10.3x↘ 14: 9.6 ↓ 15: 9.9 ↙ 16: 9.3 ← Serie 58.5 Total 0.0 |
| 60 Skott | 1: 8.6 ← 2: 8.8 ↓ 3: 8.4 ↙ 4: 9.4 ↓ 5: 8.4 ↙ 6: 9.7 → 7: 9.9 ↓ 8: 9.0 ↗ 9: 10.7x↓ 10: 9.8 ↑ Serie 92.7 Total 92.7 | 60 Skott | 11: 10.2x↘ 12: 9.3 ↘ 13: 10.5x↘ 14: 10.8x↗ 15: 10.1↙ 16: 9.1 ↗ 17: 10.0 ↑ 18: 9.5 ↑ 19: 9.9 → 20: 8.3 ↙ Serie 97.7 Total 190.4 |
| 60 Skott | 21: 10.1 → 22: 10.7x↘ 23: 9.4 → 24: 9.3 ↙ 25: 8.5 ↙ 26: 9.9 ↗ 27: 8.2 → 28: 10.0← 29: 8.8 ↙ 30: 9.2 ↓ Serie 94.1 Total 284.5 | 60 Skott | 31: 9.7 ↘ 32: 9.9 ↗ 33: 8.8 ↗ 34: 10.6x↗ 35: 10.1 → 36: 9.8 → 37: 8.6 ↙ 38: 10.8x↓ 39: 9.6 ← 40: 10.1← Serie 98.0 Total 382.5 |

| Skjuttag | Tavla | Emma Johansson | |
|------------|--|--|--|
| 1 | 5 | | |
| S | Ramselefors | | |
| 18.11.2017 | Drängsmarksskyttet 2017 | Umeå skytteallians | |
| Prov |  | 1: 8.4 → 2: 9.5 ↖ 3: 10.0 ↖ 4: 9.2 ↘ 5: 10.8x↓ 6: 10.2x↓ 7: 7.6 → 8: 9.5 ↑ 9: 7.8 → 10: 8.0 → Serie 91.0 Total 0.0 | 11: 10.2x→ 12: 9.6 ↓ 13: 6.2 ↓ Serie 26.0 Total 0.0 |
| 60 Skott |  | 1: 10.4x→ 2: 10.3x→ 3: 10.4x→ 4: 10.3x↓ 5: 8.9 ↓ 6: 10.3x↔ 7: 8.1 → 8: 9.7 ↘ 9: 9.8 ↘ 10: 10.0 ↗ Serie 98.2 Total 98.2 | 11: 10.4x↑ 12: 10.0 ↑ 13: 9.8 ← 14: 10.3x↗ 15: 9.4 → 16: 10.0 ↖ 17: 9.1 ↗ 18: 10.4x↔ 19: 6.8 → 20: 9.1 → Serie 95.3 Total 193.5 |
| 60 Skott |  | 21: 9.9 ↓ 22: 8.7 ↖ 23: 9.7 ↖ 24: 10.8x↑ 25: 10.1 → 26: 10.0 ↑ 27: 9.9 → 28: 10.4x↓ 29: 10.8x→ 30: 10.2x↔ Serie 100.5 Total 294.0 | 31: 9.4 ↓ 32: 9.2 → 33: 7.9 ↓ 34: 10.3x↓ 35: 9.9 ↘ 36: 10.3x↔ 37: 8.3 ↙ 38: 9.1 ↓ 39: 10.3x↔ 40: 8.8 ↗ Serie 93.5 Total 387.5 |

| Skjutlag | Tavla | Hanna Lundin | |
|------------|--|---|--|
| 1 | 6 | | |
| S | Umeå | | |
| 18.11.2017 | Drängsmarksskyttet 2017 | Umeå skytteallians | |
| Prov |  | 1: 10.2x↘ 2: 8.8 ← 3: 9.5 ↘ 4: 10.5x↘ 5: 9.8 ↘ 6: 10.8x↘ 7: 10.3x↗ 8: 9.4 ← 9: 9.7 ↗ 10: 8.8 → | 11: 9.6 ↗ 12: 10.3x→ 13: 10.9x↘ 14: 9.7 ↘ 15: 10.4x↘ 16: 10.2x↗ |
| | | Serie 97.8 | Serie 61.1 |
| | | Total 0.0 | Total 0.0 |
| 60 Skott |  | 1: 9.9 ↘ 2: 10.8x↘ 3: 10.3x↘ 4: 10.6x↗ 5: 10.3x↘ 6: 10.4x↘ 7: 10.4x↘ 8: 10.3x↘ 9: 10.3x↘ 10: 9.7 ↗ | 11: 10.4x→ 12: 10.6x↘ 13: 10.1 → 14: 10.1 ↖ 15: 10.1 ↗ 16: 9.8 → 17: 9.3 → 18: 10.1 ↘ 19: 10.4x↘ 20: 10.7x↗ |
| | | Serie 103.0 | Serie 101.6 |
| | | Total 103.0 | Total 204.6 |
| 60 Skott |  | 21: 9.1 → 22: 10.5x↘ 23: 10.0 ↗ 24: 9.8 ← 25: 10.8x↗ 26: 9.5 → 27: 10.1↖ 28: 9.7 → 29: 8.5 → 30: 9.5 ↘ | 31: 8.8 ↘ 32: 10.3x↘ 33: 10.7x→ 34: 10.3x↘ 35: 10.7x↘ 36: 10.1 → 37: 9.7 ↘ 38: 9.7 → 39: 10.8x↗ 40: 10.3x↘ |
| | | Serie 97.5 | Serie 101.4 |
| | | Total 302.1 | Total 403.5 |

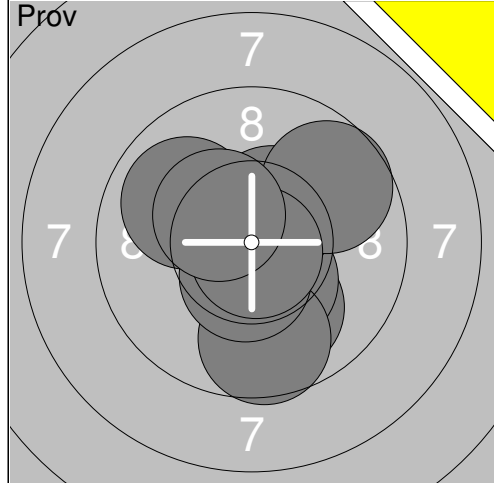
| Skjutlag | Tavla | Hanna Johansson | |
|--------------|--|--------------------|---|
| 1 | 7 | | |
| S | Vännäs | | |
| 18.11.2017 | Drängsmarksskyttet 2017 | Umeå skytteallians | |
| Pröv | 1: 8.5 ↗ 2: 6.6 → 3: 9.0 → 4: 9.9 ← 5: 9.2 ↘ 6: 10.2x↘ 7: 8.2 → 8: 7.7 ↗ 9: 9.8 → 10: 7.9 → Serie 87.0 Total 0.0 | Pröv | 11: 8.9 ← 12: 9.3 → 13: 7.5 ↖ 14: 10.1 ← 15: 8.7 ← Serie 44.5 Total 0.0 |
| 60 Skott | 1: 9.7 ← 2: 10.3x↖ 3: 10.8x↘ 4: 10.5x↑ 5: 9.9 → 6: 8.8 → 7: 10.2x↖ 8: 10.8x↖ 9: 10.1 ← 10: 10.4x↖ Serie 101.5 Total 101.5 | 60 Skott | 11: 10.2x↗ 12: 9.7 ← 13: 10.0 ↘ 14: 9.4 ↘ 15: 8.8 → 16: 10.4x↘ 17: 10.4x↖ 18: 9.2 ↘ 19: 10.7x↖ 20: 10.1 ← Serie 98.9 Total 200.4 |
| 60 Skott | 21: 10.1 ↘ 22: 10.1 → 23: 9.6 → 24: 8.7 ← 25: 10.5x→ 26: 8.6 → 27: 9.7 ← 28: 9.3 → 29: 9.0 → 30: 9.5 ← Serie 95.1 Total 295.5 | 60 Skott | 31: 9.0 ↗ 32: 8.9 ↘ 33: 8.1 ← 34: 10.4x↖ 35: 9.4 → 36: 8.8 ↘ 37: 10.5x↗ 38: 9.6 ↗ 39: 8.7 → 40: 9.2 ↘ Serie 92.6 Total 388.1 |

| Skjutlag | Tavla | Erika Bergqvist | |
|------------|--|--|--|
| 1 | 8 | | |
| S | Umeå | | |
| 18.11.2017 | Drängsmarksskyttet 2017 | Umeå skytteallians | |
| Prov |  | 1: 9.9 ↖ 2: 8.2 → 3: 10.5 ↗ 4: 10.6x ↘ 5: 10.7x ↘ 6: 8.9 → 7: 8.6 → 8: 10.8x ← 9: 9.3 → 10: 9.7 ↗ | 11: 10.5x ↖ 12: 10.0 ↘ 13: 9.6 ↗ 14: 9.6 → 15: 10.1 ↗ 16: 9.9 ↘ 17: 9.6 ← 18: 10.3x ↗ 19: 9.4 ↖ |
| | | Serie 97.2 | Serie 89.0 |
| | | Total 0.0 | Total 0.0 |
| 60 Skott |  | 1: 10.2x ↗ 2: 9.9 ↑ 3: 10.6x ← 4: 10.3x ↘ 5: 9.7 → 6: 10.2x ↗ 7: 9.6 ↘ 8: 10.2x ↘ 9: 9.2 ← 10: 9.7 ← | 11: 10.1 ↗ 12: 9.2 ↘ 13: 10.4x ↘ 14: 10.3x ↖ 15: 10.1 ↙ 16: 9.6 ↗ 17: 10.2x ↘ 18: 10.2x ↗ 19: 9.2 → 20: 10.4x ↘ |
| | | Serie 99.6 | Serie 99.7 |
| | | Total 99.6 | Total 199.3 |
| 60 Skott |  | 21: 10.4x ↘ 22: 10.5x ↘ 23: 10.3x ↘ 24: 9.0 ↗ 25: 10.4x ↘ 26: 10.3x ↗ 27: 10.1 ↑ 28: 10.0 ↗ 29: 10.5x ↗ 30: 10.2x ↗ | 31: 9.7 → 32: 10.3x ↗ 33: 10.5x ↘ 34: 9.3 ↘ 35: 10.4x ← 36: 10.0 → 37: 9.0 ↘ 38: 10.1 ↙ 39: 10.3x ↗ 40: 10.8x ↘ |
| | | Serie 101.7 | Serie 100.4 |
| | | Total 301.0 | Total 401.4 |

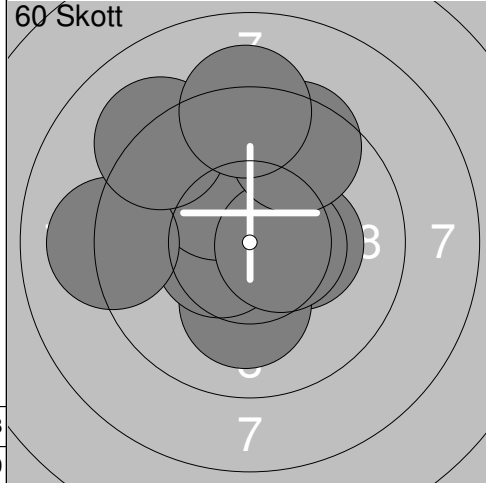
| | | | | |
|----------------------|--------------------|----------------------|--|--|
| Skjutlag 1 | Tavla 10 | Carl Bergling | | |
|----------------------|--------------------|----------------------|--|--|

S Umeå

18.11.2017 Drängsmarksskyttet 2017 Umeå skytteallians



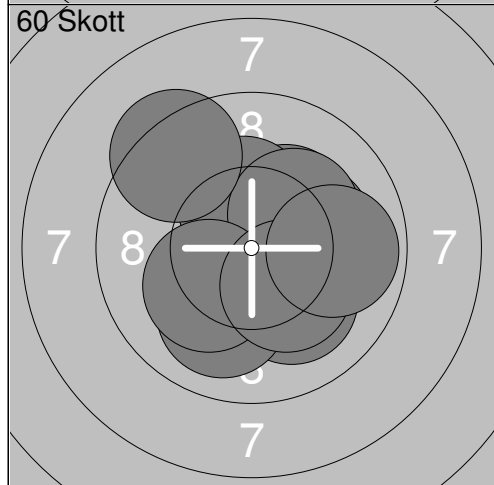
| | | |
|----|-------|---|
| 1: | 10.0 | ↓ |
| 2: | 10.4x | ↓ |
| 3: | 9.6 | ↓ |
| 4: | 10.5x | ↗ |
| 5: | 9.9 | ↗ |
| 6: | 9.7 | ↗ |
| 7: | 10.5x | ↓ |
| 8: | 10.8x | ↓ |
| 9: | 10.4x | ↗ |



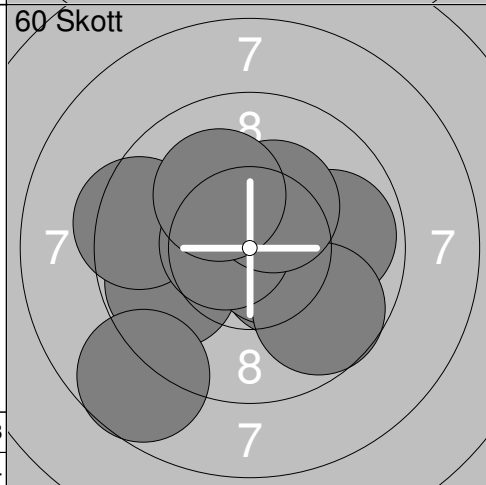
| | | |
|-----|-------|---|
| 1: | 10.3x | → |
| 2: | 10.1 | ↓ |
| 3: | 10.1 | ↑ |
| 4: | 10.5x | ← |
| 5: | 10.2x | ↗ |
| 6: | 10.5x | → |
| 7: | 9.1 | ← |
| 8: | 9.1 | ↗ |
| 9: | 9.5 | ↗ |
| 10: | 9.2 | ↑ |

| | |
|-------|------|
| Serie | 91.8 |
| Total | 0.0 |

| | |
|-------|------|
| Serie | 98.6 |
| Total | 98.6 |



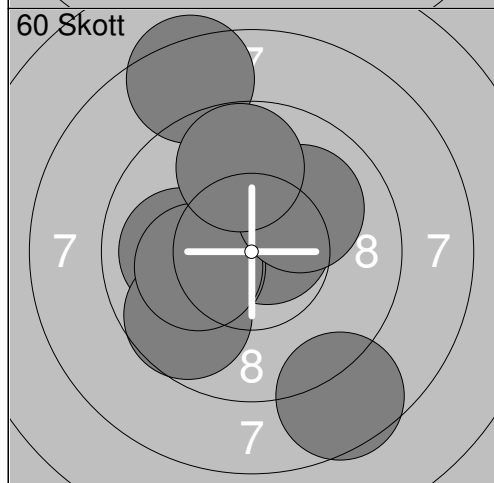
| | | |
|-----|-------|---|
| 11: | 10.2x | → |
| 12: | 10.3x | ↗ |
| 13: | 10.1 | ↓ |
| 14: | 10.3x | ↑ |
| 15: | 10.0 | ↓ |
| 16: | 10.2x | ↗ |
| 17: | 9.3 | ↗ |
| 18: | 10.2x | ↓ |
| 19: | 10.3x | ↓ |
| 20: | 9.9 | → |



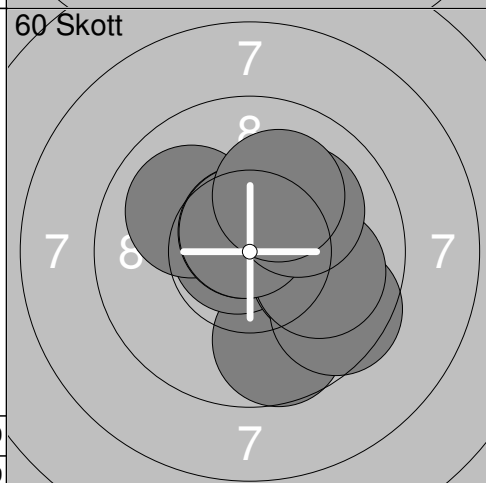
| | | |
|-----|-------|---|
| 21: | 9.8 | ← |
| 22: | 9.4 | ← |
| 23: | 8.7 | ↓ |
| 24: | 10.4x | ↓ |
| 25: | 10.6x | → |
| 26: | 9.9 | → |
| 27: | 9.7 | ↓ |
| 28: | 10.6x | ← |
| 29: | 10.3x | ↗ |
| 30: | 10.1 | ↗ |

| | |
|-------|-------|
| Serie | 100.8 |
| Total | 199.4 |

| | |
|-------|-------|
| Serie | 99.5 |
| Total | 298.9 |



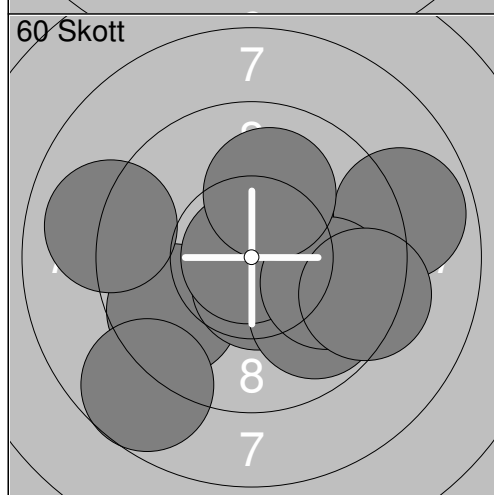
| | | |
|-----|-------|---|
| 31: | 8.6 | ↓ |
| 32: | 10.0 | ← |
| 33: | 10.4x | ↗ |
| 34: | 10.7x | ↗ |
| 35: | 10.2x | ← |
| 36: | 9.7 | ↓ |
| 37: | 10.2x | ← |
| 38: | 10.0 | ↗ |
| 39: | 8.4 | ↗ |
| 40: | 9.8 | ↑ |



| | | |
|-----|-------|---|
| 41: | 9.7 | ↓ |
| 42: | 10.8x | ← |
| 43: | 10.0 | ↗ |
| 44: | 10.0 | → |
| 45: | 9.5 | ↓ |
| 46: | 10.7x | ↑ |
| 47: | 10.0 | → |
| 48: | 10.7x | ↑ |
| 49: | 10.1 | ↗ |
| 50: | 10.1 | ↗ |

| | |
|-------|-------|
| Serie | 98.0 |
| Total | 396.9 |

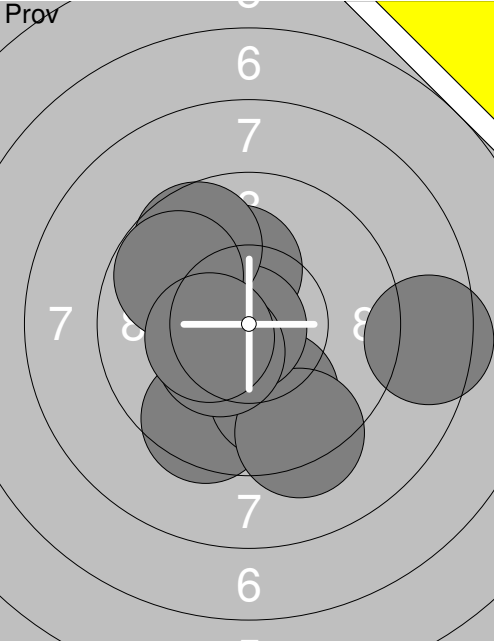
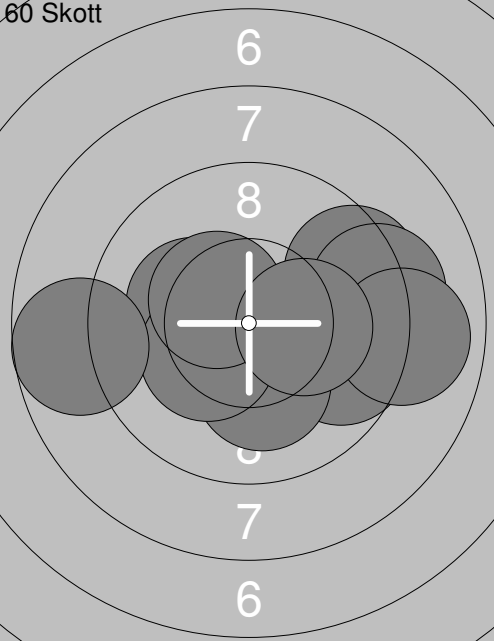
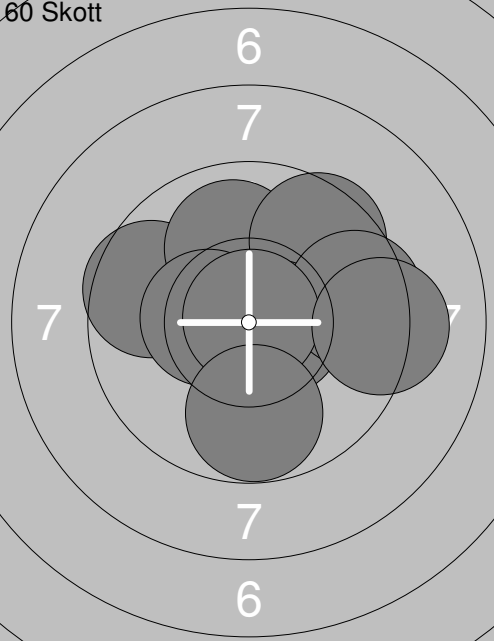
| | |
|-------|-------|
| Serie | 101.6 |
| Total | 498.5 |

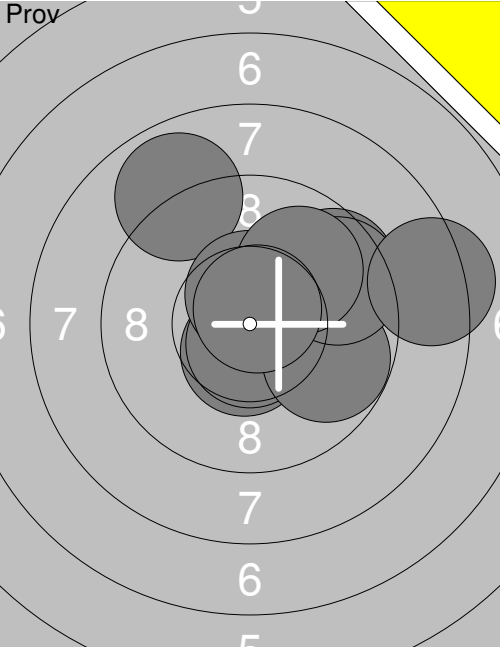
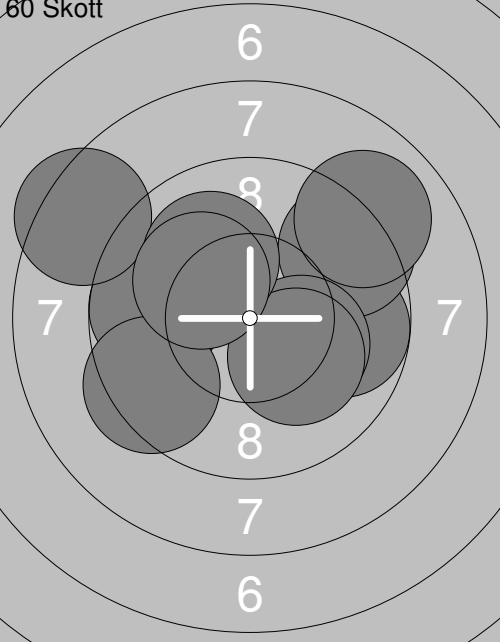
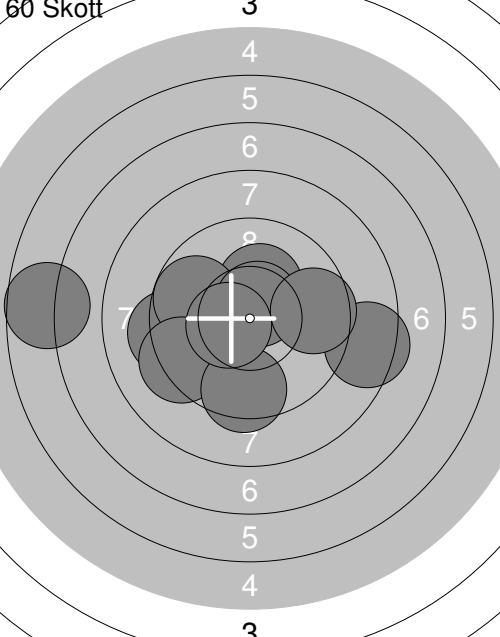


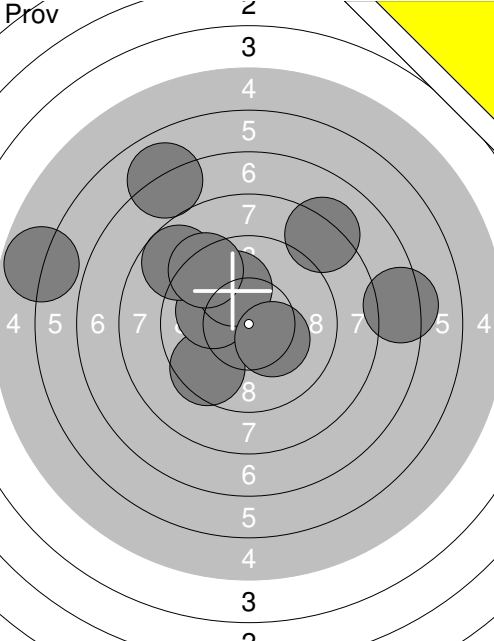
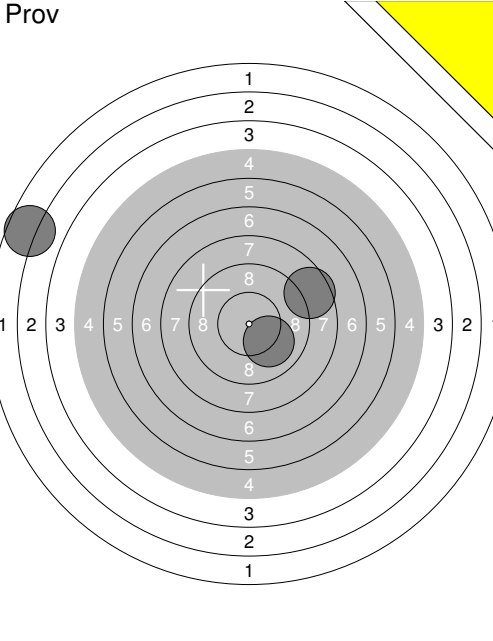
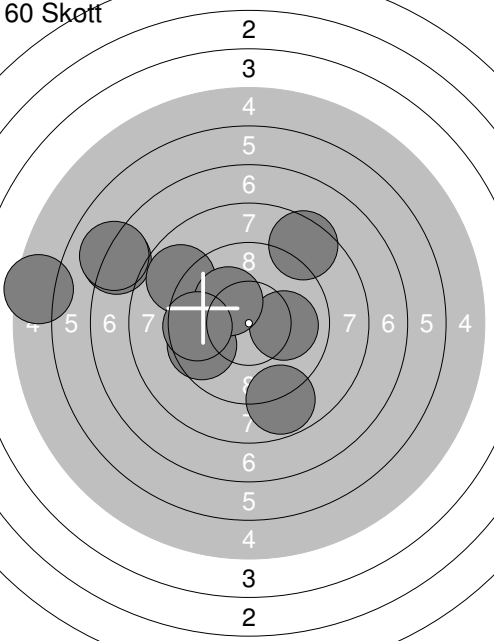
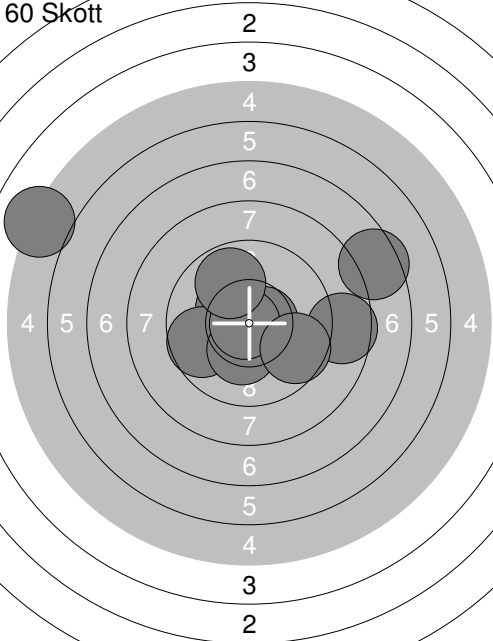
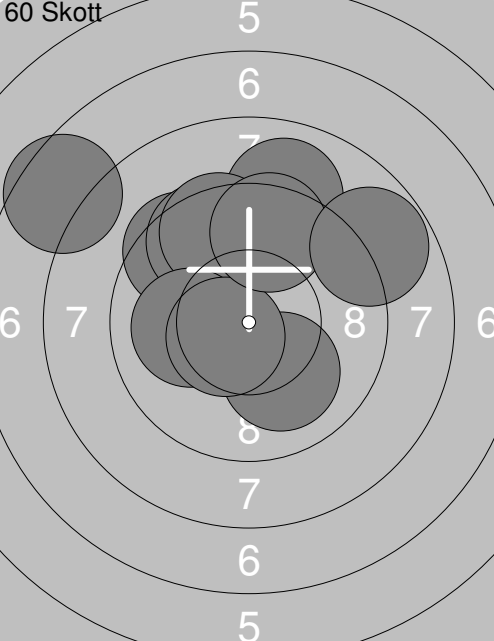
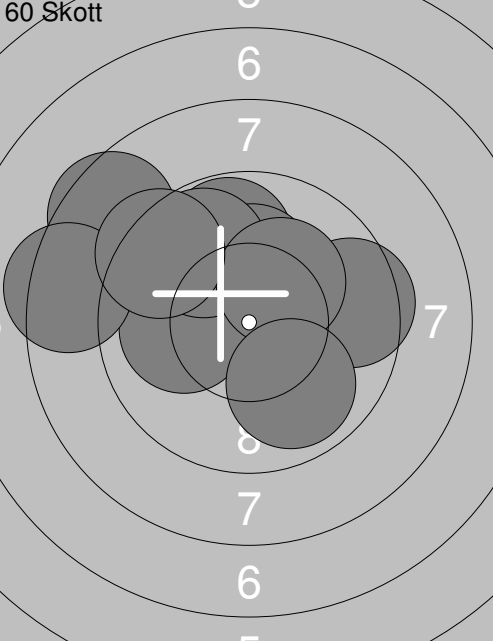
| | | |
|-----|-------|---|
| 51: | 9.7 | ← |
| 52: | 10.6x | ↓ |
| 53: | 8.9 | → |
| 54: | 9.8 | ↓ |
| 55: | 10.9x | ← |
| 56: | 9.9 | → |
| 57: | 8.7 | ↓ |
| 58: | 9.0 | ← |
| 59: | 10.1 | ↑ |
| 60: | 9.3 | → |

| | |
|-------|-------|
| Serie | 96.9 |
| Total | 595.4 |

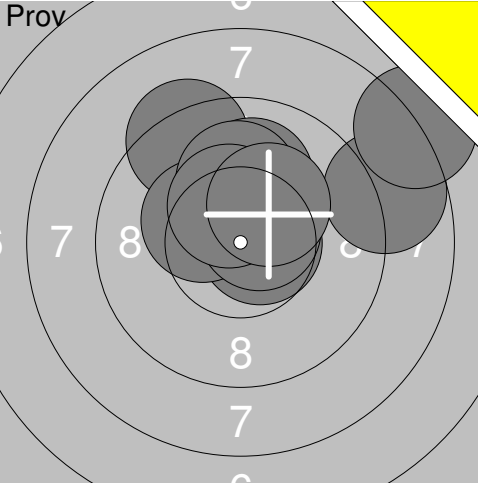

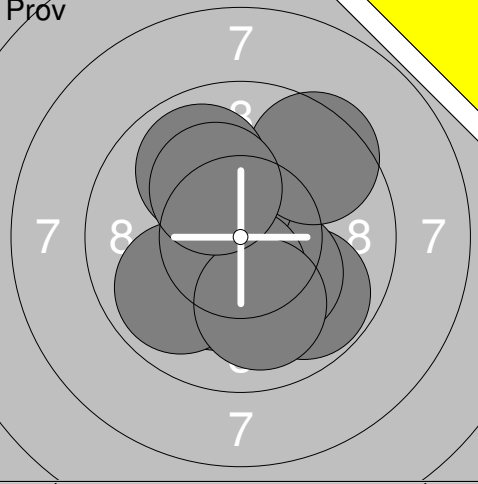
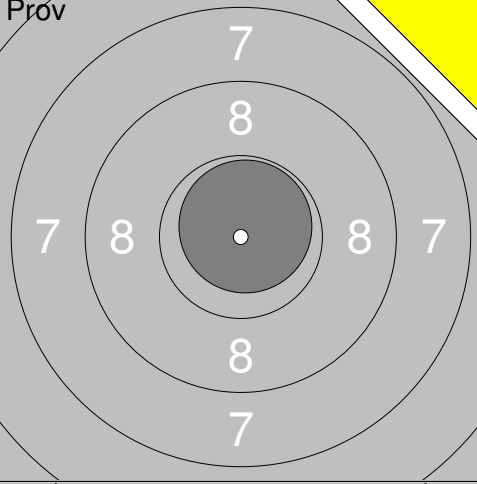
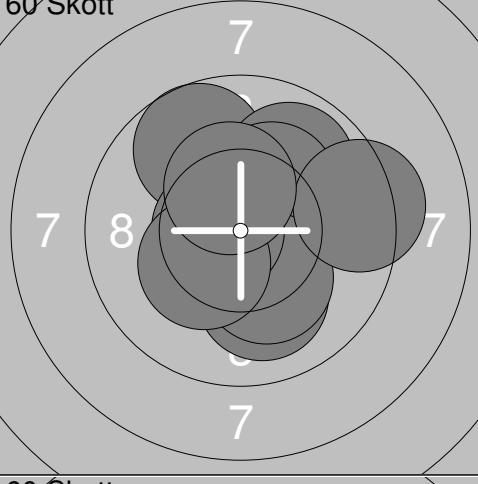
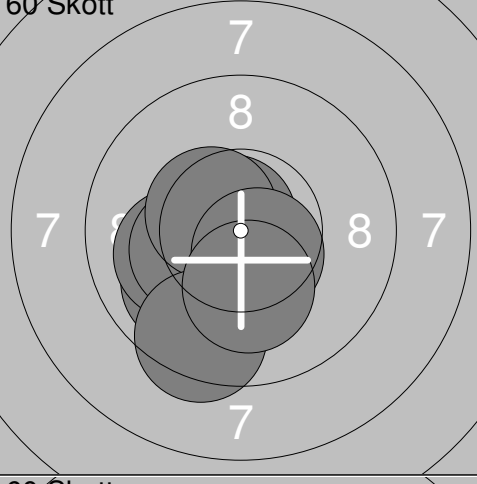
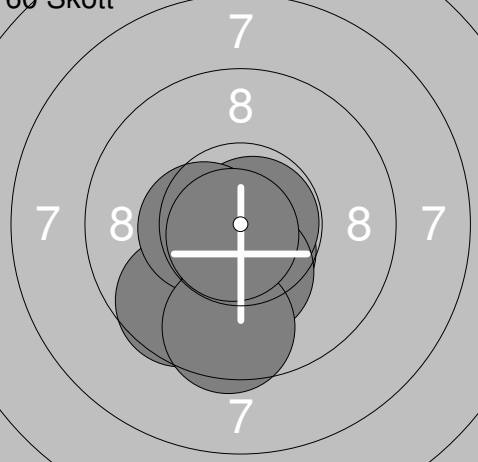
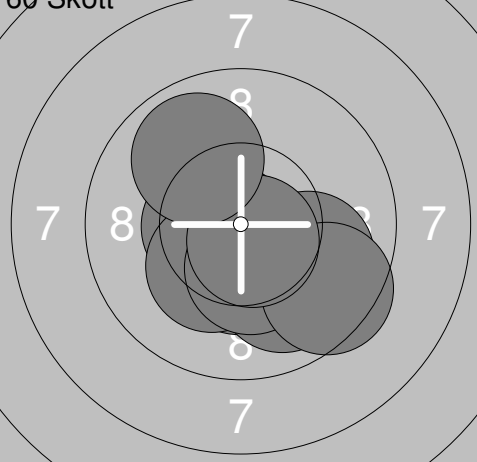
| | | | |
|----------------------|--|--------------------------------|---|
| Skjutlag 1 | Tavla 11 | Joel Bergqvist | |
| S | | Umeå | |
| 18.11.2017 | | Drängsmarksskyttet 2017 | Umeå skytteallians |
| Prov | 1: 9.8 ↘ 2: 6.8 → 3: 5.8 → 4: 10.1 ↙ 5: 7.8 → 6: 9.3 → 7: 9.9 ↓ 8: 9.7 ← 9: 9.0 ↓ 10: 9.0 → Serie 87.2 Total 0.0 | Prov | 11: 9.7 → 12: 9.6 ← 13: 9.5 ↓ 14: 9.0 ↗ 15: 3.4 ← 16: 8.1 ← 17: 8.5 ↗ 18: 9.6 ← 19: 9.8 ↗ 20: 8.8 ↗ Serie 86.0 Total 0.0 |
| Prov | 21: 10.3x ↗ 22: 9.4 ← 23: 8.9 ← 24: 9.8 → 25: 9.1 → 26: 10.1 ↓ 27: 7.2 ← Serie 64.8 Total 0.0 | 60 Skott | 1: 7.2 ← 2: 7.1 → 3: 8.6 ↗ 4: 8.5 ↑ 5: 8.5 ← 6: 8.7 ← 7: 8.8 → 8: 10.7x ← 9: 7.3 ← 10: 10.1 ↗ Serie 85.5 Total 85.5 |
| 60 Skott | 11: 9.5 ← 12: 9.9 ↗ 13: 8.9 ↗ 14: 7.6 → 15: 8.9 → 16: 9.2 ↓ 17: 7.1 → 18: 10.9x ↗ 19: 5.9 ← 20: 9.3 ↙ Serie 87.2 Total 172.7 | 60 Skott | 21: 10.0 ↗ 22: 7.5 ↙ 23: 8.0 ↗ 24: 9.0 ↗ 25: 8.7 ↑ 26: 7.9 ← 27: 10.8x ↓ 28: 8.1 ← 29: 9.7 ↙ 30: 8.3 ↗ Serie 88.0 Total 260.7 |
| 60 Skott | 31: 8.7 ↙ 32: 7.2 ↗ 33: 8.8 ↗ 34: 9.2 ← 35: 9.2 → 36: 8.9 → 37: 9.3 ↗ 38: 9.9 ← 39: 7.3 ← 40: 9.3 ↗ Serie 87.8 Total 348.5 | 60 Skott | 41: 6.6 ← 42: 8.7 ↙ 43: 7.5 ↗ 44: 10.4x ↗ 45: 8.0 ↙ 46: 8.7 ↙ 47: 9.2 ← 48: 10.3x ↑ 49: 9.2 ← 50: 9.7 ↙ Serie 88.3 Total 436.8 |
| 60 Skott | 51: 10.2x ↓ 52: 8.2 ↗ 53: 7.9 ↗ 54: 8.2 → 55: 6.6 ← 56: 10.1 ↓ 57: 9.4 ← 58: 8.7 ↓ 59: 9.4 ↗ 60: 9.6 ↓ Serie 88.3 Total 525.1 | | |

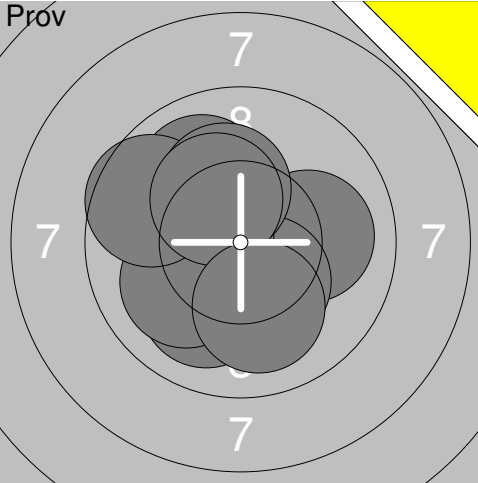
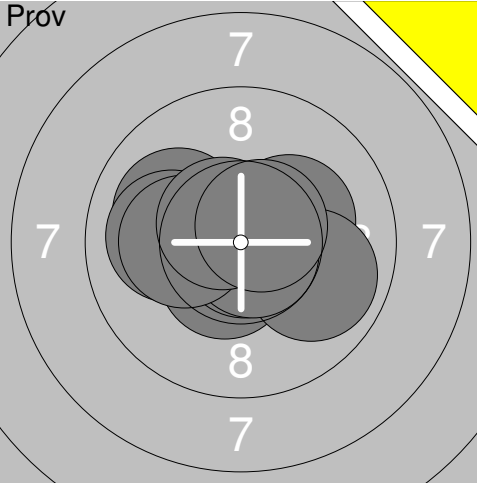
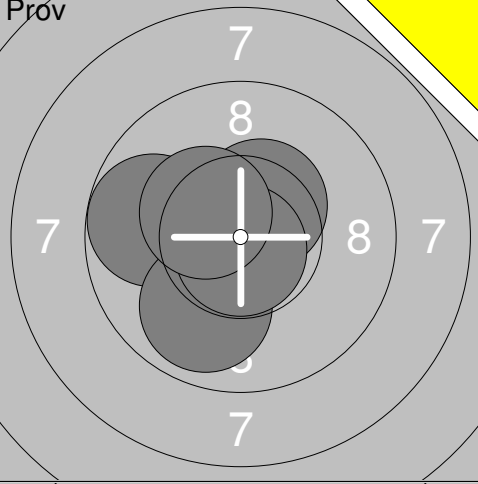
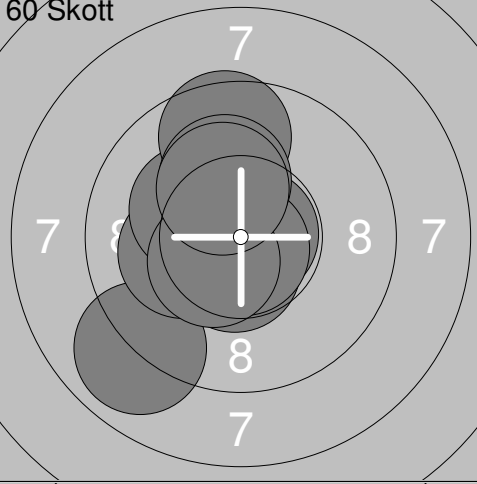
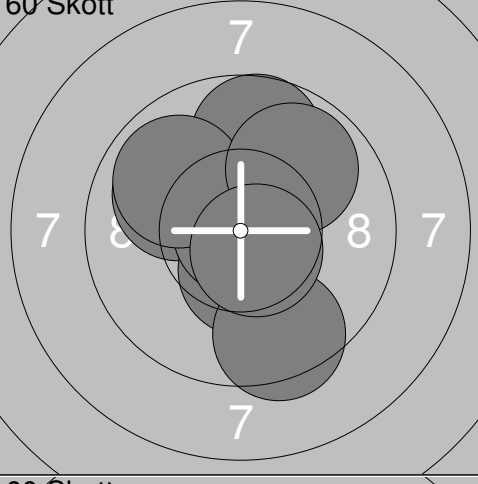
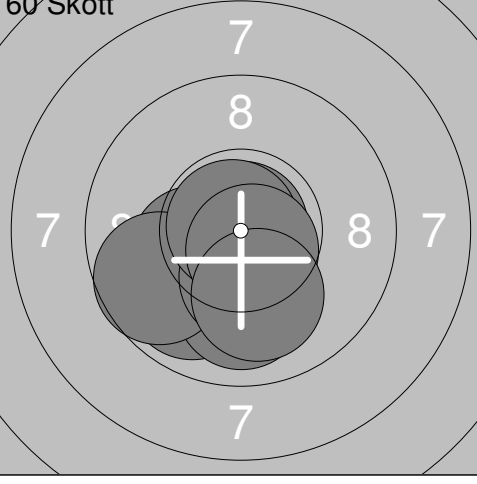
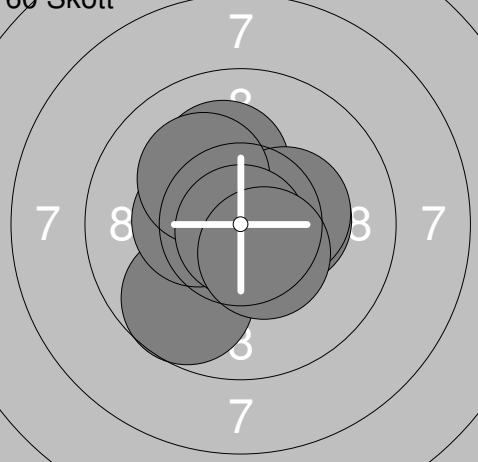
| Skjutlag | Tavla | Nicolle Nygren | |
|------------|--|---|--|
| S | Umeå | | |
| 18.11.2017 | Drängsmarksskyttet 2017 | Umeå skytteallians | |
| Prov |  | 1: 9.5 ↘ 2: 9.9 ↘ 3: 10.2↗ 4: 9.3 ↘ 5: 10.8x↘ 6: 9.7 ↗ 7: 9.8 ↖ 8: 10.4x↘ 9: 10.4x↘ 10: 8.4 → Serie 98.4 Total 0.0 | 11: 10.4x↘ 12: 9.3 ↘ 13: 10.0 → 14: 10.4x↘ Serie 40.1 Total 0.0 |
| 60 Skott |  | 1: 9.7 → 2: 9.5 → 3: 9.2 → 4: 10.2x↘ 5: 10.2x↘ 6: 10.3x↘ 7: 9.0 → 8: 8.7 ← 9: 10.4x↘ 10: 10.2x→ Serie 97.4 Total 97.4 | 11: 10.7x↘ 12: 9.8 → 13: 9.7 ↑ 14: 10.1 ↓ 15: 10.2x↗ 16: 9.7 → 17: 9.5 ← 18: 9.0 → 19: 10.6x↘ 20: 10.2x→ Serie 99.5 Total 196.9 |
| 60 Skott |  | 21: 10.7x↘ 22: 9.6 ← 23: 10.0 ↑ 24: 9.6 ↗ 25: 10.6x→ 26: 9.5 → 27: 10.4x↖ 28: 10.9x↗ 29: 9.2 → 30: 9.8 ↓ Serie 100.3 Total 297.2 | 31: 10.7x↘ 32: 9.0 ← 33: 8.9 → 34: 8.5 → 35: 10.0← 36: 8.8 → 37: 9.9 ↓ 38: 9.5 ← 39: 9.9 ← 40: 8.9 ← Serie 94.1 Total 391.3 |

| Skjutlag | Tavla | Helena Dreyer Perkiömäki | |
|------------|--|--|--|
| 1 | 13 | | |
| S | Umeå | | |
| 18.11.2017 | Drängsmarksskyttet 2017 | Umeå skytteallians | |
| Prov |  | 1: 10.5x↓ 2: 9.6 ↗ 3: 8.9 ↖ 4: 10.7x↓ 5: 10.5x↑ 6: 9.8 ➔ 7: 9.6 ↗ 8: 8.3 ➔ 9: 9.9 ↗ 10: 10.7x↑ Serie 98.5 Total 0.0 | 11: 10.0 ← 12: 10.2x↖ 13: 10.4x↗ 14: 9.9 ↗ Serie 40.5 Total 0.0 |
| 60 Skott |  | 1: 9.7 ← 2: 9.4 ↖ 3: 9.7 ➔ 4: 9.4 ↗ 5: 10.2x↘ 6: 9.0 ↗ 7: 10.2x↘ 8: 8.4 ↖ 9: 10.0 ↖ 10: 10.1 ↖ Serie 96.1 Total 96.1 | 11: 9.8 ↑ 12: 10.1 ← 13: 9.8 ↑ 14: 10.2x↑ 15: 10.6x↖ 16: 8.3 ↘ 17: 10.3x↗ 18: 10.3x↘ 19: 9.6 ↓ 20: 8.5 ↖ Serie 97.5 Total 193.6 |
| 60 Skott |  | 21: 10.2x↑ 22: 9.3 ← 23: 9.8 ↖ 24: 10.6x↑ 25: 9.3 ↖ 26: 9.4 ↓ 27: 6.7 ← 28: 8.4 ➔ 29: 10.5x↖ 30: 9.6 ➔ Serie 93.8 Total 287.4 | 31: 10.1 ← 32: 8.7 ➔ 33: 10.1 ↘ 34: 8.4 ➔ 35: 9.0 ➔ 36: 9.3 ➔ 37: 10.1 ↖ 38: 8.7 ➔ 39: 10.7x↑ 40: 10.0 ➔ Serie 95.1 Total 382.5 |

| Skjutlag | Tavla | Elias Strömberg | |
|------------|--|---|--|
| 1 | 14 | | |
| S | Umeå | | |
| 18.11.2017 | Drängsmarksskyttet 2017 | Umeå skytteallians | |
| Pröv |  | 1: 9.5 ↘ 2: 10.0 ← 3: 10.0 ↗ 4: 10.3x ↘ 5: 7.3 → 6: 7.0 ↗ 7: 5.8 ← 8: 8.8 ↗ 9: 8.2 ↗ 10: 9.3 ↗ Serie 86.2 Total 0.0 | Pröv  11: 10.0 ↘ 12: 8.6 ↗ 13: 2.6 ← Serie 21.2 Total 0.0 |
| 60 Skott |  | 1: 7.2 ← 2: 8.8 ↓ 3: 9.6 ← 4: 7.0 ← 5: 10.1 → 6: 8.9 ← 7: 10.2x ↘ 8: 8.5 ↗ 9: 5.4 ← 10: 9.6 ← Serie 85.3 Total 85.3 | 60 Skott  11: 10.6x → 12: 8.6 → 13: 10.4x ↘ 14: 9.7 ← 15: 10.3x ↓ 16: 7.5 ↗ 17: 10.8x ← 18: 5.1 ← 19: 9.6 ↘ 20: 9.8 ↗ Serie 92.4 Total 177.7 |
| 60 Skott |  | 21: 9.0 ↗ 22: 9.5 ↗ 23: 7.5 ↗ 24: 10.1 ↓ 25: 9.6 ↗ 26: 9.5 ↗ 27: 10.1 ← 28: 10.5x ↘ 29: 9.6 ↗ 30: 8.8 ↗ Serie 94.2 Total 271.9 | 60 Skott  31: 8.5 ↗ 32: 9.8 ↗ 33: 9.5 → 34: 10.2x ↗ 35: 10.0 ← 36: 9.8 ↗ 37: 8.4 ← 38: 10.2x ↗ 39: 9.4 ↗ 40: 9.9 ↓ Serie 95.7 Total 367.6 |

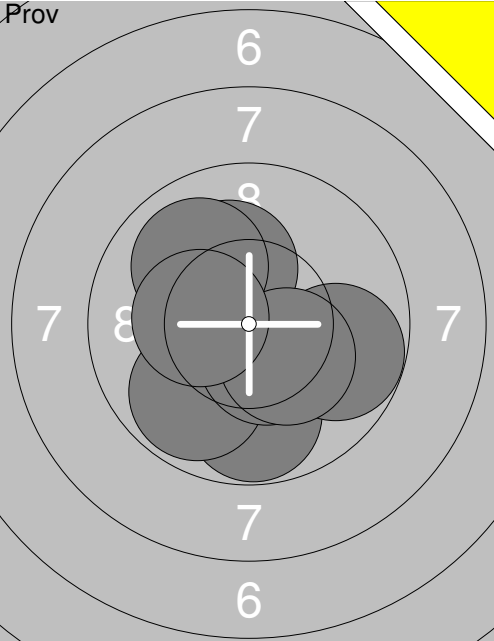
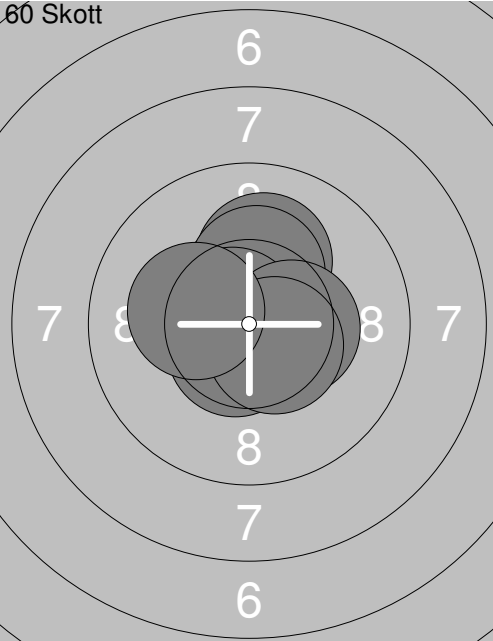
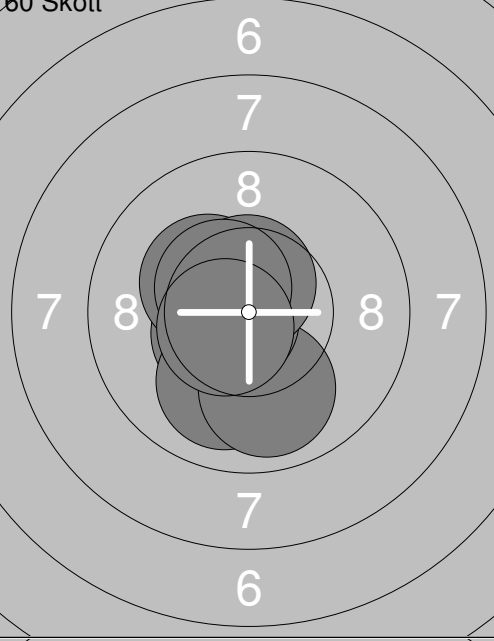
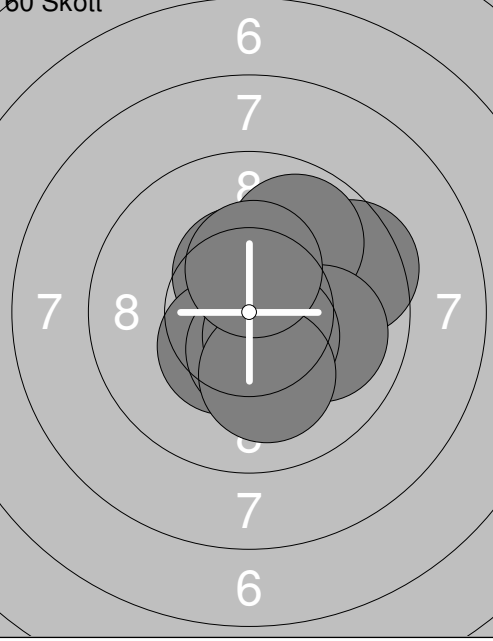
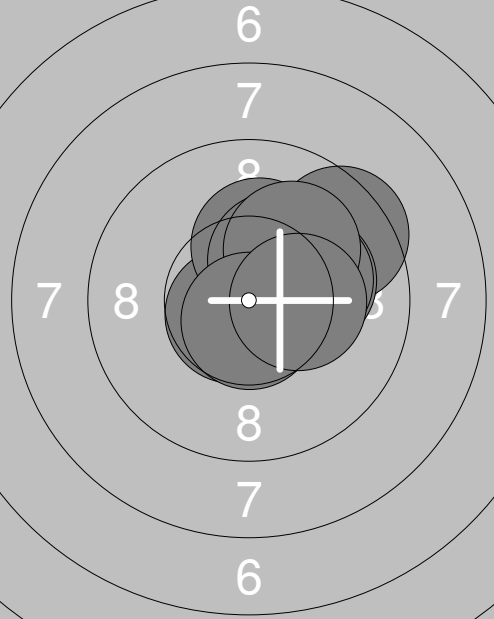
| | | | |
|-----------------|---|-----------------|---|
| <p>Prov</p> | <p>1: 9.5 ↓ 2: 9.4 → 3: 9.3 ↓ 4: 9.8 ↓ 5: 10.3x→ 6: 10.0 ↘ 7: 10.0 ↗ 8: 10.2x↘ 9: 10.1 ↗ 10: 10.2x↗</p> <p>Serie 98.8 Total 0.0</p> | <p>Prov</p> | <p>11: 9.9 ↘ 12: 10.8x↘ 13: 10.5x↘ 14: 10.6x↘ 15: 10.2x↗ 16: 10.2x↗ 17: 10.6x↗ 18: 10.9x↗</p> <p>Serie 83.7 Total 0.0</p> |
| <p>60 Skott</p> | <p>1: 10.2x↗ 2: 10.3x↘ 3: 10.3x↘ 4: 10.5x↘ 5: 10.4x↘ 6: 10.1 ↘ 7: 10.7x↗ 8: 10.7x→ 9: 10.4x↘ 10: 10.4x↗</p> <p>Serie 104.0 Total 104.0</p> | <p>60 Skott</p> | <p>11: 10.4x↗ 12: 10.0 ↗ 13: 9.2 ↙ 14: 10.2x↗ 15: 10.3x↘ 16: 10.4x↗ 17: 10.2x↘ 18: 10.4x↗ 19: 9.6 ↓ 20: 10.6x↘</p> <p>Serie 101.3 Total 205.3</p> |
| <p>60 Skott</p> | <p>21: 10.1 ↓ 22: 10.5x↘ 23: 10.2x↗ 24: 10.3x↗ 25: 10.2x↘ 26: 10.3x↘ 27: 10.6x↘ 28: 10.5x↗ 29: 10.4x↗ 30: 10.1 ↗</p> <p>Serie 103.2 Total 308.5</p> | <p>60 Skott</p> | <p>31: 10.3x→ 32: 10.6x↘ 33: 9.8 ↙ 34: 10.7x↘ 35: 10.8x↗ 36: 10.6x↘ 37: 10.6x↘ 38: 10.5x↗ 39: 10.3x↘ 40: 9.9 ↓</p> <p>Serie 104.1 Total 412.6</p> |

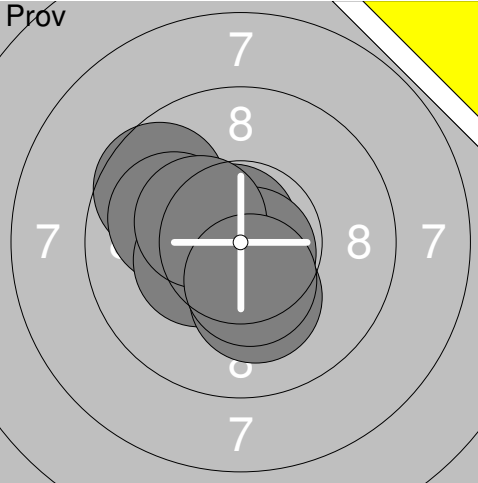

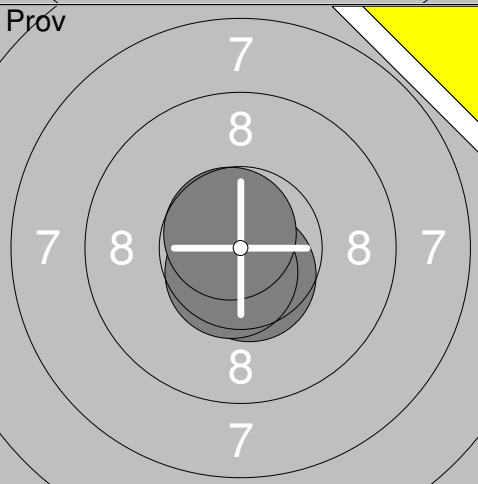
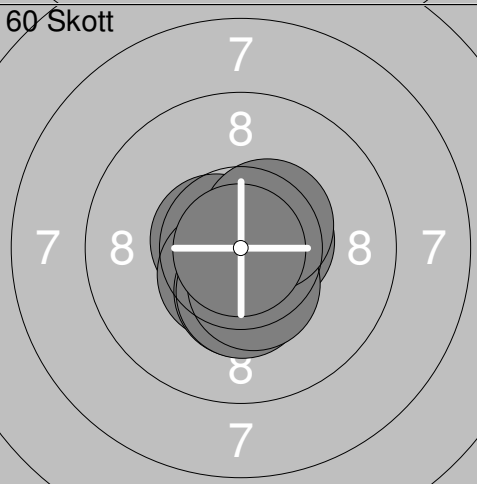
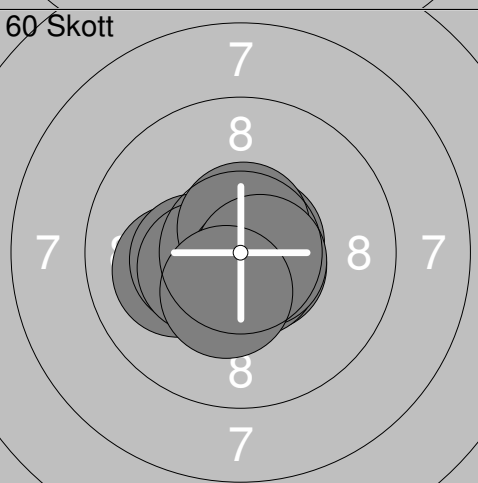
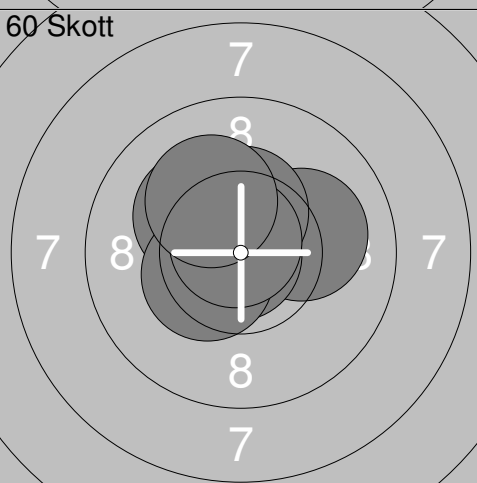
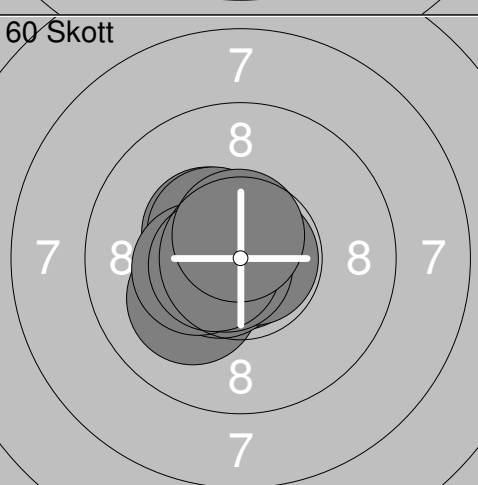
| | | | |
|--|--|--|--|
| Skjutlag 1 | Tavla 17 | Ester Rönndahl | |
| S | | Ramselefors | |
| 18.11.2017 | | Drängsmarksskyttet 2017 | Umeå skytteallians |
| Prov  | 1: 8.7 → 2: 7.9 → 3: 10.7x → 4: 9.3 ↗ 5: 10.0 ↑ 6: 10.3x ↖ 7: 10.6x ↗ 8: 10.1 ↑ 9: 10.4x ↗ 10: 10.3x ↗ | Prov  | 11: 10.2x ← 12: 10.6x ↓ 13: 10.2x ↓ 14: 10.7x ↓ 15: 10.4x ↓ 16: 10.5x ↑ 17: 10.4x → 18: 10.3x ↓ 19: 10.5x ↓ 20: 10.8x ↗ |
| | Serie 98.3 Total 0.0 | | Serie 104.6 Total 0.0 |
| Prov  | 21: 9.8 ↓ 22: 10.3x ↓ 23: 10.4x ↗ 24: 9.5 ↗ 25: 10.5x ↓ 26: 10.2x ↓ 27: 9.9 ← 28: 9.9 ↗ 29: 10.0 ↓ 30: 10.2x ↗ | Prov  | 31: 10.8x ↗ |
| | Serie 100.7 Total 0.0 | | Serie 10.8 Total 0.0 |
| 60 Skott  | 1: 10.2x ↗ 2: 9.7 ↗ 3: 9.9 ↗ 4: 10.2x ↗ 5: 10.0 ↓ 6: 10.2x ↓ 7: 9.3 → 8: 10.6x ← 9: 10.3x ← 10: 10.4x ↗ | 60 Skott  | 11: 9.9 ← 12: 10.8x ↗ 13: 10.5x ↓ 14: 10.6x ↓ 15: 10.1 ← 16: 10.3x ← 17: 10.5x ↗ 18: 10.6x ↓ 19: 9.4 ↓ 20: 10.2x ↓ |
| | Serie 100.8 Total 100.8 | | Serie 102.9 Total 203.7 |
| 60 Skott  | 21: 10.7x ↓ 22: 10.6x ↓ 23: 9.8 ↓ 24: 10.8x → 25: 10.5x ↓ 26: 9.6 ← 27: 10.5x ← 28: 10.3x ↓ 29: 9.6 ↓ 30: 10.8x ↓ | 60 Skott  | 31: 10.8x ← 32: 10.4x ↓ 33: 9.9 → 34: 10.5x ← 35: 10.3x ↓ 36: 9.9 ↓ 37: 10.3x ↓ 38: 9.5 ↓ 39: 10.7x ↓ 40: 9.9 ↗ |
| | Serie 103.2 Total 306.9 | | Serie 102.2 Total 409.1 |

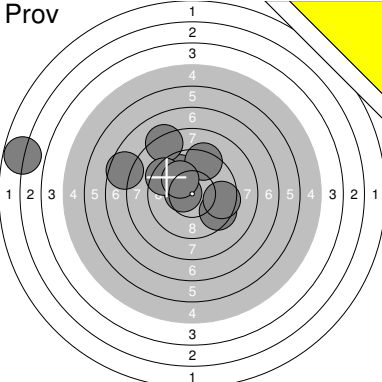
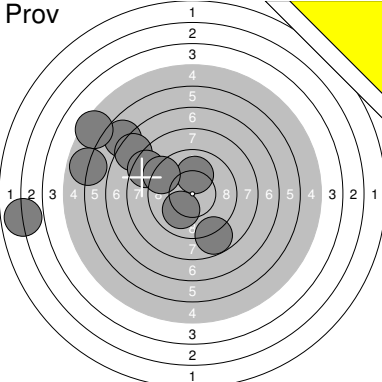
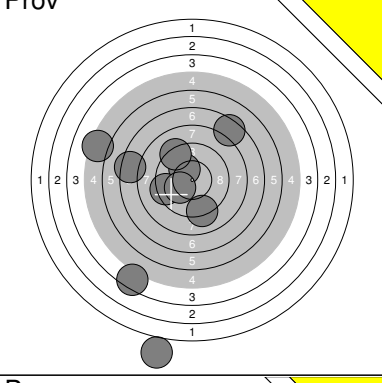
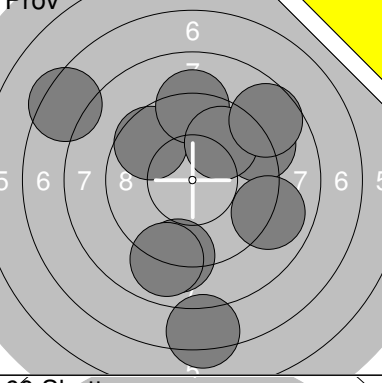
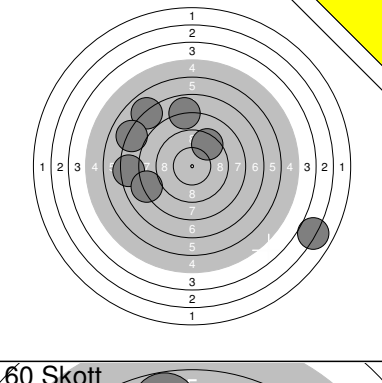
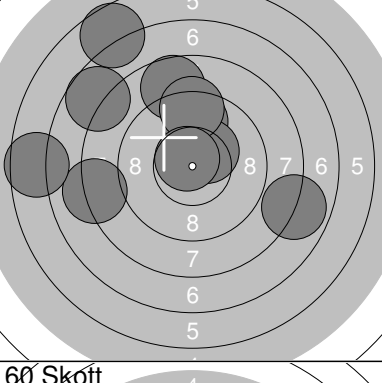
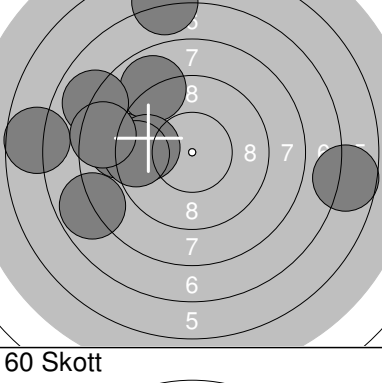
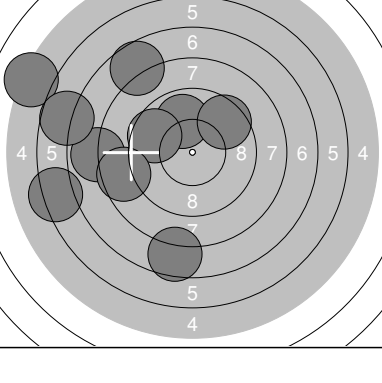
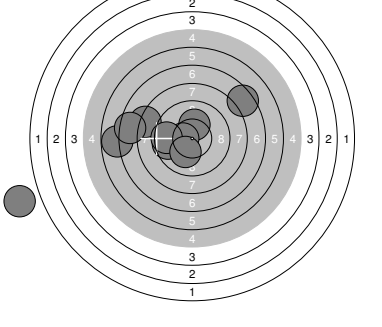
| | | | | | |
|----------------------|--|---|-----------------|--|--|
| Skjutlag 1 | Tavla 18 | Linda Strandgren | | | |
| S | | Umeå | | | |
| 18.11.2017 | | Drängsmarksskyttet 2017 | | Umeå skytteallians | |
| Prov |  | 1: 10.0 ↙ 2: 10.0 ↗ 3: 10.0 → 4: 10.3x ↘ 5: 10.5x ↗ 6: 10.0 ↘ 7: 9.6 ↗ 8: 10.2x ↗ 9: 10.3x ↗ 10: 10.0 ↘ | Prov |  | 11: 10.2x → 12: 10.0 ↖ 13: 10.5x ↘ 14: 9.9 → 15: 10.8x ↘ 16: 10.0 ↖ 17: 10.7x ↘ 18: 10.2x ← 19: 10.6x ↗ 20: 10.6x ↗ |
| | | Serie 100.9 | | Serie 103.5 | |
| | | Total 0.0 | | Total 0.0 | |
| Prov |  | 21: 9.8 ← 22: 9.9 ↘ 23: 10.4x ↗ 24: 10.8x ↘ 25: 10.4x ↗ | 60 Skott |  | 1: 8.9 ↘ 2: 10.6x ↘ 3: 10.2x ← 4: 10.2x ↗ 5: 9.6 ↗ 6: 10.8x → 7: 10.8x ↘ 8: 10.2x ↗ 9: 10.5x ↘ 10: 10.3x ↗ |
| | | Serie 51.3 | | Serie 102.1 | |
| | | Total 0.0 | | Total 102.1 | |
| 60 Skott |  | 11: 10.3x ↗ 12: 10.3x ↗ 13: 10.0 ↗ 14: 10.4x ↘ 15: 10.9x ↗ 16: 9.7 ↗ 17: 9.9 ↗ 18: 9.9 ↗ 19: 9.5 ↘ 20: 10.6x ↘ | 60 Skott |  | 21: 10.9x ↗ 22: 9.9 ↘ 23: 10.3x ← 24: 10.0 ↘ 25: 10.5x ↘ 26: 9.7 ← 27: 10.3x ↘ 28: 10.8x ↖ 29: 10.6x ↘ 30: 10.1 ↘ |
| | | Serie 101.5 | | Serie 103.1 | |
| | | Total 203.6 | | Total 306.7 | |
| 60 Skott |  | 31: 9.7 ↘ 32: 10.5x ↘ 33: 10.1 ↗ 34: 10.4x → 35: 10.7x ↗ 36: 10.3x → 37: 10.4x ← 38: 10.2x ↗ 39: 10.9x ↘ 40: 10.4x ↘ | | | |
| | | Serie 103.6 | | | |
| | | Total 410.3 | | | |

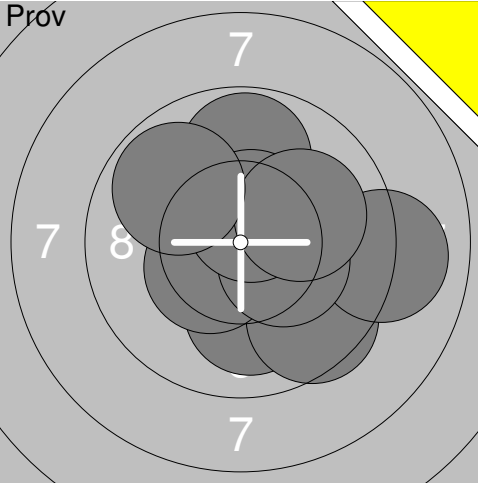
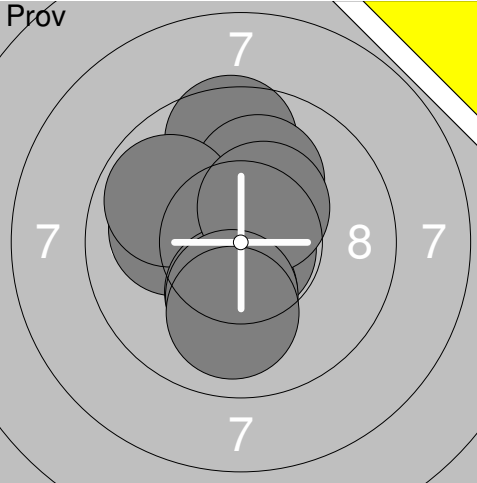
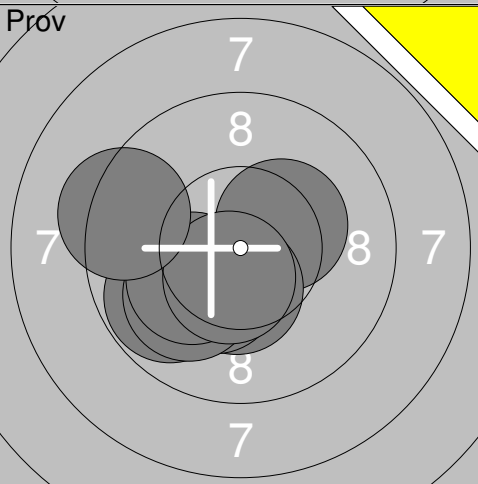
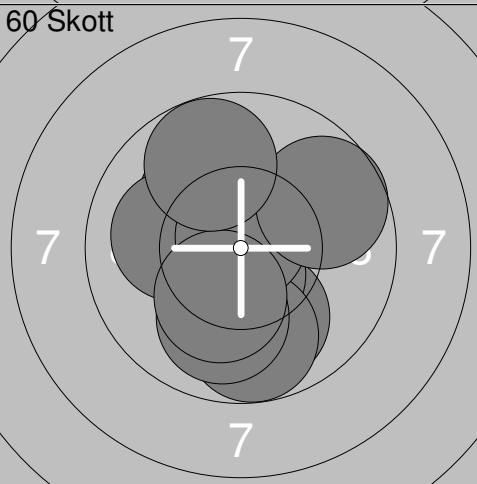
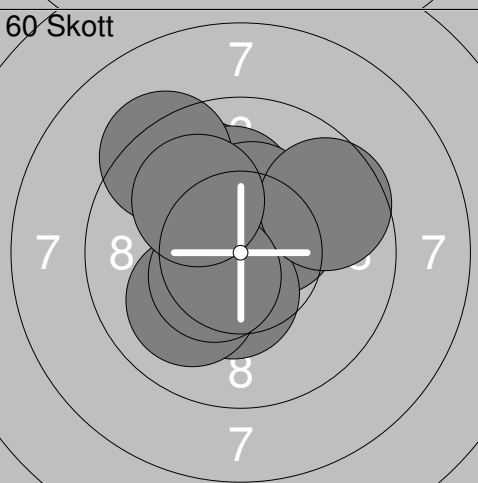
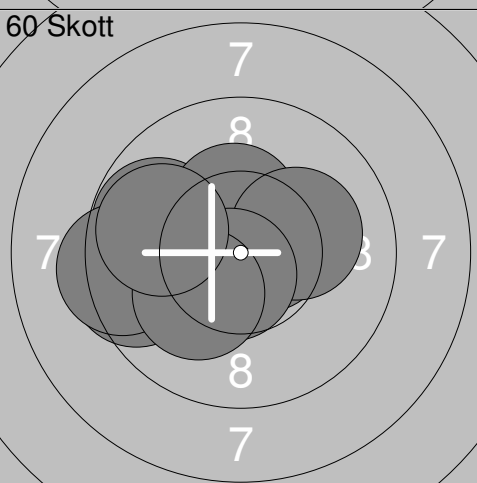
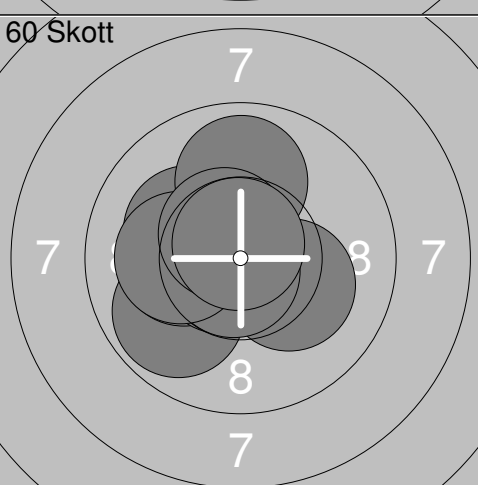
| | | | |
|----------------------|---|-------------------------|--|
| Skjutlag 1 | Tavla 19 | Fluk Jonsson | |
| S | | Ramselefors | |
| 18.11.2017 | | Drängsmarksskyttet 2017 | Umeå skytteallians |
| Pröv | 1: 9.8 ↘ 2: 10.4x → 3: 10.5x ↘ 4: 10.3x ↘ 5: 10.3x ↙ 6: 10.3x ← 7: 10.4x ← 8: 10.3x ↘ 9: 10.5x ↘ 10: 10.1 ↘ Serie 102.9 Total 0.0 | Pröv | 11: 10.6x → 12: 10.8x ↗ 13: 10.3x ← 14: 10.4x ↘ 15: 10.8x → 16: 9.8 ↗ 17: 10.3x ↑ 18: 9.9 ↗ 19: 10.7x → 20: 10.2x ↘ Serie 103.8 Total 0.0 |
| Pröv | 21: 10.7x ↗ 22: 10.4x ↑ 23: 10.3x ↘ 24: 10.3x ↑ 25: 10.4x ← 26: 10.0 ↑ Serie 62.1 Total 0.0 | 60 Skott | 1: 10.6x ↗ 2: 10.0 ↗ 3: 10.5x ↑ 4: 10.2x ↘ 5: 10.7x ↘ 6: 10.6x ↑ 7: 10.6x ↗ 8: 10.7x ↑ 9: 10.5x ↘ 10: 10.4x ↙ Serie 104.8 Total 104.8 |
| 60 Skott | 11: 10.0 ↘ 12: 10.4x ↘ 13: 9.8 ↘ 14: 10.2x ← 15: 10.2x ↘ 16: 10.7x ↘ 17: 10.5x ↘ 18: 10.7x ↘ 19: 10.6x → 20: 10.7x ↗ Serie 103.8 Total 208.6 | 60 Skott | 21: 10.3x ↙ 22: 10.6x ↗ 23: 10.2x → 24: 10.3x → 25: 9.7 ↘ 26: 10.0 ↘ 27: 10.0 ↘ 28: 9.8 ↘ 29: 8.1 ↘ 30: 10.0 ↘ Serie 99.0 Total 307.6 |
| 60 Skott | 31: 9.9 ↘ 32: 10.6x ↘ 33: 10.3x ← 34: 10.5x ↘ 35: 10.0 ↘ 36: 10.7x → 37: 10.4x ↘ 38: 10.6x ↗ 39: 10.0 → 40: 10.2x ↑ Serie 103.2 Total 410.8 | | |

| | | | | | |
|----------------------|--------------------|--|---------------------------|--|--|
| Skjutlag 1 | Tavla 20 | Clas-Göran Johansson | | | |
| S | | Umeå | | | |
| 18.11.2017 | | Drängsmarksskyttet 2017 | Umeå skytteallians | | |
| Pröv | | 1: 9.2 ↙ 2: 9.7 ↓ 3: 10.2x ← 4: 10.0 ↗ 5: 10.7x ← 6: 10.6x ↓ 7: 10.3x ↓ 8: 10.3x ← 9: 10.2x ↓ 10: 10.6x ↗ Serie 101.8 Total 0.0 | Pröv | | 11: 10.5x ← 12: 10.1 ↓ 13: 10.3x → 14: 10.8x ↓ 15: 10.1 ↗ 16: 10.8x ↓ 17: 10.5x ↗ 18: 10.7x ↓ 19: 10.4x ↓ 20: 10.4x ↓ Serie 104.6 Total 0.0 |
| Pröv | | 21: 10.6x ↑ Serie 10.6 Total 0.0 | 60 Skott | | 1: 10.7x ← 2: 10.2x ↗ 3: 10.6x ← 4: 10.5x ← 5: 10.3x ↗ 6: 10.3x → 7: 10.5x ↑ 8: 9.9 → 9: 10.4x → 10: 10.0 ← Serie 103.4 Total 103.4 |
| 60 Skott | | 11: 10.1 ↘ 12: 10.6x ↑ 13: 10.7x ↓ 14: 10.0 ↓ 15: 10.3x ↑ 16: 9.9 → 17: 10.1 ↑ 18: 10.8x → 19: 10.6x ↑ 20: 10.4x ↘ Serie 103.5 Total 206.9 | 60 Skott | | 21: 10.5x ↘ 22: 10.3x ↗ 23: 10.7x ← 24: 10.6x ↓ 25: 10.4x ← 26: 10.2x ↓ 27: 10.7x → 28: 10.8x ↑ 29: 10.7x → 30: 10.7x ↓ Serie 105.6 Total 312.5 |
| 60 Skott | | 31: 10.6x ← 32: 10.7x → 33: 10.5x ↗ 34: 10.8x ↓ 35: 10.6x ↓ 36: 10.0 ← 37: 10.7x ↘ 38: 10.0 ↑ 39: 9.7 ↑ 40: 10.4x ↗ Serie 104.0 Total 416.5 | | | |

| | | | |
|--|---|---|--|
| Skjutlag 1 | Tavla 22 | Lennart Westermark | |
| S | | Drängsmark | |
| 18.11.2017 | | Drängsmarksskyttet 2017 | Umeå skytteallians |
| Prov  | 1: 9.8 ↓ 2: 10.5 ↗ 3: 10.4 ↗ 4: 9.8 ↓ 5: 9.8 → 6: 10.5 ↘ 7: 10.2 ↗ 8: 10.3 ↘ 9: 10.0 ↖ 10: 10.3 ↗ Serie 101.6 Total 0.0 | 60 Skott  | 1: 10.1 ↗ 2: 10.5 ↗ 3: 10.7 ↘ 4: 10.8 ↘ 5: 10.3 ↗ 6: 10.7 ↗ 7: 10.4 ↗ 8: 10.6 ↘ 9: 10.5 ↘ 10: 10.2 ↗ Serie 104.8 Total 104.8 |
| 60 Skott  | 11: 10.5 ↗ 12: 10.7 ↗ 13: 10.5 ↘ 14: 10.0 ↓ 15: 9.9 ↓ 16: 10.7 ↗ 17: 10.3 ↗ 18: 10.6 ↗ 19: 10.5 ↗ 20: 10.6 ↘ Serie 104.3 Total 209.1 | 60 Skott  | 21: 10.5 ↗ 22: 9.5 → 23: 10.6 ↗ 24: 9.9 ↗ 25: 10.4 ↘ 26: 10.5 ↘ 27: 10.0 → 28: 10.5 ↘ 29: 10.1 ↓ 30: 10.4 ↗ Serie 102.4 Total 311.5 |
| 60 Skott  | 31: 10.7 ↘ 32: 10.3 ↗ 33: 9.5 ↗ 34: 10.2 ↗ 35: 10.1 → 36: 10.3 ↗ 37: 10.2 ↗ 38: 10.1 ↗ 39: 10.7 ↘ 40: 10.3 ↗ Serie 102.4 Total 413.9 | | |

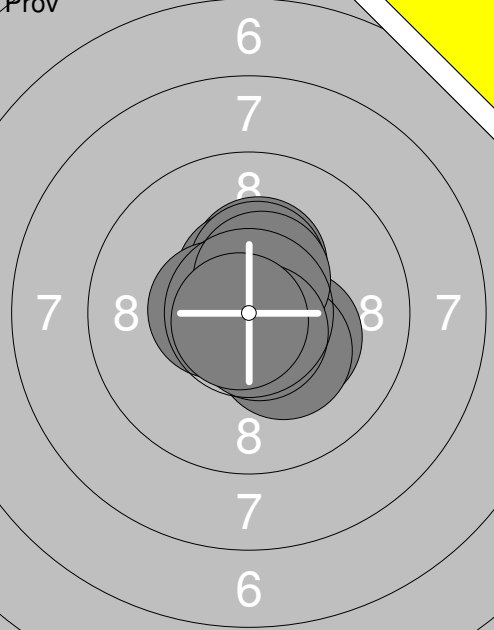
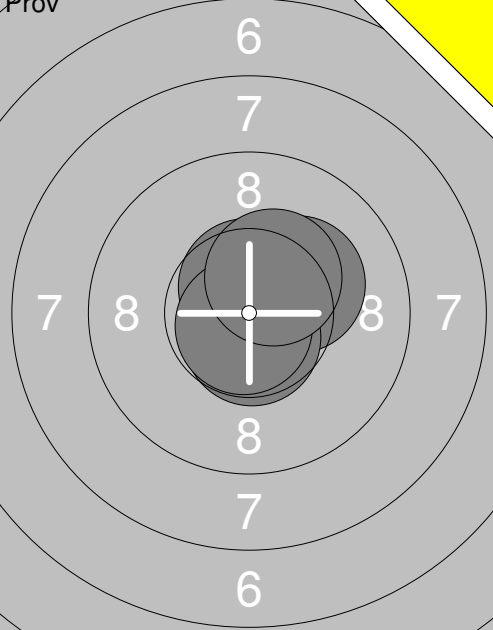
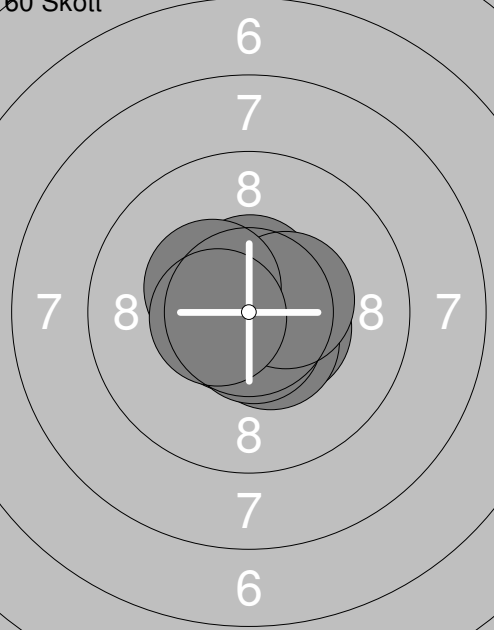
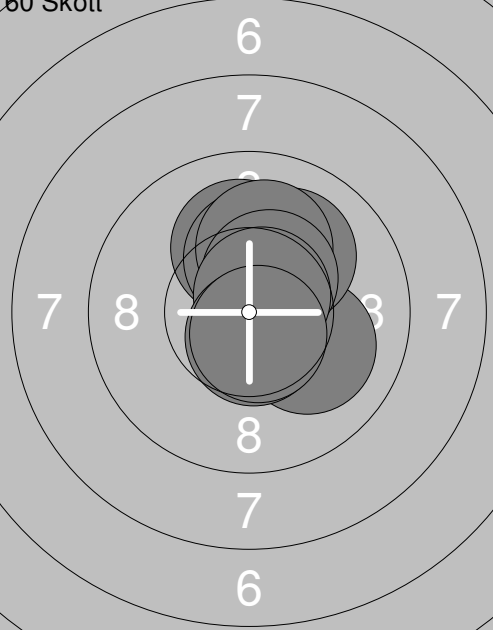
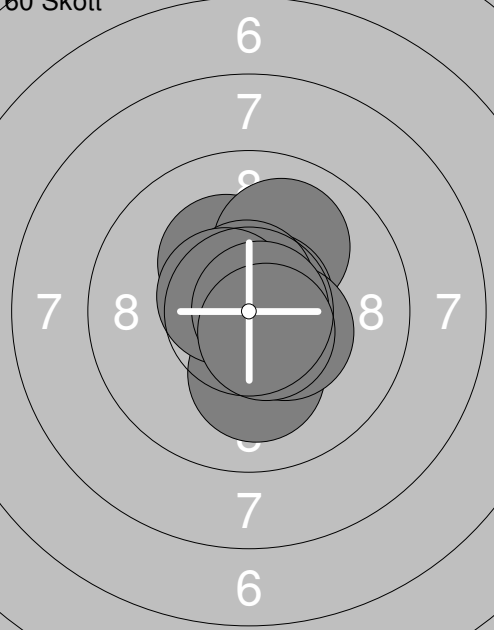
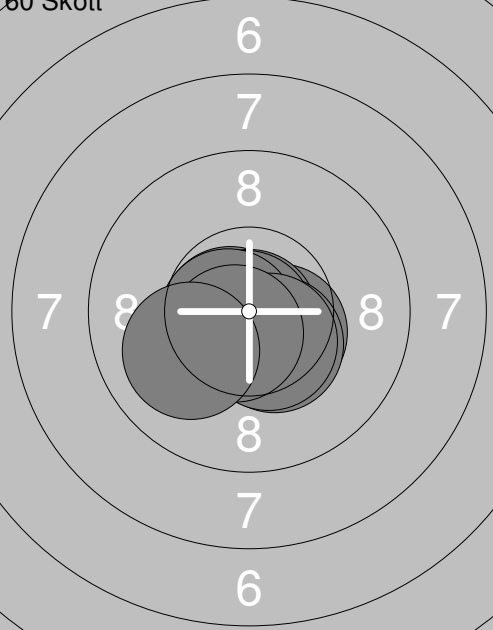
| | | | | | |
|----------------------|--|---|----------|--|---|
| Skjutlag 1 | Tavla 25 | Jennifer Gustavsson | | | |
| S | | Ramselefors | | | |
| 18.11.2017 | | Drängsmarksskyttet 2017 | | Umeå skytteallians | |
| Prov |  | 1: 9.6 ↗ 2: 10.7x ↓ 3: 10.7x ↗ 4: 10.0 ↗ 5: 10.8x ↓ 6: 10.5x ← 7: 10.4x ← 8: 10.2x ↓ 9: 10.3x ↗ 10: 10.4x ↓ | Prov |  | 11: 10.5x ↗ 12: 10.4x ↓ 13: 10.6x ↓ 14: 10.4x ↓ 15: 10.1 ↓ 16: 10.0 ↓ 17: 10.3x ← 18: 10.6x ← 19: 10.4x ← 20: 10.8x → |
| | | Serie 103.6 | | Serie 104.1 | |
| | | Total 0.0 | | Total 0.0 | |
| Prov |  | 21: 10.6x ↓ 22: 10.6x ↓ 23: 10.7x ↗ | 60 Skott |  | 1: 10.7x ↓ 2: 10.6x → 3: 10.9x → 4: 10.6x ← 5: 10.5x ↓ 6: 10.4x ↓ 7: 10.4x ↓ 8: 10.4x ↓ 9: 10.5x ↗ 10: 10.9x ↓ |
| | | Serie 31.9 | | Serie 105.9 | |
| | | Total 0.0 | | Total 105.9 | |
| 60 Skott |  | 11: 10.6x ← 12: 10.6x ↓ 13: 10.1 ← 14: 10.3x ← 15: 10.4x ← 16: 10.7x ↗ 17: 10.6x ↑ 18: 10.7x ↓ 19: 10.7x → 20: 10.4x ↓ | 60 Skott |  | 21: 10.5x ↑ 22: 10.7x ↗ 23: 10.6x ↑ 24: 10.1 → 25: 10.9x ← 26: 10.4x ↑ 27: 10.2x ↗ 28: 10.4x ← 29: 10.8x ↗ 30: 10.2x ↗ |
| | | Serie 105.1 | | Serie 104.8 | |
| | | Total 211.0 | | Total 315.8 | |
| 60 Skott |  | 31: 10.9x ↓ 32: 10.1 ↓ 33: 10.4x ↗ 34: 10.6x ↓ 35: 10.8x → 36: 10.7x ← 37: 10.5x ↗ 38: 10.4x ← 39: 10.6x ← 40: 10.6x ↑ | | | |
| | | Serie 105.6 | | | |
| | | Total 421.4 | | | |

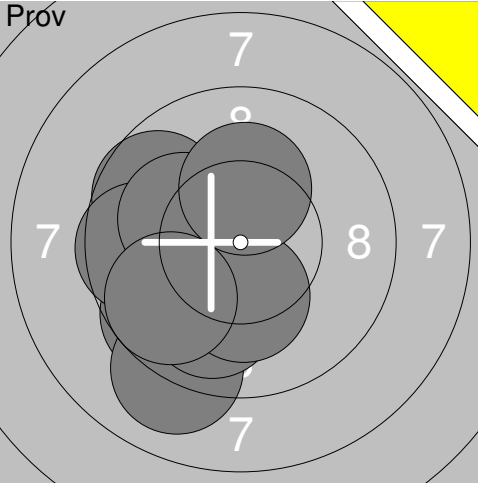
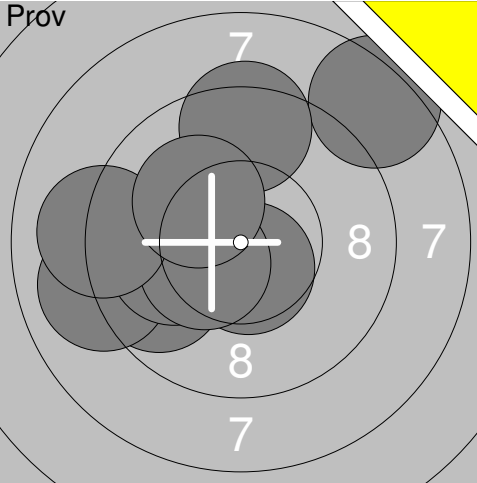
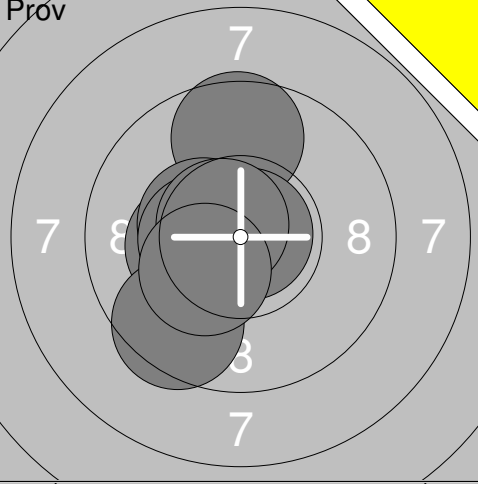
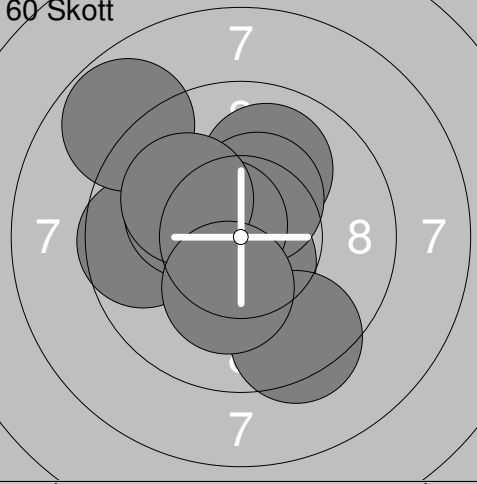
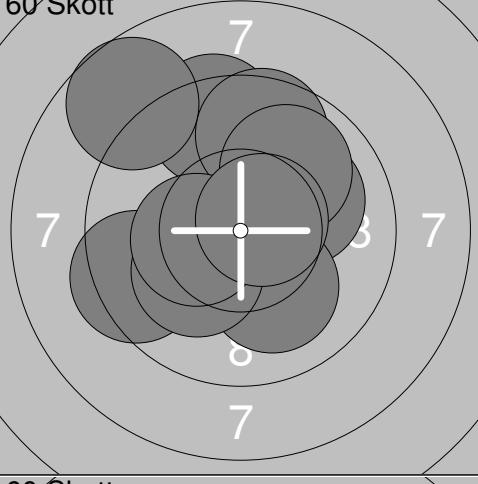
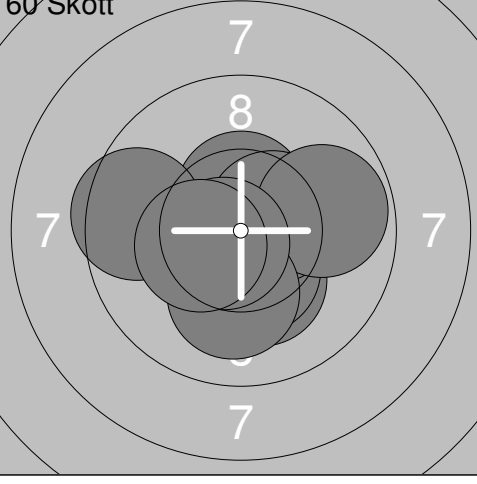
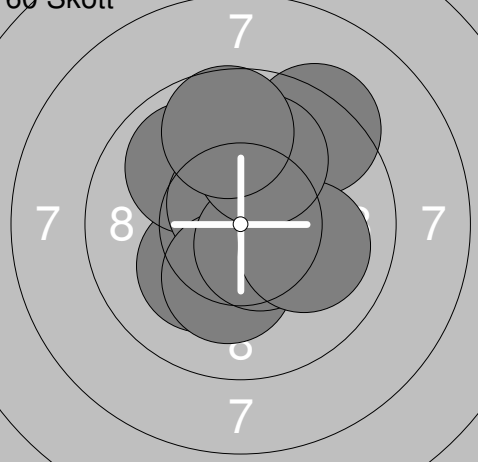
| | | | |
|--|---|--|--|
| Skjutlag 1 | Tavla 26 | Leo Önell | |
| S | | Vännäs | |
| 18.11.2017 | | Drängsmarksskyttet 2017 | Umeå skytteallians |
| Prov  | 1: 9.5 ↘ 2: 9.9 ↗ 3: 9.3 ↗ 4: 10.5x ← 5: 2.8 ← 6: 8.2 ↗ 7: 9.4 ↗ 8: 7.6 ← 9: 10.1 ↗ 10: 9.5 → | Prov  | 11: 2.9 ← 12: 6.8 ↗ 13: 5.4 ↗ 14: 7.6 ↗ 15: 10.0 ↓ 16: 8.8 ↓ 17: 5.9 ← 18: 8.5 ↗ 19: 10.0 ↑ 20: 9.2 ↗ |
| | Serie 86.8 Total 0.0 | | Serie 75.1 Total 0.0 |
| Prov  | 21: 4.4 ↓ 22: 9.1 ↓ 23: 10.2x ↗ 24: 1.0 ↓ 25: 9.2 ↗ 26: 9.4 ← 27: 7.4 ← 28: 5.3 ← 29: 10.1 ← 30: 7.4 ↗ | Prov  | 31: 9.1 ↗ 32: 9.6 ↗ 33: 9.0 → 34: 9.2 ↑ 35: 9.8 ↗ 36: 7.4 ← 37: 7.3 ↓ 38: 8.7 ↗ 39: 9.1 ↓ 40: 8.9 ↓ |
| | Serie 73.5 Total 0.0 | | Serie 88.1 Total 0.0 |
| Prov  | 41: 0.0 ↓ 42: 7.3 ← 43: 6.9 ↗ 44: 7.1 ← 45: 3.0 ↓ 46: 9.4 ↗ 47: 8.1 ← 48: 7.9 ↑ | 60 Skott  | 1: 7.7 ↗ 2: 8.7 ↑ 3: 9.7 ↑ 4: 8.1 ← 5: 7.9 → 6: 10.4x ↗ 7: 9.3 ↑ 8: 10.7x ↗ 9: 6.7 ↗ 10: 6.6 ← |
| | Serie 49.7 Total 0.0 | | Serie 85.8 Total 85.8 |
| 60 Skott  | 11: 6.8 ↑ 12: 8.9 ↗ 13: 8.0 ↗ 14: 6.7 ← 15: 9.0 ← 16: 7.9 ← 17: 6.7 → 18: 9.7 ← 19: 9.4 ← 20: 8.5 ← | 60 Skott  | 21: 7.8 ← 22: 9.9 ↑ 23: 9.6 ↗ 24: 5.2 ↗ 25: 8.6 ← 26: 7.7 ↗ 27: 7.6 ↓ 28: 6.7 ← 29: 6.3 ← 30: 9.5 ↗ |
| | Serie 81.6 Total 167.4 | | Serie 78.9 Total 246.3 |
| 60 Skott  | 31: 7.4 ↗ 32: 6.8 ← 33: 0.0 ← 34: 10.2x ↑ 35: 8.2 ← 36: 10.4x ← 37: 7.4 ← 38: 9.6 ← 39: 9.5 ← 40: 10.1 ↓ | | |
| | Serie 79.6 Total 325.9 | | |

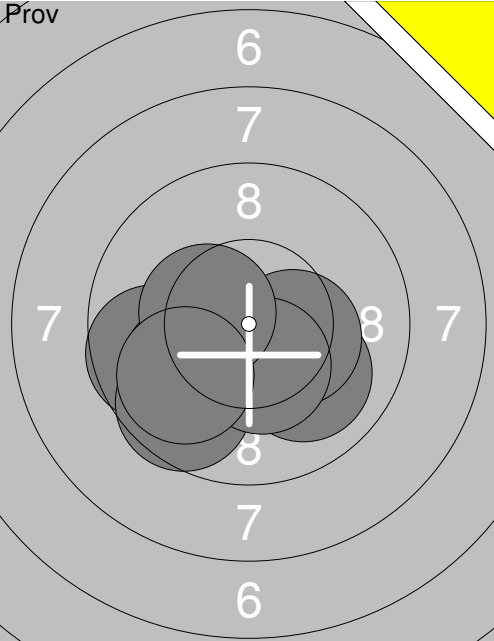
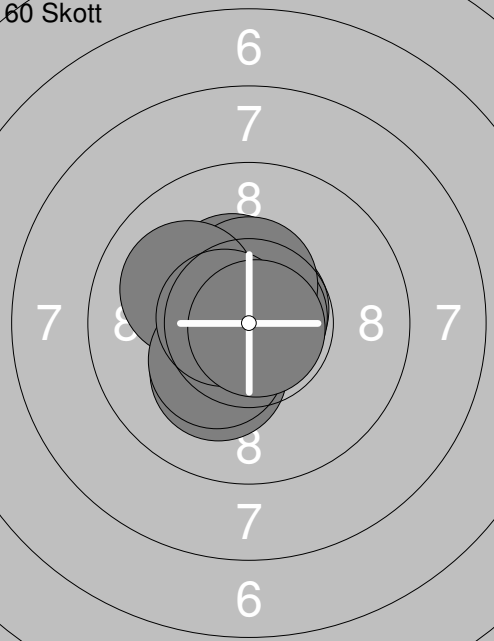
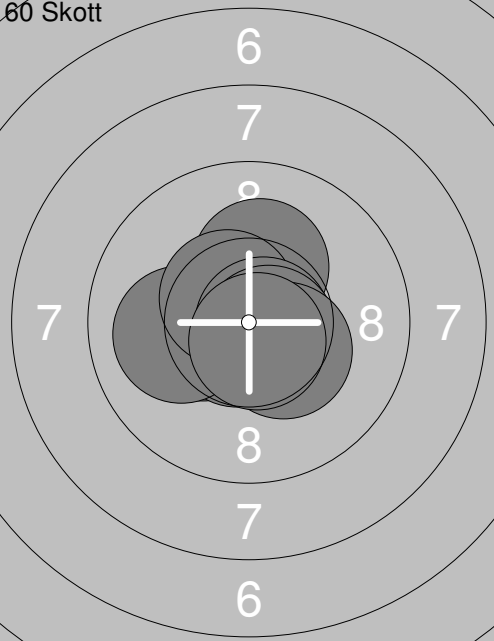
| | | | | | |
|----------------------|--|---|----------|--|--|
| Skjutlag 1 | Tavla 27 | Beatrice Andersson | | | |
| S | | Ramselefors | | | |
| 18.11.2017 | | Drängsmarksskyttet 2017 | | Umeå skytteallians | |
| Prov |  | 1: 10.5x ↓ 2: 10.0 ↓ 3: 9.6 ↓ 4: 9.0 → 5: 10.4x ← 6: 10.3x → 7: 9.8 ↑ 8: 10.6x ↑ 9: 10.1 → 10: 9.8 ↖ | Prov |  | 11: 10.0 ← 12: 9.7 ↑ 13: 9.6 ↑ 14: 10.8x ↘ 15: 10.1 ↑ 16: 9.8 ↖ 17: 10.3x ↓ 18: 10.4x ↗ 19: 10.2x ↓ 20: 10.0 ↓ |
| | | Serie 100.1 | | Serie 100.9 | |
| | | Total 0.0 | | Total 0.0 | |
| Prov |  | 21: 10.3x → 22: 10.4x ↓ 23: 10.3x ↓ 24: 9.8 ← 25: 10.0 ← 26: 10.2x ← 27: 10.5x ↓ 28: 9.3 ← | 60 Skott |  | 1: 10.0 ↓ 2: 10.6x ↓ 3: 9.8 ↓ 4: 10.1 ↗ 5: 10.0 ↓ 6: 10.1 ← 7: 10.8x ↑ 8: 10.2x ↓ 9: 9.7 → 10: 9.8 ↑ |
| | | Serie 80.8 | | Serie 101.1 | |
| | | Total 0.0 | | Total 101.1 | |
| 60 Skott |  | 11: 9.9 ↖ 12: 10.1 ↑ 13: 10.4x ↗ 14: 10.3x ↑ 15: 10.4x ↓ 16: 9.6 → 17: 10.0 ↓ 18: 10.5x ← 19: 9.3 ↗ 20: 10.0 ↗ | 60 Skott |  | 21: 10.6x → 22: 9.8 ← 23: 10.7x ↑ 24: 10.4x ↑ 25: 10.2x → 26: 10.6x ↓ 27: 9.5 ← 28: 9.3 ← 29: 10.2x ↓ 30: 9.8 ← |
| | | Serie 100.5 | | Serie 101.1 | |
| | | Total 201.6 | | Total 302.7 | |
| 60 Skott |  | 31: 9.9 ← 32: 10.2x ← 33: 10.2x ↘ 34: 10.2x ↖ 35: 10.7x ← 36: 9.9 ↑ 37: 10.8x ↓ 38: 10.1 ← 39: 10.6x ↗ 40: 10.8x ↑ | | | |
| | | Serie 103.4 | | | |
| | | Total 406.1 | | | |

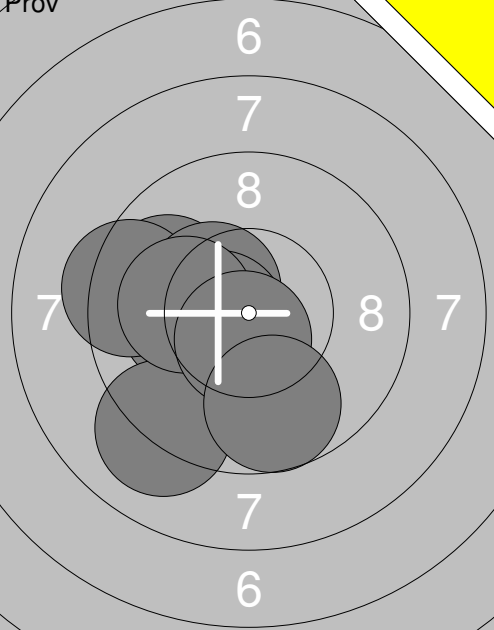
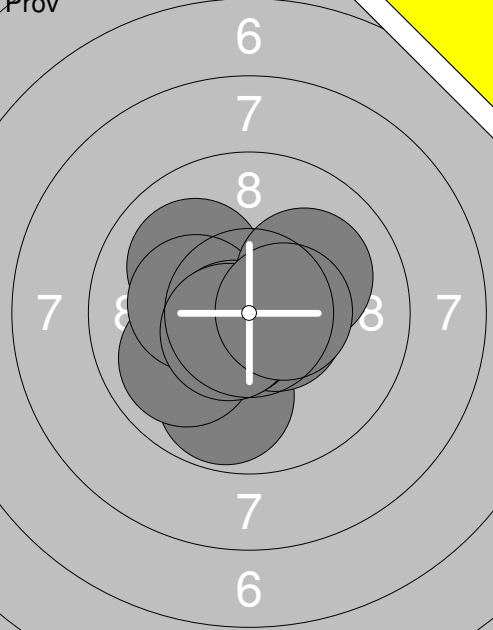
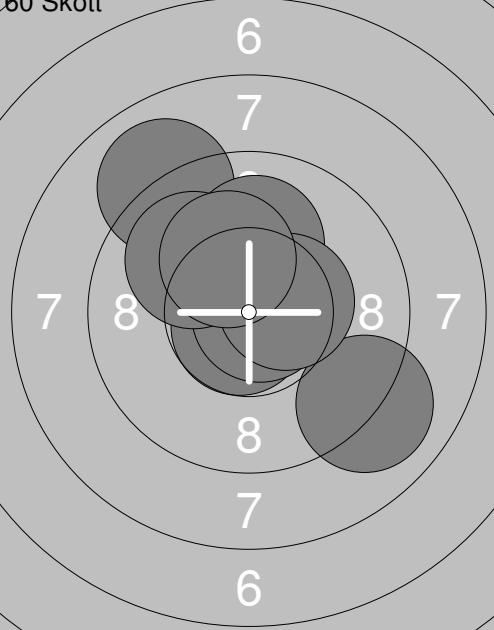
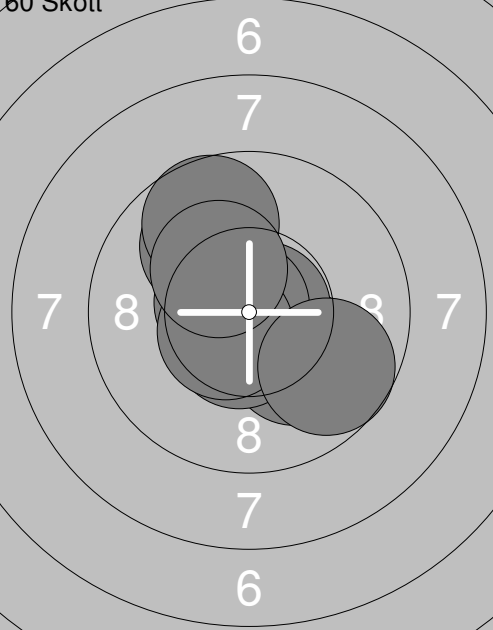
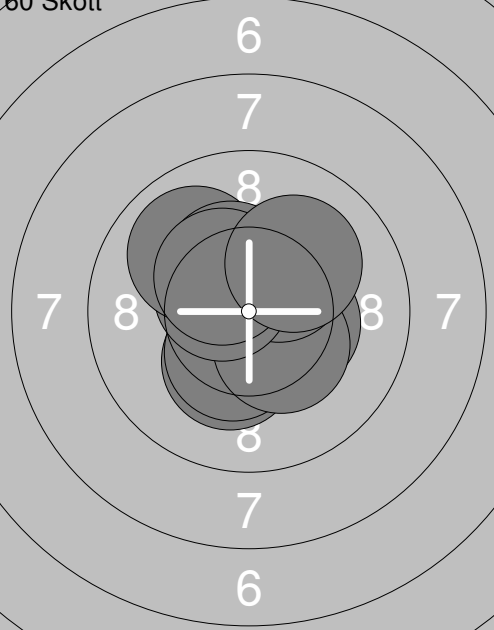
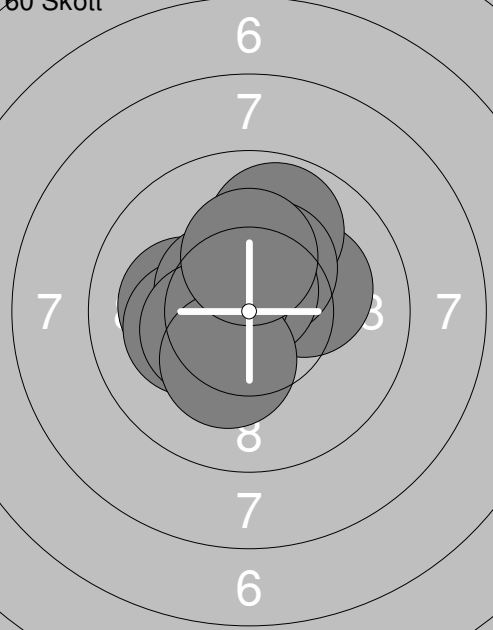
| | | | |
|----------------------|---|-------------------------|--|
| Skjutlag 1 | Tavla 28 | Hanna Augustsson | |
| S | | Vännäs | |
| 18.11.2017 | | Drängsmarksskyttet 2017 | Umeå skytteallians |
| Pröv | 1: 10.0 ↘ 2: 10.9x ← 3: 10.4x → 4: 10.4x ↗ 5: 10.7x ↗ 6: 9.8 ↓ 7: 10.7x → 8: 10.5x ↙ 9: 10.4x → 10: 10.1 ↘ Serie 103.9 Total 0.0 | Pröv | 11: 10.1 ← 12: 10.4x ↗ 13: 9.7 ↓ 14: 10.7x ↓ 15: 10.6x ↗ 16: 10.3x ← 17: 10.0 ↙ 18: 10.2x ← 19: 10.3x ↓ 20: 10.7x ↘ Serie 103.0 Total 0.0 |
| Pröv | 21: 10.4x ↘ 22: 10.1 ← 23: 10.8x ↑ 24: 10.4x ↑ 25: 10.7x → Serie 52.4 Total 0.0 | 60 Skott | 1: 10.4x ↘ 2: 10.3x → 3: 10.2x ↓ 4: 10.8x ← 5: 10.5x ↗ 6: 10.5x → 7: 10.7x ↓ 8: 10.4x ↗ 9: 10.6x → 10: 10.3x → Serie 104.7 Total 104.7 |
| 60 Skott | 11: 10.7x ↗ 12: 10.7x ↙ 13: 10.0 ↗ 14: 9.7 ↗ 15: 10.2x ↗ 16: 10.5x ↗ 17: 10.3x → 18: 10.7x ↑ 19: 10.6x ↓ 20: 10.7x ↘ Serie 104.1 Total 208.8 | 60 Skott | 21: 10.6x ← 22: 10.5x ↙ 23: 10.6x → 24: 10.1 ↑ 25: 10.0 → 26: 10.9x → 27: 10.8x ↗ 28: 10.4x ↗ 29: 9.9 ← 30: 10.7x ↗ Serie 104.5 Total 313.3 |
| 60 Skott | 31: 10.1 ↗ 32: 10.1 ↗ 33: 10.5x ← 34: 10.2x → 35: 10.4x ← 36: 10.4x ↗ 37: 10.3x ↗ 38: 10.7x → 39: 10.0 ↘ 40: 10.7x ↗ Serie 103.4 Total 416.7 | | |

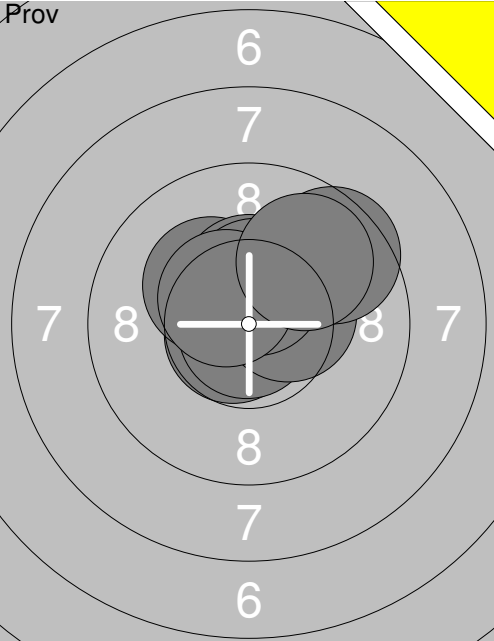
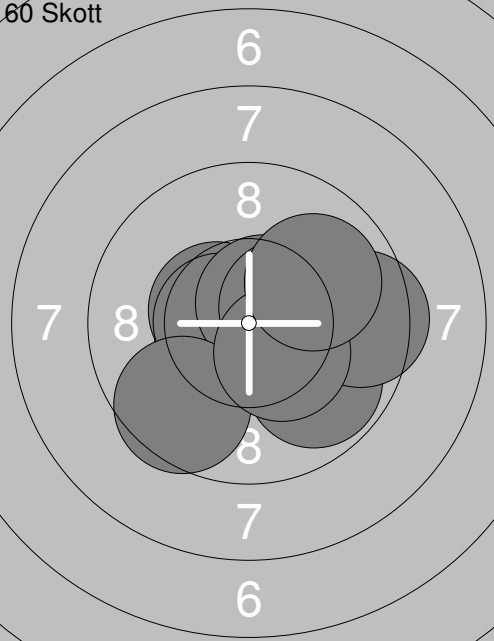
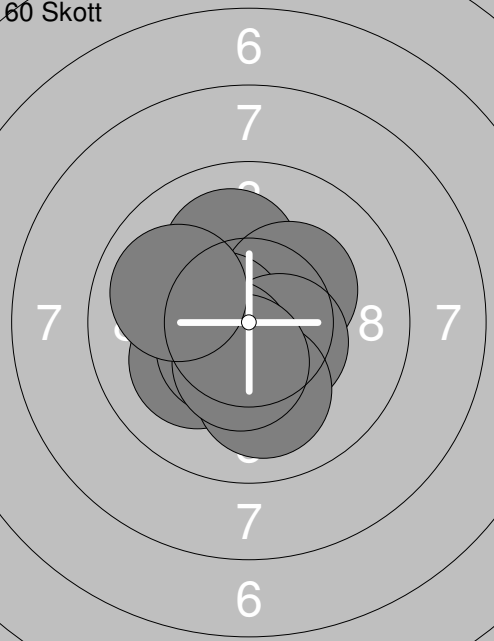
| | | | | | |
|----------------------|--------------------|--|--------------------|--|---|
| Skjutlag 1 | Tavla 29 | Hanna Åsberg | | | |
| S | | Ramselefors | | | |
| 18.11.2017 | | Drängsmarksskyttet 2017 | Umeå skytteallians | | |
| Prov | | 1: 10.5x ↙ 2: 9.8 ↙ 3: 10.8x ↓ 4: 9.9 ↙ 5: 9.9 ↙ 6: 10.8x ↙ 7: 10.1 ← 8: 10.3x ↓ 9: 10.1 ↑ 10: 10.5x ↑ Serie 102.7 Total 0.0 | Prov | | 11: 10.4x ↗ 12: 10.0 ↖ 13: 10.4x ↑ 14: 10.1 ↑ 15: 10.0 ↖ 16: 10.5x ↗ 17: 10.7x → 18: 10.3x ↑ 19: 10.8x ↘ 20: 10.7x ↖ Serie 103.9 Total 0.0 |
| Prov | | 21: 10.5x ↑ 22: 10.0 ↑ 23: 9.6 ↑ 24: 10.8x → 25: 10.2x ↑ 26: 9.7 → 27: 9.9 ↗ 28: 9.9 ↗ 29: 10.5x ↓ 30: 9.9 ↑ Serie 101.0 Total 0.0 | Prov | | 31: 9.9 ↗ 32: 10.6x ↓ 33: 10.6x ↑ 34: 10.5x ↑ 35: 9.4 ↑ Serie 51.0 Total 0.0 |
| 60 Skott | | 1: 10.0 ↑ 2: 10.5x → 3: 10.9x ↖ 4: 10.8x ↓ 5: 10.8x ↑ 6: 10.8x ↘ 7: 10.7x ↑ 8: 10.8x ↗ 9: 10.1 ← 10: 10.5x ← Serie 105.9 Total 105.9 | 60 Skott | | 11: 10.2x ↗ 12: 10.0 ← 13: 10.2x ↑ 14: 10.1 ← 15: 10.1 ← 16: 10.2x ↖ 17: 10.6x ↓ 18: 9.9 ↑ 19: 9.8 ↑ 20: 10.1 ↗ Serie 101.2 Total 207.1 |
| 60 Skott | | 21: 10.7x ← 22: 10.4x ↗ 23: 9.9 ↗ 24: 10.6x ↑ 25: 10.4x ← 26: 10.0 → 27: 10.2x ↓ 28: 10.0 ↗ 29: 10.6x ← 30: 10.2x ↗ Serie 103.0 Total 310.1 | 60 Skott | | 31: 10.0 ↗ 32: 10.3x ← 33: 10.2x ↑ 34: 9.3 ↑ 35: 10.0 ↓ 36: 9.7 ↖ 37: 10.7x ← 38: 10.1 ← 39: 10.5x → 40: 9.8 ↓ Serie 100.6 Total 410.7 |

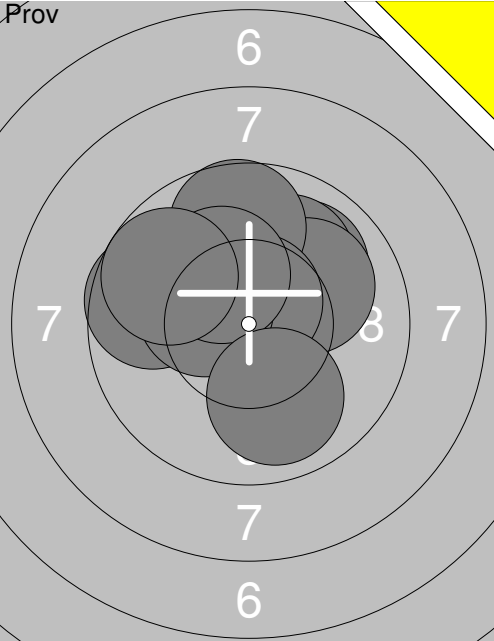
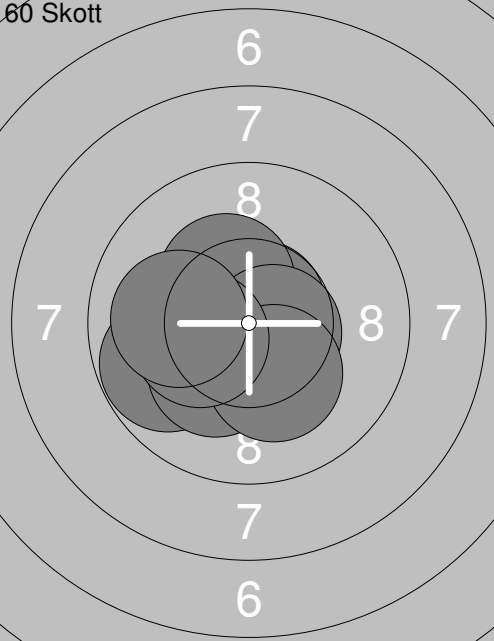
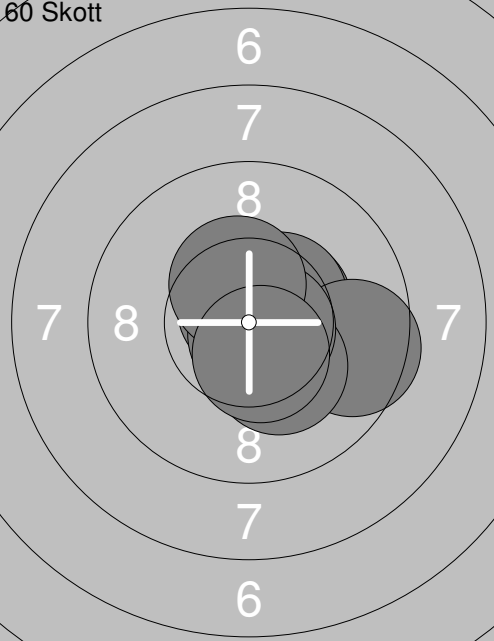
| | | | |
|--|---|--|---|
| <p>Prov</p>  | <p>1: 10.3x↗ 2: 10.5x↗ 3: 10.4x↗ 4: 10.3x↘ 5: 10.3x↘ 6: 10.5x↔ 7: 10.3x↘ 8: 10.5x↗ 9: 10.7x↘ 10: 10.8x↘</p> <p>Serie 104.6 Total 0.0</p> | <p>Prov</p>  | <p>11: 10.6x↗ 12: 10.2x↗ 13: 10.6x↘ 14: 10.8x↘ 15: 10.4x↗</p> <p>Serie 52.6 Total 0.0</p> |
| <p>60 Skott</p>  | <p>1: 10.5x↘ 2: 10.7x↘ 3: 10.6x↗ 4: 10.6x↗ 5: 10.5x↘ 6: 10.6x↘ 7: 10.5x↔ 8: 10.4x➔ 9: 10.4x↔ 10: 10.5x↔</p> <p>Serie 105.3 Total 105.3</p> | <p>60 Skott</p>  | <p>11: 10.1 ↗ 12: 10.2x↗ 13: 10.1 ➔ 14: 10.1 ↗ 15: 10.2x↗ 16: 10.1 ↗ 17: 10.4x↗ 18: 10.7x↗ 19: 10.6x↘ 20: 10.6x↘</p> <p>Serie 103.1 Total 208.4</p> |
| <p>60 Skott</p>  | <p>21: 10.3x↗ 22: 10.0 ↗ 23: 10.6x↘ 24: 10.1 ↘ 25: 10.7x↗ 26: 10.7x↗ 27: 10.4x↘ 28: 10.6x↔ 29: 10.8x➔ 30: 10.6x↘</p> <p>Serie 104.8 Total 313.2</p> | <p>60 Skott</p>  | <p>31: 10.7x↔ 32: 10.5x↘ 33: 10.9x↘ 34: 10.4x↘ 35: 10.6x↔ 36: 10.8x↘ 37: 10.7x↔ 38: 10.5x↘ 39: 10.6x↘ 40: 10.0 ↙</p> <p>Serie 105.7 Total 418.9</p> |

| | | | | | |
|----------------------|--|--|---------------------------|--|---|
| Skjutlag 1 | Tavla 31 | Oskar Jonsson | | | |
| S | | Vännäs | | | |
| 18.11.2017 | | Drängsmarksskyttet 2017 | Umeå skytteallians | | |
| Prov |  | 1: 10.1 ← 2: 9.6 ↙ 3: 9.7 ↗ 4: 9.0 ↓ 5: 9.6 ← 6: 10.1 ↗ 7: 9.9 ↓ 8: 10.2x ↓ 9: 10.2x ↑ 10: 9.7 ↙ Serie 98.1 Total 0.0 | Prov |  | 11: 10.3x ← 12: 9.7 ↙ 13: 10.6x ↓ 14: 9.0 ← 15: 8.3 ↗ 16: 10.0 ← 17: 10.4x ← 18: 9.4 ↑ 19: 9.1 ← 20: 10.2x ↙ Serie 97.0 Total 0.0 |
| Prov |  | 21: 9.6 ↑ 22: 10.3x ← 23: 9.5 ↙ 24: 10.9x ↗ 25: 10.4x ← 26: 10.5x ← 27: 10.7x ↗ 28: 10.3x ↙ Serie 82.2 Total 0.0 | 60 Skott |  | 1: 10.6x ↓ 2: 10.0 ↑ 3: 9.6 ← 4: 8.8 ↗ 5: 10.4x ↑ 6: 9.4 ↓ 7: 10.2x ↗ 8: 10.6x ↗ 9: 10.1 ↗ 10: 10.2x ↓ Serie 99.9 Total 99.9 |
| 60 Skott |  | 11: 9.4 ← 12: 9.4 ↑ 13: 9.6 ↑ 14: 10.1 ↗ 15: 8.7 ↗ 16: 9.9 ↗ 17: 10.1 ↓ 18: 10.1 ↓ 19: 10.3x ← 20: 10.6x ↗ Serie 98.2 Total 198.1 | 60 Skott |  | 21: 10.5x ↑ 22: 9.5 ← 23: 10.3x ↓ 24: 10.2x ↓ 25: 10.4x ↓ 26: 10.5x ↗ 27: 9.8 → 28: 10.1 ↓ 29: 10.7x ← 30: 10.4x ← Serie 102.4 Total 300.5 |
| 60 Skott |  | 31: 10.7x → 32: 10.2x ↙ 33: 9.3 ↗ 34: 9.9 ↗ 35: 10.7x ↗ 36: 10.2x ↓ 37: 10.6x ↓ 38: 10.0 ↘ 39: 10.0 ↑ 40: 9.7 ↑ Serie 101.3 Total 401.8 | | | |

| Skjutlag | Tavla | Irma Karlsson | |
|------------|--|---|--|
| S | Vännäs | | |
| 18.11.2017 | Drängsmarksskyttet 2017 | Umeå skytteallians | |
| Prov |  | 1: 9.7 ← 2: 10.2x↘ 3: 10.0 ↘ 4: 10.4x→ 5: 10.2x↘ 6: 9.6 ↘ 7: 10.0 ↘ 8: 10.4x↘ 9: 10.4x↗ 10: 9.9 ↘ Serie 100.8 Total 0.0 | 11: 10.8x↘ 12: 10.5x↘ 13: 10.4x↗ 14: 10.2x↘ 15: 10.7x↘ 16: 10.8x↗ 17: 10.2x↗ 18: 10.2x↗ 19: 10.5x↗ Serie 94.3 Total 0.0 |
| 60 Skott |  | 1: 10.6x↑ 2: 10.4x↘ 3: 10.2x↘ 4: 10.7x↗ 5: 10.8x↗ 6: 10.5x↑ 7: 10.0 ↗ 8: 10.3x↘ 9: 10.6x↗ 10: 10.8x↘ Serie 104.9 Total 104.9 | 11: 10.4x→ 12: 10.2x↗ 13: 10.0 ↘ 14: 10.1 ↖ 15: 10.6x↗ 16: 10.7x↗ 17: 10.6x↑ 18: 10.8x↘ 19: 10.7x↘ 20: 10.6x↘ Serie 104.7 Total 209.6 |
| 60 Skott |  | 21: 10.4x↗ 22: 10.2x↑ 23: 10.3x↗ 24: 10.7x↘ 25: 10.1← 26: 10.5x↘ 27: 10.8x→ 28: 10.7x↘ 29: 10.4x↘ 30: 10.7x↘ Serie 104.8 Total 314.4 | 31: 10.4x↗ 32: 10.7x↘ 33: 10.7x↘ 34: 9.9 ← 35: 10.9x↗ 36: 10.7x↘ 37: 10.1 ↘ 38: 10.2x↘ 39: 10.1← 40: 10.4x↘ Serie 104.1 Total 418.5 |

| | | | |
|--|--|--|---|
| <p>Prov</p>  | <p>1: 10.2x↙</p> <p>2: 9.8 ↙</p> <p>3: 9.4 ↙</p> <p>4: 10.4x↘</p> <p>5: 10.5x↘</p> <p>6: 10.5x↙</p> <p>7: 9.1 ↘</p> <p>8: 10.1↙</p> <p>9: 10.6x↘</p> <p>10: 9.7 ↘</p> <p>Serie 100.3</p> <p>Total 0.0</p> | <p>Prov</p>  | <p>11: 10.5x↙</p> <p>12: 9.8 ↘</p> <p>13: 9.9 ↙</p> <p>14: 10.0 ↙</p> <p>15: 10.2x↙</p> <p>16: 10.6x➔</p> <p>17: 10.7x↘</p> <p>18: 10.6x↙</p> <p>19: 10.1 ↗</p> <p>20: 10.5x➔</p> <p>Serie 102.9</p> <p>Total 0.0</p> |
| <p>60 Skott</p>  | <p>1: 10.6x↘</p> <p>2: 10.7x↘</p> <p>3: 10.6x➔</p> <p>4: 9.0 ↗</p> <p>5: 10.1 ↗</p> <p>6: 10.8x➔</p> <p>7: 9.0 ↘</p> <p>8: 10.5x➔</p> <p>9: 10.0 ↙</p> <p>10: 10.2x↗</p> <p>Serie 101.5</p> <p>Total 101.5</p> | <p>60 Skott</p>  | <p>11: 9.9 ↗</p> <p>12: 10.1 ↘</p> <p>13: 9.7 ↗</p> <p>14: 10.8x➔</p> <p>15: 10.6x↘</p> <p>16: 10.6x↙</p> <p>17: 10.8x↙</p> <p>18: 10.5x↙</p> <p>19: 10.3x↙</p> <p>20: 9.7 ↘</p> <p>Serie 103.0</p> <p>Total 204.5</p> |
| <p>60 Skott</p>  | <p>21: 10.3x↘</p> <p>22: 10.4x↘</p> <p>23: 10.4x➔</p> <p>24: 10.3x↘</p> <p>25: 10.3x↗</p> <p>26: 10.5x↙</p> <p>27: 9.9 ↙</p> <p>28: 10.4x↗</p> <p>29: 10.4x↙</p> <p>30: 10.1 ↗</p> <p>Serie 103.0</p> <p>Total 307.5</p> | <p>60 Skott</p>  | <p>31: 10.2x➔</p> <p>32: 9.8 ↗</p> <p>33: 10.1↙</p> <p>34: 10.3x↗</p> <p>35: 10.7x↗</p> <p>36: 10.2x↙</p> <p>37: 10.5x↙</p> <p>38: 10.4x↙</p> <p>39: 10.3x↘</p> <p>40: 10.2x↗</p> <p>Serie 102.7</p> <p>Total 410.2</p> |

| Skjutlag | Tavla | Izabell Mikaelsson | |
|------------|--|--|--|
| 1 | 34 | | |
| S | Ramselefors | | |
| 18.11.2017 | Drängsmarksskyttet 2017 | Umeå skytteallians | |
| Prov |  | 1: 10.7x ↘ 2: 10.6x ↗ 3: 10.2x ↘ 4: 10.9x ↘ 5: 10.4x ↗ 6: 10.4x → 7: 10.5x ↗ 8: 10.5x ↘ 9: 9.5 ↗ 10: 9.9 ↗ Serie 103.6 Total 0.0 | 11: 10.1 ↗ 12: 10.3x ↗ 13: 10.6x ↗ 14: 10.8x → 15: 10.7x ↘ Serie 52.5 Total 0.0 |
| 60 Skott |  | 1: 10.5x ↘ 2: 10.4x ↘ 3: 10.6x ↘ 4: 10.6x ↗ 5: 10.4x → 6: 9.8 ↘ 7: 9.6 ↘ 8: 9.5 → 9: 10.4x ↘ 10: 10.0 ↗ Serie 101.8 Total 101.8 | 11: 10.1 ↗ 12: 10.5x → 13: 10.7x → 14: 10.1 ↘ 15: 10.5x ↘ 16: 10.6x → 17: 10.8x ↗ 18: 10.7x ↘ 19: 10.3x ↘ 20: 10.2x ↘ Serie 104.5 Total 206.3 |
| 60 Skott |  | 21: 10.5x ↘ 22: 10.1 ↗ 23: 10.1 ↘ 24: 10.3x ↗ 25: 10.6x ↘ 26: 10.5x ↘ 27: 10.1 ↘ 28: 10.5x ↘ 29: 10.4x ↘ 30: 10.0 ↘ Serie 103.1 Total 309.4 | 31: 10.0 ↗ 32: 9.4 ↘ 33: 9.7 → 34: 9.8 ↘ 35: 10.2x ↘ 36: 10.9x ↘ 37: 10.1 ↘ 38: 10.0 ↘ 39: 10.4x ↘ 40: 9.9 ↘ Serie 100.4 Total 409.8 |

| Skjutlag | Tavla | Elvira Söderlund | |
|------------|--|--|--|
| 1 | 35 | | |
| S | Ramselefors | | |
| 18.11.2017 | Drängsmarksskyttet 2017 | Umeå skytteallians | |
| Prov |  | 1: 10.0 ↗ 2: 10.0 ↗ 3: 10.1 ↗ 4: 9.7 ↑ 5: 9.7 ← 6: 10.7x ↗ 7: 10.3x ↘ 8: 10.2x ↗ 9: 9.7 ↖ 10: 9.9 ↓ Serie 100.3 Total 0.0 | 11: 10.7x ↘ 12: 10.5x ↓ 13: 9.9 ← 14: 10.3x ↘ 15: 10.4x ↘ Serie 51.8 Total 0.0 |
| 60 Skott |  | 1: 10.7x ↗ 2: 10.3x ↘ 3: 10.4x ↘ 4: 9.8 ← 5: 10.5x ↓ 6: 10.6x → 7: 10.2x ↓ 8: 10.2x ↓ 9: 10.3x ↖ 10: 10.0 ← Serie 103.0 Total 103.0 | 11: 10.2x ↓ 12: 10.3x ↗ 13: 10.8x ↗ 14: 10.0 ← 15: 10.2x ↓ 16: 10.5x ↘ 17: 10.6x ↘ 18: 10.5x ↘ 19: 10.3x ↑ 20: 10.1 → Serie 103.5 Total 206.5 |
| 60 Skott |  | 21: 10.4x → 22: 10.8x ↗ 23: 10.5x ↗ 24: 10.7x ↓ 25: 9.6 → 26: 10.8x ↓ 27: 10.3x ↓ 28: 10.7x → 29: 10.4x ↗ 30: 10.5x ↓ Serie 104.7 Total 311.2 | 31: 10.9x ↗ 32: 10.7x ↓ 33: 10.6x ↗ 34: 10.5x ↓ 35: 10.6x → 36: 10.2x ↘ 37: 10.5x ↓ 38: 10.2x ↖ 39: 10.1 ↗ 40: 9.9 ↘ Serie 104.2 Total 415.4 |

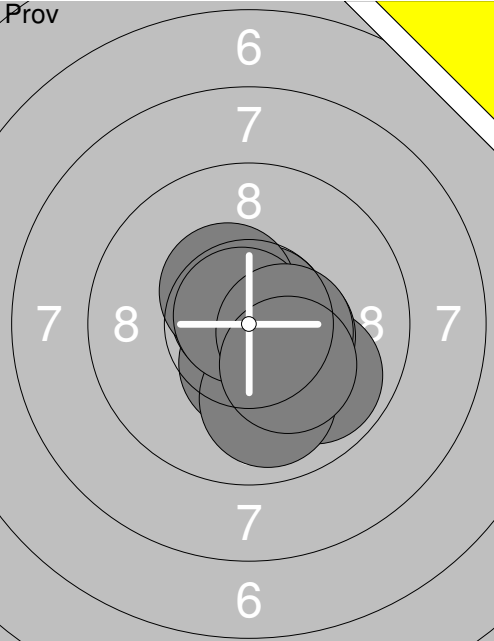
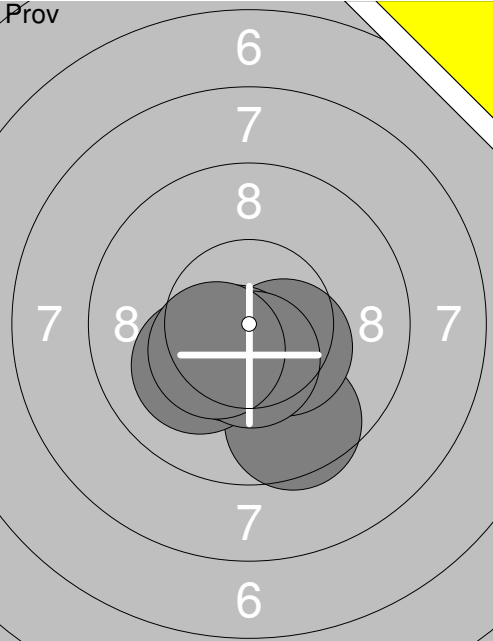
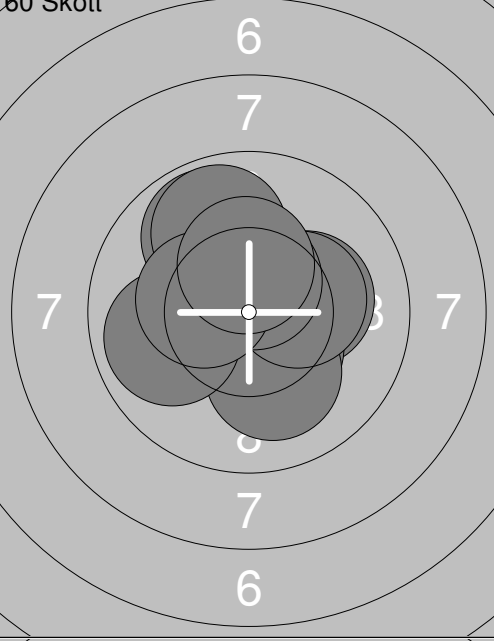
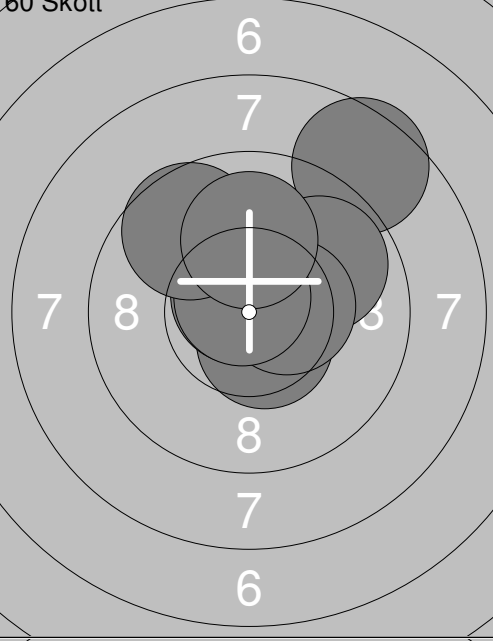
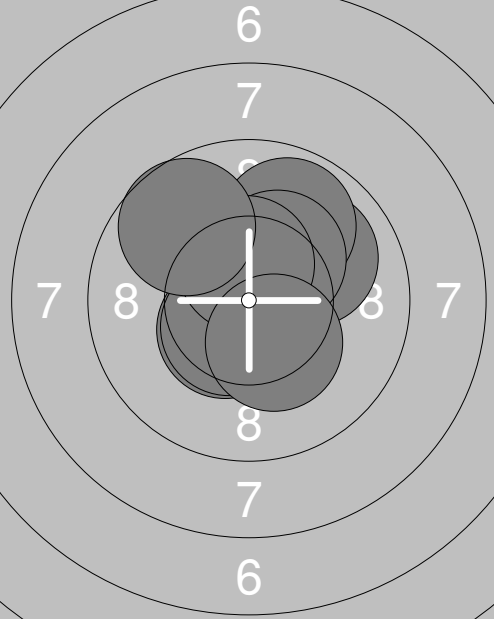
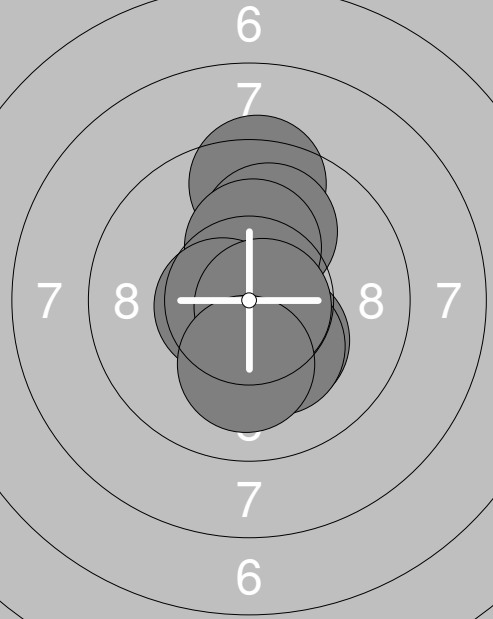
| | | | |
|----------------------|--|--------------------------|---|
| Skjutlag 1 | Tavla 36 | Vilhelm Lundstedt | |
| S | | Ramselefors | |
| 18.11.2017 | | Drängsmarksskyttet 2017 | Umeå skytteallians |
| Prov | 1: 9.5 ↘ 2: 10.2x ↘ 3: 10.0 ↘ 4: 8.9 ↘ 5: 9.5 ↘ 6: 10.4x ← 7: 9.9 ↗ 8: 10.0 → 9: 10.6x → 10: 10.4x ↗ Serie 99.4 Total 0.0 | Prov | 11: 10.7x ↗ 12: 10.7x ↓ 13: 10.3x ↗ 14: 10.3x ← 15: 10.7x ← 16: 10.7x ↑ 17: 10.1 ↓ 18: 10.5x ↓ 19: 9.6 ↖ 20: 9.9 ↘ Serie 103.5 Total 0.0 |
| Prov | 21: 10.2x ↗ 22: 10.5x ↘ 23: 9.8 → 24: 10.3x ↗ 25: 10.7x → 26: 10.7x ↗ 27: 9.9 ↗ 28: 9.9 ↓ 29: 10.6x ↗ Serie 92.6 Total 0.0 | 60 Skott | 1: 10.5x → 2: 9.8 ↗ 3: 10.2x → 4: 10.8x ↗ 5: 10.6x ↓ 6: 10.4x ↗ 7: 9.9 ← 8: 10.3x ↓ 9: 10.1 ↑ 10: 10.6x ← Serie 103.2 Total 103.2 |
| 60 Skott | 11: 10.5x ← 12: 9.7 ↑ 13: 10.4x ↗ 14: 10.9x ↑ 15: 10.1 ↑ 16: 10.2x ↗ 17: 10.3x ↓ 18: 10.5x ↓ 19: 10.1 ← 20: 10.3x ← Serie 103.0 Total 206.2 | 60 Skott | 21: 10.3x ↓ 22: 10.5x ↗ 23: 9.6 ↗ 24: 10.8x ↗ 25: 10.7x → 26: 9.9 ↗ 27: 10.7x ↗ 28: 10.6x ← 29: 10.5x ↓ 30: 10.1 ← Serie 103.7 Total 309.9 |
| 60 Skott | 31: 10.5x ↗ 32: 10.5x ↘ 33: 10.7x ↓ 34: 10.6x ↗ 35: 10.4x → 36: 10.6x ↓ 37: 10.3x ↗ 38: 10.4x ↗ 39: 10.6x ↓ 40: 10.6x ↗ Serie 105.2 Total 415.1 | | |

| Skjutlag | Tavla | Ville Ketolainen | |
|-------------------|---|--------------------------------|---|
| 2 | 1 | | |
| S | | IMAS | |
| 18.11.2017 | | Drängsmarksskyttet 2017 | |
| Prov | | Umeå skytteallians | |
| | 1: 7.6 ← 2: 8.6 → 3: 9.6 ↗ 4: 9.4 → 5: 10.2x ↘ 6: 9.9 ↗ 7: 10.2x → 8: 10.2x ↑ 9: 10.2x ↓ 10: 10.6x ↑ Serie 96.5 Total 0.0 | | 11: 9.7 ← 12: 10.3x ↓ Serie 20.0 Total 0.0 |
| 60 Skott | 1: 7.5 ↗ 2: 9.2 ← 3: 7.5 → 4: 10.6x ↘ 5: 9.5 ↗ 6: 10.2x ↘ 7: 8.9 ↘ 8: 9.2 → 9: 9.8 → 10: 10.5x ↘ Serie 92.9 Total 92.9 | 60 Skott | 11: 10.3x ↗ 12: 10.1 ↖ 13: 8.4 ← 14: 9.6 ↓ 15: 9.1 → 16: 9.9 ↓ 17: 9.8 → 18: 10.0 ← 19: 10.0 → 20: 10.8x ↓ Serie 98.0 Total 190.9 |
| 60 Skott | 21: 10.4x ↗ 22: 9.7 ↘ 23: 9.3 → 24: 9.7 ↓ 25: 9.9 ← 26: 10.3x → 27: 10.4x ↘ 28: 10.4x ↑ 29: 9.3 → 30: 10.3x ← Serie 99.7 Total 290.6 | 60 Skott | 31: 10.6x ← 32: 10.4x ↑ 33: 9.4 → 34: 9.6 → 35: 9.8 ↗ 36: 10.3x → 37: 10.6x → 38: 9.8 → 39: 10.0 ↗ 40: 10.7x → Serie 101.2 Total 391.8 |
| 60 Skott | 41: 8.3 ← 42: 9.5 ↗ 43: 10.8x ↘ 44: 8.3 ← 45: 8.0 → 46: 9.9 → 47: 10.0 → 48: 10.3x ↗ 49: 9.6 ↗ 50: 8.4 → Serie 93.1 Total 484.9 | 60 Skott | 51: 8.3 → 52: 10.2x ↗ 53: 9.5 ↗ 54: 10.1 ↗ 55: 10.0 ← 56: 9.8 ← 57: 10.2x ↘ 58: 10.3x ↗ 59: 9.7 ↗ 60: 9.7 ← Serie 97.8 Total 582.7 |

| | | |
|--|---|--|
| | | |
| <p>1: 10.6x ↘</p> <p>2: 9.4 ↙</p> <p>3: 10.1 ↖</p> <p>4: 9.0 ←</p> <p>5: 9.3 ↓</p> <p>6: 8.6 ↗</p> <p>7: 8.8 →</p> <p>8: 8.4 →</p> <p>9: 9.6 ↓</p> <p>10: 10.5x ↘</p> <p>Serie 94.3</p> <p>Total 0.0</p> | <p>11: 8.5 ↖</p> <p>12: 9.4 ↑</p> <p>13: 10.2x →</p> <p>Serie 28.1</p> <p>Total 0.0</p> | |

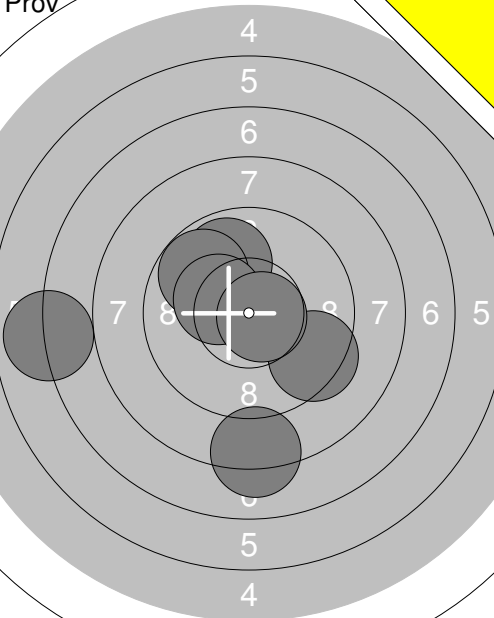
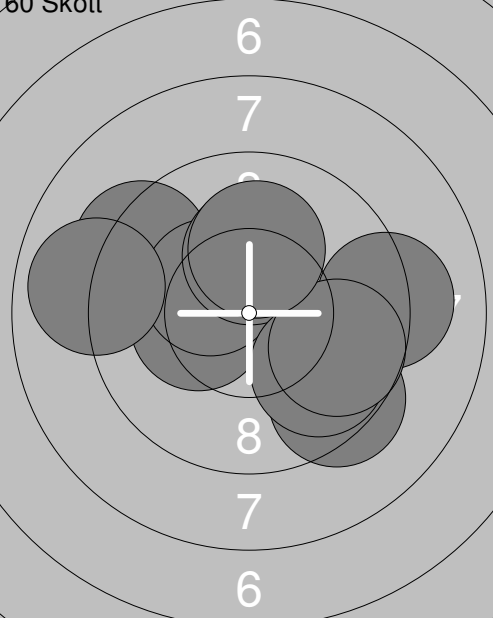
| | | |
|--|---|--|
| | | |
| <p>1: 8.0 ←</p> <p>2: 9.6 ↗</p> <p>3: 6.4 →</p> <p>4: 7.0 →</p> <p>5: 8.2 →</p> <p>6: 9.4 ↓</p> <p>7: 10.5x ↓</p> <p>8: 9.2 ↑</p> <p>9: 8.9 ↗</p> <p>10: 9.2 →</p> <p>Serie 86.4</p> <p>Total 86.4</p> | <p>11: 10.1 ↓</p> <p>12: 10.3x ↘</p> <p>13: 8.9 →</p> <p>14: 7.8 ←</p> <p>15: 8.7 ←</p> <p>16: 9.8 ←</p> <p>17: 9.0 →</p> <p>18: 10.7x ↘</p> <p>19: 9.2 ↓</p> <p>20: 10.5x ↘</p> <p>Serie 95.0</p> <p>Total 181.4</p> | |

| | | |
|--|--|--|
| | | |
| <p>21: 8.9 ↖</p> <p>22: 6.6 ←</p> <p>23: 10.4x ↘</p> <p>24: 9.5 ↗</p> <p>25: 9.7 ↑</p> <p>26: 9.7 ←</p> <p>27: 10.3x ↘</p> <p>28: 9.1 →</p> <p>29: 9.3 ↖</p> <p>30: 8.8 ↗</p> <p>Serie 92.3</p> <p>Total 273.7</p> | <p>31: 9.3 ↗</p> <p>32: 9.2 ↓</p> <p>33: 8.9 ↗</p> <p>34: 10.5x →</p> <p>35: 10.6x ↘</p> <p>36: 9.9 ↓</p> <p>37: 8.6 →</p> <p>38: 9.8 ↗</p> <p>39: 9.6 ↗</p> <p>40: 8.7 →</p> <p>Serie 95.1</p> <p>Total 368.8</p> | |

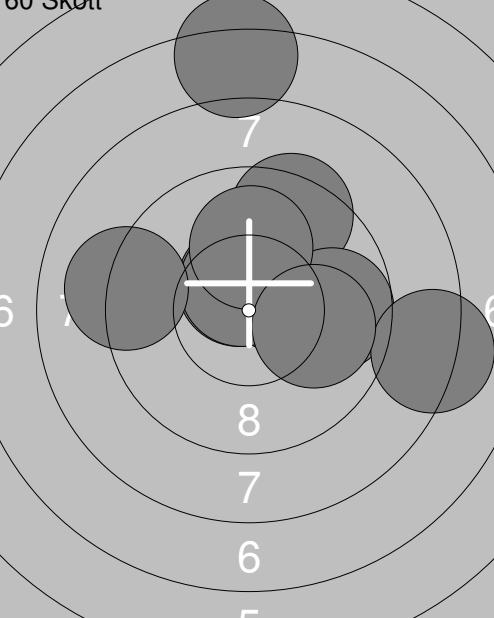
| Skjuttag | Tavla | Nicolle Nygren | |
|--|-------------------------|--|-------------|
| 2 | 3 | | |
| S | Umeå | | |
| 18.11.2017 | Drängsmarksskyttet 2017 | Umeå skytteallians | |
|  | 1: 10.4x↘ |  | 11: 9.6 ↘ |
| | 2: 10.7x↗ | | 12: 10.4x↘ |
| | 3: 9.9 ↘ | | 13: 10.1 ↙ |
| | 4: 10.4x⇒ | | 14: 10.5x↘ |
| | 5: 10.8x↘ | | 15: 10.5x↓ |
| | 6: 9.9 ↘ | | 16: 10.4x↙ |
| | 7: 10.4x↗ | | |
| | 8: 10.8x↘ | | |
| | 9: 10.5x⇒ | | |
| | 10: 10.2x↘ | | |
| | Serie 104.0 | | Serie 61.5 |
| | Total 0.0 | | Total 0.0 |
|  | 1: 10.2x⇒ |  | 11: 8.6 ↗ |
| | 2: 10.4x↘ | | 12: 10.5x↑ |
| | 3: 10.1 ↘ | | 13: 10.4x↑ |
| | 4: 10.3x⇒ | | 14: 10.5x↘ |
| | 5: 10.5x↑ | | 15: 9.8 ↗ |
| | 6: 9.9 ↙ | | 16: 10.4x⇒ |
| | 7: 9.8 ↗ | | 17: 10.7x↘ |
| | 8: 9.9 ↗ | | 18: 10.7x↘ |
| | 9: 10.3x↙ | | 19: 9.6 ↙ |
| | 10: 10.3x↑ | | 20: 10.0 ↑ |
| | Serie 101.7 | | Serie 101.2 |
| | Total 101.7 | | Total 202.9 |
|  | 21: 10.5x↘ |  | 31: 9.4 ↑ |
| | 22: 10.3x↑ | | 32: 10.0 ↑ |
| | 23: 10.0 ↗ | | 33: 10.7x↑ |
| | 24: 10.7x↓ | | 34: 10.7x↘ |
| | 25: 10.5x↘ | | 35: 10.3x↑ |
| | 26: 9.9 ↗ | | 36: 10.6x↙ |
| | 27: 10.3x↗ | | 37: 10.3x↘ |
| | 28: 10.5x↑ | | 38: 10.2x↘ |
| | 29: 9.7 ↙ | | 39: 10.7x⇒ |
| | 30: 10.3x↓ | | 40: 10.1 ↓ |
| | Serie 102.7 | | Serie 103.0 |
| | Total 305.6 | | Total 408.6 |

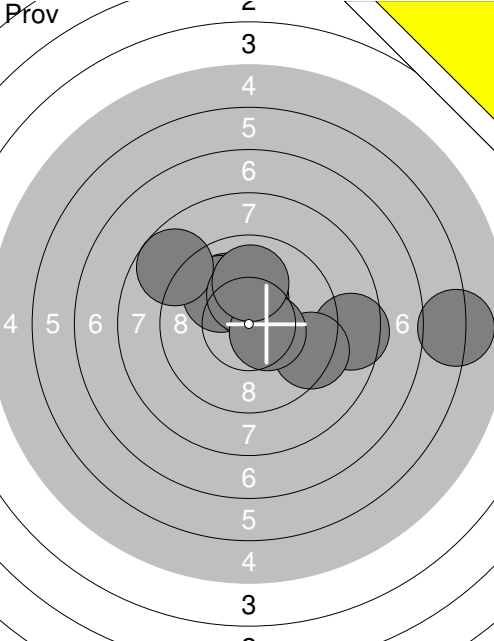
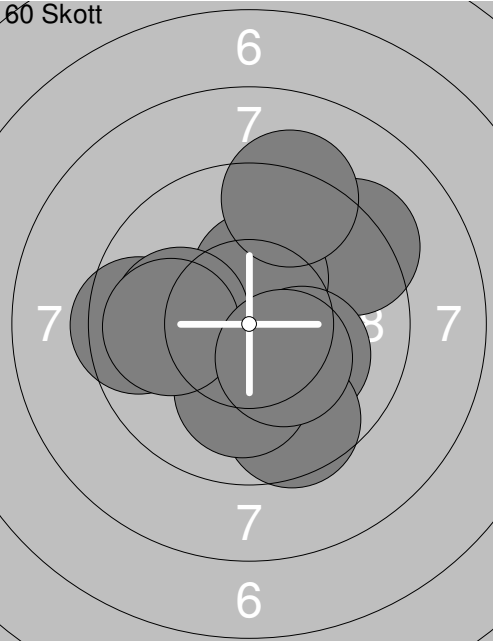
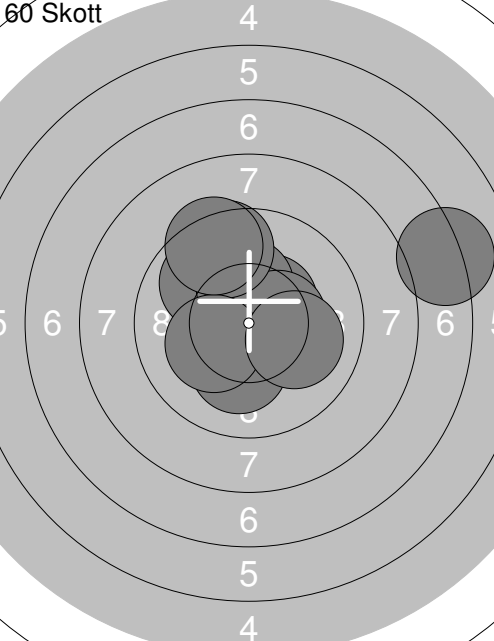
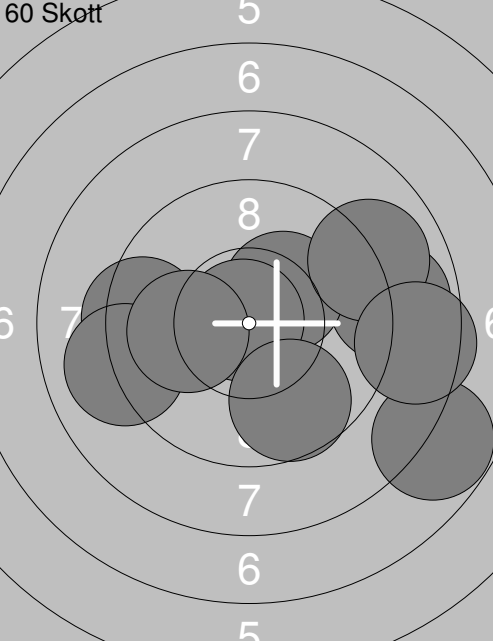
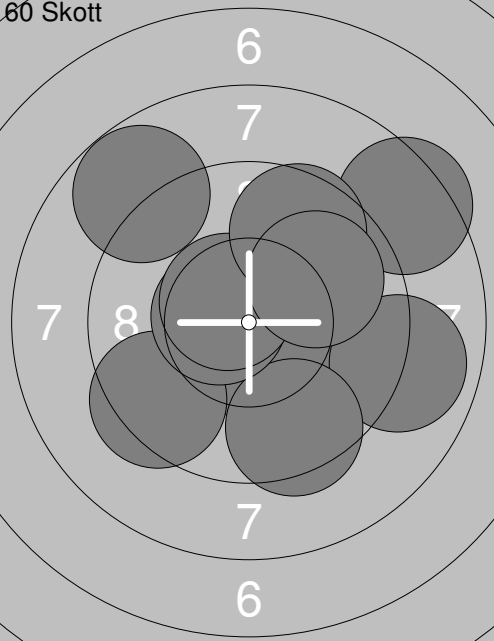
| | | | |
|-----------------|---|-----------------|--|
| <p>Prov</p> | <p>1: 10.9x ↘ 2: 9.7 ↑ 3: 9.0 ↗ 4: 10.4x ↘ 5: 10.0 ↗ 6: 10.4x ↗ 7: 9.6 ↘ 8: 10.2x ↘ 9: 9.9 → 10: 9.8 ←</p> <p>Serie 99.9 Total 0.0</p> | <p>Prov</p> | <p>11: 10.0 ↓ 12: 10.0 ↓ 13: 10.5x ↘ 14: 10.2x ↘ 15: 10.5x ↘</p> <p>Serie 51.2 Total 0.0</p> |
| <p>60 Skott</p> | <p>1: 10.8x ↘ 2: 10.6x ↘ 3: 10.5x ↘ 4: 10.7x ↘ 5: 10.1 ← 6: 10.5x ↗ 7: 10.7x ↘ 8: 9.4 ↓ 9: 10.4x ↘ 10: 10.4x ↘</p> <p>Serie 104.1 Total 104.1</p> | <p>60 Skott</p> | <p>11: 10.0 ↙ 12: 10.1 ↓ 13: 10.9x ↘ 14: 9.8 ↗ 15: 9.8 ↓ 16: 10.4x ↘ 17: 10.4x ↘ 18: 10.4x ↘ 19: 10.0 ↓ 20: 10.0 ←</p> <p>Serie 101.8 Total 205.9</p> |
| <p>60 Skott</p> | <p>21: 10.6x ↘ 22: 10.3x ↘ 23: 9.9 ↓ 24: 9.7 ↓ 25: 10.2x ↘ 26: 10.6x ↘ 27: 10.3x ↗ 28: 10.4x ↗ 29: 10.1 ← 30: 9.5 ↖</p> <p>Serie 101.6 Total 307.5</p> | <p>60 Skott</p> | <p>31: 10.3x ↘ 32: 10.8x ↘ 33: 10.3x ↘ 34: 9.9 ↓ 35: 9.9 ← 36: 9.9 ← 37: 9.9 ↖ 38: 10.7x ↗ 39: 10.8x ↘ 40: 10.3x ↘</p> <p>Serie 102.8 Total 410.3</p> |

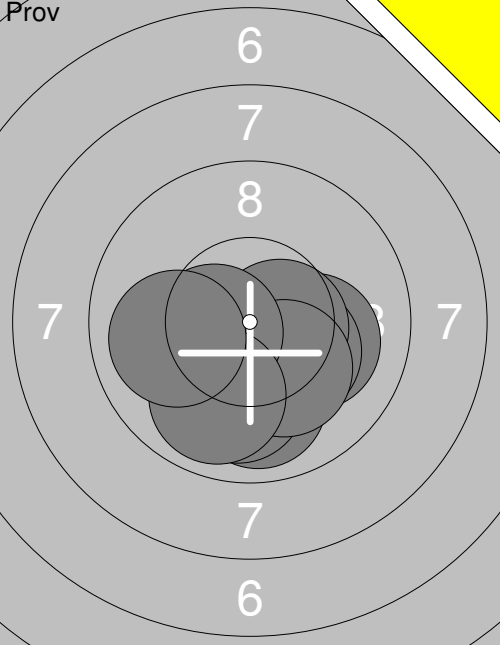
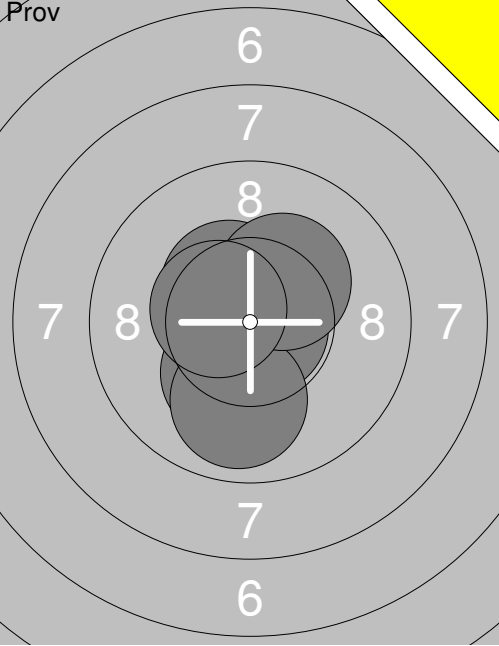
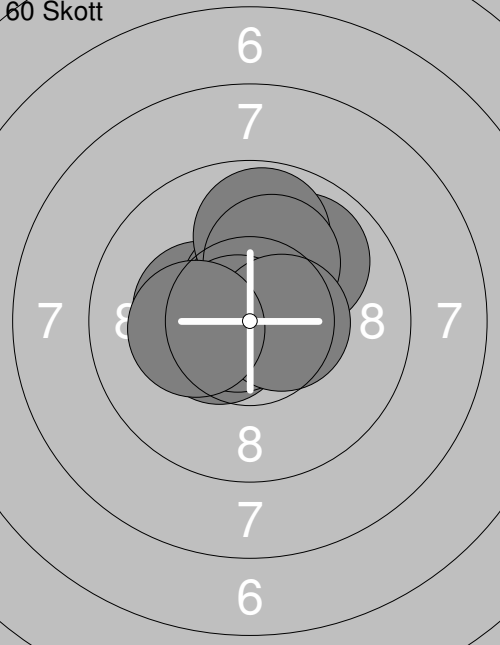
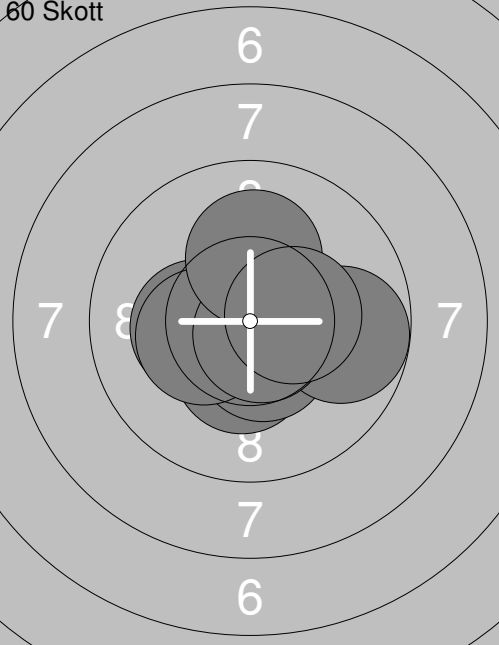
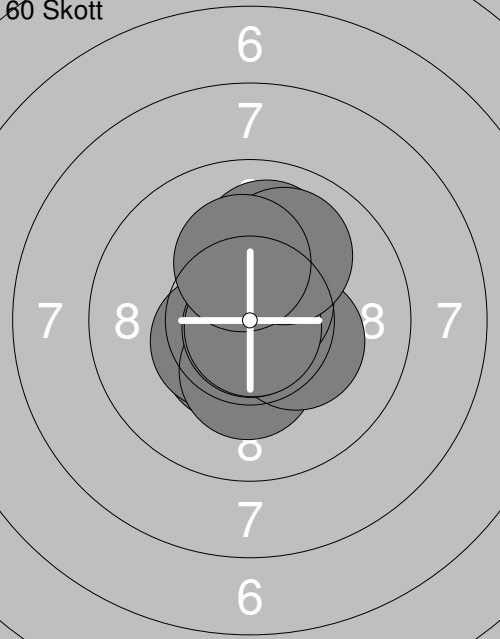
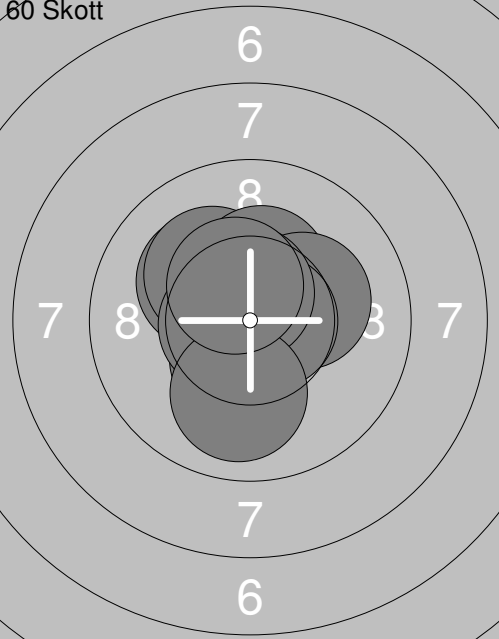
| Skjutlag | Tavla | Hanna Augustsson | |
|------------|---------------------------|--|--|
| S | Vännäs | | |
| 18.11.2017 | Drängsmarksskyttet 2017 | Umeå skytteallians | |
| Pröv | | 1: 5.7 ↓ 2: 9.9 ← 3: 3.9 ↓ 4: 5.2 ↓ 5: 8.1 ↓ 6: 6.8 ↓ 7: 8.6 ← 8: 8.5 ← 9: 9.9 ↓ 10: 8.7 ← | Pröv |
| | Serie 75.3 Total 0.0 | | 11: 8.0 ↘ 12: 9.7 ↘ 13: 10.1 ← 14: 8.3 ← |
| 60 Skott | | 1: 10.6x↘ 2: 7.1 → 3: 10.4x→ 4: 10.3x↓ 5: 9.2 ← 6: 9.0 ← 7: 7.3 → 8: 8.5 ↗ 9: 10.3x↘ 10: 6.4 → | Serie 36.1 Total 0.0 |
| | Serie 89.1 Total 89.1 | | 11: 10.1 ↖ 12: 8.2 → 13: 10.4x↗ 14: 10.1 ↓ 15: 9.7 ↘ 16: 9.6 ← 17: 10.5x↗ 18: 9.7 ↖ 19: 8.8 ↘ 20: 9.0 → |
| 60 Skott | | 21: 7.1 → 22: 9.7 ↗ 23: 9.4 ↓ 24: 7.2 → 25: 8.4 ← 26: 9.4 ↗ 27: 9.0 ↗ 28: 8.1 ↓ 29: 9.8 ← 30: 9.2 → | Serie 96.1 Total 185.2 |
| | Serie 87.3 Total 272.5 | | 31: 9.5 ↓ 32: 9.4 ← 33: 7.8 ↖ 34: 9.4 ↓ 35: 9.3 ↗ 36: 9.7 ← 37: 9.0 → 38: 9.4 ↗ 39: 10.3x↘ 40: 9.6 → |
| 60 Skott | | | Serie 93.4 Total 365.9 |

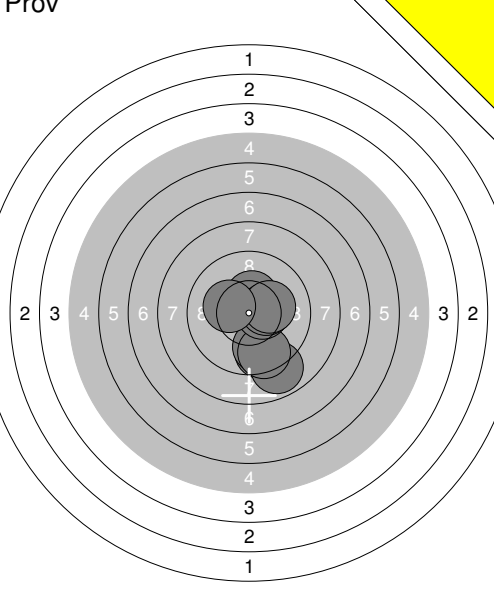

| | | | |
|---|--|--|---|
| <div style="display: flex; justify-content: space-between;"> Prov </div>  | <p>60 Skott</p>  | <p>1: 9.9 ↗</p> <p>2: 9.4 ↘</p> <p>3: 9.8 ↗</p> <p>4: 10.3x ↘</p> <p>5: 7.0 ←</p> <p>6: 8.2 ↓</p> <p>7: 10.7x →</p> <hr/> <p>Serie 65.3</p> <p>Total 0.0</p> | <p>1: 9.3 ↖</p> <p>2: 9.4 ↘</p> <p>3: 10.3x ↖</p> <p>4: 10.3x ↖</p> <p>5: 10.2x ↗</p> <p>6: 9.8 ↘</p> <p>7: 9.2 →</p> <p>8: 9.7 ↘</p> <p>9: 10.1 ↗</p> <p>10: 8.9 ←</p> <hr/> <p>Serie 97.2</p> <p>Total 97.2</p> |
|---|--|--|---|


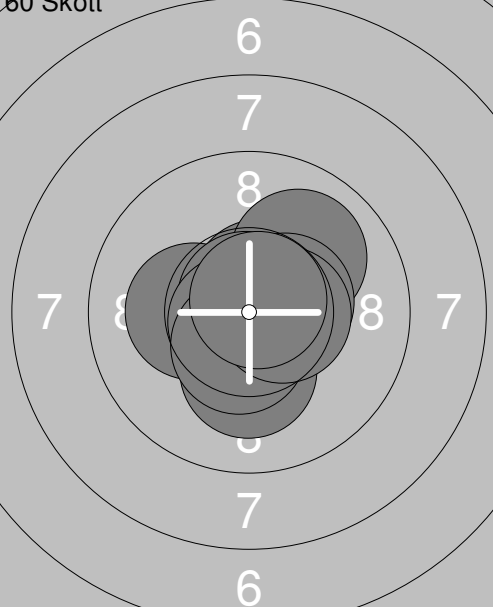
| | | | |
|---|---|---|--|
| <p>60 Skott</p>  | <p>60 Skott</p>  | <p>11: 9.5 →</p> <p>12: 9.3 ↘</p> <p>13: 9.2 ↓</p> <p>14: 10.6x ↘</p> <p>15: 10.0 ↘</p> <p>16: 8.5 ↓</p> <p>17: 9.1 ↓</p> <p>18: 9.3 ↑</p> <p>19: 9.1 ↖</p> <p>20: 9.0 ↗</p> <hr/> <p>Serie 93.6</p> <p>Total 190.8</p> | <p>21: 9.7 ↓</p> <p>22: 10.2x ↓</p> <p>23: 10.7x ↘</p> <p>24: 9.7 ←</p> <p>25: 7.6 ←</p> <p>26: 6.2 ←</p> <p>27: 9.5 ↗</p> <p>28: 8.5 →</p> <p>29: 8.3 ↗</p> <p>30: 10.4x ↗</p> <hr/> <p>Serie 90.8</p> <p>Total 281.6</p> |
|---|---|---|--|

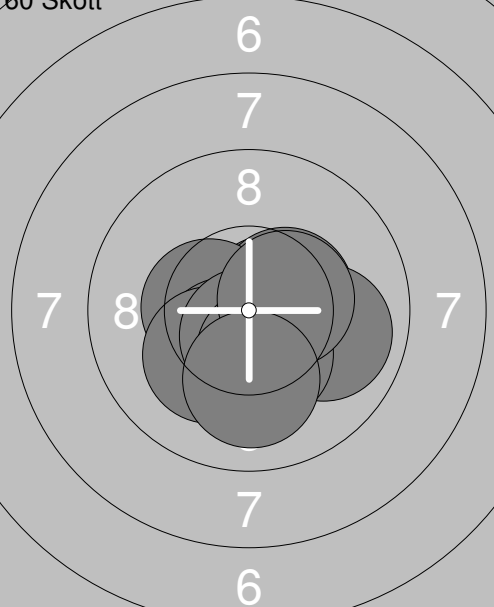
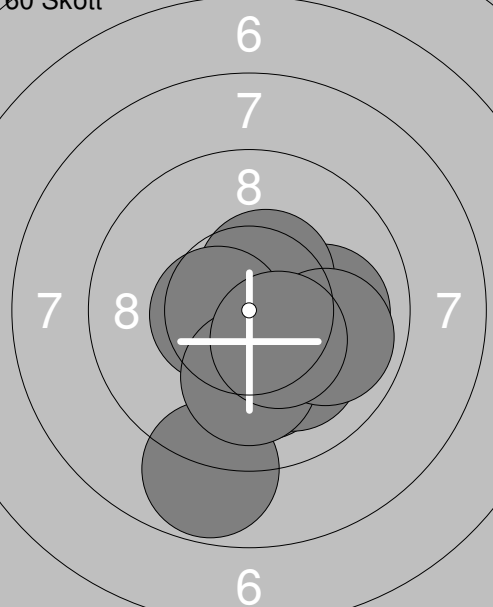
| | | | |
|--|--|--|--|
| <p>60 Skott</p>  | | <p>31: 10.4x ↗</p> <p>32: 9.4 ↗</p> <p>33: 10.5x ↗</p> <p>34: 9.7 →</p> <p>35: 8.2 →</p> <p>36: 10.6x ↗</p> <p>37: 10.0 ↑</p> <p>38: 9.1 ←</p> <p>39: 10.0 →</p> <p>40: 7.2 ↑</p> <hr/> <p>Serie 95.1</p> <p>Total 376.7</p> | |
|--|--|--|--|

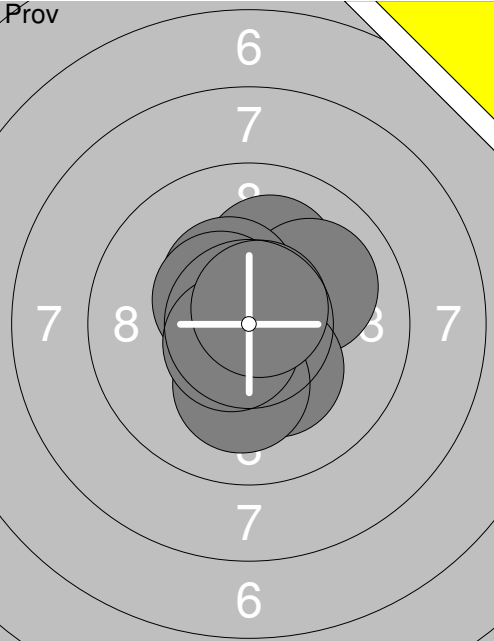
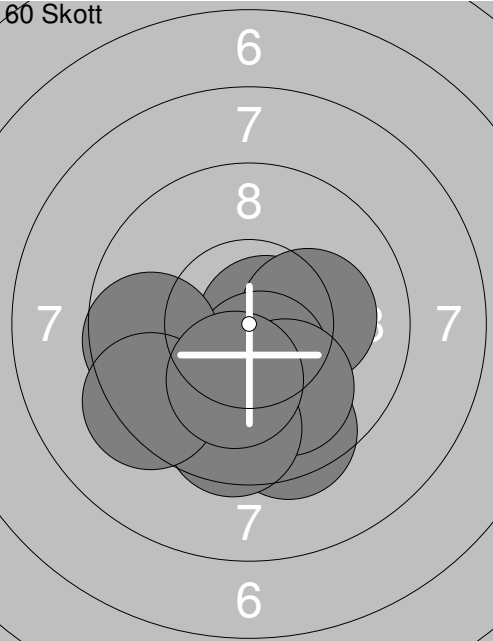
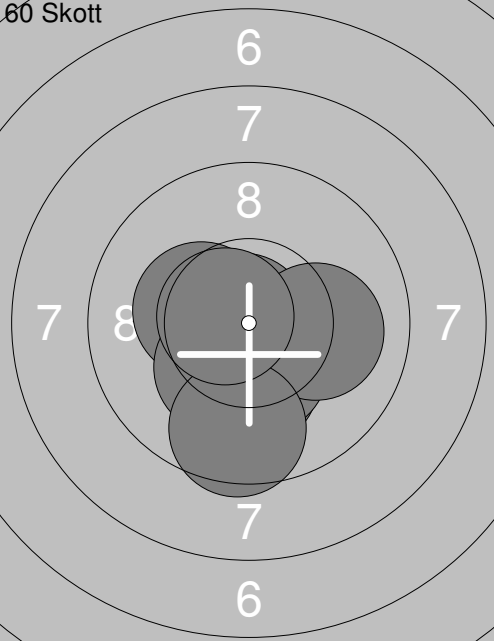
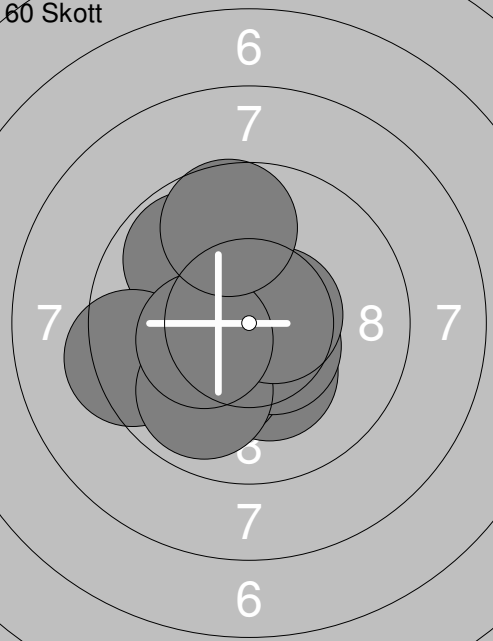
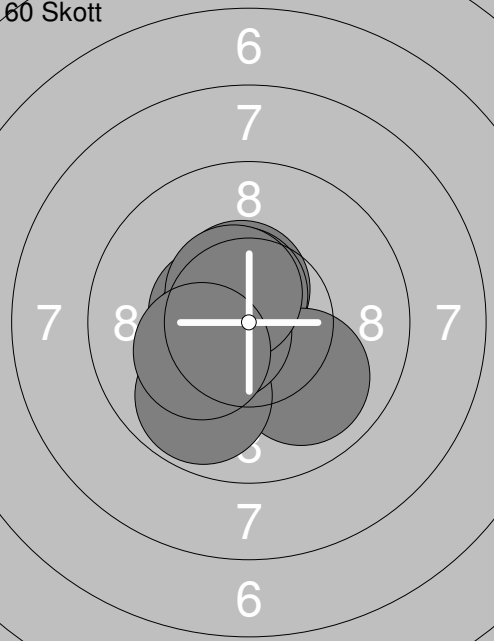
| | | | |
|--|---|---|--|
| Skjutlag 2 | Tavla 7 | Jennifer Gustavsson | |
| S | | Ramselefors | |
| 18.11.2017 | | Drängsmarksskyttet 2017 | Umeå skytteallians |
|  | 1: 6.1 → 2: 10.0 ↖ 3: 8.5 → 4: 9.4 → 5: 10.0 ↖ 6: 10.4x↑ 7: 8.8 ↖ 8: 10.3x↑ 9: 10.5x↘ 10: 10.0 ↑ Serie 94.0 Total 0.0 |  | 1: 9.3 ↗ 2: 10.3x↑ 3: 10.1 ↘ 4: 9.6 ↓ 5: 9.5 ← 6: 10.1 ↓ 7: 10.0 ← 8: 9.9 ← 9: 9.2 ↑ 10: 10.3x↘ Serie 98.3 Total 98.3 |
|  | 11: 10.4x↗ 12: 9.9 ↖ 13: 10.3x↑ 14: 10.4x↘ 15: 9.5 ↑ 16: 7.2 → 17: 10.2x↓ 18: 10.2x↖ 19: 9.4 ↑ 20: 10.1 → Serie 97.6 Total 195.9 |  | 21: 9.4 ← 22: 8.9 → 23: 7.8 ↘ 24: 10.3x↗ 25: 10.9x↖ 26: 9.7 ↓ 27: 9.0 ← 28: 9.0 ↗ 29: 10.0 ← 30: 8.5 → Serie 93.5 Total 289.4 |
|  | 31: 10.2x↓ 32: 8.9 → 33: 9.5 ↓ 34: 9.4 ↖ 35: 8.4 ↗ 36: 10.6x↖ 37: 10.6x↖ 38: 9.6 ↑ 39: 8.8 ↖ 40: 9.9 ↗ Serie 95.9 Total 385.3 | | |

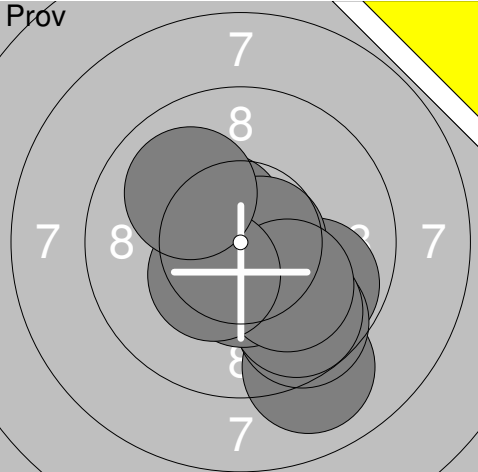
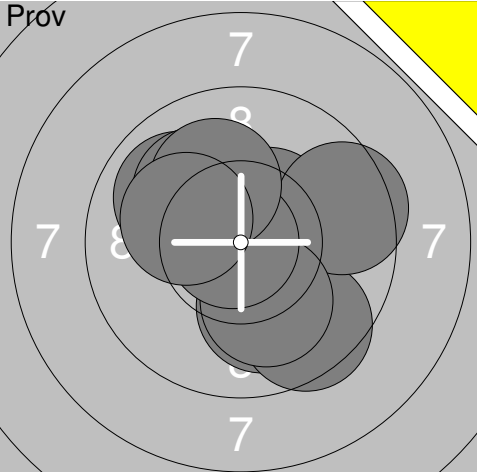
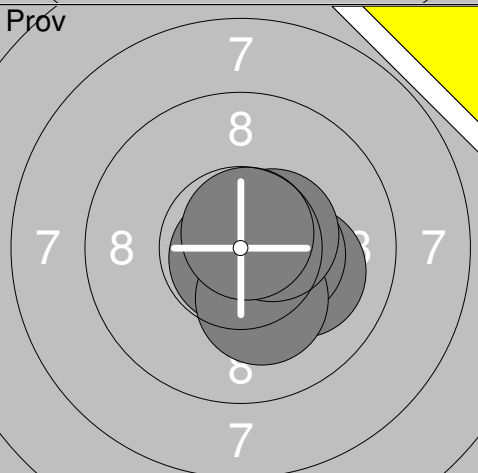
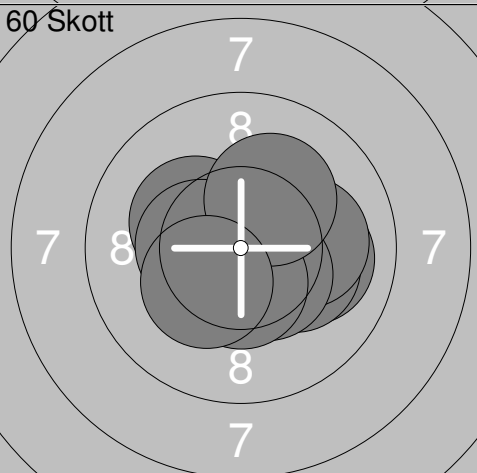
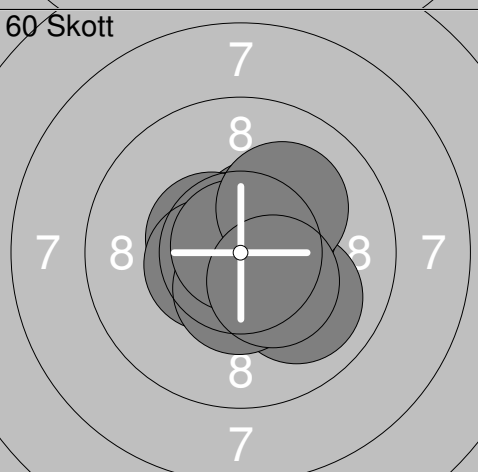
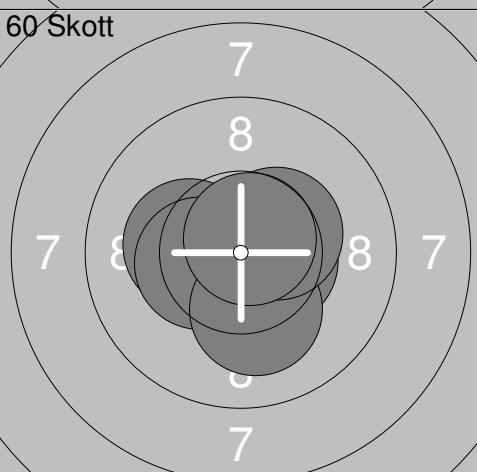
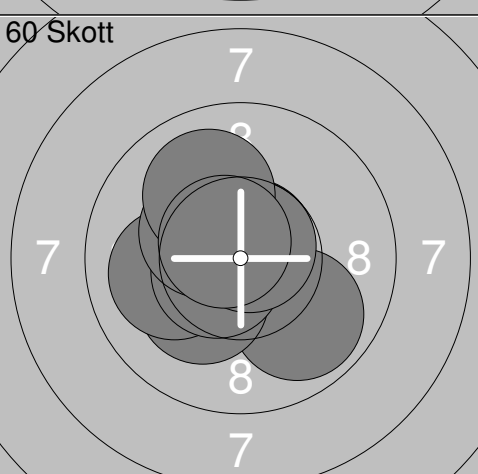
| Skjuttag | Tavla | Severi Hölsö | |
|--|--|--|--|
| 2 | 8 | | |
| S | IMAS | | |
| 18.11.2017 | Drängsmarksskyttet 2017 | Umeå skytteallians | |
| Prov | | Prov | |
|  | 1: 9.9 ↓ 2: 10.0 ↓ 3: 10.1 → 4: 10.3x↘ 5: 10.7x↓ 6: 10.5x→ 7: 10.2x↓ 8: 10.5x← 9: 9.9 ↓ 10: 10.0← |  | 11: 10.2x↓ 12: 10.8x↘ 13: 10.4x↘ 14: 9.9 ↓ 15: 10.3x↗ 16: 10.5x← |
| | Serie 102.1 | | Serie 62.1 |
| | Total 0.0 | | Total 0.0 |
| 60 Skott | | 60 Skott | |
|  | 1: 10.3x← 2: 10.6x↑ 3: 10.6x↑ 4: 10.5x← 5: 9.9 ↗ 6: 9.8 ↑ 7: 10.1 ↑ 8: 10.8x← 9: 10.5x→ 10: 10.2x← |  | 11: 10.4x↓ 12: 10.9x↓ 13: 10.3x← 14: 10.5x→ 15: 10.5x↓ 16: 9.8 → 17: 10.3x← 18: 10.7x↓ 19: 10.1 ↑ 20: 10.4x→ |
| | Serie 103.3 | | Serie 103.9 |
| | Total 103.3 | | Total 207.2 |
| 60 Skott | | 60 Skott | |
|  | 21: 10.4x↓ 22: 10.5x← 23: 10.3x↓ 24: 10.3x→ 25: 10.8x↓ 26: 10.0 ↑ 27: 10.6x↗ 28: 10.8x↓ 29: 10.0 ↗ 30: 10.2x↑ |  | 31: 10.2x← 32: 10.2x← 33: 10.3x↑ 34: 10.4x↓ 35: 10.2x→ 36: 10.6x← 37: 10.7x→ 38: 10.6x↑ 39: 10.0 ↓ 40: 10.5x↘ |
| | Serie 103.9 | | Serie 103.7 |
| | Total 311.1 | | Total 414.8 |

| | | | |
|--|---|--|--|
| <p>Prov</p>  | <p>1: 9.6 ↓</p> <p>2: 0.0 ↓</p> <p>3: 8.9 ↓</p> <p>4: 9.8 ↓</p> <p>5: 9.5 ↓</p> <p>6: 10.5x→</p> <p>7: 10.4x↑</p> <p>8: 10.3x→</p> <p>9: 10.2x→</p> <p>10: 10.2x←</p> | <p>Prov</p>  | <p>11: 9.7 ↗</p> <p>12: 10.9x↑</p> <p>13: 10.4x↓</p> <p>14: 10.5x←</p> <p>15: 10.5x↓</p> <p>16: 10.8x↗</p> |
| Serie 89.4 | | Serie 62.8 | |
| Total 0.0 | | Total 0.0 | |

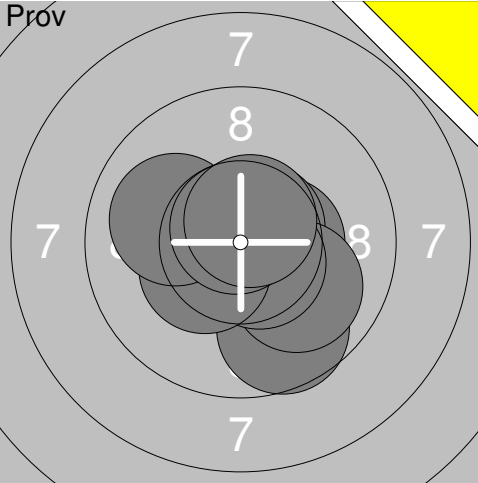
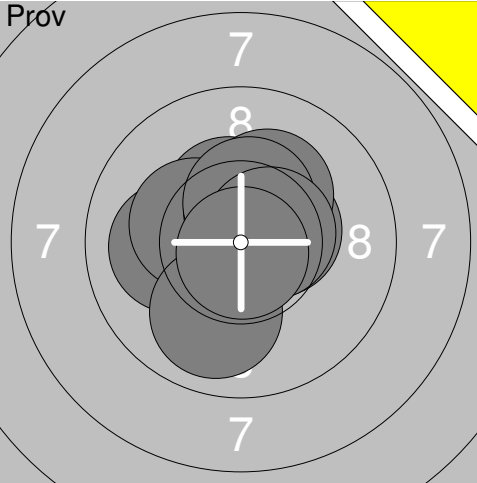
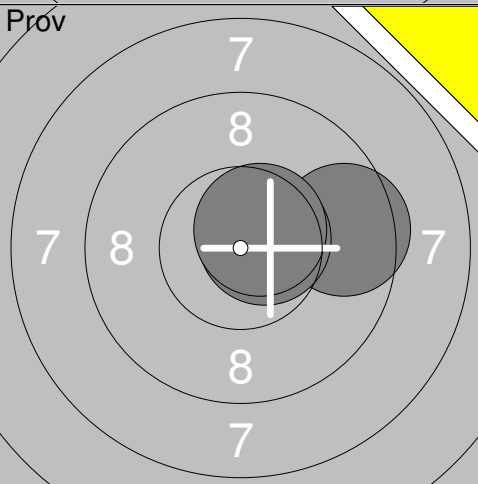
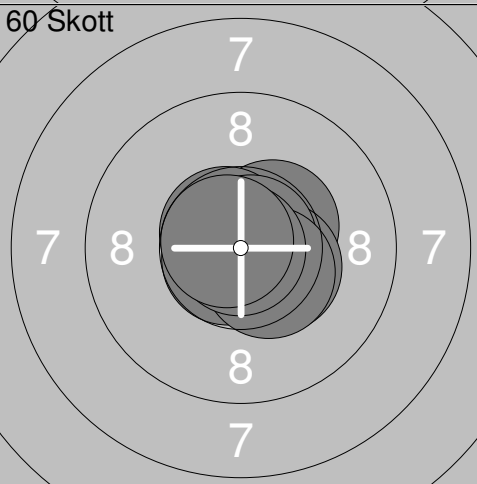
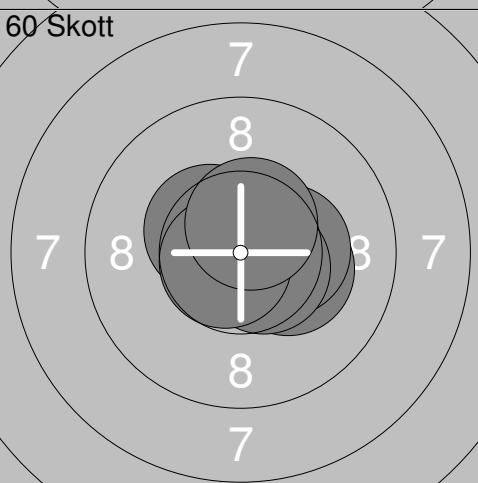
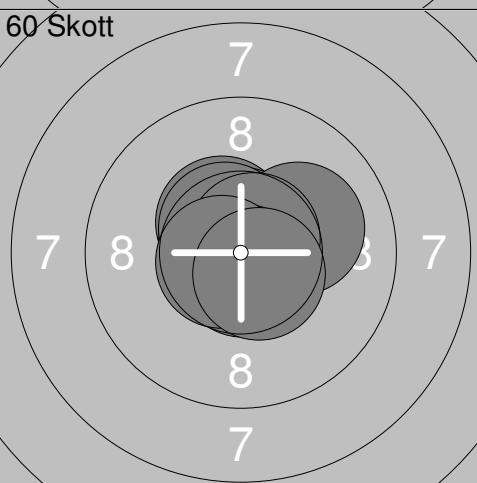
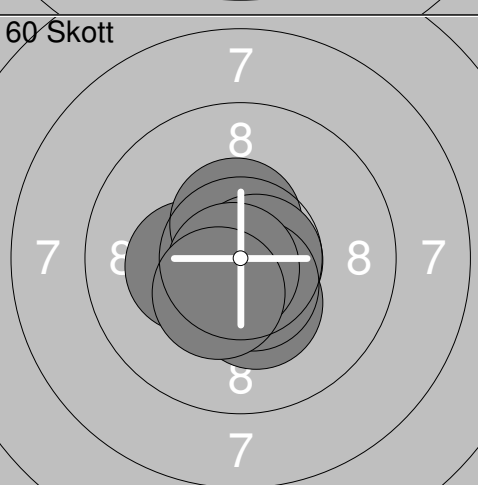
| | | | |
|---|--|---|---|
| <p>60 Skott</p>  | <p>1: 10.8x↘</p> <p>2: 10.1 ↓</p> <p>3: 10.3x→</p> <p>4: 10.0 ↓</p> <p>5: 10.1 ↙</p> <p>6: 10.7x↓</p> <p>7: 10.5x↓</p> <p>8: 10.3x→</p> <p>9: 10.7x←</p> <p>10: 10.8x→</p> | <p>60 Skott</p>  | <p>11: 10.2x←</p> <p>12: 10.6x↑</p> <p>13: 10.0 ↗</p> <p>14: 10.5x→</p> <p>15: 10.2x↓</p> <p>16: 10.8x↑</p> <p>17: 10.7x←</p> <p>18: 10.5x↓</p> <p>19: 10.5x→</p> <p>20: 10.8x↑</p> |
| Serie 104.3 | | Serie 104.8 | |
| Total 104.3 | | Total 209.1 | |

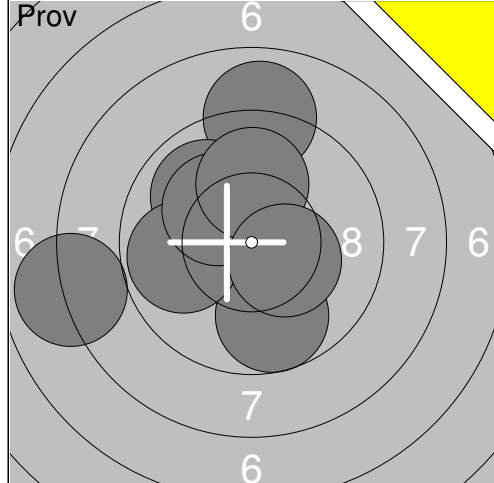
| | | | |
|--|--|--|---|
| <p>60 Skott</p>  | <p>21: 10.6x→</p> <p>22: 10.4x→</p> <p>23: 10.4x←</p> <p>24: 9.9 →</p> <p>25: 10.4x↓</p> <p>26: 10.2x↓</p> <p>27: 10.6x↓</p> <p>28: 10.3x↓</p> <p>29: 10.4x→</p> <p>30: 10.1 ↓</p> | <p>60 Skott</p>  | <p>31: 10.0 →</p> <p>32: 10.2x↓</p> <p>33: 10.1 ↓</p> <p>34: 10.5x↑</p> <p>35: 10.1 ↓</p> <p>36: 10.5x←</p> <p>37: 8.8 ↓</p> <p>38: 10.1 ↓</p> <p>39: 9.9 →</p> <p>40: 10.4x↘</p> |
| Serie 103.3 | | Serie 100.6 | |
| Total 312.4 | | Total 413.0 | |

| | | | |
|--|---|---|---|
| Skjutlag 2 | Tavla 10 | Heikki Riihimäki | |
| S | | IMAS | |
| 18.11.2017 | Drängsmarksskyttet 2017 | Umeå skytteallians | |
| Prov  | 1: 10.1 ↗ 2: 10.0 ↗ 3: 10.4 ↘ 4: 10.5 ↘ 5: 10.3 ↘ 6: 10.2 ↘ 7: 10.6 ↘ 8: 10.7 ↗ Serie 82.8 Total 0.0 | 60 Skott  | 1: 10.0 ↓ 2: 9.5 ↓ 3: 10.7x ➤ 4: 10.2x ➤ 5: 10.5x ↘ 6: 9.7 ← 7: 10.0 ↘ 8: 9.6 ↓ 9: 9.3 ↙ 10: 10.2x ↘ Serie 99.7 Total 99.7 |
| 60 Skott  | 11: 10.2x ↘ 12: 10.4x ↘ 13: 10.4x ↘ 14: 10.4x ↘ 15: 10.9x ➤ 16: 10.3x ➤ 17: 10.3x ↘ 18: 10.1 ➔ 19: 9.6 ↓ 20: 10.6x ➤ Serie 103.2 Total 202.9 | 60 Skott  | 21: 10.3x ↘ 22: 10.2x ↘ 23: 10.0 ← 24: 10.5x ↘ 25: 9.8 ↗ 26: 9.4 ← 27: 9.9 ↘ 28: 10.6x ➤ 29: 10.3x ➤ 30: 9.7 ↗ Serie 100.7 Total 303.6 |
| 60 Skott  | 31: 10.5x ➤ 32: 10.5x ↗ 33: 10.4x ↘ 34: 10.6x ↗ 35: 10.0 ↘ 36: 9.8 ↘ 37: 10.5x ➤ 38: 10.6x ➤ 39: 10.5x ↗ 40: 10.2x ➤ Serie 103.6 Total 407.2 | | |

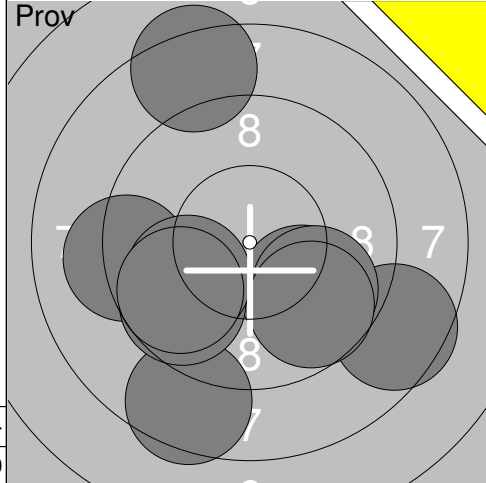
| | | | |
|---|--|---|--|
| Skjutlag 2 | Tavla 11 | Edvin Strömberg | |
| S | | Vännäs | |
| 18.11.2017 | | Drängsmarksskyttet 2017 | Umeå skytteallians |
| Prov  | 1: 10.5x ↗ 2: 9.8 ↘ 3: 9.0 ↘ 4: 9.6 ↘ 5: 9.8 ↘ 6: 10.4x ↘ 7: 10.7x → 8: 10.1 ↘ 9: 10.4x ↙ 10: 10.0 ↗ Serie 100.3 Total 0.0 | Prov  | 11: 10.0 ↘ 12: 9.5 ↘ 13: 10.4x ↗ 14: 9.9 ↗ 15: 10.1 ↗ 16: 9.5 → 17: 10.1 ↘ 18: 10.8x ← 19: 10.1 ↗ 20: 10.2x ↖ Serie 100.6 Total 0.0 |
| Prov  | 21: 10.8x ↗ 22: 10.1 ↘ 23: 10.8x ↘ 24: 10.4x → 25: 10.2x ↘ 26: 10.5x → 27: 10.7x ↗ Serie 73.5 Total 0.0 | 60 Skott  | 1: 10.0 → 2: 10.2x → 3: 10.1 → 4: 10.6x ↘ 5: 10.5x ↘ 6: 10.5x ↘ 7: 10.3x ↗ 8: 10.4x ← 9: 10.2x ↗ 10: 10.3x ↘ Serie 103.1 Total 103.1 |
| 60 Skott  | 11: 10.0 ↘ 12: 10.5x ↗ 13: 10.8x ↗ 14: 10.5x ↗ 15: 10.5x ← 16: 10.5x ↘ 17: 10.4x ↗ 18: 10.8x ↗ 19: 10.1 ↗ 20: 10.4x ↘ Serie 104.5 Total 207.6 | 60 Skott  | 21: 10.7x ↙ 22: 10.2x ← 23: 10.7x ↙ 24: 10.9x ↘ 25: 10.8x ↗ 26: 10.5x → 27: 10.4x ← 28: 10.2x ↘ 29: 10.4x → 30: 10.7x ↗ Serie 105.5 Total 313.1 |
| 60 Skott  | 31: 10.7x ← 32: 9.9 ↘ 33: 10.2x ↙ 34: 10.0 ← 35: 10.6x ↙ 36: 10.7x ↗ 37: 10.7x ↗ 38: 10.3x ↗ 39: 10.0 ↗ 40: 10.6x ↗ Serie 103.7 Total 416.8 | | |

| | | | | | |
|----------------------|--------------------|---|----------|--|---|
| Skjutlag 2 | Tavla 12 | Pontus Holmlund | | | |
| S | | Gideå | | | |
| 18.11.2017 | | Drängsmarksskyttet 2017 | | | |
| Umeå skytteallians | | | | | |
| Prov | | 1: 10.3x ↙ 2: 10.4x ↘ 3: 10.8x ↗ 4: 9.7 ↖ 5: 10.2x ↖ 6: 10.5x ↖ 7: 10.1 ↗ 8: 8.6 ↘ 9: 9.1 ↘ 10: 8.9 ↘ Serie 98.6 Total 0.0 | Prov | | 11: 10.6x ↗ 12: 10.3x ↗ 13: 8.8 ↖ 14: 7.8 ↘ 15: 9.5 ↖ 16: 9.3 ↘ 17: 10.2x ↘ 18: 9.8 ↖ 19: 9.9 ↖ 20: 9.5 ↖ Serie 95.7 Total 0.0 |
| Prov | | 21: 9.3 ↘ 22: 7.4 ↖ 23: 9.6 ↖ 24: 9.9 ↖ 25: 10.4x ↘ 26: 8.1 ↗ 27: 10.6x ↘ Serie 65.3 Total 0.0 | 60 Skott | | 1: 9.3 ↗ 2: 10.3x ↗ 3: 9.3 ↗ 4: 9.6 ↗ 5: 10.3x ↖ 6: 10.3x ↖ 7: 9.6 ↖ 8: 9.6 ↗ 9: 10.7x ↗ 10: 9.9 ↘ Serie 98.9 Total 98.9 |
| 60 Skott | | 11: 10.0 ↘ 12: 9.2 ↖ 13: 10.7x ↗ 14: 9.2 ↗ 15: 10.7x ↗ 16: 9.9 ↖ 17: 10.5x ↗ 18: 9.8 ↖ 19: 10.7x ↗ 20: 9.9 ↘ Serie 100.6 Total 199.5 | 60 Skott | | 21: 10.2x ↗ 22: 10.4x ↖ 23: 9.9 ↘ 24: 10.0 ↗ 25: 9.4 ↗ 26: 9.2 ↗ 27: 10.1 ↖ 28: 10.5x ↖ 29: 9.7 ↗ 30: 9.8 ↗ Serie 99.2 Total 298.7 |
| 60 Skott | | 31: 10.1 ↗ 32: 10.4x ↗ 33: 9.0 → 34: 10.2x ↗ 35: 10.6x ↖ 36: 10.3x ↖ 37: 10.4x ↘ 38: 9.2 ↗ 39: 10.2x ↗ 40: 10.4x ↗ Serie 100.8 Total 399.5 | | | |

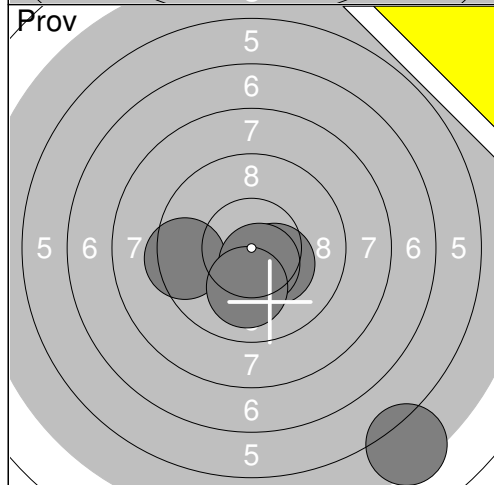
| | | | | | |
|----------------------|--|--|----------|--|---|
| Skjutlag 2 | Tavla 13 | Erika Augustsson | | | |
| S | | Vännäs | | | |
| 18.11.2017 | | Drängsmarksskyttet 2017 | | Umeå skytteallians | |
| Prov |  | 1: 9.7 ↘ 2: 10.6x ↘ 3: 10.4x → 4: 10.6x ↗ 5: 10.0 ↘ 6: 10.6x ↘ 7: 10.4x ← 8: 10.0 ← 9: 10.7x ↑ 10: 10.6x ↑ | Prov |  | 11: 10.5x → 12: 10.4x ↑ 13: 10.2x ↗ 14: 10.1 ← 15: 10.3x ← 16: 10.5x ↑ 17: 10.4x ↑ 18: 10.0 ↓ 19: 10.5x → 20: 10.8x ↓ |
| | | Serie 103.6 | | Serie 103.7 | |
| | | Total 0.0 | | Total 0.0 | |
| Prov |  | 21: 9.5 → 22: 10.6x → 23: 10.6x ↗ | 60 Skott |  | 1: 10.8x ↓ 2: 10.4x ↗ 3: 10.8x ↗ 4: 10.4x ↘ 5: 10.7x ← 6: 10.7x ↗ 7: 10.8x ↗ 8: 10.5x ↘ 9: 10.9x ← 10: 10.7x ↗ |
| | | Serie 30.7 | | Serie 106.7 | |
| | | Total 0.0 | | Total 106.7 | |
| 60 Skott |  | 11: 10.6x → 12: 10.7x ↗ 13: 10.8x ↑ 14: 10.3x → 15: 10.8x ↗ 16: 10.4x → 17: 10.6x ↘ 18: 10.4x ↗ 19: 10.7x ← 20: 10.5x ↑ | 60 Skott |  | 21: 10.5x → 22: 10.5x ↑ 23: 10.7x ← 24: 10.7x ↑ 25: 10.1 → 26: 10.6x ↗ 27: 10.7x ↗ 28: 10.7x ↓ 29: 10.7x ← 30: 10.6x ↘ |
| | | Serie 105.8 | | Serie 105.8 | |
| | | Total 212.5 | | Total 318.3 | |
| 60 Skott |  | 31: 10.8x ↗ 32: 10.3x ← 33: 10.8x ↗ 34: 10.5x ↑ 35: 10.8x ↘ 36: 10.7x → 37: 10.3x ↓ 38: 10.6x ↓ 39: 10.8x ↓ 40: 10.4x ↓ | | | |
| | | Serie 106.0 | | | |
| | | Total 424.3 | | | |



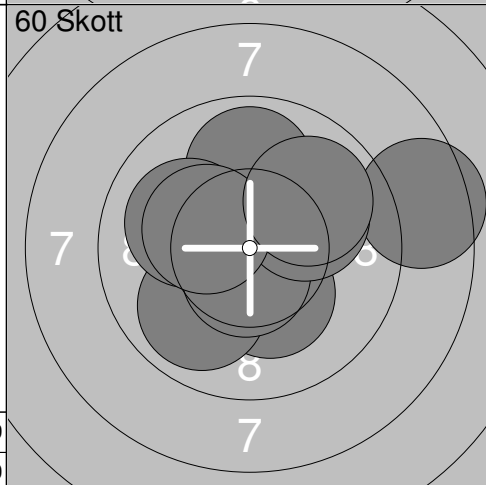
| | | |
|-------|-------|------|
| 1: | 10.3x | ↗ |
| 2: | 9.7 | ↘ |
| 3: | 10.1 | ↗ |
| 4: | 8.0 | ↖ |
| 5: | 9.0 | ↗ |
| 6: | 9.9 | ↗ |
| 7: | 9.8 | ↖ |
| 8: | 10.2x | ↗ |
| 9: | 10.0 | ↗ |
| 10: | 10.4x | ↘ |
| Serie | | 97.4 |
| Total | | 0.0 |



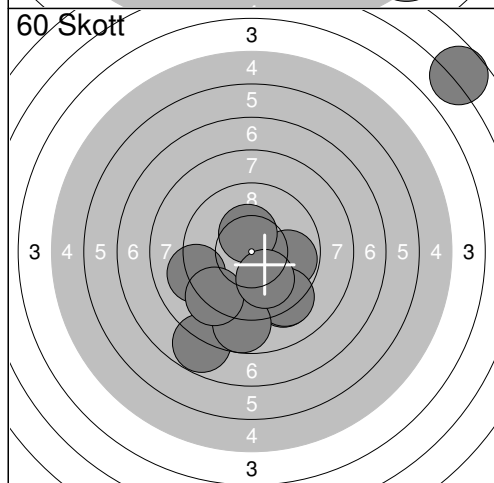
| | | |
|-------|------|------|
| 11: | 9.2 | ↖ |
| 12: | 8.5 | ↘ |
| 13: | 8.4 | ↗ |
| 14: | 10.0 | ↘ |
| 15: | 9.7 | ↘ |
| 16: | 8.6 | ↘ |
| 17: | 9.8 | ↘ |
| 18: | 9.9 | ↖ |
| 19: | 9.7 | ↘ |
| 20: | 9.8 | ↖ |
| Serie | | 93.6 |
| Total | | 0.0 |



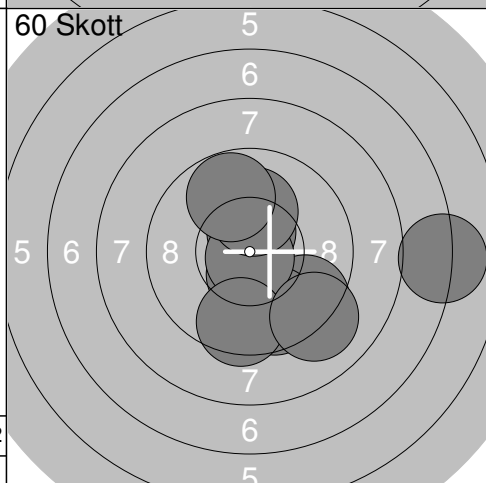
| | | |
|-------|-------|------|
| 21: | 9.5 | ↖ |
| 22: | 5.4 | ↘ |
| 23: | 10.3x | ↘ |
| 24: | 10.6x | ↘ |
| 25: | 10.1 | ↘ |
| Serie | | 45.9 |
| Total | | 0.0 |



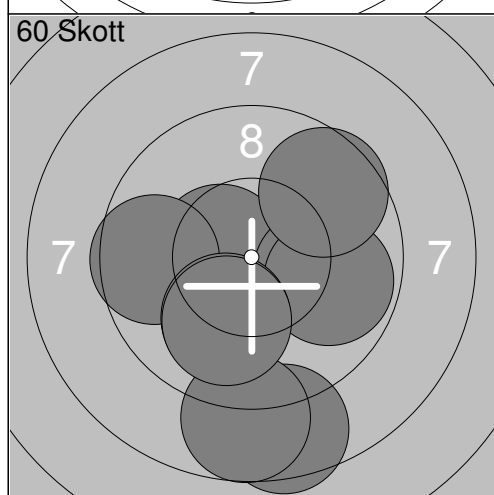
| | | |
|-------|-------|------|
| 1: | 10.3x | ↘ |
| 2: | 10.4x | ↖ |
| 3: | 8.5 | → |
| 4: | 9.9 | ↖ |
| 5: | 10.6x | ↘ |
| 6: | 9.9 | ↗ |
| 7: | 10.1 | ↗ |
| 8: | 10.0 | ↖ |
| 9: | 10.3x | ↖ |
| 10: | 9.9 | ↗ |
| Serie | | 99.9 |
| Total | | 99.9 |



| | | |
|-------|-------|-------|
| 11: | 7.8 | ↘ |
| 12: | 9.8 | → |
| 13: | 9.3 | ↘ |
| 14: | 9.1 | ↖ |
| 15: | 9.2 | ↘ |
| 16: | 8.7 | ↘ |
| 17: | 9.2 | ↖ |
| 18: | 10.4x | ↗ |
| 19: | 10.0 | ↘ |
| 20: | 2.7 | ↗ |
| Serie | | 86.2 |
| Total | | 186.1 |



| | | |
|-------|-------|-------|
| 21: | 10.5x | ↘ |
| 22: | 9.5 | ↘ |
| 23: | 10.6x | ↗ |
| 24: | 9.7 | ↘ |
| 25: | 10.8x | ↘ |
| 26: | 10.1 | ↗ |
| 27: | 9.8 | ↗ |
| 28: | 9.5 | ↘ |
| 29: | 7.1 | → |
| 30: | 9.1 | ↘ |
| Serie | | 96.7 |
| Total | | 282.8 |



| | | |
|-------|-------|-------|
| 31: | 8.5 | ↘ |
| 32: | 10.7x | ↘ |
| 33: | 10.5x | ↖ |
| 34: | 9.6 | ↖ |
| 35: | 10.0 | → |
| 36: | 8.7 | ↘ |
| 37: | 9.8 | → |
| 38: | 9.6 | ↗ |
| 39: | 10.0 | ↘ |
| 40: | 10.0 | ↘ |
| Serie | | 97.4 |
| Total | | 380.2 |

| Skjuttag | Tavla | Fluk Jonsson | |
|------------|-------|--|--|
| S | | Ramselefors | |
| 18.11.2017 | | Drängsmarksskyttet 2017 | Umeå skytteallians |
| Prov | | 1: 10.2x ↙ 2: 8.6 ↗ 3: 9.9 ↘ 4: 8.8 ← 5: 9.3 ← 6: 9.5 ← 7: 7.5 ← 8: 9.3 ↗ 9: 8.1 ↗ 10: 9.5 ↗ | 11: 8.5 → 12: 9.0 → 13: 7.2 → 14: 8.2 ↗ 15: 7.2 → 16: 8.5 → 17: 7.6 → 18: 6.1 ← 19: 10.1 ↓ |
| | | Serie 90.7 Total 0.0 | Serie 72.4 Total 0.0 |
| 60 Skott | | 1: 9.4 → 2: 8.6 ↘ 3: 9.5 → 4: 8.0 ↗ 5: 8.0 ↘ 6: 6.0 ↗ 7: 9.5 ← 8: 7.3 ↘ 9: 9.6 ↘ 10: 7.0 ↗ | 11: 9.3 → 12: 10.4x ↘ 13: 7.6 ← 14: 9.2 ↗ 15: 8.5 ↘ 16: 10.2x ↗ 17: 7.6 → 18: 7.3 ← 19: 6.9 ↗ 20: 5.1 ↗ |
| | | Serie 82.9 Total 82.9 | Serie 82.1 Total 165.0 |
| 60 Skott | | 21: 6.8 ↗ 22: 8.4 ← 23: 8.0 ↗ 24: 5.6 → 25: 7.9 → 26: 8.4 ↗ 27: 8.7 → 28: 8.4 ← 29: 7.3 → 30: 10.3x ↗ | 31: 6.4 → 32: 9.9 → 33: 7.8 ← 34: 6.7 ← 35: 10.1 ↘ 36: 10.1 → 37: 8.7 ↗ 38: 9.9 ↘ 39: 8.8 ↗ 40: 8.5 ← |
| | | Serie 79.8 Total 244.8 | Serie 86.9 Total 331.7 |
| 60 Skott | | 41: 8.3 ↗ 42: 6.9 → 43: 8.9 → 44: 7.9 ← 45: 3.1 ← 46: 8.4 ↗ 47: 7.4 ↗ 48: 6.9 ↘ 49: 9.4 ← 50: 9.6 → | 51: 9.3 ↘ 52: 10.6x → 53: 7.9 ↘ 54: 9.1 ↗ 55: 8.2 → 56: 9.6 ↗ 57: 8.3 ↗ 58: 8.6 → 59: 10.4x ↗ 60: 8.7 ← |
| | | Serie 76.8 Total 408.5 | Serie 90.7 Total 499.2 |

| Skjutlag | Tavla | Erika Georgsson | |
|------------|--|--|--|
| S | Bjurholm Balsjö | | |
| 18.11.2017 | Drängsmarksskyttet 2017 | Umeå skytteallians | |
| Pröv |  | 1: 9.5 ↗ 2: 9.6 ↑ 3: 9.3 ↑ 4: 10.3x → 5: 9.9 → 6: 10.6x ↓ 7: 10.5x → 8: 9.7 → 9: 10.3x ↓ 10: 10.2x ↓ Serie 99.9 Total 0.0 | Pröv  11: 10.2x → 12: 10.4x ↖ 13: 10.7x ← 14: 10.8x ↑ 15: 9.9 ↓ 16: 10.3x ↖ 17: 9.8 ← 18: 9.9 ↓ 19: 10.3x → 20: 10.3x ← Serie 102.6 Total 0.0 |
| Pröv |  | 21: 10.6x ↖ 22: 10.5x ↑ 23: 10.0 ← 24: 10.1 ↖ 25: 10.2x ← 26: 10.4x ↗ 27: 10.3x ↓ 28: 10.4x ↑ 29: 9.9 ↓ 30: 10.8x ← Serie 103.2 Total 0.0 | Pröv  31: 10.2x ↗ Serie 10.2 Total 0.0 |
| 60 Skott |  | 1: 10.6x ↓ 2: 10.8x ↗ 3: 10.0 ↗ 4: 10.6x ← 5: 10.5x ↓ 6: 10.7x ← 7: 10.8x ↑ 8: 10.5x ↗ 9: 10.8x → 10: 10.4x → Serie 105.7 Total 105.7 | 60 Skott  11: 10.6x → 12: 9.5 ↑ 13: 10.4x → 14: 10.6x ↑ 15: 10.3x ↖ 16: 9.7 ↑ 17: 10.7x → 18: 10.8x ↑ 19: 10.5x ← 20: 10.4x ↖ Serie 103.5 Total 209.2 |
| 60 Skott |  | 21: 10.6x ← 22: 10.7x ↓ 23: 10.6x ← 24: 10.6x ↓ 25: 10.6x ↓ 26: 10.5x ← 27: 10.4x ← 28: 10.3x ↖ 29: 10.2x ↗ 30: 9.0 ↖ Serie 103.5 Total 312.7 | 60 Skott  31: 10.0 ← 32: 9.9 ↖ 33: 9.9 ↓ 34: 10.0 ↓ 35: 9.9 ↓ 36: 10.6x → 37: 9.6 → 38: 10.6x → 39: 10.0 ↑ 40: 10.6x → Serie 101.1 Total 413.8 |

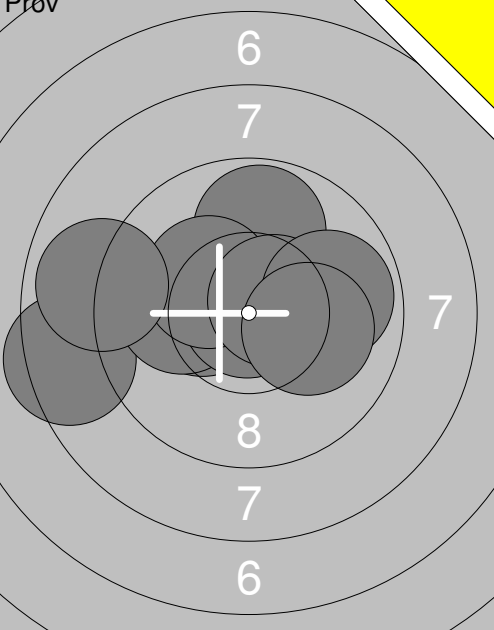
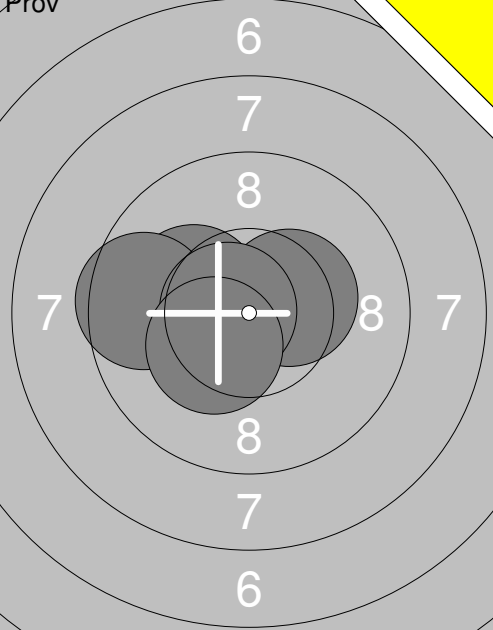
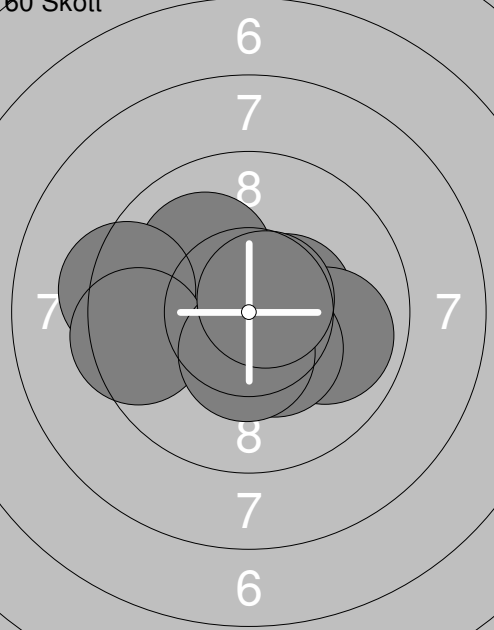
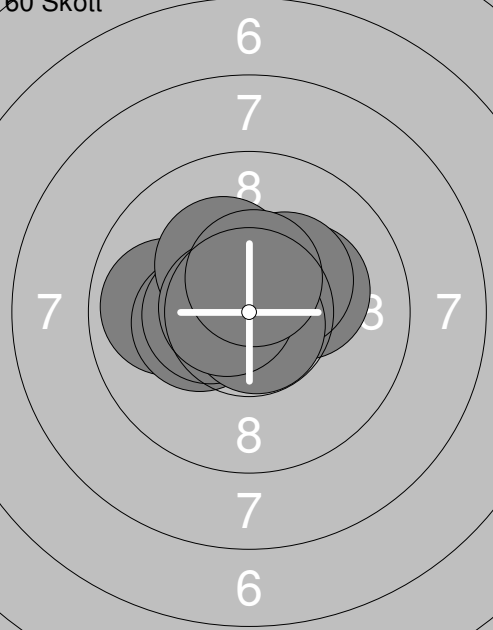
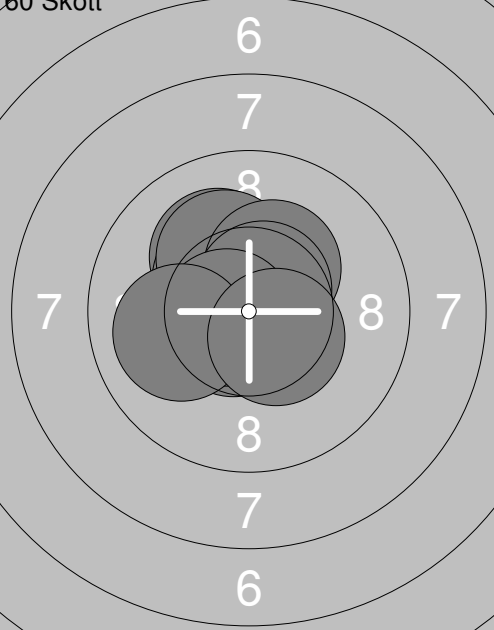
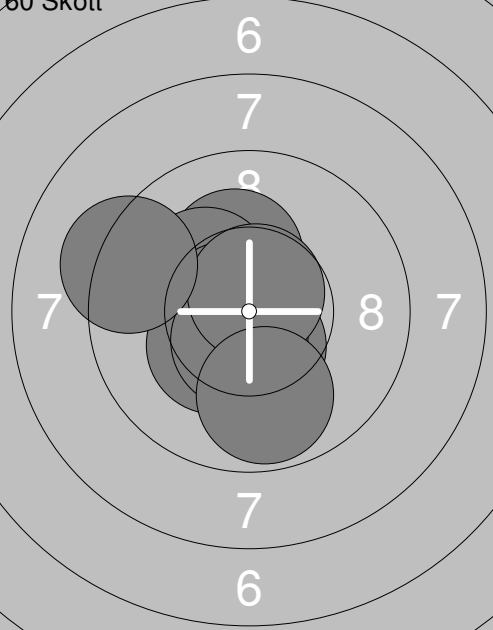
| Skjutlag | Tavla | Gabriel Rönndahl | |
|------------|--|--|--|
| 2 | 17 | | |
| S | Ramselefors | | |
| 18.11.2017 | Drängsmarksskyttet 2017 | Umeå skytteallians | |
| Prov |  | 1: 10.1 ← 2: 10.2x ↓ 3: 10.4x ↓ 4: 9.8 ↓ 5: 9.6 ↓ 6: 9.3 ← 7: 10.6x ↓ 8: 10.0 ↓ 9: 10.2x ↓ 10: 10.6x ↓ Serie 100.8 Total 0.0 | 11: 9.7 ← 12: 10.4x ← 13: 10.5x ↗ 14: 10.6x ↓ 15: 10.8x → 16: 10.1 ← 17: 10.3x ↗ 18: 9.8 ↑ 19: 10.0 ← 20: 10.0 ← Serie 102.2 Total 0.0 |
| Prov |  | 21: 10.2x ↗ 22: 10.6x ↓ 23: 10.0 ↓ 24: 10.2x ↓ 25: 10.2x ↓ 26: 9.8 ← 27: 9.8 ↓ 28: 10.2x ← 29: 10.2x ↗ 30: 10.8x ↓ Serie 102.0 Total 0.0 | 31: 10.7x ← 32: 10.0 ↓ 33: 9.9 ← 34: 10.8x ← 35: 10.2x ↗ Serie 51.6 Total 0.0 |
| 60 Skott |  | 1: 10.1 → 2: 10.4x ← 3: 10.6x ↗ 4: 10.3x ↓ 5: 10.1 ← 6: 10.5x ↓ 7: 10.0 ← 8: 10.6x ↗ 9: 10.4x ← 10: 10.5x ← Serie 103.5 Total 103.5 | 11: 10.1 ← 12: 10.8x ↑ 13: 10.3x ← 14: 10.3x ← 15: 10.1 ← 16: 10.2x ↓ 17: 10.2x ↗ 18: 10.3x ← 19: 10.6x ↑ 20: 10.3x ← Serie 103.2 Total 206.7 |
| 60 Skott |  | 21: 9.2 ↗ 22: 10.6x ↑ 23: 10.7x ↓ 24: 10.8x ↓ 25: 10.6x → 26: 9.9 ↗ 27: 10.5x ↗ 28: 10.7x ↑ 29: 10.6x ↓ 30: 10.7x ↗ Serie 104.3 Total 311.0 | 31: 10.6x ← 32: 10.5x ↗ 33: 10.4x ↓ 34: 10.6x ← 35: 10.2x ← 36: 10.7x ↗ 37: 10.5x ↗ 38: 10.3x ↗ 39: 10.7x ↓ 40: 10.5x ↓ Serie 105.0 Total 416.0 |

| | | | | | | | | | | | | | | | | | | | | | | | | | | | | | | | | | | | | | | | | | | | | | | | | | | | | | | | | | | | | | | | | | | | | | | | | | | | |
|--------------------|---|--------------|------|---|----|-----|---|----|-----|---|----|-----|---|----|-------|---|----|-----|---|----|-----|---|----|-----|---|----|-----|---|-----|-----|---|--------------|--|-------------|--------------|--|------------|--------------------|--|-----|-------|---|-----|-------|---|-----|-----|---|-----|-----|---|-----|-------|---|-----|-----|---|-----|-------|---|-----|-------|---|-----|-------|---|-----|-----|---|--------------|--|--------------|--------------|--|------------|
| <p>Prov</p> | <table border="1" style="width:100%; border-collapse: collapse;"> <tr><td>1:</td><td>10.1</td><td>↑</td></tr> <tr><td>2:</td><td>8.1</td><td>↓</td></tr> <tr><td>3:</td><td>9.5</td><td>→</td></tr> <tr><td>4:</td><td>9.1</td><td>↗</td></tr> <tr><td>5:</td><td>10.4x</td><td>←</td></tr> <tr><td>6:</td><td>9.3</td><td>→</td></tr> <tr><td>7:</td><td>9.5</td><td>→</td></tr> <tr><td>8:</td><td>9.7</td><td>↗</td></tr> <tr><td>9:</td><td>8.1</td><td>→</td></tr> <tr><td>10:</td><td>9.5</td><td>→</td></tr> <tr><td colspan="2">Serie</td><td>93.3</td></tr> <tr><td colspan="2">Total</td><td>0.0</td></tr> </table> | 1: | 10.1 | ↑ | 2: | 8.1 | ↓ | 3: | 9.5 | → | 4: | 9.1 | ↗ | 5: | 10.4x | ← | 6: | 9.3 | → | 7: | 9.5 | → | 8: | 9.7 | ↗ | 9: | 8.1 | → | 10: | 9.5 | → | Serie | | 93.3 | Total | | 0.0 | <p>Prov</p> | <table border="1" style="width:100%; border-collapse: collapse;"> <tr><td>11:</td><td>10.8x</td><td>←</td></tr> <tr><td>12:</td><td>10.4x</td><td>↗</td></tr> <tr><td>13:</td><td>9.5</td><td>→</td></tr> <tr><td>14:</td><td>9.5</td><td>→</td></tr> <tr><td>15:</td><td>10.4x</td><td>↗</td></tr> <tr><td>16:</td><td>9.7</td><td>↗</td></tr> <tr><td>17:</td><td>10.7x</td><td>→</td></tr> <tr><td>18:</td><td>10.4x</td><td>↗</td></tr> <tr><td>19:</td><td>10.8x</td><td>↘</td></tr> <tr><td>20:</td><td>9.1</td><td>→</td></tr> <tr><td colspan="2">Serie</td><td>101.3</td></tr> <tr><td colspan="2">Total</td><td>0.0</td></tr> </table> | 11: | 10.8x | ← | 12: | 10.4x | ↗ | 13: | 9.5 | → | 14: | 9.5 | → | 15: | 10.4x | ↗ | 16: | 9.7 | ↗ | 17: | 10.7x | → | 18: | 10.4x | ↗ | 19: | 10.8x | ↘ | 20: | 9.1 | → | Serie | | 101.3 | Total | | 0.0 |
| 1: | 10.1 | ↑ | | | | | | | | | | | | | | | | | | | | | | | | | | | | | | | | | | | | | | | | | | | | | | | | | | | | | | | | | | | | | | | | | | | | | | | | | |
| 2: | 8.1 | ↓ | | | | | | | | | | | | | | | | | | | | | | | | | | | | | | | | | | | | | | | | | | | | | | | | | | | | | | | | | | | | | | | | | | | | | | | | | |
| 3: | 9.5 | → | | | | | | | | | | | | | | | | | | | | | | | | | | | | | | | | | | | | | | | | | | | | | | | | | | | | | | | | | | | | | | | | | | | | | | | | | |
| 4: | 9.1 | ↗ | | | | | | | | | | | | | | | | | | | | | | | | | | | | | | | | | | | | | | | | | | | | | | | | | | | | | | | | | | | | | | | | | | | | | | | | | |
| 5: | 10.4x | ← | | | | | | | | | | | | | | | | | | | | | | | | | | | | | | | | | | | | | | | | | | | | | | | | | | | | | | | | | | | | | | | | | | | | | | | | | |
| 6: | 9.3 | → | | | | | | | | | | | | | | | | | | | | | | | | | | | | | | | | | | | | | | | | | | | | | | | | | | | | | | | | | | | | | | | | | | | | | | | | | |
| 7: | 9.5 | → | | | | | | | | | | | | | | | | | | | | | | | | | | | | | | | | | | | | | | | | | | | | | | | | | | | | | | | | | | | | | | | | | | | | | | | | | |
| 8: | 9.7 | ↗ | | | | | | | | | | | | | | | | | | | | | | | | | | | | | | | | | | | | | | | | | | | | | | | | | | | | | | | | | | | | | | | | | | | | | | | | | |
| 9: | 8.1 | → | | | | | | | | | | | | | | | | | | | | | | | | | | | | | | | | | | | | | | | | | | | | | | | | | | | | | | | | | | | | | | | | | | | | | | | | | |
| 10: | 9.5 | → | | | | | | | | | | | | | | | | | | | | | | | | | | | | | | | | | | | | | | | | | | | | | | | | | | | | | | | | | | | | | | | | | | | | | | | | | |
| Serie | | 93.3 | | | | | | | | | | | | | | | | | | | | | | | | | | | | | | | | | | | | | | | | | | | | | | | | | | | | | | | | | | | | | | | | | | | | | | | | | |
| Total | | 0.0 | | | | | | | | | | | | | | | | | | | | | | | | | | | | | | | | | | | | | | | | | | | | | | | | | | | | | | | | | | | | | | | | | | | | | | | | | |
| 11: | 10.8x | ← | | | | | | | | | | | | | | | | | | | | | | | | | | | | | | | | | | | | | | | | | | | | | | | | | | | | | | | | | | | | | | | | | | | | | | | | | |
| 12: | 10.4x | ↗ | | | | | | | | | | | | | | | | | | | | | | | | | | | | | | | | | | | | | | | | | | | | | | | | | | | | | | | | | | | | | | | | | | | | | | | | | |
| 13: | 9.5 | → | | | | | | | | | | | | | | | | | | | | | | | | | | | | | | | | | | | | | | | | | | | | | | | | | | | | | | | | | | | | | | | | | | | | | | | | | |
| 14: | 9.5 | → | | | | | | | | | | | | | | | | | | | | | | | | | | | | | | | | | | | | | | | | | | | | | | | | | | | | | | | | | | | | | | | | | | | | | | | | | |
| 15: | 10.4x | ↗ | | | | | | | | | | | | | | | | | | | | | | | | | | | | | | | | | | | | | | | | | | | | | | | | | | | | | | | | | | | | | | | | | | | | | | | | | |
| 16: | 9.7 | ↗ | | | | | | | | | | | | | | | | | | | | | | | | | | | | | | | | | | | | | | | | | | | | | | | | | | | | | | | | | | | | | | | | | | | | | | | | | |
| 17: | 10.7x | → | | | | | | | | | | | | | | | | | | | | | | | | | | | | | | | | | | | | | | | | | | | | | | | | | | | | | | | | | | | | | | | | | | | | | | | | | |
| 18: | 10.4x | ↗ | | | | | | | | | | | | | | | | | | | | | | | | | | | | | | | | | | | | | | | | | | | | | | | | | | | | | | | | | | | | | | | | | | | | | | | | | |
| 19: | 10.8x | ↘ | | | | | | | | | | | | | | | | | | | | | | | | | | | | | | | | | | | | | | | | | | | | | | | | | | | | | | | | | | | | | | | | | | | | | | | | | |
| 20: | 9.1 | → | | | | | | | | | | | | | | | | | | | | | | | | | | | | | | | | | | | | | | | | | | | | | | | | | | | | | | | | | | | | | | | | | | | | | | | | | |
| Serie | | 101.3 | | | | | | | | | | | | | | | | | | | | | | | | | | | | | | | | | | | | | | | | | | | | | | | | | | | | | | | | | | | | | | | | | | | | | | | | | |
| Total | | 0.0 | | | | | | | | | | | | | | | | | | | | | | | | | | | | | | | | | | | | | | | | | | | | | | | | | | | | | | | | | | | | | | | | | | | | | | | | | |

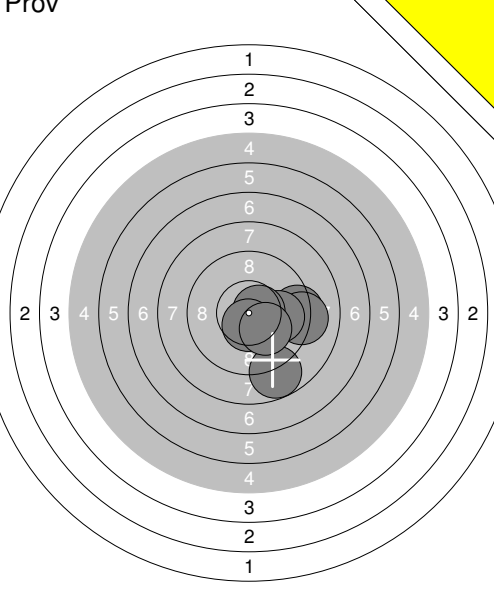
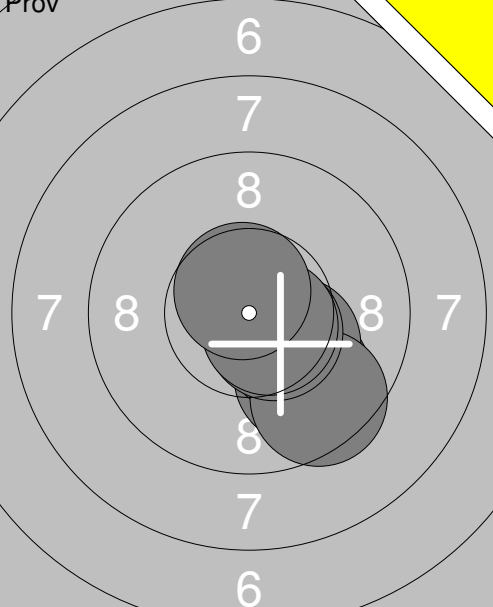
| | | | | | | | | | | | | | | | | | | | | | | | | | | | | | | | | | | | | | | | | | | | | | | | | | | | | | | | | | |
|--------------------|--|-------------|------|---|-----|-------|---|-----|-------|---|-----|-----|---|-----|-----|---|-----|------|---|-----|-----|---|-----|-------|---|-----|-----|---|-----|------|---|--------------|--|-------------|--------------|--|------------|--------------------|--|-----|-----|---|-----|-------|---|-----|------|---|-----|-----|---|--------------|--|-------------|--------------|--|------------|
| <p>Prov</p> | <table border="1" style="width:100%; border-collapse: collapse;"> <tr><td>21:</td><td>10.1</td><td>↘</td></tr> <tr><td>22:</td><td>10.7x</td><td>↘</td></tr> <tr><td>23:</td><td>10.3x</td><td>←</td></tr> <tr><td>24:</td><td>9.3</td><td>→</td></tr> <tr><td>25:</td><td>9.6</td><td>↘</td></tr> <tr><td>26:</td><td>10.0</td><td>↗</td></tr> <tr><td>27:</td><td>9.1</td><td>↗</td></tr> <tr><td>28:</td><td>10.2x</td><td>↘</td></tr> <tr><td>29:</td><td>9.5</td><td>→</td></tr> <tr><td>30:</td><td>10.1</td><td>↗</td></tr> <tr><td colspan="2">Serie</td><td>98.9</td></tr> <tr><td colspan="2">Total</td><td>0.0</td></tr> </table> | 21: | 10.1 | ↘ | 22: | 10.7x | ↘ | 23: | 10.3x | ← | 24: | 9.3 | → | 25: | 9.6 | ↘ | 26: | 10.0 | ↗ | 27: | 9.1 | ↗ | 28: | 10.2x | ↘ | 29: | 9.5 | → | 30: | 10.1 | ↗ | Serie | | 98.9 | Total | | 0.0 | <p>Prov</p> | <table border="1" style="width:100%; border-collapse: collapse;"> <tr><td>31:</td><td>9.1</td><td>↗</td></tr> <tr><td>32:</td><td>10.3x</td><td>→</td></tr> <tr><td>33:</td><td>10.1</td><td>←</td></tr> <tr><td>34:</td><td>9.1</td><td>↘</td></tr> <tr><td colspan="2">Serie</td><td>38.6</td></tr> <tr><td colspan="2">Total</td><td>0.0</td></tr> </table> | 31: | 9.1 | ↗ | 32: | 10.3x | → | 33: | 10.1 | ← | 34: | 9.1 | ↘ | Serie | | 38.6 | Total | | 0.0 |
| 21: | 10.1 | ↘ | | | | | | | | | | | | | | | | | | | | | | | | | | | | | | | | | | | | | | | | | | | | | | | | | | | | | | | |
| 22: | 10.7x | ↘ | | | | | | | | | | | | | | | | | | | | | | | | | | | | | | | | | | | | | | | | | | | | | | | | | | | | | | | |
| 23: | 10.3x | ← | | | | | | | | | | | | | | | | | | | | | | | | | | | | | | | | | | | | | | | | | | | | | | | | | | | | | | | |
| 24: | 9.3 | → | | | | | | | | | | | | | | | | | | | | | | | | | | | | | | | | | | | | | | | | | | | | | | | | | | | | | | | |
| 25: | 9.6 | ↘ | | | | | | | | | | | | | | | | | | | | | | | | | | | | | | | | | | | | | | | | | | | | | | | | | | | | | | | |
| 26: | 10.0 | ↗ | | | | | | | | | | | | | | | | | | | | | | | | | | | | | | | | | | | | | | | | | | | | | | | | | | | | | | | |
| 27: | 9.1 | ↗ | | | | | | | | | | | | | | | | | | | | | | | | | | | | | | | | | | | | | | | | | | | | | | | | | | | | | | | |
| 28: | 10.2x | ↘ | | | | | | | | | | | | | | | | | | | | | | | | | | | | | | | | | | | | | | | | | | | | | | | | | | | | | | | |
| 29: | 9.5 | → | | | | | | | | | | | | | | | | | | | | | | | | | | | | | | | | | | | | | | | | | | | | | | | | | | | | | | | |
| 30: | 10.1 | ↗ | | | | | | | | | | | | | | | | | | | | | | | | | | | | | | | | | | | | | | | | | | | | | | | | | | | | | | | |
| Serie | | 98.9 | | | | | | | | | | | | | | | | | | | | | | | | | | | | | | | | | | | | | | | | | | | | | | | | | | | | | | | |
| Total | | 0.0 | | | | | | | | | | | | | | | | | | | | | | | | | | | | | | | | | | | | | | | | | | | | | | | | | | | | | | | |
| 31: | 9.1 | ↗ | | | | | | | | | | | | | | | | | | | | | | | | | | | | | | | | | | | | | | | | | | | | | | | | | | | | | | | |
| 32: | 10.3x | → | | | | | | | | | | | | | | | | | | | | | | | | | | | | | | | | | | | | | | | | | | | | | | | | | | | | | | | |
| 33: | 10.1 | ← | | | | | | | | | | | | | | | | | | | | | | | | | | | | | | | | | | | | | | | | | | | | | | | | | | | | | | | |
| 34: | 9.1 | ↘ | | | | | | | | | | | | | | | | | | | | | | | | | | | | | | | | | | | | | | | | | | | | | | | | | | | | | | | |
| Serie | | 38.6 | | | | | | | | | | | | | | | | | | | | | | | | | | | | | | | | | | | | | | | | | | | | | | | | | | | | | | | |
| Total | | 0.0 | | | | | | | | | | | | | | | | | | | | | | | | | | | | | | | | | | | | | | | | | | | | | | | | | | | | | | | |

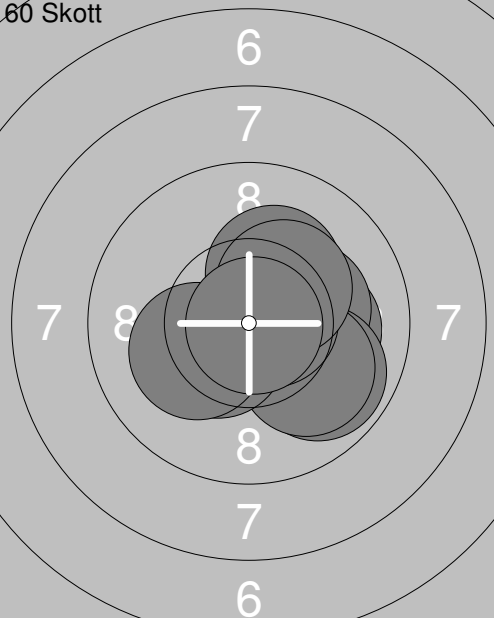
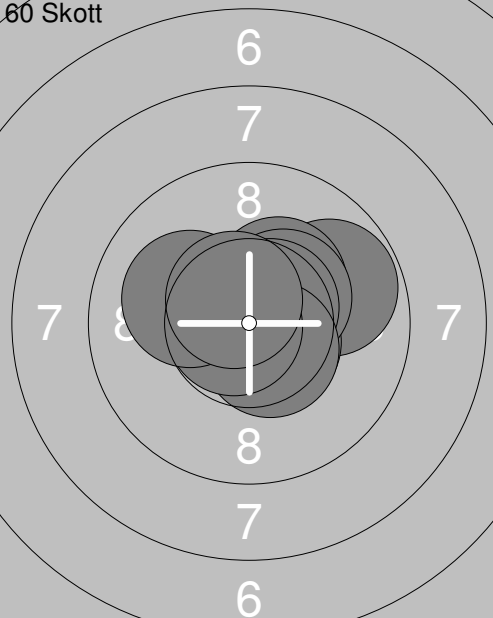
| | | | | | | | | | | | | | | | | | | | | | | | | | | | | | | | | | | | | | | | | | | | | | | | | | | | | | | | | | | | | | | | | | | | | | | | | | | | |
|------------------------|--|--------------|-----|---|----|-----|---|----|-----|---|----|-----|---|----|-----|---|----|-----|---|----|-----|---|----|-------|---|----|-----|---|-----|------|---|--------------|--|-------------|--------------|--|-------------|------------------------|---|-----|-------|---|-----|-----|---|-----|-----|---|-----|-------|---|-----|-------|---|-----|------|---|-----|------|---|-----|-------|---|-----|-------|---|-----|------|---|--------------|--|--------------|--------------|--|--------------|
| <p>60 Skott</p> | <table border="1" style="width:100%; border-collapse: collapse;"> <tr><td>1:</td><td>9.7</td><td>↘</td></tr> <tr><td>2:</td><td>9.9</td><td>↘</td></tr> <tr><td>3:</td><td>9.9</td><td>↘</td></tr> <tr><td>4:</td><td>9.5</td><td>→</td></tr> <tr><td>5:</td><td>9.8</td><td>→</td></tr> <tr><td>6:</td><td>8.6</td><td>↘</td></tr> <tr><td>7:</td><td>9.7</td><td>↘</td></tr> <tr><td>8:</td><td>10.4x</td><td>↘</td></tr> <tr><td>9:</td><td>9.4</td><td>↗</td></tr> <tr><td>10:</td><td>10.1</td><td>↘</td></tr> <tr><td colspan="2">Serie</td><td>97.0</td></tr> <tr><td colspan="2">Total</td><td>97.0</td></tr> </table> | 1: | 9.7 | ↘ | 2: | 9.9 | ↘ | 3: | 9.9 | ↘ | 4: | 9.5 | → | 5: | 9.8 | → | 6: | 8.6 | ↘ | 7: | 9.7 | ↘ | 8: | 10.4x | ↘ | 9: | 9.4 | ↗ | 10: | 10.1 | ↘ | Serie | | 97.0 | Total | | 97.0 | <p>60 Skott</p> | <table border="1" style="width:100%; border-collapse: collapse;"> <tr><td>11:</td><td>10.6x</td><td>↓</td></tr> <tr><td>12:</td><td>9.9</td><td>↓</td></tr> <tr><td>13:</td><td>9.5</td><td>↘</td></tr> <tr><td>14:</td><td>10.3x</td><td>↘</td></tr> <tr><td>15:</td><td>10.5x</td><td>↘</td></tr> <tr><td>16:</td><td>10.1</td><td>↘</td></tr> <tr><td>17:</td><td>10.1</td><td>↘</td></tr> <tr><td>18:</td><td>10.4x</td><td>→</td></tr> <tr><td>19:</td><td>10.3x</td><td>↘</td></tr> <tr><td>20:</td><td>10.1</td><td>↘</td></tr> <tr><td colspan="2">Serie</td><td>101.8</td></tr> <tr><td colspan="2">Total</td><td>198.8</td></tr> </table> | 11: | 10.6x | ↓ | 12: | 9.9 | ↓ | 13: | 9.5 | ↘ | 14: | 10.3x | ↘ | 15: | 10.5x | ↘ | 16: | 10.1 | ↘ | 17: | 10.1 | ↘ | 18: | 10.4x | → | 19: | 10.3x | ↘ | 20: | 10.1 | ↘ | Serie | | 101.8 | Total | | 198.8 |
| 1: | 9.7 | ↘ | | | | | | | | | | | | | | | | | | | | | | | | | | | | | | | | | | | | | | | | | | | | | | | | | | | | | | | | | | | | | | | | | | | | | | | | | |
| 2: | 9.9 | ↘ | | | | | | | | | | | | | | | | | | | | | | | | | | | | | | | | | | | | | | | | | | | | | | | | | | | | | | | | | | | | | | | | | | | | | | | | | |
| 3: | 9.9 | ↘ | | | | | | | | | | | | | | | | | | | | | | | | | | | | | | | | | | | | | | | | | | | | | | | | | | | | | | | | | | | | | | | | | | | | | | | | | |
| 4: | 9.5 | → | | | | | | | | | | | | | | | | | | | | | | | | | | | | | | | | | | | | | | | | | | | | | | | | | | | | | | | | | | | | | | | | | | | | | | | | | |
| 5: | 9.8 | → | | | | | | | | | | | | | | | | | | | | | | | | | | | | | | | | | | | | | | | | | | | | | | | | | | | | | | | | | | | | | | | | | | | | | | | | | |
| 6: | 8.6 | ↘ | | | | | | | | | | | | | | | | | | | | | | | | | | | | | | | | | | | | | | | | | | | | | | | | | | | | | | | | | | | | | | | | | | | | | | | | | |
| 7: | 9.7 | ↘ | | | | | | | | | | | | | | | | | | | | | | | | | | | | | | | | | | | | | | | | | | | | | | | | | | | | | | | | | | | | | | | | | | | | | | | | | |
| 8: | 10.4x | ↘ | | | | | | | | | | | | | | | | | | | | | | | | | | | | | | | | | | | | | | | | | | | | | | | | | | | | | | | | | | | | | | | | | | | | | | | | | |
| 9: | 9.4 | ↗ | | | | | | | | | | | | | | | | | | | | | | | | | | | | | | | | | | | | | | | | | | | | | | | | | | | | | | | | | | | | | | | | | | | | | | | | | |
| 10: | 10.1 | ↘ | | | | | | | | | | | | | | | | | | | | | | | | | | | | | | | | | | | | | | | | | | | | | | | | | | | | | | | | | | | | | | | | | | | | | | | | | |
| Serie | | 97.0 | | | | | | | | | | | | | | | | | | | | | | | | | | | | | | | | | | | | | | | | | | | | | | | | | | | | | | | | | | | | | | | | | | | | | | | | | |
| Total | | 97.0 | | | | | | | | | | | | | | | | | | | | | | | | | | | | | | | | | | | | | | | | | | | | | | | | | | | | | | | | | | | | | | | | | | | | | | | | | |
| 11: | 10.6x | ↓ | | | | | | | | | | | | | | | | | | | | | | | | | | | | | | | | | | | | | | | | | | | | | | | | | | | | | | | | | | | | | | | | | | | | | | | | | |
| 12: | 9.9 | ↓ | | | | | | | | | | | | | | | | | | | | | | | | | | | | | | | | | | | | | | | | | | | | | | | | | | | | | | | | | | | | | | | | | | | | | | | | | |
| 13: | 9.5 | ↘ | | | | | | | | | | | | | | | | | | | | | | | | | | | | | | | | | | | | | | | | | | | | | | | | | | | | | | | | | | | | | | | | | | | | | | | | | |
| 14: | 10.3x | ↘ | | | | | | | | | | | | | | | | | | | | | | | | | | | | | | | | | | | | | | | | | | | | | | | | | | | | | | | | | | | | | | | | | | | | | | | | | |
| 15: | 10.5x | ↘ | | | | | | | | | | | | | | | | | | | | | | | | | | | | | | | | | | | | | | | | | | | | | | | | | | | | | | | | | | | | | | | | | | | | | | | | | |
| 16: | 10.1 | ↘ | | | | | | | | | | | | | | | | | | | | | | | | | | | | | | | | | | | | | | | | | | | | | | | | | | | | | | | | | | | | | | | | | | | | | | | | | |
| 17: | 10.1 | ↘ | | | | | | | | | | | | | | | | | | | | | | | | | | | | | | | | | | | | | | | | | | | | | | | | | | | | | | | | | | | | | | | | | | | | | | | | | |
| 18: | 10.4x | → | | | | | | | | | | | | | | | | | | | | | | | | | | | | | | | | | | | | | | | | | | | | | | | | | | | | | | | | | | | | | | | | | | | | | | | | | |
| 19: | 10.3x | ↘ | | | | | | | | | | | | | | | | | | | | | | | | | | | | | | | | | | | | | | | | | | | | | | | | | | | | | | | | | | | | | | | | | | | | | | | | | |
| 20: | 10.1 | ↘ | | | | | | | | | | | | | | | | | | | | | | | | | | | | | | | | | | | | | | | | | | | | | | | | | | | | | | | | | | | | | | | | | | | | | | | | | |
| Serie | | 101.8 | | | | | | | | | | | | | | | | | | | | | | | | | | | | | | | | | | | | | | | | | | | | | | | | | | | | | | | | | | | | | | | | | | | | | | | | | |
| Total | | 198.8 | | | | | | | | | | | | | | | | | | | | | | | | | | | | | | | | | | | | | | | | | | | | | | | | | | | | | | | | | | | | | | | | | | | | | | | | | |

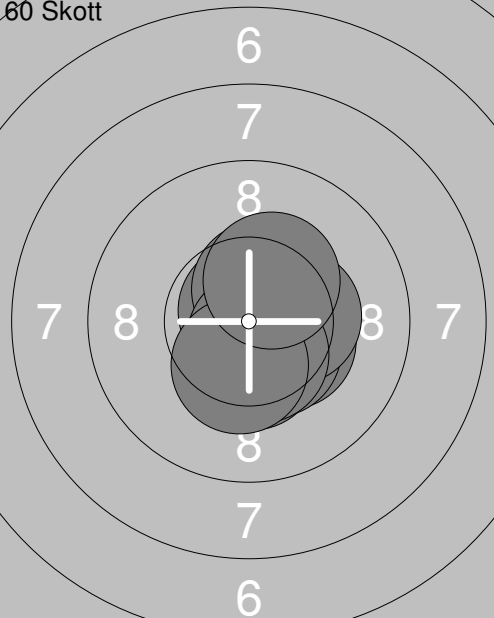
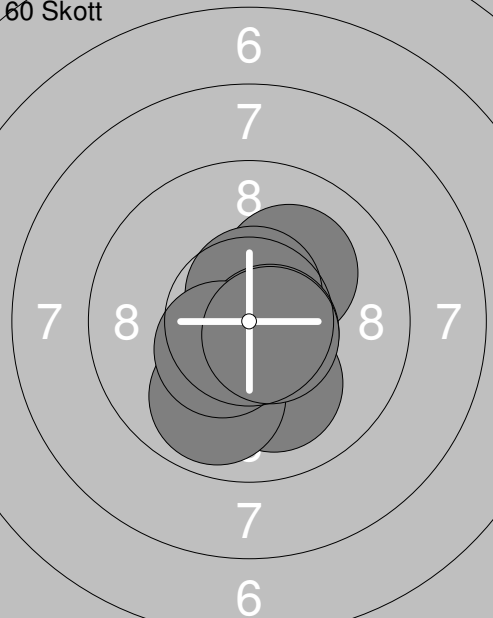
| | | | | | | | | | | | | | | | | | | | | | | | | | | | | | | | | | | | | | | | | | | | | | | | | | | | | | | | | | | | | | | | | | | | | | | | | | | | |
|------------------------|--|--------------|-------|---|-----|-----|---|-----|-----|---|-----|-------|---|-----|-------|---|-----|-----|---|-----|------|---|-----|-------|---|-----|-------|---|-----|-------|---|--------------|--|-------------|--------------|--|--------------|------------------------|--|-----|------|---|-----|-----|---|-----|-----|---|-----|-----|---|-----|-------|---|-----|-----|---|-----|-------|---|-----|-----|---|-----|-------|---|-----|-----|---|--------------|--|-------------|--------------|--|--------------|
| <p>60 Skott</p> | <table border="1" style="width:100%; border-collapse: collapse;"> <tr><td>21:</td><td>10.4x</td><td>↘</td></tr> <tr><td>22:</td><td>9.8</td><td>↘</td></tr> <tr><td>23:</td><td>6.3</td><td>↘</td></tr> <tr><td>24:</td><td>10.2x</td><td>↗</td></tr> <tr><td>25:</td><td>10.7x</td><td>↘</td></tr> <tr><td>26:</td><td>9.6</td><td>↘</td></tr> <tr><td>27:</td><td>10.1</td><td>↘</td></tr> <tr><td>28:</td><td>10.3x</td><td>↗</td></tr> <tr><td>29:</td><td>10.8x</td><td>↘</td></tr> <tr><td>30:</td><td>10.4x</td><td>→</td></tr> <tr><td colspan="2">Serie</td><td>98.6</td></tr> <tr><td colspan="2">Total</td><td>297.4</td></tr> </table> | 21: | 10.4x | ↘ | 22: | 9.8 | ↘ | 23: | 6.3 | ↘ | 24: | 10.2x | ↗ | 25: | 10.7x | ↘ | 26: | 9.6 | ↘ | 27: | 10.1 | ↘ | 28: | 10.3x | ↗ | 29: | 10.8x | ↘ | 30: | 10.4x | → | Serie | | 98.6 | Total | | 297.4 | <p>60 Skott</p> | <table border="1" style="width:100%; border-collapse: collapse;"> <tr><td>31:</td><td>10.1</td><td>↘</td></tr> <tr><td>32:</td><td>9.7</td><td>↘</td></tr> <tr><td>33:</td><td>9.6</td><td>→</td></tr> <tr><td>34:</td><td>9.7</td><td>↘</td></tr> <tr><td>35:</td><td>10.3x</td><td>↘</td></tr> <tr><td>36:</td><td>9.2</td><td>↘</td></tr> <tr><td>37:</td><td>10.5x</td><td>↘</td></tr> <tr><td>38:</td><td>9.8</td><td>↘</td></tr> <tr><td>39:</td><td>10.6x</td><td>→</td></tr> <tr><td>40:</td><td>9.9</td><td>↘</td></tr> <tr><td colspan="2">Serie</td><td>99.4</td></tr> <tr><td colspan="2">Total</td><td>396.8</td></tr> </table> | 31: | 10.1 | ↘ | 32: | 9.7 | ↘ | 33: | 9.6 | → | 34: | 9.7 | ↘ | 35: | 10.3x | ↘ | 36: | 9.2 | ↘ | 37: | 10.5x | ↘ | 38: | 9.8 | ↘ | 39: | 10.6x | → | 40: | 9.9 | ↘ | Serie | | 99.4 | Total | | 396.8 |
| 21: | 10.4x | ↘ | | | | | | | | | | | | | | | | | | | | | | | | | | | | | | | | | | | | | | | | | | | | | | | | | | | | | | | | | | | | | | | | | | | | | | | | | |
| 22: | 9.8 | ↘ | | | | | | | | | | | | | | | | | | | | | | | | | | | | | | | | | | | | | | | | | | | | | | | | | | | | | | | | | | | | | | | | | | | | | | | | | |
| 23: | 6.3 | ↘ | | | | | | | | | | | | | | | | | | | | | | | | | | | | | | | | | | | | | | | | | | | | | | | | | | | | | | | | | | | | | | | | | | | | | | | | | |
| 24: | 10.2x | ↗ | | | | | | | | | | | | | | | | | | | | | | | | | | | | | | | | | | | | | | | | | | | | | | | | | | | | | | | | | | | | | | | | | | | | | | | | | |
| 25: | 10.7x | ↘ | | | | | | | | | | | | | | | | | | | | | | | | | | | | | | | | | | | | | | | | | | | | | | | | | | | | | | | | | | | | | | | | | | | | | | | | | |
| 26: | 9.6 | ↘ | | | | | | | | | | | | | | | | | | | | | | | | | | | | | | | | | | | | | | | | | | | | | | | | | | | | | | | | | | | | | | | | | | | | | | | | | |
| 27: | 10.1 | ↘ | | | | | | | | | | | | | | | | | | | | | | | | | | | | | | | | | | | | | | | | | | | | | | | | | | | | | | | | | | | | | | | | | | | | | | | | | |
| 28: | 10.3x | ↗ | | | | | | | | | | | | | | | | | | | | | | | | | | | | | | | | | | | | | | | | | | | | | | | | | | | | | | | | | | | | | | | | | | | | | | | | | |
| 29: | 10.8x | ↘ | | | | | | | | | | | | | | | | | | | | | | | | | | | | | | | | | | | | | | | | | | | | | | | | | | | | | | | | | | | | | | | | | | | | | | | | | |
| 30: | 10.4x | → | | | | | | | | | | | | | | | | | | | | | | | | | | | | | | | | | | | | | | | | | | | | | | | | | | | | | | | | | | | | | | | | | | | | | | | | | |
| Serie | | 98.6 | | | | | | | | | | | | | | | | | | | | | | | | | | | | | | | | | | | | | | | | | | | | | | | | | | | | | | | | | | | | | | | | | | | | | | | | | |
| Total | | 297.4 | | | | | | | | | | | | | | | | | | | | | | | | | | | | | | | | | | | | | | | | | | | | | | | | | | | | | | | | | | | | | | | | | | | | | | | | | |
| 31: | 10.1 | ↘ | | | | | | | | | | | | | | | | | | | | | | | | | | | | | | | | | | | | | | | | | | | | | | | | | | | | | | | | | | | | | | | | | | | | | | | | | |
| 32: | 9.7 | ↘ | | | | | | | | | | | | | | | | | | | | | | | | | | | | | | | | | | | | | | | | | | | | | | | | | | | | | | | | | | | | | | | | | | | | | | | | | |
| 33: | 9.6 | → | | | | | | | | | | | | | | | | | | | | | | | | | | | | | | | | | | | | | | | | | | | | | | | | | | | | | | | | | | | | | | | | | | | | | | | | | |
| 34: | 9.7 | ↘ | | | | | | | | | | | | | | | | | | | | | | | | | | | | | | | | | | | | | | | | | | | | | | | | | | | | | | | | | | | | | | | | | | | | | | | | | |
| 35: | 10.3x | ↘ | | | | | | | | | | | | | | | | | | | | | | | | | | | | | | | | | | | | | | | | | | | | | | | | | | | | | | | | | | | | | | | | | | | | | | | | | |
| 36: | 9.2 | ↘ | | | | | | | | | | | | | | | | | | | | | | | | | | | | | | | | | | | | | | | | | | | | | | | | | | | | | | | | | | | | | | | | | | | | | | | | | |
| 37: | 10.5x | ↘ | | | | | | | | | | | | | | | | | | | | | | | | | | | | | | | | | | | | | | | | | | | | | | | | | | | | | | | | | | | | | | | | | | | | | | | | | |
| 38: | 9.8 | ↘ | | | | | | | | | | | | | | | | | | | | | | | | | | | | | | | | | | | | | | | | | | | | | | | | | | | | | | | | | | | | | | | | | | | | | | | | | |
| 39: | 10.6x | → | | | | | | | | | | | | | | | | | | | | | | | | | | | | | | | | | | | | | | | | | | | | | | | | | | | | | | | | | | | | | | | | | | | | | | | | | |
| 40: | 9.9 | ↘ | | | | | | | | | | | | | | | | | | | | | | | | | | | | | | | | | | | | | | | | | | | | | | | | | | | | | | | | | | | | | | | | | | | | | | | | | |
| Serie | | 99.4 | | | | | | | | | | | | | | | | | | | | | | | | | | | | | | | | | | | | | | | | | | | | | | | | | | | | | | | | | | | | | | | | | | | | | | | | | |
| Total | | 396.8 | | | | | | | | | | | | | | | | | | | | | | | | | | | | | | | | | | | | | | | | | | | | | | | | | | | | | | | | | | | | | | | | | | | | | | | | | |

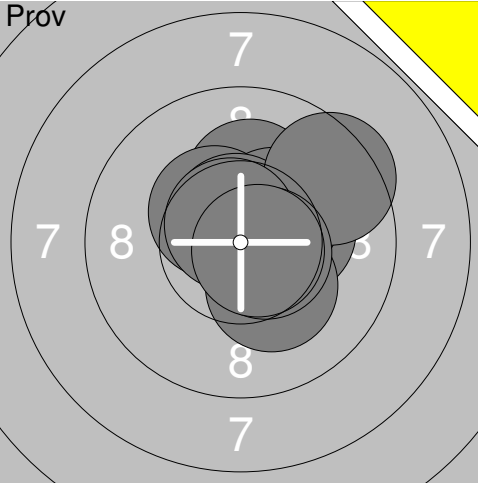
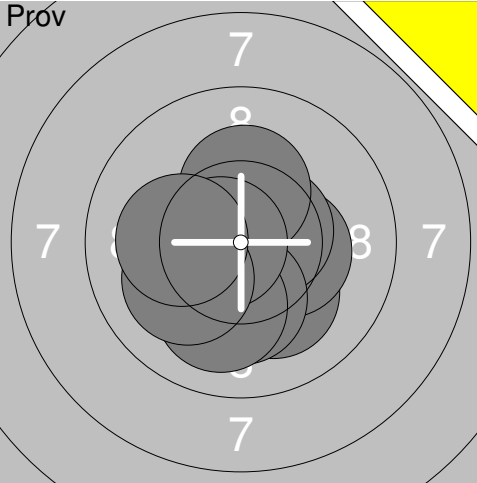
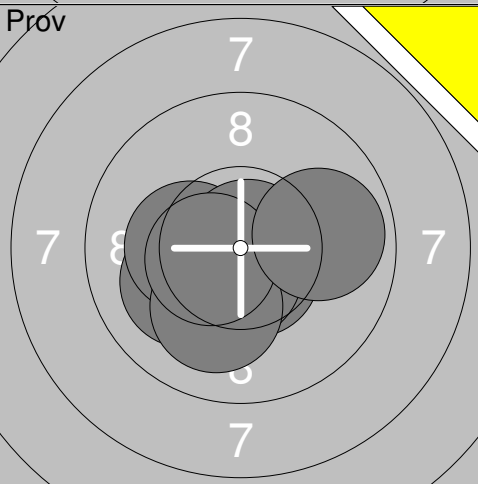
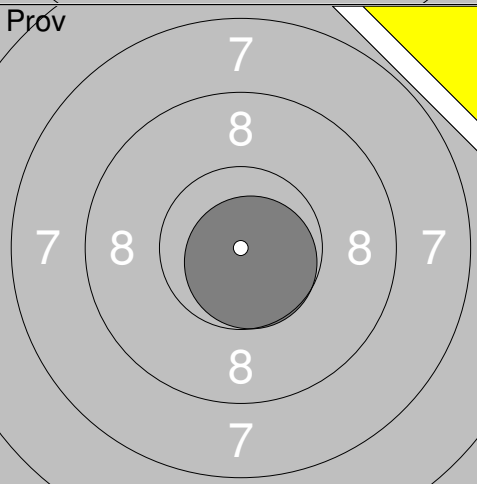
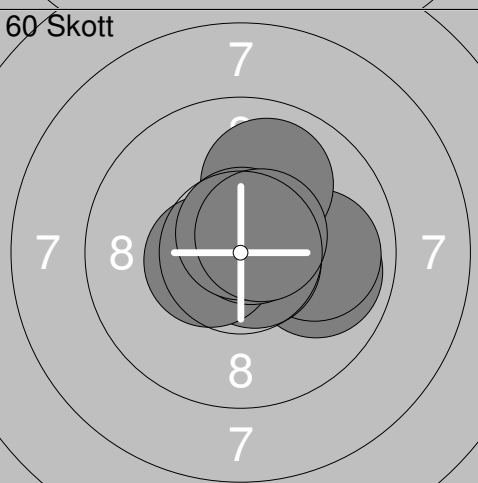
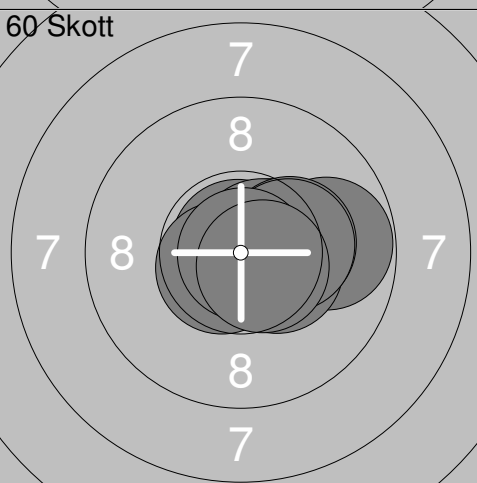
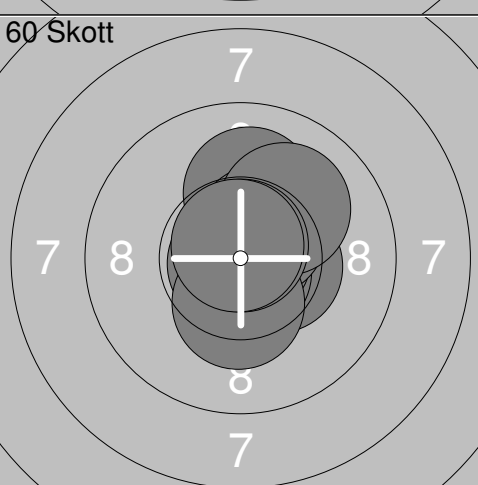
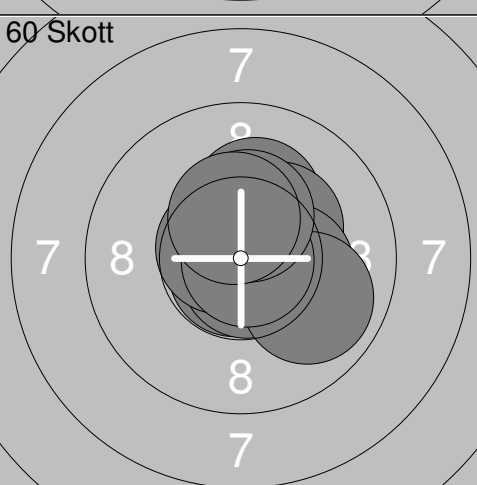
| Pröv | Pröv | Pröv |
|--|---|--|
|  | 1: 8.4 ← 2: 10.3✕ 3: 10.0← 4: 9.8 ↑ 5: 10.9✕ 6: 10.3✕ 7: 8.9 ← 8: 10.6✕ 9: 9.9 → 10: 10.1 → Serie 99.2 Total 0.0 |  |
| | | 11: 10.2✕ 12: 10.4✕ 13: 9.6 ← 14: 10.7✕ 15: 10.3✕ Serie 51.2 Total 0.0 |
|  | 1: 10.5✕ 2: 10.4✕ 3: 9.9 → 4: 10.4✕ 5: 10.4✕ 6: 10.1 ↖ 7: 9.3 ← 8: 9.5 ← 9: 10.4✕ 10: 10.7✕ Serie 101.6 Total 101.6 |  |
| | | 11: 10.4✕ 12: 9.9 ← 13: 10.3✕ 14: 10.4✕ 15: 10.2✕ 16: 10.3✕ 17: 10.3✕ 18: 10.8✕ 19: 10.7✕ 20: 10.5✕ Serie 103.8 Total 205.4 |
|  | 21: 10.1 ↖ 22: 10.5✕ 23: 10.4✕ 24: 10.7✕ 25: 10.2✕ 26: 10.3✕ 27: 10.6✕ 28: 10.7✕ 29: 10.0← 30: 10.5✕ Serie 104.0 Total 309.4 |  |
| | | 31: 10.2✕ 32: 10.6✕ 33: 10.2✕ 34: 10.5✕ 35: 10.7✕ 36: 10.3✕ 37: 10.6✕ 38: 10.7✕ 39: 9.8 ↓ 40: 9.3 ← Serie 102.9 Total 412.3 |

| | | | |
|----------------------|---|-------------------------|--|
| Skjutlag 2 | Tavla 20 | Jesse Riihimäki | |
| S | | IMAS | |
| 18.11.2017 | | Drängsmarksskyttet 2017 | |
| Umeå skytteallians | | Umeå skytteallians | |
| Prov | 1: 10.2x → 2: 10.4x → 3: 10.5x ↙ 4: 10.1 → 5: 10.6x ↘ 6: 9.9 ↗ 7: 10.5x ↘ 8: 10.4x ↙ 9: 10.1 → 10: 10.7x ↙ Serie 103.4 Total 0.0 | Prov | 11: 9.4 ↑ 12: 10.4x ↑ 13: 10.4x ↖ 14: 8.7 ↘ 15: 10.4x ↘ 16: 9.4 → 17: 10.5x ↗ 18: 9.7 ↗ 19: 10.3x ↘ 20: 10.0 ← Serie 99.2 Total 0.0 |
| Prov | 21: 10.2x ↓ 22: 10.2x ↙ 23: 9.7 ← 24: 10.3x ← 25: 10.3x ↗ 26: 10.1 ↗ 27: 9.6 ↗ 28: 10.0 ↘ 29: 9.9 ↖ Serie 90.3 Total 0.0 | 60 Skott | 1: 10.2x ↑ 2: 9.6 ↑ 3: 9.4 ↑ 4: 10.7x → 5: 10.5x ↖ 6: 9.9 ↖ 7: 9.7 ↗ 8: 10.0 ↑ 9: 9.2 ↖ 10: 10.8x ↙ Serie 100.0 Total 100.0 |
| 60 Skott | 11: 9.6 ↗ 12: 10.9x ↘ 13: 10.1 → 14: 9.4 ↑ 15: 10.5x ← 16: 9.8 → 17: 9.6 ↗ 18: 9.8 ↗ 19: 10.1 ↗ 20: 9.3 ↗ Serie 99.1 Total 199.1 | 60 Skott | 21: 8.9 ↑ 22: 10.3x ↗ 23: 9.9 ↗ 24: 9.6 → 25: 9.2 → 26: 9.7 ↑ 27: 10.1 ↖ 28: 10.5x → 29: 9.8 ↗ 30: 10.6x ↗ Serie 98.6 Total 297.7 |
| 60 Skott | 31: 10.2x ← 32: 10.7x ← 33: 9.9 ← 34: 10.3x → 35: 10.6x ↗ 36: 9.8 ↘ 37: 9.9 ↘ 38: 10.3x ↗ 39: 10.0 ↘ 40: 9.0 ↘ Serie 100.7 Total 398.4 | | |

| | | | |
|--|---|--|---|
| Prov  | 1: 10.6x↘ 2: 0.0 ↓ 3: 8.7 ↘ 4: 10.4x↘ 5: 9.3 → 6: 9.2 → 7: 9.9 → 8: 10.6x→ 9: 10.5x↓ 10: 10.2x↘ Serie 89.4 Total 0.0 | Prov  | 11: 9.9 ↘ 12: 10.3x↘ 13: 9.5 ↘ 14: 10.5x↘ 15: 10.6x↘ 16: 10.7x↗ Serie 61.5 Total 0.0 |
|--|---|--|---|

| | | | |
|---|---|---|--|
| 60 Skott  | 1: 10.1→ 2: 10.2x→ 3: 9.9 ↘ 4: 10.0 ↘ 5: 10.2x↗ 6: 10.7x→ 7: 10.4x↘ 8: 10.3x↗ 9: 10.2x↘ 10: 10.9x→ Serie 102.9 Total 102.9 | 60 Skott  | 11: 10.5x↗ 12: 9.8 → 13: 10.3x↗ 14: 10.6x↘ 15: 10.4x↗ 16: 10.6x↗ 17: 10.5x↘ 18: 10.8x↘ 19: 10.1↖ 20: 10.6x↘ Serie 104.2 Total 207.1 |
|---|---|---|--|

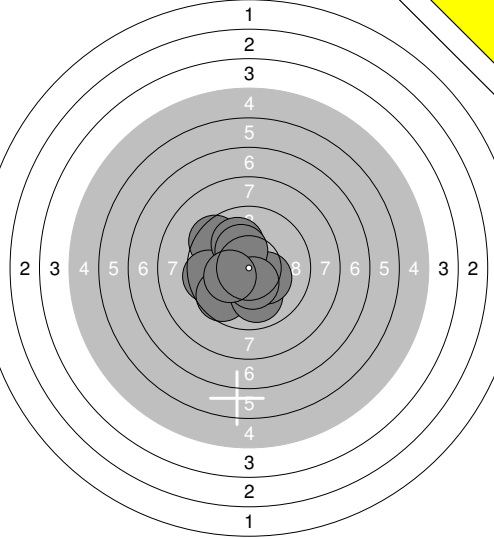
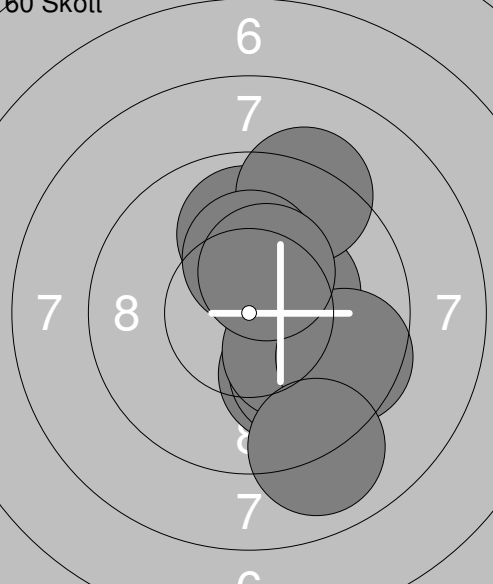
| | | | |
|--|--|--|---|
| 60 Skott  | 21: 10.4x↓ 22: 10.8x↗ 23: 10.5x↗ 24: 10.4x↘ 25: 10.7x↘ 26: 10.5x↘ 27: 10.4x→ 28: 10.5x↘ 29: 10.4x↓ 30: 10.3x↗ Serie 104.9 Total 312.0 | 60 Skott  | 31: 10.7x↓ 32: 10.5x↓ 33: 10.1 ↗ 34: 10.6x↗ 35: 10.6x↘ 36: 10.1 ↓ 37: 10.1 ↓ 38: 9.9 ↓ 39: 10.4x↘ 40: 10.6x↘ Serie 103.6 Total 415.6 |
|--|--|--|---|

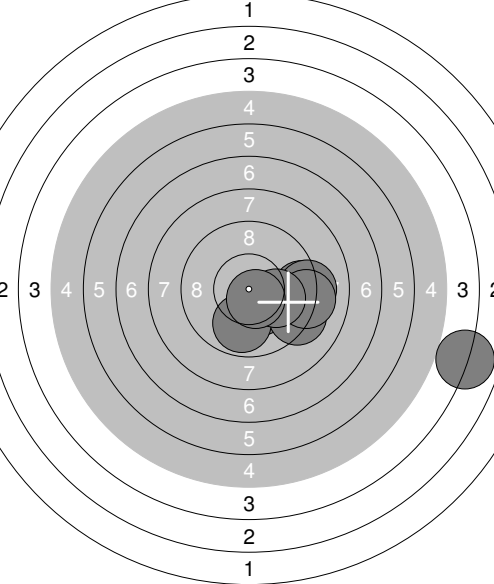
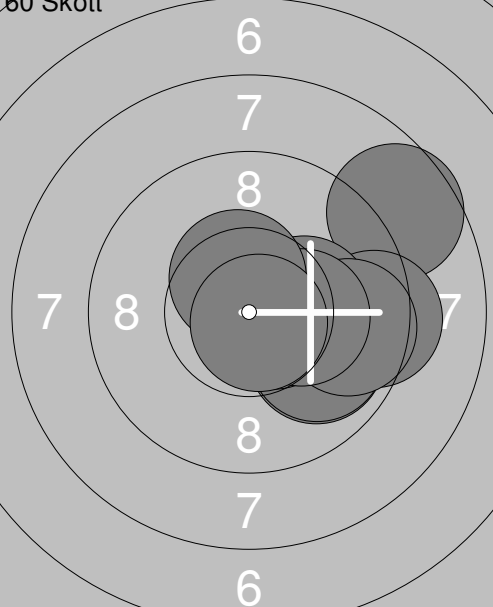
| | | | | | |
|----------------------|--|--|----------|--|--|
| Skjutlag 2 | Tavla 22 | Elvina Boman | | | |
| S | | Gideå | | | |
| 18.11.2017 | | Drängsmarksskyttet 2017 | | Umeå skytteallians | |
| Prov |  | 1: 10.2x ↗ 2: 10.3x → 3: 10.2x ↘ 4: 10.4x ↗ 5: 10.4x → 6: 10.6x ↗ 7: 9.5 → 8: 10.7x ↗ 9: 10.6x → 10: 10.7x ↘ | Prov |  | 11: 10.1 ↘ 12: 10.3x → 13: 10.6x → 14: 10.6x ← 15: 10.3x ↗ 16: 10.2x ↘ 17: 10.0 ↘ 18: 10.7x ← 19: 10.1 ↙ 20: 10.1 ← |
| | | Serie 103.6 | | Serie 103.0 | |
| | | Total 0.0 | | Total 0.0 | |
| Prov |  | 21: 10.6x ↘ 22: 10.2x ← 23: 10.1 ← 24: 10.9x ↘ 25: 10.3x ← 26: 10.8x → 27: 10.6x ↘ 28: 10.1 ↘ 29: 10.5x ← 30: 9.9 → | Prov |  | 31: 10.7x ↘ |
| | | Serie 104.0 | | Serie 10.7 | |
| | | Total 0.0 | | Total 0.0 | |
| 60 Skott |  | 1: 9.9 → 2: 10.6x ↗ 3: 9.9 → 4: 10.8x ↘ 5: 10.7x ↘ 6: 10.0 ↗ 7: 10.5x ← 8: 10.7x ↗ 9: 10.7x ↗ 10: 10.6x ↗ | 60 Skott |  | 11: 9.8 → 12: 10.8x ↗ 13: 10.5x → 14: 10.6x → 15: 10.6x ↙ 16: 10.4x → 17: 10.3x → 18: 10.3x → 19: 10.9x → 20: 10.6x ↘ |
| | | Serie 104.4 | | Serie 104.8 | |
| | | Total 104.4 | | Total 209.2 | |
| 60 Skott |  | 21: 10.5x → 22: 10.1 ↗ 23: 10.8x ↘ 24: 10.8x ↙ 25: 10.9x ↗ 26: 10.5x ↗ 27: 10.1 ↗ 28: 10.4x ↘ 29: 10.8x ↗ 30: 10.8x ↗ | 60 Skott |  | 31: 10.8x ↘ 32: 10.2x ↗ 33: 10.7x ↘ 34: 10.3x ↗ 35: 10.3x → 36: 9.9 ↘ 37: 10.7x ↙ 38: 10.9x → 39: 10.4x ↗ 40: 10.4x ↗ |
| | | Serie 105.7 | | Serie 104.6 | |
| | | Total 314.9 | | Total 419.5 | |

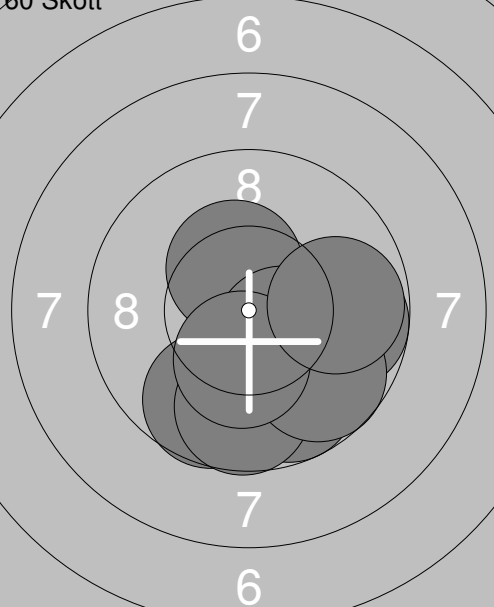
| | | | | | | | | | | | | | | | | | | | | | | | | | | | | | | | | | | | | | | | | | | | | | | | | | | | | | | | | | | | | | | | | | | | | | | | | | | | |
|------------------------|--|-------|-------|---|-------|-------|------|-------|-------|-----|------------------------|--|----|------|-------|----|-------|-------|----|-------|-------|----|-------|-------|----|-------|-------|----|-------|-------|----|-------|---|-------|-------|---|-------|------------------------|---|-----|-------|---|-------|-------|-------|-------|-------|-------|-----|-------|---|-----|-------|---|-----|-------|---|-----|-------|---|-----|-------|---|-----|-------|---|-----|-------|---|-------|--|-------|-------|--|-------|
| <p>Prov</p> | <table border="1" style="width:100%; border-collapse: collapse;"> <tr><td>1:</td><td>10.5x</td><td>↗</td></tr> <tr><td>2:</td><td>10.2x</td><td>↘</td></tr> <tr><td>3:</td><td>10.1</td><td>↘</td></tr> <tr><td>4:</td><td>10.3x</td><td>↘</td></tr> <tr><td>5:</td><td>10.0</td><td>↘</td></tr> <tr><td>6:</td><td>10.0</td><td>↘</td></tr> <tr><td>7:</td><td>9.9</td><td>↘</td></tr> <tr><td>8:</td><td>10.3x</td><td>→</td></tr> <tr><td>9:</td><td>10.1</td><td>→</td></tr> <tr><td>10:</td><td>10.6x</td><td>↓</td></tr> <tr><td colspan="2">Serie</td><td>102.0</td></tr> <tr><td colspan="2">Total</td><td>0.0</td></tr> </table> | 1: | 10.5x | ↗ | 2: | 10.2x | ↘ | 3: | 10.1 | ↘ | 4: | 10.3x | ↘ | 5: | 10.0 | ↘ | 6: | 10.0 | ↘ | 7: | 9.9 | ↘ | 8: | 10.3x | → | 9: | 10.1 | → | 10: | 10.6x | ↓ | Serie | | 102.0 | Total | | 0.0 | <p>Prov</p> | <table border="1" style="width:100%; border-collapse: collapse;"> <tr><td>11:</td><td>9.7</td><td>↗</td></tr> <tr><td>12:</td><td>10.5x</td><td>↑</td></tr> <tr><td>13:</td><td>10.2x</td><td>→</td></tr> <tr><td>14:</td><td>10.7x</td><td>↗</td></tr> <tr><td>15:</td><td>10.3x</td><td>↘</td></tr> <tr><td>16:</td><td>10.5x</td><td>↓</td></tr> <tr><td>17:</td><td>10.5x</td><td>↘</td></tr> <tr><td>18:</td><td>10.3x</td><td>↘</td></tr> <tr><td>19:</td><td>10.7x</td><td>↓</td></tr> <tr><td>20:</td><td>10.6x</td><td>→</td></tr> <tr><td colspan="2">Serie</td><td>104.0</td></tr> <tr><td colspan="2">Total</td><td>0.0</td></tr> </table> | 11: | 9.7 | ↗ | 12: | 10.5x | ↑ | 13: | 10.2x | → | 14: | 10.7x | ↗ | 15: | 10.3x | ↘ | 16: | 10.5x | ↓ | 17: | 10.5x | ↘ | 18: | 10.3x | ↘ | 19: | 10.7x | ↓ | 20: | 10.6x | → | Serie | | 104.0 | Total | | 0.0 |
| 1: | 10.5x | ↗ | | | | | | | | | | | | | | | | | | | | | | | | | | | | | | | | | | | | | | | | | | | | | | | | | | | | | | | | | | | | | | | | | | | | | | | | | |
| 2: | 10.2x | ↘ | | | | | | | | | | | | | | | | | | | | | | | | | | | | | | | | | | | | | | | | | | | | | | | | | | | | | | | | | | | | | | | | | | | | | | | | | |
| 3: | 10.1 | ↘ | | | | | | | | | | | | | | | | | | | | | | | | | | | | | | | | | | | | | | | | | | | | | | | | | | | | | | | | | | | | | | | | | | | | | | | | | |
| 4: | 10.3x | ↘ | | | | | | | | | | | | | | | | | | | | | | | | | | | | | | | | | | | | | | | | | | | | | | | | | | | | | | | | | | | | | | | | | | | | | | | | | |
| 5: | 10.0 | ↘ | | | | | | | | | | | | | | | | | | | | | | | | | | | | | | | | | | | | | | | | | | | | | | | | | | | | | | | | | | | | | | | | | | | | | | | | | |
| 6: | 10.0 | ↘ | | | | | | | | | | | | | | | | | | | | | | | | | | | | | | | | | | | | | | | | | | | | | | | | | | | | | | | | | | | | | | | | | | | | | | | | | |
| 7: | 9.9 | ↘ | | | | | | | | | | | | | | | | | | | | | | | | | | | | | | | | | | | | | | | | | | | | | | | | | | | | | | | | | | | | | | | | | | | | | | | | | |
| 8: | 10.3x | → | | | | | | | | | | | | | | | | | | | | | | | | | | | | | | | | | | | | | | | | | | | | | | | | | | | | | | | | | | | | | | | | | | | | | | | | | |
| 9: | 10.1 | → | | | | | | | | | | | | | | | | | | | | | | | | | | | | | | | | | | | | | | | | | | | | | | | | | | | | | | | | | | | | | | | | | | | | | | | | | |
| 10: | 10.6x | ↓ | | | | | | | | | | | | | | | | | | | | | | | | | | | | | | | | | | | | | | | | | | | | | | | | | | | | | | | | | | | | | | | | | | | | | | | | | |
| Serie | | 102.0 | | | | | | | | | | | | | | | | | | | | | | | | | | | | | | | | | | | | | | | | | | | | | | | | | | | | | | | | | | | | | | | | | | | | | | | | | |
| Total | | 0.0 | | | | | | | | | | | | | | | | | | | | | | | | | | | | | | | | | | | | | | | | | | | | | | | | | | | | | | | | | | | | | | | | | | | | | | | | | |
| 11: | 9.7 | ↗ | | | | | | | | | | | | | | | | | | | | | | | | | | | | | | | | | | | | | | | | | | | | | | | | | | | | | | | | | | | | | | | | | | | | | | | | | |
| 12: | 10.5x | ↑ | | | | | | | | | | | | | | | | | | | | | | | | | | | | | | | | | | | | | | | | | | | | | | | | | | | | | | | | | | | | | | | | | | | | | | | | | |
| 13: | 10.2x | → | | | | | | | | | | | | | | | | | | | | | | | | | | | | | | | | | | | | | | | | | | | | | | | | | | | | | | | | | | | | | | | | | | | | | | | | | |
| 14: | 10.7x | ↗ | | | | | | | | | | | | | | | | | | | | | | | | | | | | | | | | | | | | | | | | | | | | | | | | | | | | | | | | | | | | | | | | | | | | | | | | | |
| 15: | 10.3x | ↘ | | | | | | | | | | | | | | | | | | | | | | | | | | | | | | | | | | | | | | | | | | | | | | | | | | | | | | | | | | | | | | | | | | | | | | | | | |
| 16: | 10.5x | ↓ | | | | | | | | | | | | | | | | | | | | | | | | | | | | | | | | | | | | | | | | | | | | | | | | | | | | | | | | | | | | | | | | | | | | | | | | | |
| 17: | 10.5x | ↘ | | | | | | | | | | | | | | | | | | | | | | | | | | | | | | | | | | | | | | | | | | | | | | | | | | | | | | | | | | | | | | | | | | | | | | | | | |
| 18: | 10.3x | ↘ | | | | | | | | | | | | | | | | | | | | | | | | | | | | | | | | | | | | | | | | | | | | | | | | | | | | | | | | | | | | | | | | | | | | | | | | | |
| 19: | 10.7x | ↓ | | | | | | | | | | | | | | | | | | | | | | | | | | | | | | | | | | | | | | | | | | | | | | | | | | | | | | | | | | | | | | | | | | | | | | | | | |
| 20: | 10.6x | → | | | | | | | | | | | | | | | | | | | | | | | | | | | | | | | | | | | | | | | | | | | | | | | | | | | | | | | | | | | | | | | | | | | | | | | | | |
| Serie | | 104.0 | | | | | | | | | | | | | | | | | | | | | | | | | | | | | | | | | | | | | | | | | | | | | | | | | | | | | | | | | | | | | | | | | | | | | | | | | |
| Total | | 0.0 | | | | | | | | | | | | | | | | | | | | | | | | | | | | | | | | | | | | | | | | | | | | | | | | | | | | | | | | | | | | | | | | | | | | | | | | | |
| <p>Prov</p> | <table border="1" style="width:100%; border-collapse: collapse;"> <tr><td>21:</td><td>10.6x</td><td>↑</td></tr> <tr><td colspan="2">Serie</td><td>10.6</td></tr> <tr><td colspan="2">Total</td><td>0.0</td></tr> </table> | 21: | 10.6x | ↑ | Serie | | 10.6 | Total | | 0.0 | <p>60 Skott</p> | <table border="1" style="width:100%; border-collapse: collapse;"> <tr><td>1:</td><td>10.0</td><td>↘</td></tr> <tr><td>2:</td><td>10.5x</td><td>↘</td></tr> <tr><td>3:</td><td>10.7x</td><td>→</td></tr> <tr><td>4:</td><td>10.3x</td><td>→</td></tr> <tr><td>5:</td><td>10.7x</td><td>↘</td></tr> <tr><td>6:</td><td>10.5x</td><td>→</td></tr> <tr><td>7:</td><td>9.9</td><td>→</td></tr> <tr><td>8:</td><td>10.8x</td><td>←</td></tr> <tr><td>9:</td><td>10.6x</td><td>↗</td></tr> <tr><td>10:</td><td>10.2x</td><td>→</td></tr> <tr><td colspan="2">Serie</td><td>104.2</td></tr> <tr><td colspan="2">Total</td><td>104.2</td></tr> </table> | 1: | 10.0 | ↘ | 2: | 10.5x | ↘ | 3: | 10.7x | → | 4: | 10.3x | → | 5: | 10.7x | ↘ | 6: | 10.5x | → | 7: | 9.9 | → | 8: | 10.8x | ← | 9: | 10.6x | ↗ | 10: | 10.2x | → | Serie | | 104.2 | Total | | 104.2 | | | | | | | | | | | | | | | | | | | | | | | | | | | |
| 21: | 10.6x | ↑ | | | | | | | | | | | | | | | | | | | | | | | | | | | | | | | | | | | | | | | | | | | | | | | | | | | | | | | | | | | | | | | | | | | | | | | | | |
| Serie | | 10.6 | | | | | | | | | | | | | | | | | | | | | | | | | | | | | | | | | | | | | | | | | | | | | | | | | | | | | | | | | | | | | | | | | | | | | | | | | |
| Total | | 0.0 | | | | | | | | | | | | | | | | | | | | | | | | | | | | | | | | | | | | | | | | | | | | | | | | | | | | | | | | | | | | | | | | | | | | | | | | | |
| 1: | 10.0 | ↘ | | | | | | | | | | | | | | | | | | | | | | | | | | | | | | | | | | | | | | | | | | | | | | | | | | | | | | | | | | | | | | | | | | | | | | | | | |
| 2: | 10.5x | ↘ | | | | | | | | | | | | | | | | | | | | | | | | | | | | | | | | | | | | | | | | | | | | | | | | | | | | | | | | | | | | | | | | | | | | | | | | | |
| 3: | 10.7x | → | | | | | | | | | | | | | | | | | | | | | | | | | | | | | | | | | | | | | | | | | | | | | | | | | | | | | | | | | | | | | | | | | | | | | | | | | |
| 4: | 10.3x | → | | | | | | | | | | | | | | | | | | | | | | | | | | | | | | | | | | | | | | | | | | | | | | | | | | | | | | | | | | | | | | | | | | | | | | | | | |
| 5: | 10.7x | ↘ | | | | | | | | | | | | | | | | | | | | | | | | | | | | | | | | | | | | | | | | | | | | | | | | | | | | | | | | | | | | | | | | | | | | | | | | | |
| 6: | 10.5x | → | | | | | | | | | | | | | | | | | | | | | | | | | | | | | | | | | | | | | | | | | | | | | | | | | | | | | | | | | | | | | | | | | | | | | | | | | |
| 7: | 9.9 | → | | | | | | | | | | | | | | | | | | | | | | | | | | | | | | | | | | | | | | | | | | | | | | | | | | | | | | | | | | | | | | | | | | | | | | | | | |
| 8: | 10.8x | ← | | | | | | | | | | | | | | | | | | | | | | | | | | | | | | | | | | | | | | | | | | | | | | | | | | | | | | | | | | | | | | | | | | | | | | | | | |
| 9: | 10.6x | ↗ | | | | | | | | | | | | | | | | | | | | | | | | | | | | | | | | | | | | | | | | | | | | | | | | | | | | | | | | | | | | | | | | | | | | | | | | | |
| 10: | 10.2x | → | | | | | | | | | | | | | | | | | | | | | | | | | | | | | | | | | | | | | | | | | | | | | | | | | | | | | | | | | | | | | | | | | | | | | | | | | |
| Serie | | 104.2 | | | | | | | | | | | | | | | | | | | | | | | | | | | | | | | | | | | | | | | | | | | | | | | | | | | | | | | | | | | | | | | | | | | | | | | | | |
| Total | | 104.2 | | | | | | | | | | | | | | | | | | | | | | | | | | | | | | | | | | | | | | | | | | | | | | | | | | | | | | | | | | | | | | | | | | | | | | | | | |
| <p>60 Skott</p> | <table border="1" style="width:100%; border-collapse: collapse;"> <tr><td>11:</td><td>10.6x</td><td>→</td></tr> <tr><td>12:</td><td>10.5x</td><td>↘</td></tr> <tr><td>13:</td><td>10.7x</td><td>↘</td></tr> <tr><td>14:</td><td>10.7x</td><td>↘</td></tr> <tr><td>15:</td><td>10.5x</td><td>↘</td></tr> <tr><td>16:</td><td>10.5x</td><td>↘</td></tr> <tr><td>17:</td><td>10.3x</td><td>←</td></tr> <tr><td>18:</td><td>10.3x</td><td>↘</td></tr> <tr><td>19:</td><td>10.0</td><td>↘</td></tr> <tr><td>20:</td><td>10.9x</td><td>↘</td></tr> <tr><td colspan="2">Serie</td><td>105.0</td></tr> <tr><td colspan="2">Total</td><td>209.2</td></tr> </table> | 11: | 10.6x | → | 12: | 10.5x | ↘ | 13: | 10.7x | ↘ | 14: | 10.7x | ↘ | 15: | 10.5x | ↘ | 16: | 10.5x | ↘ | 17: | 10.3x | ← | 18: | 10.3x | ↘ | 19: | 10.0 | ↘ | 20: | 10.9x | ↘ | Serie | | 105.0 | Total | | 209.2 | <p>60 Skott</p> | <table border="1" style="width:100%; border-collapse: collapse;"> <tr><td>21:</td><td>10.8x</td><td>↓</td></tr> <tr><td>22:</td><td>10.6x</td><td>↗</td></tr> <tr><td>23:</td><td>10.9x</td><td>↘</td></tr> <tr><td>24:</td><td>10.1</td><td>→</td></tr> <tr><td>25:</td><td>10.5x</td><td>↗</td></tr> <tr><td>26:</td><td>10.7x</td><td>↘</td></tr> <tr><td>27:</td><td>10.6x</td><td>↗</td></tr> <tr><td>28:</td><td>10.7x</td><td>↗</td></tr> <tr><td>29:</td><td>10.8x</td><td>↗</td></tr> <tr><td>30:</td><td>10.3x</td><td>↘</td></tr> <tr><td colspan="2">Serie</td><td>106.0</td></tr> <tr><td colspan="2">Total</td><td>315.2</td></tr> </table> | 21: | 10.8x | ↓ | 22: | 10.6x | ↗ | 23: | 10.9x | ↘ | 24: | 10.1 | → | 25: | 10.5x | ↗ | 26: | 10.7x | ↘ | 27: | 10.6x | ↗ | 28: | 10.7x | ↗ | 29: | 10.8x | ↗ | 30: | 10.3x | ↘ | Serie | | 106.0 | Total | | 315.2 |
| 11: | 10.6x | → | | | | | | | | | | | | | | | | | | | | | | | | | | | | | | | | | | | | | | | | | | | | | | | | | | | | | | | | | | | | | | | | | | | | | | | | | |
| 12: | 10.5x | ↘ | | | | | | | | | | | | | | | | | | | | | | | | | | | | | | | | | | | | | | | | | | | | | | | | | | | | | | | | | | | | | | | | | | | | | | | | | |
| 13: | 10.7x | ↘ | | | | | | | | | | | | | | | | | | | | | | | | | | | | | | | | | | | | | | | | | | | | | | | | | | | | | | | | | | | | | | | | | | | | | | | | | |
| 14: | 10.7x | ↘ | | | | | | | | | | | | | | | | | | | | | | | | | | | | | | | | | | | | | | | | | | | | | | | | | | | | | | | | | | | | | | | | | | | | | | | | | |
| 15: | 10.5x | ↘ | | | | | | | | | | | | | | | | | | | | | | | | | | | | | | | | | | | | | | | | | | | | | | | | | | | | | | | | | | | | | | | | | | | | | | | | | |
| 16: | 10.5x | ↘ | | | | | | | | | | | | | | | | | | | | | | | | | | | | | | | | | | | | | | | | | | | | | | | | | | | | | | | | | | | | | | | | | | | | | | | | | |
| 17: | 10.3x | ← | | | | | | | | | | | | | | | | | | | | | | | | | | | | | | | | | | | | | | | | | | | | | | | | | | | | | | | | | | | | | | | | | | | | | | | | | |
| 18: | 10.3x | ↘ | | | | | | | | | | | | | | | | | | | | | | | | | | | | | | | | | | | | | | | | | | | | | | | | | | | | | | | | | | | | | | | | | | | | | | | | | |
| 19: | 10.0 | ↘ | | | | | | | | | | | | | | | | | | | | | | | | | | | | | | | | | | | | | | | | | | | | | | | | | | | | | | | | | | | | | | | | | | | | | | | | | |
| 20: | 10.9x | ↘ | | | | | | | | | | | | | | | | | | | | | | | | | | | | | | | | | | | | | | | | | | | | | | | | | | | | | | | | | | | | | | | | | | | | | | | | | |
| Serie | | 105.0 | | | | | | | | | | | | | | | | | | | | | | | | | | | | | | | | | | | | | | | | | | | | | | | | | | | | | | | | | | | | | | | | | | | | | | | | | |
| Total | | 209.2 | | | | | | | | | | | | | | | | | | | | | | | | | | | | | | | | | | | | | | | | | | | | | | | | | | | | | | | | | | | | | | | | | | | | | | | | | |
| 21: | 10.8x | ↓ | | | | | | | | | | | | | | | | | | | | | | | | | | | | | | | | | | | | | | | | | | | | | | | | | | | | | | | | | | | | | | | | | | | | | | | | | |
| 22: | 10.6x | ↗ | | | | | | | | | | | | | | | | | | | | | | | | | | | | | | | | | | | | | | | | | | | | | | | | | | | | | | | | | | | | | | | | | | | | | | | | | |
| 23: | 10.9x | ↘ | | | | | | | | | | | | | | | | | | | | | | | | | | | | | | | | | | | | | | | | | | | | | | | | | | | | | | | | | | | | | | | | | | | | | | | | | |
| 24: | 10.1 | → | | | | | | | | | | | | | | | | | | | | | | | | | | | | | | | | | | | | | | | | | | | | | | | | | | | | | | | | | | | | | | | | | | | | | | | | | |
| 25: | 10.5x | ↗ | | | | | | | | | | | | | | | | | | | | | | | | | | | | | | | | | | | | | | | | | | | | | | | | | | | | | | | | | | | | | | | | | | | | | | | | | |
| 26: | 10.7x | ↘ | | | | | | | | | | | | | | | | | | | | | | | | | | | | | | | | | | | | | | | | | | | | | | | | | | | | | | | | | | | | | | | | | | | | | | | | | |
| 27: | 10.6x | ↗ | | | | | | | | | | | | | | | | | | | | | | | | | | | | | | | | | | | | | | | | | | | | | | | | | | | | | | | | | | | | | | | | | | | | | | | | | |
| 28: | 10.7x | ↗ | | | | | | | | | | | | | | | | | | | | | | | | | | | | | | | | | | | | | | | | | | | | | | | | | | | | | | | | | | | | | | | | | | | | | | | | | |
| 29: | 10.8x | ↗ | | | | | | | | | | | | | | | | | | | | | | | | | | | | | | | | | | | | | | | | | | | | | | | | | | | | | | | | | | | | | | | | | | | | | | | | | |
| 30: | 10.3x | ↘ | | | | | | | | | | | | | | | | | | | | | | | | | | | | | | | | | | | | | | | | | | | | | | | | | | | | | | | | | | | | | | | | | | | | | | | | | |
| Serie | | 106.0 | | | | | | | | | | | | | | | | | | | | | | | | | | | | | | | | | | | | | | | | | | | | | | | | | | | | | | | | | | | | | | | | | | | | | | | | | |
| Total | | 315.2 | | | | | | | | | | | | | | | | | | | | | | | | | | | | | | | | | | | | | | | | | | | | | | | | | | | | | | | | | | | | | | | | | | | | | | | | | |
| <p>60 Skott</p> | <table border="1" style="width:100%; border-collapse: collapse;"> <tr><td>31:</td><td>10.5x</td><td>→</td></tr> <tr><td>32:</td><td>10.3x</td><td>↑</td></tr> <tr><td>33:</td><td>10.2x</td><td>↙</td></tr> <tr><td>34:</td><td>10.3x</td><td>↘</td></tr> <tr><td>35:</td><td>10.8x</td><td>↗</td></tr> <tr><td>36:</td><td>10.2x</td><td>↘</td></tr> <tr><td>37:</td><td>10.6x</td><td>↘</td></tr> <tr><td>38:</td><td>10.5x</td><td>←</td></tr> <tr><td>39:</td><td>10.8x</td><td>→</td></tr> <tr><td>40:</td><td>10.7x</td><td>↗</td></tr> <tr><td colspan="2">Serie</td><td>104.9</td></tr> <tr><td colspan="2">Total</td><td>420.1</td></tr> </table> | 31: | 10.5x | → | 32: | 10.3x | ↑ | 33: | 10.2x | ↙ | 34: | 10.3x | ↘ | 35: | 10.8x | ↗ | 36: | 10.2x | ↘ | 37: | 10.6x | ↘ | 38: | 10.5x | ← | 39: | 10.8x | → | 40: | 10.7x | ↗ | Serie | | 104.9 | Total | | 420.1 | | | | | | | | | | | | | | | | | | | | | | | | | | | | | | | | | | | | | | |
| 31: | 10.5x | → | | | | | | | | | | | | | | | | | | | | | | | | | | | | | | | | | | | | | | | | | | | | | | | | | | | | | | | | | | | | | | | | | | | | | | | | | |
| 32: | 10.3x | ↑ | | | | | | | | | | | | | | | | | | | | | | | | | | | | | | | | | | | | | | | | | | | | | | | | | | | | | | | | | | | | | | | | | | | | | | | | | |
| 33: | 10.2x | ↙ | | | | | | | | | | | | | | | | | | | | | | | | | | | | | | | | | | | | | | | | | | | | | | | | | | | | | | | | | | | | | | | | | | | | | | | | | |
| 34: | 10.3x | ↘ | | | | | | | | | | | | | | | | | | | | | | | | | | | | | | | | | | | | | | | | | | | | | | | | | | | | | | | | | | | | | | | | | | | | | | | | | |
| 35: | 10.8x | ↗ | | | | | | | | | | | | | | | | | | | | | | | | | | | | | | | | | | | | | | | | | | | | | | | | | | | | | | | | | | | | | | | | | | | | | | | | | |
| 36: | 10.2x | ↘ | | | | | | | | | | | | | | | | | | | | | | | | | | | | | | | | | | | | | | | | | | | | | | | | | | | | | | | | | | | | | | | | | | | | | | | | | |
| 37: | 10.6x | ↘ | | | | | | | | | | | | | | | | | | | | | | | | | | | | | | | | | | | | | | | | | | | | | | | | | | | | | | | | | | | | | | | | | | | | | | | | | |
| 38: | 10.5x | ← | | | | | | | | | | | | | | | | | | | | | | | | | | | | | | | | | | | | | | | | | | | | | | | | | | | | | | | | | | | | | | | | | | | | | | | | | |
| 39: | 10.8x | → | | | | | | | | | | | | | | | | | | | | | | | | | | | | | | | | | | | | | | | | | | | | | | | | | | | | | | | | | | | | | | | | | | | | | | | | | |
| 40: | 10.7x | ↗ | | | | | | | | | | | | | | | | | | | | | | | | | | | | | | | | | | | | | | | | | | | | | | | | | | | | | | | | | | | | | | | | | | | | | | | | | |
| Serie | | 104.9 | | | | | | | | | | | | | | | | | | | | | | | | | | | | | | | | | | | | | | | | | | | | | | | | | | | | | | | | | | | | | | | | | | | | | | | | | |
| Total | | 420.1 | | | | | | | | | | | | | | | | | | | | | | | | | | | | | | | | | | | | | | | | | | | | | | | | | | | | | | | | | | | | | | | | | | | | | | | | | |

| | | | |
|-----------------|--|-----------------|---|
| <p>Prov</p> | <p>1: 10.3x ↘ 2: 10.2x ↘ 3: 10.3x ↘ 4: 10.4x ↗ 5: 9.9 → 6: 10.5x ↘ 7: 10.1 → 8: 10.4x ↙ 9: 10.8x → 10: 10.7x ↘</p> <p>Serie 103.6 Total 0.0</p> | <p>Prov</p> | <p>11: 10.5x ↗</p> <p>Serie 10.5 Total 0.0</p> |
| <p>60 Skott</p> | <p>1: 10.2x ↘ 2: 10.2x ↗ 3: 10.5x → 4: 10.6x ↙ 5: 10.2x → 6: 10.9x → 7: 10.3x ↙ 8: 10.8x ↗ 9: 10.4x ↓ 10: 10.4x ↘</p> <p>Serie 104.5 Total 104.5</p> | <p>60 Skott</p> | <p>11: 10.7x ↘ 12: 10.5x ↘ 13: 10.1 ↗ 14: 9.9 ↖ 15: 10.0 ↙ 16: 10.5x ↘ 17: 10.2x → 18: 10.7x ↗ 19: 10.2x ↓ 20: 10.4x ↘</p> <p>Serie 103.2 Total 207.7</p> |
| <p>60 Skott</p> | <p>21: 10.7x ↗ 22: 10.5x ↗ 23: 10.8x ↘ 24: 10.8x ↗ 25: 10.1 ↓ 26: 10.1 → 27: 10.8x → 28: 10.5x → 29: 10.8x ↗ 30: 10.4x ↓</p> <p>Serie 105.5 Total 313.2</p> | <p>60 Skott</p> | <p>31: 10.6x ↙ 32: 10.8x → 33: 10.3x ↘ 34: 10.2x → 35: 10.5x ↘ 36: 10.4x ↘ 37: 10.1 ↗ 38: 10.7x ↗ 39: 10.6x ↙ 40: 10.8x ↓</p> <p>Serie 105.0 Total 418.2</p> |

| | | | |
|-----------------|---|-----------------|---|
| <p>Prov</p> | <p>1: 10.4x↗ 2: 10.4x↗ 3: 9.8 → 4: 10.2x↗ 5: 10.0 → 6: 10.4x↘ 7: 10.1 ↘ 8: 10.3x↘ 9: 9.4 → 10: 9.7 ←</p> <p>Serie 100.7 Total 0.0</p> | <p>Prov</p> | <p>11: 10.4x↘ 12: 10.7x↘ 13: 10.6x↘ 14: 10.1 → 15: 10.2x→ 16: 10.3x→ 17: 10.7x↗ 18: 10.6x↗ 19: 10.8x↘ 20: 10.3x↗</p> <p>Serie 104.7 Total 0.0</p> |
| <p>60 Skott</p> | <p>1: 10.6x→ 2: 10.6x↘ 3: 9.7 ↘ 4: 9.9 ← 5: 10.1 → 6: 10.3x↘ 7: 10.0 ↘ 8: 9.9 → 9: 10.8x↘ 10: 10.3x↗</p> <p>Serie 102.2 Total 102.2</p> | <p>60 Skott</p> | <p>11: 10.2x↗ 12: 10.2x→ 13: 10.6x↘ 14: 10.3x↘ 15: 10.8x↘ 16: 10.1 ↘ 17: 10.6x↗ 18: 10.0 ↙ 19: 10.3x↗ 20: 10.7x↘</p> <p>Serie 103.8 Total 206.0</p> |
| <p>60 Skott</p> | <p>21: 10.4x↘ 22: 10.5x↘ 23: 10.3x↘ 24: 10.4x↘ 25: 10.0 ↘ 26: 10.3x↗ 27: 9.9 ← 28: 9.9 ↘ 29: 10.7x→ 30: 10.3x↗</p> <p>Serie 102.7 Total 308.7</p> | <p>60 Skott</p> | <p>31: 10.6x→ 32: 10.0 ← 33: 10.3x↘ 34: 10.9x↗ 35: 10.6x↗ 36: 9.6 ↘ 37: 10.1 ← 38: 10.5x↘ 39: 10.4x↘ 40: 10.7x↘</p> <p>Serie 103.7 Total 412.4</p> |

| | | | |
|--|--|---|--|
| <p>Prov</p>  | <p>60 Skott</p>  | <p>1: 9.5 ↗</p> <p>2: 9.6 ←</p> <p>3: 0.0 ↓</p> <p>4: 9.7 ↙</p> <p>5: 10.0 ↓</p> <p>6: 10.0 ↗</p> <p>7: 10.3x↘</p> <p>8: 10.3x↗</p> <p>9: 10.4x↓</p> <p>10: 10.3x↖</p> <p>Serie 90.1</p> <p>Total 0.0</p> | <p>1: 10.0 ↘</p> <p>2: 9.9 ↑</p> <p>3: 10.0 ↘</p> <p>4: 10.3x↗</p> <p>5: 9.3 ↗</p> <p>6: 10.2x↘</p> <p>7: 10.2x↑</p> <p>8: 9.6 ↘</p> <p>9: 9.0 ↓</p> <p>10: 10.4x↗</p> <p>Serie 98.9</p> <p>Total 98.9</p> |
|--|--|---|--|

| | | | |
|---|---|--|---|
| <p>60 Skott</p>  | <p>60 Skott</p>  | <p>11: 9.3 →</p> <p>12: 10.2x↘</p> <p>13: 10.3x↓</p> <p>14: 9.2 →</p> <p>15: 9.2 ↘</p> <p>16: 4.0 →</p> <p>17: 9.9 ↓</p> <p>18: 9.2 →</p> <p>19: 10.1 →</p> <p>20: 10.6x↓</p> <p>Serie 92.0</p> <p>Total 190.9</p> | <p>21: 9.9 ↘</p> <p>22: 9.9 ↘</p> <p>23: 8.7 ↗</p> <p>24: 10.6x↘</p> <p>25: 9.3 →</p> <p>26: 10.2x→</p> <p>27: 9.6 →</p> <p>28: 10.3x→</p> <p>29: 10.5x↗</p> <p>30: 10.8x↘</p> <p>Serie 99.8</p> <p>Total 290.7</p> |
|---|---|--|---|

| | | | |
|--|--|--|--|
| <p>60 Skott</p>  | <p>31: 9.7 ↓</p> <p>32: 10.4x↗</p> <p>33: 9.7 →</p> <p>34: 10.2x↘</p> <p>35: 9.7 ↓</p> <p>36: 10.4x↘</p> <p>37: 9.7 ↓</p> <p>38: 9.7 ↘</p> <p>39: 10.3x↓</p> <p>40: 9.8 →</p> <p>Serie 99.6</p> <p>Total 390.3</p> | | |
|--|--|--|--|

| | | | |
|-----------------|---|-----------------|--|
| <p>Prov</p> | <p>1: 9.7 ↗ 2: 10.1 ↖ 3: 10.4x↖ 4: 9.8 ↘ 5: 10.6x↖ 6: 9.9 ↗ 7: 10.3x↖ 8: 10.2x↓ 9: 10.0↖ 10: 9.9 →</p> <p>Serie 100.9 Total 0.0</p> | <p>Prov</p> | <p>11: 9.3 ↓ 12: 9.7 ↓ 13: 10.2x↓ 14: 10.6x↗ 15: 10.1 ↓ 16: 10.7x↓ 17: 10.5x↗ 18: 10.1 → 19: 9.7 ← 20: 10.6x↖</p> <p>Serie 101.5 Total 0.0</p> |
| <p>60 Skott</p> | <p>1: 10.5x↖ 2: 9.8 ↓ 3: 9.8 ← 4: 9.4 → 5: 10.6x↖ 6: 9.7 ↖ 7: 9.8 → 8: 9.8 ↓ 9: 10.7x→ 10: 10.7x↗</p> <p>Serie 100.8 Total 100.8</p> | <p>60 Skott</p> | <p>11: 10.4x→ 12: 10.8x↓ 13: 9.7 ↓ 14: 9.8 ↓ 15: 9.9 ↓ 16: 10.5x→ 17: 9.8 ↗ 18: 10.7x↗ 19: 10.5x↓ 20: 9.9 ↗</p> <p>Serie 102.0 Total 202.8</p> |
| <p>60 Skott</p> | <p>21: 9.9 ↓ 22: 10.4x↖ 23: 10.6x↓ 24: 9.4 ↗ 25: 10.7x↖ 26: 10.3x↓ 27: 10.1 ↓ 28: 9.9 → 29: 9.8 ↗ 30: 10.6x↖</p> <p>Serie 101.7 Total 304.5</p> | <p>60 Skott</p> | <p>31: 10.3x↓ 32: 9.5 ↓ 33: 9.5 ← 34: 9.3 ↓ 35: 10.3x↖ 36: 10.1 ↓ 37: 9.8 ↗ 38: 10.3x↖ 39: 9.8 ↓ 40: 10.1 ↗</p> <p>Serie 99.0 Total 403.5</p> |

| | | | |
|-------------|--------------|------------|--------------|
| | 1: 10.0 → | | 11: 9.4 ← |
| | 2: 8.4 ↙ | | 12: 10.2 ✕ |
| | 3: 10.5 ✕ | | 13: 9.7 → |
| | 4: 10.6 ✕ | | 14: 9.6 ↖ |
| | 5: 10.4 ✕ ↗ | | 15: 10.4 ✕ ↗ |
| | 6: 9.9 ↘ | | 16: 10.1 ← |
| | 7: 10.6 ✕ → | | 17: 9.3 ↖ |
| | 8: 10.6 ✕ ↘ | | 18: 9.8 ↘ |
| | 9: 9.8 ↘ | | 19: 9.6 ↘ |
| | 10: 10.7 ✕ ↘ | | |
| Serie 101.5 | | Serie 88.1 | |
| Total 0.0 | | Total 0.0 | |

| | | | |
|-------------|--------------|-------------|--------------|
| | 1: 9.8 ← | | 11: 10.6 ✕ ↘ |
| | 2: 10.4 ✕ → | | 12: 10.0 ↘ |
| | 3: 9.7 ↘ | | 13: 10.4 ✕ ↘ |
| | 4: 10.4 ✕ ↘ | | 14: 9.8 ← |
| | 5: 9.0 → | | 15: 10.1 ↘ |
| | 6: 10.4 ✕ ↗ | | 16: 10.3 ✕ ↗ |
| | 7: 10.1 ↘ | | 17: 10.4 ✕ → |
| | 8: 9.7 ↘ | | 18: 9.1 ↑ |
| | 9: 10.6 ✕ ↘ | | 19: 9.8 ↖ |
| | 10: 10.8 ✕ ↘ | | 20: 10.8 ✕ ↘ |
| Serie 100.9 | | Serie 101.3 | |
| Total 100.9 | | Total 202.2 | |

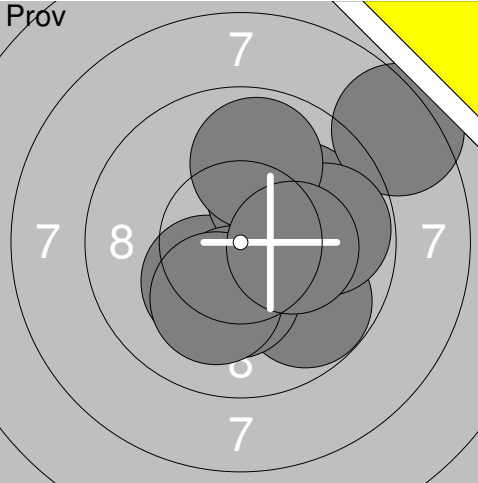
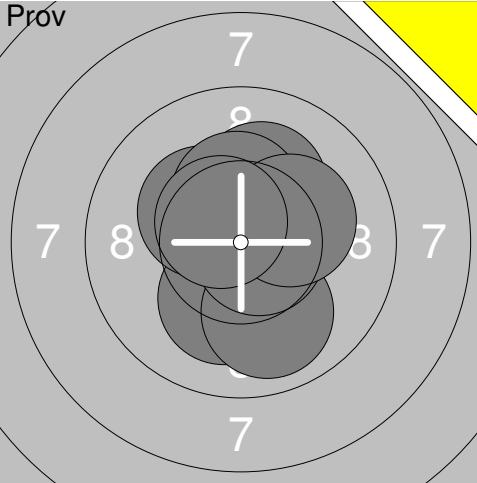
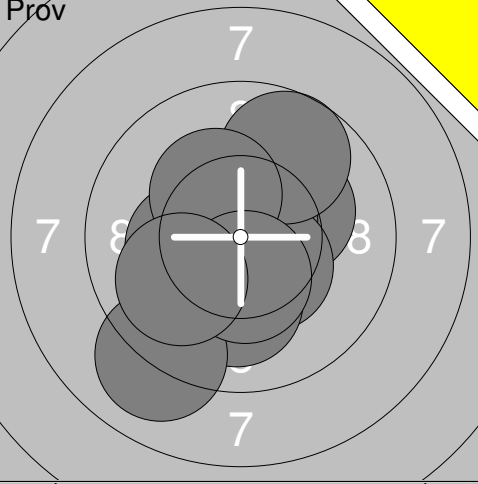
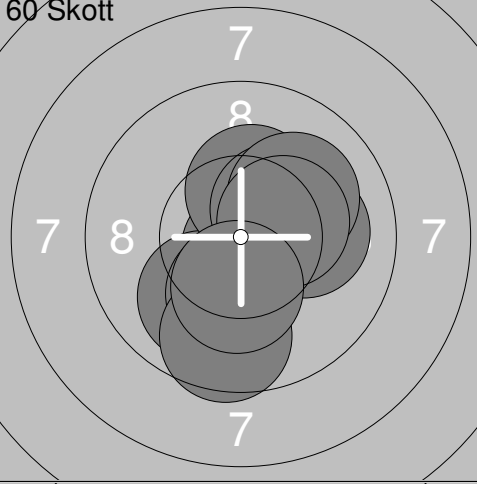
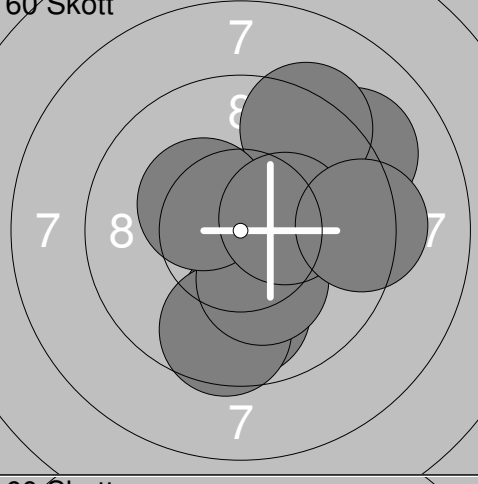
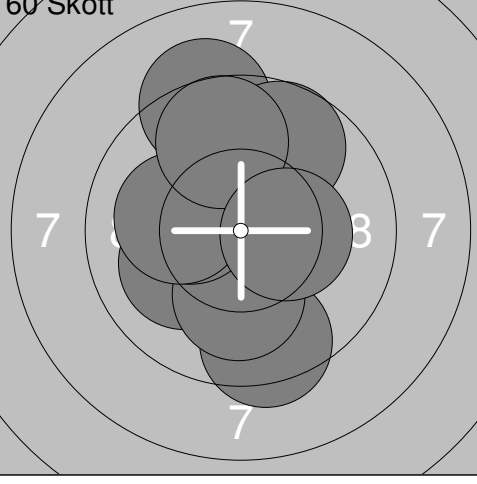
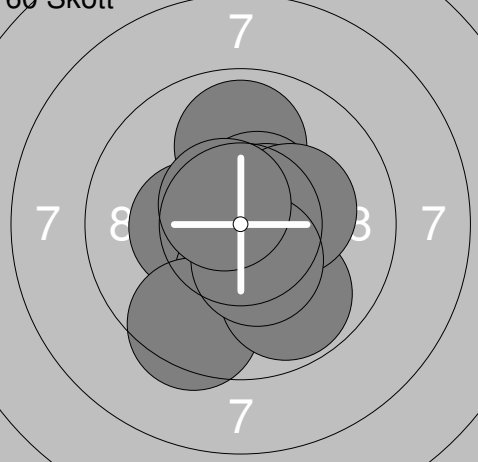
| | | | |
|-------------|--------------|-------------|--------------|
| | 21: 10.4 ✕ ↘ | | 31: 10.2 ✕ ↘ |
| | 22: 9.2 ↑ | | 32: 10.0 ↘ |
| | 23: 10.4 ✕ ↗ | | 33: 10.5 ✕ ↘ |
| | 24: 10.6 ✕ ↘ | | 34: 10.2 ✕ → |
| | 25: 10.5 ✕ → | | 35: 10.0 ↗ |
| | 26: 10.3 ✕ ↘ | | 36: 10.1 → |
| | 27: 9.5 ↘ | | 37: 9.3 → |
| | 28: 10.1 ← | | 38: 9.8 → |
| | 29: 10.5 ✕ → | | 39: 10.3 ✕ ↘ |
| | 30: 10.4 ✕ → | | 40: 10.3 ✕ ↗ |
| Serie 101.9 | | Serie 100.7 | |
| Total 304.1 | | Total 404.8 | |

| | | | | | | | | | | | | | | | | | | | | | | | | | | | | | | | | | | | | | | | | | | | | | | | | | | | | | | | | | | | | | | | | | | | | | | | | | | |
|--------------------|--|-------------|-------|---|----|-----|---|----|-----|---|----|-------|---|----|-----|---|----|-----|---|----|-------|---|----|-------|---|----|-----|---|-----|-------|---|--------------|--|-------------|--------------|--|------------|---|-----|-----|---|-----|-------|---|-----|-----|---|-----|-----|---|-----|-----|---|-----|-----|---|-----|-------|---|-----|------|---|-----|-------|---|-----|-----|---|--------------|--|-------------|--------------|--|------------|
| <p>Pröv</p> | <table border="1" style="width:100%; border-collapse: collapse;"> <tr><td>1:</td><td>10.2x</td><td>↗</td></tr> <tr><td>2:</td><td>9.3</td><td>↗</td></tr> <tr><td>3:</td><td>9.4</td><td>↗</td></tr> <tr><td>4:</td><td>10.4x</td><td>↘</td></tr> <tr><td>5:</td><td>9.9</td><td>↑</td></tr> <tr><td>6:</td><td>9.0</td><td>→</td></tr> <tr><td>7:</td><td>10.4x</td><td>↗</td></tr> <tr><td>8:</td><td>10.2x</td><td>↗</td></tr> <tr><td>9:</td><td>9.7</td><td>↗</td></tr> <tr><td>10:</td><td>10.5x</td><td>↘</td></tr> <tr><td colspan="2">Serie</td><td>99.0</td></tr> <tr><td colspan="2">Total</td><td>0.0</td></tr> </table> | 1: | 10.2x | ↗ | 2: | 9.3 | ↗ | 3: | 9.4 | ↗ | 4: | 10.4x | ↘ | 5: | 9.9 | ↑ | 6: | 9.0 | → | 7: | 10.4x | ↗ | 8: | 10.2x | ↗ | 9: | 9.7 | ↗ | 10: | 10.5x | ↘ | Serie | | 99.0 | Total | | 0.0 | <p>Pröv</p> <table border="1" style="width:100%; border-collapse: collapse;"> <tr><td>11:</td><td>8.5</td><td>↗</td></tr> <tr><td>12:</td><td>10.4x</td><td>→</td></tr> <tr><td>13:</td><td>9.8</td><td>↗</td></tr> <tr><td>14:</td><td>8.8</td><td>↘</td></tr> <tr><td>15:</td><td>8.7</td><td>↗</td></tr> <tr><td>16:</td><td>9.6</td><td>→</td></tr> <tr><td>17:</td><td>10.4x</td><td>↗</td></tr> <tr><td>18:</td><td>10.0</td><td>↗</td></tr> <tr><td>19:</td><td>10.3x</td><td>↗</td></tr> <tr><td>20:</td><td>9.5</td><td>←</td></tr> <tr><td colspan="2">Serie</td><td>96.0</td></tr> <tr><td colspan="2">Total</td><td>0.0</td></tr> </table> | 11: | 8.5 | ↗ | 12: | 10.4x | → | 13: | 9.8 | ↗ | 14: | 8.8 | ↘ | 15: | 8.7 | ↗ | 16: | 9.6 | → | 17: | 10.4x | ↗ | 18: | 10.0 | ↗ | 19: | 10.3x | ↗ | 20: | 9.5 | ← | Serie | | 96.0 | Total | | 0.0 |
| 1: | 10.2x | ↗ | | | | | | | | | | | | | | | | | | | | | | | | | | | | | | | | | | | | | | | | | | | | | | | | | | | | | | | | | | | | | | | | | | | | | | | | |
| 2: | 9.3 | ↗ | | | | | | | | | | | | | | | | | | | | | | | | | | | | | | | | | | | | | | | | | | | | | | | | | | | | | | | | | | | | | | | | | | | | | | | | |
| 3: | 9.4 | ↗ | | | | | | | | | | | | | | | | | | | | | | | | | | | | | | | | | | | | | | | | | | | | | | | | | | | | | | | | | | | | | | | | | | | | | | | | |
| 4: | 10.4x | ↘ | | | | | | | | | | | | | | | | | | | | | | | | | | | | | | | | | | | | | | | | | | | | | | | | | | | | | | | | | | | | | | | | | | | | | | | | |
| 5: | 9.9 | ↑ | | | | | | | | | | | | | | | | | | | | | | | | | | | | | | | | | | | | | | | | | | | | | | | | | | | | | | | | | | | | | | | | | | | | | | | | |
| 6: | 9.0 | → | | | | | | | | | | | | | | | | | | | | | | | | | | | | | | | | | | | | | | | | | | | | | | | | | | | | | | | | | | | | | | | | | | | | | | | | |
| 7: | 10.4x | ↗ | | | | | | | | | | | | | | | | | | | | | | | | | | | | | | | | | | | | | | | | | | | | | | | | | | | | | | | | | | | | | | | | | | | | | | | | |
| 8: | 10.2x | ↗ | | | | | | | | | | | | | | | | | | | | | | | | | | | | | | | | | | | | | | | | | | | | | | | | | | | | | | | | | | | | | | | | | | | | | | | | |
| 9: | 9.7 | ↗ | | | | | | | | | | | | | | | | | | | | | | | | | | | | | | | | | | | | | | | | | | | | | | | | | | | | | | | | | | | | | | | | | | | | | | | | |
| 10: | 10.5x | ↘ | | | | | | | | | | | | | | | | | | | | | | | | | | | | | | | | | | | | | | | | | | | | | | | | | | | | | | | | | | | | | | | | | | | | | | | | |
| Serie | | 99.0 | | | | | | | | | | | | | | | | | | | | | | | | | | | | | | | | | | | | | | | | | | | | | | | | | | | | | | | | | | | | | | | | | | | | | | | | |
| Total | | 0.0 | | | | | | | | | | | | | | | | | | | | | | | | | | | | | | | | | | | | | | | | | | | | | | | | | | | | | | | | | | | | | | | | | | | | | | | | |
| 11: | 8.5 | ↗ | | | | | | | | | | | | | | | | | | | | | | | | | | | | | | | | | | | | | | | | | | | | | | | | | | | | | | | | | | | | | | | | | | | | | | | | |
| 12: | 10.4x | → | | | | | | | | | | | | | | | | | | | | | | | | | | | | | | | | | | | | | | | | | | | | | | | | | | | | | | | | | | | | | | | | | | | | | | | | |
| 13: | 9.8 | ↗ | | | | | | | | | | | | | | | | | | | | | | | | | | | | | | | | | | | | | | | | | | | | | | | | | | | | | | | | | | | | | | | | | | | | | | | | |
| 14: | 8.8 | ↘ | | | | | | | | | | | | | | | | | | | | | | | | | | | | | | | | | | | | | | | | | | | | | | | | | | | | | | | | | | | | | | | | | | | | | | | | |
| 15: | 8.7 | ↗ | | | | | | | | | | | | | | | | | | | | | | | | | | | | | | | | | | | | | | | | | | | | | | | | | | | | | | | | | | | | | | | | | | | | | | | | |
| 16: | 9.6 | → | | | | | | | | | | | | | | | | | | | | | | | | | | | | | | | | | | | | | | | | | | | | | | | | | | | | | | | | | | | | | | | | | | | | | | | | |
| 17: | 10.4x | ↗ | | | | | | | | | | | | | | | | | | | | | | | | | | | | | | | | | | | | | | | | | | | | | | | | | | | | | | | | | | | | | | | | | | | | | | | | |
| 18: | 10.0 | ↗ | | | | | | | | | | | | | | | | | | | | | | | | | | | | | | | | | | | | | | | | | | | | | | | | | | | | | | | | | | | | | | | | | | | | | | | | |
| 19: | 10.3x | ↗ | | | | | | | | | | | | | | | | | | | | | | | | | | | | | | | | | | | | | | | | | | | | | | | | | | | | | | | | | | | | | | | | | | | | | | | | |
| 20: | 9.5 | ← | | | | | | | | | | | | | | | | | | | | | | | | | | | | | | | | | | | | | | | | | | | | | | | | | | | | | | | | | | | | | | | | | | | | | | | | |
| Serie | | 96.0 | | | | | | | | | | | | | | | | | | | | | | | | | | | | | | | | | | | | | | | | | | | | | | | | | | | | | | | | | | | | | | | | | | | | | | | | |
| Total | | 0.0 | | | | | | | | | | | | | | | | | | | | | | | | | | | | | | | | | | | | | | | | | | | | | | | | | | | | | | | | | | | | | | | | | | | | | | | | |

| | | | | | | | | | | | | | | | | | | | | | | | | | | | | | | | | | | | | | | | | | | | | | | | | | | | | | | | | | | |
|--|-------|-------------|---|-----|-------|---|-----|-------|---|-----|-----|---|-----|-----|---|--------------|--|-------------|--------------|--|------------|---|----|-----|---|----|-----|---|----|-----|---|----|-----|---|----|-----|---|----|-----|---|----|------|---|----|-------|---|----|-------|---|-----|-------|---|--------------|--|-------------|--------------|--|-------------|
| <p>Pröv</p> <table border="1" style="width:100%; border-collapse: collapse;"> <tr><td>21:</td><td>8.1</td><td>↖</td></tr> <tr><td>22:</td><td>10.4x</td><td>↘</td></tr> <tr><td>23:</td><td>10.8x</td><td>↗</td></tr> <tr><td>24:</td><td>9.7</td><td>↘</td></tr> <tr><td>25:</td><td>9.2</td><td>↙</td></tr> <tr><td colspan="2">Serie</td><td>48.2</td></tr> <tr><td colspan="2">Total</td><td>0.0</td></tr> </table> | 21: | 8.1 | ↖ | 22: | 10.4x | ↘ | 23: | 10.8x | ↗ | 24: | 9.7 | ↘ | 25: | 9.2 | ↙ | Serie | | 48.2 | Total | | 0.0 | <p>60 Skott</p> <table border="1" style="width:100%; border-collapse: collapse;"> <tr><td>1:</td><td>9.8</td><td>←</td></tr> <tr><td>2:</td><td>8.5</td><td>←</td></tr> <tr><td>3:</td><td>9.3</td><td>←</td></tr> <tr><td>4:</td><td>9.9</td><td>←</td></tr> <tr><td>5:</td><td>9.4</td><td>←</td></tr> <tr><td>6:</td><td>7.8</td><td>↖</td></tr> <tr><td>7:</td><td>10.0</td><td>↗</td></tr> <tr><td>8:</td><td>10.5x</td><td>↗</td></tr> <tr><td>9:</td><td>10.3x</td><td>↗</td></tr> <tr><td>10:</td><td>10.6x</td><td>←</td></tr> <tr><td colspan="2">Serie</td><td>96.1</td></tr> <tr><td colspan="2">Total</td><td>96.1</td></tr> </table> | 1: | 9.8 | ← | 2: | 8.5 | ← | 3: | 9.3 | ← | 4: | 9.9 | ← | 5: | 9.4 | ← | 6: | 7.8 | ↖ | 7: | 10.0 | ↗ | 8: | 10.5x | ↗ | 9: | 10.3x | ↗ | 10: | 10.6x | ← | Serie | | 96.1 | Total | | 96.1 |
| 21: | 8.1 | ↖ | | | | | | | | | | | | | | | | | | | | | | | | | | | | | | | | | | | | | | | | | | | | | | | | | | | | | | | | |
| 22: | 10.4x | ↘ | | | | | | | | | | | | | | | | | | | | | | | | | | | | | | | | | | | | | | | | | | | | | | | | | | | | | | | | |
| 23: | 10.8x | ↗ | | | | | | | | | | | | | | | | | | | | | | | | | | | | | | | | | | | | | | | | | | | | | | | | | | | | | | | | |
| 24: | 9.7 | ↘ | | | | | | | | | | | | | | | | | | | | | | | | | | | | | | | | | | | | | | | | | | | | | | | | | | | | | | | | |
| 25: | 9.2 | ↙ | | | | | | | | | | | | | | | | | | | | | | | | | | | | | | | | | | | | | | | | | | | | | | | | | | | | | | | | |
| Serie | | 48.2 | | | | | | | | | | | | | | | | | | | | | | | | | | | | | | | | | | | | | | | | | | | | | | | | | | | | | | | | |
| Total | | 0.0 | | | | | | | | | | | | | | | | | | | | | | | | | | | | | | | | | | | | | | | | | | | | | | | | | | | | | | | | |
| 1: | 9.8 | ← | | | | | | | | | | | | | | | | | | | | | | | | | | | | | | | | | | | | | | | | | | | | | | | | | | | | | | | | |
| 2: | 8.5 | ← | | | | | | | | | | | | | | | | | | | | | | | | | | | | | | | | | | | | | | | | | | | | | | | | | | | | | | | | |
| 3: | 9.3 | ← | | | | | | | | | | | | | | | | | | | | | | | | | | | | | | | | | | | | | | | | | | | | | | | | | | | | | | | | |
| 4: | 9.9 | ← | | | | | | | | | | | | | | | | | | | | | | | | | | | | | | | | | | | | | | | | | | | | | | | | | | | | | | | | |
| 5: | 9.4 | ← | | | | | | | | | | | | | | | | | | | | | | | | | | | | | | | | | | | | | | | | | | | | | | | | | | | | | | | | |
| 6: | 7.8 | ↖ | | | | | | | | | | | | | | | | | | | | | | | | | | | | | | | | | | | | | | | | | | | | | | | | | | | | | | | | |
| 7: | 10.0 | ↗ | | | | | | | | | | | | | | | | | | | | | | | | | | | | | | | | | | | | | | | | | | | | | | | | | | | | | | | | |
| 8: | 10.5x | ↗ | | | | | | | | | | | | | | | | | | | | | | | | | | | | | | | | | | | | | | | | | | | | | | | | | | | | | | | | |
| 9: | 10.3x | ↗ | | | | | | | | | | | | | | | | | | | | | | | | | | | | | | | | | | | | | | | | | | | | | | | | | | | | | | | | |
| 10: | 10.6x | ← | | | | | | | | | | | | | | | | | | | | | | | | | | | | | | | | | | | | | | | | | | | | | | | | | | | | | | | | |
| Serie | | 96.1 | | | | | | | | | | | | | | | | | | | | | | | | | | | | | | | | | | | | | | | | | | | | | | | | | | | | | | | | |
| Total | | 96.1 | | | | | | | | | | | | | | | | | | | | | | | | | | | | | | | | | | | | | | | | | | | | | | | | | | | | | | | | |

| | | | | | | | | | | | | | | | | | | | | | | | | | | | | | | | | | | | | | | | | | | | | | | | | | | | | | | | | | | | | | | | | | | | | | | | | | |
|---|-------|--------------|---|-----|-----|---|-----|-------|---|-----|-----|---|-----|-------|---|-----|-------|---|-----|-----|---|-----|-------|---|-----|------|---|-----|------|---|--------------|--|--------------|--------------|--|--------------|---|-----|-----|---|-----|------|---|-----|-----|---|-----|------|---|-----|-------|---|-----|-----|---|-----|------|---|-----|-------|---|-----|-------|---|-----|-----|---|--------------|--|-------------|--------------|--|--------------|
| <p>60 Skott</p> <table border="1" style="width:100%; border-collapse: collapse;"> <tr><td>11:</td><td>10.4x</td><td>←</td></tr> <tr><td>12:</td><td>9.8</td><td>↘</td></tr> <tr><td>13:</td><td>10.2x</td><td>↘</td></tr> <tr><td>14:</td><td>9.3</td><td>→</td></tr> <tr><td>15:</td><td>10.6x</td><td>↘</td></tr> <tr><td>16:</td><td>10.7x</td><td>↘</td></tr> <tr><td>17:</td><td>9.7</td><td>↑</td></tr> <tr><td>18:</td><td>10.2x</td><td>←</td></tr> <tr><td>19:</td><td>10.1</td><td>←</td></tr> <tr><td>20:</td><td>10.0</td><td>←</td></tr> <tr><td colspan="2">Serie</td><td>101.0</td></tr> <tr><td colspan="2">Total</td><td>197.1</td></tr> </table> | 11: | 10.4x | ← | 12: | 9.8 | ↘ | 13: | 10.2x | ↘ | 14: | 9.3 | → | 15: | 10.6x | ↘ | 16: | 10.7x | ↘ | 17: | 9.7 | ↑ | 18: | 10.2x | ← | 19: | 10.1 | ← | 20: | 10.0 | ← | Serie | | 101.0 | Total | | 197.1 | <p>60 Skott</p> <table border="1" style="width:100%; border-collapse: collapse;"> <tr><td>21:</td><td>9.3</td><td>↙</td></tr> <tr><td>22:</td><td>10.1</td><td>←</td></tr> <tr><td>23:</td><td>9.0</td><td>←</td></tr> <tr><td>24:</td><td>10.0</td><td>↘</td></tr> <tr><td>25:</td><td>10.4x</td><td>↑</td></tr> <tr><td>26:</td><td>9.2</td><td>↘</td></tr> <tr><td>27:</td><td>10.0</td><td>→</td></tr> <tr><td>28:</td><td>10.7x</td><td>←</td></tr> <tr><td>29:</td><td>10.2x</td><td>←</td></tr> <tr><td>30:</td><td>9.3</td><td>→</td></tr> <tr><td colspan="2">Serie</td><td>98.2</td></tr> <tr><td colspan="2">Total</td><td>295.3</td></tr> </table> | 21: | 9.3 | ↙ | 22: | 10.1 | ← | 23: | 9.0 | ← | 24: | 10.0 | ↘ | 25: | 10.4x | ↑ | 26: | 9.2 | ↘ | 27: | 10.0 | → | 28: | 10.7x | ← | 29: | 10.2x | ← | 30: | 9.3 | → | Serie | | 98.2 | Total | | 295.3 |
| 11: | 10.4x | ← | | | | | | | | | | | | | | | | | | | | | | | | | | | | | | | | | | | | | | | | | | | | | | | | | | | | | | | | | | | | | | | | | | | | | | | |
| 12: | 9.8 | ↘ | | | | | | | | | | | | | | | | | | | | | | | | | | | | | | | | | | | | | | | | | | | | | | | | | | | | | | | | | | | | | | | | | | | | | | | |
| 13: | 10.2x | ↘ | | | | | | | | | | | | | | | | | | | | | | | | | | | | | | | | | | | | | | | | | | | | | | | | | | | | | | | | | | | | | | | | | | | | | | | |
| 14: | 9.3 | → | | | | | | | | | | | | | | | | | | | | | | | | | | | | | | | | | | | | | | | | | | | | | | | | | | | | | | | | | | | | | | | | | | | | | | | |
| 15: | 10.6x | ↘ | | | | | | | | | | | | | | | | | | | | | | | | | | | | | | | | | | | | | | | | | | | | | | | | | | | | | | | | | | | | | | | | | | | | | | | |
| 16: | 10.7x | ↘ | | | | | | | | | | | | | | | | | | | | | | | | | | | | | | | | | | | | | | | | | | | | | | | | | | | | | | | | | | | | | | | | | | | | | | | |
| 17: | 9.7 | ↑ | | | | | | | | | | | | | | | | | | | | | | | | | | | | | | | | | | | | | | | | | | | | | | | | | | | | | | | | | | | | | | | | | | | | | | | |
| 18: | 10.2x | ← | | | | | | | | | | | | | | | | | | | | | | | | | | | | | | | | | | | | | | | | | | | | | | | | | | | | | | | | | | | | | | | | | | | | | | | |
| 19: | 10.1 | ← | | | | | | | | | | | | | | | | | | | | | | | | | | | | | | | | | | | | | | | | | | | | | | | | | | | | | | | | | | | | | | | | | | | | | | | |
| 20: | 10.0 | ← | | | | | | | | | | | | | | | | | | | | | | | | | | | | | | | | | | | | | | | | | | | | | | | | | | | | | | | | | | | | | | | | | | | | | | | |
| Serie | | 101.0 | | | | | | | | | | | | | | | | | | | | | | | | | | | | | | | | | | | | | | | | | | | | | | | | | | | | | | | | | | | | | | | | | | | | | | | |
| Total | | 197.1 | | | | | | | | | | | | | | | | | | | | | | | | | | | | | | | | | | | | | | | | | | | | | | | | | | | | | | | | | | | | | | | | | | | | | | | |
| 21: | 9.3 | ↙ | | | | | | | | | | | | | | | | | | | | | | | | | | | | | | | | | | | | | | | | | | | | | | | | | | | | | | | | | | | | | | | | | | | | | | | |
| 22: | 10.1 | ← | | | | | | | | | | | | | | | | | | | | | | | | | | | | | | | | | | | | | | | | | | | | | | | | | | | | | | | | | | | | | | | | | | | | | | | |
| 23: | 9.0 | ← | | | | | | | | | | | | | | | | | | | | | | | | | | | | | | | | | | | | | | | | | | | | | | | | | | | | | | | | | | | | | | | | | | | | | | | |
| 24: | 10.0 | ↘ | | | | | | | | | | | | | | | | | | | | | | | | | | | | | | | | | | | | | | | | | | | | | | | | | | | | | | | | | | | | | | | | | | | | | | | |
| 25: | 10.4x | ↑ | | | | | | | | | | | | | | | | | | | | | | | | | | | | | | | | | | | | | | | | | | | | | | | | | | | | | | | | | | | | | | | | | | | | | | | |
| 26: | 9.2 | ↘ | | | | | | | | | | | | | | | | | | | | | | | | | | | | | | | | | | | | | | | | | | | | | | | | | | | | | | | | | | | | | | | | | | | | | | | |
| 27: | 10.0 | → | | | | | | | | | | | | | | | | | | | | | | | | | | | | | | | | | | | | | | | | | | | | | | | | | | | | | | | | | | | | | | | | | | | | | | | |
| 28: | 10.7x | ← | | | | | | | | | | | | | | | | | | | | | | | | | | | | | | | | | | | | | | | | | | | | | | | | | | | | | | | | | | | | | | | | | | | | | | | |
| 29: | 10.2x | ← | | | | | | | | | | | | | | | | | | | | | | | | | | | | | | | | | | | | | | | | | | | | | | | | | | | | | | | | | | | | | | | | | | | | | | | |
| 30: | 9.3 | → | | | | | | | | | | | | | | | | | | | | | | | | | | | | | | | | | | | | | | | | | | | | | | | | | | | | | | | | | | | | | | | | | | | | | | | |
| Serie | | 98.2 | | | | | | | | | | | | | | | | | | | | | | | | | | | | | | | | | | | | | | | | | | | | | | | | | | | | | | | | | | | | | | | | | | | | | | | |
| Total | | 295.3 | | | | | | | | | | | | | | | | | | | | | | | | | | | | | | | | | | | | | | | | | | | | | | | | | | | | | | | | | | | | | | | | | | | | | | | |

| | | | | | | | | | | | | | | | | | | | | | | | | | | | | | | | | | | | | | | |
|---|-------|--------------|---|-----|-------|---|-----|-------|---|-----|-----|---|-----|-------|---|-----|-----|---|-----|-----|---|-----|-------|---|-----|-----|---|-----|-------|---|--------------|--|-------------|--------------|--|--------------|--|--|
| <p>60 Skott</p> <table border="1" style="width:100%; border-collapse: collapse;"> <tr><td>31:</td><td>10.1</td><td>↘</td></tr> <tr><td>32:</td><td>10.4x</td><td>↗</td></tr> <tr><td>33:</td><td>10.8x</td><td>↘</td></tr> <tr><td>34:</td><td>9.0</td><td>↗</td></tr> <tr><td>35:</td><td>10.9x</td><td>↗</td></tr> <tr><td>36:</td><td>9.5</td><td>↘</td></tr> <tr><td>37:</td><td>9.8</td><td>←</td></tr> <tr><td>38:</td><td>10.6x</td><td>↑</td></tr> <tr><td>39:</td><td>8.6</td><td>↘</td></tr> <tr><td>40:</td><td>10.2x</td><td>↓</td></tr> <tr><td colspan="2">Serie</td><td>99.9</td></tr> <tr><td colspan="2">Total</td><td>395.2</td></tr> </table> | 31: | 10.1 | ↘ | 32: | 10.4x | ↗ | 33: | 10.8x | ↘ | 34: | 9.0 | ↗ | 35: | 10.9x | ↗ | 36: | 9.5 | ↘ | 37: | 9.8 | ← | 38: | 10.6x | ↑ | 39: | 8.6 | ↘ | 40: | 10.2x | ↓ | Serie | | 99.9 | Total | | 395.2 | | |
| 31: | 10.1 | ↘ | | | | | | | | | | | | | | | | | | | | | | | | | | | | | | | | | | | | |
| 32: | 10.4x | ↗ | | | | | | | | | | | | | | | | | | | | | | | | | | | | | | | | | | | | |
| 33: | 10.8x | ↘ | | | | | | | | | | | | | | | | | | | | | | | | | | | | | | | | | | | | |
| 34: | 9.0 | ↗ | | | | | | | | | | | | | | | | | | | | | | | | | | | | | | | | | | | | |
| 35: | 10.9x | ↗ | | | | | | | | | | | | | | | | | | | | | | | | | | | | | | | | | | | | |
| 36: | 9.5 | ↘ | | | | | | | | | | | | | | | | | | | | | | | | | | | | | | | | | | | | |
| 37: | 9.8 | ← | | | | | | | | | | | | | | | | | | | | | | | | | | | | | | | | | | | | |
| 38: | 10.6x | ↑ | | | | | | | | | | | | | | | | | | | | | | | | | | | | | | | | | | | | |
| 39: | 8.6 | ↘ | | | | | | | | | | | | | | | | | | | | | | | | | | | | | | | | | | | | |
| 40: | 10.2x | ↓ | | | | | | | | | | | | | | | | | | | | | | | | | | | | | | | | | | | | |
| Serie | | 99.9 | | | | | | | | | | | | | | | | | | | | | | | | | | | | | | | | | | | | |
| Total | | 395.2 | | | | | | | | | | | | | | | | | | | | | | | | | | | | | | | | | | | | |

| | | | | | |
|----------------------|--|--|---------------------------|--|--|
| Skjutlag 2 | Tavla 30 | Tulli Riihimäki | | | |
| S | | IMAS | | | |
| 18.11.2017 | | Drängsmarksskyttet 2017 | Umeå skytteallians | | |
| Prov |  | 1: 10.3x ↙ 2: 9.8 ↘ 3: 10.2x ↗ 4: 10.0 → 5: 8.3 → 6: 9.8 → 7: 10.3x ↓ 8: 10.1 ↓ 9: 9.9 ↑ 10: 10.2x → Serie 98.9 Total 0.0 | Prov |  | 11: 10.2x ↗ 12: 10.6x ↓ 13: 10.2x ↓ 14: 9.9 ↓ 15: 10.4x ↑ 16: 10.3x ↖ 17: 10.7x → 18: 10.3x ↑ 19: 10.2x → 20: 10.6x ↖ Serie 103.4 Total 0.0 |
| Prov |  | 21: 10.2x → 22: 10.7x ↗ 23: 10.4x ↘ 24: 10.1 ↓ 25: 10.3x ← 26: 9.0 ↓ 27: 9.7 ↗ 28: 10.3x ↗ 29: 10.4x ↓ 30: 10.0 ↖ Serie 101.1 Total 0.0 | 60 Skott |  | 1: 10.8x ↓ 2: 10.0 ↓ 3: 10.3x ↑ 4: 10.1 → 5: 10.3x ↗ 6: 10.2x ↓ 7: 10.1 ↗ 8: 9.6 ↓ 9: 10.3x → 10: 10.3x ↓ Serie 102.0 Total 102.0 |
| 60 Skott |  | 11: 9.9 ↓ 12: 9.6 ↓ 13: 9.7 → 14: 10.4x → 15: 9.1 ↗ 16: 9.3 ↗ 17: 10.2x ↓ 18: 10.3x ↖ 19: 10.3x → 20: 9.3 → Serie 98.1 Total 200.1 | 60 Skott |  | 21: 9.2 ↗ 22: 9.4 ↓ 23: 10.0 ↑ 24: 10.1 ↖ 25: 10.1 ↓ 26: 10.3x ↖ 27: 9.7 ↗ 28: 10.1 ↖ 29: 9.7 ↑ 30: 10.3x → Serie 98.9 Total 299.0 |
| 60 Skott |  | 31: 10.3x ← 32: 10.3x ↓ 33: 9.9 ↑ 34: 10.5x ↗ 35: 10.6x → 36: 9.5 ↓ 37: 9.8 ↓ 38: 10.3x → 39: 10.4x ↓ 40: 10.6x ↗ Serie 102.2 Total 401.2 | | | |

| | | | |
|-------------|---|-------------|---|
| <p>Pröv</p> | <p>1: 9.5 ↓ 2: 9.5 ↑ 3: 8.7 ↗ 4: 10.2x↔ 5: 8.1 ↘ 6: 7.2 ↗ 7: 9.2 → 8: 8.2 ↗ 9: 9.9 ↖ 10: 9.5 ↗</p> <p>Serie 90.0 Total 0.0</p> | <p>Pröv</p> | <p>11: 9.1 ↖ 12: 10.3x↔ 13: 9.8 ↘ 14: 10.3x↗</p> <p>Serie 39.5 Total 0.0</p> |
|-------------|---|-------------|---|

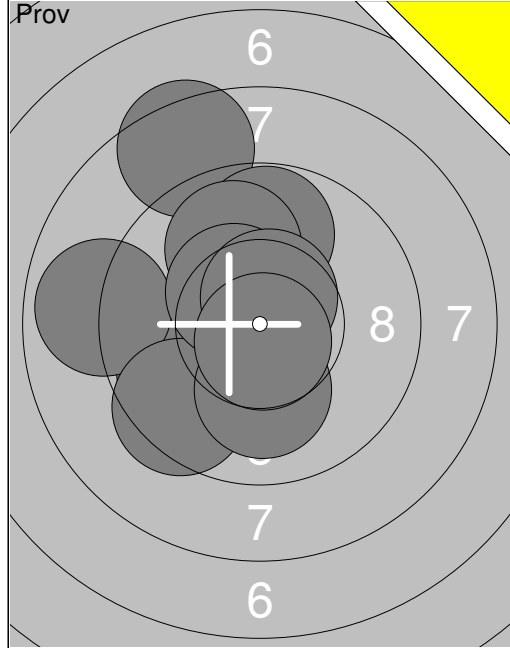
| | | | |
|-----------------|--|-----------------|--|
| <p>60 Skott</p> | <p>1: 8.9 ↗ 2: 9.9 ↗ 3: 9.8 ↖ 4: 9.4 ↗ 5: 10.2x↘ 6: 8.6 ↓ 7: 8.8 ↘ 8: 9.2 ↑ 9: 8.2 ← 10: 9.4 ↖</p> <p>Serie 92.4 Total 92.4</p> | <p>60 Skott</p> | <p>11: 10.1 ↗ 12: 10.2x↘ 13: 5.9 → 14: 7.9 ↘ 15: 10.2x↗ 16: 8.1 → 17: 10.3x↘ 18: 6.4 ↗ 19: 10.0 ↘ 20: 9.0 →</p> <p>Serie 88.1 Total 180.5</p> |
|-----------------|--|-----------------|--|

| | | | |
|-----------------|---|-----------------|---|
| <p>60 Skott</p> | <p>21: 10.5x↗ 22: 8.6 ↑ 23: 9.5 ↗ 24: 6.6 ↗ 25: 7.8 ↓ 26: 10.7x↔ 27: 10.1 ↑ 28: 8.9 ↘ 29: 8.3 ← 30: 10.0 ↓</p> <p>Serie 91.0 Total 271.5</p> | <p>60 Skott</p> | <p>31: 8.4 ↖ 32: 7.2 ← 33: 8.1 ↓ 34: 7.7 ↘ 35: 9.6 ↖ 36: 7.7 ↓ 37: 8.5 ↘ 38: 7.2 ↓ 39: 7.1 → 40: 9.4 ↖</p> <p>Serie 80.9 Total 352.4</p> |
|-----------------|---|-----------------|---|

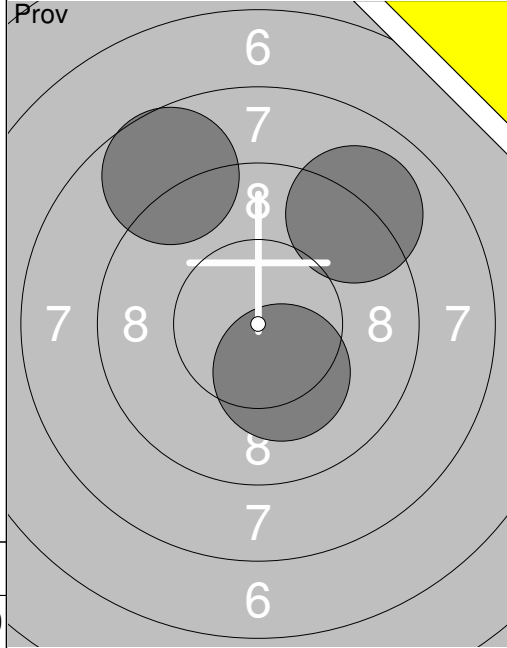
| | | | |
|---|---|---|---|
| <p>Prov</p> <p style="text-align: center;">6 7 8 7 8 7 7 6</p> | <p>1: 10.1 ↓ 2: 10.5x ↘ 3: 10.4x ↓ 4: 10.3x ↓ 5: 10.5x ↓ 6: 10.1 ↙ 7: 9.6 ↓ 8: 9.5 ↓ 9: 10.3x ↙ 10: 10.1 ↙</p> <p>Serie 101.4 Total 0.0</p> | <p>Prov</p> <p style="text-align: center;">6 7 8 7 8 7 6 7 6</p> | <p>11: 10.3x ↓ 12: 10.1 → 13: 9.7 → 14: 9.9 ← 15: 9.7 ↖</p> <p>Serie 49.7 Total 0.0</p> |
|---|---|---|---|

| | | | |
|---|--|---|---|
| <p>60 Skott</p> <p style="text-align: center;">5 6 7 8 6 8 7 6 7 6 5</p> | <p>1: 10.2x ↗ 2: 10.7x ↘ 3: 9.6 ← 4: 9.5 ← 5: 9.8 ← 6: 9.4 ← 7: 7.8 ← 8: 10.2x ↓ 9: 9.8 ← 10: 8.8 ←</p> <p>Serie 95.8 Total 95.8</p> | <p>60 Skott</p> <p style="text-align: center;">6 7 8 7 8 7 6 7 6</p> | <p>11: 9.0 ← 12: 10.5x ↘ 13: 9.7 ← 14: 9.9 ↓ 15: 9.7 ↖ 16: 10.0 ↘ 17: 9.5 ← 18: 8.9 ↗ 19: 9.2 ↗ 20: 9.1 ↗</p> <p>Serie 95.5 Total 191.3</p> |
|---|--|---|---|

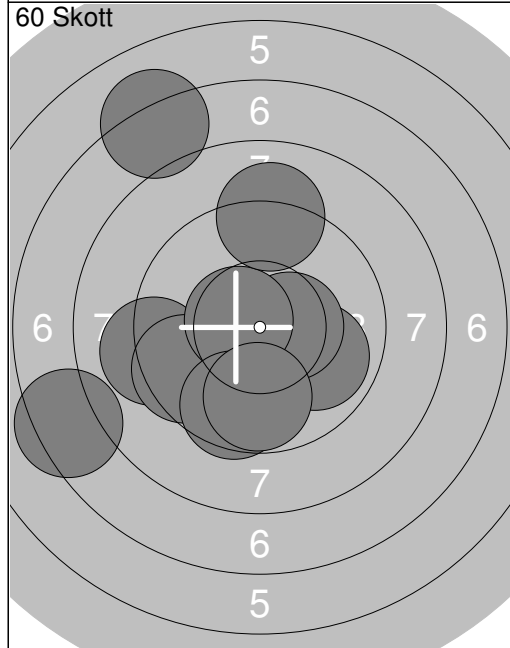
| | | | |
|---|---|---|---|
| <p>60 Skott</p> <p style="text-align: center;">6 7 8 7 8 7 8 7 6</p> | <p>21: 9.6 ↑ 22: 9.7 ↗ 23: 9.1 ↓ 24: 10.1 ↗ 25: 9.3 ↑ 26: 9.9 ↓ 27: 9.7 ← 28: 9.9 ↖ 29: 10.7x ↓ 30: 10.3x ↓</p> <p>Serie 98.3 Total 289.6</p> | <p>60 Skott</p> <p style="text-align: center;">6 7 8 7 8 7 8 7 6</p> | <p>31: 10.7x → 32: 9.9 ↗ 33: 10.6x ↘ 34: 10.1 ↗ 35: 9.8 → 36: 10.0 ↗ 37: 10.7x ↘ 38: 10.0 ↗ 39: 10.7x ↘ 40: 10.0 →</p> <p>Serie 102.5 Total 392.1</p> |
|---|---|---|---|



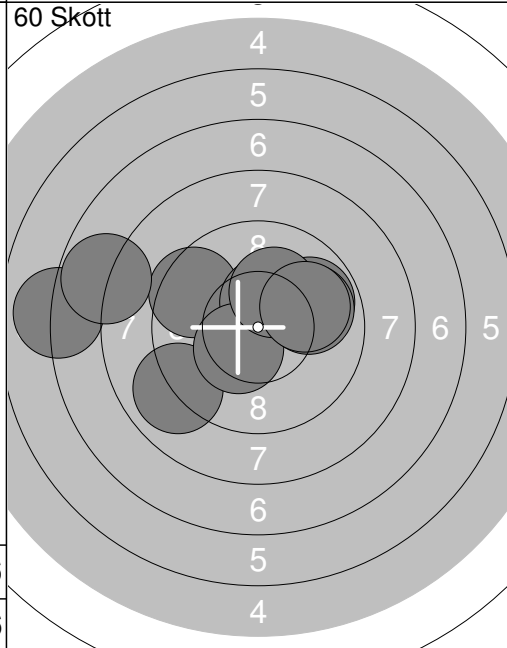
| | | |
|-------|------|---|
| 1: | 8.5 | ↗ |
| 2: | 9.8 | ↑ |
| 3: | 9.9 | ↗ |
| 4: | 9.8 | ↖ |
| 5: | 8.9 | ← |
| 6: | 9.4 | ↖ |
| 7: | 10.1 | ↓ |
| 8: | 10.4 | ↘ |
| 9: | 10.6 | ↗ |
| 10: | 10.7 | ↘ |
| Serie | 98.1 | |
| Total | 0.0 | |



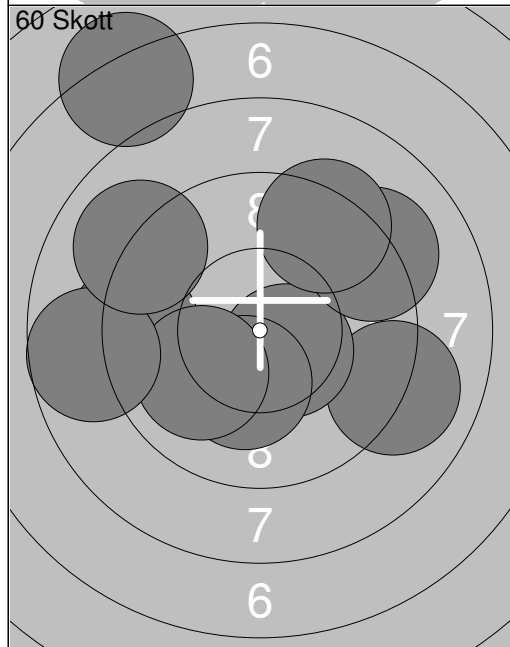
| | | |
|-------|------|---|
| 11: | 10.3 | ↘ |
| 12: | 8.7 | ↖ |
| 13: | 9.0 | ↗ |
| Serie | 28.0 | |
| Total | 0.0 | |



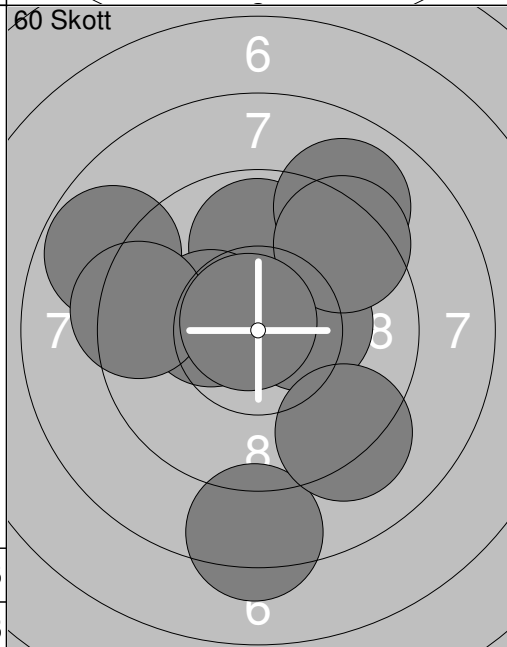
| | | |
|-------|------|---|
| 1: | 7.4 | ↖ |
| 2: | 9.9 | ↗ |
| 3: | 9.1 | ← |
| 4: | 9.5 | ← |
| 5: | 10.5 | → |
| 6: | 10.6 | ↘ |
| 7: | 9.6 | ↓ |
| 8: | 7.1 | ↖ |
| 9: | 9.8 | ↓ |
| 10: | 9.1 | ↑ |
| Serie | 92.6 | |
| Total | 92.6 | |



| | | |
|-------|-------|---|
| 11: | 9.5 | ↖ |
| 12: | 7.0 | ← |
| 13: | 9.0 | ↖ |
| 14: | 9.8 | ↗ |
| 15: | 10.4 | ↗ |
| 16: | 10.4 | ↘ |
| 17: | 7.8 | ← |
| 18: | 10.2 | ↗ |
| 19: | 9.9 | → |
| 20: | 9.9 | → |
| Serie | 93.9 | |
| Total | 186.5 | |



| | | |
|-------|-------|---|
| 21: | 9.3 | ← |
| 22: | 9.0 | ↗ |
| 23: | 10.5 | ↘ |
| 24: | 9.1 | ↗ |
| 25: | 7.2 | ↖ |
| 26: | 9.3 | ↗ |
| 27: | 10.2 | ↘ |
| 28: | 10.0 | ↖ |
| 29: | 8.7 | ← |
| 30: | 9.0 | ↖ |
| Serie | 92.3 | |
| Total | 278.8 | |



| | | |
|-------|-------|---|
| 31: | 9.9 | ↑ |
| 32: | 8.3 | ↓ |
| 33: | 10.3 | ↘ |
| 34: | 8.8 | ← |
| 35: | 10.3 | → |
| 36: | 9.0 | ↗ |
| 37: | 9.4 | ← |
| 38: | 9.2 | ↘ |
| 39: | 9.4 | ↗ |
| 40: | 10.8 | ↘ |
| Serie | 95.4 | |
| Total | 374.2 | |

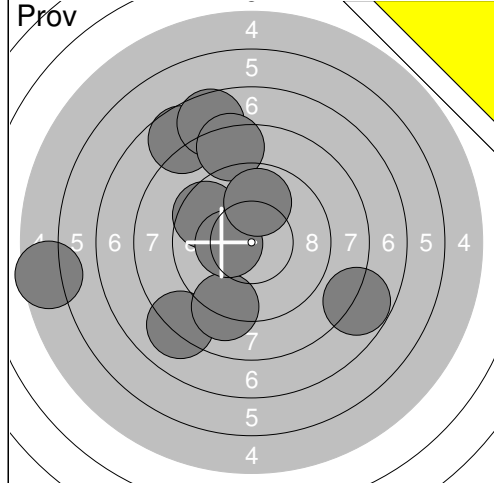
| | | | | | | | | | | | | | | | | | | | | | | | | | | | | | | | | | | | | | | | | | | | | | | | | | | | | | | | | | | | | | | | | | | | | | | | | | | | |
|-----------------|---|-------|-------|---|-----|-------|---|-----|-------|---|-----|-------|---|-------|-------|------|-------|-------|-----|-----------------|--|----|-------|-------|----|-------|-------|----|------|-------|----|-------|---|-------|-------|---|-------|-----------------|---|-----|-------|---|-----|-------|---|-----|-------|---|-----|-------|---|-------|-------|-------|-------|-------|-------|-----|-------|---|-----|-------|---|-----|-------|---|-----|-------|---|-------|--|-------|-------|--|-------|
| <p>Prov</p> | <table border="1" style="width:100%; border-collapse: collapse;"> <tr><td>1:</td><td>9.3</td><td>←</td></tr> <tr><td>2:</td><td>10.1</td><td>↑</td></tr> <tr><td>3:</td><td>9.4</td><td>→</td></tr> <tr><td>4:</td><td>9.9</td><td>↑</td></tr> <tr><td>5:</td><td>10.0</td><td>↗</td></tr> <tr><td>6:</td><td>9.2</td><td>↘</td></tr> <tr><td>7:</td><td>10.6x</td><td>↗</td></tr> <tr><td>8:</td><td>9.9</td><td>↘</td></tr> <tr><td>9:</td><td>10.2x</td><td>↘</td></tr> <tr><td>10:</td><td>9.6</td><td>→</td></tr> <tr><td colspan="2">Serie</td><td>98.2</td></tr> <tr><td colspan="2">Total</td><td>0.0</td></tr> </table> | 1: | 9.3 | ← | 2: | 10.1 | ↑ | 3: | 9.4 | → | 4: | 9.9 | ↑ | 5: | 10.0 | ↗ | 6: | 9.2 | ↘ | 7: | 10.6x | ↗ | 8: | 9.9 | ↘ | 9: | 10.2x | ↘ | 10: | 9.6 | → | Serie | | 98.2 | Total | | 0.0 | <p>Prov</p> | <table border="1" style="width:100%; border-collapse: collapse;"> <tr><td>11:</td><td>9.6</td><td>↘</td></tr> <tr><td>12:</td><td>9.2</td><td>→</td></tr> <tr><td>13:</td><td>9.9</td><td>→</td></tr> <tr><td>14:</td><td>10.2x</td><td>↗</td></tr> <tr><td>15:</td><td>10.6x</td><td>↗</td></tr> <tr><td>16:</td><td>10.8x</td><td>↘</td></tr> <tr><td>17:</td><td>10.6x</td><td>↗</td></tr> <tr><td>18:</td><td>10.6x</td><td>↗</td></tr> <tr><td>19:</td><td>9.7</td><td>→</td></tr> <tr><td>20:</td><td>9.8</td><td>→</td></tr> <tr><td colspan="2">Serie</td><td>101.0</td></tr> <tr><td colspan="2">Total</td><td>0.0</td></tr> </table> | 11: | 9.6 | ↘ | 12: | 9.2 | → | 13: | 9.9 | → | 14: | 10.2x | ↗ | 15: | 10.6x | ↗ | 16: | 10.8x | ↘ | 17: | 10.6x | ↗ | 18: | 10.6x | ↗ | 19: | 9.7 | → | 20: | 9.8 | → | Serie | | 101.0 | Total | | 0.0 |
| 1: | 9.3 | ← | | | | | | | | | | | | | | | | | | | | | | | | | | | | | | | | | | | | | | | | | | | | | | | | | | | | | | | | | | | | | | | | | | | | | | | | | |
| 2: | 10.1 | ↑ | | | | | | | | | | | | | | | | | | | | | | | | | | | | | | | | | | | | | | | | | | | | | | | | | | | | | | | | | | | | | | | | | | | | | | | | | |
| 3: | 9.4 | → | | | | | | | | | | | | | | | | | | | | | | | | | | | | | | | | | | | | | | | | | | | | | | | | | | | | | | | | | | | | | | | | | | | | | | | | | |
| 4: | 9.9 | ↑ | | | | | | | | | | | | | | | | | | | | | | | | | | | | | | | | | | | | | | | | | | | | | | | | | | | | | | | | | | | | | | | | | | | | | | | | | |
| 5: | 10.0 | ↗ | | | | | | | | | | | | | | | | | | | | | | | | | | | | | | | | | | | | | | | | | | | | | | | | | | | | | | | | | | | | | | | | | | | | | | | | | |
| 6: | 9.2 | ↘ | | | | | | | | | | | | | | | | | | | | | | | | | | | | | | | | | | | | | | | | | | | | | | | | | | | | | | | | | | | | | | | | | | | | | | | | | |
| 7: | 10.6x | ↗ | | | | | | | | | | | | | | | | | | | | | | | | | | | | | | | | | | | | | | | | | | | | | | | | | | | | | | | | | | | | | | | | | | | | | | | | | |
| 8: | 9.9 | ↘ | | | | | | | | | | | | | | | | | | | | | | | | | | | | | | | | | | | | | | | | | | | | | | | | | | | | | | | | | | | | | | | | | | | | | | | | | |
| 9: | 10.2x | ↘ | | | | | | | | | | | | | | | | | | | | | | | | | | | | | | | | | | | | | | | | | | | | | | | | | | | | | | | | | | | | | | | | | | | | | | | | | |
| 10: | 9.6 | → | | | | | | | | | | | | | | | | | | | | | | | | | | | | | | | | | | | | | | | | | | | | | | | | | | | | | | | | | | | | | | | | | | | | | | | | | |
| Serie | | 98.2 | | | | | | | | | | | | | | | | | | | | | | | | | | | | | | | | | | | | | | | | | | | | | | | | | | | | | | | | | | | | | | | | | | | | | | | | | |
| Total | | 0.0 | | | | | | | | | | | | | | | | | | | | | | | | | | | | | | | | | | | | | | | | | | | | | | | | | | | | | | | | | | | | | | | | | | | | | | | | | |
| 11: | 9.6 | ↘ | | | | | | | | | | | | | | | | | | | | | | | | | | | | | | | | | | | | | | | | | | | | | | | | | | | | | | | | | | | | | | | | | | | | | | | | | |
| 12: | 9.2 | → | | | | | | | | | | | | | | | | | | | | | | | | | | | | | | | | | | | | | | | | | | | | | | | | | | | | | | | | | | | | | | | | | | | | | | | | | |
| 13: | 9.9 | → | | | | | | | | | | | | | | | | | | | | | | | | | | | | | | | | | | | | | | | | | | | | | | | | | | | | | | | | | | | | | | | | | | | | | | | | | |
| 14: | 10.2x | ↗ | | | | | | | | | | | | | | | | | | | | | | | | | | | | | | | | | | | | | | | | | | | | | | | | | | | | | | | | | | | | | | | | | | | | | | | | | |
| 15: | 10.6x | ↗ | | | | | | | | | | | | | | | | | | | | | | | | | | | | | | | | | | | | | | | | | | | | | | | | | | | | | | | | | | | | | | | | | | | | | | | | | |
| 16: | 10.8x | ↘ | | | | | | | | | | | | | | | | | | | | | | | | | | | | | | | | | | | | | | | | | | | | | | | | | | | | | | | | | | | | | | | | | | | | | | | | | |
| 17: | 10.6x | ↗ | | | | | | | | | | | | | | | | | | | | | | | | | | | | | | | | | | | | | | | | | | | | | | | | | | | | | | | | | | | | | | | | | | | | | | | | | |
| 18: | 10.6x | ↗ | | | | | | | | | | | | | | | | | | | | | | | | | | | | | | | | | | | | | | | | | | | | | | | | | | | | | | | | | | | | | | | | | | | | | | | | | |
| 19: | 9.7 | → | | | | | | | | | | | | | | | | | | | | | | | | | | | | | | | | | | | | | | | | | | | | | | | | | | | | | | | | | | | | | | | | | | | | | | | | | |
| 20: | 9.8 | → | | | | | | | | | | | | | | | | | | | | | | | | | | | | | | | | | | | | | | | | | | | | | | | | | | | | | | | | | | | | | | | | | | | | | | | | | |
| Serie | | 101.0 | | | | | | | | | | | | | | | | | | | | | | | | | | | | | | | | | | | | | | | | | | | | | | | | | | | | | | | | | | | | | | | | | | | | | | | | | |
| Total | | 0.0 | | | | | | | | | | | | | | | | | | | | | | | | | | | | | | | | | | | | | | | | | | | | | | | | | | | | | | | | | | | | | | | | | | | | | | | | | |
| <p>Prov</p> | <table border="1" style="width:100%; border-collapse: collapse;"> <tr><td>21:</td><td>10.0</td><td>→</td></tr> <tr><td>22:</td><td>10.2x</td><td>↗</td></tr> <tr><td>24:</td><td>9.1</td><td>↘</td></tr> <tr><td>25:</td><td>9.9</td><td>↘</td></tr> <tr><td colspan="2">Serie</td><td>39.2</td></tr> <tr><td colspan="2">Total</td><td>0.0</td></tr> </table> | 21: | 10.0 | → | 22: | 10.2x | ↗ | 24: | 9.1 | ↘ | 25: | 9.9 | ↘ | Serie | | 39.2 | Total | | 0.0 | <p>60 Skott</p> | <table border="1" style="width:100%; border-collapse: collapse;"> <tr><td>1:</td><td>10.3x</td><td>↘</td></tr> <tr><td>2:</td><td>10.3x</td><td>↘</td></tr> <tr><td>3:</td><td>10.0</td><td>↘</td></tr> <tr><td>4:</td><td>9.5</td><td>↘</td></tr> <tr><td>5:</td><td>9.9</td><td>↗</td></tr> <tr><td>6:</td><td>9.9</td><td>↘</td></tr> <tr><td>7:</td><td>9.9</td><td>←</td></tr> <tr><td>8:</td><td>10.3x</td><td>↗</td></tr> <tr><td>9:</td><td>10.7x</td><td>↗</td></tr> <tr><td>10:</td><td>10.8x</td><td>↗</td></tr> <tr><td colspan="2">Serie</td><td>101.6</td></tr> <tr><td colspan="2">Total</td><td>101.6</td></tr> </table> | 1: | 10.3x | ↘ | 2: | 10.3x | ↘ | 3: | 10.0 | ↘ | 4: | 9.5 | ↘ | 5: | 9.9 | ↗ | 6: | 9.9 | ↘ | 7: | 9.9 | ← | 8: | 10.3x | ↗ | 9: | 10.7x | ↗ | 10: | 10.8x | ↗ | Serie | | 101.6 | Total | | 101.6 | | | | | | | | | | | | | | | | | | |
| 21: | 10.0 | → | | | | | | | | | | | | | | | | | | | | | | | | | | | | | | | | | | | | | | | | | | | | | | | | | | | | | | | | | | | | | | | | | | | | | | | | | |
| 22: | 10.2x | ↗ | | | | | | | | | | | | | | | | | | | | | | | | | | | | | | | | | | | | | | | | | | | | | | | | | | | | | | | | | | | | | | | | | | | | | | | | | |
| 24: | 9.1 | ↘ | | | | | | | | | | | | | | | | | | | | | | | | | | | | | | | | | | | | | | | | | | | | | | | | | | | | | | | | | | | | | | | | | | | | | | | | | |
| 25: | 9.9 | ↘ | | | | | | | | | | | | | | | | | | | | | | | | | | | | | | | | | | | | | | | | | | | | | | | | | | | | | | | | | | | | | | | | | | | | | | | | | |
| Serie | | 39.2 | | | | | | | | | | | | | | | | | | | | | | | | | | | | | | | | | | | | | | | | | | | | | | | | | | | | | | | | | | | | | | | | | | | | | | | | | |
| Total | | 0.0 | | | | | | | | | | | | | | | | | | | | | | | | | | | | | | | | | | | | | | | | | | | | | | | | | | | | | | | | | | | | | | | | | | | | | | | | | |
| 1: | 10.3x | ↘ | | | | | | | | | | | | | | | | | | | | | | | | | | | | | | | | | | | | | | | | | | | | | | | | | | | | | | | | | | | | | | | | | | | | | | | | | |
| 2: | 10.3x | ↘ | | | | | | | | | | | | | | | | | | | | | | | | | | | | | | | | | | | | | | | | | | | | | | | | | | | | | | | | | | | | | | | | | | | | | | | | | |
| 3: | 10.0 | ↘ | | | | | | | | | | | | | | | | | | | | | | | | | | | | | | | | | | | | | | | | | | | | | | | | | | | | | | | | | | | | | | | | | | | | | | | | | |
| 4: | 9.5 | ↘ | | | | | | | | | | | | | | | | | | | | | | | | | | | | | | | | | | | | | | | | | | | | | | | | | | | | | | | | | | | | | | | | | | | | | | | | | |
| 5: | 9.9 | ↗ | | | | | | | | | | | | | | | | | | | | | | | | | | | | | | | | | | | | | | | | | | | | | | | | | | | | | | | | | | | | | | | | | | | | | | | | | |
| 6: | 9.9 | ↘ | | | | | | | | | | | | | | | | | | | | | | | | | | | | | | | | | | | | | | | | | | | | | | | | | | | | | | | | | | | | | | | | | | | | | | | | | |
| 7: | 9.9 | ← | | | | | | | | | | | | | | | | | | | | | | | | | | | | | | | | | | | | | | | | | | | | | | | | | | | | | | | | | | | | | | | | | | | | | | | | | |
| 8: | 10.3x | ↗ | | | | | | | | | | | | | | | | | | | | | | | | | | | | | | | | | | | | | | | | | | | | | | | | | | | | | | | | | | | | | | | | | | | | | | | | | |
| 9: | 10.7x | ↗ | | | | | | | | | | | | | | | | | | | | | | | | | | | | | | | | | | | | | | | | | | | | | | | | | | | | | | | | | | | | | | | | | | | | | | | | | |
| 10: | 10.8x | ↗ | | | | | | | | | | | | | | | | | | | | | | | | | | | | | | | | | | | | | | | | | | | | | | | | | | | | | | | | | | | | | | | | | | | | | | | | | |
| Serie | | 101.6 | | | | | | | | | | | | | | | | | | | | | | | | | | | | | | | | | | | | | | | | | | | | | | | | | | | | | | | | | | | | | | | | | | | | | | | | | |
| Total | | 101.6 | | | | | | | | | | | | | | | | | | | | | | | | | | | | | | | | | | | | | | | | | | | | | | | | | | | | | | | | | | | | | | | | | | | | | | | | | |
| <p>60 Skott</p> | <table border="1" style="width:100%; border-collapse: collapse;"> <tr><td>11:</td><td>10.6x</td><td>←</td></tr> <tr><td>12:</td><td>10.6x</td><td>↘</td></tr> <tr><td>13:</td><td>10.6x</td><td>↘</td></tr> <tr><td>14:</td><td>10.5x</td><td>↘</td></tr> <tr><td>15:</td><td>10.1</td><td>↘</td></tr> <tr><td>16:</td><td>10.5x</td><td>↖</td></tr> <tr><td>17:</td><td>10.1</td><td>←</td></tr> <tr><td>18:</td><td>10.8x</td><td>↘</td></tr> <tr><td>19:</td><td>9.8</td><td>↘</td></tr> <tr><td>20:</td><td>10.5x</td><td>↘</td></tr> <tr><td colspan="2">Serie</td><td>104.1</td></tr> <tr><td colspan="2">Total</td><td>205.7</td></tr> </table> | 11: | 10.6x | ← | 12: | 10.6x | ↘ | 13: | 10.6x | ↘ | 14: | 10.5x | ↘ | 15: | 10.1 | ↘ | 16: | 10.5x | ↖ | 17: | 10.1 | ← | 18: | 10.8x | ↘ | 19: | 9.8 | ↘ | 20: | 10.5x | ↘ | Serie | | 104.1 | Total | | 205.7 | <p>60 Skott</p> | <table border="1" style="width:100%; border-collapse: collapse;"> <tr><td>21:</td><td>10.2x</td><td>↘</td></tr> <tr><td>22:</td><td>10.0</td><td>↗</td></tr> <tr><td>23:</td><td>10.0</td><td>↘</td></tr> <tr><td>24:</td><td>10.2x</td><td>↘</td></tr> <tr><td>25:</td><td>10.6x</td><td>↘</td></tr> <tr><td>26:</td><td>9.9</td><td>↗</td></tr> <tr><td>27:</td><td>9.6</td><td>←</td></tr> <tr><td>28:</td><td>10.1</td><td>↘</td></tr> <tr><td>29:</td><td>10.2x</td><td>↘</td></tr> <tr><td>30:</td><td>10.9x</td><td>←</td></tr> <tr><td colspan="2">Serie</td><td>101.7</td></tr> <tr><td colspan="2">Total</td><td>307.4</td></tr> </table> | 21: | 10.2x | ↘ | 22: | 10.0 | ↗ | 23: | 10.0 | ↘ | 24: | 10.2x | ↘ | 25: | 10.6x | ↘ | 26: | 9.9 | ↗ | 27: | 9.6 | ← | 28: | 10.1 | ↘ | 29: | 10.2x | ↘ | 30: | 10.9x | ← | Serie | | 101.7 | Total | | 307.4 |
| 11: | 10.6x | ← | | | | | | | | | | | | | | | | | | | | | | | | | | | | | | | | | | | | | | | | | | | | | | | | | | | | | | | | | | | | | | | | | | | | | | | | | |
| 12: | 10.6x | ↘ | | | | | | | | | | | | | | | | | | | | | | | | | | | | | | | | | | | | | | | | | | | | | | | | | | | | | | | | | | | | | | | | | | | | | | | | | |
| 13: | 10.6x | ↘ | | | | | | | | | | | | | | | | | | | | | | | | | | | | | | | | | | | | | | | | | | | | | | | | | | | | | | | | | | | | | | | | | | | | | | | | | |
| 14: | 10.5x | ↘ | | | | | | | | | | | | | | | | | | | | | | | | | | | | | | | | | | | | | | | | | | | | | | | | | | | | | | | | | | | | | | | | | | | | | | | | | |
| 15: | 10.1 | ↘ | | | | | | | | | | | | | | | | | | | | | | | | | | | | | | | | | | | | | | | | | | | | | | | | | | | | | | | | | | | | | | | | | | | | | | | | | |
| 16: | 10.5x | ↖ | | | | | | | | | | | | | | | | | | | | | | | | | | | | | | | | | | | | | | | | | | | | | | | | | | | | | | | | | | | | | | | | | | | | | | | | | |
| 17: | 10.1 | ← | | | | | | | | | | | | | | | | | | | | | | | | | | | | | | | | | | | | | | | | | | | | | | | | | | | | | | | | | | | | | | | | | | | | | | | | | |
| 18: | 10.8x | ↘ | | | | | | | | | | | | | | | | | | | | | | | | | | | | | | | | | | | | | | | | | | | | | | | | | | | | | | | | | | | | | | | | | | | | | | | | | |
| 19: | 9.8 | ↘ | | | | | | | | | | | | | | | | | | | | | | | | | | | | | | | | | | | | | | | | | | | | | | | | | | | | | | | | | | | | | | | | | | | | | | | | | |
| 20: | 10.5x | ↘ | | | | | | | | | | | | | | | | | | | | | | | | | | | | | | | | | | | | | | | | | | | | | | | | | | | | | | | | | | | | | | | | | | | | | | | | | |
| Serie | | 104.1 | | | | | | | | | | | | | | | | | | | | | | | | | | | | | | | | | | | | | | | | | | | | | | | | | | | | | | | | | | | | | | | | | | | | | | | | | |
| Total | | 205.7 | | | | | | | | | | | | | | | | | | | | | | | | | | | | | | | | | | | | | | | | | | | | | | | | | | | | | | | | | | | | | | | | | | | | | | | | | |
| 21: | 10.2x | ↘ | | | | | | | | | | | | | | | | | | | | | | | | | | | | | | | | | | | | | | | | | | | | | | | | | | | | | | | | | | | | | | | | | | | | | | | | | |
| 22: | 10.0 | ↗ | | | | | | | | | | | | | | | | | | | | | | | | | | | | | | | | | | | | | | | | | | | | | | | | | | | | | | | | | | | | | | | | | | | | | | | | | |
| 23: | 10.0 | ↘ | | | | | | | | | | | | | | | | | | | | | | | | | | | | | | | | | | | | | | | | | | | | | | | | | | | | | | | | | | | | | | | | | | | | | | | | | |
| 24: | 10.2x | ↘ | | | | | | | | | | | | | | | | | | | | | | | | | | | | | | | | | | | | | | | | | | | | | | | | | | | | | | | | | | | | | | | | | | | | | | | | | |
| 25: | 10.6x | ↘ | | | | | | | | | | | | | | | | | | | | | | | | | | | | | | | | | | | | | | | | | | | | | | | | | | | | | | | | | | | | | | | | | | | | | | | | | |
| 26: | 9.9 | ↗ | | | | | | | | | | | | | | | | | | | | | | | | | | | | | | | | | | | | | | | | | | | | | | | | | | | | | | | | | | | | | | | | | | | | | | | | | |
| 27: | 9.6 | ← | | | | | | | | | | | | | | | | | | | | | | | | | | | | | | | | | | | | | | | | | | | | | | | | | | | | | | | | | | | | | | | | | | | | | | | | | |
| 28: | 10.1 | ↘ | | | | | | | | | | | | | | | | | | | | | | | | | | | | | | | | | | | | | | | | | | | | | | | | | | | | | | | | | | | | | | | | | | | | | | | | | |
| 29: | 10.2x | ↘ | | | | | | | | | | | | | | | | | | | | | | | | | | | | | | | | | | | | | | | | | | | | | | | | | | | | | | | | | | | | | | | | | | | | | | | | | |
| 30: | 10.9x | ← | | | | | | | | | | | | | | | | | | | | | | | | | | | | | | | | | | | | | | | | | | | | | | | | | | | | | | | | | | | | | | | | | | | | | | | | | |
| Serie | | 101.7 | | | | | | | | | | | | | | | | | | | | | | | | | | | | | | | | | | | | | | | | | | | | | | | | | | | | | | | | | | | | | | | | | | | | | | | | | |
| Total | | 307.4 | | | | | | | | | | | | | | | | | | | | | | | | | | | | | | | | | | | | | | | | | | | | | | | | | | | | | | | | | | | | | | | | | | | | | | | | | |
| <p>60 Skott</p> | <table border="1" style="width:100%; border-collapse: collapse;"> <tr><td>31:</td><td>10.6x</td><td>↘</td></tr> <tr><td>32:</td><td>10.5x</td><td>↘</td></tr> <tr><td>33:</td><td>10.1</td><td>←</td></tr> <tr><td>34:</td><td>10.8x</td><td>↖</td></tr> <tr><td>35:</td><td>10.2x</td><td>↗</td></tr> <tr><td>36:</td><td>10.2x</td><td>↗</td></tr> <tr><td>37:</td><td>10.8x</td><td>↗</td></tr> <tr><td>38:</td><td>10.6x</td><td>↗</td></tr> <tr><td>39:</td><td>10.2x</td><td>↘</td></tr> <tr><td>40:</td><td>10.5x</td><td>←</td></tr> <tr><td colspan="2">Serie</td><td>104.5</td></tr> <tr><td colspan="2">Total</td><td>411.9</td></tr> </table> | 31: | 10.6x | ↘ | 32: | 10.5x | ↘ | 33: | 10.1 | ← | 34: | 10.8x | ↖ | 35: | 10.2x | ↗ | 36: | 10.2x | ↗ | 37: | 10.8x | ↗ | 38: | 10.6x | ↗ | 39: | 10.2x | ↘ | 40: | 10.5x | ← | Serie | | 104.5 | Total | | 411.9 | | | | | | | | | | | | | | | | | | | | | | | | | | | | | | | | | | | | | | |
| 31: | 10.6x | ↘ | | | | | | | | | | | | | | | | | | | | | | | | | | | | | | | | | | | | | | | | | | | | | | | | | | | | | | | | | | | | | | | | | | | | | | | | | |
| 32: | 10.5x | ↘ | | | | | | | | | | | | | | | | | | | | | | | | | | | | | | | | | | | | | | | | | | | | | | | | | | | | | | | | | | | | | | | | | | | | | | | | | |
| 33: | 10.1 | ← | | | | | | | | | | | | | | | | | | | | | | | | | | | | | | | | | | | | | | | | | | | | | | | | | | | | | | | | | | | | | | | | | | | | | | | | | |
| 34: | 10.8x | ↖ | | | | | | | | | | | | | | | | | | | | | | | | | | | | | | | | | | | | | | | | | | | | | | | | | | | | | | | | | | | | | | | | | | | | | | | | | |
| 35: | 10.2x | ↗ | | | | | | | | | | | | | | | | | | | | | | | | | | | | | | | | | | | | | | | | | | | | | | | | | | | | | | | | | | | | | | | | | | | | | | | | | |
| 36: | 10.2x | ↗ | | | | | | | | | | | | | | | | | | | | | | | | | | | | | | | | | | | | | | | | | | | | | | | | | | | | | | | | | | | | | | | | | | | | | | | | | |
| 37: | 10.8x | ↗ | | | | | | | | | | | | | | | | | | | | | | | | | | | | | | | | | | | | | | | | | | | | | | | | | | | | | | | | | | | | | | | | | | | | | | | | | |
| 38: | 10.6x | ↗ | | | | | | | | | | | | | | | | | | | | | | | | | | | | | | | | | | | | | | | | | | | | | | | | | | | | | | | | | | | | | | | | | | | | | | | | | |
| 39: | 10.2x | ↘ | | | | | | | | | | | | | | | | | | | | | | | | | | | | | | | | | | | | | | | | | | | | | | | | | | | | | | | | | | | | | | | | | | | | | | | | | |
| 40: | 10.5x | ← | | | | | | | | | | | | | | | | | | | | | | | | | | | | | | | | | | | | | | | | | | | | | | | | | | | | | | | | | | | | | | | | | | | | | | | | | |
| Serie | | 104.5 | | | | | | | | | | | | | | | | | | | | | | | | | | | | | | | | | | | | | | | | | | | | | | | | | | | | | | | | | | | | | | | | | | | | | | | | | |
| Total | | 411.9 | | | | | | | | | | | | | | | | | | | | | | | | | | | | | | | | | | | | | | | | | | | | | | | | | | | | | | | | | | | | | | | | | | | | | | | | | |

| | | | | | | | | | | | | | | | | | | | | | | | | | | | | | | | | | | | | | | | | | | | | | | | | | | | | | | | | | | | | | | | | | | | | | | | | | | | |
|--------------------|---|--------------|-----|---|----|-----|---|----|-----|---|----|-----|---|----|-------|---|----|-------|---|----|------|---|----|-------|---|----|-------|---|-----|-----|---|--------------|--|-------------|--------------|--|------------|--------------------|---|-----|------|---|-----|-------|---|-----|-----|---|-----|-------|---|-----|-------|---|-----|-------|---|-----|-----|---|-----|-------|---|-----|-------|---|-----|-----|---|--------------|--|--------------|--------------|--|------------|
| <p>Prov</p> | <table border="1" style="width:100%; border-collapse: collapse;"> <tr><td>1:</td><td>7.3</td><td>↓</td></tr> <tr><td>2:</td><td>7.0</td><td>↓</td></tr> <tr><td>3:</td><td>9.5</td><td>↓</td></tr> <tr><td>4:</td><td>9.4</td><td>↓</td></tr> <tr><td>5:</td><td>10.2x</td><td>←</td></tr> <tr><td>6:</td><td>10.3x</td><td>↗</td></tr> <tr><td>7:</td><td>10.1</td><td>↗</td></tr> <tr><td>8:</td><td>10.5x</td><td>→</td></tr> <tr><td>9:</td><td>10.7x</td><td>↓</td></tr> <tr><td>10:</td><td>9.2</td><td>↗</td></tr> <tr><td colspan="2">Serie</td><td>94.2</td></tr> <tr><td colspan="2">Total</td><td>0.0</td></tr> </table> | 1: | 7.3 | ↓ | 2: | 7.0 | ↓ | 3: | 9.5 | ↓ | 4: | 9.4 | ↓ | 5: | 10.2x | ← | 6: | 10.3x | ↗ | 7: | 10.1 | ↗ | 8: | 10.5x | → | 9: | 10.7x | ↓ | 10: | 9.2 | ↗ | Serie | | 94.2 | Total | | 0.0 | <p>Prov</p> | <table border="1" style="width:100%; border-collapse: collapse;"> <tr><td>11:</td><td>10.0</td><td>↗</td></tr> <tr><td>12:</td><td>10.3x</td><td>↓</td></tr> <tr><td>13:</td><td>9.8</td><td>↗</td></tr> <tr><td>14:</td><td>10.2x</td><td>↗</td></tr> <tr><td>15:</td><td>10.3x</td><td>↗</td></tr> <tr><td>16:</td><td>10.5x</td><td>↖</td></tr> <tr><td>17:</td><td>9.8</td><td>↗</td></tr> <tr><td>18:</td><td>10.3x</td><td>↓</td></tr> <tr><td>19:</td><td>10.7x</td><td>↓</td></tr> <tr><td>20:</td><td>9.9</td><td>→</td></tr> <tr><td colspan="2">Serie</td><td>101.8</td></tr> <tr><td colspan="2">Total</td><td>0.0</td></tr> </table> | 11: | 10.0 | ↗ | 12: | 10.3x | ↓ | 13: | 9.8 | ↗ | 14: | 10.2x | ↗ | 15: | 10.3x | ↗ | 16: | 10.5x | ↖ | 17: | 9.8 | ↗ | 18: | 10.3x | ↓ | 19: | 10.7x | ↓ | 20: | 9.9 | → | Serie | | 101.8 | Total | | 0.0 |
| 1: | 7.3 | ↓ | | | | | | | | | | | | | | | | | | | | | | | | | | | | | | | | | | | | | | | | | | | | | | | | | | | | | | | | | | | | | | | | | | | | | | | | | |
| 2: | 7.0 | ↓ | | | | | | | | | | | | | | | | | | | | | | | | | | | | | | | | | | | | | | | | | | | | | | | | | | | | | | | | | | | | | | | | | | | | | | | | | |
| 3: | 9.5 | ↓ | | | | | | | | | | | | | | | | | | | | | | | | | | | | | | | | | | | | | | | | | | | | | | | | | | | | | | | | | | | | | | | | | | | | | | | | | |
| 4: | 9.4 | ↓ | | | | | | | | | | | | | | | | | | | | | | | | | | | | | | | | | | | | | | | | | | | | | | | | | | | | | | | | | | | | | | | | | | | | | | | | | |
| 5: | 10.2x | ← | | | | | | | | | | | | | | | | | | | | | | | | | | | | | | | | | | | | | | | | | | | | | | | | | | | | | | | | | | | | | | | | | | | | | | | | | |
| 6: | 10.3x | ↗ | | | | | | | | | | | | | | | | | | | | | | | | | | | | | | | | | | | | | | | | | | | | | | | | | | | | | | | | | | | | | | | | | | | | | | | | | |
| 7: | 10.1 | ↗ | | | | | | | | | | | | | | | | | | | | | | | | | | | | | | | | | | | | | | | | | | | | | | | | | | | | | | | | | | | | | | | | | | | | | | | | | |
| 8: | 10.5x | → | | | | | | | | | | | | | | | | | | | | | | | | | | | | | | | | | | | | | | | | | | | | | | | | | | | | | | | | | | | | | | | | | | | | | | | | | |
| 9: | 10.7x | ↓ | | | | | | | | | | | | | | | | | | | | | | | | | | | | | | | | | | | | | | | | | | | | | | | | | | | | | | | | | | | | | | | | | | | | | | | | | |
| 10: | 9.2 | ↗ | | | | | | | | | | | | | | | | | | | | | | | | | | | | | | | | | | | | | | | | | | | | | | | | | | | | | | | | | | | | | | | | | | | | | | | | | |
| Serie | | 94.2 | | | | | | | | | | | | | | | | | | | | | | | | | | | | | | | | | | | | | | | | | | | | | | | | | | | | | | | | | | | | | | | | | | | | | | | | | |
| Total | | 0.0 | | | | | | | | | | | | | | | | | | | | | | | | | | | | | | | | | | | | | | | | | | | | | | | | | | | | | | | | | | | | | | | | | | | | | | | | | |
| 11: | 10.0 | ↗ | | | | | | | | | | | | | | | | | | | | | | | | | | | | | | | | | | | | | | | | | | | | | | | | | | | | | | | | | | | | | | | | | | | | | | | | | |
| 12: | 10.3x | ↓ | | | | | | | | | | | | | | | | | | | | | | | | | | | | | | | | | | | | | | | | | | | | | | | | | | | | | | | | | | | | | | | | | | | | | | | | | |
| 13: | 9.8 | ↗ | | | | | | | | | | | | | | | | | | | | | | | | | | | | | | | | | | | | | | | | | | | | | | | | | | | | | | | | | | | | | | | | | | | | | | | | | |
| 14: | 10.2x | ↗ | | | | | | | | | | | | | | | | | | | | | | | | | | | | | | | | | | | | | | | | | | | | | | | | | | | | | | | | | | | | | | | | | | | | | | | | | |
| 15: | 10.3x | ↗ | | | | | | | | | | | | | | | | | | | | | | | | | | | | | | | | | | | | | | | | | | | | | | | | | | | | | | | | | | | | | | | | | | | | | | | | | |
| 16: | 10.5x | ↖ | | | | | | | | | | | | | | | | | | | | | | | | | | | | | | | | | | | | | | | | | | | | | | | | | | | | | | | | | | | | | | | | | | | | | | | | | |
| 17: | 9.8 | ↗ | | | | | | | | | | | | | | | | | | | | | | | | | | | | | | | | | | | | | | | | | | | | | | | | | | | | | | | | | | | | | | | | | | | | | | | | | |
| 18: | 10.3x | ↓ | | | | | | | | | | | | | | | | | | | | | | | | | | | | | | | | | | | | | | | | | | | | | | | | | | | | | | | | | | | | | | | | | | | | | | | | | |
| 19: | 10.7x | ↓ | | | | | | | | | | | | | | | | | | | | | | | | | | | | | | | | | | | | | | | | | | | | | | | | | | | | | | | | | | | | | | | | | | | | | | | | | |
| 20: | 9.9 | → | | | | | | | | | | | | | | | | | | | | | | | | | | | | | | | | | | | | | | | | | | | | | | | | | | | | | | | | | | | | | | | | | | | | | | | | | |
| Serie | | 101.8 | | | | | | | | | | | | | | | | | | | | | | | | | | | | | | | | | | | | | | | | | | | | | | | | | | | | | | | | | | | | | | | | | | | | | | | | | |
| Total | | 0.0 | | | | | | | | | | | | | | | | | | | | | | | | | | | | | | | | | | | | | | | | | | | | | | | | | | | | | | | | | | | | | | | | | | | | | | | | | |

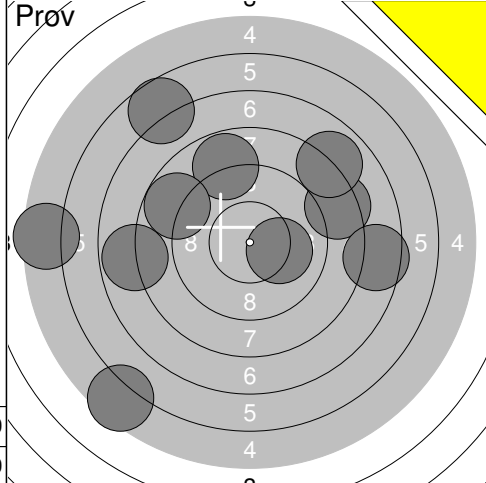
| | | | | | | | | | | | | | | | | | | | | | | | | | | | | | | | | | | | | | | | | | | | | | | | | | | | | | | | | | | | | | | | |
|--------------------|--|--------------|-----|---|-----|-------|---|-----|-------|---|-----|-------|---|-----|------|---|-----|-------|---|--------------|--|-------------|--------------|--|------------|------------------------|--|----|-------|---|----|-------|---|----|-------|---|----|-------|---|----|------|---|----|-----|---|----|-------|---|----|-----|---|----|-------|---|-----|-------|---|--------------|--|--------------|--------------|--|--------------|
| <p>Prov</p> | <table border="1" style="width:100%; border-collapse: collapse;"> <tr><td>21:</td><td>9.7</td><td>↗</td></tr> <tr><td>22:</td><td>10.6x</td><td>↓</td></tr> <tr><td>23:</td><td>10.5x</td><td>↖</td></tr> <tr><td>24:</td><td>10.5x</td><td>↗</td></tr> <tr><td>25:</td><td>10.0</td><td>↓</td></tr> <tr><td>26:</td><td>10.5x</td><td>↓</td></tr> <tr><td colspan="2">Serie</td><td>61.8</td></tr> <tr><td colspan="2">Total</td><td>0.0</td></tr> </table> | 21: | 9.7 | ↗ | 22: | 10.6x | ↓ | 23: | 10.5x | ↖ | 24: | 10.5x | ↗ | 25: | 10.0 | ↓ | 26: | 10.5x | ↓ | Serie | | 61.8 | Total | | 0.0 | <p>60 Skott</p> | <table border="1" style="width:100%; border-collapse: collapse;"> <tr><td>1:</td><td>10.7x</td><td>↓</td></tr> <tr><td>2:</td><td>10.5x</td><td>→</td></tr> <tr><td>3:</td><td>10.3x</td><td>↗</td></tr> <tr><td>4:</td><td>10.2x</td><td>↖</td></tr> <tr><td>5:</td><td>10.0</td><td>↓</td></tr> <tr><td>6:</td><td>9.2</td><td>↓</td></tr> <tr><td>7:</td><td>10.7x</td><td>↓</td></tr> <tr><td>8:</td><td>9.9</td><td>↑</td></tr> <tr><td>9:</td><td>10.8x</td><td>↖</td></tr> <tr><td>10:</td><td>10.3x</td><td>↖</td></tr> <tr><td colspan="2">Serie</td><td>102.6</td></tr> <tr><td colspan="2">Total</td><td>102.6</td></tr> </table> | 1: | 10.7x | ↓ | 2: | 10.5x | → | 3: | 10.3x | ↗ | 4: | 10.2x | ↖ | 5: | 10.0 | ↓ | 6: | 9.2 | ↓ | 7: | 10.7x | ↓ | 8: | 9.9 | ↑ | 9: | 10.8x | ↖ | 10: | 10.3x | ↖ | Serie | | 102.6 | Total | | 102.6 |
| 21: | 9.7 | ↗ | | | | | | | | | | | | | | | | | | | | | | | | | | | | | | | | | | | | | | | | | | | | | | | | | | | | | | | | | | | | | |
| 22: | 10.6x | ↓ | | | | | | | | | | | | | | | | | | | | | | | | | | | | | | | | | | | | | | | | | | | | | | | | | | | | | | | | | | | | | |
| 23: | 10.5x | ↖ | | | | | | | | | | | | | | | | | | | | | | | | | | | | | | | | | | | | | | | | | | | | | | | | | | | | | | | | | | | | | |
| 24: | 10.5x | ↗ | | | | | | | | | | | | | | | | | | | | | | | | | | | | | | | | | | | | | | | | | | | | | | | | | | | | | | | | | | | | | |
| 25: | 10.0 | ↓ | | | | | | | | | | | | | | | | | | | | | | | | | | | | | | | | | | | | | | | | | | | | | | | | | | | | | | | | | | | | | |
| 26: | 10.5x | ↓ | | | | | | | | | | | | | | | | | | | | | | | | | | | | | | | | | | | | | | | | | | | | | | | | | | | | | | | | | | | | | |
| Serie | | 61.8 | | | | | | | | | | | | | | | | | | | | | | | | | | | | | | | | | | | | | | | | | | | | | | | | | | | | | | | | | | | | | |
| Total | | 0.0 | | | | | | | | | | | | | | | | | | | | | | | | | | | | | | | | | | | | | | | | | | | | | | | | | | | | | | | | | | | | | |
| 1: | 10.7x | ↓ | | | | | | | | | | | | | | | | | | | | | | | | | | | | | | | | | | | | | | | | | | | | | | | | | | | | | | | | | | | | | |
| 2: | 10.5x | → | | | | | | | | | | | | | | | | | | | | | | | | | | | | | | | | | | | | | | | | | | | | | | | | | | | | | | | | | | | | | |
| 3: | 10.3x | ↗ | | | | | | | | | | | | | | | | | | | | | | | | | | | | | | | | | | | | | | | | | | | | | | | | | | | | | | | | | | | | | |
| 4: | 10.2x | ↖ | | | | | | | | | | | | | | | | | | | | | | | | | | | | | | | | | | | | | | | | | | | | | | | | | | | | | | | | | | | | | |
| 5: | 10.0 | ↓ | | | | | | | | | | | | | | | | | | | | | | | | | | | | | | | | | | | | | | | | | | | | | | | | | | | | | | | | | | | | | |
| 6: | 9.2 | ↓ | | | | | | | | | | | | | | | | | | | | | | | | | | | | | | | | | | | | | | | | | | | | | | | | | | | | | | | | | | | | | |
| 7: | 10.7x | ↓ | | | | | | | | | | | | | | | | | | | | | | | | | | | | | | | | | | | | | | | | | | | | | | | | | | | | | | | | | | | | | |
| 8: | 9.9 | ↑ | | | | | | | | | | | | | | | | | | | | | | | | | | | | | | | | | | | | | | | | | | | | | | | | | | | | | | | | | | | | | |
| 9: | 10.8x | ↖ | | | | | | | | | | | | | | | | | | | | | | | | | | | | | | | | | | | | | | | | | | | | | | | | | | | | | | | | | | | | | |
| 10: | 10.3x | ↖ | | | | | | | | | | | | | | | | | | | | | | | | | | | | | | | | | | | | | | | | | | | | | | | | | | | | | | | | | | | | | |
| Serie | | 102.6 | | | | | | | | | | | | | | | | | | | | | | | | | | | | | | | | | | | | | | | | | | | | | | | | | | | | | | | | | | | | | |
| Total | | 102.6 | | | | | | | | | | | | | | | | | | | | | | | | | | | | | | | | | | | | | | | | | | | | | | | | | | | | | | | | | | | | | |

| | | | | | | | | | | | | | | | | | | | | | | | | | | | | | | | | | | | | | | | | | | | | | | | | | | | | | | | | | | | | | | | | | | | | | | | | | | | |
|------------------------|--|--------------|-------|---|-----|-------|---|-----|-----|---|-----|-------|---|-----|-------|---|-----|-------|---|-----|-------|---|-----|-------|---|-----|-------|---|-----|-------|---|--------------|--|--------------|--------------|--|--------------|------------------------|---|-----|-------|---|-----|-------|---|-----|-------|---|-----|-------|---|-----|------|---|-----|-------|---|-----|-----|---|-----|-------|---|-----|-------|---|-----|-------|---|--------------|--|--------------|--------------|--|--------------|
| <p>60 Skott</p> | <table border="1" style="width:100%; border-collapse: collapse;"> <tr><td>11:</td><td>10.7x</td><td>↖</td></tr> <tr><td>12:</td><td>10.5x</td><td>↖</td></tr> <tr><td>13:</td><td>9.9</td><td>↗</td></tr> <tr><td>14:</td><td>10.5x</td><td>↗</td></tr> <tr><td>15:</td><td>10.3x</td><td>↗</td></tr> <tr><td>16:</td><td>10.7x</td><td>↓</td></tr> <tr><td>17:</td><td>10.3x</td><td>↖</td></tr> <tr><td>18:</td><td>10.4x</td><td>↑</td></tr> <tr><td>19:</td><td>10.4x</td><td>↗</td></tr> <tr><td>20:</td><td>10.3x</td><td>↗</td></tr> <tr><td colspan="2">Serie</td><td>104.0</td></tr> <tr><td colspan="2">Total</td><td>206.6</td></tr> </table> | 11: | 10.7x | ↖ | 12: | 10.5x | ↖ | 13: | 9.9 | ↗ | 14: | 10.5x | ↗ | 15: | 10.3x | ↗ | 16: | 10.7x | ↓ | 17: | 10.3x | ↖ | 18: | 10.4x | ↑ | 19: | 10.4x | ↗ | 20: | 10.3x | ↗ | Serie | | 104.0 | Total | | 206.6 | <p>60 Skott</p> | <table border="1" style="width:100%; border-collapse: collapse;"> <tr><td>21:</td><td>10.6x</td><td>↓</td></tr> <tr><td>22:</td><td>10.4x</td><td>↗</td></tr> <tr><td>23:</td><td>10.6x</td><td>→</td></tr> <tr><td>24:</td><td>10.2x</td><td>↖</td></tr> <tr><td>25:</td><td>10.1</td><td>↗</td></tr> <tr><td>26:</td><td>10.2x</td><td>↗</td></tr> <tr><td>27:</td><td>9.7</td><td>↗</td></tr> <tr><td>28:</td><td>10.4x</td><td>↖</td></tr> <tr><td>29:</td><td>10.4x</td><td>↓</td></tr> <tr><td>30:</td><td>10.4x</td><td>→</td></tr> <tr><td colspan="2">Serie</td><td>103.0</td></tr> <tr><td colspan="2">Total</td><td>309.6</td></tr> </table> | 21: | 10.6x | ↓ | 22: | 10.4x | ↗ | 23: | 10.6x | → | 24: | 10.2x | ↖ | 25: | 10.1 | ↗ | 26: | 10.2x | ↗ | 27: | 9.7 | ↗ | 28: | 10.4x | ↖ | 29: | 10.4x | ↓ | 30: | 10.4x | → | Serie | | 103.0 | Total | | 309.6 |
| 11: | 10.7x | ↖ | | | | | | | | | | | | | | | | | | | | | | | | | | | | | | | | | | | | | | | | | | | | | | | | | | | | | | | | | | | | | | | | | | | | | | | | | |
| 12: | 10.5x | ↖ | | | | | | | | | | | | | | | | | | | | | | | | | | | | | | | | | | | | | | | | | | | | | | | | | | | | | | | | | | | | | | | | | | | | | | | | | |
| 13: | 9.9 | ↗ | | | | | | | | | | | | | | | | | | | | | | | | | | | | | | | | | | | | | | | | | | | | | | | | | | | | | | | | | | | | | | | | | | | | | | | | | |
| 14: | 10.5x | ↗ | | | | | | | | | | | | | | | | | | | | | | | | | | | | | | | | | | | | | | | | | | | | | | | | | | | | | | | | | | | | | | | | | | | | | | | | | |
| 15: | 10.3x | ↗ | | | | | | | | | | | | | | | | | | | | | | | | | | | | | | | | | | | | | | | | | | | | | | | | | | | | | | | | | | | | | | | | | | | | | | | | | |
| 16: | 10.7x | ↓ | | | | | | | | | | | | | | | | | | | | | | | | | | | | | | | | | | | | | | | | | | | | | | | | | | | | | | | | | | | | | | | | | | | | | | | | | |
| 17: | 10.3x | ↖ | | | | | | | | | | | | | | | | | | | | | | | | | | | | | | | | | | | | | | | | | | | | | | | | | | | | | | | | | | | | | | | | | | | | | | | | | |
| 18: | 10.4x | ↑ | | | | | | | | | | | | | | | | | | | | | | | | | | | | | | | | | | | | | | | | | | | | | | | | | | | | | | | | | | | | | | | | | | | | | | | | | |
| 19: | 10.4x | ↗ | | | | | | | | | | | | | | | | | | | | | | | | | | | | | | | | | | | | | | | | | | | | | | | | | | | | | | | | | | | | | | | | | | | | | | | | | |
| 20: | 10.3x | ↗ | | | | | | | | | | | | | | | | | | | | | | | | | | | | | | | | | | | | | | | | | | | | | | | | | | | | | | | | | | | | | | | | | | | | | | | | | |
| Serie | | 104.0 | | | | | | | | | | | | | | | | | | | | | | | | | | | | | | | | | | | | | | | | | | | | | | | | | | | | | | | | | | | | | | | | | | | | | | | | | |
| Total | | 206.6 | | | | | | | | | | | | | | | | | | | | | | | | | | | | | | | | | | | | | | | | | | | | | | | | | | | | | | | | | | | | | | | | | | | | | | | | | |
| 21: | 10.6x | ↓ | | | | | | | | | | | | | | | | | | | | | | | | | | | | | | | | | | | | | | | | | | | | | | | | | | | | | | | | | | | | | | | | | | | | | | | | | |
| 22: | 10.4x | ↗ | | | | | | | | | | | | | | | | | | | | | | | | | | | | | | | | | | | | | | | | | | | | | | | | | | | | | | | | | | | | | | | | | | | | | | | | | |
| 23: | 10.6x | → | | | | | | | | | | | | | | | | | | | | | | | | | | | | | | | | | | | | | | | | | | | | | | | | | | | | | | | | | | | | | | | | | | | | | | | | | |
| 24: | 10.2x | ↖ | | | | | | | | | | | | | | | | | | | | | | | | | | | | | | | | | | | | | | | | | | | | | | | | | | | | | | | | | | | | | | | | | | | | | | | | | |
| 25: | 10.1 | ↗ | | | | | | | | | | | | | | | | | | | | | | | | | | | | | | | | | | | | | | | | | | | | | | | | | | | | | | | | | | | | | | | | | | | | | | | | | |
| 26: | 10.2x | ↗ | | | | | | | | | | | | | | | | | | | | | | | | | | | | | | | | | | | | | | | | | | | | | | | | | | | | | | | | | | | | | | | | | | | | | | | | | |
| 27: | 9.7 | ↗ | | | | | | | | | | | | | | | | | | | | | | | | | | | | | | | | | | | | | | | | | | | | | | | | | | | | | | | | | | | | | | | | | | | | | | | | | |
| 28: | 10.4x | ↖ | | | | | | | | | | | | | | | | | | | | | | | | | | | | | | | | | | | | | | | | | | | | | | | | | | | | | | | | | | | | | | | | | | | | | | | | | |
| 29: | 10.4x | ↓ | | | | | | | | | | | | | | | | | | | | | | | | | | | | | | | | | | | | | | | | | | | | | | | | | | | | | | | | | | | | | | | | | | | | | | | | | |
| 30: | 10.4x | → | | | | | | | | | | | | | | | | | | | | | | | | | | | | | | | | | | | | | | | | | | | | | | | | | | | | | | | | | | | | | | | | | | | | | | | | | |
| Serie | | 103.0 | | | | | | | | | | | | | | | | | | | | | | | | | | | | | | | | | | | | | | | | | | | | | | | | | | | | | | | | | | | | | | | | | | | | | | | | | |
| Total | | 309.6 | | | | | | | | | | | | | | | | | | | | | | | | | | | | | | | | | | | | | | | | | | | | | | | | | | | | | | | | | | | | | | | | | | | | | | | | | |

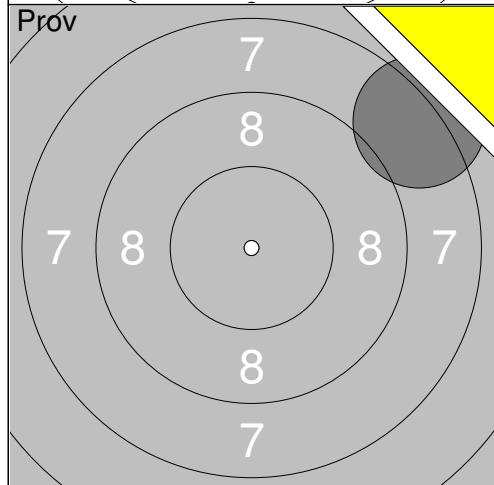
| | | | | | | | | | | | | | | | | | | | | | | | | | | | | | | | | | | | | | | | |
|------------------------|--|--------------|-------|---|-----|-----|---|-----|------|---|-----|-------|---|-----|-----|---|-----|-------|---|-----|-------|---|-----|-------|---|-----|-----|---|-----|------|---|--------------|--|--------------|--------------|--|--------------|--|--|
| <p>60 Skott</p> | <table border="1" style="width:100%; border-collapse: collapse;"> <tr><td>31:</td><td>10.2x</td><td>→</td></tr> <tr><td>32:</td><td>9.8</td><td>↓</td></tr> <tr><td>33:</td><td>10.1</td><td>↓</td></tr> <tr><td>34:</td><td>10.8x</td><td>↓</td></tr> <tr><td>35:</td><td>9.9</td><td>↖</td></tr> <tr><td>36:</td><td>10.6x</td><td>↗</td></tr> <tr><td>37:</td><td>10.4x</td><td>↖</td></tr> <tr><td>38:</td><td>10.2x</td><td>↖</td></tr> <tr><td>39:</td><td>9.7</td><td>↓</td></tr> <tr><td>40:</td><td>10.0</td><td>↓</td></tr> <tr><td colspan="2">Serie</td><td>101.7</td></tr> <tr><td colspan="2">Total</td><td>411.3</td></tr> </table> | 31: | 10.2x | → | 32: | 9.8 | ↓ | 33: | 10.1 | ↓ | 34: | 10.8x | ↓ | 35: | 9.9 | ↖ | 36: | 10.6x | ↗ | 37: | 10.4x | ↖ | 38: | 10.2x | ↖ | 39: | 9.7 | ↓ | 40: | 10.0 | ↓ | Serie | | 101.7 | Total | | 411.3 | | |
| 31: | 10.2x | → | | | | | | | | | | | | | | | | | | | | | | | | | | | | | | | | | | | | | |
| 32: | 9.8 | ↓ | | | | | | | | | | | | | | | | | | | | | | | | | | | | | | | | | | | | | |
| 33: | 10.1 | ↓ | | | | | | | | | | | | | | | | | | | | | | | | | | | | | | | | | | | | | |
| 34: | 10.8x | ↓ | | | | | | | | | | | | | | | | | | | | | | | | | | | | | | | | | | | | | |
| 35: | 9.9 | ↖ | | | | | | | | | | | | | | | | | | | | | | | | | | | | | | | | | | | | | |
| 36: | 10.6x | ↗ | | | | | | | | | | | | | | | | | | | | | | | | | | | | | | | | | | | | | |
| 37: | 10.4x | ↖ | | | | | | | | | | | | | | | | | | | | | | | | | | | | | | | | | | | | | |
| 38: | 10.2x | ↖ | | | | | | | | | | | | | | | | | | | | | | | | | | | | | | | | | | | | | |
| 39: | 9.7 | ↓ | | | | | | | | | | | | | | | | | | | | | | | | | | | | | | | | | | | | | |
| 40: | 10.0 | ↓ | | | | | | | | | | | | | | | | | | | | | | | | | | | | | | | | | | | | | |
| Serie | | 101.7 | | | | | | | | | | | | | | | | | | | | | | | | | | | | | | | | | | | | | |
| Total | | 411.3 | | | | | | | | | | | | | | | | | | | | | | | | | | | | | | | | | | | | | |



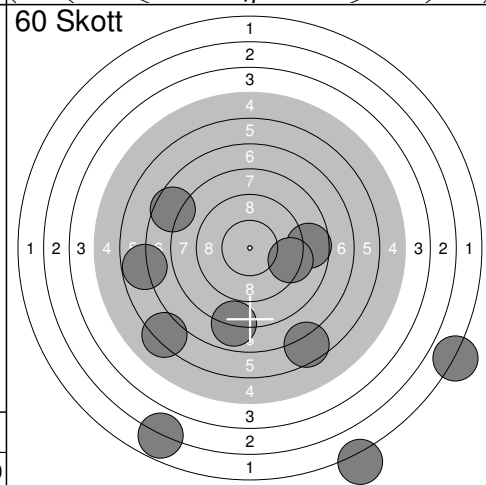
| | | |
|-------|-------|------|
| 1: | 8.1 | ↙ |
| 2: | 5.5 | ← |
| 3: | 7.8 | ↘ |
| 4: | 9.1 | ↙ |
| 5: | 9.5 | ↗ |
| 6: | 10.4x | ← |
| 7: | 7.7 | ↗ |
| 8: | 7.6 | ↗ |
| 9: | 8.4 | ↗ |
| 10: | 9.9 | ↑ |
| Serie | | 84.0 |
| Total | | 0.0 |



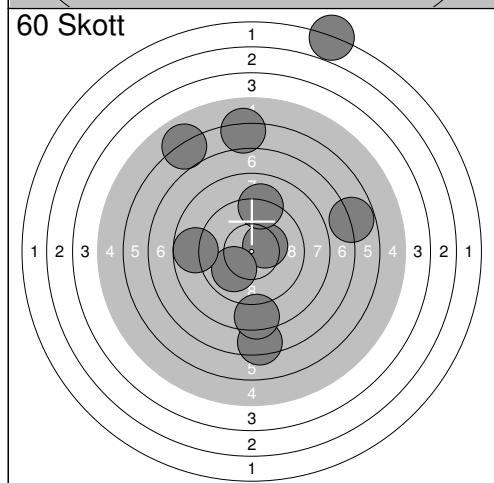
| | | |
|-------|------|------|
| 11: | 7.8 | ↙ |
| 12: | 5.5 | ← |
| 13: | 8.8 | ↗ |
| 14: | 8.7 | ↗ |
| 15: | 6.7 | ↗ |
| 16: | 10.1 | → |
| 17: | 8.4 | → |
| 18: | 7.9 | ↗ |
| 19: | 7.5 | → |
| 20: | 5.5 | ↙ |
| Serie | | 76.9 |
| Total | | 0.0 |



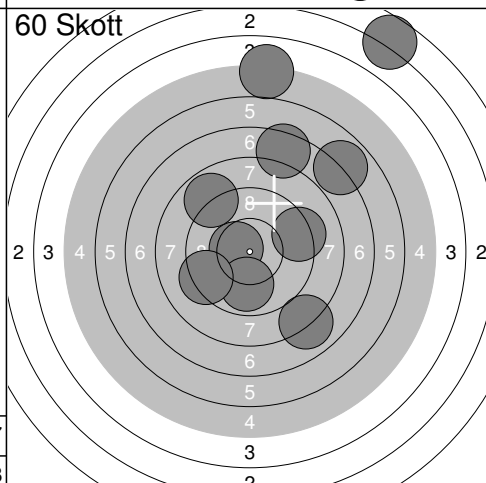
| | | |
|-------|-----|-----|
| 21: | 8.1 | ↗ |
| Serie | | 8.1 |
| Total | | 0.0 |



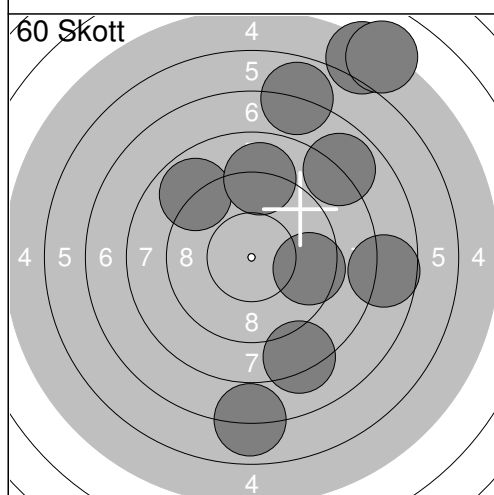
| | | |
|-------|-----|------|
| 1: | 8.6 | → |
| 2: | 1.5 | ↘ |
| 3: | 1.8 | ↘ |
| 4: | 9.3 | → |
| 5: | 6.8 | ← |
| 6: | 6.2 | ↙ |
| 7: | 2.8 | ↙ |
| 8: | 7.6 | ↗ |
| 9: | 6.6 | ↘ |
| 10: | 7.9 | ↘ |
| Serie | | 59.1 |
| Total | | 59.1 |



| | | |
|-------|-------|-------|
| 11: | 10.4x | → |
| 12: | 6.0 | ↗ |
| 13: | 7.3 | ↘ |
| 14: | 9.1 | ↗ |
| 15: | 10.0 | ↙ |
| 16: | 1.9 | ↗ |
| 17: | 8.7 | ← |
| 18: | 6.1 | ↑ |
| 19: | 8.4 | ↘ |
| 20: | 6.8 | → |
| Serie | | 74.7 |
| Total | | 133.8 |



| | | |
|-------|-------|-------|
| 21: | 9.2 | → |
| 22: | 5.0 | ↑ |
| 23: | 7.5 | ↑ |
| 24: | 10.5x | ← |
| 25: | 9.9 | ↘ |
| 26: | 9.3 | ← |
| 27: | 8.0 | ↘ |
| 28: | 6.9 | ↗ |
| 29: | 8.8 | ↗ |
| 30: | 2.7 | ↗ |
| Serie | | 77.8 |
| Total | | 211.6 |



| | | |
|-------|-----|-------|
| 31: | 9.5 | → |
| 32: | 6.9 | ↑ |
| 33: | 8.9 | ↗ |
| 34: | 5.3 | ↗ |
| 35: | 7.7 | → |
| 36: | 7.9 | ↗ |
| 37: | 9.0 | ↑ |
| 38: | 6.9 | ↘ |
| 39: | 8.2 | ↘ |
| 40: | 5.1 | ↗ |
| Serie | | 75.4 |
| Total | | 287.0 |

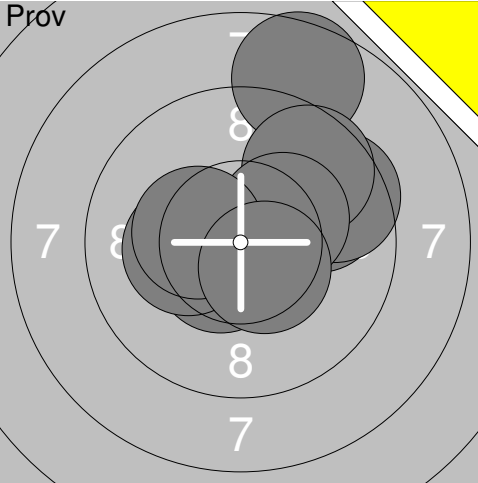
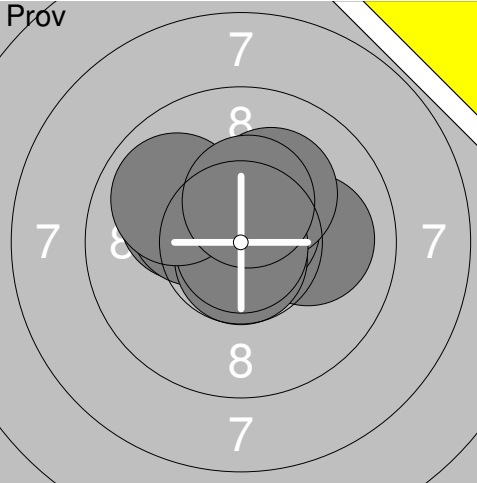
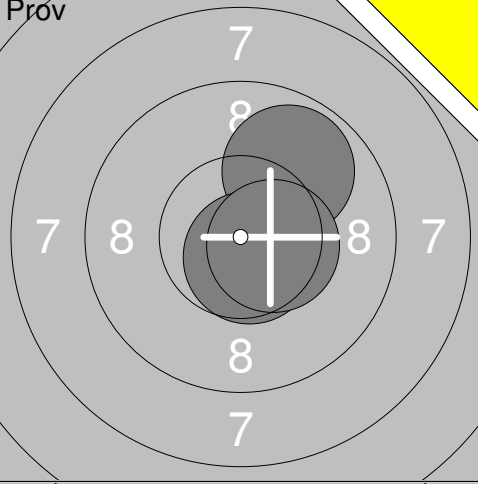
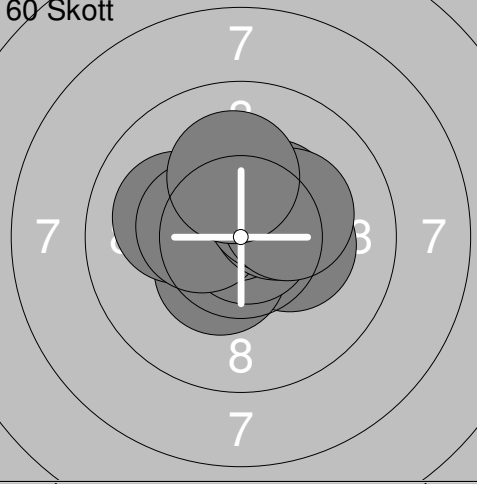
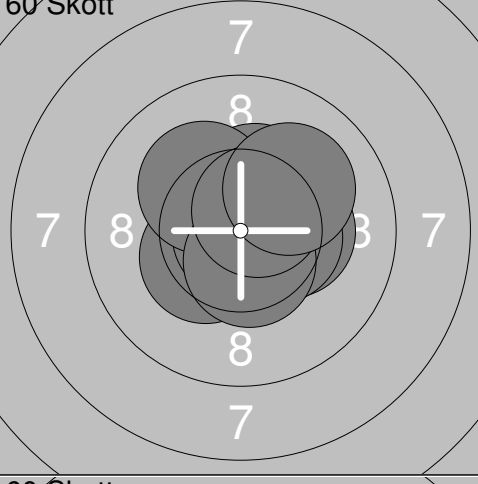
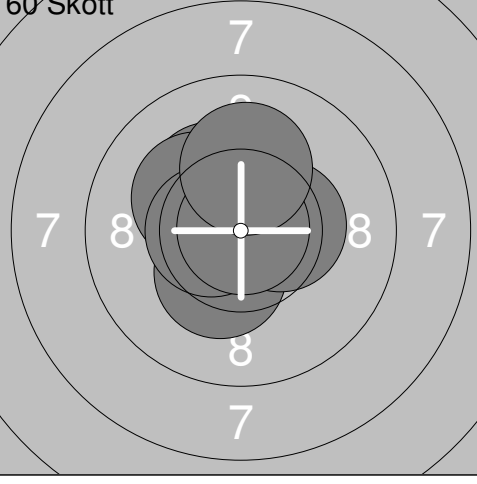
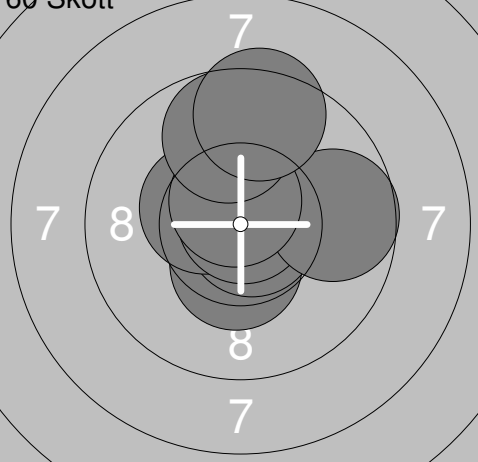
| | | | | | | | | | | | | | | | | | | | | | | | | | | | | | | | | | | | | | | | | | | | | | | | | | | | | | | | | | | | | | | | | | | | | | | | | | | | |
|--------------------|--|--------------|------|---|----|-------|---|----|-----|---|----|-------|---|----|-----|---|----|-------|---|----|------|---|----|------|---|----|-------|---|-----|-----|---|--------------|--|--------------|--------------|--|------------|--------------------|--|-----|-------|---|-----|-----|---|-----|-------|---|-----|-----|---|-----|-------|---|-----|-----|---|-----|-------|---|-----|-------|---|-----|-----|---|-----|-----|---|--------------|--|--------------|--------------|--|------------|
| <p>Prov</p> | <table border="1" style="width:100%; border-collapse: collapse;"> <tr><td>1:</td><td>10.1</td><td>↘</td></tr> <tr><td>2:</td><td>10.6x</td><td>↙</td></tr> <tr><td>3:</td><td>9.7</td><td>←</td></tr> <tr><td>4:</td><td>10.5x</td><td>↘</td></tr> <tr><td>5:</td><td>9.8</td><td>↙</td></tr> <tr><td>6:</td><td>10.3x</td><td>→</td></tr> <tr><td>7:</td><td>10.1</td><td>↘</td></tr> <tr><td>8:</td><td>10.1</td><td>↘</td></tr> <tr><td>9:</td><td>10.9x</td><td>↗</td></tr> <tr><td>10:</td><td>8.4</td><td>↙</td></tr> <tr><td colspan="2">Serie</td><td>100.5</td></tr> <tr><td colspan="2">Total</td><td>0.0</td></tr> </table> | 1: | 10.1 | ↘ | 2: | 10.6x | ↙ | 3: | 9.7 | ← | 4: | 10.5x | ↘ | 5: | 9.8 | ↙ | 6: | 10.3x | → | 7: | 10.1 | ↘ | 8: | 10.1 | ↘ | 9: | 10.9x | ↗ | 10: | 8.4 | ↙ | Serie | | 100.5 | Total | | 0.0 | <p>Prov</p> | <table border="1" style="width:100%; border-collapse: collapse;"> <tr><td>11:</td><td>10.8x</td><td>↘</td></tr> <tr><td>12:</td><td>9.3</td><td>↗</td></tr> <tr><td>13:</td><td>10.3x</td><td>←</td></tr> <tr><td>14:</td><td>9.7</td><td>↗</td></tr> <tr><td>15:</td><td>10.4x</td><td>↑</td></tr> <tr><td>16:</td><td>9.8</td><td>↑</td></tr> <tr><td>17:</td><td>10.2x</td><td>↑</td></tr> <tr><td>18:</td><td>10.4x</td><td>↑</td></tr> <tr><td>19:</td><td>9.8</td><td>↖</td></tr> <tr><td>20:</td><td>9.9</td><td>↑</td></tr> <tr><td colspan="2">Serie</td><td>100.6</td></tr> <tr><td colspan="2">Total</td><td>0.0</td></tr> </table> | 11: | 10.8x | ↘ | 12: | 9.3 | ↗ | 13: | 10.3x | ← | 14: | 9.7 | ↗ | 15: | 10.4x | ↑ | 16: | 9.8 | ↑ | 17: | 10.2x | ↑ | 18: | 10.4x | ↑ | 19: | 9.8 | ↖ | 20: | 9.9 | ↑ | Serie | | 100.6 | Total | | 0.0 |
| 1: | 10.1 | ↘ | | | | | | | | | | | | | | | | | | | | | | | | | | | | | | | | | | | | | | | | | | | | | | | | | | | | | | | | | | | | | | | | | | | | | | | | | |
| 2: | 10.6x | ↙ | | | | | | | | | | | | | | | | | | | | | | | | | | | | | | | | | | | | | | | | | | | | | | | | | | | | | | | | | | | | | | | | | | | | | | | | | |
| 3: | 9.7 | ← | | | | | | | | | | | | | | | | | | | | | | | | | | | | | | | | | | | | | | | | | | | | | | | | | | | | | | | | | | | | | | | | | | | | | | | | | |
| 4: | 10.5x | ↘ | | | | | | | | | | | | | | | | | | | | | | | | | | | | | | | | | | | | | | | | | | | | | | | | | | | | | | | | | | | | | | | | | | | | | | | | | |
| 5: | 9.8 | ↙ | | | | | | | | | | | | | | | | | | | | | | | | | | | | | | | | | | | | | | | | | | | | | | | | | | | | | | | | | | | | | | | | | | | | | | | | | |
| 6: | 10.3x | → | | | | | | | | | | | | | | | | | | | | | | | | | | | | | | | | | | | | | | | | | | | | | | | | | | | | | | | | | | | | | | | | | | | | | | | | | |
| 7: | 10.1 | ↘ | | | | | | | | | | | | | | | | | | | | | | | | | | | | | | | | | | | | | | | | | | | | | | | | | | | | | | | | | | | | | | | | | | | | | | | | | |
| 8: | 10.1 | ↘ | | | | | | | | | | | | | | | | | | | | | | | | | | | | | | | | | | | | | | | | | | | | | | | | | | | | | | | | | | | | | | | | | | | | | | | | | |
| 9: | 10.9x | ↗ | | | | | | | | | | | | | | | | | | | | | | | | | | | | | | | | | | | | | | | | | | | | | | | | | | | | | | | | | | | | | | | | | | | | | | | | | |
| 10: | 8.4 | ↙ | | | | | | | | | | | | | | | | | | | | | | | | | | | | | | | | | | | | | | | | | | | | | | | | | | | | | | | | | | | | | | | | | | | | | | | | | |
| Serie | | 100.5 | | | | | | | | | | | | | | | | | | | | | | | | | | | | | | | | | | | | | | | | | | | | | | | | | | | | | | | | | | | | | | | | | | | | | | | | | |
| Total | | 0.0 | | | | | | | | | | | | | | | | | | | | | | | | | | | | | | | | | | | | | | | | | | | | | | | | | | | | | | | | | | | | | | | | | | | | | | | | | |
| 11: | 10.8x | ↘ | | | | | | | | | | | | | | | | | | | | | | | | | | | | | | | | | | | | | | | | | | | | | | | | | | | | | | | | | | | | | | | | | | | | | | | | | |
| 12: | 9.3 | ↗ | | | | | | | | | | | | | | | | | | | | | | | | | | | | | | | | | | | | | | | | | | | | | | | | | | | | | | | | | | | | | | | | | | | | | | | | | |
| 13: | 10.3x | ← | | | | | | | | | | | | | | | | | | | | | | | | | | | | | | | | | | | | | | | | | | | | | | | | | | | | | | | | | | | | | | | | | | | | | | | | | |
| 14: | 9.7 | ↗ | | | | | | | | | | | | | | | | | | | | | | | | | | | | | | | | | | | | | | | | | | | | | | | | | | | | | | | | | | | | | | | | | | | | | | | | | |
| 15: | 10.4x | ↑ | | | | | | | | | | | | | | | | | | | | | | | | | | | | | | | | | | | | | | | | | | | | | | | | | | | | | | | | | | | | | | | | | | | | | | | | | |
| 16: | 9.8 | ↑ | | | | | | | | | | | | | | | | | | | | | | | | | | | | | | | | | | | | | | | | | | | | | | | | | | | | | | | | | | | | | | | | | | | | | | | | | |
| 17: | 10.2x | ↑ | | | | | | | | | | | | | | | | | | | | | | | | | | | | | | | | | | | | | | | | | | | | | | | | | | | | | | | | | | | | | | | | | | | | | | | | | |
| 18: | 10.4x | ↑ | | | | | | | | | | | | | | | | | | | | | | | | | | | | | | | | | | | | | | | | | | | | | | | | | | | | | | | | | | | | | | | | | | | | | | | | | |
| 19: | 9.8 | ↖ | | | | | | | | | | | | | | | | | | | | | | | | | | | | | | | | | | | | | | | | | | | | | | | | | | | | | | | | | | | | | | | | | | | | | | | | | |
| 20: | 9.9 | ↑ | | | | | | | | | | | | | | | | | | | | | | | | | | | | | | | | | | | | | | | | | | | | | | | | | | | | | | | | | | | | | | | | | | | | | | | | | |
| Serie | | 100.6 | | | | | | | | | | | | | | | | | | | | | | | | | | | | | | | | | | | | | | | | | | | | | | | | | | | | | | | | | | | | | | | | | | | | | | | | | |
| Total | | 0.0 | | | | | | | | | | | | | | | | | | | | | | | | | | | | | | | | | | | | | | | | | | | | | | | | | | | | | | | | | | | | | | | | | | | | | | | | | |

| | | | | | | | | | | | | | | | | | | | | | | | | | | | | | | | | | | | | | | | | | | | | | | | | | | | | | | | | | | | | | | | | | | | | | |
|--------------------|--|--------------|------|---|-----|-------|---|-----|-----|---|-----|------|---|-----|------|---|-----|-------|---|-----|-----|---|-----|-------|---|--------------|--|-------------|--------------|--|------------|------------------------|---|----|-----|---|----|-------|---|----|-------|---|----|-------|---|----|-------|---|----|------|---|----|-------|---|----|-------|---|----|------|---|-----|-------|---|--------------|--|--------------|--------------|--|--------------|
| <p>Prov</p> | <table border="1" style="width:100%; border-collapse: collapse;"> <tr><td>21:</td><td>10.1</td><td>↗</td></tr> <tr><td>22:</td><td>10.5x</td><td>↗</td></tr> <tr><td>23:</td><td>9.6</td><td>→</td></tr> <tr><td>24:</td><td>10.0</td><td>↘</td></tr> <tr><td>25:</td><td>10.0</td><td>↗</td></tr> <tr><td>26:</td><td>10.2x</td><td>→</td></tr> <tr><td>27:</td><td>9.9</td><td>←</td></tr> <tr><td>28:</td><td>10.5x</td><td>↘</td></tr> <tr><td colspan="2">Serie</td><td>80.8</td></tr> <tr><td colspan="2">Total</td><td>0.0</td></tr> </table> | 21: | 10.1 | ↗ | 22: | 10.5x | ↗ | 23: | 9.6 | → | 24: | 10.0 | ↘ | 25: | 10.0 | ↗ | 26: | 10.2x | → | 27: | 9.9 | ← | 28: | 10.5x | ↘ | Serie | | 80.8 | Total | | 0.0 | <p>60 Skott</p> | <table border="1" style="width:100%; border-collapse: collapse;"> <tr><td>1:</td><td>9.1</td><td>←</td></tr> <tr><td>2:</td><td>10.2x</td><td>←</td></tr> <tr><td>3:</td><td>10.4x</td><td>↑</td></tr> <tr><td>4:</td><td>10.2x</td><td>↗</td></tr> <tr><td>5:</td><td>10.5x</td><td>↑</td></tr> <tr><td>6:</td><td>10.1</td><td>↖</td></tr> <tr><td>7:</td><td>10.8x</td><td>↘</td></tr> <tr><td>8:</td><td>10.8x</td><td>↑</td></tr> <tr><td>9:</td><td>10.1</td><td>→</td></tr> <tr><td>10:</td><td>10.6x</td><td>↗</td></tr> <tr><td colspan="2">Serie</td><td>102.8</td></tr> <tr><td colspan="2">Total</td><td>102.8</td></tr> </table> | 1: | 9.1 | ← | 2: | 10.2x | ← | 3: | 10.4x | ↑ | 4: | 10.2x | ↗ | 5: | 10.5x | ↑ | 6: | 10.1 | ↖ | 7: | 10.8x | ↘ | 8: | 10.8x | ↑ | 9: | 10.1 | → | 10: | 10.6x | ↗ | Serie | | 102.8 | Total | | 102.8 |
| 21: | 10.1 | ↗ | | | | | | | | | | | | | | | | | | | | | | | | | | | | | | | | | | | | | | | | | | | | | | | | | | | | | | | | | | | | | | | | | | | |
| 22: | 10.5x | ↗ | | | | | | | | | | | | | | | | | | | | | | | | | | | | | | | | | | | | | | | | | | | | | | | | | | | | | | | | | | | | | | | | | | | |
| 23: | 9.6 | → | | | | | | | | | | | | | | | | | | | | | | | | | | | | | | | | | | | | | | | | | | | | | | | | | | | | | | | | | | | | | | | | | | | |
| 24: | 10.0 | ↘ | | | | | | | | | | | | | | | | | | | | | | | | | | | | | | | | | | | | | | | | | | | | | | | | | | | | | | | | | | | | | | | | | | | |
| 25: | 10.0 | ↗ | | | | | | | | | | | | | | | | | | | | | | | | | | | | | | | | | | | | | | | | | | | | | | | | | | | | | | | | | | | | | | | | | | | |
| 26: | 10.2x | → | | | | | | | | | | | | | | | | | | | | | | | | | | | | | | | | | | | | | | | | | | | | | | | | | | | | | | | | | | | | | | | | | | | |
| 27: | 9.9 | ← | | | | | | | | | | | | | | | | | | | | | | | | | | | | | | | | | | | | | | | | | | | | | | | | | | | | | | | | | | | | | | | | | | | |
| 28: | 10.5x | ↘ | | | | | | | | | | | | | | | | | | | | | | | | | | | | | | | | | | | | | | | | | | | | | | | | | | | | | | | | | | | | | | | | | | | |
| Serie | | 80.8 | | | | | | | | | | | | | | | | | | | | | | | | | | | | | | | | | | | | | | | | | | | | | | | | | | | | | | | | | | | | | | | | | | | |
| Total | | 0.0 | | | | | | | | | | | | | | | | | | | | | | | | | | | | | | | | | | | | | | | | | | | | | | | | | | | | | | | | | | | | | | | | | | | |
| 1: | 9.1 | ← | | | | | | | | | | | | | | | | | | | | | | | | | | | | | | | | | | | | | | | | | | | | | | | | | | | | | | | | | | | | | | | | | | | |
| 2: | 10.2x | ← | | | | | | | | | | | | | | | | | | | | | | | | | | | | | | | | | | | | | | | | | | | | | | | | | | | | | | | | | | | | | | | | | | | |
| 3: | 10.4x | ↑ | | | | | | | | | | | | | | | | | | | | | | | | | | | | | | | | | | | | | | | | | | | | | | | | | | | | | | | | | | | | | | | | | | | |
| 4: | 10.2x | ↗ | | | | | | | | | | | | | | | | | | | | | | | | | | | | | | | | | | | | | | | | | | | | | | | | | | | | | | | | | | | | | | | | | | | |
| 5: | 10.5x | ↑ | | | | | | | | | | | | | | | | | | | | | | | | | | | | | | | | | | | | | | | | | | | | | | | | | | | | | | | | | | | | | | | | | | | |
| 6: | 10.1 | ↖ | | | | | | | | | | | | | | | | | | | | | | | | | | | | | | | | | | | | | | | | | | | | | | | | | | | | | | | | | | | | | | | | | | | |
| 7: | 10.8x | ↘ | | | | | | | | | | | | | | | | | | | | | | | | | | | | | | | | | | | | | | | | | | | | | | | | | | | | | | | | | | | | | | | | | | | |
| 8: | 10.8x | ↑ | | | | | | | | | | | | | | | | | | | | | | | | | | | | | | | | | | | | | | | | | | | | | | | | | | | | | | | | | | | | | | | | | | | |
| 9: | 10.1 | → | | | | | | | | | | | | | | | | | | | | | | | | | | | | | | | | | | | | | | | | | | | | | | | | | | | | | | | | | | | | | | | | | | | |
| 10: | 10.6x | ↗ | | | | | | | | | | | | | | | | | | | | | | | | | | | | | | | | | | | | | | | | | | | | | | | | | | | | | | | | | | | | | | | | | | | |
| Serie | | 102.8 | | | | | | | | | | | | | | | | | | | | | | | | | | | | | | | | | | | | | | | | | | | | | | | | | | | | | | | | | | | | | | | | | | | |
| Total | | 102.8 | | | | | | | | | | | | | | | | | | | | | | | | | | | | | | | | | | | | | | | | | | | | | | | | | | | | | | | | | | | | | | | | | | | |

| | | | | | | | | | | | | | | | | | | | | | | | | | | | | | | | | | | | | | | | | | | | | | | | | | | | | | | | | | | | | | | | | | | | | | | | | | | | |
|------------------------|--|--------------|-----|---|-----|-----|---|-----|------|---|-----|-------|---|-----|-------|---|-----|-----|---|-----|-------|---|-----|-------|---|-----|-----|---|-----|-----|---|--------------|--|-------------|--------------|--|--------------|------------------------|---|-----|-----|---|-----|-----|---|-----|-----|---|-----|-------|---|-----|-------|---|-----|-------|---|-----|------|---|-----|-----|---|-----|-------|---|-----|-----|---|--------------|--|--------------|--------------|--|--------------|
| <p>60 Skott</p> | <table border="1" style="width:100%; border-collapse: collapse;"> <tr><td>11:</td><td>9.5</td><td>↑</td></tr> <tr><td>12:</td><td>9.6</td><td>↗</td></tr> <tr><td>13:</td><td>10.1</td><td>↗</td></tr> <tr><td>14:</td><td>10.2x</td><td>→</td></tr> <tr><td>15:</td><td>10.2x</td><td>↗</td></tr> <tr><td>16:</td><td>7.2</td><td>←</td></tr> <tr><td>17:</td><td>10.4x</td><td>↘</td></tr> <tr><td>18:</td><td>10.3x</td><td>↑</td></tr> <tr><td>19:</td><td>9.4</td><td>↗</td></tr> <tr><td>20:</td><td>9.7</td><td>←</td></tr> <tr><td colspan="2">Serie</td><td>96.6</td></tr> <tr><td colspan="2">Total</td><td>199.4</td></tr> </table> | 11: | 9.5 | ↑ | 12: | 9.6 | ↗ | 13: | 10.1 | ↗ | 14: | 10.2x | → | 15: | 10.2x | ↗ | 16: | 7.2 | ← | 17: | 10.4x | ↘ | 18: | 10.3x | ↑ | 19: | 9.4 | ↗ | 20: | 9.7 | ← | Serie | | 96.6 | Total | | 199.4 | <p>60 Skott</p> | <table border="1" style="width:100%; border-collapse: collapse;"> <tr><td>21:</td><td>9.6</td><td>↙</td></tr> <tr><td>22:</td><td>9.6</td><td>↑</td></tr> <tr><td>23:</td><td>9.7</td><td>←</td></tr> <tr><td>24:</td><td>10.3x</td><td>↙</td></tr> <tr><td>25:</td><td>10.3x</td><td>→</td></tr> <tr><td>26:</td><td>10.8x</td><td>←</td></tr> <tr><td>27:</td><td>10.0</td><td>↘</td></tr> <tr><td>28:</td><td>9.9</td><td>↙</td></tr> <tr><td>29:</td><td>10.6x</td><td>↗</td></tr> <tr><td>30:</td><td>9.7</td><td>↑</td></tr> <tr><td colspan="2">Serie</td><td>100.5</td></tr> <tr><td colspan="2">Total</td><td>299.9</td></tr> </table> | 21: | 9.6 | ↙ | 22: | 9.6 | ↑ | 23: | 9.7 | ← | 24: | 10.3x | ↙ | 25: | 10.3x | → | 26: | 10.8x | ← | 27: | 10.0 | ↘ | 28: | 9.9 | ↙ | 29: | 10.6x | ↗ | 30: | 9.7 | ↑ | Serie | | 100.5 | Total | | 299.9 |
| 11: | 9.5 | ↑ | | | | | | | | | | | | | | | | | | | | | | | | | | | | | | | | | | | | | | | | | | | | | | | | | | | | | | | | | | | | | | | | | | | | | | | | | |
| 12: | 9.6 | ↗ | | | | | | | | | | | | | | | | | | | | | | | | | | | | | | | | | | | | | | | | | | | | | | | | | | | | | | | | | | | | | | | | | | | | | | | | | |
| 13: | 10.1 | ↗ | | | | | | | | | | | | | | | | | | | | | | | | | | | | | | | | | | | | | | | | | | | | | | | | | | | | | | | | | | | | | | | | | | | | | | | | | |
| 14: | 10.2x | → | | | | | | | | | | | | | | | | | | | | | | | | | | | | | | | | | | | | | | | | | | | | | | | | | | | | | | | | | | | | | | | | | | | | | | | | | |
| 15: | 10.2x | ↗ | | | | | | | | | | | | | | | | | | | | | | | | | | | | | | | | | | | | | | | | | | | | | | | | | | | | | | | | | | | | | | | | | | | | | | | | | |
| 16: | 7.2 | ← | | | | | | | | | | | | | | | | | | | | | | | | | | | | | | | | | | | | | | | | | | | | | | | | | | | | | | | | | | | | | | | | | | | | | | | | | |
| 17: | 10.4x | ↘ | | | | | | | | | | | | | | | | | | | | | | | | | | | | | | | | | | | | | | | | | | | | | | | | | | | | | | | | | | | | | | | | | | | | | | | | | |
| 18: | 10.3x | ↑ | | | | | | | | | | | | | | | | | | | | | | | | | | | | | | | | | | | | | | | | | | | | | | | | | | | | | | | | | | | | | | | | | | | | | | | | | |
| 19: | 9.4 | ↗ | | | | | | | | | | | | | | | | | | | | | | | | | | | | | | | | | | | | | | | | | | | | | | | | | | | | | | | | | | | | | | | | | | | | | | | | | |
| 20: | 9.7 | ← | | | | | | | | | | | | | | | | | | | | | | | | | | | | | | | | | | | | | | | | | | | | | | | | | | | | | | | | | | | | | | | | | | | | | | | | | |
| Serie | | 96.6 | | | | | | | | | | | | | | | | | | | | | | | | | | | | | | | | | | | | | | | | | | | | | | | | | | | | | | | | | | | | | | | | | | | | | | | | | |
| Total | | 199.4 | | | | | | | | | | | | | | | | | | | | | | | | | | | | | | | | | | | | | | | | | | | | | | | | | | | | | | | | | | | | | | | | | | | | | | | | | |
| 21: | 9.6 | ↙ | | | | | | | | | | | | | | | | | | | | | | | | | | | | | | | | | | | | | | | | | | | | | | | | | | | | | | | | | | | | | | | | | | | | | | | | | |
| 22: | 9.6 | ↑ | | | | | | | | | | | | | | | | | | | | | | | | | | | | | | | | | | | | | | | | | | | | | | | | | | | | | | | | | | | | | | | | | | | | | | | | | |
| 23: | 9.7 | ← | | | | | | | | | | | | | | | | | | | | | | | | | | | | | | | | | | | | | | | | | | | | | | | | | | | | | | | | | | | | | | | | | | | | | | | | | |
| 24: | 10.3x | ↙ | | | | | | | | | | | | | | | | | | | | | | | | | | | | | | | | | | | | | | | | | | | | | | | | | | | | | | | | | | | | | | | | | | | | | | | | | |
| 25: | 10.3x | → | | | | | | | | | | | | | | | | | | | | | | | | | | | | | | | | | | | | | | | | | | | | | | | | | | | | | | | | | | | | | | | | | | | | | | | | | |
| 26: | 10.8x | ← | | | | | | | | | | | | | | | | | | | | | | | | | | | | | | | | | | | | | | | | | | | | | | | | | | | | | | | | | | | | | | | | | | | | | | | | | |
| 27: | 10.0 | ↘ | | | | | | | | | | | | | | | | | | | | | | | | | | | | | | | | | | | | | | | | | | | | | | | | | | | | | | | | | | | | | | | | | | | | | | | | | |
| 28: | 9.9 | ↙ | | | | | | | | | | | | | | | | | | | | | | | | | | | | | | | | | | | | | | | | | | | | | | | | | | | | | | | | | | | | | | | | | | | | | | | | | |
| 29: | 10.6x | ↗ | | | | | | | | | | | | | | | | | | | | | | | | | | | | | | | | | | | | | | | | | | | | | | | | | | | | | | | | | | | | | | | | | | | | | | | | | |
| 30: | 9.7 | ↑ | | | | | | | | | | | | | | | | | | | | | | | | | | | | | | | | | | | | | | | | | | | | | | | | | | | | | | | | | | | | | | | | | | | | | | | | | |
| Serie | | 100.5 | | | | | | | | | | | | | | | | | | | | | | | | | | | | | | | | | | | | | | | | | | | | | | | | | | | | | | | | | | | | | | | | | | | | | | | | | |
| Total | | 299.9 | | | | | | | | | | | | | | | | | | | | | | | | | | | | | | | | | | | | | | | | | | | | | | | | | | | | | | | | | | | | | | | | | | | | | | | | | |

| | | | | | | | | | | | | | | | | | | | | | | | | | | | | | | | | | | | | | | | |
|------------------------|--|--------------|------|---|-----|-------|---|-----|-------|---|-----|-------|---|-----|-------|---|-----|-------|---|-----|-------|---|-----|-----|---|-----|-----|---|-----|------|---|--------------|--|--------------|--------------|--|--------------|--|--|
| <p>60 Skott</p> | <table border="1" style="width:100%; border-collapse: collapse;"> <tr><td>31:</td><td>10.0</td><td>↙</td></tr> <tr><td>32:</td><td>10.5x</td><td>←</td></tr> <tr><td>33:</td><td>10.5x</td><td>↗</td></tr> <tr><td>34:</td><td>10.9x</td><td>↗</td></tr> <tr><td>35:</td><td>10.2x</td><td>↘</td></tr> <tr><td>36:</td><td>10.3x</td><td>←</td></tr> <tr><td>37:</td><td>10.2x</td><td>↘</td></tr> <tr><td>38:</td><td>9.8</td><td>↘</td></tr> <tr><td>39:</td><td>9.9</td><td>↘</td></tr> <tr><td>40:</td><td>10.0</td><td>←</td></tr> <tr><td colspan="2">Serie</td><td>102.3</td></tr> <tr><td colspan="2">Total</td><td>402.2</td></tr> </table> | 31: | 10.0 | ↙ | 32: | 10.5x | ← | 33: | 10.5x | ↗ | 34: | 10.9x | ↗ | 35: | 10.2x | ↘ | 36: | 10.3x | ← | 37: | 10.2x | ↘ | 38: | 9.8 | ↘ | 39: | 9.9 | ↘ | 40: | 10.0 | ← | Serie | | 102.3 | Total | | 402.2 | | |
| 31: | 10.0 | ↙ | | | | | | | | | | | | | | | | | | | | | | | | | | | | | | | | | | | | | |
| 32: | 10.5x | ← | | | | | | | | | | | | | | | | | | | | | | | | | | | | | | | | | | | | | |
| 33: | 10.5x | ↗ | | | | | | | | | | | | | | | | | | | | | | | | | | | | | | | | | | | | | |
| 34: | 10.9x | ↗ | | | | | | | | | | | | | | | | | | | | | | | | | | | | | | | | | | | | | |
| 35: | 10.2x | ↘ | | | | | | | | | | | | | | | | | | | | | | | | | | | | | | | | | | | | | |
| 36: | 10.3x | ← | | | | | | | | | | | | | | | | | | | | | | | | | | | | | | | | | | | | | |
| 37: | 10.2x | ↘ | | | | | | | | | | | | | | | | | | | | | | | | | | | | | | | | | | | | | |
| 38: | 9.8 | ↘ | | | | | | | | | | | | | | | | | | | | | | | | | | | | | | | | | | | | | |
| 39: | 9.9 | ↘ | | | | | | | | | | | | | | | | | | | | | | | | | | | | | | | | | | | | | |
| 40: | 10.0 | ← | | | | | | | | | | | | | | | | | | | | | | | | | | | | | | | | | | | | | |
| Serie | | 102.3 | | | | | | | | | | | | | | | | | | | | | | | | | | | | | | | | | | | | | |
| Total | | 402.2 | | | | | | | | | | | | | | | | | | | | | | | | | | | | | | | | | | | | | |

| | | | |
|-----------------|--|-----------------|--|
| <p>Prov</p> | <p>1: 9.9 ↙ 2: 10.0 ↓ 3: 9.9 ↙ 4: 9.8 ← 5: 9.8 ↖ 6: 9.8 ← 7: 10.3x ↘ 8: 10.6x ↘ 9: 10.4x ↘ 10: 9.8 ←</p> <p>Serie 100.3 Total 0.0</p> | <p>Prov</p> | <p>11: 10.7x ↘ 12: 10.3x ↘</p> <p>Serie 21.0 Total 0.0</p> |
| <p>60 Skott</p> | <p>1: 9.8 ↙ 2: 9.5 ↑ 3: 10.0 ↓ 4: 10.1 ↙ 5: 9.9 ↓ 6: 10.4x ↘ 7: 10.4x ↗ 8: 9.7 ↗ 9: 10.1 → 10: 10.1 ↓</p> <p>Serie 100.0 Total 100.0</p> | <p>60 Skott</p> | <p>11: 10.8x ↘ 12: 10.1 ↙ 13: 9.5 ↗ 14: 9.4 ↗ 15: 9.9 → 16: 10.0 ← 17: 10.2x ↗ 18: 10.0 ↙ 19: 10.2x ↗ 20: 10.2x ↗</p> <p>Serie 100.3 Total 200.3</p> |
| <p>60 Skott</p> | <p>21: 10.7x ↘ 22: 10.8x ↘ 23: 10.0 ↑ 24: 9.7 ↗ 25: 9.4 ↖ 26: 10.5x ↘ 27: 9.5 ↑ 28: 9.7 ← 29: 10.2x ↘ 30: 9.6 ↓</p> <p>Serie 100.1 Total 300.4</p> | <p>60 Skott</p> | <p>31: 9.8 ↙ 32: 9.9 ↙ 33: 10.8x ↗ 34: 10.3x ↘ 35: 10.0 ↖ 36: 10.4x ↘ 37: 10.5x ↘ 38: 10.0 ↑ 39: 9.8 ↑ 40: 9.0 ↗</p> <p>Serie 100.5 Total 400.9</p> |

| | | | |
|----------------------|--|---|---|
| Skjutlag 2 | Tavla 39 | Hanna Lundin | |
| S | | Umeå | |
| 18.11.2017 | | Drängsmarksskyttet 2017 | Umeå skytteallians |
| Prov |  | 1: 8.6 ↗ 2: 9.8 → 3: 9.5 → 4: 9.6 ↗ 5: 10.5x ↓ 6: 10.7x ↓ 7: 10.3x → 8: 10.2x ← 9: 10.4x ← 10: 10.5x ↓ Serie 100.1 Total 0.0 | Prov  11: 10.5x → 12: 10.0 → 13: 10.7x ↗ 14: 10.1 ↖ 15: 10.2x ↗ 16: 10.3x ↖ 17: 10.7x ↓ 18: 10.9x ↓ 19: 9.9 ↗ 20: 10.4x ↑ Serie 103.7 Total 0.0 |
| Prov |  | 21: 9.8 ↗ 22: 10.6x ↓ 23: 10.5x → Serie 30.9 Total 0.0 | 60 Skott  1: 10.3x → 2: 10.4x ↓ 3: 10.9x → 4: 10.1 ↖ 5: 10.6x ↗ 6: 10.4x ↖ 7: 10.4x ↗ 8: 10.4x ↗ 9: 10.2x ↗ 10: 10.1 ↑ Serie 103.8 Total 103.8 |
| 60 Skott |  | 11: 10.3x → 12: 10.6x ← 13: 10.4x ↖ 14: 10.4x ↗ 15: 10.9x ↖ 16: 10.2x ↗ 17: 10.5x → 18: 10.5x ↓ 19: 10.6x ↗ 20: 10.1 ↗ Serie 104.5 Total 208.3 | 60 Skott  21: 10.8x ↖ 22: 10.8x ↓ 23: 10.9x ↖ 24: 10.3x ↓ 25: 10.3x ↗ 26: 10.2x ↖ 27: 10.4x → 28: 10.6x ← 29: 10.9x ↗ 30: 10.1 ↑ Serie 105.3 Total 313.6 |
| 60 Skott |  | 31: 10.7x ↓ 32: 10.4x ↓ 33: 10.3x ↑ 34: 10.8x ↘ 35: 10.4x ↖ 36: 10.9x ↗ 37: 9.7 → 38: 10.6x ↗ 39: 9.8 ↗ 40: 9.4 ↑ Serie 103.0 Total 416.6 | |

| | | | |
|-------------|---|-------------|---|
| <p>Prov</p> | <p>1: 6.0 ↘ 2: 7.2 → 3: 6.9 → 4: 3.3 ↘ 5: 9.0 → 6: 10.5x↘ 7: 9.6 → 8: 6.8 ↘ 9: 5.8 ↓ 10: 9.8 ↑</p> <p>Serie 74.9 Total 0.0</p> | <p>Prov</p> | <p>11: 9.3 ↗ 12: 9.5 ↓ 13: 10.7x↗</p> <p>Serie 29.5 Total 0.0</p> |
|-------------|---|-------------|---|

| | | | |
|-----------------|---|-----------------|--|
| <p>60 Skott</p> | <p>1: 9.8 ↙ 2: 8.6 → 3: 7.2 ↓ 4: 9.7 → 5: 9.3 → 6: 10.1 ↗ 7: 9.9 ↗ 8: 8.8 ↗ 9: 9.5 ↗ 10: 10.3x↗</p> <p>Serie 93.2 Total 93.2</p> | <p>60 Skott</p> | <p>11: 9.7 ↗ 12: 9.1 ↓ 13: 9.8 ↑ 14: 9.3 → 15: 8.3 ↗ 16: 10.3x↗ 17: 9.2 ↗ 18: 10.7x↓ 19: 10.6x↘ 20: 9.3 ↓</p> <p>Serie 96.3 Total 189.5</p> |
|-----------------|---|-----------------|--|

| | | | |
|-----------------|---|-----------------|---|
| <p>60 Skott</p> | <p>21: 9.4 ↓ 22: 10.1 ← 23: 10.1 ↗ 24: 10.5x↓ 25: 9.9 ← 26: 9.9 ↗ 27: 10.6x↗ 28: 7.8 ↓ 29: 8.7 ← 30: 9.8 ↓</p> <p>Serie 96.8 Total 286.3</p> | <p>60 Skott</p> | <p>31: 4.7 ↘ 32: 5.7 ↓ 33: 9.0 ↓ 34: 8.9 ↓ 35: 10.0 ↑ 36: 10.6x↘ 37: 7.7 ↓ 38: 9.9 ↗ 39: 9.7 ↓ 40: 9.6 ←</p> <p>Serie 85.8 Total 372.1</p> |
|-----------------|---|-----------------|---|