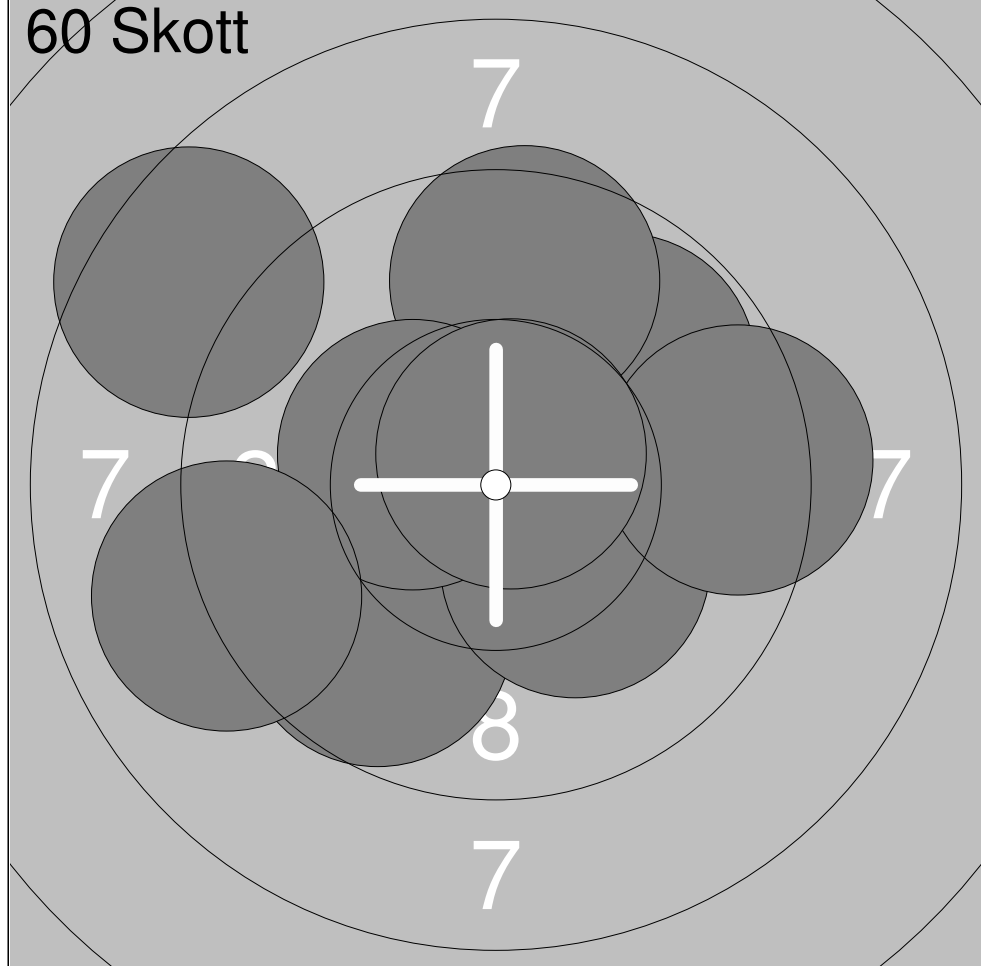


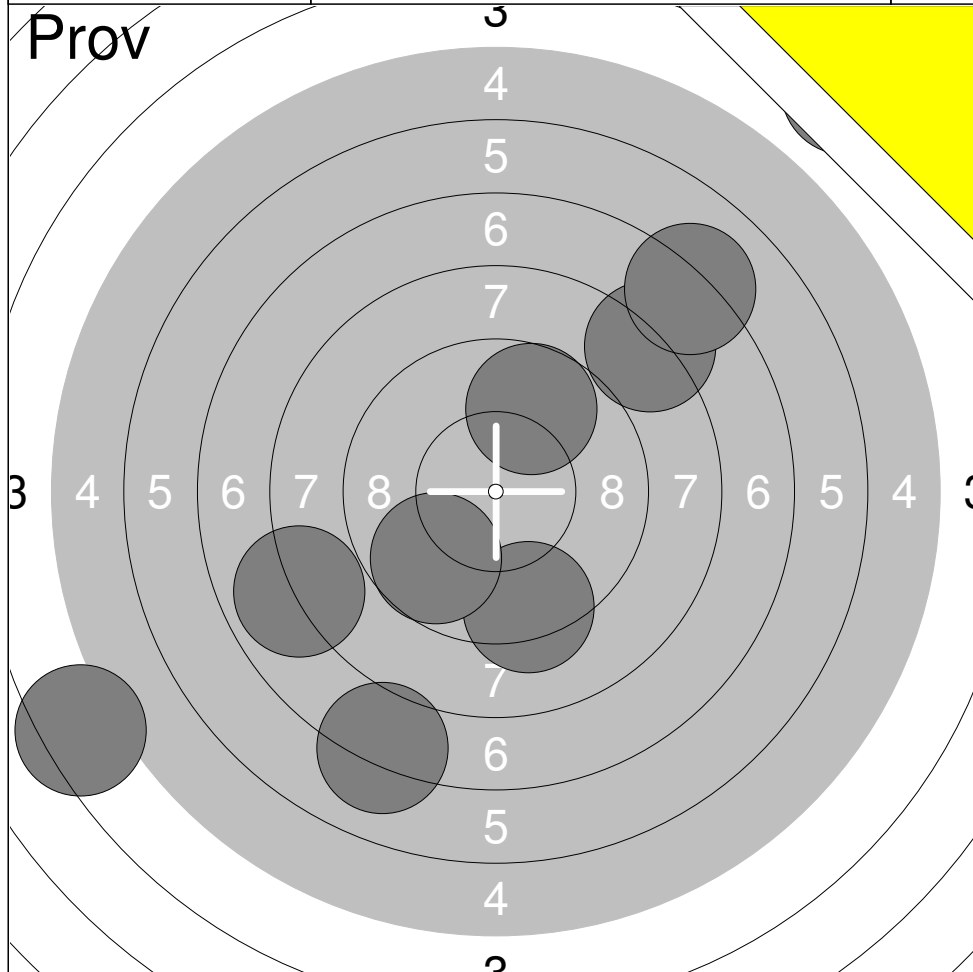
1:	9.8	←
2:	9.6	↗
3:	9.6	↗
4:	7.9	↖
5:	7.5	↓
6:	8.4	↗
7:	7.4	↘

Serie	60.2
Total	0.0



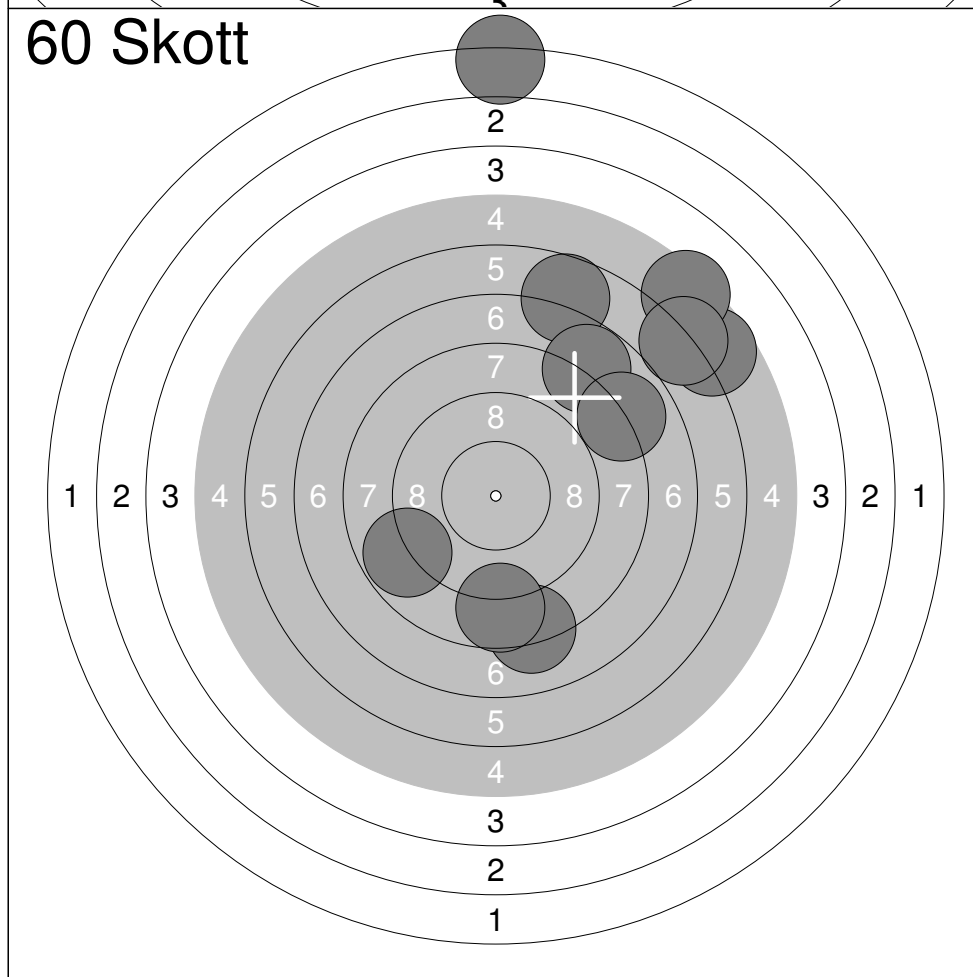
1:	10.3x	→
2:	8.5	↖
3:	9.7	↘
4:	10.2x	↘
5:	9.8	↗
6:	9.6	↑
7:	10.4x	←
8:	9.3	→
9:	10.7x	↗
10:	9.0	←

Serie	97.5
Total	97.5



1:	4.4	↙
2:	7.9	↙
3:	7.1	↘
4:	9.3	↘
5:	9.7	↙
6:	9.7	↗
7:	8.0	↗
8:	7.1	↗
9:	3.6	↗

Serie	66.8
Total	0.0



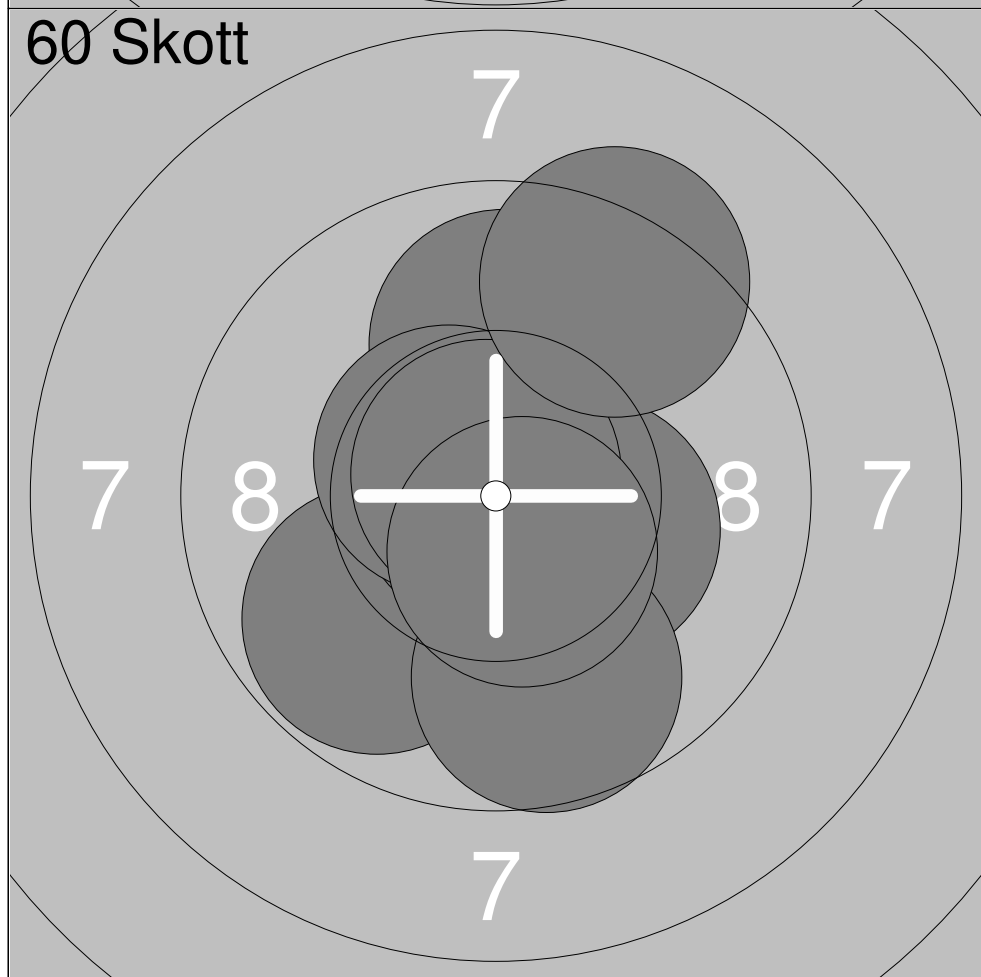
1:	5.7	↗
2:	5.3	↗
3:	6.7	↗
4:	8.2	↘
5:	2.1	↗
6:	7.8	↗
7:	7.9	↗
8:	6.0	↗
9:	8.7	↘
10:	8.8	↙

Serie	67.2
Total	67.2



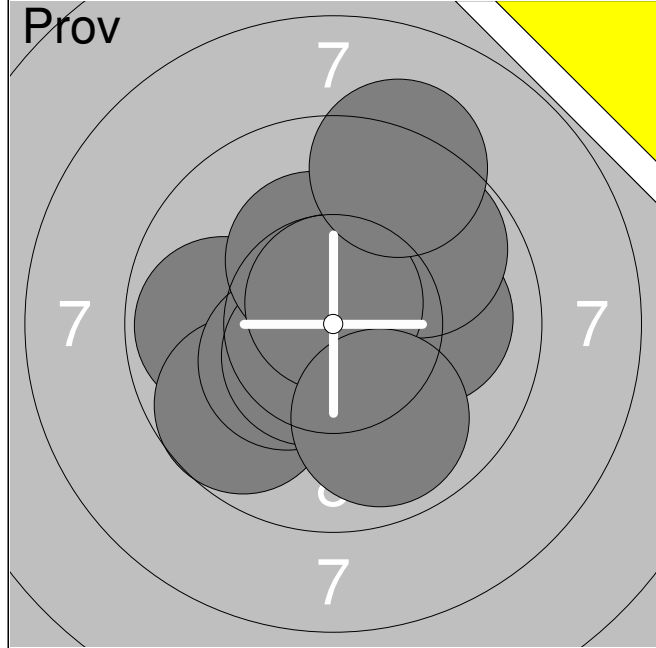
1:	7.8	→
2:	10.3x	→
3:	9.3	↗
4:	10.4x	↖
5:	10.4x	↖
6:	10.2x	↓
7:	9.6	←
8:	9.9	↙
9:	9.8	↖
10:	10.1	↓

Serie	97.8
Total	0.0

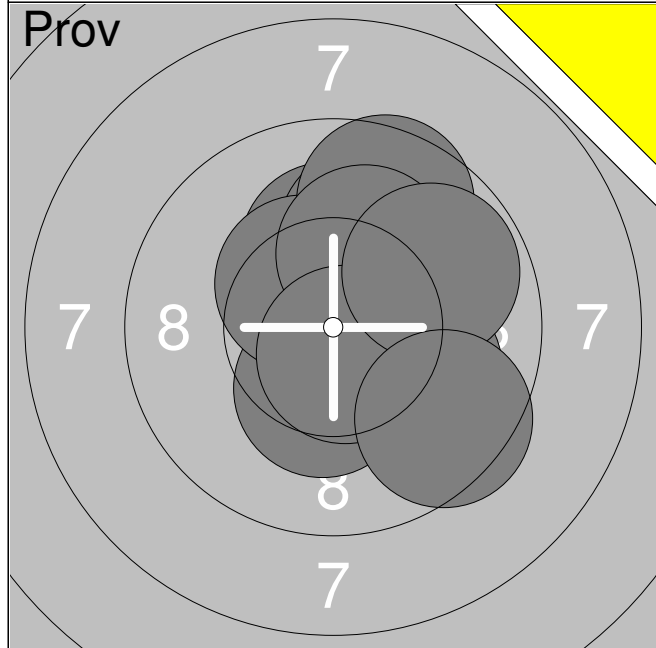


1:	9.8	↙
2:	9.9	↑
3:	10.5x	↘
4:	10.9x	←
5:	10.3x	↘
6:	10.6x	↖
7:	10.8x	↖
8:	9.7	↘
9:	10.5x	↘
10:	9.3	↖

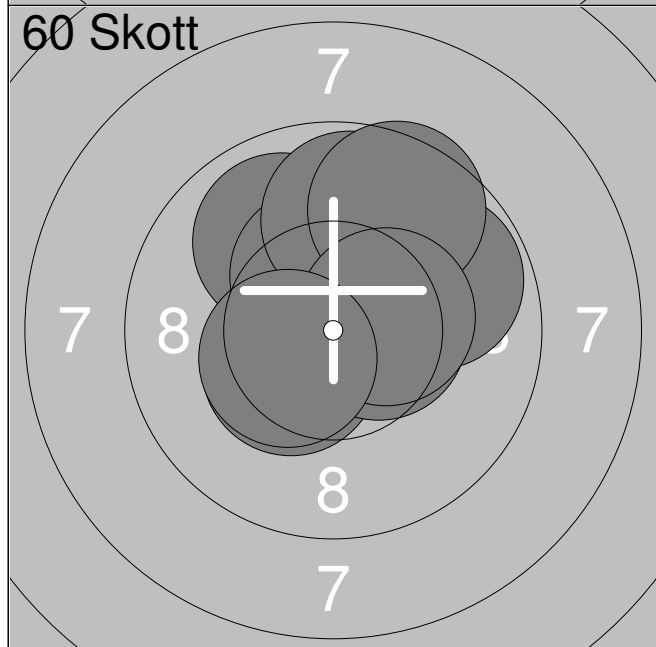
Serie	102.3
Total	102.3



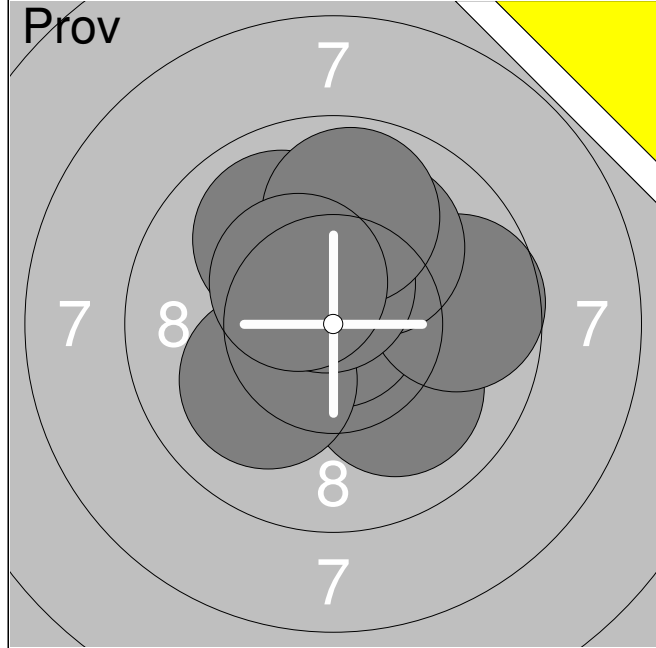
1:	9.8	←
2:	9.7	↙
3:	10.4x	↙
4:	10.0	→
5:	10.6x	↘
6:	9.8	↗
7:	10.3x	↑
8:	10.7x	↑
9:	9.9	↘
10:	9.3	↑
Serie	100.5	
Total	0.0	



11:	10.3x	↓
12:	10.0	↘
13:	10.2x	↑
14:	10.0	↑
15:	10.4x	↖
16:	9.6	↗
17:	10.1	↗
18:	10.7x	↘
19:	9.8	↗
20:	9.5	↘
Serie	100.6	
Total	0.0	



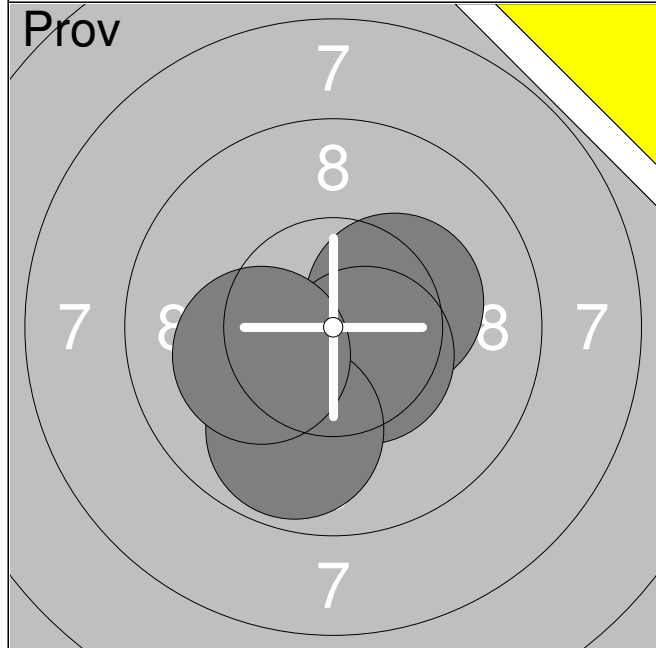
1:	10.4x	↗
2:	10.4x	↙
3:	9.9	↖
4:	9.8	↗
5:	10.5x	→
6:	10.4x	↑
7:	9.8	↑
8:	9.6	↗
9:	10.4x	→
10:	10.4x	↙
Serie	101.6	
Total	101.6	



1:	10.6x	↘
2:	10.1	↘
3:	10.9x	↑
4:	9.7	→
5:	10.1	↗
6:	10.1	↖
7:	10.0	↗
8:	10.5x	↑
9:	9.9	↑
10:	10.4x	↖

Serie **102.3**

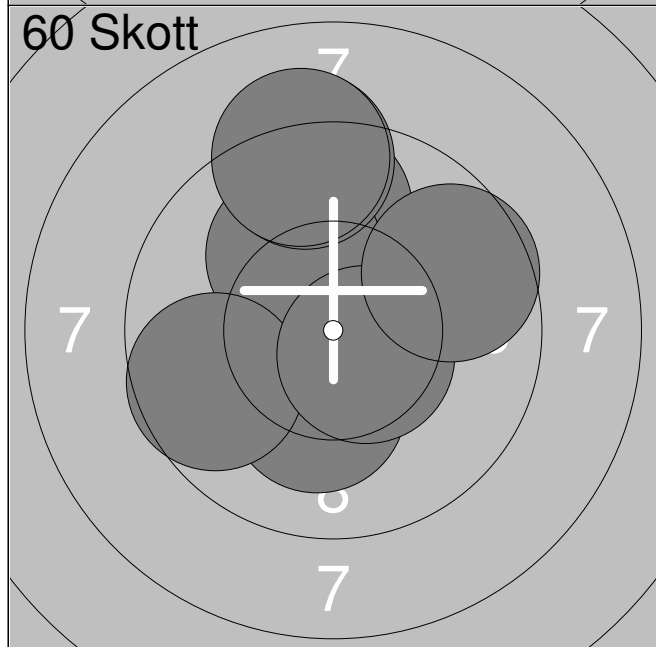
Total **0.0**



11:	10.3x	→
12:	10.5x	↘
13:	9.8	↓
14:	10.2x	←

Serie **40.8**

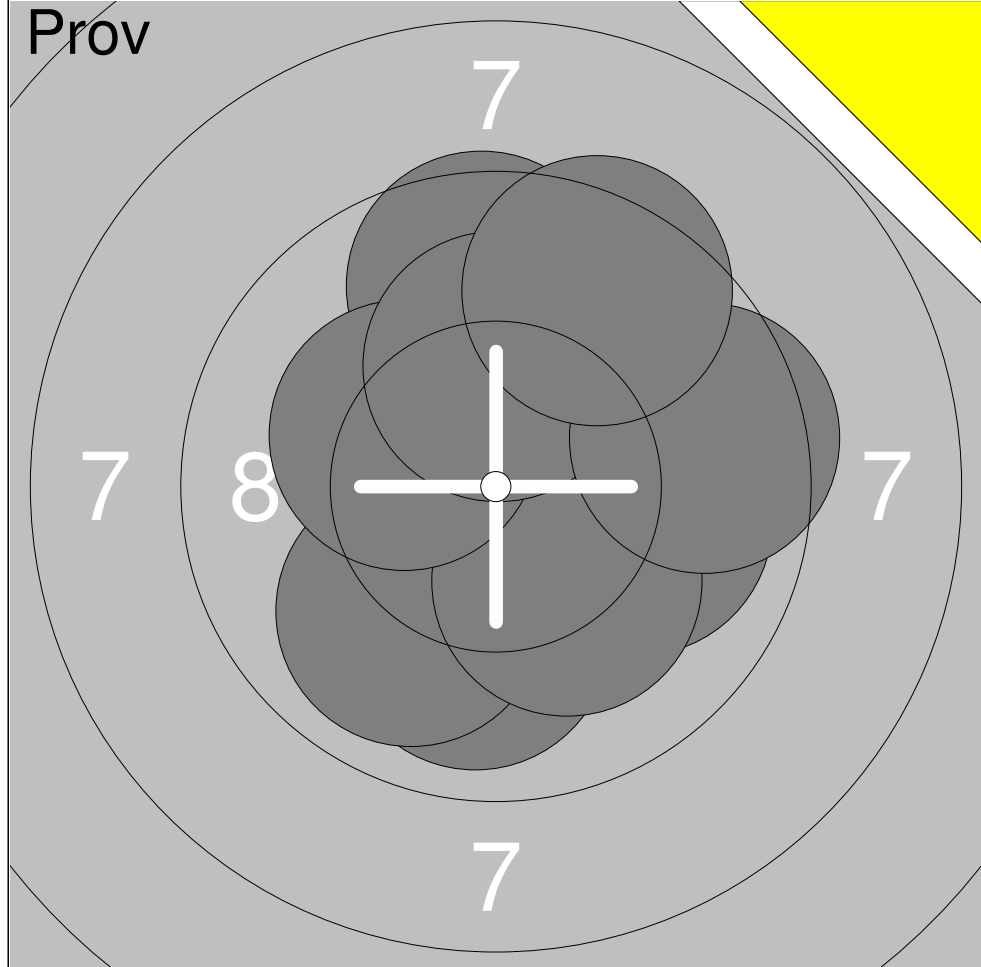
Total **0.0**



1:	10.5x	↗
2:	9.7	↑
3:	10.6x	→
4:	10.2x	↓
5:	10.1	↗
6:	9.2	↑
7:	9.2	↑
8:	9.7	←
9:	10.5x	↘
10:	9.6	→

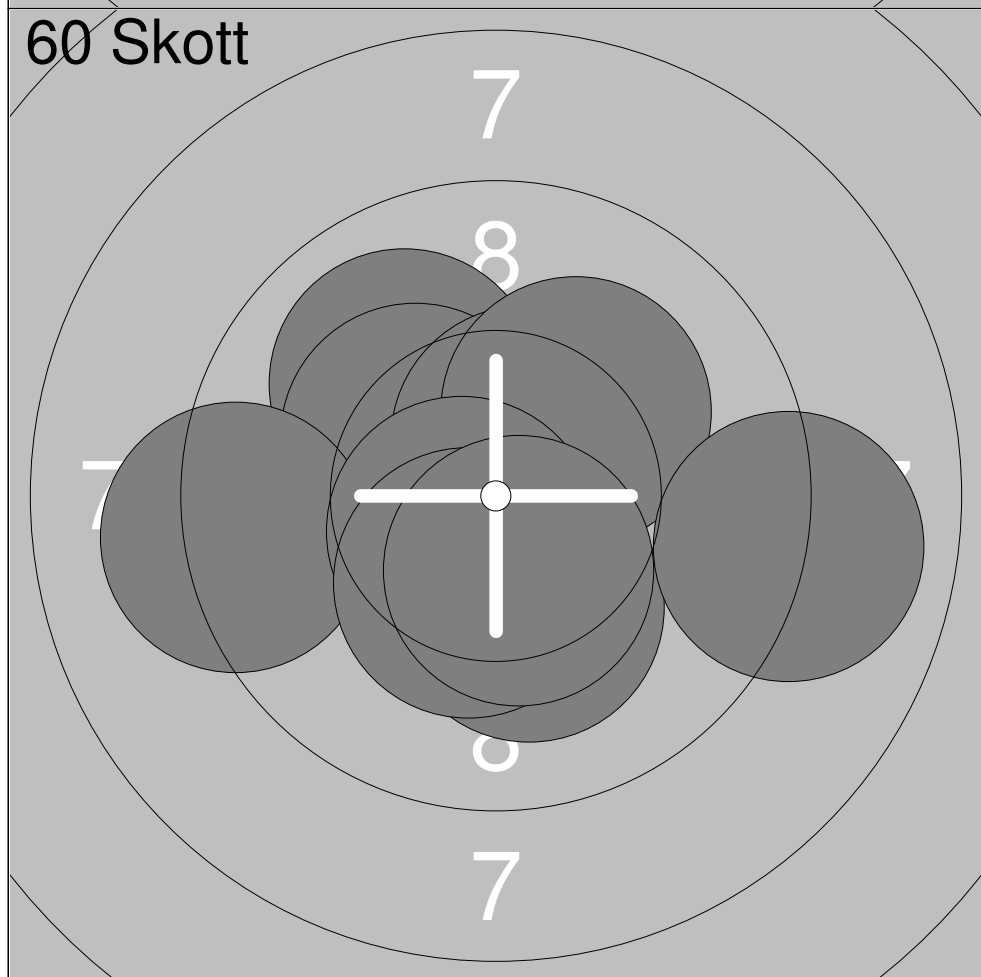
Serie **99.3**

Total **99.3**



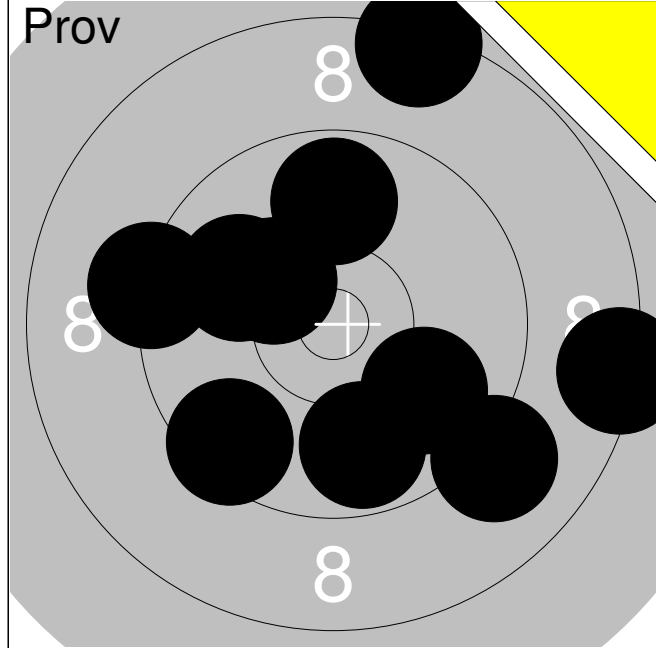
1:	10.0	↓
2:	9.9	↘
3:	10.0	→
4:	9.6	↑
5:	10.2x	↘
6:	10.2x	↖
7:	9.9	↗
8:	10.1	↑
9:	9.5	→
10:	9.5	↗

Serie	98.9
Total	0.0

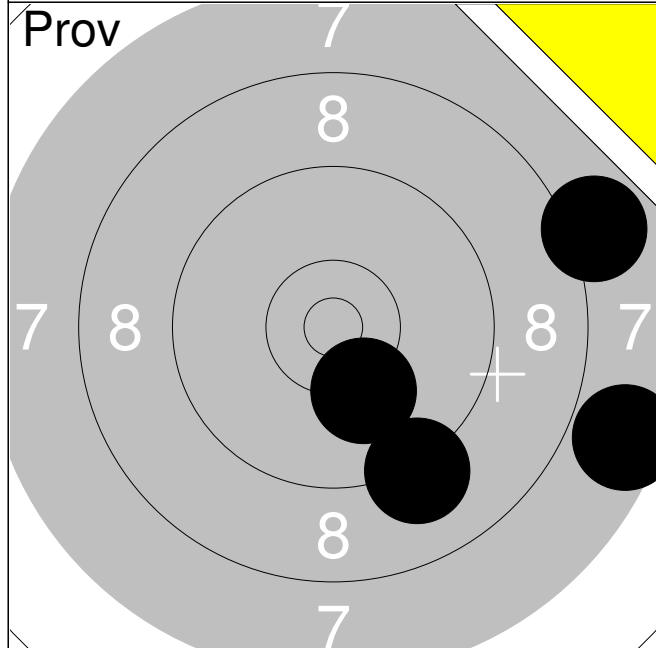


1:	10.2x	↓
2:	10.0	↗
3:	10.3x	↖
4:	10.5x	↗
5:	10.2x	↗
6:	9.2	←
7:	10.6x	↘
8:	9.0	→
9:	10.3x	↓
10:	10.4x	↓

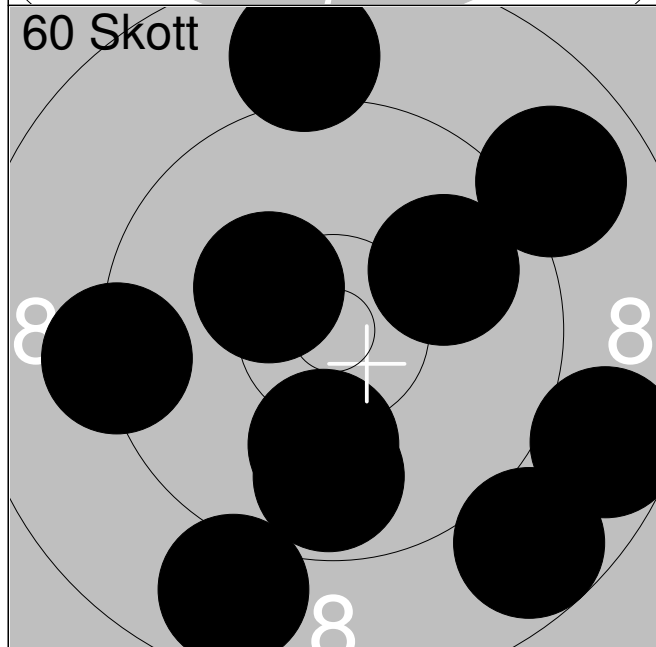
Serie	100.7
Total	100.7



1:	9.3	←
2:	8.3	↑
3:	9.9	↑
4:	10.0	↖
5:	10.3	↗
6:	10.0	↘
7:	8.4	→
8:	9.6	↙
9:	9.8	↘
10:	9.1	↘
Serie	94.7	
Total	0.0	



11:	8.0	→
12:	9.2	↘
13:	7.6	→
14:	10.2	↘
Serie	35.0	
Total	0.0	

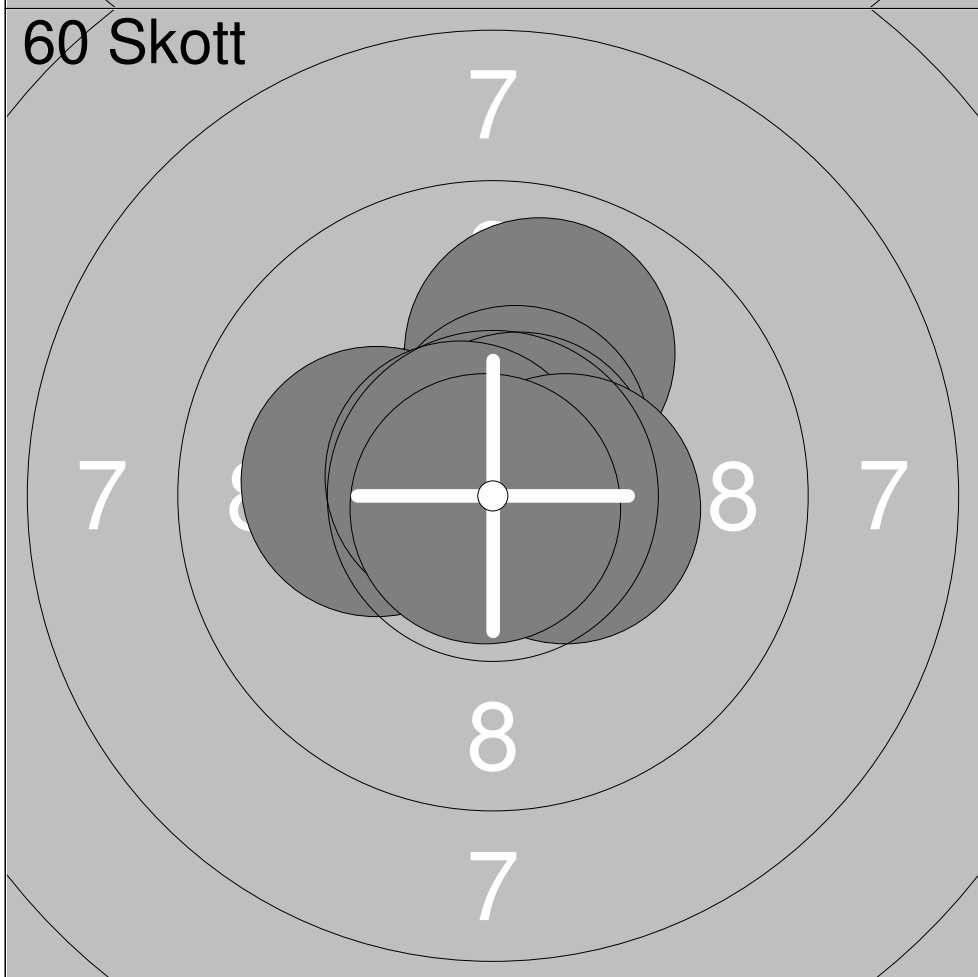


1:	9.9	↓
2:	9.3	←
3:	10.4x	↖
4:	8.9	↘
5:	10.0	↗
6:	8.8	→
7:	10.1	↓
8:	9.0	↗
9:	8.9	↑
10:	8.8	↘
Serie	94.1	
Total	94.1	



1:	10.6x	↙
2:	10.3x	↗
3:	10.2x	←
4:	9.8	↗
5:	10.4x	→
6:	10.2x	↙
7:	10.5x	←
8:	10.7x	↘
9:	10.3x	→
10:	10.7x	←

Serie	103.7
Total	0.0



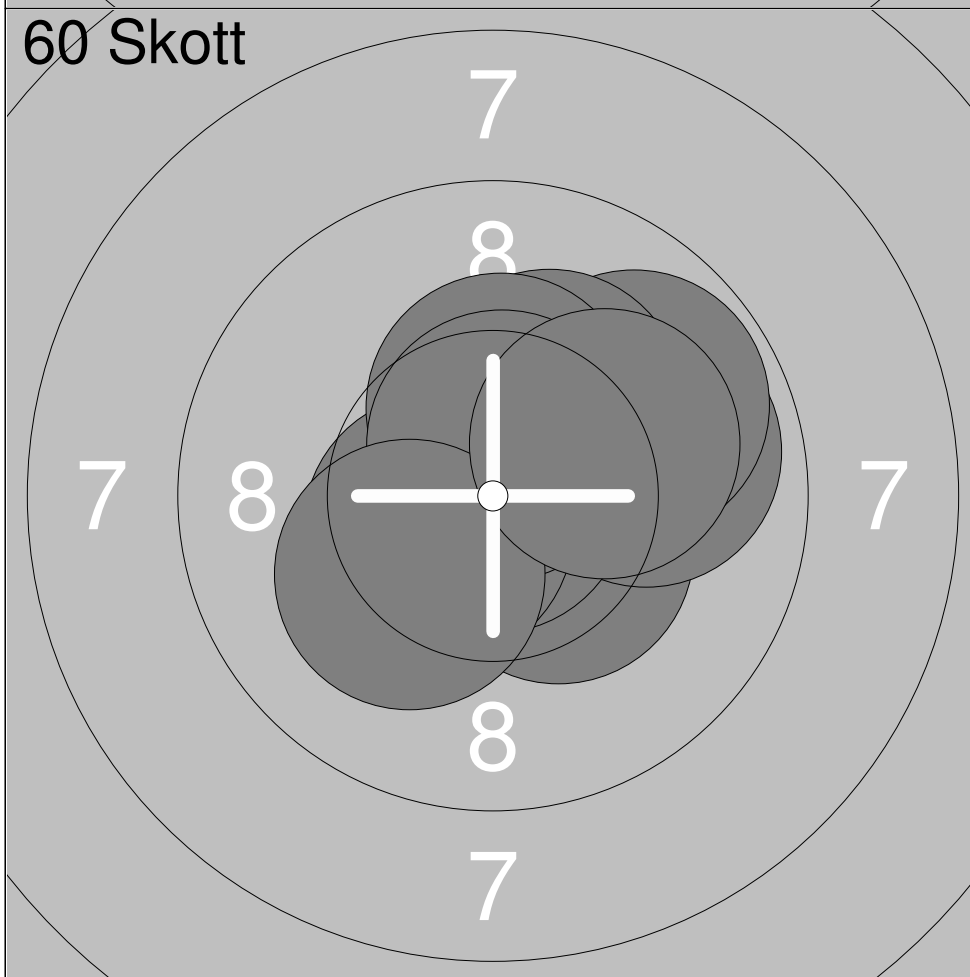
1:	10.7x	↗
2:	10.7x	→
3:	10.7x	↗
4:	9.9	↗
5:	10.6x	↗
6:	10.2x	←
7:	10.7x	↗
8:	10.7x	↙
9:	10.5x	→
10:	10.8x	↘

Serie	105.5
Total	105.5



1:	10.3x	↖
2:	10.5x	←
3:	10.4x	↙
4:	10.4x	↗
5:	10.4x	↖
6:	10.7x	↘
7:	10.6x	↙

Serie	73.3
Total	0.0



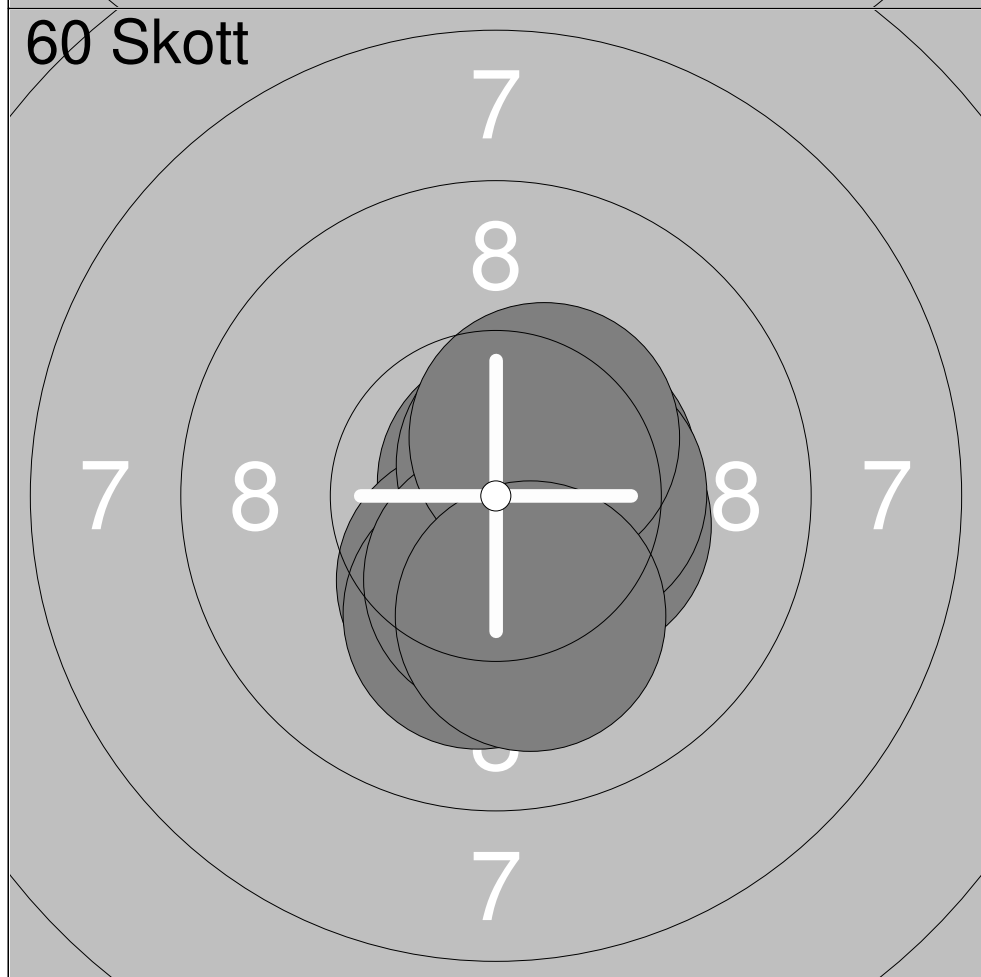
1:	10.4x	↘
2:	9.9	→
3:	10.9x	↓
4:	10.5x	↙
5:	9.8	↗
6:	10.2x	↗
7:	10.4x	↑
8:	10.6x	↑
9:	10.2x	↙
10:	10.1	↗

Serie	103.0
Total	103.0



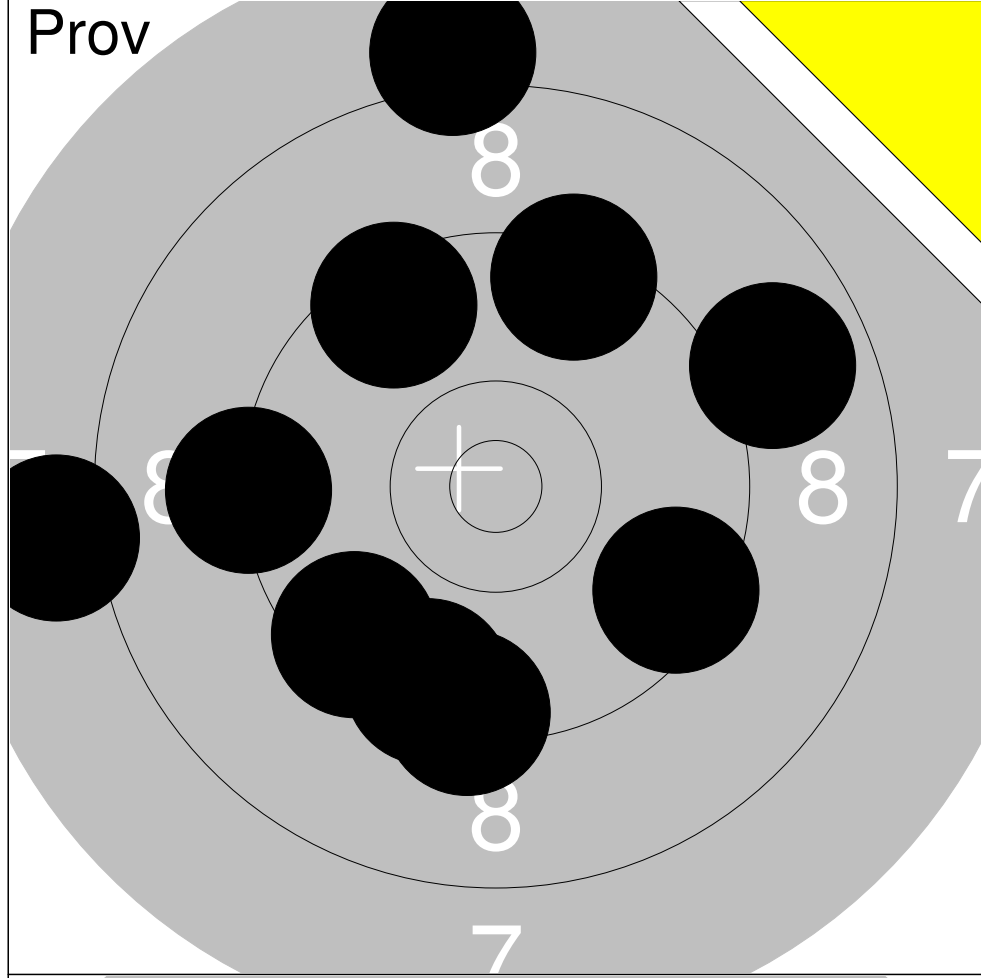
1:	10.6x	←
2:	10.4x	↗
3:	10.1	↗
4:	10.2x	←
5:	10.5x	↘
6:	10.7x	↘
7:	10.5x	↘
8:	10.4x	↗
9:	9.8	↘
10:	10.3x	↙

Serie	103.5
Total	0.0



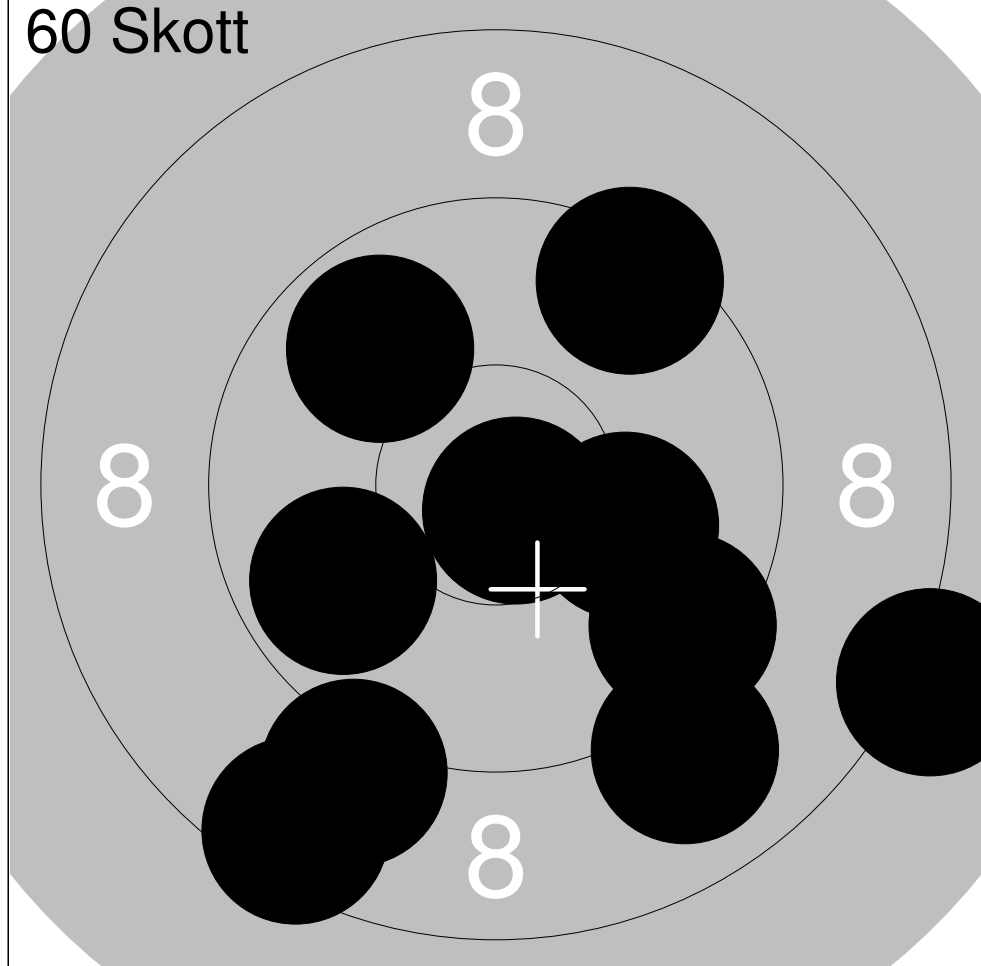
1:	10.8x	↗
2:	10.5x	↗
3:	10.4x	↘
4:	10.2x	↘
5:	10.4x	→
6:	10.6x	↗
7:	10.4x	↘
8:	10.4x	→
9:	10.4x	↗
10:	10.1	↘

Serie	104.2
Total	104.2



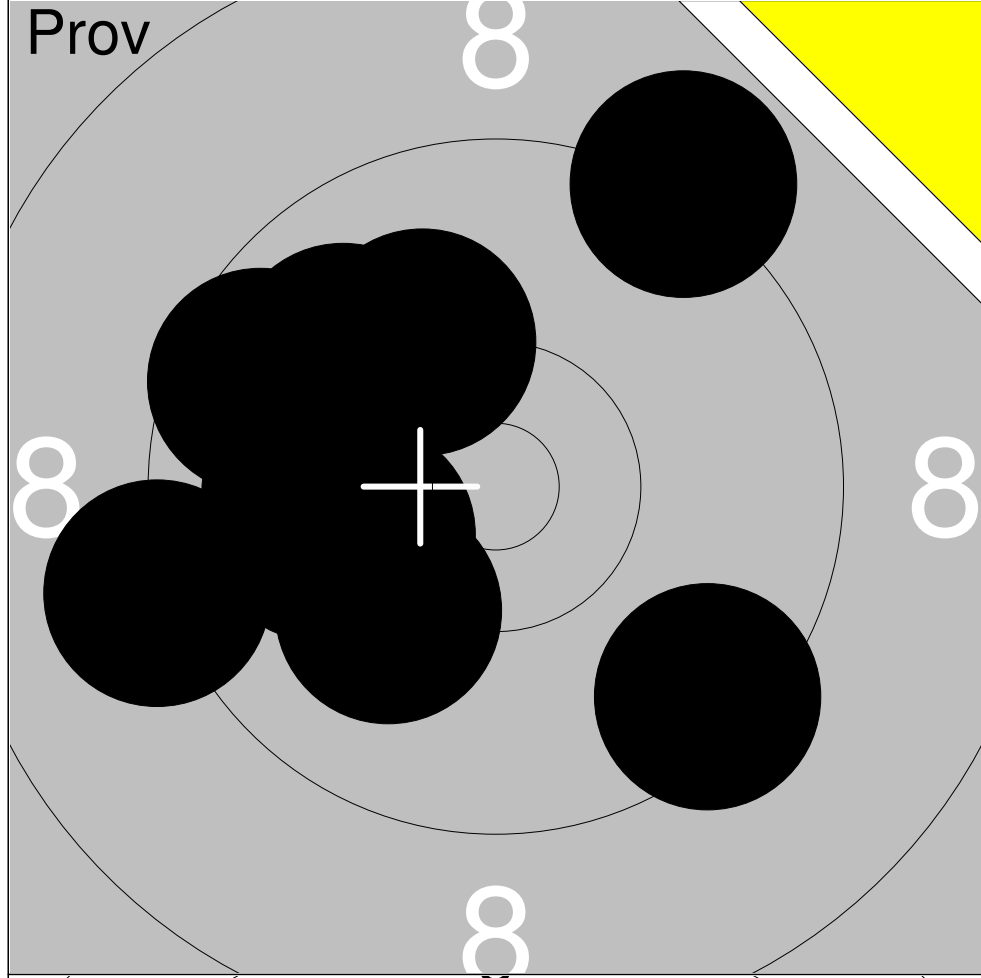
1:	9.6	↘
2:	8.0	←
3:	9.6	↙
4:	9.4	↓
5:	9.5	↘
6:	8.0	↑
7:	8.9	↗
8:	9.4	↗
9:	9.3	←
10:	9.5	↖

Serie	91.2
Total	0.0



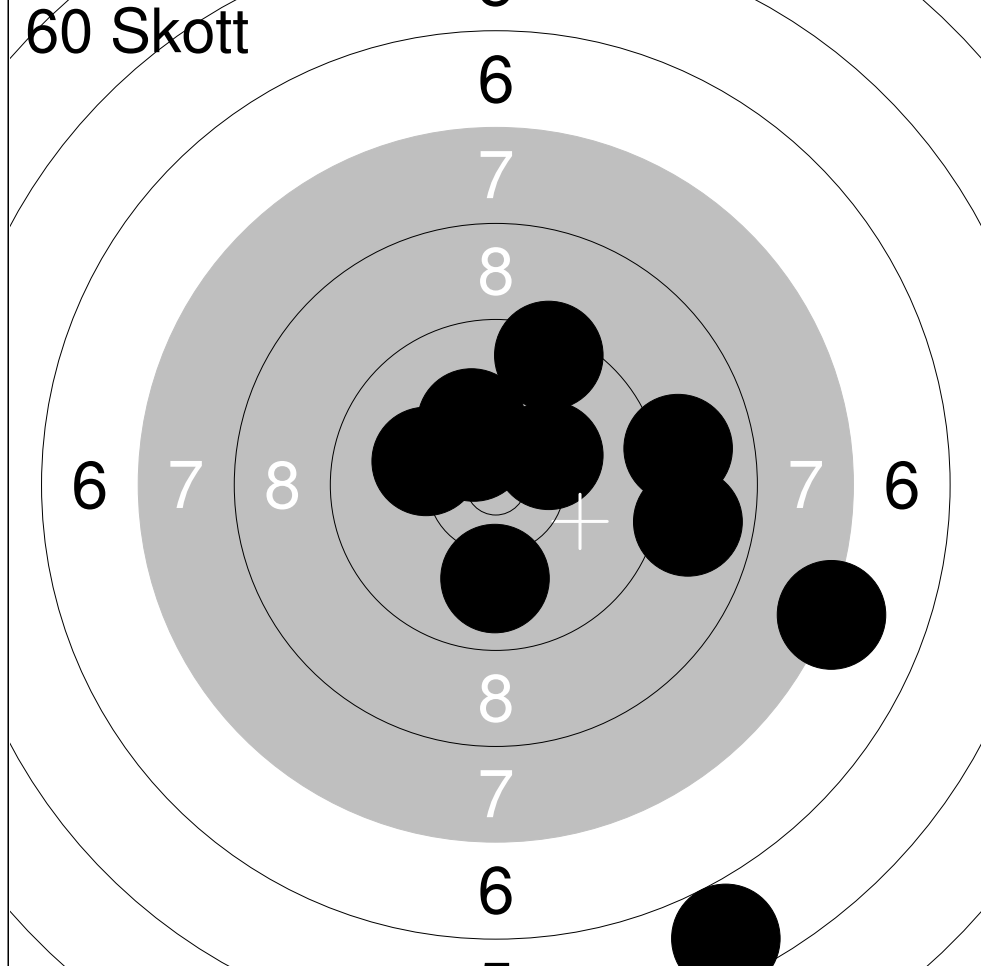
1:	9.9	↙
2:	9.5	↗
3:	9.9	↗
4:	9.0	↘
5:	9.0	↘
6:	8.6	↘
7:	10.8x	↘
8:	10.1	↘
9:	8.1	↘
10:	9.6	↘

Serie	94.5
Total	94.5



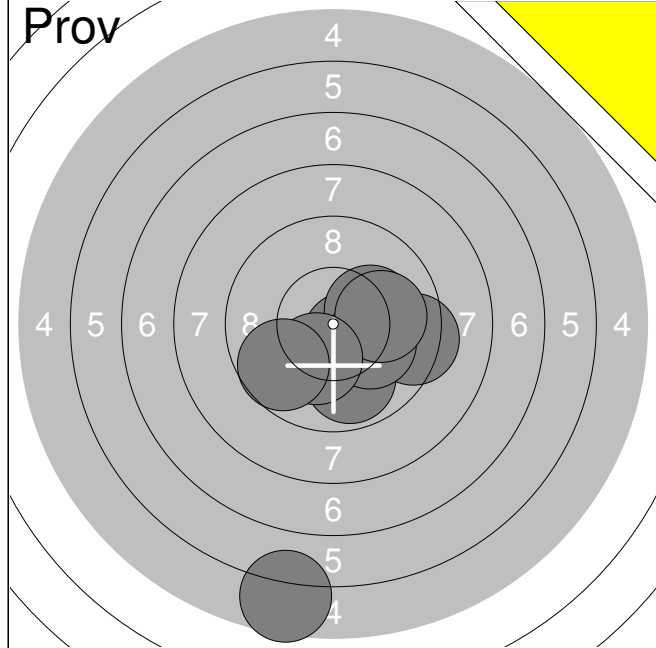
1:	9.5	↘
2:	10.2	↗
3:	10.1	↙
4:	9.2	↗
5:	9.2	↙
6:	9.7	↖
7:	10.0	↗
8:	10.1	↖
9:	10.2	↙
10:	10.1	↙

Serie	98.3
Total	0.0



1:	10.3	↗
2:	10.2	↙
3:	10.5x	↗
4:	9.0	→
5:	10.3	↗
6:	9.5	↗
7:	10.0	↓
8:	7.2	→
9:	8.9	→
10:	5.7	↘

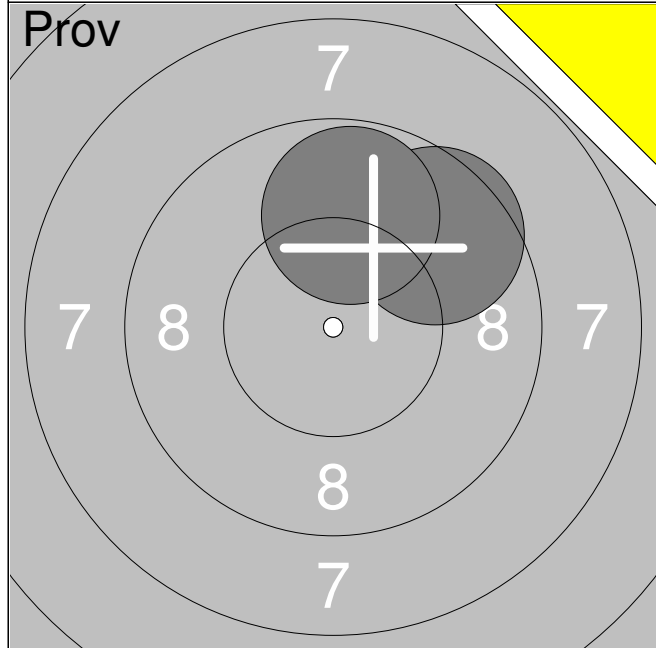
Serie	91.6
Total	91.6



1:	10.3x	→
2:	9.4	→
3:	9.9	↓
4:	10.6x	↓
5:	10.2x	→
6:	10.1	→
7:	10.0	→
8:	5.6	↓
9:	10.2x	↓
10:	9.7	↙

Serie 96.0

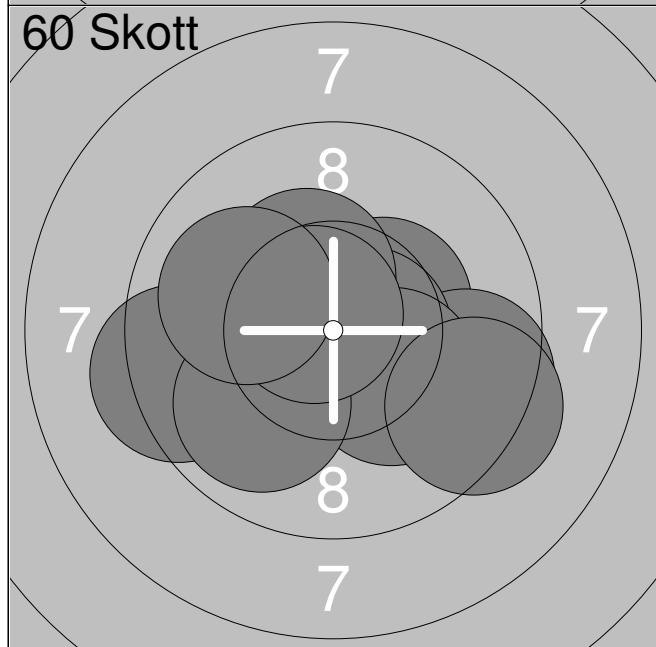
Total 0.0



11:	9.6	↗
12:	9.8	↑

Serie 19.4

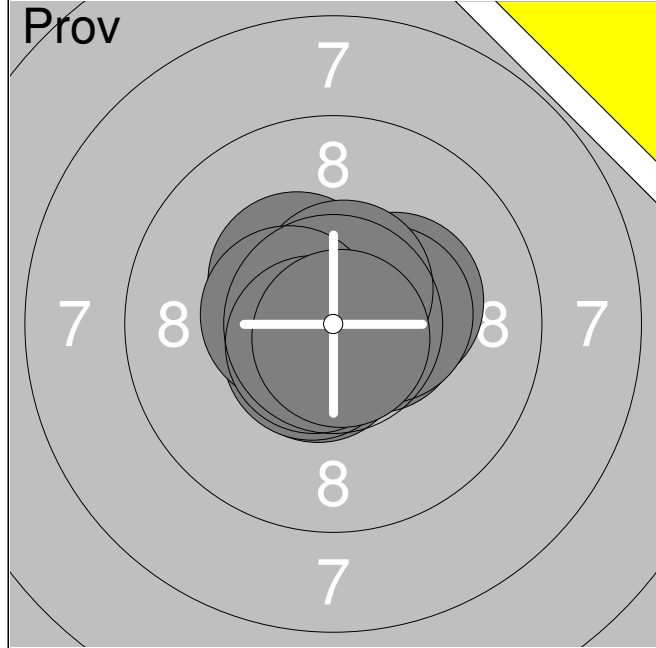
Total 0.0



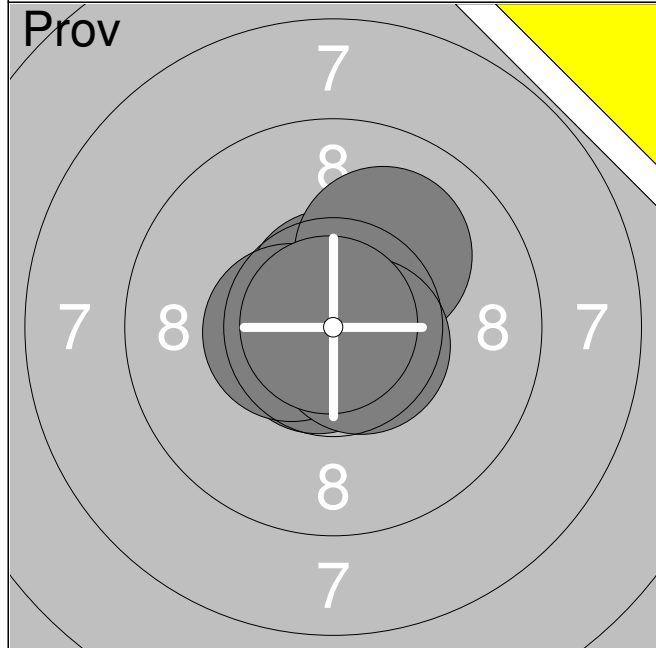
1:	10.4x	↗
2:	9.5	→
3:	10.6x	→
4:	9.3	←
5:	10.2x	↓
6:	10.4x	↗
7:	9.3	↓
8:	9.9	↓
9:	10.7x	↗
10:	10.0	↙

Serie 100.3

Total 100.3



1:	10.5x	→
2:	10.3x	→
3:	10.4x	→
4:	10.4x	↗
5:	10.6x	↑
6:	10.6x	↓
7:	10.6x	↓
8:	10.5x	←
9:	10.7x	↙
10:	10.8x	↓
Serie		105.4
Total		0.0



11:	10.7x	↙
12:	10.7x	↑
13:	10.5x	←
14:	10.8x	→
15:	10.1	↗
16:	10.6x	↘
17:	10.9x	↖
Serie		74.3
Total		0.0



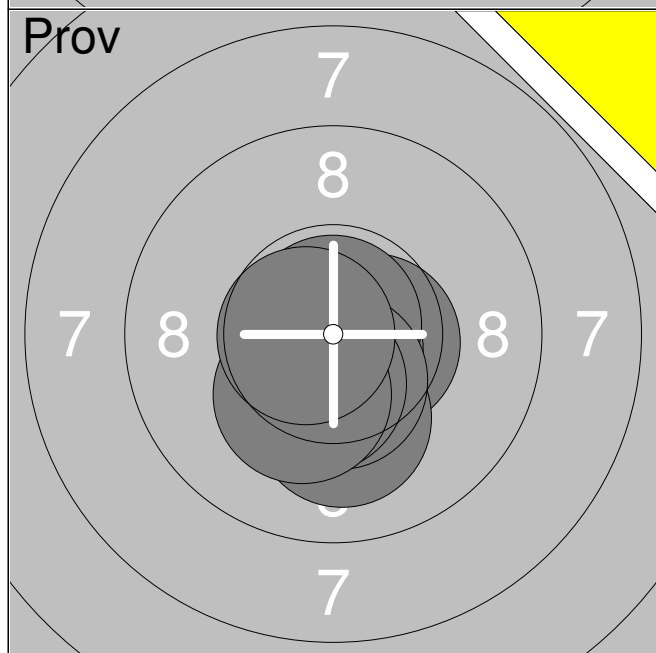
1:	10.7x	↗
2:	10.4x	↑
3:	10.6x	↗
4:	10.3x	↓
5:	10.6x	↘
6:	10.7x	←
7:	10.5x	↓
8:	10.5x	↓
9:	10.9x	↓
10:	10.5x	↓
Serie		105.7
Total		105.7



1:	10.0	←
2:	10.7x	←
3:	10.3x	↓
4:	10.5x	→
5:	10.3x	→
6:	10.3x	←
7:	10.8x	↓
9:	10.7x	←
10:	10.8x	←

Serie	94.4
-------	------

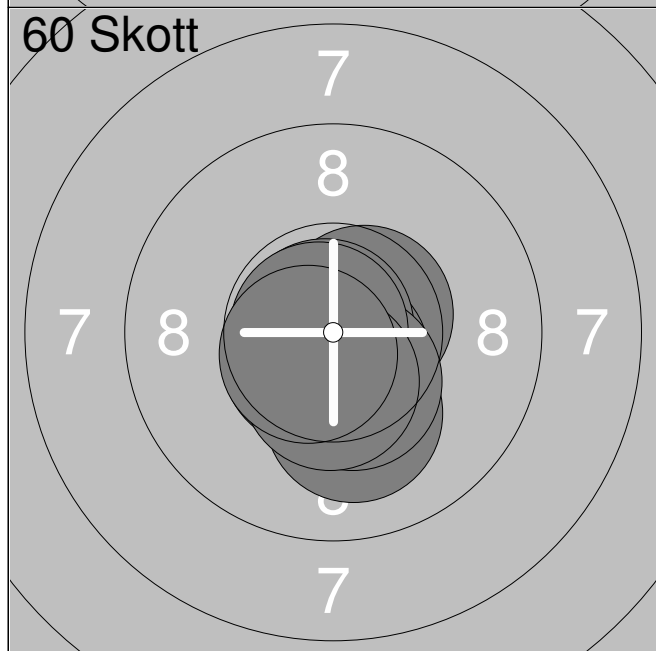
Total	0.0
-------	-----



11:	10.5x	↓
12:	10.6x	→
13:	10.4x	↓
14:	10.8x	↓
15:	10.9x	↑
16:	10.1	↓
17:	10.5x	↓
18:	10.4x	↓
19:	10.3x	↓
20:	10.7x	←

Serie	105.2
-------	-------

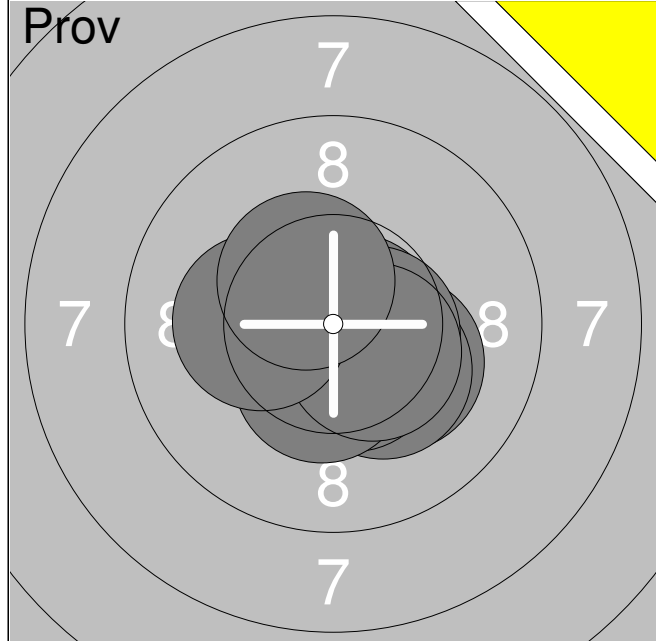
Total	0.0
-------	-----



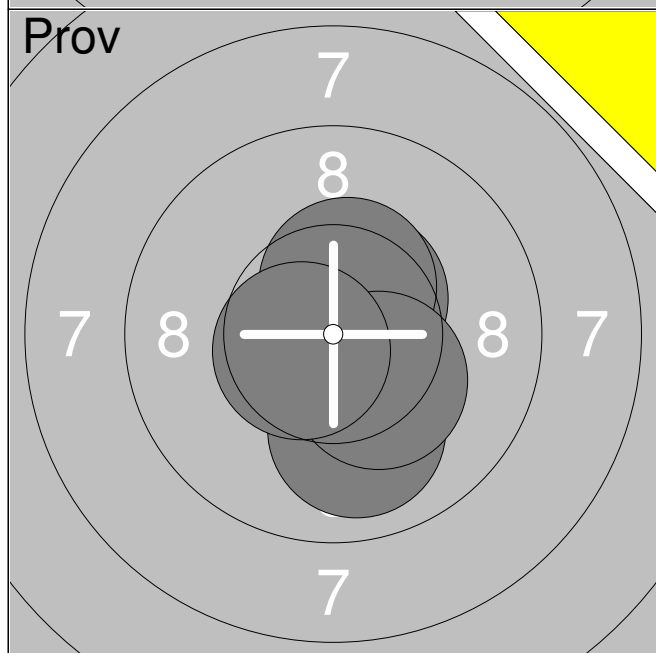
1:	10.9x	↓
2:	10.1	↓
3:	10.6x	→
4:	10.7x	↓
5:	10.9x	↖
6:	10.6x	↙
7:	10.4x	↓
8:	10.8x	←
9:	10.5x	↓
10:	10.6x	↙

Serie	106.1
-------	-------

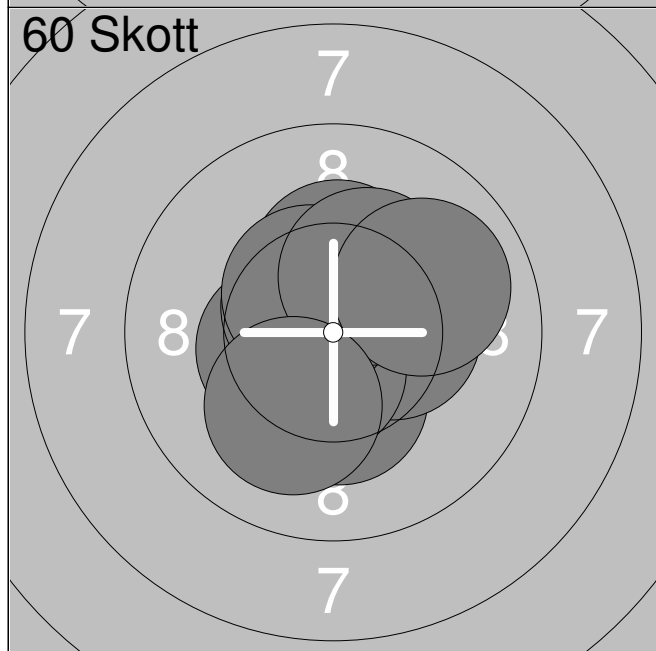
Total	106.1
-------	-------



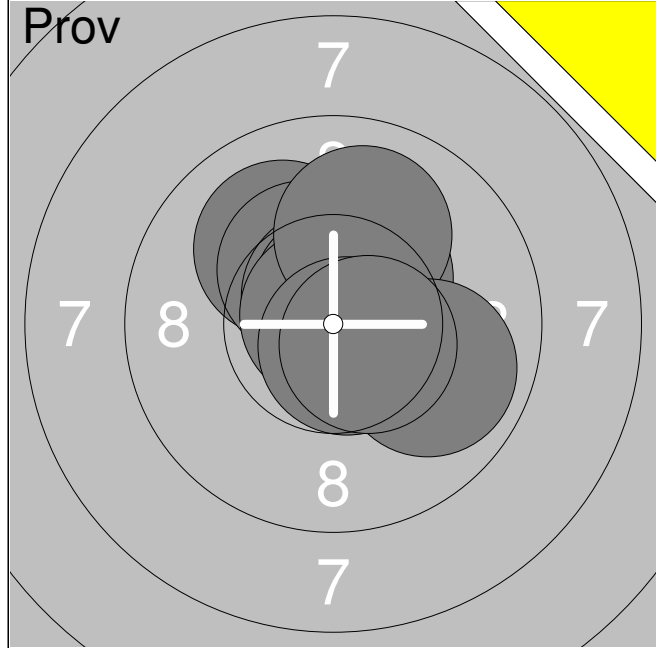
1:	10.9x	↗
2:	10.2x	↘
3:	10.3x	↘
4:	10.8x	→
5:	10.5x	↘
6:	10.6x	→
7:	10.4x	↘
8:	10.5x	↘
9:	10.2x	←
10:	10.4x	↗
Serie		104.8
Total		0.0



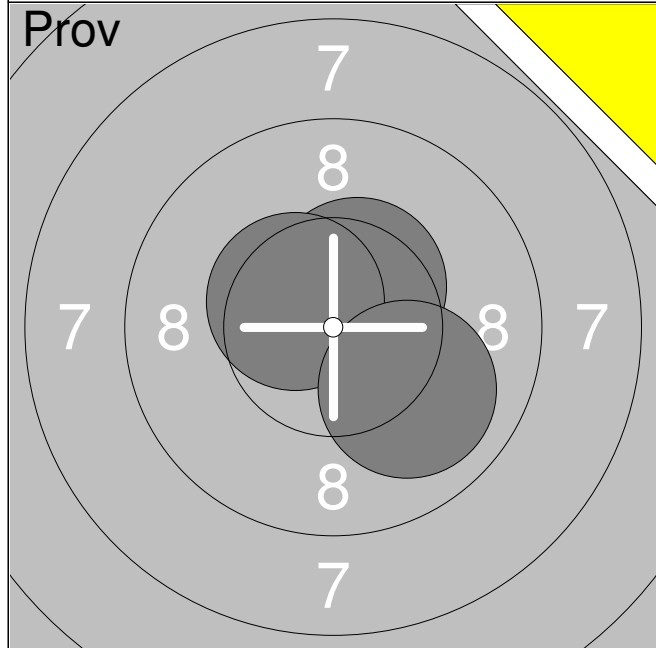
11:	10.0	↓
12:	10.5x	↗
13:	10.5x	↑
14:	10.3x	↘
15:	10.6x	↖
Serie		51.9
Total		0.0



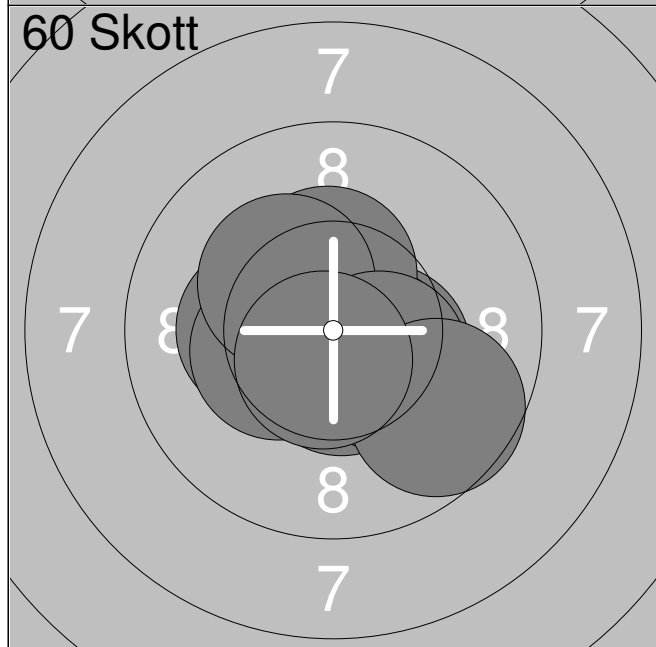
1:	10.3x	↓
2:	10.4x	→
3:	10.6x	↘
4:	10.3x	↑
5:	10.4x	←
6:	10.6x	↗
7:	10.5x	↗
8:	10.3x	↗
9:	10.0	↗
10:	10.1	↘
Serie		103.5
Total		103.5



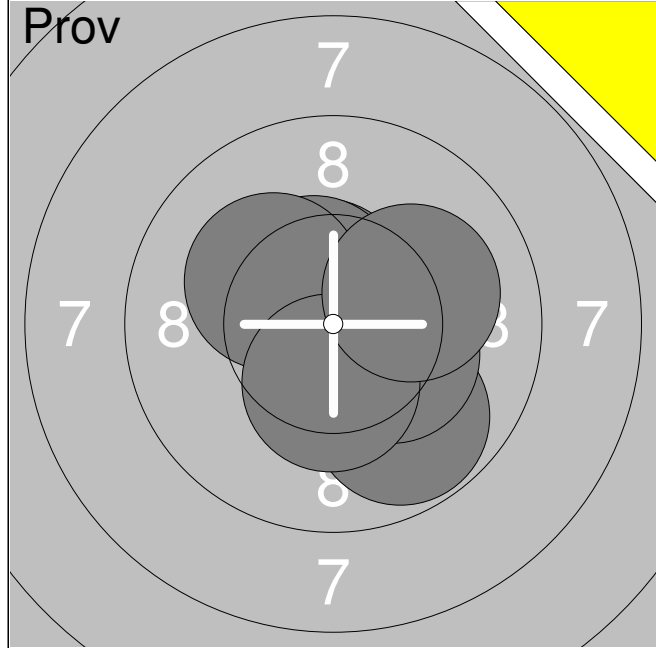
1:	10.0	↗
2:	10.3x	↗
3:	10.4x	↗
4:	10.7x	↑
5:	10.7x	↑
6:	10.8x	↗
7:	10.0	↑
8:	10.7x	↘
9:	9.9	↘
10:	10.5x	↘
Serie		104.0
Total		0.0



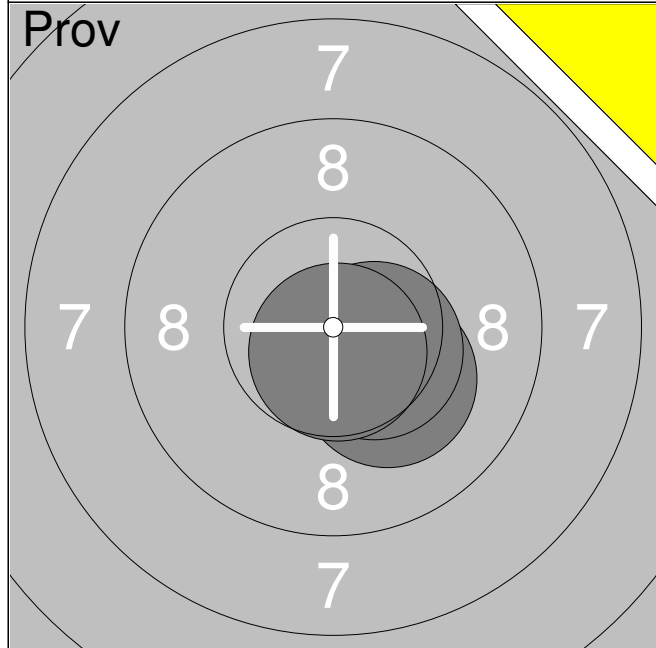
11:	10.5x	↗
12:	10.5x	↗
13:	10.0	↘
Serie		31.0
Total		0.0



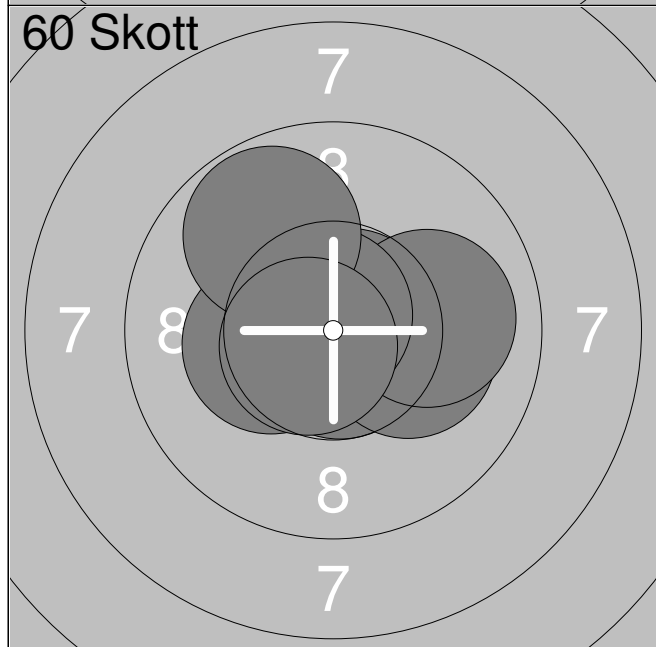
1:	10.4x	↘
2:	10.6x	↘
3:	10.6x	↘
4:	10.3x	←
5:	10.4x	←
6:	10.4x	↑
7:	10.3x	↗
8:	10.4x	↘
9:	9.7	↘
10:	10.6x	↘
Serie		103.7
Total		103.7



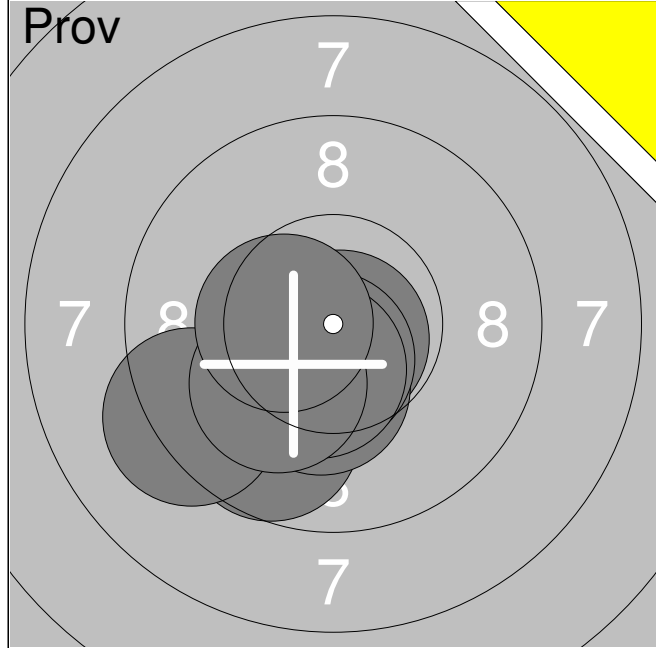
1:	10.6x	↗
2:	10.2x	↘
3:	10.5x	↗
4:	9.8	↘
5:	10.3x	↘
6:	10.2x	↗
9:	10.4x	↘
10:	10.1	↗
Serie	82.1	
Total	0.0	



11:	10.2x	↘
12:	10.5x	↘
13:	10.7x	↘
Serie	31.4	
Total	0.0	



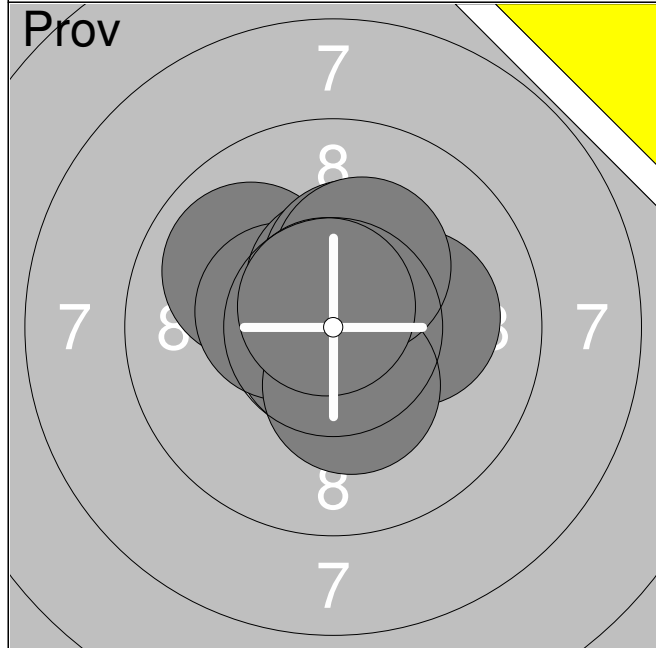
1:	10.7x	↗
2:	10.6x	↖
3:	10.7x	↘
4:	10.6x	↗
5:	10.2x	↘
6:	10.0	→
7:	10.8x	↗
8:	10.3x	↖
9:	9.8	↗
10:	10.7x	↖
Serie	104.4	
Total	104.4	



1:	10.6x	←
2:	9.7	↓
3:	10.8x	↓
5:	10.3x	↓
6:	10.6x	↓
7:	10.5x	↓
8:	9.2	←
9:	10.1	↓
10:	10.5x	←

Serie	92.3
-------	------

Total	0.0
-------	-----



11:	9.9	↖
12:	10.7x	↓
13:	10.4x	←
14:	10.5x	↑
15:	10.2x	→
16:	10.3x	↓
17:	10.3x	↑
18:	10.3x	↑
19:	10.7x	↑

Serie	93.3
-------	------

Total	0.0
-------	-----



1:	10.2x	↓
2:	10.3x	←
3:	10.3x	↓
4:	10.7x	→
5:	10.7x	→
6:	10.5x	↓
7:	10.4x	↓
8:	10.0	→
9:	10.3x	→
10:	10.8x	↑

Serie	104.2
-------	-------

Total	104.2
-------	-------