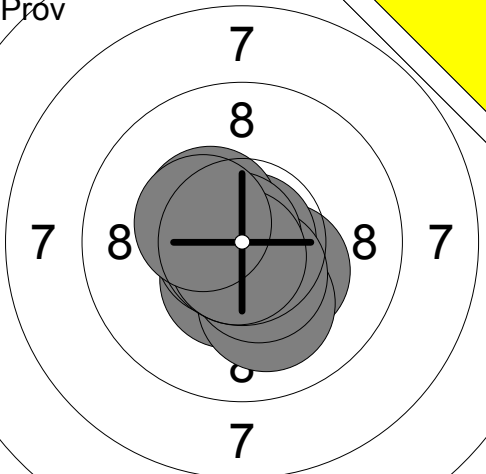
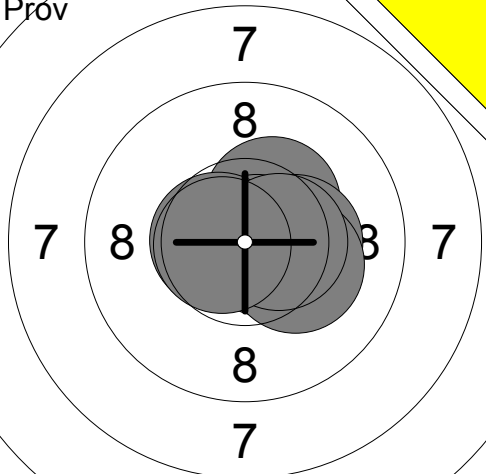
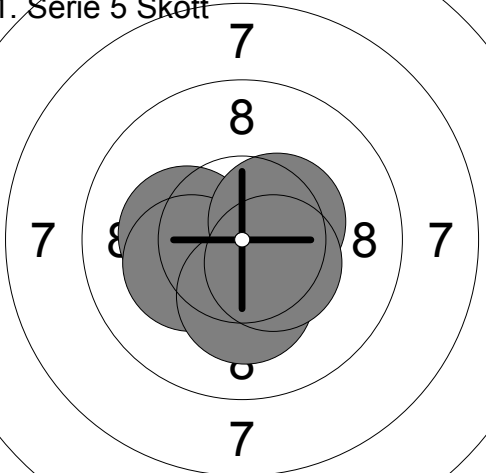
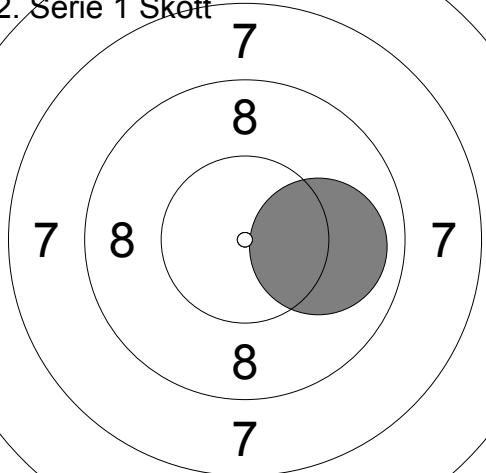
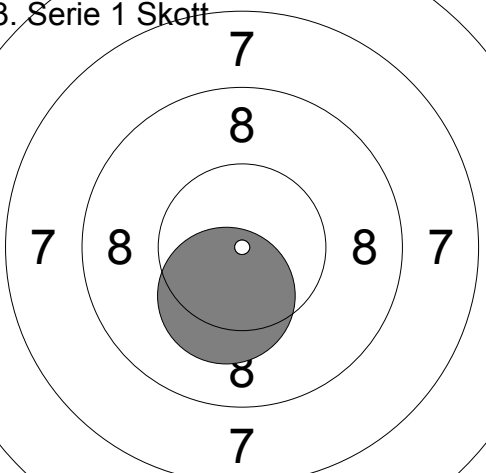
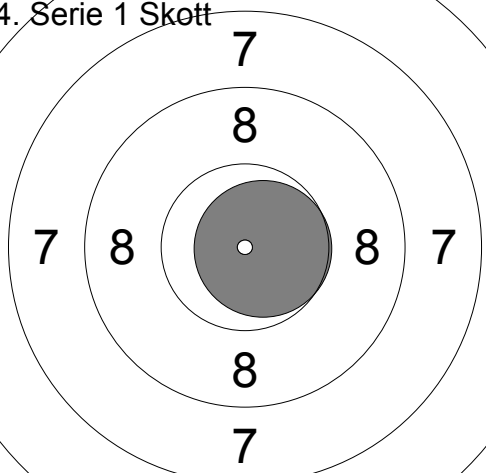
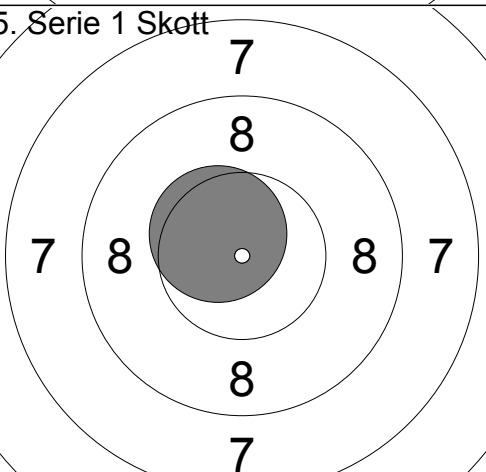
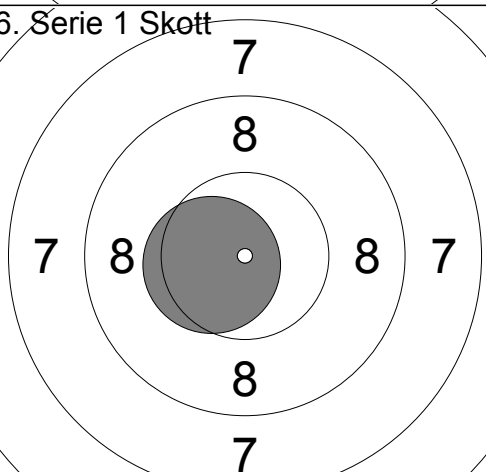
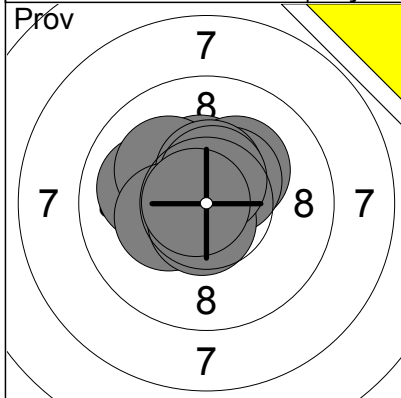


<p>Prov</p> 	<p>1: 10.4x ↘ 2: 10.3x ↘ 3: 10.1 ↘ 4: 10.9x → 5: 10.5x ↘ 6: 10.4x ↗ 7: 10.7x ← 8: 10.8x ← 9: 10.8x ↘ 10: 10.4x ↖</p> <table border="1" style="width:100%; border-collapse: collapse;"> <tr><td>Serie</td><td style="text-align: right;">105.3</td></tr> <tr><td>Total</td><td style="text-align: right;">422.4</td></tr> </table>	Serie	105.3	Total	422.4	<p>Prov</p> 	<p>11: 10.4x ↗ 12: 10.8x → 13: 10.4x → 14: 10.3x → 15: 10.7x → 16: 10.6x ← 17: 10.2x ↘ 18: 10.5x → 19: 10.6x ←</p> <table border="1" style="width:100%; border-collapse: collapse;"> <tr><td>Serie</td><td style="text-align: right;">94.5</td></tr> <tr><td>Total</td><td style="text-align: right;">422.4</td></tr> </table>	Serie	94.5	Total	422.4
Serie	105.3										
Total	422.4										
Serie	94.5										
Total	422.4										

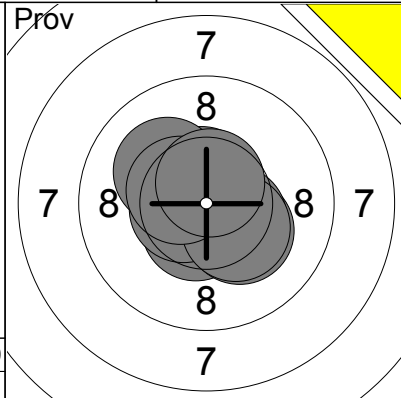
<p>1. Serie 5 Skott</p> 	<p>2. Serie 1 Skott</p> 								
<p>1: 10.2x ← 2: 10.2x ← 3: 10.4x → 4: 10.2x ↘ 5: 10.4x ↘</p> <table border="1" style="width:100%; border-collapse: collapse;"> <tr><td>Serie</td><td style="text-align: right;">51.4</td></tr> <tr><td>Total</td><td style="text-align: right;">473.8</td></tr> </table>	Serie	51.4	Total	473.8	<p>1: 10.0 →</p> <table border="1" style="width:100%; border-collapse: collapse;"> <tr><td>Serie</td><td style="text-align: right;">10.0</td></tr> <tr><td>Total</td><td style="text-align: right;">483.8</td></tr> </table>	Serie	10.0	Total	483.8
Serie	51.4								
Total	473.8								
Serie	10.0								
Total	483.8								

<p>3. Serie 1 Skott</p> 	<p>4. Serie 1 Skott</p> 								
<p>1: 10.3x ↘</p> <table border="1" style="width:100%; border-collapse: collapse;"> <tr><td>Serie</td><td style="text-align: right;">10.3</td></tr> <tr><td>Total</td><td style="text-align: right;">494.1</td></tr> </table>	Serie	10.3	Total	494.1	<p>1: 10.7x →</p> <table border="1" style="width:100%; border-collapse: collapse;"> <tr><td>Serie</td><td style="text-align: right;">10.7</td></tr> <tr><td>Total</td><td style="text-align: right;">504.8</td></tr> </table>	Serie	10.7	Total	504.8
Serie	10.3								
Total	494.1								
Serie	10.7								
Total	504.8								

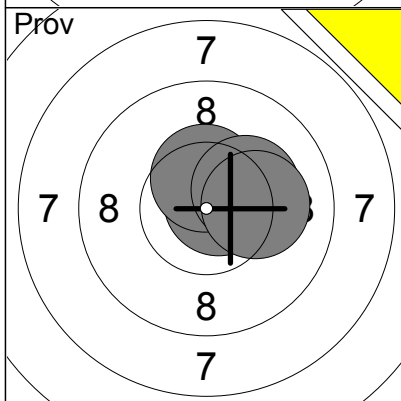
<p>5. Serie 1 Skott</p> 	<p>6. Serie 1 Skott</p> 								
<p>1: 10.5x ↖</p> <table border="1" style="width:100%; border-collapse: collapse;"> <tr><td>Serie</td><td style="text-align: right;">10.5</td></tr> <tr><td>Total</td><td style="text-align: right;">515.3</td></tr> </table>	Serie	10.5	Total	515.3	<p>1: 10.5x ←</p> <table border="1" style="width:100%; border-collapse: collapse;"> <tr><td>Serie</td><td style="text-align: right;">10.5</td></tr> <tr><td>Total</td><td style="text-align: right;">525.8</td></tr> </table>	Serie	10.5	Total	525.8
Serie	10.5								
Total	515.3								
Serie	10.5								
Total	525.8								



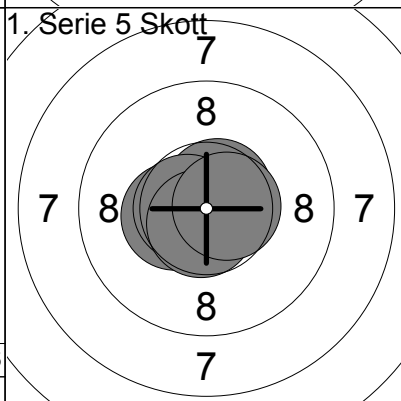
1:	10.4x	↑
2:	10.2x	↗
3:	10.0	←
4:	10.4x	↗
5:	10.1	↗
6:	10.5x	↑
7:	10.3x	←
8:	10.6x	↓
9:	10.6x	↑
10:	10.8x	←
Serie	103.9	
Total	421.1	



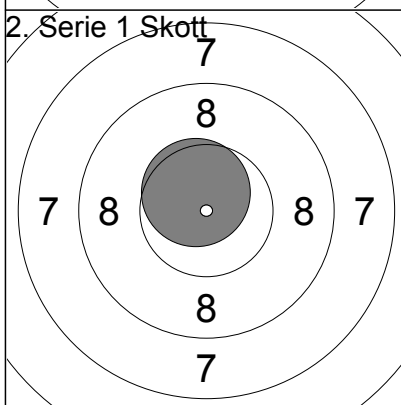
11:	10.5x	↓
12:	10.6x	↑
13:	10.6x	←
14:	10.2x	↘
15:	10.6x	↗
16:	10.4x	↘
17:	10.1	↗
18:	10.3x	↘
19:	10.5x	↗
20:	10.6x	↑
Serie	104.4	
Total	421.1	



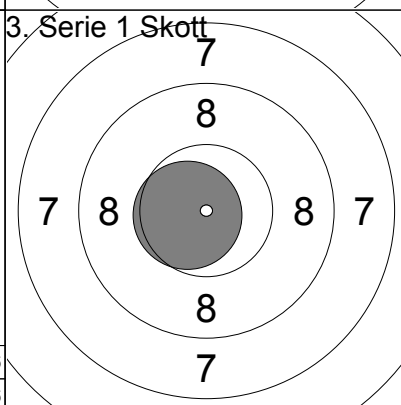
21:	10.7x	↗
22:	10.5x	↑
23:	10.2x	↗
24:	10.1	→
Serie	41.5	
Total	421.1	



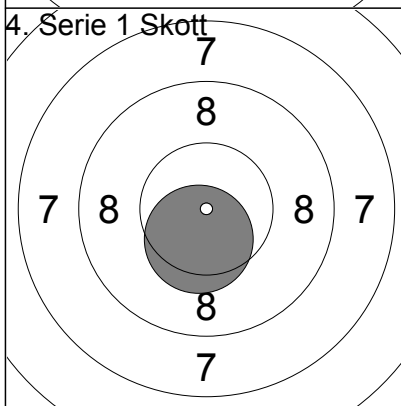
1:	10.6x	↗
2:	10.4x	←
3:	10.6x	←
4:	10.7x	↓
5:	10.6x	→
Serie	52.9	
Total	474.0	



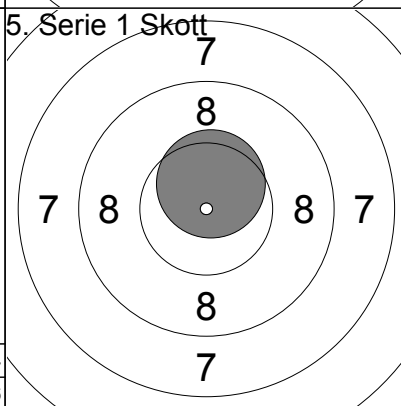
1:	10.6x	↖
Serie	10.6	
Total	484.6	



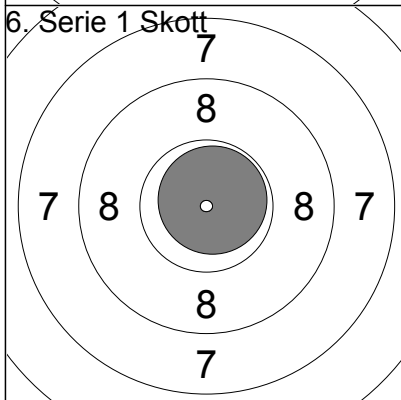
1:	10.6x	←
Serie	10.6	
Total	495.2	



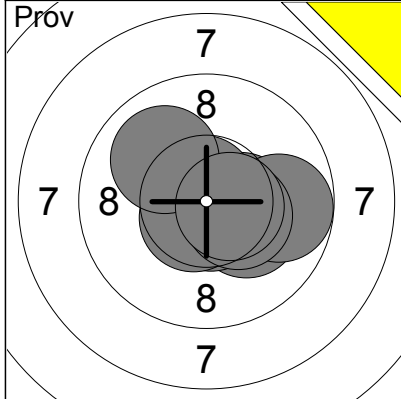
1:	10.4x	↓
Serie	10.4	
Total	505.6	



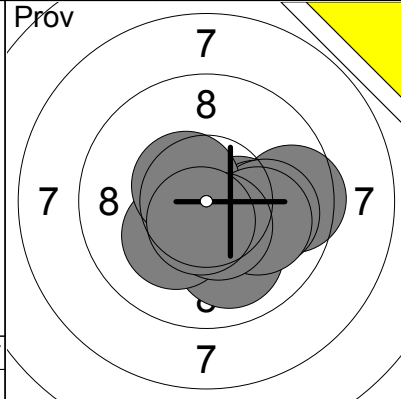
1:	10.5x	↑
Serie	10.5	
Total	516.1	



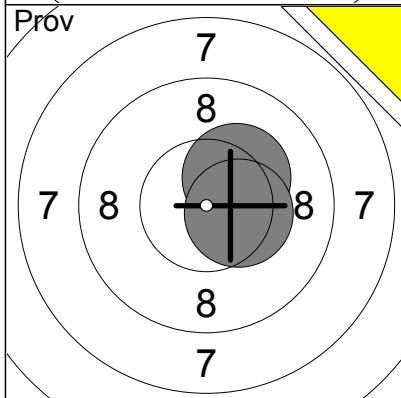
1:	10.8x	↗
Serie	10.8	
Total	526.9	



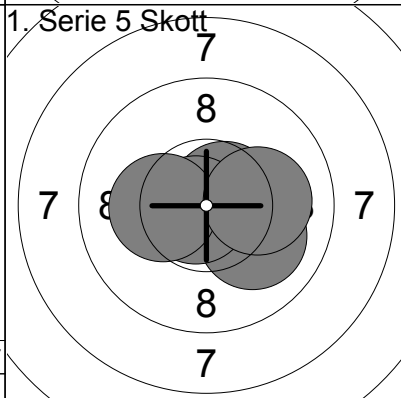
1:	10.4x	→
2:	10.5x	↘
3:	10.7x	↗
4:	10.2x	↘
5:	9.7	→
6:	10.7x	↘
7:	10.6x	↘
8:	10.0	↗
9:	10.4x	↘
10:	10.5x	→
Serie		103.7
Total		421.1



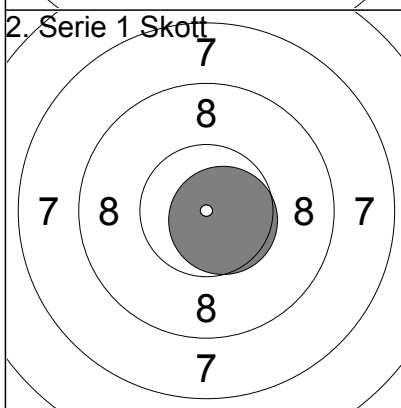
11:	9.5	→
12:	10.4x	→
13:	10.0	↘
14:	10.1	→
15:	10.0	→
16:	10.2x	↘
17:	10.5x	↗
18:	10.0	→
19:	10.5x	↘
20:	10.6x	↘
Serie		101.8
Total		421.1



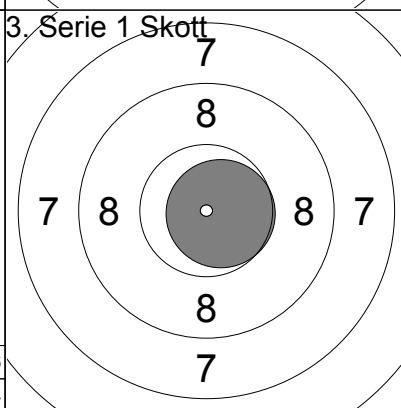
21:	10.3x	↗
22:	10.4x	→
Serie		20.7
Total		421.1



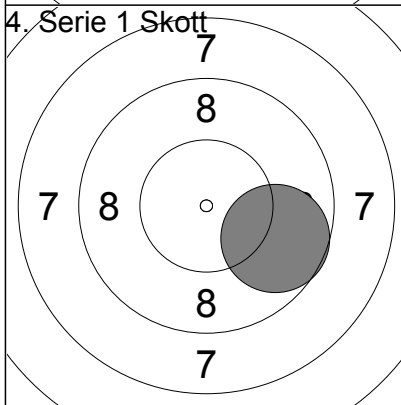
1:	10.0	↘
2:	10.6x	↗
3:	10.8x	←
4:	10.2x	←
5:	10.1	→
Serie		51.7
Total		472.8



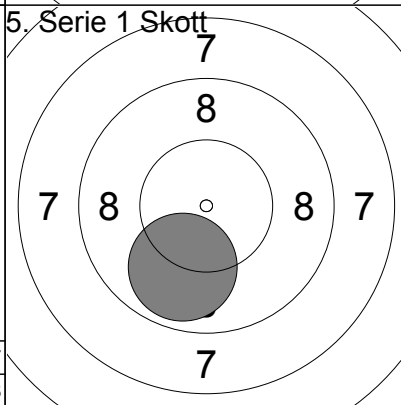
1:	10.6x	→
Serie		10.6
Total		483.4



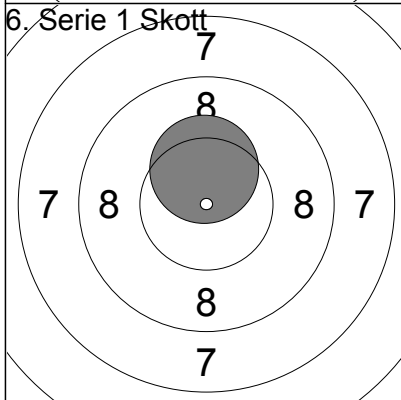
1:	10.7x	→
Serie		10.7
Total		494.1



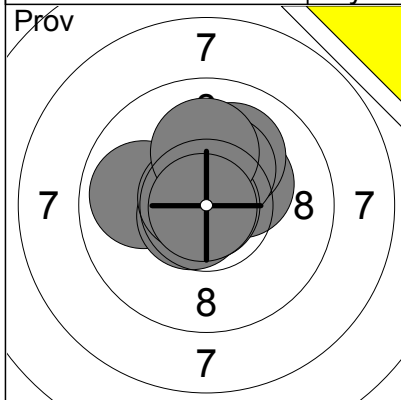
1:	9.7	→
Serie		9.7
Total		503.8



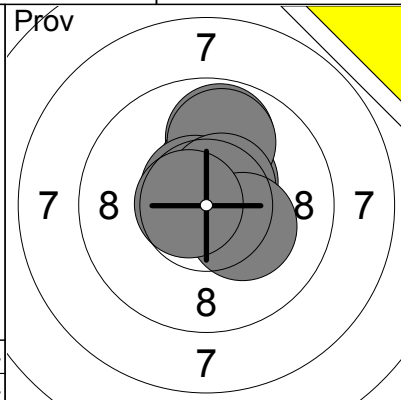
1:	9.9	↘
Serie		9.9
Total		513.7



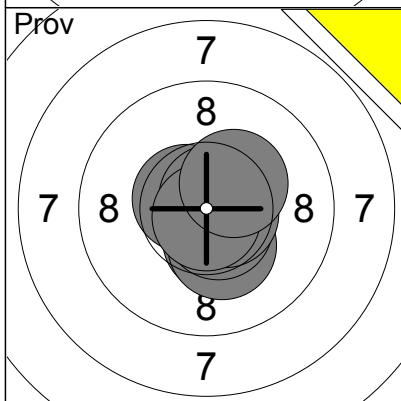
1:	10.4x	↑
Serie		10.4
Total		524.1



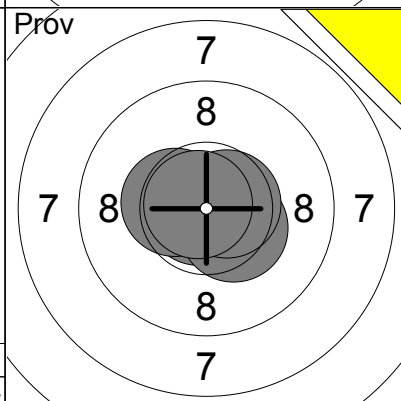
1:	10.7x	↖
2:	10.3x	↗
3:	10.0	↗
4:	9.9	←
5:	10.6x	↙
6:	10.3x	↗
7:	10.7x	↖
8:	10.9x	↘
9:	10.1	↑
10:	10.9x	↙
Serie	104.4	
Total	420.4	



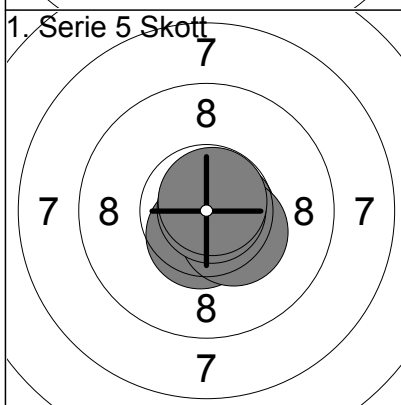
11:	10.5x	↗
12:	10.8x	↑
13:	9.8	↑
14:	10.4x	↑
15:	10.8x	↗
16:	9.9	↑
17:	10.6x	↖
18:	10.6x	↗
19:	10.2x	→
20:	10.7x	←
Serie	104.3	
Total	420.4	



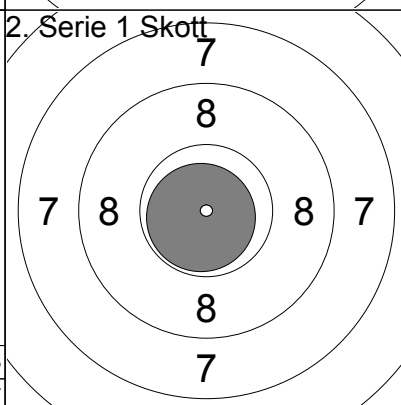
21:	10.4x	↘
22:	10.3x	↘
24:	10.6x	↗
25:	10.7x	↘
26:	10.6x	↘
27:	10.8x	↗
28:	10.6x	→
29:	10.8x	↘
30:	10.3x	↗
Serie	95.1	
Total	420.4	



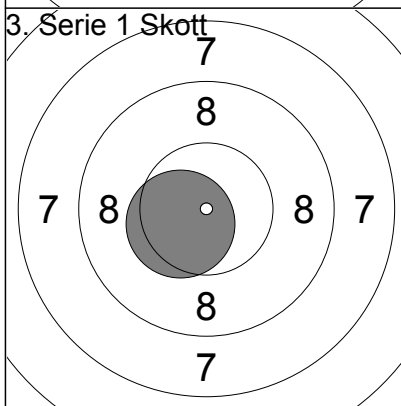
31:	10.8x	←
32:	10.4x	→
33:	10.6x	→
34:	10.4x	←
35:	10.8x	↖
Serie	53.0	
Total	420.4	



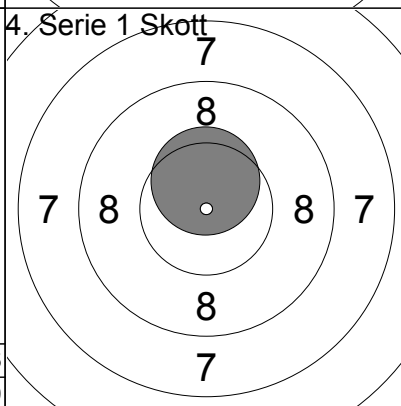
1:	10.7x	→
2:	10.5x	↘
3:	10.4x	↘
4:	10.9x	→
5:	10.8x	↗
Serie	53.3	
Total	473.7	



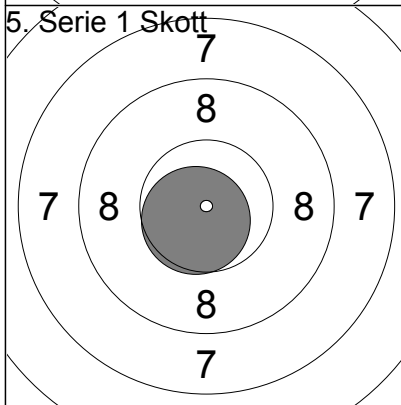
1:	10.8x	↙
Serie	10.8	
Total	484.5	



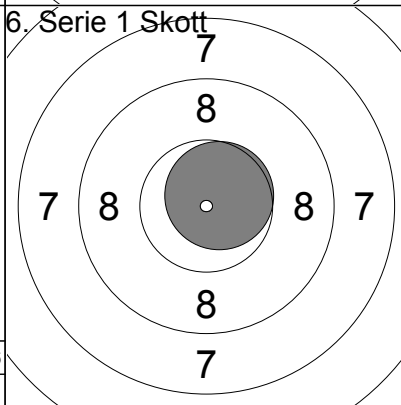
1:	10.5x	↖
Serie	10.5	
Total	495.0	



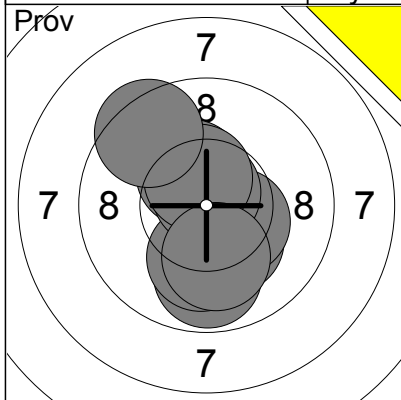
1:	10.5x	↑
Serie	10.5	
Total	505.5	



1:	10.6x	↙
Serie	10.6	
Total	516.1	

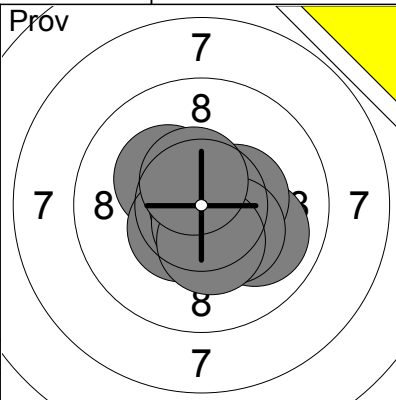


1:	10.7x	↗
Serie	10.7	
Total	526.8	



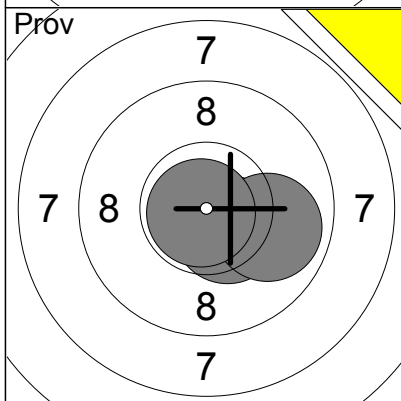
1:	10.6x	↘
2:	10.3x	↘
3:	9.8	↘
4:	10.4x	↘
5:	10.1	↘
6:	10.4x	↗
7:	10.7x	↗
8:	10.5x	↗
9:	10.1	↘
10:	9.4	↗

Serie	102.3
Total	419.6



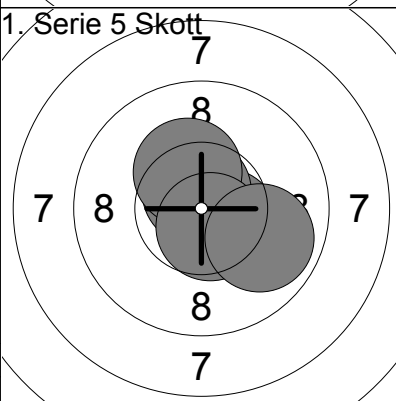
11:	10.2x	↗
12:	10.5x	↘
13:	10.9x	→
14:	10.0	↘
16:	10.7x	↘
17:	10.4x	→
18:	10.3x	↘
19:	10.3x	↘
20:	10.5x	↗

Serie	93.8
Total	419.6



21:	10.4x	↘
22:	9.9	↘
23:	10.8x	↘

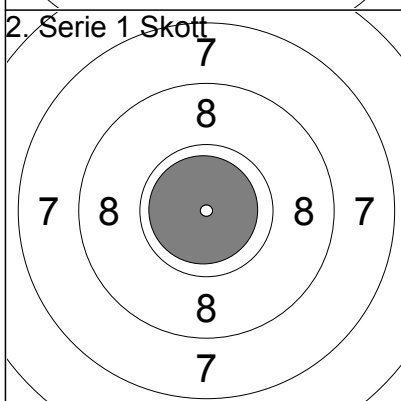
Serie	31.1
Total	419.6



1. Serie 5 Skott

1:	10.5x	↘
2:	10.7x	↗
3:	10.3x	↗
4:	10.6x	↘
5:	9.9	↘

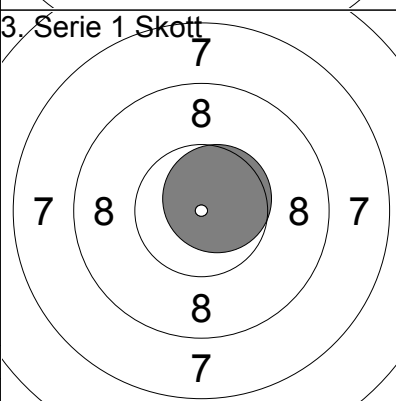
Serie	52.0
Total	471.6



2. Serie 1 Skott

1:	10.9x	←
----	-------	---

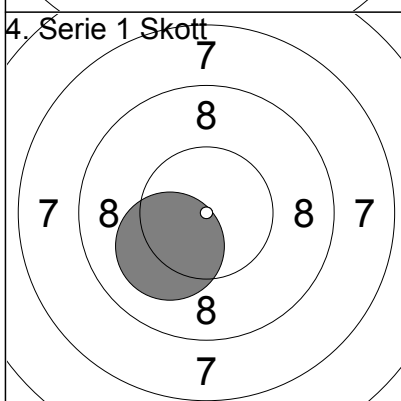
Serie	10.9
Total	482.5



3. Serie 1 Skott

1:	10.6x	↗
----	-------	---

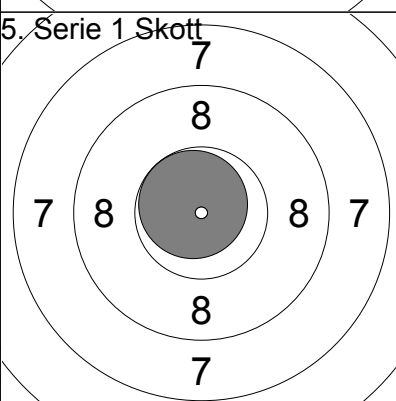
Serie	10.6
Total	493.1



4. Serie 1 Skott

1:	10.1	↘
----	------	---

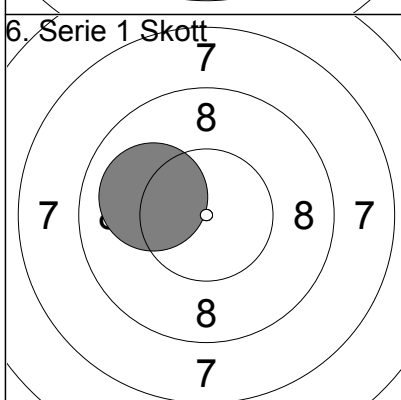
Serie	10.1
Total	503.2



5. Serie 1 Skott

1:	10.8x	↖
----	-------	---

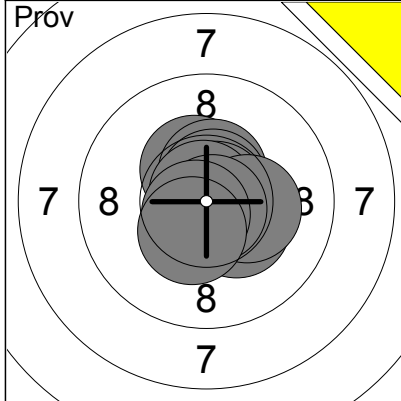
Serie	10.8
Total	514.0



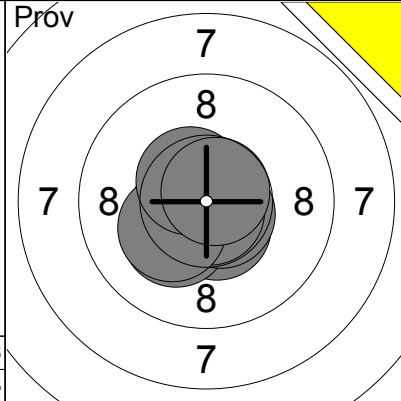
6. Serie 1 Skott

1:	10.0	←
----	------	---

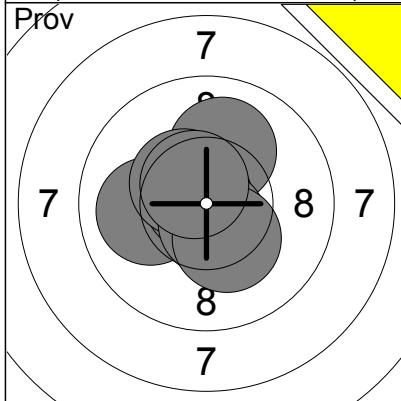
Serie	10.0
Total	524.0



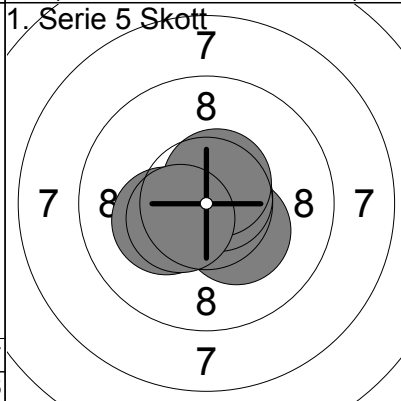
1:	10.4x	↑
2:	10.5x	↑↑
3:	10.6x	↑↑
4:	10.8x	→
5:	10.3x	↓
6:	10.8x	→
7:	10.3x	→
8:	10.8x	↓
9:	10.7x	↓
10:	10.4x	↓
Serie		105.6
Total		424.5



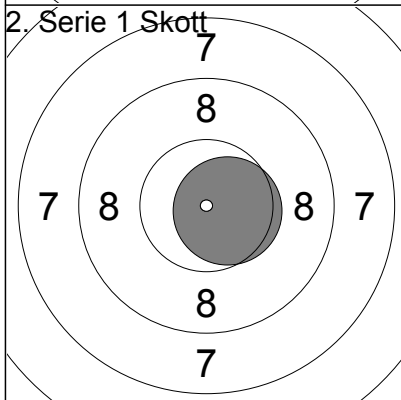
11:	10.5x	↓
12:	10.8x	↑
13:	10.2x	↙
14:	10.8x	↗
15:	10.6x	←
16:	10.6x	↘
17:	10.8x	↘
18:	10.2x	↙
19:	10.5x	↗
20:	10.7x	↗
Serie		105.7
Total		424.5



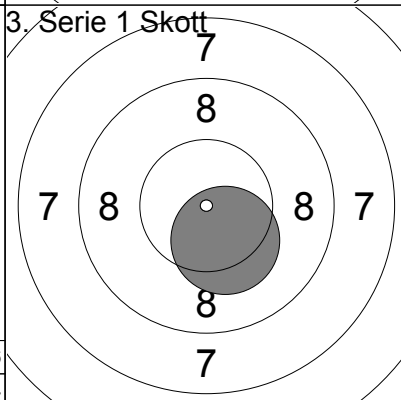
21:	10.0	↑
22:	10.0	←
23:	10.8x	↑
24:	10.4x	↗
25:	10.6x	↓
26:	10.3x	↓
27:	10.6x	↗
Serie		72.7
Total		424.5



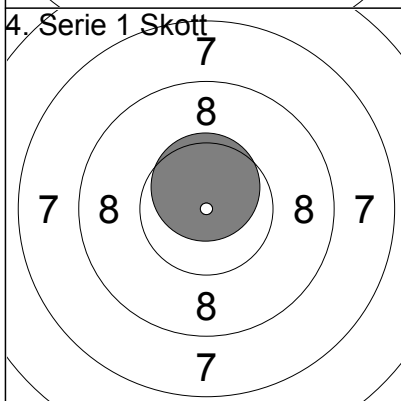
1:	10.3x	↘
2:	10.7x	→
3:	10.2x	←
4:	10.6x	↑
5:	10.5x	←
Serie		52.3
Total		476.8



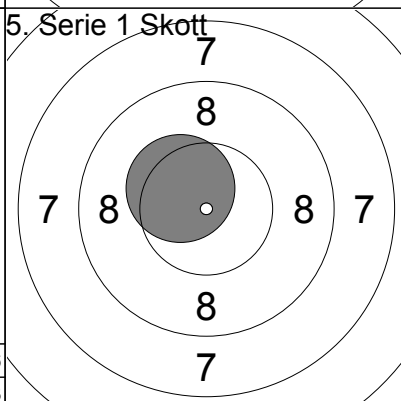
1:	10.6x	→
Serie		10.6
Total		487.4



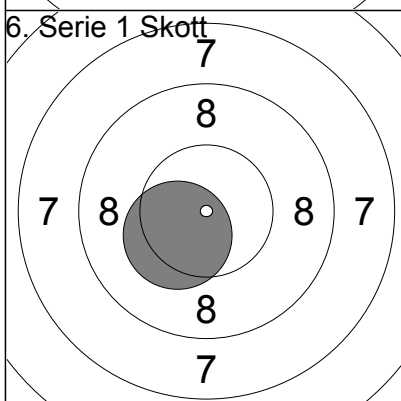
1:	10.3x	↓
Serie		10.3
Total		497.7



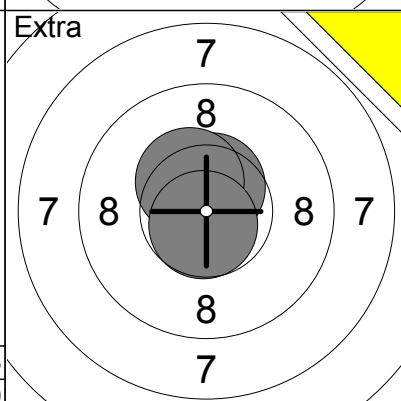
1:	10.6x	↑
Serie		10.6
Total		508.3



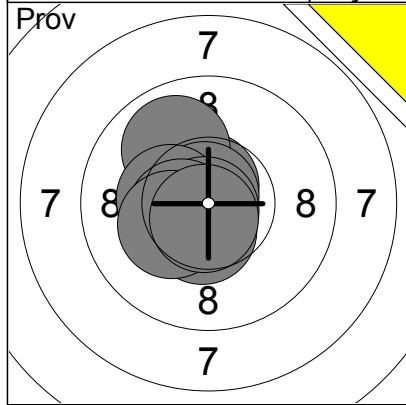
1:	10.4x	↖
Serie		10.4
Total		518.7



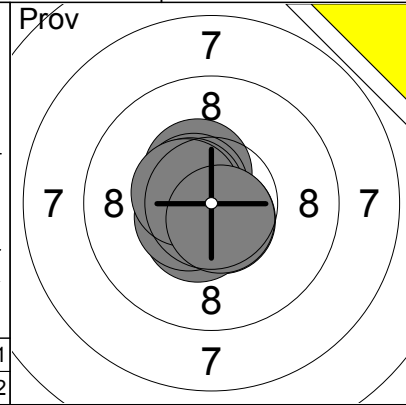
1:	10.3x	↙
Serie		10.3
Total		529.0



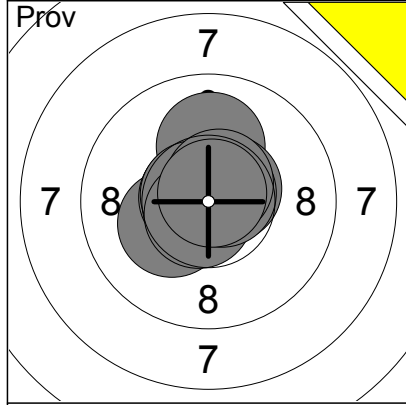
1:	10.5x	↑
2:	10.4x	↗
3:	10.7x	↓
Serie		31.6
Total		529.0



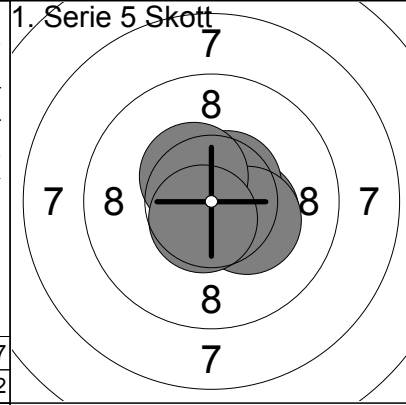
1:	10.6x	↗
2:	10.7x	↗
3:	9.9	↗
4:	10.8x	↗
5:	10.3x	↖
6:	10.5x	↘
7:	10.8x	↘
8:	10.5x	↖
9:	10.3x	↖
10:	10.7x	↘
Serie		105.1
Total		424.2



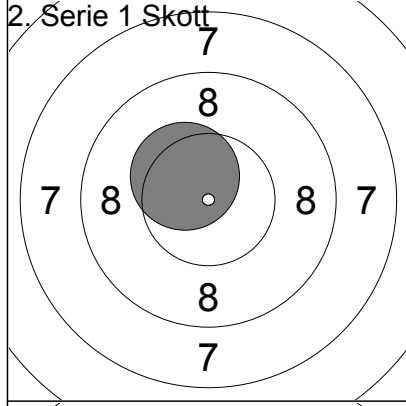
11:	10.8x	↘
12:	10.5x	↖
13:	10.4x	↗
14:	10.6x	↘
15:	10.6x	↗
16:	10.6x	↗
17:	10.5x	↘
18:	10.5x	↖
19:	10.5x	↖
20:	10.7x	↘
Serie		105.7
Total		424.2



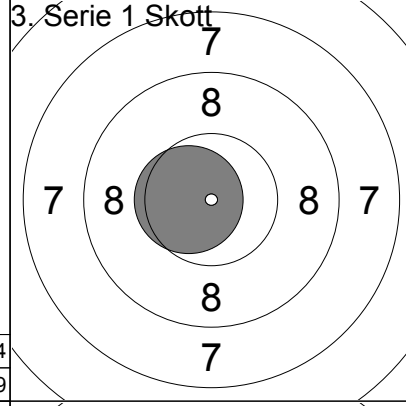
21:	10.0	↑
22:	10.2x	↖
23:	10.7x	↖
24:	10.7x	↖
25:	10.7x	↖
26:	10.6x	↗
27:	10.7x	↘
28:	10.7x	↗
29:	10.6x	↗
30:	10.8x	↗
Serie		105.7
Total		424.2



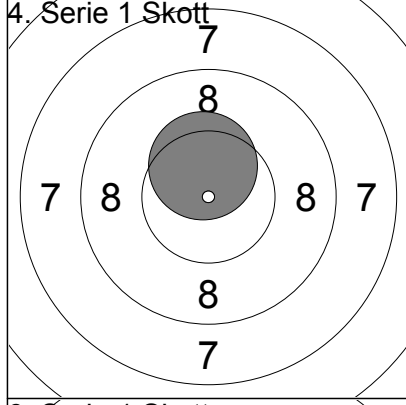
1:	10.4x	→
2:	10.6x	↗
3:	10.3x	→
4:	10.4x	↗
5:	10.6x	↘
Serie		52.3
Total		476.5



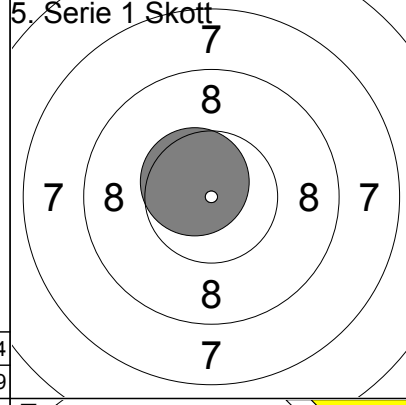
1:	10.4x	↖
Serie		10.4
Total		486.9



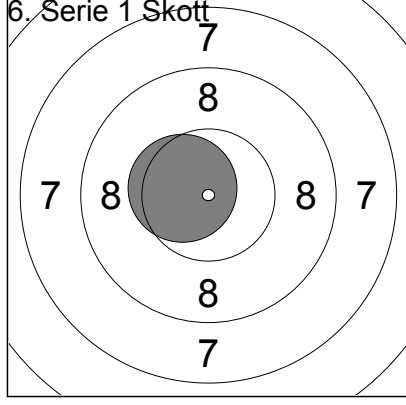
1:	10.6x	←
Serie		10.6
Total		497.5



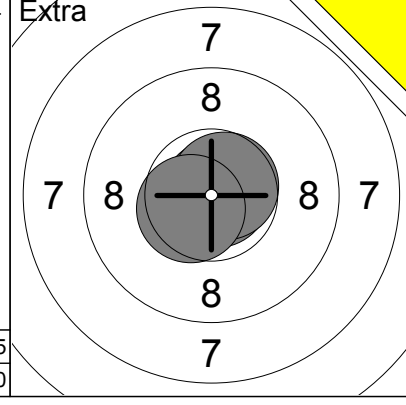
1:	10.4x	↑
Serie		10.4
Total		507.9



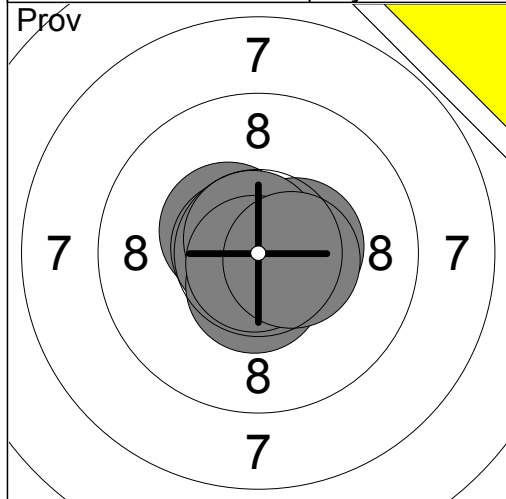
1:	10.6x	↖
Serie		10.6
Total		518.5



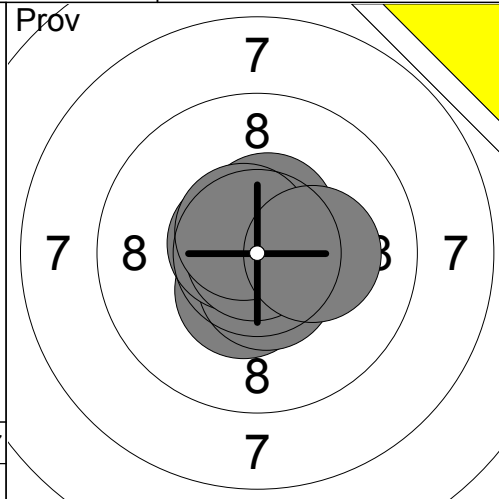
1:	10.5x	↖
Serie		10.5
Total		529.0



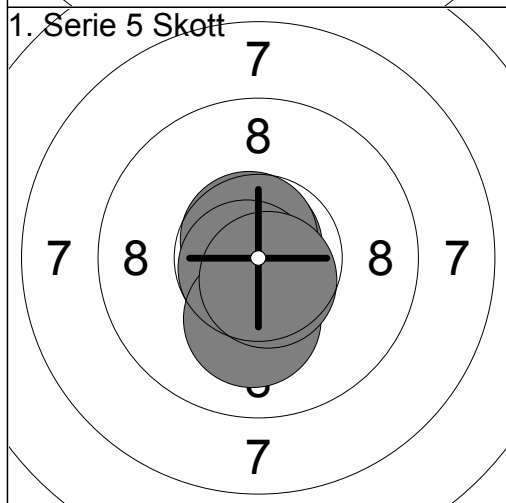
1:	10.9x	→
2:	10.7x	↗
3:	10.5x	↖
Serie		32.1
Total		529.0



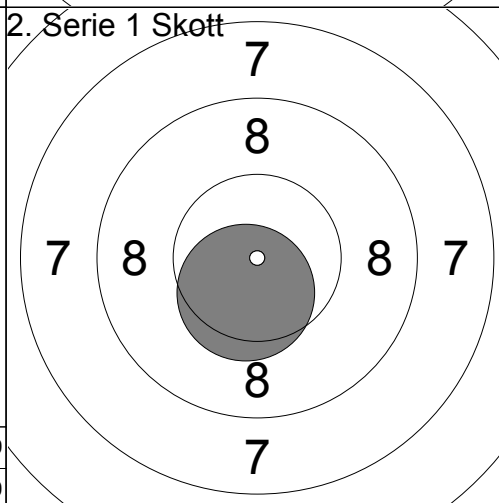
1:	10.5x	↗
2:	10.8x	↘
3:	10.8x	↘
4:	10.7x	↖
5:	10.5x	→
6:	10.8x	↘
7:	10.8x	↗
8:	10.5x	↘
9:	10.8x	↘
10:	10.5x	→
Serie	106.7	
Total	424.1	



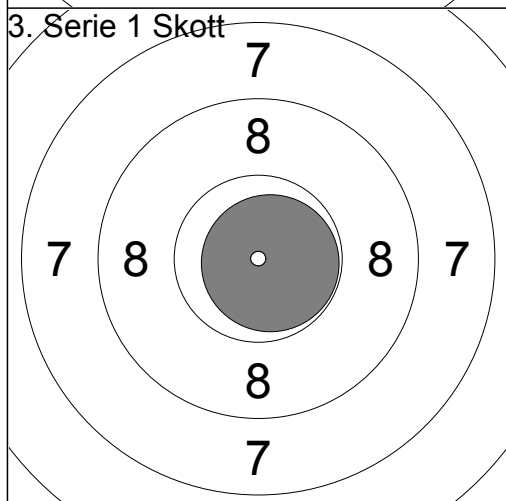
11:	10.6x	↗
12:	10.4x	↘
13:	10.9x	↗
14:	10.5x	↗
15:	10.6x	↘
16:	10.6x	↗
17:	10.9x	↗
18:	10.9x	↖
19:	10.6x	↗
20:	10.2x	→
Serie	106.2	
Total	424.1	



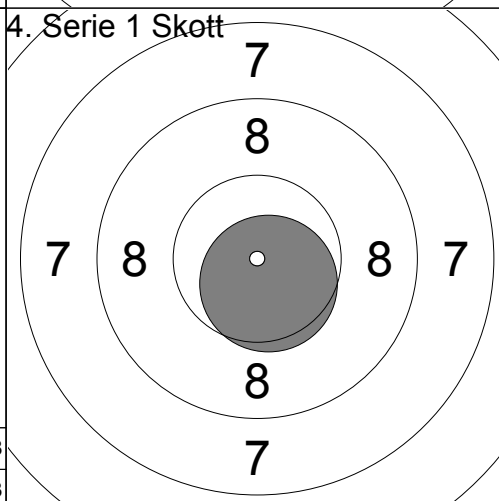
1:	10.8x	↗
2:	10.7x	↗
3:	10.7x	↘
4:	10.1	↘
5:	10.6x	↘
Serie	52.9	
Total	477.0	



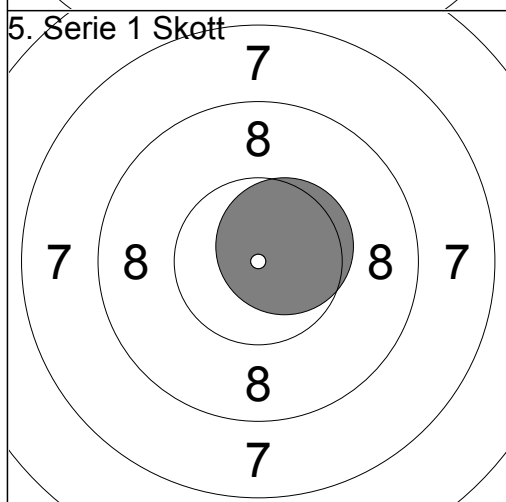
1:	10.5x	↘
Serie	10.5	
Total	487.5	



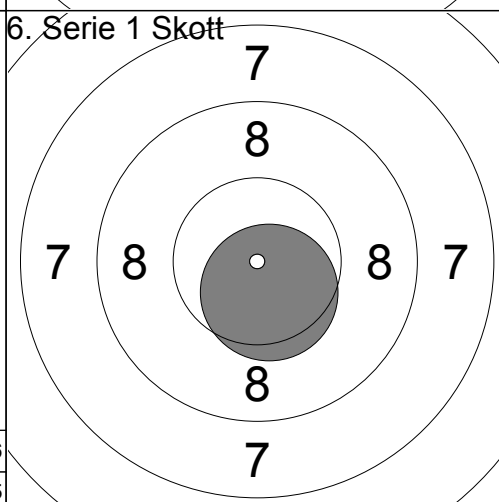
1:	10.8x	→
Serie	10.8	
Total	498.3	



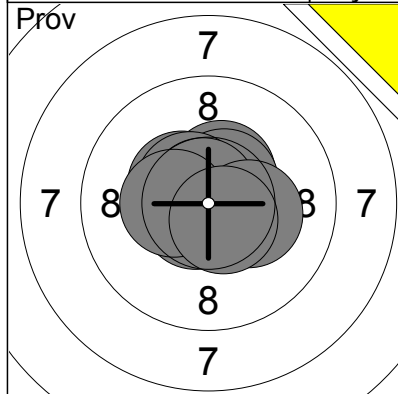
1:	10.6x	↘
Serie	10.6	
Total	508.9	



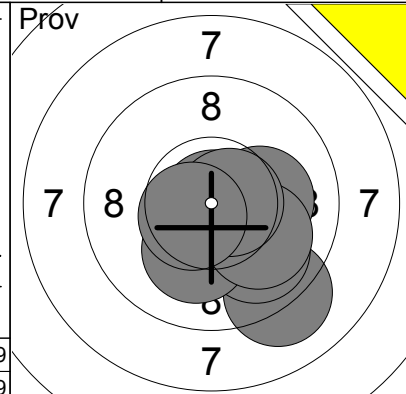
1:	10.6x	↗
Serie	10.6	
Total	519.5	



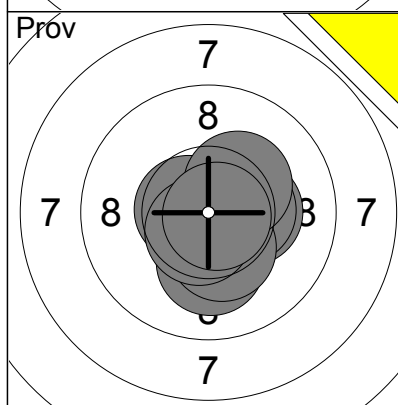
1:	10.5x	↘
Serie	10.5	
Total	530.0	



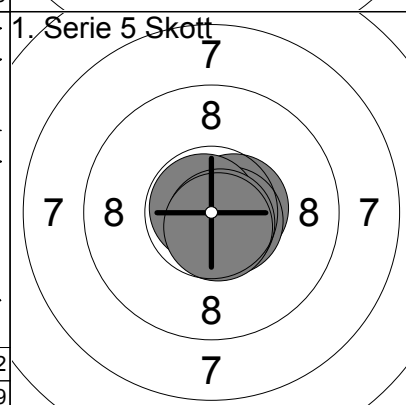
1:	10.4x	←
2:	10.4x	↗
3:	10.5x	↗
4:	10.4x	↗
5:	10.7x	↖
6:	10.5x	↗
7:	10.7x	↗
8:	10.3x	→
9:	10.4x	←
10:	10.6x	↘
Serie	104.9	
Total	423.9	



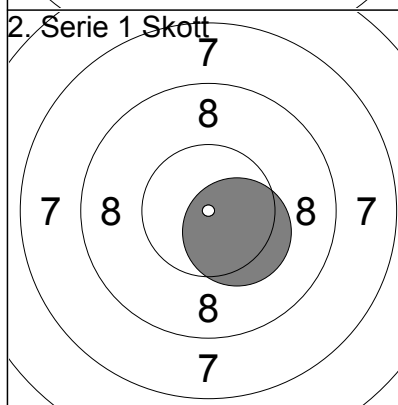
11:	10.2x	→
12:	10.8x	↘
13:	10.9x	→
14:	10.7x	↘
15:	9.1	↘
16:	9.9	↘
17:	10.1	↘
18:	10.0	↘
19:	10.6x	→
20:	10.6x	↙
Serie	102.9	
Total	423.9	



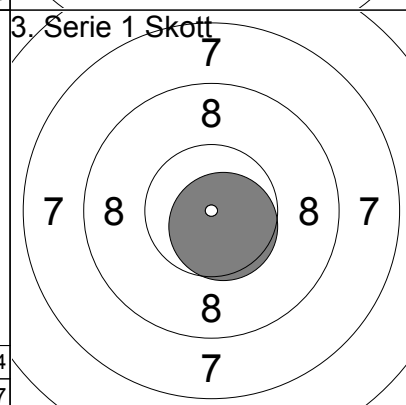
21:	10.3x	→
22:	10.8x	→
23:	10.1	↘
24:	10.6x	←
25:	10.4x	→
26:	10.3x	↘
27:	10.3x	↗
28:	10.6x	↘
29:	10.8x	→
Serie	94.2	
Total	423.9	



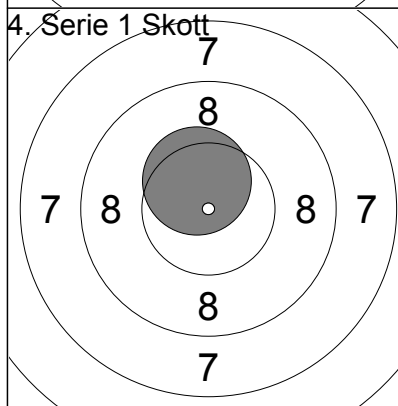
1:	10.6x	→
2:	10.6x	→
3:	10.8x	↗
4:	10.7x	↘
5:	10.7x	↘
Serie	53.4	
Total	477.3	



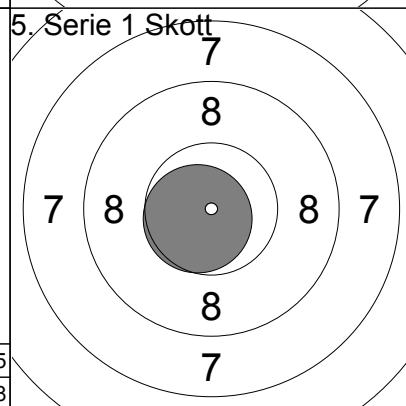
1:	10.4x	↘
Serie	10.4	
Total	487.7	



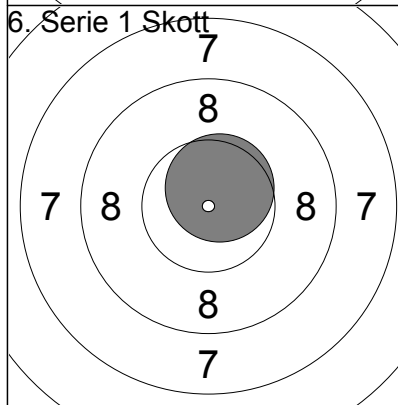
1:	10.6x	↘
Serie	10.6	
Total	498.3	



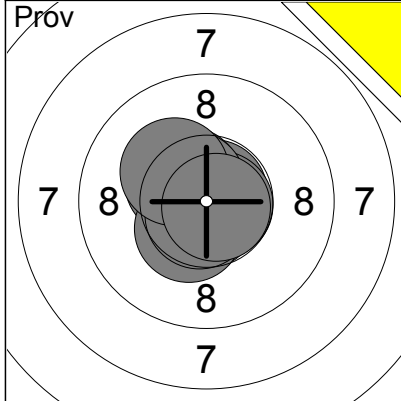
1:	10.5x	↖
Serie	10.5	
Total	508.8	



1:	10.7x	↖
Serie	10.7	
Total	519.5	

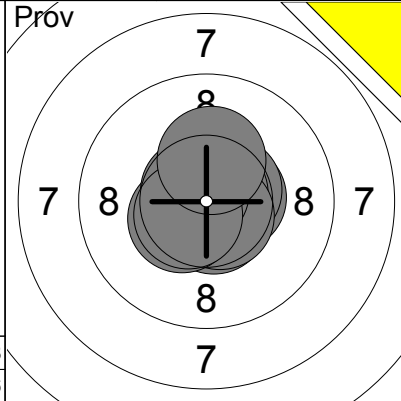


1:	10.6x	↗
Serie	10.6	
Total	530.1	



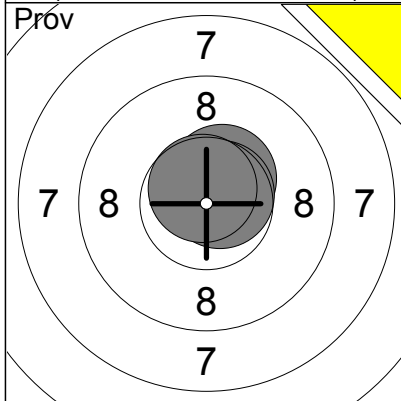
Pröv

1:	10.8x	↗
2:	10.4x	↗
3:	10.5x	↗
4:	10.7x	↘
5:	10.7x	↘
6:	10.4x	↘
7:	10.6x	↗
8:	10.7x	↘
9:	10.2x	↗
10:	10.8x	↘
Serie	105.8	
Total	423.6	



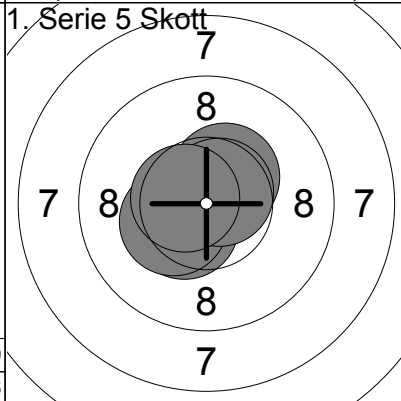
Pröv

11:	10.5x	→
12:	10.8x	↗
13:	10.6x	↗
14:	10.6x	↓
15:	10.8x	↗
16:	10.6x	↓
17:	10.5x	↙
18:	10.7x	↖
19:	10.6x	↙
20:	10.3x	↑
Serie	106.0	
Total	423.6	



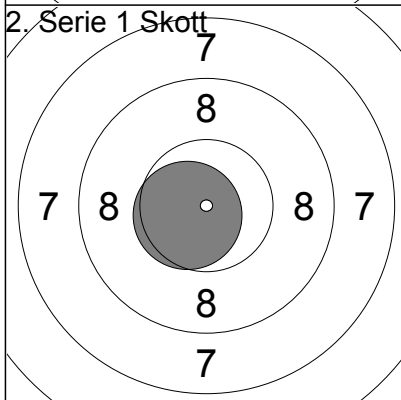
Pröv

21:	10.5x	↗
22:	10.7x	↗
23:	10.7x	↑
Serie	31.9	
Total	423.6	



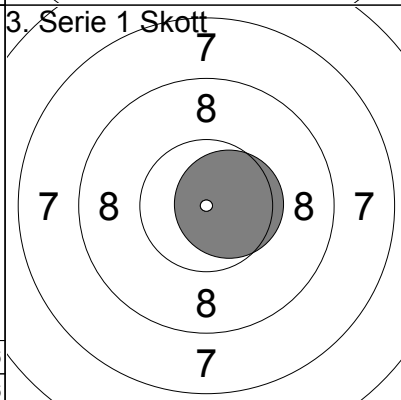
1. Serie 5 Skott

1:	10.4x	↙
2:	10.3x	↙
3:	10.4x	↗
4:	10.7x	↗
5:	10.6x	↙
Serie	52.4	
Total	476.0	



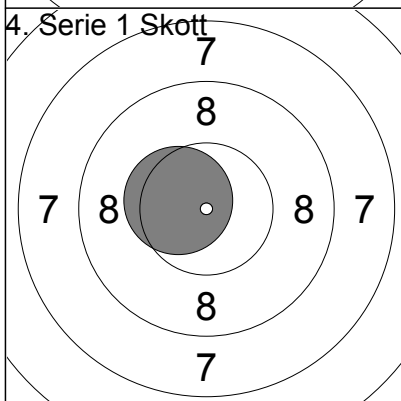
2. Serie 1 Skott

1:	10.6x	↙
Serie	10.6	
Total	486.6	



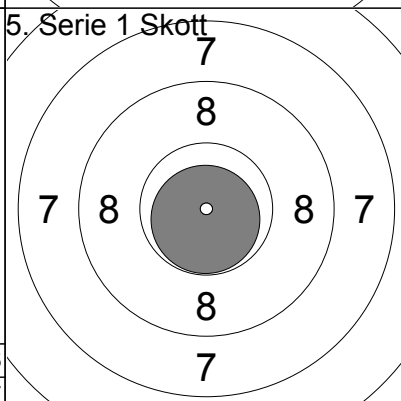
3. Serie 1 Skott

1:	10.6x	→
Serie	10.6	
Total	497.2	



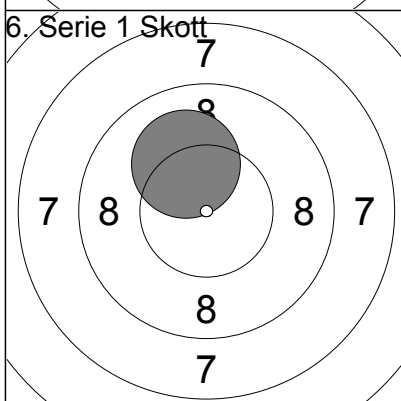
4. Serie 1 Skott

1:	10.5x	↙
Serie	10.5	
Total	507.7	



5. Serie 1 Skott

1:	10.8x	↓
Serie	10.8	
Total	518.5	



6. Serie 1 Skott

1:	10.1	↖
Serie	10.1	
Total	528.6	