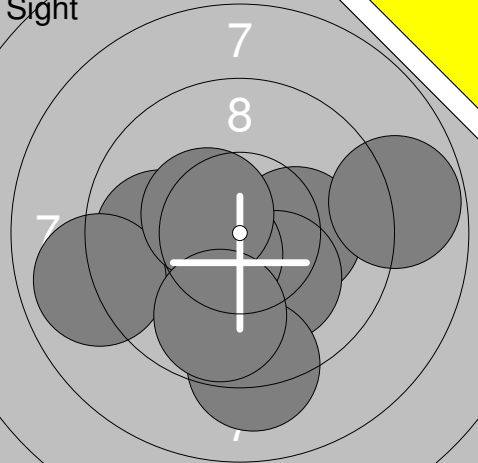
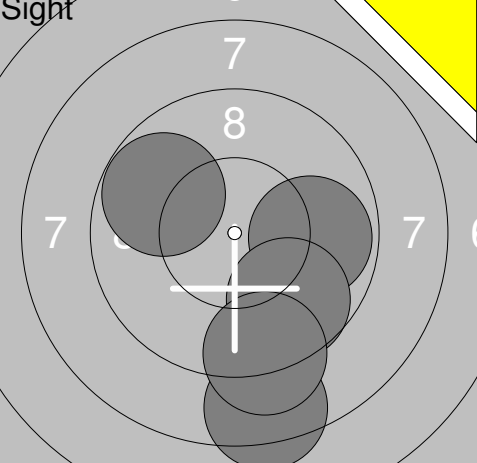
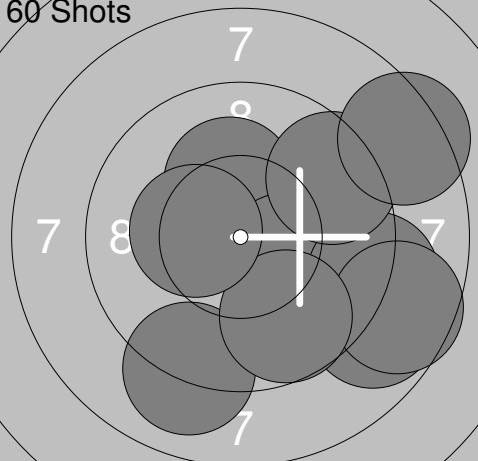
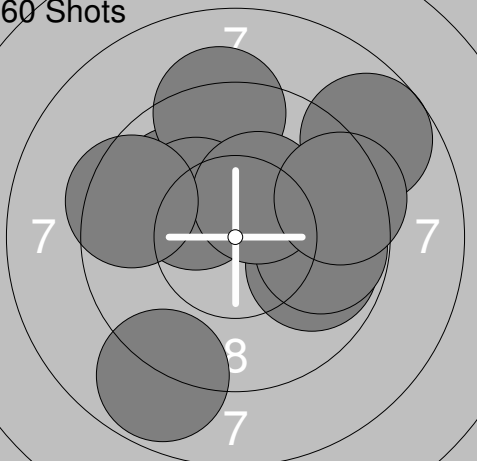


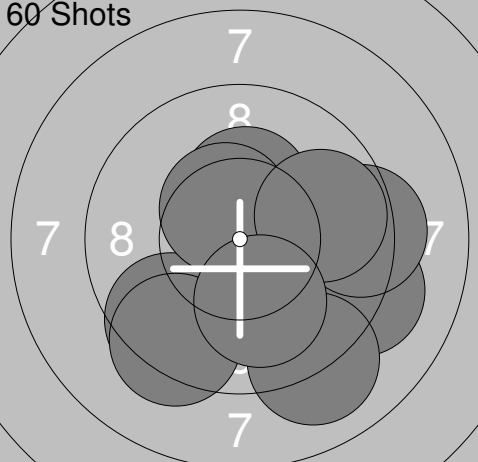
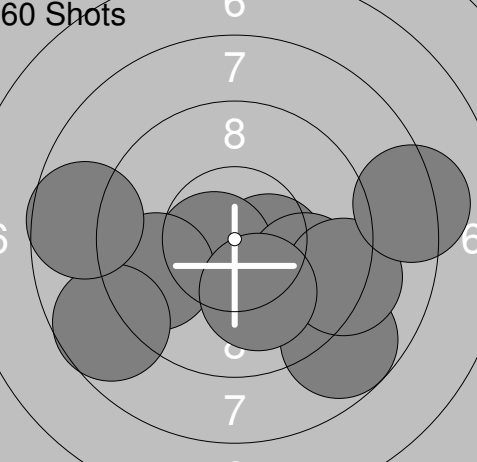
Relay	Lane	<b>Hugo Nyberg</b>	
<b>1</b>	<b>2</b>		

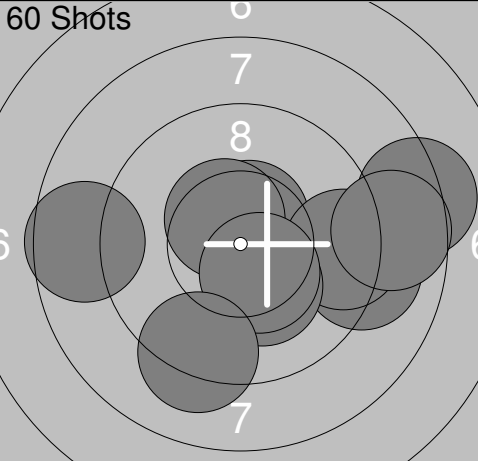
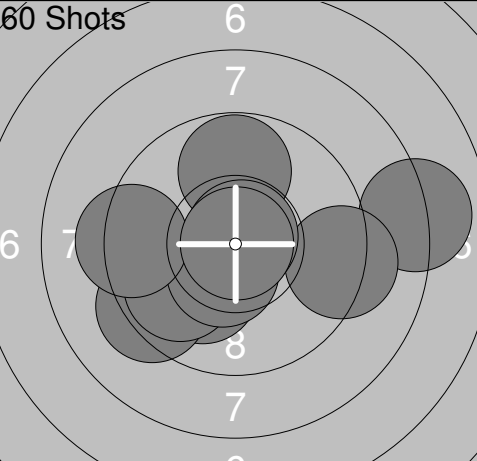
S	Drängsmarks Skf		
---	-----------------	--	--

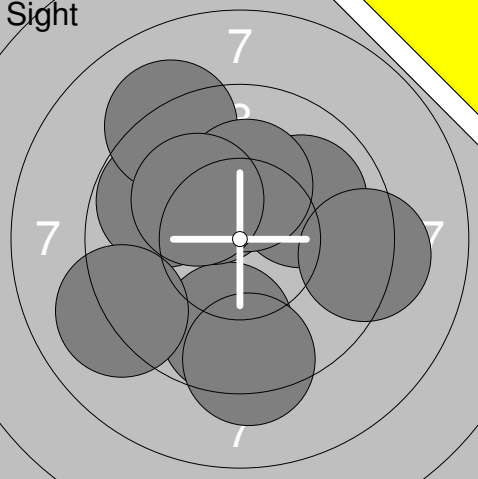
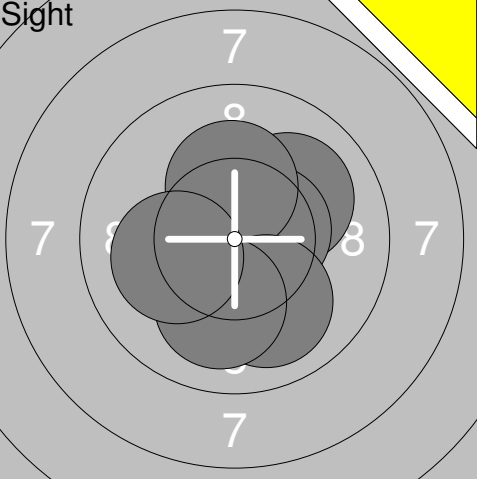
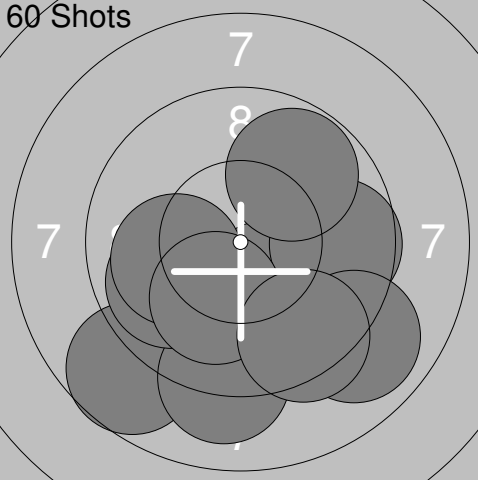
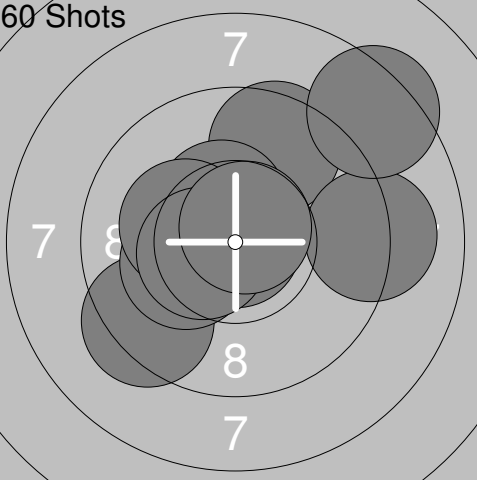
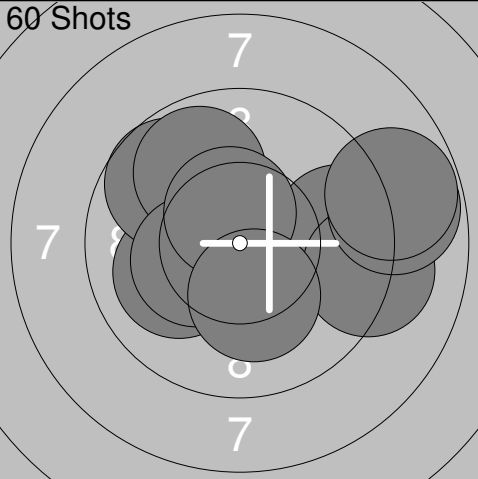
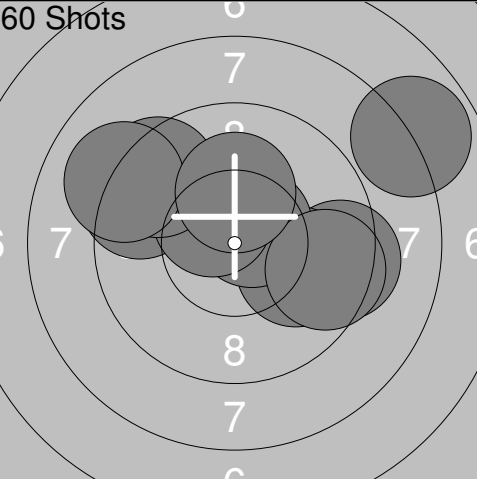
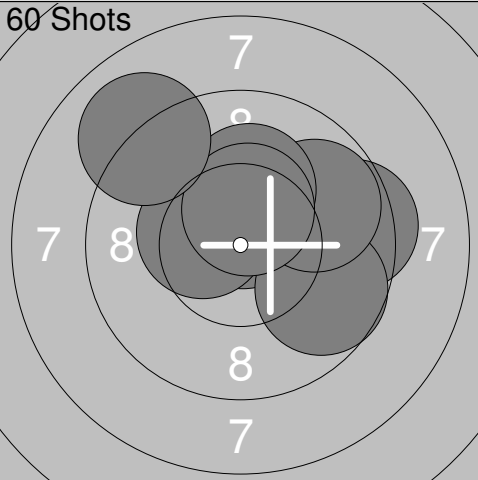
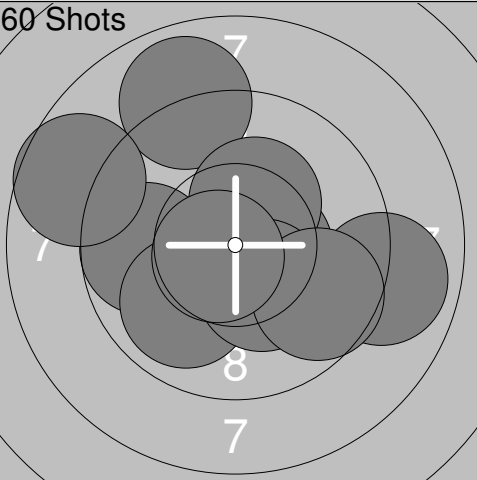
13.12.2015	Sweden Grand Prix 2015	Umeå skytteallians	
------------	------------------------	--------------------	--

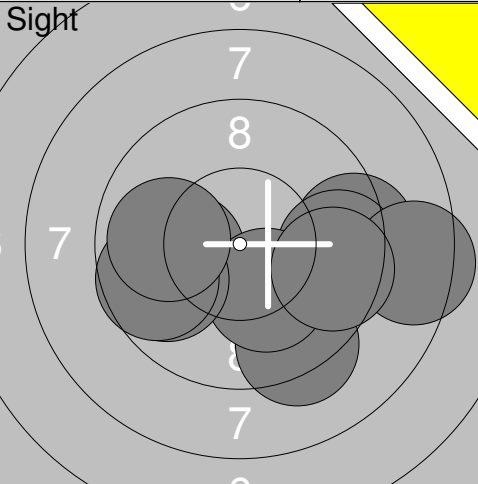
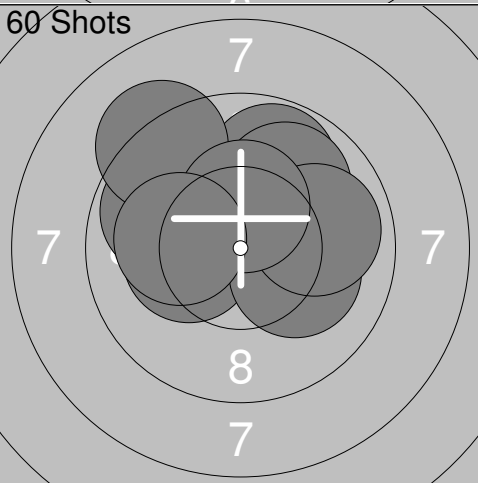
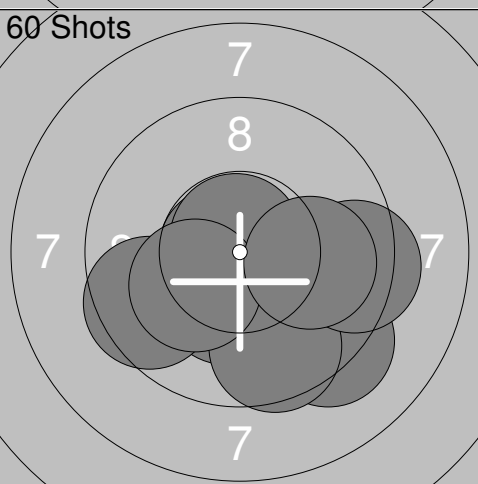
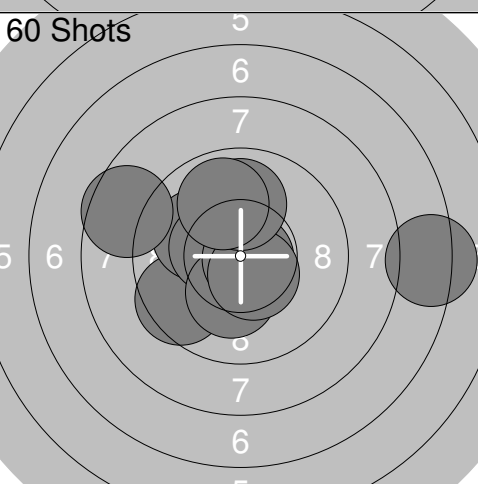
Sight		1: 10.5x ↘		11: 8.4 ↘	
		2: 9.9 ←		12: 9.8 ↗	
		3: 10.2x →		13: 9.9 →	
		4: 10.2x ↘		14: 9.7 ↘	
		5: 9.2 ↘		15: 9.1 ↘	
		6: 10.5x ↙			
		7: 9.0 ←			
		8: 10.4x ↗			
		9: 9.8 ↘			
		10: 8.8 →			
	Series	98.5		Series	46.9
	Total	0.0		Total	0.0

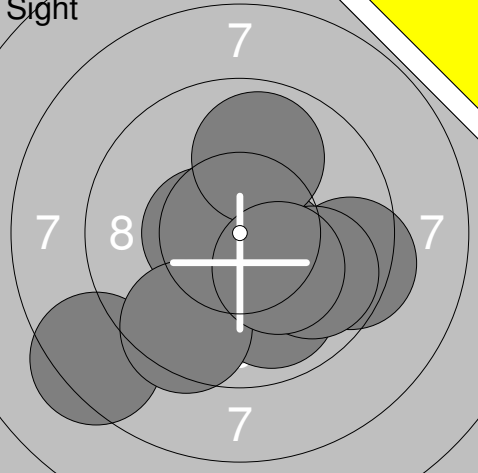
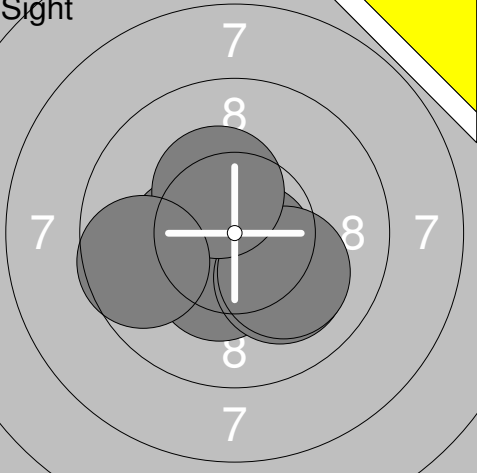
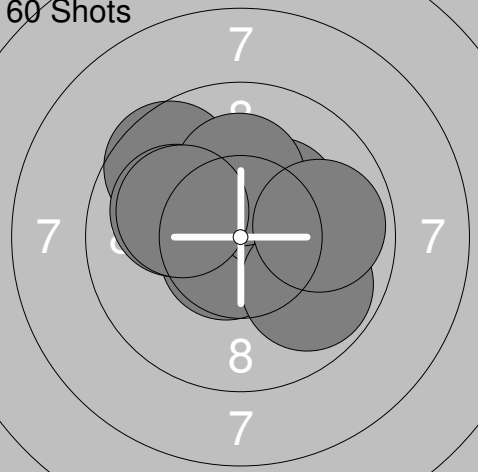
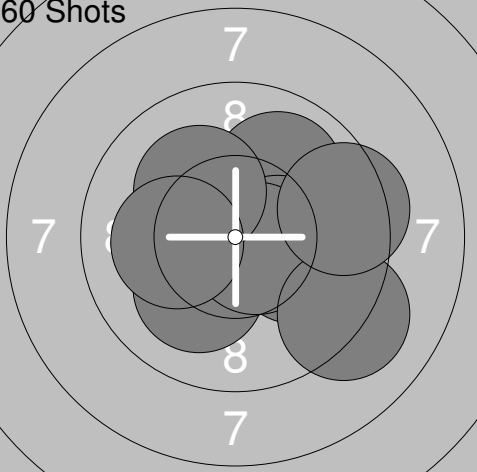
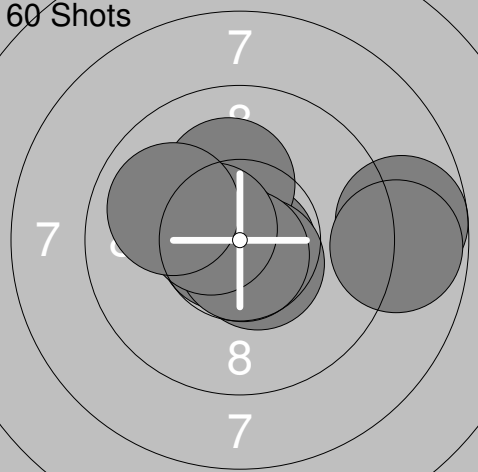
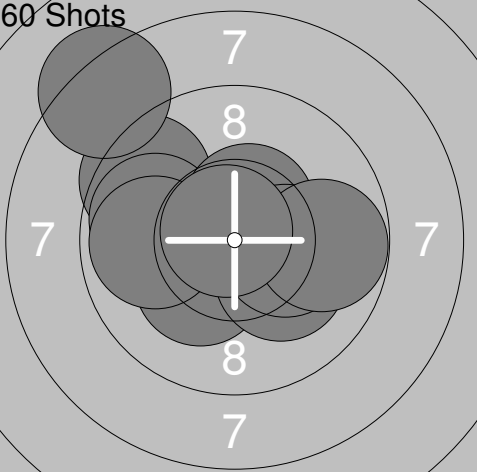
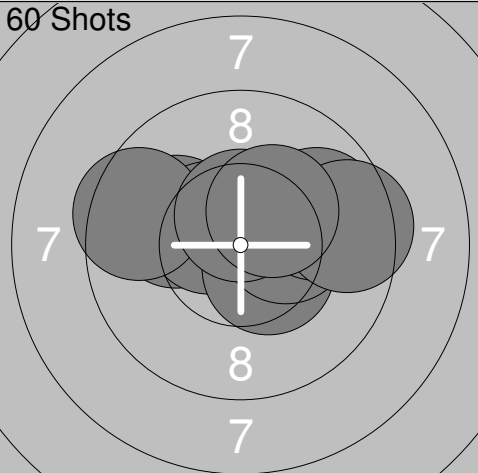
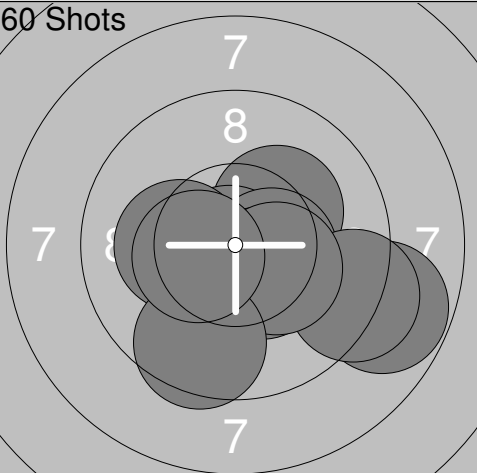
60 Shots		1: 10.2x ↑		11: 9.9 →	
		2: 9.0 ↘		12: 8.8 ↘	
		3: 8.8 ↘		13: 10.0 ↗	
		4: 10.3x ↘		14: 9.8 →	
		5: 9.1 →		15: 9.3 ↑	
		6: 8.6 ↘		16: 8.7 ↗	
		7: 9.7 ↘		17: 10.3x ↗	
		8: 10.3x ←		18: 10.3x ↑	
		9: 9.5 ↗		19: 9.5 ←	
		10: 8.4 ↗		20: 9.4 →	
	Series	93.9		Series	96.0
	Total	93.9		Total	189.9

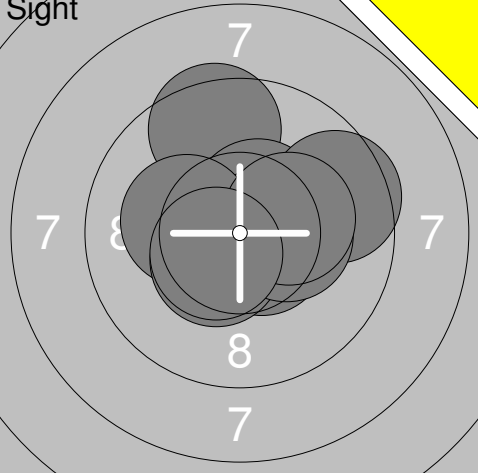
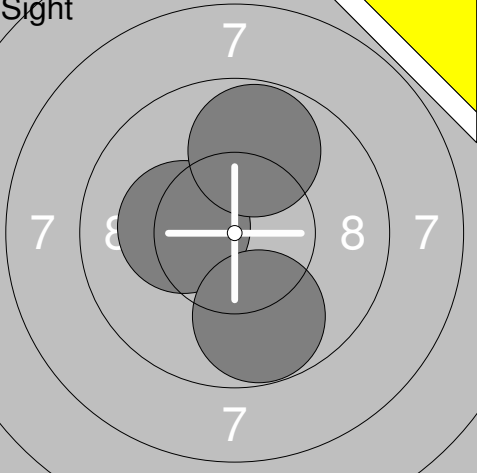
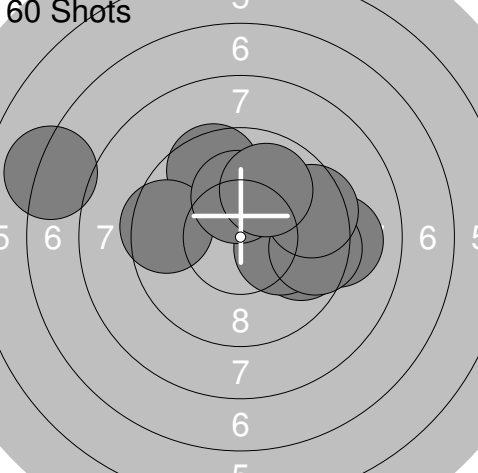
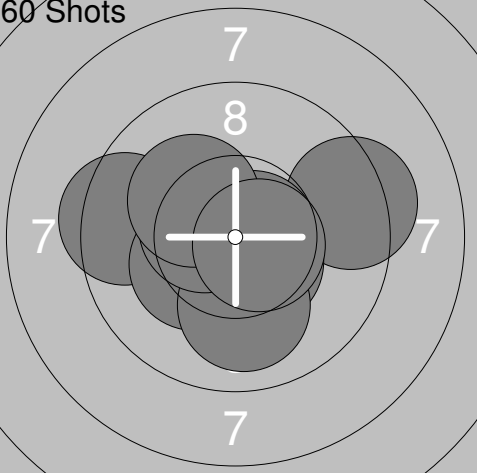
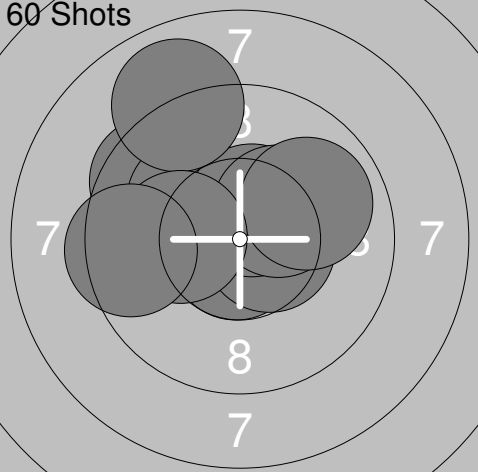
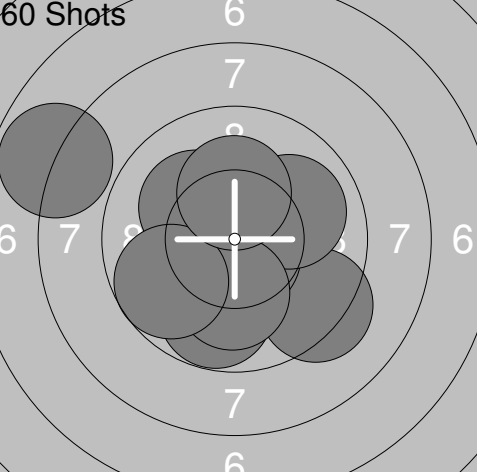
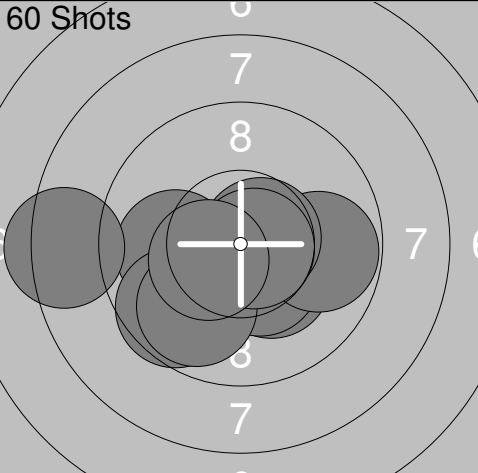
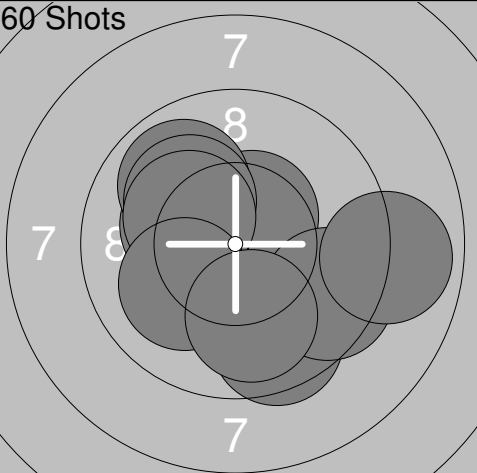
60 Shots		21: 9.2 →		31: 10.4x →	
		22: 10.3x ↑		32: 10.6x ←	
		23: 10.8x →		33: 9.8 →	
		24: 9.5 ↘		34: 8.7 ↘	
		25: 9.0 ↘		35: 9.7 ←	
		26: 9.3 →		36: 9.2 →	
		27: 9.3 ↘		37: 8.7 ←	
		28: 10.5x ↑		38: 10.1 ↘	
		29: 9.8 →		39: 8.7 ←	
		30: 10.1 ↘		40: 8.2 →	
	Series	97.8		Series	94.1
	Total	287.7		Total	381.8

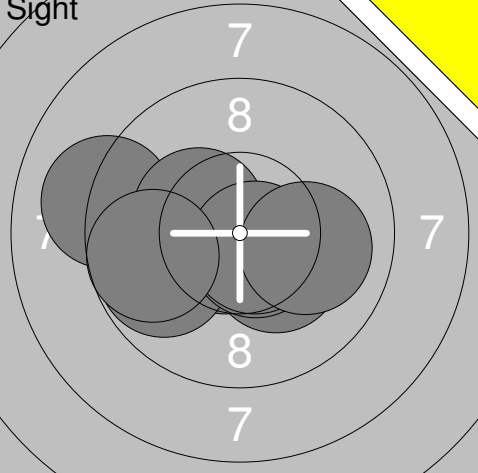
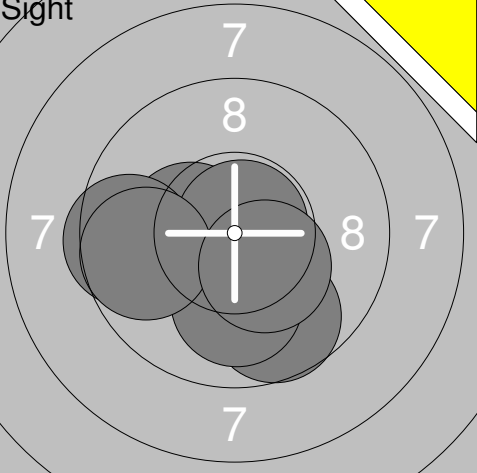
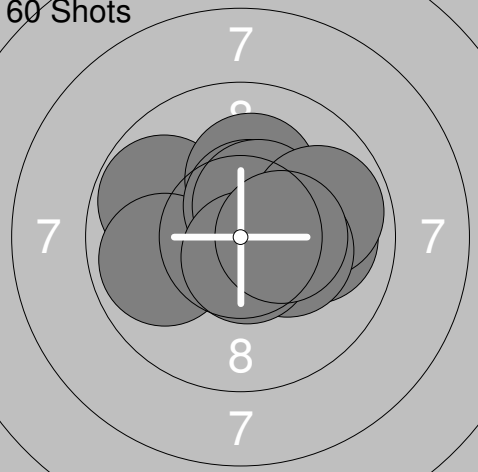
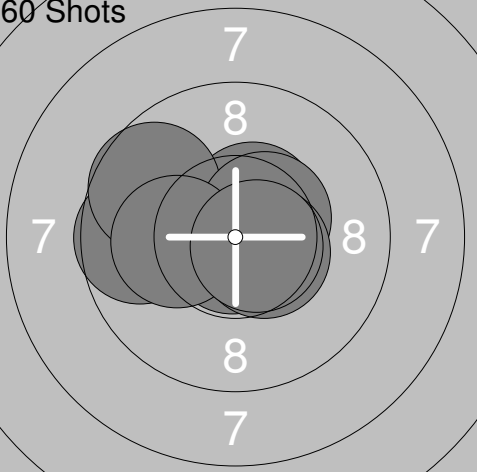
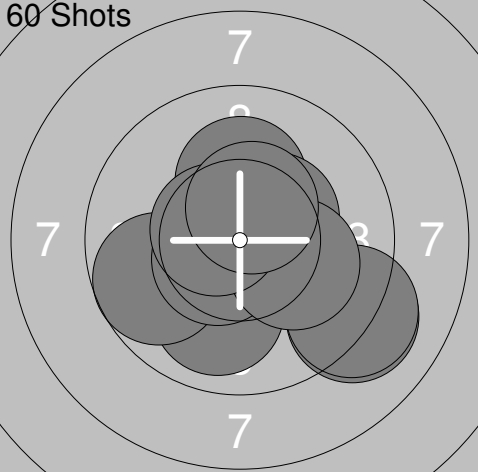
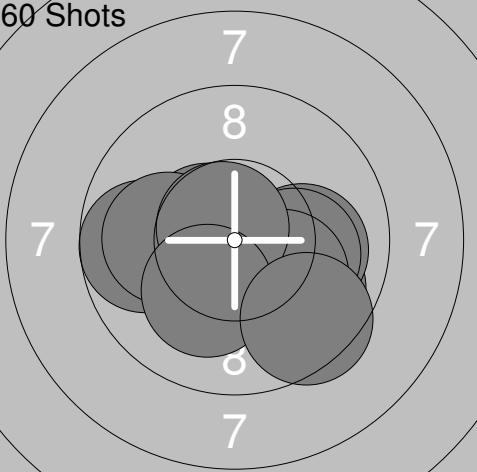
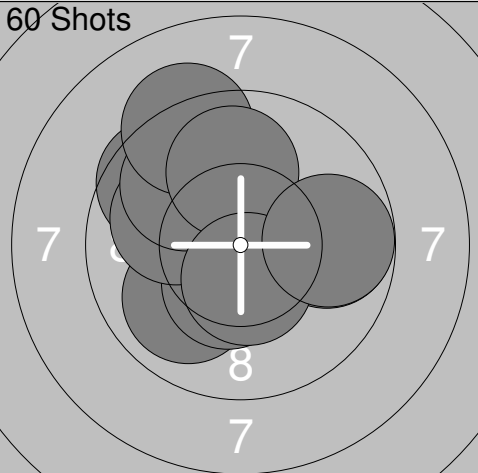
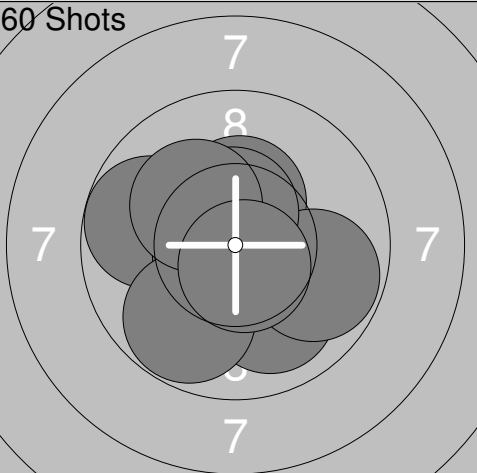
60 Shots		41: 10.6x ↑		51: 8.0 →	
		42: 9.1 →		52: 10.1 ↘	
		43: 9.4 →		53: 9.8 ↑	
		44: 10.2x ↘		54: 9.2 →	
		45: 8.2 →		55: 9.3 ↘	
		46: 8.6 ←		56: 9.9 ←	
		47: 10.5x ↗		57: 10.5x ↘	
		48: 8.7 →		58: 10.8x ↗	
		49: 10.4x ↘		59: 9.3 ←	
		50: 9.2 ↘		60: 10.9x ↗	
	Series	94.9		Series	97.8
	Total	476.7		Total	574.5

Relay	Lane	Mattias Jonsson	
S		Forsa Skf	
13.12.2015		Sweden Grand Prix 2015	Umeå skytteallians
Sight		1: 9.7 ↓ 2: 10.0 → 3: 9.8 ← 4: 10.3x ↗ 5: 9.2 ↗ 6: 9.3 ↓ 7: 9.1 ← 8: 10.2x ↑ 9: 10.2x ↗ 10: 9.2 → Series 97.0 Total 0.0	Sight  11: 10.1 ↗ 12: 10.5x → 13: 10.2x ↑ 14: 10.0 ↓ 15: 10.1 ↓ 16: 10.1 ← Series 61.0 Total 0.0
60 Shots		1: 10.2x ↓ 2: 8.7 ↓ 3: 9.1 ↓ 4: 9.9 ← 5: 9.7 → 6: 9.8 ↗ 7: 9.0 ↓ 8: 10.1 ← 9: 10.1 ↓ 10: 9.4 ↓ Series 96.0 Total 96.0	60 Shots  11: 9.4 ↙ 12: 9.6 ↗ 13: 10.2x ← 14: 10.4x ↗ 15: 9.1 → 16: 10.2x ← 17: 10.9x ↑ 18: 8.4 ↗ 19: 10.5x ← 20: 10.7x ↗ Series 99.4 Total 195.4
60 Shots		21: 10.0 ← 22: 9.6 → 23: 9.2 → 24: 9.7 ↗ 25: 8.8 → 26: 9.9 ↗ 27: 10.3x ← 28: 10.5x ↑ 29: 8.8 → 30: 10.2x ↓ Series 97.0 Total 292.4	60 Shots  31: 9.3 → 32: 10.0 → 33: 9.4 ← 34: 10.6x ↗ 35: 10.4x ↗ 36: 7.9 → 37: 9.5 → 38: 9.4 ↗ 39: 9.1 ← 40: 10.2x ↑ Series 95.8 Total 388.2
60 Shots		41: 10.6x ↑ 42: 9.6 → 43: 9.9 → 44: 9.4 → 45: 10.4x ← 46: 9.7 ↘ 47: 9.8 → 48: 10.2x ↑ 49: 10.5x ↑ 50: 9.0 ↗ Series 99.1 Total 487.3	60 Shots  51: 8.9 ↗ 52: 9.7 ← 53: 10.5x → 54: 8.9 → 55: 10.3x ↗ 56: 9.9 ↘ 57: 8.7 ← 58: 10.3x ↓ 59: 9.6 ↘ 60: 10.7x ↙ Series 97.5 Total 584.8

Relay	Lane	Mikael Lundell	
S		Rasbo Skf	
13.12.2015		Sweden Grand Prix 2015	Umeå skytteallians
Sight		1: 9.3 → 2: 9.3 ↓ 3: 10.1 ← 4: 9.5 → 5: 10.2x ↓ 6: 8.4 → 7: 9.8 ← 8: 9.6 → 9: 9.7 ← 10: 9.9 ←	11: 8.9 → 12: 10.4x ↓ 13: 10.0 → 14: 9.3 ↓ 15: 9.9 ← 16: 10.0 → 17: 9.7 ↑ 18: 8.9 → 19: 10.3x ← 20: 10.2x ↗
		Series 95.8	Series 97.6
		Total 0.0	Total 0.0
60 Shots		1: 9.8 ↖ 2: 10.2x ← 3: 10.5x ↑ 4: 9.8 ↑ 5: 9.2 ↗ 6: 10.2x → 7: 9.9 ↗ 8: 9.9 → 9: 10.4x ↑ 10: 10.1 ←	11: 10.3x → 12: 10.0 ↑ 13: 9.8 ↗ 14: 9.4 ↗ 15: 9.5 ↖ 16: 9.7 ↑ 17: 10.3x ↑ 18: 9.9 ↑ 19: 10.5x → 20: 7.9 →
		Series 100.0	Series 97.3
		Total 100.0	Total 197.3
60 Shots		21: 10.3x ↓ 22: 9.2 ↓ 23: 10.7x ← 24: 10.3x ↓ 25: 9.6 ← 26: 9.6 ↓ 27: 10.8x ↑ 28: 10.2x ↖ 29: 9.4 → 30: 10.0 →	31: 9.7 → 32: 10.0 ↖ 33: 10.4x → 34: 10.7x ↓ 35: 10.1 ↓ 36: 10.4x ↗ 37: 10.0 ↑ 38: 10.7x ↓ 39: 10.4x ↖ 40: 9.4 ↑
		Series 100.1	Series 101.8
		Total 297.4	Total 399.2
60 Shots		41: 9.5 ↖ 42: 10.0 ↖ 43: 7.3 → 44: 8.6 ↖ 45: 10.4x ↖ 46: 10.2x ↓ 47: 10.8x → 48: 10.5x ↓ 49: 10.0 ↑ 50: 9.9 ↑	51: 10.7x ↑ 52: 10.6x → 53: 10.1 → 54: 10.6x ↑ 55: 10.7x ↖ 56: 10.4x ↓ 57: 9.6 → 58: 10.0 ↑ 59: 9.9 ↖ 60: 9.1 ↓
		Series 97.2	Series 101.7
		Total 496.4	Total 598.1

Relay	Lane	Alexander Lindfors	
S		Fagersta Uskf	
13.12.2015		Sweden Grand Prix 2015	Umeå skytteallians
Sight		1: 10.5x ↘ 2: 10.2x ↘ 3: 10.5x ← 4: 8.4 ↙ 5: 9.9 ↘ 6: 9.9 ↗ 7: 9.4 → 8: 9.8 ↘ 9: 9.5 ↘ 10: 10.2x ↘ Series 98.3 Total 0.0	Sight  11: 10.4x ← 12: 10.7x ↘ 13: 10.4x ↘ 14: 10.1 ↘ 15: 10.1 ↘ 16: 10.4x ↗ 17: 9.7 ← Series 71.8 Total 0.0
60 Shots		1: 10.4x ↗ 2: 10.9x ↘ 3: 9.6 ↗ 4: 10.6x ↘ 5: 10.0 ↗ 6: 10.3x ↗ 7: 10.2x ↑ 8: 9.8 ↘ 9: 10.1 ↗ 10: 9.9 → Series 101.8 Total 101.8	60 Shots  11: 10.0 ↗ 12: 10.1 → 13: 10.4x → 14: 10.7x ↘ 15: 10.1 ↘ 16: 10.6x ↘ 17: 9.2 ↘ 18: 9.4 → 19: 10.2x ↗ 20: 10.2x ← Series 100.9 Total 202.7
60 Shots		21: 8.7 → 22: 10.8x ↘ 23: 10.6x ← 24: 10.2x ↑ 25: 10.7x ← 26: 10.5x ↘ 27: 10.7x ↘ 28: 10.5x ↗ 29: 8.8 → 30: 10.0 ↗ Series 101.5 Total 304.2	60 Shots  31: 10.2x ↘ 32: 9.5 ↗ 33: 9.8 ← 34: 10.5x ↗ 35: 8.3 ↗ 36: 9.9 ← 37: 10.2x ↘ 38: 10.2x → 39: 9.8 → 40: 10.8x ↗ Series 99.2 Total 403.4
60 Shots		41: 10.0 ← 42: 10.5x ↗ 43: 10.4x → 44: 9.5 ← 45: 10.5x ↘ 46: 10.3x → 47: 9.8 → 48: 10.6x ↑ 49: 9.5 → 50: 10.3x ↗ Series 101.4 Total 504.8	60 Shots  51: 8.8 → 52: 10.2x ↗ 53: 10.8x ↘ 54: 10.2x ← 55: 10.4x → 56: 10.4x ↘ 57: 9.2 ↘ 58: 10.3x → 59: 9.5 ↘ 60: 10.4x ← Series 100.2 Total 605.0

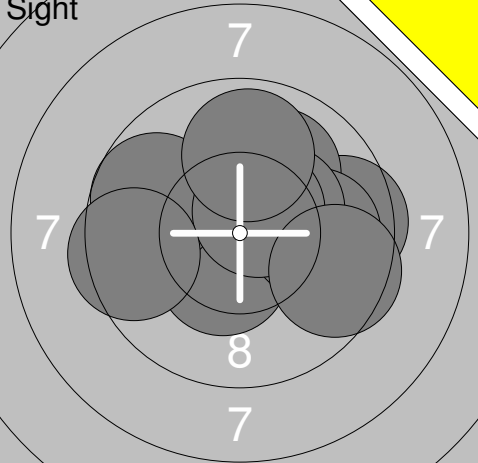
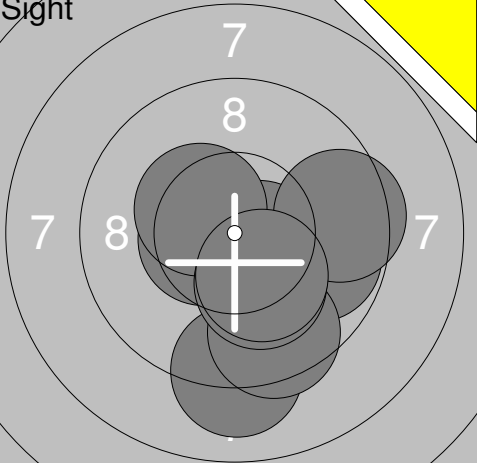
<p>Sight</p> 	<p>1: 9.5 ↑ 2: 10.5x ↗ 3: 9.6 → 4: 10.6x → 5: 10.2x ← 6: 10.6x ↘ 7: 10.5x ↘ 8: 10.3x → 9: 10.3x → 10: 10.5x ↘</p> <p>Series 102.6 Total 0.0</p>	<p>Sight</p> 	<p>11: 10.3x ← 12: 9.8 ↓ 13: 9.8 ↑</p> <p>Series 29.9 Total 0.0</p>
<p>60 Shots</p> 	<p>1: 9.7 → 2: 10.2x → 3: 9.1 → 4: 9.6 ↑ 5: 9.5 → 6: 9.5 ← 7: 7.1 ← 8: 10.2x ↑ 9: 9.5 → 10: 9.9 ↑</p> <p>Series 94.3 Total 94.3</p>	<p>60 Shots</p> 	<p>11: 9.4 ← 12: 10.3x ↓ 13: 9.3 → 14: 10.5x ↘ 15: 10.3x ← 16: 10.0 ↓ 17: 10.7x → 18: 10.5x ← 19: 10.2x ↗ 20: 10.6x →</p> <p>Series 101.8 Total 196.1</p>
<p>60 Shots</p> 	<p>21: 9.6 ↖ 22: 10.8x ↓ 23: 10.5x → 24: 10.1 ↗ 25: 10.5x ↑ 26: 9.0 ↑ 27: 10.3x ↗ 28: 9.9 → 29: 10.2x ← 30: 9.5 ←</p> <p>Series 100.4 Total 296.5</p>	<p>60 Shots</p> 	<p>31: 10.2x ↗ 32: 9.3 ↘ 33: 10.3x ↓ 34: 10.6x ↓ 35: 7.9 ← 36: 10.0 → 37: 9.8 ↓ 38: 10.1 ↓ 39: 9.8 ↙ 40: 10.2x ↑</p> <p>Series 98.2 Total 394.7</p>
<p>60 Shots</p> 	<p>41: 10.0 ← 42: 9.6 ↙ 43: 10.3x ↘ 44: 8.3 ← 45: 10.4x ↘ 46: 9.8 → 47: 10.6x → 48: 9.8 ↙ 49: 10.7x → 50: 10.4x ↙</p> <p>Series 99.9 Total 494.6</p>	<p>60 Shots</p> 	<p>51: 10.5x ↗ 52: 10.2x ← 53: 9.9 ↗ 54: 9.5 ↘ 55: 10.1 ↗ 56: 9.5 ↘ 57: 10.2x ↗ 58: 8.9 → 59: 10.1 ↙ 60: 10.0 ↓</p> <p>Series 98.9 Total 593.5</p>

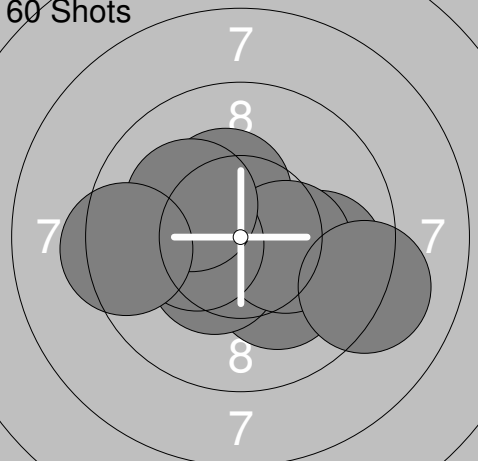
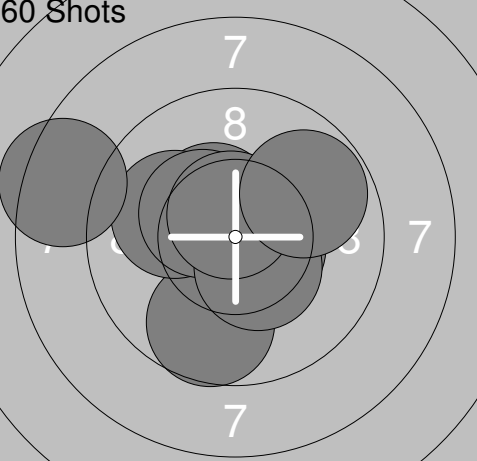
Relay	Lane	Joar Karlsson	
S		Söderala AIK	
13.12.2015		Sweden Grand Prix 2015	Umeå skytteallians
Sight		1: 10.3x ↘ 2: 9.1 ← 3: 10.1 ← 4: 10.7x ↘ 5: 9.8 ← 6: 10.3x ↗ 7: 10.6x ↘ 8: 10.7x ↘ 9: 10.0 → 10: 9.7 ← Series 101.3 Total 0.0	Sight  11: 9.7 ↘ 12: 10.4x ← 13: 10.0 ↘ 14: 10.8x ↗ 15: 9.5 ← 16: 9.7 ← 17: 10.3x ↘ Series 70.4 Total 0.0
60 Shots		1: 9.8 ← 2: 9.9 ← 3: 10.2x ↑ 4: 10.5x ↑ 5: 10.5x ↗ 6: 10.0 → 7: 9.9 → 8: 10.3x → 9: 10.7x ↘ 10: 10.4x → Series 102.2 Total 102.2	60 Shots  11: 10.8x ↑ 12: 10.5x ↗ 13: 9.7 ← 14: 10.6x → 15: 9.7 ← 16: 10.8x ↘ 17: 10.5x ↗ 18: 10.2x ← 19: 10.5x → 20: 10.6x → Series 103.9 Total 206.1
60 Shots		21: 10.0 ↘ 22: 9.7 ← 23: 9.1 ↘ 24: 10.2x ↑ 25: 10.6x ↘ 26: 10.4x ↗ 27: 9.2 ↘ 28: 10.2x → 29: 10.6x ↗ 30: 10.5x ↑ Series 100.5 Total 306.6	60 Shots  31: 9.9 ↘ 32: 10.6x ↗ 33: 10.0 → 34: 9.7 ← 35: 10.1 → 36: 10.1 ↘ 37: 10.0 ← 38: 10.7x ↗ 39: 10.2x ↘ 40: 9.5 ↘ Series 100.8 Total 407.4
60 Shots		41: 10.0 ↘ 42: 10.4x ↘ 43: 9.6 ↗ 44: 9.8 → 45: 10.0 ↗ 46: 9.9 ↗ 47: 9.2 ↗ 48: 10.0 ↑ 49: 10.5x ↘ 50: 9.8 → Series 99.2 Total 506.6	60 Shots  51: 9.8 ← 52: 10.8x ↗ 53: 10.4x ↑ 54: 10.7x ← 55: 10.0 ↘ 56: 9.8 → 57: 9.8 ↘ 58: 10.5x ↑ 59: 10.2x ↗ 60: 10.6x ↘ Series 102.6 Total 609.2

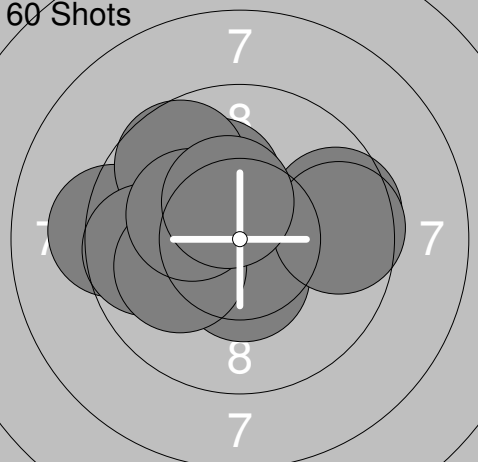
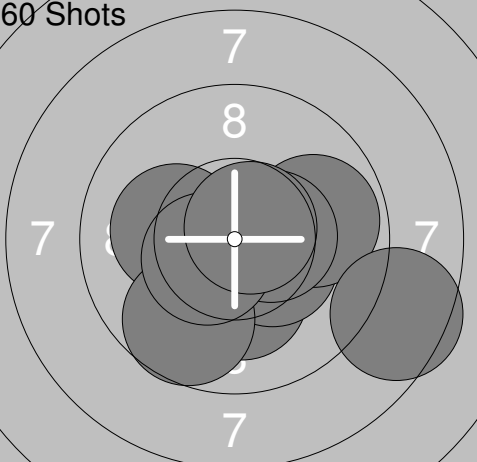
Relay	Lane	<b>Daniel Wallberg</b>	
<b>1</b>	<b>8</b>		

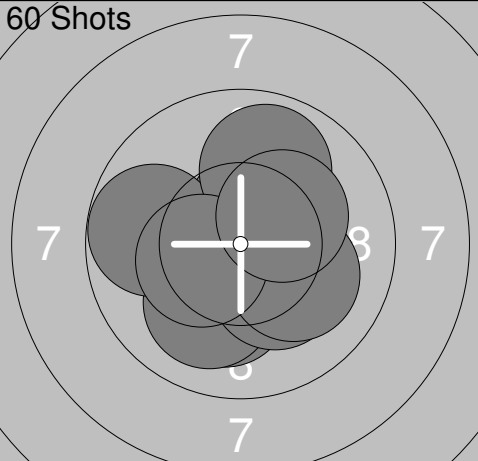
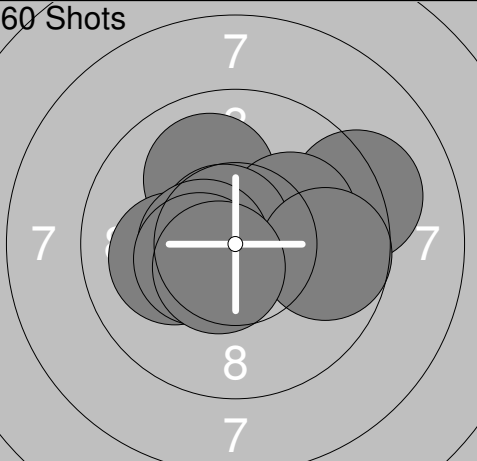
S	Ramselefors Skf		
---	-----------------	--	--

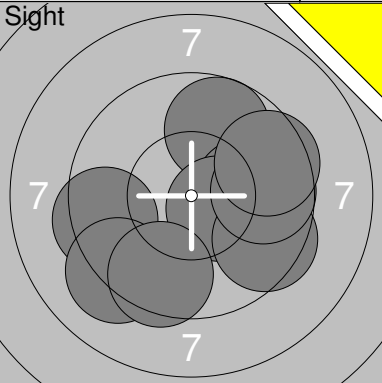
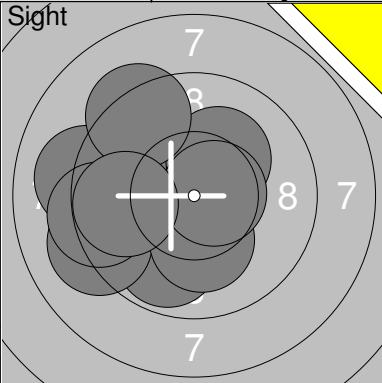
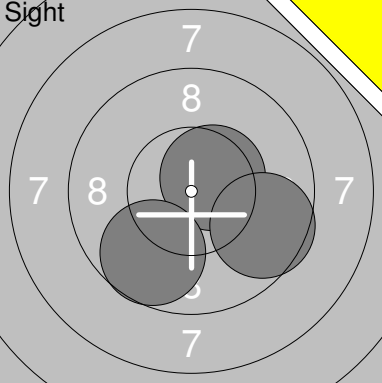
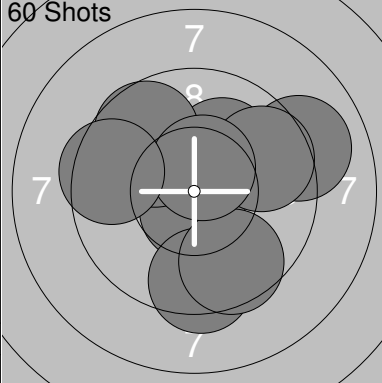
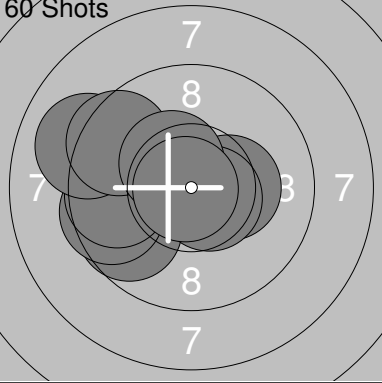
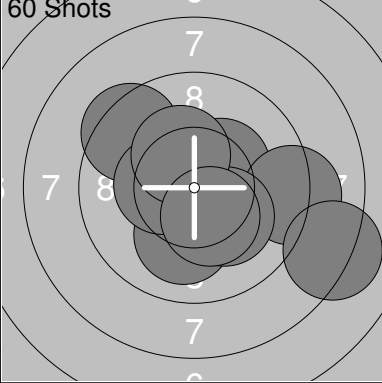
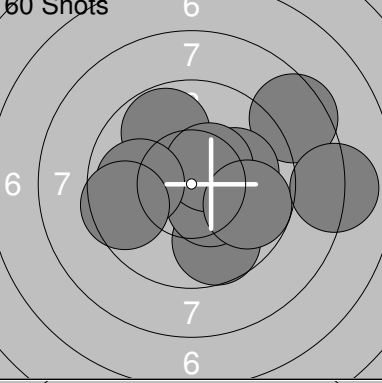
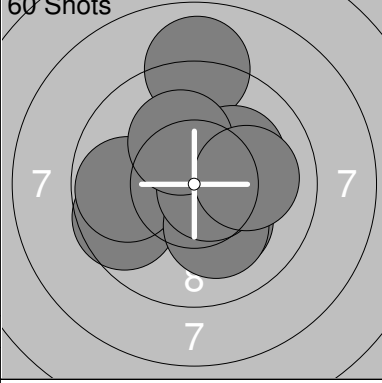
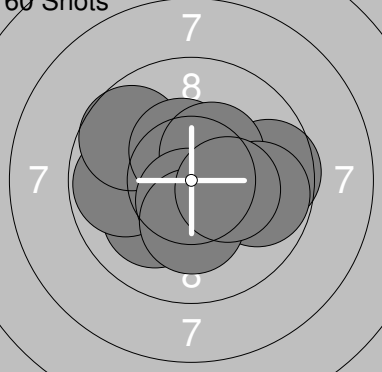
13.12.2015	Sweden Grand Prix 2015	Umeå skytteallians	
------------	------------------------	--------------------	--

Sight 	1: 9.6 →	Sight 	11: 9.8 →
	2: 10.0 ↗		12: 10.6x ↗
	3: 10.4x ↓		13: 9.1 ↓
	4: 9.7 ←		14: 9.5 ↓
	5: 9.9 →		15: 10.5x ←
	6: 10.3x ↗		16: 9.5 →
	7: 10.6x ↗		17: 10.4x ↗
	8: 9.9 ↑		18: 10.2x ↓
	9: 9.6 →		19: 10.3x ↓
	10: 9.5 ←		
Series	99.5	Series	89.9
Total	0.0	Total	0.0

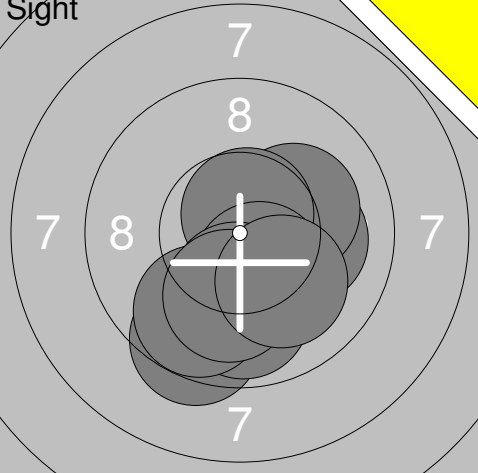
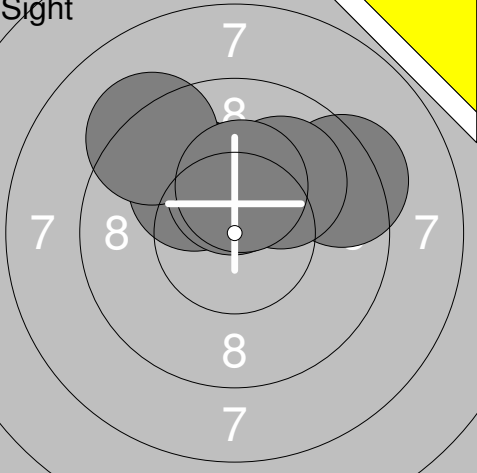

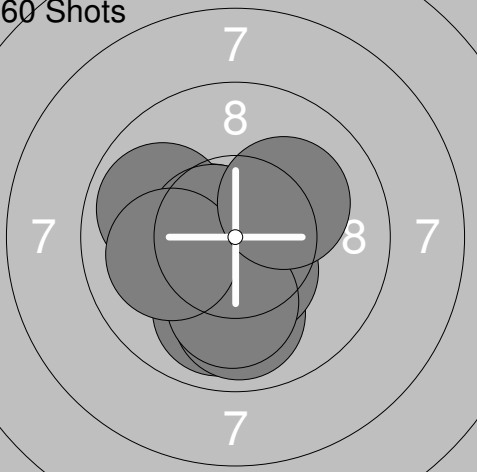
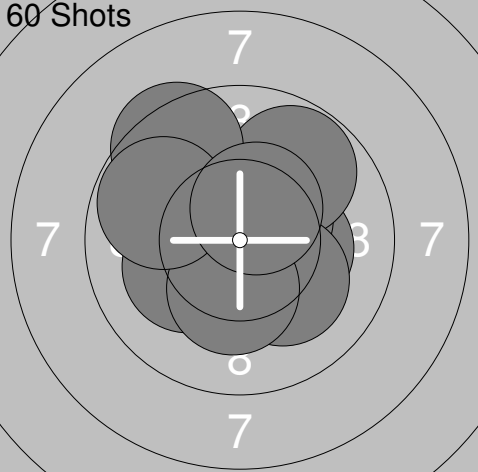
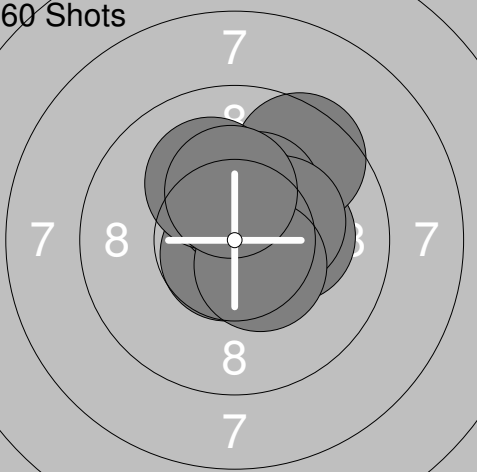
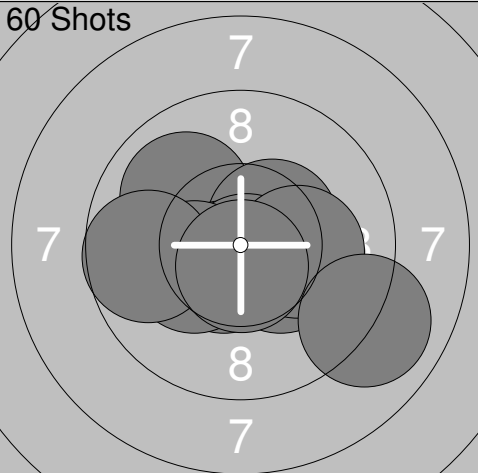

60 Shots 	1: 10.7x ←	60 Shots 	11: 9.7 ↓
	2: 9.9 →		12: 10.4x ↗
	3: 10.1 ↓		13: 10.6x →
	4: 10.3x ↗		14: 10.5x ↗
	5: 10.4x ↓		15: 10.0 ←
	6: 10.3x →		16: 10.4x ↗
	7: 10.4x ←		17: 10.4x ↓
	8: 10.2x ↗		18: 10.6x ↑
	9: 9.1 →		19: 8.4 ←
	10: 9.4 ←		20: 9.8 ↗
Series	100.8	Series	100.8
Total	100.8	Total	201.6

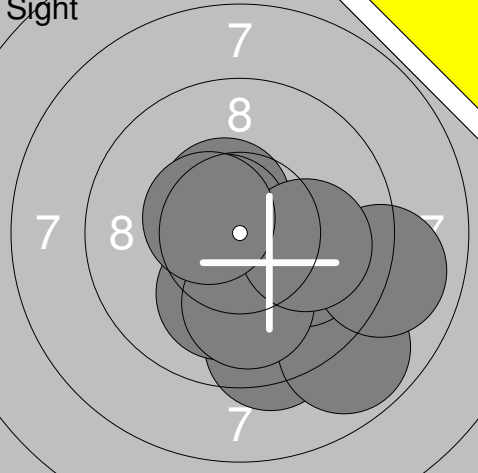
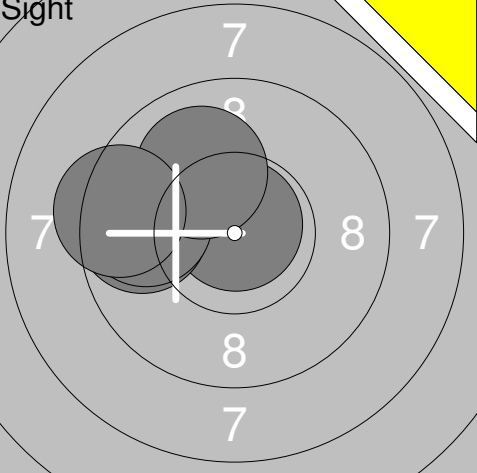
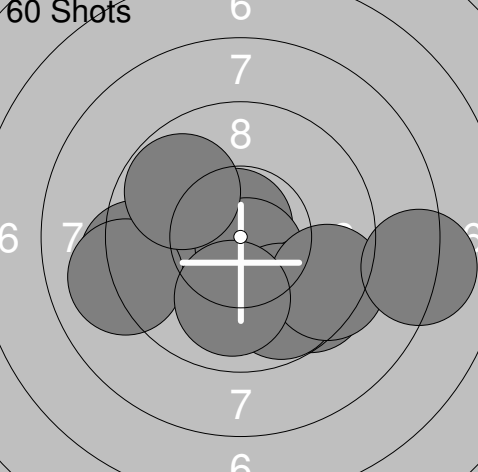
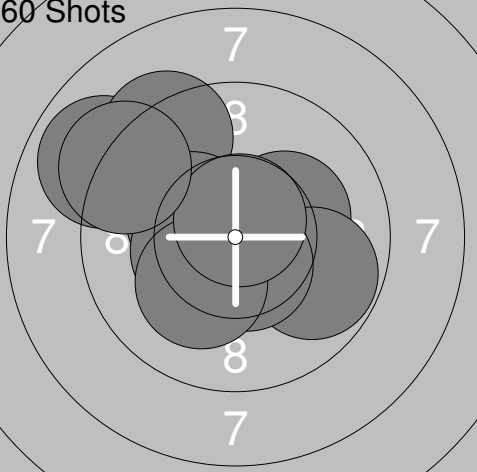
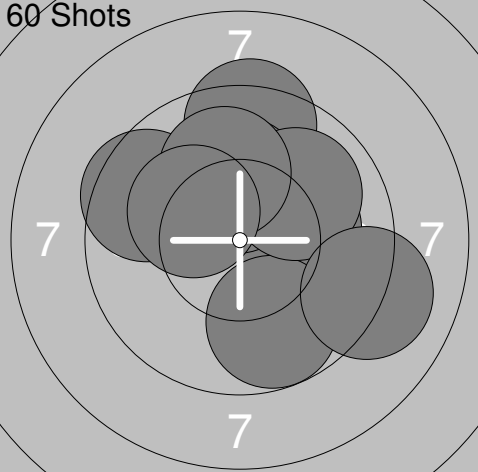
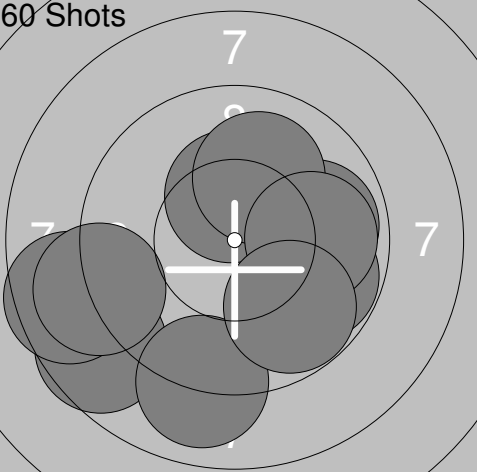
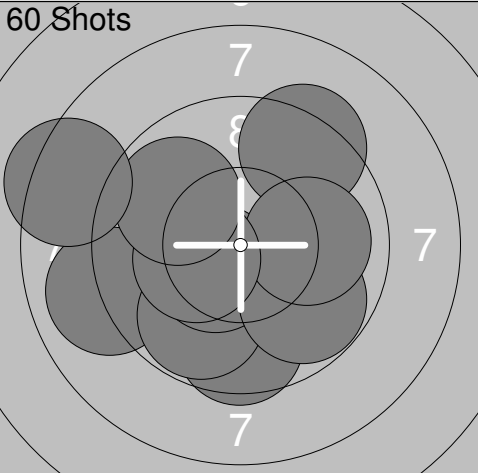
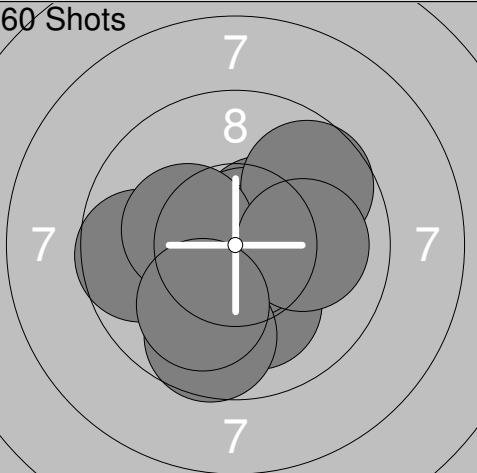
60 Shots 	21: 10.1 ↗	60 Shots 	31: 10.2x ↓
	22: 9.3 ←		32: 10.9x →
	23: 9.7 ↗		33: 10.4x ↗
	24: 9.6 →		34: 9.9 →
	25: 9.7 ←		35: 10.2x ←
	26: 10.5x ↓		36: 9.7 ↓
	27: 10.1 ←		37: 10.5x →
	28: 9.6 →		38: 10.5x ←
	29: 10.2x ↗		39: 8.5 →
	30: 10.4x ↗		40: 10.7x ↗
Series	99.2	Series	101.5
Total	300.8	Total	402.3

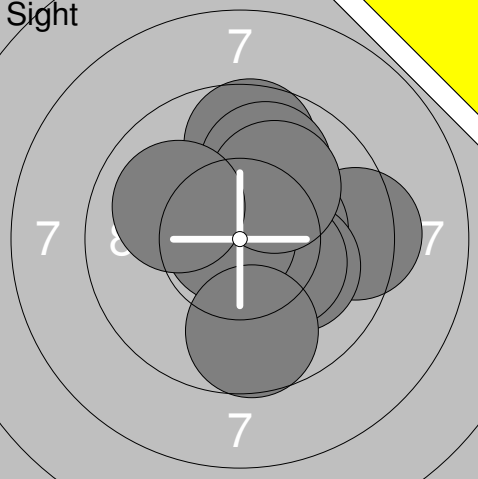
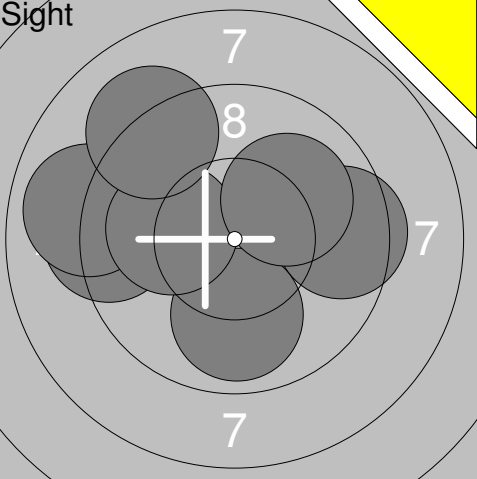
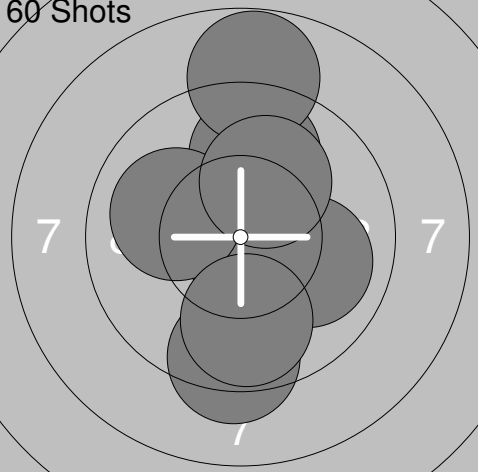
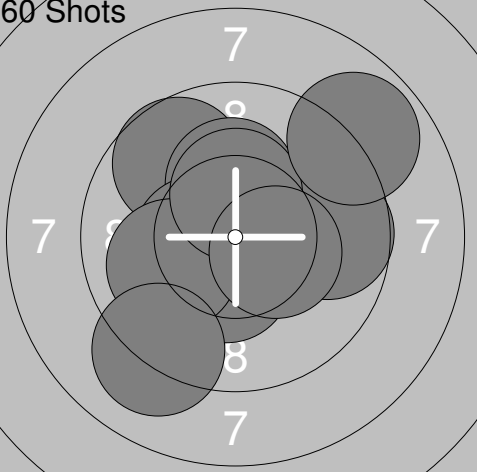
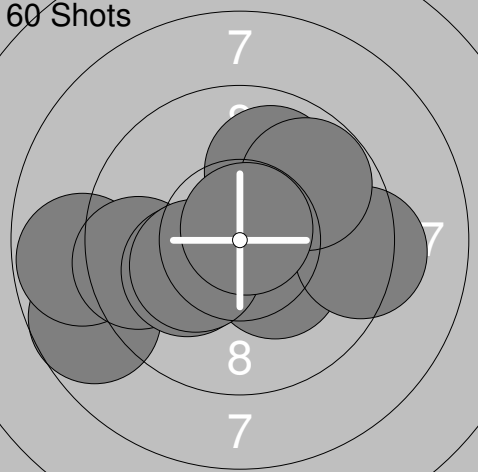
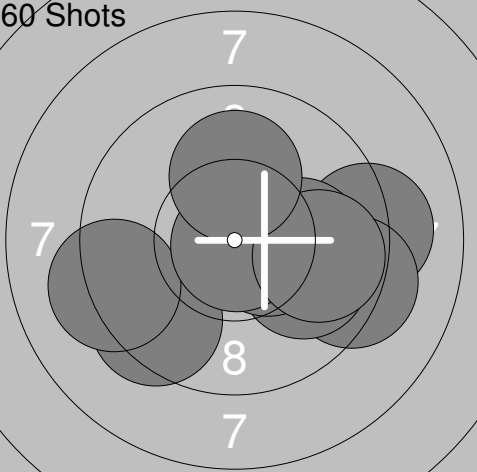
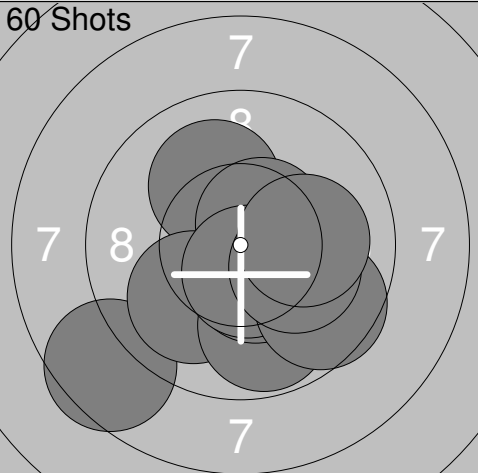
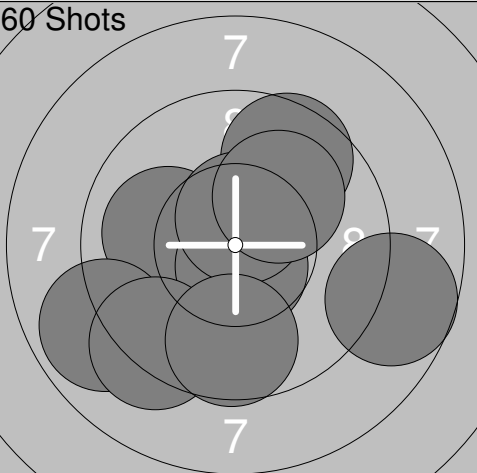
60 Shots 	41: 10.1 ↓	60 Shots 	51: 9.2 →
	42: 10.1 ↓		52: 10.4x ↗
	43: 10.2x ↓		53: 10.0 ↗
	44: 10.7x →		54: 10.1 →
	45: 10.1 ↗		55: 10.1 ←
	46: 10.5x ↗		56: 10.7x ↗
	47: 9.8 ←		57: 9.7 →
	48: 9.9 ↑		58: 10.5x ←
	49: 10.4x ←		59: 10.4x ←
	50: 10.3x ↗		60: 10.6x ↓
Series	102.1	Series	101.7
Total	504.4	Total	606.1

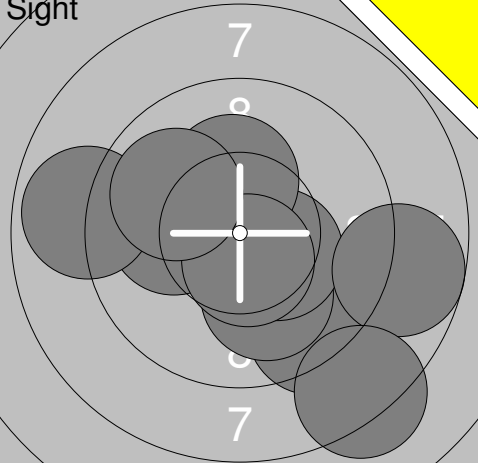
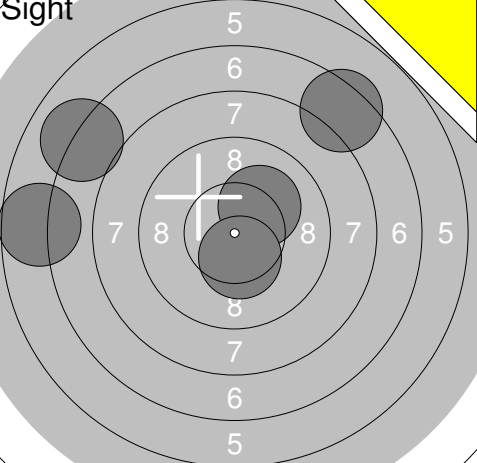
Relay	Lane	Emanuel Söderlund	
S		Kristinehamns Skf	
13.12.2015		Sweden Grand Prix 2015	Umeå skytteallians
Sight		1: 9.7 ↑ 2: 10.0 → 3: 9.8 → 4: 9.4 ← 5: 10.4x → 6: 9.5 ↓ 7: 9.2 ↓ 8: 9.7 → 9: 9.5 → 10: 9.5 ↓ Series 96.7 Total 0.0	Sight  11: 9.9 ↓ 12: 10.1 ← 13: 9.1 ← 14: 10.2x ↗ 15: 10.2x ↓ 16: 9.1 ← 17: 9.3 ← 18: 10.6x → 19: 9.3 ↗ 20: 9.8 ← Series 97.6 Total 0.0
Sight		21: 10.5x ↗ 22: 9.6 ↓ 23: 9.7 ↓ Series 29.8 Total 0.0	60 Shots  1: 10.7x ↓ 2: 10.1 ↗ 3: 10.0 ↗ 4: 9.0 → 5: 9.7 → 6: 9.4 ↓ 7: 9.6 ↓ 8: 9.7 ↗ 9: 10.5x ↗ 10: 9.5 ← Series 98.2 Total 98.2
60 Shots		11: 10.0 ← 12: 9.7 ↓ 13: 10.3x → 14: 9.5 ← 15: 10.6x ↓ 16: 9.7 ← 17: 9.1 ↗ 18: 9.5 ↗ 19: 10.4x ↗ 20: 10.8x ← Series 99.6 Total 197.8	60 Shots  21: 9.4 ↗ 22: 10.5x → 23: 10.4x ↗ 24: 9.2 → 25: 10.1 ↓ 26: 10.2x ↓ 27: 10.4x ← 28: 10.3x ↗ 29: 10.4x ↓ 30: 8.2 ↓ Series 99.1 Total 296.9
60 Shots		31: 9.7 ↓ 32: 10.4x ↓ 33: 8.5 → 34: 9.8 ↗ 35: 10.0 → 36: 10.5x ↗ 37: 9.8 → 38: 8.1 → 39: 9.9 ← 40: 9.5 ← Series 96.2 Total 393.1	60 Shots  41: 10.5x → 42: 10.2x ↓ 43: 9.6 ← 44: 9.8 ← 45: 10.2x ↓ 46: 10.7x → 47: 9.0 ↑ 48: 10.2x ↗ 49: 10.2x ↗ 50: 10.1 → Series 100.5 Total 493.6
60 Shots		51: 10.1 ↓ 52: 9.6 → 53: 9.8 ← 54: 9.7 ↗ 55: 10.4x ↗ 56: 10.4x ↗ 57: 9.8 → 58: 10.6x ↓ 59: 10.2x ↓ 60: 10.3x → Series 100.9 Total 594.5	

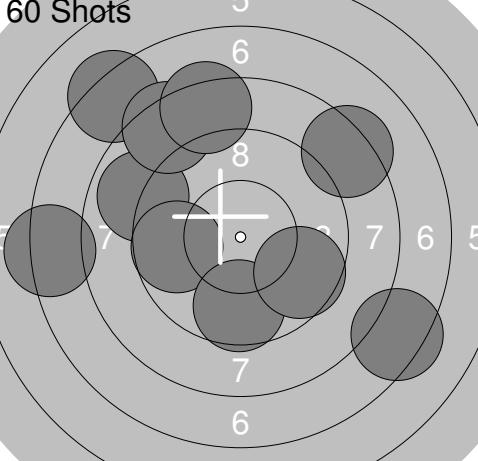
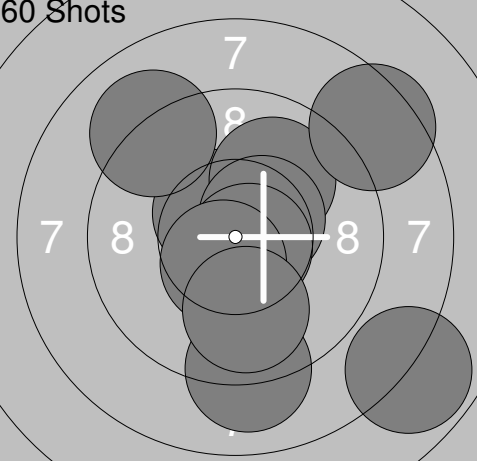


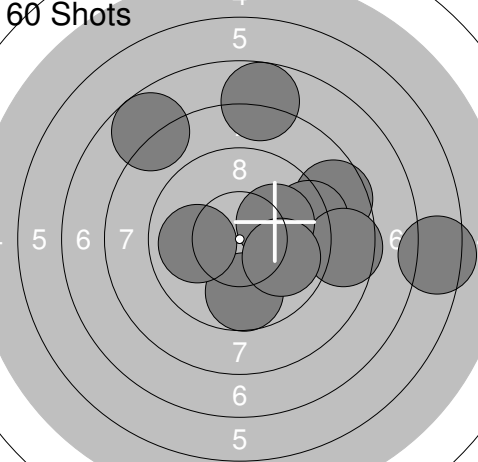
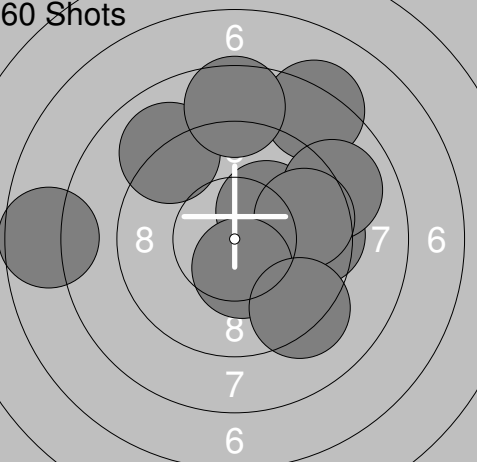
Relay	Lane	Anders Henricsson	
S		Tyresö Skf	
13.12.2015		Sweden Grand Prix 2015	Umeå skytteallians
Sight		1: 9.4 ↓ 2: 10.1 → 3: 9.9 ↓ 4: 10.2x → 5: 9.8 ↓ 6: 10.7x ↑ 7: 10.4x ↓ 8: 10.2x ↓ 9: 10.1 ↓ 10: 10.1 ↓ Series 100.9 Total 0.0	Sight  11: 10.1 ↖ 12: 9.3 → 13: 10.3x ↑ 14: 10.0 ↗ 15: 9.2 ↖ 16: 10.3x ↑ Series 59.2 Total 0.0
60 Shots		1: 10.4x ↑ 2: 10.1 ↑ 3: 9.5 → 4: 10.7x ↖ 5: 10.7x ↗ 6: 10.2x ↗ 7: 9.7 ↑ 8: 9.6 → 9: 10.3x ↑ 10: 10.6x ↑ Series 101.8 Total 101.8	60 Shots  11: 10.2x ← 12: 9.9 ↓ 13: 9.9 ↓ 14: 10.6x ← 15: 9.9 ← 16: 10.6x ← 17: 10.4x ↓ 18: 10.1 ↓ 19: 10.1 ← 20: 10.1 ↗ Series 101.8 Total 203.6
60 Shots		21: 10.3x → 22: 10.5x ↑ 23: 10.2x ← 24: 10.5x ↗ 25: 9.8 ↗ 26: 10.2x ↘ 27: 9.4 ↗ 28: 10.3x ↓ 29: 9.8 ↖ 30: 10.5x ↑ Series 101.5 Total 305.1	60 Shots  31: 10.5x → 32: 10.2x → 33: 9.5 ↗ 34: 10.3x ↗ 35: 10.7x ↓ 36: 10.4x ↑ 37: 10.1 ↑ 38: 10.3x → 39: 10.5x ↘ 40: 10.3x ↑ Series 102.8 Total 407.9
60 Shots		41: 10.0 ↖ 42: 10.4x ↗ 43: 10.6x ↓ 44: 10.7x ↓ 45: 10.3x ↘ 46: 10.2x → 47: 10.3x ← 48: 9.0 → 49: 9.7 ← 50: 10.7x ↓ Series 101.9 Total 509.8	60 Shots  51: 10.5x ↗ 52: 10.0 ↖ 53: 10.7x ↖ 54: 10.8x ↓ 55: 10.1 ↓ 56: 9.9 ← 57: 10.4x ← 58: 10.5x ↓ 59: 10.3x ← 60: 10.5x ↘ Series 103.7 Total 613.5

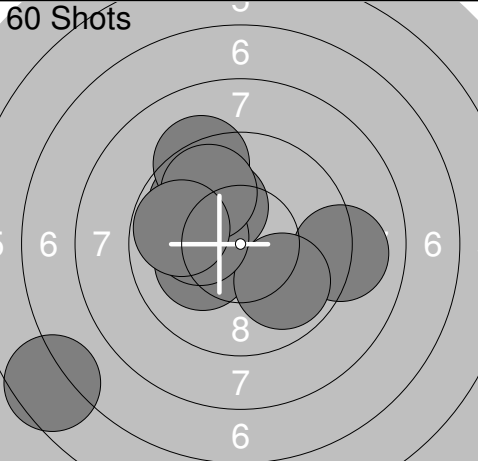
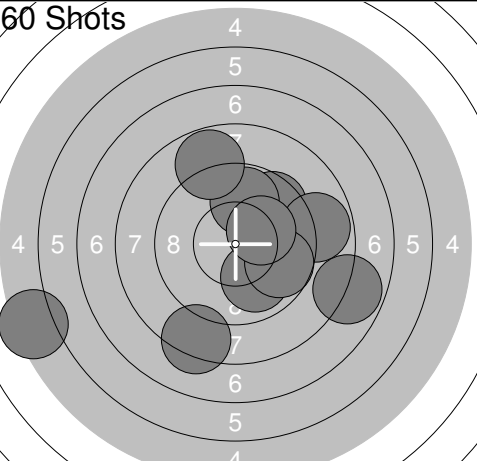
Relay	Lane	Oscar Jacobsson	
S		Ramselefors Skf	
13.12.2015		Sweden Grand Prix 2015	Umeå skytteallians
Sight		1: 9.4 ↓ 2: 10.5x ↗ 3: 10.1 ↓ 4: 10.7x ↗ 5: 8.9 ↓ 6: 10.0 ↓ 7: 9.0 → 8: 10.0 ↓ 9: 10.0 → 10: 10.5x ↗ Series 99.1 Total 0.0	Sight  11: 10.8x ↑ 12: 9.7 ← 13: 9.7 ← 14: 10.0 ↗ 15: 9.4 ← Series 49.6 Total 0.0
60 Shots		1: 10.8x ↗ 2: 10.6x ↓ 3: 9.3 ← 4: 9.1 ← 5: 9.6 ↓ 6: 9.8 ↗ 7: 9.8 ↓ 8: 9.4 ↓ 9: 10.0 ↓ 10: 8.1 → Series 96.5 Total 96.5	60 Shots  11: 8.9 ↖ 12: 9.3 ↗ 13: 10.2x → 14: 9.8 → 15: 10.3x ↖ 16: 10.5x ↓ 17: 10.4x ← 18: 10.2x ↘ 19: 10.7x ↑ 20: 9.2 ↖ Series 99.5 Total 196.0
60 Shots		21: 9.4 ↑ 22: 10.2x → 23: 9.8 ↓ 24: 9.5 ↖ 25: 10.2x ↑ 26: 10.2x ↑ 27: 10.0 ↗ 28: 10.0 ↑ 29: 10.2x ↖ 30: 9.1 → Series 98.6 Total 294.6	60 Shots  31: 9.8 → 32: 8.6 ↘ 33: 9.9 → 34: 8.6 ← 35: 10.4x ↑ 36: 10.0 ↑ 37: 9.9 → 38: 9.0 ↓ 39: 9.0 ← 40: 9.8 ↘ Series 95.0 Total 389.6
60 Shots		41: 9.0 ← 42: 9.6 ↓ 43: 9.8 ↓ 44: 10.5x ↖ 45: 9.3 ↗ 46: 9.8 ↓ 47: 10.0 → 48: 10.3x ← 49: 9.9 ↗ 50: 8.4 ↖ Series 96.6 Total 486.2	60 Shots  51: 10.1 ↓ 52: 10.5x ↗ 53: 10.7x ↗ 54: 10.8x → 55: 9.7 ← 56: 9.7 ↗ 57: 10.3x ← 58: 9.7 ↓ 59: 10.0 → 60: 10.0 ↓ Series 101.5 Total 587.7

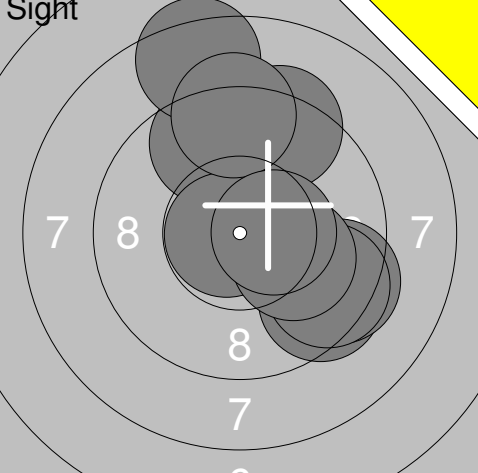
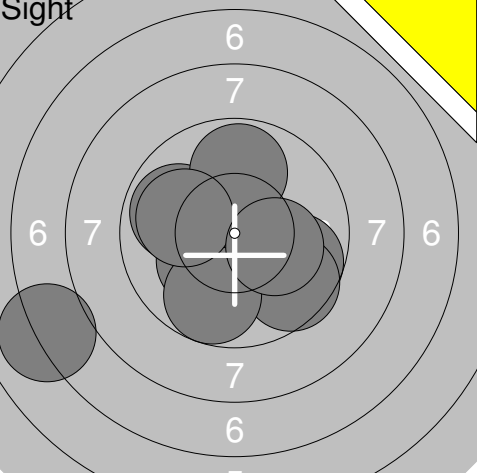
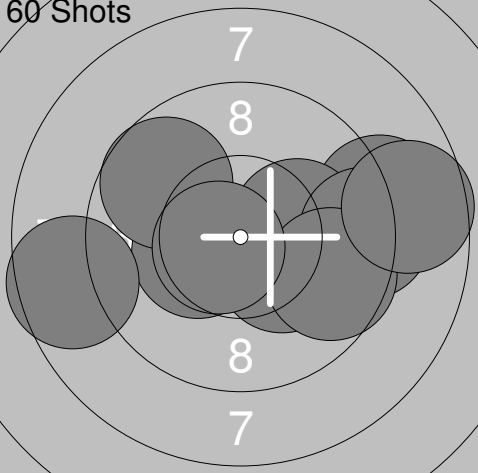
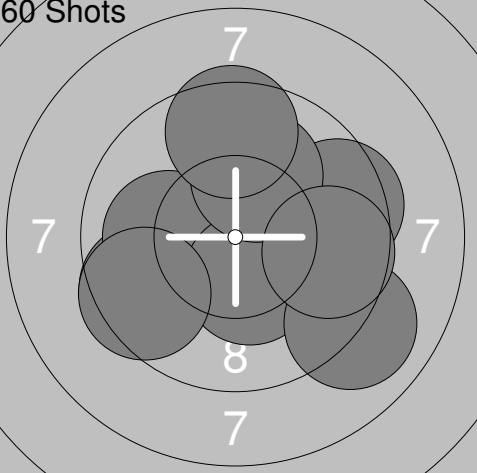
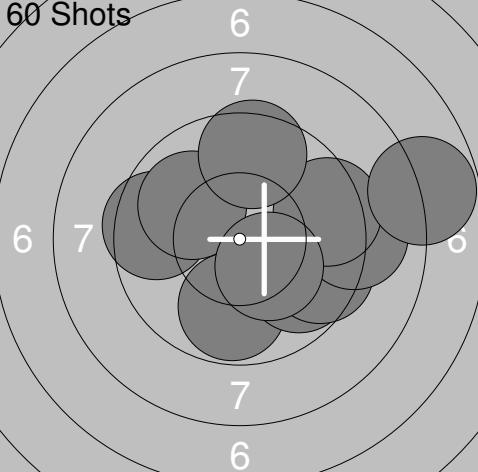
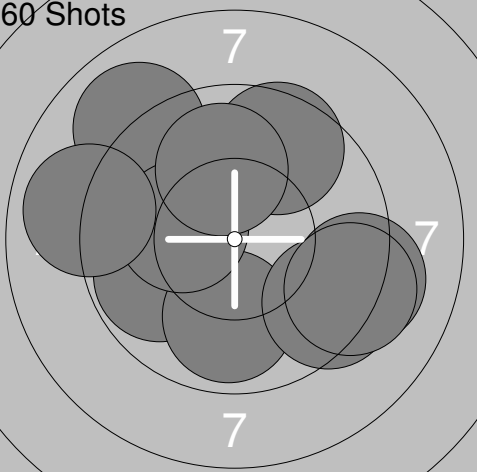
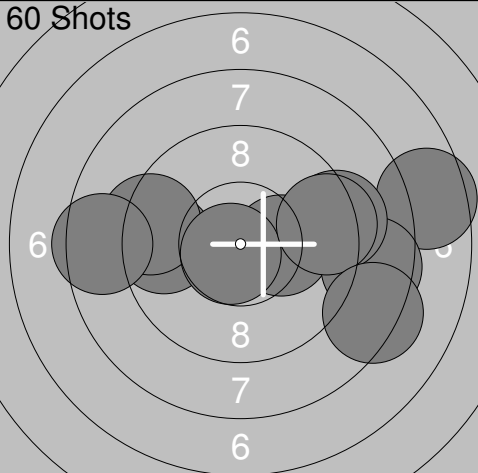
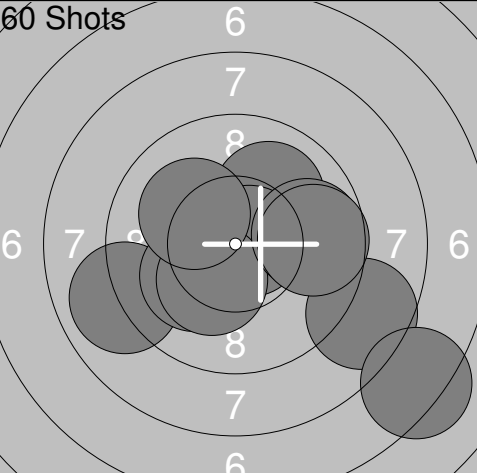
Relay	Lane	William Grydén	
S		Vaksala Skf	
13.12.2015		Sweden Grand Prix 2015	Umeå skytteallians
Sight		1: 9.4 → 2: 10.4x → 3: 10.1 ↘ 4: 10.3x ↘ 5: 10.8x ← 6: 9.7 ↓ 7: 9.7 ↑ 8: 9.9 ↑ 9: 10.1 ↗ 10: 10.0 ↖ Series 100.4 Total 0.0	Sight  11: 9.2 ← 12: 9.5 → 13: 9.9 ↓ 14: 8.9 ← 15: 10.1 ← 16: 9.1 ↗ 17: 10.1 ↗ Series 66.8 Total 0.0
60 Shots		1: 9.3 ↓ 2: 10.7x ↑ 3: 9.8 ↑ 4: 10.6x ↗ 5: 10.6x ↘ 6: 8.8 ↑ 7: 10.0 ← 8: 10.0 → 9: 9.8 ↓ 10: 10.1 ↑ Series 99.7 Total 99.7	60 Shots  11: 9.7 ↗ 12: 10.2x ↑ 13: 9.7 → 14: 10.5x ← 15: 10.4x ↓ 16: 10.0 ← 17: 10.4x ↑ 18: 9.1 ↓ 19: 10.4x → 20: 8.9 ↗ Series 99.3 Total 199.0
60 Shots		21: 10.3x ↘ 22: 8.7 ← 23: 8.8 ← 24: 9.5 ← 25: 9.9 ↑ 26: 9.3 → 27: 10.1 ← 28: 9.8 ↗ 29: 10.3x ← 30: 10.8x ↗ Series 97.5 Total 296.5	60 Shots  31: 9.1 → 32: 9.3 → 33: 9.9 → 34: 10.1 → 35: 9.4 ↘ 36: 9.2 ← 37: 10.5x → 38: 10.9x ↓ 39: 9.8 → 40: 10.1 ↑ Series 98.3 Total 394.8
60 Shots		41: 8.6 ↘ 42: 10.1 ↗ 43: 10.0 ↘ 44: 10.5x ↗ 45: 9.8 ↓ 46: 10.5x ↘ 47: 10.6x ↘ 48: 9.6 ↘ 49: 10.2x → 50: 10.1 → Series 100.0 Total 494.8	60 Shots  51: 9.6 ↗ 52: 10.3x ↘ 53: 10.0 ← 54: 8.7 → 55: 8.9 ← 56: 10.7x ↘ 57: 10.6x ↑ 58: 10.1 ↗ 59: 9.2 ↘ 60: 9.7 ↓ Series 97.8 Total 592.6

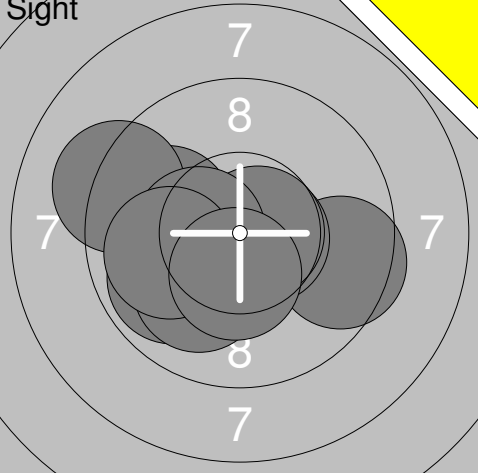
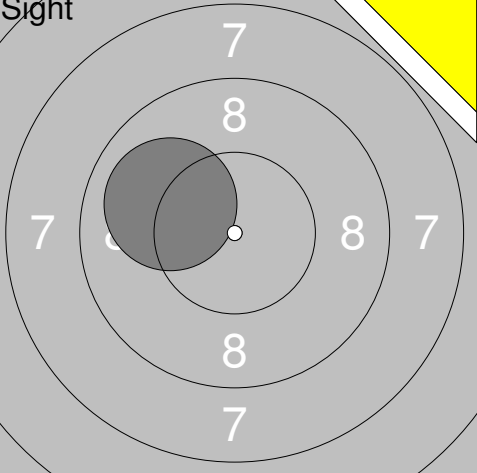
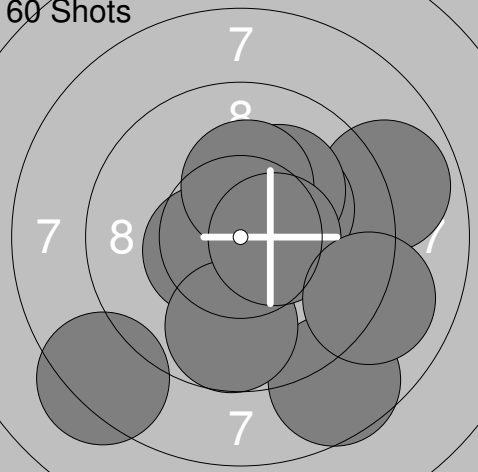
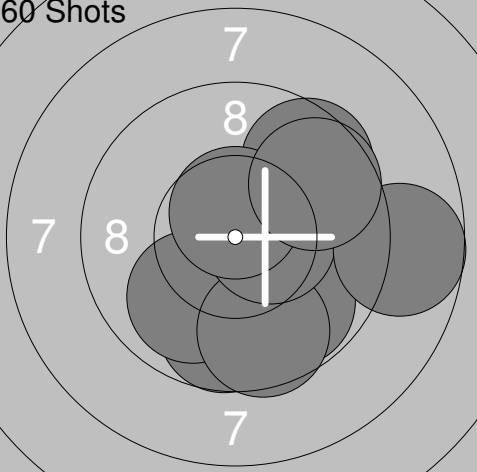
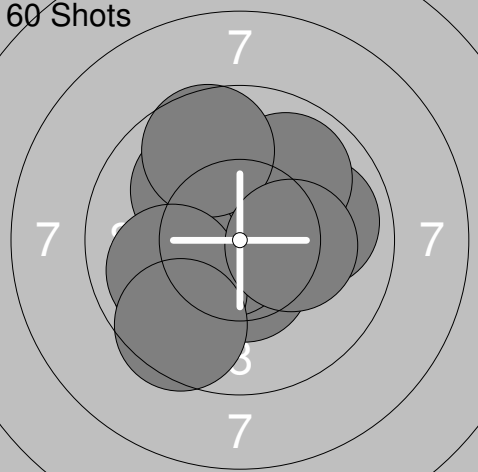
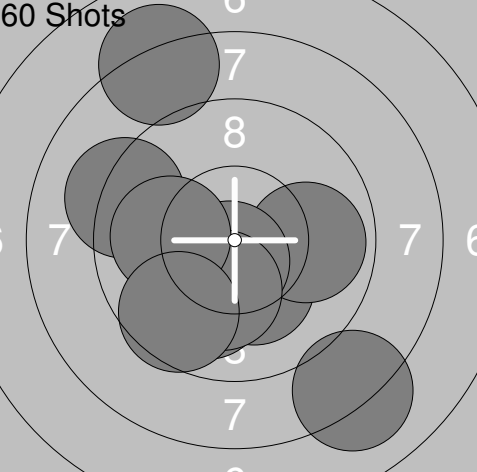
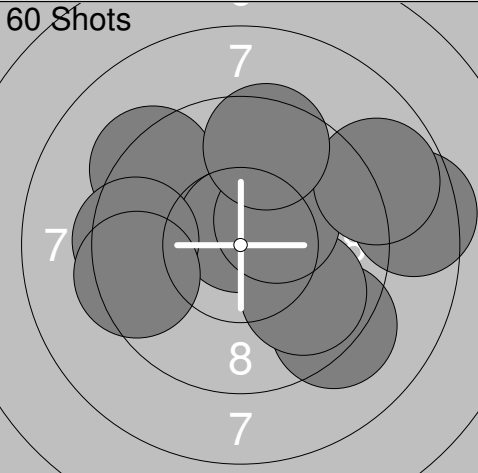
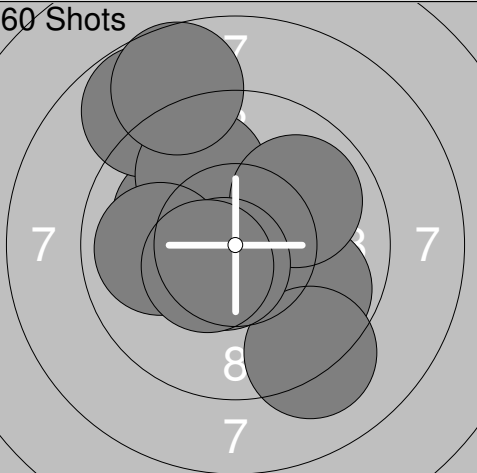
	<p>1: 9.3 ↘ 2: 10.0 ↘ 3: 10.4x ↘ 4: 8.7 → 5: 10.1 ← 6: 8.2 ↘ 7: 10.2x ↑ 8: 8.9 ← 9: 10.6x ↘ 10: 9.9 ↗</p> <p><b>Series 96.3</b> <b>Total 0.0</b></p>		<p>11: 6.7 ← 12: 10.2x ↗ 13: 10.4x ↘ 14: 7.4 ↗ 15: 7.0 ↖</p> <p><b>Series 41.7</b> <b>Total 0.0</b></p>
--	--	--	---

	<p>1: 7.3 ↗ 2: 8.9 ↖ 3: 9.7 ← 4: 7.4 ↘ 5: 8.4 ↗ 6: 8.4 ↑ 7: 9.6 ↘ 8: 7.2 ← 9: 8.3 ↗ 10: 9.6 ↘</p> <p><b>Series 84.8</b> <b>Total 84.8</b></p>		<p>11: 9.1 ↘ 12: 10.5x ↖ 13: 10.0 ↗ 14: 10.5x ↗ 15: 7.9 ↘ 16: 9.1 ↗ 17: 10.7x ↘ 18: 10.5x ↘ 19: 9.9 ↘ 20: 8.5 ↗</p> <p><b>Series 96.7</b> <b>Total 181.5</b></p>
---	---	---	--

	<p>21: 9.7 ↘ 22: 7.7 ↗ 23: 8.6 → 24: 10.0 ← 25: 6.4 → 26: 9.3 → 27: 8.6 → 28: 7.8 ↑ 29: 10.1 → 30: 9.9 ↘</p> <p><b>Series 88.1</b> <b>Total 269.6</b></p>		<p>31: 7.6 ← 32: 10.2x ↗ 33: 9.0 ↗ 34: 8.3 ↗ 35: 9.5 → 36: 8.6 ↑ 37: 9.0 ↗ 38: 9.7 → 39: 10.4x ↘ 40: 9.3 ↘</p> <p><b>Series 91.6</b> <b>Total 361.2</b></p>
--	---	--	---

	<p>41: 10.2x ↗ 42: 9.8 ↗ 43: 9.3 ↗ 44: 10.2x ← 45: 9.1 → 46: 9.9 ↘ 47: 10.2x ← 48: 6.6 ↖ 49: 9.8 ↗ 50: 9.8 ←</p> <p><b>Series 94.9</b> <b>Total 456.1</b></p>		<p>51: 9.6 ↗ 52: 8.8 → 53: 10.0 ↘ 54: 7.8 → 55: 9.8 ↑ 56: 5.3 ← 57: 9.7 ↘ 58: 8.8 ↑ 59: 10.2x ↗ 60: 8.3 ↘</p> <p><b>Series 88.3</b> <b>Total 544.4</b></p>
--	---	--	--

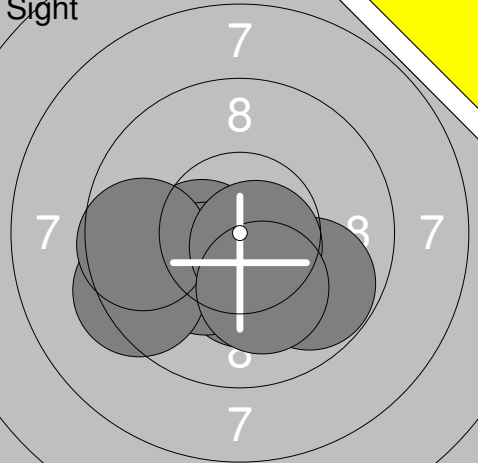
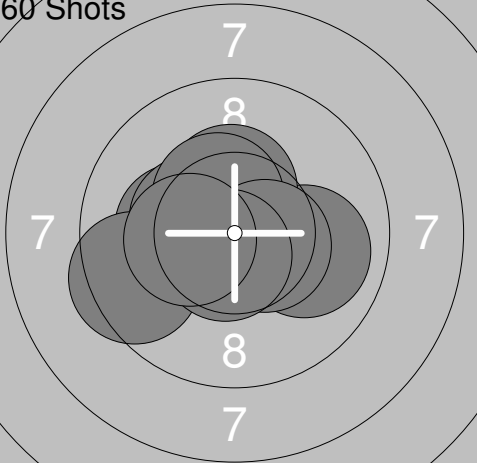
<p>Sight</p> 	<p>1: 9.5 ↘ 2: 9.6 ↗ 3: 9.3 ↗ 4: 9.4 ↘ 5: 10.8x ← 6: 8.4 ↗ 7: 9.5 ↘ 8: 10.1 ↘ 9: 9.3 ↗ 10: 10.5x →</p> <p>Series 96.4 Total 0.0</p>	<p>Sight</p> 	<p>11: 9.9 ↖ 12: 9.8 ↗ 13: 10.2x ↓ 14: 9.7 → 15: 9.6 ↘ 16: 10.2x ↙ 17: 9.7 ↓ 18: 10.0 ↖ 19: 10.2x → 20: 7.1 ↖</p> <p>Series 96.4 Total 0.0</p>
<p>60 Shots</p> 	<p>1: 10.3x ↘ 2: 10.3x ← 3: 9.0 → 4: 10.2x → 5: 8.6 ← 6: 9.3 → 7: 9.7 ↗ 8: 9.6 ↘ 9: 10.6x ← 10: 8.7 →</p> <p>Series 96.3 Total 96.3</p>	<p>60 Shots</p> 	<p>11: 9.5 ↖ 12: 10.1 ← 13: 9.8 → 14: 10.4x ↓ 15: 9.5 → 16: 10.1 ↗ 17: 9.0 ↘ 18: 9.5 ↗ 19: 9.7 → 20: 9.5 ↖</p> <p>Series 97.1 Total 193.4</p>
<p>60 Shots</p> 	<p>21: 9.8 ↓ 22: 9.8 ↘ 23: 9.5 ← 24: 9.5 → 25: 9.0 → 26: 10.0 ↗ 27: 9.4 → 28: 7.8 → 29: 9.5 ↗ 30: 10.3x ↘</p> <p>Series 94.6 Total 288.0</p>	<p>60 Shots</p> 	<p>31: 9.8 ↖ 32: 9.6 ↗ 33: 9.9 ↓ 34: 9.0 ↗ 35: 10.2x ← 36: 8.9 ← 37: 9.4 ↘ 38: 9.2 → 39: 9.2 → 40: 10.0 ↗</p> <p>Series 95.2 Total 383.2</p>
<p>60 Shots</p> 	<p>41: 7.6 → 42: 9.6 ← 43: 9.3 ← 44: 10.2x → 45: 8.6 → 46: 10.7x ↙ 47: 9.2 → 48: 8.5 ← 49: 9.4 → 50: 8.3 ↘</p> <p>Series 91.4 Total 474.6</p>	<p>60 Shots</p> 	<p>51: 10.0 ↗ 52: 10.7x → 53: 8.6 → 54: 9.0 ← 55: 10.1 ↘ 56: 10.3x ↙ 57: 7.3 ↘ 58: 9.8 → 59: 10.1 ↗ 60: 9.7 →</p> <p>Series 95.6 Total 570.2</p>


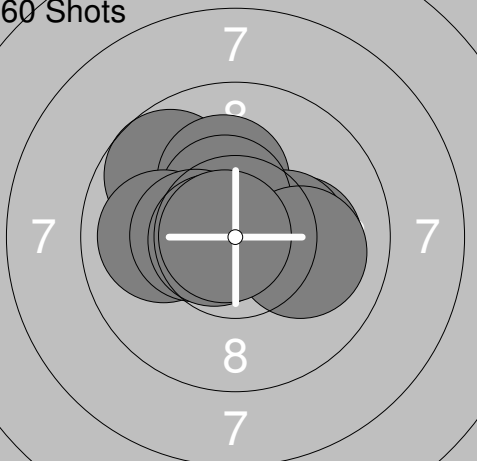
Relay	Lane	Patrik Andersson	
S		Avesta Spk	
13.12.2015		Sweden Grand Prix 2015	Umeå skytteallians
Sight		1: 9.5 → 2: 9.9 ← 3: 9.9 ← 4: 10.6x → 5: 9.2 ← 6: 10.7x → 7: 10.0 ↓ 8: 10.4x ← 9: 10.0 ← 10: 10.4x ↓ Series 100.6 Total 0.0	Sight  11: 10.0 ← Series 10.0 Total 0.0
60 Shots		1: 8.9 → 2: 8.3 ← 3: 10.2x → 4: 8.6 ↓ 5: 10.5x ← 6: 9.7 ↓ 7: 10.1 ↗ 8: 10.3x ↑ 9: 10.5x → 10: 9.0 → Series 96.1 Total 96.1	60 Shots  11: 9.8 ↓ 12: 9.7 ↓ 13: 9.6 ↗ 14: 10.7x ↗ 15: 10.0 ↓ 16: 9.6 ↓ 17: 10.5x → 18: 10.6x ↑ 19: 8.7 → 20: 9.7 ↗ Series 98.9 Total 195.0
60 Shots		21: 10.5x ↓ 22: 9.9 → 23: 10.7x ← 24: 9.9 ← 25: 10.1 ↗ 26: 9.9 ↗ 27: 9.7 ↑ 28: 9.9 ← 29: 10.3x → 30: 9.5 ↓ Series 100.4 Total 295.4	60 Shots  31: 10.0 ↓ 32: 10.2x ↓ 33: 9.9 → 34: 10.6x ↓ 35: 9.2 ← 36: 10.2x ↓ 37: 10.0 ← 38: 8.1 ↓ 39: 9.6 ↓ 40: 8.1 ↑ Series 95.9 Total 391.3
60 Shots		41: 9.2 ↓ 42: 9.3 ↗ 43: 10.7x ↑ 44: 8.5 → 45: 9.5 ← 46: 9.8 ↓ 47: 10.3x ↗ 48: 8.8 → 49: 9.4 ← 50: 9.5 ↑ Series 95.0 Total 486.3	60 Shots  51: 10.1 ← 52: 8.8 ↗ 53: 9.9 ↗ 54: 9.8 ↓ 55: 9.2 ↓ 56: 9.9 ← 57: 8.7 ↑ 58: 9.9 ↗ 59: 10.6x ↓ 60: 10.5x ← Series 97.4 Total 583.7

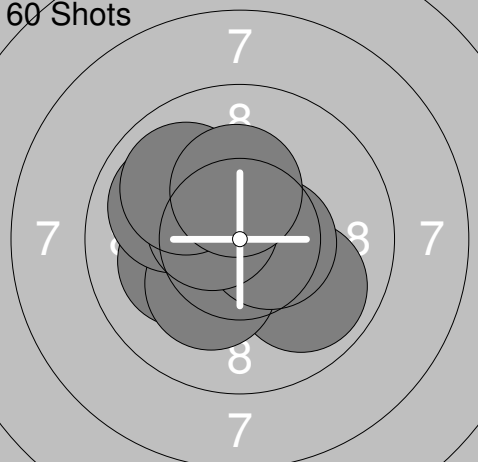
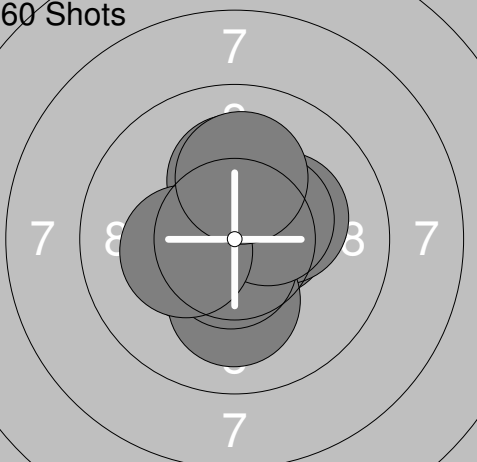
Relay	Lane	Jörgen Persson	
<b>1</b>	<b>18</b>		

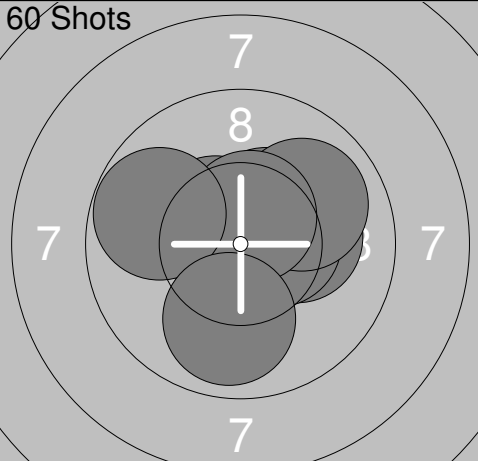
S	Fältjägarbas SF		
---	-----------------	--	--

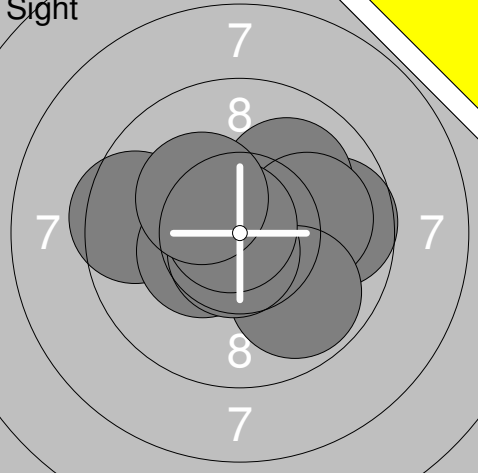
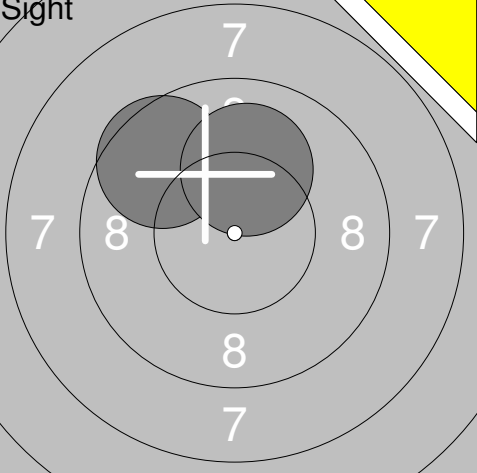
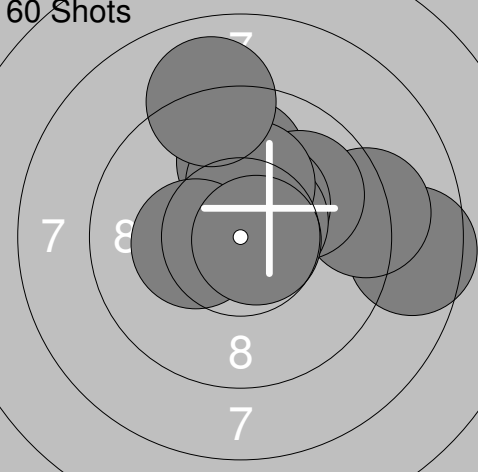
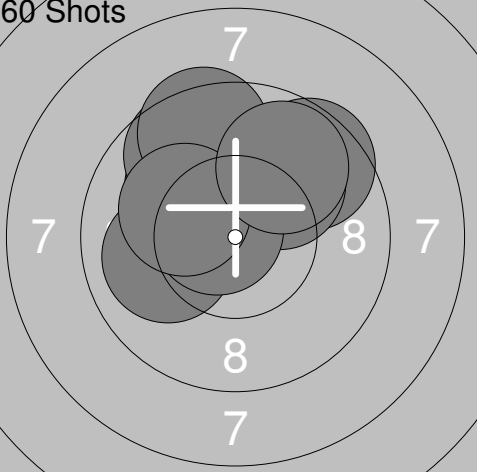
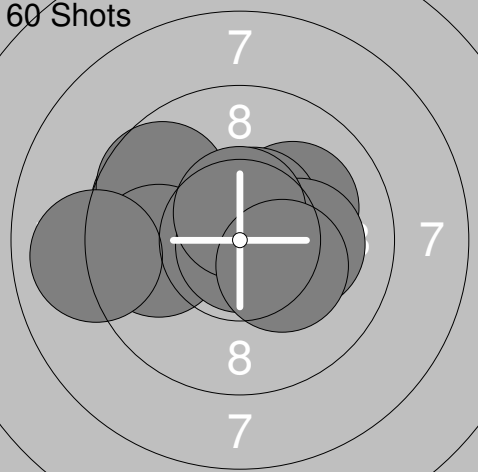
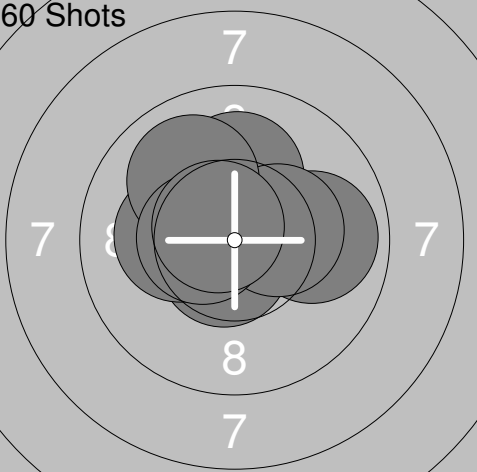
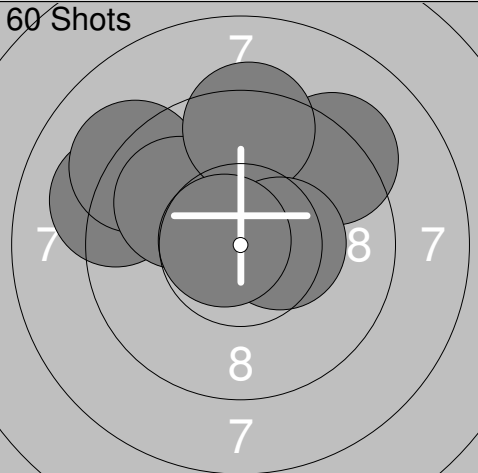
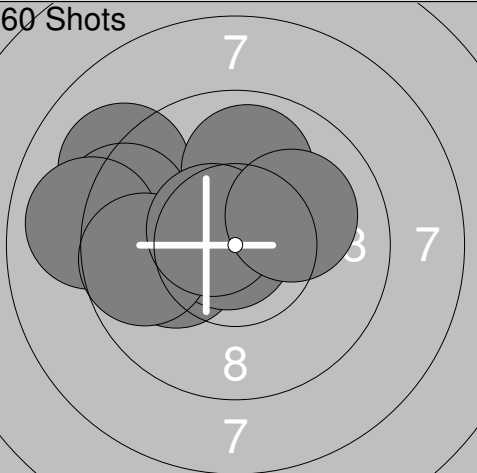
13.12.2015	Sweden Grand Prix 2015	Umeå skytteallians	
------------	------------------------	--------------------	--

Sight		1: 10.5x ↓	60 Shots		1: 10.0 →
		2: 9.8 →			2: 10.2x ←
		3: 10.4x ←			3: 10.4x ↑
		4: 10.3x ↓		4: 10.4x ←	
		5: 10.5x ↓		5: 10.8x ↗	
		6: 10.3x ↙		6: 10.4x ↗	
		7: 9.4 ←		7: 9.5 ←	
		8: 9.6 ←		8: 10.5x →	
		9: 10.7x ↘		9: 10.6x ↓	
		10: 10.2x ↓		10: 10.3x ←	
	Series	101.7		Series	103.1
	Total	0.0		Total	103.1

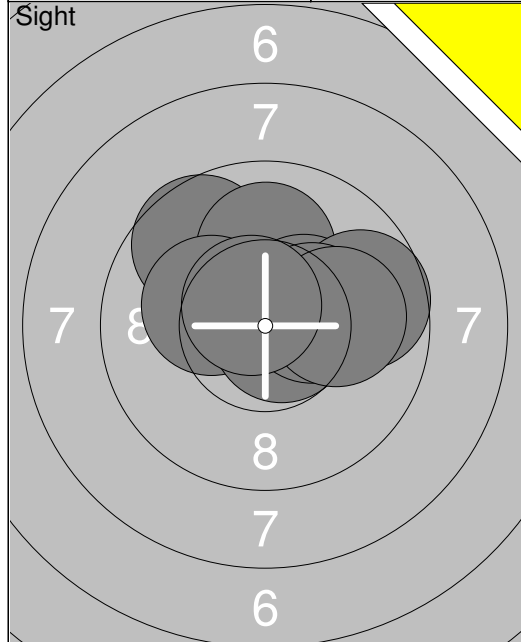
60 Shots		11: 10.4x ↘	60 Shots		21: 10.1 →
		12: 10.2x ↑			22: 9.7 ↖
		13: 10.5x →			23: 10.2x ↑
		14: 10.3x ↖		24: 10.3x →	
		15: 10.4x ↗		25: 10.4x ↑	
		16: 10.7x ↗		26: 10.0 ←	
		17: 10.4x ↗		27: 10.4x ←	
		18: 10.2x →		28: 10.7x ←	
		19: 10.7x →		29: 10.0 →	
		20: 10.7x ←		30: 10.8x ←	
	Series	104.5		Series	102.6
	Total	207.6		Total	310.2

60 Shots		31: 9.9 ↓	60 Shots		41: 10.7x ←
		32: 10.9x ↖			42: 10.2x ↑
		33: 10.3x ↗			43: 10.5x →
		34: 10.1 ←		44: 10.4x ←	
		35: 10.2x ↓		45: 10.2x ↗	
		36: 10.0 ↖		46: 10.1 ↓	
		37: 10.5x →		47: 10.6x ↓	
		38: 10.5x ↖		48: 10.4x ↗	
		39: 10.0 ↗		49: 10.3x ←	
		40: 10.3x ↑		50: 10.1 ↑	
	Series	102.7		Series	103.5
	Total	412.9		Total	516.4

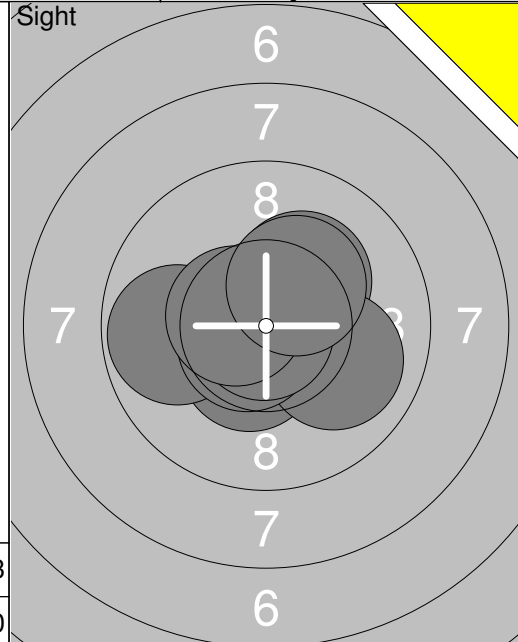
60 Shots		51: 10.2x →			
		52: 10.4x ↗			
		53: 10.9x ←			
		54: 10.5x ↖			
		55: 10.7x ↑			
		56: 10.5x →			
		57: 10.0 ↗			
		58: 10.6x ↑			
		59: 9.8 ←			
		60: 9.9 ↓			
	Series	103.5			
	Total	619.9			

Relay	Lane	Jörgen Pålsson	
S	19	Umeå Skf	
13.12.2015	Sweden Grand Prix 2015	Umeå skytteallians	
Sight		1: 9.7 → 2: 10.5x ↗ 3: 10.0 ↗ 4: 10.0 → 5: 9.9 ↘ 6: 9.5 ← 7: 10.4x ← 8: 10.7x ↓ 9: 10.8x ↖ 10: 10.3x ↗ Series 101.8 Total 0.0	Sight  11: 9.6 ↖ 12: 10.1 ↑ Series 19.7 Total 0.0
60 Shots		1: 9.9 ↑ 2: 8.6 → 3: 9.2 → 4: 10.0 ↗ 5: 10.4x ↗ 6: 10.6x ↗ 7: 10.2x ↑ 8: 10.3x ← 9: 10.7x → 10: 9.0 ↑ Series 98.9 Total 98.9	60 Shots  11: 10.0 ← 12: 10.1 ↖ 13: 10.0 ↗ 14: 9.7 ↖ 15: 9.6 ↗ 16: 10.0 ↗ 17: 10.7x ← 18: 9.5 ↑ 19: 10.2x ← 20: 9.8 ↗ Series 99.6 Total 198.5
60 Shots		21: 9.7 ← 22: 10.1 ↗ 23: 9.7 ↖ 24: 9.8 ← 25: 10.9x ↓ 26: 10.5x ↗ 27: 10.1 → 28: 10.6x ↑ 29: 10.3x ↘ 30: 9.0 ← Series 100.7 Total 299.2	60 Shots  31: 10.4x ↗ 32: 10.7x ← 33: 10.6x ↓ 34: 10.2x ← 35: 9.9 → 36: 10.1 ↑ 37: 10.4x → 38: 10.0 ↖ 39: 10.5x ← 40: 10.7x ↖ Series 103.5 Total 402.7
60 Shots		41: 9.2 ← 42: 10.5x ↑ 43: 10.4x ↑ 44: 9.2 ↗ 45: 10.7x ↗ 46: 9.2 ↖ 47: 10.0 ↖ 48: 9.4 ↑ 49: 10.4x → 50: 10.7x ← Series 99.7 Total 502.4	60 Shots  51: 10.3x ← 52: 9.1 ↖ 53: 9.4 ← 54: 10.1 ← 55: 9.0 ← 56: 10.8x ← 57: 9.7 ← 58: 9.9 ↑ 59: 10.6x ↖ 60: 10.1 → Series 99.0 Total 601.4

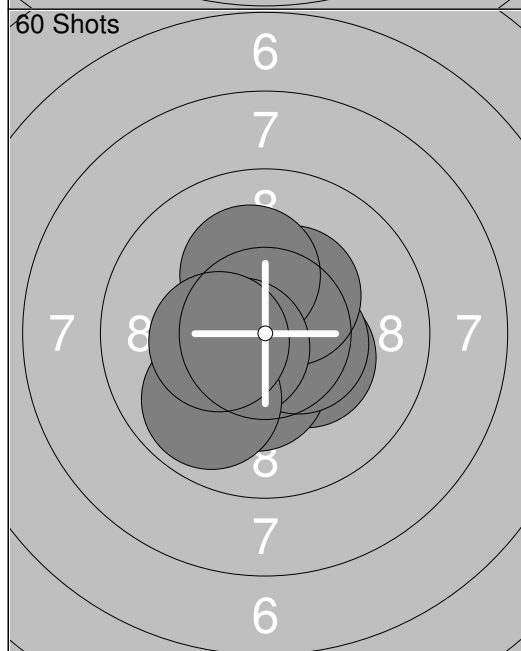




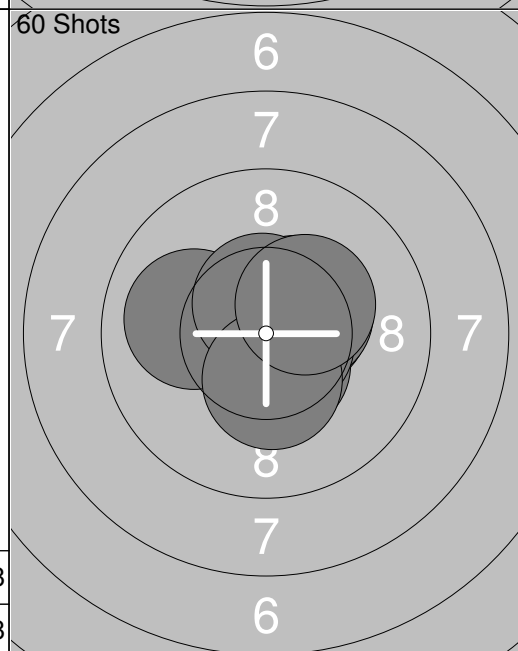
1: 9.6 ↖
2: 10.0 ↑
3: 10.2x ↙
4: 10.4x ↗
5: 9.7 →
6: 10.8x ↗
7: 10.7x →
8: 10.3x →
9: 10.0 →
10: 10.6x ↖
Series 102.3
Total 0.0



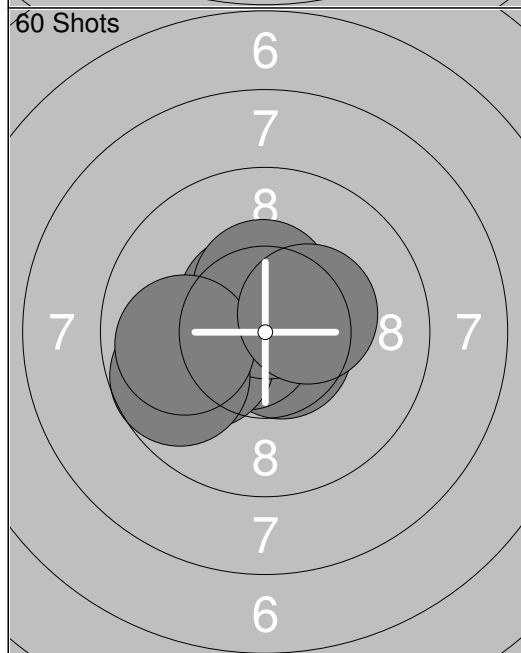
11: 10.8x ↙
12: 10.2x ↗
13: 10.8x ↙
14: 10.5x ↓
15: 10.0 →
16: 9.8 ←
17: 10.6x ↙
18: 10.9x ↓
19: 10.5x ↙
20: 10.3x ↗
Series 104.4
Total 0.0



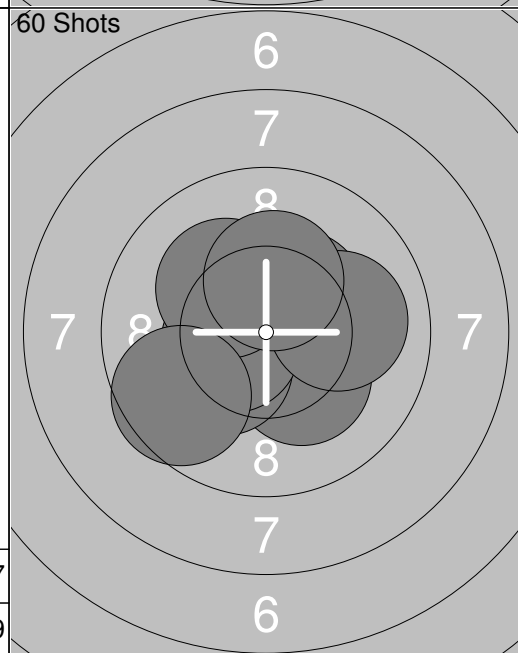
1: 10.3x →
2: 10.6x ↓
3: 10.6x →
4: 10.3x ↓
5: 10.5x →
6: 10.4x ↗
7: 10.2x ↑
8: 10.6x ↙
9: 9.9 ↓
10: 10.4x ←
Series 103.8
Total 103.8



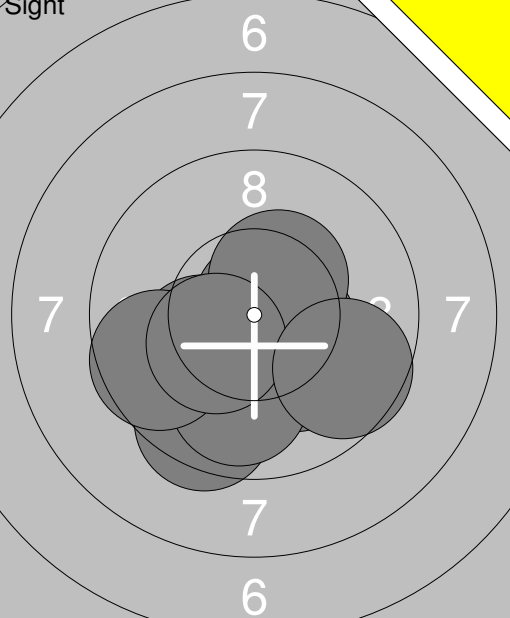
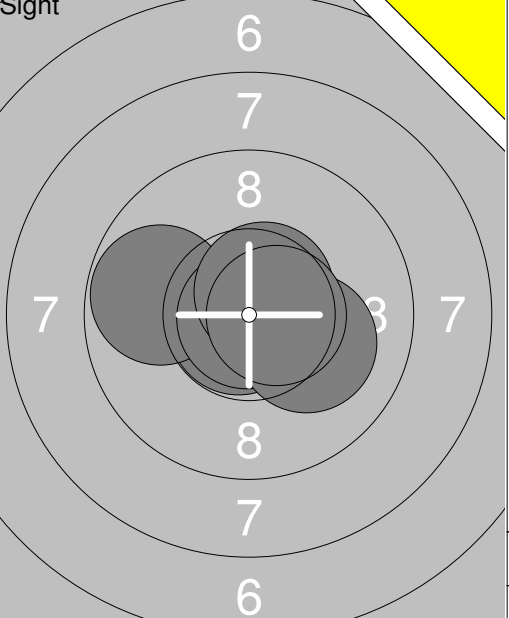
11: 10.4x ↗
12: 10.5x →
13: 10.6x ↙
14: 10.4x ↗
15: 10.5x ↓
16: 10.7x →
17: 10.0 ←
18: 10.6x ↑
19: 10.4x ↓
20: 10.3x ↗
Series 104.4
Total 208.2

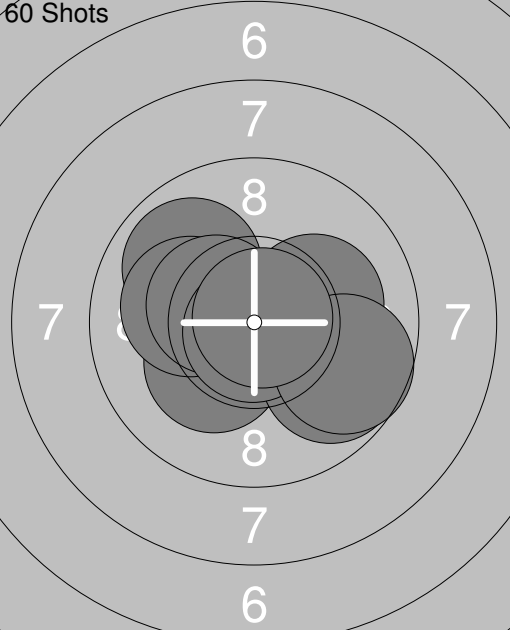
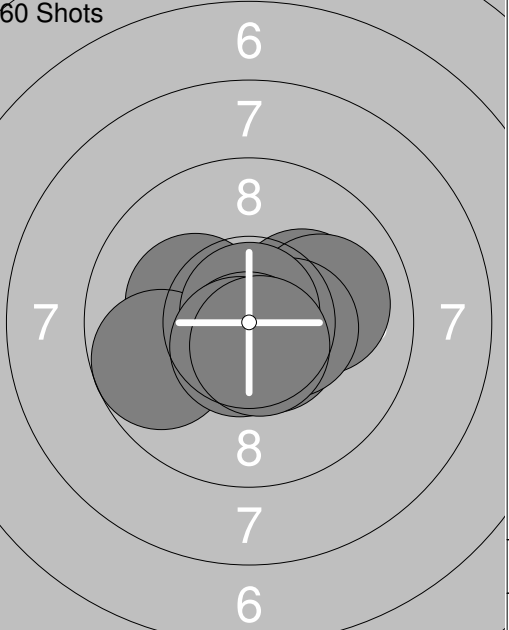


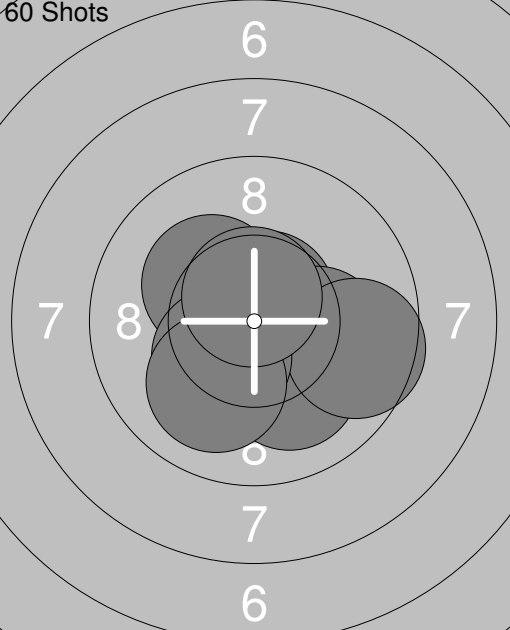
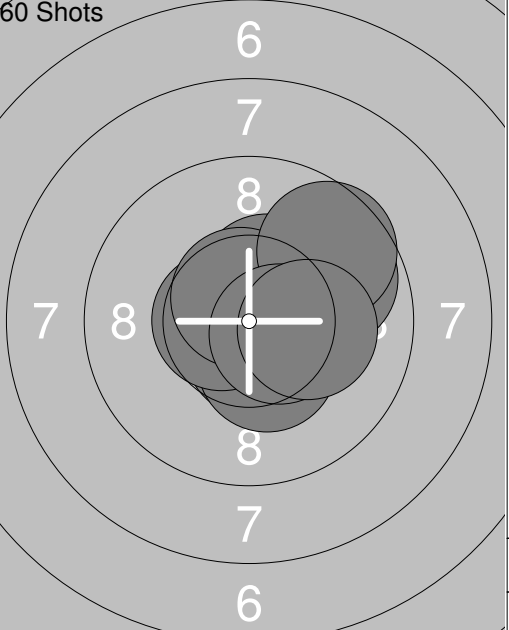
21: 10.7x ↓
22: 10.5x ↖
23: 10.7x ↙
24: 10.7x ←
25: 10.1 ←
26: 10.6x ↑
27: 10.4x ↑
28: 9.7 ←
29: 9.9 ←
30: 10.4x →
Series 103.7
Total 311.9

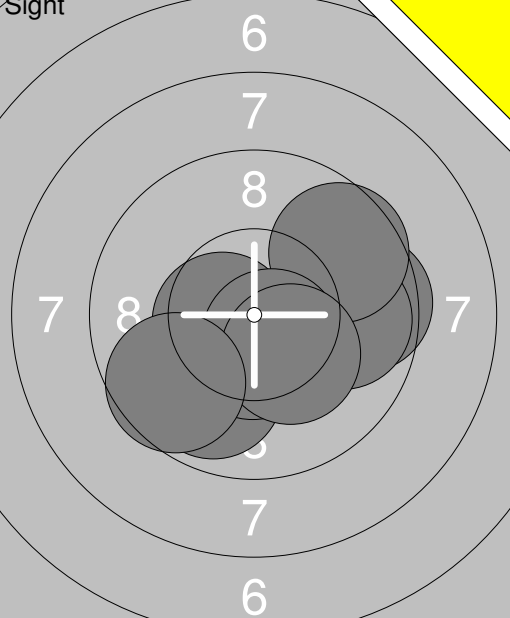
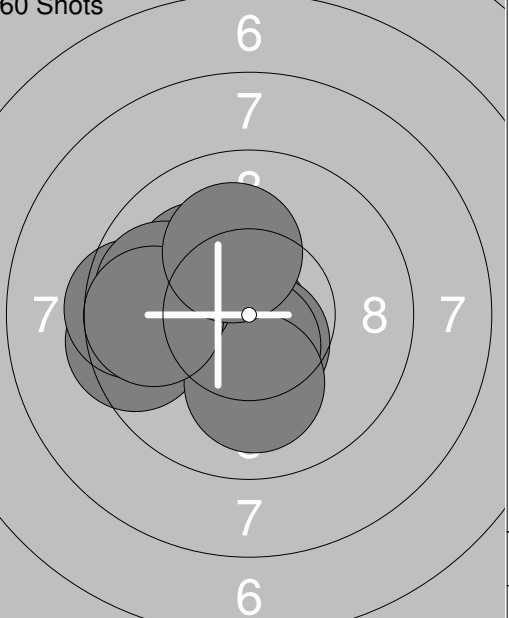


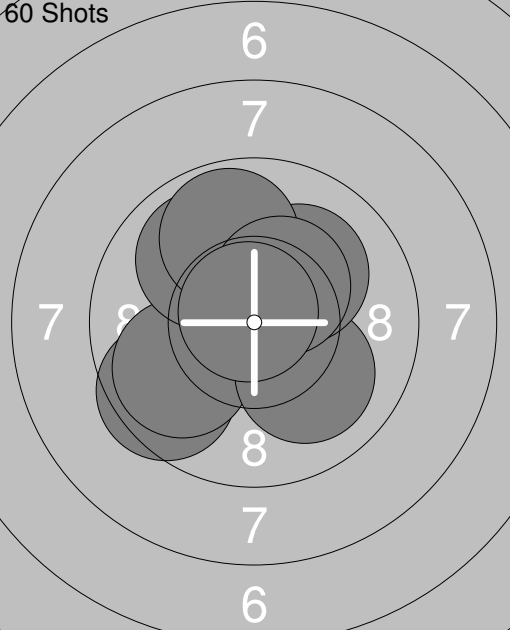
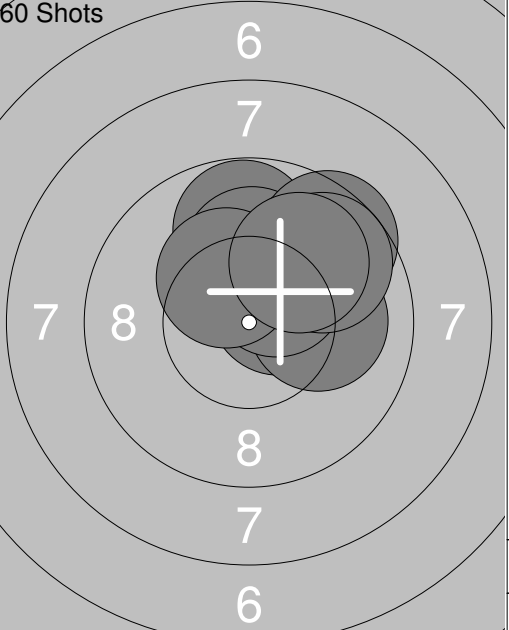
31: 10.4x ↙
32: 10.2x ↓
33: 10.4x ↗
34: 10.3x ↙
35: 10.4x ↖
36: 10.5x ↙
37: 10.0 →
38: 10.2x ↙
39: 9.6 ↙
40: 10.3x ↑
Series 102.3
Total 414.2

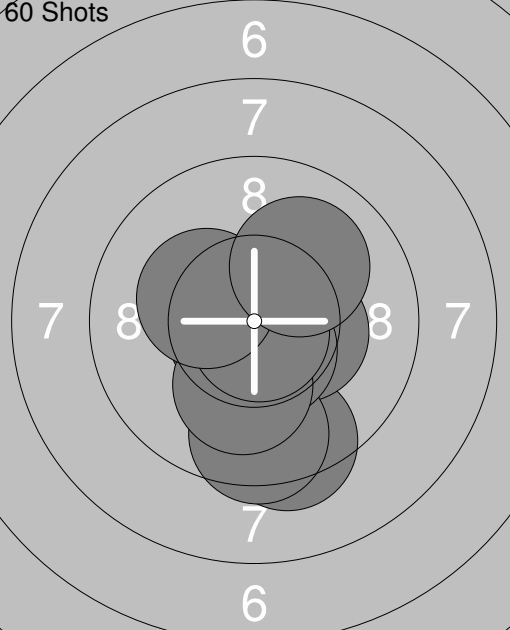
<p>Sight</p>  <p style="text-align: center;">6 7 8 7 6</p>	<p>1: 10.2x ↙ 2: 10.2x ↘ 3: 10.5x → 4: 10.8x ↗ 5: 9.5 ↓ 6: 9.9 ↓ 7: 9.6 ← 8: 10.4x ↗ 9: 10.3x ↙ 10: 9.6 ↘</p> <p>Series 101.0 Total 0.0</p>	<p>Sight</p>  <p style="text-align: center;">6 7 8 7 6</p>	<p>11: 10.8x ↙ 12: 9.8 ← 13: 10.9x ↙ 14: 10.1 → 15: 10.6x ↗ 16: 10.6x →</p> <p>Series 62.8 Total 0.0</p>
--	---	--	--

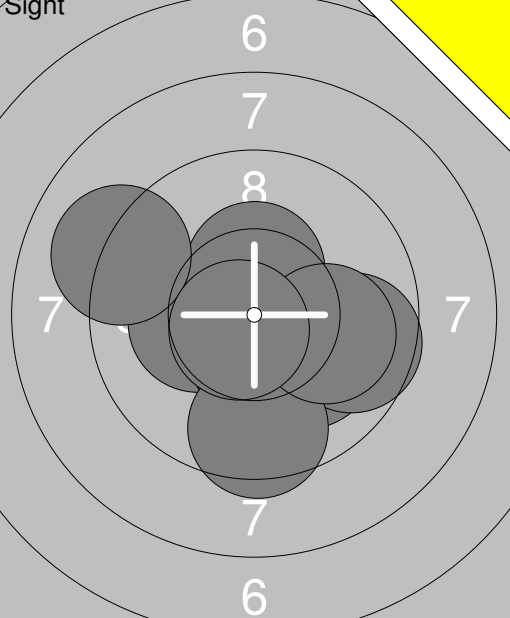
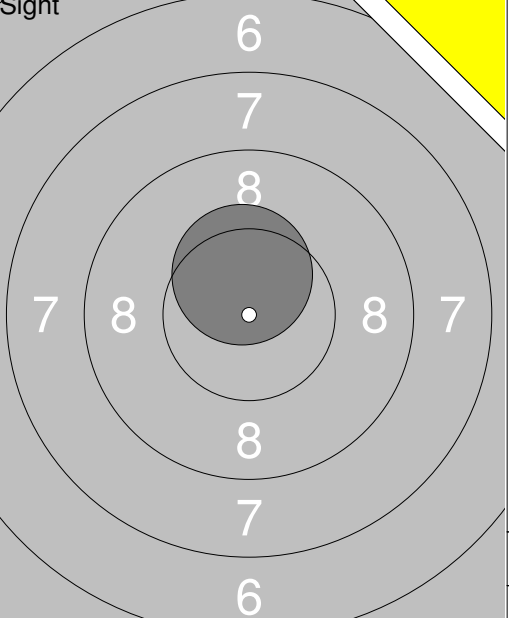
<p>60 Shots</p>  <p style="text-align: center;">6 7 8 7 6</p>	<p>1: 9.9 ↖ 2: 10.7x ↙ 3: 10.2x → 4: 10.2x ↙ 5: 9.8 ↘ 6: 10.1 ← 7: 10.4x ↙ 8: 10.8x ↓ 9: 9.7 ↘ 10: 10.8x ↗</p> <p>Series 102.6 Total 102.6</p>	<p>60 Shots</p>  <p style="text-align: center;">6 7 8 7 6</p>	<p>11: 10.2x ↗ 12: 10.0 → 13: 10.2x ↙ 14: 10.6x ↘ 15: 9.7 ← 16: 10.4x → 17: 10.8x ↑ 18: 10.7x ↓ 19: 10.6x ↘ 20: 10.6x ↘</p> <p>Series 103.8 Total 206.4</p>
--	--	--	---

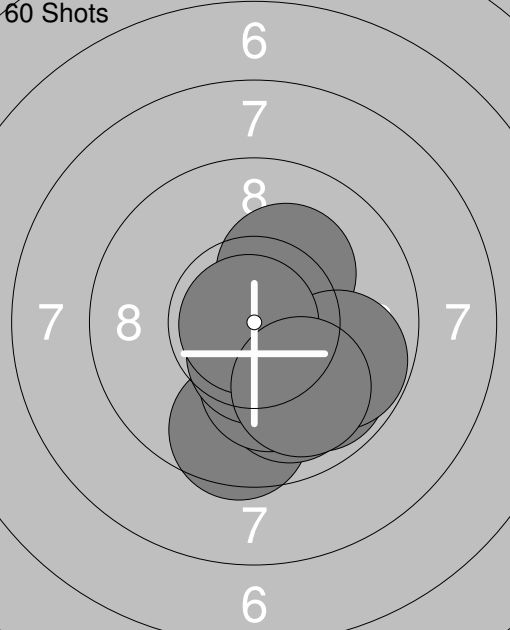
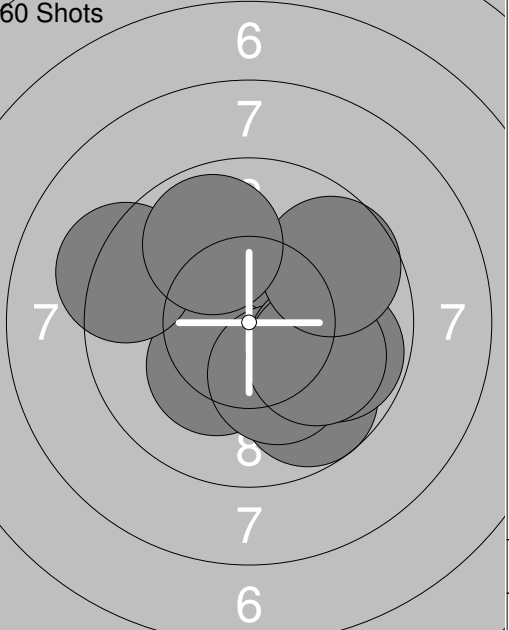
<p>60 Shots</p>  <p style="text-align: center;">6 7 8 7 6</p>	<p>21: 10.2x ↙ 22: 10.7x ↗ 23: 10.1 → 24: 10.7x ↘ 25: 10.8x ↘ 26: 10.1 ↓ 27: 9.6 → 28: 10.3x ↙ 29: 10.0 ↘ 30: 10.6x ↑</p> <p>Series 103.1 Total 309.5</p>	<p>60 Shots</p>  <p style="text-align: center;">6 7 8 7 6</p>	<p>31: 10.4x ↗ 32: 10.7x → 33: 10.6x ↘ 34: 10.4x ↘ 35: 10.6x ← 36: 10.6x ↗ 37: 9.8 ↗ 38: 9.6 ↗ 39: 10.5x → 40: 10.2x →</p> <p>Series 103.4 Total 412.9</p>
---	---	---	--

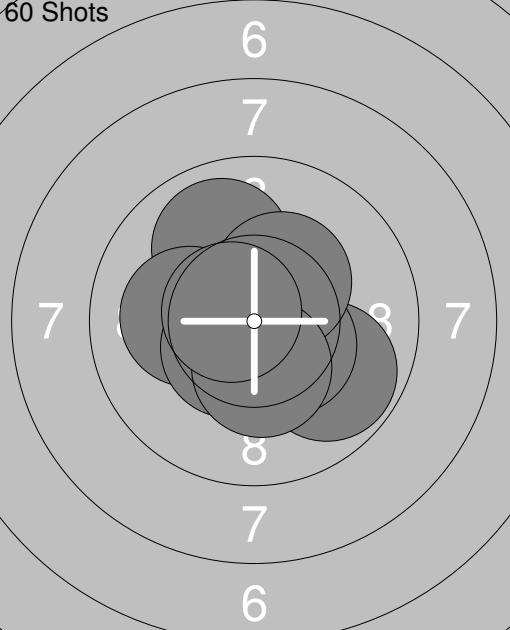
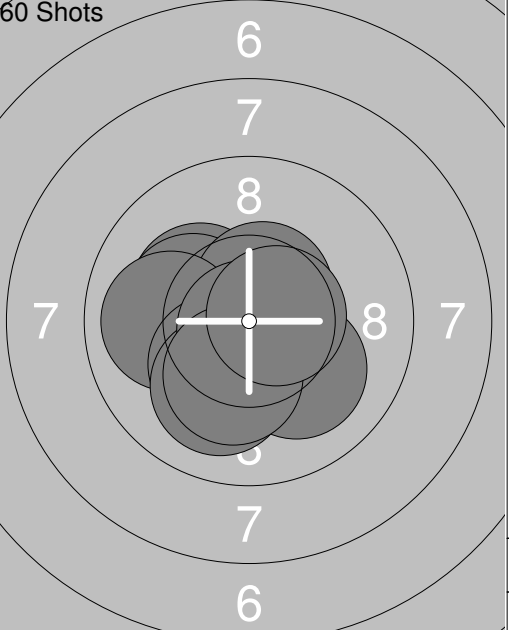
<p>Sight</p> 	<p>1: 9.6 →</p> <p>2: 9.9 ↓</p> <p>3: 9.8 →</p> <p>4: 10.5x ↓</p> <p>5: 9.6 ↗</p> <p>6: 10.5x ←</p> <p>7: 10.6x ↓</p> <p>8: 10.3x ↓</p> <p>9: 9.6 ↙</p>	<p>60 Shots</p> 	<p>1: 9.5 ←</p> <p>2: 10.8x ↙</p> <p>3: 10.1 ↖</p> <p>4: 10.6x ↓</p> <p>5: 10.5x ↓</p> <p>6: 9.5 ←</p> <p>7: 10.1 ↓</p> <p>8: 9.8 ←</p> <p>9: 9.7 ←</p> <p>10: 10.1 ↗</p>
Series 90.4	Total 0.0	Series 100.7	Total 100.7

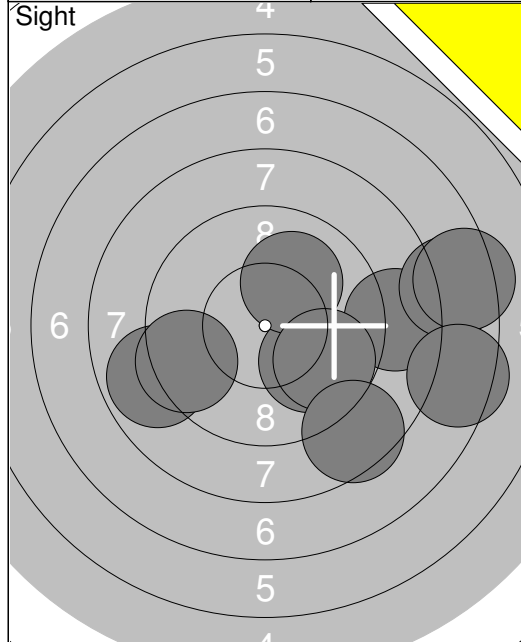
<p>60 Shots</p> 	<p>11: 9.5 ↙</p> <p>12: 10.5x ↗</p> <p>13: 10.6x ↗</p> <p>14: 9.9 ↙</p> <p>15: 9.9 ↖</p> <p>16: 10.0 ↓</p> <p>17: 10.1 ↗</p> <p>18: 9.8 ↗</p> <p>19: 10.4x ↗</p> <p>20: 10.8x ↖</p>	<p>60 Shots</p> 	<p>21: 9.8 ↗</p> <p>22: 10.5x ↗</p> <p>23: 10.1 ↗</p> <p>24: 10.1 →</p> <p>25: 9.8 ↗</p> <p>26: 9.5 ↗</p> <p>27: 10.4x ↗</p> <p>28: 10.3x ↖</p> <p>29: 9.7 ↗</p> <p>30: 10.0 ↗</p>
Series 101.5	Total 202.2	Series 100.2	Total 302.4

<p>60 Shots</p> 	<p>31: 10.7x ↙</p> <p>32: 9.4 ↓</p> <p>33: 10.4x →</p> <p>34: 9.5 ↓</p> <p>35: 10.8x ↓</p> <p>36: 10.5x ↓</p> <p>37: 10.1 ↓</p> <p>38: 10.8x ↓</p> <p>39: 10.3x ↖</p> <p>40: 10.0 ↗</p>	
Series 102.5	Total 404.9	

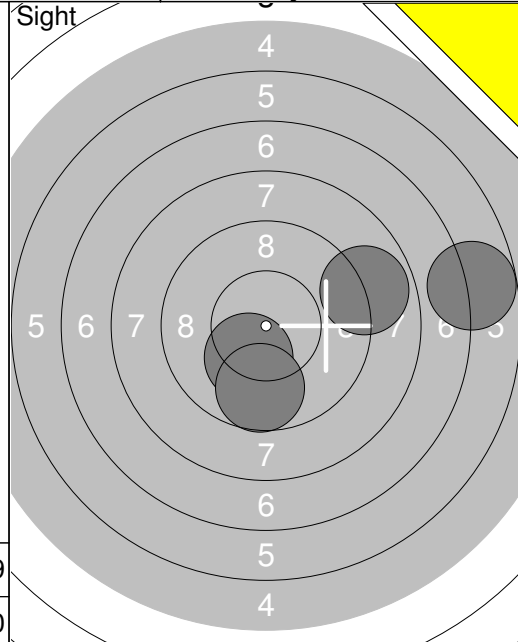
<p>Sight</p> 	<p>1: 10.2x ←</p> <p>2: 10.7x ↗</p> <p>3: 10.4x ↑</p> <p>4: 10.1 ↓</p> <p>5: 10.5x ↓</p> <p>6: 9.1 ↖</p> <p>7: 9.7 →</p> <p>8: 9.5 ↓</p> <p>9: 10.0 →</p> <p>10: 10.7x ↙</p>	<p>Sight</p> 	<p>11: 10.4x ↑</p>
Series 100.9		Series 10.4	
Total 0.0		Total 0.0	

<p>60 Shots</p> 	<p>1: 9.8 ↓</p> <p>2: 9.6 ↓</p> <p>3: 9.9 ↓</p> <p>4: 10.2x ↗</p> <p>5: 10.3x ↓</p> <p>6: 10.2x ↓</p> <p>7: 9.8 →</p> <p>8: 10.5x ↓</p> <p>9: 10.9x ↙</p> <p>10: 9.9 ↓</p>	<p>60 Shots</p> 	<p>11: 9.7 ↓</p> <p>12: 10.2x →</p> <p>13: 10.3x ↙</p> <p>14: 10.2x ↓</p> <p>15: 10.0 →</p> <p>16: 9.8 →</p> <p>17: 10.0 →</p> <p>18: 9.3 ↖</p> <p>19: 9.7 ↗</p> <p>20: 9.8 ↖</p>
Series 101.1		Series 99.0	
Total 101.1		Total 200.1	

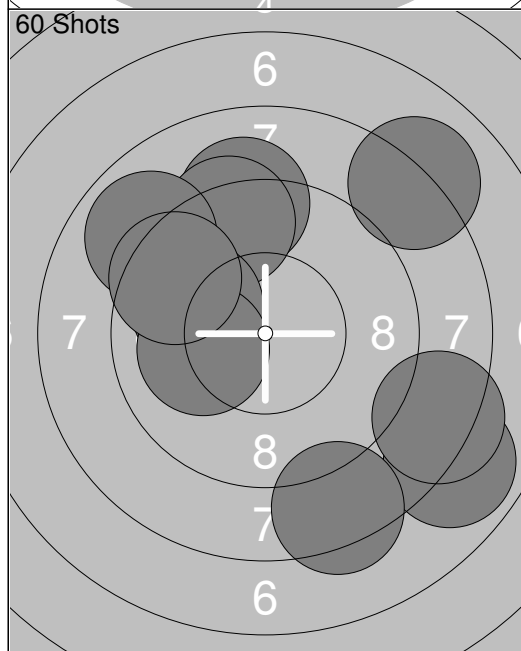
<p>60 Shots</p> 	<p>21: 9.9 ↑</p> <p>22: 10.1 ←</p> <p>23: 10.3x ↘</p> <p>24: 9.8 ↘</p> <p>25: 10.7x ↖</p> <p>26: 10.4x ↘</p> <p>27: 10.5x ↙</p> <p>28: 10.3x ↗</p> <p>29: 10.4x ↓</p> <p>30: 10.6x ↖</p>	<p>60 Shots</p> 	<p>31: 10.2x ↖</p> <p>32: 10.2x ↖</p> <p>33: 10.5x ↗</p> <p>34: 10.0 ←</p> <p>35: 10.3x ↙</p> <p>36: 10.1 ↓</p> <p>37: 10.8x ↓</p> <p>38: 10.1 ↓</p> <p>39: 10.2x ↓</p> <p>40: 10.6x →</p>
Series 103.0		Series 103.0	
Total 303.1		Total 406.1	



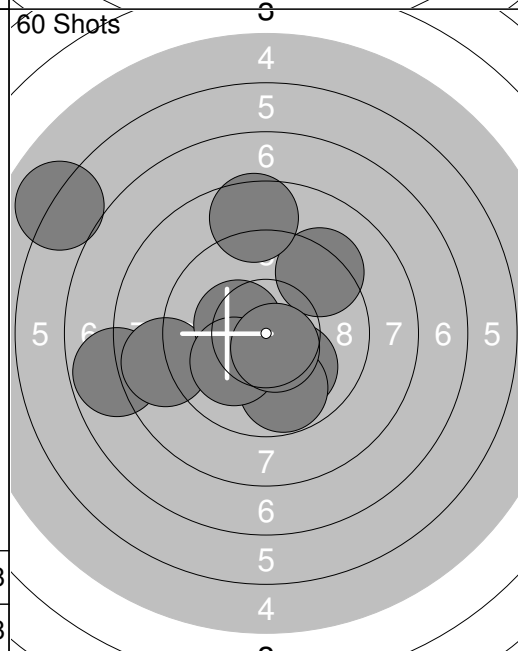
1:	10.0	↘
2:	8.9	↙
3:	10.1	↗
4:	8.7	→
5:	7.6	→
6:	9.8	↘
7:	7.4	→
8:	7.5	→
9:	9.4	↙
10:	8.5	↘
<b>Series</b>		<b>87.9</b>
<b>Total</b>		<b>0.0</b>



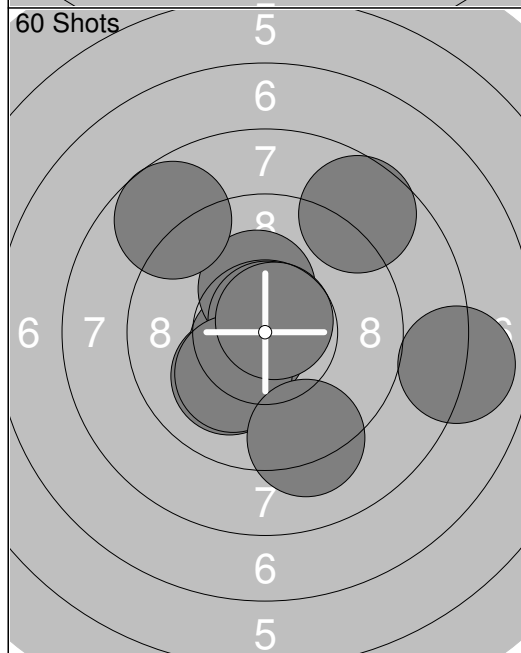
11:	8.9	→
12:	10.2x	↙
13:	6.7	→
14:	9.7	↓
<b>Series</b>		<b>35.5</b>
<b>Total</b>		<b>0.0</b>



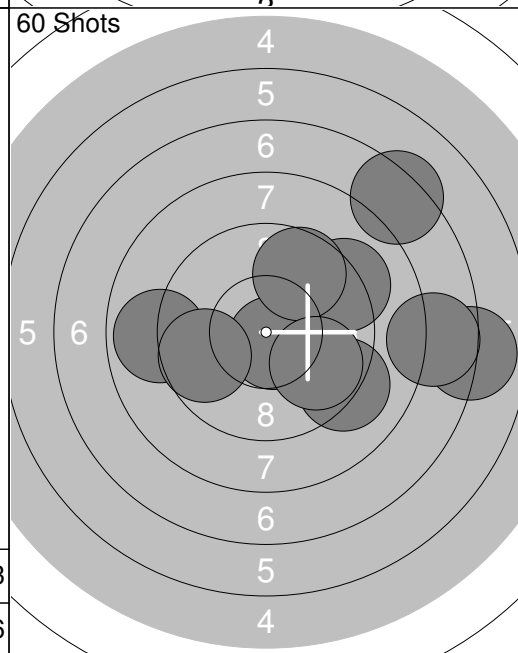
1:	7.9	↘
2:	8.1	↗
3:	9.2	↑
4:	8.3	↘
5:	8.4	↘
6:	9.4	↑
7:	10.0	↙
8:	10.1	↙
9:	8.9	↗
10:	9.5	↙
<b>Series</b>		<b>89.8</b>
<b>Total</b>		<b>89.8</b>



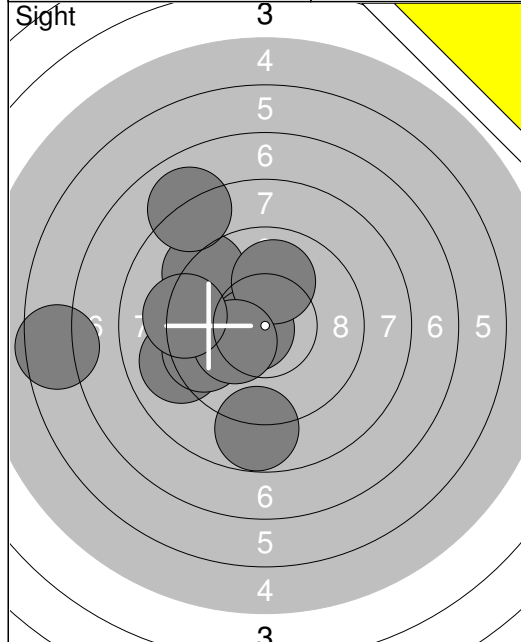
11:	9.3	↗
12:	7.8	↙
13:	8.6	↑
14:	10.1	↘
15:	9.8	↘
16:	8.8	↙
17:	10.4x	↙
18:	6.0	↙
19:	10.1	↙
20:	10.6x	↘
<b>Series</b>		<b>91.5</b>
<b>Total</b>		<b>181.3</b>



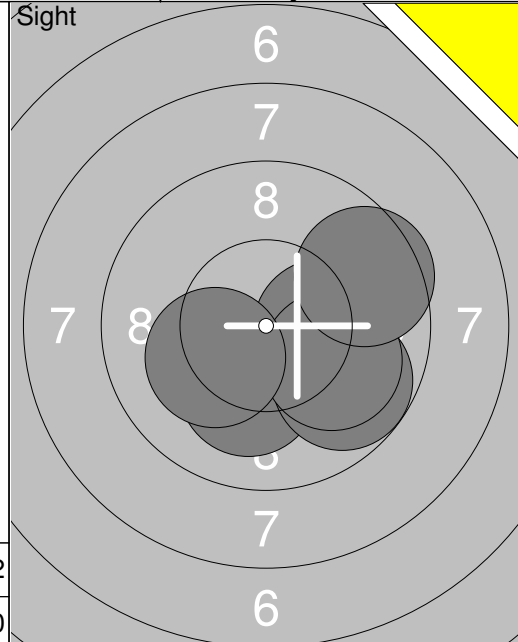
21:	10.1	↘
22:	10.6x	↙
23:	10.3x	↑
24:	10.8x	↑
25:	10.2x	↘
26:	10.7x	↗
27:	8.7	↗
28:	9.2	↘
29:	8.0	→
30:	8.7	↗
<b>Series</b>		<b>97.3</b>
<b>Total</b>		<b>278.6</b>



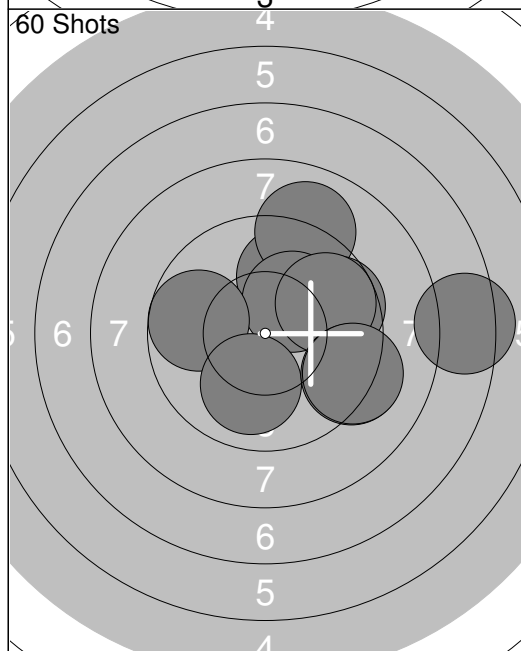
31:	9.2	↗
32:	10.7x	↘
33:	8.9	↙
34:	9.2	↘
35:	9.7	↙
36:	7.0	→
37:	7.7	→
38:	9.6	↗
39:	7.3	↗
40:	9.8	↘
<b>Series</b>		<b>89.1</b>
<b>Total</b>		<b>367.7</b>



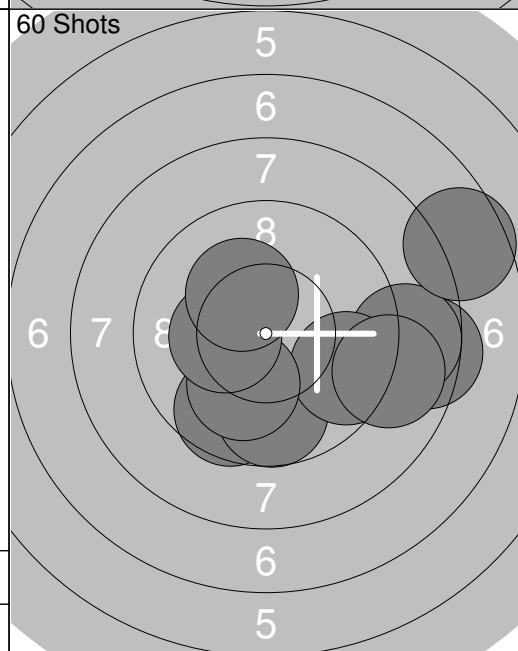
1: 6.5	←
2: 9.2	↗
3: 8.0	↗
4: 10.7x	←
5: 10.0	↑
6: 9.0	←
7: 8.8	↓
8: 9.6	←
9: 10.2x	↙
10: 9.2	←
Series 91.2	
Total 0.0	



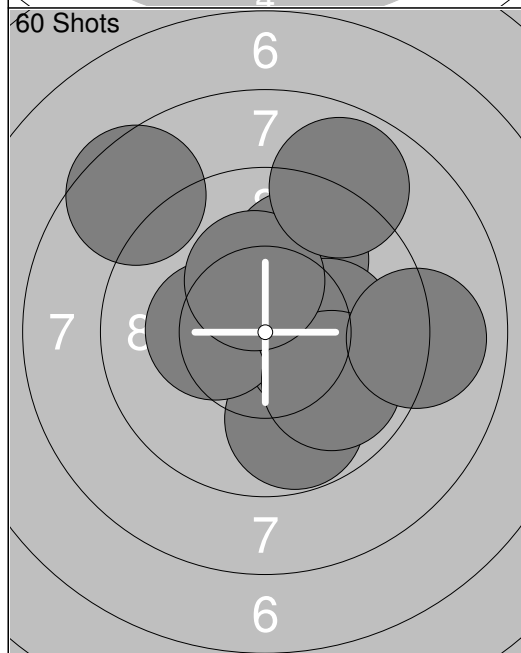
11: 10.2x	→
12: 10.1	↓
13: 9.8	↘
14: 10.0	↘
15: 10.2x	↙
16: 9.5	↗
Series 59.8	
Total 0.0	



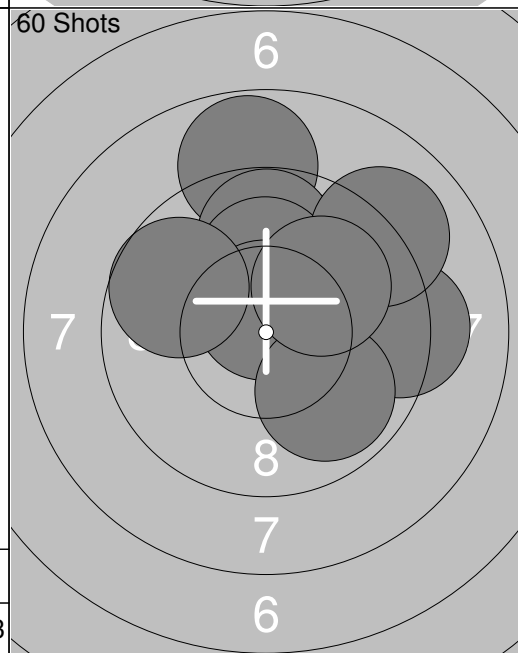
1: 9.9	↑
2: 9.0	↑
3: 7.4	→
4: 10.2x	↗
5: 9.7	←
6: 9.6	→
7: 10.0	↓
8: 9.8	↗
9: 9.3	↘
10: 9.2	↘
Series 94.1	
Total 94.1	



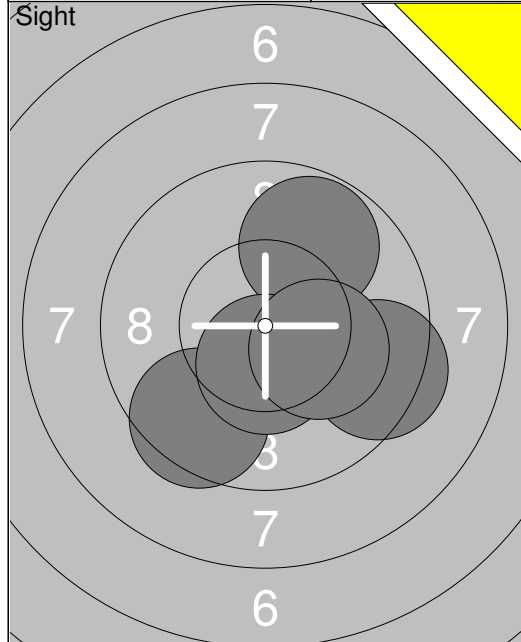
11: 8.4	→
12: 9.6	↓
13: 9.7	↓
14: 8.7	→
15: 9.6	↘
16: 10.1	↓
17: 10.3x	←
18: 8.9	→
19: 7.6	↗
20: 10.2x	↖
Series 93.1	
Total 187.2	



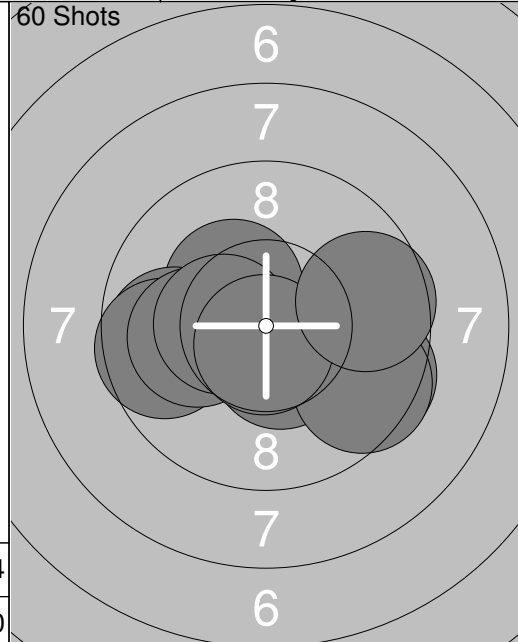
21: 9.8	↓
22: 10.3x	→
23: 10.3x	←
24: 9.9	↑
25: 10.2x	→
26: 9.9	↘
27: 9.0	→
28: 10.3x	↑
29: 8.9	↗
30: 8.5	↖
Series 97.1	
Total 284.3	



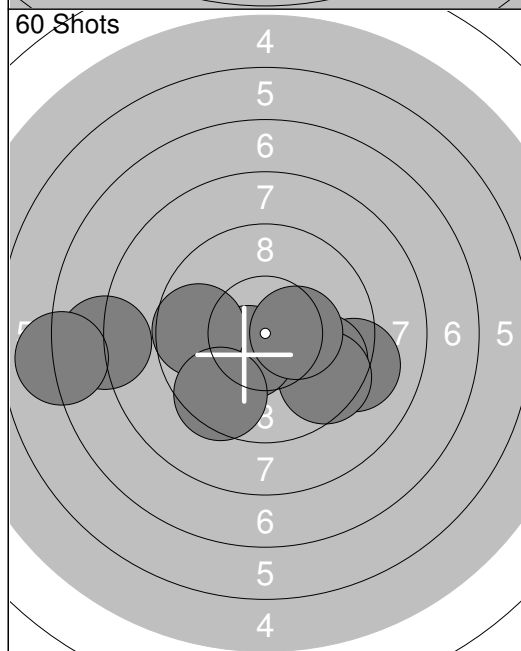
31: 9.2	→
32: 8.8	↑
33: 10.0	↗
34: 9.8	↑
35: 10.1	↑
36: 10.7x	↑
37: 9.1	↗
38: 9.9	↘
39: 10.0	↗
40: 9.7	↖
Series 97.3	
Total 381.6	



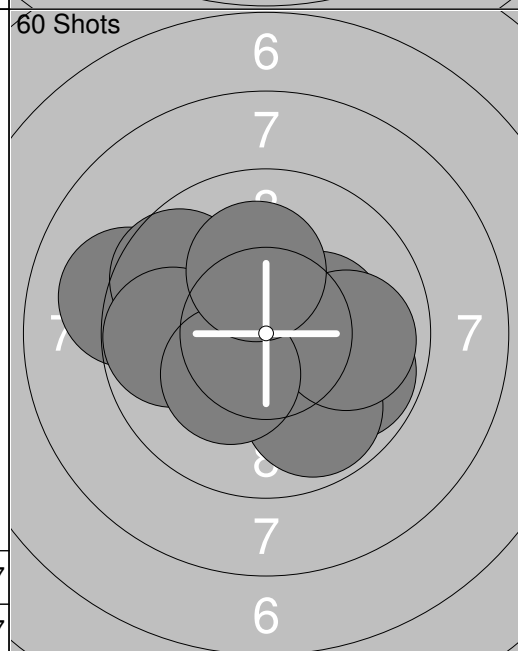
1:	9.5	↙
2:	9.4	→
3:	9.8	↗
4:	10.5x	↓
5:	10.2x	→
Series		49.4
Total		0.0



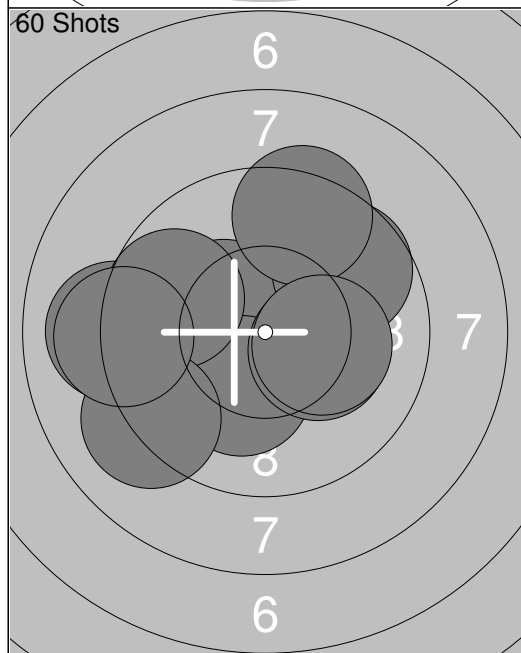
1:	9.5	→
2:	10.5x	↓
3:	10.3x	↖
4:	9.8	←
5:	9.5	→
6:	9.6	←
7:	10.1	←
8:	10.4x	←
9:	10.7x	↓
10:	9.6	→
Series		100.0
Total		100.0



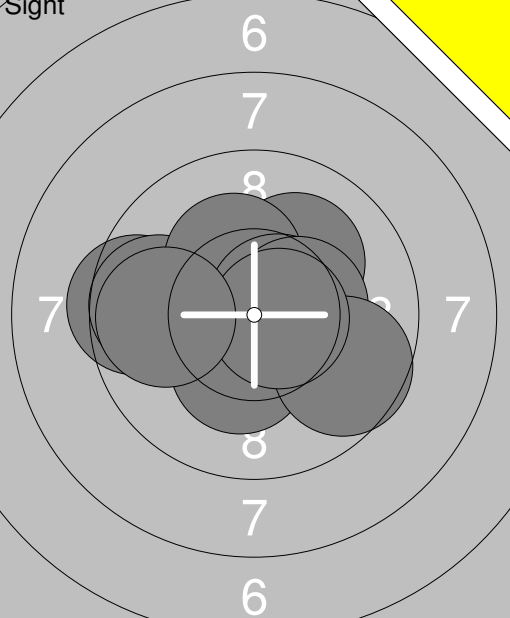
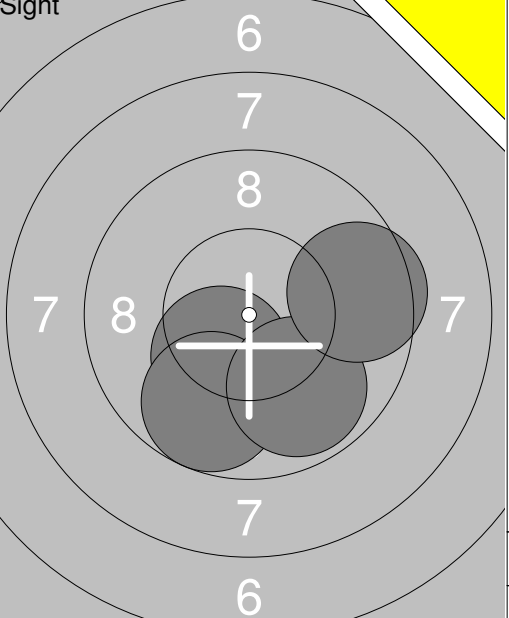
11:	9.1	→
12:	9.8	→
13:	10.3x	→
14:	9.5	→
15:	7.9	←
16:	10.5x	↙
17:	7.0	←
18:	10.4x	→
19:	9.7	←
20:	9.5	↙
Series		93.7
Total		193.7

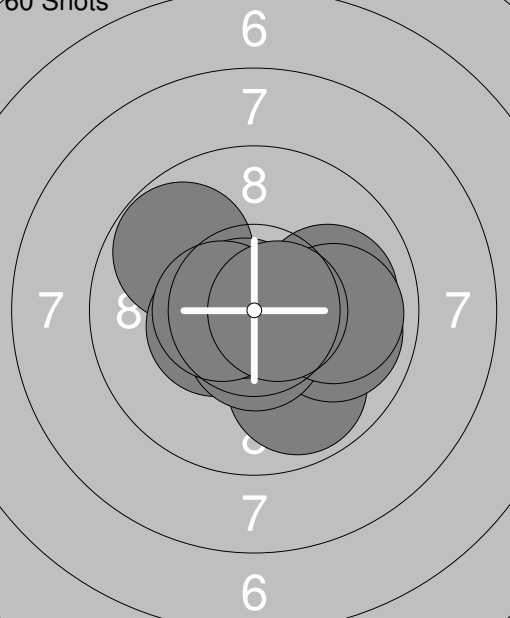
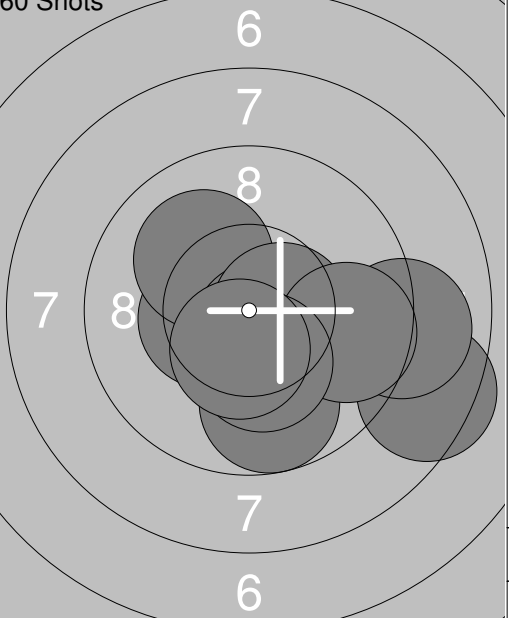


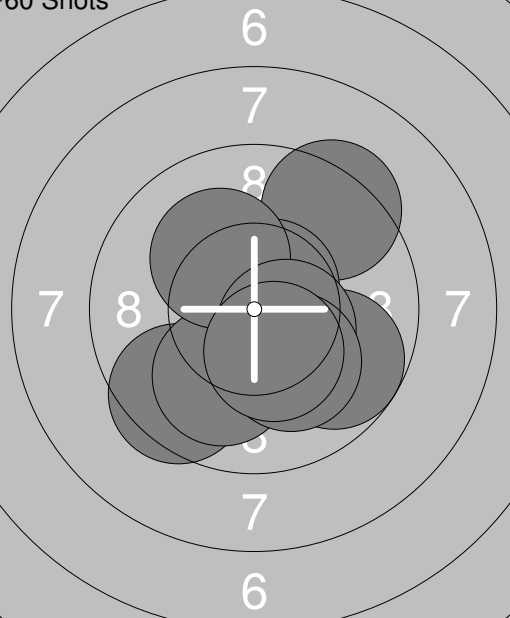
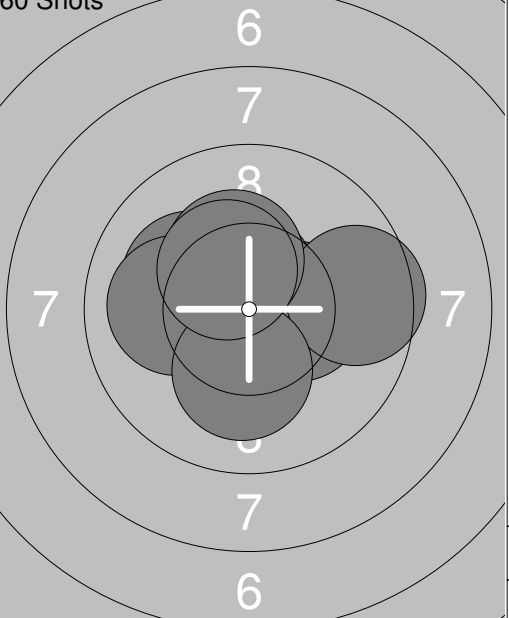
21:	9.1	←
22:	10.3x	→
23:	9.6	↖
24:	10.6x	↓
25:	9.8	←
26:	9.8	→
27:	9.8	↙
28:	9.9	→
29:	10.3x	↙
30:	10.1	↑
Series		99.3
Total		293.0



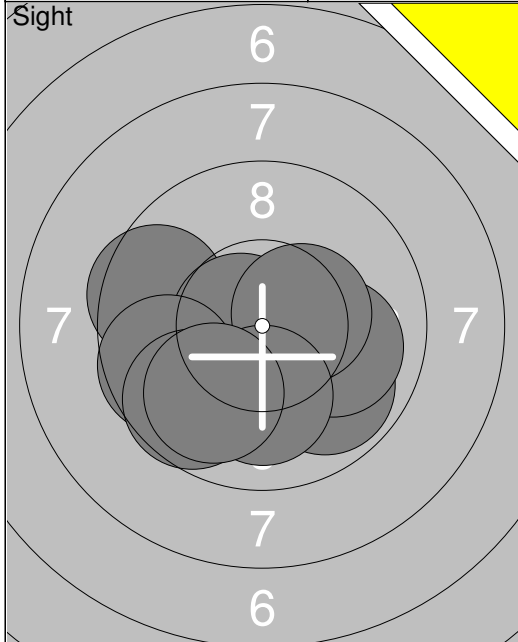
31:	10.3x	↖
32:	10.2x	↙
33:	9.0	←
34:	10.2x	→
35:	9.7	↗
36:	9.4	↑
37:	10.2x	→
38:	9.7	←
39:	9.1	↙
40:	9.1	←
Series		96.9
Total		389.9

<p><b>Sight</b></p> 	<p>1: 9.5 ←</p> <p>2: 10.1 ↗</p> <p>3: 9.7 ←</p> <p>4: 10.2x ↖</p> <p>5: 10.6x →</p> <p>6: 10.4x →</p> <p>7: 10.3x ↓</p> <p>8: 9.6 →</p> <p>9: 10.6x →</p> <p>10: 9.8 ←</p> <hr/> <p>Series 100.8</p> <p>Total 0.0</p>	<p><b>Sight</b></p> 	<p>11: 10.3x ↙</p> <p>12: 9.7 ↓</p> <p>13: 9.9 ↓</p> <p>14: 9.5 →</p> <hr/> <p>Series 39.4</p> <p>Total 0.0</p>
--	--	--	---

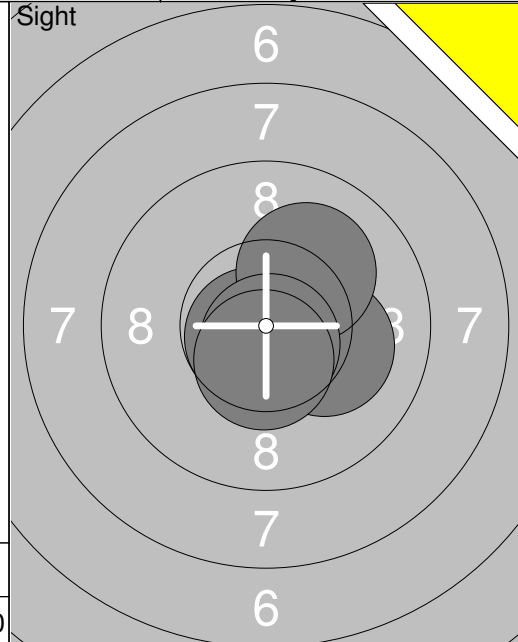
<p><b>60 Shots</b></p> 	<p>1: 9.8 ↖</p> <p>2: 10.4x ←</p> <p>3: 9.9 ↓</p> <p>4: 9.9 →</p> <p>5: 10.6x ↓</p> <p>6: 10.8x ←</p> <p>7: 10.5x ←</p> <p>8: 10.0 →</p> <p>9: 9.9 →</p> <p>10: 10.6x →</p> <hr/> <p>Series 102.4</p> <p>Total 102.4</p>	<p><b>60 Shots</b></p> 	<p>11: 8.5 →</p> <p>12: 9.0 →</p> <p>13: 10.4x ←</p> <p>14: 10.1 ↖</p> <p>15: 10.6x ↓</p> <p>16: 9.8 ↓</p> <p>17: 10.5x →</p> <p>18: 9.7 →</p> <p>19: 10.3x ↓</p> <p>20: 10.4x ↓</p> <hr/> <p>Series 99.3</p> <p>Total 201.7</p>
--	--	--	--

<p><b>60 Shots</b></p> 	<p>21: 9.7 →</p> <p>22: 9.5 ↓</p> <p>23: 9.3 ↗</p> <p>24: 10.6x ↗</p> <p>25: 10.0 ↓</p> <p>26: 10.2x ↖</p> <p>27: 10.3x ↓</p> <p>28: 10.5x ↓</p> <p>29: 10.1 ↓</p> <p>30: 10.4x ↓</p> <hr/> <p>Series 100.6</p> <p>Total 302.3</p>	<p><b>60 Shots</b></p> 	<p>31: 10.3x ←</p> <p>32: 10.1 ↖</p> <p>33: 10.4x ↖</p> <p>34: 10.3x →</p> <p>35: 10.0 ←</p> <p>36: 10.6x ↑</p> <p>37: 9.6 →</p> <p>38: 10.3x ↖</p> <p>39: 10.2x ↓</p> <p>40: 10.4x ↖</p> <hr/> <p>Series 102.2</p> <p>Total 404.5</p>
---	--	---	--

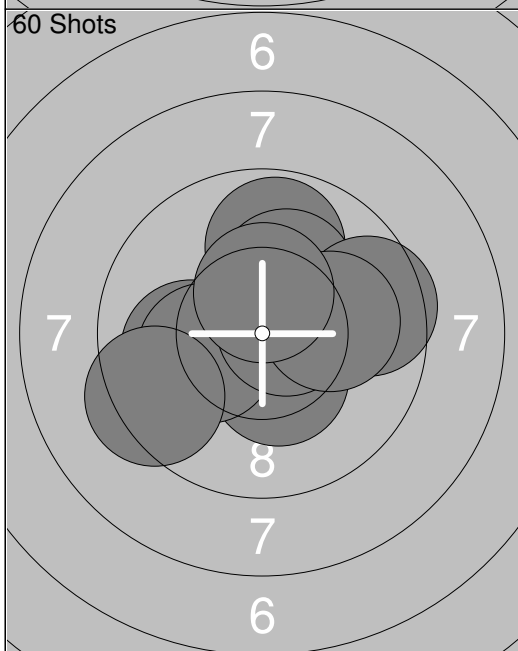




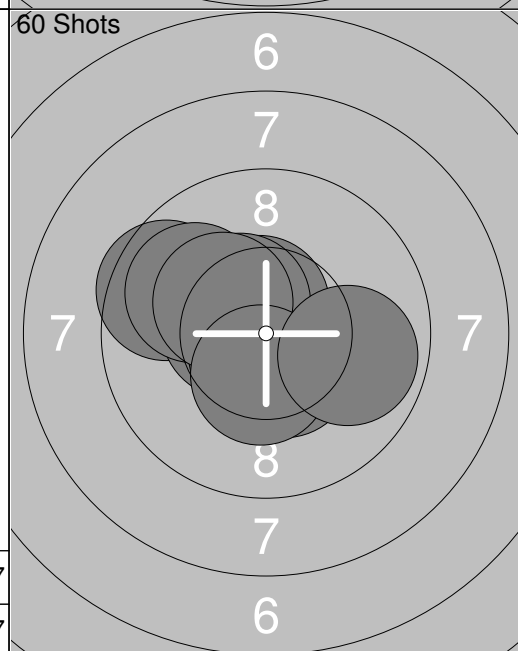
1: 9.6	←
2: 10.3x	↓
3: 9.8	↘
4: 10.0	→
5: 10.7x	←
6: 10.4x	→
7: 9.6	←
8: 9.7	↘
9: 10.1	↓
10: 9.9	↘
Series	100.1
Total	0.0



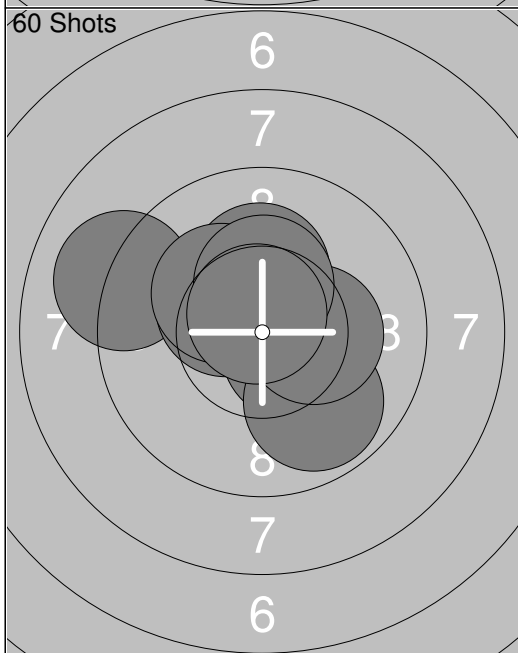
11: 10.2x	→
12: 10.7x	↘
13: 10.1	↗
14: 10.7x	↓
15: 10.5x	↓
Series	52.2
Total	0.0



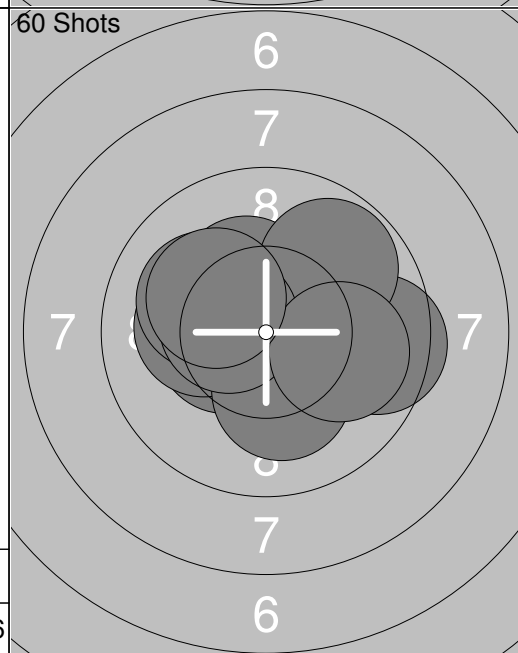
1: 10.4x	↓
2: 9.8	↑
3: 10.2x	↗
4: 10.0	←
5: 10.2x	←
6: 9.6	→
7: 10.6x	→
8: 9.4	←
9: 10.1	→
10: 10.4x	↑
Series	100.7
Total	100.7



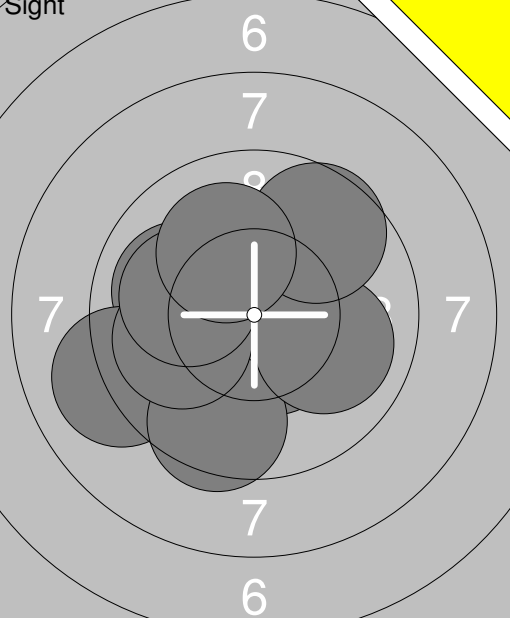
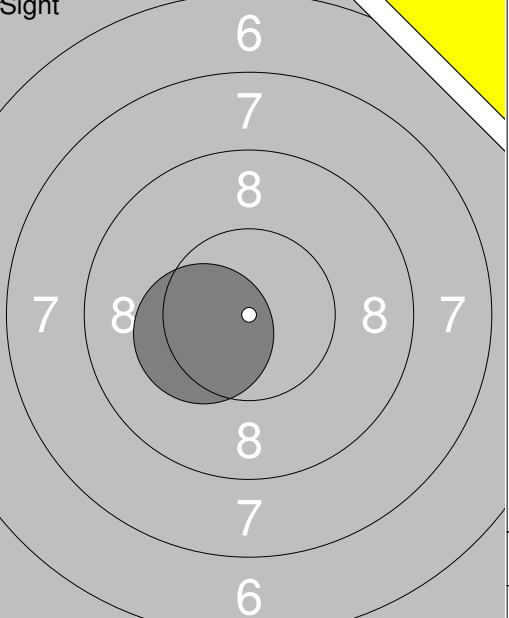
11: 9.6	←
12: 10.5x	←
13: 10.5x	↓
14: 10.7x	↓
15: 10.6x	↑
16: 10.4x	↖
17: 9.9	←
18: 10.3x	↖
19: 10.4x	↓
20: 9.9	→
Series	102.8
Total	203.5

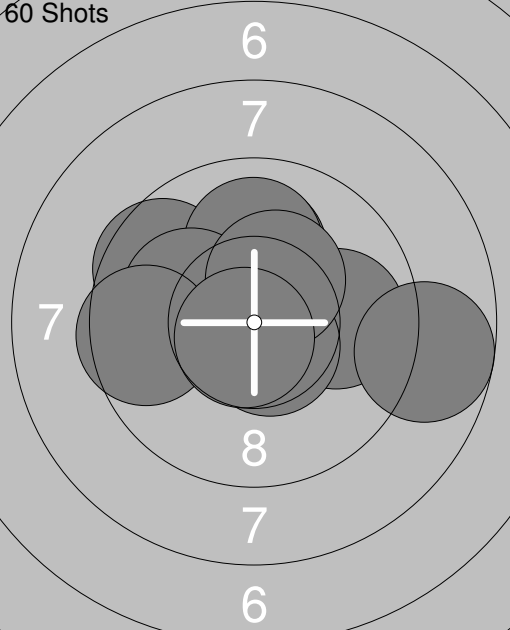
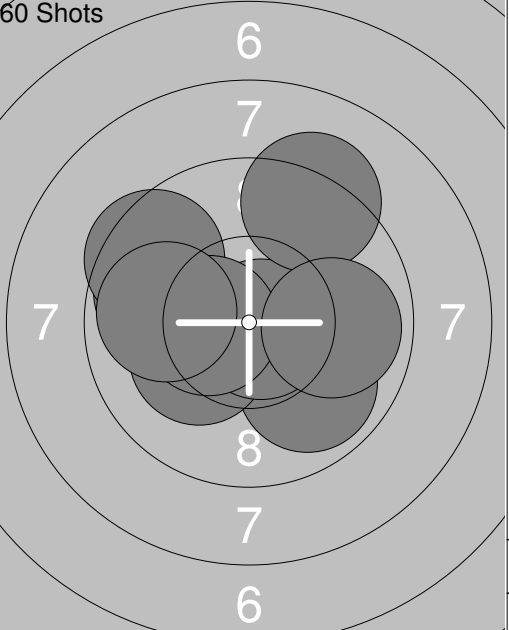


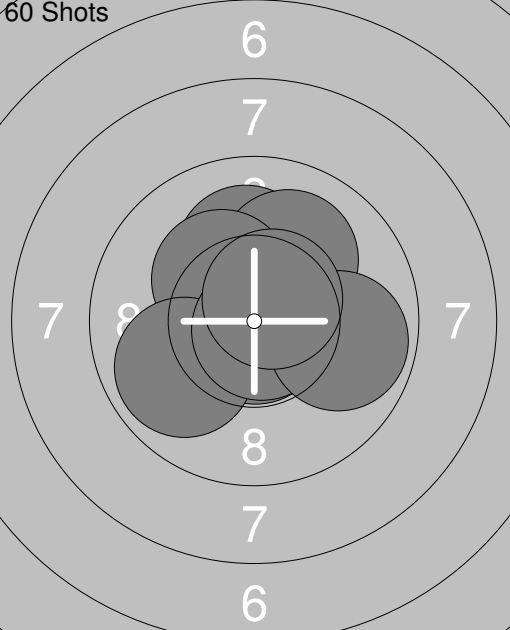
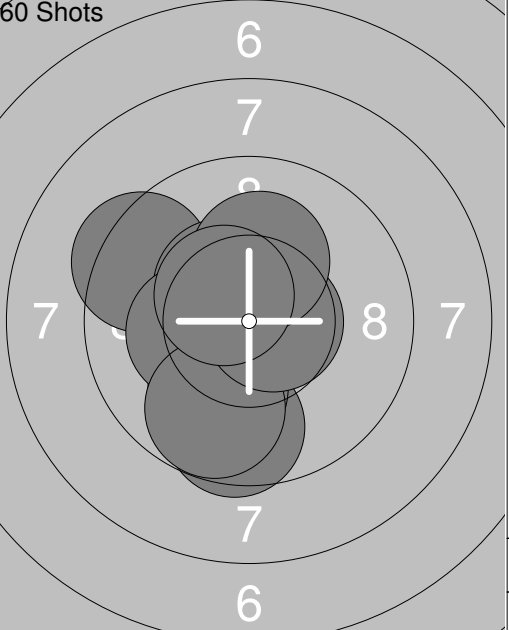
21: 10.5x	↘
22: 9.9	↓
23: 9.1	←
24: 10.4x	↖
25: 10.2x	↑
26: 10.5x	↑
27: 10.2x	↖
28: 10.3x	→
29: 10.3x	↑
30: 10.7x	↑
Series	102.1
Total	305.6

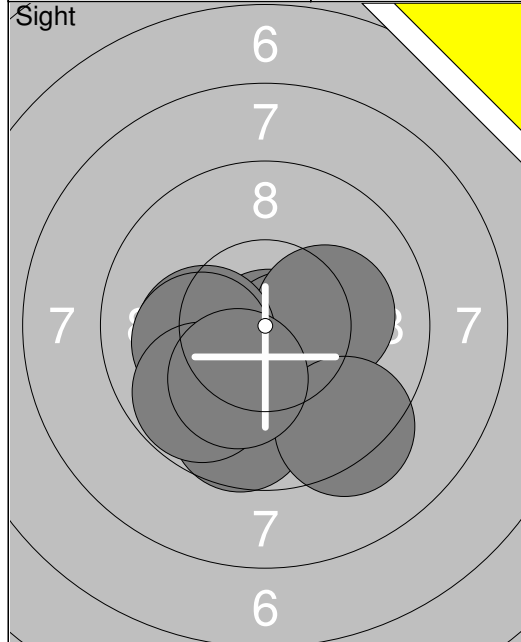


31: 9.5	→
32: 10.4x	←
33: 10.2x	←
34: 10.3x	↑
35: 10.2x	↓
36: 10.1	←
37: 9.8	↗
38: 10.5x	←
39: 10.0	→
40: 10.2x	↖
Series	101.2
Total	406.8

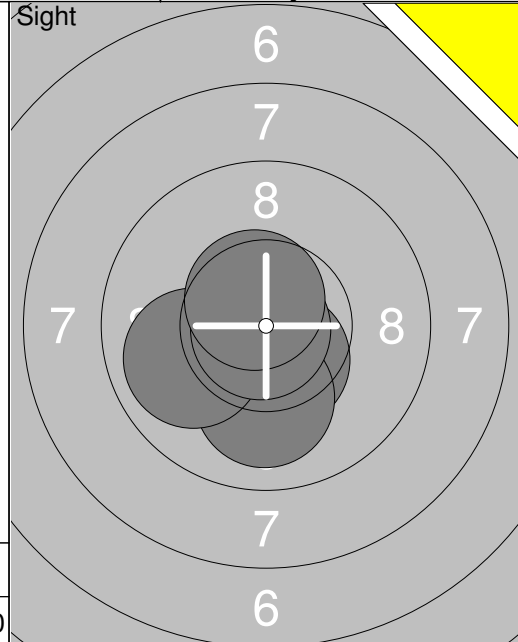
<p>Sight</p> 	<p>1: 10.0 ←</p> <p>2: 9.1 ↙</p> <p>3: 10.5x ↘</p> <p>4: 10.5x →</p> <p>5: 9.5 ↓</p> <p>6: 10.0 →</p> <p>7: 10.0 ←</p> <p>8: 9.6 ↗</p> <p>9: 10.1 ←</p> <p>10: 10.1 ↗</p> <hr/> <p>Series 99.4</p> <p>Total 0.0</p>	<p>Sight</p> 	<p>11: 10.3x ↙</p> <hr/> <p>Series 10.3</p> <p>Total 0.0</p>
---	---	---	--

<p>60 Shots</p> 	<p>1: 9.6 ↙</p> <p>2: 10.0 ↑</p> <p>3: 9.9 →</p> <p>4: 10.6x ↘</p> <p>5: 10.0 ↑</p> <p>6: 8.7 →</p> <p>7: 10.1 ←</p> <p>8: 10.3x ↗</p> <p>9: 9.6 ←</p> <p>10: 10.7x ↘</p> <hr/> <p>Series 99.5</p> <p>Total 99.5</p>	<p>60 Shots</p> 	<p>11: 10.8x ↘</p> <p>12: 9.9 ↘</p> <p>13: 9.8 ↙</p> <p>14: 10.2x ↙</p> <p>15: 10.8x →</p> <p>16: 9.5 ↙</p> <p>17: 10.4x ←</p> <p>18: 9.9 ←</p> <p>19: 9.2 ↗</p> <p>20: 9.9 →</p> <hr/> <p>Series 100.4</p> <p>Total 199.9</p>
---	--	---	--

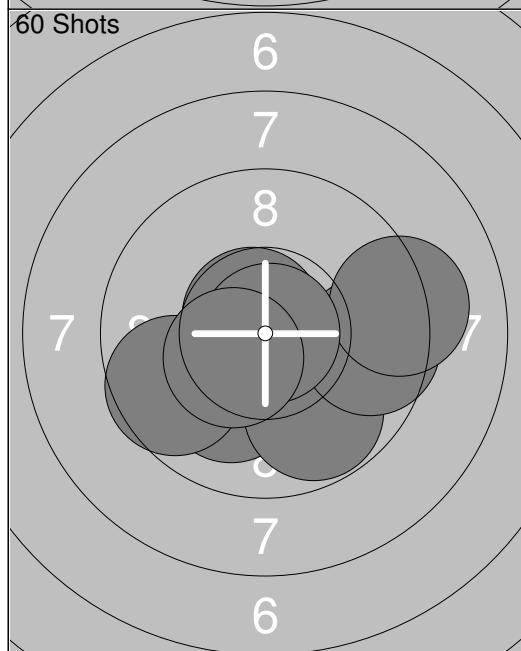
<p>60 Shots</p> 	<p>21: 10.4x ↗</p> <p>22: 10.8x ↘</p> <p>23: 10.1 ↑</p> <p>24: 10.7x ↗</p> <p>25: 10.1 ↗</p> <p>26: 10.3x ↙</p> <p>27: 9.9 ↙</p> <p>28: 10.8x ↘</p> <p>29: 9.8 →</p> <p>30: 10.6x ↗</p> <hr/> <p>Series 103.5</p> <p>Total 303.4</p>	<p>60 Shots</p> 	<p>31: 10.7x ↗</p> <p>32: 9.4 ↙</p> <p>33: 9.6 ↓</p> <p>34: 10.0 ↘</p> <p>35: 10.4x ↙</p> <p>36: 10.3x ←</p> <p>37: 9.8 ↓</p> <p>38: 10.6x →</p> <p>39: 10.2x ↑</p> <p>40: 10.5x ↙</p> <hr/> <p>Series 101.5</p> <p>Total 404.9</p>
--	--	--	---



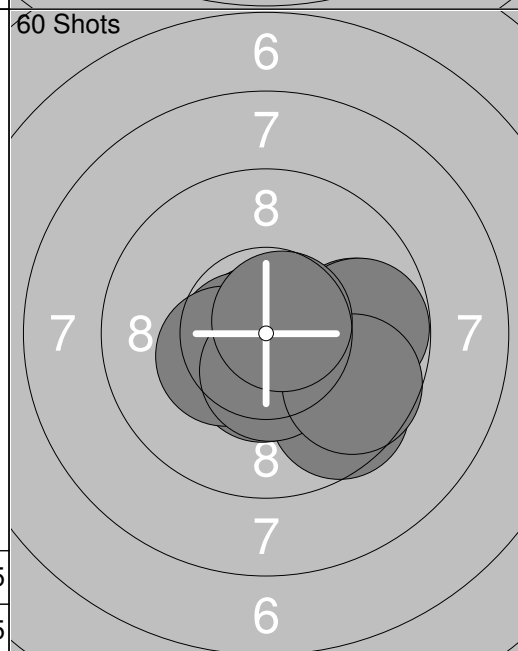
1: 10.8x ↓
2: 10.6x ↘
3: 10.2x ↘
4: 10.2x →
5: 9.7 ↓
6: 10.2x ←
7: 9.3 ↓
8: 10.1 ←
9: 9.8 ↙
10: 10.2x ↓
Series 101.1
Total 0.0



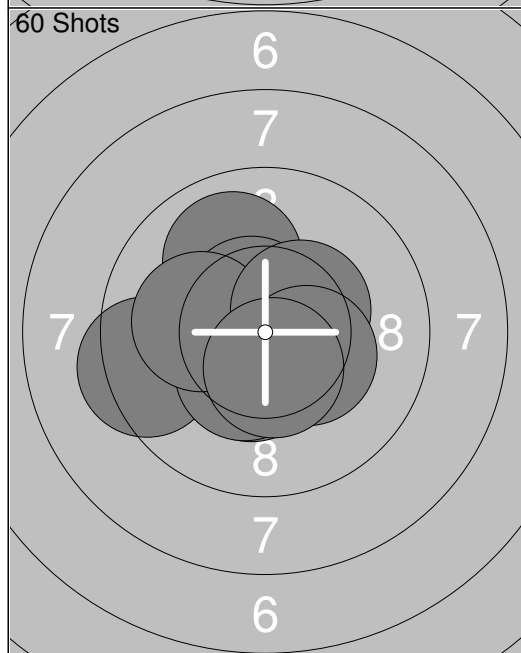
11: 10.5x ↓
12: 10.0 ↓
13: 9.9 ↙
14: 10.9x ↙
15: 10.6x ↗
Series 51.9
Total 0.0



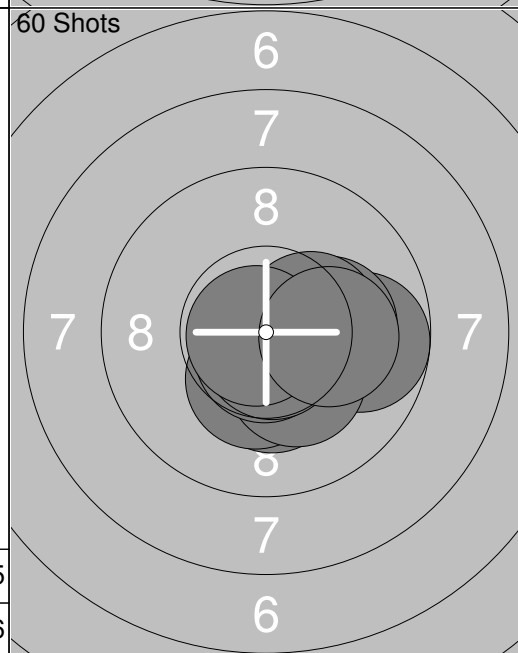
1: 10.8x ↓
2: 10.4x ↙
3: 10.1 ↓
4: 9.8 ↓
5: 9.6 →
6: 10.7x ↗
7: 9.2 →
8: 10.9x →
9: 9.6 ↙
10: 10.4x ↙
Series 101.5
Total 101.5



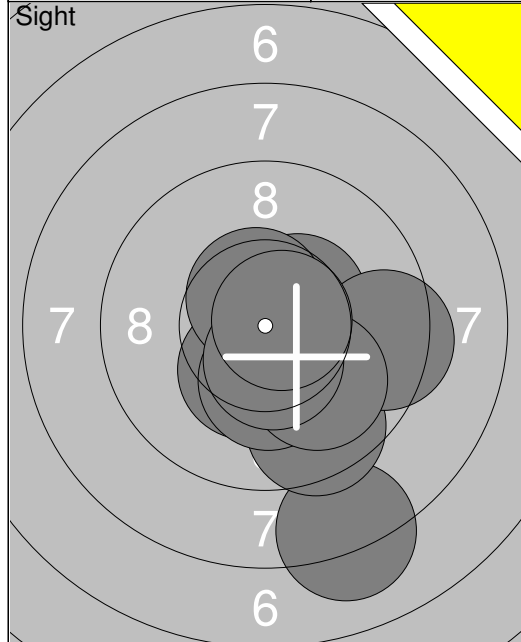
11: 10.9x ↙
12: 10.7x ↙
13: 9.6 ↓
14: 10.5x ↓
15: 9.8 →
16: 9.8 →
17: 10.4x ↙
18: 10.5x ↓
19: 9.7 ↘
20: 10.7x ↗
Series 102.6
Total 204.1



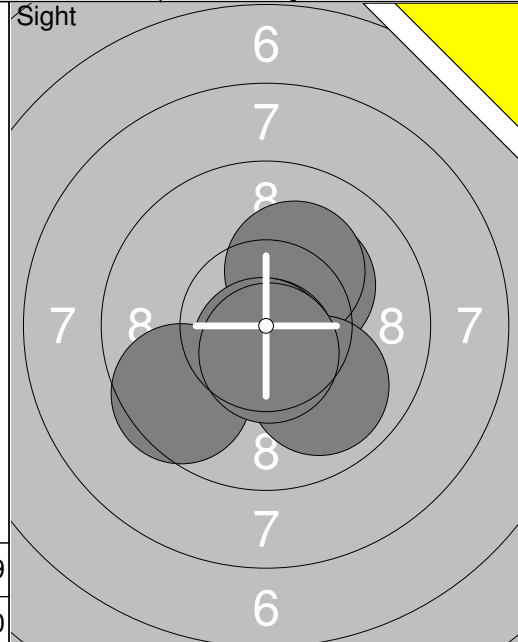
21: 10.4x ↓
22: 9.4 ←
23: 10.4x ↖
24: 10.0 ↗
25: 10.4x ↓
26: 10.6x ↗
27: 10.1 ←
28: 10.4x ↗
29: 10.3x ↘
30: 10.5x ↓
Series 102.5
Total 306.6



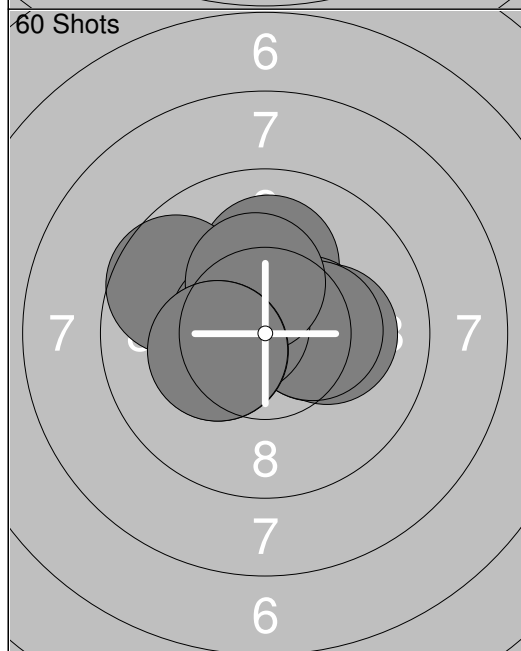
31: 9.7 →
32: 10.3x ↓
33: 10.3x ↓
34: 10.3x ↓
35: 10.2x →
36: 10.4x →
37: 10.7x ↓
38: 10.7x ↓
39: 10.8x ↙
40: 10.1 →
Series 103.5
Total 410.1



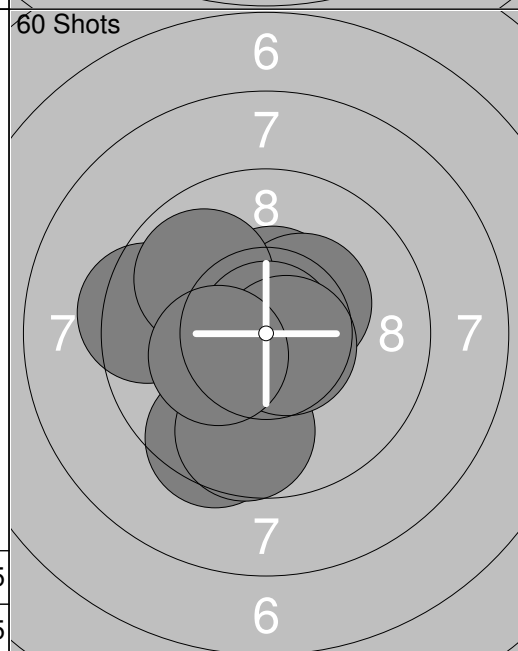
1:	8.1	↓
2:	10.5x	↗
3:	9.5	↓
4:	10.3x	↓
5:	9.4	→
6:	10.3x	↓
7:	10.0	↘
8:	10.6x	↗
9:	10.5x	↓
10:	10.7x	→
Series	99.9	
Total	0.0	



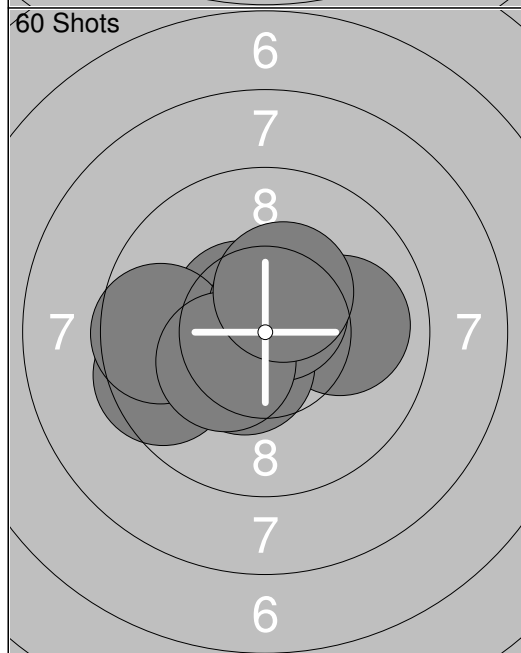
11:	10.2x	↗
12:	10.2x	↗
13:	10.7x	↓
14:	10.7x	↓
15:	9.6	↙
16:	9.9	↘
17:	10.6x	↓
Series	71.9	
Total	0.0	



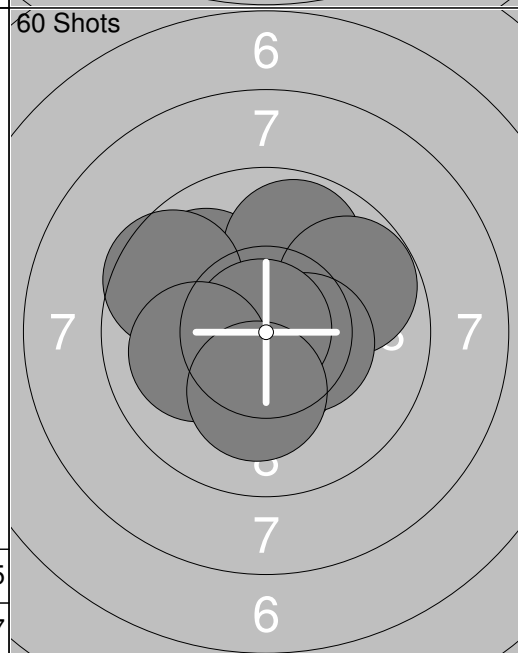
1:	10.1	↑
2:	10.4x	→
3:	10.3x	→
4:	9.7	↙
5:	10.2x	→
6:	10.3x	→
7:	10.6x	↙
8:	10.3x	↑
9:	10.3x	↙
10:	10.3x	↙
Series	102.5	
Total	102.5	



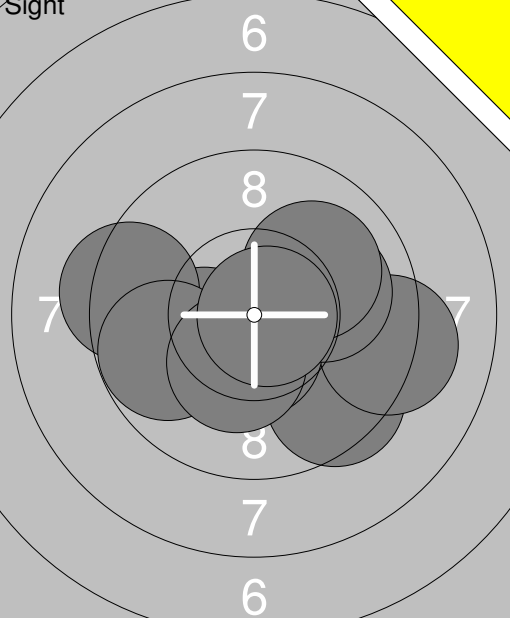
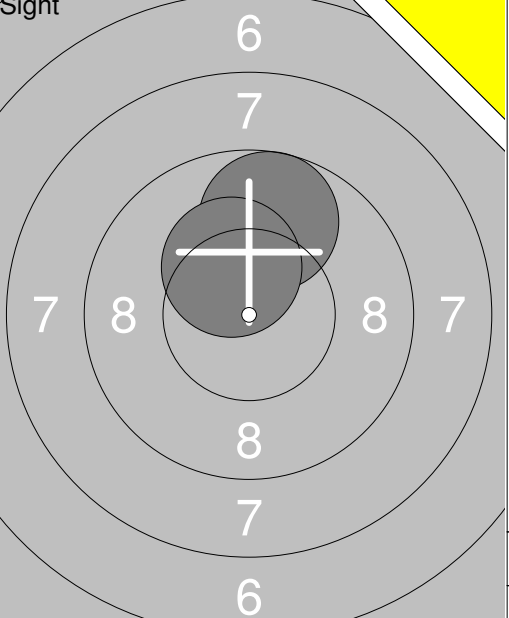
11:	9.5	↓
12:	9.7	↓
13:	9.4	↙
14:	10.5x	↑
15:	10.5x	↙
16:	10.4x	↗
17:	9.9	↙
18:	10.9x	↗
19:	10.6x	↘
20:	10.3x	↙
Series	101.7	
Total	204.2	

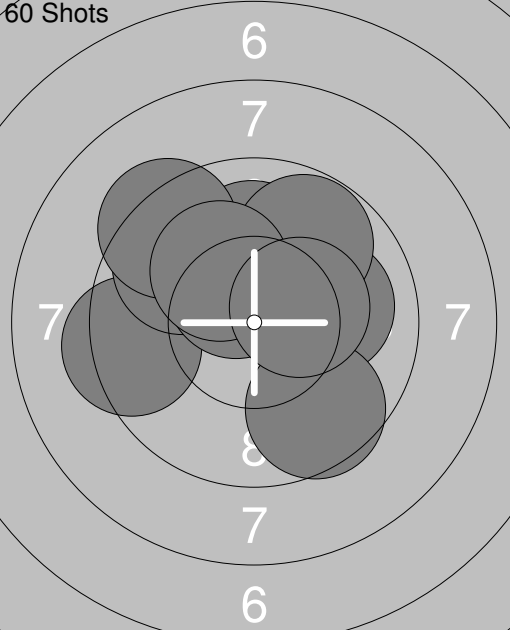
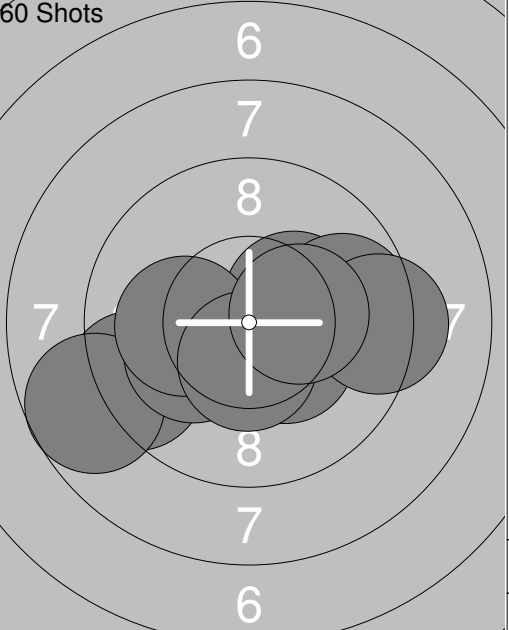


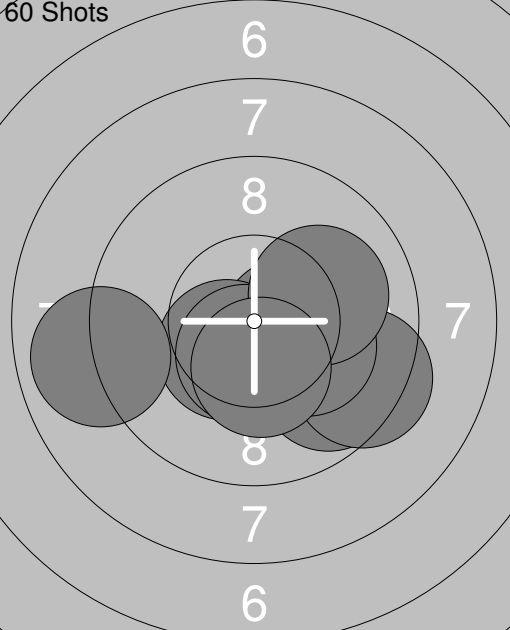
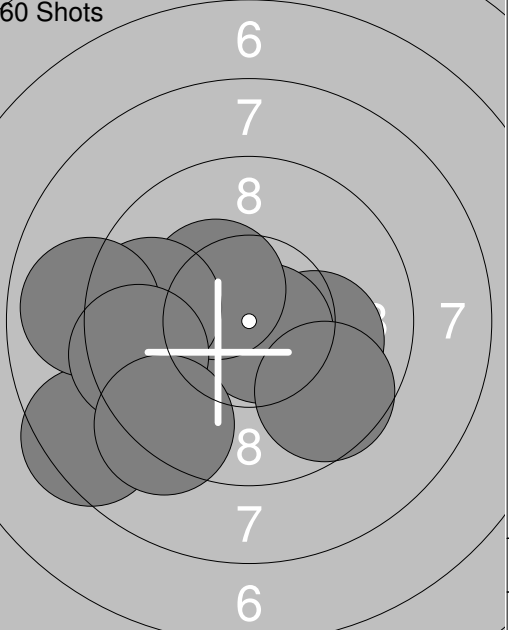
21:	10.0	→
22:	10.4x	↙
23:	10.7x	↙
24:	9.5	↙
25:	10.5x	↓
26:	10.5x	↙
27:	9.6	↙
28:	10.6x	↗
29:	10.3x	↙
30:	10.4x	↗
Series	102.5	
Total	306.7	

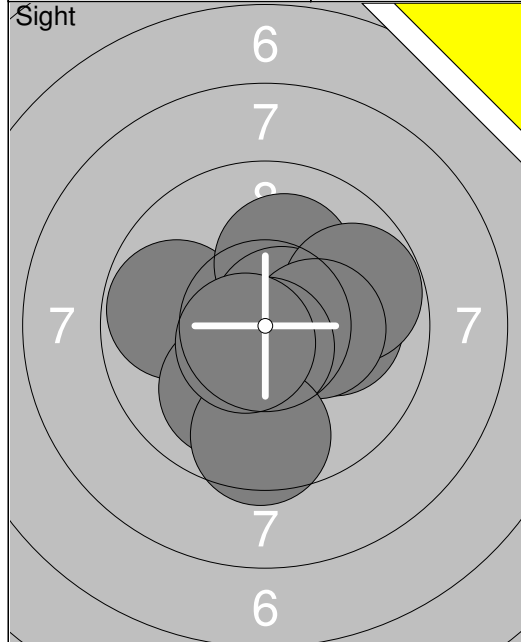


31:	10.8x	↓
32:	9.9	↙
33:	9.8	↑
34:	9.8	↗
35:	9.6	↙
36:	10.5x	↓
37:	10.4x	→
38:	10.9x	↙
39:	10.1	↙
40:	10.2x	↓
Series	102.0	
Total	408.7	

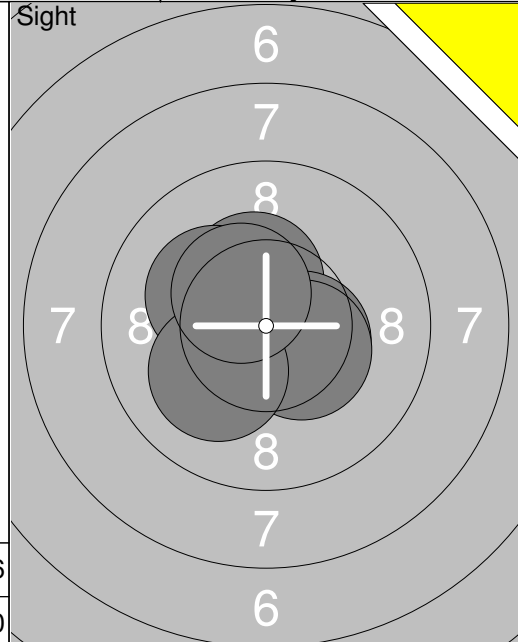
 <p style="text-align:center;">Sight</p>	<p>1: 9.5 ↘</p> <p>2: 10.3x ↙</p> <p>3: 9.2 →</p> <p>4: 9.3 ←</p> <p>5: 9.8 ←</p> <p>6: 10.5x ↓</p> <p>7: 10.0 →</p> <p>8: 10.3x ↓</p> <p>9: 10.0 ↗</p> <p>10: 10.8x →</p>	 <p style="text-align:center;">Sight</p>	<p>11: 9.7 ↑</p> <p>12: 10.3x ↗</p>
Series 99.7	Total 0.0	Series 20.0	Total 0.0

 <p style="text-align:center;">60 Shots</p>	<p>1: 10.0 →</p> <p>2: 9.4 ←</p> <p>3: 9.6 ↓</p> <p>4: 9.8 ↗</p> <p>5: 10.5x ↗</p> <p>6: 10.0 ↑</p> <p>7: 9.8 ↗</p> <p>8: 9.3 ↗</p> <p>9: 10.2x ↗</p> <p>10: 10.3x →</p>	 <p style="text-align:center;">60 Shots</p>	<p>11: 9.3 ↙</p> <p>12: 8.7 ↙</p> <p>13: 10.1 ↙</p> <p>14: 10.3x →</p> <p>15: 10.3x ↓</p> <p>16: 10.1 ←</p> <p>17: 9.7 →</p> <p>18: 9.3 →</p> <p>19: 10.5x ↓</p> <p>20: 10.3x →</p>
Series 98.9	Total 98.9	Series 98.6	Total 197.5

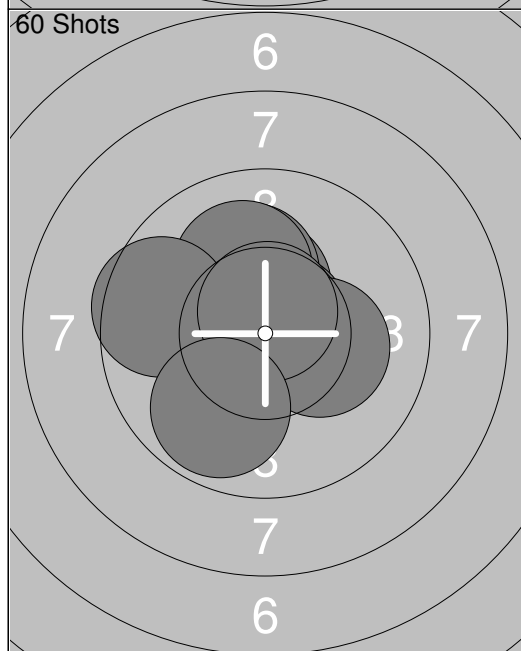
 <p style="text-align:center;">60 Shots</p>	<p>21: 10.5x →</p> <p>22: 10.1 →</p> <p>23: 10.4x ↙</p> <p>24: 9.7 ↓</p> <p>25: 9.4 ↓</p> <p>26: 10.2x →</p> <p>27: 10.5x ↓</p> <p>28: 10.1 →</p> <p>29: 8.9 ←</p> <p>30: 10.4x ↓</p>	 <p style="text-align:center;">60 Shots</p>	<p>31: 9.3 ↙</p> <p>32: 10.1 →</p> <p>33: 10.7x ↓</p> <p>34: 10.4x ↗</p> <p>35: 9.7 ←</p> <p>36: 8.5 ↙</p> <p>37: 8.9 ←</p> <p>38: 9.5 ←</p> <p>39: 9.2 ↙</p> <p>40: 9.6 ↓</p>
Series 100.2	Total 297.7	Series 95.9	Total 393.6



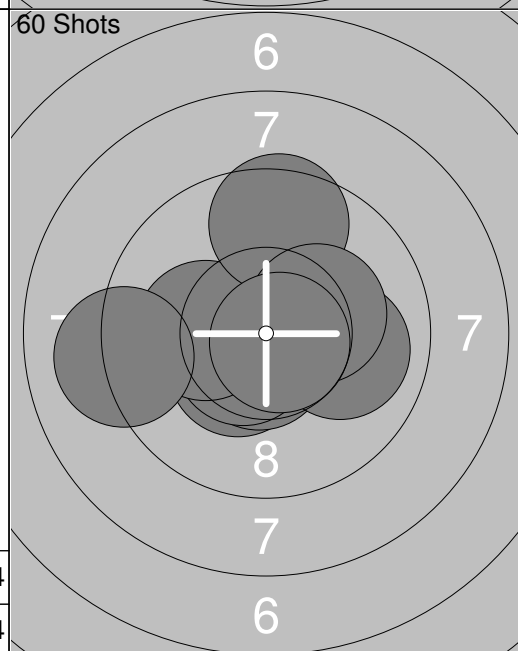
1: 9.8 ←
2: 10.1 ↑
3: 10.1 →
4: 10.0 ↓
5: 10.7x ↗
6: 9.8 →
7: 10.3x →
8: 10.7x ↓
9: 9.5 ↓
10: 10.6x ↙
<b>Series</b> 101.6
<b>Total</b> 0.0



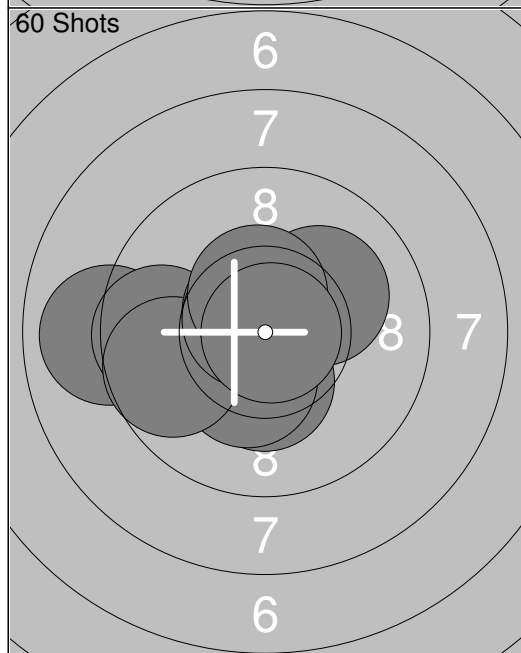
11: 10.4x ↑
12: 10.5x →
13: 10.4x ↘
14: 10.2x ↖
15: 10.1 ↙
16: 10.4x ↖
<b>Series</b> 62.0
<b>Total</b> 0.0



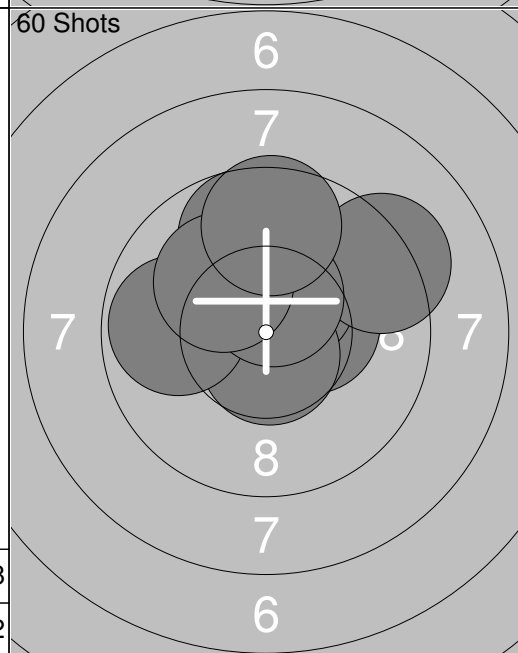
1: 10.3x ←
2: 10.4x ↑
3: 10.4x ←
4: 10.2x ↑
5: 10.1 ↑
6: 10.7x ↗
7: 9.6 ←
8: 10.2x →
9: 10.7x ↑
10: 9.8 ↓
<b>Series</b> 102.4
<b>Total</b> 102.4



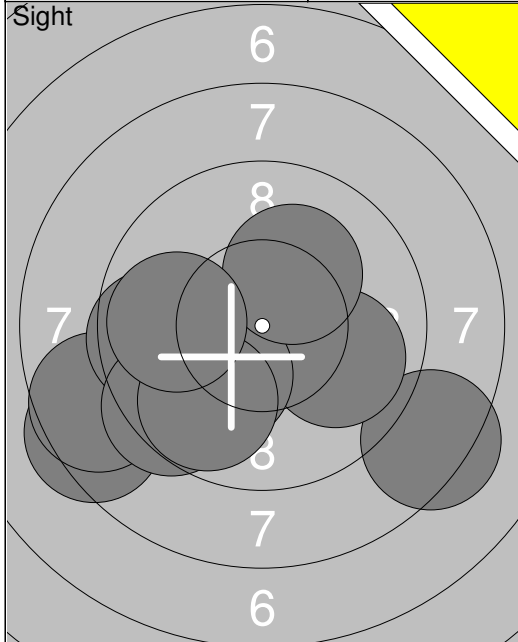
11: 10.7x ↗
12: 10.4x ↙
13: 10.6x ↓
14: 10.5x ↙
15: 10.0 →
16: 10.2x ←
17: 9.5 ↑
18: 10.3x →
19: 9.1 ←
20: 10.7x ↘
<b>Series</b> 102.0
<b>Total</b> 204.4



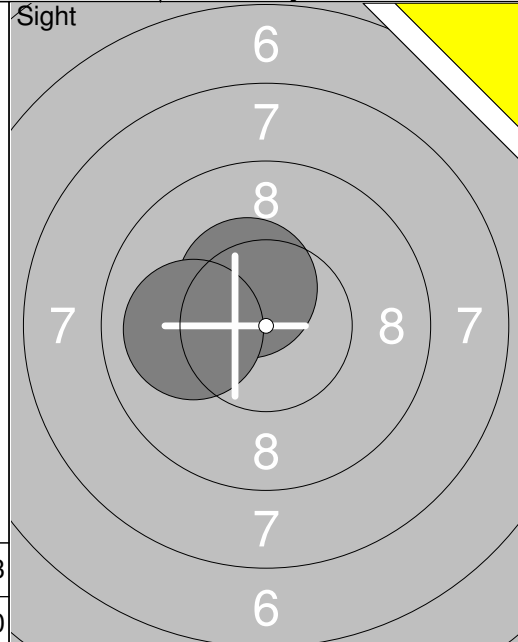
21: 10.3x ↓
22: 9.0 ←
23: 10.3x ↓
24: 9.6 ←
25: 9.7 ←
26: 10.7x ↖
27: 10.1 ↗
28: 10.7x ↖
29: 10.5x ↑
30: 10.9x →
<b>Series</b> 101.8
<b>Total</b> 306.2



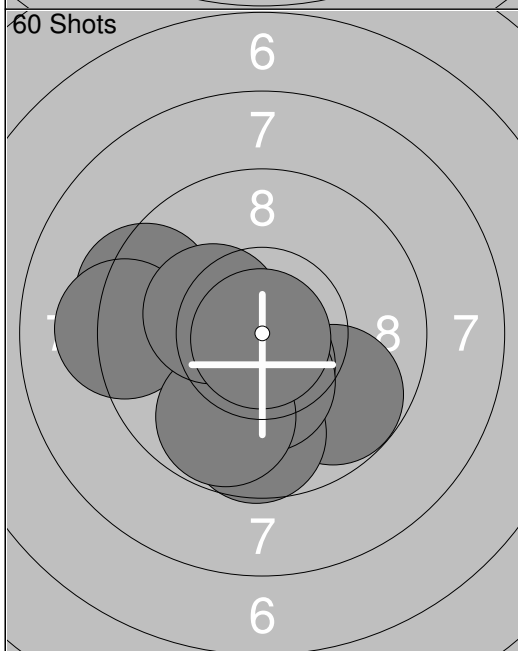
31: 10.4x →
32: 10.4x ↑
33: 10.6x ↖
34: 10.7x ↓
35: 9.2 ↗
36: 9.8 ←
37: 9.7 ↑
38: 10.5x ↑
39: 10.1 ↖
40: 9.6 ↑
<b>Series</b> 101.0
<b>Total</b> 407.2



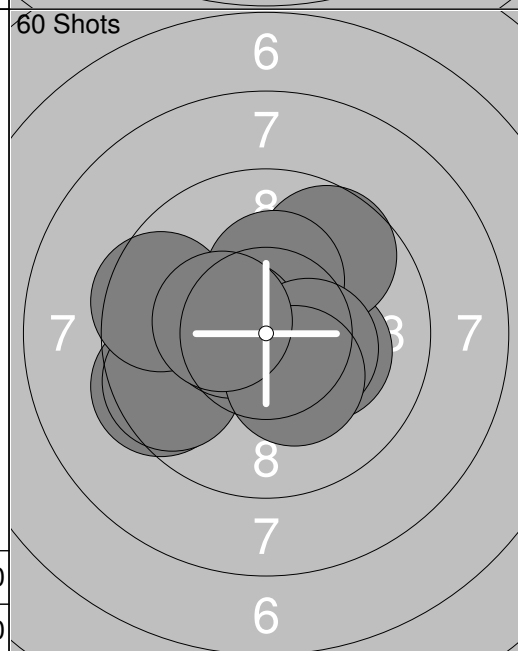
1:	8.4	↙
2:	8.6	↙
3:	9.6	←
4:	8.3	↘
5:	9.9	→
6:	9.4	↙
7:	10.2x	↘
8:	9.8	↙
9:	10.2x	↗
10:	9.9	←
Series		94.3
Total		0.0



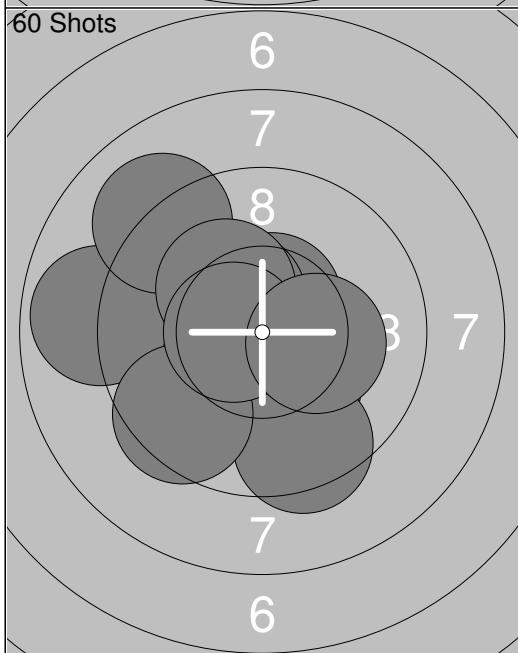
11:	10.4x	↗
12:	10.0	←
Series		20.4
Total		0.0



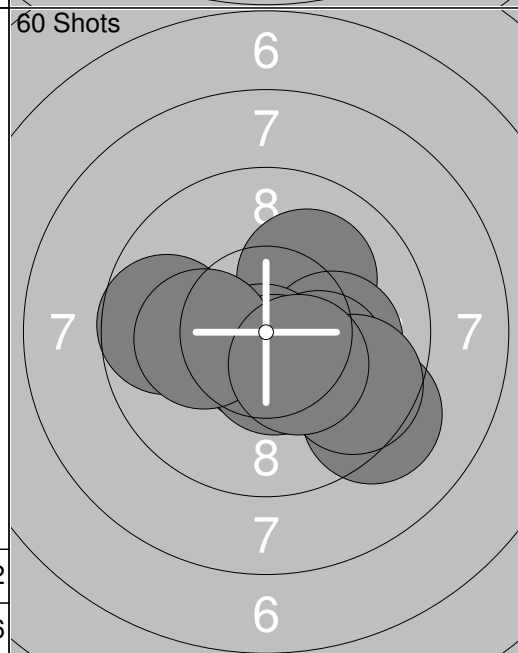
1:	9.4	↙
2:	10.2x	↘
3:	9.7	↘
4:	10.5x	↘
5:	9.2	←
6:	9.7	↓
7:	10.3x	↘
8:	9.8	↘
9:	10.3x	↙
10:	10.9x	↘
Series		100.0
Total		100.0



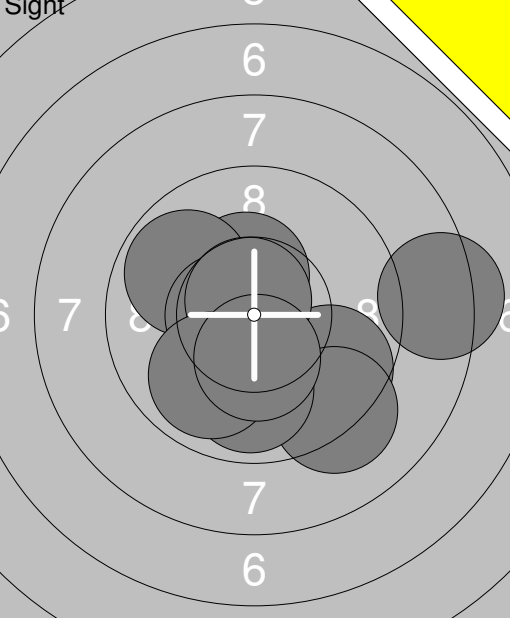
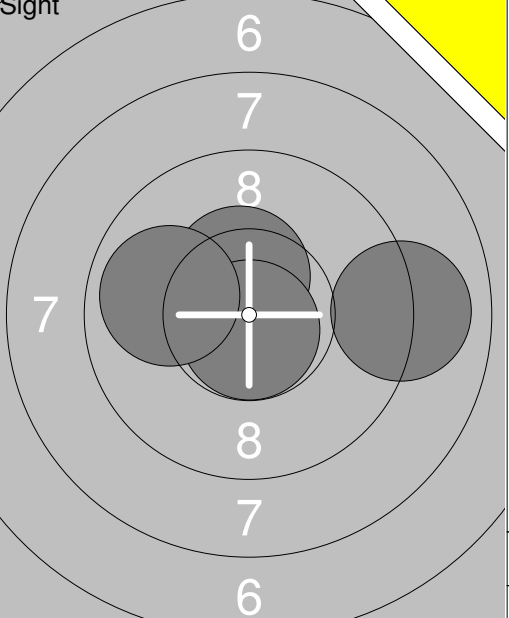
11:	9.5	↙
12:	10.2x	→
13:	9.7	↗
14:	9.6	↙
15:	10.3x	↗
16:	10.5x	↙
17:	10.4x	→
18:	9.5	↙
19:	10.3x	↘
20:	10.4x	↙
Series		100.4
Total		200.4

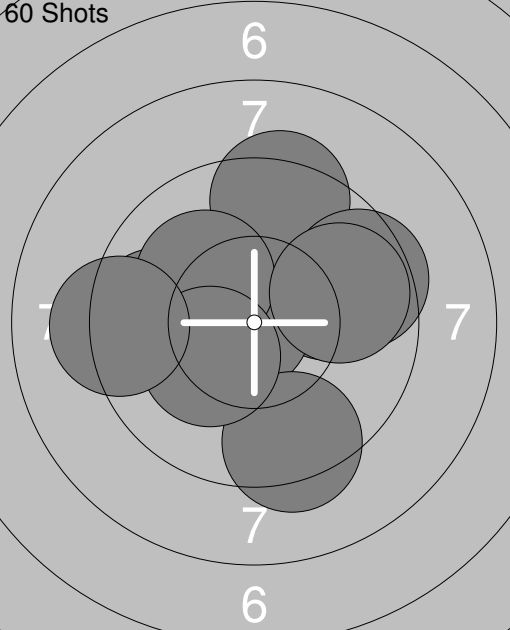
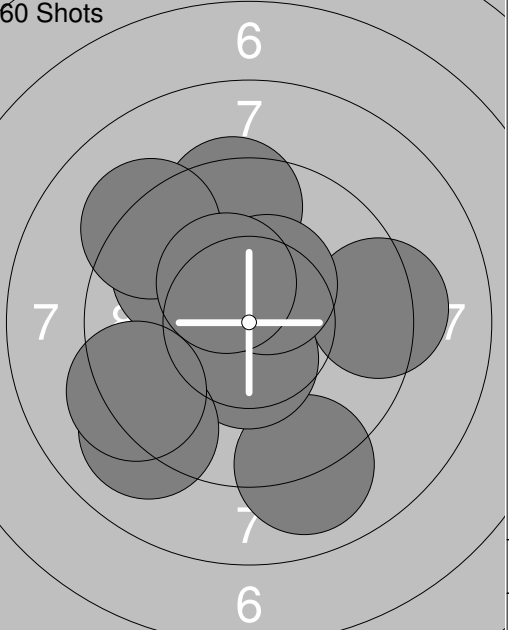


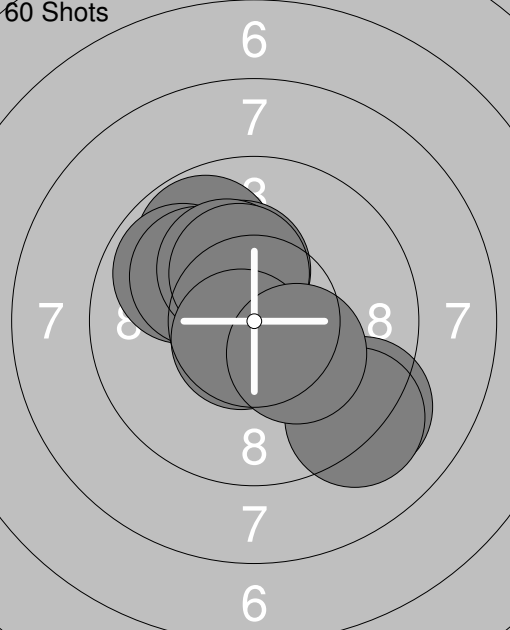
21:	10.6x	↗
22:	8.9	←
23:	9.1	↗
24:	10.2x	↘
25:	9.4	↘
26:	10.4x	↗
27:	10.2x	↗
28:	9.5	↘
29:	10.6x	↙
30:	10.3x	→
Series		99.2
Total		299.6



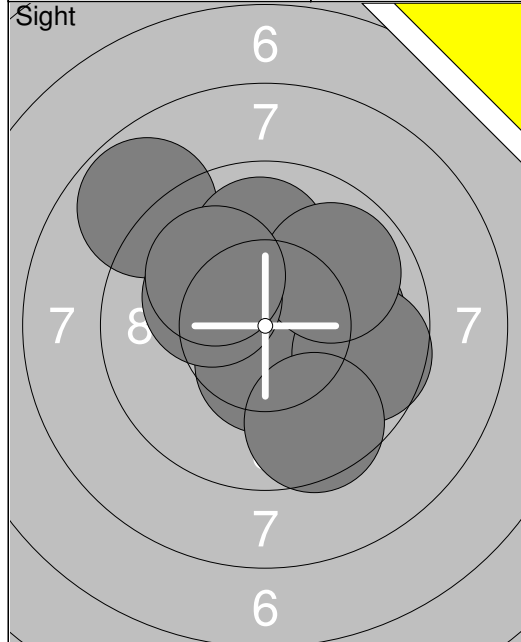
31:	10.1	↗
32:	10.1	→
33:	10.7x	↘
34:	10.2x	→
35:	9.7	←
36:	10.5x	↘
37:	9.2	↘
38:	9.7	→
39:	10.1	←
40:	10.4x	↘
Series		100.7
Total		400.3

<p>Sight</p> 	<p>1: 8.3 →</p> <p>2: 10.4x ↑</p> <p>3: 9.8 ↖</p> <p>4: 9.6 ↘</p> <p>5: 9.2 ↘</p> <p>6: 10.6x ←</p> <p>7: 9.9 ↓</p> <p>8: 10.7x ↑</p> <p>9: 9.9 ↘</p> <p>10: 10.3x ↓</p>	<p>Sight</p> 	<p>11: 10.4x ↑</p> <p>12: 9.0 →</p> <p>13: 10.8x ↓</p> <p>14: 9.9 ←</p>
Series 98.7		Series 40.1	
Total 0.0		Total 0.0	

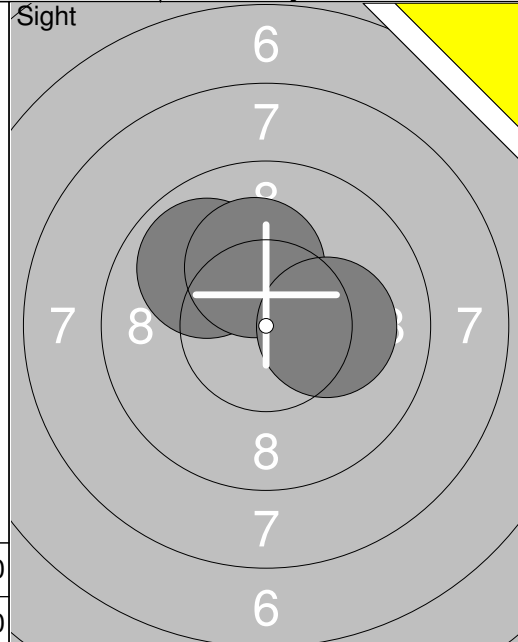
<p>60 Shots</p> 	<p>1: 9.7 ←</p> <p>2: 9.9 →</p> <p>3: 10.8x ←</p> <p>4: 9.4 ↑</p> <p>5: 9.5 →</p> <p>6: 10.1 ↖</p> <p>7: 9.3 ↓</p> <p>8: 10.2x ↙</p> <p>9: 9.8 →</p> <p>10: 9.2 ←</p>	<p>60 Shots</p> 	<p>11: 9.0 ↓</p> <p>12: 9.5 ↑</p> <p>13: 9.3 →</p> <p>14: 9.9 ↖</p> <p>15: 10.5x ↓</p> <p>16: 9.2 ↖</p> <p>17: 9.1 ↘</p> <p>18: 9.3 ↙</p> <p>19: 10.4x ↑</p> <p>20: 10.4x ↖</p>
Series 97.9		Series 96.6	
Total 97.9		Total 194.5	

<p>60 Shots</p> 	<p>21: 9.8 ↑</p> <p>22: 10.3x ↑</p> <p>23: 9.9 ↖</p> <p>24: 9.2 ↘</p> <p>25: 10.0 ↖</p> <p>26: 10.2x ↑</p> <p>27: 10.3x ↑</p> <p>28: 9.2 ↘</p> <p>29: 10.7x ↘</p> <p>30: 10.3x ↘</p>	<p>60 Shots</p> 	<p>31: 10.0 →</p> <p>32: 9.7 →</p> <p>33: 10.8x →</p> <p>34: 10.4x ↑</p> <p>35: 9.2 ↘</p> <p>36: 9.9 ↓</p> <p>37: 9.9 →</p> <p>38: 10.1 ↘</p> <p>39: 9.0 →</p> <p>40: 9.4 →</p>
Series 99.9		Series 98.4	
Total 294.4		Total 392.8	

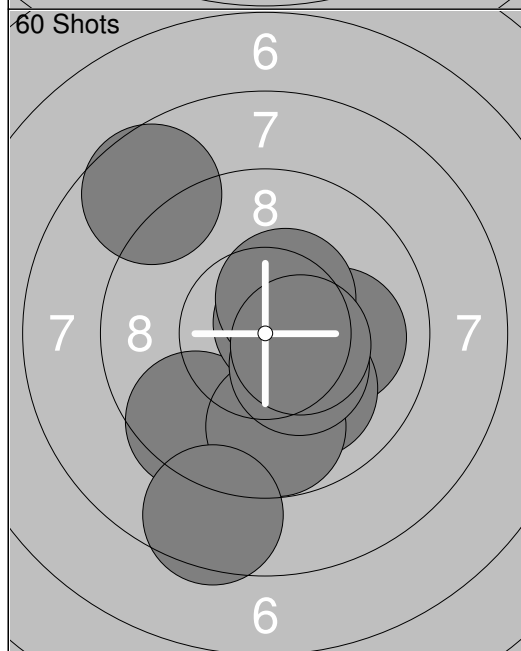




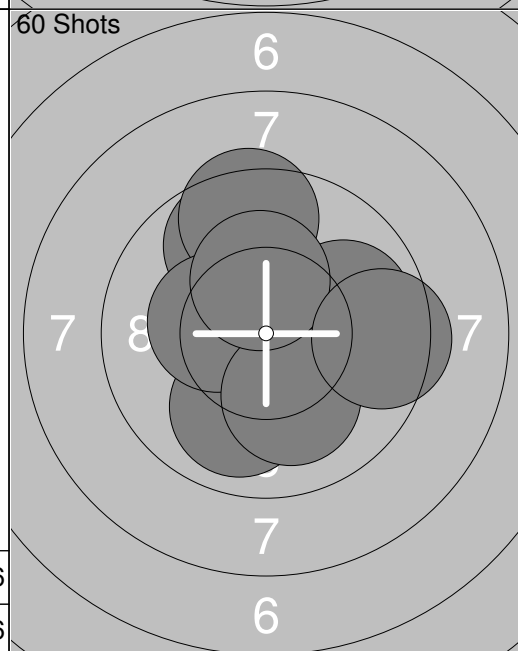
1: 10.0 →
2: 10.3x ↘
3: 8.8 ↗
4: 10.5x ↓
5: 9.9 ↑
6: 9.7 →
7: 9.9 ↗
8: 10.2x ↖
9: 9.6 ↓
10: 10.1 ↖
Series 99.0
Total 0.0



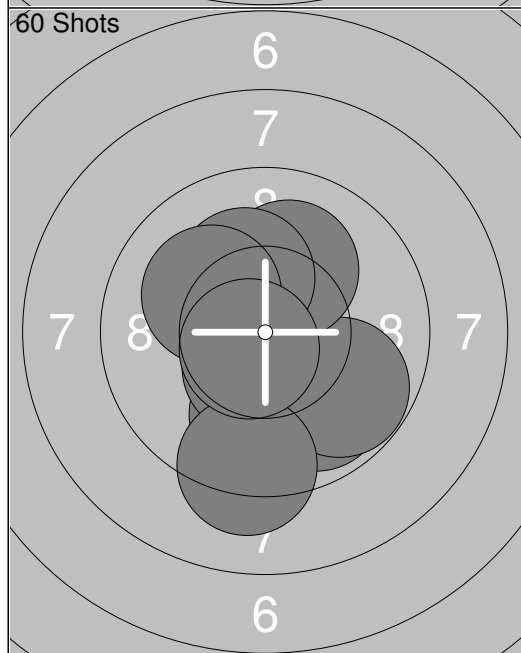
11: 9.9 ↖
12: 10.2x ↑
13: 10.2x →
Series 30.3
Total 0.0



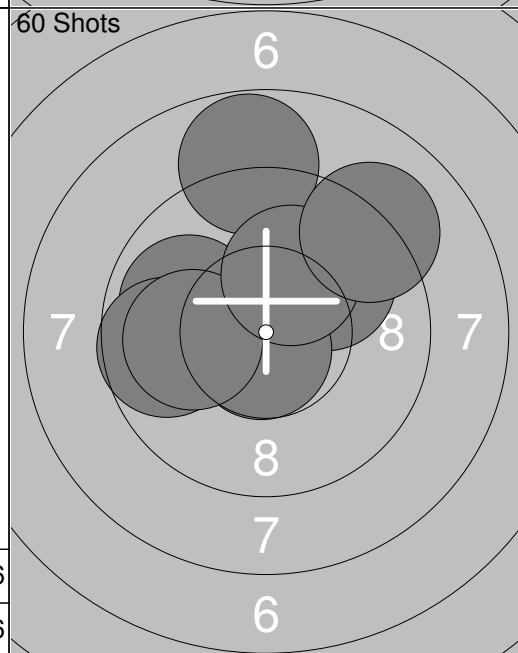
1: 10.0 →
2: 10.1 ↘
3: 9.5 ↘
4: 9.8 ↓
5: 8.5 ↓
6: 10.7x ↗
7: 10.4x ↘
8: 10.4x ↗
9: 10.5x →
10: 8.7 ↖
Series 98.6
Total 98.6



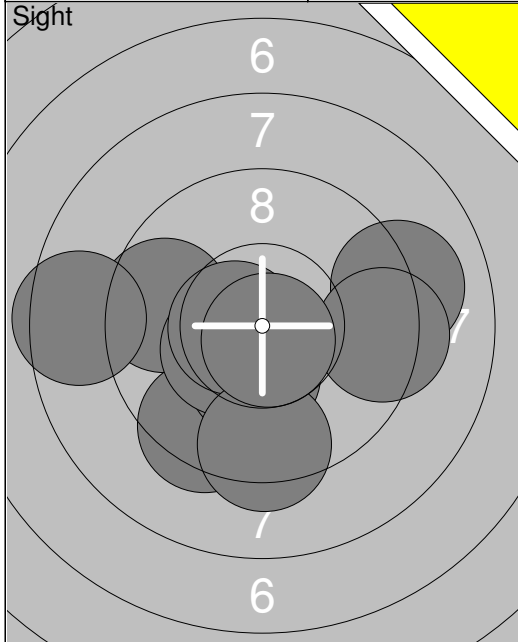
11: 10.0 ↓
12: 10.5x ↑
13: 10.5x ↑
14: 9.8 ↖
15: 9.5 ↑
16: 9.9 →
17: 10.3x ↖
18: 10.1 ↓
19: 10.3x ↑
20: 9.5 →
Series 100.4
Total 199.0



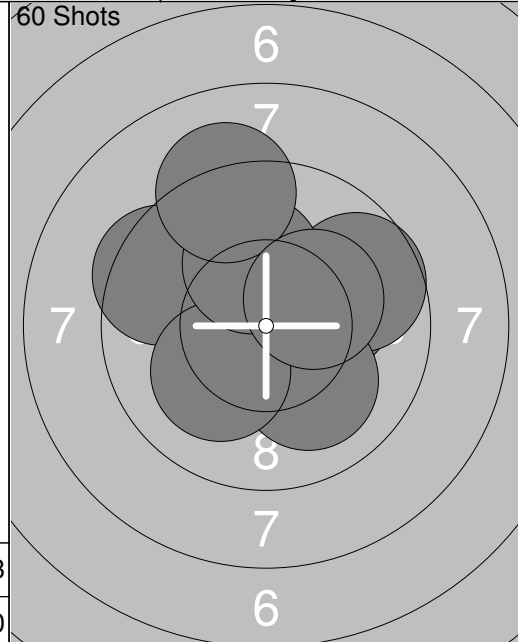
21: 10.2x ↓
22: 9.9 ↓
23: 10.5x ↓
24: 9.9 ↓
25: 9.8 ↘
26: 10.1 ↗
27: 9.2 ↓
28: 10.2x ↗
29: 10.1 ↖
30: 10.7x ↘
Series 100.6
Total 299.6



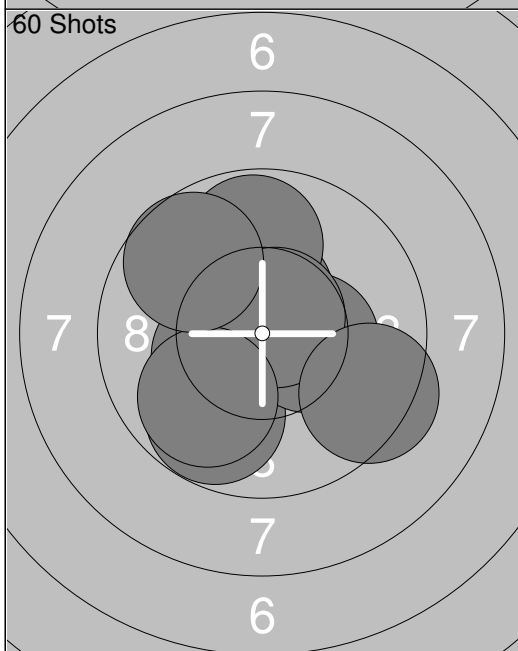
31: 10.3x ↑
32: 10.7x ↖
33: 9.9 ↖
34: 9.7 ↖
35: 9.9 ↗
36: 10.7x ↓
37: 8.8 ↑
38: 10.0 ↖
39: 10.2x ↑
40: 9.1 ↗
Series 99.3
Total 398.9



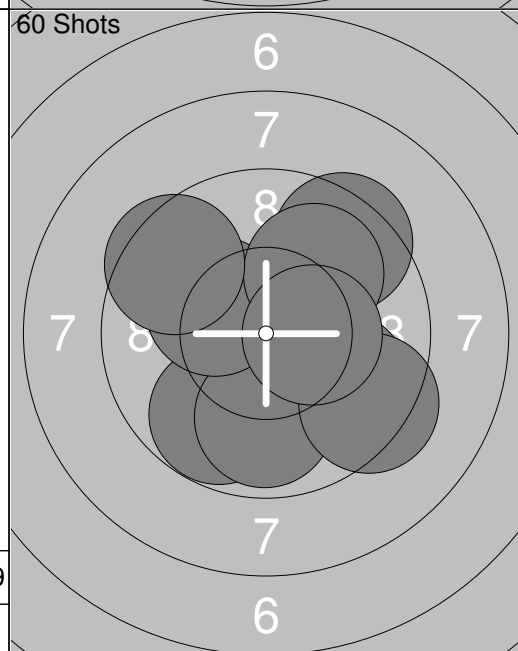
1: 9.6	←
2: 9.4	↙
3: 10.3x	↓
4: 9.1	→
5: 10.4x	↙
6: 8.5	←
7: 10.6x	←
8: 9.3	→
9: 9.4	↓
10: 10.7x	↓
Series	97.3
Total	0.0



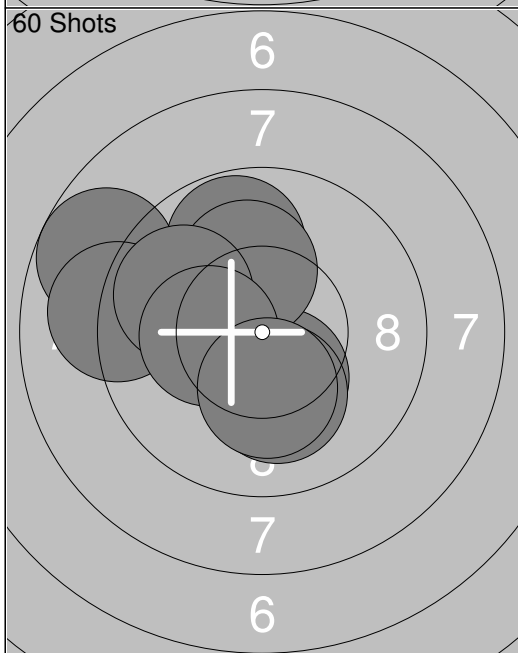
1: 10.4x	←
2: 10.6x	→
3: 9.5	←
4: 10.2x	→
5: 9.7	→
6: 10.1	↓
7: 10.1	↙
8: 10.1	↑
9: 9.2	↑
10: 10.3x	↗
Series	100.2
Total	100.2



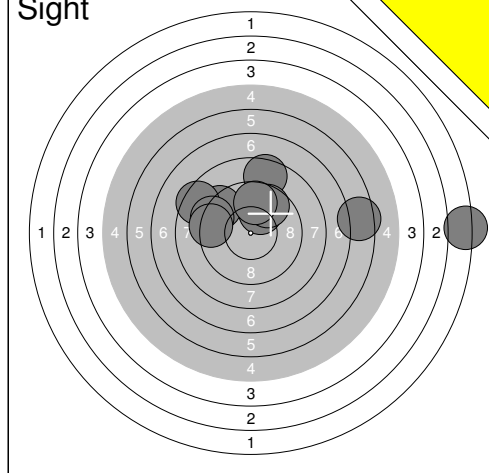
11: 10.5x	↑
12: 10.4x	↖
13: 9.8	↙
14: 10.4x	↙
15: 9.8	↑
16: 10.3x	→
17: 10.7x	↗
18: 9.4	→
19: 9.9	↙
20: 9.7	↖
Series	100.9
Total	201.1



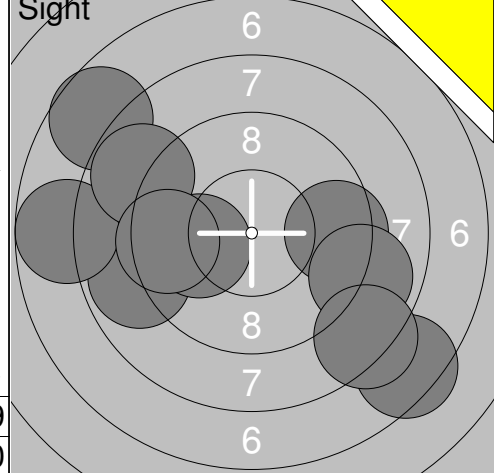
21: 9.4	↗
22: 9.8	↙
23: 9.9	↘
24: 10.4x	→
25: 9.9	↓
26: 9.4	↘
27: 10.2x	↖
28: 10.0	↗
29: 10.4x	→
30: 9.5	↖
Series	98.9
Total	300.0



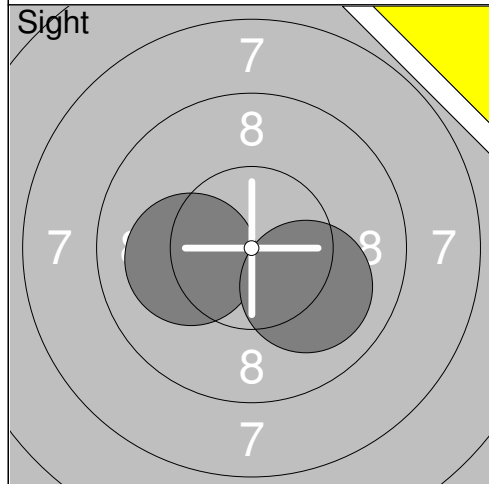
31: 9.8	↑
32: 10.2x	↖
33: 10.3x	↓
34: 10.1	↑
35: 8.7	↖
36: 10.1	↓
37: 9.1	←
38: 9.8	↖
39: 10.3x	←
40: 10.2x	↓
Series	98.6
Total	398.6



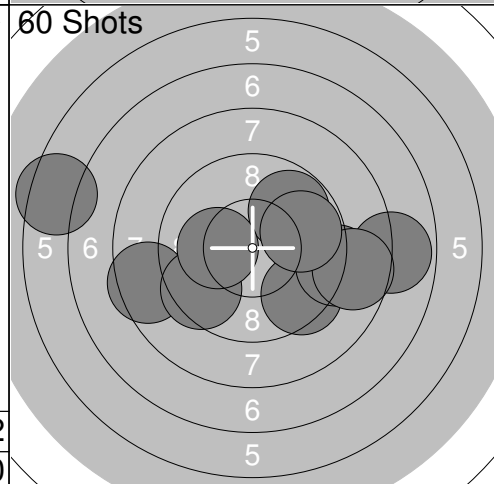
1:	8.6	↑
2:	9.3	↗
3:	10.0	↑
4:	8.5	↗
5:	6.5	→
6:	9.3	↖
7:	2.1	→
8:	9.6	↑
9:	9.7	↑
10:	9.3	←
<b>Series</b>	<b>82.9</b>	
<b>Total</b>	<b>0.0</b>	



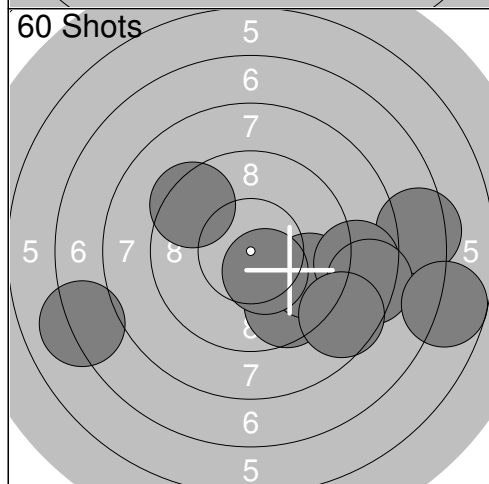
11:	7.7	↖
12:	8.9	←
13:	7.4	↘
14:	10.0	←
15:	9.5	→
16:	7.8	←
17:	8.8	↗
18:	9.5	←
19:	8.9	↘
20:	8.3	↘
<b>Series</b>	<b>86.8</b>	
<b>Total</b>	<b>0.0</b>	



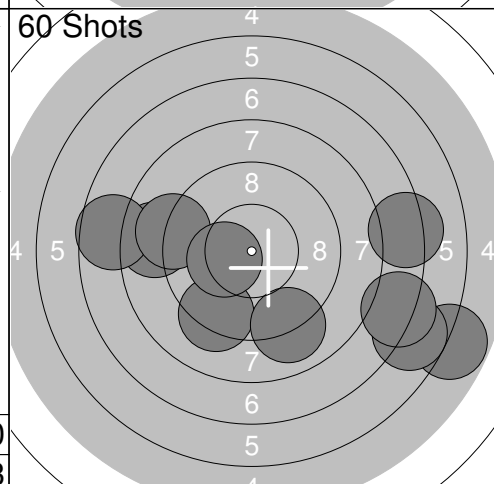
21:	10.1	←
22:	10.1	↘
<b>Series</b>	<b>20.2</b>	
<b>Total</b>	<b>0.0</b>	



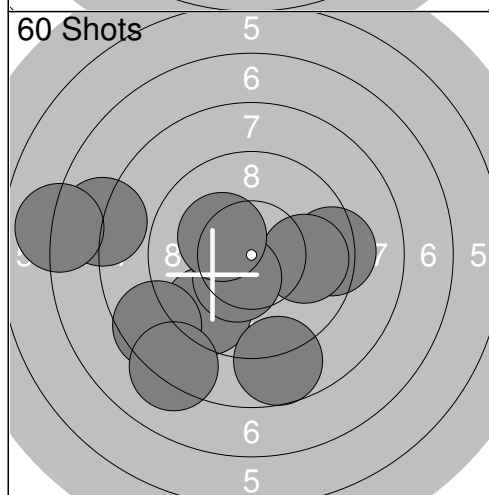
1:	7.9	→
2:	6.4	←
3:	9.8	↗
4:	9.5	↘
5:	8.5	←
6:	9.0	→
7:	9.5	↖
8:	8.7	→
9:	9.8	→
10:	10.2x	←
<b>Series</b>	<b>89.3</b>	
<b>Total</b>	<b>89.3</b>	



11:	7.4	→
12:	9.6	↘
13:	9.6	↘
14:	9.4	↗
15:	8.7	→
16:	7.1	←
17:	8.4	→
18:	6.8	→
19:	8.6	↘
20:	10.4x	↘
<b>Series</b>	<b>86.0</b>	
<b>Total</b>	<b>175.3</b>	



21:	8.7	←
22:	7.6	←
23:	9.2	↘
24:	7.3	→
25:	5.8	→
26:	9.0	←
27:	6.7	↘
28:	7.2	↘
29:	9.0	↘
30:	10.3x	←
<b>Series</b>	<b>80.8</b>	
<b>Total</b>	<b>256.1</b>	



31:	7.8	←
32:	9.5	↘
33:	9.3	→
34:	9.9	→
35:	8.5	↖
36:	8.2	↘
37:	10.4x	↘
38:	7.0	←
39:	10.2x	↖
40:	8.7	↘
<b>Series</b>	<b>89.5</b>	
<b>Total</b>	<b>345.6</b>	