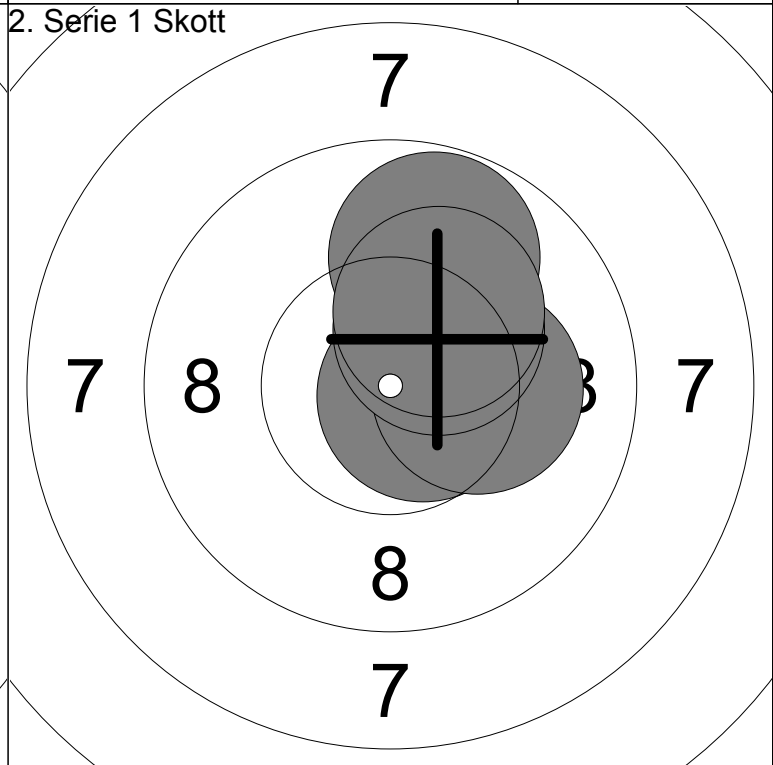
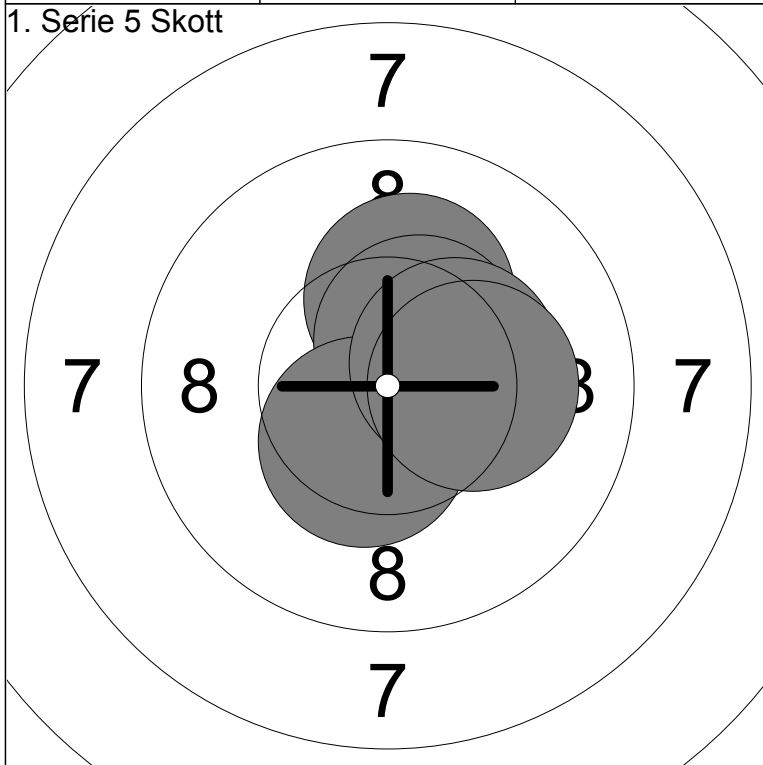


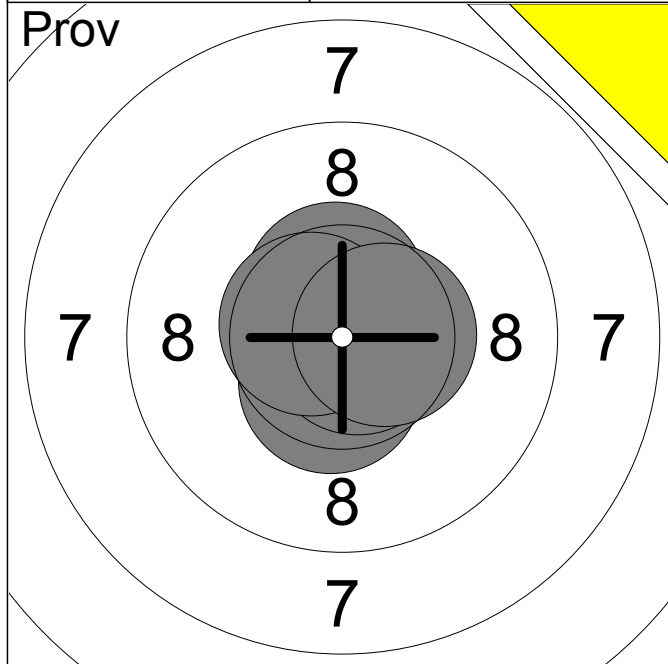
1: 9.2 ↑	6: 9.8 ↑	Serie	99.4
2: 9.9 ↑	7: 10.1 ↑		
3: 10.2x ↗	8: 9.5 ↗	Total	415.9
4: 10.7x ↖	9: 10.1 ↗		
5: 10.0 ↗	10: 9.9 ↑		

11: 10.0 →	Serie	20.3
12: 10.3x →		
Total		415.9

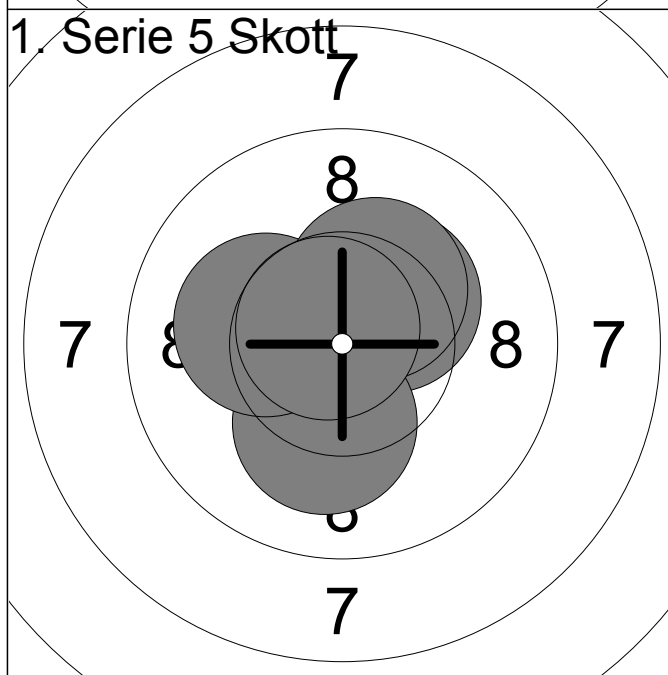


1: 10.2x ↑	Serie	51.6
2: 10.5x ↗		
3: 10.4x ↓	Total	467.5
4: 10.3x →		
5: 10.2x →		

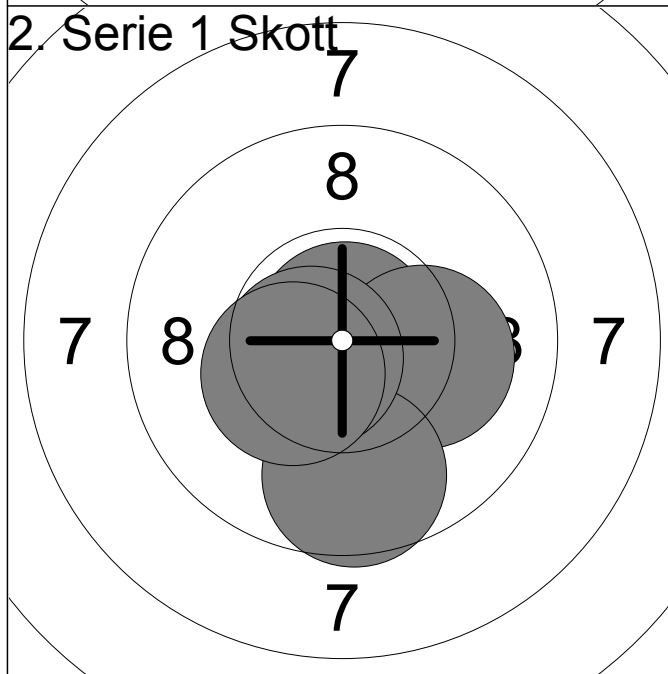
1: 10.7x →	Serie	51.2
2: 10.2x →		
3: 9.8 ↑	Total	518.7
4: 10.3x ↗		
5: 10.2x ↗		



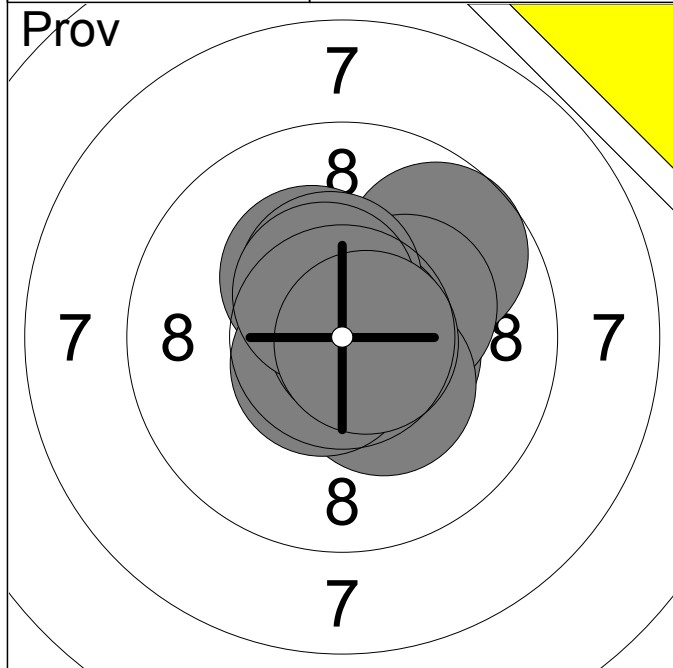
1:	10.5x	↓
2:	10.5x	↑
3:	10.8x	→
4:	10.6x	←
5:	10.5x	→
Serie		52.9
Total		418.4



1:	10.3x	↗
2:	10.2x	↓
3:	10.2x	←
4:	10.3x	↗
5:	10.7x	↗
Serie		51.7
Total		470.1



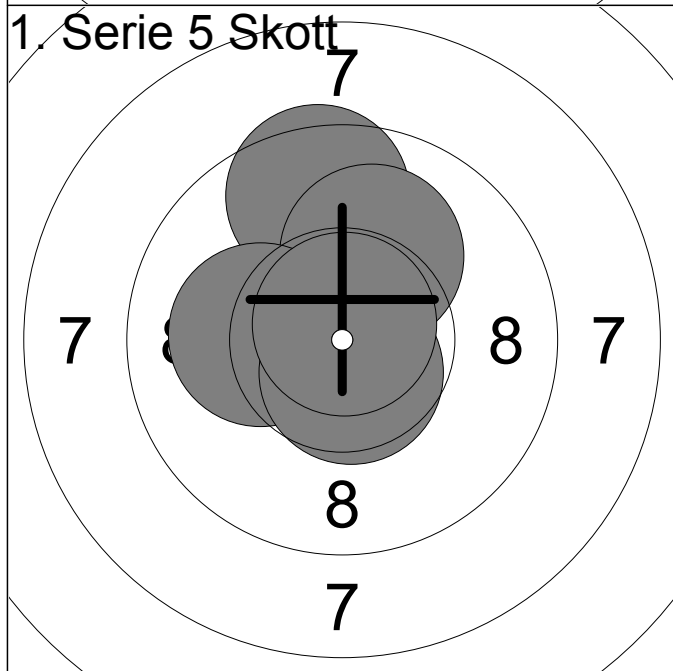
1:	10.9x	↗
2:	10.2x	→
3:	9.6	↓
4:	10.6x	←
5:	10.4x	←
Serie		51.7
Total		521.8



1:	9.7	↗
2:	10.5x	↘
3:	10.3x	↗
4:	10.3x	↗
5:	10.3x	↘
6:	10.6x	↘
7:	10.8x	→
8:	10.4x	↑
9:	10.5x	↑
10:	10.7x	→

Serie	104.1
-------	-------

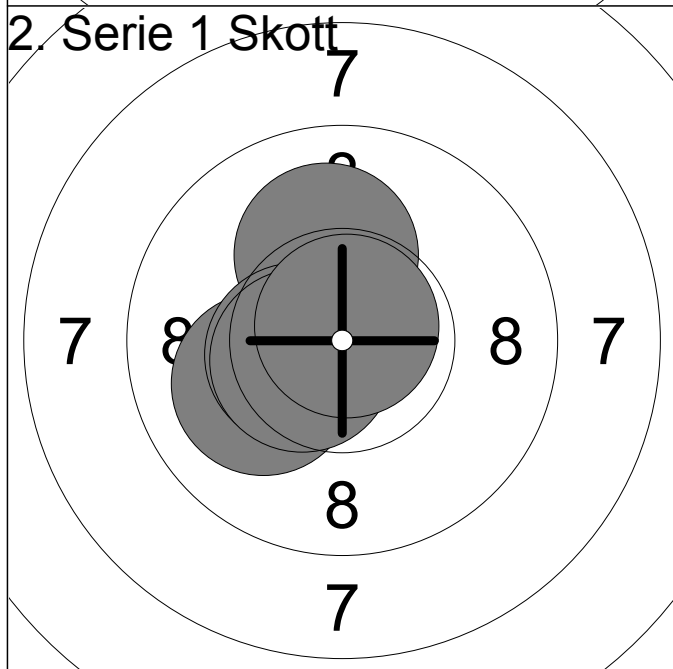
Total	415.7
-------	-------



1:	9.5	↑
2:	10.1	↑
3:	10.2x	←
4:	10.6x	↘
5:	10.8x	↑

Serie	51.2
-------	------

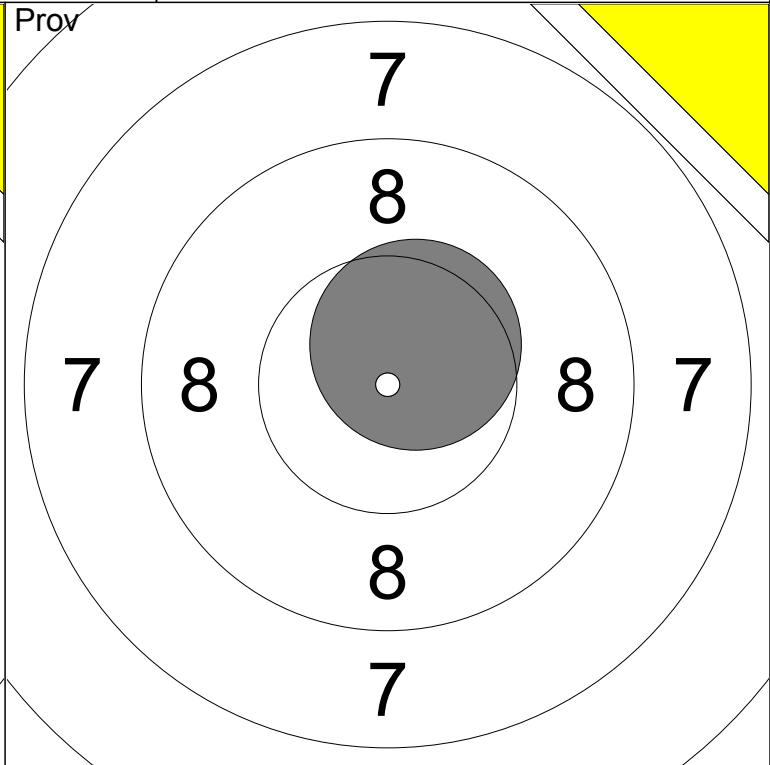
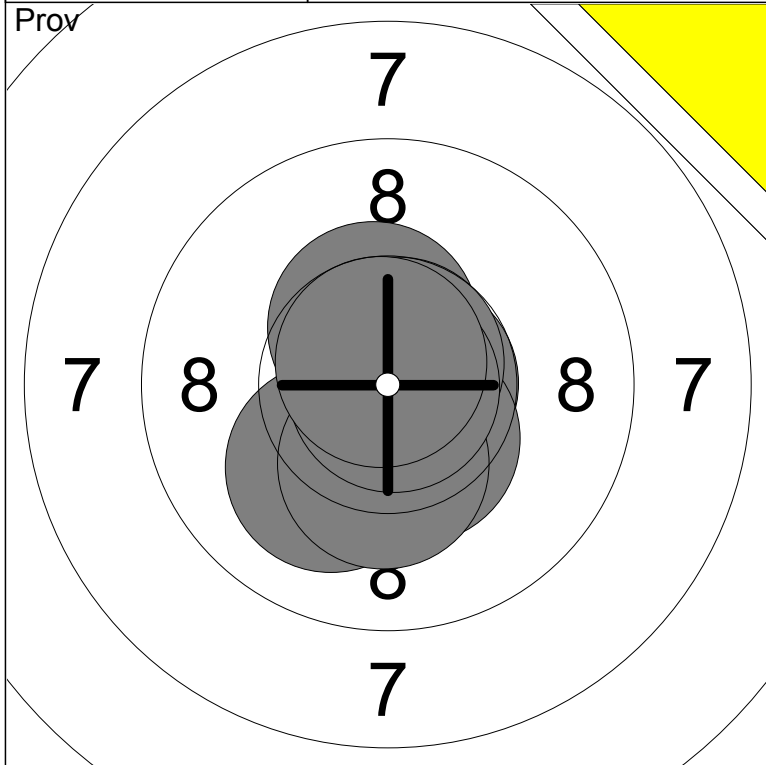
Total	466.9
-------	-------



1:	10.1	↙
2:	10.1	↑
3:	10.5x	←
4:	10.5x	↙
5:	10.8x	↑

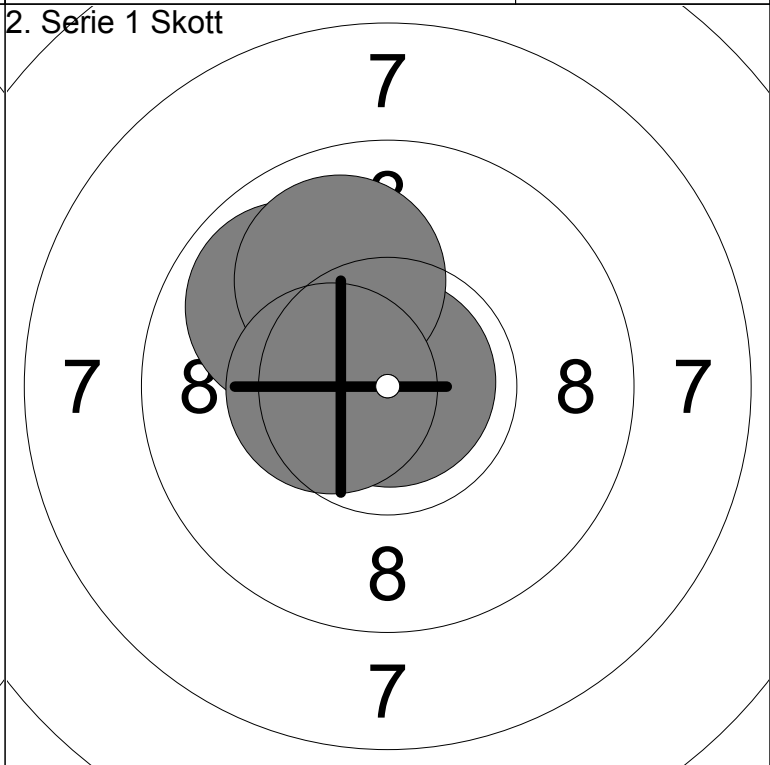
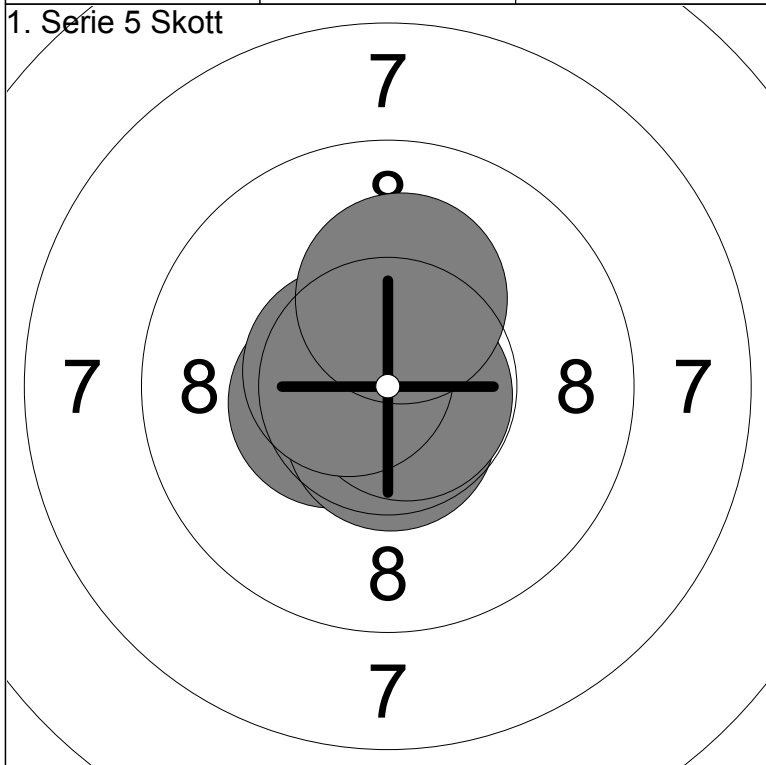
Serie	52.0
-------	------

Total	518.9
-------	-------



1: 10.7x →	6: 10.9x →	Serie	106.0
2: 10.9x ↗	7: 10.3x ↓		
3: 10.4x ↓	8: 10.7x ↗	Total	415.0
4: 10.1 ↘	9: 10.9x →		
5: 10.4x ↗	10: 10.7x ↗		

11: 10.5x ↗	Serie	10.5
	Total	415.0



1: 10.5x ←	Serie	52.7
2: 10.6x ↓		
3: 10.8x →	Total	467.7
4: 10.6x ←		
5: 10.2x ↗		

1: 10.6x ←	Serie	51.9
2: 10.9x ↗	Total	519.6
3: 9.9 ←		
4: 10.0 ↗		
5: 10.5x ←		