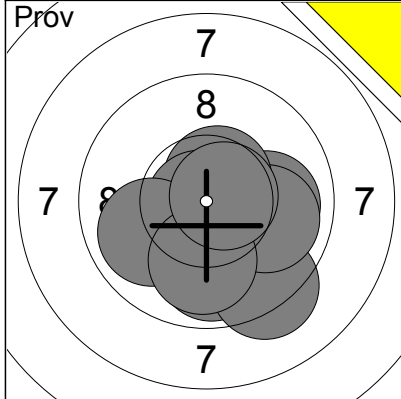
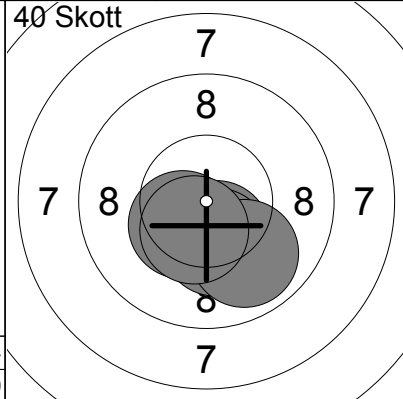


10m		Piteå	Sitt	No
01.11.2015		Vindelnskottet 2015	Ramselefors SKF	
Pröv 	1: 10.7x ↑ 2: 10.0 ↓ 3: 10.4x ← 4: 10.1 ↓ 5: 9.5 ← 6: 10.0 ← 7: 10.7x ↓ 8: 10.2x ↑ 9: 10.2x ← 10: 10.5x ← Serie 102.3 Total 0.0	Pröv 	11: 10.3x → 12: 9.6 ↓ 13: 10.9x ↓ 14: 10.4x ↑ 15: 10.1 ← 16: 10.7x ↓ Serie 62.0 Total 0.0	
40 Skott 	1: 10.6x ↑ 2: 10.6x ↑ 3: 10.2x ↑ 4: 10.6x ↓ 5: 9.9 ← Serie 51.9 Total 51.9	40 Skott 	6: 10.5x → 7: 10.7x → 8: 10.4x ↓ 9: 10.8x ↑ 10: 10.1 ← Serie 52.5 Total 104.4	
40 Skott 	11: 10.4x ↓ 12: 10.4x ↓ 13: 10.5x → 14: 10.5x ↑ 15: 10.0 ↑ Serie 51.8 Total 156.2	40 Skott 	16: 10.5x ↑ 17: 10.6x ← 18: 10.7x ↑ 19: 10.5x ↑ 20: 10.2x → Serie 52.5 Total 208.7	
40 Skott 	21: 10.3x → 22: 9.8 → 23: 10.5x ↑ 24: 10.6x ↑ 25: 10.6x ↓ Serie 51.8 Total 260.5	40 Skott 	26: 10.7x ← 27: 10.5x ↑ 28: 10.6x ↓ 29: 10.2x ← 30: 10.6x ↑ Serie 52.6 Total 313.1	
40 Skott 	31: 10.6x ↓ 32: 10.8x ↑ 33: 10.2x → 34: 10.5x ← 35: 10.0 ↑ Serie 52.1 Total 365.2	40 Skott 	36: 9.8 ↑ 37: 10.4x ↑ 38: 10.0 → 39: 10.0 ↑ 40: 10.3x ↑ Serie 50.5 Total 415.7	



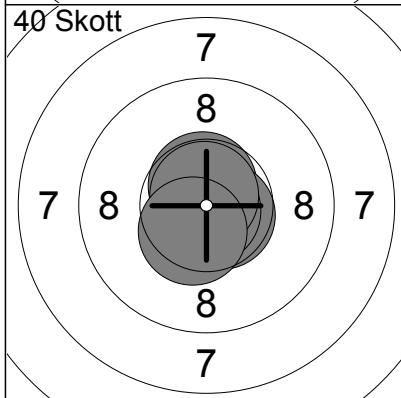
40 Skott

1:	9.9	↓
2:	9.3	↓
3:	10.0	→
4:	10.4x	↓
5:	9.9	→
6:	10.6x	↑
7:	10.8x	←
8:	9.9	←
9:	10.0	↓
10:	10.6x	→
Serie		101.4
Total		0.0



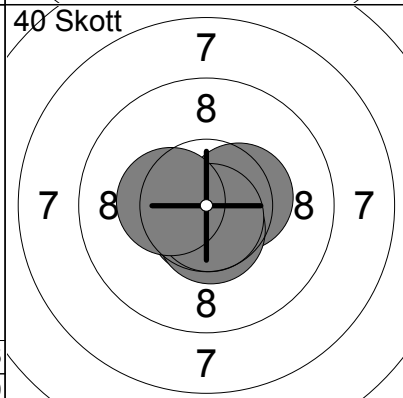
40 Skott

1:	10.4x	↙
2:	10.4x	↓
3:	10.3x	↓
4:	9.9	↓
5:	10.4x	↓
Serie		51.4
Total		51.4



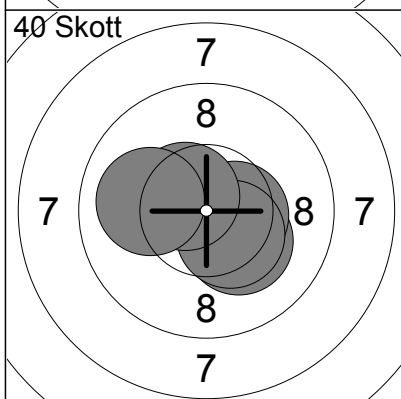
40 Skott

6:	10.6x	↑
7:	10.7x	↓
8:	10.9x	↓
9:	10.8x	↑
10:	10.5x	↓
Serie		53.5
Total		104.9



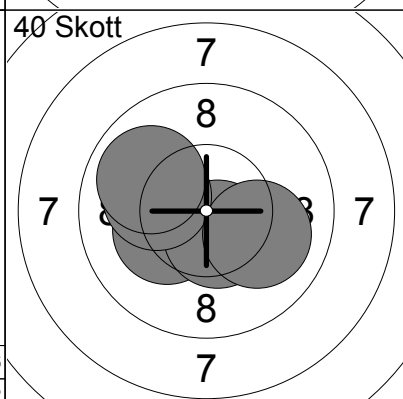
40 Skott

11:	10.7x	↓
12:	10.4x	→
13:	10.5x	↓
14:	10.7x	↓
15:	10.4x	←
Serie		52.7
Total		157.6



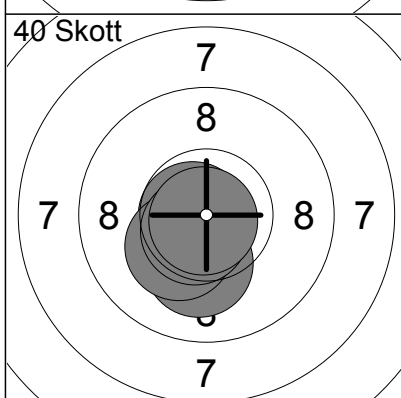
40 Skott

16:	10.2x	↓
17:	10.5x	→
18:	10.4x	↓
19:	10.5x	↑
20:	10.0	←
Serie		51.6
Total		209.2



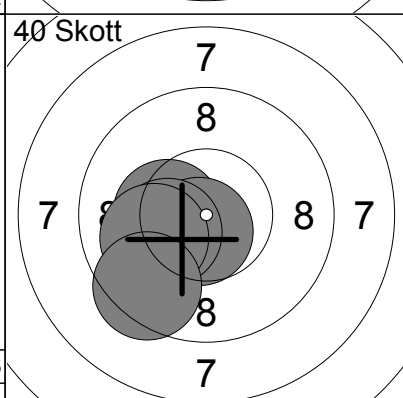
40 Skott

21:	10.2x	←
22:	10.5x	↓
23:	10.1	←
24:	9.9	←
25:	10.0	→
Serie		50.7
Total		259.9



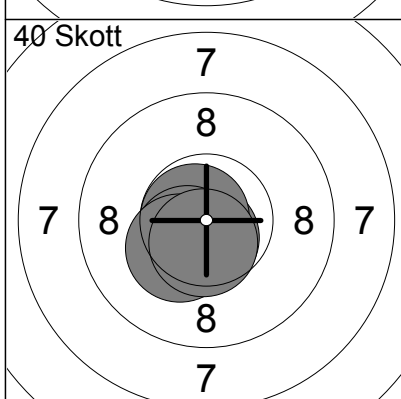
40 Skott

26:	10.1	↓
27:	10.7x	←
28:	10.3x	↓
29:	10.6x	↓
30:	10.8x	↓
Serie		52.5
Total		312.4



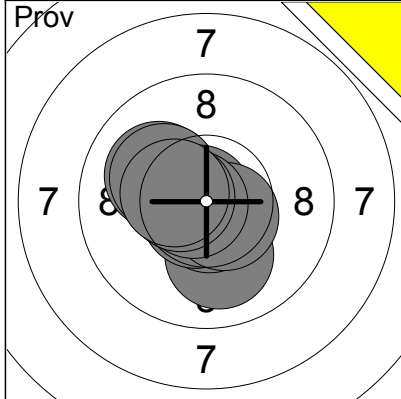
40 Skott

31:	10.3x	←
32:	10.6x	↓
33:	10.3x	←
34:	10.0	←
35:	9.4	↓
Serie		50.6
Total		363.0



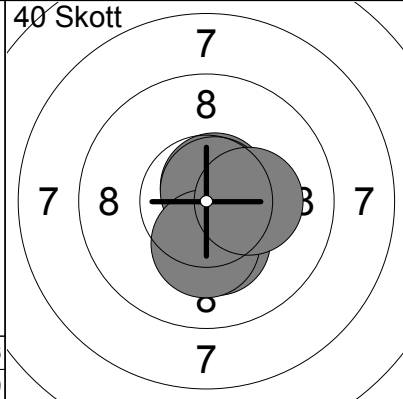
40 Skott

36:	10.7x	↓
37:	10.8x	←
38:	10.5x	↓
39:	10.3x	↓
40:	10.6x	↓
Serie		52.9
Total		415.9

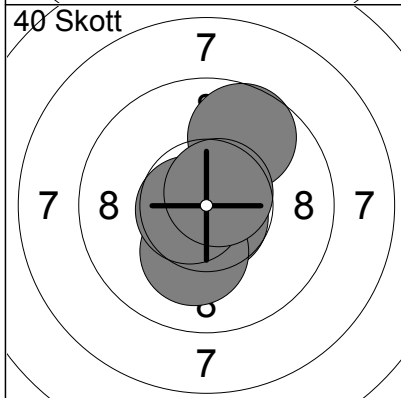


40 Skott

1:	10.0	↓
2:	10.7x	↓
3:	10.7x	↙
4:	10.1	↗
5:	10.1	↗
6:	10.8x	↗
7:	10.6x	↓
8:	10.7x	←
9:	10.5x	←
10:	10.4x	←
Serie	104.6	
Total	0.0	

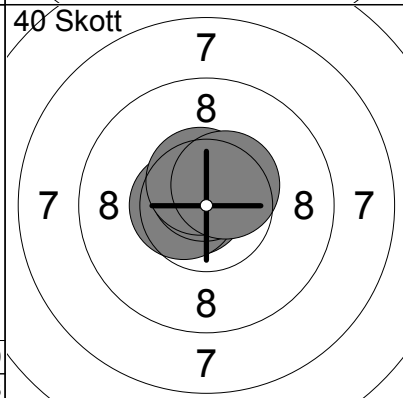


1:	10.7x	↗
2:	10.3x	↓
3:	10.7x	↗
4:	10.3x	↓
5:	10.3x	→
Serie	52.3	
Total	52.3	



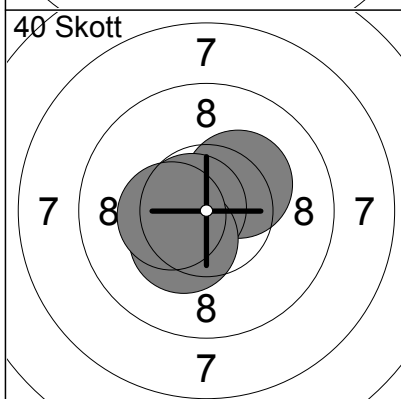
40 Skott

6:	10.7x	↓
7:	10.2x	↓
8:	10.7x	←
9:	9.7	↗
10:	10.7x	↗
Serie	52.0	
Total	104.3	



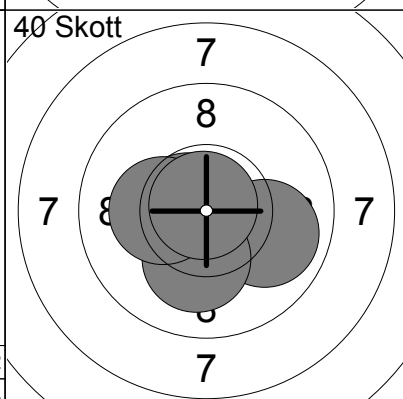
40 Skott

11:	10.7x	←
12:	10.6x	←
13:	10.6x	↑
14:	10.5x	↑
15:	10.5x	↗
Serie	52.9	
Total	157.2	



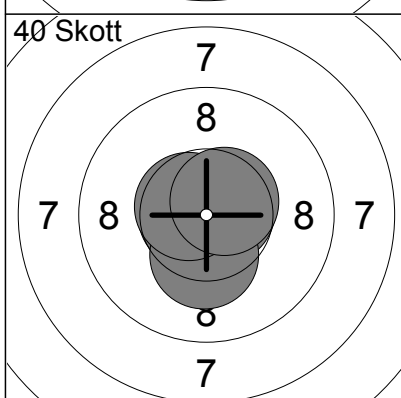
40 Skott

16:	10.5x	←
17:	10.3x	↗
18:	10.7x	←
19:	10.3x	↓
20:	10.4x	←
Serie	52.2	
Total	209.4	



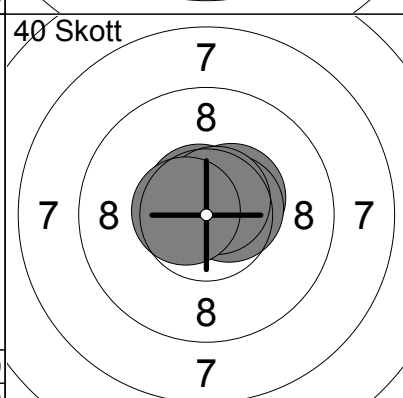
40 Skott

21:	9.9	→
22:	10.6x	←
23:	10.1	↓
24:	10.2x	←
25:	10.8x	↗
Serie	51.6	
Total	261.0	



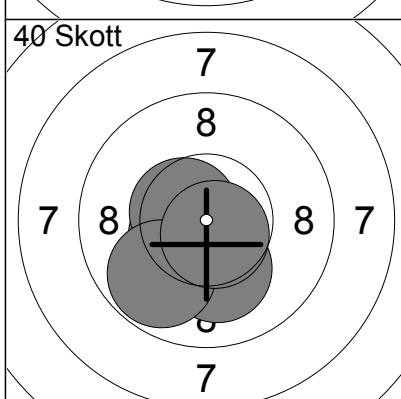
40 Skott

26:	10.7x	→
27:	10.7x	←
28:	10.3x	↓
29:	10.6x	↙
30:	10.6x	↗
Serie	52.9	
Total	313.9	



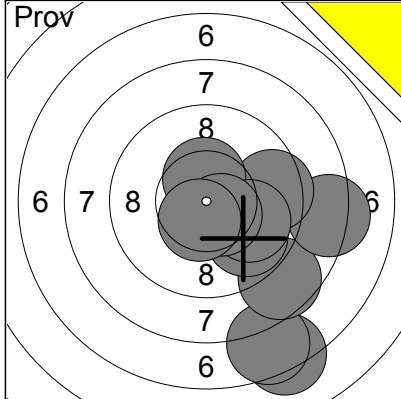
40 Skott

31:	10.4x	↗
32:	10.6x	→
33:	10.6x	↗
34:	10.7x	↗
35:	10.6x	←
Serie	52.9	
Total	366.8	

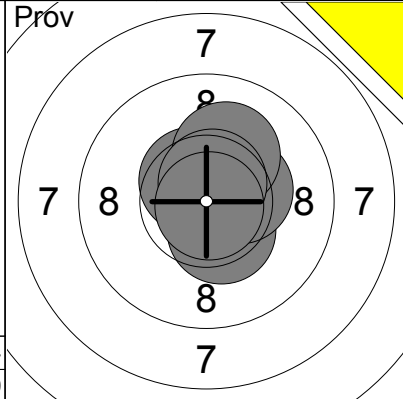


40 Skott

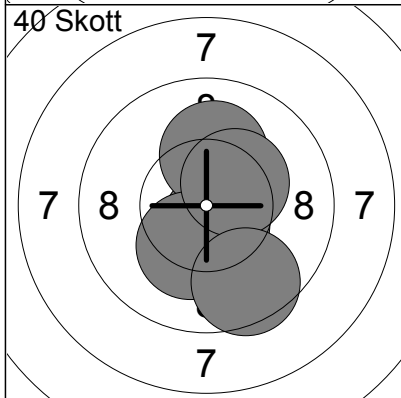
36:	10.5x	←
37:	10.1	↓
38:	10.5x	←
39:	9.8	↙
40:	10.7x	↓
Serie	51.6	
Total	418.4	



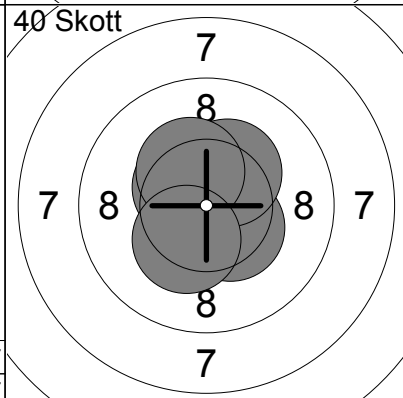
1:	7.2	↓
2:	7.6	↓
3:	8.6	↓
4:	8.3	→
5:	9.8	↓
6:	9.5	→
7:	10.5x	↑
8:	9.9	↓
9:	10.5x	↓
10:	10.5x	↓
Serie	92.4	
Total	0.0	



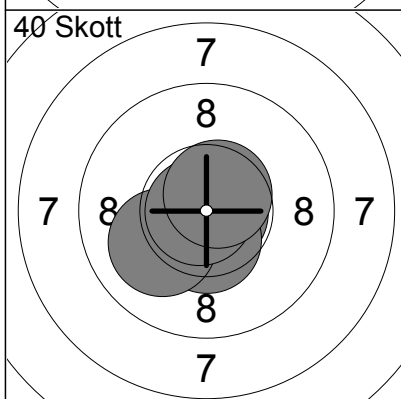
11:	10.4x	↓
12:	10.4x	→
13:	10.6x	↗
14:	10.1	↗
15:	10.6x	↑
16:	10.9x	↓
Serie	63.0	
Total	0.0	



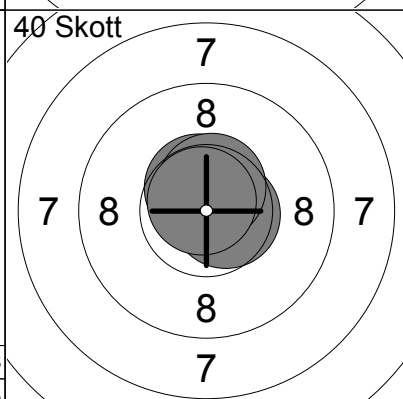
1:	10.6x	↓
2:	10.1	↑
3:	10.2x	↓
4:	10.3x	↗
5:	9.5	↓
Serie	50.7	
Total	50.7	



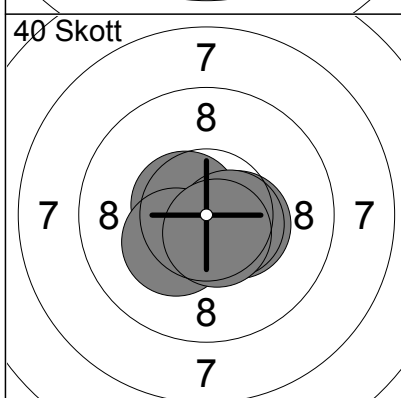
6:	10.4x	↓
7:	10.5x	↗
8:	10.3x	↗
9:	10.3x	↗
10:	10.3x	↓
Serie	51.8	
Total	102.5	



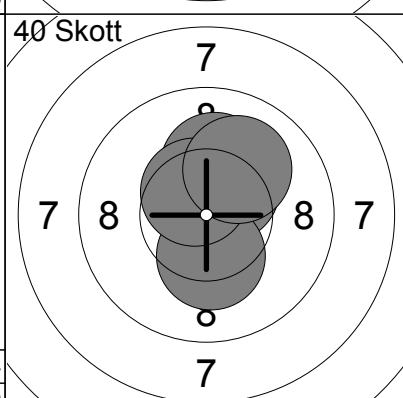
11:	10.8x	→
12:	10.5x	↓
13:	10.1	↙
14:	10.8x	←
15:	10.6x	↗
Serie	52.8	
Total	155.3	



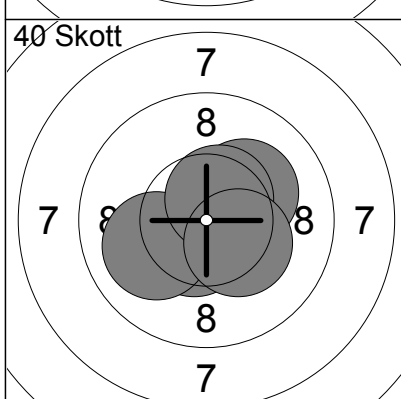
16:	10.7x	↑
17:	10.6x	→
18:	10.6x	↑
19:	10.6x	↑
20:	10.8x	↗
Serie	53.3	
Total	208.6	



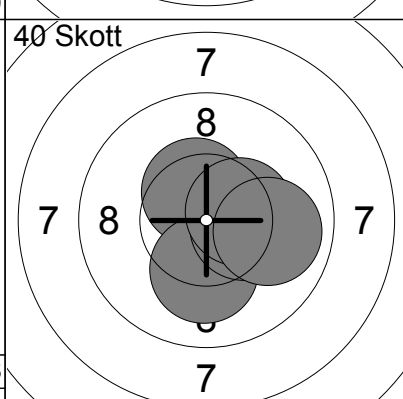
21:	10.4x	→
22:	10.6x	↗
23:	10.3x	↙
24:	10.5x	→
25:	10.6x	↓
Serie	52.4	
Total	261.0	



26:	10.1	↑
27:	10.4x	↗
28:	10.3x	↓
29:	10.5x	↗
30:	10.0	↗
Serie	51.3	
Total	312.3	



31:	10.5x	↓
32:	10.0	↙
33:	10.2x	↗
34:	10.5x	↗
35:	10.3x	↘
Serie	51.5	
Total	363.8	



36:	10.5x	↗
37:	10.1	↓
38:	10.3x	→
39:	10.4x	→
40:	9.9	→
Serie	51.2	
Total	415.0	